

AEG

POWERTOOLS

KS 66 C

Original instructions

Originalbetriebsanleitung

Notice originale

Istruzioni originali

Manual original

Manual original

Oorspronkelijke
gebruiksaanwijzing

Original brugsanvisning

Original bruksanvisning

Bruksanvisning i original

Alkuperäiset ohjeet

Πρωτότυπο οδηγιών χρήσης

Orijinal işletme talimatı

Původním návodem k používání

Pôvodný návod na použitie

Instrukcja oryginalna

Eredeti használati utasítás

Izvirna navodila

Originalne pogonske upute

Instrukcijām oriģinālvalodā

Originali instrukcija

Algupärane kasutusjuhend

Оригинальное руководство по
эксплуатации

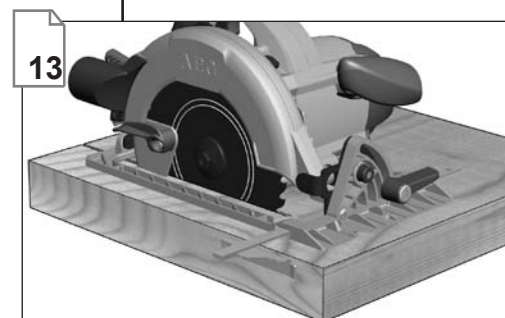
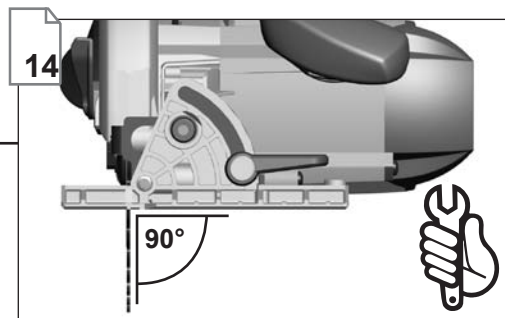
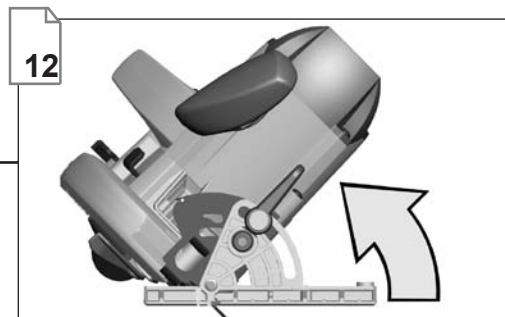
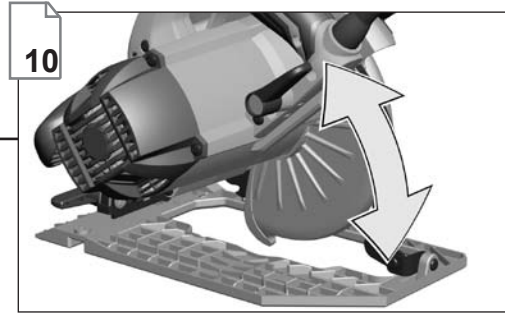
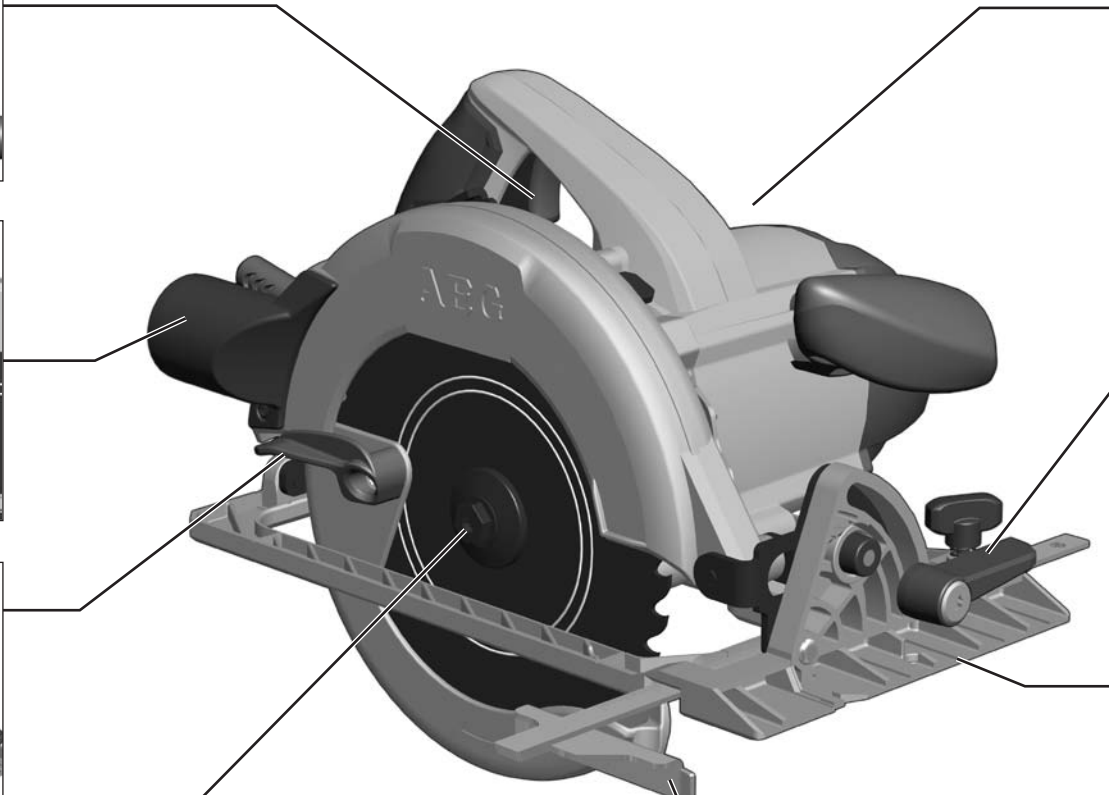
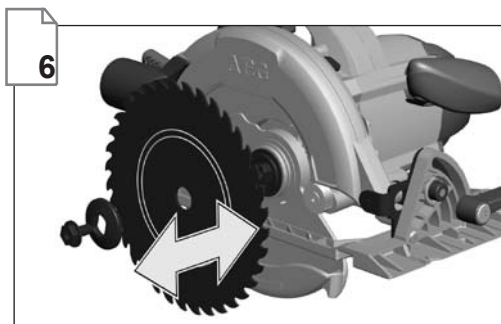
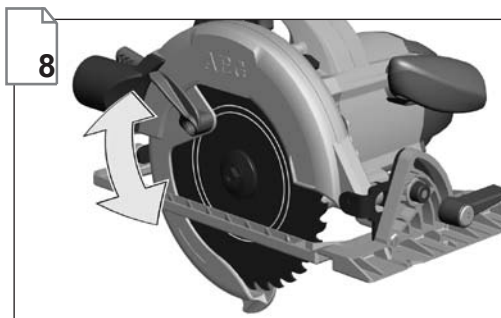
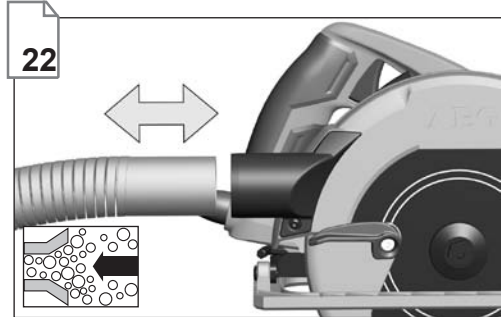
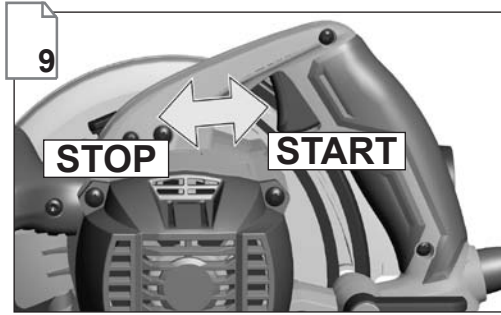
Оригинално ръководство за
експлоатация

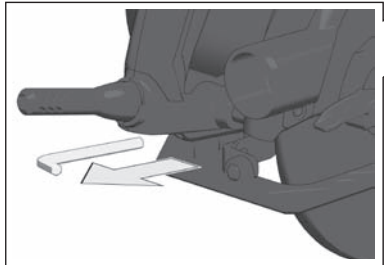
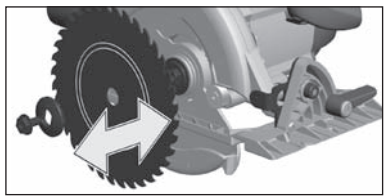
Instrucțiuni de folosire originale

Оригинален прирачник за работа

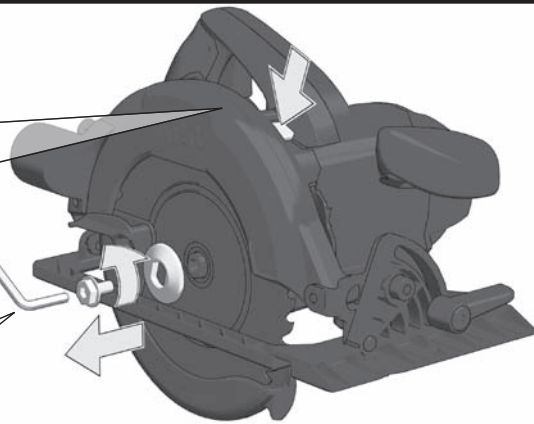
原始的指南

Technical Data, Safety Instructions, Specified Conditions of Use, EC-Declaration of Conformity, Mains connection, Maintenance, Symbols	Please read and save these instructions!	ENGLISH	24
Technische Daten, Sicherheitshinweise, Bestimmungsgemäße Verwendung, CE-Konformitätserklärung, Netzanschluss, Wartung, Symbole	Bitte lesen und aufbewahren!	DEUTSCH	26
Caractéristiques techniques, Instructions de sécurité, Utilisation conforme aux prescriptions, Déclaration CE de Conformité, Branchement secteur, Entretien, Symboles	Prière de lire et de conserver!	FRANÇAIS	28
Dati tecnici, Norme di sicurezza, Utilizzo conforme, Dichiarazione di Conformità CE, Collegamento alla rete, Manutenzione, Simboli	Si prega di leggere le istruzioni e di conservarle!	ITALIANO	30
Datos técnicos, Instrucciones de seguridad, Aplicación de acuerdo a la finalidad, Declaración de Conformidad CE, Conexión eléctrica, Mantenimiento, Símbolos	Lea y conserve estas instrucciones por favor!	ESPAÑOL	32
Características técnicas, Instruções de segurança, Utilização autorizada, Declaração de Conformidade CE, Ligação à rede, Manutenção, Símbolos	Por favor leia e conserve em seu poder!	PORTUGUES	34
Technische gegevens, Veiligheidsadviezen, Voorgeschreven gebruik van het systeem, EC-Konformiteitsverklaring, Netaansluiting, Onderhoud, Symbolen	Lees en let goed op deze adviezen!	NEDERLANDS	36
Tekniske data, Sikkerhedshenvisninger, Tiltænkt formål, CE-Konformitetserklæring, Nættilslutning, Vedligeholdelse, Symboler	Vær venlig at læse og opbevare!	DANSK	38
Tekniske data, Spesielle sikkerhetshenvisninger, Formålmessig bruk, CE-Samsvarserklæring, Nettleikopling, Vedlikehold, Symboler	Vennligst les og oppbevar!	NORSK	40
Tekniska data, Säkerhetsutrustning, Använd maskinen Enligt anvisningarna, CE-Försäkran, Nätanslutning, Skötsel, Symboler	Var god läs och tag tillvara dessa instruktioner!	SVENSKA	42
Tekniset arvot, Turvallisuusohjeet, Tarkoituksenmukainen käyttö, Todistus CE-standardin mukaisuudesta, Verkkoliitäntä, Huolto, Symbolit	Lue ja säilytä!	SUOMI	44
Τεχνικά στοιχεία, Ειδικές υποδείξεις ασφαλείας, Χρήση σύμφωνα με το σκοπό προορισμού, Δήλωση πιστοποίησης εκ, Συνδεση στο ηλεκτρικό δίκτυο, Συντήρηση, Σύμβολα	Παρακαλώ διαβάστε τις και φυλάξτε τις!	ΕΛΛΗΝΙΚΑ	46
Teknik veriler, Güvenliğinizi için talimatlar, Kullanım, CE uygunluk beyanince, Şebeke bağlantısı, Bakım, Semboller	Lütfen okuyun ve saklayın	TÜRKÇE	48
Technická data, Speciální bezpečnostní upozornění, Oblast využití, Ce-prohlášení o shodě, Připojení na síť, Údržba, Symboly	Po přečtení uschovejte	ČESKY	50
Technické údaje, Špeciálne bezpečnostné pokyny, Použitie podľa predpisov, CE-Vyhlasenie konformity, Sieťová pripojka, Údržba, Symboly	Prosím prečítať a uschovať!	SLOVENSKY	52
Dane techniczne, Specjalne zalecenia dotyczace bezpieczerstwa, Uzytkowanie zgodne z przeznaczeniem, Swiadcetwo zgodnosci ce, Podlaczenie do sieci, Gwarancja, Symboly	Prosimy o uwazne przeczytanie i przestrzeganie zalececi zamie szczonych w tej instrukcji.	POLSKI	54
Műszaki adatok, Különleges biztonsági tudnivalók, Rendeltetés szerű használat, Ce-azonosság nyilatkozat, Hálózati csatlakoztatás, Karbantartás, Szimbólumok	Olvassa el és őrizze meg	MAGYAR	56
Tehnični podatki, Specialni varnostni napotki, Uporaba v skladu z namembnostjo, Ce-izjava o konformnosti, Omrežni priključek, Vzdrževanje, Simboli	Prosimu preberite in shranite!	SLOVENSKO	58
Tehnički podaci, Specijalne sigurnosne upute, Propisna upotreba, CE-Izjava konformnosti, Priključak na mrežu, Održavanje, Simboli	Molimo pročitati i sačuvati	HRVATSKI	60
Tehniskie dati, Speciālie drošības noteikumi, Noteikumiem atbilstošs izmantojums, Atbilstība CE normām, Tīkla pieslēgums, Apkope, Simboli	Pielikums lietošanas pamācībai	LATVISKI	62
Tehniniai duomenys, Ypatingos saugumo nuorodos, Naudojimas pagal paskirtį, CE Atitikties pareiškimas, Elektros tinklo jungtis, Techninis aptarnavimas, Simboliai	Prašome perskaityti ir neišmesti!	LIETUVIŠKAI	64
Tehnilised andmed, Spetsiaalsed turvajuhised, Kasutamine vastavalt otstarbele, EÜ Vastavusavaldus, Võrku ühendamise, Hooldus, Sümbolid	Palun lugege läbi ja hoidke alal!	EESTI	66
Технические данные, Рекомендации по технике безопасности, Использование, Подключение к электросети, Обслуживание, Символы	Пожалуйста, прочтите и сохраните настоящую инструкцию	РУССКИЙ	68
Технически данни, Специални указания за безопасност, Използване по предназначение, CE-Декларация за съответствие, Свързване към мрежата, Поддръжка, Символи	Моля прочетете и запазете!	БЪЛГАРСКИ	70
Date tehnice, Instrucțiuni de securitate, Condiții de utilizare specificate, Declarație de conformitate, Alimentare de la rețea, Intretinere, Simboluri	Va rugăm citiți și păstrați aceste instrucțiuni	ROMÂNIA	72
Технички Податоци, Упатство За Употреба, Специфицирани Услови На Употреба, Еу-декларација За Сообразност, Главни Врски, Одржување, Символи	Ве молиме прочитајте го и чувајте го ова упатство!	МАКЕДОНСКИ	74
技术数据, 特殊安全指示, 正确地使用机器, 欧洲安全规定说明, 电源插头, 维修, 符号	请详细阅读并妥善保存!	中文	76

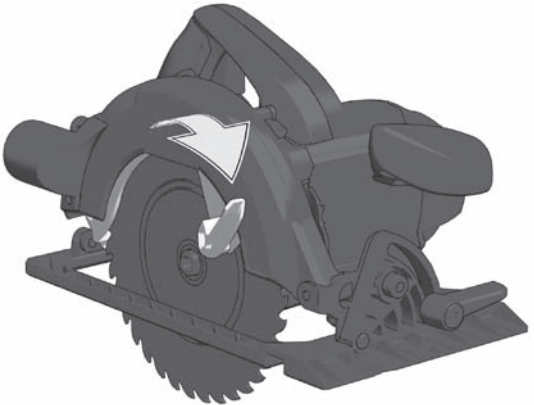




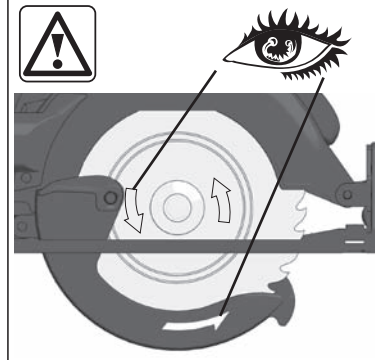
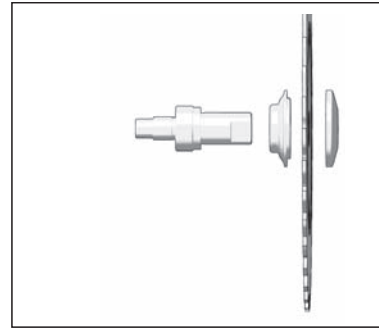
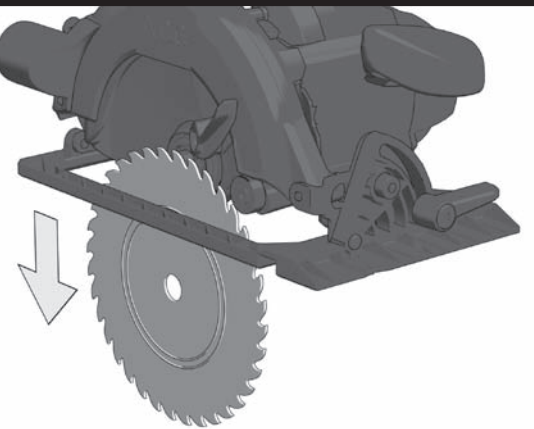
1



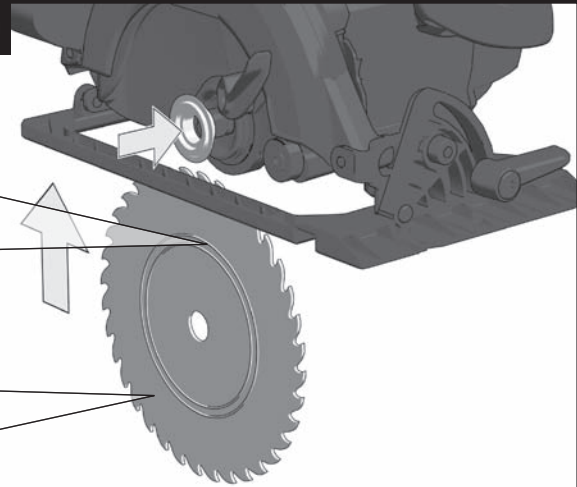
2



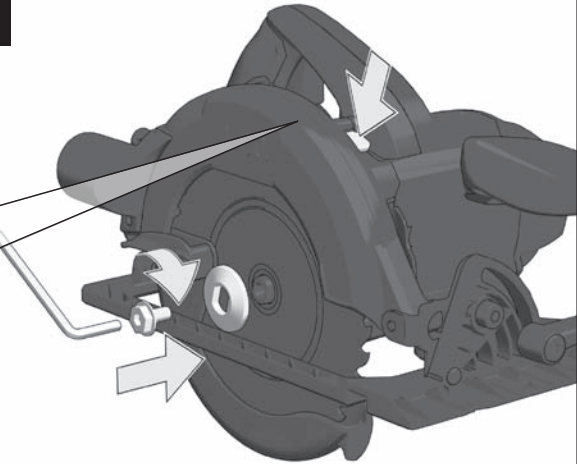
3



4

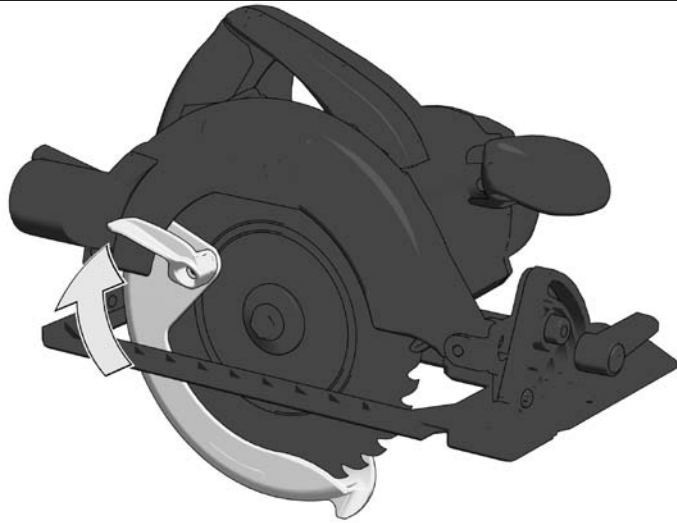


5

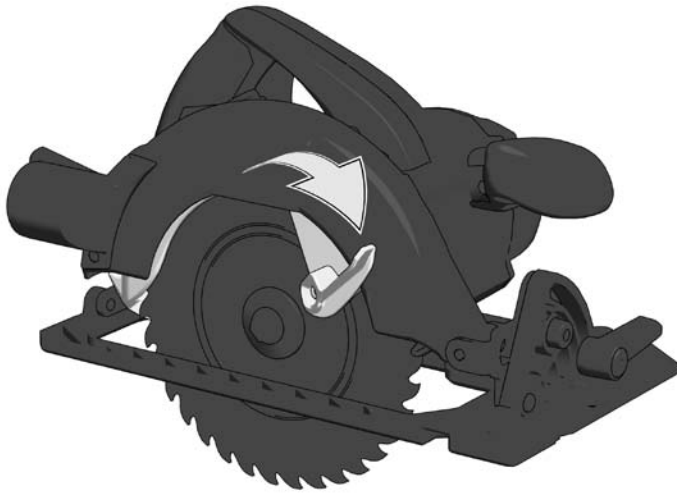




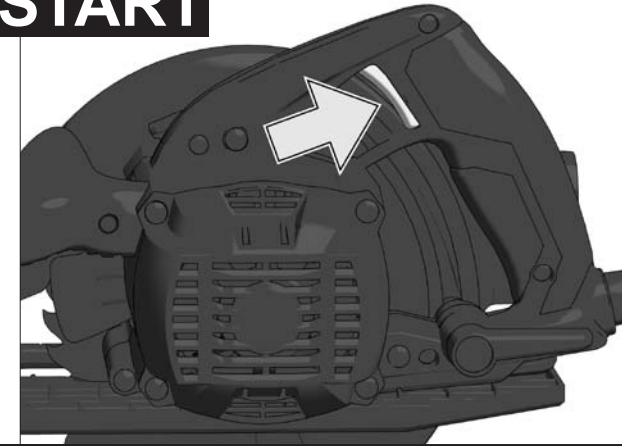
1



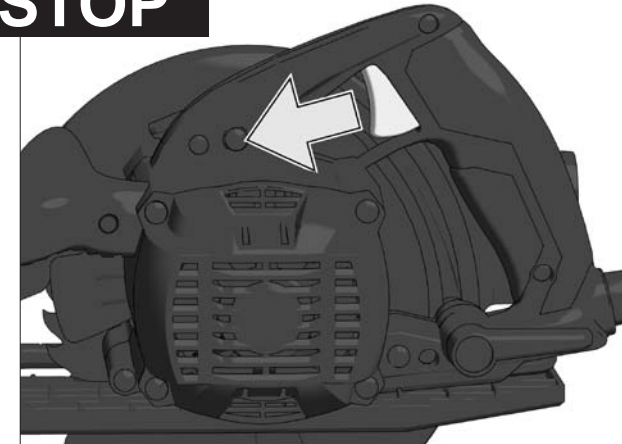
2

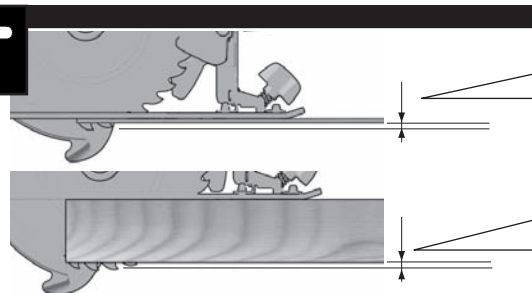


START



STOP





Adjust the cutting depth to the thickness of the workpiece. Less than a full tooth of the blade teeth should be visible below the workpiece.

Passen Sie die Schnitttiefe an die Dicke des Werkstücks an. Es sollte weniger als eine volle Zahnhöhe unter dem Werkstück sichtbar sein.

Adapter la profondeur de coupe à l'épaisseur de la pièce. Moins d'une dent complète devrait apparaître sous la pièce.

Adattare la profondità di taglio allo spessore del pezzo in lavorazione. Nella parte inferiore del pezzo in lavorazione dovrebbe essere visibile meno della completa altezza del dente.

Adaptar la profundidad de corte al grosor de la pieza de trabajo. La hoja de sierra no deberá sobresalir más de un diente de la pieza de trabajo.

Adaptar a profundidade de corte à espessura da peça a ser trabalhada. Deveria estar visível por aproximadamente menos do que uma altura de dente abaixo da peça a ser trabalhada.

Pas de zaagdiepte aan de dikte van het werkstuk aan. Er dient minder dan een volledige tandhoogte onder het werkstuk zichtbaar te zijn.

Tilpas skjæredybden efter arbejdsstykkets tykkelse. Der må maksimalt være en hel tandhøjde synlig under emnet.

Tilpass skjæredybden til tykkelsen på arbeidsstykket. Det skal være mindre enn en full tannhøyde synlig under arbeidsstykket.

Anpassa sågdjupet till arbetsstyckets tjocklek. Den synliga delen av en tand under arbetsstycket måste vara mindre än en hel tand.

Aseta leikkaussyvyys työkalupaleen paksuuden mukaan. Työkalupaleen alla tulisi terää näkyä korkeintaan täysi hammaskorkeus.

Προσαρμόστε το βάθος κοπής στο πάχος του υπό κατεργασία τεμαχίου. Κάτω το υπό κατεργασία τεμάχιο πρέπει να φαίνεται λιγότερο από ένα ολόκληρο δόντι του πριονόδισκου.

Kesme derinliğini iş parçasının kalınlığına göre ayarlayın. İş parçası altında tam diş uzunluğunun daha azı görünmelidir.

Přizpůsobte hloubku řezu tloušťce obrobku. Pod obrobkem by měla být viditelná méně než celá výška zubu.

Hrúbku rezu prispôsobte hrúbke obrobka. Pod obrobkom by malo byť vidieť menej pilového listu ako plnú výšku zuba pily.

Głębokość cięcia należy dopasować do grubości obrabianego przedmiotu. Powinno być widoczne mniej jak pełna wysokość zębów pod obrabianym przedmiotem.

A vágási mélységet a munkadarab vastagságának megfelelően kell megválasztani. A fűrészlapból a munkadarab alatt kevesebb mind egy teljes fogmagasságnynak kell kilátszania.

Prosimo, da globino reza prilagodite debelini obdelovanca. Znaša naj manj kot višina zoba, ki je vidna pod obdelovancem.

Prilagodite dubinu rezanja debljini izratka. Ispod izratka treba biti vidljiv manje od jedan puni zub.

Izvēlieties zāiņķšanas dziļumu, kas atbilst zāiņķjamā priekšmeta biezumam. Zāiņķšanas dziļumam jābūt tik liels, lai zem zāiņķjamā priekšmeta redzamās asmens daļas augstums būtu mazāks par asmens zobu augstumu.

Pjovimo gylą tinkamai nustatykite pagal ruošinio storą. Ruošinio apačioje turi matytis šiek tiek mažiau, nei per visą pjūklo danties aukštą, išlindusi disko dalis.

Kohandage lõikesügavus tooriku paksusega. Saeketas võib tooriku alt vähem kui ühe täishamba võrra välja ulatuda.

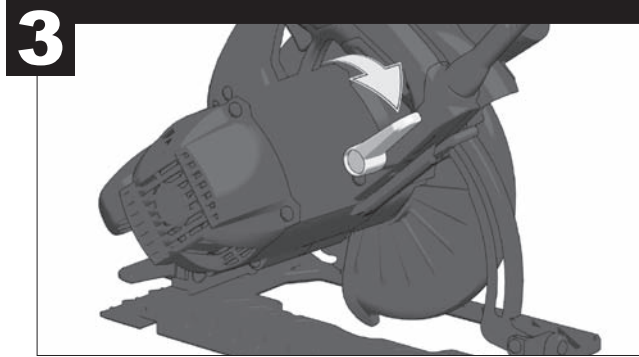
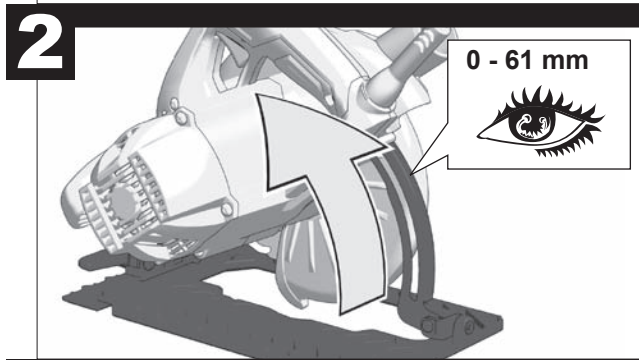
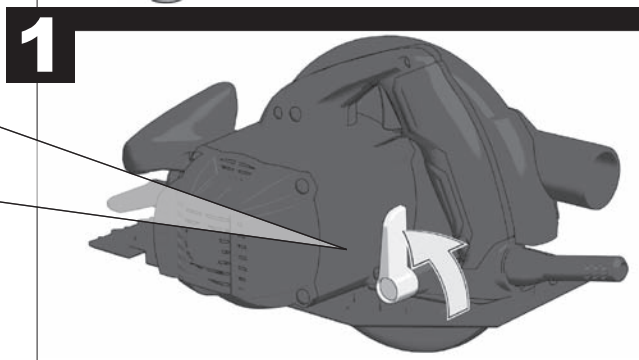
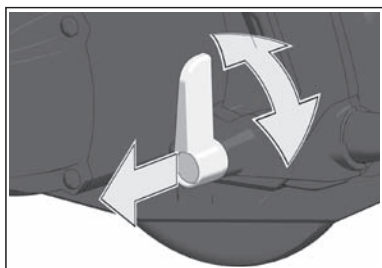
Устанавливайте глубину реза в соответствии с толщиной детали. Под деталью пильное полотно не должно высывываться более чем на один зуб.

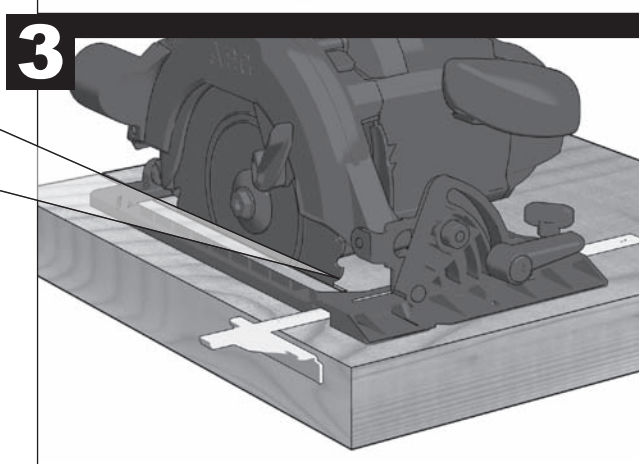
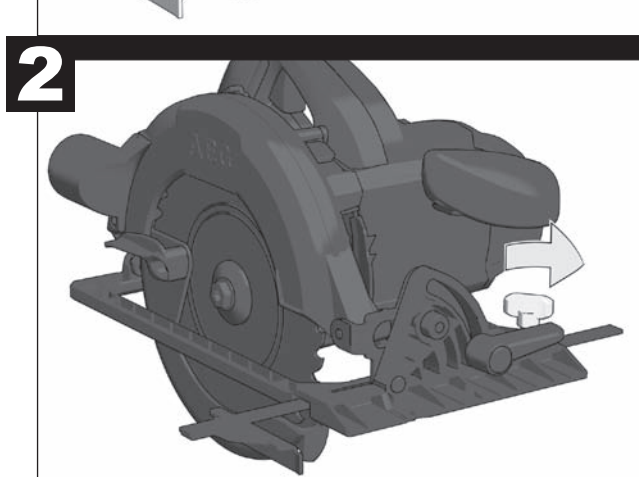
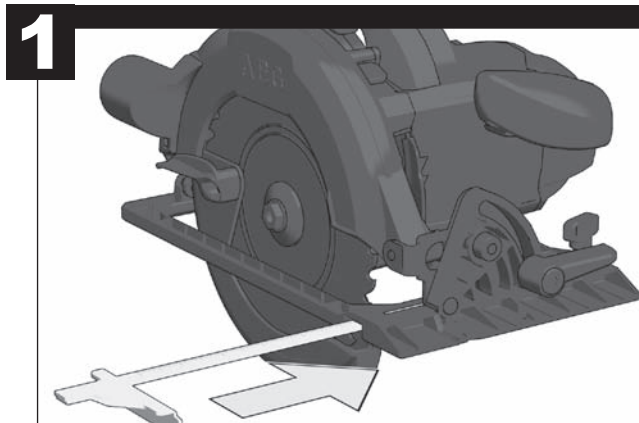
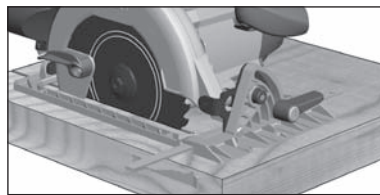
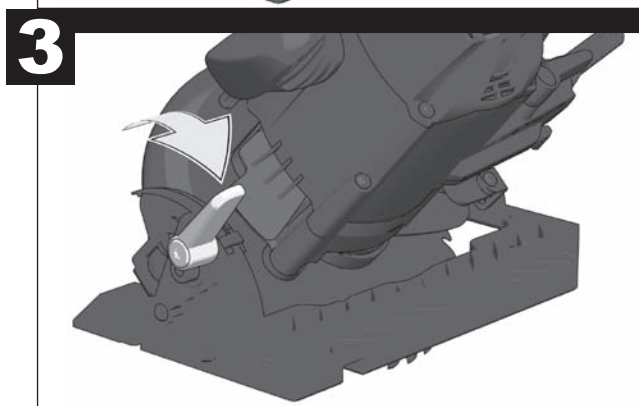
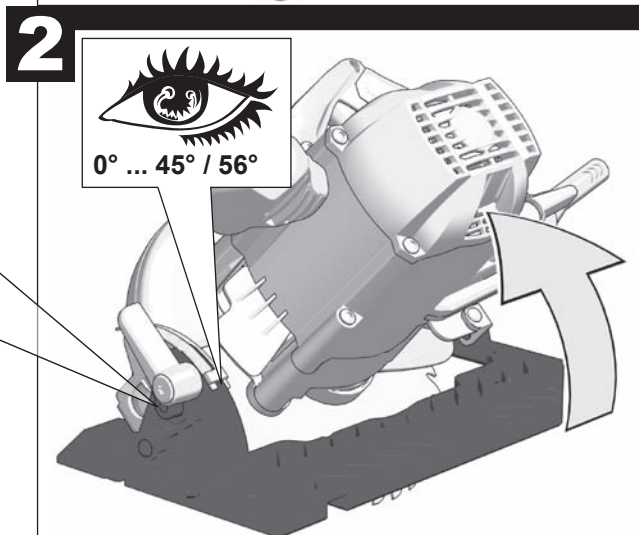
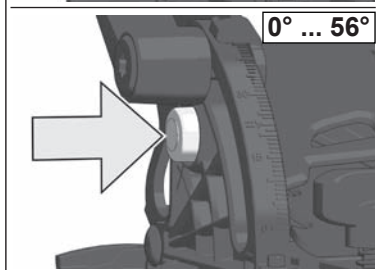
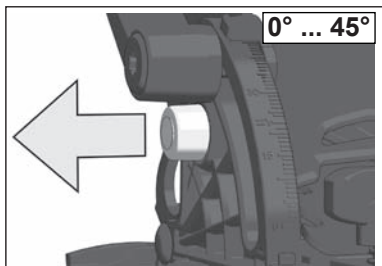
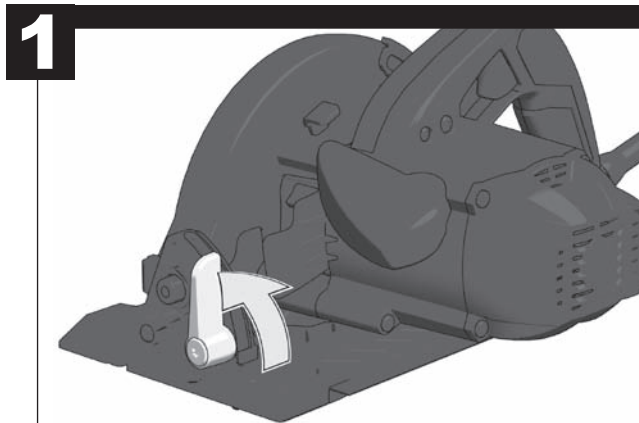
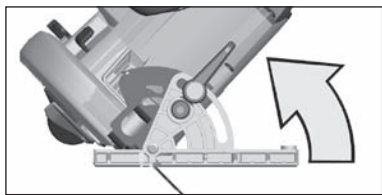
Винаги настройвайте дълбочината на рязане съобразно дебелината на стената на обработвания детайл. От обратната страна на детайла дискът трябва да се подава на разстояние, по-малко от една височина на зъба.

Adaptați adâncimea de tăiere la grosimea piesei de lucru. Sub piesa de lucru ar trebui să se vadă mai puțin de înălțimea întreagă a unui dinte.

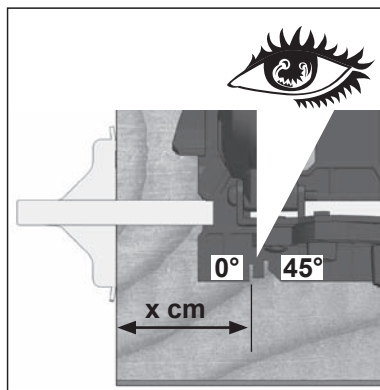
Прилагодете ја длабочината на засекот во зависност од густината на обработуваното парче. Нешто помалку од цел забец од сечилото треба да биде видлив под работното парче.

根据工件的厚度设定锯深。不可以让锯齿完全突出於工件之外。





Carry out a test cut
 Probeschnitt durchführen
 Effectuer une coupe d'essai
 Effettuare un taglio di prova
 Efectuar corte de prueba
 Efectuar experiéncias de corte
 Proefsnede maken
 Foretages et prøvesnit
 Foreta prøvekutt
 Gör ett provsnitt!
 Πραγματοποιήστε μία δοκιμαστική τομή
 Deneme kesmesi yapın
 Provedte zkušební řez.
 Vykonat' skušobný rez.
 Wykonac próbę cięcia
 Végezzen tesztvágást
 Opravite preizkusni rez!
 Izvesti probno rezanje
 Jāveic izmēģinājuma griezumš!
 Atlikite bandomajį pjūvį!
 Teha proovilõige!
 Выполните пробный проход
 Направте пробно рязане!
 Efectuatți un test de tăiere
 Да се направи пробно сечение





If a correction of the 90° angle of the guide-plate to the saw blade is necessary, use the correction screw.

Falls eine Korrektur des 90° Winkels der Führungsplatte zum Sägeblatt nötig ist, diese mit der Korrekturschraube durchführen.

Si une correction de l'angle à 90° de la plaque de base par rapport à la lame de scie s'avère nécessaire, il convient alors d'avoir recours à la vis de correction.

Nella caso in cui si rendesse necessaria una correzione dell'angolo di 90° della piastra di base rispetto alla lama, questa potrà essere effettuata agendo sulla vite di correzione.

Si es necesario un ajuste o corrección de perpendicularidad (90°) del disco de sierra actuar sobre el tornillo de ajuste.

Caso se torne necessário corrigir a esquadria da base em relação ao disco de corte, agir sobre o parafuso de afinação.

Indien een correctie van de 90° hoek van de bodemplaat ten opzichte van het zaagblad nodig is kan deze worden gekorrigeerd met de correctieschroef.

Sáframt det er nødvendig med en korrektion af bundpladens 90° vinkel i forhold til savklingen, gennemføres denne med korrektionsskruen.

Hvis det er nødvendigt å foreta en justering av 90°-vinkelen på føringsplaten i forhold til sagbladet, må dette gjøres med justeringsskruen.

Med ställskruv är det möjligt att justera 90°-vinkeln, bottenplatta till sågklingen.

Mikäli pohjalevyn 90°-kulman oikaisu sahanterään nähden on tarpeen, oikaisu suoritetaan oikaisuruuvista.

Σε περίπτωση που είναι απαραίτητη μία διόρθωση της γωνίας των 90° της πλάκας οδηγούσης προς το δίσκο πριονισματος, τότε πρέπει αυτή να πραγματοποιηθεί με τον κοχλία διόρθωσης.

Kilavuz levhanın testere bıçağına 90°lik konumunda bir düzeltme gerekiyorsa, bunu düzeltme vidası ile yapın.

Je-li nutná oprava kolmosti vodičí desky k pilovému kotouči, provedte to nastavovacím šroubem.

Ak je potrebná korektúra 90° uhlu vodiacej platne k pilovému listu, použite korekčnú skrutku.

Jeżeli konieczne jest skorygowanie kąta ustawienia płytki prowadzącej 90° w stosunku do brzoźszcota, należy wykorzystać do tego celu śrubę regulacyjną.

Ha az alaplap és a fűrészlap által bezárt 90 fokos szög korrekcióra szorul, használja az állító csavart.

Če je potrebna korektura 90° kota vodilne plošče k žaginemu listu, to opravite s pomočjo korekturnega vijaka.

Ako je potrebno korektura kuta vodeće ploče od 90° prema listu pile, ovu izvesti sa vijkom za korekturu.

Gadījumā, ja nepieciešama atbalsta plāksnes 90° leņķa korekcija attiecībā pret zāģa ripu, izmantojiet korekcijas skrūvi.

Jei tarp kreipiamosios ir pjūkle reikalinga 90° laipsnių pataisa, tai atlikite pataisos varžtū.

Juhul kui on vaja parandada juhtplaadi 90° nurka saelehe suhtes, siis tehke seda korrigeeriva kruviga.

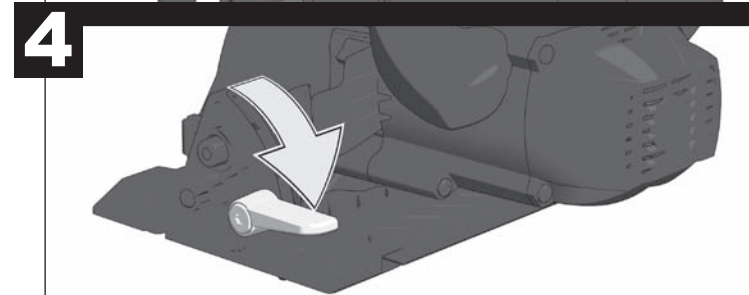
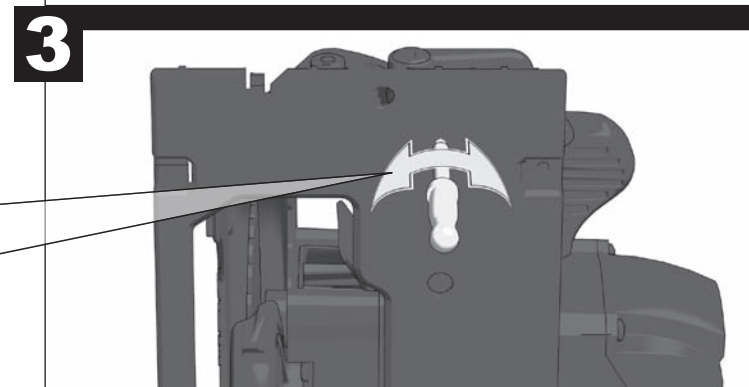
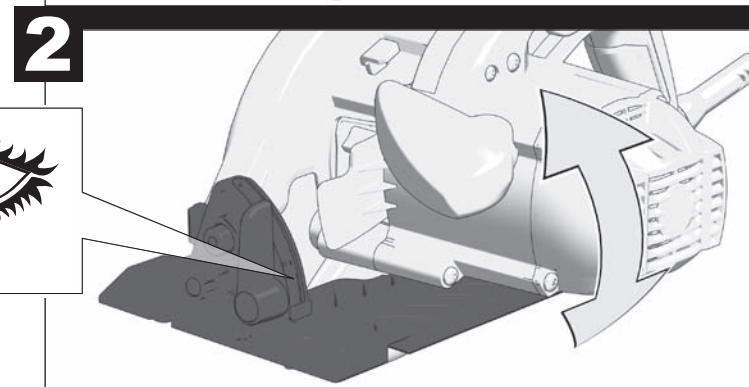
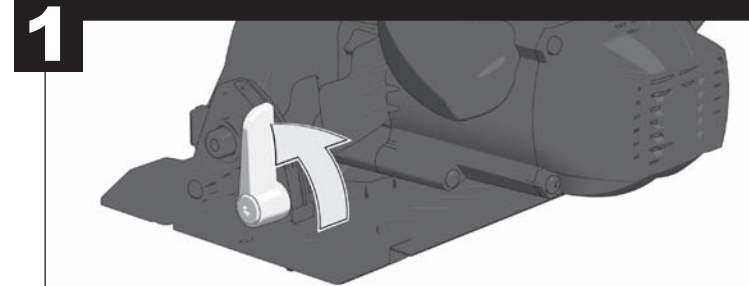
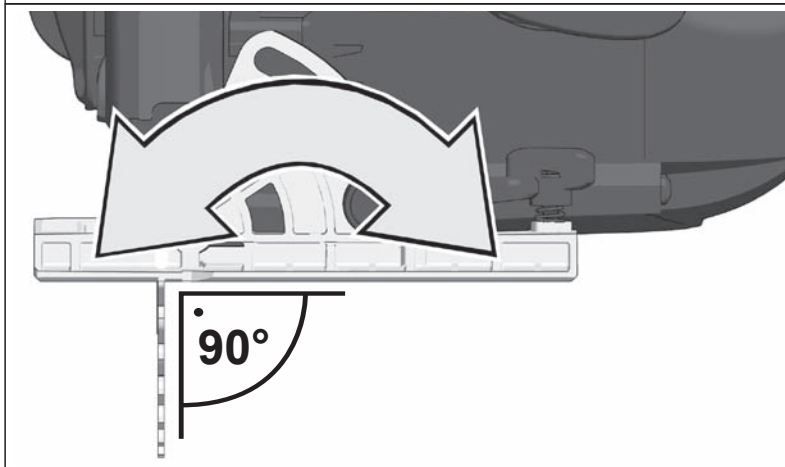
Для регулировки угла 90 град направляющей шины пильного полотна служит регулировочный винт.

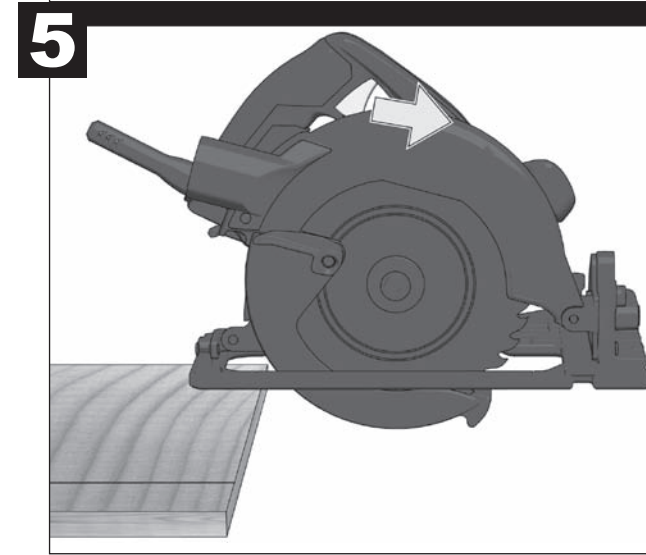
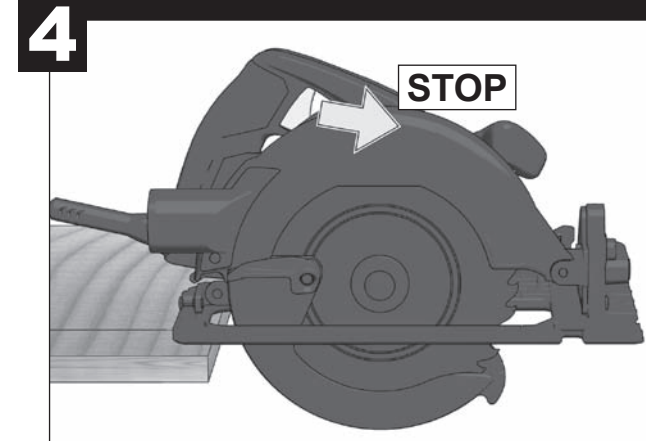
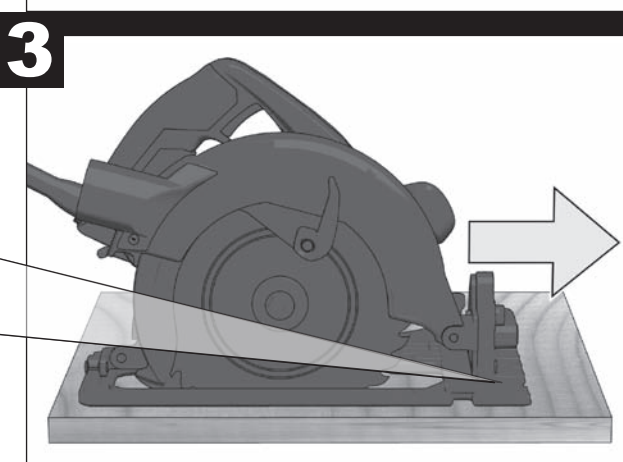
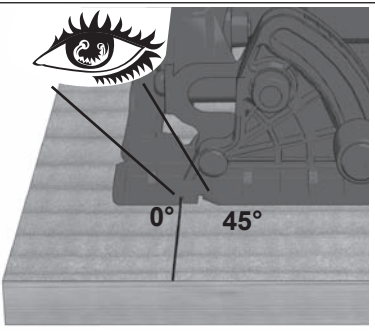
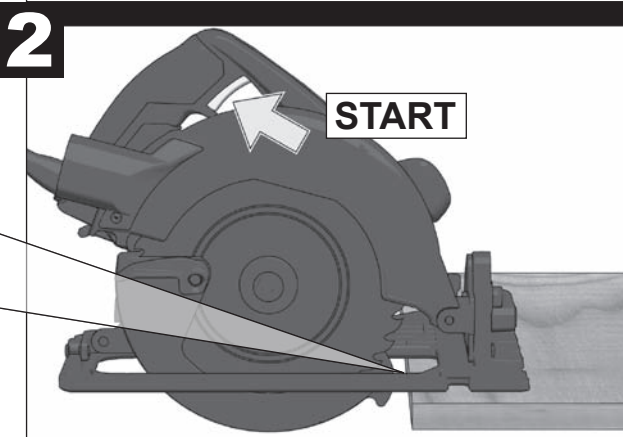
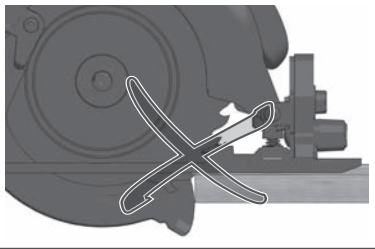
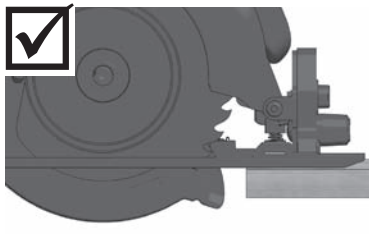
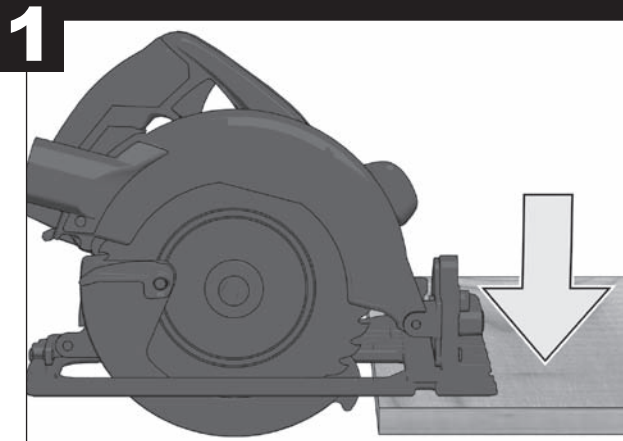
Ако е необходима корекция на ъгъла от 90° на водещата плоча спрямо режещия диск, направете я с коригирация винт.

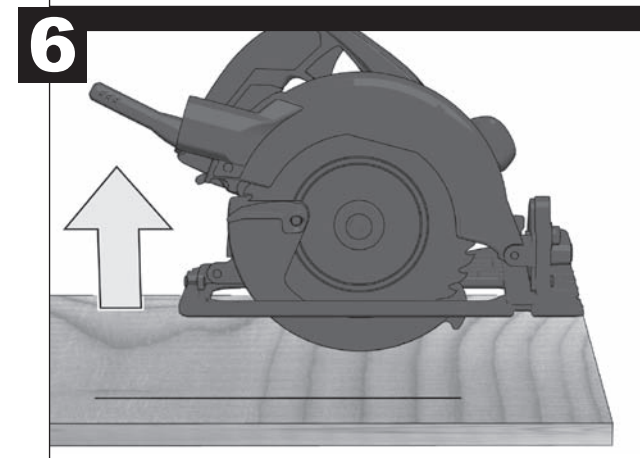
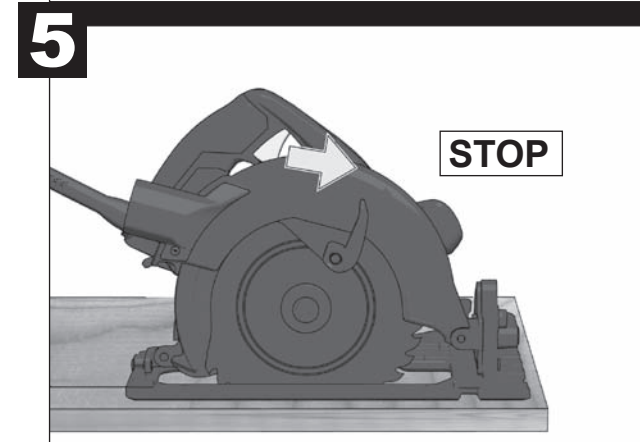
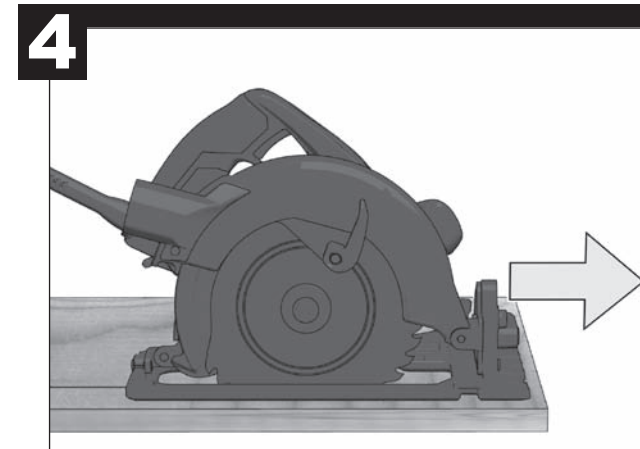
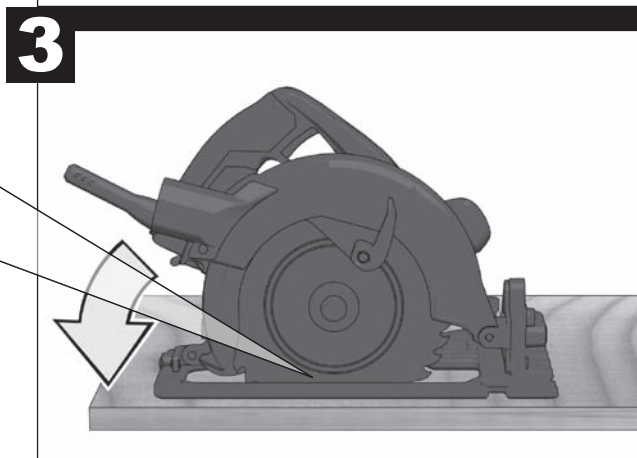
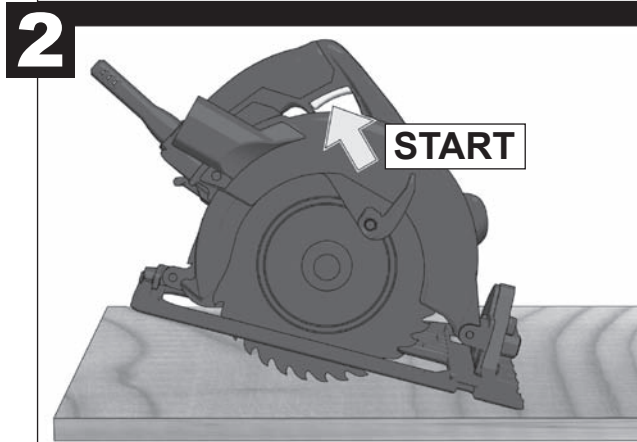
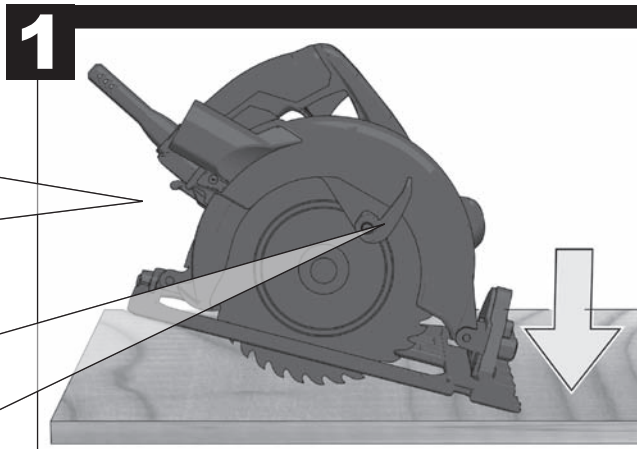
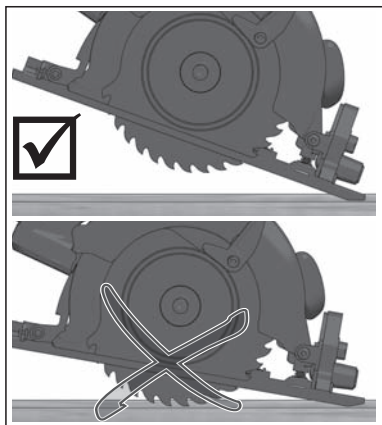
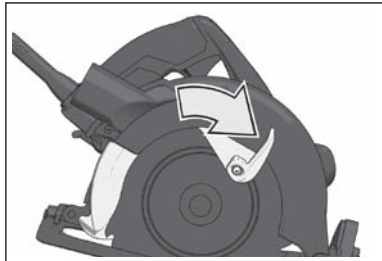
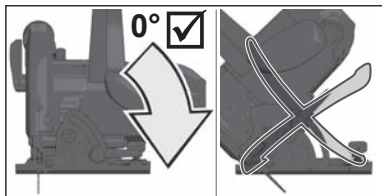
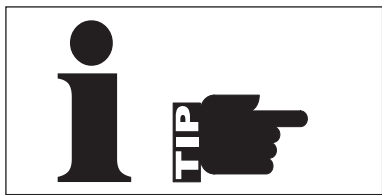
Dacă este necesară o corecție în unghi de 90° a plăcii de ghidare față de lama ferăstrăului, utilizați șurubul de corecție.

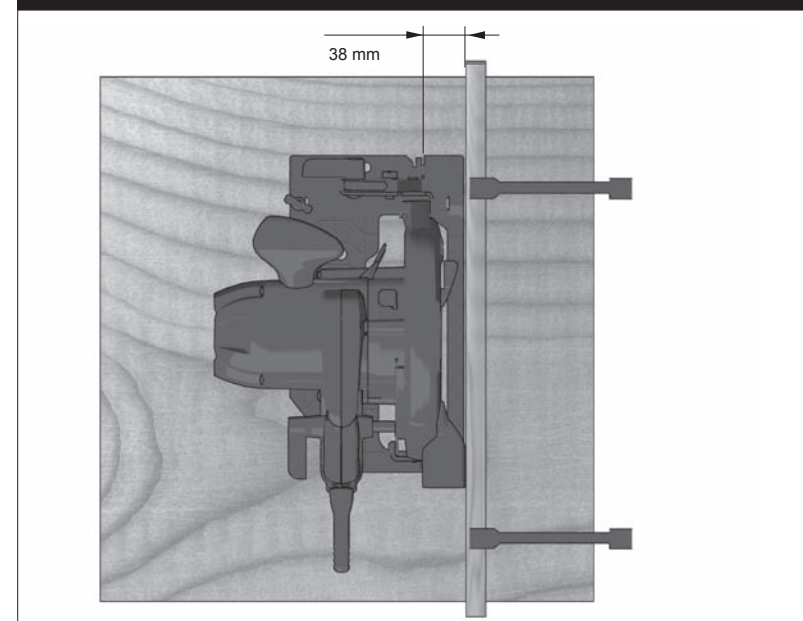
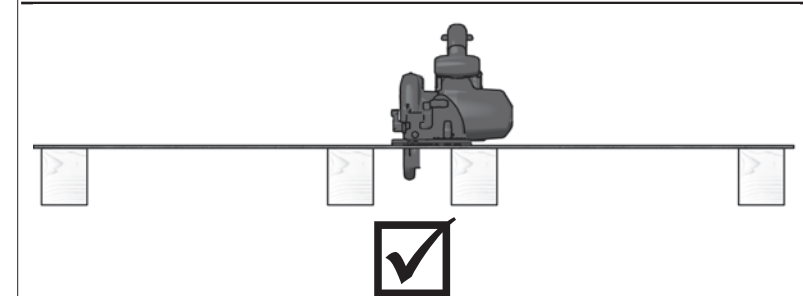
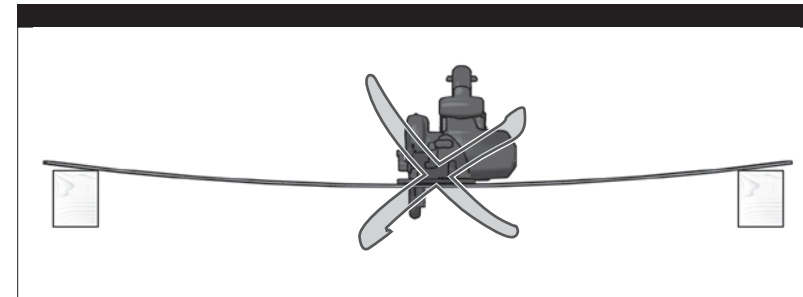
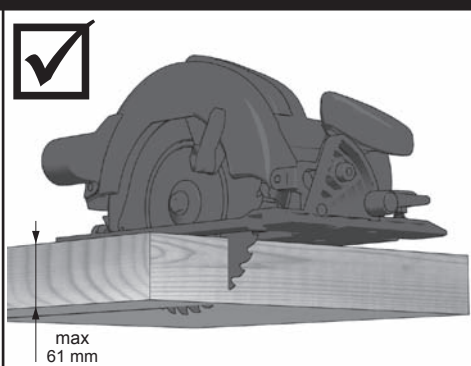
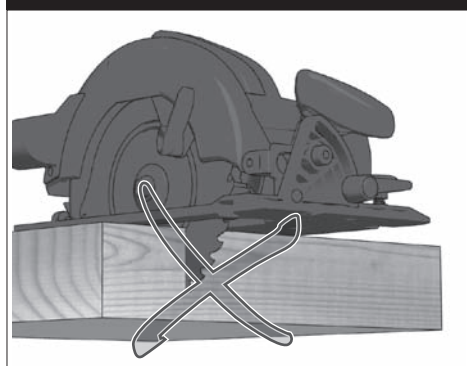
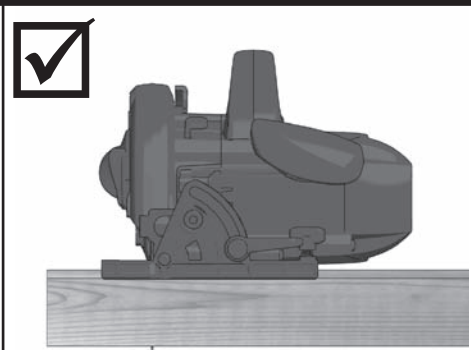
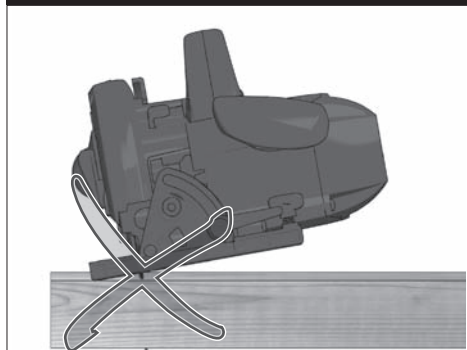
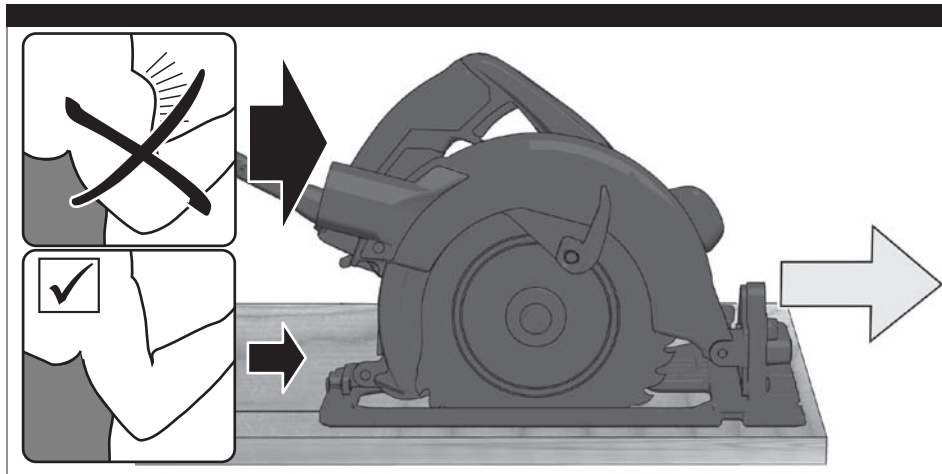
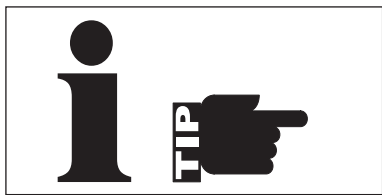
Доколку е потребно корегирање на аголот од 90° водечката површина кон сечилото на пилата, користет го шрафот за корекција.

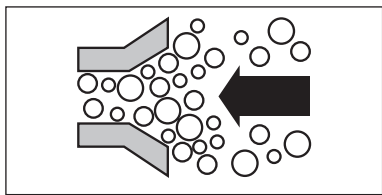
如果必须更改导引板和锯刀片之间的角度(90度), 则要调整校正螺丝。











	<p>Accessory Zubehör Accessoire Accessorio Accessório Toebehoren Tilbehør Tilbehør Tilbehør</p>	<p>Lisálaite Εξαρτήματα Aksesuar Příslušenství Príslušenstvo Element wyposażenia dodatkowego Tartozék Oprema Pribor</p>	<p>Papildus aprīkojums Priedas Tarvikud Дополнитель Аксесоар Accesorii Дополнительна опрема 配件</p>
--	---	---	--

Ø 35 mm

TECHNICAL DATA	110 V	220-240 V
Rated input	1600 W.....	1600 W
No-load speed	5300 min ⁻¹	5800 min ⁻¹
Saw blade dia. x hole dia.	184x30 mm.....	184x30 mm
Cutting depth max. at 90°/45°/56°	61/49/35 mm.....	61/49/35 mm
Weight without cable	4.8 kg.....	4.8 kg

Noise/vibration information

Measured values determined according to EN 60 745.

Typically, the A-weighted noise levels of the tool are:

Sound power level (K=3 dB(A))	92.5 dB(A).....	92.5 dB(A)
Sound pressure level (K=3 dB(A))	103.5 dB(A).....	103.5 dB(A)

Wear ear protectors!

Total vibration values (vector sum in the three axes) determined according to EN 60745.

Vibration emission value a _h	3.8 m/s ²	3.8 m/s ²
Uncertainty K.....	1.5 m/s ²	1.5 m/s ²

WARNING

The vibration emission level given in this information sheet has been measured in accordance with a standardised test given in EN 60745 and may be used to compare one tool with another. It may be used for a preliminary assessment of exposure.

The declared vibration emission level represents the main applications of the tool. However if the tool is used for different applications, with different accessories or poorly maintained, the vibration emission may differ. This may significantly increase the exposure level over the total working period.

An estimation of the level of exposure to vibration should also take into account the times when the tool is switched off or when it is running but not actually doing the job. This may significantly reduce the exposure level over the total working period.

Identify additional safety measures to protect the operator from the effects of vibration such as: maintain the tool and the accessories, keep the hands warm, organisation of work patterns.

⚠ WARNING! Read all safety warnings and all instructions, including those given in the accompanying brochure. Failure to follow the warnings and instructions may result in electric shock, fire and/or serious injury.

Save all warnings and instructions for future reference.

SAFETY INSTRUCTIONS

⚠ Danger: Keep hands away from cutting area and the blade. Keep your second hand on auxiliary handle, or motor housing. If both hands are holding the saw, they cannot be cut by the blade.

Do not reach underneath the workpiece. The guard cannot protect you from the blade below the workpiece.

Adjust the cutting depth to the thickness of the workpiece. Less than a full tooth of the blade teeth should be visible below the workpiece.

Never hold piece being cut in your hands or across your leg. Secure the workpiece to a stable platform. It is important to support the work properly to minimize body exposure, blade binding, or loss of control.

Hold power tool by insulated gripping surfaces, when performing an operation where the cutting tool may contact hidden wiring or its own cord. Contact with a "live" wire will also make exposed metal parts of the power tool "live" and shock the operator.

When ripping always use a rip fence or straight edge guide. This improves the accuracy of cut and reduces the chance of blade binding.

Always use blades with correct size and shape (diamond versus round) of arbour holes. Blades that do not match the mounting hardware of the saw will run eccentrically, causing loss of control.

Never use damaged or incorrect blade washers or bolt. The blade washers and bolt were specially designed for your saw, for optimum performance and safety of operation.

Causes and operator prevention of kickback:

- kickback is a sudden reaction to a pinched, bound or misaligned saw blade, causing an uncontrolled saw to lift up and out of the workpiece toward the operator;

- when the blade is pinched or bound tightly by the kerf closing down, the blade stalls and the motor reaction drives the unit rapidly back toward the operator;

- if the blade becomes twisted or misaligned in the cut, the teeth at the back edge of the blade can dig into the top surface of the wood causing the blade to climb out of the kerf and jump back toward the operator.

Kickback is the result of saw misuse and/or incorrect operating procedures or conditions and can be avoided by taking proper precautions as given below.

Maintain a firm grip with both hands on the saw and position your arms to resist kickback forces. Position your body to either side of the blade, but not in line with the blade. Kickback could cause the saw to jump backwards, but kickback forces can be controlled by the operator, if proper precautions are taken.

When blade is binding, or when interrupting a cut for any reason, release the trigger and hold the saw motionless in the material until the blade comes to a complete stop. Never attempt to remove the saw from the work or pull the saw backward while the blade is in motion or kickback may occur. Investigate and take corrective actions to eliminate the cause of blade binding.

When restarting a saw in the workpiece, centre the saw blade in the kerf and check that saw teeth are not engaged into the material. If saw blade is binding, it may walk up or kickback from the workpiece as the saw is restarted.

Support large panels to minimise the risk of blade pinching and kickback. Large panels tend to sag under their own weight. Supports must be placed under the panel on both sides, near the line of cut and near the edge of the panel.

Do not use dull or damaged blades. Unsharpened or improperly set blades produce narrow kerf causing excessive friction, blade binding and kickback.

Blade depth and bevel adjusting locking levers must be tight and secure before making cut. If blade adjustment shifts while cutting, it may cause binding and kickback.

Use extra caution when making a "plunge cut" into existing walls or other blind areas. The protruding blade may cut objects that can cause kickback.

Check lower guard for proper closing before each use. Do not operate the saw if lower guard does not move freely and close instantly. Never clamp or tie the lower guard into the open position. If saw is accidentally dropped, lower guard may be bent. Raise the lower guard with the retracting handle and make sure it moves freely and does not touch the blade or any other part, in all angles and depths of cut.

Check the operation of the lower guard spring. If the guard and the spring are not operating properly, they must be serviced before use. Lower guard may operate sluggishly due to damaged parts, gummy deposits, or a build-up of debris.

Lower guard may be retracted manually only for special cuts such as "plunge cuts" and "compound cuts." Raise lower guard by retracting handle and as soon as blade enters the material, the lower guard must be released. For all other sawing, the lower guard should operate automatically.

Always observe that the lower guard is covering the blade before placing saw down on bench or floor. An unprotected, coasting blade will cause the saw to walk backwards, cutting whatever is in its path. Be aware of the time it takes for the blade to stop after switch is released.

Do not use saw blades not corresponding to the key data given in these instructions for use.

Wear ear protectors. Exposure to noise can cause hearing loss. Please do not use abrasion disks in this machine!

Appliances used at many different locations including open air must be connected via a current surge preventing switch.

Always wear goggles when using the machine. It is recommended to wear gloves, sturdy non slipping shoes and apron.

Always disconnect the plug from the socket before carrying out any work on the machine.

Only plug-in when machine is switched off.

Keep mains lead clear from working range of the machine. Always lead the cable away behind you.

Before use check machine, cable, and plug for any damages or material fatigue. Repairs should only be carried out by authorised Service Agents.

Do not fix the on/off switch in the "on" position when using the saw hand-held.

The dust produced when using this tool may be harmful to health. Do not inhale the dust. Wear a suitable dust protection mask.

SPECIFIED CONDITIONS OF USE

This circular saw can cut lengthways and mitre accurately in wood, plastic, and aluminium.

Do not use this product in any other way as stated for normal use.

EC-DECLARATION OF CONFORMITY

We declare under our sole responsibility that this product is in conformity with the following standards or standardized documents. EN 60745, EN 55014-1, EN 55014-2, EN 61000-3-2, EN 61000-3-3, in accordance with the regulations 98/37/EC, 2004/108/EC



Winnenden, 2008-12-08

Rainer Kumpf
Manager Product Development

MAINS CONNECTION

Connect only to single-phase a.c. current and only to the system voltage indicated on the rating plate. It is also possible to connect to sockets without an earthing contact as the design conforms to safety class II.

MAINTENANCE

The ventilation slots of the machine must be kept clear at all times. Use only AEG accessories and AEG spare parts. Should components need to be replaced which have not been described, please contact one of our AEG service agents (see our list of guarantee/service addresses).

If needed, an exploded view of the tool can be ordered. Please state the Article No. as well as the machine type printed on the label and order the drawing at your local service agents or directly at: AEG Elektrowerkzeuge, Max-Eyth-Straße 10, D-71364 Winnenden, Germany.

SYMBOLS



Please read the instructions carefully before starting the machine.



Always disconnect the plug from the socket before carrying out any work on the machine.



Accessory - Not included in standard equipment, available as an accessory.



Do not dispose of electric tools together with household waste material! In observance of European Directive 2002/96/EC on waste electrical and electronic equipment and its implementation in accordance with national law, electric tools that have reached the end of their life must be collected separately and returned to an environmentally compatible recycling facility.

TECHNISCHE DATEN	110 V	220-240 V
Nennaufnahmeleistung.....	1600 W.....	1600 W
Leerdrehzahl.....	5300 min ⁻¹	5800 min ⁻¹
Sägeblatt-ø x Bohrungs-ø	184x30 mm	184x30 mm
max. Schnitttiefe bei 90°/45°/56°	61/49/35 mm	61/49/35 mm
Gewicht ohne Netzkabel.....	4,8 kg	4,8 kg

Geräusch/Vibrationsinformation

Messwerte ermittelt entsprechend EN 60 745.

Der A-bewertete Geräuschpegel des Gerätes beträgt

typischerweise:

Schalldruckpegel (K = 3 dB(A))	92,5 dB(A).....	92,5 dB(A)
Schalleistungspegel (K = 3 dB(A)).....	103,5 dB(A).....	103,5 dB(A)

Gehörschutz tragen!

Schwingungsgesamtwerte (Vektorsumme dreier Richtungen)

ermittelt entsprechend EN 60745.

Schwingungsemissionswert a _h	3,8 m/s ²	3,8 m/s ²
Unsicherheit K =	1,5 m/s ²	1,5 m/s ²

WARNUNG

Der in diesen Anweisungen angegebene Schwingungspegel ist entsprechend einem in EN 60745 genormten Messverfahren gemessen worden und kann für den Vergleich von Elektrowerkzeugen miteinander verwendet werden. Er eignet sich auch für eine vorläufige Einschätzung der Schwingungsbelastung.

Der angegebene Schwingungspegel repräsentiert die hauptsächlichsten Anwendungen des Elektrowerkzeugs. Wenn allerdings das Elektrowerkzeug für andere Anwendungen, mit abweichenden Einsatzwerkzeugen oder ungenügender Wartung eingesetzt wird, kann der Schwingungspegel abweichen. Dies kann die Schwingungsbelastung über den gesamten Arbeitszeitraum deutlich erhöhen.

Für eine genaue Abschätzung der Schwingungsbelastung sollten auch die Zeiten berücksichtigt werden, in denen das Gerät abgeschaltet ist oder zwar läuft, aber nicht tatsächlich im Einsatz ist. Dies kann die Schwingungsbelastung über den gesamten Arbeitszeitraum deutlich reduzieren.

Legen Sie zusätzliche Sicherheitsmaßnahmen zum Schutz des Bedieners vor der Wirkung von Schwingungen fest wie zum Beispiel:

Wartung von Elektrowerkzeug und Einsatzwerkzeugen, Warmhalten der Hände, Organisation der Arbeitsabläufe.

! WARNUNG! Lesen Sie alle Sicherheitshinweise und Anweisungen, auch die in der beiliegenden Broschüre. Versäumnisse bei der Einhaltung der Sicherheitshinweise und Anweisungen können elektrischen Schlag, Brand und/oder schwere Verletzungen verursachen.
Bewahren Sie alle Sicherheitshinweise und Anweisungen für die Zukunft auf.

SPEZIELLE SICHERHEITSHINWEISE

! Gefahr: Kommen Sie mit Ihren Händen nicht in den Sägebereich und an das Sägeblatt. Halten Sie mit Ihrer zweiten Hand den Zusatzgriff oder das Motorgehäuse. Wenn beide Hände die Kreissäge halten, kann das Sägeblatt diese nicht verletzen.

Greifen Sie nicht unter das Werkstück. Die Schutzhaube kann Sie unter dem Werkstück nicht vor dem Sägeblatt schützen.

Passen Sie die Schnitttiefe an die Dicke des Werkstücks an. Es sollte weniger als eine volle Zahnhöhe unter dem Werkstück sichtbar sein.

Halten Sie das zu sägende Werkstück niemals in der Hand oder über dem Bein fest. Sichern Sie das Werkstück an einer stabilen Unterlage. Es ist wichtig, das Werkstück gut zu befestigen, um die Gefahr von Körperkontakt, Klemmen des Sägeblattes oder Verlust der Kontrolle zu minimieren.

Halten Sie das Gerät nur an den isolierten Griffflächen, wenn Sie Arbeiten ausführen, bei denen das Schneidwerkzeug verborgene Stromleitungen oder das eigene Geräte Kabel treffen könnte. Der Kontakt mit einer spannungsführenden Leitung setzt auch die metallenen Geräteteile unter Spannung und führt zu einem elektrischen Schlag.

Verwenden Sie beim Längsschneiden immer einen Anschlag oder eine gerade Kantenführung. Dies verbessert die Schnittgenauigkeit und verringert die Möglichkeit, dass das Sägeblatt klemmt.

Verwenden Sie immer Sägeblätter in der richtigen Größe und mit passender Aufnahmebohrung (z.B. sternförmig oder rund). Sägeblätter, die nicht zu den Montageteilen der Säge passen, laufen unruhig und führen zum Verlust der Kontrolle.

Verwenden Sie niemals beschädigte oder falsche Sägeblatt-Unterlegscheiben oder -schrauben. Die Sägeblatt-Unterlegscheiben und -schrauben wurden speziell für Ihre Säge konstruiert, für optimale Leistung und Betriebssicherheit.

Ursachen und Vermeidung eines Rückschlags:

– ein Rückschlag ist die plötzliche Reaktion infolge eines hakenden, klemmenden oder falsch ausgerichteten Sägeblattes, die dazu führt, dass eine unkontrollierte Säge abhebt und sich aus dem Werkstück heraus in Richtung der Bedienperson bewegt;

– wenn sich das Sägeblatt in dem sich schließenden Sägespalt verhakht oder verklemt, blockiert es, und die Motorkraft schlägt das Gerät in Richtung der Bedienperson zurück;

– wird das Sägeblatt im Sägeschnitt verdreht oder falsch ausgerichtet, können sich die Zähne der hinteren Sägeblattkante in der Oberfläche des Werkstücks verhaken, wodurch sich das Sägeblatt aus dem Sägespalt herausbewegt und die Säge in Richtung der Bedienperson zurückspringt.

Ein Rückschlag ist die Folge eines falschen oder fehlerhaften Gebrauchs der Säge. Er kann durch geeignete Vorsichtsmaßnahmen, wie nachfolgend beschrieben, verhindert werden.

Halten Sie die Säge mit beiden Händen fest und bringen Sie Ihre Arme in eine Stellung, in der Sie den Rückschlagkräften standhalten können. Halten Sie sich immer seitlich des Sägeblattes, nie das Sägeblatt in eine Linie mit Ihrem Körper bringen. Bei einem Rückschlag kann die Kreissäge rückwärts springen, jedoch kann die Bedienperson die Rückschlagkräfte beherrschen, wenn geeignete Maßnahmen getroffen wurden.

Falls das Sägeblatt klemmt oder das Sägen aus einem anderen Grund unterbrochen wird, lassen Sie den Ein-Aus-Schalter los und halten Sie die Säge im Werkstoff ruhig, bis das Sägeblatt vollständig stillsteht. Versuchen Sie niemals, die Säge aus dem Werkstück zu entfernen oder sie rückwärts zu ziehen, solange das Sägeblatt sich bewegt oder sich ein Rückschlag ereignen könnte. Finden Sie die Ursache für das Klemmen des Sägeblattes und beseitigen Sie diese durch geeignete Maßnahmen.

Wenn Sie eine Säge, die im Werkstück steckt, wieder starten wollen, zentrieren Sie das Sägeblatt im Sägespalt und überprüfen Sie, ob die Sägezähne nicht im Werkstück verhakht sind. Klemmt das Sägeblatt, kann es sich aus dem Werkstück heraus bewegen oder einen Rückschlag verursachen, wenn die Säge erneut gestartet wird.

Stützen Sie große Platten ab, um das Risiko eines Rückschlags durch ein klemmendes Sägeblatt zu vermindern. Große Platten können sich unter ihrem Eigengewicht durchbiegen. Platten müssen auf beiden Seiten, sowohl in Nähe des Sägespalts als auch am Rand, abgestützt werden.

Verwenden Sie keine stumpfen oder beschädigten Sägeblätter. Sägeblätter mit stumpfen oder falsch ausgerichteten Zähnen verursachen durch einen zu engen Sägespalt eine erhöhte Reibung, Klemmen des Sägeblattes und Rückschlag.

Ziehen Sie vor dem Sägen die Schnitttiefen- und Schnittwinkel-einstellungen fest. Wenn sich während des Sägens die Einstellungen verändern, kann sich das Sägeblatt verklemmen und ein Rückschlag auftreten.

Seien Sie besonders vorsichtig, wenn Sie einen „Tauchschnitt“ in einen verborgenen Bereich, z. B. eine bestehende Wand, ausführen. Das eintauchende Sägeblatt kann beim Sägen in verborgene Objekte blockieren und einen Rückschlag verursachen.

Überprüfen Sie die Funktion der Feder für die untere Schutzhaube einwandfrei schließt. Verwenden Sie die Säge nicht, wenn die untere Schutzhaube nicht frei beweglich ist und sich nicht sofort schließt. Klemmen oder binden Sie die untere Schutzhaube niemals in geöffneter Position fest. Sollte die Säge unbeabsichtigt zu Boden fallen, kann die untere Schutzhaube verborgen werden. Öffnen Sie die Schutzhaube mit dem Rückziehebhel und stellen Sie sicher, dass sie sich frei bewegt und bei allen Schnittwinkeln und -tiefen weder Sägeblatt noch andere Teile berührt.

Überprüfen Sie die Funktion der Feder für die untere Schutzhaube. Lassen Sie das Gerät vor dem Gebrauch warten, wenn untere Schutzhaube und Feder nicht einwandfrei arbeiten. Beschädigte Teile, klebrige Ablagerungen oder Anhaftungen von Spänen lassen die untere Schutzhaube verzögert arbeiten.

Öffnen Sie die untere Schutzhaube von Hand nur bei besonderen Schnitten, wie „Tausch- und Winkelschnitten“. Öffnen Sie die untere Schutzhaube mit dem Rückziehebhel und lassen Sie diesen los, sobald das Sägeblatt in das Werkstück eingedrungen ist. Bei allen anderen Sägearbeiten muss die untere Schutzhaube automatisch arbeiten.

Legen Sie die Säge nicht auf der Werkbank oder dem Boden ab, ohne dass die untere Schutzhaube das Sägeblatt bedeckt. Ein ungeschütztes, nachlaufendes Sägeblatt bewegt die Säge entgegen der Schnittrichtung und sägt, was ihm im Weg ist. Beachten Sie dabei die Nachlaufzeit der Säge.

Sägeblätter, die nicht den Kenndaten in dieser Gebrauchsanweisung entsprechen, dürfen nicht verwendet werden.

Tragen Sie stets Gehörschutz. Die Einwirkung von Lärm kann Gehörverlust bewirken.

Keine Schleifscheiben einsetzen.

Steckdosen in Außenbereichen müssen mit Fehlerstrom-Schutzschaltern ausgerüstet sein. Das verlangt die Installationsvorschrift für Ihre Elektroanlage. Bitte beachten Sie das bei der Verwendung unseres Gerätes.

Beim Arbeiten mit der Maschine stets Schutzbrille tragen. Schutzhandschuhe, festes und rutschsicheres Schuhwerk und Schürze werden empfohlen.

Vor allen Arbeiten an der Maschine Stecker aus der Steckdose ziehen.

Maschine nur ausgeschaltet an die Steckdose anschließen.

Anschlusskabel stets vom Wirkungsbereich der Maschine fernhalten. Kabel immer nach hinten von der Maschine wegführen.

Vor jedem Gebrauch Gerät, Anschlusskabel, Verlängerungskabel und Stecker auf Beschädigung und Alterung kontrollieren. Beschädigte Teile nur von einem Fachmann reparieren lassen.

Ein-/Aussschalter im handgeführten Betrieb nicht festklemmen.

Beim Arbeiten entstehender Staub ist oft gesundheitsschädlich und sollte nicht in den Körper gelangen. Geeignete Staubschutzmaske tragen.

BESTIMMUNGSGEMÄßE VERWENDUNG

Die Handkreissäge ist einsetzbar zum Sägen von geradlinigen Schnitten in Holz, Kunststoff und Aluminium.

Dieses Gerät darf nur wie angegeben bestimmungsgemäß verwendet werden.

CE-KONFORMITÄTSERKLÄRUNG

Wir erklären in alleiniger Verantwortung, dass dieses Produkt mit den folgenden Normen oder normativen Dokumenten übereinstimmt. EN 60745, EN 55014-1, EN 55014-2, EN 61000-3-2, EN 61000-3-3, gemäß den Bestimmungen der Richtlinien 98/37/EG, 2004/108/EG



Winnenden, 2008-12-08

Rainer Kumpf
Manager Product Development

NETZANSCHLUSS

Nur an Einphasen-Wechselstrom und nur an die auf dem Leistungsschild angegebene Netzspannung anschließen. Anschluss ist auch an Steckdosen ohne Schutzkontakt möglich, da ein Aufbau der Schutzklasse II vorliegt.

WARTUNG

Stets die Lüftungsschlitze der Maschine sauber halten.

Nur AEG Zubehör und AEG Ersatzteile verwenden. Bauteile, deren Austausch nicht beschrieben wurde, bei einer AEG Kundendienststelle auswechseln lassen (Broschüre Garantie/ Kundendienstadressen beachten).

Bei Bedarf kann eine Explosionszeichnung des Gerätes unter Angabe der Maschinen Typ- und der zehnstelligen Nummer auf dem Leistungsschild bei Ihrer Kundendienststelle oder direkt bei AEG Elektrowerkzeuge, Max-Eyth-Straße 10, D-71364 Winnenden, Germany angefordert werden.

SYMBOLE



Bitte lesen Sie die Gebrauchsanweisung vor Inbetriebnahme sorgfältig durch.



Vor allen Arbeiten an der Maschine Stecker aus der Steckdose ziehen.



Zubehör - Im Lieferumfang nicht enthalten, empfohlene Ergänzung aus dem Zubehörprogramm.



Werfen Sie Elektrowerkzeuge nicht in den Hausmüll! Gemäss Europäischer Richtlinie 2002/96/EG über Elektro- und Elektronik-Altgeräte und Umsetzung in nationales Recht müssen verbrauchte Elektrowerkzeuge getrennt gesammelt und einer umweltgerechten Wiederverwertung zugeführt werden.

CARACTÉRISTIQUES TECHNIQUES	110 V	220-240 V
Puissance nominale de réception.....	1600 W.....	1600 W
Vitesse de rotation à vide.....	5300 min ⁻¹	5800 min ⁻¹
Ø de la lame de scie et de son alésage.....	184x30 mm.....	184x30 mm
Profondeur de coupe max. à 90°/45°/56°.....	61/49/35 mm.....	61/49/35 mm
Poids sans câble de réseau.....	4,8 kg.....	4,8 kg

Informations sur le bruit et les vibrations

Valeurs de mesure obtenues conformément à la EN 60 745.

Les mesures réelles (A) des niveaux acoustiques de

l'appareil sont:

Niveau de pression acoustique (K = 3 dB(A)).....	92,5 dB(A).....	92,5 dB(A)
Niveau d'intensité acoustique (K = 3 dB(A)).....	103,5 dB(A).....	103,5 dB(A)

Toujours porter une protection acoustique!

Valeurs totales des vibrations (somme vectorielle de trois sens)

établies conformément à EN 60745.

Valeur d'émission vibratoire an.....	3,8 m/s ²	3,8 m/s ²
Incertitude K.....	1,5 m/s ²	1,5 m/s ²

AVERTISSEMENT

Le niveau vibratoire indiqué dans ces instructions a été mesuré selon un procédé de mesure normalisé dans la norme EN 60745 et peut être utilisé pour comparer des outils électriques entre eux. Il convient aussi à une estimation provisoire de la sollicitation par les vibrations.

Le niveau vibratoire indiqué représente les applications principales de l'outil électrique. Toutefois, si l'outil électrique est utilisé pour d'autres applications, avec des outils rapportés qui diffèrent ou une maintenance insuffisante, il se peut que le niveau vibratoire diverge. Cela peut augmenter nettement la sollicitation par les vibrations sur tout l'intervalle de temps du travail.

Pour une estimation précise de la sollicitation par les vibrations, on devrait également tenir compte des temps pendant lesquels l'appareil n'est pas en marche ou tourne sans être réellement en service. Cela peut réduire nettement la sollicitation par les vibrations sur tout l'intervalle de temps du travail.

Définissez des mesures de sécurité supplémentaires pour protéger l'utilisateur contre l'influence des vibrations, comme par exemple : la maintenance de l'outil électrique et des outils rapportés, le maintien au chaud des mains, l'organisation des déroulements de travail.

⚠ AVERTISSEMENT! Lisez toutes les consignes de sécurité et les instructions, même celles qui se trouvent dans la brochure ci-jointe. Le non-respect des avertissements et instructions indiqués ci après peut entraîner un choc électrique, un incendie et/ou de graves blessures sur les personnes. Bien garder tous les avertissements et instructions.

INSTRUCTIONS DE SÉCURITÉ PARTICULIÈRES

⚠ DANGER: Bien garder les mains à distance de la zone de sciage et de la lame de scie. Tenir la poignée supplémentaire ou le carter du moteur de l'autre main. Si vous tenez la scie circulaire des deux mains, celles-ci ne peuvent pas être blessées par la lame de scie.

Ne pas passer les mains sous la pièce à travailler. Sous la pièce à travailler, le capot de protection ne peut pas vous protéger de la lame de scie.

Adapter la profondeur de coupe à l'épaisseur de la pièce.

Moins d'une dent complète devrait apparaître sous la pièce.

Ne jamais tenir la pièce à scier dans la main ou par-dessus la jambe. Fixer la pièce sur un support stable. Il est important de bien fixer la pièce, afin de réduire au minimum les dangers causés par le contact physique, quand la lame de scie se coince ou lorsqu'on perd le contrôle.

Hold power tool by insulated gripping surfaces when performing an operation where the cutting tool may contact hidden wiring or its own cord. Contact with a „live“ wire will also make exposed metal parts of the power tool „live“ and shock the operator.

Toujours utiliser une butée ou un guidage droit de bords pour des coupes longitudinales. Ceci améliore la précision de la coupe et réduit le danger de voir la lame de scie se coincer.

Toujours utiliser des lames de scie de la bonne taille qui ont une forme appropriée à l'alésage de fixation (par ex. en étoile ou rond). Les lames de scie qui ne conviennent pas aux parties montées de la scie sont comme voilées et entraînent une perte de contrôle.

Ne jamais utiliser de rondelles ou de vis endommagées ou qui ne conviennent pas à la lame de scie. Les rondelles et vis pour la lame de scie ont spécialement été construites pour votre scie, pour une performance et une sécurité de fonctionnement optimales.

Causes de contrecoups et comment les éviter:

- un contrecoup est une réaction soudaine d'une lame de scie qui est restée accrochée, qui s'est coincée ou qui est mal orientée qui fait que la scie incontrôlée sort de la pièce à travailler et se dirige vers la personne travaillant avec l'appareil;

-si la lame de scie reste accrochée ou se coince dans la fente sciée qui se ferme, elle se bloque et la force du moteur entraîne l'appareil vers la personne travaillant avec l'appareil;

-si la lame de scie est tordue ou mal orientée dans le tracé de la coupe, les dents du bord arrière de la lame de scie risquent de se coincer dans la surface de la pièce, ce qui fait que la lame de scie saute brusquement de la fente et qu'elle est propulsée vers l'arrière où se trouve la personne travaillant avec l'appareil.

Un contrecoup est la suite d'une mauvaise utilisation ou une utilisation incorrecte de la scie. Il peut être évité en prenant les mesures de précaution comme elles sont décrites ci-dessous.

Bien tenir la scie des deux mains et mettre vos bras dans une position vous permettant de résister à des forces de contrecoup. Toujours positionner votre corps latéralement à la lame de scie, ne jamais positionner la lame de scie de façon qu'elle fasse une ligne avec votre corps. Lors d'un contrecoup, la scie circulaire risque d'être propulsée vers l'arrière, la personne travaillant avec l'appareil peut cependant contrôler les forces de contrecoup, quand des mesures appropriées ont été prises au préalable.

Si la lame de scie se coince ou que l'opération de sciage est interrompue pour une raison quelconque, lâcher l'interrupteur Marche/ Arrêt et tenir la scie dans la pièce sans bouger, jusqu'à ce que la lame de scie se soit complètement arrêtée. Ne jamais essayer de sortir la scie de la pièce ou de la tirer vers l'arrière tant que la lame de scie bouge ou qu'un contrecoup pourrait se produire. Déterminer la cause pour laquelle la scie s'est coincée et en remédier au problème.

Si une scie qui s'est bloquée dans une pièce, doit être remise en marche, centrer la lame de scie dans la fente et contrôler que les dents de la scie ne soient pas restées accrochées dans la pièce. Si la lame de scie est coincée, elle peut sortir de la pièce ou causer un contrecoup quand la scie est remise en marche.

Soutenir des grands panneaux afin d'éliminer le risque d'un contrecoup causé par une lame de scie coincée. Les grand panneaux risquent de s'arquer sous leur propre poids. Les panneaux doivent être soutenus des deux côtés par des supports, près de la fente de scie ainsi qu'aux bords des panneaux.

Ne pas utiliser de lames de scie émoussées ou endommagées. Les lames de scie dont les dents sont émoussées

ou mal orientées entraînent une fente trop étroite et par conséquent une friction élevée, un coinçage de la lame de scie et un contrecoup.

Resserrer les réglages de la profondeur de coupe ainsi que de l'angle de coupe avant le sciage. La lame de scie risque de se coincer et un contrecoup de se produire si les réglages se modifient lors de l'opération de sciage.

Faire preuve d'une prudence particulière lorsqu'une „coupe en plongée“ est effectuée dans un endroit caché, par ex. un mur. Lors du sciage, la lame de scie plongeante risque de scier des objets cachés et de causer un contrecoup.

Contrôler avant chaque utilisation que le capot inférieur de protection ferme parfaitement. Ne pas utiliser la scie quand le capot inférieur de protection ne peut pas librement bouger et ne se ferme pas tout de suite. Ne jamais coincer ou attacher le capot inférieur de protection dans le but de la laisser dans sa position ouverte. Si, par mégarde, la scie tombe par terre, le capot inférieur de protection risque d'être déformé. Ouvrir le capot de protection à l'aide du levier et s'assurer qu'il peut encore bouger librement et ne touche ni la lame de scie ni d'autres éléments de l'appareil, et ceci pour tous les angles de coupe ainsi que pour toutes les profondeurs de coupe.

Contrôler le bon fonctionnement du ressort du capot inférieur de protection. Faire effectuer un entretien de l'appareil avant de l'utiliser, si le capot inférieur de protection et le ressort ne travaillent pas impeccablement. Les parties endommagées, des restes de colle ou des accumulations de copeaux font que le capot inférieur de protection travaille plus lentement.

N'ouvrir le capot inférieur de protection manuellement que pour des coupes spéciales telles que les "coupes en plongée et coupes angulaires". Ouvrir le capot inférieur de protection à l'aide du levier et le lâcher dès que la lame de scie soit entrée dans la pièce. Pour toutes les autres opérations de sciage, le capot inférieur de protection doit travailler automatiquement.

Ne pas placer la scie sur l'établi ou le sol sans que le capot inférieur de protection couvre la lame des scie. Une lame de scie non protégée et qui n'est pas encore à l'arrêt total fait bouger la scie dans le sens contraire à la direction de coupe et scie tout ce qui est sur son chemin. Tenir compte du temps de ralentissement de la scie.

Ne pas utiliser de lames de scie qui ne correspondent pas aux caractéristiques indiquées dans ces instructions d'utilisation.

Portez une protection acoustique. L'influence du bruit peut provoquer la surdité.

Ne pas utiliser de disques de meulage!

Les prises de courant se trouvant à l'extérieur doivent être équipées de disjoncteurs différentiel conformément aux prescriptions de mise en place de votre installation électrique. Veuillez en tenir compte lors de l'utilisation de notre appareil. I

Toujours porter des lunettes protectrices en travaillant avec la machine. Des gants de sécurité, des chaussures solides et à semelles antidérapantes et un tablier sont recommandés.

Avant tous travaux sur la machine extraire la fiche de la prise de courant.

Ne raccorder la machine au réseau que si l'interrupteur est en position arrêt.

Le câble d'alimentation doit toujours se trouver en dehors du champ d'action de la machine. Toujours maintenir le câble d'alimentation à l'arrière de la machine.

Avant toute utilisation, vérifier que la machine, le câble d'alimentation, le câble de rallonge et la fiche ne sont pas endommagés ni usés. Le cas échéant, les faire remplacer par un spécialiste.

Ne pas bloquer le commutateur de marche/arrêt lorsque la scie se trouve en guidage manuel.

Les poussières qui sont dégagées pendant les travaux sont souvent nocives pour la santé et ne devraient pas pénétrer dans le corps. Porter un masque de protection approprié contre les poussières.

UTILISATION CONFORME AUX PRESCRIPTIONS

La scie circulaire réalise des coupes longitudinales dans le bois les matières synthétiques et l'aluminium.

Comme déjà indiqué, cette machine n'est conçue que pour être utilisée conformément aux prescriptions.

DECLARATION CE DE CONFORMITÉ

Nous déclarons sous notre responsabilité que ce produit est en conformité avec les normes ou documents normalisés suivants EN 60745, EN 55014-1, EN 55014-2, EN61000-3-2, EN 61000-3-3, conformément aux réglementations 98/37/CE, 2004/108/CE



Winnenden, 2008-12-08

Rainer Kumpf
Manager Product Development

BRANCHEMENT SECTEUR

Raccorder uniquement à un courant électrique monophasé et uniquement à la tension secteur indiquée sur la plaque signalétique. Le raccordement à des prises de courant sans contact de protection est également possible car la classe de protection II est donnée.

ENTRETIEN

Tenir toujours propres les orifices de ventilation de la machine.

Utiliser uniquement les accessoires AEG et les pièces détachées AEG. Faire remplacer les composants dont le remplacement n'a pas été décrit, par un des centres de service après-vente AEG (observer la brochure avec les adresses de garantie et de service après-vente).

Si besoin est, une vue éclatée de l'appareil peut être fournie. S'adresser, en indiquant bien le numéro à dix chiffres porté sur la plaque signalétique, à votre station de service après-vente (voir liste jointe) ou directement à AEG Elektrowerkzeuge, Max-Eyth-Straße 10, D-71364 Winnenden, Germany.

SYMBOLES



Veillez lire avec soin le mode d'emploi avant la mise en service



Avant tous travaux sur la machine extraire la fiche de la prise de courant.



Accessoires - Ces pièces ne font pas partie de la livraison. Il s'agit là de compléments recommandés pour votre machine et énumérés dans le catalogue des accessoires.



Ne pas jeter les appareils électriques dans les ordures ménagères! Conformément à la directive européenne 2002/96/EG relative aux déchets d'équipements électriques ou électroniques (DEEE), et à sa transposition dans la législation nationale, les appareils électriques doivent être collectés à part et être soumis à un recyclage respectueux de l'environnement.

DATI TECNICI	110 V	220-240 V
Potenza assorbita nominale	1600 W	1600 W
Numero di giri a vuoto	5300 min ⁻¹	5800 min ⁻¹
Diametro lama x foro lama	184x30 mm	184x30 mm
Massima profondità di taglio a 90°/45°/56°	61/49/35 mm	61/49/35 mm
Peso senza cavo di rete	4,8 kg	4,8 kg

Informazioni sulla rumorosità/sulle vibrazioni

Valori misurati conformemente alla norma EN 60 745.

La misurazione A del livello di pressione acustica dell'utensile è di solito di:

Livello di rumorosità (K = 3 dB(A))	92,5 dB(A)	92,5 dB(A)
Potenza della rumorosità (K = 3 dB(A))	103,5 dB(A)	103,5 dB(A)

Utilizzare le protezioni per l'udito!

Valori totali delle oscillazioni (somma di vettori in tre direzioni)

misurati conformemente alla norma EN 60745

Valore di emissione dell'oscillazione a	3,8 m/s ²	3,8 m/s ²
Incertezza della misura K	1,5 m/s ²	1,5 m/s ²

AVVERTENZA

Il livello di vibrazioni indicato nelle presenti istruzioni è stato misurato in conformità con un procedimento di misurazione codificato nella EN 60745 e può essere utilizzato per un confronto tra attrezzi elettrici. Inoltre si può anche utilizzare per una valutazione preliminare della sollecitazione da vibrazioni.

Il livello di vibrazioni indicato rappresenta le applicazioni principali dell'attrezzo elettrico. Se viceversa si utilizza l'attrezzo elettrico per altri scopi, con accessori differenti o con una manutenzione insufficiente, il livello di vibrazioni può risultare diverso. E questo può aumentare decisamente la sollecitazione da vibrazioni lungo l'intero periodo di lavorazione.

Ai fini di una valutazione precisa della sollecitazione da vibrazioni si dovrebbero tenere presente anche i periodi in cui l'apparecchio rimane spento oppure, anche se acceso, non viene effettivamente utilizzato. Ciò può ridurre notevolmente la sollecitazione da vibrazioni lungo l'intero periodo di lavorazione.

Stabilite misure di sicurezza supplementari per la tutela dell'operatore dall'effetto delle vibrazioni, come ad esempio: manutenzione dell'attrezzo elettrico e degli accessori, riscaldamento delle mani, organizzazione dei processi di lavoro.

AVVERTENZA! E' necessario leggere tutte le indicazioni di sicurezza e le istruzioni, anche quelle contenute nella brochure allegata. In caso di mancato rispetto delle avvertenze di pericolo e delle istruzioni operative si potrà creare il pericolo di scosse elettriche, incendi e/o incidenti gravi. **Conservare tutte le avvertenze di pericolo e le istruzioni operative per ogni esigenza futura.**

NORME DI SICUREZZA

PERICOLO: Mai avvicinare le mani alla zona operativa e neppure alla lama di taglio. Utilizzare la seconda mano per afferrare l'impugnatura supplementare oppure la carcassa del motore. Afferrando la sega circolare con entrambe le mani, la lama di taglio non potrà costituire una fonte di pericolo per le stesse.

Mai afferrare con le mani la parte inferiore del pezzo in lavorazione. Nella zona al di sotto del pezzo in lavorazione la calotta di protezione non presenta alcuna protezione contro la lama di taglio.

Adattare la profondità di taglio allo spessore del pezzo in lavorazione. Nella parte inferiore del pezzo in lavorazione dovrebbe essere visibile meno della completa altezza del dente.

Mai tenere con le mani il pezzo in lavorazione che si intende tagliare e neppure appoggiarlo sulla gamba. Assicurare il pezzo in lavorazione su una base di sostegno che sia stabile. Per ridurre al minimo possibile il pericolo di un contatto con il corpo, la possibilità di un blocco della lama di taglio oppure la perdita del controllo, è importante fissare bene il pezzo in lavorazione.

Quando si eseguono lavori in cui vi è pericolo che l'utensile da taglio possa arrivare a toccare linee elettriche nascoste oppure anche il cavo elettrico della macchina stessa, tenere la macchina afferrandola sempre alle superfici di impugnatura isolate. In caso di contatto con una linea portatrice di tensione anche le parti metalliche della macchina vengono sottoposte a tensione provocando una scossa di corrente elettrica.

In caso di taglio longitudinale utilizzare sempre una battuta oppure una guida angolare dritta. In questo modo è possibile migliorare la precisione del taglio riducendo il pericolo che la lama di taglio possa incepparsi.

Utilizzare sempre lame per segatrice che abbiano la misura corretta ed il foro di montaggio adatto (p.es. a stella oppure rotondo. In caso di lame per segatrice inadatte ai relativi pezzi di montaggio non hanno una rotazione perfettamente circolare e comportano il pericolo di una perdita del controllo.

Mai utilizzare rondelle oppure viti per lama di taglio che non dovessero essere in perfetto stato o che non dovessero essere adatte. Le rondelle e le viti per lama di taglio sono appositamente previste per la Vostra segatrice e sono state realizzate per raggiungere ottimali prestazioni e massima sicurezza di utilizzo.

Possibile causa ed accorgimenti per impedire un contraccolpo:

- Un contraccolpo è la reazione improvvisa provocata da una lama di taglio rimasta agganciata, che si blocca oppure che non è stata regolata correttamente comportando un movimento incontrollato della sega che sbalza dal pezzo in lavorazione e si sposta in direzione dell'operatore.

- Quando la lama di taglio rimane agganciata oppure si inceppa nella fessura di taglio che si restringe, si provoca un blocco e la potenza del motore fa balzare la macchina indietro in direzione dell'operatore;

- Torcendo la lama nella fessura di taglio oppure regolandola in maniera non appropriata vi è il pericolo che i denti del bordo posteriore della lama restano agganciati nella superficie del pezzo in lavorazione provocando una reazione della lama di taglio che sbalza dalla fessura di taglio e la segatrice salta indietro in direzione dell'operatore.

Un contraccolpo è la conseguenza di un utilizzo non appropriato oppure non corretto della sega. Esso può essere evitato soltanto prendendo misure adatte di sicurezza come dalla descrizione che segue.

Tenere la sega ben ferma afferrandola con entrambe le mani e portare le braccia in una posizione che Vi permetta di resistere bene alla forza di contraccolpi. Tenere sempre una posizione laterale rispetto alla lama di taglio e mai mettere la lama di taglio in una linea con il Vostro corpo. In caso di un contraccolpo la sega circolare può balzare all'indietro; comunque, prendendo delle misure adatte l'operatore può essere in grado di controllare il contraccolpo.

Nel caso in cui la lama di taglio dovesse incepparsi oppure per un qualunque altro motivo l'operazione di taglio con la segatrice dovesse essere interrotta, rilasciare l'interruttore di avvio/arresto e tenere la segatrice in posizione nel materiale fino a quando la lama di taglio non si sarà fermata completamente. Non tentare mai di togliere la segatrice dal pezzo in lavorazione e neppure tirarla all'indietro fintanto che la lama di taglio si muove oppure vi dovesse essere ancora la possibilità di un contraccolpo. Individuare la possibile causa del blocco della lama di taglio ed eliminarla attraverso interventi adatti.

Volendo avviare nuovamente una segatrice che ancora si trova nel pezzo in lavorazione, centrare la lama nella fessura di taglio ed accertarsi che la dentatura della segatrice non sia rimasta agganciata nel pezzo in lavorazione. Una lama di taglio inceppata può balzare fuori dal pezzo in lavorazione oppure provocare un contraccolpo nel momento in cui si avvia nuovamente la segatrice.

Per eliminare il rischio di un contraccolpo dovuto al blocco di una lama di taglio, assicurare bene pannelli di dimensioni maggiori. Pannelli di dimensioni maggiori possono piegarsi sotto il peso proprio. In caso di pannelli è necessario munirli di supporti adatti su entrambi i lati, sia in vicinanza della fessura di taglio che a margine.

Non utilizzare mai lame per segatrice che non siano più affilate oppure il cui stato generale non dovesse essere più perfetto. Lame per segatrice non più affilate oppure deformate implicano un maggiore attrito nella fessura di taglio aumentando il pericolo di blocchi e di contraccolpi della lama di taglio.

Prima di eseguire l'operazione di taglio, determinare la profondità e l'angolatura del taglio. Se durante l'operazione di taglio si modificano le registrazioni è possibile che la lama di taglio si blocchi e che si abbia un contraccolpo.

Si prega di operare con particolare attenzione quando si è in procinto di eseguire un "taglio dal centro" in una zona nascosta come potrebbe per esempio essere una parete. La lama di taglio che inizia il taglio su oggetti nascosti può bloccarsi e provocare un contraccolpo.

Prima di ogni intervento operativo accertarsi che la calotta di protezione chiuda perfettamente. Non utilizzare la segatrice in caso non fosse possibile muovere liberamente la calotta di protezione inferiore e non potesse essere chiusa immediatamente. Mai bloccare oppure legare la calotta di protezione inferiore in posizione aperta. Se la segatrice dovesse accidentalmente cadere a terra è possibile che la calotta di protezione inferiore subisca una deformazione. Operando con la leva di ritorno, aprire la calotta di protezione ed accertarsi che possa muoversi liberamente in ogni angolazione e profondità di taglio senza toccare né lama né nessun altro pezzo.

Controllare il funzionamento della molla per la calotta di protezione inferiore. Qualora la calotta di protezione e la molla non dovessero funzionare correttamente, sottoporre la macchina ad un servizio di manutenzione prima di utilizzarla. Componenti danneggiati, depositi di sporizia appiccicosi oppure accumuli di trucioli comportano una riduzione della funzionalità della calotta inferiore di protezione.

Aprire manualmente la calotta inferiore di protezione solo in caso di tagli particolari come potrebbero essere "tagli dal centro e tagli ad angolo". Aprire la calotta inferiore di protezione mediante la leva di ritorno e rilasciare questa non appena la lama di taglio sarà penetrata nel pezzo in lavorazione. Nel caso di ogni altra operazione di taglio la calotta inferiore di protezione deve funzionare automaticamente.

Non poggiare la segatrice sul banco di lavoro oppure sul pavimento se la calotta inferiore di protezione non copre completamente la lama di taglio. Una lama di taglio non protetta ed ancora in fase di arresto sposta la segatrice in senso contrario a quello della direzione di taglio e taglia tutto ciò che incontra. Tenere quindi sempre in considerazione la fase di arresto della segatrice.

Non utilizzare lame non corrispondenti alle specifiche riportate in queste istruzioni d'uso.

Indossare protezioni acustiche adeguate. L'esposizione prolungata al rumore senza protezione può causare danni all'udito. Per favore non utilizzare dischi abrasivi

Gli apparecchi mobili usati all'aperto devono essere collegati interponendo un interruttore di sicurezza per guasti di corrente.

Durante l'uso dell'apparecchio utilizzare sempre gli occhiali di protezione. Inoltre si consiglia di usare sistemi di protezione per la respirazione e per l'udito, oltre ai guanti di protezione.

Prima di effettuare qualsiasi lavoro sulla macchina togliere la spina dalla presa di corrente.

Inserire la spina solo con interruttore su posizione "OFF".

Tenere sempre lontano il cavo di collegamento dall'area di lavoro dell'attrezzo.

Prima di ogni utilizzo controllare che il cavo di alimentazione, eventuali prolunghie e la spina siano integre e senza danni. Eventualmente parti danneggiate devono essere controllate e riparate da un tecnico.

Non bloccare l'interruttore durante il funzionamento manuale.

La polvere che si produce durante il lavoro è spesso dannosa per la salute e non dovrebbe essere aspirata. Portare un'adeguata mascherina protettiva.

UTILIZZO CONFORME

Sega circolare portatile per effettuare tagli obliqui e longitudinali nel legno o nel materiale sintetico.

Utilizzare il prodotto solo per l'uso per cui è previsto.

DICHIARAZIONE DI CONFORMITÀ CE

Dichiariamo, assumendo la piena responsabilità di tale dichiarazione, che il prodotto è conforme alla seguenti normative e ai relativi documenti: EN 60745, EN 55014-1, EN 55014-2, EN 61000-3-2, EN 61000-3-3, EN 61000-3-3, in base alle prescrizioni delle direttive CE98/37, CE 2004/108/



Winnenden, 2008-12-08

Rainer Kumpf

Rainer Kumpf
Manager Product Development

COLLEGAMENTO ALLA RETE

Connettere solo corrente alternata mono fase e solo al sistema di voltaggio indicato sulla piastra. E' possibile anche connettere la presa senza un contatto di messa a terra così come prevede lo schema conforme alla norme di sicurezza di classe II.

MANUTENZIONE

Tener sempre ben pulite le fessure di ventilazione dell'apparecchio.

Usare solo accessori AEG e pezzi di ricambio AEG. Gruppi costruttivi la cui sostituzione non è stata descritta, devono essere fatti cambiare da un punto di servizio di assistenza tecnica al cliente AEG (vedi depliant garanzia/indirizzi assistenza tecnica ai clienti).

In caso di mancanza del diegno esplosivo, può essere richiesto al seguente indirizzo: AEG Elektrowerkzeuge, Max-Eyth-Straße 10, D-71364 Winnenden, Germany.

SIMBOLI



Leggere attentamente le istruzioni per l'uso prima di mettere in funzione l'elettrotensile.



Prima di effettuare qualsiasi lavoro sulla macchina togliere la spina dalla presa di corrente.



Accessorio - Non incluso nella dotazione standard, disponibile a parte come accessorio.



Non gettare le apparecchiature elettriche tra i rifiuti domestici. Secondo la Direttiva Europea 2002/96/CE sui rifiuti di apparecchiature elettriche ed elettroniche e la sua attuazione in conformità alle norme nazionali, le apparecchiature elettriche esauste devono essere raccolte separatamente, al fine di essere reimpiagate in modo eco-compatibile.

DATOS TÉCNICOS	110 V	220-240 V
Potencia de salida nominal.....	1600 W.....	1600 W
Velocidad en vacío	5300 min ⁻¹	5800 min ⁻¹
Disco de sierra - ø x orificio ø	184x30 mm	184x30 mm
Profundidad de corte máx. a 90°/45°/56°	61/49/35 mm	61/49/35 mm
Peso sin cable	4,8 kg	4,8 kg

Información sobre ruidos / vibraciones

Determinación de los valores de medición según norma EN 60 745.

El nivel de ruido típico del aparato determinado con un filtro A corresponde a:

Presión acústica (K = 3dB(A))	92,5 dB(A).....	92,5 dB(A)
Resonancia acústica (K = 3dB(A)).....	103,5 dB(A).....	103,5 dB(A)

Usar protectores auditivos!

Nivel total de vibraciones (suma vectorial de tres direcciones) determinado según EN 60745.

Valor de vibraciones generadas a.....	3,8 m/s ²	3,8 m/s ²
Tolerancia K.....	1,5 m/s ²	1,5 m/s ²

ADVERTENCIA

El nivel vibratorio indicado en estas instrucciones ha sido medido conforme a un método de medición estandarizado en la norma EN 60745, y puede utilizarse para la comparación entre herramientas eléctricas. También es apropiado para una estimación provisional de la carga de vibración.

El nivel vibratorio indicado representa las aplicaciones principales de la herramienta eléctrica. Si, pese a ello, se utiliza la herramienta eléctrica para otras aplicaciones, con útiles adaptables diferentes o con un mantenimiento insuficiente, el nivel vibratorio puede diferir. Esto puede incrementar sensiblemente la carga de vibración durante todo el periodo de trabajo.

Para una estimación exacta de la carga de vibración deberían tenerse en cuenta también los tiempos durante los que el aparato está apagado o, pese a estar en funcionamiento, no está siendo realmente utilizado. Esto puede reducir sustancialmente la carga de vibración durante todo el periodo de trabajo.

Adopte medidas de seguridad adicionales para la protección del operador frente al efecto de las vibraciones, como por ejemplo: mantenimiento de la herramienta eléctrica y de los útiles adaptables, mantener las manos calientes, organización de los procesos de trabajo.

⚠ ADVERTENCIA! Rogamos leer las indicaciones de seguridad y las instrucciones, también las que contiene el folleto adjunto. En caso de no atenderse a las advertencias de peligro e instrucciones siguientes, ello puede ocasionar una descarga eléctrica, un incendio y/o lesión grave.
Guardar todas las advertencias de peligro e instrucciones para futuras consultas.

INSTRUCCIONES DE SEGURIDAD

⚠ PELIGRO: Mantener las manos alejadas del área de corte y de la hoja de sierra. Sujetar con la otra mano la empuñadura adicional o la carcasa motor. Si la sierra circular se sujeta con ambas manos, éstas no pueden lesionarse con la hoja de sierra.

No tocar por debajo de la pieza de trabajo. La caperuza protectora no le protege del contacto con la hoja de sierra por la parte inferior de la pieza de trabajo.

Adaptar la profundidad de corte al grosor de la pieza de trabajo. La hoja de sierra no deberá sobresalir más de un diente de la pieza de trabajo.

Jamás sujetar la pieza de trabajo con la mano o colocándola sobre sus piernas. Fijar la pieza de trabajo sobre una base de asiento firme. Es importante que la pieza de trabajo quede bien sujeta para reducir el riesgo a accidentarse, a que se atascue la hoja de sierra, o a perder del control sobre el aparato.

Únicamente sujetar el aparato por las empuñaduras aisladas al realizar trabajos en los que el útil pueda tocar conductores eléctricos ocultos o el propio cable del aparato. El contacto con conductores portadores de tensión puede hacer que las partes metálicas del aparato le provoquen una descarga eléctrica.

Al realizar cortes longitudinales emplear siempre un tope, o una guía para ángulos rectos. Esto permite un corte más exacto y además reduce el riesgo a que se atascue la hoja de sierra.

Siempre utilizar las hojas de sierra con las dimensiones correctas y el orificio adecuado (p. ej. en forma de estrella o redondo). Las hojas de sierra que no correspondan a los elementos de montaje de ésta, giran excéntricas y pueden hacerle perder el control sobre la sierra.

Jamás emplear arandelas o tornillos de sujeción de la hoja de sierra dañados o incorrectos. Las arandelas y tornillos de sujeción de la hoja de sierra fueron especialmente diseñados para obtener unas prestaciones y seguridad de trabajo máximas.

Causas y prevención contra el rechazo de la sierra:

- El rechazo es una fuerza de reacción brusca que se provoca al engancharse, atascarse o guiar incorrectamente la hoja de sierra, lo que hace que la sierra se salga de forma incontrolada de la pieza de trabajo y resulte impulsada hacia el usuario;

- Si la hoja de sierra se engancha o atasca al cerrarse la ranura de corte, la hoja de sierra se bloquea y el motor impulsa el aparato hacia el usuario;

- Si la hoja de sierra se gira lateralmente o se desalinea, los dientes de la parte posterior de la hoja de sierra pueden engancharse en la cara superior de la pieza de trabajo haciendo que la hoja de sierra se salga de la ranura de corte, y el aparato salga despedido hacia atrás en dirección al usuario.

El rechazo se debe a la utilización inadecuada y/o procedimientos o condiciones de trabajo incorrectos y puede evitarse tomando las precauciones que se detallan a continuación.

Sujetar firmemente la sierra con ambas manos manteniendo los brazos en una posición que le permita oponerse a la fuerza de reacción. Mantener el cuerpo a un lado de la hoja de sierra; jamás colocarse en línea con ella. Si la sierra retrocede bruscamente al ser rechazada, el usuario puede hacer frente a esta fuerza de reacción siempre que haya tomando unas precauciones adecuadas.

Si la hoja de sierra se atasca, o en caso de tener que interrumpir el trabajo por cualquier otro motivo, soltar el interruptor de conexión/desconexión manteniendo inmóvil la sierra, y esperar a que se haya detenido completamente la hoja de sierra. Jamás intentar sacar la sierra de la pieza de trabajo o tirar de ella hacia atrás mientras está funcionando la hoja de sierra, puesto que resultaría rechazada. Investigar y subsanar convenientemente la causa de atasco de la hoja de sierra.

Para continuar el trabajo con la sierra, centrar primero la hoja de sierra en la ranura y cerciorarse de que los dientes de sierra no toquen la pieza de trabajo. Si la hoja de sierra está atascada, la sierra puede llegar a salirse de la pieza de trabajo o ser rechazada al ponerse en marcha.

Soportar tableros grandes para evitar un rechazo al atascarse la hoja de sierra. Los tableros grandes pueden moverse por su propio peso. Los tableros deberán ser soportados a ambos lados, tanto cerca de la línea de corte como al borde.

No usar hojas de sierra melladas ni dañadas. Las hojas de sierra con dientes mellados o incorrectamente triscados producen una ranura de corte demasiado estrecha, lo que provoca una fricción excesiva y el atasco o rechazo de la hoja de sierra.

Apretar firmemente los dispositivos de ajuste de la profundidad y ángulo de corte antes de comenzar a serrar. Si la sierra llegase a desajustarse durante el trabajo puede que la hoja de sierra se atasque y resulte rechazada.

Prestar especial atención al realizar un “corte por inmersión” en tabiques u otros materiales de composición desconocida. Al ir penetrando la hoja de sierra ésta puede ser bloqueada por objetos ocultos en el material y hacer que la sierra sea rechazada.

Antes de cada utilización cerciorarse de que la caperuza protectora inferior cierre perfectamente. No usar la sierra si la caperuza protectora inferior no gira libremente o no se cierra de forma instantánea. Jamás bloquear o atar la caperuza protectora inferior para mantenerla abierta. Si la sierra se le cae puede que se deforme la caperuza protectora inferior. Abrir la caperuza protectora inferior con la palanca y cerciorarse de que se mueva libremente sin que llegue a tocar la hoja de sierra ni otras partes en cualquiera de los ángulos y profundidades de corte.

Controlar el funcionamiento del muelle de recuperación de la caperuza protectora inferior. Antes de su uso hacer reparar el aparato si la caperuza protectora inferior o el resorte no funcionan correctamente. Las piezas deterioradas, el material adherido pegajoso, o las virutas acumuladas puede hacer que la caperuza protectora inferior se mueva con dificultad.

Solamente abrir manualmente la caperuza protectora inferior al realizar cortes especiales como “cortes por inmersión” o “cortes compuestos”. Abrir la caperuza protectora inferior con la palanca y soltarla en el momento en que la hoja de sierra haya llegado a penetrar en la pieza de trabajo. En todos los demás trabajos la caperuza protectora deberá trabajar automáticamente.

No depositar la sierra sobre una base si la caperuza protectora inferior no cubre la hoja de sierra. Una hoja de sierra sin proteger, que no esté completamente detenida, hace que la sierra salga despedida hacia atrás, cortando todo lo que encuentra a su paso. Considerar el tiempo de marcha por inercia hasta la detención de la sierra.

No se pueden emplear hojas de sierra cuyos datos codificados no corresponden a estas instrucciones de manejo.

¡Utilice protección auditiva! La exposición a niveles de ruido excesivos puede causar pérdida de audición

Por favor no emplear muelas abrasivas !

Conecte siempre la máquina a una red protegida por interruptor diferencial y magnetotérmico, para su seguridad personal, según normas establecidas para instalaciones eléctricas de baja tensión.

Para trabajar con la máquina, utilizar siempre gafas de protección, guantes, calzado de seguridad antidieslizante, así como es recomendable usar protectores auditivos.

Desconecte siempre el enchufe antes de llevar a cabo cualquier trabajo en la máquina.

Enchufar la máquina a la red solamente en posición desconectada.

Mantener siempre el cable separado del radio de acción de la máquina.

Antes de empezar a trabajar compruebe si está dañada la máquina, el cable o el enchufe. Las reparaciones sólo se llevarán a cabo por Agentes de Servicio autorizados.

En cortes manuales ni se puede ni se debe enclavar el interruptor de forma fija, para prevenir accidentes.

El polvo que se produce durante estos trabajos puede ser nocivo la salud; es por ello es aconsejable que no penetre al cuerpo. Utilice por ello una máscara protectora contra polvo.

APLICACIÓN DE ACUERDO A LA FINALIDAD

La sierra circular se puede usar para cortes rectilíneos en madera, plástico y aluminio.

No utilice este producto para ninguna otra aplicación que no sea su uso normal.

DECLARACION DE CONFORMIDAD CE

Declaramos bajo nuestra sola responsabilidad que este producto está en conformidad con las normas o documentos normalizados siguientes. EN 60745, EN 55014-1, EN 55014-2, EN 61000-3-2, EN 61000-3-3, EN 61000-3-3, de acuerdo con las regulaciones 98/37/CE, 2004/108/CE



Winnenden, 2008-12-08

Rainer Kumpf
Manager Product Development

CONEXIÓN ELÉCTRICA

Conectar solamente a corriente AC monofásica y sólo al voltaje indicado en la placa de características. También es posible la conexión a enchufes sin toma a tierra, dado que es conforme a la Clase de Seguridad II

MANTENIMIENTO

Las ranuras de ventilación de la máquina deben estar despejadas en todo momento.

Utilice solamente accesorios y repuestos AEG. En caso de necesitar reemplazar componentes no descritos, contacte con cualquiera de nuestras estaciones de servicio AEG (consultar lista de servicio técnicos)

En caso necesario, puede solicitar un despiece de la herramienta. Por favor indique el número de impreso de diez dígitos que hay en la etiqueta y pida el despiece a la siguiente dirección: AEG Elektrowerkzeuge, Max-Eyth-Straße 10, D-71364 Winnenden, Germany.

SÍMBOLOS



Lea las instrucciones detenidamente antes de conectar la herramienta



Desconecte siempre el enchufe antes de llevar a cabo cualquier trabajo en la máquina.



Accesorio - No incluido en el equipo estándar, disponible en la gama de accesorios.



¡No deseche los aparatos eléctricos junto con los residuos domésticos! De conformidad con la Directiva Europea 2002/96/CE sobre residuos de aparatos eléctricos y electrónicos y su aplicación de acuerdo con la legislación nacional, las herramientas eléctricas cuya vida útil haya llegado a su fin se deberán recoger por separado y trasladar a una planta de reciclaje que cumpla con las exigencias ecológicas.

CARACTERÍSTICAS TÉCNICAS	110 V	220-240 V
Potência absorvida nominal	1600 W	1600 W
Nº de rotações em vazio	5300 min ⁻¹	5800 min ⁻¹
Ø de disco x Ø da furação	184x30 mm	184x30 mm
Profundidade de corte máx. a 90°/45°/56°	61/49/35 mm	61/49/35 mm
Peso sem cabo de ligação à rede	4,8 kg	4,8 kg

Informações sobre ruído/vibração

Valores de medição de acordo com EN 60 745.

O nível de ruído avaliado A do aparelho é tipicamente:

Nível da pressão de ruído (K=3 dB(A))	92,5 dB(A)	92,5 dB(A)
Nível da potência de ruído (K=3 dB(A))	103,5 dB(A)	103,5 dB(A)

Use protectores auriculares!

Valores totais de vibração (soma dos vectores das três direcções) determinadas conforme EN 60745.

Valor de emissão de vibração a _h	3,8 m/s ²	3,8 m/s ²
Incerteza K	1,5 m/s ²	1,5 m/s ²

ATENÇÃO

O nível vibratório indicado nestas instruções foi medido em conformidade com um procedimento de medição normalizado na EN 60745 e pode ser utilizado para comparar entre si ferramentas eléctricas. O mesmo é também adequado para avaliar provisoriamente o esforço vibratório.

O nível vibratório indicado representa as principais aplicações da ferramenta eléctrica. Se, no entanto, a ferramenta eléctrica for utilizada para outras aplicações, com outras ferramentas adaptadas ou uma manutenção insuficiente, o nível vibratório poderá divergir. Isto pode aumentar consideravelmente o esforço vibratório ao longo de todo o período do trabalho.

Para uma avaliação exacta do esforço vibratório devem também ser considerados os tempos durante os quais o aparelho está desligado ou está a funcionar, mas não está efectivamente a ser utilizado. Isto pode reduzir consideravelmente o esforço vibratório ao longo de todo o período do trabalho.

Defina medidas de segurança suplementares para proteger o operador do efeito das vibrações, como por exemplo: manutenção da ferramenta eléctrica e das ferramentas adaptadas, manter as mãos quentes, organização das sequências de trabalho.

⚠ ATENÇÃO! Leia todas as instruções de segurança e todas as instruções, também aquelas que constam na brochura juntada. O desrespeito das advertências e instruções apresentadas abaixo pode causar choque eléctrico, incêndio e/ou graves lesões. Guarde bem todas as advertências e instruções para futura referência.

INSTRUÇÕES DE SEGURANÇA

⚠ PERIGO: Mantenha as mãos afastadas da área de corte e da lâmina de corte. Mantenha a sua outra mão segurando o punho adicional ou a carcaça do aparelho. Se ambas as mãos segurarem a serra circular, estas não poderão ser lesadas pela lâmina de serra.

Não toque em baixo da peça a ser trabalhada. A capa de protecção não pode proteger contra a lâmina de serra sob a peça a ser trabalhada.

Adaptar a profundidade de corte à espessura da peça a ser trabalhada. Deveria estar visível por aproximadamente menos do que uma altura de dente abaixo da peça a ser trabalhada.

Jamais segure a peça a ser trabalhada na mão ou sobre a perna. Fixar a peça a ser trabalhada sobre uma base firme. É importante, fixar bem a peça a ser trabalhada, para minimizar o risco de contacto com o corpo, emperramento da lâmina de serra ou perda de controlo.

Sempre segure o aparelho pelas superfícies de pega isoladas ao efectuar trabalhos, durante os quais a ferramenta de corte possa entrar em contacto com cabos eléctricos escondidos ou com o cabo do aparelho. O contacto com um cabo com tensão também pode as partes metálicas do aparelho sob tensão e leva a choque eléctrico.

Utilize sempre um esbarro ou um guia de cantos recto para efectuar cortes longitudinais. Isto melhora a exactidão de corte e reduz a probabilidade da lâmina de serra emperrar.

Utilize sempre lâminas de serrar com o tamanho correcto e com orifício de admissão de forma apropriada (p.ex. em forma de estrela ou redonda). Lâminas de serra que não servem para as peças de montagem da serra, não giram irregularmente e levam à perda do controlo.

Jamais utilizar arruelas planas ou parafusos de lâminas de serra danificados ou não apropriados. As arruelas planas e os parafusos foram construídos especialmente para a sua serra, para uma potência optimizada e segurança operacional.

Causa e prevenção contra um contra-golpe:

- um contra-golpe é uma reacção repentina devido a uma lâmina de serra enganchada, emperrada ou incorrectamente alinhada, que faz com que uma serra descontrolada saia da peça a ser trabalhada e se movimente no sentido da pessoa a operar o aparelho;

- Se a lâmina de serra enganchou ou emperrou na fenda de corte, esta é bloqueada, e a força do motor golpeia o aparelho no sentido do operador;

- se a lâmina de serrar for torcida ou incorrectamente alinhada no corte, é possível que os dentes do canto posterior da lâmina de serrar se engatem na superfície da peça a ser trabalhada, de modo que a lâmina de serra se movimente para fora da fenda de corte e pule de volta para a pessoa a operar o aparelho.

Um contra-golpe é o resultado de uma utilização errada ou incorrecta da serra. Ele pode ser evitado com apropriadas medidas de precaução, como descrito a seguir.

Segurar a serra firmemente com ambas as mãos e mantenha os braços numa posição, na qual é capaz de suportar as forças de uma contra-golpe. Posicione-se sempre na lateral da lâmina de serra, jamais colocar a lâmina de serra numa linha com o seu corpo. No caso de um contra-golpe, a serra circular pode pular para trás, no entanto o operador será capaz de dominar a força do contra-golpe se tiver tomado medidas de precaução.

Se a lâmina de serra enganchou ou se o processo de serra for interrompido por qualquer outro motivo, deverá soltar o interruptor de ligar-desligar e segurar a serra imóvel na peça a ser trabalhada, até a lâmina de serra parar completamente. Não tente jamais remover a lâmina de serra da peça a ser trabalhada ou puxá-la para trás, enquanto a lâmina ainda estiver em movimento ou enquanto puder ocorrer um contra-golpe. Encontrar a causa pela qual a lâmina de serra está enganchada e eliminar a causa através de medidas apropriadas.

Se desejar reacionar uma serra que se encontra na peça a ser trabalhada, deverá centrar a lâmina de serra na fenda de serra e controlar se os dentes da serra não engate na peça a ser trabalhada. Se a lâmina de serra emperrar, poderá movimentar-se para fora da lâmina de serra ou causar um contra-golpe logo que a serra for reacionada.

Placas grandes devem ser apoiadas, para reduzir o risco de um contra-golpe devido a uma lâmina de serra emperrada. Placas grandes podem curvar-se devido ao seu próprio peso. Placas devem ser apoiadas em ambos os lados, tanto nas proximidades da fenda de corte, assim como na borda.

Não utilizar lâminas de serra obtusas ou danificadas. Lâminas de serra obtusas ou desalinhadas causam devido a uma fenda de corte demasiado estreita, uma fricção elevada, emperramento da lâmina de serra e contra-golpes.

Antes de serrar, deverá apertar os ajustes de profundidade de corte e de ângulo de corte. Se os ajustes se alterarem durante o processo de corte, é possível que a lâmina de serra seja emperrada e que ocorra um contra-golpe.

Tenha especialmente cuidado, ao efectuar um “Corte de imersão” numa área escondida, p.ex. uma parede existente. A lâmina de serra mergulhada pode bloquear-se em objetos escondidos ao serrar e causar um contra-golpe.

Controlar antes de cada utilização, se a capa de protecção inferior fecha perfeitamente. Não utilize a serra se a capa de protecção inferior não se movimentar livremente e não se fechar imediatamente. Jamais prender ou amarrar a capa de protecção na posição aberta. Se a serra cair inesperadamente no chão, é possível que a capa de protecção inferior seja entortada. Abrir a capa de protecção com a alavanca para puxar para trás, e assegurar que se movimenta livremente e não entre em contacto com a lâmina de serra nem com outras partes ao efectuar todos os tipos de cortes angulares e em todas as profundidades de corte.

Controlar a função da mola para a capa de protecção inferior. Permite que seja efectuada uma manutenção do aparelho antes de utilizá-lo, se a capa de protecção inferior e a mola não estiverem funcionando perfeitamente. Peças danificadas, resíduos aderentes ou acumulados de aparas fazem com que a capa de protecção inferior trabalhe com atraso.

Só abrir a capa de protecção inferior manualmente em certos tipos de corte, como “Cortes de imersão e cortes angulares”. **Abrir a capa de protecção inferior com uma alavanca para puxar para trás e soltar, logo que a lâmina de serra tenha entrado na peça a ser trabalhada.** Em todos os outros trabalhos de serra é necessário que a capa de protecção inferior trabalhe automaticamente.

Não depositar a serra sobre a bancada de trabalho nem sobre o chão, sem que a capa de protecção inferior encubra a lâmina de serra. Uma lâmina de serra não utilizada, e em movimento por inércia, movimenta a serra no sentido contrário do corte e serra tudo que estiver no seu caminho. Observe o tempo de movimento de inércia da serra.

É inadmissível a utilização de discos de serra que não correspondam às características especificadas nestas instruções de serviço.

Sempre use a protecção dos ouvidos. A influência de ruídos pode causar surdez.

É favor não instalar discos de lixar!

Aparelhos não estacionários, utilizados ao ar livre, devem ser protegidos por um disjuntor de corrente de defeito.

Usar sempre óculos de protecção ao trabalhar com a máquina. Recomenda-se a utilização de luvas de protecção, protectores para os ouvidos e máscara anti-poeiras.

Antes de efectuar qualquer intervenção na máquina, tirar a ficha da tomada.

Ao ligar à rede, a máquina deve estar desligada.

Mantém sempre o cabo de ligação fora da zona de acção da máquina.

Antes de cada utilização inspeccionar a máquina, o cabo de ligação a extensão e quanto a danos e desgaste. A máquina só deve ser reparada por um técnico especializado.

Não bloquear o interruptor quando a máquina for conduzida à mão.

O pó que resulta ao trabalhar pode ser nocivo para a saúde, por isso não devendo penetrar no corpo. Use uma máscara de protecção contra pó apropriada.

UTILIZAÇÃO AUTORIZADA

A serra circular manual efectua cortes precisos à esquadria e à meia esquadria em madeira e plástico.

Não use este produto de outra maneira sem ser a normal para a qual foi concebido.

DECLARAÇÃO DE CONFORMIDADE CE

Declaramos, sob nossa exclusiva responsabilidade, que este produto cumpre as seguintes normas ou documentos normativos: EN 60745, EN 55014-1, EN 55014-2, EN 61000-3-2, EN 61000-3-3, EN 61000-3-3, conforme as disposições das directivas 98/37/CE, 2004/108/CE



Winnenden, 2008-12-08

Rainer Kumpf
Manager Product Development

LIGAÇÃO À REDE

Só conectar à corrente alternada monofásica e só à tensão de rede indicada na placa de potência. A conexão às tomadas de rede sem contacto de segurança também é possível, pois trata-se de uma construção da classe de protecção II.

MANUTENÇÃO

Mantém desobstruídos os rasgos de ventilação na carcaça da máquina.

Utilizar apenas acessórios AEG e peças sobresselentes AEG. Os componentes cuja substituição não esteja descrita devem ser substituídos num serviço de assistência técnica AEG (consultar a brochura relativa à garantia/moradas dos serviços de assistência técnica).

A pedido e mediante indicação da referência de dez números que consta da chapa de características da máquina, pode requerer-se um desenho explosivo da ferramenta eléctrica a: AEG Elektrowerzeuge, Max-Eyth-Straße 10, D-71364 Winnenden, Germany.

SYMBOLE



Leia atentamente o manual de instruções antes de colocar a máquina em funcionamento.



Antes de efectuar qualquer intervenção na máquina, tirar a ficha da tomada.



Acessório - Não incluído no equipamento normal, disponível como acessório.



Não deite ferramentas eléctricas no lixo doméstico! De acordo com a directiva europeia 2002/96/CE sobre ferramentas eléctricas e electrónicas usadas e a transposição para as leis nacionais, as ferramentas eléctricas usadas devem ser recolhidas em separado e encaminhadas a uma instalação de reciclagem dos materiais ecológica.

TECHNISCHE GEGEVENS	110 V	220-240 V
Nominaal afgegeven vermogen.....	1600 W.....	1600 W
Onbelast toerental.....	5300 min ⁻¹	5800 min ⁻¹
Zaagblad ø x boring ø.....	184x30 mm.....	184x30 mm
Max. zaagdiepte bij 90°/45°/56°.....	61/49/35 mm.....	61/49/35 mm
Gewicht, zonder snoer.....	4,8 kg.....	4,8 kg
Geluids-/trillingsinformatie		
Meetwaarden vastgesteld volgens EN 60 745.		
Het kenmerkende A-gewogen geluidsniveau van de machine bedraagt:		
Geluidsdruk niveau (K = 3 dB(A)).....	92,5 dB(A).....	92,5 dB(A)
Geluidsvermogen niveau (K = 3 dB(A)).....	103,5 dB(A).....	103,5 dB(A)
Draag oorbeschermers!		
Totale trillingswaarden (vectorsom van drie richtingen) bepaald volgens EN 60745.		
Trillingsemisiewaarde a.....	3,8 m/s ²	3,8 m/s ²
Onzekerheid K.....	1,5 m/s ²	1,5 m/s ²

WAARSCHUWING

De in deze aanwijzingen vermelde trillingsdruk is gemeten volgens een in EN 60745 genormeerde meetmethode en kan worden gebruikt voor de onderlinge vergelijking van apparaten. Hij is ook geschikt voor een voorlopige inschatting van de trillingsbelasting.

De aangegeven trillingsdruk geldt voor de meest gebruikelijke toepassingen van het elektrische apparaat. Wanneer het elektrische gereedschap echter voor andere doeleinden, met andere dan de voorgeschreven hulpstukken gebruikt of niet naar behoren onderhouden wordt, kan de trillingsdruk afwijken. Dit kan de waarde van de trillingsdruk over de hele werkperiode aanzienlijk verhogen.

Voor een nauwkeurige inschatting van de trillingsdruk moeten ook de tijden in aanmerking worden genomen dat het apparaat uitgeschakeld is of weliswaar loopt, maar niet werkelijk in gebruik is. Dit kan de waarde van de trillingsdruk over de hele werkperiode aanzienlijk verminderen.

Bepaal extra veiligheidsmaatregelen ter bescherming van de bediener tegen de inwerking van trillingen, bijvoorbeeld: onderhoud van elektrische gereedschappen en apparaten, warmhouden van de handen, organisatie van de werkprocessen.

⚠ WAARSCHUWING! Lees alle veiligheidsinstructies en aanwijzingen door - ook die in de bijgeleverde brochure. Als de waarschuwingen en voorschriften niet worden opgevolgd, kan dit een elektrische schok, brand of ernstig letsel tot gevolg hebben. Bewaar alle waarschuwingen en voorschriften voor toekomstig gebruik.

VEILIGHEIDSADVIEZEN

⚠ GEVAAR: Houd uw handen uit de buurt van de zaagomgeving en het zaagblad. Houd met uw andere hand de extra handgreep of het motorhuis vast. Als u de cirkelzaag met beide handen vasthoudt, kan het zaagblad deze niet verworden.

Grijp niet onder het werkstuk. De beschermkap kan u onder het werkstuk niet tegen het zaagblad beschermen.

Pas de zaagdiepte aan de dikte van het werkstuk aan. Er dient minder dan een volledige tandhoogte onder het werkstuk zichtbaar te zijn.

Houdt het te zagen werkstuk nooit in uw hand of op uw been vast. Zet het werkstuk op een stabiele ondergrond vast. Het is belangrijk om het werkstuk goed te bevestigen om het gevaar van contact met het lichaam, vastklemmen van het zaagblad of verlies van de controle te minimaliseren.

Houd de machine alleen aan de geïsoleerde greepvlakken vast als u werkzaamheden uitvoert waarbij het zaagblad verborgen stroomleidingen of de eigen machinekabel kan raken. Het contact met een onder spanning staande leiding zet ook de metalen machinedelen onder spanning en leidt tot een elektrische schok.

Gebruik bij het schulpen altijd een aanslag of een rechte randgeleiding. Dit verbetert de zaagnauwkeurigheid en verkleint de mogelijkheid dat het zaagblad vastklemt.

Gebruik altijd zaagbladen met de juiste maat en vorm (stervormig of rond) van het opnameboorgat. Zaagbladen die niet bij de montagedelen van de zaagmachine passen, lopen niet rond en leiden tot het verliezen van de controle.

Gebruik nooit beschadigde of verkeerde onderleggingen of schroeven voor het zaagblad. De onderleggingen en schroeven voor het zaagblad zijn speciaal geconstrueerd voor deze zaagmachine, voor optimaal vermogen en optimale bedrijfszekerheid.

Oorzaken en voorkoming van een terugslag:

- een terugslag is de plotselinge reactie als gevolg van een vasthakend, klemmend of verkeerd gericht zaagblad, die etore

leidt dat een ongecontroleerde zaagmachine uit het werkstuk omhoogkomt en in de richting van de bedienende persoon beweegt;

- als het zaagblad in de zich sluitende zaagopening vasthaakt of vastklemt, wordt het geblokkeerd en slaat de motorcracht de machine in de richting van de bedienende persoon terug;

- als het zaagblad in de zaagopening wordt gedraaid of verkeerd wordt gericht, kunnen de tanden van de achterste zaagbladrand in het oppervlak van het werkstuk vasthaken, waardoor het zaagblad uit de zaagopening beweegt en achteruitspringt in de richting van de bedienende persoon.

Een terugslag is het gevolg van het verkeerd gebruik of onjuiste gebruiksomstandigheden van de zaagmachine. Terugslag kan worden voorkomen door geschikte voorzorgsmaatregelen, zoals hieronder beschreven.

Houd de zaagmachine met beide handen vast en houd uw armen zo dat u stand kunt houden ten opzichte van de terugslagkrachten. Blijf altijd opzij van het zaagblad en breng het zaagblad nooit in één lijn met uw lichaam. Bij een terugslag kan de cirkelzaag achteruit springen. De bedienende persoon kan de terugslagkrachten echter beheersen wanneer geschikte maatregelen zijn getroffen.

Als het zaagblad vastklemt of het zagen om een andere reden wordt onderbroken, laat u de aan/uit-schakelaar los en houd u de zaagmachine in het materiaal rustig tot het zaagblad volledig stilstaat. Probeer nooit om de zaagmachine uit het werkstuk te verwijderen of de machine achteruit te trekken zolang het zaagblad beweegt of een terugslag kan optreden. Spoor de oorzaak van het klemmen van het zaagblad op en verwijder deze door geschikte maatregelen.

Als u een zaagmachine die in het werkstuk steekt weer wilt starten, centreert u het zaagblad in de zaagopening en controleert u of de zaagtanden niet in het werkstuk zijn vastgehaakt. Als het zaagblad klemt, kan het uit het werkstuk bewegen of een terugslag veroorzaken als de zaagmachine opnieuw wordt gestart.

Ondersteun grote platen om het risico van een terugslag door een klemmend zaagblad te verminderen. Grote platen kunnen onder hun eigen gewicht doorbuigen. Platen moeten aan beide zijden worden ondersteund, in de buurt van de zaagopening en aan de rand.

Gebruik geen stompe of beschadigde zaagbladen. Zaagbladen met stompe of verkeerd gerichte tanden veroorzaken door een te nauwe zaagopening een verhoogde wrijving, vastklemmen van het zaagblad of terugslag.

Draai voor het zagen de instellingen voor de zaagdiepte en de zaaghoek vast. Als tijdens het zagen de instellingen veranderen, kan het zaagblad vastklemmen kan een terugslag optreden.

Wees bijzonder voorzichtig als u invallend zaagt in een verborgen gedeelte, bijvoorbeeld een bestaande wand. Het invallende zaagblad kan bij het zagen in verborgen objecten blokkeren en een terugslag veroorzaken.

Controleer voor elk gebruik of de onderste beschermkap correct sluit. Gebruik de zaagmachine niet als de onderste beschermkap niet vrij kan bewegen en niet onmiddellijk sluit. Klem of bind de onderste beschermkap nooit in de geopende stand vast. Als de zaagmachine op de vloer valt, kan de onderste beschermkap worden verborgen. Open de beschermkap met de terugtrekhandel en controleer dat deze vrij beweegt en bij alle zaaghoeken en zaagdiepten het zaagblad of andere delen niet aanraakt.

Controleer de functie van de veer voor de onderste beschermkap. Laat voor het gebruik van de machine onderhoud uitvoeren als de onderste beschermkap en de veer niet correct werken. Beschadigde delen, plakkende aanslag of ophoping van spanen laten de onderste beschermkap vertraagd werken.

Open de onderste beschermkap alleen met de hand bij bijzondere zaagwerkzaamheden, zoals invallend zagen en haaks zagen. Open de onderste beschermkap met de terugtrekhandel en laat deze los zodra het zaagblad in het werkstuk is binnengedrongen. Bij alle andere zaagwerkzaamheden moet de onderste beschermkap automatisch werken.

Leg de zaagmachine niet op de werkbank of op de vloer zonder dat de onderste beschermkap het zaagblad bedekt. Een onbeschermd uitlopend zaagblad beweegt de zaagmachine tegen de zaagrichting en zaagt wat er in de weg komt. Let op de uitlooptijd van de zaagmachine.

Zaagbladen, waarvan de gegevens niet overeenkomen welke in de gebruiksaanwijzing staan, mogen niet gebruikt worden.

Draag oorbeschermers. Blootstelling aan geluid kan het gehoor beschadigen.

Geen schuurschijven plaatsen!

Verplaatsbaar gereedschap moet bij het gebruik buiten aan een aardlekschakelaar aangesloten worden.

Bij het werken met de machine altijd een veiligheidsbril dragen. Werkhandschoenen en stofkapje voor de mond worden aanbevolen.

Voor alle werkzaamheden aan de machine de stekker uit de kontaktdoos trekken.

Machine alleen uitgeschakeld aan het net aansluiten.

Snoer altijd buiten werkbereik van de machine houden.

Voor alle ombouw- of onderhoudswerkzaamheden, de stekker uit de wandkontaktdoos nemen.

Bij niet stationair gebruik de aan-uitschakelaar niet vastzetten.

Het gedurende het werken vrijkomende stof is doorgaans schadelijk voor de gezondheid en mag niet met het lichaam in aanraking komen. Draag derhalve een geschikt stofbeschermingsmasker.

VOORGESCHREVEN GEBRUIK VAN HET SYSTEEM

De cirkelzaag is geschikt voor rechte zaagsnedes in hout, kunststof en aluminium.

Dit apparaat uitsluitend gebruiken voor normaal gebruik, zoals aangegeven.

EC - VERKLARING VAN OVEREENSTEMMING

Wij verklaren dat dit produkt voldoet aan de volgende normen of normatieve documenten: EN 60745, EN 55014-1, EN 55014-2, EN 61000-3-2, EN 61000-3-3, EN 61000-3-3, overeenkomstig de bepalingen van de richtlijnen 98/37/EG, 2004/108/EG



Winnenden, 2008-12-08

Rainer Kumpf
Manager Product Development

NETAANSLUITING

Uitsluitend op éénfase-wisselstroom en uitsluitend op de op het typeplaatje aangegeven netspanning aansluiten. Aansluiting is ook mogelijk op een stekerdoos zonder aardcontact mogelijk, omdat het is ontworpen volgens veiligheidsklasse II.

ONDERHOUD

Altijd de luchtspleten van de machine schoonhouden.

Gebruik uitsluitend AEG toebehoren en onderdelen. Indien componenten die moeten worden vervangen niet zijn beschreven, neem dan contact op met een officieel AEG servicecentrum (zie onze lijst met servicecentra).

Onder vermelding van het tiencijferige nummer op het machineplaatje is desgewenst een doorsnedetekening van de machine verkrijgbaar bij: AEG Elektrowerkzeuge, Max-Eyth-Straße 10, D-71364 Winnenden, Germany.

SYMBOLEN



Graag instructies zorgvuldig doorlezen vóórdat u de machine in gebruik neemt.



Voor alle werkzaamheden aan de machine de stekker uit de kontaktdoos trekken.



Toebehoren - Wordt niet meegeleverd. Is apart leverbaar. Zie hiervoor het toebehorenprogramma.



Geef elektrisch gereedschap niet met het huisvuil mee! Volgens de Europese richtlijn 2002/96/EG inzake oude elektrische en elektronische apparaten en de toepassing daarvan binnen de nationale wetgeving, dient gebruikt elektrisch gereedschap gescheiden te worden ingezameld en te worden afgevoerd naar een recycle bedrijf dat voldoet aan de geldende milieueisen.

TEKNISKE DATA	110 V	220-240 V
Nominal optagen effekt.....	1600 W.....	1600 W
Omdrejningstal, ubelastet.....	5300 min ⁻¹	5800 min ⁻¹
Savklinge-ø x hul-ø.....	184x30 mm.....	184x30 mm
Skæredybde max. ved 90°/45°/56°.....	61/49/35 mm.....	61/49/35 mm
Vægt uden netledning.....	4,8 kg.....	4,8 kg

Støj/Vibrationsinformation

Måleværdier beregnes iht. EN 60 745.

Værktøjets A-vurderede støjniveau er typisk:

Lydtrykniveau (K = 3 dB(A)).....	92,5 dB(A).....	92,5 dB(A)
Lydeffekt niveau (K = 3 dB(A)).....	103,5 dB(A).....	103,5 dB(A)

Brug høreværn!

Samlede vibrationsværdier (værdisum for tre retninger) beregnet iht. EN 60745.

Vibrationseksponering a _h	3,8 m/s ²	3,8 m/s ²
Usikkerhed K.....	1,5 m/s ²	1,5 m/s ²

ADVARSEL

Svingningsniveauet, som er angivet i disse anvisninger, er målt i henhold til standardiseret måleprocedure ifølge EN 60745 og kan anvendes til indbyrdes sammenligning mellem el-værktøjer. Svingningsniveauet er ligeledes egnet som foreløbigt skøn over svingningsbelastningen.

Det angivne svingningsniveau er baseret på el-værktøjets primære anvendelsesformål. Hvis el-værktøjet benyttes til andre formål, med andet indsatsværktøj eller ikke vedligeholdes tilstrækkeligt, kan svingningsniveauet afvige. Dette kan øge svingningsbelastningen over den samlede arbejdsperiode betydeligt.

For en nøjagtig vurdering af svingningsbelastningen skal der også tages højde for de tidsperioder, hvor apparatet er slukket, eller hvor apparatet kører, men uden at være i anvendelse. Dette kan reducere svingningsbelastningen over den samlede arbejdsperiode betydeligt.

Supplerende sikkerhedsforanstaltninger til beskyttelse af brugeren mod påvirkninger fra svingninger skal iværksættes, f.eks.:

Vedligeholdelse af el-værktøj og indsatsværktøj, varmholdelse af hænder, organisering af arbejdsprocesser.

⚠ ADVARSEL! Læs alle sikkerhedsanvisninger og øvrige vejledninger, også i den vedlagte brochure. I tilfælde af manglende overholdelse af advarselshenvisningerne og instrukserne er der risiko for elektrisk stød, brand og/eller alvorlige kvæstelser.

Opbevar alle advarselshenvisninger og instrukser til senere brug.

SIKKERHEDSHENVISNINGER

⚠ FARE: Stik aldrig hånden ind i skærområdet eller ind til savklingen. Tag fat om støttegrebet eller motorhuset med den anden hånd. Når man holder rundsaven med begge hænder, kan man ikke komme til at skære fingrene på klingene.

Stik aldrig hånden ind under arbejdsemnet. Beskyttelsesskærmen giver ingen beskyttelse mod klingens på emnets underside.

Tilpas skæredybden efter arbejdsemnets tykkelse. Der må maksimalt være en hel tandhøjde synlig under emnet.

Hold aldrig et arbejdsemne i hånden eller over et knæ, når der skal saves i det. Emnet skal fikseres på et stabilt underlag. Det er vigtigt at emnet er gjort godt fast, for at minimere risikoen for at komme til at save sig selv og for at klingens sætter sig fast eller kommer ud af kontrol.

Hold altid kun fast på maskinen på de isolerede håndtagsflader, når der skal saves i emner, hvor der er risiko for at skæreværktøjet kan komme i kontakt med strømførende ledninger eller apparatets eget kabel. Ved kontakt med en strømførende ledning står metaldelene på maskinen også under spænding og giver et elektrisk stød.

Anvend altid et anslag eller et lige landstyr ved skæring på langs. Det vil forbedre skærepræcisionen og reducere muligheden for, at savklingen kan sætte sig fast.

Anvend altid en savklinge i den rigtige størrelse og med det passende spændehul (f.eks. stjerneformet eller rund).

Savklinger, der ikke passer til monteringsdele på saven, vil køre ujævnt og kan nemt få maskinen til at gå ud af kontrol.

Anvend aldrig beskadigede eller forkerte underlagsskiver eller skruer til savklingen. Underlagsskiver og skruer til savklingen bliver konstrueret specielt til den enkelte sav, så man opnår optimal ydelse og driftssikkerhed.

Årsager til og undgåelse af kast (kickback):

- kast betyder en pludselig reaktion på grund af at savklingen er klemt fast, sætter sig fast eller er monteret forkert, og som bevirker,

at man mister kontrollen over saven, der bliver løftet opad og ud af arbejdsemnet og bliver slynget op mod brugeren;

- hvis klingens binder eller sætter sig fast i savsnittet, der lukker sig, bliver den blokeret, og motorkraften slynger maskinen tilbage mod brugeren;

- hvis savklingen drejes eller rettes forkert ind i savsnittet, kan tænderne i den bageste del af savklingen bide sig fast i arbejdsemnets overflade, og derefter vil klingens arbejde sig ud af snittet og saven blive slynget tilbage mod brugeren.

Et kast (kickback) opstår som følge af forkert brug eller misbrug af maskinen. Det kan undgås ved at tage nedenstående forholdsregler.

Hold fast på saven med begge hænder og hold armene i en stilling, hvor De kan opfange styrken fra et kast. Stå altid på den ene side af savklingen, savklingen må aldrig stå på linje med kroppen. Ved et kast kan rundsaven springe bagud, men brugeren kan opfange tilbageslagskraften, hvis man forholder sig rigtigt.

Hvis savklingen binder eller savningen skal afbrydes af en anden grund, så slip start-/stop-kontakten og lad saven blive siddende i emnet, indtil savklingen står helt stille. Prøv aldrig på at tage saven ud af emnet eller at trække den tilbage, så længe savklingen bevæger sig eller der er risiko for kast. Find ud af, hvorfor savklingen har sat sig fast, og træf egnede forholdsregler, så det ikke kan ske igen.

Når man igen vil starte en sav, som har sat sig fast i emnet, skal savklingen centreres i savsnittet, hvorefter man kontrollerer, at savtænderne ikke har sat sig fast i emnet. Hvis savklingen binder, kan den arbejde sig ud af arbejdsemnet og forårsage et kast, når man starter saven igen.

Store plader skal afstøttes for at mindske risikoen for kast, på grund af at savklingen sætter sig fast. Store plader har en tendens til at bøje ned i midten på grund af deres egenvægt. Plader skal afstøttes på begge sider, både i nærheden af savsnittet og ved pladens kant.

Anvend aldrig en sløv eller beskadiget savklinge. En savklinge med sløve eller forkert rettede tænder giver et smal savsnit, som kan give en for høj friktion, få klingens til at sætte sig fast og forårsage kast.

Skæredybden og skærevinklen skal indstilles og spændes fast, før man begynder at save. Hvis indstillingen ændres under savningen, kan savklingen sætte sig fast og der kan opstå kast.

Vær især forsigtig, hvis der skal udføres et „dyksnit“ i et uoverskueligt område, f.eks. i en eksisterende væg.

Savklingen, der skal dykke ned, kan blive blokeret i skjulte genstande og give kast.

Kontroller først, om den nederste beskyttelseskappe lukker korrekt, hver gang maskinen skal bruges. Anvend aldrig saven, hvis den nederste beskyttelseskappe ikke kan bevæges frit og ikke lukker sig øjeblikkeligt. Den nederste beskyttelseskappe må aldrig klemmes eller bindes fast i åbnet stilling. Hvis saven falder ned ved et uheld, kan den nederste beskyttelseskappe blive bøjet. Åbn beskyttelseskappen med tilbagetrækshåndtaget og overbevis Dem om, at den kan bevæges frit og hverken berører savklingen eller andre dele ved alle skærevinkler og -dybder.

Kontroller af fjedrene til den nederste beskyttelseskappe fungerer ordentlig. Få udført service på maskinen, før den bruges igen, hvis den nederste beskyttelseskappe og fjederen ikke fungerer korrekt. Den nederste beskyttelseskappe kan gå trægt, hvis der er beskadigede dele, klæbrige rester eller

Den nederste beskyttelseskappe må kun åbnes manuelt i forbindelse med specielle snit, f.eks. „dyk – og vinkelsnit“. Åbn den nederste beskyttelseskappe med tilbagetrækshåndtaget og slip håndtaget igen, så snart savklingen er trængt ned i arbejdsemnet. Ved alle andre former for savning skal den nederste beskyttelseskappe fungere automatisk.

Læg aldrig saven fra Dem på et arbejdsbord eller på jorden, uden at den nederste beskyttelseskappe dækker savklingen. En ubeskyttet savklinge med efterløb vil få saven til at flytte sig baglæns og vil save i alting, der kommer i vejen for den. Derfor er det vigtigt at holde øje med savens efterløbstid.

Savklinger, som ikke svarer til data i denne brugsanvisning, må ikke anvendes.

Bær høreværn. Støjpåvirkning kan bevirke tab af hørelse.

Slibeskiver må ikke indsættes

Stikdåser udenørs skal være forsynet med fejlstrømssikringskont akt. Der forlanger installationsforskriften for Deres elektroanlæg. Overhold dette, når De bruger vores maskiner.

Når der arbejdes med maskinen, skal man have beskyttelsesbriller på. Beskyttelseshandsker, skridsikre sko, høreværn og forklæde anbefales.

Før ethvert arbejde ved maskinen skal stikket tages ud af stikdåsen.

Maskinen sluttes kun udkoblet til stikdåsen.

Tilslutningskablet holdes hele tiden væk fra maskinens arbejdsområde. Kablet ledes altid bort bag om maskinen.

Kontroller hvergang, før laderen anvendes, at tilslutningskabel, forlænger-kabel og stik er i orden. Dele der er beskadiget bør kun repareres hos et autoriseret værksted.

Ind-/udkobler blokeres ikke i manuel drift.

Støv, som opstår under arbejdet, er ofte sundhedsfarligt og bør ikke trænge ind i kroppen. Benyt egnet åndedrætsværn.

TILTÆNKT FORMÅL

Håndrundsaven kan bruges til savning af lige snit i træ, kunststof og aluminium.

Produktet må ikke anvendes på anden måde og til andre formål end foreskrevet.

CE-KONFORMITETSERKLÆRING

Vi erklærer under almindeligt ansvar, at dette produkt er i overensstemmelse med følgende normer eller norma-tive dokumenter. EN 60745, EN 55014-1, EN 55014-2, EN 61000-3-2, EN 61000-3-3, EN 61000-3-3, i henhold til bestemmelserne i direktiverne 98/37/EF, 2004/108/EF



Winnenden, 2008-12-08

Rainer Kumpf

Manager Product Development

NETTILSLUTNING

Tilslutning må kun foretages til enfaset vekselstrøm og kun til en netspænding, som er i overensstemmelse med angivelsen på mærkepladen. Tilslutning kan også ske til stikdåser uden beskyttelseskontakt, da kapslingsklasse II foreligger.

VEDLIGEHOLDELSE

Hold altid maskinens ventilationsåbninger rene.

Brug kun AEG-tilbehør og AEG-reservedele. Komponenter, hvor udskiftningsproceduren ikke er beskrevet, skal skiftes ud hos et AEG-servicested (se brochure garanti/kundeserviceadresser).

Ved opgivelse af type nr. der er angivet på maskinens effektskilt, kan De requirere en reservedelstegning, ved henvendelse til: AEG Elektrowerkzeuge, Max-Eyth-Straße 10, D-71364 Winnenden, Germany.

SYMBOLER



Læs brugsanvisningen nøje før ibrugtagning.



Før ethvert arbejde ved maskinen skal stikket tages ud af stikdåsen.



Tilbehør - Ikke inkluderet i leveringsomfanget, køb købes som tilbehør.



Elværktøj må ikke bortskaffes som almindeligt affald! I henhold til det europæiske direktiv 2002/96/EF om bortskaffelse af elektriske og elektroniske produkter og gældende national lovgivning skal brugt værktøj indsamles separat og bortskaffes på en måde, der skåner miljøet mest muligt.

TEKNISKE DATA	110 V	220-240 V
Nominell inngangseffekt	1600 W	1600 W
Tomgangsturtall	5300 min ⁻¹	5300 min ⁻¹
Sagblad-ø x hull-ø	184x30 mm	184x30 mm
Kuttybde maks. ved 90°/45°/56°	61/49/35 mm	61/49/35 mm
Vekt uten nettkabel	4,8 kg	4,8 kg

Støy/Vibrasjonsinformasjon

Måleverdier fastslått i samsvar med EN 60 745.

Det typiske A-bedømte støynivået for maskinen er:

Lydtrykknivå (K = 3 dB(A))	92,5 dB(A)	92,5 dB(A)
Lydeffektnivå (K = 3 dB(A))	103,5 dB(A)	103,5 dB(A)

Bruk hørselsvern!

Totalt svingningsverdier (vektorsum fra tre retninger) beregnet jf. EN 60745.

Svingningsemissjonsverdi a _w	3,8 m/s ²	3,8 m/s ²
Usikkerhet K	1,5 m/s ²	1,5 m/s ²

ADVARSEL

Svingningsnivået som er angitt i denne instruksjonen er målt i overensstemmelse med målemetoden normert i direktiv EN 60745 og kan brukes til å sammenligne elektromaskiner med hverandre. Den egner seg også for en foreløbig vurdering av svingningsbelastningen.

Det angitte svingningsnivået representerer de hovedsaklige bruk av elektroverktøyet. Men anvendes elektroverktøyet for andre bruk med avvikende utskiftbare verktøy eller vedlikeholdet er utilstrekkelig, kan svingningsnivået være avvikende.

Dette kan forhøye svingningsbelastning betydelig over hele arbeidsperioden. For en nøyaktig vurdering av svingningsbelastningen må også det tas hensyn til tiden apparatet er avslått eller står på, men ikke er i bruk. Dette kan redusere svingningsbelastningen betydelig over hele arbeidsperioden.

Innfør også ekstra sikkerhetstiltak for å beskytte bruker mot utvirkingen av svingningene. Disse kan f.eks. være: vedlikehold av elektroverktøyet og det utskiftbare verktøyet, holde hendene varme, organisasjon av arbeidsforløpet.

⚠ ADVARSEL! Les alle sikkerhetsinstruksjoner og bruksanvisninger, også de i den vedlagte brosjyre. Feil ved overholdelsen av advarslene og nedenstående anvisninger kan medføre elektriske støt, brann og/eller alvorlige skader. **Ta godt vare på alle advarslene og informasjonene.**

SPESEIELLE SIKKERHETSHENVISNINGER

⚠ FARE: Pass på at hendene ikke kommer inn i sagområdet og opp i sagbladet. Hold ekstrahåndtaket eller motorhuset fast med den andre hånden. Når begge hendene holder sirkelsagen, kan sagbladet ikke skade hendene.

Ikke grip under arbeidsstykket. Verneedekelet kan ikke beskytte deg mot sagbladet under arbeidsstykket.

Tilpass skjæredybden til tykkelsen på arbeidsstykket. Det skal være mindre enn en full tannhøyde synlig under arbeidsstykket.

Hold aldri arbeidsstykket som skal sages fast med hånden eller over benet. Sikre arbeidsstykket på et stabilt underlag. Det er viktig å feste arbeidsstykket godt for å minimere faren ved kroppskontakt, fastklemming av sagbladet eller hvis du mister kontrollen.

Hold maskinen kun på de isolerte gripeflatene, hvis du utfører arbeid der skjæreverktøyet kan treffe på skjulte strømledninger eller den egne maskinledningen. Kontakt med en spenningsførende ledning setter også maskinens metaldeler under spenning og fører til elektriske støt.

Ved langsskjæring må du alltid bruke et anlegg eller en rett kantføring. Dette forbedrer skjærenøyaktigheten og reduserer muligheten til at sagbladet klemmer.

Bruk alltid sagblad med rett størrelse og med passende festehull (f.eks. stjerne-formet eller rund). Sagblad som ikke passer sammen med sagens montasjedeler, går rundt og fører til tap av kontrollen.

Bruk aldri skadede eller gale sagblad-underlagsskiver eller -skruer. Sagblad-underlagsskivene og -skruene ble spesielt konstruert for denne sagen, slik at det oppnås en optimal ytelse og driftssikkerhet.

Årsaker til tilbakeslag og hvordan tilbakeslag kan unngås.

- Et tilbakeslag er en plutselig reaksjon fra et sagblad som har hengt seg opp, klemt seg fast eller er galt innrettet, og som fører til at en ukontrollert sag løftes opp og beveger seg ut av arbeidsstykket og i retning av brukeren.

- Hvis et sagblad henger seg opp eller klemmer seg fast i en sagespalte som lukkes, blokkerer sagen og motorkraften slår sagen tilbake i retning av brukeren.

- Hvis et sagblad dreies galt eller rettes galt opp i sagsnittet, kan tennene til bakre sagbladkant kile seg fast i overflaten til arbeidsstykket, slik at sagbladet beveger seg ut av sagespalten og sagen springer tilbake i retning av brukeren.

Et tilbakeslag er resultat av en gal eller feilaktig bruk av sagen. Det kan unngås ved å følge egnede sikkerhetstiltak som beskrevet nedenstående.

Hold sagen godt fast og plasser armene dine i en stilling som kan ta imot tilbakeslagskrefter. Opphold deg alltid på siden av et sagblad, la aldri sagbladet være i en linje med kroppen din. Ved et tilbakeslag kan sirkelsagen rykke bakover, men brukeren kan beherske tilbakeslagskreftene, hvis det ble utført egnede tiltak.

Hvis et sagblad klemmer fast eller sagingen avbrytes av andre grunner må du slippe på -av-bryteren og holde sagen rolig i materialet til sagbladet står helt stille. Forsøk aldri å fjerne sagen fra et arbeidsstykke eller trekke den bakover så lenge sagbladet beveger seg eller det kan oppstå et tilbakeslag. Finn årsaken til at sagbladet er klemt fast og fjern denne årsaken med egnede tiltak.

Hvis du vil starte en sag som står fast i arbeidsstykket igjen, sentrerer du sagbladet i sagespalten og kontrollerer om sagtennene ikke har kilt seg fast i arbeidsstykket. Hvis sagbladet klemmer seg fast, kan det bevege seg ut av arbeidsstykket eller forårsake et tilbakeslag når sagen starter igjen.

Støtt store plater for å redusere risikoen for tilbakeslag fra et fastklemt sagblad. Store plater kan bøyes av sin egen vekt. Platene må støttes på begge sider, både i nærheten av sagespalten og på kanten.

Bruk ikke butte eller skadede sagblad. I en for smal sagespalte forårsaker sagblad med butte eller galt opprettede tenner stor friksjon, fastklemming av sagbladet eller tilbakeslag.

Trekk fast skjæredybde- og skjærevinkelinnstillingene fast før sagingen. Hvis innstillingene forandrer seg i løpet av sagingen, kan sagbladet klemmes fast og det kan oppstå et tilbakeslag.

Vær spesielt forsiktig når du utfører en „innstikksaging“ i et skjult område, f.eks. en eksisterende vegg. Det innstikkende sagbladet kan blokkere ved saging i skjulte objekter og forårsake et tilbakeslag.

Før hver bruk må du kontrollere om det nedre verneedekelet stenger helt. Ikke bruk sagen hvis det nedre verneedekelet ikke kan beveges fritt og ikke stenger straks. Klem og bind

nedre verneedekelet aldri fast i åpnet posisjon. Hvis sagen skulle falle ned på bakken ved en feiltagelse, kan det nedre verneedekelet bøyes. Åpne verneedekelet med tilbake trekkingssarmen og pass på at det kan beveges fritt og ikke berører verken sagblad eller andre deler i alle skjærevinkler og -dybder.

Kontroller fjærens funksjon for nedre verneedekelet. La maskinen gjennomgå service før bruk, hvis nedre verneedekelet og fjær ikke virker feilfritt. Skadede deler, klebrige avleiringer eller sponhauger medfører at nedre verneedekelet reagerer forsinket.

Åpne det nedre verneedekelet manuelt kun ved spesielle snitt, som „innstikk- og vinkelsnitt“. Åpne det nedre verneedekelet med tilbake trekkingssarmen og slipp den når sagbladet er trengt inn i arbeidsstykket. Ved alle andre typer saging må det nedre verneedekelet fungere automatisk.

Legg ikke sagen på arbeidsbenken eller gulvet uten at nedre verneedekelet dekker over sagbladet. Et ubeskyttet sagblad som fortsatt roterer beveger sagen i motsatt retning av skjærerretningen og sager alt som er i veien. Ta hensyn til tiden sagen fortsatt roterer etter at den er slått av.

Ikke bruk sagblad som ikke er i tråd med egenskapene i denne bruksanvisningen.

Bruk hørselsvern. Støy kan føre til tap av hørselen

Bruk ikke slipeskiver.

Stikkontakter utendørs må være utstyrt med feilstrøm-sikkerhetsbryter. Dette forlanges av installasjonsforskriften for elektroanlegg. Vennligst følg dette når du bruker vårt apparat.

Bruk alltid vernebrille når du arbeider med maskinen. Det anbefales å bruke arbeidshansker, faste og sklisikre sko og forkle.

Trekk støpslet ut av stikkkontakten før du begynner arbeidet på maskinen.

Maskinen må være slått av når den koples til stikkkontakten.

Hold ledningen alltid vekk fra maskinens virkeområde. Før ledningen alltid bakover fra maskinen.

Kontroller apparat, tilkopplingsledning, skjøteledning og støpsel for skader og aldring før bruk. La en fagmann reparere skadete deler. På -av-bryteren må ikke klemmes fast under håndholdt drift.

Støvet som oppstår ved arbeidet er ofte helsefarlig og skal ikke komme i kontakt med kroppen. Bruk derfor vernemaske som er egnet for støv.

FORMÅLSMESSIG BRUK

Sirkelsagen kan brukes til saging av rette kutt i treverk, plast og aluminium.

Dette apparatet må kun brukes til de oppgitte formål.

CE-SAMSVARSERKLÆRING

Vi erklærer på eget ansvar at dette produktet stemmer overens med de følgende normer eller normative dokumenter. EN 60745, EN 55014-1, EN 55014-2, EN 61000-3-2, EN 61000-3-3, EN 61000-3-3, i henhold til bestemmelsene i direktivene 98/37/EF, 2004/108/EF



Winnenden, 2008-12-08

Rainer Kumpf
Manager Product Development

NETTILKOPLING

Skal bare tilsluttes enfasevekselstrøm og bare til den på skiltet angitte nettspenning. Tilslutning til stikkontakter uten jordet kontakt er mulig fordi beskyttelse beskyttelsesklasse II er forhanden.

VEDLIKEHOLD

Hold alltid luftåpningene på maskinen rene.

Bruk kun AEG tilbehør og AEG reservedeler. Komponenter der utskifting ikke er beskrevet skal skiftes ut hos AEG kundeservice (se brosjyre garanti/kundeserviceadresser).

Ved behov kan du be om en eksplosjonstegning av apparatet hos din kundeservice eller direkte hos AEG Elektrowerkzeuge, Max-Eyth-Strasse 10, D-71364 Winnenden, Germany. Oppgi maskintype og det tilsifrete nummeret på typeskiltet.

SYMBOLER



Les nøye gjennom bruksanvisningen før maskinen tas i bruk.



Trekk støpslet ut av stikkkontakten før du begynner arbeidet på maskinen.



Tilbehør - inngår ikke i leveransen, anbefalt komplettering fra tilbehørsprogrammet.



Kast aldri elektroverktøy i husholdningsavfallet! I henhold til EU-direktiv 2002/96/EF om kasserte elektriske og elektroniske produkter og direktivets iverksettning i nasjonal rett, må elektroverktøy som ikke lenger skal brukes, samles separat og returneres til et miljøvennlig gjenvinningsanlegg.

TEKNISKA DATA	110 V	220-240 V
Nominell upptagen effekt.....	1600 W.....	1600 W
Obelastat varvtal.....	5300 min ⁻¹	5800 min ⁻¹
Sågklinga-ø x hål-ø.....	184x30 mm.....	184x30 mm
Skär djup max vid 90°/45°/56°.....	61/49/35 mm.....	61/49/35 mm
Vikt utan nätkabel.....	4,8 kg.....	4,8 kg

Buller-/vibrationsinformation

Mätvärdena har tagits fram baserade på EN 60 745.

A-värdet av maskinens ljudnivå utgörs:

Ljudtrycksnivå (K=3 dB(A)).....	92,5 dB(A).....	92,5 dB(A)
Ljudeffektsnivå (K=3 dB(A)).....	103,5 dB(A).....	103,5 dB(A)

Använd hörselskydd!

Totala vibrationsvärden (vektorsumma ur tre riktningar) framtaget enligt EN 60745.

Vibrationsemissionsvärde an.....	3,8 m/s ²	3,8 m/s ²
Onoggrannhet K.....	1,5 m/s ²	1,5 m/s ²

VARNING

Den i de här anvisningarna angivna vibrationsnivån har uppmätts enligt ett i EN 60745 normerat mätförfarande och kan användas vid jämförelse mellan olika elverktyg. Nivån är även lämplig att använda vid en preliminär bedömning av vibrationsbelastningen.

Den angivna vibrationsnivån representerar den huvudsakliga användningen av det aktuella elverktyget. Men om elverktyget ska användas i andra användningsområden, tillsammans med avvikande insatsverktyg eller efter otillräckligt underhåll, kan vibrationsnivån skilja sig. Det kan öka vibrationsbelastningen betydligt under hela arbetstiden.

För att få en exaktare bedömning av vibrationsbelastningen ska även den tid beaktas, under vilken elverktyget är avstängt eller är påslaget, utan att det verkligen används. Det kan reducera vibrationsbelastningen betydligt under hela arbetstiden.

Lägg som skydd för användaren fast extra säkerhetsåtgärder mot vibrationernas verkan, som till exempel: underhåll av elverktyg och insatsverktyg, varmhållning av händer och organisering av arbetsflöppet.

⚠️ VARNING! Läs alla säkerhetsanvisningar och andra tillhörande anvisningar, även de i den medföljande broschyren. Fel som uppstår till följd av att anvisningarna nedan inte följts kan orsaka elstöt, brand och/eller allvarliga kroppsskador.

Förvara alla varningar och anvisningar för framtida bruk.

SÄKERHETSUTRUSTNING

⚠️ FARA: Håll händerna på betryggande avstånd från sågområdet och sågklingan. Håll andra handen på stödhandtaget eller motorhuset. Om båda händerna hålls på sågen kan de inte skadas av sågklingan.

För inte in handen under arbetsstycket. Klingskyddet kan under arbetsstycket inte skydda handen mot sågklingan.

Anpassa sågdjupet till arbetsstyckets tjocklek. Den synliga delen av en tand under arbetsstycket måste vara mindre än en hel tand.

Arbetsstycket som ska sägas får aldrig hållas i handen eller över benen. Säkra arbetsstycket på ett stabilt underlag. Det är viktigt att arbetsstycket hålls fast ordentligt för undvikande av kontakt med kroppen, inklämning av sågklinga eller förlorad kontroll över sågen.

Håll fast sågen endast vid de isolerade handtagen när sågning utförs på ställen där sågklingan kan skada dolda elledningar eller egen nätsladd. Om sågen kommer i kontakt med en spänningsförande ledning sätts sågens metalldelar under spänning som sedan kan leda till elektriskt slag.

Vid längsriktad sågning ska alltid ett anslag eller en rak kantstyrning användas. Detta förbättrar snittnoggrannheten och minskar risken för att sågklingan kommer i kläm.

Använd alltid sågklingor med rätt storlek och lämpligt infästningshål (t.ex. i stjärnform eller rund). Sågklingor som inte passar till sågens monteringskomponenter roterar orunt och leder till att kontrollen förloras över sågen.

Använd aldrig skadade eller felaktiga underläggsbrickor eller skruvar för sågklingan. Underläggsbrickorna och skruvarna för sågklingan har konstruerats speciellt för denna såg för optimal effekt och driftsäkerhet.

Orsaker för och eliminering av bakslag:

- ett bakslag är en plötslig reaktion hos en sågklinga som hakat upp sig, klämts fast eller är fel inriktad och som leder till att sågen okontrollerat lyfts upp ur arbetsstycket och kastas mot användaren;

- om sågklingan hakar upp sig eller kläms fast i sågspåret som går ihop, kommer klingan att blockera varefter motorkraften kastar sågen i riktning mot användaren;

- om sågklingan snedvrids i sågspåret eller är fel inriktad, kan tänderna på sågklingans bakre kant haka upp sig i arbetsstyckets yta varvid sågklingan går ur sågspåret och hoppar bakåt mot användaren.

Bakslag uppstår till följd av missbruk eller felaktig hantering av sågen. Detta kan undvikas genom skyddsåtgärder som beskrivs nedan.

Håll stadigt i sågen med båda händerna och håll armarna i ett låge som möjliggör att hålla stånd mot de bakslagskrafter som eventuellt uppstår. Stå alltid på sidan om sågklingan; håll aldrig sågklingan i linje med kroppen. Vid ett bakslag kan cirkelsågen hoppa bakåt men användaren kan behålla bakslagskraften om lämpliga åtgärder vidtagits.

Om sågklingan kommer i kläm eller sågning avbryts av annan orsak, släpp Till-Från strömställaren och håll kvar sågen i arbetsstycket tills sågklingan stannat fullständigt. Försök aldrig dra sågen ur arbetsstycket eller bakåt så länge sågklingan roterar eller risk finns för att bakslag uppstår. Lokalisera orsaken för inklämd sågklinga och avhjälj felet.

Vill du återstarta en såg som sitter i arbetsstycket centrera sågklingan i sågspåret och kontrollera att sågklingans tänder inte hakat upp sig i arbetsstycket. Är sågklingan inklämd kan den gå upp ur arbetsstycket eller orsaka bakslag vid återstart av sågen.

Stöd stora skivor för att reducera risken för ett bakslag till följd av inklämd sågklinga. Stora och tunga skivor kan böjas ut. Skivorna måste därför stödas på båda sidorna både i närheten av sågspåret och vid skivans kanter.

Använd inte oskarpa eller skadade sågklingor. Sågklingor med oskarpa eller fel inriktade tänder medför till följd av ett för smalt sågspar ökad friktion, inklämning av sågklingan och bakslag.

Före sågning påbörjas dra stadigt fast inställningsanordningarna för sågdjup och snittvinkel. Om inställningarna förändras under sågning kan sågklingan klämmas fast och orsaka bakslag.

Var speciellt försiktig vid „insågning“ på ett dolt område, t.ex. i en färdig vägg. Den inträngande sågklingan kan blockera vid sågning i dolda objekt och förorsaka bakslag.

Kontrollera innan sågen används att det undre klingskyddet stänger felfritt. Sågen får inte tas i bruk om det undre klingskyddet inte är fritt rörligt och inte stängs omedelbart. Kläm eller bind inte fast det undre klingskyddet i öppet läge.

Om sågen av misstag faller ner på golvet finns risk att det undre klingskyddet deformeras. Öppna klingskyddet med återdragningspaken och kontrollera att det är fritt rörligt och att det vid alla snittvinklar och snittdjup varken berör sågklingan eller andra delar.

Kontrollera funktionen på fjädern till det undre klingskyddet. Låt sågen repareras innan den tas i bruk om undre klingskyddet eller fjädern inte fungerar felfritt. Skadade delar, klubbiga avlagringar eller anhopning av spån kan hindra det undre klingskyddets rörelse.

Öppna det undre klingskyddet för hand endast vid speciella snitt som t.ex. „Insågning och vinkelsnitt“. Öppna det undre klingskyddet med återdragningspaken och släpp den så fort sågklingan gått in i arbetsstycket. Vid all annan sågning måste det undre klingskyddet fungera automatiskt.

Se till att sågklingan skyddas av det undre klingskyddet när sågen läggs bort på arbetsbänk eller golv. En oskyddad och roterande sågklinga förflyttar sågen bakåt och kan säga allt som är i vägen. Beakta även sågens eftergång.

Sågklinga, vars värden inte överensstämmer med data i denna bruksanvisning, får ej användas.

Bär hörselskydd. Bullerbelastning kan orsaka hörselskador.

Slipskivor får inte användas!

Anslut alltid verktyget till jordat eluttag vid användning utomhus.

Använd alltid skyddsglasögon, skyddshandskar och hörselskydd.

Drag alltid ur kontakten när du utför arbeten på maskinen.

Maskinen skall vara fränkopplad innan den anslutes till väggurtag.

Nätkabeln skall alltid hållas ifrån arbetsområdet. Lägg kabeln bakåt i förhållande till arbetsriktningen.

Bryt alltid strömmen vid ombyggnads- och servicearbeten.

Läs ej strömbrytaren vid sågning för hand.

Det damm som bildas under arbetets gång är ofta hälsofarligt och det ska inte komma in i kroppen. Bär därför lämplig skyddsmask.

ANVÄND MASKINEN ENLIGT ANVISNINGARNA

Cirkelsågen kan användas till raka skär i trä, plast och aluminium. Maskinen får endast användas för angiven tillämpning.

CE-FÖRSÄKRAN

Vi intygar och ansvarar för, att denna produkt överensstämmer med följande norm och dokument EN 60745, EN 55014-1, EN 55014-2, EN 61000-3-2, EN 61000-3-3, EN 61000-3-3, , enl. bestämmelser och riktlinjerna 98/37/EG, 2004/108/EG



Winnenden, 2008-12-08

Rainer Kumpf
Manager Product Development

NÄTANSLUTNING

Får endast anslutas till 1-fas växelström och till den spänning som anges på dataskylten. Anslutning kan även ske till eluttag utan skyddskontakt, eftersom konstruktionen motsvarar skyddsklass II.

SKÖTSEL

Se till att motorhöljets luftslitsar är rena.

Använd endast AEG-tillbehör och AEG-reservdelar. Komponenter, för vilka inget byte beskrivs, skall bytas ut hos AEG-kundtjänst (se broschyren garanti-/kundtjänstadresser).

Vid behov av sprängskiss, kan en sådan, genom att uppge maskinens art. nr. (som finns på typskylten) erhållas från: AEG Elektrowerzeuge, Max-Eyth-Straße 10, D-71364 Winnenden, Germany.

SYMBOLER



Läs instruktionen noga innan du startar maskinen.



Drag alltid ur kontakten när du utför arbeten på maskinen.



Tillbehör - Ingår ej i leveransomfånget, erhålles som tillbehör.



Elektriska verktyg får inte kastas i hushållsoporna! Enligt direktivet 2002/96/EG som avser äldre elektrisk och elektronisk utrustning och dess tillämpning enligt nationell lagstiftning ska uttjänta elektriska verktyg sorteras separat och lämnas till miljövänlig återvinning.

TEKNISET ARVOT	110 V	220-240 V
Nimellinen teho.....	1600 W.....	1600 W
Kuormittamaton kierrosluku	5300 min ⁻¹	5800 min ⁻¹
Sahanterän ø x reiän ø	184x30 mm	184x30 mm
Leikkaussyvyys 90°/45°/56°	61/49/35 mm	61/49/35 mm
Paino ilman verkkojohtoa	4,8 kg	4,8 kg

Melunpäästö-/tärinätiedot

Mitta-arvot määritetty EN 60 745 mukaan.

Koneen tyyppillinen A-luokitettu melutaso:

Melutaso (K=3 dB(A))	92,5 dB(A).....	92,5 dB(A)
Äänenvoimakkuus (K=3 dB(A))	103,5 dB(A).....	103,5 dB(A)

Käytä kuulosuojaimia!

Värähtelyn yhteisarvot (kolmen suunnan vektorisumma) mitattuna

EN 60745 mukaan.

Värähtelyemissioarvo a _w	3,8 m/s ²	3,8 m/s ²
Epävarmuus K.....	1,5 m/s ²	1,5 m/s ²

VAROITUS

Näissä ohjeissa mainittu värähtelytaso on mitattu EN 60745 -standardin mukaisella mittausmenetelmällä ja sitä voidaan käyttää sähkötyökalujen vertaamiseen. Sitä voidaan käyttää myös värähtelyrasituksen väliaikaiseen arviointiin.

Mainittu värähtelytaso edustaa sähkötyökalun pääasiallista käyttöä. Jos sähkötyökalua kuitenkin käytetään muihin tehtäviin, poikkeavien työkaluun tai riittämättömästi huoltaen, värähtelytaso voi olla erilainen. Se voi korottaa värähtelyrasitusta koko työajan osalta.

Tarkan värähtelyrasituksen toteamiseen tulee ottaa huomioon aika, jona laite on kytketty pois tai on kylläkin päällä, mutta ei käytössä. Se voi pienentää värähtelyrasitusta koko työajan osalta.

Määrittele lisäturvatoimenpiteitä käyttäjän suojaamiseksi värinöiden vaikutuksesta, kuten esimerkiksi: sähkötyökalujen ja käyttötyökalujen huolto, käsien lämpimänä pitäminen, työvaiheiden organisaatio.

VAROITUS! Lue kaikki, myös oheistetussa esitteessä annetut turvallisuusmääräykset ja käyttöohjeet. Turvallisuusohjeiden noudattamisen laiminlyönti saattaa johtaa sähköiskuun, tulipaloon ja/tai vakavaan loukkaantumiseen. **Säilytä kaikki turvallisuus- ja muut ohjeet tulevaisuutta varten.**

TURVALLISUUSOHJEET

VAARA: Pidä kädet loitolla sahausalueelta ja sahanterästä. Pidä toinen käsi lisäkavassa tai moottorikotelossa. Kun molemmat kädet pitelevät pyörösaha, sahanterä ei pysty vahingoittamaan niitä.

Älä pane käsiä työkappaleen alle. Suojus ei pysty suojaamaan käsiä sahanterältä, jos ne ovat työkappaleen alapuolella.

Aseta leikkaussyvyys työkappaleen paksuuden mukaan. Työkappaleen alla tulisi terää näkyä korkeintaan täysi hammaskorkeus.

Älä koskaan pidä sahattavaa työkappaletta kädessä tai jalkojen päällä. Tue työkappaletta tukevaa alustaa vasten. On tärkeää kiinnittää työkappale hyvin, jotta kosketus kehoon, sahanterän jääminen puristukseen ja hallinnan menettäminen estyisi.

Tartu laitteeseen ainoastaan eristetyistä pinnoista, tehdessäsi työtä, jossa saattaisit osua piilossa olevaan sähköjohtoon tai sahan omaan sähköjohtoon. Kosketus jännitteeseen johtoon saattaa myös koneen metalliosat jännitteiseksi ja johtaa sähköiskuun.

Käytä aina oikean kokoisia sahanterä sopivalla kiinnitysreiällä (timantinmuotoinen tai pyöreä). Tämä parantaa sahaustarkkuutta ja pienentää riskin, että sahanterä jää puristukseen.

Käytä aina oikean kokoisia ja kiinnityslaippaan sopivia sahanterä (timantinmuotoinen tai pyöreä). Sahanterät, jotka eivät sovi sahan asennusosiin pyörivät epäkeskeisesti ja johtavat sahan hallinnan menettämiseen.

Älä koskaan käytä vaurioituneita sahanterän kiinnityslaattoja tai -pulttia. Sahanterän kiinnityslaatat ja -pultti on suunniteltu erityisesti sahasi varten, antaen parasta mahdollista tehokkuutta ja toimintavarmuutta.

Takaiskun syy ja miten sen estää:

- takaisku on äkillinen reaktio, joka johtuu kiinni tarttuneesta, puristukseen jääneestä tai väärin suunnatusta sahanterästä, joka saa hallitsemattoman sahan ponnahtelemaan ylös työkappaleesta käyttäjää kohti;

- jos sahanterä tarttuu tai jää puristukseen sulkeutuvaan sahausuraan, sitä jarrutetaan voimakkaasti ja moottorin voima saattaa sahan ponnahtamaan taaksepäin käyttäjää kohti;

- jos sahanterä kääntyy tai suunnataan väärin sahausurassa, saattavat sahanterän takareunan hampaat tarttua työkappaleen yläpintaan, jolloin sahanterä kiipeää ylös urasta ja saha hypähtää käyttäjää kohti.

Takaisku johtuu sahan väärinkäytöstä tai sahan käytöstä väärään tarkoitukseen tai väärissä olosuhteissa. Se voidaan estää sopivien varotoimin, joita selostetaan seuraavassa.

Pidä sahaa tukevasti kaksin käsin ja saata käsivarret asentoon, jossa voit vastustaa takaiskun voimaa. Pidä kehosi jommallakummalla puolella sahanterää, mutta ei iinjalla sahanterän kanssa. Takaiskussa sinkoutuu pyörösaha taaksepäin, käyttäjä voi kuitenkin hallita takaiskuvoimia, jos vain noudatetaan määrättyjä varotoimia.

Jos sahanterä jää puristukseen tai jos sahaus keskeytetään muusta syystä, tulee päästä ote käynnistyskytkimestä ja pitää saha paikoillaan, kunnes terä on pysähtynyt täysin. Älä koskaan koeta vetää sahanterää ylös työkappaleesta tai taaksepäin niin kauan kuin sahanterä pyörii, se saattaa johtaa takaiskuun. Etsi syy sahanterän puristukseen ja poista se sopivien toimenpitein.

Kun tahdot käynnistää uudelleen sahan, joka on työkappaleessa, keskitä sahanterä sahausurassa ja tarkista, että hampaat eivät ole tarttuneet työkappaleeseen. Jos sahanterä on puristuksessa, se saattaa kivetä ylös työkappaleesta tai aiheuttaa takaiskun, kun saha käynnistetään.

Tue isot levyt, sahanterän puristuksen aiheuttaman takaiskuvaaran minimoimiseksi. Suurilla levyillä on taipumus taipua oman painonsa takia. Levyt tulee tukea molemmilta puolilta, sekä sahanterän vierestä, että reunoista.

Älä käytä tylsiä tai vaurioituneita sahanterä. Sahanterät, joissa on tylsät tai väärin suunnatut hampaat tekevät liian ahtaan sahausuran, mikä johtaa liialliseen kitkaan, sahanterän puristukseen ja takaiskuun.

Kiristä sahausyvyiden ja leikkauskulman säätöruuvit kiinni. Jos muutat säätöjä sahausajan aikana, saattaa se johtaa sahanterän puristukseen ja takaiskuun.

Ole erityisen varovainen kun sahaat ”opposahauksen” peitossa olevaan alueeseen, esim. seinään. Sahanterä saattaa upotessaan osua piilossa oleviin kohteisiin, jotka aiheuttavat takaiskun.

Tarkista ennen jokaista käyttöä, että alempi suojus sulkeutuu moitteettomasti. Älä käytä sahaa, jos alempi suojus ei liiku vapaasti ja sulkeudu välittömästi. Älä koskaan purista tai sido alempaa suojusta auki-asentoon. Jos saha tahattomasti putoaa lattiaan, saattaa alempi suojus taipua. Nosta suojusta nostovivulla ja varmista, että suojus liikkuu vapaasti, eikä kosketa sahanterää tai muita osia missään sahauskulmassa.

Tarkista alemman suojuksen jousen toiminta. Anna huoltaa saha, jos alempi suojus tai jousi ei toimi moitteettomasti. Alempi suojus saattaa toimia jäykkäliikkeisesti johtuen voittuneista osista, tahmeista kerrostumista tai lastukasaantumista.

Avaa alempi suojus käsin vain erikoisissa sahauskissa, kuten ”uppo- ja kulmasahauksissa”. Avaa alempi suojus nostovivulla, ja päästä se vapaaksi heti, kun sahanterä on onpunut työkappaleeseen. Kaikissa muissa sahaustöissä alemman suojuksen tulee toimia automaattisesti.

Älä aseta sahaa työpenkille tai lattialle, ellei alempi suojus peitä sahanterää. Suojaamaton jälkikäyvä sahanterä kuljettaa sahaa taaksepäin ja sahaa kaiken, mikä osuu sen tielle. Ota huomioon, että kestää vähän aikaa ennen kuin sahanterä pysähtyy, virran katkaisun jälkeen.

Sahanterä, joiden tunnustetiedot erivät tästä käyttöohjeesta, ei saa käyttää.

Käytä korvasuojia. Altistuminen melulle voi vahingoittaa kuuloa.

Ei saa käyttää himalaukkoja!

Ulkokäytössä olevat pistorasiat on varustettava vikavirta-suojakytkimillä sähkölaitteistosi asennusmääräyksen mukaisesti. Muista tarkistaa, että laite liitetään ulkokäytössä ulkopistorasiaan ja neuvottele asiasta sähköasentajasi kanssa.

Käytä laitteella työskennellessäsi aina suojalaseja. Suojakäsineiden, turvallisten ja tukevapohjaisten kenkien, kuulosuojainten ja suojaesiliinän käyttöä suositellaan.

Irrota aina pistotulppa seinäkoskettimesta ennen koneeseen tehtäviä toimempiteitä.

Varmista, että kone on sammutettu ennen kytkemistä sähköverkkoon.

Pidä sähköjohto poissa koneen käyttöalueelta. Siirrä se aina taaksesi.

Tarkista ennen jokaista käyttökertaa, ettei laitteessa, liitäntäjohtossa, jatkojohtossa ja pistotulpassa ole vaurioita eikä niissä ole tapahtunut muutoksia. Viallisia osia saa korjata vain alan ammattilainen.

Käynnistyskytkintä ei saa käsinohjauksahauksessa lukita.

Koneen käytöstä aiheutuva pöly ja jäte voi olla haitallista terveydelle eikä sen vuoksi tulisi päästä kosketukseen ihon kanssa. Koneella työskennellessä on käytettävä sopivaa suojainta.

TARKOITUKSEN MUKAINEN KÄYTTÖ

Elektroninen pyörösaha sahaa tarkasti pitkittäin ja jiriin puuta, muoveja ja alumiinia.

Älä käytä tuotetta ohjeiden vastaisesti.

TODISTUS CE-STANDARDIN MUKAISUUDESTA

Todistamme täten ja vastaamme yksin siitä, että tämä tuote on allalueteltujen standardien ja standardoimisasiakirjojen vaatimusten mukainen. EN 60745, EN 55014-1, EN 55014-2, EN 61000-3-2, EN 61000-3-3, EN 61000-3-3, seuraavien sääntöjen mukaisesti: 98/37/EY, 2004/108/EY



Winnenden, 2008-12-08

Rainer Kumpf

Rainer Kumpf
Manager Product Development

VERKKOLIITÄNTÄ

Yhdistä ainoastaan tasavirtalähteeseen, jonka volttimäärä on sama kuin levyssä ilmoitettu. Myös liittäminen maadoittamattomiin pistokkeisiin on mahdollista, sillä muotoilu on yhdenmukainen turvallisuusluokan II kanssa.

HUOLTO

Pidä moottorin ilmanottoaukot puhtaina.

Käytä ainoastaan AEG lisätarvikkeita ja AEG varaosia. Mikäli jokin komponentti, jota ei ole kuvailtu, tarvitsee vaihtoa ota yhteys johonkin AEG palvelupisteistä (kts. listamme takuuhuoltoilikeiden/ palvelupisteiden osoitteista)

Tarpeen vaatiessa voit pyytää lähettämään laitteen kokoonpanopirustuksen ilmoittamalla arvokilven kymmennumeroisen numeron seuraavasta osoitteesta: AEG Elektrowerkzeuge, Max-Eyth-Straße 10, D-71364 Winnenden, Germany.

SYMBOLIT



Lue käyttöohjeet huolellisesti, ennen koneen käynnistämistä.



Irrota aina pistotulppa seinäkoskettimesta ennen koneeseen tehtäviä toimempiteitä.



Lisälaite - Ei sisälly vakiovarustukseen, saatavana lisätarvikkeena.



Älä hävitä sähkötyökalua tavallisen kotitalousjätteen mukana! Vanhoja sähkö- ja elektroniikkalaitteita koskevan EU-direktiivin 2002/96/EY ja sen maakohtaisten sovellusten mukaisesti käytetyt sähkötyökalut on ohjattava ongelmajätteen keräyspisteeseen ja ohjattava ympäristöystävälliseen kierrätykseen.

ΤΕΧΝΙΚΑ ΣΤΟΙΧΕΙΑ	110 V	220-240 V
Ονομαστική ισχύς	1600 W	1600 W
Αριθμός στροφών χωρίς φορτίο	5300 min ⁻¹	5800 min ⁻¹
Διάμετρος λειπίδας πριονιού x διάμετρος διάτρησης	184x30 mm	184x30 mm
Βάθος τομής στους 90°/45°/56°	61/49/35 mm	61/49/35 mm
Βάρος χωρίς καλώδιο	4,8 kg	4,8 kg

Πληροφορίες θορύβου/δονήσεων

Τιμές μέτρησης εξακριβωμένες κατά EN 60 745.

Η σύμφωνη με την καμπύλη A εκτιμηθείσα στάθμη θορύβου του μηχανήματος αναφέρεται σε:

Στάθμη ηχητικής πίεσης (K=3 dB(A))	92,5 dB(A)	92,5 dB(A)
Στάθμη ηχητικής ισχύος (K=3 dB(A))	103,5 dB(A)	103,5 dB(A)

Φοράτε προστασία ακοής (αυσαπίδες)!

Υλικές τιμές κραδασμών (άθροισμα διανυσμάτων τριών

διευθύνσεων) εξακριβώθηκαν σύμφωνα με τα πρότυπα EN 60745.

Τιμή εκπομπής δονήσεων a _h	3,8 m/s ²	3,8 m/s ²
Ανασφάλεια K	1,5 m/s ²	1,5 m/s ²

ΠΡΟΕΙΔΟΠΟΙΗΣΗ

Το αναφερόμενο σ' αυτές τις οδηγίες επίπεδο δονήσεων έχει μετρηθεί με μια τυποποιημένη σύμφωνα με το EN 60745 μέθοδο μέτρησης και μπορεί να χρησιμοποιηθεί για τη σύγκριση των ηλεκτρικών εργαλείων μεταξύ τους. Αυτό είναι επίσης κατάλληλο για μια προσωρινή εκτίμηση της επιβάρυνση των δονήσεων.

Το αναφερόμενο επίπεδο δονήσεων αντιπροσωπεύει τις κύριες χρήσεις του ηλεκτρικού εργαλείου. Εάν όμως το ηλεκτρικό χρησιμοποιείται σε άλλες χρήσεις, με διαφορετικά εργαλεία εφαρμογής ή ανεπαρκή συντήρηση, μπορεί να υπάρξει απόκλιση του επιπέδου δονήσεων. Αυτό μπορεί να αυξήσει σημαντικά την επιβάρυνση των δονήσεων για τη συνολική διάρκεια της εργασίας.

Για μια ακριβή εκτίμηση της επιβάρυνσης των δονήσεων οφείλουν επίσης να λαμβάνονται υπόψη οι χρόνοι, στους οποίους η συσκευή είναι απενεργοποιημένη ή είναι μεν ενεργοποιημένη αλλά δεν χρησιμοποιείται πραγματικά. Αυτό μπορεί να μειώσει σημαντικά την επιβάρυνση των δονήσεων για τη συνολική διάρκεια της εργασίας.

Καθορίζετε πρόσθετα μέτρα ασφαλείας για την προστασία του χειριστή από την επίδραση των δονήσεων όπως για παράδειγμα: Συντήρηση του ηλεκτρικού εργαλείου και των εργαλείων εφαρμογής, διατηρείτε ζεστά τα χέρια, οργάνωση των διαδικασιών εργασίας.

⚠ ΠΡΟΕΙΔΟΠΟΙΗΣΗ! Διαβάστε όλες τις Υποδείξεις ασφαλείας και τις Οδηγίες, και αυτές στο επισυναπτόμενο φυλλάδιο. Αμέλειες κατά την τήρηση των προειδοποιητικών υποδείξεων μπορεί να προκαλέσουν ηλεκτροπληξία, κίνδυνο πυρκαγιάς ή/και σοβαρούς τραυματισμούς. **Φυλάξτε όλες τις προειδοποιητικές υποδείξεις και οδηγίες για κάθε μελλοντική χρήση.**

ΕΙΔΙΚΕΣ ΥΠΟΔΕΙΞΕΙΣ ΑΣΦΑΛΕΙΑΣ

⚠ ΚΙΝΔΥΝΟΣ: Μη βάζετε τα χέρια σας στην περιοχή του πριονιού ή στον πριονόδισκο. Κρατάτε με το άλλο [το δεύτερο] χέρι σας την πρόσθετη λαβή ή το περιβλήμα του κινητήρα. Όταν κρατάτε το διακοπτήριο και με τα δυο σας χέρια τότε ο πριονόδισκος δεν μπορεί να σας τραυματίσει.

Μη βάζετε τα χέρια σας κάτω από το υπό κατεργασία τεμάχιο.

Ο προφυλακτήρας δεν μπορεί να τα προστατέψει από τον πριονόδισκο όταν αυτά βρίσκονται κάτω από το υπό κατεργασία τεμάχιο.

Προσαρμόστε το βάθος κοπής στο πάχος του υπό κατεργασία τεμαχίου. Κάτω το υπό κατεργασία τεμάχιο πρέπει να φαίνεται λιγότερο από ένα ολόκληρο δόντι του πριονόδισκου.

Μη συγκρατείτε ποτέ το υπό κατεργασία τεμάχιο με το χέρι και μην το ακουμπάτε ποτέ στα πόδια [τα σκέλη] σας. Ασφαλίστε το υπό κατεργασία τεμάχιο επάνω σε μια σταθερή επιφάνεια. Το καλό στερέωμα του υπό κατεργασία τεμαχίου είναι πολύ σημαντικό επειδή έτσι μειώνεται στο ελάχιστο ο κίνδυνος της επαφής με το σώμα σας, το μπλοκάρισμα του πριονόδισκου ή η απώλεια του ελέγχου του.

Πιάνετε το μηχανήμα μόνο από τις μονωμένες επιφάνειες του όταν κατά την εργασία σας υπάρχει κίνδυνος το εργαλείο κοπής να „χτυπήσει!“ ηλεκτρικές γραμμές ή το ηλεκτρικό καλώδιο του ίδιου του μηχανήματος. Η επαφή του πριονόδισκου με μια υπό τάση ευρισκόμενη ηλεκτρική γραμμή θέτει επίσης και τα μεταλλικά τμήματα του μηχανήματος υπό τάση κι έτσι μπορεί να οδηγήσει σε ηλεκτροπληξία.

Όταν διεξάγετε διαμήκεις [μακρουλές] κοπές χρησιμοποιείτε πάντοτε έναν οδηγό κοπής ή μια διάταξη ευθυγράμμισης της τομής. Μ' αυτόν τον τρόπο βελτιώνεται η ακρίβεια της τομής κι ελαττώνονται οι πιθανότητες σφηνώματος του πριονόδισκου **Χρησιμοποιείτε πάντοτε πριονόδισκους με το σωστό μέγεθος και με κατάλληλη τρύπα υποδοχής (π. χ. με στρογγυλή ή αστεροειδή τρύπα).** Πριονόδισκοι που δεν ταιριάζουν με τα εξαρτήματα συναρμολόγησης του πριονιού περιστρέφονται

ασύμμετρα και οδηγούν στην απώλεια του ελέγχου του μηχανήματος.

Μη χρησιμοποιήσετε ποτέ χαλασμένους ή ακατάλληλους πριονόδισκους, ακατάλληλες ροδέλες ή βίδες. Οι ροδέλες και οι βίδες κατασκευάζονται ειδικά για τον εκάστοτε πριονόδισκο κι εξασφαλίζουν έτσι τη μέγιστη δυνατή απόδοση και ασφάλεια λειτουργίας.

Αιτίες και αποφυγή κλοστήματος:

-το κλότσημα είναι η απροσδόκητη αντίδραση του πριονόδισκου όταν αυτός "σκοντάψει" ή μπλοκάρει ή όταν είναι λάθος συναρμολογημένος· αυτό προκαλεί το ανασφάλισμα του ανεξέλεγκτου πλέον πριονιού από το υπό κατεργασία τεμάχιο και στην κίνησή του με κατεύθυνση προς το χειριστή·

-όταν ο πριονόδισκος ή σφηνώσει στη σχισμή πριονίσματος όταν αυτή κλείνει, τότε αυτός μπλοκάρει και η δύναμη του κινητήρα "κλότσα" το μηχανήμα με κατεύθυνση προς το χειριστή·

-όταν ο πριονόδισκος στρεβλώσει ή όταν είναι λάθος συναρμολογημένος, τότε δεν αποκλείεται τα δόντια στην πίσω ακμή του πριονόδισκου να σφηνώσουν στην επιφάνεια του υπό κατεργασία τεμαχίου κι έτσι ο πριονόδισκος να πεταχτεί έξω από το υπό κατεργασία τεμάχιο και το πριόνι να εκτιναχτεί με κατεύθυνση προς ο χειριστή·

Το κλότσημα αποτελεί συνέπεια ενός εσφαλμένου ή ελλιπού χειρισμού του πριονιού. Μπορεί να αποφευχθεί με κατάλληλα προληπτικά μέτρα, όπως αυτά που περιγράφονται παρακάτω.

Να κρατάτε το πριόνι και με τα δυο σας χέρια και να δίνετε στους βραχιόνες σας μια θέση, στην οποία θα μπορούσατε να αντιμετωπίσετε τυχόν αντιδραστικές δυνάμεις [κλότσηματα] του μηχανήματος. Να στέκεστε πάντα δίπλα από τον πριονόδισκο και ποτέ στην ίδια γραμμή μ' αυτόν. Σε περίπτωση κλοστήματος το διακοπτήριο μπορεί να εκτιναχτεί προς τα πίσω, όμως, όταν έχουν ληφθεί κατάλληλα προληπτικά μέτρα, ο χειριστής μπορεί να αντιμετωπίσει με επιτυχία το κλότσημα.

Σε περίπτωση που ο πριονόδισκος μπλοκάρει ή το πριόνισμα διακοπεί από οποιοδήποτε άλλη αιτία, τότε αφήστε το διακόπτη ON/OFF ελεύθερο και κρατήστε το πριόνι με ηρεμία μέσα στο υλικό μέχρι να ακινητοποιηθεί εντελώς ο πριονόδισκος. Μην προσπαθήσετε ποτέ να απομακρύνετε το πριόνι από το υπό κατεργασία τεμάχιο ή να το τραβήξετε προς τα πίσω όσο ο πριονόδισκος κινείται ή όταν υπάρχει ακόμη κίνδυνος κλοστήματος. Εξακριβώστε την αιτία του μπλοκαρίσματος του πριονόδισκου και εξουδετερώστε την με τα κατάλληλα μέτρα.

Όταν θαλθήσετε να εκκινήσετε πάλι ένα ακινητοποιημένο πριόνι του οποίου ο πριονόδισκος βρίσκεται μέσα στο υπό κατεργασία τεμάχιο, ευθυγραμμίστε τον πριονόδισκο μέσα στη σχισμή κοπής κι ελέγξτε, μήπως τα δόντια του είναι σφηνωμένα μέσα στο υπό κατεργασία τεμάχιο. Όταν ο πριονόδισκος είναι μπλοκαρισμένος μπορεί να πεταχτεί έξω από το υπό κατεργασία τεμάχιο ή να κλοστήσει όταν το πριόνι θεθεί πάλι σε λειτουργία.

Μεγάλες υπό κατεργασία πλάκες πρέπει να υποστηρίζονται για να μειωθεί ο κίνδυνος κλοστήματος από έναν τυχόν σφηνωμένο πριονόδισκο. Οι μεγάλες πλάκες μπορεί να λυγίσουν από το ίδιο τους το βάρος. Οι πλάκες πρέπει να υποστηρίζονται και στις δύο πλευρές τους, και κοντά στον πριονόδισκο και στα άκρα τους.

Μη χρησιμοποιείτε αμβλιές ή χαλασμένους πριονόδισκους. Πριονόδισκοι με μη κοφτερά ή με λάθος ευθυγραμμισμένα δόντια προκαλούν, εξαιτίας της πολύ στενής σχισμής πριονίσματος, αύξηση της τριβής, σφηνώματα του πριονόδισκου και κλότσημα.

Πριν το πριόνισμα σφίξτε καλά τις διατάξεις ρύθμισης του βάθους και της γωνίας κοπής. Σε περίπτωση που οι ρυθμίσεις μεταβληθούν κατά τη διάρκεια του πριονίσματος μπορεί να μπλοκάρει ο πριονόδισκος και να οδηγήσει έτσι σε κλότσημα.

Προσέχετε ιδιαίτερα όταν διεξάγετε "κοπές βύθισης" σε μη ορατούς τοίχεις, π. χ. σ' έναν ήδη υπάρχοντα τοίχο. Ο βυθιζόμενος πριονόδισκος μπορεί να μπλοκάρει σε μη ορατά αντικείμενα και να οδηγήσει έτσι σε κλότσημα.

Ελέγχετε πριν από κάθε χρήση αν κλείνει άψωγα ο κάτω προφυλακτήρας. Μη χρησιμοποιήσετε το πριόνι όταν ο κάτω προφυλακτήρας δεν κινείται ελεύθερα και δεν κλείνει αμέσως. Μη σφηνώστε και μη δένετε ποτέ τον κάτω προφυλακτήρα για να παραμείνει ανοιχτός. Ο κάτω προφυλακτήρας μπορεί να στρεβλωθεί σε περίπτωση που το πριόνι πέσει αθέλητα στο έδαφος. Ανοίξτε τον προφυλακτήρα με τη βοήθεια της λαβής και βεβαιωθείτε ότι κινείται ελεύθερα καθώς και ότι δεν εγγίζει τον πριονόδισκο ή άλλα τμήματα του πριονιού, σε οποιαδήποτε βάθος ή γωνία κοπής κι αν ρυθμιστεί.

Ελέγξτε τη λειτουργία του ελατηρίου του κάτω προφυλακτήρα. Δώστε το μηχανήμα για συντήρηση πριν το χρησιμοποιήσετε σε περίπτωση που ο κάτω προφυλακτήρας ή/και το ελατήριο δε λειτουργούν άψωγα. Χαλασμένα εξαρτήματα, κολλώδη ιζήματα ή συσσωρεύσεις γρεζιών ή ροκανιδιών επιβραδύνουν την κίνηση του προφυλακτήρα.

Ο κάτω προφυλακτήρας επιτρέπεται να ανοιχτεί με το χέρι μόνο για τη διεξαγωγή ιδιαίτερων κοπών, π. χ. για "κοπές βύθισης και κοπές γωνιών". Ανοίξτε τον προφυλακτήρα με τη βοήθεια της λαβής κι αφήστε τον πάλι ελεύθερο μόλις ο πριονόδισκος βυθιστεί στο υπό κατεργασία τεμάχιο. Σε όλες τις άλλες εργασίες κοπής ο προφυλακτήρας πρέπει να λειτουργεί αυτόματα.

Μην αποθέσετε το πριόνι επάνω στο τραπέζι εργασίας ή στο δάπεδο χωρίς ο κάτω προφυλακτήρας να καλύπτει τον πριονόδισκο. Ένας ακλόνητος πριονόδισκος που συνεχίζει να περιστρέφεται κινεί το πριόνι με φορά αντίθετη της φοράς κοπής και πριονίζει ότι συναντήσει στο δρόμο του. Λάβετε υπόψη σας το χρόνο που χρειάζεται μέχρι να ακινητοποιηθεί εντελώς το πριόνι [χρόνος ιχνηλασίας].

Οι λειπίδες πριονιού, που δεν αντιστοιχούν με τα χαρακτηριστικά στοιχεία σε αυτές τις οδηγίες χρήσης, δεν επιτρέπεται να χρησιμοποιηθούν.

Φοράτε ωτοαπίδες. Η επίδραση θορύβου μπορεί να προκαλέσει απώλεια ακοής.

Παρακαλώ, μην τοποθετείτε λειαντικούς δίσκους!

Οι πρίζες στους εξωτερικούς χώρους πρέπει να είναι εξοπλισμένες με μικροαυτόματους διακόπτες προστασίας. Αυτό απαιτεί ο σχετικός κανονισμός από την ηλεκτρική σας εγκατάσταση. Προσέξτε παρακαλώ αυτό το σημείο κατά τη χρήση της συσκευής μας.

Στις εργασίες με τη μηχανή φοράτε πάντοτε προστατευτικά γυαλιά. Συνιστανται τα προστατευτικά γυαλιά, τα σταθερά και αντολιοσθητικά παπούτσια ή το ποδιά.

Πριν από κάθε εργασία στη μηχανή τραβάτε το φως από την πρίζα. Συνδέστε τη μηχανή στην πρίζα μόνο, εφόσον βρίσκεται απενεργοποιημένη.

Κρατάτε το καλώδιο σύνδεσης πάντοτε μακριά από την περιοχή δράσης της μηχανής. Περνάτε το καλώδιο πάντοτε πίσω από τη μηχανή.

Πριν από κάθε χρήση ελέγχετε τη συσκευή, το καλώδιο σύνδεσης, το καλώδιο επέκτασης (μπαλαντέζα) και το φως για τυχόν ζημιά και

γήρανση. Αναθέστε την επισκευή των κατεστραμμένων εξαρτημάτων μόνο σ' έναν ειδικευμένο τεχνίτη.

Η σκόνη που δημιουργείται κατά την εργασία είναι συχνά επιβλαβής για την υγεία και δεν επιτρέπει να έλθει στο σώμα. Να φοράτε κατάλληλη μάσκα προστασίας από σκόνη. Μην ασφαλίσετε σταθερά το διακόπτη ενεργοποίησης/ απενεργοποίησης στη λειτουργία χειρός.

ΧΡΗΣΗ ΣΥΜΦΩΝΑ ΜΕ ΤΟ ΣΚΟΠΟ ΠΡΟΟΡΙΣΜΟΥ

Το κυκλικό πριόνι χειρός χρησιμοποιείται για το πριόνισμα ευθύγραμμων τομών σε ξύλο, πλαστικό και αλουμίνιο.

Αυτή η συσκευή επιτρέπεται να χρησιμοποιηθεί μόνο σύμφωνα με τον αναφερόμενο σκοπό προορισμού.

ΔΗΛΩΣΗ ΠΙΣΤΟΤΗΤΑΣ ΕΚ

Δηλώνουμε με αποκλειστική μας ευθύνη, ότι αυτό το προϊόν ανταποκρίνεται στα ακόλουθα πρότυπα ή έγγραφα τυποποίησης. EN 60745, EN 55014-1, EN 55014-2, EN 61000-3-2, EN 61000-3-3, σύμφωνα με τις διατάξεις των οδηγιών 98/37/ΕΚ 2004/108/ΕΚ



Winnenden, 2008-12-08

Rainer Kumpf
Manager Product Development

ΣΥΝΔΕΣΗ ΣΤΟ ΗΛΕΚΤΡΙΚΟ ΔΙΚΤΥΟ

Συνδέστε μόνο σε μονοφασικό εναλλασσόμενο ρεύμα και μόνο σε τάση δικτύου όπως αναφέρεται στην πινακίδα τεχνικών χαρακτηριστικών. Η σύνδεση είναι επίσης εφικτή σε πρίζες χωρίς προστασία επαφής, διότι υπάρχει μια δομή της κατηγορίας προστασίας II.

ΣΥΝΤΗΡΗΣΗ

Διατηρείτε πάντα τις σχισμές εξαερισμού στη μηχανή καθαρές. Χρησιμοποιείτε μόνο πρόσθ. εξαρτήματα AEG και ανταλλακτικά AEG. Κατασχ. τμήματα, που η αλλαγή τους δεν περιγράφεται, αντικαθίστανται σε μια τεχνική υποστήριξη της AEG (βλέπε φυλλάδιο εγγύηση/ διευθύνσεις τεχνικής υποστήριξης).

Όταν χρειάζεσαι, μπορείτε να ζητήσετε ένα σχέδιο συναρμολόγησης της συσκευής, δίνοντας τον τύπο της μηχανής και το δεκαψήφιο αριθμό στην πινακίδα ισχύος, από το κέντρο σέρβις ή απευθείας από τη φίρμα AEG Elektrowerkzeuge, Max-Eyth-Straße 10, D-71364 Winnenden, Germany.

ΣΥΜΒΟΛΑ



Παρακαλώ διαβάστε σχολαστικά τις οδηγίες χρήσης πριν από την έναρξη λειτουργίας.



Πριν από κάθε εργασία στη μηχανή τραβάτε το φως από την πρίζα.



Εξαρτήματα - Δεν περιλαμβάνονται στα υλικά παράδοσης, συνιστούμενη προσθήκη από το πρόγραμμα εξαρτημάτων.



Μην πετάτε τα ηλεκτρικά εργαλεία στον κάδο οικιακών απορριμμάτων! Σύμφωνα με την ευρωπαϊκή οδηγία 2002/96/ΕΚ περί ηλεκτρικών και ηλεκτρονικών συσκευιών και την ενσωμάτωσή της στο εθνικό δίκαιο, τα ηλεκτρικά εργαλεία πρέπει να συλλέγονται ξεχωριστά και να πιστρέφονται για ανακύκλωση με τρόπο φιλικό προς το περιβάλλον.

TEKNİK VERİLER	110 V	220-240 V
Giriş gücü	1600 W.....	1600 W
Boşta ki devir sayısı.....	5300 min ⁻¹	5800 min ⁻¹
Testere bıçağı çapı x delik çapı	184x30 mm	184x30 mm
90°/45°/56° de maksimum kesme derinliği	61/49/35 mm	61/49/35 mm
Ağırlığı, şebeke kablolu	4,8 kg	4,8 kg
Gürültü/Vibrasyon bilgileri		
Ölçüm değerleri EN 60 745 e göre belirlenmektedir.		
Aletin, frekansa bağımlı uluslararası ses basıncı seviyesi		
değerlendirme eğrisi A'ya göre tipik gürültü seviyesi:		
Ses basıncı seviyesi (K = 3 dB(A)).....	92,5 dB(A).....	92,5 dB(A)
Akustik kapasite seviyesi (K = 3 dB(A)).....	103,5 dB(A).....	103,5 dB(A)
Koruyucu kulaklık kullanın!		
Toplam titreşim değeri (üç yönün vektör toplamı) EN 60745'e göre belirlenmektedir:		
titreşim emisyon değeri a _h	3,8 m/s ²	3,8 m/s ²
Tolerans K.....	1,5 m/s ²	1,5 m/s ²

UYARI

Bu talimatlarda belirtilen titreşim seviyesi, EN 60745 standardına uygun bir ölçme metodu ile ölçülmüştür ve elektrikli el aletleri birbiriyle karşılaştırmak için kullanılabilir. Ölçüm sonuçları ayrıca titreşim yükünün geçici değerlendirilmesi için de uygundur.

Belirtilen titreşim seviyesi, elektrikli el aletinin genel uygulamaları için geçerlidir. Ancak elektrikli el aleti başka uygulamalar için, farklı eklenti parçalarıyla ya da yetersiz bakım koşullarında kullanılırsa, titreşim seviyesi farklılık gösterebilir. Bu durumda, titreşim yükü toplam çalışma zaman aralığı içerisinde belirgin ölçüde yükselebilir.

Titreşim yükünün tam bir değerlendirmesi için ayrıca cihazın kapalı olduğu süreler ve cihazın çalışır durumda olduğu, ancak gerçek kullanımda bulunmadığı süreler de dikkate alınmalıdır. Böylelikle, toplam çalışma zamanı aralığı boyunca meydana gelen titreşim yükü belirgin ölçüde azaltılabilir.

Kullanıcıyı titreşimlerin etkisinden korumak üzere, örneğin elektrikli el aletlerinin ve eklenti parçalarının bakımı, ellerin sıcak tutulması ve iş akışlarının organizasyonu gibi ek güvenlik tedbirleri belirleyiniz.

UYARI! Güvenlikle ilgili bütün açıklamaları, talimatları ve ilişikteki broşürde yazılı bulunan hususları okuyunuz. Açıklanan uyarılara ve talimat hükümlerine uyulmadığı takdirde elektrik çarpmalarına, yangınlara ve/veya ağır yaralanmalara neden olunabilir. **Bütün uyarıları ve talimat hükümlerini ileride kullanmak üzere saklayın.**

GÜVENLİĞİNİZ İÇİN TALİMATLAR

TEHLİKE: Ellerinizi kesilen yere ve testere bıçağına yaklaştırmayın. İkinci elinizle ek tutamağı veya motor gövdesini tutun. Her iki elinizde daire testereyi tutarsa, testere bıçağı ellerinizi yaralayamaz.

İş parçasının altını kavramayın. Koruyucu kapak sizi iş parçası altında sizi testere bıçağından koruyamaz.

Kesme derinliğini iş parçasının kalınlığına göre ayarlayın. İş parçası altında tam diş uzunluğunun daha azı görünmelidir.

Kesilen iş parçasını hiçbir zaman elinizle tutmayın veya bacağına üzerine koymayın. İş parçasını sağlam bir zeminde emniyete alın. Bedenle teması önlemek, testere bıçağının sıkışması veya aletin kontrolünün kaybedilmesinin minimum düzeyde indirilmesi açısından iş parçasının iyice tespit edilip sıkılması önemlidir.

Görünmeyen elektrik kablolarının geçme olasılığı olan yerlerde çalışırken veya testere bıçağı aletin şebeke bağlantısına temas olasılığının bulunduğu durumlarda aleti sadece izolasyonlu tutamaklarından tutun. Elektrik akımı ileten kablolarla temas edilecek olursa metal alet elemanlarına da gerilim geçer ve bu da elektrik çarpmalarına neden olabilir.

Uzunlamasına kesme yaparken daima bir dayamak veya düz bir kenar kılavuzu kullanın. Bu, kesme hassasiyetini iyileştirir ve testere bıçağının sıkışma olasılığını azaltır.

Daima doğru büyüklükte ve biçimi bağlama flanşına uygun testere bıçakları kullanın (ağ şeklinde veya yuvarlak). Testerenin montaj parçalarına uymayan testere bıçaklar, balanssız çalışır ve aletin kontrol dışına çıkma olasılığını artırır.

Hiçbir zaman hasarlı testere bıçağı alt besleme diski veya vida kullanmayın. Testere bıçağı alt besleme diski ve vidalar, işletme güvenliğini optimum düzeyde getirmek üzere özel olarak tasarlanmış ve üretilmiştir.

Gerilme kuvvetinin nedenleri ve buna karşı alınacak önlemler:

- Bir geri tepme kuvveti, takılan, sıkışan veya yanlış doğrultulan bir testere bıçağının beklenmedik reaksiyonudur. Bu durumda, aletin

kontrolden ve iş parçasından çıkarak kullanıcıya doğru hareket etmesine neden olabilir;

- Testere bıçağı kesilen hat içinde takılır veya sıkışır, bloke olur. Böyle bir durumda motor kuvveti aleti kullanıcıya doğru geri iter;

- Testere bıçağı kesme hattında açılanma yapar veya yanlış doğrultulursa, testere bıçağının arka tarafındaki dişler iş parçasının üst yüzeyine takılabilir ve bunun sonucunda da testere bıçağı kesme hattından dışarı çıkarak, geriye doğru kullanıcıya doğru sıçrama yapar.

Bir geri tepme kuvveti, testerenin yanlış veya hatalı kullanımı sonucu ortaya çıkar. Geri tepme kuvvetleri aşağıda açıklanan uygun önlemlerle önlenir.

Testereyi iki elinizle birlikte sıkıca tutun ve ellerinizi geri tepme kuvvetini karşılayabilecek konumda tutun. Daima testere bıçağının yan tarafında durun, hiçbir zaman testere bıçağı ile aynı hatta bulunmayın. Geri tepme halinde daire testere geri doğru sıçar, ancak kullanıcı personel uygun önlemleri almışsa bu geri tepme kuvvetlerini tehlikesiz biçimde karşılayabilir.

Testere bıçağı sıkışır veya kesme işlemi başka herhangi bir nedenle kesilirse, açma/kapama şalterini bırakın ve testere bıçağı tam duruncaya kadar testereyi malzeme içinde sakınca tutun. Testere bıçağı hareket ettiği sürece ve geri tepme kuvveti kendini hissettirdiği sürece hiçbir zaman testereyi iş parçasından dışarı çıkarmayı denemeyin veya geri çekmeyin. Testere bıçağının sıkışma nedenini bulun ve bunu uygun önlemlerle giderin.

İş parçası içinde bulunan bir testereyi tekrar çalıştırmak isterseniz, testere bıçağını kesme hattında içinde merkezleyin ve testere dişlerinin iş parçasına takılı olup olmadıklarını kontrol edin. Testere bıçağı sıkışır (bloke olur) ve tekrar çalıştırılacak olursa iş parçasından dışarı çıkabilir veya bir geri tepme kuvvetine neden olabilir.

Testere bıçağının sıkışır geri tepme tehlikesi yaratmaması için büyük boyutlu levhaları keserken güvenli bir biçimde destekleyin. Büyük boyutlu levhalar kendi ağırlıkları nedeniyle bükülebilir. Bu levhalar her iki yandan, hem kesme hattının yakınından hem de kenardan desteklenmelidir.

Körelmiş veya hasarlı testere bıçakları kullanmayın. Körelmiş veya yanlış doğrultulmuş testere bıçakları dar kesme hattında büyük bir sürütme kuvvetinin oluşmasına, testere bıçağının sıkışmasına ve geri tepme kuvvetlerinin oluşmasına neden olurlar.

Kesme işlemine başlamadan önce kesme derinliği ve kesme hızı ayarlarını tam ve hassas biçimde ayarlayarak tespit edin. Kesme sırasında ayarlar değişecek olursa, testere bıçağı sıkışabilir ve geri tepme kuvveti oluşabilir.

İçini görmediğiniz bir yerde, örneğin bir duvarda “içten kesme” işlerinde özellikle dikkatli olun. Malzeme içine dalan testere bıçağı görünmeyen nesnelere nedeniyle bloke olabilir ve geri tepme kuvvetlerine neden olabilir.

Her kullanımdan önce alt koruyucu kapağın kusursuz biçimde kapanıp kapanmadığını kontrol edin. Alt koruyucu kapak serbestçe hareket etmiyorsa ve hemen kapanmıyorsa testereyi kullanmayın. Alt koruyucu kapak açık konumda iken hiçbir zaman sıkmayın veya yapıştırmayın. Testere yanlışlıkla yere düşecek olursa, alt koruyucu kapak bükülebilir. Koruyucu kapağı geri çekme kolu ile açın ve serbest hareket edip etmediğini ve bütün kesme açısı ve kesme derinliklerinde ne testere başına ne de diğer parçalara temas edip etmediğini kontrol edin.

Alt koruyucu kapağın yayını kontrol edin. Eğer alt koruyucu kapak ve yayı kusursuz olarak çalışmıyorsa aletinizi bakıma gönderin. Hasarlı parçalar, yapışkan birikintiler veya talaş birikimleri alt koruyucu kapağın gecikmeli olarak işlev görmesine neden olur.

Alt koruyucu kapağı elinizle sadece “Malzeme içine dalmalı veya açılır” kesme gibi özel durumlarda açın. Alt koruyucu kapağı geri çekme kolu ile açın ve testere bıçağı malzeme içine girince serbest bırakın. Bütün diğer kesme işlerinde alt koruyucu kapak otomatik olarak çalışmalıdır.

Alt koruyucu kapak testere bıçağının kapatmadığı sürece testereyi tezgaha veya yere bırakmayın. Korunmayın ve serbest dönüşteki testere bıçağı testereyi kesme yönünün tersine hareket ettirir ve önüne gelen malzemeyi keser. Bu sırada testerenin serbest dönüşüne dikkat edin.

Tanıtım verileri bu kullanım kılavuzunda belirtilmemiş terlere bıçaklarını kullanmayın.

Koruyucu kulaklık kullanın. Çalışırken çıkan gürültü işitme kayıplarına neden olabilir.

Lütfen cihazların içinde taşıma levhaları (diskleri) monte ederek kullanmayın!

Açık havadaki prizler hatalı akım koruma şalteri ile donatılmış olmalıdır. Bu, elektrik tesisatındaki bir zorunluluktur. Lütfen aletimizi kullanırken bu hususa dikkat edin.

Aletle çalışırken daima koruyucu gözlük kullanın. Koruyucu iş eldivenleri, sağlam ve kaymaz ayakkabılar ve iş önlüğü kullanmanızı tavsiye ederiz.

Aletin kendinde bir çalışma yapmadan önce fişi prizden çekin.

Aleti sadece kapalı iken prize takın.

Bağlantı kablosunu aletten uzak tutun. Kablo daima aletin arkasında olmalıdır ve toplanmamalıdır.

Her kullanımdan önce alet, bağlantı kablosu, uzatma kablosu ve fişin hasarlı olup olmadığını ve eskiyip eskimediyi kontrol edin. Hasarlı parçaları sadece uzmanına onartın.

Aleti elle kullanırken açma/kapama şalterini kilitlemeyin.

Bedenize sırasından ortaya çıkan toz genellikle sağlıklı zararlıdır ve çalışırken temas etmemelidir. Uygun bir koruyucu toz maskesi kullanın

KULLANIM

Bu daire testere, tahta, plastik ve alüminyumda düz hatlı kesme işlerinde kullanılabilir.

Bu alet sadece belirttiği gibi ve usulüne uygun olarak kullanılabilir.

GE UYGUNLUK BEYANI

Tek sorumlu olarak bu ürünün 98/37/EWG, 2004/108/EG yönetmelik hükümleri uyarınca aşağıdaki normlara ve norm dokümanlarına uygunluğunu beyan ederiz: EN 60745, EN 55014-1, EN 550142, EN 61000-3-2, EN 61000-3-3.



Winnenden, 2008-12-08

Rainer Kumpf

Rainer Kumpf
Manager Product Development

ŞEBEKE BAĞLANTISI

Aleti sadece tek fazlı alternatif akıma ve tip etiketi üzerinde belirtilen şebeke gerilimine bağlayın. Yapısı Koruma sınıfı II'ye girdiğinden alet koruyucu kontaklı prize de bağlanabilir.

BAKIM

Aletin havalandırma aralıklarını daima temiz tutun.

Sadece Milwaukee aksesuarı ve yedek parçaları kullanın. Nasıl değiştirileceği açıklanmış olan yapı parçalarını bir Milwaukee müşteri servisinde değiştirin (Garanti ve servis adresi broşürüne dikkat edin).

Gerektiği takdirde aletin dağıtım görünüş şeması, alet tipinin ve tip etiketi üzerindeki on hanelik sayının bildirilmesi koşuluyla müşteri servisinden veya doğrudan AEG Elektrowerkzeuge, Max-Eyth-Straße 10, D-71364 Winnenden, Germany.

SEMBOLLER



Lütfen aleti çalıştırmadan önce kullanma kılavuzunu dikkatli biçimde okuyun.



Aletin kendinde bir çalışma yapmadan önce fişi prizden çekin.



Aksesuar - Teslimat kapsamında değildir, önerilen tamamlamalar aksesuar programında.



Elektrikli el aletlerini evdeki çöp kutusuna atmayınız! Kullanılmıyş elektrikli aletleri, elektrik ve elektronik eski cihazlar hakkındaki 2002/96/EC Avrupa yönergelerine göre ve bu yönergeler ulusal hukuk kurallarına göre uyarlanarak, ayrı olarak toplanmalı ve çevre şartlarına uygun bir şekilde tekrar değerlendirilmeye gönderilmelidir.

TECHNICKÁ DATA	110 V	220-240 V
Jmenovitý příkon	1600 W	1600 W
Počet otáček při běhu naprázdno	5300 min ⁻¹	5800 min ⁻¹
Pilový kotouč ø x díra ø	184x30 mm	184x30 mm
Hloubka max. řezu při 90°/45°/56°	61/49/35 mm	61/49/35 mm
Hmotnost bez kabelu	4,8 kg	4,8 kg

Informace o hluku / vibracích

Naměřené hodnoty odpovídají EN 60 745.

V třídě A posuzovaná hladina hluku přístroje činí typicky:

Hladina akustického tlaku (K = 3 dB(A))	92,5 dB(A)	92,5 dB(A)
Hladina akustického výkonu (K = 3 dB(A))	103,5 dB(A)	103,5 dB(A)

Používejte chrániče sluchu !

Celkové hodnoty vibrací (vektorový součet tří směrů) zjištěné ve smyslu EN 60745.

Hodnota vibračních emisí a _h	3,8 m/s ²	3,8 m/s ²
Kolisavost K	1,5 m/s ²	1,5 m/s ²

VAROVÁN

Úroveň chvění uvedená v tomto návodu byla naměřena podle metody měření stanovené normou EN 60745 a může být použita pro porovnání elektrického nářadí. Hodí se také pro průběžný odhad zatížení chvěním.

Uvedená úroveň chvění představuje hlavní účely použití elektrického nářadí. Jestliže se ale elektrické nářadí používá pro jiné účely, s odlišnými nástroji nebo s nedostatečnou údržbou, může se úroveň chvění odlišovat. To může značně zvýšit zatížení chvěním během celé pracovní doby.

Pro přesný odhad zatížení chvěním se musí také zohlednit časy, během kterých je přístroj vypnutý nebo kdy je sice v chodu, ale skutečně se s ním nepracuje. To může zatížení chvěním během celé pracovní doby značně snížit.

Stanovte doplňková bezpečnostní opatření pro ochranu obsluhy před účinky chvění jako například: technická údržba elektrického nářadí a nástrojů, udržování teploty rukou, organizace pracovních procesů.

VAROVÁNÍ! Seznamte se se všemi bezpečnostními pokyny a sice i s pokyny v příložené brožurce. Zanedbání při dodržování varovných upozornění a pokynů mohou mít za následek úder elektrickým proudem, požár a/nebo těžká poranění. **Všechna varovná upozornění a pokyny do budoucna uschovejte.**

SPECIÁLNÍ BEZPEČNOSTNÍ UPOZORNĚNÍ

NEBEZPEČÍ: Mějte své ruce mimo oblast řezání a mimo pilový kotouč. Se svou druhou rukou držte přidavné držadlo nebo motorovou skříň. Pokud obě ruce drží kotoučovou pilu, nemůže je pilový kotouč poranit.

Nesahajte pod obrobek. Ochranný kryt Vás pod obrobkem nemůže chránit před pilovým kotoučem.

Přizpůsobte hloubku řezu tloušťce obrobku. Pod obrobkem by měla být viditelná méně než celá výška zubu.

Řezaný obrobek nikdy nedržte v ruce nebo přes nohu. Obrobek zajistěte na stabilní podložce. Je důležité obrobek dobře upevnit, aby byl minimalizován kontakt s tělem, přičinění pilového kotouče nebo ztráta kontroly.

Pokud provádíte práce, při kterých by řezný nástroj mohl zasáhnout skrytá el. vedení nebo vlastní kabel stroje, držte stroj pouze za izolované uchopovací plochy. Kontakt s vedením pod napětím přivádí napětí i na kovové díly stroje a vede k elektrickému úderu.

Při podélných řezech používejte vždy vodítka nebo přímé vedení podél hrany. To zlepší přesnost řezu a snižuje možnost, že se pilový kotouč vzpříčí.

Používejte vždy pilové kotouče ve správné velikosti a s vhodným upínacím otvorem (např. v hvězdicovém tvaru nebo kruhový). Pilové kotouče, jež se nehodí k montážním dílům pily, běží nekuřhově a vedou ke ztrátě kontroly.

Nikdy nepoužívejte poškozené nebo špatné podložky nebo šrouby kotouče. Podložky a šrouby pilových kotoučů byly zkonstruovány speciálně pro Vaši pilu, pro optimální výkon a provozní bezpečnost.

Příčiny a vyvarování se zpětného rázu:

- zpětný ráz je náhlá reakce v důsledku zaseknutí, vzpříčení nebo špatného vyrovnání pilového kotouče, která vede k tomu, že se pila nekontrolovatelně nadzdvihne z obrobku a pohybuje se ve směru obsluhující osoby;

- když se pilový kotouč zasekne nebo vzpříčí do svírající se řezané mezery, zablokuje se a síla motoru udeří strojem zpět ve směru obsluhující osoby;

- pokud se pilový kotouč v řezu stočí nebo je špatně vyrovnán, mohou se zuby zadní hrany pilového kotouče zaseknout do povrchu obrobku, čímž se pilový kotouč nadzvedne z řezané mezery a pila vyskočí zpět ve směru obsluhující osoby.

Zpětný ráz je důsledek špatného nebo chybného použití pily. Lze mu vhodnými preventivními opatřeními, jak je následovně popsáno, zabránit.

Pilu držte pevně oběma rukama a paže dejte do takové polohy, ve které můžete čelit síle zpětného rázu. Držte se strany pilového kotouče, nedávajte pilový kotouč do jedné přímky s Vaším tělem. Při zpětném rázu může kotoučová pila skočit vzad, ale obsluhující osoba může síly zpětného rázu pfekonat, pokud byla učiněna vhodná opatření.

Jestliže se pilový kotouč vzpříčí nebo je-li řezání přerušeno z jiného důvodu, uvolněte spínač a pilu držte klidně v materiálu, až se pilový kotouč zcela zastaví. Nikdy se nepokoušejte odstranit pilu z obrobku nebo ji stáhnout zpět, dokud se pilový kotouč pohybuje nebo by mohl nastat zpětný ráz. Najděte příčinu vzpříčení pilového kotouče a odstraňte ji vhodnými opatřeními.

Pokud chcete pilu, která je vsazena do obrobku, znovu zapnout, vystředte pilový kotouč v řezané mezeře a zkontrolujte, zda nejsou pilové zuby zaseknuty v obrobku. Je-li pilový kotouč vzpříčený, může se, pokud se pila znovu zapne, pohnout ven z obrobku nebo způsobit zpětný ráz.

Velké desky podepřete, aby jste zabránili riziku zpětného rázu sevřením pilového kotouče. Velké desky se mohou vlastní vahou prohnout. Desky musí být podepřeny jak na obou stranách, tak i v blízkosti řezané mezery na kraji.

Nepoužívejte žádné tupé nebo poškozené pilové kotouče. Pilové kotouče s tupými nebo špatně vyrovnanými zuby způsobí díky úzké pilové mezeře zvýšené tření, svírání pilového kotouče a zpětný ráz.

Před řezáním utáhněte nastavení hloubky a úhlu řezu. Pokud se během řezání změní nastavení, může se pilový kotouč vzpříčit a nastat zpětný ráz.

Budte obzvlášť opatrní, pokud provádíte "zаноřovací řez" do skrytých prostorů, např. stávající stěna. Zanořující se pilový kotouč se může při řezání zablokovat ve skrytých objektech a způsobit zpětný ráz.

Před každým použitím zkontrolujte, zda se spodní ochranný kryt bezvadně uzavírá. Pílu nepoužívejte, pokud se spodní ochranný kryt nepohybuje volně a neuzavře-li se okamžitě. Spodní ochranný kryt nikdy neupneuřujte nebo nepřivazujte napevno v otevřené poloze. Pokud pila neúmyslně upadne na podlahu, může se spodní ochranný kryt zprohybat. Otevřité ochranný kryt pomoci páčky pro zpětné vytážení a zajistěte, aby se volně pohyboval a nedotýkal se pilového kotouče ani jiných dílů při všech řezných úhlech a hloubkách.

Zkontrolujte funkci pružiny pro spodní ochranný kryt. Nechte stroj před použitím zkontrolovat, pokud spodní ochranný kryt a pružina nepracují bezvadně. Poškozené díly, lepkavé usazeniny nebo nahromadění třísek brzdí spodní ochranný kryt při práci.

Rukou otevřete spodní ochranný kryt pouze v výjimečných řezů, jako jsou "zаноřovací řezy a řezy pod úhlem". Otevřete spodní ochranný kryt pomocí páčky pro zpětné vytážení a uvolněte jej, jakmile pilový kotouč vnikne do obrobku. U všech ostatních řezacích prací musí spodní ochranný kryt pracovat automaticky.

Pílu neodkládejte na pracovní stůl nebo podlahu bez toho, aby spodní ochranný kryt zakrýval pilový kotouč. Nechráněný, dobíhající pilový kotouč pohybuje pilou proti směru řezání a řezá vše co mu stojí v cestě. Respektujte při tom dobu doběhu pily.

Pilové kotouče, které neodpovídají požadavkům podle tohoto návodu se nesmí používat.

Používejte chrániče sluchu. Působením hluku může dojít k poškození sluchu.

Nepoužívejte prosím s brusnými kotouči!

Ve venkovním prostředí musí být zásuvky vybaveny proudovým chráničem. Je to vyžadováno instalačním předpisem pro toto el.zařízení. Dodržujte ho při používání tohoto nářadí, prosím.

Při práci se strojem neustále nosit ochranné brýle. Doporučuje se používat ochranné rukavice, pevnou protiskluzovou obuv a zástěru.

Před zahájením veškerých prací na stroji vytáhnout síťovou zástrčku ze zásuvky.

Stroj zapínat do zásuvky pouze když je vypnutý.

Neustále dbát na to, aby byl kabel pro připojení k elektrické síti mimo dosah stroje. Kabel vést vždy směrem dozadu od stroje.

Před každým použitím pfekontrolujte stroj, kabel, prodlužovací kabel i zástrčky, zda nenesou stopy poškození nebo stárnutí. Poškozené součástky dejte opravit pouze odborníky.

Při ručním vedení pily nearetujte vypínač.

Prach vznikající při práci s tímto nářadím může být zdraví škodlivý. Proto by neměl přijít do styku s tělem. Používejte při práci vhodnou ochranou masku.

OBLAST VYUŽITÍ

Okružní pila je vhodná k přímému řezání do dřeva, plastů a aluminia.

Toto zařízení lze používat jen pro uvedený účel.

CE-PROHLÁŠENÍ O SHODĚ

Se vši zodpovědností prohlašujeme, že tento výrobek odpovídá následujícím normám a normativním dokumentům: EN 60745, EN 55014-1, EN 55014-2, EN 61000-3-2, EN 61000-3-3, EN 61000-3-3, v souladu se směrnicemi EHS č. 98/37/EG, 2004/108/EG



Winnenden, 2008-12-08

Rainer Kumpf

Rainer Kumpf
Manager Product Development

PŘIPOJENÍ NA SÍT

Připojit pouze do jednofázové střídavé sítě o napětí uvedeném na štítku. Lze připojit i do zásuvky bez ochranného kontaktu neboť spotřebič je třídy II.

ÚDRŽBA

Větrací štěrbinu nářadí udržujeme stále čisté.

Používat výhradně příslušenství AEG a náhradní díly AEG. Díly jejichž výměny nebyla popsána, nechte vyměnit v autorizovaném servisu (viz.*Záruky / Seznam servisních míst)

Při potřebě podrobného rozkresu konstrukce, oslovte informace o typu a desetimístném objednacím čísle přímo servis a nebo výrobce, AEG Elektrowerkzeuge, Max-Eyth-Straße 10, D-71364 Winnenden, Germany.

SYMBOLY



Před spuštěním stroje si pečlivě pročtete návod k používání.



Před zahájením veškerých prací na vrtacím kladivu vytáhnout síťovou zástrčku ze zásuvky.



Příslušenství není součástí dodávky, viz program příslušenství.



Elektrické nářadí nevyhazujte do komunálního odpadu! Podle evropské směrnice 2002/96/EG o nakládání s použitými elektrickými a elektronickými zařízeními a odpovídajících ustanovení právních předpisů jednotlivých zemí se použítá elektrická nářadí musí sbírat odděleně od ostatního odpadu a prodbit ekologicky šetrnému recyklování.

TECHNICKÉ ÚDAJE	110 V	220-240 V
Menovitý príkon	1600 W	1600 W
Otáčky naprázdno	5300 min ⁻¹	5800 min ⁻¹
Príemer pílového listu x príemer diery	184x30 mm	184x30 mm
Max. hĺbka rezu pri 90°/45°/56°	61/49/35 mm	61/49/35 mm
Hmotnosť bez sieťového kábla.....	4,8 kg	4,8 kg

Informácia o hluku / vibráciách

Namerané hodnoty určené v súlade s EN 60 745.

V triede A posudzovaná hladina hluku prístroja číň typicky:

Hladina akustického tlaku (K=3 dB(A)).....	92,5 dB(A)	92,5 dB(A)
Hladina akustického výkonu (K=3 dB(A)).....	103,5 dB(A)	103,5 dB(A)

Používajte ochranu sluchu!

Celkové hodnoty vibrácií (vektorový súčet troch smerov) zistené v zmysle EN 60745.

Hodnota vibračných emisií a _h	3,8 m/s ²	3,8 m/s ²
Kolisavosť K.....	1,5 m/s ²	1,5 m/s ²

POZOR

Úroveň vibrácií uvedená v týchto pokynoch bola nameraná meracou metódou, ktorú stanovuje norma EN 60745 a je možné ju použiť na vzájomné porovnanie elektrického náradia. Hodí sa aj na predbežné posúdenie kmitavého namáhania.

Uvedená úroveň vibrácií reprezentuje hlavné aplikácie elektrického náradia. Ak sa však elektrické náradie používa pre iné aplikácie, s odlišnými vloženými nástrojmi alebo s nedostatočnou údržbou, môže sa úroveň vibrácií líšiť. Toto môže kmitavé namáhanie v priebehu celej pracovnej doby podstatne zvýšiť.

Pre presný odhad kmitavého namáhania by sa mali tiež zohľadniť doby, v ktorých je náradie vypnuté alebo je síce v chode, ale v skutočnosti sa nepoužíva. Toto môže kmitavé namáhanie v priebehu celej pracovnej doby zreteľne redukovať.

Stanovte dodatočné bezpečnostné opatrenia pre ochranu obsluhy pred účinkami vibrácií, ako napríklad: údržba elektrického náradia a vložených nástrojov, udržiavanie teploty rúk, organizácia pracovných postupov.

⚠ POZOR! Zoznámte sa so všetkými bezpečnostnými pokynmi a síce aj s pokynmi v priloženej brožúre. Zanedbanie dodržiavania Výstražných upozornení a pokynov uvedených v nasledujúcom texte môže mať za následok zásah elektrickým prúdom, spôsobíť požiar a/alebo ťažké poranenie.
Tieto Výstražné upozornenia a bezpečnostné pokyny starostlivo uschovajte na budúce použitie.

Špeciálne bezpečnostné pokyny

⚠ NEBEZPEČENSTVO: Nedávajte ruky do pracovného priestoru píly ani k pílovému listu. Druhou rukou držte prídavnú rukoväť alebo teleso motora. Ak kotúčovú pílu držia obe ruky, pílový list ich nemôže poraniť.

Nesiahajte pod obrobok. Ochranný kryt vás pod obrobkom nemôže ochraňovať pred pílovým listom.

Hrúbku rezu prispôbte hrúbke obrobku. Pod obrobkom by malo byť vidieť menej pílového listu ako plnú výšku zuba píly.

Nikdy nedržte pri rezaní obrobok v ruke ani ho nepridržiavajte nad nohou. Zabezpečte obrobok na stabilnom podklade. Je dôležité, aby bol obrobok dobre upevnený, aby sa na minimum zmenšilo nebezpečenstvo kontaktu s telom, zablokovania pílového listu alebo straty kontroly.

Náradie držte za izolované plochy rukovätí pri vykonávaní takej práce, pri ktorej by mohol rezací nástroj natrafiť na skryté elektrické vedenia alebo zasiahnuť vlastnú prívodnú šnúru. Kontakt s vedením, ktoré je pod napätím, spôsobí, že aj kovové súčiastky náradia sa dostanú pod napätie, čo má za následok zásah elektrickým prúdom.

Pri pozdĺžnom rezaní vždy používajte doraz, alebo veďte náradie pozdĺž rovnej hrany. To zlepšuje presnosť rezu a znižuje možnosť zablokovania pílového listu.

Používajte vždy pílové listy správnej veľkosti a s vhodným upínacím otvorom (napríklad hviezdicovým alebo okrúhlym). Pílové listy, ktoré sa nehodia k montážnym súčiastkam píly, nebežia celkom rotačne a spôsobia stratu kontroly obsluhy na náradí.

Nikdy nepoužívajte poškodené podložky alebo nesprávne upevňovacie skrutky pílových listov. Podložky a upevňovacie skrutky pílových listov boli skonštruované špeciálne pre túto pílu, aby dosahovala optimálny výkon a mala optimálnu bezpečnosť prevádzky.

Dôvody spätných rázov a predchádzanie spätným rázom:

- spätný ráz je náhlu reakciou zablokovaného, vzpričeného alebo nesprávne nastaveného pílového listu, ktorý má za následok nekontrolované zdvihnutie píly a jej pohyb od obrobku smerom k obsluhujúcej osobe;

- keď sa pílový list zasekne alebo vzpriči v uzavierajúcej sa štrbine rezu, zablokuje sa a sila motora vyhodí náradie smerom na obsluhujúcu osobu;

- keď je pílový list v reze natočený alebo nesprávne nastavený, môžu sa zuby zadnej hrany pílového listu zahryznúť do povrchovej plochy obrobku, čím sa pílový list vysunie z rezacej štrbiny a píla poskočí smerom k obsluhujúcej osobe.

Spätný ráz je následkom nesprávneho a chybného používania píly. Vhodnými preventívnymi opatrenia, ktoré popisujeme v nasledujúcom texte, mu možno zabrániť.

Držte pílu dobre oboma rukami a majte paže v takej polohe, v ktorej budete vedieť prípadnú silu spätného rázu zvládnuť. Vždy stojte v bočnej polohe k rovine pílového listu, nikdy nedávajte pílový list do jednej línie so svojím telom. Pri spätnom ráze môže píla skočiť smerom dozadu, avšak keď sa urobia potrebné opatrenia, môže obsluhujúca osoba silu spätného rázu zvládnuť.

Ak sa pílový list zablokuje alebo ak sa pílenie preruší z iného dôvodu, uvoľnite vypínač a držte pílu v materiáli obrobku dovtedy, kým sa pílový list celkom zastaví. Nikdy sa nepokúšajte vyberať pílu z obrobku alebo ju ťahať smerom dozadu, kým sa pílový list pohybuje alebo kým môže vzniknúť spätný ráz. Nájdite príčinu zablokovania pílového listu a pomocou vhodných opatrení ju odstráňte.

Keď chcete znova spustiť pílu, ktorá je v obrobku, vycentrujte pílový list v štrbine rezu a skontrolujte, či nie sú zuby píly zaseknuté v materiáli obrobku. Keď je pílový list zablokovaný, nedá sa v obrobku pohnúť, alebo môže spôsobiť spätný ráz, ak by sa píla znova spustila.

Veľké platne pri pílení podoprite, aby ste znížili riziko spätného rázu zablokovaním pílového listu. Veľké platne sa môžu následkom vlastnej hmotnosti prehnúť. Platne treba podpierať na oboch stranách, aj v blízkosti štrbiny rezu aj na kraji.

Nepoužívajte tupé ani poškodené pílové listy. Pílové listy s otupenými zubami alebo s nesprávne nastavenými zubami vytvárajú príliš úzku štrbinu rezu a tým spôsobujú zvýšené trenie, blokovanie pílového listu alebo vyvolanie spätného

Pred pílením dobre utiahnite nastavenia hĺbky rezu a uhla rezu. Keď sa počas pílenia nastavenie zmení, môže sa pílový list zablokovať a spôsobiť spätný ráz náradia.

Osobitne opatrný buďte pri používaní rezania “zapichovaním” (zanorovaním) do skrytého priestoru, napríklad do existujúcej steny. Zapichovaný pílový list môžu pri pílení zablokovať rôzne skryté objekty, čo môže spôsobiť spätný ráz.

Pred každým použitím náradia skontrolujte, či bezchybne pracuje spodný ochranný kryt. Nepoužívajte kotúčovú pílu, keď sa dolný ochranný kryt nedá voľne pohybovať a keď okamžite automaticky neuzatvára. Nikdy nezablkujete a nepriväzujte dolný ochranný kryt v otvorenej polohe. Ak vám píla neúmyselne spadla na zem, mohol by sa dolný ochranný kryt skriviť. Pomocou vratnej páčky otvorte ochranný kryt a zabezpečte, aby sa voľne pohyboval a pri ziadnom z nastaviťelných uhlov rezu a žiadnej z nastaviťelných hĺbok rezu sa nedotýkal ani pílového listu ani ostatných súčiastok náradia.

Skontrolujte činnosť pružiny dolného ochranného krytu. Dajte vykonať na náradí pred jeho použitím opravu, ak dolný ochranný kryt a pružina nepracujú bezchybne. Poškodené súčiastky, lepkavé usadeniny alebo nariadenia triesok spôsobujú, že dolný ochranný kryt pracuje spomalene.

Otvorte dolný ochranný kryt rukou len pri špeciálnych rezoch, ako sú “rezanie zapichnutím” a “rezanie šikmých rezov”. Dolný ochranný kryt otvárajte pomocou vratnej páčky a len čo pílový list vnikol do obrábaného materiálu, páčku pusťte. Pri všetkých ostatných prácach musí pracovať dolný ochranný kryt automaticky.

Nikdy nekladte pílu na pracovný stôl ani na podlahu bez toho, aby bol pílový list krytý dolným ochranným krytom. Nechránený dobiehajúci pílový list spôsobí pohyb píly proti smeru rezu a reže všetko, čo mu stojí v ceste. Všímajte si dobu dobehu pílového listu.

Pílové listy, ktoré nezodpovedajú charakteristikám uvedeným v návode na použitie, nesmú sa použiť.

Používajte ochranu sluchu. Pôsobenie hluku môže spôsobiť stratu sluchu.

Nepoužívajte prosím s brusnými kotúčmi!

Zásuvky vo vonkajšom prostredí musia byť vybavené ochranným spínačom proti prúdovému nárazom. Toto je inšalačný predpis na Vaše elektrické zariadenie. Venujte prosím tomuto pozornosť pri používaní nášho prístroja.

Pri práci so strojom vždy noste ochranné okuliare. Odporúčame ochranné rukavice, pevnú protišmykovú obuv a zásteru.

Pred každou prácou na stroji vyťahnite zástrčku zo zásuvky.

Len vypnutý stroj pripájajte do zásuvky.

Pripojovací kábel držte mimo pracovnej oblasti stroja. Kábel smerujte vždy smerom dozadu od stroja.

Pred každým použitím skontrolovať prístroj, pripojovací kábel, predízovací kábel a zástrčku, či nedošlo k poškodeniu alebo zostárnutiu. Poškodené časti nechať opraviť odborníkom.

Pri ručnom vedení vypínač nearetovať.

Prach vznikajúci pri práci môže byť škodlivý zdraviu. Pri práci nosiť vhodnú ochrannú masku, aby sa nedostal do ľudského organizmu.

POUŽITIE PODĽA PREDPISOV

Ručná okružná píla je vhodná na robenie priamych rezov do dreva, plastu a hliníka.

Tento prístroj sa smie používať len v súlade s uvedenými predpismi.

CE - VYHLÁSENIE KONFORMITY

Vyhlasujeme v našej výhradnej zodpovednosti, že tento produkt zodpovedá nasledovným normám alebo normatívnym dokumentom. EN 60745, EN 55014-1, EN 55014-2, EN 61000-3-2, EN 61000-3-3, EN 61000-3-3, podľa predpisov smerníc 98/37/EG, 2004/108/EG.



Winnenden, 2008-12-08

Rainer Kumpf
Manager Product Development

SIEŤOVÁ PRIPOJKA

Pripájať len na jednofázový striedavý prúd a na sieťové napätie uvedené na štítku. Pripojenie je možné aj do zásuviek bez ochranného kontaktu, pretože ide o konštrukciu ochrannej triedy II.

ÚDRZBA

Vetracie otvory udržiavať stále v čistote.

Používať len AEG príslušenstvo a AEG náhradné diely. Súčiastky bez návodu na výmenu treba dať vymeniť v jednom z AEG zákaznických centier (viď brožúru Záruka/Adresa zákaznických centier).

Pri udaní typu stroja a desaťmiestneho čísla nachádzajúceho sa na štítku dá sa v prípade potreby vyžiadať explozívna schéma prístroja od Vášho zákaznického centra alebo priamo v AEG Elektrowerkzeuge, Max-Eyth-Straße 10, D-71364 Winnenden, Germany.

SYMBOLY



Pred prvým použitím prístroja si pozorne prečítajte návod na obsluhu.



Pred každou prácou na stroji vyťahnuť zástrčku zo zásuvky.



Príslušenstvo - nie je súčasťou štandardnej výbavy, odporúčané doplnenie z programu príslušenstva.



Elektrické náradie nevyhadzujte do komunálneho odpadu! Podľa európskej smernice 2002/96/EG o nakladaní s použitými elektrickými a elektronickými zariadeniami a zodpovedajúcich ustanovení právnych predpisov jednotlivých krajín sa použité elektrické náradie musí zbierať oddelene od ostatného odpadu a podrobiť ekologicky šetrnej recyklácii.

DANE TECHNICZNE	110 V	220-240 V
Znamionowa moc wyjściowa	1600 W	1600 W
Prędkość bez obciążenia	5300 min ⁻¹	5800 min ⁻¹
Srednica ostrza piły x srednica otworu	184x30 mm	184x30 mm
Maksymalna głębokość cięcia pod kątem 90°/45°/56°	61/49/35 mm	61/49/35 mm
Ciężar bez kabla	4,8 kg	4,8 kg

Informacja dotycząca szumów/wibracji

Zmierzone wartości wyznaczone zgodnie z normą EN 60 745.

Poziom szumów urządzenia oszacowany jako A wynosi typowo:

Poziom ciśnienia akustycznego (K=3 dB(A))	92,5 dB(A)	92,5 dB(A)
Poziom mocy akustycznej (K=3 dB(A))	103,5 dB(A)	103,5 dB(A)

Należy używać ochraniaczy uszu!

Wartości łączne drgań (suma wektorowa trzech kierunków)

wyznaczone zgodnie z normą EN 60745

Wartość emisji drgań a _h	3,8 m/s ²	3,8 m/s ²
Niepiepowność K	1,5 m/s ²	1,5 m/s ²

OSTRZEŻENIE

Podany w niniejszych instrukcjach poziom drgań został zmierzony za pomocą metody pomiarowej zgodnej z normą EN 60745 i może być użyty do porównania ze sobą elektronarzędzi. Nadaje się on również do tymczasowej oceny obciążenia wibracyjnego.

Podany poziom drgań reprezentuje główne zastosowania elektronarzędzia. Jeśli jednakże elektronarzędzie użyte zostanie do innych celów z innym narzędziami roboczymi lub nie jest dostatecznie konserwowane, wtedy poziom drgań może wykazywać odchylenia. Może to wyraźnie zwiększyć obciążenie wibracjami przez cały okres pracy.

Dla dokładnego określenia obciążenia wibracjami wibracjami należy uwzględnić również czasy, w których urządzenie jest wyłączone względnie jest włączone, lecz w rzeczywistości nie pracuje. Może to spowodować wyraźną redukcję obciążenia wibracyjnego w całym okresie pracy.

Należy wprowadzić dodatkowe środki zapobiegawcze celem ochrony obsługującego przed oddziaływaniem drgań, jak na przykład: konserwacja narzędzi roboczych i elektronarzędzi, nagrzanie rąk, organizacja przebiegu pracy.

⚠ OSTRZEŻENIE! Prosimy o przeczytanie wskazówek bezpieczeństwa i zaleceń, również tych, które zawarte są w załączonej broszurze. Błędy w przestrzeganiu poniższych wskazówek mogą spowodować porażenie prądem, pożar i/lub ciężkie obrażenia ciała.
Należy starannie przechowywać wszystkie przepisy i wskazówki bezpieczeństwa dla dalszego zastosowania.

INSTRUKCJE DOTYCZĄCE BEZPIECZEŃSTWA

⚠ NIEBEZPIECZEŃSTWO: Należy uważać, by ręce nie dostały się w zasięg piłowania i nie dotknęły brzeszczotu. Drugą ręką należy trzymać uchwyt dodatkowy lub obudowę silnika. Gdy obydwie ręce trzymają piłę tarczową, brzeszczot nie może ich zranić.

Nie należy chwycić niczego pod obrabianym przedmiotem. Osłona ochronna nie może chronić Państwa przed brzeszczotem pod obrabianym przedmiotem.

Głębokość cięcia należy dopasować do grubości obrabianego przedmiotu. Powinno być widoczne mniej jak pełna wysokość zębów pod obrabianym przedmiotem.

Nie należy nigdy trzymać przedmiotu do piłowania w ręce lub podtrzymywać nogą. Obrabiany przedmiot należy zabezpieczyć na stabilnym podłożu. Ważne jest, by obrabiany przedmiot dobrze umocować, aby zmniejszyć niebezpieczeństwo kontaktu z ciałem, zablokowanie się brzeszczotu lub utraty kontroli nad urządzeniem.

Urządzenie należy trzymać jedynie za izolowane powierzchnie uchwytu, gdy przeprowadza się prace, przy których narzędzie skrawające mogłoby natrafić na ukryte przewody prądu lub własny kabel zasilający. Kontakt z przewodami pod napięciem wprowadza również metalowe części urządzenia pod napięciem i prowadzi do porażenia prądem.

Przy cięciach wzdłużnych należy używać zawsze oporu lub prostej prowadnicy krawędzi. Polepsza to dokładność cięcia i zmniejsza możliwość, że brzeszczot się zablokuje.

Należy używać zawsze brzeszczotów odpowiedniej wielkości i z pasującym otworem zamocowania (np. gwiazdowym lub okrągłym). Brzeszczoty, które nie pasują do części montażowych piły kręcą się nierównomiernie i prowadzą do utraty kontroli nad urządzeniem.

Nie należy używać nigdy uszkodzonych lub złych podkładek lub śrub do brzeszczotu. Podkładowki i śruby do brzeszczotu zostały skonstruowane specjalnie dla Państwa piły, w celu optymalnej wydajności i bezpieczeństwa pracy.

Przyczyny i uniknięcie odbicia zwrotnego:

- Odbicie zwrotne jest nagłą reakcją jako następstwo haczących się, zablokowanych lub nieprawidłowo nastawionych brzeszczotów, które prowadzi do tego, że niekontrolowana piła podnosi się i porusza wysuwając z obrabianego przedmiotu w kierunku osoby obsługującej urządzenie;

- Gdy brzeszczot zahaczy się lub zablokuje w zamykającym się rzazie, brzeszczot blokuje się a siła silnika odbija urządzenie w kierunku osoby obsługującej urządzenie;

- Gdy brzeszczot zostanie przekreślony lub nieprawidłowo ustawiony w rzazie, zęby tylnej krawędzi brzeszczotu mogą się zahaczyć na powierzchni obrabianego przedmiotu, przez co brzeszczot wysuwa się z rzazu, a piła odskakuje w kierunku osoby obsługującej urządzenie.

Odbicie zwrotne jest następstwem nieprawidłowego lub błędnego używania piły. Można mu zapobiec stosując odpowiednie środki ostrożności, tak jak opisano niżej.

Piłę należy trzymać obydwo rękami a ramiona powinny zająć taką pozycję, w której można oprzeć się siłom odbicia zwrotnego. Należy przyjąć pozycję zawsze z boku brzeszczotu, nigdy nie doprowadzić do tego, by brzeszczot znajdował się na jednej linii z ciałem. Przy odbiciu zwrotnym piła może odskoczyć do tyłu, jednak osoba ją obsługująca może zapanować nad siłami odbicia zwrotnego, gdy zostały podjęte odpowiednie środki zaradcze.

W przypadku, gdy brzeszczot zablokował się lub piłowanie zostało przerwane z innego powodu, należy zwolnić włącznik/wyłącznik i piłę trzymać spokojnie w obrabianym materiale, aż do momentu, gdy brzeszczot znajduje się całkowicie w bezruchu. Nie należy nigdy próbować wyjęcia piły z obrabianego przedmiotu lub ciągnięcia jej do tyłu tak długo, jak długo brzeszczot znajduje się w ruchu, lub mógłoby zdarzyć się odbicie zwrotne. Należy wykryć przyczynę zablokowania się brzeszczotu i usunąć ją odpowiednimi środkami zaradczymi.

Gdy chce się ponownie włączyć piłę, która tkwi w obrabianym przedmiocie, należy brzeszczot wycentrować w rzazie i skontrolować, czy zęby piły nie są zahaczone w obrabianym przedmiocie. W przypadku, gdy brzeszczot jest zablokowany, może on wypaść z obrabianego przedmiotu lub spowodować odbicie zwrotne, gdy piła zostanie ponownie włączona.

Duże płyty należy podeprzeć, aby zmniejszyć ryzyko odbicia zwrotnego spowodowane zablokowanym brzeszczotem. Duże płyty mogą się przeciąć pod ciężarem własnym. Płyty muszą być z dwóch stron podparte, zarówno w pobliżu rzazu, jak i na krawędzi.

Nie należy używać tępych lub uszkodzonych brzeszczotów. Brzeszczoty z tępymi lub nieprawidłowo ustawionymi zębami powodują podwyższone tarcie, zablokowanie i odbicie zwrotne, spowodowane za wąskim rzazem.

Przed piłowaniem należy dokonać nastawienia głębokości i kąty cięcia. W przypadku, gdy nastawienia zmienia się podczas piłowania, brzeszczot może się zablokować i tym samym wystąpić odbicie zwrotne.

Należy być szczególnie ostrożnym przy wykonywaniu „cięcia wglębego” w ukrytym zasięgu pracy, np. w isniejącej ścianie. Wglębający się brzeszczot może się przy cięciu w ukrytych obiektach zablokować i spowodować odbicie zwrotne.

Przed każdym użyciem należy skontrolować, czy dolna osłona ochronna zamyka się prawidłowo. Nie należy używać piły, gdy dolna osłona ochronna nie porusza się bez przeszkód i nie zamyka się natychmiast. Nie dozwolone jest blokowanie lub przywiązywanie dolnej osłony ochronnej w pozycji otwartej. Gdy piła upadnie niezamierzenie na podłoże, osłona ochronna może się skrzywić. Należy otworzyć osłonę ochronną dźwignią odciągającą i zabezpieczyć, by poruszała się ona bez przeszkód i przy wszystkich kątach i głębokościach cięcia nie dotykała zarówno brzeszczotu jak i innych części.

Należy skontrolować funkcjonowanie sprzężeniu do dolnej osłony ochronnej. Przed użyciem należy urządzenie oddać do doгляду, gdy dolna osłona ochronna i sprzężyny pracują nieprawidłowo. Uszkodzone części, klejące się osady lub spiętrzające się wióry powodują opóźnioną pracę osłony ochronnej.

Otworzyć ręcznie dolną osłonę ochronną tylko przy szczególnych rodzajach cięcia, takich jak „cięcie wglębne i pod kątem”. Dolną osłonę ochronną otworzyć dźwignią odciągającą i ponownie zwolnić, skoro tylko brzeszczot zagłębił się w obrabiany przedmiot. Przy wszystkich innych pracach dolna osłona ochronna musi pracować automatycznie.

Piły nie należy odkładać na stole roboczym lub podłożu, gdy dolna osłona ochronna nie zakrywa brzeszczotu. Niezabezpieczony, będący na wybiegu brzeszczot porusza piłę w kierunku odwrótnym do kierunku cięcia i tnie wszystko, co stoi na przeszkodzie. Przy tym należy uważać na czas opóźnienia wybiegu piły.

Nie używać ostrzy nie odpowiadających głównym parametrom podanym w instrukcji obsługi.

Stosować środki ochrony słuchu! Narażenie na hałas może spowodować utratę słuchu.

Proszę nie stosować tarcz szlifierskich
Urządzenia pracujące w wielu różnych miejscach, w tym poza pomieszczeniami zamkniętymi, należy podłączać poprzez ochronny wyłącznik udarowy.

Podczas pracy należy zawsze nosić okulary ochronne. Zalecane jest także noszenie rękawic, mocnego, nie ślizgającego się obuwia oraz ubrania roboczego.

Przed przystąpieniem do jakichkolwiek prac związanych z elektronarzędziem należy wyjąć wtyczkę z gniazdka.

Elektronarzędzie można podłączać do gniazdka sieciowego tylko wtedy, kiedy jest wyłączone.

Kabel zasilający nie może znajdować się w obszarze roboczym elektronarzędzia. Powinien on się zawsze znajdować się za operatorem.

Przed rozpoczęciem pracy sprawdzić, czy na elektronarzędziu, kablu i wtyczce nie ma oznak uszkodzeń lub zmeżenia materiału. Naprawy mogą być przeprowadzane wyłącznie przez upoważnionych Przedstawicieli Serwisu.

Nie blokować wyłącznika w pozycji "on" ("włączony") przy pracy z piłą trzymaną w rękach.

Kurz powstający przy pracy z tym elektronarzędziem może być szkodliwy dla zdrowia, w związku z tym nie powinien dotrzeć do ciała. Nosić odpowiednią maskę przeciwpyłową.

WARUNKI UŻYTKOWANIA

Elektroniczna pilarka tarczowa może być używana do cięcia wzdłużnego oraz cięcia skośnego w drewnie, tworzywach sztucznych oraz aluminium.

Produkt można użytkować wyłącznie zgodnie z jego normalnym przeznaczeniem.

ŚWIADCTWO ZGODNOŚCI CE

Oświadczamy z pełną odpowiedzialnością, że produkt ten odpowiada wymaganiom następujących norm i dokumentów normatywnych: EN 60745, EN 55014-1, EN 55014-2, EN 61000-3-2, EN 61000-3-3 i jest zgodny z wymaganiami dyrektywy: 98/37/EG, 2004/108/EG.



Winnenden, 2008-12-08

Rainer Kumpf
Manager Product Development

PODŁĄCZENIE DO SIECI

Podłączając tylko do źródła zasilania prądem zmiennym jednofazowym i wyłącznie o napięciu podanym na tabliczce znamionowej. Możliwe jest również podłączenie do gniazdka bez uziemienia, ponieważ konstrukcja odpowiada II klasie bezpieczeństwa.

UTRZYMANIE I KONSERWACJA

Otwory wentylacyjne elektronarzędzia muszą być zawsze drożne.

Używać tylko i wyłącznie wyposażenia dodatkowego AEG i części zamiennych AEG. Gdyby trzeba było wymienić części, które nie zostały opisane, należy skontaktować się z przedstawicielem serwisu AEG (patrz wykaz adresów punktów usługowych/gwarancyjnych).

Na życzenie można otrzymać rysunek widoku zespołu rozebranego. Przy zamawianiu należy podać dziesięciocyfrowy numer oraz typ elektronarzędzia umieszczony na tabliczce znamionowej. Zamówienia można dokonać albo u lokalnych przedstawicieli serwisu, albo bezpośrednio w AEG Elektrowerzeuge, Max-Eyth-Straße 10, D-71364 Winnenden, Germany.

SYMBOLY



Przed uruchomieniem elektronarzędzia zapoznać się uważnie z treścią instrukcji.



Przed przystąpieniem do jakichkolwiek prac przy elektronarzędziu należy wyjąć wtyczkę z kontaktu.



Wyposażenie dodatkowe dostępne osobno.



Nie wyrzucaj elektronarzędzi wraz z odpadami z gospodarstwa domowego! Zgodnie z Europejską Dyrektywą 2002/96/WE w sprawie zużytego sprzętu elektrotechnicznego i elektronicznego oraz dostosowaniem jej do prawa krajowego, zużyte elektronarzędzia należy posegregować i zutylizować w sposób przyjazny dla środowiska.

MŰSZAKI ADATOK	110 V	220-240 V
Névleges teljesítményfelvétel	1600 W	1600 W
Üresjáratú fordulatszám.....	5300 min ⁻¹	5800 min ⁻¹
Fűrészlap átmérő x lyukátmérő	184x30 mm	184x30 mm
Vágási mélység max. 90/45/56 foknál.....	61/49/35 mm	61/49/35 mm
Súly hálózati kábel nélkül.....	4,8 kg	4,8 kg

Zaj-/Vibráció-információ

A között értékek megfelelnek az EN 60 745 szabványnak.

A készülék munkahelyi zajszintje tipikusan:

Hangnyomás szint (K = 3 dB(A))	92,5 dB(A)	92,5 dB(A)
Hangteljesítmény szint (K = 3 dB(A))	103,5 dB(A)	103,5 dB(A)

Hallásvédő eszköz használata ajánlott!

Összesített rezgésértékek (három irány vektoriális összege) az EN 60745-nek megfelelően meghatározva.

a rezgésemisszió érték.....	3,8 m/s ²	3,8 m/s ²
K bizonytalanság.....	1,5 m/s ²	1,5 m/s ²

FIGYELMEZTETÉS

A jelen utasításokban megadott rezgésszint értéke az EN 60745-ben szabályozott mérési eljárásnak megfelelően került leírásra, és használható elektromos szerszámokkal történő összehasonlításhoz. Az érték alkalmas a rezgésterhelés előzetes megbecslésére is.

A megadott rezgésszint-érték az elektromos szerszám legfőbb alkalmazásait reprezentálja. Ha az elektromos szerszámot azonban más alkalmazásokhoz, eltérő használt szerszámokkal vagy nem elegendő karbantartással használják, a rezgésszint értéke eltérő lehet. Ez jelentősen megnövelheti a rezgésterhelést a munkavégzés teljes időtartama alatt.

A rezgésterhelés pontos megbecsléséhez azokat az időket is figyelembe kell venni, melyekben a készülék lekapcsolódik, vagy ugyan működik, azonban ténylegesen nincs használatban. Ez jelentősen csökkentheti a rezgésterhelést a munkavégzés teljes időtartama alatt.

Határozzon meg további biztonsági intézkedéseket a kezelő védelmére a rezgések hatása ellen, például: az elektromos és a használt szerszámok karbantartásával, a kezek melegen tartásával, a munkafolyamatok megszakításával.

▲ FIGYELMEZTETÉS! Olvasson el minden biztonsági útmutatást és utasítást, a mellékelt brosúrában találhatóakat is. A következőkben leírt előírások betartásának elmulasztása áramütésekhez, tűzhöz és/vagy súlyos testi sérülésekhez vezethet. **Kérjük a későbbi használatra gondosan őrizze meg ezeket az előírásokat.**

KÜLÖNLEGES BIZTONSÁGTUDNIVALÓK

▲ VESZÉLY: Sohase tegye be a kezét a fűrészelési területre és sohase érjen hozzá a fűrészlapozhoz. Fogja meg a másik kezével a pótfogantyút vagy a motorházat. Ha mindkét kezével tartja a körfűrész, akkor az nem tudja megsérteni a kezét.

Sohase nyúljon be a munkadarab alá. A védőburkolat a munkadarab alatt nem nyújt védelmet a fűrészlappal szemben.

A vágási mélységet a munkadarab vastagságának megfelelően kell megválasztani. A fűrészlapból a munkadarab alatt kevesebb mind egy teljes fogmagasságnynak kell kilátszania.

Sohase a kezével vagy a lábán vagy a lábával próbálja meg a fűrészelésre kerülő munkadarabot lefogni. A megmunkálásra kerülő munkadarabot mindig egy stabil alapra rögzítse.

Nagyon fontos, hogy a munkadarabot biztonságosan rögzítse, hogy csökkentse a fűrészlap beékelődésekor felmerülő veszélyeket, mindenekelőtt annak veszélyét, hogy a munkadarab vagy a készülék nekivágódjon valamelyik testrésznek.

A berendezést csak a szigetelt fogantyűfelületeknél fogja meg, ha olyan munkákat végez, amelyek során a vágószerszám a kívülről nem látható, feszültség alatt álló vezetékeket, vagy a saját hálózati kábelét is átvághatja. Ha a berendezés egy feszültség alatt álló vezetékekhez ér, a berendezés fémmrészei szintén feszültség alá kerülhetnek és áramütéshez vezethetnek.

Hosszirányú vágásokhoz használjon mindig egy útközt vagy egy egyenes vezetőleceet. Ez megnöveli a vágás pontosságát és csökkenti a fűrészlap beakadásának lehetőségét.

Mindig csak a helyes méretű és a készüléknek megfelelő rögzítő (például csillagalakú vagy körkeresztmetszetű) nyílással ellátott fűrészlapokat használjon. Azok a fűrészlapok, amelyek nem illelnek hozzá a fűrész rögzítő alkatrészeihez, nem futnak körkörösén és ahhoz vezetnek, hogy a kezelő elveszti a készülék feletti uralmát.

Sohase használjon megrongálódott vagy hibás fűrészlap-alátétárcsákat vagy -csavarokat. A fűrészlap-alátétárcsák és -csavarok kifejezetten az Ön fűrészéhez kerültek kifejlesztésre és hozzájárulnak annak optimális teljesítményéhez és biztonságához.

Egy visszarugás okai és megelőzésének módja:

- egy visszarugás a beakadó, beékelődő, vagy hibás helyzetbe állított fűrészlap következtében fellépő hirtelen reakció, amely ahhoz vezet, hogy a fűrész, amely felett a kezelő elvesztette az uralmát, akaratlanul kiemelkedik a munkadarabból és a kezelő személy felé mutató irányba mozdul;

- ha a fűrészlap az összezáródó fűrészelési részbe beakad vagy beékelődik és leblokkol, és a motor ereje az egész készüléket a kezelő személy irányába rántja vissza;

- ha a fűrészlapot megfordítva vagy hibás irányba állítva teszik be a vágásba, a fűrészlap hátsó élén elhelyezkedő fűrészfogak beakadhatnak a munkadarab felületébe, melynek következtében a fűrészlap kilép a vágásból és a fűrész hátrafelé, a kezelő személy felé mutató irányba ugrik.

Egy visszarugás mindig a körfűrész hátrafelé is tehet egy ugrást, de megfelelő intézkedések meghozatala esetén a kezelő személy a visszaütő erőket fel tudja fogni.

Tartsa a fűrész mindkét kezével szorosan fogva és hozza a karjait olyan helyzetbe, amelyben a visszaütő erőket jobban fel tudja venni. A fűrészlapozhoz viszonyítva mindig oldalt álljon, sohase hozza a fűrészlapot a testével egy síkba. Egy visszarugás esetén a körfűrész hátrafelé is tehet egy ugrást, de megfelelő intézkedések meghozatala esetén a kezelő személy a visszaütő erőket fel tudja fogni.

Ha a fűrészlap beszorul, vagy a fűrészelési folyamat valami más okból megszakad, engedje el a be-/kikapcsolót és tartsa nyugodtan a fűrész a munkadarabban, amíg a fűrészlap teljesen le nem áll. Sohase próbálja meg kivenni a fűrész a munkadarabból, vagy hátrafelé húzni, amíg a fűrészlap még mozgásban van és amíg még egy visszarugás léphet fel. Keresse meg a fűrészlap beszorulásának okát és megfelelő intézkedéssel hárítsa el a hibát.

Ha a munkadarabban álló fűrészlapot újra el akarja indítani, először hozza a fűrészlapot a fűrészelési rés közepére, és ellenőrizze, nincs-e beakadva egy vagy több fog a munkadarabba. Ha a fűrészlap be van szorulva, akkor az újraindításakor kiugorhat a munkadarabból, vagy egy visszarugást is okozhat.

Nagyobb lapok megmunkálásánál támassza ezt megfelelően alá, nehogy egy beszorult fűrészlap következtében visszarugás lépjen fel. A nagyobb méretű lapok saját súlyuk alatt leölghatnak, illetve meggörbülhetnek. A lapokat mindkét oldalukon, mind a fűrészelési rés közelében, mind a szelőkön alá kell támasztani.

Sohase használjon életlen vagy megrongálódott fűrészlapokat. Az életlen vagy hibásan beállított fogú fűrészlapok egy túl keskeny vágási résben megnövekedett súrlódáshoz, a fűrészlap beragadásához és visszarugásokhoz vezetnek.

A fűrészelés előtt húzza meg szorosa a vágási mélység és vágási szög beállító elemeket. Ha a fűrészelés során megváltoznak a beállítások, a fűrészlap beékelődhet és a fűrész visszarúghat.

Különösen óvatosan kell dolgozni, ha egy nem átlátható területen, például egy fal egyik oldalán hajt végre "süllyesztő vágást". Az anyagba besüllyedő fűrészlap a fűrészelés közben kívülről nem látható akadályokban megakadhat és ez egy visszarúgáshoz vezethet.

Ellenőrizze minden használat előtt, hogy az alsó védőburkolat tökéletesen zár-e. Ne használja a fűrész, ha az alsó védőburkolat nem mozog szabadon és nem zár azonnal. Sohase akassa be vagy kösse meg nyitott helyzetben az alsó védőburkolatot. Ha a fűrész véletlenül leesik a padlóra, az alsó védőburkolat meggörbülhet. Nyissa ki a visszahúzó karral a védőburkolatot és gondoskodjon arról, hogy az szabadon mozogjon és semmilyen vágási szögnel és vágási mélységnél sem érintse meg sem a fűrészlapot, sem a berendezés egyéb alkatrészeit.

Ellenőrizze az alsó védőburkolat rugójának működését. Ha az alsó védőburkolat és annak mozgó rugója nem működik tökéletesen, akkor végeztesse el a megfelelő karbantartási munkákat. Megrongálódott alkatrészek, ragasztó-lerakódások, vagy forgácsok lelassítják az alsó védőburkolat működését.

Az alsó védőburkolatot csak különleges vágási módok, mint "süllyesztő és szögvágások" esetén szabad kézzel kinyitani. Nyissa ki a visszahúzó karral az alsó védőburkolatot, és engedje azt el, mihelyt a fűrészlap behatol a munkadarabba. Az alsó védőburkolatnak minden más fűrészelési munkánál automatikusan kell működnie.

Sohase tegye le a fűrész a munkadarra vagy a padlóra, ha az alsó védőburkolat nem borítja be teljesen a fűrészlapot. Egy véletlen, utánfutó fűrészlap a vágási iránnyal ellenkező irányba mozog és mindenbe belevág, ami az útjába kerül. Ügyeljen ekkor a fűrész utánfutási idejére.

Ne használjon olyan fűrészlapot, ami nem egyezik meg a használati útmutatóban feltüntetettekkel.

Viseljen hallásvédőt. A zajhatás a hallás elvesztését eredményezheti.

Ne használjuk csiszolókoronggal!

Szabadban a duguljat hibaáram-védőkapcsolóval kell ellátni. Az elektromos készülékek üzembelvezési útmutatása ezt kötelezően előírja. Ügyeljen erre az elektromos kéziszerszámok használatokor is.

Munkavégzés közben ajánlatos védőszemüveget viselni. Védőkesztyű, zárt és csúszámentes cipő, valamint védőkötény használata szintén javasolt.

Bármilyen jellegű karbantartás vagy javítás előtt a készüléket áramtalanítani kell.

A készüléket csak kikapcsolt állapotban szabad ismét áram alá helyezni.

Munka közben a hálózati csatlakozókábelt a sérülés elkerülése érdekében a munkaterületől, illetve a készüléktől távol kell tartani. Használat előtt a készüléket, hálózati csatlakozó- és hosszabítókábeleket, valamint a csatlakozódugót sérülés és esetleges elhasználódás szempontjából felül kell vizsgálni és szükség esetén szakemberrel meg kell javíttatni.

Ne rögzítse az on/off (be/ki) kapcsolót az "on" (be) pozícióban amikor a fűrész közben használja.

A munka során keletkező por gyakran egészségre káros, ezért ne kerüljön a szervezetbe. Hordjon e célra alkalmas porvédőmaszkot.

RENDELTESSZERŰ HASZNÁLAT

Ezzel az elektronikus körfűrészsel vághat hosszanti irányban és ferde szögben fában, műanyagban és alumíniumban.

A készüléket kizárólag az alábbiakban leírtaknak megfelelően szabad használni.

CE-AZONOSÁGI NYILATKOZAT

Teljes felelősségünk tudatában kijelentjük, hogy jelen termék megfelel a következő szabványoknak vagy szabványossági dokumentumoknak: EN 60745, EN 55014-1, EN 55014-2, EN 61000-3-2, EN 61000-3-3, a 98/37/EG, 2004/108/EG irányelvek határozataival egyetértésben.



Winnenden, 2008-12-08

Rainer Kumpf
Manager Product Development

HÁLÓZATI CSATLAKOZTATÁS

A készüléket csak egyfázisú váltóáramra és a teljesítménytáblán megadott hálózati feszültségre csatlakoztassa. A csatlakoztatás védőérintkező nélküli dugaszolóaljzatokra is lehetséges, mivel a készülék felépítése II védettségi osztályú.

KARBANTARTÁS

A készülék szellőzőnyílásait mindig tisztán kell tartani.

Csak AEG tartozékokat és AEG pótalkatrészeket szabad használni. Az olyan elemeket, melyek cseréje nincs ismertetve, cseréltesse ki AEG szervizzel (lásd Garancia/Ügyfélszolgálat címei kiadványt).

Szükség esetén a készülékek robbantott ábráját - a készülék típusa és tízjegyű azonosító száma alapján a területileg illetékes AEG márkaszerviztől vagy közvetlenül a gyártótól (AEG Elektrowerkzeuge, Max-Eyth-Straße 10, D-71364 Winnenden, Germany) lehet kérni.

SZIMBÓLUMOK



Kérjük alaposan olvassa el a tájékoztatót mielőtt a gépet használja.



Karbantartás, javítás, tisztítás, stb. előtt előtt a készüléket áramtalanítani kell.



Azok a tartozékokat, amelyek gyárilag nincsenek a készülékhez mellékelve, külön lehet megrendelni.



Az elektromos kéziszerszámokat ne dobja a háztartási szemétké! A használt villamos és elektronikai készülékekről szóló 2002/96/EK irányelv és annak a nemzeti jogba való átültetése szerint az elhasznált elektromos kéziszerszámokat külön kell gyűjteni, és környezetbarát módon újra kell hasznosítani.

TEHNIČNI PODATKI	110 V	220-240 V
Nazivna sprejemna moč.....	1600 W.....	1600 W
Število vrtljajev v prostem teku.....	5300 min ⁻¹	5800 min ⁻¹
List žage ø x vrtlalni ø	184x30 mm.....	184x30 mm
Globina reza maks. pri 90°/45°/56°	61/49/35 mm.....	61/49/35 mm
Teža brez omrežnega kabla	4,8 kg.....	4,8 kg

Informacije o hrupnosti/vibracijah

Vrednosti merjenja ugotovljene ustrezno z EN 60 745.

Raven hrupnosti naprave ovrednotena z A, znaša tipično:

Nivo zvočnega tlaka (K = 3 dB(A)).....	92,5 dB(A).....	92,5 dB(A)
Višina zvočnega tlaka (K = 3 dB(A)).....	103,5 dB(A).....	103,5 dB(A)

Nosite zaščito za sluh!

Skupna vibracijska vrednost (Vektorska vsota treh smeri) določena ustrezno EN 60745.

Vibracijska vrednost emisij a _h	3,8 m/s ²	3,8 m/s ²
Nevarnost K.....	1,5 m/s ²	1,5 m/s ²

OPOZORILO

V teh navodilih navedena raven tresljajev je bila izmerjena po EN60745 normiranjem merilnem postopku in lahko služi medsebojni primerjavi električnih orodij. Prav tako je primeren za predhodno oceno obremenitve s tresljaji.

Navedena raven tresljajev navaja najpomembnejše vrste rabe električnega orodja. Kadar se električno orodje uporablja za drugačne namene, z odstopajočimi orodji ali pa z nezadostnim vzdrževanjem, lahko raven tresljajev tudi odstopa. Le to lahko čez celoten delovni čas znatno zviša obremenitev s tresenjem.

Za natančno oceno obremenitve s tresljaji naj bi se upošteval tudi čas v katerem je naprava izklopljena ali sicer teče, vendar dejansko ni v rabi. Le to lahko obremenitev s tresljaji čez celoten delovni čas znatno zmanjša.

Za zaščito upravljalca pred učinkom tresljajev uvedite dodatne zaščitne ukrepe npr.: Vzdrževanje električnega orodja in orodja, delo s toplimi rokami, organizacija delovnih potekov.

⚠ OPOZORILO! Preberite vsa varnostna opozorila in navodila, tudi tista v priloženi brošuri. Napake zaradi neupoštevanja spodaj navedenih opozoril in napotil lahko povzročijo električni udar, požar in/ali težke telesne poškodbe. **Vsa opozorila in napotila shranite, ker jih boste v prihodnje še potrebovali.**

SPECIALNI VARNOSTNI NAPOTKI

⚠ NEVARNO: Ne segajte z rokami v območje žaganja in v bližino žaginega lista. Z drugo roko držite dodatni ročaj ali ohišje motorja. Če boste krožno žago držali z obema rokama, žagin list ne bo mogel poškodovati Vaših rok.

Ne segajte pod obdelovanec. Zaščitni okrov vas v tem primeru ne bo mogel zavarovati pred vrtečim se žaginim listom.

Prosimo, da globino reza prilagodite debelini obdelovanca. Znaša naj manj kot višina zoba, ki je vidna pod obdelovancem.

Obdelovanca nikoli ne držite v roki ali čez nogo, ampak ga na stabilni podlagi zavarujte proti premikanju. Dobra pritrjevanja obdelovanca je zelo pomembna, saj je tako nevarnost, da bi prišlo do telesnega stika, zatikanja žaginega lista ali izgube nadzora, minimalna.

Med izvajanjem del, pri katerih bi lahko rezilo zadelo ob skrite električne vodnike ali lastni električni kabel, držite napravo samo za izolirane ročaje. Stik z električnim vodnikom, ki je pod napetostjo, povzroči napetost tudi v kovinskih delih naprave, kar ima za posledico električni udar.

Pri vzdolžnih rezih vedno uporabljajte prislon ali ravno robno vodilo. To bo zagotovilo večjo točnost reza in zmanjšalo nevarnost zatikanja žaginega lista.

Vedno uporabljajte žagine liste pravilne velikosti, ki se prilegajo obliki prijemalne prirobnice (rombasta ali okrogla). Žagini listi, ki se ne ujemajo z montažnimi deli žage, se vrtijo neenakomerno in povzročijo izgubo nadzora nad napravo.

Nikoli ne uporabljajte poškodovanih oziroma napačnih podložk ali vijakov žaginega lista. Podložke in vijaki žaginega lista so bili konstruirani posebej za Vašo žago, z namenom doseganja njene optimalne zmogljivosti in varnega delovanja.

Vzroki in preprečevanje povratnega udarca:

- povratni udarec je nepričakovana reakcija zagozdenega, zataknenega ali napačno poravnane žaginega lista, zaradi česar se lahko žaga, ki ni več pod nadzorom, premakne iz obdelovanca proti osebi, ki upravlja z žago;

- žagin list se lahko zatakne ali zagozdi v rezu, kar povzroči njegovo blokiranje, moč motorja pa potisne napravo nazaj, proti osebi, ki z njo upravlja;

- če žagin list, ki se nahaja v rezu, zasukate ali če žagin list ni bil pravilno naravnčan, se lahko zobje zadnjega roba žaginega lista zataknejo, žagin list skoči iz zareze in odleti vzvratno proti osebi, ki upravlja z žago.

Povratni udarec je posledica napačne uporabe žage. Preprečite ga lahko s primernimi previdnostnimi ukrepi, ki so opisani v nadaljevanju besedila.

Z obema rokama trdno držite žago. Roke premaknite v položaj, v katerem boste lahko kljubovali povratnim udarcem. Vedno stojite ob strani žaginega lista in se nikoli ne premaknite v položaj, v katerem bi bila Vaše telo in žagin list v isti črti. Pri povratnem udarcu lahko krožna žaga skoči nazaj, vendar pa lahko upravljalca povratne udarce obvlada, če je prej primerno ukrepal.

Če žagin list obtiči ali se žaganje prekine iz drugega razloga, spustite vklopno-izklopno stikalo in mirno držite žago v obdelovancu, dokler se žagin list popolnoma ne ustavi. Nikoli ne poskušajte žage odstraniti iz obdelovanca ali jo potegniti nazaj, dokler se žagin list premika ali dokler bi lahko prišlo do povratnega udarca. Poiščite vzrok za zatikanje žaginega lista in ga na ustrezen način odstranite.

Če želite žago, ki je obtičala v obdelovancu, ponovno zagnati, centrirajte žagin list v rezu in preverite, če niso zobje zatakneni v obdelovancu. Zataknen žagin list se lahko izmakne iz obdelovanca in povzroči povratni udarec v trenutku, ko žago ponovno zaženete.

Večje plošče ustrezno podprite in tako zmanjšajte tveganje za nastanek povratnega udarca zaradi zataknenega žaginega lista. Velike plošče se zaradi lastne teže lahko upognejo, zato jih morate podpreti na obeh straneh, torej blizu reza in na robu.

Ne uporabljajte topih ali poškodovanih žaginskih listov. Žagini listi s toplimi ali napačno poravnanimi zobmi zaradi preozkega reza povzročajo večje trenje, zatikanje žaginega lista in povratni udarec.

Pred žaganjem trdno privijte nastavitve za globino reza in rezalni kot. Če se nastavitve med rezanjem spremenijo, se lahko žagin list zatakne in povzroči povratni udarec.

Še posebno previdni bodite pri »potopnem žaganju« v skrito področje, na primer v obstoječo steno. Žagin list lahko pri potopnem žaganju skritih predmetov blokira in povzroči povratni udarec.

Pred vsako uporabo naprave preverite brezhibno zapiranje spodnjega zaščitnega okrova. Ne uporabljajte žage, če spodnji

zaščitni okrov ni prosto gibljiv in se takoj ne zapre. Spodnjega zaščitnega okrova nikoli ne zatikajte ali fiksirajte v odprtem položaju. Če pade žaga nenamerno na tla, se lahko spodnji zaščitni okrov zvije. Odprite ga z ročico za odmik in se prepričajte ali je prosto gibljiv. Zaščitni okrov se pri vseh rezalnih kotih in vseh globinah reza ne sme dotikati niti žaginega lista niti drugih delov žage.

Preglejte delovanje vzmeti za spodnji zaščitni okrov. Če spodnji zaščitni okrov in vzmeti ne delujeta brezhibno, oddajte napravo v popravilo. Poškodovani deli, lepljive obloge ali nabiranje ostrožkov so vzrok za upočasnjeno delovanje spodnjega zaščitnega okrova.

Ročno odpiranje spodnjega zaščitnega okrova je dovoljeno samo pri posebnih rezih, kakršna sta »potopno žaganje in žaganje pod kotom«. Z ročico za odmik odprite spodnji zaščitni okrov in jo spustite takoj, ko žagin list prodre v obdelovanec. Pri vseh drugih rezih mora spodnji zaščitni okrov delovati samodejno.

Ne odlagajte žage na delovno mizo ali na tla, če spodnji zaščitni okrov ne pokriva žaginega lista. Nezavarovan, vrteč se žagin list premakne žago v protismeri reza in žaga vse, kar mu je na poti. Upošteвайте čas izteka žage.

Listi za žago, ki ne odgovarjajo podatkom o značilnosti v tem navodilu za uporabo, se ne smejo uporabiti.

Nosite zaščito za sluh. Razvijanje hrupa lahko povzroči izgubo sluha.

Ne uporabljati brusne plošče

Vtičnice v zunanem področju morajo biti opremljene z zaščitnimi stikali za okvami tok. To zahteva instalacijski predpis za vašo električno napravo. Prosimo, da to pri uporabi naše naprave upoštevate.

Pri delu s strojem vedno nosite zaščitna očala. Priporočamo zaščitne rokavice, trdno obuvavo, varno proti drsenju ter predpasnik.

Pred vsemi deli na stroju izvlecite vtičač iz vtičnice.

Stroj priključite na vtičnico samo v izklopljenem stanju.

Vedno pazite, da se priključni kabel ne približa področju delovanja stroja. Kabel vedno vodite za strojem.

Pred vsako uporabo kontrolirajte napravo, priključni kabel, kabel za podajšek in vtičač glede poškodb in obrabe. Poskrbite, da poškodovane dele popravite izključno strokovnjak.

Stikala za vklop/izklop pri ročno vodenem obratovanju ne fiksirajte. Prah, ki nastaja pri delu, je pogosto zdravju škodljiv in naj ne zaide v telo. Nosite ustrezno masko proti prahu.

UPORABA V SKLADU Z NAMEMBNOSTJO

Ročna krožna žaga je primerna za ravne reze v lesu, umetni masi in aluminiju.

Ta naprava se sme uporabiti samo v skladu z namembnostjo uporabi samo za navedene namene.

CE-IZJAVA O KONFORMNOSTI

Z lastno odgovornostjo izjavljamo, da je ta produkt skladen z naslednjimi normami ali normativnimi dokumenti. EN 60745, EN 55014-1, EN 55014-2, EN 61000-3-2, EN 61000-3-3, EN 61000-3-3, v skladu z določili smernic 98/37/EG, 2004/108/EG.



Winnenden, 2008-12-08

Rainer Kumpf
Manager Product Development

OMREŽNI PRIKLJUČEK

Priključite samo na enofazni izmenični tok in samo na omrežno napetost, ki je označena na tipski ploščici. Priključitev je možna tudi na vtičnice brez zaščitnega kontakta, ker obstaja nadgradnja zaščitnega razreda.

VZDRŽEVANJE

Pazite na to, da so prezačevalne reže stroja vedno čiste.

Uporabljajte samo AEG pribor in AEG nadomestne dele. Poskrbite, da sestavne dele, katerih zamenjava ni opisana, zamenjajo v AEG servisni službi (upoštevajte brošuro Garancija/Naslovi servisnih služb).

Po potrebi se lahko pri vaši servisni službi ali direktno pri AEG Elektrowerkzeuge naroči ekspluzijska risba naprave ob navedbi tipa stroja in desetmestne številke s tipске ploščice AEG Elektrowerkzeuge, Max-Eyth-Straße 10, D-71364 Winnenden, Germany.

SIMBOLI



Prosimo, da pred uporabo pazno preberete to navodilo za uporabo.



Pred vsemi deli na stroju izvlecite vtičač iz vtičnice.



Oprema – ni vsebovana v obsegu dobave, priporočeno dopolnilo iz programa opreme.



Električnega orodja ne odstranjujte s hišnimi odpadki! V skladu z Evropsko direktivo 2002/96/EG o odpadni elektrini in elektronski opremi in z njenim izvajanjem v nacionalni zakonodaji je treba električna orodja ob koncu njihove življenjske dobe ločeno zbirati in jih predati v postopek okolju prijaznega recikliranja.

TEHNIČKI PODACI	110 V	220-240 V
Snaga nominalnog prijema.....	1600 W.....	1600 W
Broj okretaja praznog hoda.....	5300 min ⁻¹	5800 min ⁻¹
List pile- \varnothing x Bušenje- \varnothing	184x30 mm.....	184x30 mm
Dubina reza max. kod 90°/45°/56°.....	61/49/35 mm.....	61/49/35 mm
Težina bez mrežnog kabela.....	4,8 kg.....	4,8 kg

Informacije o buci/vibracijama

Mjerne vrijednosti utvrđene odgovarajuće EN 60 745.

A-ocijenjeni nivo buke aparata iznosi tipično:

nivo pritiska zvuka (K = 3dB(A)).....	92,5 dB(A).....	92,5 dB(A)
nivo učinka zvuka (K = 3dB(A)).....	103,5 dB(A).....	103,5 dB(A)

Nositi zaštitu sluha!

Ukupne vrijednosti vibracije (Vektor suma tri smjera) su odmjerene odgovarajuće EN 60745

Vrijednost emisije vibracije a _h	3,8 m/s ²	3,8 m/s ²
Nesigurnost K.....	1,5 m/s ²	1,5 m/s ²

UPOZORENIE

Ova u ovim uputama navedena razina titranja je bila izmjerena odgovarajuće jednom u EN 60745 normiranom mjernom postupku i može se upotrijebiti za usporedbu električnog alata međusobno. Ona je prikladna i za privremenu procjenu titrajnog opterećenja.

Navedena razina titranja reprezentira glavne primjene električnog alata. Ukoliko se električni alat upotrebljava u druge svrhe sa odstupajućim primijenjenim alatima ili nedovoljnim održavanjem, onda razina titranja može odstupati. To može titrajno opterećenje kroz cijeli period rada bitno povisiti.

Za točnu procjenu titrajnog opterećenja se moraju uzeti u obzir i vremena u kojima je uređaj isključen ili u kojima doduše radi, ali nije i stvarno u upotrebi. To može titrajno opterećenje bitno smanjiti za vrijeme cijelog radnog perioda.

Utvrđite dodatne sigurnosne mjere za zaštitu poslužioca protiv djelovanja titranja kao npr.: Održavanje električnih alata i upotrebjenih alata, održavanje topline ruku, organizacija i radne postupke.

UPOZORENIE! Pročitajte sigurnosne upute i uputnice, isto i one iz priložene brošure. Ako se ne bi poštile napomene o sigurnosti i upute to bi moglo uzrokovati strujni udar, požar i/ili teške ozljede.
Sačuvajte sve napomene o sigurnosti i upute za buduću primjenu.

SPECIJALNE SIGURNOSNE UPUTE

OPASNOST: Rukama ne zalazite u područje rezanja i do lista pile. Držite s obje ruke dodatnu ručku ili kucište motora. Ako se obim rukama drži kružna pila, list pile ih ne može ozlijediti.
Ne stavljajte prste ispod izratka. Ispod izratka štiti ih ne može zaštititi od lista pile.

Prilagodite dubinu rezanja debljini izratka. Ispod izratka treba biti vidljiv manje od jedan puni zub.

Piljeni izradak nikada ne držite u rukama ili preko nogu. Izradak osigurajte na stabilnoj podlozi. Važno je da izradak bude dobro pričvršćen, kako bi se na minimum smanjile opasnosti od dodira s tijelom, uklještenje lista pile ili gubitak kontrole nad njim.

Uređaj držite samo na izoliranim ručkama, ako izvodite radove kod kojih bi rezni alat mogao zahvatiti skrivene električne vodove ili vlastiti priključni kabel. Kontaktom s vodovima pod naponom, pod napon će se staviti i metalni dijelovi uređaja, što može dovesti do električnog udara.

Kod uzdužnog rezanja koristite uvijek graničnik ili ravnu vodičicu ruba. Time se poboljšava točnost rezanja i smanjuje mogućnost uklještenja lista pile.

Koristite uvijek listove pile odgovarajuće veličine i odgovarajućeg steznog otvora (npr. zvjezdastog ili okruglog). Listovi pile koji ne odgovaraju montažnim dijelovima pile, okretat će se neokruglo i mogu dovesti do gubitka kontrole nad pilom.

Ne koristite nikada oštećene ili pogrešne podložne pločice lista pile ili vijke. Podložne pločice lista pile i vijci specijalno su konstruirani za vašu pilu, za postizanje optimalnog učinka i radne sigurnosti.

Uzroci i izbjegavanje povratnog udara:

- povratni udar je neočekivana reakcija lista pile koji se je uklješćio, zaglavio ili je loše uravnotežen, što može dovesti do toga da se list pile može nekontrolirano izvući iz izratka i pomaknuti u smjeru osobe koja radi s uređajem;

- ako bi se list pile uklješćio, zaglavio ili blokirao u rasporu piljenja koji se zatvara i ako bi sila motora povratno udarila u uređaj, u smjeru osobe koja s njim radi;

- ako bi se list pile u rezu iskrenuo ili pogrešno izravnao, mogli bi zubi stražnjeg ruba lista pile zahvatiti površinu izratka, zbog čega bi list pile iskočio iz raspora pile i odskočio natrag u smjeru osobe koja radi s pilom.

Povratni udar je posljedica pogrešne ili neispravne uporabe pile. On se može spriječiti prikladnim mjerama opreza, koje su opisane u daljnjem tekstu.

Držite pilu čvrsto s obje ruke i postavite vaše ruke u položaj u kojem se mogu podnijeti sile povratnog udara. Postavite se uvijek bočno uz list pile, a nikada tako da list pile bude u liniji s vašim tijelom. Kod povratnog udara kružna pila bi mogla odskočiti natrag, a osoba koja radi s kružnom pilom ne bi mogla savladati sile povratnog udara ako se ne bi poduzele prikladne mjere.

Ukoliko bi se list pile zaglavio ili bi se piljenje prekinulo iz nekog drugog razloga, otpustite prekidač za uključivanje za uključivanje-isključivanje i držite pilu mirno u materijalu sve dok se list pile potpuno ne zaustavi. Ne pokušavajte pilu vaditi iz izratka ili je potezati u natrag, sve dok se list pile pomiče ili bi se mogao dogoditi povratni udar. Pronađite uzrok uklještenja pile i otklonite ga prikladnim mjerama.

Ako pilu koja se je zaglavila u izratku želite ponovno pokrenuti, centrirajte list pile u rasporu piljenja i provjerite da zubi pile nisu zahvatili izradak. Ako bi se uklješćio list pile, on se može pomaknuti iz izratka ili pokušati povratni udar ako će se pila ponovno pokrenuti.

Velike ploče poduprite, kako bi se izbjegla opasnost od povratnog udara zbog uklješćenja lista pile. Velike ploče se mogu saviti pod djelovanjem vlastite težine. Ploče se moraju osloniti na obje strane, kako blizu raspora piljenja, tako i na rubu.

Ne koristite tupe ili oštećene listove pile. Listovi pile s tupim ili pogrešno izravnanim zubima, uzrokuju zbog uskog raspora piljenja povećano trenje, uklješćenje lista pile i povratni udar.

Prije piljenja ustanovite dubine rezanja i namještanja kuta rezanja. Ako bi se tijekom piljenja promijenila podešavanja, list pile bi se mogao uklješćiti ili dovesti do povratnog udara.

Budite posebno oprezni ako izvodite "prorezivanje" u skrivenom području, npr. u postojećem zidu. Zarezani list pile bi se kod piljenja u skrivenim objektima mogao blokirati i uzrokovati povratni udar.

Prije svake uporabe provjerite da li donji štitičnik besprijekorno zatvara. Ne koristite pilu ako donji štitičnik nije slobodno pomičan i ako se odmah ne zatvara. Nikada ne uklješćite niti učvrstite donji štitičnik u otvorenom položaju. Ako bi pila nehotično pala na pod, donji štitičnik bi se mogao savinuti. Otvorite štitičnik poteznom polugom i provjerite da je slobodno pomičan i da kod svih kutova i dubina rezanja ne dodiruje list pile niti ostale dijelove.

Provjerite djelovanje opruge za donji štitičnik. Uređaj popravite prije uporabe ako donji štitičnik i opruga ne djeluju besprijekorno. Oštećeni dijelovi, ljepljive naslage ili nakupine strugotine mogli bi dovesti do usporenog kretanja donjeg štitičnika.

Donji štitičnik otvarajte rukom samo kod posebnih rezova, kao npr. "rezanje prorezivanjem i kutni rezovi". Donji štitičnik otvorite polugom za potezanje natrag i oslobodite je čim list pile prođe u izradak. Kod svih drugih radova piljenja donji štitičnik mora automatski raditi.

Pilu ne odlažite na radni stol ili pod, ako donji štitičnik ne pokriva list pile. Nezaštićeni list pile koji se zaustavlja pod inercijom, mogao bi pilu pomaknuti suprotno smjeru rezanja i zarezati sve što mu se nađe na putu. Kod toga treba paziti na vrijeme zaustavljanja lista pile pod djelovanjem inercije.

Listovi pile, koji ne odgovaraju karakterističnim podacima u ovoj uputi o upotrebi, se ne smiju upotrebljavati.

Nosite zaštitu za sluh. Djelovanje buke može dovesti do gubitka sluha.

Ne upotrebljavati brusne ploče!

Utičnice na vanjskom području moraju biti opremljene zaštitnim prekidačima za pogrešnu struju. To zahtjeva instalacijski propis za električne uređaje. Molimo da ovo poštujuete prilikom upotrebe našeg aparata.

Kod radova sa strojem uvijek nositi zaštitne naočale. Zaštitne rukavice, čvrste i protiv klizanja sigurne cipele kao i pregača se preporučuju.

Prije radova na stroju izvući utikač iz utičnice.

Samo isključeni stroj priključiti na utičnicu.

Priključni kabel uvijek držati udaljenim sa područja djelovanja. Kabel uvijek voditi od stroja prema nazad.

Prije svake upotrebe uređaj, priključni kabel, produžni kabel i utikač provjeriti u svezi oštećenja i starenja. Oštećene dijelove dati popraviti od strane stručnjaka.

Prekidač za uključivanje i isključivanje ne priklješćiti u ručnom pogonu.

Prašina koja nastaje prilikom rada je često nezdrava i ne bi smjela dospjeti u tijelo. Nositi prikladnu zaštitnu masku protiv prašine.

PROPIISNA UPOTREBA

Ručna kružna pila je upotrebljiva za piljene ravnolinijskih rezova u drvo, umjetni materijal i aluminij.

Ovaj aparat se smije upotrijebiti samo u određene svrhe kao što je navedeno.

CE-IZJAVA KONFORMNOSTI

Izjavljujemo na osobnu odgovornost, da se ovaj proizvod slaže sa sljedećim normama ili normativnim dokumentima, EN 60745, EN 55014-1, EN 55014-2, EN 61000-3-2, EN 61000-3-3, po odredbama smjernica 98/37/EG, 2004/108/EG.



Winnenden, 2008-12-08

Rainer Kumpf

Rainer Kumpf
Manager Product Development

PRIKLJUČAK NA MREŽU

Priključiti samo na jednofaznu naizmjeničnu struju i samo na napon struje, naveden na pločici snage. Priključak je moguć i na utičnice bez zaštitnog kontakta, jer postoji dogradnja zaštitne klase II.

ODRŽAVANJE

Proreze za prozračivanje stroja uvijek držati čistima.

Primijeniti samo AEG opremu i AEG rezervne dijelove. Sastavne dijelove, čija zamjena nije opisana, dati zamijeniti kod jedne od AEG servisnih službi (poštivati brošuru Garancija/Adrese servisa).

Po potrebi se može zatražiti crtež eksplozije aparata uz davanje podataka o tipu stroja i desetoznamenkastog broja na pločici snage kod Vaše servisne službe ili direktno kod AEG Elektrowerkzeuge, Max-Eyth-Straße 10, D-71364 Winnenden, Germany.

SIMBOLI



Molimo da pažljivo pročitate uputu o upotrebi prije puštanja na rad.



Prije svih radova na stroju utikač izvući iz utičnice.



Oprema - u opsegu isporuke nije sadržana, preporučena dopuna iz promgrama opreme.



Električne alate ne odlažite u kućne otpatke! Prema Europskoj direktivi 2002/96/EG o starijim električnim i elektroničkim strojevima i preuzimanju u nacionalno pravo moraju se istrošeni električni alati sakupljati odvojeno i odvesti u pogon za reciklažu.

TEHNISKIE DATI	110 V	220-240 V
Nominālā atdotā jauda.....	1600 W.....	1600 W
Apgrīzieni tukšgaitā.....	5300 min ⁻¹	5800 min ⁻¹
Zāģa ripas ārējais diam. x iekšējais diam.....	184x30 mm.....	184x30 mm
maks griezumā dziļums 90°/45°/56° leņķī.....	61/49/35 mm.....	61/49/35 mm
Svars bez tīkla kabeļa.....	4,8 kg.....	4,8 kg

trokšņu un vibrāciju informācija

Vērtības, kas noteiktas saskaņā ar EN 60 745.

A novērtētās aparatūras skaņas līmenis ir:

trokšņa spiediena līmenis (K = 3 dB(A)).....	92,5 dB(A).....	92,5 dB(A)
trokšņa jaudas līmenis (K = 3 dB(A)).....	103,5 dB(A).....	103,5 dB(A)

Nēsāt trokšņa slāpētāju!

Svārstību kopējā vērtība (Trīs virzienu vektoru summa) tiek noteikta atbilstoši EN 60745.

svārstību emisijas vērtība a _h	3,8 m/s ²	3,8 m/s ²
Nedrošība K.....	1,5 m/s ²	1,5 m/s ²

UZMANĪBU

Instrukcijā norādītā svārstību robežvērtība ir izmērīta mērījumu procesā, kas veikts atbilstoši standartam EN 60745, un to var izmantot elektroinstrumentu savstarpējai salīdzināšanai. Tā ir piemērota arī svārstību noslogojuma pagaidu izvērtēšanai.

Norādītā svārstību robežvērtība ir reprezentatīva elektroinstrumenta pamata pielietojuma jomām. Tomēr, ja elektroinstrumenti tiek pielietoti citās jomās, papildus izmantojot neatbilstošus elektroinstrumentus vai pēc nepietiekamas tehniskās apkopes, tad svārstību robežvērtība var atšķirties. Tas var ievērojami palielināt svārstību noslogojumu visa darba laikā.

Prečīzai svārstību noslogojuma noteikšanai, ir jāņem vērā arī laiks, kad ierīces ir izslēgta vai arī ir ieslēgta, tomēr faktiski netiek lietota. Tas var ievērojami samazināt svārstību noslogojumu visa darba laikā.

Integrējiet papildus drošības pasākumus pret svārstību ietekmi lietotajam, piemēram: elektroinstrumentu un darba instrumentu tehniskā apkope, roku siltuma uzturēšana, darba procesu organizācija.

⚠ UZMANĪBU! Izlasiet visu drošības instrukciju un lietošanas

pamācību klāt pievienotajā bukletā. Šeit sniegto drošības noteikumu un norādījumu neievērošana var izraisīt aizdegšanos un būt par cēloni elektriskajam triecienam vai nopietnam savainojumam.

Pēc izlasīšanas uzglabājiet šos noteikumus turpmākai izmantošanai.

SPECIĀLIE DROŠĪBAS NOTEIKUMI

⚠ BĪSTAMI! Neturiet rokas zāia asmens tuvumā vai uz tā. Ar otu roku turiet instrumentu aiz papildroktura vai elektrodzīncija korpusa. Turot ripzāii ar abām rokām, rotcjoāis asmens tās nevar savainot.

Neturiet rokas zem zāicjamā priekšmeta. Asmens aizsargs nevar pasargāt jūs rokas no savainojumiem, ja tās atrodas zem zāicjamā priekšmeta.

Izvēlieties zāicšanas dziļumu, kas atbilst zāicjamā priekšmeta biežumam. Zāicšanas dziļumam jābūt tik lielam, lai zem zāicjamā priekšmeta redzamās asmens daļas augstums būtu mazāks par asmens zobu augstumu.

Nekad neturiet zāicjamā priekšmetu, stingri saspiežot rokā vai atbalstot ar kāju. Novietojiet zāicjamā priekšmetu uz stabila pamata. Ir svarīgi, lai zāicjamais priekšmets būtu labi nostiprināts, jo tas palīdz izvairīties no iermeā saskarēšanās ar zāia asmeni, zāia asmens iestrūgšanas zāicjumā, kā arī no kontroles zaudēšanas pār zāicšanas procesu.

Turiet instrumentu tikai ar izolcētājm noturvirsmām, ja darbs veicams apstākios, kad asmens var skart slcput elektropārvades līniju vai paā instrumenta elektrokabeli. Asmenim saskaroties ar vadiem, kuriem tiek pievadīts fāzes spriegums, šis spriegums nonāk arī uz instrumenta korpusa strāvū vadošajām daļām un var izraisīt elektrisko triecienu.

Veicot zāicšanu gareniskā virzienā, vienmcr izmantojiet paralcjo vadotni vai vadiet instrumentu gar taisnu malu. Ģādi uzlabojas zāicjuma precizitāte un samazinās asmens iestrūgšanas iespēja zāicjumā.

Vienmcr lietojiet pareiza izmčra zāia asmeni, ar piemcrotas formas centrālo atvčrūmu (zvaigznes veida vai apaū). Zāia asmeāi, kas neatbilst zāia stiprinoāo elementu formai, necentrējas uz darbvārpstas un var novest pie kontroles zaudēšanas pār zāicšanas procesu.

Nelietojiet bojātas vai neatbilstošas konstrukcijas asmens piespiedcīpaplāksnes vai stiprinoāās skrūves. Asmens piespiedcīpaplāksnes un stiprinoāās skrūves ir izstrādātas īpaāi

jūsū zāiim, lai panāktu optimālu jaudas atdevi un augstu darba drošību.

Atsītiena cōlōoi un tā novcūšana:

- atsītiens ir iestrūgūā, iespiesta vai nepareizi orientcāta zāia asmens pčkōāa reakcija, kuras rezultātā zāiis var tikt nekontrolcjami mests augōup un pārvietoties prom no zāicjamā priekšmeta,

- ja zāia asmens pčkōāi iestrūgst vai tiek iespiests zāicjumā, dzinčja spcķs izraisa instrumenta pārvietoāanos lietotāja virzienā; - ja zāia asmens zāicjumā tiek pagriezts vai nepareizi orientcāts, zāia asmens aizmugurcā malā izvietotie zobi var aizierīties aiz zāicjamā priekšmeta virsmas, kā rezultātā asmens var tikt izsviests no zāicjuma, liekot zāiim pārvietoties lietotāja virzienā.

Atsītiens ir zāia kīūdainas vai nepareizas lietoāanas sekas. No tā var izvairīties, veicot zināmus piesardzības pasākumus, kas aprakstīti turpmākajā izklāstā.

Stingri turiet zāii ar abām rokām, novietojot rokas tādā stāvoklī, lai varcū pretoties reaktivājam spcķkam, kas rodas atsītiena brīdī. Vienmcr stāviet sāous no zāia asmens, nepieāujot, lai asmens plakne atrastos uz vienas taisnes ar kādu no iermeāa daļām. Atsītiena brīdī zāiis var pārvietoties atpakaīvirzienā, tomcr lietotājs spcī veismīgi tikt galā ar reaktīvo spcķu, veicot zināmus piesardzības pasākumus.

Ja zāia asmens tiek iespiests zāicjumā vai zāicšana tiek pārtraukta kāda cita iemesla dci, atļaidiet instrumenta ieslcđzcju un mierīgi turiet zāii, līdz tas pilnīgi apstājas. Nekad nemcīiniet izōemt zāia asmeni no zāicjuma vai vilkt instrumentu atpakaīvirzienā laikā, kamcīr asmens atrodas kustībā, jo tas var izsaukt atsītienu. Atrodiet asmens iespīeāanas cōloni, un to novcīriet, veicot atbilstōous pasākumus.

Ja vclāties iedarbināt zāii, kura asmens atrodas zāicjumā, iecentrēciet asmeni attiecībā pret zāicjumu un pārliecīnieties, ka tā zobi nav ieicūroāies zāicjamajā priekšmetā. Ja zāia asmens ir iespiests vai ieīcīries, izvelciet to no zāicjuma, pretcāā gadījūmā zāia iedarbināāanas brīdī var notikt atsītiens.

Ja tiek zāicētas liela izmčra plāksnes, atbalstiet tās, ōādi samazinot atsītiena risku, asmenim tiekot iespiestam zāicjumā. Liela izmčra plāksnes zāicēšanas laikā var izliekties sava svara iespaidā. Tāpcī plāksncīm jābūt atbalstītām abās puscīs zāicjumam, kā arī malas tuvumā.

Neizmantojiet neasus vai bojātus zāia asmeōous. Zāia asmeōi ar neasiem vai nepareizi izliektiem zobiem veido ōauru zāicjumu, kas rada pastiprinātu berzi, var izsaukt zāia asmens iespīeāanu zāicjumā un izraisīt atsītienu.

Pirms zāicēšanas stingri pieskrūvciet stiprinoāās skrūves, ar kurām tiek fiksēts zāicēšanas dciļums un leōiis. Ja zāicēšanas laikā patvaļīgi izmainās zāia iestāđjumi, tas var izsaukt asmens iespīeāanu zāicjumā un izraisīt atsītienu.

Ievcūrojiet īpaōu piesardzību, veicot zāicēšanu ar asmens "iegremdcēšanu" skatienam slcētās vietās, piemcīram, sienu tuvumā. Iegremdcētais asmens zāicēšanas laikā var iestrūgt slcētājā objektā, izraisot atsītienu.

Ik reizi pirms zāia lietoāanas pārbaudiet, vai apakōcījais asmens aizsargs netraucēti aizveras. Nelietojiet zāii, ja apakōcāā aizsarga pārvietoāanās ir traucēta un tas neaizveras pilnīgi un uzreiz. Nekādā gadījūmā nemcīiniet piesiet vai citādi nostiprināt aizsargu atvčrtā stāvoklī. Ja zāiis nejaūoi nokrīt uz grđdas, apakōcījais aizsargs var saliekties. Ar sviras palīdzību atveriet aizsargu un pārliecīnieties, ka tas brīvi pārvietojas, neskarot zāia asmeni vai citas daīas pie jebkura zāicēšanas leōia un dciļuma.

Pārbaudiet, vai funkcioņc apakōcāā aizsarga atspere. Ja apakōcījais aizsargs un/vai tā atspere funkcioņc ar traucējumiem, pirms instrumenta lietoāanas veiciet tā tehnisko apkalpoāanu. Aizsarga pārvietoāanos var traucēt bojātas daīas, gultōos sacietcījsi smcīrviela vai skaidu uzkrāāanas.

Atveriet apakōcāā aizsargu ar roku vienīgi īpaōu darba operācīju laikā, piemcīram, veicot zāicēšanu ar asmens "iegremdcēšanu vai veidojot slīpos zāicjumus". Ģādā gadījūmā ar sviras palīdzību atveriet aizsargu un tad atļaidiet sviru, līdzko zāia asmens iegrimst zāicjamajā priekšmetā. Jebkuras citas zāicēšanas operācījas laikā apakōcījam aizsargam jāatveras un jāaizveras automātiski.

Neovietojiet zāii uz darbģalda vai uz grđdas, ja apakōcījais aizsargs nenosedz zāia asmeni. Nenosegts asmens, kas pcc instrumenta izslcģģāanas turpina griezties, pārvieto zāii pretcīj zāicēšanas virzienam, pārzāicjot visu, kas gadās ceļā. Izslcđzdot instrumentu, ōemiet včrā zāia asmens izskrcījena laiku.

Zāģu ripas, kas neatbilst šinī lietoāanas pamācībā minētajiem datiem, nedrīkst izmantot.

Nēsājiet ausu aizsargus. Trokšņa iedarbības rezultātā var rasties dzirdes traucējumi.

Nedrīkst lietot slīpripas!

Kontaktlīģzģdām, kas atrodas ārpus telpām jābūt aprīkotām ar automātiskiem drošinātājslēdzēmi, kas nostrādā, ja strāvas plūsmā radušies bojājumi. To pieprasa jūsu elektroiekārtas instalācijas noteikumi. Lūdzu, to ņemt vārā, izmantojot mūsu instrumentus.

Strādājot ar mašīnu, vienmēr jānēsā aizsargbrilles. Tiek ieteikts nēsāt arī aizsargcimdus, slēģtus, neslīdošus apavus un priekšautu.

Pirms jebkādiem darbiem, kas attiecas uz mašīnas apkopi, mašīnu noteikti vajag atvienot no kontaktlīģzģdas.

Mašīnu pievienot kontaktlīģzģdai tikai izslēģtā stāvoklī.

Pievienojuma kabeli vienmēr turēt atstatu no mašīnas darbības lauka. Kabelim vienmēr jāatrodas aiz mašīnas.

Pirms katras Instrumenta lietoāanas pārbaudīt, vai nav bojāts pievienojuma kabelis, pagarinājuma kabelis un kontaktdakša. Bojātās detaļas drīkst remontēt tikai speciālisti.

Rokas darbības laikā slēdži nedrīkst fiksēt.

Putekļi, kas rodas darba gaitā, bieži ir kaitīgi veselībai un tiem nevajadzētu nokļūt organismā. Jānēsā piemērota maska, kas pasargā no putekļiem.

NOTEIKUMIEM ATBILSTOŠS IZMANTOJUMS

Rokas ripzāiis ir izmantojams taisnu zāģģģjumu veikšanai kokā, plastmasā un alumīnija.

Šo instrumentu drīkst izmantot tikai saskaņā ar minētajiem lietošanas noteikumiem.

ATBILSTĪBA CE NORMĀM

Ar šo apliecinām, ka esam atbildīgi par to, lai šis produkts atbilstu sekojošām normām vai normatīvajiem dokumentiem: EN 60745, EN 55014-1, EN 55014-2, EN 61000-3-2, EN 61000-3-3, EN 61000-3-3, saskaņā ar direktīvu 98/37/EG, 2004/108/EG noteikumiem.



Winnenden, 2008-12-08

Rainer Kumpf

Manager Product Development

TĪKLA PIESLĒGUMS

Pieslēgt tikai vienpola maiņstrāvas tīklam un tikai spriegumam, kas norādīts uz jaudas paneļa. Pieslēgums iespējams arī kontaktlīģzģdām bez aizsargkontaktiem, jo runa ir par uzbūvi, kas atbilst II. aizsargklasei.

APKOPE

Vajag vienmēr uzmanīt, lai būtu tīras dzesēšanas atveres.

Izmantojiet tikai firmu AEG piederumus un firmas AEG rezerves daļas. Lieciet nomainīt detaļas, kuru nomaīņa nav aprakstīta, kādā no firmu AEG klientu apkalpošanas servisiem. (Skat. brošūru "Garantija/klientu apkalpošanas serviss".)

Ja nepieciešams, klientu apkalpošanas serviss vai tieši pie firmas AEG Elektrowerkzeuge, Max-Eyth-Straße 10, D-71364 Winnenden, Germany, var pieprasīt instrumenta eksploīzijas zīmējumu, šim nolūkam jāuzrāda mašīnas tips un desmitvietīgais numurs, kas norādīts uz jaudas paneļa.

SIMBOLI



Pirms sākt lietot instrumentu, lūdzu, izlasiet lietošanas pamācību.



Pirms veicat jebkādas darbības attiecībā uz mašīnas apkopi, atvienojiet kontaktdakšu no kontaktlīģzģdas.



Piederumi - standartaprīkojumā neietvertās, bet ieteicamās papildus komplektācijas detaļas no piederumu programmas.



Neizmetiet elektroiekartas sadzīves atkritumos! Saskaņā ar Eiropas Direktīvu 2002/96/EG par lietotajam lekroiekartam, elektronikas iekartam un tas iekļaušanu valsts likumdošana lietotas ekroiekartas ir jāsavac atsevišķi un jānogādā otrreizējai parstrādei videi draudzīga veida.

TECHINIAI DUOMENYS	110 V	220-240 V
Vardinė imamoji galia.....	1600 W.....	1600 W
Sūkių skaičius laisva eiga.....	5300 min ⁻¹	5800 min ⁻¹
Pjovimo disko ø x grežinio ø (šalims su metrine sistema).....	184x30 mm.....	184x30 mm
Maks. pjūvio gylis, esant 90°/45°/56°.....	61/49/35 mm.....	61/49/35 mm
Svoris be maitinimo laido.....	4,8 kg.....	4,8 kg

Informacija apie triukšmą/vibraciją

Vertės matuotos pagal EN 60 745.

Įvertintas A įrenginio keliamo triukšmo lygis dažniausiai sudaro:

Garso slėgio lygis (K=3 dB(A)).....	92,5 dB(A).....	92,5 dB(A)
Garso galios lygis (K=3 dB(A)).....	103,5 dB(A).....	103,5 dB(A)

Nešioti klausos apsauginės priemonės!

Bendroji svyravimų reikšmė (trijų krypčių vektorių suma), nustatyta remiantis EN 60745.

Vibravimų emisijos reikšmė a.....	3,8 m/s ²	3,8 m/s ²
Paklaida K.....	1,5 m/s ²	1,5 m/s ²

DĖMESIO

Instrukcijoje nurodyta svyravimų ribinė vertė yra išmatuota remiantis standartu EN 60745; ji gali būti naudojama keliems elektriniams instrumentams palyginti. Ji taikoma ir laikinai įvertinti svyravimų apkrovą.

Nurodyta svyravimų ribinė vertė yra taikoma pagrindinėse elektrinio instrumento naudojimo srityse. Svyravimų ribinė vertė gali skirtis naudojant elektrinį instrumentą kitose srityse, papildomai naudojant netinkamus elektrinius instrumentus arba juos nepakankamai techniškai prižiūrint. Dėl to viso darbo metu gali žymiai padidėti svyravimų apkrova.

Siekiant tiksliai nustatyti svyravimų apkrovą, būtina atsižvelgti ir į laikotarpį, kai įrenginys yra išjungtas arba įjungtas, tačiau faktiškai nenaudojamas. Dėl to viso darbo metu gali žymiai sumažėti svyravimų apkrova.

Siekiant apsaugoti vartotojus nuo svyravimų įtakos naudojamos papildomos saugos priemonės, pavyzdžiui, elektrinių darbo instrumentų techninė priežiūra, rankų šilumos palaikymas, darbo procesų organizavimas.

⚠ DĖMESIO! Perskaitykite visas saugumo pastabas ir nurodymus, esančius pridėtoje brošiūroje. Jei nepaisysite žemiau pateiktų saugos nuorodų ir reikalavimų, gali trenkti elektros smūgis, kilti gaisras ir/arba galite sunkiai susižaloti arba sužaloti kitus asmenis.
Išsaugokite šias saugos nuorodas ir reikalavimus, kad ir ateityje galėtumėte jais pasinaudoti.

YPATINGOS SAUGUMO NUORODOS

⚠ PAVOJUS: Nekiškite rankø prie pjūvio vietos ir prie pjūtko disko. Antrąja ranka laikykite priekinę rankeną arba variklio korpusą. Jei abiem rankom laikysite pjūtklą, pjūtko diskas jø negalës supeisti.

Nekiškite rankø po apdirbamu ruoðiniu. Apsauginis gaubtas neapsaugos jøß nuo ruoðinio apaëioje iðlindusio pjūtko disko.

Pjovimo gylá tinkamai nustatykite pagal ruoðinio storá. Ruoðinio apaëioje turi matytis ðiek tiek maþiau, nei per visá pjūtklo danties aukðtá, iðlindusi disko dalis.

Pjaunamo ruoðinio niekada nelaikykite rankose ar pasidëjæ ant kojos. Padëkite ruoðiná ant stabilaus pagrindo. Labai svarbu ruoðiná tinkamai átvirtinti, kad iðvengtumëte kûno kontakto su disku, neupstrigtø pjūtklo diskas ar neprarastumëte kontrolës.

Dirbdami ten, kur besisukantis pjūtklas galëtø kliudyti paslëptá laidá ar savo paties maitinimo laidá, laikykite prietaisá up izoliuotø rankenø. Dël kontakto su laidininku, kuriuo teka elektros srovë, metalinëse prietaiso dalyse atsiranda átampa ir naudojotojas gali gauti elektros smūgá.

Atlikdami iðilginá pjūvá, visada naudokite lygiagreèiá atramá arba kreipianèiá linuotæ. Tuomet pjausite tiksliau ir sumapinsite galimybæ pjūtklui ástrigti.

Naudokite tik tinkamo dydþio diskus. Pjūtklo disko skylë turi bûti reikiamo dydþio ir formos (pvz., pvaigþdës formos arba apskrita). Pjūtklo diskai, kurie neatitinka pjūtklo tvirtinimo detalio formos, sukasi ekscentriðkai, todël yra prarandama pjūvio kontrolë.

Niekada nenaudokite pabeistø ar netinkamo pjūtko disko tarpinio poverplës ir varþtø. Pjūtklo disko tarpinës poverplës ir varþtai buvo sukonstruoti specialiai Jūsø pjūtklui, kad bûtø garantuoti optimalûs rezultatai ir saugus darbas.

ATATRANKOS PRIEÐASTYS IR BÛDAI JOS IÐVENGTI:

- Atatranka yra staigi pjūtklo reakcija, atsirandanti tuomet, kai pjūtklo diskas upkliûva, ástringa ar yra blogai nukreipiamas ruoðinyje, dël kurios prietaisas gali nekontroliuojamai iððokti ið ruoðinio;

- jei pjūtklas yra upspaudpiamas pjūvio vietoje, upkliûva arba upsiblokuoja, variklio jëga staiga sviedþia pjūtklá atgal, link naudotojo;

- jei pjūtklo diskas perkreipiamas ar neteisingai nukreipiamas pjūvio plyþyje, galinës disko dalies dantys gali ásikabinti á ruoðinio pavirðiø, todël pjūtklo diskas "iðlþia" ið pjūvio plyðio ir pjūtklas staiga atðoka link naudotojo.

Atatranka yra netinkamo prietaiso naudojimo arba klaidingo valdymo rezultatas. Atitinkamos priemonës (br. þemiau) leidþia jos iðvengti.

Pjūtklá visada tvirtai suspauskite abiem rankom ir rankas laikykite tokioje padëtyje, kad galëtumëte áveikti atatrankos jëgas. Atsitraukite á ðalá nuo pjūtklo disko, kad Jūsø kûnas jokiu bûdu nebûtø vienoje linijoje su pjūtklo disku. Dël atatrankos pjūtklas gali atðokti atgal, bet naudojotas turi galimybæ suvaldyti atatrankos jëgas, jei imsis atitinkamø priemoniø.

Jei pjūtklo diskas upstringa arba jei dël kokios nors prieþasties pjovimo procesas yra nutraukiamas, iðjunkite jungiklá ir pjūtklo netraukite ið ruoðinio toI, kol pjūtklo diskas visiðkai nesustos. Niekada nebandykite pjūtklo disko iðtraukti ið ruoðinio ar pjūtklá traukti atgal, kol pjūtklo diskas dar sukasi, nes tai gali sálygoti atatranká. Suraskite pjūtklo disko strigimo prieþastá ir imkitës priemoniø jai paðalinti.

Jei norite vël ájungti ruoðinyje paliktà pjūtklá, centruokite pjūtklo diská pjūvio plyþyje ir patikrinkite, ar pjūtklo dantys nëra ásikabinæ á ruoðiná. Jei pjūtklo diskas stringa, vël ájungus pjūtklá, jis gali iððokti ið ruoðinio arba gali ávykti atatranka.

Pjudami dideles plokðtes, jas paremkite ið apaëios. Taip sumapinsite pjūtklo disko strigimo ir atatrankos riziká. Didelës plokðtës dël savo svorio iðlinksta. Plokðtes reikia atremti abiejose pusëse, t.y., ðalia pjūvio linijos ir ðalia plokðtës kraðto.

Nenaudokite atðipusio ar pabeistø pjūtklo disko. Neaðtrûs ar blogai sureguliuoti pjūtklo dantys palieka siauresná pjovimo taká, todël atsiranda per didelë trintis, atatranka, stringa pjūtklo diskas.

Prieð pjaunant bûtina tvirtai ir patikimai upverþti svirteles, kuriomis reguliuojamas pjovimo gylis ir pjūtklo disko posvirio kampas. Jei pjaunant keièiasi pjūtklo disko padëtis, pjūtklo diskas gali ástrigti ir atsirasti atatranka.

Darydami ápvjos sienose ar kituose nepermatomuose pavirþiuose, pvz., sienose, elkitës ypæè atsargiai. Ásigilinantys pjūtklo diskas pjaunant gali upkliûti up paslëptø objektø ir sukelti atatranká.

Prieð kiekviená naudojimą patikrinkite, ar apatinis apsauginis gaubtas tinkamai upsidaro. Nenaudokite pjūtklo, jei apatinis

apsauginis gaubtas negali laisvai judëti ir tuojuo savaimè neupsidaro. Niekuomet nebandykite upfiksuoti apatinio apsauginio gaubto atidarytoje padëtyje, kà nors ten ásprausdami ar já priirðdami. Jei pjūtklas netyèia nukristø ant kieto pagrindo, gali sulinkti apatinis apsauginis gaubtas.

Naudodami atidarymo rankenëlæ atidarykite já ir ásitinkinkite, kad jis juda laisvai ir nelieèia nei pjūtklo disko, nei kurios nors kitos dalies, pakreipiant pjūtklo diská ávairiais kampais ir nustatant ávairø pjovimo gylá.

Patikrinkite, ar tinkamai veikia apatinio apsauginio gaubto spyruokliø. Jei apatinis apsauginis gaubtas ir spyruokliø veikia netinkamai, prieð naudojimą jiems reikia atlikti techninæ profilaktiká. Dël pabeistø daliø, lipniø nuosëdø arba susikaupusio droþliø apatinis gaubtas gali sunkiau judëti.

Apatiná apsauginá gaubtà rankiniu bûdu atidaryti galima tik atliekant specialius pjūvius, pvz., panardinant pjūtklá ruoðinio viduryje ar pjaunant pavertus pjūtklo diská kampu. Apatiná apsauginá gaubtà pakelkite rankenële, ir, kai tik pjūtklo diskas sulás á ruoðiná, paleiskite apatiná apsauginá gaubtà. Atliekant kitus pjovimo darbus, apatinis apsauginis gaubtas turi atsidaryti ir upsidaryti savaimè.

Prieð padëdami pjūtklá ant darbatalio ar ant grindø visada ásitinkinkite, kad apatinis apsauginis gaubtas updengë pjūtklo diská. Jei jis apsauginis gaubtas neupdengia, ið inercijos besisukantis pjūtklo diskas stumia pjūtklá atgal ir pjauna viská, kas pasitaiko jo kelyje. Atminkite, kad, atleidus jungiklá, pjūtklo diskas visiðkai sustoja tik po kurio laiko.

Draudþiama naudoti pjovimo diskus, kurie neatitinka ðioje naudojimo instrukcijoje nurodytû žyminiø duomenø.

Neðiokite klausos apsaugos priemones. Triukðmo poveikyje galima netekti klausos.

Nedëkite ðlifavimo diskû!

Lauke esantys el. lizdai turi bûti su gedimo srovës iðjungikliais. Tai nurodyta Jūsø elektros įrenginio instaliacijos taisyklëse. Atsižvelkite į tai, naudodami prietaisá.

Dirbdami su įrenginiu visada neðiokite apsauginius akinius. Rekomenduotina neðioti apsaugines pirštines, tvirtus batus neslidþiu padu bei prijuostë.

Prieð atlikdami bet kokius darbus įrenginyje, iðtraukite ið lizdo kiðtuká.

Kiðtuká į lizdá įstatykite, tik kai įrenginys iðjungtas.

Maitinimo kabelis turi nebûti įrenginio poveikio srityje. Kabelį visada nuveskite ið galinës įrenginio pusës.

Kiekviená kartá prieð naudojimą patikrinkite, ar ant prietaiso, maitinimo kabelio, prailginimo kabelio ir kiðtuko nematyti paþeidimø ar senëjimo požymiø. Sugedusias dalis leiskite taisyti tik specialistams.

Valdant ranka, neuþfiksuokite įjungiklio/iðjungiklio.

Darbo metu susidarantiõ dulksø yra dažnai kenksmingos sveikatai ir todël turëtø nepatekti į organizmá. Dëvėti tinkamá apsauginę kaukë nuo dulkiø.

NAUDOJIMAS PAGAL PASKIRTĮ

Rankiniu diskiniu pjūtklu galima tiesiai pjauti mediená, plastiká ir aliuminį.

Šį prietaisá leidþiama naudoti tik pagal nurodytà paskirtį.

CE ATITIKTIES PAREIÐKIMAS

Mes atsakingai pareiðkiame, kad šis gaminytis atitinka tokias normas arba normatyvinius dokumentus: EN 60745, EN 55014-1, EN 55014-2, EN 61000-3-2, EN 61000-3-3, EN 61000-3-3, pagal direktyvû 98/37/EB, 2004/108/EB reikalavimus.



Winnenden, 2008-12-08

Rainer Kumpf

Manager Product Development

ELEKTROS TINKLO JUNGTIS

Jungti tik prie vienfazës kintamos elektros srovës ir tik į specifikacijø lentelėje nurodytus įtampos elektros tinklá. Konstrukcijos saugos klasë II, todël galima jungti ir į lizdus be apsauginio kontakto.

TECHINIS APTARNAVIMAS

Įrenginio vëdinimo angos visada turi bûti švarios.

Naudokite tik „AEG“ prietaisus ir „AEG“ atsargines dalis. Dalis, kuriø keitimas neaprašytas, leidþiama keisti tik „AEG“ klientø aptarnavimo skyriaus (žr. garantijá/klientø aptarnavimo skyriø adresus brošiûroje).

Jei reikia, nurodant įrenginio tipá bei specifikacijø lentelėje esantį deðimtþenkli numerį, ið klientø aptarnavimo skyriaus arba tiesiai ið AEG Elektrowerkzeuge, Max-Eyth-Straße 10, D-71364 Winnenden, Germany, galima užsisakyti prietaiso surinkimo brëžinius.

SIMBOLIAI



Prieð pradëdami dirbti su prietaisu, atidþiai perskaitykite jo naudojimo instrukcijá.



Prieð atlikdami bet kokius darbus įrenginyje, iðtraukite kiðtuká ið lizdo.



Priedas – neþeina į tiekimo komplektacijá, rekomenduojamas papildymas ið priedø asortimento.



Neišmeskite elektros įrengimu į buitinius šiukðlynus! Pagal ES Direktyva 2002/96/EG del naudoto įrengimu, elektros įrengimu ir ju itraukimo į valstybinius istatymus naudotus įrengimus butina suringti atskirai ir ngubanti antriniu žaliavu perdirbimui aplinkai nekenksmingu budu.

TEHNILISED ANDMED	110 V	220-240 V
Nimitarbimine.....	1600 W	1600 W
Pöörlemiskiirus tühijooksul.....	5300 min ⁻¹	5800 min ⁻¹
Saelehe ø x puuri ø.....	184x30 mm	184x30 mm
Lõikesügavus maks 90°/45°/56° puhul.....	61/49/35 mm	61/49/35 mm
Kaal ilma võrgujuhtmeta.....	4,8 kg	4,8 kg

Müra/vibratsiooni andmed

Mõõteväärtused on kindlaks tehtud vastavalt normile EN 60 745.

Seadme tüüpiline hinnanguiline (A) müratase:

Helirõhutase (K = 3 dB(A)).....	92,5 dB(A)	92,5 dB(A)
Helivõimsuse tase (K = 3 dB(A)).....	103,5 dB(A)	103,5 dB(A)

Kandke kaitseks kõrvaklappe!

Vibratsiooni koguväärtus (kolme suuna vektorsumma) mõõdetud EN 60745 järgi.

Vibratsiooni emissiooni väärtus a.....	3,8 m/s ²	3,8 m/s ²
Määramatus K.....	1,5 m/s ²	1,5 m/s ²

TÄHELEPANU

Antud juhendis toodud võnketase on mõõdetud EN 60745 standardile vastava mõõtesüsteemiga ning seda võib kasutada erinevate elektriseadmete omavahelises võrdlemises. Antud näitaja sobib ka esmaseks võnkekoormuse hindamiseks.

Antud võnketase kehtib elektriseadme kasutamisel sihtotstarbeliselt. Kui elektriseadet kasutatakse muudel otstarvetel, muude tööriistadega või seda ei hooldata piisavalt võib võnketase siintoodust erineda. Eeltoodu võib võnketaset märkimisväärselt tõsta terves töökeskkonnas.

Võnketaseme täpseks hindamiseks tuleks arvestada ka AEGA, mil seade on välja lülitatud või on küll sisse lülitatud, kuid ei ole otseselt kasutusel. See võib märgatavalt vähendada kogu töökeskkonna võnketaset.

Rakendage spetsiaalseid ettevaatusabinõusid töötajate suhtes, kes puutuvad töö käigus palju kokku vibratsiooniga. Nendeks abinõudeks võivad olla, näiteks: elektri- ja tööseadmete korraline hooldus, käte soojendamine, töövoo parem organiseerimine.

⚠ TÄHELEPANU! Lugege kõik ohutusnõuanded ja juhendid läbi, ka juures olevast brošüürist. Ohutusnõuete ja juhiste eiramise tagajärjeks võib olla elektrilöökk, tulekahju ja/või raskest vigastused.

Hoidke kõik ohutusnõuded ja juhised edasiseks kasutamiseks hoolikalt alles.

SPETSIAALSED TURVAJUHISED

⚠ OHUD: Hoidke käed lõikepiirkonnast ja saekettast eemal. Hoidke teise käega lisakäepidid või mootorikorpust. Kui hoiate ketassaagi mõlema käega, ei jää käed saeketta ette.

Ärge viige kätt tooriku alla. Tooriku all ei saa kettakaitse Teid saeketta eest kaitsta.

Kohandage lõikesügavus tooriku paksusega. Saeketas võib tooriku alt vähem kui ühe täishamba võrra välja ulatuda.

Ärge kunagi hoidke saetavat toorikut käes või jalgade peal. Kinnitage toorik stabiilsele alusele. Tooriku korralik kinnitamine on oluline, et ohustada võimalikult vähe keha ning piirata saeketta kinnikiildumise ja tööriista kontrolli alt väljumise oht miinimumini.

Hoidke seadet ainult isoleeritud käepidemetest, kui teostate töid, mille puhul võib lõiketarvik kokku puutuda varjatud elektrijuhtmetega või seadme enda toitejuhtmetega. Kokkupuude pingele alla oleva juhtmega võib seada seadme enda metallosad pingele alla ja põhjustada elektrilööki.

Pikisaagimisel kasutage alati paralleeljuhtikut või juhtlauda. See suurendab lõike täpsust ja vähendab saeketta kinnikiildumise ohtu.

Kasutage alati saekettaid, mille siseava suurus ja kuju on õiged (romb või ümar). Saekettad, mis ei sobi sae võlliga, pöörlevad ekstsentriliselt ja põhjustavad tööriista väljumise kasutaja kontrolli alt.

Ärge kunagi kasutage kahjustatud või mittesobivaid saeketta alusseibe või polte. Saeketta alusseibid ja poldid on konstrueeritud spetsiaalselt Teie sae jaoks, tagamaks selle optimaalset jõudlust ja tööohutust.

Tagasilöögi põhjused ja vältimine:

- tagasilöökk on sae ootamatu vastureaktsioon, mis tekib, kui saeketas on kinnikiildunud, kõverdunud või selle liikumine on takistatud ning mille tagajärjel tõuseb saag kontrollimatult töödeldavast detailist välja ja „hüppab“ sae kasutaja poole;

- kui sulguv lõikejalg saeketta kinni kiilub või selle liikumist takistab, AEGl istub saeketta pöörlemine ja mootori vastumõju tulemusel liigub saag kiiresti kasutaja poole;

- kui saeketas lõikejäljes väändub või kõverdub, võivad saeketta tagumised hambad jääda puudu pealmise kihti kinni, mille tagajärjel tuleb saeketas lõikejäljest välja ja „hüppab“ tagasi sae kasutaja poole.

Tagasilöökk on tööriista väärkasutamise ja/või valede töövõtete tagajärg. Seda saab vältida, võttes tarvitusele sobivad ettevaatusabinõud, mis on toodud allpool.

Hoidke saagi tugevalt mõlema käega ja asetage käed sellisel, et suudaksite seista vastu tagasilöögiga kaasnevatele jõududele. Seiske nii, et Teie keha oleks saekettast paremal või vasakul, kuid mitte sellega ühel joonel. Tagasilöögi mõjul võib saag hüpata tagasi, kuid kasutajal on võimalik tagasilöögiga kaasnevaid jõude kontrollida, võttes tarvitusele sobivad ettevaatusabinõud.

Saeketta kinnikiildumisel või lõikamise katkemisel mingil teisel põhjusel vabastage lüliti ja hoidke saagi toorikus liikumatult, kuni saeketas täielikult seiskub. Ärge kunagi püüdke saagi toorikust eemaldada või tagasi tõmmata, kui saeketas pöörleb või kui võib toimuda tagasilöökk. Selgitage välja saeketta kinnikiildumise põhjus ja võtke tarvitusele sobivad meetmed.

Kui soovite tooriku sees olevat saagi uuesti käivitada, sättige saag lõikejälje keskele ja kontrollige, et saehambad ei ole toorikusse haardunud. Kinnikiildunud saeketas võib liikuda üles või tekitada tagasilöögi, kui saag uuesti käivitatakse.

Selleks, et piirata saeketta kinnikiildumise ja tagasilöögi ohtu miinimumini, peab suured plaadid toestama. Suured plaadid kipuvad omaenda kaalu all painduma. Toestused tuleb paigutada plaadi alla mõlemale küljele, lõikejälje lähedale ja plaadi serva äärde.

Ärge kasutage nüri või kahjustatud saekettast. Teritamata või valesti paigaldatud saekettast tekib kitsas lõikejalg, mis põhjustab liigset hõõrdumist, saeketta kinnikiildumist ja tagasilööke.

Enne lõike tegemist peavad lõikesügavuse ja -nurga reguleerimise lukustushoovad olema kindlalt kinnitatud. Kui saeketta seadistused saagimise ajal muutuvad, võib see põhjustada kinnikiildumise ja tagasilöögi.

Olge eriti tähelepanelik, kui teete uputuslõikeid seintes või muudes varjatud piirkondades. Esileulatuv saeketas võib varjatud objektide lõikamisel blokeeruda, mille tagajärjeks on tagasilöökk.

Iga kord enne kasutamist kontrollige, kas alumine kettakaitse sulgub korralikult. Ärge kasutage saagi, kui alumine kettakaitse ei liigu vabalt ega sulgu koheselt. Alumist kettakaitset ei tohi avatud asendis kinni kiiluda ega siduda.

Kui saag kogemata maha kukub, võib alumine kettakaitse väänduda. Tõstke alumine kettakaitse tagasitõmmatavast käepidemest üles ning veenduge, et see liigub vabalt ja ei puuduta saekettast ega muid detaile mistahes lõikenurkade ja -sügavuste juures.

Kontrollige alumise kettakaitse vedru funktsioneerimist. Kui alumine kettakaitse ja vedru ei funktsioneeri korralikult, tuleb need enne kasutamist parandada lasta. Kahjustatud osade, kleepuvate sadestuste või saepuru kuhjumise tõttu võib alumise kettakaitse töö AEGl istuda.

Alumist kettakaitset tuleks käsitsi tagasi tõmmata ainult eriolügete "nagu uputuslõigete ja nurklõigete tegemiseks". Avage alumine kettakaitse tagasitõmmatava hoovaga ja vabastage see kohe, kui saeketas on toorikusse sisse tunginud. Kõikide teiste saagimistööde ajal peaks alumine kettakaitse toimima automaatselt.

Enne sae asetamist tööpingile või pörandale jälgige alati, et alumine kettakaitse saekettast katab. Kaitsemata, järelepöörlev saeketas põhjustab sae liikumise tagasi, lõigates kõike, mis teele jääb. Pöörake tähelepanu sae järelepöörlemise ajale.

Saelehti, mis ei vasta käesoleva kasutamisujuhendi karakteristikutele, ei tohi kasutada.

Kandke kaitseks kõrvaklappe. Müra mõju võib kutsuda esile kuulmise kaotuse.

Lihvimiskettaid ei tohi kasutada!

Välitingimustes asuvad pistikupesad peavad olema varustatud rikkevoolukaitselülititega. Seda nõutakse Teie elektriseadme installeerimiseeskirjas. Palun pidage sellest meie seadme kasutamisel kinni.

Masinaga töötades kandke alati kaitseprille. Soovitavad on kaitsekindad, tugevad ja liibemiskindlad jalanõud ning põll.

Enne kõiki töid masina kallal tõmmake pistik pistikupesast välja.

Masin peab pistikupesast ühendamisega olema alati väljalülitatud seisundis.

Hoidke ühendusjuhe alati masina tööpiirkonnast eemal. Vedage juhe alati masinast tahapoole.

Enne iga kasutamist kontrollige seadet, ühendusjuhtmeid, pikendusjuhtmeid ja pistikuid, et poleks kahjustusi ega materjali väsimist. Kahjustatud osi laske parandada ainult spetsialistil.

Käsitsi juhtides käitamisel ärge kiiluge sisse-välja lüliti kinni.

Töö ajal tekkiv tolm on sageli tervistkahjustav ning ei tohiks sattuda organismi. Kanda sobivat kaitsemaski.

KASUTAMINE VASTAVALT OTSTARBELE

Käsi- ja jalgseadmeid saab rakendada sirgjooneliste lõigete saagimiseks puitu, plasti ja alumiiniumisse.

Antud seadet tohib kasutada ainult vastavalt äranäidatud otstarbele.

EÜ VASTAVUSAVALDUS

Me deklareerime ainuvastutajatena, et antud toode on kooskõlas järgmistega normide või normdokumentidega: EN 60745, EN 55014-1, EN 55014-2, EN 61000-3-2, EN 61000-3-3, EN 61000-3-3, vastavalt direktiivide 98/37/EÜ, 2004/108/EÜ sätetele.



Winnenden, 2008-12-08

Rainer Kump
Manager Product Development

VÕRKU ÜHENDAMINE

Ühendage ainult ühefaasilise vahelduvvooluga ning ainult andmesildil toodud võrgujuhtega. Ühendada on võimalik ka kaitsekontaktita pistikupesadesse, kuna nende konstruktsioon vastab kaitseklassile II.

HOOLDUS

Hoidke masina õhutuspilud alati puhtad.

Kasutage ainult AEG tarvikuid ja AEG tagavaraosi. Detailid, mille väljavahetamist pole kirjeldatud, laske välja vahetada AEG klienditeeninduspunkti (vaadake brošüüri garanti / klienditeeninduste aadressid).

Vajaduse korral võite tellida seadme läbilõikejoonise, näidates ära masina tüübi ja andmesildil oleva kümnekohalise numbril. Selleks pöörduge klienditeeninduspunkti või otsse: AEG Elektrowerkzeuge, Max-Eyth-Straße 10, D-71364 Winnenden, Germany.

SÜMBOLID



Palun lugege enne käikulaskmist kasutamisujuhend hoolikalt läbi.



Enne kõiki töid masina kallal tõmmake pistik pistikupesast välja.



Tarvikud - ei kuulu tärme komplekti, soovitatav täiendus on saadaval tarvikute programmis.



Ärge käideldage kasutusõlmatuks muutunud elektrilisi tööriistu koos olmejäätmetega! Vastavalt Euroopa Parlamendi ja nõukogu direktiivile 2002/96/EÜ elektri- ja elektroonikaseadmete jäätmete kohta ning direktiivi nõuete kohaldamisele liikmesriikides tuleb asutusõlmatuks muutunud elektrilised tööriistad koguda eraldi ja keskkonnanäastikult korduskasutada või ringlusse võtta.

ТЕХНИЧЕСКИЕ ДАННЫЕ	110 V	220-240 V
Номинальная выходная мощность	1600 W	1600 W
Число оборотов без нагрузки (об/мин)	5300 min ⁻¹	5800 min ⁻¹
Диаметр диска пилы x диаметр отверстия	184x30 mm	184x30 mm
Макс. Глубина пиления при 90°/45°/56°	61/49/35 mm	61/49/35 mm
Вес без кабеля	4,8 kg	4,8 kg

Информация по шумам/вибрации

Значения замерялись в соответствии со стандартом EN 60 745.

Уровень шума прибора, определенный по показателю A, обычно составляет:

Уровень звукового давления (K=3dB(A))	92,5 dB(A)	92,5 dB(A)
Уровень звуковой мощности (K=3dB(A))	103,5 dB(A)	103,5 dB(A)

Пользуйтесь приспособлениями для защиты слуха.

Общие значения вибрации (векторная сумма трех направлений) определены в соответствии с EN 60745.

Значение вибрационной эмиссии a _h	3,8 m/s ²	3,8 m/s ²
Небезопасность K	1,5 m/s ²	1,5 m/s ²

ВНИМАНИЕ

Указанный в настоящем руководстве уровень вибрации измерен в соответствии с технологией измерения, установленной стандартом EN 60745 и может использоваться для сравнения электроинструментов друг с другом. Он также подходит для предварительной оценки вибрационной нагрузки.

Указанный уровень вибрации представляет основные виды использования электроинструмента. Но если электроинструмент используется для других целей, используемый инструмент отклоняется от указанного или технического обслуживания было недостаточным, то уровень вибрации может отклоняться от указанного. В этом случае вибрационная нагрузка в течение всего периода работы значительно увеличивается.

Для точной оценки вибрационной нагрузки необходимо также учитывать время, в течение которого прибор отключен или включен, но фактически не используется. В этом случае вибрационная нагрузка в течение всего периода работы может существенно уменьшаться.

Установите дополнительные меры безопасности для защиты пользователя от воздействия вибрации, например: техническое обслуживание электроинструмента и используемого инструмента, поддержание рук в теплом состоянии, организация рабочих процессов.

ВНИМАНИЕ! Ознакомьтесь со всеми указаниями по безопасности и инструкциями, в том числе с инструкциями, содержащимися в прилагающейся брошюре. Упущения, допущенные при соблюдении указаний и инструкций по технике безопасности, могут стать причиной электрического поражения, пожара и тяжелых травм.
Сохраняйте эти инструкции и указания для будущего использования.

РЕКОМЕНДАЦИИ ПО ТЕХНИКЕ БЕЗОПАСНОСТИ

ОПАСНОСТЬ! Держите Ваши руки в стороне от пропила и пильного полотна. Держите Вашей второй рукой пилу за дополнительную рукоятку или корпус мотора. Если Вы обеими руками держите дисковую пилу, то пильное полотно не может ранить Вам руки.

Не подхватывайте деталь. Защитный колпак не может задержать под детально от пильного полотна.

Устанавливайте глубину реза в соответствии с толщиной детали. Под детально пильное полотно не должно высовываться более чем на один зуб.

Никогда не держите распиливаемую деталь в руке или над ногой. Деталь должна надежно лежать на прочной опоре. Важно хорошо закрепить деталь, чтобы сократить до минимума опасность контакта с телом, заклинивания пильного полотна или потери контроля.

Держите прибор только за изолированные ручки, если Вы выполняете работы, при которых режущий инструмент может перерезать скрытые электропровода или собственный кабель питания. Контакт с ведущими напряжениями проводами ставит металлические части прибора под напряжение и ведет к поражению электротоком.

Используйте всегда при продольном резании упор или прямую направляющую кромку. Это улучшает точность реза и снижает возможность заклинивания пильного полотна.

Всегда применяйте пильные полотна с правильными размерами и соответствующим отверстием крепления.

Причины и предотвращение обратного удара:

- обратный удар это неожиданная реакция вследствие цепляющегося, заклинивающегося или неправильно выверенного пильного полотна, которая ведет к выходу неконтролируемой пилы из детали в направлении оператора.

- если пильное полотно зацепится или заклинить в замыкающемся пропилах, то сила мотора выбивает прибор назад в направлении оператора.

- если пильное полотно будет перекошено или неправильно выверено в пропилах, то зубья задней кромки пилы могут врезаться в поверхность детали, что ведет к выходу пильного полотна из пропила и резкому выбросу пилы в направлении оператора.

Обратный удар является следствием неправильного или ошибочного использования пилы. Он может быть предотвращен соответствующими мерами предосторожности, описанными ниже.

Держите пилу крепко обеими руками и расположите при этом руки так, чтобы Вы могли бы противостоять силам обратного удара. Стойте всегда в стороне от оси пильного полотна, не ведите никогда пильное полотно по оси Вашего тела. При обратном ударе пила может выскочить назад, однако, оператор может противостоять силам обратного удара, если были приняты соответствующие меры.

При заклинивании пильного полотна или, если резание будет прервано по другой причине, отпустите выключатель и держите пилу спокойно в детали до полной остановки пильного полотна. Никогда не пытайтесь вынуть пильное полотно из детали, вывести его назад пока оно находится во вращении или если может возникнуть обратный удар. Найдите причину заклинивания пильного полотна и устраните ее соответствующими мерами.

Если Вы хотите опять включить застрявшую в детали пилу, то сначала отцентрируйте пильное полотно в пропилах и проверьте свободу зубьев полотна. Заклиненное пильное полотно может выйти из детали или вызвать обратный удар при повторном включении пилы.

Большие плиты должны лежать на опорах для уменьшения риска обратного удара при заклинивании пильного полотна. Большие плиты могут прогибаться под собственным весом. Плиты должны лежать на опорах с обеих сторон, как вблизи пропила, так и с края.

Не пользуйтесь тупыми или поврежденными пильными полотнами. Пильные полотна с тупыми или неправильно выверенными зубьями ведут в результате очень узкого пропила к повышенному трению, заклиниванию пильного полотна и обратному удару.

Перед распиливанием затяните крепко установочное устройство глубины реза и угла пропила. Если при

распиливании настройка изменится, то пильное полотно может заклинить и возникнуть обратный удар.

Будьте особенно осторожны при выполнении пропила «погружением» в скрытом диапазоне, например в готовой стене. Погружающееся пильное полотно может при пилении заблокироваться в скрытом объекте и вызвать обратный удар.

Перед каждым включением проверяйте безупречное замыкание нижнего защитного колпака. Не пользуйтесь пилой, если движение нижнего защитного колпака ограничено и он не сразу закрывается. Никогда не заклинивайте и не завязывайте нижний защитный колпак в открытом положении. Если пила случайно упадет на пол, то нижний защитный колпак может быть погнут. Откройте защитный колпак рычагом оттягивания и определите наличие свободы движения и отсутствие соприкосновения с пильным полотном или другими частями при всех возможных углах пропила и глубины резания.

Проверьте функцию пружины для нижнего защитного колпака. При неисправной функции нижнего защитного колпака и пружины сдайте электроинструмент на техническое обслуживание до начала работы. Поврежденные части, склеивающиеся отложения или скопления стружки являются причиной замедленного срабатывания нижнего защитного колпака.

Открывайте нижний защитный колпак вручную только при выполнении особых пропилов, например, пиление с погружением и распиловке под углом. Откройте защитный колпак оттягивающим рычагом и отпустите рычаг сразу как только пильное полотно войдет в деталь. При всех других работах нижний защитный колпак должен работать автоматически.

Не кладите пилу на верстак или на пол, не закрыв предварительно пильное полотно защитным колпаком. Незащищенное пильное полотно на выбеге двигает пилу против направления реза и распиливает все, что стоит на пути. Учитывайте при этом продолжительность выбега пилы.

Не применяйте диски, не соответствующих параметрам, приведенным в настоящей инструкции по эксплуатации.

Используйте наушники! Воздействие шума может привести к потере слуха.

Не использовать шлифовальные круги!

Электроприборы, используемые во многих различных местах, в том числе на открытом воздухе, должны подключаться через устройство, предотвращающее резкое повышение напряжения.

При работе с инструментом всегда надевайте защитные очки. Рекомендуется надевать перчатки, прочные нескользящие ботинки и фарфук.

Перед выполнением каких-либо работ по обслуживанию инструмента всегда вынимайте вилку из розетки.

Вставляйте вилку в розетку только при выключенном инструменте.

Держите силовой провод вне рабочей зоны инструмента. Всегда прокладывайте кабель за спиной.

Перед включением проверьте инструмент, кабель и вилку на предмет повреждений или усталости материала. Ремонт может производиться только уполномоченными Сервисными Организациями.

Не фиксируйте выключатель в положении "On" (Вкл.) когда работаете держа пилу в руках.

Пыль, возникающая при работе данным инструментом, может нанести вред здоровью. Не следует допускать её попадания в организм. Надевайте противопылевой респиратор.

ИСПОЛЬЗОВАНИЕ

Эта электронная циркулярная пила может очень точно пилить дерево, пластик и алюминий вдоль и под углом в 45.

Не пользуйтесь данным инструментом способом, отличным от указанного для нормального применения.

ДЕКЛАРАЦИЯ О СООТВЕТСТВИИ СТАНДАРТАМ ЕС

Мы заявляем что этот продукт соответствует следующим стандартам: EN 60745, EN 55014-1, EN 55014-2, EN 61000-3-2, EN 61000-3-3, в соответствии с правилами 98/37/EC, 2004/108/EC.



Winnenden, 2008-12-08

Rainer Kumpf
Rainer Kumpf
Manager Product Development

ПОДКЛЮЧЕНИЕ К ЭЛЕКТРОСЕТИ

Подсоединять только к однофазной сети переменного тока с напряжением, соответствующим указанному на инструменте. Электроинструмент имеет второй класс защиты, что позволяет подключать его к розеткам электропитания без заземляющего вывода.

ОБСЛУЖИВАНИЕ

Всегда держите охлаждающие отверстия чистыми. Пользуйтесь аксессуарами и запасными частями AEG. В случае возникновения необходимости в замене, которая не была описана, обращайтесь в один из сервисных центров по обслуживанию электроинструментов AEG (см. список сервисных организаций).

При необходимости может быть заказан чертеж инструмента с трехмерным изображением деталей. Пожалуйста, укажите десятизначный номер и тип инструмента и закажите чертеж у Ваших местных агентов или непосредственно у AEG Elektrowerkzeuge, Max-Eyth-Straße 10, D-71364 Winnenden, Germany.

СИМВОЛЫ



Пожалуйста, внимательно прочтите инструкцию по использованию перед началом любых операций с инструментом.



Перед выполнением каких-либо работ по обслуживанию инструмента всегда вынимайте вилку из розетки.



Дополнитель - В стандартную комплектацию не входит, поставляется в качестве дополнительной принадлежности.



Не выбрасывайте электроинструмент с бытовыми отходами! Согласно Европейской директиве 2002/96/EC по отходам от электрического и электронного оборудования и соответствующим нормам национального права вышедшие из употребления электроинструменты подлежат сбору отдельно для экологически безопасной утилизации.

ТЕХНИЧЕСКИ ДАННИ	110 V	220-240 V
Номинална консумирана мощност.....	1600 W.....	1600 W
Обороти на празен ход.....	5300 min ⁻¹	5800 min ⁻¹
Ø на режещия диск x Ø на отвора.....	184x30 mm.....	184x30 mm
Макс. Дълбочина на рязане при 90°/45°/56°.....	61/49/35 mm.....	61/49/35 mm
Тегло без мрежов кабел.....	4,8 kg.....	4,8 kg

Информация за шума/вибрациите

Измерените стойности са получени съобразно EN 60 745.

Оцененото с А ниво на шума на уреда е съответно:

Ниво на звукова мощност (K = 3dB(A)).....	92,5 dB(A).....	92,5 dB(A)
Ниво на звукова мощност (K = 3dB(A)).....	103,5 dB(A).....	103,5 dB(A)

Да се носи предпазно средство за слуха!

Общите стойности на вибрациите (векторна сума на три посоки) са определени в съответствие с EN 60745.

Стойност на емисии на вибрациите a _h	3,8 m/s ²	3,8 m/s ²
Несигурност К.....	1,5 m/s ²	1,5 m/s ²

ВНИМАНИЕ

Посоченото в тези инструкции ниво на вибрациите е измерено в съответствие със стандартизиран в EN 60745 измервателен метод и може да се използва за сравнение на електрически инструменти помежду им. Подходящ е и за временна оценка на вибрационното натоварване.

Посоченото ниво на вибрациите представя основните приложения на електрическия инструмент. Ако обаче електрическият инструмент се използва с друго предназначение, с различни сменяеми инструменти или при недостатъчна техническа поддръжка, нивото на вибрациите може да е различно. Това чувствително може да увеличи вибрационното натоварване по време на целия работен цикъл.

За точната оценка на вибрационното натоварване трябва да се вземат предвид и периодите от време, в които уредът е изключен или работи, но в действителност не се използва. Това чувствително може да намали вибрационното натоварване по време на целия работен цикъл.

Определете допълнителни мерки по техника на безопасност в защита на обслужващия работник от въздействието на вибрациите като например: техническа поддръжка на електрическия инструмент и сменяемите инструменти, поддръжане на ръцете топли, организация на работния цикъл.

ВНИМАНИЕ! Прочетете указанията за безопасност и съветите в приложената брошура. Неспазването на приведените по-долу указания може да доведе до токов удар, пожар и/или тежки травми. **Съхранявайте тези указания на сигурно място.**

СПЕЦИАЛНИ УКАЗАНИЯ ЗА БЕЗОПАСНОСТ

ОПАСНОСТ: Дръжте ръцете си на разстояние от зоната на рязане и от циркулярния диск. С втората си ръка дръжте спомагателната ръкохватка или корпуса на електродвигателя. Когато държите циркуляра с двете си ръце, няма опасност да ги нараните с режещия диск.

Не пхъайте ръцете си под обработвания детайл. Предпазният кожух не може да Ви защити в зоната под обработвания детайл.

Винаги настройвайте дълбочината на рязане съобразно дебелината на стената на обработвания детайл. От обратната страна на детайла дискът трябва да се подава на разстояние, по-малко от една височина на зъба.

Никога не задържайте обработвания детайл с ръка или на коляното си. Застопорявайте го към стабилна основа. За да ограничите опасността от нараняване, закланване на циркулярния диск или загуба на контрол на електродвигателя, е изключително важно детайлът да бъде застопорен правилно.

Ако в зоната на рязане може да има скрити електропроводници под напрежение или когато съществува опасност от срязване на изходящия кабел на електроинструмента, го дръжте винаги за изолираните повърхности на ръкохватките. При влизане в съприкосновение с проводник под напрежение, то се предава на всички метални части на електроинструмента, което може да доведе до токов удар.

При надлъжно разрязване винаги използвайте направляваща опора или прав водещ ръб. Така точността на рязане ще се подобри, а опасността от закланване на циркулярния диск ще се намали.

Винаги използвайте циркулярни дискове с подходящ размер и форма на присъединителния отвор (звездобразен или кръгъл). Циркулярни дискове, които не пасват точно на стъпалото на вала, имат биене и могат да предизвикат загуба на контрол над електроинструмента.

Никога не използвайте повредени или неподходящи подложни шайби, респ. винтове при застопоряване на

циркулярните дискове. Подложните шайби и винтове са конструирани специално за Вашия циркуляр и осигуряват максимални безопасност и производителност.

Причини за възникване на откат и начини на предотвратяването му:

- откатът е внезапна и неочаквана реакция на циркулярния диск в резултат на закланването му или обръщането му в неправилна посока, в следствие на която неконтролируемият циркуляр може да излезе от междината на рязане и да се отклони към оператора;

- когато режещият диск се заклани в затварящата се междина на рязане, в резултат на блокирането на въртенето му електроинструментът внезапно се измества назад по посока на оператора;

- ако режещият диск бъде завъртян или наклонен в среза, зъбите от задната му страна се връзват в повърхността на обработвания детайл, в резултат на което режещият диск излиза от междината и циркулярът отскача назад по посока на оператора; Откатът е резултат от неправилното използване и/или боравене с електроинструмента.

Чрез взимането на подходящи предпазни мерки, както е описано по-долу, той може да бъде предотвратен.

Дръжте електроинструмента здраво с двете си ръце и заемайте положение, при което ръцете Ви са насочени да противодействат на евентуално възникнал откат. Тялото Ви трябва да е разположено странично на равнината на въртене на диска, в никакъв случай фронтално срещу него. При възникване на откат циркулярът може да отскочи назад, но, ако са били взети подходящи предпазителни мерки, операторът може да овладее положението.

Ако режещият диск се заклани или разрязването бъде прекъснато по някаква друга причина, отпуснете пусковия прекъсвач и задържете циркуляра неподвижно в обработвания детайл, докато въртенето на диска спре напълно. Никога не се опитвайте да извадите електроинструмента от разрязваната междина, докато режещият диск се върти или съществува опасност от възникване на откат. Намерете причината за закланването на диска и я отстранете.

Когато включвате повторно циркуляра, докато режещият диск е в разрязваната междина, го центрирайте в нея и предварително се уверете, че зъбите не допират до детайла. Ако режещият диск се заклани, при повторното включване на електроинструмента той може да излезе от разрязваната междина или да предизвика откат.

За да ограничите опасността от възникване на откат, поддържайте големи плоскости по подходящ начин. При разрязване големите плоскости имат стремеж да се огънат под действие на собствената си сила на тежестта. Те трябва да бъдат подпирани от двете страни на среза, в близост до него и в близост до отдалечения им край.

Не използвайте затпени или повредени циркулярни дискове. Когато дисковете са затпени или обърнати в неправилната посока, разрязваната междина е тясна, поради което силно се увеличават триенето, както и опасността от закланване и откат.

Преци да започнете разрязването, се уверете, че механизмите за регулиране на дълбочината и наклона на разрязване са затегнати здраво. Ако по време на рязане под действие на възникващите сили настройките се променят, това може да доведе до закланване и откат на електроинструмента.

Когато връзвате диска в стена или други повърхности, под които могат да се крият опасности, бъдете изключително предпазливи. Режещият диск може да влезе в съприкосновение със скрити под повърхността предмети, да блокира и да предизвика откат.

Винаги преди започване на работа проверявайте дали долният предпазен кожух се затваря правилно. Не използвайте циркуляра, ако долният предпазен кожух не се движи свободно и не покрива веднага режещия диск. Никога не задържайте отворен или не прелятствайте по какъвто и да било начин затварянето на долния предпазен кожух. Ако циркулярът бъде изтрян по невнимание, долният предпазен кожух може да се изкриви. Отворете го с ръкохватката и се уверете, че може да се движи свободно и независимо от настройката на наклона и дълбочината на рязане не допира до циркулярния диск или други подвижни детайли.

Проверявайте дали пружините на долния предпазен кожух функционират правилно. Ако долният предпазен кожух и/или пружината му не работят правилно, преди да бъде използван, електроинструментът трябва да бъде ремонтиран. В резултат на повреждане на детайли, отлагане на лепливи вещества или натрупване на стърготини долният предпазен кожух може да започне да се движи забавено.

Отваряйте долния предпазен кожух само при изпълняване на специални срезове, напр. разрязване с пробиване или рязане в близост до ъгли. Отворете долния предпазен кожух с помощта на ръкохватката и я отпуснете веднага след като режещият диск пробие детайла. При всички други случаи долният предпазен кожух трябва да работи автоматично.

Не оставяйте циркуляра на работния плот или на земята, без долният предпазен кожух да е покрил режещия диск. Незащитен циркулярен диск, който се върти, придвижва циркуляра в обратна посока и разрязва намиращите се на пътя му предмети. Затова се съобразявайте с необходимото за спирането на въртенето по инерция време.

Режещи дискове, които не отговарят на параметрите в настоящето упътване за експлоатация, не бива да се използват.

Носете средство за защита на слуха. Въздействието на шума може да предизвика загуба на слуха.

Моля не използвайте шлифовъчни дискове!

Контактите във външните участъци трябва да бъдат обзаведени със защитни прекъсвачи за утечен ток. Това изисква предписанието за инсталиране за електрическата инсталация. Моля спазвайте това при използване на Вашия уред.

При работа с машината винаги носете предпазни очила. Препоръчват се също така предпазни ръкавици, здрави и нехлъзгащи се обувки, както и престилка.

Преци каквито и да е работи по машината извадете щепсела от контакта.

Свързвайте машината към контакта само в изключено положение.

Свързващият кабел винаги да се държи извън работния обсег на машината. Кабелът да се отвежда от машината винаги назад.

Прахът, който се образува при работа, често е вреден за здравето и не бива да попада в тялото. Да се носи подходяща прахозащитна маска.

Преци всяко използване проверете за повреда и стареене уреда, свързващия кабел, удължителния кабел и щепсела. Повредените части да се ремонтират само от специалист.

Не запъвайте пусковия бутон при работа на ръчен контрол.

ИЗПОЛЗВАНЕ ПО ПРЕДНАЗНАЧЕНИЕ

Ръчният циркулярен трион може да се използва за рязане по права линия в дърво, пластмаса и алуминий.

Този уред може да се използва по предназначение само както е посочено.

СЕ - ДЕКЛАРАЦИЯ ЗА СЪОТВЕТСТВИЕ

Декларираме на собствена отговорност, че този продукт съответства на следните стандарти или нормативни документи: EN 60745-1, EN 55014-1, EN 55014-2, EN 61000-3-2, EN 61000-3-3, EN 61000-3-3, съобразно предписанията на директивите 98/37/EO, 2004/108/EO.



Winnenden, 2008-12-08

Rainer Kumpf
Manager Product Development

СВЪРЗВАНЕ КЪМ МРЕЖАТА

Да се свързва само към еднофазен променлив ток и само към мрежово напрежение, посочено върху заводската табелка. Възможно е и свързване към контакт, който не е от тип "щучко", понеже конструкцията е от защитен клас II.

ПОДДРЪЖКА

Вентилационните шлицы на машината да се поддържат винаги чисти.

Да се използват само аксесоари на AEG резервни части на AEG. Елементи, чията подмяна не е описана, да се дадат за подмяна в сервиз на AEG (вижте брошурата "Гаранция и адреси на сервизи").

При необходимост можете да поискате за уред от Вашия сервиз или директно от AEG Elektrowerkzeuge, Max-Eyth-Straße 10, D-71364 Winnenden, Germany, чертеж за в случай на експлозия, като посочите типа на машината и десетцифрения номер върху заводската табелка.

СИМВОЛИ



Преци пускане на уреда в действие моля прочетете внимателно инструкцията за използване.



Преци всякакви работи по машината извадете щепсела от контакта.



Аксесоари - Не се съдържат в обема на доставката, препоръчано допълнение от програмата за аксесоари.



Не извърляйте електроинструменти при битовите отпадъци! Съобразно Европейска директива 2002/96/EO за стари електрически и електронни уреди и нейното реализиране в националното законодателство изхабените електроинструменти трябва да се събират отделно и да се предават в пункт за екологосъобразно рециклиране.

DATE TEHNICE	110 V	220-240 V
Putere nominală de ieșire.....	1600 W.....	1600 W
Viteza la mers în gol.....	5300 min ⁻¹	5800 min ⁻¹
Diametru lamă x diametru orificiu.....	184x30 mm.....	184x30 mm
Adâncime max. de tăiere la 90°/45°/56°.....	61/49/35 mm.....	61/49/35 mm
Greutate fără cablu.....	4,8 kg.....	4,8 kg

Informație privind zgomotul/vibrațiile

Valori măsurate determinate conform EN 60 745.

Nivelul de zgomot evaluat cu A al aparatului este tipic de:

Nivelul presiunii sonore (K=3dB(A)).....	92,5 dB(A).....	92,5 dB(A)
Nivelul sunetului (K=3dB(A)).....	103,5 dB(A).....	103,5 dB(A)

Purtați căști de protecție

Valorile totale de oscilație (suma vectorială pe trei direcții)

determinate conform normei EN 60745.

Valoarea emisiei de oscilații a.....	3,8 m/s ²	3,8 m/s ²
Nesiguranță K.....	1,5 m/s ²	1,5 m/s ²

AVERTISMENT

Gradul de oscilație indicat în prezentele instrucțiuni a fost măsurat în conformitate cu o procedură de măsurare normală prin norma EN 60745 și poate fi folosit pentru a compara unelte electrice între ele. El se pretează și pentru o evaluare provizorie a solicitării la oscilații.

Gradul de oscilație indicat reprezintă aplicațiile principale ale uneltelor electrice. În cazul în care însă uneltele electrice au fost folosite pentru alte aplicații, ori au fost folosite unelte de muncă diferite ori acestea nu au fost supuse unei suficiente inspecții de întreținere, gradul de oscilație poate fi diferit. Acest fapt poate duce la o creștere netă a solicitărilor la oscilații dealungul întregii perioade de lucru.

În scopul unei evaluări exacte a solicitării la oscilații, urmează să fie luate în considerație și perioadele de timp în care aparatul a fost oprit ori funcționează dar, în realitate, el nu este folosit în mod practic. Acest fapt poate duce la o reducere netă a solicitărilor la oscilații dealungul întregii perioade de lucru.

Stabiliți măsuri de siguranță suplimentare în scopul protecției utilizatorului de efectele oscilațiilor, de exemplu: inspecție de întreținere a uneltelor electrice și a celor de muncă, păstrarea caldă a mâinilor, organizarea proceselor de muncă.

⚠ AVERTISMENT! Citiți toate avizele de siguranță și indicațiile, chiar și cele din borșura alăturată. Nerespectarea indicațiilor de avertizare și a instrucțiunilor poate provoca electrocutare, incendii și/sau răni grave.

Păstrați toate indicațiile de avertizare și instrucțiunile în vederea utilizărilor viitoare.

INSTRUCȚIUNI DE SECURITATE

⚠ PERICOL: Țineți mâinile departe de zona de tăiere și de pânza de ferăstrău. Cea de-a doua mână țineți-o pe mânerul suplimentar sau pe carcasa motorului. Dacă țineți ferăstrăul circular cu ambele mâini, pânza de ferăstrău nu le poate răni.

Nu introduceți mâna sub piesa de lucru. Apărătoarea nu vă poate proteja sub piesa de lucru.

Adaptați adâncimea de tăiere la grosimea piesei de lucru. Sub piesa de lucru ar trebui să se vadă mai puțin de înălțimea întregă a unui dinte.

Nu țineți niciodată în mână sau pe picior piesa de lucru. Asigurați piesa de lucru pe o platformă stabilă. Este important ca piesa de lucru să fie bine fixată pentru a reduce la minimum pericolul de contact corporal, blocare a pânzei de ferăstrău sau de pierdere a controlului.

Apucați mașina numai de mânerul izolat atunci când executați lucrări la care dispozitivul de tăiere ar putea nimeri conductorii ascunși sau propriul cablu de alimentare al mașinii. Contactul cu un conductor sub tensiune determină punerea sub tensiune a componentelor metalice ale mașinii și duce la electrocutare.

La tăierea longitudinală folosiți întotdeauna un opritor sau un limitator paralel pentru margini. Acesta sporește precizia de tăiere și diminuează posibilitatea blocării pânzei de ferăstrău.

Folosiți întotdeauna pânze de ferăstrău de mărime corespunzătoare și cu orificiu de prindere adecvat (de ex în formă de stea sau rotund). Pânzele de ferăstrău care nu se potrivesc elementelor de montaj ale ferăstrăului, se vor roti excentric și vor duce la pierderea controlului.

Nu folosiți niciodată șaibe suport sau șuruburi deteriorate sau greșite pentru pânzele de ferăstrău. Șaibele suport și șuruburile pentru pânzele de ferăstrău au fost special construite pentru ferăstrăul dv., în vederea atingerii unor performanțe și a unei siguranțe optime în exploatare.

Cauzele și evitarea unui recul:

- reculul este o reacție bruscă provocată de o pânză de ferăstrău înțepenită, blocată sau aliniată greșit, care face ca un ferăstrău necontrolat să se ridice și să iasă afară din piesa de lucru deplasându-se în direcția operatorului;

- dacă pânza de ferăstrău se agăță sau se înțepenește în fâgașul de tăiere, ea se blochează iar puterea motorului aruncă mașina înapoi, în direcția operatorului;

- dacă pânza de ferăstrău se răsuțește sau se aliniază greșit în tăietură, dinții muchiilor posteriori a pânze de ferăstrău se apot agăța în suprafața piesei de lucru, ceea ce face ca pânza de ferăstrău să iasă afară din fâgașul de tăiere iar ferăstrăul să sară înapoi, în direcția operatorului.

Reculul este consecința utilizării greșite sau defectuoase a ferăstrăului. El poate fi împiedicat prin măsuri de prevenire adecvate, conform celor descrise în cele ce urmează.

Apucați întotdeauna strâns ferăstrăul cu ambele mâini și aduceți-vă brațele într-o poziție, în care să reziste forțelor de recul. Stați întotdeauna lateral față de pânza de ferăstrău, nu aduceți niciodată pânza de ferăstrău pe aceeași linie cu corpul dv. În caz de recul ferăstrăul circular poate sări înapoi, însă operatorul are posibilitatea de a stăpâni forțele de recul dacă au fost adoptate măsuri adecvate.

Dacă pânza de ferăstrău se înțepenește sau dacă tăierea este întreruptă dintr-un anumit motiv, eliberați întrerupătorul pornit-oprit și lăsați ferăstrăul nemișcat în materialul de prelucrat, până când pânza de ferăstrău se oprește complet. Nu încercați niciodată să îndepărtați ferăstrăul dn material sau să-l trageți înapoi, atât timp cât pânza de ferăstrău se mai mișcă sau cât mai există încă riscul producerii de recul. Găsiți cauza înțepinerii pânzei de ferăstrău și înălțurați-o prn măsuri adecvate.

Atunci când dormiți să reporniți ferăstrăul rămas în piesa de lucru, centrați pânza de ferăstrău în fâgașul de tăiere și verificați dacă dinții acesteia nu sunt agățați în piesa de lucru. Dacă pânza de ferăstrău este înțepenită, ea poate ieși afară din piesa de lucru sau provoca un recul la repornirea ferăstrăului.

Sprîjiniți plăcile mari pentru a diminua riscul unui recul provocat de o pânză de ferăstrău înțepenită. Plăcile mari se pot îndoi sub propria lor greutate. Plăcile trebuie sprijinite pe ambele laturi, atât în apropierea fâgașului de tăiere cât și la margine.

Nu folosiți pânze de ferăstrău tocite sau deteriorate. Pânzele de ferăstrău cu dinții tociți sau aliniați greșit produc, din cauza fâgașului de tăiere prea îngust, o frecare crescută, înțepinirea pânzei de ferăstrău și reculul.

Înainte de tăiere fixați prin strângere dispozitivele de reglare a adâncimii și unghiului de tăiere. Dacă în timpul tăierii reglajele se modifică, pânza de ferăstrău se poate înțepeni și provoca apariția reculului.

Fiiți foarte precauți atunci când executați o tăiere cu penetrare directă în material într—un sector ascuns, de ex. într-un perete. Pânza de ferăstrău care pătrunde în perete se poate bloca în obiecte ascunse și provoca reculul.

Înainte de fiecare întrebunțare, verificați dacă apărătoarea inferioară nu se poate mișca liber și dacă nu se închide instantaneu. Nu fixați și nu legați niciodată apărătoarea inferioară în poziție deschisă. Dacă ferăstrăul cade accidental pe jos, apărătoarea inferioară se poate îndoi. Deschideți apărătoarea inferioară cu maneta de retragere și asigurați-vă că se poate mișca liber și că în toate unghiurile și adâncimile de tăiere nu atinge nici pânza de ferăstrău și nici celelalte componente.

Verificați funcționarea arcului apărătoarei inferioare. Înainte de întrebunțare întrețineți mașina în caz că apărătoarea inferioară și arcul nu lucrează impecabil. Componentele deteriorate, depunerile vâscoase sau aglomerările de așchii duc la acțiunea lentă a apărătoarei inferioare.

Deschideți manual apărătoarea inferioară numai în cazul operațiilor speciale de tăiere ca „tăieri cu penetrare directă în material și tăieri unghiulare“. Deschideți apărătoarea inferioară cu maneta de retragere și eliberați-o, de îndată ce pânza de ferăstrău a pătruns în piesa de lucru. La toate celelalte lucrări de tăiere apărătoarea inferioară trebuie să funcționeze automat.

Nu puneți ferăstrăul pe bancul de lucru sau pe podea, fără ca apărătoarea inferioară să acopere pânza de ferăstrău. O pânză de ferăstrău neprotejată, care se mai învârtă din inerție, mișcă ferăstrăul în sens contrar direcției de tăiere și taie tot ce îi stă în cale. Respectați timpul de oprire al ferăstrăului.

Nu utilizați lamele care nu corespund datelor oferite în prezentele Instrucțiuni de utilizare.

Purtați aparatoare de urechi. Expunerea la zgomot poate produce pierderea auzului.

Montarea unor discuri abrazive este interzisă!

Aparatele utilizate în multe locații diferite inclusiv în aer liber trebuie conectate printr-un disjunctur (FI, RCD, PRCD) care previne comutarea.

Purtați întotdeauna ochelari de protecție atunci când utilizați mașina. Se recomandă purtarea mănușilor, a încălțămintei solide nealunecoase și sortului de protecție.

Întotdeauna scoateți stecarul din priză înainte de a efectua intervenții la mașină.

Conectați la rețea numai când mașina este oprită.

Pastrați cablul de alimentare la o distanță de arie de lucru a mașinii. Întotdeauna țineți cablul în spatele dvs.

Înainte de utilizare verificați mașina, cablul și stecarul pentru orice defecțiuni sau uzură a materialului. Reparațiile trebuie efectuate numai de către agenții de service autorizați.

Nu fixați comutatorul pornire / oprire în poziția „pornit“ când se utilizează ferăstrăul de mână.

Praful care apare când se lucrează cu această sculă poate fi dăunător sănătății și prin urmare nu trebuie să atingă corpul.

Purtați o mască de protecție corespunzătoare împotriva prafului.

CONDIȚII DE UTILIZARE SPECIFICATE

Acest ferăstrău circular electronic poate tăia lungimi și unghiuri în lemn, plastic și aluminiu.

Nu utilizați acest produs în alt mod decât cel stabilit pentru utilizare normală

DECLARAȚIE DE CONFORMITATE

Declarăm pe propria răspundere că acest produs este în conformitate cu următoarele standarde sau documente standardizate EN 60745, EN 55014-1, EN 55014-2, EN 61000-3-2, EN 61000-3-3, EN 61000-3-3 în conformitate cu reglementările 98/37/EC, 2004/108/EC.



Winnenden, 2008-12-08

Rainer Kumpf
Manager Product Development

ALIMENTARE DE LA REȚEA

Conectați numai la priză de curent alternativ monofazat și numai la tensiunea specificată pe placuța indicatoare. Se permite conectarea și la prize fără împamantare dacă modelul se conformează clasei II de securitate.

INTREȚINERE

Fantele de aerisire ale mașinii trebuie să fie menținute libere tot timpul

Utilizați numai accesorii și piese de schimb AEG. Dacă unele din componente care nu au fost descrise trebuie înlocuite, vă rugăm contactați unul din agenții de service AEG (vezi lista noastră pentru service / garanție)

Dacă este necesară, se poate comanda o imagine descompusă a sculei. Vă rugăm menționați numărul art. Precum și tipul mașinii tipărit pe etichetă și comandați desenul la agenții de service locali sau direct la AEG Elektrowerkezeuge, Max-Eyth-Straße 10, D-71364 Winnenden, Germany.

SIMBOLURI



Vă rugăm citiți cu atenție instrucțiunile înainte de pornirea mașinii



Întotdeauna scoateți stecherul din priză înainte de a efectua intervenții la mașină.



Accesorii - Nu este inclus în echipamentul standard, disponibil ca accesoriu



Nu aruncați scule electrice în gunoier menajer! Conform directivei europene nr. 2002/96/CE referitor la aparate electrice și electronice uzate precum și la transpunerea acesteia în drept național, sculele electrice trebuie colectate separat și introduse într-un circuit de reciclare ecologic.

ТЕХНИЧКИ ПОДАТОЦИ	110 V	220-240 V
Определен внес.....	1600 W.....	1600 W
Брзина без оптоварување.....	5300 min ⁻¹	5800 min ⁻¹
Сечило на пила дијаметар x дијаметар на отвор.....	184x30 mm.....	184x30 mm
Максимална Длабочина на сечење при 90°/45°/56°.....	61/49/35 mm.....	61/49/35 mm
Тежина без кабел.....	4,8 kg.....	4,8 kg

Информација за бучавата/вибрациите

Измерените вредности се одредени согласно стандардот EN 60745.

A-оценетото ниво на бучава на апаратот типично изнесува:

Ниво на звучен притисок. (K = 3 dB(A)).....	92,5 dB(A).....	92,5 dB(A)
Ниво на јачина на звук. (K = 3 dB(A)).....	103,5 dB(A).....	103,5 dB(A)

Носте штитник за уши.

Вкупни вибрациски вредности (векторски збир на трите насоки) пресметани согласно EN 60745.

Вибрациска емисиона вредност a _h	3,8 m/s ²	3,8 m/s ²
Несигурност K.....	1,5 m/s ²	1,5 m/s ²

ПРЕДУПРЕДУВАЊЕ

Нивото на осцилација наведено во овие инструкции е измерено во согласност со мерните постапки нормирани во EN 60745 и може да биде употребено за меѓусебна споредба на електро-алати. Ова ниво може да се употреби и за привремена проценка на оптоварувањето на осцилацијата.

Наведеното ниво на осцилација ги репрезентира главните намени на електро-алатот. Но, доколку електро-алатот се употребува за други намени, со отстапувачки додатоци или со несоодветно одржување, нивото на осцилација може да отстапи. Тоа може значително да го зголеми оптоварувањето на осцилацијата за време на целиот работен период.

За прецизна проценка на оптоварувањето на осцилацијата предвид треба да бидат земени и времињата, во коишто апаратот е исклучен или работи, но фактички не се употребува. Тоа може значително да го намали оптоварувањето на осцилацијата за време на целиот работен период.

Утврдете дополнителни безбедносни мерки за заштита на операторот од влијанието на осцилациите, како на пример: одржување на електро-алатот и на додатоци кон електро-алатот, одржување топли раце, организација на работните процеси.

⚠ ПРЕДУПРЕДУВАЊЕ! Прочитајте ги сите безбедносни упатства и инструкции. Заборавање на почитувањето на безбедносните упатства и инструкции можат да предизвикаат електричен удар, пожар и/или тежки повреди.
Сочувајте ги сите безбедносни упатства и инструкции за во иднина.

УПАТСТВО ЗА УПОТРЕБА

⚠ Опасност: Држете ги рацете настрана од зоната на сечење. Држете ја другата рака на помошната рачка или куќиштето на моторот. Доколку пилата ја држите со двете раце, не можете да се пресечете од сечилото.

Не посегајте под обработуваното парче. Заштитата не може да Ве заштити од сечилото под обработуваното парче.

Прилагодете ја длабочината на засекот во зависност од густината на обработуваното парче. Нешто помалку од цел забец од сечилото треба да биде видлив под работното парче.

Никогаш не го држете парчето кое се обработува со раце или преку нога. Обезбедете го на стабилна површина. Важно е соодветно да ја потпираат работата како би ја минимизирале телесната изложеност, виткањето на сечилото или губењето контрола.

Држете го електричниот алат за издадените површини при изведување на операции при кои алатот за сечење можат да дојдат во контакт со скриени жици или сопствениот гајтан. Контакт со жица под напон исто така ќе направи проводници од металните делови и оној кој ракува со алатот ќе доживее струен удар.

При ракување со рачна пила користете бариера или водилка под прав агол. Ова ја подобрува прецизноста на резот и го намалува ризикот од свиткување на сечилото. Сечила кои не одговараат на монтираниот хардвер на пилата ќе се движат неправилно предизвикувајќи губење на контролата.

Никогаш не користете оштетени или несоодветни средства за чистење или. Тие средства и. Се специјално наменети за вашата пила, за оптимални перформанси и сигурност при користењето.

Причини и начин на спречување на повратен ефект.

- повратниот ефект е ненадејна реакција при откршување, свиткување или изместување на сечилото, и предизвикува неконтролираното сечило од пилата да се крене и да излезе од обработуваното парче кон оној кој работи.

- кога сечилото е открито или цврсто завиткано од затворањето, запците на сечилото и реакцијата на моторот ја турка брзо назад кон оној кој работи со неа.

- доколку сечилото се извита или се измести во сечењето, забецот на надворешниот раб на сечилото може да се зарие во горната површина на дрвото правејќи сечилото да излезе од лежиште и да скокне кон оној кој работи.

Повратниот ефект е резултат на неправилна употреба на пилата и/или некоректни работни процедури или услови и може да биде избегнат со превземање на соодветни претпазливи постапки наведени подолу.

Држете цврсто со двете раце кои се поставени да пружат отпор при повратен удар. Поставете го вашето тело од било која страна на сечилото, но не во негова линија. Повратниот удар може да предизвика пилата да потскокне назазад, но јачината на повратниот удар може да биде контролирана од операторот доколку се преземени соодветни мерки на претпазливост.

Кога сечилото се свиткало, или прекин на сечењето од било која причина, ослободете го прекинувачот и држете го ножот во материјалот без да делувате, се додека не дојде до потполно запирање на сечилото. Никогаш не се обидувајте да ја тргнете пилата или да ја повлечете назазад додека сечилото се движи или може да се појави повратен удар. Испитајте ги и преземете корективни чекори за да ја елиминирате причината за свиткување на сечилото.

По рестартирање на пилата во обарботуваното парче, центрирајте го сечилото на пилата во крвината и проверете запците на пилата да не се навлезени во материјалот. Доколку сечилото на пилата е свиткано, може да тргне нагоре или да излезе од обработуваното парче, кога таа ќе се стартува.

Потпирајте ги големите панели како би го минимизирале ризикот од свиткување на сечилото и повратен удар. Големите панели имаат тенденција да се свиткаат под сопствената тежина. Мора да биде поставена потпора под панелот од двете страни, блиску до линијата на сечење и блиску до работ на панелот.

Не користете отапени или оштетени сечила. Ненаострните или не соодветно поставените сечила создаваат остра кривина која предизвикува интензивно триење, виткање на сечилото и повратен удар.

Длабочината на сечилото и прилагодливиот заклучувач на рачката мора да биде стегнат и обезбеден пред да се сече.

Доколку се промени подесувањето за време на сечењето може да дојде со свиткување иповратен удар.

Бидете екстремно претпазливи при рез со забодување во постоечки ѕидови или други армирани површини.

Проверете ја долната заштита дали е соодветно затворена пред секоја употреба. Не работете со пилата доколку долната заштита не се движи слободно и не се затвора моментално. Никогаш не ја затегнувајте ниту врзувајте долната заштита во отворена позиција. Доколку пилата падне ненамерно, долната заштита може да се свитка. Кренете ја долната заштита со повлекување на рачката и осигурете се дека се движи слободно не допирајќи до сечилото или било кој друг дел под било кој агол и длабочина на засек.

Проверете го функционирањето на федерот на долната заштита. Доколку заштитата и федерот не се отворат соодветно, мора пред употреба да бидат сервисирани. Долната заштита може да функционира трома поради оштетените делови, лепливи остатоци или насобрани делчиња.

Долната заштита треба да биде рачно повлечена само при специјални резови како „резови со забодување, или „сложени резови.“ Кренете ја долната заштита со повлекување на рачката веднаш штом сечилото влезе во материјалот, долната заштита мора да биде отпуштена. При секое друго сечење, долната заштита мора да работи автоматски.

Секогаш гледајте долната заштита да го покрива сечилото пред пилата да ја спуштите на маса или под. Незаштитено лизгање на сечилото ќе предизвика пилата да тргне назазад, сечејќи се што ќе се најде на патот. Бидете свесни за потребното време за кое сечилото престанува да работи, по ослободувањето на прекинувачот.

Не користете сечила кои не одговараат напропишаните параметри дадени во овој прирачник за употреба.

Носете штитник за уши. Изложеноста на бука може да предизвика губење на слухот.

Ве молиме не користете абразивни дискови-шмиргли на оваа машина!

Уредите кои се користат на многу различни локации вклучувајќи и отворен простор мора да бидат поврзани за струја преку направата за поврзување (FI, RCD, PRCD).

Секогаш носете ракавици кога ја користите машината. Исто така препорачливо е да се носат очила, цврсти чевли кои не се лизгаат и престилка.

Секогаш кога преземате активности врз машината исклучете го кабелот од струјата.

Вклучувањето на кабелот во струја се прави исклучиво машината е исклучена.

Чувајте го кабелот за напојување подалеку од работната површина. Секогаш водете го кабелот позади вас.

Пред употреба проверете дали машината, кабелот и приклучокот се исправни. Ако се оштетени доволени се поправки исклучиво од авторизираниот сервис.

Не го фиксирајте прекинувачот во позиција он-вклучено кога ја користите пилата држејќи ја со рака.

Пршината која се создава при користење на овој алат може да биде штетна по здравјето. Не ја вдишувајте. Носете соодветна заштитна маска.

СПЕЦИФИЦИРАНИ УСЛОВИ НА УПОТРЕБА

Електронската циркуларното сечило може да сече надолжно и триаголно прецизно во дрво, пластика и алуминиум.

Не го користете овој производ на било кој друг начин освен пропишаниот за нормална употреба.

ЕУ-ДЕКЛАРАЦИЈА ЗА СООБРАЗНОСТ

Ние во целосна одговорност изјавуваме дека овој производ е во сообразност со следните стандарди и стандардизирани документи. EN 60745, EN 55014-1, EN 55014-2, EN 61000-3-2, EN 61000-3-3, и е во согласност со прописите 98/37/EC, 2004/108/EC



Winnenden, 2008-12-08

Rainer Kumpf
Manager Product Development

ГЛАВНИ ВРСКИ

Да се спои само за една фаза AC коло и само на главниот напон наведен на плочката. Можно е исто така и поврзување на приклучок без ваземање доколку изведбата соодветствува на безбедност од 2 класа.

ОДРЖУВАЊЕ

Вентилациските отвори на машината мора да бидат комплетно отворени постојано.

Користете само AEG додатоци и резервни делови. Доколку некои од компонентите кои не се опишани треба да бидат заменети, Ве молиме контактирајте ги сервисните агенти на AEG (консултирајте ја листата на адреси).

Доколку е потребно можно е да биде набавен детален приказ на алатот. Ве молиме наведете го бројот на артиклот како и типот на машина кој е отпечатен на етикетата и порачајте ја скицата кај локалниот застапник или директно кај: AEG Elektrowerkzeuge, Max-Eyth-Straße 10, D-71364 Winnenden, Germany.

СИМБОЛИ



Ве молиме пред да ја стартувате машината обрнете внимание на упатствата за употреба.



Секогаш пред спроведување на каков и да е зафат врз машината исклучете го кабелот од приклучокот.



Дополнителна опрема - Не е вклучена во стандардната, а достапна е како додаток.



Не ги фрлајте електричните апарати заедно со другиот домашен отпад! Европска регулатива 2002/96/EC за одлагање на електрична и електронска опрема и се применува согласно националните закони. Електричните апарати кои го достигнале крајот на својот животен век мора да бидат одвоено собрани и вратени во соодветна рециклажна установа.

技术数据	110 V	220-240 V
输入功率.....	1600 W.....	1600 W
无负载转速.....	5300 min ⁻¹	5800 min ⁻¹
锯刀直径 x 锯刀孔直径.....	184x30 mm.....	184x30 mm
最大切深 90/45/56 度.....	61/49/35 mm.....	61/49/35 mm
不含电缆重量.....	4.8 kg.....	4.8 kg

噪音/振动信息
 本测量值符合 EN 60 745 条文的規定。
 器械的标准A-值噪音级为：
 音压值 (K=3dB(A))..... 92.5 dB(A)..... 92.5 dB(A)
 音量值 (K=3dB(A))..... 103.5 dB(A)..... 103.5 dB(A)
 请戴上护耳罩！

依欧盟EN 60745 标准确定的振荡总值（三方向矢量和）。
 a_n-振荡发射值..... 3.8 m/s²..... 3.8 m/s²
 K-不可靠性..... 1.5 m/s²..... 1.5 m/s²

注意
 本规程列出的依欧盟EN 60745 标准一项标准测量方法测量的振荡级也可用于电动工具比较并适合于临时振荡负荷估计。
 该振荡级代表电动工具的主要应用。电动工具的其他应用，不正确的工作工具或欠缺维护可造成振荡级偏差。此可明确提高总工作期间的振荡负荷。

正确地估计一定工作期间的振荡负荷也要考虑到工具关闭或接通而不使用的期间。此可明确减少总工作期间的振荡负荷。
 为提高操作人员对振荡作用的保护得规定补充安全措施：电动工具及工作工具的维护，温手，工作过程组织等。

△ 注意！ 务必仔细阅读所有安全说明和安全指示（应注意阅读附上的小册子）。如未确实 遵循警告提示和指示，可能导致电击、火灾並且/或其他的严重伤害。
 妥善保存所有的警告提示和指示，以便日后查阅。

特殊安全指示

△ 危险：双手必须摆在切割范围之外並且远离锯片。操作机器时，第二隻手要握牢辅助手柄或放在马达壳上。如果使用双手握持圆锯，便不会被锯片割伤。

不可以把手放在工件的下面。防护罩无法保护摆在工件下面的手。

根据工件的厚度设定锯深。不可以让锯齿完全突出於工件之外。

不可以把正在切割的工件拿在手上或放在腿上。工件必须固定在稳固的平台上。固定好工件之后，不仅可以防止身体意外接触刀片，並且可以降低锯片被卡住或操纵失控的情况。

如果切割工具可能接触隐藏的电线或工具本身的电线，那麼在操作机器时，务必要握在手柄的绝缘部位。锯片接触了带电的电线，会把电导向其它金属部位，並引起电击。

纵割时必须使用档块或直角导引。如此不仅可以增加锯割的准确度，而且可以降低锯片被卡住的机会。

必须使用固定孔尺寸和大小正确的锯片，而且锯片中心的孔要和接头法兰的形状一致（星形或圆形）。锯片的安装孔，如果不能配合锯片的安装部件，开动机器后锯片会偏心运转，甚至会发生失控的状况。

切勿使用损坏的或不合适的锯片垫圈、锯片螺钉。锯片垫圈和锯片螺钉，都是针对个别圆锯经过特别设计。使用了正确的垫圈和螺钉不仅可以提高工作效率，更能够确保操作安全。

反弹的原因和如何避免反弹

锯割之前必须收紧锯深调整杆和锯角调整杆。如果锯割时设定突然改变了，可能导致锯片被卡牢並且引起反弹。
 在墙壁和隐蔽处进行潜锯时必须特别留心。突出的锯片可能接触会引起反弹的物品。
 使用机器之前先检查下防护罩是否能正确关闭。切勿使用下防护罩无法自由移动、无法马上关闭的机器。千万不可以把下防护罩固定在开放的位置。如果不小心让电锯掉落地面，下防护罩可能弯曲变形。使用推杆打开防护罩，並检查防护罩是否能自由移动。在任何锯割角度和锯割深度，防护罩都不能接触锯片或其它的机件。
 检查下防护罩弹簧的运作功能。如果下防护罩和弹簧无法正常运作，则必须在使用之前把机器送给专业人员维修。损坏的零件、残留在防护罩上的树脂或锯屑，都会减缓下防护罩的反应速度。只有进行特别的锯割过程时，例如潜锯和复合式锯法，才可以用手推开下防护罩。使用推柄打开下防护罩，一当锯片咬住工件，便要马上放开下防护罩。在其它的锯割过程，都应该让下防护罩自动打开、关闭。
 把圆锯放在工作台或地板上之前，务必检查下防护罩是否已经完全遮盖住锯片。如果防护罩未关闭，而锯片仍继续转动，整个电锯会向后滑走，並割坏所有锯线范围内的物品。注意关机后，锯片继续转动至完全停止所需的时间。
 锯刀片的规格如果与本产品说明书提供的规格不符，请勿使用。
 请戴上耳罩。工作噪音会损坏听力。
 不可安装研磨片。
 户外插座必须连接剩余电流防护开关。这是使用电器用品的基本规定。使用本公司机器时，务必遵守这项规定。
 操作机器时务必佩戴护目镜。最好也穿戴工作手套、坚固防滑的鞋具和工作围裙。
 在机器上进行任何修护工作之前，务必从插座上拔出插头。
 确定机器已经关闭了才可以插上插头。
 电源线必须远离机器的作业范围。操作机器时电线必须摆在机身后端。
 使用之前，先检查机器、电源电线、延长线和插头是否有任何损坏。损坏的零件只能交给专业电工换修。
 用手操作机器时不可固定起停开关。
 工作尘往往有害健康，不可以让工作尘接触身体。工作时请佩戴合适的防尘面具。

-所谓反弹，指的是一种突然的机器反应。导致机器反弹的原因可能是，锯片被钩住了、卡住了或者锯片的安装方式错误。此时，失控的机器会从工件中滑出，並朝著操作者的方向移动；

-如果锯片被钩住后卡在锯缝中，锯片转速顿时降低，此时马达的强大反衝力，会急速地把机器弹向操作者；

-如果锯片在锯缝中扭曲了或者未安装正确，可能导致锯片后端的锯齿卡在工件表面上，更进而把整个锯片从锯缝中拔出，並且锯片也会猛烈地朝著操作者的方向弹跳。

使用错误或操作不当，都会导致圆锯反弹，为了避免上述情况，请确实遵循以下各安全措施。

使用双手握紧圆锯，持机的姿势必须能够抵挡住机器强大的反弹力道。操作机器时要站在机器的侧面，千万不可以让锯片和身体站在同一直线上。反弹时圆锯会向后衝撞，但操作者如果采取正确的防范措施，便能够及时控制住弹力。

如果锯片卡住了，或锯割过程因为任何原因突然中断了，必须马上放鬆起停开关，並静待插在工件中的锯片完全停止运动。只要锯片仍继续运动，千万不可尝试著从工件中拔出锯片，或向后抽拉圆锯，否则可能发生反弹。找出导致锯片卡住的原因，並设法排除障碍。

重新开动插在工件中的圆锯时，必须先把锯片放在锯缝的中心，然后检查是否仍有锯齿陷在工件中。如果锯片被卡住了，重新开动机器时，锯片可能滑出锯缝或者导致机器反弹。

固定好大的平板，以防止锯片被卡住以及机器反弹。大的平板由于自身重量容易向下弯曲，必须在平板下端的两侧安排支撑，一个放在锯线的附近，一个放在平板的边缘。

不可使用已经变钝或受损的锯片。锯齿如果已经变钝或位置不正，容易因为锯缝过窄，而提高锯割时的磨擦、卡住锯片並引起反弹。

正确地使用机器

本电动手提圆锯可以在木材、塑料和铝片上进行直线割锯。请依照本说明书的指示使用此机器。

电源插头

只能连接单相交流电，只能连接机器铭牌上规定的电压。本机器也可以连接在没有接地装置的插座上，因为本机器的结构符合第II 级绝缘。

维修

机器的通气孔必须随时保持清洁。

只能使用 AEG 的配件和 AEG 的零件。缺少检修说明的机件如果损坏了，必须交给 AEG 的顾客服务中心更换（参考手册“保证书 / 顾客服务中心地址”）。

如果需要机器的分解图，可以向您的顾客服务中心或直接向 AEG Elektrowerkzeuge, Max-Eyth-Straße 10, D-71364 Winnenden, Germany. 案件时必须提供以下资料：机型和机器铭牌上的十位数号码。

符号



使用本机器之前请详细阅读使用说明书。



在机器上进行任何修护工作之前，务必从插座上拔出插头。



配件 - 不包含在供货范围中。请另外从配件目录选购。



不可以把损坏的电动工具丢弃在家庭垃圾中！根据被欧盟各国引用的有关旧电子机器的欧洲法规2002/96/EC，必须另外收集旧电子机器，並以符合环保规定的方式回收再利用。

AEG

POWERTOOLS

www.aeg-pt.com

(02.09)
4931 4141 07

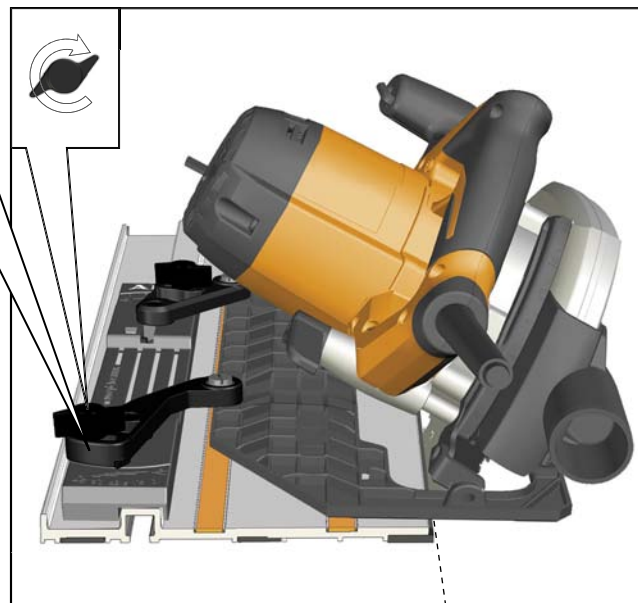
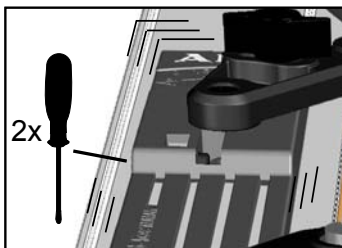
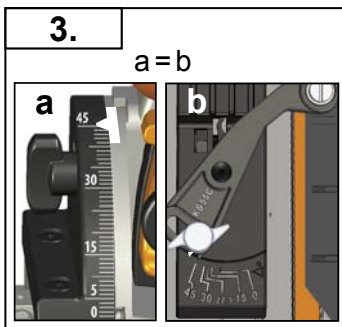
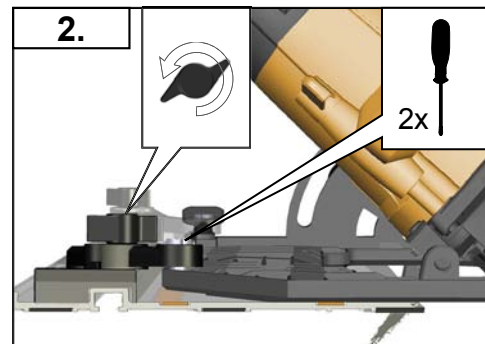
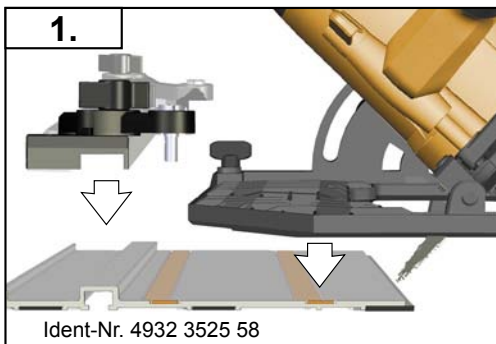


AEG Elektrowerkzeuge
Max-Eyth-Straße 10
D-71364 Winnenden
Germany

AEG

POWERTOOLS

KS 55C



Adapter

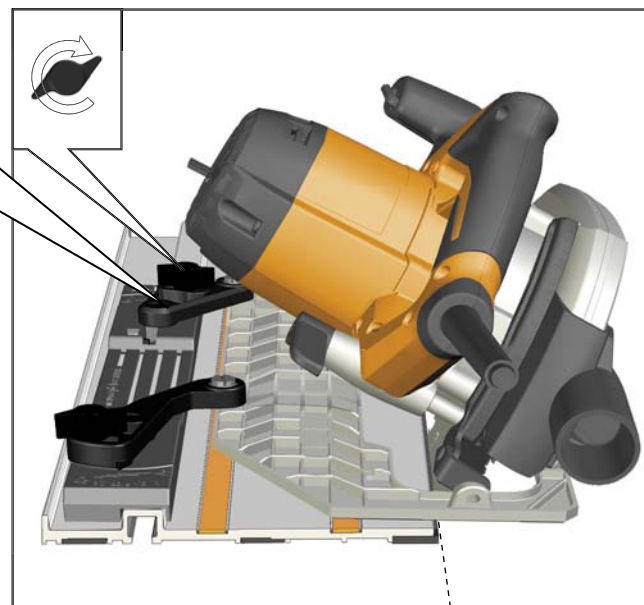
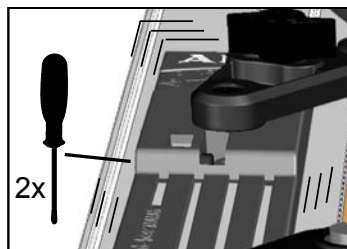
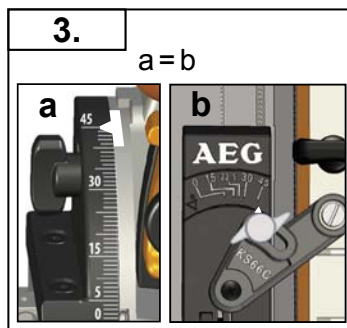
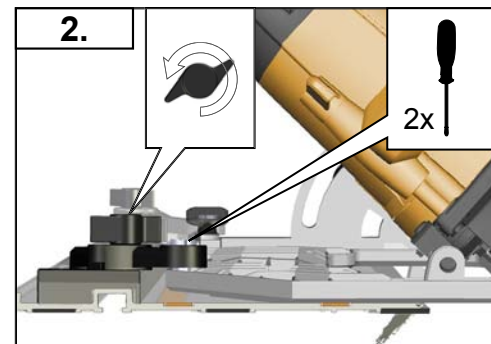
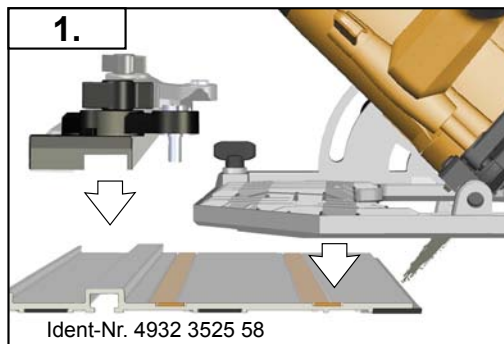
KS 66C (CS 60)

KS 55

AEG

POWERTOOLS

KS 66C (CS 60)



Adapter

KS 66C (CS 60)

KS 55

(06.10)
4931 425 210