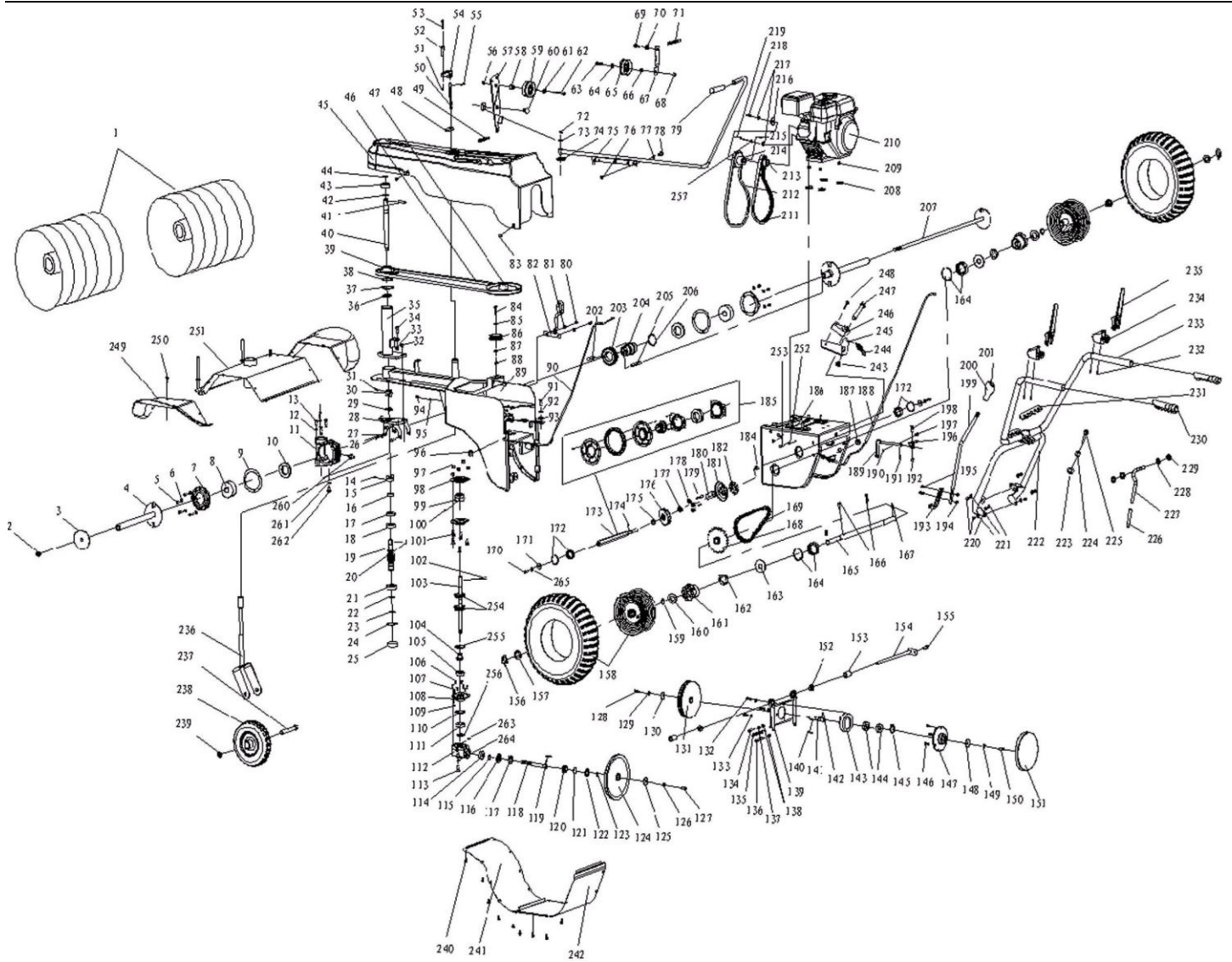
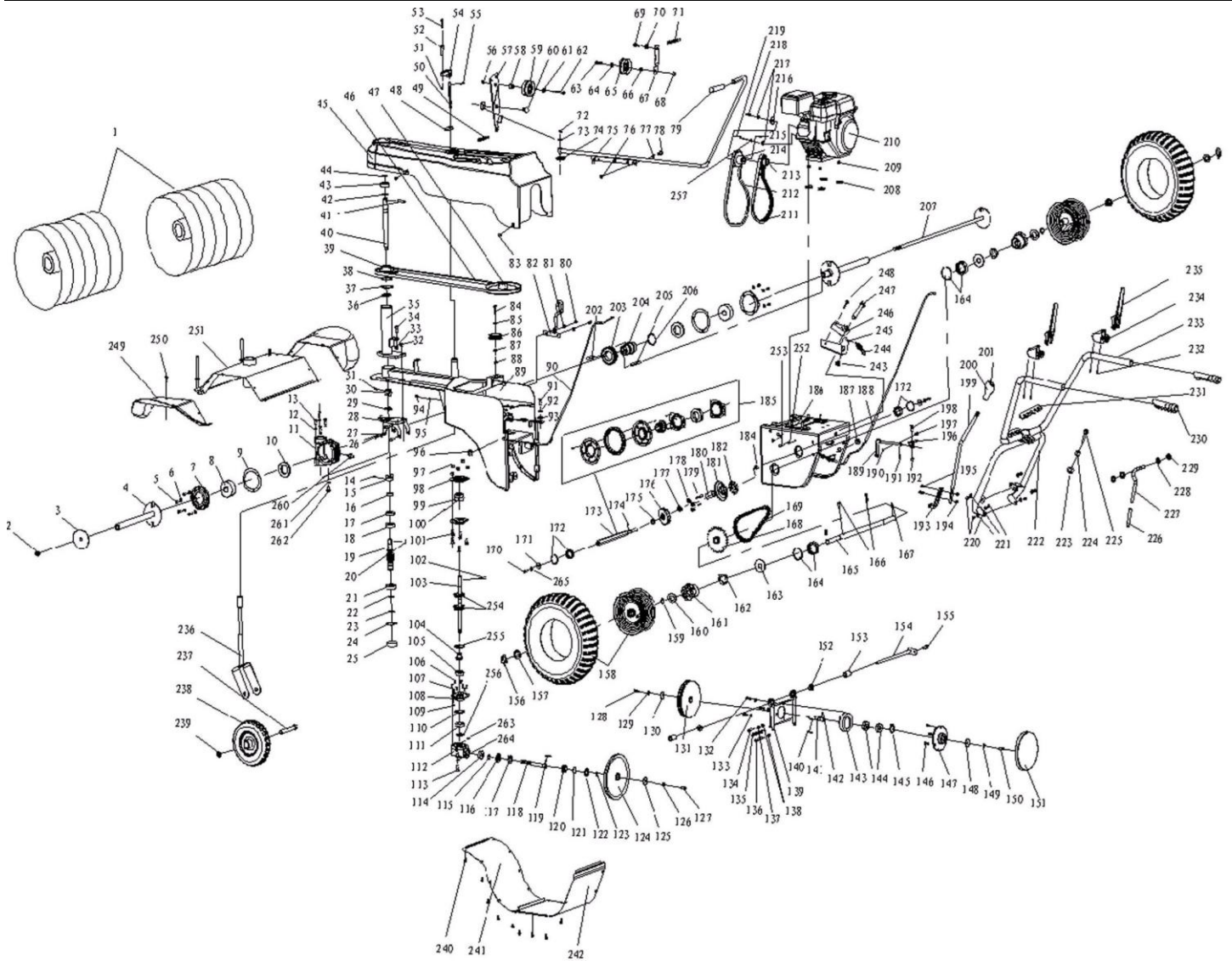


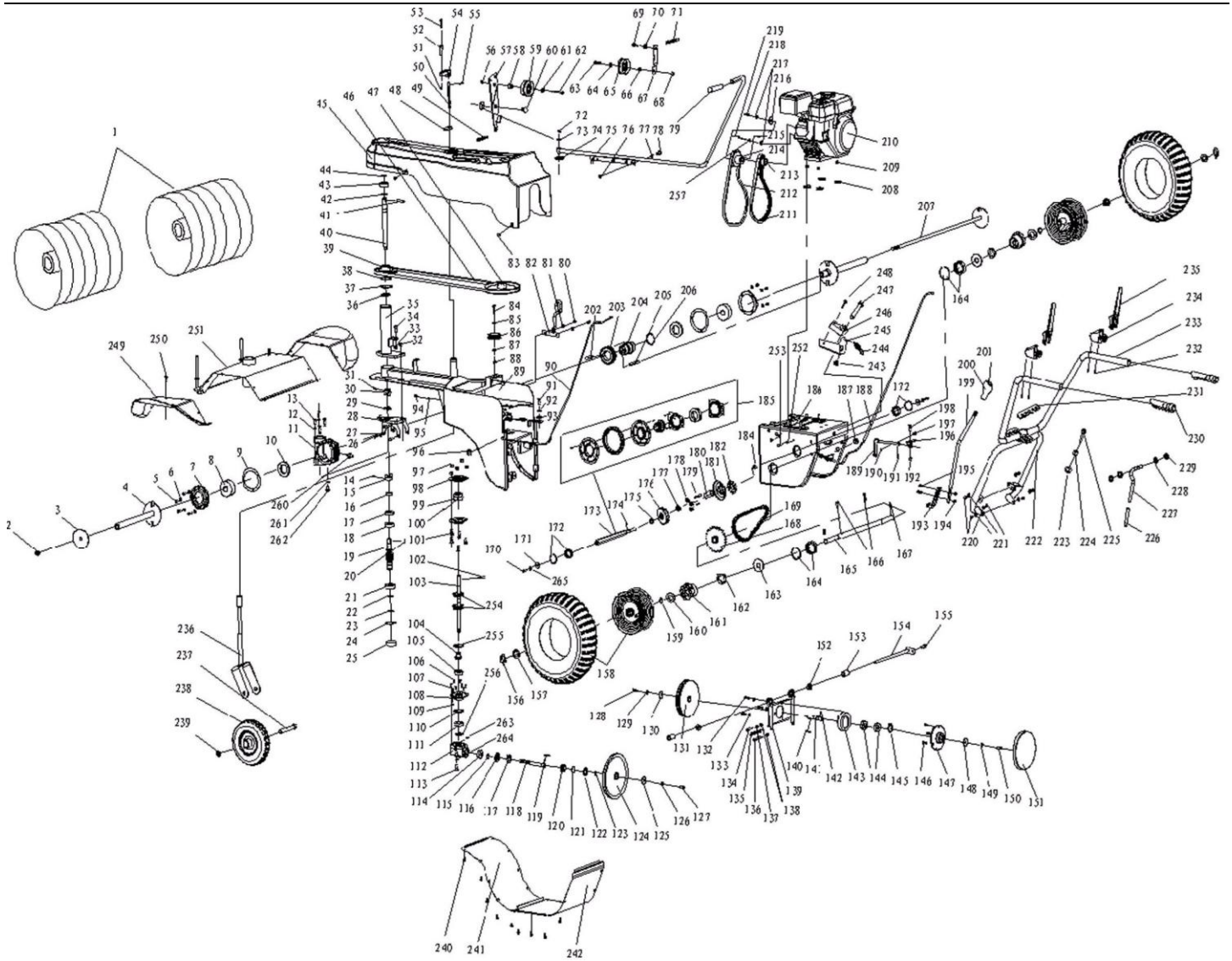
№	Артикул	Наименование	К-во	№	Артикул	Наименование	К-во
1		column brush assembly	2	26		blot	6
2		nylon locked nut	1	27		spring washer	6
3		fixed board	1	28		support frame weldment, box	1
4		column brush connecting rod	2	29		bumper	1
5		bolt	6	30		coupler 2	1
6		spring washer	6	31		spring column pin	1
7		end cover	2	32		nylon locked nut	3
8		bearing	2	33		nylon locked nut	3
9		seal	2	34		bolt	11
10		head oil seal	2	36		circlip for bore	1
11		worm wheel box	1	37		circlip for shaft	1
12		spring washer	4	38		front-end absorber cushion	1
13		inner-hexagonal socket set screws	4	39		small pulley weldment	1
14		inner-hexagonal socket set screws	1	40		front transmission shaft	1
15		coupler 1	1	41		spring column pin	1
16		casing	1	42		circlip for shaft	1
17		head oil seal	1	43		bearing	1
18		bearing	1	44		circlip for shaft	1
19		wrom	1	45		upper cover	1
20		key	1	47		big pulley weldment	1
21		bearing	1	48		lock lever	1
22		adjustable washer	1	49		Spring 5	1
23		circlip for shaft	1	50		rocker shaft	1
24		circlip for bore	1	51		Nylon lock nut	3
25		seal framework end cap	1	52		rocker handle	1



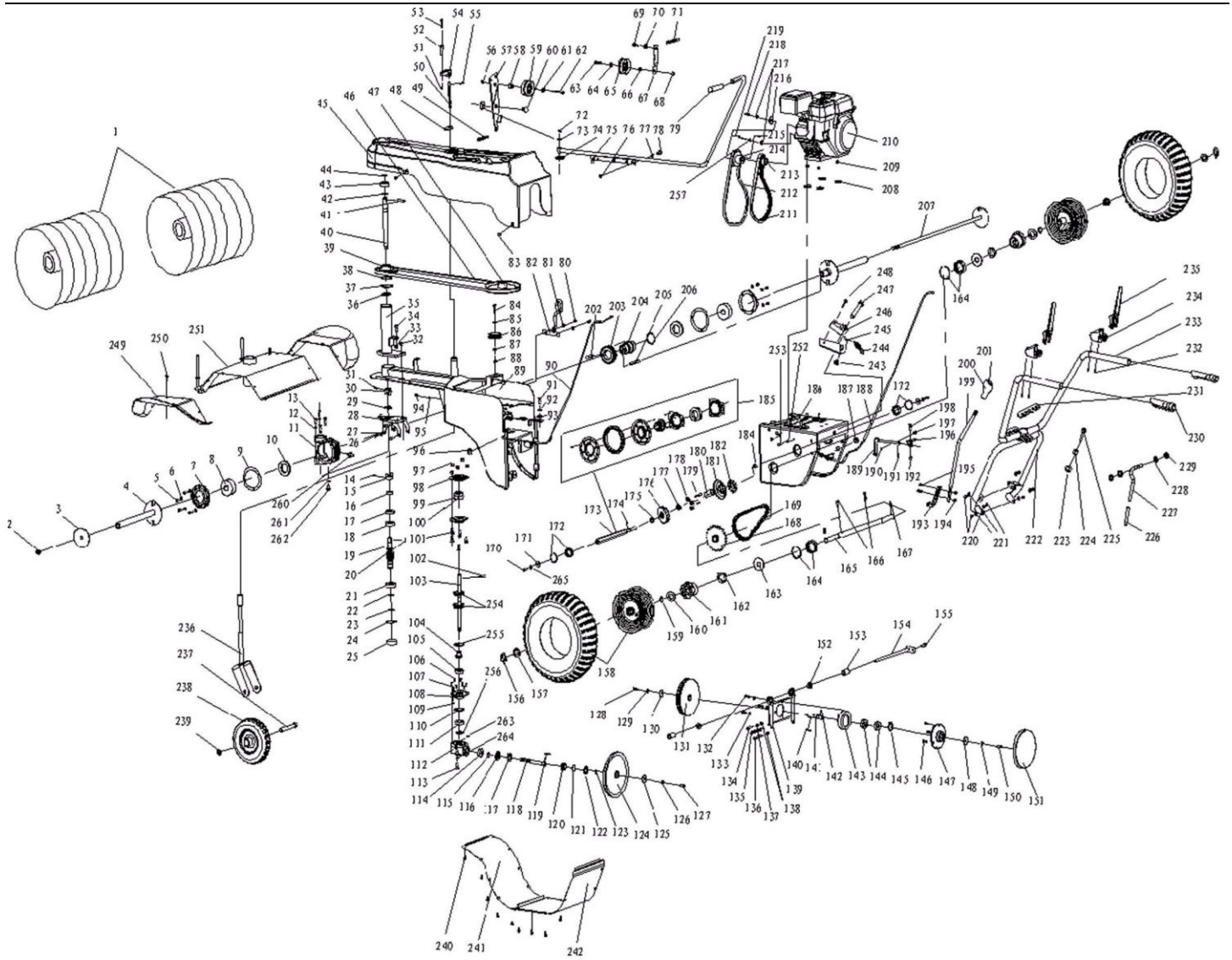
№	Артикул	Наименование	К-во	№	Артикул	Наименование	К-во
53		inner-hexagonal socket set screws	1	78		Bolt	1
54		rocker assembly	1	79		control lever sheath	1
55		spring-type straight pin	1	80		hexagon head screw	1
56		Nylon lock nut	1	81		spring washer	6
57		SJ fixation plate	1	82		rocker support pedestal weldment	1
58		SJ washer	1	83		self process lock screw	4
59		big tension pulley with bearing	1	84		hexagon head screw	1
60		SJ hexagon head screw	1	85		small tension convex washer	1
61		SJ gasket	1	86		small tension pulley with bearing	1
62		hexagon head screw	1	87		small tension convex washer	1
63		hexagon head screw	1	88		Nylon lock nut	1
64		SJ washer	1	89		front box weldment	1
65		small tension pulley with bearing	1	90		sweep wire assembly	1
66		SJ washer 2	1	91		hexagon head screw	2
67		SJ small tension plate	1	92		spring washer	2
68		Nylon lock nut	1	93		plain cushion	2
69		hexagon head screw	1	94		fixing bolt	1
70		small tension convex washer	1	95		fixing bolt lee spring	1
71		SJ spring 3	1	96		wire jacket	1
72		Nylon lock nut	1	97		nylon lock nut	5
73		Mat	1	98		SJ round bottom lid	2
74		shock absorber cushion	1	99		outer spherical bearing	1
75		rocker control plate	1	100		bearing lock bolt	2
76		Nylon lock nut	1	101		hexagon head screw	5
77		Nut	1	102		spring column pin	1



№	Артикул	Наименование	К-во	№	Артикул	Наименование	К-во
103		intermediate shaft	1	128		Hexagonal bolt	4
104		bevel gear 2	1	129		spring cushion	4
105		head oil seal	1	130		plain cushion	1
106		hexagon head screw	7	131		synchronization belt wheel	1
107		hexagon head screw	4	132		hexagonal bolt	3
108		gear box cover	1	133		spring cushion	3
109		nylon lock nut	1	134		hexagonal bolt	1
110		adjustment mat	1	135		SJ spring 3	1
111		bearing	1	136		hexagonal bolt	1
112		gear box	1	137		nut	1
113		hexagon head screw	7	138		nylon lock nut	2
114		bearing	1	139		pulley support bracket	1
115		circlip for shaft	1	140		plain key	1
116		bevel gear 1	1	141		stepless variable shift shaft	1
117		bearing	1	142		plain key	1
118		input shaft	1	143		fixation pedestal	1
119		plain key	1	144		bearing	2
120		seal circle	1	145		circlip for bore	1
121		O type circle	1	146		hexagon socket countersunk head	3
122		lock nut	1	147		fixation board	1
123		circlip for shaft	1	148		plain cushion	1
124		SJ big pulley	1	149		spring cushion	1
125		plain cushion	1	150		hexagonal bolt	1
126		spring cushion	4	151		friction disk	1
127		hexagonal bolt	4	152		friction disk shock absorber sack	2



№	Артикул	Наименование	К-во	№	Артикул	Наименование	К-во
153		sperating sleeve	2	177		clutch2-2	1
154		shift bracket shaft weldment	1	179		clutch2-7	3
155		self process lock screw	1	180		bush	1
156		spring pin	2	181		clutch2-6	1
157		plain cushion	2	182		clutch2-8	1
无		rear wheel hub weldment	2	184		bearing sleeve	1
无		wheel hub	2	185		shift wheel assy.	2
159		circlip for shaft	2	186		rear box weldment	1
160		adjusting mat	4	187		wire jacket	1
161		dirction cover, rear wheel	2	188		stepped wire assy.	1
162		dirction ring	2	189		shift weldment	1
163		plastic mat	2	190		nylon lock nut	1
164		deep groove ball bearing with snap	2	191		hexagonal bolt	1
165		rear wheel axis	1	192		nylon lock nut	2
166		direction key, rear wheel	2	193		SJ control arm steel sheet	1
167		column pin, spring	1	194		nylon lock nut	2
168		sprocket	1	195		hexagonal bolt	1
169		chain	1	196		shift fork retainer	1
170		hexagonal bolt	2	197		hexagonal bolt	1
171		plain cushion	2	198		hexagonal bolt	2
172		deep groove ball bearing with snap	2	199		SJ control arm	1
173		hexagonal shaft	1	200		gear handle cover	1
174		semicircular key	1	202		Pin key	1
175		clutch2-5	1	203		Worm Wheel	1
176		clutch2-4	1	204		Worm wheel shaft	1



№	Артикул	Наименование	К-во	№	Артикул	Наименование	К-во
205		Pin key	1	230		handle	2
206		Circlip for shaft	1	231		gear shock absorber cushion	1
207		brush push/pull rod weldment	1	232		self-process screw	4
208		shock absorber cushion	4	234		clutch handle stand	2
209		nylon lock nut	4	235		clutch handle	2
210		Engine	1	236		front wheel bracket weldment	1
211		Synchro-belt	1	237		hexagonal bolt	1
212		V belt	1	238		front wheel assy	1
213		SJ Main synchromesh pulley	1	239		nylon lock nut	1
214		SJ Main pulley	1	240		self process lock screw	20
215		Pin key	1	243		nut	1
216		hexagonal bolt	1	244		SJ spring 3	1
217		spring cushion	1	245		claw3	1
218		plain cushion	1	246		claw	1
219		belt pressure rod	1	247		hexagonal screw	1
220		hexagonal bolt	2	248		bolt	1
221		spring cushion	4	249		plastic upper cover - brush	2
222		below handle weldment	1	250		self process lock screw	12
223		nylon lock nut	1	251		upper cover weldment - brush	1
224		handle elastic cover	1				
225		heterogeneous screw	1				
226		lock lever cover	1				
227		handle lock lever	1				
228		plain cushion	2				
229		lock washer	2				