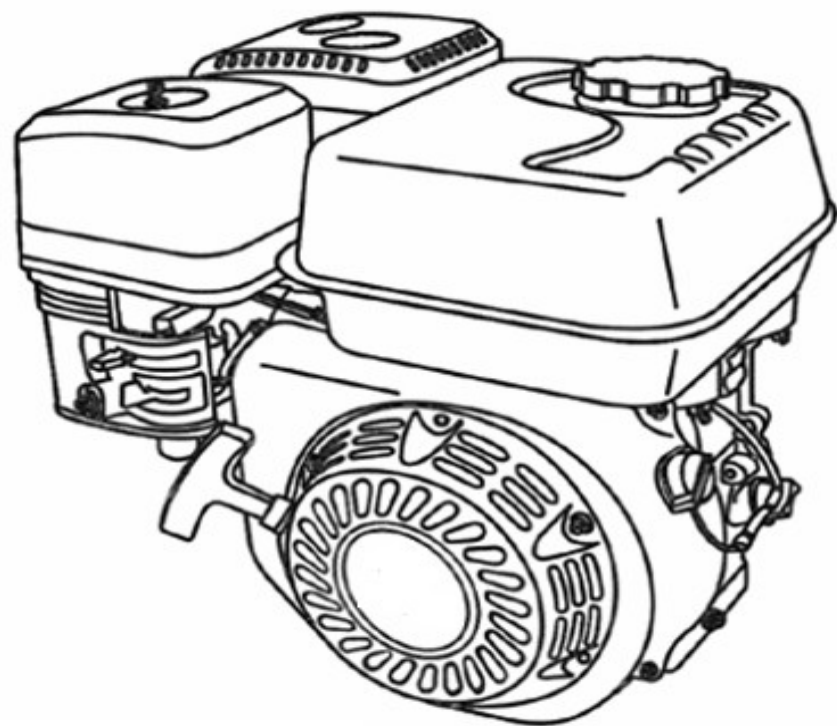


Loncin

汽油机零部件图册 DRAWING OF ENGINE

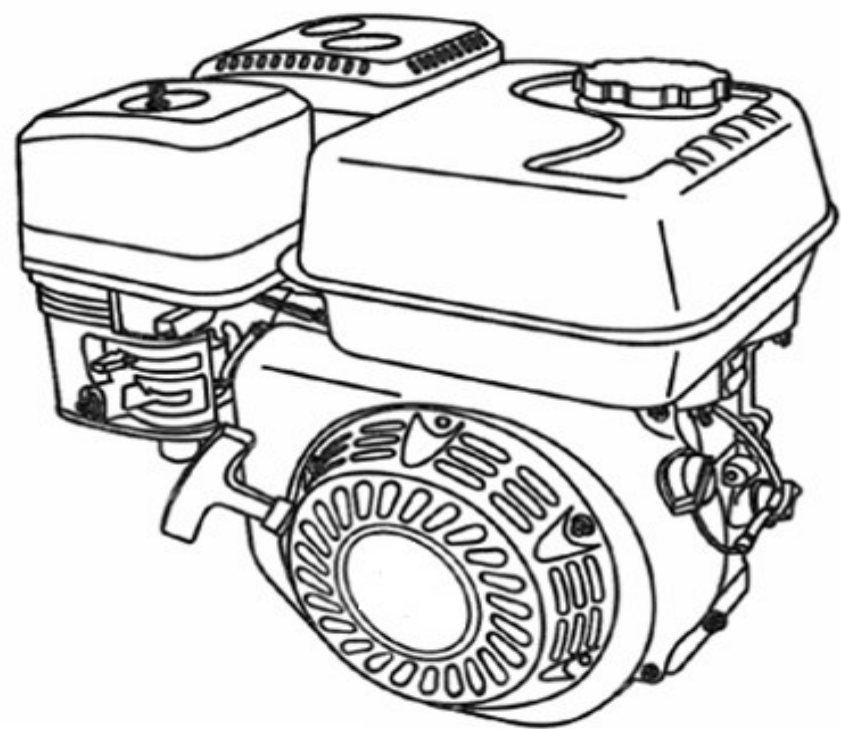
G240F(D)
G270F(D)
G340F(D)
G390F(D)
G420F(D)
G240F(D) --B
G270F(D) --B
G240F(D) --C
G270F(D) --C
G340F(D) --D
G390F(D) --D



重庆隆鑫工业有限公司
CHONGQING LONCIN INDUSTRIAL CO., LTD.

汽油机零部件图册

DRAWING OF ENGINE



隆工业有限公司

N INDUSTRIAL CO., LTD.

(Instruction for use of parts catalogue)

200410

This parts catalogue was prepared based on the latest information available as of August 2004.

200410

See the parts catalogue news for any revision that is made after August 2004.

Always specify the part number when ordering a part.

Note that the illustrations can differ from the actual parts in shape.

LONCIN

When modifications or additions to this parts catalogue are made , a revised edition will be issued at an appropriate time, We recommend obtaining such revisions in order to keep your parts catalogue up-to-date at all times. To check whether a parts catalogue revision has been issued, please contact your LONCIN distributor.

Example

No.	Part No.		Description	(Reqd. QTY)		
				LC173F	(G240F)	...
10	115303-154		GROMMET , AIR CLEANER	1		...
	115303-159		GROMMET , AIR CLEANER			...
12	115000-154		COVER , AIR CLEANER	1(0)		...
13	115000-154		COVER , AIR CLEANER	(1)		...

LC173F(G240F) LC173FG240F [LC173F(G240F) means LC173F and G240F]

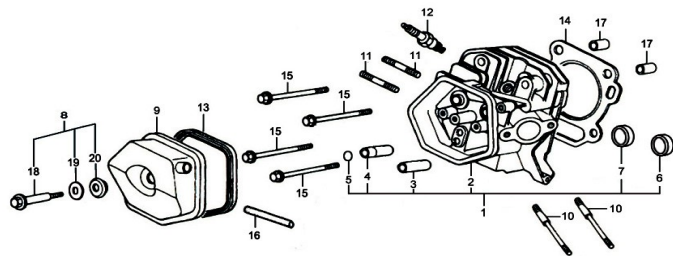
1 LC173FG240F1 [1 means LC173F require 1 QTY and G240F require 1 QTY]

LC173FG240F [means LC173F require 0 QTY and G240F require 0 QTY]

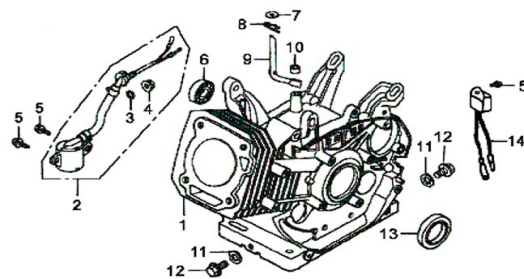
1(0) LC173F 1G240F [1(0) means LC173F require 1 QTY and G240F require 0 QTY]

(1) LC173FG240F 1 (1) means LC173F require 0 QTY and G240F require 1 QTY]

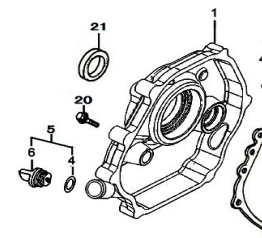
汽缸头 (CYLINDER HEAD)



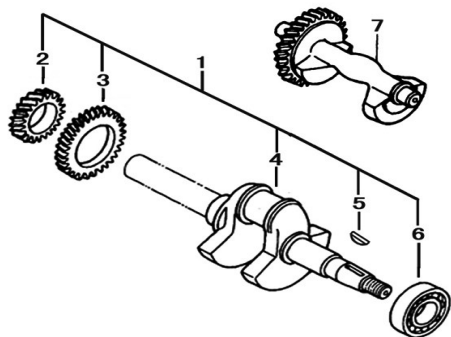
曲轴箱体(CRANKCASE)



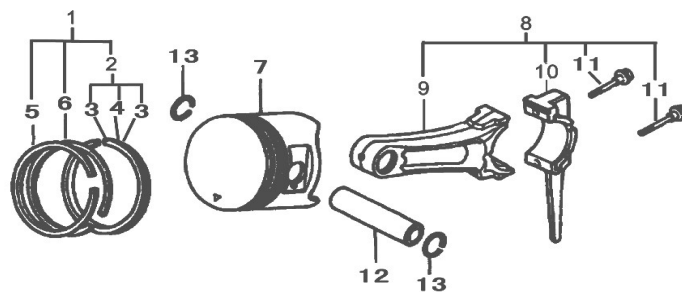
曲轴箱盖 (CRANKCASE COVER)



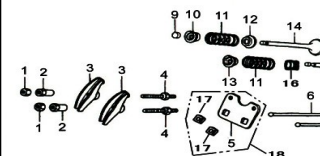
曲轴 (CRANKSHAFT)



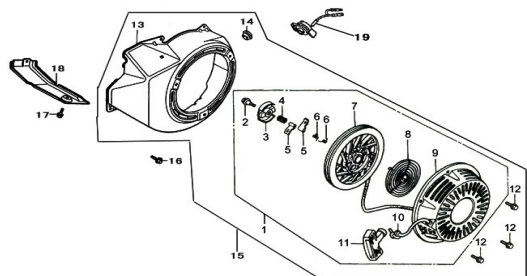
活塞连杆 (Piston/connecting rod)



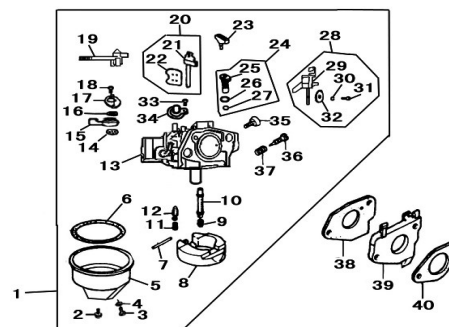
凸轮轴 (Camshaft)



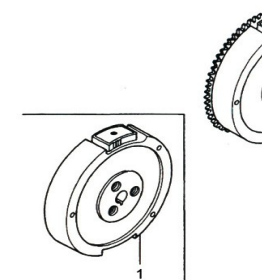
起动器 (Starter)



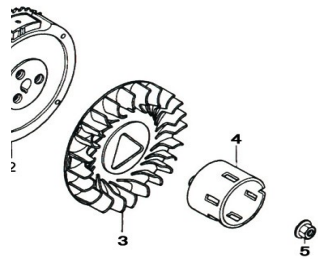
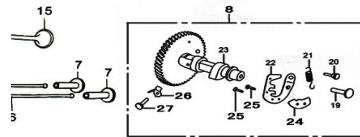
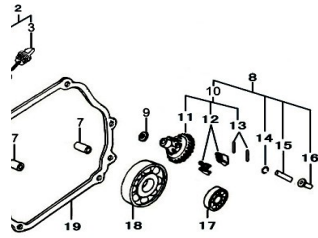
化油器 (CARBURETOR)



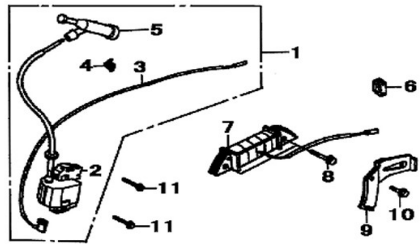
转子部件 (Flywheel)



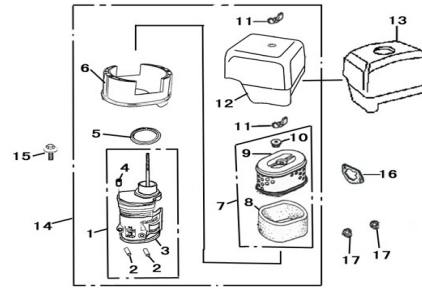
(ASE COVER)



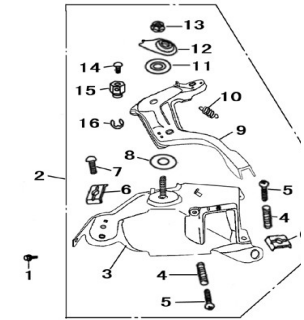
点火器 (Ignition Comp)



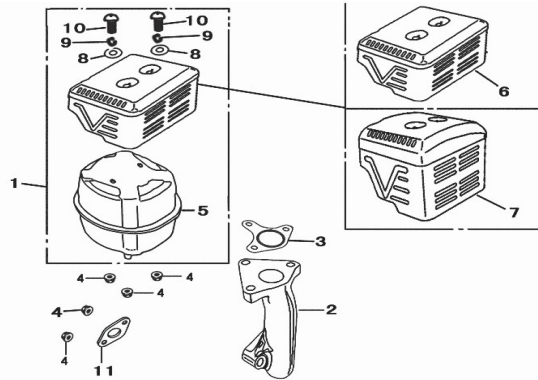
空滤器 (Air cleaner)



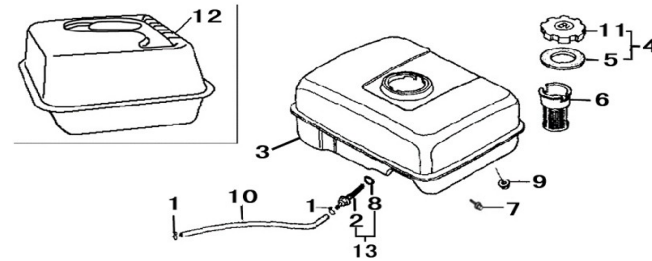
调速控制 (Control)



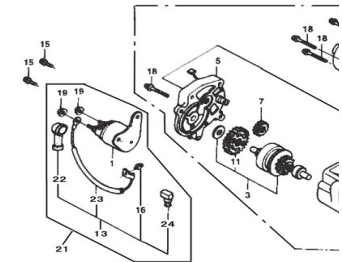
消声器 (Muffler)



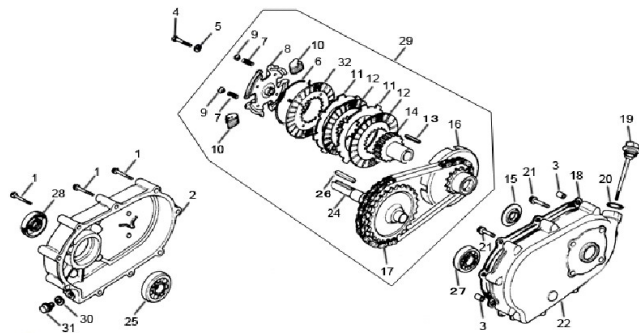
油箱 (Fuel tank)



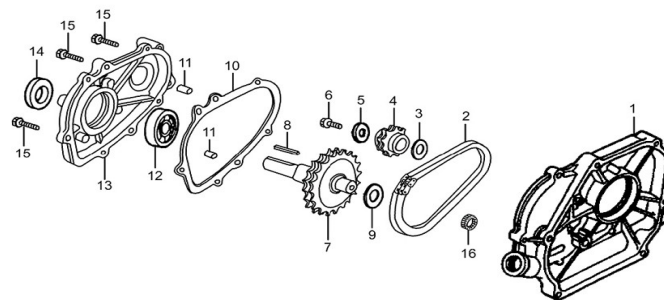
起动电机 (Starter motor)



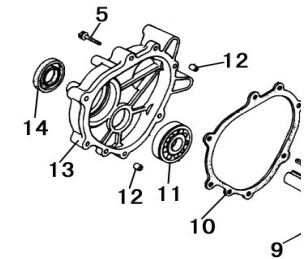
减速箱 (RETARDER)

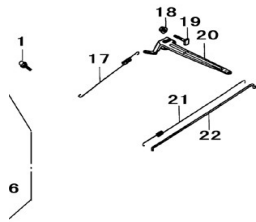


减速箱 (RETARDER)

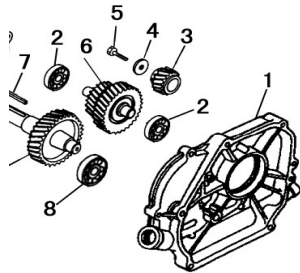
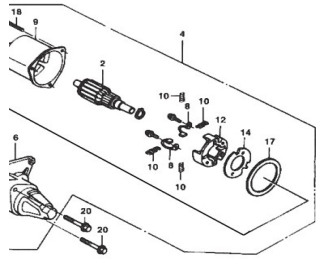


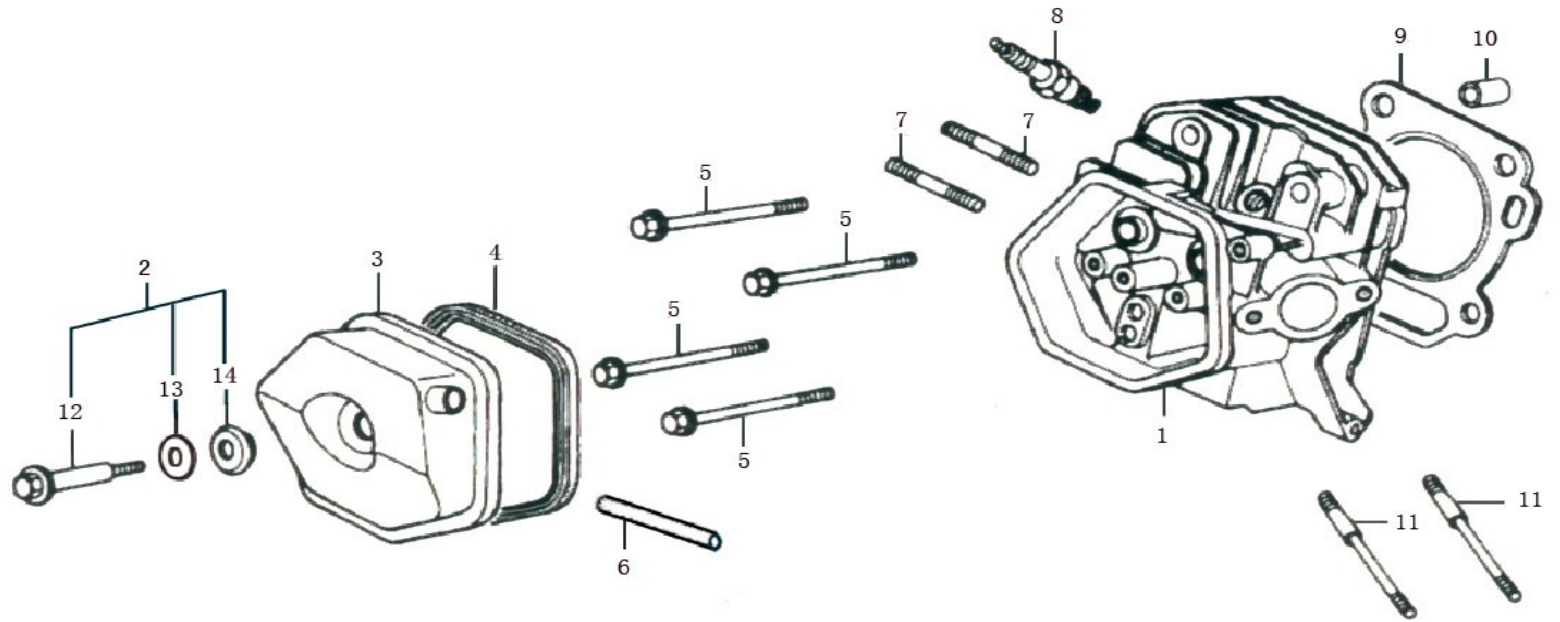
减速箱 (RETARDER)





·)





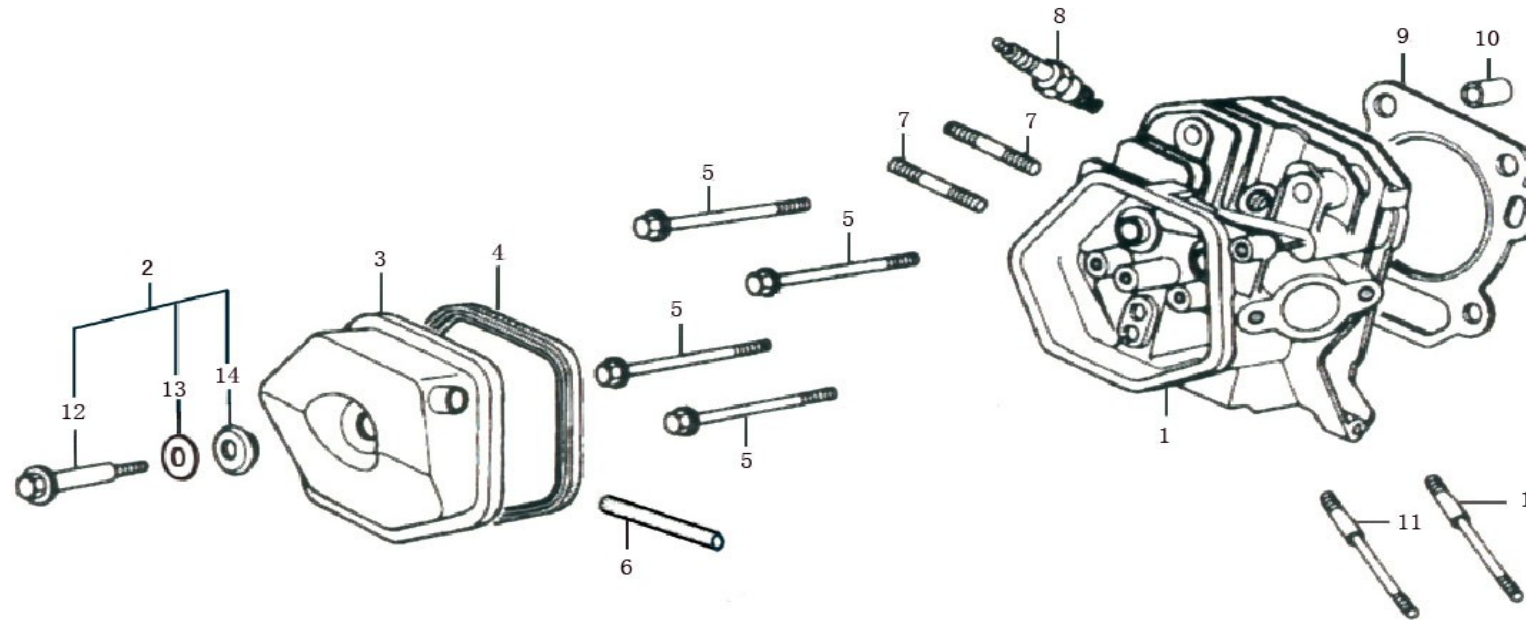
Cylinder head

No.	Part No.		Description	Reqd. QTY.					
				G240F	G240FD	G270F	G270FD	G340F	G340FD
1	120080277-T080		HEAD,ONLY,CYLIN	1	1	1	1	-	-
	120080278-T110		HEAD,ONLY,CYLIN	-	-	-	-	1	1
	120080338-T190		HEAD,ONLY,CYLIN	-	-	-	-	-	-
2	120420011-T110		BOLT COMP,HEAD COVER	1	1	1	1	1	1
3	120220009-T110		COVER COMP. HEAD	1	1	1	1	1	1
4	380840425-T110		PACKING, HEAD COVER	1	1	1	1	1	1
5	380140337-T110		BOLT, FLANGE, 10×80	4	4	4	4	4	4
6	380740460-T080		TUBE, BREATHER	1	1	1	1	-	-
	380740454-T110		TUBE, BREATHER	-	-	-	-	1	1
7	380180099-T110		BOLT, STUD, EXHAUST	2	2	2	2	2	2
8	270960025-T040		SPARK PLUG	1	1	1	1	1	1
9	120150071-T080		GASKET,CYLINDER HEAD	1	1	-	-	-	-
	120150072-T090		GASKET,CYLINDER HEAD	-	-	1	1	-	-
	120150073-T100		GASKET,CYLINDER HEAD	-	-	-	-	1	1
	120150074-T110		GASKET,CYLINDER HEAD	-	-	-	-	-	-

	120150084-T120	□□□□□□	GASKET,CYLINDER HEAD	-	-	-	-	-	-
--	----------------	--------	----------------------	---	---	---	---	---	---

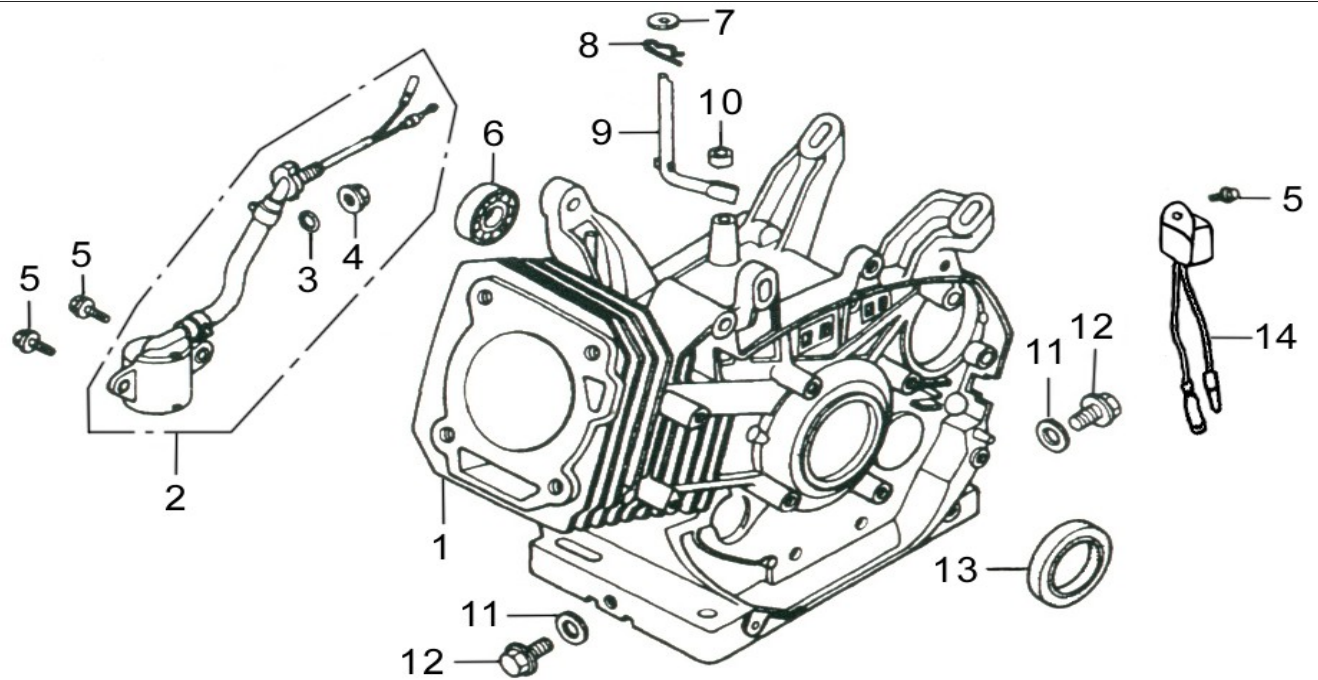
G390F	G390FD	G420F	G420FD
-	-	-	-
1	1	1	1
-	-	1	1
1	1	1	1
1	1	1	1
1	1	1	1
4	4	4	4
-	-	-	-
1	1	1	1
2	2	2	2
1	1	1	1
-	-	-	-
-	-	-	-
-	-	-	-
1	1	-	-

-	-	1	1
---	---	---	---



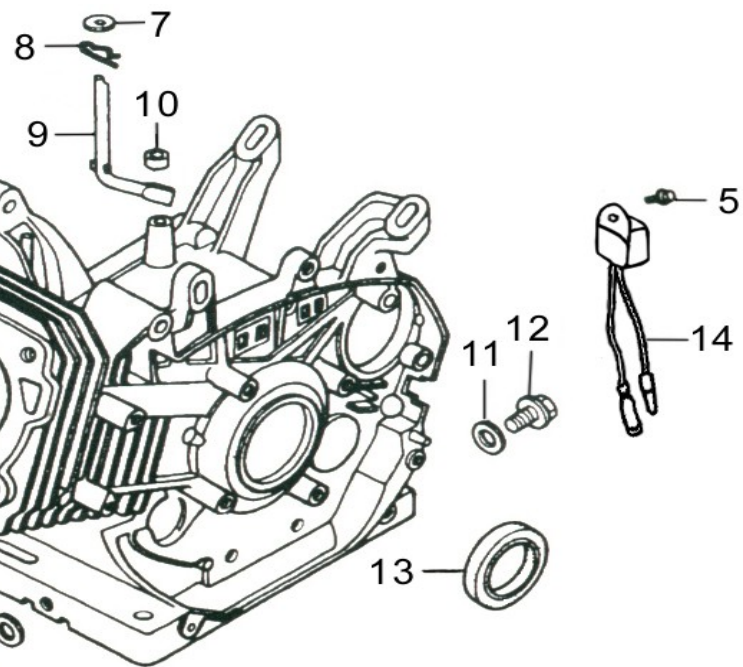
Cylinder head

No.	Part No.		Description	Reqd. QTY.					
				G240F	G240FD	G270F	G270FD	G340F	G340FD
10	380600116-T110		PIN,DOWEL	2	2	2	2	2	2
11	380180092-T080		BOLT, STUD, EXHAUST	2	2	2	2	-	-
	380180091-T110		BOLT, STUD, EXHAUST	-	-	-	-	2	2



□□□□Crankcase□

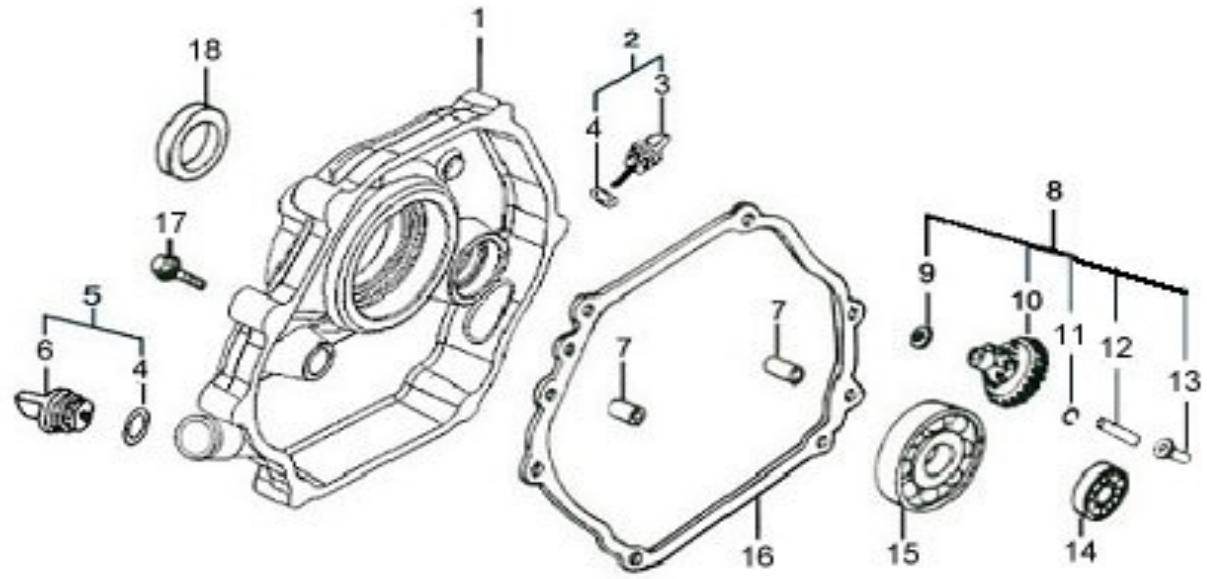
□□ No.	□□□□□ Part No.	□□□□□	Description	□□□Reqd. QTY.□					
				G240F	G240FD	G270F	G270FD	G340F	G340FD
1	110810008-T080	□□□□	BARREL ASSY,CYLN	1	-	-	-	-	-
	110810009-T081	□□□□	BARREL ASSY,CYLN	-	1	-	-	-	-
	110810010-T090	□□□□	BARREL ASSY,CYLN	-	-	1	-	-	-
	110810011-T091	□□□□	BARREL ASSY,CYLN	-	-	-	1	-	-
	110810012-T100	□□□□	BARREL ASSY,CYLN	-	-	-	-	1	-
	110810013-T101	□□□□	BARREL ASSY,CYLN	-	-	-	-	-	1
	110810014-T110	□□□□	BARREL ASSY,CYLN	-	-	-	-	-	-
	110810015-T111	□□□□	BARREL ASSY,CYLN	-	-	-	-	-	-
	110810028-T120	□□□□	BARREL ASSY,CYLN	-	-	-	-	-	-
	110810035-T121	□□□□	BARREL ASSY,CYLN	-	-	-	-	-	-
2	281850152-0001	□□□□□	SWITCH ASSY., OIL LEVEL	1	1	1	1	1	1
5	380140001-0006	□□ M6×12	BOLT, FLANGE, 6×12	3	3	3	3	3	3
6	380630099-0001	□□ 6202	BEARING, RADIAL BALL, 6202	-	-	-	-	1	1
7	380450522-T110	□□□ 8	FLAT WASHER,8*16*1.2	1	1	1	1	1	1



G390F	G390FD	G420F	G420FD
-	-	-	-
-	-	-	-
-	-	-	-
-	-	-	-
-	-	-	-
-	-	-	-
1	-	-	-
-	1	-	-
1	-	1	-
-	-	-	1
1	1	1	1
3	3	3	3
1	1	1	1
1	1	1	1

--	--	--	--	--	--	--	--	--	--

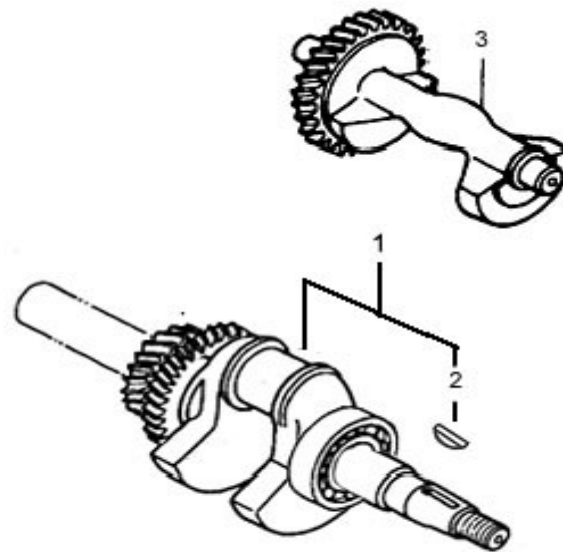
--	--	--	--



□□□□□Crankcase cover□

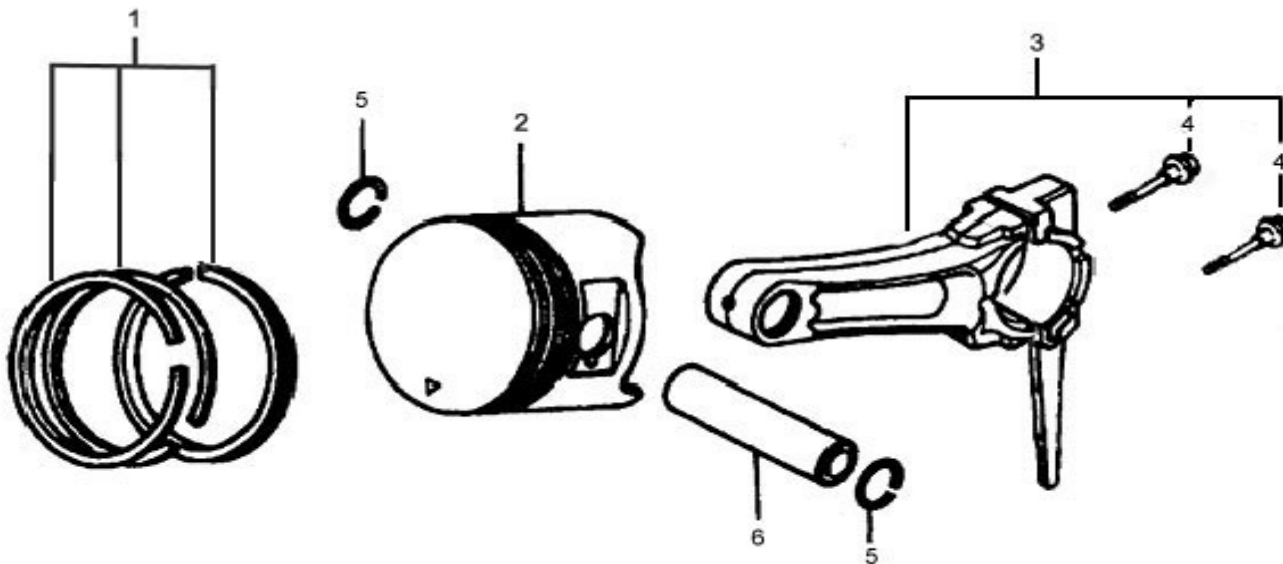
□□ No.	□□□□□ Part No.	□□□□□	Description	□□□Reqd. QTY.□					
				G240F	G240FD	G270F	G270FD	G340F	G340FD
1	110820004-T080	□□□□	COVER ASSY.,CRANK CASE	1	1	1	1	-	-
	110820016-T110	□□□□	COVER ASSY.,CRANK CASE	-	-	-	-	1	1
2	110690009-T110	□□□□□	CAP ASSY,OIL FILLER	1	1	1	1	1	1
4	380840428-T110	□□□□□	PACKING,OIL FILLER CAP	2	2	2	2	2	2
5	110690022-T110	□□□□□	CAP ASSY,OIL FILLER	1	1	1	1	1	1
7	380600119-T110	□ □ □ φ8×12	DOWEL PIN φ8×12	2	2	2	2	2	2
8	171750008-T080	□□□□□□	GOVERNOR KIT	1	1	1	1	-	-
	171750004-T110	□□□□□□	GOVERNOR KIT	-	-	-	-	1	1

G390F	G390FD	G420F	G420FD
1	1	1	1
-	-	-	-
1	1	1	1
-	-	-	-
1	1	1	1
-	-	-	-
7	7	7	7
-	-	-	-
1	1	1	1



Crankshaft

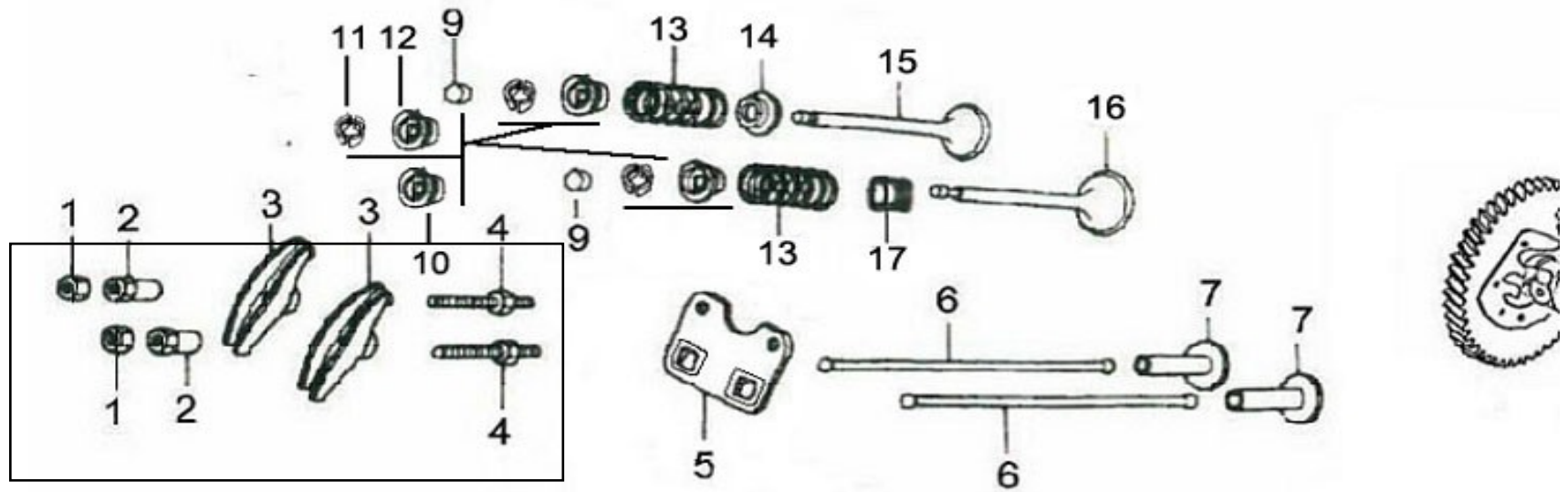
No.	Part No.		Description	Reqd. QTY.					
				G240F	G240FD	G270F	G270FD	G340F	G340FD
1	130290058-T080		CRANK SHAFT COMP	1	1	1	1	-	-
	130290067-T110		CRANK SHAFT COMP	-	-	-	-	1	1
	130290112-T120		CRANK SHAFT COMP	-	-	-	-	-	-
2	380620050-0001		KEY,SPECIAL WOODRUFF	1	1	1	1	1	1
3	130450008-T110		WEIGHT,BALANCER	-	-	-	-	1	1



Exploded Piston/connecting rod

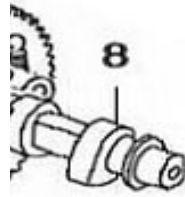
No.	Part No.	Qty	Description	Reqd. QTY.					
				G240F	G240FD	G270F	G270FD	G340F	G340FD
1	130070080-T080	1	RING SET,PISTON	1	1	-	-	-	-
	130070081-T090	1	RING SET,PISTON	-	-	1	1	-	-
	130070082-T100	1	RING SET,PISTON	-	-	-	-	1	1
	130070083-T110	1	RING SET,PISTON	-	-	-	-	-	-
	130070089-T120	1	RING SET,PISTON	-	-	-	-	-	-
2	130030082-T080	1	PISTON	1	1	-	-	-	-
	130030084-T090	1	PISTON	-	-	1	1	-	-
	130030085-T100	1	PISTON	-	-	-	-	1	1
	130030087-T110	1	PISTON	-	-	-	-	-	-
	130030103-T120	1	PISTON	-	-	-	-	-	-
3	130150040-T080	1	CONNECTING ROD ASSY	1	1	1	1	-	-
	130150043-T110	1	CONNECTING ROD ASSY	-	-	-	-	1	1
	130150049-T120	1	CONNECTING ROD ASSY	-	-	-	-	-	-
5	380560056-T040	2	CLIP,PISTON PIN	2	2	2	2	-	-

G390F	G390FD	G420F	G420FD
-	-	-	-
-	-	-	-
-	-	-	-
1	1	-	-
-	-	1	1
-	-	-	-
-	-	-	-
-	-	-	-
1	1	-	-
-	-	1	1
-	-	-	-
1	1	-	-
-	-	1	1
-	-	-	-



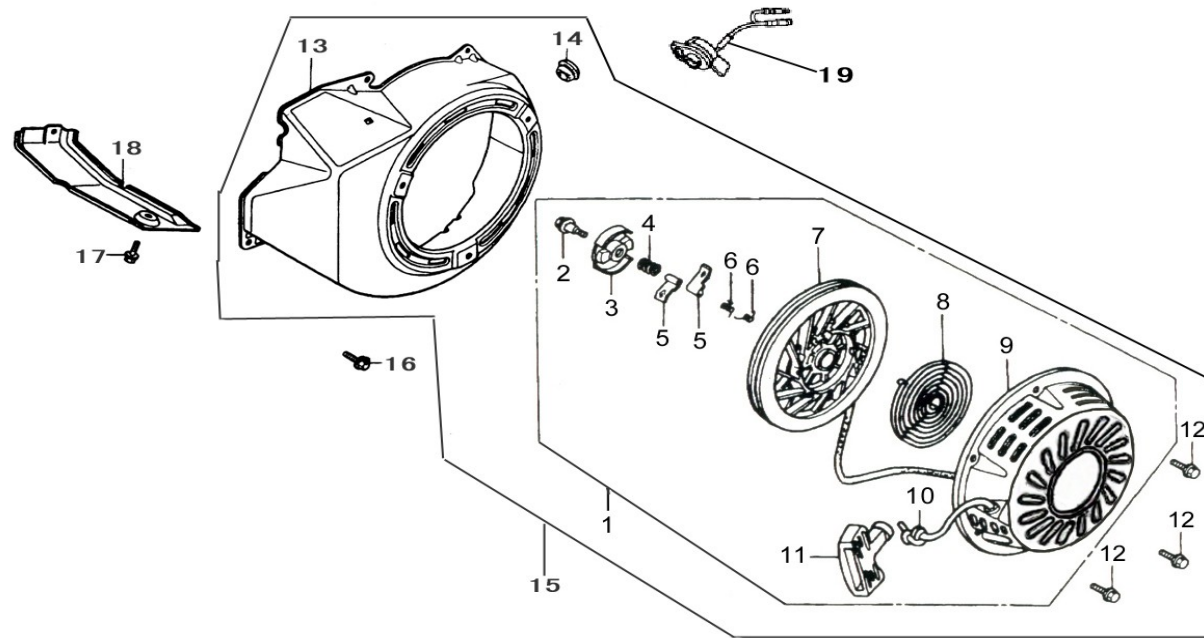
Camshaft

No.	Part No.	Description	Reqd. QTY.					
			G240F	G240FD	G270F	G270FD	G340F	G340FD
1	140450023-T110	ARM ASSY.	2	2	2	2	2	2
2								
3								
4								
5	140710002-T110	PLATE , PUSH ROD GUIDE	1	1	1	1	1	1
6	140670005-T080	ROD , PUSH	2	2	2	2	-	-
	140670006-T110	ROD , PUSH	-	-	-	-	2	2
7	140690004-T110	LIFTER , VALVE	2	2	2	2	2	2
8	140020039-T080	CAMSHAFT ASSY	1	1	1	1	-	-
	140020041-T100	CAMSHAFT ASSY	-	-	-	-	1	1
	140020045-T110	CAMSHAFT ASSY	-	-	-	-	-	-
	140020056-T120	CAMSHAFT ASSY	-	-	-	-	-	-
9	140320002-T110	ROTATOR,VALVE	1	1	1	1	1	1
10	140380018-T110	RETAINER,VALVE SPRING	2	2	2	2	2	2
11	140390016-T120	VALVE KEEPER	-	-	-	-	-	-



G390F	G390FD	G420F	G420FD
2	2	2	2
1	1	1	1
-	-	-	-
2	2	2	2
2	2	2	2
-	-	-	-
-	-	-	-
1	1	-	-
-	-	1	1
1	1	1	1
2	2	-	-
-	-	2	2

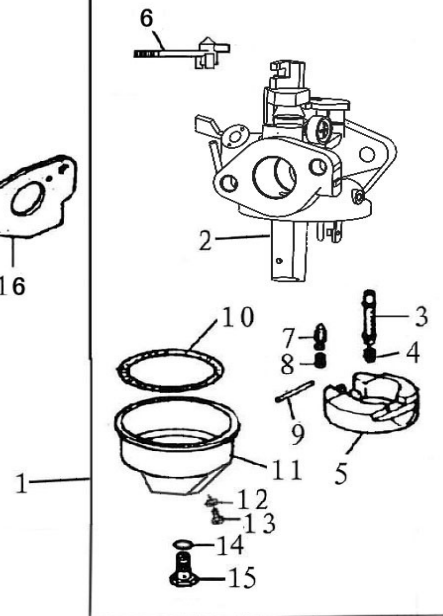
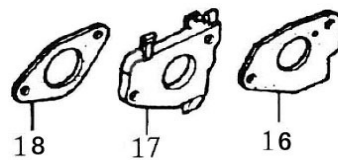
0110



□□□□ Starter □

□□ No.	□□□□□ Part No.	□□□□□	Description	□□□ Reqd. QTY. □					
				G240F	G240FD	G270F	G270FD	G340F	G340FD
1	193500013-T080	□□□□□	STARTER ASSY,RECOIL	1	1	1	1	-	-
	193500017-T110	□□□□□	STARTER ASSY.	-	-	-	-	1	1
10	193530005-T110	□□	ROPE, RECOIL STARTER	1	1	1	1	1	1
11	193560003-T040	□□□□	KNOB , RECOIL STARTER	1	1	1	1	1	1

G390F	G390FD	G420F	G420FD
-	-	-	-
1	1	1	1
1	1	1	1
-	-	-	-
1	1	1	1
5	5	5	5
1	1	1	1
-	-	-	-
1	1	1	1
1	1	1	1

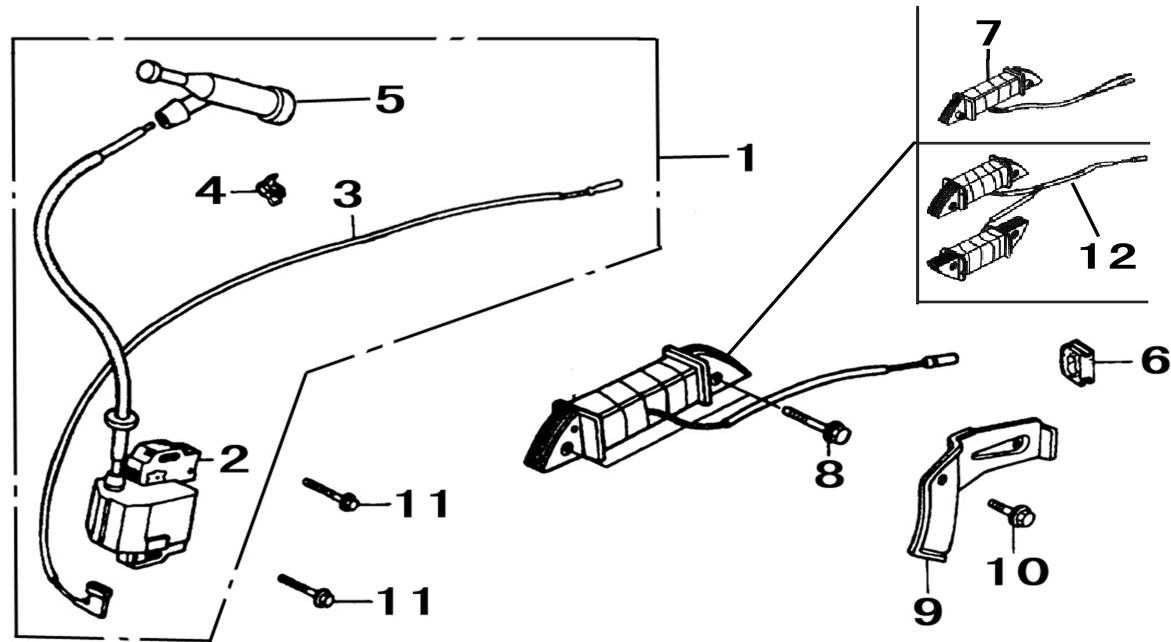


Carburetor

No.	Part No.		Description	Reqd. QTY.					
				G240F	G240FD	G270F	G270FD	G340F	G340FD
1	170020407-T080		CARBURETOR ASSY	1	1	-	-	-	-
	170020408-T090		CARBURETOR ASSY	-	-	1	1	-	-
	170020409-T100		CARBURETOR ASSY	-	-	-	-	1	1
	170020410-T110		CARBURETOR ASSY	-	-	-	-	-	-
	170020446-T120		CARBURETOR ASSY	-	-	-	-	-	-
16	170430043-T080		PACKING,CARBURETOR	1	1	1	1	-	-
	170430044-T100		PACKING,CARBURETOR	-	-	-	-	1	1
	170430045-T110		PACKING,CARBURETOR	-	-	-	-	-	-
17	170440039-T080		INSULATOR,CARBURETOR	1	1	1	1	-	-
	170440040-T100		INSULATOR,CARBURETOR	-	-	-	-	1	1
	170440041-T110		INSULATOR,CARBURETOR	-	-	-	-	-	-
18	170430055-T080		PACKING,INSULATOR	1	1	1	1	-	-
	170430058-T110		PACKING,INSULATOR	-	-	-	-	1	1

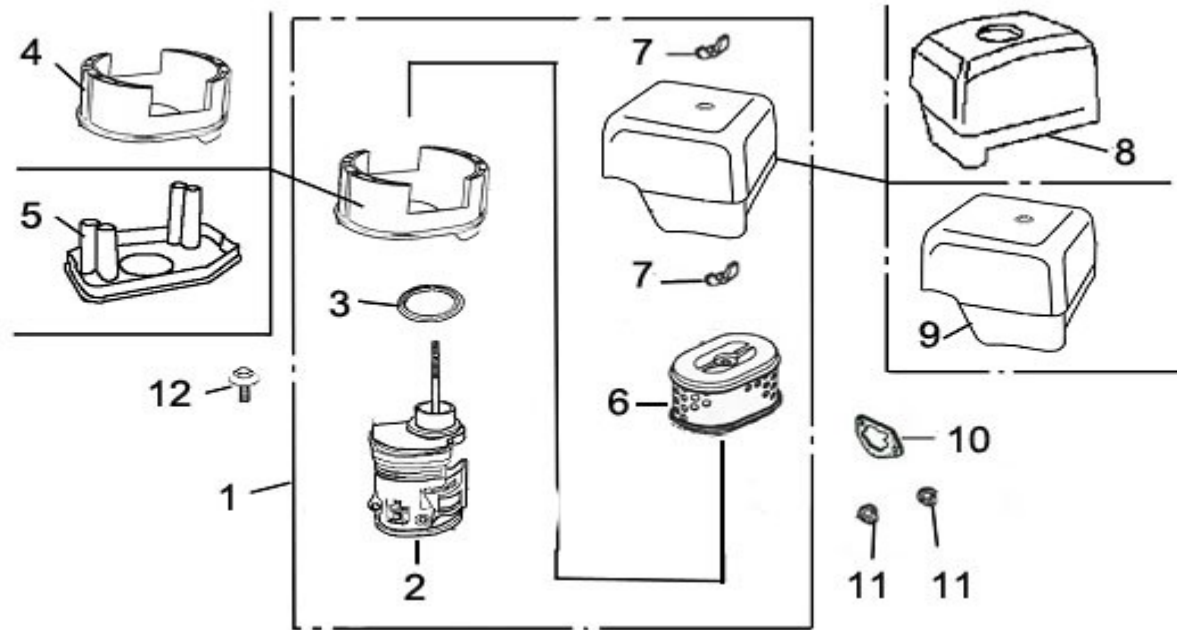
G390F	G390FD	G420F	G420FD
-	-	-	-
-	-	-	-
-	-	-	-
1	1	-	-
-	-	1	1
-	-	-	-
-	-	-	-
1	1	1	1
-	-	-	-
-	-	-	-
1	1	1	1
-	-	-	-
1	1	1	1

G390F	G390FD	G420F	G420FD
-	-	-	-
1	-	-	-
-	-	-	-
-	1	1	1
-	-	-	-
1	1	1	1
-	-	-	-
1	1	1	1
1	1	1	1



Ignition Comp

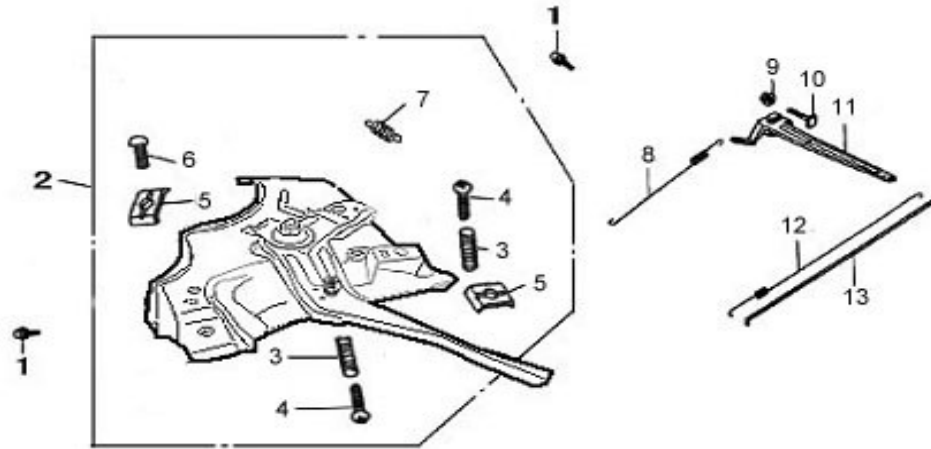
No.	Part No.	Qty	Description	Reqd. QTY.					
				G240F	G240FD	G270F	G270FD	G340F	G340FD
1	270920158-T080	1	COIL ASSY . , IGNITION	1	1	1	1	-	-
	270920170-T110	1	COIL ASSY . , IGNITION	-	-	-	-	1	1
5	270950040-T040	1	CAP ASSY.,NOISE SUPPRESSOR	1	1	1	1	1	1
6	380930023-T110	1	GROMMET,CORD	1	1	1	1	1	1
7	270190001-T111	1	COIL ASSY.,CHARGE	-	1	-	1	-	1
8	380140024-0006	2	BOLT,FLANGE,M6X28	-	2	-	2	-	2
9	270280007-T081	1	CLAMPER,CORD	-	1	-	1	-	-
	270280008-T111	1	CLAMPER,CORD	-	-	-	-	-	1
10	380140001-0006	1	BOLT,FLANGE,M6X12	-	1	-	1	-	1
11	380140102-0004	2	BOLT,FLANGE,M6X25	2	2	2	2	2	2
12	270190003-T111	1	COIL ASSY.,CHARGE	-	1	-	1	-	1



□□□□Air cleaner□

No.	Part No.	□□□□	Description	Reqd. QTY.					
				G240F(8H P)	G240FD(8 HP)	G270F(9H P)	G270FD(9 HP)	G340F	G340FD
1	180020314-T086	□□□	AIR CLEANER ASSY	1	1	1	1	-	-
	180020315-T114	□□□	AIR CLEANER ASSY	-	-	-	-	1	1
6	180130122-T080	□□□□	ELEMENT ASSY. , AIR CLEANER	1	1	1	1	-	-
	180130112-T110	□□□□	ELEMENT ASSY. , AIR CLEANER	-	-	-	-	1	1
7	380440002-0001	□□□□ M6	NUT ,BUTTERFLY,M6	2	2	2	2	2	2
10	170430066-T110	□□□□	PACKING., AIR CLEANER	1	1	1	1	1	1
11	380370048-0001	□□□□□□	NUT ,FLANGE, M6	2	2	2	2	2	2

G390F	G390FD	G420F	G420FD
-	-	-	-
1	1	1	1
-	-	-	-
1	1	1	1
2	2	2	2
1	1	1	1
2	2	2	2

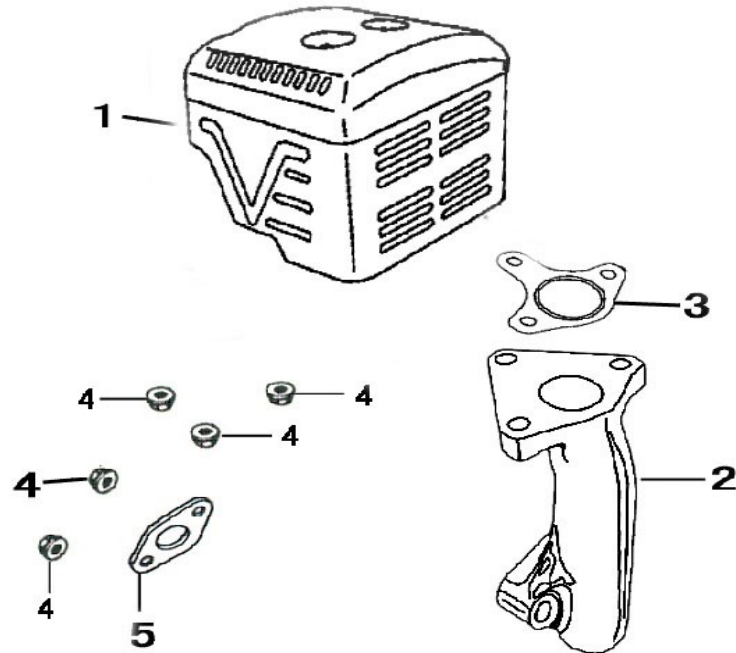


Control

No.	Part No.	Description	Re			
			G240F(8HP)	G240FD(8HP)	G270F(9HP)	G270FD(9HP)
1	380140001-0006	BOLT, FLANGE,M6X12	2	2	2	2
2	171680007-T080	CONTROL ASSY.	1	1	1	1
	171680008-T110	CONTROL ASSY.	-	-	-	-
8	171600006-T080	SPRING , CABLE RETURN	1	1	1	1
	171600001-T110	SPRING , CABLE RETURN	-	-	-	-
9	380370048-0001	NUT, FLANGE M6	1	1	1	1
10	380250002-T040	BOLT,GOVERNOR ARM	1	1	1	1

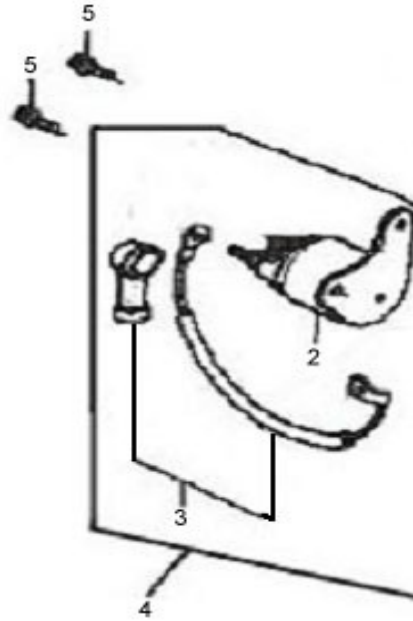
Reqd. QTY.[]

G340F	G340FD	G390F	G390FD	G420F	G420FD
2	2	2	2	2	2
-	-	-	-	-	-
1	1	1	1	1	1
-	-	-	-	-	-
1	1	1	1	1	1
1	1	1	1	1	1
1	1	1	1	1	1

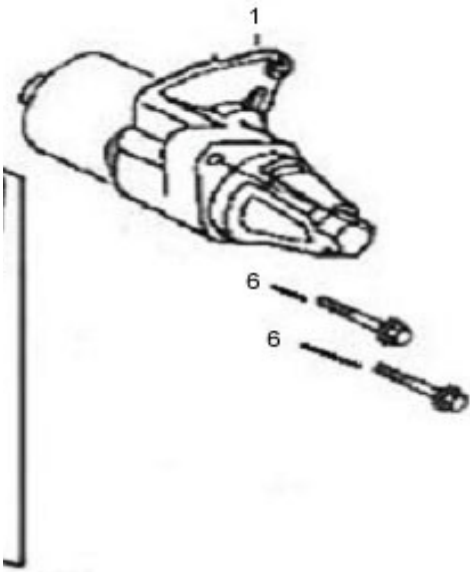


□□□□Muffler□

□□ No.	□□□□□ Part No.	□□□□□	Description	□□□□Reqd. QTY.□					
				G240F(8H P)	G240FD(8 HP)	G270F(9H P)	G270FD(9 HP)	G340F	G340FD
1	180570769-T086	□□□	MUFFLER ASSY.	1	1	1	1	-	-
	180570770-T114	□□□	MUFFLER ASSY.	-	-	-	-	1	1
2	180590092-T080	□□□	PIPE COMP.,EX	1	1	1	1	1	1
3	180660028-T110	□□□□□□	GASKET,EX.PIPE	1	1	1	1	1	1
4	380340005-0005	□□□□	NUT,M8	5	5	5	5	5	5
5	180650064-T110	□□□□□□	GASKET,EX.PIPE	1	1	1	1	1	1



Item No.	Part No.	Quantity	Description
1	270360018-T081	1	STARTER MOTOR
	270360019-T111	1	STARTER MOTOR
4	270810095-T111	1	CONTACTOR ASSY AND WIRE
5	380140167-0002	2	BOLT-WASHER,5X12
	SB0514-0000000DL	2	BOLT-WASHER,5X16
6	380140053-0002	2	BOLT,FLANGE,8X35



Starter motor

Reqd. QTY.

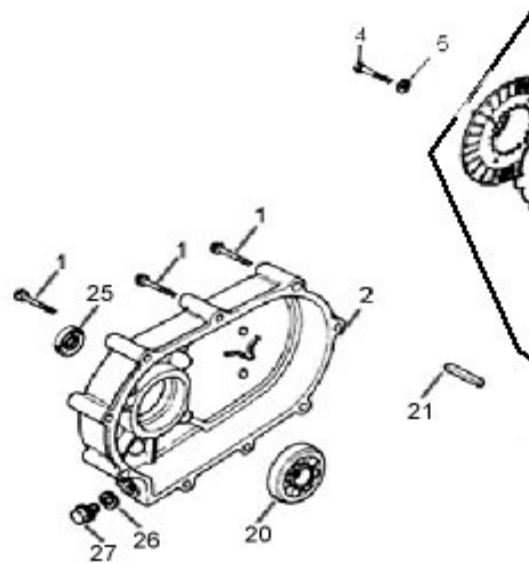
G240F(8H P)	G240FD(8 HP)	G270F(9H P)	G270FD(9 HP)	G340F	G340FD	G390F	G390FD
-	1	-	1	-	-	-	-
-	-	-	-	-	1	-	1
-	1	-	1	-	1	-	1
-	2	-	2	-	2	-	2
-	2	-	2	-	2	-	2
-	2	-	2	-	2	-	2

--

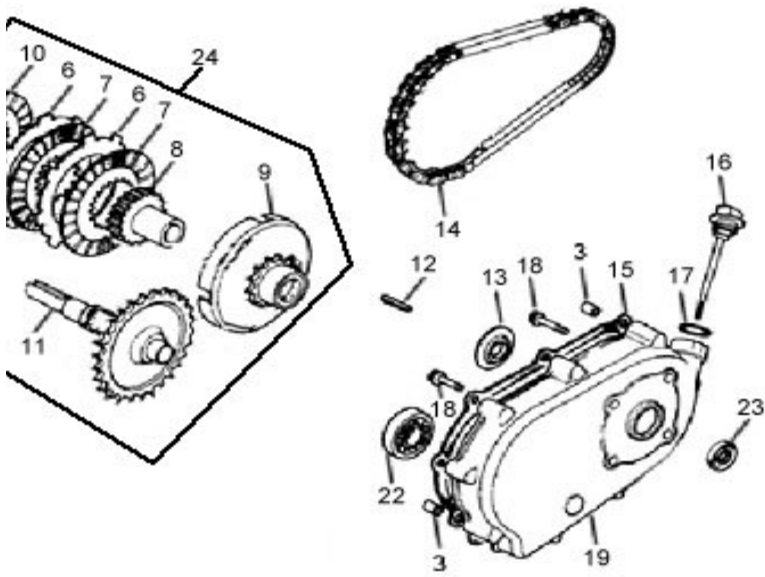
--

--

G420F	G420FD
-	-
-	1
-	2
-	2
-	2
-	2



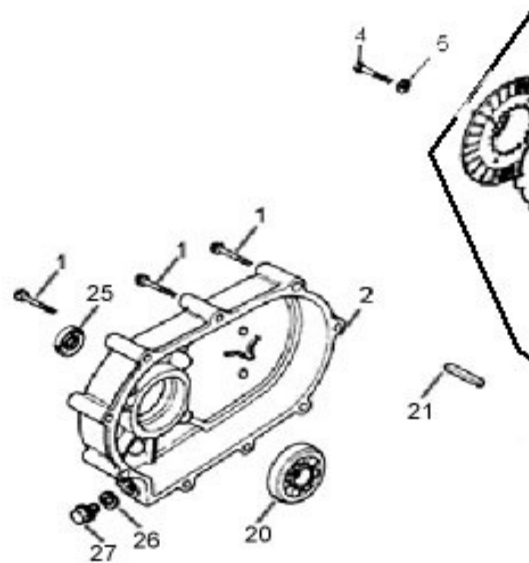
Item No.	Part No.	Quantity	Description
1	380140186-0004	1	BOLT , FLANGE , 6×55
2	191920003-T082	1	RETARDER CASE COVER
3	380600120-T040	1	PIN,DOWEL
4	380140028-0004	1	BOLT , FLANGE , 8×32
5	380450522-T110	1	WASHER ,HOLDER , 8×16×1.2
6	190460027-T082	1	STEEL SLICE , RETARDER
7	190430033-T082	1	CHAFE SLICE , RETARDER
11	191960005-T082	1	CHAIN WHEEL , OUTPUT
12	380620055-0001	1	KEY
13	380821902-082	1	BUSHING
14	260010133-T082	1	CHAIN , RETARDER
15	191930005-T082	1	PACKING , RETARDER CASE COV



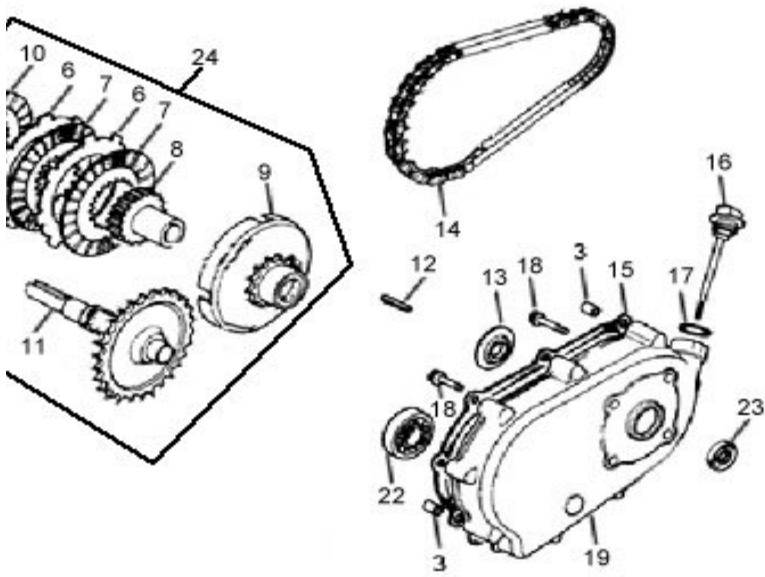
RETARDER

Reqd. QTY.

G240F(8HP)	G240FD(8HP)	G270F(9HP)
9	9	9
1	1	1
1	1	1
1	1	1
1	1	1
2	2	2
2	2	2
1	1	1
1	1	1
1	1	1
1	1	1
1	1	1



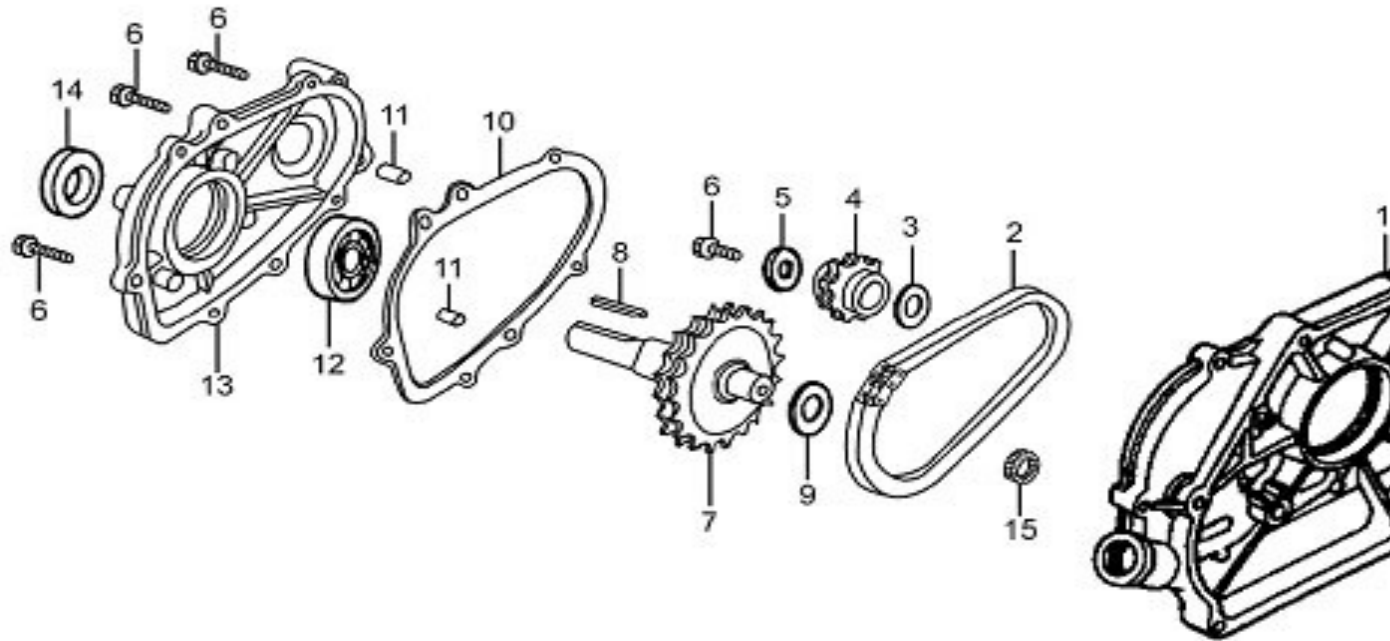
Item No.	Part No.	Quantity	Description
16	110690011-T042	1	CAP ASSY,OIL FILLER
17	380840428-T080	1	PACKING,OIL FILLER
18	380140004-0004	4	BOLT , FLANGE 8×20
19	191910002-T082	1	RETARDER CASE
20	380630140-0002	2	BEARING , RADIAL BALL
21	380620032-0001	1	BOLT , DRAIN PLUG
22	380630137-0002	2	WASHER , DRAIN PLUG
23	380650336-0001	1	OIL SEAL,30×50×8
24	190010112-T082	1	CLUTCH ASSY.
25	380650336-0001	1	OIL SEAL,30×46×8
26	380450516-T110	1	WASHER , DRAIN PLUG
27	110260024-T110	1	BOLT , DRAIN PLUG



RETARDER

Reqd. QTY.

G240F(8HP)	G240FD(8HP)	G270F(9HP)
1	1	1
1	1	1
4	4	4
1	1	1
1	1	1
1	1	1
1	1	1
1	1	1
1	1	1
1	1	1
1	1	1
1	1	1



RETARDER

No.	Part No.	Description	Reqd. QTY.	
			G240F(8HP)	G240FD(8HP)
1	110820018-T084	COVER ASSY.,CRANK CASE	1	1
2	260010133-T084	CHAIN,RETARDER	1	1
3	380450517-T044	WASHER 20.5×39×3.1	1	1
4	191950003-T084	SPRKT,DRIVE	1	1
5	380450515-T560	WASHER 8.5×25×3.5	1	1
6	380140051-0005	BOLT 8×35	7	7
7	191960004-T084	SHAFT,OUTPUT	1	1
8	380620035-0001	KEY	1	1
9	380450523-T044	WASHER 20×30×0.3	1	1
10	191930003-T084	PACKING,RETARDER CASE CO	1	1
11	380600120-T040	PIN,DOWEL	1	1
12	380630140-0002	BEARING 6206	1	1
13	191920004-T084	RETARDER CASE COVER	1	1
14	380650336-T080	OIL SEAL	1	1
15	380630005-0001	BEARING,6204	1	1

SPARE PART

No.	Part No.	品名	Description
1	120080277-T080	ヘッド	HEAD,ONLY,CYLIN
	120080278-T110	ヘッド	HEAD,ONLY,CYLIN
	120080338-T190	ヘッド	HEAD,ONLY,CYLIN
2	120420011-T110	ヘッドカバー	BOLT COMP,HEAD COVER
3	120220009-T110	ヘッドカバー	COVER COMP. HEAD
4	380840425-T110	ヘッドカバー	PACKING, HEAD COVER
5	380140337-T110	ボルト	BOLT, FLANGE, 10×80
6	380740460-T080	チューブ	TUBE, BREATHER
	380740454-T110	チューブ	TUBE, BREATHER
7	380180099-T110	ボルト	BOLT, STUD, EXHAUST
8	270960025-T040	スパークプラグ	SPARK PLUG
9	120150071-T080	ヘッドガスケット	GASKET,CYLINDER HEAD
	120150072-T090	ヘッドガスケット	GASKET,CYLINDER HEAD
	120150073-T100	ヘッドガスケット	GASKET,CYLINDER HEAD
	120150074-T110	ヘッドガスケット	GASKET,CYLINDER HEAD
	120150084-T120	ヘッドガスケット	GASKET,CYLINDER HEAD

品番	品名 Part No.	品名	Description
10	380600116-T110	ピン	PIN,DOWEL
11	380180092-T080	ボルト	BOLT, STUD, EXHAUST
	380180091-T110	ボルト	BOLT, STUD, EXHAUST

品番	品名 Part No.	品名	Description
1	110810008-T080	シリンダー	BARREL ASSY,CYLN
	110810009-T081	シリンダー	BARREL ASSY,CYLN
	110810010-T090	シリンダー	BARREL ASSY,CYLN
	110810011-T091	シリンダー	BARREL ASSY,CYLN
	110810012-T100	シリンダー	BARREL ASSY,CYLN
	110810013-T101	シリンダー	BARREL ASSY,CYLN
	110810014-T110	シリンダー	BARREL ASSY,CYLN
	110810015-T111	シリンダー	BARREL ASSY,CYLN
	110810028-T120	シリンダー	BARREL ASSY,CYLN
	110810035-T121	シリンダー	BARREL ASSY,CYLN
2	281850152-0001	オイルレベルスイッチ	SWITCH ASSY., OIL LEVEL
5	380140001-0006	M6×12ボルト	BOLT, FLANGE, 6×12
6	380630099-0001	6202ベアリング	BEARING, RADIAL BALL, 6202

7	380450522-T110	□□□ 8	FLAT WASHER,8*16*1.2
---	----------------	-------	----------------------

□□ No.	□□□□□ Part No.	□□□□□	Description
8	381350004-T040	□□	PIN, LOCK, 10MM
9	171630002-T080	□□□	SHAFT, GOVERNOR ARM
	171630003-T110	□□□	SHAFT, GOVERNOR ARM
10	380650339-T110	□□φ8×φ14×5	OIL SEAL, φ8×φ14×5
11	380450516-T110	□□□φ12.2×φ20×2	WASHER, DRAIN PLUG, 12MM
12	110260024-T110	□□□□	BOLT, DRAIN PLUG
13	380650336-T080	□□φ30×φ46×8	OIL SEAL, φ30×φ46×8
	380650350-T110	□□φ35×φ52×8	OIL SEAL, φ35×φ52×7
14	281890001-T040	□□□□□	ALERT UNIT,OIL

□□ No.	□□□□□ Part No.	□□□□□	Description
1	110820004-T080	□□□□	COVER ASSY.,CRANK CASE
	110820016-T110	□□□□	COVER ASSY.,CRANK CASE
2	110690009-T110	□□□□□	CAP ASSY,OIL FILLER
4	380840428-T110	□□□□□	PACKING,OIL FILLER CAP
5	110690022-T110	□□□□□	CAP ASSY,OIL FILLER
7	380600119-T110	□□□φ8×12	DOWEL PIN φ8×12
8	171750008-T080	□□□□□□	GOVERNOR KIT
	171750004-T110	□□□□□□	GOVERNOR KIT

□□ No.	□□□□□ Part No.	□□□□□	Description
14	380630099-0001	□□6202	BEARING 6202
15	380630140-0002	□□6206	BEARING 6202
	380630141-0002	□□6207	BEARING 6202
16	110830002-T080	□□□□□□□	PACKING , CASE COVER
	110830006-T110	□□□□□□□	PACKING , CASE COVER
17	380140051-0005	□□□□□□□□	BOLT,FLANGE 8X35
	380140005-0006	□□□□□□□□	BOLT,FLANGE 8X40
18	380650336-T080	□□φ30×φ46×8	OIL SEAL φ30×φ46×8
	380650337-T110	□□φ35×φ52×7	OIL SEAL φ35×φ52×7

□□ No.	□□□□□ Part No.	□□□□□	Description
1	130290058-T080	□□□□	CRANK SHAFT COMP
	130290067-T110	□□□□	CRANK SHAFT COMP
	130290112-T120	□□□□	CRANK SHAFT COMP

2	380620050-0001	□	KEY,SPECIAL WOODRUFF
3	130450008-T110	□□□	WEIGHT,BALANCER

□□□

□□ No.	□□□□□ Part No.	□□□□□	Description
1	130070080-T080	□□□□□	RING SET,PISTON
	130070081-T090	□□□□□	RING SET,PISTON
	130070082-T100	□□□□□	RING SET,PISTON
	130070083-T110	□□□□□	RING SET,PISTON
	130070089-T120	□□□□□	RING SET,PISTON
2	130030082-T080	□□	PISTON
	130030084-T090	□□	PISTON
	130030085-T100	□□	PISTON
	130030087-T110	□□	PISTON
	130030103-T120	□□	PISTON
3	130150040-T080	□□	CONNECTING ROD ASSY
	130150043-T110	□□	CONNECTING ROD ASSY
	130150049-T120	□□	CONNECTING ROD ASSY
5	380560056-T040	□□□□□	CLIP,PISTON PIN

□□□

□□ No.	□□□□□ Part No.	□□□□□	Description
	380560057-T110	□□□□□	CLIP,PISTON PIN
6	130060032-T080	□□□	PIN,PISTON
	130060033-T100	□□□	PIN,PISTON
	130060034-T110	□□□	PIN,PISTON

□□ No.	□□□□□ Part No.	□□□□□	Description
1	140450023-T110	□□□□□□	ARM ASSY.
2			
3			
4			
5	140710002-T110	□□□□□□□	PLATE , PUSH ROD GUIDE
6	140670005-T080	□□□□	ROD , PUSH
	140670006-T110	□□□□	ROD , PUSH
7	140690004-T110	□□	LIFTER , VALVE
8	140020039-T080	□□□□□	CAMSHAFT ASSY
	140020041-T100	□□□□□	CAMSHAFT ASSY
	140020045-T110	□□□□□	CAMSHAFT ASSY
	140020056-T120	□□□□□	CAMSHAFT ASSY
9	140320002-T110	□□□□□	ROTATOR,VALVE
10	140380018-T110	□□□□□	RETAINER,VALVE SPRING

11	140390016-T120	□□□□	VALVE KEEPER
----	----------------	------	--------------

□□ No.	□□□□□ Part No.	□□□□□	Description
12	140380021-T11D	□□□□□	RETAINER,VALVE SPRING
13	140340023-T110	□□□□	SPRING,VALVE
	140340025-T11D	□□□□	SPRING,VALVE
14	140360010-T110	□□□□□□□	SEAT,VALVE SPRING
15□16	500550025-T080	□□□□	VALVE KIT
	500550027-T110	□□□□	VALVE KIT
	500550032-T190	□□□□	VALVE KIT
17	140400012-T110	□□□	SEAL,VALVE STEM

□□ No.	□□□□□ Part No.	□□□□□	Description
1	193500013-T080	□□□□□	STARTER ASSY,RECOIL
	193500017-T110	□□□□□	STARTER ASSY.
10	193530005-T110	□□	ROPE, RECOIL STARTER
11	193560003-T040	□□□□	KNOB , RECOIL STARTER

□□ No.	□□□□□ Part No.	□□□□□	Description
13	160210008-T080	□□□□□	COVER COMP ., FAN
	160210011-T110	□□□□□	COVER COMP ., FAN
14	381000094-T040	□□	CAULKING
15	193490028-T080	□□□□□	RECOIL STARTER COMP.
	193490038-T110	□□□□□	RECOIL STARTER COMP.
16	380140002-0006	□□□□□□□	BOLT,FLANGE,M6x12
17	380140002-0006	□□□□□□□	BOLT,FLANGE,M6x12
18	160190005-T080	□□□□□	SHROUD
	160190006-T110	□□□□□	SHROUD
19	271660028-T040	□□□□	SWITCH ASSY., ENGINE STOP

□□ No.	□□□□□ Part No.	□□□□□	Description
1	170020407-T080	□□□	CARBURETOR ASSY
	170020408-T090	□□□	CARBURETOR ASSY
	170020409-T100	□□□	CARBURETOR ASSY
	170020410-T110	□□□	CARBURETOR ASSY
	170020446-T120	□□□	CARBURETOR ASSY
16	170430043-T080	□□□□□□	PACKING,CARBURETOR
	170430044-T100	□□□□□□	PACKING,CARBURETOR

	170430045-T110	□□□□□□	PACKING,CARBURETOR
17	170440039-T080	□□□□□□	INSULATOR,CARBURETOR
	170440040-T100	□□□□□□	INSULATOR,CARBURETOR
	170440041-T110	□□□□□□	INSULATOR,CARBURETOR
18	170430055-T080	□□□□□□	PACKING,INSULATOR
	170430058-T110	□□□□□□	PACKING,INSULATOR

□□ No.	□□□□□ Part No.	□□□□□	Description
1	270020083-T080	□□□□□□□	FLYWHEEL COMP
	270020084-T110	□□□□□□□	FLYWHEEL COMP
2	270020080-T081	□□□□□□□	FLYWHEEL COMP.(SEAL-LAMP)
	270020073-T111	□□□□□□□	FLYWHEEL COMP.(SEAL-LAMP)
3	160180008-T080	□□	FAN COOLING
	160180009-T110	□□	FAN COOLING
4	193590004-T080	□□□	PULLEY,STARTER
	193590007-T110	□□□	PULLEY,STARTER
5	380370050-T110	□□□□□□□	NUT SPECIAL,16MM

□□ No.	□□□□□ Part No.	□□□□□	Description
1	270920158-T080	□□□□	COIL ASSY . , IGNITION
	270920170-T110	□□□□	COIL ASSY . , IGNITION
5	270950040-T040	□□□□	CAP ASSY.,NOISE SUPPRESSOR
6	380930023-T110	□□□□	GROMMET,CORD
7	270190001-T111	□□□□□□	COIL ASSY.,CHARGE
8	380140024-0006	□□□□□□□□	BOLT,FLANGE,M6X28
9	270280007-T081	□□□□	CLAMPER,CORD
	270280008-T111	□□□□	CLAMPER,CORD
10	380140001-0006	□□□□□□□□	BOLT,FLANGE,M6X12
11	380140102-0004	□□□□□□□□	BOLT,FLANGE,M6X25
12	270190003-T111	□□□□□□	COIL ASSY.,CHARGE

□□ No.	□□□□□ Part No.	□□□□□	Description
1	180020314-T086	□□□	AIR CLEANER ASSY
	180020315-T114	□□□	AIR CLEANER ASSY
6	180130122-T080	□□□□□	ELEMENT ASSY. , AIR CLEANER
	180130112-T110	□□□□□	ELEMENT ASSY. , AIR CLEANER
7	380440002-0001	□□□□ M6	NUT ,BUTTERFLY,M6
10	170430066-T110	□□□□	PACKING., AIR CLEANER
11	380370048-0001	□□□□□□	NUT ,FLANGE, M6

Item No.	Part No.	Quantity	Description
1	380140001-0006	1	BOLT, FLANGE,M6X12
2	171680007-T080	1	CONTROL ASSY.
	171680008-T110	1	CONTROL ASSY.
8	171600006-T080	1	SPRING , CABLE RETURN
	171600001-T110	1	SPRING , CABLE RETURN
9	380370048-0001	1	NUT, FLANGE M6
10	380250002-T040	1	BOLT,GOVERNOR ARM

Item No.	Part No.	Quantity	Description
11	171620002-T080	1	ARM, GOVERNOR
	171620003-T080	1	ARM, GOVERNOR
12	171610001-T110	1	SPRING, THROTTLE RETURN
13	171590003-T080	1	ROD, GOVERNOR
	171590005-T110	1	ROD, GOVERNOR

Item No.	Part No.	Quantity	Description
1	180570769-T086	1	MUFFLER ASSY.
	180570770-T114	1	MUFFLER ASSY.
2	180590092-T080	1	PIPE COMP.,EX
3	180660028-T110	1	GASKET,EX.PIPE
4	380340005-0005	1	NUT,M8
5	180650064-T110	1	GASKET,EX.PIPE

Item No.	Part No.	Quantity	Description
1	170660077-T040	1	JOINT COMP, FUEL TANK
3	380920086-T040	1	PACKING , JOINT
4	380950188-T040	1	PIPE CLIP
5	380750182-T110	1	TUBE,FUEL
6	380140091-0005	1	BOLT , FLANGE ,M8×25
7	380370007-0004	1	NUT , FLANGE ,8MM
8	170500601-T086	1	TANK COMP ., FUEL
	170500627-T110	1	TANK COMP ., FUEL
9	170870040-T040	1	CAP COMP ., FUEL FILLER
11	170880020-T040	1	PACKING , FUEL FILLER CAP
12	170720001-T040	1	FILTER , FUEL

□□ No.	□□□□□ Part No.	□□□□□	Description
1	270360018-T081	□□□□□□	STARTER MOTOR
	270360019-T111	□□□□□□	STARTER MOTOR
4	270810095-T111	□□□□□	CONTACTOR ASSY AND WIRE
5	380140167-0002	□□□□□□□	BOLT-WASHER,5X12
	SB0514-0000000DL	□□□□□□□	BOLT-WASHER,5X16
6	380140053-0002	□□M8X35	BOLT,FLANGE,8X35
□□□(RETARDER)			
□□ No.	□□□□□ Part No.	□□□□□	Description
1	380140186-0004	□□□□□□□	BOLT , FLANGE , 6×55
2	191920003-T082	□□□□	RETARDER CASE COVER
3	380600120-T040	□□□φ8×14	PIN,DOWEL
4	380140028-0004	□□□□□□□	BOLT , FLANGE , 8×32
5	380450522-T110	□□□ 8×16×1.2	WASHER ,HOLDER , 8×16×1.2
6	190460027-T082	□□□□□	STEEL SLICE , RETARDER
7	190430033-T082	□□□□□	CHAFE SLICE , RETARDER
11	191960005-T082	□□□□□□□□	CHAIN WHEEL , OUTPUT
12	380620055-0001	□7×5.6×40	KEY
13	380821902-082	□□	BUSHING
14	260010133-T082	□□	CHAIN , RETARDER
15	191930005-T082	□□□□□□□	PACKING , RETARDER CASE CO
□□□(RETARDER)			
□□ No.	□□□□□ Part No.	□□□□□	Description
16	110690011-T042	□□□	CAP ASSY,OIL FILLER
17	380840428-T080	□□□	PACKING,OIL FILLER
18	380140004-0004	□□□□□□□	BOLT , FLANGE 8×20
19	191910002-T082	□□□□	RETARDER CASE
20	380630140-0002	□□6206	BEARING , RADIAL BALL
21	380620032-0001	□5X5X33	BOLT , DRAIN PLUG
22	380630137-0002	□□6205	WASHER , DRAIN PLUG
23	380650336-0001	□□30×50×8	OIL SEAL,30×50×8
24	190010112-T082	□□□□□	CLUTCH ASSY.
25	380650336-0001	□□30×46×8	OIL SEAL,30×46×8
26	380450516-T110	□□□13X22X1	WASHER , DRAIN PLUG
27	110260024-T110	□□□□M12X1.5X15	BOLT , DRAIN PLUG
□□□(RETARDER)			
□□ No.	□□□□□ Part No.	□□□□□	Description

1	110820018-T084	□□□□	COVER ASSY.,CRANK CASE
2	260010133-T084	□□	CHAIN,RETARDER
3	380450517-T044	□□□	WASHER 20.5×39×3.1
4	191950003-T084	□□□□□□	SPRKT,DRIVE
5	380450515-T560	□□□	WASHER 8.5×25×3.5
6	380140051-0005	□□ M8×35	BOLT 8×35
7	191960004-T084	□□□□□□□□	SHAFT,OUTPUT
8	380620035-0001	□□7X7X40	KEY
9	380450523-T044	□□□	WASHER 20×30×0.3
10	191930003-T084	□□□□□□□□	PACKING,RETARDER CASE C
11	380600120-T040	□□□φ8×14	PIN,DOWEL
12	380630140-0002	□□6206	BEARING□6206
13	191920004-T084	□□□□	RETARDER CASE COVER
14	380650336-T080	□□φ30×φ46×8	OIL SEAL
15	380630005-0001	□□6204	BEARING,6204

'S LIST FOR LONCIN ENGINE

□□□□Cylinder head□

				□□□Reqd. QTY.□		
G240F(8HP)	G240FD(8HP)	G270F(9HP)	G270FD(9HP)	G340F	G340FD	G390F
1	1	1	1	-	-	-
-	-	-	-	1	1	1
-	-	-	-	-	-	-
1	1	1	1	1	1	1
1	1	1	1	1	1	1
1	1	1	1	1	1	1
4	4	4	4	4	4	4
1	1	1	1	-	-	-
-	-	-	-	1	1	1
2	2	2	2	2	2	2
1	1	1	1	1	1	1
1	1	-	-	-	-	-
-	-	1	1	-	-	-
-	-	-	-	1	1	-
-	-	-	-	-	-	1
-	-	-	-	-	-	-

□□□□Cylinder head□

				□□□Reqd. QTY.□		
G240F	G240FD	G270F	G270FD	G340F	G340FD	G390F
2	2	2	2	2	2	2
2	2	2	2	-	-	-
-	-	-	-	2	2	2

□□□□Crankcase□

				□□□Reqd. QTY.□		
G240F	G240FD	G270F	G270FD	G340F	G340FD	G390F
1	-	-	-	-	-	-
-	1	-	-	-	-	-
-	-	1	-	-	-	-
-	-	-	1	-	-	-
-	-	-	-	1	-	-
-	-	-	-	-	1	-
-	-	-	-	-	-	1
-	-	-	-	-	-	-
-	-	-	-	-	-	1
-	-	-	-	-	-	-
1	1	1	1	1	1	1
3	3	3	3	3	3	3
-	-	-	-	1	1	1

1	1	1	1	1	1	1
---	---	---	---	---	---	---

□□□□Crankcase□

□□□Reqd. QTY.□						
G240F	G240FD	G270F	G270FD	G340F	G340FD	G390F
1	1	1	1	1	1	1
1	1	1	1	-	-	-
-	-	-	-	1	1	1
-	-	-	-	1	1	1
2	2	2	2	2	2	2
2	2	2	2	2	2	2
1	1	1	1	-	-	1
-	-	-	-	1	1	1
1	1	1	1	1	1	1

□□□□Crankcase cover□

□□□Reqd. QTY.□						
G240F	G240FD	G270F	G270FD	G340F	G340FD	G390F
1	1	1	1	-	-	-
-	-	-	-	1	1	1
1	1	1	1	1	1	1
2	2	2	2	2	2	2
1	1	1	1	1	1	1
2	2	2	2	2	2	2
1	1	1	1	-	-	-
-	-	-	-	1	1	1

□□□□Crankcase cover□

□□□Reqd. QTY.□						
G240F	G240FD	G270F	G270FD	G340F	G340FD	G390F
-	-	-	-	1	1	1
1	1	1	1	-	-	-
-	-	-	-	1	1	1
1	1	1	1	-	-	-
-	-	-	-	1	1	1
7	7	7	7	-	-	-
-	-	-	-	7	7	7
1	1	1	1	-	-	-
-	-	-	-	1	1	1

□□□Crankshaft□

□□□Reqd. QTY.□						
G240F	G240FD	G270F	G270FD	G340F	G340FD	G390F
1	1	1	1	-	-	-
-	-	-	-	1	1	1
-	-	-	-	-	-	-

1	1	1	1	1	1	1
-	-	-	-	1	1	1

Piston/connecting rod

Reqd. QTY.						
G240F	G240FD	G270F	G270FD	G340F	G340FD	G390F
1	1	-	-	-	-	-
-	-	1	1	-	-	-
-	-	-	-	1	1	-
-	-	-	-	-	-	1
-	-	-	-	-	-	-
1	1	-	-	-	-	-
-	-	1	1	-	-	-
-	-	-	-	1	1	-
-	-	-	-	-	-	1
-	-	-	-	-	-	-
1	1	1	1	-	-	-
-	-	-	-	1	1	1
-	-	-	-	-	-	-
2	2	2	2	-	-	-

Piston/connecting rod

Reqd. QTY.						
G240F	G240FD	G270F	G270FD	G340F	G340FD	G390F
-	-	-	-	2	2	2
1	1	1	1	-	-	-
-	-	-	-	1	1	-
-	-	-	-	-	-	1

Camshaft

Reqd. QTY.						
G240F	G240FD	G270F	G270FD	G340F	G340FD	G390F
2	2	2	2	2	2	2
1	1	1	1	1	1	1
2	2	2	2	-	-	-
-	-	-	-	2	2	2
2	2	2	2	2	2	2
1	1	1	1	-	-	-
-	-	-	-	1	1	-
-	-	-	-	-	-	1
-	-	-	-	-	-	-
1	1	1	1	1	1	1
2	2	2	2	2	2	2

-	-	-	-	-	-	-
---	---	---	---	---	---	---

Camshaft

Reqd. QTY.						
G240F	G240FD	G270F	G270FD	G340F	G340FD	G390F
-	-	-	-	-	-	-
1	1	1	1	1	1	1
-	-	-	-	-	-	-
1	1	1	1	1	1	1
1	1	1	1	-	-	-
-	-	-	-	1	1	1
-	-	-	-	-	-	-
1	1	1	1	1	1	1

Starter

Reqd. QTY.						
G240F	G240FD	G270F	G270FD	G340F	G340FD	G390F
1	1	1	1	-	-	-
-	-	-	-	1	1	1
1	1	1	1	1	1	1
1	1	1	1	1	1	1

Starter

Reqd. QTY.						
G240F	G240FD	G270F	G270FD	G340F	G340FD	G390F
1	1	1	1	-	-	-
-	-	-	-	1	1	1
1	1	1	1	1	1	1
1	1	1	1	-	-	-
-	-	-	-	1	1	1
5	5	5	5	5	5	5
1	1	1	1	1	1	1
1	1	1	1	-	-	-
-	-	-	-	1	1	1
1	1	1	1	1	1	1

Carburetor

Reqd. QTY.						
G240F	G240FD	G270F	G270FD	G340F	G340FD	G390F
1	1	-	-	-	-	-
-	-	1	1	-	-	-
-	-	-	-	1	1	-
-	-	-	-	-	-	1
-	-	-	-	-	-	-
1	1	1	1	-	-	-
-	-	-	-	1	1	-

-	-	-	-	-	-	1
1	1	1	1	-	-	-
-	-	-	-	1	1	-
-	-	-	-	-	-	1
1	1	1	1	-	-	-
-	-	-	-	1	1	1

Flywheel

Reqd. QTY.						
G240F	G240FD	G270F	G270FD	G340F	G340FD	G390F
1	-	1	-	-	-	-
-	-	-	-	1	-	1
-	1	-	1	-	-	-
-	-	-	-	-	1	-
1	1	1	1	-	-	-
-	-	-	-	1	1	1
1	1	1	1	-	-	-
-	-	-	-	1	1	1
1	1	1	1	1	1	1

Ignition Comp

Reqd. QTY.						
G240F	G240FD	G270F	G270FD	G340F	G340FD	G390F
1	1	1	1	-	-	-
-	-	-	-	1	1	1
1	1	1	1	1	1	1
1	1	1	1	1	1	1
-	1	-	1	-	1	-
-	2	-	2	-	2	-
-	1	-	1	-	-	-
-	-	-	-	-	1	-
-	1	-	1	-	1	-
2	2	2	2	2	2	2
-	1	-	1	-	1	-

Air cleaner

Reqd. QTY.						
G240F	G240FD	G270F	G270FD	G340F	G340FD	G390F
1	1	1	1	-	-	-
-	-	-	-	1	1	1
1	1	1	1	-	-	-
-	-	-	-	1	1	1
2	2	2	2	2	2	2
1	1	1	1	1	1	1
2	2	2	2	2	2	2

Control

Reqd. QTY.						
G240F	G240FD	G270F	G270FD	G340F	G340FD	G390F
2	2	2	2	2	2	2
1	1	1	1	-	-	-
-	-	-	-	1	1	1
1	1	1	1	-	-	-
-	-	-	-	1	1	1
1	1	1	1	1	1	1
1	1	1	1	1	1	1

Control

Reqd. QTY.						
G240F	G240FD	G270F	G270FD	G340F	G340FD	G390F
1	1	1	1	-	-	-
-	-	-	-	1	1	1
1	1	1	1	1	1	1
1	1	1	1	-	-	-
-	-	-	-	1	1	1

Muffler

Reqd. QTY.						
G240F	G240FD	G270F	G270FD	G340F	G340FD	G390F
1	1	1	1	-	-	-
-	-	-	-	1	1	1
1	1	1	1	1	1	1
1	1	1	1	1	1	1
5	5	5	5	5	5	5
1	1	1	1	1	1	1

Fuel tank

Reqd. QTY.						
G240F	G240FD	G270F	G270FD	G340F	G340FD	G390F
1	1	1	1	1	1	1
1	1	1	1	1	1	1
2	2	2	2	2	2	2
1	1	1	1	1	1	1
2	2	2	2	2	2	2
2	2	2	2	2	2	2
1	1	1	1	-	-	-
-	-	-	-	1	1	1
1	1	1	1	1	1	1
1	1	1	1	1	1	1
1	1	1	1	1	1	1

Starter motor

Reqd. QTY.						
G240F	G240FD	G270F	G270FD	G340F	G340FD	G390F
-	1	-	1	-	-	-
-	-	-	-	-	1	-
-	1	-	1	-	1	-
-	2	-	2	-	2	-
-	2	-	2	-	2	-
-	2	-	2	-	2	-

Reqd. QTY.			
G240F-B	G240FD-B	G270F-B	G270FD-B
9	9	9	9
1	1	1	1
1	1	1	1
1	1	1	1
1	1	1	1
2	2	2	2
2	2	2	2
1	1	1	1
1	1	1	1
1	1	1	1
1	1	1	1
1	1	1	1

Reqd. QTY.			
G240F-B	G240FD-B	G270F-B	G270FD-B
1	1	1	1
1	1	1	1
4	4	4	4
1	1	1	1
1	1	1	1
1	1	1	1
1	1	1	1
1	1	1	1
1	1	1	1
1	1	1	1
1	1	1	1

Reqd. QTY.			
G240F-C	G240FD-C	G270F-C	G270FD-C

G390FD	G420F	G420FD
-	-	-
1	1	1
-	1	1
1	1	1
1	1	1
1	1	1
4	4	4
-	-	-
1	1	1
2	2	2
1	1	1
-	-	-
-	-	-
-	-	-
1	-	-
-	1	1

G390FD	G420F	G420FD
2	2	2
-	-	-
2	2	2

G390FD	G420F	G420FD
-	-	-
-	-	-
-	-	-
-	-	-
-	-	-
-	-	-
-	-	-
1	-	-
-	1	-
-	-	1
1	1	1
3	3	3
1	1	1

1	1	1
---	---	---

G390FD	G420F	G420FD
1	1	1
-	-	-
1	1	1
1	1	1
2	2	2
2	2	2
-	-	-
1	1	1
1	1	1

G390FD	G420F	G420FD
-	-	-
1	1	1
1	1	1
2	2	2
1	1	1
2	2	2
-	-	-
1	1	1

G390FD	G420F	G420FD
1	1	1
-	-	-
1	1	1
-	-	-
1	1	1
-	-	-
7	7	7
-	-	-
1	1	1

G390FD	G420F	G420FD
-	-	-
1	1	1
-	1	1

1	1	1
1	1	1

G390FD	G420F	G420FD
-	-	-
-	-	-
-	-	-
1	-	-
-	1	1
-	-	-
-	-	-
-	-	-
1	-	-
-	1	1
-	-	-
1	-	-
-	1	1
-	-	-

G390FD	G420F	G420FD
2	2	2
-	-	-
-	-	-
1	1	1

G390FD	G420F	G420FD
2	2	2
1	1	1
-	-	-
2	2	2
2	2	2
-	-	-
-	-	-
1	-	-
-	1	1
1	1	1
2	-	-

-	2	2
---	---	---

G390FD	G420F	G420FD
-	1	1
1	-	-
-	1	1
1	1	1
-	-	-
1	-	-
-	1	1
1	1	1

G390FD	G420F	G420FD
-	-	-
1	1	1
1	1	1
1	1	1

G390FD	G420F	G420FD
-	-	-
1	1	1
1	1	1
-	-	-
1	1	1
5	5	5
1	1	1
-	-	-
1	1	1
1	1	1

G390FD	G420F	G420FD
-	-	-
-	-	-
-	-	-
1	-	-
-	1	1
-	-	-
-	-	-

1	1	1
-	-	-
-	-	-
1	1	1
-	-	-
1	1	1

G390FD	G420F	G420FD
-	-	-
-	-	-
-	-	-
1	1	1
-	-	-
1	1	1
-	-	-
1	1	1
1	1	1

G390FD	G420F	G420FD
-	-	-
1	1	1
1	1	1
1	1	1
1	1	1
2	2	2
-	-	-
1	1	1
1	1	1
2	2	2
1	1	1

G390FD	G420F	G420FD
-	-	-
1	1	1
-	-	-
1	1	1
2	2	2
1	1	1
2	2	2

G390FD	G420F	G420FD
2	2	2
-	-	-
1	1	1
-	-	-
1	1	1
1	1	1
1	1	1

G390FD	G420F	G420FD
-	-	-
1	1	1
1	1	1
-	-	-
1	1	1

G390FD	G420F	G420FD
-	-	-
1	1	1
1	1	1
1	1	1
5	5	5
1	1	1

G390FD	G420F	G420FD
1	1	1
1	1	1
2	2	2
1		
2	2	2
2	2	2
-	-	-
1	1	1
1	1	1
1	1	1
1	1	1

G390FD	G420F	G420FD
-	-	-
1	-	1
1	-	2
2	-	2
2	-	2
2	-	2

