

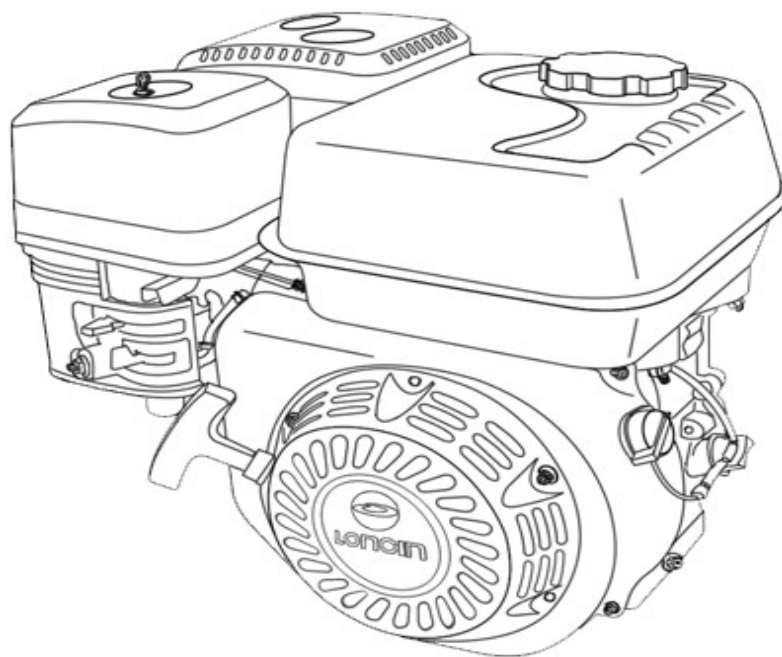


汽油机零部件图册

DRAWING OF ENGINE

LC168F (D) - I
LC168F (D) - II
LC168F (D) - IB
LC168F (D) - IIB
LC168F (D) - IC
LC168F (D) - IIC

G160F (D)
G200F (D)
G160F (D) - B
G200F (D) - B
G160F (D) - C
G200F (D) - C



重庆隆鑫通机动力有限公司

CHONGQING LONCIN GENERAL PURPOSE ENGINE CO., LTD.

(Instruction for use of parts catalogue)

20048

This parts catalogue was prepared based on the latest information available as of August 2004.

20048

See the parts catalogue news for any revision that is made after August 2004.

Always specify the part number when ordering a part.

Note that the illustrations can differ from the actual parts in shape.

LONCIN

When modifications or additions to this parts catalogue are made , a revised edition will be issued at an appropriate time,
We recommend obtaining such revisions in order to keep your parts catalogue up-to-date at all times. To check whether a parts catalogue revision has been issued, please contact your LONCIN distributor.

Example

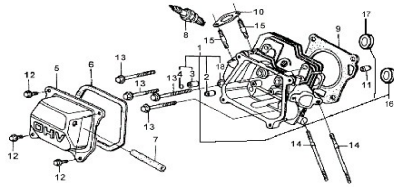
No.	Part No.	Description	(Reqd. QTY)		
			LC168F(D)-I		
10	103299-144	NUT , SPECIAL	1		
11	375100-144	FLYWHEEL COMP	(1)		

LC168F(D)-I LC168F-I LC168FD-I [LC168F(D)-I means LC168F-I and LC168FD-I]

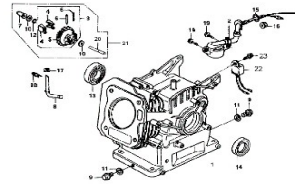
1 LC168F-I LC168FD-I 1 [1 means LC168F-I has 1 QTY and LC168FD-I has 1 QTY]

1 LC168F-I LC168FD-I 1 [(1) means LC168F-I require 0 QTY and LC168FD-I require 1 QTY]

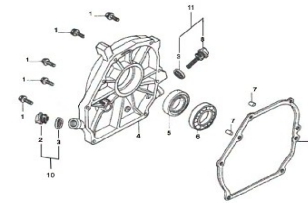
气缸头 (CYLINDER HEAD)



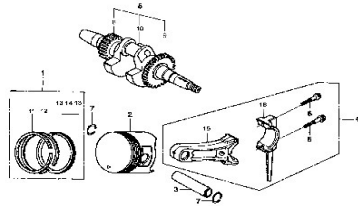
曲轴箱体(CRANK CASE)



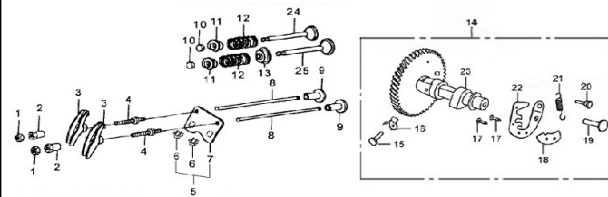
曲轴箱盖 (CRANK CASE COVER)



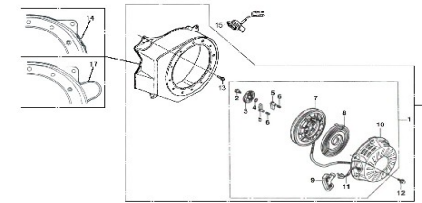
曲轴/活塞 (CRANKSHAFT/PISTON)



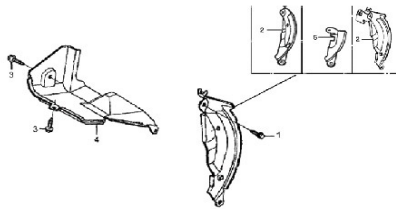
配气系统(GAS DISTRIBUTION ADJUSTMENT)



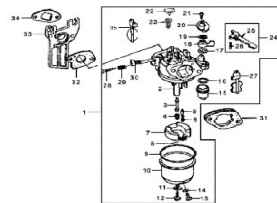
起动器组件 (起动拉盘组合/STARTER ASSY.)



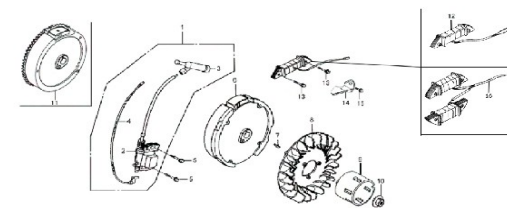
气缸头导流罩/SHROUD COMP



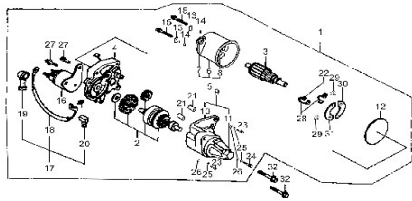
化油器 (CARBURETOR)



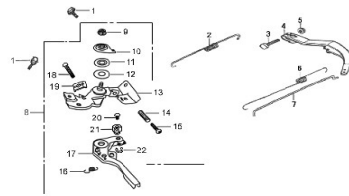
飞轮/点火/转子部件/点火线圈 FLYWHEEL COMP/COIL ASSY., IGNITION



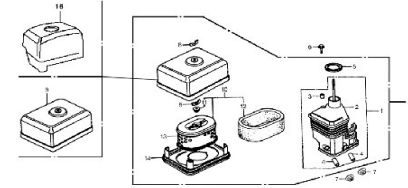
起动机 (STARTER MOTOR)



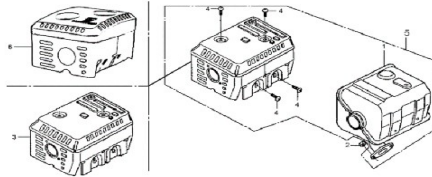
调速控制系统 (CONTROL SYSTEM)



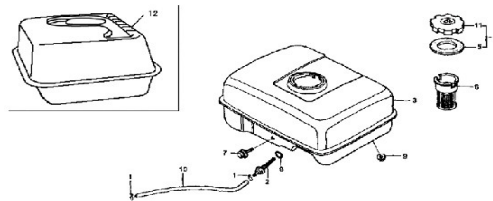
空滤器 (AIR CLEANER)



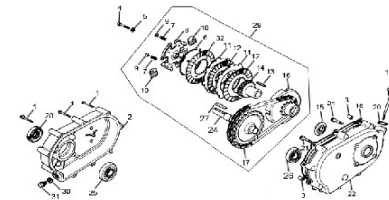
消音器 (MUFFLER)



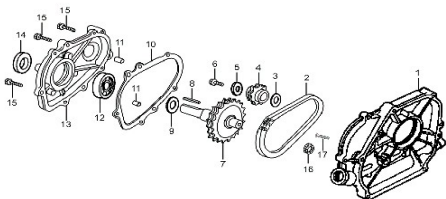
燃油箱 (FUEL TANK)

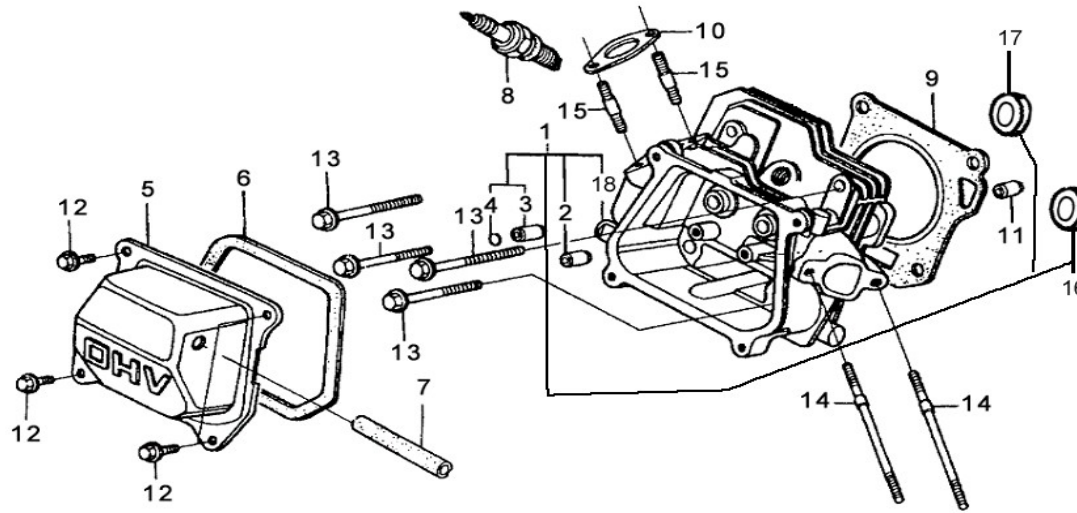


离合器减速箱 (CLUTCH RETARDER)



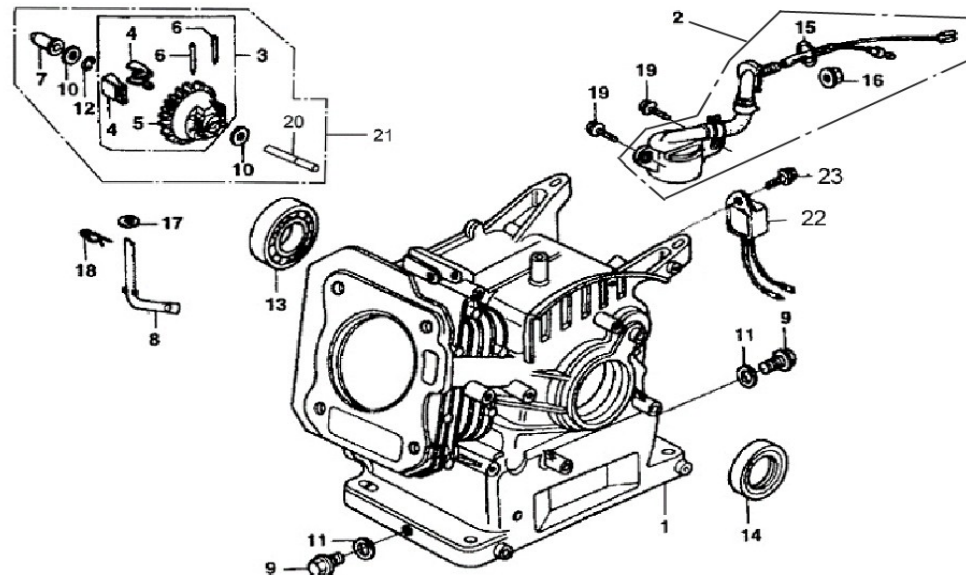
减速箱 (RETARDER)





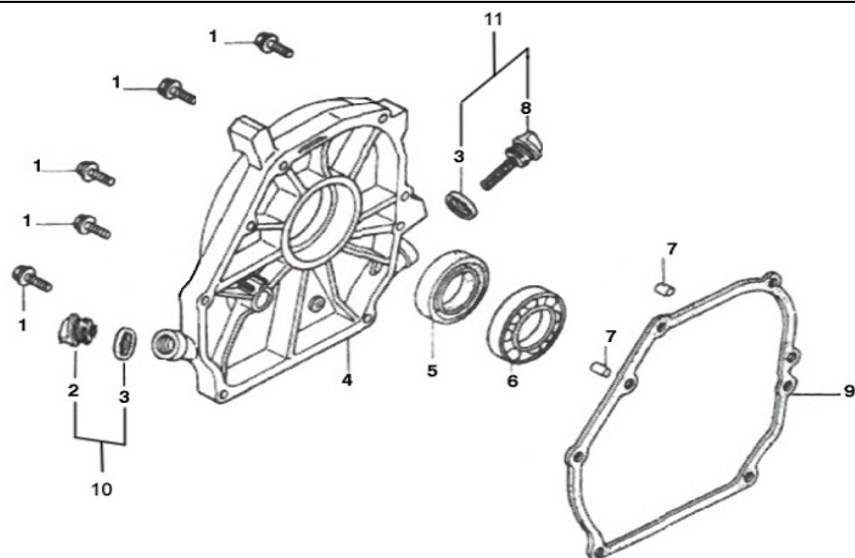
[[[CYLINDER HEAD)

□□ No.	□□□□ Part No.	□□□□□	Description	□□ (Reqd. QTY)			
				LC168F(D)-I	LC168F(D)-II	G160F(D)	G200F(D)
1	102200-144000	□□□□□	HEAD COMP ,CYLINDER	1	-	1	-
	102200-147000	□□□□□	HEAD COMP ,CYLINDER	-	1	-	1
2	102214-144000	□□□□□	GUIDE , IN. VALVE	1	1	1	1
3	102215-144000	□□□□□	GUIDE , EX. VALVE	1	1	1	1
4	102222-144000	□□□□□	CLIP , VALVE GUIDE	1	1	1	1
5	102230-144000	□□□□□□	COVER COMP ., HEAD	1	1	1	1
6	102249-144000	□□□□□□□	PACKING , HEAD COVER	1	1	1	1
7	115051-144000	□□□	TUBE , BREATHER	1	1	1	1
8	305300-144000	□□□	PLUG , SPARK	1	1	1	1
9	102299-144000	□□□□□□	GASKET , CYLINDER	1	-	1	-
	102299-147000	□□□□□□	GASKET , CYLINDER	-	1	-	1
10	117073-144000	□□□□	GASKET , MUFFLER	1	1	1	1
11	T41000-T000020	□□□ 10×14	PIN , DOWEL	2	2	2	2
12	SB0614-0000000DL	□□□□□□□ M6×14	BOLT , FLANGE , 6×14	4	4	4	4
13	102247-144000	□□□□ 8×60	BOLT , FLANGE , 8×60	4	4	4	4



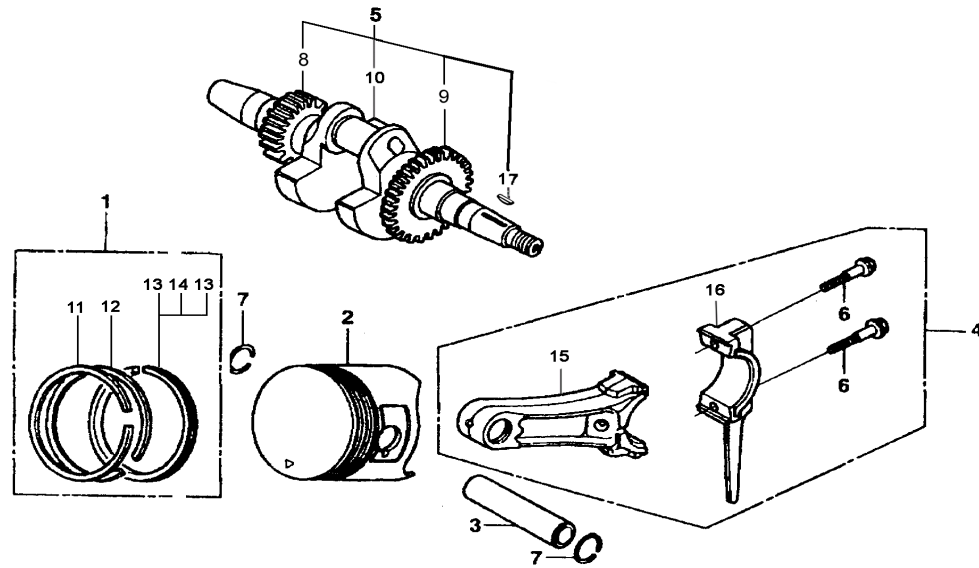
CRANK CASE

No.	Part No.	Description	(Reqd. QTY)			
			LC168F(D)-I	LC168F(D)-II	G160F(D)	G200F(D)
1	E10210-144000	CRANK CASE	1	-	1	-
	E10210-147000	CRANK CASE	-	1	-	1
2	323700-144000	OIL LEVEL SWITCH	1	1	1	1
3	121311-144000	GOVERNOR GEAR ASSY.	1	1	1	1
4	121312-144000	WEIGHT , GOVERNOR	2	2	2	2
5	121311-144000	GEAR , GOVERNOR	1	1	1	1
6	121313-144000	PIN , GOVERNOR WEIGHT	2	2	2	2
7	121302-144000	SLIDER , GOERNOR	1	1	1	1
8	121005-144000	SHAFT , GOVERNOR ARM	1	1	1	1
9	105099-144000	BOLT , DRAIN PLUG	2	2	2	2
10	121301-144000	WASHER , PLAIN	2	2	2	2
11	105096-144000	WASHER , DRAIN PLUG	2	2	2	2
12	121303-144000	CLIP , GOVERNOR HOLDER	1	1	1	1
13	E10221-T000120	BEARING , RADIAL BALL	1	1	1	1
14	E10220-T000170	OIL SEAL 25×41.25×6	1	1	1	1



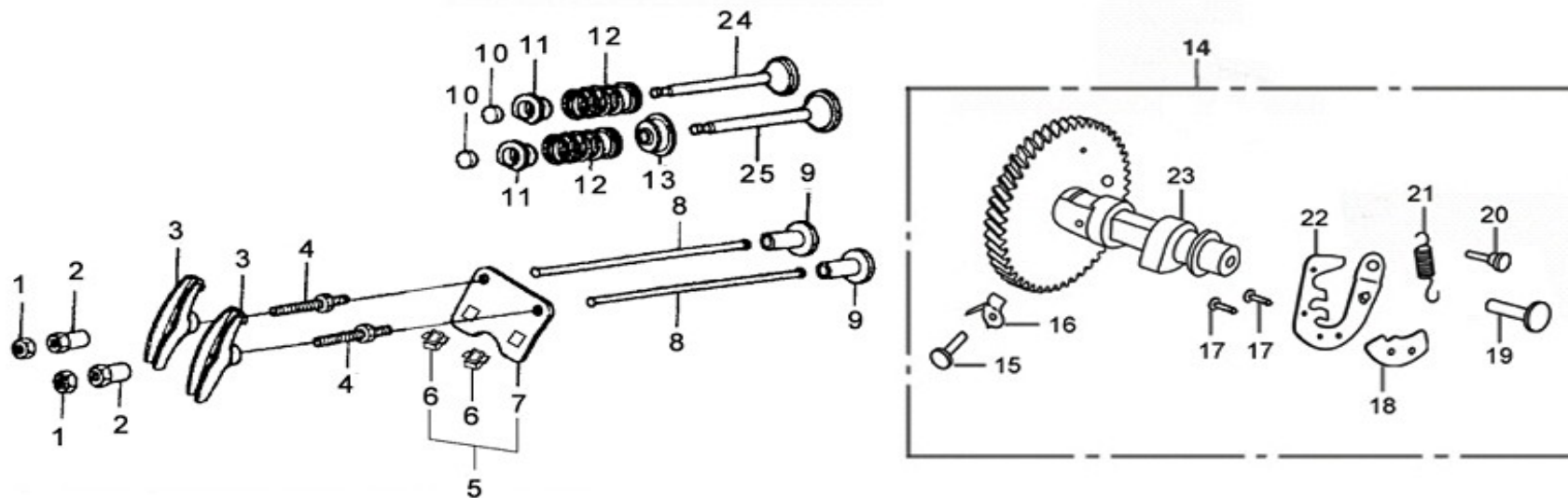
CRANK CASE COVER

No.	Part No.	Quantity	Description	(Reqd. QTY)			
				LC168F(D)-I	LC168F(D)-II	G160F(D)	G200F(D)
1	SB0832-000000DL	6	BOLT , FLANGE	6	6	6	6
2	105501-144000	1	OIL STICK	1	1	1	1
3	105502-144000	2	PACKING , OIL FILLER	2	2	2	2
4	E10208-144000	1	CASE COVER	1	1	1	1
5	E10220-T000170	1	OIL SEAL	1	1	1	1
6	E10221-T000120	1	BEARING	1	1	1	1
7	T41000-T000050	2	PIN , DOWEL	2	2	2	2
8	105301-144000	1	OIL FILLER CAP	1	1	1	1
9	E10209-144000	1	PACKING , CASE COVER	1	1	1	1
10	105500-144000	1	OIL FILLER ASSY.	1	1	1	1
11	105300-144000	1	CAP ASSY.	1	1	1	1
12							
13							
14							
15							



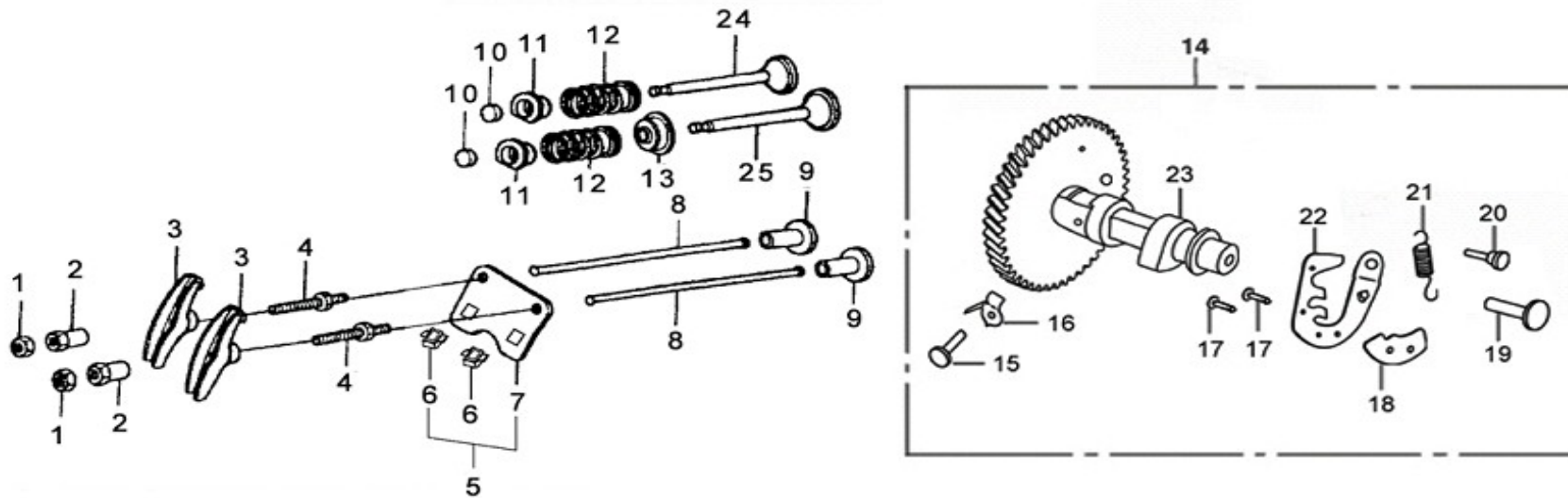
CRANKSHAFT/PISTON)

No.	Part No.	Description	(Reqd. QTY)			
			LC168F(D)-I	LC168F(D)-II	G160F(D)	G200F(D)
1	103120-144000	RING SET	1	1	1	1
2	103101-144000	PISTON	1	-	1	-
	103101-147000	PISTON	-	1	-	1
3	103111-144000	PIN , PISTON	1	1	1	1
4	103201-144000	ROD ASSY ., CONNECTING	1	1	1	1
5	E10310-144001	CRANKSHAFT COMP	1	-	1	-
	E10310-147001	CRANKSHAFT COMP	-	1	-	1
6	103204-144000	BOLT , CONNECTING ROD	2	2	2	2
7	103115-144000	CLIP , PISTON PIN	2	2	2	2
8	103215-144000	GEAR, TIMING	1	1	1	1
9	E10312-144000	GEAR, CRANKSHAFT	1	1	1	1
10	E10311-144001	CRANKSHAFT	1	-	1	-
	E10311-147001	CRANKSHAFT	-	1	-	1
11	103121-144000	RING , FIRST	1	1	1	1
12	103122-144000	RING , SECOND	1	1	1	1



□□□□(GAS DISTRIBUTION ADJUSTMENT)

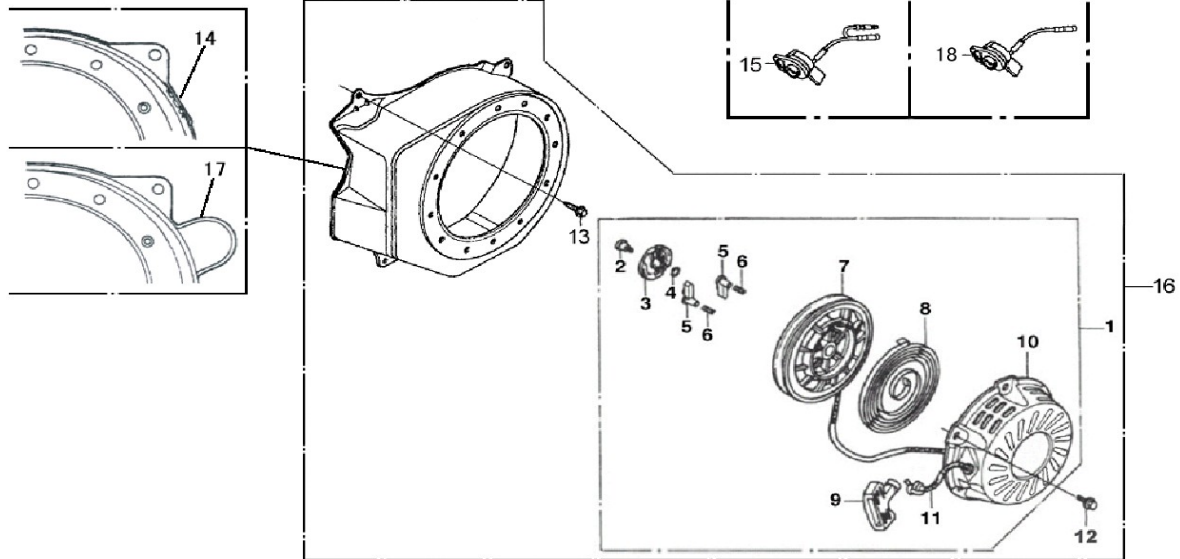
No.	Part No.	□□□□□	Description	□□ (Reqd. QTY)			
				LC168F(D)-I	LC168F(D)-II	G160F(D)	G200F(D)
1	104412-144000	□□□□□	NUT , PIVOT ADJUSTING	2	2	2	2
2	104414-144000	□□□□□	PIVOT , ROCKER ARM	2	2	2	2
3	104411-144000	(□)□□□	ARM , VALVE ROCKER	2	2	2	2
4	104413-144000	□□□□□	BOLT , PIVOT , ARM	2	2	2	2
5	E10430-144000	□□□□□□	PLATE ASSY.,	1	1	1	1
6	104199-144000	□□□□□	BLOCK , GUIDE	2	2	2	2
7	E10430-144000	□□□□□□	PLATE , PUSH ROD GUIDE	1	1	1	1
8	104151-144000	□□	ROD , PUSH	2	2	2	2
9	104197-144000	□□	LIFTER , VALVE	2	-	2	-
	104197-147000	□□	LIFTER , VALVE	-	2	-	2
10	104313-144000	□□□□□	RATATOR , VALVE	2	2	2	2
11	104394-144000	□□□□□	RETAINER , VALVE SPRING	2	2	2	2
12	104321-144000	(□)□ □ (□)□ □	SPRING , VALVE	2	2	2	2
13	104399-144000	□□□	SEAL , GUIDE	1	1	1	1
14	104110-144000	□□□□□	CAMSHAFT ASSY.	1	-	1	-



☐☐☐(GAS DISTRIBUTION ADJUSTMENT)

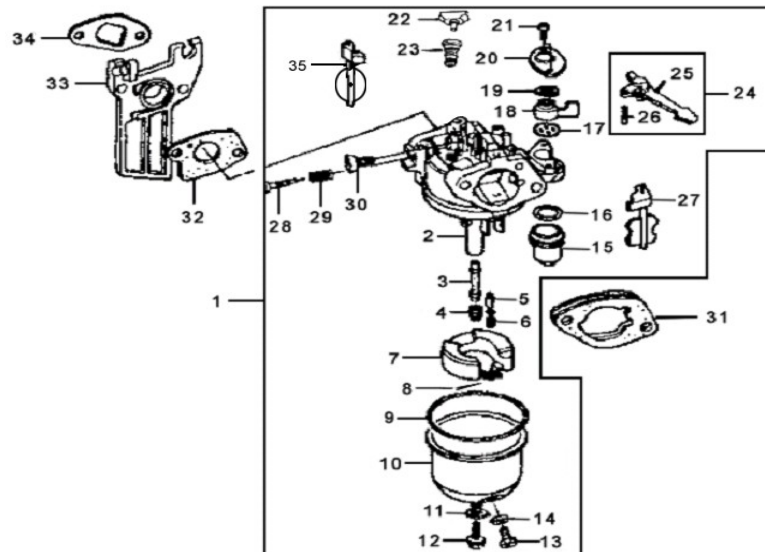
☐☐ No.	☐☐☐☐☐ Part No.	☐☐☐☐☐	Description	☐☐(Reqd. QTY)			
				LC168F(D)-I	LC168F(D)-II	G160F(D)	G200F(D)
14	104110-147000	☐☐☐☐☐	CAMSHAFT ASSY.	-	1	-	1
15	E10416-144000	☐☐☐☐	PIN , REDUCER	1	1	1	1
16	E10415-144000	☐☐☐	REDUCER	1	1	1	1
17	104112-144000	☐☐☐☐	PIN, MATCHING BLOCK	2	2	2	2
18	104113-144000	☐☐☐	MATCHING BLOCK	1	1	1	1
19	E10412-144000	☐☐☐	PIN , FLYING BLOCK	1	1	1	1
20	E10413-144000	☐☐☐☐☐	PIN , SPRING	1	1	1	1
21	E10414-144000	☐☐☐☐	SPRING , FLYING BLOCK	1	1	1	1
22	E10411-144000	☐☐	FLYING BLOCK	1	1	1	1
23	104111-144000	☐☐☐	CAMSHAFT	1	-	1	-
	104111-147000	☐☐☐	CAMSHAFT	-	1	-	1
24	104311-144000	☐☐☐	VALVE☐EX.	1	1	1	1
25	104312-144000	☐☐☐	VALVE☐IN.	1	1	1	1

#



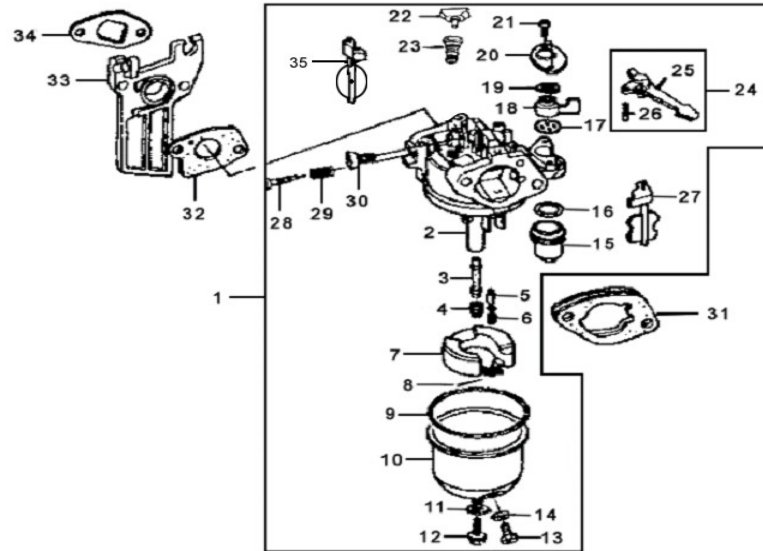
STARTER SUBASSEMBLY

No.	Part No.	Description	(Reqd. QTY)			
			LC168F(D)-I	LC168F(D)-II	G160F(D)	G200F(D)
1	109420-144000	STARTER ASSY.	1	1	1	1
2	109413-144000	SCREW , SETTING	1	1	1	1
3	109406-144000	GUIDE , RATCHET	1	1	1	1
4	109414-144000	SPRING , FRICTION	1	1	1	1
5	109405-144000	RATCHET , STARTER	2	2	2	2
6	109416-144000	SPRING , RETURN	2	2	2	2
7	109402-144000	REEL , RECOIL STARTER	1	1	1	1
8	109404-144000	SPRING , RECOIL STARTER	1	1	1	1
9	109407-144000	KNOB , RECOIL STARTER	1	1	1	1
10	109417-144000	COVER COMP ., FAN	1	1	1	1
11	109403-144000	ROPE	1	1	1	1
12	SB0608-000000DL	BOLT , FLANGE 6×8	3	3	3	3
13	SB0610-000000DL	BOLT , FLANGE 6×10	4	4	4	4
14	112210-144000	COVER COMP ., FAN	1	1	1	1
15	324311-144000	SWITCH ASSY., ENGINE STOP(OIL ALERT)	1	1	1	1



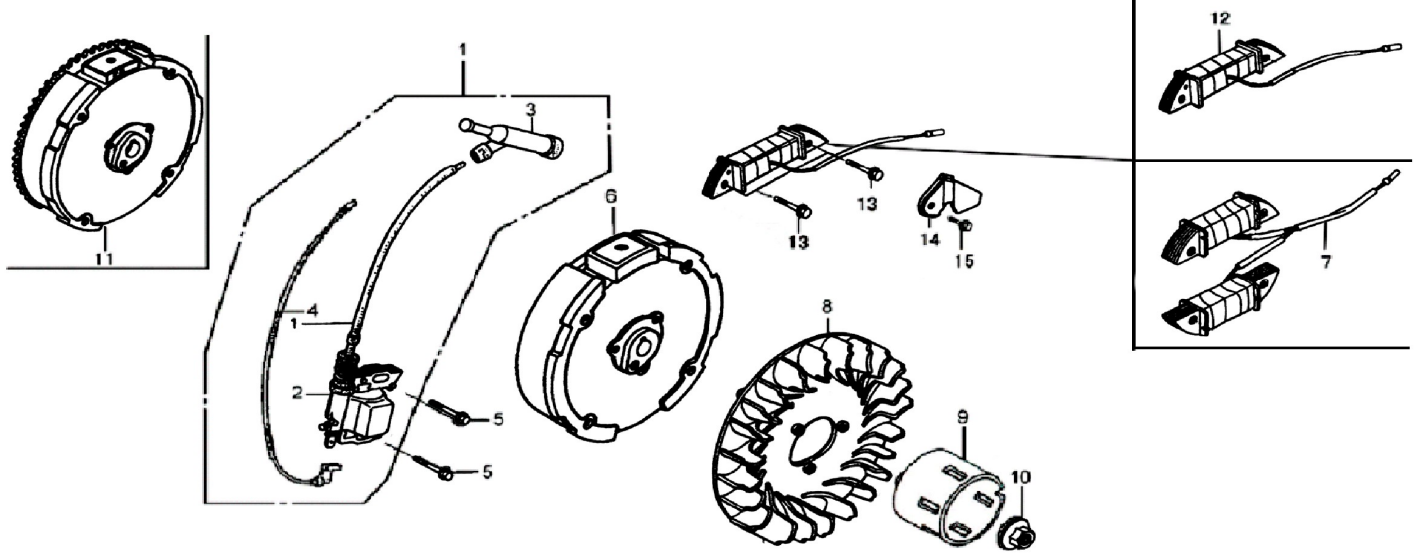
□□□ CARBURETOR □

No.	Part No.	□□□□	Description	□ (Reqd. QTY)			
				LC168F(D)-I	LC168F(D)-II	G160F(D)	G200F(D)
1	113100-144000	□□□	CARBURETOR	1	-	1	-
	113100-147000	□□□	CARBURETOR	-	1	-	1
2	113121-144000	□□	CARBURETOR'S NOUMENON	1	-	1	-
	113121-147000	□□	CARBURETOR'S NOUMENON	-	1	-	1
3	113123-144000	□□□	NOZZLE , MAIN	1	-	1	-
	113123-147000	□□□	NOZZLE , MAIN	-	1	-	1
4	113104-144000	□□□	JET , MAIN	1	-	1	-
	113104-147000	□□□	JET , MAIN	-	1	-	1
5	113143-144000	□□□□	VALVE , FLOAT	1	1	1	1
6	113144-144000	□□□□□	SPRING , VALVE SET	1	1	1	1
7	113141-144000	□□	FLOAT	1	1	1	1
8	113142-144000	□□□	PIN , FLOAT	1	1	1	1
9	113172-144000	□□□□□	GASKET , OIL CUP	1	1	1	1
10	113171-144000	□□	OIL CUP	1	1	1	1
11	113182-144000	□□□□□□	GASKET , OIL CUP BOLT	1	1	1	1
12	113183-144000	□□□□	BOLT , OIL CUP	1	1	1	1



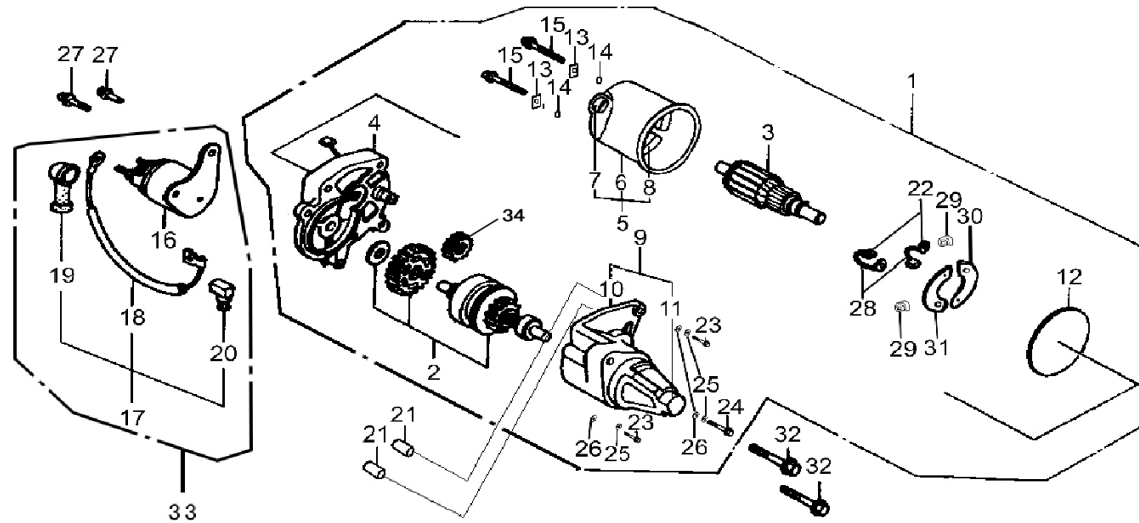
□□□□ CARBURETOR □

No.	Part No.	□□□□□	Description	(Reqd. QTY)			
				LC168F(D)-I	LC168F(D)-II	G160F(D)	G200F(D)
13	105099-144000	□□□□	DRAIN BOLT	1	1	1	1
14	105096-144000	□□□□□□	GASKET , DRAIN BOLT	1	1	1	1
15	113113-147000	□□□□□	CUP , FUEL STRAINER	-	1	-	1
16	113114-147000	□□□□□□□□	PACKING , FUEL STRAINER CUP	-	1	-	1
17	113110-147000	□□□□□□	PACKING , FUEL COCK	-	1	-	1
18	113109-147000	□□□□□	LEVER , COCK	-	1	-	1
19	113112-147000	□□□□□□□	SPRING , COCK LEVER	-	1	-	1
20	113108-147000	□□□□□□	PLATE , LEVER SETTING	-	1	-	1
21	D20308-0000000BZ	□□□□□□□M3×8	SCREW , PAN , 3×8	-	2	-	2
22	113107-144000	□□□□□□	BOTTOM SUB , JET SET	1	1	1	1
23	113118-144000	□□□□	JET SET , PILOT	1	1	1	1
24	113160-144000	□□□□□	LEVER COMP.,CHOKE	1	1	1	1
25	113101-144000	□□□□□	CHOKE LEVER	1	1	1	1
26	121415-144000	□□□□	SHAFT,LEVER COMP.	1	1	1	1
27	113160-144000	□□□□□	CHOKE SET	1	1	1	1



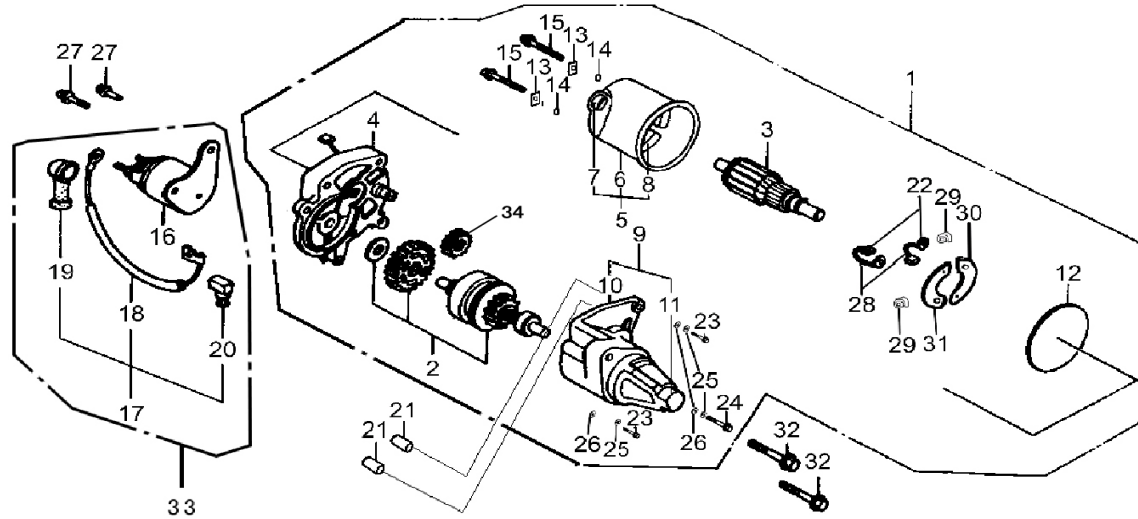
□□□□□□□□/□□□□□ FLYWHEEL/COIL

□□ No.	□□□□□ Part No.	□□□□□	ASSY.□ Description	□□ (Reqd. QTY)			
				LC168F(D)-I	LC168F(D)-II	G160F(D)	G200F(D)
1	305000-144000	□□□□ (□□)	COIL ASSY . , IGNITION	1	1	1	1
2	305100-144000	□□□□□	COIL , IGNITION	2	2	2	2
3	305200-144000	□□□□	CAP ASSY ., NOISE SUPPRESSOR	1	1	1	1
4	305072-144000	□□□	CORD , STOP SWITCH	1	1	1	1
5	SB0630-0000000DL	□□□□□□□ M6×30	BOLT , FLANGE , 6×30	2	2	2	2
6	375100-144000	□□□□ (□□)	FLYWHEEL COMP	1	1	1	1
7	E30210-150001	□□□□□□□□□□	COIL ASSY . , CHARGE	(1)	(1)	(1)	(1)
8	103292-144000	□□	FAN , COOLING	1	1	1	1
9	103293-144000	□□□	PULLEY , STARTER	1	1	1	1
10	103299-T000010	□□□ (□□)□□	NUT , SPECIAL	1	1	1	1
11	375100-150000	□□□□ (□□)	FLYWHEEL COMP	(1)	(1)	(1)	(1)
12	E30210-150000	□□□□□□□□□□	COIL ASSY . , CHARGE	(1)	(1)	(1)	(1)
13	SB0635-0000000DL	□□□□□□□ M6×35	BOLT , FLANGE , 6×35	2	2	2	2
14	E30202-150000	□□□□□□	CLAMPER , CORD	(1)	(1)	(1)	(1)
15	SB0608-0000000DL	□□□□□□□ M6×8	BOLT , FLANGE , 6×8	(1)	(1)	(1)	(1)



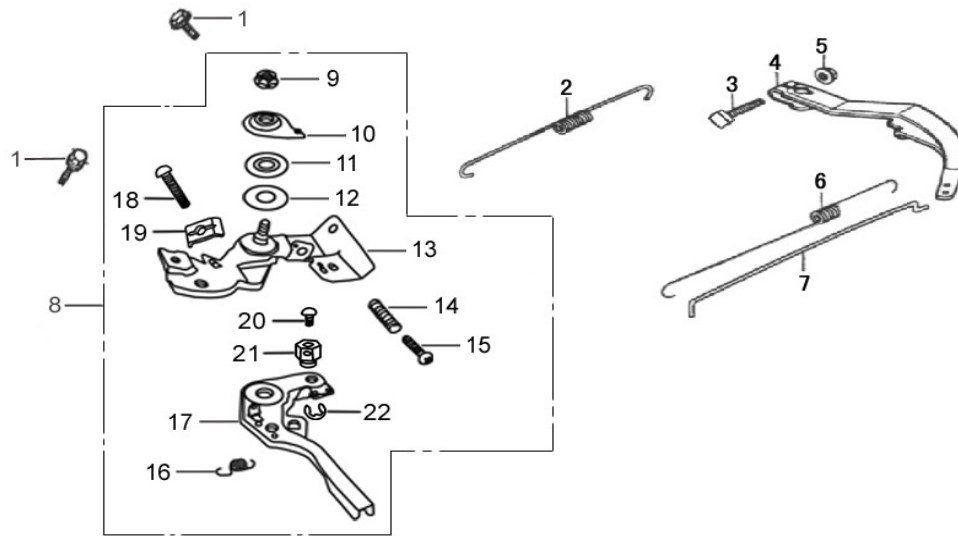
STARTER MOTOR

No.	Part No.	Description	Reqd. QTY			
			LC168F(D)-I	LC168F(D)-II	G160F(D)	G200F(D)
1	376100-150000	STARTER MOTOR	(1)	(1)	(1)	(1)
2	376113-150000	CLUTCH COMP., OVERRUNNING	(1)	(1)	(1)	(1)
3	E30123-150000	ARMATURE COMP	(1)	(1)	(1)	(1)
4	116153-150000	BRACKET, CENTER	(1)	(1)	(1)	(1)
5	376115-150000	YOKE COMP	(1)	(1)	(1)	(1)
6	376116-150000	YOKE	(1)	(1)	(1)	(1)
7	376117-150000	BUSHING RING	(1)	(1)	(1)	(1)
8	376119-150000	MAGNET	(1)	(1)	(1)	(1)
9	376093-150000	BRACKET COMP, FR	(1)	(1)	(1)	(1)
10	376118-150000	BRACKET	(2)	(2)	(2)	(2)
11	376120-150000	BUSHING RING	(2)	(2)	(2)	(2)
12		O-RING, YOKE	(2)	(2)	(2)	(2)
13		WASHER	(2)	(2)	(2)	(2)
14		O-RING, BOLT	(2)	(2)	(2)	(2)
15	115306-150000	BOLT, YOKE	(2)	(2)	(2)	(2)



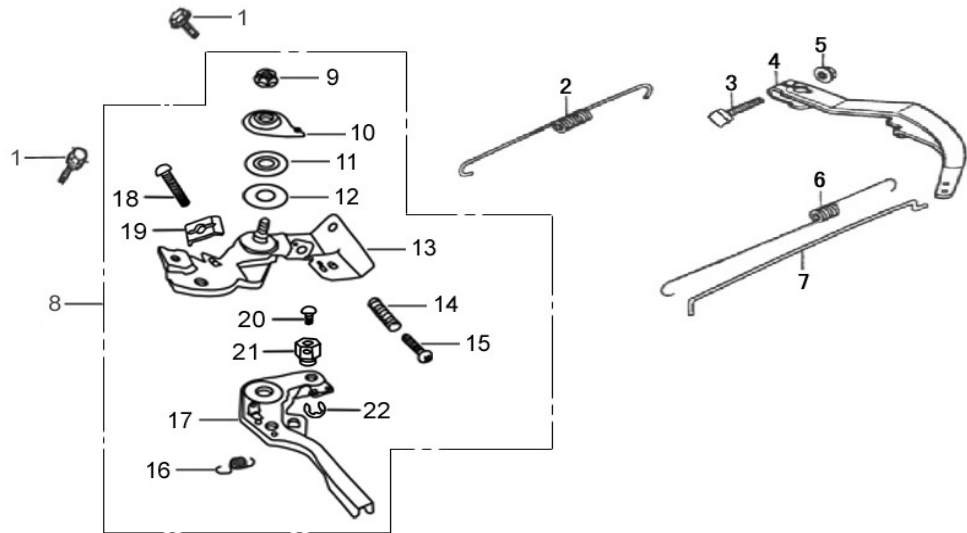
STARTER MOTOR

No.	Part No.	Description	(Reqd. QTY)			
			LC168F(D)-I	LC168F(D)-II	G160F(D)	G200F(D)
16	301000-150000	CONTACTOR COMP	(1)	(1)	(1)	(1)
17	301072-150000	WIRE , WATER COVER	(1)	(1)	(1)	(1)
18	E30108-150000	CONNECTING WIRE	(1)	(1)	(1)	(1)
19	301073-150000	INSULATION COVERING	(1)	(1)	(1)	(1)
20	301074-150000	JACKET, WATER COVER	(1)	(1)	(1)	(1)
21	T41000-T000120	PIN , 8×10	(1)	(1)	(1)	(1)
22	376114-150000	BRUSH	(1)	(1)	(1)	(1)
23	D30518-0000000BZ	SCREW , 5×18	(2)	(2)	(2)	(2)
24	D30530-0000000BZ	SCREW , 5×30	(1)	(1)	(1)	(1)
25	Q00500-0000000AZ	SPRING WASHER	(3)	(3)	(3)	(3)
26	Q00500-0000000AZ	PACKING	(3)	(3)	(3)	(3)
27	SB0512-0000000DL	BOLT , 5×12	(2)	(2)	(2)	(2)
28	E30108-150000	CONNECTING WIRE	(2)	(2)	(2)	(2)
29	E20120-150000	SPRING	(2)	(2)	(2)	(2)
30	376111-150000	INSULATOR	(1)	(1)	(1)	(1)



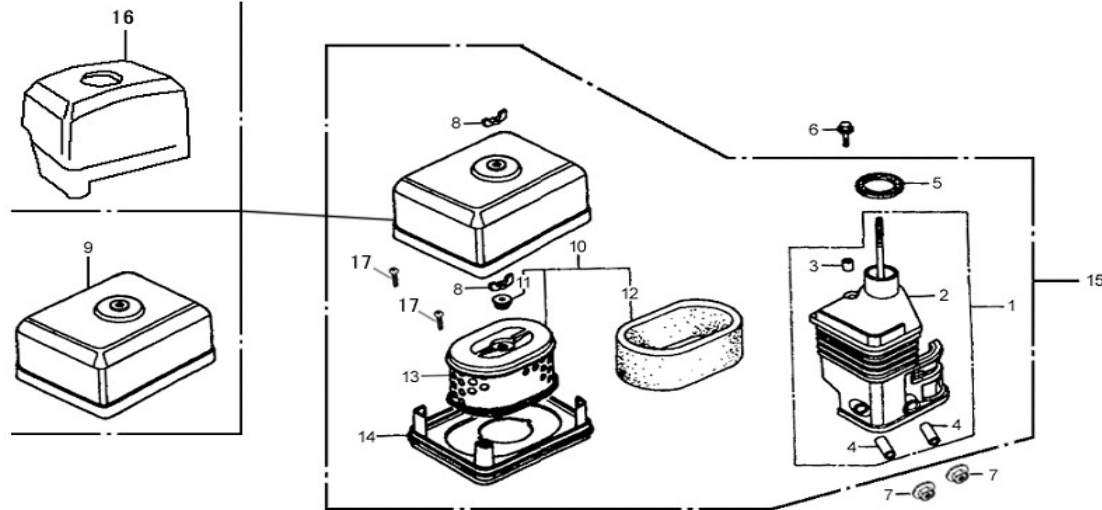
CONTROL

No.	Part No.	Description	(Reqd. QTY)			
			LC168F(D)-I	LC168F(D)-II	G160F(D)	G200F(D)
1	SB0610-000000DL	BOLT, FLANGE	2	2	2	2
2	121002-144000	SPRING, GOVERNOR	1	1	1	1
3	121014-144000	BOLT, QUADRATE HEAD6×21	1	1	1	1
4	121004-144000	ARM, GOVERNOR	1	1	1	1
5	M80600-000000DL	NUT, FLANGE	1	1	1	1
6	121003-144000	SPRING, THROTTLE RETURN	1	1	1	1
7	121001-144000	ROD, GOVERNOR	1	1	1	1
8	121100-144000	CONTROL ASSY.	1	1	1	1
9	M80600-000000DL	NUT, FLANGE	1	1	1	1
10	121101-144000	FIXING PLATE	1	1	1	1
11	Q00300-000000HZ	WASHER, METAL	1	1	1	1
12	121120-144000	WASHER CONTROL ASSY.	1	1	1	1
13	121107-144000	RETAINER, CONTROL ASSY.	1	1	1	1
14	121103-144000	SPRING	1	1	1	1
15	D20535-000000BZ	SCREW, 5×35	1	1	1	1

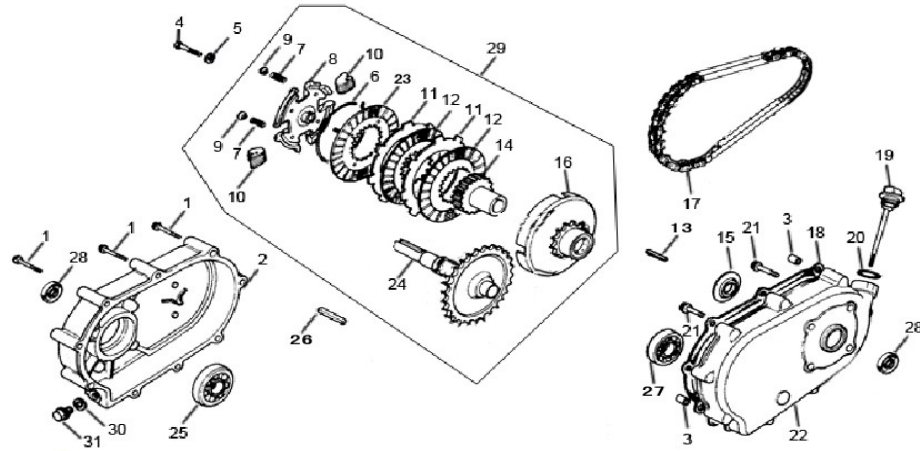


CONTROL SYSTEM

No.	Part No.	Quantity	Description	Reqd. QTY			
				LC168F(D)-I	LC168F(D)-II	G160F(D)	G200F(D)
16	121102-144000	1	SPRING , CABLE RETURN	1	1	1	1
17	121104-144000	1	HANDLE, CONTROL	1	1	1	1
18	D20525-000000DL	1	SCREW , 5×25	1	1	1	1
19	121105-144000	1	BACK PLATE , DRAGLINE	1	1	1	1
20	D20406-000000DL	1	SCREW , 4×6	1	1	1	1
21	121106-144000	1	LOCKING RING , DRAGLINE	1	1	1	1
22	A50500-000000AZ	1	CLIP 6	1	1	1	1
23							
24							
25							
26							
27							
28							
29							
30							



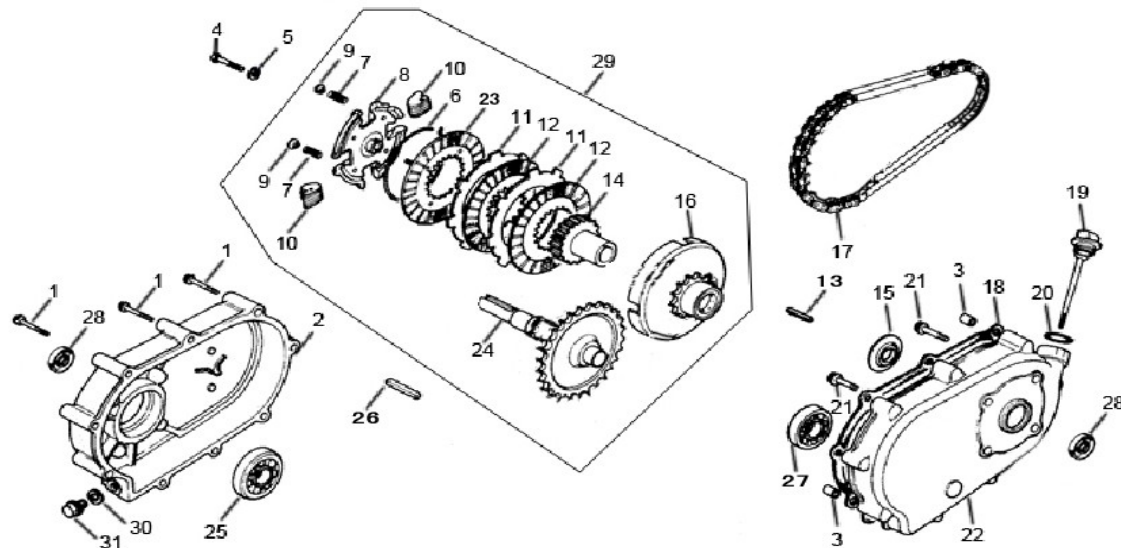
No.	Part No.	Description	(Req. QTY)			
			LC168F(D)-I	LC168F(D)-II	G160F(D)	G200F(D)
1	115500-144000	ELBOW COMP., AIR CLEANER	1	1	1	1
2	115101-144000	ELBOW	1	1	1	1
3	115504-144000	COLLAR , SHORT	2	2	2	2
4	115505-144000	COLLAR , LONG	2	2	2	2
5	115150-144000	PACKING , ELBOW	1	1	1	1
6	S90620-0000000DL	BOLT , FLANGE , 6×20	1	1	1	1
7	M80600-0000000DL	NUT , FLANGE , 6MM	2	2	2	2
8	MG0600-000000000	NUT , TOOL BOX SETTING 6	2	2	2	2
9	115100-144000	COVER , AIR CLEANER	1	1	-	-
10	115300-144000	ELEMENT ASSY. , AIR CLEANER	1	1	1	1
11	115303-144000	GROMMET , AIR CLEANER	1	1	1	1
12	115302-144000	FILTER , OUTER	1	1	1	1
13	115315-144000	ELEMENT	1	1	1	1
14	115350-144000	NOSE , SILENCER	1	1	1	1
15	115000-144000	AIR CLEANER ASSY	1	1	-	-



□□□□□(CLUTCH

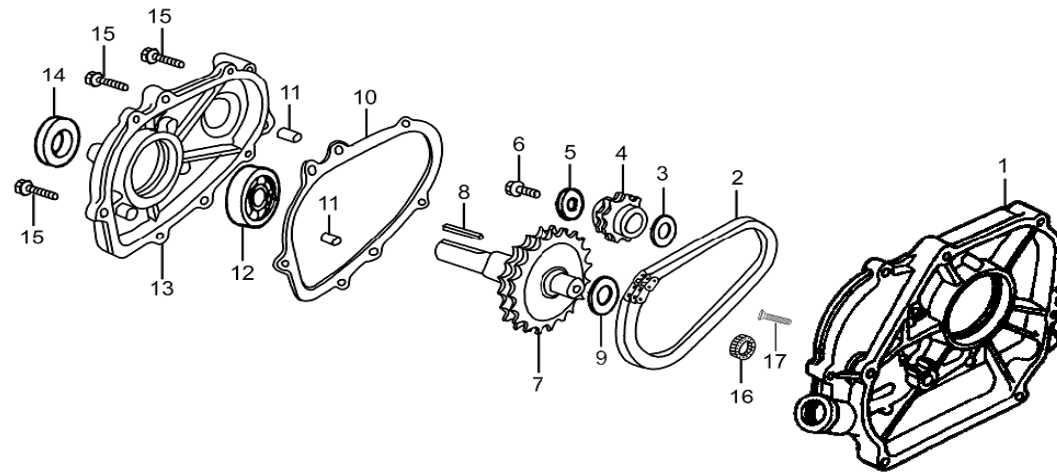
No.	Part No.	Description	(Reqd. QTY)			
			LC168F(D)-IB	LC168F(D)-IIB	G160F(D)-B	G200F(D)-B
1	SB0655-000000DL	BOLT , FLANGE , 6×55	9	9	9	9
2	211200-145000	RETARDER CASE COVER	1	1	1	1
3	T41000-T000050	PIN , DOWEL ,8×14	2	2	2	2
4	S90830-000000DL	BOLT , FLANGE , 8×30	1	1	1	1
5	Q50800-000000DL	WASHER ,HOLDER , 8.4×15×1.6	1	1	1	1
6	E20119-1450000	RING , LIMITE WEIGHT CIRCUMROTATE	1	1	1	1
7	E20120-145000	SPRING	4	4	4	4
8	E20117-145000	COVER , CLUTCH	1	1	1	1
9	E20122-145000	RETAINER , SPRING	4	4	4	4
10	E20118-145000	WEIGHT , RETARDER	48	48	48	48
11	E20126-145000	STEEL SLICE , RETARDER	2	2	2	2
12	E20127-145000	CHAPE SLICE , RETARDER	2	2	2	2
13	103297-145000	KEY	1	1	1	1
14	E20128-145000	SHAFT SHEATH , RESTRICTION CENTER	1	1	1	1
15	E20125-145000	WASHER ,THRUST	1	1	1	1





RETARDER

No.	Part No.	Description	(Reqd. QTY)			
			LC168F(D)-IB	LC168F(D)-IIB	G160F(D)-B	G200F(D)-B
16	211006-145000	COVER STRAP	1	1	1	1
17	203100-145000	CHAIN , RETARDER	1	1	1	1
18	211001-145000	PACKING , RETARDER CASE COVER	1	1	1	1
19	105301-145000	OIL STICK	1	1	1	1
20	105502-145000	RING , SEAL	1	1	1	1
21	SB0825-0000000AZ	BOLT , FLANGE	5	5	5	5
22	211100-145000	RETARDER CASE	1	1	1	1
23	E20123-145000	PLATE COMP., CLUTCH PRESSURE	1	1	1	1
24	E20124-145000	CHAIN WHEEL , OUTPUT	1	1	1	1
25	E10221-T000150	BEARING , RADIAL BALL	1	1	1	1
26	E10221-T000120	BEARING , RADIAL BALL	1	1	1	1
27	103297-T000030	KEY	1	1	1	1
28	E10220-T000240	OIL SEAL,30×50×8	1	1	1	1
29	106000-145000	CLUTCH ASSY.	1	1	1	1
30	105096-145000	WASHER , DRAIN PLUG	1	1	1	1



RETARDER

No.	Part No.	Description	(Reqd. QTY)			
			LC168F(D)-IC	LC168F(D)-IIC	G160F(D)-C	G200F(D)-C
1	E10208-146000	CASE COVER	1	1	1	1
2	203100-146000	CHAIN,RETARDER	1	1	1	1
3	T21000-T000170	WASHER	1	1	1	1
4	211013-146000	CHAIN WHEEL	1	1	1	1
5	T21000-T000350	WASHER	1	1	1	1
6	S90830-0000000DL	BOLT 8×30	1	1	1	1
7	211003-146000	OUTPUT SHAFT	1	1	1	1
8		KEY	1	1	1	1
9	T21000-T000340	WASHER	1	1	1	1
10	211001-146000	PACKING	1	1	1	1
11	T41000-T000050	PIN	1	1	1	1
12	E10221-T000120	BEARING , RADIAL BALL	1	1	1	1
13	211200-146000	COVER	1	1	1	1
14	E10220-T000170	OIL SEAL	1	1	1	1
15	SA0624-0000000DL	BOLT 6×24	5	5	5	5

