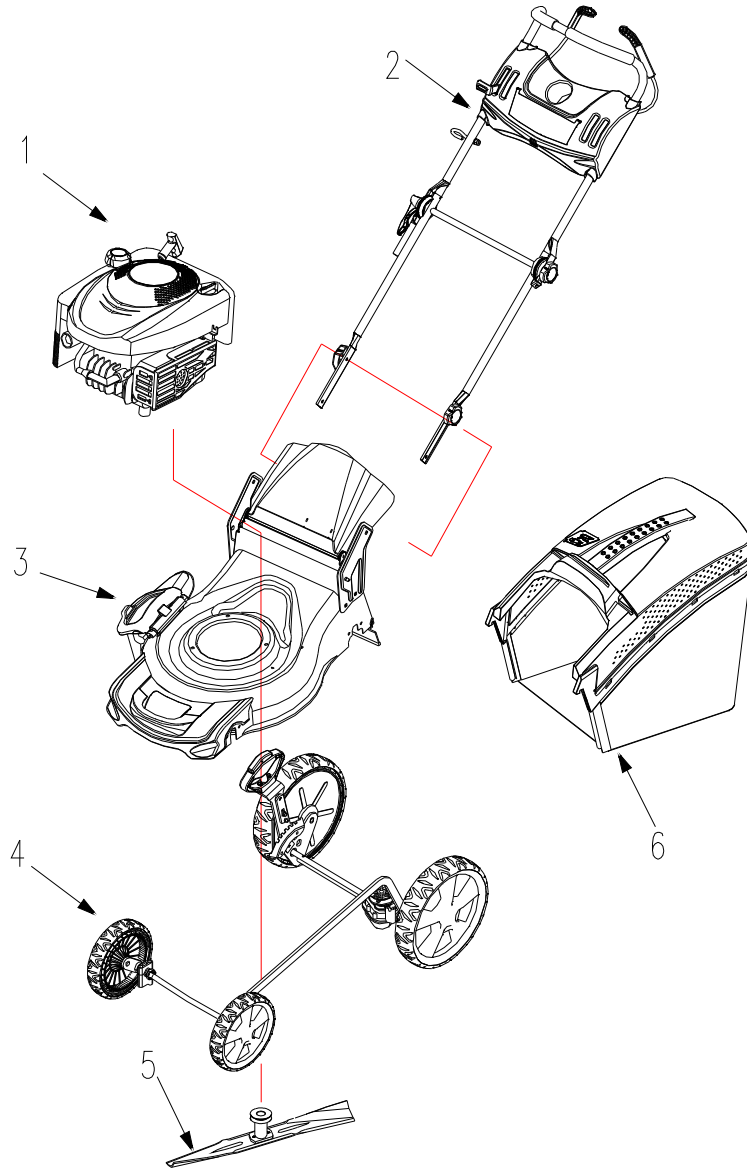
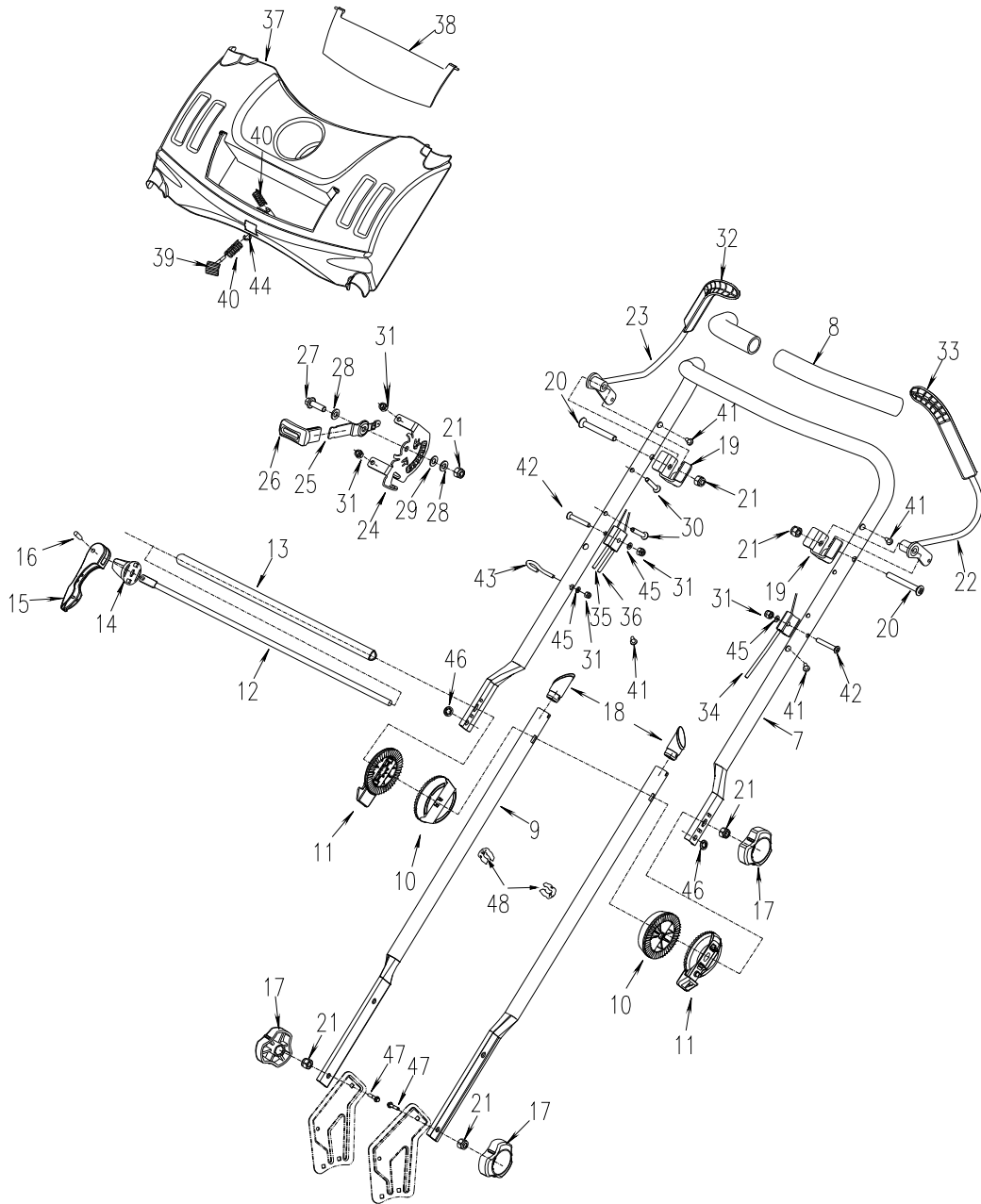

MOWER		1
ASSEMBLY		
.....		
HANDLEBAR		2
&CONSOLE		
.....		
MOWER	DECK	4
ASSEMBLY		
....		
DRIVE		6
ASSEMBLY		
.....		
STRAIGHT	BLADE	8
ASSEMBLY		
GRASS	BAG	9
ASSEMBLY		
.....		

MOWER ASSEMBLY



REF NO.	PART NO.	DESCRIPTION	Quantity
1		BS50 Engine	1
2		Handlebar & Console	1
3		Mower Deck Assembly	1
4		Drive Assembly	1
5		Straight Blade Assembly	1
6		Grass Bag Assembly	1

HANDLEBAR & CONSOLE



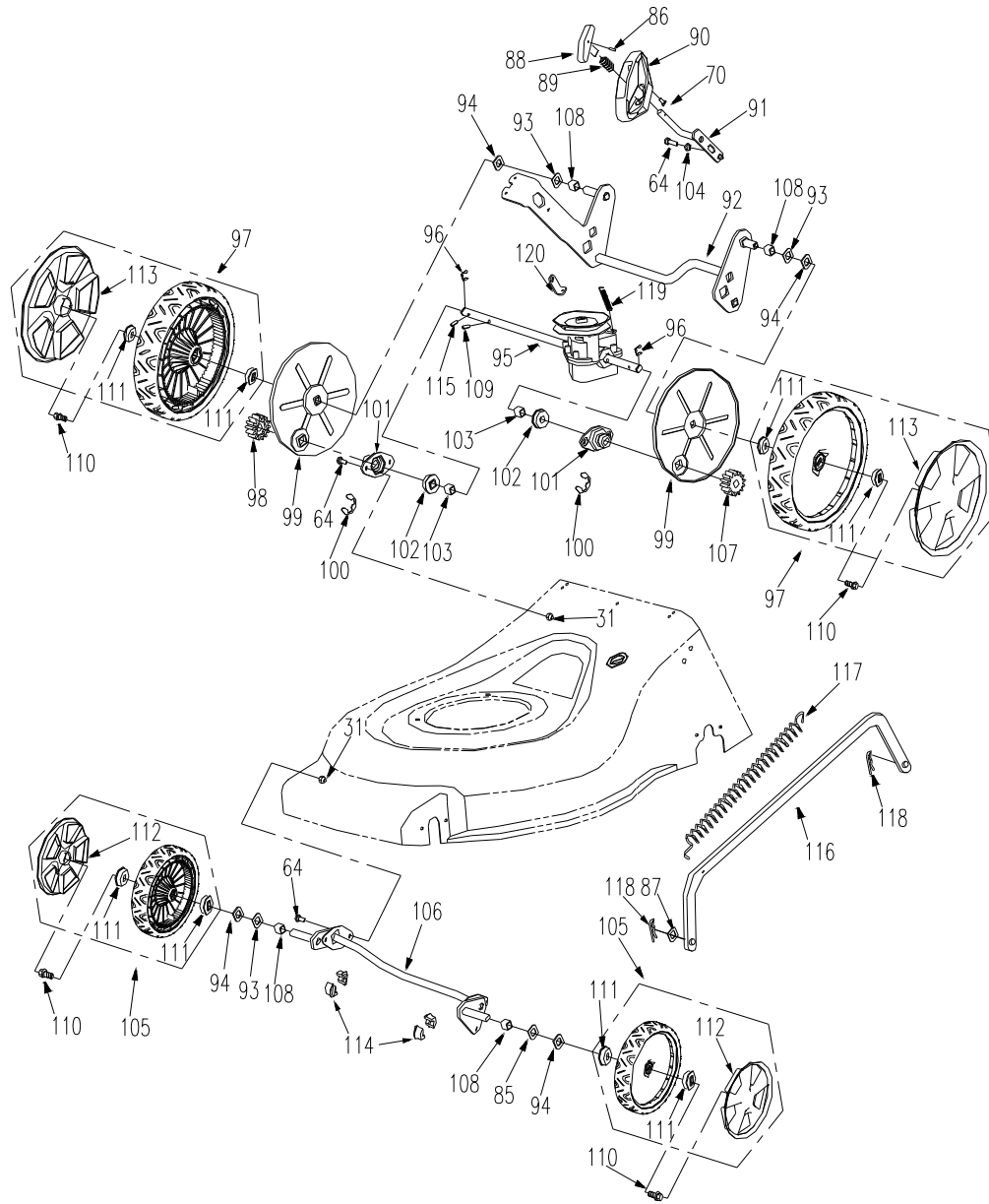
HANDLEBAR & CONSOLE

REF	PART NO.	DESCRIPTION	Quantity
7	1818022	Upper Handlebar	1
8	04016324	Handle Grip	2
9	1818024	Lower Handlebar	2
10	04016731	Inside control plate	2
11	04016734	External control plate	2
12	1818027	Quick fix handle lever	1
13	1818025	Stiffener	1
14	04016743	Control block	1
15	1600511	Quick fix	1
16	B879-619	Pin 6*19	1
17	1818028	Knob Nut	3
18	1818038	Pipe plug	2
19	1818023	Limit board	2
20	B820-865	Screw M8*65	2
21	B6182-8	Nut M8	6
22	1818030	Blade Control Handle	1
23	1818032	Drive Clutch Lever	1
24	1818040	Support	1
25	1818039	Throttle control handle	1
26	2110087	Wrench cover	1
27	B5787-825	Bolt M8*25	1
28	B97.1-8	Washer 8	2
29	B1972-A16-1	Dish spring	1
30	B820-635	Screw M6*35	2
31	B6182-6	Nut M6	5
32	04016797	Wrench cover	1
33	04016799	Wrench cover	1
34	1818042	Holding brake pull	1
35	1818041	Clutch Cable	1
36	1818037	Throttle flexible shaft	1
37	1818029	Panel	1
38	1818035	Cover	1
39	1818036	Knob	1
40	1818043	Pressure spring	2
41	B845-4213	Self-tapping screw ST4.2*13	4
42	B820-640	Screw M6*40	2
43	WORD18.6-05	Guy hook	1
44	B896-3	Split washer 3	1
45	B97.1-6	washer 6	3
46	04004228	Star lock 5	2
47	B801-820	Bolt M8*20	2
48	2011031	Cable clip	2

MOWER DECK ASSEMBLY

REF	PART NO.	DESCRIPTION	Quantity
45	B97.1-6	Flat Washer 6mm	2
31	B6182-6	Nylon Insert Lock Nut M6mm	4
21	B6182-8	Nylon Insert Lock Nut M8mm	9
49	2100350	Rod, Rear Cover	1
50	2100466	Rear Cover	1
51	2018006	Left Bracket	1
53	2012013	V-Belt A800	1
54	B5787-835	Bolt M8×35	3
55	2100012	Swing nut	1
56	2008011	Baffle	1
57	2000019	Pivot Shaft	1
58	2018003	Mower Deck	1
59	2000016	Mulch Cover	1
60	2013008	Side Discharge Chute	1
61	2200021	Torsion Spring	1
62	2213000	Mounting Bracket	1
63	2012004	Height Adjustment Rack	1
64	B5787-616	Bolt M6×16	2
65	4LZ2.16.4-04	Rubber Ring	1
66	B91-216	Pin 2×16	4
67	2018007	Right Bracket	1
68	B801-816	Bolt M8×16	6
69	XSS46-15A	Rear Guard	1
70	B5787-620	Bolt M6×20	1
71	B96-6	Washer 6	3
72	2012003	Rear Cover Bracket	1
73	2012006	Torsion Spring	1
74	B93-6	Washer 6	1
75	2000066	Belt cover	1
77	B5285-	Self-tapping screw ST5.5X19C	6
78	B845-3525	Self-tapping screw ST3.5*25	4
79	2018016	Front handle	1
80	2018001	Front feeling	1
81	1818003	Front cover	1
82	B845-3516	Self-tapping screw ST3.5*16	3
83	B5285-5513F	Self-tapping screw ST5.5*13F	6
84	2012010	Mulching Plug	1

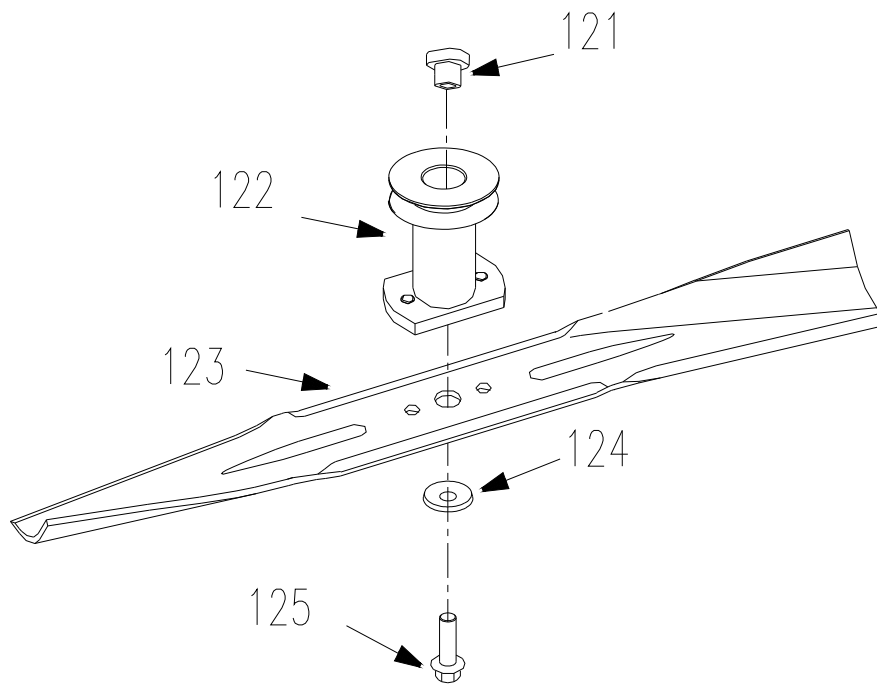
DRIVE ASSEMBLY



DRIVE ASSEMBLY

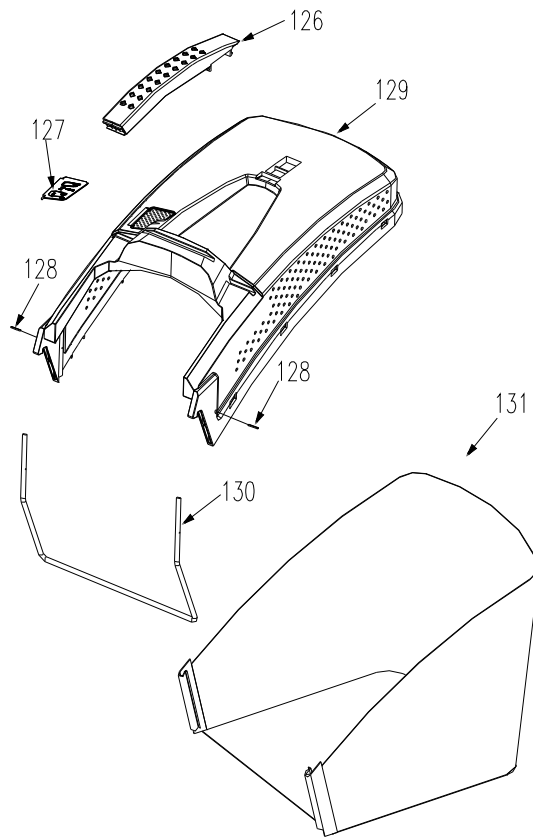
REF	PART NO.	DESCRIPTION	Quantity
31	B6182-6	Nut M6	10
64	B5787-616	Bolt M6×16	8
70	B5787-620	Bolt M6×20	2
85	2012012	Washer	1
86	B879-212	Pin 2×12	1
87	2000086	Flat washer 8	-
88	2012701A	Button	1
89	2012703	Pressure spring	1
90	2012702	Handle	1
91	2012710	Rear handle	1
92	2012720	Rear Axle Assembly	1
93	B97.1-12	Washer 12	3
94	B955-12	Washer 12	4
95	84551	GT gear box	1
96	B896-9	E-Clip 9	2
97	01110	11 Wheel	2
98	2200033	Pinion Gear, Right	1
99	0110001	Cover	2
100	XSZ56-2-06	E-Clip 19	2
101	2207002A	Bearing seat	2
102	2207003	Bearing 8806	2
103	2207001	Bronze Bushing	2
104	2007006	Bushing	1
105	00800	8 Wheel	2
106	2012900	Front Shaft Assembly	1
107	2200032	Pinion Gear, Left	1
108	2007401	bushing	4
109	B879-516	Pin 5×16	2
110	B5787-816	Bolt M8×16	4
111	2201002	Bearing	8
112	00801	Hub cap	2
113	01111	Hub cap	2
114	WORD18-01	Bearing	4
115	XSZ56-2-08	Pin	2
116	2012200	Rod riveting	1
117	2200053	Tension spring	1
118	XSZ56-1-17	Hair Pin	2
119	2012016	Transmission Tension spring	1
120	2100249	Supporting plate	1

BLADE ASSEMBLY



REF NO.	PART NO.	DESCRIPTION	Quantity
121	1819001	Bushing	1
122	2012100	Blade Adaptor	1
123	2000002	Blade	1
124	XSZ56-2-17	Washer	1
125	2200010	Bolt	1

GRASS BAG ASSEMBLY



REF NO.	PART NO.	DESCRIPTION	Quantity
126	2100463A	Grass Bag Handle	1
127	2100446A	Access plate	1
128	B879-2513	Spring pin2.5X13	2
129	2100467A	Grass Bag Cover	1
130	2012611	Bag Frame	1
131	2012620	Grass Bag Assembly	1

