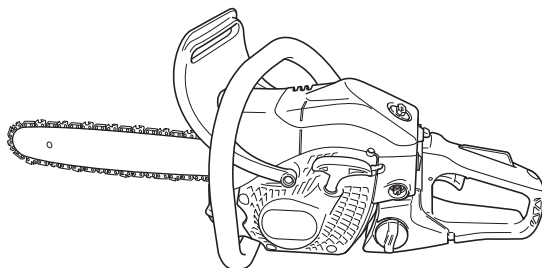


# HITACHI

**Chain Saw**  
**Kettensäge**  
**Αλυσοπρίονο**  
**Piła łańcuchowa**  
**Motorfűrész**  
**Řetězová pila**  
**Elektrikli Testere**  
**Fierastrau cu lant**  
**Motorna verižna žaga**  
**Бензопила**

**CS 40EA**

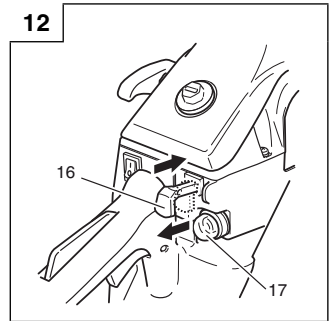
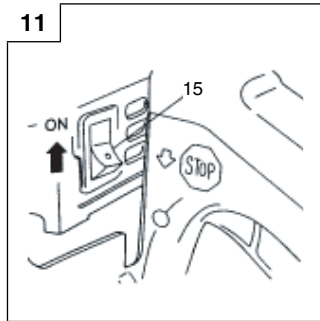
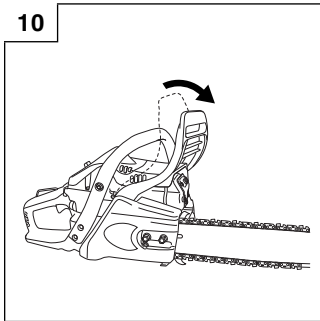
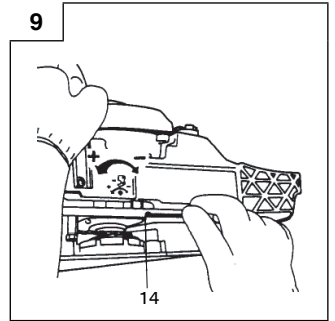
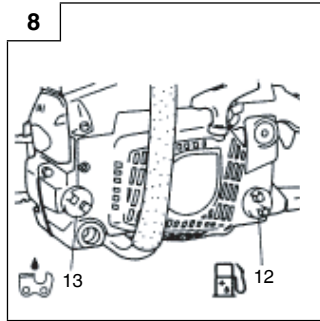
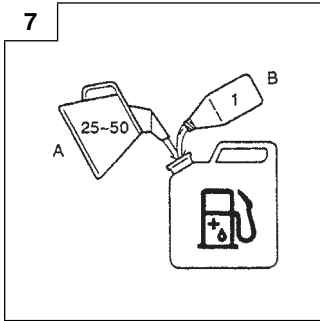
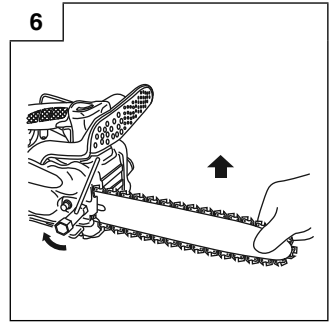
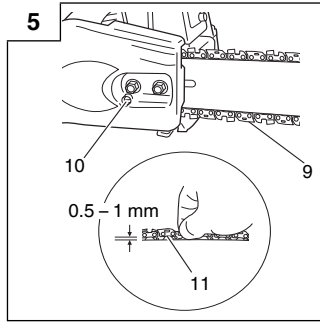
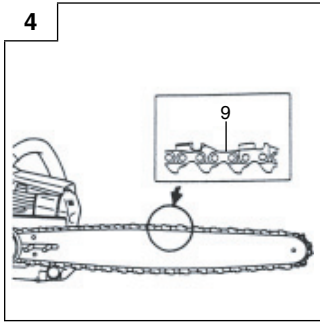
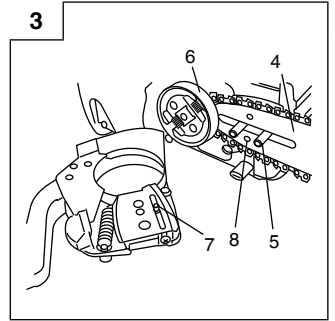
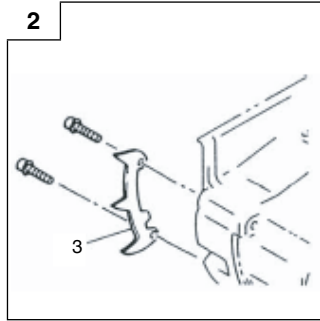
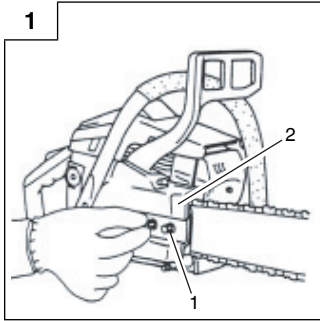


Read through carefully and understand these instructions before use.  
Diese Anleitung vor Benutzung des Werkzeugs sorgfältig durchlesen und verstehen.  
Διαβάστε προσεκτικά και κατανοήστε αυτές τις οδηγίες πριν τη χρήση.  
Przed użytkowaniem należy dokładnie przeczytać niniejszą instrukcję i zrozumieć jej treść.  
Használat előtt olvassa el figyelmesen a használati utasítást.  
Před použitím si pečlivě přečtěte tento návod a ujistěte se, že mu dobře rozumíte.  
Aleti kullanmadan önce bu kılavuzu iyice okuyun ve talimatları anlayın.  
Înainte de utilizare, citiți cu atenție și înțelegeți prezentele instrucțiuni.  
Pred uporabo natančno preberite in razumite ta navodila.  
Перед эксплуатацией этой машины внимательно прочтите руководство.

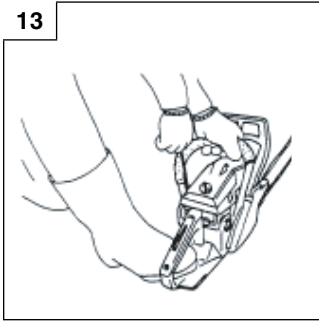


**Handling instructions**  
**Bedienungsanleitung**  
**Οδηγίες χειρισμού**  
**Instrukcja obsługi**  
**Kezelési utasítás**  
**Návod k obsluze**  
**Kullanım talimatları**  
**Instrucțiuni de utilizare**  
**Navodila za rokovanje**  
**Инструкция по эксплуатации**

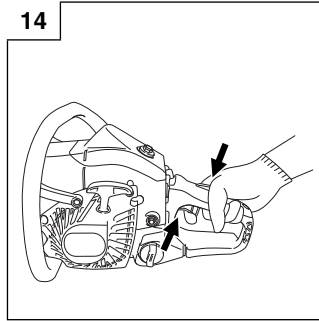
**Hitachi Koki**



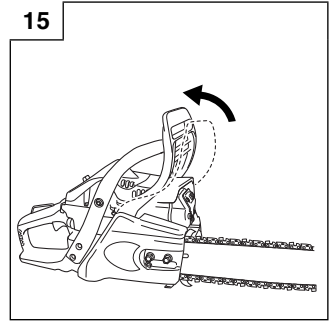
13



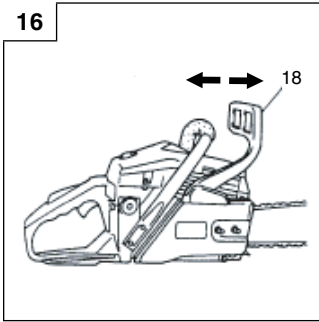
14



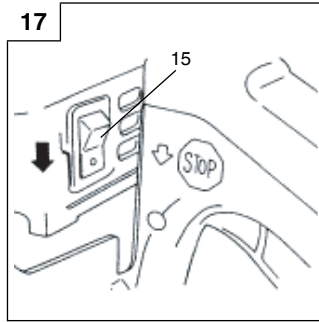
15



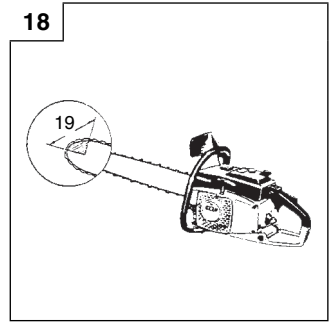
16



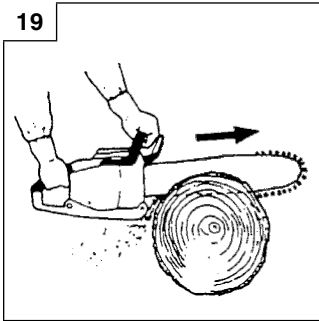
17



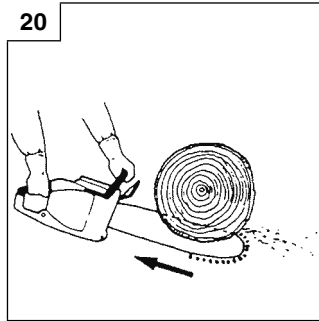
18



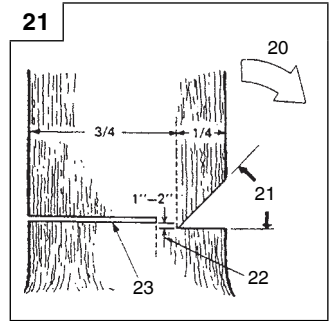
19



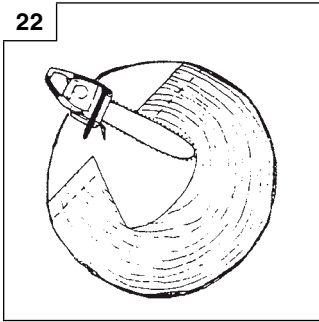
20



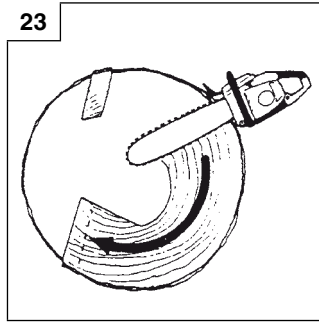
21



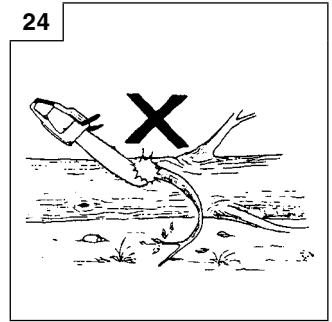
22

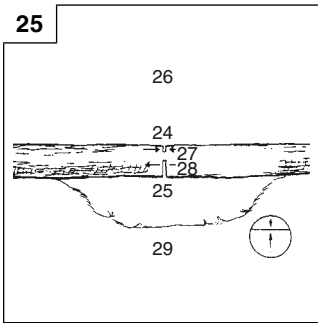
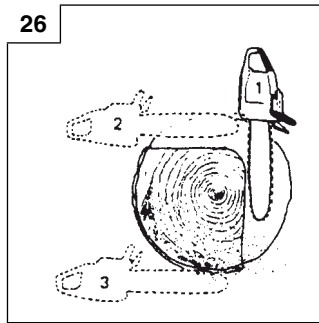
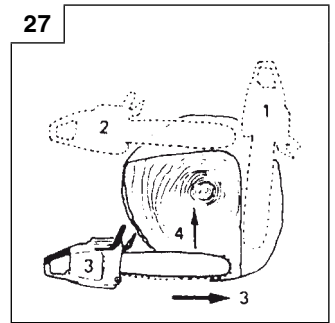
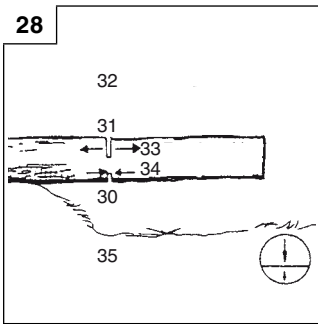
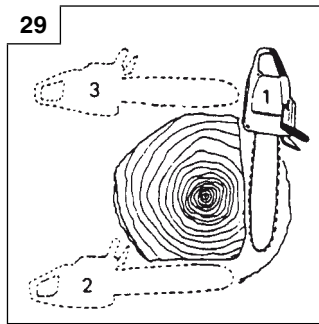
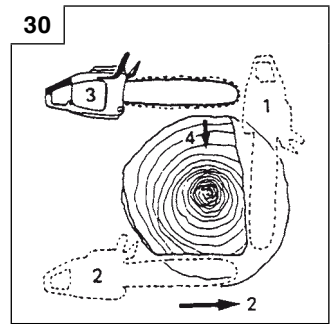
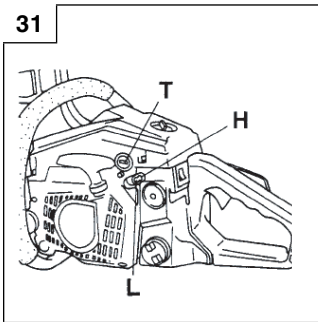
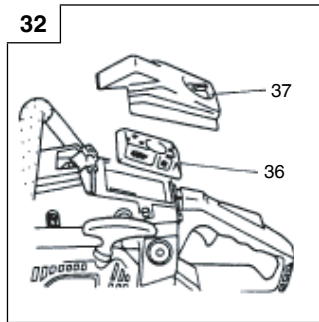
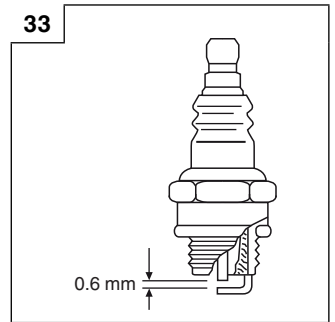
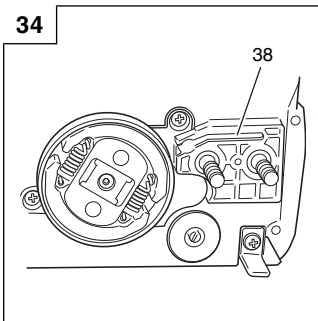
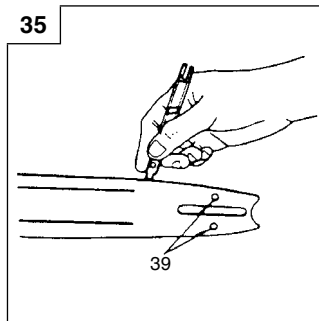
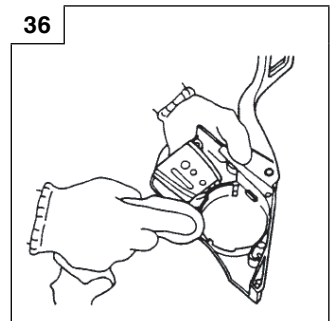


23

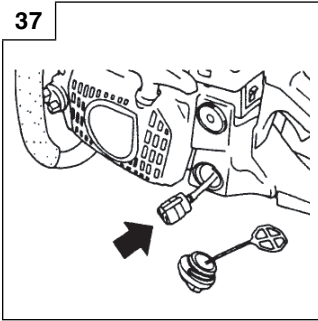


24

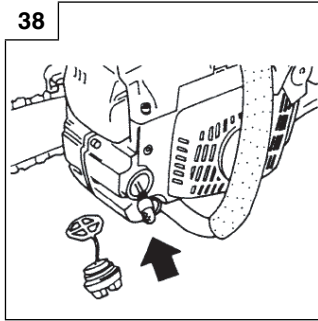


**25****26****27****28****29****30****31****32****33****34****35****36**

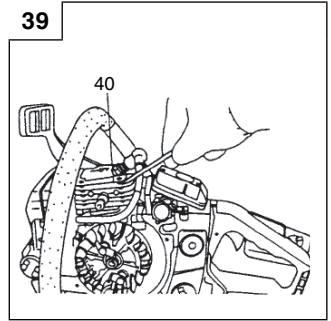
37



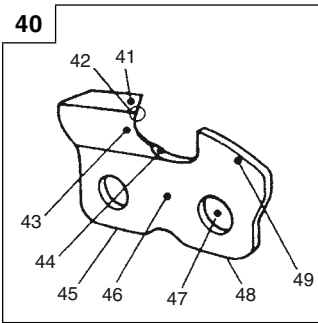
38



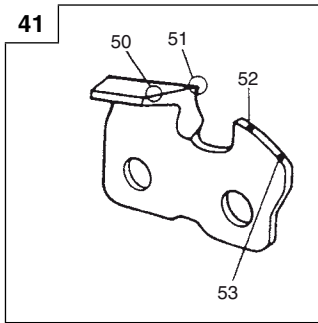
39



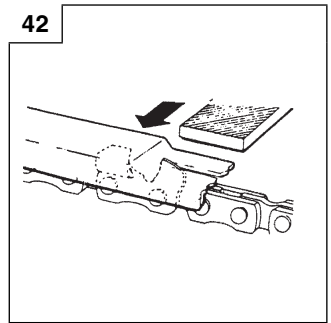
40



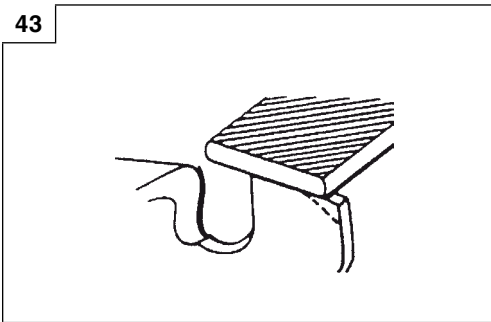
41



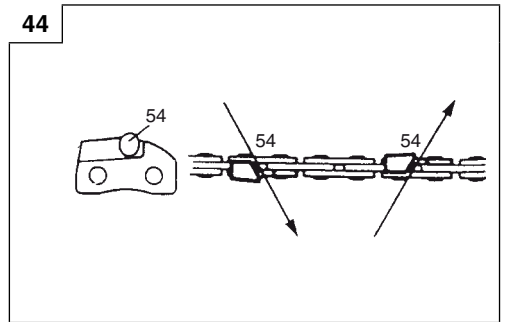
42



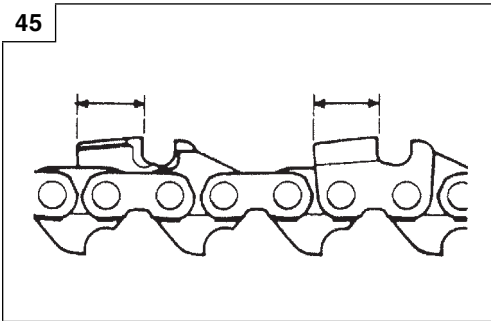
43



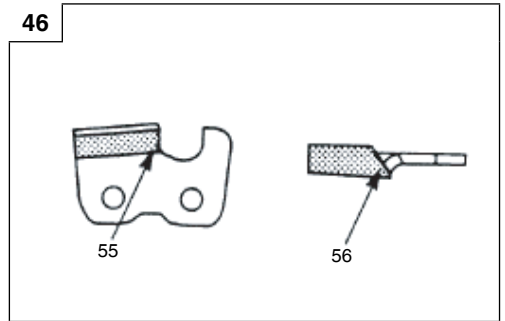
44



45








46



## MEANINGS OF SYMBOLS

**NOTE:** Some units do not carry them.

Symbols	
 <b>WARNING</b> The following show symbols used for the machine. Be sure that you understand their meaning before use.	
	It is important that you read, fully understand and observe the following safety precautions and warnings. Careless or improper use of the unit may cause serious or fatal injury.
	Read, understand and follow all warnings and instructions in this manual and on the unit.
	One-handed usage not permitted. While cutting, hold saw firmly with both hands with thumb firmly locked around front handle.
	Always wear eye, head and ear protectors when using this unit.

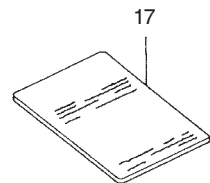
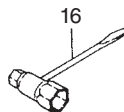
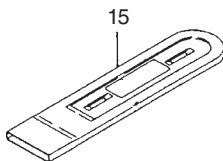
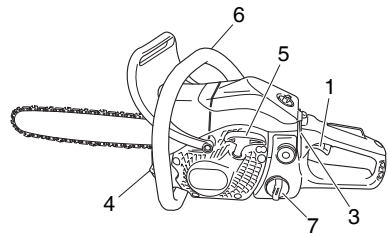
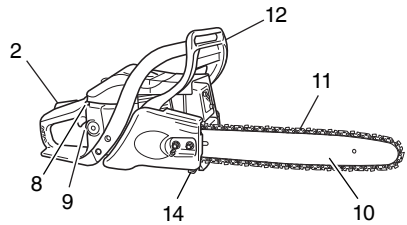
### Contents

WHAT IS WHAT? .....	6
WARNINGS AND SAFETY INSTRUCTIONS .....	7
SPECIFICATIONS .....	8
ASSEMBLY PROCEDURES.....	9
OPERATING PROCEDURES.....	9
MAINTENANCE.....	11

Parts breakdown

## WHAT IS WHAT?

1. Throttle trigger: Device activated by the operator's finger, for controlling the engine speed.
2. Throttle trigger lockout (Safety trigger): Device that prevents the accidental operation of the throttle trigger until manually released.
3. Ignition switch: Device for allowing the engine to be started or stopped.
4. Oil tank cap: For closing the oil tank.
5. Recoil starter: Pull handle to start the engine.
6. Front handle: Support handle located at or towards the front of the engine housing.
7. Fuel tank cap: For closing the fuel tank.
8. Choke control knob: Device for enriching the fuel/air mixture in the carburetor, to aid starting.
9. Priming pump; Device for supplying extra fuel, to aid starting.
10. Guide bar: The part that supports and guides the saw chain.
11. Saw chain: Chain, serving as a cutting tool.
12. Chain brake (Front hand guard): Device for stopping or locking the chain.
13. Spiked bumper: Device for acting as a pivot when in contact with a tree or log.
14. Chain catcher: device for restraining the saw chain.
15. Guide bar cover: Device for covering the guide bar and saw chain when the unit is not being used.
16. Combi box spanner: The tool for removing or installing a spark plug and tensioning the saw chain.
17. Handling instructions: Included with unit. Read before operation and keep for future reference to learn proper, safe techniques.



## WARNINGS AND SAFETY INSTRUCTIONS

### Operator safety

- Always wear a safety face shield or goggles.
- Gloves should be used when sharpening chain.
- Always wear safety protective equipment such as jacket, trousers, gloves, helmet, boots with steel toe-caps and non-slip soles whenever you use a chain saw. For working in trees the safety boots must be suitable for climbing techniques. Do not wear loose clothing, jewelry, short pants, sandals or go barefoot. Secure hair so it is above shoulder length.
- Do not operate this tool when you are tired, ill or under the influence of alcohol, drugs or medication.
- Never let a child or inexperienced person operate the machine.
- Wear hearing protection. Pay attention to your surroundings. Be aware of any bystanders who may be signaling a problem. Remove safety equipment immediately upon shutting off engine.
- Wear head protection.
- Never start or run the engine inside a closed room or building. Breathing exhaust fumes can kill.
- For respiratory protection, wear a protection mask while emitting the chain oil mist and dust from sawdust.
- Keep handles free of oil and fuel.
- Keep hands away from cutting equipment.
- Do not grab or hold the unit by the cutting equipment.
- When the unit turned off, make sure the cutting attachment has stopped before the unit is set down.
- When operation is prolonged, take a break from time to time so that you may avoid possible Hand-Arm Vibration Syndrome (HAVS) which is caused by vibration.
- The operator must obey the local regulations of cutting area.

### ⚠ WARNING

- Antivibration systems do not guarantee that you will not sustain Hand-Arm Vibration Syndrome or carpal tunnel syndrome. Therefore, continual end regular users should monitor closely the condition of their hands and fingers. If any of the above symptoms appear, seek medical advice immediately.
- Long or continuous exposure to high noise levels may cause permanent hearing impairment. Always wear approved hearing protection when operating a unit/machine.
- If you are using any medical electric/electronic devices such as a pacemaker, consult your physician as well as the device manufacturer prior to operating any power equipment.

### Unit/machine safety

- Inspect the entire unit/machine before each use. Replace damaged parts. Check for fuel leaks and make sure all fasteners are in place and securely tightened.
- Replace parts that are cracked, chipped or damaged in any way before using the unit/machine.
- Make sure the side case is properly attached.
- Keep others away when making carburetor adjustments.
- Use only accessories as recommended for this unit/machine by the manufacturer.
- Never let the chain strike any obstacle. If the chain makes contact, the machine should be stopped and checked carefully.
- Make sure the automatic oiler is working. Keep the oil tank filled with clean oil. Never let chain run dry on the bar.
- All chain saw service, other than the items listed in the operator's/owner's manual, should be performed by competent chain-saw service personnel. (For example, if improper tools are used to remove the flywheel or if an improper tool is used to hold the flywheel in order to remove the clutch, structural damage to the flywheel could occur and could subsequently cause the flywheel to burst.)

### ⚠ WARNING

- Never modify the unit/machine in any way. Do not use your unit/machine for any job except that for which it is intended.
- Never use chain saw without any safety equipment or that has faulty safety equipment. It could result in serious personal injury.
- Using guide bar/chain other than recommended by the manufacturer which are not approved, could result in a high risk of personal accidents or injury.

### Fuel safety

- Mix and pour fuel outdoors and where there are no sparks or flames.
- Use a container approved for fuel.
- Do not smoke or allow smoking near fuel or the unit/machine or while using the unit/machine.
- Wipe up all fuel spills before starting engine.
- Move at least 3 m away from fueling site before starting engine.
- Stop engine before removing fuel cap.
- Empty the fuel tank before storing the unit/machine. It is recommended that the fuel be emptied after each use. If fuel is left in the tank, store so fuel will not leak.
- Store unit/machine and fuel in area where fuel vapors cannot reach sparks or open flames from water heaters, electric motors or switches, furnaces, etc.

### ⚠ WARNING

Fuel is easy to ignite or get explosion or inhale fumes, so that pay special attention when handling or filling fuel.

### Cutting safety

- Do not cut any material other than wood or wooden objects.
- For respiratory protection, wear an aerosol protection mask when cutting the wood after insecticide has been applied.
- Keep others including children, animals, bystanders and helpers outside the hazard zone. Stop the engine immediately if you are approached.
- Hold the unit/machine firmly with the right hand on the rear handle and the left hand on the front handle.
- Keep firm footing and balance. Do not over-reach.
- Keep all parts of your body away from the muffler and cutting attachment when the engine is running.
- Keep Bar/Chain below waist level.
- Before felling a tree, the operator must be accustomed to the sawing techniques of the chain saw.
- Be sure to pre-plan a safe exit from a falling tree.
- While cutting, hold saw firmly with both hands with thumb firmly locked around front handle, and stand with feet well balanced and your body balanced.
- Stand to the side of the saw when cutting - never directly behind it.
- Always keep the spiked bumper face to a tree, because the chain may suddenly be drawn into a tree, if so equipped.
- When completing a cut, be ready to hold up the units as it breaks into clear, so it will not follow through and cut your legs, feet or body, or contact an obstruction.
- Be alert against kickback (when saw kicks up and back at operator). Never cut with the nose of the bar.
- When relocating to a new work area, be sure to shut off the machine and ensure that all cutting attachments are stopped.
- Never place the machine on the ground when running.
- Always ensure that the engine is shut off and any cutting attachments have completely stopped before clearing debris or removing grass from the cutting attachment.
- Always carry a first-aid kit when operating any power equipment.
- Never start or run the engine inside a closed room or building and/or near the inflammable liquid. Breathing exhaust fumes can kill.

### Maintenance safety

- Maintain the unit/machine according to recommended procedures.
- Disconnect the spark plug before performing maintenance except for carburetor adjustments.
- Keep others away when making carburetor adjustments.
- Use only genuine HITCHI replacement parts as recommended by the manufacturer.

### CAUTION

Do not disassemble the recoil starter. You may get a possibility of personal injury with recoil spring.

### ⚠ WARNING

Improper maintenance could result in serious engine damage or in serious personal injury.

## Transport and storage

- Carry the unit/machine by hand with the engine stopped and the muffler away from your body.
- Allow the engine to cool, empty the fuel tank, and secure the unit/machine before storing or transporting in a vehicle.
- Empty the fuel tank before storing the unit/machine. It is recommended that the fuel be emptied after each use. If fuel is left in the tank, store so fuel will not leak.
- Store unit/machine out of the reach of children.
- Clean and maintain the unit carefully and store it in a dry place.
- Make sure engine switch is off when transporting or storing.
- When transporting or storage, cover chain with chain cover.

If situations occur which are not covered in this manual, take care and use common sense. Contact HITACHI dealer if you need assistance. Pay special attention to statements preceded by the following words:

### WARNING

Indicates a strong possibility of severe personal injury or loss of life, if instructions are not followed.

### CAUTION

Indicates a possibility of personal injury or equipment damage, if instructions are not followed.

### NOTE

Helpful information for correct function and use.

## SPECIFICATIONS

- Code "CS" of model name means "Chain saw"

Model	CS40EA (33PS)	CS40EA (38PS)	CS40EA (40PS)	CS40EA (45PS)
Type of equipment	Chain saw, portable			
Engine Size (cm <sup>3</sup> )	39.6			
Spark Plug	NGK BPMR-7A			
Fuel Tank Capacity (cm <sup>3</sup> )	380			
Chain Oil Tank Capacity (cm <sup>3</sup> )	240			
Dry Weight (kg) (Without guide bar and chain)	4.5			
Guide bar length (mm)	330	380	400	450
Chain pitch (mm)	8.26			
Chain gauge (mm)	1.27			
Sound pressure level LpA (dB (A)) by ISO 22868	103			
Sound power level Lw measured (dB (A)) by ISO 22868	113			
Sound power level LwA (dB (A)) by 2000/14/EC	114			
Vibration level (m/s <sup>2</sup> ) by ISO 22867				
Front handle	2.2	2.2	2.2	2.2
Rear handle	3.2	3.2	3.2	3.2
Max. engine power by ISO 7293 (kW)	1.8/10500			
Max. engine speed (min <sup>-1</sup> )	13000			
Idle engine speed (min <sup>-1</sup> )	3000			
Specific fuel consumption (g/kWh)	480			
Type of chain	95VP (Oregon)			
Max. chain speed (m/sec)	23.1			
Sprocket (number of teeth)	7			

**NOTE:** Equivalent noise level/vibration levels are calculated as the time-weighted energy total for noise/vibration levels under various working conditions with the following time distribution: 1/3 idle, 1/3 full, 1/3 racing speed.

\* All data subject to change without notice.

Declared single-number noise emission values are the sum of measure values and the associated uncertainty of 3dB and they represent upper boundaries of the range of values which is likely to occur in measurements.

## ASSEMBLY PROCEDURES

### ⚠ WARNING

Never try to start engine without side case securely fastened.

1. Remove chain bar clamp nuts (1).
2. Remove the side case (2) as pinching the rear part of the side case (2). (Fig. 1)  
\* In case of installing the spiked bumper (3), install the spiked bumper (3) to the unit with two screws. (Fig. 2)
3. Install the chain bar (4) onto the bolts (5), then push it toward the sprocket (6) as far as it will go. Make sure that the boss of chain tension adjust bolt (7) fits into the hole of the bar (8). (Fig. 3)

### NOTE

Slightly move the bar back and forth and make sure the chain tension boss (7) fits into the hole (8) in the bar properly. (Fig. 3)

4. Confirm the direction of saw chain (9) is correct as in the figure, and align the chain on the sprocket. (Fig. 4)
5. Guide the chain drive links into the bar groove all around the bar.
6. Install the side case (2) onto the bolts (5).  
Then tighten the clamp nuts (1) temporarily. (Fig. 1)
7. Raise the bar end, and tighten the chain (9) by turning the tension adjustment bolt (10) clockwise. To check proper tension, lightly lift up the center of chain and there should be about 0.5 – 1.0 mm clearance between bar and edge of drive link (11). (Fig. 5, 6)

### CAUTION

PROPER TENSION IS EXTREMELY IMPORTANT

8. Raise the bar end and securely tighten the chain bar clamp nuts with the combi box spanner. (Fig. 6)
9. A new chain will stretch so adjust the chain after a few cuts and watch chain tension carefully for the first half hour of cutting.

### NOTE

Check the chain tension frequently for optimum performance and durability.

### CAUTION

- When the chain is excessively tightened, the bar and chain will be damaged rapidly. Conversely, when the chain is excessively loosened, it may get out of the groove in the bar.
- Always wear gloves when touching the chain.

### ⚠ WARNING

During operation, hold chain saw firmly with both hands. A single hand operation may cause serious injury.

## OPERATING PROCEDURES

### Fuel (Fig. 7)

### ⚠ WARNING

- The chain saw is equipped with a two-stroke engine. Always run the engine on fuel, which is mixed with oil. Provide good ventilation, when fueling or handling fuel.
- Fuel contains highly flammable and it is possible to get the serious personal injury when inhaling or spilling on your body. Always pay attention when handling fuel. Always have good ventilation when handling fuel inside building.

### Fuel

- Always use branded 89 octane unleaded gasoline.
- Use genuine two-cycle oil or use a mix between 25:1 to 50:1, please consult the oil bottle for the ratio or HITACHI dealer.
- If genuine oil is not available, use an anti-oxidant added quality oil expressly labeled for air-cooled 2-cycle engine use (JASO FC GRADE OIL or ISO EGC GRADE). Do not use BIA or TCW (2-stroke water-cooling type) mixed oil.
- Never use multi-grade oil (10 W/30) or waste oil.
- Always mix fuel and oil in a separate clean container.

Always start by filling half the amount of gasoline, which is to be used.

Then add the whole amount of oil. Mix (shake) the fuel mixture. Add the remaining amount of gasoline.

Mix (shake) the fuel-mix thoroughly before filling the fuel tank.

### Fueling

### ⚠ WARNING (Fig. 8)

- Always shut off the engine before refueling.
- Slowly open the fuel tank (12), when filling up with fuel, so that possible overpressure disappears.
- Tighten the fuel cap carefully, after fueling.
- Always move the unit at least 3 m from the fueling area before starting.
- Always wash any spilled fuel from clothing immediately with soap.
- Be sure to check any fuel leaking after refueling.

Before fueling, clean the tank cap area carefully, to ensure that no dirt falls into the tank. Make sure that the fuel is well mixed by shaking the container, before fueling.

### Chain oil (Fig. 8)

Fill up with chain oil (13). Always use good quality chain oil. When the engine is running, the chain oil is automatically discharged.

### NOTE

When pouring fuel (12) or chain oil (13) into the tank, place the unit with cap side up. (Fig. 8)

### ADJUSTMENT OF CHAIN OIL SUPPLY

The chain oil quantity discharged through the lubrication system is factory adjusted to the maximum. Adjust the quantity in accordance with the operating condition.

Turn the adjusting screw (14) counterclockwise to increase the quantity and turn it clockwise to decrease the quantity. (Fig. 9)  
(standard setting turns counterclockwise 1-1/2 from slightly seated)

### Starting (Fig. 10-15)

#### CAUTION

Before starting, make sure chain brake is engaged and that the bar/chain does not touch anything. (Fig. 10)

1. Set ignition switch (15) to ON position. (Fig. 11)  
\*Push priming bulb (17) several times so that fuel flows through bulb into carburetor. (Fig. 12)
2. Pull the choke lever (16) to choked position (Fig. 12). This will automatically lock the throttle in starting position.
3. Pull recoil starter briskly, taking care to keep the handle in your grasp and not allowing it to snap back. (Fig. 13)
4. When you hear first ignition, return the choke to run position. (Fig. 12)
5. Pull recoil starter briskly again in the aforementioned manner. (Fig. 13)

#### NOTE

If engine does not start, repeat procedures from 2 to 5.

6. As soon as engine start, pullthrottle lever full once and release immediately. (Fig. 14) Then half-throttle is disengaged. Make sure chain brake is disengaged. (Fig. 15)  
Allow the engine about 2-3minutes to warm up before subjecting it to any load.  
Do not run the engine at high speed without the load to shorten the longevity of the engine.

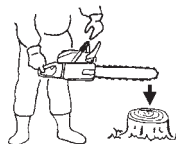
### Chain brake operation (Fig. 16)

Chain brake (18), if so equipped, is designed to activate in an emergency such as kick-back action. Please check to verify that it works properly before use.

Application of brake is made by moving the front guard towards the bar. During the chain brake operation, even if the throttle lever is pulled, the engine speed does not increase and the chain does not turn. To release the brake, pull up the chain brake lever.

### How to confirm:

- 1) Turn off the engine.
- 2) Holding the chain saw horizontally, release your hand from the front handle, hit the tip of the guide bar to a stump or a piece of wood, and confirm brake operation. Operating level varies by bar size.



In case the brake is not effective, ask our dealer for inspection and repairs. If the engine keeps rotating at high speed with the brake engaged, the clutch will overheat causing trouble. When the brake engages during operation, immediately release the throttle lever to stop the engine.

## WARNING

Do not carry the machine with the engine running.

## Stopping (Fig. 17)

Decrease engine speed, and push ignition switch (15) to stop position.

## WARNING

### KICKBACK DANGER (Fig. 18)

One of the most severe dangers when working with a chain saw is the possibility of kickback. Kickback may occur when the upper tip of the guide bar touches an object, or when the wood closes in and pinches the saw chain in the cut. Tip contact in some cases may cause a lightning fast reverse reaction, kicking the guide bar up and back toward you. Pinching the saw chain along the top of the guide bar may also push the guide bar rapidly back towards you. Either of these reactions may cause you to lose control of the saw which could result in serious personal injury. Even though your saw has safety built into its design, you should not rely on these safety features exclusively. Know where your bar tip is at all times. Kickback does occur if you allow the kickback zone (19) of the bar to touch an object. Do not use that area. Kickback from pinching is caused by a cut closing and pinching the upper side of the guide bar. Study your cut and make sure it will open as you cut through. Maintain control when the engine is running by always keeping a firm grip on the saw with your right hand on the rear handle, your left hand on the front handle and your thumbs and fingers encircling the handles. Always hold the saw with both hands during operation and cut at high engine speed.

## WARNING

- Do not overreach or cut above shoulder height.
- Use extra caution when felling, and do not use the saw in a nose-high position or above shoulder height.

### CHAIN CATCHER

The chain catcher is located on the power head just below the chain to further prevent the possibility of a broken chain striking the chain saw user.

## WARNING

Do not stand in-line with chain when cutting.

### BASIC TECHNIQUES FOR MAKING FELLING, LIMBING AND BUCKING CUTS

The intention of the following information is to provide you with the general introduction to wood cutting techniques.

## WARNING

- This information does not cover all specific situations, which may depend on differences in terrain, vegetation, kind of wood, form and size of trees, etc. Consult your servicing dealer, forestry agent or local forestry schools for advice on specific woodcutting problems in your area. This will make your work more efficient and safer.
- Avoid cutting in adverse weather conditions, such as dense fog, heavy rain, bitter cold, high winds, etc. Adverse weather is often tiring to work in and creates potentially dangerous conditions such as slippery ground. High winds may force the tree to fall in an unexpected direction causing property damage or personal injury.

### CAUTION

Never use a chain saw to pry or for any purpose for which it is not intended.

## WARNING

- Avoid stumbling on obstacles such as stumps, roots, rocks, branches and fallen trees. Watch out for holes and ditches. Be extremely cautious when working on slopes or uneven ground. Shut off the saw when moving from one work place to another. Always cut at wide open throttle. A slow moving chain can easily catch and force the saw to jerk.
- Never use the saw with only one hand. You cannot control the saw properly and you may lose control and injure yourself severely.

Keep the saw body close to your body to improve control and reduce strain.

When cutting with the bottom part of the chain the reactive force will pull the saw away from you towards the wood you are cutting. The saw will control the feeding speed and sawdust will be directed towards you. (Fig. 19)

- When cutting with the upper part of the chain the reactive force will push the saw towards you and away from the wood you are cutting. (Fig. 20)
- There is a risk of kickback if the saw is pushed far enough so that you begin to cut with the nose of the bar. The safest cutting method is to cut with the bottom part of the chain. Sawing with the upper part makes it much more difficult to control the saw and increases the risk of kickback.
- In case the chain locked, immediately release the throttle lever. If the throttle lever keeps rotating at high speed with the chain locked, the clutch will overheat causing trouble.

### NOTE

Always keep the spiked bumper face to a tree, because the chain may suddenly be drawn into a tree.

### FELLING

Felling is more than cutting down a tree. You must also bring it down as near to an intended place as possible without damaging the tree or anything else.

Before felling a tree, carefully consider all conditions which may effect the intended direction, such as:

Angle of the tree. Shape of the crown. Snow load on the crown. Wind conditions. Obstacles within tree range (e.g., other trees, power lines, roads, buildings, etc.).

## WARNING

- Always observe the general conditions of the tree. Look for decay and rot in the trunk which will make it more likely to snap and start to fall before you expect it.
- Look for dry branches, which may break and hit you when you are working. Always keep animals and people at least twice the tree length away while felling. Clear away shrubs and branches from around the tree. Prepare a path of retreat away from the felling direction.

### BASIC RULES FOR FELLING TREES

Normally the felling consists of two main cutting operations, notching and making the felling cut. Start making the upper notch cut on the side of the tree facing the felling direction. Look through the kerf as you saw the lower cut so you do not saw too deep into the trunk. The notch should be deep enough to create a hinge of sufficient width and strength. The notch opening should be wide enough to direct the fall of the tree as long as possible. Saw the felling cut from the other side of the tree between one and two inches (3-5 cm) above the edge of the notch. (Fig. 21)

20. Felling direction
21. 45° minimum notch opening
22. Hinge
23. Felling cut

Never saw completely through the trunk. Always leave a hinge. The hinge guides the tree. If the trunk is completely cut through, you lose control over the felling direction. Insert a wedge or a felling lever in the cut well before the tree becomes unstable and starts to move. This will prevent the guide bar from binding in the felling cut if you have misjudged the falling direction. Make sure no people have come into the range of the falling tree before you push it over.

### FELLING CUT, TRUNK DIAMETER MORE THAN TWICE GUIDE BAR LENGTH

Cut a large, wide notch. Then cut a recess into the center of the notch. Always leave a hinge on both sides of the center cut. (Fig. 22) Complete the felling cut by sawing around the trunk as in the Fig. 23.

## WARNING

These methods are extremely dangerous because they involve the use of the nose of guide bar and can result in kickback. Only properly trained professionals should attempt these techniques.

## LIMBING

Limbing is removing the branches from a feller tree.

### WARNING

A majority of kickback accidents occur during limbing.

Do not use the nose of the guide bar. Be extremely cautious and avoid contacting the log, other limbs or objects with the nose of the guide bar. Be extremely cautious of limbs under tension. They can spring back towards you and cause loss of control resulting in injury. (Fig. 24)

Stand on the left side of the trunk. Maintain a secure footing and rest the saw on the trunk. Hold the saw close to you so that you are in full control of it. Keep well away from the chain. Move only when the trunk is between you and the chain. Watch out for spring back of limbs under tension.

### LIMBING THICK BRANCHES

When limbing thick branches, the guide bar may get pinched easily. Branches under tension often snap up, so cut troublesome branches in small steps. Apply the same principles as for cross cutting. Think ahead and be aware of the possible consequences of all your actions.

### CROSS CUTTING/BUCKING

Before starting to cut through the log, try to imagine what is going to happen. Look out for stresses in the log and cut through it in such a manner that the guide bar will not get pinched.

### CROSS CUTTING LOGS, PRESSURE ON TOP

Take a firm stance. Begin with an upper cut. Do not cut too deeply, about 1/3 of the log diameter is enough. Finish with a bottom cut. The saw cuts should meet. (Fig. 25)

24. Relieving cut
25. Cross cut
26. Pressure on top
27. Pressure side
28. Tension side
29. Relative depth of saw cuts

### THICK LOG, LARGER THAN GUIDE BAR LENGTH

Begin by cutting on the opposite side of the log. Pull the saw towards you, followed by previous procedure. (Fig. 26)  
If the log is lying on the ground make a boring cut to avoid cutting into the ground. Finish with a bottom cut. (Fig. 27)

### WARNING

#### KICKBACK DANGER

Do not attempt a boring cut if you are not properly trained. A boring cut involves the use of the nose of the guide bar and can result in kickback.

### CROSS CUTTING LOGS, PRESSURE ON BOTTOM

Take a firm stance. Begin with a bottom cut. The depth of the cut should be about 1/3 of the log diameter.  
Finish with an upper cut. The saw cuts should meet. (Fig. 28)

30. Relieving cut
31. Cross cut
32. Pressure on bottom
33. Tension side
34. Pressure side
35. Relative depth of saw cuts

### THICK LOG, LARGER THAN GUIDE BAR LENGTH

Begin by cutting on the opposite side of the log. Pull the saw towards you, followed by previous procedure. Make a boring cut if the log is close to the ground. Finish with a top cut. (Fig. 29)

### WARNING

#### KICKBACK DANGER

Do not attempt a boring cut if you are not properly trained. A boring cut involves the use of the nose of the guide bar and can result in kickback. (Fig. 30)

### IF THE SAW GETS STUCK

Stop the engine. Raise the log or change its position, using a thick branch or pole as a lever. Do not try to pull the saw free. If you do, you can deform the handle or be injured by the saw chain if the saw is suddenly released.

## MAINTENANCE

MAINTENANCE, REPLACEMENT OR REPAIR OF THE EMISSION CONTROL DEVICES AND SYSTEM MAY BE PERFORMED BY ANY NON-ROAD ENGINE REPAIR ESTABLISHMENT OR INDIVIDUAL.

### Carburetor adjustment (Fig. 31)

#### WARNING

Never start the engine without the complete clutch cover.

Otherwise the clutch can come loose and cause personal injuries.

In the carburetor, fuel is mixed with air. When the engine is test run at the factory, the carburetor is adjusted. A further adjustment may be required, according to climate and altitude. The carburetor has one adjustment possibility:

T = Idle speed adjustment screw.

### Idle speed adjustment (T)

Check that the air filter is clean. When the idle speed is correct, the cutting attachment will not rotate. If adjustment is required, close (clockwise) the T-screw, with the engine running, until the cutting attachment starts to rotate. Open (counter-clockwise) the screw until the cutting attachment stops. You have reached the correct idle speed when the engine runs smoothly in all positions well below the rpm when the cutting attachment starts to rotate.

If the cutting attachment still rotates after idle speed adjustment, contact HITACHI dealer.

#### WARNING

When the engine is idling the cutting attachment must under no circumstances rotate.

#### NOTE

Some models sold in areas with strict exhaust emission regulation do not have high and low speed carburetor adjustments. Such adjustments may allow the engine to be operated outside of their emission compliance limits. For these models, the only carburetor adjustment is idle speed.

If you are not familiar with this type of adjustment, please ask for assistance from your HITACHI dealer.

### Air filter (Fig. 32)

The air filter (36) must be cleaned from dust and dirt in order to avoid:

- Carburetor malfunctions.
- Starting problems.
- Engine power reduction.
- Unnecessary wear on the engine parts.
- Abnormal fuel consumption.

Clean the air filter daily or more often if working in exceptionally dusty areas.

### Cleaning the air filter

Remove the air filter cover (37) and the filter (36).

Rinse them in warm soap suds. Check that the filter is dry before reassembly. An air filter that has been used for some time cannot be cleaned completely. Therefore, it must regularly be replaced with a new one. A damaged filter must always be replaced.

### Spark plug (Fig. 33)

The spark plug condition is influenced by:

- An incorrect carburetor setting.
- Wrong fuel mixture (too much oil in the gasoline)
- A dirty air filter.
- Hard running conditions (such as cold weather).

These factors cause deposits on the spark plug electrodes, which may result in malfunction and starting difficulties. If the engine is low on power, difficult to start or runs poorly at idling speed, always check the spark plug first. If the spark plug is dirty, clean it and check the electrode gap. Readjust if necessary. The correct gap is 0.6 mm. The spark plug should be replaced after about 100 operation hours or earlier if the electrodes are badly eroded.

#### NOTE

In some areas, local law requires using a resistor spark plug to suppress ignition signals. If this machine was originally equipped with resistor spark plug, use same type of spark plug for replacement.

### Oiler port (Fig. 34)

Clean the chain oiler port (38) whenever possible.

## Guide bar (Fig. 35)

Before using the machine, clean the groove and oiler port (39) in the bar with the special gauge offered as an optional accessory.

## Side case (Fig. 36)

Always keep the side case and drive area clean of saw dust and debris. Periodically apply oil or grease to this area to protect from corrosion as some trees contain high levels of acid.

## Fuel filter (Fig. 37)

Remove the fuel filter from the fuel tank and thoroughly wash it in solvent. After that, push the filter into the tank completely.

### NOTE

If the filter is hard due to dust and dirt, replace it.

## Chain oil filter (Fig. 38)

Remove the oil filter and thoroughly wash it in solvent.

## Cleaning the cylinder fins (Fig. 39)

When wood chips are caught between cylinder fins (40), the engine may overheat, resulting in lower output. To avoid this, always keep cylinder fins and fan case clean.

Every 100 operating hours, or once a year (more often if conditions require), clean fins and external surfaces of engine of dust, dirt and oil deposits which can contribute to improper cooling.

For long-term storage

Drain all fuel from the fuel tank. Start and let engine run until it stops. Repair any damage which has resulted from use. Clean the unit with a clean rag, or the use of high pressure air hose. Put a few drops of two-cycle engine oil into the cylinder through the spark plug hole, and spin the engine over several times to distribute oil. Cover the unit and store it in a dry area.

## CHAIN SHARPENING

### Parts of a cutter (Fig. 40, 41)

#### ⚠ WARNING

- Gloves should be used when sharpening chain.
- Be sure to round off the front edge to reduce the chance of kickback or tie-strap breakage.

41. Top plate
42. Working corner
43. Side plate
44. Gullet
45. Heel
46. Chassis
47. Rivet hole
48. Toe
49. Depth gauge
50. Correct angle on top plate (degree of angle depends on chain type)
51. Slightly protruding "hook" or point (curve on non-chisel chain)
52. Top of depth gauge at correct height below top plate
53. Front of depth gauge rounded off

## LOWERING DEPTH GAUGES WITH A FILE

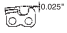



- 1) If you sharpen your cutters with a file holder, check and lower the depth.
- 2) Check depth gauges every third sharpening.
- 3) Place depth gauge tool on cutter. If depth gauge projects, file it level with the top of the tool. Always file from the inside of the chain toward an outside cutter. (Fig. 42)
- 4) Round off front corner to maintain original shape of depth gauge after using depth gauge tool. Always follow the recommended depth gauge setting found in the maintenance or operator manual for your saw. (Fig. 43)

## GENERAL INSTRUCTIONS FOR FILING CUTTERS

File (54) cutter on one side of the chain from the inside out. File on forward stroke only. (Fig. 44)

- 5) Keep all cutters the same length. (Fig. 45)
- 6) File enough to remove any damage to cutting edges (side plate (55) and top plate (56)) of cutter. (Fig. 46)

## SHARPENING ANGLES FOR SHARPENING SAW CHAIN

1. Part Number	95VP
2. Pitch	0.325"
 3. Depth Gauge Setting	0.025"
 4. Side Plate Filing Angle	85°
 5. Top Plate Angle	30°
 6. File Guide Angle	10°

## Maintenance schedule

Below you will find some general maintenance instructions. For further information please contact HITACHI dealer.

### Daily maintenance

- Clean the exterior of the unit.
- Clean the chain oil filter port.
- Clean the groove and oil filter port in the guide bar.
- Clean the side case of saw dust.
- Check that the saw chain is sharp.
- Check that the bar nuts are sufficiently tightened.
- Make sure that the chain transport guard is undamaged and that it can be securely fitted.
- Check that nuts and screws are sufficiently tightened. Especially inspect the bolt of muffler and ensure that they are properly tightened before starting engine. Should any of the bolts be loose, retighten them immediately. Failure to do so could result in serious hazard.
- Check the tip of the bar. Please exchange it for the new one when it is worn out.
- Check the band of chain brake. Please exchange it for the new one when it is worn out.

### Weekly maintenance

- Check the starter, especially cord and return spring.
- Clean the exterior of the spark plug.
- Remove the spark plug and check the electrode gap. Adjust it to 0.6 mm or change the spark plug.
- Clean the cooling fins on the cylinder and check that the air intake at the starter is not clogged.
- Clean the air filter.

### Monthly maintenance






- Rinse the fuel tank with gasoline, and clean fuel filter.
- Clean chain oil filter.
- Clean the exterior of the carburetor and the space around it.
- Clean the fan and the space around it.

### NOTE

When ordering the parts to your nearest dealer, please use the item numbers showing on the parts breakdown section in this instruction.

	BAR NO.	LENGTH-TYPE	CHAIN NO.
MODEL NO. OREGON	107498	13"	95VP-56
	105191	15"	95VP-64
	104968	16"	95VP-66
	105355	18"	95VP-72

**BEDEUTUNGEN DER SYMBOLE****HINWEIS:** Nicht alle Geräte sind mit diesen Symbolen versehen.

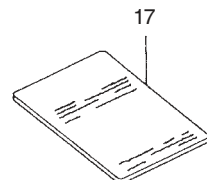
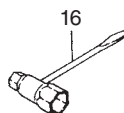
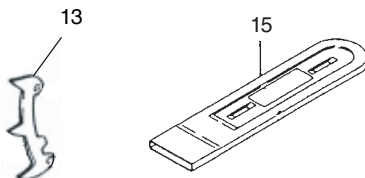
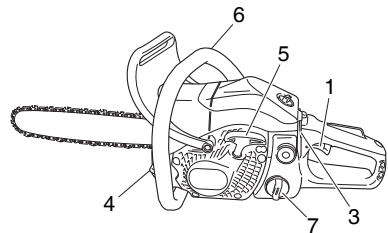
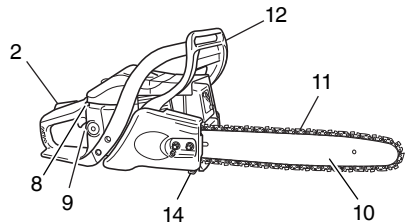
<b>Symbole</b>	
<p><b>⚠️ WARNUNG</b> Die folgenden Symbole werden für diese Maschine verwendet. Achten Sie darauf, diese vor der Verwendung zu verstehen.</p>	
	<p>Es ist wichtig, dass Sie sich mit den nachfolgenden Vorsichtsmaßnahmen und Warnungen vertraut machen und diese befolgen. Unvorsichtige oder unsachgemäße Handhabung des Geräts kann schwere oder tödliche Verletzungen zur Folge haben.</p>
	<p>Vorsicht Rückschlaggefahr! Die Kettensäge kann plötzlich und unvermittelt mit der Führungsschiene nach oben und/oder nach hinten zurückschlagen.</p>
	<p>Lesen, verstehen und befolgen Sie alle Warnungen und Anweisungen in dieser Anleitung und am Gerät selbst.</p>
	<p>Nicht einhändig führen! Die Säge bei Schnitten sicher mit beiden Händen halten und den Daumen fest um den vorderen Griff legen.</p>
	<p>Bei Gebrauch des Geräts immer Gesichts-, Kopf- und Gehörschutz tragen.</p>

**Inhalt**

TEILEBEZEICHNUNGEN.....	13
WARN- UND SICHERHEITSHINWEISE.....	14
TECHNISCHE DATEN.....	15
ZUSAMMENBAU.....	16
BETRIEB.....	16
WARTUNG.....	19
Stückliste	

**TEILEBEZEICHNUNGEN**

1. Gashebel: Dieser mit dem Finger betätigte Hebel regelt die Motordrehzahl.
2. Gashebelsperre (Sicherheitshebel): Diese Vorrichtung verhindert bis zur Entriegelung der Sperre mit der Hand eine unbeabsichtigte Betätigung des Gashebels.
3. Zündschalter: Ermöglicht Starten und Stoppen des Motors.
4. Öltankdeckel: Verschließt den Öltank.
5. Zugstarter: Der Motor wird durch Ziehen des Griffes gestartet.
6. Vorderer Griff: Der Griff am vorderen Teil des Motorgehäuses.
7. Kraftstofftankdeckel: Verschließt den Kraftstofftank.
8. Choke-Knopf: Vorrichtung zum Anreichern des Kraftstoff-Luft-Gemischs im Vergaser, die den Kaltstart erleichtert.
9. Startpumpe; Starthilfevorrichtung, die die Kraftstoffmenge erhöht.
10. Führungsschiene: Dieses Teil hält und führt die Sägekette.
11. Sägekette: Die als Schneidwerkzeug dienende Kette.
12. Kettenbremse (vorderer Handschutz): Vorrichtung zum Stoppen bzw. Arretieren der Kette.
13. Krallenanschlag: Eine Vorrichtung, die am Stamm angesetzt als Drehpunkt dient.
14. Kettenfangbolzen: Vorrichtung zum Auffangen der Kette, wenn diese reißen oder von der Schiene springen sollte.
15. Kettenschutz: Wird bei Nichtgebrauch zum Schutz über die Führungsschiene und Kette geschoben.
16. Kombischlüssel: Werkzeug für den Aus- und Einbau der Zündkerze sowie zum Spannen der Kette.
17. Bedienungsanleitung: Gehört zum Lieferumfang des Geräts. Sie sollte vor der Inbetriebnahme gelesen und danach zum späteren Nachschlagen gut aufbewahrt werden.



## WARN- UND SICHERHEITSHINWEISE

### Bedienersicherheit

- Immer einen Gesichtsschutz bzw. eine Schutzbrille tragen.
- Beim Schärfen der Kette Handschuhe tragen.
- Beim Gebrauch einer Kettensäge immer Schutzbekleidung, wie Schnitthutzhose, Gehörschutz, Schnitthutzhose, Schutzbrille, Schutzhelm sowie Sicherheitsschuhe tragen. Bei Arbeiten in einem Baum sind für Klettertechniken geeignete Sicherheitsschuhe zu tragen. Das Arbeiten mit lockerer Kleidung, Schmuck, kurzen Hosen, Sandalen oder barfuß ist zu vermeiden. Das Haar ist so zu sichern, dass es nicht bis zu den Schultern herunterhängt.
- Das Gerät darf nicht von Personen bedient werden, die übermüdet oder krank sind oder unter Alkohol- oder Medikamenteneinfluss stehen.
- Unter keinen Umständen zulassen, dass ein Kind oder eine unerfahrene Person mit dem Gerät arbeitet.
- Gehörschutz tragen. Die Umgebung im Auge behalten. Auf Beistehende achten, die unter Umständen ein Problem signalisieren. Die Schutzbekleidung erst nach Abstellen des Motors wieder ablegen.
- Kopfschutz tragen.
- Der Motor darf nie innerhalb geschlossener Räume oder Gebäude gestartet bzw. betrieben werden. Einatmen der Abgase kann den Tod zur Folge haben.
- Eine Atemschutzmaske tragen, um sich gegen den aufgewirbelten Kettensägeabrieb und Sägemehlstaub zu schützen.
- Die Griffe frei von Öl und Kraftstoff halten.
- Hände weg von den Schneidern!
- Das Gerät nicht an der Schneidgarnitur fassen bzw. halten.
- Das Gerät nach dem Ausschalten des Motors erst am Boden abstellen, wenn das Schneidwerkzeug zum Stillstand gekommen ist.
- Bei Dauereinsatz von Zeit zu Zeit eine Pause einlegen als vorbeugende Maßnahme gegen die Weißfingerkrankheit, die durch ständige Vibration verursacht wird.
- Der Bediener muss die für den Arbeitsplatz geltenden örtlichen Vorschriften beachten.

### ⚠️ WARNUNG

- Vibrationsdämpfungssysteme sind kein garantierter Schutz gegen die Weißfingerkrankheit bzw. das Karpaltunnelsyndrom. Daher ist bei regelmäßigem Dauereinsatz des Geräts der Zustand von Fingern und Handwurzel gründlich zu überwachen. Falls Symptome der obengenannten Krankheiten auftreten, sofort einen Arzt aufsuchen.
- Das menschliche Gehör kann einen permanenten Schaden davontragen, wenn es längere Zeit oder andauernd einem hohen Geräuschpegel ausgesetzt wird. Daher beim Betrieb des Geräts stets einen vorschriftsmäßigen Gehörschutz tragen.
- Träger eines medizinischen elektrischen bzw. elektronischen Geräts (Herzschrittmacher u. dgl.) sollten sich vor dem Gebrauch eines Motorgeräts von Ihrem Arzt sowie dem Hersteller des Geräts diesbezüglich beraten lassen.

### Geräte-/Maschinensicherheit

- Das Gerät vor jedem Einsatz einer eingehenden Kontrolle unterziehen. Beschädigte Teile ersetzen. Das Gerät auf auslaufenden Kraftstoff untersuchen und sicherstellen, dass alle Befestigungsteile vorhanden und sicher angezogen sind.
- Geöffnete, ausgebrochene oder auf andere Weise beschädigte Teile sind vor dem Einsatz des Gerätes durch neue zu ersetzen.
- Es ist darauf zu achten, dass das Seitengehäuse ordnungsgemäß angebracht ist.
- Während der Vergasereinstellung dürfen sich andere Personen nicht in der Nähe aufhalten.
- Nur das vom Hersteller für dieses Gerät empfohlene Zubehör darf verwendet werden.
- Darauf achten, dass die Kette nirgendwo anschlägt. Sollte die laufende Kette an einen Gegenstand schlagen, den Motor sofort stoppen und die Kette prüfen.
- Sicherstellen, dass die automatische Kettenschmierung ordnungsgemäß arbeitet. Den Öltank stets mit sauberem Öl gefüllt halten. Die Kette darf nicht trocken auf der Führungsschiene laufen!

- Alle Wartungsarbeiten an der Kettensäge, mit Ausnahme der in der Betriebs-/Bedienungsanleitung aufgeführten, müssen durch mit Kettensägen vertraute Fachkräfte durchgeführt werden. (Wird beispielsweise das Polrad unfachmännisch oder mit ungeeigneten Werkzeugen ausgebaut oder zum Ausbau der Kupplung blockiert, kann das Polrad beschädigt werden und als Folge davon brechen.)

### ⚠️ WARNUNG

- Keinesfalls das Gerät in irgendeiner Weise abändern. Das Gerät nur für die Zwecke verwenden, für die es bestimmt ist.
- Niemals eine Kettensäge ohne Sicherheitsvorrichtungen oder mit einer defekten Sicherheitsvorrichtung verwenden. Dies kann eine schwere Verletzung nach sich ziehen.
- Die Verwendung einer nicht vom Hersteller empfohlenen bzw. zugelassenen Schneidgarnitur erhöht das Unfall- und Verletzungsrisiko.

### Kraftstoffersicherheit

- Kraftstoff im Freien und von Funken und Feuer entfernt mischen und einfüllen.
- Einen für Kraftstoffe zugelassenen Behälter verwenden.
- In der Nähe des Kraftstoffs, des Geräts sowie beim Arbeiten mit dem Gerät ist das Rauchen zu unterlassen.
- Vor dem Starten des Motors muss eventuell verschütteter Kraftstoff restlos entfernt werden.
- Zum Starten des Motors das Gerät mindestens 3 m von der Kraftstoffzufuhrstelle entfernen.
- Vor dem Abnehmen des Tankdeckels den Motor ausschalten.
- Vor der Einlagerung des Geräts den Kraftstofftank leeren. Es wird empfohlen, den Kraftstoff nach jedem Einsatz abzulassen. Mit gefülltem Tank ist das Gerät so zu lagern, dass kein Kraftstoff ausläuft.
- Gerät und Kraftstoff an einem Ort lagern, wo Kraftstoffdämpfe nicht mit Funken oder offenen Flammen von Wassererhitzern, Elektromotoren oder elektrischen Schaltern, Öfen usw. in Berührung kommen können.

### ⚠️ WARNUNG

- Kraftstoff ist leicht entflammbar, kann explodieren und schadet den Atemwegen, weshalb bei der Handhabung von und der Befüllung mit Kraftstoff entsprechend umsichtig vorzugehen ist.

### Schneidsicherheit

- Das Gerät ausschließlich zum Schneiden von Holz und aus Holz bestehenden Gegenständen verwenden.
- Zum Schutz der Atmungsorgane beim Schneiden von Holz, auf dem Insektenvernichtungsmittel versprüht wurde, eine Aerosolschutzmaske tragen.
- Kinder, Tiere, Umstehende, Helfer usw. dürfen sich nicht innerhalb der Gefahrenzone aufhalten. Den Motor sofort abstellen, wenn sich jemand nähert.
- Das Gerät mit der rechten Hand am hinteren Griff und der linken Hand am vorderen Griff fest halten.
- Auf sicheren Stand und gutes Gleichgewicht achten! Nicht zu weit vorbeugen.
- Schneidwerkzeug und Schalldämpfer bei laufendem Motor vom Körper fernhalten.
- Die Schneidgarnitur stets unter der Gürtellinie halten.
- Der Bediener muss sich vor dem Fällen eines Baumes mit der Handhabung und den Funktionen der Kettensäge vertraut machen.
- Vor dem Fällen eines Baumes einen sicheren Rückzugsweg festlegen und freiräumen.
- Die Kettensäge beim Schneiden mit beiden Händen und um den vorderen Griff gelegtem Daumen sicher festhalten, dabei einen festen Stand suchen, der ein sicheres Körpergleichgewicht gewährleistet.
- Das Gerät beim Sägen seitlich versetzt halten. Niemals direkt hinter der Kettensäge stehen!
- Den Krallenanschlag, sofern vorhanden, stets gegen den Baum gedrückt halten, da die Säge anderenfalls unerwartet in den Baum hineingezogen werden kann.
- Das aus einem Schnitt freikomende Gerät gut abstützen, damit sich die Bewegung nicht zu den Beinen, Füßen oder einem anderen Gegenstand fortsetzt.
- Vorsicht Rückschlaggefahr! Niemals mit der Schienenspitze sägen, da die Kettensäge unvermittelt gegen den Bediener zurückschlagen kann.

- Bei Standortwechseln unbedingt den Motor ausschalten und sicherstellen, dass das Schneidwerkzeug still steht.
- Das Gerät niemals mit laufendem Motor auf dem Boden abstellen.
- Vor dem Entfernen von Schmutz und Spänen vom Schneidwerkzeug den Motor ausschalten und sicherstellen, dass die Kette zum Stillstand gekommen ist.
- Beim Arbeiten mit Motorgeräten stets einen Verbandskasten mitführen.
- Der Motor darf nie innerhalb geschlossener Räume oder Gebäude und/oder in der Nähe entflammbarer Flüssigkeiten gestartet bzw. betrieben werden. Einatmen der Abgase kann den Tod zur Folge haben.

### Wartungssicherheit

- Das Gerät vorschriftsmäßig warten.
- Vor Durchführung von Wartungsarbeiten den Zündkerzenstecker abziehen, sofern es sich nicht um eine Vergasereinstellung handelt.
- Während der Vergasereinstellung dürfen sich andere Personen nicht in der Nähe aufhalten.
- Nur Original-Ersatzteile von HITACHI verwenden, wie vom Hersteller empfohlen.

### VORSICHT

Den Zugstarter (Anwerfvorrichtung) nicht zerlegen. Die in der Vorrichtung gespannte Feder kann Verletzungen verursachen.

### WARNUNG

Fehlerhafte Wartung kann eine schwere Beschädigung des Motors oder eine schwere Verletzung zur Folge haben.

### Transport und Lagerung

- Das Gerät mit ausgeschaltetem Motor tragen und den Schalldämpfer vom Körper fernhalten.
- Den Motor abkühlen lassen, den Kraftstofftank entleeren und das Gerät sichern, bevor es gelagert oder in einem Fahrzeug transportiert wird.
- Vor der Einlagerung des Geräts den Kraftstofftank leeren. Es wird empfohlen, den Kraftstoff nach jedem Einsatz abzulassen. Mit gefülltem Tank ist das Gerät so zu lagern, dass kein Kraftstoff ausläuft.
- Das Gerät so lagern, dass es nicht in Kinderhände gerät.
- Das Gerät sorgfältig reinigen und warten, um es dann an einem trockenen Ort zu lagern.
- Bei Transport oder Lagerung darauf achten, dass der Zündschalter ausgeschaltet ist.
- Zum Transportieren und bei der Lagerung den Kettenschutz anbringen.

In Situationen, die nicht in dieser Anleitung behandelt sind, entsprechende Vor- und Umsicht walten lassen. Sollten Sie Hilfe benötigen, wenden Sie sich an den HITACHI-Fachhändler. Die folgenden Wörter sind Abschnitten vorangestellt, denen besondere Aufmerksamkeit gewidmet werden sollte:

### WARNUNG

Kennzeichnet Anweisungen, deren Nichtbefolgung eine schwere Verletzung oder den Tod zur Folge haben kann.

### VORSICHT

Kennzeichnet Anweisungen, deren Nichtbefolgung eine Verletzung oder Sachschaden zur Folge haben kann.

### HINWEIS

Kennzeichnet nützliche Informationen für den vorschriftsmäßigen Gebrauch.

## TECHNISCHE DATEN

- Der Code "CS" des Modellnamens bedeutet "Kettensäge"

Modell	CS40EA (33PS)	CS40EA (38PS)	CS40EA (40PS)	CS40EA (45PS)
Geräteart	Kettensäge, tragbar			
Motorgröße (cm³)	39,6			
Zündkerze	NGK BPMR-7A			
Kraftstofftankvolumen (cm³)	380			
Kettenöltankvolumen (cm³)	240			
Trockengewicht (kg) (Ohne Führungsschiene und Kette)	4,5			
Schnittlänge der Führungsschiene (mm)	330	380	400	450
Kettenteilung (mm)	8,26			
Treibgliedstärke (mm)	1,27			
Schalldruckpegel LpA (dB (A)) nach ISO 22868	103			
Schalleistungspegel Lw Messung (dB (A)) nach ISO 22868	113			
Schalleistungspegel LwA (dB (A)) nach 2000/14/EC	114			
Vibrationspegel (m/s²) nach ISO 22867				
Vorderer Griff	2,2	2,2	2,2	2,2
Hinterer Griff	3,2	3,2	3,2	3,2
Max. Motorleistung nach ISO 7293 (kW)	1,8/10500			
Max. Motordrehzahl (min⁻¹)	13000			
Leerlaufdrehzahl (min⁻¹)	3000			
Spezieller Kraftstoffverbrauch (g/kWh)	480			
Kettentyp	95VP (Oregon)			
Max. Kettengeschwindigkeit (m/Sek.)	23,1			
Kettenrad (Zähnezahl)	7			

**HINWEIS:** Äquivalente Geräusch-/Vibrationspegel werden als zeitgewichtete Energiesumme für Geräusch-/Vibrationspegel unter verschiedenen Arbeitsbedingungen mit folgender Zeitaufteilung berechnet: 1/3 Leerlauf, 1/3 Vollast, 1/3 Vollgas.

\* Änderungen der technischen Daten jederzeit vorbehalten.

Die angegebenen einstelligen Lärmemissionswerte sind die Summe der gemessenen Werte und der zugehörigen Messunsicherheit von 3 dB und stellen die Obergrenze des bei Messungen zu erwartenden Wertebereichs dar.

## ZUSAMMENBAU

### ⚠ WARNUNG

Den Motor niemals ohne fest angebrachtes Seitengehäuse starten.

1. Die Schienenbefestigungsmuttern (1) entfernen.
2. Das Seitengehäuse (2) abnehmen; hierzu den hinteren Teil des Seitengehäuses (2) zusammendrücken. (**Abb. 1**)  
\* Wenn der Krallenanschlag (3) montiert werden soll, den Krallenanschlag (3) mit zwei Schrauben an der Motoreinheit befestigen. (**Abb. 2**)
3. Die Führungsschiene (4) auf die Gewindebolzen (5) aufsetzen und dann bis zum Anschlag in Richtung Kettenrad (6) schieben. Sicherstellen, dass der Spanschieber (7) in die zugehörige Bohrung der Schiene (8) greift. (**Abb. 3**)

### HINWEIS

Die Schiene leicht vor und zurück bewegen und prüfen, ob der Spanschieber (7) ordnungsgemäß in der Bohrung (8) der Schiene sitzt. (**Abb. 3**)

4. Die Sägekette (9) wie in der Abbildung korrekt ausgerichtet um das Kettenrad legen. (**Abb. 4**)
5. Die Treibglieder der Kette um die gesamte Schiene herum in die Führungsnut einpassen.
6. Das Seitengehäuse (2) wieder auf die Gewindebolzen (5) stecken.  
Nun die Schienenbefestigungsmuttern (1) provisorisch leicht anziehen. (**Abb. 1**)
7. Das Schienenende anheben und die Kette (9) durch Drehen der Spanschraube (10) im Uhrzeigersinn spannen. Die Kette zum Prüfen der Spannung in Schienenmitte leicht anheben: Die Kette ist richtig gespannt, wenn der Abstand zwischen der Schienenoberkante und der Lauffläche des angehobenen Treibglieds (11) ca. 0,5 – 1,0 mm beträgt. (**Abb. 5, 6**)

### VORSICHT

DIE KETTE MUSS ORDNUNGSGEMÄSS GESpanNT SEIN!

8. Die Schienenbefestigungsmuttern bei angehebenem Schienenende mit dem Kombischlüssel fest anziehen. (**Abb. 6**)
9. Eine neue Kette dehnt sich nach der Inbetriebnahme, weshalb die Spannung in den ersten 30 Betriebsminuten wiederholt kontrolliert und berichtigt werden muss.

### HINWEIS

Für optimale Leistung und Langlebigkeit die Kettenspannung regelmäßig prüfen.

### VORSICHT

- Wenn die Kette zu stark gespannt ist, erhöht sich der Verschleiß an Kette und Schiene. Bei zu schwacher Spannung kann die Kette aus der Führungsnut der Schiene springen.
- Die Kette nur mit Handschuhen anfassen!

### ⚠ WARNUNG

Die Kettensäge beim Betrieb mit beiden Händen gut festhalten. Einhändiges Sägen kann eine schwere Verletzung zur Folge haben!

## BETRIEB

### Kraftstoff (Abb. 7)

### ⚠ WARNUNG

- Die Kettensäge ist mit einem Zweitaktmotor ausgestattet. Sie muss daher mit Kraftstoff-Ölgemisch betrieben werden. Beim Handhaben von und Auftanken mit Kraftstoff ist stets für gute Belüftung zu sorgen.
- Kraftstoff ist stark entflammbar und kann bei Einatmen oder Hautkontakt schwere Verletzungen verursachen. Kraftstoff stets mit der gebotenen Umsicht handhaben. Bei der Handhabung von Kraftstoff in Gebäuden immer auf gute Belüftung achten.

### Kraftstoff

- Stets einen bleifreien Markenkraftstoff mit einer Oktanzahl von 89 oder höher verwenden.
- Original-Zweitaktöl oder ein fertiges Zweitaktgemisch in einem Mischungsverhältnis von 25:1 bis 50:1 verwenden. Hierzu die Anweisungen am Zweitaktölbehälter beachten oder den HITACHI-Fachhändler um Rat fragen.

- Sollte Original-Zweitaktöl nicht zu beschaffen sein, ein qualitativ hochwertiges Öl mit Korrosionsschutz-Additiv verwenden, das laut Beschriftung speziell für luftgekühlte Zweitaktmotoren geeignet ist (Klassifikation JASO FC oder ISO EGC). Kein BIA- oder TCW-Mischöl (für wassergekühlte Zweitakter) verwenden.
- Unter keinen Umständen Mehrbereichsöl (10 W/30) oder Altöl verwenden.
- Kraftstoff und Öl immer in einem separaten sauberen Behälter mischen.

Zuerst die Hälfte des zu verwendenden Benzins einfüllen.

Dann die ganze Ölmenge. Die Kraftstoffmischung verrühren (schütteln). Das restliche Benzin hinzufügen.

Die Kraftstoffmischung sorgfältig verrühren (schütteln), bevor sie in den Tank gefüllt wird.

### Auftanken

### ⚠ WARNUNG (Abb. 8)

- Zum Auftanken immer den Motor ausschalten.
- Zum Auffüllen mit Kraftstoff den den Kraftstofftankdeckel (12) langsam aufdrehen, um einen eventuellen Überdruck im Tank abzulassen.
- Den Kraftstofftankdeckel nach dem Auftanken wieder fest anziehen.
- Den Motor des Geräts mindestens 3 m von der Auftankstelle entfernt starten.
- Eventuell auf die Kleidung geratene Kraftstoff sofort mit Seife auswaschen.
- Nach dem Auftanken sicherstellen, dass kein Kraftstoff ausläuft.

Vor dem Betanken des Geräts den Bereich um den Tankdeckel gut säubern, damit kein Schmutz in den Tank gerät. Den Behälter vor dem Betanken schütteln, um Öl und Kraftstoff gut zu mischen.

### Kettenöl (Abb. 8)

Mit Kettenöl auffüllen (13). Stets Öl bester Qualität verwenden. Bei laufendem Motor wird automatisch Kettenöl gefördert.

### HINWEIS

Zum Einfüllen von Kraftstoff (12) oder Kettenöl (13) die Kettensäge so auf die Seite legen, dass die Tankdeckel oben sind. (**Abb. 8**)

### EINSTELLUNG DER KETTENÖL-SCHMIERMENGE

Die Schmiermenge wurde werkseitig auf maximale Schmierung voreingestellt, kann jedoch in Übereinstimmung mit den jeweiligen Einsatzbedingungen reguliert werden.

Drehen Sie die Einstellschraube (14) gegen den Uhrzeigersinn um das Gemisch fetter einzustellen, im Uhrzeigersinn wird das Gemisch adgemagert. (**Abb. 9**)

(Die Werkseinstellung beträgt 1 bis 1 1/2 Umdrehung von der geschlossenen Position heraus)

### Starten (Abb. 10-15)

#### VORSICHT

Vor dem Starten des Motors sicherstellen, dass die Kettenbremse eingelegt ist und die Schneidgarntur keinen anderen Gegenstand berührt. (**Abb. 10**)

1. Den Zündschalter (15) auf ON (Start) stellen. (**Abb. 11**)  
\*Die Ansaugpumpe (17) mehrmals betätigen, damit Kraftstoff durch die Pumpe in den Vergaser fließt. (**Abb. 12**)
2. Den Choke-Knopf (16) bis zur Choke-Stellung herausziehen. (**Abb. 12**) Hierbei wird die Drosselklappe automatisch in Halbgasposition arretiert.
3. Den Griff des Zugstarters gut mit der Hand festhalten, um Rückschläge zu verhindern, und in kräftiger, schneller Bewegung ziehen. (**Abb. 13**)
4. Wenn der Motor hörbar einmal gezündet hat, den Choke-Knopf wieder zur Laufstellung hineindrücken. (**Abb. 12**)
5. Danach wieder, wie zuvor beschrieben, in schneller, kräftiger Bewegung am Zugstarter ziehen. (**Abb. 13**)

#### HINWEIS

- Sollte der Motor nicht anspringen, Schritte 2 bis 5 wiederholen.
- 6. Sobald der Motor startet, ziehen Sie einmal kurz die Drosselklappe und lassen Sie sie sofort wieder los. (**Abb. 14**) Halbgasbetrieb ist dann ausgekuppelt.  
Achten Sie darauf, dass die Kettenbremse gelöst ist. (**Abb. 15**)

Geben Sie dem Motor 2-3 Minuten zum Warmlaufen, bevor Sie ihn belasten.

Drehen Sie den Motor nicht komplett auf, wenn er unbelastet ist, denn dadurch verkürzt sich die Lebenszeit des Motors.

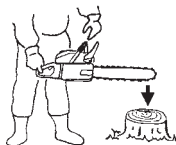
### Funktion der Kettenbremse (Abb. 16)

Die Kettenbremse (18) ist so konzipiert, dass sie in einem Notfall, z. B. bei einem Rückschlag, die Kette sofort zum Stillstand bringt. Die Funktion sollte vor Gebrauch kontrolliert werden.

Die Kettenbremse wird durch eine Vorwärtsbewegung des vorderen Handschutzes ausgelöst. Bei aktivierter Kettenbremse bleibt die Kette festgestellt, so dass die Motordrehzahl auch bei stärkerem Drücken des Gashebels nicht zunimmt. Zum Lösen der Bremse den Kettenbremshebel nach oben ziehen.

### Funktionsprüfung:

- 1) Den Motor ausschalten.
- 2) Die Kettensäge mit beiden Händen waagrecht und mit der Schienenspitze über einem Baumstumpf oder einem Stück Holz halten. Nun den vorderen Griff loslassen, so dass die Spitze der Schiene aufschlägt, und nachsehen, ob die Kettenbremse ausgelöst wurde. Die zur Auslösung erforderliche Höhe hängt von der jeweiligen Schienenlänge ab.



Sollte die Bremse nicht funktionieren, muss sie vom Fachhändler überprüft und ggf. instand gesetzt werden. Hochjagen des Motors mit aktivierter Kettenbremse verursacht eine Überhitzung der Kupplung mit eventuellen Folgeschäden.

Sollte die Bremse beim Betrieb ausgelöst werden, ist sofort der Gashebel freizugeben, um die Motordrehzahl zu senken.

### ⚠️ WARNUNG

Das Gerät nicht mit laufendem Motor an einen anderen Ort tragen.

### Stoppen (Abb. 17)

Die Motordrehzahl verringern und den Zündschalter (15) in Stoppposition bringen.

### ⚠️ WARNUNG

#### RÜCKSCHLAGGEFAHR (Abb. 18)

Eine der größten Gefahren beim Arbeiten mit einer Kettensäge ist ein Zurückschlagen des Geräts. Rückschlag kann beispielsweise auftreten, wenn man bei laufender Kette mit dem oberen Teil der Schienenspitze versehentlich einen Gegenstand berührt, oder wenn sich beim Durchschneiden eines Stammes der Spalt schließt und die Kette eingeklemmt wird. Ein versehentliches Berühren mit der Spitze kann die Schiene in einer blitzschnellen Bewegung nach oben und zurück schleudern. Wenn sich die Kette oben festfrisst, kann die Schiene unvermittelt heftig zurückgestoßen werden. In beiden Fällen besteht die Gefahr, dass die Säge aus der Hand geschleudert wird, was eine schwere Körperverletzung zur Folge haben kann. Obwohl die Säge mit allen technisch möglichen Sicherheitsvorrichtungen ausgestattet ist, bieten diese allein keinen hundertprozentigen Schutz. Man sollte daher bei der Arbeit mit der Säge die Schienenspitze immer im Auge behalten. Rückschlag tritt auf, wenn man einen anderen Gegenstand mit der Schienenspitze innerhalb der Rückschlagzone (19) berührt. Dieser Bereich sollte daher nicht zum Sägen verwendet werden. Rückschlag durch Festfressen tritt auf, wenn sich der gesägte Spalt unvermittelt schließt und die Schiene oben eingeklemmt wird. Die Einschnittstelle daher stets so wählen, dass sich der Spalt beim Durchsägen öffnet. Bei laufendem Motor die Säge sicher halten: die rechte Hand am hinteren Griff und die linke Hand am vorderen Griff, wobei Daumen und Finger jeweils fest um die Griffe gelegt sind. Säge stets mit beiden Händen führen und mit hoher Motordrehzahl sägen.

### ⚠️ WARNUNG

- Nicht mit ausgestreckten Armen oder über Schulterhöhe sägen!
- Beim Fällen besondere Vorsicht walten lassen und die Säge nicht schräg nach oben abgewinkelt oder über Schulterhöhe verwenden.

### KETTENFANGBOLZEN

Der Kettenfangbolzen sitzt an der Motoreinheit unterhalb der Kette und hat die Aufgabe, eine gerissene Kette aufzufangen, so dass sie den Bediener nicht verletzt.

### ⚠️ WARNUNG

Beim Sägen nicht in einer Linie mit der Kette stehen.

### GRUNDLAGEN ZUM FÄLLEN, ENTASTEN UND ABLÄNGEN

Die folgenden Informationen sind als allgemeine Einführung in die Schnitttechniken für den praktischen Einsatz einer Kettensäge gedacht.

### ⚠️ WARNUNG

- Die Beschreibungen decken nicht alle Situationen ab, da die Einsatzbedingungen je nach geographischer Beschaffenheit, Vegetation, Forstbestand sowie Form und Größe der Bäume anders sein können. Informationen über spezifische Probleme am Einsatzort bitte beim Fachhändler, Forstamt oder der örtlichen Forstakademie einholen. Die Beschreibungen auf den folgenden Seiten sollen zu einem effizienteren und sichereren Einsatz des Gerätes beitragen.
- Nicht unter ungünstigen Wetterverhältnissen arbeiten, z. B. in dichtem Nebel, starkem Regen, bitterer Kälte oder starkem Wind u. dgl.
- Schlechte Witterung führt nicht nur zu schneller Ermüdung, sondern birgt auch andere Gefahrenquellen in sich, z. B. einen schlüpfrigen Untergrund.
- Beim Fällen eines Baumes in starkem Wind kann dieser unerwartet in eine andere Richtung fallen und schwere Sach- oder Personenschäden verursachen.

### VORSICHT

Kettensägen niemals als Hebel oder für andere Zwecke verwenden, für die sie nicht vorgesehen sind!

### ⚠️ WARNUNG

- Bei der Arbeit den Boden im Auge behalten, um nicht über Baumstümpfe, Wurzeln, Gesteinsbrocken, Äste und gefällte Bäume zu stolpern. Auch auf Löcher und Gräben im Boden achten. An Hängen und auf unebenem Boden besondere Vorsicht walten lassen.
- Beim Wechseln des Arbeitsplatzes den Motor vorsichtshalber abstellen.
- Zum Sägen den Motor stets ganz hochdrehen lassen. Wenn die Kette zu langsam läuft, kann sie sich verfangen und die Säge aus der Hand reißen.
- Die Säge niemals einhändig führen. Mit nur einer Hand kann man die Kontrolle über die Säge verlieren und sich oder andere schwer verletzen.
- Die Motoreinheit möglichst dicht am Körper halten. Dies gewährleistet einen festeren Stand und ermüdungsfreieres Arbeiten.
- Beim Sägen mit dem unteren Teil der Schneidgarnitur wird die Säge vom Bediener weg und in Richtung des geschnittenen Holzes gezogen.
- Die Säge regelt die Laufgeschwindigkeit der Kette automatisch, und Sägemehl tritt auf der Bedienerseite unterhalb der Säge aus. (Abb. 19)
- Beim Sägen mit dem oberen Teil der Schneidgarnitur wird die Säge nach hinten gedrückt, d. h. weg vom zu schneidenden Material. (Abb. 20)
- Wenn die Säge bis zur Schienenspitze aus dem Stamm gezogen wird, besteht Rückschlaggefahr!
- Sägen mit der Schienunterkante ist das sicherere Verfahren. Beim Sägen mit der Oberkante ist ein sicheres Halten der Säge schwieriger, und es besteht erhöhte Rückschlaggefahr.
- Sollte die Kette blockieren, lassen Sie sofort den Gashebel los. Wenn der Gashebel bei blockierter Kette auf hoher Drehzahl bleibt, läuft die Kupplung heiß und macht dann Schwierigkeiten.

## HINWEIS

Den Krallenanschlag stets gegen den Baum gedrückt halten, da die Säge anderenfalls unerwartet in den Baum hineingezogen werden kann.

## FÄLLEN

Fällen eines Baumes erfordert Übung und ein gutes Einschätzungsvermögen. Der Baum muss dabei in einen vorbestimmten Bereich (Fällrichtung) fallen, ohne umstehende Bäume u. dgl. zu beschädigen.

Vor dem Fällen eines Baumes alle Faktoren prüfen, die die Fällrichtung beeinflussen, unter anderem:

Standwinkel des Baums. Form der Krone. Eventueller Schnee auf der Krone.

Windrichtung und -stärke. Gegenstände innerhalb der Reichweite des Baums (andere Bäume, Leitungen, Straßen, Gebäude usw.).

## ⚠️ WARNUNG

○ Stets den allgemeinen Zustand des Baums untersuchen. Den Stamm auf Faul- und Schwachstellen untersuchen, die ein frühzeitiges Brechen und Fallen des Baums verursachen können.

○ Auch auf abgestorbene Äste achten, die beim Fällen abbrechen und Verletzungen verursachen können.

Beim Fällen darauf achten, dass Tiere und andere Personen mindestens das Zweifache der Baumlänge entfernt sind. Gestrüpp und Äste in der näheren Umgebung des Baums entfernen.

Einen Rückzugsweg entgegen der Fällrichtung vorbereiten.

## GRUNDREGELN ZUM FÄLLEN EINES BAUMES

Bäume werden gewöhnlich in zwei Arbeitsgängen gefällt: Ausschneiden des Fallkerbs und der abschließende Fällschnitt. Zunächst wird an der Fällrichtungsseite des Stamms der obere (schräge) Kerbschnitt gemacht. Beim darauffolgenden Ausschneiden des Kerbs ist darauf zu achten, dass der zweite Einschnitt nicht zu tief in den Stamm gesägt wird. Der Fallkerb muss so ausgeschnitten werden, dass beim abschließenden Fällschnitt eine ausreichend breite und starke Bruchleiste stehen bleibt. Der Winkel sollte so breit sein, dass der Stamm beim Fall ausreichend lange in Fällrichtung gehalten wird. Der Fällschnitt wird danach auf der anderen Seite 3 bis 5 cm oberhalb des unteren Kerbschnitts in den Stamm gesägt. (Abb. 21)

20. Fällrichtung

21. Kerbwinkel (mind. 45°)

22. Bruchleiste

23. Fällschnitt

Den Stamm des zu fallenden Baumes niemals ganz durchsägen. Stets eine ausreichend starke Bruchleiste stehen lassen.

Die Bruchleiste führt den fallenden Baum. Wenn die Bruchleiste durchtrennt wird, fällt der Baum unter Umständen in eine andere Richtung.

Beim Fällschnitt einen Keil oder ein Fällleisen in den Einschnitt treiben, bevor der Baum an Standfestigkeit verliert und sich zu bewegen beginnt. Der Keil verhütet, dass die Schiene im Einschnitt eingeklemmt wird, wenn der Baum nicht in die vorgesehene Richtung fällt. Vor dem endgültigen Umkeilen und Fällen des Baumes noch einmal sichergehen, dass sich keine Personen im Fällbereich befinden.

## FÄLLSCHNITT BEI EINEM STAMM, DESSEN DURCHMESSER MEHR ALS DAS ZWEIFACHE DER SCHIENENLÄNGE BETRÄGT

Zunächst einen großen Fallkerb mit breitem Winkel ausschneiden. Danach in der Mitte der Kerbe mit einem Stechschnitt waagrecht in den Stamm sägen. Dabei links und rechts eine ausreichend starke Bruchleiste stehen lassen. (Abb. 22)

Danach den Fällschnitt wie in **Abb. 23** um den Stamm herum vornehmen.

## ⚠️ WARNUNG

Dieses Verfahren ist extrem gefährlich, da es den Einsatz der Schienenspitze erfordert und Rückschläge nicht ausgeschlossen sind.

Das Fällen von Bäumen sollte grundsätzlich von entsprechend geschulten Fachkräften ausgeführt werden.

## ENTASTEN

Unter Entasten versteht man das Entfernen der Äste von einem gefällten Baum.

## ⚠️ WARNUNG

Die meisten Unfälle durch Rückschlag ereignen sich beim Entasten.

Niemals mit der Schienenspitze sägen! Unbedingt darauf achten, dass die Schienenspitze beim Hantieren der Säge nicht mit dem Stamm, Ästen oder anderen Gegenständen in Berührung kommt. Unter Spannung stehende Äste sind besonders gefährlich, da sie beim Durchschneiden wie ein Peitsche hervorschnellen und direkt oder indirekt Verletzungen verursachen können. (Abb. 24)

Auf der linken Seite des Stamms einen festen Stand einnehmen und die Säge auf den Stamm aufliegen. Die Säge in Körpfernähe halten, um sie gut unter Kontrolle zu haben. Ausreichend Abstand zur Kette einhalten. Bei Änderungen des Standorts die Kette stets auf der anderen Seite des Stamms halten. Auf Äste achten, die unter Spannung stehen, da diese beim Abschneiden wie eine Peitsche wirken.

## ABSCHNEIDEN STÄRKERER ÄSTE

Beim Schneiden dicker Äste verklemt sich die Führungsschiene leicht. Unter Spannung stehende Äste können unvermittelt brechen und hochschnellen und sollten daher besser in mehreren Arbeitsgängen entfernt werden. Im Allgemeinen gelten hier dieselben Prinzipien wie beim Ablängen. Gute Voraussicht und sorgfältige Arbeitsplanung sind die beste Versicherung gegen Unfälle.

## TRENNSCHNITTE/ABLÄNGEN

Zunächst sollte man sich überlegen, was beim Durchsägen des Stamms passiert. Den Stamm auf Belastungspunkte untersuchen und so sägen, dass die Schiene nicht eingeklemmt wird.

## ABLÄNGEN VON STÄMMEN, DRUCK VON OBEN

Einen festen Stand einnehmen. Zunächst oben einen Entlastungsschnitt machen. Dieser darf nicht zu tief sein, 1/3 des Stammdurchmessers ist ausreichend. Danach den Trennschnitt von unten her machen.

Die beiden Einschnitte müssen sich decken. (Abb. 25)

24. Entlastungsschnitt

25. Trennschnitt

26. Druck von oben

27. Druckseite

28. Zugseite

29. Relative Tiefe der beiden Einschnitte

## BEI STÄMMEN MIT EINEM DURCHMESSER, DER GRÖßER IST ALS DIE SCHIENENLÄNGE

Zunächst einen Einschnitt an der gegenüberliegenden Seite des Stamms machen. Die Säge zurückziehen und wie im vorangehenden Abschnitt beschrieben weitermachen. (Abb. 26)

Sollte der Stamm auf dem Boden liegen, den Trennschnitt mit einem Stechschnitt einleiten, um zu verhüten, dass in den Boden gesägt wird. Danach den Trennschnitt von unten her machen. (Abb. 27)

## ⚠️ WARNUNG

### RÜCKSCHLAGEGEFAHR

Stechschnitte dürfen nur von geschulten Kräften gemacht werden, da hierbei mit der Schienenspitze gesägt wird und Rückschläge nicht auszuschließen sind.

## ABLÄNGEN VON STÄMMEN, DRUCK VON UNTEN

Einen festen Stand einnehmen. Zunächst unten einen Entlastungsschnitt machen. Dieser darf nicht zu tief sein, 1/3 des Stammdurchmessers ist ausreichend.

Danach den Trennschnitt von oben her machen. Die beiden Einschnitte müssen sich decken. (Abb. 28)

30. Entlastungsschnitt

31. Trennschnitt

32. Druck von unten

33. Zugseite

34. Druckseite

35. Relative Tiefe der beiden Einschnitte

## BEI STÄMMEN MIT EINEM DURCHMESSER, DER GRÖßER IST ALS DIE SCHIENENLÄNGE

Zunächst einen Einschnitt an der gegenüberliegenden Seite des Stamms machen. Die Säge zurückziehen und wie im vorangehenden Abschnitt beschrieben weitermachen. Sollte der Stamm auf dem Boden liegen, den Entlastungsschnitt mit einem Stechschnitt einleiten. Danach den Trennschnitt von oben her machen. (Abb. 29)

### ⚠️ WARNUNG

#### RÜCKSCHLAGEGEFAHR

Stechschnitte dürfen nur von geschulten Kräften gemacht werden, da hierbei mit der Schienenspitze gesägt wird und Rückschläge nicht auszuschließen sind. (Abb. 30)

## BEI FESTGEFRESSENER SÄGE

Den Motor stoppen. Den Stamm mit einem starken Ast als Hebel anheben oder zur Seite wegschieben. Nicht versuchen, die Säge mit Gewalt aus dem Einschnitt zu ziehen. Der Griff kann dabei verbiegen, und wenn sich die Säge unvermittelt löst, kann man sich an der Kette verletzen.

## WARTUNG

WARTUNG, AUSTAUSCH ODER REPARATUR DER ABGASKONTROLLVORRICHTUNGEN UND -SYSTEME KANN VON JEDER AUF KLEINMOTOREN (NICHT FÜR DEN STRASSENVERKEHR VORGEGEHENE MOTOREN) SPEZIALISIERTEN FACHWERKSTATT ODER PERSON DURCHFÜHRT WERDEN.

### VergaserEinstellung (Abb. 31)

#### ⚠️ WARNUNG

Den Motor niemals ohne angebaute Kupplungsabdeckung (Seitengehäuse) starten.

Die Kupplung könnte sich lösen und ohne Abdeckung Verletzungen verursachen.

Im Vergaser werden Luft und Kraftstoff gemischt. Der Vergaser wurde beim werkseitigen Probelauf des Motors bereits eingestellt. Je nach Klima und Höhenlage des Einsatzorts kann eine Korrektur dieser Einstellung erforderlich werden. Der Vergaser bietet eine Einstellmöglichkeit:

T = Leerlauf-Einstellschraube.

#### Einstellung des Leerlaufs (T)

Der Luftfilter muss sauber sein. Bei korrekter Einstellung dreht das Schneidwerkzeug sich im Leerlauf nicht mit. Falls eine Einstellung notwendig ist, bei laufendem Motor die Leerlauf-Einstellschraube T (im Uhrzeigersinn) hineindrehen, bis das Schneidwerkzeug sich zu drehen beginnt. Die Schraube danach (gegen den Uhrzeigersinn) wieder herausdrehen, bis sich das Schneidwerkzeug nicht mehr mitdreht. Die Leerlaufdrehzahl ist richtig eingestellt, wenn der Motor in jeder Lage gut unterhalb der Drehzahl läuft, bei der das Schneidwerkzeug sich zu drehen beginnt.

Wenn die Leerlaufdrehzahl nicht so eingestellt werden kann, dass das Schneidwerkzeug sich nicht mitdreht, den HITACHI-Fachhändler aufsuchen.

#### ⚠️ WARNUNG

Im Leerlauf darf sich das Schneidwerkzeug auf keinen Fall mitdrehen.

#### HINWEIS

Bei einigen, in Ländern mit strengen Abgasvorschriften vertriebenen Modellen, besitzt der Vergaser keine H- und L-Einstellmöglichkeit, da bei diesen Einstellungen die zulässigen Abgaswerte überschritten werden können. Solche Modelle ermöglichen lediglich eine Einstellung der Leerlaufdrehzahl.

Falls Sie nicht mit dieser Art von Einstellung vertraut sind, lassen Sie sie bitte von Ihrem HITACHI-Fachhändler durchführen.

#### Luftfilter (Abb. 32)

Den Luftfilter (36) regelmäßig von Staub und Schmutz befreien zur Vermeidung von:

- Vergaserstörungen.
- Startschwierigkeiten.

- Leistungsverminderung.
- Unnötiger Verschleiß von Motorteilen.
- Unnormaler hoher Kraftstoffverbrauch.

Den Luftfilter mindestens täglich reinigen, bei extremer Staubbelastung entsprechend öfter.

#### Reinigung des Luftfilters

Den Luftfilterdeckel (37) abnehmen und den Filter (36) herausnehmen.

Die Teile in warmer Seifenlauge spülen. Den Luftfilter erst wieder einbauen, wenn er vollständig trocken ist. Ein Luftfilter, der bereits längere Zeit verwendet wurde, wird nicht vollständig sauber. Er sollte daher in regelmäßigen Abständen durch einen neuen ersetzt werden. Ein beschädigter Luftfilter muss umgehend ausgewechselt werden.

#### Zündkerze (Abb. 33)

Der Zustand der Zündkerze wird durch folgende Faktoren beeinträchtigt:

- Eine falsche Vergasereinstellung.
- Falsches Kraftstoffgemisch (zu viel Öl im Benzin).
- Verschmutzter Luftfilter.
- Harte Einsatzbedingungen (z.B. bei kalter Witterung).

Diese Faktoren verursachen Ablagerungen an den Elektroden der Zündkerze, die zu Betriebsstörungen und Startschwierigkeiten führen können. Wenn der Motor einen Leistungsabfall zeigt, schwer zu starten ist oder den Leerlauf nicht gut hält, immer als erstes die Zündkerze kontrollieren. Ist die Zündkerze verschmutzt, so ist sie zu reinigen und der Elektrodenabstand zu prüfen. Den Abstand bei Bedarf korrigieren. Der korrekte Elektrodenabstand beträgt 0,6 mm. Die Zündkerze ist nach ungefähr 100 Betriebsstunden bzw. bei starkem Verschleiß der Elektroden auszutauschen.

#### HINWEIS

In manchen Gebieten ist zur Unterdrückung von Zündstörungen die Verwendung einer Zündkerze mit eingebautem Widerstand vorgeschrieben. Sollte das Gerät anfänglich mit einer solchen Zündkerze ausgestattet gewesen sein, müssen auch später stets gleichwertige Ersatzkerzen verwendet werden.

#### Ölbohrung (Abb. 34)

Die Ölbohrung (38) sollte bei jeder Gelegenheit gesäubert werden.

#### Führungsschiene (Abb. 35)

Vor jedem Einsatz des Geräts die Führungsnut und die Ölbohrung (39) der Schiene mit dem Spezialwerkzeug aus dem Sonderzubehörsatz säubern.

#### Seitengehäuse (Abb. 36)

Das Seitengehäuse und den Bereich um die Antriebsmechanik regelmäßig von Sägemehl und Schmutzteilen befreien. Diesen Bereich von Zeit zu Zeit mit Öl oder Fett schmieren, um Korrosionsbildung vorzubeugen, da gewisse Baumarten einen relativ hohen Säuregehalt haben.

#### Kraftstofffilter (Abb. 37)

Den Kraftstofffilter aus dem Kraftstofftank ziehen und gut mit Lösungsmittel auswaschen. Den Filter danach wieder in den Tank schieben.

#### HINWEIS

Wenn der Filter stark verschmutzt und hart ist, diesen durch einen neuen ersetzen.

#### Kettenölfilter (Abb. 38)

Den Kettenölfilter herausziehen und gut mit Lösungsmittel auswaschen.

#### Reinigen der Zylinderrippen (Abb. 39)

Holzspäne, die sich zwischen Zylinderrippen (40) verklemmen, können eine Überhitzung des Motors und einen daraus resultierenden Leistungsabfall verursachen. Die Rippen und das Lüftergehäuse sollten daher stets sauber gehalten.

Alle 100 Betriebsstunden oder einmal jährlich (bei extremen Einsatzbedingungen in entsprechend kürzeren Intervallen) die Rippen und Außenflächen des Motors von Staub, Schmutz und Ölablagerungen befreien, welche die Kühlwirkung beeinträchtigen.

## Längerfristige Lagerung

Den Kraftstoff vollständig aus dem Tank ablassen. Den Motor starten und laufen lassen, bis er von selbst stoppt. Eventuell beim Einsatz entstandene Schäden instand setzen. Das Gerät mit einem sauberen Lappen oder Druckluft gründlich reinigen. Einige Tropfen Zweitaktmotoröl durch die Zündkerzenbohrung in den Zylinder geben und den Motor einige Male mit dem Zugstarter drehen, damit sich das Öl gut verteilt.

Das Gerät abdecken und an einem trockenen Ort lagern.

## SCHÄRFEN DER KETTE Schneidzahnteile (Abb. 40, 41)



### WARNUNG

- Beim Schärfen der Kette Handschuhe tragen.
- Die Stirnfläche der Tiefenbegrenzer unbedingt abrunden, um die Rückschlaggefahr zu verringern und ein Brechen von Verbindungsgliedern zu vermeiden.

41. Zahndach
42. Schneidkante
43. Seitenplatte
44. Raum
45. Ferse
46. Grundplatte
47. Nietbohrung
48. Zehe
49. Tiefenbegrenzer
50. Korrekter Winkel des Zahndachs (Steilheit abhängig vom Kettentyp)
51. Leicht vorstehender „Haken“ bzw. Spitze (bei anderen Kettentypen abgerundet)
52. Oberster Punkt des Tiefenbegrenzers in korrekter Höhe unterhalb der Zahndachebene
53. Abgerundetes Stirnende des Tiefenbegrenzers

## HERUNTERFEILEN DER TIEFENBEGRENZER





- 1) Nach wiederholtem Schärfen der Schneidzähne mit einem Feilenhalter ist auch die Höhe der Tiefenbegrenzer zu kontrollieren und ggf. zu korrigieren.
- 2) Die Tiefenbegrenzer bei jedem dritten Schärfen der Kette überprüfen.
- 3) Eine Tiefenlehre auf die Schneidzähne auflegen. Sollte der Tiefenbegrenzer überstehen, ihn mit einer Flachfeile bis auf die Höhe der Tiefenlehre herunterfeilen. Dabei von Kettenmitte in Richtung des nach außen versetzten Schneidzahnes feilen. (Abb. 42)
- 4) Nach der Korrektur mit der Tiefenlehre die Stirnfläche des Tiefenbegrenzers rundfeilen, um die ursprüngliche Form zu bewahren. Dabei die Empfehlungen für das Tiefenbegrenzermaß in der Wartungs- bzw. Bedienungsanleitung der Säge befolgen. (Abb. 43)

## ALLGEMEINE ANWEISUNGEN ZUM SCHÄRFEN DER SCHNEIDZÄHNE

Den jeweiligen Schneidzahn von der anderen Kettenseite her von innen nach außen mit der Rundfeile (54) schärfen. Hierbei nur beim Vorwärtshub feilen. (Abb. 44)

- 5) Darauf achten, dass alle Schneidzähne dieselbe Länge haben. (Abb. 45)
- 6) Die Schneiden (Seitenplatte (55) und Zahndach (56)) der Schneidzähne so weit bearbeiten, dass vorhandene Beschädigungen beseitigt werden. (Abb. 46)

## FEILWINKEL BEIM SCHÄRFEN DER SÄGEKETTE

1. Teilenummer	95VP
2. Teilung	0,325"
 3. Tiefenbegrenzermaß	0,025"
 4. Seitenplatten-Feilwinkel	85°
 5. Zahndachwinkel	30°
 6. Feilführungswinkel	10°

## Wartungsplan

Im Folgenden sind einige allgemeine Wartungsanweisungen aufgeführt. Weitergehende Informationen können beim HITACHI-Fachhändler eingeholt werden.

### Tägliche Wartung

- Das Äußere des Geräts reinigen.
- Die Ölbohrung am Gerät säubern.
- Die Führungsnut und die Ölbohrung der Schiene säubern.
- Das Seitengehäuse von Sägemehl befreien.
- Prüfen, ob die Sägekette scharf ist.
- Prüfen, ob die Schienenbefestigungsmuttern fest angezogen sind.
- Sicherstellen, dass der Kettenschutz unbeschädigt ist und bei Anbringung fest sitzt.
- Prüfen, ob Mutter und Schrauben ausreichend fest angezogen sind.

- Inspeizieren Sie vor dem Starten des Motors insbesondere die Schrauben des Schalldämpfers und vergewissern Sie sich, dass sie fest angezogen sind. Falls eine der Schrauben locker sein sollte, ziehen Sie diese sofort wieder fest. Wird das nicht getan, kann das zu ernsthaften Gefahren führen.
- Prüfen Sie die Spitze der Schiene. Falls sie Verschleißspuren aufweist, tauschen Sie die Spitze gegen eine neue Spitze aus.
  - Prüfen Sie das Kettenbremsband. Falls es Verschleißspuren aufweist, tauschen Sie es gegen ein neues Teil aus.

### Wöchentliche Wartung

- Den Starter prüfen; insbesondere das Seil und die Rückholfeder.
- Die Zündkerze äußerlich reinigen.
- Die Zündkerze herauserschrauben und den Elektrodenabstand kontrollieren. Den Abstand auf 0,6 mm einstellen oder die Zündkerze auswechseln.
- Die Kühlrippen des Zylinders reinigen und die Luftschlitze am Startergehäuse auf Verstopfung kontrollieren.
- Den Luftfilter säubern.

### Monatliche Wartung

- Den Kraftstofftank mit Benzin ausspülen und den Kraftstofffilter reinigen.
- Den Kettenölfilter säubern.
- Das Äußere des Vergasers und seine Umgebung reinigen.
- Den Lüfter und seine Umgebung reinigen.







## HINWEIS

Geben Sie bei Bestellungen bei Ihrem Händler bitte die im Abschnitt Stückliste dieser Anleitung angeführte Artikelnummer an.

	SCHIENENUMMER	LÄNGE-TYP	KETTENUMMER
	107498	13"	95VP-56
MODELLNUMMER	105191	15"	95VP-64
OREGON	104968	16"	95VP-66
	105355	18"	95VP-72

## ΕΠΕΞΗΓΗΣΗ ΣΥΜΒΟΛΩΝ

ΣΗΜΕΙΩΣΗ: Δεν υπάρχουν σε ορισμένες συσκευές.

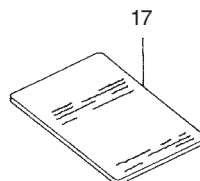
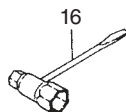
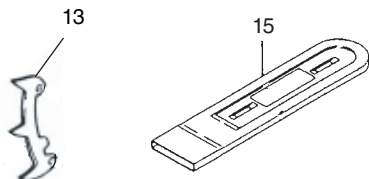
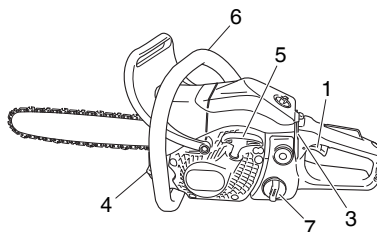
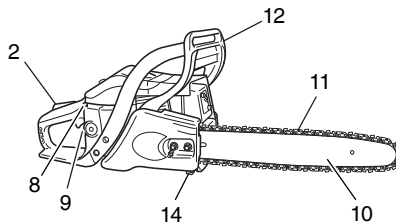
	<b>Σύμβολα</b>  <b>ΠΡΟΕΙΔΟΠΟΙΗΣΗ</b> Τα παρακάτω δείχνουν τα σύμβολα που χρησιμοποιούνται στο μηχάνημα. Βεβαιωθείτε ότι κατανοείτε τη σημασία τους πριν τη χρήση.		
	Είναι σημαντικό να διαβάσετε, να κατανοήσετε πλήρως και να τηρείτε τις ακόλουθες υποδείξεις ασφαλείας και προειδοποίησης. Η ακατάλληλη ή αμελής χρήση της συσκευής μπορεί να προκαλέσει σοβαρούς τραυματισμούς.		Προειδοποίηση, κίνδυνος οπίσθιας κίνησης. Προσέχετε την πιθανή ξαφνική και τυχαία άνω και/ή κάτω κίνηση του οδηγού της συσκευής.
	Διαβάστε, κατανοήστε και ακολουθήστε όλες τις προειδοποιήσεις και οδηγίες αυτού του εγχειριδίου της συσκευής.		Απαγορεύεται η χρήση με ένα χέρι. Όταν κόβετε, κρατάτε το πριόνι με τα δύο χέρια και τον αντίχειρα σφίχτά γύρω από την πρόσθια λαβή.
	Φοράτε πάντα προστατευτικά γυαλιά, κράνος και προστατευτικά αυτιών όταν χρησιμοποιείτε τη συσκευή.		

## Περιεχόμενα

ΤΙ ΕΙΝΑΙ ΤΙ? .....	21
ΠΡΟΕΙΔΟΠΟΙΗΣΕΙΣ ΚΑΙ ΥΠΟΔΕΙΞΕΙΣ ΑΣΦΑΛΕΙΑΣ .....	22
ΤΕΧΝΙΚΑ ΧΑΡΑΚΤΗΡΙΣΤΙΚΑ .....	24
ΔΙΑΔΙΚΑΣΙΕΣ ΣΥΝΑΡΜΟΛΟΓΗΣΗΣ .....	24
ΔΙΑΔΙΚΑΣΙΑ ΛΕΙΤΟΥΡΓΙΑΣ .....	25
ΣΥΝΤΗΡΗΣΗ .....	27
Βλάβη εξαρτημάτων	

## ΤΙ ΕΙΝΑΙ ΤΙ?

- Σκανδάλη γκαζιού: Συσκευή που ενεργοποιείται από το χειριστή για έλεγχο της ταχύτητας.
- Κλειδωμά σκανδάλη κινητήρα (Σκανδάλη ασφαλείας): Συσκευή που αποτρέπει την τυχαία λειτουργία της σκανδάλης γκαζιού έως ότου ελευθερωθεί με το χέρι.
- Διακόπτης ανάφλεξης: Συσκευή που επιτρέπει την έναρξη και διακοπή της λειτουργίας.
- Τάπα δεξαμενής λαδιού: Για να κλείσει η δεξαμενή λαδιού.
- Εκκινητήρας ανατύλιξης: Πέστε τη λαβή για έναρξη λειτουργίας.
- Μπροστινή λαβή: Υποστηρικτική λαβή που βρίσκεται στο ή προς τα εμπρός του καλύμματος του κινητήρα.
- Τάπα δεξαμενής καυσίμου: Για να κλείσετε τη δεξαμενή καυσίμου.
- Κουμπί ελέγχου του τσοκ: Συσκευή για τον εμπλουτισμό του μείγματος καυσίμου/αέρα στο καρμπυρατέρ που βοηθά την εκκίνηση.
- Αντλία πλήρωσης: Συσκευή για την παροχή επιπλέον καυσίμου, για να διευκολύνεται η εκκίνηση.
- Λάμα: Το τμήμα που υποστηρίζει και οδηγεί την αλυσίδα του πριονιού.
- Αλυσίδα πριονιού: Αλυσίδα που χρησιμοποιείται ως εργαλείο κοπής.
- Φρένο αλυσίδας (μπροστινός προφυλακτήρας χειρός): Συσκευή για να σταματήσει και κλειδώσει η αλυσίδα.
- Ακίδωτος προφυλακτήρας: Συσκευή που δρα ως μοχλός κατά την επαφή με ένα δέντρο ή κούτσουρο.
- Συγκρατητής αλυσίδας: Συσκευή για τη συγκράτηση της αλυσίδας του πριονιού.
- Κάλυμμα της λάμας: Συσκευή για την κάλυψη της λάμας και της αλυσίδας του πριονιού όταν η συσκευή δεν βρίσκεται σε χρήση.
- Πολλαπλό μηχανικό κλειδί: Το εργαλείο για την αφαίρεση ή την τοποθέτηση του μπουζί και το σφίξιμο της αλυσίδας του πριονιού.
- Οδηγίες χειρισμού: Συμπεριλαμβάνεται στη συσκευή. Διαβάστε πριν τη χρήση και κρατήστε το για μελλοντική αναφορά για να μάθετε τις κατάλληλες και ασφαλείς τεχνικές.



## ΠΡΟΕΙΔΟΠΟΙΗΣΕΙΣ ΚΑΙ ΥΠΟΔΕΙΞΕΙΣ ΑΣΦΑΛΕΙΑΣ

### Ασφάλεια χρήστη

- Πάντοτε να φοράτε μια προστατευτική προσωπίδα ή προστατευτικά γυαλιά.
- Πάντοτε να χρησιμοποιείτε γάντια κατά το ακόνισμα της αλυσίδας.
- Πάντοτε να φοράτε προστατευτικό εξοπλισμό, όπως σακάκι, παντελόνι, κράνος, μπότες σιδερένια προστατευτικά δακτύλων και αντιολισθητικές σόλες όποτε χρησιμοποιείτε το αλυσοπρίονο. Για εργασία σε δέντρα οι μπότες ασφαλείας θα πρέπει να είναι κατάλληλες για αναρρίχηση. Μην φοράτε χαλαρά ρούχα, κοσμήματα, κοντά παντελόνια, σανδάλια ή να είστε ξυπόλυτοι. Ασφαλίστε τα μαλλιά σας σε ύψος πάνω από τον ώμο.
- Μην κάνετε χρήση αυτού του εργαλείου όταν ήσαστε κουρασμένοι, άρρωστοι ή υπό την επίρρεια αλκοόλ, ναρκωτικών ή φαρμάκων.
- Ποτέ μην επιτρέψετε σε ένα παιδί να ή ένα άπειρο άτομο να χειριστεί αυτό το εργαλείο.
- Φοράτε προστατευτικά ακοής. Δώστε προσοχή γύρω σας. Προσέξτε τους παραβρισκόμενους οι οποίοι μπορεί να σας σηματοδοτήσουν κάποιο πρόβλημα. Αφαιρέστε αμέσως τον εξοπλισμό ασφαλείας μετά το σβήσιμο του κινητήρα.
- Φοράτε προστατευτικό κεφαλιού.
- Ποτέ μην ξεκινάτε ή λειτουργείτε τον κινητήρα μέσα σε ένα κλειστό δωμάτιο ή κτίριο.
- Η εισπνοή των καυσαερίων μπορεί να επιφέρει το θάνατο.
- Για αναπνευστική προστασία, φοράτε προστατευτική μάσκα όταν σχηματίζονται πριονίδια κατά την εξαγωγή του αερολύματος λαδιού αλυσίδας και της σκόνης.
- Διατηρείτε τις λαβές καθαρές από λάδι και λάσπη.
- Κρατάτε τα χέρια μακριά από το εξάρτημα κοπής.
- Μην αρπάζετε ή κρατάτε τη συσκευή από το εξάρτημα κοπής.
- Όταν η συσκευή είναι κλειστή, βεβαιωθείτε ότι το εξάρτημα κοπής έχει σβήσει πριν τοποθετήσετε τη συσκευή κάτω.
- Κατά την παρατεταμένη λειτουργία, κατά διαστήματα κάνετε ένα διάλειμμα για να αποφύγετε το πιθανό σύνδρομο της δόνησης χεριού-βραχιονίου (HAVS) που προκαλείται από την έντονη δόνηση.
- Ο χειριστής πρέπει να εφαρμόζει τους τοπικούς κανονισμούς της περιοχής όπου γίνεται η κοπή.

### ΠΡΟΕΙΔΟΠΟΙΗΣΗ

- Τα συστήματα κατά της δόνησης δεν εγγυώνται ότι δεν θα υποστείτε το σύνδρομο χεριού-βραχιονίου ή ένα σύνδρομο καρπιαίου ωσλήνα. Για αυτό θα πρέπει οι τακτικοί χρήστες να ελέγχουν συχνά την κατάσταση των χεριών και δακτύλων τους. Αν παρουσιάσουν τα άνω συμπτώματα, συμβουλευτείτε άμεσα έναν ιατρό.
- Η μακροχρόνια ή συνεχής έκθεση σε υψηλά επίπεδα θορύβου μπορεί να προκαλέσει μόνιμη βλάβη της ακοής. Πάντα να φοράτε εγκριμένα προστατευτικά ακοής κατά τη χρήση της συσκευής/μηχανής.
- Εάν χρησιμοποιείτε κάποιες ηλεκτρικές/ηλεκτρονικές ιατρικές συσκευές όπως έναν βηματοδότη, συμβουλευτείτε τον ιατρό όπως επίσης και τον κατασκευαστή της συσκευής πριν την χρήση του οποιοδήποτε μηχανοκίνητου εξοπλισμού.

### Ασφάλεια συσκευής/μηχανήματος

- Ελέγξτε όλη τη συσκευή/μηχανήμα πριν από κάθε χρήση. Αντικαταστήστε τα εξαρτήματα που έχουν πάθει βλάβη. Ελέγξτε τις διαρροές καυσίμου και βεβαιωθείτε ότι όλοι οι σύνδεσμοι βρίσκονται στη θέση τους και είναι φεγμένιοι.
- Αντικαταστήστε τα εξαρτήματα που παρουσιάζουν ρωγμές, απολέπιση ή έχουν πάθει οποιοδήποτε ζημιά, πριν την χρήση της συσκευής/μηχανήματος.
- Βεβαιωθείτε ότι η πλευρική θήκη είναι σωστά τοποθετημένη.
- Κρατήστε τα άλλα άτομα μακριά όταν ρυθμίζετε το καρμιατέρ.
- Χρησιμοποιείτε μόνο ανταλλακτικά που συστήνονται για αυτή τη συσκευή/μηχανήμα από τον κατασκευαστή.

- Ποτέ μην επιτρέψετε την αλυσίδα να χτυπήσει οποιοδήποτε εμπόδιο. Αν η αλυσίδα έρθει σε επαφή, το μηχάνημα πρέπει να σταματήσει και να ελεγχθεί με προσοχή.
- Βεβαιωθείτε ότι ο αυτόματος λιπαντής λειτουργεί. Διατηρείτε τη δεξαμενή λαδιού γεμάτη με καθαρό λάδι. Ποτέ μην αφήνετε την αλυσίδα να γυρίζει στεγνή πάνω στη λάμα.
- Όλο το σέρβις του αλυσοπρίονου, εκτός από στοιχεία που αναφέρονται στον οδηγό χρήσης/εγγυημένη ιδιοκτητή, πρέπει να εκτελείται από καταρτισμένο προσωπικό συντήρησης αλυσοπρίονου. (Για παράδειγμα, αν χρησιμοποιηθούν ακατάλληλα εργαλεία για την αφαίρεση του τροχού του βολάν ή αν ένα ακατάλληλο εργαλείο χρησιμοποιηθεί για να κρατηθεί ο τροχός του βολάν με σκοπό να αφαιρεθεί ο συμπλέκτης, μπορεί να προκύψει δομική ζημιά στο τροχό του βολάν και να προκληθεί ρίξη του τροχού του βολάν.)

### ΠΡΟΕΙΔΟΠΟΙΗΣΗ

- Ποτέ μην τροποποιείτε τη συσκευή/μηχανήμα με οποιοδήποτε τρόπο. Μην χρησιμοποιείτε τη συσκευή/μηχανήμα για άλλη χρήση εκτός από αυτή για την οποία προορίζεται.
- Ποτέ μην χρησιμοποιείτε το αλυσοπρίονο χωρίς τον εξοπλισμό ασφαλείας ή με ελαττωματικό εξοπλισμό ασφαλείας. Μπορεί να προκληθεί σοβαρός τραυματισμός.
- Η χρήση λάμας/αλυσίδας διαφορετικής από αυτή που συστήνεται από τον κατασκευαστή, που να μην εγκρίνεται, μπορεί να προκαλέσει σοβαρό τραυματισμό ατόμων.

### Ασφάλεια καυσίμου

- Ανακατεύετε και ριχνετε το καύσιμο σε εξωτερικό χώρο όπου δεν υπάρχουν σπίθιες ή φλόγες.
- Χρησιμοποιείτε ένα δοχείο κατάλληλο για καύσιμα.
- Μην καπνίζετε ή επιτρέψετε το κάπνισμα κοντά σε καύσιμα ή στη συσκευή/μηχανήμα ή κατά την χρήση της συσκευής/μηχανήμα.
- Σκουπίστε όλες τις κηλίδες καυσίμου πριν την εκκίνηση του κινητήρα.
- Μετακινήστε τουλάχιστον 3 μέτρα μακριά από την περιοχή τροφοδοσίας καυσίμου πριν την εκκίνηση του κινητήρα.
- Σταματήστε τον κινητήρα πριν την αφαίρεση της τάπας του καυσίμου.
- Αδειάστε τη δεξαμενή πριν την αποθήκευση της συσκευής/μηχανήματος. Συστήνεται να αδειάζετε το καύσιμο μετά από κάθε χρήση. Αν το καύσιμο παραμένει στη δεξαμενή, αποθηκεύστε ώστε να μην υπάρξει διαρροή.
- Αποθηκεύστε τη συσκευή/μηχανήμα και το καύσιμο σε χώρο όπου οι ατμοί του καυσίμου δεν μπορούν να φτάσουν σε σπινθήρες ή ανοικτές φλόγες από θερμαντήρες νερού, ηλεκτρικούς κινητήρες ή διακόπτες, λέβητες κλπ.

### ΠΡΟΕΙΔΟΠΟΙΗΣΗ

- Το καύσιμο μπορεί με ευκολία να αναφλεγεί, εκραγεί ή να εισπνευστούν οι ατμοί του, έτσι προσέξτε ιδιαίτερα κατά τον χειρισμό ή το γέμισμα του καυσίμου.

### Ασφάλεια κοπής

- Μην κόβετε πάνω υλικό εκτός από ξύλο ή ξύλινα αντικείμενα.
- Για την προστασία της αναπνοής, φορέστε μια μάσκα προστασίας από τα αερολύματα κατά την κοπή του ξύλου το οποίο ψεκάστηκε με εντομοκτόνο.
- Κρατήστε τα άτομα και τα παιδιά, ζώα και τους παραβρισκόμενους και βοηθούς μακριά από τη ζώνη κινδύνου. Σταματήστε τον κινητήρα αμέσως όταν κάποιος σας πλησιάζει.
- Κρατήστε τη συσκευή/μηχανήμα σταθερά με το δεξί χέρι στην οπίσθια λαβή και το αριστερό χέρι στην μπροστινή λαβή.
- Διατηρήστε σταθερό πάτημα και ισορροπία. Μην τεντώνεστε.
- Κρατήστε όλα τα μέρη του σώματός σας μακριά από το σιγατήρα και το εξάρτημα κοπής όταν η μηχανή λειτουργεί.
- Κρατήστε τη λάμα/αλυσίδα κάτω από το επίπεδο της μέσης.
- Πριν από την υλοτόμηση ενός δέντρου, ο χρήστης πρέπει να είναι εξοικειωμένος με τις τεχνικές πριονίσματος με το αλυσοπρίονο.
- Βεβαιωθείτε να έχετε προεξοδιάσει την απομάκρυνσή σας πριν την πτώση του δέντρου.
- Κατά την κοπή, κρατήστε το πριόνι γερά με τα δύο χέρια και τον αντίχειρα γύρω από την μπροστινή λαβή, σταθείτε με τα πόδια σε καλή ισορροπία και το σώμα σας ισορροπημένο.

- Σταθείτε κατά την κοπή δίπλα στο πριόνι – ποτέ ακριβώς από πίσω του.
- Πάντοτε να κρατάτε τον ακιδωτό προφυλακτήρα μπροστά από το δέντρο, επειδή η αλυσίδα μπορεί να πιαστεί μέσα στο δέντρο.
- Κατά την ολοκλήρωση της κοπής, να είστε έτοιμοι να κρατήσετε τη συσκευή καθώς πέφτουν στον ανοικτό χώρο, έτσι ώστε να μην συνεχίσουν να κόβουν και κόβουν τα πόδια σας, τα πέλματα ή το σώμα σας ή έρθουν σε επαφή με ένα εμπόδιο.
- Να είστε προετοιμασμένοι για το οπίσθιο χτύπημα (όταν το πριόνι χτυπά προς τα πάνω και πίσω). Ποτέ μην κόβετε με τη μύτη της λάμας.
- Κατά την μετακίνησή σας σε μια νέα περιοχή εργασίας, φροντίστε να σβήνετε το μηχάνημα και διασφαλίστε ότι όλα τα εξαρτήματα κοπής είναι σταματημένα.
- Ποτέ να μη τοποθετείτε το μηχάνημα πάνω στο έδαφος όταν αυτό βρίσκεται σε λειτουργία.
- Πάντοτε να διασφαλίζετε ότι ο κινητήρας είναι εκτός λειτουργίας και τα εξαρτήματα κοπής είναι πλήρως σταματημένα πριν καθαρίσετε τα θραύσματα ή αφαιρέσετε το γρασίδι από τα εξαρτήματα κοπής.
- Πάντοτε να έχετε ένα κουτί πρώτων βοηθειών όταν χειρίζεστε οποιοδήποτε μηχανοκίνητο εργαλείο.
- Ποτέ να μην ξεκινήσετε ή να λειτουργήσετε τον κινητήρα μέσα σε ένα κλειστό δωμάτιο ή κτίριο ή/και κοντά σε ένα εύφλεκτο υγρό. Η εισπνοή των καυσαερίων της εξάτμισης μπορεί να επιφέρει το θάνατο.

#### **Ασφάλεια συντήρησης**

- Διατηρήστε τη συσκευή/μηχάνημα σύμφωνα με τις απαιτούμενες διαδικασίες.
- Αποσυνδέστε το μπουζί πριν από την εκτέλεση της συντήρησης εκτός από την περίπτωση των ρυθμίσεων του καρμπρατέρ.
- Κρατήστε τα άλλα άτομα μακριά όταν ρυθμίζετε το καρμπρατέρ.
- Χρησιμοποιείτε μόνο αυθεντικά ανταλλακτικά της HITACHI όπως συνιστάται από τον κατασκευαστή.

#### **ΠΡΟΕΙΔΟΠΟΙΗΣΗ**

Μην αποσυναρμολογείτε τον εκκινητήρα ανατύλιξης. Σοβαροί τραυματισμοί μπορούν να προκληθούν από αναπήδηση του εκκινητήρα.

#### **⚠ ΠΡΟΕΙΔΟΠΟΙΗΣΗ**

Η ακατάλληλη συντήρηση μπορεί να οδηγήσει σε σοβαρή βλάβη του κινητήρα ή σε σοβαρό τραυματισμό.

#### **Μεταφορά και αποθήκευση**

- Μεταφέρετε τη συσκευή/μηχάνημα με το χέρι με τη μηχανή σταματημένη και το σιγαστήρα μακριά από το σώμα σας.
- Αφήστε τη μηχανή να κρυώσει, αδειάστε τη δεξαμενή καυσίμου και ασφαλίστε τη συσκευή/μηχάνημα πριν την αποθήκευση ή μεταφορά σε ένα όχημα.
- Αδειάστε τη δεξαμενή πριν την αποθήκευση της συσκευής/μηχανήματος. Συνιστάται το άδειασμα του καυσίμου μετά από κάθε χρήση. Αν το καύσιμο παραμένει στη δεξαμενή, αποθηκεύστε ώστε να μην υπάρξει διαρροή.
- Αποθηκεύστε τη συσκευή/μηχάνημα μακριά από παιδιά.
- Καθαρίζετε και συντηρείτε τη συσκευή προσεκτικά και αποθηκεύετε σε ξηρό μέρος.
- Βεβαιωθείτε ότι η μηχανή είναι σβησμένη κατά τη μεταφορά ή την αποθήκευση.
- Κατά τη μεταφορά ή κατά την αποθήκευση, καλύπτετε την αλυσίδα με το κάλυμμα της αλυσίδας.

Στις περιπτώσεις που δεν καλύπτει αυτός ο οδηγός, δώστε προσοχή και χρησιμοποιείτε την κοινή λογική. Επικοινωνήστε με τον εμπορικό αντιπρόσωπο της HITACHI αν χρειαστείτε βοήθεια. Δώστε ιδιαίτερη προσοχή στις προτάσεις που αποτελούνται από τις παρακάτω λέξεις:

#### **⚠ ΠΡΟΕΙΔΟΠΟΙΗΣΗ**

Υποδεικνύει μια υψηλή πιθανότητα σοβαρού τραυματισμού ή βλάβης εξοπλισμού, αν δεν ακολουθηθούν οδηγίες.

#### **ΠΡΟΕΙΔΟΠΟΙΗΣΗ**

Υποδεικνύει μια πιθανότητα τραυματισμού ή βλάβης εξοπλισμού αν δεν ακολουθηθούν οι οδηγίες.

#### **ΣΗΜΕΙΩΣΗ**

Βοηθητική πληροφορία για σωστή λειτουργία και χρήση.

## ΤΕΧΝΙΚΑ ΧΑΡΑΚΤΗΡΙΣΤΙΚΑ

○ Ο κωδικός "CS" του ονόματος του μοντέλου σημαίνει "αλυσοπρίονο"

Μοντέλο	CS40EA (33PS)	CS40EA (38PS)	CS40EA (40PS)	CS40EA (45PS)
Είδος εξοπλισμού	Αλυσοπρίονο, φορητό			
Μέγεθος κινητήρα (cm <sup>3</sup> )	39,6			
Μπουζί	NGK BPMR-7A			
Χωρητικότητα δεξαμενής καυσίμου (cm <sup>3</sup> )	380			
Χωρητικότητα δεξαμενής λαδιού αλυσίδας (cm <sup>3</sup> )	240			
Καθαρό βάρος (kg) (χωρίς λάμα και αλυσίδα)	4,5			
Μήκος λάμας (mm)	330	380	400	450
Βήμα αλυσίδας (mm)	8,26			
Ρύθμιση βάθους αλυσίδας (mm)	1,27			
Επίπεδο ηχητικής πίεσης LpA (dB (A)) κατά ISO 22868	103			
Μέγιστη ηχητική ισχύ Lw μέτρηση (dB (A)) κατά ISO 22868	113			
Επίπεδο ηχητικής ισχύος LwA (dB (A)) Κατά 2000/14/EC	114			
Επίπεδο δόνησης (m/s <sup>2</sup> ) κατά ISO 22867				
Μπροστινή λαβή	2,2	2,2	2,2	2,2
Πίσω λαβή	3,2	3,2	3,2	3,2
Μέγιστη ισχύ κινητήρα κατά ISO 7293 (kW)	1,8/10500			
Μεγ. Ταχύτητα κινητήρα (λεπτό <sup>-1</sup> )	13000			
Ταχύτητα κινητήρα σε ρελαντί (λεπτό <sup>-1</sup> )	3000			
Συγκεκριμένη κατανάλωση καυσίμου (g/kWh)	480			
Τύπος αλυσίδας	95VP (Oregon)			
Μεγ. Ταχύτητα αλυσίδας (m/sec)	23,1			
Δόντια αλυσοτροχού (αριθμός δοντιών)	7			

**ΣΗΜΕΙΩΣΗ:** Τα ισοδύναμα επίπεδα θορύβου/δόνησης είναι υπολογισμένα έτσι ώστε η σταθμισμένη στο χρόνο συνολική ενέργεια για τα επίπεδα θορύβου/δόνησης υπό διαφορετικές συνθήκες εργασίας με την ακόλουθη κατανομή του χρόνου: 1/3 ρελαντί, 1/3 πλήρως, 1/3 απότομη αύξηση ταχύτητας.

\* Όλα τα στοιχεία μπορούν να τροποποιηθούν χωρίς προειδοποίηση.

Οι δηλωμένες μονοψήφιες τιμές εκπομπής θορύβου είναι το σύνολο των μετρημένων τιμών και της σχετικής αβεβαιότητας των 3dB και αναπαριστούν τα ανώτερα όρια του εύρους των τιμών τα οποία είναι πιθανόν να επέλθουν από τις μετρήσεις.

## ΔΙΑΔΙΚΑΣΙΕΣ ΣΥΝΑΡΜΟΛΟΓΗΣΗΣ

### ⚠️ ΠΡΟΕΙΔΟΠΟΙΗΣΗ

Ποτέ μην προσπαθείτε να ξεκινήσετε τον κινητήρα χωρίς το πλευρικό κάλυμμα να είναι στερεωμένο καλά.

1. Αφαιρέστε τα παξιμάδια σύσφιξης της αλυσίδας της λάμας (1).
2. Αφαιρέστε το πλευρικό κάλυμμα (2) πιέζοντας το πίσω τμήμα του πλευρικού καλύμματος (2). **(Εικ. 1)**  
\* Σε περίπτωση που θα εγκαταστήσετε τον ακιδωτό προφυλακτήρα (3), εγκαταστήστε τον ακιδωτό προφυλακτήρα (3) στη μονάδα με δύο βίδες. **(Εικ. 2)**
3. Τοποθετήστε τη λάμα της αλυσίδας (4) πάνω στα μπουλόνια (5), μετά πιέστε την προς τον αλυσοτροχό (6) όσο περισσότερο γίνεται. Βεβαιωθείτε ότι ο εντατήρας της αλυσίδας (7) εφαρμόζει μέσα στην οπή της λάμας (8). **(Εικ. 3)**

### ΣΗΜΕΙΩΣΗ

Μετακινήστε ελαφρά τη λάμα εμπρός και πίσω και βεβαιωθείτε ότι ο εντατήρας (7) εφαρμόζει σωστά στην τρύπα (8). **(Εικ. 3)**

4. Επιβεβαιώστε ότι η κατεύθυνση του αλυσοπρίονου (9) είναι σωστή όπως η εικόνα και ευθυγραμμίστε την αλυσίδα στον αλυσοτροχό. **(Εικ. 4)**
5. Βάλτε τις ενώσεις κίνησης της αλυσίδας μέσα στις εσοχές της λάμας γύρω από όλη τη λάμα.
6. Τοποθετήστε την πλευρική θήκη (2) πάνω στα μπουλόνια (5). Μετά στερεώστε τα παξιμάδια σύσφιξης (1) προσωρινά. **(Εικ. 1)**

7. Ανυψώστε το άκρο της λάμας και σφίξτε την αλυσίδα (9) περιστρέφοντας το μπουλόνι ρύθμισης τάσης (10) δεξιόστροφα. Για να ελέγξετε αν η τάση είναι σωστή, σηκώστε ελαφρά το κέντρο της αλυσίδας και τότε θα πρέπει να υπάρχει ένα περιθώριο περίπου 0,5 – 1,0 χιλ. ανάμεσα στη λάμα και στη άκρη του συνδέσμου κίνησης της αλυσίδας (11). **(Εικ. 5, 6)**

### ΠΡΟΕΙΔΟΠΟΙΗΣΗ

Η ΣΩΣΤΗ ΤΑΣΗ ΕΧΕΙ ΜΕΓΑΛΗ ΣΗΜΑΣΙΑ!

8. Σηκώστε το άκρο της λάμας και σφίξτε καλά τα παξιμάδια της αλυσίδας της λάμας με το πολλαπλό κλειδί. **(Εικ. 6)**
9. Μια νέα αλυσίδα θα τεντωθεί για αυτό ρυθμίστε την αλυσίδα μετά από μερικά κοψίματα και ελέγξτε την τάση προσεκτικά επί μισή ώρα από την έναρξη του κοψίματος.

### ΣΗΜΕΙΩΣΗ

Ελέγχετε τη τάση της αλυσίδας συχνά για να έχετε βέλτιστη απόδοση και ανθεκτικότητα.

### ΠΡΟΕΙΔΟΠΟΙΗΣΗ

- Αν η αλυσίδα είναι υπερβολικά τεντωμένη, η λάμα και η αλυσίδα θα φθαρούν γρήγορα. Αντίθετα, όταν η αλυσίδα είναι υπερβολικά χαλαρή, μπορεί να βγει από την αλσάκωση της λάμας.
- Φοράτε πάντα γάντια όταν αγγίζετε την αλυσίδα.

### ⚠️ ΠΡΟΕΙΔΟΠΟΙΗΣΗ

Κατά την χρήση, κρατήστε το αλυσοπρίονο γερά με τα δύο χέρια. Η χρήση με το ένα χέρι μπορεί να προκαλέσει σοβαρό τραυματισμό.

## ΔΙΑΔΙΚΑΣΙΑ ΛΕΙΤΟΥΡΓΙΑΣ

### Καύσιμο (Εικ. 7)

#### ⚠️ ΠΡΟΕΙΔΟΠΟΙΗΣΗ

- Το αλυσοπρίονο είναι εφοδιασμένο με δίχρονο κινητήρα. Πάντοτε να λειτουργείτε τον κινητήρα με καύσιμο που είναι αναμιγμένο με λάδι. Να παρέχετε επαρκή αερισμό, κατά την παροχή καυσίμου ή το χειρισμό καυσίμου.
- Το καύσιμο περιέχει εύφλεκτα υγρά και είναι δυνατόν να τραυματιστείτε βαριά όταν το εισπνέετε ή το ρίξετε πάνω στο σώμα σας. Προσέχετε πάντα κατά το χειρισμό του καυσίμου. Πάντοτε να παρέχετε καλό αερισμό κατά τον χειρισμό του καυσίμου μέσα στο κτίριο.

### Καύσιμο

- Πάντοτε να χρησιμοποιείτε επώνυμο αμόλυβδη βενζίνη 89 οκτανών.
- Χρησιμοποιείτε αυθεντικό δίχρονο λάδι ή ένα μίγμα μεταξύ 25:1 έως 50:1, παρακαλούμε να συμβουλευτείτε τη φιάλη λαδιού ή τον εμπορικό αντιπρόσωπο της HITACHI ή την αναλογία.
- Εάν δεν είναι διαθέσιμο το αυθεντικό λάδι, χρησιμοποιείτε ένα λάδι ποιότητας αντι-οξειδωτικού προσθέτου με την αποκλειστική επισήμανση χρήσης για αερόψυκτους δίχρονους κινητήρες (JASO FC GRADE OIL ή ISO EGC GRADE). Μην χρησιμοποιείτε BIA ή TCW (για υδρόψυκτους δίχρονους κινητήρες) ανάμικτο λάδι.
- Ποτέ μην χρησιμοποιείτε λάδι μεταβλητής ρευστότητας (10 W/30) ή χρησιμοποιούμενο λάδι.
- Πάντοτε να αναμινύετε το καύσιμο και το λάδι σε ένα ξεχωριστό καθαρό δοχείο.

Ξεκινάτε πάντοτε με τη μισή ποσότητα του λαδιού που είναι να χρησιμοποιηθεί.

Μετά συμπληρώστε την πλήρη ποσότητα λαδιού. Αναμίξτε (ανακινήστε) το μίγμα καυσίμου. Προσθέστε την υπόλοιπη ποσότητα λαδιού.

Αναμίξτε (ανακινήστε) το μίγμα καυσίμου πριν το βάλετε στη δεξαμενή καυσίμου.

### Παροχή καυσίμου

#### ⚠️ ΠΡΟΕΙΔΟΠΟΙΗΣΗ (Εικ. 8)

- Πάντοτε να σβήνετε τον κινητήρα πριν από τον ανεφοδιασμό καυσίμου.
- Ανοίγετε αργά τη δεξαμενή καυσίμου (12), κατά το γέμισμα με καύσιμο, έτσι ώστε να εξαλειφθεί η πιθανότητα υπερπίεσης.
- Μετά τον ανεφοδιασμό σφίξτε προσεκτικά τη τάπα καυσίμου.
- Πάντοτε να μετακινείτε τη συσκευή τουλάχιστον 3 μέτρα από την περιοχή ανεφοδιασμού πριν την θέσετε σε λειτουργία.
- Πλένετε πάντα με σαπούνι οποιαδήποτε καύσιμο που έπεσε πάνω στα ρούχα σας.
- Βεβαιωθείτε ότι ελέγχετε οποιαδήποτε διαρροή καυσίμου μετά τον ανεφοδιασμό.

Πριν τον ανεφοδιασμό, καθαρίστε καλά τη τάπα της δεξαμενής για να εξασφαλίσετε ότι δεν θα πέσουν βρωμίες στη δεξαμενή. Εξασφαλίστε ότι το καύσιμο είναι καλά αναμιγμένο, κουνώντας το δοχείο, πριν την παροχή καυσίμου.

### Λάδι αλυσίδας (Εικ. 8)

Γεμίστε το με λάδι αλυσίδας (13). Χρησιμοποιείτε πάντα καλής ποιότητας λάδι αλυσίδας. Όταν ο κινητήρας λειτουργεί, το λάδι αλυσίδας εκκένωνεται αυτόματα.

### ΣΗΜΕΙΩΣΗ

Κατά τη διοχέτευση του καυσίμου (12) ή λαδιού αλυσίδας (13) στη δεξαμενή, τοποθετήστε τη συσκευή με τη τάπα προς τα επάνω. (Εικ. 8)

### ΡΥΘΜΙΣΗ ΤΗΣ ΠΑΡΟΧΗΣ ΛΑΔΙΟΥ ΑΠΥΣΙΔΑΣ

Η ποσότητα του λαδιού της αλυσίδας που παρέχεται μέσω του συστήματος λίπανσης είναι ρυθμιζόμενη από το εργοστάσιο στ ο μέγιστο. Ρυθμίστε την ποσότητα σύμφωνα με τις συνθήκες χ ρήσης.

Στρέψτε την ρυθμιστική βίδα (14) αριστερόστροφα για να αυ ξήσετε την ποσότητα και στρέψετε την δεξιόστροφα για να ελαττώσετε την ποσότητα. (Εικ. 9)  
(σε κανονική ρύθμιση περιστρέφει αριστερόστροφα 1 Π 1 1/2 από ελαφριά θέση)

### Ξεκινώντας (Εικ. 10-15)

#### ΠΡΟΕΙΔΟΠΟΙΗΣΗ

Πριν το ξεκίνημα, βεβαιωθείτε ότι το φρένο της αλυσίδας είναι ενεργοποιημένο και η λάμα/αλυσίδα δεν είναι σε επαφή με ένα αντικείμενο. (Εικ. 10)

1. Βάλτε το διακόπτη ανάφλεξης (15) στη θέση ON. (Εικ. 11)  
\*Σπρώξτε το βολβό αρχικής πλήρωσης καυσίμου (17) μερικές φορές έτσι ώστε το καύσιμο να τρέξει μέσω του βο λβού στο καρμπυρατέρ. (Εικ. 12)
2. Τραβήξτε τον μοχλό τσόκ (16) στη θέση εμπλουτισμού. (Εικ. 12) Αυτό αυτόματα κλειδώνει το γκάζι στην θέση εκκίνησης.
3. Τραβήξτε απότομα τον εκκινήτηρα ανατύλιξης, προσέχοντας να κρατήσετε το χερσούλι και να μην το αφήσετε να γυρίσει πίσω. (Εικ. 13)
4. Όταν ακούτε την πρώτη εκκίνηση, γυρίστε το τσοκ στη θέση λειτουργίας. (Εικ. 12)
5. Τραβήξτε τον εκκινήτηρα ανατύλιξης ξανά απότομα κατά τον προαναφερόμενο τρόπο. (Εικ. 13)

#### ΣΗΜΕΙΩΣΗ

Αν ο κινητήρας δεν ξεκινά, επαναλάβετε τα βήματα από το 2 έως το 5.

6. Μόλις εκκινήσει ο κινητήρας, τραβήξτε μία φορά τελείως το μοχλό του γκαζιού και αφήστε τον αμέσως. (Εικ. 14) Στη συνέχεια, απεμπλάκεται το γκάζι στη μέση της διαδρομής. Βεβαιωθείτε πως έχει απεμπλακεί το φρένο αλυσίδας. (Εικ. 15)

Αφήστε τον κινητήρα περίπου 2-3 λεπτά για να ζεσταθεί πριν να τον υποβάλλετε σε φορτίο.

Μην λειτουργήσετε τον κινητήρα σε υψηλή ταχύτητα χωρίς φορτίο για να μην μειώσετε τη διάρκεια ζωής του κινητήρα.

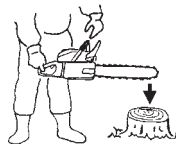
### Λειτουργία του φρένου αλυσίδας (Εικ. 16)

Το φρένο της αλυσίδας (18), αν είναι εφοδιασμένο, είναι σχεδιασμένο για να ενεργοποιείται σε περίπτωση έκτακτης ανάγκης, όπως στην οπίσθια κίνηση. Παρακαλούμε να ελέγξετε για να επιβεβαιώσετε ότι λειτουργεί κανονικά πριν την χρήση.

Η χρήση του φρένου πραγματοποιείται με τη μετακίνηση του μπροστινού προφυλακτήρα προς τη λάμα. Κατά τη λειτουργία του φρένου της αλυσίδας, ακόμη κι αν η ντίζα του γκαζιού έχει τραβηχτεί, η ταχύτητα του κινητήρα δεν αυξάνεται και δεν περιστρέφεται. Για να ελευθερωθεί το φρένο, τραβήξτε το μοχλό της αλυσίδας του φρένου.

### Για να είστε σίγουροι:

- 1) Σβήστε τον κινητήρα.
- 2) Κρατήστε το αλυσοπρίονο οριζοντίως, αφήστε τη μπροστινή λαβή, φέρτε την άκρη του οδηγού σε επαφή με ένα κλαδί ή ξύλο και ελέγξτε τη λειτουργία του φρένου. Το επίτεδο λειτουργίας ποικίλει ανάλογα με το μέγεθος του οδηγού.



Αν το φρένο δεν ενεργοποιηθεί, απευθυνθείτε στον αντιπρόσωπο σας για έλεγχο και επισκευή. Αν ο κινητήρας συνεχίσει να λειτουργεί σε υψηλές στροφές με το φρένο ενεργοποιημένο, ο συμπλέκτης θα υπερθερμανθεί, προκαλώντας βλάβη. Αν κατά τη λειτουργία το φρένο ενεργοποιηθεί, αφήστε αμέσως το μοχλό του γκαζιού για να σταματήσει ο κινητήρας.

#### ⚠️ ΠΡΟΕΙΔΟΠΟΙΗΣΗ

Μην μεταφέρετε το μηχάνημα με το κινητήρα σε λειτουργία.

## Σταμάτημα (Εικ. 17)

Ελαττώστε τη ταχύτητα του κινητήρα και στρώξτε το διακόπτη ανάφλεξης (15) στη θέση στοπ.

## ΠΡΟΕΙΔΟΠΟΙΗΣΗ ΚΙΝΔΥΝΟΣ ΟΠΙΣΘΙΑΣ ΚΙΝΗΣΗΣ (Εικ. 18)

Ένας από τους πιο σοβαρούς κινδύνους κατά την εργασία με το αλυσοπρίονο είναι η πιθανότητα οπίσθιας κίνησης (λακτίσματος). Η οπίσθια κίνηση μπορεί να συμβεί όταν το πάνω άκρος της λάμας αγγίξει ένα αντικείμενο ή όταν το ξύλο κλείσει προς τα μέσα και πιαστεί το αλυσοπρίονο στην κοπή. Η επαφή της κορυφής σε ορισμένες περιπτώσεις μπορεί να προκαλέσει μια αστραπιαία αντίδραση, κλωτσώντας τη λάμα προς τα επάνω και πίσω προς εσάς. Το μάγκωμα της κορυφής της λάμας του αλυσοπρίονου μπορεί επίσης να στρώξει τη λάμα πίσω προς εσάς. Η οποιαδήποτε από αυτές τις αντιδράσεις μπορεί να οδηγήσει στην απώλεια του ελέγχου του πριονιού ή να προκαλέσει τον προσωπικό τραυματισμό. Παρότι το πριόνι σας έχει ενσωματωμένα χαρακτηριστικά ασφαλείας στο σχεδιασμό του, δεν πρέπει να βασίζεστε αποκλειστικά σε αυτά. Πάντοτε να γνωρίζετε που βρίσκεται το άκρο της λάμας. Το οπίσθιο λάκτισμα προκαλείται αν επιτρέψετε στη ζώνη οπίσθιου λακτίσματος (19) της λάμας να αγγίξει ένα αντικείμενο. Μην χρησιμοποιείτε αυτή την περιοχή. Το οπίσθιο λάκτισμα από το μάγκωμα προκαλείται από μια κοπή που κλείνει και μαγκώνει το πάνω μέρος της λάμας. Μελετήστε το κόψιμο και βεβαιωθείτε ότι ανοίγει καθώς προχωράτε στο κόψιμο. Διατηρήστε τον έλεγχο όταν ο κινητήρας λειτουργεί κρατώντας πάντοτε γερά το πριόνι με το δεξί χέρι στην πίσω λαβή, το αριστερό σας χέρι στην μπροστινή λαβή και τους αντίχειρες και τα δάκτυλά σας γύρω από τις λαβές. Πάντοτε να κρατάτε το πριόνι με τα δύο χέρια κατά τη χρήση και να κόβετε με τον κινητήρα σε υψηλή ταχύτητα.

## ΠΡΟΕΙΔΟΠΟΙΗΣΗ

- Μην νεντώνεστε ή μην κόβετε πάνω από το ύψος του ώμου σας.
- Προσέχετε ιδιαίτερα κατά την υλοτόμηση και μην χρησιμοποιείτε το πριόνι με την άκρη σε υψηλή θέση ή πάνω από τον ώμο σας.

## ΣΥΓΚΡΑΤΗΤΗΡΑΣ ΑΛΥΣΙΔΑΣ

Ο συγκρατητήρας της αλυσίδας βρίσκεται στην κινητήρια κεφαλή, ακριβώς κάτω από την αλυσίδα, για να αποτρέψει περισσότερο την πιθανότητα, μια σπασμένη αλυσίδα να χτυπήσει τον χρήστη του αλυσοπρίονου.

## ΠΡΟΕΙΔΟΠΟΙΗΣΗ

Μην κάθεστε κατά το κόψιμο σε ευθεία γραμμή με την αλυσίδα.

## ΒΑΣΙΚΕΣ ΤΕΧΝΙΚΕΣ ΓΙΑ ΥΛΟΤΟΜΗΣΗ, ΚΛΑΔΕΜΑ ΚΑΙ ΤΕΜΑΧΙΣΜΟ

Ο στόχος των παρακάτω πληροφοριών είναι να σας παράσχουν μια γενική εισαγωγή στις τεχνικές κοπής ξυλείας.

## ΠΡΟΕΙΔΟΠΟΙΗΣΗ

- Αυτές οι πληροφορίες δεν καλύπτουν όλες τις ειδικές καταστάσεις, οι οποίες μπορεί να εξαρτώνται από τις διαφορές στο έδαφος, βλάστηση και το είδος του ξύλου τη μορφή και το μέγεθος των δέντρων, κλπ. Συμβουλευτείτε τον εμπορικό σας αντιπρόσωπο, τον δασολόγο ή κατά τόπους σχολεία δασολογίας για συμβουλές σε ειδικά προβλήματα κοπής ξυλείας στην περιοχή σας, αυτό θα κάνει την εργασία σας πιο αποδοτική και ασφαλέστερη.
- Αποφύγετε την κοπή σε συνθήκες κακοκαιρίας, όπως πυκνής ομίχλης, δυνατής βροχής, δυνατού κρύου, δυνατών ανέμων, κλπ.
- Οι δυσμενείς καιρικές συνθήκες προκαλούν συχνά κόπωση και δημιουργούν πιθανές επικίνδυνες συνθήκες, όπως το γλιστερό έδαφος.
- Οι δυνατοί άνεμοι μπορεί να προκαλέσουν την πτώση ενός δέντρου προς μια αναπάντεχη κατεύθυνση, προκαλώντας ζημιά στην περιουσία ή το προσωπικό τραυματισμό.

## ΠΡΟΕΙΔΟΠΟΙΗΣΗ

Ποτέ μην χρησιμοποιείτε ένα αλυσοπρίονο για σκάλισμα ή για οποιοδήποτε σκοπό για τον οποίο δεν προορίζεται.

## ΠΡΟΕΙΔΟΠΟΙΗΣΗ

- Αποφύγετε την πρόσκρουση σε εμπόδια, όπως ρίζες, βράχια, κλαδιά και πευμένα δέντρα. Προσέξτε τις τρύπες και τα χαντάκια. Να είστε ιδιαίτερα προσεκτικοί όταν εργάζεστε σε πλαγιές ή σε ανώμαλο έδαφος.
- Κλείστε το πριόνι όταν κινείστε από το ένα μέρος εργασίας στο άλλο.
- Κόβετε πάντα με ανοικτό το γκάζι. Μια αλυσίδα που κινείται αργά μπορεί εύκολα να πιαστεί και να εκτινάξει το πριόνι.
- Ποτέ να μην χειρίζεστε το πριόνι μόνο με ένα χέρι.
- Δεν μπορείτε να ελέγχετε το πριόνι κατάλληλα και μπορείτε να χάσετε τον έλεγχο και να τραυματιστείτε σοβαρά τον εαυτό σας.
- Κρατάτε τον κορμό του πριονιού κοντά στο σώμα σας για να βελτιώσετε τον έλεγχο και να ελαττώσετε την ένταση.
- Κατά την κοπή με το κάτω μέρος της αλυσίδας, η δύναμη αντίδρασης θα τραβήξει το πριόνι μακριά από εσάς προς το ξύλο που κόβετε.
- Το πριόνι θα ελέγχει τη ταχύτητα τροφοδοσίας και η πριονόσκηνη θα κατευθυνθεί προς εσάς. (Εικ. 19)
- Κατά την κοπή με το πάνω μέρος της αλυσίδας, η δύναμη αντίδρασης θα στρώξει το πριόνι προς εσάς και μακριά από το ξύλο που κόβετε. (Εικ. 20)
- Υπάρχει κίνδυνος οπίσθιας κίνησης (λακτίσματος) αν το πριόνι στρώξει αρκετά μακριά ώστε να αρχίσετε να κόβετε με τη μύλη.
- Η ασφαλέστερη μέθοδος είναι να κόβετε με το κάτω μέρος της αλυσίδας. Το πριόνισμα με το πάνω μέρος καθιστά δυσκολότερο τον έλεγχο του πριονιού και αυξάνει τον κίνδυνο οπίσθιου λακτίσματος.
- Σε περίπτωση που η αλυσίδα είναι φρακαρισμένη, ελευθερώστε την ντίτζα γκαζιού.

## ΣΗΜΕΙΩΣΗ

Πάντοτε να κρατάτε τον προφυλακτήρα με τις ακίδες μπροστά από ένα δέντρο, επειδή η αλυσίδα μπορεί ξαφνικά να συμβεί μέσα στο δέντρο.

## ΥΛΟΤΟΜΙΑ

Η υλοτομία είναι κάτι περισσότερο από το κόψιμο ενός δέντρου. Θα πρέπει επίσης να ρίξετε το δέντρο όσο το δυνατόν πλησιέστερα στην προορισμένη θέση, χωρίς να προκληθεί ζημιά στο δέντρο ή οπουδήποτε αλλού.

Πριν από την υλοτόμηση ενός δέντρου, εξετάστε προσεκτικά όλες τις συνθήκες που ενδέχεται να επηρεάσουν την προορισμένη κατεύθυνση όπως:

τη γωνία του δέντρου το σχήμα της κορυφής το φορτίο χιονιού της κορυφής τις συνθήκες ανέμου Τα εμπόδια μέσα στην ακτία του δέντρου (π.χ. άλλα δέντρα, γραμμές ηλεκτρικού ρεύματος, δρόμοι, κτίρια κλπ.).

## ΠΡΟΕΙΔΟΠΟΙΗΣΗ

- Παρακολουθείτε πάντοτε τις γενικές συνθήκες του δέντρου. Εξετάστε αν ο κορμός είναι σάπιος ή σε αποσύνθεση, που μπορεί να οδηγήσει στο στάσιμο του κορμού και στην απόρριψη πτώσης του.
- Εξετάστε αν υπάρχουν ξερά κλαδιά που μπορούν να σπάσουν και να σας χτυπήσουν ενώ εργάζεστε.
- Κρατάτε τα ζώα και τους ανθρώπους πάντα τουλάχιστον δύο με τρία μέτρα μακριά από την υλοτόμηση. Αφαιρέστε τους θάμνους και τα κλαδιά από το δέντρο.
- Προετοιμάστε ένα διάδρομο αποχώρησης μακριά από την κατεύθυνση πτώσης.

**ΒΑΣΙΚΟΙ ΚΑΝΟΝΕΣ ΥΛΟΤΟΜΙΑΣ ΔΕΝΤΡΩΝ**

Κανονικά η υλοτομία αποτελείται από δύο κύριες εργασίες κοπής, την εντομή και την εκτέλεση της κοπής πτώσης. Ξεκινήστε κάνοντας την πάνω εντομή στην πλευρά του δέντρου που βλέπει στην κατεύθυνση πτώσης. Κοιτάξτε δια μέσου της εγκοπής καθώς προιόνιζετε την κάτω κοπή ώστε να μην προιονίστετε βαθιά στον κορμό. Η εγκοπή θα πρέπει να είναι τόσο βαθιά όσο απαιτείται για να δημιουργηθεί μια άρθρωση επαρκούς πλάτους και δύναμης. Το άνοιγμα της εγκοπής πρέπει να είναι αρκετά πλατύ για να κατευθύνει την πτώση όσο το δυνατό μακρύτερα. Προιόνιστε την κοπή πτώσης από την άλλη μεριά του δέντρου μεταξύ μιας και δύο ίντσες (3-5 εκ.) πάνω από την άκρη της εγκοπής. (Εικ. 21)

20. Κατεύθυνση πτώσης
21. 45° ελάχιστο άνοιγμα εγκοπής
22. Άρθρωση
23. Κοπή πτώσης

Ποτέ μην προιόνιζετε μέχρι τέλους τον κορμό. Πάντα να αφήνετε μια άρθρωση. Η άρθρωση οδηγεί το δέντρο. Αν ο κορμός κοπεί εντελώς, χάνετε τον έλεγχο της διεύθυνσης πτώσης.

Βάλτε μια σφήνα ή έναν μοχλό υλοτομίας στο κόψιμο πριν το δέντρο γίνει ασταθής και αρχίσει να κινείται. Αυτό θα αποτρέψει τη λάμα από το να μαγκώσει στη τομή υλοτόμησης αν δεν έχετε εκτιμήσει. Βεβαιωθείτε ότι δεν υπάρχουν άτομα στην ακτίνα πτώσης του δέντρου πριν το σπρώξετε.

**ΥΛΟΤΟΜΗΣΗ, ΔΙΑΜΕΤΡΟΣ ΚΟΡΜΟΥ ΜΕΓΑΛΥΤΕΡΗ ΑΠΟ ΤΟ ΔΙΠΛΑΣΙΟ ΤΟΥ ΜΗΚΟΥΣ ΤΗΣ ΛΑΜΑΣ**

Κόψτε μια μεγάλη και πλατιά τομή. Μετά κόψτε μια εσοχή προς το κέντρο της τομής. Πάντοτε να αφήνετε μια άρθρωση και στις δύο πλευρές του κεντρικού κοψίματος. (Εικ. 22)  
Ολοκληρώστε τη τομή υλοτόμησης προιόνιζοντας γύρα από τον κορμό όπως φαίνεται στην Εικ. 23.

**⚠️ ΠΡΟΕΙΔΟΠΟΙΗΣΗ**

Αυτές οι μέθοδοι είναι εξαιρετικά επικίνδυνες επειδή περιλαμβάνουν τη χρήση της μύτης της λάμας και μπορούν να προκαλέσουν οπίσθιο λάκτισμα.

Μόνο οι κατάλληλα εκπαιδευμένοι επαγγελματίες πρέπει να επιχειρήσουν αυτές τις τεχνικές.

**ΚΛΑΔΕΜΑ**

Το κλάδεμα είναι η αφαίρεση κλαδιών από ένα υλοτομημένο δέντρο.

**⚠️ ΠΡΟΕΙΔΟΠΟΙΗΣΗ**

Η πλειοψηφία των ατυχημάτων από οπίσθιο λάκτισμα συμβαίνει κατά τη διάρκεια του κλαδέματος. Μην χρησιμοποιείτε τη μύτη της λάμας. Να είστε ιδιαίτερα προσεκτικοί και να αποφεύγετε την επαφή της μύτης με το κούτσουρο, άλλα κλαδιά ή αντικείμενα. Να είστε ιδιαίτερα προσεκτικοί με τα κλαδιά υπό πίεση. Μπορεί να πεταχτούν πίσω προς εσάς και να προκαλέσουν απώλεια του ελέγχου με αποτέλεσμα το τραυματισμό. (Εικ. 24)

Σταθείτε στην αριστερή πλευρά του κορμού. Διατηρήστε ένα ασφαλές πάτημα και ακολουπήστε το πριόνι στον κορμό. Κρατήστε το πριόνι κοντά σας ώστε να έχετε τον πλήρη έλεγχο. Σταθείτε αρκετά μακριά από την αλυσίδα. Μετακινήστε μόνο όταν ο κορμός βρίσκεται ανάμεσα σε εσάς και στην αλυσίδα. Προσέχετε το πέταγμα κλαδιών που βρίσκονται υπό πίεση.

**ΚΛΑΔΕΜΑ ΧΟΝΤΡΩΝ ΚΛΑΔΙΩΝ**

Κατά το κλάδεμα χοντρών κλαδιών, η λάμα μπορεί εύκολα να μαγκώσει. Τα κλαδιά που βρίσκονται υπό πίεση εύκολα σπάζουν, για αυτό κόψτε τα κλαδιά που προκαλούν προβλήματα σε μικρά βήματα. Ακολουθήστε τις ίδιες αρχές με την εγκάρσια τομή. Να είστε προνοητικοί και να έχετε αίσθηση των πιθανών συνεπειών των δράσεών σας.

**ΕΓΚΑΡΣΙΑ ΤΟΜΗ/ΤΕΜΑΧΙΣΜΟΣ**

Πριν ξεκινήσετε να κόψετε το κούτσουρο, προσπαθήστε να φανταστείτε τι πρόκειται να συμβεί. Προσέξτε τα σημεία πίεσης στο κούτσουρο και κόψτε το με τρόπο ώστε η λάμα να μην μαγκώσει.

**ΕΓΚΑΡΣΙΟ ΚΟΨΙΜΟ ΚΟΥΤΣΟΥΡΟΥ, ΠΙΕΣΗ ΣΤΗΝ ΚΟΡΥΦΗ**

Πάρτε μια σταθερή θέση. Ξεκινήστε με το πάνω κόψιμο. Μην κόβετε πολύ βαθιά, περίπου το 1/3 της διαμέτρου του κούτσουρου είναι αρκετό. Τελειώστε με το κάτω κόψιμο.

Τα κοψίματα του πριονιού πρέπει να συναντώνται. (Εικ. 25)

24. Κοπή εκτόνωσης
25. Εγκάρσια τομή
26. Πίεση στην κορυφή
27. Πλευρά τάσης
28. Πλευρά πίεσης
29. Σχετικό βάθος των κοπών με το πριόνι

**ΠΑΧΥ ΚΟΥΤΣΟΥΡΟ, ΜΕΓΑΛΥΤΕΡΟ ΑΠΟ ΤΟ ΜΗΚΟΣ ΤΗΣ ΛΑΜΑΣ**

Ξεκινήστε με το κόψιμο της απέναντι πλευράς του κούτσουρου. Τραβήξτε το πριόνι προς το μέρος σας και ακολουθήστε την προηγούμενη διαδικασία. (Εικ. 26)

Αν το κούτσουρο βρίσκεται στο έδαφος κάντε μια διάτρητη τομή για να αποφύγετε το κόψιμο μέσα στο έδαφος. Τελειώστε με το κάτω κόψιμο. (Εικ. 27)

**⚠️ ΠΡΟΕΙΔΟΠΟΙΗΣΗ****ΚΙΝΔΥΝΟΣ ΟΠΙΣΘΙΟ ΛΑΚΤΙΣΜΑΤΟΣ**

Μην επιχειρείτε να κάνετε μια διάτρητη τομή αν δεν είστε κατάλληλα εκπαιδευμένος. Το διάτρητο κόψιμο περιλαμβάνει τη χρήση της μύτης της λάμας και μπορεί να προκαλέσει οπίσθιο λάκτισμα.

**ΠΑΧΥ ΚΟΥΤΣΟΥΡΟ, ΜΕΓΑΛΥΤΕΡΟ ΑΠΟ ΤΟ ΜΗΚΟΣ ΤΗΣ ΛΑΜΑΣ**

Πάρτε μια σταθερή θέση. Ξεκινήστε με το κάτω κόψιμο. Το βάθος της κοπής πρέπει να είναι περίπου 1/3 της διαμέτρου του κούτσουρου.

Τελειώστε με το πάνω κόψιμο. Τα κοψίματα του πριονιού πρέπει να συναντώνται. (Εικ. 28)

30. Κοπή εκτόνωσης
31. Εγκάρσια τομή
32. Πίεση το διακόπτη
33. Πλευρά πίεσης
34. Πλευρά τάσης
35. Σχετικό βάθος των κοπών με το πριόνι

**ΠΑΧΥ ΚΟΥΤΣΟΥΡΟ, ΜΕΓΑΛΥΤΕΡΟ ΑΠΟ ΤΟ ΜΗΚΟΣ ΤΗΣ ΛΑΜΑΣ**

Ξεκινήστε με το κόψιμο της απέναντι πλευράς του κούτσουρου. Τραβήξτε το πριόνι προς το μέρος σας και ακολουθήστε την προηγούμενη διαδικασία. Κάντε μια διάτρητη κοπή όταν το κούτσουρο βρίσκεται κοντά στο έδαφος. Τελειώστε με μια κοπή της κορυφής. (Εικ. 29)

**⚠️ ΠΡΟΕΙΔΟΠΟΙΗΣΗ****ΚΙΝΔΥΝΟΣ ΟΠΙΣΘΙΟ ΛΑΚΤΙΣΜΑΤΟΣ**

Μην επιχειρείτε να κάνετε μια διάτρητη τομή αν δεν είστε κατάλληλα εκπαιδευμένος. Το διάτρητο κόψιμο περιλαμβάνει τη χρήση της μύτης της λάμας και μπορεί να προκαλέσει οπίσθιο λάκτισμα. (Εικ. 30)

**ΑΝ ΤΟ ΠΡΙΟΝΙ ΜΑΓΚΩΣΕΙ**

Σταματήστε το κινητήρα. Υψώστε το κούτσουρο ή αλλάξτε τη θέση του, χρησιμοποιώντας ένα χοντρό κλαδί ή ένα πάσαλο ως μοχλό. Μην προσπαθήστε να ελευθερώσετε το πριόνι τραβώντας το. Αν το κάνετε, μπορεί η λαβή να παραμορφωθεί ή να τραυματιστείτε από την αλυσίδα, όταν το πριόνι ξαφνικά ελευθερωθεί.

**ΣΥΝΤΗΡΗΣΗ**

Η ΣΥΝΤΗΡΗΣΗ, ΑΝΤΙΚΑΤΑΣΤΑΣΗ Ή Η ΕΠΙΣΚΕΥΗ ΤΩΝ ΣΥΣΚΕΥΩΝ ΕΛΕΓΧΟΥ ΤΩΝ ΚΑΥΣΑΕΡΙΩΝ ΚΑΙ ΤΟΥ ΣΥΣΤΗΜΑΤΟΣ ΜΠΟΡΟΥΝ ΝΑ ΓΙΝΟΥΝ ΑΠΟ ΕΝΑ ΣΥΝΕΡΓΕΙΟ ΕΙΔΙΚΟ ΣΕ ΕΚΤΟΣ ΔΡΟΜΟΥ ΚΙΝΗΤΗΡΕΣ Ή ΑΠΟ ΈΝΑΝ ΤΕΧΝΙΚΟ.

## Ρύθμιση του καρμπιρατέρ (Εικ. 31)

### ⚠ ΠΡΟΕΙΔΟΠΟΙΗΣΗ

Ποτέ μην ξεκινάσετε τον κινητήρα χωρίς την ολική κάλυψη του συμπλέκτη.

Διαφορετικά ο συμπλεκτής μπορεί να λασκαρέκει και να προκαλέσει τραυματισμό.

Στο καρμπιρατέρ, το καύσιμο ανακατεύεται με αέρα. Κατά τη δοκιμή του κινητήρα στο εργοστάσιο, το καρμπιρατέρ είναι ρυθμισμένο. Μια πρόσθετη ρύθμιση μπορεί να απαιτηθεί, σύμφωνα με το κλίμα και το υψόμετρο. Το καρμπιρατέρ έχει μια δυνατότητα ρύθμισης:

T = Βίδα ρύθμισης ταχύτητας ρελαντί.

## Ρύθμιση ταχύτητας ρελαντί (T)

Ελέγξτε ότι το φίλτρο του αέρα είναι καθαρό. Όταν η ταχύτητα του ρελαντί είναι σωστή, το εξάρτημα κοπής δεν θα περιστρέφεται. Αν απαιτείται ρύθμιση, κλείστε (δεξιόστροφα) την T-βίδα, με τον κινητήρα σε λειτουργία, μέχρι το εξάρτημα κοπής να αρχίσει να περιστρέφεται. Ξεβιδώστε (αριστερόστροφα) τη βίδα μέχρι να σταματήσει το εξάρτημα κοπής. Η σωστή ταχύτητα του ρελαντί έχει επιτευχθεί όταν ο κινητήρας δουλεύει ομαλά σε όλες τις θέσεις, πολύ πιο κάτω από τις στροφές ανά λεπτό που έχει όταν το εξάρτημα κοπής αρχίζει να περιστρέφεται.

Αν το εξάρτημα κοπής περιστρέφεται ακόμα μετά τη ρύθμιση της ταχύτητας του ρελαντί, επικοινωνήστε με τον εμπορικό αντιπρόσωπο της HITCHHI.

### ⚠ ΠΡΟΕΙΔΟΠΟΙΗΣΗ

Όταν ο κινητήρας βρίσκεται σε ρελαντί, το εξάρτημα κοπής δεν πρέπει σε καμία περίπτωση να περιστρέφεται.

## ΣΗΜΕΙΩΣΗ

Μερικά μοντέλα που πωλούνται σε περιοχές με ασηθηρούς νόμους εκπομπής καυσαερίων δεν διαθέτουν τις ρυθμίσεις για υψηλή και χαμηλή ταχύτητα. Τέτοιες ρυθμίσεις μπορεί να επιτρέψουν τη λειτουργία του κινητήρα έξω από το επιτρεπόμενο όριο εκπομπής καυσαερίων. Για αυτά τα μοντέλα, η μόνη ρύθμιση του καρμπιρατέρ είναι η ρύθμιση της ταχύτητας του ρελαντί.

Αν δεν γνωρίζετε αυτού του τύπου ρύθμιση, παρακαλούμε να ζητήσετε τη βοήθεια ενός εμπορικού αντιπροσώπου της HITCHHI.

## Φίλτρο αέρα (Εικ. 32)

Το φίλτρο αέρα (36) πρέπει να είναι καθαρό από σκόνη και βρωμιά για την αποφυγή:

- Δυσλειτουργίας καρμπιρατέρ
- Προβλημάτων εκκίνησης
- Μείωσης δύναμης του κινητήρα
- Περιττής φθοράς των μερών του κινητήρα
- Μη κανονικής κατανάλωσης καυσίμου

Καθαρίζετε το φίλτρο αέρα καθημερινά ή συχνότερα όταν εργάζεστε σε περιοχές με υπερβολική σκόνη.

## Καθαρισμός του φίλτρου αέρα

Αφαιρέστε το κάλυμμα του φίλτρου αέρα (37) και το φίλτρο (36). Ξεπλύνετε με ζεστό απουρνόερο. Ελέγξτε ότι το φίλτρο είναι καθαρό πριν την επανασυναρμολόγηση. Ένα φίλτρο αέρα που έχει χρησιμοποιηθεί για κάποιο διάστημα, δεν μπορεί να καθαριστεί πλήρως. Επομένως, πρέπει να αντικαθίσταται τακτικά με ένα νέο. Ένα καταστραμμένο φίλτρο πρέπει να αντικαθίσταται.

## Μπουζί (Εικ. 33)

Η κατάσταση του μπουζί επηρεάζεται από:

- Λανθασμένη ρύθμιση του καρμπιρατέρ
- Λανθασμένο μίγμα καυσίμου (παραπάνω από την κανονική ποσότητα λαδιού στη βενζίνη)
- Βρώμικο φίλτρο αέρα
- Δύσκολες συνθήκες λειτουργίας (όπως ψυχρός καιρός)

Αυτοί οι παράγοντες δημιουργούν επικαθίσεις στα ηλεκτρόδια του μπουζί και να προκαλέσουν δυσλειτουργία και δυσκολίες εκκίνησης. Αν ο κινητήρας έχει μικρή ισχύ, δυσκολεύεται να ξεκινήσει ή δεν λειτουργεί σωστά στην ταχύτητα του ρελαντί, πάντοτε ελέγχετε πρώτα το μπουζί. Αν το μπουζί είναι βρώμικο, καθαρίστε το και ελέγξτε το κενό των ηλεκτροδίων. Ξανά ρυθμίστε αν είναι απαραίτητο. Το σωστό κενό είναι 0,6 χιλ. Το μπουζί πρέπει να αντικατασταθεί μετά από περίπου 100 ώρες λειτουργίας ή νωρίτερα αν τα ηλεκτρόδια έχουν φθαρεί.

## ΣΗΜΕΙΩΣΗ

Σε ορισμένες περιοχές οι τοπικές διατάξεις απαιτούν τη χρήση ενός μπουζί αντίστασης για την καταστολή των σημμάτων ανάφλεξης. Αν αυτό το μηχανήμα ήταν αρχικά εφοδιασμένο με μπουζί αντίστασης, χρησιμοποιήστε τον ίδιο τύπο μπουζί κατά την αντικατάσταση.

## Θύρα λίπανσης (Εικ. 34)

Καθαρίστε τη θύρα λίπανσης (38) όποτε είναι δυνατόν.

## Λάμα (Εικ. 35)

Πριν την χρήση του μηχανήματος, καθαρίστε τις αυλακώσεις και τη θύρα λίπανσης (39) στη λάμα με ένα ειδικό εργαλείο που παρέχεται ως προαιρετικό εξάρτημα.

## Πλευρικό κάλυμμα (Εικ. 36)

Πάντοτε να διατηρείτε το πλευρικό κάλυμμα και την περιοχή μετάδοσης κίνησης καθαρή από προϊόντα και θραύσματα. Κατά διαστήματα βάζετε λάδι ή γράσο σε αυτή την περιοχή για να την προστατεύσετε από τη διάβρωση επειδή ορισμένα δέντρα περιέχουν υψηλά επίπεδα οξέων.

## Φίλτρο καυσίμου (Εικ. 37)

Αφαιρέστε το φίλτρο καυσίμου από τη δεξαμενή καυσίμου και πλύνετε το καλά με διαλυτή. Μετά, σπρώξτε εντελώς το φίλτρο πίσω στη δεξαμενή.

## ΣΗΜΕΙΩΣΗ

Αν το φίλτρο είναι σκληρό λόγω σκόνης και βρωμιάς, αντικαταστήστε το.

## Φίλτρο λαδιού αλυσίδας (Εικ. 38)

Αφαιρέστε το φίλτρο λαδιού αλυσίδας και πλύνετε το με διαλυτή.

## Καθαρισμός των πτερυγίων κυλίνδρου (Εικ. 39)

Όταν πιστούν ροκανίδια ανάμεσα στα πτερύγια του κυλίνδρου (40), ο κινητήρας μπορεί να υπερθερμανθεί και να μειωθεί η ισχύ του. Για να το αποφύγετε, διατηρείτε τα πτερύγια του κυλίνδρου και τη θήκη του ανεμιστήρα καθαρά.

Κάθε 100 ώρες λειτουργίας ή μια φορά το χρόνο (συχνότερα αν οι συνθήκες το απαιτούν), καθαρίζετε τα πτερύγια και τις εξωτερικές επιφάνειες του κινητήρα από τη σκόνη, βρωμιά και τα κατακάρια από λάδι τα οποία επιφέρουν ατελή ψύξη.

Για μακρόχρονη αποθήκευση

Βγάλτε όλο το καύσιμο από τη δεξαμενή καυσίμου. Ξεκινήστε και αφήστε το κινητήρα να λειτουργήσει μέχρι να σταματήσει. Επισκευάστε κάθε ζημιά που προκλήθηκε από χρήση. Καθαρίστε τη συσκευή με ένα καθαρό πανί ή χρησιμοποιήστε αέρα με υψηλή πίεση. Βάλτε μερικές σταγόνες διχρονο λάδι κινητήρα μέσα στο κύλινδρο από την οπή του μπουζί και περιστρέψτε το κινητήρα μερικές φορές για να κατανεμηθεί το λάδι.

Καλύψτε τη συσκευή ή αποθηκεύστε την σε ένα ξηρό χώρο.

## ΑΚΟΝΙΣΜΑ ΑΛΥΣΙΔΑΣ

### Τμήματα του κόφτη (Εικ. 40, 41)

### ⚠ ΠΡΟΕΙΔΟΠΟΙΗΣΗ

- Πάντοτε να χρησιμοποιείτε γάντια κατά το ακόνισμα της αλυσίδας.
- Βεβαιωθείτε ότι λιμάρατε στρόγγυλα τα δόντια, προκειμένου να μειώσετε το πιθανό κίνδυνο τινάγματος ή σπασίματος του μάντα.

41. Πάνω πλάκα
42. Γωνία εργασίας
43. Πλευρική πλάκα
44. Διάκενο δοντιών
45. Κάτω άκρο
46. Σασί
47. Οπή κόφτη
48. Παρυφή
49. Ρυθμιστής βάθους κοπής
50. Σωστή γωνία στην πάνω πλάκα (η γωνία εξαρτάται από τον τύπο της αλυσίδας)
51. Ελαφρά προεξέχων "άγκιστρο" ή σημείο (καμπύλη σε αλυσίδα χωρίς σμίλη)
52. Κορυφή του ρυθμιστή βάθους κοπής στο σωστό ύψος κάτω από την πάνω πλάκα
53. Μηροσπινόν του ρυθμιστή βάθους κοπής στρογγυλεμένο

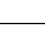



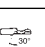
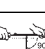
**ΧΑΜΗΛΩΜΑ ΤΟΥ ΒΑΘΟΥΣ ΤΩΝ ΡΥΘΜΙΣΤΩΝ ΒΑΘΟΥΣ ΚΟΠΗΣ ΜΕ ΜΙΑ ΛΙΜΑ**

- 1) Αν ακονίζετε τους κόφτες με μια λίμα, ελέγξτε και χαμηλώστε το βάθος.
- 2) Ελέγξτε το βάθος των ρυθμιστών κοπής σε κάθε τρίτο ακόνισμα.
- 3) Τοποθετήστε το εργαλείο του ρυθμιστή βάθους κοπής πάνω στον κόφτη. Αν ο ρυθμιστής βάθους κοπής προεξέχει, λιμάρετε τον στο ίδιο επίπεδο με την κορυφή του εργαλείου. Λιμάρετε πάντα από το εσωτερικό της αλυσίδας προς το εξωτερικό του κόφτη. **(Εικ. 42)**
- 4) Στρογγυλέψτε την μπροστινή γωνία για να διατηρήσετε το αρχικό σχήμα του ρυθμιστή βάθους κοπής αφότου χρησιμοποιήσετε το εργαλείο ρύθμισης βάθους κοπής. Ακολουθείτε πάντα τις προτεινόμενες ρυθμίσεις του ρυθμιστή βάθους κοπής που υπάρχουν στον οδηγό συντήρησης και λειτουργίας για το πριόνι. **(Εικ. 43)**

**ΓΕΝΙΚΕΣ ΟΔΗΓΙΕΣ ΓΙΑ ΤΟ ΛΙΜΑΡΙΣΜΑ ΚΟΦΤΩΝ**

- Λιμάρετε (54) τον κόφτη στη μια πλευρά της αλυσίδας από το εσωτερικό προς τα έξω. Λιμάρετε μόνο προς τα μπροστά. **(Εικ. 44)**
- 5) Διατηρείτε όλους τους κόφτες στο ίδιο μήκος. **(Εικ. 45)**
  - 6) Λιμάρετε αρκετά για να αφαιρέσετε την οποιαδήποτε ζημιά στις άκρες κοπής (εσωτερική πλάκα (55) και πάνω πλάκα (56)) του κόφτη. **(Εικ. 46)**

**ΓΩΝΙΕΣ ΑΚΟΝΙΣΜΑΤΟΣ ΤΗΣ ΑΛΥΣΙΔΑΣ ΤΟΥ ΠΡΙΟΝΙΟΥ**

	1. Αριθμός εξαρτήματος	95VP
	2. Βήμα	0,325"
	3. Ρύθμιση ρυθμιστή βάθους	0,025"
	4. Γωνία λιμαρίσματος της πλευρικής πλάκας	85°
	5. Γωνία πάνω πλάκας	30°
	6. Γωνία κατεύθυνσης της λίμας	10°

**Πρόγραμμα συντήρησης**

Παρακάτω θα βρείτε ορισμένες γενικές οδηγίες συντήρησης. Για περισσότερες πληροφορίες απευθυνθείτε σε έναν αντιπρόσωπο της HITACHI.

**Ημερήσια συντήρηση**

- Καθαρίστε το εξωτερικό της συσκευής.
  - Καθαρίστε τη θύρα του φίλτρου λαδιού της αλυσίδας.
  - Καθαρίστε την αυλάκωση και την έξοδο του φίλτρου λαδιού της λάμας.
  - Καθαρίστε το πλευρικό κάλυμμα από την πριονόσκονη.
  - Ελέγξτε ότι η αλυσίδα του πριονιού είναι αιχμηρή.
  - Ελέγξτε ότι τα μπουλόνια της λάμας είναι επαρκώς σφιγμένα.
  - Βεβαιωθείτε ότι ο προφυλακτήρας μεταφοράς της αλυσίδας δεν έχει ζημιά και μπορεί να στερεωθεί με ασφάλεια.
  - Ελέγξτε ότι τα παξιμάδια και οι βίδες είναι επαρκώς σφιγμένα.
- Συγκεκριμένα, δώστε προσοχή στη βίδα του σιγαστήρα και βεβαιωθείτε ότι είναι καλά σφιγμένη προτού θέσετε σε λειτουργία τη μηχανή. Εάν κάποια από αυτές τις βίδες χαλαρώσει, ξανασφίξτε τις αμέσως. Σε περίπτωση που αυτό δε συμβεί μπορεί να προκαλέσει μεγάλο κίνδυνο.
- Ελέγξτε το άκρο της ράβδου. Παρακαλώ αντικαταστήστε την με καινούρια όταν έχει φθαρεί.
  - Ελέγξτε τον ιμάντα του φρένου της αλυσίδας. Παρακαλώ αντικαταστήστε την με καινούρια όταν έχει φθαρεί.

**Εβδομαδιαία συντήρηση**

- Ελέγξτε τον εκκινητήρα, ειδικά το καλώδιο και το ελατήριο επιστροφής.
- Καθαρίστε το εξωτερικό μπουζί.
- Αφαιρέστε το μπουζί και ελέγξτε το κενό του ηλεκτροδίου. Ρυθμίστε το στα 0,6 χιλ ή αλλάξτε το μπουζί.
- Καθαρίστε τα πετρώματα ψύξης πάνω στον κύλινδρο και ελέγξτε ότι η είσοδος του αέρα στον εκκινητήρα δεν είναι φραγμένη.
- Καθαρίστε το φίλτρο αέρα.

**Μηνιαία συντήρηση**

- Ξεπλύντε τη δεξαμενή καυσίμου με βενζίνη και καθαρίστε το φίλτρο καυσίμου.
- Καθαρίστε το φίλτρο λαδιού της αλυσίδας.
- Καθαρίστε το εξωτερικό του καρμπυρατέρ και το χώρο γύρω από αυτό.
- Καθαρίστε τον ανεμιστήρα και το χώρο γύρω από αυτό.






**ΣΗΜΕΙΩΣΗ**

Όταν παραγγέλνετε τα εξαρτήματα στον πλησιέστερο αντιπρόσωπο σας, παρακαλούμε να χρησιμοποιήσετε τον αρ. στοιχείου που βρίσκεται στην ενότητα των βλαβών των εξαρτημάτων αυτών των οδηγιών.

	ΑΡΙΘΜ. ΡΑΒΔΟΥ	ΜΗΚΟΣ- ΕΙΔΟΣ	ΑΡΙΘΜ. ΑΛΥΣΙΔΑΣ
ΑΡΙΘΜ. ΜΟΝΤΕΛΟΥ ΟΡΕΓΚΟΝ	107498	13"	95VP-56
	105191	15"	95VP-64
	104968	16"	95VP-66
	105355	18"	95VP-72

## ZNACZENIE SYMBOLI

**UWAGA:** Niektóre urządzenia ich nie mają.

	<b>Symbole</b> <b>⚠ OSTRZEŻENIE</b> Następujące oznaczenia to symbole używane w instrukcji obsługi maszyny. Upewnij się, że rozumiesz ich znaczenie zanim użyjesz narzędzia.		
	Istotne jest przeczytanie, pełne zrozumienie i przestrzeganie poniższych środków bezpieczeństwa i ostrzeżeń. Nieostrożne lub niewłaściwe używanie urządzenia może spowodować poważne obrażenia lub śmierć.		Ostrzeżenie, niebezpieczeństwo odbicia. Uważać na nagły i niespodziewany ruch do góry i/lub odrzucenie prowadnicy.
	Przeczytać, zrozumieć i przestrzegać wszystkich ostrzeżeń oraz instrukcji zawartych w tym podręczniku i umieszczonych na urządzeniu.		Obsługa jednoręczna jest niedozwolona. Podczas pilowania należy trzymać piłę obydwoi rękoma z kciukiem umieszczonym pewnie wokół uchwytu przedniego.
	Podczas używania urządzenia zawsze stosować ochronę oczu, głowy i słuchu.		

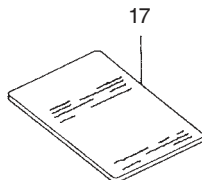
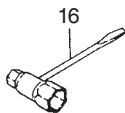
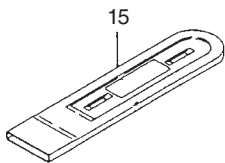
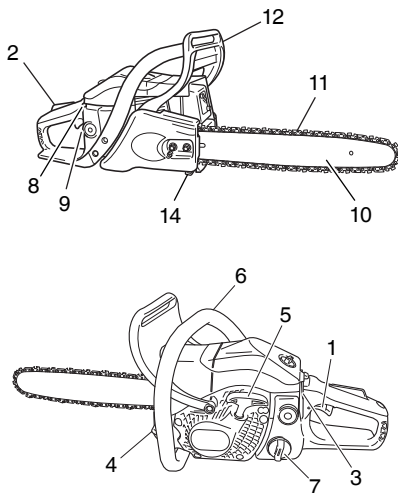
### Spis treści

ZASADNICZE PODZESPOŁY URZĄDZENIA.....	30
OSTRZEŻENIE I INSTRUKCJE BEZPIECZEŃSTWA .....	31
SPECYFIKACJE .....	32
PROCEDURY MONTAŻU .....	33
PROCEDURY OBSŁUGI .....	33
KONSERWACJA .....	35

Lista części

## ZASADNICZE PODZESPOŁY URZĄDZENIA

- Przełącznik przepustnicy: Element sterujący obrotami silnika, włączany palcem operatora.
- Blokada przełącznika przepustnicy (przełącznik bezpieczeństwa): Element zapobiegający przypadkowemu włączeniu przełącznika przepustnicy do momentu ręcznego zwolnienia.
- Przełącznik zapłonu: Element umożliwiający uruchomienia lub zatrzymanie silnika.
- Korek zbiornika oleju: Do zamykania zbiornika oleju.
- Rozrusznik zamachowy: W celu uruchomienia silnika należy pociągnąć za uchwyt.
- Uchwyt przedni: Uchwyt znajdujący się przy osłonie silnika.
- Korek zbiornika paliwa: Służy do zamykania zbiornika paliwa.
- Gałka ssania: Element wspomagający rozruch, służący do wzbogacania mieszanki paliwowo-powietrznej w gaźniku.
- Pompa zastrzykowa: Urządzenie dostarczające dodatkowe paliwo, wspomagające rozruch.
- Prowadnica: Element podtrzymujący i prowadzący łańcuch piły.
- Łańcuch piły: Łańcuch pełniący funkcję narzędzia tnącego.
- Blokada łańcucha (osłona przednia ręki): Element zatrzymujący lub blokujący łańcuch.
- Odbojnik z kołczatką: Element osiowy używany w przypadku cięcia drzewa lub kłody.
- Ogranicznik łańcucha: Element ograniczający tor przesuwu łańcucha piły.
- Osłona prowadnicy łańcucha: Element zabezpieczający prowadnicę, kiedy urządzenie nie jest używane.
- Uniwersalny klucz nasadowy: Narzędzie służące do odkręcania / montażu świecy zapłonowej oraz napinania łańcucha piły.
- Instrukcja obsługi: Podręcznik dołączony do urządzenia. Należy zapoznać się z nim przed rozpoczęciem pracy i zachować w celu zapoznania się z procedurami prawidłowej bezpiecznej pracy.



## OSTRZEŻENIE I INSTRUKCJE BEZPIECZEŃSTWA

### Bezpieczeństwo operatora

- Należy zawsze nosić osłonę twarzy lub gogle.
- Podczas ostrzenia łańcucha należy używać rękawic.
- Zawsze podczas używania pilarki łańcuchowej należy nosić wyposażenie ochronne, takie jak kurtka, spodnie, rękawice, kask oraz obuwie ochronne wyposażone w zełwki o dobrej przyczepności oraz okute blachą noski. Podczas prac na drzewach, obuwie ochronne musi być odpowiednie do wspinaczki. Nie wolno nosić luźnej odzieży, biżuterii, krótkich spodni, sandałów lub chodzić boso.
- Zabezpieczyć włosy tak, aby nie spadały na ramiona.
- Nie wolno używać urządzenia, gdy jest się zmęczonym, chorym lub pod wpływem alkoholu, narkotyków lub leków.
- Nigdy nie wolno zezwalać na obsługę maszyny przez dziecko lub osobę niedoświadczoną.
- Stosować ochronę narządu słuchu. Zwracać baczna uwagę na otoczenie.
- Uważać na osoby znajdujące się w pobliżu, które mogą sygnalizować problemy.
- Zdjąć zabezpieczenia ochronne natychmiast po wyłączeniu silnika.
- Stosować ochronę głowy.
- Nigdy nie uruchamiać lub pracować silnikiem wewnątrz zamkniętego pomieszczenia lub budynku.
- Wdychanie gazów spalinyowych może być śmiertelne.
- W celu zabezpieczenia układu oddechowego nosić maskę ochronną podczas wydzielania się mgły olejowej i pyłu z trocin.
- Nie zaniezyszczać rąk olejem lub paliwem.
- Trzymać ręce z dala od wyposażenia tnącego.
- Nw chwytac, ani nie trzymać urządzenia za wyposażenie tnące.
- Gdy urządzenie jest wyłączone, upewnić się, czy wyposażenie tnące zatrzymało się przed odłożeniem pilarki.
- Podczas długotrwałej pracy robić przerwy od czasu do czasu, aby uniknąć objawów zespołu Reynauda (nieodkrwienie palców rąk) powodowanego przez drgania.
- Operator musi przestrzegać lokalnych przepisów dotyczących miejsca cięcia.

### OSTRZEŻENIE

- Systemy zapobiegające drganiom nie ochronią przed zespołem Reynauda (nieodkrwienie palców rąk), ani przed objawami zespołu cieśni nadgarstka.
- Dlatego w przypadku ciągłego i regularnego używania pilarki należy dokładnie sprawdzać stan rąk i palców. W razie wystąpienia powyższych symptomów, należy zwrócić się natychmiast do lekarza po pomoc.
- Długotrwałe lub ciągłe narażenie na duży hałas może spowodować trwałe uszkodzenie słuchu. Zawsze należy nosić ochronę narządu słuchu podczas obsługi urządzenia/maszyny.
- Jeśli używa się elektrycznych/elektronicznych urządzeń medycznych, takich jak rozrusznik serca, skonsultować się z lekarzem i producentem urządzenia przed używaniem urządzenia z napędem.

### Bezpieczeństwo urządzenia / maszyny

- Przed każdym użyciem skontrolować całe urządzenie / maszynę. Wymienić uszkodzone części. Sprawdzić, czy nie ma wycieków paliwa i upewnić się, czy wszystkie łączniki są zamontowane i dobrze dokręcone.
- Przed użyciem urządzenia / maszyny wymienić części pęknięte lub uszkodzone w inny sposób.
- Upewnić się, czy obudowa boczna jest prawidłowo zainstalowana.
- Nie dopuszczać w pobliżu innych osób podczas regulacji gaźnika.
- Używać wyłącznie akcesoriów zalecanych przez producenta do tego rodzaju maszyny / urządzenia.
- Nigdy nie pozwalać, aby łańcuch uderzał o jakąś przeszkodę. Jeśli łańcuch dotyka innych części, zatrzymać maszynę i sprawdzić dokładnie przyczynę.

- Upewnić się, czy automatyczna smarownica pracuje. Zbiornik oleju powinien być zawsze napełniony czystym olejem. Nigdy nie dopuszczać, aby łańcuch pracował na sucho na prowadnicy.
- Wszystkie czynności obsługi serwisowej pilarki, poza podanymi w podręczniku operatora/ właściciela, winny być wykonywane przez kompetentny personel obsługi technicznej pilarek. (Na przykład, gdy używa się niewłaściwych narzędzi do zdjęcia koła zamachowego lub gdy używa się niewłaściwego narzędzia do przytrzymania koła zamachowego w celu wyjęcia sprężła, może nastąpić uszkodzenie koła zamachowego i w rezultacie jego rozsadzenie.)

### OSTRZEŻENIE

- Nigdy nie przerabiać urządzenia / maszyny w jakikolwiek sposób. Urządzenia / maszyny nie wolno używać do prac innych, niż zgodnych z przeznaczeniem.
- Nigdy nie używać pilarki bez wyposażenia bezpieczeństwa lub z uszkodzonym urządzeniem bezpieczeństwa. Może to spowodować poważne obrażenia pracowników.
- Użycie prowadnicy / łańcucha innych niż zalecane przez producenta, które nie są atestowane, może spowodować duże ryzyko wypadków lub obrażenia pracowników.

### Bezpieczeństwo związane z paliwem

- Paliwo mieszać i tankować za zewnątrz w miejscu, w którym nie występują iskry lub płomienie.
- Do paliwa stosować atestowanych pojemników.
- Nie palić tytoniu, ani nie zezwalać na palnie w pobliżu paliwa lub urządzenia / maszyny lub podczas używania urządzenia / maszyny.
- Przed uruchomieniem silnika wytrzeć rozlane paliwo.
- Przed uruchomieniem silnika odsunąć się co najmniej na 3 m od miejsca tankowania.
- Zatrzymać silnik przed zdjęciem korka paliwa.
- Opróżnić zbiornik paliwa przed składowaniem urządzenia / maszyny. Zaleca się po każdym użyciu pilarki opróżnić zbiornik pilarkę w taki sposób, aby paliwo nie wyciekło.
- Urządzenie / maszynę i paliwo przechowywać w takich miejscach, w których pary paliwa nie dochodzą do iskiei i otwartych płomieni grzejników wody, silników elektrycznych lub wyłączników, pieców itd.

### OSTRZEŻENIE

- Paliwo łatwo się zapala lub wybuchu bądź łatwo wdycha się jego pary, dlatego należy zwrócić szczególną uwagę podczas obsługi paliwa lub tankowania.

### Bezpieczeństwo związane z cięciem

- Nie ciąć innych materiałów niż drewno i przedmioty drewniane.
- W celu zabezpieczenia układu oddechowego nosić maskę zabezpieczającą przed aerozolem, gdy piłuje się drewno po zastosowaniu środków owadobójczych.
- Nie dopuszczać innych osób, dzieci i zwierząt oraz pomocników do strefy niebezpiecznej. Zatrzymać silnik natychmiast, gdy zbliżają się inne osoby.
- Mocno trzymać urządzenie / maszynę prawą ręką za rękojeść tylną i lewą ręką za rękojeść przednią.
- Stać równo na podłożu i zachowywać równowagę. Nie przechylać się.
- Wszystkie części ciała trzymać z daleka od tłumika i wyposażenia tnącego, gdy silnik pracuje.
- Prowadnicę / łańcuch trzymać poniżej poziomu tali.
- Przed ścięciem drzewa, operator musi być zaznajomiony z metodami piłowania za pomocą pilarki.
- Zaplanować bezpieczne wydotanie się ze strefy upadku drzewa.
- Podczas piłowania pilarkę trzymać mocno dwoma rękami obejmując kciukiem rękojeść przednią, stając jednocześnie tak, aby nogi i ciało było dobrze zrównoważone.
- Podczas cięcia stać boku piły, nigdy bezpośrednio z tyłu.
- Szpon przypoiny, jeśli jest na wyposażeniu, osadzić pewnie w drzewie, gdyż łańcuch może zostać gwałtownie wciągnięty w drzewo.
- Podczas kończenia cięcia rozszczępionego drewna należy przytrzymać urządzenie w chwili odcięcia w taki sposób, aby urządzenie nie przesunęło się dalej i nie przecięło nóg, stóp lub ciała bądź nie natrafiło na przeszkody.

- Uważać na możliwość odrzucenia piły (w kierunku operatora). Nigdy nie ciąć wierzchołkiem prowadnicy.
- Przy przenoszeniu się do nowego miejsca pracy upewnić się, czy maszyna została wyłączona oraz czy wszystkie narzędzia tnące zostały zatrzymane.
- Podczas pracy maszyny nigdy nie kłaść jej na ziemię.
- Zawsze upewnić się, czy silnik jest wyłączony oraz czy narzędzia tnące całkowicie zatrzymały się zanim usunie się zanieczyszczenia lub trawę z narzędzi tnących.
- Podczas obsługi wyposażenia z napędem należy zawsze nosić apteczkę pierwszej pomocy.
- Nigdy nie uruchamiać lub zezwalać na pracę silnika wewnątrz zamkniętego pomieszczenia lub budynku i/lub w pobliżu palnych cieczy. Wdychanie spalin może być śmiertelne.

**Bezpieczeństwo związane z konserwacją**

- Konserwację urządzenia / maszyny należy wykonywać zgodnie z zalecanymi procedurami.
- Odłączyć świece zapłonowe przed wykonaniem konserwacji w wyjątkiem regulacji gaźnika.
- Nie dopuszczać w pobliże innych osób podczas regulacji gaźnika.
- Używać wyłącznie oryginalnych części zamiennych firmy HITACHI, zalecanych przez producenta.

**OSTROŻNIE**

Nie demontować rozrusznika zamachowego. Można narazić się na obrażenia spowodowane sprężyną zamachową.

**⚠️ OSTROŻNIE**

Niewłaściwa konserwacja może spowodować poważne uszkodzenie silnika lub poważne obrażenia ciała.

**Transport i magazynowanie**

- Urządzenie / maszynę należy przemieścić ręcznie po wyłączeniu silnika z tłumikiem odwróconym od ciała.
- Odczekać, aż silnik ostygnie, opróżnić zbiornik paliwa i zabezpieczyć urządzenie / maszynę przed odłożeniem do magazynu lub transportem w pojeździe.
- Opróżnić zbiornik paliwa przed składowaniem urządzenia / maszyny. Zaleca się opróżnienie zbiornika paliwa po każdym używaniu urządzenia. Jeśli paliwo pozostaje w zbiorniku, przechowywać pilarkę w taki sposób, aby paliwo nie wyciekło.
- Przechowywać maszynę poza zasięgiem dzieci.
- Dokładnie oczyścić i zakonserwować urządzenie, po czym przechowywać je w suchym miejscu.
- Podczas transportu lub magazynowania upewnić się, że wyłącznik maszyny jest wyłączony.
- Podczas transportowania lub magazynowania należy założyć osłonę na łańcuch.

W sytuacjach nieopisanych w niniejszym podręczniku zachować ostrożność i kierować się zdrowym rozsądkiem. W razie potrzeby pomocy, skontaktować się z dystrybutorem firmy HITACHI. Zwracać szczególną uwagę na zapisy poprzedzone następującymi słowami:

**⚠️ OSTROŻNIE**

Wskazuje na duże prawdopodobieństwo poważnych obrażeń ciała lub utraty życia w przypadku nieprzestrzegania instrukcji.

**OSTROŻNIE**

Wskazuje na możliwość obrażeń ciała lub uszkodzenie wyposażenia w przypadku nieprzestrzegania instrukcji.

**UWAGA**

Zawiera pomocne informacje dla poprawnego funkcjonowania i użytkowania.

**SPECYFIKACJE**

- Kod "CS" w nazwie modelu oznacza "piła łańcuchowa"

Model	CS40EA (33PS)	CS40EA (38PS)	CS40EA (40PS)	CS40EA (45PS)
Typ urządzenia	Piła łańcuchowa, przenośna			
Pojemność skokowa silnika (cm³)	39,6			
Świeca zapłonowa	NGK BPMR-7A			
Pojemność zbiornika paliwa (cm³)	380			
Pojemnik zbiornika oleju łańcuchowego (cm³)	240			
Ciężar na sucho (kg) (Bez prowadnicy i łańcucha)	4,5			
Długość prowadnicy (mm)	330	380	400	450
Podziałka łańcucha (mm)	8,26			
Grubość łańcucha (mm)	1,27			
Poziom ciśnienia dźwięku LpA (dB (A)) wg ISO 22868	103			
Poziom mocy dźwięku zmierzony Lw (dB (A)) wg ISO 22868	113			
Poziom mocy dźwięku LwA (dB (A)) wg 2000/14/EC	114			
Poziom drgań (m/s²) wg ISO 22867				
Rękojeść przednia	2,2	2,2	2,2	2,2
Rękojeść tylna	3,2	3,2	3,2	3,2
Maks. moc silnika wg ISO 7293 (kW)	1,8/10500			
Maks. prędkość obrotowa silnika (min <sup>-1</sup> )	13000			
Prędkość obrotowa biegu jałowego silnika (min <sup>-1</sup> )	3000			
Dokładne zużycie paliwa (g/kWh)	480			
Typ łańcucha	95VP (Oregon)			
Maks. prędkość przesuwu łańcucha (m/s)	23,1			
Koło łańcuchowe (liczba zębów)	7			

**UWAGA:** Równoważny poziom hałasu równoważne poziomy drgań obliczane są całkowita energia ważona czasowo dla poziomów hałasu / drgań w różnych warunkach pracy przy następującym cyklu czasowym: 1/3 bieg jałowy, 1/3 pełne obciążenie, 1/3 prędkość wyciągowa.

\* Wszystkie dane mogą zostać być zmienione bez uprzedzenia.

Zadeklarowane pojedyncze wartości emisji, to suma pomiarów wartości i niepewności 3dB, reprezentują one górne granice zakresów wartości, które prawdopodobnie pojawią się w pomiarach.

## PROCEDURY MONTAŻU

### ⚠️ OSTRZEŻENIE

Nigdy nie próbować uruchomić silnika bez zamocowanej pokrywy bocznej.

- Odkręcić nakrętki zaciskowe prowadnicy (1).
- Zdjąć osłonę boczną (2) ściskając tylną część osłony bocznej (2). **(Rys. 1)**  
\* W przypadku zainstalowania zderzaka z kolumnami (3), zamocować zderzak z kolumnami (3) do urządzenia dwoma śrubami. **(Rys. 2)**
- Zamontować prowadnicę łańcucha (4) na śrubach (5), a następnie docisnąć do koła łańcuchowego (6) do samego końca. Upewnić się, że występ napinacza (7) wchodzi do otworu prowadnicy (8). **(Rys. 3)**

### UWAGA

Delikatnie przesunąć prowadnicę tam i z powrotem i upewnić się, że napinacz (7) jest prawidłowo umieszczony w otworze (8) prowadnicy. **(Rys. 3)**

- Upewnić się, czy kierunek łańcucha pily (9) jest poprawny jak na rysunku i ustawić łańcuch na kole łańcuchowym. **(Rys. 4)**
- Wprowadzić ogniwa łańcucha w rowki prowadnicy na całym obwodzie prowadnicy.
- Złożyć osłonę boczną (2) na śruby (5). Następnie tymczasowo dokręcić nakrętki zaciskowe (1). **(Rys. 1)**
- Podnieść końcówkę prowadnicy i naciągnąć łańcuch (9) obracając śrubę regulacyjną naciągu (10) w kierunku zgodnym z ruchem wskazówek zegara. Aby sprawdzić, czy naciąg jest właściwy, należy lekko unieść środek łańcucha – luz pomiędzy prowadnicą i krawędzią ogniwa (11) powinien wynosić około 0,5 – 1,0 mm. **(Rys. 5, 6)**

### OSTROŻNIE

WŁAŚCIWY NACIĄG JEST BARDZO WAŻNY

- Podnieść końcówkę prowadnicy i mocno dokręcić nakrętki zaciskowe łańcucha za pomocą uniwersalnego klucza nasadowego. **(Rys. 6)**
- Nowy łańcuch rozciąga się, dlatego po kilku cięciach wyregulować naciąg i dokładnie obserwować naciąg przez pierwsze pół godziny pracy pilarki.

### UWAGA

Często kontrolować naciąg łańcucha, aby zapewnić maksymalne osiągi i trwałość.

### OSTROŻNIE

- Kiedy łańcuch jest nadmierne naciągnięty, szybko nastąpi uszkodzenie prowadnicy i łańcucha. I odwrotnie, gdy łańcuch jest zbyt luźny, może wysunąć się z rowka prowadnicy.
- Zawsze nosić rękawice dotykając łańcucha.

### ⚠️ OSTRZEŻENIE

Podczas pracy, trzymać pilarkę mocno obydwoma rękami. Przytrzymywanie jedną ręką może spowodować poważne obrażenia.

## PROCEDURY OBSŁUGI

### Paliwo (Fig. 7)

#### ⚠️ OSTRZEŻENIE

- Pilarka jest wyposażona w silnik dwusuwowy. Silnik musi zawsze pracować z paliwem z dodatkiem oleju. Podczas tankowania lub przenoszenia paliwa zapewnić dobrą wentylację.
- Paliwo zawiera łatwopalne składniki i możliwe są poważne obrażenia ciała na skutek wdychania lub rozlania się paliwa na ciało. Zachować ostrożność zawsze przy używaniu paliwa. Zapewnić zawsze dobrą wentylację używając paliwa wewnątrz budynku.

### Paliwo

- Zawsze stosować markową bezołowiową benzynę o liczbie oktanowej 89.
- Stosować oryginalny olej do dwusuwów lub mieszankę w proporcji 25:1 do 50:1, stosunek podano na butelce z olejem lub skonsultować się z dystrybutorem firmy HITCHI.

- Jeśli oryginalny olej nie jest dostępny, użyć oleju dobrej jakości z dodatkiem przeciwutleniającą do silników dwusuwowych chłodzonych powietrzem (JASO FC GRADE OIL lub ISO EGC GRADE). Nie stosować oleju do mieszank BIA lub TCW (do silników dwusuwowych z chłodzeniem wodą).
- Nigdy nie używać oleju wielosezonowego (10 W/30) lub zużytego.
- Zawsze mieszać paliwo z olejem w oddzielnym czystym pojemniku.

Zawsze rozpocząć od wiania połowy potrzebnego paliwa. Następnie dodać całą ilość oleju. Dokładnie wymieszać (potrzebując) mieszankę paliwa. Dodać pozostałą ilość benzyny. Dokładnie wymieszać (potrzebując) mieszankę paliwową przed waniem do zbiornika paliwa.

### Tankowanie

#### ⚠️ OSTRZEŻENIE (Rys. 8)

- Zawsze wyłączyć silnik przed tankowaniem.
  - Tankując paliwo powoli otwierać zbiornika paliwa (12), aby upuścić ewentualne nadszcznienie.
  - Po zatankowaniu dokładnie dokręcić korek paliwa.
  - Przed uruchomieniem silnika zawsze odsunąć urządzenie co najmniej na 3 m od miejsca tankowania.
  - Natychmiast należy zmyć wodą z mydłem rozlane paliwo z ubrania.
  - Po zatankowaniu sprawdzić, czy nie ma wycieków paliwa.
- Przed zatankowaniem, dokładnie oczyścić miejsce wokół korka zbiornika, aby do zbiornika nie dostały się żadne zanieczyszczenia. Przed tankowaniem upewnić się, że paliwo jest dobrze wymieszane i w tym celu potrząsnąć pojemnik.

#### Lej do smarowania łańcucha (Rys. 8)

Wlać olej do smarowania łańcucha (13). Zawsze używać oleju dobrej jakości. Podczas pracy silnika, łańcuch jest automatycznie smarowany olejem.

### UWAGA

Gdy wlewa się paliwo (12) lub olej łańcuchowy (13) do zbiornika, ustawić urządzenie korkiem do góry up. **(Rys. 8)**

### REGULACJA SMAROWANIA ŁAŃCUCHA

Ilość oleju smarującego łańcuch, podawanego przez układ smarowania jest ustawiona na maksymalną wartość. Podawana ilość można wyregulować w zależności od warunków roboczych. Aby zwiększyć ilość oleju, należy obrócić śrubę regulacyjną (14) w lewo lub obrócić ją w prawo w celu zmniejszenia ilości oleju. **(Rys. 9)** (standardowo wykonuje się 1-1 1/2 obrotu w lewo względem położenia początkowego)

### Uruchomienie (Rys. 10-15)

#### OSTROŻNIE

Przed uruchomieniem należy się upewnić, czy jest uruchomiony hamulec łańcucha oraz czy nie dotyka do niczego prowadnica/łańcuch. **(Rys. 10)**

- Ustawić przełącznik zapłonu (15) w pozycji włączenia (ON). **(Rys. 11)**  
\*Docisnąć kilkakrotnie kolbę zastrzykową (17), tak aby paliwo dostało się przez kolbę do gaźnika. **(Rys. 12)**
- Pociągnąć dźwignię ssania (16) do położenia ssania **(Rys. 12)**. Spowoduje to automatyczne zablokowanie przepustnicy w pozycji rozruchu.
- Pociągnąć energicznie rozrusznik zamachowy, trzymając uchwyt pewnie, aby nie odskoczył. **(Rys. 13)**
- Po usłyszeniu uruchamianego silnika, przestawić ssanie na pozycję pracy. **(Rys. 12)**
- Ponownie pociągnąć energicznie rozrusznik zamachowy w sposób podany powyżej. **(Rys. 13)**

### UWAGA

- Jeśli silni nie uruchomi się, powtórzyć kroki od 2 do 5.
- Po uruchomieniu silnika, pociągnij raz do końca dźwignię przepustnicy i natychmiast zwolnij. **(Rys. 14)** Nastąpi zwolnienie przymkniętej do połowy przepustnicy. Upewnij się, że zwolniony jest hamulec łańcucha. **(Rys. 15)** Przed poddaniem jakiegokolwiek obciążeniu zaczekaj 2-3 minuty na rozgrzanie silnika. Nie należy uruchamiać silnika z wysokimi obrotami bez obciążenia, ponieważ skraca to żywotność silnika.

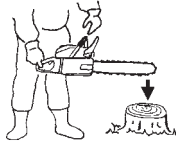
## Działanie hamulca łańcucha (Rys. 16)

Hamulec łańcucha (18) (jeśli jest na wyposażeniu), służy do zadziałania w sytuacji awaryjnej, jak odrzucenie piły. Przed użyciem pilarki sprawdzić, czy hamulec działa poprawnie.

W celu uruchomienia hamulca należy przesunąć przednią osłonę w kierunku prowadnicy. Podczas działania hamulca łańcucha, nawet jeśli pociągnię się dźwignię przepustnicy, prędkość silnika nie wzrasta i łańcuch nie obraca się. W celu zwolnienia hamulca, pociągnąć dźwignię hamulca łańcucha.

### Sposób potwierdzenia:

- 1) Wyłączyć silnik.
- 2) Trzymając pilarkę poziomo, zdjąć rękę z rękojeści przedniej, uderzyć końcem prowadnicy o pień lub kawałek drewna i sprawdzić zadziałanie hamulca. Dźwignia uruchamiająca zależy od wielkości prowadnicy.



Jeśli hamulec nie działa, zwrócić się do dystrybutora w celu sprawdzenia hamulca i naprawy. Jeśli silnik pracuje na wysokich obrotach przy włączonym hamulcu, sprzęgło przegrzeje się powodując problemy.

Jeśli hamulec włączy się w trakcie pracy, natychmiast zwolnić dźwignię przepustnicy, aby zatrzymać silnik.

### ⚠️ OSTRZEŻENIE

Nie przenosić maszyny z pracującym silnikiem.

### Zatrzymywanie (Rys. 17)

Zmniejszyć prędkość silnika i popchnąć włącznik zapłonu (15) w kierunku zatrzymania.

### ⚠️ OSTRZEŻENIE

#### ZAGROŻENIE WSKUTEK ODRZUCENIA PIŁY (Rys. 18)

Jednym z największych zagrożeń podczas pracy pilarką łańcuchową jest możliwość odrzucenia piły. Odrzucenie może wystąpić wtedy, kiedy łańcuch tnący górną częścią wierzchołka prowadnicy natrafi na przedmiot lub kiedy drewno się zaciśnie i zaklinuje piłę łańcuchową w miejscu cięcia. W niektórych przypadkach dotknięcie wierzchołkiem może spowodować gwałtowną reakcję odrzucenia prowadnicy do góry i do tyłu w stronę operatora. Zakleszczenie pilarki wzdłuż wierzchołka prowadnicy może również spowodować gwałtowne odrzucenie prowadnicy do tyłu w kierunku operatora. Każda z tych reakcji może spowodować utratę kontroli nad pilarką i w rezultacie poważne obrażenia cieleśne. Chociaż pilarka ma bezpieczną konstrukcję, nie należy polegać jedynie na tych zabezpieczeniach. Zawsze należy wiedzieć, gdzie znajduje się końcówka prowadnicy. Odrzucenie piły nastąpi wtedy, gdy w strefie odrzucenia (19) prowadnica dotknie przedmiotu. Nie używać tej strefy. Odrzucenie na skutek zakleszczenia jest spowodowane zamknięciem się nacięcia i zakleszczeniem górnej części prowadnicy. Należy analizować nacięcie i upewnić się, że otwiera się podczas cięcia. Panować nad pilarką z pracującym silnikiem trzymając mocno prawą dłoń za tylną rękojeść, lewą dłoń za przednią rękojeść, obejmując jednocześnie kciukami i palcami obie rękojeści. Zawsze trzymać pilarkę obydwoma rękoma podczas pracy i piłowac przy wysokiej prędkości obrotowej silnika.

### ⚠️ OSTRZEŻENIE

- Nie sięgać za daleko i nie ciąć powyżej wysokości ramion.
- Zachować ostrożność przy ścinaniu drzew i nie używać pilarki z podniesionym czubkiem prowadnicy lub powyżej wysokości ramion.

### CHWYTA CZ ŁAŃCUCHA

Chwytaacz łańcucha znajduje się na głowicy napędu tuż poniżej łańcucha i zapobiega możliwości uderzenia operatora przez zerwany łańcuch.

### ⚠️ OSTRZEŻENIE

Podczas piłowania nie stawać w linii przedłużenia łańcucha.

## PODSTAWOWE TECHNIKI OBALANIA, OKRZESYWANIA I PRZECINANIA DŁUŻYCY NA KŁODY

Poniższe informacje zawierają ogólne wprowadzenie do sposobów cięcia drewna.

### ⚠️ OSTRZEŻENIE

- Podane informacje nie obejmują wszystkich konkretnych sytuacji, które mogą wystąpić zależnie od różnic w terenie, roślinności, rodzaju drewna, kształtu i wielkości drzew itd. Skontaktować się z serwisantem, przedstawicielem leśnictwa i lokalnymi szkołami leśniczymi odnośnie określonych problemów ścinania na danym terenie, wtedy praca będzie bardziej efektywna i bezpieczna.

- Unikać ścinania drzew w złych warunkach atmosferycznych, jak gęsta mgła, intensywny deszcz, przenikliwie zimno, silny wiatr itp.

W takich warunkach ciężko się pracuje, a poza tym stwarzają one potencjalne niebezpieczeństwo poślizgnięcia się.

Silny wiatr może spowodować upadek drzewa w niepożądanym kierunku, powodując szkody rzeczowe lub obrażenia cieleśne.

### OSTROŻNIE

Nigdy nie używać piły łańcuchowej do podważania lub innego celu, do którego nie jest przeznaczona.

### ⚠️ OSTRZEŻENIE

- Unikać potykania się na przeszkodach, takich jak pniaki, korzenie, skały, gałęzie i powalone drzewa. Uważać na doły i rowy. Zachować szczególną ostrożność podczas pracy na skarpach lub nierównym gruncie.

Wyłączyć pilarkę przenosząc się z jednego miejsca na inne.

Piłować zawsze przy szeroko otwartej przepustnicy. Wolno pracujący łańcuch może łatwo się zaklinować i spowodować szarpnięcie.

- Nigdy nie trzymać pilarki tylko jedną ręką. Nie można wtedy panować nad pilarką, łatwo można utracić nad nią kontrolę i poważnie się zranić. Trzymać korpus pilarki blisko ciała, aby poprawić panowanie nad nią i zmniejszyć napięcia.

Gdy tnie się dolną częścią łańcucha, siła reakcji odsuwa pilarkę od operatora w kierunku ciętego drewna.

Piła steruje dolną częścią posuwu i trociny są kierowane w stronę operatora. (Rys. 19)

- Gdy tnie się górną częścią łańcucha, siła reakcji popycha pilarkę od operatora w kierunku od ciętego drewna. (Rys. 20)

- Istnieje ryzyko odrzucenia, jeśli piłkę wepchnie się tak daleko, że zacznie ciąć wierzchołkiem prowadnicy. Najbezpieczniejszy sposób piłowania to cięcie dolną częścią. Cięcie górną częścią utrudnia znacznie kontrolę nad pilarką i zwiększa ryzyko odrzucenia.

- W przypadku zablokowania łańcucha należy natychmiast zwolnić przepustnicę.

Jeżeli dźwignia przepustnicy będzie się obracać z dużą prędkością, gdy łańcuch jest zablokowany, sprzęgło się przegrzeje, powodując awarię.

### UWAGA

Szpon przypory zawsze osadzić pewnie w drzewie, gdyż łańcuch może zostać gwałtownie wciągnięty w drzewo.

### OBALANIE

Obalanie to więcej niż ścinanie drzewa. Drzewo należy obalić jak najbliżej przewidzianego miejsca, nie uszkadzając drzewa lub innych rzeczy.

Przed obaleniem drzewa, rozważyć wszystkie warunki, które mogą wpłynąć na zamierzony kierunek, takie jak:

- Kąt pochylenia drzewa. Kształt korony. Obciążenie korony śniegiem. Siłę wiatru. Przeszkody w pobliżu drzewa (np. inne drzewa, linie energetyczne, drogi, budynki itp.).

### ⚠️ OSTRZEŻENIE

- Zawsze zwracać uwagę na ogólny stan drzewa. Szukać objawów zniszczenia, butwienia pnia, co czyni bardziej prawdopodobnym, że drzewo pęknie i zacznie upadać wcześniej niż oczekiwano.
- Zwracać uwagę na suche gałęzie, które mogą złamać się i uderzyć operatora w trakcie pracy.

Podczas obalania drzewa zwierzęta i ludzie powinni znajdować się w odległości równej przynajmniej dwukrotnej długości drzewa. Usunąć krzewy i gałęzie znajdujące się w pobliżu drzewa.

Przygotować drogę ewakuacji z dala od kierunku obalania drzewa.

#### PODSTAWOWE ZASADY OBALANIA DRZEW

Normalnie obalanie składa się z dwóch głównych operacji cięcia: wykonania karbu i cięcia obalającego. Rozpocząć od górnego nacięcia po stronie drzewa w kierunku obalania. Podczas wykonywania drugiego nacięcia, patrzeć przez nacięcie, aby nie wciąć się zbyt głęboko w pień. Karb powinien być odpowiednio głęboki, aby stworzył zawiasę o odpowiedniej szerokości i wytrzymałości. Otwarcie karbu powinno być dostatecznie szerokie, aby odpowiednio skierować upadek drzewa. Z drugiej strony drzewa wykonać cięcie obalające jeden lub dwa cale (3–5 cm) powyżej krawędzi karbu. **(Rys. 21)**

20. Kierunek obalania
21. 45° minimalne otwarcie karbu
22. Zawiasa
23. Nacięcia obalające

Nigdy nie przecinać całkowicie pnia. Zawsze zostawiać zawiasę. Zawiasa prowadzi drzewo. Gdyby pień został przecięty całkowicie, straci się kontrolę nad kierunkiem obalania drzewa.

Włożyć klin lub dźwignię w nacięcie znacznie wcześniej zanim drzewo utraci stabilność i rozpocznie ruch. W ten sposób zapobiega się zakleszczeniu prowadnicy w nacięciu obalającym, jeśli wadliwie oceniono kierunek upadku drzewa. Upewnić się, że nikt nie wszedł w strefę obalania drzewa zanim popchnie się drzewo.

#### CIĘCIA OBALAJĄCE, GDY ŚREDNICA PNIA JEST PONAD DWUKROTNIE WIĘKSZA OD DŁUGOŚCI PROWADNICY

Wykonać duży szeroki karb. Wykonać wcięcie w środku karbu. Zawsze pozostawić zawiasę z obydwu stron wcięcia środkowego. **(Rys. 22)**

Dokończyć cięcie obalające przez cięcie wokół pnia, jak pokazano na **Rys. 23**.

#### ⚠️ OSTRZEŻENIE

Opisane metody są bardzo niebezpieczne, gdyż wymagają użycie wierzchołka prowadnicy i mogą spowodować odrzucenie piły.

Te metody mogą stosować wyłącznie odpowiedni przeszkoleni profesjonalni operatorzy.

#### OKRZESYWANIE

Okrzesywanie polega na usuwaniu gałęzi z powalonego drzewa.

#### ⚠️ OSTRZEŻENIE

Większość wypadków spowodowanych odrzuceniem piły występuje podczas okrzesywania.

Nie używać wierzchołka prowadnicy łańcucha. Należy zachować ostrożność i unikać kontaktu dłuźcy, innych gałęzi lub przedmiotów z wierzchołkiem prowadnicy. Szczególnie uważać na naprężone gałęzie. Mogą one odskoczyć w stronę operatora, spowodować utratę kontroli i w rezultacie obrażenia. **(Rys. 24)**

Stanąc z lewej strony pnia. Przyjąć stabilną postawę i oprzeć piłarkę na pniu. Trzymać piłarkę blisko ciała tak, aby zachować pełną kontrolę. Trzymać się z daleka łańcucha. Przesuwać się tylko wtedy, kiedy pień znajduje się między operatorem i łańcuchem. Uważać na odskakujące gałęzie.

#### OKRZESYWANIE GRUBYCH GAŁĘZI

Podczas okrzesywania grubych gałęzi, prowadnica może łatwo się zakleszczyć. Naprężone gałęzie często pękają, więc należy je ciąć małymi krokami. Stosować te same zasady, jak do cięcia poprzecznego. Przewidzieć możliwe konsekwencje wszystkich swoich czynności.

#### CIĘCIE POPRZECZNE / PRZECINANIE DŁUŻYCY NA KŁODY

Przed rozpoczęciem cięcia dłuźcy, należy przemyśleć, co się stanie. Poszukać naprężeń w dłuźcy i przecinać ją w taki sposób, aby prowadnica nie zakleszczyła się w nacięciu.

#### PRZECINANIE DŁUŻYCY W POPRZEK, DOCISK Z GÓRY

Przyjąć stabilną pozycję. Rozpocząć cięcie od góry. Nie ciąć zbyt głęboko, wystarczy około 1/3 średnicy dłuźcy. Zakończyć cięciem od dołu.

Oba nacięcia winny się spotkać. **(Rys. 25)**

24. Cięcie odciążające
25. Cięcie poprzeczne
26. Docisk z góry
27. Strona docisku
28. Strona naprężenia
29. Głębokość względna cięć piły

#### GRUBA DŁUŻYCA, GRUBSZA OD DŁUGOŚCI PROWADNICY

Rozpocząć od cięcia po przeciwnej stronie dłuźcy. Ciągnąć piłę do siebie, po czym zastosować poprzeczną procedurę. **(Rys. 26)**

Jeśli dłuźca leży na ziemi, wykonać cięcie wierzące, aby uniknąć cięcia ziemi. Zakończyć cięciem od dołu. **(Rys. 27)**

#### ⚠️ OSTRZEŻENIE

##### NIEBEZPIECZEŃSTWO ODRZUCENIA PIŁY

Nie należy próbować wykonania cięcia wierzącego, jeśli nie jest się właściwie przeszkolonym. Cięcie wierzące wymaga użycia wierzchołka prowadnicy i może spowodować odrzucenie piły.

#### PRZECINANIE DŁUŻYCY W POPRZEK, DOCISK Z DOŁU

Przyjąć stabilną pozycję. Rozpocząć od nacięcia od dołu. Głębokość nacięcia winna wynosić około 1/3 średnicy dłuźcy.

Zakończyć cięciem od góry. Obie nacięcia winny się spotkać. **(Rys. 28)**

30. Cięcie odciążające
31. Cięcie poprzeczne
32. Docisk od dołu
33. Strona naprężenia
34. Strona docisku
35. Głębokość względna cięć piły

#### GRUBA DŁUŻYCA, GRUBSZA OD DŁUGOŚCI PROWADNICY

Rozpocząć od cięcia po przeciwnej stronie dłuźcy. Ciągnąć piłę do siebie, po czym zastosować poprzeczną procedurę. Wykonać cięcie wierzące, jeśli dłuźca jest blisko ziemi. Zakończyć cięciem od góry. **(Rys. 29)**

#### ⚠️ OSTRZEŻENIE

##### NIEBEZPIECZEŃSTWO ODRZUCENIA PIŁY

Nie należy próbować wykonania cięcia wierzącego, jeśli nie jest się właściwie przeszkolonym. Cięcie wierzące wymaga użycia wierzchołka prowadnicy i może spowodować odrzucenie piły. **(Rys. 30)**

#### JEŚLI PIŁA ZAKLINUJE SIĘ

Zatrzymać silnik. Unieść dłuźcę lub zmienić jej położenie przy pomocy grubego konara lub drąga użytych jako dźwigni. Nie próbować wyciągać piły siłą. Można wtedy wygiąć rękojeść lub doznać obrażeń przez łańcuch piły w chwili gwałtownego uwolnienia piły.

## KONSERWACJA

KONSERWACJĘ, WYMIANĘ LUB NAPRAWĘ URZĄDZEŃ I UKŁADU KONTROLI EMISJI MOŻE WYKONAĆ ZAKŁAD NAPRAWY SILNIKÓW NIEDROGOWYCH LUB OSOBA INDYWIDUALNA.

#### Regulacja gaźnika **(Rys. 31)**

#### ⚠️ OSTRZEŻENIE

Nigdy nie uruchamiać silnika bez założonej pokrywy sprzęgła.

W przeciwnym przypadku sprzęgło może obluźzać się i spowodować obrażenia cieleśne.

W gaźniku paliwo miesza się z powietrzem. Podczas próbnej pracy silnika w fabryce, wykonuje się regulację gaźnika. Dodatkowa regulacja może być wykonana w zależności od klimatu lub wysokości n.p.m. Gaźnik ma jedną możliwość regulacji:

T = śruba regulacji prędkości biegu jałowego.

**Regulacja prędkości biegu jałowego (T)**

Sprawdzić, czy filtr powietrza jest czysty. Gdy prędkość biegu jałowego jest właściwa, łańcuch nie obraca się. Jeśli wymagana jest regulacja, dokręcać śrubę T (w kierunku zgodnym z ruchem wskazówek zegara), aż łańcuch zacznie się obracać. Wykręcać śrubę (w kierunku przeciwnym do ruchu wskazówek zegara) aż łańcuch się zatrzyma. Prędkość biegu jałowego jest poprawna, kiedy silnik pracuje równomiernie we wszystkich położeniach znacznie poniżej prędkości obrotowej, przy której łańcuch zaczyna obracać się.

Jeśli po wykonaniu regulacji prędkości łańcuch nadal obraca się, należy skontaktować się z dystrybutorem firmy HITACHI.

**⚠ OSTRZEŻENIE**

Podczas pracy silnika na biegu jałowym łańcuch nie może w żadnym przypadku obracać się.

**UWAGA**

Niektóre modele sprzedawane w regionach, w których wymagana jest ścisła regulacja emisji spalin, nie mają regulacji gaźnika na wysoką i niską prędkość. Takie regulacje mogą spowodować, że silnik będzie pracował poza dopuszczalnymi granicami emisji. Dla tych modeli, jedyną regulacją gaźnika jest regulacja prędkości biegu jałowego.

Jeśli użytkownik nie zna tego rodzaju regulacji, należy zwrócić się o pomoc do przedstawiciela firmy HITACHI.

**Filtr powietrza (Rys. 32)**

Filtr powietrza (36) należy oczyścić z pyłu i brudu, aby uniknąć:

- Wadliwego działania gaźnika
- Problemów z rozruchem
- Zmniejszenia mocy silnika
- Nadmiernego zużycia części silnika
- Nadmiernego zużycia paliwa

Filtr powietrza należy czyścić codziennie lub częściej, jeśli pracuje się w miejscach wyjątkowo zapyłonych.

**Czyszczenie filtra powietrza**

Zdjąć pokrywę filtra powietrza (37) i wyjąć filtr (36).

Przemyć je w wodzie z mydłem. Przed ponownym montażem sprawdzić, czy filtr jest suchy. Filtru powietrza używanego przez dłuższy czas nie można dokładnie wyczyścić. Z tego względu należy okresowo wymieniać go na nowy filtr. Uszkodzony filtr należy wymienić natychmiast.

**Świeca zapłonowa (Rys. 33)**

Na stan świecy zapłonowej mają wpływ następujące czynniki:

- Nieprawidłowe ustawienie gaźnika
- Niewłaściwa mieszanka paliwowa (zbyt dużo oleju w benzynie)
- Zabrudzony filtr powietrza
- Trudne warunki pracy (jak niska temperatura otoczenia)

Czynnik te powodują osady na elektrodach świecy zapłonowej, co może spowodować wadliwe działanie i trudności z uruchomieniem silnika. Jeśli silnik nie rozwija pełnej mocy, trudno go uruchomić lub pracuje nierównomiernie na biegu jałowym, należy zawsze w pierwszej kolejności sprawdzić świecę zapłonową. Jeśli świeca zapłonowa jest zabrudzona, należy ją oczyścić i sprawdzić przerwę elektrody. W razie potrzeby wyregulować przerwę. Prawidłowa przerwa elektrody wynosi 0,6 mm. Świecę zapłonową należy wymienić po około 100 godzinach pracy lub wcześniej, jeśli erozja elektrody jest znaczna.

**UWAGA**

W niektórych krajach przepisy wymagają użycia świecy zapłonowej z opornikiem do tłumienia zakłóceń. Jeśli maszyna została oryginalnie wyposażona w świecę zapłonową z opornikiem, należy wymienić ją na świecę tego samego typu.

**Otwór olejarki (Rys. 34)**

Jak najczęściej czyścić otwór olejarki łańcucha (38).

**Prowadnica (Rys. 35)**

Przed użyciem maszyny, oczyścić rowek i otwór olejarki (39) w prowadnicy za pomocą specjalnego przyrządu oferowanego jako wyposażenie opcjonalne.

**Pokrywa boczna (Rys. 36)**

Pokrywa boczna i obszar napędu zawsze utrzymywać w czystości. Okresowo nałożyć tam olej lub smar, aby zabezpieczyć przed korozją, jako że w niektórych drzewach występuje wysoki poziom kwasów.

**Filtr paliwa (Rys. 37)**

Wyjąć filtr paliwa ze zbiornika paliwa i dokładnie wymyć go w rozpuszczalniku. Następnie wepchnąć filtr całkowicie do zbiornika.

**UWAGA**

Jeśli filtr stwardniał na skutek pyłu i brudu, należy go wymienić.

**Filtr oleju łańcuchowego (Rys. 38)**

Wyjąć filtr oleju i wymyć go dokładnie w rozpuszczalniku.

**Czyszczenie żeberka cylindra (Rys. 39)**

Kiedy trociny dostaną się pomiędzy żeberka cylindra (40), silnik może się przegrzać, co powoduje obniżenie mocy. Aby tego uniknąć, utrzymywać zawsze w czystości żeberka cylindra i obudowę wentylatora.

Co 100 godzin pracy lub raz do roku (lub częściej, zależnie od warunków), czyścić żeberka i powierzchnię zewnętrzną silnika z pyłu, brudu i osadów oleju, aby zapobiec niewłaściwemu chłodzeniu.

Magazynowanie przez dłuższy czas

Spuścić całe paliwo ze zbiornika. Uruchomić silnik i pozwolić mu pracować, aż się zatrzyma. Naprawić wszelkie uszkodzenia eksploatacyjne. Oczyścić urządzenie czystą szmatką lub sprężonym powietrzem z węża. Przez otwór świecy zapłonowej wpuścić kilka kropli oleju silnikowego do cylindra i obrócić kilkakrotnie silnikiem, aby rozprowadzić olej.

Przykryć urządzenie i złożyć je w suchym miejscu.

**OSTRZEŻENIE ŁAŃCUCHA****Części krawędzi tnącej (Rys. 40, 41)****⚠ OSTRZEŻENIE**

- Podczas ostrzenia łańcucha należy używać rękawic.
- Zaokrąglić przednią krawędź, aby zmniejszyć prawdopodobieństwo odrzucenia pily lub pęknięcia nakładki stykowej.

41. Płytką górną
42. Narożnik roboczy
43. Płytką boczną
44. Wrób
45. Krawędź przyłożenia
46. Korpus
47. Otwór nitu
48. Stopa
49. Sprawdzian głębokości
50. Prawidłowy kąt na płytce górnej (stopień nachylenia zależy od rodzaju łańcucha)
51. Lekko wystający „haczyk” lub punkt (krzywizna na łańcuchu bezdrutowym)
52. Szczyt sprawdzianu głębokości na prawidłowej wysokości poniżej płytki górnej
53. Zaokrąglony przód sprawdzianu głębokości

**OBNIŻANIE SPRAWDZIANÓW GŁĘBOKOŚCI PILNIKIEM**

- 1) Jeśli ostrzy się narzędzia tnące pilnikiem, należy sprawdzić i obniżyć głębokość.
- 2) Kontrolować sprawdzian głębokości co trzecie ostrzenie.
- 3) Umieścić sprawdzian głębokości na krawędzi tnącej. Jeśli sprawdzian głębokości wystaje, spiliować go do poziomu szczytu narzędzia. Zawsze pilnować od środka łańcucha w stronę zewnętrznej krawędzi tnącej. (Rys. 42)
- 4) Po użyciu sprawdzianu głębokości, zaokrąglić przedni narożnik, aby zachować oryginalny kształt sprawdzianu. Zawsze stosować zalecane nastawienie sprawdzianu głębokości podane w podręczniku konserwacji lub podręczniku obsługi pilarki. (Rys. 43)

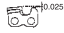

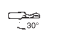

**OGÓLNE INSTRUKCJE PIŁOWANIA NARZĘDZI TNĄCYCH**

Piłować (54) krawędź tnącą z jednej strony łańcucha od środka w kierunku na zewnątrz. Piłować tylko podczas suwu do przodu.

(Rys. 44)

- 5) Spiłować wszystkie krawędzie tnące na taką samą długość. (Rys. 45)
- 6) Spiłować dostatecznie materiał tak, aby usunąć uszkodzenie krawędzi tnących (płytki boczna (55) i płytka górna (56)) krawędzi tnącej. (Rys. 46)

**KĄTY OSTRZENIA ŁAŃCUCHA PIŁY**

1. Numer części	95VP
2. Podziałka	0,325"
 3. Nastawienie sprawdzianu głębokości	0,025"
 4. Kąt piłowania płytki bocznej	85°
 5. Kąt płytki górnej	30°
 6. Kąt prowadzenia pilnika	10°

**Plan obsługi**

Poniżej podano ogólne instrukcje konserwacji. W sprawie dalszych informacji prosimy skontaktować się z dystrybutorem firmy HITACHI.

**Obsługa codzienna**

- Oczyszczyć urządzenie z zewnątrz.
- Oczyszczyć otwór filtra oleju łańcucha.
- Oczyszczyć rowek i otwór filtra oleju w prowadnicy.
- Oczyszczyć okrywę boczną przeciwpyłową.
- Sprawdzić, czy łańcuch piły jest ostry.
- Sprawdzić, czy nakrętki prowadnicy są dobrze dokręcone.
- Upewnić się, czy osłona transportu łańcucha nie jest uszkodzona i czy można ją bezpiecznie zamontować.
- Sprawdzić, czy nakrętki i śruby są dobrze dokręcone. Ze szczególną uwagą należy skontrolować śruby tłumika i przed uruchomieniem silnika upewnić się, że są właściwie dokręcone. Jeżeli któraś ze śrub jest poluzowana, należy je natychmiast dokręcić. Niezastosownie się do tego zalecenia może być przyczyną poważnego niebezpieczeństwa.
- Skontrolować końcówkę uchwytu. Wymienić na nową, gdy ulegnie zużyciu.
- Skontrolować taśmę hamulca łańcucha. Wymienić na nową, gdy ulegnie zużyciu.

**Obsługa tygodniowa**

- Sprawdzić rozrusznik, w szczególności linkę i sprężynę powrotną.
- Oczyszczyć świece zapłonową z zewnątrz.
- Wyjąć świece zapłonową i sprawdzić przerwę elektrody. Przerwę należy wyregulować na 0,6 mm lub wymienić świecę zapłonową.
- Oczyszczyć żeberka chłodzące cylindra i sprawdzić, czy wlot powietrza do rozrusznika nie jest zapchany.
- Oczyszczyć filtr powietrza.

**Obsługa miesięczna**

- Przepłukać zbiornik paliwa benzyny i oczyścić filtr paliwa.
- Oczyszczyć filtr oleju łańcuchowego.
- Oczyszczyć z zewnątrz gaźnik i przestrzeń wokół niego.
- Oczyszczyć wentylator i przestrzeń wokół niego.






**UWAGA**

Przy zamawianiu części u najbliższego dystrybutora prosimy podać numer pozycji wskazany w spisie części w niniejszej instrukcji.

	UCHWYT NR	DŁUGOŚĆ	ŁAŃCUCH NR
MODEL NR OREGON	107498	13"	95VP-56
	105191	15"	95VP-64
	104968	16"	95VP-66
	105355	18"	95VP-72

## SZIMBÓLUMOK JELENTÉSEI

**MEGJEGYZÉS:** Néhány egység nem rendelkezik velük.

	<p><b>Szimbólumok</b></p> <p><b>⚠ VIGYÁZAT</b></p> <p>Az alábbiakban a géphez alkalmazott jelölések vannak felsorolva. A gép használata előtt feltétlenül ismerje meg ezeket a jelöléseket.</p>	
	<p>Fontos, hogy elolvassa, teljesen megértse és figyelje a következő elővigyázatosságokat és figyelmeztetéseket. A gondatlan vagy helytelen használat súlyos vagy halálos sérülést okozhat.</p>	 <p>Figyelem, visszarúgás veszély. Óvakodjon a vezetőrúd esetleges véletlenszerű, hirtelen felfelé és/vagy visszafelé mozgásától.</p>
	<p>Olvasson el, értsen meg és kövessen minden a kézikönyvben és az egységen található figyelmeztetést és utasítást.</p>	 <p>Az egykezes használat nem engedélyezett. Vágás közben tartsa a fűrészt erősen mindkét kezével, és hüvelykujját az elülső fogantyú köré kulcsolva.</p>
	<p>Az egység használatakor mindig viseljen szem-, fej- és fülvédő eszközöket.</p>	

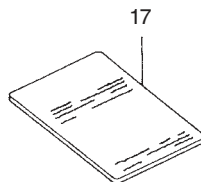
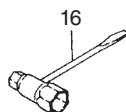
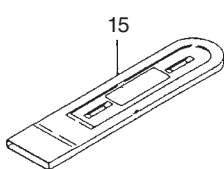
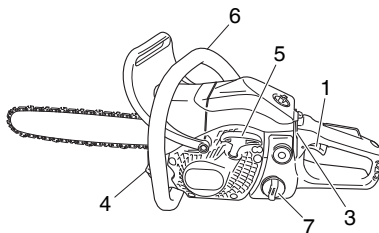
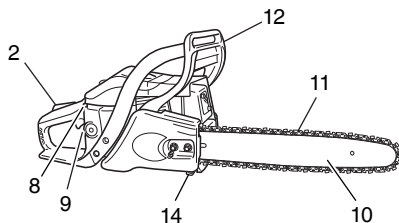
### Tartalom

MI MICSODA?.....	38
FIGYELMEZTETÉSEK ÉS BIZTONSÁGI ÓVINTÉZKEDÉSEK ....	39
TECHNIKAI ADATOK .....	40
ÖSSZESZERELÉSI ELJÁRÁSOK.....	41
MŰKÖDTETÉSI ELJÁRÁSOK.....	41
KARBANTARTÁS .....	43

Alkatrészek lebontása

### MI MICSODA?

- Gázadagoló kar: Eszköz, mely a működtető ujjával használható a motor sebességének szabályozására.
- Gázadagoló kar zár (Biztonsági reteszelő gomb): Eszköz, mely megakadályozza az erőszabályozó kar véletlenszerű működtetését, amíg kézzel fel nem oldjuk.
- Gyújtáskapcsoló: Eszköz, mellyel a motor indítását vagy leállítását végezhetjük.
- Olajtartály-sapka: Az olajtartály zárására való.
- Hátrahúzás indító: Húzza hátra a fogantyút a motor beindításához.
- Elülső fogantyú: Támogató fogantyú, mely a motorház elején vagy közelében található.
- Üzemanyagtank-sapka: A üzemanyagtank zárására való.
- Szivatógomb: Eszköz, mely az üzemanyag/levegő keveréket sűríti a karburátorban, az indítás segítéséhez.
- A szivattyú feltöltése; eszköz kiegészítő üzemanyag betöltéséhez, hogy segítse az indítást.
- Vezetőrúd: Alkatrész, mely a fűrész láncát tartja és vezeti.
- Lánc: Lánc, mely vágóeszközként szolgál.
- Láncfék (Elülső markolat): Eszköz, mellyel a lánc leállítását vagy lezárását végezhetjük.
- Tűskés útköző: Eszköz, mely támaszként szolgál akkor, amikor fával vagy rönkkel érintkezik.
- Láncvezető: Eszköz a lánc megfékezésére.
- Vezetőrúd védőburkolata: Eszköz, mely a vezetőrudat és a láncot fedi akkor, amikor az egység nincs használatban.
- Kombinált csökulcs: Eszköz, mellyel a gyertyákat távolíthatjuk el vagy rögzíthetjük, és a láncot rögzíthetjük.
- Kezelési útmutató: Az egységgel együtt kapható. Olvassa el a működtetés előtt, és tartsa meg forrásanyag gyanánt a későbbiekben megfelelő, biztonságos technikák elsajátítására.



## FIGYELMEZTETÉSEK ÉS BIZTONSÁGI ÖVINTÉZKEDÉSEK

### Gépkezelő biztonsága

- Mindig viseljen munkavédelmi maszkot vagy szemüveget.
- A fűrész élezése közben kesztyű viselése ajánlott.
- Mindig viseljen olyan munkavédelmi felszereléseket, mint dzseki, nadrág, kesztyű, sisak, acélbetétes és csúszás mentes csizma a láncfűrész használatakor. Fákon végzendő munkához a munkavédelmi lábbeliek alkalmasnak kell lennie a mászási technikákhoz. Ne viseljen, bő öltözetet, ékszert, rövidnadrágot, szandált, és ne legyen mezítláb.
- Biztosítsa, hogy hajhosszúsága ne haladjon meg a vállig előtt.
- Ne működtesse az eszközt akkor, amikor fáradt, beteg vagy alkohol, kábítószer vagy gyógyszer hatása alatt áll.
- Soha ne engedje, hogy gyermek vagy gyakorlatlan személy működtesse a gépet.
- Viseljen hallásvédő felszerelést. Legyen figyelemmel a környezetére.
- Figyelje, hogy a közelében tartózkodók jeleznek-e valamilyen problémát.
- Azonnal távolítsa el a biztonsági felszereléseket a motor leállítása után.
- Viseljen fejtámasztó felszerelést.
- Soha ne indítsa, be vagy működtesse a motort zár helyiségben vagy épületen.
- A kibocsátott füst belélegzése halált okozhat.
- Légzésvédelem érdekében viseljen munkavédelmi maszkot a láncolaj párája és a fűrészpor irtésekor.
- Az olajat és üzemanyagot tartsa távol a fogantyúktól.
- Kezeit tartsa távol a vágófélélettől.
- Ne fogja meg vagy tartsa az egységet a vágóféléletnél.
- Amikor az egység üzemel kívül van, győződjön meg arról, hogy a vágóilleszték leállt az egység kikapcsolása előtt.
- Hosszabb ideig tartó működtetés esetén rendszeresen tartson szünetet annak érdekében, hogy megelőzze a lehetséges Kéz és Kar Vibrációs Szindrómát (HAVS), melyet a rezgés okozhat.
- A működtetésnek követnie kell a helyi vágási területekre vonatkozó szabályozásokat.

### ⚠ VIGYÁZAT

- Az antivibrációs rendszerek nem garantálják, hogy Önnél nem alakulhat ki Kéz és Kar Vibrációs Szindróma vagy kéztőalgút szindróma.
- Emiatt, a folyamatos és rendszeres felhasználóknak javallott alaposan figyelni a kezeik és ujjai állapotát. Amennyiben a fenti tünetek bármelyike jelentkezik, azonnal forduljon orvoshoz.
- Folyamatos és hosszantartó kitettség magas zajszinteknek maradóan halláskárosodáshoz vezethet. Mindig viseljen jóváhagyott hallásvédőt az egység/gép működtetése során.
- Ha bármilyen elektronikus egészségügyi eszközt használ, mint például pacemakert, akkor kérje orvosa valamint az eszköz gyártójának tanácsát a felszerelés működtetése előtt.

### Az egység/gép biztonsága

- Ellenőrizze az egész egységet/gépet mindet használat előtt. Cserélje ki a sérült alkatrészeket. Ellenőrizze, hogy nem szivároog-e az üzemanyag, és győződjön meg arról, hogy minden rögzítő a helyén van, és biztonságosan meg van erősítve.
- Cseréljen ki minden alkatrészt, mely törött, kopott vagy bármilyen módon sérült az egység/gép használatát előtt.
- Győződjön meg arról, hogy az oldallemez megfelelően illeszkedik.
- Tartson másokat távol akkor, amikor karburátorállításokat végez.
- Csak azokat a kiegészítőket használja, melyeket az egység/gép gyártója javasol.
- Soha ne engedje, hogy a lánc bármilyen akadályba ütközzön. Ha a lánc érintkezik egy ilyen akadállyal, akkor a gépet meg kell állítani, és alaposan ellenőrizni kell.
- Győződjön meg arról, hogy az automatikus olajadagoló működik. Az olajtank mindig tiszta olajjal legyen megtöltve. Soha ne engedje, hogy a lánc szárazon fusson a rúdon.

- A láncfűrész minden szervizelését, a működető/tulajdonos kézikönyvében felsorolt egységek kivételével, képzett láncfűrész szerviz személyzet kell, hogy végrehajtsa. (Például, ha helytelen eszközt használ a lendkerék eltávolításához, vagy ha helytelen eszközt használ a lendkerék tartásához a váltó eltávolításakor, akkor az a lendkerék szerkezetét károsodását eredményezheti, és ezáltal a lendkerék szétrobbanását okozhatja.)

### ⚠ VIGYÁZAT

- Soha se módosítsa az egységet/gépet bármilyen módon. Ne használja az egységet/gépet rendeltetésével ellentétesen.
- Soha ne használjon láncfűrész biztonsági felszerelés nélkül, vagy melyhez hibás biztonsági felszerelés tartozik. Ennek az eredménye súlyos személyi sérülés lehet.
- A vezetőrúd/vezetőlánc gyártó által javasolt használatának nem egyező alkalmazása, mely nem jóváhagyott, nagyban növeli a személyi sérülések és baleset veszélyét.

### Üzemanyag biztonság

- A szabadban keverje és öntse az üzemanyagot, szikra és nyíltlángtól távol.
- Az üzemanyaghoz jóváhagyott tartályt alkalmazzon.
- Ne dohányozzon, vagy engedje, hogy mások dohányozzanak az üzemanyag vagy az egység/gép közelében, vagy az egység/gép használata közben.
- A motor elindítása előtt törőljön fel minden félrefejtő üzemanyagot.
- A üzemanyagotöltés helyszínétől legalább 3 méter távolságban indítsa a motort.
- Az üzemanyagtank-sapka eltávolítása előtt állítsa meg a motort.
- Az egység/gép tárolása előtt irtse ki az üzemanyagtartályt. Javasolt az üzemanyagot minden használat után kiüríteni. Amennyiben maradt üzemanyag a tankban, úgy tárolja, hogy az ne szivárogojon.
- Az egység/gépet és üzemanyagot olyan helyen tárolja, ahol az üzemanyag párával nem érintkezhet szikra vagy nyíltláng, mely esetleges bojlerből, elektromos motorból vagy indítóból, kandallóból, stb. származhat.

### ⚠ VIGYÁZAT

- Az üzemanyag robbanékony, gyúlékony és füstjének belélegzése ártalmas, ezért különös óvatossággal járjon el az üzemanyag kezelések vagy utántöltések során.

### Vágási biztonság

- Ne vágjon fátol vagy fa tárgyól eltérő anyagot.
- Légzésvédelem érdekében viseljen munkavédelmi maszkot fa vágása közben, ha rovarirtót alkalmaztak rajta.
- Gyermekekkel, állatokkal, közelben tartózkodókat és segítőtket tartson távol a veszélyterülettől. Azonnal állítsa le a motort, ha megközelítik.
- Tartsa az egységet/gépet erősen a jobb kezével a hátulsó fogantyún és a bal kezével az előlő fogantyún.
- Stabilan álljon és biztosan tartsa egyensúlyát. Ne húzza túl!
- Tartsa távol minden testrészét a hagtompítótól és a vágóillesztéktől miközben a motor jár.
- A rudat/láncot tartsa derékmagasság alatt.
- Favágás előtt a működtetőnek meg kell ismernie a láncfűrész vágási technikáit.
- Mindig legyen előre eltervezett biztonságos távozási lehetőség a kidöntött fától.
- Vágás közben tartsa a fűrész erősen mindkét kezével, és hüvelykujját az előlő fogantyú köré kulcsolva, és lábaival és testével egyensúlyozza.
- Vágáskor mindig a fűrész mellett álljon – soha közvetlenül mögötte.
- Mindig tartsa a tuskék ütközőt a fa irányában, mert a lánc hirtelen futhat a fába, amennyiben így van felszerelve.
- A vágás teljesítésekor készüljön fel az egység feltartására ahogy azt az elvágott felület szabadjára engedi, így az nem vágja meg a lábát vagy testét vagy ütközik akadályba.
- Legyen felkészült a visszarúgásra (amikor a fűrész visszarúg a működtetőre). Soha ne vágjon a rúd orrával.
- Amikor másik munkaterületre megy, győződjön meg arról, hogy a gép kikapcsolt állapotban van, és, hogy a vágóilleszték megállt.

- Soha ne helyezze a gépet bekapcsolt állapotban a talajra.
- Mindig kapcsolja ki a motor és a vágóillesztéket a törmelékek feltakarítása vagy a fű a vágóillesztékből való eltávolítása előtt.
- Mindig legyen Önénél elsősegély készlet amikor a felszerelés működött.
- Soha ne indítsa be vagy járassa a motort zárt helyiségben vagy épületben és/vagy gyűlékony folyadék közelében. A kibocsátott füst belélegzése halált okozhat.

## Karbantartási biztonság

- Az egység/gép karbantartását a javasolt eljárások szerint végezze.
- Távolítsa el a gyújtógyertyát karbantartás végrehajtása előtt, karburátor állítások kivételével.
- Tartson másokat távol akkor, amikor karburátorállításokat végez.
- Kizárólag eredeti HITACHI cserealkatrészeket használjon, ahogy a gyártó is javasolja.

## FIGYELEM

Ne szedje szét a hátrahúzás indítót. A hátrahúzó kicsapása esetleges személyi sérülést okozhat.

## ⚠ VIGYÁZAT

A helytelen karbantartás a motor súlyos károsodást vagy súlyos személyi sérülést okozhat.

## Szállítás és tárolás

- Egységet/gépet kézben vigye, leállított motorral és hangtompítóval a testétől eltartva.

- Engedje, hogy a motor lehűljön, ürítse ki az üzemanyagtankot, és biztosítsa az egységet/gépet járműben történő szállítás vagy tárolás előtt.
- Az egység/gép tárolása előtt ürítse ki az üzemanyagtartályt. Javasolt az üzemanyagot minden használat után kiüríteni. Amennyiben maradt üzemanyag a tankban, úgy tárolja, hogy az ne szivárogon.
- Az egység/gép a gyermekektől távol tárolandó.
- Alaposan tisztítsa és tartsa karban az egységet, és száraz helyen tárolja.
- Győződjön meg arról, hogy a motor kapcsolója kikapcsolt állásban van szállításkor vagy tároláskor.
- Szállításkor vagy tároláskor fedje le a láncot a lánckerék védőburkolatával.

Ha olyan helyzet adódna, melyre ebben a kézikönyvben nem talál megoldást, akkor józanész szerint járjon el. Vegye fel HITACHI kereskedőjét, amennyiben segítségre lenne szüksége. Különös figyelemmel kezelje azokat az állításokat, melyeket a következő szavak előzik meg:

## ⚠ VIGYÁZAT

Súlyos személyi sérülést vagy halált okozó tényezők lehetőségét jelzi, amennyiben az útmutatást nem követik.

## FIGYELEM

Személyi sérülést vagy a felszerelés károsodását okozó tényezők lehetőségét jelzi, amennyiben az útmutatást nem követik.

## MEGJEGYZÉS

Hasznos információk a helyes működést és használatot illetően.

## TECHNIKAI ADATOK

- A modellnévben szereplő "CS" betű a "Motorfűrész" jelöli

Típus	CS40EA (33PS)	CS40EA (38PS)	CS40EA (40PS)	CS40EA (45PS)
Berendezés típusa	Hordozható motorfűrész			
Motorméret (cm <sup>3</sup> )	39,6			
Gyújtógyertyák	NGK BPMR-7A			
Üzemanyagtank térfogat (cm <sup>3</sup> )	380			
Lánc olajtank térfogat (cm <sup>3</sup> )	240			
Tömeg (kg) (vezetőrúd és lánc nélkül)	4,5			
Vezetőrúd hosszúság (mm)	330	380	400	450
Lánckerék fogosztása (mm)	8,26			
Láncszélesség (mm)	1,27			
Hangnyomás szint LpA dB(A) ISO 22868	103			
Hangerő szintje Lw mért (dB(A)) ISO 22868	113			
Hangnyomás szint LwA (dB (A)) 2000/14/EC irányelv	114			
Vibráció szint (m/s <sup>2</sup> ) ISO 22867				
Elülső fogantyú	2,2	2,2	2,2	2,2
Hátsó fogantyú	3,2	3,2	3,2	3,2
Legnagyobb teljesítmény adott fordulatszámon ISO 7293 (kW)	1,8/10500			
Legnagyobb motorfordulatszám (min <sup>-1</sup> )	13000			
Üresjárat fordulat (min <sup>-1</sup> )	3000			
Fajlagos üzemanyag-fogyasztás (g/kWh)	480			
Lánc típusa	95VP (Oregon)			
Legnagyobb láncsebesség (m/sec)	23,1			
Fogak száma	7			

**MEGJEGYZÉS:** A zaj/rezgés szint idő súlyozott energia összegével egyenértékű zaj szintet/rezgés szinteket számítottak ki, különböző munkafeltételek mellett a következő időelosztásban: 1/3 üresjárat, 1/3 teljes, 1/3 verseny sebesség.

\* Valamennyi adat előzetes értesítés nélkül változhat.

A névleges egy számjegyű zajkibocsátási érték a mért érték és a hozzá kapcsolódó 3dB bizonytalanság összegéből adódik, és azon értéktartomány felső határértékét képviseli, ami mérés közben valószínűleg előfordulhat.

## ÖSSZESZERELÉSI ELJÁRÁSOK

### ⚠ VIGYÁZAT

Soha ne próbálja meg elindítani a motort anélkül, hogy az oldallemez megfelelően rögzítve lenne.

- Távolítsa el a lánccsavarait (1).
- Távolítsa el az oldallemezt (2) az oldallemez (2) hátsó részének felpattintásával. (1. ábra)
  - \* A tüksék ütköző (3) telepítése esetén, a tüksék ütközőt (3) két csavarral rögzítse az egységhez. (2. ábra)
- Telepítse a vezetőrudat (4) a csavarokkal (5), aztán nyomja a lánccserék (6) felé amennyire csak tudja. Győződjön meg arról, hogy a lánccsavar (7) megfelelően illeszkedik a vezetőrúd (8) lyukába. (3. ábra)

### MEGJEGYZÉS

Enyhén mozgassa előre és hátra a rudat, és győződjön meg arról, hogy a lánccsavar (7) a vezetőrúd (8) lyukába megfelelően illeszkedik. (3. ábra)

- Ellenőrizze, hogy a lánccsavar (9) iránya az ábrán láthatókkal megegyezik-e, és állítsa a lánccsavar (9) lánccserék (4. ábra)
- Vezesse a lánccsavar (9) rúd szíjébe a teljesen a rúd körül.
- Telepítse az oldallemezt (2) a csavarokkal (5).  
Aztán átmenetileg erősítse meg a csavarokat (1). (1. ábra)
- Emelje meg a rúd végét, és erősítse meg a lánccsavar (9) az állítócsavar (10) óramutató járással megfelelő tekerésével. A megfelelő erősítés ellenőrzéséhez enyhén emelje fel a lánccsavar (9) és ott körülbelül 0,5 – 1,0 mm távolságnak kell lennie a rúd és a vezetők fogak (11) széle között. (5., 6. ábra)

### FIGYELEM

A MEGFELELŐ ERŐSÍTÉS RENDKÍVÜL FONTOS

- Emelje meg a rudat, és biztonságosan erősítse meg a lánccsavarokat a csavarkulccsal. (6. ábra)
- Az új lánccsavar (9) meggyűlhet, ezért állítsa be a lánccsavar (9) párágás után, és figyelje az erősítést a vágás első fél órájában.

### MEGJEGYZÉS

A megfelelő teljesítmény és szavatosság érdekében rendszeresen ellenőrizze a lánccsavar (9) erősítését.

### FIGYELEM

- Ha a lánccsavar túlzsúrt meg van erősítve, akkor a rúd és a lánccsavar hamar károsodni fog. Ellentétes esetben, ha a lánccsavar túlzsúrt meg van erősítve, akkor károsodhat a rúd szíjébe.
- Mindig viseljen kesztyűt, amikor a lánccsavarhoz ér.

### ⚠ VIGYÁZAT

A működtetés közben két kézzel erősen tartsa a lánccsavar (9). Az egykezes működtetés súlyos személyi sérülést okozhat.

## MŰKÖDTETÉSI ELJÁRÁSOK

### Üzemanyag (7. ábra)

#### ⚠ VIGYÁZAT

- A lánccsavar kétütemű motorral van ellátva. Mindig olajjal kevert üzemanyaggal járassa a motort. Biztosítson megfelelő szellőztetést az üzemanyag kezelésékor.
- Az üzemanyag nagyon gyúlékony, és súlyos személyi sérülést okozhat, amennyiben belélegzi azt vagy az a testére ömlik. Az üzemanyag kezelés közben mindig legyen körültekintő! Mindig legyen megfelelő szellőztetés biztosítva, ha üzemanyagot épületben kezel.

### Üzemanyag

- Mindig 89 oktánszámú ólommentes benzint alkalmazzon.
- Eredeti kétütemű motorolajat vagy 25:1-től 50:1 arányú keveréket használjon, kérem, nézze meg az olaj flakonját az arányhoz vagy a HITACHI kereskedőjét kérdezze.
- Amennyiben eredeti motorolaj nem elérhető, akkor használjon anti-oxidánsot a mindenféle képpen levegőt hűtött 2 ütemű motorolajhoz (JASO FC GRADE OIL vagy ISO EGC GRADE). Ne használjon BIA vagy TCW (2 ütemes vízhűtéses típus) kevert olajat.
- Soha ne használjon nehéz olajat (10 W/30) vagy fáradt olajat.
- Az üzemanyagot és olajat mindig egy különálló, tiszta tárolóban tartsa.

Mindig a felhasználni kívánt üzemanyag mennyiségének felét öntse először.

Aztán adja hozzá az olaj teljes mennyiségét. Keverje (rázza össze) az üzemanyag keveréket. Adja hozzá a megmaradó üzemanyag mennyiségét.

Keverje (rázza össze) az üzemanyag keveréket az üzemanyagtankba való töltése előtt.

### Üzemanyag

#### ⚠ VIGYÁZAT (8. ábra)

- Mindig kapcsolja ki a motort az üzemanyag újratöltés előtt.
- Lassan nyissa ki az üzemanyagtankot (12) az üzemanyag beletöltése előtt, így a lehetséges túlnyomás megszűnik.
- Alaposan csavarja vissza a tanksapkát az üzemanyag újratöltés után.
- Mindig vigye az egységet legalább 3 m távolságra az üzemanyag újratöltés helyszínétől az indítás előtt.
- Mindig azonnal szappannal mosson le minden kiömlött üzemanyagot a ruházatáról.
- Győződjön meg arról, hogy ellenőrizte az üzemanyag szivárgást a újratöltés után.

Üzemanyag újratöltés előtt tisztítsa meg a tanksapka környékét alaposan annak érdekében, hogy ne kerülhessen szennyeződés a tankba. Győződjön meg arról, hogy az üzemanyagot megfelelően összekeverte és összerázta a tartályban az üzemanyag újratöltés előtt.

#### Láncolaj (8. ábra)

Töltse meg láncolajjal (13). Mindig jó minőségű láncolaj használjon. Amikor a motor jár, a láncolaj automatikusan feloldódik.

### MEGJEGYZÉS

Amikor üzemanyagot (12) vagy láncolajat (13) önt a tankba, az egységet mindig a tanksapka felével felfelé helyezze el. (8. ábra)

### A LÁNCOLAJ ADAGOLÁS BEÁLLÍTÁSA

A kenőrendszeren keresztül szállított láncolaj mennyisége a gyári beállítás szerint a maximális értéken áll. Az üzemeltetési feltételeknek megfelelően szabályozza a mennyiséget.

Forgassa a beállítócsavart (14) az óramutató járással ellentétes irányba a mennyiség növeléséhez, és forgassa az óramutató járással megegyező irányba a mennyiség csökkentéséhez. (9. ábra)

(az általános beállítás szerint egy-másfél fordulattal forgassa az óramutató járással ellentétes irányba az érintkezés után)

### Indítás (10.-15. ábra)

#### FIGYELEM

Indítás előtt győződjön meg arról, hogy a lánccsavar (9) aktív, és a rúd/lánccsavar nem ér semmihez. (10. ábra)

- Állítsa az gyújtáskapcsolót (15) BE pozícióba. (11. ábra)
  - \*Nyomja meg többször az üzemanyagszivattyút (17), hogy az üzemanyag a szivattyún keresztül a karburátorba áramoljon. (12. ábra)
- Húzza a szivatókart (16) fojtási helyzetbe (12. ábra). Ez automatikusan kezdő pozícióba rakja a gázkart.
- Rántsa meg a behúzó gyorsan, ekközben ügyeljen, hogy a fogantyú a kezében maradjon, és ne hagyja vissza. (13. ábra)
- Amikor hallja az első indítást, állítsa vissza a szelepet motor járási pozíciójába. (12. ábra)
- Rántsa meg ismét a behúzó gyorsan az előbb említett módon. (13. ábra)

### MEGJEGYZÉS

Ha a motor nem indul be, ismételje meg 2-5 alkalommal a folyamatot.

Amint elindult a motor, húzza meg egyszer a gázkart, majd azonnal engedje el. (14. ábra) Ekkor a fél-gáz üzem így kikapcsolódik.

Győződjön meg arról, hogy a lánccsavar nincs aktiválva. (15. ábra) Terhelés alkalmazása előtt hagyja a motort 2-3 percig melegedni.

Ne járassa a motort nagy sebességen terhelés nélkül, mert ettől rövidebb lesz az élettartama.

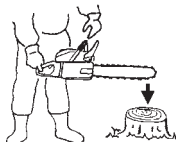
## Láncfék működés (16. ábra)

A láncfék (18), ha van ilyen funkció, arra lett tervezve, hogy visszarugás esetén lépjen működésbe. Kérjük ellenőrizze, hogy megfelelően működik-e mielőtt használná.

A láncfék úgy hozható működésbe, ha az első védőt a csőfogantyú felé mozdítja. A láncfék működése alatt, hiába van a gázkar meghúzva, a motor sebessége nem nő és a lánc nem forog. A láncfék kioldásához húzza fel a láncfék kart.

## Hogyan tud róla megbizonyosodni:

- 1) Kapcsolja ki a motort.
- 2) Tartsa a láncfűrészt horizontálisan, engedje el az első fogantyút, üsse oda a vezető lap végét egy farönkhöz vagy fadarabhoz, és győződjön meg a láncfék működéséről. A működés a vezetőlap méretével változik.



Amennyiben a láncfék nem működik, kérje forgalmazójától a készülék javítását. Ha a motor magas fordulatszámra forog annak ellenére, hogy a láncfék be van húzva, a tengelykapcsoló túl fog melegezni.

Amennyiben a láncfék használat közben működésbe lép, engedje el azonnali a gázkart, hogy a motor leálljon.

## ⚠ VIGYÁZAT

Ne hordozza a gépet járó motorral.

## Leállítás (17. ábra)

Csökkentse a motor sebességét, és nyomja az indító gombot (15) stop pozícióba.

## ⚠ VIGYÁZAT

### VISSZARUGÁS VESZÉLY (18. ábra)

Egyike a legkritikusabb veszélyeknek, ha a láncfűrészt használat közben visszarug. Ez akkor történhet meg, ha a vezető lap felső vége hozzáér valamihez, vagy mikor a fa összezár, és összeszorítja a fűrész láncát a vágatban. Néhány esetben, ha a vége hozzáér valamihez ez egy villámgyors fordított irányú működést eredményez, ami a vezetőlapot felfelé és Ön felé rúgja. A fűrész láncának összeszorulása a vezetőlap felső része mentén ugyancsak a vezetőlap Ön felé rúgását eredményezheti. Mind a két eset azt okozhatja, hogy Ön elveszti az uralmát a láncfűrészt felett és ez komoly sérüléseket okozhat. Hiába van láncfűrésznél beépített védő mechanizmusa, ne támaszkodjon csak ezekre a védő mechanizmusokra. Legyen mindig pontosan tisztában hol van a vezető lap vége. A visszarugás akkor történik, ha hagyja, hogy a vezető lap visszarugási zónája (19) hozzáérinten valamilyen tárgyhöz. Ne használja ezt a zónát. A beszorulás okozta visszarugást a vágat összezáródása okozza, amely összeszorítja a vezető lap felső részét. Figyelje a vágatot és bizonyosodjon meg arról, hogy amikor vág, akkor a vágat nyílik. Tartsa irányítása alatt a láncfűrészt, mialatt a motor jár, azáltal hogy mindig erősen tartja jobb kezével a hátsó fogantyút, bal kezével pedig az első fogantyút és ujjával pedig körbe zárja a fogantyút. Mindig két kézzel tartsa a láncfűrészt működés közben, és nagy sebesség mellett fűrészseljen.

## ⚠ VIGYÁZAT

- Soha ne fűrészseljen vállmagasság felett.
- Nagyon vigyázzon fakidőntéskor, és ne használja a fűrész orral felele néző állapotban vagy vállmagasság felett.

## LÁNCFOGÓ

A láncfogó az erőforrás alatt helyezkedik el, és megakadályozza, hogy láncszakadás esetén a lánc visszacsapjon a használóra.

## ⚠ VIGYÁZAT

Ne álljon egyvonalban a láncsal, használat közben.

## ALAPVETŐ FAKIVÁGÁSI, LEGALLYAZÁSI ÉS APRÍTÁSI MÓDSZEREK

A következő információval szeretnénk fő vonalakban bemutatni Önnek a favágási technikákat.

## ⚠ VIGYÁZAT

- Ez az információ nem fed le minden esetet, melyek a terep adottságaitól, vegetációtól, fafajától, formától és famérettől, stb. függök. Forduljon kérdéseivel a favágásról forgalmazójához, az érdecszethez, vagy helyi faiskolához. Ez hatékonyabb és biztonságosabbá teszi munkáját.
- Ne vágjon fát zord időjárási körülmények között, mint például: sűrű köd, heves esőzés, dermesztő hideg, erős szél, stb. Zord időjárási körülmények között történő munka potenciálisan veszélyes helyzeteket teremthet, mint például a csúszós talaj. Erős szél a fát nem várt irányba döntheti, amely tulajdonának károsodását vagy személyi sérülést okozhat.

## FIGYELEM

Soha ne használja emelésre vagy feszítésre, vagy olyan szándékkal, mely a normál működéstől eltérő.

## ⚠ VIGYÁZAT

- Vigyázzon, nehogy elbotoljon valamilyen akadályban, mint például: farönkök, gyökerek, kövek és kidőlt fák. Ügyeljen a lyukakra és árkokra. Legyen rendkívül óvatos, mikor lejtőn vagy egyenetlen talajon dolgozik. Kapcsolja le a láncfűrészt, mikor egyik munkaterületről a másikra megy. Mindig teljes gázzal fűrészseljen. A lassú lánc könnyen beakad és ezért ránthat egyet a láncfűrészt.
- Soha ne használja egy kézzel. Nem tudja egy kézzel megfelelően irányítani és elvesztheti az irányítást és súlyosan megsértheti magát. Tartsa magához közel a láncfűrészt házat, hogy könnyebben tudja kezelni és ne kerüljön akkora erőfeszítésbe. Mikor a lánc alsó részével vág, a visszaható erő a láncfűrészt Önnel ellenkező irányba, a fa felé fogja húzni miközben fűrészeli. A láncfűrészt szabályozza a vágási sebességet és a fűrészpor Ön felé fog szállni. (19. ábra)
- Mikor a lánc felső részével vág, a visszaható erő a láncfűrészt Önnel megegyező irányba, a fától el fogja húzni, miközben fűrészeli. (20. ábra)
- Visszarugás veszélye állhat fenn, ha a láncfűrészt már eléggé bent van a fában, tehát Ön a vezető lap orrával kezd el vágni. A legbiztonságosabb, ha a lánc alsó részével vág. A lánc felső részével történő fűrészlés jóval megnehezíti a láncfűrészt irányítását és növeli a visszarugás esélyét.
- Ha a lánc zárva van, azonnal engedje el a gázkart. Ha a gázkart továbbra is nagy sebességen forog zárt lánc mellett, a tengelykapcsoló túlhevül és bajt okoz.

## MEGJEGYZÉS

Mindig tartsa a fogas feszítő lemezt a fa felé irányítva, mivel a lánc hirtelen belekaphat egy fába.

## FAKIDŐNTÉS

Egy fa kidöntése több, mint egy fa elfűrészélése. A lehető legközelebb kell, hogy kidőljön a fa az erre szánt területhez, anélkül, hogy károsodna, vagy kárt okozna bármi másban.

Mielőtt kidöntene egy fát, mindig vegye figyelembe azokat a körülményeket, amelyek hatással lehetnek a kidőlés irányára, mint például:

A fa dőlésszöge. A korona formája. Ha hó van a lomkoronán.

Szél. A fa környezetében lévő akadályok (pl.: más fák, villamos vezetékek, utak, épületek, stb.).

## ⚠ VIGYÁZAT

- Mindig figyelje meg a fa állapotát. Keressen korhadat, rothadt részeket a törzsön, amelyek eltörhetnek, és a fa elkezdhet előbb kidőlni, mint azt várná.
- Vigyázzon a száraz ágakra, melyek letörhetnek és rázuhanhatnak Önre, mialatt dolgozik. Az állatok és emberek mindig tartózkodjanak a fa hosszának legalább kétszeres távolságára mikor dől a fa. Takarítsa el a fa környezetéből a bokrokat és a faágakat. Hagyjon utat a kihátrálásra a dőléssel ellenkező irányba.

## FAKIDÖNTÉS ALAPSZABÁLYAI

Normális esetben a fakidöntés két fő műveletből áll, horony vágás és a fakidöntő vágat elkészítése. Kezdje el megcsinálni a felső hornyot a fa azon oldalán, amely a döntés elképzelt irányába néz. Figyelje a bevágást, ahogy vágja az alsó vágatot, hogy nehogyan túl mélyre vágjon a fatörzsbe. A bevágásnak elég mélynek kell lennie, hogy elég széles és erős forgópántként tudjon működni. A bevágás elég széles kell, hogy legyen, hogy irányítani tudja a fa kidőlését, ameddig csak lehet. Vágja ki a dőlési vágatot a fa másik oldala felől 1–2 hüvelykre (3–5 cm) a bevágás éle felett. **(21. ábra)**

20. Dőlés iránya
21. 45° minimális bevágási méret
22. Zsanér
23. Ferde vágás

Soha ne vágja át teljesen a fatörzset. Mindig hagyjon meg egy kis darabot.

Ez a darab irányítja a fa dőlését. Ha a fatörzset teljesen átvágja, nem tudja kontrollálni a dőlés irányát.

Mielőtt a fa instabillá válna és elkezdene dőlni, helyezzen be egy éket vagy egy dőlés-emelőt a nyílásba. Ily módon megakadályozható, hogy a vezetőrúd beragadjon a nyílásba, amennyiben elszámította a dőlés irányát. Mielőtt megtolná a fát, győződjön meg róla, hogy emberek nem tartózkodnak a fa útjában.

## VÁGÁS, FATÖRZS ÁTMÉRŐJE LEGALÁBB KÉTSZERESÉ A VEZETŐRÚD HOSSZÁNAK

Vágjon egy nagy, széles nyílást. Ezután mállyítsa ki a nyílást a közepénél. Mindig hagyjon meg egy-egy kis darabot a középső vágás két végénél. **(22. ábra)**

Fejezze be a dőlési vágatot a fa körül a **23. ábra** alapján.

### ⚠ VIGYÁZAT

Ez a módszer rendkívül veszélyes, mivel a vezető lap orrát kell hozzá használni és ez visszaruágást eredményezhet.

Csak megfelelően képzett szakemberek alkalmazhatják ezt a technikát.

## LEGALLYÁZÁS

A legallyázás a kivágásra szánt fa gallyainak az eltávolítása.

### ⚠ VIGYÁZAT

A visszaruágás az esetek legnagyobb többségében legallyázáskor történik.

Ne használja a vezető lap orrát. Legyen nagyon óvatos és kerülje a vezető lap fatörzssel, más ággal vagy tárgyakkal történő érintkezését. Legyen nagyon óvatos a megfeszült ággal. Visszacsapódhatnak az Ön irányába, ezzel azt okozva, hogy elveszti a gép feletti irányítást és súlyos sérüléseket szenved. **(24. ábra)**

A farönk bal oldalára támaszkodjon. Vesse meg a lábát biztonságosan és helyezze a láncfűrész a fatönkre. Tartsa a láncfűrész oly közel magához, hogy biztonsággal tudja irányítani azt. Maradjon megfelelő távolságra a lánctól. Csak akkor mozduljon el, ha a törzs a lánccal és Ön között van. Vigyázzon a visszacsapódó ággal.

## VASTAG ÁGAK LEGALLYÁZÁSA

Amikor vastag ágakat vág le, a vezető lap könnyen beszorulhat. A megfeszült ágak gyakran elpattanhatnak, ezért ezeket az ágakat kis lépésekben vágja le. Alkalmazzon hasonló eljárást átvágás esetén. Gondolkodjon előre és gondolja át minden cselekedete valószínű következményét.

## ÁTVÁGÁS/APRÍTÁS

Mielőtt elkezdené átvágni a törzset, próbálja elképzelni mi fog történni. Vigyázzon a törzsen lévő megfeszült részekkel, és oly módon vágja át, hogy a vezető lap ne szoruljon meg.

## TÖRZS ÁTVÁGÁSA, NYOMÁS FELÜL

Találjon biztos pozíciót. Kezdje felül a fűrészélést. Ne vágjon túl mélyre, a törzs átmérőjének 1/3-a elegendő. A fűrészélést alul fejezze be.

A vágatoknak találkozniuk kell. **(25. ábra)**

24. Tehermentesítő vágás
25. Átvágás
26. Nyomás felül
27. Nyomás oldalt
28. Feszültség oldalt
29. A vágatok relatív mélysége

## VASTAG FATÖRZS, VASTAGABB MINT A VEZETŐ LAP HOSSZA

A vágást a törzs túlsó oldalán kezdje. Ezután húzza a láncfűrészét maga felé. **(26. ábra)**

Amennyiben a fatörzs a földön fekszik csináljon egy szűrő vágást hogy elkerülje a földbe vágást. A fűrészélést alul fejezze be. **(27. ábra)**

### ⚠ VIGYÁZAT

#### A VISSZARÚGÁS VESZÉLYE

Ne próbáljon meg szűrő vágást csinálni, ha nincs megfelelően felkészítve. A szűrő vágás során a vezető lap orrát kell használni, ami visszaruágást eredményezhet.

## TÖRZS ÁTVÁGÁSA, NYOMÁS ALUL

Találjon biztos pozíciót. A fűrészélést alul kezdje. A vágás mélysége a törzs átmérőjének az 1/3-a kell, hogy legyen.

A fűrészélést felül fejezze be. A vágatoknak találkozniuk kell. **(28. ábra)**

30. Tehermentesítő vágás
31. Átvágás
32. Nyomás alul
33. Feszültség oldalt
34. Nyomás oldalt
35. A vágatok relatív mélysége

## VASTAG FATÖRZS, VASTAGABB MINT A VEZETŐ LAP HOSSZA

A vágást a törzs túlsó oldalán kezdje. Ezután húzza a láncfűrészét maga felé. Csináljon egy szűrő vágást, ha a törzs közel van a talajhoz. A fűrészélést felül fejezze be. **(29. ábra)**

### ⚠ VIGYÁZAT

#### A VISSZARÚGÁS VESZÉLYE

Ne próbáljon meg szűrő vágást csinálni, ha nincs megfelelően felkészítve. A szűrő vágás során a vezető lap orrát kell használni, ami visszaruágást eredményezhet. **(30. ábra)**

## HA A LÁNCFÜRÉSZ MEGAKAD

Állítsa le a motort. Emelje meg a fatörzset vagy helyezze át máshova egy vastag faágat vagy rudat használva. Ne próbálja meg kirángatni a láncfűrészét. Ha ezt megteszi, eldeformálódhat a fogantyú vagy megsérülhet mikor hirtelen kiszabadul a láncfűrész.

## KARBANTARTÁS

AZ EMISSZIÓ SZABÁLYZÓ ESZKÖZÖK ÉS RENDSZEREK KARBANTARTÁSÁT, CSERÉJÉT, VAGY JAVÍTÁSÁT BÁRMELY NEM JÁRMŰ MOTOR JAVÍTÓ MŰHELY VAGY SZEMÉLY ELVÉGEZHETI.

### Karburátor beállítás (31. ábra)

#### ⚠ VIGYÁZAT

Soha ne indítsa be a motort, úgy hogy a tengelykapcsoló nincs bebiztosítva.

Ellenkező esetben a tengelykapcsoló kiengedhet és ez súlyos személyi sérüléseket eredményezhet.

A karburátorban a benzin levegővel keveredik. A gyárban a motor tesztlevelekar beállítják a karburátort is. További beállításra lehet szükség a klímától és a tengerszint feletti magasságtól függően. A karburátor egy módon állítható:

T = üresjárati-sebesség beállító csavar.

## Üresjárat-sebesség beállítás (T)

Ellenőrizze, hogy a légszűrő tiszta-e. Amikor az üresjárat sebessége megfelel, a vágó rész nem fog forogni. Amennyiben a beállítás szükséges csavarja a T csavart az óramutató járásával megegyező irányba, miáltal a motor jár, ameddig a vágórész el nem kezd forogni. Csavarja a csavart az óramutató járásával ellentétes irányba, ameddig a vágórész meg nem áll. Akkor sikerült beállítani a megfelelő üresjárat sebességet, amennyiben a motor minden pozícióban simán jár, jóval az alatt a fordulatszám alatt, mint mikor a vágórész elkezd forogni.

Ha a vágórész még mindig forog, az üresjárat beállítása után, lépjen kapcsolatba HITACHI forgalmazójával.

## ⚠ VIGYÁZAT

Amikor a motor üresjáratban van, a vágórész semmilyen körülmények között nem foroghat.

## MEGJEGYZÉS

Bizonyos modellek, melyeket olyan helyen forgalmaznak, ahol az emissziós szabályok szigorúak, azokon a modelleken nincsen magas és alacsony sebességű karburátor beállítás. Az ilyen beállítások következtében a motor az emissziós értékhatárok feletti kibocsátással rendelkezhet. Ezen modellek esetében csak az üresjárat állítható a karburátoron.

Amennyiben nem tudja hogyan kell elvégezni ezeket a beállításokat, kérjük, lépjen kapcsolatba HITACHI forgalmazójával.

## Légszűrő (32. ábra)

A légszűrőt (36) meg kell tisztítani a portól és kosztól, hogy az alábbiak elkerülhetőek legyenek:

- Karburátor hibás működése
- Indítási hibák
- A motor teljesítményének csökkenése
- Szükségtelen kopása a motor alkatrészeinek
- Magas üzemanyag-fogyasztás

Tisztítsa naponta vagy gyakrabban a légszűrőt, ha nagyon poros környezetben dolgozik.

## A légszűrő tisztítása

Távolítsa el a légszűrő fedelét (37) és a légszűrőt (36).

Áztassa ki őket langyos szappanos vízben. Ellenőrizze, hogy a szűrő száraz-e mielőtt visszasereli a gépbe. A hosszabb ideje használt légszűrőt nem lehet teljesen kitisztítani. Ezért bizonyos időközönként újat kell helyettesíteni. A sérült szűrőt mindig cserélni kell.

## Gyújtógyertya (33. ábra)

A gyújtógyertya állapotát befolyásolják a következők:

- Helytelen karburátor beállítás
- Rossz benzinkeverék használata (túl sok olaj a benzinen)
- Koszos légszűrő
- Durva üzemelési körülmények (mint például hideg idő)

Ezek a tényezők lerakódásokat eredményezhetnek a gyújtógyertya elektródáin, amely hibás működést és nehézségeket okozhat. Amennyiben a motor gyenge, nehéz elindítani és nagyon gyengén jár alapjáraton, akkor mindig a gyertyát ellenőrizze először. Amennyiben a gyertya koszos, tisztítsa meg és ellenőrizze az elektróda hézagot. Ha szükséges, végezze el újra a beállításokat. A helyes hézagmérték 0,6 mm. A gyertyákat 100 óra működés után cserélni kell vagy korábban, ha az elektródák nagyon rozsdásak.

## MEGJEGYZÉS

Bizonyos településeken, a helyi törvények megkövetelik az ellenállás gyújtógyertya használatát, hogy elfojtható legyen az indítási jel. Amennyiben az Ön gépében ellenállás gyújtógyertyák vannak, ha cserélni szükséges, ugyanazzal a típusal cserélje ki.

## Olajozó nyílás (34. ábra)

Tisztítsa meg minden egyes alkalommal az olajozó nyílást (38), amikor lehetséges.

## Vezető lap (35. ábra)

Mielőtt használná a gépet, tisztítsa meg a hornyot és az olajozó nyílást (39) a vezető lapon a megrendelhető speciálisan erre készült eszközzel.

## Oldaltáska (36. ábra)

Mindig tartsa tisztán az oldaltáskát és a vezető részt a fűrészporthól és törmeléktől. Időnként tegyen olajt vagy zsírt erre a részre, hogy megvédje a korróziótól, mivel bizonyos fajtájú nagy mennyiségben tartalmaznak savakat.

## Benzinszűrő (37. ábra)

Távolítsa el a benzinszűrőt a benzintankból és mossa át oldószerrel. Ezután tegye vissza a szűrőt a tankba.

## MEGJEGYZÉS

Ha szűrő a kosztól és a portól megkeményedett, cserélje le egy új szűrőre.

## Láncolaj szűrő (38. ábra)

Távolítsa el az olajszűrőt és mossa át oldószerrel.

## A motorblokk hűtőbordáinak tisztítása (39. ábra)

Mikor a fahulladék beszorul a motorblokk hűtőbordái közé (40), a motor túlmelegedhet, ami kisebb teljesítmény leadást eredményez. Hogy ez elkerülhető legyen, tartsa mindig tisztán a hűtőbordákat és a hűtő ventilátor házat.

Minden 100 óra használat után, vagy évente egyszer (gyakrabban, ha a körülmények megkövetelik) tisztítsa meg a hűtőbordákat és a motor külső felületét a portól, kosztól és olaj lerakódásoktól, amely nem megfelelő hűtést eredményezhet.

Hosszú távú tárolás esetén

Engedje le az összes üzemanyagot az üzemanyagtartályból. Indítsa be a motort és hagyja járni, ameddig le nem áll. Javítson ki minden sérülést, ami használat közben történt. Tisztítsa meg egy ronggyal, vagy nagynyomású levegővel. Csepegtessen néhány csepp kétütemű motorolajt a hengerekbe a gyújtógyertya furaton keresztül, és forgassa körbe a motort néhányszor, hogy az olaj szét tudjon terjedni.

Fedje le és tárolja száraz helyen.

## LÁNCÉLESÍTÉS

### Vágóeszköz darabjai (40., 41. ábra)

## ⚠ VIGYÁZAT

- A fűrész élezése közben kesztyű viselése ajánlott.
- Bizonyosodjon meg, hogy lekerekítette-e az első élt, hogy ezzel csökkentse a visszarúgás esélyét vagy a lánc szakadását.

41. Felső feszítő
42. Munka sarok
43. Oldalsó feszítő
44. Garat
45. Sarok
46. Váz
47. Szegecs lyuk
48. Tengelyvég
49. Mélységmérők
50. Megfelelő szög a felső feszítőnél (a szög foka függ a lánc típusától)
51. Enyhén kiálló „horog” vagy hegy (egy ív a nem véső láncban)
52. Mélységmérő teteje megfelelő magasságban a felső feszítő alatt
53. A mélységmérő elejének lekerekítése

## MÉLYSGMÉRŐ LERESZELÉSE

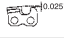

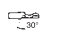

- 1) Ha kézi reszelővel élezi vágógépét, ellenőrizze és ha kell csökkentse a mélységet.
- 2) Ellenőrizze a mélység mérőket minden harmadik élezésnél.
- 3) Tegye fel a mélységmérőt a vágószerszámmra. Ha a mélységmérő kilóg, reszelje le az eszköz tetejével egy szintre. Mindig a lánc belseje felől kezdje a reszelést egy külső vágó felé. (42. ábra)
- 4) Kerekítse le az első sarkot, hogy megmaradjon a mélységmérő eredeti alakja miután használta a mélységmérő eszközt. Mindig kövesse a javasolt mélységmérő beállítást, amit láncfűrésze karbantartási vagy használati utasításában talál. (43. ábra)

## ÁLTALÁNOS INFORMÁCIÓ HOGYAN RESZELJÜK A VÁGÓESZKÖZT

Reszelje (54) a vágóélt a lánc egyik oldalán kívülről befelé. Csak előrefele reszeljen. **(44. ábra)**

- 5) Minden vágó él legyen ugyanolyan hosszú. **(45. ábra)**  
 6) Reszelje le eléggé, hogy a vágó él sérülései eltűnjenek (oldalsó feszítő (55) és felső feszítő (56)). **(46. ábra)**

## SZÖGEK ÉLESÍTÉSE, HOGY ÉLESEBB LEGYEN A LÁNC

1. Alkatrész szám	95VP
2. Foghézag	0,325"
 3. Mélységmérő beállítása	0,025"
 4. Oldalsó feszítő sarokreszelő	85°
 5. Felső feszítő szöge	30°
 6. Reszelő vezető	10°

## Ütemezett karbantartás

Alább található néhány fontosabb karbantartási útmutatót. További információ érdekében, kérjük lépjen kapcsolatba HITACHI forgalmazójával.

### Napi karbantartás

- A gép külsejének tisztítása.
- A láncolaj szűrő nyílásának tisztítása.
- Tisztítsa meg a hornyot és az olajszűrő nyílást a vezetőlapon.
- Tisztítsa meg az oldaltáskát a fűrészporthol.
- Ellenőrizze, hogy a lánc éles-e.
- Ellenőrizze, hogy a vezető csavarjai eléggé meg vannak-e húzva.
- Bizonyosodjon meg róla, hogy a láncvezető védő sértetlen és könnyen feltehető.
- Ellenőrizze, hogy a csavarok eléggé meg vannak-e húzva.  
Legyen különös tekintettel a kipufogó csavarjainak ellenőrzésére, és a motor beindítása előtt győződjön meg róla, hogy azok kellően meg vannak húzva. Ha bármelyik csavar meglazult, húzza azt meg azonnal. Ennek elmulasztása súlyosan veszélyes helyzeteket idézhet elő.
- Ellenőrizze a rúd végét. Kérjük, cserélje ki, ha elkopott.
- Ellenőrizze a láncfék-szalagot. Kérjük, cserélje ki, ha elkopott.

### Heti karbantartás

- Ellenőrizze az indítóegységet, különösen a berántó zsinórt és a visszahúzó rugót.
- Tisztítsa meg a gyertyafurat külsejét.
- Távolítsa el a gyertyát és vizsgálja meg az elektróda hézagot. Állítsa be 0,6 mm-re vagy cserélje a gyertyát.
- Tisztítsa meg a motorblokk hűtőbordáit és ellenőrizze, hogy az indítóegység levegőbeömlője nincs-e elzáródva.
- Tisztítsa meg a légszűrőt.

### Havi karbantartás

- Öblítse ki a benzintartályt gázolajjal és tisztítsa ki a bezin szűrőt.
- Tisztítsa az olajszűrőt.
- Tisztítsa meg a karburátor külsejét és a körülötte lévő helyeket.
- Tisztítsa meg a hűtőventilátort és a körülötte lévő helyeket.






## MEGJEGYZÉS

Mikor megrendeli az alkatrészeket a legközelebbi forgalmazótól, kérjük, az alkatrész szám alapján rendeljen, melyet a kézikönyv alkatrészek cseréje című fejezetében találhat meg.

	RÚD SZ.	HOSSZ TÍPUS	LÁNC SZ.
	107498	13"	95VP-56
MODELL SZ.	105191	15"	95VP-64
OREGON	104968	16"	95VP-66
	105355	18"	95VP-72

### VÝZNAM SYMBOLŮ

**POZNÁMKA:** Některé jednotky jimi nejsou označeny.

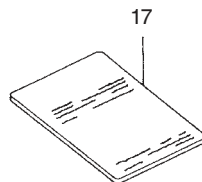
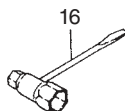
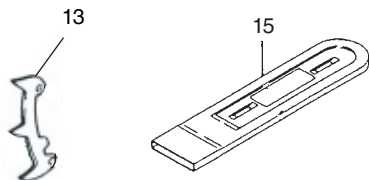
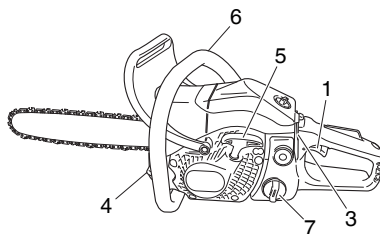
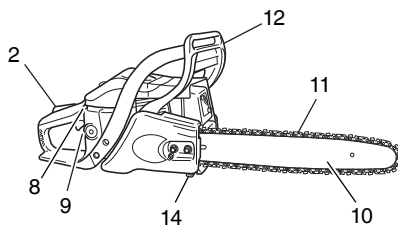
	<p><b>Symbols</b></p> <p><b>VAROVÁNÍ</b> Následující text obsahuje symboly, které jsou použity na zařízení. Ujistěte se, že rozumíte jejich obsahu před tím, než začnete zařízení používat.</p>	
	<p>Je důležité, abyste četli a plně pochopili následující bezpečnostní upozornění a varování. Neopatrné používání přístroje může způsobit vážné nebo smrtelné zranění.</p>	 <p>Varování, nebezpečí zpětného rázu. Buďte opatrní na náhlé stranové nebo výškové výkyvy vodící lišty.</p>
	<p>Čtete, seznamte se a dodržujte všechna varování a pokyny v tomto manuálu i na přístroji.</p>	 <p>Používání s držením jednou rukou není povoleno. Při řezání držte pilu pevně oběma rukama s palcem pevně kolem přední rukojeti.</p>
	<p>Při práci s tímto zařízením vždy používejte ochranu hlavy, zraku i sluchu.</p>	

### Obsah

CO JE CO? .....	46
VAROVÁNÍ A BEZPEČNOSTNÍ POKYNY .....	47
SPECIFIKACE .....	48
MONTÁŽNÍ POSTUPY .....	48
OBSLUHA .....	49
ÚDRŽBA .....	51
Demontáž součástí	

### CO JE CO?

1. Palivový spouštěč: Zařízení je aktivováno prstem pro kontrolu rychlosti motoru.
2. Pojistka spouštěče (bezpečnostní spoušť): Zařízení, které brání náhodnému spuštění až do uvolnění.
3. Spínač zapalování: Zařízení umožňující spuštění nebo vypnutí motoru.
4. Kryt olejové nádrže: Pro uzavření olejové nádrže.
5. Zpětný startér: Zatáhnout za rukojeť a nastartovat motor.
6. Přední rukojeť: Opěrná rukojeť vpředu u motorového krytu.
7. Kryt palivové nádrže: Pro uzavření palivové nádrže.
8. Sytič: Zařízení pro obohacení palivové směsi v karburátoru pro snazší nastartování.
9. Podávací čerpadlo; zařízení zajišťující dodávku paliva pro usnadnění startování.
10. Vodící lišta: Část, která podporuje a vede řetěz pily.
11. Řetěz pily: Řetěz, který slouží jako řezný nástroj.
12. Řetězová brzda (přední kryt): Zařízení pro zastavení nebo zablokování řetězu.
13. Ozubená opěrka: Zařízení fungující c jako čep v kontaktu s kmenem.
14. Držák řetězu: Zařízení pro omezení pohybu řetězu pily.
15. Kryt vodící lišty: Zařízení pro krytí vodící lišty a řetězu, pokud se pila nepoužívá.
16. Kombinovaný klíč: Nástroj pro instalaci svíček a napínání řetězu.
17. Pokyny pro manipulaci: Příložený k zařízení. Před obsluhou přečíst a uchovat pro další potřebu.



## VAROVÁNÍ A BEZPEČNOSTNÍ POKYNY

### Bezpečnost obsluhy

- Vždy noste ochranný štít nebo brýle.
- Při ostření řetězů je třeba nosit rukavice.
- Při práci s řetězovou pilou vždy noste ochranné prostředky jako je blůza, kalhoty, přilba, boty s ocelovou špičkou a neklouzavou podrážkou a rukavice. Bezpečnostní boty pro práci na stromech musí být uzpůsobeny technikám lezení. Nenoste volné oblečení, šperky, krátké kalhoty ani sandály ani nechoďte bosí.
- Vlasy si upravte tak, aby končily nad linií ramen.
- S pilou nepracujte, pokud jste vyčerpaní, nemocní nebo jste pod vlivem alkoholu, drog nebo léků.
- Nikdy nedovoďte s pilou zacházet dítěti nebo nezkušené osobě.
- Používejte chrániče sluchu. Věnujte pozornost svému okolí.
- Vnímejte každého kolemstojícího, který vám může signalizovat problém.
- Ihned po vypnutí motoru odstraňte bezpečnostní vybavení.
- Noste ochranu hlavy.
- Nikdy motor nepouštějte v uzavřené místnosti nebo stavbě.
- Vdechování výfukových výparů může zabíjet.
- Na ochranu dýchacích cest noste ochrannou masku proti olejové mlze a pilinám.
- Rukojeti nenechte zašpinit olejem a palivem.
- Ruce držte dál od řezné části.
- Zařízení nikdy nechtejte za řeznou část.
- Po vypnutí zařízení se před jeho položením na zem ujistěte, že pohyblivé součásti se zastavily.
- Při dlouhodobějším používání si dopředejte přestávky, abyste se vyhnuli syndromu vibrace v pažích způsobenému dlouhodobým řezáním.
- Obsluha musí dodržovat místní předpisy platné pro práci s pilou.

### VAROVÁNÍ

- Antivibrační systémy nezaručí imunitu vůči vibracím a v pažích ani vůči syndromu karpálního tunelu.
- Pravidelní a dlouhodobí uživatelé by proto měli sledovat stav svých paží a prstů. Pokud se dostaví kterýkoliv z popisovaných příznaků, ihned vyhledejte odbornou lékařskou pomoc.
- Dlouhodobé působení vysoké hladiny hluku může způsobit poruchy sluchu. Při používání zařízení vždy používejte schválené chrániče sluchu.
- Pokud používáte jakýkoliv zdravotnický elektronický přístroj, např. kardiostimulátor, poraďte se s lékařem i dodavatelem zařízení, než je začnete používat.

### Bezpečnost zařízení

- Před každým použitím celé zařízení důkladně prohlédněte. Vyměňte poškozené součásti. Zkontrolujte úniky paliva a ověřte si, že všechny uzávěry jsou na svém místě utažené.
- Před použitím zařízení vyměňte prasklé nebo jakkoliv jinak poškozené součásti.
- Zkontrolujte, zda je správně upevněn boční kryt.
- Při provádění úprav karburátoru pracujte mimo blízkost dalších osob.
- Používejte pouze příslušenství doporučené výrobcem.
- Nikdy nedovoďte, aby řetěz narazil na překážku. Pokud se řetěz dostal do kontaktu, je třeba pilu zastavit a důkladně zkontrolovat.
- Zkontrolujte funkci automatického mazání. Olejová nádrž musí být naplněna čistým olejem. Řetěz nikdy nenechte běžet na listě nasucho.
- Veškeré servisní práce kromě těch, které jsou uvedeny v manuálu, by měl provádět odborný servisní personál. (Pokud jsou použity k demontáži pohyblivých součástí nesprávné nástroje, může dojít k poškození součástí, k jejich uvolnění a dalším nebezpečím.)

### VAROVÁNÍ

- Nikdy zařízení žádným způsobem neupravujte. Zařízení používejte výhradně k účelu, k němuž je určeno.
- Nikdy pilu nepoužívejte bez bezpečnostního vybavení nebo s vadným bezpečnostním vybavením. Mohlo by dojít k vážnému úrazu.

- Použití vodící lišty nebo řetězu jiného než schváleného a doporučeného výrobcem může vést k ohrožení úrazem.

### Bezpečnost v zacházení s pohonnými hmotami

- Palivovou směs míchejte a dolévejte venku a mimo přítomnost jisker nebo ohně.
- Na palivo používejte schválenou nádobu.
- Při uložení zařízení ani kdykoliv jindy v jeho blízkosti nekuřte a kouření nedovoďte.
- Před nastartováním otřete případně uniklé palivo.
- Před nastartováním popojděte od místa plnění nejméně 3 m.
- Před sejmutím víčka nádrže motor vypněte.
- Před uloženíem zařízení palivovou nádrž vyprázdněte. Palivo se doporučuje vyprazdňovat po každém použití. Pokud palivo ponecháte v nádrži, ukládejte pilu tak, aby neuniklo.
- Pilu a palivo ukládejte tak, aby výpary z paliva nedošly kontaktu s jiskrou nebo otevřeným plamenem – pozor na bojler, elektromotory, spínače, kotle atd.

### VAROVÁNÍ

Při manipulaci s palivem dbejte mimořádné opatrnosti, protože je snadno vznítilné, explozivní a vdechovatelné.

### Bezpečnost při řezání

- Neřežte nic jiného nežli dřevo a dřevěné předměty.
- Pro ochranu dýchacích cest používejte v případě aplikace insekticidů ochrannou masku proti aerosolu.
- Děti, zvířata, kolemjdoucí i pomocníci udržujte mimo nebezpečnou zónu. Pokud se k vám kdokoliv přiblíží, okamžitě motor vypněte.
- Zařízení držte pevně pravou rukou za zadní a levou za přední rukojet.
- Udržujte bezpečný a stabilní postoj a rovnováhu. Nepředklánějte se.
- Při běžícím motoru dbejte na to, abyste se žádnou částí těla k pile neapřiblížili.
- Lištu/řetěz držte pod úrovní pasu.
- Před kácením musí být obsluha obeznámena s technikami práce s řetězovou pilou.
- Vždy mějte z prostoru padajícího stromu připravenou bezpečnou únikovou cestu.
- Při řezání pilu pevně držte oběma rukama, palcem za přední rukojet, a udržujte stabilní postoj a rovnováhu.
- Při řezání střížte stranou od pily, nikdy ne přímo za ní.
- Pokud je pila vybavena ozubenou opěrkou, vždy ji držte proti kmeni, protože řetěz může být do stromu nečekaně vtažen.
- Po dokončení řezu pilu pevně držte, aby nepokračovala v pohybu a nezpůsobila vám vážné zranění nebo se nestřetla s překážkou.
- Buďte opatrní na zpětný odraz (kdy pila škube vzad proti obsluze). Nikdy neřežte nosem lišty.
- Při přesunu na jiné místo práce vždy vypněte motor a ujistěte se, že pohyblivé části se zastavily.
- Nikdy nestavte na zem běžící pilu.
- Před čištěním řezné části od jakýchkoliv nečistot se vždy ujistěte, že je pila vypnutá a všechny pohyblivé součásti stojí.
- Při používání tohoto zařízení mějte vždy na dosah lékárníčku.
- Nikdy pilu nepouštějte v uzavřené místnosti ani stavbě ani v blízkosti hořlavých kapalin. Vdechování výfukových výparů může zabíjet.

### Bezpečnost při údržbě

- Zařízení udržujte podle stanovených doporučení.
- S výjimkou seřizování karburátoru vyjměte před každou údržbou svíčky.
- Při provádění úprav karburátoru pracujte mimo blízkost dalších osob.
- Používejte pouze originální náhradní díly HITACHI doporučené výrobcem.

### UPOZORNĚNÍ

Startér nerozebírejte. Vratná pružina by vám mohla způsobit úraz.

### VAROVÁNÍ

Nesprávná údržba může způsobit vážné poškození motoru nebo vážný úraz.

## Transport a uskladnění

- Zařízení přenášejte za rukojeť s motorem vypnutým a tlumičem stranou od těla.
- Motor nechte vychladnout, vyprázdněte palivovou nádrž a před uložením nebo transportem zařízení zajistěte.
- Před uložením zařízení palivovou nádrž vyprázdněte. Po každém použití se doporučuje vyprázdnit palivo. Pokud palivo ponecháte v nádrži, ukládejte pilu tak, aby neuniklo.
- Zařízení ukládejte mimo dosah dětí.
- Zařízení pečlivě čistěte a udržujte a ukládejte je na suchém místě.
- Při přepravě nebo ukládání se ujistěte, že je vypnut spínač motoru.
- Při přepravě nebo ukládání řetěz zakryjte krytem.

Pokud se vyskytne situace, o které tento manuál nepojednává, buďte opatrní a použijte logický úsudek. Pokud potřebujete pomoc, kontaktujte prodejce HITACHI. Zvláštní pozornost věnujte úsekům uvozeným následujícími slovy:

### VAROVÁNÍ

Naznačuje možnost vážného úrazu nebo ohrožení života v případě nedodržení.

### UPOZORNĚNÍ

Naznačuje možnost úrazu nebo poškození zařízení v případě nedodržení.

### POZNÁMKA

Prospěšné informace pro správnou funkci a užívání.

## SPECIFIKACE

- Kód "CS" u názvu modelu znamená "Řetězová pila"

Model	CS40EA (33PS)	CS40EA (38PS)	CS40EA (40PS)	CS40EA (35PS)
Typ zařízení	Řetězová pila, přenosná			
Velikost motoru (cm <sup>3</sup> )	39,6			
Svíčka	NGK BPMR-7A			
Kapacita palivové nádrže (cm <sup>3</sup> )	380			
Kapacita olejové nádrže řetězu (cm <sup>3</sup> )	240			
Prázdná hmotnost (kg) (bez vodící lišty a řetězu)	4,5			
Délka vodící lišty (mm)	330	380	400	450
Rozteč řetězu (mm)	8,26			
Tloušťka řetězu (mm)	1,27			
Hladina akustického tlaku LpA (dB (A)) ISO 22868	103			
Hladina akustického výkonu Lw naměřeno (dB (A)) ISO 22868	113			
Hladina akustického výkonu LwA (dB (A)) 2000/14/EC	114			
Hladina vibrací (m/s <sup>2</sup> ) ISO 22867				
Přední rukojeť	2,2	2,2	2,2	2,2
Zadní rukojeť	3,2	3,2	3,2	3,2
Max. výkon motoru ISO 7293 (kW)	1,8/10500			
Max. otáčky motoru (min <sup>-1</sup> )	13000			
Otáčky na volnoběh (min <sup>-1</sup> )	3000			
Měrná spotřeba paliva (g/kWh)	480			
Typ řetězu	95VP (Oregon)			
Max. rychlost řetězu (m/sec)	23,1			
Řetězové kolo (počet zubů)	7			

**POZNÁMKA:** Ekvivalentní hladina hluku/hladina vibrací se vypočítává jako časově vážený součet energie na hluk/vibrace v různých pracovních podmínkách s následujícím časovým rozdělením: 1/3 volnoběh, 1/3 naplno, 1/3 provozní vysoká rychlost.

\* Změna dat bez předchozího ohlášení vyhrazena.

Deklarované hodnoty vyzařování hluku představují součet změřených hodnot a předpokládané nejistoty měření 3 dB a jsou tedy horním mezním odhadem hodnot, které se mohou při měření objevit.

## MONTÁŽNÍ POSTUPY

### VAROVÁNÍ

Nikdy se nepokoušejte startovat motor bez pevně nasazeného bočního krytu.

1. Sejměte svorkové matice řetězové lišty (1).
2. Odstraňte boční kryt (2) odtažením jeho zadní části (2). **(Obr. 1)**  
\* V případě instalace ozubené opěrky (3) ji na zařízení upevněte dvěma šrouby. **(Obr. 2)**
3. Instalujte řetězovou lištu (4) na šrouby (5), pak ji přitlačte na řetězové ozubené kolo (6) tak daleko, jak to jde. Ujistěte se, že seřizovací šroub pro napínání řetězu (7) zapadá do otvoru v liště (6). **(Obr. 3)**

### POZNÁMKA

Lištu nepatrně pohněte dozadu a dopředu a ujistěte se, že napínací šroub (7) správně zapadá do otvoru (8) v liště. **(Obr. 3)**

4. Ujistěte se, že směr řetězu pily (9) je správný jako na obrázku a zarovnejte řetěz na ozubeném kole. **(Obr. 4)**
5. Naveďte řetěz do drážky podél lišty.
6. Instalujte boční kryt (2) na šrouby (5).
7. Pak dočasně utáhněte svorkové matice (1). **(Obr. 1)**  
Zdvihněte konec lišty a utáhněte řetěz (9) otočením seřizovacího šroubu (10) ve směru hodinových ručiček. Pro kontrolu napětí mírně zdvihněte střed řetězu, kde by měla být vůle asi 0,5 – 1,0 mm mezi lištou a okrajem vodícího článku (11). **(Obr. 5, 6)**

### UPOZORNĚNÍ

SPRÁVNÉ NAPĚTÍ JE MIMOŘÁDNĚ DŮLEŽITÉ

8. Zdvihněte konec lišty a bezpečně dotáhněte matice s maticovým kombiklíčem. **(Obr. 6)**
9. Nový řetěz se natáhne, proto jej po několika řezáních nastavte znovu a pečlivě sledujte jeho napětí po první půlhodině řezání.

## POZNÁMKA

Pro dosažení optimálního výkonu a trvanlivosti napětí řetězu kontrolujte co nejčastěji.

## UPOZORNĚNÍ

- Pokud je řetěz nadměrně utážen, dojde rychle k poškození lišty i řetězu. Pokud je naopak příliš volný, může vyjet z drážky na liště.
- Pokud se dotýkáte řetězu, vždy noste rukavice.

## VAROVÁNÍ

Za provozu držte pilu pevně oběma rukama. Při ovládání jen jednou rukou může dojít k vážnému úrazu.

## OBSLUHA

### Palivo (Obr. 7)

#### VAROVÁNÍ

- Řetězová pila je vybavena dvoutaktním motorem. Vždy provozujte motor na palivo mísené s olejem. Při doplňování nebo jiné manipulaci s palivem dbejte na kvalitní větrání.
- Palivo je vysoce vznětlivé a při jeho vdechnutí nebo potřísnění těla hrozí vážná újma. Při manipulaci s palivem buďte vždy pozorní. Při manipulaci s palivem v budovách vždy dbejte na dostatečné větrání.

### Palivo

- Vždy používejte značkový bezolovnatý benzin 89 okt.
- Používejte kvalitní olej na dvoutaktní motory nebo směs v poměru 25:1 až 50:1, přičemž ohledně poměru se informujte na obalu oleje nebo u prodejce HITACHI.
- Pokud není originální olej k dispozici, použijte kvalitní olej s antioxidantními aditivy výslovně označený pro vzduchem chlazené dvoutaktní motory (JASO FC GRADE OIL nebo ISO EGC GRADE). Nepoužívejte míchaný olej BIA ani TCW (pro vodou chlazené dvoutakty).
- Nikdy nepoužívejte univerzální (10 W/30) ani odpadní olej.
- Benzin s olejem vždy míchejte ve vyčleněné čisté nádobě. Nejprve doplňte polovinu benzinu.

Pak doplňte plné množství oleje. Palivovou směs promíchejte (protřepat). Přidejte zbývající množství benzínu.

Před naplněním palivové nádrže palivovou směs důkladně promíchejte (protřepat).

### Doplňování paliva

#### VAROVÁNÍ (Obr. 8)

- Před doplňováním paliva vždy zhasněte motor.
- Pomalu otevřete palivovou nádrž (12), aby mohl případný přetlak uniknout.
- Po doplnění pečlivě dotáhněte víčko palivové nádrže.
- Před nastartováním se vždy přesuňte nejméně 3 m od místa, kde jste doplňovali palivo.
- Případné potřísnění palivem si z oblečení vždy odstraňte mýdlem.
- Po doplnění paliva vždy zkontrolujte jakékoliv úniky. Před doplňováním vyčistěte okolí krytu nádrže, aby se do ní nedostala žádná nečistota. Před doplněním ještě posledním protřepáním nádoby zajistěte důkladné rozmíchání směsi.

### Řetězový olej (Obr. 8)

Doplnění řetězového oleje (13). Vždy používejte kvalitní olej. Pokud motor běží, řetězový olej je automaticky vypouštěn.

## POZNÁMKA

Při dolévání paliva (12) nebo řetězového oleje (13) do nádrže držte pilu vždy víčkem nahoru. **(Obr. 8)**

## NASTAVENÍ DODÁVKY OLEJE ŘETĚZU

Množství oleje řetězu vypouštěného lubrikačním systémem je výrobně nastaven na maximum. Nastavte množství podle provozních podmínek.

Pro zvětšení množství otočte nastavovacím šroubem (14) ve směru proti hodinovému ručičkám. Pro zmenšení množství otočte šroubem v opačném směru. **(Obr. 9)**  
(standardní nastavení otočí proti hodinovým ručičkám 1-1 1/2 od lehce umístěného)

### Startování (Obr. 10-15)

#### UPOZORNĚNÍ

Před startováním zkontrolujte, zda je zapnutá řetězová brzda a zda se lišta/řetěz ničeho nedotýká. **(Obr. 10)**

1. Spínač zapalování (15) nastavte do polohy ON. **(Obr. 11)**  
\*Stiskněte několikrát nastříkovací tlačítko (17) aby palivo protékalo tlačítkem do karburátoru. **(Obr. 12)**
2. Páčku sytiče (16) zatáhněte do zašrcené polohy **(Obr. 12)**. To automaticky kláпку zajistí ve startovací poloze.
3. Rychle škubejte za pružný startér a rukojeť přitom důkladně držte a nenechte si ji vyklouznout. **(Obr. 13)**
4. Až uslyšíte první zápal, vraťte kláпку do provozní polohy. **(Obr. 12)**
5. Znovu dříve naznačeným způsobem svižně zatáhněte za startér. **(Obr. 13)**

#### POZNÁMKA

- Pokud motor nenastartuje, zopakujte kroky 2 až 5.
- 6. Jakmile motor nastartuje, zcela vytáhněte páčku plynu a ihned uvolněte. **(Obr. 14)** Potom se vypne poloviční plyn. Zkontrolujte, zda je vypnutá řetězová brzda. **(Obr. 15)**  
Než motor vystavíte jakékoli zátěži, nechte jej 2-3 minuty zahřát. Aby se prodloužila životnost motoru, nenechávejte jej běžet na vysoké otáčky bez zátěže.

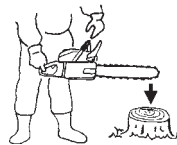
### Obsluha řetězové brzdy (Obr. 16)

Řetězová brzda (18), pokud je na modelů k dispozici, je konstruována k aktivaci v nouzových případech jako ej zpětné kopnutí. Překontrolujte si důkladně její správnou funkci.

Brzda se aktivuje posunem předního krytu k liště. Během obsluhy řetězové brzdy dokonce i při vytaženém sytiči se otáčky motoru nezvyší a řetěz se netočí. Pro uvolnění brzdy vytáhněte její páčku.

### Ověření:

- 1) Vypnout motor.
- 2) Pilu držet vodorovně, uvolnit ruku na přední rukojeti, přiložit konec vodící lišty na pařez nebo jiný kus dřeva a potvrdit funkci brzdy. Provozní úroveň se liší podle velikosti lišty.



Pokud není brzda účinná, požádejte svého prodejce o inspekci a opravu. Pokud se motor při sepnuté brzdě dál točí ve vysokých otáčkách, bude se přehřívat spojka, což bude způsobovat problémy.

Když brzda sepně za provozu, okamžitě pusťte páčku sytiče, aby se motor zastavil.

#### VAROVÁNÍ

Nepřeházejte zařízení s běžícím motorem.

### Zastavení (Obr. 17)

Snižte otáčky motoru a stisknout spínač zapalování (15) do polohy stop.

## ⚠ VAROVÁNÍ NEBEZPEČÍ ZPĚTNÉHO RÁZU (Obr. 18)

Jedním z největších nebezpečí při práci s motorovou pilou je zpětný ráz (kopnutí). Ke kopnutí může dojít, pokud se horní konec vodící lišty dotkne předmětu nebo pokud se dřevo dostane dovnitř a přibrzdí pilu v řezu. Letmý kontakt může v některých případech způsobit bleskovou zpětnou reakci, která pošle lištu zpět proti vám. Zachycení řetězu v horní části lišty může mít obdobné následky. Kterákoliv z těchto reakcí může způsobit, že nad pilou ztratíte kontrolu, což může vést k vážnému úrazu. I když má vaše pila vestavěnou pojistku, neměli byste na tyto bezpečnostní prvky zcela spoléhat. Stále si hlídejte konec lišty. Ke kopnutí dojde, pokud připustíte, aby se příslušná nebezpečná zóna (19) lišty dotkla předmětu. Tuto oblast nepoužívejte. Kopnutí zachycením je způsobeno zachycením horní strany lišty. Sledující prováděný řez a dbejte na to, aby se neustále otvíral. U běžícího motoru udržte kontrolu neustálým pevným držením oběma rukama, pravou na zadní rukojeti, levou na přední, palce a prsty obemkávají rukojeti. Během provozu a řezání při vysoké rychlosti pilu neustále držte oběma rukama.

## ⚠ VAROVÁNÍ

- Nepředklánějte se ani neřežte ve výšce přesahující výšku vašich ramen.
- Při kácení dbejte maximální opatrnosti, pilu nepoužívejte v kolmé poloze ani ve výšce nad vašimi rameny.

## DRŽÁK ŘETĚZU

Držák řetězu je umístěn na hnací hlavě těsně pod řetězem, aby zabránil možnosti, že přetržený řetěz zasáhne obsluhu pily (uživatele).

## ⚠ VAROVÁNÍ

Při řezání nestůjte v přímce s řetězem.

## ZÁKLADNÍ TECHNIKY KÁCENÍ, ODVĚTVOVACÍ A ZKRACOVACÍ ŘEZY

Smyslem následujících informací je seznámit vás se základy techniky práce s řetězovou pilou.

## ⚠ VAROVÁNÍ

- Tato informace nepokryjí všechny specifické situace, které se mohou lišit podle terénu, vegetace, druhu dřeva atd. Abyste pracovali účinněji a bezpečněji, informujte se o specifických místních problémech ve vaší oblasti u servisního dealera, lesnických škol nebo lesních úřadů.
- Vyhýbejte se řezání za nepříznivého počasí jako je hustá mlha, déšť, mráz, silný vítr atd. Nepříznivé počasí často při práci unavuje a navíc vytváří potencionálně nebezpečné podmínky jako je např. kluzky tetěn. Silný vítr může způsobit pád stromu nečekaným směrem a následné škody na majetku nebo úrazy.

## UPOZORNĚNÍ

Nikdy pilu nepoužívejte k páčení ani k žádným jiným účelům, k nimž není určena.

## ⚠ VAROVÁNÍ

- Vyhýbejte se klopýtnutí o překážky jako jsou pařezy, pahýly, padlé stromy, větve nebo kameny. Dávejte pozor na díry a výmoly. Buďte mimořádně opatrní při práci ve svahu nebo v nerovném terénu. Při přesunu z jednoho pracoviště na druhé pilu vypněte. Vždy řežte s plynem naplno. Pomalu se pohybující řetěz se může snadno zachytit a způsobit škubnutí pily.
- Nikdy pilu nepoužívejte pouze jednou rukou. Nemůžete tak pilu dostatečně ovládat a můžete nad ní ztratit kontrolu a přivodit si vážné zranění. Těleso pily si držte blízko u těla, abyste zlepšili ovladatelnost a snížili vlastní náhmu. Při řezání spodní část řetězu reaktivní silou potáhne pilu pryč od vás směrem ke dřevu, které řežete. Pila bude kontrolovat rychlost podávání a piliny budou nasměrovány k vám. (Obr. 19)
- Při řezání horní části řetězu bude reaktivní síla pilu tlačit proti vám a pryč od dřeva, které řežete. (Obr. 20)

- Existuje riziko zpětného kopnutí, pokud pilu zatlačíte tak daleko, že začnete řežat nosem lišty. Nejbezpečnějším způsobem je řezání spodní částí řetězu. Řezání horní části řetězu značně ztěžuje kontrolu nad pilou a zvyšuje riziko kopnutí.
- V případě, že je řetěz zablokovaný, okamžitě pusťte páčku sytiče. Pokud se páčka sytiče při zablokovaném řetězu dál točí ve vysokých otáčkách, bude se přehřívat spojka, což bude způsobovat problémy.

## POZNÁMKA

Ozubenou opeřku držte vždy proti stromu, protože řetěz může být kdykoliv náhle vtažen do kmene.

## KÁCENÍ

Kácení není jen porážení stromu. Musíte strom dostat pokud možno co neblíže zamýšlenému místu bez poškození jak stromu, tak čehokoliv jiného.

Před pokácením stromu zvažte všechny podmínky, které by mohly ovlivnit směr pádu:

Sklon stromu. Tvar koruny. Zatížení koruny sněhem. Povětrnostní podmínky. Překážky v dosahu stromu (např. další stromy, elektrické vedení, budovy, silnice atd.).

## ⚠ VAROVÁNÍ

- Vždy hodnotte celkový stav a okolí stromu. Kontrolujte, zda kmen nehraje nebo netrouchniví, protože pak by mohl prasknout a začít padat daleko dříve, než to čekáte.
- Pátrejte po suchých větvích, které by vás mohly v pádu zasáhnout. Zvířata i lidi se vždy snažte udržet na délku nejméně dvojnásobku výšky káceného stromu. Z okolí stromu odstraňte křoviny a větve. Připravte si únikovou cestu mimo směr pádu.

## ZÁKLADNÍ PRAVIDLA KÁCENÍ

Normálně se kácení skládá ze dvou operací – vytvoření záseku a vlastní porážecí řez. Vrchní řez začnete provádět na straně kmene, na kterou bude strom padat. Dívejte se do řezu a dávejte pozor, abyste neřezli příliš hluboko. Zásek by měl být natolik hluboký, aby vytvořil závěs dostatečné šířky a síly. Otvírací řez by měl být natolik široký, aby odpovídajícím způsobem nasměroval pád stromu. Podrážecí řez proveďte z druhé strany asi 3–5 cm nad okrajem záseku. (Obr. 21)

20. Směr pádu.
21. 45° minimální otevření záseku
22. Závěs
23. Podrážecí řez

Nikdy neřežte skrz celý průměr kmene. Vždy nechte závěs.

Závěs strom vede. Pokud je strom plně přeríznut, ztratíte kontrolu nad směrem jeho pádu.

Vložte do řezu klin nebo sochor s dostatečným předstihem, než začne být kmen nestabilní a začne se pohybovat. To zabrání uzvnutí vodící lišty v záseku v případě, že jste mylně odhadli směr pádu. Než se o strom opřete, ujistěte se, že nikomu v okolí nehrozí nebezpečí.

## PORÁŽECÍ ŘEZ, KMEN O PRŮMĚRU VÍCE NEŽ DOJVNÁSOBKU DÉLKY VODICÍ LIŠTY

Provedte dlouhý a široký zásek. Do středu záseku pak vyřízněte výklenek. Vždy ponechte po obou stranách středového řezu závěs. (Obr. 22)

Dokončete porážecí řez kolem kmene jako na Obr. 23.

## ⚠ VAROVÁNÍ

Tyto metody jsou extrémně nebezpečné, protože zahrnují použití nosu vodící lišty a tím s sebou nesou riziko kopnutí pily. Tyto techniky by měli zkoušet pouze trénovaní profesionálové.

## ODVĚTVOVÁNÍ

Odstraňování větví z padlého stromu.

## ⚠ VAROVÁNÍ

K většině nehod s kopnutím pily dochází při odvětvování. Nepoužívejte nos vodící lišty. Buďte mimořádně opatrní a nepřipusťte kontakt dřeva s nosem vodící lišty. Buďte mimořádně opatrní u pružících větví. Mohou se proti vám vymrštit a způsobit vám zranění. (Obr. 24)

Stůjte na levé straně kmene. Udržujte rovnováhu a pilu opírejte o kmen. Pilu mějte blízko sebe, abyste ji měli plně pod kontrolou. Držte se dostatečně daleko od řetězu. Pohybujte se, pouze když je kmen mezi vámi a řetězem. Pozor na pružící větvě.

### ODVĚTVOVÁNÍ SILNÝCH VĚTVÍ

Pozor na snadné zachycení vodící lišty. Nebezpečné větve odřezávejte po částech. Aplikujte stejné principy jako při zkracování. Myslete dopředu, abyste byli připraveni na nebezpečí.

### ZKRACOVÁNÍ

Než začnete kmen zkracovat, zkuste si představit, co bude následovat. Hleďte na kmene nebo větvi pnutí a řežte tak, aby se lišta nezachytila.

### ZKRACOVÁNÍ KLÁD S TLAKEM NAHOŘE

Zaujměte stabilní postoj. Začnete horním řezem. Neřežte příliš hluboko, stačí asi 1/3 průměru klády. Dokončete spodním řezem. Řezy by se měly spojit. (Obr. 25)

24. Ulehčující řez
25. Zkracující řez
26. Tlak shora
27. Tlak z boku
28. Strana s napětím
29. Relativní hloubka řezu

### TLUSTÁ KLÁDA SILNĚJŠÍ NEŽ DÉLKA LIŠTY

Začněte řezem na opačné straně klády. Pilu si pak přitáhněte k sobě. (Obr. 26)  
Pokud leží kláda na zemi, dbejte na to, ať neříznete do země. Dokončete spodním řezem. (Obr. 27)

### VAROVÁNÍ

#### NEBEZPEČÍ KOPNUTÍ

Pokud nejste dostatečně zkušení, nepokoušejte se o řez zápichem. Řez zápichem představuje použití nosu vodící lišty s nebezpečím kopnutí.

### ZKRACOVÁNÍ KLÁD S TLAKEM ZDOLA

Zaujměte stabilní postoj. Začnete spodním řezem. Hloubka řezu asi 1/3 průměru klády. Dokončit vrchním řezem. Řezy by se měly spojit. (Obr. 28)

30. Ulehčující řez
31. Zkracující řez
32. Tlak zespoda
33. Strana s napětím
34. Tlak z boku
35. Relativní hloubka řezu

### TLUSTÁ KLÁDA SILNĚJŠÍ NEŽ DÉLKA LIŠTY

Začněte řezem na opačné straně klády. Pilu si pak přitáhněte k sobě. Pokud je kláda blízko zemi, převeďte řez zápichem. Dokončit vrchním řezem. (Obr. 29)

### VAROVÁNÍ

#### NEBEZPEČÍ KOPNUTÍ

Pokud nejste dostatečně zkušení, nepokoušejte se o řez zápichem. Řez zápichem představuje použití nosu vodící lišty s nebezpečím kopnutí. (Obr. 30)

### PŘI UVÍZNUTÍ PILY

Vypnout motor. Pomocí páky, např. větve, změnit polohu klády. Nesnažit se pilu vytáhnout. Hrozí deformace rukojeti nebo zranění řetězem.

## ÚDRŽBA

ÚDRŽBU, VÝMĚNY NEBO OPRAVY EMISNÍCH ZAŘÍZENÍ A SYSTÉMU MŮŽE PROVÉST KTERÁKOLIV OPRAVNA, AŽ SPOLEČNOST NEBO JEDNOTLIVEC, MIMO AUTOOPRAVNU.

### Seřízení karburátoru (Obr. 31)

#### VAROVÁNÍ

Nikdy nastartujte motor bez celého víka spojek. Jinak hnízdo moci rozpoutat se a příčinou poranění osob.

V karburátoru, palivo je smíšené s vzduchem. Když motor je zkušební jízda v továrně, karburátor je přizpůsobený. Další úprava může být požadovaná, podle klimatu a nadmořské výšky. Karburátor má jednu regulační možnost:

T = seřízení otáček chodu naprázdno zavit.

### Seřízení otáček chodu naprázdno (T)

Zadržujte, že vzduchový filtr je čistý. Když otáčky naprázdno je správné, řezný závěs nebude točit. Jestli úprava je požadovaná, svírejte (ve směru otáčení hodinových ručiček) T- zavit, s chodem motoru, dokud řezný závěs začne točit. Sdílet (proti směru hodinových ručiček) zavit dokud řezný závěs zastaví se. Vy jste dosáhli správných otáček naprázdna kdy chody motoru hladce ve všech uvedou dobře pod otáčkami kdy řezný závěs začne točit.

Jestli řezný závěs ještě točí po seřízení otáček chodu naprázdno, kontaktu HITACHI obchodník.

#### VAROVÁNÍ

Když motor zahálí řezný závěs musel za žádných okolností točit.

### POZNÁMKA

Někaké modely prodány v oblastech s přísnou lutrovou vodou vyzářování regulace nemá vysoká a nízká rychlostní karburátorová upravení. Taková upravení mohou dovolit motor byl ovládný vně jejich vyzářování souhlas hranice. Pro tyto modely, jediná karburátorová úprava je otáčka naprázdno.

Jestli vy nejste obeznámni s tímto způsobem úpravami výrobků, prosím žádejte o pomoc od vašeho HITACHI obchodníka.

### Vzduchový filtr (Obr. 32)

Vzduchový filtr (36) muset být čistý z prachu a špína za účelem se vyhnout:

- Karburátor selhává
- Spouštění problémy
- Motorové snížení výkonu
- Zbytečný oděv na motorových dílech
- Abnormální spotřeba paliva

Začištějte vzduchový filtr denní nebo více často jestli zpracování ve výjimečně prašných oblastech.

### Čištění vzduchového filtru

Odvezte vzdušnou propust kryt (37) a propusti (36). Vypláchněte jim v teplých mydlových louhách. Zadržujte, že propust je suchá před smontováním. Vzduchový filtr který byl užívány po nějakou dobu nemohi být čistý úplně. Proto, to musí pravidelně být nahrazený s nový. Poškozená propust musí vždy být nahrazená.

### Zapalovací svíčka (Obr. 33)

Jiskrová zástrčková podmínka je ovlivněná:

- Nesprávný karburátor fixace
- Špatná palivová směs (příliš mnoho nafty v benzinu)
- Špinavý vzduchový filtr
- Pronikavé provozní podmínky (jako chladné počasí)

Tyto faktory způsobí depozity na jiskrových zástrčkových elektrodách, které může mít za následek špatné fungování a spouštění potíže. Jestli motor je low na poháněný motorem, obtížný uvést v chod nebo běhy uboze v otáčkách při chodu naprázdno, vždy zadržovat zapalovací svíčku nejprve. Jestli zapalovací svíčka je špinavé, vyčistit to a zadržovat vzdálenost elektrod. Znovu upravte bude-li to nezbytné. Správná výbojová dráha je 0,6 mm. Zapalovací svíčka by měla být nahrazeny po asi 100 operačních hodinách nebo dříve jestli elektrody jsou špatně erodované.

### POZNÁMKA

V některých oblastech, místní zákon vyžaduje používání rezistora zapalovací svíčky potlačit zapalovací signály. Jestli tento tiskařský stroj byl původ vybaveny rezistorem zapalovací svíčkou, užívejte stejný konstrukční typ zapalovací svíčky pro nahrazení.

### Maznice na olej vlet (Obr. 34)

Začištějte řetězový maznicový vlet (38) kdykoli pravděpodobný.

## Řezací lišta (Obr. 35)

Před použitím tiskařského stroje, začistujte kalibr a maznicový vlet (39) u baru se zvláštním dělením pletacího stroji nabídnutými jak nepovinná příslušenství.

## Postranní plášť (Obr. 36)

Vždy držte postranní plášť a diskovou oblast si očistěte piliny a drf. Pravidelně užívejte natu nebo tuk k tomu oblasti chránit před rozežíráním jak nějaké stromy obsahují vysoké hodnoty kyseliny.

## Čistič paliva (Obr. 37)

Odvezte čistič paliva z palivové nádrže a skrz na skrz vymyjte to v rozpouštědle. Po tom, postrkovat propust do obvodu úplně.

## POZNÁMKA

Jestli propust je pronikavá kvůli prachu a špině, vyměňte to.

## Řetězový olejový čistič (Obr. 38)

Odvezte olejový čistič a skrz na skrz vymyjte to v rozpouštědle.

## Čištění žeber válců (Obr. 39)

Kdy štěpky nemají na vybranou žebra válce (40), motoru mohou přetopit, mající za následek nižší výtěžek. Pro vyhnout se toto, vždy držet žebra válce a ventilátorový plášť začistovat.

Každé 100 provozní hodiny, nebo jednou za rok (častěji jestli podmínky nutně potřebují), začistovat ploutve a vnější povrchy z motoru prachu, špinavý a olejový sedimenty které může přispět k nevhodnému chladnutí.

Pro dlouhodobé skladování

Vypouštějte naprosto palivo z palivové nádrže. Uvedte v chod a nechany chod motoru do té doby, než to zastaví se. Opravte nějaké poškození které vyplynulo z použití. Začistujte agregát se začistovat hadr, nebo použití vysoké tlakové vzduchové hadice. Dejte několik kapek z dvoudobého cyklu motorového oleje do tlakové láhve skrz jiskrový otvor pro zapalovací svíčku, a lijte odstředivě motor přes několik času na to rozkládat naftu.

Povlékejte agregát a skladujte to v drenážní vrstvě.

## SÍŤ ZAOŠŤŘÍ

### části z řezacího přístroje (Obr. 40, 41)

#### ⚠ VAROVÁNÍ

- Používejte řetěz při práci s rukavicemi.
- Přední okraj vždy zaoblete, aby nedošlo ke kopnutí.

41. Krycí deska
42. Pracující Conner
43. Bočnice
44. Dno drážky
45. Připevnit podpatek
46. Chassis
47. Nýtový otvor
48. Přechod
49. Hloubkový gauge
50. Správný úhel pohledu na krycí desku (řád úhlu náběhu závisí na řetězovém konstrukčním typu)
51. Mírně vycínivá "výztužný háček" nebo nos (zatáčka na ne - dlátkové síti)
52. Nástavec nehloubkomu v správné výši pod krycí deskou
53. Před nehloubkomem kulatým mimo

## SNÍŽOVÁNÍ NEHLOUBKOMU S POŘADAČEM

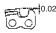



- 1) Jestli vy zaoštríte vaše řezací přístroje s pořadačem skřípeč, zadržujte a snížíte hloubku.
- 2) Zadržujte nehloubkomy každé třetí zaoštrít.
- 3) Umístěte hloubkové dělení pletacího stroje v ochle na řezacím přístroji. Jestli nehloubkom navrhuje, pořadač to věnec s nástavcem v ochle. Vždy pořadač z vnitřku sítě směrem k vně řezacího přístroje. (Obr. 42)
- 4) Kolo mimo čelo roh udržovat originální ocel nehloubkomu po použití hloubkového dělení pletacího strojů v ochle. Vždy následujte doporučený nehloubkom fixace nalezený v udržovací nebo obsluhující síle ruční pro vaši pilu. (Obr. 43)

## GENERÁL INSTRUKCE PRO USPOŘÁDÁNÍ ŘEZACÍ PŘÍSTROJE

Pořadač (54) řezací přístroji na jedné hovězině sítě zevnitř ven. Pořadač na zdvihů vpřed jen. (Obr. 44)

- 5) Držte naprosto řezací přístroje stejná délka. (Obr. 45)
- 6) Pořadač dost aby odvezl nějaké poškození pro ostří (bočnice (55) a krycí desko (56)) řezacího přístroje. (Obr. 46)

## ZAOŠŤŘIT ÚHLY NÁBĚHU PRO ZAOŠŤŘIT PILOVÝ ŘETĚZ

1. Číslo součástky	95VP
2. Rozteč	0,325"
 3. Nehloubkom fixace	0,025"
 4. Bočnice pilovací úhel náběhu	85°
 5. Krycí deska úhel náběhu	30°
 6. Boční úhel	10°

## Plán údržby

Dole vy najdete nějaké hlavní předpisy pro údržbu. Pro další informaci prosím kontaktujte HITACHI obchodníka.

### Denní údržba

- Začistujte zevnější agregátu.
  - Začistujte řetězovou naftovou propust vlet.
  - Začistujte kalibr a naftovou propust vlet v řezací liště.
  - Začistujte postranní plášť pilin.
  - Zadržujte, že pilový řetěz je ostrý.
  - Zadržujte, že barovy ořechy jsou dostatečně utažené.
  - Ujistěte se, že řetězový dopravní kryt je nepoškozený a že to může být bezpečně vybavený.
  - Zadržujte že ořechy a remva jsou dostatečně utažení.
- Před spuštěním stroje zkontrolujte obzvláště šrouby tlumiče a zajistěte jejich řádné utažení. V případě, že jsou některé šrouby povolené, okamžitě je dotáhněte. V případě zanedbání hrozí vážné nebezpečí.
- Zkontrolujte hrot lišty. V případě opotřebení vyměňte za nový.
  - Zkontrolujte hnací řemen brzdý řetězu. V případě opotřebení vyměňte za nový.

### Týdenní údržba

- Zadržujte doutnavkový zapalovač, zvláště příze a vratnou pružinu.
- Začistujte zevnější zapalovací svíčku.
- Odvezte zapalovací svíčku a zadržujte vzdálenost elektrod. Nastavte to pro 0,6 mm nebo vyměňujte zapalovací svíčku.
- Začistujte chladicí lamely na tlakové láhvi a zadržujte, že přívod vzduchu v doutnavkovém zapalovači není ucpané.
- Začistujte vzduchový filtr.

### Měsíční údržba

- Vypchávejte palivovou nádrž s benzinem, a začistujte čistič paliva.
- Začistovat řetězový olejový čistič.
- Začistujte zevnější karburátoru a výplněku kolem toho.
- Začistujte fanouška a výplněk kolem toho.

## POZNÁMKA

Při objednávání dílů od svého nejbližšího dealera používejte číslo dílu uvedené na dílech v popisné sekci použité v tomto manuálu.

	Č. LIŠTY	DÉLKA TYPU	Č. ŘETĚZU
Č. MODELU OREGON	107498	13"	95VP-56
	105191	15"	95VP-64
	104968	16"	95VP-66
	105355	18"	95VP-72

## SEMBOLLERİN ANLAMLARI

**NOT:** Bazı ünitelerde bu semboller yoktur.

Semboller	
	<b>UYARI</b> Aşağıda, bu alet için kullanılan simgeler gösterilmiştir. Aleti kullanmadan önce bu simgelerin ne anlama geldiğini anladığınızdan emin olun.
	Aşağıdaki emniyet ikaz ve uyarılarını okununuz, iyice anlamınız ve uygulamanız önemlidir. Ünitenin dikkatsiz veya hatalı kullanılması ciddi ve hatta ölümcül yaralanmalara yol açabilir.
	Bu kılavuzdaki ve ünite üzerindeki tüm uyarıları ve talimatları okuyun, anlayın ve uygulayın.
	Tek elle kullanılması yasaktır. Kesme işlemi sırasında, başparmağınızı ön kabzanın çevresinden tam olarak geçiřip sıkarak, testereyi iki elinizle iyice kavrayın.
	Bu üniteyi kullanırken, mutlaka emniyet gözlüğü, koruyucu başlık ve koruyucu kulaklık takın.

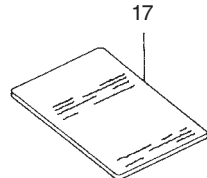
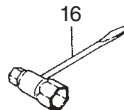
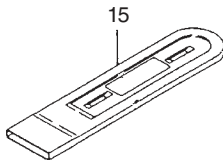
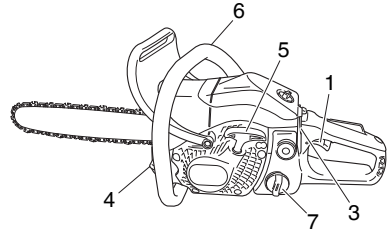
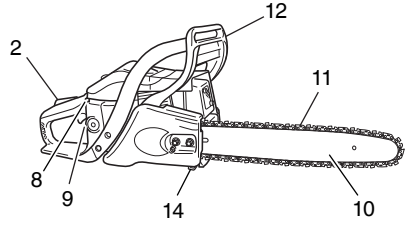
## İçindekiler

TANIMLAR .....	53
UYARILAR VE GÜVENLİK TALİMATLARI .....	54
SPEŞİFİKASYONLAR .....	55
MONTAJ İŞLEMLERİ .....	56
ÇALIŞTIRMA .....	56
BAKIM .....	58

Parça arızaları

## TANIMLAR

1. Gaz tetiđi: Motor hızını kontrol etmek için operatörün parmađı ile kullandığı tertibat.
2. Gaz tetiđi kilidi (Emniyet): Gaz tetiđinin el ile harekete geçirilinceye kadar kazayla çalışmasını önleyen tertibat.
3. Kontak anahtarı: Motorun çalıştırılmasını veya durdurulmasını sağlayan aygıt.
4. Yađ deposu kapađı: Yađ deposunu kapatır.
5. Marş düzeneđi: Motoru çalıştırmak için kolu çekin.
6. Ön kol: Motor gövdesinin ön kısmında ya da ön kısmına yakın bir yerde bulunan destek kolu.
7. Yakıt deposu kapađı: Yakıt deposunu kapatır.
8. Hava kelebeđi kontrol düğmesi: Başlatmaya yardımcı olmak için, karbüratörde yakıt/hava karışımını kuvvetlendiren aygıt.
9. Hazırlık pompası: Başlarken yardımcı olması için ekstra yakıt vermek için aygıt.
10. Kılavuz çubuk: Testere zincirini destekleyen ve yönlendiren parça.
11. Testere zinciri: Kesme aleti olarak kullanılan zincir.
12. Zincir freni (Ön el koruma çerçevesi): Zinciri durduran ve kilitleyen aygıt.
13. Sivri uçlu tampon: Ađaç veya kütükle temas sırasında mihver işlevi gören aygıt.
14. Zincir yakalayıcı: Testere zincirini kısıtlayan aygıt.
15. Kılavuz çubuk kılıfı: Ünite kullanılmadığında kılavuz çubuđu ve testere zincirini kaplayan araç.
16. Kombi kutu anahtarı: Bujiyi çıkarma veya takma ve testere zincirini germe aracı.
17. Kullanım talimatları: Üniteyle birlikte verilir. Çalıştırmadan önce dođru ve güvenli kullanım yöntemlerini öğrenmek için kılavuzu okuyun ve geçecekte başıvrmak üzere saklayın.



## UYARILAR VE GÜVENLİK TALİMATLARI

### Kullanıcı güvenliği

- Yüzünüze daima bir koruyucu maske veya emniyet gözlüğü takın.
- Testereyi bilenler mutlaka eldiven takılmalıdır.
- Zincir testereyi her kullandığınızda mutlaka ceket, pantolon, eldiven, başlık, burun kısmı çelik kaplamalı ve tabanı kaymayan botlar gibi koruyucu güvenlik donanımı kullanın. Ağaçlarda çalışırken, güvenlik botları tırmanma tekniklerine uygun olmalıdır. Bol giysiler, takı, kısa pantolon, sandalet giymeyin; çıplak ayakla çalışmayın.
- Saçlarınızı omuz hizasından yüksekte olacak şekilde toplayın.
- Makineyi yorgun veya hastayken ya da alkol, hap veya başka bir ilaç etkisindeyken kullanmayın.
- Makineyi çocukların veya deneyimsiz kişiler kullanmasına kesinlikle izin vermemeyin.
- Koruyucu kulaklık takın. Etrafınıza dikkat edin.
- Civarınızda, bir soruna sebebiyet verebilecek kişilere dikkat edin.
- Emniyet teçhizatını, motoru kapattıktan hemen sonra çıkarın.
- Koruyucu başlık kullanın.
- Motoru asla kapalı bir oda ya da bina içinde çalıştırmayın ve kullanmayın.
- Makinenin egzoz dumanının solunması ölümlü sonuçlanabilir.
- Testereden çıkan yağlı buhar ve talaşa karşı solunum sisteminizi korumak için, daima koruyucu bir maske takın.
- Makinenin kabzalarında yağ veya yakıt artığı olmadığından emin olun.
- Ellerinizi makinenin kesici parçalarından uzak tutun.
- Makineyi kesici kısmından kavramayın ya da tutmayın.
- Makineyi durdurduğunuzda, kesici parçanın makineyi yere bırakmadan önce durmuş olması gereklidir.
- Makineyle uzun süre çalışıyorsanız, titreşimden kaynaklanan El-Kol Titreme Sendromundan (HAVS) korunmak için zaman zaman mola verin.
- Kullanıcı, kesim yapılan alanın bölgesel yönetmeliklerine uymalıdır.

### UYARI

- Titreşim önleyici sistemler sizi El-Kol Titreme Sendromuna ya da tekrarlanan hareket arazına karşı koruma garantisi vermemektedir.
- Bu nedenle, makineyi sürekli kullanan kişiler ellerinin ve parmaklarının durumunu dikkatli şekilde izlemelidir. Yukarıda belirtilen semptomlardan herhangi birinin ortaya çıkması halinde derhal bir doktora başvurun.
- Yüksek gürültü düzeylerine uzun süre veya kesintisiz maruz kalınması kalıcı işitme bozukluğuna yol açabilir. Makineyi kullanırken mutlaka onaylı bir kulak koruyucu takın.
- Kalp pili gibi elektrikli/elektronik tıbbi herhangi bir cihaz kullanıyorsanız, elektrikle çalışan herhangi bir cihazı kullanmadan önce doktorunuza ve cihaz imalatçısına danışın.

### Makine güvenliği

- Her kullandıktan önce makinenin her yerini kontrol edin. Hasar gören parçaları yenileriyle değiştirin. Yakıt sızıntısı olup olmadığını kontrol edin ve tüm bağlantıların doğru yerde ve güvenli şekilde sıkılmış olduğundan emin olun.
- Çatlaklı, çizilmiş ya da herhangi bir şekilde hasar görmüş parçaları, makineyi kullanmaya başlamadan önce değiştirin.
- Kenar muhafazasının uygun şekilde takıldığından emin olun.
- Karbüratör ayarı yaparken çevrenizdeki insanları makineden uzaklaştırın.
- Sadece üretici tarafından bu makine için önerilen aksesuarları kullanın.
- Testere zincirinin herhangi bir egele çarpmasına dikkat edin. Zincirin bir egele çarpması halinde makine durdurulmalı ve dikkatlice kontrol edilmelidir.
- Otomatik yağlayıcının düğüm çalıştığından emin olun. Yağ haznesi daima temiz yağ ile dolu olmalıdır. Kesinlikle zinciri parça üzerinde yağsız ve kuru şekilde çalıştırmayın.

- Operatör/kullanıcı kılavuzunda listelenenler dışında her türlü tamir işlemi, yetkili servis personeli tarafından yapılmalıdır. (Örneğin, volanı çıkarmak veya kavramayı çıkarmadan önce volanı tutmak için uygun olmayan aletlerin kullanılması, volan yapısının hasar görmesine ve dolayısıyla volanın çatlamasına neden olabilir.)

### UYARI

- Makine üzerinde hiçbir şekilde değişiklik yapmayın. Makineyi kesinlikle amaçlanan kullanım dışında bir iş için kullanmayın.
- Kesinlikle motorlu testereyi, güvenlik donanımı olmadan ya da arızalı bir güvenlik donanımı ile çalıştırmayın. Bu, ciddi şekilde yaralanmanıza neden olabilir.
- Kılavuz çubuğun/zincirin üreticinin tavsiyesine aykırı şekilde kullanılması, yüksek kaza ya da yaralanma riskine yol açacaktır.

### Yakıt güvenliği

- Yakıtı açık havada karıştırarak dökün ve çevrede kıvılcım ya da ateş olmadığından emin olun.
- Yakıt için onaylı bir kap kullanın.
- Yakıtın ya da makinenin yakınında ya da makineyi kullanırken sigara içmeyin ve başkalarının içmesine izin vermemeyin.
- Motoru çalıştırmadan önce tüm yakıt döküntülerini silerek temizleyin.
- Motoru çalıştırmadan önce makineyi yakıt doldurma alanının en az 3 metre dışına çıkarın.
- Yakıt kapağını çıkarmadan önce motoru durdurun.
- Makineyi kullanmadığınız zamanlar için saklamadan önce yakıt deposunu boşaltın. Her kullandıktan sonra yakıt boşaltılması tavsiye edilir. Depoda yakıt kalması halinde, makineyi yakıtı sızdırmayacak şekilde saklayın.
- Makineyi ve yakıtı, şöbenlerden, elektrikli motorlardan veya şalterlerden, fırınlardan, vb. çıkan alev veya kıvılcıkların yakıt buharlarına ulaşamayacağı bir yerde saklayın.

### UYARI

- Yakıt kolayca alev alabilir, patlayabilir veya buharı solunabilir; bu sebeple yakıtı taşırken veya doldururken özel dikkat gösterin.

### Kesme İşlemi Güvenliği

- Ağaç ya da ahşap nesneler dışında başka materyaller kesmeyin.
- Solunum sisteminizi korumak için, böcek ilacı uygulanmış bir ağacı keserken, aerosol koruyucu maske takın.
- Çocukları, hayvanları ve çalışmanızı izleyen kişileri risk alanından uzak tutun. Size yaklaşan olursa, derhal motoru durdurun.
- Kullanım sırasında, makineyi sağ elinizle arka kabzadan ve sol elinizle ön kabzadan sıkıca kavrayın.
- Ayakta sağlam ve dengeli şekilde durduğunuzdan emin olun. Çok uzanmayın.
- Motor çalışırken tüm vücudunuzun susturucu ve kesici parçadan uzak durduğundan emin olun.
- Çubuğu/Zinciri bel hizasının altında tutun.
- Bir ağacı kesmeye başlamadan önce, operatör motorlu testere ile kesme tekniklerini iyice öğrenmiş olmalıdır.
- Ağacın yanlış yöne devrilmesi ihtimaline karşı daima güvenli bir planınız olmalıdır.
- Kesme işlemi sırasında, testereyi her iki elinizle sıkıca tutun; makineyi tutarken baş parmağınızın ön kabzadan çevresinde olmalı ve ayaklarınızı sağlam şekilde yere koyarak vücut dengeyi sağlamalısınız.
- Kesme sırasında, testerenin arkasında değil, yanınızda durmalısınız.
- Zincir aniden ağaca takılabileceğinden, sivri uçlu tampon (eğer mevcutsa) daima ağaca dönük olmalıdır.
- Kesme işlemi bittikten sonra, testereyi yukarı doğru kaldırarak, ağaçtan/ahşaptan çıkarın. Böylece zincirin dönmeye devam etmesini ve bacaklarınızı ya da vücudunuzun kesmesini ya da bir engelle karşılaşmasını önlemiş olursunuz.
- Geri tepme riskine karşı dikkatli olun (testere yukarı doğru ve operatöre doğru geri tepebilir). Kesinlikle çubuğun ucuyla kesim yapmayın.
- Yeni bir çalışma bölgesine taşırken, makinenin kapalı olduğundan be tüm kesici bağlantılarının durmuş olduğundan emin olun.

- Makineyi çalışır durumdayken kesinlikle yere bırakmayın.
- Kesici bağlantılarındaki pislikleri veya otları temizlemeden önce motorun kapalı olduğundan ve tüm kesici bağlantıların tamamen durduğundan mutlaka emin olun.
- Enerji ile çalışan herhangi bir ekipmanı kullanırken mutlaka bir ilk yardım çantası taşıyın.
- Motoru kesinlikle kapalı bir odada veya binada ve/veya yanıcı bir sıvının yakınında çalıştırmayın ve kullanmayın. Egzoz dumanının solunması ölümlü sonuçlanabilir.

#### Bakım güvenliği

- Makinenin bakımı için tavsiye edilen işlemleri yapın.
- Karbüratör ayarları dışında, bakım yapacağınız zaman buji bağlantısını kesin.
- Karbüratör ayarı yaparken çevrenizdeki insanları makineden uzaklaştırın.
- Üreticinin de önerdiği gibi, sadece orijinal HITACHI yedek parçalarını kullanın.

#### UYARI

Marş düzeneğini sökme. Gergi yayı, yaralanmanıza neden olabilir.

#### UYARI

Yanlış bakım işlemi, ciddi motor hasarına veya ciddi yaralanmaya sebebiyet verebilir.

#### Taşıma ve saklama

- Makineyi motoru durdurduktan sonra ve susturucuyu vücudunuzdan uzak tutarak elle taşıyın.

- Motoru saklamak için kaldırmadan ya da bir araç ile taşımadan önce, motorun soğumasını bekleyin, yakıt deposunu boşaltın ve makineyi emniyete alın.
- Makineyi kullanmadığınız zamanlar için saklamadan önce yakıt deposunu boşaltın. Her kullanımdan sonra yakıtın boşaltılması tavsiye edilir. Depoda yakıt kalmaması halinde, makineyi yakıt sızdırmayacak şekilde saklayın.
- Makineyi çocukların ulaşamayacağı bir yerde saklayın.
- Makineyi özenle temizleyin, bakımını yapın ve kuru bir yerde saklayın.
- Motor anahtarının taşıma ya da saklama sırasında kapalı olduğundan emin olun.
- Naklederken veya depolama durumunda, zinciri zincir muhafazası ile örtün.

Bu kılavuzda yer almayan durumlarda, sorunu iradenizle ve sağ duyunuzla çözün. Yardıma ihtiyaç duyarsanız, HITACHI satıcınızla irtibata geçin. Aşağıdaki sözcüklerin başına yer alan ifadelerle özellikle dikkat edin.

#### UYARI

Talimatlara uyulmaması halinde ciddi yaralanma ya da ölümlü sonuçlanacak risklere işaret eder.

#### UYARI

Talimatlara uyulmaması halinde yaralanma ya da makine hasarına sonuçlanacak risklere işaret eder.

#### NOT

Makinenin işlev ve kullanımında sorunları giderecek bilgileri içerir.

## SPESİFİKASYONLAR

- Model adındaki "CS", "elektrikli testere" anlamına gelir

Model	CS40EA (33PS)	CS40EA (38PS)	CS40EA (40PS)	CS40EA (45PS)
Cihazın tipi	Elektrikli testere, taşınabilir			
Motor Büyüklüğü (cm <sup>3</sup> )	39,6			
Buji	NGK BPMR-7A			
Yakıt Deposu Kapasitesi (cm <sup>3</sup> )	380			
Zincir Yağı Deposu Kapasitesi (cm <sup>3</sup> )	240			
Boş Ağırlık (kg) (Ana parça ve zincir olmadan)	4,5			
Ana parça (kılavuz çubuk) uzunluğu (mm)	330	380	400	450
Zincir hatvesi (mm)	8,26			
Zincir çapı (mm)	1,27			
Ses basıncı seviyesi LpA (dB (A)) (ISO 22868'e göre)	103			
Ses gücü seviyesi Lw ölçümü (dB (A)) (ISO 22868'e göre)	113			
Ses gücü seviyesi LwA (dB (A)) (2000/14/EC'ye göre)	114			
Titreşim seviyesi (m/s <sup>2</sup> ) (ISO 22867'ye göre)				
Ön kabza	2,2	2,2	2,2	2,2
Arka kabza	3,2	3,2	3,2	3,2
Maksimum motor gücü (ISO 7293'e göre) (kW)	1,8/10500			
Maks. motor hızı (dk <sup>-1</sup> )	13000			
Motor rölanlı hızı (dk <sup>-1</sup> )	3000			
Özel yağ tüketimi (g/kWh)	480			
Zincir tipi	95VP (Oregon)			
Maks. zincir hızı (m/sn)	23,1			
Zincir dişlisi (diş sayısı)	7			

**NOT:** Eşdeğer gürültü seviyesi/ titreşim seviyeleri, aşağıdaki zaman dağılımına sahip çeşitli çalışma koşullarında gürültü/titreşim seviyelerine ilişkin zamana göre düzeltilmiş toplam enerji için hesaplanmıştır: 1/3 rölanlı, 1/3 tam, 1/3 yüksek hız.

\* Tüm veriler önceden bildirilmeden değiştirilebilir.

Bayan edilen tek sayılı gürültü emisyon değerleri ölçülen değerler ile ilgili 3dB belirsizliğinin toplamıdır ve ölçümlerde olması muhtemel olan değer aralığının üst sınırlarını temsil ederler.

## MONTAJ İŞLEMLERİ

### ⚠ UYARI

Yan kapak tam olarak yerine oturmuş değilse, kesinlikle motoru çalıştırmayın.

1. Zincir çubuğu mandal somunlarını (1) çıkarın.
2. Yan muhafazanın (2) arka kısmını sıkarak yan muhafazayı (2) çıkarın. **(Şekil 1)**
  - \* Çivili tamponun (3) montajı durumunda, çivili tamponu (3) iki vidayla üniteye monte edin. **(Şekil 2)**
3. Zincir çubuğunu (4) civatalara (5) takın; ardından, gittiği yere kadar zincir dişlisine (6) doğru itin. Zincir gerici ayar civatası çıkıntısının (7) çubuk (8) üzerindeki deliğe oturduğundan emin olun. **(Şekil 3)**

### NOT

Çubuğu hafifçe ileri-geri hareket ettirerek zincir gergi çıkıntısının (7) çubuk üzerindeki deliğe (8) doğru şekilde oturduğundan emin olun. **(Şekil 3)**

4. Zincirin (9) yönünün şekildeki gibi olduğundan emin olun ve zincir zincir dişlisi üzerine yerleştirin. **(Şekil 4)**
5. Zincir itici halkalarını, tüm parça boyunca parça oluklarına yönlendirin.
6. Yan muhafazayı (2) civataların (5) üzerine takın. Ardından, kelepçe somunlarını (1) geçici olarak sıkın. **(Şekil 1)**
7. Çubuğun ucunu kaldırın ve gerginlik ayar civatasını (10) saat yönünde çevirerek zinciri (9) sıkın. Gerginliğin uygun olup olmadığını kontrol etmek için, zinciri ortasından hafifçe kaldırın. Parça ile itici halka (11) arasında yaklaşık 0,5 – 1,0 mm boşluk olmalıdır. **(Şekil 5, 6)**

### UYARI

**DOĞRU GERGİNLİĞİN SAĞLANMASI SON DERECE ÖNEMLİDİR!**

8. Çubuk ucunu kaldırın ve kombi anahtar ile zincir çubuğu mandal somunlarını sıkıştırın. **(Şekil 6)**
9. Yeni takılan bir zincir esneyecektir; bu yüzden, birkaç kesme işleminden sonra zinciri ayarlayın ve kesme işleminin ilk yarım saatinde zincir gerginliğini dikkatle izleyin.

### NOT

İdeal performans ve dayanıklılık için zincir gerginliğini sık sık kontrol edin.

### UYARI

- Zincir aşırı derecede sıkı olduğunda, parça ve zincir daha hızlı bir şekilde hasar görecektir. Zincir fazla gevşek olduğunda ise, çubuktaki oyuktan kurtulup çıkabilir.
- Zincire dokunurken daima eldiven giyin.

### ⚠ UYARI

Kullanım sırasında testereyi her iki elinizle sıkıca tutun. Testerenin tek elle kullanılması ciddi yaralanmaya neden olabilir.

## ÇALIŞTIRMA

### Yakıt (Şekil 7)

### ⚠ UYARI

- Motorlu testere iki darbeli bir motora sahiptir. Motoru daima yağ ile karıştırılmış yakıt ile çalıştırın. Yakıt doldururken ve yakıtı kullanırken daima iyi bir havalandırma sağlayın.
- Yakıt yüksek derecede yanma özelliğine sahip sıvı içerir ve solunması veya vücuda temas etmesi ciddi yaralanmaya sebep olabilir. Yakıtlı uğraşırken daima dikkatli olun. Bina içinde yakıtlı uğraşırken, havalandırmanın iyi olmasına dikkat edin.

### Yakıt

- Daima 89 oktan kurşunsuz benzin kullanın.
- Orijinal iki zamanlı yağ veya 25:1 ile 50:1 arasında bir karışım kullanın; oran için lütfen yağ şişesine bakın veya HITACHI satıcınıza danışın.
- Orijinal yağ yoksa, hava ile soğutulmuş 2 zamanlı motor kullanımına yönelik ürettiği açıkça ifade edilmiş olan, antioksidan katkılı kaliteli bir yağ kullanın (JASO FC GRADE OIL veya ISO EGC GRADE). BİA veya TCW (2-vuruşlu su soğutmalı tip) karışımı yağ kullanmayın.

- Kesinlikle çok mevsimli yağ (10 W/30) ya da artık yağ kullanmayın.
- Daima yakıtı ve yağı ayrı ve temiz bir kapta karıştırın. Daima, kullanılacak benzin miktarının yarısını doldurarak başlayın. Daha sonra yağ miktarının tamamını ekleyin. Yakıt karışımını çalkalayın. Kalan benzin miktarını ekleyin. Depoya doldurmadan önce yakıt karışımını iyice çalkalayın.

### Yakıt doldurma

### ⚠ UYARI (Şekil 8)

- Yakıt doldurmadan önce motoru kapatın.
  - Olası bir aşırı basıncın giderilmesi için, yakıt doldurma sırasında yakıt deposunu (12) yavaşça açın.
  - Yakıt doldurduktan sonra yakıt kapağını dikkatli bir şekilde kapatın.
  - Çalıştırmadan önce, makineyi yakıt doldurma alanının en az 3 metre dışına çıkarın.
  - Gıysilere dökülen yakıtı derhal sabunlu suyla yıkayarak temizleyin.
  - Yakıtı doldurduktan sonra, herhangi bir yakıt kaçağı olup olmadığını mutlaka kontrol edin.
- Yakıtı doldurmadan önce, depo kapağı alanını dikkatlice temizleyin ve depoya herhangi bir pislik düşmediğinden emin olun. Yakıtı doldurmadan önce, kabı sallayarak yakıtı iyice karıştırın.

### Zincir yağı (Şekil 8)

Zincir yağını (13) doldurun. Daima iyi kaliteli zincir yağı kullanın. Motor çalışırken zincir yağı otomatik olarak boşalacaktır.

### NOT

Depoya yakıt (12) ya da zincir yağı (13) dökerken, makineyi kapak tarafı yukarı gelecek şekilde tutun. **(Şekil 8)**

### ZİNCİR YAĞI BESLEMESİNİ AYARLAMA

Yağlama sisteminde boşaltılan zincir yağı miktarı fabrikada maksimum olarak ayarlanmıştır. Çalışma koşuluna uygun olarak miktarı ayarlayın.

Ayarlama vidasını (14) saat yönünün tersine doğru çevirerek miktarı artım ve saat yönünde çevirerek miktarı azaltın. **(Şekil 9)** (standart ayarda, hafifçe oturduktan sonra saat yönünün tersine 1-1 1/2 devir çevirilir)

### Çalıştırma (Şekil 10-15)

### UYARI

Makineyi çalıştırmadan önce, zincir freninin aktive olduğundan ve kılavuz parçanın/zincirin hiçbir yere dokunmadığından emin olun. **(Şekil 10)**

1. Kontak anahtarını (15) ON (AÇIK) konumuna getirin. **(Şekil 11)** \*Yakıtın borudan geçerek karbüratöre gitmesi için kızdırma tüpüne (17) birkaç kez basın. **(Şekil 12)**
2. Jikle kolunu (16) kapalı konuma çekin **(Şekil 12)**. Bu, gazı otomatik olarak başlatma konumunda kilitlet.
3. Kolu iyice tuttuğunuzdan emin olarak ve geriye fırlamasını sağlayarak marş düzeneğinin kolunu hızlıca çekin. **(Şekil 13)**
4. İlk ateşleme sesini duyduğunuzda, jikleli tekrar çalışma konumuna getirin. **(Şekil 12)**
5. Marş düzeneğinin kolunu yukarıda belirtildiği şekilde tekrar hızlıca çekin. **(Şekil 13)**

### NOT

Eğer motor çalışmazsa, 2 ile 5 işlemlerini tekrarlayın.

6. Motor çalışır çalışmaz, gaz kolunu bir kez sonuna kadar çekip, hemen bırakın. **(Şek. 14)** Bu yapıldığında yarım gazla çalışma devre dışı bırakılır.

Zincir freninin serbest bırakıldığından emin olun. **(Şek.15)** Motorun, üzerine yük bindirilmeden önce yaklaşık 2-3 dakika ısınmasına izin verin.

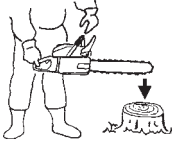
Motorun ömrünü kısaltacağı için yüksek hızda yüksüz çalıştırmayın.

### Zincir freninin kullanılması (Şekil 16)

Zincir freni (18) (eğer mevcutsa) geri tepme gibi acil durumlarda etkinleştirilmez üzere tasarlanmıştır. Lütfen, makineyi kullanmadan önce bu parçanın doğru şekilde çalışıp çalışmadığını kontrol edin. Fren uygulaması, ön emniyetin kılavuz parçaya doğru hareket ettirilmesiyle gerçekleşir. Zincir fren işlemi sırasında, kısma valfi kolu çekilmiş olsa bile motor hızı artmaz ve zincir dönmez. Freni devre dışı bırakmak için, zincir freni kolunu yukarı çekin.

**Frenin test edilmesi:**

- 1) Motoru kapatın.
- 2) Testereyi yatay şekilde tutarak elinizi ön kabzadan çekin; kılavuz parçanın ucunu bir kütüğe ya da bir ağaç parçasına çarparak frenin çalışmasını test edin. Çalıştırma seviyesi kılavuz parça boyutuna göre değişir.



Fren etkili olmazsa, makinenin muayene edilmesi ve onarılması için satıcınıza başvurun. Eğer fren devrede iken motor yüksek hızda dönyorsa, kavrama aşırı ısınacak ve sorun yaratacaktır.

Fren makine çalışırken devreye girerse, motoru durdurmak için derhal gaz kolunu serbest bırakın.

**⚠ UYARI**

Makineyi motor çalışırken taşımayın.

**Durdurma (Şekil 17)**

Motor hızını düşürün ve kontak anahtarını (15) "stop" (durma) konumuna getirin.

**⚠ UYARI****GERİ TEPEME TEHLİKESİ (Şekil 18)**

Bir motorlu testere ile çalışırken maruz kalılabilecek en ciddi tehlikelerden biri geri tepmedir. Geri tepme, kılavuz parçanın üst ucunun bir nesneye dokunması ya da ağaç ya da ahşap nesnenin testerenin etrafını sararak testereyi sıkıştırması ile oluşabilir. Bazı durumlarda kılavuz parça ucunun bu şekilde temas etmesi, yıldırım hızında bir ters reaksiyona neden olarak kılavuz parçanın yukarı ve arkaya hareket etmesine ve size doğru geri tepmesine neden olur. Zincirin kılavuz parçanın üst kısmında sıkışması, kılavuz parçanın hızla size doğru itilmesine de neden olabilir. Bu iki durumda da, kontrolünüzü kaybedebilir ve ciddi şekilde yaralanabilirsiniz. Testerenizde emniyet tertibatı bulunmakla birlikte, tamamen bunlara güvenerek hareket etmeyin. Daima kılavuz parçanın nerede olduğunu dikkat edin. Parçanın geri tepme bölgesinin (19) bir nesneye temas etmesine izin verirken geri tepme meydana gelecektir. Bu yüzden, bu alanı kullanmayın. Kılavuz parçanın etrafının ahşap materyal ile sarılması ve parçanın sıkışması sonucu da, sıkışmaya bağlı geri tepme oluşacaktır. Kestiğiniz nesneyi inceleyin ve siz kestikçe açılacağından emin olun. Motor çalışırken sağ eliniz arka kabzada, sol eliniz ön kabzada olmak üzere, baş parmağınız ve diğer parmağınızla kabzaları kavrayarak testereyi sıkıca tutmalısınız. Testereyi çalıştırırken daima iki elle tutun ve kesme işlemini yüksek motor hızında yapın.

**⚠ UYARI**

- Omuz hizasından yukarıya uzanmayın ya da bu hizanın üstündeki bir noktayı kesmeyin.
- Kestiğiniz parça düşerken çok dikkatli olun ve testereyi burun veya omuz hizasından yukarıda çalıştırmayın.

**ZİNCİR YAKALAYICI**

Zincir yakalayıcı, zincirin tam altında güç başlığının üstünde yer alır ve kopan zincirin testere kullanıcılarına çarpmasını engeller.

**⚠ UYARI**

Kesme işlemi sırasında zincir ile aynı hızda durmayın.

**AĞAÇ DEVRİME, AĞAÇ DALI KESME VE DEVRİLEN AĞACIN YERDE KESİLMESİ İLE İLGİLİ TEMEL TEKNİKLER**

Aşağıda, ağaç kesme teknikleri hakkında genel bilgiler verilmiştir.

**⚠ UYARI**

- Bu bilgiler; arazi, bitki örtüsü, ağaç türü, şekli ve boyutu gibi farklılıklar gösteren tüm özel koşulları kapsamamaktadır. Servis veren satıcınız, ormancılık dairesi ya da yerel ormancılık okulları ile görüşerek bu tür bölgeye özel ağaç kesme problemleri ile ilgili bilgi alabilir ve daha etkin ve daha güvenli bir çalışma ortamı yaratabilirsiniz.

- Yoğun sis, şiddetli yağmur ya da rüzgar ve ayaz gibi olumsuz hava koşullarında kesme işlemi yapmaktan kaçının. Olumsuz hava koşullarında çalışmak yorucu ve zeminin kayganlaşması gibi tehlike doğurabilecek koşullar yaratır. Şiddetli rüzgar ise, ağacın beklenmeyen bir yöne düşmesine ve can veya mal kayıplarına neden olabilir.

**UYARI**

Kesinlikle motorlu testereyi manivela olarak ya da amacı dışında herhangi bir şekilde kullanmayın.

**⚠ UYARI**

- Tümsekler, taşlar, ağaç dalları ve düşmüş ağaçlar gibi engellere takılmaya dikkat edin. Çevrenizdeki delik ve hendeklere dikkat edin. Bayır ve eğimli yerlerde çalışırken özellikle tedbirli olun. Testereyi bir çalışma alanından başka bir çalışma alanına taşırken kapatın. Daima açıklık bir alanda kısma valfi açık olarak çalışın. Yavaş hareket eden zincir kolayca bir engele takılarak testerenin aniden şiddetle çekilmesine neden olabilir.
- Testereyi kesinlikle tek elinizle kullanmayın. Bu şekilde testereyi tam olarak kontrol edemez, hatta testerenin kontrolünü kaybedebilir ve kendinizi ciddi şekilde yaralayabilirsiniz. Zorlanmayı azaltmak ve kontrolü artırmak için testere gövdesini vücudunuza yakın tutun. Zincirin alt kısmı ile kesim yaparken, reaktif güç testereyi sizden uzağa, kestiğiniz ağaca doğru çekecektir. Testere, besleme hızını kontrol edecek ve ağaçtan çıkan talaş size doğru yönelecektir. (Şekil 19)
- Zincirin üst kısmı ile kesim yaparken, reaktif güç testereyi size doğru, kestiğiniz ağaçtan uzağa itecektir. (Şekil 20)
- Testere ana parçanın ucu ile keseceğiniz kadar uzağa itilmiş ise, geri tepme riski vardır. En güvenli kesme yöntemi, zincirin alt kısmı ile kesim yapmaktır. Üst kısım ile kesim yaparsanız, testereyi kontrol etmeniz çok daha güç olacak ve geri tepme riski artacaktır.
- Zincirin kilitlenmesi durumunda, derhal gaz kolunu serbest bırakın. Eğer zincir kilitliyen gaz kolu yüksek hızda dönerse, kavrama aşırı ısınacak ve sorun yaratacaktır.

**NOT**

Sivri uçlu tamponu daima ağaca doğru tutun; çünkü zincir aniden ağacın çevine çekilebilir.

**AĞACIN DEVRİLMESİ**

Ağacın devrilmesi, ağacın kesilmesinden daha fazla özen gerektirir. Ağaç, kendisine ya da başka bir şeye zarar vermeyecek şekilde, istenilen yere mümkün olduğunca yakın bir alana devrilmelidir. Ağacı devirmeden önce, ağacın devrilmesi istenen yönü etkileyebilecek her türlü koşulu göz önüne almalısınız; bunlar: Ağacın açısı. Ağacın tepe şekli. Ağacın tepesinde biriken kar yükü. Rüzgar koşulları. Ağacın çevresindeki engeller (örneğin, diğer ağaçlar, elektrik telleri, yollar, binalar, vb.).

**⚠ UYARI**

- Ağacın genel durumunu incelemeyi unutmayın. Gövdedeki çürük ve bozulma, ağacın daha çabuk kırılıp beklediğinizden erken devrilmesine neden olabilir.
- Siz çalışırken kırılıp üzerinize düşebilecek kuru dallar olup olmadığını bakın. Ağacı devirirken, insanları ve hayvanları ağaç boyunun en az iki katı kadar uzakta tutun. Ağacın çevresindeki çalı ve dalları temizleyin. Kendinize düşme yönünden uzaklaşacak bir yol hazırlayın.

**AĞACIN DEVRİLMESİNDE DİKKAT EDİLECEK TEMEL KURALLAR**

Normal olarak, ağacın devrilmesi yarma ve devirme kesiminin yapılmasından, yani iki ana kesme işleminden oluşmaktadır. Üst yarma işlemini ağacın devrilme yönündeki tarafında yapın. Alt tarafı keserken çentikten bakın; böylece gövdeyi gerekenden fazla kesmemiş olursunuz. Yarıma, yeterli genişlik ve güçte bir dayanak noktası yaratacak kadar derin olmalıdır. Yanırlar açılan nokta, ağacın düşüşünü mümkün olduğunca uzun süre kontrol edebileceğiniz kadar geniş olmalıdır. Devirme kesimini ise, yarığın kenarının üstünden bir ile iki inç (3–5 cm) arasında ağacın diğer tarafından yapmalısınız. (Şekil 21)

20. Devrilme yönü
21. 45°'lik minimum yarıçap
22. Dayanak noktası
23. Devirme kesiyi

Asla gövdeyi tamamen kesmeyin. Daima bir dayanak noktası bırakın.

Dayanak noktası, ağacın yönlendirilmesini sağlayacaktır. Gövde tamamen kesilirse, düşme yönünü kontrol edemezsiniz.

Ağaç kontrol edilemez bir duruma gelip hareket etmeye başlamadan önce, kesik yere bir kama ya da bir manivela koyun. Böylece, devrilme yönü hakkında yanlış olmanız halinde, testerenin ana parçasının devrilme kesimi için sıkışmasını engellemiş olursunuz. Ağacı itmeden önce, ağacın devrilme alanında kimsenin olmadığından emin olun.

## ANA PARÇA UZUNLUĞUNUN İKİ KATINDAN DAHA BÜYÜK ÇAPLI GÖVDEDE DEVİRME KESİYİ

Geniş, büyük bir yarıçap açın. Daha sonra yarığın ortasına bir oyuk açın. Orta kesiyin her iki tarafında da bir dayanak noktası bırakmayı unutmayın. (Şekil 22)

Devirme kesiyi, Şekil 23'de görüldüğü gibi gövdenin çevresini keserek tamamlayın.

### ⚠ UYARI

Bu yöntemler, testerenin ana parçasının kullanılmasını gerektirdiğinden son derece tehlikelidir ve makinenin geri tepmesine neden olabilir.

Bu teknikler sadece eğitimli profesyoneller tarafından uygulanmalıdır.

## AĞAÇ DALI KESME

Ağaç dalı kesme işlemi, devrilen bir ağacın dallarının kesilmesi olarak tanımlanabilir.

### ⚠ UYARI

Gerilmeden kaynaklanan kazaların çoğu, ağaç dallarının kesilmesi sırasında meydana gelmektedir.

Bu işlem sırasında testerenin ana parçasının ucunu kullanmayın. Bu işlem sırasında son derece dikkatli olun ve ana parçasının ucu ile kütüklere, diğer ağaç dallarına veya başka nesnelere dokunmamaya dikkat edin. Gergin ağaç dallarına çok dikkat edin. Gergin ağaç dalları size doğru fırlayabilir ve testerenin kontrolünü kaybetmenize ve yaralanmanıza neden olabilir. (Şekil 24)

Gövdenin sol tarafında durun. Vücudunuzun dengeli şekilde durduğundan emin olun ve testereyi gövdenin üstünde tutun. Testere size yakın olmalıdır; çünkü testereyi ancak bu şekilde tamamen kontrol edebilirsiniz. Zincirden uzak durun. Sadece gövde sizinle zincir arasında iken hareket edin. Gergin dalların geri fırlamasına karşı tedbirli olun.

## KALIN DALLARIN KESİLMESİ

Kalın dalları keserken, testerenin ana parçası kolayca sıkışabilir. Gerilim altındaki dallar genellikle yukarı doğru fırlar; bu nedenle, sorun çözülebilecek dalları yavaş adımlarla kesin. Çapraz kesme işlemi için de aynı yöntemleri uygulayın. Kesme işleminden önce daima koşulları gözden geçirin ve yaptığınız işlemin olası sonuçlarına karşı tedbirli olun.

## ÇAPRAZ KESME / AĞACIN VERDE KESİLMESİ

Kütüğü kesmeye başlamadan önce, işlemi kafanızda tasarlayın. Kütük içindeki gerilime dikkat edin ve kesme işlemi sırasında testerenin ana parçasının sıkışmamasına özen gösterin.

## ÇAPRAZ KESİLEN KÜTÜKLERDE ÜST BASINÇ

Sağlam bir pozisyonda durun. Önce üst kısmı keserek başlayın. Çok derin kesmeyin; kütük çapının 1/3'ü yeterli olacaktır. En son alt kısmı keserek bitirin.

Alt ve üst kesikler birleşmelidir. (Şekil 25)

24. Basınç giderici kesik
25. Çapraz kesim
26. Üst kısımdaki basınç
27. Basınç tarafı
28. Gerilim tarafı
29. Testere kesiklerinin nispi derinliği

## TESTERE ANA PARÇASI UZUNLUĞUNDAN DAHA KALIN KÜTÜKLER

Kütüğün ters tarafını keserek başlayın. Testereyi kendinize doğru çekin ve diğer adımları takip edin. (Şekil 26)  
Kütük yerde ise, kütüğün yattığı zemini de kesmemek için kütüğü delerek kesin. En son alt kısmı keserek bitirin. (Şekil 27)

### ⚠ UYARI

#### GERİ TEPME TEHLİKESİ

Bu konuda eğitim almadıysanız, delik açarak kesim yapmaya çalışmayın. Delikli kesim, testere ana parçasının kullanılmasını gerektirir ve dolayısıyla geri tepmeye neden olabilir.

## ÇAPRAZ KESİLEN KÜTÜKLERDE ALT BASINÇ

Sağlam bir pozisyonda durun. Önce alt kısmı keserek başlayın. Kesiyin derinliği, kütük çapının yaklaşık 1/3'ü olmalıdır. Üst kesik ile işlemi bitirin. Alt ve üst kesikler birleşmelidir. (Şekil 28)

30. Basınç giderici kesik
31. Çapraz kesim
32. Alt kısımdaki basınç
33. Gerilim tarafı
34. Basınç tarafı
35. Testere kesiklerinin nispi derinliği

## TESTERE ANA PARÇASI UZUNLUĞUNDAN DAHA KALIN KÜTÜKLER

Kütüğün ters tarafını keserek başlayın. Testereyi kendinize doğru çekin ve diğer adımları takip edin. Kütük yere yakınsa, delikli bir kesik oluşturun. Üst kısmı keserek işlem bitirin. (Şekil 29)

### ⚠ UYARI

#### GERİ TEPME TEHLİKESİ

Bu konuda eğitim almadıysanız, delik açarak kesim yapmaya çalışmayın. Delikli kesim, testere ana parçasının kullanılmasını gerektirir ve dolayısıyla geri tepmeye neden olabilir. (Şekil 30)

## EĞER TESTERE SIKIŞIRSA

Motoru durdurun. Manivela olarak kalın bir dal ya da direk kullanarak, kütüğü kaldırın ya da pozisyonunu değiştirin. Testereyi kütükten çıkarmaya çalışmayın. Aksi takdirde, kabızlığı bozabilir ya da testerenin aniden serbest kalması sonucu yaralanabilirsiniz.

## BAKIM

EMİSYON KONTROL CİHAZLARININ VE SİSTEMLERİNİN BAKIMI, YENİLENMESİ VEYA ONARIMI, HERHANGİ BİR KARAYOLU HARİCİ MOTOR ONARIM KURUMU YA DA KİŞİSİ TARAFINDAN GERÇEKLEŞTİRİLEBİLİR.

## Karbüratörün ayarlanması (Şekil 31)

### ⚠ UYARI

Kavrama tamamen kapalı değilse motoru çalıştırmayın.

Aksi takdirde, kavrama gevşeyebilir ve yaralanmanıza neden olabilir.

Karbüratörde yakıt hava ile karışır. Motor fabrikada test amaçlı çalıştırılırken karbüratör ayarı yapılır. Ancak iklime ve rakıma göre daha ilave bir ayar yapılması gerekebilir. Karbüratör, bir ayarlama imkânına sahiptir:

T = Rölanti hızı ayar vidası.

## Rölanti hızı ayarı (T)

Hava filtresinin temiz olup olmadığını kontrol edin. Rölanti hızı doğru ise kesme parçası dönmeyecektir. Ayar gerekiyorsa, motor çalışırken kesme parçası dönmeye başlayınca kadar T-vidasını (saat yönünde) çevirerek sıkın. Vidayı, kesme parçası duruncaya kadar (ters saat yönünde) çevirin. Kesme parçası dönmeye başladığında, motor devir hızının altında tüm konumlarda rahatça çalışıyorsa, doğru rölanti hızına ulaştığınız demektir.

Eğer rölanti hızı ayarından sonra kesme parçası dönmeye devam ediyorsa, HITACHI satıcınızla irtibata geçin.

### ⚠ UYARI

Motor rölantideyken, kesme parçası kesinlikle dönmemelidir.

**NOT**

Kati egzoz emisyonu denetlenmesine tabi kimi bölgelerde satılan modellerden bazılarında yüksek ve düşük hız karbüratör ayarları bulunmamaktadır. Bu tür ayarlar motorun kendi emisyon uyumluluk sınırları dışında çalışmasını sağlayabilir. Bu modeller için tek karbüratör ayarı rölantri hızıdır.

Eğer bu tür ayarlamalarla ilgili yeterli bilgiye sahip değilseniz, HITACHI satıcınızdan yardım isteyin.

**Hava filtresi (Şekil 32)**

Hava filtresi (36), aşağıdaki durumlara meydan vermemek için toz ve kirden arındırılmalıdır:

- Karbüratör arızası
- Çalıştırma problemleri
- Motor gücünün düşmesi
- Motor parçalarının gereksiz yere aşınması
- Anormal yakıt tüketimi

Özellikle tozlu bir bölgede çalışıyorsanız, hava filtresini her gün ya da günde birkaç kes temizleyin.

**Hava filtresinin temizlenmesi**

Hava filtresi kılıfını (37) ve filtreyi (36) çıkarın.

İllic sabunlu suyla yıkayın. Tekrar takmadan önce filtrenin kuru olduğundan emin olun. Bir süre kullanılan hava filtresi tamamen temizlenemez. Bu nedenle, düzenli olarak yenisiyle değiştirilmelidir. Hasar gören filtre mutlaka değiştirilmelidir.

**Buji (Şekil 33)**

Buji aşağıdakiler nedeniyle zarar görebilir:

- Yanlış karbüratör ayarı
- Yanlış yakıt karışımı (benzine fazla yağ katılması)
- Kirli bir hava filtresi
- Sert çalışma koşulları (örneğin, soğuk hava)

Bu faktörler buji elektrotlarında birikintiler oluşmasına ve dolayısıyla arızaya ve çalıştırma zorluklarına neden olabilir. Motorun gücü zayıf, başlatılması zorlaşmışsa ya da rölantri zayıf bir şekilde çalışıyorsa, öncelikle bujiyi kontrol edin. Buji kirli ise temizleyin ve elektrot tırnak açıklığını kontrol edin. Gerekiyorsa tekrar ayarlayın. Doğru tırnak açıklığı ölçüsü 0,6 mm'dir. Buji 100 çalışma saatinden sonra ya da elektrotlar aşınmışsa daha erken bir zamanda yenisi ile değiştirilmelidir.

**NOT**

Bazı bölgelerdeki kanunlar, ateşlemenin kontrol edilmesi için dirençli buji kullanılmasını gerektirmektedir. Makinenizde dirençli buji varsa, eskiyen bujiyi yine aynı tipte buji ile değiştirin.

**Yağlama deliği (Şekil 34)**

Zincirin yağlama deliğini (38) gerektiği zaman temizlemeyi ihmal etmeyin.

**Testere ana parçası (Şekil 35)**

Makineyi kullanmadan önce, ana parça üzerindeki kanalı ve yağlama deliğini (39) opsiyonel bir aksesuar olarak sunulan özel alet ile temizleyin.

**Yan kapak (Şekil 36)**

Daima yan kapak ve tahrik bölgesi üzerindeki toz ve döküntüleri temizleyin. Bu bölgeye düzenli olarak yağ ya da gres sürerek, bazı açaçlarda bulunan yüksek asit seviyesinin yarattığı korozyona karşı koruyun.

**Yakıt filtresi (Şekil 37)**

Yakıt filtresini yakıt deposundan çıkararak çözücü içinde iyice yıkayın. Daha sonra, filtreyi depoya iterek iyice yerleştirin.

**NOT**

Eğer filtre toz ve kirden setleşmişse, yenisi ile değiştirin.

**Zincir yağı filtresi (Şekil 38)**

Yağ filtresini çıkarın ve çözücü içinde iyice yıkayın.

**Silindir kanatlarının temizlenmesi (Şekil 39)**

Silindir kanatlarının (40) arasına talaşların sıkışması sonucunda motor aşırı derecede ısınabilir ve verimi düşebilir. Bunu engellemek için, silindir kanatlarını ve fan kutusunu temiz tutun.

Her 100 çalışmadan sonra ya da yılda bir kez (ya da koşullara göre daha sık olmak üzere) kanatları ve motorun dış yüzeyini toz, kir ve yağlı artıklardan temizleyerek makinenin soğutma sisteminin korunmasını sağlayabilirsiniz.

Makinenin uzun süreli saklanması

Yakıt deposundaki yakıtı tamamen boşaltın. Motoru çalıştırın ve durana kadar bekleyin. Kullanımdan kaynaklanan her türlü hasarı onarın. Makineyi temiz bir bezle veya yüksek basınçlı havayla temizleyin. Buji deliğinden silindire birkaç damla iki-zamanlı motor yağı koyun ve yağın dağılması için motoru birkaç defa döndürün. Makinenin üzerini örtün ve kuru bir yerde saklayın.

**ZİNCİRİN BİLENMESİ****Kesici parçası (Şekil 40, 41)****⚠ UYARI**

- Testereyi bilerken mutlaka eldiven takılmalıdır.
- Geri tepme ve vant kopması riskini azaltmak için, ön kenarı yuvarlattığınızdan emin olun.

41. Üst plaka
42. Çalışma köşesi
43. Yan plaka
44. Boğaz
45. Alt kısım
46. Şasi
47. Perçin deliği
48. Burun
49. Derinlik kumpası
50. Üst plaka üzerindeki açıyı düzeltin (açı derecesi zincir tipine göre değişiklik gösterir)
51. Hafif "kanca" ya da çıkıntı oluşmalıdır (kesici olmayan zincir üzerinde eğrilik)
52. Derinlik kumpasının üstü, üst plakanın altında doğru yükseklikte olmalıdır
53. Derinlik kumpasının ön kısmı yuvarlatılmalıdır.

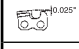

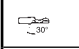
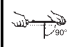
**DERİNLİK KUMPAKLARININ EĞE İLE ALÇALTILMASI**

- 1) Kesici parçalarını bir eğe ile biliyorsanız, derinliği kontrol edin ve azaltın.
- 2) Derinlik kumpaslarını her üç bileyleme işleminde bir kontrol edin.
- 3) Derinlik kumpası aletini kesme parçası üzerine yerleştirin. Derinlik kumpası çıkıntı oluşturuyorsa, aletin üst kısmı ile istenilen seviyeye kadar eğeleyin. Eğeleme işlemini daima zincirin iç kısmından dış kesme parçasına doğru yapın. (Şekil 42)
- 4) Ön köşeyi yuvarlatarak, derinlik kumpası aletini kullandıktan sonra derinlik kumpasının asil şeklini muhafaza edin. Daima, testerenizin bakım ya da kullanım kılavuzunda tavsiye edilen derinlik kumpası ayarlarını uygulayın. (Şekil 43)

**KESİCİ PARÇALARIN EĞELENMESİNE İLİŞKİN GENEL TALİMATLAR**

- Kesici parçayı (54), zincirin bir tarafından içeriden dışarıya doğru eğeleyin. Sadece ileri hareketlerle eğeleme yapın. (Şekil 44)
- 1) Tüm kesici parçaları aynı uzunluğa getirin. (Şekil 45)
  - 2) Kesici parçanın keskin kenarlarında (yan plaka (55) ve üst plaka (56)) meydana gelen yıpranmayı giderecek şekilde eğeleme yapın. (Şekil 46)

**ZİNCİRİN BİLEYLENMESİ İÇİN BİLEYLEME AÇILARI**

1. Parça Numarası	95VP
2. Hatve	0,325"
 3. Derinlik Kumpası Ayarı	0,025"
 4. Yan Plakanın Eğelenme açısı	85°
 5. Üst Plaka Açısı	30°
 6. Eğeleme Kılavuz Açısı	10°

**Bakım programı**

Aşağıda bazı temel bakım talimatları bulacaksınız. Daha fazla bilgi için, lütfen HITACHI satıcınızla irtibata geçin.

## Günlük bakım

- Makinenin dış yüzeyini temizleyin.
- Zincir yağı filtresi deliğini temizleyin.
- Ana parça üzerindeki oyuğu ve yağ filtresi deliğini temizleyin.
- Yan kapak üzerindeki talaş artıklarını temizleyin.
- Zincirin keskin olup olmadığını kontrol edin.
- Ana parça somunlarının yeterince sıkılmış olup olmadığını kontrol edin.
- Zincirin taşıma emniyetinin hasar görmediğinden ve emniyetli şekilde takılabildiğinden emin olun.
- Somunların ve vidaların yeterince sıkıldıklarından emin olun. Özellikle susturucunun civatalarını kontrol edin ve motoru çalıştırmadan önce uygun şekilde sıkıldığından emin olun. Gevşeyen civata varsa derhal sıkın. Aksi halde, ciddi tehlikeye yol açabilir.
- Çubuğun ucunu kontrol edin. Lütfen, aşındığında yenisiyle değiştirin.
- Zincir freninin bantını kontrol edin. Lütfen, aşındığında yenisiyle değiştirin.

## Haftalık bakım

- Marş motorunu, kordonu ve geri döndürme yayını kontrol edin.
- Bujinin dış kısmını temizleyin.
- Bujiyi çıkarın ve elektrot tırnak açıklığını kontrol edin. Tırnak açıklığını 0,6 mm'ye ayarlayın veya bujiyi değiştirin.
- Silindir üzerindeki soğutma kanatlarını temizleyin ve marş motoruna hava girişinin tıkalı olup olmadığını kontrol edin.
- Hava filtresini değiştirin.

## Aylık bakım

- Yakıt deposunu benzinle çalkalayın ve yakıt filtresini temizleyin.
- Zincir yağı filtresini temizleyin.
- Karbüratörün dış kısmını ve etrafını temizleyin.
- Fanı ve etrafındaki alanı temizleyin.






## NOT

En yakınınızdaki bayimize parça siparişi verirken, lütfen bu kullanım kılavuzunun 'Parça Arızaları' kısmında belirtilen Parça Numaralarını kullanın.

	ÇUBUK NO.	UZUNLUK-TİP	ZİNCİR NO.
MODEL NO. OREGON	107498	13"	95VP-56
	105191	15"	95VP-64
	104968	16"	95VP-66
	105355	18"	95VP-72

## SEMNIȚAȚIA SIMBOLURILOR

**NOTĂ:** Unele unități nu le comportă.

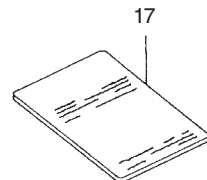
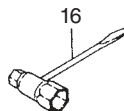
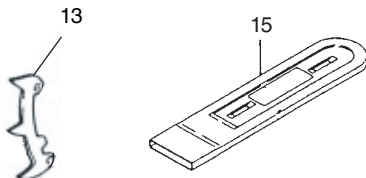
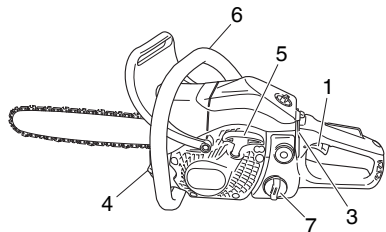
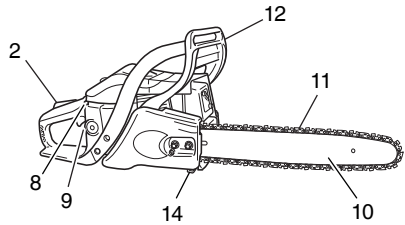
	<p><b>Simboluri</b></p> <p><b>⚠️ AVERTISMENT</b> În cele ce urmează sunt prezentate simbolurile folosite pentru mașină. Înainte de utilizare, asigurați-vă că înțelegeți semnificația acestora.</p>	
	<p>Este foarte important să citiți, să înțelegeți pe deplin și să țineți cont de următoarele măsuri de precauție și avertismente. Utilizarea neglijentă sau improprie a dispozitivului poate cauza răni grave sau fatale.</p>	<p> Avertisment, pericol de recul. Fiți atenți, se pot produce mișcări bruște și accidentale în sus și/sau spre spate a barei de ghidare.</p>
	<p>Citiți, conștientizați și urmați toate avertismentele și instrucțiunile din acest manual și de pe dispozitiv.</p>	<p> Nu este permisă folosirea cu o singură mână. În timpul tăierii, țineți pinza ferm cu ambele mâini, cu degetul mare trecut ferm peste mânerul frontal.</p>
	<p>Întotdeauna purtați articole de protecție a ochilor, capului și urechilor, atunci când folosiți dispozitivul.</p>	

### Cuprins

CE ȘI CE ESTE? .....	61
AVERTISMENTE ȘI INSTRUCȚIUNI DE SIGURANȚĂ .....	62
SPECIFICATII .....	63
PROCEDURI DE ASAMBLARE .....	64
PROCEDURI DE OPERARE .....	64
MENTENANȚĂ .....	67
Pană piese	

## CE ȘI CE ESTE?

- Trăgaci accelerator: Dispozitiv activat de degetul operatorului, pentru controlarea vitezei motorului.
- Blocare trăgaci accelerator (Trăgaci de siguranță): Dispozitiv care previne acționarea accidentală a trăgaciului de accelerare până la eliberarea manuală a acestuia.
- Comutator de igniție: Dispozitiv care permite pornirea sau oprirea motorului.
- Capac rezervor ulei: Pentru închiderea rezervorului de ulei.
- Buton de pornire recul: Trageți mânerul pentru demararea motorului.
- Mâner frontal: Mâner de susținere localizat pe partea frontală a carcasei motorului sau orientat spre aceasta.
- Capac rezervor combustibil: Pentru închiderea rezervorului de combustibil.
- Mâner control regulator: Dispozitiv de îmbogățire a amestecului combustibil/aer din carburator, pentru facilitarea demarării.
- Pompă de injecție: Dispozitiv pentru alimentarea cu carburant suplimentar, pentru asistență la pornire.
- Bară de ghidare: Piesa care susține și ghidează lanțul pînză.
- Lanțul pînză: Lanț, care servește pe post de instrument de tăiere.
- Frînă lanț (Gardă de mină, frontală): Dispozitiv de oprire și blocare a lanțului.
- Bară de protecție perforată: Dispozitiv cu rol de pivot atunci când contactează cu un arbore sau butuc.
- Agățător lanț: dispozitiv de restrângere a lanțului pînză.
- Învelitoare bară de ghidare: Accesoriu de acoperire a barei de ghidare și lanțului pînză atunci când aparatul nu este folosit.
- Set chei combinate: Instrument de înlăturare sau instalare a bujei și strângere a lanțului pînză.
- Instrucțiuni de mînuire: Livrate cu dispozitivul. Citiți înainte de operare și păstrați pentru a reveni ulterior, pentru o studiere corespunzătoare a tehnicilor de securitate.



## AVERTISMENTE ȘI INSTRUCȚIUNI DE SIGURANȚĂ

### Siguranța operatorului

- Purtați întotdeauna o mască de siguranță pentru față sau ochelari de protecție.
- La ascuțirea lanțului, se vor folosi mănuși de protecție.
- Purtați întotdeauna echipament de protecție, ca, de exemplu: jachetă, pantaloni, mănuși, cască, bocanci cu bot de metal și tălpi anti-alunecare de fiecare dată când folosiți lanțul pinză. În cazul lucrului în copaci, va trebui ca bocancii să fie cornozi pentru tehnicile de urcare. Nu purtați haine largi, bijuterii, pantaloni scurți, sandale sau nu lucrați desculț.
- Asigurați-vă că aveți părul strâns astfel încât să nu coboare mai jos de umeri.
- Nu folosiți acest dispozitiv când sînteți obosit, bolnav sau sub influența alcoolului, drogurilor sau medicamentelor.
- Nu lăsați aparatul la îndemîna copiilor sau persoanelor fără experiență.
- Purtați articole de protecție a auzului. Fiți atent la lucrurile din jur. Fiți atent la orice persoană din preajmă, care v-ar putea atenționa asupra unei probleme.
- Îndepărtați-vă echipamentul de siguranță imediat după oprirea motorului.
- Purtați articole de protecție a capului.
- Nu porniți și nu țineți în acțiune motorul în interiorul unei camere sau a unei clădiri închise.
- Inspirarea gazelor de eșapament poate provoca moartea.
- Pentru a vă proteja respirația, purtați o mască de protecție pe durata prezenței fumului de ulei și prafului rezultat în urma acțiunii pinzei.
- Asigurați-vă că mînerul nu comportă ulei sau combustibil.
- Aveți grijă să țineți mîinile departe de echipamentul de tăiere.
- Nu apucați și nu țineți dispozitivul de partea de tăiere a acestuia.
- După ce ați deconectat dispozitivul, asigurați-vă că echipamentul de tăiere s-a oprit, înainte de a depune dispozitivul.
- Atunci cînd perioada de operare se prelungește, faceți o pauză din cînd în cînd, pentru a evita Sindromul de Tremur al Mîinii-Bratului (STMB), cauzat de vibrații.
- Operatorul va respecta regulamentele locale din zona de tăiere.

### AVERTISMENT

- Sistemul de antivibrații nu reprezintă o garanție a faptului că nu veți căpăta Sindromul de Tremur al Mîinii-Bratului sau sindromul durerii carpene.
- Din acest motiv, cei care folosesc dispozitivul frecvent sau cu regularitate, trebuie să monitorizeze îndeaproape starea mîinilor și a degetelor. În cazul apariției oricărui simptom menționat mai sus, adresați-vă urgent medicului.
- Expunerea îndelungată sau continuă la zgomet puternice, poate cauza handicap permanent al aparatului auditiv. Purtați întotdeauna articole de protecție a auzului autorizate, atunci cînd folosiți un dispozitiv.
- Daă folosiți vreun dispozitiv electric/electronic medical, ca de exemplu un pacemaker, consultați-vă medicul și, de asemenea, producătorul dispozitivului înainte de a folosi orice echipament electric.

### Siguranța unității/aparatului

- Inspectați pe deplin unitatea/aparatul înainte de fiecare întrebunțare. Înlocuiți piesele afectate. Verificați dacă nu există scurgeri de combustibil și asigurați-vă că toate elementele de fixare sînt în bună ordine și strînse corespunzător.
- Înlocuiți piesele crăpate, fărîmîțate sau avariate în orice fel, înainte de a folosi unitatea/aparatul.
- Asigurați-vă că cutia laterală este atașată corespunzător.
- Stați departe de cellații, atunci cînd faceți ajustări la carburator.
- Folosiți doar accesorii recomandate de fabricant pentru această unitate/aparat.
- Nu admiteți ca lanțul să împingă obstacole. Atunci cînd lanțul s-a lovit de ceva, aparatul trebuie oprit și verificat cu atenție.
- Asigurați-vă că dispozitivul automat de alimentare cu ulei e funcțional. Mențineți rezervorul de ulei plin cu ulei curat. Nu admiteți funcționarea lanțului pe uscat.

- Toate operațiunile de service care nu sînt menționate în manualul de utilizator/proprietar, vor fi efectuate de personalul competent. (De exemplu, dacă sînt folosite instrumente improprii la înlăturarea volantului sau dacă este folosit un instrument necorespunzător pentru a fixa volantul la înlăturarea ambreiajului, volantul poate fi avariat structural, ceea ce poate conduce la explodarea volantului.)

### AVERTISMENT

- Nu modificați niciodată în niciun fel unitatea/aparatul. Nu folosiți unitatea/aparatul pentru alte operațiuni decît cele pentru care este prevăzută.
- Nu folosiți niciodată lanțul pinză fără vreun echipament de siguranță sau cu echipament de siguranță defectuos. Acest fapt poate conduce la leziuni.
- Folosirea unor alte bară/lanț de ghidare decît cele recomandate de producător, poate conduce la un risc sporit de accidentare și producere de leziuni.

### Siguranța combustibilului

- Amestecați și alimentați combustibilul afară și ferit de scînteia sau flăcări.
- Folosiți un rezervor aprobat pentru combustibil.
- Nu fumați și nu permiteți fumatul în apropiere de combustibil sau de unitate/aparat.
- Ștergeți toate picăturile de combustibil înainte de a porni motorul.
- Îndepărtați-vă la cel puțin 3 m de locul de alimentare cu combustibil înainte de a porni motorul.
- Opriti motorul înainte de a înlătura capacul rezervorului de combustibil.
- Goliți rezervorul de combustibil înainte de depozitarea unității/aparatului. Dacă este recomandată golirea de combustibil după fiecare utilizare. Dacă se lasă combustibil în rezervor, depozitați aparatul în așa fel încît combustibilul să nu curgă.
- Depozitați unitatea/aparatul și combustibilul în locuri în care vaporii de combustibil nu pot intra în contact cu scînteia sau flăcări deschise de la dispozitive de încălzire a apei, motoare electrice sau comutatoare, cuptoare, etc.

### AVERTISMENT

- Combustibilul poate lua foc sau exploda sau fi inhalat foarte ușor, din care motiv fiți foarte atenți la manevrarea sau alimentarea combustibilului.

### Siguranța tăierii

- Nu tăiați alte materiale decît lemn sau obiecte din lemn.
- Pentru protecția aparatului respirator, purtați o mască de protecție aerosol, la tăierea lemnului după aplicarea insecticidelor.
- Nu permiteți altor persoane, copiilor, animalelor să se afle în apropiere de zona de risc. Opriti imediat motorul, dacă cineva se apropie de Dumneavoastră.
- Țineți ferm unitatea/aparatul cu mîna dreaptă pe mînerul lateral și mîna stîngă pe mînerul frontal.
- Stați bine pe picioare și controlați-vă echilibrul. Nu vă întindeți.
- Țineți-vă toate părțile corpului departe de tobă și de anexa de tăiere atunci cînd funcționează motorul.
- Țineți Bara/Lanțul mai jos de nivelul taliei.
- Înainte de a doborî un copac, operatorul trebuie instruit cu privire la tehnicile de tăiere cu lanțul pinză.
- Asigurați-vă că aveți un plan de siguranță pentru ieșirea de sub copacul în cădere.
- În timpul tăierii, țineți ferm pinza cu ambele mîini, cu degetul mare trecut ferm peste mînerul frontal și stați cu picioarele bine echilibrate și cu corpul echilibrat.
- Stați de partea cu pinza în timpul tăierii – niciodată direct în spatele ei.
- Țineți întotdeauna bara de protecție perforată cu fața la copac, deoarece lanțul poate fi tras brusc spre interiorul copacului, dacă este astfel echipat.
- La finalizarea unei operațiuni de tăiere, fiți gata să controlați aparatul, astfel încît acesta să nu deriaze și să vă taie pe picioare, corp sau să se lovească de ceva.
- Fiți atenți la reculuri (cînd pinza sare în sus sau în spate spre operator). Nu tăiați niciodată cu nasul barei.
- La relocarea pe un alt loc de lucru, asigurați-vă că ați închis aparatul și asigurați-vă că toate anexele de tăiere sînt oprite.
- Nu puneți niciodată aparatul jos în timp ce funcționează.

- Asigurați-vă întotdeauna că motorul este oprit și că orice anexe de tăiere s-au oprit pe deplin înainte de a degaja rumegușul sau iarba din anexa de tăiere.
- Purtați întotdeauna o trusă de prim ajutor medical, atunci când folosiți un echipament electric.
- Nu porniți și nu folosiți niciodată motorul în interiorul unei camere închise sau clădiri și/sau în apropiere de lichide inflamabile. Inhalarea gazelor de eșapament poate ucide.

#### Siguranța mentenanței

- Mențineți unitatea/aparatul în conformitate cu procedurile recomandate.
- Deconectați bujia înainte de a derula operațiunea de mentenanță, cu excepția ajustărilor la carburator.
- Stați departe de ceilalți, atunci când faceți ajustări la carburator.
- Folosiți numai piese autentice HITACHI conform recomandărilor producătorului.

#### ATENȚIE

Nu dezasamblați butonul de pronire recul. Riscați să fiți rănit de arcul de recul.

#### ⚠ AVERTISMENT

Mentenanța improprie poate conduce la avarieri grave ale motorului sau la leziuni personale.

#### Transportul și depozitarea

- Transportați unitatea/aparatul în mână, cu motorul oprit și toba îndepărtată de corp.

- Permiteți motorului să se răcească, goliți rezervorul de combustibil și securizați unitatea/aparatul înainte de a-l depozita sau transporta într-un vehicul.
- Goliți rezervorul de combustibil înainte de depozitarea unității/aparatului. Se recomandă golirea de combustibil după fiecare utilizare. Dacă se lasă combustibil în rezervor, depozitați aparatul în așa fel încât combustibilul să nu curgă.
- Depozitați unitatea/aparatul astfel încât să nu fie la îndemâna copiilor.
- Curățați și mențineți unitatea cu grijă și depozitați-o într-un spațiu uscat.
- Asigurați-vă că comutatorul motorului este deconectat pe durata transportării sau depozitării.
- Când transportați sau depozitați, acoperiți lanțul cu teaca pentru lanț.

Dacă apar situații neprevăzute în manualul de față, conduceți-vă de bunul simț. Contactați distribuitorul HITACHI dacă aveți nevoie de asistență. Aordați o atenție deosebită pasajelor precedate de următoarele cuvinte:

#### ⚠ AVERTISMENT

Indică o posibilitate sporită de leziuni grave sau pierderea vieții, dacă nu sînt urmate instrucțiunile.

#### ATENȚIE

Indică o posibilitate sporită de leziuni grave personale sau avarieri ale echipamentului, dacă nu sînt urmate instrucțiunile.

#### NOTĂ

Informații utile pentru funcționarea și utilizarea corectă.

## SPECIFICAȚII

- Codul „CS” din denumirea modelului înseamnă „fierăstrău cu lanț”

Model	CS40EA (33PS)	CS40EA (38PS)	CS40EA (40PS)	CS40EA (45PS)
Tipul echipamentului	Fierăstrău cu lanț, portabil			
Dimensiuni motor (cm <sup>3</sup> )	39,6			
Bujie	NGK BPMR-7A			
Capacitate rezervor combustibil (cm <sup>3</sup> )	380			
Capacitate rezervor ulei lanț (cm <sup>3</sup> )	240			
Greutate uscată (kg) (Fără bară de ghidare și lanț)	4,5			
Lungime bară de ghidare (mm)	330	380	400	450
Înclinare lanț (mm)	8,26			
Gabarit lanț (mm)	1,27			
Nivel presiune sunet LpA (dB (A)) conform ISO 22868	103			
Nivel putere sunet Lw măsurătoare (dB (A)) conform ISO 22868	113			
Nivel putere sunet LwA (dB (A)) conform 2000/14/EC	114			
Nivel vibrații (m/s <sup>2</sup> ) conform ISO 22867				
Mîner frontal	2,2	2,2	2,2	2,2
Mîner lateral	3,2	3,2	3,2	3,2
Putere max. Motor conform ISO 7293 (kW)	1,8/10500			
Viteză max. motor (min <sup>-1</sup> )	13000			
Viteză motor în gol (min <sup>-1</sup> )	3000			
Consum specific de combustibil (g/kWh)	480			
Tip lanț	95VP (Oregon)			
Viteză max. lanț (m/sec)	23,1			
Roată de lanț (număr dinți)	7			

**NOTĂ:** Echivalența nivelului zgomot/niveluri vibrații se calculează ca durată total energie pentru niveluri zgomot/vibrații în diverse condiții de lucru cu următoarea distribuire temporală: 1/3 în gol, 1/3 deplin, 1/3 viteză la performanță.

\* Oricare dintre date se poate modifica fără preaviz.

Valorile de emisie sonoră cu o singură cifră declarate sunt suma valorilor măsurate și a toleranței asociate de 3 dB și reprezintă limite superioare ale intervalului de valori care va fi probabil înregistrat la măsurare.

## PROCEDURI DE ASAMBLARE

### ⚠️ AVERTISMENT

Niciodată nu încercați să porniți motorul fără ca carcasa laterală să fie bine fixată.

1. Înlăturați piulițele menghinei barei lanțului (1).
2. Înlăturați carcasa laterală (2) în timp ce strângeți marginea carcasei laterale (2). (Fig. 1)  
\* În cazul instalării barei de protecție perforate (3), instalați bara de protecție perforată (3) pe unitate cu ajutorul a două șuruburi. (Fig. 2)
3. Instalați bara lanțului (4) pe șuruburi (5), apoi împingeți-o spre roata de lanț (6) pînă la capăt. Asigurați-vă că șurubul de ajustare a tensiunii lanțului (7) se potrivește cu gaura barei (8). (Fig. 3)

### NOTĂ

Mișcați încet bara înapoi și înainte și asigurați-vă că șurubul de ajustare a tensiunii lanțului (7) se potrivește cu gaura (8) barei în mod corespunzător. (Fig. 3)

4. Asigurați-vă că direcția lanțului pînă (9) este corectă, așa ca în imagine și potriviți lanțul pe roata lanțului. (Fig. 4)
5. Ghidați veriga de montare a lanțului pe cancelura barei de jur-împrejurul barei.
6. Instalați carcasa laterală (2) pe șuruburi (5). Strângeți apoi piulițele menghinei (1) temporar. (Fig. 1)
7. Ridicați capătul barei și strângeți lanțul (9) prin rotirea șurubului de ajustare a tensiunii (10) în direcția acelor de ceasornic. Pentru a verifica dacă tensiunea este cea corespunzătoare, ridicați ușor mijlocul lanțului și ar trebui să constatați un spațiu de 0,5 – 1,0 mm între capătul barei și marginea verigei de montare (11). (Fig. 5, 6)

### ATENȚIE

TENSIUNEA CORESPUNZĂTOARE ESTE EXTREM DE IMPORTANTĂ

8. Ridicați capătul barei și strângeți ferm piulițele menghinei barei lanțului cu ajutorul cheii din setul de chei combinate. (Fig. 6)
9. Un lanț nou va fi întins, din care motiv ajustați lanțul după câteva tăieturi și urmăriți îndeaproape tensiunea lanțului pe durata primei jumătăți de oră de tăiere.

### NOTĂ

Verificați tensiunea lanțului cu regularitate pentru performanță optimă și durabilitate.

### ATENȚIE

- Când lanțul este strîns în exces, bara și lanțul se vor deteriora rapid. Pe de altă parte, atunci cînd lanțul este slăbit în exces, acesta poate sări de pe cancelura barei.
- Purtați întotdeauna mănuși atunci cînd atingeți lanțul.

### ⚠️ AVERTISMENT

Pe durata operațiunii, țineți lanțul pînă ferm, cu ambele mîini. Operarea cu o singură mînă poate conduce la leziuni grave.

## PROCEDURI DE OPERARE

### Combustibil (Fig. 7)

#### ⚠️ AVERTISMENT

- Lanțul pînă este echipat cu motor în doi timpi. Întotdeauna puneți în funcțiune motorul cu combustibil în care s-a amestecat ulei. Asigurați p bună ventilație, la alimentarea cu combustibil sau cînd manevrați cu combustibilul.
- Combustibilul este extrem de inflamabil și e posibilă producerea unor grave leziuni ca urmare a inhalării sau a vîrsării pe corp. Întotdeauna manevrați cu atenție combustibilul. Asigurați o bună ventilație întotdeauna cînd manevrați cu combustibilul în interiorul unei clădiri.

### Combustibili

- Folosiți întotdeauna benzină cu cifra octanică 89 fără plumb.
- Folosiți ulei autentic cu două cicluri sau folosiți un amestec cu raportul cuprins între 25:1 și 50:1, consultați, vă rog, sticla de ulei sau un distribuitor HITACHI pentru a verifica raportul.
- Dacă nu dispuneți de ulei autentic, folosiți un ulei de calitate cu adaos de anti-oxidant recomandat pentru folosirea la motoare

cu 2 cicluri răcite cu aer (JASO FC GRADE OIL sau ISO EGC GRADE). Nu folosiți uleiurile amestecate BIA sau TCW (tipul cu doi timpi, răcite cu apă).

- Nu folosiți niciodată ulei multi-clasă (10 W/30) sau ulei rezidual.
- Întotdeauna amestecați combustibilul și uleiul într-un container curat separat.

Începeți întotdeauna prin umplerea a jumătate din cantitatea de benzină, care urmează a fi folosită.

Adăugați apoi întreaga cantitate de ulei. Amestecați mixtura de combustibil. Adăugați cantitatea rămasă de benzină.

Amestecați temeinic mixtura de combustibil înainte de umplerea rezervorului de combustibil.

### Alimentarea cu combustibil

#### ⚠️ AVERTISMENT (Fig. 8)

- Opriți întotdeauna motorul înainte de realimentare.
- Deschideți ușor rezervorul combustibil (12), cînd alimentați cu combustibil, astfel încît să dispară eventualele supra-presurizări.
- Strîngeți cu atenție capacul rezervorului de combustibil, după alimentarea cu combustibil.
- Mutați întotdeauna aparatul la cel puțin 3 m de la zona de alimentare cu combustibil înainte de demarare.
- Întotdeauna spălați orice combustibil vărsat peste haine, imediat și folosind săpun.
- Asigurați-vă că nu există scurgeri de combustibil după realimentare.

Înainte de realimentare, curățați zona capacului rezervorului de combustibil, pentru a vă asigura că în rezervor nu pătrund impurități (gunoaie). Asigurați-vă că combustibilul este bine amestecat, prin scuturarea containerului, înainte de alimentarea cu combustibil.

#### Uleiul de lanț (Fig. 8)

Umpleți cu ulei de lanț (13). Folosiți întotdeauna ulei de lanț de bună calitate. Uleiul de lanț este eliberat automat, în timpul funcționării motorului.

### NOTĂ

La turnarea combustibilului (12) sau a uleiului de lanț (13) în rezervor, plasați aparatul cu partea cu capacul în sus. (Fig. 8)

### REGLAREA ALIMENTĂRII CU ULEI A LANȚULUI

Cantitatea de ulei care curge prin sistemul de lubrifiere este reglată din fabrică la maximum. Reglați cantitatea în funcție de condițiile de operare.

Rotiți șurubul de reglare (14) în sens antiorar pentru a crește cantitatea și în sens orar pentru a o reduce. (Fig. 9)  
(setarea standard rotește în sens antiorar cu 1-1/2 de la poziția abia așezat)

### Demarare (Fig. 10-15)

#### ATENȚIE

Înainte de demarare, asigurați-vă că frâna lanțului e cuplată și că bara/lanțul nu se atinge de nimic. (Fig. 10)

1. Setă comutatorul de igniție (15) în poziția ON. (Fig. 11)
1. Impingeți balonul de amorsare (17) de câteva ori, astfel ca combustibilul să curgă prin balon în carburator. (Fig. 12)
2. Trageți maneta starterului (16) în poziția de închidere (Fig. 12). Astfel fluturile va fi blocat în poziția de demarare.
3. Trageți iute starterul de recul, avînd grijă să țineți mînerul în strînssoarea Dumneavoastră și nepermițîndu-i să sară înapoi. (Fig. 13)
4. Atunci cînd auziți prima igniție, readuceți maneta în poziție de funcționare. (Fig. 12)
5. Trageți iute starterul de recul din nou, în același fel ca mai sus. (Fig. 13)

### NOTĂ

Dacă motorul nu demarează, repetați procedurile de la 2 la 5.

6. Imediat după demararea motorului, trageți maneta de accelerație complet o dată și eliberați imediat. (Fig. 14) Atunci semi-acelerația este decuplată.

Asigurați-vă că frâna lanțului este decuplată. (Fig. 15)

Permiteți motorului să se încălzească timp de 2-3 minute înainte de a-l supune la vreo sarcină.

Nu lăsați motorul să funcționeze la turația mare fără sarcină, pentru a scurta durata de viață a motorului.

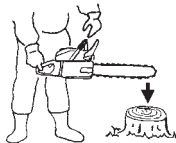
**Operațiunea frână lanț (Fig. 16)**

Frâna lanțului (18), dacă este astfel echipată, e proiectată pentru a activa în situații de urgență, ca, de exemplu, acțiunea de recul. Verificați vă rog dacă funcționează corespunzător, înainte de utilizare.

Frâna se pune în aplicare prin mișcarea apărătoarei frontale spre bară. Pe durata operației frânare lanț, chiar dacă maneta fluturului este trasă, viteza motorului nu crește, iar lanțul nu se rotește. Pentru a elibera frâna, trageți în sus maneta frinei de lanț.

**Cum să vă asigurați:**

- 1) Deconectați motorul.
- 2) Ținând lanțul pînă orizontal, eliberați-vă mâna de pe mînerul frontal, loviți vârful barei de ghidare de un buștean sau de o bucată de lemn și confirmați operațiunea de frânare. Nivelul de operare variază în funcție de dimensiunea barei.



Dacă frâna nu e eficientă, contactați distribuitorul nostru pentru inspecții și reparații. Dacă motorul continuă să se rotească cu viteză mare în timp ce frâna e activată, ambreiajul se va supraîncălzi, cauzând probleme. Atunci când frâna se activează în timpul operațiunii, eliberați imediat maneta fluturului, pentru a opri motorul.

**⚠️ AVERTISMENT**

Nu transportați aparatul cu motorul în funcțiune.

**Oprirea (Fig. 17)**

Reduceți din viteză motorului și puneți comutatorul de igniție (15) în poziția stop.

**⚠️ AVERTISMENT****PERICOL DE RECOL (Fig. 18)**

Unul dintre cele mai grave pericole, în timpul lucrului cu lanțul pînză, e posibilitatea de recul. Reculul poate surveni când vârful de sus al barei de ghidare atinge un obiect sau când lemnul se strînge și prinde lanțul pînză în tăiere. Contactul vârfului poate cauza în anumite cazuri o reacție inversă fulgerătoare, lovind bara de ghidare în sus și spre Dumneavoastră. Prinderea lanțului pînză de vârful barei de ghidare produce, de asemenea, o împingere rapidă înapoi spre Dumneavoastră a barei de ghidare. Oricare dintre aceste reacții poate conduce la pierderea controlului asupra pinzei, ceea ce poate cauza grave leziuni corporale. Chiar dacă pînza Dumneavoastră este prevăzută cu sistem de siguranță, nu trebuie să vă bazați exclusiv pe acest sistem. Observați în fiecare moment unde este vârful barei. Reculul se produce dacă permiteți permiteți zonei de recul a barei (19) să atingă un obiect. Nu folosiți acea zonă. Reculul rezultat în urma prinderii este cauzat de prinderea părții de sus a barei de ghidare. Studiați-vă tăietura și asigurați-vă că se va deschide pe măsură ce tăietura avansează. Mențineți controlul în timpul funcționării motorului, ținând întotdeauna într-o strînsoare fermă pînza cu o mână dreaptă pe mînerul lateral, mina stîngă pe mînerul frontal și degetele mari și degetele de jur-împrejurul mînerelor. Întotdeauna țineți pînza cu ambele mîini în timpul lucrului și tăiați cu o viteză mare a motorului.

**⚠️ AVERTISMENT**

- Nu vă întindeți și nu tăiați mai sus de nivelul umerilor.
- Folosiți măsuri de siguranță suplimentare la doborîre și nu folosiți pînza într-o poziție la înălțimea capului sau mai sus de nivelul umerilor.

**PRINZĂTOR DE LANȚ**

Prinzătorul de lanț este localizat pe capul de forță, imediat dedesubtul lanțului, pentru a împiedica eventualitatea lovirii utilizatorului pinzei cu un lanț rupt.

**⚠️ AVERTISMENT**

Nu stați în rînd cu lanțul în timpul tăierii.

**TEHNICI DE BAZĂ PENTRU EXECUTAREA DE DOBORÎRI, DEZMEMBRĂRI ȘI TĂIETURI DE SFĂRÎMARE**

Scopul oferirii următoarelor informații este acela de a vă oferi o introducere generală în tehnicile de tăiere a lemnului.

**⚠️ AVERTISMENT**

- Aceste informații nu acoperă toate situațiile specifice, care pot depinde de diferențele de teren, vegetație, tip de lemn, forma și dimensiunile copacilor, etc. Consultați-vă distribuitorul de servicii, agentul forestier sau școala locală forestieră pentru recomandări privind probleme specifice de tăiere a lemnului în regiunea Dumneavoastră. Astfel, veți putea lucra mai eficient și mai în siguranță.
- Evitați tăierea în condiții de vreme proastă, ca, de exemplu, pe vreme de ceață deasă, ploaie torențială, ger, vînt puternic, etc. Vremea proastă îngreunează munca și creează condiții de pericol potențial, ca, de exemplu, teren alunecos. Vîntul puternic poate cauza căderea copacului într-o direcție neașteptată, cauzând avarieri de proprietăți sau leziuni personale.

**ATENȚIE**

Nu folosiți niciodată un lanț pînză pe post de pîrghie sau pentru orice altă operațiune pentru care nu este prevăzut.

**⚠️ AVERTISMENT**

- Evitați împiedicarea de obstacole ca buștenii, rădăcinile, pietrele, crengile sau copacii căzuți. Fiiți-vă de găuri și șanțuri. Fiiți extrem de atenți atunci când lucrați pe povîrnișuri sau terenuri accidentate. Opriți pînza atunci când vă deplasați de la un loc de lucru în altul. Întotdeauna tăiați cu fluturele larg deschis. Dacă șanțul se mișcă încet, acesta se poate prinde cu ușurință și forța pînza să salte brusc.
- Nu manevrați niciodată pînza cu o singură mînă. Nu puteți controla într-un mod corespunzător aînza și riscați să pierdeți controlul și să vă provocați leziuni personale grave. Țineți corpul pinzei aproape de corpul Dumneavoastră, pentru a consolida controlul și a reduce deformatia. Atunci când tăiați cu partea de jos a lanțului, forța reactivă va trage pînza dinspre Dumneavoastră spre copacul pe care îl tăiați. Pînza va controla viteza doborîrii, iar rumegușul va fi direcționat spre Dumneavoastră. (Fig. 19)
- Atunci când tăiați cu partea de sus a lanțului, forța reactivă va împinge pînza spre Dumneavoastră și dinspre copacul pe care îl tăiați. (Fig. 20)
- Există riscul de recul, dacă pînza este împinsă atît de departe încît începeți să tăiați cu nasul barei. Metoda cea mai sigură de tăiere este tăierea cu partea de jos a lanțului. Tăierea cu partea de sus face mai dificilă controlarea pinzei și amplifică riscul de recul.
- În cazul în care lanțul se blochează, eliberați imediat maneta de accelerație. Dacă maneta de accelerație păstrează o viteză de rotație mare cu lanțul blocat, ambreiajul se va supraîncălzi și va crea probleme.

**NOTĂ**

Țineți întotdeauna bara de protecție perforată cu fața la copac, deoarece lanțul poate fi tras brusc spre interiorul copacului.

**DOBORÎREA**

Doborîrea nu înseamnă simpla tăiere și cădere a unui copac. Este foarte important să faceți în așa fel încît copacul să cadă cît mai aproape de locul stabilit, fără a avaria copacul sau orice altceva. Înainte de a doborî un copac, luați în calcul toți parametrii care ar putea influența direcția dorită, ca, de exemplu:

Unhiul copacului. Forma coroanei. Încărcătura de zăpadă a coroanei. Condițiile de vînt. Obstacolele din proximitatea copacului (d.e., alți copaci, linii de tensiune, drumuri, clădiri, etc.).

## ⚠️ AVERTISMENT

- Țineți cont întotdeauna de condițiile generale ale copacului. Identificați locurile în care copacul e putrezit sau cariat, locuri care, foarte probabil, îi vor cauza crăparea și căderea înainte de momentul în care vă așteptați să se întâmple.
- Identificați crengile uscate, care se pot rupe și vă pot lovi în timpul lucrului.

Întotdeauna țineți animalele și oamenii la o distanță de cel puțin două ori mai mare decât lungimea copacului, atunci când doborâți copacul. Curățați locul din proximitatea copacului de arbuști și crengi.

Pregătiți-vă un traseu de retragere din calea de cădere a copacului.

## REGULI DE BAZĂ PENTRU DOBORÎREA COPACILOR

În mod normal, doborîrea constă din două operații de tăiere de bază, tăiere și executarea tăieturii de doborîre. Începeți să faceți tăietura de sus pe partea laterală a copacului care privește spre direcția de cădere. Priviți prin creștătură, în timp ce executați tăietura de jos, astfel încât să nu tăiați prea adînc în trunchi. Tăietura trebuie să fie suficient de adîncă pentru a crea o articulație de o grosime și putere suficientă. Deschiderea tăieturii trebuie să fie suficient de largă pentru a direcționa căderea copacului cît de mult posibil. Executați tăietura de doborîre din partea cealaltă a copacului, cu o lățime de 3–5 cm, deasupra vârfului tăieturii. (Fig. 21)

20. Direcția de doborîre
21. 45° deschidere minimă a tăieturii
22. Articulație
23. Tăietura de doborîre

Niciodată nu tăiați complet trunchiul. Întotdeauna lăsați o articulație.

Articulația ghidează copacul. Dacă trunchiul este tăiat pe deplin, pierdeți controlul asupra direcției de tăiere.

Introduceți o pană sau o manetă de doborîre în sonda de tăiere înainte ca arborele să devină instabil și să înceapă să se miște. Acest fapt vă împiedică bara de ghidare să se îndoie în tăietura de doborîre, în cazul în care ați calculat greșit direcția de cădere. Asigurați-vă că nimeni nu a apărut în raza copacului în cădere înainte ca să-l împingeați.

## TĂIETURA DE DOBORÎRE, DIAMETRUL TRUNCHIULUI MAI MARE DECÎNT DUBLUL LUNGIMII BAREI DE GHIDARE

Executați o tăietură largă. Executați apoi o scobitură în centrul tăieturii. Întotdeauna lăsați o articulație de ambele părți ale tăieturii centrale. (Fig. 22)

Finisați tăietura de doborîre prin tăierea de jur-împrejurul trunchiului, așa ca în Fig. 23.

## ⚠️ AVERTISMENT

Aceste metode sînt extrem de periculoase deoarece ele implică folosirea nasului barei de ghidare și pot rezulta în reculuri.

Doar profesioniștii antrenatei corespunzător pot încerca aceste tehnici.

## DEZMEMBRAREA

Dezmembrarea înseamnă înlăturarea crengilor de pe un copac doborît.

## ⚠️ AVERTISMENT

Cele mai multe cazuri de accidente de recul se produc în timpul dezmembrării.

Nu folosiți nasul barei de ghidare. Fiți extrem de precaut și evitați contactul nasului barei de ghidare cu birna, alte birne sau obiecte. Fiți extrem de precaut cu birnele aflate sub presiune. Acestea se pot întoarce spre Dumneavoastră, provocînd o pierdere a controlului și rezultînd în leziuni. (Fig. 24)

Stați în partea stîngă a trunchiului. Mențineți o poziție sigură și lăsați pînza pe trunchi. Țineți pînza aproape de Dumneavoastră, astfel încît să o controlați pe deplin. Țineți-vă departe de lanț. Mișcați-vă numai cînd trunchiul e între Dumneavoastră și lanț. Fiți atenți la eventualitatea întoarcerii unei birne sub presiune.

## DEZMEMBRAREA RAMURILOR GROASE

Atunci cînd dezmembrați ramuri groase, e mare probabilitatea prinderii barei de ghidare. Ramurile sub presiune deseori se frîng, așa că tăiați ramurile cu probleme în cîteva etape. Aplicați aceeași principii ca și în cazul tăierii încruciașate. Analizați din timp și luați în calcul consecințele posibile ale tuturor acțiunilor Dumneavoastră.

## TĂIEREA ÎNCRUCIȘATĂ/SFĂRÎMARE

Înainte de a începe să tăiați birna, încercați să vă imaginați ce se va întîmpla. Fiți atenți la tensiunile din birnă și tăiați-o în așa fel încît să nu se prindă bara de ghidare.

## TĂIEREA ÎNCRUCIȘATĂ A BÎRNELOR, PRESIUNEA SUPERIOARĂ

Luată o poziție fermă. Începeți cu o tăietură superioară. Nu tăiați prea adînc, aproximativ 1/3 din diametrul trunchiului e suficient. Terminați cu o tăietură inferioară.

Tăieturile pînzei ar trebui să se întîlnească. (Fig. 25)

24. Tăietura de eliberare
25. Tăietura încruciașată
26. Presiunea superioară
27. Presiune laterală
28. Tensiune laterală
29. Adîncimea relativă a tăieturilor

## BÎRNĂ GROASĂ, MAI MARE DECÎT LUNGIMEA BAREI DE GHIDARE

Începeți prin a tăia pe partea opusă a birnei. Trageți pînza spre Dumneavoastră, conform procedurii precedente. (Fig. 26)

Dacă birna e întîsă la pămînt, executați o tăietură de sfredelire, întrucît vă evita contactul cu solul. Terminați cu o tăietură inferioară. (Fig. 27)

## ⚠️ AVERTISMENT

### PERICOLUL DE RECU

Nu încercați să executați o tăietură de sfredelire dacă nu ați beneficiat de un antrenament corespunzător. O tăietură de sfredelire implică folosirea nasului barei de ghidare și poate rezulta în recul.

## TĂIEREA ÎNCRUCIȘATĂ A BÎRNELOR, PRESIUNEA INFERIOARĂ

Luată o poziție fermă. Începeți cu o tăietură inferioară. Adîncimea tăieturii ar trebui să ajungă la circa 1/3 din diametrul birnei.

Terminați cu o tăietură superioară. Tăieturile pînzei ar trebui să se întîlnească. (Fig. 28)

30. Tăietura de eliberare
31. Tăietura încruciașată
32. Presiunea inferioară
33. Tensiune laterală
34. Presiune laterală
35. Adîncimea relativă a tăieturilor

## BÎRNĂ GROASĂ, MAI MARE DECÎT LUNGIMEA BAREI DE GHIDARE

Începeți prin a tăia pe partea opusă a birnei. Trageți pînza spre Dumneavoastră, conform procedurii precedente. Executați o tăietură de sfredelire, dacă birna este aproape de pămînt. Terminați cu o tăietură superioară. (Fig. 29)

## ⚠️ AVERTISMENT

### PERICOLUL DE RECU

Nu încercați să executați o tăietură de sfredelire dacă nu ați beneficiat de un antrenament corespunzător. O tăietură de sfredelire implică folosirea nasului barei de ghidare și poate rezulta în recul. (Fig. 30)

## ÎN CAZ DE BLOCARE A PÎNZEI

Opriți motorul. Ridicați birna sau schimbați-i poziția, folosind o ramură groasă sau prăjină pe post de pîrghie. Nu încercați să trageți pînza. Dacă veți proceda astfel, riscați să deformați minerul sau să vă răniți cu lanțul pînzei, în cazul în care pînza se eliberează brusc.

## MENTENANȚĂ

MENTENANȚA, ÎNLOCUIREA SAU REPARAREA MECANISMULUI ȘI SISTEMULUI DE CONTROL AL EMISIEI POT FI EFECTUATE DE ORICE UNITATE DE REPARAȚII MOTOARE NE-RUTIERE SAU INDIVIDUAL.

### Ajustări ale carburatorului (Fig. 31)

#### ⚠️ AVERTISMENT

Nu porniți niciodată motorul fără acoperirea completă a ambreiajului.

În caz contrar, ambreiajul se poate slăbi și cauza leziuni personale.

În carburator, combustibilul este amestecat cu aer. Când motorul este testat de probă la fabrică, carburatorul este ajustat. Pot fi necesare ajustări ulterioare, în funcție de climă și altitudine. Carburatorul are o singură posibilitate de ajustare:

T = Șurubul de ajustare a vitezei în gol.

### Ajustare viteză în gol (T)

Verificați ca filtrul de aer să fie curat. Când viteza în gol este corectă, anexa de tăiere nu se va roti. Dacă este necesară ajustarea, închideți (în direcția acelor de ceasornic) șurubul T, cu motorul pornit, pînă cînd anexa de tăiere începe să se rotească. Deschideți (contra acelor de ceasornic) șurubul pînă cînd anexa de tăiere se oprește. Ați atins viteza în gol corectă cînd motorul funcționează ușor în orice poziție cu mult sub rpm cînd anexa de tăiere începe să se rotească. Dacă anexa de tăiere continuă să se rotească în urma ajustării vitezei în gol, contactați un distribuitor HITACHI.

#### ⚠️ AVERTISMENT

Atunci cînd motorul funcționează în gol, anexa de tăiere în niciun caz nu trebuie să se rotească.

### NOTĂ

Unele modele comercializate în regiuni cu restricții stricte privind emisiile nu dețin opțiunea de ajustare a vitezei înalte și joase a carburatorului. Astfel de ajustări pot permite motorului să funcționeze în afara limitelor de conformitate privind emisiile. Pentru aceste modele, unica ajustare a carburatorului o reprezintă viteza în gol.

Dacă nu sînteți familiarizat cu acest tip de ajustare, vă rugăm să solicitați asistența distribuitorului Dumneavoastră HITACHI.

### Filtrul de aer (Fig. 32)

Filtrul de aer (36) trebuie curățat de praf și murdărie, pentru a evita:

- Proasta funcționare a carburatorului
- Probleme la demarare
- Reducerea puterii motorului
- Uzarea nenecesară a pieselor motorului
- Consumul anormal de combustibil

Curățați filtrul de aer zilnic sau chiar mai des, atunci cînd se lucrează în zone cu mult praf.

### Curățarea filtrului de aer

Înlăturați husa filtrului de aer (37) și filtrul (36).

Clătiți-le în soluție de apă caldă cu săpun. Verificați ca filtrul să fie uscat înainte de reasamblare. Un filtru de aer care a fost folosit de ceva timp nu poate fi curățat complet. Din acest motiv, acesta trebuie înlocuit cu unul nou. Un filtru avariat trebuie întotdeauna înlocuit.

### Bujia (Fig. 33)

Condiția bujiei este influențată de:

- O setare incorectă a carburatorului
- Un amestec greșit de combustibil (prea mult ulei în benzină)
- Un filtru de aer murdar
- Condiții dure de lucru (ca gerul de exemplu)

Acești factori cauzează depozitari pe electrozii bujiei, ceea ce poate conduce la o proastă funcționare și dificultăți de demarare. Dacă motorul este sub tensiune scăzută, demarează greu sau funcționează slab la viteza în gol, verificați în primul rînd bujia. Dacă bujia este murdară, curățați-o și verificați golul electrodului. Reajustați dacă e cazul. Golul corect este de 0,6 mm. Bujia trebuie înlocuită după aproximativ 100 ore de funcționare sau mai devreme, dacă electrozii sînt grav erodați.

### NOTĂ

În unele regiuni, legile locale cer ca semnalele de igniție să fie suprimate de un rezistor de bujie. Dacă mașina a fost echipată din fabrică cu rezistor de bujie, folosiți la înlocuire același tip de bujie.

### Port de alimentare ulei (Fig. 34)

Curățați portul de alimentare cu ulei al lanțului (38) de fiecare dată cînd e posibil.

### Bara de ghidare (Fig. 35)

Înainte de a folosi aparatul, curățați canelura și portul de alimentare ulei (39) din bară cu accesoriul special oferit opțional.

### Carcasa laterală (Fig. 36)

Mențineți întotdeauna carcasa laterală și spațiul de funcționare curate de praf și rumeguș. Aplicați în mod periodic ulei sau lubrifiant în această zonă, pentru a o proteja de coroziune, deoarece unii arbori dețin un nivel înalt de acid.

### Filtrul de combustibil (Fig. 37)

Înlăturați filtrul de combustibil din rezervorul de combustibil și spălați-l temeinic în soluție. După aceea, împingeți filtrul în rezervor pînă la capăt.

### NOTĂ

Dacă filtrul e dur din cauza prafului și murdăriei, înlocuiți-l.

### Filtrul uleiului de lanț (Fig. 38)

Înlăturați filtrul de ulei și spălați-l temeinic în soluție.

### Curățarea aripioarelor cilindrului (Fig. 39)

Atunci cînd între aripioarele cilindrului (40) se prind fragmente de lemn, motorul riscă să se supraîncălzească, ceea ce poate rezulta într-un randament scăzut. Pentru a evita acest lucru, mențineți întotdeauna aripioarele cilindrului și carcasa ventilatorului curate.

La fiecare 100 de ore de funcționare sau o dată pe an (sau mai des, dacă o cere situația), curățați aripioarele și suprafețele exterioare ale motorului de praf, murdărie și depunerile de ulei, care pot provoca răcirea defectuoasă.

În caz de depozitare de lungă durată

Evacuați tot combustibilul din rezervorul de combustibil. Demarați și lăsați motorul să funcționeze pînă cînd se oprește. Reparați orice defecțiune rezultată în urma utilizării. Curățați aparatul cu o cârpă curată sau cu ajutorul unui furtun cu aer sub presiune înaltă. Puneți cîteva picături de ulei pentru motor în două cicluri în cilindru prin orificiul bujiei și roțiți motorul de cîteva ori, pentru a distribui uleiul. Acoperiți aparatul și depozitați-l într-un loc uscat.

### ASCUȚIREA LANȚULUI

#### Piese tăietor (Fig. 40, 41)

#### ⚠️ AVERTISMENT

- La ascuțirea lanțului, se vor folosi mănuși de protecție.
- Asigurați-vă că ați rotunjit marginea frontală, pentru a reduce posibilitatea de recul sau ruperea curelei.

41. Placă superioară
42. Colțul de lucru
43. Placă laterală
44. Golul dintre dinți
45. Călcii
46. Șasiu
47. Orificiul nitului
48. Pivot
49. Adîncime ecartament
50. Unghi corect placă superioară (gradul unghiului depinde de tipul de lanț)
51. „Cirliș” sau punct ușor reliefat (lanț curbat sau fără daltă)
52. Virful adîncimii ecartamentului la înălțimea corectă sub placa superioară
53. Partea frontală a adîncimii ecartamentului rotunjită

### ADÎNCIREA ADÎNCIMII ECARTAMENTULUI CU O PILĂ

- 1) Dacă vă ascuțiți cuterele cu o pilă, verificați și adînciți adîncimea.
- 2) Verificați adîncimea ecartamentelor la fiecare a treia ascuțire.



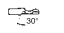

- 3) Plasați instrumentul de adâncire a ecartamentului pe cuter. Dacă adâncimea ecartamentului se proiectează, piliți-i nivelul cu partea superioară a instrumentului. Întotdeauna piliți dinspre interiorul lanțului spre partea exterioră a unui cuter. (Fig. 42)
- 4) Rotunjiți colțurile pentru a menține forma originală a adâncimii ecartamentului după utilizarea instrumentului de adâncire a adâncimii. Urmați întotdeauna setările adâncimii de ecartament recomandate în manualul de mentenanță sau de operare al pinzei Dumneavoastră. (Fig. 43)

### INSTRUCȚIUNI GENERALE DE PILIRE A CUTERELOR

Piliți (54) citerul pe o parte a lanțului dinspre interior. Piliți numai cu mișcări de înaintare. (Fig. 44)

- 5) Mențineți toate cuterele la aceeași lungime. (Fig. 45)
- 6) Piliți suficient cât să înlăturați orice pericol de avariere a marginilor cuterelor (placa laterală (55) și placa superioară (56)) a cuterului. (Fig. 46)

### ASCUȚIREA UNGHIURILOR PENTRU ASCUȚIREA LANȚULUI PÎNZĂ

1. Număr piesă	95VP
2. Pas	0,325"
 3. Setare adâncime ecartament	0,025"
 4. Unghi pilire placă laterală	85°
 5. Unghi placă superioară	30°
 6. Unghi ghidare pilă	10°

### Grafic de mentenanță

Veți găsi mai jos câteva instrucțiuni generale de mentenanță. Pentru mai multe informații, contactați vă rog un distribuitor HITACHI.

#### Mentenanța zilnică

- Curățați exteriorul aparatului.
- Curățați portul filtrului de alimentare ulei lanț.
- Curățați canelura și portul filtrului de ulei din bara de ghidare.
- Curățați carcasa laterală de praf de pinză.
- Verificați ca lanțul pinză să fie ascuțit.
- Verificați ca piulițele barei să fie strânse suficient de tare.
- Asigurați-vă că apărătoare transportatorului de lanț nu este avariată și că poate fi montată în condiții de siguranță.
- Verificați ca piulițele și șuruburile să fie strânse suficient de tare. Verificați mai ales șuruburile amortizorului de zgomot și asigurați-vă că acestea sunt corect înșurubate. În cazul în care unul dintre șuruburi este slăbit, strângeți-l imediat. În caz contrar, vă expuneți unor riscuri grave.
- Verificați virful barei. Dacă acesta este uzată, vă rugăm să o înlocuiți cu una nouă.
- Verificați banda frânei de lanț. Dacă acesta este uzată, vă rugăm să o înlocuiți cu una nouă.

#### Mentenanța săptămînală

- Verificați starterul, în special coarda li arcul de întorcere.
- Curățați exteriorul bujei.
- Înlăturați bujia și verificați golul electrodului. Ajustați-l la 0,6 mm sau înlocuiți bujia.
- Curățați ventilatoarele de răcire ale cilindrului și verificați ca orificiul de absorbție al aerului de la starter să nu fie înfundat.
- Curățați filtrul de aer.

#### Mentenanța lunară

- Clătiți rezervorul de combustibil cu benzină și curățați filtrul de combustibil.
- Curățați filtrul uleiului de lanț.
- Curățați exteriorul carburatorului și spațiul din jurul acestuia.
- Curățați ventilatorul și spațiul din jurul acestuia.





### NOTĂ

Atunci cînd dați comandă de piese la cel mai apropiat distribuitor, folosiți vă rog numărul de item conform rubricii defecte piese din prezentele instrucțiuni.

	NR. BARĂ	LUNGIME	NR. LANȚ
NR. MODEL OREGON	107498	13"	95VP-56
	105191	15"	95VP-64
	104968	16"	95VP-66
	105355	18"	95VP-72

## POMEN SIMBOLOV

**POMNI:** Simboli niso označeni na vseh enotah.

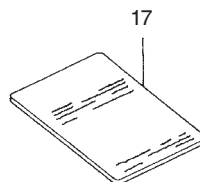
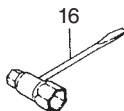
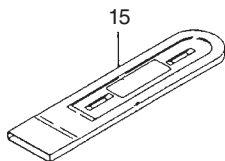
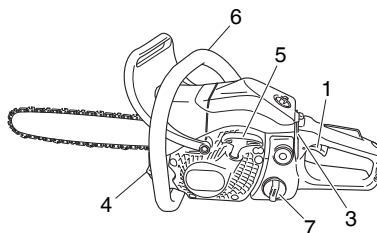
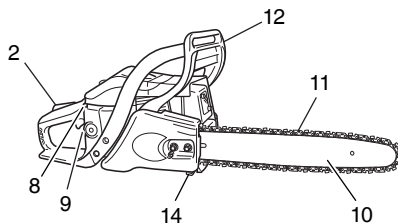
Simboli	
<p><b>⚠ OPOZORILO</b> V nadaljevanju so prikazani simboli, uporabljeni pri stroju. Pred uporabo se prepričajte, da jih razumete.</p>	
	<p>Pomembno: uporabnik mora natančno prebrati in upoštevati varnostne ukrepe in opozorila ter se posvetovati o vseh morebitnih dvomih v zvezi z varnostjo. Z nepravilno in neprevidno uporabo enote ustvarite nevarnost resnih in celo usodnih telesnih poškodb.</p>
	<p>Preberite, se posvetujte o dvomih in upoštevajte vsa opozorila in navodila v tem priročniku in na enoti.</p>
	<p>Ni dovoljeno upravljati naprave z eno roko. Med žaganjem držite žago trdno z obema rokama in tako, da s palcem trdno oklepate prednji ročaj.</p>
	<p>Pred uporabo te naprave si mora uporabnik obvezno namestiti zaščito za oči, glavo in ušesa.</p>

### Kazalo

OPIS SESTAVNIH DELOV .....	69
OPOZORILA IN VARNOSTNA NAVODILA .....	70
SPECIFIKACIJE .....	71
POSTOPEK MONTAŽE .....	71
POSTOPEK UPRAVLJANJA .....	72
VZDRŽEVANJE .....	74
Seznam delov	

## OPIS SESTAVNIH DELOV

- Sprožilec pomičnega regulatorja: Naprava, ki jo upravljačev vključi s prstom, za upravljanje hitrosti motorja.
- Blokada za sprožilec pomičnega regulatorja (varnostni sprožilec): Naprava, ki prepreči nenamerno obratovanje sprožilca pomičnega regulatorja, dokler je ročno ne odklopite.
- Stikalo za vžig: Naprava, s katero zaženete ali zaustavite motor.
- Kapa posode za olje: S kapo zaprete posodo za olje.
- Zaganjalnik: Povlecite ročko za zagon motorja.
- Prednji ročaj: Podporni ročaj, ki je nameščen na ali proti prednjemu delu motornega zakrova.
- Kapa posode za gorivo: S kapo zaprete posodo za gorivo.
- Gumb za upravljanje dušilke: Naprava za oplemenitenje mešanice gorivo/zrak v uplinjaču, in sicer za podporo zagonu.
- Polnilna črpalka: naprava za dovajanje dodatnega goriva za pomoč pri zagonu.
- Vodilo: Del, ki podpira in vodi žagino verigo.
- Žagina veriga: Veriga, ki služi kot orodje za rezanje.
- Verižna zavora (prednje varovalo za roke): Naprava za zaustavitev ali blokiranje verige.
- Igelni odbijač: Naprava, ki deluje kot tečaj, medtem ko je v stiku z drevesom ali deblom.
- Lovilnik za verigo: Naprava za zadrževanje žagine verige.
- Pokrov za vodilo: Naprava, s katero se pokrije žagin list, medtem ko naprava ni v uporabi.
- Kombinirani matični ključ: Orodje, s katerim se odstrani ali namesti svečka in vpne veriga.
- Navodila za rokovanje: Priložena enoti. Preberite pred uporabo in shranite za kasnejše sklicevanje. V navodilih so opisane pravilne in varne tehnike dela z napravo.



## OPOZORILA IN VARNOSTNA NAVODILA

### Varnost upravljavca

- Obvezna je uporaba zaščite za obraz ali očal.
- Pri brušenju verige je obvezna uporaba rokavica.
- Obvezna je uporaba varnostne zaščitne opreme, kot so jopič, hlače, rokavice, čelada, škornji z kovinskim prstnim delom in podplatom, ki ne drsi. Za delo na drevsih si je treba obuti varnostne škornje, ki so primerni za plezanje. Ni dovoljeno delati v ohlapnih oblačilih, z visečim nakitom, v kratkih hlačah, sandalih ali bos.
- Lase je treba speti nad ramena.
- Orodja ni dovoljeno uporabljati, če ste utrujeni ali pod vplivom alkohola, drug oz. zdravil.
- V nobenem primeru ni dovoljeno prepustiti dela z žago otroku ali neizkušeni osebi.
- Uporabljajte zaščito za ušesa. Upošteвайте okolico. Bodite pozorni na ljudi v bližini, ki morda signalizirajo na težavo. Odstranite zaščitno opremo, takoj potem ko ugasnete motor.
- Uporabljajte zaščito za glavo.
- V nobenem primeru ni dovoljeno zagnati ali pustiti teči motor v zaprtem prostoru ali zgradbi.
- Vdihanje izpuha pomeni smrtno nevarnost.
- Za zaščito dihal uporabljajte masko, medtem ko se sproščata meglica verižnega olja in prah od žaganja.
- Čistite ročaje, na katerih ne sme biti ostankov olja ali goriva.
- Držite roke stran od opreme za rezanje.
- Ni dovoljeno prijeti ali držati enote za opremo za rezanje.
- Potem ko izključite napravo, počakajte, da se priključek za rezanje zaustavi, preden odložite napravo.
- Ko gre za dolgotrajno delo, se občasno zaustavite in vzemite odmor, tako da preprečite morebitni sindrom tresenja roke (HAVS), ki se pojavi zaradi vibracij.
- Upravljalavec mora upoštevati lokalne predpise, ki veljajo za področje, kjer žaga.

### ⚠ OPOZORILO

- Sistemi proti vibracijam niso zadostno zagotovilo, da se ne bosta pojavila sindroma tresenja rok ali karpalnega tunela. Zato morajo upravljalci, ki dolgotrajno in redno uporabljajo enoto, sami nadzorovati stanje svojih rok in prstov. Če se pojavi kateri koli od zgornjih simptomov, takoj poiščite zdravniško pomoč.
- Dolgotrajno ali neprekinjeno izpostavljanje velikemu hrupu je lahko vzrok za nepopravljive poškodbe sluha. Med uporabo enote/stroja je obvezna uporaba odobrene zaščite za sluh.
- Če uporabljate kakršno koli medicinsko električno/elektronsko opremo, kot so spodbujevalniki za srce, se pred delom z električnim orodjem posvetujte s svojim zdravnikom in tudi z izdelovalcem opreme.

### Varnost enote/stroja

- Pred vsako uporabo preglejte enoto/stroj. Zamenjati poškodovane dele. Preglejte, če morda uhaja gorivo, in se prepričajte, da so vsa pritrdila na mestu in ustrezno pritrjena.
- Preden zaženete enoto/stroj zamenjajte dele, ki so počeni, okrušeni, odlomljeni ali kakor koli poškodovani.
- Prepričajte se, da je stranski okrov pravilno nameščen.
- Prepričajte dostop v bližino, kjer nastavljate uplinjač.
- Uporabljajte le priključke, kot jih priporoča izdelovalec za to enoto/stroj.
- V vsakem primeru preprečite udarce verige ob ovire. Če pride veriga v stik, stroj zaustavite in natančno preglejte.
- Prepričajte se, da avtomatski oljni deluje. V posodi za olje mora biti čisto olje. V nobenem primeru ne pustite teči verige na suho po vodilu.
- Vsa dela na verižni žagi, ki niso navedena v priročniku za uporabnika, lahko opravijo le strokovno usposobljeni serviserji za verižne žage. (Na primer, če z neustreznim orodjem odstranite vztrajnik ali če z neustreznim orodjem držite vztrajnik, medtem ko odstranjujete sklopko, lahko poškodujete vztrajnik, kar pomeni, da lahko slednji počí.)

### ⚠ OPOZORILO

- V nobenem primeru ni dovoljeno kakor koli spreminjati enote/stroja. Enote/stroja ni dovoljeno uporabljati za dela, za katera ni bil izdelan.
- V nobenem primeru ni dovoljeno uporabljati verige brez zaščitne opreme ali verige z okvarjeno zaščitno opremo. Nevarnost resnih telesnih poškodb.
- Če uporabite vodilo/verigo, ki ju ne priporoča izdelovalec in ki nista odobrena, ustvarite nevarnost nesreč in telesnih poškodb.

### Varnost z gorivom

- Gorivo mešajte in nalivajte na prostem, kjer ni iskrenja in odprtega ognja.
- Uporabljajte posodo, ki je odobrena za gorivo.
- Ni dovoljeno kadiati ali dovoliti drugim kadiati v bližini goriva oz. enote/stroja ali med uporabo enote/stroja.
- Preden zaženete motor, obrišite vsa razlita gorivo.
- Preden zaženete motor, se umaknite vsaj 3 m iz območja, kjer ste gorivo nalivali.
- Preden odstranite kapo za gorivo, zaustavite motor.
- Preden uskladiščite enoto/stroj, izpraznite posodo za gorivo. Če velja priporočilo, da gorivo iztočite po vsaki uporabi. Če je v posodi gorivo, shranite tako, da gorivo ne izteka.
- Shranite enoto/stroj in gorivo v območje, kjer ni nevarnosti iskrjenja in odprtega ognja iz vodnih grelnikov, električnih motorjev, stikal, peči itd.

### ⚠ OPOZORILO

Gorivo je hitro vnetljivo in eksplozivno ter škodljivo za vdihavanje, zato delajte in nalivajte gorivo izredno previdno.

### Varnost pri žaganju

- Ni dovoljeno žagati materiala, ki ni les ali izdelan iz lesa.
- Potem ko ste uporabili insekticid, si za zaščito dihal obvezno nadenite zaščitno aerosolno masko.
- Preprečite dostop tudi otrokom, živalim in drugim, v območje nevarnosti. Takoj zaustavite stroj, če se vam kdo približa.
- Držite enoto/stroj trdno z desno roko na zadnjem ročaju in z levo roko na prednjem ročaju.
- Ohranite varno in trdno stojte ter ravnotežje. Ne presegajte.
- Držite vse dele telesa stran od dušilca in priključka za rezanje, medtem ko motor teče.
- Držite vodilo/verigo v višini pod pasom.
- Preden podrete drevo, se naučite tehnik žaganja z verižno žago.
- Obvezno vnaprej načrtujte varen izhod med padanjem drevesa.
- Med žaganjem trdno držite žago z obema rokama, tako da s palcem oklepate prednji ročaj, in ohranite dobro ravnotežje in stojte.
- Med žaganjem stojte ob žagi – nikoli neposredno za žago.
- Igelni odbijač držite proti drevesu, saj lahko verigo na hitro potegne v drevo (če je del opreme).
- Potem ko zaključite rez, bodite pripravljeni na to, da boste zadržali enoto, tako da ne bo zarezala skozi in v vaše noge, stopala ali telo oz. udarile ob oviro.
- Bodite pozorni in pazite na udarec nazaj (ko žaga udari gor ali nazaj v upravljavca). V nobenem primeru ni dovoljeno žagati z vrhom vodila.
- Preden se prestavite v novo delovno območje, izključite stroj in počakajte, da se zaustavijo vsi priključki za rezanje.
- V nobenem primeru ni dovoljeno odložiti stroja na tla, medtem ko motor še teče.
- Obvezno počakajte, da se motor izključi in zaustavijo vsi priključki za rezanje, preden odstranite umazanijo ali ostanke trave s priključki.
- Pri delu z električno opremo imejte pri sebi obvezno prvo pomoč.
- V nobenem primeru ni dovoljeno zagnati motorja v zaprtem prostoru ali v stavbi in ne v bližini vnetljivih tekočin. Vdihavanje izpuha je smrtno nevarno.

### Varnost pri vzdrževanju

- Enoto/stroj vzdržujte v skladu s navodili.
- Preden se lotite vzdrževalnih del, odklopite svečko, razen če gre za nastavitve uplinjača.

- Preprečite dostop v bližino, kjer nastavljate uplinjač.
- Uporabljajte le originalne nadomestne dele HITACHI, kot jri priporoča izdelovalec.

**POZOR**

Ni dovoljeno razstaviti zaganjalnika. Nevarnost telesnih poškodb zaradi povratne vzmeti.

**⚠ OPOZORILO**

Nepravilno vzdrževanje pomeni nevarnost resnih poškodb motorja ali telesnih poškodb.

**Transportirati in skladiščiti**

- Preden enoto/stroj prenesete, zaustavite motor; med prenašanjem držite dušilca stran od telesa.
- Počakajte, da se motor ohladi, izpraznite posodo in zavarujte enoto/stroj pred skladiščenjem ali prevozom v vozilu.
- Preden uskladiščite enoto/stroj, izpraznite posodo za gorivo. Priporočamo, da po vsaki uporabi iztočite gorivo. Če je v posodi gorivo, shranite tako, da gorivo ne izteka.

- Enoto/stroj skladiščite izven dosega otrok.
- Enoto natančno očistite in opravite vzdrževalna dele ter shranite na suho.
- Pred prevozom ali skladiščenjem obvezno prestavite stikalo motorja na izklop »OFF«.
- Med prevozom ali shranjevanjem verigo pokrijte s pokrovom. V situacijah, ki niso opisane v tem priročniku, delajte previdno in razumno. Za pomoč se obrnite na prodajalca HITACHI. Posebej skrbno upoštevajte trditve, kot sledi:

**⚠ OPOZORILO**

Označuje veliko verjetnost resnih telesnih poškodb ali smrtno nevarnost, in sicer v primeru neupoštevanja navodil.

**POZOR**

Označuje verjetnost telesnih poškodb ali materialne škode, in sicer v primeru neupoštevanja navodil.

**POMNI**

Koristne informacije za pravilno delovanje in uporabo.

**SPECIFIKACIJE**

- Koda "CS" v imenu modela pomeni "Motorna verižna žaga"

Model	CS40EA (33PS)	CS40EA (38PS)	CS40EA (40PS)	CS40EA (45PS)
Vrsta opreme	Motorna verižna žaga, prenosna			
Velikost motorja (cm <sup>3</sup> )	39,6			
Svečka	NGK BPMPR-7A			
Prostornina posode za gorivo (cm <sup>3</sup> )	380			
Prostornina posode za verižno olje (cm <sup>3</sup> )	240			
Suha teža (kg) (brez vodilne letve in verige)	4,5			
Dolžina vodila (mm)	330	380	400	450
Verižna delitev (mm)	8,26			
Verižni merilnik (mm)	1,27			
Nivo zvočnega tlaka LpA (dB (A)) po ISO 22868	103			
Zvočna moč Lw izmerjeno (dB (A)) po ISO 22868	113			
Zvočna moč LwA (dB (A)) po 2000/14/ES	114			
Vibracija (m/s <sup>2</sup> ) po ISO 22867				
Ročaj spredaj	2,2	2,2	2,2	2,2
Ročaj zadaj	3,2	3,2	3,2	3,2
Maks. motorna moč po ISO 7293 (kW)	1,8/10500			
Maks. motorna hitrost (min <sup>-1</sup> )	13000			
Hitrost motorja v prostem teku (min <sup>-1</sup> )	3000			
Posebna poraba goriva (g/kWh)	480			
Tip verige	95VP (Oregon)			
Maks. hitrost verige (m/s)	23,1			
Zobec kolesa (število zob)	7			

**POMNI:** Enakovredni nivo hrupa in vibracije se izračunajo v smislu časovnega povprečja hrupa in vibracij v različnih delovnih pogojih in naslednjih časovnih razporeditvah: 1/3 prosti tek, 1/3 polna hitrost, 1/3 tekmovalna hitrost.

\* Vsi podatki so predmet sprememb brez obvestila.

Objavljene vrednosti emisije hrupa so vsota izmerjenih vrednosti in s tem povezane negotovosti 3 dB, predstavljajo pa zgornjo mejo območja vrednosti, ki se najverjetneje pojavijo pri meritvah.

**POSTOPEK MONTAŽE****⚠ OPOZORILO**

V nobenem primeru ni dovoljeno zagnati motorja, če ni varno pritrjen stranski okrov.

1. Odstranite vpenjalne matice vodila (1).
2. Odstranite stranski okrov (2) tako, da pritisnete na zadnji del stranskega okrova (2). **(SI. 1)**

\* Iglasti odbijač (3) namestite z dvema vijakoma. **(SI. 2)**

3. Namestite verižno vodilo (4) na vijake (5), nato ga pritisnite na zobec kolesa (6) do konca giba. Prepričajte se, da se pesto vijaka za napenjanje verige (7) prilega v luknjo vodila (8). **(SI. 3)**

**POMNI**

Rahlo prestavite vodilo nazaj in naprej, tako da se napetostni pesto verige (7) ušede v luknjo (8) na vodilu. **(SI. 3)**

4. Preverite smer žagine verige (9), kot je označena na sliki, ter poravnajte verigo na zobec kolesa. **(SI. 4)**
5. Napeljite verižne pogonske člene v utor okoli letve.
6. Namestite stranski okrov (2) na vijake (5).  
Nato začasno privijte vpenjalne matice (1). **(SI. 1)**

7. Dvignite končni del vodila in privijte verigo (9) tako, da zavrtite vijak za nastavitve napetosti (10) v smeri urnega kazalca. Napetost preverite tako, da narahlo dvignete verigo na sredini: rega med letvijo in robom pogonskega člena (11) mora biti ok. 0,5 – 1,0 mm. (SI. 5, 6)

## POZOR

### PRAVILNA NAPETOST JE ZELO POMEMBNA

8. Dvignite končni del vodila in privijte vpenjalne matici za verižno letev, in sicer s kombiniranim matičnim ključem. (SI. 6)
9. Nova veriga se raztegne zato jo nastavite po nekaj rezih in prve pol ure nadzorujte napetost verige.

## POMNI

Za optimalni učinek in trdnost redno preverjajte napetost.

## POZOR

- Če je veriga preveč napeta, se lahko letev in veriga hitro poškodujeta. Po drugi strani, če je veriga preveč zrahljana, lahko izstopi iz utora v letvi.
- Za rokovanje z verigo obvezno uporabljajte zaščitne rokavice.

## ⚠ OPOZORILO

Med delom trdno držite verižno žago z obema rokama. Delo z eno roko pomeni nevarnost resnih telesnih poškodb.

## POSTOPEK UPRAVLJANJA

### Gorivo (SI. 7)

## ⚠ OPOZORILO

- Verižna žaga je opremljena z dvotaktnim motorjem. Za pogon motorja obvezno uporabljajte gorivo, ki je mešano z oljem. Pri dolivanju ali delu z gorivom poskrbite za dobro zračenje.
- Gorivo vsebuje zelo vnetljive in po vsej verjetnosti zdravju škodljive snovi - nevarnost telesnih poškodb med vdihavanjem ali stikom s telesom. Obvezno delajte previdno z gorivom. Obvezno poskrbite za dobro zračenje, ko z gorivom rukujete v zaprtem prostoru.

### Gorivo

- Obvezno uporabljajte 89-oktanski neosvinčen bencin.
- Uporabljajte dvociklično olje ali mešanico 25:1 do 50:1; za razmerje glejte na plastenki za olje ali se posvetujte s prodajalcem HITACHI.
- Če originalno olje ni na voljo, uporabite antioksidativno kakovostno olje, ki je označeno za zračno hlajen dvociklični motor (JASO FC GRADE OIL ali ISO EGC GRADE). Ne uporabljajte mešanice olja BIA ali TCW (2-taktni tip na vodno hlajenje).
- V nobenem primeru ni dovoljeno uporabljati večstopenskega olja (10 W/30) ali odpadnega olja.
- Obvezno mešajte gorivo in olje v ločeni čisti posodi. Obvezno začnite tako, da najprej dolijete polovico bencina, ki ga nameravati uporabiti. Nato dolijte vso olje. Zmešajte (stresite) mešanico goriva. Dolijte preostanek bencina. Zmešajte (stresite) mešanico goriva, preden jo nalijete v posodo za gorivo.

### Nalivati gorivo

## ⚠ OPOZORILO (SI. 8)

- Preden dolijete gorivo, obvezno ugasnite motor.
- Počasi odprite posodo za gorivo (12), tako da se sprost morebiten nadtlak.
- Potem ko dolijete gorivo, previdno privijte kapo za gorivo.
- Preden enoto zaženete, jo obvezno umaknite vsaj 3 m iz območja, kjer ste nalivali gorivo.
- Obvezno takoj očistite z milom morebitno razlito gorivo z oblačil.
- Potem ko dolijete, obvezno pregledajte, če gorivo morda izteka. Preden dolijete, natančno očistite območje okoli kape za posodo, tako da preprečite vdor umazanije v posodo. Obvezno dobro zmešajte gorivo tako, da stresete posodo, preden nalijete gorivo.

### Verižno olje (SI. 8)

Dolijte verižno olje (13). Obvezno uporabljajte kakovostno verižno olje. Medtem ko motor teče, se verižno olje samodejno odlaga.

## POMNI

Med dolivanjem goriva (12) ali verižnega olja (13) v posodo, postavite enoto tako, da je stran, na kateri je kapa, gor. (SI. 8)

## NASTAVITEV DOVODA VERIŽNEGA OLJA

Kolieina verižnega olja, ki se izloei skozi mazalni sistem, je Tovarniško nastavljen na maksimum. Kolieino nastavite v skladu z delovnimi pogoji.

Obrnite nastavljalni vijak (14) v nasprotni smeri urinega kazalca, da poveate kolieino in v smeri urinega kazalca, da kolieino zmanjšate. (SI. 9)

(standardna nastavitve - obrat v nasprotni smeri urinega kazalca 1-1/2 od rahlo namešenege)

## Zagnati (SI. 10-15)

### POZOR

Pred zagonom se prepričajte, da je verižna zavora aktivirana in da vodilo/veriga ni v stiku z ničemer. (SI. 10)

1. Prestavite stikalo za vžig (15) na vklop »ON«. (SI. 11)  
\*Nekajkrat potisnite stikalni gumb (17), tako da teče gorivo skozi gumb v uplinjač. (SI. 12)
2. Povlecite ročaj za hladni zagon motorja (16) na položaj nasičenja (SI. 12). Na ta način se samodejno blokira pogonski regulator v začetni položaj.
3. Na hitro potegnite zaganjalnik in pri tem pazite, da zadržite ročaj, tako da preprečite udarec nazaj. (SI. 13)
4. Ko zaslišite prvi vžig, prestavite dušilko nazaj v položaj teka. (SI. 12)
5. Ponovno na hitro potegnite zaganjalnik, in sicer na prej omenjeni način. (SI. 13)

### POMNI

Če se motor ne zažene, ponovite navodila 2 do 5.

6. Takoj ko se motor zažene, enkrat do konca potegnite ročico za plin in jo takoj spustite. (SI. 14) Nato se sprost polovični plin. Prepričajte se, da je verižna zavora sproščena. (SI. 15)  
Motor 2 do 3 minute pustite, da se ogreje, preden ga obremenite. Motorja ne zaganjajte z visokimi hitrostmi, ko ni pod obremenitvijo, da podaljšate njegovo življenjsko dobo.

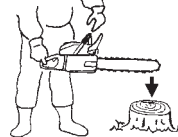
## Funkcija verižne zavora (SI. 16)

Verižna zavora (18), če je del opreme, je izdelana tako, da se vklopi v silo, na primer v primeru udarca nazaj. Prosimo, pred uporabo se prepričajte, da verižna zavora pravilno deluje.

Zavoro vključite tako, da prestavite prednje vodilo proti vodilu. Med zaviranjem verige, tudi če potegnete pogonski regulator, hitrost motorja ne narašča in veriga se ne vrti. Zavoro odklopite tako, da potegnete gor vzvod za verižno zavoro.

## Preveriti in potrditi:

- 1) Ugasnite motor.
- 2) Primate in zadržite verižno žago v vodoravnem položaju, umaknite roko s prednjega ročaja, udarite z vrhom vodila ob štor ali kos lesa, in se prepričajte, da zavora deluje. Stopnja obratovanja je odvisna od velikosti vodila.



Če zavora ne deluje, naročite servis in popravilo pri pooblaščenem prodajalcu. Če se motor še naprej vrti z veliko hitrostjo, tudi potem ko se vklopi zavora, se lahko sklopka pregreje in povzroči težave.

Če se zavora vklopi med obratovanjem, takoj spustite pogonski regulator, tako da se zaustavi motor.

## ⚠ OPOZORILO

Ni dovoljeno prenašati stroja, medtem ko motor teče.

## Zaustaviti (SI. 17)

Zmanjšajte hitrost motorja in potisnite stikalo za vžig (15) v položaj zaustavitve.

**⚠ OPOZORILO****NEVARNOST UDARCA NAZAJ (SI. 18)**

Ena največjih nevarnosti pri delu z verižno žago je nevarnost udarca nazaj. Žaga lahko udari nazaj, če vrh vodila pride v stik s predmetom ali če se les stisne in se zaqozdi žagina veriga. Stik vrha v določenih primerih lahko pomeni svetlobno hitro obratno reakcijo, udarec vodila gor in nazaj v upravljavca. Zaradi zagozde žagine verige ob vrhu vodila lahko udarilo na hitro nazaj v upravljavca. Zaradi katere koli od teh reakcij lahko izgubite nadzor nad žago, kar pomeni nevarnost telesnih poškodb. Čeprav je v žago vgrajen varovalni sistem, se ne zanašajte izključno na to. V vsakem trenutku upoštevajte, kje je vrh vodila. Žaga udari nazaj, če dovolite da del vodila za udarec nazaj (19) pride v stik s predmetom. Ne uporabljajte tega dela. Udarec nazaj zaradi zagozdenja se zgodi, če se rez zapre in stisne zgornji del vodila. Preglejte rez in se prepričajte, da se bo odpiral, medtem ko boste žagali. Ohranite nadzor, medtem ko motor teče, tako, da vsekoli trdno držite žago z desno roko na zadnjem ročaju in z levo roko na prednjem ročaju ter s palci in prsti oklepate ročaja. Obvezno držite žago z obema rokama, medtem ko delate in žagate z visoko hitrostjo motorja.

**⚠ OPOZORILO**

- Ne preseгаajte nad rameni.
- Bodite posebej previdni med podiranjem dreves in ne uporabljajte žage v višini nosa ali nad rameni.

**LOVILNIK VERIGE**

Lovilnik verige je nameščen na pogonsko glavo tik pod verigo, tako da dodatno prepreči verjetnost, da zlomljena veriga udari upravljavca verižne žage.

**⚠ OPOZORILO**

Med žaganjem ne stojte proti žagi.

**OSNOVNE TEHNIKE ZA PODIRANJE, KLESTENJE IN ŽAGANJE**

Naslednje informacije nudijo osnovna navodila za posamezne tehnike žaganja.

**⚠ OPOZORILO**

- Ne pokrivajte vseh specifičnih situacij, ki so odvisne od terena, vegetacije in vrste lesa, velikosti in oblike dreves itd. Za navodila o specifičnih težavah zvezi z žaganjem v vašem okolju se obrnite na pooblaščenega zastopnika, gozdarja ali lokalne gozdarske šole. Na ta način boste zagotovili bolj učinkovito in varno delo.
- Ne žagate v neugodnih vremenskih razmerah, kot so gosta megla, hudo deževje, bridek mraz, močan veter itd. Neugodno vreme je pogosto vzrok za oteženo delo in s tem nevarnih pogojev, kot so drseča tla. Močan veter lahko potisne drevo v neželeno smer, kar zopet pomeni nevarnost materialne škode in telesnih poškodb.

**POZOR**

V nobenem primeru ni dovoljeno uporabljati verižne žage za montiranje ali druga dela, za katera ni bila izdelana.

**⚠ OPOZORILO**

- Previdno in se ne spotikajte ob ovire, kot so štori, korenine, skale, veje in padla drevesa. Pazite na luknje in jarke. Bodite izredno previdni pri delu na pobočjih in neravnih tleh. Izključite žago, preden se predstavite v arena delovnega mesta na drugo.
- Obvezno žagate s široko odprtimi pogonskim regulatorjem. Veriga, ki se počasi premika, se lahko hitro ujame in žaga sunkovito sune.
- Ni dovoljeno upravljati žage z eno roko. Na ta način ni možno pravilno upravljati žage; lahko izgubite nadzor ter povzročite resne telesne poškodbe. Ogrodje žage držite ob telesu, in sicer za boljši nadzor in manjše naprežanje. Med žaganjem s spodnjim delom verige reaktivna sila potegne žago stran od vas v smeri obdelovanca. Žaga nadzoruje podajalno hitrost in prah začne leteti v smeri upravljavca. (SI. 19)
- Med žaganjem z zgornjim delom verige reaktivna sila potisne žago v smeri upravljavca in stran od obdelovanca. (SI. 20)

- Nevarnost udarca nazaj, če žago potisnete tako globoko, da začnete žagati z vrhom letve. Najbolj varen način je žagati s spodnjim delom verige. Z žaganjem z zgornjim delom je veliko težje nadzorovati žago in povečate tveganje udarca nazaj.
- Če se veriga zaklene, takoj spustite ročico dušilke. Če se ročica dušilke še vedno vrti pri veliki hitrosti, medtem ko je veriga zaklenjena, sklopa se bo pregrela in tako povzročila težave.

**POMNI**

Iglasti odbijač držite v smeri drevesa, ker žago lahko nenadoma povleče v drevo.

**PODIRATI**

Podiranje je več kot žaganje drevesa. Drevo je treba podreti čim bliže načrtovanemu mestu, ne da bi pri tem poškodovali drevo ali karkoli drugo.

Preden podrete drevo, natančno upoštevajte vse pogoje, ki vplivajo na želeno smer, kot so:

kot drevesa, oblika krošnje, sneg na krošnji, veter, ovire v območju drevesa (npr. druga drevesa, kablji, ceste, stavbe itd.).

**⚠ OPOZORILO**

- Obvezno upoštevajte splošno stanje drevesa. Pazite na gnitje ali nagnitost v deblu, zaradi česar se lahko deblo hitreje zlomi in začne padati, preden to pričakujete.
- Poiščite suhe veje, ki se lahko zlomijo, medtem ko delate, in vas udarijo. Obvezno zavarujte območje najmanj dveh dolžin drevesa in preprečite dostop živalim in drugim ljudem, medtem ko podirate drevo. Očistite grmičevje in veje okoli drevesa. Pripravite pot umika v nasprotni smeri podiranja.

**OSNOVNA PRAVILA ZA PODIRANJE DREVES**

Normalno podiranje vključuje dve osnovni deli žaganja: zarezanje in žaganje za podiranje. Najprej naredite zarezo zgoraj na strani drevesa v smeri podiranja. Glejte skozi rez, medtem ko zažagate spodaj, tako da ne zažagate pregloboko v deblo. Zareza mora biti dovolj globoka, da ustvari zglob, dovolj širok in močen. Odprtina zareza mora biti dovolj široka, tako da lahko čim dlje usmerja padec drevesa. Zažagate podiralni rez na drugi strani drevesa med 3–5 cm nad robom zareze. (SI. 21)

20. Smer podiranja

21. 45° min. odprtine zarez

22. Zglob

23. Podiralni rez

V nobenem primeru ne zažagate do konca skozi deblo. Vedno pustite zglob.

Zglob usmerja drevo. Če zažagate do konca skozi deblo, izgubite nadzor nad smerjo podiranja.

Vtaknite klin ali vzvod za podiranje v rez, preden drevo postane nestabilno in se začne premikati. Na ta način preprečite zagozdenje vodila v zažagan rez, če ste se uštel v smeri padca. Prepričajte se, da se nihče ne zadržuje v območju padca, preden potisnete drevo.

**PODIRALNI REZ, PREMIER HLODA VEČ KOT DVAKRATNA DOLŽINA VODILA**

Izžagate velik in širok rez. Nato zažagate vdolbino na sredino reza. Obvezno pustite zgloba na obeh straneh središčnega reza. (SI. 22) Zaključite žaganje, tako da zažagate okoli debla, kot kaže SI. 23.

**⚠ OPOZORILO**

Ti načini so izredno nevarni, ker vključujejo uporabo vrha vodila in s tem nevarnost udarca nazaj.

Tehnik se lahko loti le strokovno usposobljen delavec.

**KLESTITI VEJE**

Z oklestenjem odstranite veje z drevesa.

**⚠ OPOZORILO**

Večino nesreč zaradi udarca nazaj se zgodi med klestenjem vej.

Ni dovoljeno uporabljati vrha vodila. Bodite izredno previdni in preprečite stik debla, vej ali predmetov z vodilom. Bodite izredno pozorni na veje, ki so vpete. Takšne veje lahko potegne nazaj proti vam, zaradi česar lahko izgubite nadzor – nevarnost nesreč in telesnih poškodb. (SI. 24)

Stojte na levi strani debla. Ohranite varno stoji in odložite žago na deblo. Držite žago v svoji bližini, tako da jo lahko popolnoma nadzorujete. Držite se stran od verige. Premikajte se, ko je deblo med vam in verigo. Pozorni bodite udarce nazaj vpetih vej.

## KLESTITI DEBELE VEJE

Med klestenjem debelih vej se lahko vodilna letev enostavno stisne. Vpete veje pogosto udarijo nazaj, zato žagajte težavne veje postopno. Upošteвайте enako načelo kot za prečno žaganje. Mislite naprej in upošteвайте morebitne posledice vseh svojih ravnanj.

## POČEZNO ŽAGATI/OBREZOVATI

Preden začnete žagati skozi deblo, premislite o tem, kaj vse se lahko zgodi. Premislite o stresih v debilu in zažagajte skozi, tako da se vodilo ne stisne.

## POČEZNO ŽAGATI DEBLA, PRITISK NA VRH

Trdno se postavitev. Začnite z rezom zgoraj. Ne zažagajte pregloboko, le ok. 1/3 premera debla. Zaključite z rezom spodaj. Reza se morata srečati. (SI. 25)

24. Razbremenilni rez
25. Prečni rez
26. Pritisk na vrhu
27. Pritisk ob strani
28. Stran napetosti
29. Relativna globina rezov žage

## DEBELO DEBLO, DALJŠE OD VODILNE LETVE

Začnite žagati na drugi strani debla. Povlecite žago proti sebi, nadaljujte kot opisano prej. (SI. 26)  
Ko je deblo na tleh, zarezite vrtno, tako da preprečite rezanje v tla. Zaključite z rezom spodaj. (SI. 27)

## ⚠ OPOZORILO

### NEVARNOST UDARCA NAZAJ

Ne poskušajte vrtno žagati, če za to niste ustrezno usposobljeni. Pri vrtnem žaganju se uporablja vrh vodila in zato obstaja nevarnost udarca nazaj.

## POČEZNO ŽAGATI DEBLA, PRITISK NA DNO

Trdno se postavitev. Začnite z žaganjem na dnu. Globina reza mora biti približno 1/3 premera debla. Zaključite z rezom zgoraj. Reza se morata srečati. (SI. 28)

30. Razbremenilni rez
31. Prečni rez
32. Pritisk na dno
33. Stran napetosti
34. Pritisk ob strani
35. Relativna globina rezov žage

## DEBELO DEBLO, DALJŠE OD VODILNE LETVE

Začnite žagati na drugi strani debla. Povlecite žago proti sebi, nadaljujte kot opisano prej. Vrtno zarezite, če je hlod tik ob tleh. Zaključite z rezom zgoraj. (SI. 29)

## ⚠ OPOZORILO

### NEVARNOST UDARCA NAZAJ

Ne poskušajte vrtno žagati, če za to niste ustrezno usposobljeni. Pri vrtnem žaganju se uporablja vrh vodila in zato obstaja nevarnost udarca nazaj. (SI. 30)

## ČE SE ŽAGA ZAGOZDI

Zaustavite motor. Z debelo vejo ali drogrom dvignite hlod in ga prestavite. Ne poskušajte izvleči žage. S takšnim ravnanjem lahko poškodujete ročaj ali se poškodujete sami, potem ko se žagina veriga nenadoma sprosti.

## VZDRŽEVANJE

VZDRŽEVANJE, ZAMENJAVE ALI POPRAVILA NAPRAVE ZA NADZIRANJE EMISIJ IN SISTEMA LAHKO OPRAVIJO NA KATEREM KOLI NECESTNEM SERVISU ALI TA DELA UPRAVI STROKOVNO USPOSABLJEN SERVISER.

## Nastavitev uplinjača (SI. 31)

### ⚠ OPOZORILO

V nobenem primeru ne zaženite motorja, če ni nameščen cel pokrov sklopke.

V nasprotnem primeru se lahko sklopka odklopi in povzroči telesne poškodbe.

V uplinjaču je gorivo zmešano z zrakom. Med testnim zagonom in tekom motorja v tovarni, nastavijo tudi uplinjač. Po potrebi ga je treba dodatno nastaviti, in sicer ustrezno klimatskim in višinskim pogojem. Uplinjač ima eno nastavitveno možnost:

T = vijak za nastavitev hitrosti v prostem teku.

## Nastavitev hitrosti v prostem teku (T)

Preglejte zračni filter in se prepričajte, da je čist. Če je hitrost v prostem teku pravilna, se ne vrti rezalni priključek. Če je treba nastaviti, zaprite (v smeri urnega kazalca) T-vijak, medtem ko motor teče, dokler se priključek za rezanje ne začne vrteti. Odprite (v nasprotni smeri urnega kazalca) vijak, tako da se rezalni priključek zaustavi. Pravilno hitrost v prostem teku ste dosegli, ko začne motor teči neovirano v vseh položajih pod vrt./min in se priključek za rezanje začne vrteti.

Če se priključek za rezanje vrtil, tudi potem ko ste nastavili hitrost v prostem teku, se o tem posvetujte s prodajalcem HITACHI.

### ⚠ OPOZORILO

Medtem ko motor teče v prostem teku, se rezalni priključek ne sme vrteti.

## POMNI

Določeni modeli, ki se prodajajo v območjih, kjer veljajo strogi predpisi v zvezi z emisijo, nimajo možnosti nastavitve majhne in velike hitrosti uplinjača. S takšnimi nastavitvami motor deluje zunaj usklajenih omejitev emisij. Za te modele velja ena nastavitve uplinjača, in sicer hitrost v prostem teku.

Če ne poznate tega tipa nastavitve, se o tem posvetujte s prodajalcem HITACHI.

## Zračni filter (SI. 32)

Z zračnega filtra (36) je treba očistiti prah in umazanijo, tako da se prepriča:

- okvare uplinjača
- težave ob zagonu
- zmanjšanje moči motorja
- nepotrebno obrabo motornih delov
- nenormalno porabo goriva

Zračni filter očistite vsak dan in še bolj pogosto, ko delate v posebej prašnem delovnem okolju.

## Čistiti zračni filter

Odstranite pokrov zračnega filtra (37) in filter (36). Sperite te dele v topli milnici. Preden ponovno sestavite, se prepričajte, da je filter suh. Zračni filter, ki ga uporabljate že nekaj časa, ni možno očistiti do konca. Zato ga je treba redno menjati. Poškodovani filter je treba zamenjati.

## Svečka (SI. 33)

Na stanje svečke vpliva:

- nepravilna nastavitve uplinjača
- nepravilna mešanica goriva (preveč olja v bencinu)
- onesnažen filter
- težki pogoji dela (kot je mraz)

Ti dejavniki so vzrok za usedline na elektrodah svečke, ki pomenijo nevarnost okvare in težav pri zagonu. Če motor deluje z zmanjšano močjo, se oteženo zaganja ali slabo teče pri hitrosti v prostem teku, obvezno najprej pregledite svečko. Onesnaženo svečko očistite in pregledite režo elektrode. Po potrebi nastavite. Reža mora biti 0,6 mm. Svečko je treba zamenjati po približno 100 obratovnih urah ali prej, če so elektrode močno erodirale.

## POMNI

V določenih območjih je treba v skladu z lokalno zakonodajo namestiti rezistoro svečko, tako da se zadržijo signali vžiga. Če je stroj v originalu opremljen z rezistoro svečko, zamenjajte s svečko enake vrste.

**Vrata oljnika (Sl. 34)**

Kadar koli je možno, očistite vrata verižnega oljnika (38).

**Vodilo (Sl. 35)**

Preden uporabo stroj, očistite utor in vrata oljnika (39) v vodilu, in sicer s posebnim merilnikom, ki je del neobvezne opreme.

**Stranski okrov (Sl. 36)**

Na stranskem okrovu in v pogonskem območju ne sme biti prahu in umazanije – redno čistite. Na to območje občasno nanesite olje ali mast, tako da zaščitite pred korozijo, saj določene drevesa vsebujejo visoke ravni kisline.

**Filter za gorivo (Sl. 37)**

Odstranite filter za gorivo iz posode za gorivo in ga dobro sperite v topilu. Po tem potisnite filter v posodo do konca giba.

**POMNI**

Filter, ki je otrdel zaradi prahu in umazanije, zamenjajte.

**Filter za verižno olje (Sl. 38)**

Odstranite filter za olje in ga dobro sperite v topilu.

**Čistiti plavuti cilindra (Sl. 39)**

Če se odrezki lesa zagodijo med plavuti cilindra (40), se motor lahko začne pregrevati, kar pomeni manjšo izhodno moč. To preprečite tako, da redno čistite plavuti cilindra in okrov ventilatorja.

Vsaki 100 obratovalni ur ali enkrat na leto (bolj pogosto v težavnih pogojih dela) očistite prah, umazanijo in ostanke olja s plavuti in zunanjih površin motorja, ker zaradi takšne umazanije hlajenje ni ustrezno.

Za dolgotrajno skladiščenje

Iztočite gorivo iz posode za gorivo. Zaženite in pustite teči motor, dokler se ne zaustavi. Popravite vse poškodbe, nastale med uporabo. Očistite enoto s čisto krpo ali s stisnjenim zrakom. Nakapajte nekaj kapljic dvocikličnega motornega olja v cilindar, in sicer skozi odprtino za svečko, ter nekajkrat zavrtite motor, tako da se olje porazdeli. Pokrijte enoto in jo shranite na suho.

**BRUŠENJE VERIGE****Deli rezila za (Sl. 40, 41)****⚠ OPOZORILO**

- Pri brušenju verige je obvezna uporaba rokavic.
- Obvezno zaoblite prednji rob, tako da zmanjšate verjetnost udarca nazaj ali poškodbe povezovalnega traku.

41. Plošča zgoraj
42. Delovni kot
43. Stranska plošča
44. Klinasti zob
45. Peta
46. Šasija
47. Kovična luknja
48. Kopito
49. Merilnik globine
50. Pravilni kot na zgornji plošči (stopinje kota so odvisne od vrste verige)
51. Rahlo izobčen »kavelj« ali točka (krivina na verigi, ki ne izsekuje)
52. Vrh merilnika za globino na pravilni višini pod zgornjo ploščo
53. Sprednji del merilnika za globino zaokroženo

**SPUSTITI MERILNIK ZA GLOBINO S PILO**

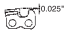

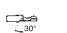

- 1) Če brusite rezila z držalom pile, preverite in zmanjšajte globino.
- 2) Preglejte merilnik za globino po vsakem tretjem brušenju.
- 3) Namestite orodje za merilnik za globino na rezilo. Če začne merilnik za globino moleti ven, ga spilite, tako da se poravnava z vrhom orodja. Obvezno pilite verigo od notri na ven, proti zunanjemu rezilu. (Sl. 42)
- 4) Zaoblite sprednji kot, tako da ohranite prvotno obliko merilnika za globino, potem ko uporabite orodje za merilnik globine. Obvezno upoštevajte priporočeno nastavev za merilnik globine iz priročnika za vzdrževanje in uporabo žage. (Sl. 43)

**SPLOŠNA NAVODILA ZA PILJENJE REZIL**

Pilite (54) rezilo na eni strani verige od notri na ven. Pilite le na udarcu naprej. (Sl. 44)

- 5) Vsa rezila morajo biti enake dolžine. (Sl. 45)
- 6) Spilite, tako da odstranite vse poškodbe rezalnih robov (stranska plošča (55) in zgornja plošča (56)) rezila. (Sl. 46)

**KOTI BRUŠENJA ZA ŽAGINO VERIGO**

1. Številka dela	95VP
2. Razmik	0,325"
 3. Nastavev merilnika za globino	0,025"
 4. Kot stranske plošče za piljenje	85°
 5. Kot zgornje plošče	30°
 6. Kot vodila za piljenje	10°

**Načrt vzdrževanja**

V nadaljevanju so splošna navodila o vzdrževanju. Za dodatne informacije se obrnite na prodajalca HITACHI.

**Dnevno vzdrževanje**

- Očistite zunanjo površino enote.
  - Očistite vrata za oljni filter za verigo.
  - Očistite utor in vrata za oljni filter v vodilni letvi.
  - Očistite stranski okrov prahu.
  - Prepričajte se, da je ostra žagina veriga.
  - Prepričajte se, da so matice letve dovolj pritive.
  - Preglejte transportno varovalo za verigo, ki ne sme biti poškodovano, tako da se lahko varno pritrdi.
  - Preglejte, če so matice in vijaki ustrezno priti.
- Posebno preglejte vijak dušilca in se pred zagonom motorja prepričajte da je pravilno zategnjen. Če je kateri koli vijak sproščen, takoj ga znova zategnite. Če to ne naredite, lahko pride do resne nevarnosti.
- Preverite vrh palice. Ko se obrabi, prosimo da ga zamenjate z novim.
  - Prosimo, preverite trak na zavori verige. Ko se obrabi, prosimo da ga zamenjate z novim.

**Tedensko vzdrževanje**

- Preglejte zaganjalnik, predvsem kabel in povratno vzmet.
- Očistite zunanjo površino svečke.
- Vzemite ven svečko in preglejte režo elektrode. Režo nastavite na 0,6 mm ali zamenjajte svečko.
- Očistite hladilna rebra na cilindru in preglejte, da ni zamašen zračni nastavek na zaganjalniku.
- Očistite zračni filter.

**Mesečno vzdrževanje**

- Posodo za gorivo sperite z bencinom in očistite filter za gorivo.
- Očistite oljni filter za verigo.
- Očistite zunanjo površino uplinjača in območje okoli uplinjača.
- Očistite ventilator in območje okoli.






**POMNI**

Za naročilo delov pri lokalnem prodajalcu uporabite št. predmeta, kot je označena v poglavju o demontaži delov v teh navodilih.

	ŠT. PALICE	VRSTA PO DOLŽINI	ŠT. VERIGE
ŠT. MODELA OREGON	107498	13"	95VP-56
	105191	15"	95VP-64
	104968	16"	95VP-66
	105355	18"	95VP-72

## ЗНАЧЕНИЕ СИМВОЛОВ ИЛИ ТАБЛИЧЕК

**ВНИМАНИЕ:** Некоторые устройства не снабжены ими.

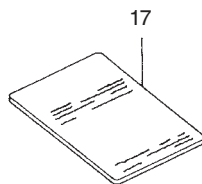
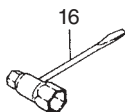
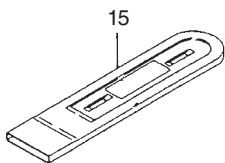
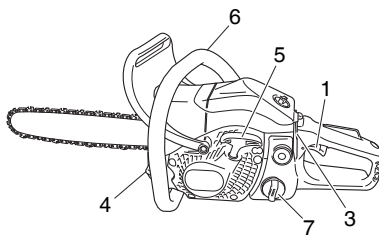
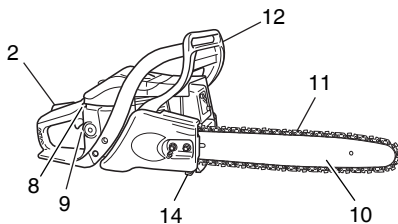
Символы	
<p><b>⚠ ПРЕДОСТЕРЕЖЕНИЕ</b> Ниже приведены символы, используемые для машины. Перед началом работы обязательно убедитесь в том, что Вы понимаете их значение.</p>	
	<p>Важно, чтобы Вы прочли, в полном объеме поняли и соблюдали следующие правила техники безопасности и предупреждения. Халатное или ненадлежащее применение аппарата может вызвать серьезные или смертельные телесные повреждения.</p>
	<p>Следует прочитать, понять и выполнять все предупреждения и инструкции, указанные в этом руководстве и на аппарате.</p>
	<p>При эксплуатации данного аппарата всегда носить средства защиты зрения, слуха, а также головной убор.</p>
	<p>Осторожно, опасность отдачи. Соблюдать осторожность при внезапном и случайном движении направляющей шины вверх или назад.</p>
	<p>Применение при удерживании одной рукой запрещается. При выполнении резки твердо держите пилу двумя руками, при этом большой палец прочно фиксируется вокруг передней рукоятки.</p>

### Содержание

ЧТО ЭТО ТАКОЕ? .....	76
ПРЕДОСТЕРЕЖЕНИЯ И ИНСТРУКЦИИ ПО ТЕХНИКЕ БЕЗОПАСНОСТИ..	77
СПЕЦИФИКАЦИИ .....	79
СБОРОЧНЫЕ ОПЕРАЦИИ .....	79
РАБОЧИЕ ОПЕРАЦИИ .....	80
ТЕХОБСЛУЖИВАНИЕ .....	82
Поломка деталей	

## ЧТО ЭТО ТАКОЕ?

1. Дроссельное пусковое устройство; Устройство приводится в действие пальцем оператора, с целью регулирования скорости двигателя.
2. Блокировка дроссельного пускового устройства (предохранительное пусковое устройство); Устройство, предотвращающее случайное срабатывание дроссельного пускового устройства, до тех пор, пока не будет выполнена ручная деблокировка.
3. Выключатель зажигания; Устройство, выполняющее пуск или остановку двигателя.
4. Крышка масляного бака; Для закрытия масляного бака.
5. Возвратный стартер; Потянуть рукоятку для пуска двигателя.
6. Передняя рукоятка; Опорная рукоятка, расположенная на передней части корпуса двигателя или по направлению к нему.
7. Крышка топливного бака; Для закрытия топливного бака.
8. Ручка управления воздушной заслонкой; Устройство для обогащения топливно-воздушной смеси в карбюраторе, с целью поддержки пуска.
9. Заливной насос; устройство для подачи дополнительного топлива для обеспечения запуска.
10. Направляющая шина; Деталь, поддерживающая и направляющая пильную цепь.
11. Пильная цепь; Цепь, служащая в качестве режущего инструмента.
12. Цепной тормоз (передний щиток для защиты руки); Устройство для остановки или блокировки цепи.
13. Шипованный буфер; Устройство, действующее как ось поворота при контакте с деревом или бревном.
14. Цепной ограничитель; Устройство для сдерживания пильной цепи.
15. Кожух направляющей шины; Устройство для покрытия направляющей шины и пильной цепи при неработающем аппарате.
16. Кольцевой гаечный ключ Сotби; Инструмент для удаления или монтажа свечи зажигания и для натяжения пильной цепи.
17. Инструкция по эксплуатации; Прилагается к аппарату. Прочтите перед эксплуатацией и хранить для последующего обращения при изучении надлежащего, безопасного применения.



## ПРЕДОСТЕРЕЖЕНИЯ И ИНСТРУКЦИИ ПО ТЕХНИКЕ БЕЗОПАСНОСТИ

### Безопасность оператора

- Всегда носить защитный щиток для лица или очки.
- При заточке следует использовать перчатки.
- Всегда носить защитную экипировку, такую как куртка, брюки, перчатки, наска, обувь со стальными носками и нескользящей подошвой, при эксплуатации цепной пилы. Для работы на деревьях следует применять защитную обувь, подходящую для техники подъёма. Не надевать широкую одежду, украшения, шорты, сандалии и не ходить босиком. Подбирать волосы так, чтобы их длина была выше плеч.
- Не управляйте этим аппаратом/машиной, если Вы устали, больны или находитесь под влиянием алкоголя, наркотиков или медикаментов.
- Не позволяйте детям или некомпетентным лицам управлять машиной.
- Носить средства защиты слуха. Следите за окружающей ситуацией. Обращайте внимание на людей, которые могут сообщать Вам о каких-то проблемах. Удаляйте защитное оборудование сразу после отключения двигателя.
- Носить средства защиты слуха.
- Не запускать и не эксплуатировать двигатель в закрытом помещении или здании. Вдыхание выхлопных газов может быть смертельным.
- Для защиты органов дыхания носите респиратор при выделении от цепи масляного тумана и пыли из древесных опилок.
- Держите рукоятки в чистом состоянии, без масла или топливной смеси.
- Не прикасайтесь к режущему оборудованию.
- Не захватывайте и не держите устройство за режущее оборудование.
- Если устройство отключено, убедитесь, что режущий аппарат остановился, прежде чем положить устройство.
- Если эксплуатация длительная, периодически устраивайте перерывы, чтобы избежать возможного синдрома белых пальцев, которых вызывает вибрация.
- Оператор должен соблюдать местные правила области, где выполняется обрезка.

### ⚠ ПРЕДОСТЕРЕЖЕНИЕ

- Антивибрационные системы не гарантируют, что Вы не будете подвержены синдрому белых пальцев или кистевому туннельному синдрому. Поэтому постоянные и регулярные пользователи должны внимательно наблюдать за состоянием своих рук и пальцев. Если появится один из упомянутых выше симптомов, следует немедленно обратиться к врачу.
- Длительное или непрерывное воздействие высокого уровня шума может вызвать перманентное снижение слуха. При эксплуатации аппарата/машины всегда носить средства защиты слуха.
- Если Вы используете какими-либо медицинскими электрическими/электронными устройствами, такими, как электронный стимулятор сердца, проконсультируйтесь с врачом, а также с изготовителем устройства, прежде, чем эксплуатировать какое-либо электрическое оборудование.

### Безопасность аппарата/машины

- Перед каждым применением проверяйте весь аппарат/машину. Заменяйте повреждённые детали. Проверяйте отсутствие утечки топлива и прочность посадки всех креплений.
- Перед применением устройства/машины замените треснувшие, сколотые или иным образом повреждённые детали.
- Проследить, чтобы боковой корпус был установлен надлежащим образом.
- При выполнении регулировки карбюратора не допускать в рабочую зону посторонних.
- Применять вспомогательное оборудование, рекомендованное для этого аппарата/машины изготовителем.

- Не позволять цепи наталкиваться на препятствия. Если цепь столкнулась с чем-то, следует отключить машину и тщательно её проверить.
- Следить за работоспособностью автоматической масленики. Заполнять масляный бак чистым маслом. Не допускать, чтобы цепь двигалась на шине в сухом состоянии.
- Все работы по техническому обслуживанию цепной пилы, не описанные в руководстве оператора/пользователя, должны производиться компетентными специалистами по сервисному обслуживанию цепных пил. (Например, если для демонтажа маховика применяются неподходящие инструменты, либо если подобные инструменты используются для удержания маховика, чтобы демонтировать муфту, на маховике могут возникнуть структурные повреждения, что затем приведёт к разрыву маховика.)

### ⚠ ПРЕДОСТЕРЕЖЕНИЕ

- Не производить на аппарате/машине никаких изменений. Не применяйте режущий аппарат/машину для других работ, кроме тех, для которых он предназначен.
- Не пользоваться пилой без защитного оборудования или с дефектным защитным оборудованием. Результатом может быть серьёзная травма.
- При применении направляющей шины/цепи, отличающейся от рекомендованной изготовителем и не санкционированной, может возникнуть высокий риск травмы или ущерба

### Безопасность при обращении с топливом

- Для топливно смешивать и наливать на открытом воздухе и там, где нет опасности возникновения искр или огня.
- Применять контейнер, пригодный для топлива.
- Не курить и не позволять другим курить поблизости от топлива или аппарата/машины, либо во время применения аппарата/машины.
- Удалить пролитое топливо, прежде чем запускать двигатель.
- Следует отойти от места заправки минимум на 3 м, прежде чем запускать двигатель.
- Отключить двигатель, прежде чем удалить крышку топливного бака.
- Опорочнить топливный бак перед отправкой аппарата/машины на хранение. Рекомендуется сливать топливо после каждого применения. Если топливо остаётся в баке, необходимо проследить, чтобы бак не протекал.
- Хранить аппарат/машину и топливо в месте, где топливные пары не могут достигнуть искр или огня из водонагревателей, электрических двигателей или выключателей, печей и т.п.

### ⚠ ПРЕДОСТЕРЕЖЕНИЕ

Топливо легко воспламеняется или взрывается, а также выделяет пары, поэтому будьте особенно внимательны при обращении с топливом.

### Безопасность при резке

- Не отрезать другой материал, кроме дерева и деревянных объектов.
- Для защиты дыхания носите защитную маску от аэрозольных частиц, если обрезка дерева производится после применения инсектицида.
- Не пускать детей, животных, наблюдающих лиц и помощников в опасную зону, немедленно отключайте двигатель, если к Вам кто-то приближается.
- Крепко держите аппарат/машину правой рукой за заднюю рукоятку и левой рукой за переднюю рукоятку.
- Сохраняйте устойчивое положение и равновесие. Не тянитесь.
- При работающем двигателе держите все части тела на расстоянии от глушителя и режущего аппарата.
- Держать шину/цепь ниже уровня пояса.
- Перед срубанием дерева оператор должен быть обучен технике распиливания посредством цепной пилы.
- Следует заранее продумать безопасный выход из зоны срубаемого дерева.
- При резке следует крепко держать пилу обеими руками, при этом большой палец прочно фиксируется вокруг передней рукоятки, также необходимо твердо стоять на ногах и сохранять равновесие.

- При выполнении резки следует стоять сбоку от пилы, не стоять непосредственно позади неё.
- Всегда держать лицевую поверхность шипованного буфера направленной к дереву, поскольку цепь может быть внезапно втянута в дерево. (Если амортизатор предусмотрен)
- При завершении резки следует быть наготове, чтобы удерживать аппарат, когда он выходит в свободное пространство, чтобы он не двигался дальше и не отрезал Ваши ноги, тело или не наткнулся на препятствие.
- Будьте бдительны на случай возникновения отдачи (когда пила поднимается и отдаёт назад на оператора). Не резать носовой частью шины.
- При переходе на новый рабочий участок следует отключить двигатель и проследить, чтобы все режущие аппараты прекратили движение.
- Не кладите устройство на землю, если оно продолжает работать.
- Всегда необходимо отключить двигатель и дождаться полной остановки режущего инструмента, прежде, чем удалять обрезки или траву из режущего аппарата.
- При эксплуатации любого электрического оборудования необходимо всегда иметь при себе аптечку для оказания первой помощи.
- Не запускайте и не эксплуатируйте двигатель в закрытом помещении или здании и/или рядом с воспламеняющимися жидкостями. Вдыхание выхлопных газов может быть смертельным.

## **Безопасность при техобслуживании**

- Выполняйте техобслуживание аппарата/машины в соответствии с рекомендованными процедурами.
- Отсоедините свечу зажигания, прежде чем производить техобслуживание, за исключением работ по регулировке карбюратора.
- При выполнении регулировки карбюратора не допускать в рабочую зону посторонних.
- Для замены используйте только оригинальные запчасти HITCHHI, рекомендованные изготовителем.

## **ОСТОРОЖНО**

Не разбирать возвратный стартер. Существует вероятность получения травмы из-за возвратной пружины.

## **⚠ ПРЕДОСТЕРЕЖЕНИЕ**

Ненадлежащее техобслуживание может повлечь за собой серьёзное повреждение двигателя или травмы.

## **Транспортировка и хранение**

- Переносить аппарат/машину вручную при отключенном двигателе и при отведённом в сторону от тела глушителе.
- Охладить двигатель, опорожнить топливный бак и заблокировать аппарат/машину, прежде чем отправлять на хранение или перевозить на транспорте.
- Опорожнить топливный бак перед отправкой аппарата/машины на хранение. Рекомендуется сливать топливо после каждого применения. Если топливо остаётся в баке, необходимо проследить, чтобы бак не протекал.
- Хранить агрегат/машину в недоступном для детей месте.
- Аппарат тщательно очистить и хранить в сухом месте.
- При транспортировке или хранении убедитесь, что включатель двигателя отключён.
- При транспортировке или хранении, закройте цепь кожухом. При возникновении ситуаций, не описанных в данном руководстве, надлежит соблюдать осторожность и действовать в соответствии со здравым смыслом. Обратитесь к дилеру фирмы HITCHHI, если Вам нужна консультация. Обратитесь особое внимание на указания, сопровождающиеся следующими словами:

## **⚠ ПРЕДОСТЕРЕЖЕНИЕ**

Указывает на высокую вероятность причинения телесного вреда или на смертельную опасность, если инструкции не соблюдаются.

## **ОСТОРОЖНО**

Указывает на вероятность причинения телесного вреда или повреждения оборудования, если инструкции не соблюдаются.

## **ВНИМАНИЕ**

Полезная информация для правильного функционирования и применения.

## СПЕЦИФИКАЦИИ

○ Код "CS" в наименовании модели означает "Chain saw" (Цепная пила)

Модель	CS40EA (33PS)	CS40EA (38PS)	CS40EA (40PS)	CS40EA (45PS)
Тип оборудования	Бензопила, портативная			
Объём двигателя (см³)	39,6			
Свеча зажигания	NGK BPMR-7A			
Ёмкость топливного бака (см³)	380			
Ёмкость бака масла для цепи (см³)	240			
Сухая масса (кг) (Без направляющей шины и цепи)	4,5			
Длина направляющей шины (мм)	330	380	400	450
Шаг цепи (мм)	8,26			
Шаблон цепи (мм)	1,27			
Уровень давления звука LpA (дБ(A)) по ISO 22868	103			
Уровень мощности звука Lw измерен (дБ(A)) по ISO 22868	113			
Уровень мощности звука LwA (дБ(A)) по 2000/14/EC	114			
Уровень вибрации (м/с²) по ISO 22867				
Передняя рукоятка	2,2	2,2	2,2	2,2
Задняя рукоятка	3,2	3,2	3,2	3,2
Макс. мощность двигателя по ISO 7293 (кВт)	1,8/10500			
Макс. скорость двигателя (мин⁻¹)	13000			
Холостой ход скорость двигателя (мин⁻¹)	3000			
Удельный расход топлива (г/кВт*ч)	480			
Тип цепи	95VP (Oregon)			
Макс. скорость цепи (м/сек)	23,1			
Звёздочка (количество зубьев)	7			

**ВНИМАНИЕ:** Эквивалентные уровни шума/вибрации вычисляются в качестве взвешенной по времени энергии, общей для уровней шума/вибрации при различных рабочих условиях, при следующем распределении по времени: 1/3 холостой ход, 1/3 полная, 1/3 разгонная скорость.  
\* Все данные подлежат изменению без уведомления.  
Приводимые значения уровня шума являются суммой измеренных значений с общей погрешностью 3 дБ и представляют собой верхние границы диапазона значений, которые могут быть получены при измерениях.

## СБОРОЧНЫЕ ОПЕРАЦИИ

### ⚠ ПРЕДОСТЕРЕЖЕНИЕ

Не пытайтесь запустить двигатель без надлежащего крепления бокового корпуса.

1. Демонтировать зажимные гайки цепной шины (1).
2. Удалить боковой корпус (2) при сдавливании задней части бокового корпуса (2). (Рис. 1)

\* При установке зубчатого амортизатора (3) необходимо установить его при помощи двух болтов. (Рис. 2)

3. Смонтировать цепную шину (4) на болтах (5), затем протолкнуть её в направлении звёздочки (6), насколько это возможно. Проследить, чтобы выступ регулировочного болта для натяжения цепи (7) зафиксировался в отверстии шины (8). (Рис. 3)

### ВНИМАНИЕ

Слегка подвигать шину назад и вперёд и убедиться, что выступ для натяжения цепи (7) надлежащим образом зафиксирован в отверстии (8) на шине. (Рис. 3)

4. Проверить, чтобы направление пыльной цепи (9) было правильным, как показано на рисунке и выровнять цепь на звёздочке. (Рис. 4)
5. Направить звёзды цепного привода в желобок шины со всех сторон шины.
6. Установите боковую крышку корпуса (2) и закрепите ее болтами (5). Затем временно зафиксировать зажимные гайки (1). (Рис. 1)

7. Поднять конец шины и натянуть цепь (9) посредством вращения болта регулировки натяжения (10) по часовой стрелке. Чтобы проверить натяжение нужно слегка поднять центр цепи, при этом должен присутствовать зазор около 0,5 - 1,0 мм между шиной и кромкой приводного звена (11). (Рис. 5, 6)

### ОСТОРОЖНО

**ПРАВИЛЬНОЕ НАТЯЖЕНИЕ ИСКЛЮЧИТЕЛЬНО ВАЖНО**

8. Поднять конец шины и осторожно затянуть зажимные гайки цепной шины с помощью кольцевого гаечного ключа. (Рис. 6)
9. Новая цепь вытягивается, поэтому следует подрегулировать цепь через несколько операций по распиловке и затем контролировать натяжение цепи в течение первого получаса эксплуатации.

### ПРИМЕЧАНИЕ

Проверяйте чаще натяжение цепи для оптимальной эксплуатации и срока службы.

### ОСТОРОЖНО

- Если цепь чрезмерно натянута, шина и цепь могут быстро повредиться. Наоборот, если цепь слишком свободна, она может выскочить из желобка в шине.
- При работе с цепью всегда надевать перчатки.

### ⚠ ПРЕДОСТЕРЕЖЕНИЕ

При эксплуатации твердо держите цепную пилу двумя руками. Работа одной рукой может иметь последствиями серьезную травму.

## РАБОЧИЕ ОПЕРАЦИИ

### Топливо (Рис. 7)

#### ⚠ ПРЕДОСТЕРЕЖЕНИЕ

- Цепная пила оснащена двухтактным двигателем. Всегда эксплуатировать двигатель на топливе, смешанном с маслом.
- При заливке топлива или обращении с ним следует обеспечить хорошую вентиляцию.
- Топливо огнеопасно и может причинить серьёзные травмы при вдыхании паров или при попадании на тело. Всегда соблюдайте осторожность при обращении с топливом! Всегда обеспечивайте достаточную вентиляцию, когда работаете с топливом в помещении.

### Топливо

- Всегда использовать марочный 89 октавный неэтилированный бензин.
- Использовать оригинальное двухтактное масло или смесь в пределах от 25:1 до 50:1, соотношение см. на бутылке масла или обратиться к дилеру фирмы HITCHI.
- Если оригинальное масло отсутствует, следует применять масло с антиоксидантной присадкой, предназначенное для применения в двухтактном двигателе, работающем на газолине, с воздушным охлаждением (марка JASO FC GRADE OIL или ISO EGC GRADE). Не применять смешанное масло BIA или TCW (двухтактный тип с водяным охлаждением).
- Не использовать многостепенное масло (10 W/30) или отработанное масло.
- Всегда смешивать топливо и масло в отдельном чистом контейнере.

Вначале необходимо заполнить бак бензином надлежащего типа до половины.

Затем залить полностью нужное количество масла. Перемешать топливно-масляную смесь (взболтать). После этого долить бак доверху бензином.

Тщательно смешать (встряхнуть) топливную смесь перед заполнением топливного бака.

### Заправка топливом

#### ⚠ ПРЕДОСТЕРЕЖЕНИЕ (Рис. 8)

- Перед заправкой топливом всегда отключать двигатель.
- При наполнении топливом открывать топливный бак (12) медленно, чтобы сбросить возможное избыточное давление.
- После заправки осторожно затянуть крышку топливного бака.
- Всегда удалять аппарат минимум на 3 м от зоны топливной заправки, прежде чем запустить его.
- Всегда немедленно смывайте с мылом пролитое на одежду топливо.
- После заправки топливом проверьте, нет ли утечек.

Перед заправкой топливом тщательно очистить участок вокруг крышки бака, чтобы в бак не попала грязь. Перед заправкой топливом хорошо смешать топливо путём встряхивания контейнера.

### Масло для цепи (Рис. 8)

Залить масло для цепи (13). Все использовать качественное масло для цепи. Когда двигатель работает, масло для цепи автоматически выпускается.

#### ПРИМЕЧАНИЕ

При заливке топлива (12) или масла для цепи (13) в бак установите аппарат крышкой вверх. (Рис. 8)

### РЕГУЛИРОВКА ПОДАЧИ МАСЛА ДЛЯ ЦЕПИ

Количество масла для цепи, выпускаемого через систему смазки, настроено на заводе-изготовителе на максимальную величину. Регулируйте количество в соответствии с рабочими условиями. Поворачивать регулировочный винт (14) против часовой стрелки для увеличения количества и поворачивать его по часовой стрелке для уменьшения количества. (Рис. 9)

(стандартная настройка 1-1/2 оборота против часовой стрелки из слегка закреплённого положения)

### Пуск (Рис. 10-15)

#### ОСТОРОЖНО

Перед запуском убедитесь, что цепной тормоз выключен и что шина/цепь не задевают посторонние объекты. (Рис. 10)

1. Установить выключатель зажигания (15) в положение ON (ВКЛ). (Рис. 11)  
\*Несколько раз нажать на заливочный баллон (17), чтобы топливо потекло через баллон в карбюратор. (Рис. 12)
2. Потяните рычаг дросселя (16) в закрытое положение. (Рис. 12) При этом дроссель автоматически заблокируется в пусковом положении.
3. Быстро потянуть возвратный стартер, крепко удерживая рычаг в руке и не позволяя ему защёлкнуться назад. (Рис. 13)
4. После того, как будет отчетливо слышен звук первого зажигания, вернуть заслонку в рабочее положение. (Рис. 12)
5. Затем снова быстро потяните возвратный стартер упомянутым выше способом. (Рис. 13)

#### ВНИМАНИЕ

Если двигатель не заводится, повторить операцию 2-5 раза. После запуска двигателя потяните рычаг дроссельной заслонки до упора и немедленно отпустите его. (Рис. 14) После этого фиксатор дроссельной заслонки в среднем положении будет отключен.

Убедитесь, что цепной тормоз отключен (Рис. 15).

Дайте двигателю прогреться в течение примерно 2-3 минут перед началом работы под нагрузкой.

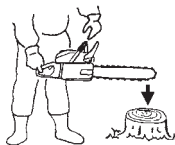
Не включайте высокие обороты двигателя без нагрузки, поскольку это приведет к чрезмерному износу двигателя.

### Действие цепного тормоза (Рис. 16)

Цепной тормоз (18) (если имеется) предназначен для действия в аварийной ситуации, такой, как отдача. Перед применением проверить его работоспособность. Применение тормоза осуществляется путём движения переднего защитного щитка в сторону шины. Во время действия цепного тормоза, даже если вытянут дроссельный рычаг, скорость двигателя не возрастает и цепь не вращается. Для деблокировки тормоза следует вытянуть вверх рычаг цепного тормоза.

#### Как подтвердить

- 1) Отключить двигатель.
- 2) Удерживая цепную пилу горизонтально, отпустить руку с передней рукоятки, ударить концом направляющей шины о пень или кусок дерева и подтвердить действие тормоза. Рабочий уровень меняется в зависимости от размера шины.



В случае, если тормоз не эффективный, обратитесь к дилеру для инспекции и ремонта.

Если двигатель продолжает вращаться с высокой скоростью при действующем тормозе, муфта перегревается и вызывает неполадку.

Если тормоз срабатывает во время эксплуатации, немедленно деблокируйте дроссельный рычаг, чтобы остановить двигатель.

#### ⚠ ПРЕДОСТЕРЕЖЕНИЕ

Не переносите машину с работающим двигателем.

### Остановка (Рис. 17)

Снизить скорость двигателя и переместить выключатель зажигания (15) в положение остановки.

**⚠ ПРЕДОСТЕРЕЖЕНИЕ  
ОПАСНОСТЬ ОТДАЧИ (Рис. 18)**

Самой большой опасностью при работе с цепной пилой является возможность отдачи. Отдача может возникнуть, когда верхний конец направляющей шины наткнется на объект или когда дерево закрывает и защемляет пильную цепь при резке.

Контакт конца шины в некоторых случаях может вызвать молниеносную обратную реакцию, выбрасывая направляющую шину вверх и назад на оператора. Защемление пильной цепи может также резко отбросить направляющую шину назад, на оператора. При любой из этих реакций Вы можете потерять контроль над пилой, что повлечёт за собой серьёзную травму. Даже если Ваша пила имеет безопасную конструкцию, Вам не следует полагаться только на эти меры обеспечения безопасности.

Всегда следите за положением конца шины. Отдача возникнет, если Вы позволите зоне отдачи (19) шины задеть объект.

Не пользуйтесь этим участком. Отдача вследствие защемления происходит при перекрутки и защемлении верхней части направляющей шины. Следите за процессом и убедитесь, что распил сохраняется открытым, когда Вы прорубаете насковзь. Сохраняйте контроль, когда двигатель работает, при этом всегда крепко держите пилу правой рукой за заднюю рукоятку, левой рукой за переднюю рукоятку, а Ваши пальцы должны охватывать рукоятки.

Всегда держите пилу во время эксплуатации двумя руками и выполняйте распил при высокой скорости двигателя.

**⚠ ПРЕДОСТЕРЕЖЕНИЕ**

- Не тянитесь и не пилите выше уровня плеч.
- Будьте чрезвычайно осторожны во время срубания, не пилите при высоком положении носовой части или над уровнем плеч.

**ЦЕПНОЙ ОГРАНИЧИТЕЛЬ**

Цепной ограничитель находится на шпиндельной головке, точно под цепью, и препятствует удару цепью оператора цепной пилы в случае её обрыва.

**⚠ ПРЕДОСТЕРЕЖЕНИЕ**

Не стойте в одной линии с цепью во время распиливания. **ОСНОВНЫЕ МЕТОДЫ ВЫПОЛНЕНИЯ РУБКИ, ОБРЕЗКИ СУЧЬЕВ И РАСКРАЖЁВКИ**

Следующая информация является общим введением в методику распиливания древесины.

**⚠ ПРЕДОСТЕРЕЖЕНИЕ**

○ Данная информация не содержит описание всех специфических ситуаций, которые могут зависеть от различий топографии, растительности, типа древесины, формы и размера деревьев и т.п. Обратитесь к Вашему сервисному дилеру, лесничему или в местные учебные заведения по лесоводству для консультаций об особенностях валки леса в Вашем регионе, это поможет сделать Вашу работу более эффективной и безопасной.

- Избегать валки леса при неблагоприятных погодных условиях, таких, как густой туман, интенсивный дождь, сильный холод и ветер и т.п.

Неблагоприятная погода быстро утомляет и создаёт потенциально опасные условия, такие, как скользкий грунт. Сильный ветер может свалить дерево в неожиданном направлении, что влечёт за собой ущерб имущества и здоровья.

**ОСТОРОЖНО**

Не применять цепную пилу в качестве рычага или в цепях, для которых она не предназначена.

**⚠ ПРЕДОСТЕРЕЖЕНИЕ**

○ Избегать столкновения с препятствиями, такими, как пни, корни, камни, ветки и срубленные деревья. Обращать внимание на ямы и канавы. Проявляйте повышенную бдительность при работе на откосах или неровном грунте. Отключайте пилу при перемещении с одного рабочего места на другое.

Всегда производите распиливание при широко открытом дросселе. Медленно движущаяся цепь может легко зацепиться и вынуждает пилу работать рывками.

- Не эксплуатировать пилу только одной рукой. Вы не сможете надлежащим образом контролировать пилу и можете серьёзно себя поранить.

Держите корпус пилы близко к Вашему телу, чтобы повысить контроль и снизить напряжение.

Если Вы пилите нижней частью цепи, реактивная сила будет тянуть пилу от Вас, в сторону распиливаемого дерева.

Пила будет управлять скоростью подачи, а опилки будут лететь на Вас. **(Рис. 19)**

- Если Вы пилите верхней частью цепи, реактивная сила будет толкать пилу на Вас и в сторону от распиливаемого дерева. **(Рис. 20)**

- При этом существует риск отдачи, если пила отошла так далеко, что Вы начинаете пилить носовой частью шины. Наиболее безопасный метод распиливания – нижней частью цепи. Распиливание верхней частью значительно сложнее в смысле сохранения контроля над пилой, также увеличивается риск отдачи.

- В случае если заклинило цепь, немедленно отпустите дроссельное пусковое устройство.

Если дроссельное пусковое устройство продолжает вращаться на большой скорости во время того, как заклинило цепь, сцепление может перегреться, что приведет к повреждению машины.

**ВНИМАНИЕ**

Всегда держать лицевую поверхность шипованного буфера направленной к дереву, поскольку цепь может быть внезапно втянута в дерево.

**РУБКА**

Рубка – это больше, чем отпиливание дерева. Вам нужно свалить его как можно ближе к предполагаемому месту, по возможности, не повредив дерево или что-нибудь ещё.

Перед рубкой дерева тщательно изучите все условия, которые могут повлиять на предполагаемое направление, такие как: Угол дерева. Форма кроны. Груз снега на кроне. Условия ветра. Препятствия в зоне расположения дерева (напр., другие деревья, линии электропередач, дороги, здания и т.п.).

**⚠ ПРЕДОСТЕРЕЖЕНИЕ**

- Всегда изучайте общее состояние дерева. Обращайте внимание на гниль и труху в стволе, что может вызвать разлом дерева и оно начнёт падать раньше, чем Вы ожидаете.

- Проверьте наличие сухих веток, которые могут сломаться и ударить Вас во время работы.

Во время рубки дерева не допускайте животных и людей в зону размером, как минимум, в два раза больше, чем длина дерева. Удалите кустарники и ветки вокруг дерева. Подготовьте путь отступления в противоположную сторону направления валки.

**ОСНОВНЫЕ ПРАВИЛА РУБКИ ДЕРЕВЬЕВ**

Обычно рубка состоит из двух главных операций распиливания, надреза и выполнения разреза валки. Начните с выполнения верхнего надреза на боковой стороне дерева по направлению в сторону валки. Смотрите через зарубку, когда пилите нижний разрез, чтобы Вы не слишком глубоко распилили ствол.

Надрез должен быть достаточно глубоким, чтобы получилась петля достаточной ширины и прочности. Раскрытие надреза должно быть достаточно широким, чтобы направлять падение дерева как можно дальше.

Выполните разрез валки с другой стороны дерева, на один-два дюйма (3-5 см) выше кромки надреза. **(Рис. 21)**

20. Направление валки
21. Раскрытие надреза минимум 45°
22. Петля
23. Разрез валки

Не распиливайте ствол полностью. Всегда оставляйте петлю. Петля направляет дерево. Если ствол разрезан полностью. Вы теряете контроль над направлением валки.

Вставьте в разрез клин или валочный рычаг, прежде чем дерево станет неустойчивым и начнёт двигаться. Это предотвратит защемление направляющей шины в разрезе валки, если Вы неправильно оценили направление валки.

Прежде чем толкнуть дерево, убедитесь, что в зоне валки дерева не находятся люди.

## РАЗРЕЗ ВАЛКИ, ДИАМЕТР СТВОЛА В ДВА РАЗА БОЛЬШЕ, ЧЕМ ДЛИНА НАПРАВЛЯЮЩЕЙ ШИНЫ

Выполнить длинный, широкий надрез. Затем вырезать углубление в центре надреза. Всегда оставлять петлю с двух сторон центрального разреза. (Рис. 22)

Выполнить разрез валки путём распиливания вокруг ствола, как показано на Рис. 23.

### ⚠ ПРЕДОСТЕРЕЖЕНИЕ

Эти методы чрезвычайно опасны, поскольку они включают применение носовой части направляющей шины, что может привести к отдаче. Этими методиками должны пользоваться только обученные профессионалы.

## РАСКРЯЖЁВКА

Раскрыжэвка - это удаление веток со срубленного дерева.

### ⚠ ПРЕДОСТЕРЕЖЕНИЕ

Большинство случаев отдачи происходит во время раскрыжэвки.

Не используйте носовую часть направляющей шины.

Будьте очень внимательны и избегайте контакта носовой части направляющей шины с бревном, другими ветками или объектами. Будьте бдительны и обращайтесь внимание на натянутые ветки. Они могут распрячиться на Вас, в результате чего Вы можете потерять контроль и получить травму. (Рис. 24)

Стойте с левой стороны от ствола. Сохраняйте устойчивое положение и опирайте пилу на ствол. Держите пилу ближе к себе, чтобы иметь полный контроль над ней. Старайтесь держаться подальше от цепи. Двигайтесь только, когда ствол находится между Вами и цепью. Следите за распрямлением натянутых веток.

## РАСКРЯЖЁВКА ТОЛСТЫХ ВЕТОК

При раскрыжэвке толстых ветвей направляющая шина может легко защемяться. Натянутые ветки часто трескаются, поэтому отпиливайте проблемные ветки короткими операциями.

Применяйте такие же принципы и для поперечного распила. Продумывайте действия заранее и просчитайте возможные последствия всех Ваших действий.

## ПОПЕРЕЧНЫЙ РАСПИЛ/РАСКРЯЖЁВКА

Прежде, чем распиливать бревно, попытайтесь представить возможное развитие ситуации. Обратите внимание на наличие напряжения бревна и распиливайте его таким образом, чтобы направляющая шина не защемялась.

## БРЁВНА ПОПЕРЕЧНОГО РАСПИЛА, ДАВЛЕНИЕ НА ВЕРХНЮЮ ЧАСТЬ

Примите устойчивое положение. Начните с верхнего разреза. Не разрезайте слишком глубоко, достаточно прикл. на 1/3 диаметра бревна.

Завершайте нижним разрезом. Распилы должны пересечься. (Рис. 25)

24. Затыловочный разрез
25. Поперечный распил
26. Давление на верхнюю часть
27. Сторона нажима
28. Сторона натяжения
29. Относительная глубина распилов

## ТОЛСТОЕ БРЕВНО, БОЛЬШЕ ДЛИНЫ НАПРАВЛЯЮЩЕЙ ШИНЫ

Начинайте разрезать на противоположной стороне бревна. Тяните пилу на себя, как описано в предыдущей процедуре. (Рис. 26)

Если бревно лежит на земле, выполняйте расточный разрез, чтобы избежать врезания в землю. Завершайте нижним разрезом. (Рис. 27)

### ⚠ ПРЕДОСТЕРЕЖЕНИЕ ОПАСНОСТЬ ОТДАЧИ

Не применяйте расточный разрез, если Вы не имеете соответствующего опыта. Расточный разрез предполагает применение носовой части направляющей шины и может привести к возникновению отдачи.

## БРЁВНА ПОПЕРЕЧНОГО РАСПИЛА, ДАВЛЕНИЕ НА НИЖНЮЮ ЧАСТЬ

Примите устойчивое положение. Начинайте с нижнего разреза. Глубина разреза должна составлять около 1/3 диаметра бревна. Завершайте верхним разрезом. Распилы должны пересечься. (Рис. 28)

30. Затыловочный разрез
31. Поперечный распил
32. Давление на нижнюю часть
33. Сторона натяжения
34. Сторона нажима
35. Относительная глубина распилов

## ТОЛСТОЕ БРЕВНО, БОЛЬШЕ ДЛИНЫ НАПРАВЛЯЮЩЕЙ ШИНЫ

Начинайте разрезать на противоположной стороне бревна. Тяните пилу на себя, как описано в предыдущей процедуре. Если бревно находится близко к земле, выполняйте расточной разрез. Завершайте верхним разрезом. (Рис. 29)

### ⚠ ПРЕДОСТЕРЕЖЕНИЕ ОПАСНОСТЬ ОТДАЧИ

Не применяйте расточный разрез, если Вы не имеете соответствующего опыта. Расточный разрез предполагает применение носовой части направляющей шины и может привести к возникновению отдачи. (Рис. 30)

## ЕСЛИ ПИЛА ЗАСТЯЛА

Отключить двигатель.

Поднять бревно или изменить его положение, воспользовавшись толстой веткой или шестом в качестве рычага. Не пытайтесь вытянуть пилу. При этом Вы можете деформировать рукоятку или травмироваться от пильной цепи, если пила внезапно освободится.

## ТЕХОБСЛУЖИВАНИЕ

ТЕХОБСЛУЖИВАНИЕ. ЗАМЕНА ИЛИ РЕМОНТ УСТРОЙСТВ И СИСТЕМ ДЛЯ СНИЖЕНИЯ ТОКСИЧНОСТИ ВЫХЛОПОВ МОЖЕТ ВЫПОЛНЯТЬСЯ В РЕМОНТНОЙ МАСТЕРСКОЙ ДЛЯ ДВИГАТЕЛЕЙ ИЛИ ИНДИВИДУАЛЬНО.

## Регулировка карбюратора (Рис. 31)

### ⚠ ПРЕДОСТЕРЕЖЕНИЕ

Не запускайте двигатель без полностью установленного корпуса муфты и смонтированной трубы. Иначе муфта может отсоединиться и причинить телесный вред.

В карбюраторе топливо смешивается с воздухом. Карбюратор отрегулирован во время пробного пуска на заводе. Дополнительную регулировку можно производиться в соответствии с климатом и высотой над уровнем моря. Карбюратор имеет одну возможность регулировки:

T = Регулировочный винт холостого хода.

## Регулировка холостого хода (T)

Проверить чистоту воздушного фильтра. Если скорость холостого хода верная, режущий аппарат не вращается. Если требуется регулировка, закручивать (по часовой стрелке) T-винт при работающем двигателе, чтобы режущий аппарат начал вращаться. Откручивать (против часовой стрелки) винт, чтобы режущий аппарат остановился. Вы добились правильной скорости холостого хода, если двигатель плавно работает во всех положениях ниже числа оборотов, когда режущий аппарат начинает вращаться. Если режущий аппарат продолжает вращаться после выполнения настройки скорости, следует обратиться к дилеру фирмы HITCHI.

### ⚠ ПРЕДОСТЕРЕЖЕНИЕ

Если двигатель работает на холостом ходу, режущий аппарат ни в коем случае не должен вращаться.

## ВНИМАНИЕ

Некоторые модели, проданные в областях с высокими требованиями в отношении регламентирования газообразных выбросов, не имеют карбюраторных настроек высокой и низкой скорости. Подобные настройки позволяют двигателю работать за рамками контрольных пределов газообразных выбросов. Для этих моделей единственной карбюраторной настройкой является скорость холостого хода.

Если Вы не знакомы с этим типом настройки - обратитесь за консультацией к дилеру компании HITACHI.

## Воздушный фильтр (Рис. 32)

Воздушный фильтр (36) должен быть очищен от пыли и грязи, чтобы избежать:

- Неполнодет карбюратора.
- Проблем при пуске.
- Снижения мощности двигателя.
- Излишнего износа деталей двигателя.
- Ненормального расхода топлива.

Ежедневно очищайте воздушный фильтр, либо чаще, если работа выполняется в пыльной области.

## Чистка воздушного фильтра

Демонтировать крышку воздушного фильтра (37) и фильтр (36). Промыть их в тёплом мыльном растворе. Перед повторной сборкой проверить, чтобы фильтр был сухим. Воздушный фильтр, применявшийся некоторое время, невозможно очистить полностью. Поэтому его следует регулярно заменять на новый. Всегда необходимо заменять повреждённый фильтр.

## Свеча зажигания (Рис. 33)

На состояние свечи зажигания влияют:

- Неверная регулировка карбюратора.
- Неверно составленная топливная смесь (слишком много масла в газолине)
- Грязный воздушный фильтр.
- Неблагоприятные условия работы (такие, как холодная погода).

Эти факторы вызывают отложения на электродах свечи зажигания, что приводит к неполадкам и затруднениям при пуске. Если мощность двигателя снижается, он трудно запускается или плохо работает на холостом ходу, нужно всегда сначала проверить свечу зажигания. Если свеча зажигания грязная, необходимо её очистить и проверить межэлектродный зазор. При необходимости выполнить повторную регулировку. Правильный зазор составляет 0,6 мм. Свечу зажигания надлежит заменять через 100 рабочих часов или раньше, если электроды сильно эродированы.

## ВНИМАНИЕ

В некоторых областях местный закон требует применять резисторную свечу зажигания для подавления сигналов зажигания. Если эта машина изначально оснащена резисторной свечой зажигания, для замены следует использовать такой же тип свечи зажигания.

## Отверстие для маслёнки (Рис. 34)

Очищайте отверстие для маслёнки цепи (38), если это возможно.

## Направляющая шина (Рис. 35)

Перед началом применения машины очистить желобок и отверстие для маслёнки (39) в шине с помощью специального калибра, предлагаемого по заказу как комплектующее изделие.

## Боковой корпус (Рис. 36)

Всегда очищайте от пыли и обрезков боковой корпус и область привода.

Периодически наносите масло или смазку на этот участок с целью защиты от коррозии, поскольку некоторые деревья имеют высокий уровень кислоты.

## Топливный фильтр (Рис. 37)

Демонтировать топливный фильтр из топливного бака и тщательно промыть его в растворителе. После этого полностью вставить фильтр в бак.

## ВНИМАНИЕ

Если фильтр твёрдый по причине пыли и грязи, заменить его.

## Фильтр масла для цепи (Рис. 38)

Демонтировать масляный фильтр и тщательно промыть его в растворителе.

## Чистка охлаждающих рёбер цилиндра (Рис. 39)

Если между охлаждающими рёбрами цилиндра (40) застревает древесная стружка, двигатель может перегреваться, что выражается в снижении мощности. Чтобы избежать этого, всегда очищайте охлаждающие рёбра цилиндра и корпус вентилятора. Каждые 100 рабочих часов или раз в год (чаще, если требуют условия) очищать рёбра и наружные поверхности двигателя от пыли, грязи и масляных отложений, которые затрудняют охлаждение.

## Для долгосрочного хранения

Слить всё топливо из топливного бака. Запустить двигатель и дать ему поработать до остановки. Отремонтировать повреждения, возникшие при применении. Очистить агрегат чистой тканью или воспользоваться воздушным шлангом высокого давления. Накапать несколько капель двухтактного двигательного масла в цилиндр, через отверстие в свече зажигания, и прокрутить двигатель несколько раз, чтобы распределить масло. Закрыть агрегат и хранить его в сухом месте.

## ЗАТочКА ЦЕПИ Детали режущего инструмента. (Рис. 40, 41)

### ⚠ ПРЕДОСТЕРЕЖЕНИЕ

- При заточке цепи следует использовать перчатки.
- Проследите за тем, чтобы закруглить переднюю кромку в целях снижения вероятности отдачи или поломки скобы траверсы.

41. Верхняя пластина
42. Рабочий угол
43. Боковая пластина
44. Впадина
45. Пята
46. Шасси
47. Заклёпочное отверстие
48. Мысок
49. Глубиномер
50. Скорректировать угол на верхней пластине (степень угла зависит от типа цепи)
51. Слегка выступающий "крючок" или точка (изгиб на неостроконечной цепи)
52. Верх глубиномера на соответствующей высоте, ниже верхней пластины
53. Передняя часть закруглённого глубиномера



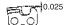
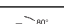
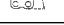

## СНИЖЕНИЕ ГЛУБИНОМЕРОВ ПОСРЕДСТВОМ НАПИЛЬНИКА

- 1) Если Вы затачиваете режущий инструмент держателем напильника, следует проверить и снизить глубину.
- 2) Проверьте глубиномеры каждую третью заточку.
- 3) Поместить инструмент глубиномера на режущий инструмент. Если глубиномер выступает, обработать напильником его уровень посредством верхней части инструмента. Всегда затачивать напильником по направлению изнутри цепи в сторону наружного режущего инструмента. (Рис. 42)
- 4) Загруглить передний угол для придания оригинальной формы глубиномера после использования инструмента глубиномера. Всегда выполнять рекомендованную настройку глубиномера, как указано в руководстве по техобслуживанию или руководстве пользователя пилы. (Рис. 43)

## ОБЩИЕ ИНСТРУКЦИИ ДЛЯ ЗАТочКИ РЕЖУЩЕГО ИНСТРУМЕНТА

- Обрабатывать напильником (54) режущий инструмент на одной стороне цепи, по направлению изнутри наружу. Обрабатывать напильником только движением вперёд. (Рис. 44)
- 5) Поддерживать одинаковую длину всех режущих инструментов. (Рис. 45)
  - 6) Обрабатывать напильником в достаточной степени, чтобы удалить повреждение режущих кромок (боковая пластина (55) и верхняя пластина (56) режущего инструмента. (Рис. 46)

## ЗАТОЧКА УГЛОВ ДЛЯ ЗАТОЧКИ ПИЛЬНОЙ ЦЕПИ

	1. Номер детали	95 VP
	2. Шаг	0,325"
	3. Настройка глубиномера	0,025"
	4. Угол заточки боковой пластины	85°
	5. Угол верхней пластины	30°
	6. Угол направляющей заточки	10°

### График техобслуживания

Ниже приведены некоторые общие инструкции по техобслуживанию. Для дальнейшей информации обратитесь к дилеру фирмы HITCHHI.

#### Ежедневное техобслуживание

- Чистка наружной поверхности аппарата живой изгороди.
- Очистить отверстие масляного фильтра цепи.
- Очистить желобок и отверстие масляного фильтра в направляющей шине.
- Очистить боковой корпус от древесных опилок.
- Проверить, острая ли пильная цепь.
- Проверить прочности затягивания гаек шины.
- Проверка целостности защитного устройства для транспортировки цепи и прочности его крепления.
- Проверка прочности посадки гаек и винтов.
- Проверить кромку шины. При обнаружении износа необходимо произвести замену.
- Проверить ленту тормоза пильной цепи. При обнаружении износа необходимо произвести замену.

#### Еженедельное техобслуживание

- Проверка стартера, особенно, шнура и возвратной пружины.
- Чистка наружной поверхности свечи зажигания.
- Удалить свечу зажигания и проверить расстояние между электродами. Отрегулировать его на 0,6 мм или заменить свечу зажигания.
- Чистка охлаждающих ребёр цилиндра и проверка чистоты воздухозаборника на стартере.
- Чистка воздушного фильтра.

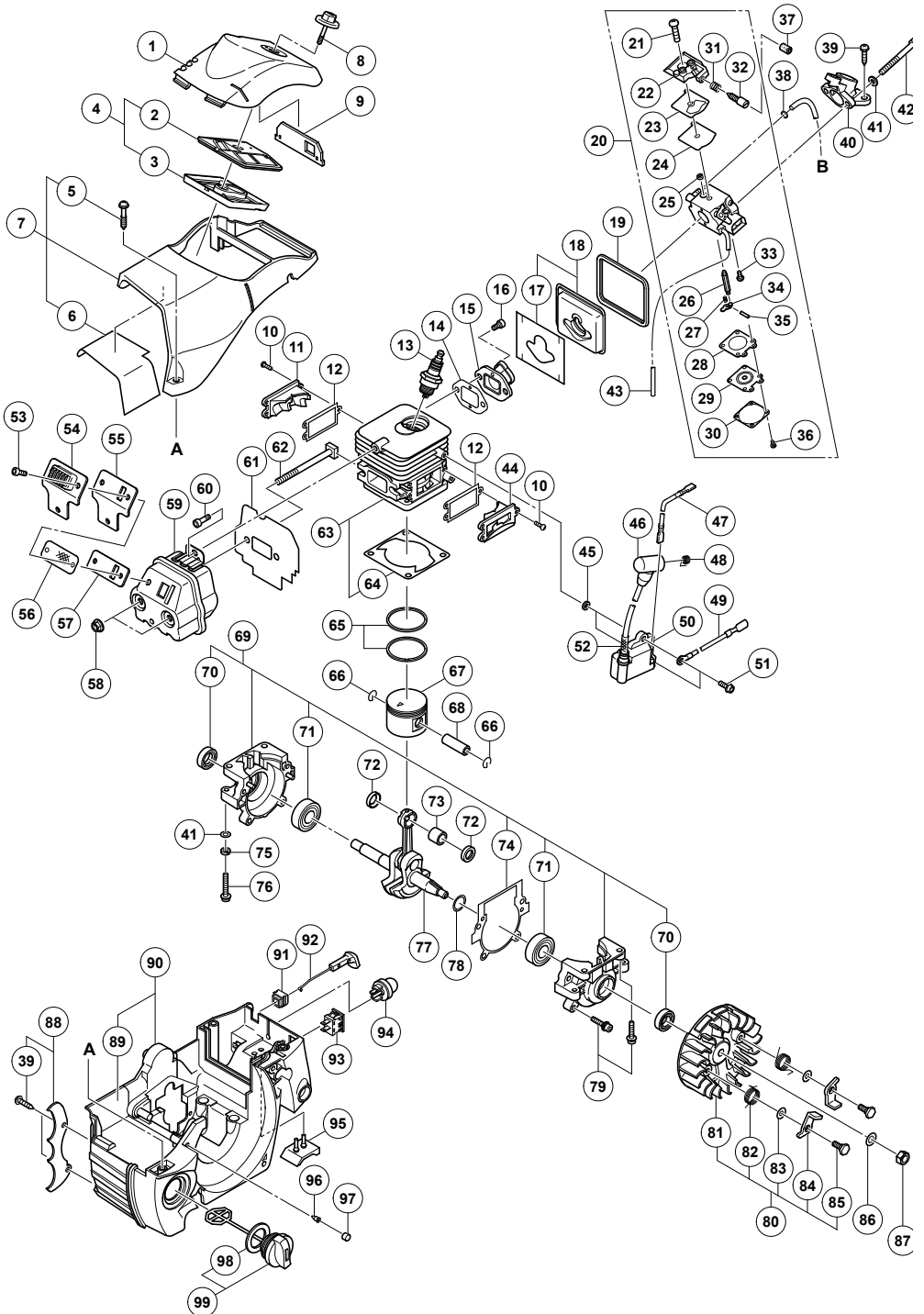
#### Ежемесячное техобслуживание

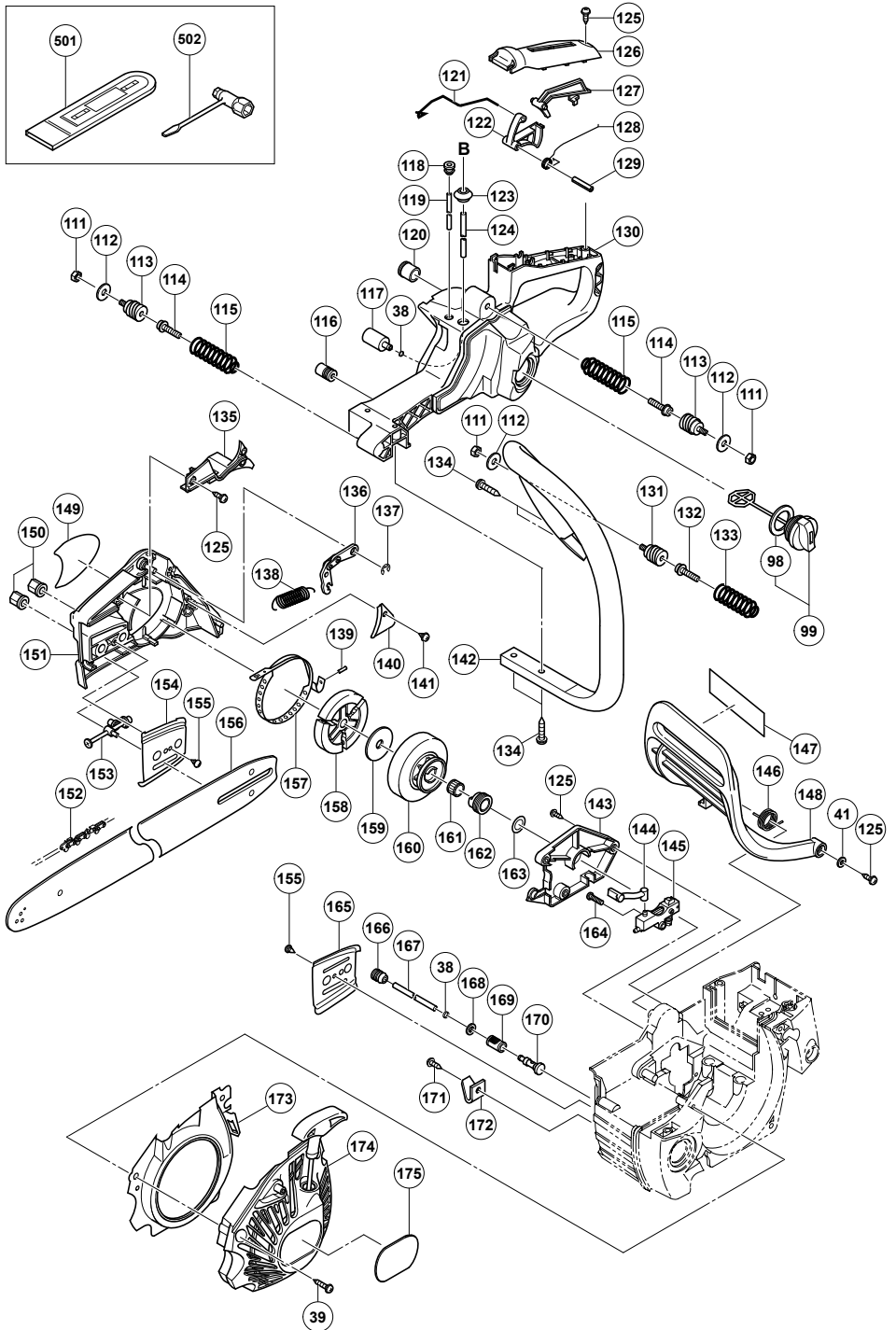
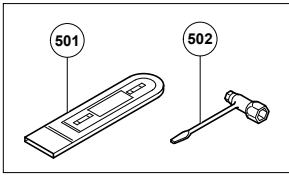
- Промыть топливный бак газOLIном и очистить топливный фильтр.
- Очистить фильтр масла для цепи.
- Чистка наружной поверхности карбюратора и пространства вокруг него.
- Чистка вентилятора и пространства вокруг него.

### ПРИМЕЧАНИЕ

При заказе запчастей у Вашего ближайшего дилера сообщайте номер позиции, указанный в разделе поломки деталей, в данной инструкции.

	ШИНА №	ДЛИНА (ТИП)	ЦЕПЬ №
МОДЕЛЬ № OREGON	107498	13"	95VP-56
	105191	15"	95VP-64
	104968	16"	95VP-66
	105355	18"	95VP-72

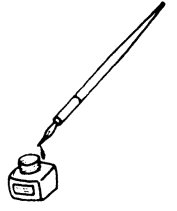


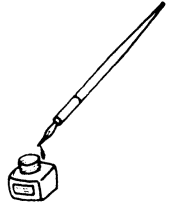


Item No.	Part Name	Q'TY
1	CLEANER COVER	1
2	CLEANER ELEMENT (B)	1
3	CLEANER ELEMENT (A)	1
4	CLEANER ELEMENT ASS'Y	1
5	COVER SET BOLT	3
6	ALUMINUM TAPE (A)	1
7	CYLINDER COVER	1
8	CLEANER KNOB	1
9	SHUTTER PLATE	1
10	MACHINE SCREW M4 x 10	6
11	SCAVENGING COVER (B)	1
12	COVER PACKING	2
13	SPARK PLUG BPMR7A	1
14	INTAKE PACKING	1
15	INTAKE	1
16	HEX. SOCKET HD. BOLT M5 x 12	2
17	ALUMINUM TAPE (B)	1
18	CARBURETOR INSULATOR	1
19	CARB. INSULATOR RUBBER	1
20	CARBURETOR ASS'Y	1
21	SET SCREW	1
22	PUMP BODY	1
23	PUMP GASKET	1
24	PUMP DIAPHRAGM	1
25	INLET SCREEN	1
26	NEEDLE VALVE	1
27	VALVE SPRING	1
28	DIAPHRAGM PACKING	1
29	METERING DIAPHRAGM COMP.	1
30	DIAPHRAGM COVER	1
31	IDLE ADJUST SPRING	1
32	IDLE ADJUST SCREW	1
33	HINGE PIN SET SCREW	1
34	CONTROL LEVER	1
35	HINGE PIN	1
36	SET SCREW	4
37	IDLE SPONGE	1
38	D6 CLIP	3
39	TAPPING SCREW (W/FLANGE) D5 x 20	4
40	CLEANER SUPPORT	1
41	WASHER D5	7
42	HEX. SOCKET HD. BOLT M5 x 45	2
43	FUEL PIPE	1
44	SCAVENGING COVER (A)	1
45	WASHER	2
46	PLUG CAP	1
47	CORD (A)	1
48	METAL FITTING OF PLUG CAP	1
49	CORD (B)	1
50	IGNITION COIL ASS'Y	1
51	SEAL LOCK HEX. SOCKET FLANGE BOLT M4	2
52	CODE INSULATION TUBE	1
53	HEX. SOCKET BOLT (SUS) M4	3
54	MUFFLER PROTECTOR	1
55	MUFFLER PROTECTOR PACKING	1
56	MUFFLER GAUZE	1
57	EXHAUST PLATE	1
58	FLANGE NUT M6	2
59	MUFFLER	1
60	HEX SOCKET HD. BOLT (W/S.WASHER) M5	1
61	MUFFLER PACKING	1
62	SQUARE HEAD BOLT M6	2
63	CYLINDER SUPPLY ASS'Y	1
64	CYLINDER PACKING	1
65	PISTON RING	2
66	CIR CLIP	2
67	PISTON (M)	1
68	PISTON PIN	1

Item No.	Part Name	Q'TY
69	CRANK CASE ASS'Y	1
70	OIL SEAL TB 12227	2
71	BALL BEARING	2
72	PISTON PIN COLLAR	2
73	NEEDLE BEARING (A)	1
74	CRANK CASE PACKING	1
75	SPRING LOCK WASHER D5	4
76	SEAL LOCK HEX. SOCKET HD. BOLT M5	4
77	CRANK SHAFT	1
78	SHIM	1
79	HEX. SOCKET HD. BOLT (W/SP.WASHER) M5 x 20	8
80	MAGNETO SUB ASS'Y	1
81	MAGNETO ROTOR	1
82	STARTER PAWL SPRING	2
83	WASHER 0.8	2
84	STARTER PAWL	2
85	STEP BOLT	2
86	BOLT WASHER D7	1
87	FLYWHEEL NUT	1
88	SPIKE SET	1
89	ALUMINIUM TAPE	1
90	ENGINE CASE	1
91	CHOKE ROD RUBBER	1
92	CHOKE BUTTON	1
93	STOP SWITCH	1
94	PRIMING PUMP COMP.	1
95	REAR DAMPER	1
96	AIR VENT VALVE (B)	1
97	AIR VENT SPONGE	1
98	TANK CAP PACKING	2
99	TANK CAP ASS'Y	2
111	NUT M6	3
112	BOLT WASHER D6	3
113	SPRING HOLDER	2
114	FLANGED TAPPING SCREW D6	2
115	ANTIVIBRATION SPRING	2
116	FRONT DAMPER	1
117	PUMP FILTER BODY ASS'Y	1
118	RETURN GROMMET	1
119	FUEL PIPE (PINK)	1
120	INNER CAP ASS'Y	1
121	THROTTLE ROD	1
122	THROTTLE LEVER	1
123	FUEL GROMMET (A)	1
124	FUEL PIPE	1
125	TAPPING SCREW (W/FLANGE) D4 x 16	8
126	REAR HANDLE GRIP	1
127	TRIGGER LOCKOUT	1
128	THROTTLE LEVER SPRING	1
129	SPRING PIN D5 x 25	1
130	REAR HANDLE	1
131	SPRING HOLDER	1
132	HEX. SOCKET HD. BOLT (W/FLANGE) M6 x 20	1
133	ANTIVIBRATION SPRING	1
134	TAPPING SCREW (W/FLANGE) D5 x 25	4
135	BRAKE LINK COVER	1
136	BRAKE LINK ASS'Y	1
137	RETAINING RING (E-TYPE) FOR D6 SHAFT	1
138	BRAKE SPRING	1
139	NEEDLE ROLLER D3	1
140	BRAKE BAND PLATE	1
141	TAPPING SCREW (W/FLANGE) D4 x 10	1
142	FRONT HANDLE	1
143	OIL PUMP COVER	1
144	OIL PIPE	1
145	OIL PUMP	1

Item No.	Part Name	Q'TY
146	BRAKE LEVER SPRING	1
147	CAUTION LABEL	1
148	BRAKE HANDLE	1
149	NAME PLATE	1
150	CHAIN BAR CLAMP NUT	2
151	SIDE CASE SUB ASS'Y	1
152	SAW CHAIN	1
153	CHAIN PULLER ASS'Y	1
154	GUIDE PLATE (B)	1
155	TAPPING SCREW D3 × 8	2
156	CHAIN BAR	1
157	BRAKE BAND	1
158	CLUTCH	1
159	CLUTCH WASHER (B)	1
160	CLUTCH HOUSING	1
161	NEEDLE BEARING	1
162	WORM	1
163	WASHER	1
164	MACHINE SCREW M4 × 16	1
165	GUIDE PLATE (A)	1
166	OIL GROMMET (A)	1
167	FUEL PIPE	1
168	BOLT WASHER D5	1
169	OIL FILTER	1
170	OIL FILTER BODY	1
171	TAPPING SCREW (W/FLANGE) D5 × 15	1
172	CHAIN CATCHER	1
173	AIR DEFLECTOR	1
174	RECOIL STARTER	1
175	HITACHI LABEL	1
501	CHAIN COVER	1
502	COMBI BOX SPANNER	1





<p><b>English</b></p>	<p><b>EC DECLARATION OF CONFORMITY</b></p> <p>(Applies to Europe only) Portable chainsaw for forest service, CS40EA</p> <p>We declare under our sole responsibility that this product is in conformity with directives 2006/42/EC, 2004/108/EC. The following standards have been taken into consideration. EN ISO 11681-1:2008, EN ISO 12100-1:2003, EN ISO 12100-2:2003 and CISPR 12:2007 Annex V (2000/14/EC); For information relating to noise emissions, see the chapter specifications.</p> <p>Notified body: 0404, SMP Svensk Maskinprovning AB, Fyrisborgsgatan 3, SE-754 50, Uppsala, Sweden has carried out a CE type examination according to Article 12, clause 3b. The notified body has issued EC type examination certificate no. 0404/10/2258 according to Annex IX, clause 4.</p> <p>The European Standards Manager at Hitachi Koki Europe Ltd. is authorized to compile the technical file.</p> <p>This declaration is applicable to the product affixed CE marking.</p>	<p><b>Polski</b></p> <p><b>DEKLARACJA ZGODNOŚCI Z ECI</b></p> <p>(Tyko dla Europy) Przenośna piła łańcuchowa do prac leśnych, CS40EA</p> <p>Deklarujemy z pełną, wyłączną odpowiedzialnością, że produkt spełnia wymagania dyrektyw 2006/42/EC, 2004/108/EC. Uwzględniono również następujące normy: EN ISO 11681-1:2008, EN ISO 12100-1:2003, EN ISO 12100-2:2003 i CISPR 12:2007 Załącznik V (2000/14/EC); Informacje na temat poziomu hałasu znajdują się w części Specyfikacji.</p> <p>Instytucja właściwa: 0404, SMP Svensk Maskinprovning AB, Fyrisborgsgatan 3, SE-754 50, Uppsala, Szwecja, przeprowadziła kontrolę zgodności z wymogami EC w zgodzie z postanowieniami Artykułu 12, klauzula 3b. Instytucja właściwa wydała zgodny z wymogami EC certyfikat kontroli nr 0404/10/2258, zgodnie z Załącznikiem IX, klauzula 4.</p> <p>Menedżer Standardów Europejskich w firmie Hitachi Koki Europ Ltd. Jest upoważniony do kompilowania pliku technicznego.</p> <p>To oświadczenie odnosi się do załączonego produktu z oznaczeniami CE.</p>
<p><b>Deutsch</b></p>	<p><b>ERKLÄRUNG ZUR KONFORMITÄT MIT CE-REGELN</b></p> <p>(Gilt nur für Europa) Tragbare Kettensäge für Waldarbeit, CS40EA</p> <p>Wir erklären eigenverantwortlich, dass dieses Produkt den Richtlinien 2006/42/EG und 2004/108/EG entspricht. Folgende Standards wurden berücksichtigt. EN ISO 11681-1:2008, EN ISO 12100-1:2003, EN ISO 12100-2:2003 und CISPR 12:2007 Anhang V (2000/14/EG); Informationen zur Geräuschentwicklung finden Sie im Kapitel Spezifikationen.</p> <p>Kontrollbehörde: 0404, SMP Svensk Maskinprovning AB, Fyrisborgsgatan 3, SE-754 50, Uppsala, Schweden, hat die EC-Prüfung gemäß Artikel 12, Absatz 3b durchgeführt. Diese Kontrollbehörde hat das EC-Prüfzertifikat Nr. 0404/10/2258 gemäß Anhang IX, Absatz 4 ausgestellt.</p> <p>Der Manager für europäische Standards bei der Hitachi Koki Europe Ltd. ist zum Verfassen der technischen Datei befugt.</p> <p>Diese Erklärung gilt für Produkte, die die CE-Markierung tragen.</p>	<p><b>Magyar</b></p> <p><b>EK MEGFELELŐSÉGI NYILATKOZAT</b></p> <p>(Csak Európára vonatkozik) Hordozható motorfűrész erdészeti munkákához, CS40EA</p> <p>Felelősségünk tudatában kijelentjük, hogy ez a termék megfelel a 2006/42/EK, 2004/108/EK irányelveknek. Az alábbi szabványokat vettük figyelembe: EN ISO 11681-1:2008, EN ISO 12100-1:2003, EN ISO 12100-2:2003 és CISPR 12:2007 V függelék. (2000/14/EK); A zajkibocsátási adatokat illetően tekintse meg a Műszaki adatok c. fejezetet.</p> <p>Tanúsító szervezet: 0404, SMP Svensk Maskinprovning AB, Fyrisborgsgatan 3, SE-754 50, Uppsala, Svédország. A szervezet elvégezte az EK minőségvizsgálatát a 12. paragrafus, 3b pontja alapján. A tanúsító szervezet az EK bejelentésről tanúsítványt állított ki, az alábbi számon: 0404/10/2258 a IX. függelék, 4. pontjának megfelelően. Az Hitachi Koki Europe Ltd. Európai Szabványkezelője fel van hatalmazva a műszaki fájli elkészítésére.</p> <p>Jelen nyilatkozat a terméken feltüntetett CE jelzésre vonatkozik.</p>
<p><b>Ελληνικά</b></p>	<p><b>EK ΔΗΛΩΣΗ ΕΝΑΡΜ ΝΙΣΜ Υ</b></p> <p>(Εφαρμόζεται μόνο για την Ευρώπη) Φορητό αλυσοπίριον για δασική χρήση, CS40EA</p> <p>Δηλώνουμε με δική μας ευθύνη ότι το συγκεκριμένο προϊόν έχει κατασκευαστεί σύμφωνα με τις οδηγίες 2006/42/ΕΚ, 2004/108/ΕΚ. Έχουν ληφθεί υπόψη τα παρακάτω κριτήρια. EN ISO 11681-1:2008, EN ISO 12100-1:2003, EN ISO 12100-2:2003 και CISPR 12:2007 Παράρτημα V (2000/14/ΕΚ); Για πληροφορίες σχετικά με την εκπομπή θορύβου, βλέπε τις προδιαγραφές του κεφαλαίου.</p> <p>Διακοινωνμένος φορέας: 0404, SMP Svensk Maskinprovning AB, Fyrisborgsgatan 3, SE-754 50, Ουψάλα, Σουηδία, έχει διεξάγει μια εξέταση τύπου ΕΚ σύμφωνα με το Άρθρο 12, διάταξη 3b. Ο διακοινωνμένος φορέας έχει εκδώσει ένα αριθμό 0404/10/2258 πιστοποιητικού εξέτασης τύπου ΕΚ σύμφωνα με το Παράρτημα ΙΧ, διάταξη 4.</p> <p>Ο υπεύθυνος για τα ευρωπαϊκά πρότυπα στην Hitachi Koki Europe Ltd. είναι εξουσιοδοτημένος να συντάσσει τον τεχνικό φάκελο.</p> <p>Αυτή η δήλωση ισχύει στο προϊόν με το σημάδι CE.</p>	<p><b>Čeština</b></p> <p><b>PROHLÁŠENÍ O SHODĚ S EC</b></p> <p>(Plati pouze pro Evropu) Přenosná motorová pila pro lesnické práce, CS40EA</p> <p>Prohlašujeme na svou zodpovědnost, že tento produkt je v souladu se směrnici rady 2006/42/EC, 2004/108/EC. Následující normy byly zohledněny. EN ISO 11681-1:2008, EN ISO 12100-1:2003, EN ISO 12100-2:2003 a CISPR 12:2007 Příloha V (2000/14/EC); Ohledně informací o hlukových emisích viz specifi kace kapitól.</p> <p>Notifikovaná osoba: 0404, SMP Svensk Maskinprovning AB, Fyrisborgsgatan 3, SE-754 50, Uppsala, Švédsko, provedla typové zkoušky EC odpovídající odstavci 12, bodu 3b. Notifikovaná osoba vydala certifikát typové zkoušky EC č. 0404/10/2258 dle Přílohy IX, bodu 4. Vedoucí pracovník pro Evropské normy v Hitachi Koki Europe Ltd. je oprávněný ke zpracování technického souboru.</p> <p>Toto prohlášení platí pro výrobek označený značkou CE.</p>
<p>Representative office in Europe <b>Hitachi Power Tools Europe GmbH</b> Siemensring 34, 47877 Willich 1, F. R. Germany</p> <p>Technical file at: <b>Hitachi Koki Europe Ltd.</b> Clonshaugh Business &amp; Technology Park, Dublin 17, Ireland</p> <p>Head office in Japan <b>Hitachi Koki Co., Ltd.</b> Shinagawa Intercity Tower A, 15-1, Konan 2-chome, Minato-ku, Tokyo, Japan</p> <p style="text-align: center;"><b>CE</b></p> <p style="text-align: right;">26. 2. 2010 <i>F. Tashimo</i> F. Tashimo Vice-President &amp; Director</p>		

<p><b>Türkçe</b></p>	<p align="center"><b>AB UYGUNLUK BEYANI</b></p> <p>(Sadece Avrupa ülkeleri için geçerlidir) Orman hizmeti için portatif elektrikli testere, CS40EA Sorumluluğu tamamen kendimize ait olmak üzere, bu ürünün 2006/42/EC ve 2004/108/EC direktiflerine uygun olduğunu beyan ederiz. Aşağıdaki standartlar dikkate alınmıştır. EN ISO 11681-1:2008, EN ISO 12100-1:2003, EN ISO 12100-2:2003 ve CISPR 12:2007 Ek V (2000/14/EC): Gürültü emisyonları hakkında bilgi için, teknik özellikler bölümüne bakın. Onay kuruluşu: 0404, SMP Svensk Maskinprovning AB, Fyrisborgsgatan 3, SE-754 50, Uppsala, İsveç, Madde 12, bent 3b'ye göre EC tipi bir inceleme yapmıştır. Onay kuruluşu, Ek IX, bent 4'e göre EC tipi 0404/10/2258 No'lu muayene sertifikasını düzenlemiştir. Hitachi Koki Europe Ltd. Avrupa Standartlar Müdürü, teknik dosyayı hazırlama yetkisine sahiptir. Bu beyan, üzerinde CE işareti bulunan ürünler için geçerlidir.</p>	<p><b>Slovenščina</b></p> <p align="center"><b>EC DEKLARACIJA O SKLADNOSTI</b></p> <p>(Velja le za Evropo) Prenosna verižna žaga za gozdno službo, CS40EA Na svojo izključno odgovornost izjavljamo, da je ta izdelek v skladu z Direktivami 2006/42/EC, 2004/108/EC. Lahko se upoštevajo naslednji standardi. EN ISO 11681-1:2008, EN ISO 12100-1:2003, EN ISO 12100-2:2003 in CISPR 12:2007 Dodatek V (2000/14/EC): Za informacije v zvezi z emisijami hrupa glejte specifikacije poglavja. Priglašeni organ: 0404, SMP Svensk Maskinprovning AB, Fyrisborgsgatan 3, SE-754 50, Uppsala, Švedska, je izvedel EC tipski pregled v skladu z členom 12, določbo 3b. Priglašeni organ je izdal potrdilo za EC tipski pregled št. 0404/10/2258 v skladu z Prilogo IX, določbo 4. Direktor za evropske standarde podjetja Hitachi Koki Europe Ltd. je pooblaščen za sestavljanje tehničnih datotek. Deklaracija je označena na izdelku s pritrjeno CE oznako.</p>
<p><b>Română</b></p>	<p align="center"><b>DECLARAȚIE DE CONFORMITATE CE</b></p> <p>(Valabil numai pentru Europa) Fierăstrău portabil cu lanț pentru servicii forestiere, CS40EA Declarăm pe propria noastră răspundere că prezentul produs se conformează directivelor CE 42/2006, CE 108/2004. S-a ținut seama de următoarele standarde. EN ISO 11681-1:2008, EN ISO 12100-1:2003, EN ISO 12100-2:2003 și CISPR 12:2007 Anexa V (2000/14/CE): Pentru informații legate de emisiile de zgomote, vedeți specificațiile capitolului. Organismul de certificare: 0404, SMP Svensk Maskinprovning AB, Fyrisborgsgatan 3, SE-754 50, Uppsala, Suedia, a efectuat teste tip CE, conform Articolului 12, clauza 3b. Organismul de certificare a eliberat certificatul de testare nr. 0404/10/2258, conform Anexei IX, clauza 4. Managerul pentru standarde europene al Hitachi Koki Europe Ltd. este autorizat să întocmească fișa tehnică. Prezentă declarație se referă la produsul pe care este aplicat semnul CE.</p>	<p><b>Русский</b></p> <p align="center"><b>ДЕКЛАРАЦИЯ СООТВЕТСТВИЯ ЕС</b></p> <p>(Только для Европы) Портативная цепная пила для лесных работ, CS40EA Зявляем в рамках нашей исключительной ответственности, что данный продукт соответствует Директивам 2006/42/EC, 2004/108/EC. Приняты во внимание следующие стандарты. EN ISO 11681-1:2008, EN ISO 12100-1:2003, EN ISO 12100-2:2003 и CISPR 12:2007 Приложение V (2000/14/EC): Для информации относительно шумоизлучения, смотрите соответствующую главу спецификации. Уполномоченный орган: 0404, SMP Svensk Maskinprovning AB, Fyrisborgsgatan 3, SE-754 50, г. Уппсала, Швеция, провел классификационные испытания для ЕС в соответствии со Статьей 12, пункт 3б. Уполномоченный орган выдал сертификат о проведении классификационных испытаний для ЕС за номером 0404/10/2258 в соответствии с Приложением IX, пункт 4. Менеджер отдела европейских стандартов качества компании Hitachi Koki Europe Ltd. имеет право составлять технический файл. Данная декларация относится к изделиям, на которых имеется маркировка CE.</p>
<p>Representative office in Europe <b>Hitachi Power Tools Europe GmbH</b> Siemensring 34, 47877 Willich 1, F. R. Germany</p> <p>Technical file at: <b>Hitachi Koki Europe Ltd.</b> Clonsbaugh Business &amp; Technology Park, Dublin 17, Ireland</p> <p>Head office in Japan <b>Hitachi Koki Co., Ltd.</b> Shinagawa Intercity Tower A, 15-1, Konan 2-chome, Minato-ku, Tokyo, Japan</p> <p align="center"><b>CE</b></p> <p align="right">26. 2. 2010 <i>F. Tashimo</i> F. Tashimo Vice-President &amp; Director</p>		

 **Hitachi Koki Co., Ltd.**