

Operating Instructions

HOB

GB



English, 1



Русский, 9

7HKRM 641 D X RU/HA

Contents

Installation, 2-4

Positioning
Electrical connection

Description of the appliance, 5

Switching on the glass ceramic hob

Precautions and tips, 6

Practical advice on using the appliance
General safety
Disposal

Care and maintenance, 7

Switching the appliance off
Cleaning the appliance
Disassembling the hob

Technical description of the models, 8

Installation

GB

! Before operating your new appliance please read this instruction booklet carefully. It contains important information concerning the safe operation, installation and maintenance of the appliance.

! Please keep these operating instructions for future reference. Pass them on to any new owners of the appliance.

Positioning

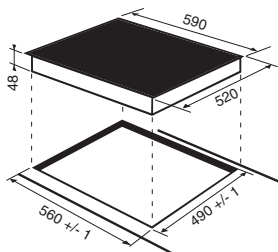
! Keep all packaging material out of the reach of children. It may present a choking or suffocation hazard (see *Precautions and tips*).

! The appliance must be installed by a qualified professional in accordance with the instructions provided. Incorrect installation may cause harm to people and animals or may damage property.

Built-in appliance

Use a suitable cabinet to ensure that the appliance functions properly.

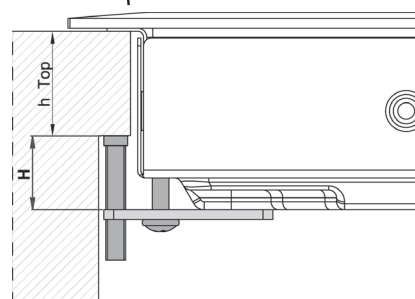
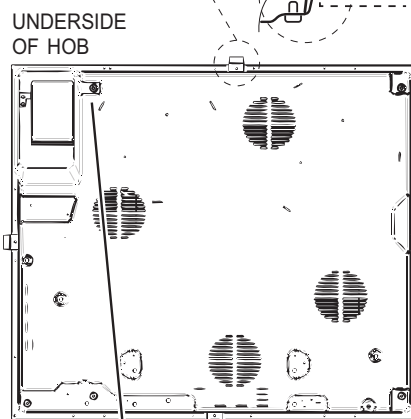
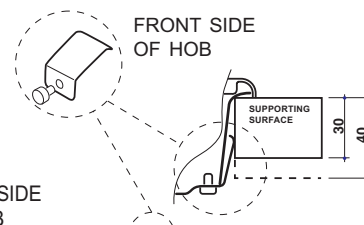
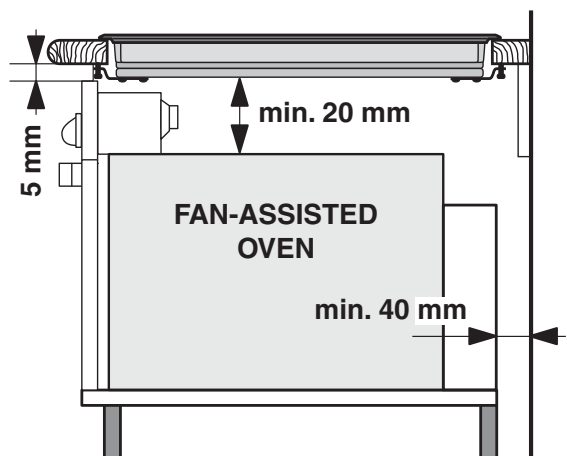
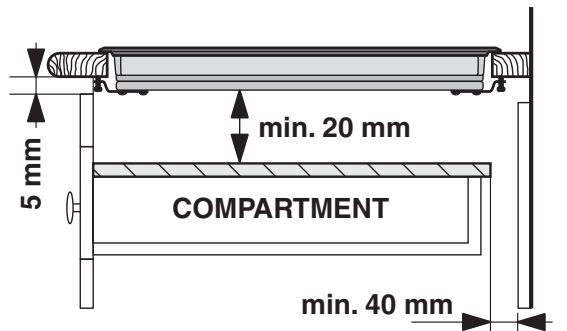
- The supporting surface must be heat-resistant up to a temperature of approximately 100°C.
- If the appliance is to be installed above an oven, the oven must be equipped with a forced ventilation cooling system.
- Avoid installing the hob above a dishwasher: if this cannot be avoided, place a waterproof separation device between the two appliances.
- Depending on the hob you want to install, the cabinet must have the following dimensions (see figure):



Ventilation

To allow adequate ventilation and to avoid overheating of the surrounding surfaces the hob should be positioned as follows:

- At a minimum distance of 40 mm from the back panel.
- So that a minimum distance of 20 mm is maintained between the installation cavity and the cabinet underneath.
- Kitchen cabinets adjacent to the appliance and taller than the top of the hob must be at least 600 mm from the edge of the hob.



Fixing

The appliance must be installed on a perfectly level supporting surface.

Any deformities caused by improper fixing could affect the features and operation of the hob.

The thickness of the supporting surface should be taken into account when choosing the length of the screws for the fixing hooks:

- 30 mm thick: 17.5 mm screws
- 40 mm thick: 7.5 mm screws

Fix the hob as follows:

1. Use short flat-bottomed screws to fix the 4 alignment springs in the holes provided at the central point of each side of the hob.
2. Place the hob in the cavity, make sure it is in a central position and push down on the whole perimeter until the hob is stuck to the supporting surface.
3. For hobs with raised sides: After inserting the hob into its cavity, insert the 4 fixing hooks (each has its own pin) into the lower edges of the hob, using the long pointed screws to fix them in place, until the glass is stuck to the supporting surface.

! The screws for the alignment springs must remain accessible.

! In order to adhere to safety standards, the appliance must not come into contact with electrical parts once it has been installed.

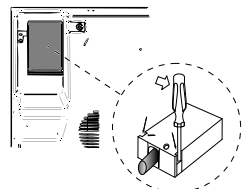
! All parts which ensure the safe operation of the appliance must not be removable without the aid of a tool.

Electrical connection

! The electrical connection for the hob and for any built-in oven must be carried out separately, both for safety purposes and to make extracting the oven easier.

Terminal board

UNDERSIDE OF HOB



On the lower part of the appliance there is a connection box for the different types of electricity supply (the picture is only an indication and is not an exact representation of the purchased model).

Single-phase connection

The hob is equipped with a pre-connected electricity supply cable, which is designed for single-phase connection. Connect the wires in accordance with the instructions given in the following table and diagrams:

| Voltage and mains frequency | Electrical cable | Wire connection |
|-----------------------------|------------------|---|
| 220-240V 1+N ~ 50/60 Hz | | ⏏: yellow/green; N: the two blue wires together L: brown and black together |

Other types of connection

If the mains supply corresponds with one of the following:

Voltage and mains frequency

- 400V - 2+N ~ 50/60 Hz
- 220-240V 3 ~ 50/60 Hz
- 400V - 2+2N ~ 50/60 Hz

Separate the wires and connect them in accordance with the instructions given in the following table and diagrams:

| Voltage and mains frequency | Electrical cable | Wire connection |
|--|------------------|---|
| 400V - 2+N ~ 50/60 Hz 220-240V 3 ~ 50/60 Hz | | ⏏: yellow/green; N: the two blue wires together L1: black L2: brown |
| 400V - 2+2N ~ 50/60 Hz | | ⏏: yellow/green; N1: blue N2: blue L1: black L2: brown |

If the mains supply corresponds with one of the following:

Voltage and mains frequency

- 400V 3 - N ~ 50/60 Hz

proceed as follows:

! The cable provided is not suitable for the following types of installation.

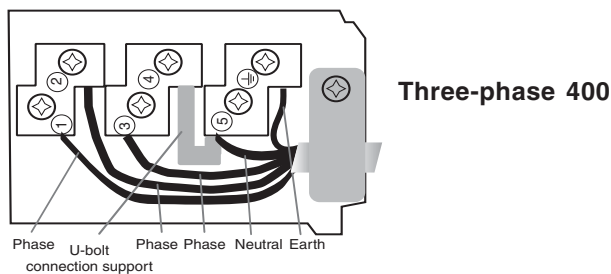
1. Use a suitable supply cable, H05RR-F or higher, with the right dimensions (cable cross section: 25 mm).
2. To open the terminal board, use a screwdriver as a lever under the side tabs of the cover (see *Terminal board picture*).
3. Loosen the cable clamp screw and the terminal board screws in accordance with the type of

connection required and position the connection supports as shown in the following table and diagrams.

4. Position the wires in accordance with the information given in the following table and diagrams and connect the appliance by tightening all the screws for the springs as much as possible.

| Voltage and mains frequency | Electrical connections | Terminal board |
|-----------------------------|------------------------|-----------------|
| 400V 3-N ~ 50/60 Hz | | Three-phase 400 |

5. Secure the power supply cable by fastening the cable clamp screw, then put the cover back on.



Connecting the electricity supply cable to the mains

If the appliance is being connected directly to the electricity mains an omnipolar switch must be installed with a minimum opening of 3 mm between contacts.

! The installer must ensure that the correct electrical connection has been made and that it is fully compliant with safety regulations.

Before connecting the appliance to the power supply, make sure that:

- The appliance is earthed and the plug is compliant with the law.
- The socket can withstand the maximum power of the appliance, which is indicated on the data plate located on the appliance itself.
- The voltage falls within the range of values indicated on the data plate.
- The socket is compatible with the plug of the appliance. If the socket is incompatible with the plug, ask an authorised technician to replace it. Do not use extension cords or multiple sockets.

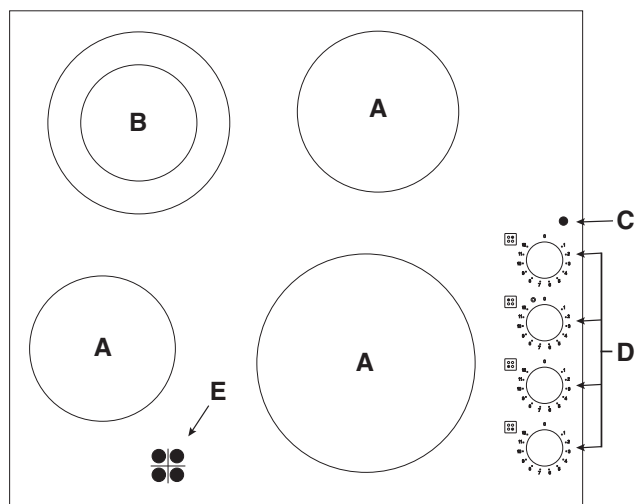
! Once the appliance has been installed, the power supply cable and the electrical socket must be easily accessible.

! The cable must not be bent or compressed.

! The cable must be checked regularly and replaced by authorised technicians only.

! The manufacturer declines any liability should these safety measures not be observed.

Description of the appliance



Switching on the glass ceramic hob

Traditional cooking zones

Traditional cooking zones (A) consist of circular heating elements. They turn red approximately ten seconds after they have been switched on. Each cooking zone is fitted with a control knob (D) which allows you to select from 12 different temperature settings between a minimum of 1 and a maximum of 12.

Extendable cooking zones

The extendable radiant elements (B) are distinguished by the fact that they have a double heating zone. You can switch the smaller internal cooking zone on separately, or both the external and internal zones together.

Circular extendable cooking zones

The control knob (D) allows you to choose between two power levels, which may both be adjusted between a minimum value of 1 and a maximum of 12:

- The lowest power level can be set by turning the knob clockwise from 1 to 12.
 - Turn the knob completely round (⊙), until you hear a slight click, to enable the maximum power level. This in turn can be adjusted to a value between 12 and 1 by turning the knob anticlockwise. To restore the minimum power level, turn the knob and set it back to position 0.
- For double cooking zones, the first part of the knob movement activates the smaller (internal) cooking zone. To activate both (internal and external), it is necessary to turn the knob completely (⊙) and then select the desired power level between 12 and 1.

Recommended power levels for various types of cooking:

| Set. | Radiant Burner |
|------|-----------------------------------|
| 0 | Off |
| 1 | To melt butter and chocolate. |
| 2 | To heat liquids. |
| 3 | |
| 4 | For creams and sauces. |
| 5 | |
| 6 | For cooking at the boiling point. |
| 7 | |
| 8 | For roasts. |
| 9 | |
| 10 | For boiling large pieces of meat. |
| 11 | |
| 12 | For frying. |

Operation indicator light (C)

This is illuminated when a heating zone has been activated.

Residual heat indicator light (E)

This indicates that one or more cooking zones are at a temperature greater than 60°C, even after the cooking zones have been switched off. Some models have 4 residual heat indicator lights, one for each cooking zone.

Precautions and tips

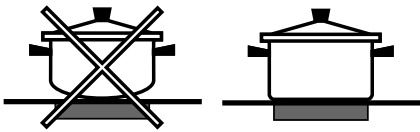
GB

! This appliance has been designed and manufactured in compliance with international safety standards. The following warnings are provided for safety reasons and must be read carefully.

Practical advice on using the appliance

In addition, to obtain the best results from your hob:

- Use pans with a thick, flat base in order to fully utilise the cooking zone.



- Always use pans with a diameter which is large enough to cover the hotplate fully, in order to use all the available heat.



- Make sure that the base of the cookware is always clean and dry, in order to fully utilise and extend the life of both the cooking zones and the cookware.
- Avoid using the same cookware which has been used on gas burners: the heat concentration on gas burners may distort the base of the pan, causing it not to adhere correctly.

CE This appliance conforms to the following European Economic Community directives:
- 2006/95/EEC dated 12/12/06 (Low Voltage) and subsequent amendments;
- 2004/108/EEC dated 15/12/04 (Electromagnetic Compatibility) and subsequent amendments;
- 93/68/EEC dated 22/07/93 and subsequent amendments.

General safety

! Make sure that the air inlet behind the fan grille is never obstructed. The built-in hob should, in fact, be provided with suitable ventilation for the cooling of the electronic components used in the appliance.

- The appliance was designed for domestic use inside the home and is not intended for commercial or industrial use.
- The appliance must not be installed outdoors, even in covered areas. It is extremely dangerous to leave the appliance exposed to rain and storms.
- Do not touch the appliance when barefoot or with wet or damp hands and feet.
- **The appliance must be used by adults only for the preparation of food, in accordance with the instructions outlined in this booklet. Any other use of the appliance (e.g. for heating the room)**

constitutes improper use and is dangerous. The manufacturer may not be held liable for any damage resulting from improper, incorrect and unreasonable use of the appliance.

- The glass ceramic hob is resistant to mechanical shocks, but it may crack (or even break) if hit with a sharp object such as a tool. If this happens, disconnect the appliance from the electricity mains immediately and contact a Service Centre.
- Ensure that power supply cables of other electrical appliances do not come into contact with the hot parts of the hob.
- Remember that the cooking zones remain relatively hot for at least thirty minutes after they have been switched off. An indicator light provides a warning when residual heat is present (see *Start-up and use*).
- Keep any object which could melt away from the hob, for example plastic and aluminium objects, or products with a high sugar content. Be especially careful when using plastic film and aluminium foil or packaging: if placed on surfaces which are still hot, they may cause serious damage to the hob.
- Always make sure that pan handles are turned towards the centre of the hob in order to avoid accidental burns.
- When unplugging the appliance, always pull the plug from the mains socket; do not pull on the cable.
- Never perform any cleaning or maintenance work without having disconnected the appliance from the electricity mains.
- The appliance should not be operated by people (including children) with reduced physical, sensory or mental capacities, by inexperienced individuals or by anyone who is not familiar with the product. These individuals should, at the very least, be supervised by someone who assumes responsibility for their safety or receive preliminary instructions relating to the operation of the appliance.
- Do not let children play with the appliance.
- Do not look at the halogen lamps in the cooking zones for long if they are present.

Disposal



- When disposing of packaging material: observe local legislation so that the packaging may be reused.
- The European Directive 2002/96/EC relating to Waste Electrical and Electronic Equipment (WEEE) states that household appliances should not be disposed of using the normal solid urban waste cycle. Exhausted appliances should be collected separately in order to optimise the cost of re-using and recycling the materials inside the machine, while preventing potential damage to the atmosphere and to public health. The crossed-out dustbin is marked on all products to remind the owner of their obligations regarding separated waste collection.

For further information relating to the correct disposal of exhausted household appliances, owners may contact the public service provided or their local dealer.

Care and maintenance

Switching the appliance off

Disconnect your appliance from the electricity supply before carrying out any work on it.

Cleaning the appliance

- ! Do not use abrasive or corrosive detergents (for example, products in spray cans for cleaning barbecues and ovens), stain removers, anti-rust products, powder detergents or sponges with abrasive surfaces: these may scratch the surface beyond repair.
- ! Never use steam cleaners or pressure cleaners on the appliance.
- It is usually sufficient simply to wash the hob using a damp sponge and dry it with absorbent kitchen towel.
- If the hob is particularly dirty, rub it with a special glass ceramic cleaning product, then rinse well and dry thoroughly.
- To remove more stubborn dirt, use a suitable scraper. Remove spills as soon as possible, without waiting for the appliance to cool, to avoid residues forming crusty deposits. You can achieve excellent results by using a rust-proof steel wire sponge - specifically designed for glass ceramic surfaces - soaked in soapy water.
- If any plastic or sugary substances are accidentally melted on the hob, remove them immediately with the scraper, while the surface is still hot.
- Once it is clean, the hob may be treated with a special protective maintenance product: the invisible film left by this product protects the surface from drips during cooking. This maintenance task should be carried out while the appliance is warm (not hot) or cold.
- Always remember to rinse the appliance well with clean water and dry it thoroughly: residues can become encrusted during subsequent cooking processes.

Stainless steel frame (only in models with outer frame)

Stainless steel can be marked by hard water which has been left on the surface for a long time, or by cleaning products containing phosphorus. After cleaning, it is advisable to rinse the surface well and dry it thoroughly. If water is spilt on the surface, dry it quickly and thoroughly.

! Some hobs have an aluminium frame which is similar to stainless steel. Do not use any cleaning or degreasing products which are not suitable for use with aluminium.

Disassembling the hob

If it is necessary to disassemble the hob:

1. Loosen the screws fixing the alignment springs on each side.
2. Loosen the screws holding the fixing hooks in each corner.
3. Take the hob out of its installation cavity.

! Do not attempt to repair the appliance yourself. If the appliance breaks down, contact a Service Centre.

Technical description of the models

GB

This table provides a model-by-model list of the energy absorption values, type of heating elements and diameters of each cooking zone.

| Hobs | 7HKRM 641 D X RU/HA | | | |
|--------------|---------------------|---------------|--|--|
| Cooking zone | Power (W) | Diameter (mm) | | |
| Back Left | HD 2200/800 | 210/140 | | |
| Back Right | H 1400 | 160 | | |
| Front Left | H 1200 | 145 | | |
| Front Right | H 1800 | 180 | | |
| Total power | 6600 | | | |

Key:

H = single hilight

HD = double hilight



AIO 77



English, 1



Русский, 9

7HKRM 641 D X RU/HA

Содержание

Монтаж, 10-12

Расположение
Электрическое подключение

Описание изделия, 13

Включение стеклокерамической варочной панели

Предосторожности и рекомендации, 14

Практические советы по эксплуатации изделия
Общие требования к безопасности
Утилизация

Техническое обслуживание и уход, 15

Обесточивание изделия
Чистка изделия
Порядок демонтажа варочной панели

Техническое описание моделей, 16

RS

Монтаж

RS

! Важно сохранить данное руководство для его последующих консультации. В случае продажи, передачи изделия или при переезде на новое место жительства необходимо проверить, чтобы руководство оставалось вместе с изделием, для того чтобы его новый владелец мог ознакомиться с правилами эксплуатации и с соответствующими предупреждениями.

! Внимательно прочитайте инструкции: в них содержатся важные сведения о монтаже изделия, его эксплуатации и безопасности.

Расположение

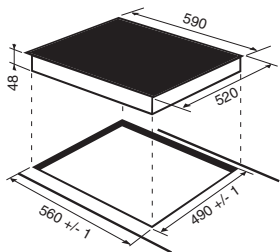
! Не разрешайте детям играть с упаковочными материалами. Упаковка должна быть уничтожена в соответствии с правилами сбора мусора (см. *Предосторожности и рекомендации*).

! Монтаж изделия производится в соответствии с данными инструкциями квалифицированными специалистами. Неправильный монтаж изделия может стать причиной повреждения имущества и причинить ущерб людям и домашним животным.

Встроенный монтаж

Для обеспечения исправного функционирования встраиваемого изделия кухонный модуль должен иметь соответствующие характеристики:

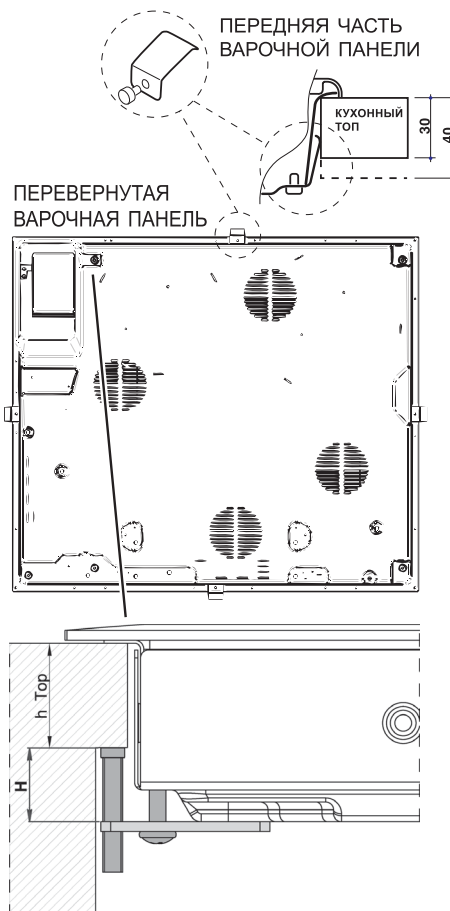
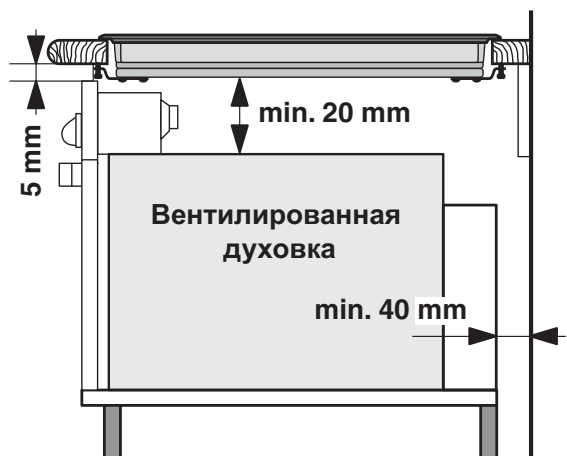
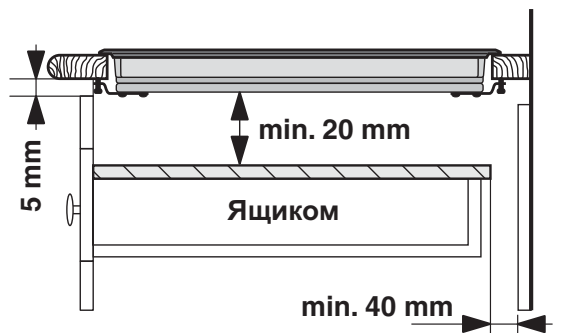
- поверхность кухонного топа должна быть из материала, устойчивого к температуре примерно 100°C;
- если варочная панель устанавливается над духовым шкафом, он должен быть оснащен системой охлаждения с принудительной вентиляцией.
- не рекомендуется устанавливать варочную панель над посудомоечными машинами: при необходимости установите между варочной панелью и посудомоечной машиной герметичную разделительную вставку;
- в зависимости от модели варочной панели, которую вы устанавливаете (см. *схемы*), размеры ниши в кухонном модуле должны быть следующими:



Вентиляция

Для обеспечения надлежащей вентиляции и во избежание перегрева прилегающих поверхностей варочная панель должна быть установлена:

- на минимальном расстоянии 40 мм от задней



- стенки;
- между проемом под варочную панель и расположенным снизу кухонным элементом должно быть расстояние не менее 20 мм.
- Кухонные элементы, расположенные рядом с кухонной плитой, высота которых превышает уровень варочной панели, должны находиться на расстоянии не менее 600 мм от края варочной панели.

Крепление

Изделие должно быть установлено на идеально ровной поверхности. Возможные деформации, вызванные неправильным креплением, могут привести к изменениям характеристик и эксплуатационных качеств варочной панели.

Длина регулиционного винта крепежных крюков регулируется перед началом монтажа по толщине кухонного топа:

- толщина 30 мм: длина винта 17,5 мм;
- толщина 40 мм: длина винта 7,5 мм;

Порядок крепления изделия:

1. При помощи коротких тупых шурупов привинтите 4 центровочные пружины в отверстиях, расположенных по бокам варочной панели;
2. Вставьте варочную панель в проем в кухонном модуле, выровняйте и слегка нажмите в центр вплоть до идеального прилегания варочной панели к поверхности кухонного топа.
3. для варочных панелей с боковыми профилями: вставив варочную панель в нишу кухонного модуля, вставьте 4 крепежных крюка (каждый со своим штифтом) по нижнему периметру варочной панели, закручивая их длинными острыми болтами до тех пор, пока стекло не будет плотно прилегать к кухонному топу.

! Важно, чтобы шурупы центровочных пружин оставались доступными.

! В соответствии с правилами безопасности после установки изделия в кухонный модуль должна быть исключена возможность касания к электрическим частям.

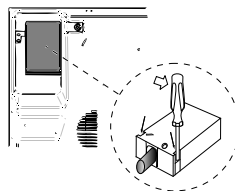
! Все защитные элементы должны быть закреплены таким образом, чтобы их можно было снять только при помощи специального инструмента.

Электрическое подключение

! Электрическое подключение варочной панели и возможного встраиваемого духового шкафа должно выполняться отдельно по причинам безопасности, а так же для легкого съема духового шкафа.

Клеммная колодка

ПЕРЕВЕРНУТАЯ
ВАРОЧНАЯ ПАНЕЛЬ



В нижней части изделие оснащено колодкой для подсоединения разных видов электропитания (рисунок приводится для примера и может не соответствовать модели вашего изделия).

Монофазное соединение

Варочная панель оснащена сетевым кабелем, рассчитанным на монофазное электропитание. Подсоедините провода в соответствии с таблицей и приведенным ниже схемам:

| Типовое напряжение и частота сети | Электрический провод | Подсоединение проводов |
|-----------------------------------|----------------------|---|
| 220-240В 1+N ~ 50/60 Гц | | : желто-зеленый; N: 2 синий провода вместе на L: коричневый вместе с черным |

Другие типы соединений

Если электропроводка соответствует одной из следующих характеристик:

Типовое напряжение и частота сети

- 400В - 2+N ~ 50/60 Гц
- 220-240В 3 ~ 50/60 Гц
- 400В - 2+2N ~ 50/60 Гц

Разделите провода и подсоедините проводники в соответствии с таблицей и приведенным ниже схемам:

| Типовое напряжение и частота сети | Электрический провод | Подсоединение проводов |
|---|----------------------|--|
| 400В -2 + N ~ 50/60 Гц 220-240В 3 ~ 50/60 Гц | | : желто-зеленый, N: 2 синий провода вместе на L1: черный L2: коричневый |
| 400В -2 +2N ~ 50/60 Гц | | : желто-зеленый; N1: синий N2: синий L1: черный L2: коричневый |

Если электропроводка соответствует одной из следующих характеристик:

Типовое напряжение и частота сети

- 400В 3 - N ~ 50/60 Гц

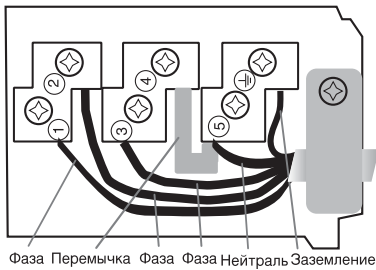
выполните следующее:

! Возможны прилагающийся сетевой кабель нельзя использовать для такого типа монтажа.

1. Используйте надлежащий сетевой кабель типа H05RR-F или с большим значением, надлежащего размера (сечение кабеля: 25 мм).
2. При помощи отвертки поднимите язычки крышки клеммной колодки и откройте ее (см. изображение клеммной колодки).
3. Отвинтите прижимной винт провода и винты зажимов, соответствующих типу необходимого соединения, затем установите соединительные перемычки согласно таблице и приведенным ниже схемам.
4. Расположите проводники согласно таблице и приведенным ниже схемам и подсоедините их, до упора закрутив все винты зажимов.

| Типовое напряжение и частота сети | Электропитание | Зажимная коробка |
|-----------------------------------|----------------|------------------|
| 400В 3-N ~ 50/60 Гц | | Трехфазный 400 |

5. Зафиксируйте сетевой кабель в специальном кабельном сальнике и закройте крышку.



Трехфазное
400

Фаза Перемычка Фаза Фаза Нейтраль Заземление

Подсоединение сетевого кабеля изделия к сети электропитания

В случае прямого подключения изделия к сети необходимо установить между изделием и электрической сетью многополярный разъединитель с минимальным расстоянием между контактами 3 мм.

! Электромонтер несет ответственность за правильное подключение изделия к электрической сети и за соблюдение правил безопасности.

Перед осуществлением электрического подсоединения необходимо проверить следующее:

- сетевая розетка должна быть соединена с заземлением и соответствовать нормативам;
- сетевая розетка должна быть рассчитана на максимальную потребляемую мощность изделия, указанную на паспортной табличке с техническими характеристиками;
- напряжение и частота тока сети должны соответствовать электрическим данным изделия;
- сетевая розетка должна быть совместима со штепсельной вилкой изделия. В противном случае замените розетку или вилку; не используйте удлинители или тройники.

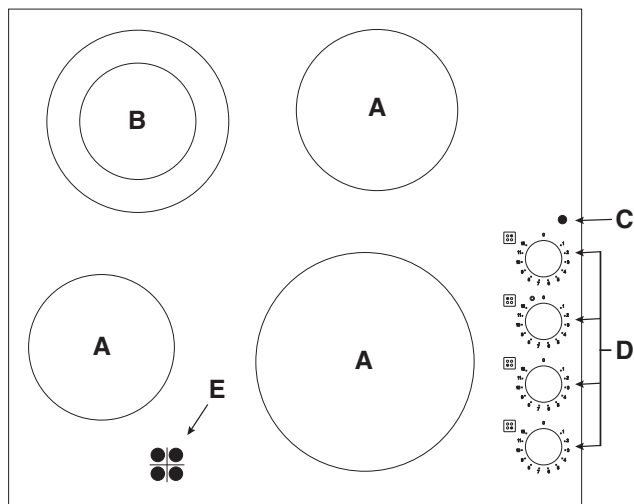
! Изделие должно быть установлено таким образом, чтобы сетевой кабель и сетевая розетка были легко доступны.

! Сетевой кабель изделия не должен быть согнут или сжат.

! Регулярно проверяйте состояние сетевого кабеля и при необходимости поручайте его замену только уполномоченным техникам.

! Производитель не несет ответственности за последствия несоблюдения перечисленных выше требований.

Описание изделия



Включение стеклокерамической варочной панели

Традиционные конфорки

Традиционные нагревательные элементы (А) состоят из круглых спиралей, раскаляющихся докрасна только по прошествии нескольких десятков секунд после их включения.

Каждая варочная зона управляется рукояткой (D), позволяющей выбрать 12 различных температур от минимального значения 1 до максимального 12.

Расширяющиеся варочные зоны

Расширяющиеся нагревательные элементы (В) отличаются наличием двойной нагревательной зоны. Можно включить только внутреннюю часть варочной зоны или обе.

Круглые расширяющиеся варочные зоны

Регулятор (D) позволяет выбрать один из двух уровней мощности, оба из которых настраиваются от минимального значения 1 до максимального 12:

- поворачивая регулятор по часовой стрелке с 1 на 12, задается более низкий уровень мощности.
- повернув регулятор до упора (⊙), что заметно по легкому щелчку, включается максимальная мощность, которая может быть в свою очередь отрегулирована от 12 до 1, поворачивая регулятор против часовой стрелки. Для возврата к минимальной мощности необходимо повернуть регулятор в положение 0.

В случае двойных варочных зон первая часть поворота регулятора включает меньшую зону (внутреннюю). Для включения обеих зон (внутренней и внешней) необходимо повернуть регулятор до упора (⊙) и выбрать нужный уровень мощности от 12 до 1.

Рекомендуемые уровни мощности для различных типов приготовления:

| Позиция | Приготовление |
|----------|---|
| 0 | Выключено |
| 1 | Для размораживания масла и плавления шоколада |
| 2 3 | Для разогрева жидкостей |
| 4 5 | Для кремов и соусов |
| 6 7 | Для кипячения |
| 8 9 | Для поджаривания |
| 10 11 | Для кипячения больших объемов |
| 12 | Для жарки |

Индикатор работы (С)

Включен, когда включена какая-то из нагревательных зон.

Индикатор остаточного тепла (Е)

Означает, что температура одной или нескольких варочных зон превышает 60°C даже после выключения варочной зоны. Некоторые модели варочных панелей оснащены 4 индикаторами остаточного тепла, по одному на каждую варочную зону.

RS

Предосторожности и рекомендации

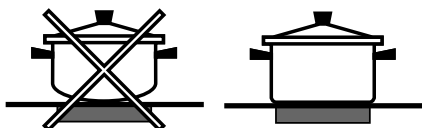
RS

! Изделие спроектировано и изготовлено в соответствии с международными нормативами по безопасности. Необходимо внимательно прочитать настоящие предупреждения, составленные в целях вашей безопасности.

Практические советы по эксплуатации изделия

Кроме того для больше эффективности варочной панели следует:

- Использовать посуду с плоским толстым дном, идеально прилегающим к зоне нагрева;



- Использовать посуду с дном такого диаметра, чтобы полностью закрыть варочную зону для оптимального использования всего выделяемого тепла.



- Проверить, чтобы дно используемой посуды было всегда совершенно сухим и чистым для идеального прилегания к варочной зоне и для долгого срока службы как варочной панели, так и самой посуды.
- Не следует использовать на данной варочной панели посуду, использованную на газовых конфорках. Концентрация тепла на газовых конфорках может деформировать дно посуды и нарушить прилегание к варочной зоне;

CE Данное оборудование отвечает требованиям нижеуказанных Директив Европейского Сообщества:
- 2006/95/CEE от 12/12/06 (Низкое напряжение) с последующими изменениями
- 2004/108/CEE от 15/12/04 (Электромагнитная совместимость) и последующими изменениями
- 93/68/CEE от 22.07.93 с последующими изменениями.

Общие правила безопасности

! Проверьте, чтобы вентиляционная решетка всегда была открытой. Встраиваемая варочная панель требует эффективной вентиляции для охлаждения электронных компонентов.

- Данное изделие предназначается для непрофессионального использования в домашних условиях.
- Запрещается устанавливать изделие на улице, даже под навесом, так как воздействие на него дождя и грозы является чрезвычайно опасным.
- Не прикасайтесь к изделию влажными руками, босиком или с мокрыми ногами.
- Изделие предназначено для приготовления пищевых продуктов, может быть использовано только взрослыми лицами в соответствии с инструкциями, приведенными в данном техническом руководстве. Любое другое его использование (например: отопление помещения) считается ненадлежащим и следовательно опасным. Производитель не несет ответственности за возможный ущерб, вызванный ненадлежащим, неправильным и неразумным

использованием изделия.

- Стеклокерамическая варочная панель устойчива к механическим ударам, тем не менее она может треснуть (или даже разбиться) при ударе острым предметом или инструментом. В этом случае незамедлительно отсоедините изделие от сети электропитания и обратитесь в Центр технического обслуживания.
- Избегайте касания сетевых шнуров других бытовых электроприборов к горячим частям варочной панели.
- Помните, что температура варочных зон остается очень высокой в течение тридцати минут после их выключения. Остаточное тепло показывается также индикатором (см. *Включение и эксплуатация*).
- Держите на безопасном расстоянии от варочной панели любые предметы, которые могут расплавиться, например, пластмасса, алюминий или изделия из сахара. Обращайте особое внимание на упаковочные материалы, полиэтиленовую или алюминиевую пленку: если оставить эти материалы на еще горячей или теплой поверхности, они могут серьезно повредить варочную панель.
- Следите, чтобы ручки кастрюль на варочной панели были всегда повернуты таким образом, чтобы вы не могли случайно задеть их.
- Не тяните за сетевой кабель для отсоединения вилки изделия из сетевой розетки, возьмитесь за вилку рукой.
- Перед началом чистки или технического обслуживания изделия всегда вынимайте штепсельную вилку из сетевой розетки.
- Эксплуатация изделия лицами (включая детей) с ограниченными физическими, сенсорными или умственными способностями, неопытными лицами или лицами, незнакомыми с правилами эксплуатации данного изделия, запрещается без контроля со стороны лица, отвечающего за их безопасность, или без обучения правилам пользования изделием.
- Не разрешайте детям играть с бытовым электроприбором.
- Если на вашей варочной панели имеются галогенные варочные зоны, не смотрите на них долго.

Утилизация



- Уничтожение упаковочных материалов: соблюдайте местные нормативы с целью повторного использования упаковочных материалов.
- Согласно Европейской Директиве 2002/96/CE касательно утилизации электронных и электрических электроприборов электроприборы не должны выбрасываться вместе с обычным городским мусором. Выведенные из строя приборы должны собираться отдельно для оптимизации их утилизации и рекуперации составляющих их материалов, а также для безопасности окружающей среды и здоровья. Символ зачеркнутая мусорная корзинка, имеющийся на всех приборах, служит напоминанием об их отдельной утилизации. За более подробной информацией о правильной утилизации бытовых электроприборов пользователи могут обратиться в специальную государственную организацию или в магазин.

Техническое обслуживание и уход

Отключение электропитания

Перед началом какой-либо операции по обслуживанию или чистке отсоедините изделие от сети электропитания.

Чистка изделия

! Не следует пользоваться абразивными или коррозивными чистящими средствами такими как спрей для чистки духовок и мангалов, пятновыводители или средства для удаления ржавчины, порошковыми чистящими средствами или абразивными губками: они могут необратимо поцарапать поверхность изделия.

! Не используйте паровые чистящие агрегаты или агрегаты под высоким давлением для чистки изделия.

- В качестве регулярного ухода достаточно вымыть варочную панель влажной губкой и затем протереть насухо кухонным бумажным полотенцем.
- Если варочная панель сильно загрязнена, используйте специальное чистящее средство для стеклокерамических поверхностей, ополосните водой и протрите насухо.
- Для удаления особо сильных загрязнений используйте специальный скребок. Удаляйте загрязнения незамедлительно, не дожидаясь охлаждения изделия, во избежание затвердевания остатков пищи. Очень удобна для чистки варочной панели мочалка из проволоки из нержавеющей стали, специально для стеклокерамических поверхностей, смоченная в мыльном растворе.
- Если на варочной панели случайно расплавились какие-либо предметы или пластиковые материалы или сахар, незамедлительно удалите их скребком с еще горячей поверхности.
- По завершении чистки варочная панель может быть обработана специальным защитным средством для ухода за стеклокерамическими поверхностями: это средство образует на поверхности варочной панели невидимую защитную пленку, предохраняющую поверхность в случае утечек пищи в процессе приготовления. Рекомендуется производить чистку, когда варочная панель едва теплая или холодная.

- Следует всегда ополаскивать варочную панель чистой водой и насухо вытирать: возможные остатки чистящих средств могут затвердеть при последующей готовке.

Структура из нержавеющей стали (только в моделях с рамкой)

На поверхности из нержавеющей стали могут образоваться пятна от воды с большим содержанием извести, если она будет воздействовать на поверхность в течение длительного времени, или при использовании чистящих средств, содержащих фосфор. Рекомендуется тщательно ополоснуть и вытереть варочную панель после чистки. В случае случайного проливания воды незамедлительно удалите ее.

! Некоторые варочные панели оснащены алюминиевой рамкой, похожей на нержавеющую сталь. Для чистки рамки не используйте средства, непригодные для алюминия.

Порядок демонтажа варочной панели

При необходимости демонтировать варочную панель:

1. снимите шурупы, крепящие скобы центровочные пружины;
2. ослабьте шурупы крепежных крюков по углам;
3. выньте варочную панель из ниши.

! Не рекомендуется открывать внутренние комплектующие для попытки самостоятельно выполнить ремонт. В случае неисправности обращайтесь в Центр технического обслуживания.

Техническое описание моделей

05/2010 - 195083156.00
XEROX FABRIANO

RS

В этих таблицах для каждой модели указываются значения поглощения электроэнергии, тип нагревательного элемента и диаметр каждой варочной зоны.

| Модели варочных панелей | 7HKRM 641 D X RU/HA | | | |
|-------------------------|---------------------|--------------|--|--|
| | Мощность (Вт) | Диаметр (мм) | | |
| Варочные зоны | | | | |
| Задняя левая | HD 2200/800 | 210/140 | | |
| Задняя правая | H 1400 | 160 | | |
| Передняя левая | H 1200 | 145 | | |
| Передняя правая | H 1800 | 180 | | |
| Общая мощность | 6600 | | | |

Условные обозначения:

H = одинарная варочная зона "highlight"

HD = двойная варочная зона "highlight"



АЮ 77