

Operating Instructions

OVEN

GB



English, 1



Русский, 12

70FZ G RU /HA
70FZ G IX RU /HA
70FH G RU/HA
70FH G IX RU/HA
70FHRG RU/HA

Contents

Installation, 2-5

Positioning
Electrical connection
Gas connection
Data plate

Description of the appliance, 6

Overall view
Control panel

Start-up and use, 7-8

Starting the oven
How to use the timer
Burner and nozzle specifications

Cooking modes, 9

Cooking modes
Practical cooking advice
Cooking advice table

Precautions and tips, 10

General safety
Disposal
Respecting and conserving the environment

Maintenance and care, 11

Switching the appliance off
Cleaning the appliance
Cleaning the oven door
Replacing the light bulb
Assistance

Installation

GB

! Before operating your new appliance please read this instruction manual carefully. It contains important information for safe use, installation and care of the appliance.

! Please keep these operating instructions for future reference. Pass them on to possible new owners of the appliance.

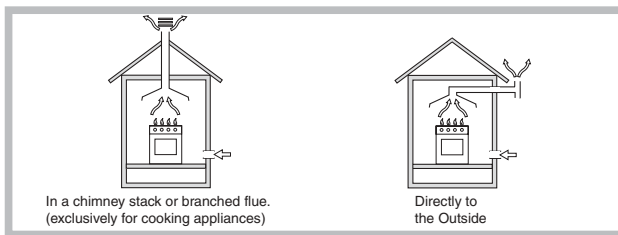
Positioning

! Keep packaging material out of the reach of children. It can become a choking or suffocation hazard (see *Precautions and tips*).

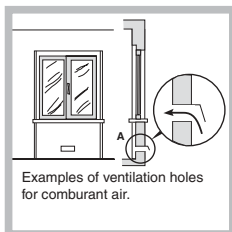
! The appliance must be installed by a qualified person according to the instructions provided. Incorrect installation may cause harm to people and animals or may damage property.

! This appliance should only be installed and used in permanently ventilated rooms in compliance with current National regulations. The following requirements must be observed:

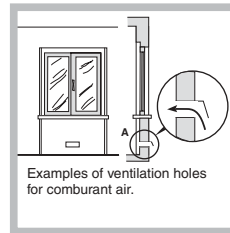
- The room must be equipped with an air extraction system that expels any combustion fumes. This may consist of a hood or an electric fan that automatically starts each time the appliance is switched on.



- The room must also allow proper air circulation, as air is needed for combustion to occur normally. The flow of air needed for combustion must not be less than 2 m³/h per kW of installed power.



The air circulation system may take air directly from the outside by means of a pipe with an inner cross section of at least 100 cm²; the opening must not be vulnerable to any type of blockages.



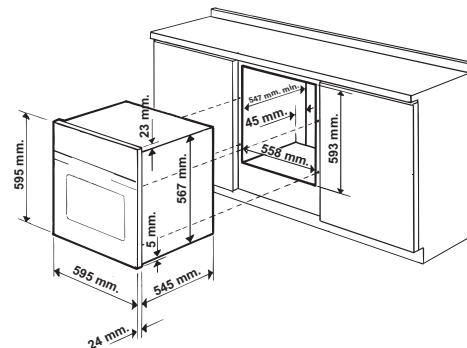
The system can also provide the air needed for combustion indirectly, i.e. from adjacent rooms fitted with air circulation tubes as described above. However, these rooms must not be communal rooms, bedrooms or rooms that may present a fire hazard.

- Liquid petroleum gas sinks to the floor as it is heavier than air. Therefore, rooms containing LPG cylinders must also be equipped with vents to allow gas to escape in the event of a leak. As a result LPG cylinders, whether partially or completely full, must not be installed or stored in rooms or storage areas that are below ground level (cellars, etc.). It is a good idea to keep only the cylinder being used in the room, positioned so that it is not subject to heat produced by external sources (ovens, fireplaces, stoves, etc.) which could raise the temperature of the cylinder above 50°C.

Fitting the appliance

Use a suitable kitchen unit to ensure that the appliance functions properly.

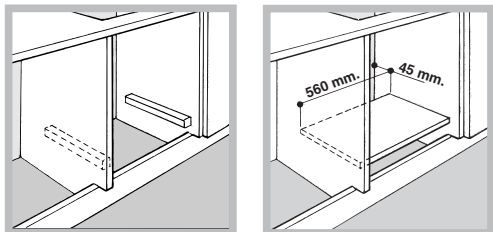
- The panels adjacent to the oven must be made from heat-resistant material.
- Cabinets with a veneer exterior must be assembled with a glue that can withstand temperatures of up to 100°C.
- To install the oven under the counter (see *diagram*) or in a kitchen unit, the cabinet must have the following dimensions:



! The appliance must not come into contact with electrical parts once it has been installed. The figures indicated on the data plate have been calculated for this type of installation.

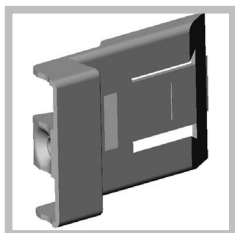
Ventilation

To ensure adequate ventilation, the back panel of the cabinet must be removed. It is advisable to install the oven so that it rests on two strips of wood, or on a completely flat surface with an opening of at least 45 x 560 mm (see diagrams).

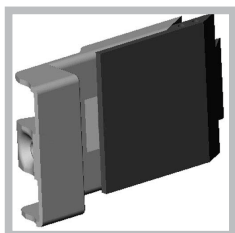


Centring and fastening

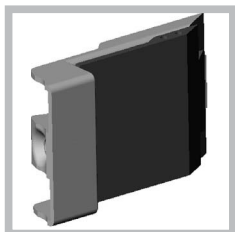
Position the 4 tabs on the side of the oven according to the 4 holes on the outer frame. Adjust the tabs according to the thickness of the cabinet side panel, as shown below:



20 mm thick: take off the removable part of the tab (see diagram).



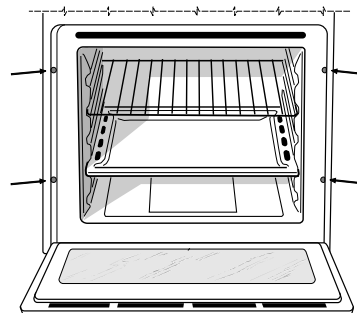
18 mm thick: use the first groove, which has already been set in the factory (see diagram).



16 mm thick: use the second groove (see diagram).

Secure the appliance to the cabinet by opening the oven door and fastening 4 screws into the 4 holes of the outer frame.

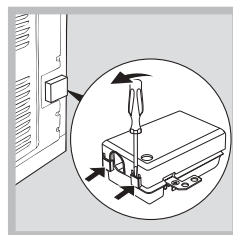
! All parts ensuring the safe operation of the appliance must not be removable without the aid of a tool.



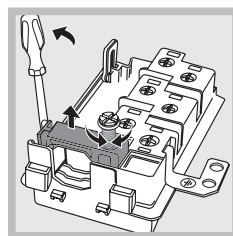
Electrical connections

! Ovens equipped with a three-pole power supply cable are designed to operate with alternating current at the voltage and frequency indicated on the data plate located on the appliance (see below).

Fitting the power supply cable



1. Open the terminal board by inserting a screwdriver into the side tabs of the cover. Use the screwdriver as a lever by pushing it down to open the cover (see diagram).



2. Loosen the cable clamp screw and remove it, using a screwdriver as a lever (see figure).

3. Remove the wire contact screws L-N- \perp , then fasten the wires under the screw heads, respecting the colour code: Blue (N), Brown (L) and Yellow-Green Verde (\perp).

Connecting the supply cable to the mains

Install a standardised plug corresponding to the load indicated on the data plate (see adjacent box). The appliance must be directly connected to the mains using an omnipolar circuit-breaker with a minimum contact opening of 3 mm installed between the appliance and the mains. The circuit-breaker must be suitable for the charge indicated and must comply with current electrical regulations (the earthing wire must not be interrupted by the circuit-breaker). The supply cable must not come into contact with surfaces with temperatures higher than 50°C.

! The installer must ensure that the correct electrical connection has been made and that it is compliant with safety regulations.

Before connecting to the power supply, make sure that:

- the appliance is earthed and the plug is compliant with the law.
- the socket can withstand the maximum power of the appliance, which is indicated on the data plate (*see below*).
- the voltage is in the range between the values indicated on the data plate (*see below*).
- the socket is compatible with the plug of the appliance. If the socket is incompatible with the plug, ask an authorised technician to replace it. Do not use extension cords or multiple sockets.

! Once the appliance has been installed, the power supply cable and the electrical socket must be easily accessible.

! The cable must not be bent or compressed.

! The cable must be checked regularly and replaced by authorised technicians only (*see Assistance*).

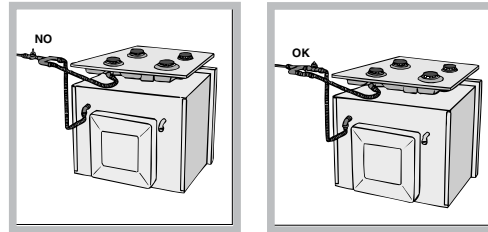
! The manufacturer declines any liability should these safety measures not be observed.

Gas connection

The appliance should be connected to the main gas supply or to a gas cylinder in compliance with current National regulations. Before carrying out the connection, make sure the cooker is compatible with the gas supply you wish to use. If this is not the case, follow the instructions indicated in the paragraph "Adapting to different types of gas." When using liquid gas from a cylinder, install a pressure regulator that complies with current National regulations.

! Check that the pressure of the gas supply is consistent with the values indicated in Table 1 ("Burner and nozzle specifications") since this will ensure the safe operation and longevity of your appliance while maintaining efficient energy consumption.

! Should you need to install a gas hob on top of a built-in gas oven, it is strictly forbidden to connect the two or to use a single cut-off tap. The two appliances should be connected separately, and each one should have its own stop tap in order to make them completely independent from one another (*see figures*).



Connection with a rigid pipe (copper or steel)

! Connection to the gas system must be carried out in such a way as not to place any strain of any kind on the appliance.

There is an adjustable L-shaped pipe fitting on the appliance supply ramp and this is fitted with a seal in order to prevent leaks. The seal must always be replaced after rotating the pipe fitting (the seal is provided with the appliance). The gas supply pipe fitting is a threaded 1/2 gas cylindrical male attachment.

Connecting a flexible jointless stainless steel pipe to a threaded attachment

The gas supply pipe fitting is a threaded 1/2 gas cylindrical male attachment.

These pipes must be installed so that they are never longer than 2000 mm when fully extended. Once connection has been carried out, make sure that the flexible metal pipe does not touch any moving parts and is not compressed.

! Only use pipes and seals that comply with current National regulations.

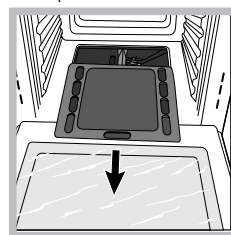
Checking the tightness of the connection

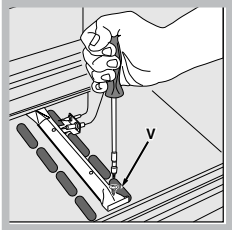
! When installation has been completed, check the pipe fittings for leaks using a soapy solution. Never use a flame.

Adapting to different types of gas

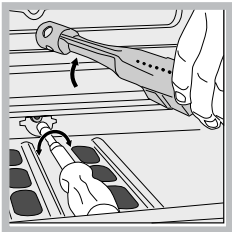
In order to adapt the oven to a type of gas other than the type for which it was manufactured (indicated on the label), follow these simple steps:

- Replacing the oven burner nozzle
1. Open the oven door fully.
 2. Slide out the bottom of the oven.





3. Unscrew the burner fastening screws.
4. Remove screw "V" and then the oven burner.



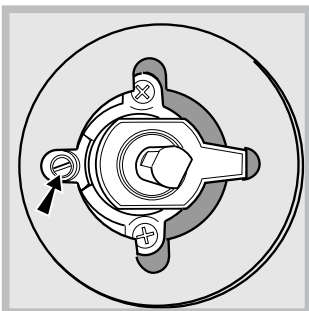
5. Unscrew the oven burner nozzle using the special socket spanner for the nozzles, or better still a 7 mm socket spanner, and replace it with a nozzle suited to the new type of gas (see Table 1).

6. Replace all the parts, following the steps described above in the reverse order.

! Take particular care when handling the spark plug wires and the thermocouple pipes.

- Primary air regulation for the oven burner
The burner was designed not to need any adjustments to the primary air.

- Setting the oven burner to minimum
 1. Turn the knob first to the Max setting for about 10 minutes and then to Min.
 2. Remove the knob.
 3. Remove the disk fastened to the control panel.
 4. Adjust the screw located outside the thermostat cock pin until the flame is small but steady (the flame can be seen through the slots on the oven bottom).



5. Make sure the burner does not switch off when you turn the knob from Max to Min quickly, or when you open and close the oven door quickly.

! If the appliance is connected to liquid gas, the regulation screw must be fastened as tightly as possible.

! Once this procedure is finished, replace the old rating sticker with one indicating the new type of gas used. This sticker is available from any of our Service Centres.

! If the gas pressure is different from the recommended pressure, a suitable pressure regulator must be fitted to the inlet pipe in accordance with current National Regulations.

DATA PLATE

Dimensions width 43.5 cm
height 31 cm
depth 43.5 cm

Volume 58 l

Electrical connections see data plate

Gas features see data plate

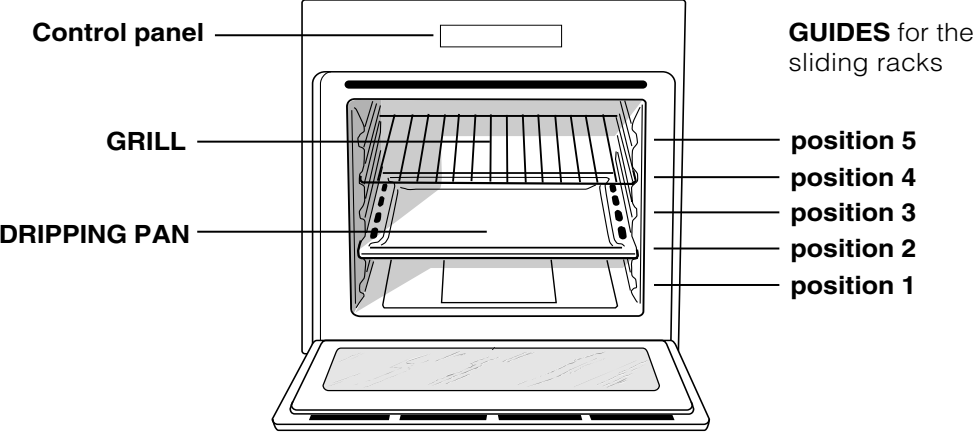


This appliance conforms to the following European Economic Community directives:
2006/95/EEC dated 12/12/06 (Low Voltage) and subsequent amendments - 2004/108/EEC dated 15/12/04 (Electromagnetic compatibility) and subsequent amendments - 93/68/EEC dated 22/07/93 and subsequent amendments. 90/336/EEC dated 29.06.90 (Gas) and subsequent amendments.
2002/96/EC and subsequent amendments.

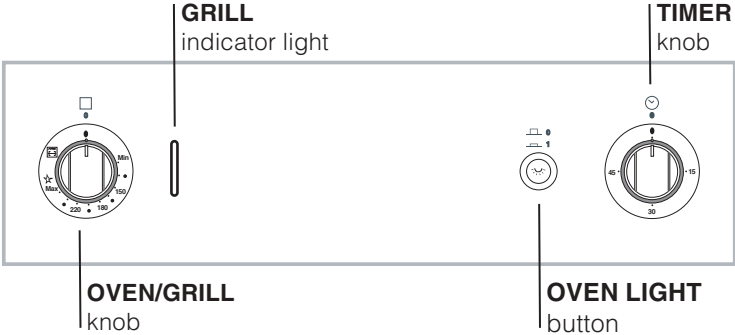
Description of the appliance

GB

Overall view



Control panel



Start-up and use

! The first time you use your appliance, heat the empty oven with its door closed at its maximum temperature for at least half an hour. Ensure that the room is well ventilated before switching the oven off and opening the oven door. The appliance may produce a slightly unpleasant odour caused by the burning away of protective substances used during the manufacturing process.

Starting the oven

This knob is used not only to select the different oven modes, but also to choose the right cooking temperature for various foods from among the temperatures shown on the knob itself (the range is from 140°C to 240°C inclusive). The electronic ignition device of the oven is built into the control knob. To light the oven burner, press the OVEN knob in as far as possible and turn it anti-clockwise, setting it to position ☆ (keeping the oven door shut). The oven is equipped with a safety device. After lighting the burner allow the gas to circulate until the safety thermocouple is heated by keeping the OVEN knob pressed in for about 6 seconds.

! The electronic ignition device of the oven burner must not be activated for more than 15 seconds. If the burner fails to light after 15 seconds, stop pressing the OVEN knob, open the oven door and wait for at least one minute before you try to light the burner again.

The cooking temperature is selected by matching the desired temperature with the reference mark on the control panel; the complete range of temperatures is shown below:

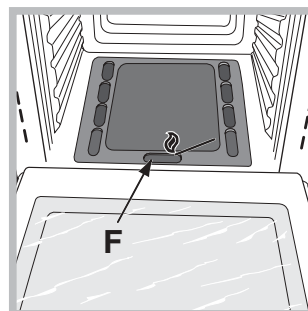
Min	•	150	•	180	•	220	•	Max
140	145	160	200	230	240			

The oven will automatically reach the temperature set, and the thermostat, which is controlled by the knob, will keep the temperature constant.

Switching the oven on manually

In the event of a power failure, the oven burner can be lit manually:

1. Open the oven door.



2. Hold a match or lighter near the burner hole as shown in the figure, press knob F (see figure) in fully and turn it anticlockwise, setting it to the Max position.

The oven is equipped with a safety device. After lighting the burner allow the gas to circulate until the safety thermocouple is heated by keeping the OVEN knob pressed in for about 6 seconds.

3. Once the burner is lit, shut the oven door.

! If the burner flame is accidentally extinguished, turn the OVEN control knob to the off position, open the oven door and wait for at least one minute before trying to light the burner again.

The GRILL knob

Your oven is equipped with an electric grill. The extremely high and direct temperature of the grill makes it possible to brown the surface of meats and roasts while locking in the juices to keep them tender. The grill is also highly recommended for dishes that require a high surface temperature: beef steaks, veal, rib steak, fillets, hamburgers etc...

Some examples of how the grill may be used are included in the "Practical Cooking Advice" section.

! When using the grill, the oven door must be kept shut.

! Never put objects directly on the bottom of the oven - this could result in damage to the enamel coating.

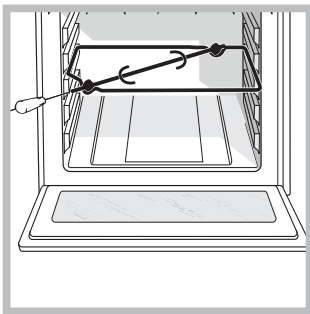
! Always place cookware on the rack(s) provided.

Cooling ventilation

In order to cool down the external temperature of the oven, some models are fitted with a cooling fan that blows air out between the control panel and the oven door.


! Once the cooking has been completed, the cooling fan remains on until the oven has cooled down sufficiently.

Turnspit (only available in certain models)



To operate the rotisserie (*see diagram*) proceed as follows:

1. Place the dripping pan in position 1.
2. Place the rotisserie support in position 3 and insert the spit in the hole provided on the back panel of the oven.

3. Start the rotisserie using the knob to select 

Oven light

This is switched on by pressing the LIGHT button.

How to use the timer

1. To set the buzzer, turn the TIMER knob clockwise almost one complete revolution.
2. Turn the knob anticlockwise to set the desired time: align the minutes shown on the knob with the indicator on the control panel.
3. The timer operates in minutes: when the selected time has elapsed, a buzzer will sound.

! The timer does not switch the oven on or off.

Burner and Nozzle specifications

Table 1		Liquid Gas				Natural Gas				
		By-Pass 1/100 (mm)	Nozzle 1/100 (mm)	Flow* g/h		Nozzle 1/100 (mm)	Flow* l/h	Nozzle 1/100 (mm)	Flow* l/h	
Burner	Thermal Power kW (p.c.s.*)				***	**				
	Nominal	Reduced								
Oven	2,60	1,00	49	78	189	186	119	248	132	248
Supply Pressures	Nominal (mbar)				28-30	37	20		13	
	Minimum (mbar)				20	25	17		6,5	
	Maximum (mbar)				35	45	25		18	

* At 15°C and 1013 mbar-dry gas

** Propane P.C.S. = 50.37 MJ/Kg

*** Butane P.C.S. = 49.47 MJ/Kg

Natural P.C.S. = 37.78 MJ/m³

Cooking modes

Cooking modes

GRILL mode

The top heating element comes on. The extremely high and direct temperature of the grill makes it possible to brown the surface of meats and roasts while locking in the juices to keep them tender. The grill is also highly recommended for dishes that require a high surface temperature: beef steaks, veal, rib steak, fillets, hamburgers etc... Always cook in this mode with the oven door closed.

Practical cooking advice

! In the GRILL cooking mode, place the dripping pan in position 1 to collect cooking residues (fat and/or grease).

GRILL

- Place the grill in position 3 or 4, making sure that the food is in the centre of the grill.
- We recommend that you set the maximum power level. The top heating element is regulated by a thermostat and may not always be on.

PIZZA

- Use a light aluminium pizza pan. Place it on the rack provided.
For a crispy crust, do not use the dripping pan (prevents crust from forming by extending cooking time).
- If the pizza has a lot of toppings, we recommend adding the mozzarella cheese to the top of the pizza halfway through the cooking process.

Cooking advice table

Selector knob setting	Food to be cooked	Weight (in kg)	Cooking rack position from oven bottom	Preheating time (minutes)	Thermostat knob setting	Cooking time (minutes)	
Oven	Lasagne	2,5	3	10	200	55-60	
	Cannelloni	2,5	3	10	200	40-45	
	Pasta bakes	2,2	3	10	200	50-55	
	Veal	1,7	2	10	210	80-90	
	Chicken	1,5	3	10	200	70-80	
	Turkey roll	2,5	3	10	200	80-90	
	Duck	1,8	3	10	200	90-100	
	Rabbit	2,0	3	10	200	80-90	
	Pork loin	1,5	3	10	200	70-80	
	Leg of lamb	1,8	3	10	200	80-90	
	Mackerels	1,3	3	10	200	30-40	
	Dentex	1,5	3	10	180	30-40	
	Trout baked in foil	1,0	3	10	200	30-35	
	Neapolitan-style pizza	0,6	3	15	210	15-20	
	Dry biscuits	0,5	4	15	180	25-30	
	Tart	1,1	3	15	180	30-35	
	Chocolate cake	1,0	3	15	165	50-60	
Leavened cakes	1,0	4	15	165	50-60		
Grill	Soles and cuttlefish	1	4	5	-	6	
	Squid and prawn kebabs	1	4	3	-	4	
	Cod filet	1	4	3	-	10	
	Grilled vegetables	1	4	-	-	8-10	
	Veal steak	1	4	5	-	20-25	
	Chops	1,5	4	5	-	20-25	
	Hamburgers	1	4	3	-	10-15	
	Sausages	1,7	4	5	-	20-25	
	Toasted sandwiches	n.° 4	4	3	-	2-3	
	With rotisserie (where present)						
	Veal on the spit	1.0	-	-	-	-	80-90
Chicken on the spit	1.5	-	-	-	-	80-90	
Lamb on the spit	1.0	-	-	-	-	80-90	

! Cooking times are approximate and may vary according to personal taste. When cooking using the grill, the dripping pan must always be placed on the 1st oven rack from the bottom.

Precautions and tips

GB

! This appliance has been designed and manufactured in compliance with international safety standards. The following warnings are provided for safety reasons and must be read carefully.

General safety

- **This is a class 3 built-in appliance.**
- **Gas appliances require regular air exchange to maintain efficient operation. When installing the cooker, follow the instructions provided in the paragraph on “Positioning” the appliance.**
- The appliance was designed for domestic use inside the home and is not intended for commercial or industrial use.
- The appliance must not be installed outdoors, even in covered areas. It is extremely dangerous to leave the appliance exposed to rain and storms.
- When moving or positioning the appliance, always use the handles provided on the sides of the oven.
- Do not touch the appliance with bare feet or with wet or damp hands and feet.
- The appliance must be used by adults only, to cook food according to the instructions in this manual.
- **Do not touch the heating elements and parts of the oven door when the appliance is in use; these parts become extremely hot. Keep children well away from the appliance.**
- Ensure that the power supply cables of other electrical appliances do not come into contact with the hot parts of the oven.
- The openings used for ventilation and dispersion of heat must never be covered.
- Always grip the oven door handle in the centre: the ends may be hot.
- Always use oven gloves to place cookware in the oven or to remove it.
- Do not use aluminium foil to line the bottom of the oven.
- Do not place flammable materials in the oven: if the appliance is switched on by mistake, it could catch fire.
- Always make sure the knobs are in the “●”/“○” position when the appliance is not in use.
- When unplugging the appliance always pull the plug from the mains socket, do not pull on the cable.
- Never carry out any cleaning or maintenance work without having unplugged the plug from the mains.

- In case of malfunction, under no circumstances should you attempt to repair the appliance yourself. Repairs carried out by inexperienced persons may cause injury or further malfunctioning of the appliance. Contact a Service Centre (*see Assistance*).
- Do not place heavy objects on the open oven door.
- The appliance should not be operated by people (including children) with reduced physical, sensory or mental capacities, by inexperienced individuals or by anyone who is not familiar with the product. These individuals should, at the very least, be supervised by someone who assumes responsibility for their safety or receive preliminary instructions relating to the operation of the appliance.
- Do not let children play with the appliance.

Disposal

- When disposing of packaging material: observe local legislation so that the packaging may be reused.
- The European Directive 2002/96/EC on Waste Electrical and Electronic Equipment (WEEE), requires that old household electrical appliances must not be disposed of in the normal unsorted municipal waste stream. Old appliances must be collected separately in order to optimise the recovery and recycling of the materials they contain and reduce the impact on human health and the environment. The crossed out “wheeled bin” symbol on the product reminds you of your obligation, that when you dispose of the appliance it must be separately collected. Consumers should contact their local authority or retailer for information concerning the correct disposal of their old appliance.

Respecting and conserving the environment

- By using the appliance in the hours between late afternoon and early morning, you can help reduce the workload placed on electrical companies.
- Always keep the oven door closed when using the GRILL mode in order to attain the best results and to save energy (approximately 10%).
- Regularly check the door seals and wipe clean to ensure they are free of debris so that they stick properly to the door and do not allow heat to disperse.

Maintenance and care

GB

Switching the appliance off

Disconnect your appliance from the electricity supply before carrying out any work on it.

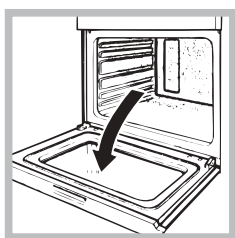
Cleaning the appliance

! Never use steam cleaners or pressure cleaners on the appliance.

- The stainless-steel or enamel-coated external parts as well as the rubber seals may be cleaned using a sponge that has been soaked in lukewarm water and neutral soap. If these stains are difficult to remove, use only specialised products. After cleaning, rinse and dry thoroughly. Do not use abrasive powders or corrosive substances.
- Ideally, the inside of the oven should be cleaned after each use, when it is still lukewarm. Use hot water and detergent, rinse and dry with a soft cloth. Do not use abrasive products.
- The accessories can be washed like everyday crockery and may even be cleaned in the dishwasher.

Cleaning the oven door

Clean the glass part of the oven door using a sponge and a non-abrasive cleaning product, then dry thoroughly with a soft cloth. Do not use rough abrasive material or sharp metal scrapers as these could scratch the surface and cause the glass to crack.

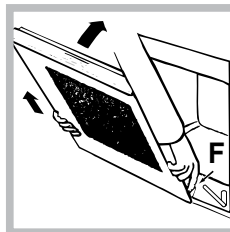
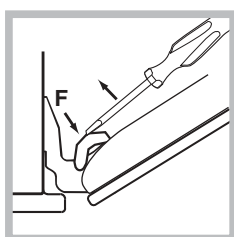
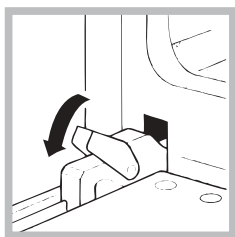


To clean the oven more thoroughly, you can remove its door:

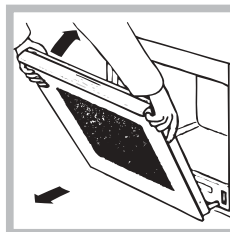
1. Open the oven door fully (*see diagram*).

2. Lift up and turn the small levers situated on the two hinges (*see diagram*).*

2. Use a screwdriver to lift up and turn the small levers **F** located on the two hinges (*see diagram*).*



3. Grip the door on the two external sides and close it approximately half way. Unlock the door by pressing on the clamps **F**, then pull the door towards you lifting it out of its seat (*see diagram*).*



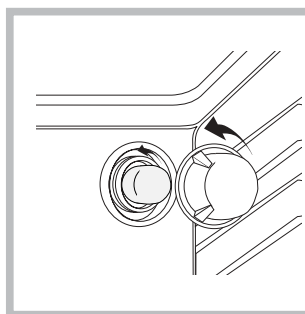
3. Grip the door on the two external sides and close it approximately half way. Pull the door towards you, extracting it from its hinges (*see diagram*).*

To replace the door, reverse this sequence.

Inspecting the seals

Check the door seals around the oven regularly. If the seals are damaged, please contact your nearest After-sales Service Centre (*see Assistance*). We recommend that you do not use the oven until the seals have been replaced.

Replacing the light bulb



To replace the oven light bulb:

1. Remove the glass cover of the lamp-holder.
2. Remove the light bulb and replace it with a similar one: Wattage 25 W, cap E 14.
3. Replace the glass cover (*see diagram*).

Assistance

! Never use the services of an unauthorised technician.

Please have the following information handy:

- The type of problem encountered.
- The appliance model (Mod.).
- The serial number (S/N).

The latter two pieces of information can be found on the data plate located on the appliance.

* Only on certain models

RS



English, 1



Русский, 12

70FZ G RU /HA
70FZ G IX RU /HA
70FH G RU/HA
70FH G IX RU/HA
70FHRG RU/HA

Содержание

Монтаж, 13-16

Расположение
Электрическое подсоединение
Подсоединение к газопроводу
Паспортная табличка

Описание изделия, 17

Общий вид
Панель управления

Включение и эксплуатация, 18-19

Эксплуатация духового шкафа
Таймер
Характеристики горелок и форсунок

Программы, 20

Программы приготовления
Практические советы по приготовлению
Таблица приготовления

Предосторожности и рекомендации, 21

Общие требования к безопасности
Утилизация
Экономия электроэнергии и охрана окружающей среды

Техническое обслуживание и уход, 22

Отключение электропитания
Чистка изделия
Чистка дверцы
Замена лампочки
Сервисное обслуживание

! Важно сохранить данное руководство для его последующих консультаций. В случае продажи, передачи изделия или при переезде на новое место жительства необходимо проверить, чтобы руководство оставалось вместе с изделием, для того чтобы его новый владелец мог ознакомиться с правилами эксплуатации и с соответствующими предупреждениями.

! Внимательно прочитайте инструкции: в них содержатся важные сведения об установке, эксплуатации и безопасности изделия.

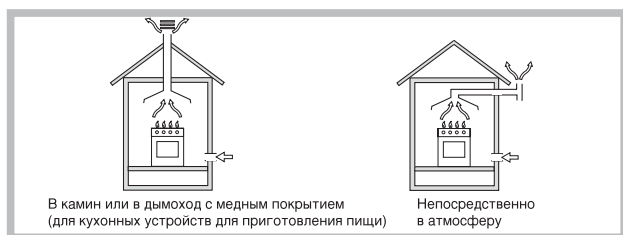
Расположение

! Не разрешайте детям играть с упаковочными материалами. Упаковка должна быть уничтожена в соответствии с правилами сбора мусора (см. Предосторожности и рекомендации).

! Монтаж производится в соответствии с настоящими инструкциями профессионально квалифицированными специалистами. Неправильная установка изделия может стать причиной повреждения имущества и причинить ущерб людям и домашним животным.

! Данное изделие может быть установлено и эксплуатироваться только в помещениях с непрерывной вентиляцией согласно положениям Национальных Нормативов и последующим действующим поправкам. Необходимо соблюдать следующие требования:

- В помещении должен иметься дымоотвод продуктов сгорания в атмосферу в виде вытяжки или электровентилятора, автоматически запускающихся каждый раз, когда включается изделие.



- В помещении должен быть обеспечен приток воздуха, необходимого для нормального горения. Расход воздуха, необходимого для горения, должен быть не менее 2 м³/час на кВт установленной мощности. Приток воздуха может обеспечиваться непосредственно снаружи здания через воздуховод полезным сечением не менее 100 см² и диаметром, исключая возможность случайного засорения.



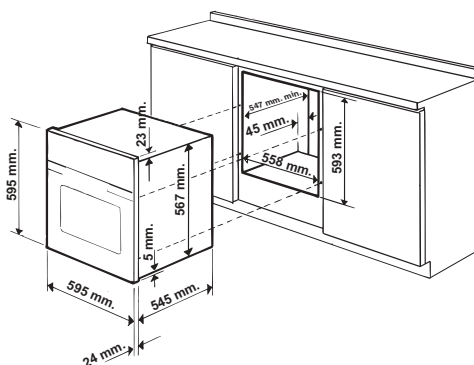
Или же воздухозабор может осуществляться из смежных помещений, оснащенных вентиляционным отверстием, сообщающимся с улицей, как описано выше, при условии, что это не общие зоны здания, пожароопасные помещения и не спальни.

- Сжиженный газ пропан-бутан тяжелее воздуха и следовательно застаивается внизу. По этой причине помещения, в которых установлены баллоны с СНГ (сжиженным натуральным газом) должны иметь вентиляционные отверстия внизу, сообщающиеся с улицей, для удаления возможных утечек газа. Поэтому баллоны с СНГ должны быть опорожнены или оставаться частично заполненными; они не должны размещаться или храниться в помещениях или хранилищах, расположенных в подземных помещениях (подвалах, и т.д.). Следует держать в помещении только один рабочий баллон, расположенный таким образом, чтобы он не подвергался прямому воздействию источников тепла (печей, каминов и т.д.), которые могут привести к нагреву баллона свыше 50°C.

Встроенный монтаж

Для обеспечения исправного функционирования изделия кухонный элемент должен иметь соответствующие характеристики:

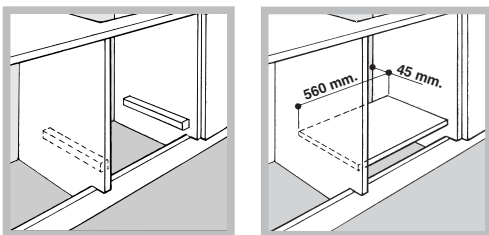
- панели кухонных элементов, прилегающих к духовому шкафу, должны быть выполнены из термостойкого материала.
- клей кухонных элементов из фанерованного дерева должен быть устойчивым к температуре 100°C.
- для встраивания духового шкафа **как под кухонным топом** (см. схему), так и **в колонну** ниша кухонного элемента должна иметь следующие размеры:



! После встраивания изделия в кухонный элемент должна быть исключена возможность касания к электрическими частями. Расход электроэнергии, указанный на паспортной табличке изделия, был замерен для данного типа монтажа.

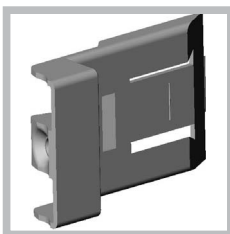
Вентиляция

Для обеспечения надлежащей вентиляции необходимо снять заднюю панель ниши кухонного элемента. Рекомендуется установить духовой шкаф на два деревянных бруска или на сплошное основание с отверстием диаметром не менее 45 мм (см чертежи).

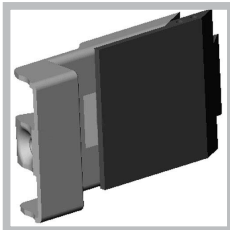


Центровка и крепление

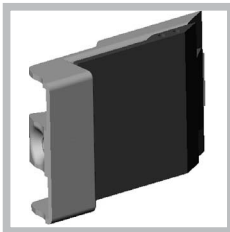
4 крепежных элемента с боков духового шкафа должны быть отрегулированы в соответствии с 4 отверстиями в периметральной раме в зависимости от толщины боковой панели кухонного элемента:



толщина 20 мм: полностью удалите съемную часть крепежного элемента (см. схему);

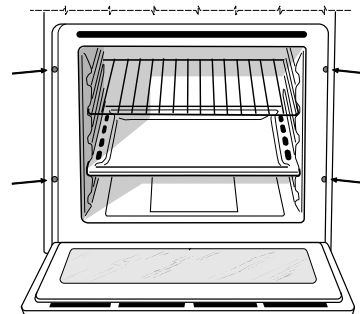


толщина 18 мм: используйте первый паз, согласно уже готовой конфигурации производителя (см. схему);



толщина 16 мм: используйте второй паз (см. схему).

Для крепления изделия к кухонному элементу: откройте дверцу духового шкафа и закрутите 4 шурупа для деревянных панелей в 4 отверстия в периметральной раме.

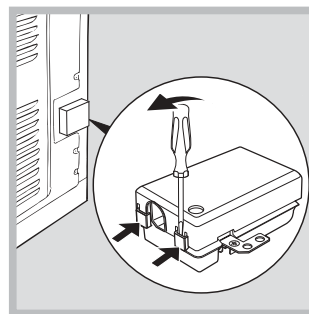


! Все защитные элементы должны быть закреплены таким образом, чтобы их можно было снять только при помощи специального инструмента.

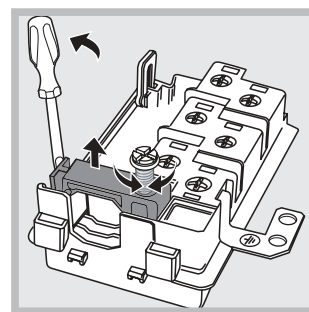
Электрическое подключение

! Духовые шкафы, укомплектованные трехполюсным кабелем электропитания, рассчитаны на функционирование с переменным током с напряжением и частотой электропитания, указанными на паспортной табличке с данными (см. ниже).

Подсоединение кабеля электропитания



1. Откройте зажимную коробку, нажав при помощи отвертки на выступы с боков крышки: потяните и откройте крышку (см. схему).
2. Отвинтите винт кабельного сальника и выньте его, поддев отверткой (см. схему).



3. Отвинтите винты контактов L-N- \perp и затем прикрепите провода под головками винтов, соблюдая цветовую маркировку Синий (N) Коричневый (L) Желто-зеленый (\perp).

Подсоединение кабеля электропитания к сети электропитания

Установите на кабель электропитания нормализованную штепсельную вилку, рассчитанную на нагрузку, указанную на паспортной табличке (см. сбоку).

В случае прямого подключения к сети электропитания между изделием и сетью необходимо установить многополюсный выключатель с минимальным расстоянием между контактами 3 мм, рассчитанный на данную нагрузку и соответствующий действующим нормативам (выключатель не должен размыкать провод заземления). Кабель электропитания должен быть расположен таким образом, чтобы ни в одной точке его температура не превышала температуру помещения более чем на 50°C.

! Электромонтер несет ответственность за правильное подключение изделия к электрической сети и за соблюдение правил безопасности.

Перед подсоединением кабеля электропитания проверьте следующее:

- сетевая розетка должна быть соединена с заземлением и соответствовать нормативам;
- сетевая розетка должна быть рассчитана на максимальную потребляемую мощность изделия, указанную на паспортной табличке (см. ниже);
- напряжение сети электропитания должно находиться в пределах значений, указанных на паспортной табличке (см. ниже);
- сетевая розетка должна быть совместима со штепсельной вилкой изделия. В противном случае замените розетку или вилку; не используйте удлинители или тройники.

! Изделие должно быть установлено таким образом, чтобы кабель электропитания и сетевая розетка были легко доступны.

! Кабель электропитания изделия не должен быть согнут или сжат.

! Регулярно проверяйте состояние кабеля электропитания и в случае необходимости поручите его замену только уполномоченным техникам (см. *Техническое обслуживание*).

! Фирма снимает с себя всякую ответственность в случае несоблюдения вышеописанных правил.

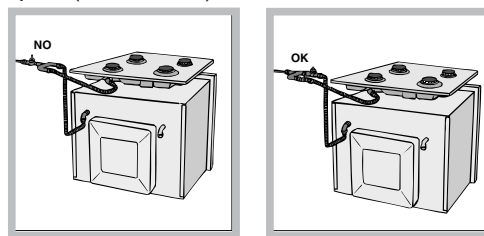
Подсоединение к газопроводу

Подсоединение изделия к газопроводу или к газовому баллону должно осуществляться в соответствии с действующими национальными нормативами и с их последующими поправками и только после проверки соответствия изделия типу газа, к которому он подсоединяется. В случае несоответствия выполнить операции, описанные в параграфе “Настройка на различные типы газа”.

В случае использования сжиженного газа из баллона использовать регуляторы давления, соответствующие действующим национальным нормативам и их последующим поправкам.

! Для надежного функционирования, рационального использования энергии и более длительного срока службы электрического изделия проверьте, чтобы давление подачи газа соответствовало значениям, указанным в таблице 1 “Характеристики газовых горелок и форсунок”.

! В случае установки газовой плиты вместе с газовой встроенной духовкой категорически запрещается соединять эти два устройства или использовать единый газовый отсечной кран. Эти устройства должны быть независимыми друг от друга, подсоединяться по отдельности, и каждое из них должно иметь отдельный отсечной газовый кран (см. *схемы*).



Подсоединение при помощи жесткой трубы (медной или стальной)

! Подсоединение к газопроводу не должно оказывать каких-либо нагрузок на изделие. На патрубке подачи газа в изделие имеется вращающееся колено L с уплотнительной прокладкой. При необходимости повернуть колено обязательно замените уплотнительную прокладку (прилагается к изделию). Патрубок подачи газа в изделие имеет цилиндрическую наружную резьбу 1/2 газ.

Подсоединение при помощи гибкого шланга из нержавеющей стали со сплошными стенками с резьбовыми соединениями.

Патрубок подачи газа в изделие имеет цилиндрическую наружную резьбу 1/2 газ. Подсоединение таких шлангов должно производиться таким образом, чтобы их длина при максимальном растяжении не превышала 2000 мм. По завершении подсоединения проверьте, чтобы металлический гибкий шланг не касался подвижных частей или не был сжат.

! Используйте только шланги и металлические алюминиевые или резиновые уплотнительные прокладки, соответствующие действующим национальным нормативам.

Проверка уплотнения

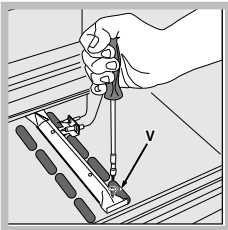
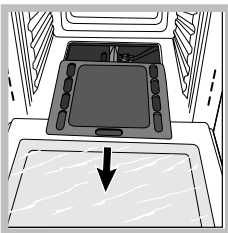
! По завершении подсоединения проверьте прочность уплотнения всех патрубков при помощи мыльного раствора, но никогда не пламенем.

Настройка на различные типы газа

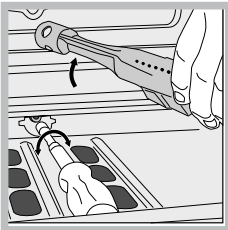
Для настройки духового шкафа на тип газа, отличающийся от газа, на который она рассчитана (указан на этикетке), необходимо выполнить следующие операции:

- Порядок замены форсунки газовой горелки духового шкафа:

1. полностью откройте дверцу духовки
2. выньте съемное днище духовки



3. отвинтите крепежные винты горелки
4. выньте горелку из духовки, сняв "V"-образный винт;



5. отвинтите форсунку горелки духовки при помощи специального полого ключа для форсунок, или, что предпочтительнее, полым ключом 7 мм и замените ее на форсунку, пригодную для нового типа газа (смотрите таблицу 1).

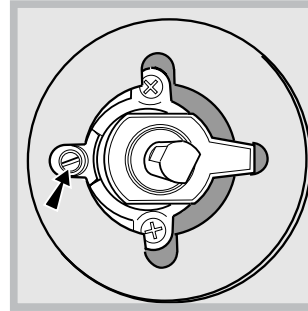
6. Восстановите на место все комплектующие, выполняя описанные выше операции в обратном порядке.

! Необходимо обращать особое внимание на провода свечей и на трубки термопар.

- Регуляция первичного воздуха горелки духовки
Горелка сконструирована таким образом, что не нуждается в какой-либо регуляции первичного воздуха.

- Регуляция минимального пламени горелки духовки
1. поверните регулятор в положение Min, после того как он находился в положении Max примерно в течении 10 минут
 2. снимите рукоятку
 3. снимите диск, прикрепленный к передней панели

4. поверните винт регуляции, расположенный снаружи стержня термостата, вплоть до получения стабильного малого пламени (пламя видно через отверстия в днище духовки);





5. затем проверить, чтобы горелка не гасла при резком вращении рукоятки-регулятора из положения Max в положение Min или при резком открывании или закрывании дверцы духовки.

! В случае использования сжиженного газа винт регуляции должен быть завинчен до упора.

! По завершении операции замените старую этикетку со старыми настройками на новую, соответствующую новому типу используемого газа. Этикетку можно заказать в наших Центрах Технического Обслуживания.

! Если давление используемого газа отличается от предусмотренного давления (или варьирует), необходимо установить на питающем газопроводе соответствующий регулятор давления (согласно действующим национальным нормативам).

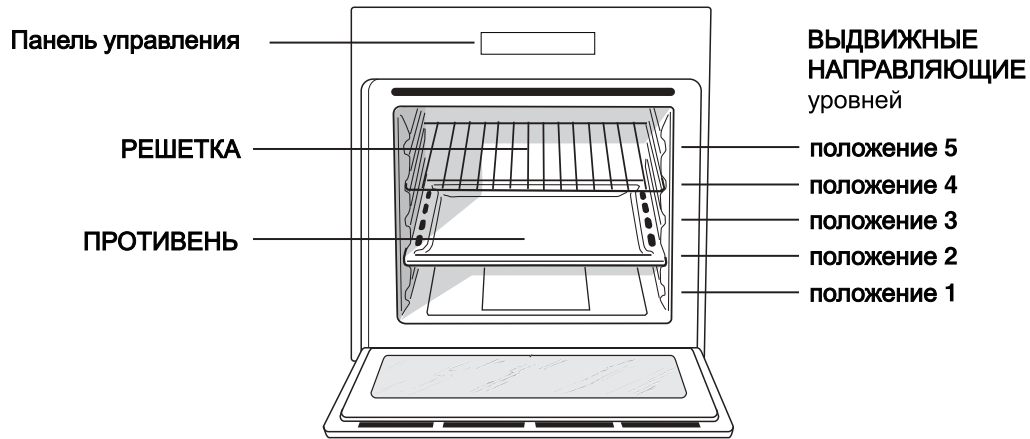
ПАСПОРТНАЯ ТАБЛИЧКА

Габаритные размеры:	ширина 43,5 см высота 31 см глубина 43,5 см
Объем	л 58
Электропитание	См. таблицу характеристик
Характеристики газа	См. таблицу характеристик
 	Данное изделие соответствует следующим Директивам Европейского Сообщества: 2006/95/CEE от 12/12/06 (Низкое напряжение) с последующими изменениями – 2004/108/CEE от 15/12/04 (Электромагнитная совместимость) с последующими изменениями – 93/68/CEE от 22/07/93 с последующими изменениями. 90/336/CEE от 29/06/90 (Газ) с последующими изменениями 2002/96/CE с последующими изменениями

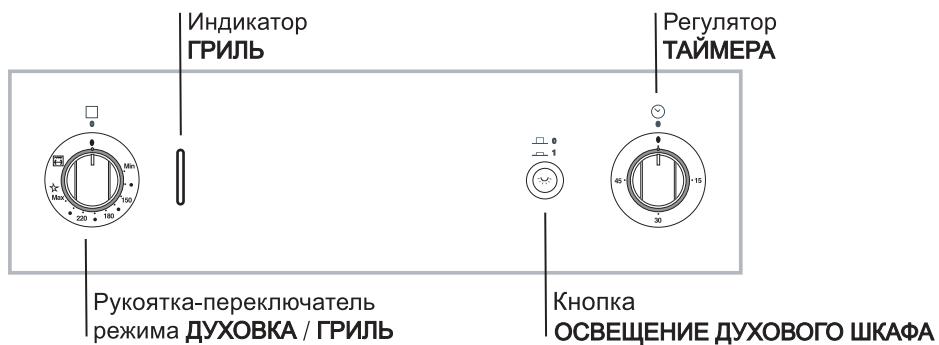
Описание изделия

Общий вид

RS



Панель управления



Включение и эксплуатация

RS

! При первом включении духового шкафа рекомендуем прокалить его примерно в течение часа при максимальной температуре с закрытой дверцей. Затем выключите духовой шкаф, откройте дверцу и проветрите помещение. Запах, который вы можете почувствовать, вызван испарением веществ, использованных для предохранения духового шкафа.

Эксплуатация духового шкафа

При помощи рукоятки духового шкафа вы можете выбрать различные режимы и установить температуру, указанную на самой рукоятке (от 140°C до 240°C), наиболее подходящую для приготовления блюд. Электронное устройство зажигания встроено внутри рукоятки. Для зажигания горелки духовки нажмите до упора и поверните против часовой стрелки рукоятку ДУХОВКИ в положение Max ☆ (при закрытой дверце духовки). Так как духовка оснащена защитным устройством, после зажигания горелки необходимо держать рукоятку ДУХОВКИ нажатой примерно в течение 6 секунд для притока газа вплоть до нагревания защитной термопары.

! Устройство электронного зажигания горелки не должно оставаться нажатым в течение более 15 секунд. Если по истечении 15 секунд горелка не зажглась, отпустите рукоятку ДУХОВКИ, откройте дверцу духовки и подождите примерно 1 минуту перед повторной попыткой зажечь горелку.

Выбор температуры приготовления осуществляется совмещением нужного значения с отметкой на панели управления. Ниже приводится полный температурный диапазон духовки.

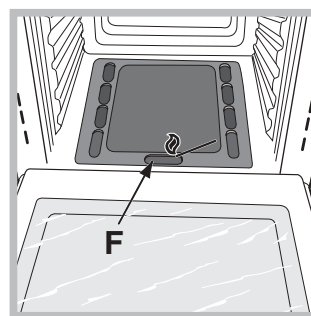
Min	•	150	•	180	•	220	•	Max
140	145	160	200	230	240			

Духовка автоматически нагревается до заданной температуры, которая поддерживается неизменной при помощи контрольного устройства (термостата), управляемого рукояткой.

Зажигание духовки вручную

В случае временного отключения электроэнергии можно включить горелку духовки вручную следующим образом:

1. откройте дверцу духовки



2. поднесите спичку или кухонную зажигалку, как показано на рисунке, нажмите до упора и поверните против часовой стрелки рукоятку ДУХОВКИ вплоть до положения Max.

Так как духовка оснащена защитным устройством, после зажигания горелки необходимо держать рукоятку ДУХОВКИ нажатой примерно в течение 6 секунд для притока газа вплоть до нагревания защитной термопары.

3. После зажигания горелки закройте дверцу духовки.

! В случае внезапного гашения пламени горелки перекройте рукоятку ДУХОВКИ, откройте дверцу духовки и подождите примерно 1 минуту до повторной попытки зажечь горелку.

Рукоятка-регулятор ГРИЛЯ

Ваша духовка оснащена электрическим грилем. Значительная температура прямого действия гриля позволяет получить быстрое образование корочки на поверхности продукта, которая препятствует выходу соков и сохраняет продукт нежным и сочным внутри. Использование функции гриль в особенности рекомендуется для блюд, для приготовления которых требуется высокая поверхностная температура: телячьих и говяжьих бифштексов, антрекотов, вырезки, гамбургеров и т.д.

В параграфе “Практические советы по приготовлению” приводятся некоторые примеры использования духового шкафа.

! При использовании режима гриль необходимо держать дверцу духовки закрытой.

! Никогда не ставьте никаких предметов на дно духового шкафа, так как они могут повредить эмалированное покрытие.

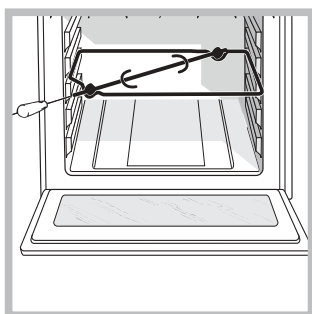
! Всегда ставьте посуду на прилагающуюся решетку.

Охлаждающая вентиляция

Для понижения температуры вокруг работающего духового шкафа некоторые модели оснащаются охлаждающим вентилятором. Этот вентилятор направляет струю воздуха между панелью управления и дверцей духового шкафа.

! По завершении приготовления вентилятор продолжает работать вплоть до надлежущего охлаждения духовки.


Вертел (имеется только в некоторых моделях)



Порядок включения вертела (см. схему):

1. установите противень на 1-ый уровень;
2. установите держатель вертела на 3-ый уровень и вставьте вертел в специальное

отверстие в задней стенке духового шкафа;

3. включите вертел, повернув рукоятку на .

Освещение духового шкафа

Освещение включается при помощи кнопки LUCE (ОСВЕЩЕНИЕ).

Таймер

1. Прежде всего необходимо завести таймер, повернув рукоятку ТАЙМЕР по часовой стрелке почти на один полный оборот.
2. Поворачивая рукоятку обратно, против часовой стрелки, задается нужное время – минуты на рукоятке ТАЙМЕРА должны совпасть с отметками на панели управления.
3. Таймер отсчитывает время в обратном порядке: по истечении заданного времени раздается звуковой сигнал.

! Таймер не управляет включением или выключением духового шкафа.

Характеристики горелок и форсунок

Горелка	Теплотворная способность кВт (р.с.с.*)		Сжиженный газ				Природный газ			
			Байпас 1/100 (мм)	Форсунка 1/100 (мм)	Расход* г/час		Форсунка 1/100 (мм)	Расход* л/час	Форсунка 1/100 (мм)	Расход* г/час
	Номин.	Сокращ.			***	**				
Духовой шкаф	2,60	1,0	49	78	189	186	119	248	132	248
Давление подачи	Номинальное (мбар)				28-30	37	20		13	
	Минимальное (мбар)				20	25	17		6,5	
	Максимальное (мбар)				35	45	25		18	

- * При температуре 15°C и давлении 1013 мбар – сухой газ
- ** Пропан Теплотворная способность = 50,37 МДж/кг
- *** Бутан Теплотворная способность = 49,47 МДж/кг
- Природный газ Теплотворная способность = 37,78 МДж/м³

Программы

RS

Программы приготовления

Программа ГРИЛЬ

Включается верхний нагревательный элемент. Значительная температура прямого действия гриля позволяет получить быстрое образование корочки на поверхности продукта, которая препятствует выходу соков и сохраняет продукт нежным и сочным внутри. Использование функции гриль в особенности рекомендуется для блюд, для приготовления которых требуется высокая поверхностная температура: телячьих и говяжьих бифштексов, антрекотов, вырезки, гамбургеров и т.д. ... Готовьте блюда с закрытой дверцей духового шкафа.

Практические советы по приготовлению

! При использовании режима ГРИЛЬ поместите противень на уровень 1 для сбора жидкостей, выделяемого при жарке (сок и/или жир.)

ГРИЛЬ

- Установите решетку на уровень 3 или 4, поместите продукты в центр решетки.
- Рекомендуется выбрать максимальную мощность духовки. Не беспокойтесь, если верхний элемент не остается постоянно включенным: его работа управляется термостатом.

ПИЦЦА

- Используйте противень из легкого алюминия, устанавливая его на прилагающуюся решетку. При использовании противеня время выпечки удлиняется, что затрудняет получение хрустящей пиццы.
- В случае выпечки пиццы с обильной начинкой рекомендуется положить на пиццу сыр моццарелла в середине выпечки.

Таблица приготовления

Положение рукоятки регуляции	Продукт	Вес (кг)	Расположение на уровнях духовки снизу вверх	Время предварительного нагрева (минуты)	Положение рукоятки термостата	Время приготовления (минуты))	
Духовка	Лазанья	2,5	3	10	200	55-60	
	Каннелони	2,5	3	10	200	40-45	
	Запеканка из макаронных изделий	2,2	3	10	200	50-55	
	Телятина	1,7	2	10	210	80-90	
	Курица	1,5	3	10	200	70-80	
	Рулет из индейки	2,5	3	10	200	80-90	
	Утка	1,8	3	10	200	90-100	
	Кролик	2,0	3	10	200	80-90	
	Филейная часть свинины	1,5	3	10	200	70-80	
	Баранья ножка	1,8	3	10	200	80-90	
	Скумбрия	1,3	3	10	200	30-40	
	Форель в фольге	1,0	3	10	200	30-35	
	Неапольская пицца	0,6	3	15	210	15-20	
	Сухие печенья	0,5	4	15	180	25-30	
	Торт с вареньем	1,1	3	15	180	30-35	
	Шоколадный торт	1,0	3	15	165	50-60	
Выпечка из дрожжевого теста	1,0	4	15	165	50-60		
Гриль	Камбала и каракатицы	1	4	5	-	6	
	Кальмары и креветки на шампурах	1	4	3	-	4	
	Филе трески	1	4	3	-	10	
	Овощи-гриль	1	4	-	-	8-10	
	Телячий бифштекс	1	4	5	-	20-25	
	Отбивные	1,5	4	5	-	20-25	
	Гамбургер	1	4	3	-	10-15	
	Колбаски-шпикачки	1,7	4	5	-	20-25	
	Горячие бутерброды	n.° 4	4	3	-	2-3	
	На вертеле (если имеется)						
		Телятина на вертеле	1.0	-	-	-	80-90
	Курица на вертеле	1.5	-	-	-	80-90	
	Баранина на вертеле	1.0	-	-	-	80-90	

ПРИМЕЧАНИЕ: указанная продолжительность приготовления служит только в качестве примера и может быть изменена в соответствии с личными вкусами. При использовании гриля противень всегда устанавливается на самый нижний уровень духовки.

Предосторожности и рекомендации

RS

! Изделие спроектировано и изготовлено в соответствии с международными нормативами по безопасности. Необходимо внимательно прочитать настоящие предупреждения, составленные в целях вашей безопасности.

Общие требования к безопасности

- Данное устройство является встраиваемым бытовым электроприбором класса 3.
- Для исправного функционирования газовых устройств необходимо отрегулировать воздухообмен. Проверьте, чтобы при установке этих устройств соблюдались требования, описанные в параграфе «Расположение».
- Данное изделие предназначается для непрофессионального использования в домашних условиях.
- Запрещается устанавливать изделие на улице, даже под навесом, так как воздействие на него дождя и грозы является чрезвычайно опасным.
- Для перемещения изделия всегда беритесь за специальные ручки, расположенные с боков духового шкафа.
- Не прикасайтесь к изделию влажными руками, босиком или с мокрыми ногами.
- Изделие предназначено для приготовления пищевых продуктов, может быть использовано только взрослыми лицами в соответствии с инструкциями, приведенными в данном техническом руководстве.
- **В процессе эксплуатации изделия нагревательные элементы и некоторые части дверцы духового шкафа сильно нагреваются. Необходимо проявлять осторожность во избежание контактов с этими частями и не разрешать детям приближаться к духовке.**
- Следите, чтобы сетевые шнуры других бытовых электроприборов не прикасались к горячим частям духового шкафа.
- Не закрывайте вентиляционные решетки и отверстия рассеивания тепла.
- Беритесь за ручку дверцы в центре: с боков она может быть горячей.
- Всегда надевайте кухонные варежки, когда ставите или вынимаете блюда из духовки.
- Не покрывайте дно духового шкафа фольгой.
- Не храните в духовом шкафу возгораемых предметов. при случайном включении изделия такие материалы могут загореться.
- Всегда проверяйте, чтобы регуляторы находились в положении “●”/“○”, когда изделие не используется.
- Не тяните за кабель электропитания для отсоединения вилки изделия из сетевой розетки, возьмитесь за вилку рукой.

- Перед началом чистки или технического обслуживания изделия всегда вынимайте штепсельную вилку из сетевой розетки.
- В случае неисправности категорически запрещается открывать внутренние механизмы изделия с целью их самостоятельного ремонта. Обращайтесь в Центр Технического обслуживания (см. *Техобслуживание*).
- Не ставьте тяжелые предметы на открытую дверцу духового шкафа
- Не допускается эксплуатация изделия лицами с ограниченными физическими, сенсорными или умственными способностями (включая детей), неопытными лицами или лицами, необученными обращению с изделием без контроля со стороны лица, ответственного за их безопасность или после надлежащего обучения обращению с изделием.
- Не разрешайте детям играть с бытовым электроприбором.

Утилизация

- Уничтожение упаковочных материалов: соблюдайте местные нормативы по утилизации упаковочных материалов.
- Согласно Европейской Директиве 2002/96/CE касательно утилизации электронных и электрических электроприборов электроприборы не должны выбрасываться вместе с обычным городским мусором. Выведенные из строя приборы должны собираться отдельно для оптимизации их утилизации и рекуперации составляющих их материалов, а также для безопасности окружающей среды и здоровья. Символ зачеркнутая мусорная корзина, имеющийся на всех приборах, служит напоминанием об их отдельной утилизации. За более подробной информацией о правильной утилизации бытовых электроприборов пользователи могут обратиться в специальную государственную организацию или в магазин.

Экономия электроэнергии и охрана окружающей среды

- Если вы будете пользоваться духовым шкафом вечером и до раннего утра, это поможет сократить нагрузку потребления электроэнергии электростанциями.
- Рекомендуется всегда готовить в режиме ГРИЛЬ с закрытой дверцей: это необходимо для значительной экономии электроэнергии (примерно 10%), а также для лучших результатов приготовления.
- Содержите уплотнения в исправном и чистом состоянии, проверяйте, чтобы они плотно прилегали к дверце и не пропускали утечек тепла.

Техническое обслуживание и уход

RS

Отключение электропитания

Перед началом какой-либо операции по обслуживанию или чистке отсоедините изделие от сети электропитания.

Чистка изделия

! Не используйте паровые чистящие агрегаты или агрегаты под высоким давлением для чистки изделия.

- Наружные эмалированные элементы или детали из нержавеющей стали, а также резиновые уплотнения можно протирать губкой, смоченной в теплой воде или в растворе нейтрального моющего средства. Для удаления особо трудных пятен используйте специальные чистящие средства, имеющиеся в продаже. После чистки рекомендуется тщательно удалить остатки моющего средства влажной тряпкой и высушить духовку. Не используйте абразивные порошки или коррозионные вещества.
- Следует производить внутреннюю чистку духового шкафа после каждого его использования, не дожидаясь его полного охлаждения. Используйте теплую воду и моющее средство, ополосните и протрите мягкой тряпкой. Избегайте использования абразивных средств.
- Съемные детали можно легко вымыть как любую другую посуду, также в посудомоечной машине.

Чистка дверцы

Для чистки стекла дверцы используйте неабразивные губки и чистящие средства, затем вытрите насухо мягкой тряпкой. Не используйте твердые абразивные материалы или острые металлические скребки, которые могут поцарапать поверхность и разбить стекло.

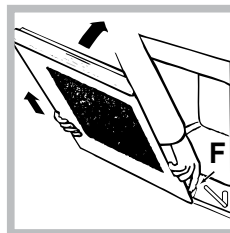
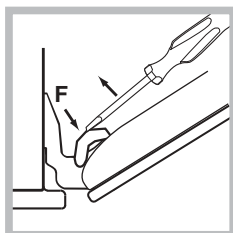
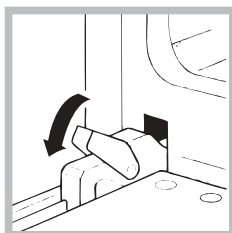


Для более тщательной чистки можно снять дверцу духовки.

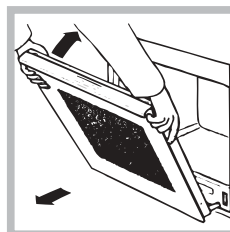
1. полностью откройте дверцу духовки (см. схему);

2. поднимите и поверните шпонки на двух шарнирах (см. схему);*

2. при помощи отвертки поднимите и поверните шпонки **F** на двух шарнирах (см. схему);*



3. возьмитесь за дверцу руками с двух сторон, плавно закройте ее, но не полностью; Нажмите на упоры **F**, затем потяните дверцу на себя, снимая ее с петель (см. рисунок).*



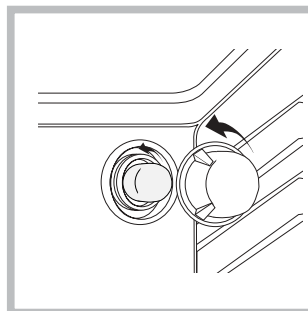
3. возьмитесь за дверцу руками с двух сторон, плавно закройте ее, но не полностью. Затем потяните дверцу на себя, снимая ее с петель (см. схему).*

Для установки дверцы на место выполните вышеописанные операции в обратном порядке.

Проверка уплотнений

Регулярно проверяйте состояние уплотнения вокруг дверцы духового шкафа. В случае повреждения уплотнения обращайтесь в ближайший Центр Технического Обслуживания (см. Техническое обслуживание). Не рекомендуется пользоваться духовкой с поврежденным уплотнением.

Замена лампочки



Замена лампочки в духовом шкафу:

1. Отвинтите стеклянную крышку плафона лампочки;
2. Выкрутите лампочку и замените ее на новую такого же типа: мощность 25 Вт, резьба E 14.

3. Восстановите крышку на место (см. схему).

Сервисное обслуживание

! Никогда не обращайтесь к неуполномоченным техникам.

При обращении в Центр Сервисного Обслуживания необходимо сообщить:

- Тип неисправности;
- Модель изделия (Мод.)
- Номер тех. паспорта (серийный №)

Эти данные вы найдете на паспортной табличке, расположенной на изделии.

* Имеется только в некоторых моделях

RS