

Operating Instructions

COOKER AND OVEN

GB

GB

English, 1

RS

РУССКИЙ, 11

C3VN1R /HA

Contents

Installation, 2-3

Positioning and levelling
Electrical connections
Technical data

Description of the appliance, 4

Overall view
Control panel

Start-up and use, 5-8

Starting the oven
Cooking modes
Timer
Practical cooking advice
Oven cooking advice table

Using the glass ceramic hob, 8

Switching the cooking zones on and off
Cooking zones

Precautions and tips, 9

General safety
Disposal
Respecting and conserving the environment

Care and maintenance, 10

Switching the appliance off
Cleaning the oven
Replacing the oven light bulb
Cleaning the glass ceramic hob
Assistance

 **Hotpoint**

ARISTON

Installation

GB

! Before operating your new appliance please read this instruction booklet carefully. It contains important information concerning the safe installation and operation of the appliance.

! Please keep these operating instructions for future reference. Make sure that the instructions are kept with the appliance if it is sold, given away or moved.

! The appliance must be installed by a qualified professional according to the instructions provided.

! Any necessary adjustment or maintenance must be performed after the appliance has been disconnected from the electricity supply.

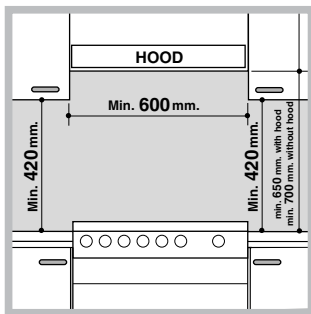
Positioning and levelling

! It is possible to install the appliance alongside cupboards whose height does not exceed that of the hob surface.

! Make sure that the wall in contact with the back of the appliance is made from a non-flammable, heat-resistant material (T 90°C).

To install the appliance correctly:

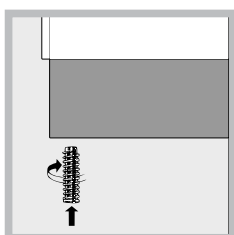
- Place it in the kitchen, the dining room or the bed-sit (not in the bathroom).
- If the top of the hob is higher than the cupboards, the appliance must be installed at least 200 mm away from them.



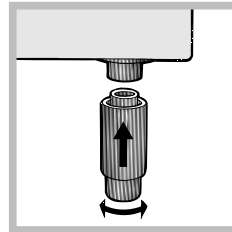
- If the cooker is installed underneath a wall cabinet, there must be a minimum distance of 420 mm between this cabinet and the top of the hob. This distance should be increased to 700 mm if the wall cabinets are flammable (see figure).

- Do not position blinds behind the cooker or less than 200 mm away from its sides.
- Any hoods must be installed according to the instructions listed in the relevant operating manual.

Levelling



If it is necessary to level the appliance, screw the adjustable feet* into the places provided on each corner of the base of the cooker (see figure).

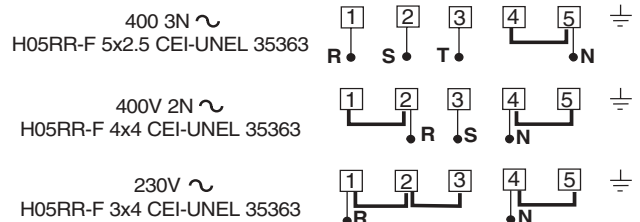


The legs* provided with the appliance fit into the slots on the underside of the base of the cooker.

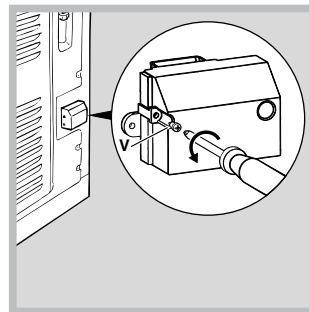
Electrical connections

Fitting the power supply cable

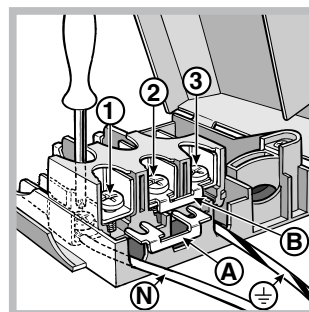
The cable should be suited to the type of electrical connection used, according to the following connection diagram:



To install the power supply cable correctly:



1. Loosen the screw V in the terminal board and pull the cover to open it (see figure).



2. Position the connection support A (see figure) according to the connection diagram shown above. The terminal board is designed for single-phase 230 V connection: terminals 1, 2 and 3 are connected to each other; jumper 4-5 is located in the lower area of the terminal board.

3. Position wires N and \perp according to the diagram (see figure) and perform the connection by tightening the terminal board screws as much as possible.

4. Position the remaining wires on terminals 1-2-3 and tighten the screws.

5. Fix the power supply cable in place by fastening the cable clamp screw.
6. Close the terminal board cover by tightening the screws V.

Connecting the supply cable to the mains

Install a standardised plug corresponding to the load indicated on the data plate located on the appliance.

The appliance must be directly connected to the mains using an omnipolar circuit-breaker with a minimum contact opening of 3 mm installed between the appliance and the mains. The circuit-breaker must be suitable for the charge indicated and must comply with current electrical regulations (the earthing wire must not be interrupted by the circuit-breaker). The supply cable must be positioned so that it does not come into contact with temperatures higher than 50°C at any point.

Before connecting the appliance to the power supply, make sure that:



- The appliance is earthed and the plug is compliant with the law.
- The socket can withstand the maximum power of the appliance, which is indicated by the data plate.
- The voltage is in the range between the values indicated on the data plate.
- The socket is compatible with the plug of the appliance. If the socket is incompatible with the plug, ask an authorised technician to replace it. Do not use extension cords or multiple sockets.

! Once the appliance has been installed, the power supply cable and the electrical socket must be easily accessible.

! The cable must not be bent or compressed.

! The cable must be checked regularly and replaced by authorised technicians only.

! The manufacturer declines any liability should these safety measures not be observed.

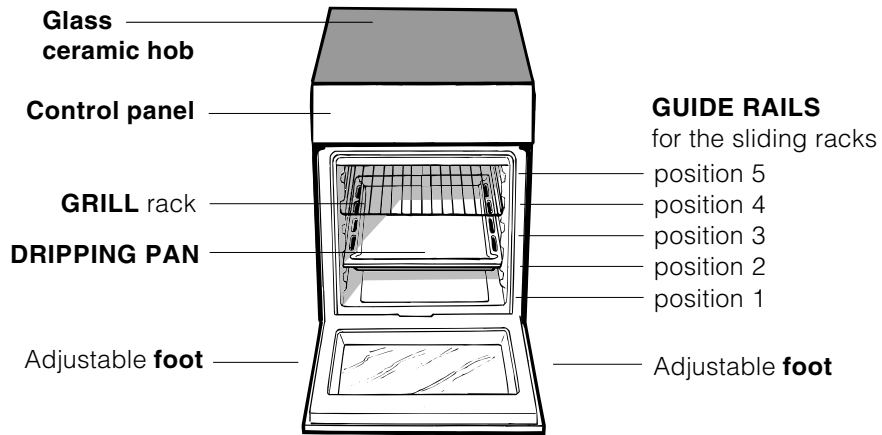
TECHNICAL DATA	
Oven dimensions (HxWxD)	34x38x44 cm
Volume	lt. 57
Useful measurements relating to the oven compartment	width 42 cm depth 44 cm height 17 cm
Power supply voltage and frequency	see data plate
Ceramic hob	
Front Left	1200 W
Back Left	1700 W
Back Right	1200 W
Front Right	1700 W
Max. ceramic hob consumption	5800 W
ENERGY LABEL	Directive 2002/40/EC on the label of electric ovens. Standard EN 50304 Declared energy consumption for Natural convection Class – heating mode: <input type="checkbox"/> Static;
 	EC Directives: 73/23/EEC dated 19/02/73 (Low Voltage) and subsequent amendments - 89/336/EEC dated 03/05/89 (Electromagnetic Compatibility) and subsequent amendments - 93/68/EEC dated 22/07/93 and subsequent amendments - 2002/96/EC.

* Only available in certain models.

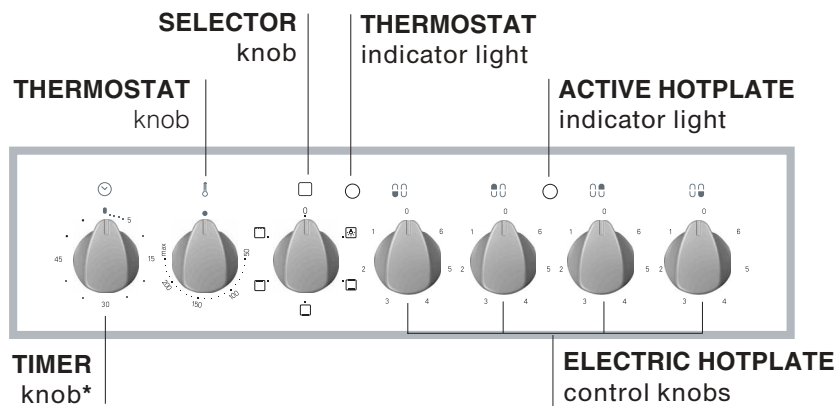
Description of the appliance

GB

Overall view



Control panel



* Only available in certain models.

! The first time you use your appliance, heat the empty oven with its door closed at its maximum temperature for at least half an hour. Ensure that the room is well ventilated before switching the oven off and opening the oven door. The appliance may emit a slightly unpleasant odour caused by protective substances used during the manufacturing process burning away.

! Before operating the product, remove all plastic film from the sides of the appliance.

Starting the oven

1. Select the desired cooking mode by turning the SELECTOR knob.
2. Select the recommended temperature for the cooking mode or the desired temperature by turning the THERMOSTAT knob.

A list detailing cooking modes and suggested cooking temperatures can be found in the relevant table (*see Oven cooking advice table*).

During cooking it is always possible to:

- Change the cooking mode by turning the SELECTOR knob.
- Change the temperature by turning the THERMOSTAT knob.
- Set the total cooking time and the cooking end time (*see below*).
- Stop cooking by turning the SELECTOR knob to the "0" position.


! Never put objects directly on the bottom of the oven; this will avoid the enamel coating being damaged. Only use position 1 in the oven when cooking with the rotisserie spit.

! Always place cookware on the rack(s) provided.

THERMOSTAT indicator light

When this is illuminated, the oven is generating heat. It switches off when the inside of the oven reaches the selected temperature. At this point the light illuminates and switches off alternately, indicating that the thermostat is working and is maintaining the temperature at a constant level.

Oven light

This is switched on by turning the SELECTOR knob to any position other than "0". It remains lit as long as the oven is operating. By selecting  with the knob, the light is switched on without any of the heating elements being activated.

Cooking modes

! A temperature value can be set for all cooking modes between 50°C and MAX, except for the GRILL programme, for which only the MAX power level is recommended.

STATIC OVEN mode

Both the top and bottom heating elements will come on. When using this traditional cooking mode, it is best to use one cooking rack only. If more than one rack is used, the heat will be distributed unevenly.

OVEN BOTTOM mode

The lower heating element is activated. This position is recommended for perfecting the cooking of dishes (in baking trays) which are already cooked on the surface but require further cooking in the centre, or for desserts with a covering of fruit or jam, which only require moderate colouring on the surface. It should be noted that this function does not allow the maximum temperature to be reached inside the oven (250°C) and it is therefore not recommended that foods are cooked using only this setting, unless you are baking cakes (which should be baked at a temperature of 180°C or lower).

GRILL mode

The top heating element is activated. The extremely high and direct temperature of the grill makes it possible to brown the surface of meats and roasts while locking in the juices to keep them tender.

DOUBLE GRILL mode



The top heating element is activated. The grill is also highly recommended for dishes that require a high surface temperature: beef steaks, veal, rib steak, fillets, hamburgers etc...

! The GRILL and DOUBLE GRILL cooking modes must be performed with the oven door shut.

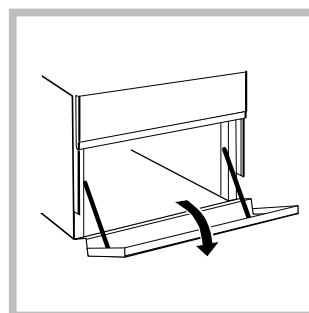
* Only available in certain models.

Timer*

To activate the Timer proceed as follows:

1. Turn the TIMER knob in a clockwise direction  for almost one complete revolution to set the buzzer.
2. Turn the TIMER knob in an anticlockwise direction  to set the desired length of time.

Lower compartment*



There is a compartment underneath the oven that may be used to store oven accessories or deep dishes. To open the door pull it downwards (*see figure*).

! Do not place flammable materials in the lower oven compartment.

! The internal surfaces of the compartment (where present) may become hot.

Practical cooking advice

! In the GRILL cooking mode, place the dripping pan in position 1 to collect cooking residues (fat and/or grease).

GRILL

- Insert the rack in position 3 or 4. Place the food in the centre of the rack.
- We recommend that the power level is set to maximum. The top heating element is regulated by a thermostat and may not always operate constantly.

PIZZA

- Use a light aluminium pizza pan. Place it on the rack provided.
For a crispy crust, do not use the dripping pan as it prevents the crust from forming by extending the total cooking time.
- If the pizza has a lot of toppings, we recommend adding the mozzarella cheese on top of the pizza halfway through the cooking process.

Oven cooking advice table

GB

Cooking modes	Foods	Weight (in kg)	Rack position	Preheating time (min)	Recommended Temperature (°C)	Cooking time (minutes)
Static	Lasagne	2.5	2	5	200	45-50
	Cannelloni	2.5	3	5	200	30-35
	Baked pasta	2.0	3	5	200	30-35
	Veal	1.7	2	10	180	60-70
	Chicken	1.5	3	10	200	80-90
	Duck	1.8	3	10	180	90-100
	Rabbit	2	3	10	180	70-80
	Pork	2.1	3	10	180	70-80
	Lamb	1.8	3	10	180	70-80
	Mackerel	1.1	2	5	180	30-40
	Mackerel	1.5	2	5	180	30-35
	Trout baked in foil	1	2	5	180	25-30
	Neapolitan-style pizza	1	2	15	220	15-20
	Biscuits and small cakes	0.5	3	10	180	10-15
	Sweet unleavened flans and desserts	1.1	3	10	180	25-30
	Savoury pies	1	3	10	180	30-35
	Leavened cakes	0.5	3	10	160	25-30
Fruit cakes	1	3	10	170	25-30	
Oven bottom	Perfecting cooking					
Grill	Sole and cuttlefish	1	4	5	Max	8
	Squid and prawn kebabs	1	4	5	Max	4
	Cod fillet	1	4	5	Max	10
	Grilled vegetables	1	3/4	5	Max	8-10
Double Grill	Veal steak	1	4	5	Max	15-20
	Chops	1.5	4	5	Max	20
	Hamburgers	1	3	5	Max	7
	Mackerel	1	4	5	Max	15-20
	Toast	4 pcs	4	5	Max	5

Using the glass ceramic hob

GB

! The glue applied on the gaskets leaves traces of grease on the glass. Before using the appliance, we recommend you remove these with a special non-abrasive cleaning product. During the first few hours of use there may be a smell of rubber which will disappear very quickly.

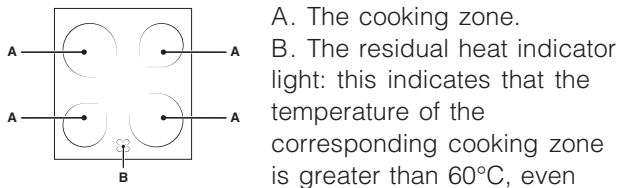
Switching the cooking zones on and off

To switch on a cooking zone, turn the corresponding knob in a clockwise direction.

To switch it off again, turn the knob in an anticlockwise direction until it is in the "0" position. If the ELECTRIC HOTPLATE ON indicator light is lit, this shows that at least one hotplate on the hob is switched on.

Cooking zones

The hob is equipped with electric radiant heating elements. When they are in use the following items on the hob become red.



A. The cooking zone.

B. The residual heat indicator light: this indicates that the temperature of the corresponding cooking zone is greater than 60°C, even

when the heating element has been switched off but is still hot.

Cooking zones with radiant heating elements

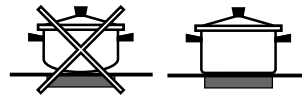
They have similar properties to gas burners: they are easy to control and reach set temperatures quickly, allowing you to actually see the power they are providing.

Turn the corresponding knob in a clockwise direction, to a position between 1 and 6.

Setting	Normal or Fast Plate
0	Off
1	Cooking vegetables, fish
2	Cooking potatoes (using steam) soups, chickpeas, beans.
3	Continuing the cooking of large quantities of food, minestrone
4	For roasting (average)
5	For roasting (above average)
6	For browning and reaching a boil in a short time.

Practical advice on using the hob

- Use pans with a thick, flat base to ensure that they adhere perfectly to the cooking zone.



- Always use pans with a diameter that is large enough to cover the hotplate fully, in order to use all the heat produced.



- Always make sure that the base of the pan is completely clean and dry: this ensures that the pans adhere perfectly to the cooking zones and that both the pans and the hob last for a longer period of time.
- Avoid using the same cookware that is used on gas burners: the heat concentration on gas burners may have warped the base of the pan, causing it not to adhere to the surface correctly.
- Never leave a cooking zone switched on without a pan on top of it, as doing so may cause the zone to become damaged.

! This appliance has been designed and manufactured in compliance with international safety standards. The following warnings are provided for safety reasons and must be read carefully.

General safety

- The glass ceramic hob is resistant to temperature fluctuations and shocks. It is, however, wise to remember that blades or cooking utensils may ruin the surface of the hob. If this happens, remove the plug of the cooker from the electricity socket and contact an authorised Technical Assistance Centre in order to request original spare parts. Failure to comply with the above may compromise the safety of the appliance.
- The appliance was designed for domestic use inside the home and is not intended for commercial or industrial use.
- The appliance must not be installed outdoors, even in covered areas. It is extremely dangerous to leave the appliance exposed to rain and storms.
- Do not touch the appliance with bare feet or with wet or damp hands and feet.
- The appliance must be used by adults only for the preparation of food, in accordance with the instructions provided in this booklet.
- The instruction booklet accompanies a class 1 (insulated) or class 2 - subclass 1 (recessed between 2 cupboards) appliance.
- Keep children away from the oven.
- Make sure that the power supply cables of other electrical appliances do not come into contact with the hot parts of the oven.
- The openings used for the ventilation and dispersion of heat must never be covered.
- Always use oven gloves when placing cookware in the oven or when removing it.
- Do not use flammable liquids (alcohol, petrol, etc...) near the appliance while it is in use.
- Do not place flammable material in the lower storage compartment or in the oven itself. If the appliance is switched on accidentally, it could catch fire.
- Always make sure the knobs are in the ● position when the appliance is not in use.
- When unplugging the appliance, always pull the plug from the mains socket; do not pull on the cable.

- Never perform any cleaning or maintenance work without having disconnected the appliance from the electricity mains.
- If the appliance breaks down, under no circumstances should you attempt to repair the appliance yourself. Repairs carried out by inexperienced persons may cause injury or further malfunctioning of the appliance. Contact Assistance.
- Do not rest heavy objects on the open oven door.

Disposal

- When disposing of packaging material: observe local legislation so that the packaging may be reused.
- The European Directive 2002/96/EC relating to Waste Electrical and Electronic Equipment (WEEE) states that household appliances should not be disposed of using the normal solid urban waste cycle. Exhausted appliances should be collected separately in order to optimise the cost of re-using and recycling the materials inside the machine, while preventing potential damage to the atmosphere and to public health. The crossed-out dustbin is marked on all products to remind the owner of their obligations regarding separated waste collection. Exhausted appliances may be collected by the public waste collection service, taken to suitable collection areas in the area or, if permitted by current national legislation, they may be returned to the dealers as part of an exchange deal for a new equivalent product. All major manufacturers of household appliances participate in the creation and organisation of systems for the collection and disposal of old and disused appliances.

Respecting and conserving the environment

- You can help to reduce the peak load of the electricity supply network companies by using the oven in the hours between late afternoon and the early hours of the morning.
- Always keep the oven door closed when using the GRILL and DOUBLE GRILL modes. This will achieve better results while saving energy (approximately 10%).
- Check the door seals regularly and wipe them clean to ensure they are free of debris so that they adhere properly to the door, thus avoiding heat dispersion.

Care and maintenance

GB

Switching the appliance off

Disconnect your appliance from the electricity supply before carrying out any work on it.

! Never use steam cleaners or pressure cleaners on the appliance.

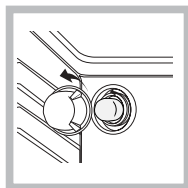
Cleaning the oven

- The stainless steel or enamel-coated external parts and the rubber seals may be cleaned using a sponge that has been soaked in lukewarm water and neutral soap. Use specialised products for the removal of stubborn stains. After cleaning, rinse and dry thoroughly. Do not use abrasive powders or corrosive substances.
- The inside of the oven should ideally be cleaned after each use, while it is still lukewarm. Use hot water and detergent, then rinse well and dry with a soft cloth. Do not use abrasive products.
- Clean the glass part of the oven door using a sponge and a non-abrasive cleaning product, then dry thoroughly with a soft cloth. Do not use rough abrasive material or sharp metal scrapers as these could scratch the surface and cause the glass to crack.
- The accessories can be washed like everyday crockery, and are even dishwasher safe.
- Dirt and grease should be removed from the control panel using a non-abrasive sponge or a soft cloth.

Inspecting the oven seals

Check the door seals around the oven regularly. If the seals are damaged, please contact your nearest After-sales Service Centre. We recommend that the oven is not used until the seals have been replaced.

Replacing the oven light bulb



1. After disconnecting the oven from the electricity mains, remove the glass lid covering the lamp socket (*see figure*).
2. Remove the light bulb and replace it with a similar one: voltage 230 V, wattage 25 W, cap E 14.
3. Replace the lid and reconnect the oven to the electricity supply.

Cleaning the glass ceramic hob

! Do not use abrasive or corrosive detergents (for example, products in spray cans for cleaning barbecues and ovens), stain removers, anti-rust products, powder detergents or sponges with abrasive surfaces: these may scratch the surface beyond repair.

- It is usually sufficient simply to wash the hob using a damp sponge and dry it with absorbent kitchen roll.

- If the hob is particularly dirty, rub it with a special glass ceramic cleaning product, then rinse well and dry thoroughly.
- To remove more stubborn dirt, use a suitable scraper (this is not supplied with the appliance). Remove spills as soon as possible, without waiting for the appliance to cool, to avoid residues forming crusty deposits. You can obtain excellent results by using a rustproof steel wire sponge - specifically designed for glass ceramic surfaces - soaked in soapy water.
- If plastic or sugary substances have accidentally been melted on the hob, remove them immediately with the scraper, while the surface is still hot.
- Once it is clean, the hob may be treated with a special protective maintenance product: the invisible film left by this product protects the surface from drips during cooking. This maintenance should be carried out while the appliance is warm (not hot) or cold.
- Always remember to rinse the appliance well with clean water and dry it thoroughly: residues can become encrusted during subsequent cooking processes.

Glass ceramic hob cleaners	Available from
Window scraper Razor blade scrapers	DIY Stores
Replacement blades	DIY Stores, supermarkets, chemists
COLLO luneta HOB BRITE Hob Clean SWISSCLEANER	Boots, Co-op stores, department stores, Regional Electricity Company shops, supermarkets

Cleaning stainless steel

Stainless steel can be marked by hard water that has been left on the surface for a long time, or by aggressive detergents that contain phosphorus. We recommend that the steel surfaces are rinsed well then dried thoroughly.

Assistance

Please have the following information handy:

- The appliance model (Mod.).
- The serial number (S/N).

This information can be found on the data plate located on the appliance and/or on the packaging.

Руководство по эксплуатации

КУХОННАЯ ПЛИТА С ДУХОВЫМ ШКАФОМ

RS



English, 1



РУССКИЙ, 11

C3VN1R /HA

Содержание

Монтаж, 12-13

Расположение и нивелировка
Электрическое подсоединение
Технические данные

Описание изделия, 14

Общий вид
Панель управления

Включение и эксплуатация, 15-17

Включение духового шкафа
Программы приготовления
Таиммер
Практические советы по приготовлению
Таблица приготовления в духовом шкафу

Стеклокерамическая варочная панель, 18

Включение и выключение нагревательных зон
Нагревательные зоны

Предосторожности и рекомендации, 19

Общие требования к безопасности
Утилизация
Экономия электроэнергии и охрана окружающей среды

Техническое обслуживание и уход, 20

Отключение электропитания
Чистка духового шкафа
Замена лампочки в духовом шкафу
Чистка стеклокерамической варочной панели
Техническое обслуживание

 **Hotpoint**

ARISTON

Установка

RS

! Важно сохранить данное руководство для его последующих консультации. В случае продажи, передачи или переезда проверьте, чтобы данное руководство сопровождало изделие.

! Внимательно прочитайте инструкции: в них содержатся важные сведения об установке, эксплуатации и безопасности изделия.

! Установка изделия производится в соответствии с данными инструкциями квалифицированными специалистами.

! Любая операция по регулировке или техническому обслуживанию должна производиться только после отсоединения электроприбора от сети электропитания.

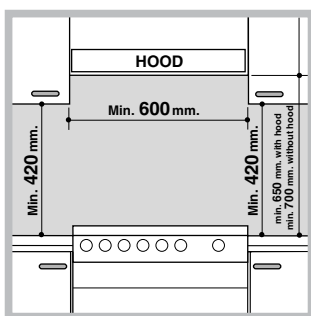
Расположение и нивелировка

! Изделие может быть установлено рядом с кухонными элементами, высота которых не превышает поверхность варочной панели.

! Проверьте, чтобы стена, к которой прилегает задняя часть изделия, была из невозгораемого материала и устойчивой к теплу (T 90°C).

Порядок монтажа:

- изделие может быть установлено на кухне, в столовой или в однокомнатной квартире (не в ванной комнате);
- если варочная панель кухонной плиты выше мебельных элементов, необходимо отодвинуть их от плиты на расстояние не менее 200 мм.

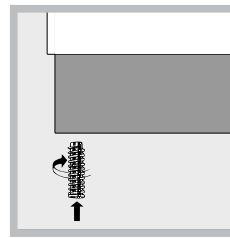


- если кухонная плита устанавливается под навесным шкафом, он должен располагаться на высоте не менее 420 мм от поверхности варочной панели. Это расстояние должно быть 700 мм, если навесные шкафы выполнены из

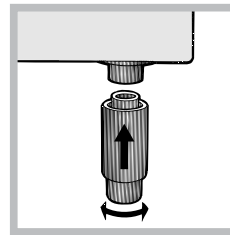
возгораемого материала (см. рисунок);

- не заправляйте занавески за кухонную плиту и не приближайте их на расстояние меньше 200 мм.
- возможная кухонная вытяжка должна быть установлена в соответствии с инструкциями, приведенными в техническом руководстве к вытяжке.

Выравнивание



При необходимости выровнять изделие вкрутите в специальные отверстия по углам в основании кухонной плиты прилагающиеся регулировочные ножки* по (см. рисунок).

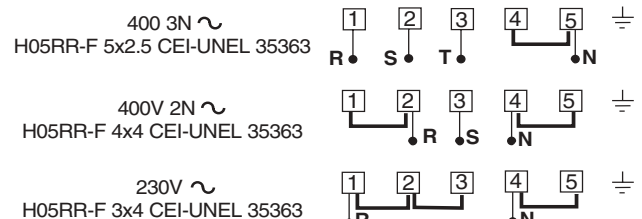


Прилагающиеся ножки* вставляются под основание кухонной плиты.

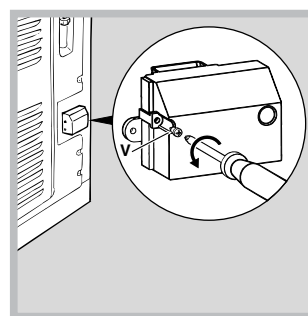
Электрическое подсоединение

Подсоединение кабеля электропитания

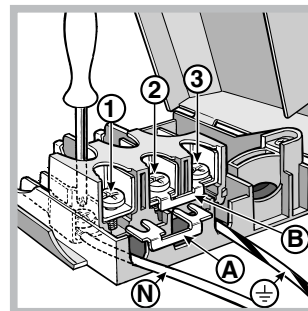
Кабель рассчитывается в зависимости от типа электрического соединения по следующей электрической схеме:



Порядок подсоединения кабеля электропитания:




1. Отвинтите шуруп V на зажимной коробке и снимите крышку (см. рисунок).



2. установите соединительную перемычку A (см. рисунок) по приведенной выше электрической схеме. Зажимная коробка рассчитана на монофазное соединение 230 В: зажимы 1, 2 и 3 соединены друг с другом; перемычка 4-5

расположена в нижней части зажимной коробки.

3. подсоедините провода N и  в соответствии со схемой (см. рисунок) и до упора закрутите винты зажимов.
4. подсоедините оставшиеся провода к зажимам 1-2-3 и закрутите винты.
5. закрепите кабель электропитания в специальном кабельном сальнике.
6. закройте крышку зажимной коробки, закрутив винт V.

Подсоединение кабеля к сети электропитания

Установите на кабель электропитания нормализованную штепсельную вилку, рассчитанную на нагрузку, указанную на заводской табличке изделия. В случае прямого подключения к сети электропитания между кухонной плитой и сетью необходимо установить мультиполярный выключатель с минимальным расстоянием между контактами 3 мм, рассчитанный на данную нагрузку и соответствующий действующим нормативам (выключатель не должен размыкать провод заземления). Кабель электропитания должен быть расположен таким образом, чтобы ни в одной точке его температура не превышала температуру помещения более чем на 50°C.

Перед подсоединением кабеля проверьте следующее:

- электрическая розетка должна быть соединена с заземлением и соответствовать нормативам;
- электрическая розетка должна быть рассчитана на максимальную потребляемую мощность изделия, указанную на заводской табличке;
- напряжение и частота тока сети должны соответствовать электрическим данным изделия;
- электрическая розетка должна быть совместима со штепсельной вилкой изделия. В противном случае замените розетку или вилку; не используйте удлинители или троиники.


! Изделие должно быть установлено таким образом, чтобы электрический кабель и электророзетка были легко доступны.

! Электрический кабель изделия не должен быть согнут или сжат.

! Регулярно проверяйте состояние кабеля электропитания и при необходимости поручайте его замену только уполномоченным техникам.

! Производитель не несет ответственности за последствия несоблюдения перечисленных требований.

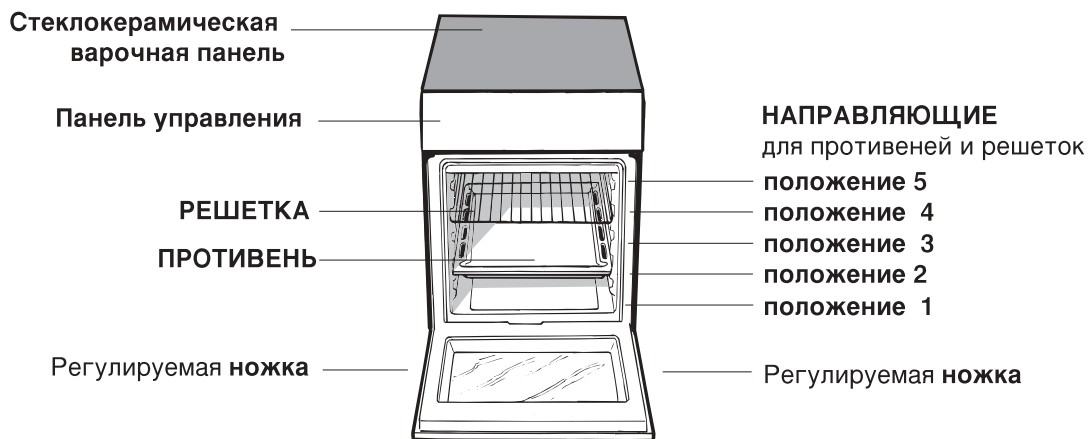
* Имеется только в некоторых моделях

ТЕХНИЧЕСКИЕ ДАННЫЕ	
Габаритные размеры духового шкафа ВxШxГ	34x38x44 см
Объем	л 57
Рабочие размеры ящика для разогревания пищи	ширина 42 см. глубина 44 см. высота 17 см.
Напряжение и частота электропитания	см. табличку с техническими характеристиками
Керамическая варочная панель	
Передняя левая	1200 Вт
Задняя левая	1700 Вт
Задняя правая	1200 Вт
Передняя правая	1700 Вт
Макс. поглощаемая мощность керамическими варочными панелями	5800 Вт
ТАБЛИЧКА С ЭЛЕКТРИЧЕСКИМ И ДАННЫМИ	Директива 2002/40/CE об этикетках электрических духовых шкафов. Норматив EN 50304 Потребление электроэнергии при натуральной конвекции - функция нагрева: <input type="checkbox"/> Статическое
 	Директива ЕС: 73/23/CEE от 19/02/73 (Низкое напряжение) с последующими изменениями – 89/336/CEE от 03/05/89 (Электромагнитная совместимость) с последующими изменениями – 93/68/CEE от 22/07/93 с последующими изменениями – 2002/96/ЕС.

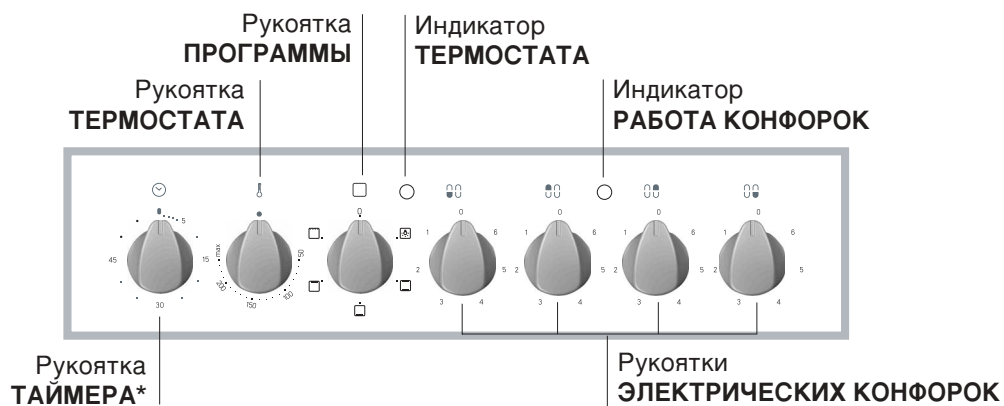
Описание изделия

RS

Общий вид



Панель управления



* Имеется только в некоторых моделях

! При первом включении духового шкафа рекомендуем прокалить его примерно в течение 30 минут при максимальной температуре с закрытой дверцей. Затем выключите духовой шкаф, откройте дверцу и проветрите помещение. Запах, который вы можете почувствовать, вызван испарением веществ, использованных для предохранения духового шкафа.

! Перед началом эксплуатации необходимо снять пленку, наклеенную с боков изделия.

Включение духового шкафа

1. Выберите нужную программу приготовления при помощи рукоятки ПРОГРАММЫ.
2. Выберите температуру, рекомендуемую для данной программы или нужную вам температуру при помощи рукоятки ТЕРМОСТАТ. В специальной таблице приводится перечень типов приготовления с соответствующими рекомендуемыми температурами (см. Таблица приготовления в духового шкафу).

В процессе приготовления в любой момент можно:

- изменить программу приготовления при помощи рукоятки ПРОГРАММЫ;
- изменить температуру при помощи рукоятки ТЕРМОСТАТ;
- запрограммировать приготовление и время окончания приготовления (см ниже);
- прервать приготовление, повернув рукоятку ПРОГРАММЫ в положение «0».


! Никогда не ставьте никаких предметов на дно духового шкафа, так как они могут повредить эмалированное покрытие. Используйте положение 1 настройки духового шкафа только для приготовления на вертеле.

! Всегда ставьте посуду на прилагающуюся решетку.

Индикатор ТЕРМОСТАТА

Включение этого индикатора означает, что духовой шкаф нагревается. Индикатор гаснет, когда внутри духового шкафа будет достигнута заданная температура. На данном этапе индикатор то загорается, то гаснет, показывая, что термостат включен и поддерживает температуру неизменной.

Освещение духового шкафа

Включается, когда рукоятка ПРОГРАММЫ устанавливается в любое положение кроме «0», и остается включенным до тех пор, пока работает духовой шкаф. При выборе положения  при помощи рукоятки освещение включается без подключения нагревательных элементов.

Программы приготовления

! Для всех программ можно задать температуру от 50°C и MAX, кроме программы ГРИЛЬ, для которой рекомендуется установить только режим MAX.

Программа **СТАТИЧЕСКАЯ ДУХОВКА**

Включаются два нагревательных элемента: нижний и верхний. В режиме традиционного приготовления рекомендуется использовать только один уровень: при использовании нескольких уровней распределение температуры будет неоптимальным.

Программа **НИЗ ДУХОВКИ**

Включается нижний нагревательный элемент. В этом положении рекомендуется доводить до готовности блюда (в посуде с высокими краями), уже подрумянившиеся сверху, но еще сырые внутри, или для выпечки тортов с начинкой из фруктов или варенья, требующих умеренного поверхностного жара. Обращаем Ваше внимание на то, что эта функция не позволяет достичь максимальной температуры внутри духовки (250°C), поэтому не рекомендуется всегда использовать этот режим для приготовления, если только вам не требуется выпечь торт при температуре ниже или равной 180°C.

Программа **ГРИЛЬ**

Включается верхний нагревательный элемент. Значительная температура прямого действия гриля позволяет получить быстрое образование корочки на поверхности мяса, которая препятствует выходу соков и сохраняет продукт более нежным.

Программа **ДВОИНОЙ ГРИЛЬ**



Включается верхний нагревательный элемент. Использование функции гриль в особенности рекомендуется для блюд, приготовление которых требует высокой поверхностной температуры: телячьих и говяжьих бифштексов, антрекотов, вырезки, гамбургеров и т.д. ...

! Для приготовления в режимах ГРИЛЬ и ДВОИНОЙ ГРИЛЬ дверца духового шкафа должна быть закрыта.

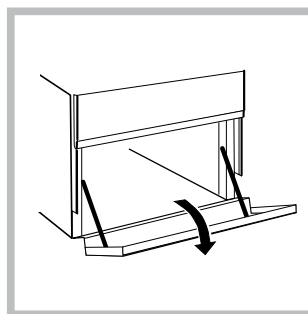
* Имеется только в некоторых моделях

Таимер*

Порядок включения Таимера (часов):

1. поверните по часовой стрелке  рукоятку ТАИМЕР почти на один полный поворот для завода таймера;
2. поверните против часовой стрелки  рукоятку ТАИМЕР, выбрав нужное время.

Нижний отсек*



Снизу духового шкафа имеется отсек, который может быть использован для хранения кухонных принадлежностей или кастрюль. Для открывания дверцы поверните ее вниз (см. рисунок).

! Не помещайте возгораемых предметов в нижний отсек.

! Внутренняя поверхность ящика (если он имеется) может сильно нагреться.

Практические советы по приготовлению

! При использовании функции ГРИЛЬ поместите противень на уровень 1 для сбора жидкостей, выделяемого при жарке (сок и/или жир).

ГРИЛЬ

- Установите решетку на уровень 3 или 4, поместите продукты в центр решетки.
- Рекомендуется выбрать максимальную мощность духовки. Не беспокойтесь, если верхний элемент не остается постоянно включенным: его работа управляется термостатом.

ПИЦЦА

- Используйте противень из легкого алюминия, устанавливая его на прилегающую решетку. При использовании противеня время выпечки удлиняется, что затрудняет получение хрустящей пиццы.
- В случае выпечки пиццы с обильной начинкой рекомендуется положить на пиццу сыр моццарелла в середине выпечки.

Таблица приготовления в духовом шкафу

RS

Программы	Продукты	Вес (кг)	Уровень	Время нагревания (мин.)	Рекомендуемая температура (°C)	Продолжит-ть приготовления (минуты)
Статическое	Лазанья	2,5	2	5	200	45-50
	Каннеллони	2,5	3	5	200	30-35
	Макаронная запеканка, Телятина	2,0	3	5	200	30-35
	Телятина	1,7	2	10	180	60-70
	Курица	1,5	3	10	200	80-90
	Утка	1,8	3	10	180	90-100
	Кролик	2	3	10	180	70-80
	Свинина	2,1	3	10	180	70-80
	Баранина	1,8	3	10	180	70-80
	Скумбрия	1,1	2	5	180	30-40
	Скумбрия	1,5	2	5	180	30-35
	Форель в фольге	1	2	5	180	25-30
	Неапольская пицца	1	2	15	220	15-20
	Печенье и мелкая выпечка	0,5	3	10	180	10-15
	Суфле, недрожжевые торты	1,1	3	10	180	25-30
	Несладкие торты	1	3	10	180	30-35
Выпечка из дрожжевого теста	0,5	3	10	160	25-30	
Фруктовые торты	1	3	10	170	25-30	
Низ духовки	Доведение до готовности					
Гриль	Камбала и каракатицы	1	4	5	Макс.	8
	Кальмары и креветки на шампурах	1	4	5	Макс.	4
	Филе трески	1	4	5	Макс.	10
	Овощи-гриль	1	3/4	5	Макс.	8-10
Двойной гриль	Телячьи отбивные	1	4	5	Макс.	15-20
	Отбивные	1,5	4	5	Макс.	20
	Гамбургеры	1	3	5	Макс.	7
	Скумбрия	1	4	5	Макс.	15-20
	Горячие бутерброды	4 шт.	4	5	Макс.	5

Стеклокерамическая варочная панель

RS

! На стеклянной поверхности варочной панели могут быть видны сальные следы от клея, нанесенного на прокладки. Перед началом эксплуатации изделия следует удалить следы клея при помощи специального неабразивного моющего средства. В первые часы работы вы можете почувствовать запах жженой резины, который быстро пропадает.

Включение и выключение нагревательных зон

Для включения нагревательной зоны поверните по часовой стрелке соответствующую рукоятку.

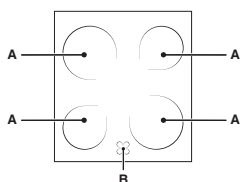
Для выключения поверните рукоятку против часовой стрелки на «0».

Включение индикатора ЗОНЫ ВКЛЮЧЕНЫ показывает, что какая-то из нагревательных зон на варочной панели включена.

Нагревательные зоны

На варочной панели находятся электрические галогенные нагревательные элементы. В рабочем режиме она раскаляется до красна:

А. Области для готовки
В. Индикатор нагрева: показывает, что температура в соответствующей нагревательной зоне превышает 60°C, также в случае, если элемент выключен, но еще не остыл.



Описание нагревательных элементов

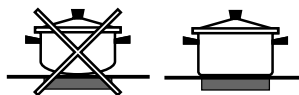
Такой принцип нагрева по своим характеристикам аналогичен типичным газовым конфоркам: быстрая реакция на управление и мгновенная визуализация мощности.

Поверните соответствующую рукоятку по часовой стрелке из положения 1 в положение 6.

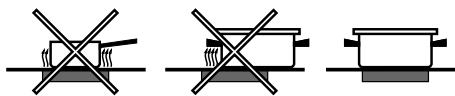
Позиция	Обычная или быстрая конфорка
0	Выключено
1	Приготовление овощей, рыбы
2	Варка картофеля, супов, гороха, фасоли
3	Тушение больших объемов пищи
4	Жаренье (средняя температура)
5	Жаренье (температура выше среднего)
6	Для быстрого поджаривания и кипячения

Практические рекомендации по использованию варочной панели

- Используйте посуду с плоским толстым дном, идеально прилегающим к зоне нагрева;



- Используйте кастрюли с дном такого диаметра, чтобы полностью закрыть зону нагрева для оптимального использования всего выделяемого тепла;



- проверьте, чтобы дно кастрюль было всегда сухим и чистым: таким образом гарантируется оптимальное прилегание к нагревательным зонам, а также продлевает срок службы варочной панели и кастрюль;
- не следует использовать на посуду, использованную на газовых конфорках: концентрация тепла на газовых конфорках может деформировать дно посуды и нарушить прилегание к нагревательной зоне;
- никогда не оставляйте нагревательные зоны включенными без посуды, так как это может повредить их.

! Изделие спроектировано и изготовлено в соответствии с международными нормативами по безопасности. Необходимо внимательно прочитать настоящие предупреждения, составленные в целях вашей безопасности.

Общие требования к безопасности

- Стеклокерамическая варочная панель является устойчивой к скачкам температуры и к ударам. Тем не менее следует помнить, что лезвия или острые кухонные приборы могут повредить поверхность варочной панели. В случае повреждения варочной панели незамедлительно отсоедините штепсельную вилку панели от сети электропитания, обращайтесь только в уполномоченный центр технического обслуживания и требуйте установки только оригинальных запчастей. Несоблюдение вышеуказанных рекомендаций может скомпрометировать безопасное функционирование изделия.
- Данное изделие предназначается для непрофессионального использования в домашних условиях.
- Запрещается устанавливать изделие на улице, даже под навесом, так как воздействие на него дождя и грозы является чрезвычайно опасным.
- Не прикасайтесь к изделию влажными руками, босиком или с мокрыми ногами.
- Изделие предназначено для приготовления пищевых продуктов, может быть использовано только взрослыми лицами в соответствии с инструкциями, приведенными в данном техническом руководстве.
- Данное техническое руководство относится к бытовому электроприбору класса 1 (отдельное изделие) или класса 2 – подгруппа 1 (встроенное между 2 кухонными элементами).
- Не разрешайте детям играть рядом с изделием.
- Избегайте контактов проводов электропитания других бытовых электроприборов с горячими частями изделия.
- Не закрывайте вентиляционные решетки и отверстия рассеивания тепла.
- Всегда надевайте кухонные варежки, когда ставите или вынимаете блюда из духовки.
- Не используйте горючие жидкости (спирт, бензин и т.д.) рядом с работающей кухонной плитой.
- Не кладите возгораемые материалы в нижний отсек или в духовой шкаф: при случайном включении изделия такие материалы могут загореться.
- Когда изделие не используется, всегда проверяйте, чтобы рукоятки находились в положении •.

- Не тяните за провод электропитания для отсоединения вилки изделия из электрической розетки, возьмитесь за вилку рукой.
- Перед началом чистки или технического обслуживания изделия всегда вынимайте штепсельную вилку из электророзетки.
- В случае неисправности категорически запрещается открывать внутренние механизмы изделия с целью самостоятельного ремонта. Обратитесь в центр технического обслуживания.
- Не ставьте тяжелые предметы на открытую дверцу духового шкафа

Утилизация

- Уничтожение упаковочных материалов: соблюдайте местные нормативы по утилизации упаковочных материалов.
- Согласно Европейской Директиве 2002/96/CE касательно утилизации электронных и электрических электроприборов (RAEE) электроприборы не должны выбрасываться вместе с обычным городским мусором. Выведенные из строя приборы должны собираться отдельно для оптимизации их утилизации и рекуперации составляющих их материалов, а также для безопасности окружающей среды и здоровья. Символ зачеркнутая мусорная корзина, имеющийся на всех приборах, служит напоминанием об их отдельной утилизации. Старые бытовые электроприборы могут быть переданы в общественный центр утилизации, отвезены в специальные муниципальные зоны или, если это предусмотрено национальными нормативами, возвращены в магазин при покупке нового изделия аналогичного типа. Все ведущие производители бытовых электроприборов содействуют созданию и управлению системами по сбору и утилизации старых электроприборов.

Экономия электроэнергии и охрана окружающей среды

- Если вы будете пользоваться духовым шкафом вечером и до раннего утра, это поможет сократить нагрузку потребления электроэнергии электростанциями.
- Рекомендуется всегда готовить в режиме ГРИЛЬ и ДВОИНОЙ ГРИЛЬ с закрытой дверцей: Это необходимо для значительной экономии электроэнергии (примерно 10%), а также для лучших результатов приготовления.
- Содержите уплотнения в исправном и чистом состоянии, проверяйте, чтобы они плотно прилегали к дверце и не пропускали утечек тепла.

Отключение электропитания

Перед началом какой-либо операции по обслуживанию или чистке отсоедините изделие от сети электропитания.

! Никогда не используйте паровые чистящие агрегаты или агрегаты под высоким давлением для чистки изделия.

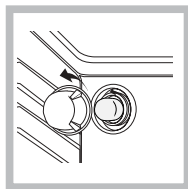
Чистка духового шкафа

- Наружные эмалированные элементы или детали из нержавеющей стали, а также резиновые уплотнения можно протирать губкой, смоченной в теплой воде или в растворе нейтрального моющего средства. Для удаления особо трудных пятен используйте специальные чистящие средства, имеющиеся в продаже. После чистки рекомендуется тщательно удалить остатки моющего средства влажной тряпкой и высушить духовку. Не используйте абразивные порошки или коррозионные вещества.
- Следует производить внутреннюю чистку духового шкафа после каждого его использования, не дожидаясь его полного охлаждения. Используйте теплую воду и моющее средство, ополосните и протрите мягкой тряпкой. Избегайте использования абразивных средств.
- Для чистки стекла дверцы используйте неабразивные губки и чистящие средства, затем вытрите насухо мягкой тряпкой. Не используйте твердые абразивные материалы или острые металлические скребки, которые могут поцарапать поверхность и разбить стекло.
- Съемные детали можно легко вымыть как любую другую посуду, также в посудомоечной машине.
- Панель с ручками необходимо очищать от пятен и жира при помощи мягкой губки или тряпки.

Проверяйте уплотнения духового шкафа.

Регулярно проверяйте состояние уплотнения вокруг дверцы духового шкафа. В случае повреждения уплотнения обращайтесь в ближайший Центр Технического Обслуживания. Не рекомендуется пользоваться духовкой с поврежденным уплотнением.

Порядок замены лампочки в духовом шкафу



- Отключите духовой шкаф от сети электропитания, снимите стеклянную защитную крышку лампы (см. рисунок).
- Выкрутите лампочку и замените ее на новую такого же типа: напряжение 230 В, мощность 25 Вт, резьба Е 14.

3. Восстановите на место крышку и вновь подключите духовой шкаф к сети электропитания.

Чистка стеклокерамической варочной панели

! Не следует пользоваться абразивными или коррозионными чистящими средствами такими как спрей для чистки духовок и мангалов, пятновыводители или средства для удаления ржавчины, порошковыми чистящими средствами или

абразивными губками: они могут необратимо поцарапать поверхность изделия.

- В качестве регулярного ухода достаточно вымыть варочную панель влажной губкой и затем высушить кухонным бумажным полотенцем.
- Если варочная панель сильно загрязнена, используйте специальное чистящее средство для стеклокерамических поверхностей, ополосните водой и высушите.
- Для удаления сильных загрязнений используйте специальный скребок (не прилагается к изделию). Удаляйте загрязнения незамедлительно, не дожидаясь охлаждения изделия, во избежание затвердевания остатков пищи. Очень удобна для чистки мочалка из проволоки из нержавеющей стали, специально для стеклокерамических поверхностей, смоченная в мыльном растворе.
- Если на варочной панели случайно расплавились какие-либо предметы или пластиковые материалы или сахар, незамедлительно удалите их скребком с еще горячей поверхности.
- По завершении чистки варочная панель может быть обработана специальным защитным средством для ухода за стеклокерамическими поверхностями. Это средство образует на поверхности варочной панели невидимую защитную пленку, предохраняющую поверхность в случае утечек пищи в процессе приготовления. Рекомендуется производить чистку, когда варочная панель едва теплая или холодная.
- Следует всегда ополаскивать варочную панель чистой водой и насухо вытирать: возможные остатки чистящих средств могут затвердеть при последующей готовке.

Чистящие средства для керамической поверхности	Где можно приобрести
Скребки Сменные лезвия	Фирменные магазины, универмаги, супермаркеты.
COLLO Iuneta HOB BRITE Hob Clean SWISSCLEANER	магазины электротехники, хозяйственные магазины.

Чистка деталей из нержавеющей стали

На деталях из нержавеющей стали могут появиться пятна, если на них в течение длительного времени воздействует вода с высоким содержанием извести или чистящие средства содержащие фосфор. Рекомендуется обильно ополоснуть изделие и тщательно высушить.

Техническое обслуживание

При обращении в Центр Технического Обслуживания необходимо сообщить:

- модель изделия (Мод.)
 - номер тех. паспорта (сериальный №)
- Последние сведения находятся на заводской табличке, расположенной на изделии и/или на упаковке.