

**GB**

English

## **Operating Instructions**

**OVEN**

### **Contents**

Operating Instructions, 1  
Warnings, 2  
Assistance, 3  
Description of the appliance, 4  
Description of the appliance, 5  
Installation, 6  
Start-up and use, 8  
The electronic programmer, 8  
Modes, 9  
Precautions and tips, 12  
Maintenance and care, 12

**RS**

Русский

## **Руководство по эксплуатации**

**ДУХОВОЙ ШКАФ**

### **Содержание**

Руководство по эксплуатации, 1  
Запобіжні заходи, 2  
Сервисное обслуживание, 3  
Описание изделия, 4  
Описание изделия, 5  
Установка, 14  
Включение и эксплуатация, 16  
Электронный таймер программирования выпечки, 16  
Программы, 17  
Предосторожности и рекомендации, 20  
Техническое обслуживание и уход, 21

**GB**

## Warnings

**WARNING:** The appliance and its accessible parts become hot during use. Care should be taken to avoid touching heating elements. Children less than 8 years of age shall be kept away unless continuously supervised. This appliance can be used by children aged from 8 years and above and persons with reduced physical, sensory or mental capabilities or lack of experience and knowledge if they have been given supervision or instruction concerning use of the appliance in a safe way and understand the hazards involved. Children shall not play with the appliance. Cleaning and user maintenance shall not be made by children without supervision.

Do not use harsh abrasive cleaners or sharp metal scrapers to clean the oven door glass since they can scratch the surface, which may result in shattering of the glass.

Never use steam cleaners or pressure cleaners on the appliance.

**WARNING:** Ensure that the appliance is switched off before replacing the lamp to avoid the possibility of electric shock.

**!** When you place the rack inside, make sure that the stop is directed upwards and in the back of the cavity.

**RS**

## Запобіжні заходи

**ВНИМАНИЕ:** Данное изделие и его доступные комплектующие сильно нагреваются в процессе эксплуатации. Будьте осторожны и не касайтесь нагревательных элементов.

Не разрешайте детям младше 8 лет приближаться к изделию без контроля. Данное изделие может быть использовано детьми старше 8 лет и лицами с ограниченными физическими, сенсорными или умственными способностями или без опыта и знания о правилах использования изделия при условии надлежащего контроля или обучения безопасному использованию изделия с учетом соответствующих рисков. Не разрешайте детям играть с изделием. Не разрешайте детям осуществлять чистку и уход за изделием без контроля взрослых.

Не используйте абразивные вещества или режущие металлические скребки для чистки стеклянной дверцы духового шкафа, так как они могут поцарапать поверхность, что может привести к разбиванию стекла.

Никогда не используйте паровые чистящие агрегаты или агрегаты под высоким давлением для чистки изделия.

**ВНИМАНИЕ:** Проверьте, чтобы изделие было выключено, перед заменой лампочки во избежание возможных ударов током.

**!** При установке решетки проверить, чтобы фиксатор был повернут вверх с задней стороны выемки.

---

**GB**

## Assistance

! Never use the services of an unauthorised technician.

Please have the following information to hand:

- The type of problem encountered.
- The appliance model (Mod.).
- The serial number (S/N).

The latter two pieces of information can be found on the data plate located on the appliance.

**RS**

## Сервисное обслуживание

! Никогда не обращайтесь к неуполномоченным техникам.

При обращении в Центр Технического Обслуживания необходимо сообщить:

- Тип неисправности;
- Модель изделия (Мод.)
- Номер тех. паспорта (серийный №)

Эти данные вы найдете на паспортной табличке, расположенной на изделии.

**GB**

## Description of the appliance

### Overall view

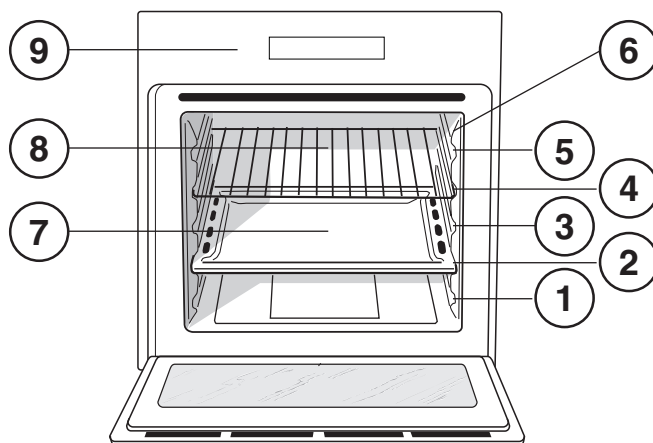
- 1 POSITION 1
- 2 POSITION 2
- 3 POSITION 3
- 4 POSITION 4
- 5 POSITION 5
- 6 GUIDES for the sliding racks
- 7 DRIPPING PAN
- 8 GRILL
- 9 Control panel

**RS**

## Описание изделия

### Общий вид

- 1 ПОЛОЖЕНИЕ 1
- 2 ПОЛОЖЕНИЕ 2
- 3 ПОЛОЖЕНИЕ 3
- 4 ПОЛОЖЕНИЕ 4
- 5 ПОЛОЖЕНИЕ 5
- 6 ВЫДВИЖНЫЕ НАПРАВЛЯЮЩИЕ уровней
- 7 ПРОТИВЕНЬ
- 8 РЕШЕТКА
- 9 Панель управления



**GB**

## Description of the appliance

### Control panel

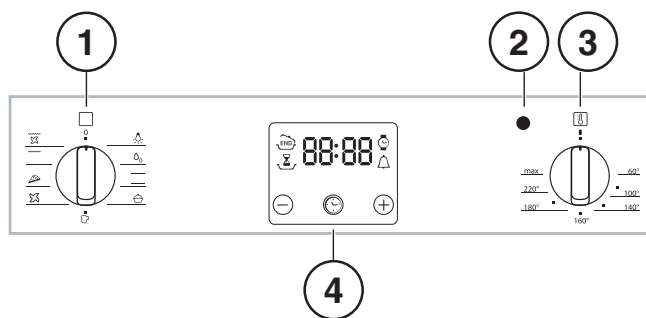
- 1 **SELECTOR** knob
- 2 **THERMOSTAT** indicator light
- 3 **THERMOSTAT** knob
- 4 **ELECTRONIC** programmer

**RS**

## Описание изделия

### Панель управления

- 1 Рукоятка **ПРОГРАММЫ**
- 2 Индикатор **ТЕРМОСТАТА**
- 3 Регулятор **ТЕРМОСТАТА**
- 4 **ЭЛЕКТРОННЫЙ** программмер



## Installation

! Please keep this instruction booklet in a safe place for future reference. If the appliance is sold, given away or moved, please make sure the booklet is also passed on to the new owners so that they may benefit from the advice contained within it.

! Please read this instruction manual carefully: it contains important information concerning the safe operation, installation and maintenance of the appliance.

### Positioning

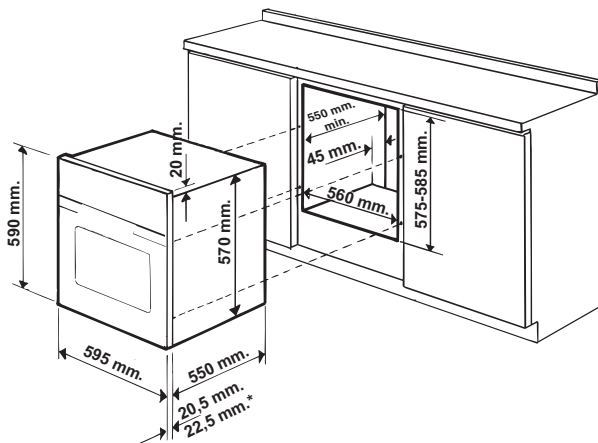
! Do not let children play with the packaging material; it should be disposed of in accordance with local separated waste collection standards (see Precautions and tips).

! The appliance must be installed by a qualified professional in accordance with the instructions provided. Incorrect installation may damage property or cause harm to people or animals.

### Built-in appliances

Use an appropriate cabinet to ensure that the appliance operates properly:

- The panels adjacent to the oven must be made of heat-resistant material.
- Cabinets with a veneer exterior must be assembled with glues which can withstand temperatures of up to 100°C.
- To install the oven **under the counter** (see diagram) or in a **kitchen unit**, the cabinet must have the following dimensions:

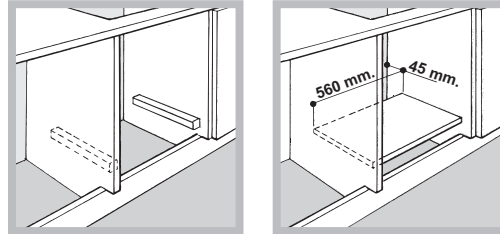


\* Stainless steel models only

! The appliance must not come into contact with electrical parts once it has been installed. The indications for consumption given on the data plate have been calculated for this type of installation.

### Ventilation

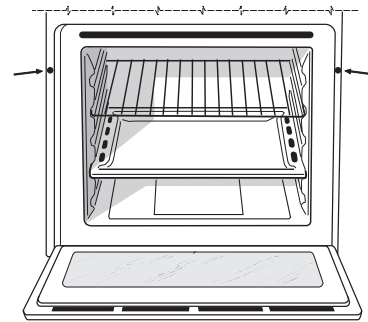
To ensure adequate ventilation, the back panel of the cabinet must be removed. It is advisable to install the oven so that it rests on two strips of wood, or on a completely flat surface with an opening of at least 45 x 560 mm (see diagrams).



### Centring and fixing

Secure the appliance to the cabinet:

- Open the oven door.
- Remove the 2 rubber plugs covering the fixing holes on the perimeter frame.
- Fix the oven to the cabinet using the 2 wood screws.
- Replace the rubber plugs.

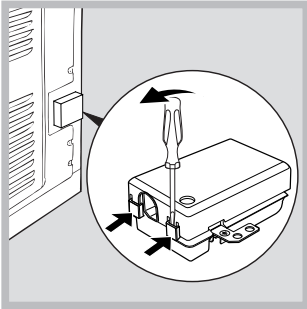


! All parts which ensure the safe operation of the appliance must not be removable without the aid of a tool.

## Electrical connection

Ovens equipped with a three-pole power supply cable are designed to operate with alternating current at the voltage and frequency indicated on the data plate located on the appliance (see below).

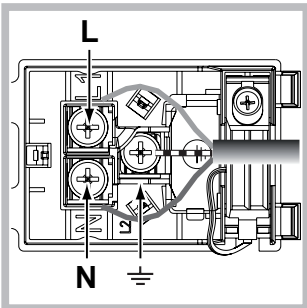
### Fitting the power supply cable



1. Open the terminal board by inserting a screwdriver into the side tabs of the cover. Use the screwdriver as a lever by pushing it down to open the cover (see diagram).

2. Install the power supply cable by loosening the cable clamp screw and the three wire contact screws L-N- $\perp$ .

Connect the wires to the corresponding terminals: the Blue wire to the terminal marked (N), the Brown wire to the terminal marked (L) and the Yellow/Green wire to the terminal marked  $\perp$  (see diagram).



3. Secure the cable by fastening the clamp screw.
4. Close the cover of the terminal board.

### Connecting the supply cable to the mains

Install a standardised plug corresponding to the load indicated on the data plate (see table).

The appliance must be directly connected to the mains using an omnipolar switch with a minimum contact opening of 3 mm installed between the appliance and the mains. The switch must be suitable for the charge indicated and must comply with current electrical regulations (the earthing wire must not be interrupted by the switch). The supply cable must be positioned so that it does not come into contact with temperatures higher than 50°C at any point (the back panel of the oven, for example).

! The installer must ensure that the correct electrical connection has been performed and that it is fully compliant with safety regulations.

Before connecting the appliance to the power supply, make sure that

- The appliance is earthed and the plug is compliant with the law.
- The socket can withstand the maximum power of the appliance, which is indicated on the data plate.
- The voltage is in the range between the values indicated on the data plate.

- The socket is compatible with the plug of the appliance. If the socket is incompatible with the plug, ask an authorised technician to replace it. Do not use extension cords or multiple sockets.

! Once the appliance has been installed, the power supply cable and the electrical socket must be easily accessible.

! The cable must not be bent or compressed.

! The cable must be checked regularly and replaced by authorised technicians only (see Assistance).

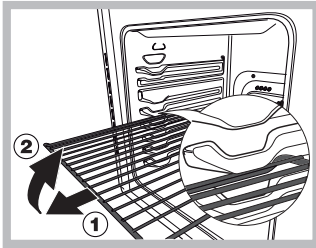
! The manufacturer declines any liability should these safety measures not be observed.

APPLIANCE SPECIFICATIONS	
<b>Dimensions*</b>	width 43.5 cm height 32,4 cm depth 41.5 cm
<b>Volume*</b>	59 l
<b>Dimensions**</b>	width 45.5 cm height 32,4 cm depth 41.5 cm
<b>Volume**</b>	62 l
<b>Electrical connections</b>	voltage: 220 - 240 V~ 50/60 Hz (see data plate) maximum power absorbed 2800 W
<b>ENERGY LABEL</b>	Directive 2002/40/EC on the label of electric ovens. Standard EN 50304  Energy consumption for Natural convection – heating mode: $\perp$ Traditional mode $\perp$  Declared energy consumption for Forced convection Class – heating mode: Baking
 	This appliance conforms to the following European Economic Community directives: 2006/95/EEC dated 12/12/06 (Low Voltage) and subsequent amendments – 2004/108/EEC dated 03/05/89 (Electromagnetic Compatibility) and subsequent amendments - 93/68/EEC dated 22/07/93 and subsequent amendments. 2012/19/EEC and subsequent amendments. - 1275/2008 standby/off mode

\* Only for models with drawn rails.

\*\* Only for models with wire rails.

## Start-up and use



**WARNING!** The oven is provided with a stop system to extract the racks and prevent them from coming out of the oven (1).

As shown in the drawing, to extract them completely, simply lift the racks, holding them on the front part, and

pull (2).

! The first time you use your appliance, heat the empty oven with its door closed at its maximum temperature for at least half an hour. Make sure that the room is well ventilated before switching the oven off and opening the oven door. The appliance may emit a slightly unpleasant odour caused by protective substances used during the manufacturing process burning away.

### Starting the oven

1. Select the desired cooking mode by turning the SELECTOR knob.
2. Select the desired temperature using the THERMOSTAT knob. A list detailing cooking modes and suggested cooking temperatures can be found in the Cooking advice table (see Cooking modes).
3. The THERMOSTAT indicator light indicates that the oven is heating up to the temperature set.
4. During cooking it is always possible to:
  - change the cooking mode by turning the SELECTOR knob;
  - adjust the temperature by turning the THERMOSTAT knob;
  - stop cooking by turning the SELECTOR knob to the "0" position.

! Never put objects directly on the bottom of the oven; this will prevent the enamel coating from being damaged.


! Always place cookware on the rack(s) provided.

### Cooling ventilation

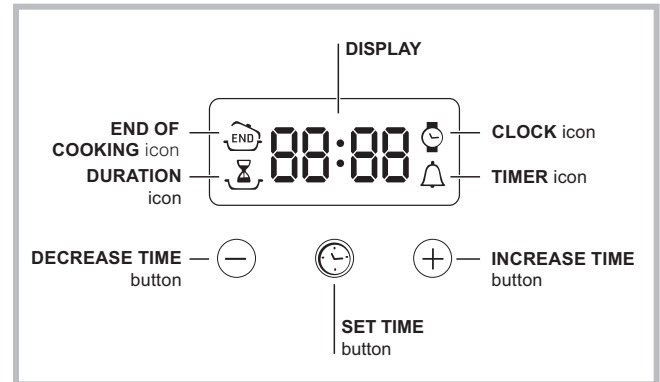
In order to cool down the external temperature of the oven, a cooling fan blows a stream of air between the control panel and the oven door, as well as towards the bottom of the oven door.

! Once cooking has been completed, the cooling fan continues to operate until the oven has cooled down sufficiently.

### Oven light

When selecting  with the SELECTOR knob the oven light goes on. It remains lit when a cooking mode is selected.


## The electronic programmer

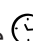




### Setting the clock

! The clock may be set when the oven is switched off or when it is switched on, provided that a the end time of a cooking cycle has not been programmed previously.




After the appliance has been connected to the mains, or

after a blackout, the  icon and the four numerical digits on the DISPLAY will begin to flash.

1. Press the  button several times until the  icon and the four digits on the display begin to flash.
2. Use the "+" and "-" buttons to adjust the time; if you press and hold either button, the display will scroll through the values more quickly, making it quicker and easier to set the desired value.
3. Wait for 10 seconds or press the  button again to finalise the setting.

### Setting the timer

! This function does not interrupt cooking and does not affect the oven; it is simply used to activate the buzzer when the set amount of time has elapsed.



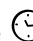
1. Press the  button several times until the  icon and the three digits on the display begin to flash.
2. Use the "+" and "-" buttons to set the desired time; if you press and hold either button, the display will scroll through the values more quickly, making it quicker and easier to set the value.
3. Wait for 10 seconds or press the  button again to finalise the setting.

The display will then show the time as it counts down. When this period of time has elapsed the buzzer will be activated.

### Programming cooking

! A cooking mode must be selected before programming can take place.






#### Programming the cooking duration

1. Press the  button several times until the  icon and the three digits on the DISPLAY begin to flash.
2. Use the "+" and "-" buttons to set the desired duration; if you press and hold either button, the display will scroll through the values more quickly, making it quicker and easier to set the value.
3. Wait for 10 seconds or press the  button again to finalise the setting.

4. When the set time has elapsed, the text END appears on the DISPLAY, the oven will stop cooking and a buzzer sounds. Press any button to stop it.
- For example: it is 9:00 a.m. and a time of 1 hour and 15 minutes is programmed. The programme will stop automatically at 10:15 a.m.


**Setting the end time for a cooking mode**

! A cooking duration must be set before the cooking end time can be scheduled.

1. Follow steps 1 to 3 to set the duration as detailed above.
  2. Next, press the  button until the  icon and the four digits on the DISPLAY begin to flash.
  3. use the “+” and “-” buttons to adjust the cooking end time; if you press and hold either button, the display will scroll through the values more quickly, making it quicker and easier to set the desired value.
  4. Wait for 10 seconds or press the  button again to finalise the setting.
  5. When the set time has elapsed, the text END appears on the DISPLAY, the oven will stop cooking and a buzzer sounds. Press any button to stop it.
- Programming has been set when the  and  buttons are illuminated. The DISPLAY shows the cooking end time and the cooking duration alternately.
- For example: It is 9:00 a.m. and a duration of 1 hour has been programmed. 12:30 is scheduled as the end time. The programme will start automatically at 11:30 a.m.

**Cancelling a programme**

To cancel a programme:

- press the  button until the icon corresponding to the setting you wish to cancel and the digits on the display are no longer flashing. Press the “-” button until the digits 00:00 appear on the display.
- Press and hold the “+” and “-” buttons; this will cancel all the settings selected previously, including timer settings.

# Modes

**Cooking modes**

! A temperature value between 60°C and MAX can be set for all cooking modes except the following:

- GRILL (recommended: set only to MAX power level)
- GRATIN (recommended: do not exceed 200°C).

 **DEFROST mode**

The fan at the bottom of the oven circulates room-temperature air around the food. This mode is suitable for defrosting any type of food, especially delicate items that should not be heated, for example: ice-cream cakes or cakes made with custard, cream or fruit. The defrosting time will be approximately halved. When defrosting meat, fish or bread, the process may be accelerated by selecting the “multilevel” mode and setting a temperature between 80°C and 100°C.

 **TRADITIONAL OVEN mode**

Both the top and bottom heating elements will come on. When using this traditional cooking mode, it is best to use one cooking rack only. If more than one rack is used, the heat will be distributed unevenly.

 **BAKING mode**

The rear heating element and the fan are switched on, thus guaranteeing the distribution of heat in a delicate and uniform manner throughout the entire oven. This mode is ideal for baking temperature sensitive foods (such as cakes, which need to rise) and for the preparation of “bitesize pastries” on 3 shelves simultaneously.

 **FAST COOKING mode**

The heating elements and the fan are activated, guaranteeing the distribution of heat consistently and uniformly throughout the oven. Preheating is not necessary for this cooking mode. This mode is particularly suitable for cooking pre-packed food quickly (frozen or pre-cooked). The best results are achieved using one cooking rack only.

 **MULTILEVEL mode**

All the heating elements (top, bottom and circular) switch on and the fan begins to operate. Since the heat remains constant throughout the oven, the air cooks and browns food in a uniform manner. A maximum of two racks may be used at the same time.

 **PIZZA OVEN mode**

The circular heating elements and the elements at the bottom of the oven are switched on and the fan is activated. This combination heats the oven rapidly by producing a considerable amount of heat, particularly from the element at the bottom. If you use more than one rack at a time, switch the position of the dishes halfway through the cooking process.

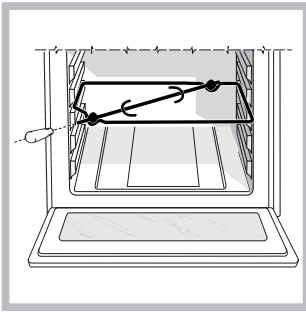
 **GRILL mode**

The top heating element and the rotisserie (where present) come on. The high and direct temperature of the grill is recommended for food which requires a high surface temperature. Always cook in this mode with the oven door closed.



 **GRATIN mode**

The top heating element and the rotisserie (where present) are activated and the fan begins to operate. This combination of features increases the effectiveness of the unidirectional thermal radiation provided by the heating elements through forced circulation of the air throughout the oven. This helps prevent food from burning on the surface and allows the heat to penetrate right into the food. Always cook in this mode with the oven door closed.


## Rotisserie spit\*



To operate the rotisserie function (see diagram) proceed as follows:

1. Place the dripping pan in position 1.
2. Place the rotisserie support in position 3 and insert the spit in the hole provided on the back panel of the oven.
3. Start the rotisserie function by selecting the  or .

modes; 

! When  mode is on, the rotisserie will stop if the door is opened.

## Practical cooking advice

! Do not place racks in position 1 or 5 during fan-assisted cooking. Excessive direct heat can burn temperature sensitive foods.

! In the GRILL and GRATIN cooking modes, place the dripping pan in position 1 to collect cooking residues (sauce and/or grease).

### MULTILEVEL

- Use positions 2 and 4, placing the food which requires more heat on the rack in position 2.
- Place the dripping pan on the bottom and the rack on top.

### GRILL

- Place the rack in position 3 or 4. Make sure the food is in the centre of the rack.
- We recommend that the power level is set to maximum. The top heating element is regulated by a thermostat and may not always operate constantly.

### PIZZA OVEN MODE

- Use a lightweight aluminium pizza pan. Place it on the rack provided.  
For a crispy crust, do not use the dripping pan as this extends the total cooking duration and prevents the crust from forming.
- If the pizza has a lot of toppings, we recommend adding the mozzarella cheese to the top of the pizza halfway through the cooking process.

\* Only available in certain models.

## Cooking advice table

Modes	Foods	Weight (in kg)	Position of shelves	Preheating (minutes)	Recommended temperature	Cooking duration (minutes)	
<b>Defrosting</b>	All frozen foods						
<b>Traditional</b>	Duck	1	2	15	200	65-75	
	Roast veal or beef	1	2	15	200	70-75	
	Roast pork	1	2	15	200	70-80	
	Biscuits (shortcrust pastry)	-	2	15	180	15-20	
	Tarts	1	2	15	180	30-35	
<b>Baking</b>	Tarts	0.5	2	15	180	20-30	
	Fruit cakes	1	1 or 2	15	180	40-45	
	Sponge cake made with yoghurt	0.7	2	15	180	40-50	
	Sponge cake	0.5	2	15	160	25-30	
	Stuffed pancakes (on 2 racks)	1.2	1 and 3	15	200	30-35	
	Small cakes (on 2 racks)	0.6	1 and 3	15	190	20-25	
	Cheese puffs (on 2 racks)	0.4	1 and 3	15	210	15-20	
	Cream puffs (on 3 racks)	0.7	1, 2 and 4	15	180	20-25	
	Biscuits (on 3 racks)	0.7	1, 2 and 4	15	180	20-25	
	Meringues (on 3 racks)	0.5	1, 2 and 4	15	90	180	
<b>Fast cooking</b>	<b>Frozen food</b>						
	Pizza	0.3	1	-	250	12	
	Courgette and prawn pie	0.4	1	-	200	20	
	Country style spinach pie	0.5	1	-	220	30-35	
	Turnovers	0.3	1	-	200	25	
	Lasagne	0.5	1	-	200	35	
	Golden rolls	0.4	1	-	180	25-30	
	Chicken bites	0.4	1	-	220	15-20	
	<b>Pre-cooked food</b>						
	Golden chicken wings	0.4	1	-	200	20-25	
	<b>Fresh Food</b>						
	Biscuits (shortcrust pastry)	0.3	1	-	200	15-18	
Sponge cake made with yoghurt	0.6	1	-	180	45		
Cheese puffs	0.2	1	-	210	10-12		
<b>Multilevel</b>	Pizza (on 2 racks)	1	1 and 3	15	230	15-20	
	Lasagne	1	2	10	180	30-35	
	Lamb	1	2	10	180	40-45	
	Roast chicken + potatoes	1+1	1 and 3	15	200	60-70	
	Mackerel	1	1 and 2	10	180	30-35	
	Sponge cake made with yoghurt	1	1 and 2	10	170	40-50	
	Cream puffs (on 2 racks)	0.5	1 and 3	10	190	20-25	
	Biscuits (on 2 racks)	0.5	1 and 3	10	180	10-15	
	Sponge cake (on 1 rack)	0.5	1 and 2	10	170	15-20	
	Sponge cake (on 2 racks)	1	1 and 3	10	170	20-25	
	Savoury pies	1.5	2	15	200	25-30	
	<b>Pizza</b>	Pizza	0.5	2	15	220	15-20
		Roast veal or beef	1	1	10	220	25-30
Chicken		1	1 or 2	10	180	60-70	
<b>Grill</b>	Soles and cuttlefish	0.7	4	-	Max	10-12	
	Squid and prawn kebabs	0.6	4	-	Max	8-10	
	Cuttlefish	0.6	4	-	Max	10-15	
	Cod filet	0.8	4	-	Max	10-15	
	Grilled vegetables	0.4	3 or 4	-	Max	15-20	
	Veal steak	0.8	4	-	Max	15-20	
	Sausages	0.6	4	-	Max	15-20	
	Hamburgers	0.6	4	-	Max	10-12	
	Mackerels	1	4	-	Max	15-20	
	Toasted sandwiches (or toast)	4 and 6	4	-	Max	3-5	
	With rotisserie (where present)	-	-	-	-	-	
	Veal on the spit	1.0	-	-	Max	80-90	
	Chicken on the spit	1.5	-	-	Max	70-80	
Lamb on the spit	1.0	-	-	Max	70-80		
<b>Gratin</b>	Grilled chicken	1.5	2	10	200	55-60	
	Cuttlefish	1.5	2	10	200	30-35	
	With rotisserie (where present)	1.5	-	10	200	70-80	
	Veal on the spit	1.5	-	10	200	70-80	
	Lamb on the spit	1.5	-	10	200	70-75	
	Chicken on the spit + potatoes (roasted)	-	2	10	200	70-75	

! Cooking times are approximate and may vary according to personal taste. When cooking using the grill or gratin, the dripping pan must always be placed on the 1st oven rack from the bottom.

## Precautions and tips

! This appliance has been designed and manufactured in compliance with international safety standards. The following warnings are provided for safety reasons and must be read carefully.

### General safety

- The appliance was designed for domestic use inside the home and is not intended for commercial or industrial use.
- The appliance must not be installed outdoors, even in covered areas. It is extremely dangerous to leave the appliance exposed to rain and storms.
- When moving or positioning the appliance, always use the handles provided on the sides of the oven.
- Do not touch the appliance while barefoot or with wet or damp hands and feet.
- **The appliance must be used by adults only for the preparation of food, in accordance with the instructions provided in this booklet. Any other use of the appliance (e.g. for heating the room) constitutes improper use and is dangerous. The manufacturer may not be held responsible for any damage caused as a result of improper, incorrect and unreasonable use of the appliance.**
- **Do not touch the heating elements or certain parts of the oven door when the appliance is in use; these parts become extremely hot. Keep children well away from the appliance.**
- Make sure that the power supply cables of other electrical appliances do not come into contact with the hot parts of the oven.
- The ventilation and heat dispersal openings must never be obstructed.
- Always grip the oven door handle in the centre: the ends may be hot.
- Always use oven gloves when placing cookware in the oven or when removing it.
- Do not use aluminium foil to line the bottom of the oven.
- Do not place flammable materials in the oven: if the appliance is switched on accidentally, the materials could catch fire.
- Contrôler toujours que les boutons sont bien dans la position "●"/"○" quand l'appareil n'est pas utilisé.
- When unplugging the appliance, always pull the plug from the mains socket; do not pull on the cable.
- Do not perform any cleaning or maintenance work without having disconnected the appliance from the electricity mains.
- If the event of malfunctions, under no circumstances should you attempt to perform the repairs yourself. Contact an authorised Service Centre (see Assistance).
- Do not rest objects on the open oven door.
- Do not let children play with the appliance.
- The appliance should not be operated by people (including children) with reduced physical, sensory or mental capacities, by inexperienced individuals or by anyone who is not familiar with the product. These individuals should, at the very least, be supervised by someone who assumes responsibility for their safety or receive preliminary instructions relating to the operation of the appliance.
- **The appliance is not intended to be operated by means of an external timer or separate remote-control system.**

### Disposal

- When disposing of packaging material: observe local legislation so that the packaging may be reused.
- The European Directive 2012/19/EC on Waste Electrical and Electronic Equipment (WEEE), requires that old household electrical appliances must not be disposed of in the normal unsorted municipal waste stream. Old appliances must be collected separately in order to optimise the recovery and recycling of the materials they contain and reduce the impact on human health and the environment. The crossed out "wheeled bin" symbol on the product reminds you of your obligation, that when you dispose of the appliance it must be separately collected. Consumers should contact their local authority or retailer for information concerning the correct disposal of their old appliance.

### Respecting and conserving the environment

- You can help to reduce the peak load of the electricity supply network companies by using the oven in the hours between late afternoon and the early hours of the morning.
- Always keep the oven door closed when using the GRILL and GRATIN modes: this will achieve improved results while saving energy (approximately 10%).
- Check the door seals regularly and wipe them clean to ensure they are free of debris so that they adhere properly to the door, thus avoiding the dispersal of heat.

## Maintenance and care

### Switching the appliance off

Disconnect your appliance from the electricity supply before carrying out any work on it.

### Cleaning the appliance

- The stainless steel or enamel-coated external parts and the rubber seals may be cleaned using a sponge that has been soaked in lukewarm water and neutral soap. Use specialised products for the removal of stubborn stains. After cleaning, rinse and dry thoroughly. Do not use abrasive powders or corrosive substances.
- The inside of the oven should ideally be cleaned after each use, while it is still lukewarm. Use hot water and detergent, then rinse well and dry with a soft cloth. Do not use abrasive products.
- All accessories - with the exception of the sliding racks - can be washed like everyday crockery, and are even dishwasher safe.

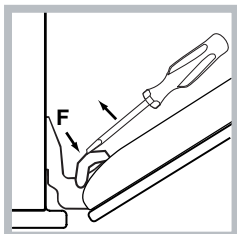
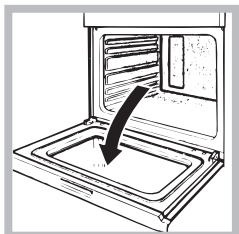
! Never use steam cleaners or pressure cleaners on the appliance.

### Cleaning the oven door

Clean the glass part of the oven door using a sponge and a non-abrasive cleaning product, then dry thoroughly with a soft cloth. Do not use rough abrasive material or sharp metal scrapers as these could scratch the surface and cause the glass to crack.

For more thorough cleaning purposes, the oven door may be removed:

1. Open the oven door fully (see diagram).
2. Use a screwdriver to lift up and turn the small levers **F** located on the two hinges (see diagram).



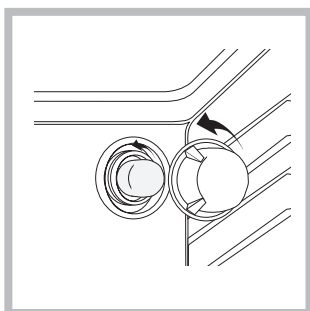
3. Grip the door on the two outer sides and close it approximately half way. Pull the door towards you, lifting it out of its slot (see diagram).

To replace the door, reverse this sequence.

### Inspecting the seals

Check the door seals around the oven regularly. If the seals are damaged, please contact your nearest Service Centre (see Assistance). We recommend that the oven is not used until the seals have been replaced.

### Replacing the light bulb

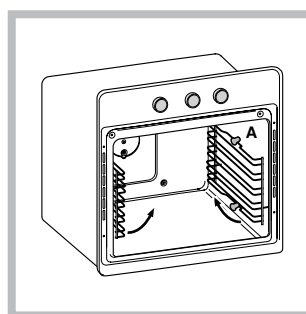


To replace the oven light bulb:

1. Remove the glass cover of the lamp-holder.
2. Remove the light bulb and replace it with a similar one: Wattage 25 W, cap E 14.
3. Replace the glass cover (see diagram).

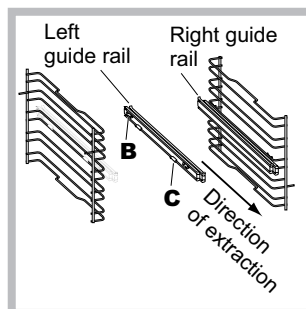
! Do not use the oven lamp as/for ambient lighting.

### Sliding rack kit assembly

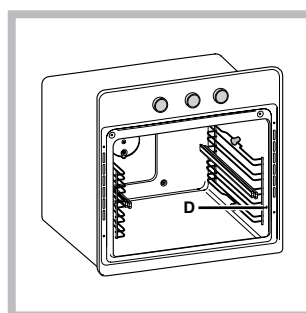


To assemble the sliding racks:

1. Remove the two frames, lifting them away from the spacers **A** (see figure).



2. Choose which shelf to use with the sliding rack. Paying attention to the direction in which the sliding rack is to be extracted, position joint **B** and then joint **C** on the frame.



3. Secure the two frames with the guide rails using the holes provided on the oven walls (see diagram). The holes for the left frame are situated at the top, while the holes for the right frame are at the bottom.

4. Finally, fit the frames on the spacers **A**.

! Do not place the sliding racks in position 5.

## Установка

! Важно сохранить данное руководство для его последующих консультации. В случае продажи, передачи изделия или при переезде на новое место жительства необходимо проверить, чтобы руководство оставалось вместе с изделием, для того чтобы его новый владелец мог ознакомиться с правилами эксплуатации и с соответствующими предупреждениями.

! Внимательно прочитайте инструкции: в них содержатся важные сведения об установке, эксплуатации и безопасности изделия.

### Расположение

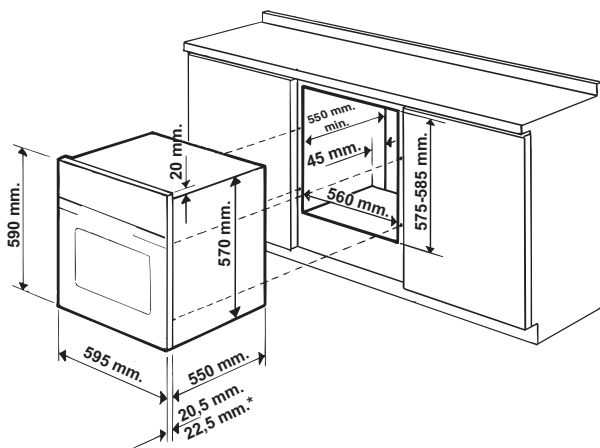
! Не разрешайте детям играть с упаковочными материалами. Упаковочные материалы должны быть уничтожены в соответствии с правилами раздельного сбора мусора (см. Предосторожности и рекомендации).

! Монтаж изделия производится в соответствии с данными инструкциями квалифицированными специалистами. Неправильный монтаж изделия может стать причиной повреждения имущества и причинить ущерб людям и домашним животным.

### Встроенный монтаж

Для обеспечения исправного функционирования встраиваемого изделия кухонный элемент должен иметь соответствующие характеристики:

- панели кухонных элементов, прилегающих к духовому шкафу, должны быть выполнены из термостойкого материала;
- клей кухонных элементов элементов, шпонируемых деревом, должен быть устойчивым к температуре 100°C.
- для встраивания духового шкафа **под кухонным топом** (см. схему) **или в пенал** ниша кухонного элемента должна иметь следующие размеры:



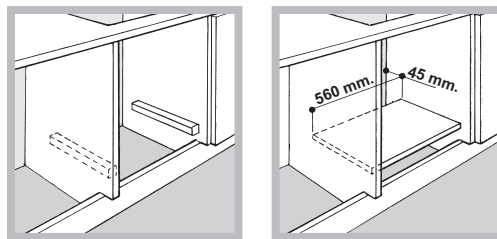
\* Только для моделей из нержавеющей стали

! После встраивания изделия в кухонный элемент должна быть исключена возможность касания к электрическими частями.

Расход электроэнергии, указанный на паспортной табличке изделия, был замерян для данного типа монтажа.

### Вентиляция

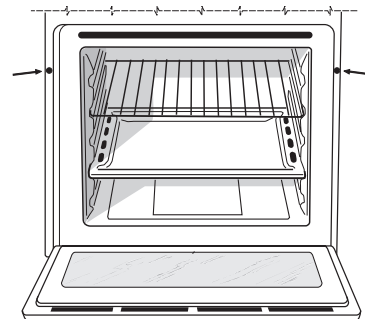
Для обеспечения надлежащей вентиляции необходимо снять заднюю панель ниши кухонного элемента. Рекомендуется установить духовой шкаф на два деревянных бруска или на сплошное основание с отверстием диаметром не менее 45 x 560 мм (см чертежи).



### Центровка и крепление

Для крепления изделия к кухонному элементу:

- откройте дверцу духовки;
- выньте 2 резиновых заглушки, закрывающие крепежные отверстия в периметральной рамке;
- прикрепите духовой шкаф к нише 2 шурупами для дерева;
- установите на место резиновые заглушки.

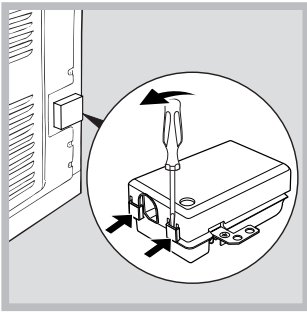


! Все защитные элементы должны быть закреплены таким образом, чтобы их можно было снять только при помощи специального инструмента.

### Электрическое подключение

Духовые шкафы, укомплектованные трехполюсным сетевым кабелем, рассчитаны на функционирование с переменным током с напряжением и частотой электропитания, указанными на паспортной табличке с данными (см. ниже).

## Подсоединение сетевого кабеля

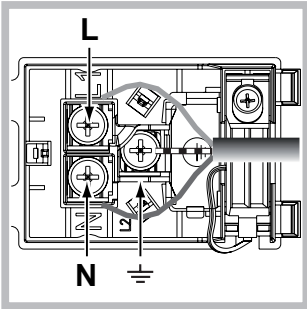


1. Откройте зажимную коробку, нажав при помощи отвертки на выступы с боков крышки: потяните и откройте крышку (см. схему).

2. Порядок подсоединения сетевого кабеля: отвинтите винт кабельного сальника и три винта контактов L-N- $\perp$  и затем прикрепите провода под головками винтов, соблюдая цветовую маркировку Синий (N) Коричневый (L) Желто-зеленый  $\perp$  (см. схему).

3. Закрепите сетевой кабель в специальном кабельном сальнике.

4. Закройте крышку зажимной коробки.



## Подсоединение сетевого шнура изделия к сети электропитания

Установите на сетевой кабель нормализованную штепсельную вилку, рассчитанную на нагрузку, указанную на паспортной табличке (см. сбоку).

В случае прямого подключения к сети электропитания между изделием и сетью необходимо установить многополюсный выключатель с минимальным расстоянием между контактами 3 мм, рассчитанный на данную нагрузку и соответствующий действующим нормативам (выключатель не должен размыкать провод заземления). Сетевой кабель должен быть расположен таким образом, чтобы ни в одной точке его температура не превышала температуру помещения более чем на 50°C (например, задняя панель духового шкафа).

! Электромонтер несет ответственность за правильное подключение изделия к электрической сети и за соблюдение правил безопасности.

Перед подключением изделия к сети электропитания проверьте следующее:

- розетка должна быть соединена с заземлением и соответствовать нормативам;
- сетевая розетка должна быть рассчитана на максимальную потребляемую мощность изделия, указанную в таблице технических характеристик;
- напряжение и частота тока сети должны соответствовать электрическим данным изделия;
- сетевая розетка должна быть совместима со штепсельной вилкой изделия. В противном случае замените розетку или вилку; не используйте удлинители или тройники.

! Изделие должно быть установлено таким образом, чтобы электрический провод и сетевая розетка были легко доступны.

! Электрический провод изделия не должен быть согнут или сжат.

! Регулярно проверяйте состояние кабеля электропитания и в случае необходимости поручите его замену только уполномоченным техникам (см. Техническое обслуживание).

! Производитель не несет ответственности за последствия несоблюдения перечисленных выше требований.

### ПАСПОРТНАЯ ТАБЛИЧКА

**Габаритные размеры\*** ширина 43,5 см.  
высота 32,4 см.  
глубина 41,5 см.

**Объем\*** 59 л

**Габаритные размеры\*\*** ширина 45,5 см.  
высота 32,4 см.  
глубина 41,5 см.

**Объем\*\*** 62 л

**Электрическое подключение** напряжение 220-240 В ~ 50/60 Гц (см. Паспортную табличку), максимальная поглощаемая мощность 2800 Вт

**МАРКИРОВКА ПОТРЕБЛЕНИЯ ЭЛЕКТРОЭНЕРГИИ**

Директива 2002/40/CE об этикетках электрических духовых шкафов.  
Норматива EN 50304  
Расход электроэнергии  
Натуральная конвекция –   
режим нагрева:  Традиционная;



АЮ 77

Потребление электроэнергии при принудительной конвекции - в фазе нагревания; Кондитерская выпечка.

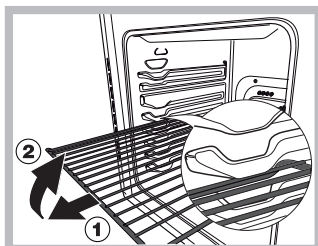


Данное изделие соответствует следующим Директивам Европейского сообщества: 2006/95/CEE от 12/12/06 (Низкое напряжение) и последующим изменениям - 2004/108/CEE от 15/12/04 (Электромагнитная совместимость) и последующим изменениям - 93/68/CEE от 22/07/93 и последующим изменениям. 2012/19/CEE и последующим изменениям. 1275/2008 standby/off mode.

\* Только для моделей с направляющими, изготовленными методом вытяжки.

\*\* Только для моделей с направляющими из прутка.

## Включение и эксплуатация



**ВНИМАНИЕ!** Духовой шкаф укомплектован системой блокировки решеток, позволяющей вынимать их из духовки не полностью (1).

Для полного вынимания решеток достаточно поднять их, как показано на схеме, взяв их за передний край, и потянуть на себя (2).

! При первом включении духового шкафа рекомендуем прокалить его примерно в течение часа при максимальной температуре с закрытой дверцей. Затем выключите духовой шкаф, откройте дверцу и проветрите помещение. Запах, который вы можете почувствовать, вызван испарением веществ, использованных для предохранения духового шкафа.

### Порядок включения духового шкафа

1. Выберите нужную программу приготовления при помощи рукоятки ПРОГРАММЫ.
2. Выберите температуру при помощи регулятора ТЕРМОСТАТ. В специальной таблице приводится перечень типов приготовления с соответствующими рекомендуемыми температурами (см. Программы).
3. Включенный индикатор ТЕРМОСТАТА означает текущую фазу нагрева духовки до заданной температуры.
4. В процессе приготовления в любой момент можно:
  - изменить программу приготовления при помощи рукоятки ПРОГРАММЫ;
  - изменить температуру при помощи регулятора ТЕРМОСТАТ;
  - прервать приготовление, повернув рукоятку ПРОГРАММЫ в положение «0».

! Никогда не ставьте никаких предметов на дно духового шкафа, так как они могут повредить эмалированное покрытие.


! Всегда ставьте посуду на прилагающуюся решетку.

### Охлаждающая вентиляция

Для понижения температуры снаружи духового шкафа охлаждающий вентилятор создает поток воздуха между передней панелью, дверцей духового шкафа и нижним краем дверцы духовки.

! По завершении приготовления вентилятор продолжает работать вплоть до надлежащего охлаждения духовки.

### Освещение духового шкафа


Загорается при выборе  при помощи рукоятки ПРОГРАММЫ. Остается включенной при выборе программы приготовления.




## Электронный таймер программирования выпечки



### Программирование часов




! Часы можно настроить как при выключенном духовом шкафу, так и при включенном, при условии что не было задано время окончания выпечки.

После подключения к электрической сети или после отключения электроэнергии, начнет мигать икона  и четыре цифры на ДИСПЛЕЕ.

1. Нажмите несколько раз кнопку  и удерживайте до тех пор, пока на ДИСПЛЕЕ не замигает икона  и четыре цифровых значения;
2. при помощи “+” и “-” регулируется время; при их удерживании цифры меняются быстрее, что облегчает установку.
3. подождите 10 сек. или нажмите снова на кнопку  для фиксации установки.

### Программирование таймера




! Данная функция не прерывает процесса выпечки и не зависит от работы духового шкафа. Она позволяет только включить звуковой сигнал по истечении заданного времени.

1. Нажмите несколько раз кнопку  до тех пор, пока на ДИСПЛЕЕ не замигает символ  и три цифровые значения;
  2. при помощи “+” и “-” регулируется время; при их удерживании цифры меняются быстрее, что облегчает установку.
  3. подождите 10 сек. или нажмите снова на кнопку  для фиксации установки.
- На дисплее будет показан обратный отсчет времени, по завершении которого включится звуковой сигнал.

## Программирование выпечки


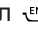



! Запрограммировать готовку можно только после выбора соответствующей программы.

### Порядок программирования продолжительности выпечки

1. Нажмите несколько раз кнопку  до тех пор, пока на ДИСПЛЕЕ не замигает символ  и три цифровые значения;
  2. при помощи “+” и “-” регулируется время; при их удерживании цифры меняются быстрее, что облегчает установку.
  3. подождите 10 сек. или нажмите снова на кнопку  для фиксации установки.
  4. по истечении заданного времени на дисплее показывается надпись END (КОНЕЦ), и духовой шкаф завершает приготовление со звуковым сигналом. Для ее остановки нажмите любую кнопку.
- Пример: в 9.00 вы программируете выпечку, на которую потребуется 1 час 15 минут. Приготовление автоматически завершится в 10:15.


### Порядок программирования окончания выпечки

! Запрограммировать окончание выпечки можно только после настройки ее продолжительности.

1. Выполните операции с пункта 1 по пункт 3, в которых описывается порядок программирования продолжительности;
  2. затем нажмите несколько раз кнопку  до тех пор, пока на ДИСПЛЕЕ не замигает символ  и четыре цифровых значения;
  3. при помощи “+” и “-” регулируется время окончания готовки; при их удерживании цифры меняются быстрее, что облегчает установку.
  4. подождите 10 сек. или нажмите снова на кнопку  для фиксации установки.
  5. по истечении заданного времени на дисплее показывается надпись END (КОНЕЦ), и духовой шкаф завершает приготовление со звуковым сигналом. Для ее остановки нажмите любую кнопку.
- Включенные символы  и  указывают, что произведено программирование. На ДИСПЛЕЕ попеременно показывается время окончания и продолжительность выпечки.
- Пример: в 9:00 Вы программируете продолжительность 1 час. В 12:30 планируется завершить цикл. Программа автоматически запускается в 11:30.

### Отмена программирования

Порядок отмены запрограммированного значения:

- нажимать на кнопку  до тех пор, пока на дисплее не начнет мигать символ установки, который нужно отменить, и цифры. Нажимать на кнопку “-” до тех пор, пока на дисплее не появятся цифры 00:00.
- одновременно нажать и удерживать кнопки “+” и “-”, таким образом отменяются все заданные установки, включая таймер.

## Программы

### Программы приготовления

! Для всех программ можно задать температуру от 60°C до МАКС кроме:

- ГРИЛЬ (рекомендуется устанавливать только МАКС. температуру);
- ЗАПЕКАНКА (рекомендуется не превышать температуру 200°C).

### Программа РАЗМОРАЖИВАНИЕ

Вентилятор, расположенный снизу духовки, производит циркуляцию воздуха комнатной температуры вокруг приготавливаемого продукта. Эта функция используется для размораживания любых продуктов, и в особенности для размораживания деликатных продуктов, не требующих тепла, таких как: тортов-мороженое, пирожных с кремом или со сливками, фруктовых тортов. Эта функция позволяет сократить время размораживания примерно в два раза. При размораживании мяса, рыбы или хлеба этот процесс может быть ускорен за счет функции “multicottura”, задав температуру от 80° до 100°C.

### Программа ТРАДИЦИОННАЯ ДУХОВКА


Включаются два нагревательных элемента: нижний и верхний. В режиме традиционного приготовления рекомендуется использовать только один уровень: при использовании нескольких уровней распределение температуры будет неоптимальным.

### Программа КОНДИТЕРСКАЯ ВЫПЕЧКА

Включаются задний нагревательный элемент и вентилятор, обеспечивая умеренный и однородный жар внутри духовки. Данная функция рекомендуется для приготовления деликатных блюд (например, кондитерских изделий, требующих подъема теста) и мелкой выпечки одновременно на трех уровнях.

### Программа БЫСТРОЕ ПРИГОТОВЛЕНИЕ

Включаются нагревательные элементы и вентилятор, обеспечивая постоянный и однородный жар. Программа не нуждается в предварительном нагреве духовки. Данная программа в особенности рекомендуется для быстрого приготовления полуфабрикатов (мороженых или готовых блюд). Оптимальные результаты получаются при использовании только одного уровня.

 Программа ОДНОВРЕМЕННОЕ ПРИГОТОВЛЕНИЕ  
Включаются все нагревательные элементы (верхний, нижний и круглый) и вентилятор. Так как жар является постоянным во всем духовом шкафу, воздух обеспечивает однородное приготовление и подрумянивание продукта. Можно одновременно использовать не более двух уровней в духовке.



### Программа ПИЦЦА

Включаются нижний и круглый нагревательные элементы и вентилятор. Такое сочетание позволяет быстро разогреть духовку с более сильным выделением жара снизу. Если используются несколько уровней одновременно, необходимо менять местами блюда в середине их приготовления.



### Программа ГРИЛЬ

Включается верхний нагревательный элемент и вертел (если он имеется).

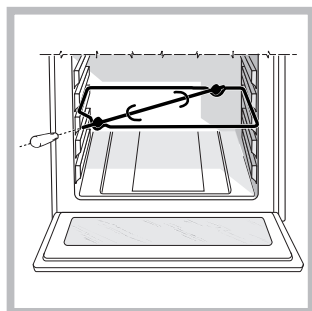
Высокая температура и жар прямого действия гриля рекомендуется для приготовления продуктов, нуждающихся в высокой поверхностной температуре. Готовьте блюда с закрытой дверцей духового шкафа.



### Программа ПОДРУМЯНИВАНИЕ

Включается верхний нагревательный элемент, вертел и вентилятор (если он имеется). Сочетает однонаправленное выделение жара с принудительной циркуляцией воздуха внутри духового шкафа. Это препятствует обгоранию поверхности продуктов, повышая проникающую способность жара. Готовьте блюда с закрытой дверцей духового шкафа.


### Вертел\*



Для включения вертела (см. схему) выполните следующие операции:

1. установите противень на 1-ый уровень;
2. установите держатель вертела на 3-ий уровень и вставьте вертел в специальное отверстие в задней стенке духового шкафа;

3. включите вертел, выбрав программы  или ;

! После начала выполнения программы  при открывании дверцы духовки вертел останавливается.

### Практические советы по приготовлению

! В режиме вентилируемого приготовления не используйте 1-ый и 5-ый уровни: они подвергаются прямому воздействию горячего воздуха, который может сжечь деликатные продукты.

! При использовании функций ГРИЛЬ и ПОДРУМЯНИВАНИЕ поместите противень на уровень 1 для сбора жидкостей, выделяемого при жарке (сок и/или жир).

### ОДНОВРЕМЕННОЕ ПРИГОТОВЛЕНИЕ

- Используются 2-ой и 4-ый уровни, на 2-ой помещаются продукты, требующие более интенсивного жара.
- Установите противень снизу, а решетку сверху.

### ГРИЛЬ

- Установите решетку на уровень 3 или 4, поместите продукты в центр решетки.
- Рекомендуется настроить духовой шкаф на максимальную мощность. Не беспокойтесь, если верхний элемент не остается постоянно включенным: его работа управляется термостатом.

### ПИЦЦА

- Используйте противень из легкого алюминия, устанавливая его на прилагающуюся решетку. При использовании противеня время выпечки удлинится, что затрудняет получение хрустящей пиццы.
- В случае выпечки пиццы с обильной начинкой рекомендуется положить на пиццу сыр моццарелла в середине выпечки.

\* Имеется только в некоторых моделях.

## Таблица приготовления

Программы	Продукты	Вес (кг)	Уровень	Время нагревания (мин.)	Рекомендуемая температура	Продолжит-ть приготовления (минуты)
Размораживание	Все мороженные продукты					
Традиционная духовка	Утка	1	2	15	200	65-75
	Жаркое из телятины или говядины	1	2	15	200	70-75
	Жаркое из свинины	1	2	15	200	70-80
	Печенье (песочное)	-	2	15	180	15-20
Кондитерская выпечка	Песочный торт с начинкой	1	2	15	180	30-35
	Фруктовый торт	0.5	2	15	180	20-30
	Кекс	1	2 или 3	15	180	40-45
	Бисквит	0.7	2	15	180	40-50
	Бисквит	0.5	2	15	160	25-30
	Блины с начинкой (на 2-х уровнях)	1.2	1 и 3	15	200	30-35
	Мелкие кексы (на 2-х уровнях)	0.6	1 и 3	15	190	20-25
	Печенья из слоеного теста с сыром (на 2-ух уровнях)	0.4	1 и 3	15	210	15-20
	Эклеры (на 3-х уровнях)	0.7	1 и 2 и 4	15	180	20-25
	Печенье (на 3-х уровнях)	0.7	1 и 2 и 4	15	180	20-25
Беэе (на 3-х уровнях)	0.5	1 и 2 и 4	15	90	180	
Быстрое приготовление	<b>Мороженные продукты</b>					
	Пицца	0.3	1	-	250	12
	Смесь цуккини с креветками в кляре	0.4	1	-	200	20
	Несладкий торт со шпинатом	0.5	1	-	220	30-35
	Пирожки	0.3	1	-	200	25
	Лазанья	0.5	1	-	200	35
	Рыбные котлеты в панировке	0.4	1	-	180	25-30
	Кусочки курицы	0.4	1	-	220	15-20
	<b>Полуфабрикаты</b>					
	Жареные куриные крылышки	0.4	1	-	200	20-25
	<b>Сырые продукты</b>					
	Печенье (песочное)	0.3	1	-	200	15-18
	Кекс	0.6	1	-	180	45
Печенье из слоеного теста с сыром	0.2	1	-	210	10-12	
Одновременное приготовление	Пицца (на 2-х уровнях)	1	1 и 3	15	230	15-20
	Лазанья	1	2	10	180	30-35
	Баранина	1	2	10	180	40-45
	Курица с картошкой	1+1	1 и 3	15	200	60-70
	Скумбрия	1	1 и 2	10	180	30-35
	Кекс	1	1 и 2	10	170	40-50
	Эклеры (на 2-х уровнях)	0.5	1 и 3	10	190	20-25
	Печенье (на 2-х уровнях)	0.5	1 и 3	10	180	10-15
	Бисквит (на 1-ом уровне)	0.5	1 и 2	10	170	15-20
	Бисквит (на 2-ух уровнях)	1	1 и 3	10	170	20-25
	Несладкие торты	1.5	2	15	200	25-30
Пицца	Пицца	0.5	2	15	220	15-20
	Жаркое из телятины или говядины	1	1	10	220	25-30
	Курица	1	1 или 2	10	180	60-70
ГРИЛЬ	Камбала и каракатицы	0.7	3	-	Макс.	10-12
	Кальмары и креветки на шампурах	0.6	3	-	Макс.	8-10
	Каракатицы	0.6	3	-	Макс.	10-15
	Филе трески	0.8	3	-	Макс.	10-15
	Овощи-гриль	0.4	1 о 3	-	Макс.	15-20
	Телячий бифштекс	0.8	3	-	Макс.	15-20
	Колбаски-шпикачки	0.6	3	-	Макс.	15-20
	Гамбургер	0.6	3	-	Макс.	10-12
	Скумбрия	1	3	-	Макс.	15-20
	Фаршированный горячий бутерброт (или обжаренный хлеб)	4 и 6	3	-	Макс.	3-5
	На вертеле (если имеется)				Макс.	
	Телятина на вертеле	1.0	-	-	Макс.	80-90
	Курица на вертеле	1.5	-	-	Макс.	70-80
	Баранина на вертеле	1.0	-	-	Макс.	70-80
Gratin (Подрумянивание)	Курица-гриль	1.5	2 и 3	10	200	55-60
	Каракатицы	1.5	2 и 3	10	200	30-35
	На вертеле (если имеется)	1.5	-	10	200	70-80
	Телятина на вертеле	1.5	-	10	200	70-80
	Баранина на вертеле	1.5	-	10	200	70-75
Курица (на вертеле) + картошка (на противене)	-	2	10	200	70-75	

! указанная продолжительность приготовления служит только в качестве примера и может быть изменена в соответствии с личными вкусами. При использовании гриля противень всегда устанавливается на самый нижний уровень духовки.

## Предосторожности и рекомендации

! Изделие спроектировано и изготовлено в соответствии с международными нормативами по безопасности. Необходимо внимательно прочитать настоящие предупреждения, составленные в целях вашей безопасности.

### Общие требования к безопасности

- Данное изделие предназначается для непрофессионального использования в домашних условиях.
- Запрещается устанавливать изделие на улице, даже под навесом, так как воздействие на него дождя и грозы является чрезвычайно опасным.
- Для перемещения изделия всегда беритесь за специальные ручки, расположенные с боков духового шкафа.
- Не прикасайтесь к изделию влажными руками, а также находясь босиком или с мокрыми ногами.
- **Изделие предназначено для приготовления пищевых продуктов, может быть использовано только взрослыми лицами в соответствии с инструкциями, приведенными в данном техническом руководстве. Любое другое его использование (например: отопление помещения) считается ненадлежащим и следовательно опасным. Производитель не несет ответственности за возможный ущерб, вызванный ненадлежащим, неправильным и неразумным использованием изделия.**
- **В процессе эксплуатации изделия нагревательные элементы и некоторые части дверцы духового шкафа сильно нагреваются. Необходимо проявлять осторожность во избежание контактов с этими частями и не разрешать детям приближаться к духовке.**
- Следите, чтобы сетевые шнуры других бытовых электроприборов не прикасались к горячим частям духового шкафа.
- Не закрывайте вентиляционные решетки и отверстия рассеивания тепла.
- Беритесь за ручку дверцы в центре: с боков она может быть горячей.
- Всегда надевайте кухонные варежки, когда ставите или вынимаете блюда из духовки.
- Не покрывайте дно духового шкафа фольгой.
- Не храните в духовом шкафу возгораемые предметы: при случайном включении изделия такие материалы могут загореться.
- Всегда проверяйте, чтобы регуляторы находились в положении “●”/“○”, когда изделие не используется.
- Не тяните за кабель электропитания для отсоединения вилки изделия из сетевой розетки, возьмитесь за вилку рукой.
- Перед началом чистки или технического обслуживания изделия всегда отсоединяйте штепсельную вилку из сетевой розетки.

- В случае неисправности категорически запрещается открывать внутренние механизмы изделия с целью их самостоятельного ремонта. Обращайтесь в Центр Сервисного обслуживания (см. Сервисное обслуживание).
- Не ставьте предметы на открытую дверцу духового шкафа.
- Не разрешайте детям играть с бытовым электроприбором.
- Эксплуатация изделия лицами (включая детей) с ограниченными физическими, сенсорными или умственными способностями, неопытными лицами или лицами, незнакомыми с правилами эксплуатации данного изделия, запрещается без контроля со стороны лица, отвечающего за их безопасность, или без обучения правилам пользования изделием.
- **Изделие не рассчитано на включение посредством внешнего синхронизатора или отдельной системы дистанционного управления**

### Утилизация

- Уничтожение упаковочных материалов: соблюдайте местные нормативы с целью повторного использования упаковочных материалов.
- Согласно Европейской Директиве 2012/19/CE касательно утилизации электронных и электрических электроприборов электроприборы не должны выбрасываться вместе с обычным городским мусором. Выведенные из строя приборы должны собираться отдельно для оптимизации их утилизации и рекуперации составляющих их материалов, а также для безопасности окружающей среды и здоровья. Символ зачеркнутая мусорная корзина, имеющийся на всех приборах, служит напоминанием об их отдельной утилизации. Старые бытовые электроприборы могут быть переданы в общественный центр утилизации, отведенный в специальные муниципальные зоны или, если это предусмотрено национальными нормативами, возвращены в магазин при покупке нового изделия аналогичного типа. Все ведущие производители бытовых электроприборов содействуют созданию и управлению системами по сбору и утилизации старых электроприборов.

### Экономия электроэнергии и охрана окружающей среды

- Если Вы будете пользоваться духовым шкафом вечером и до раннего утра, это поможет сократить нагрузку потребления электроэнергии электростанциями.
- Рекомендуется всегда готовить в режиме ГРИЛЬ и ПОДРУМЯНИВАНИЕ с закрытой дверцей: это необходимо для значительной экономии электроэнергии (примерно 10%), а также для лучших результатов приготовления.
- Содержите уплотнения в исправном и чистом состоянии, проверяйте, чтобы они плотно прилегали к дверце и не пропускали утечек тепла.

## Техническое обслуживание и уход

### Отключение электропитания

Перед началом какой-либо операции по обслуживанию или чистке отсоедините изделие от сети электропитания.

### Чистка изделия

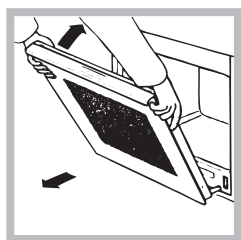
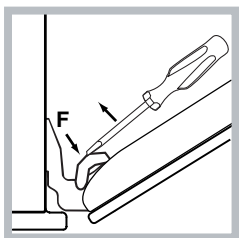
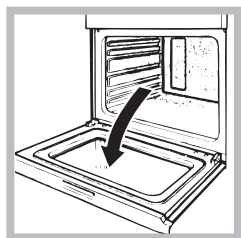
- Наружные эмалированные элементы или детали из нержавеющей стали, а также резиновые уплотнения можно протирать губкой, смоченной в теплой воде или в растворе нейтрального моющего средства. Для удаления особо трудных пятен используйте специальные чистящие средства, имеющиеся в продаже. После чистки рекомендуется тщательно удалить остатки моющего средства влажной тряпкой и высушить духовку. Не используйте абразивные порошки или коррозионные вещества.
- Следует производить внутреннюю чистку духового шкафа после каждого его использования, не дожидаясь его полного охлаждения. Используйте теплую воду и моющее средство, ополосните и протрите мягкой тряпкой. Избегайте использования абразивных средств.
- Съемные детали можно легко вымыть как любую другую посуду, также в посудомоечной машине за исключением выдвижных направляющих.

! Не используйте паровые чистящие агрегаты или агрегаты под высоким давлением для чистки изделия.

### Чистка дверцы

Для чистки стекла дверцы используйте неабразивные губки и чистящие средства, затем вытрите насухо мягкой тряпкой. Не используйте твердые абразивные материалы или острые металлические скребки, которые могут поцарапать поверхность и разбить стекло. Для более тщательной чистки можно снять дверцу духовки.

1. полностью откройте дверцу духовки (см. схему);
2. при помощи отвертки поднимите и поверните шпонки **F** на двух петлях (см. схему);

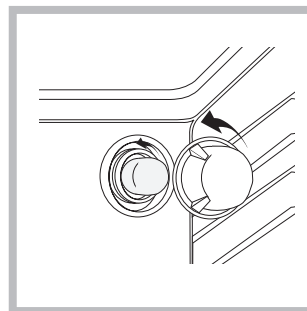


3. возьмитесь за дверцу руками с двух сторон, плавно закройте ее, но не полностью. Затем потяните дверцу на себя, снимая ее со своего гнезда (см. схему). Для установки дверцы на место выполните вышеописанные операции в обратном порядке.

### Проверка уплотнений

Регулярно проверяйте состояние уплотнения вокруг дверцы духового шкафа. В случае повреждения уплотнения обращайтесь в ближайший Центр Сервисного Обслуживания (см. Сервисное обслуживание). Не рекомендуется пользоваться духовкой с поврежденным уплотнением.

### Замена лампочки

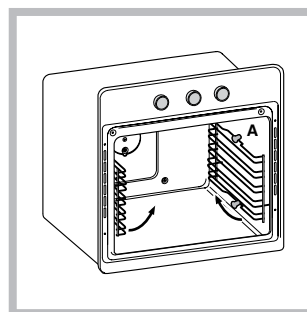


Замена лампочки в духовом шкафу:

1. Отвинтите стеклянную крышку плафона лампочки;
2. Выкрутите лампочку и замените ее на новую такого же типа: мощность 25 Вт, резьба E 14.
3. Установите крышку на место (см. схему).

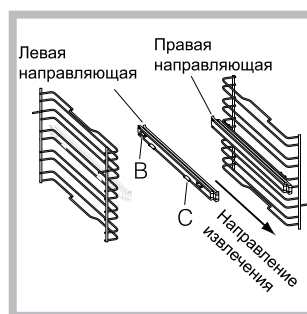
! Не используйте лампочку духового шкафа для освещения помещения.

### Крепление комплекта выдвижных направляющих

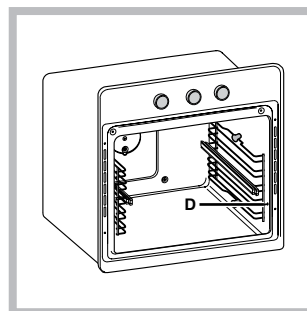


Порядок монтажа выдвижных направляющих:

1. Отсоедините две рамы, сняв их с распорных элементов А (см. схему).



2. Выберите уровень, на который будет установлена выдвижная направляющая. Проверив направление выкатывания самой направляющей, установите на раму сначала крепление В, а затем С.



3. Закрепите две рамы с установленными направляющими в специальных отверстиях в стенках духового шкафа (см. схему). Отверстия левой направляющей расположены сверху, а правой – снизу.

4. В завершение вставьте рамы в распорные элементы А.

! Не вставляйте выдвижные направляющие на 5-ый уровень.





**195114282.00**

05/2013 - XEROX FABRIANO

RS