

7HPK 644 D GH X /HA
7HPKQ 644 D GH /HA
7HPK 755 D GH X/HA
7HPKQ 755 D GH /HA
DFPK 644 GH

GB

English

Operating Instructions

НОВ

Contents

Operating Instructions,1
Warnings,2
Assistance,4
Description of the appliance,5
Installation,6
Start-up and use,9
Precautions and tips,9
Maintenance and care,10
Troubleshooting,12

RS

Русский

Руководство по эксплуатации

ВАРОЧНАЯ ПАНЕЛЬ

Содержание

Руководство по эксплуатации,1
Предупреждения,2
Сервисное обслуживание,4
Описание изделия,5
Установка,13
Включение и эксплуатация,17
Предосторожности и рекомендации,17
Техническое обслуживание и уход,18
Неисправности и методы их устранения,21

GB

Warnings

WARNING: The appliance and its accessible parts become hot during use. Care should be taken to avoid touching heating elements. Children less than 8 years of age shall be kept away unless continuously supervised. This appliance can be used by children aged from 8 years and above and persons with reduced physical, sensory or mental capabilities or lack of experience and knowledge if they have been given supervision or instruction concerning use of the appliance in a safe way and understand the hazards involved. Children shall not play with the appliance. Cleaning and user maintenance shall not be made by children without supervision.

WARNING: Unattended cooking on a hob with fat or oil can be dangerous and may result in fire. NEVER try to extinguish a fire with water, but switch off the appliance and then cover flame e.g. with a lid or a fire blanket.

WARNING: Danger of fire: do not store items on the cooking surfaces.

Never use steam cleaners or pressure cleaners on the appliance.

Remove any liquid from the lid before opening it. Do not close the glass cover (if present) when the gas burners or electric hotplates are still hot.

The appliance is not intended to be operated by means of an external timer or separate remote control system.

CAUTION: the use of inappropriate hob guards can cause accidents.

CAUTION: In case of hotplate glass breakage:

- shut immediately off all burners and any electrical heating element and isolate the appliance from the power supply
- do not touch the appliance surface.

RS

Предупреждения

ВНИМАНИЕ: Данное изделие и его доступные комплектующие сильно нагреваются в процессе эксплуатации. Будьте осторожны и не касайтесь нагревательных элементов.

Не разрешайте детям младше 8 лет приближаться к изделию без контроля. Данное изделие может быть использовано детьми старше 8 лет и лицами с ограниченными физическими, сенсорными или умственными способностями или без опыта и знания о правилах использования изделия при условии надлежащего контроля или обучения безопасному использованию изделия с учетом соответствующих рисков. Не разрешайте детям играть с изделием. Не разрешайте детям осуществлять чистку и уход за изделием без контроля взрослых.

ВНИМАНИЕ: Опасно оставлять включенную конфорка с маслом или жиром без присмотра, так как это может привести к пожару. НИКОГДА не пытайтесь погасить пламя/пожар водой. Прежде всего выключите изделие и накройте пламя крышкой или огнеупорной тканью.

ВНИМАНИЕ: Опасность пожара: не оставляйте предметов на варочных поверхностях.

Никогда не используйте паровые чистящие агрегаты или агрегаты

под высоким давлением для чистки изделия.

Удалите жидкость из крышки перед открытием. Не закрывать стеклянную крышку (если имеется) с газовыми горелками или электрическая плита еще горячая.

Изделие не рассчитано на включение посредством внешнего синхронизатора или отдельной системы дистанционного управления.

ВНИМАНИЕ: Использование несоответствующих план защиты может привести к несчастным случаям.

ВНИМАНИЕ: В случае повреждения стекла:

- Немедленно выключите все горелки и любые электрические нагревательные элементы и отключите устройство от сети
- Не прикасайтесь к поверхности устройства.

GB

Assistance

Communicating:

- appliance model (Mod.)
- serial number (S/N)

This information is found on the data plate located on the appliance and/or on the packaging.

RS

Сервисное обслуживание

Перед тем как обратиться в Центр Технического Обслуживания:

- Модель изделия (Мод.)
- Номер тех. паспорта (серииный №)

Эти данные вы найдете на паспортной табличке, расположенной на изделии.

GB

Description of the appliance

Overall view

1. Support Grid for **COOKWARE**
2. **GAS BURNERS**
3. Control Knobs for **GAS BURNERS**
4. Ignition for **GAS BURNERS**
5. **SAFETY DEVICES**

! The largest slot should be inserted into the ignition.

- **GAS BURNERS** differ in size and power. Use the diameter of the cookware to choose the most appropriate burner to cook with.
- Control Knobs for **GAS BURNERS** adjust the size of the flame.
- **GAS BURNER IGNITION** enables a specific burner to be lit automatically.
- **SAFETY DEVICE** stops the gas flow if the flame is accidentally extinguished.

RS

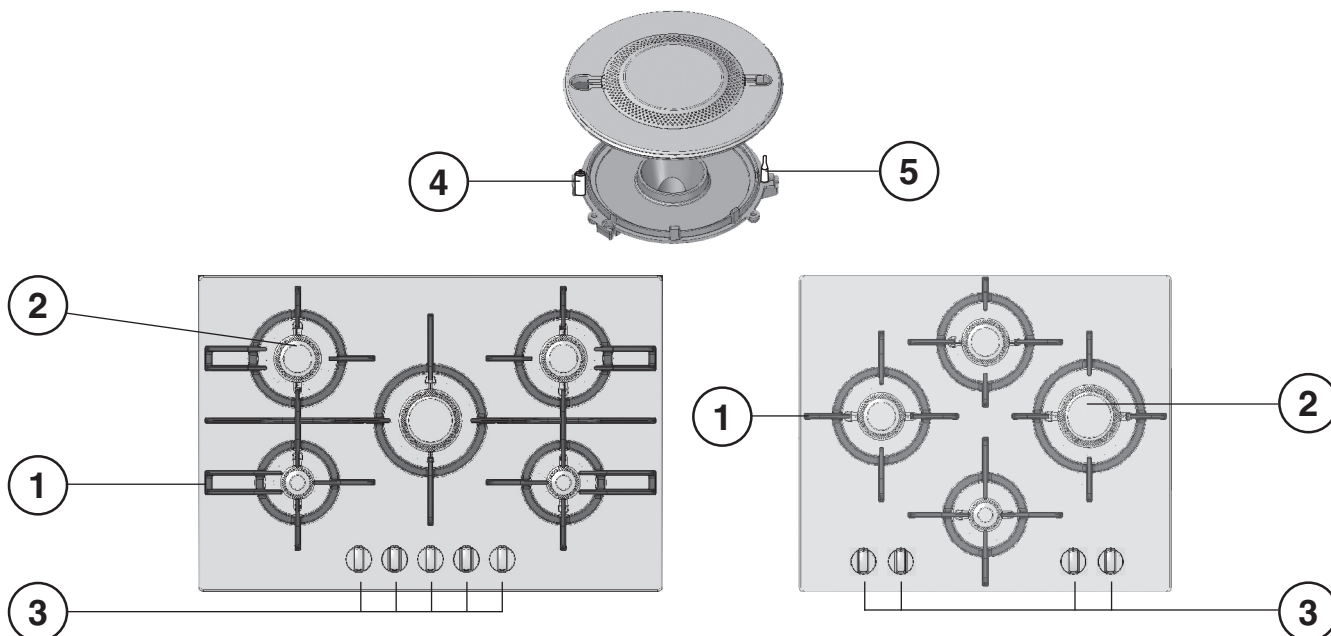
Описание изделия

Общий вид

1. Опорные решетки для **КАСТРЮЛЬ И СКОВОРОД**
2. **ГАЗОВЫЕ КОНФОРКИ**
3. Регуляторы **ГАЗОВЫХ КОНФОРОК**
4. Свеча зажигания **ГАЗОВЫХ ГОРЕЛОК**
5. **ЗАЩИТНОЕ УСТРОЙСТВО**

! В большое отверстие вставляется свеча зажигания□

- **ГАЗОВЫЕ КОНФОРКИ** имеют разную мощность и размер. Выберите конфорку, наиболее соответствующую диаметру используемой посуды.
- Регуляторы **ГАЗОВЫХ КОНФОРОК** служат для регуляции пламени.
- Свеча **ЗАЖИГАНИЯ ГАЗОВЫХ КОНФОРОК** служит для автоматического зажигания нужной конфорки.
- **ЗАЩИТНОЕ УСТРОЙСТВО** при случайном гашении пламени перекрывает подачу газа.



Installation

! Before operating your new appliance please read this instruction booklet carefully. It contains important information for safe use, installation and care of the appliance.

! Please keep these operating instructions for future reference. Pass them on to possible new owners of the appliance.

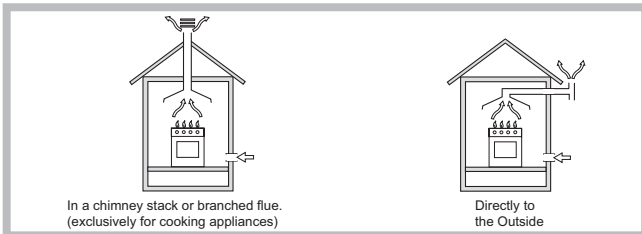
Positioning

! Keep packaging material out of the reach of children. It can become a choking or suffocation hazard (see Precautions and tips).

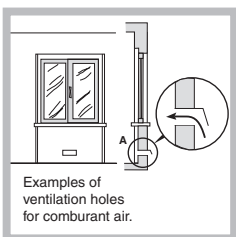
! The appliance must be installed by a qualified professional according to the instructions provided. Incorrect installation may cause harm to people and animals or may damage property.

! This unit may be installed and used only in permanently ventilated rooms in accordance with current national regulations. The following requirements must be observed:

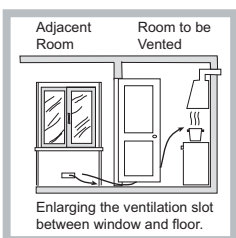
- The room must be equipped with an air extraction system that expels any combustion fumes. This may consist of a hood or an electric fan that automatically starts each time the appliance is switched on.



- The room must also allow proper air circulation, as air is needed for combustion to occur normally. The flow of air must not be less than 2 m³/h per kW of installed power.



The air circulation system may take air directly from the outside by means of a pipe with an inner cross section of at least 100 cm²; the opening must not be vulnerable to any type of blockages.

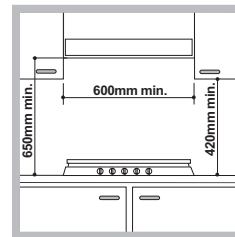


The system can also provide the air needed for combustion indirectly, i.e. from adjacent rooms fitted with air circulation tubes as described above. However, these rooms must not be communal rooms, bedrooms or rooms that may present a fire hazard.

Fitting the appliance

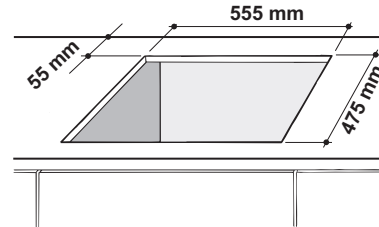
The following precautions must be taken when installing the hob:

- Kitchen cabinets adjacent to the appliance and taller than the top of the hob must be at least 600 mm from the edge of the hob.
- Hoods must be installed according to their relative installation instruction manuals and at a minimum distance of 650 mm from the hob (see figure).
- Place the wall cabinets adjacent to the hood at a minimum height of 420 mm from the hob (see figure).

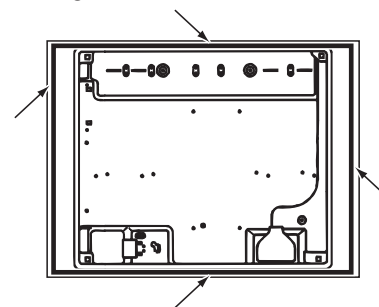


If the hob is installed beneath a wall cabinet, the latter must be situated at a minimum of 700 mm above the hob.

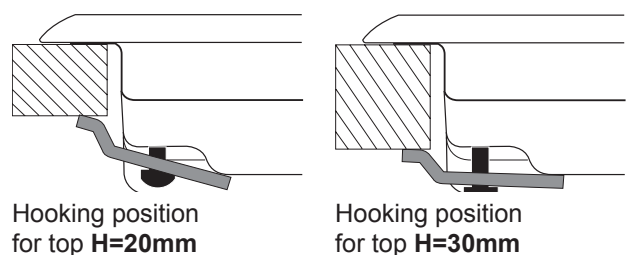
- The installation cavity should have the dimensions indicated in the figure. Fastening hooks are provided, allowing you to fasten the hob to tops that are between 20 and 40 mm thick. To ensure the hob is securely fastened to the top, we recommend you use all the hooks provided.

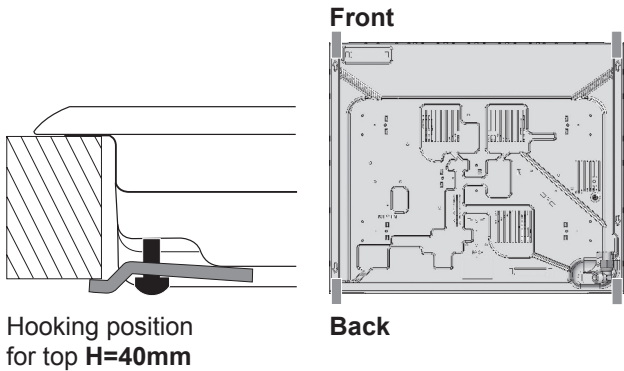


- Before fastening the cooktop in place, position the seal (supplied) along the perimeter of the countertop, as shown in the figure.



Hook fastening diagram



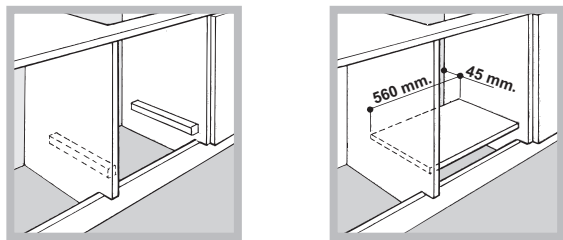


! Use the hooks contained in the “accessory pack”.

- Where the hob is not installed over a built-in oven, a wooden panel must be installed as insulation. This must be placed at a minimum distance of 20 mm from the lower part of the hob.

Ventilation

To ensure adequate ventilation, the back panel of the cabinet must be removed. It is advisable to install the oven so that it rests on two strips of wood, or on a completely flat surface with an opening of at least 45 x 560 mm (see diagrams).



! The hob can only be installed above built-in ovens with a cooling ventilation system.

Electrical connection

Hobs equipped with a three-pole power supply cable are designed to operate with alternating current at the voltage and frequency indicated on the data plate (this is located on the lower part of the appliance). The earth wire in the cable has a green and yellow cover. If the appliance is to be installed above a built-in electric oven, the electrical connection of the hob and the oven must be carried out separately, both for electrical safety purposes and to make extracting the oven easier.

Connecting the supply cable to the mains

Install a standardised plug corresponding to the load indicated on the data plate.

The appliance must be directly connected to the mains using an omnipolar circuit-breaker with a minimum contact opening of 3 mm installed between the appliance and the mains. The circuit-breaker must be suitable for the charge indicated and must comply with current electrical regulations (the earthing wire must not be interrupted by the circuit-breaker). The supply cable must not come into contact with surfaces with temperatures higher than 50°C.

! The installer must ensure that the correct electrical connection has been made and that it is compliant with safety regulations.

Before connecting to the power supply, make sure that:

- The appliance is earthed and the plug is compliant with the law.
- The socket can withstand the maximum power of the appliance, which is indicated on the data plate.
- The voltage is in the range between the values indicated on the data plate.
- The socket is compatible with the plug of the appliance. If the socket is incompatible with the plug, ask an authorised technician to replace it. Do not use extension cords or multiple sockets.

! Once the appliance has been installed, the power supply cable and the electrical socket must be easily accessible.

! The cable must not be bent or compressed.

! The cable must be checked regularly and replaced by authorised technicians only (see Assistance).

! The manufacturer declines any liability should these safety measures not be observed.

Gas connection

The appliance should be connected to the main gas supply or to a gas cylinder in compliance with current national regulations. Before carrying out the connection, make sure the cooker is compatible with the gas supply you wish to use. If this is not the case, follow the instructions indicated in the paragraph “Adapting to different types of gas.” When using liquid gas from a cylinder, install a pressure regulator which complies with current national regulations.

! Check that the pressure of the gas supply is consistent with the values indicated in Table 1 (“Burner and nozzle specifications”). This will ensure the safe operation and longevity of your appliance while maintaining efficient energy consumption.

Connection with a rigid pipe (copper or steel)

! Connection to the gas system must be carried out in such a way as not to place any strain of any kind on the appliance. There is an adjustable L-shaped pipe fitting on the appliance supply ramp and this is fitted with a seal in order to prevent leaks. The seal must always be replaced after rotating the pipe fitting (seal provided with appliance). The gas supply pipe fitting is a threaded 1/2 gas cylindrical male attachment.

Connecting a flexible jointless stainless steel pipe to a threaded attachment

The gas supply pipe fitting is a threaded 1/2 gas cylindrical male attachment.


These pipes must be installed so that they are never longer than 2000 mm when fully extended. Once connection has been carried out, make sure that the flexible metal pipe does not touch any moving parts and is not compressed.

! Only use pipes and seals that comply with current national regulations.

Checking the tightness of the connection

! When the installation process is complete, check the pipe fittings for leaks using a soapy solution. Never use a flame.

! Should the gas pressure used be different (or vary slightly) from the recommended pressure, a suitable pressure regulator must be fitted to the inlet pipe (in order to comply with current national regulations).

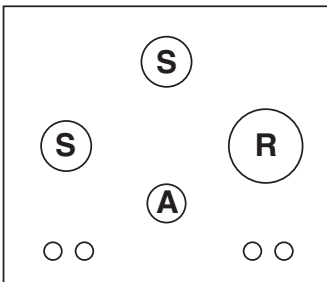
DATA PLATE	
Electrical connections	see data plate
	This appliance conforms to the following European Economic Community directives: <ul style="list-style-type: none"> - 2006/95/EEC dated 12/12/06 (Low Voltage) and subsequent amendments - 2004/108/EEC dated 15/12/04 (Electromagnetic Compatibility) and subsequent amendments - 93/68/EEC dated 22/07/93 and subsequent amendments. - 2009/142/EEC dated 30/11/09 (Gas) and subsequent amendments. - 2012/19/EC and subsequent amendments.

Burner and nozzle specifications

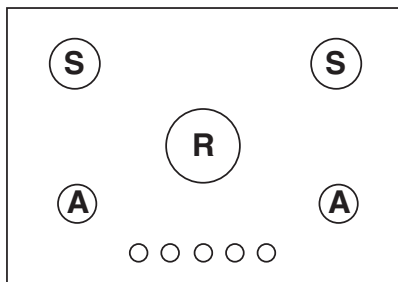
Table 1

Burner	Diameter (mm)	Thermal Power kW (p.c.s.*)		By-pass 1/100 (mm)	Natural Gas (G20 / 20 mbar)		Adjusting the burner's primary air (mm)
		Nomin.	Reduc.		Nozzle 1/100 (mm)	Flow* l/h (G20)	
Fast (R)	157	3.00	1.00	73	125	286	4.7
Semi Fast (S)	132	1.90	0.80	66	100	157	2.6
Auxiliary (A)	110	1.00	0.50	54	72	95	2.0
Supply pressures	Nominal (mbar) Minimum (mbar) Maximum (mbar)				20 17 25		

* At 15°C and 1013,25 mbar-dry gas
 Natural P.C.S. = 37.78 MJ/m³



7HPK 644 D GH X /HA
 7HPKQ 644 D GH /HA
 DFPK 644 GH



7HPK 755 D GH X/HA
 7HPKQ 755 D GH /HA

Start-up and use

! The position of the corresponding gas burner is shown on every knob.

Gas burners

Each burner can be adjusted to one of the following settings using the corresponding control knob:

- Off
- 🔥 Maximum
- 🔥 Minimum

To turn on one of the burners, place a lighted match or lighter near the burner, press the knob all the way in and turn it anti-clockwise to the “High” setting.

The knob must be pressed in for about 2-3 seconds until the device that keeps the flame lit warms up.

Some models are equipped with an ignition button incorporated into the control knob. If this is the case, the ignitor is present. To light a burner, simply press the corresponding knob all the way in and then turn it anti-clockwise to the “High” setting, keeping it pressed in until the burner lights.

! If a flame is accidentally extinguished, turn off the control knob and wait for at least 1 minute before trying to relight it.

To switch off the burner, turn the knob in a clockwise direction until it stops (when reaches the “•” position).

Practical advice on using the burners

To ensure the burners operate efficiently:

- Use appropriate cookware for each burner (see table) so that the flames do not extend beyond the bottom of the cookware.
- Always use cookware with a flat base and a cover.
- When the contents of the pan reach boiling point, turn the knob to minimum.

Burner	Ø Cookware Diameter (cm)
Fast (R)	24 - 26
Semi Fast (S)	16 - 20
Auxiliary (A)	10 - 14

To identify the type of burner, refer to the designs in the section entitled, “Burner and Nozzle Specifications”.

! Make sure the pans do not overlap the edges of the hob while it is being used..

Correct positioning of the FTGH burners



Precautions and tips

! This appliance has been designed and manufactured in compliance with international safety standards. The following warnings are provided for safety reasons and must be read carefully.

General safety

- **This is a class 3 built-in appliance.**
- **Gas appliances require regular air exchange to maintain efficient operation. When installing the hob, follow the instructions provided in the paragraph on “Positioning” the appliance.**
- **These instructions are only valid for the countries whose symbols appear in the manual and on the serial number plate.**
- The appliance was designed for domestic use inside the home and is not intended for commercial or industrial use.
- The appliance must not be installed outdoors, even in covered areas. It is extremely dangerous to leave the appliance exposed to rain and storms.
- Do not touch the appliance with bare feet or with wet or damp hands and feet.
- **The appliance must be used by adults only for the preparation of food, in accordance with the instructions outlined in this booklet. Any other use of the appliance (e.g. for heating the room) constitutes improper use and is dangerous. The manufacturer may not be held liable for any damage resulting from improper, incorrect and unreasonable use of the appliance.**
- Ensure that the power supply cables of other electrical appliances do not come into contact with the hot parts of the oven.

- The openings used for ventilation and dispersion of heat must never be covered.
- Always make sure the knobs are in the “●”/“○” position when the appliance is not in use.
- When unplugging the appliance always pull the plug from the mains socket, do not pull on the cable.
- Never carry out any cleaning or maintenance work without having detached the plug from the mains.
- In case of malfunction, under no circumstances should you attempt to repair the appliance yourself. Repairs carried out by inexperienced persons may cause injury or further malfunctioning of the appliance. Contact a Service Centre (see Assistance).
- Always make sure that pan handles are turned towards the centre of the hob in order to avoid accidental burns.
- Do not use unstable or deformed pans.
- The appliance should not be operated by people (including children) with reduced physical, sensory or mental capacities, by inexperienced individuals or by anyone who is not familiar with the product. These individuals should, at the very least, be supervised by someone who assumes responsibility for their safety or receive preliminary instructions relating to the operation of the appliance.
- Do not let children play with the appliance.
- **The appliance is not intended to be operated by means of an external timer or separate remote-control system.**

Disposal

- When disposing of packaging material: observe local legislation so that the packaging may be reused.
- The European Directive 2012/19/EC on Waste Electrical and Electronic Equipment (WEEE), requires that old household electrical appliances must not be disposed of in the normal unsorted municipal waste stream. Old appliances must be collected separately in order to optimise the recovery and recycling of the materials they contain and reduce the impact on human health and the environment. The crossed out “wheeled bin” symbol on the product reminds you of your obligation, that when you dispose of the appliance it must be separately collected. Consumers may take their old appliance to public waste collection areas, other communal collection areas, or if national legislation allows return it to a retailer when purchasing a similar new product. All major household appliance manufacturers are active in the creation of systems to manage the collection and disposal of old appliances.

Maintenance and care

Switching the appliance off

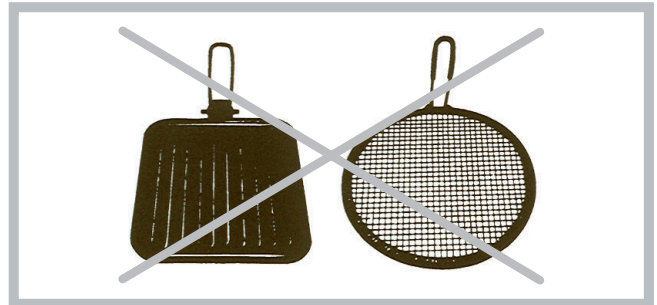
Disconnect your appliance from the electricity supply before carrying out any work on it.

Cleaning the appliance

! Do not use abrasive or corrosive detergents such as stain removers, anti-rust products, powder detergents or sponges with abrasive surfaces: these may scratch the surface beyond repair.

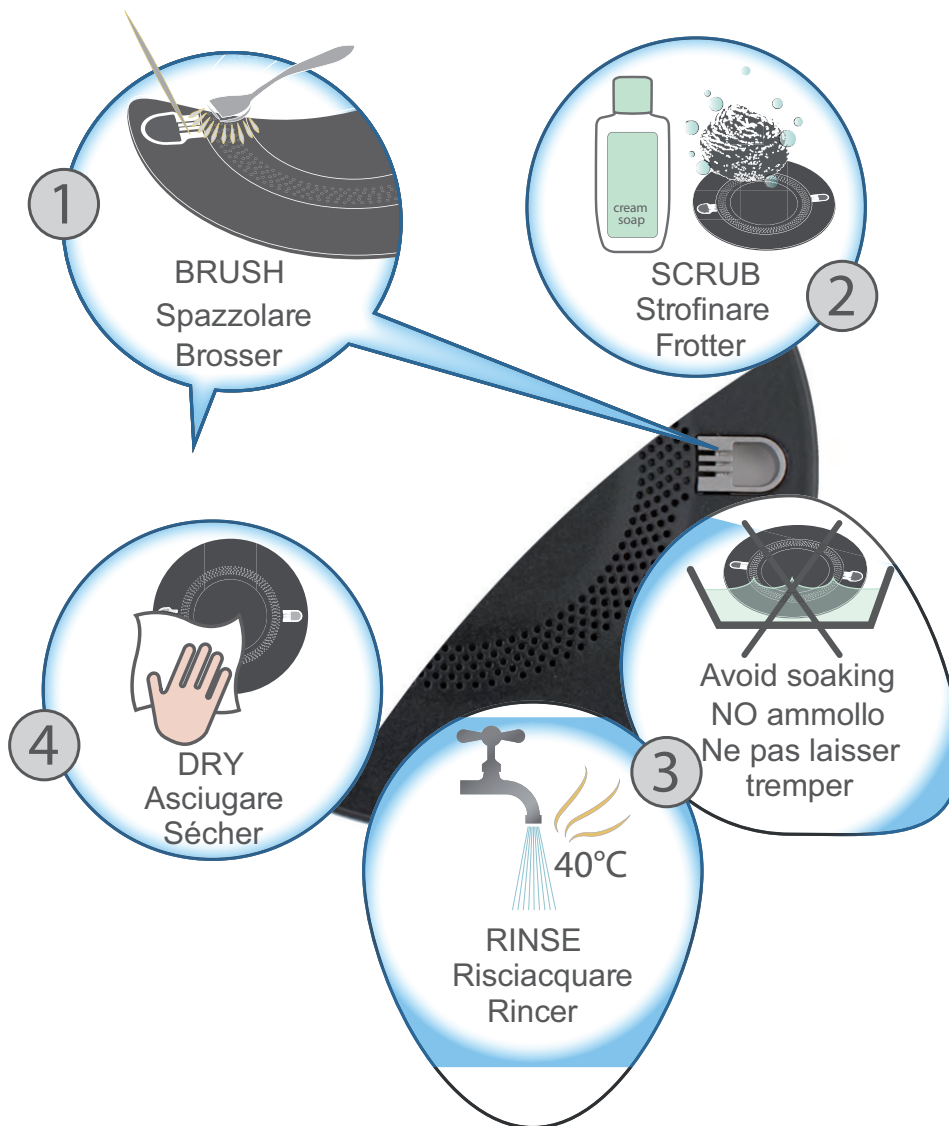
! Never use steam cleaners or pressure cleaners on the appliance.

- It is usually enough to wash the hob with a damp sponge and dry it with absorbent kitchen roll.
- The removable parts of the burners should be washed frequently with warm water and soap and any burnt-on substances removed. The burner caps should NOT be put in the dishwasher to prevent dulling of the aluminum part
- For hobs which light automatically, the terminal part of the electronic instant lighting devices should be cleaned frequently and the gas outlet holes should be checked for blockages.
- Before using the hob, the surface must be cleaned, using a damp cloth to remove dust or food residues. The hob surface should be cleaned regularly with a solution of warm water and a non-abrasive detergent.
- Stainless steel can be marked by hard water that has been left on the surface for a long time, or by aggressive detergents containing phosphorus. After cleaning, rinse and dry any remaining drops of water.



! Do not use stainless steel flame spreaders, bread toasters or meat grills over gas flames.

• To clean the FTGH burner:



1	2	3	4
Cepillar Escovar Borstelen Fırçalayın Прочистить щеткой Щеткамен тазалау Βούρτσισμα Očistit kartáčem Bürsten Kefélés Wyczyścić szczotką Periați Očistiť kefou فرشاة	Fregar Esfregar Poetsen Ovalayın Потереть Ысқылау Τρίψιμο Otrít Reiben Dörzsölés Czyścić pocierając Frecați Otierať أفرك	Enjuagar Enxaguar Spoelen Durulayın Ополоснуть Шаю Ξέβγαλμα Opláchnout Abspülen Öblítés Splukać Clătiți Opláchnuť اغسل	No remojar Sem amolecimento Niet weken Islatmayın Без замачивания Суға малып қоюға болмайды Όχι μούλιασμα Nenamáčet Nicht einweichen Nincs áztatás Nie namaczać Fără înmuiere Nenamáčať تجنب الترطيب جفف

Gas tap maintenance

Over time, the taps may become jammed or difficult to turn. If this happens, the tap must be replaced.

! This procedure must be performed by a qualified technician authorised by the manufacturer.

Troubleshooting

It may happen that the appliance does not function properly or at all. Before calling the service centre for assistance, check if anything can be done. First, check to see that there are no interruptions in the gas and electrical supplies, and, in particular, that the gas valves for the mains are open.

The burner does not light or the flame is not even around the burner.

Check whether:

- The gas holes on the burner are clogged.
- All the movable parts that make up the burner are mounted correctly.
- There are draughts near the appliance.

The flame dies in models with a safety device.

Check to make sure that:

- You pressed the knob all the way in.
- You keep the knob pressed in long enough to activate the safety device.
- The gas holes are not blocked in the area corresponding to the safety device.

The burner does not remain lit when set to minimum.

Check to make sure that:

- The gas holes are not blocked.
- There are no draughts near the appliance.
- The minimum setting has been adjusted properly.

The cookware is unstable.

Check to make sure that:

- The bottom of the cookware is perfectly flat.
- The cookware is positioned correctly at the centre of the burner.
- The pan support grids have been positioned correctly.

Установка

! Важно сохранить данное руководство для его последующих консультации. В случае продажи, передачи изделия или при переезде на новое место жительства необходимо проверить, чтобы руководство оставалось вместе с изделием, для того чтобы его новый владелец мог ознакомиться с правилами эксплуатации и с соответствующими предупреждениями.

! Внимательно прочитайте инструкции: в них содержатся важные сведения об установке, эксплуатации и безопасности изделия.

Расположение

! Не разрешайте детям играть с упаковочными материалами. Упаковочные материалы должны быть уничтожены в соответствии с правилами раздельного сбора мусора (см. Предосторожности и рекомендации).

! Монтаж изделия производится в соответствии с данными инструкциями квалифицированными специалистами. Неправильный монтаж изделия может стать причиной повреждения имущества и причинить ущерб людям и домашним животным.

Данное изделие может быть установлено и использоваться только в помещениях с постоянной вентиляцией в соответствии с положениями действующих Нормативов. Необходимо соблюдать следующие требования:

- в помещении должна быть предусмотрена система дымоудаления в атмосферу, выполненная в виде вытяжного зонта или электровентилятора, автоматически включающихся каждый раз, когда включается изделие.



- В помещении должна быть предусмотрена система, обеспечивающая достаточный приток воздуха для надлежащего горения. Расход воздуха, необходимого для горения, должен быть не менее 2 м³/час на кВт установленной мощности.



Приток воздуха может обеспечиваться непосредственно снаружи здания через воздуховод полезным сечением не менее 100 см² и диаметром, исключающим возможность случайного засорения.

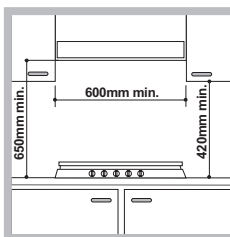


Или же воздухозабор может осуществляться из смежных помещений, оснащенных вентиляционным отверстием, сообщающимся с улицей, как описано выше, при условии, что это не общие зоны здания, пожароопасные помещения и не спальни.

Встроенный монтаж

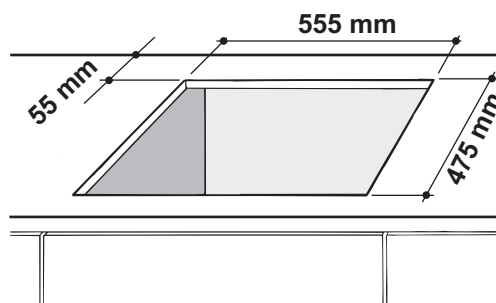
Для правильного монтажа варочной панели необходимо соблюдать следующие меры предосторожности:

- Кухонные элементы, расположенные рядом с кухонной плитой, высота которых превышает уровень варочной панели, должны находиться на расстоянии не менее 600 мм от края варочной панели.
- Вытяжка должна быть установлена в соответствии с руководством по эксплуатации вытяжки и в любом случае на высоте не менее 650 мм (см. рисунок).
- Расположите навесные шкафы, прилегающие к вытяжке, на высоте не менее 420 мм от рабочей поверхности кухни (см. рисунок).



Если варочная панель устанавливается под навесным шкафом, последний должен располагаться на высоте не менее 700 мм от кухонного топа.

- Размеры ниши кухонного элемента должны соответствовать рисунку. В крепежный комплект входят крепежные крюки для крепления варочной панели на кухонной рабочей поверхности толщиной от 20 до 40 мм. Для надежного крепления варочной панели рекомендуется использовать все прилагающиеся крюки.



- Перед креплением кухонного топа установите уплотнение (прилагается) по периметру варочной панели, как показано на схеме.

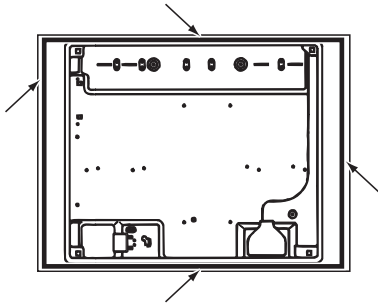
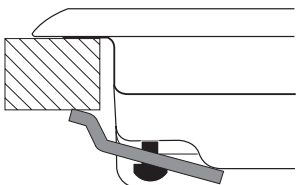
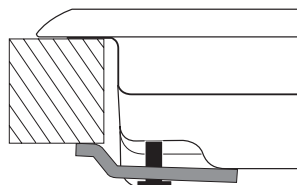


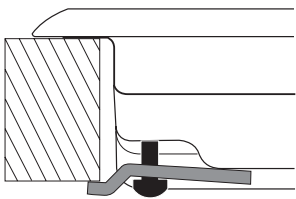
Схема крепления крюков



Монтаж крюка для опорных брусков $H=20\text{mm}$

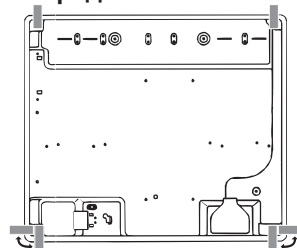


Монтаж крюка для опорных брусков $H=30\text{mm}$



Монтаж крюка для опорных брусков $H=40\text{mm}$

Спереди



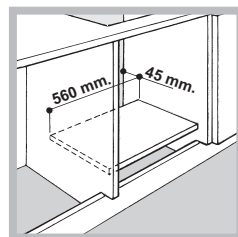
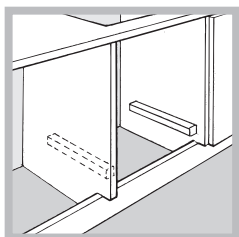
Сзади

! Используйте крюки из комплекта «вспомогательные принадлежности»

- Если варочная панель не устанавливается сверху встроенного духового шкафа, необходимо вставить деревянную панель в качестве изоляции. Эта панель должна быть установлена на расстоянии не менее 20 мм от нижней части варочной панели.

Вентиляция

Для обеспечения надлежащей вентиляции необходимо снять заднюю панель ниши кухонного элемента. Рекомендуется установить духовой шкаф на два деревянных бруска или на сплошное основание с отверстием диаметром не менее 45 x 560 мм (см чертежи).



! Варочная панель может быть установлена только над встраиваемыми духовыми шкафами с охлаждающей вентиляцией.

Электрическое подключение

Варочные панели, оснащенные трехполюсным сетевым кабелем, рассчитаны на функционирование с переменным током с напряжением и частотой электропитания, указанными на паспортной табличке (расположенной снизу варочной панели). Провод заземления сетевого кабеля имеет желто-зеленый цвет. В случае установки варочной панели сверху духового шкафа, встроенного в кухонный элемент, электрическое подключение варочной панели и духового шкафа должно выполняться отдельно по причинам безопасности, а так же для легкого съема духового шкафа.

Подсоединение сетевого шнура изделия к сети электропитания

Установите на сетевой кабель нормализованную штепсельную вилку, рассчитанную на нагрузку, указанную на паспортной табличке. В случае прямого подключения к сети электропитания между изделием и сетью необходимо установить многополюсный выключатель с минимальным расстоянием между контактами 3 мм, рассчитанный на данную нагрузку и соответствующий действующим нормативам (выключатель не должен размыкать провод заземления). Сетевой кабель должен быть расположен таким образом, чтобы ни в одной точке его температура не превышала температуру помещения более чем на 50°C.

! Электромонтер несет ответственность за правильное подключение изделия к электрической сети и за соблюдение правил безопасности.

Перед подключением изделия к сети электропитания проверьте следующее:

- розетка должна быть соединена с заземлением и соответствовать нормативам;
- сетевая розетка должна быть рассчитана на максимальную потребляемую мощность изделия, указанную в таблице технических характеристик;
- напряжение и частота тока сети должны соответствовать электрическим данным изделия;
- сетевая розетка должна быть совместима со штепсельной вилкой изделия. В противном случае замените розетку или вилку; не используйте удлинители или тройники.

! Изделие должно быть установлено таким образом, чтобы электрический провод и сетевая розетка были легко доступны.

! Электрический провод изделия не должен быть согнут или сжат.

! Регулярно проверяйте состояние кабеля электропитания и в случае необходимости поручите его замену только уполномоченным техникам (см. Техническое обслуживание).

! Производитель не несет ответственности за последствия несоблюдения перечисленных выше требований.



АЮ 77

Подсоединение к газопроводу

данное изделие может быть установлено и использоваться только в помещениях с постоянной вентиляцией в соответствии с положениями действующих Нормативов, только после проверки соответствия изделия типу газа, к которому он подсоединяется. В случае несоответствия выполнить операции, описанные в параграфе “Настройка на различные типы газа”. В случае использования сжиженного газа из баллона использовать регуляторы давления, соответствующие нормативами и их последующим поправкам.

! Для надежного функционирования, рационального использования энергии и более длительного срока службы электрического изделия проверьте, чтобы давление подачи газа соответствовало значениям, указанным в таблице 1 “Характеристики газовых горелок и форсунок”.

Подсоединение при помощи твердой трубки (медной или стальной)

! Подсоединение к газопроводу не должно оказывать каких-либо нагрузок на изделие.

На патрубке подачи газа в изделия имеется вращающееся колено “L” с уплотнительной прокладкой. При необходимости повернуть колено обязательно замените уплотнительную прокладку (прилагается к изделию). Патрубок подачи газа в изделие имеет цилиндрическую наружную резьбу 1/2 газ.

Подсоединение при помощи гибкой трубки из нержавеющей стали со сплошными стенками с резьбовыми соединениями.

Патрубок подачи газа в изделие имеет цилиндрическую наружную резьбу 1/2 газ.

Подсоединение таких шлангов должно производиться таким образом, чтобы их длина при максимальном растяжении не превышала 2000 мм. По завершении подсоединения проверьте, чтобы металлический гибкий шланг не касался подвижных частей или не был сжат. Использовать исключительно трубки, соответствующие Нормативу, и уплотнительные прокладки, соответствующие действующим государственным нормативам.

Проверка уплотнения

! По завершении подсоединения проверьте прочность уплотнения всех патрубков при помощи мыльного раствора, но никогда не пламенем.

! Если давление используемого газа отличается от предусмотренного давления (или варьирует), необходимо установить на питающем газопроводе соответствующий регулятор давления (согласно действующим национальным нормативам).



ЗАВОДСКАЯ ТАБЛИЧКА	
Электропитание	см. заводскую табличку
  	Данное изделие соответствует следующим Директивам Европейского Сообщества: 2006/95/СЕЕ от 12/12/06 (Низкое напряжение) с последующими изменениями - 2004/108/СЕЕ от 15/12/04 (Электромагнитная совместимость) с последующими изменениями - 93/68/СЕЕ от 22/07/93 с последующими изменениями. - 2009/142/СЕЕ от 30/11/09 (Газ) с последующими изменениями; - 2012/19СЕЕ с последующими изменениями

Включение и эксплуатация

! На каждой рукоятке показано положение соответствующей конфорки на варочной панели.

Газовые конфорки

При помощи соответствующего регулятора можно выбрать один из следующих режимов конфорки:

- Выключено
-  Максимальная мощность
-  Минимальный

Для включения одной из конфорок поднесите спичку или зажигалку к горелке, полностью нажмите на рукоятку и поверните ее против часовой стрелки в положение "Максимальное".

В моделях, укомплектованных защитным устройством, необходимо держать рукоятку нажатой примерно в течение 2-3 секунд до тех пор, пока устройство, поддерживающее пламя, не нагреется.

Некоторые модели оснащены кнопкой зажигания, встроенной в рукоятку-регулятор. В этом случае имеется свеча зажигания, но не отдельная кнопка.

Для включения конфорки достаточно нажать до упора соответствующую рукоятку и повернуть ее против часовой стрелки в положение максимального пламени, удерживая ее нажатой вплоть до зажигания горелки.

! При случайном гашении пламени конфорки поверните рукоятку управления в положение выключено и попытайтесь вновь зажечь конфорку только по прошествии не менее 1 минуты.

Для выключения конфорки поверните рукоятку по часовой стрелке вплоть до гашения пламени (положение, обозначенное символом "•").

Практические советы по эксплуатации газовых горелок

Для максимальной отдачи изделия следует помнить:

- для каждой конфорки используйте подходящую посуду (смотри таблицу) с тем, чтобы пламя конфорки не выходило из-под дна посуды.
- всегда используйте посуду с плоским дном и с крышкой.
- в момент закипания поверните рукоятку в положение малого пламени.

Горелка	Диаметр дна посуды, см
Быстрая (R)	24-26
Полубыстрая (S)	16-20
Дополнительная (A)	10-14

Для определения типа конфорки смотрите схемы, приведенные в параграфе "Характеристики конфорок и форсунок".

! Следите, чтобы в процессе приготовления кастрюли не выступали за край варочной панели.

Правильное позиционирование горелки FTGH



Предосторожности и рекомендации

! Изделие спроектировано и изготовлено в соответствии с международными нормативами по безопасности. Необходимо внимательно прочитать настоящие предупреждения, составленные в целях вашей безопасности.

Общие требования к безопасности

- Данное устройство является встраиваемым бытовым электроприбором класса 3.
- Для исправного функционирования газовых устройств необходимо отрегулировать воздухообмен. Проверьте, чтобы при установке этих устройств соблюдались требования, описанные в параграфе «Расположение».
- Инструкции относятся только к странам, обозначения которых приведены в руководстве и на паспортной табличке изделия.
- Данное изделие предназначается для непрофессионального использования в домашних условиях.
- Запрещается устанавливать изделие на улице, даже под навесом, так как воздействие на него дождя и грозы является чрезвычайно опасным.

- Не прикасайтесь к изделию влажными руками, босиком или с мокрыми ногами.
- **Изделие предназначено для приготовления пищевых продуктов, может быть использовано только взрослыми лицами в соответствии с инструкциями, приведенными в данном техническом руководстве. Любое другое его использование (например: отопление помещения) считается ненадлежащим и следовательно опасным. Производитель не несет ответственности за возможный ущерб, вызванный ненадлежащим, неправильным и неразумным использованием изделия.**
- Следите, чтобы сетевые шнуры других бытовых электроприборов не прикасались к горячим частям духового шкафа.
- Не закрывайте вентиляционные решетки и отверстия рассеивания тепла.
- Всегда проверяйте, чтобы регуляторы находились в положении “●”/“○”, когда изделие не используется.
- Не тяните за сетевой кабель для отсоединения вилки изделия из сетевой розетки, возьмитесь за вилку руки.
- Перед началом чистки или технического обслуживания изделия всегда вынимайте штепсельную вилку из сетевой розетки.
- В случае неисправности категорически запрещается открывать внутренние механизмы изделия с целью их самостоятельного ремонта. Обратитесь в Центр Сервисного обслуживания (см. Техобслуживание).
- Следите, чтобы ручки кастрюль на варочной панели были всегда повернуты таким образом, чтобы вы не могли случайно задеть их.
- Не закрывайте стеклянную крышку варочной панели (если она имеется), если газовые или электрические конфорки еще горячие.
- Не пользуйтесь нестабильной или деформированной посудой.
- Не допускается эксплуатация изделия лицами с ограниченными физическими, сенсорными или умственными способностями (включая детей), неопытными лицами или лицами, необученными обращению с изделием без контроля со стороны лица, ответственного за их безопасность или после надлежащего обучения обращению с изделием.
- Не разрешайте детям играть с бытовым электроприбором.
- **Изделие не рассчитано на включение посредством внешнего синхронизатора или отдельной системы дистанционного управления**

Утилизация

- Уничтожение упаковочных материалов: соблюдайте местные нормативы с целью повторного использования упаковочных материалов.
- Согласно Европейской Директиве 2012/19/СЕ касательно утилизации электронных и электрических электроприборов электроприборы не должны выбрасываться вместе с обычным городским мусором. Выведенные из строя приборы должны собираться отдельно для оптимизации их утилизации и рекуперации составляющих их материалов, а также для безопасности окружающей среды и здоровья.

Символ зачеркнутая мусорная корзина, имеющийся на всех приборах, служит напоминанием об их отдельной утилизации.

Старые бытовые электроприборы могут быть переданы в общественный центр утилизации, отвезены в специальные муниципальные зоны или, если это предусмотрено национальными нормативами, возвращены в магазин при покупке нового изделия аналогичного типа.

Все ведущие производители бытовых электроприборов содействуют созданию и управлению системами по сбору и утилизации старых электроприборов.

Техническое обслуживание и уход

Обесточивание изделия

Перед началом какой-либо операции по обслуживанию или чистке отсоедините изделие от сети электропитания.

Чистка изделия

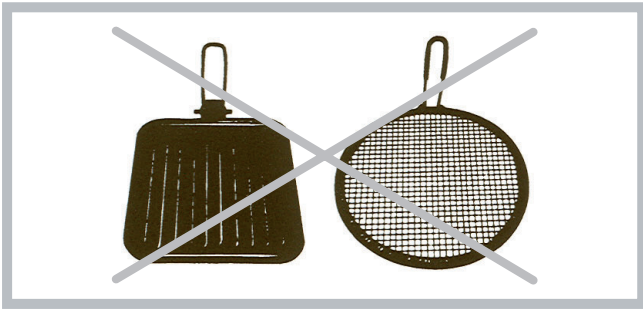
! Не следует пользоваться абразивными или коррозионными чистящими средствами такими как выводителю пятен или средства для удаления ржавчины, порошковыми чистящими средствами или абразивными губками: они могут необратимо поцарапать поверхность изделия.

! Никогда не используйте паровые чистящие агрегаты или агрегаты под высоким давлением для чистки изделия.

- В качестве регулярного ухода достаточно вымыть варочную панель влажной губкой и затем протереть насухо кухонным бумажным полотенцем.
- Необходимо регулярно мыть съемные части конфорок горячей водой с моющим средством, тщательно удаляя все возможные налеты. Колпачки не следует ставить в посудомоечную машину, чтобы предотвратить помутнение алюминиевых частей.
- На варочных панелях, оснащенных автоматическим зажиганием, следует регулярно чистить наконечники устройств мгновенного электронного зажигания и проверять, чтобы отверстия газовых конфорок не были засорены.
- Перед началом приготовления поверхность варочной панели необходимо протереть влажной тряпкой для удаления пыли или остатков пищи, приготовленной ранее.
- На деталях из нержавеющей стали могут образоваться пятна, если они остаются в течение длительного времени в контакте с водой повышенной жесткости или с агрессивными моющими средствами (содержащими фосфор). После чистки рекомендуется тщательно удалить остатки моющего средства влажной

тряпкой и высушить духовку. Кроме того следует незамедлительно удалять возможные утечки воды.

RS



! Не использовать на газовых конфорках рассеиватели, тостеры или решетки для мяса из нержавеющей стали.

• To clean the FTGH burner:



1	2	3	4	
Cepillar Escovar Borstelen Fırçalayın Прочистить щеткой Щеткамен тазалау Βούρτσισμα Očistiť kartáčem Bürsten Kefélés Wyczyścić szczotką Periați Očistiť kefou فرشاة	Fregar Esfregar Poetsen Ovalayın Потереть Ысқылау Τρίψιμο Otrít Reiben Dörzsölés Czyścić pocierając Frecați Otierať أفرك	Enjuagar Enxaguar Spoelen Durulayın Ополоснуть Шаю Ξέβγαλμα Opláchnout Abspülen Öblítés Splukać Clățiți Opláchnuť اغسل	No remojar Sem amolecimento Niet weken Islatmayın Без замачивания Суға малып қоюға болмайды Όχι μούλιασμα Nenamáčet Nicht einweichen Nincs áztatás Nie namaczać Fără înmuiere Nenamáčať تجنب الترتيب	Secar Secar Drogen Kurulayın Высушить Κεπίρυ Στέγνωμα Osušit Trocknen Szárítás Wytrzeć do sucha Uscați Osušit' جفف

Уход за ручьятками газовой варочной панели

Со временем ручьятки варочной панели могут заблокироваться или вращаться с трудом, поэтому потребуется произвести их внутреннюю чистку и замену всей ручьятки.

! Данная операция должна выполняться техником, уполномоченным производителем.

Неисправности и методы их устранения

Если ваш холодильник не работает. Прежде чем обратиться в Центр Сервисного обслуживания, проверьте, можно ли устранить неисправность, используя рекомендации, приведенные в следующем перечне.

Если неисправность не может быть устранена, вызовите техника из уполномоченного Сервиса: Единый национальный номер: 199.199.199 (максимальная стоимость звонков с домашнего телефона 0,1426 Евро).

Конфорка не зажигается, или пламя горит неравномерно.

Форсунки газовой конфорки засорились.

- Все съемные части конфорки должны быть установлены правильно.
- Сквозняки рядом с газовой варочной панелью.

В моделях варочной панели, оснащенных защитным устройством, конфорка загорается и сразу гаснет.

Ручьятка конфорки нажата не до упора.

- Ручьятка была нажата в течение времени, недостаточного для включения защитного устройства.
- Засорены форсунки газовой конфорки, расположенные напротив защитного устройства.

Конфорка гаснет в положении малого пламени.

Засорены отверстия подачи газа в конфорке.

- Сквозняки рядом с газовой варочной панелью.
- Неправильно отрегулировано минимальное пламя.

Нестабильные кастрюли

Дно кастрюли должно быть идеально плоским.

- Кастрюля должна быть установлена по центру газовой или электрической конфорки.
- Опорные решетки на варочной панели установлены неправильно.

195114016.00

05/2013 - XEROX FABRIANO

RS