

# 317 Electric

# 321 Electric

**Spare parts**

**Ersatzteile**

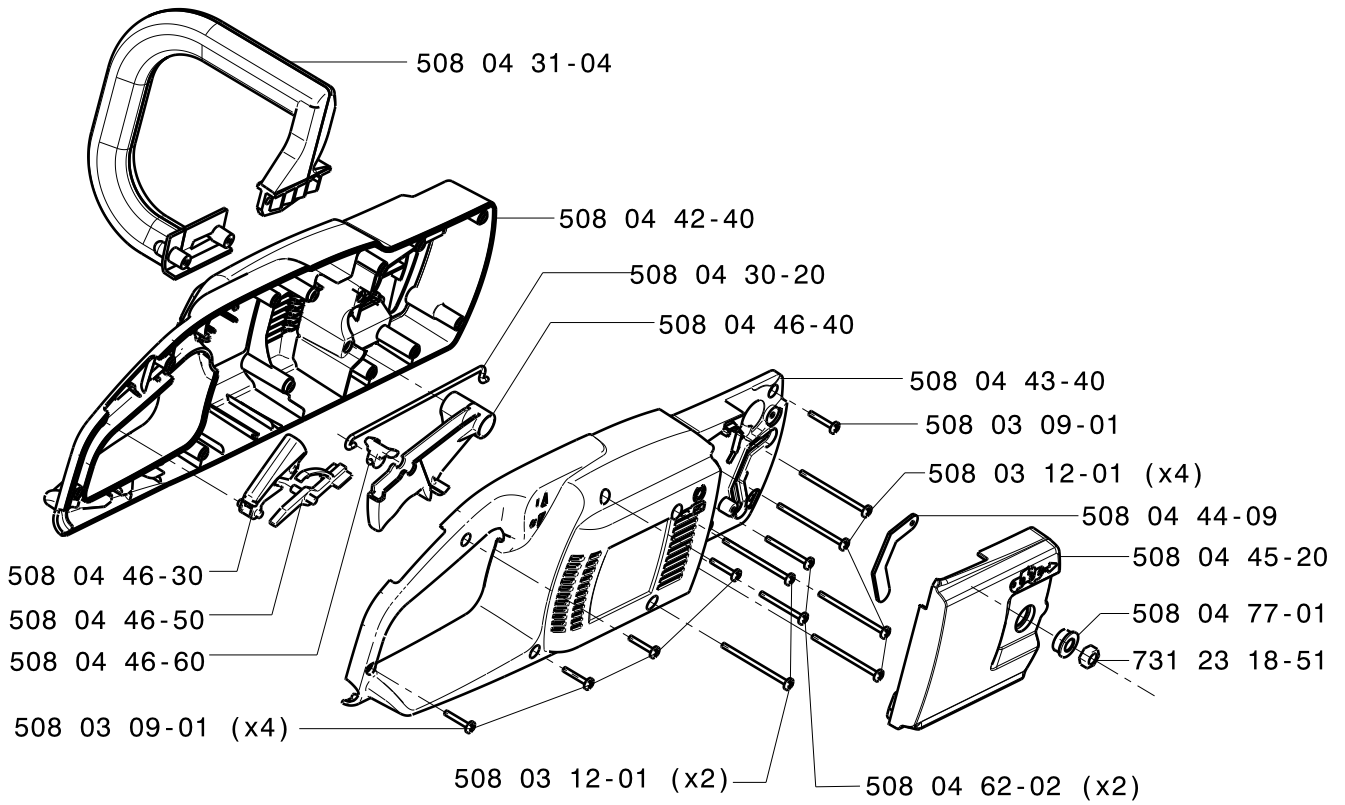
**Pièces détachées**

**Reserve onderdelen**

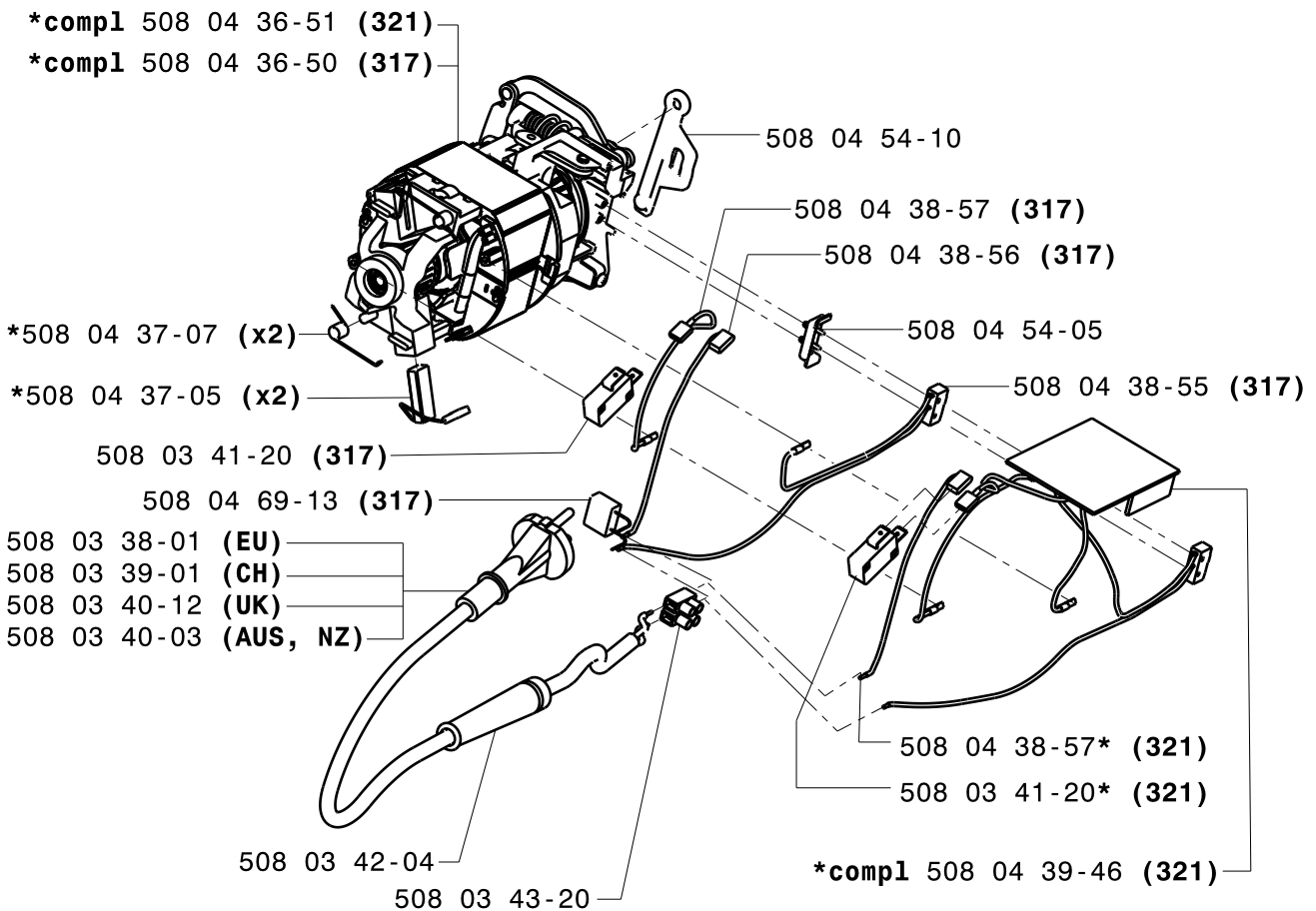
**Repuestos**

**Reservdelar**

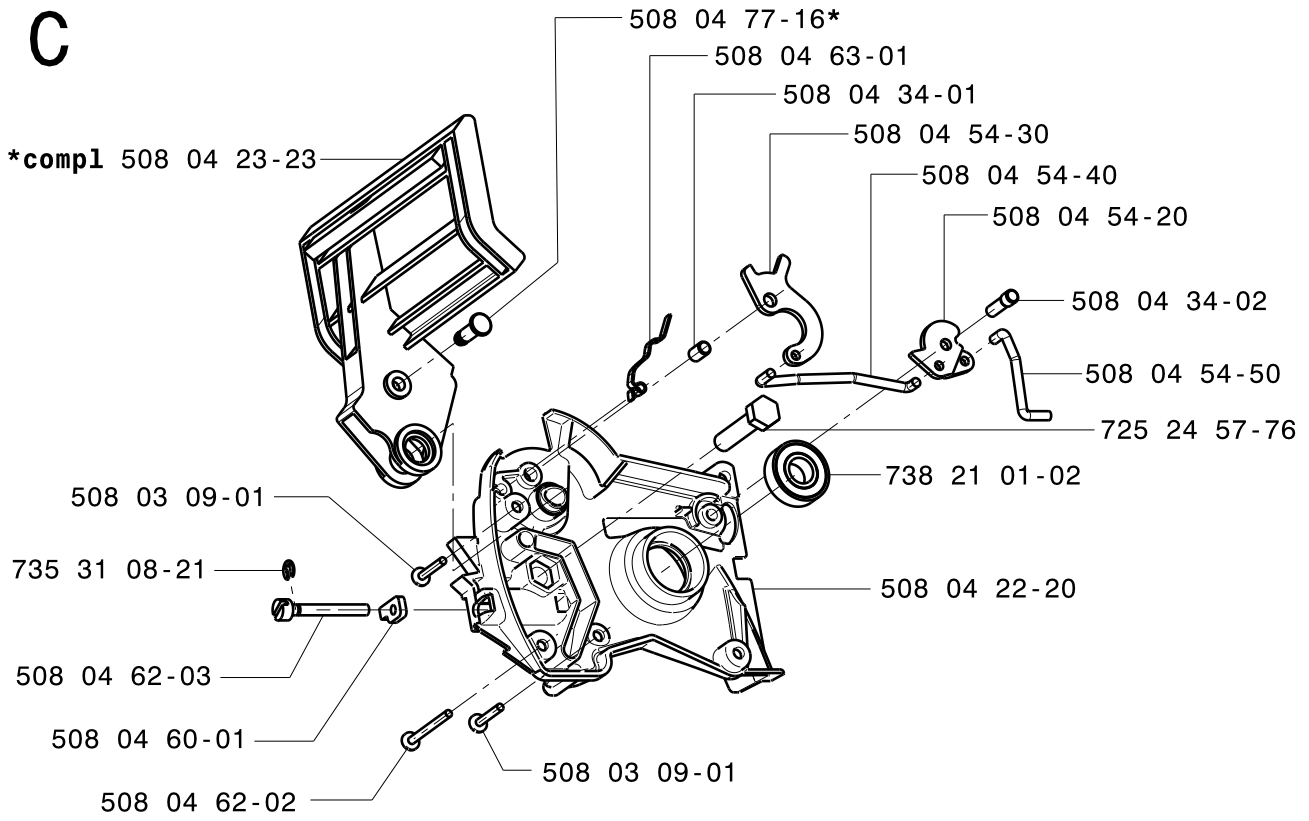
# A



# B

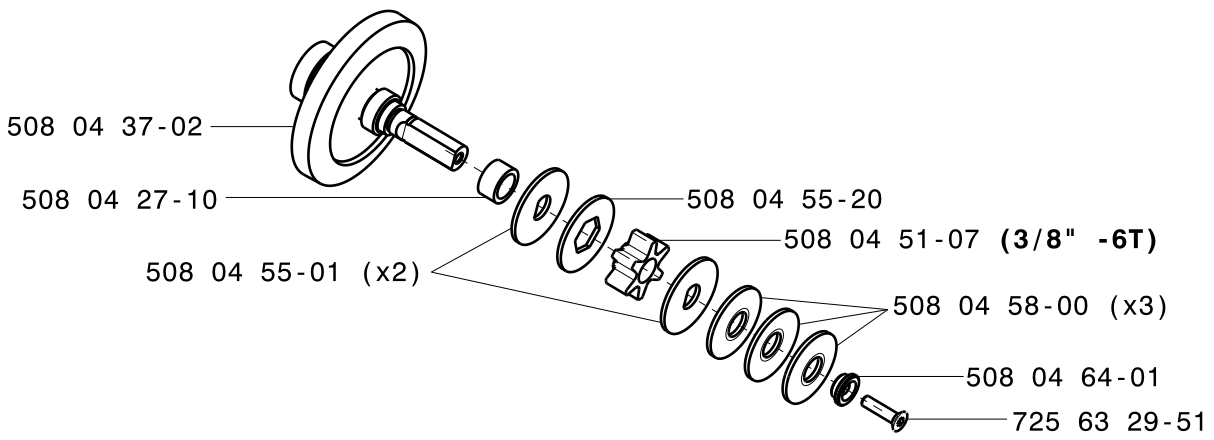


# C



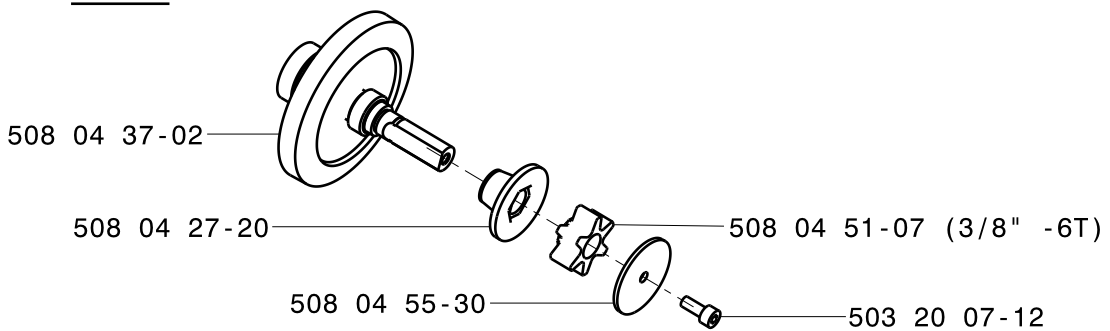
# D

## 317

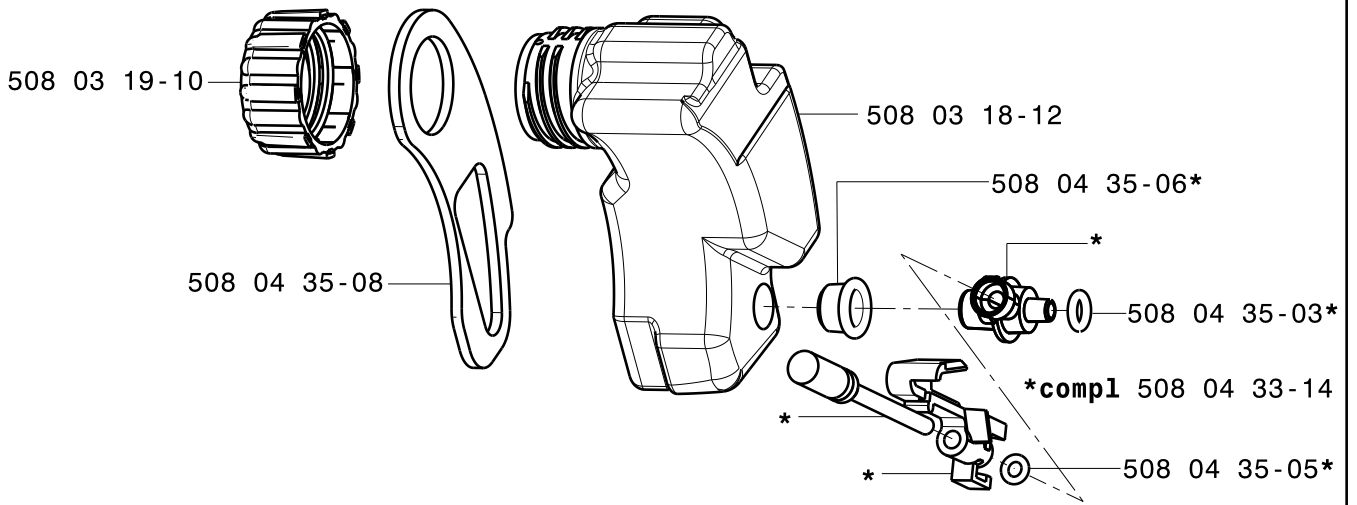


# E

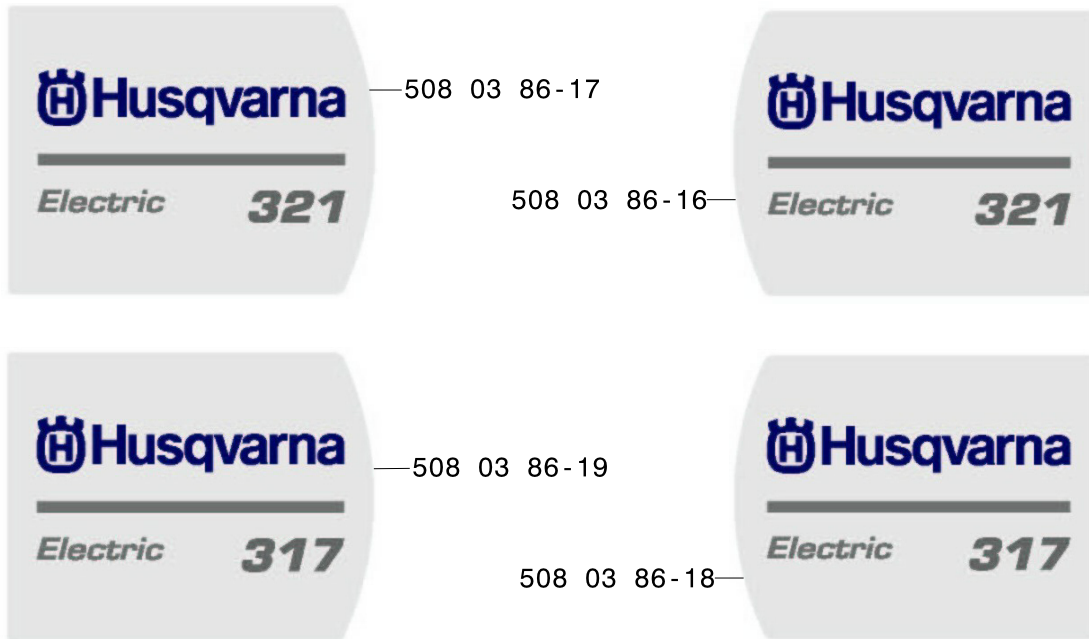
## 321



# F

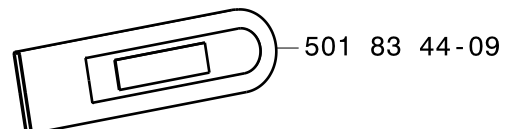
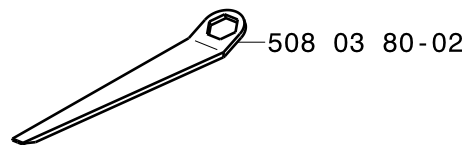


# G



# H

Accessories  
Zubehöre  
Accessoires  
Acessorios  
Tilbehör



PART NUMBER	SQUARE NOTE	PART NUMBER	SQUARE NOTE	PART NUMBER	SQUARE NOTE
501 83 44-09	H	508 04 62-02	A C		
503 20 07-12	E N	508 04 62-03	C		
508 03 09-01	A C	508 04 63-01	C		
508 03 12-01	A	508 04 64-01	D		
508 03 18-12	F N	508 04 69-13	B		
508 03 19-10	F	508 04 77-01	A		
508 03 38-01	B	508 04 77-16	C		
508 03 39-01	B	725 24 57-76	C		
508 03 40-03	B	725 63 29-51	D		
508 03 40-12	B	731 23 18-51	A		
508 03 41-20	B N	735 31 08-21	C		
508 03 42-04	B	738 21 01-02	C		
508 03 43-20	B N				
508 03 80-02	H				
508 03 86-16	G N				
508 03 86-17	G N				
508 03 86-18	G N				
508 03 86-19	G N				
508 04 22-20	C N				
508 04 23-23	C				
508 04 27-10	D N				
508 04 27-20	E N				
508 04 30-20	A N				
508 04 31-04	A				
508 04 33-14	F				
508 04 34-01	C N				
508 04 34-02	C N				
508 04 35-03	F				
508 04 35-05	F				
508 04 35-06	F				
508 04 35-08	F N				
508 04 36-50	B N				
508 04 36-51	B N				
508 04 37-02	D E				
508 04 37-05	B				
508 04 37-07	B				
508 04 38-55	B N				
508 04 38-56	B N				
508 04 38-57	B N				
508 04 39-46	B N				
508 04 42-40	A N				
508 04 43-40	A N				
508 04 44-09	A				
508 04 45-20	A N				
508 04 46-30	A N				
508 04 46-40	A N				
508 04 46-50	A N				
508 04 46-60	A N				
508 04 51-07	D E				
508 04 54-05	B N				
508 04 54-10	B N				
508 04 54-20	C N				
508 04 54-30	C N				
508 04 54-40	C N				
508 04 54-50	C N				
508 04 55-01	D				
508 04 55-20	D N				
508 04 55-30	E N				
508 04 58-00	D				
508 04 60-01	C				

Set of gaskets, Dichtungssatz,  
 Jeu de joints, Juego de juntas,  
 Packningssats

N= New part, Neues teil,  
 Nouvelle piece, Nueva piecza,  
 Ny detalj