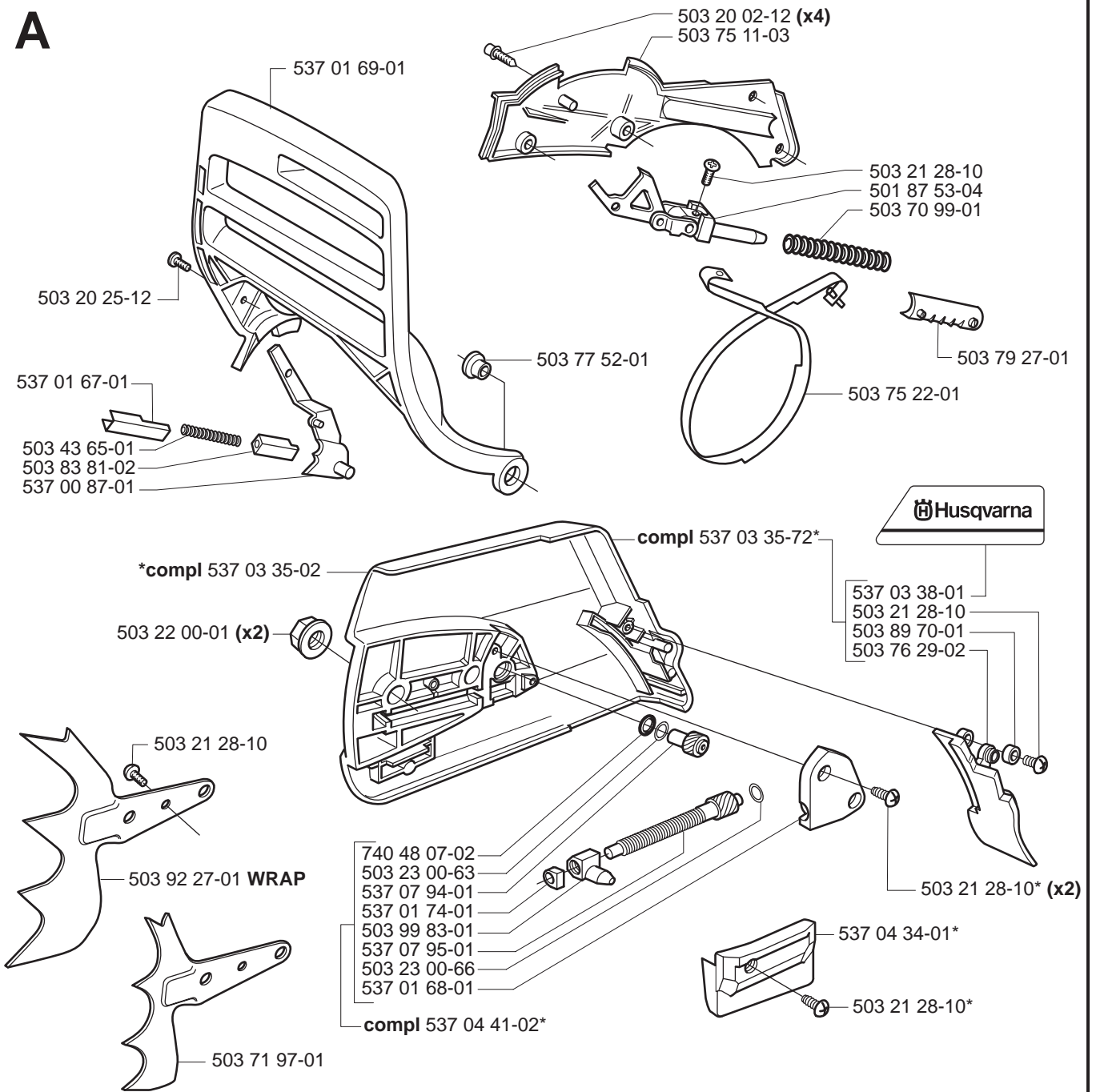


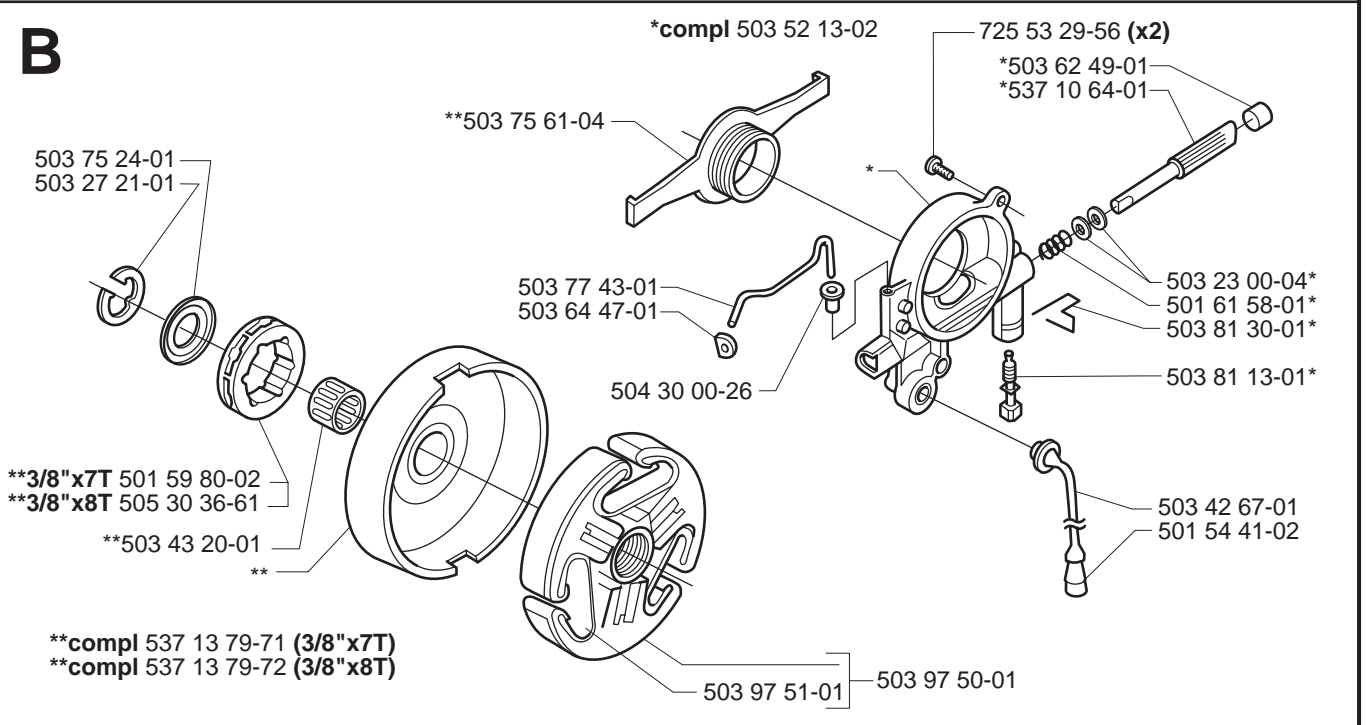
# 385, 385 EPA

Spare parts  
Ersatzteile  
Pièces détachées  
Reserve onderdelen  
Repuestos  
Reservdelar

# A

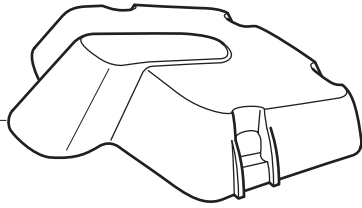


# B



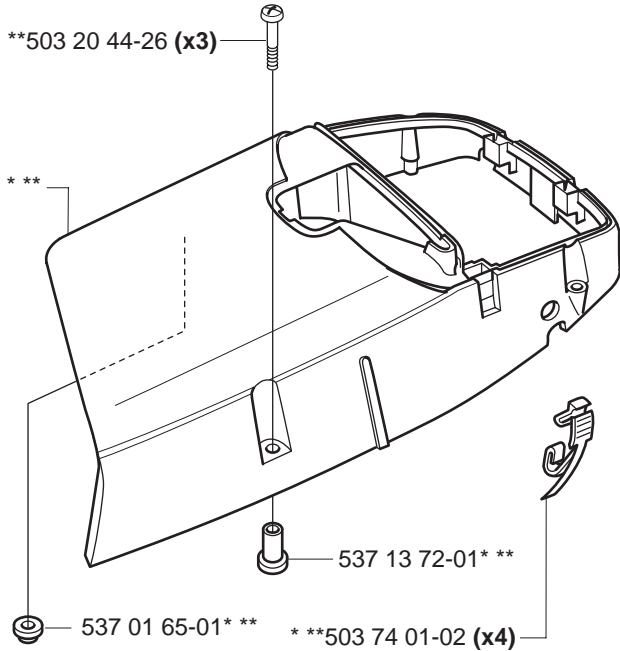
**C** \*compl 537 00 07-01 Std  
 \*\*compl 537 00 07-02 Hd

\*537 00 09-01 Std  
 \*\*537 00 10-01 Hd



503 98 74-01\* \*\*

\* \*\*503 20 44-26 (x3)

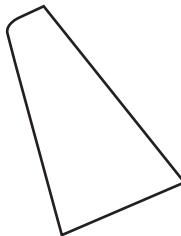


\* \*\*

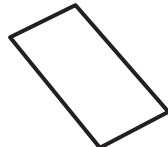
537 01 65-01\* \*\*

\*\*\*503 74 01-02 (x4)

537 13 72-01\* \*\*



537 06 96-01\* \*\*



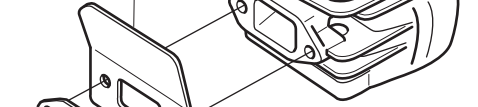
537 07 23-01\* \*\*

**D** \*compl 537 16 97-71

725 53 33-55 (x4)  
 503 71 53-01

503 23 51-08  
 RCJ 7Y

537 08 62-01



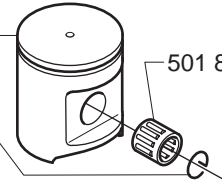
537 00 57-01 ①

503 77 59-01 ①

503 28 90-37 (x2)

737 44 13-00 (x2)

\*compl 537 16 98-71



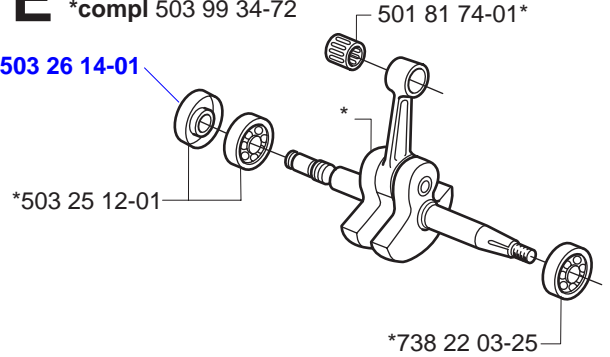
501 81 74-01

**E** \*compl 503 99 34-72

503 26 14-01

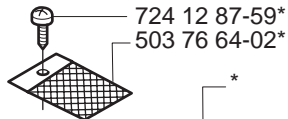
\*503 25 12-01

\*738 22 03-25



501 81 74-01\*

**F** compl 503 95 90-01 FG  
 compl 503 95 90-03 Jungle  
 \*compl 503 95 90-02 DF



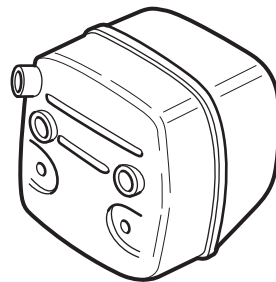
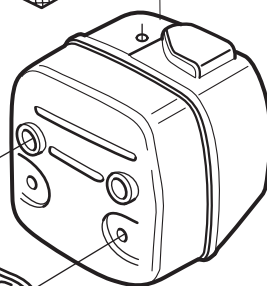
724 12 87-59\*

503 76 64-02\*

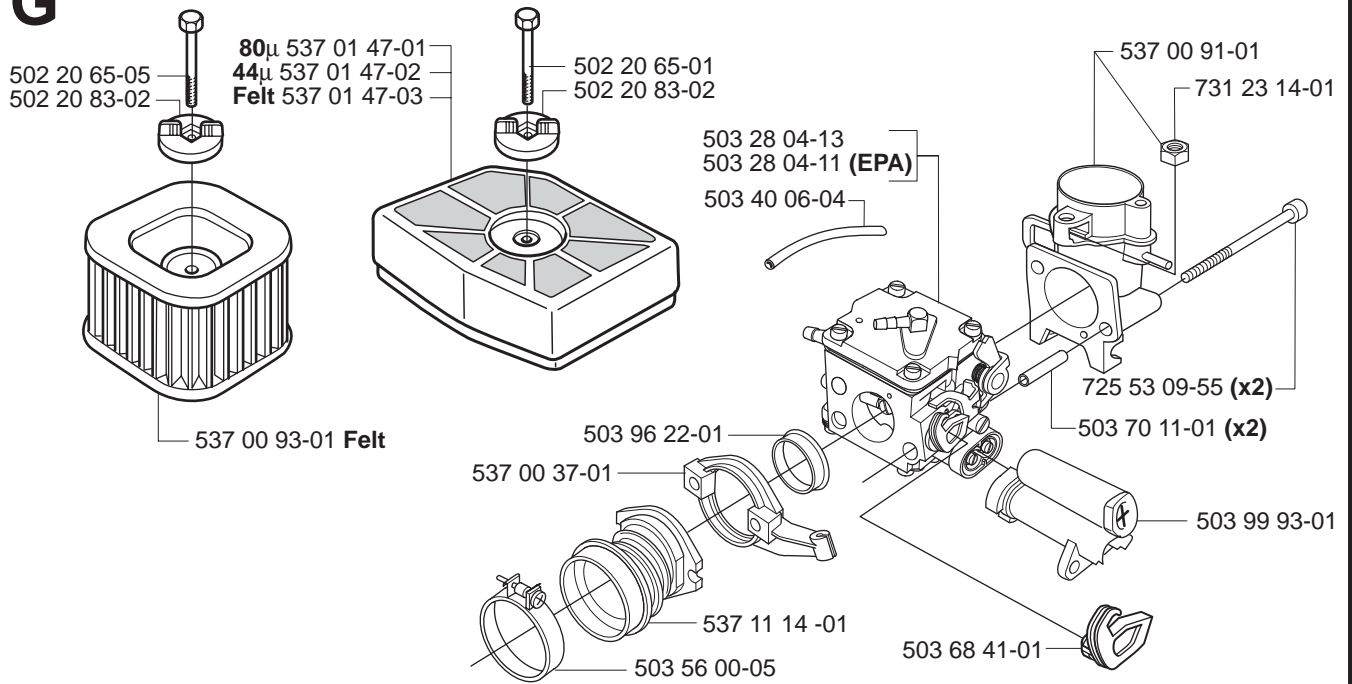
725 53 70-55 (x2)

503 76 65-03  
 503 20 02-16 (x2)

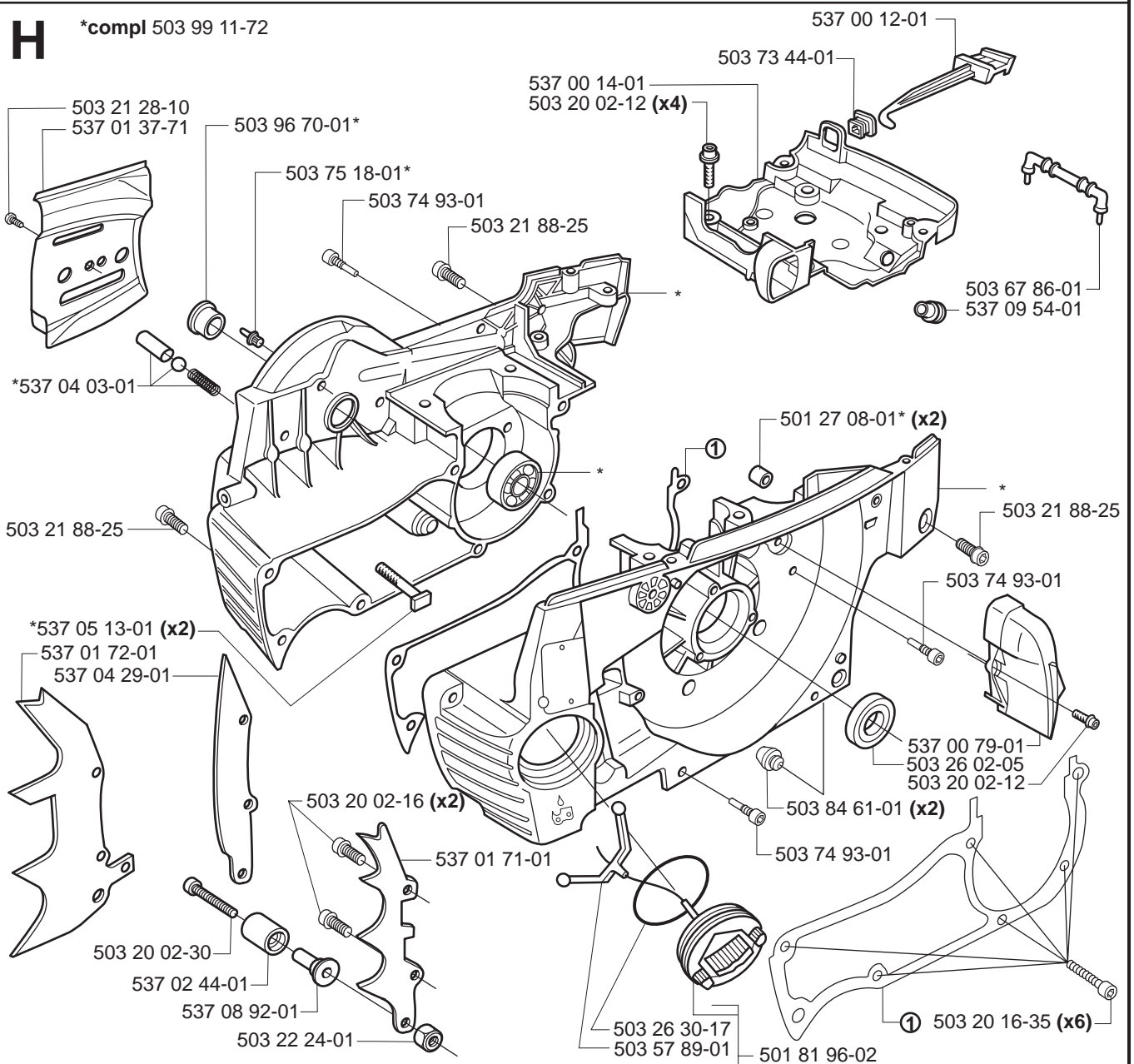
503 20 06-08 (x2)

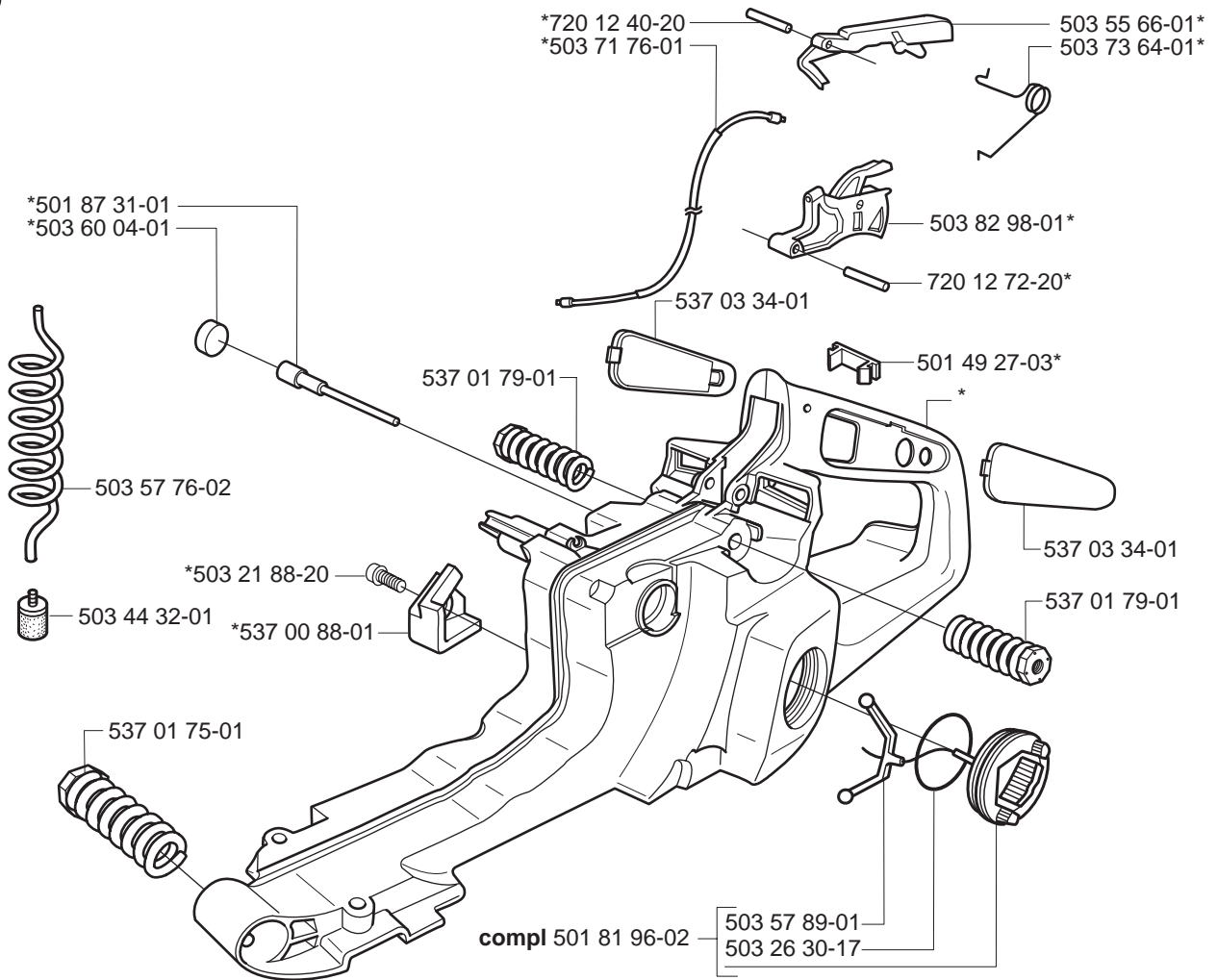
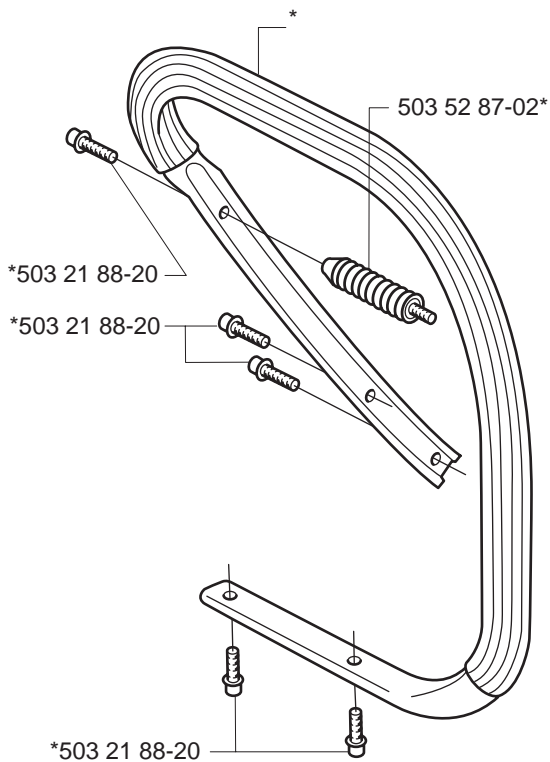
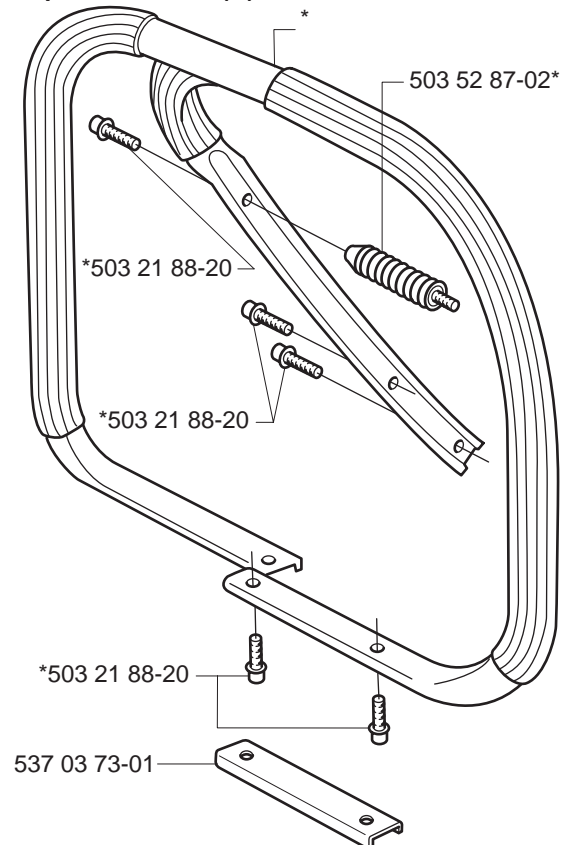


503 95 91-01 Tube

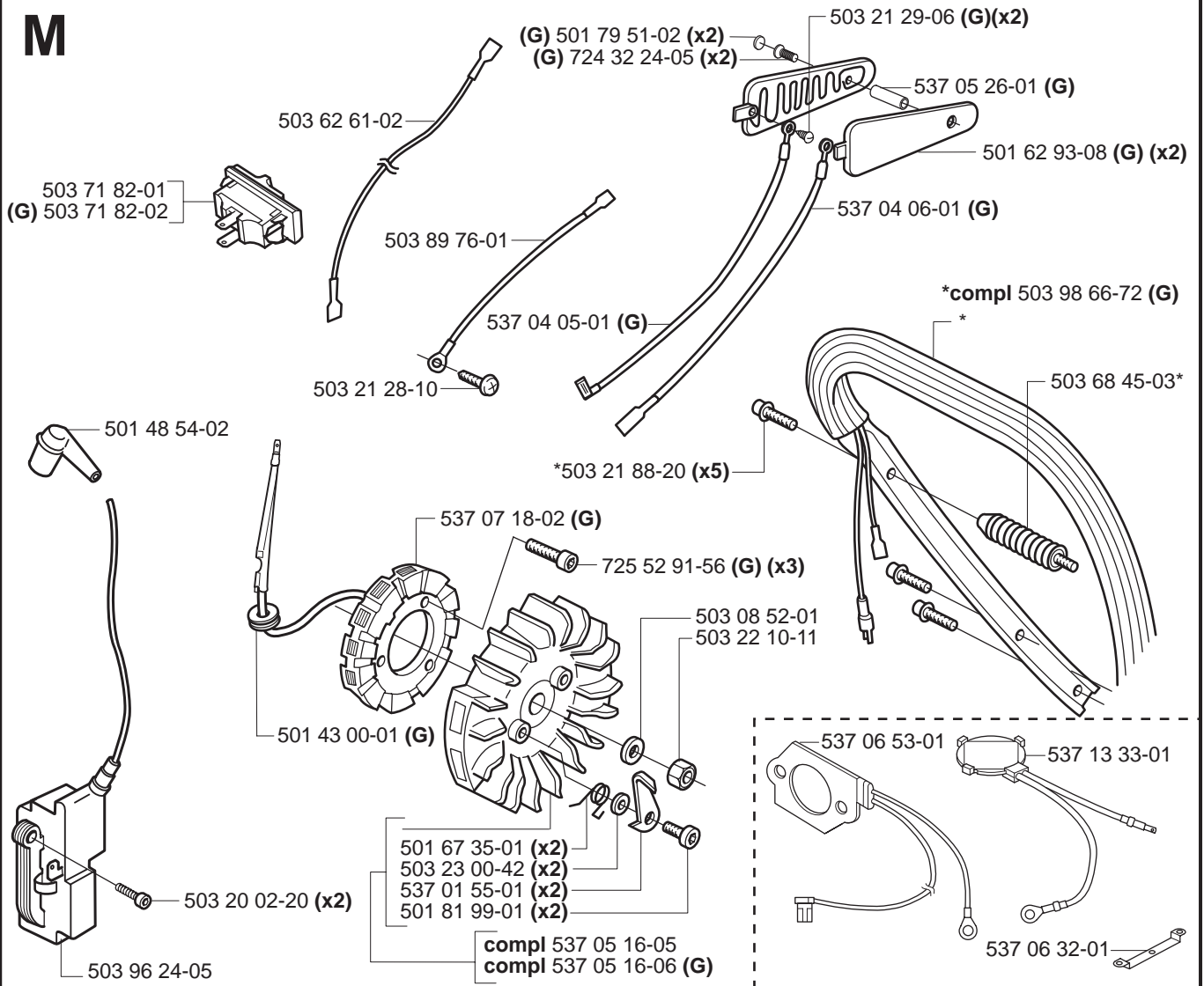
**G****H**

\*compl 503 99 11-72

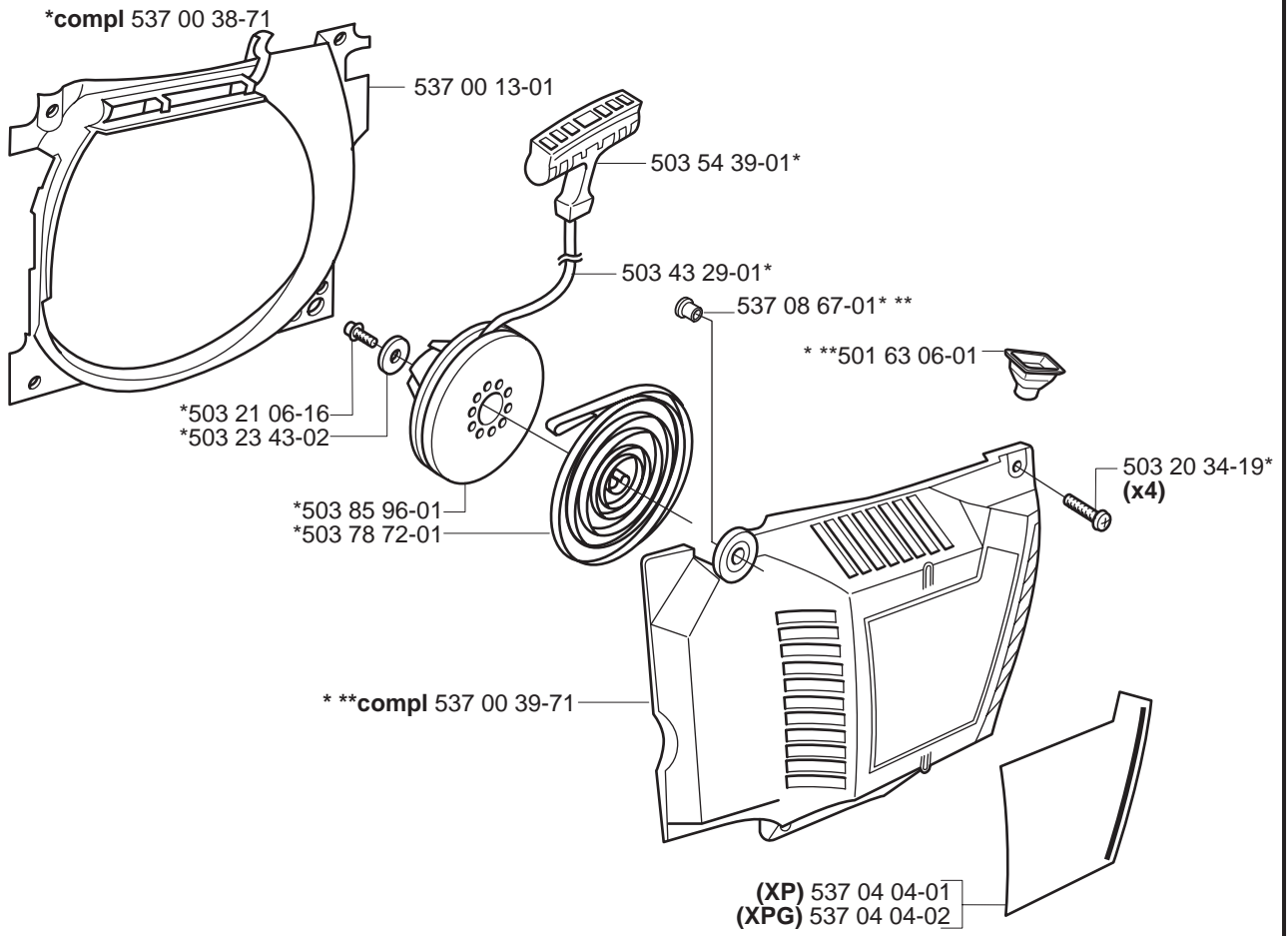


**J****\*compl 537 00 03-71****K****compl 503 98 66-71****L****\*compl 503 98 67-71**  
**\*compl 503 98 67-02 (G)**

# M

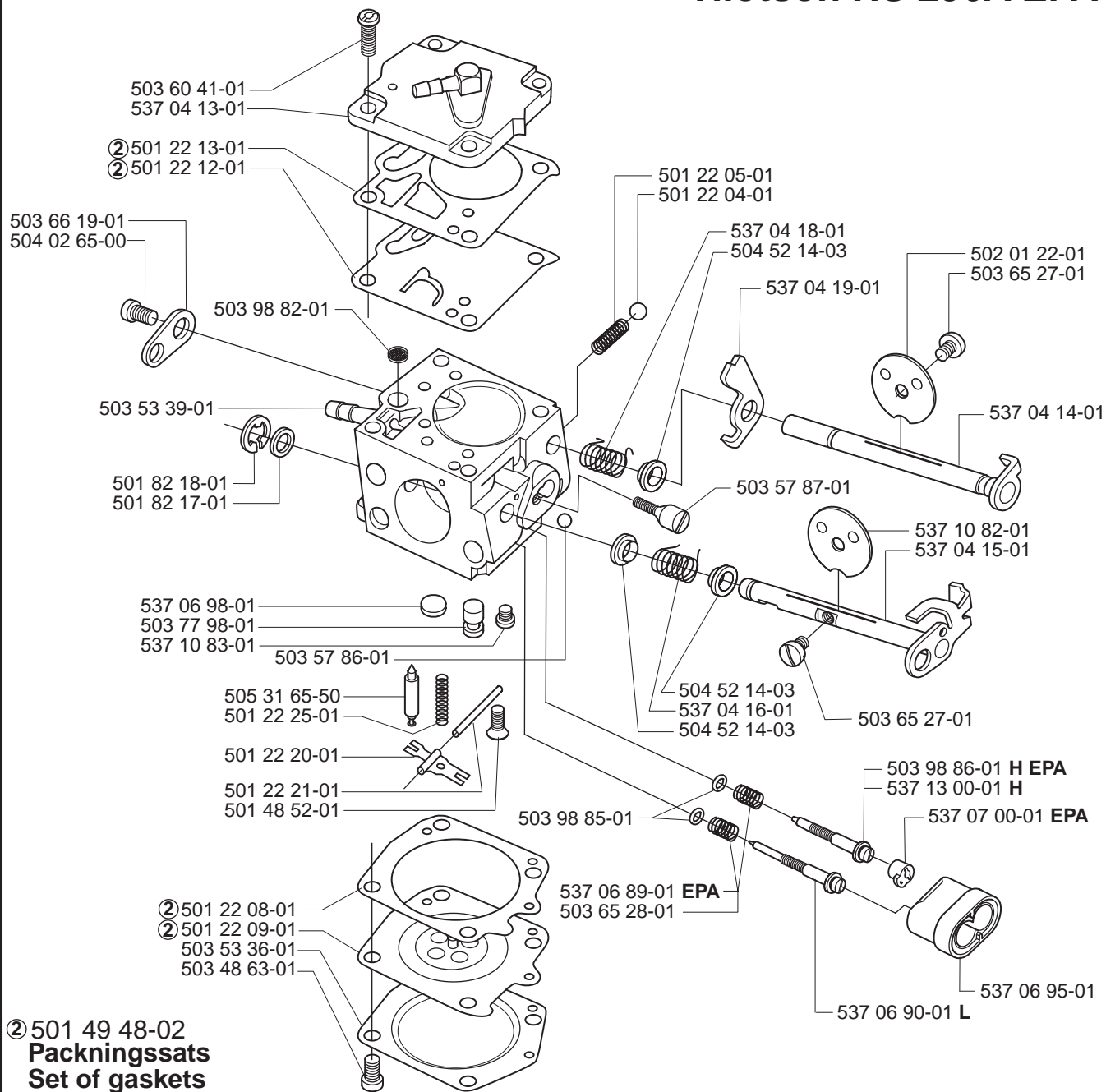


# N



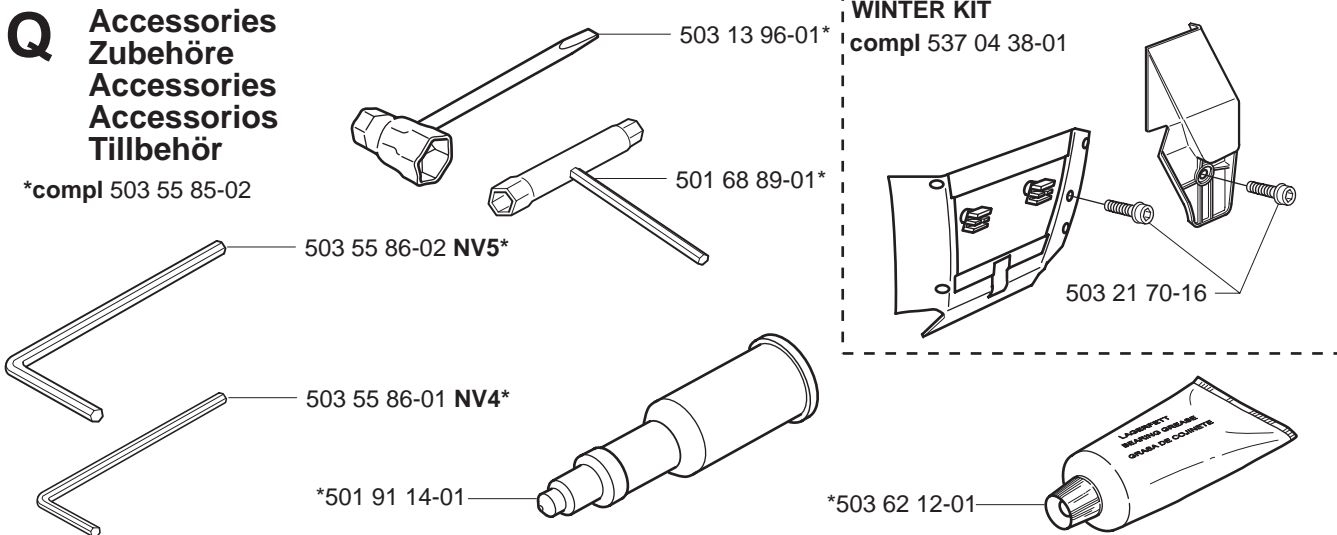
**P** compl 503 28 04-13  
 compl 503 28 04-11 EPA

# Tilotson HS 299A Tilotson HS 296A EPA



## **Q** Accessories Zubehöre Accessories Tillbehör

\*compl 503 55 85-02



MODEL 385, 385 EPA

PART NUMBER	SQUARE NOTE	PART NUMBER	SQUARE NOTE	PART NUMBER	SQUARE NOTE	PART NUMBER	SQUARE NOTE
501 22 04-01	P	503 28 04-13	G,P	503 96 22-01	G	537 04 18-01	P
501 22 05-01	P	503 28 90-37	D	503 96 24-05	M	537 04 19-01	P
501 22 08-01	P	503 40 06-04	G	503 96 70-01	H	537 04 29-01	H
501 22 09-01	P	503 42 67-01	B	503 97 50-01	B	537 04 34-01	A
501 22 12-01	P	503 43 20-01	B	503 97 51-01	B	537 04 38-01	Q
501 22 13-01	P	503 43 29-01	N	503 98 66-71	K	537 04 41-02	A
501 22 15-01	P	503 43 65-01	A	503 98 66-72	M	537 05 13-01	H
501 22 20-01	P	503 44 32-01	J	503 98 67-02	L	537 05 16-05	M
501 22 21-01	P	503 48 63-01	P	503 98 67-71	L	537 05 16-06	M
501 22 25-01	P	503 52 13-02	B	503 98 74-01	C	537 05 26-01	M
501 27 08-01	H	503 52 87-02	K,L	503 98 82-01	P	537 06 32-01	M
501 43 00-01	M	503 53 36-01	P	503 98 85-01	P	537 06 53-01	M
501 43 00-01	M	503 53 39-01	P	503 98 86-01	P	537 06 89-01	P
501 48 52-01	P	503 54 39-01	N	503 99 11-72	H	537 06 90-01	P
501 48 54-02	M	503 55 66-01	J	503 99 34-72	E	537 06 95-01	P
501 49 27-03	J	503 55 85-02	Q	503 99 83-01	A	537 06 96-01	C
501 49 48-02	P	503 55 86-01	Q	503 99 93-01	G	537 06 98-01	P
501 51 72-01	A	503 55 86-02	Q	504 02 65-00	P	537 07 00-01	P
501 54 41-02	B	503 56 00-05	G	504 30 00-26	B	537 07 18-02	M
501 59 80-02	B	503 57 76-02	J	504 52 14-03	P	537 07 94-01	A
501 61 58-01	B	503 57 86-01	P	505 30 36-61	B	537 07 95-01	A
501 62 93-08	M	503 57 87-01	P	505 31 64-58	P	537 08 62-01	D
501 63 06-01	N	503 57 89-01	H,J	505 31 65-50	P	537 08 67-01	N
501 67 35-01	M	503 60 04-01	J	537 00 03-71	J	537 08 92-01	H
501 68 89-01	Q	503 62 12-01	Q	537 00 07-01	C	537 09 54-01	H
501 79 51-02	M	503 62 49-01	B	537 00 07-02	C	537 10 64-01	B
501 81 74-01	D,E	503 62 61-02	M	537 00 09-01	C	537 10 82-01	P
501 81 96-02	H,J	503 64 47-01	B	537 00 10-01	C	537 10 83-01	P
501 81 99-01	M	503 65 27-01	P	537 00 12-01	H	537 11 14-01	G
501 82 17-01	P	503 66 19-01	P	537 00 13-01	N	537 13 00-01	P
501 82 18-01	P	503 67 86-01	H	537 00 14-01	H	537 13 33-01	M
501 87 31-01	J	503 68 41-01	G	537 00 37-01	G	537 13 72-01	C
501 87 53-04	A	503 68 45-03	M	537 00 38-71	N	537 13 79-71	B
501 91 14-01	Q	503 70 11-01	G	537 00 39-71	N	537 13 79-72	B
502 01 22-01	P	503 70 99-01	A	537 00 57-01	D	537 16 97-71	D
502 20 65-01	G	503 71 53-01	D	537 00 79-01	H	537 16 98-71	D
502 20 65-05	G	503 71 76-01	J	537 00 87-01	A	720 12 40-20	J
502 20 83-02	G	503 71 82-01	M	537 00 88-01	J	720 12 72-20	J
503 08 52-01	M	503 71 82-02	M	537 00 91-01	G	724 12 87-59	F
503 13 96-01	Q	503 71 97-01	A	537 00 93-01	G	724 32 24-05	M
503 20 02-12	A,H	503 73 44-01	H	537 01 37-71	H	725 52 91-55	M
503 20 02-16	F,H	503 73 64-01	J	537 01 47-01	G	725 53 09-55	G
503 20 02-20	M	503 74 01-02	C	537 01 47-02	G	725 53 29-56	B
503 20 02-30	H	503 74 93-01	H	537 01 47-03	G	725 53 33-55	D
503 20 06-08	F	503 75 11-03	A	537 01 55-01	M	725 53 70-55	F
503 20 16-35	H	503 75 18-01	H	537 01 65-01	C	731 23 14-01	G
503 20 25-12	A	503 75 22-01	A	537 01 67-01	A	737 44 13-00	D
503 20 34-19	N	503 75 24-01	B	537 01 68-01	A	738 22 03-25	E
503 20 44-26	C	503 75 61-04	B	537 01 69-01	A	740 48 07-02	A
503 21 05-20	K,L	503 76 29-02	A,F	537 01 71-01	H		
503 21 06-16	N	503 76 65-03	F	537 01 72-01	H		
503 21 28-06	M	503 77 43-01	B	537 01 74-01	A		
503 21 28-10	A,H,M	503 77 52-01	A	537 01 75-01	J		
503 21 70-16	Q	503 77 59-01	D	537 01 79-01	J		
503 21 88-20	J,M	503 77 98-01	P	537 02 44-01	H		
503 22 00-01	A	503 78 72-01	N	537 03 34-01	J		
503 22 10-11	M	503 79 27-01	A	537 03 34-01	J		
503 22 24-01	H	503 81 13-01	B	537 03 35-02	A		
503 23 00-04	B	503 81 30-01	B	537 03 35-72	A		
503 23 00-42	M	503 82 98-01	J	537 03 38-01	A		
503 23 00-63	A	503 83 81-02	A	537 03 73-01	L		
503 23 00-66	A	503 84 61-01	H	537 04 03-01	H		
503 23 43-02	N	503 85 96-01	N	537 04 04-01	N		
503 23 51-08	D	503 89 70-01	A	537 04 04-02	N		
503 25 12-01	E	503 89 76-01	M	537 04 05-01	M		
503 26 02-05	H	503 92 27-01	A	537 04 06-01	M		
503 26 14-01	E	503 95 90-01	F	537 04 13-01	P		
503 26 30-17	H,J	503 95 90-02	F	537 04 14-01	P		
503 27 21-01	B	503 95 90-03	F	537 04 15-01	P		
503 28 04-11	G,P	503 95 91-01	F	537 04 16-01	P		

1 = 537 03 39-01 Set of gaskets  
 2 = 501 49 48-02 Dichtungssatz  
 Jeu de joints  
 Juego de juntas  
 Packningssats

N = New part  
 Neues teil  
 Nouvelle piece  
 Nueva pieza  
 Ny detalj

EPA = Environmental Protection Agency  
 (for USA only)