

385

385 EPA

Spare parts

Replaces

Ersatzteile

Ersetzt

Pièces détachées

Remplace

Reserve onderdelen

Vervangt

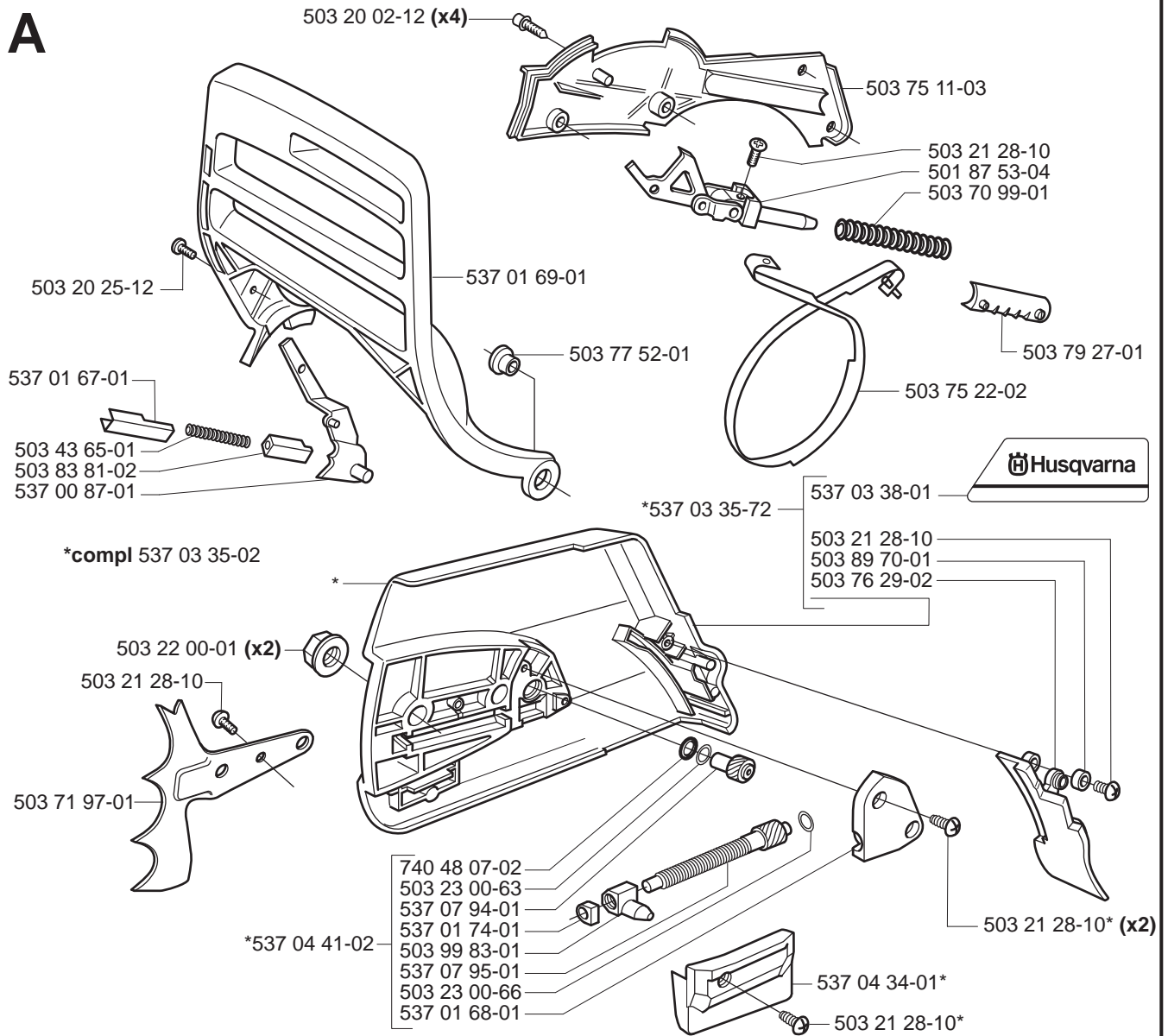
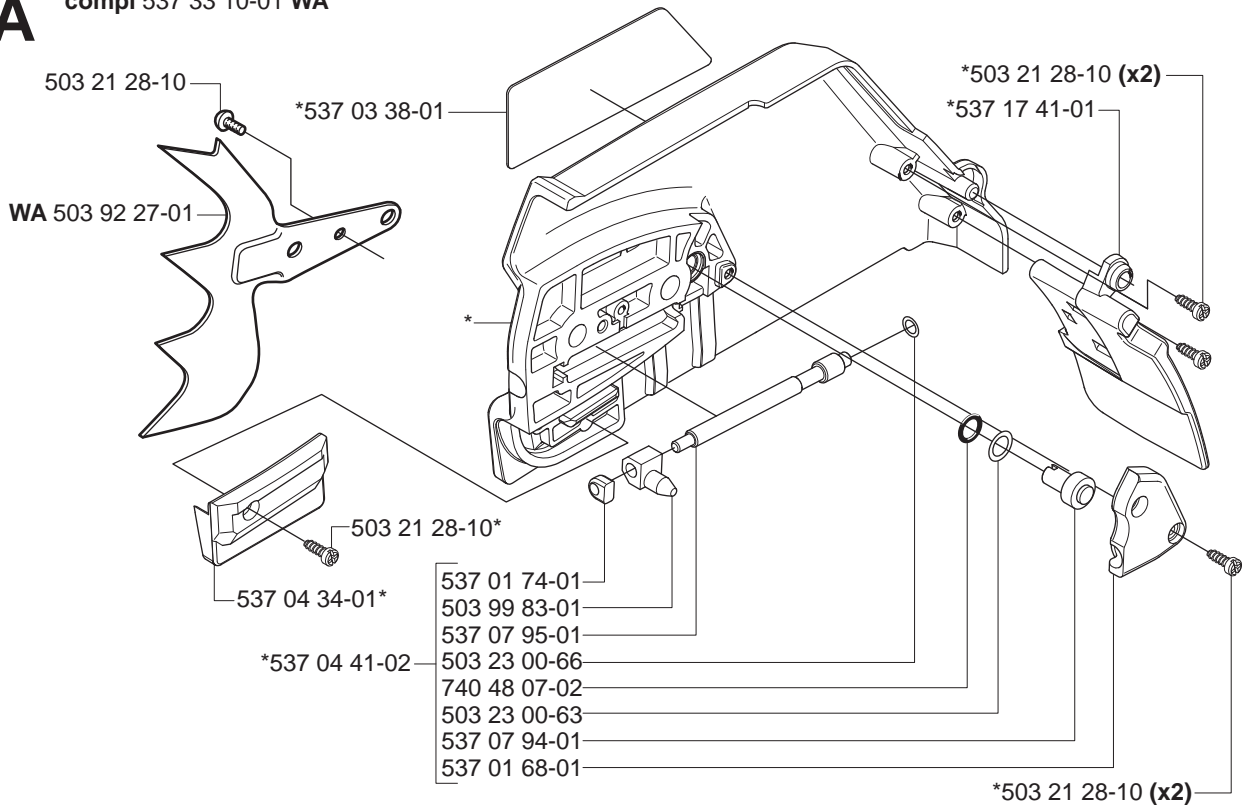
Repuestos

Reemplaza

Reservdelar

Ersätter

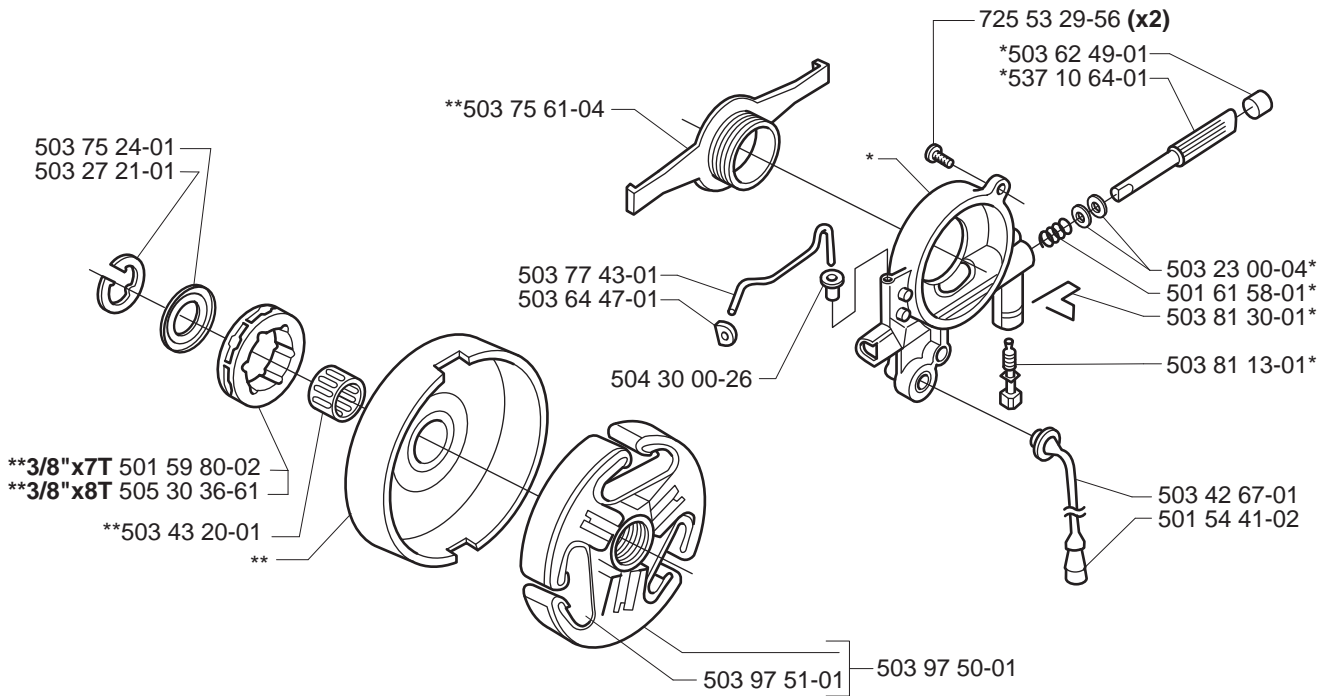
106 27 41-62

A**A*****compl 537 33 10-01 WA**

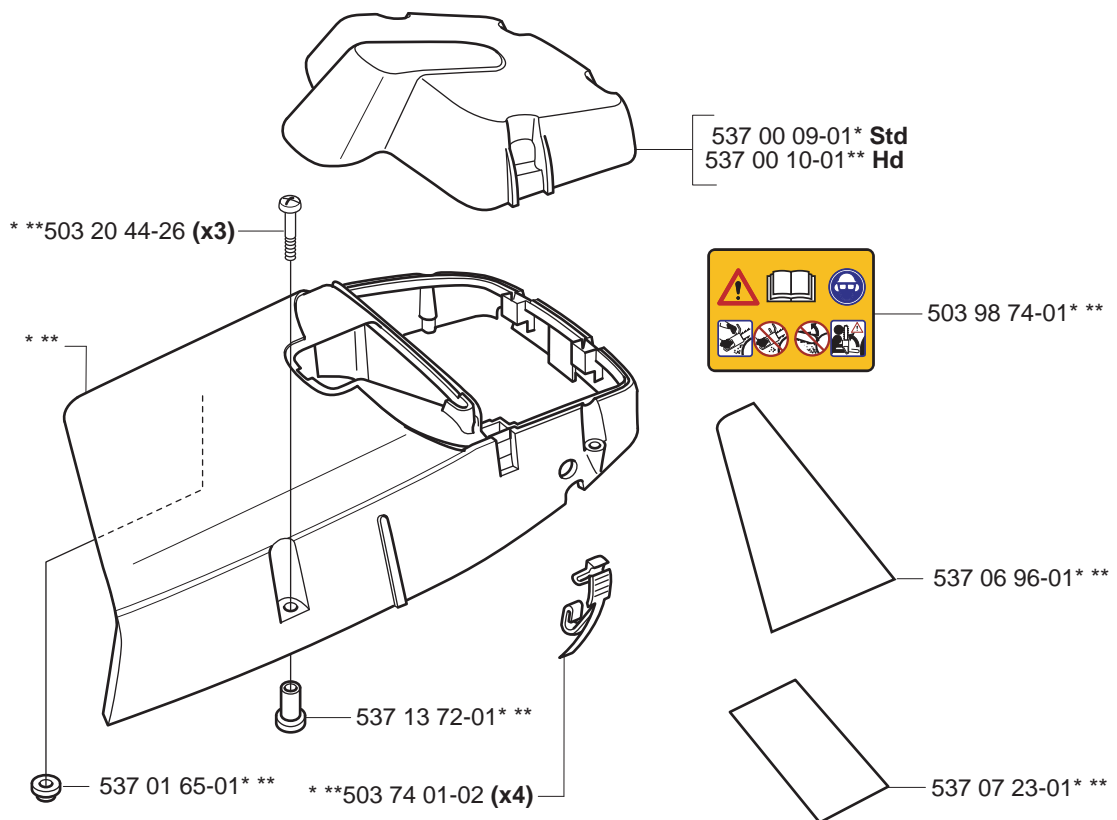
B

**compl 537 13 79-71 (3/8"x7T)
 **compl 537 13 79-72 (3/8"x8T)

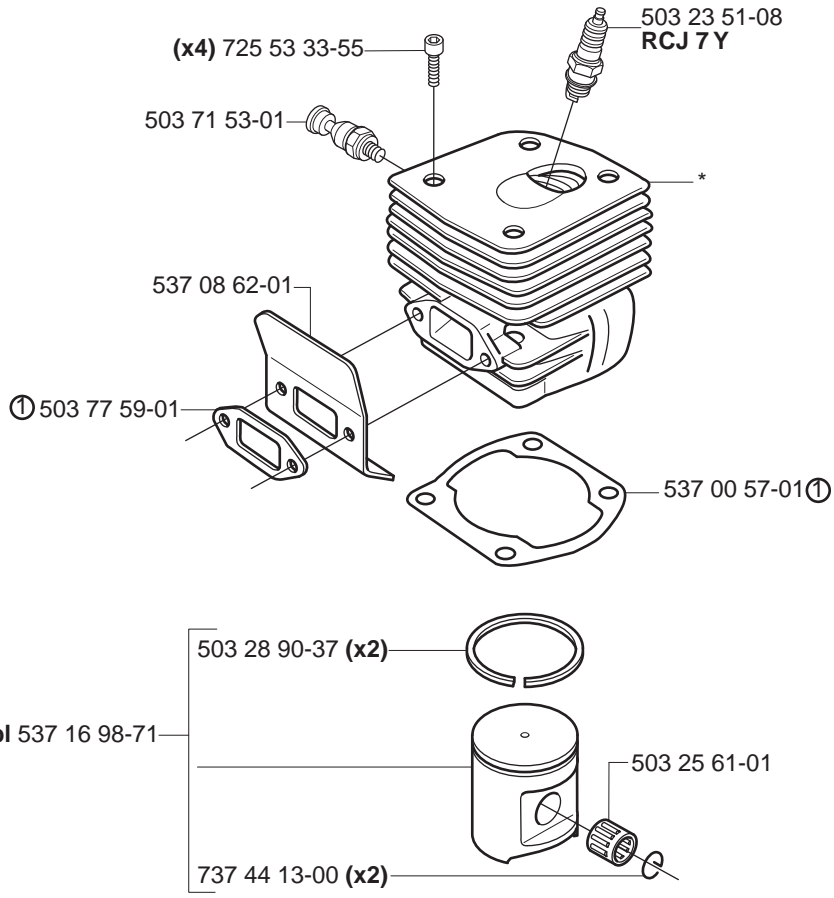
*compl 503 52 13-04

**C**

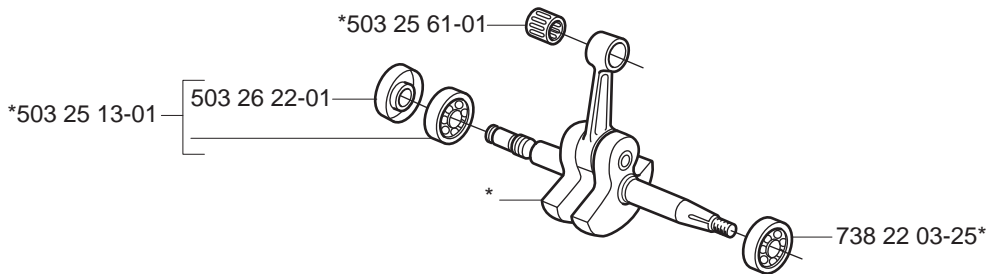
*compl 537 00 07-01 Std
 **compl 537 00 07-02 Hd



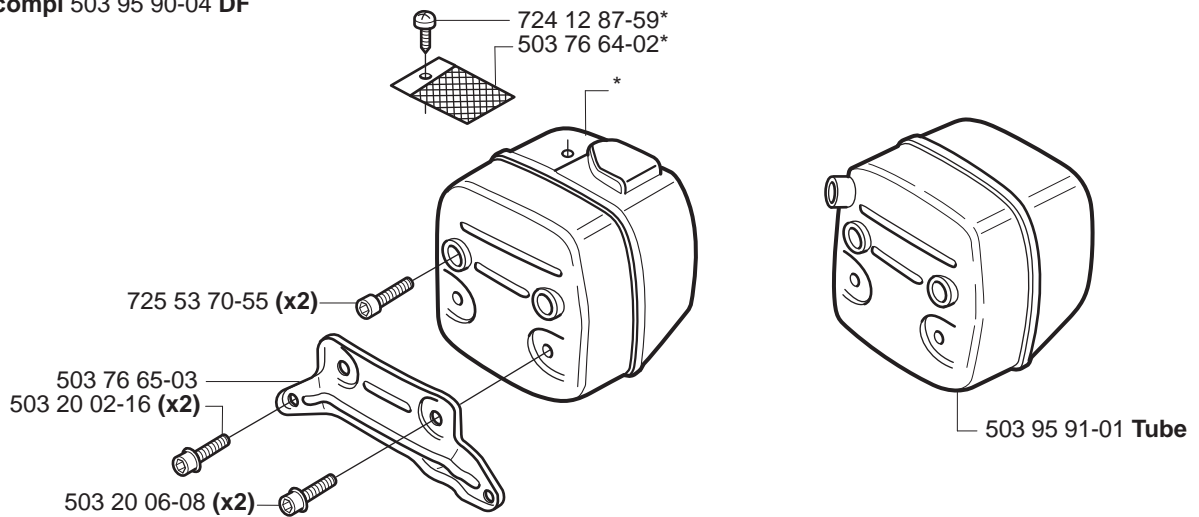
D *compl 537 16 97-71

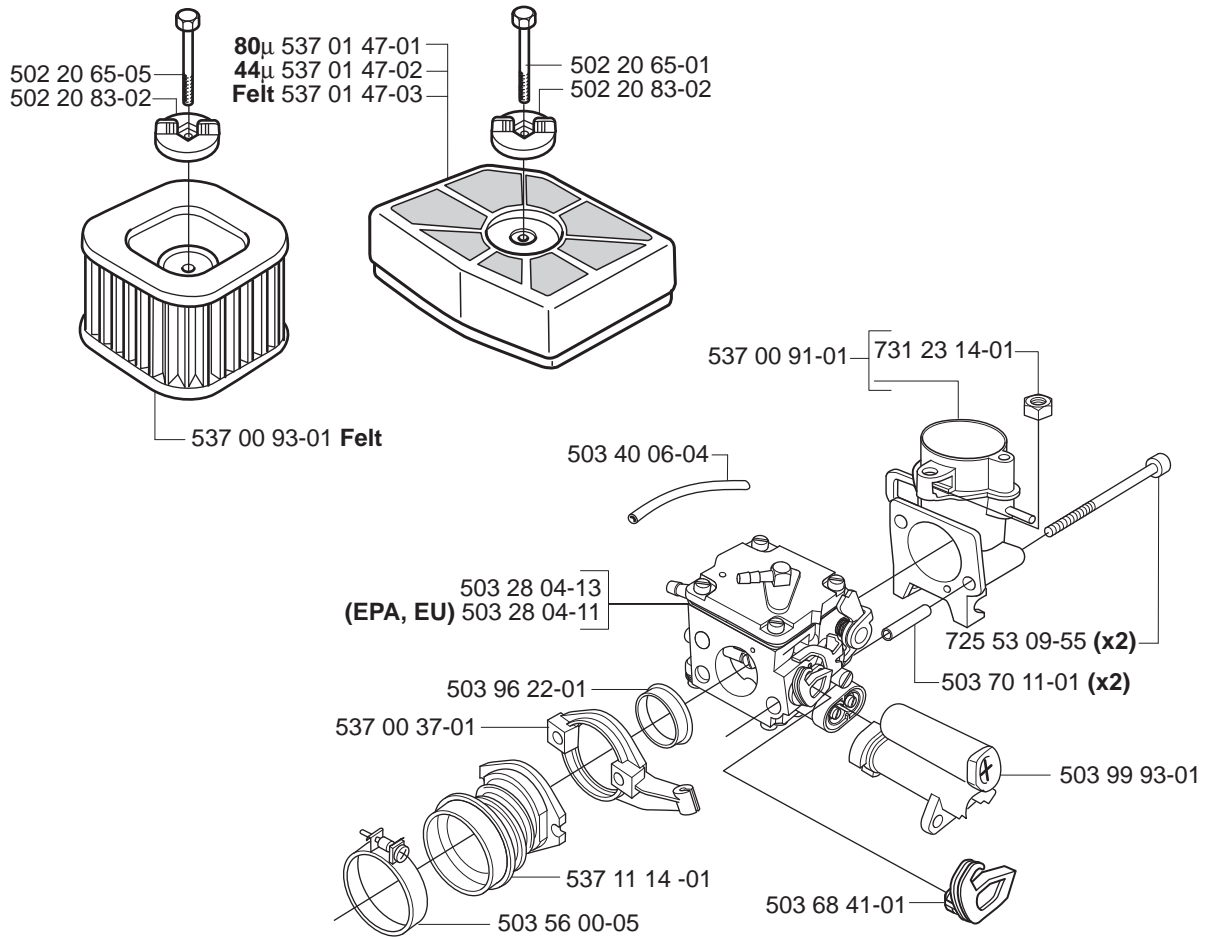


E *compl 503 99 34-04

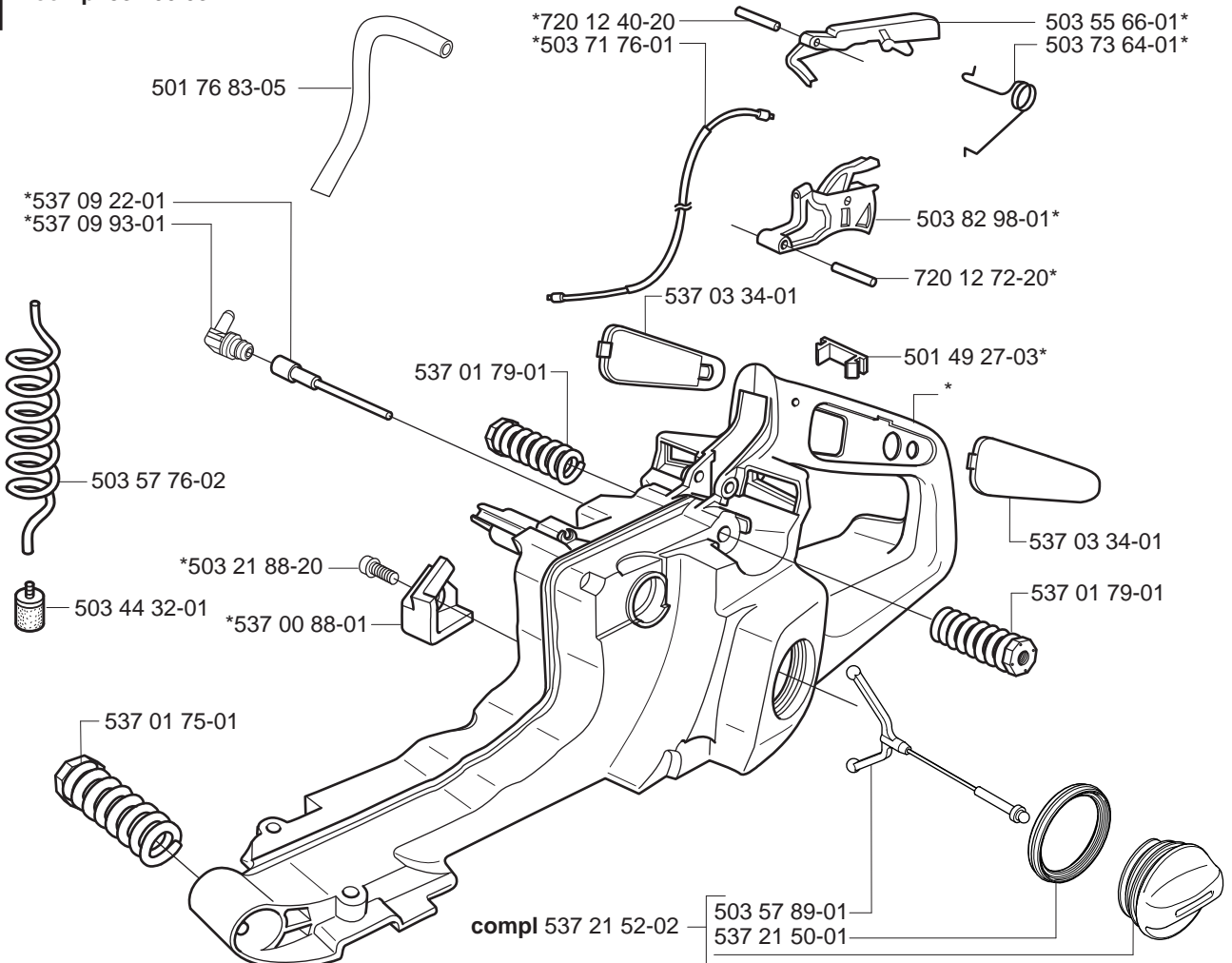


F compl 503 95 90-01 FG
compl 503 95 90-03 Jungle
*compl 503 95 90-04 DF



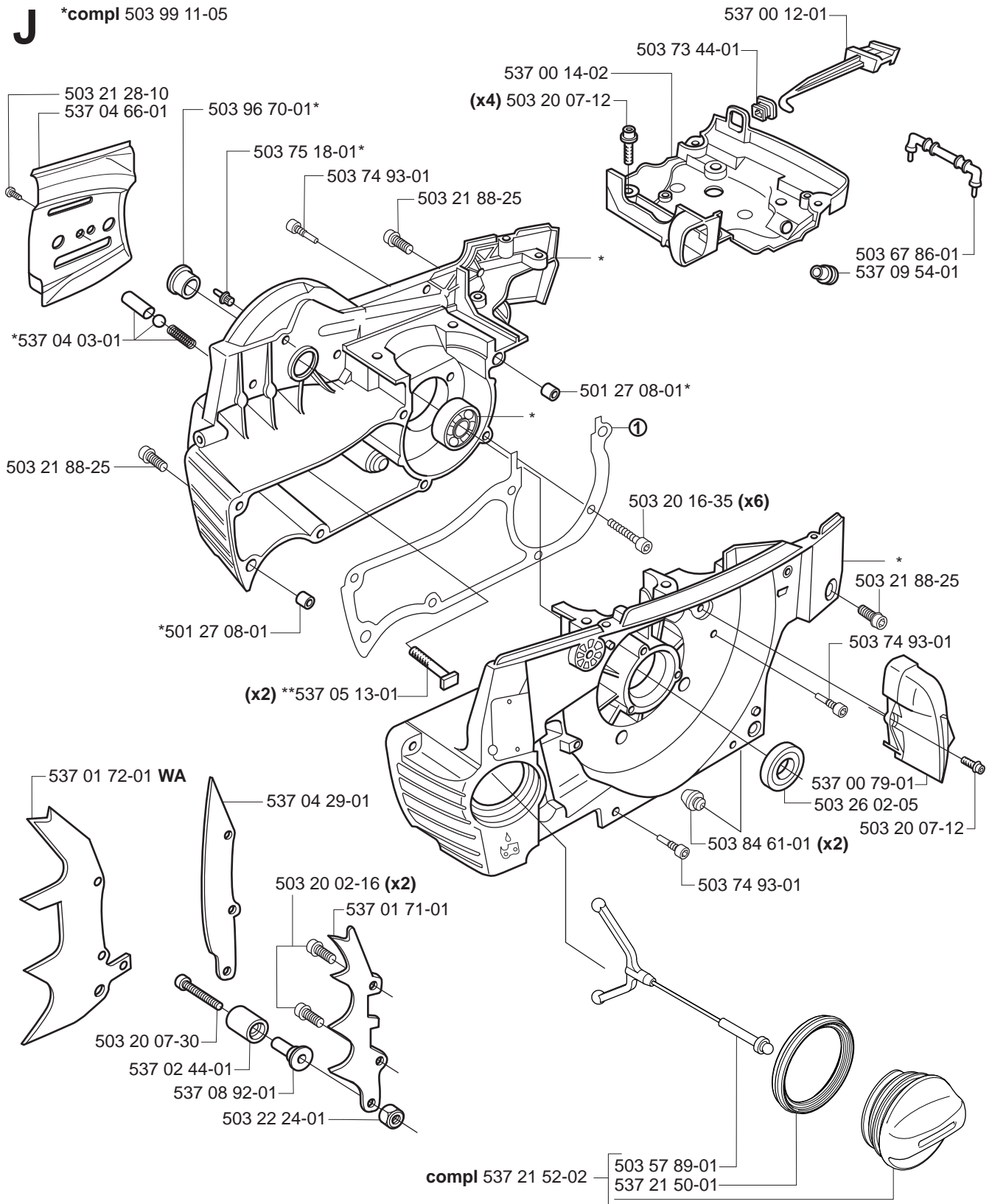
G**H**

*compl 537 00 03-71

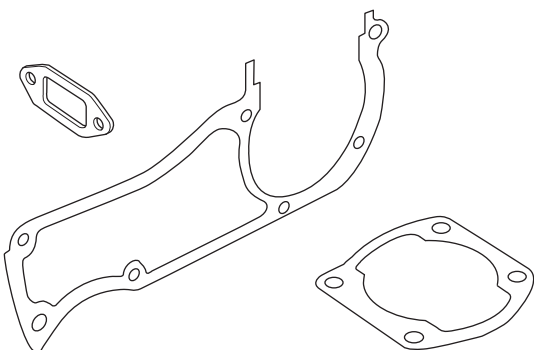


J

*compl 503 99 11-05

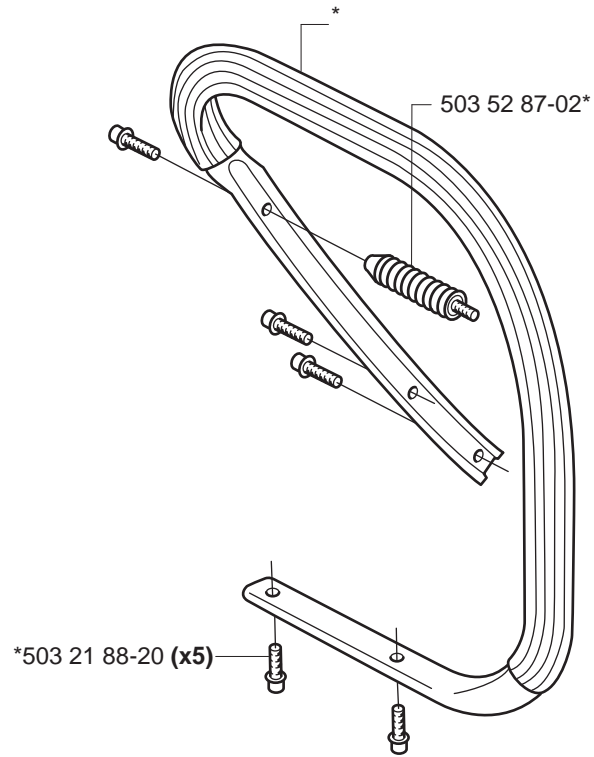


① 537 03 39-01
Packingsatz
Set of gaskets
Dichtungssatz
Jeu de joints
Juego de juntas

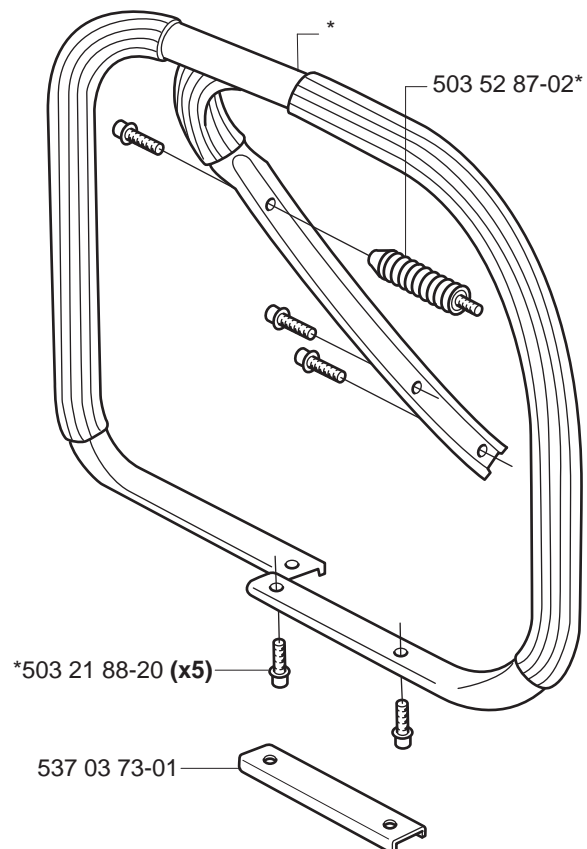


K

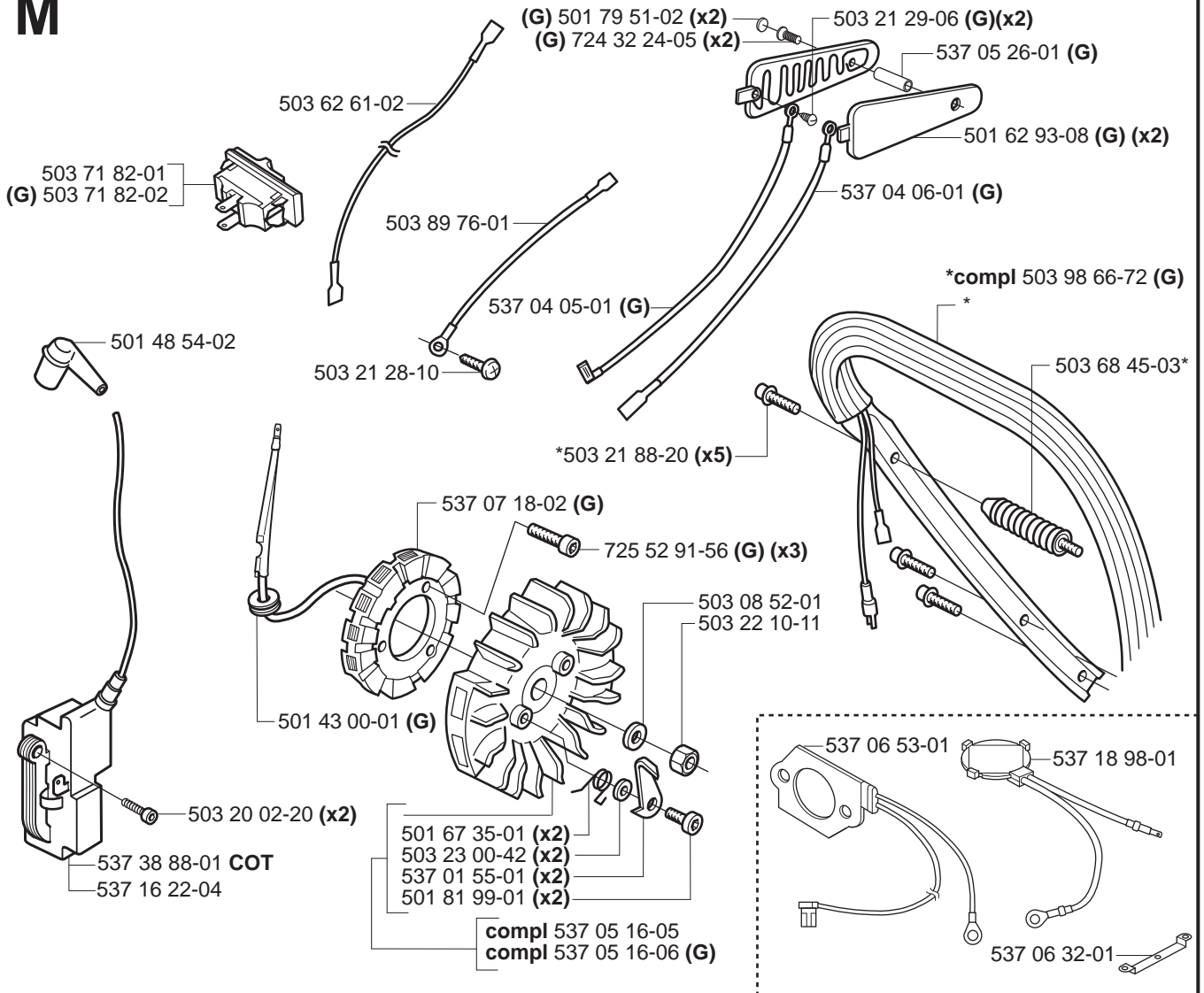
*compl 503 98 66-71
*compl 503 98 66-72 (G)

**L**

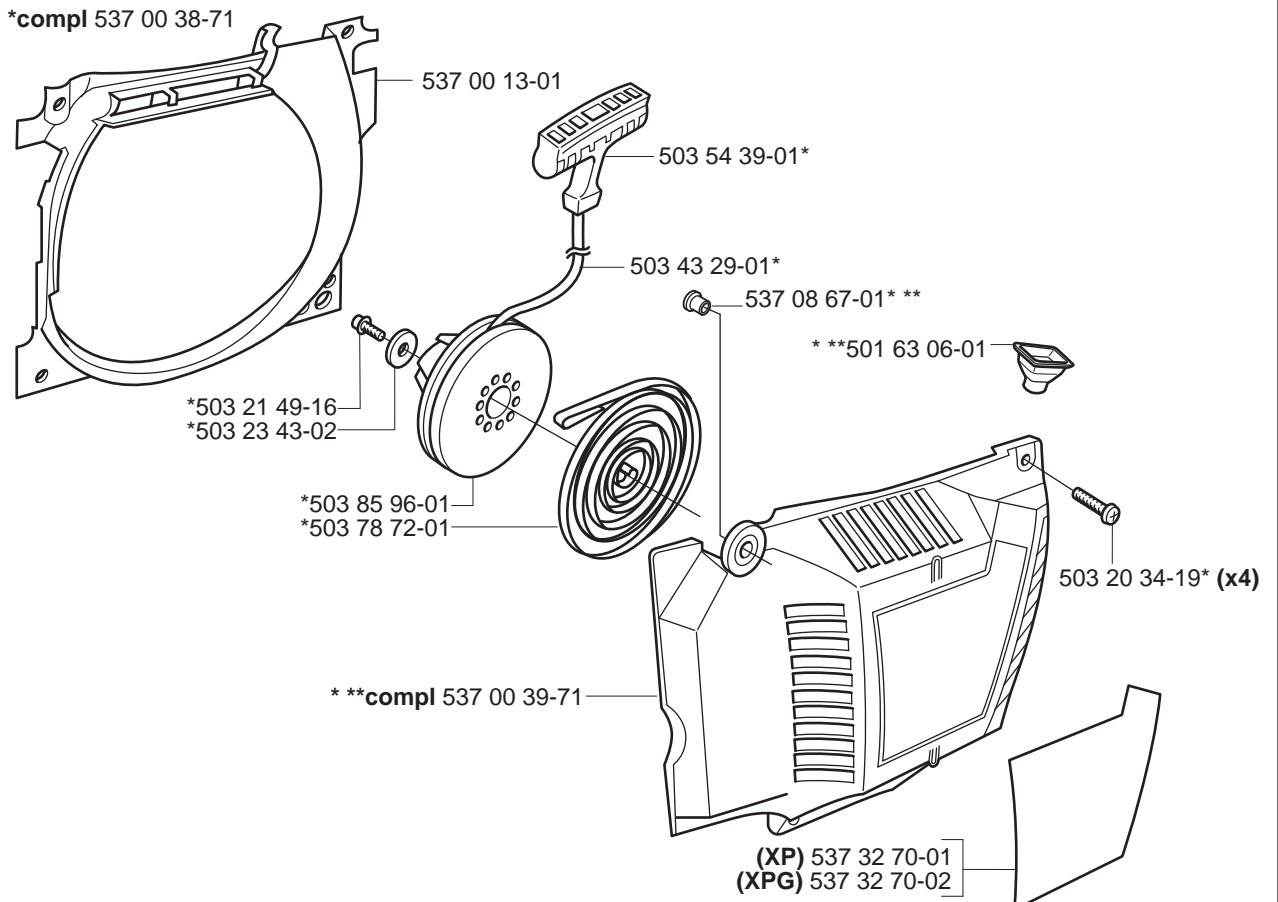
*compl 503 98 67-71 WA
*compl 503 98 67-02 WA (G)



M

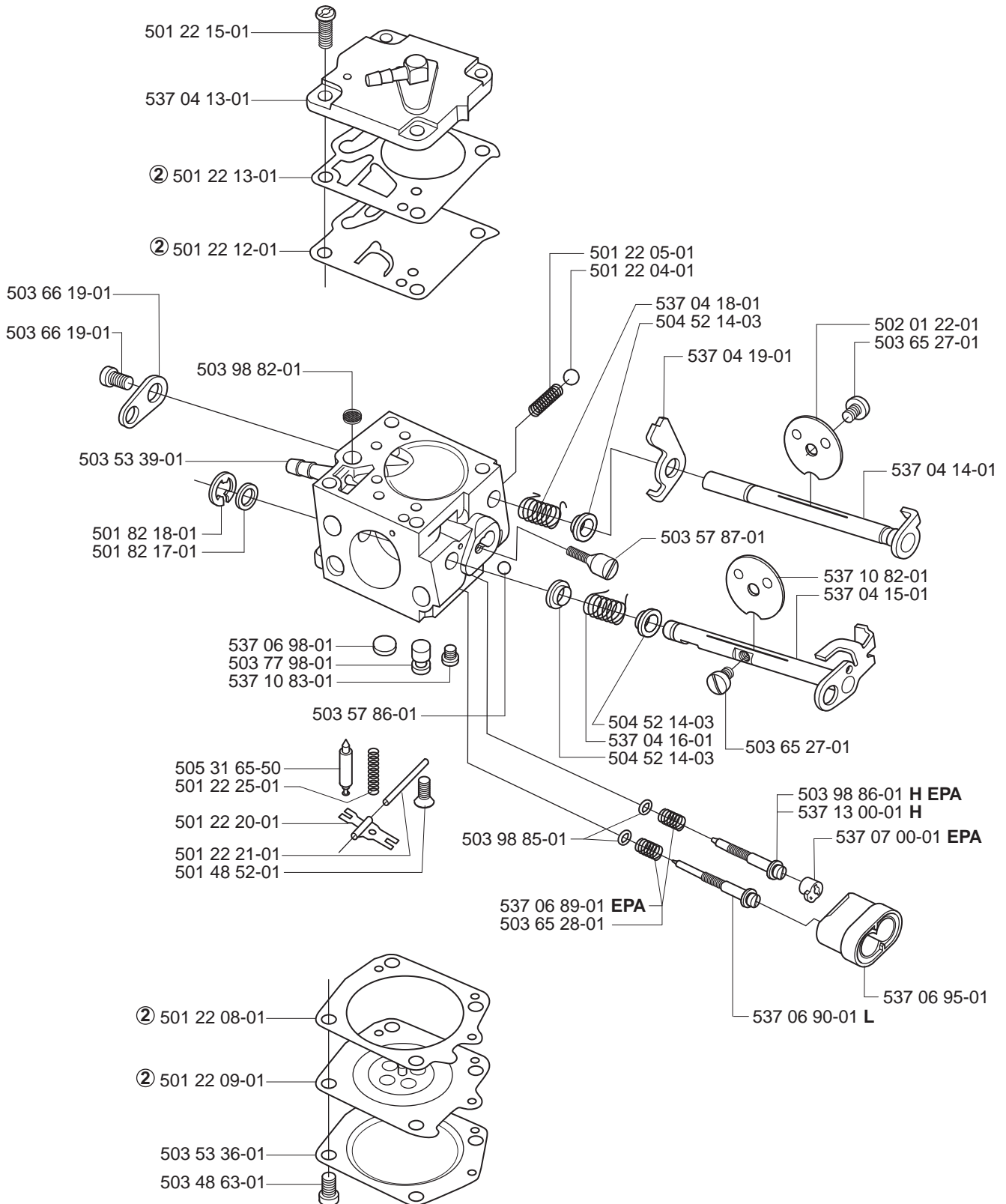


N



P compl 503 28 04-13
compl 503 28 04-11 EPA, EU

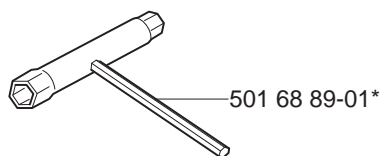
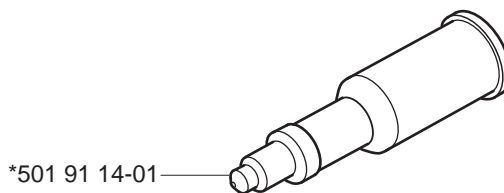
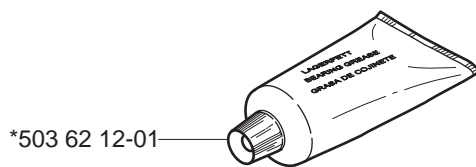
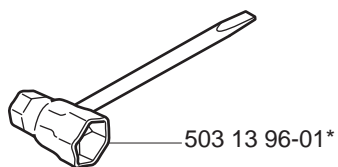
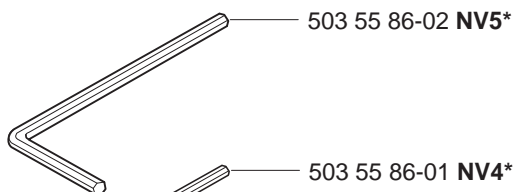
Tilotson HS 299A Tilotson HS 296A EPA



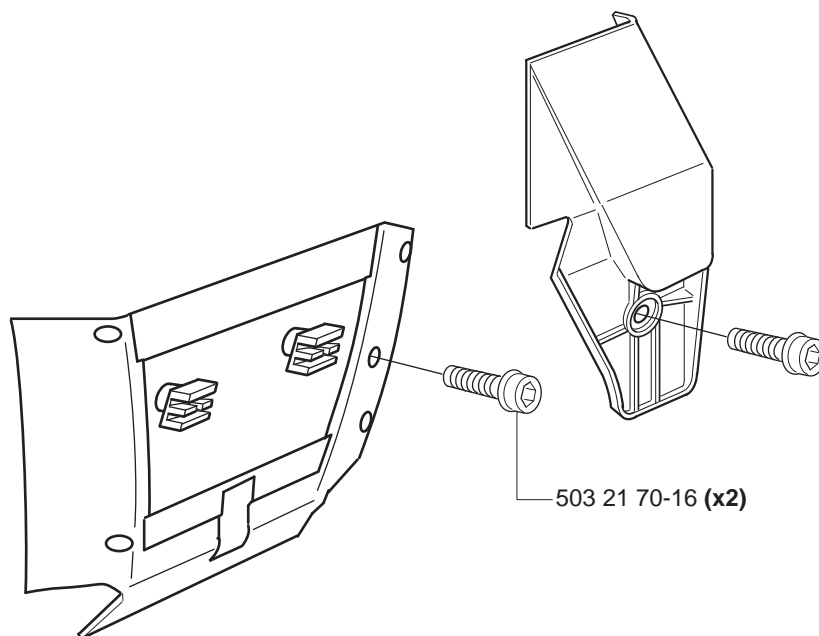
② 501 49 48-02
Packningssats
Set of gaskets
Dichtungssatz
Jeu de joints
Juego de juntas

Q Accessories
Zubehöre
Accessories
Accesorios
Tillbehör

*compl 503 55 85-02



Q WINTER KIT
compl 537 04 38-01



PART NUMBER	SQUARE	NOTE	PART NUMBER	SQUARE	NOTE	PART NUMBER	SQUARE	NOTE	PART NUMBER	SQUARE	NOTE
501 22 04-01	P		503 42 67-01	B		503 96 70-01	J		537 04 66-01	J	
501 22 05-01	P		503 43 20-01	B		503 97 50-01	B		537 05 13-01	J	
501 22 08-01	P	2	503 43 29-01	N		503 97 51-01	B		537 05 16-05	M	
501 22 09-01	P	2	503 43 65-01	A		503 98 66-71	K		537 05 16-06	M	
501 22 12-01	P	2	503 44 32-01	H		503 98 66-72	K M		537 05 26-01	M	
501 22 13-01	P	2	503 48 63-01	P		503 98 67-02	L		537 06 32-01	M	
501 22 15-01	P		503 52 13-04	B		503 98 67-71	L		537 06 53-01	M	
501 22 20-01	P		503 52 87-02	K L		503 98 74-01	C		537 06 89-01	P	
501 22 21-01	P		503 53 36-01	P		503 98 82-01	P		537 06 90-01	P	
501 22 25-01	P		503 54 39-01	P N		503 98 85-01	P		537 06 95-01	P	
501 27 08-01	J		503 55 66-01	H		503 98 86-01	P		537 06 96-01	C	
501 43 00-01	M		503 55 85-02	Q		503 99 11-05	J		537 06 98-01	P	
501 48 52-01	P		503 55 86-01	Q		503 99 34-04	E		537 07 00-01	P	
501 48 54-02	M		503 55 86-02	Q		503 99 83-01	A		537 07 18-02	M	
501 49 27-03	H		503 56 00-05	G		503 99 93-01	G		537 07 23-01	C	
501 49 48-02	P	compl 2	503 57 76-02	H		504 30 00-26	B		537 07 94-01	A	
501 54 41-02	B		503 57 86-01	P		504 52 14-03	P		537 07 94-01	A	
501 59 80-02	B		503 57 87-01	P		504 52 14-03	P		537 07 95-01	A	
501 61 58-01	B		503 57 89-01	H		505 30 36-61	B		537 08 62-01	D	
501 62 93-08	M		503 57 89-01	H J		505 31 65-50	P		537 08 67-01	N	
501 63 06-01	N		503 62 12-01	Q		537 00 07-01	C		537 08 92-01	J	
501 67 35-01	M		503 62 49-01	B		537 00 07-02	C		537 09 22-01	H	
501 68 89-01	Q		503 62 61-02	M		537 00 09-01	C		537 09 54-01	J	
501 76 83-05	H		503 64 47-01	B		537 00 10-01	C		537 09 93-01	H	
501 79 51-02	M		503 65 27-01	P		537 00 12-01	J		537 10 64-01	B	
501 81 99-01	M		503 65 28-01	P		537 00 13-01	N		537 10 82-01	P	
501 82 17-01	P		503 66 19-01	P		537 00 14-02	J		537 10 83-01	P	
501 82 18-01	P		503 67 86-01	J		537 00 37-01	G		537 11 14-01	G	
501 87 53-04	A		503 68 41-01	G		537 00 38-71	N		537 13 00-01	P	
501 91 14-01	Q		503 68 45-03	M		537 00 39-71	N		537 13 72-01	C	
502 01 22-01	P		503 70 11-01	G		537 00 57-01	D	1	537 13 79-71	B	
502 20 65-01	G		503 70 99-01	A		537 00 79-01	J		537 13 79-72	B	
502 20 65-05	G		503 71 53-01	D		537 00 87-01	A		537 16 22-04	M	
502 20 83-02	G		503 71 76-01	H		537 00 88-01	H		537 16 97-71	D	
503 08 52-01	M		503 71 82-01	M		537 00 91-01	G		537 16 98-71	D	
503 13 96-01	Q		503 71 82-02	M		537 00 93-01	G		537 17 41-01	A	
503 20 02-12	A		503 71 97-01	A		537 01 47-01	G		537 18 98-01	M	
503 20 02-16	F J		503 73 44-01	J		537 01 47-02	G		537 21 50-01	H J	
503 20 02-20	M		503 73 64-01	H		537 01 47-03	G		537 21 52-02	H J	
503 20 06-08	F		503 74 01-02	C		537 01 55-01	M		537 32 70-01	N	
503 20 07-12	J		503 74 93-01	J		537 01 65-01	C		537 32 70-02	N	
503 20 07-30	J		503 74 93-01	J		537 01 67-01	A		537 33 10-01	A	
503 20 16-35	J		503 75 11-03	A		537 01 68-01	A		537 38 88-01	M	
503 20 25-12	A		503 75 18-01	J		537 01 68-01	A		720 12 40-20	H	
503 20 34-19	N		503 75 22-02	A		537 01 69-01	A		720 12 72-20	H	
503 20 44-26	C		503 75 24-01	B		537 01 71-01	J		724 12 87-59	F	
503 21 28-10	A J M		503 75 61-04	B		537 01 72-01	J		724 32 24-05	M	
503 21 29-06	M		503 76 29-02	A		537 01 74-01	A		725 52 91-56	M	
503 21 49-16	N		503 76 64-02	F		537 01 75-01	H		725 53 09-55	G	
503 21 70-16	Q		503 76 65-03	F		537 01 79-01	H		725 53 29-56	B	
503 21 88-20	H K L M		503 77 43-01	B		537 02 44-01	J		725 53 33-55	D	
503 21 88-25	J		503 77 52-01	A		537 03 34-01	H		725 53 70-55	F	
503 22 00-01	A		503 77 59-01	D	1	537 03 35-02	A		731 23 14-01	G	
503 22 10-11	M		503 77 98-01	P		537 03 35-72	A		737 44 13-00	D	
503 22 24-01	J		503 78 72-01	N		537 03 38-01	A		738 22 03-25	E	
503 23 00-04	B		503 79 27-01	A		537 03 39-01	J	compl 1	740 48 07-02	A	
503 23 00-42	M		503 81 13-01	B		537 03 73-01	L				
503 23 00-63	A		503 81 30-01	B		537 04 03-01	J				
503 23 00-66	A		503 82 98-01	H		537 04 05-01	M				
503 23 43-02	N		503 83 81-02	A		537 04 06-01	M				
503 23 51-08	D		503 84 61-01	J		537 04 13-01	P				
503 25 13-01	E		503 85 96-01	N		537 04 14-01	P				
503 25 61-01	D E		503 89 70-01	A		537 04 15-01	P				
503 26 02-05	J		503 89 76-01	M		537 04 16-01	P				
503 26 22-01	E		503 92 27-01	A		537 04 18-01	P				
503 27 21-01	B		503 95 90-01	F		537 04 19-01	P				
503 28 04-11	G P		503 95 90-03	F		537 04 29-01	J				
503 28 04-13	G P		503 95 90-04	F		537 04 34-01	A				
503 28 90-37	D		503 95 91-01	F		537 04 38-01	Q				
503 40 06-04	G		503 96 22-01	G		537 04 41-02	A				

1 = 537 03 39-01
2 = 501 49 48-02

Set of gaskets, Dichtungssats,
Jeu de joints, Juego de juntas,
Packningssats

N = New part, Neues teil,
Nouvelle piece, Nueva pieza
Ny detalj

EPA = Environmental Protection Agency
(for USA only)