

# HYUNDAI



## H-CDM8073



**CD/MP3 RECEIVER**

**CD/MP3-РЕСИВЕР**

**Instruction manual**

**Руководство по эксплуатации**

# Table of contents

## Dear customer!

Thank you for purchasing our product. For safety, it is strongly recommended to read this manual carefully before connecting, operating and/or adjusting the product and keep the manual for reference in the future.

<b>Table of contents</b> .....	2	Band select .....	10
<b>Before you start</b> .....	3	Auto/Manual tuning .....	10
Utilization of the product .....	3	Programming tuner stations .....	11
Important safeguards .....	3	Auto store/preset scan .....	11
<b>Installation/Connection</b> .....	4	Mono/Stereo control .....	11
Installation .....	4	Local station search .....	11
General notes .....	4	RDS function .....	11
Din Front/Rear-Mount .....	4	AF (Alternative Frequencies) function ...	11
1. DIN front-mount (Method A) .....	4	TA (Traffic Alarm) function .....	11
Dismantling the unit .....	4	PTY (Program Type) .....	11
Trim frame installation .....	5	Other parameter setting .....	12
2. DIN rear-mount (Method B) .....	5	Disc operations .....	12
Detachable control panel .....	5	Insert/Eject disc .....	12
Anti-theft system .....	5	MP3 track search .....	12
Connection .....	6	Fast forward/rewind .....	13
Connection diagram .....	6	Play/pause .....	13
Using the ISO Connector .....	6	Scanning tracks .....	13
<b>Operation</b> .....	7	Repeat .....	13
Control elements .....	7	Random playback .....	13
Front panel .....	7	Multi-session disc reading .....	13
Inner panel .....	7	ID3-tags .....	13
Remote controller .....	8	USB/SD/MMC operation .....	13
Changing battery .....	8	USB/SD/MMC notes .....	13
LCD layout .....	9	Inserting SD/MMC card/USB device ...	13
General operations .....	9	<b>General information</b> .....	14
Turning on/off .....	9	Handling compact discs .....	14
Mode selection .....	9	Cleaning discs .....	14
Volume control .....	9	Cleaning the unit body .....	14
Mute function .....	9	Accessories .....	14
Audio parameter setting .....	9	Troubleshooting guide .....	15
Beep .....	10	Specification .....	16
EQ modes .....	10		
Loudness .....	10		
Color .....	10		
Clock setting .....	10		
AUX in jack .....	10		
Radio operations .....	10		

## Utilization of the product

If you want to dispose this product, do not mix it with general household waste. There is a separate collection system for used electronic products in accordance with legislation that requires proper treatment, recovery and recycling.

Please contact your local authorities for the correct method of disposal. By doing so, you will ensure that your disposed product undergoes the necessary treatment, recovery and recycling and thus prevent potential negative effects on the environment and human health.

## Important safeguards

- Read carefully through the manual to familiarize yourself with this unit.
- Keep this manual handy as a reference for operating procedures and precautions. Do not allow persons who have not read through this manual to use this unit.
- “CLASS 1 LASER PRODUCT”  
This product contains a laser diode of higher class than 1. Laser beams from the optical pickup are dangerous to the eyes. To ensure continued safety, do not remove any covers or attempt to gain access to the inside of the product. Refer all servicing to qualified personnel.
- Do not allow this unit to come into contact with liquids. Electrical shock could result. Also, damage to this unit, smoke, and overheating could result from contact with liquids or dust. Protect this unit from moisture.
- Make sure that foreign objects do not get inside the unit; they may cause malfunctions, or create safety hazards such as electrical shock or laser beam exposure.
- The beginning of operation is the moment of the unit installation. Before use the device in winter it is recommended to heat up the passenger compartment during 20 seconds or to the operation temperature.
- Using the unit with the temperature that goes beyond the operation temperature greatly decreases the operation resource of the screen and other components of the unit and can

result in an outage.

- Disconnect the vehicle's negative battery terminal while mounting and connecting the unit.
- The unit is designed for negative terminal of the battery, which is connected to the vehicle metal. Please ensure it before installation.
- When replacing the fuse, be sure to use one with an identical amperage rating. Using a fuse with a higher amperage rating may cause serious damage to the unit.
- Do not allow the speaker wires to be shorted together when the unit is switched on. Otherwise it may overload or burn out the power amplifier.
- Make sure you disconnect the power supply and aerial if you will not be using the system for a long period or during a thunderstorm.
- Make sure you disconnect the power supply if the system appears to be working incorrectly, is making an unusual sound, has a strange smell, has smoke emitting from it or liquids have got inside it. Let a qualified technician check the system.
- Always keep the volume low enough so that you can hear sounds from outside the vehicle.
- Should this product fail to operate properly, contact your dealer or nearest service center.

# Installation/Connection

## Installation

### General notes

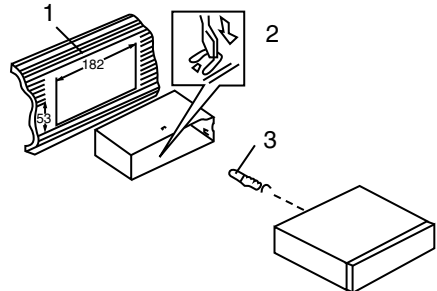
- Choose the mounting location where the unit will not interfere with the normal driving function of the driver.
- Before finally installing the unit, connect the wiring and make sure that the unit works properly.
- Consult with your nearest dealer if installation requires the drilling of holes or other modifications of the vehicle.
- Install the unit where it does not get in the driver's way and cannot injure the passenger if there is a sudden stop, like an emergency stop.
- If installation angle exceeds 30° from horizontal, the unit may not perform properly.
- Avoid installing the unit where it would be subject to high temperature, such as from direct sunlight, or from hot air, from the heater, or where it would be subject to dust, dirt or excessive vibration.

### Din Front/Rear-Mount

This unit can be properly installed either from 'Front' (conventional DIN Front-mount) or 'Rear' (DIN Rear-mount installation, utilizing threaded screw Holes at the sides of the unit chassis). For details, refer to the following illustrated installation methods.

#### 1. DIN front-mount (Method A)

1. Car dashboard
2. Sleeve
3. Screw
4. Nut (5 mm)
5. Spring washer
6. Screw (5 x 25 mm)
7. Metal strap
8. Flat washer



1. Install the sleeve into the dashboard; ensure it is installed with the correct side and there are no obstacles (wires, dashboard elements, etc) for the unit installation.

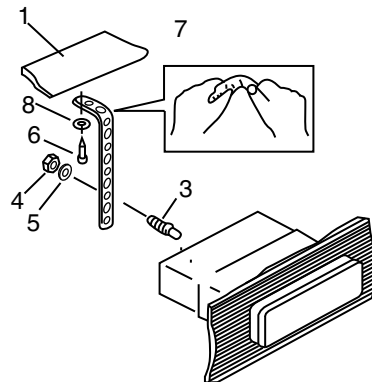
2. After installing the sleeve into the dashboard, bend tabs fitting to the size of the dashboard to fix the sleeve in place.

3. Use the metal strap to fix the rear side of the unit. Determine a place for fixing and install the strap as shown in the picture. You can bend the strap to the needed angle with your hands.

4. Make the necessary wire connections.

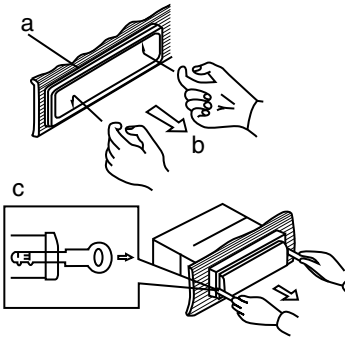
Ensure the connections are correct.

5. Install the unit into the sleeve until the side locks are fixed.



### Dismantling the unit

- a – Trim frame
- b – Frame uninstal direction
- c – Release key insertion



1. Switch off the unit and detach the front panel.

2. Insert your fingers into the groove in the front side of the trim frame (apply some effort to detach the frame). Pull the frame to detach it.

3. Insert the supplied release keys into the both sides of the unit body to click, as shown in the picture. To extract the unit from the dashboard, pull the release keys or the unit body to pull it out. Before detaching the unit, ensure it is not fixed with the metal strap.


## Trim frame installation

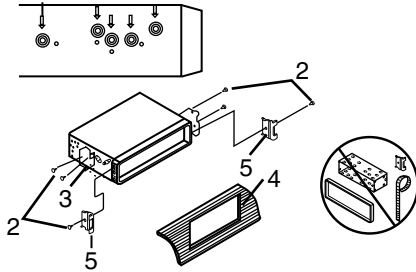
To install the trim frame, press it to the unit body and push it to fix it in place. This should be done before installing the front panel; otherwise you are not able to install the trim frame. When the trim frame being installed, the side with the groove should face down and fixed first.

## 2. DIN rear-mount (Method B)

For this method, use the screw holes in the lateral sides of the unit. Fix the unit with the help of the factory radio mounting brackets.

1. Select a position in which the screw holes of the brackets (3) are aligned with the screw holes in the unit body, and screw in two screws (2) in each side.
2. Screw.
3. Factory radio mounting brackets.
4. Vehicle dashboard.
5. Lock (remove this part).


 The outer trim frame and mounting sleeve are not used for method of installation.




## Detachable control panel

Install the fastening hole on the right side of the front panel on the right fastening of the unit. Then insert the left fastening on the panel into the fixing hole on the left part of the unit. Press on the upper right part of the panel until a click. Ensure that the panel is properly fixed, otherwise error symbols may be displayed and some buttons may not function.

To detach the front panel, press OPEN button, then distract the left side of the panel from the fastening of the unit.

 The control panel can easily be damaged by shocks. After removing it, place it in a protective case and be careful not to drop it or subject it to strong shocks. The rear connector that connects the main unit and the control panel is an extremely important part. Be careful not to damage it by pressing on it with fingernails, pens, screwdrivers, etc.

 If the control panel is dirty, wipe off the dirt with soft, dry cloth only. And use a cotton swab soaked in isopropyl alcohol to clean the socket on the back of the control panel.

## Anti-theft system

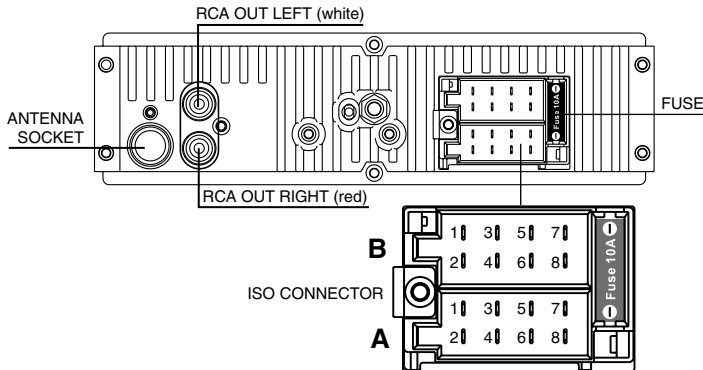
The front panel of this unit can be stored in the included protective case when not in used and carried away when you leave the vehicle to deter theft.

Switch off the power of the unit. Detach the front panel, then put it to the protective case and take it with you.

# Installation/Connection

## Connection

### Connection diagram



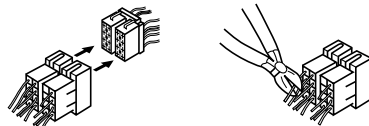
### Using the ISO Connector

Location	Function	
	Connector A	Connector B
1	-	Rear Right(+)--Blue
2	-	Rear Right(-)--Blue/White Stripe
3	-	Front Right(+)--Grey
4	Battery 12V (+)/yellow	Front Right(-)--Grey/White Stripe
5	Power Antenna/Orange	Front Left(+)--Green
6	Panel light/White	Front Left(-)--Green/White Stripe
7	ACC+/red	Rear Left(+)--Brown
8	Ground/black	Rear Left(-)--Brown/White Stripe

1. If your car is equipped with the ISO connector, then connect the ISO connectors as illustrated.

2. For connections without the ISO connectors, check the wiring in the vehicle carefully before connecting, incorrect connection may cause serious damage to this unit.

Cut the connector, connect the colored leads of the power cord to the car battery as shown in the colour code table above for speaker and power cable connections.

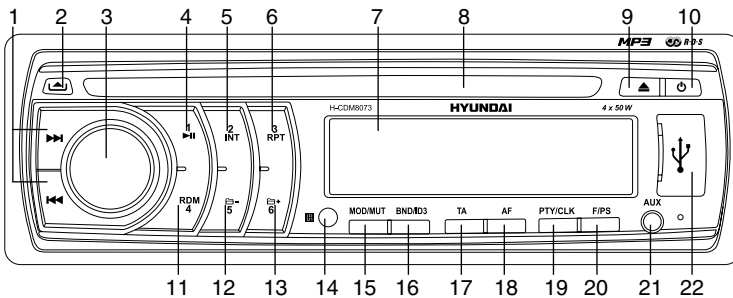


⚡ Panel light wire should be connected to "+" of the side parking lights wire. Power antenna wire is intended for power supply of the antenna and for remote control of an additional amplifier.

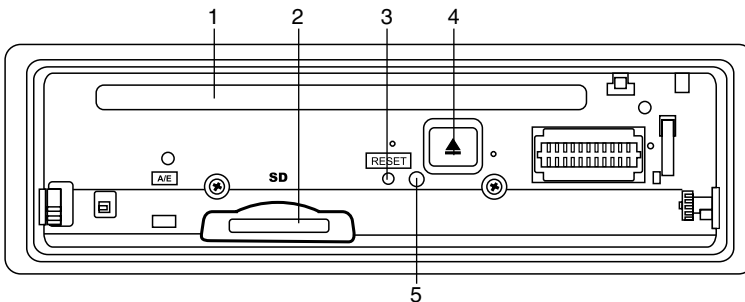
## Control elements

### Front panel

- |                                |                      |
|--------------------------------|----------------------|
| 1. ◀▶ buttons                  | 12. 5/FOLDER- button |
| 2. OPEN button                 | 13. 6/FOLDER+ button |
| 3. VOLUME regulator/SEL button | 14. IR sensor        |
| 4. 1/▶II button                | 15. MOD/MUT button   |
| 5. 2/INT button                | 16. BND/ID3 button   |
| 6. 3/RPT button                | 17. TA button        |
| 7. Display                     | 18. AF button        |
| 8. Disc slot                   | 19. PTY/CLK button   |
| 9. EJECT button                | 20. F/PS button      |
| 10. POWER button               | 21. AUX in jack      |
| 11. 4/RDM button               | 22. USB port         |



### Inner panel



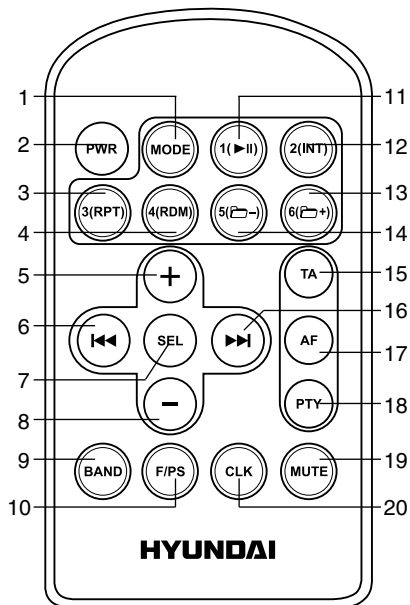
1. Disc slot
2. SD/MMC card slot
3. RESET button (hole)
4. EJECT button
5. Panel status indicator

 Pressing RESET hole will erase the clock setting and stored stations.

Panel status indicator lights up when you slide the panel down, flashes when you remove the panel.

# Operation

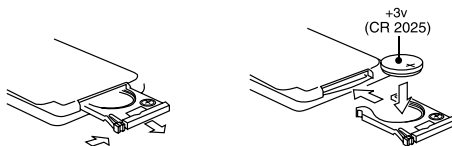
## Remote controller



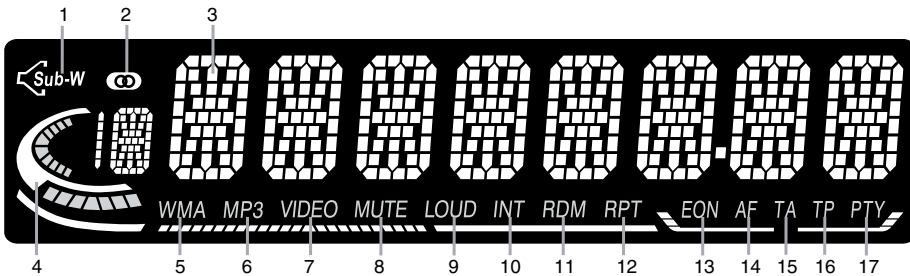
1. MODE button
2. PWR button
3. 3/RPT button
4. 4/RDM button
5. VOL+ button
6. <<< button
7. SEL button
8. VOL- button
9. BAND button
10. F/PS button
11. 1▶|| button
12. 2/INT button
13. 6▶+ button
14. 5▶- button
15. TA button
16. >>> button
17. AF button
18. PTY button
19. MUTE button
20. CLK button

## Changing the battery

Press the catch and at the same time pull out the battery tray. Insert the 1 x lithium battery, type CR 2025 3V battery with the stamped (+) mark facing upward. Insert the battery tray into the remote control.



## LCD layout




1. Subwoofer indicator
2. Stereo signal reception indicator
3. Digit display (radio frequency, track name/number, etc.)
4. Disc playback
- 5.,6. Various format playback
7. Video playback indicator (not active)
8. Mute function indicator
9. Loudness function indicator
10. Intro playback indicator
11. Random playback indicator
12. Repeat playback indicator
13. EON function indicator
14. AF function indicator
15. TA function indicator
16. TP function indicator
17. PTY function indicator

## General operations


### Turning on/off

Press any button on the RC or on the unit (except OPEN and EJECT buttons) to switch the unit on. Press and hold POWER button on the unit or PWR button on the RC to turn the unit off.

 After the unit is off, volume level and radio current settings will be memorized, and when you turn the unit on it will resume the stored status you set.

### Mode selecting

Press repeatedly MOD/MUT button on the panel or MODE button on the RC to select between AUX, TUNER, S-CDP (disc), USB and SD/MMC modes.

 Disc, USB and memory card modes can be selected only if corresponding device is loaded into the unit.

### Volume control

The volume level can be adjusted at any time by rotating VOLUME regulator on the panel or pressing VOL+/- buttons on the RC.

### Mute function

Press and hold MOD/MUT button on the panel or press MUTE button on the RC to cancel the sound. Press it again or change the volume level to resume the sound.

### Audio parameter setting

Press SEL button to select bass, treble, balance or fader mode. The corresponding word appears on the display. Rotate VOLUME

# Operation

regulator on the panel or press VOL+/- buttons on the RC to adjust the selected parameter. Balance is to adjust the balance between the left and right speakers. Fader is to adjust the balance between the rear and front speakers. After you have reached your desired effect, leave the unit idle in order for the new setting to take effect.

## Beep

Press SEL button repeatedly until the display show BEEP ON; rotate VOLUME regulator on the panel or press VOL+/- buttons on the RC to toggle between BEEP ON (beep sound will be heard when buttons are pressed) and BEEP OFF, then leave the unit idle for the new setting to take effect.

## EQ modes

Press SEL button repeatedly until the display show EQ OFF. Rotate VOLUME regulator on the panel or press VOL+/- buttons on the RC to choose an equalizer effect: POP => ROCK => CLASS => FLAT => EQ OFF. After you have reached your desired effect, leave the unit idle in order for the new setting to take effect.

## Loudness

Press SEL button repeatedly until the display shows LOUD ON (LOUD OFF). Rotate VOLUME regulator on the panel or press VOL+/- buttons on the RC to select between LOUD ON/LOUD OFF. LOUD function is to emphasize the bass output; the word LOUD ON indicates that the LOUD mode is on.

## Color

Press repeatedly SEL button to select COLOR1 (COLOR2). Rotate VOLUME regulator on the panel or press VOL+/- buttons on the RC to select between COLOR1 (red panel backlight) or COLOR2 (green color backlight).

## Clock setting

The clock can be set anytime when the

power is on. Press PTY/CLK button (in radio mode - press and hold the button) and then press and hold the button for 2 seconds, the time indication will blink on the display. Rotate VOLUME regulator on the panel or press VOL+/- buttons on the RC to adjust hours. Press SEL button to go to minute setting. Rotate VOLUME regulator on the panel or press VOL+/- buttons on the RC to adjust minutes. Press PTY/CLK button on the panel or CLK button on the RC again or leave the unit idle for the new setting to take effect.

Press PTY/CLK button on the panel or CLK button on the RC (in radio mode press and hold the button) to view the time display.

## AUX in jack

AUX-in jack is intended for connecting an external audio or video equipment to amplify the sound. If connection is made correctly, the audio signal from the external source will be translated through the acoustics of the head unit. This enables to adjust the volume and quality of the sounding. For example, you can connect an MP3-player to listen to tracks using the car acoustic system.

## Radio operations

### Band select

Press BND/ID3 button on the panel or BAND button on the RC repeatedly to select your desired radio band during Radio mode: FM1, FM2, FM3, AM1 (MW1), AM2 (MW2). In each set of the bands you can store up to 6 preset stations, making total 30 preset memory stations.

### Auto/Manual tuning

Press and hold ◀▶▶▶ buttons to display MANU TUNE. Now you can press these buttons repeatedly to adjust the needed frequency manually.

To adjust the needed frequency automatically, press ◀▶▶▶ buttons. The radio

will seek to the next down or up strong and clear frequency station. Repeat this action to seek for other desired stations.

## Programming tuner stations

There are six numbered preset buttons on the panel and RC, under which you can store and recall stations for each band. Select the needed station, then press and hold a preset button. The station will be saved in the memory under the corresponding number. To recall a stored station, press the corresponding preset button.

## Automatic store/preset scan

### Automatic store

Press and hold F/PS button. The radio will automatically store the 6 strongest available stations to the 6 preset memories of the 3 FM or 2 MW bands (depending on which is current). To stop auto store, press this button again.

### Preset scan

Press F/PS button, the receiver will scan the saved stations in the current band.

## Mono/Stereo control (in FM radio mode)

Press SEL button until the display shows STEREO (MONO). Turn VOLUME regulator on the panel or press VOL+/- buttons on the RC to switch between stereo reception or mono reception. Improvement of reception of distant stations can be done by selecting mono mode, which may cut down some reception noise.

## Local radio station search

Press SEL button to choose LOCAL (DX). When the LOCAL function is on, the local stations (stations with weak radio signal) can be played. When the DX function is on both local and distant stations (stations with strong radio signal) can be played.

## RDS function

RDS (Radio Data System) service availability varies with areas. Please understand if RDS service is not available in you area, the following service is not available, either.

## AF (Alternative frequencies) function

Press AF button to turn the AF function on or off.

When radio signal strength is poor, enabling AF function will allow the unit to automatically search another station with the same PI (Program Identification) as current station but with a stronger signal, so that you do not have to retune the stations when driving between different transmitter coverage areas. When AF symbol is on, it means RDS information is received; when AF symbol is flashing, it means RDS information is not received.

PS (Program Service name): the name of station will be display instead of frequency.

If RDS service is not available in your area, turn off the AF mode. Default setting is ON.

## TA (Traffic Alarm) function

Press TA button to turn TA function on or off.

In TA mode traffic program will be auto searched, until the program is received. When traffic announcement is received the unit will temporarily switch to the tuner mode (regardless of the current mode) and begin broadcasting the announcement. After the traffic announcement is over, it will return to the previous mode and volume level. To interrupt traffic announcement press TA button shortly; it will not switch off the TA mode.

## PTY (Program Type)

This radio will allow you to select the type of program required, and will search for a station broadcasting that type of program.

Press PTY/CLK button on the panel or PTY button on the RC to show the music type. Then press 1 - 6 number buttons to choose different music programs available.

Press PTY/CLK button on the panel or PTY button on the RC twice to show the speech type program. Then press 1 - 6 number buttons to choose different speech programs. Each number button will show 3 different speech programs for you to choose (see table below).

# Operation

Button	Music group	Speech group
1	Pop, Rock	News, Affairs, Info
2	Easy, Light	Sport, Educate, Drama
3	Classics	Culture, Science, Varied
4	Jazz, Country	Weather, Finance, Children
5	Nation, Oldies	Social, Religion, Phone IN
6	Folk	Travel, Leisure, Document

When PTY is selected, the radio starts to search corresponding PTY information, and stops if the corresponding PTY information is detected. If no buttons are pressed within several seconds, previously selected PTY is searched. During 1 loop, if desired PTY is not found, the unit will return to previous mode. Press PTY/CLK button on the panel or PTY button on the RC for the 3rd time to switch the PTY function off.

## Other parameter setting

To choose the corresponding parameter, press and hold SEL button for 2 seconds, then press it repeatedly until the display shows the needed parameter. Turn VOLUME regulator on the panel or press VOL+/- buttons on the RC to choose the needed value. After choosing, please leave the unit idle to activate.

### TA SEEK/TA ALARM

In TA SEEK mode, the unit will seek for traffic announcement program when TA button is pressed; in TA ALARM the unit does not return to TA information.

### MASK DPI/MASK ALL

During MASK DPI mode, the unit will mask only the AF which has different PI, this is the default mode; during MASK ALL mode, the unit will mask the AF which has different PI and no

RDS signal with high field strength.

### RETUNE S/L - SHORT/LONG

"RETUNE" refers to the time period the unit allows for radio scan when reception is interrupted. "S" represents a long time period, and "L" represents a short time period.

## Disc operations

### Insert/Eject discs

Open the front panel. Insert a disc into the disc slot with label side up. The disc will be automatically loaded into the unit, even when it is off or in radio mode. For MP3 discs, MP3 symbol will be displayed as the disc is loaded. The first file in the root folder will be played.

Open the front panel, then press EJECT button to eject the disc from the slot. If the disc is not removed from the slot within several seconds, it will be automatically loaded into the slot again. When the disc is ejected and removed, the unit will automatically switch to radio mode.

### MP3 track search

You can make use of the following search modes to play your favorite MP3 tracks.

#### Ordinary search

Press ◀▶ buttons to go to the previous or next track. Press 5/FOLDER- and 6/FOLDER+ buttons on the panel or 5/◀- button and 6/▶+ button on the RC to advance to go to previous or next folder.


#### Track number search

Press F/PS button. TRK-SCH will be displayed. Rotate VOLUME regulator on the panel or press VOL+/- buttons on the RC to input the digit. As you input the number of the track, press and hold SEL button. The input track will be searched and played.

#### Folder search

Press F/PS button twice, NAVIGATE will show on the display. Rotate VOLUME regulator on the panel or press VOL+/- buttons on the RC to choose the desired folder name and

press SEL button to confirm and play the folder.

 It is recommended to record files in the root folder and do not use the complicated folder system to allow this type of search to function properly.

### Fast Forward/rewind

Press and hold **▶▶▶** button to fast forward. Press and hold **◀◀◀** button to fast reverse. When the needed point of the track is found, press **1▶||** button to resume normal playback of the track.

### Play/pause

Press **1▶||** button to pause the disc playback. Press this button again to resume playback.

### Scanning tracks

Press **2/INT** button to play the first 15 seconds of each track. Press this button again to resume playback.

### Repeat

Press **3/RPT** button to repeat the same track continuously. Press this button again to stop repeating.

### Random playback


Press **4/RDM** button to play all the tracks in random order. Press the button again to stop random play.

### Multi-session disc reading

The unit can read multi-session CDs. Multi-session reading will be activated automatically if the player detects multi-session format.

### ID3-tags

If an MP3 file contains ID3 information in English or in Russian, such information will be displayed during the file playback. For display of various ID3-tag categories (folder/file/title/artist/album name) press **BND/ID3** button repeatedly.

 This unit may not support some version of ID3-tag information.

## USB/SD/MMC operation

### USB/SD/MMC notes

USB format supports 2.0. Capacity: up to 2 Gb. For correct and satisfactory operation, licensed SD/MMC memory cards of famous brands should be used with this unit. Avoid using memory cards of unknown brands. Capacity: up to 2 Gb.

### Inserting SD/MMC card/USB device

Insert an MMC/SD card or a USB device into MMC/SD slot (open the front panel first) or USB slot. Then the playing mode will be changed into Card or USB mode automatically. The first card/USB device track playback will start. If the unit was afterwards switched to another mode, select USB or memory card mode.

When MMC/SD card and USB device are both inserted into their compartment or socket, the playing mode will be changed into the mode of the later one.

All the operations with files stored in a memory card or USB are the same as described in Disc Operations.

# General information

## Handling compact discs

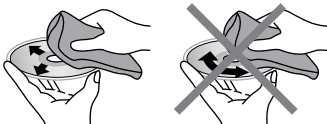
- Do not insert anything other than a CD into the CD loading slot.
- Do not use cracked, chipped, warped, or otherwise damaged discs as they may cause skipping or noise damage the player.
- Handle the disc only by the edges (as shown in the picture). To keep discs clean do not touch its surface.
- Store discs in their cases when not in use.
- Do not expose discs to direct sunlight, high humidity, high temperature or dust.
- Prolonged exposure to extreme temperature (such as leaving the discs in your car during summertime) can warp a disc.
- Do not attach labels, write on or apply chemicals to the surface of the discs.
- Do not touch the recorded surface of the discs.
- Use 12-cm CDs. Use only conventional, fully circular discs. Do not use shaped discs.



## Cleaning discs

Fingerprints should be carefully wiped from the surface of disc with a soft cloth. Unlike conventional records, compact discs have no grooves to collect dust and macroscopic dirt, so gently wiping them with a soft cloth should remove most particles. Wipe in a straight motion from the center to the edge.

Never use thinner benzine, record cleaner or anti static spray on a compact disc. Such chemicals can damage its plastic surface.



## Cleaning the unit body

Wipe with a soft cloth. If the cabinet is very dampen (not dropping wet) the cloth with a weak solution of soapy water, and then wipe clean.

## Accessories

1. Receiver ..... 1 pc
2. Front panel ..... 1 pc
3. Protective case ..... 1 pc
4. ISO connector ..... 1 pc
5. Mounting parts:
  - Nut 5 mm ..... 1 pc
  - Spring washer ..... 2 pcs
  - Plain washer ..... 2 pcs
  - Screw M5x25 mm ..... 1 pc
  - Screw ..... 1 pc
  - Metal strap ..... 1 pc
  - Release key ..... 2 pcs
  - Mounting collar ..... 1 pc
  - Trim frame ..... 1 pc
6. Instruction manual ..... 1 pc
7. Warranty card ..... 1 pc
8. Consumer information ..... 1 pc

## Troubleshooting

Below is a table describing simple measures that can help you eliminate most problems likely to emerge when this unit is in use. If below measures do not help, turn to a service center.

Symptom	Cause	Solution
No power	The car ignition is not on.	If the power supply is properly connected to the car accessory switch the ignition key to "ACC".
	The fuse is blown.	Replace the fuse.
No sound	Volume is in minimum.	Adjust volume to a desired level.
	Wiring is not properly connected.	Check wiring connection.
Bad sound quality	The installation angle is more than 30 degrees.	Adjust the installation angle to less than 30 degrees.
	The disc is extremely dirty or defective.	Clean the compact disc/try to play a new one.
Disc cannot be loaded or ejected	The unit already contains a disc.	Remove the disc in the player then put a new one.
	Moisture condensation.	Leave the unit idle for an hour, then retry.
Disc cannot be read	The disc is inserted upside down.	Insert the compact disc with the label side facing upward.
	Compact disc is extremely dirty or defective.	Clean the disc or try to play a new one.
	Temperature inside the car is too high.	Cool off until the ambient temperature returns to normal.
Buttons do not work	The built-in microcomputer is not operating properly.	Reset the unit with the help of RESET button.
	Front panel is not properly fix into its place.	Install the front panel properly.
The radio does not work	The antenna cable is not connected.	Insert the antenna cable properly.
The radio station automatic tuning does not work	The signals are too weak.	Select stations manually.

## General information

The display shows an error message (ERROR 1 – 11) one time.	Possible disc error.	Reset the unit by pressing RESET hole. Ensure the disc is inserted correctly into the slot. Clean or change the disc.
The display shows an error message (ERROR 1 – 11) repeatedly.	Unit operation error.	Turn to a service center.

## Specifications

### General

Power supply	12 V DC
Current consumption	max. 10 A
Maximum power output	4 x 50 W
Fuse	10A
Dimensions (L x W x H)/Weight	178 x 51 x 178 mm/1.5 kg
Temperature range	-20°C - +60°C
ESP	40 sec. for CD, 120 sec. for MP3
Mounting angle	0 - +/-30°

### FM stereo radio

Frequency range	87.5 - 108.0 MHz
Presettable stations	18
Stereo separation	35 dB (1 kHz)

### MW Section

Frequency range	522 kHz-1620 kHz
Presettable stations	12
Usable sensitivity	30 dB

### Disc player

Disc support	CD/CD-R/CD-RW/USB/SD/MMC
Format support	CDDA/MP3
Frequency characteristics	20-100 Hz ≤ 5 dB 10-20 kHz ≤ 5 dB
Signal to noise CD	50 dB (1kHz)
Line output	2 channel RCA line-out (2 V)

Specifications are subject to change without notice. Dimensions are approximate.

## Уважаемый покупатель!

Благодарим Вас за покупку нашего изделия. Чтобы понять, как правильно и безопасно пользоваться Вашей моделью изделия, рекомендуется тщательно изучить настоящее руководство перед подключением, регулировкой и эксплуатацией изделия. Сохраняйте руководство для использования в будущем.

<b>Содержание</b> .....	17	Вход AUX .....	28
<b>Перед началом эксплуатации</b> .....	18	Операции с радио .....	29
Утилизация изделия .....	18	Выбор диапазона радио .....	29
Меры предосторожности .....	18	Поиск радиостанций .....	29
<b>Установка/Подключение</b> .....	20	Сохранение настроенных станций .....	29
Установка .....	20	Автоматическое сохранение станций .....	29
Общая информация .....	20	Поиск локальных радиостанций .....	29
Установка устройства в приборную панель .....	20	Моно/стерео прием (для FM радио) .....	29
Установка в приборную панель (Метод А) .....	20	Сервис RDS .....	29
Установка декоративной рамки .....	21	Функция AF (альтернативные частоты) .....	29
Установка в приборную панель (Метод Б) .....	21	Функция TA (программы о дорожном движении) .....	30
Операции со съемной панелью .....	22	ФункцияPTY (тип программы) .....	30
Система против кражи .....	22	Дополнительные функции .....	30
Подключение .....	23	Воспроизведение дисков .....	31
Схема электрических соединений .....	23	Установка/извлечение диска .....	31
Использование разъема ISO .....	23	Поиск треков MP3 .....	31
<b>Управление устройством</b> .....	25	Перемотка вперед .....	32
Элементы управления .....	25	Воспроизведение/пауза .....	32
Передняя панель .....	25	Обзорное воспроизведение .....	32
Внутренняя панель .....	25	Повтор воспроизведения .....	32
Пульт дистанционного управления .....	26	Случайное воспроизведение .....	32
Замена батарей .....	26	Чтение мультисессионных дисков .....	32
Символы ЖК-дисплея .....	27	ID3-теги .....	32
Основные операции .....	27	Операции с USB-накопителями/картами памяти .....	32
Включение/выключение устройства .....	27	Примечания по USB/SD/MMC-разъемам .....	32
Выбор режима .....	27	Установка USB/SD/MMC-карты .....	33
Регулирование громкости .....	27	<b>Общая информация</b> .....	34
Отключение звука .....	27	Обращение с компакт-дисками .....	34
Настройка параметров аудио .....	28	Чистка дисков .....	34
Функция ВЕЕР .....	28	Чистка корпуса устройства .....	34
Тонкомпенсация .....	28	Комплект поставки .....	34
Функция эквалайзера (EQ) .....	28	Устранение неисправностей .....	35
Подсветка панели .....	28	Технические характеристики .....	36
Установка часов .....	28		

# Перед началом эксплуатации

## Утилизация изделия

Если вы желаете утилизировать данное изделие, не выбрасывайте его вместе с обычным бытовым мусором. Существует отдельная система сбора использованных электронных изделий в соответствии с законодательством, которая предполагает соответствующее обращение, возврат и переработку.

Обращайтесь в органы местного управления за инструкциями по правильной утилизации продукта. Тем самым Вы обеспечите утилизацию Вашего изделия с соблюдением обязательных процедур по обработке, утилизации и вторичной переработке и, таким образом, предотвратите потенциальное негативное воздействие на окружающую среду и здоровье людей.

## Меры предосторожности

- Внимательно изучите данное руководство, чтобы ознакомиться с устройством.
- Держите данное руководство под рукой в качестве справочника по правилам эксплуатации и мерам предосторожности. Не допускайте к использованию устройства посторонних лиц, не ознакомившихся и не усвоивших инструкции по эксплуатации.
- **ЛАЗЕРНЫЙ ПРОДУКТ КЛАССА 1**  
Данное устройство оснащено лазерным диодом класса выше 1. Лазерные лучи, исходящие из блока оптической головки считывания информации с компакт-диска, опасны для глаз. В целях обеспечения полной безопасности не снимайте какие-либо крышки и не пытайтесь проникнуть внутрь устройства. Ремонт должен выполняться только квалифицированным специалистом.
- Не допускайте попадания жидкости на устройство. Это может повлечь за собой поражение электрическим током. Кроме того, попадание жидкости или пыли в устройство может стать причиной его выхода из строя, перегрева и появления дыма. Оберегайте устройство от воздействия влаги.
- Убедитесь, что внутрь устройства не попали посторонние предметы. Они могут вызвать сбой в работе или стать причиной возгорания или поражения лазерным лучом.

- Началом эксплуатации устройства считается момент его установки в автомобиль. Перед началом использования устройства в зимний период рекомендуется прогреть салон автомобиля в течение 20 минут или до достижения эксплуатационного диапазона температуры устройства.
- Использование устройства при температуре, выходящей за рамки эксплуатационного диапазона температур, значительно снижает ресурс работы экрана и других компонентов устройства и может привести к выходу устройства из строя.
- При установке и подключении устройства отключите отрицательную клемму аккумулятора автомобиля.
- Устройство разработано таким образом, чтобы отрицательный вывод аккумулятора был подключен к корпусу транспортного средства. Пожалуйста, убедитесь в этом перед установкой.
- При замене предохранителя, убедитесь, что вы устанавливаете предохранитель с тем же номиналом. Используя предохранитель с повышенным значением тока, можно причинить значительные повреждения устройству.
- Не позволяйте проводам динамиков соприкасаться друг с другом или с корпусом автомобиля после включения устройства. В противном случае усилитель может быть перегружен или выйти из строя.

- Убедитесь, что источник питания и антенна отключены, если Вы не будете пользоваться устройством в течение длительного времени или во время грозы.
- Убедитесь, что источник питания отключен, если обнаружена неправильная работа устройства, устройство издает нехарактерные звуки, запах, выделяет дым или внутрь его попала жидкость. В этих случаях необходим квалифицированный технический осмотр устройства.
- Не устанавливайте уровень громкости, заглушающий внешние звуки дорожной обстановки и сигналы специального автотранспорта.
- При неполадках в работе устройства свяжитесь с торговым представителем или с ближайшим сервисным пунктом.

## Установка

### Общая информация

- Перед окончательной установкой устройства временно подключите все провода и убедитесь, что все соединения выполнены верно, а устройство и система работают правильно.

- Для обеспечения правильной установки устройства используйте только те детали, которые входят в комплект. Использование других приспособлений может привести к появлению сбоев в работе устройства.

- Если для установки устройства необходимо сверлить отверстия в кузове автомобиля или вносить какие-либо другие изменения в его конструкцию, проконсультируйтесь с продавцом.

- Устанавливайте устройство там, где оно не будет закрывать водителю обзор и отвлекать его от дорожной обстановки и не сможет нанести травм пассажирам в случае внезапной остановки автомобиля, например, при экстренном торможении.

- Если при установке устройства угол относительно горизонтальной плоскости превышает 30°, рабочие характеристики проигрывателя могут быть не оптимальны.

- Никогда не устанавливайте устройство в таких местах, где оно будет подвергаться воздействию высокой температуры, например, в местах попадания прямых солнечных лучей, в местах выхода горячего воздуха от отопителя автомобиля, в местах, где очень грязно или пыльно, или там, где устройство будет подвергаться сильной вибрации.

- Перед установкой устройства обязательно снимите переднюю панель.

### Установка устройства в приборную панель

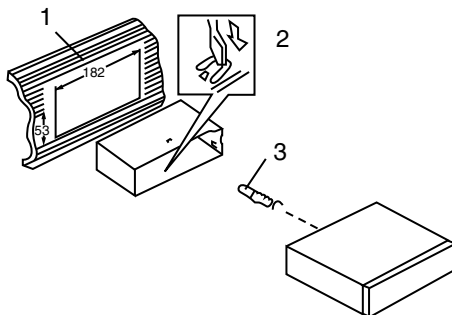
Данное устройство может быть установлено либо «спереди» (обычная установка стандарта DIN в приборную панель автомобиля), либо «сзади» (установка стандарта

DIN, при которой используются отверстия на боковых сторонах корпуса проигрывателя, имеющие резьбу под винты). Более подробно методы установки А и Б описываются ниже.

### Установка в приборную панель (Метод А)

Установка устройства

1. Приборная панель автомобиля
2. Монтажный кожух.
3. Винт
4. Гайка(5 мм)
5. Пружинная шайба
6. Винт (5 x 25 мм)
7. Опорная планка.
8. Плоская шайба



1. Установите монтажный кожух в приборную панель автомобиля, убедитесь, что он установлен правильной стороной и нет препятствий (провода, элементы приборной панели) для установки магнитолы.

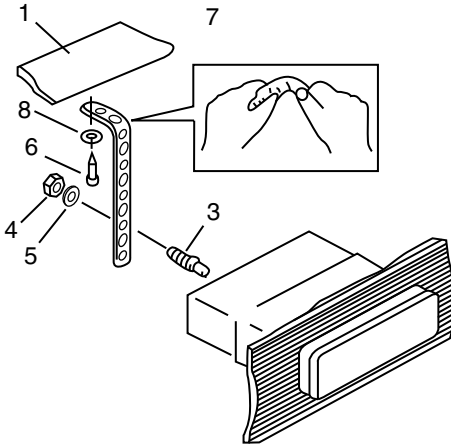
2. После установки монтажного кожуха в приборную панель отогните на нем металлические язычки, соответствующие толщине приборной панели. Это позволит закрепить кожух на месте.

3. Обязательно используйте опорную планку для закрепления задней стороны проигрывателя. Определите место крепления и установите ее согласно приведенному рисунку. Планку можно согнуть руками под

нужным углом.

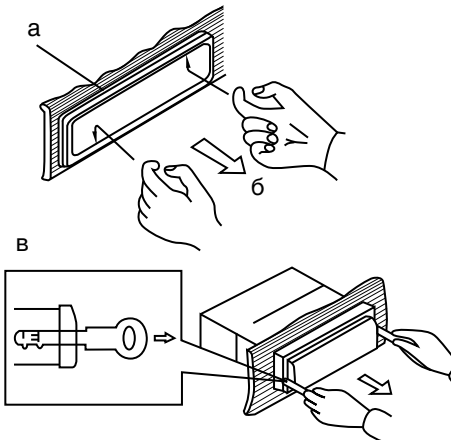
4. Подключите необходимые провода и разъёмы. Убедитесь в правильности подключения.

5. Установите магнитолу в монтажный кожух до фиксации боковых защелок.



### Снятие устройства

- а – Декоративная рамка
- б – Направление снятия рамки
- в – Установка ключей съемников



1. Выключите магнитолу и снимите переднюю панель.

2. Вставьте пальцы в канавку на передней стороне декоративной рамки (рамка снимается с небольшим усилием). Потяните рамку на себя, чтобы снять ее.

3. Вставьте входящие в комплект ключи-съемники с обеих сторон корпуса устройства, как показано на рисунке, до щелчка. Для того чтобы извлечь устройство из приборной панели, потяните за съемники или магнитолу и вытяните её на себя (перед снятием убедитесь, что магнитола не зафиксирована с опорной планкой).

### Установка декоративной рамки

Для установки декоративной рамки прижмите ее к корпусу устройства и нажмите, чтобы вставить на место. Это необходимо сделать до установки передней панели, иначе вы не сможете установить декоративную рамку на место (При установке рамки на место направьте сторону с канавкой вниз и закрепите ее.).

### Установка в приборную панель (Метод Б)

В данном случае установки используются отверстия для винтов на боковых сторонах устройства. Закрепите устройство с помощью штатных кронштейнов крепления радиоприемника.


1. Выберите такое положение, в котором отверстия для винтов на кронштейне (3) будут совмещены с отверстиями для винтов на корпусе устройства и вкрутите по два винта (2) с каждой стороны.

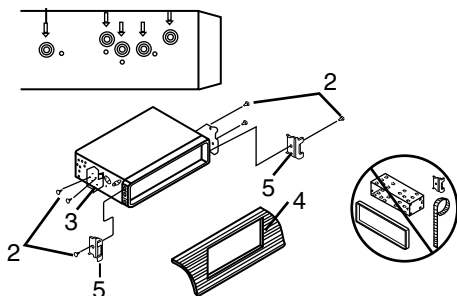
2. Винт.

3. Монтажный кронштейн штатного радиоприемника.

4. Приборная панель или консоль автомобиля.

5. Защелка (снимите эту деталь).

 При установке по методу Б монтажный кожух и внешняя декоративная рамка не используются.



**⚠** Панель может повредиться из-за внешних факторов: тряски, ударов. После снятия ее с устройства держите панель в защитном футляре и старайтесь не ронять и не наносить физических повреждений.

Очень важным элементом является коннектор на задней части панели. Не нажимайте на него ногтями, ручками, отвертками.

**✋** Если панель загрязнилась или запылилась, протрите ее сухой чистой тканью. Для чистки разъема в задней части панели используйте тампон, смоченный изопропиловым спиртом.

### Операции со съемной панелью

Наденьте крепежное отверстие правой стороны панели на крепление в правой стороне корпуса. Затем вставьте левый крепеж на панели в отверстие на левой стороне корпуса. Нажмите на правую верхнюю часть панели до щелчка. Убедитесь в том, что панель плотно закреплена в корпусе, иначе на дисплее могут отобразиться символы ошибок или некоторые кнопки не будут функционировать.

Для отсоединения передней панели нажмите кнопку OPEN, затем извлеките левую сторону панели из крепления ресивера. Потяните панель на себя.

### Система против кражи

Если данное устройство не используется, переднюю панель можно отсоединить и поместить в защитный футляр, входящий в комплект поставки. Панель в футляре можно взять с собой, когда Вы покидаете автомобиль. Это позволяет избежать кражи панели.

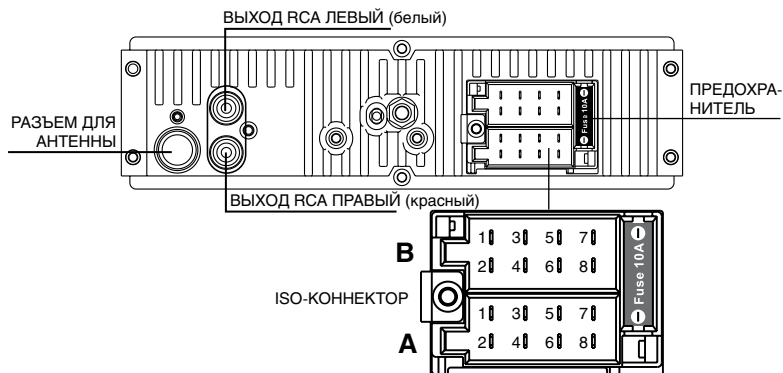
Отключите питание устройства. Снимите переднюю панель и поместите ее в предохранительный футляр.

## Подключение

### Схема электрических соединений

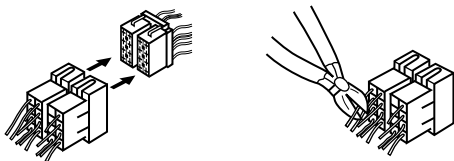
• Независимо от размера динамиков следует использовать динамики с сопротивлением 4 Ом.

• Не допускайте короткого замыкания проводов динамиков на корпус головного устройства или автомобиля.



### Использование разъема ISO


1. Если в Вашем автомобиле есть разъем ISO, произведите подключение, как показано на рисунке.



2. Для подключений без разъемов ISO внимательно проверьте все провода перед подключением, неправильное подключение может привести к повреждениям изделия. Обрежьте разъем, подключите цветные головки разъема к шнуру питания батареи в соответствии с приведенной таблицей.

## Установка/Подключение

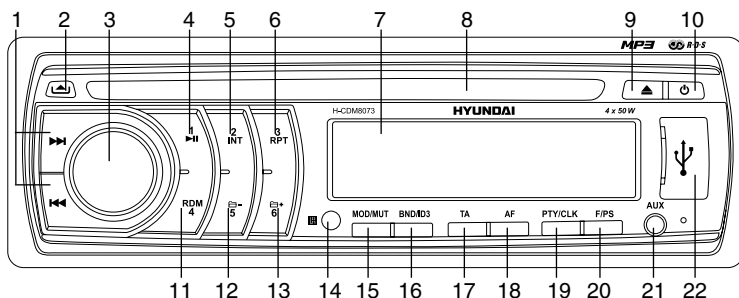
Номер	Функция	
	Разъем А	Разъем В
1	-	Тыловой правый(+)--Синий
2	-	Тыловой правый(-)---Синий/Белый
3	-	Фронтальный правый(+)--Серый
4	Питание 12В (+)/желтый	Фронтальн. правый(-)---Серый/Белый
5	Питание антенны/оранжев.	Фронтальный левый(+)--Зеленый
6	Подсветка панели/белый	Фронт. левый((-)---Зеленый/Белый
7	Зажигание/красный	Тыловой левый(+)--Коричневый
8	Земля/черный	Тыловой левый(-)---Коричневый/Белый

 Провод подсветки панели подсоединяется к “+” провода габаритных огней. Провод питания антенны предназначен для подачи питания на антенну и для удаленного управления дополнительным усилителем.

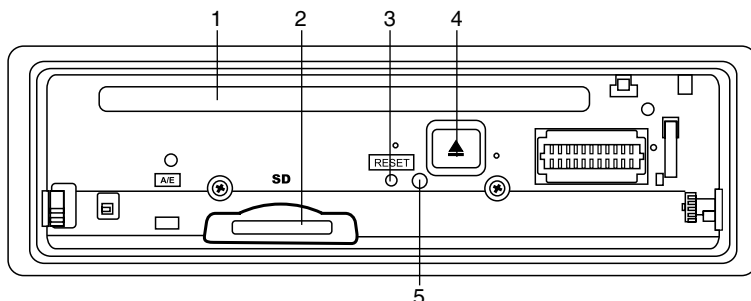
## Элементы управления

### Передняя панель


- |                                |                      |
|--------------------------------|----------------------|
| 1. Кнопки ◀▶◀▶▶▶               | 12. Кнопка 5/FOLDER- |
| 2. Кнопк OPEN                  | 13. Кнопка 6/FOLDER+ |
| 3. Регулятор VOLUME/Кнопка SEL | 14. ИК-датчик        |
| 4. Кнопка 1/▶▶                 | 15. Кнопка MOD/MUT   |
| 5. Кнопка 2/INT                | 16. Кнопка BND/ID3   |
| 6. Кнопка 3/RPT                | 17. Кнопка TA        |
| 7. Дисплей                     | 18. Кнопка AF        |
| 8. Слот для дисков             | 19. Кнопка PTY/CLK   |
| 9. Кнопка EJECT                | 20. Кнопка F/PS      |
| 10. Кнопка POWER               | 21. Вход AUX         |
| 11. Кнопка 4/RDM               | 22. USB-порт         |



### Внутренняя панель

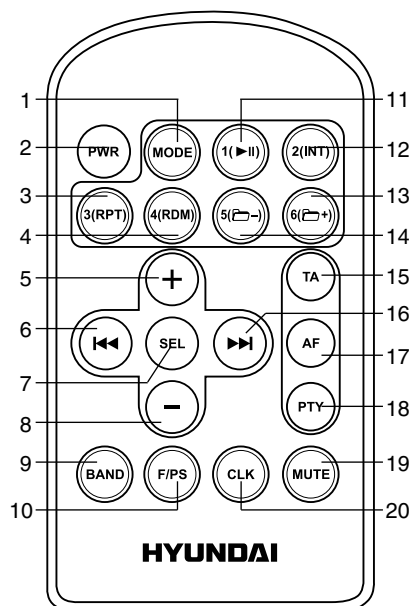


1. Слот для дисков
2. Слот для карт памяти SD/MMC
3. Кнопка (отверстие) RESET
4. Кнопка EJECT
5. Индикатор состояния панели

 При нажатии кнопки RESET все выполненные установки будут удалены из памяти устройства. Индикатор состояния панели загорается, когда панель опущена, и мигает при снятии панели.

# Управление устройством

## Пульт дистанционного управления (ПДУ)

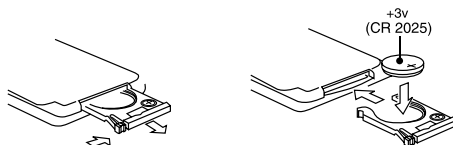


1. Кнопка MODE
2. Кнопка PWR
3. Кнопка 3/RPT
4. Кнопка 4/RDM
5. Кнопка VOL+
6. Кнопка ◀◀
7. Кнопка SEL
8. Кнопка VOL-
9. Кнопка BAND
10. Кнопка F/PS
11. Кнопка 1▶||
12. Кнопка 2/INT
13. Кнопка 6▶+
14. Кнопка 5◀-
15. Кнопка TA
16. Кнопка ▶▶
17. Кнопка AF
18. Кнопка PTY

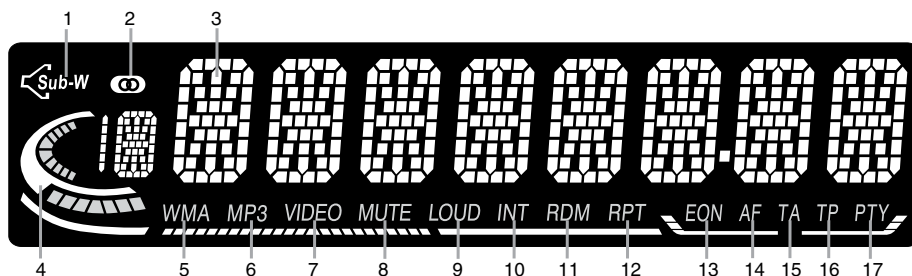
19. Кнопка MUTE
20. Кнопка CLK

## Замена батарей в ПДУ:

Откройте отсек для батарей в направлении, указанном стрелкой. Замените старую батарею на новую (CR 2025 3V), соблюдая полярность. Закройте отсек для батарей.



## Символы ЖК дисплея



1. Индикатор работы сабвуфера
2. Индикатор стерео приема сигнала
3. Цифровой дисплей (радиочастота, название/номер трека и т.д)
4. Индикатор воспроизведения диска
- 5., 6. Индикаторы воспроизведения различных форматов
7. Индикатор воспроизведения видео (не активен)
8. Индикатор отключения звука
9. Индикатор тонкомпенсации
10. Индикатор обзорного воспроизведения
11. Индикатор случайного воспроизведения
12. Повторное воспроизведение
13. Индикатор функции EON
14. Индикатор функции AF
15. Индикатор функции TA
16. Индикатор функции TP
17. Индикатор функции PTY

## Основные операции

### Включение/выключение устройства

Нажмите любую кнопку на ПДУ или на панели (кроме кнопок OPEN и EJECT), чтобы включить устройство. Нажмите и удерживайте кнопку POWER на устройстве или кнопку PWR на ПДУ, чтобы выключить питание.

Когда Вы выключаете систему или зажигание автомобиля, громкость звука и радио настройки будут сохранены в памяти устройства, и при включении установки вернуться к сохраненным значениям.

### Выбор режима

Нажимайте кнопку MOD/MUT на панели или кнопку MODE на ПДУ, чтобы выбрать режимы: AUX, TUNER (радио), CD (диск), USB, SD/MMC (карта памяти).

Режимы диск, USB и карта памяти доступны для выбора только если соответствующий носитель вставлен в устройство.

### Регулирование громкости

Уровень громкости звука может быть отрегулирован путем вращения регулятора VOLUME на панели или нажатием кнопок VOL+/VOL- на ПДУ.

### Отключение звука

Нажмите и удерживайте кнопку MOD/

# Управление устройством

MUT или нажмите кнопку MUTE на ПДУ, чтобы отключить звук. Нажмите эту кнопку еще раз или регулируйте громкость, чтобы включить звук.

## Настройка параметров аудио

Нажимайте кнопку SEL для выбора одного из параметров: BAS (низкие частоты), TRE (высокие частоты), BAL (баланс между правым и левым каналами), FAD (баланс между передним и задним каналами). На дисплее отобразится соответствующая надпись. Вращайте регулятор VOLUME на панели или нажимайте кнопки VOL+/VOL- на ПДУ, чтобы настроить выбранный параметр. После выбора режима не нажимайте никаких кнопок, чтобы выполненные настройки сохранились.

## Функция BEEP

Нажимайте кнопку SEL до отображения на дисплее надписи BEEP ON (OFF). Вращайте регулятор VOLUME на панели или нажимайте кнопки VOL+/VOL- на ПДУ для переключения между BEEP ON (включение функции сопровождения нажатия кнопок звуковым сигналом) и BEEP OFF (отключение функции), затем в течение некоторого времени не выполняйте никаких операций, чтобы выполненные настройки сохранились.

## Тонкомпенсация

Нажимайте кнопку SEL до отображения на дисплее надписи LOUD ON (OFF). Вращайте регулятор VOLUME на панели или нажимайте кнопки VOL+/VOL- на ПДУ для включения или отключения функции компенсации низких и высоких частот, если вы хотите уменьшить уровень звука без потери четкости звучания.

## Функция эквалайзера (EQ)

Нажимайте кнопку SEL до отображения на дисплее надписи EQ OFF. Вращайте регулятор VOLUME на панели или нажимайте кнопки VOL+/VOL- на ПДУ для

выбора одного из режимов эквалайзера: POP => ROCK => CLASS => FLAT => EQ OFF (выкл). После выбора режима не нажимайте никаких кнопок, чтобы выполненные настройки сохранились.

## Подсветка панели

Нажимайте кнопку SEL, пока на дисплее не отобразится надпись COLOR1 (COLOR2). Вращайте регулятор VOLUME на панели или нажимайте кнопки VOL+/VOL- на ПДУ для переключения между зеленой и красной подсветкой кнопок передней панели. После выбора режима не нажимайте никаких кнопок, чтобы выполненные настройки сохранились.

## Установка часов

Вы можете настроить часы, отображаемые на дисплее при включенном питании устройства. Нажмите кнопку PTY/CLK (в режиме радио нажмите и удерживайте), затем нажмите и удерживайте кнопку PTY/CLK в течение 2 секунд, на дисплее начнут мигать часы. Вращайте регулятор VOLUME на панели или нажимайте кнопки VOL+/VOL- на ПДУ для установки часов. Нажмите кнопку SEL для перехода к установке минут. Вращайте регулятор VOLUME на панели или нажимайте кнопки VOL+/VOL- на ПДУ для установки минут. Нажмите кнопку PTY/CLK на панели или кнопку CLK на ПДУ или не нажимайте никаких кнопок, чтобы настройки сохранились.

Для отображения часов нажмите кнопку PTY/CLK на панели или кнопку CLK на ПДУ (в режиме радио нажмите и удерживайте).

## Вход AUX

Разъем AUX предназначен для подключения внешнего аудио и видео устройства с целью усиления звука. В случае правильного подключения аудиосигнал от внешнего источника будет транслироваться через акустику головного устройства. Это дает возможность регулировать громкость и ка-

чество звучания. Например, Вы можете подключить MP3-проигрыватель для прослушивания записей через акустику автомобиля.

## Операции с радио

### Выбор диапазона радио

Нажмите кнопку BND/ID3 на панели или кнопку BAND на ПДУ для выбора диапазона радиовещания. Доступны 3 FM поддиапазона: FM1, FM2, FM3 и 2 MW (AM) поддиапазона: MW1 (AM1), MW2 (AM2). В каждом поддиапазоне Вы можете сохранить в памяти устройства до 6 станций (всего 30 станций).

### Поиск радиостанций

В режиме радио нажмите кнопку ◀◀ или ▶▶ для автоматической настройки частоты радио. Приемник настроится на предыдущую или следующую станцию с сильным сигналом. Повторите действия для поиска других радиостанций.

Для поиска нужной частоты вручную нажмите и удерживайте кнопку ◀◀ или ▶▶ до отображения на дисплее MANU TUNE. Затем нажимайте эти кнопки многократно для пошаговой настройки частоты.

### Сохранение настроенных станций

На панели устройства и на ПДУ есть 6 кнопок с цифрами, с помощью которых Вы можете сохранять и включать радиостанции в каждом диапазоне. Выберите нужную радиостанцию, затем нажмите и удерживайте кнопку с цифрой. Станция будет сохранена в памяти устройства под этой цифрой. Для вызова сохраненной станции нажмите соответствующую кнопку с цифрой.

### Автоматическое сохранение и сканирование станций

- **Автоматическое сохранение:** Нажмите и удерживайте кнопку F/PS; 6 самых сильных доступных станций будут автоматиче-

ски сохранены в памяти под цифрами 1~6. Чтобы остановить автоматическое сохранение, снова нажмите эту кнопку.

- **Сканирование:** Нажмите кнопку F/PS; приемник выполнит вещание каждой сохраненной станции 3-х FM-диапазонов или 2-х AM-диапазонов в течение нескольких секунд. Чтобы остановить сканирование, снова нажмите эту кнопку.

### Поиск локальных радиостанций

Нажимайте кнопку SEL до отображения на дисплее надписи LOCAL (DX). Вращайте регулятор VOLUME на панели или нажимайте кнопки VOL+/VOL- на ПДУ для переключения между LOCAL (активация приема местных радиостанций со слабым сигналом) и DX (отключение приема местных радиостанций; прием удаленных радиостанций как со слабым, так и с сильным сигналом).

### Моно/стерео прием (для FM радио)

Нажимайте кнопку SEL, пока на дисплее не отобразится надпись STEREO или MONO. Вращайте регулятор VOLUME на панели или нажимайте кнопки VOL+/VOL- на ПДУ, чтобы включить режим стерео (STEREO) или моно (MONO) приема.

Достичь улучшения дистанционного сигнала можно, включив режим моно, что позволяет убрать лишние звуковые шумы.

### Сервис RDS

Сервис RDS (Система радио данных) доступен не во всех регионах. Имейте в виду, что если услуга RDS не доступна в Вашем регионе, то данная функция не будет работать.

### Функция AF (альтернативные частоты)

При слабом сигнале функция альтернативных частот позволяет приемнику настраиваться на другие станции с тем же идентификационным кодом, что и текущая станция, но с более сильным сигналом. При этом вместо частоты на дисплее появится

# Управление устройством

название станции.

Нажмите кнопку AF, чтобы включить или выключить функцию AF. При включенном режиме AF радио постоянно проверяет силу сигнала альтернативных частот, на которых может транслироваться RDS программа. Если сигнал слабый или исчезает, приемник будет автоматически искать другую частоту с этой программой.

Если служба RDS не доступна в Вашей местности, выключите режим AF. По умолчанию функция включена.

Если символ AF отображается на дисплее статично, это означает, что режим AF активен и идет прием информации RDS. Если символ мигает, режим активен, но информация RDS отсутствует. Если символ AF не отображается, это означает, что режим AF отключен.

## Функция TA (программы о дорожном движении)

В режиме радио нажмите кнопку TA для включения/отключения функции TA. Начнется автоматический поиск программ дорожного движения вне зависимости от текущего режима.

Когда программа будет найдена, начнется ее трансляция. Чтобы прервать трансляцию, нажмите кнопку TA; устройство вернется к предыдущему режиму; это не повлечет за собой отключения функции TA. Когда программа закончится, устройство автоматически вернется к текущему режиму.

## ФункцияPTY (тип программы)

FM-станции, поддерживающие сервис RDS, передают идентифицирующий сигнал типа программы.

Нажмите кнопку PTY/CLK на панели или кнопку PTY на ПДУ, чтобы выбрать категорию музыкальных программ. Затем нажмите кнопки с цифрами 1-6, чтобы выбрать разные типы музыкальных программ.

Нажмите кнопку PTY/CLK на панели или кнопку PTY на ПДУ дважды, чтобы выбрать

категорию информационных программ. Затем нажмите кнопки с цифрами 1-6, чтобы выбрать нужный тип информационных программ. Каждый номер содержит три разных информационных программы на выбор.

Button	Music group	Speech group
1	Pop, Rock	News, Affairs, Info
2	Easy, Light	Sport, Educate, Drama
3	Classics	Culture, Science, Varied
4	Jazz, Country	Weather, Finance, Children
5	Nation, Oldies	Social, Religion, Phone IN
6	Folk	Travel, Leisure, Document

Кнопка	Музыкальные программы	Информационные программы
1	поп-музыка, рок-музыка	новости, текущая информация, общая информация и сообщения
2	легкая музыка, легкая классическая музыка	спортивные новости, образовательные программы, радиопостановки и сериалы
3	классическая музыка	культурные программы, наука и техника, развлекательные программы

4	джаз, музыка кантри	метеорологическая информация, коммерция, торговля
5	национальная музыка, музыка ретро	социальные новости, религиозные программы, ток-шоу
6	народная музыка	программы для путешественников, хобби и развлечения, документальные программы

При включенной функцииPTY приемник начинает поиск соответствующего типа программы; поиск останавливается, когда программа найдена. Если в течение нескольких секунд ни одна программа не была выбрана, приемник настроится на предыдущую программу. Если за один цикл нужный тип программы не найден, приемник вернется к текущему режиму.

## Дополнительные функции

Для выбора нужной функции нажмите и удерживайте кнопку SEL, после чего нажимайте ее до отображения на дисплее нужной функции. Вращайте регулятор VOLUME на панели или нажимайте кнопки VOL+/VOL- на ПДУ, чтобы выбрать нужную опцию. После осуществления выбора несколько секунд не нажимайте никаких кнопок, чтобы активировать изменения.

### Функция TA SEEK/TA ALARM


В режиме TA SEEK устройство выполнит поиск программ о дорожном движении при нажатии кнопки TA;

TA ALARM: когда выбран данный режим, функция автоматической перенастройки радиоприемника не работает. Вместо этого

радиоприемник включает звуковое оповещение.

### Функция RETUNE S/L - SHORT/LONG

«RETUNE» означает временный интервал прерывания радио сигнала для сканирования. «S» означает короткий интервал; «L» означает длинный интервал.

 Режим Retune для режима TA активен только для TA SEEK.

### Функция MASK DPI/MASK ALL

После включения режима AF (поиск альтернативных частот с той же программой), программа, которую Вы прослушиваете, может быть замещена другой программой, которая вещает на той же частоте. Чтобы этого избежать, активируйте функцию MASK DPI. В режиме MASK DPI устройство маскирует только альтернативные частоты с разными информационными программами. В режиме MASK ALL устройство маскирует и информационные программы, и станции, не поддерживающие RDS.

## Воспроизведение дисков

### Установка/извлечение диска

Откройте переднюю панель. Вставьте диск в слот для дисков стороной с надписью вверх. Диск автоматически загрузится в устройство, даже если устройство находится в режиме радио. Для MP3 дисков, на дисплее при загрузке диска отобразится символ MP3. Начнется воспроизведение первого файла в корневой папке.

Для извлечения диска из устройства откройте переднюю панель и нажмите кнопку EJECT. Если после этого в течение нескольких секунд не достать диск из слота, он будет загружен обратно в слот. При полном извлечении диска устройство автоматически переключится в режим радио.

### Поиск треков MP3

Вы можете осуществлять поиск треков на

# Управление устройством

диске следующими способами:

## Обычный поиск


Нажимайте кнопки **◀◀** или **▶▶** для перехода к предыдущему или следующему треку соответственно. Нажмите кнопки **5/FOLDER-** или **6/FOLDER+** на панели или кнопки **5/↶** - и **6/↷** на ПДУ для перехода на 10 треков вперед или назад соответственно.

## Поиск трека

Нажмите кнопку **F/PS**, на дисплее отобразится надпись **TRK-SCH**. Вращайте регулятор **VOLUME** на панели или нажимайте кнопки **VOL+/VOL-** на ПДУ, чтобы ввести номер. Введя таким образом номер нужного трека, нажмите и удерживайте кнопку **SEL**. Начнется воспроизведение выбранного трека.

## Поиск по имени папки

Нажмите кнопку **F/PS** дважды; на дисплее отобразится надпись **NAVIGATE**. Вращением регулятора **VOLUME** на панели или нажатием кнопок **VOL+/VOL-** на ПДУ выберите имя нужной папки, затем нажмите кнопку **SEL** для подтверждения выбора. Начнется воспроизведение файлов, содержащихся в выбранной папке.

 Рекомендуется записывать файлы в корневой каталог и не использовать сложную структурную систему папок, для того чтобы был возможен этот вид поиска.

## Перемотка вперед/назад

Нажмите и удерживайте кнопку **◀◀** для перемотки вперед или кнопку **▶▶** для перемотки назад. Когда нужный фрагмент будет найден, нажмите кнопку **1/▶||** для возобновления воспроизведения с нормальной скоростью.

## Воспроизведение/пауза

Во время воспроизведения нажмите кнопку **1/▶||** для приостановки воспроизведения. Нажмите кнопку повторно для возобновления воспроизведения.

## Обзорное воспроизведение

Нажмите кнопку **2/INT** для воспроизведения первых 15 секунд каждого трека на диске. Нажмите кнопку еще раз для полного воспроизведения текущего трека.

## Повтор воспроизведения

Нажмите кнопку **3/RPT** для повторного воспроизведения текущего трека. Нажмите кнопку еще раз для отмены повторного воспроизведения.

## Случайное воспроизведение


Нажмите кнопку **4/RDM** для воспроизведения файлов в произвольном порядке. Для возобновления нормального воспроизведения нажмите кнопку повторно.

## Чтение мультисессионных дисков

Данное устройство может воспроизводить диски, записанные в мультисессионном режиме. Чтение диска начинается автоматически после загрузки такого диска в устройство.


## ID3-теги

Если MP3 файл содержит информацию ID3 на русском или английском языках, то такая информация будет отображаться на дисплее во время воспроизведения файла. Для выбора отображения определенной категории ID3-тегов (название альбома, имя файла и др.) нажимайте кнопку **BND/ID3**.

 Устройство может не поддерживать некоторые форматы ID3-тегов.

## Операции с USB-накопителями/картами памяти SD/MMC

### Примечания по USB/SD/MMC-разъемам

 USB: Поддержка формата USB 2.0. Емкость: до 2 Гб.

SD/MMC: Для корректной работы устройства используйте лицензионные

карты памяти известных производителей. Избегайте использования нелегальных карт памяти. Емкость: до 2 Гб.

### **Установка USB/SD/MMC-карты**

Установите USB носитель (предварительно сняв заглушку с USB порта) или карту памяти (предварительно открыв переднюю панель) в соответствующий слот. Устройство автоматически переключится в режим USB или SD/MMC карты. Если устройство находится в другом режиме, выберите режим воспроизведения USB или карты памяти. Воспроизведение начнется с первого трека установленного носителя.

Операции с файлами, содержащимися на USB-накопителе или карте памяти соответствуют операциям, описанным выше в параграфе «Воспроизведение дисков».

## Общая информация

### Обращение с компакт-дисками

- Не вставляйте в слот для загрузки компакт-диска ничего, кроме компакт-дисков.
- Не используйте диски с трещинами, отколотыми краями, деформированные диски или диски с другими повреждениями, поскольку такие диски могут вызвать искажение звука, шумы или повредить проигрыватель.
- Держите диск только за края (как показано на рисунке). Чтобы обеспечить чистоту диска, не прикасайтесь к его поверхности.
- Когда диски не используются, храните их в футлярах.
- Не подвергайте диски действию прямого солнечного света, повышенной влажности, повышенным температурам или действию пыли.
- Продолжительное влияние предельных температур (например, при пребывании дисков в автомобиле в летнее время) может деформировать диск.
- Не приклеивайте этикеток, не пишите и не наносите химических веществ на поверхность дисков.
- Не прикасайтесь к записанной поверхности дисков.
- Используйте только традиционные круглые диски диаметром 12 см. Не используйте диски необычной формы и нестандартного размера.

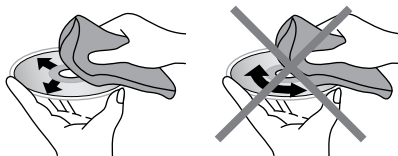


### Чистка дисков

Отпечатки пальцев должны быть тщательно стерты с поверхности диска мягкой тканью. В отличие от обычных пластинок, компакт-диски не имеют канавок для сбора пыли и микроскопических частиц грязи, поэтому осторожно вытирайте их мягкой тканью, чтобы удалить частицы грязи.

Вытирайте прямолинейным движением от центра к краю.

Не используйте растворитель, бензин, очиститель пластинок или антистатический аэрозоль для чистки дисков. Такие химические вещества могут повредить его пластиковые поверхности.



### Чистка корпуса устройства

Протирайте поверхности устройства мягкой тканью. Не мочите корпус. Если корпус очень загрязнен, используйте ткань, слегка смоченную мыльным раствором, и затем вытрите корпус сухой тканью.

### Комплект поставки

1. Ресивер ..... 1 шт
2. Передняя панель ..... 1 шт
3. Защитный футляр ..... 1 шт
4. ISO коннектор ..... 1 шт
5. Детали для установки:
  - Шестигранная гайка M5 T ..... 1 шт
  - Кожух ..... 1 шт
  - Ключ-съёмник ..... 2 шт
  - Опорная планка ..... 1 шт
  - Плоская шайба ..... 2 шт
  - Декоративная рамка ..... 1 шт
  - Пружинная шайба ..... 2 шт
  - Винт (5X25 мм) ..... 1 шт
  - Винт M5 (5X29.3 мм) ..... 1 шт
6. Информация для потребителя ..... 1 шт
7. Гарантийный талон ..... 1 шт
8. Инструкция по эксплуатации ..... 1 шт

## Устранение неисправностей

Ниже приводится таблица, в которой описаны действия, способные помочь Вам устранить большинство проблем, могущих возникнуть при использовании данного устройства. Если нижеуказанные меры не помогли, обратитесь в сервисный центр или к ближайшему дилеру.

Неисправность	Причина	Решение
Нет питания	Зажигание машины не включено.	Если источник питания подключен надлежащим образом к выключателю машины, установите ключ зажигания в положение "ACC".
	Сгорел предохранитель.	Замените предохранитель.
Нет звука	Уровень громкости звука установлен на минимум.	Отрегулируйте громкость звука до необходимого уровня.
	Кабель не подключен надлежащим образом.	Проверьте подключение кабеля.
Плохое качество звучания	Угол установки устройства более 30 градусов.	Отрегулируйте угол установки, установив его менее 30 градусов.
	Диск загрязнен или имеет дефект.	Очистите диск или используйте новый.
Диск не загружается или не извлекается из устройства	В устройстве уже есть диск.	Извлеките диск из устройства, затем установите новый диск.
	Конденсация влаги.	В течение часа не пользуйтесь устройством, затем повторите попытку.
Устройство не считывает диск	Диск установлен верхней стороной вниз.	Установите диск стороной с маркировкой вверх.
	Диск загрязнен или имеет дефект.	Очистите диск или установите новый.
	Температура внутри автомобиля очень высокая.	Подождите, пока температура не станет нормальной.
Не работают кнопки	Встроенный микрокомпьютер работает некорректно.	Выполните перезапуск устройство с помощью кнопки RESET.
	Передняя панель установлена некорректно.	Установите заново переднюю панель.
Радиоприемник не работает	Кабель антенны не подключен к устройству.	Подключите к устройству кабель антенны.
Не работает автоматическая настройка радиостанций	Радиостанции имеют слишком слабый сигнал.	Настраивайтесь на станции вручную.

# Общая информация

## Технические характеристики

### Общие

Источник питания:	12 В постоянного тока
Максимальная выходная мощность:	4 x 50 Вт
Требуемый импеданс динамика:	4 – 8 Ом
Предохранитель:	10 А
Размеры (Ш x В x Д)/Вес:	178 x 50 x 178 мм/1,5 кг
Диапазон температур:	-20°C - +60°C
Электронная система стабилизации:	40 с CD/120 с MP3
Угол монтажа:	0 - +/-30°

### Сtereo FM радио

Количество сохраняемых станций:	18
Частотный диапазон:	87.5 – 108.0 МГц
Разделение стерео:	35 дБ (1 кГц)

### AM радио

Количество сохраняемых станций:	12
Частотный диапазон:	522-1620 кГц
Используемая чувствительность:	30 дБ

### Плеер дисков

Поддержка носителей:	CD/CD-R/CD-RW/USB/SD/MMC
Воспроизведение форматов:	CDDA/MP3
Частотный отклик:	20 Гц- 20 кГц
Отношение сигнал/шум:	> 80 дБ
Разделение каналов:	> 50 дБ
Выход:	Линейный RCA-выход (2 В)

Технические характеристики могут быть изменены заводом-изготовителем без предварительного уведомления. Указанные геометрические размеры имеют приблизительные значения.

Уважаемый потребитель!

Дата производства изделия содержится в серийном номере, указанном на упаковке, в гарантийном талоне и на корпусе изделия. Шестая, седьмая и восьмая цифры обозначают год (в интервале 2010 - 2019) и месяц производства.

Пример:

год  
производства (2011)  
↓  
R31982101 - 01792  
↑  
месяц  
производства (январь)



