

# HYUNDAI



**H-CDM8095**



**Set for car installation: CD/MP3  
RECEIVER + 13 cm 2-WAY  
COAXIAL ACOUSTIC SYSTEM**

**Комплект для установки в  
автомобиль:  
CD/MP3-РЕСИВЕР + 13 см  
2-ПОЛОСКАЯ КООКСИАЛЬНАЯ  
АКУСТИЧЕСКАЯ СИСТЕМА**

**Instruction manual**

**Руководство по эксплуатации**

# Table of contents

## Dear customer!

Thank you for purchasing our product. For safety, it is strongly recommended to read this manual carefully before connecting, operating and/or adjusting the product and keep the manual for reference in the future.

<b>Table of contents</b> .....	2	Auto store/preset scan .....	10
<b>Before you start</b> .....	3	Mono/Stereo control .....	10
Utilization of the product .....	3	Local station search .....	10
Important safeguards .....	3	RDS function .....	10
<b>Installation/Connection</b> .....	4	AF (Alternative Frequencies) function ...	10
Installation .....	4	TA (Traffic Alarm) function .....	10
General notes .....	4	PTY (Program Type) .....	10
Din Front/Rear-Mount .....	4	Other parameter setting .....	11
1. DIN front-mount (Method A) .....	4	Disc operations .....	11
Dismantling the unit .....	4	Insert/Eject disc .....	11
Trim frame installation .....	5	MP3 track search .....	11
2. DIN rear-mount (Method B) .....	5	Fast forward/rewind .....	12
Detachable control panel .....	5	Play/pause .....	12
Anti-theft system .....	5	Scanning tracks .....	12
Connection .....	6	Repeat .....	12
Connection diagram .....	6	Random playback .....	12
Using the ISO Connector .....	6	Multi-session disc reading .....	12
<b>Operation</b> .....	7	ID3-tags .....	12
Control elements .....	7	USB/SD/MMC operation .....	12
Front panel .....	7	USB/SD/MMC notes .....	12
Inner panel .....	7	Inserting SD/MMC card/USB device ...	12
LCD layout .....	8	<b>General information</b> .....	13
General operations .....	9	Handling compact discs .....	13
Turning on/off .....	9	Cleaning discs .....	13
Mode selection .....	9	Cleaning the unit body .....	13
Volume control .....	9	Accessories .....	13
Mute function .....	9	Troubleshooting guide .....	14
Audio parameter setting .....	9	Specification .....	15
Beep .....	9	<b>13 cm 2-way coaxial acoustic system</b> .....	16
EQ modes .....	9	Dimensions .....	16
Loudness .....	9	Accessories .....	16
Clock setting .....	9	Important safeguards .....	16
AUX in jack .....	9	Installation of the speaker .....	17
Radio operations .....	9	Securing the speaker .....	18
Band select .....	9	Troubleshooting guide .....	19
Auto/Manual tuning .....	10	Specification .....	19
Programming tuner stations .....	10		

## Utilization of the product

If you want to dispose this product, do not mix it with general household waste. There is a separate collection system for used electronic products in accordance with legislation that requires proper treatment, recovery and recycling.

Please contact your local authorities for the correct method of disposal. By doing so, you will ensure that your disposed product undergoes the necessary treatment, recovery and recycling and thus prevent potential negative effects on the environment and human health.

## Important safeguards

- Read carefully through the manual to familiarize yourself with this unit.
- Keep this manual handy as a reference for operating procedures and precautions. Do not allow persons who have not read through this manual to use this unit.

- “CLASS 1 LASER PRODUCT”

This product contains a laser diode of higher class than 1. Laser beams from the optical pickup are dangerous to the eyes. To ensure continued safety, do not remove any covers or attempt to gain access to the inside of the product. Refer all servicing to qualified personnel.

- Do not allow this unit to come into contact with liquids. Electrical shock could result. Also, damage to this unit, smoke, and overheating could result from contact with liquids or dust. Protect this unit from moisture.

- Make sure that foreign objects do not get inside the unit; they may cause malfunctions, or create safety hazards such as electrical shock or laser beam exposure.

- The beginning of operation is the moment of the unit installation. Before use the device in winter it is recommended to heat up the passenger compartment during 20 seconds or to the operation temperature.

- Using the unit with the temperature that goes beyond the operation temperature greatly decreases the operation resource of the screen and other components of the unit and can

result in an outage.

- Disconnect the vehicle's negative battery terminal while mounting and connecting the unit.

- The unit is designed for negative terminal of the battery, which is connected to the vehicle metal. Please ensure it before installation.

- When replacing the fuse, be sure to use one with an identical amperage rating. Using a fuse with a higher amperage rating may cause serious damage to the unit.

- Do not allow the speaker wires to be shorted together when the unit is switched on. Otherwise it may overload or burn out the power amplifier.

- Make sure you disconnect the power supply and aerial if you will not be using the system for a long period or during a thunderstorm.

- Make sure you disconnect the power supply if the system appears to be working incorrectly, is making an unusual sound, has a strange smell, has smoke emitting from it or liquids have got inside it. Let a qualified technician check the system.

- Always keep the volume low enough so that you can hear sounds from outside the vehicle.

- Should this product fail to operate properly, contact your dealer or nearest service center.

# Installation/Connection

## Installation

### General notes

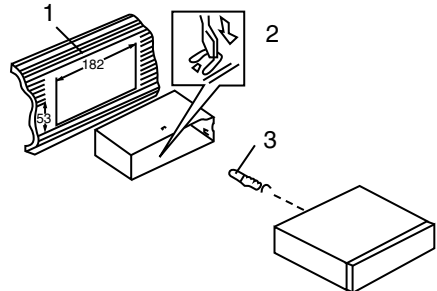
- Choose the mounting location where the unit will not interfere with the normal driving function of the driver.
- Before finally installing the unit, connect the wiring and make sure that the unit works properly.
- Consult with your nearest dealer if installation requires the drilling of holes or other modifications of the vehicle.
- Install the unit where it does not get in the driver's way and cannot injure the passenger if there is a sudden stop, like an emergency stop.
- If installation angle exceeds 30° from horizontal, the unit may not perform properly.
- Avoid installing the unit where it would be subject to high temperature, such as from direct sunlight, or from hot air, from the heater, or where it would be subject to dust, dirt or excessive vibration.

### Din Front/Rear-Mount

This unit can be properly installed either from 'Front' (conventional DIN Front-mount) or 'Rear' (DIN Rear-mount installation, utilizing threaded screw Holes at the sides of the unit chassis). For details, refer to the following illustrated installation methods.

#### 1. DIN front-mount (Method A)

1. Car dashboard
2. Sleeve
3. Screw
4. Nut (5 mm)
5. Spring washer
6. Screw (5 x 25 mm)
7. Metal strap
8. Flat washer



1. Install the sleeve into the dashboard; ensure it is installed with the correct side and there are no obstacles (wires, dashboard elements, etc) for the unit installation.

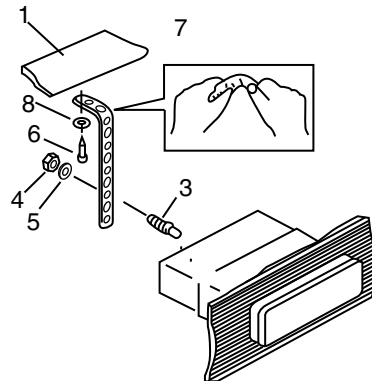
2. After installing the sleeve into the dashboard, bend tabs fitting to the size of the dashboard to fix the sleeve in place.

3. Use the metal strap to fix the rear side of the unit. Determine a place for fixing and install the strap as shown in the picture. You can bend the strap to the needed angle with your hands.

4. Make the necessary wire connections.

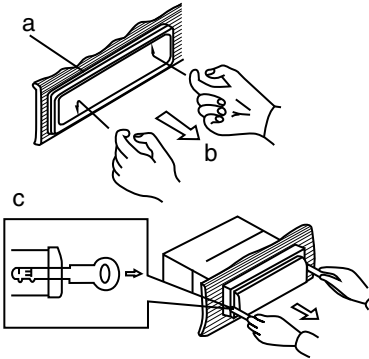
Ensure the connections are correct.

5. Install the unit into the sleeve until the side locks are fixed.



### Dismantling the unit

- a – Trim frame
- b – Frame uninstal direction
- c – Release key insertion



1. Switch off the unit and detach the front panel.
2. Insert your fingers into the groove in the front side of the trim frame (apply some effort to detach the frame). Pull the frame to detach it.
3. Insert the supplied release keys into the both sides of the unit body to click, as shown in the picture. To extract the unit from the dashboard, pull the release keys or the unit body to pull it out. Before detaching the unit, ensure it is not fixed with the metal strap.


## Trim frame installation

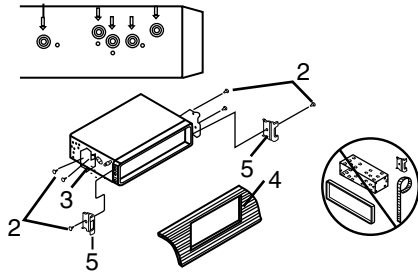
To install the trim frame, press it to the unit body and push it to fix it in place. This should be done before installing the front panel; otherwise you are not able to install the trim frame. When the trim frame being installed, the side with the groove should face down and fixed first.

## 2. DIN rear-mount (Method B)

For this method, use the screw holes in the lateral sides of the unit. Fix the unit with the help of the factory radio mounting brackets.

1. Select a position in which the screw holes of the brackets (3) are aligned with the screw holes in the unit body, and screw in two screws (2) in each side.
2. Screw.
3. Factory radio mounting brackets.
4. Vehicle dashboard.


5. Lock (remove this part).  
 The outer trim frame and mounting sleeve are not used for method of installation.




## Detachable control panel

Install the fastening hole on the right side of the front panel on the right fastening of the unit. After that, press on the left part of the panel until a click. Ensure that the panel is properly fixed, otherwise error symbols may be displayed and some buttons may not function.

To detach the front panel, press OPEN button, then distract the right side of the panel from the fastening of the unit.

 The control panel can easily be damaged by shocks. After removing it, place it in a protective case and be careful not to drop it or subject it to strong shocks. The rear connector that connects the main unit and the control panel is an extremely important part. Be careful not to damage it by pressing on it with fingernails, pens, screwdrivers, etc.

 If the control panel is dirty, wipe off the dirt with soft, dry cloth only. And use a cotton swab soaked in isopropyl alcohol to clean the socket on the back of the control panel.

## Anti-theft system

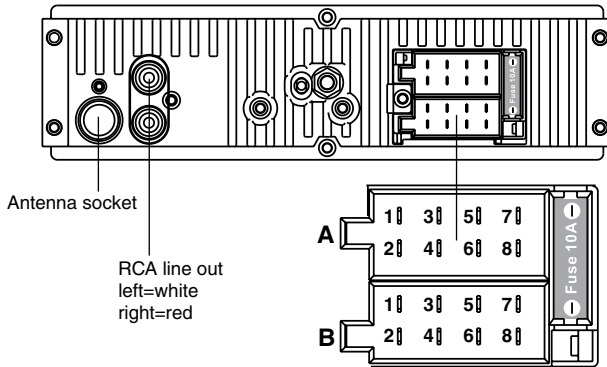
The front panel of this unit can be stored in the included protective case when not in used and carried away when you leave the vehicle to deter theft.

Switch off the power of the unit. Detach the front panel, then put it to the protective case and take it with you.

# Installation/Connection

## Connection

### Connection diagram



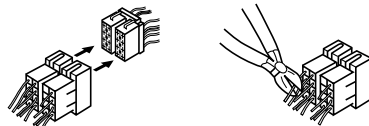
### Using the ISO Connector


Location	Function	
	Connector A	Connector B
1	Rear Right(+)--Blue	-
2	Rear Right(--Blue/White Stripe	-
3	Front Right(+)--Grey	-
4	Front Right(--Grey/White Stripe	Battery 12V (+)/yellow
5	Front Left(+)--Green	Power Antenna/Orange
6	Front Left(--Green/White Stripe	Panel light/White
7	Rear Left(+)--Brown	ACC+/red
8	Rear Left(--Brown/White Stripe	Ground/black

1. If your car is equipped with the ISO connector, then connect the ISO connectors as illustrated.

2. For connections without the ISO connectors, check the wiring in the vehicle carefully before connecting, incorrect connection may cause serious damage to this unit.

Cut the connector, connect the colored leads of the power cord to the car battery as shown in the colour code table above for speaker and power cable connections.

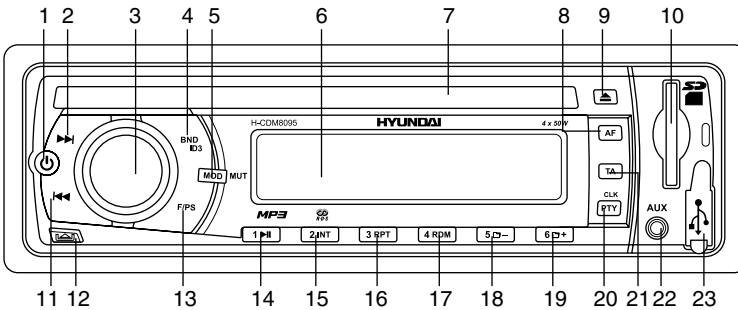


 Panel light wire should be connected to "+" of the side parking lights wire. Power antenna wire is intended for power supply of the antenna and for remote control of an additional amplifier.

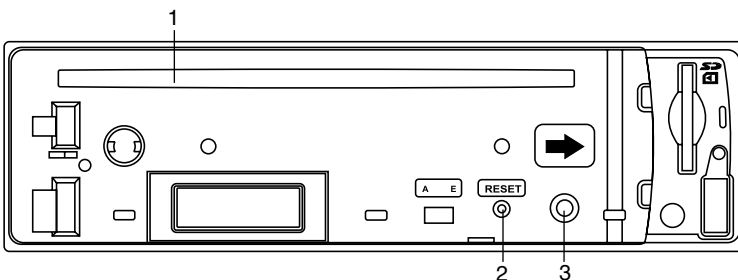
## Control elements

### Front panel

- |                             |                    |
|-----------------------------|--------------------|
| 1. POWER button             | 13. F/PS button    |
| 2. ►► button                | 14. 1/►► button    |
| 3. VOLUME knob/SEL button   | 15. 2/INT button   |
| 4. BND/ID3 button           | 16. 3/RPT button   |
| 5. MOD/MUT button           | 17. 4/RDM button   |
| 6. Display                  | 18. 5/□ - button   |
| 7. Disc slot                | 19. 6/□ + button   |
| 8. AF button                | 20. CLK/PTY button |
| 9. EJECT button             | 21. TA button      |
| 10. SD/MMC memory card slot | 22. AUX in jack    |
| 11. ◀◀ button               | 23. USB slot       |
| 12. OPEN button             |                    |



### Inner panel



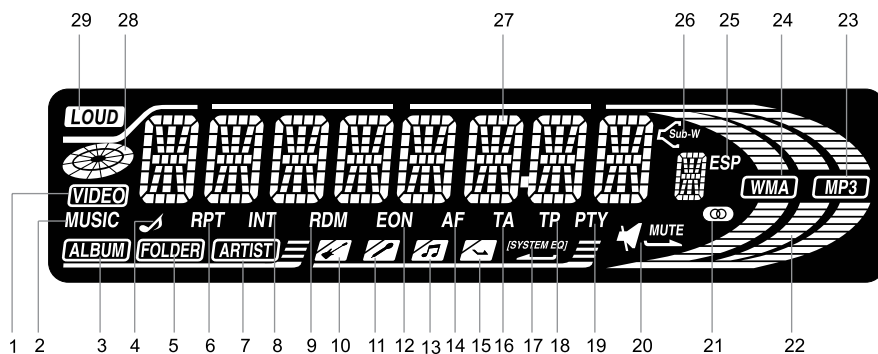
1. Disc slot
2. RESET button (hole)
3. Panel status indicator

 Pressing RESET hole will erase the clock setting and stored stations.

Panel status indicator lights up when you slide the panel down, flashes when you remove the panel.

# Operation

## LCD layout



1. Video playback indicator
2. Music playback indicator
3. Album name on
4. File name on
5. Folder name on
6. Repeat mode indicator
7. Artist name on
8. Intro mode on
9. Random playback on
10. ROCK equalizer mode
11. POP equalizer mode
12. EON function indicator
13. CLASS equalizer mode
14. AF function indicator
15. FLAT equalizer mode
16. TA function indicator
17. Equalizer indicator
18. TP function indicator
19. PTY function indicator
20. Mute mode indicator
21. Stereo reception indicator
22. Signal indicator
23. MP3 playback
24. WMA playback
25. ESP function indicator
26. Subwoofer indicator
27. Digit display (radio frequency, track number/name, etc.)
28. Disc loading indicator
29. Loudness function indicator


## General operations

### Turning on/off

Press any button (except OPEN and EJECT button) to turn the unit on. The display will show a message WELCOME to indicate it is ready to use. Press and hold POWER button to turn the unit off.

### Mode selecting

Press MOD/MUT button to select between AUX, TUNER, S-CDP (disc), USB and SD/MMC modes.

 Disc, USB and memory card modes can be selected only if corresponding device is loaded into the unit.

### Volume control

The volume level can be adjusted at any time by rotating VOLUME knob.

### Mute function

Press and hold MOD/MUT button to cancel the sound. Press it again or change the volume level to resume the sound.

### Audio parameter setting

Press SEL button to select bass, treble, balance or fader mode. The corresponding word appears on the display. Rotate VOLUME knob to adjust the selected parameter. Balance is to adjust the balance between the left and right speakers. Fader is to adjust the balance between the rear and front speakers. After you have reached your desired effect, leave the unit idle in order for the new setting to take effect.

### Beep

Press SEL button repeatedly until the display show BEEP ON; rotate VOLUME knob to toggle between BEEP ON (beep sound will be heard when buttons are pressed) and BEEP OFF, then leave the unit idle for the new setting to take effect.

### EQ modes

Press SEL button repeatedly until the display show EQ OFF. Rotate VOLUME knob to choose an equalizer effect: POP => ROCK => CLASS => FLAT => EQ OFF. After you have reached your desired effect, leave the unit idle in order for the new setting to take effect.

### Loudness

Press SEL button repeatedly until the display shows LOUD ON (LOUD OFF). Rotate VOLUME knob to select between LOUD ON/ LOUD OFF. LOUD function is to emphasize the bass output; the word LOUD ON indicates that the LOUD mode is on.

### Clock setting

The clock can be set anytime when the power is on. Press CLK/PTY button (in radio mode - press and hold the button) and then press and hold the button for 2 seconds, the time indication will blink on the display. Rotate VOLUME knob to adjust hours. Press SEL button to go to minute setting. Rotate VOLUME knob to adjust minutes. Press CLK/PTY button again or leave the unit idle for the new setting to take effect.

Press CLK/PTY button (in radio mode press and hold the button) to view the time display.

### AUX in jack

AUX-in jack is intended for connecting an external audio or video equipment to amplify the sound. If connection is made correctly, the audio signal from the external source will be translated through the acoustics of the head unit. This enables to adjust the volume and quality of the sounding. For example, you can connect an MP3-player to listen to tracks using the car acoustic system.

## Radio operations

### Band select

Press BND/ID3 button repeatedly to select



## PTY (Program Type)

This radio will allow you to select the type of program required, and will search for a station broadcasting that type of program.

Press CLK/PTY button to show the music type. Then press 1 - 6 number buttons to choose different music programs available.

Press CLK/PTY button twice to show the speech type program. Then press 1 - 6 number buttons to choose different speech programs. Each number button will show 3 different speech programs for you to choose (see table below).

Button	Music group	Speech group
1	Pop, Rock	News, Affairs, Info
2	Easy, Light	Sport, Educate, Drama
3	Classics	Culture, Science, Varied
4	Jazz, Country	Weather, Finance, Children
5	Nation, Oldies	Social, Religion, Phone IN
6	Folk	Travel, Leisure, Document

When PTY is selected, the radio starts to search corresponding PTY information, and stops if the corresponding PTY information is detected. If no buttons are pressed within several seconds, previously selected PTY is searched. During 1 loop, if desired PTY is not found, the unit will return to previous mode. Press CLK/PTY button for the 3rd time to switch the PTY function off.

## Other parameter setting

To choose the corresponding parameter, press and hold SEL button for 2 seconds, then press it repeatedly until the display shows the needed parameter. Turn VOLUME knob to choose the needed value. After choosing,

please leave the unit idle to activate.

### TA SEEK/TA ALARM

In TA SEEK mode, the unit will seek for traffic announcement program when TA button is pressed; in TA ALARM the unit does not retune to TA information.

### MASK DPI/MASK ALL

During MASK DPI mode, the unit will mask only the AF which has different PI, this is the default mode; during MASK ALL mode, the unit will mask the AF which has different PI and no RDS signal with high field strength.

### RETUNE S/L - SHORT/LONG

"RETUNE" refers to the time period the unit allows for radio scan when reception is interrupted. "S" represents a long time period, and "L" represents a short time period.

## Disc operations

### Insert/Eject discs

Insert a disc into the disc slot with label side up. The disc will be automatically loaded into the unit, even when it is off or in radio mode. For MP3 discs, MP3 symbol will be displayed as the disc is loaded. The first file in the root folder will be played.

Press EJECT button to eject the disc from the slot. If the disc is not removed from the slot within several seconds, it will be automatically loaded into the slot again. When the disc is ejected and removed, the unit will automatically switch to radio mode.

### MP3 track search

You can make use of the following search modes to play your favorite MP3 tracks.

#### Ordinary search

Press ◀▶ buttons to go to the previous or next track. Press 5/◻- and 6/◻+ buttons to go to previous or next folder.

#### Track number search

Press F/PS button. TRK-SCH will be displayed. Rotate VOLUME knob to input the digit. As you input the number of the track,

# Operation


press and hold SEL button. The input track will be searched and played.

## Folder search


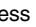

Press F/PS button twice, NAVIGATE will show on the display. Rotate VOLUME knob to choose the desired folder name and press SEL button to confirm and ply the folder.

## Character search


Press F/PS button for thrice. At this moment, press SEL button, the current folder name and D will be displayed. Rotate VOLUME knob to select the desired folder name, then press SEL button to confirm. The files in the selected folder will be searched and played.

 It is recommended to record files in the root folder and do not use the complicated folder system to allow this type of search to function properly.

## **Fast Forward/rewind**

Press and hold  button to fast forward. Press and hold  button to fast reverse. When the needed point of the track is found, press  button to resume normal playback of the track.

## **Play/pause**

Press  button to pause the disc playback. Press this button again to resume playback.

## **Scanning tracks**

Press 2/INT button to play the first 15 seconds of each track. Press this button again to resume playback.

## **Repeat**

Press 3/RPT button to repeat the same track continuously. Press this button again to stop repeating.

## **Random playback**


Press 4/RDM button to play all the tracks in random order. Press the button again to stop random play.

## **Multi-session disc reading**

This unit can read multi-session CDs. The multi-session reading will be activated automatically if the player detects a file that is written in multi-session format.

## **ID3 tags**

If an MP3 file contains ID3 information in English or in Russian, such information will be displayed during the file playback. For display of various ID3-tag categories (folder/file/title/artist/album name) press BND/ID3 button repeatedly.

 This unit may not support some version of ID3-tag information.

## **USB/SD/MMC operation**

### **USB/SD/MMC notes**

USB format supports 2.0 and 1.1. Capacity: up to 2 Gb.

For correct and satisfactory operation, licensed SD/MMC memory cards of famous brands should be used with this unit. Avoid using memory cards of unknown brands. Capacity: up to 2 Gb.

### **Inserting SD/MMC card/USB device**

Insert an MMC/SD card or a USB device into MMC/SD slot or USB slot. Then the playing mode will be changed into Card or USB mode automatically. The first card/USB device track playback will start. If the unit was afterwards switched to another mode, press MOD button to select USB or memory card mode.

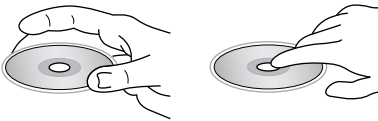
When MMC/SD card and USB device are both inserted into their compartment or socket, the playing mode will be changed into the mode of the later one.

All the operations with files stored in a memory card or USB are the same as described in Disc Operations.

## Handling compact discs

### Handling discs

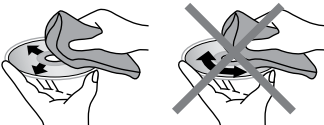
- Do not insert anything other than a CD into the CD loading slot.
- Do not use cracked, chipped, warped, or otherwise damaged discs as they may cause skipping or noise damage the player.
- Handle the disc only by the edges (as shown in the picture). To keep discs clean do not touch its surface.
- Store discs in their cases when not in use.
- Do not expose discs to direct sunlight, high humidity, high temperature or dust.
- Prolonged exposure to extreme temperature (such as leaving the discs in your car during summertime) can wrap a disc.
- Do not attach labels, write on or apply chemicals to the surface of the discs.
- Do not touch the recorded surface of the discs.
- Use 12-cm CDs. Use only conventional, fully circular discs. Do not use shaped discs.



### Cleaning discs

Fingerprints should be carefully wiped from the surface of disc with a soft cloth. Unlike conventional records, compact discs have no grooves to collect dust and macroscopic dirt, so gently wiping them with a soft cloth should remove most particles. Wipe in a straight motion from the center to the edge.

Never use thinner benzine, record cleaner or anti static spray on a compact disc. Such chemicals can damage its plastic surface.



## Cleaning the unit body

Wipe with a soft cloth. If the cabinet is very dampen (not dropping wet) the cloth with a weak solution of soapy water, and then wipe clean.

## Accessories

1. Receiver ..... 1 pc
2. Front panel ..... 1 pc
3. Protective case ..... 1 pc
4. ISO connector ..... 1 pc
5. Mounting parts:
  - Nut 5 mm ..... 1 pc
  - Spring washer ..... 2 pcs
  - Plain washer ..... 2 pcs
  - Screw M5x25 mm ..... 1 pc
  - Screw ..... 1 pc
  - Metal strap ..... 1 pc
  - Release key ..... 2 pcs
  - Mounting collar ..... 1 pc
  - Trim frame ..... 1 pc
6. Instruction manual ..... 1 pc
7. Warranty card ..... 1 pc
8. Consumer information ..... 1 pc

## General information

### Troubleshooting

Below is a table describing simple measures that can help you eliminate most problems likely to emerge when this unit is in use. If below measures do not help, turn to a service center.

Symptom	Cause	Solution
No power	The car ignition is not on.	If the power supply is properly connected to the car accessory switch the ignition key to "ACC".
	The fuse is blown.	Replace the fuse.
No sound	Volume is in minimum.	Adjust volume to a desired level.
	Wiring is not properly connected.	Check wiring connection.
Bad sound quality	The installation angle is more than 30 degrees.	Adjust the installation angle to less than 30 degrees.
	The disc is extremely dirty or defective.	Clean the compact disc/try to play a new one.
Disc cannot be loaded or ejected	The unit already contains a disc.	Remove the disc in the player then put a new one.
	Moisture condensation.	Leave the unit idle for an hour, then retry.
Disc cannot be read	The disc is inserted upside down.	Insert the compact disc with the label side facing upward.
	Compact disc is extremely dirty or defective.	Clean the disc or try to play a new one.
	Temperature inside the car is too high.	Cool off until the ambient temperature returns to normal.
Buttons do not work	The built-in microcomputer is not operating properly.	Reset the unit with the help of RESET button.
	Front panel is not properly fix into its place.	Install the front panel properly.
The radio does not work	The antenna cable is not connected.	Insert the antenna cable properly.
The radio station automatic tuning does not work	The signals are too weak.	Select stations manually.

## General information

The display shows an error message (ERROR 1 – 11) one time.	Possible disc error.	Reset the unit by pressing RESET hole. Ensure the disc is inserted correctly into the slot. Clean or change the disc.
The display shows an error message (ERROR 1 – 11) repeatedly.	Unit operation error.	Turn to a service center.

## Specifications

### General

Power supply	12 V DC
Current consumption	max. 10 A
Maximum power output	4 x 50 W
Fuse	1A & 10A
Dimensions (L x W x H)/Weight	178 x 51 x 178 mm/1.5 kg
Temperature range	-20°C - +60°C
ESP	40 sec. for CD, 120 sec. for MP3
Mounting angle	0 - +/-30°

### FM stereo radio

Frequency range	87.5 - 108.0 MHz
Presettable stations	18
Stereo separation	35 dB (1 kHz)

### MW Section

Frequency range	522 kHz-1620 kHz
Presettable stations	12
Usable sensitivity	30 dB

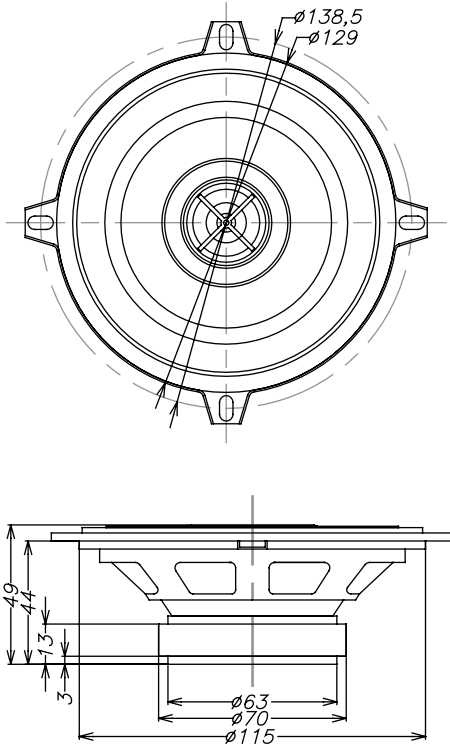
### Disc player

Disc support	CD/CD-R/CD-RW/USB/SD/MMC
Format support	CDDA/MP3
Frequency characteristics	20-100 Hz ≤ 5 dB 10-20 kHz ≤ 5 dB
Signal to noise CD	50 dB (1kHz)
Line output	2-channel RCA line-out (2 V)

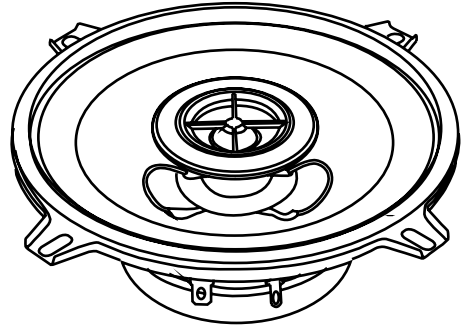
Specifications are subject to change without notice. Dimensions are approximate.

# 13 cm 2-way coaxial acoustic system

## Dimensions



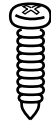
## Accessories



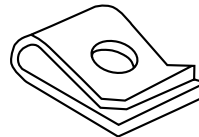
Speaker (2 pcs), Metal grill (2 pcs)



Speaker wire (2 m x 2 pcs)



Screw (8 pcs)



Clip (8 pcs)

## Important safeguards

- The instruction manual contains important operating and maintenance instructions for your safety. It is necessary to refer the manual.
- Do not install the speakers where they may be subjected to excessive heat moisture,

dust or where they will be kicked repeatedly, brushed or bumped.

- Before mounting and connecting the wires be sure that wire of the negative pole terminal is disconnected from accumulator. Non-observance of this demand may cause a short circuit or fire.

- To prevent short circuit never put or leave

## 13 cm 2-way coaxial acoustic system

any metal objects (e.g. coins or metal tools) inside the acoustic system.

- Make absolutely sure that the terminals for the speakers are connected to the proper outputs from the music source.
  - Never run the wiring on the outside of the vehicle or under it where it can be damaged by road hazards or the moving parts of the vehicle. Use existing wire channels, sills, panels and molding strips inside the vehicle to hide the wiring for safety and a neat appliance.
  - Make sure the wire of the negative pole terminal is disconnected from accumulator while connecting the speaker terminals.
- Turn on the various components and slowly advance the volume. Remember to check and re-check all connections to insure proper installation and use.
- Do not continuously use the speaker system beyond the nominal power handling capacity.
  - Keep recorded tapes, watches, and personal credit cards using magnetic coding away from the speaker system to protect them from damage caused by the magnets in the speakers.
  - If you cannot find the appropriate mounting location, consult your car dealer or your nearest dealer before mounting.

**⚠** Take extreme caution when working near the gas tank, gas lines, brake or hydraulic lines and electrical wiring.

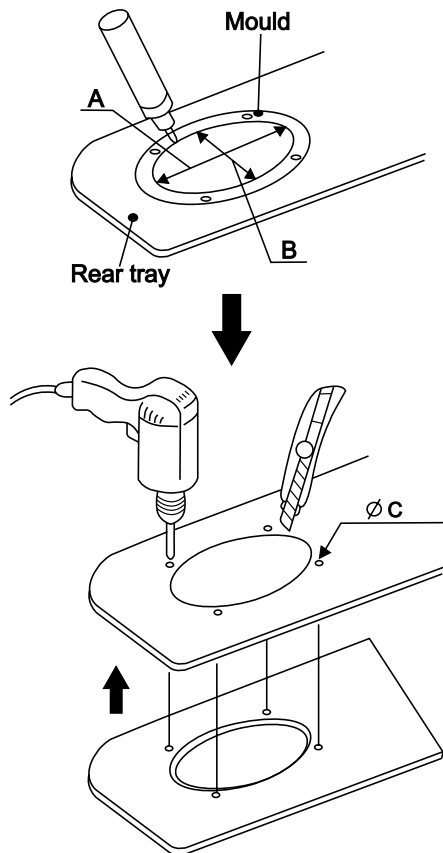
### Installation of the speaker

Installation kits are available from your dealer or local stereo shop to help make your installation easy. These kits also give your installation a clean, custom appearance. Questions about installations methods please consult a professional auto sound dealer/installer for assistance.

- Choose the place of installation for acoustic system. For most acoustic system stipulated regular places in the automobile

approach. In this case you need to know only assembly depth. Before installation acoustic system check up their assembly depth.

- At a choice of a non-standard arrangement of speakers at which it is necessary to cut them in panels of the automobile, use a mould (not included). For achievement of ideal arrangement of acoustic system keep up geometry of a mould, as it is very important for correct installation of your system ( $A=B=115$  mm,  $\text{Ø}C=5$  mm).

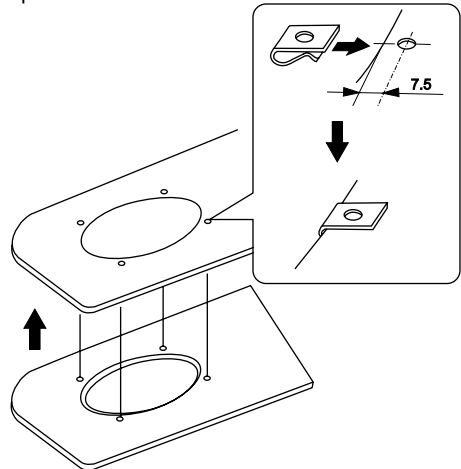


## 13 cm 2-way coaxial acoustic system

- If it is necessary to cut steel, reinstall the cosmetic panel in place and use the hole you have previously cut as a template. This will help to insure proper cutting and a good fit. Now, mark the locations for the speakers mounting screws, remove the panel and drill the screw holes. When finished you may replace the panel.
- After cutting and drilling all holes, inspect the mounting areas for any metal burrs or rough edges. File any area that may interfere with the mounting of the speaker.
- Clean any metal shavings from the mounting area and check for areas in which water may enter the speaker cavity. Treat the area for water protection when necessary.

### Securing the speaker

- Position the speaker into the mounting hole and reconfirm the correct mounting location and hole placement.
- Screw clips are provided to ensure a snug fit. These should be placed over the metal surface and line up the hole you have previously drilled with the screw clip. Place the speaker into the hole, align the holes and proceed to insert the screws. Be sure to tighten the screws evenly so that it will not warp the speaker frame.




- Turn your system back on and confirm the speakers operation first at a low volume and then you may increase the volume as you desire.
- After installation acoustic system and having tested it the speaker grill will have to be inserted. Turn on you system and follow these steps carefully:
  - locate the speaker grill;
  - now carefully inspect the place where the speaker grill will be mounted – there should be no blowholes;
  - fix the speaker grill by screws.

# 13 cm 2-way coaxial acoustic system

## Troubleshooting guide

Carefully read the instruction to make sure the unit is being operated properly. Check the following before you take your unit to the local dealer for repair.

Symptom	Possible cause	Solution
No sound	The volume control regulator set in the minimal position	Adjust sound level
	Bad power connections	Check to see that all the power and speaker leads are securely connected
	The audio cassette receiver is damaged	Take your unit to the local dealer for repair
Unnatural sound	Acoustic system cables are connected without observance of polarity (+ or -)	Check to see that all the power and speaker leads are securely connected
	Damaged speaker wire or speaker	Replace the speaker or speaker wires
	The audio cassette receiver is damaged	Take your unit to the local dealer for repair

 Good ground connections eliminate most electrical noise problems and require tight contact with the metal vehicle chassis.

## Specification

Loudspeaker cone	woofer: polypropylene cone tweeter: 20 mm mylar
Magnet	5.3 Oz
Peak output power	120 W
Rated output power	60 W
Impedance	4 Ohm
Sensitivity	90 dB
Frequency response	80 – 20000 Hz
Dimensions	138.5 x 49 mm
Net/Gross weight	0.38 kg/0.8 kg
Gift box dimension (L x H x W)	275 mm x 135 mm

# Содержание

## Уважаемый покупатель!

Благодарим Вас за покупку нашего изделия. Чтобы понять, как правильно и безопасно пользоваться Вашей моделью изделия, рекомендуется тщательно изучить настоящее руководство перед подключением, регулировкой и эксплуатацией изделия. Сохраняйте руководство для использования в будущем.

<b>Содержание</b> .....	20	Поиск локальных радиостанций .....	31
<b>Перед началом эксплуатации</b> .....	21	Моно/стерео прием (для FM радио)....	31
Утилизация изделия .....	21	Сервис RDS .....	31
Меры предосторожности .....	21	AF (альтернативные частоты) .....	31
<b>Установка/Подключение</b> .....	23	TA (программы о дорожном движении) .....	32
Установка .....	23	ФункцияPTY (тип программы) .....	32
Общая информация .....	23	Дополнительные функции .....	33
Установка устройства в приборную		Воспроизведение дисков .....	33
панель .....	23	Установка/извлечение диска .....	33
Установка (Метод А) .....	23	Поиск треков MP3 .....	33
Установка декоративной рамки .....	24	Перемотка вперед .....	34
Установка (Метод Б) .....	24	Воспроизведение/пауза .....	34
Операции со съемной панелью .....	25	Обзорное воспроизведение .....	34
Система против кражи .....	25	Повтор воспроизведения .....	34
<b>Подключение</b> .....	26	Случайное воспроизведение .....	34
Схема электрических соединений .....	26	Чтение мультисессионных дисков .....	34
Использование разъема ISO .....	26	ID3-теги .....	34
<b>Управление устройством</b> .....	28	Операции с USB/картами памяти .....	34
Элементы управления .....	28	Примечания по USB/SD/MMC-	
Передняя панель .....	28	разъемам .....	34
Внутренняя панель .....	28	Установка USB/SD/MMC-карты .....	34
Символы ЖК-дисплея .....	29	<b>Общая информация</b> .....	36
<b>Основные операции</b> .....	30	Обращение с компакт-дисками .....	36
Включение/выключение устройства .....	30	Чистка дисков .....	36
Выбор режима .....	30	Чистка корпуса устройства .....	36
Регулирование громкости .....	30	Комплект поставки .....	36
Отключение звука .....	30	Устранение неисправностей .....	37
Настройка параметров аудио .....	30	Технические характеристики .....	38
Функция ВЕЕР .....	30	<b>13-см 2-полосная коаксиальная</b>	
Тонкомпенсация .....	30	<b>акустическая система</b> .....	39
Функция эквалайзера (EQ) .....	30	Размеры устройства .....	39
Установка часов .....	30	Комплект поставки .....	39
Вход AUX .....	30	Меры безопасности .....	39
<b>Операции с радио</b> .....	31	Установка акустической системы .....	40
Выбор диапазона радио .....	31	Фиксация акустической системы .....	41
Поиск радиостанций .....	31	Неисправности и их устранение .....	42
Сохранение настроенных станций .....	31	Технические характеристики .....	42
Автоматическое сохранение станций .....	31		

## Утилизация изделия

Если вы желаете утилизировать данное изделие, не выбрасывайте его вместе с обычным бытовым мусором. Существует отдельная система сбора использованных электронных изделий в соответствии с законодательством, которая предполагает соответствующее обращение, возврат и переработку.

Обращайтесь в органы местного управления за инструкциями по правильной утилизации продукта. Тем самым Вы обеспечите утилизацию Вашего изделия с соблюдением обязательных процедур по обработке, утилизации и вторичной переработке и, таким образом, предотвратите потенциальное негативное воздействие на окружающую среду и здоровье людей.

## Меры предосторожности

- Внимательно изучите данное руководство, чтобы ознакомиться с устройством.
- Держите данное руководство под рукой в качестве справочника по правилам эксплуатации и мерам предосторожности. Не допускайте к использованию устройства посторонних лиц, не ознакомившихся и не усвоивших инструкции по эксплуатации.
- **ЛАЗЕРНЫЙ ПРОДУКТ КЛАССА 1**  
Данное устройство оснащено лазерным диодом класса выше 1. Лазерные лучи, исходящие из блока оптической головки считывания информации с компакт-диска, опасны для глаз. В целях обеспечения полной безопасности не снимайте какие-либо крышки и не пытайтесь проникнуть внутрь устройства. Ремонт должен выполняться только квалифицированным специалистом.
- Не допускайте попадания жидкости на устройство. Это может повлечь за собой поражение электрическим током. Кроме того, попадание жидкости или пыли в устройство может стать причиной его выхода из строя, перегрева и появления дыма. Оберегайте устройство от воздействия влаги.
- Убедитесь, что внутрь устройства не попали посторонние предметы. Они могут вызвать сбой в работе или стать причиной возгорания или поражения лазерным лучом.

- Началом эксплуатации устройства считается момент его установки в автомобиль. Перед началом использования устройства в зимний период рекомендуется прогреть салон автомобиля в течение 20 минут или до достижения эксплуатационного диапазона температуры устройства.
- Использование устройства при температуре, выходящей за рамки эксплуатационного диапазона температур, значительно снижает ресурс работы экрана и других компонентов устройства и может привести к выходу устройства из строя.
- При установке и подключении устройства отключите отрицательную клемму аккумулятора автомобиля.
- Устройство разработано таким образом, чтобы отрицательный вывод аккумулятора был подключен к корпусу транспортного средства. Пожалуйста, убедитесь в этом перед установкой.
- При замене предохранителя, убедитесь, что вы устанавливаете предохранитель с тем же номиналом. Используя предохранитель с повышенным значением тока, можно причинить значительные повреждения устройству.
- Не позволяйте проводам динамиков соприкасаться друг с другом или с корпусом автомобиля после включения устройства. В противном случае усилитель может быть перегружен или выйти из строя.

## Перед началом эксплуатации

- Убедитесь, что источник питания и антенна отключены, если Вы не будете пользоваться устройством в течение длительного времени или во время грозы.
  - Убедитесь, что источник питания отключен, если обнаружена неправильная работа устройства, устройство издает нехарактерные звуки, запах, выделяет дым или внутрь его попала жидкость. В этих случаях необходим квалифицированный технический осмотр устройства.
    - Не устанавливайте уровень громкости, заглушающий внешние звуки дорожной обстановки и сигналы специального автотранспорта.
    - При неполадках в работе устройства свяжитесь с торговым представителем или с ближайшим сервисным пунктом.

## Установка

### Общая информация

- Перед окончательной установкой устройства временно подключите все провода и убедитесь, что все соединения выполнены верно, а устройство и система работают правильно.
- Для обеспечения правильной установки устройства используйте только те детали, которые входят в комплект. Использование других приспособлений может привести к появлению сбоев в работе устройства.
- Если для установки устройства необходимо сверлить отверстия в кузове автомобиля или вносить какие-либо другие изменения в его конструкцию, проконсультируйтесь с продавцом.
- Устанавливайте устройство там, где оно не будет закрывать водителю обзор и отвлекать его от дорожной обстановки и не сможет нанести травм пассажирам в случае внезапной остановки автомобиля, например, при экстренном торможении.
- Если при установке устройства угол относительно горизонтальной плоскости превышает 30°, рабочие характеристики проигрывателя могут быть не оптимальны.
- Никогда не устанавливайте устройство в таких местах, где оно будет подвергаться воздействию высокой температуры, например, в местах попадания прямых солнечных лучей, в местах выхода горячего воздуха от отопителя автомобиля, в местах, где очень грязно или пыльно, или там, где устройство будет подвергаться сильной вибрации.
- Перед установкой устройства обязательно снимите переднюю панель.

### Установка устройства в приборную панель

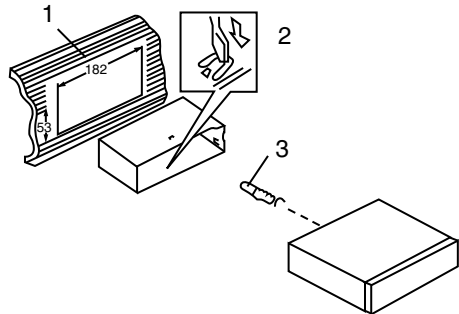
Данное устройство может быть установлено либо «спереди» (обычная установка стандарта DIN в приборную панель автомобиля), либо «сзади» (установка стандарта

DIN, при которой используются отверстия на боковых сторонах корпуса проигрывателя, имеющие резьбу под винты). Более подробно методы установки А и Б описываются ниже.

### Установка в приборную панель (Метод А)

Установка устройства

1. Приборная панель автомобиля
2. Монтажный кожух.
3. Винт
4. Гайка (5 мм)
5. Пружинная шайба
6. Винт (5 x 25 мм)
7. Опорная планка.
8. Плоская шайба



1. Установите монтажный кожух в приборную панель автомобиля, убедитесь, что он установлен правильной стороной и нет препятствий (провода, элементы приборной панели) для установки магнитолы.

2. После установки монтажного кожуха в приборную панель отогните на нем металлические язычки, соответствующие толщине приборной панели. Это позволит закрепить кожух на месте.

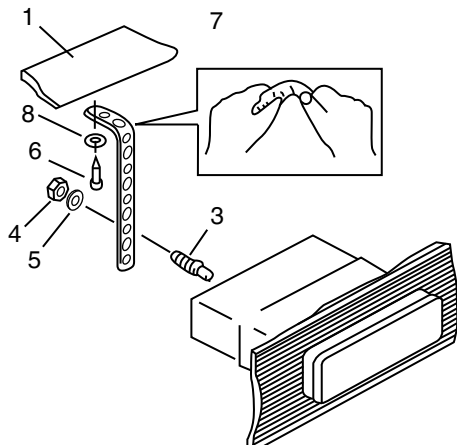
3. Обязательно используйте опорную планку для закрепления задней стороны проигрывателя. Определите место крепления и установите ее согласно приведенному рисунку. Планку можно согнуть руками под

## Установка/Подключение

нужным углом.

4. Подключите необходимые провода и разъемы. Убедитесь в правильности подключения.

5. Установите магнитолу в монтажный кожух до фиксации боковых защелок.

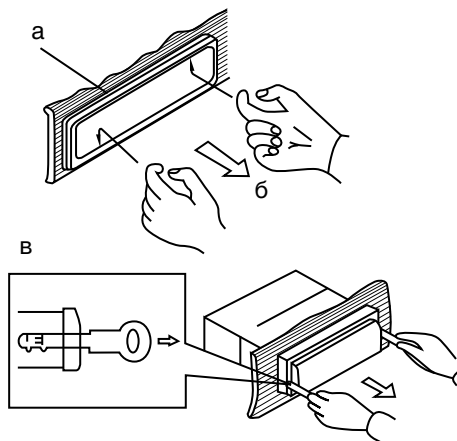


### Снятие устройства

а – Декоративная рамка

б – Направление снятия рамки

в – Установка ключей съемников



1. Выключите магнитолу и снимите переднюю панель.

2. Вставьте пальцы в канавку на передней стороне декоративной рамки (рамка снимается с небольшим усилием). Потяните рамку на себя, чтобы снять ее.

3. Вставьте входящие в комплект ключи-съемники с обеих сторон корпуса устройства, как показано на рисунке, до щелчка. Для того чтобы извлечь устройство из приборной панели, потяните за съемники или магнитолу и вытяните её на себя (перед снятием убедитесь, что магнитола не зафиксирована с опорной планкой).

### Установка декоративной рамки

Для установки декоративной рамки прижмите ее к корпусу устройства и нажмите, чтобы вставить на место. Это необходимо сделать до установки передней панели, иначе вы не сможете установить декоративную рамку на место (При установке рамки на место направьте сторону с канавкой вниз и закрепите ее.).

### Установка в приборную панель (Метод Б)

В данном случае установки используются отверстия для винтов на боковых сторонах устройства. Закрепите устройство с помощью штатных кронштейнов крепления радиоприемника.

1. Выберите такое положение, в котором отверстия для винтов на кронштейне (3) будут совмещены с отверстиями для винтов на корпусе устройства и вкрутите по два винта (2) с каждой стороны.

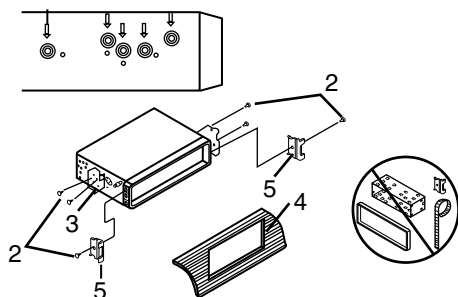
2. Винт.

3. Монтажный кронштейн штатного радиоприемника.

4. Приборная панель или консоль автомобиля.

5. Защелка (снимите эту деталь).

При установке по методу Б монтажный кожух и внешняя декоративная рамка не используются.



**⚠** Панель может повредиться из-за внешних факторов: тряски, ударов. После снятия ее с устройства держите панель в защитном футляре и старайтесь не ронять и не наносить физических повреждений.

Очень важным элементом является коннектор на задней части панели. Не нажимайте на него ногтями, ручками, отвертками.

**🧼** Если панель загрязнилась или заплылилась, протрите ее сухой чистой тканью. Для чистки разъема в задней части панели используйте тампон, смоченный изопропиловым спиртом.

### Операции со съемной панелью

Наденьте крепежное отверстие правой стороны панели на крепление в правой стороне ресивера. Затем нажмите на левую сторону панели до щелчка. Убедитесь в том, что панель плотно закреплена в ресивере, иначе на дисплее могут отобразиться символы ошибок или некоторые кнопки не будут функционировать.

Для отсоединения передней панели нажмите кнопку OPEN, затем извлеките правую сторону панели из крепления ресивера. Потяните панель на себя.

### Система против кражи

Если данное устройство не используется, переднюю панель можно отсоединить и поместить в защитный футляр, входящий в комплект поставки. Панель в футляре можно взять с собой, когда Вы покидаете автомобиль. Это позволяет избежать кражи панели.

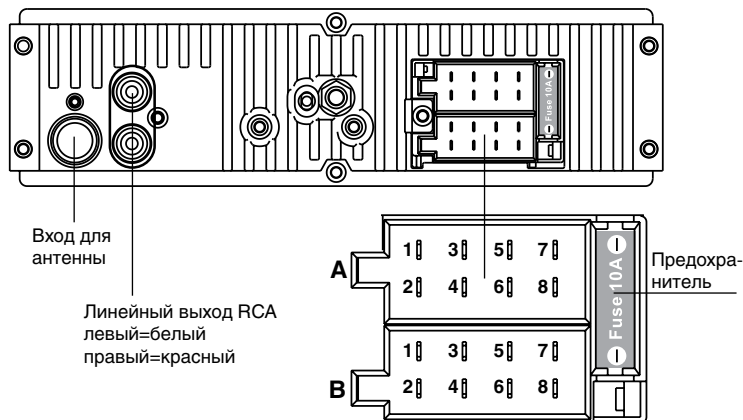
Отключите питание устройства. Снимите переднюю панель и поместите ее в предохранительный футляр.

# Установка/Подключение

## Подключение

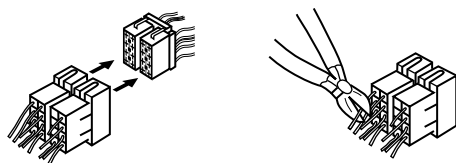
### Схема электрических соединений

- Независимо от размера динамиков следует использовать динамики с сопротивлением 4 Ом.
- Не допускайте короткого замыкания проводов динамиков на корпус головного устройства или автомобиля.



### Использование разъема ISO


1. Если в Вашем автомобиле есть разъем ISO, произведите подключение, как показано на рисунке.



2. Для подключений без разъемов ISO внимательно проверьте все провода перед подключением, неправильное подключение может привести к повреждениям изделия. Обрежьте разъем, подключите цветные головки разъема к шнуру питания батареи в соответствии с приведенной таблицей.

## Установка/Подключение

Номер	Функция	
	Разъем А	Разъем В
1	Тыловой правый(+)--Синий	-
2	Тыловой правый(-)--Синий/Белый	-
3	Фронтальный правый(+)--Серый	-
4	Фронтальн. правый(-)--Серый/Белый	Питание 12В (+)/желтый
5	Фронтальный левый(+)--Зеленый	Питание антенны/оранжевый
6	Фронт. левый((-)--Зеленый/Белый	Подсветка панели/белый
7	Тыловой левый(+)--Коричневый	Зажигание/красный
8	Тыловой левый(-)--Коричневый/Белый	Земля/черный

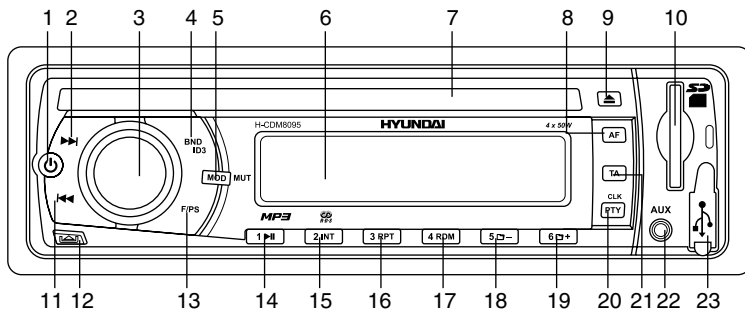
 Провод подсветки панели подсоединяется к "+" провода габаритных огней. Провод питания антенны предназначен для подачи питания на антенну и для удаленного управления дополнительным усилителем.

# Управление устройством

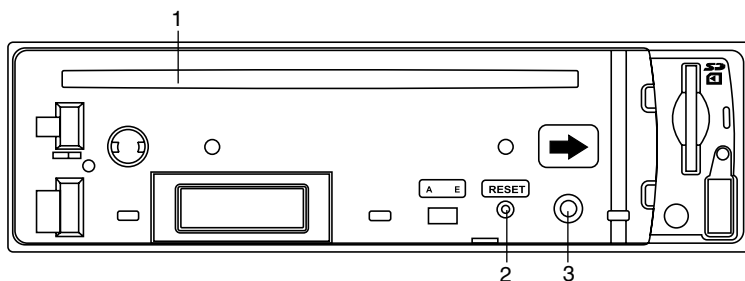
## Элементы управления

### Передняя панель


1. Кнопка POWER
2. Кнопка ►►
3. Регулятор VOLUME/Кнопка SEL
4. Кнопка BND/ID3
5. Кнопка MOD/MUT
6. Дисплей
7. Слот для дисков
8. Кнопка AF
9. Кнопка EJECT
10. Слот для карт памяти SD/MMC
11. Кнопка ◄◄
12. Кнопка OPEN
13. Кнопка F/PS
14. Кнопка 1/►►
15. Кнопка 2/INT
16. Кнопка 3/RPT
17. Кнопка 4/RDM
18. Кнопка 5/□ -
19. Кнопка 6/□ +
20. Кнопка CLK/PTY
21. Кнопка TA
22. Вход AUX
23. USB порт



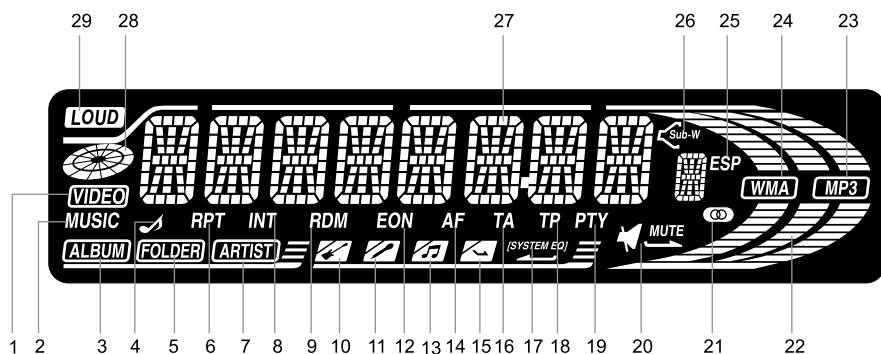
### Внутренняя панель



1. Слот для дисков
2. Кнопка (отверстие) RESET
3. Индикатор состояния панели

 При нажатии кнопки RESET все выполненные установки будут удалены из памяти устройства. Индикатор состояния панели загорается, когда панель опущена, и мигает при снятии панели.

## Символы ЖК дисплея



- |                                      |   |
|--------------------------------------|---|
| 1. Индикатор воспроизведения видео   | 17. Индикатор работы эквалайзера  |
| 2. Индикатор воспроизведения музыки  | 18. Индикатор функции TP  |
| 3. Отображение названия альбома      | 19. Индикатор функции PTY   |
| 4. Отображение имени файла           | 20. Индикатор отключения звука  |
| 5. Отображение имени папки           | 21. Индикатор стерео приема сигнала   |
| 6. Индикатор повтора воспроизведения | 22. Графический индикатор сигнала   |
| 7. Отображение имени артиста         | 23. Воспроизведение MP3   |
| 8. Индикатор обзорного воспроизв.    | 24. Воспроизведение WMA   |
| 9. Индикатор случайного воспроизв.   | 25. Индикатор системы электронной стабилизации воспроизведения              |
| 10. Режим эквалайзера ROCK           | 26. Индикатор работы сабвуфера  |
| 11. Режим эквалайзера POP            | 27. Цифровой дисплей (отображение радио частоты, номера/имени трека и т.д.) |
| 12. Индикатор функции EON            | 28. Индикатор загрузки диска  |
| 13. Режим эквалайзера CLASS          | 29. Индикатор тонкомпенсации  |
| 14. Индикатор функции AF             |   |
| 15. Режим эквалайзера FLAT           |   |
| 16. Индикатор функции TA             |   |


## Основные операции

### Включение/выключение устройства

Нажмите любую кнопку (кроме кнопок OPEN и EJECT) для включения устройства. Нажмите и удерживайте кнопку POWER для выключения устройства.

### Выбор режима

Нажимайте кнопку MOD/MUT, чтобы выбрать режимы: AUX, TUNER (радио), CD (диск), USB, SD/MMC (карта памяти).

 Режимы диск, USB и карта памяти доступны для выбора только если соответствующий носитель вставлен в устройство.

### Регулирование громкости

Уровень громкости звука может быть отрегулирован путем вращения регулятора VOLUME.

### Отключение звука

Нажмите и удерживайте кнопку MOD/MUT, чтобы отключить звук. Нажмите и удерживайте эту кнопку еще раз или регулируйте громкость, чтобы включить звук.

### Настройка параметров аудио

Нажимайте кнопку SEL для выбора одного из параметров: BAS (низкие частоты), TRE (высокие частоты), BAL (баланс между правым и левым каналами), FAD (баланс между передним и задним каналами). На дисплее отобразится соответствующая надпись. Вращайте регулятор VOLUME, чтобы настроить выбранный параметр. После выбора режима не нажимайте никаких кнопок, чтобы выполненные настройки сохранились.

### Функция BEEP

Нажимайте кнопку SEL до отображения на дисплее надписи BEEP ON (OFF). Вращайте регулятор VOLUME для переключения между BEEP ON (включение функции

сопровождения нажатия кнопок звуковым сигналом) и BEEP OFF (отключение функции), затем в течение некоторого времени не выполняйте никаких операций, чтобы выполненные настройки сохранились.

### Тонкомпенсация

Нажимайте кнопку SEL до отображения на дисплее надписи LOUD ON (OFF). Вращайте регулятор VOLUME для включения или отключения функции компенсации низких и высоких частот, если вы хотите уменьшить уровень звука без потери четкости звучания.

### Функция эквалайзера (EQ)

Нажимайте кнопку SEL до отображения на дисплее надписи EQ OFF. Вращайте регулятор VOLUME для выбора одного из режимов эквалайзера: POP => ROCK => CLASS => FLAT => EQ OFF (выкл). После выбора режима не нажимайте никаких кнопок, чтобы выполненные настройки сохранились.

### Установка часов

Вы можете настроить часы, отображаемые на дисплее при включенном питании устройства. Нажмите кнопку CLK/PTY (в режиме радио нажмите и удерживайте), затем нажмите и удерживайте кнопку CLK/PTY в течение 2 секунд, на дисплее начнут мигать часы. Вращайте регулятор VOLUME для установки часов. Нажмите кнопку SEL для перехода к установке минут. Вращайте регулятор VOLUME для установки минут. Нажмите кнопку PTY/CLK или не нажимайте никаких кнопок, чтобы настройки сохранились.

Для отображения часов нажмите кнопку CLK/PTY (в режиме радио нажмите и удерживайте).

### Вход AUX

Разъем AUX предназначен для подключения внешнего аудио и видео устройства с целью усиления звука. В случае правильного подключения аудиосигнал от внешнего

источника будет транслироваться через акустику головного устройства. Это дает возможность регулировать громкость и качество звучания. Например, Вы можете подключить MP3-проигрыватель для прослушивания записей через акустику автомобиля.

## Операции с радио

### Выбор диапазона радио

Нажмите кнопку BND/ID3 для выбора диапазона радиовещания. Доступны 3 FM поддиапазона: FM1, FM2, FM3 и 2 MW (AM) поддиапазона: MW1 (AM1), MW2 (AM2). В каждом поддиапазоне Вы можете сохранить в памяти устройства до 6 станций (всего 30 станций).

### Поиск радиостанций

В режиме радио нажмите кнопку **◀◀** или **▶▶** для автоматической настройки частоты радио. Приемник настроится на предыдущую или следующую станцию с сильным сигналом. Повторите действия для поиска других радиостанций.

Для поиска нужной частоты вручную нажмите и удерживайте кнопку **◀◀** или **▶▶** до отображения на дисплее MANU TUNE. Затем нажимайте эти кнопки многократно для пошаговой настройки частоты.

### Сохранение настроенных станций

На панели устройства есть 6 кнопок с цифрами, с помощью которых Вы можете сохранять и включать радиостанции в каждом диапазоне. Выберите нужную радиостанцию, затем нажмите и удерживайте кнопку с цифрой. Станция будет сохранена в памяти устройства под этой цифрой. Для вызова сохраненной станции нажмите соответствующую кнопку с цифрой.

### Автоматическое сохранение и сканирование станций

- Автоматическое сохранение: Нажмите

и удерживайте кнопку F/PS; 6 самых сильных доступных станций будут автоматически сохранены в памяти под цифрами 1~6. Чтобы остановить автоматическое сохранение, снова нажмите эту кнопку.

- Сканирование: Нажмите кнопку F/PS; приемник выполнит вещание каждой сохраненной станции 3-х FM-диапазонов или 2-х AM-диапазонов в течение нескольких секунд. Чтобы остановить сканирование, снова нажмите эту кнопку.

### Поиск локальных радиостанций

Нажимайте кнопку SEL до отображения на дисплее надписи LOCAL (DX). Вращайте регулятор VOLUME для переключения между LOCAL (активация приема местных радиостанций со слабым сигналом) и DX (отключение приема местных радиостанций; прием удаленных радиостанций как со слабым, так и с сильным сигналом).

### Моно/стерео прием (для FM радио)

Нажимайте кнопку SEL, пока на дисплее не отобразится надпись STEREO или MONO. Вращайте регулятор VOLUME, чтобы включить режим стерео (STEREO) или моно (MONO) приема.

Достичь улучшения дистанционного сигнала можно, включив режим моно, что позволяет убрать лишние звуковые шумы.

### Сервис RDS

Сервис RDS (Система радио данных) доступен не во всех регионах. Имейте в виду, что если услуга RDS не доступна в Вашем регионе, то данная функция не будет работать.

### Функция AF (альтернативные частоты)

При слабом сигнале функция альтернативных частот позволяет приемнику настраиваться на другие станции с тем же идентификационным кодом, что и текущая станция, но с более сильным сигналом. При этом вместо частоты на дисплее появится

название станции.

Нажмите кнопку AF, чтобы включить или выключить функцию AF. При включенном режиме AF радио постоянно проверяет силу сигнала альтернативных частот, на которых может транслироваться RDS программа. Если сигнал слабый или исчезает, приемник будет автоматически искать другую частоту с этой программой.

Если служба RDS не доступна в Вашей местности, выключите режим AF. По умолчанию функция включена.

Если символ AF отображается на дисплее статично, это означает, что режим AF активен и идет прием информации RDS. Если символ мигает, режим активен, но информация RDS отсутствует. Если символ AF не отображается, это означает, что режим AF отключен.

## Функция TA (программы о дорожном движении)

В режиме радио нажмите кнопку TA для включения/отключения функции TA. Начнется автоматический поиск программ дорожного движения вне зависимости от текущего режима.

Когда программа будет найдена, начнется ее трансляция. Чтобы прервать трансляцию, нажмите кнопку TA; устройство вернется к предыдущему режиму; это не повлечет за собой отключения функции TA. Когда программа закончится, устройство автоматически вернется к текущему режиму.

## ФункцияPTY (тип программы)

FM-станции, поддерживающие сервис RDS, передают идентифицирующий сигнал типа программы.

Нажмите кнопку CLK/PTY, чтобы выбрать категорию музыкальных программ. Затем нажимайте кнопки с цифрами 1-6, чтобы выбрать разные типы музыкальных программ.

Нажмите кнопку CLK/PTY дважды, чтобы выбрать категорию информационных программ. Затем нажмите кнопки с цифрами

1-6, чтобы выбрать нужный тип информационных программ. Каждый номер содержит три разных информационных программы на выбор.

Button	Music group	Speech group
1	Pop, Rock	News, Affairs, Info
2	Easy, Light	Sport, Educate, Drama
3	Classics	Culture, Science, Varied
4	Jazz, Country	Weather, Finance, Children
5	Nation, Oldies	Social, Religion, Phone IN
6	Folk	Travel, Leisure, Document

Кнопка	Музыкальные программы	Информационные программы
1	поп-музыка, рок-музыка	новости, текущая информация, общая информация и сообщения
2	легкая музыка, легкая классическая музыка	спортивные новости, образовательные программы, радиопостановки и сериалы
3	классическая музыка	культурные программы, наука и техника, развлекательные программы

4	джаз, музыка кантри	метеорологи- ческая инфор- мация коммерция, торговля
5	националь- ная музыка музыка ретро	социальные новости, религиозные программы, ток-шоу
6	народная музыка	программы для путешествен- ников, хобби и развле- чения, документальные программы

При включенной функции PTY приемник начинает поиск соответствующего типа программы; поиск останавливается, когда программа найдена. Если в течение нескольких секунд ни одна программа не была выбрана, приемник настроится на предыдущую программу. Если за один цикл нужный тип программы не найден, приемник вернется к текущему режиму.

## Дополнительные функции

Для выбора нужной функции нажмите и удерживайте кнопку SEL, после чего нажимайте ее до отображения на дисплее нужной функции. Вращайте регулятор VOLUME, чтобы выбрать нужную опцию. После осуществления выбора несколько секунд не нажимайте никаких кнопок, чтобы активировать изменения.

### Функция TA SEEK/TA ALARM


В режиме TA SEEK устройство выполнит поиск программ о дорожном движении при нажатии кнопки TA;

TA ALARM: когда выбран данный режим, функция автоматической перенастройки радиоприемника не работает. Вместо этого радиоприемник включает звуковое опо-

вещение.

### Функция RETUNE S/L - SHORT/LONG

«RETUNE» означает временной интервал прерывания радио сигнала для сканирования. «S» означает короткий интервал; «L» означает длинный интервал.

 Режим Retune для режима TA активен только для TA SEEK.

### Функция MASK DPI/MASK ALL

После включения режима AF (поиск альтернативных частот с той же программой), программа, которую Вы прослушиваете, может быть замещена другой программой, которая вещает на той же частоте. Чтобы этого избежать, активируйте функцию MASK DPI. В режиме MASK DPI устройство маскирует только альтернативные частоты с разными информационными программами. В режиме MASK ALL устройство маскирует и информационные программы, и станции, не поддерживающие RDS.

## Воспроизведение дисков

### Установка/извлечение диска

Вставьте диск в слот для дисков стороной с надписью вверх. Диск автоматически загрузится в устройство, даже если устройство находится в режиме радио. Для MP3 дисков, на дисплее при загрузке диска отобразится символ MP3. Начнется воспроизведение первого файла в корневой папке.

Для извлечения диска из устройства нажмите кнопку EJECT. Если после этого в течение нескольких секунд не достать диск из слота, он будет загружен обратно в слот. При полном извлечении диска устройство автоматически переключится в режим радио.

### Поиск треков MP3

Вы можете осуществлять поиск треков на диске следующими способами:

#### Обычный поиск

Нажимайте кнопки PREVIOUS/NEXT для

# Управление устройством


перехода к предыдущему или следующему треку соответственно. Нажмите кнопки 5/◀- или 6/▶+ для перехода на 10 треков вперед или назад соответственно.

## Поиск трека

Нажмите кнопку F/PS, на дисплее отобразится надпись TRK-SCH. Вращайте регулятор VOLUME, чтобы ввести номер. Введя таким образом номер нужного трека, нажмите и удерживайте кнопку SEL. Начнется воспроизведение выбранного трека.

## Поиск по имени папки

Нажмите кнопку F/PS дважды; на дисплее отобразится надпись NAVIGATE. Вращением регулятора VOLUME выберите имя нужной папки, затем нажмите кнопку SEL для подтверждения выбора. Начнется воспроизведение файлов, содержащихся в выбранной папке.

 Рекомендуется записывать файлы в корневой каталог и не использовать сложную структурную систему папок, для того чтобы был возможен этот вид поиска.

## Перемотка вперед/назад

Нажмите и удерживайте кнопку ►► для перемотки вперед или кнопку ◀◀ для перемотки назад. Когда нужный фрагмент будет найден, нажмите кнопку 1/►► для возобновления воспроизведения с нормальной скоростью.

## Воспроизведение/пауза

Во время воспроизведения нажмите кнопку 1/►► для приостановки воспроизведения. Нажмите кнопку повторно для возобновления воспроизведения.

## Обзорное воспроизведение

Нажмите кнопку 2/INT для воспроизведения первых 15 секунд каждого трека на диске. Нажмите кнопку еще раз для полного воспроизведения текущего трека.

## Повтор воспроизведения

Нажмите кнопку 3/RPT для повторного

воспроизведения текущего трека. Нажмите кнопку еще раз для отмены повторного воспроизведения.

## Случайное воспроизведение


Нажмите кнопку 4/RDM для воспроизведения файлов в произвольном порядке. Для возобновления нормального воспроизведения нажмите кнопку повторно.

## Чтение мультисессионных дисков

Данное устройство может воспроизводить диски, записанные в мультисессионном режиме. Чтение диска начинается автоматически после загрузки такого диска в устройство.


## ID3-теги

Если MP3 файл содержит информацию ID3 на русском или английском языках, то такая информация будет отображаться на дисплее во время воспроизведения файла. Для выбора отображения определенной категории ID3-тегов (название альбома, имя файла и др.) нажимайте кнопку BND/ID3.

 Устройство может не поддерживать некоторые форматы ID3-тегов.

## Операции с USB-накопителями/картами памяти SD/MMC

### Примечания по USB/SD/MMC-разъемам

 USB: Поддержка формата USB 2.0 и 1.1. Емкость: до 2 Гб.

SD/MMC: Для корректной работы устройства используйте лицензионные карты памяти известных производителей. Избегайте использования нелегальных карт памяти. Емкость: до 2 Гб.

### Установка USB/SD/MMC-карты

Установите USB носитель (предварительно сняв заглушку с USB порта) или карту

памяти в соответствующий слот на передней панели. Устройство автоматически переключится в режим USB или SD/MMC карты. Если устройство находится в другом режиме, нажимайте кнопку MOD, чтобы выбрать режим воспроизведения USB или карты памяти. Воспроизведение начнется с первого трека установленного носителя.

Операции с файлами, содержащимися на USB-накопителе или карте памяти соответствуют операциям, описанным выше в параграфе «Воспроизведение дисков».

## Общая информация

### Обращение с компакт-дисками

- Не вставляйте в слот для загрузки компакт-диска ничего, кроме компакт-дисков.
- Не используйте диски с трещинами, отколотыми краями, деформированные диски или диски с другими повреждениями, поскольку такие диски могут вызвать искажение звука, шум или повредить проигрыватель.
- Держите диск только за края (как показано на рисунке). Чтобы обеспечить чистоту диска, не прикасайтесь к его поверхности.
- Когда диски не используются, храните их в футлярах.
- Не подвергайте диски действию прямого солнечного света, повышенной влажности, повышенным температурам или действию пыли.
- Продолжительное влияние предельных температур (например, при пребывании дисков в автомобиле в летнее время) может деформировать диск.
- Не приклеивайте этикеток, не пишите и не наносите химических веществ на поверхность дисков.
- Не прикасайтесь к записанной поверхности дисков.
- Используйте только традиционные круглые диски диаметром 12 см. Не используйте диски необычной формы и нестандартного размера.

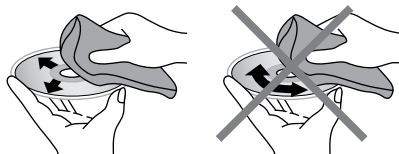


### Чистка дисков

Отпечатки пальцев должны быть тщательно стерты с поверхности диска мягкой тканью. В отличие от обычных пластинок, компакт-диски не имеют канавок для сбора пыли и микроскопических частиц грязи, поэтому осторожно вытирайте их мягкой тканью, чтобы удалить частицы грязи.

Вытирайте прямолинейным движением от центра к краю.

Не используйте растворитель, бензин, очиститель пластинок или антистатический аэрозоль для чистки дисков. Такие химические вещества могут повредить его пластиковые поверхности.



### Чистка корпуса устройства

Протирайте поверхности устройства мягкой тканью. Не мочите корпус. Если корпус очень загрязнен, используйте ткань, слегка смоченную мыльным раствором, и затем вытрите корпус сухой тканью.

### Комплект поставки

1. Ресивер ..... 1 шт
2. Передняя панель ..... 1 шт
3. Защитный футляр ..... 1 шт
4. ISO коннектор ..... 1 шт
5. Детали для установки:
  - Шестигранная гайка M5 T ..... 1 шт
  - Кожух ..... 1 шт
  - Ключ-съемник ..... 2 шт
  - Опорная планка ..... 1 шт
  - Плоская шайба ..... 2 шт
  - Декоративная рамка ..... 1 шт
  - Пружинная шайба ..... 2 шт
  - Винт (5X25 мм) ..... 1 шт
  - Винт M5 (5X29.3 мм) ..... 1 шт
6. Информация для потребителя ..... 1 шт
7. Гарантийный талон ..... 1 шт
8. Инструкция по эксплуатации ..... 1 шт

## Устранение неисправностей

Ниже приводится таблица, в которой описаны действия, способные помочь Вам устранить большинство проблем, могущих возникнуть при использовании данного устройства. Если нижеуказанные меры не помогли, обратитесь в сервисный центр или к ближайшему дилеру.

Неисправность	Причина	Решение
Нет питания	Зажигание машины не включено.	Если источник питания подключен надлежащим образом к выключателю машины, установите ключ зажигания в положение "ACC".
	Сгорел предохранитель.	Замените предохранитель.
Нет звука	Уровень громкости звука установлен на минимум.	Отрегулируйте громкость звука до необходимого уровня.
	Кабель не подключен надлежащим образом.	Проверьте подключение кабеля.
Плохое качество звучания	Угол установки устройства более 30 градусов.	Отрегулируйте угол установки, установив его менее 30 градусов.
	Диск загрязнен или имеет дефект.	Очистите диск или используйте новый.
Диск не загружается или не извлекается из устройства	В устройстве уже есть диск.	Извлеките диск из устройства, затем установите новый диск.
	Конденсация влаги.	В течение часа не пользуйтесь устройством, затем повторите попытку.
Устройство не считывает диск	Диск установлен верхней стороной вниз.	Установите диск стороной с маркировкой вверх.
	Диск загрязнен или имеет дефект.	Очистите диск или установите новый.
	Температура внутри автомобиля очень высокая.	Подождите, пока температура не станет нормальной.
Не работают кнопки	Встроенный микрокомпьютер работает некорректно.	Выполните перезапуск устройство с помощью кнопки RESET.
	Передняя панель установлена некорректно.	Установите заново переднюю панель.
Не работает автоматическая настройка радиостанций	Радиостанции имеют слишком слабый сигнал.	Настраивайтесь на станции вручную.

## Общая информация

Однократное отображение сообщения об ошибке (ERROR 1 – 11)	Возможна ошибка диска.	Выполните перезапуск устройства с помощью кнопки RESET. Убедитесь, что диск установлен в устройство правильно. Очистите или замените диск.
Повторяющееся отображение сообщения об ошибке (ERROR 1 – 11)	Ошибка в работе устройства.	Обратитесь в сервисный центр.

### Технические характеристики

#### Общие

Источник питания:	12 В постоянного тока
Максимальная выходная мощность:	50 Вт х 4
Требуемый импеданс динамика:	4 – 8 Ом
Предохранитель:	10 А/1А
Размеры (Ш х В х Д)/Вес:	178 х 50 х 178 мм/1,5 кг
Диапазон температур:	-20°C - +60°C
Электронная система стабилизации:	40 с CD/120 с MP3
Угол монтажа:	0 - +/-30°

#### Сtereo FM радио

Количество сохраняемых станций:	18
Частотный диапазон:	87.5 – 108.0 МГц
Разделение стерео:	35 дБ (1 кГц)

#### AM радио

Количество сохраняемых станций:	12
Частотный диапазон:	522-1620 кГц
Используемая чувствительность:	30 дБ

#### Плеер дисков

Поддержка носителей:	CD/CD-R/CD-RW/USB/SD/MMC
Воспроизведение форматов:	CDDA/MP3
Частотный отклик:	20 Гц- 20 кГц
Отношение сигнал/шум:	> 80 дБ
Разделение каналов:	> 50 дБ
Выход:	Линейный RCA-выход (2 В)

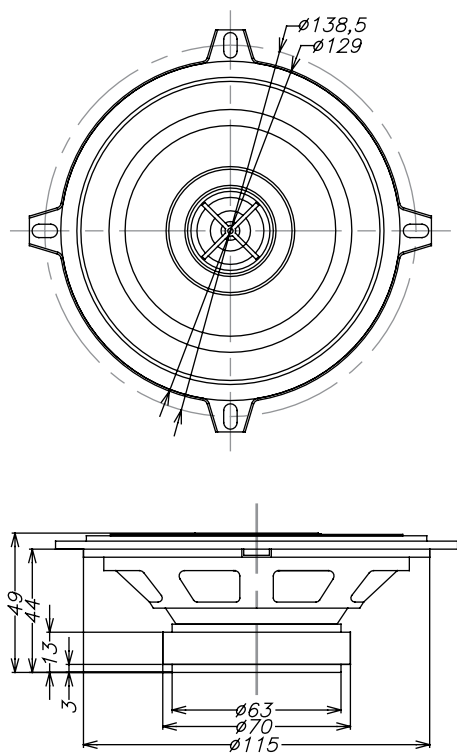
Технические характеристики могут быть изменены заводом-изготовителем без предварительного уведомления. Указанные геометрические размеры имеют приблизительные значения.



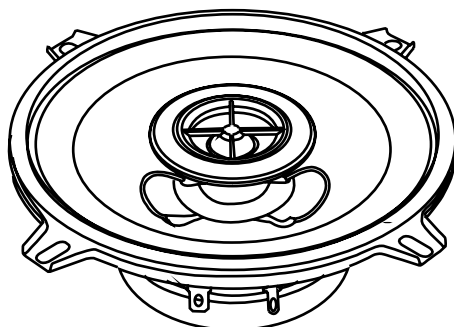
AI49

## 13 см 2-полосная коаксиальная акустическая система

### Размеры устройства



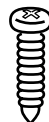
### Комплект поставки



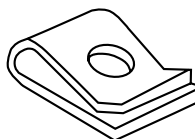
Динамик (2 шт);  
Защитные металлические решетки (2 шт)



Провод (2 шт x 2 м)



Винт (8 шт)



Хомут (8 шт)

### Меры безопасности

- В руководстве указаны важные указания по эксплуатации и уходу. Сохраните руководство по эксплуатации для последующего использования.
- Не устанавливайте динамики на неров-

ной поверхности, а также в местах, подверженных воздействию влажности, высокой температуры, пыли и сильной вибрации.

- Перед креплением и подключением проводов убедитесь в том, что провод от отрицательной клеммы (-) аккумулятора отсоединен. Несоблюдение этого требования может привести к возникновению короткого

## 13 см 2-полосная коаксиальная акустическая система

замыкания или пожара.

- Чтобы предотвратить возникновение короткого замыкания, никогда не кладите и не оставляйте никаких металлических предметов (например, монет или металлических инструментов) внутри акустической системы.

- Убедитесь, что клеммы проводов динамиков подключены к соответствующим выходным зажимам автомагнитолы.

- Никогда не прокладывайте электропроводку с внешней стороны автомобиля или под ним, где она может быть повреждена неровностями на дороге или подвижными деталями автомобиля. При установке динамиков для маскировки и сохранности электропроводки, используйте предусмотренные заранее места, такие как пороги, панели и обшивку салона.

- Избегайте длительного превышения номинальной мощности звукового сигнала, подаваемого на акустические системы.

- Не держите вблизи от акустических систем кассеты с записью, часы или кредитные карточки с магнитным кодом во избежание их повреждения под воздействием магнитов, имеющихся в динамиках.

- Если Вы самостоятельно не можете найти подходящее место для установки акустических систем, обращайтесь за советом в ближайшую автомобильную мастерскую или к ближайшему дилеру.

**⚠** Соблюдайте технику безопасности при работе около бензобака, газовых магистралей, гидравлических линий и линий электропроводки.

### Установка акустической системы

Наборы инструментов для установки автомобильной акустической системы можно приобрести у Вашего дилера или в местном магазине аудио аппаратуры. Эти наборы помогут Вам легко произвести установку динамиков. Со всеми вопросами, связанными с методами установки акустических

систем, обращайтесь к профессиональным дилерам автомобильной аудио аппаратуры.

- Выберите место установки автомобильной акустической системы. Для большинства динамиков подходят предусмотренные штатные места в автомобиле. В этом случае Вам понадобится знать только монтажную глубину. Перед установкой динамиков проверьте их монтажную глубину.

- При выборе нестандартного расположения динамиков, при котором необходимо врезать их в панели автомобиля, используйте шаблон (не входит в комплект поставки). Для достижения идеального расположения акустической системы следите за геометрией шаблона, так как точность размеров влияет на качество установки акустической системы ( $A=B=115$  мм,  $\text{Ø}C=5$  мм).



## 13 см 2-полосная коаксиальная акустическая система

- Если под декоративной панелью проходит металлический корпус автомобиля, тогда для установки акустической системы Вам необходимо действовать следующим образом: снимите декоративную панель; вырежьте посадочное место по шаблону; на металлическом корпусе сделайте разметку отверстий для установки крепежных винтов; просверлите отверстия под крепежные винты.

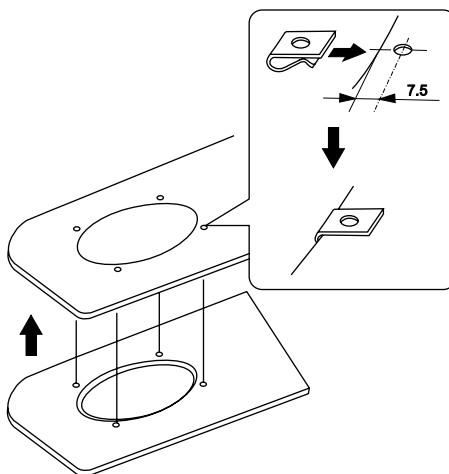
- После того, как отверстия вырезаны, проверьте место установки на наличие неровных поверхностей и краев. Отшлифуйте поверхности, которые могут помешать установке акустической системы.

- Удалите металлическую стружку с места установки динамиков и проверьте его на наличие пустот, куда может попасть вода.

### Фиксация акустической системы

- Установите акустическую систему в подготовленные места и еще раз убедитесь, что ее расположение выбрано правильно.

- В комплект поставки входят хомуты, которые должны располагаться на металлической поверхности корпуса автомобиля и совпадать с просверленными до этого отверстиями. Закрепите хомуты с помощью винтов и убедитесь, что при этом каркас динамика не деформировался.



- Включите автомагнитолу на минимальном уровне громкости и проверьте, чтобы динамики работали. После этого Вы можете установить необходимый уровень громкости.


- После установки динамика и его тестирования Вам необходимо установить защитные решетки. Выключите систему и следуйте приведенным ниже указаниям:
  - установите защитную решетку;
  - внимательно осмотрите место крепления защитной решетки на наличие пустот;
  - закрепите защитную решетку с помощью винтов.

## 13 см 2-полосная коаксиальная акустическая система

### Неисправности и их устранение

Если Ваша акустическая система по каким-либо причинам не работает, то, прежде чем обращаться в сервисный центр, внимательно прочитайте данную инструкцию. В таблице приведены часто встречающиеся причины, из-за которых система не функционирует.

Признак	Возможная причина	Устранение
Нет звука	Регулятор громкости установлен в минимальное положение	Установите оптимальный уровень громкости
	Поврежден провод подключения динамика или сам динамик	Проверьте провод или динамик
	Автомобильная акустика не исправна	Обратитесь в сервисный центр
Неестественный звук	Кабели акустической системы подключены без соблюдения полярности (+ и -)	Правильно подключите провод в соответствии с примером подключения
	Динамик или проводка неисправны	Замените динамик или проводку
	Автомобильная акустика не исправна	Обратитесь в сервисный центр

 Правильное заземление является гарантом хорошего звучания акустической системы. Тщательно очистите поверхность, предназначенную для подключения заземляющего провода, от краски, ржавчины и других видов загрязнения.

### Технические характеристики

Диффузор	НЧ: диффузор из полипропилена ВЧ: 20 мм майларовый твитер
Магнит	5,3 унций (150 г)
Максимальная выходная мощность	120 Ватт
Номинальная мощность	60 Ватт
Сопrotивление	4 Ом
Чувствительность	90 дБ
Диапазон воспроизводимых частот	80 – 20000 Гц
Размеры	138,5 x 49 мм
Вес нетто/брутто	0,38 кг/0,8 кг
Размеры коробки (Д x Ш x В)	275 мм x 135 мм

