

# **INVOLIGHT**



## **INVOLIGHT LED STROB200**

### **USER MANUAL**

# LED Mini-strobe

## User Manual

Our LED mini strobe light offers many possibilities to achieve the effects which you want. It is suitable for DJs, bands, nightclubs and other performers who want LED stage light. Please read the manual before operation.

### A. SPECIFICATION

1. Voltage: AC 100V/240V, 50Hz/60Hz
2. Power consumption: 24W
3. LED: 108PCS, 5050 Warm white
4. Beam distance: 2m/170 Lux
5. Power linking: 45pcs@240V, 20pcs@110V
6. Fuse: 1A/ 250V;
7. Working mode: sound active, slave mode, DMX mode, dimming mode
8. DMX channels: 3CH
9. Operation mode: LED display



### B. OPERATION

This series has four working modes:

- Sound active mode
- Slave mode
- DMX mode
- Dimming mode

#### 1. Sound-Active Mode

- 1) Press the “MODE”, enter sound active mode “SE.x”.
- 2) press the “UP” or “DOWN”, adjust the sound active sensitivity “SE.0 ~ SE.9”.
- 3) Press the “SETUP”, enter into the sound response rate adjusting menu “ry. x”;
- 4) press the “UP” or “DOWN”, set the sound active response rate “ry.1 ~ ry.9”

#### 2. Master/slave Mode

Press the “MODE”, enter into slave mode “SLA”.

### 3. DMX Mode

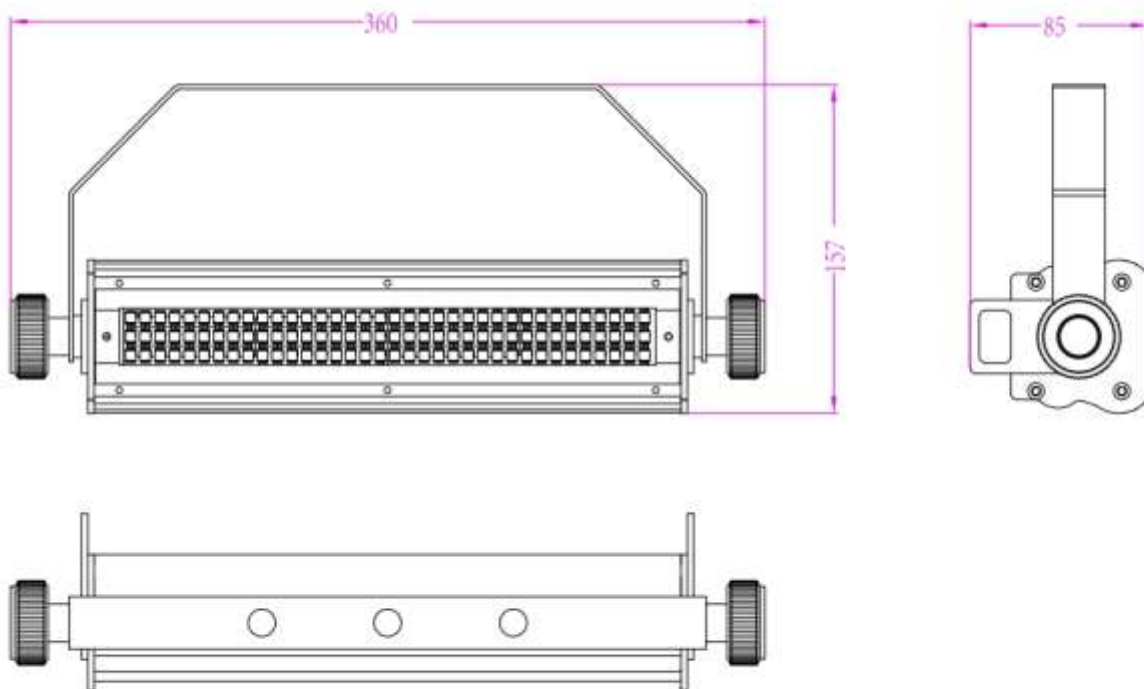
- 1) Press the “MODE”, enter into DMX mode “d--.”.
- 2) Press the “SETUP”, enter into DMX address setting state “xxx.”.
- 3) press the “UP” or “DOWN”, set the DMX address “001. ~ 512.”.

DMX mode control sheet:

CH1	CH2	CH3	FUNCTION
Dim 0-255	Flash 0-255	0-9	Dim & Flash
No use		10-255 sensitivity	Sound

### 4. Dimming Mode

- 1) Press the “MODE”, enter dimming mode “CON”.
- 2) Press the “SETUP”, enter into brightness adjusting state “xxx”.
- 3) Press the “UP” or “DOWN”, adjusting the brightness “000 ~ 255”.
- 4) Press the “SETUP”, enter into strobe speed adjusting state “F.xx”.
- 5) Press the “UP” or “DOWN”, adjusting the strobe speed “F.00 ~ F.45”.



# INVOLIGHT



**ООО «ИНВАСК»**

**Адрес: 143406, Московская область, Красногорск, ул. Ленина, дом 3-Б**

**Тел. (495) 565-0161 (многоканальный)**

**Факс (495) 565-0161, доб. 105**

**<http://www.invask.ru> e-mail: [invask@invask.ru](mailto:invask@invask.ru)**

**Сервис-центр «ИНВАСК»**

**Адрес: 143400, Московская область, Красногорск, Коммунальный квартал,  
дом. 20**

**Тел. (495) 563-8420, (495) 564-5228**

**e-mail: [service@invask.ru](mailto:service@invask.ru)**