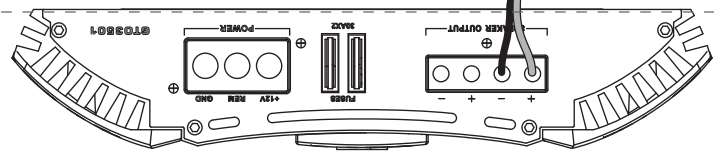
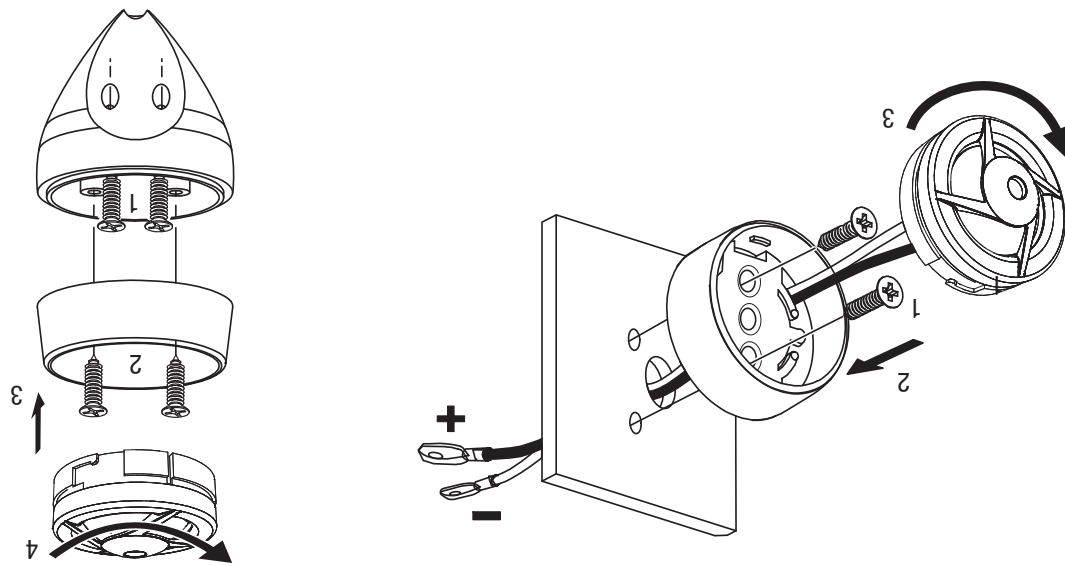


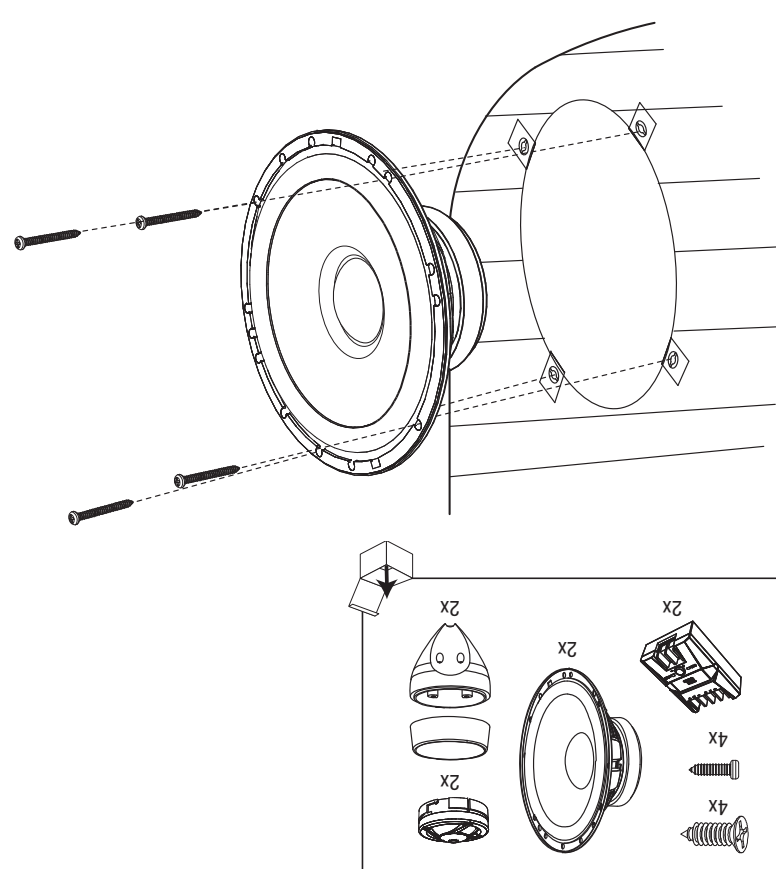
CS742, CS752, CS753, CS762, CS763, CS769



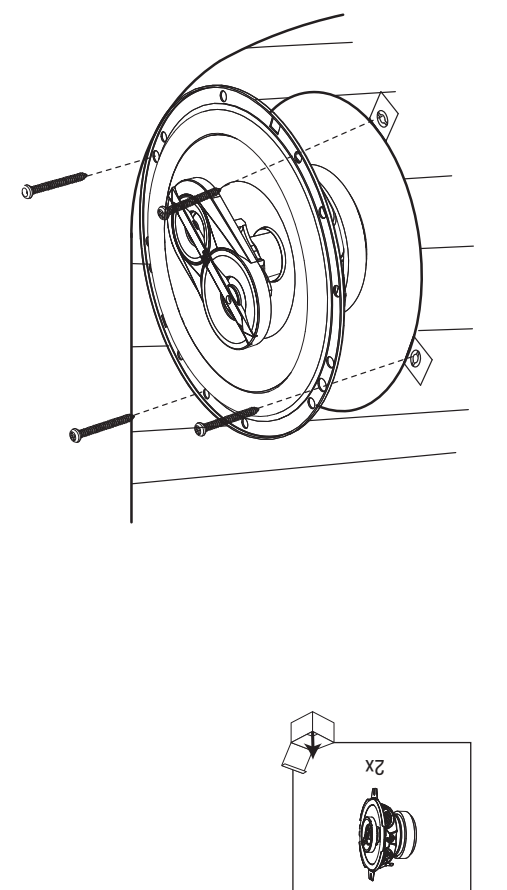
CS760C



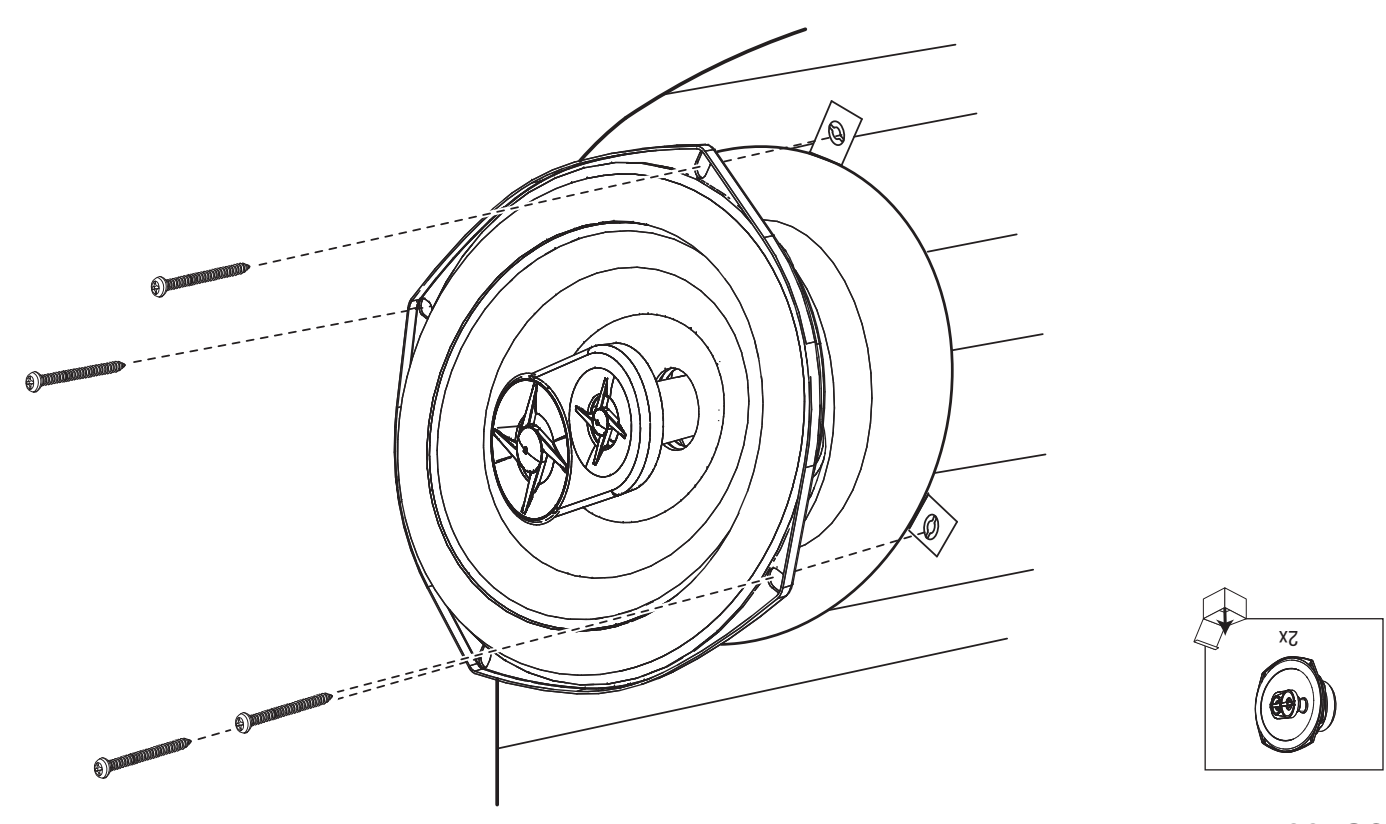
CS760C



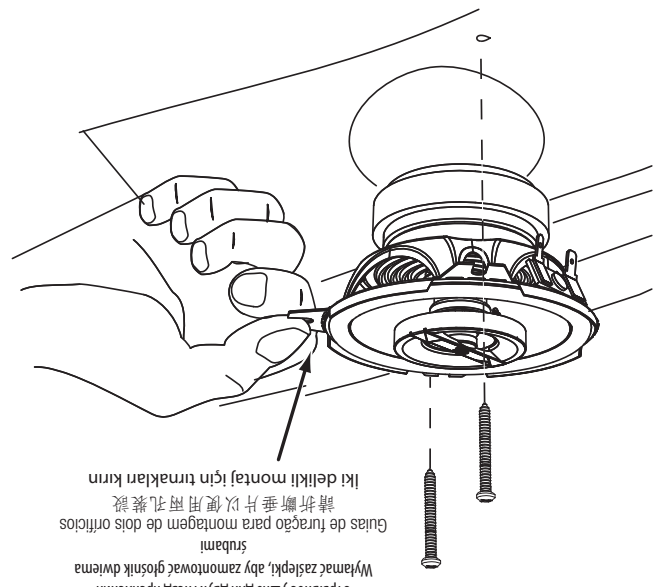
CS760C



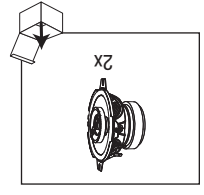
CS752, CS753, CS762, CS763



CS769



Break off tabs for two-hole mounting
Für die 2-Lochmontage die Klappen herausbrechen
Langues à sectionner pour montage à deux trous
Romper las pestañas para montaje de doble agujero
Aperturas cortar para montaje de dos orificios
Lingette di apertura per montaggio a doppio foro
Bryt aw flakię dla dwóch otworów
Atrkkekkege tapper til to-huls-montage
Kakkeiselele asennuselle
2-avaruksu-putru (ennen asennusta otetta)
新用于双孔安装时取出
Отрывать ушко для двух отверстий
Wyjmąc zaślepkę, aby zamontować głośnik dwiema
stykami
Glue de largão para montagem de dois orifícios
線折斷處請以雙孔孔裝機
Iki deikiä montaj için trahakları kırın



CS742

HARMAN

HARMAN International Industries, Inc.
8500 Balboa Boulevard, Northridge, CA 91329 USA

© 2014 HARMAN International Industries, Incorporated. All rights reserved.
JBL is a trademark of HARMAN International Industries, Incorporated, registered in the United States and/or other countries.
Features, specifications and appearance are subject to change without notice.

© 2014 HARMAN International Industries, Incorporated. Alle Rechte vorbehalten.
JBL ist eine Marke von Harman International Industries, Incorporated, eingetragen in den USA und/oder anderen Ländern.
Alle Leistungsmerkmale und Spezifikationen sowie das mechanische Design können sich ohne vorherige Ankündigung ändern.

© 2014 HARMAN International Industries, Incorporated. Tous droits réservés.
JBL est une marque de Harman International Industries, Inc., déposée aux États-Unis et/ou dans d'autres pays.
Les fonctionnalités, les spécifications et l'aspect du produit peuvent être modifiés sans préavis.

© 2014 HARMAN International Industries, Incorporated. Reservados todos los derechos.
JBL es una marca de Harman International Industries, Incorporated, registrada en los Estados Unidos y/u otros países.
Las funciones, las especificaciones y el formato están sujetos a cambios sin previo aviso.

© 2014 HARMAN International Industries, Incorporated. Alle rechten voorbehouden.
JBL is een handelsmerk van Harman International Industries, Incorporated, geregistreerd in de Verenigde Staten en/of andere landen.
Eigenschappen, specificaties en vormgeving kunnen zonder voorafgaande kennisgeving worden gewijzigd.

© 2014 HARMAN International Industries, Incorporated. Tutti i diritti sono riservati.
JBL è un marchio registrato di Harman International Industries, Incorporated, registrato negli Stati Uniti e/o altre nazioni.
Funzionalità, specifiche e aspetto sono soggetti a modifica senza preavviso.

© 2014 HARMAN International Industries, Incorporated. Alla rättigheter reserverade.
JBL är ett varumärke som tillhör Harman International Industries, Incorporated, som är registrerat i USA och/eller andra länder.
Funktioner, specifikationer och design kan komma att ändras utan föregående meddelande.

© 2014 HARMAN International Industries, Incorporated. All rettigheder forbeholdes.
JBL varemærket tilhører Harman International Industries, Inc., registreret i USA og/eller andre lande.
Der forbeholdes ret til ændring af beskrivelse, specifikationer og udseende uden varsel.

© 2014 HARMAN International Industries, Incorporated. Kaikki oikeudet pidätetään.
JBL on Harman International Industries, Incorporatedin tavaramerkki, joka on rekisteröity Yhdysvalloissa ja/tai muissa maissa.
Ominaisuuksissa, teknisissä tietoissa ja ulkoisessa ulkoisessa ilman erillistä ilmoitusta.

© 2014 HARMAN International Industries, Incorporated. 無断複写・転載を禁じます。
JBLは米国及び/その他諸国においてHarman International Industries, Incorporatedの登録商標です。
製品の仕様および外観は、改良のため予告無く変更する場合があります。

© 2014 HARMAN International Industries, Incorporated. 保留一切権利。
JBL 为在美国及/或其他国家注册的特曼国际工业公司 (Harman International Industries, Incorporated) 的商标。
以上规格如有变更, 恕不另行通知。

© 2014 HARMAN International Industries, Incorporated. Все права защищены.
JBL является торговой маркой Harman International Industries, Incorporated, зарегистрированной в США и/или других странах.
Функции, характеристики и внешний вид описываемых компонентов могут быть изменены без предварительного уведомления.

© 2014 HARMAN International Industries, Incorporated. Wszelkie prawa zastrzeżone.
JBL to znak towarowy Harman International Industries, Incorporated zarejestrowane w Stanach Zjednoczonych i/lub innych krajach.

© 2014 HARMAN International Industries, Incorporated. Cechy, dane techniczne i wygląd produktów mogą być przedmiotem zmian bez uprzedniego poinformowania.

© 2014 HARMAN International Industries, Incorporated. Todos os direitos reservados.
JBL é uma marca comercial da Harman International Industries, Incorporated, registrada nos Estados Unidos e/ou outros países.

As funções, as especificações e o aspecto estão sujeitos a alteração sem aviso prévio.

© 2014 HARMAN International Industries, Incorporated. 保留所有權利。
JBL 是 Harman International Industries, Incorporated 在美國及/或其他國家或地區的註冊商標。
功能、規格和外觀如有更改, 恕不另行通知。

© 2014 HARMAN International Industries, Incorporated. Tüm hakları saklıdır.
JBL, Harman International Industries, Incorporated firmasının ABD ve/veya diğer ülkelerde tescillenmiş ticari markasıdır.
Özellikleri, teknik özellikleri ve görünümleri önceden haber verilmeden değiştirilebilir.



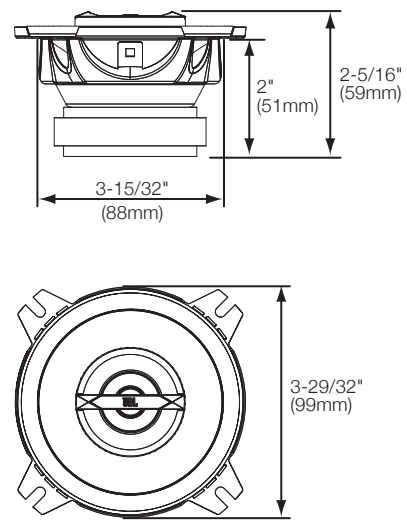
JBL® CS7 SERIES

car audio speaker
car-audio lautsprecher
haut-parleur pour voiture
altavoz de audio para auto-móvil
audioluidspreker voor in de auto
diffusore audio per auto-mobile
bilhögtalare
bilhöjtaler
autokaiutin
カーオーディオ・スピーカー
车载扬声器
автомобильный громкоговоритель
głośnik samochodowy
coluna de som para automóvel
車用音響喇叭
araç hoparlörü

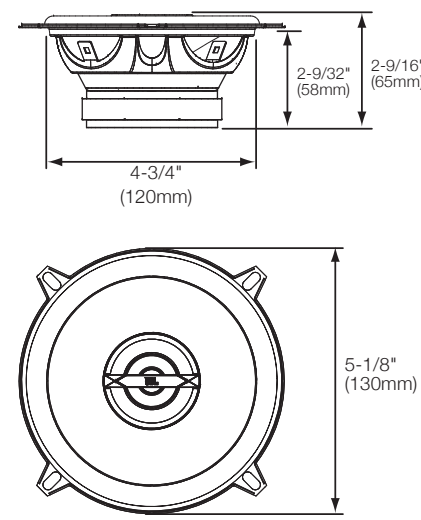


**INSTALLATION MANUAL
EINBAUANLEITUNG
GUIDE D'INSTALLATION
MANUAL DE INSTALACIÓN
MONTAGEHANDLEIDING
INSTALLAZIONE MANUALE
INSTALLATIONSMANUAL
INSTALLATIONSVEJLEDNING
ASENNUSOHJE
取付説明書
安裝手冊
РУКОВОДСТВО ПО
УСТАНОВКЕ
PODRĘCZNIK INSTALACJI
MANUAL DE INSTALAÇÃO
安裝手冊
KURULUM KILAVUZU**

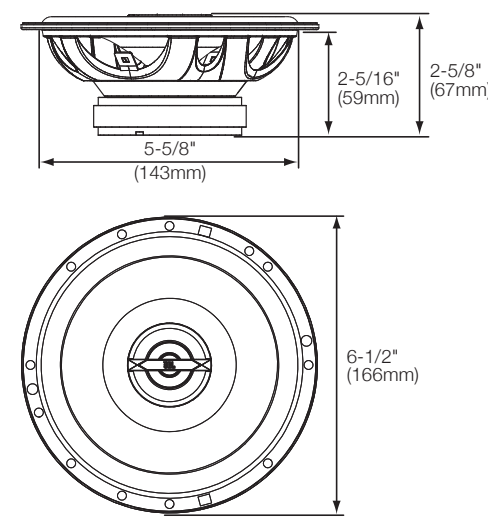
CS742



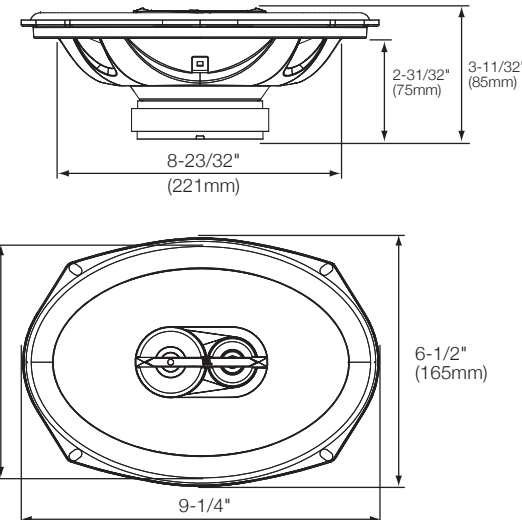
CS752



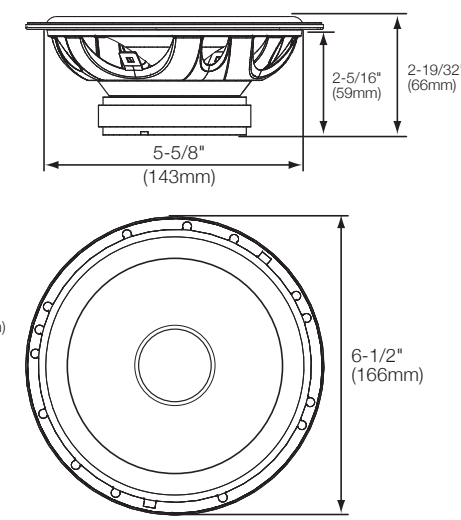
CS762



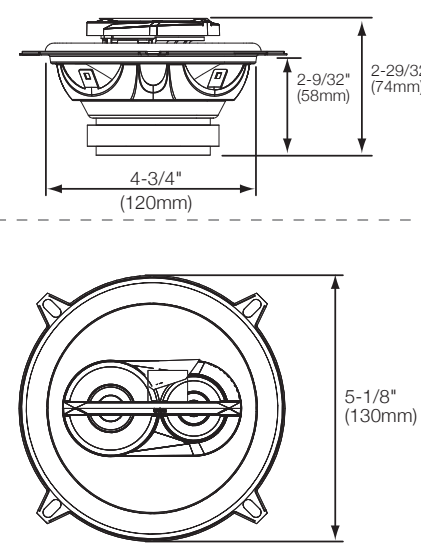
CS769



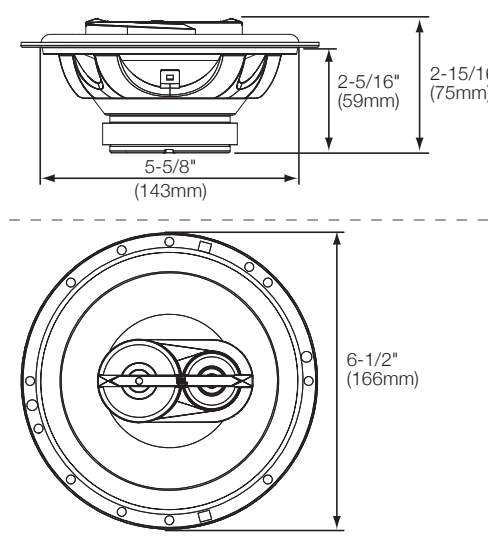
CS760C



CS753



CS763



SPECIFICATIONS

	CS742	CS752	CS753	CS762	CS763	CS769	CS760C
Type	4" (100mm) two-way speaker	5-1/4" (130mm) two-way speaker	5-1/4" (130mm) three-way speaker	6-1/2" (165mm) two-way speaker	6-1/2" (165mm) three-way speaker	6" x 9" (152mm x 230mm) three-way speaker	6-1/2" (165mm) two-way component system
Continuous power handling	30W	35W	35W	45W	45W	70W	50W
Peak power handling	90W	105W	105W	135W	135W	210W	150W
Frequency response	75Hz - 20kHz	70Hz - 20kHz	70Hz - 21kHz	55Hz - 20kHz	55Hz - 21kHz	40Hz - 21kHz	55Hz - 20kHz
Nominal impedance	4 ohms	4 ohms	4 ohms	4 ohms	4 ohms	4 ohms	4 ohms
Sensitivity (2.83V/1m)	90dB	93dB	93dB	93dB	93dB	94dB	92dB
External diameter	3-29/32" (99mm)	5-1/8" (130mm)	5-1/8" (130mm)	6-1/2" (165mm)	6-1/2" (165mm)	9-1/4" x 6-1/2" (235mm x 165mm)	6-1/2" (166mm)
Mounting cutout diameter	3-15/32" (88mm)	4-3/4" (120mm)	4-3/4" (120mm)	5-5/8" (143mm)	5-5/8" (143mm)	5-5/8" (143mm)	5-5/8" (143mm)
Total depth	2-5/16" (59mm)	2-9/16" (65mm)	2-9/32" (74mm)	2-5/8" (67mm)	2-15/16" (75mm)	2-19/32" (66mm)	2-19/32" (66mm)
Mounting depth	2" (51mm)	2-9/32" (58mm)	2-9/32" (58mm)	2-5/16" (59mm)	2-5/16" (59mm)	2-5/16" (59mm)	2-5/16" (59mm)

TECHNISCHE DATEN

Typ	CS742	CS752	CS753	CS762	CS763	CS769	CS760C
Dauerbelastbarkeit	30 W	35 W	35 W	45 W	45 W	70 W	50 W
Spitzenbelastbarkeit	90 W	105 W	105 W	135 W	135 W	210 W	150 W
Frequenzbereich	75 Hz - 20 kHz	70 Hz - 20 kHz	70 Hz - 21 kHz	55 Hz - 20 kHz	55 Hz - 21 kHz	40 Hz - 21 kHz	55 Hz - 20 kHz
Nennimpedanz	4 Ohm	4 Ohm	4 Ohm	4 Ohm	4 Ohm	4 Ohm	4 Ohm
Wirkungsgrad @ 2,83V/1 Meter	90 dB	93 dB	93 dB	93 dB	93 dB	94 dB	92 dB
Außendurchmesser	99 mm	130 mm	130 mm	165 mm	165 mm	235 mm x 165 mm	166 mm
Durchmesser des Montageausschnittes	88 mm	120 mm	120 mm	143 mm	143 mm	143 mm	143 mm
Volständige Tiefe	59 mm	65 mm	74 mm	67 mm	75 mm	66 mm	66 mm
Einbaulefte	51 mm	58 mm	58 mm	59 mm	59 mm	59 mm	59 mm

CARACTÉRISTIQUES

Type	CS742	CS752	CS753	CS762	CS763	CS769	CS760C
Puissance continue admissible	30W	35W	35W	45W	45W	70W	50W
Puissance crête admissible	90W	105W	105W	135W	135W	210W	150W
Réponse en fréquence	75Hz - 20kHz	70Hz - 20kHz	70Hz - 21kHz	55Hz - 20kHz	55Hz - 21kHz	40Hz - 21kHz	55Hz - 20kHz
Impédance nominale	4 ohms	4 ohms	4 ohms	4 ohms	4 ohms	4 ohms	4 ohms
Sensibilité @ 2,83V/1m	90dB	93dB	93dB	93dB	93dB	94dB	92dB
Diamètre extérieur	3-29/32" (99mm)	5-1/8" (130mm)	5-1/8" (130mm)	6-1/2" (165mm)	6-1/2" (165mm)	9-1/4" x 6-1/2" (235mm x 165mm)	6-1/2" (166mm)
Diamètre de découpe	3-15/32" (88mm)	4-3/4" (120mm)	4-3/4" (120mm)	5-5/8" (143mm)	5-5/8" (143mm)	5-5/8" (143mm)	5-5/8" (143mm)
Profondeur totale	2-5/16" (59mm)	2-9/16" (65mm)	2-9/32" (74mm)	2-5/8" (67mm)	2-15/16" (75mm)	2-19/32" (66mm)	2-19/32" (66mm)
Profondeur de montage	2" (51mm)	2-9/32" (58mm)	2-9/32" (58mm)	2-5/16" (59mm)	2-5/16" (59mm)	2-5/16" (59mm)	2-5/16" (59mm)

ESPECIFICACIONES

Tipo	CS742	CS752	CS753	CS762	CS763	CS769	CS760C
Manejo de potencia continua	30W	35W	35W	45W	45W	70W	50W
Manejo de potencia punta	90W	105W	105W	135W	135W	210W	150W
Respuesta en frecuencia	75Hz - 20kHz	70Hz - 20kHz	70Hz - 21kHz	55Hz - 20kHz	55Hz - 21kHz	40Hz - 21kHz	55Hz - 20kHz
Impedancia nominal	4 ohms	4 ohms	4 ohms	4 ohms	4 ohms	4 ohms	4 ohms
Sensibilidad @ 2,83V @ 1 metro	90dB	93dB	93dB	93dB	93dB	94dB	92dB
Diámetro exterior	3-29/32" (99mm)	5-1/8" (130mm)	5-1/8" (130mm)	6-1/2" (165mm)	6-1/2" (165mm)	9-1/4" x 6-1/2" (235mm x 165mm)	6-1/2" (166mm)
Montaje ultrapiqueso	3-15/32" (88mm)	4-3/4" (120mm)	4-3/4" (120mm)	5-5/8" (143mm)	5-5/8" (143mm)	5-5/8" (143mm)	5-5/8" (143mm)
Profundidad total	2-5/16" (59mm)	2-9/16" (65mm)	2-9/32" (74mm)	2-5/8" (67mm)	2-15/16" (75mm)	2-19/32" (66mm)	2-19/32" (66mm)
Profundidad de montaje	2" (51mm)	2-9/32" (58mm)	2-9/32" (58mm)	2-5/16" (59mm)	2-5/16" (59mm)	2-5/16" (59mm)	2-5/16" (59mm)

SPECIFICATIES

Type	CS742	CS752	CS753	CS762	CS763	CS769	CS760C
Continuïerend vermogen	30 W	35 W	35 W	45 W	45 W	70 W	50 W
Piekvermogen	90 W	105 W	105 W	135 W	135 W	210 W	150 W
Frequentiebereik	75 Hz - 20 kHz	70 Hz - 20 kHz	70 Hz - 21 kHz	55 Hz - 20 kHz	55 Hz - 21 kHz	40 Hz - 21 kHz	55 Hz - 20 kHz
Nominale impedantie	4 Ohm	4 Ohm	4 Ohm	4 Ohm	4 Ohm	4 Ohm	4 Ohm
Gevoelgeheid @ 2,83V @ 1 meter	90 dB	93 dB	93 dB	93 dB	93 dB	94 dB	92 dB
Uitwendige diameter	3-29/32" (99 mm)	5-1/8" (130 mm)	5-1/8" (130 mm)	6-1/2" (165 mm)	6-1/2" (165 mm)	9-1/4" x 6-1/2" (235 mm x 165 mm)	6-1/2" (166 mm)
Montage uitparingsdiameter	3-15/32" (88 mm)	4-3/4" (120 mm)	4-3/4" (120 mm)	5-5/8" (143 mm)	5-5/8" (143 mm)	5-5/8" (143 mm)	5-5/8" (143 mm)
Totale diepte	2-5/16" (59 mm)	2-9/16" (65 mm)	2-9/32" (74 mm)	2-5/8" (67 mm)	2-15/16" (75 mm)	2-19/32" (66 mm)	2-19/32" (66 mm)
Inbouwdiepte	2" (51 mm)	2-9/32" (58 mm)	2-9/32" (58 mm)	2-5/16" (59 mm)	2-5/16" (59 mm)	2-5/16" (59 mm)	2-5/16" (59 mm)

SPECIFIKATIONER

Type	CS742	CS752	CS753	CS762	CS763	CS769	CS760C
Continuerlig mærkeffekt	30W	35W	35W	45W	45W	70W	50W
Toppeffekt handling	90W	105W	105W	135W	135W	210W	150W
Frekvensområde	75Hz - 20kHz	70Hz - 20kHz	70Hz - 21kHz	55Hz - 20kHz	55Hz - 21kHz	40Hz - 21kHz	55Hz - 20kHz
Nominal impedans	4 ohms	4 ohms	4 ohms	4 ohms	4 ohms	4 ohms	4 ohms
Känslighet @ 2,83V @ 1 meter	90dB	93dB	93dB	93dB	93dB	94dB	92dB
Yttre diameter	3-29/32" (99mm)	5-1/8" (130mm)	5-1/8" (130mm)	6-1/2" (165mm)	6-1/2" (165mm)	9-1/4" x 6-1/2" (235mm x 165mm)	6-1/2" (166mm)
Montage utskuren diameter	3-15/32" (88mm)	4-3/4" (120mm)	4-3/4" (120mm)	5-5/8" (143mm)	5-5/8" (143mm)	5-5/8" (143mm)	5-5/8" (143mm)
Totalt djup	2-5/16" (59mm)	2-9/16" (65mm)	2-9/32" (74mm)	2-5/8" (67mm)	2-15/16" (75mm)	2-19/32" (66mm)	2-19/32" (66mm)
Monteringsdjup	2" (51mm)	2-9/32" (58mm)	2-9/32" (58mm)	2-5/16" (59mm)	2-5/16" (59mm)	2-5/16" (59mm)	2-5/16" (59mm)

SPECIFICHE

Tipo	CS742	CS752	CS753	CS762	CS763	CS769	CS760C
Gestione continua corrente	30W	35W	35W	45W	45W	70W	50W
Gestione corrente picco	90W	105W	105W	135W	135W	210W	150W
Risposta in frequenza	75Hz - 20kHz	70Hz - 20kHz	70Hz - 21kHz	55Hz - 20kHz	55Hz - 21kHz	40Hz - 21kHz	55Hz - 20kHz
Impedenza nominale	4 ohms	4 ohms	4 ohms	4 ohms	4 ohms	4 ohms	4 ohms
Sensibilità @ 2,83V @ 1 metro	90dB	93dB	93dB	93dB	93dB	94dB	92dB
Diametro esterno	3-29/32" (99mm)	5-1/8" (130mm)	5-1/8" (130mm)	6-1/2" (165mm)	6-1/2" (165mm)	9-1/4" x 6-1/2" (235mm x 165mm)	6-1/2" (166mm)
Diametro soglia di montaggio	3-15/32" (88mm)	4-3/4" (120mm)	4-3/4" (120mm)	5-5/8" (143mm)	5-5/8" (143mm)	5-5/8" (143mm)	5-5/8" (143mm)
Profondità totale	2-5/16" (59mm)	2-9/16" (65mm)	2-9/32" (74mm)	2-5/8" (67mm)	2-15/16" (75mm)	2-19/32" (66mm)	2-19/32" (66mm)
Profondità di montaggio	2" (51mm)	2-9/32" (58mm)	2-9/32" (58mm)	2-5/16" (59mm)	2-5/16" (59mm)	2-5/16" (59mm)	2-5/16" (59mm)

Торговая марка: JBL
 Назначение товара: АВТОМОБИЛЬНАЯ АКУСТИЧЕСКАЯ СИСТЕМА
 Изготовитель: ХАРМАН ИНТЕРНЕШНЛ ИНДАСТРИЗ ИНКОРПОРЕЙТЕД, США, 06901 КОННЕКТИКУТ, ГЕСТМФОРД, АТЛАНТИК СТРИТ 400, ОБИС 15000
 Страна происхождения: Канада
 Местопроизводство: ООО "ХАРМАН РУС СЛЭЙС", РОССИЯ, 123317, МОСКВА, ПРЕСНЕНСКАЯ НАБ, Д 10
 Гарантийный период: 1 год
 Информация о сервисных центрах: http://ru.jbl.com тел. +7-800-700-0467
 Срок службы: 7 лет
 Срок хранения: не ограничен
 Условия хранения: Стандартные при нормальных значениях климатических факторов внешней среды
 Номер документа соответствия: Товар не подлежит обязательной сертификации. Информационное письмо от органа по сертификации «Ростест-Москва» (ЗАО «РОСТЕСТ») № 05-21/478 от 31.10.2013

SPECIFIKATIONER

Type	CS742	CS752	CS753	CS762	CS763	CS769	CS760C
Kontinuerlig strømstyring	30W	35W	35W	45W	45W	70W	50W
Spidsbelastning-strømstyring	90W	105W	105W	135W	135W	210W	150W
Frekvensgang	75Hz - 20kHz	70Hz - 20kHz	70Hz - 21kHz	55Hz - 20kHz	55Hz - 21kHz	40Hz - 21kHz	55Hz - 20kHz
Nominal impedans	4 ohms	4 ohms	4 ohms	4 ohms	4 ohms	4 ohms	4 ohms
Følsomhed @ 2,83V, 1 m	90dB	93dB	93dB	93dB	93dB	94dB	92dB
Ekstern diameter	3-29/32" (99mm)	5-1/8" (130mm)	5-1/8" (130mm)	6-1/2" (165mm)	6-1/2" (165mm)	9-1/4" x 6-1/2" (235mm x 165mm)	6-1/2" (166mm)
Udskåret diameter	3-15/32" (88mm)	4-3/4" (120mm)	4-3/4" (120mm)	5-5/8" (143mm)	5-5/8" (143mm)	5-5/8" (143mm)	5-5/8" (143mm)
Total dybde	2-5/16" (59mm)	2-9/16" (65mm)	2-9/32" (74mm)	2-5/8" (67mm)	2-15/16" (75mm)	2-19/32" (66mm)	2-19/32" (66mm)
Monteringsdybde	2" (51mm)	2-9/32" (58mm)	2-9/32" (58mm)	2-5/16" (59mm)	2-5/16" (59mm)	2-5/16" (59mm)	2-5/16" (59mm)

TEKNISET TIEDOT

Tyyppi	CS742	CS752	CS753	CS762	CS763	CS769	CS760C
Continuous power handling	30 W	35 W	35 W	45 W	45 W	70 W	50 W
Peak power handling	90 W	105 W	105 W	135 W	135 W	210 W	150 W
Taajuusvaste	75 Hz - 20 kHz	70 Hz - 20 kHz	70 Hz - 21 kHz	55 Hz - 20 kHz	55 Hz - 21 kHz	40 Hz - 21 kHz	55 Hz - 20 kHz
Nimellimpedanssi	4 ohmia	4 ohmia	4 ohmia	4 ohmia	4 ohmia	4 ohmia	4 ohmia
Herkkyys @ 2,83V @ 1 m	90 dB	93 dB	93 dB	93 dB	93 dB	94 dB	92 dB
ulkohalkaisija	3-29/32" (99 mm)	5-1/8" (130 mm)	5-1/8" (130 mm)	6-1/2" (165 mm)	6-1/2" (165 mm)	9-1/4" x 6-1/2" (235 mm x 165 mm)	6-1/2" (166 mm)
asennusaukon halkaisija	3-15/32" (88 mm)	4-3/4" (120 mm)	4-3/4" (120 mm)	5-5/8" (143 mm)	5-5/8" (143 mm)	5-5/8" (143 mm)	5-5/8" (143 mm)
kokonaisyvyys	2-5/16" (59 mm)	2-9/16" (65 mm)	2-9/32" (74 mm)	2-5/8" (67 mm)	2-15/16" (75 mm)	2-19/32" (66 mm)	2-19/32" (66 mm)
asennussyvyys	2" (51 mm)	2-9/32" (58 mm)	2-9/32" (58 mm)	2-5/16" (59 mm)	2-5/16" (59 mm)	2-5/16" (59 mm)	2-5/16" (59 mm)

仕様

形式	CS742	CS752	CS753	CS762	CS763	CS769	CS760C
定格入力	30W	35W	35W	45W	45W	70W	50W
最大許容入力	90W	105W	105W	135W	135W	210W	150W
周波数特性	75Hz - 20kHz	70Hz - 20kHz	70Hz - 21kHz	55Hz - 20kHz	55Hz - 21kHz	40Hz - 21kHz	55Hz - 20kHz
インピーダンス	4 オーム	4 オーム	4 オーム	4 オーム	4 オーム	4 オーム	4 オーム
出力増強レベル (@2.83V/m)	90dB	93dB	93dB				