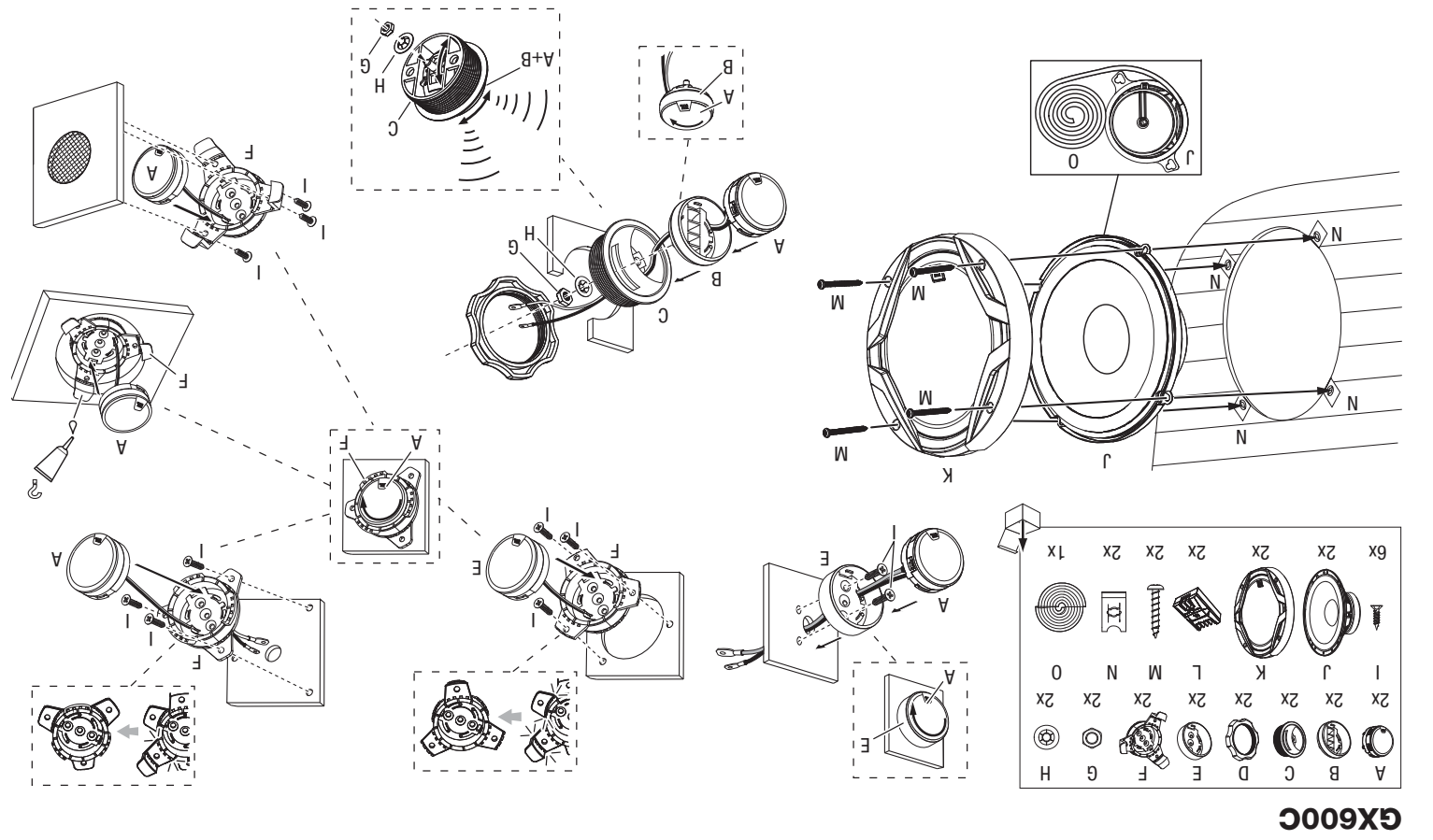
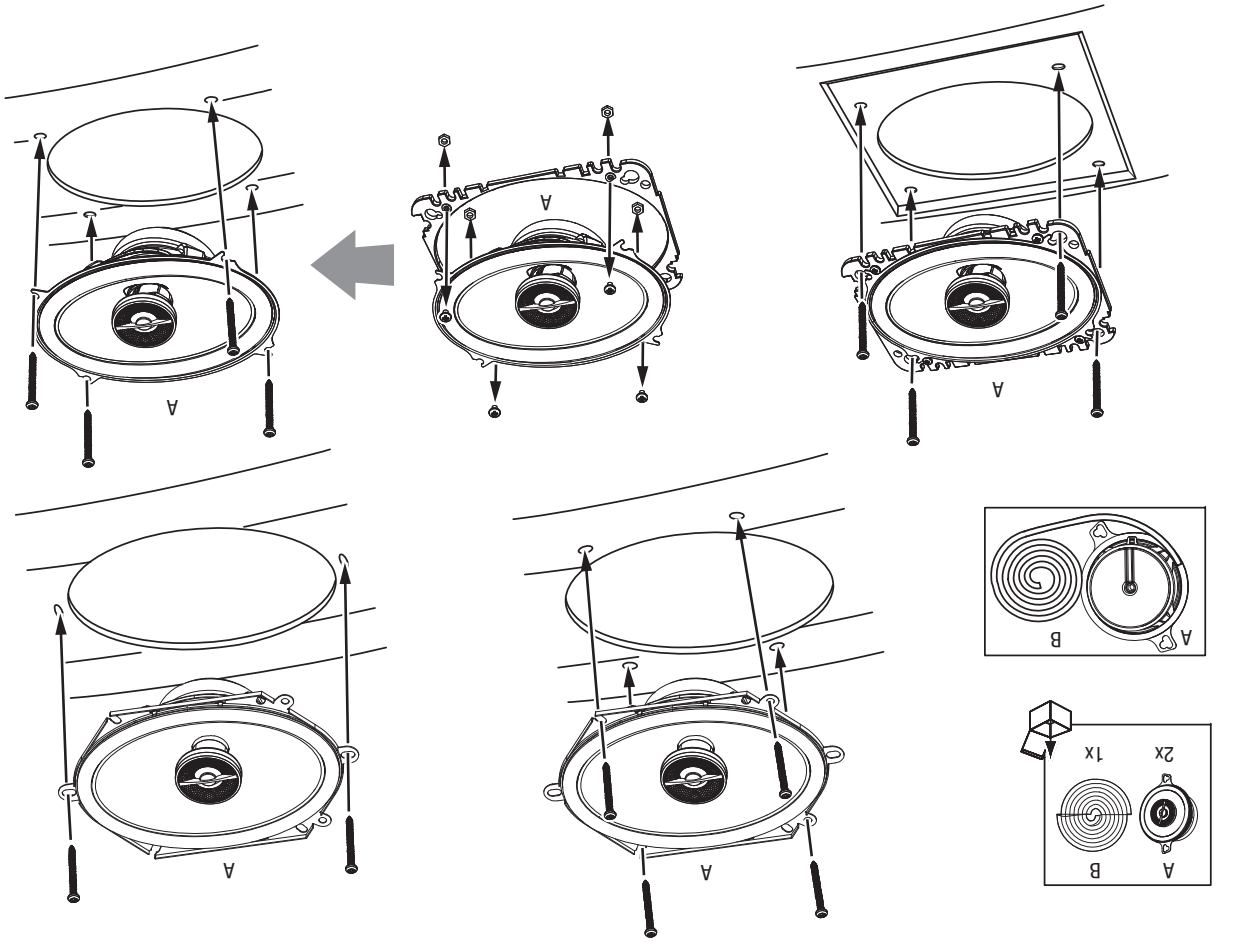


GX600C

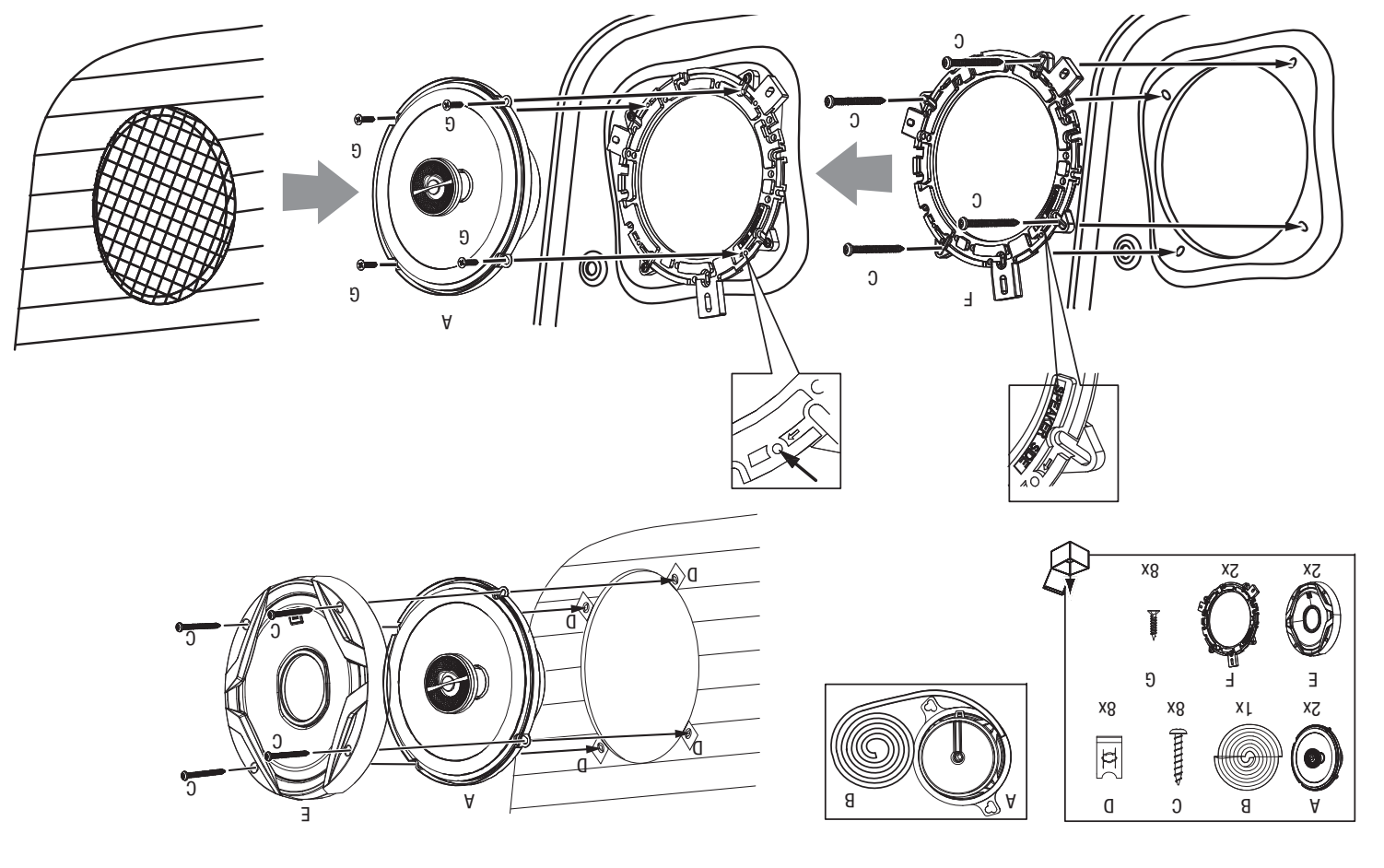
GX302, GX402, GX502, GX602, GX862, GX962, GX963



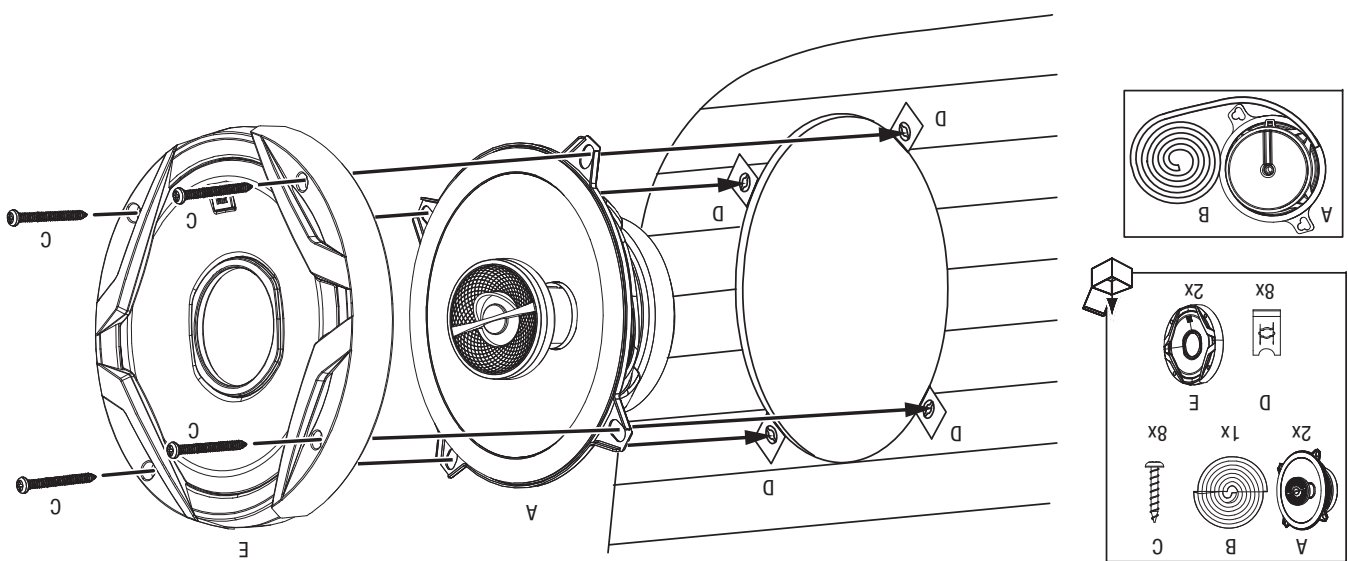
GX6000



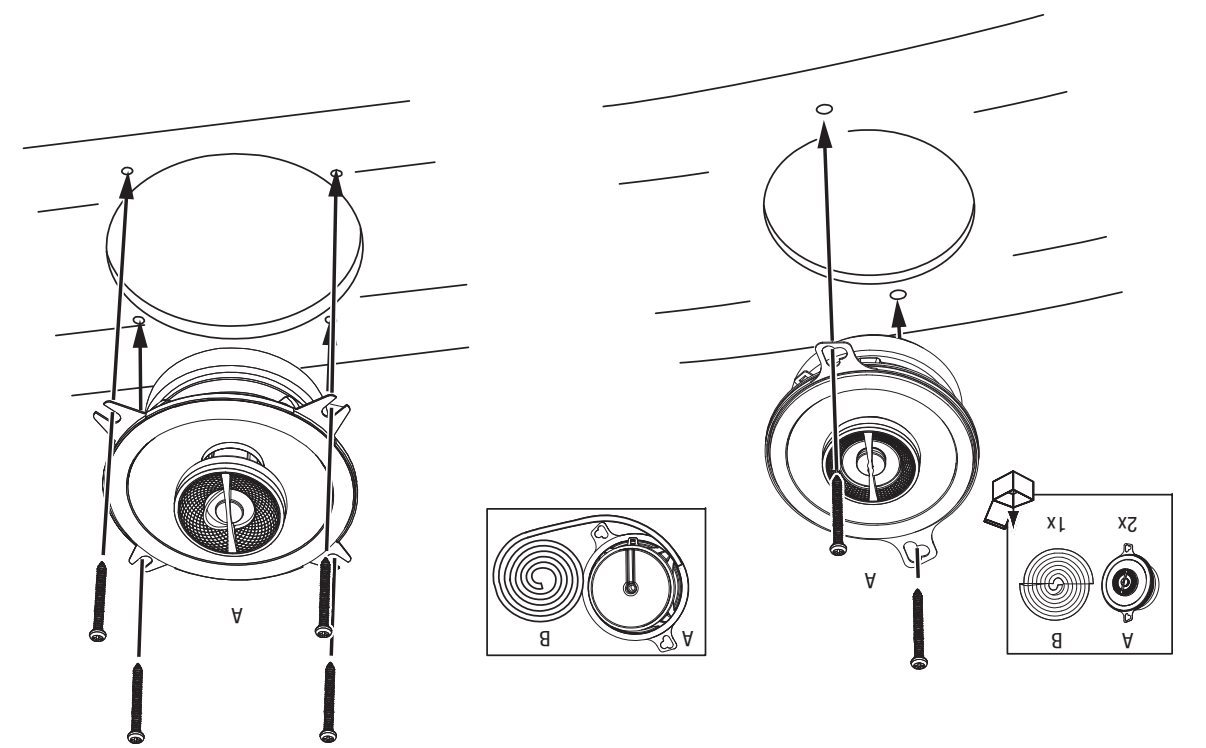
GX 862, GX462



GX602



GX502, GX962, GX963



GX302, GX402

**HARMAN**

HARMAN International Industries, Inc.  
8500 Balboa Boulevard, Northridge, CA 91329 USA

© 2014 HARMAN International Industries, Incorporated. All rights reserved.  
JBL is a trademark of HARMAN International Industries, Incorporated, registered in the United States and/or other countries.

Features, specifications and appearance are subject to change without notice.

© 2014 HARMAN International Industries, Incorporated. Alle Rechte vorbehalten.  
JBL ist eine Marke von Harman International Industries, Incorporated, eingetragen in den USA und/oder anderen Ländern.

Alle Leistungsmerkmale und Spezifikationen sowie das mechanische Design können sich ohne vorherige Ankündigung ändern.

© 2014 HARMAN International Industries, Incorporated. Tous droits réservés.

JBL est une marque de Harman International Industries, Inc., déposée aux États-Unis et/ou dans d'autres pays.

Les fonctionnalités, les spécifications et l'aspect du produit peuvent être modifiées sans préavis.

© 2014 HARMAN International Industries, Incorporated. Reservados todos los derechos.  
JBL es una marca de Harman International Industries, Incorporated, registrada en los Estados Unidos y/u otros países.

Las funciones, las especificaciones y el formato están sujetos a cambios sin previo aviso.

© 2014 HARMAN International Industries, Incorporated. Alle rechten voorbehouden.  
JBL is een handelsmerk van Harman International Industries, Incorporated, geregistreerd in de Verenigde Staten en/of andere landen.

Eigenschappen, specificaties en vormgeving kunnen zonder voorafgaande kennisgeving worden gewijzigd.

© 2014 HARMAN International Industries, Incorporated. Tutti i diritti sono riservati.

JBL è un marchio registrato di Harman International Industries, Incorporated, registrato negli Stati Uniti e/o altre nazioni.

Funzionalità, specifiche e aspetto sono soggetti a modifica senza preavviso.

© 2014 HARMAN International Industries, Incorporated. Alla rättigheter reserverade.

JBL är ett varumärke som tillhör Harman International Industries, Incorporated, som är registrerad i USA och/eller andra länder.

Funktioner, specifikationer och design kan komma att ändras utan föregående meddelande.

© 2014 HARMAN International Industries, Incorporated. Alle rettigheder forbeholdes.

JBL, varemærket tilhører Harman International Industries, Inc., registreret i USA og/eller andre lande.

Der forbeholdes ret til ændring af beskrivelse, specifikationer og udseende uden varsel.

© 2014 HARMAN International Industries, Incorporated. Kaikki oikeudet pidätetään.  
JBL on Harman International Industries, Incorporatedin tavaramerkki, joka on rekisteröity Yhdysvalloissa ja/tai muissa maissa.

Ominaisuuksia, teknisiä tietoja ja ulkoasua voidaan muuttaa ilman erillistä ilmoitusta.

© 2014 HARMAN International Industries, Incorporated. 無断複写・転載を禁じます。

JBLは登録商標およびその他の国々におけるHarman International Industries, Incorporatedの登録商標です。

製品の仕様および外観は、改良のため予告無く変更する場合があります。

© 2014 HARMAN International Industries, Incorporated. 保留一切権利。

JBL 为在美国及/或其他国家注册的哈曼国际工业公司 (Harman International Industries, Incorporated) 的商标。

以上规格如有变更，恕不另行通知。

© 2014 HARMAN International Industries, Incorporated. Все права защищены.

JBL является торговой маркой Harman International Industries, Incorporated, зарегистрированной в США и/или других странах.

Функции, характеристики и внешний вид описываемых компонентов могут быть изменены без предварительного уведомления.

© 2014 HARMAN International Industries, Incorporated. Wszelkie prawa zastrzeżone.

JBL to znak towarowy Harman International Industries, Incorporated zarejestrowany w Stanach Zjednoczonych i/lub innych krajach.

Cechy, dane techniczne i wygląd produktów mogą być przedmiotem zmian bez uprzedniego poinformowania.

© 2014 HARMAN International Industries, Incorporated. Todos os direitos reservados.

JBL é uma marca comercial da Harman International Industries, Incorporated, registrada nos Estados Unidos e/ou outros países.

As funções, as especificações e o aspecto estão sujeitos a alteração sem aviso prévio.

© 2014 HARMAN International Industries, Incorporated. 保留所有權利。

JBL 是 Harman International Industries, Incorporated 在美國及/或其他國家或地區的註冊商標。

功能、規格和外觀如有更改，恕不另行通知。

© 2014 HARMAN International Industries, Incorporated. Tüm hakları saklıdır.

JBL, Harman International Industries, Incorporated firmasının ABD ve/veya diğer ülkelerde tescillenmiş ticari markasıdır.

Özellikleri, teknik özellikleri ve görünümleri önceden haber verilmeden değiştirilebilir.

**JBL® GX-SERIES**

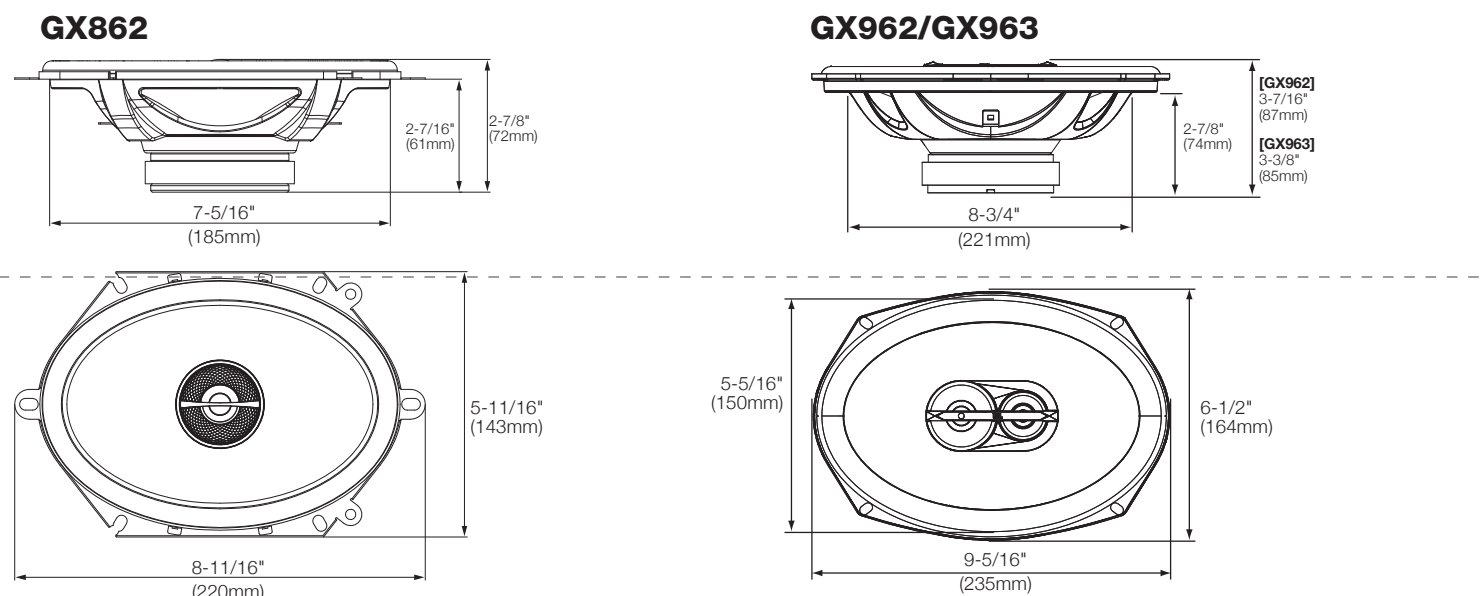
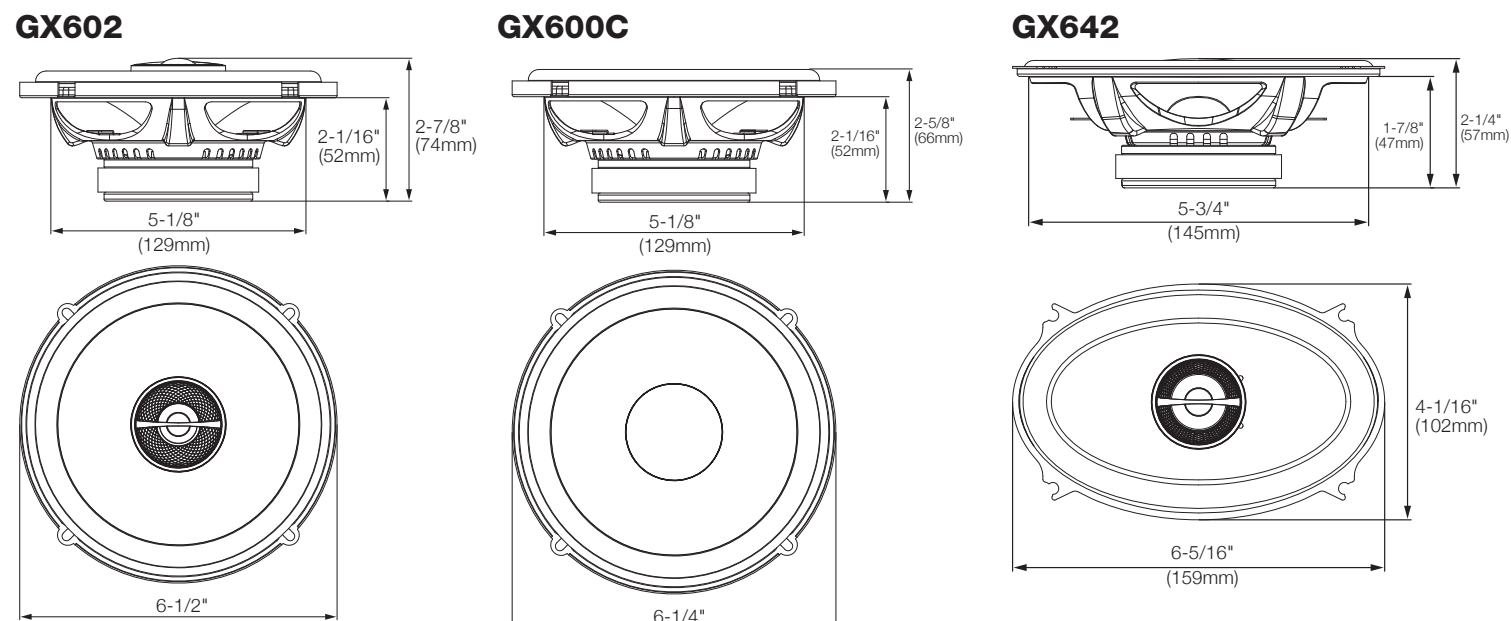
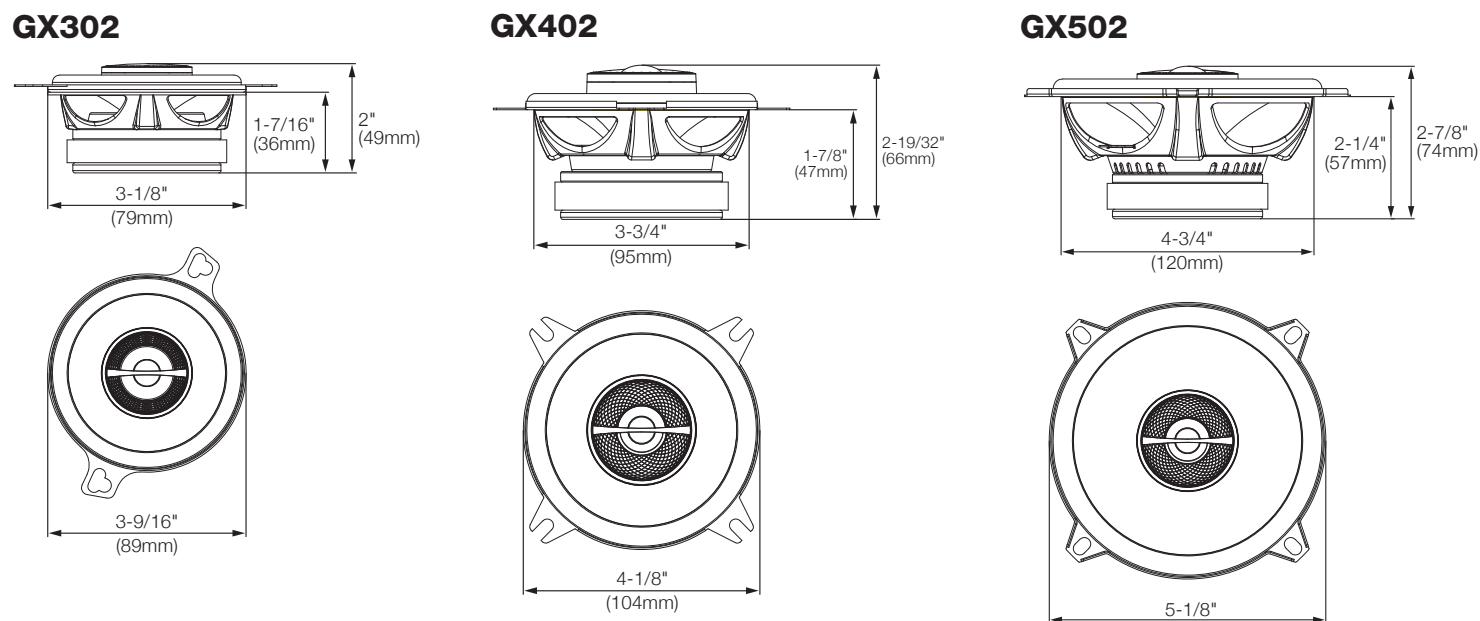
car audio speaker  
car-audio lautsprecher  
haut-parleur pour voiture  
altavoz de audio para auto-  
móvil  
audioluidspreker voor in  
de auto  
diffusore audio per auto-  
mobile  
bilhögtalare  
bilhøjtaler  
autokaiutin  
カーオーディオ・スピーカー  
车载扬声器  
автомобильный  
громкоговоритель  
głośnik samochodowy  
coluna de som para automó-  
vel  
車用音響喇叭  
araç hoparlörü



**INSTALLATION MANUAL  
EINBAUANLEITUNG  
GUIDE D'INSTALLATION  
MANUAL DE INSTALACIÓN  
MONTAGEHANDLEIDING  
INSTALLAZIONE MANUALE  
INSTALLATIONSMANUAL  
INSTALLATIONSVEJLEDNING  
ASENNUSOHJE  
取付説明書  
安裝手冊  
РУКОВОДСТВО ПО  
УСТАНОВКЕ  
PODRĘCZNIK INSTALACJI  
MANUAL DE INSTALAÇÃO  
安裝手冊  
KURULUM KILAVUZU**



by HARMAN



**SPECIFICATIONS**

	GX302	GX402	GX502	GX602	GX642	GX862	GX962	GX963	GX600C
<b>Type</b>	3-1/2" two-way speaker	4" two-way speaker	5-1/4" two-way speaker	6-1/2" two-way speaker	4" x 6" two-way speaker	5" x 7" / 6" x 8" two-way speaker	6" x 9" two-way speaker	6" x 9" three-way speaker	6-1/2" two-way component system
<b>Continuous power handling</b>	25W	35W	45W	60W	40W	60W	100W	100W	70W
<b>Frequency response</b>	75W	105W	135W	180W	120W	180W	300W	300W	210W
<b>Frequency range</b>	90Hz - 20kHz	75Hz - 21kHz	65Hz - 21kHz	50Hz - 21kHz	75Hz - 21kHz	75Hz - 21kHz	45Hz - 21kHz	45Hz - 21kHz	50Hz - 21kHz
<b>Nominal impedance</b>	2.3 ohms	2.3 ohms	2.3 ohms	2.3 ohms	2.3 ohms	2.3 ohms	2.3 ohms	2.3 ohms	2.3 ohms
<b>Sensitivity @ 2.83V/1m</b>	89dB	90dB	91dB	92dB	91dB	92dB	94dB	94dB	92dB
<b>External diameter</b>	3-9/16" (89mm)	4-1/8" (104mm)	5-1/8" (130mm)	6-1/2" (165mm)	4-1/16" x 6-5/16" (102mm x 159mm)	5-1/16" x 8-11/16" (143mm x 220mm)	6-1/2" x 9-5/16" (164mm x 235mm)	6-1/2" x 9-5/16" (164mm x 235mm)	6-1/4" (158mm)
<b>Mounting cutout diameter</b>	3-1/8" (79mm)	3-3/4" (95mm)	4-3/4" (120mm)	5-1/8" (129mm)	3-7/16" x 5-3/4" (86mm x 145mm)	5" x 7-5/16" (126mm x 185mm)	5-15/16" x 8-3/4" (150mm x 221mm)	5-15/16" x 8-3/4" (150mm x 221mm)	5-1/8" (129mm)
<b>Total depth</b>	2" (49mm)	2-19/32" (66mm)	2-7/8" (74mm)	2-7/8" (72mm)	2-1/4" (57mm)	2-7/8" (72mm)	3-7/16" (87mm)	3-3/8" (85mm)	2-5/8" (66mm)
<b>Mounting depth</b>	1-7/16" (36mm)	1-7/8" (47mm)	2-1/4" (57mm)	2-1/16" (52mm)	1-7/8" (47mm)	2-7/16" (61mm)	2-7/8" (74mm)	2-7/8" (74mm)	2-1/16" (52mm)

**TECHNISCHE DATEN**

	GX302	GX402	GX502	GX602	GX642	GX862	GX962	GX963	GX600C
<b>Typ</b>	3-1/2" 2-Wege Lautsprecher	4" 2-Wege Lautsprecher	5-1/4" 2-Wege Lautsprecher	6-1/2" 2-Wege Lautsprecher	4" x 6" 2-Wege Lautsprecher	5" x 7" / 6" x 8" 2-Wege Lautsprecher	6" x 9" 2-Wege Lautsprecher	6" x 9" 3-Wege Lautsprecher	6-1/2" 2-Wege Komponentensystem
<b>Dauerbelastbarkeit</b>	25W	35W	45W	60W	40W	60W	100W	100W	70W
<b>Spitzenbelastbarkeit</b>	75W	105W	135W	180W	120W	180W	300W	300W	210W
<b>Frequenzbereich</b>	90Hz - 20kHz	75Hz - 21kHz	65Hz - 21kHz	50Hz - 21kHz	75Hz - 21kHz	75Hz - 21kHz	45Hz - 21kHz	45Hz - 21kHz	50Hz - 21kHz
<b>Nennimpedanz</b>	2,3 ohms	2,3 ohms	2,3 ohms	2,3 ohms	2,3 ohms	2,3 ohms	2,3 ohms	2,3 ohms	2,3 ohms
<b>Wirkungsgrad @ 2,83V/1 Meter</b>	89dB	90dB	91dB	92dB	91dB	92dB	94dB	94dB	92dB
<b>Außendurchmesser</b>	89mm	104mm	130mm	165mm	102mm x 159mm	143mm x 220mm	164mm x 235mm	164mm x 235mm	158mm
<b>Durchmesser des Montageauschnittes</b>	79mm	95mm	120mm	129mm	88mm x 145mm	126mm x 185mm	150mm x 221mm	150mm x 221mm	129mm
<b>Vollständige Tiefe</b>	49mm	66mm	74mm	72mm	57mm	72mm	87mm	85mm	66mm
<b>Einbauteufe</b>	36mm	47mm	57mm	52mm	47mm	61mm	74mm	74mm	52mm

**CARACTÉRISTIQUES**

	GX302	GX402	GX502	GX602	GX642	GX862	GX962	GX963	GX600C
<b>Type</b>	3-1/2" haut-parleur deux voies	4" haut-parleur deux voies	5-1/4" haut-parleur deux voies	6-1/2" haut-parleur deux voies	4" x 6" haut-parleur deux voies	5" x 7" / 6" x 8" haut-parleur deux voies	6" x 9" haut-parleur deux voies	6" x 9" haut-parleur trois voies	6-1/2" système composant deux voies
<b>Puissance continue admissible</b>	25W	35W	45W	60W	40W	60W	100W	100W	70W
<b>Puissance crête admissible</b>	75W	105W	135W	180W	120W	180W	300W	300W	210W
<b>Réponse en fréquence</b>	90Hz - 20kHz	75Hz - 21kHz	65Hz - 21kHz	50Hz - 21kHz	75Hz - 21kHz	75Hz - 21kHz	45Hz - 21kHz	45Hz - 21kHz	50Hz - 21kHz
<b>Impédance nominale</b>	2,3 ohms	2,3 ohms	2,3 ohms	2,3 ohms	2,3 ohms	2,3 ohms	2,3 ohms	2,3 ohms	2,3 ohms
<b>Sensibilité @ 2,83V/1m</b>	89dB	90dB	91dB	92dB	91dB	92dB	94dB	94dB	92dB
<b>Diamètre extérieur</b>	3-9/16" (89mm)	4-1/8" (104mm)	5-1/8" (130mm)	6-1/2" (165mm)	4-1/16" x 6-5/16" (102mm x 159mm)	5-1/16" x 8-11/16" (143mm x 220mm)	6-1/2" x 9-5/16" (164mm x 235mm)	6-1/2" x 9-5/16" (164mm x 235mm)	6-1/4" (158mm)
<b>Diamètre de découpe</b>	3-1/8" (79mm)	3-3/4" (95mm)	4-3/4" (120mm)	5-1/8" (129mm)	3-7/16" x 5-3/4" (86mm x 145mm)	5" x 7-5/16" (126mm x 185mm)	5-15/16" x 8-3/4" (150mm x 221mm)	5-15/16" x 8-3/4" (150mm x 221mm)	5-1/8" (129mm)
<b>Profondeur totale</b>	2" (49mm)	2-19/32" (66mm)	2-7/8" (74mm)	2-7/8" (72mm)	2-1/4" (57mm)	2-7/8" (72mm)	3-7/16" (87mm)	3-3/8" (85mm)	2-5/8" (66mm)
<b>Profondeur de montage</b>	1-7/16" (36mm)	1-7/8" (47mm)	2-1/4" (57mm)	2-1/16" (52mm)	1-7/8" (47mm)	2-7/16" (61mm)	2-7/8" (74mm)	2-7/8" (74mm)	2-1/16" (52mm)

**ESPECIFICACIONES**

	GX302	GX402	GX502	GX602	GX642	GX862	GX962	GX963	GX600C
<b>Typo</b>	3-1/2" altavoces de dos vías	4" altavoces de dos vías	5-1/4" altavoces de dos vías	6-1/2" altavoces de dos vías	4" x 6" altavoces de dos vías	5" x 7" / 6" x 8" altavoces de dos vías	6" x 9" altavoces de dos vías	6" x 9" altavoces de tres vías	6-1/2" componente de sistema de dos vías
<b>Manejo de potencia continua</b>	25W	35W	45W	60W	40W	60W	100W	100W	70W
<b>Manejo de potencia punta</b>	75W	105W	135W	180W	120W	180W	300W	300W	210W
<b>Respuesta en frecuencia</b>	90Hz - 20kHz	75Hz - 21kHz	65Hz - 21kHz	50Hz - 21kHz	75Hz - 21kHz	75Hz - 21kHz	45Hz - 21kHz	45Hz - 21kHz	50Hz - 21kHz
<b>Impedancia nominal</b>	2,3 ohms	2,3 ohms	2,3 ohms	2,3 ohms	2,3 ohms	2,3 ohms	2,3 ohms	2,3 ohms	2,3 ohms
<b>Sensibilidad @ 2,83V @ 1 metro</b>	89dB	90dB	91dB	92dB	91dB	92dB	94dB	94dB	92dB
<b>Díametro exterior</b>	3-9/16" (89mm)	4-1/8" (104mm)	5-1/8" (130mm)	6-1/2" (165mm)	4-1/16" x 6-5/16" (102mm x 159mm)	5-1/16" x 8-11/16" (143mm x 220mm)	6-1/2" x 9-5/16" (164mm x 235mm)	6-1/2" x 9-5/16" (164mm x 235mm)	6-1/4" (158mm)
<b>Montaje de diámetro recto</b>	3-1/8" (79mm)	3-3/4" (95mm)	4-3/4" (120mm)	5-1/8" (129mm)	3-7/16" x 5-3/4" (86mm x 145mm)	5" x 7-5/16" (126mm x 185mm)	5-15/16" x 8-3/4" (150mm x 221mm)	5-15/16" x 8-3/4" (150mm x 221mm)	5-1/8" (129mm)
<b>Profundidad total</b>	2" (49mm)	2-19/32" (66mm)	2-7/8" (74mm)	2-7/8" (72mm)	2-1/4" (57mm)	2-7/8" (72mm)	3-7/16" (87mm)	3-3/8" (85mm)	2-5/8" (66mm)
<b>Profundidad de montaje</b>	1-7/16" (36mm)	1-7/8" (47mm)	2-1/4" (57mm)	2-1/16" (52mm)	1-7/8" (47mm)	2-7/16" (61mm)	2-7/8" (74mm)	2-7/8" (74mm)	2-1/16" (52mm)

**SPECIFICATIES**

	GX302	GX402	GX502	GX602	GX642	GX862	GX962	GX963	GX600C
<b>Type</b>	3-1/2" twee-weg-luidspreker	4" twee-weg-luidspreker	5-1/4" twee-weg-luidspreker	6-1/2" twee-weg-luidspreker	4" x 6" twee-weg-luidspreker	5" x 7" / 6" x 8" twee-weg-luidspreker	6" x 9" twee-weg-luidspreker	6" x 9" drie-weg-luidspreker	6-1/2" twee-weg component systeem
<b>Continuïteitvermogen</b>	25W	35W	45W	60W	40W	60W	100W	100W	70W
<b>Frequentievermogen</b>	75W	105W	135W	180W	120W	180W	300W	300W	210W
<b>Frequentiebereik</b>	90Hz - 20kHz	75Hz - 21kHz	65Hz - 21kHz	50Hz - 21kHz	75Hz - 21kHz	75Hz - 21kHz	45Hz - 21kHz	45Hz - 21kHz	50Hz - 21kHz
<b>Nominale impedantie</b>	2,3 ohms	2,3 ohms	2,3 ohms	2,3 ohms	2,3 ohms	2,3 ohms	2,3 ohms	2,3 ohms	2,3 ohms
<b>Gevoeligheid @ 2,83V @ 1 meter</b>	89dB	90dB	91dB	92dB	91dB	92dB	94dB	94dB	92dB
<b>Uitwendig diameter</b>	3-9/16" (89mm)	4-1/8" (104mm)	5-1/8" (130mm)	6-1/2" (165mm)	4-1/16" x 6-5/16" (102mm x 159mm)	5-1/16" x 8-11/16" (143mm x 220mm)	6-1/2" x 9-5/16" (164mm x 235mm)	6-1/2" x 9-5/16" (164mm x 235mm)	6-1/4" (158mm)
<b>Montage uitsparingsdiameter</b>	3-1/8" (79mm)	3-3/4" (95mm)	4-3/4" (120mm)	5-1/8" (129mm)	3-7/16" x 5-3/4" (86mm x 145mm)	5" x 7-5/16" (126mm x 185mm)	5-15/16" x 8-3/4" (150mm x 221mm)	5-15/16" x 8-3/4" (150mm x 221mm)	5-1/8" (129mm)
<b>Totale diepte</b>	2" (49mm)	2-19/32" (66mm)	2-7/8" (74mm)	2-7/8" (72mm)	2-1/4" (57mm)	2-7/8" (72mm)	3-7/16" (87mm)	3-3/8" (85mm)	2-5/8" (66mm)
<b>Installatie diepte</b>	1-7/16" (36mm)	1-7/8" (47mm)	2-1/4" (57mm)	2-1/16" (52mm)	1-7/8" (47mm)	2-7/16" (61mm)	2-7/8" (74mm)	2-7/8" (74mm)	2-1/16" (52mm)

**SPECIFIKATIONER**

	GX302	GX402	GX502	GX602	GX642	GX862	GX962	GX963	GX600C
<b>Typ</b>	3-1/2" två-vägs högtalare	4" två-vägs högtalare	5-1/4" två-vägs högtalare	6-1/2" två-vägs högtalare	4" x 6" två-vägs högtalare	5" x 7" / 6" x 8" två-vägs högtalare	6" x 9" två-vägs högtalare	6" x 9" tre-vägs högtalare	6-1/2" två-vägs komponent-system
<b>Typiskt effektervåg</b>	25W	35W	45W	60W	40W	60W	100W	100W	70W
<b>Frekvensområde</b>	75W	105W	135W	180W	120W	180W	300W	300W	210W
<b>Frekvensområde</b>	90Hz - 20kHz	75Hz - 21kHz	65Hz - 21kHz	50Hz - 21kHz	75Hz - 21kHz	75Hz - 21kHz	45Hz - 21kHz	45Hz - 21kHz	50Hz - 21kHz
<b>Nominal impedans</b>	2,3 ohms	2,3 ohms	2,3 ohms	2,3 ohms	2,3 ohms	2,3 ohms	2,3 ohms	2,3 ohms	2,3 ohms
<b>Känslighet @ 2,83V @ 1 meter</b>	89dB	90dB	91dB	92dB	91dB	92dB	94dB	94dB	92dB
<b>Yttre diameter</b>	3-9/16" (89mm)	4-1/8" (104mm)	5-1/8" (130mm)	6-1/2" (165mm)	4-1/16" x 6-5/16" (102mm x 159mm)	5-1/16" x 8-11/16" (143mm x 220mm)	6-1/2" x 9-5/16" (164mm x 235mm)	6-1/2" x 9-5/16" (164mm x 235mm)	6-1/4" (158mm)
<b>Monteringsutskärningsdiameter</b>	3-1/8" (79mm)	3-3/4" (95mm)	4-3/4" (120mm)	5-1/8" (129mm)	3-7/16" x 5-3/4" (86mm x 145mm)	5" x 7-5/16" (126mm x 185mm)	5-15/16" x 8-3/4" (150mm x 221mm)	5-15/16" x 8-3/4" (150mm x 221mm)	5-1/8" (129mm)
<b>Totalt djup</b>	2" (49mm)	2-19/32" (66mm)	2-7/8" (74mm)	2-7/8" (72mm)	2-1/4" (57mm)	2-7/8" (72mm)	3-7/16" (87mm)	3-3/8" (85mm)	2-5/8" (66mm)
<b>Monteringsdjup</b>	1-7/16" (36mm)	1-7/8" (47mm)	2-1/4" (57mm)	2-1/16" (52mm)	1-7/8" (47mm)	2-7/16" (61mm)	2-7/8" (74mm)	2-7/8" (74mm)	2-1/16" (52mm)

**SPECIFICHE**

	GX302	GX402	GX502	GX602	GX642	GX862	GX962	GX963	GX600C
<b>Tip</b>	3-1/2" diffusore a due vie	4" diffusore a due vie	5-1/4" diffusore a due vie	6-1/2" diffusore a due vie	4" x 6" diffusore a due vie	5" x 7" / 6" x 8" diffusore a due vie	6" x 9" diffusore a due vie	6" x 9" diffusore a tre vie	6-1/2" sistema componente a due vie
<b>Gestione continua corrente</b>	25W	35W	45W	60W	40W	60W	100W	100W	70W
<b>Gestione corrente picco</b>	75W	105W	135W	180W	120W	180W	300W	300W	210W
<b>Risposta in frequenza</b>	90Hz - 20kHz	75Hz - 21kHz	65Hz - 21kHz	50Hz - 21kHz	75Hz - 21kHz	75Hz - 21kHz	45Hz - 21kHz	45Hz - 21kHz	50Hz - 21kHz
<b>Impedenza nominale</b>	2,3 ohms	2,3 ohms	2,3 ohms	2,3 ohms	2,3 ohms	2,3 ohms	2,3 ohms	2,3 ohms	2,3 ohms
<b>Sensibilità @ 2,83V @ 1 metro</b>	89dB	90dB	91dB	92dB	91dB	92dB	94dB	94dB	92dB
<b>Diametro esterno</b>	3-9/16" (89mm)	4-1/8" (104mm)	5-1/8" (130mm)	6-1/2" (165mm)	4-1/16" x 6-5/16" (102mm x 159mm)	5-1/16" x 8-11/16" (143mm x 220mm)	6-1/2" x 9-5/16" (164mm x 235mm)	6-1/2" x 9-5/16" (164mm x 235mm)	6-1/4" (158mm)
<b>Diametro soglia di montaggio</b>	3-1/8" (79mm)	3-3/4" (95mm)	4-3/4" (120mm)	5-1/8" (129mm)	3-7/16" x 5-3/4" (86mm x 145mm)	5" x 7-5/16" (126mm x 185mm)	5-15/16" x 8-3/4" (150mm x 221mm)	5-15/16" x 8-3/4" (150mm x 221mm)	5-1/8" (129mm)
<b>Profondità totale</b>	2" (49mm)	2-19/32" (66mm)	2-7/8" (74mm)	2-7/8" (72mm)	2-1/4" (57mm)	2-7/8" (72mm)	3-7/16" (87mm)	3-3/8" (85mm)	2-5/8" (66mm)
<b>Profondità di montaggio</b>	1-7/16" (36mm)	1-7/8" (47mm)	2-1/4" (57mm)	2-1/16" (52mm)	1-7/8" (47mm)	2-7/16" (61mm)	2-7/8" (74mm)	2-7/8" (74mm)	2-1/16" (52mm)

**SPECIFIKATION**