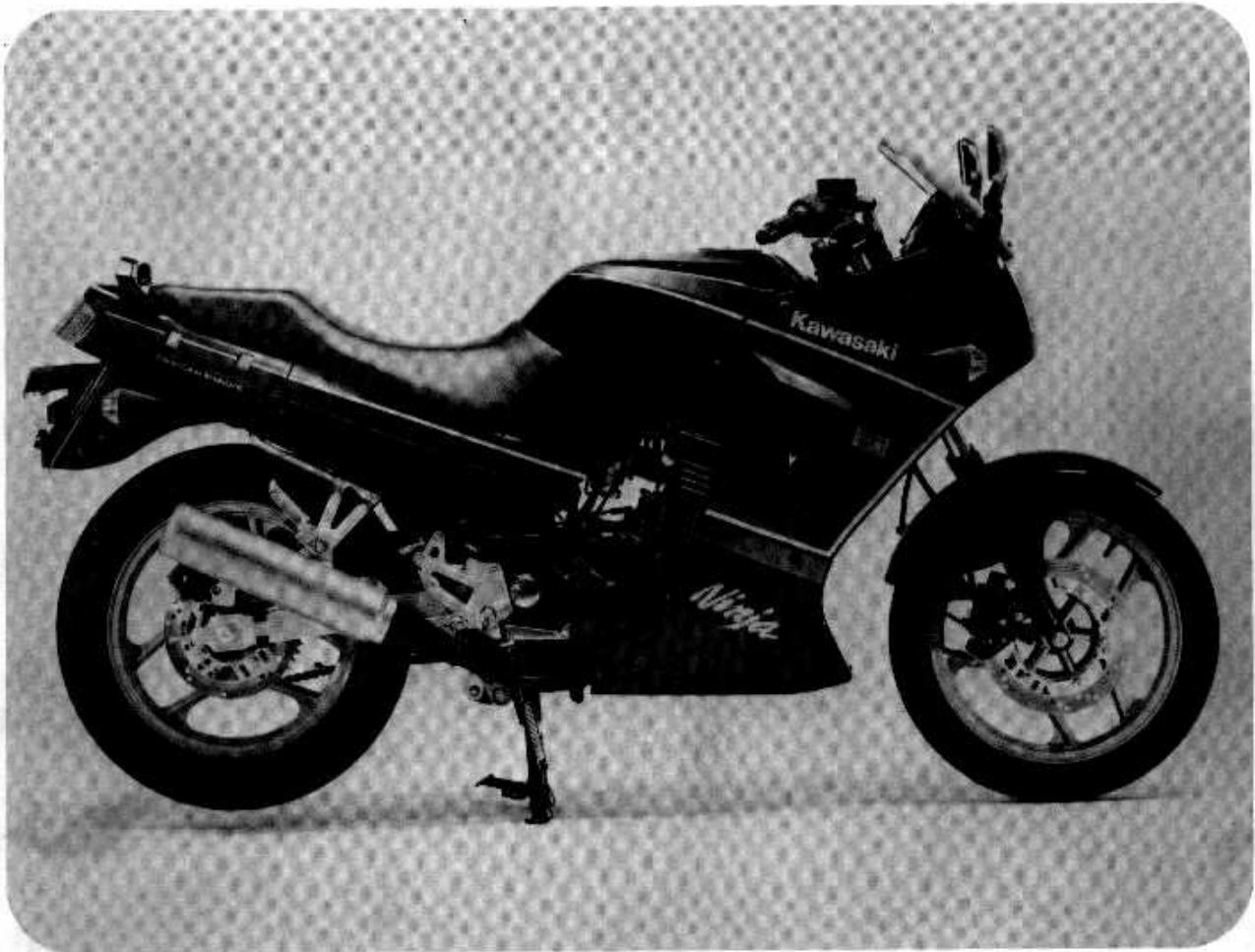


**Ninja250R**  
**GPX250R**



**Motorcycle**  
**Service Manual**  
**Supplement**



## Quick Reference Guide

General Information	1
Fuel System	2
Cooling System	3
Engine Top End	4
Clutch	5
Engine Lubrication System	6
Engine Removal/Installation	7
Crankshaft/Transmission	8
Wheels/Tires	9
Final Drive	10
Brakes	11
Suspension	12
Steering	13
Frame	14
Electrical System	15
Appendix	16

This quick reference guide will assist you in locating a desired topic or procedure.

- Bend the pages back to match the black tab of the desired chapter number with the black tab on the edge at each table of contents page.

- Refer to the sectional table of contents for the exact pages to locate the specific topic required.





**Ninja250R**  
**GPX250R**

# **Motorcycle Service Manual Supplement**

---

All rights reserved. No parts of this publication may be reproduced, stored in a retrieval system, or transmitted in any form or by any means, electronic mechanical photocopying, recording or otherwise, without the prior written permission of Quality Assurance Department/Consumer Products & Components Group/Kawasaki Heavy Industries, Ltd., Japan.

No liability can be accepted for any inaccuracies or omissions in this publication, although every possible care has been taken to make it as complete and accurate as possible.

The right is reserved to make changes at any time without prior notice and without incurring an obligation to make such changes to products manufactured previously. See your Motorcycle dealer for the latest information on product improvements incorporated after this publication.

All information contained in this publication is based on the latest product information available at the time of publication. Illustrations and photographs in this publication are intended for reference use only and may not depict actual model component parts.

## LIST OF ABBREVIATIONS

A	ampere(s)	lb	pound(s)
ABDC	after bottom dead center	m	meter(s)
AC	alternating current	min	minute(s)
ATDC	after top dead center	N	newton(s)
BBDC	before bottom dead center	Pa	pascal(s)
BDC	bottom dead center	PS	horsepower
BTDC	before top dead center	psi	pound(s) per square inch
°C	degree(s) Celcius	r	revolution
DC	direct current	rpm	revolution(s) per minute
F	farad(s)	TDC	top dead center
°F	degree(s) Fahrenheit	TIR	total indicator reading
ft	foot, feet	V	volt(s)
g	gram(s)	W	watt(s)
h	hour(s)	Ω	ohm(s)
L	liter(s)		

### U.K. model only



This warning may apply to any of the following components or any assembly containing one or more of these components:—

Brake Shoes or Pads  
Clutch Friction Material  
Gaskets  
Insulators

#### SAFETY INSTRUCTIONS

- Operate if possible out of doors or in a well ventilated place.
- Preferably use hand tools or low speed tools equipped, if necessary, with an appropriate dust extraction facility. If high speed tools are used, they should always be so equipped.
- If possible, dampen before cutting or drilling.
- Dampen dust and place it in properly closed receptacle and dispose of it safely.

**Read OWNER'S MANUAL before operating.**

## EMISSION CONTROL INFORMATION

To protect the environment in which we all live, Kawasaki has incorporated crankcase emission (1) and exhaust emission (2) control systems in compliance with applicable regulations of the United States Environmental Protection Agency and California Air Resources Board. Additionally, Kawasaki has incorporated an evaporative emission control system (3) in compliance with applicable regulations of the California Air Resources Board on vehicles sold in California only.

### 1. Crankcase Emission Control System

This system eliminates the release of crankcase vapors into the atmosphere. Instead, the vapors are routed through an oil separator to the intake side of the engine. While the engine is operating, the vapors are drawn into combustion chamber, where they are burned along with the fuel and air supplied by the carburetion system.

### 2. Exhaust Emission Control System

This system reduces the amount of pollutants discharged into the atmosphere by the exhaust of this motorcycle. The fuel and ignition systems of this motorcycle have been carefully designed and constructed to ensure an efficient engine with low exhaust pollutant levels.

### 3. Evaporative Emission Control System

Vapors caused by fuel evaporation in the fuel system are not vented into the atmosphere. Instead, fuel vapors are routed into the running engine to be burned, or stored in a canister when the engine is stopped. Liquid fuel is caught by a vapor separator and returned to the fuel tank.

The Clean Air Act, which is the Federal law covering motor vehicle pollution, contains what is commonly referred to as the Act's "tampering provisions."

"Sec. 203(a) The following acts and the causing thereof are prohibited...

- (3)(A) for any person to remove or render inoperative any device or element of design installed on or in a motor vehicle or motor vehicle engine in compliance with regulations under this title prior to its sale and delivery to the ultimate purchaser, or for any manufacturer or dealer knowingly to remove or render inoperative any such device or element of design after such sale and delivery to the ultimate purchaser.
- (3)(B) for any person engaged in the business of repairing, servicing, selling, leasing, or trading motor vehicles or motor vehicle engines, or who operates a fleet of motor vehicles knowingly to remove or render inoperative any device or element of design installed on or in a motor vehicle or motor vehicle engine in compliance with regulations under this title following its sale and delivery to the ultimate purchaser..."

(Continued on next page.)

#### NOTE

o *The phrase "remove or render inoperative any device or element of design" has been generally interpreted as follows:*

1. *Tampering does not include the temporary or rendering inoperative of devices or elements of design in order to perform maintenance.*
2. *Tampering could include:*
  - a. *Maladjustment of vehicle components such that the emission standards are exceeded.*
  - b. *Use of replacement parts or accessories which adversely affect the performance or durability of the motorcycle.*
  - c. *Addition of components or accessories that result in the vehicle exceeding the standards.*
  - d. *Permanently removing, disconnecting, or rendering inoperative any component or element of design of the emission control systems.*

**WE RECOMMEND THAT ALL DEALERS OBSERVE THESE PROVISIONS OF FEDERAL LAW, THE VIOLATION OF WHICH IS PUNISHABLE BY CIVIL PENALTIES NOT EXCEEDING \$10,000 PER VIOLATION.**

#### TAMPERING WITH NOISE CONTROL SYSTEM PROHIBITED

Federal law prohibits the following acts or the causing thereof: (1) The removal or rendering inoperative by any person other than for purposes of maintenance, repair, or replacement, of any device or element of design incorporated into any new vehicle for the purpose of noise control prior to its sale or delivery to the ultimate purchaser or while it is in use, or (2) the use of the vehicle after such device or element of design has been removed or rendered inoperative by any person.

Among those acts presumed to constitute tampering are the acts listed below:

- Replacement of the original exhaust system or muffler with a component not in compliance with Federal regulations.
- Removal of the muffler(s) or any internal portion of the muffler(s).
- Removal of the air box or air box cover.
- Modifications to the muffler(s) or air intake system by cutting, drilling, or other means if such modifications result in increased noise levels.

# Foreword

This service manual supplement contains only the information unique to the models covered. It must be used with the base service manual listed below. Read both this supplement and the base manual for complete information on proper service procedures for the models covered by this manual.

Base Manual	Part Number
Ninja 250R (GPZ 250R)	99924-1066-01

This manual is designed primarily for use by trained mechanics in a properly equipped shop. However, it contains enough detail and basic information to make it useful to the owner who desires to perform his own basic maintenance and repair work. A basic knowledge of mechanics, the proper use of tools, and workshop procedures must be understood in order to carry out maintenance and repair satisfactorily. Whenever the owner has insufficient experience or doubts his ability to do the work, all adjustments, maintenance, and repair should be carried out only by qualified mechanics.

In order to perform the work efficiently and to avoid costly mistakes, read the text, thoroughly familiarize yourself with the procedures before starting work, and then do the work carefully in a clean area. Whenever special tools or equipment are specified, do not use makeshift tools or equipment. Precision measurements can only be made if the proper instruments are used, and the use of substitute tools may adversely affect safe operation.

**For the duration of the warranty period, we recommend that all repairs and scheduled maintenance be performed in accordance with this service manual. Any owner maintenance or repair procedure not performed in accordance with this manual may void the warranty.**

To get the longest life out of your Motorcycle:

- Follow the Periodic Maintenance Chart in the service manual.
- Be alert for problems and non-scheduled maintenance.
- Use proper tools and genuine Kawasaki Motorcycle parts. Special tools, gauges, and testers that are necessary when servicing Kawasaki motorcycles are introduced by the Special Tool Manual. Genuine parts provided as spare parts are listed in the Parts Catalog.

- Follow the procedures in this manual carefully. Don't take shortcuts.
- Remember to keep complete records of maintenance and repair with dates and any new parts installed.

## How to Use this Manual

In preparing this manual, we divided the product into its major systems. These systems became the manual's chapters. All information for a particular system from adjustment through disassembly and inspection is located in a single chapter.

The Quick Reference Guide shows you all of the product's system and assists in locating their chapters. Each chapter in turn has its own comprehensive Table of Contents.

The Periodic Maintenance Chart is located in the General Information chapter. The chart gives a time schedule for required maintenance operations.

If you want spark plug information, for example, go to the Periodic Maintenance Chart first. The chart tells you how frequently to clean and gap the plug. Next, use the Quick Reference Guide to locate the Electrical System chapter. Then, use the Table of Contents on the first page of the chapter to find the spark plug section.

Whenever you see these WARNING and CAUTION symbols, heed their instructions! Always follow safe operating and maintenance practices.

### WARNING

- This warning symbol identifies special instructions or procedures which, if not correctly followed, could result in personal injury, or loss of life.

### CAUTION

- This caution symbol identifies special instructions or procedures which, if not strictly observed, could result in damage to or destruction of equipment.

This manual contains five more symbols (in addition to WARNING and CAUTION) which will help you distinguish different types of information.

#### NOTE

○ *This note symbol indicates points of particular interest for more efficient and convenient operation.*

- Indicates a procedural step or work to be done.
- Indicates a procedural sub-step or how to do the work of the procedural step it follows. It also precedes the text of a WARNING, CAUTION, or NOTE.
- ★ Indicates a conditional step or what action to take based on the results of the test or inspection in the procedural step or sub-step it follows.
- ☆ Indicates a conditional sub-step or what action to take based upon the results of the conditional step it follows.

In most chapters an exploded view illustration of the system components follows the Table of Contents. In these illustrations you will find the instructions indicating which parts require specified tightening torque, oil, grease or a locking agent during assembly.

## 1-2 GENERAL INFORMATION

### Before Servicing

Before starting to service a motorcycle, careful reading of the applicable section is recommended to eliminate unnecessary work. Photographs, diagrams, notes, cautions, warnings, and detailed descriptions have been included wherever necessary. Nevertheless, even a detailed account has limitations, a certain amount of basic knowledge is also required for successful work.

#### Especially note the following:

- (1) **Dirt**

Before removal and disassembly, clean the motorcycle. Any dirt entering the engine or other parts will work as an abrasive and shorten the life of the motorcycle. For the same reason, before installing a new part, clean off any dust or metal filings.
- (2) **Battery Ground**

Remove the ground (-) lead from the battery before performing any disassembly operations on the motorcycle. This prevents:
  - (a) the possibility of accidentally turning the engine over while partially disassembled.
  - (b) sparks at electrical connections which will occur when they are disconnected.
  - (c) damage to electrical parts.
- (3) **Tightening Sequence**

Generally, when installing a part with several bolts, nuts, or screws, they should all be started in their holes and tightened to a snug fit. Then tighten them evenly in a cross pattern. This is to avoid distortion of the part and/or causing gas or oil leakage. Conversely when loosening the bolts, nuts, or screws, first loosen all of them by about a quarter of turn and then remove them. Where there is a tightening sequence indication in this Service Manual, the bolts, nuts, or screws must be tightened in the order and method indicated.
- (4) **Torque**

The torque values given in this Service Manual should always be adhered to. Either too little or too much torque may lead to serious damage. Use a good quality, reliable torque wrench.
- (5) **Force**

Common sense should dictate how much force is necessary in assembly and disassembly. If a part seems especially difficult to remove or install, stop and examine what may be causing the problem. Whenever tapping is necessary, tap lightly using a wooden or plastic faced mallet. Use an impact driver for screws (particularly for the removal of screws held by a locking agent) in order to avoid damaging the screw heads.
- (6) **Edges**

Watch for sharp edges, especially during major engine disassembly and assembly. Protect your hands with gloves or a piece of thick cloth when lifting the engine or turning it over.
- (7) **High Flash-point Solvent**

A high flash-point solvent is recommended to reduce fire danger. A commercial solvent commonly available in North America is Stoddard solvent (generic name). Always follow manufacturer and container directions regarding the use of any solvent.
- (8) **Gasket, O-ring**

Do not reuse a gasket or O-ring once it has been in service. The mating surfaces around the gasket should be free of foreign matter and perfectly smooth to avoid oil or compression leaks.
- (9) **Liquid Gasket, Nonpermanent Locking Agent**

Follow manufacturer's directions for cleaning and preparing surfaces where these compounds will be used. Apply sparingly. Excessive amounts may block engine oil passages and cause serious damage. An example of a non-permanent locking agent commonly available in North America is Loctite Lock'n Seal (Blue).
- (10) **Press**

A part installed using a press or driver, such as a wheel bearing, should first be coated with oil on its outer or inner circumference so that it will go into place smoothly.
- (11) **Ball Bearing**

When installing a ball bearing, the bearing race which is affected by friction should be pushed by a suitable driver. This prevents severe stress on the balls and races, and prevents races and balls from being dented. Press a ball bearing until it stops at the stop in the hole or on the shaft.

(12) Oil Seal and Grease Seal

Replace any oil or grease seals that were removed with new ones, as removal generally damages seals.

When pressing in a seal which has manufacturer's marks, press it in with the marks facing out. Seals should be pressed into place using a suitable driver, which contacts evenly with the side of seal, until the face of the seal is even with the end of the hole.

(13) Seal Guide

A seal guide is required for certain oil or grease seals during installation to avoid damage to the seal lips. Before a shaft passes through a seal, apply a little oil, preferably high temperature grease on the lips to reduce rubber to metal friction.

(14) Circlip, Retaining Ring

Replace any circlips and retaining rings that were removed with new ones, as removal weakens and deforms them. When installing circlips and retaining rings, take care to compress or expand them only enough to install them and no more.

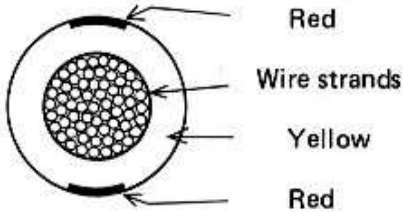
(15) Lubrication

Engine wear is generally at its maximum while the engine is warming up and before all the rubbing surfaces have an adequate lubricative film. During assembly, oil or grease (whichever is more suitable) should be applied to any rubbing surface which has lost its lubricative film. Old grease and dirty oil should be cleaned off. Deteriorated grease has lost its lubricative quality and may contain abrasive foreign particles.

Don't use just any oil or grease. Some oils and greases in particular should be used only in certain applications and may be harmful if used in an application for which they are not intended. This manual makes reference to molybdenum disulfide grease (MoS<sub>2</sub>) in the assembly of certain engine and chassis parts. Always check manufacturer recommendations before using such special lubricants.

(16) Electrical Wires

All the electrical wires are either single-color or two-color and, with only a few exceptions, must be connected to wires of the same color. On any of the two-color wires there is a greater amount of one color and a lesser amount of a second color, so a two-color wire is identified by first the primary color and then the secondary color. For example, a yellow wire with thin red stripes is referred to as a "yellow/red" wire; it would be a "red/yellow" wire if the colors were reversed to make red the main color.

Wire (cross-section)	Name of Wire Color
	Yellow/red

(17) Replacement Parts

When there is a replacement instruction, replace these parts with new ones every time they are removed. These replacement parts will be damaged or lose their original function once removed.

(18) Inspection

When parts have been disassembled, visually inspect these parts for the following conditions or other damage. If there is any doubt as to the condition of them, replace them with new ones.

- |              |               |           |      |
|--------------|---------------|-----------|------|
| Abrasion     | Crack         | Hardening | Warp |
| Bent         | Dent          | Scratch   | Wear |
| Color change | Deterioration | Seizure   |      |

(19) Service Data

Numbers of service data in this text have following meanings:

"Standards": Show dimensions or performances which brand-new parts or systems have.

"Service limits": Indicate the usable limits. If the measurement shows excessive wear or deteriorated performance, replace the damaged parts.

# General Information

## Table of Contents

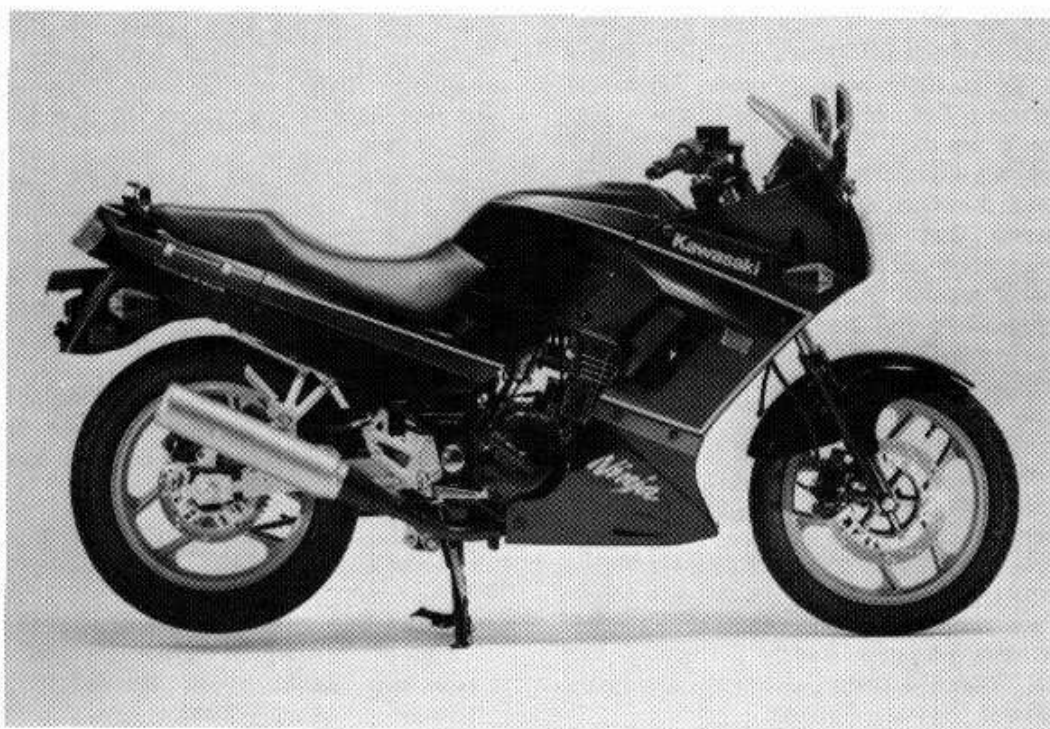
Before Servicing .....	*
Model Identification .....	1-2
General Specifications .....	1-4
Wiring, Cable, or Hose Routing .....	1-6
Torque and Locking Agent .....	1-11
Periodic Maintenance Chart .....	1-15

\* : Base Manual

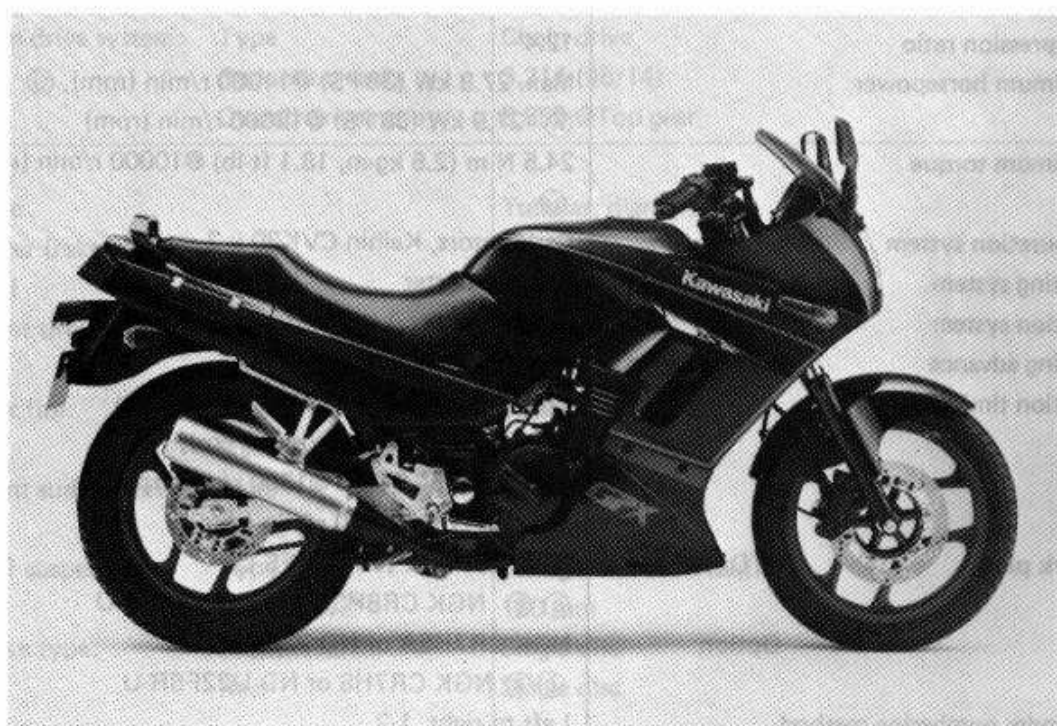
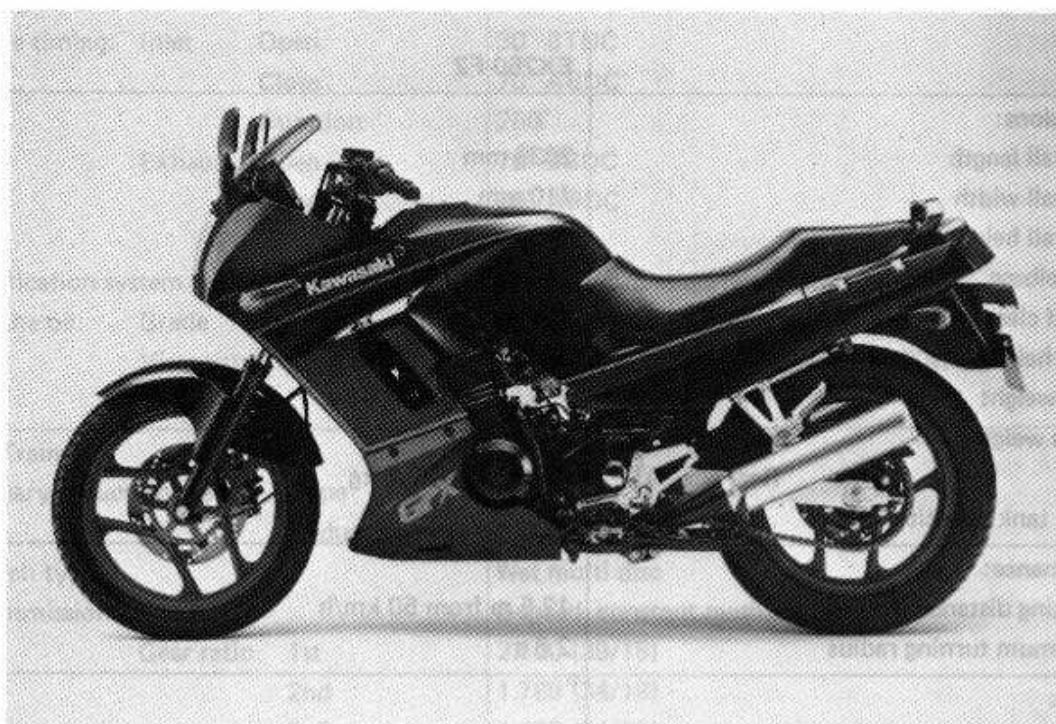
## 1-2 GENERAL INFORMATION

.....  
Model Identifications  
.....

EX250-F2 (US Model)



EX250-F2 (European or General Model)



## 1-4 GENERAL INFORMATION

### General Specifications

Items	EX250-F2	
<b>Dimensions:</b>		
Overall length	2035 mm	
Overall width	710 mm	
Overall height	1095 mm	
Wheelbase	1400 mm	
Road clearance	155 mm	
Seat height	745 mm	
Dry weight	138 kg, (Ca) 139.5 kg	
Curb weight:	Front	76 kg
	Rear	85 kg, (Ca) 85.5 kg
Fuel tank capacity	18.0 L	
<b>Performance:</b>		
Braking distance	12.5 m from 50 km/h	
Minimum turning radius	2.8 m	
<b>Engine:</b>		
Type	4-stroke, DOHC, 2-cylinder	
Cooling system	Liquid-cooled	
Bore and stroke	62.0 x 41.2 mm	
Displacement	248 mL	
Compression ratio	12.4	
Maximum horsepower	Max. 27.9 kW (38 PS) @11000 r/min (rpm), (U) —, (A) 27.9 kW (38 PS) @12000 r/min (rpm)	
Maximum torque	24.5 N-m (2.5 kg-m, 18.1 ft-lb) @10000 r/min (rpm), (U) —	
Carburetion system	Carburetors, Keihin CVK30 x 2	
Starting system	Electric starter	
Ignition system	Battery and coil (transistorized)	
Timing advance	Electronically advanced	
Ignition timing	From 10° BTDC @1300 r/min (rpm) to 42° BTDC @4500 r/min (rpm), (Ca) From 5° BTDC @1300 r/min (rpm) to 42° BTDC @4500 r/min (rpm)	
Spark plug	STD	
	Option	
Cylinder numbering method	NGK C8HA or ND U24FS-L, (C) (B) NGK CR8HSA or ND U24FSR-U NGK CR7HSA or ND 22FS-L, (C)(B) NGK CR7HS or ND U22FSR-U Left to right, 1-2	

(Continued on next page.)

GENERAL INFORMATION 1-5

Items	Standard
Firing order	1-2
Valve timing: Inlet	Open 30° BTDC Close 70° ABDC Duration 280°
Exhaust	Open 70° BBDC Close 30° ABDC Duration 280°
Lubrication system	Forced lubrication (wet sump)
Engine oil: Grade	SE or SF class
Viscosity	SAE 10W-40, 10W-50, 20W-40, or 20W-50
Capacity	1.9 L
<b>Drive Train:</b>	
Primary reduction system: Type	Gear
Reduction ratio	3.086 (71/23)
Clutch type	Wet multi disc
Transmission: Type	6-speed, constant mesh, return shift
Gear ratio: 1st	2.600 (39/15)
2nd	1.789 (34/19)
3rd	1.409 (31/22)
4th	1.160 (29/25)
5th	1.000 (27/27)
6th	0.892 (25/28)
Final drive system: Type	Chain drive
Reduction ratio	3.214 (45/14)
Overall drive ratio	8.859 @Top gear
<b>Frame:</b>	
Type	Tubular, diamond
Caster (rake angle)	27°
Trail	83 mm
Front tire: Type	Tubeless
Size	100/80-16 50S
Rear tire: Type	Tubeless
Size	130/80-16 64S
Front suspension: Type	Telescopic fork
Wheel travel	140 mm
Rear suspension: Type	Swing arm (Uni-Trak)
Wheel travel	130 mm
Brake type: Front	Single disc
Rear	Single disc

(Continued on next page.)

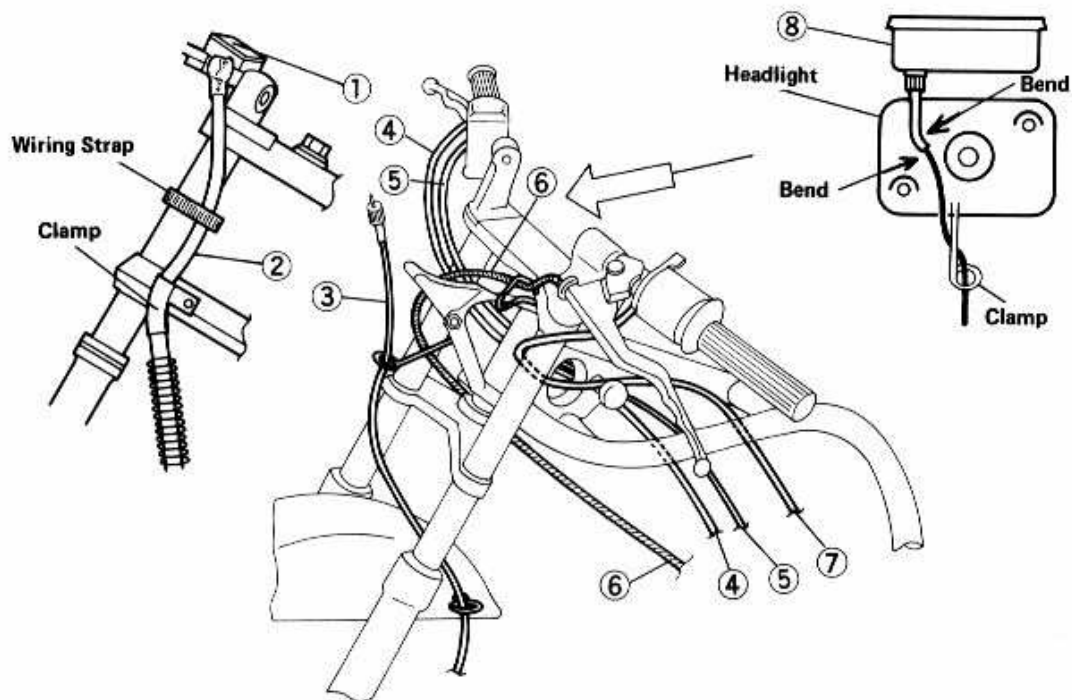
## 1-6 GENERAL INFORMATION

Items	EX250-F2
<b>Electrical Equipment:</b>	
Battery	12 V 8 Ah
Headlight:	Semi-sealed beam
Bulb	12 V 60/55 W (quartz-halogen)
Tail/brake light	12 V 8/27 W x 2, (A) (B) 12 V 5/21 W x 2
Alternator:	Type Rated output
	Three-phase AC 17 A @10000 r/min (rpm), 14 V
Voltage regulator:	Type Short-circuit

Specifications are subject to change without notice, and may not apply to every country.

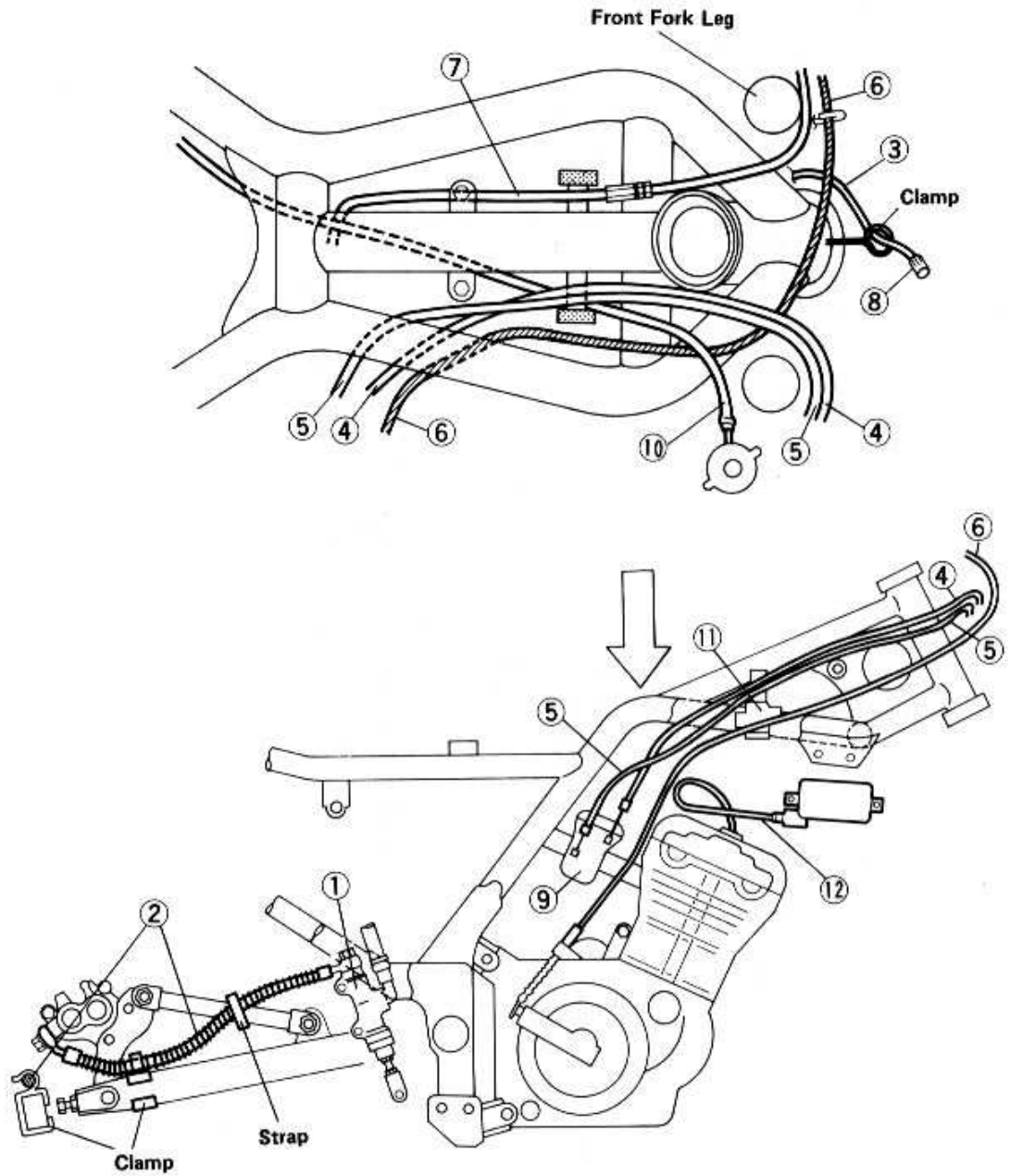
- (A) : Australia Model
- (B) : UK Model
- (Ca) : California Model
- (U) : US Model

### Wiring Cable, or Hose Routing



1. Front Brake Fluid Reservoir
2. Brake Hose
3. Speedometer Cable
4. Throttle Cable (Decelerator)

5. Throttle Cable (Accelerator)
6. Clutch Cable
7. Choke Cable
8. Meter Unit



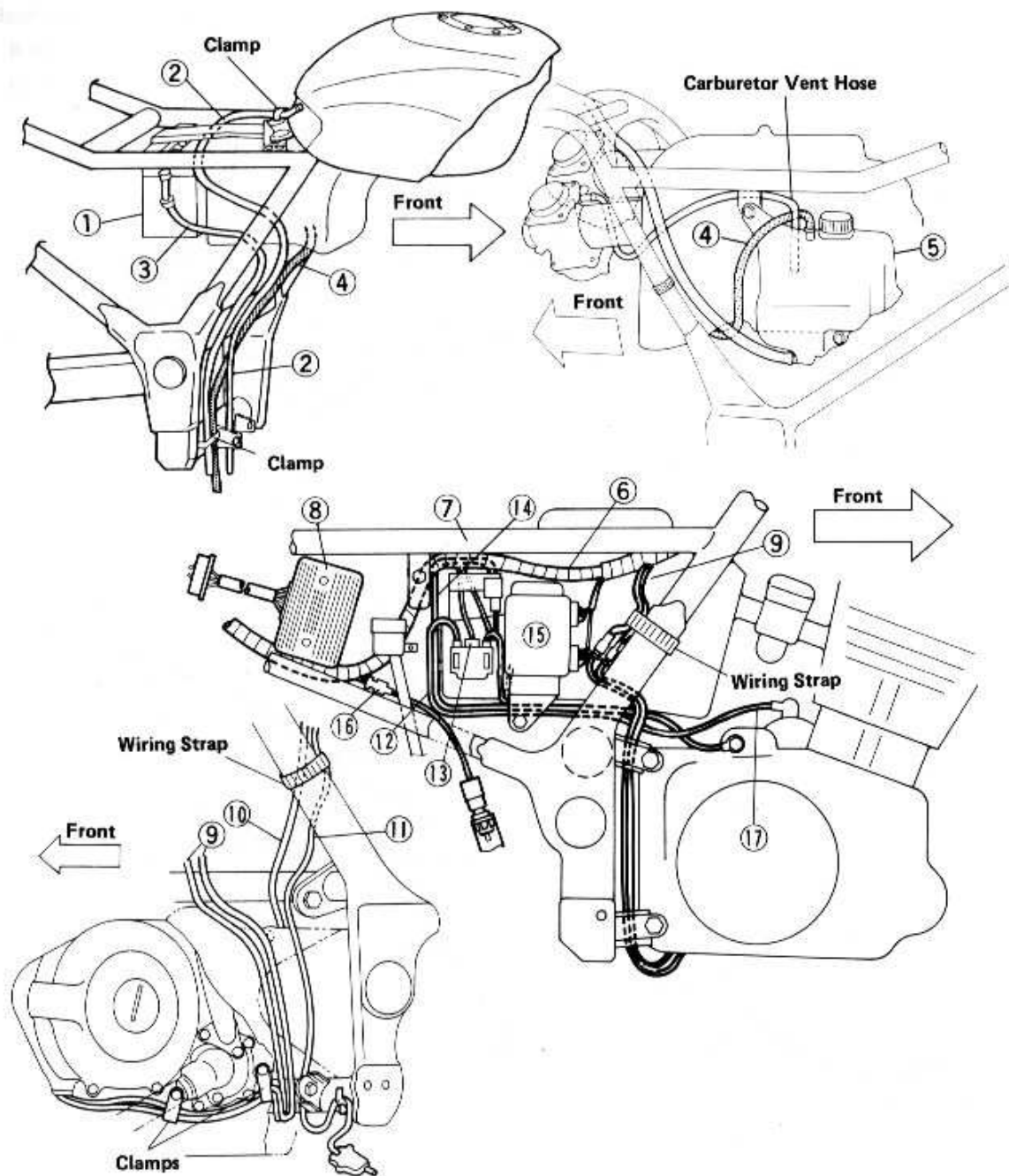
- 1. Rear Brake Master Cylinder
- 2. Brake Hose
- 3. Speedometer Cable
- 4. Throttle Cable (decelerator)
- 5. Throttle Cable (accelerator)
- 6. Clutch Cable

- 7. Choke Cable
- 8. To Meter Unit
- 9. Carburetor
- 10. Coolant Reservoir Tank Hose
- 11. Thermostat Housing
- 12. Spark Plug Leads

## 1-8 GENERAL INFORMATION

Items

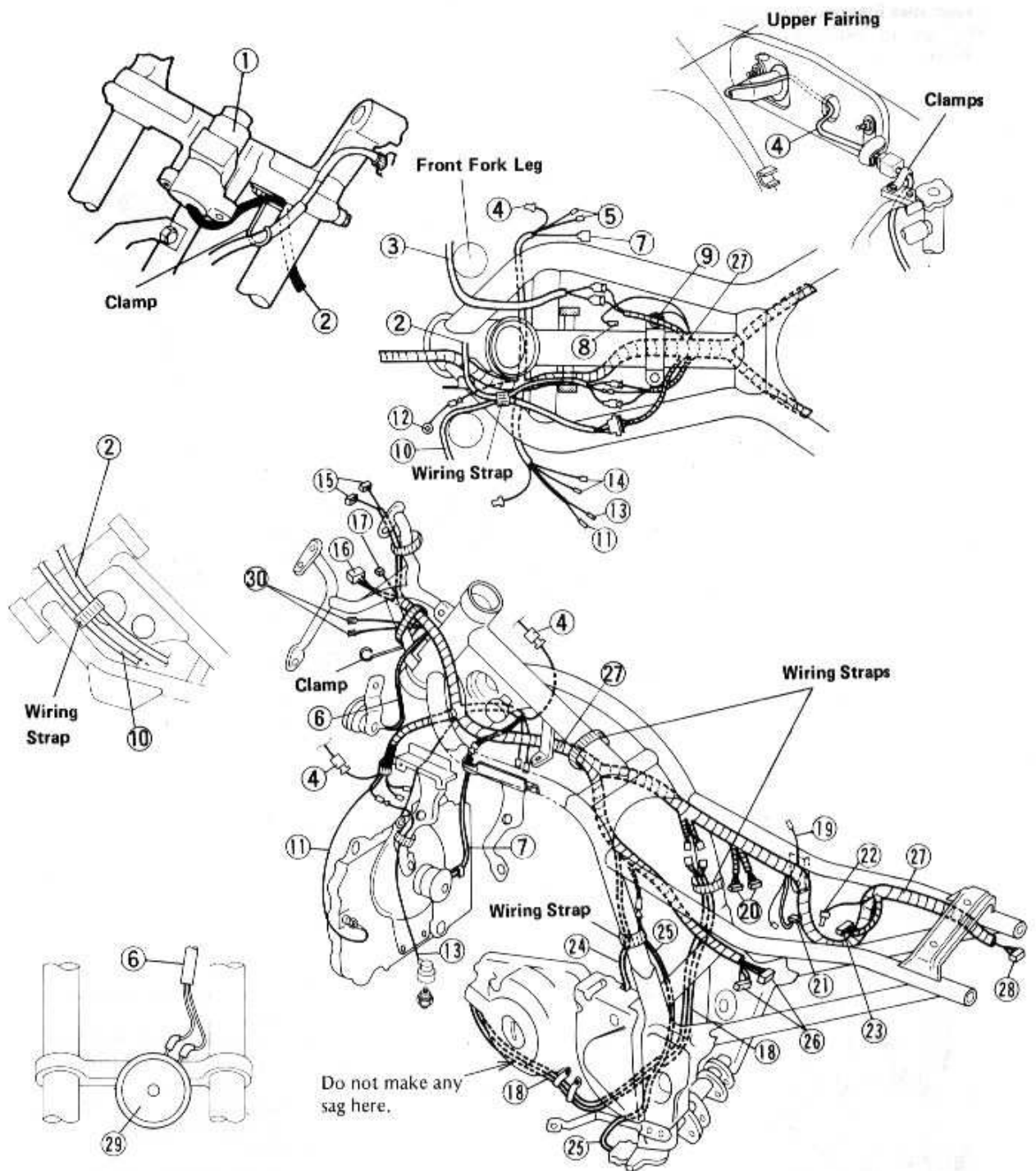
Expl



1. Battery
2. Fuel Tank Drain Hose
3. Battery Vent Hose
4. Coolant Reservoir Tank Vent Hose
5. Coolant Reservoir Tank
6. Main Harness

7. Frame Tube
8. Regulator/Rectifier
9. Alternator, Pickup Coil Leads
10. Neutral Switch Lead
11. Side Stand Switch Lead
12. To Starter Relay Negative Terminal
13. Starter Relay Connector
14. Battery Ground Cable
15. Junction Box
16. Brake Switch Connector
17. Starter Motor Cable

## GENERAL INFORMATION 1-9



- 1. Ignition Switch
- 2. Ignition Switch Lead
- 3. To Right Handlebar Switch
- 4. Turn Signal Connectors
- 5. To #2 Ignition Coil
- 6. Horn Lead
- 7. Fan Motor Lead
- 8. Water Temperature Sensor Lead
- 9. Water Temperature Sensor Ground Lead
- 10. To Left Handlebar Switch

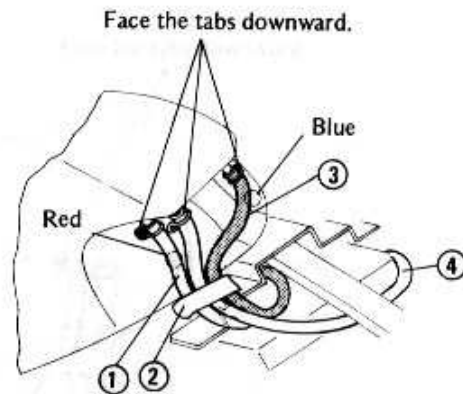
- 11. Fan Switch Lead
- 12. Fan Switch Ground Lead
- 13. Oil Pressure Switch Lead
- 14. To #1 Ignition Coil
- 15. Meter Connectors
- 16. Headlight Connector
- 17. City Light Connector
- 18. Alternator, Pickup Coil Leads
- 19. To Battery Ground Terminal
- 20. Junction Box Connectors

- 21. Starter Relay Connector
- 22. Brake Light Switch Connector
- 23. Regulator/Rectifier Connector
- 24. Neutral Switch Lead
- 25. Side Stand Switch Lead
- 26. Igniter Connectors
- 27. Main Harness
- 28. Taillight, Turn Signal Light Connector
- 29. Horn
- 30. Accessory Leads

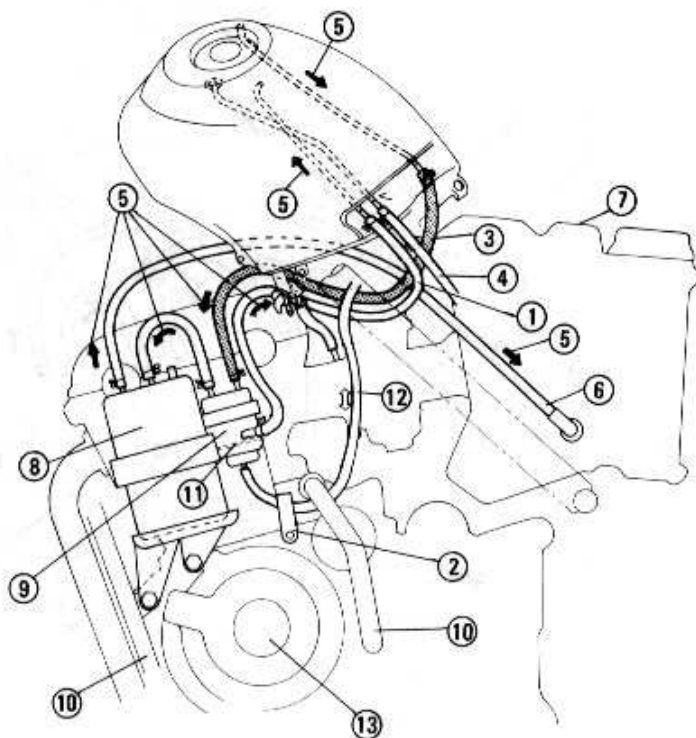
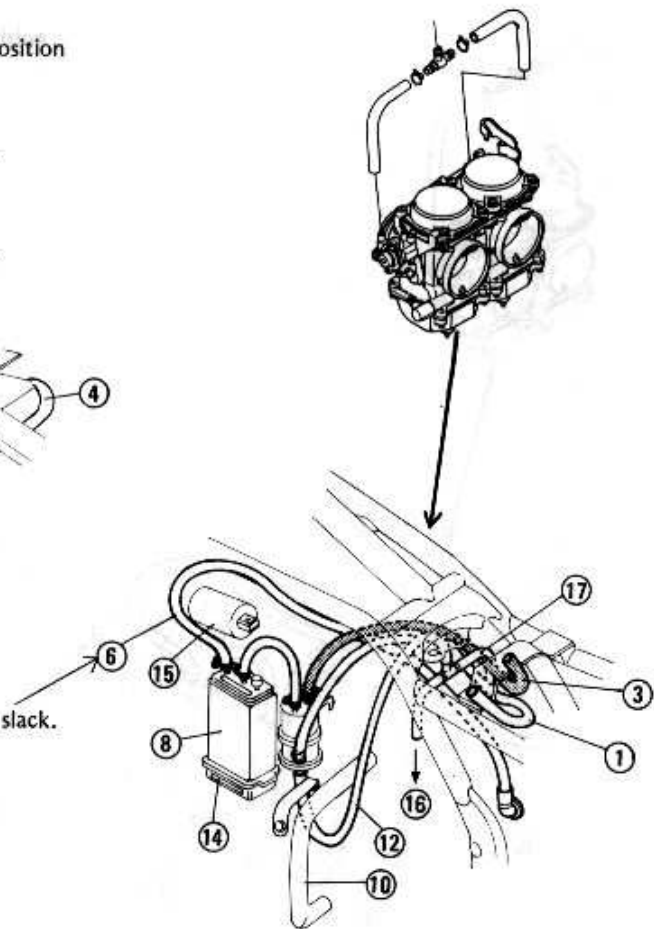
## 1-10 GENERAL INFORMATION

### Evaporative Emission Control System

●Be sure to install the hose clamps on the position shown.



Run the purge hose before the ignition coil with slack.



1. Return Hose with Red Mark
2. Clamp
3. Breather Hose with Blue Mark
4. Fuel Tank Overflow Drain Hose
5. Fuel Vapor Flow
6. Purge Hose with Green Mark
7. Air Cleaner Housing
8. Canister
9. Separator (Return Pump)
10. Water Pipes
11. Diaphragm
12. Vacuum Pulse Hose with White Mark
13. Alternator Cover
14. Canister Opening
15. Left-Hand Ignition Coil
16. To Vacuum Joint on Coasting Enricher of Left-Hand Carburetor
17. To Vacuum Joint on Right-Hand Carburetor

.....  
**Torque and Locking Agent**  
 .....

The following tables list the tightening torque for the major fasteners requiring use of a non-permanent locking agent or liquid gasket.

Letters used in the "Remarks" column mean:

- G : Apply grease.
- L : Apply non-permanent locking agent to the threads.
- LG : Apply liquid gasket to the threads.
- O : Apply oil to the threads and seated surface.
- S : Tighten the fasteners following the specified sequence.
- SS : Apply silicone sealant (PN 56019-120) to the threads.
- St : Stake the fasteners to prevent loosening.

Parts	Torque			Remarks
	N-m	kg-m	ft-lb	
<b>Fuel System:</b>				
Switch housing clamp screws	3.4	0.35	30	
<b>Cooling System:</b>				
Water temperature sensor	7.8	0.80	69 in-lb	SS
Thermostatic fan switch	7.8	0.80	69 in-lb	
Coolant drain plug (cylinder)	7.8	0.80	69 in-lb	
Coolant drain plug (water pump)	7.8	0.80	69 in-lb	
<b>Engine Top End:</b>				
Cylinder head cover bolts	9.8	1.0	87 in-lb	
Cylinder head bolts (8 mm)	25	2.5	18 in-lb	S
Cylinder bolts (6 mm)	12	1.2	104 in-lb	S
Chain guide bolt (upper)	25	2.5	18.0	
Chain guide bolt (lower)	27	2.8	20	L
Camshaft sprocket bolts	15	1.5	11.0	L
Valve adjusting screw locknuts	18	1.8	13.0	O*
Camshaft bearing cap bolts	12	1.2	104	S
Camshaft chain tensioner bolts	—	—	—	L
Coolant drain plug (cylinder)	7.8	0.80	69	
<b>Clutch:</b>				
Clutch spring bolts	8.8	0.90	78 in-lb	
Clutch hub nut	130	13.5	98	

## 1-12 GENERAL INFORMATION

Parts	Torque			Remarks
	N-m	kg-m	ft-lb	
<b>Engine Lubrication System:</b>				
Engine drain plug	20	2.0	14.5	
Oil filter bolt	20	2.0	14.5	
Oil passage plug	15	1.5	11.0	
Oil pressure switch	15	1.5	11.0	SS
Oil pressure relief valve	15	1.5	11.0	L
Oil pump mounting Allen bolts	—	—	—	L
Engine oil hose banjo bolts	20	2.0	14.5	
Engine oil pipe banjo bolts (crankcase LH)	12	1.2	104 in-lb	
Oil breather bolts	—	—	—	L
<b>Engine Removal/Installation:</b>				
Engine mounting nuts	32	3.3	24	
Cylinder head bracket bolts	32	3.3	24	
<b>Crankshaft/Transmission:</b>				
Alternator rotor bolt	69	7.0	51	
Alternator stator Allen bolts	12	1.2	104 in-lb	L
Neutral switch	15	1.5	11.0	
Shift drum bearing holder Allen bolts	—	—	—	L
Shift drum pin plate screw	—	—	—	L
Shift drum positioning bolt	25	2.5	18.0	
External shift mechanism return spring pin	20	2.0	14.5	L
Connecting rod big end cap nuts	27	2.8	20	O
Starter clutch Allen bolts	34	3.5	25	L
Crankcase bolts (6 mm)	12	1.2	104 in-lb	
Crankcase bolts (8 mm)	27	2.8	20	
Engine drain plug	20	2.0	14.5	
<b>Wheels/Tires:</b>				
Front axle nut	88	9.0	65	
Rear axle nut	110	11.0	80	
<b>Final Drive:</b>				
Engine sprocket bolts	9.8	1.0	87 in-lb	
Rear sprocket nuts	67	6.8	49	
Rear sprocket stud ends	—	—	—	L
Torque link nuts	32	3.3	24	
<b>Brakes:</b>				
Bleed valves	7.8	0.80	69 in-lb	
Torque link nuts	32	3.3	24	
Caliper mounting bolts (Front)	32	3.3	24	
(Rear)	25	2.5	18.0	

GENERAL INFORMATION 1-13

Parts	Torque			Remarks
	N-m	kg-m	ft-lb	
Rear master cylinder clevis locknut	18	1.8	13.0	
Brake pedal mounting bolt	8.8	0.90	78 in-lb	
Disc mounting Allen bolts	23	2.3	16.5	
Brake hose banjo bolts	25	2.5	18.0	
Brake lever pivot bolt locknut	5.9	0.60	52 in-lb	
Front master cylinder clamp bolts	8.8	0.90	78 in-lb	S, G
Rear master cylinder mounting bolts	23	2.3	16.5	
Front brake fluid reservoir cap screws	1.5	0.15	13 in-lb	
Rear brake fluid reservoir bolt	5.9	0.60	52 in-lb	
<b>Suspensions:</b>				
Front fork drain bolts	7.8	0.80	69 in-lb	L
Front fork clamp bolts (upper)	20	2.0	14.5	
(lower)	29	3.0	22	
Front fork bottom Allen bolts	20	2.0	14.5	L
Rear shock absorber mounting nuts	44	4.5	33	
Tie-rod nuts	44	4.5	33	
Rocker arm pivot shaft nut	44	4.5	33	
Swing arm pivot shaft nut	88	9.0	65	
<b>Steering:</b>				
Steering stem head bolt	47	4.8	35	
Handle bar clamp bolts	23	2.3	16.5	
Handle holder mounting bolts	23	2.3	16.5	
<b>Frame:</b>				
Side stand bracket bolts	44	4.5	33	L
<b>Electrical System:</b>				
Spark plugs	13	1.3	113 in-lb	
Alternator rotor bolt	69	7.0	51	
Alternator stator bolts	12	1.2	104 in-lb	
Thermostatic fan switch	7.8	0.80	69 in-lb	
Water temperature sensor	7.8	0.80	69 in-lb	SS
Neutral switch	15	1.5	11.0	
Oil pressure switch	15	1.5	11.0	SS
Switch housing clamp screws	3.4	0.35	30 in-lb	
Taillight lense screws	1.0	0.10	9 in-lb	
Taillight mounting nuts	5.9	0.60	52 in-lb	
Front turn signal light mounting nuts	5.9	0.60	52 in-lb	
Speedometer mounting screws	—	—	—	L

## 1-14 GENERAL INFORMATION

The table below, relating tightening torque to thread diameter, lists the basic torque for the bolts and nuts. Use this table for only the bolts and nuts which do not require a specific torque value. All of the values are for use with dry solvent-cleaned threads.

Basic Torque for General Fasteners

Threads dia. (mm)	Torque		
	N-m	kg-m	ft-lb
5	3.4 – 4.9	0.35 – 0.50	30 – 43 in-lb
6	5.9 – 7.8	0.60 – 0.80	52 – 69 in-lb
8	14 – 19	1.4 – 1.9	10.0 – 13.5
10	25 – 34	2.6 – 3.5	19.0 – 25
12	44 – 61	4.5 – 6.2	33 – 45
14	73 – 98	7.4 – 10.0	54 – 72
16	115 – 155	11.5 – 16.0	83 – 115
18	165 – 225	17.0 – 23.0	125 – 165
20	225 – 325	23 – 33	165 – 240

Periodic Maintenance Chart

The scheduled maintenance must be done in accordance with this chart to keep the motorcycle in good running condition. The initial maintenance is vitally important and must not be neglected.

OPERATION	FREQUENCY	*ODOMETER READING							See Page
		Whichever comes first ↓ Every	800 km	5 000 km	10 000 km	15 000 km	20 000 km	25 000 km	
Carburetor synchronization --check †		•	•	•	•	•	•	•	(2-8)
Idle speed--check †		•	•	•	•	•	•	•	(2-7)
Throttle grip play--check †		•		•		•		•	2-4
Spark plug--clean and gap †			•	•	•	•	•	•	(15-20)
Valve clearance--check †		•		•		•		•	4-7
Air cleaner element--clean †		•		•		•		•	(2-16)
Air cleaner element--replace	5 cleanings					•			(2-16)
Fuel system--check †				•		•		•	(2-9)
Evaporative emission control system (Ca) --check †		•	•	•	•	•	•	•	2-6
Battery electrolyte level--check †	month	•	•	•	•	•	•	•	(15-9)
Brake light switch--check †		•	•	•	•	•	•	•	(15-35)
Brake pad wear--check †			•	•	•	•	•	•	11-5
Brake fluid level--check †	month	•	•	•	•	•	•	•	(11-11)
Brake fluid--change	2 years					•			(11-11)
Clutch--adjust		•	•	•	•	•	•	•	(5-4)
Steering--check †		•	•	•	•	•	•	•	(13-4)
Drive chain wear--check †			•	•	•	•	•	•	(10-5)
Nuts, bolts, and fasteners tightness--check †		•		•		•		•	16-2
Tire wear--check †			•	•	•	•	•	•	9-3
Engine oil--change	year	•		•		•		•	(6-6)
Oil filter--replace		•		•		•		•	(6-6)
General lubrication--perform			•	•	•	•	•	•	(16-7)
Front fork oil--change								•	12-3
Swing arm pivot, uni-trak linkage--lubricate				•		•		•	(12-10) (12-11)
Coolant--change	2 years							•	(3-5)
Radiator hoses, connections --check †	year	•		•		•		•	(3-11)
Steering stem bearing--lubricate	2 years					•			(13-6)
Master cylinder cup and dust seal--replace	2 years								(11-9)
Caliper piston seal and dust seal--replace	2 years								(11-6)
Brake hose--replace	4 years								(11-14)
Fuel hose--replace	4 years								
Drive chain--lubricate	Every 300 km								(10-6)
Drive chain slack--check †	Every 800 km								(10-4)

\* : For higher odometer readings, repeat at the frequency interval established here.

† : Replace, add, adjust, clean, or torque if necessary.

(Ca) : California vehicle only

(xx-xx): Reference Page in the Base Manual



# Fuel System

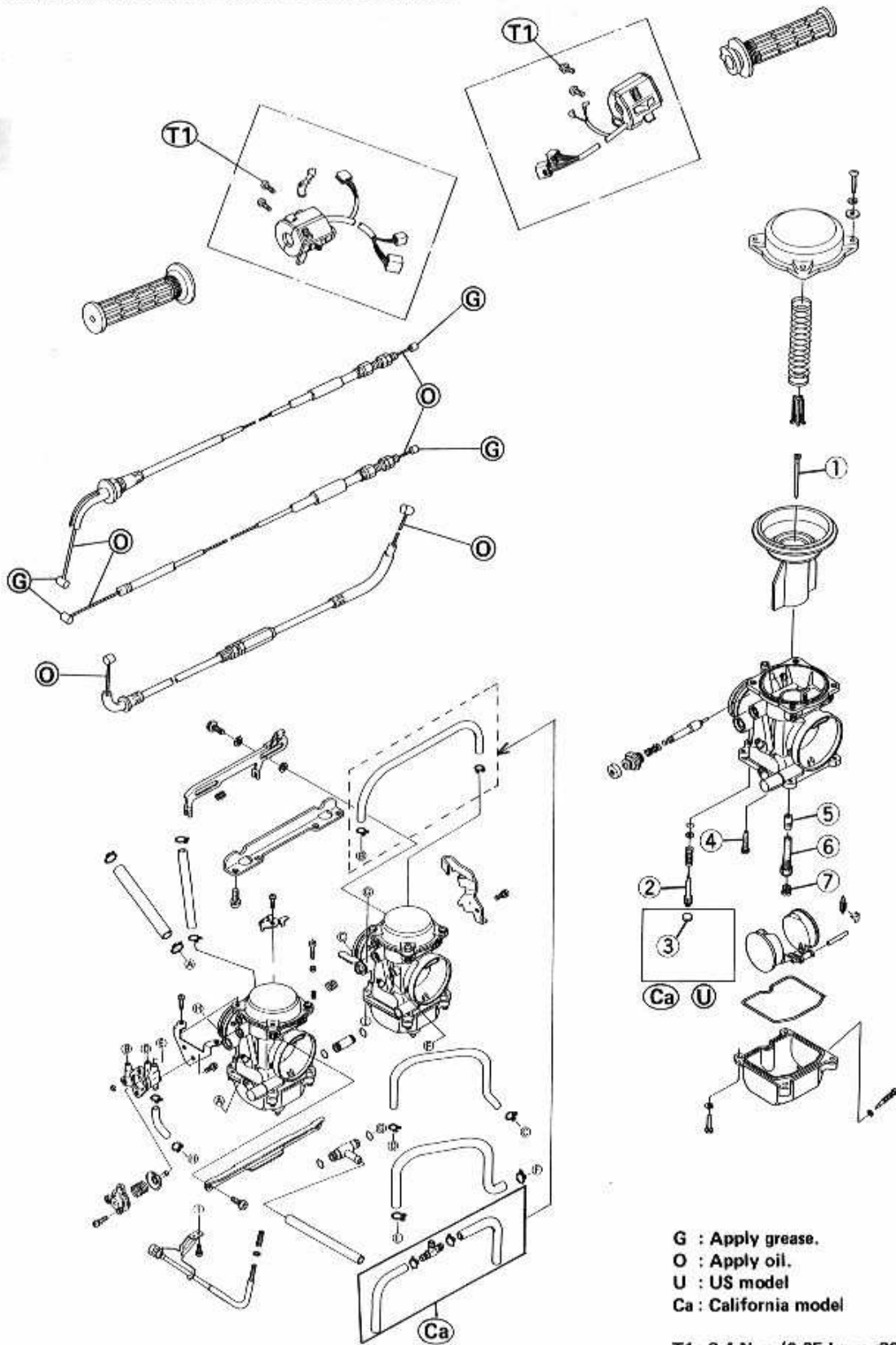
## Table of Contents

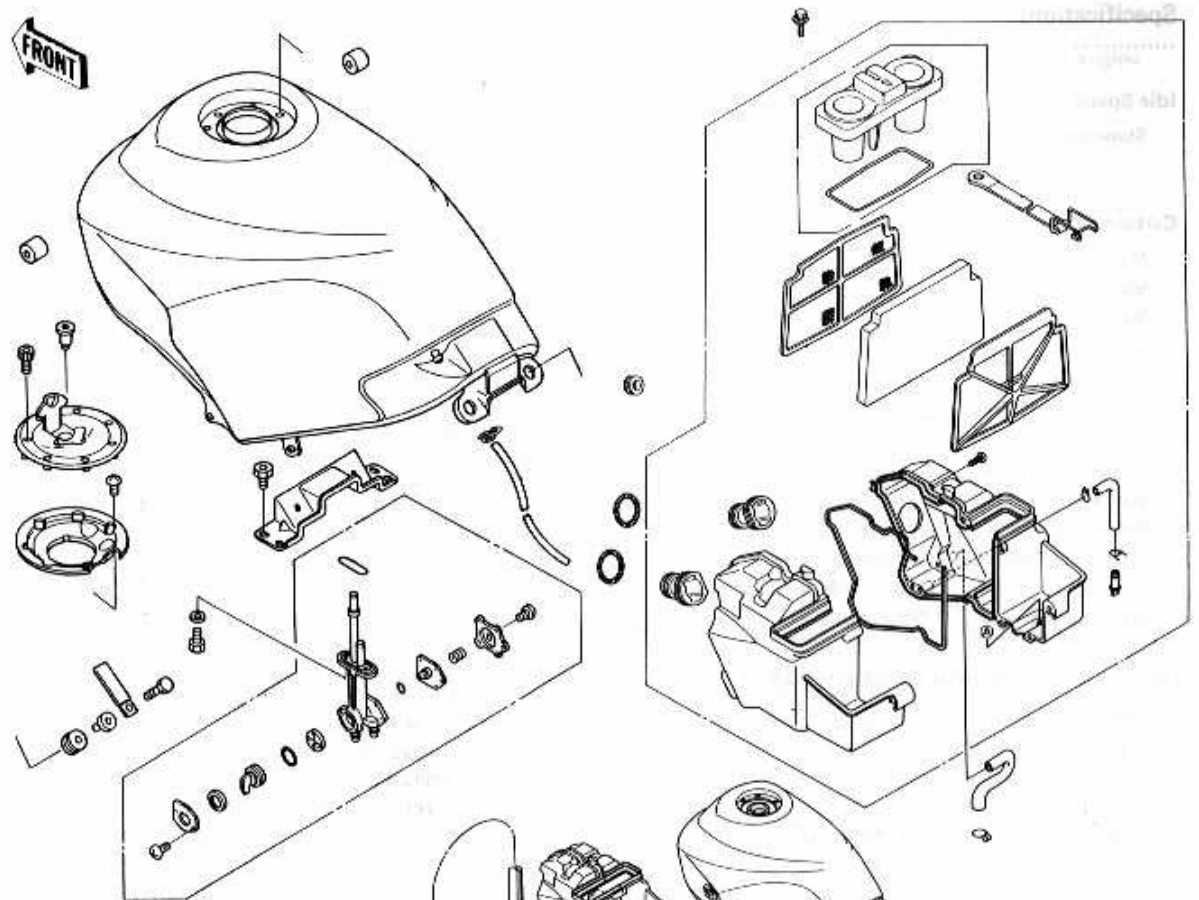
Exploded View . . . . .	2-2	Fuel Tank . . . . .	2-6
Specifications . . . . .	2-4	Fuel Tank Removal . . . . .	2-6
Special Tools . . . . .	*	Fuel Tank Installation Notes . . . . .	2-6
Throttle Grip and Cables . . . . .	2-4	Fuel Tank and Tap Cleaning . . . . .	*
Throttle Grip Play Inspection . . . . .	*	Fuel Tap Inspection . . . . .	*
Throttle Cable Adjustment . . . . .	2-4	Fuel Tank and Cap Inspection . . . . .	*
Throttle Cable Lubrication . . . . .	*	Evaporative Emission Control System	
Throttle Cable Inspection . . . . .	*	(US California Vehicle Only) . . . . .	2-6
Choke Cable . . . . .	*	Parts Removal/Installation Notes . . . . .	2-6
Choke Cable Free Play Inspection . . . . .	*	Hose Inspection . . . . .	*
Choke Cable Adjustment . . . . .	*	Separator Inspection . . . . .	*
Choke Cable Lubrication . . . . .	*	Separator Operation Test . . . . .	*
Choke Cable Inspection . . . . .	*	Canister Inspection . . . . .	*
Carburetors . . . . .	2-4	Fuel Tank and Cap Inspection	
Idle Speed Inspection . . . . .	*	(see Fuel Tank section) . . . . .	*
Idle Speed Adjustment . . . . .	*		
High Altitude Performance			
Adjustment (US model) . . . . .	2-4		
Carburetor Synchronization			
Inspection . . . . .	*		
Carburetor Synchronization . . . . .	*		
Fuel Level Inspection . . . . .	*		
Fuel Level Adjustment . . . . .	*		
Fuel System Cleanliness Inspection . . . . .	*		
Carburetor Assembly Removal . . . . .	*		
Carburetor Assembly Installation			
Notes . . . . .	*		
Carburetor Separation . . . . .	*		
Carburetor Installation . . . . .	*		
Carburetor Disassembly and			
Assembly Notes . . . . .	*		
Carburetor Cleaning . . . . .	*		
Carburetor Inspection . . . . .	*		
Air Cleaner . . . . .	2-5		
Air Cleaner Element Removal . . . . .	2-5		
Air Cleaner Element Installation . . . . .	2-5		
Air Cleaner Element Cleaning . . . . .	*		
Air Cleaner Element Inspection			
and Replacement . . . . .	*		

\* : Base Manual

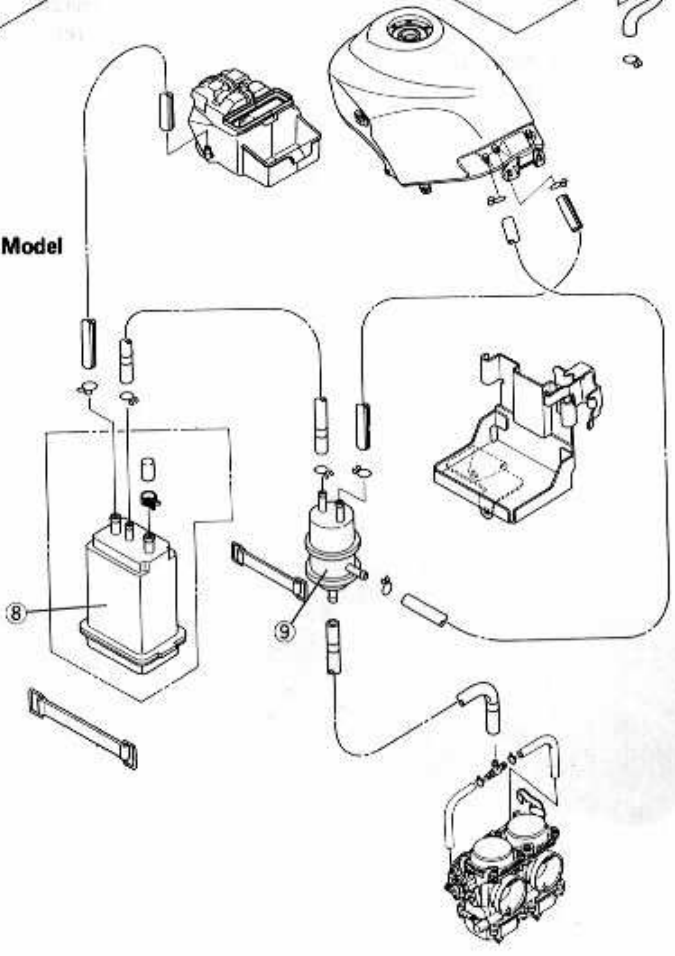
## 2-2 FUEL SYSTEM

### Exploded View





California Model



1. Jet Needle
2. Pilot Screw
3. Plug (US and California models)
4. Pilot Jet
5. Needle Jet
6. Needle Jet Holder
7. Main Jet
8. Canister
9. Separator (Return Pump)

## 2-4 FUEL SYSTEM

### Specifications

#### Idle Speed

Standard: 1300 ±100 r/min (rpm)  
(including California model)

#### Carburetor Specifications

Make, type: Keihin, CVK30  
Main jet: #105  
Main air jet: #100, (A) #80  
Needle jet: #6  
Jet needle mark: N161  
Pilot jet (slow jet): #38  
Pilot air jet (slow air jet): #90  
Pilot screw (turns out): 2, (Ca) (U) —  
Starter jet: #52

#### Service fuel level

(from carburetor body bottom edge):  
0.5 mm below — 1.5 mm above  
Float height: 17.0 ±2 mm

#### High Altitude Carburetor Specifications ( (Ca) (U) )

Main jet: #102  
Pilot jet: #35

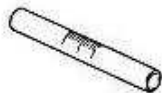
#### Optional Parts

Main jet: #100, 102, 108, 110  
Pilot jet: (C) (Ca) (U) #35

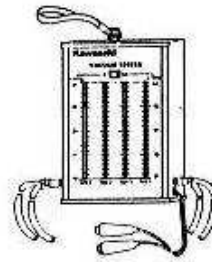
### Special Tools

Along with common hand tools, the following more specialized tools are required for complete fuel system servicing.

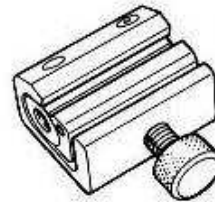
Fuel Level Gauge: 57001-1017



Vacuum Gauge: 57001-1198



Pressure Cable Luber: K56019-021



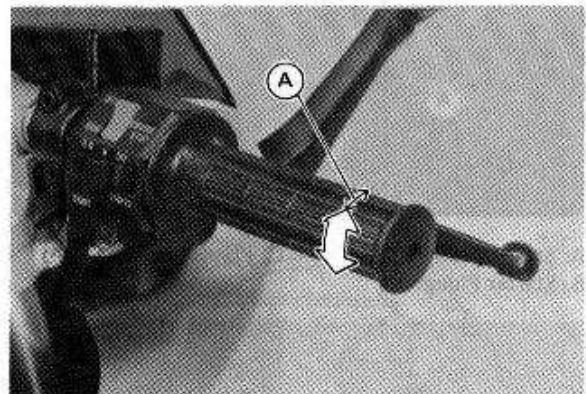
### Throttle Grip and Cable

#### Throttle Grip Play Inspection

●Check throttle grip free play by lightly turning the throttle grip back and forth.

#### Throttle Grip Free Play

2 ~ 3 mm



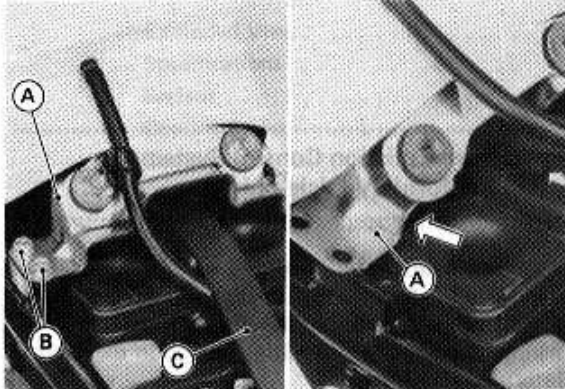
A. Throttle Grip Free Play

★If the throttle grip free play is incorrect, adjust the throttle cables.

**Air Cleaner**

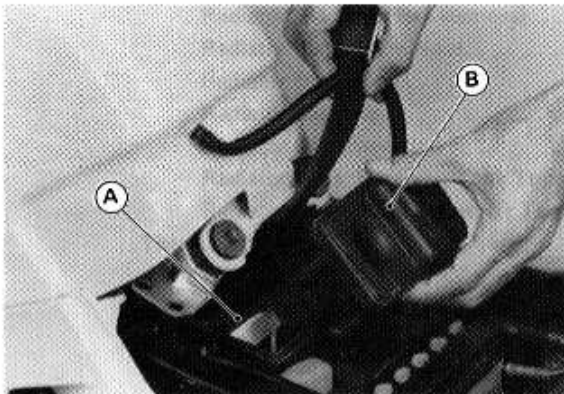
*Air Cleaner Element Removal*

- Remove the following parts.
  - Seat (see Frame chapter)
  - Fuel Tank Bracket Bolts
- Move the tank bracket forward to pull the rubber band out of the cleaner housing.



A. Tank Bracket      C. Rubber Band  
B. Tank Bracket Bolts

- Remove the air cleaner housing cap.
- Pull the element holder out of place.
- Pull out the air cleaner element.



A. Element      B. Element Holder

- Push a clean, lint-free towel into the air cleaner housing to keep dirt or other foreign material from entering.

**WARNING**

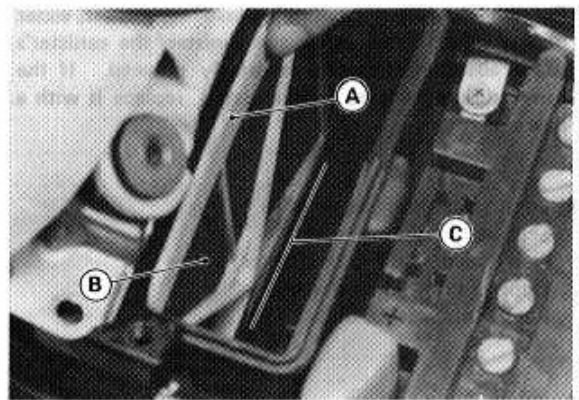
- If dirt or dust is allowed to pass through into the carburetors, the throttle valves may become stuck, possibly causing an accident.

**CAUTION**

- If dirt gets through into the engine, excessive engine wear and possibly engine damage will occur.

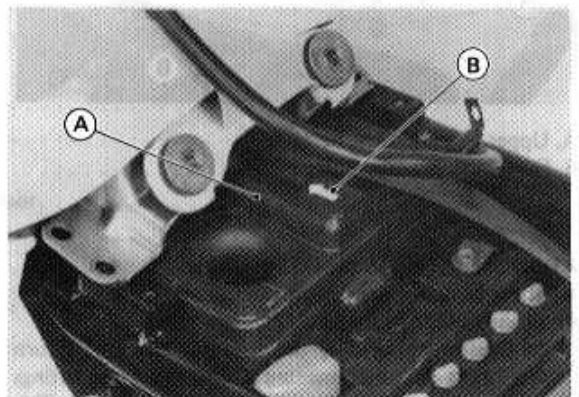
*Air Cleaner Element Installation*

- Element installation is the reverse of removal. Note the following.
- Be sure to fit the element holder in the groove at the bottom of the case.



A. Holder      C. Groove  
B. Element

- Set the housing cap with the arrow mark facing forward.



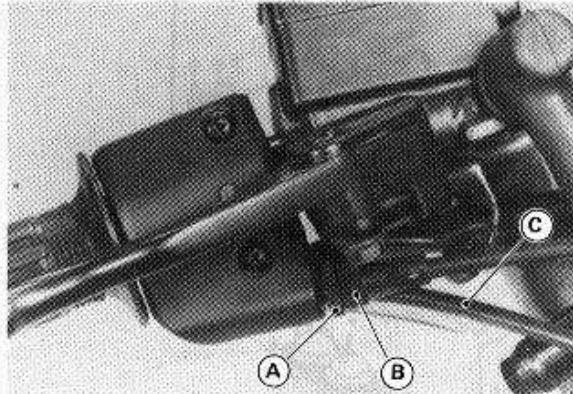
A. Housing Cap      B. Arrow

- Install the fuel tank (see Fuel Tank Installation).

**Throttle Cable Adjustment**

Refer to the Base Manual noting the following.

- After adjusting the upper end of the accelerator cable, tighten the locknut against the adjuster.



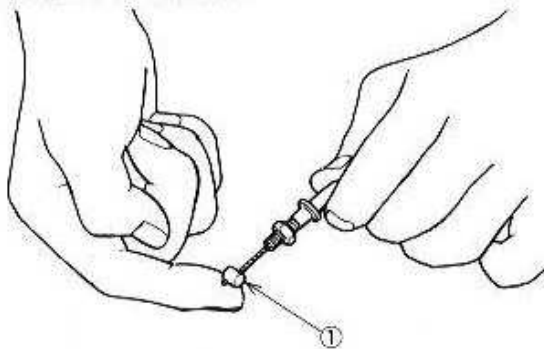
A. Locknut  
B. Adjuster  
C. Throttle Cable

**Throttle Cable Lubrication**

Whenever the throttle cable is removed, and in accordance with the Periodic Maintenance Chart (see General Information chapter), perform the following.

- Apply a thin coating of grease to the throttle cable lower ends.

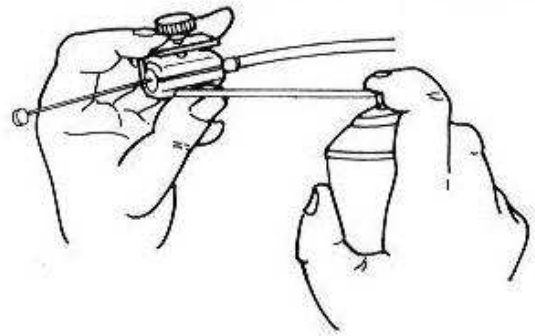
**Throttle Cable Lubrication**



1. Apply grease.

- Lubricate the cable with a penetrating rust inhibitor.

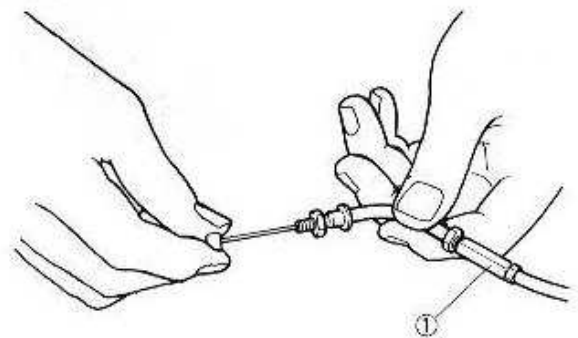
**Cable Lubrication**



**Throttle Cable Inspection**

- With the throttle cable disconnected at both ends, the cable should move freely within the cable housing.

**Throttle Cable Inspection**

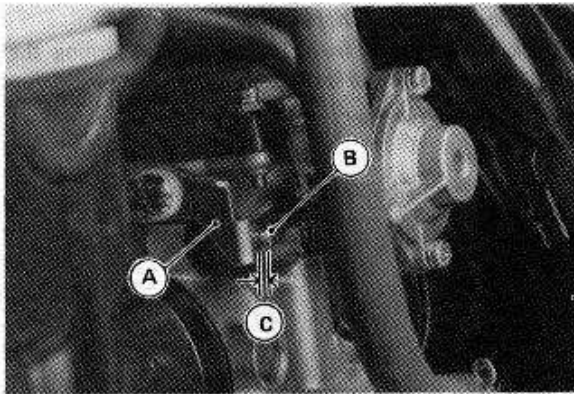


1. Throttle Cable

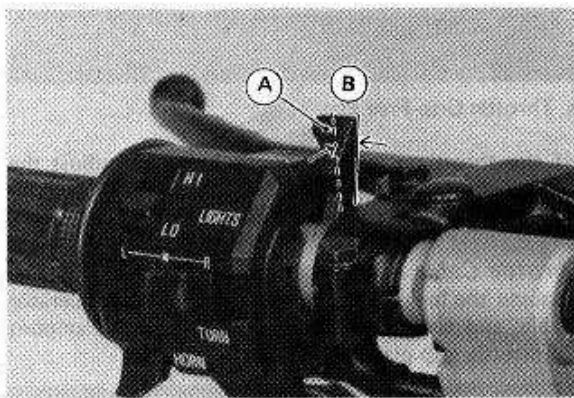
.....  
**Choke Cable**  
.....

**Choke Cable Free Play Inspection**

- Check that the choke lever returns properly and that the inner cable slides smoothly.
- ★ If there is any irregularity, check the choke cable as follows:
  - Determine the amount of choke cable play at the choke lever. Pull the choke lever until the starter plunger lever at the carburetor contacts with the starter plunger; the amount of choke lever travel is the amount of choke cable play.



A. Starter Plunger Lever      C. Play  
B. Starter Plunger



A. Choke Lever      B. Play

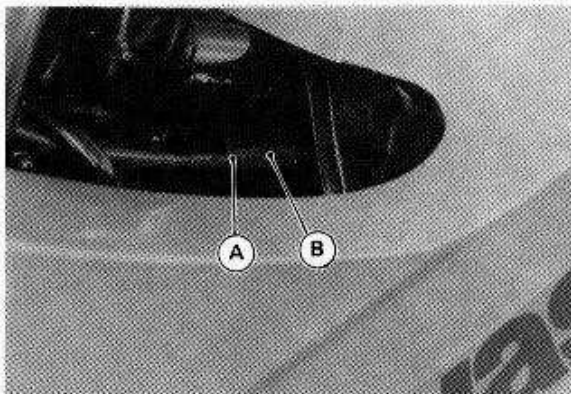
★If free play is not correct, adjust the choke cable.

**Choke Cable Free Play**

2 ~ 3 mm

**Choke Cable Adjustment**

●Loosen the locknut at the adjusting nut of the choke cable, and turn the adjusting nut until the cable has the proper amount of play.



A. Locknut      B. Adjusting Nut

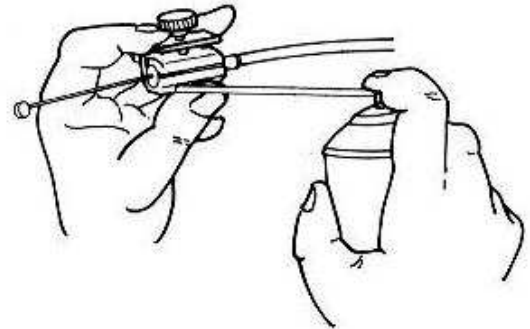
●Tighten the locknut after adjustment.

**Choke Cable Lubrication**

Whenever the choke cable removed, lubricate the choke cable as follows.

●Lubricate the cable with a penetrating rust inhibitor.

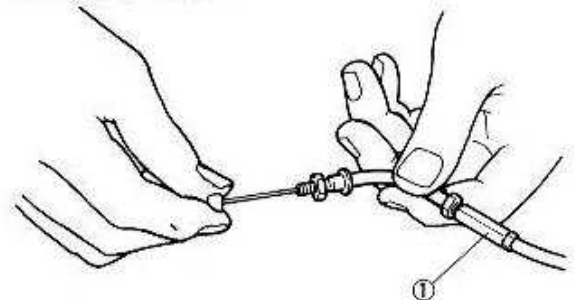
**Cable Lubrication**



**Choke Cable Inspection**

●With the choke cable disconnected at the both ends, the cable should move freely within the cable housing.

**Choke Cable Inspection**



1. Choke Cable

★If cable movement is not free after lubricating (see Choke Cable Lubrication), if the cable is frayed, or if the housing is kinked, replaced the cable.

.....  
**Carburetors**  
.....

**Idle Speed Inspection**

●Start the engine and warm it up thoroughly.

●With the engine idling, turn the handlebar to both sides.

★If handlebar movement changes the idle speed; the throttle cable may be improperly adjusted or incorrectly routed, or it may be damaged. Be sure to correct any of these conditions before riding.

**WARNING**

○Operation with improperly adjusted, incorrectly routed, or a damaged cable could result in an unsafe riding condition.

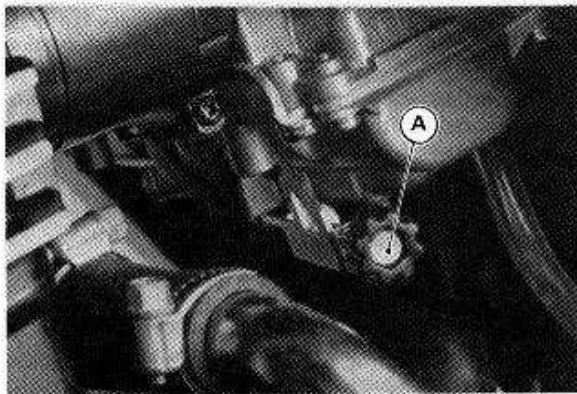
- Check idle speed.
- ★If the idle speed is out of the specified range, adjust it.

**Idle Speed**

- 1 300 ±100 r/min (rpm)
- Ⓒal 1 500 ±100 r/min (rpm)

*Idle Speed Adjustment*

- Turn the adjusting screw until idle speed is correct.



A. Idle Adjusting Screw

- Open and close the throttle a few times to make sure that the idle speed is within the specified range. Re-adjust if necessary.

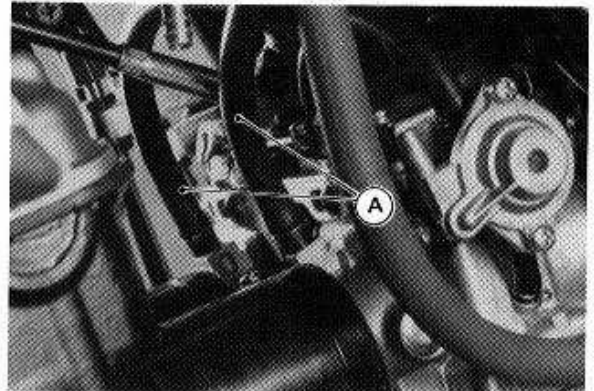
*Carburetor Synchronization Inspection*

- Warm up the engine.
- Check idle speed and adjust if necessary.
- Turn the fuel tap PRI position.

**WARNING**

○Gasoline is extremely flammable and can be explosive under certain conditions. Turn the ignition switch OFF. Do not smoke. Make sure the area is well ventilated and free from any source of flame or spark; this includes any appliance with a pilot light.

- Pull the vacuum hoses out of the vacuum hose fittings at the fuel tap and the carburetor fuel enricher.
- Attach vacuum gauge set (special tool: 57001-1198) to the vacuum hoses.



A. Vacuum Hoses

- Start the engine and idle to measure the engine intake vacuum.
- ★If the intake vacuum difference between any two cylinders exceeds the limit, synchronize the carburetor butterfly valves (see Butterfly Valve Synchronization).

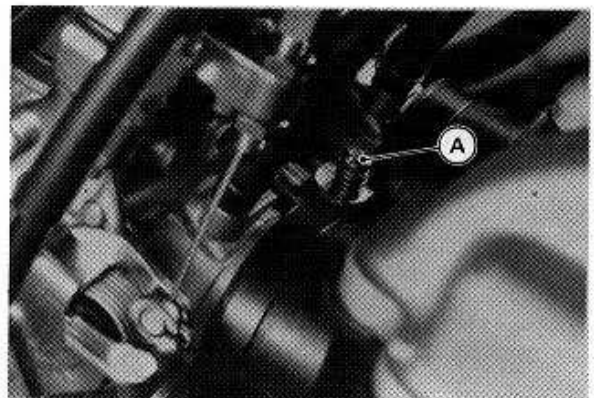
**Engine Vacuum Synchronization**

**Less than 2.7 kPa (2.0 cmHg) difference between both cylinders**

- Remove the vacuum gauge, connect the vacuum hoses to the vacuum hose fittings.

*Carburetor Synchronization*

- Turn the adjusting screw to synchronize the butterfly valves.



A. Adjusting Screw

- Check idle speed and adjust if necessary.

Fuel Level Inspection

**WARNING**

Gasoline is extremely flammable and can be explosive under certain conditions. Turn the ignition switch OFF. Do not smoke. Make sure the area is well ventilated and free from any source of flame or sparks; this includes any appliance with a pilot light.

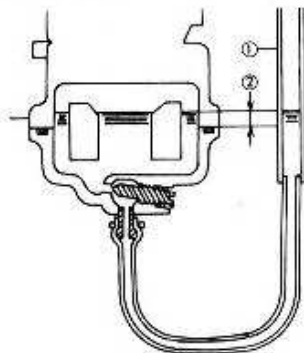
- Prepare a rubber hose (6 mm in diameter and about 300 mm long).
- Connect fuel level gauge (Special Tool) to the carburetor float bowl with the fuel hose.
- Hold the gauge vertically against the side of the carburetor body so that the "zero" line is several millimeters higher than the bottom edge of the carburetor body.
- Turn the fuel tap to the PR1 position to feed fuel to the carburetor, then turn out the carburetor drain plug a few turns.
- Wait until the fuel level in the gauge settles.
- Keeping the gauge vertical, slowly lower the gauge until the "zero" line is even with the bottom edge of the carburetor body.

**NOTE**

Do not lower the "zero" line below the bottom edge of the carburetor body. If the gauge is lowered and then raised again, the fuel level measure shows somewhat higher than the actual fuel level. If the gauge is lowered too far, dump the fuel out of it into suitable container and start the procedure over again.

- Read the fuel level in the gauge and compare it to the specification. Screw in the carburetor drain plug.
- Turn the fuel tap to the ON position and remove the fuel level gauge.
- Inspect the fuel level in the other carburetors in the same manner.
- ★ If the fuel level is incorrect, adjust it (see Fuel Level Adjustment).

**Fuel Level Measurement**



1. Fuel Level Gauge: 57001-1017
2. Fuel Level

**Fuel level**

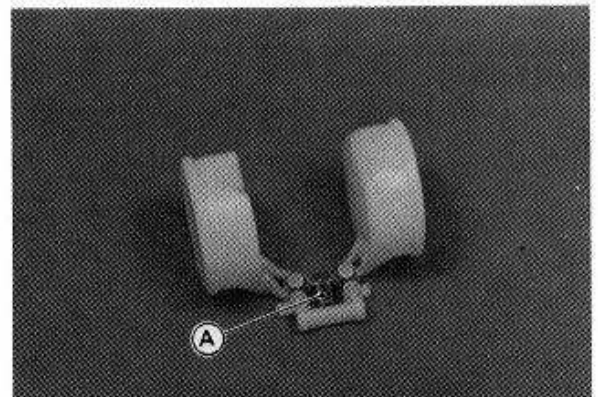
0.5 ±1 mm above the bottom edge of carburetor body

**Fuel Level Adjustment**

- Read the WARNING in the Fuel Level Inspection.
- Drain the fuel out of the carburetors into a suitable container.
- Remove the float bowl by taking out the screws with lockwashers.
- Slide out the pivot pin and remove the float.
- Bend the tang on the float arm very slightly to change the float height. Increasing the float height lowers the fuel level and decreasing the float height raises the fuel level.

Float Height:

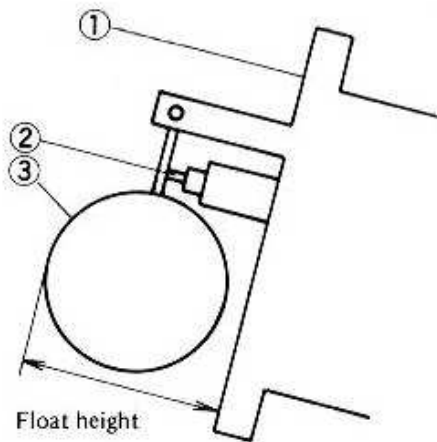
17 mm



A. Tang

- Assemble the carburetor, and recheck the fuel level.
- ★ If the fuel level cannot be adjusted by this method, the float or the float valve is damaged.

**Float Height Measurement-Keihin Carburetor**



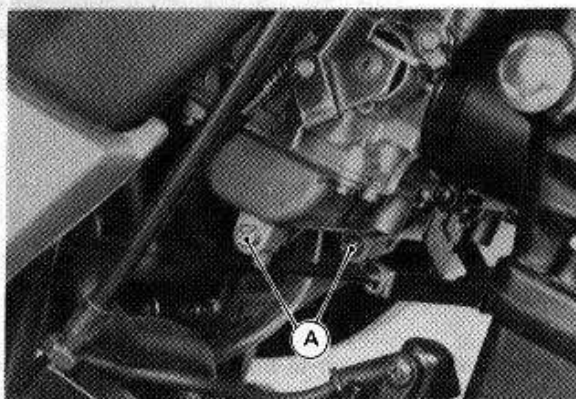
- 1. Float bowl mating surface
- 2. Float valve needle rod
- 3. Float
- 4. Float Height

**Fuel System Cleanliness Inspection**

**WARNING**

Gasoline is extremely flammable and can be explosive under certain conditions. Turn the ignition switch OFF. Do not smoke. Make sure the area is well ventilated and free from any source of flame or sparks; this includes any appliance with a pilot light.

- Connect a suitable hose to the fitting at the bottom of each carburetor float bowl.
- Run the lower ends of the hoses into a suitable container.
- Turn the fuel tap to the PRI position.
- Turn out each drain plug a few turns and drain the float bowls.

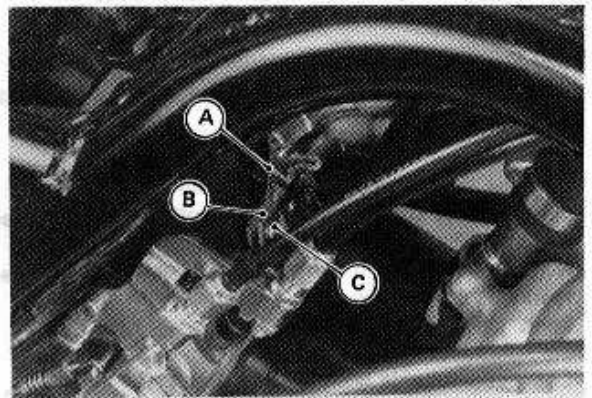


A. Drain Plugs

- Check to see if water or dirt comes out.
- Tighten the drain plugs and turn the fuel tap to ON position.
- ★ If any water or dirt appeared during the above inspection, clean the fuel system (see Carburetor Cleaning and Fuel Tank and Tap Cleaning).

**Carburetor Assembly Removal**

- Remove the following parts.
  - Passenger and Rider's Seats
  - Left and Right Kneeclip Pads
  - Left and Right Side Covers
  - Rubber Band and Battery
  - Air Cleaner Housing Mounting Bolts
  - Rear Fender Mounting Bolts
  - Rear Fender Front Section Mounting Bolts
  - Rear Brake Reservoir
    - (Remove the mounting bolt and pull the reservoir out of place.)
  - Coolant Reservoir Tank
- Slide the spring bands off the air cleaner ducts.
- Pull the air cleaner housing rearward.
- Slip the carburetors out.
- Slip the tip of the choke inner cable out of the lever, and pull the cable out.



A. Choke Inner Cable      C. Cable Tip  
B. Choke Lever

- Slip the tips of the throttle inner cables out of the pulley to complete carburetor assembly removal.

**WARNING**

Gasoline is extremely flammable and can be explosive under certain conditions. Turn the ignition switch OFF. Do not smoke. Make sure the area is well ventilated and free from any source of flame or spark; this includes any appliance with a pilot light.

- After removing the carburetors, stuff pieces of lint-free, clean cloths into the carburetor holders and the intake ducts to keep the dirt out of the engine and air cleaner.

**WARNING**

- If dirt or dust is allowed to pass through into the carburetors, the throttle may become stuck, possibly causing an accident.

**CAUTION**

- If dirt gets through into the engine, excessive engine wear and possibly engine damage will occur.

*Carburetor Assembly Installation Notes*

- After installing the carburetors, perform the following.
- Check fuel leakage from the carburetors.

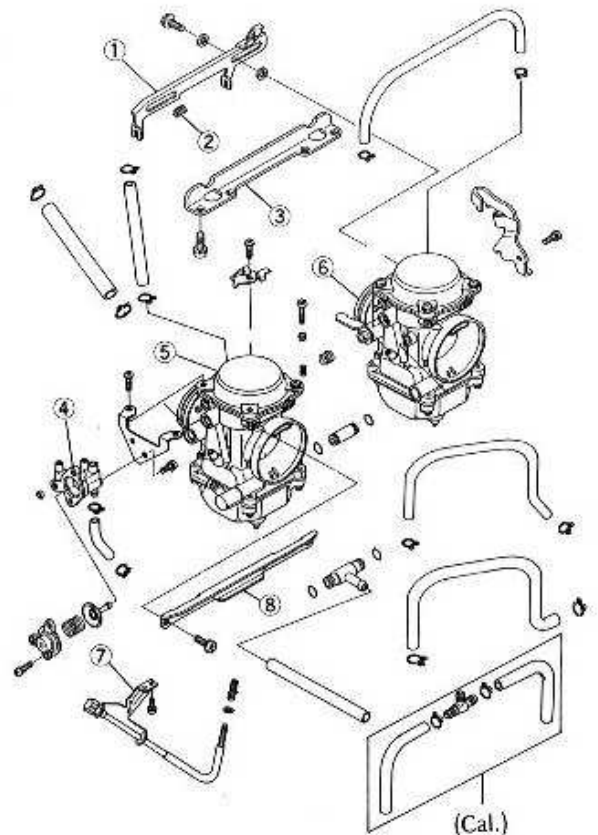
**WARNING**

- Fuel spilled from the carburetors is hazardous.
- Adjust the following items if necessary.
  - Idle speed
  - Carburetor synchronization
  - Throttle cable
  - Choke cable

*Carburetor Separation*

- Remove the carburetor assembly.
- Remove the following parts before carburetor separation.
  - Choke Lever Spring and Choke Lever
  - Carburetor Mounting Plates.

**Carburetor**

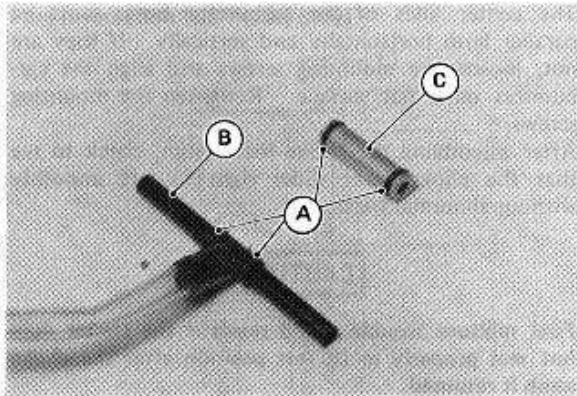


1. Choke Lever
2. Choke Lever Spring
3. Mounting Plate (Upper)
4. Coasting Enricher System
5. No. 1 Carburetor (LH)
6. No. 2 Carburetor (RH)
7. Idle Adjusting Screw Holder
8. Mounting Plate (Lower)

- Gently, separate the carburetors from each other.

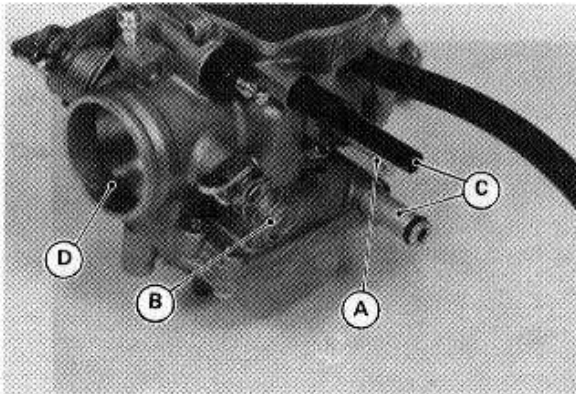
*Carburetor Installation*

- When installing the carburetor, be careful of the following items.
- Check to see that the O-rings are in place.



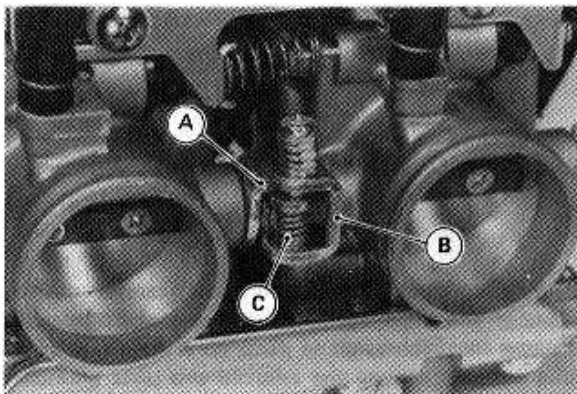
A. O-rings  
B. Fitting  
C. Fitting

○Install the fittings and spring as shown.



A. Fitting Pipe  
B. Spring  
C. Fittings  
D. Carburetor Body

○Install the throttle connecting plates and spring as shown.



A. Plate  
B. Plate  
C. Spring

●The center lines of the carburetor bores must be parallel both horizontally and vertically. If they are not, loosen the mounting screws and align the carburetors on a flat surface. Retighten the mounting screws.

●After assembling the choke mechanism, check to see that the choke lever slides right to left smoothly without abnormal friction.

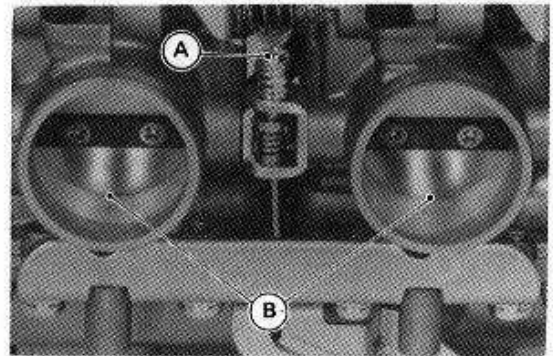
**CAUTION**

○Fuel mixture trouble could result if the starter does not seat properly in its rest position after the choke knob it returned.

●Visually synchronize the throttle (butterfly) valves.

○Check to see that all throttle valves open and close smoothly without binding when turning the pulley.

○Visually check the clearance between the throttle valve and the carburetor bore in each carburetor.



A. Balance Adjusting Screw  
B. Clearance

☆If there is a difference between any two carburetors, turn the balance adjusting screw(s) to obtain the same clearance.

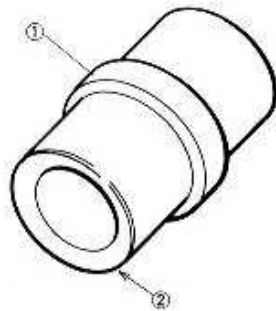
*Carburetor Disassembly and Assembly Notes*

**CAUTION**

○During carburetor disassembly, be careful not to damage the diaphragm. Never use a sharp edge to remove the diaphragm.

●To install the needle jet, turn the carburetor body upside-down, and drop the needle jet into place so that the smaller diameter end of the jet goes in first.

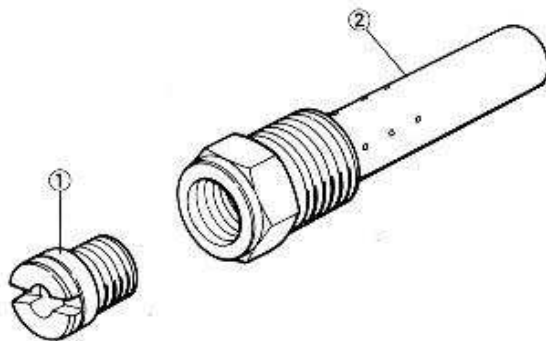
**Needle Jet**



1. Needle Jet      2. Small Diameter End

- Carefully screw in the needle jet holder (air bleed pipe). It will seat against the needle jet, pushing the end of the jet into the carburetor bore.

**Main Jet and Needle Jet Holder**



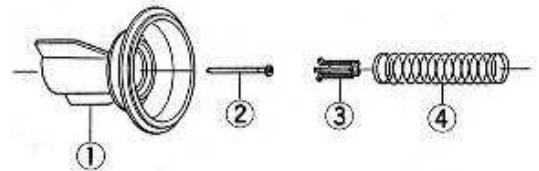
1. Main Jet      2. Needle Jet Holder

**CAUTION**

- Do not force the needle jet holder or overtighten it. The needle jet or the carburetor body could be damaged requiring replacement.

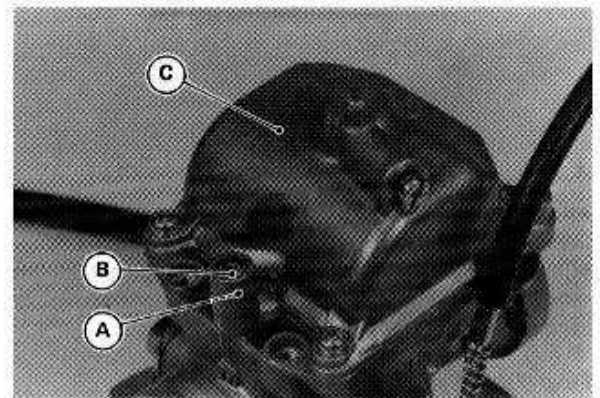
- Slip the jet needle through the hole in the center of the vacuum piston, and put the washer and spring seat on the top of the needle. Turn the seat so that it does not block the hole at the bottom of the vacuum piston.

**Vacuum Piston**



1. Vacuum Piston      3. Spring Seat  
2. Jet Needle      4. Spring

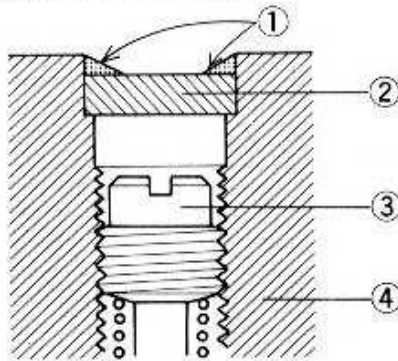
- Remove the pilot screws from the carburetors as follows.
- For the US model, remove the pilot screw plug as follows:
  - Punch a hole in the plug and pry it at with an awl or other suitable tool.
- Turn in the pilot screw and count the number of turns until it seats fully but not tightly, and then remove the screw. This is to set the screw to its original position when assembling.



A. Pilot Screw      C. Float Bowl  
B. Plug (US model only)

- Turn in the pilot screw fully but not tightly, and then back it out the same number of turns counted during disassembly.
- For the US model, install the pilot screw plug as follow:
  - Install a new plug in the pilot screw hole, and apply a small amount of a bonding agent to the circumference of the plug to fix the plug.

Plug Installation (US model only)

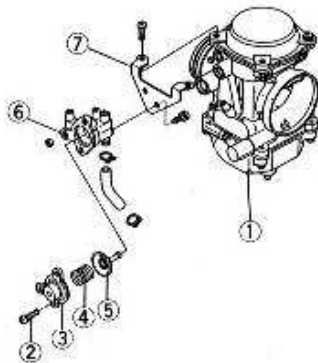


- 1. Apply a bonding agent.
- 2. Plug
- 3. Pilot screw
- 4. Carburetor body

**CAUTION**

- Do not apply too much bonding agent to the plug or the pilot screw itself from being fixed.
- When removing the coasting enricher system, unscrew the mounting screws, and remove the cover, spring, O-ring and diaphragm.

Coasting Enricher System



- 1. Carburetor (LH)
- 2. Mounting Screw
- 3. Cover
- 4. Spring
- 5. Diaphragm
- 6. Coasting Enricher Body
- 7. Mounting Plate

Carburetor Cleaning

**WARNING**

- Clean the carburetors in a well-ventilated area, and take care that there is no spark or flame anywhere near the working area; this includes any appliance with a pilot light. Because of the danger of highly flammable liquids, do not use gasoline or low flash-point solvents to clean the carburetors.

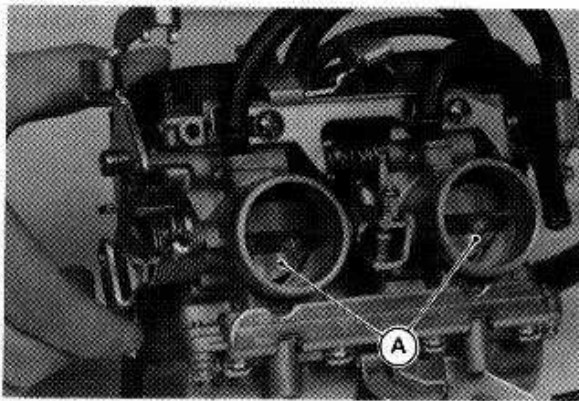
**CAUTION**

- Do not use compressed air on an assembled carburetor, the floats may be crushed by the pressure, and the vacuum piston diaphragms may be damaged.
- Remove as many rubber or plastic parts from the carburetor as possible before cleaning the carburetor with a cleaning solution. This will prevent damage or deterioration of the parts.
- The carburetor body has plastic parts that cannot be removed. DO NOT use a strong carburetor cleaning solution which could attack these parts; instead, use a mild high flash-point cleaning solution safe for plastic parts.
- Do not use wire or any other hard instrument to clean carburetor parts, especially jets, as they may be damaged.
- Disassemble the carburetors.
- Immerse all the metal parts in a carburetor cleaning solution.
- Rinse the parts in water.
- When the parts are clean, dry them with compressed air.
- Blow through the air and fuel passages with compressed air.
- Assemble the carburetors.

Carburetor Inspection

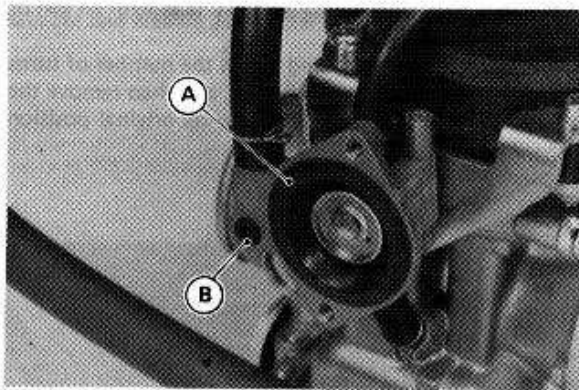
**WARNING**

- Gasoline is extremely flammable and can be explosive under certain conditions. Turn the ignition switch OFF. Do not smoke. Make sure the area is well ventilated and free from any source of flame or sparks; this includes any appliance with a pilot light.
- Remove the carburetors.
- Before disassembling the carburetors, check the fuel level (see Fuel Level Inspection).
- ★ If the fuel level is incorrect, inspect the rest of the carburetor before correcting it.
- Slide the choke lever right to left it to check that the starter plungers move smoothly and return with spring tension.
- ★ If the starter plungers do not work properly, replace the carburetors.
- Turn the throttle cable pulley to check that the throttle butterfly valves move smoothly and return by spring tension.
- ★ If the throttle valves do not more smoothly. Replace the carburetors.



A. Throttle Valves

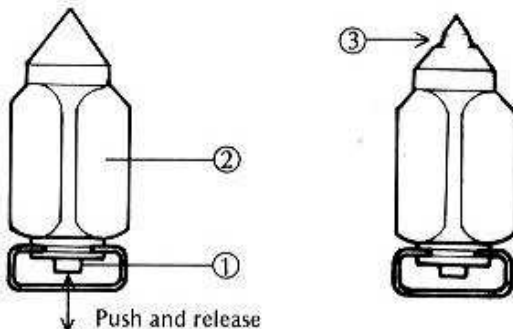
- Disassemble the carburetors.
- Clean the carburetors.
- Check that the O-rings on the float bowl and drain plug and the diaphragm on the vacuum piston are in good condition.
- ★If any of the O-rings or diaphragms are not in good condition, replace them.
- Check the O-ring and diaphragm of coasting enricher system.



A. Diaphragm      B. O-ring

- ★If any of the O-rings or diaphragms are not in good condition, replace them.
- Check the plastic tip of the float valve needle. It should be smooth, without any grooves, scratches, or tears.

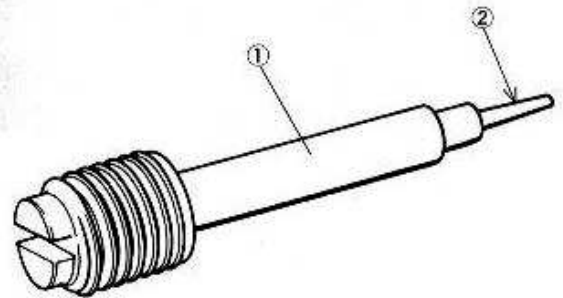
**Float Valve Wear**



1. Rod                      3. Valve Needle Wear  
2. Valve Needle

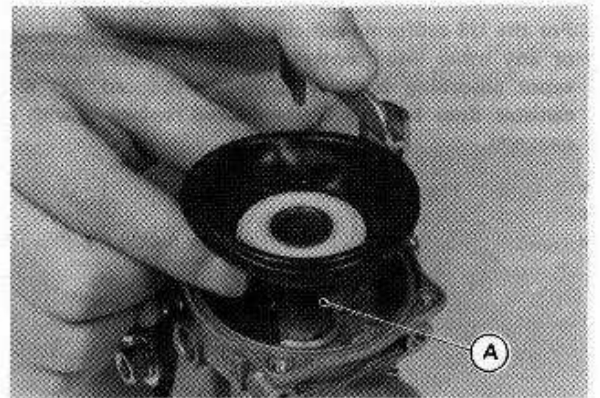
- ★If the plastic tip is damaged, replace the needle.
- Push in the rod in the other end of the float valve needle and then replace it.
- ★If it does not spring out, replace the needle.
- Check the tapered portion of the pilot screw for wear or damage.

**Pilot Screw**



1. Pilot Screw              2. Tapered Portion

- ★If the pilot screw is worn or damaged on the tapered portion, it will prevent the engine from idling smoothly. Replace it.
- Check that the vacuum piston moves smoothly in the carburetor body. The surface of the piston must not be excessively worn.
- ★If the vacuum piston does not move smoothly, or if it is very loose in carburetor body, replace the carburetor.

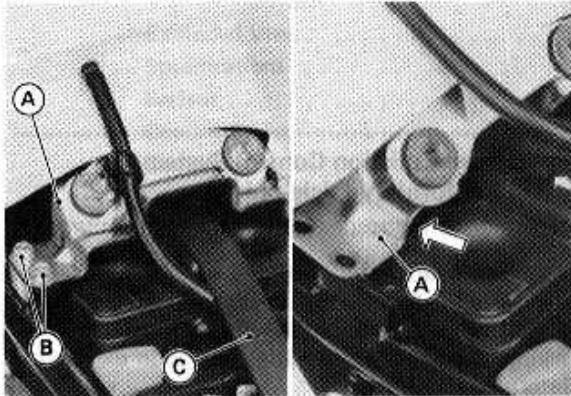


A. Vacuum Piston

**Air Cleaner**

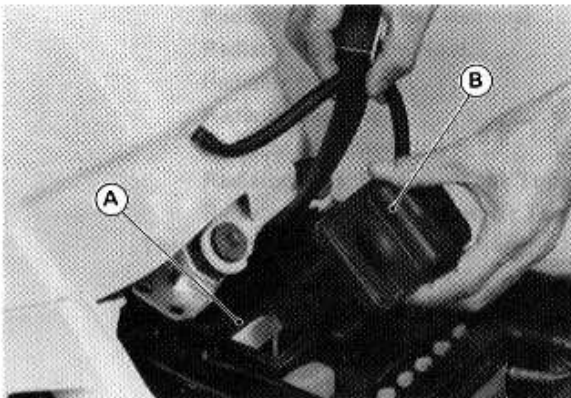
**Air Cleaner Element Removal**

- Remove the following parts.
  - Seat (see Frame chapter)
  - Fuel Tank Bracket Bolts
- Move the tank bracket forward to pull the rubber band out of the cleaner housing.



A. Tank Bracket      C. Rubber Band  
B. Tank Bracket Bolts

- Remove the air cleaner housing cap.
- Pull the element holder out of place.
- Pull out the air cleaner element.



A. Element      B. Element Holder

- Push a clean, lint-free towel into the air cleaner housing to keep dirt or other foreign material from entering.

**WARNING**

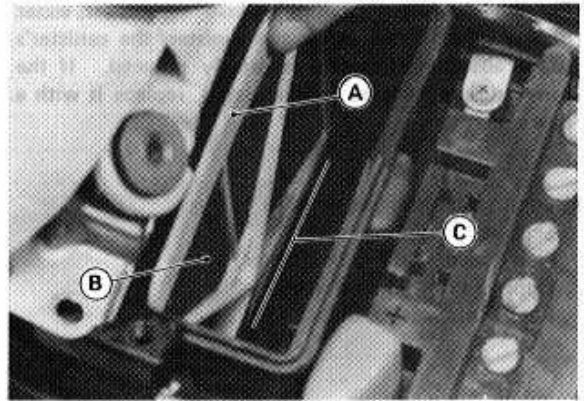
- If dirt or dust is allowed to pass through into the carburetors, the throttle valves may become stuck, possibly causing an accident.

**CAUTION**

- If dirt gets through into the engine, excessive engine wear and possibly engine damage will occur.

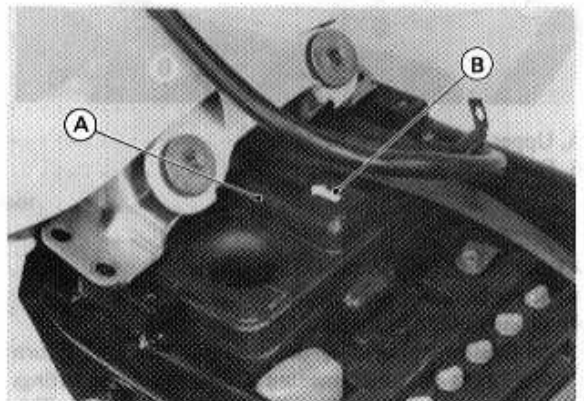
**Air Cleaner Element Installation**

- Element installation is the reverse of removal. Note the following.
- Be sure to fit the element holder in the groove at the bottom of the case.



A. Holder      C. Groove  
B. Element

- Set the housing cap with the arrow mark facing forward.



A. Housing Cap      B. Arrow

- Install the fuel tank (see Fuel Tank Installation).

*Air Cleaner Element Cleaning*

**NOTE**

- In dusty areas, the element should be cleaned more frequently than the recommended interval.
- After riding through rain or on muddy roads, the element should be cleaned immediately.

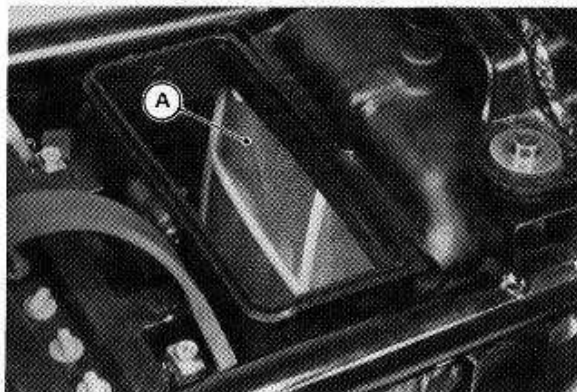
- Remove the air cleaner element (see Air Cleaner Element Removal).
- Clean the element in a bath high flash-point solvent, and then dry it with compressed air or by shaking it.

**WARNING**

- Do not use gasoline or a low flash-point solvent to clean the element. A fire or explosion could result.
- After cleaning, saturate the sponge filter with SE class SAE 30 oil, squeeze out the excess, then wrap it in a clean rag and squeeze it as dry as possible. Be careful not to tear the sponge filter.

*Air Cleaner Element Inspection and Replacement*

- Remove the air cleaner element (see Air Cleaner Element Removal).
- Clean the air cleaner element (see Air Cleaner Element Cleaning).
- Visually inspect the element for tears or breaks. Check the element holder and wire screen.

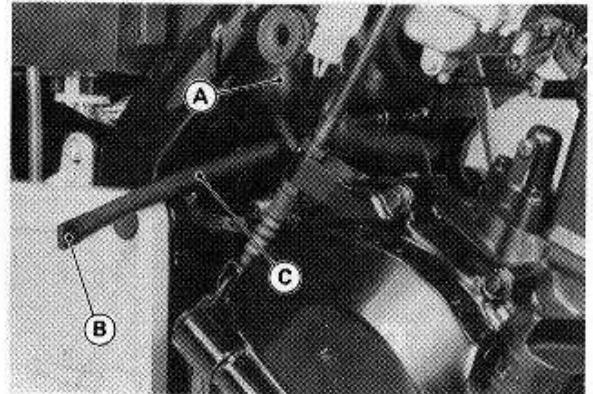


A. Screen

- ★If it has any tears or breaks, replace the element.
- ★If the holder or the screen are distorted, replace them.
- When replacing the holder or screen, remove the air cleaner housing and separate it.
- Repeated cleaning opens the pores of the foam in the element. Replace the element according to the Periodic Maintenance Chart (see General Information chapter).

*Bleather Oil Inspection*

Remove the plug at the end of the drain tube on the bottom of the air cleaner housing and drain oil accumulated in the tube.



A. Air Cleaner Housing  
B. Plug  
C. Drain Tube

**Fuel Tank**

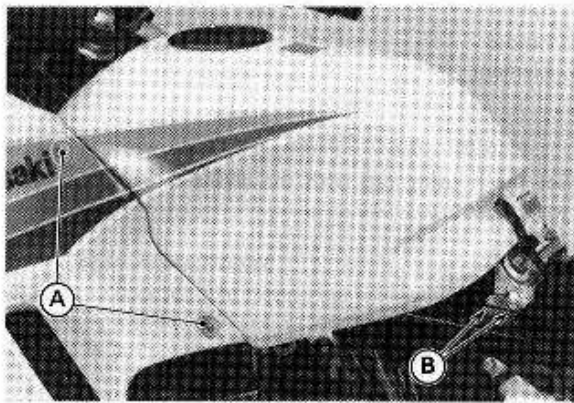
*Fuel Tank Removal*

**WARNING**

- Gasoline is extremely flammable and can be explosive under certain conditions. Turn the ignition switch OFF. Do not smoke. Make sure the area is well ventilated and free from any source of flame or sparks; this includes any appliance with a pilot light.

**CAUTION**

- For the US California vehicle, if gasoline, solvent, water or any other liquid enters the canister, the canister's vapor absorbing capacity is greatly reduced. If the canister does become contaminated, replace it with a new one.
- Remove the following parts.
  - Seat (see Frame chapter)
  - Side Covers (see Frame chapter)
  - Upper Fairing Allen Bolts
  - Fuel Tank Bracket Bolts



A. Upper Fairing Allen Bolts  
B. Fuel Tank Bracket Bolts

- Turn the fuel tap to the OFF position.
- Tilt the tank out the rear of the frame.
- Pull the hoses off the tap.
- For California vehicles, the breather and fuel return hoses must be disconnected from the tank fittings before tank removal. Plug the fuel return fitting. This prevents gasoline from flowing into the canister.
- Drain the fuel tank if necessary.
- Arrange a suitable container under the fuel tank.
- Turn the fuel tap to the RES position to drain the fuel into the container.

#### Fuel Tank and Tap Cleaning

- Remove the fuel tank and drain it (see Fuel Tank Removal).
- Pour some high flash-point solvent into the fuel tank and shake the tank to remove dirt and fuel deposits.

#### WARNING

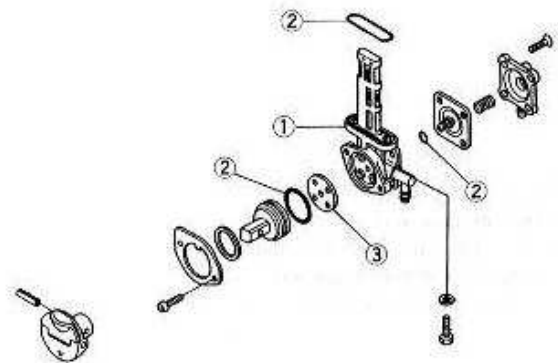
- Clean the tank in a well-ventilated area, and take care that there is no spark or flame anywhere near the working area. Because of the danger of highly flammable liquids, do not use gasoline or low flash-point solvents to clean the tank.

- Pour the solvent out of the tank.
- Remove the fuel tap from the tank by taking out the bolts with nylon washers.
- Clean the fuel tap filter screens in a high flash-point solvent.
- Pour high flash-point solvent through the tap in all lever positions.
- Dry the tank and tap with compressed air.
- Install the tap in the tank (see Fuel Tap Installation).
- Install the fuel tank (see Fuel Tank Installation).

#### Fuel Tap Inspection

- Remove the fuel tank and drain it (see Fuel Tank Removal).
- Remove the fuel tap by taking out the bolts with nylon washers.
- Check the fuel tap filter screens for any breaks or deterioration.

#### Fuel Tap



- 1. Filter
- 2. O-ring
- 3. Gasket

- ★ If the fuel tap screens have any breaks or are deteriorated, it may allow dirt to reach the carburetor, causing poor running. Replace the fuel tap.
- ★ If the fuel tap leaks, or allows fuel to flow when it is ON or RES without the engine running, replace the damaged gasket or O-ring.

#### Fuel Tank and Cap Inspection

- Visually inspect the gaskets on the tank and cap for any damage.
- ★ Replace the gaskets if they are damaged.
- Remove the hose(s) from the fuel tank, and open the tank cap.
- Check to see if the breather pipe (also the fuel return pipe for the US California vehicle) in the tank are not clogged. Check the tank cap breather too.
- ★ If the tank breather pipe is clogged, remove the tank and drain it and then blow the breather free with compressed air.
- ★ If the tank cap breather is clogged, replace it.

### Evaporative Emission Control System (US California Vehicle only)

The Evaporative Emission Control System routes fuel vapors from the fuel system into the running engine or stores the vapors in a canister when the engine is stopped. Although no adjustments are required, a thorough visual inspection must be made at the intervals specified by the Periodic Maintenance Chart.

#### Parts Removal/Installation Notes

##### WARNING

Gasoline is extremely flammable and can be explosive under certain conditions. Turn the ignition switch OFF. Do not smoke. Make sure the area is well ventilated and free from any source of flame or sparks; this includes any appliance with a pilot light.

##### CAUTION

If gasoline, solvent, water or any other liquid enters the canister, the canister's vapor absorbing capacity is greatly reduced. If the canister does become contaminated replace it with a new one.

- To prevent the gasoline from flowing into the canister or from flowing out of the canister, hold the separator perpendicular to the ground.
- Connect the hoses according to the diagram of the system. Make sure they do not get pinched or kinked.

#### Hose Inspection

- Check that the hoses are securely connected.
- Replace any kinked, deteriorated or damaged hoses.

#### Separator Inspection

- Disconnect the hoses from the liquid/vapor separator, and remove the separator from the motorcycle.
- Visually inspect the separator for cracks and other damage.
- ★ If the separator has any crack or bad damage, replace it with a new one.

#### Separator Operation Test

##### WARNING

Gasoline is extremely flammable and can be explosive under certain conditions. Turn the ignition switch OFF. Do not smoke. Make sure the area is well ventilated and free from any source of flame or spark; this includes any appliance with a pilot light.

- Connect the hoses to the separator, and install the separator on the motorcycle.
- Disconnect the breather hose from the separator, and inject about 20 mL of gasoline into the separator through the hose fitting.
- Disconnect the fuel return hose from the fuel tank.
- Run the open end of the return hose in to the container level with the tank top.
- Start the engine, and let it idle.
- ★ If the gasoline in the separator comes out of the hose, the separator works well. If it does not, replace the separator with a new one.

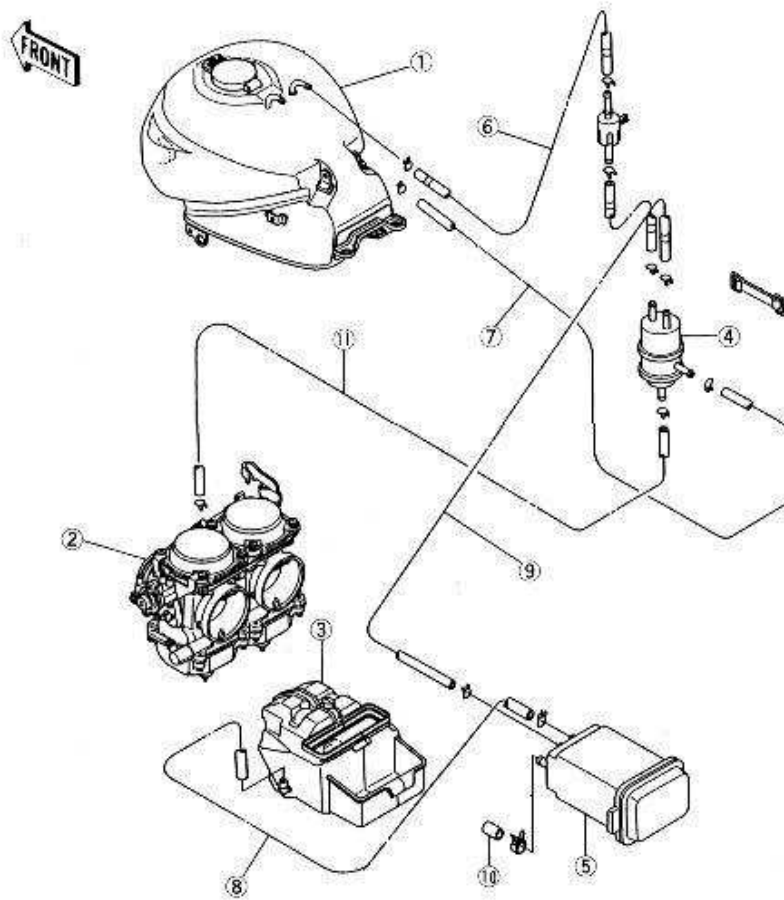
#### Canister Inspection

- Remove the canister, and disconnect the hoses from the canister.
- Visually inspect the canister for cracks and other damage.
- ★ If the canister has any crack or bad damage, replace it with a new one.

##### NOTE

The canister is designed to work well through the motorcycle's life without any maintenance if it is used under normal conditions.

Evaporative Emission Control System



1. Fuel Tank
2. Carburetor
3. Air Cleaner Housing
4. Liquid/Vapor Separator
5. Canister
6. Breather Hose (Blue)
7. Fuel Return Hose (Red)
8. Purge Hose (Green)
9. Breather Hose (Blue)
10. Cap
11. Vacuum Hose (White)

# Cooling System

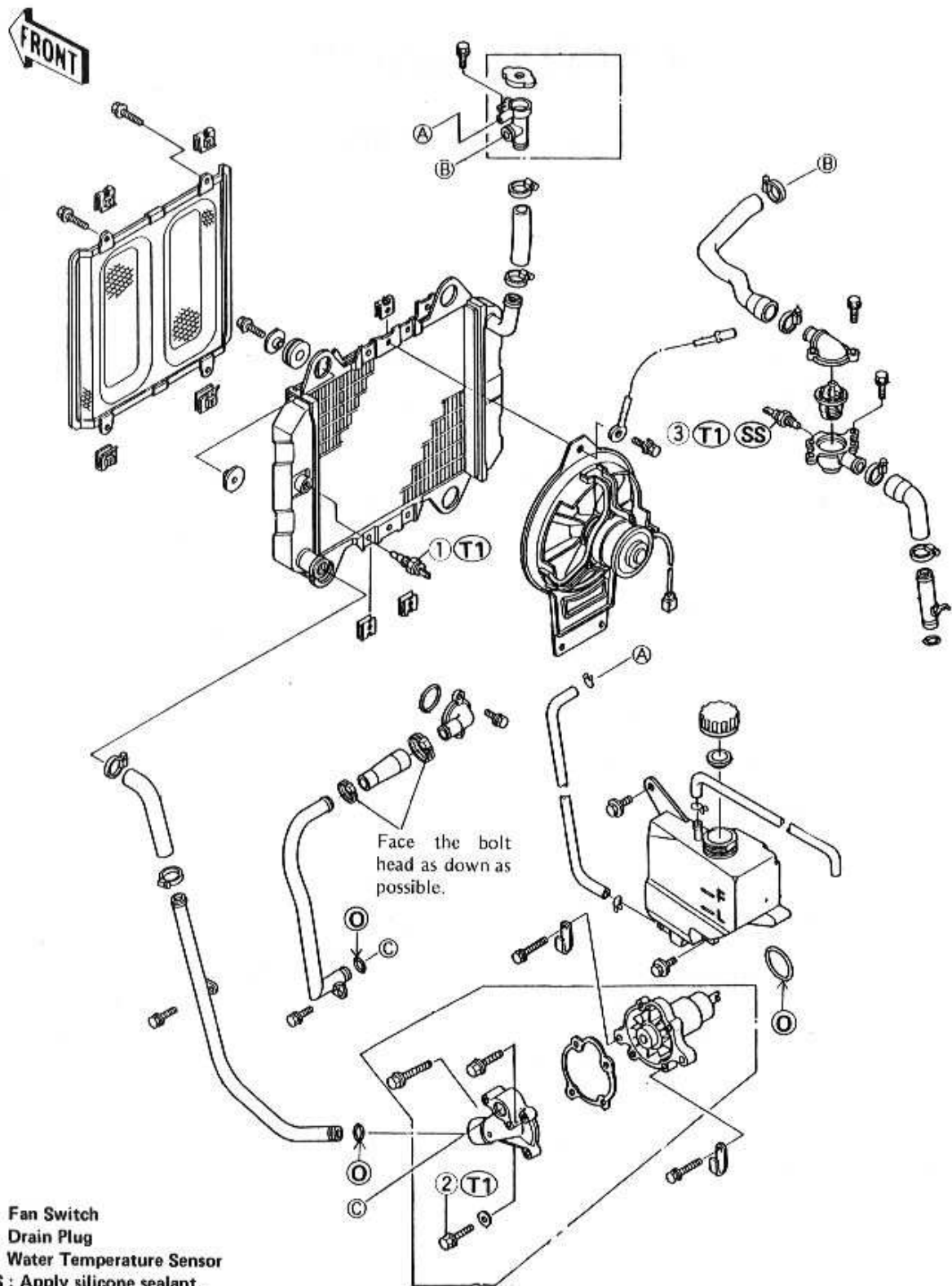
## Table of Contents

Exploded View .....	3-2
Specifications .....	3-3
Sealant .....	3-3
Cooling System .....	*
Coolant .....	*
Coolant Deterioration .....	*
Coolant Level Inspection .....	*
Coolant Draining .....	*
Coolant Filling .....	*
Air Bleeding .....	*
Visual Leak Inspection .....	*
Flushing .....	*
Disassembly and Assembly Precautions .....	*
Water Pump .....	*
Pump Cover Removal .....	*
Pump Cover Installation Note .....	*
Pump Impeller Inspection .....	*
Water Pump Removal .....	*
Water Pump Installation Notes .....	*
Radiator, Radiator Fan .....	*
Radiator, Radiator Fan Removal .....	*
Radiator Installation Note .....	*
Radiator Inspection .....	*
Radiator Cleaning .....	*
Radiator Cap Inspection .....	*
Radiator Hose, Reservoir Tank Tube Inspection .....	*
Radiator Hose, Pipes, Reservoir Tank Tube Installation Notes .....	*
Thermostat .....	*
Thermostat Removal .....	*
Thermostat Housing Removal .....	*
Thermostat Inspection .....	3-3, *
Thermostatic Fan Switch, Water Temperature Sensor .....	*
Water Temperature Sensor Removal .....	*
Fan Switch Removal .....	*
Installation Notes .....	*
Inspection .....	*

\* : Base Manual

## 3-2 COOLING SYSTEM

### Exploded View



- 1. Fan Switch
- 2. Drain Plug
- 3. Water Temperature Sensor
- SS : Apply silicone sealant.
- O : Apply oil at installation.
- T1 : 7.8 N-m (0.80 kg-m, 69 in-lb)

.....  
**Specifications**  
 .....

Item	Standard
<b>Original Coolant</b> Type:  Color: Mixed ratio: Freezing point: Total amount:	Permanent type of antifreeze (soft water and ethylene glycol plus corrosion and rust inhibitor chemicals for aluminum engines and radiators)  Green Soft water 50%, coolant 50% -37°C (-35°F) 1.0 L (reservoir tank full level including radiator and engine)
<b>Radiator Cap</b> Relief pressure:	73.5 – 103 kPa (0.75 – 1.05 kg/cm <sup>2</sup> , 11 – 15 psi)
<b>Thermostat</b> Valve opening temperature: Valve full open lift:	80.5 – 83.5°C (177 – 182°F) 6 mm or more @95°C (203°F)

.....  
**Sealant**  
 .....

**Kawasaki Bond (Silicone Sealant): 56019-120**

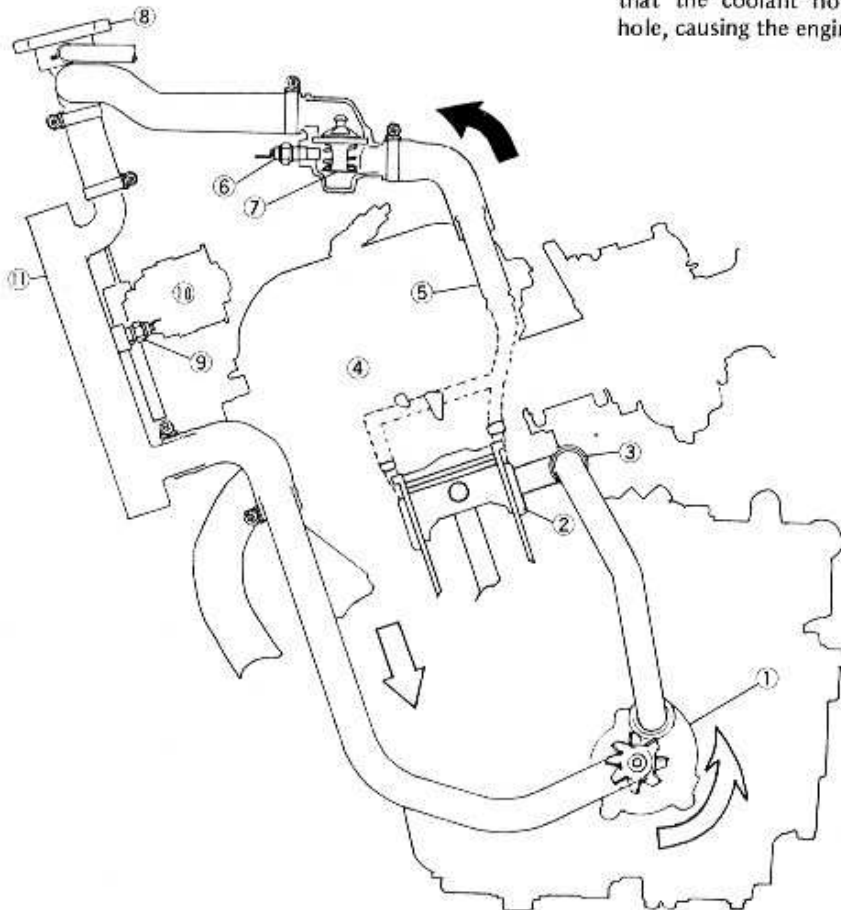


### 3-4 COOLING SYSTEM

#### Cooling System

The water cooling system is a pressurized forced circulation type. When the engine load varies, this system controls the engine temperature within narrow limits where the engine operates most efficiently. In this way the engine performs stably in various riding conditions, and is very durable.

When the engine is cold, the thermostat is closed, so that the coolant flow is restricted through the small hole, causing the engine to warm up more quickly.



1. Water pump
2. Water jacket
3. Water pipe (Cylinder)
4. Cylinder head
5. Water pipe (Cylinder head)
6. Water temperature sensor
7. Thermostat
8. Radiator cap
9. Thermostatic fan switch
10. Cooling fan
11. Radiator

#### Coolant

##### Coolant Deterioration

- Visually inspect the coolant in the reservoir tank.
- If whitish cotton-like wafts are observed, aluminum parts in the cooling system are corroded. If the coolant is brown, iron or steel parts are rusting. In either case, flush the cooling system.
- If the coolant gives off an abnormal smell when changing, check for a cooling system leak. It may be caused by exhaust gas leaking into the cooling system.

##### NOTE

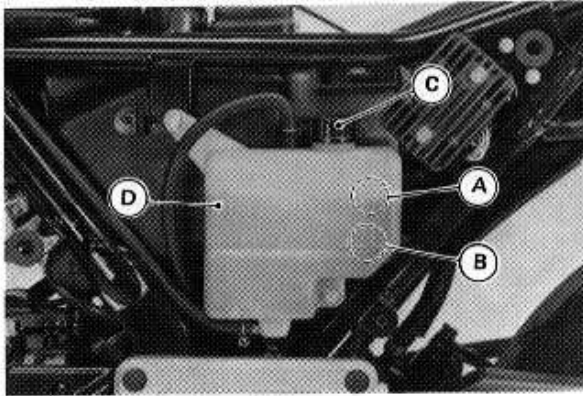
- Be sure to inspect the coolant at the reservoir tank. If the coolant is checked by removing the radiator cap, the air must be bled from the cooling system.

##### Coolant Level Inspection

- Situate the motorcycle so that it is perpendicular to the ground (on its center stand).
- Remove the seats, left kneegrip Pad, and left side cover.
- Check the level through the coolant level gauge on the reservoir tank. The coolant level should be between the FULL and the LOW marks.

##### NOTE

- Check the level when the engine is cold (room or ambient temperature).
- Do not check the level by removing the cap. If the cap is removed, air may get into the coolant, and lower cooling efficiency.



A. FULL Mark  
B. LOW Mark  
C. Tank Cap  
D. Reservoir Tank

★If the amount of coolant is insufficient, add coolant through the filler opening to the FULL mark.

**CAUTION**

- For refilling, add the specified mixture of coolant and soft water. Adding water alone dilutes the coolant and degrades its anticorrosion properties. The diluted coolant can attack the aluminum engine parts. In an emergency, soft water can be added. But the diluted coolant must be returned to the correct mixture ratio within a few days.
- If coolant must be added often, or the reservoir tank has run completely dry; there is probably leakage in the cooling system. Check the system for leaks (See Visual Leak Inspection, and Pressure Testing).

*Coolant Draining*

The coolant should be changed periodically to ensure long engine life.

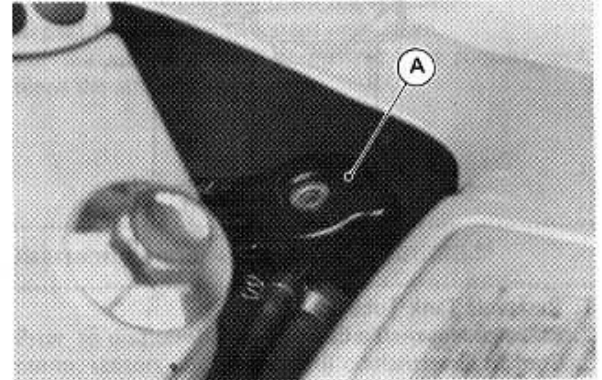
**CAUTION**

- Use coolant containing corrosion inhibitors made specifically for aluminum engines and radiators in accordance with the instructions of the manufacturers (See Coolant Filling Section).

**WARNING**

- To avoid burns do not remove the radiator cap or try to change the coolant when the engine is still hot. Wait until it cools down.
- Coolant on tires will make them slippery and can cause an accident and injury. Immediately wipe up or wash away any coolant that spills on the frame, engine, or other painted parts.
- Since coolant is harmful to the human body, do not use for drinking.

- Remove the radiator cap in two steps. First turn the cap counterclockwise to the first stop and wait there for a few seconds. Then push down and remove the cap.

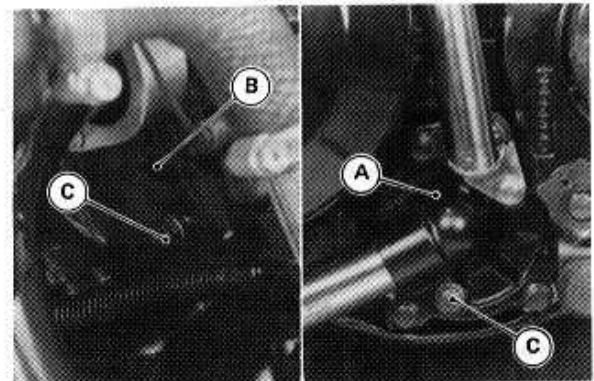


A. Radiator Cap

- Drain the coolant from the radiator and engine by removing the drain plugs at the water pump and front of the cylinder.

**NOTE**

- When taking off the drain bolt of water pump, the coolant flows abruptly to the direction of left side. Be careful not to wet your clothes and floor by the coolant.



A. Water Pump  
B. Cylinder  
C. Drain Plugs

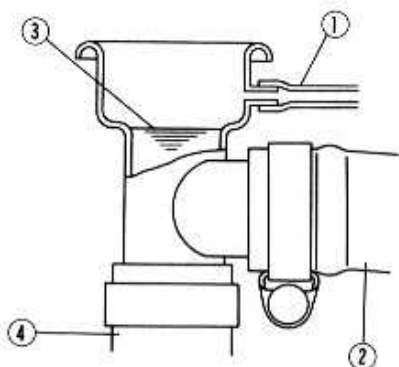
- Remove the left side cover.
- Remove the reservoir tank by removing the mounting bolts.
- Unscrew the cap off the reservoir tank, and pour the coolant into a container.
- Inspect the old coolant for color, smell (see Coolant Deterioration).

*Coolant Filling*

- Install the drain plugs. Always replace the gasket with a new one, if it is damaged.
- Tighten the drain plugs to the specified torque (see Exploded View).
- Fill the radiator up to the radiator filler neck with coolant, and install the cap turning it clockwise about ¼ turn.

## 3-6 COOLING SYSTEM

### Coolant Filling



1. Reservoir Tank Tube
2. Radiator Hose – To Engine
3. Coolant Level
4. Radiator Hose – To Radiator

#### NOTE

- Pour in the coolant slowly so that it can expel the air from the engine and radiator.
- The radiator cap must be installed in two steps. First turn the cap clockwise to the first stop. Then push down on it and the rest of the way.
- Fill the reservoir tank up to the FULL mark with coolant, and install the cap.

#### CAUTION

- Soft or distilled water must be used with the antifreeze (see below for antifreeze) in the cooling system.
- If hard water is used in the system, it causes scales accumulation in the water passages, and considerably reduces the efficiency of the cooling system.

#### NOTE

- Choose a suitable mixture ratio by referring to the coolant manufacturer's directions.

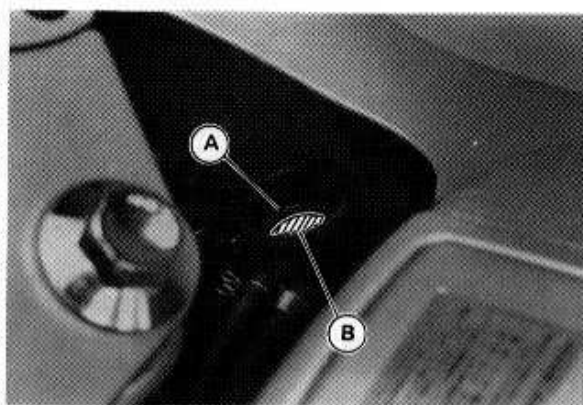
#### Original Coolant

Type	: Permanent type antifreeze for aluminum engine and radiator
Color	: green
Mixed ratio	: soft water 57%, coolant 43 %
Freezing point	: $-30^{\circ}\text{C}$ ( $-22^{\circ}\text{F}$ )
Total amount	: 1.0 L (up to "Full" mark)

#### Air Bleeding

Before putting the motorcycle into operation, any air trapped in the cooling system must be removed as follows.

- Remove the radiator cap.
- Fill the radiator up to the radiator filler neck with coolant.



A. Filler Neck

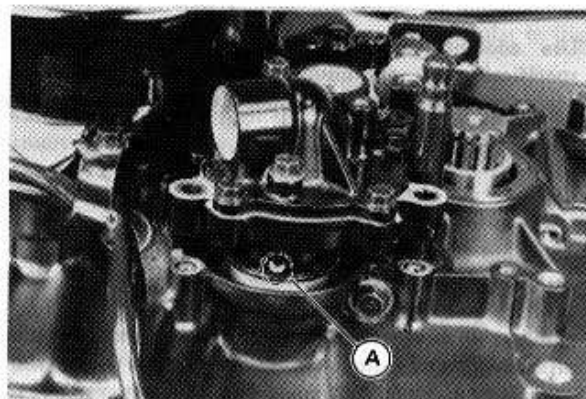
B. Coolant Level

- Check the cooling system for leaks.
- Start the engine, warm it up thoroughly, and then stop it.
- Check the coolant level in the reservoir tank after the engine cools down.
- ★ If the coolant level is low, add coolant up to the Full mark through the reservoir tank opening.

#### Visual Leak Inspection

Any time the system slowly loses water, inspect for leaks.

- Check the water pump body drainage outlet passage for coolant leaks.
- ★ If the mechanical seal is damaged, the coolant leaks through the seal and drains through the passage. Replace the water pump unit.
- ★ If there are no apparent leaks, pressure test the system.



A. Drainage Outlet Passage  
: at the bottom of the pump body

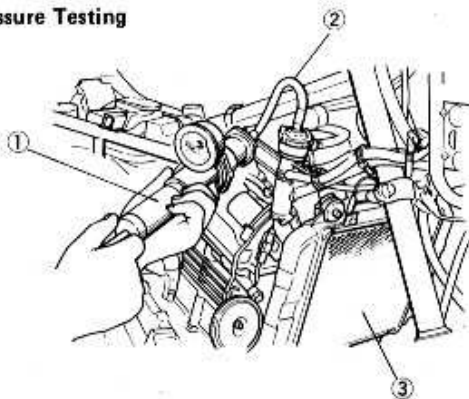
*Cooling System Pressure Testing*

**CAUTION**

○During pressure testing, do not exceed the pressure for which the system is designed. The maximum pressure is 123 kPa (1.25 kg/cm<sup>2</sup>, 18 psi).

- Remove the radiator cap, and install a cooling system pressure tester on the radiator filler neck.
- Wet the cap sealing surfaces with water or coolant to prevent pressure leaks.
- Build up pressure in the system carefully until the pressure reaches 103 kPa (1.05 kg/cm<sup>2</sup>, 15 psi).
- Watch the gauge for at least 6 seconds. If the pressure holds steady, the system is all right.

**Pressure Testing**



- 1. Pressure Tester
- 2. Adapter
- 3. Radiator

- Remove the pressure tester, replenish the coolant, and install the radiator cap.
- ★If the pressure drops and no external source is found, check for internal leaks. Droplets in the engine oil indicate internal leakage. Check the cylinder head gasket and the cylinder liner O-ring leak.

**Flushing**

Over a period of time, the cooling system accumulates rust, scale, and lime in the water jacket and radiator. When this accumulation is suspected or observed, flush the cooling system. If this accumulation is not removed, it will clog up the water passage and considerably reduce the efficiency of the cooling system.

- Drain the cooling system.
- Fill the cooling system with fresh water mixed with a flushing compound.

**CAUTION**

○Avoid the use of a flushing compound which harmful to the aluminum engine and radiator. Carefully follow the instructions supplied by the manufacturer of the cleaning produce.

- Warm up the engine, and run it at normal operating temperature for about ten minutes.
- Stop the engine, and drain the cooling system.
- Fill the system with fresh water.
- Warm up the engine and drain the system.
- Repeat the previous two steps once more.
- Fill the system with a permanent type coolant, and bleed the air from the system.

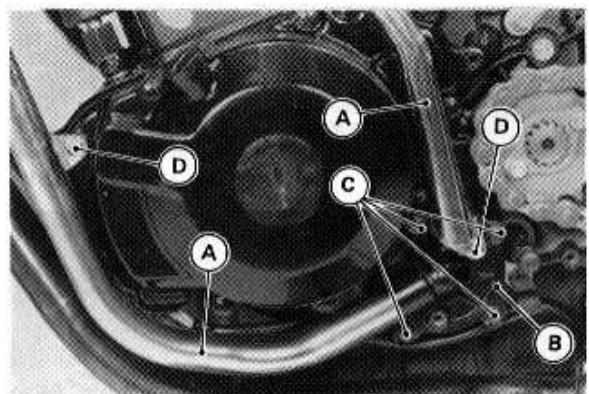
**Disassembly and Assembly Precautions**

- Prior to disassembly of cooling system parts (radiator, pump, sensors, etc), wait until coolant cools down and drain coolant.
- After assembling and filling the system with coolant, bleed air from the system.

**Water Pump**

*Pump Cover Removal*

- Drain the coolant by removing the drain plug at the water pump.
- Remove the shift lever bolt and pull the lever out of the shift shaft.
- Remove the engine sprocket cover.
- Remove the Water pipe bolts and pull the pipes off the pump cover.
- Remove the cover bolts and remove the water pump cover.

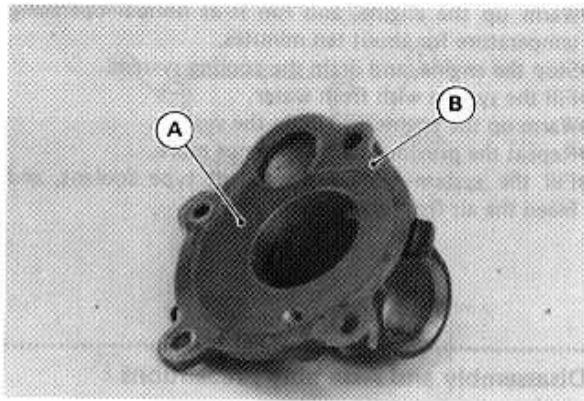


- A. Water Pipes
- B. Pump Cover
- C. Cover Bolts
- D. Pipe Bolts

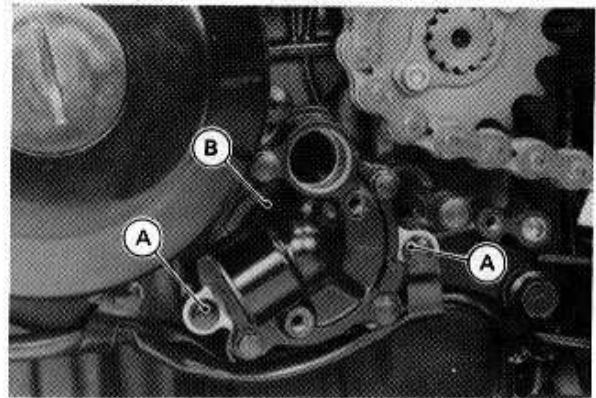
*Pump Cover Installation Note*

- Replace the pump cover gasket with new one.

## 3-8 COOLING SYSTEM



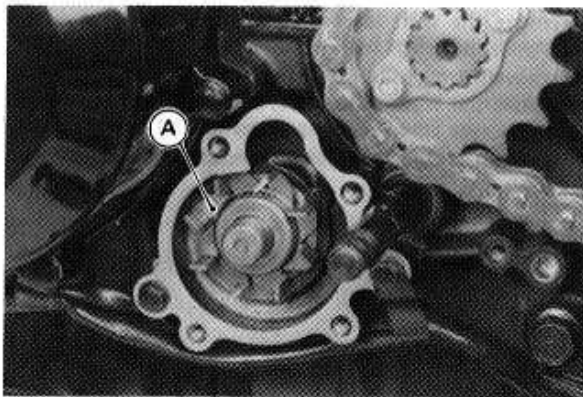
A. Pump Cover      B. Gasket



A. Pump Mounting Bolts      B. Water Pump

### *Pump Impeller Inspection*

- Visually check the impeller.
- ★If the surface is corroded, or if the blades are damaged, replace the water pump unit.



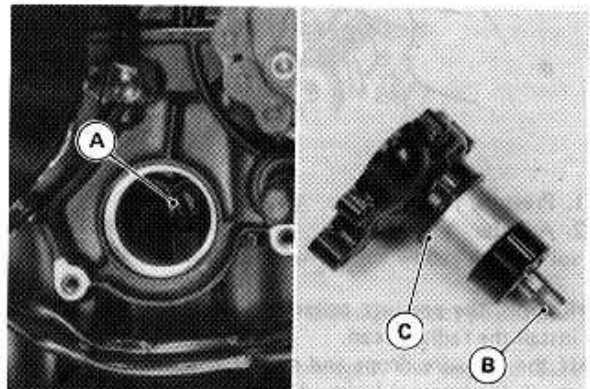
A. Impeller

### *Water Pump Removal*

- Drain the engine oil (see Engine Oil and/or Filter Change in the Engine Lubrication System chapter).
- Drain the coolant.
- Remove the shift lever bolt and pull the lever out of the shift shaft.
- Remove the engine sprocket cover.
- Remove the water pipes from the pump.
- Remove the pump mounting bolts, and pull the pump unit out of the crankcase.

### *Water Pump Installation Notes*

- Check that the O-ring is good condition, and apply a small amount of engine oil to the O-ring.
- Turn the water pump shaft until the slit on the shaft is aligned with the notch on the oil pump shaft in the crankcase.



A. Oil Pump Shaft      C. O-ring  
B. Water Pump Shaft

---

## Radiator, Radiator Fan

---

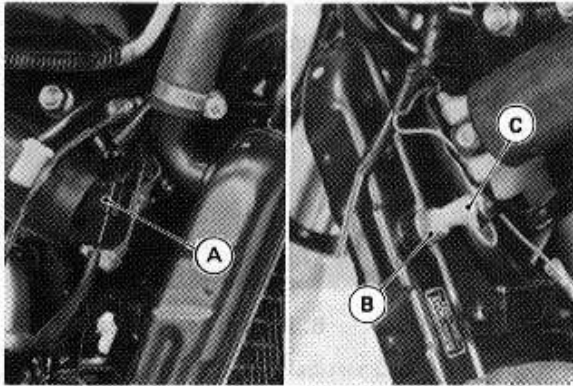
### *Radiator, Radiator Fan Removal*

- Remove the fairing (see Fairing Removal in Frame chapter).
- Remove the fuel tank.
- Drain the coolant.
- Disconnect the fan motor connector before removal of the radiator or radiator fan.

### **WARNING**

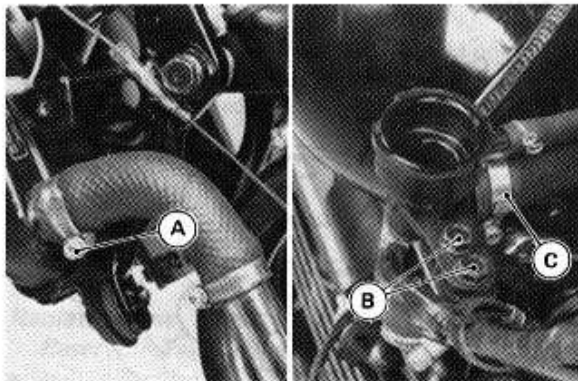
- The radiator fan and fan switch are connected directly to the battery. The radiator fan may start even if the ignition switch is off. NEVER TOUCH THE RADIATOR FAN UNTIL THE ENGINE COMPLETELY

COOLS OFF. TOUCHING THE FAN BEFORE THE ENGINE COOLS COULD CAUSE INJURY FROM THE FAN BLADES.



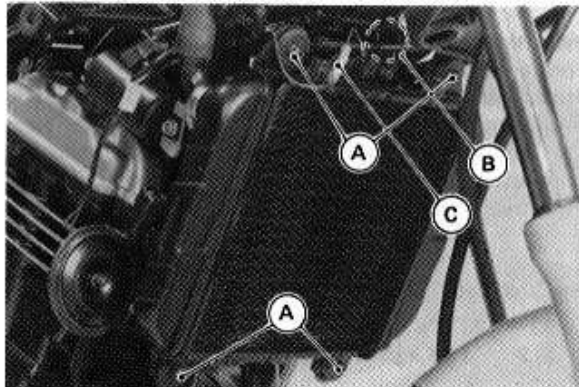
A. Fan Motor Connector      C. Fan Switch Connector  
B. Fan Switch

- Disconnect the fan switch connector.
- Loosen the hose clamps and pull off the radiator hoses on both side.



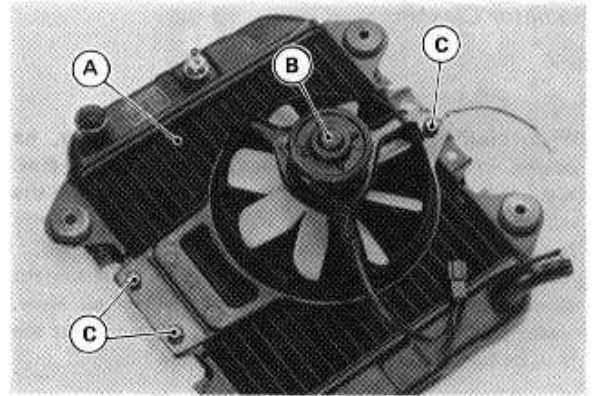
A. Hose Clamp (Left)      C. Hose Clamp (Right)  
B. Filler Mounting Bolts

- Remove the bolt and free the clutch cable clamp.
- Disconnect the ground wire connector, then remove the radiator mounting bolts and take the radiator off the frame.



A. Mounting Bolts      C. Ground Wire Connector  
B. Cable Clamp

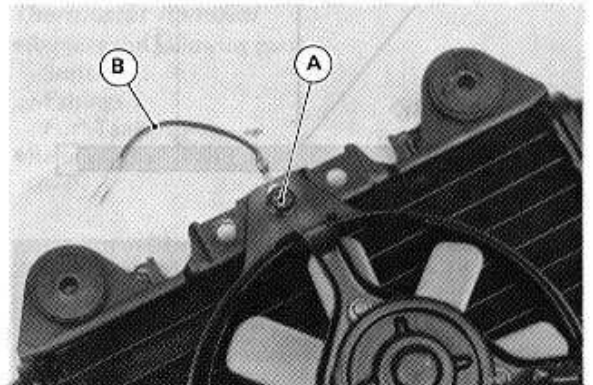
- Separate the filler and radiator hose from the radiator.
- Separate the radiator fan from the radiator.



A. Radiator      C. Fan Mounting Bolts  
B. Radiator Fan

**Radiator Installation Note**

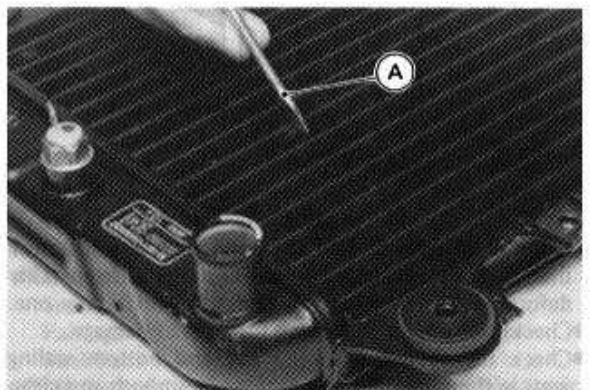
- Be sure to install the fan switch ground wire on the one of the fan mounting bolts,



A. Mounting Bolt      B. Ground Lead

**Radiator Inspection**

- Check the radiator core.
- ★If there are obstructions to air flow, remove them.
- ★If the corrugated fins are deformed, carefully straighten them with the blade of a thin screw driver.



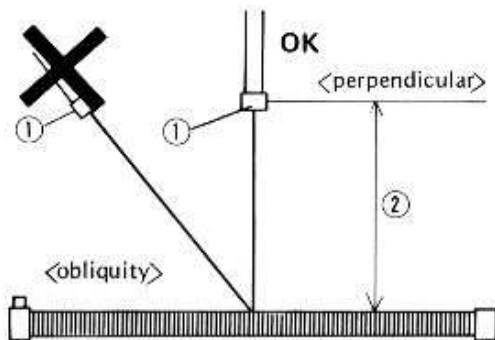
A. Thin Screwdriver

### 3-10 COOLING SYSTEM

#### Radiator Cleaning

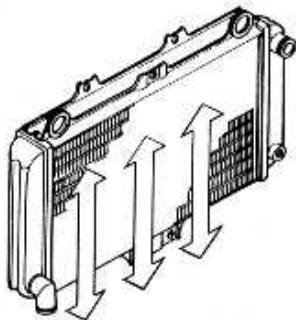
#### CAUTION

- When cleaning the radiator with steam cleaner, be careful of the following to avoid damage to the fins.
- Keep the air nozzle over 0.5 m (20 in.) away from the radiator.
- Blow air perpendicularly to the radiator core.
- Never blow air at an angle against the fins but straight through them in the direction of natural air flow.
- Never shake the air nozzle at a right angle against the fins, be sure to move it at a level with the fins.

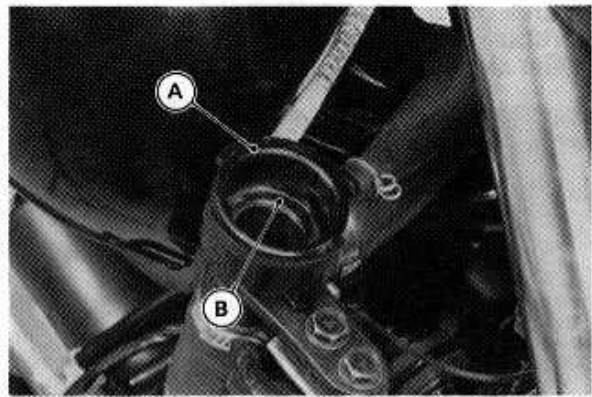


1. Steam Gun                      2. More than 50 mm

- Run the gun horizontally following the core fin direction.



- ★If the air passages of the radiator core are blocked more than 20% by unremovable obstructions or irreparably deformed fins, replace the radiator with a new one.
- Check the radiator filler neck for signs of damage.
- Check the condition of the top and bottom sealing seats in the filler neck. They must be smooth and clean for the radiator cap to function properly.

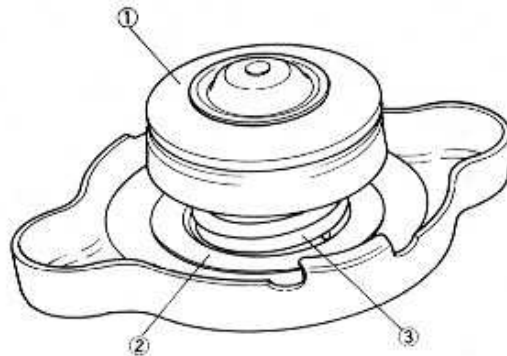


A. Top Sealing Seat      B. Bottom Sealing Seat

#### Radiator Cap Inspection

- Check the condition of the valve spring, and the top and bottom valve seals of the radiator cap.
- ★If any one of them shows visible damage, replace the cap.

#### Radiator Cap



1. Top Seal                      3. Valve Spring  
2. Bottom Seal

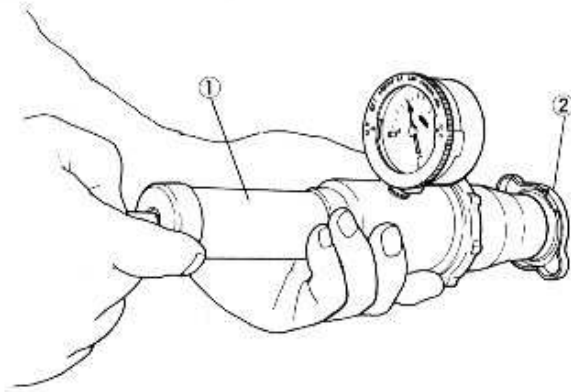
- Wet the cap sealing surfaces with water or coolant to prevent pressure leaks.
- Install the cap on a cooling system pressure tester.
- Watching the pressure gauge, pump the pressure tester to build up the pressure. The cap must retain the pressure at least 6 seconds. Also the cap must open at the pressure shown in the table.

#### Radiator Cap Relief Pressure

93 ~ 123 kPa  
(0.95 ~ 1.25 kg/cm<sup>2</sup>, 14 ~ 18 psi)

- ★If the cap cannot hold the specified pressure, or if it holds too much pressure, replace it with a new one.

**Radiator Cap Testing**



1. Pressure Tester      2. Radiator Cap

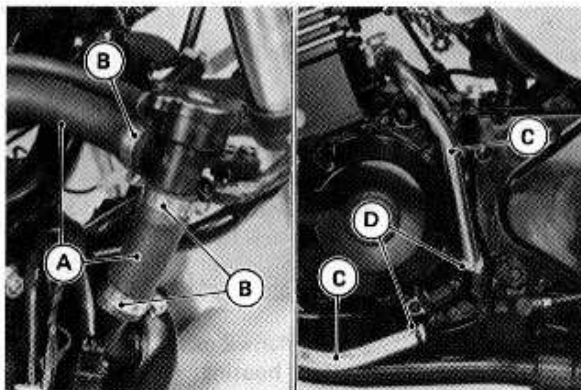
**Radiator Hose, Reservoir Tank Tube Inspection**

- In accordance with the Periodic Maintenance Chart, visually inspect the hoses and tube for signs of deterioration. Squeeze them. They should not be hard and brittle, nor should they be soft or swollen.
- Replace any damaged parts.

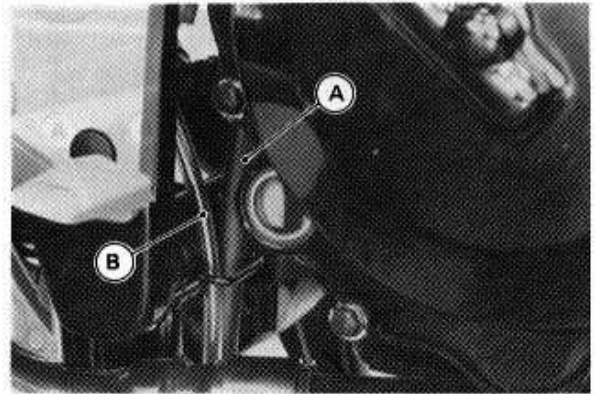
**Radiator Hose, Pipes,**

**Reservoir Tank Tube Installation Note**

- Install the radiator hoses, and tubes being careful to follow bending direction. (see Exploded Views). Avoid sharp bending, kinking, flattening, or twisting.
- Tighten the hose clamps securely.
- Check that the O-rings are good condition.



A. Radiator Hoses      C. Water Pipe  
B. Clamps              D. O-rings

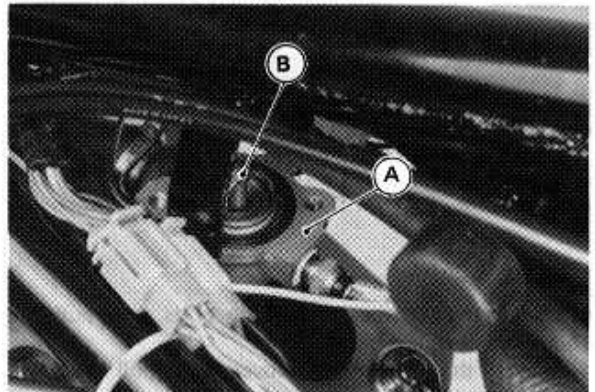


A. Reservoir Tank Tube      B. Battery Vent Hose

.....  
**Thermostat**  
.....

**Thermostat Removal**

- Remove the following parts.
  - Seats
  - Fairings
  - Fuel Tank
- Remove the thermostat cover bolts and lift the cover.



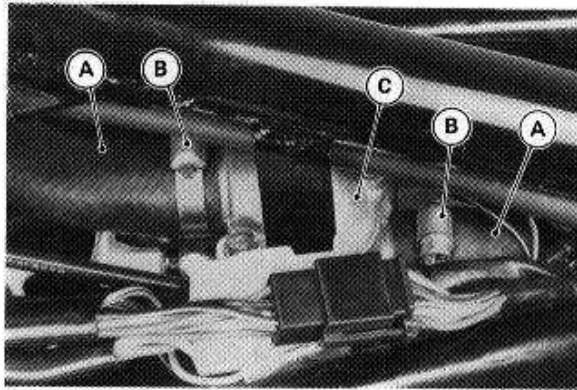
A. Housing                  B. Thermostat

- Pull out the thermostat from the thermostat housing.

**Thermostat Housing Removal**

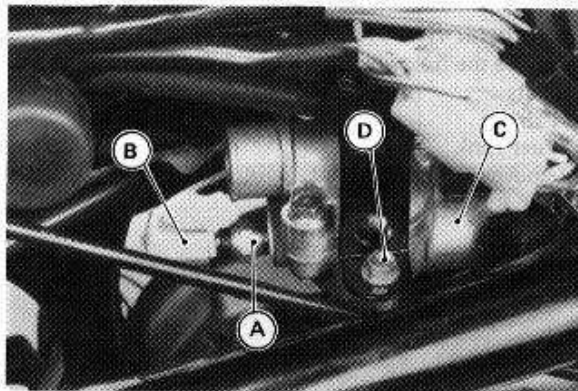
- Drain the coolant.
- Remove the following parts.
  - Seats
  - Fairings
  - Fuel Tank
- Slide the radiator hose clamps out of place. Disconnect the hoses from the thermostat housing and cover.

### 3-12 COOLING SYSTEM



A. Radiator Hoses      C. Thermostat Housing  
B. Clamps

- Disconnect the water temperature sensor connector.



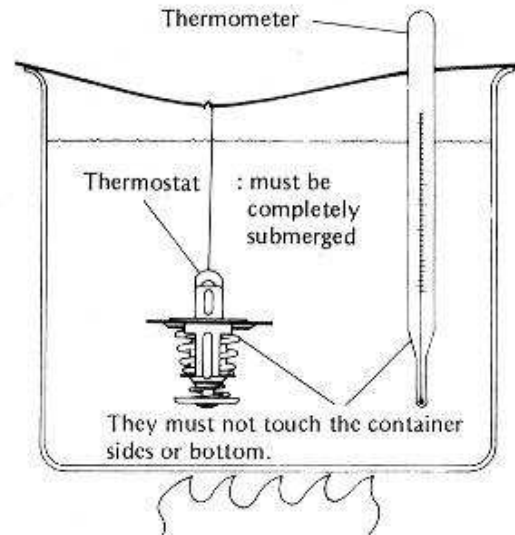
A. Sensor      C. Thermostat Housing  
B. Connector      D. Housing Bolts

- Remove the thermostat housing bolts, and pull the housing out of the frame.
- Remove the thermostat cover and pull out the thermostat if necessary.

#### Thermostat Inspection

- Remove the thermostat, and inspect the thermostat valve at room temperature.
- ★ If the valve is open, replace the valve with a new one.
- To check valve opening temperature, suspend the thermostat and an accurate thermometer in a container of water.
- Place the container over a source of heat and gradually raise the temperature of the water while stirring the water gently.

#### Valve Opening Temperature Measurement



- Watch the valve. As soon as the valve starts to open, note the temperature.
- ★ If it is out of the service limit range, replace the thermostat.

#### Thermostat Valve Opening Temperature

80.5 – 83.5°C (177 – 182°F)

---

#### Thermostatic Fan Switches Water Temperature Sensor

---

#### Water Temperature Sensor Removal

#### CAUTION

- The fan switch or the water temperature sensor should never be allowed to fall on a hard surface. Such a shock to these parts can damage them.

- Remove the thermostat housing (see Thermostat Housing Removal).
- Remove the sensor from the thermostat housing.
- Remove the sensor from the thermostat housing.

*Fan Switch Removal*

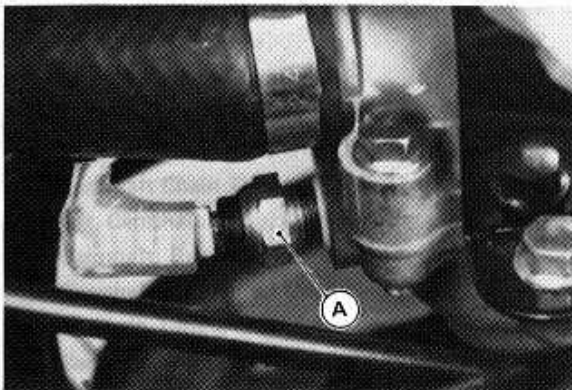
- Drain the coolant.
- Remove the fairing.
- Remove the fan switch connector, then remove the fan switch.

*Installation Note*

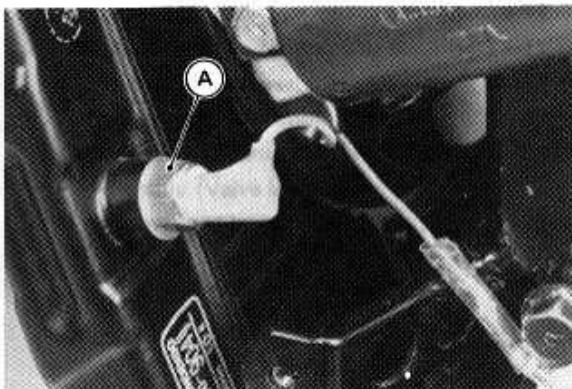
- Apply a liquid gasket compound to the threads before mounting the sensor.
- Tighten the water temperature sensor and the fan switch to the specified torque (see Exploded Viewing).

*Inspection*

Refer to the Electrical System chapter.



A. Water Temperature Sensor



A. Thermostatic Fan Switch



# Engine Top End

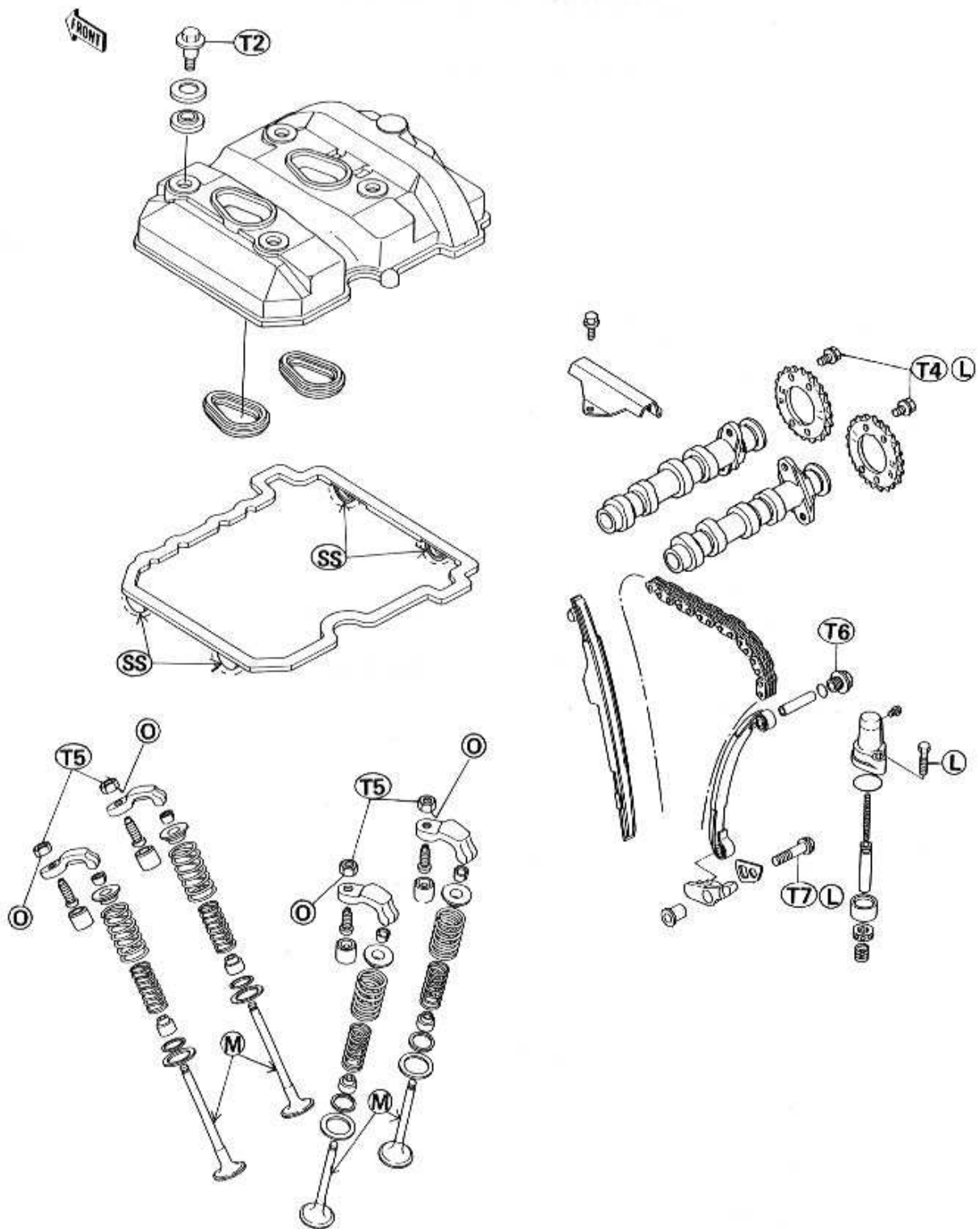
## Table of Contents

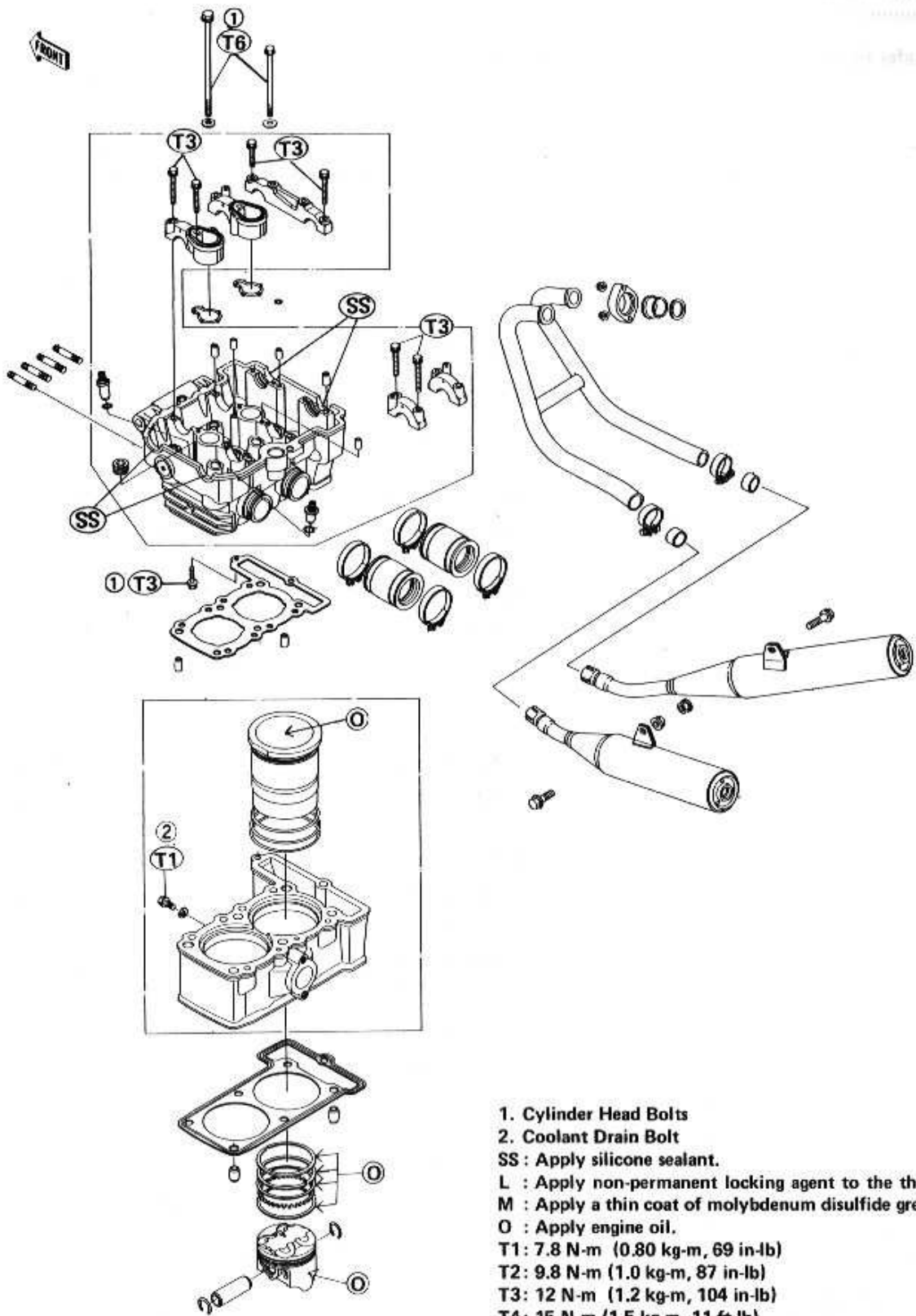
Exploded View . . . . .	4-2	Cylinder, Piston . . . . .	*
Specifications . . . . .	4-4	Cylinder Removal . . . . .	*
Special Tools . . . . .	4-5	Cylinder Installation Notes . . . . .	*
Sealant . . . . .	4-5	Piston Removal . . . . .	*
Cylinder Head Cover . . . . .	4-6	Piston Installation Note . . . . .	*
Cylinder Head Cover Removal . . . . .	4-6	Piston Ring, Piston Ring	
Cylinder Head Cover		Groove Wear . . . . .	*
Installation Notes . . . . .	4-6	Piston Ring End Gap . . . . .	*
Camshaft Chain Tensioner . . . . .	*	Cylinder Inside Diameter . . . . .	*
Chain Tensioner Removal . . . . .	*	Piston Diameter . . . . .	*
Chain Tensioner Installation . . . . .	*	Boring, Honing . . . . .	*
Camshaft Chain Tensioner Disassembly . . . . .	*	Carburetor Holder . . . . .	*
Camshaft Chain Tensioner Assembly . . . . .	*	Carburetor Holder Installation . . . . .	*
Camshaft, Camshaft Chain, Rocker Arm . . . . .	*	Muffler . . . . .	4-9
Camshaft, Rocker Arm Removal . . . . .	*	Muffler Removal . . . . .	4-9
Camshaft Installation (Including		Muffler Installation . . . . .	4-9
Chain Timing Procedure) . . . . .	*	Exhaust System Inspection . . . . .	*
Camshaft and Sprocket			
Assembly Notes . . . . .	*		
Camshaft Oil Clearance Inspection . . . . .	*		
Camshaft Chain Wear . . . . .	*		
Camshaft Chain Guide Wear . . . . .	*		
Cylinder Head . . . . .	4-6		
Compression Measurement . . . . .	4-6		
Cylinder Head Removal . . . . .	*		
Cylinder Head Installation Notes . . . . .	*		
Cylinder Head Disassembly and			
Assembly (Valve Mechanism			
Removal and Installation . . . . .	*		
Cylinder Head Warp . . . . .	*		
Cylinder Head Cleaning . . . . .	*		
Valve . . . . .	4-7		
Valve Clearance Inspection . . . . .	4-7		
Valve Clearance Adjustment . . . . .	4-8		
Valve Seat Inspection . . . . .	*		
Valve Seat Repair . . . . .	*		
Measuring Valve-to-Guide			
Clearance (Wobble Method) . . . . .	*		

\* : Base Manual

## 4-2 ENGINE TOP END

### Exploded View





- 1. Cylinder Head Bolts
- 2. Coolant Drain Bolt
- SS: Apply silicone sealant.
- L : Apply non-permanent locking agent to the threads.
- M : Apply a thin coat of molybdenum disulfide grease.
- O : Apply engine oil.
- T1: 7.8 N-m (0.80 kg-m, 69 in-lb)
- T2: 9.8 N-m (1.0 kg-m, 87 in-lb)
- T3: 12 N-m (1.2 kg-m, 104 in-lb)
- T4: 15 N-m (1.5 kg-m, 11 ft-lb)
- T5: 18 N-m (1.8 kg-m, 13.0 ft-lb)
- T6: 25 N-m (2.5 kg-m, 18 ft-lb)
- T7: 27 N-m (2.8 kg-m, 20 ft-lb)

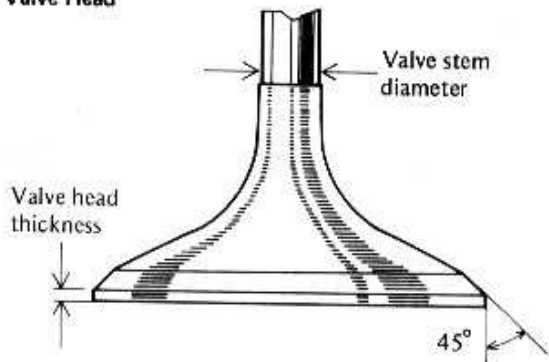
## 4-4 ENGINE TOP END

### Specifications

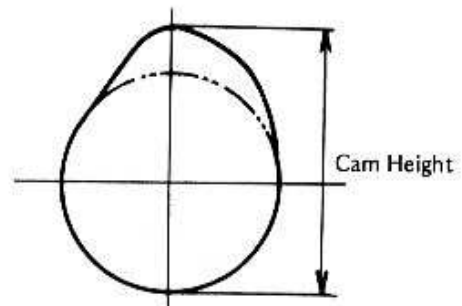
Refer to the Base Manual, noting the following.

Item	Standard	Service Limit
<b>Camshaft:</b>		
Cam height: Inlet	30.53 – 31.67 mm	30.43 mm
Exhaust	30.53 – 31.67 mm	30.43 mm
<b>Cylinder Head:</b>		
Cylinder compression (Usable range)	980 – 1500 kPa (10.0 – 15.3 kg/cm <sup>2</sup> , 142 – 218 psi)	---
<b>Valves:</b>		
Valve spring free length:		
Inner	30.7 mm	29.1 mm
Outer	35.0 mm	33.4 mm
Valve head thickness:		
Inner	0.65 mm	0.3 mm
Exhaust	0.70 mm	0.5 mm
<b>Cylinder, Piston:</b>		
Oversize piston and rings	+0.5 mm	---
Piston ring/groove clearance:		
Top	0.03 – 0.07 mm	0.17 mm
Second	0.02 – 0.06 mm	0.16 mm
Piston ring groove width:		
Top	0.82 – 0.84 mm	0.92 mm
Second	0.81 – 0.83 mm	0.91 mm
Piston ring end gap: Top		
Second	0.30 – 0.45 mm	0.8 mm
	0.30 – 0.45 mm	0.8 mm

Valve Head



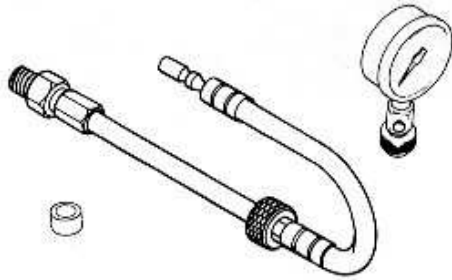
Cam Height Measurement



Special Tools

Refer to the Base Manual noting the following.

- Compression Gauge: 57001-221
- Adapter: 57001-1225
- Gasket: 57001-1224



Valve Seat Cutters:

- (45° -  $\phi$ 24.5: 57001-1113)
- (32° Ex. -  $\phi$ 22: 57001-1206)
- (32° In. -  $\phi$ 25: 57001-1118)
- (67.5° -  $\phi$ 22: 57001-1207)

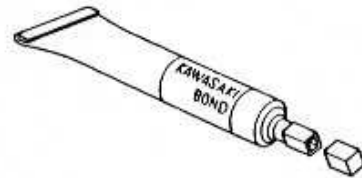


Sealant

Kawasaki Bond (Silicone Sealant): 56019-120



Kawasaki Bond (Liquid Gasket - Black): 92104-1003

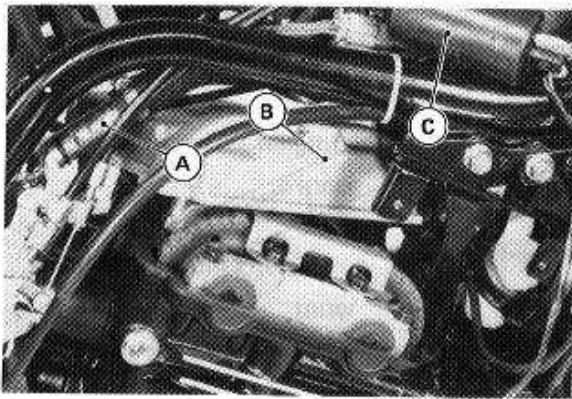


## 4-6 ENGINE TOP END

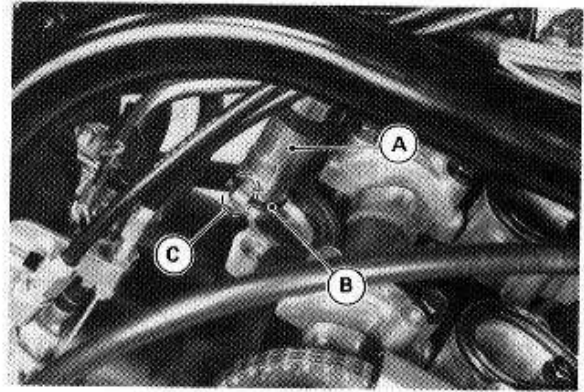
### Cylinder Head Cover

#### Cylinder Head Cover Removal

- Drain the coolant (see Coolant Draining in the Cooling System chapter).
- Remove the following parts.
  - Upper Fairing (see Frame chapter in this text)
  - Fuel Tank (see Fuel System chapter in this text)
  - Right-Hand Ignition Coil
- Remove the cylinder head cover bolts and lift the head cover.
- Pull the water pipe out of the cylinder head and remove the cylinder head cover from the vehicle right side.



A. Water Pipe  
B. Cylinder Head Cover  
C. Ignition Coil



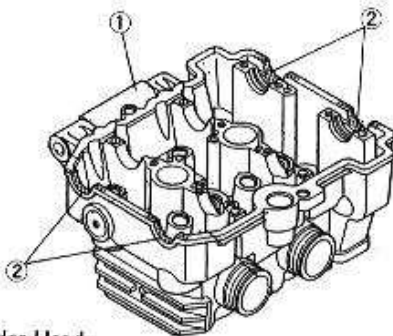
A. Water Pipe  
B. O-Ring  
C. Hook

- Tighten the cylinder head cover bolts to the specified torque (see Exploded View).

#### Cylinder Head Cover Installation Notes

- Replace the head cover gasket with a new one if the gasket is damaged.
- Apply silicone sealant to the cylinder head as shown.

#### Silicone Sealant Applied Area



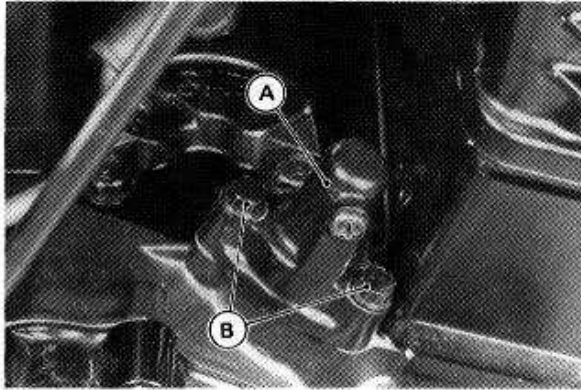
1. Cylinder Head
2. Apply silicone sealant here.

- Stick the gasket partially to the cover with a liquid gasket for installation convenience.
- Check that the O-ring is good condition, and install the water pipe as shown.

**Camshaft Chain Tensioner**

**Chain Tensioner Removal**

- Remove the tensioner mounting bolts and take out the chain tensioner.



A. Tensioner      B. Mounting Bolts

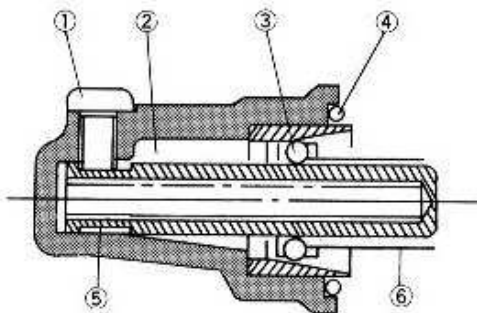
**CAUTION**

- Do not turn the engine while the camshaft chain tensioner is removed. Engine damage could result.

**Chain Tensioner Installation**

- Loosen the lock screw, and screw out about 2 mm.
- Drop the ball and retainer assembly onto the push rod.
- Push the push rod up into the tensioner body held vertically.
- When the push rod is in as far as it will go, turn in the lock screw.

**Chain Tensioner**



- 1. Lock Screw
- 2. Push Rod
- 3. Ball and Retainer Assembly
- 4. O-ring
- 5. Spring (Tensioner)
- 6. Spring (Ball and Retainer)

- Be sure the O-ring is in place in the tensioner body.
- Install the tensioner to the crankcase.
- After installation of the tensioner, unscrew the lock screw about 2 mm and then tighten it. With the bolt loose, the stiff spring inside takes up any slack automatically.

**Camshaft Chain Tensioner Disassembly**

- Remove the camshaft chain tensioner (see Camshaft Chain Tensioner Removal).
- Remove the spring (Ball and Retainer).
- Remove the screw locking the push rod in place.
- Carefully pull the push rod out of the tensioner body. Do not drop the ball and retainer assembly.
- Slide the ball and retainer assembly and the spring (Tensioner) off the push rod.

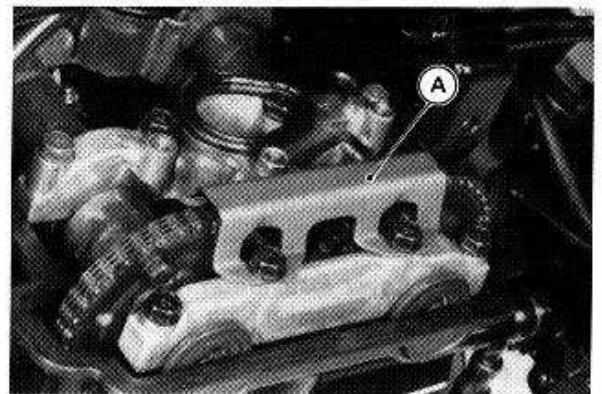
**Camshaft Chain Tensioner Assembly**

- Slip the spring (Tensioner) into the push rod and compress it down full stroke.
- Turn in the lock screw.
- Drop the ball and retainer assembly onto the push rod, and slip the spring (Ball and Retainer) over the push rod.

**Camshaft, Camshaft Chain, Rocker Arm**

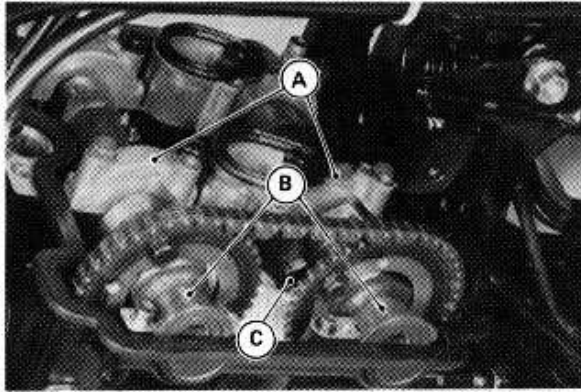
**Camshaft, Rocker Arm Removal**

- Remove the cylinder head cover (see Cylinder Head Cover Removal).
- Position the crankshaft (cam is not push the valve) at following.
  - Turn the crankshaft counterclockwise while watching the movement of the #2 cylinder's inlet valves.
  - When the valves have just finished opening and closing (moving downwards and returning upwards).
  - Turn the crankshaft in the same direction until the "2T" mark on the alternator rotor is aligned with the notch in the inspection window in the alternator cover (Compression Stroke TDC).
  - Turn the crankshaft clockwise about 90°.
- Remove the camshaft chain tensioner (see Camshaft Chain Tensioner Removal).
- Remove the camshaft top chain guide bolts, and remove the guide.



A. Top Chain Guide

- Remove the camshaft cap bolts, and remove the caps and camshafts.
- Cover the chain tunnel with a clean cloth.



A. Camshaft Caps      C. Rocker Arms  
B. Camshafts

- Pick the rocker arms off the cylinder head.
- Mark the each rocker arms original location.

**NOTE**

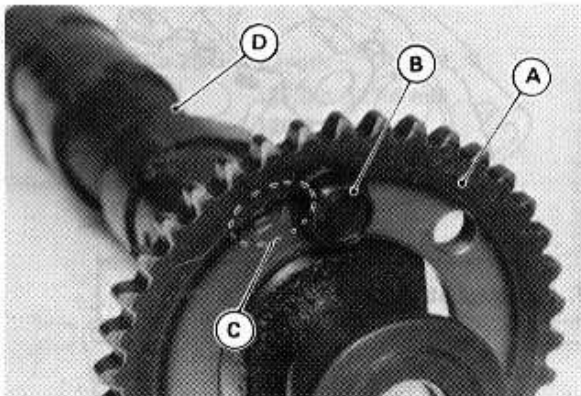
- Do not drop the rocker arm in the chain tunnel at the cylinder head.

**Camshaft Installation  
(Including Chain Timing Procedure)**

- Apply engine oil to all cam parts. If the camshaft(s) and/or cylinder head are replaced with new ones, apply a thin coat of a molybdenum disulfide grease on the new cam part surfaces.

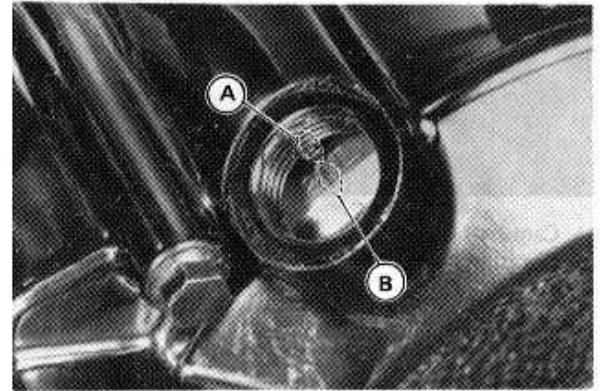
**NOTE**

- The exhaust camshaft is installed EX mark on the sprocket and inlet camshaft is IN mark.



A. Camshaft Sprocket      C. Mark  
B. Bolt      D. EX Camshaft

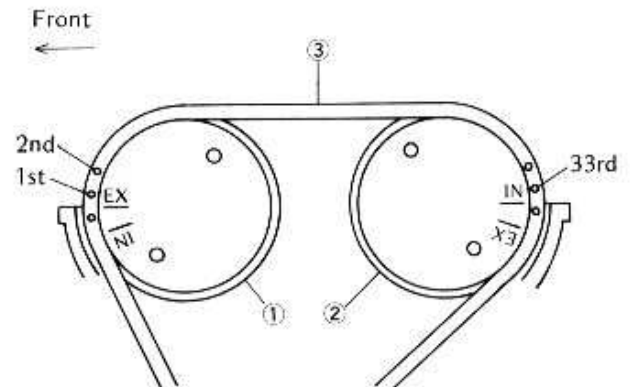
- Apply engine oil to the camshaft cap.
- Check crankshaft position to see that the Number 2 piston is still at TDC, and readjust if necessary, engage the camshaft chain with the camshaft sprockets as shown.



A. Timing Mark (Notch)  
B. TDC Mark (Number 2 Piston)

- Pull the tension side (exhaust side) of the chain taut and install the chain on the sprocket.
- Position the camshaft sprockets so that the timing marks align with the cylinder head gasket surface as shown.

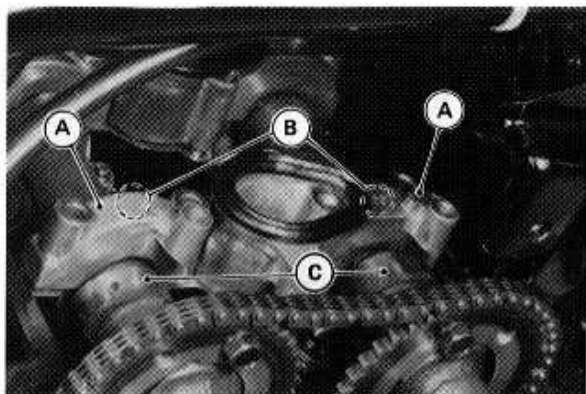
**Camshaft Chain Timing**



1. Exhaust Camshaft Sprocket
2. Inlet Camshaft Sprocket
3. No Slack

- Count the camshaft chain link pin's as shown to verify that the sprockets are positioned correctly.
- Install the camshaft caps in the correct locations as shown in the figure below. Location numbers are marked on the each cap.

## 4-10 ENGINE TOP END



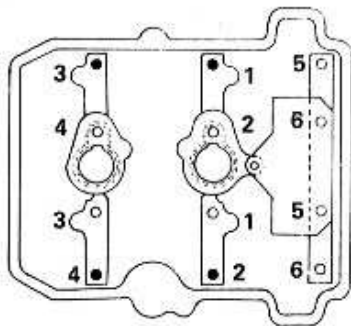
A. Camshaft Caps      C. Camshafts  
B. Location Numbers

### CAUTION

○The camshaft caps are machined with the cylinder head. So, if a cap is installed in the wrong location, the camshaft may seize because of improper oil clearance in the bearings.

●First tighten down the two camshaft cap bolts (Number 1 and Number 2 bolts in the figure) evenly to seat the camshafts in place, then torque all bolts to the specification (see Exploded View), following the specified tightening sequence.

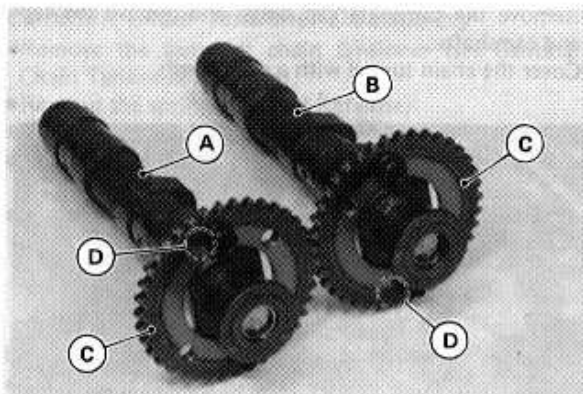
#### Camshaft Cap Bolts Tightening Order



●M6 x 46 mm Bolts

#### Camshaft and Sprocket Assembly Notes

- The inlet and exhaust sprockets, and the inlet and exhaust camshafts are identical.
- Both sprockets should be installed with the side of the mark facing the right side of the engine, and for the exhaust shaft align the EX mark on its sprocket with the camshaft bolt hole and for inlet shaft, align the IN mark on the other sprocket with its shaft bolt hole.
- Apply a locking agent to the camshaft sprocket bolts and tighten them to the specified torque (see Exploded View).
- If a new camshaft is to be used, apply a thin coat of a molybdenum disulfide grease to the cam surfaces.

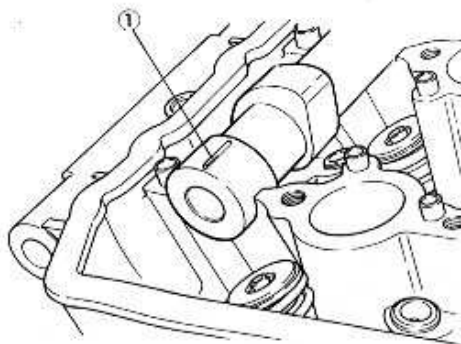


A. EX Camshaft  
B. IN Camshaft  
C. Camshaft Sprockets  
D. IN and EX Marks

#### Camshaft Oil Clearance Inspection

The journal wear is measured using plastigage (press gauge), which is inserted into the clearance to be measured. The plastigage indicates the clearance by the amount it is compressed and widened when the parts are assembled.

●Cut strips of plastigage to journal width. Place a strip on each journal parallel to the camshaft with the camshaft installed in the correct position and so that the plastigage will be compressed between the journal and camshaft cap.



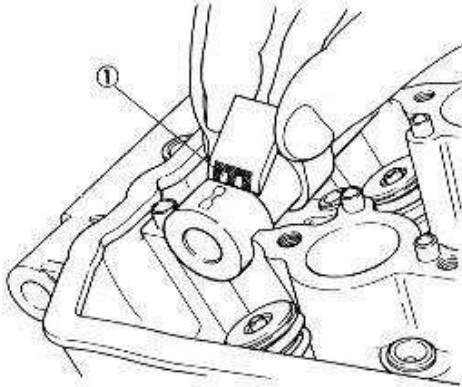
#### 1. Plastigage Strip

●Install the camshaft caps, tightening the bolts in the correct sequence to the specified torque (see Exploded View).

**NOTE**

Do not turn the camshaft when the plastigage is between the journal and camshaft cap.

- Remove the camshaft caps again, and measure the plastigage width to determine the clearance between each journal and the camshaft cap. Measure the widest portion of the plastigage.



**1. Plastigage width Measurement**

- If the clearance exceeds the service limit, replace the camshaft with a new one and measure the clearance again.
- If the clearance still remains out of the limit, replace the cylinder head unit.

**Camshaft Bearing Oil Clearance:**

<b>Standard:</b>	<b>0.030 ~ 0.071 mm</b>
<b>Service Limit:</b>	<b>0.16 mm</b>

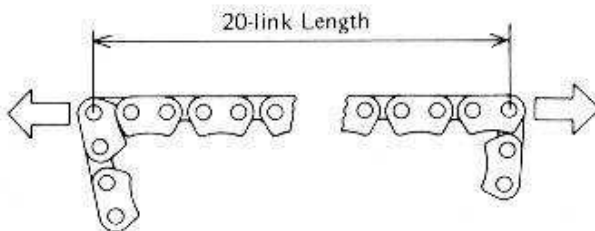
**Camshaft Chain Wear**

- Hold the chain taut with a force of about 5 kg in some manner, and measure a 20-link length. Since the chain may wear unevenly, take measurements at several places.
- If any measurement exceeds the service limit, replace the chain.

**Camshaft Chain 20-link Length**

<b>Standard:</b>	<b>127.0 ~ 127.4 mm</b>
<b>Service Limit:</b>	<b>128.9 mm</b>

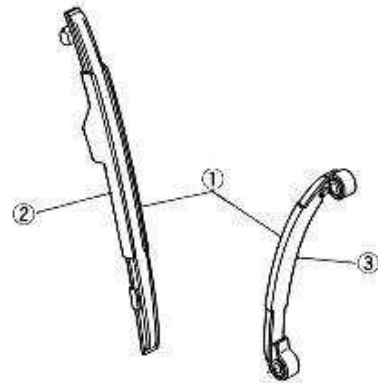
**Chain Length Measurement**



**Camshaft Chain Guide Wear**

- Visually inspect the rubber on the guides.
- If the rubber is damaged, cut, or is missing pieces, replace the guides.

**Camshaft Chain Guides**



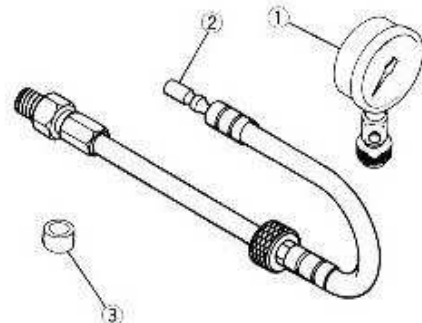
- Rubber
- Front Chain Guide
- Rear Chain Guide

**Cylinder Head**

**Compression Measurement**

- Refer to p. 4-11 in the Base Manual noting the following.
- Thoroughly warm up the engine so that engine oil between the piston and cylinder wall will help seal compression as it does during normal running.
- Stop the engine, remove the spark plugs, and fuel tank, and attach compression gauge (special tool) firmly into the spark plug hole.

**Compression Gauge**



- Compression Gauge: 57001-221
- Adapter: 57001-1225
- Gasket: 57001-1224

## 4-12 ENGINE TOP END

- Using the starter motor, rotate the engine over with the throttle fully open until the compression gauge stops rising; the compression is the highest reading obtainable.
- Repeat the measurement for the other cylinder.

### Cylinder Compression (Usable Range)

980 – 1500 kPa, 470 r/min (rpm)  
(10.0 – 15.3 kg/cm<sup>2</sup>, 142 – 218 psi)

★If cylinder compression is higher than the standard value, check the following:

1. Carbon build-up on the piston on the piston head and cylinder head.  
– clean off any carbon on the piston head and cylinder head.
2. Cylinder head gasket, cylinder base gasket – use only the proper gaskets for the cylinder head and base. The use of gaskets of the incorrect thickness will change the compression.
3. Valve stem oil seals and piston rings – rapid carbon accumulation in the combustion chambers may be caused by damaged valve stem oil seals and/or damaged piston oil rings. This may be indicated by white exhaust smoke.

★If cylinder compression is lower than the service limit, check the following:

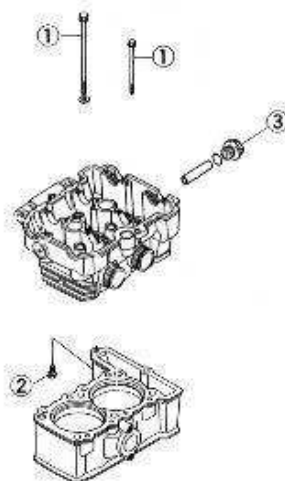
1. Gas leakage around the cylinder head – replace the damaged gasket and check the cylinder head for warp.
2. Condition of the valve seating.
3. Valve clearance – if a valve requires an unusually large adjustment to obtain proper clearance, the valve may be bent, and not seating completely.
4. Piston/cylinder clearance, piston seizure.
5. Piston ring, piston ring groove.

### Cylinder Head Removal

- Remove the following parts.
  - Fairing (see Fairing Removal in Frame chapter)
  - Coolant Draining (see Coolant Draining in Cooling System chapter)
  - Fuel Tank (see Fuel Tank Removal in Fuel System chapter)
  - Radiator (see Radiator, Radiator Fan Removal in Cooling System chapter)
  - Muffler (see Muffler Removal)
  - Camshaft Chain Tensioner
  - Left and Right Engine Bracket with Ignition Coils
- Remove the thermostat housing bolts, and free the housing.
- Remove the cylinder head cover.
- Remove the camshaft.
- Remove the rear camshaft chain guide bolt (upper), and take the guide off the cylinder head.
- Pull the front camshaft chain guide off the cylinder head.

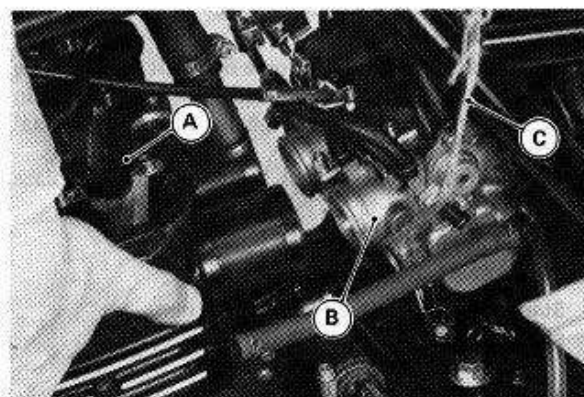
- Remove the cylinder head bolts.

### Cylinder Head Installation



1. Cylinder Head Bolts ( $\phi 6$  mm)
2. Cylinder Head Bolts ( $\phi 8$  mm)
3. Chain Guide Bolt (Upper)

- Remove the oil hose banjo bolt.
- Before removing the cylinder head, hold the carburetor to the air cleaner duct with a string.
- Pull off the cylinder head, and remove the cylinder head gasket.

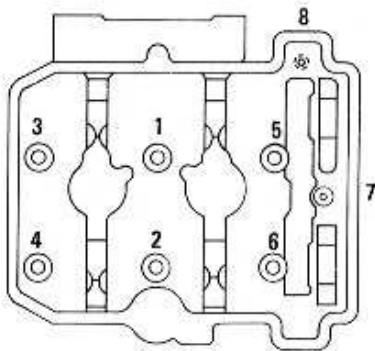


- A. Cylinder Head      C. Strings  
B. Carburetor

### Cylinder Head Installation Notes

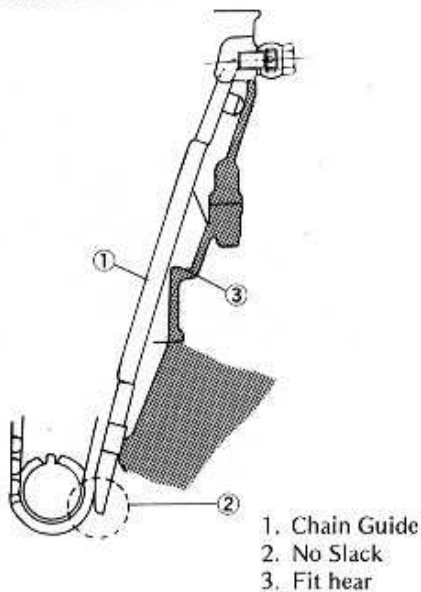
- When installing the cylinder head, be careful of the following items.
  - Replace the cylinder head gasket with a new one.
  - Tighten the cylinder head bolts ( $\phi 8$ ) and ( $\phi 6$ ) to the specified torque (see Exploded View).

## Cylinder Head Bolts Tightening Order



○After cylinder head installation, install the front camshaft chain guide as shown.

## Chain Guide Installation

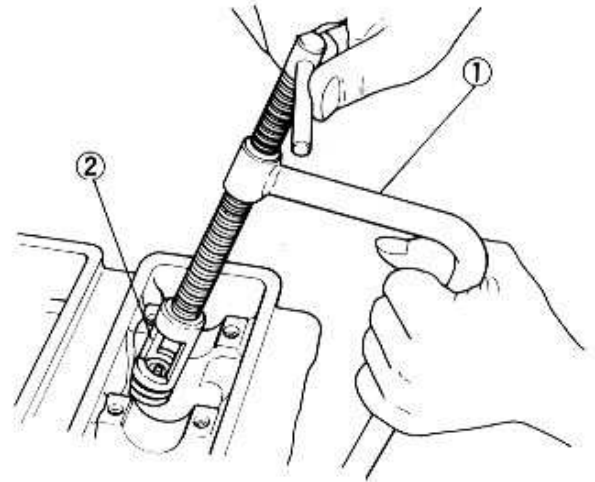


- Tighten the rear camshaft chain guide bolt (upper) to the specified torque (see Exploded View).
- Tighten the oil hose banjo bolt to the specified torque (see Exploded View).

**Cylinder Head Disassembly and Assembly  
(Valve Mechanism Removal and Installation)**

- Use valve spring compressor assembly (special tool) to press down the valve spring retainer, and remove the split keepers.

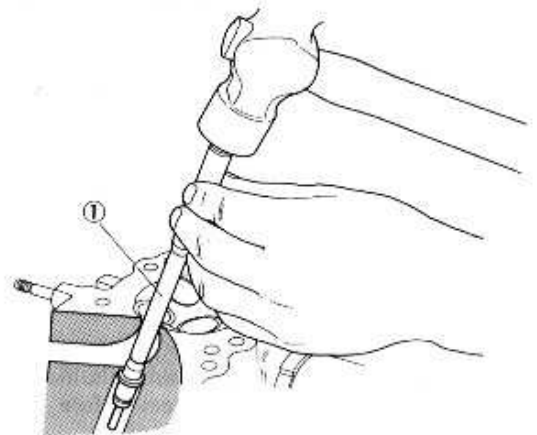
## Valve Spring Removal



1. Valve Spring Compressor Assembly: 57001-241
2. Adapter: 57001-1202

- Heat the area around the valve guide to about 120 ~ 150°C (248 ~ 302°F), and hammer lightly on valve-guide arbor (special tool) to remove the guide from the top of the head.

## Valve Guide Removal



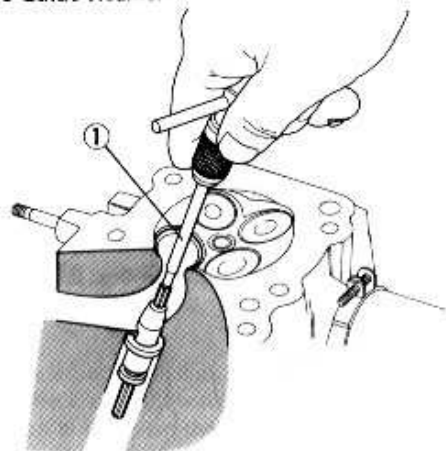
1. Valve Guide Arbor: 57001-1203

## ●Valve Guide Installation:

- Apply oil to the valve guide outer surface before installation.
- Heat the area around the valve guide hole to about 120 ~ 150°C (248 ~ 302°F).
- Drive the valve guide in from the top of the head using the valve guide arbor. The flange stops the guide from going in too far.
- Ream the valve guide with a valve guide reamer (special tool) even if the oil guide is re-used.

## 4-14 ENGINE TOP END

### Valve Guide Reamer

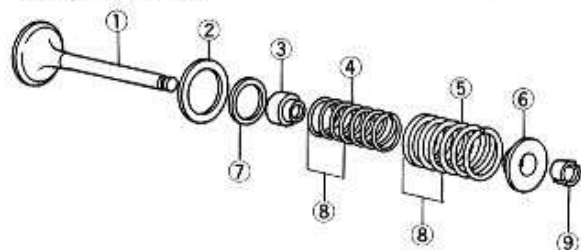


1. Valve Guide Reamer: 57001-1204

#### ●Valve Installation.

- Check to see that the valve moves smoothly up and down in the guide.
- Check to see that the valve seats properly in the valve seat. If it does not, repair the valve seat.

### Valve and Springs



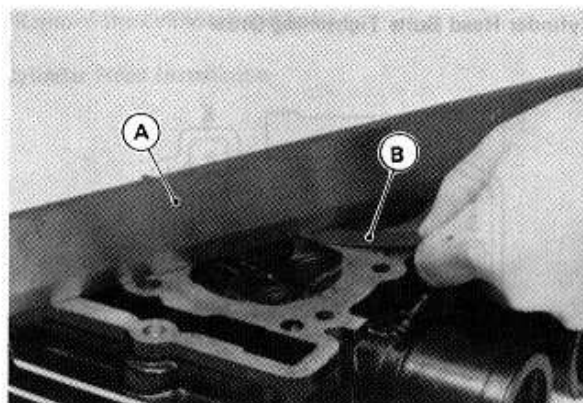
- 1. Valve Stem
- 2. Spring Seat
- 3. Oil Seal
- 4. Inner Spring
- 5. Outer Spring

- 6. Valve Spring Retainer
- 7. Spring Seat
- 8. Closed End Coil
- 9. Split Keeper

- Apply a thin coat of molybdenum disulfide engine assembly grease to the valve stem before valve installation.
- Be sure to install the inner and outer spring seats under the inner and outer springs.
- Install the springs so that the closed coil end is facing toward the valve seat (downwards).

### Cylinder Head Warp

- Lay a straightedge across the lower surface of the head at several different points, and measure warp by inserting a thickness gauge between the straightedge and the head.
- ★If warp exceeds the service limit, repair the mating surface. Replace the cylinder head if the mating surface is badly damaged.



A. Straightedge

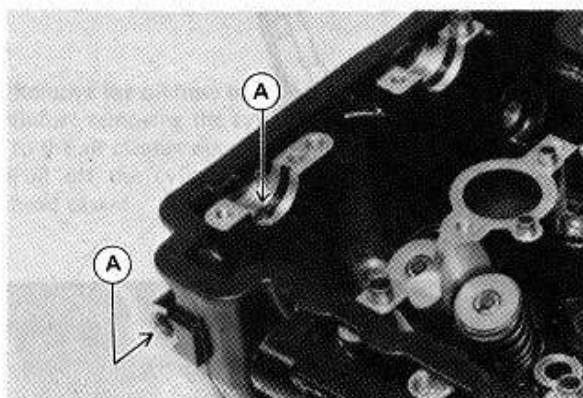
B. Thickness Gauge

### Cylinder Head Warp

Service Limit: 0.05 mm

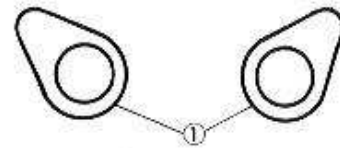
### Cylinder Head Cleaning

- Before installation, below the oil passages clean with compressed air.



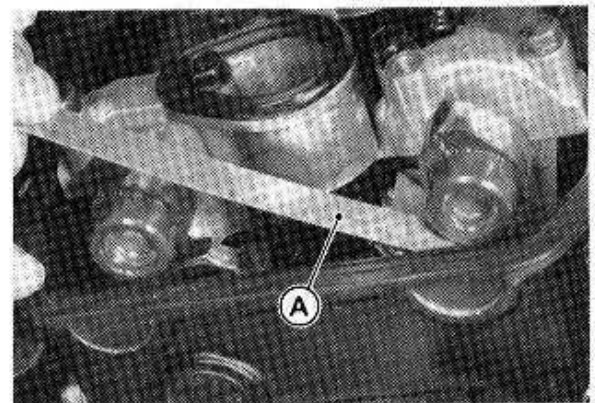
A. Oil Passage

Camshaft Position



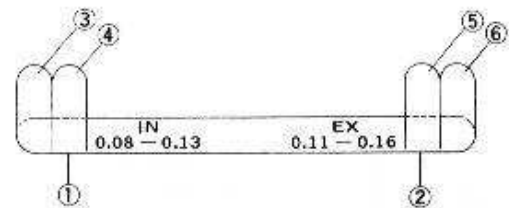
1. Number 1 Cylinder's Camshafts

- Measure the clearance of Number 1 cylinder's inlet valves by inserting the thickness gauge (special tool: limit gauge) enough between the cam lobe and rocker arm.



A. Thickness Gauge: 57001-1221

Thickness Gauge: 57001-1221 Limit Gauge



1. For Inlet Valve Inspection
2. For Exhaust Valve Inspection
3. GO End
4. NO-GO End
5. NO-GO End
6. GO END

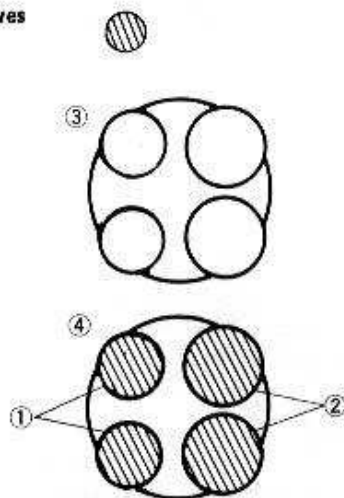
○ When the "GO" end of the gauge will fit, but not the "NO-GO" end, the valve clearance is correct.

Valves

Valve Clearance Inspection

- If the engine is hot, wait until the engine cools. Valve clearance must be checked when the engine is cold (room temperature).
- Drain the coolant.
- Remove the following parts.
  - Upper Fairing (see Frame chapter in this text)
  - Fuel Tank (see Fuel System chapter in this text)
  - Right-Hand Ignition Coil
  - Cylinder Head Cover
  - Alternator Cover Upper and Center Plugs
- Using a wrench on the crankshaft rotation bolt, turn the crankshaft counterclockwise until a TDC mark on the rotor is aligned with the timing mark in the inspection window with the piston on the compression stroke.
- Watching the movement of the Number 1 (left side) cylinder's inlet valve.
- When the valves have just finished opening and closing (moving downwards and returning upwards), turn the crankshaft in the same direction until the 1T mark on the alternator rotor is aligned with the notch in the inspection window in the alternator cover.

Measuring Valves

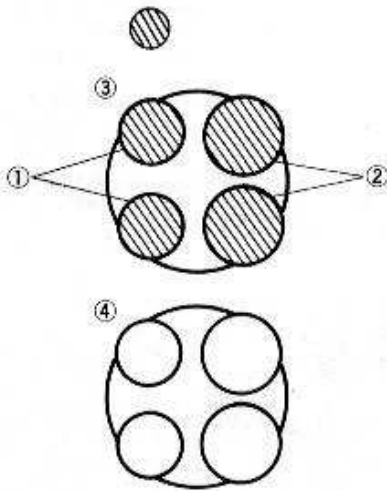


1. Exhaust Valves
2. Inlet Valves
3. Number 2 Cylinder
4. Number 1 Cylinder

## 4-8 ENGINE TOP END

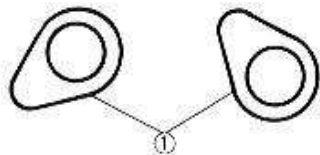
- Measure the Number 1 cylinder exhaust valves in the same manner.
- Turn the crankshaft 180° counterclockwise until the inspection window projection on the alternator cover aligns with the 2T mark on the alternator rotor.
- Measure the Number 2 cylinder's inlet and exhaust valve clearances in the same manner as for the Number 1 cylinder.

### Measuring Valves



1. Exhaust Valves
2. Inlet Valves
3. Number 2 Cylinder
4. Number 1 Cylinder

### Camshaft Position

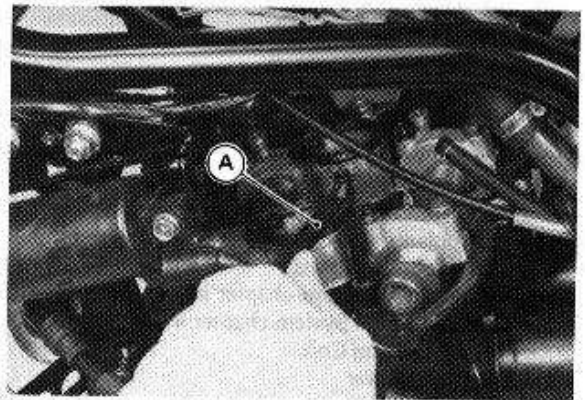


1. Number 1 Cylinders Camshafts

★ If the valve clearance is incorrect, the valve clearance must be adjusted.

### Valve Clearance Adjustment

- When adjusting the exhaust valve clearance, remove the following parts to insert the valve adjuster (special tool).
  - Radiator and Radiator Fan Motor
  - Right and Left Engine Brackets along with Ignition Coils
- Loosen the valve adjusting screw locknut by using the valve adjuster (special tool).



A. Valve Adjuster: 57001-1220

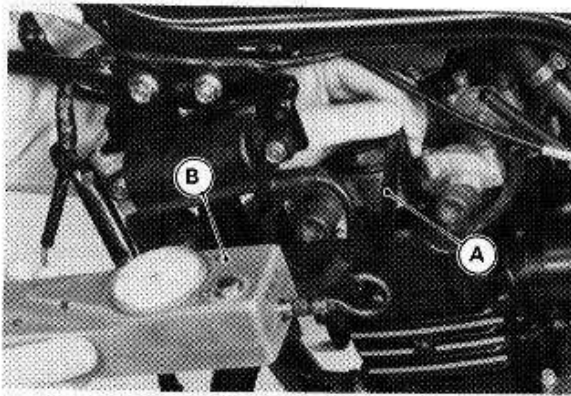
- Insert the thickness gauge (special tool: adjust gauge) between the cam lobe and the rocker arm.
- Turn the adjusting screw until the gauge drags in the clearance.

### Thickness Gauge: 57001-1221 Adjust Gauge



1. For Inlet Valve Adjustment
2. For Exhaust Valve Adjustment

- Apply oil to the nut seating surface.
- Tighten the locknut by the valve adjuster temporarily.
- Tighten the locknut to the specified torque (12 kg Force) while preventing the adjusting screw from turning with the locknut by using a push-pull gauge.



A. Valve Adjuster: 57001-1220 B. Push-Pull Gauge

- Reinstall the removed parts.
- Fill the engine with coolant and bleed air in the cooling system (see Cooling System chapter).

#### Valve Seat Inspection

- Remove the valve (see Cylinder Head Disassembly and Assembly).
- Coat valve seat with machinist's dye.
- Push the valve into the guide.
- Rotate the valve against the seat with a lapping tool.
- Pull the valve out, and check the seating pattern on the valve head. It must be the correct width and even all the way around.

#### Valve Seating Surface Width

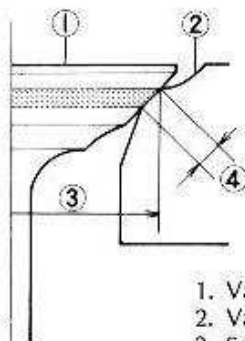
Inlet	0.5 – 1.0 mm
Exhaust	0.5 – 1.0 mm

#### NOTE

○ The valve stem and guide must be in good condition or this check will not be valid.

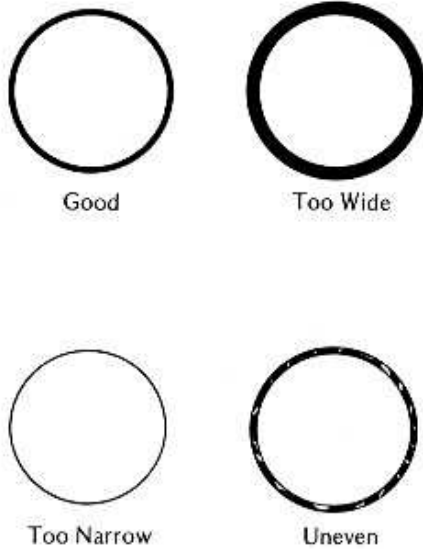
★ If the valve seating pattern is not correct, repair the seat (see Valve Seat Repair).

#### Valve Seating Area Dimensions



1. Valve
2. Valve Seat
3. Seating Area Outside diameter
4. Seating Area Width

**Valve Seating Pattern**



- Measure the outside diameter of the seating pattern on the valve seat.
- ★ If the outside diameter of the valve seating pattern is too large or too small, repair the seat (see Valve Seat Repair).

**Valve Seating Surface Outside Diameter**

Inlet	22.9 – 23.1 mm
Exhaust	20.3 – 20.5 mm

**Valve Seat Repair**

- Clean the cylinder head thoroughly (see Cylinder Head Cleaning).
- Use the following procedure and tools to repair the valve seat.

**Used Valve Seat Cutters**

Intake Valve and Exhaust Valve		
IN	45° – φ24.5	57001-1113
	32° – φ25.0	57001-1118
	67.5° – φ22.0	57001-1207
EX	45° – φ24.5	57001-1113
	32° – φ22.0	57001-1206
	67.5° – φ22.0	57001-1207

**Used Holder and Bar**

Holder – φ5	57001-1208
Bar	57001-1128

- ★ If the manufacturer's instructions are not available, use the following procedure.

**Seat Cutter Operating Care:**

1. This valve seat cutter is developed to grind the valve seat for repair. Therefore the cutter must not be used for other purposes than seat repair.
2. Do not drop or shock the valve seat cutter, or the diamond particles may fall off.
3. Do not fail to apply engine oil to the valve seat cutter before grinding the seat surface. Also wash off ground particles sticking to the cutter with washing oil.

**NOTE**

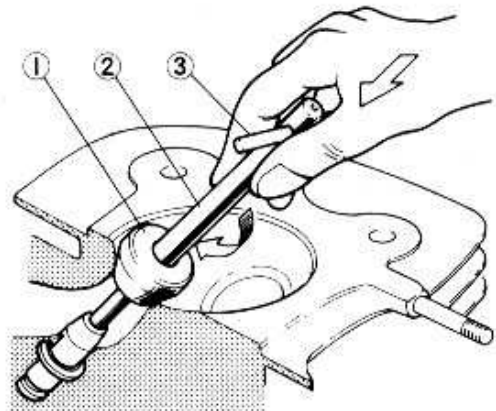
○ Do not use a wire brush to remove the metal particles from the cutter. It will take off the diamond particles.

4. Setting the valve seat cutter holder in position, operate the cutter in one hand. Do not apply too much force to the diamond portion.

**NOTE**

○ Prior to grinding, apply engine oil to the cutter and during the operation, wash off any ground particles sticking to the cutter with washing oil.

**Valve Seat Cutter**



1. Cutter
2. Cutter Holder
3. Bar

5. After use, wash it with washing oil and apply thin layer of engine oil before storing.

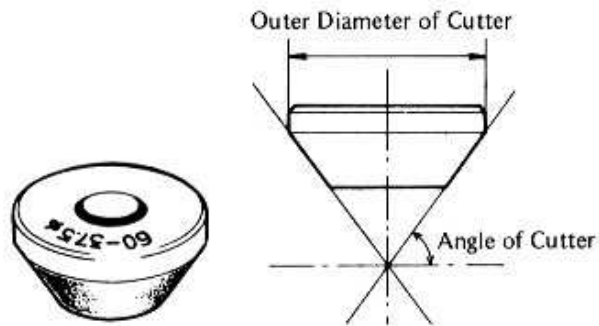
**Marks Stamped on the Cutter:**

The marks stamped on the back of the cutter represent the following.

- 60° ..... Cutter angle
- 37.5φ ..... Outer diameter of cutter

## 4-18 ENGINE TOP END

### Cutter



1. Outer Diameter of Cutter
2. Cutter Angle

### Operating Procedures:

- Clean the seat area carefully.
- Coat the seat with machinist's dye.
- Fit a  $45^\circ$  cutter to the holder and slide it into the valve guide.
- Press down lightly on the handle and turn it right or left. Grind the seating surface only until it is smooth.

### CAUTION

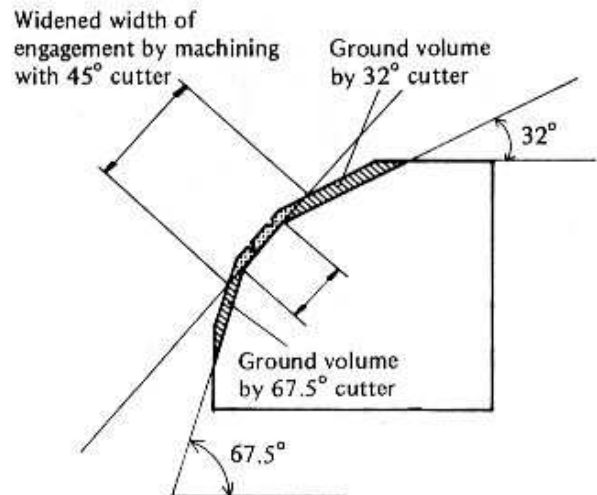
○ Do not grind the seat too much. Overgrinding will reduce valve clearance by sinking the valve into the head. If the valve sinks too far into the head, it will be impossible to adjust the clearance, and the cylinder head must be replaced.

- Measure the outside diameter of the seating surface with a vernier caliper.
- ★ If the outside diameter of the seating surface is too small, repeat the  $45^\circ$  grind until the diameter is within the specified range.
- ★ If the outside diameter of the seating surface is too large, make the  $32^\circ$  grind described below.
- ★ If the outside diameter of the seating surface is within the specified range, measure the seat width as described below.
- Grind the seat at a  $32^\circ$  angle until the seat O.D. is within the specified range.
- To make the  $32^\circ$  grind, fit a  $32^\circ$  cutter to the holder, and slide it into the valve guide.
- Turn the holder one turn at a time while pressing down very lightly. Check the seat after each turn.

### CAUTION

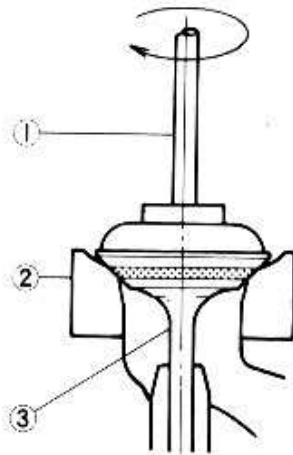
○ The  $32^\circ$  cutter removes material very quickly. Check the seat outside diameter frequently to prevent overgrinding.

### Valve Seat Repair



- After making the  $32^\circ$  grind, return to the seat O.D. measurement step above.
- To measure the seat width, use a vernier caliper to measure the width of the  $45^\circ$  angle portion of the seat at several places around the seat.
- ★ If the seat width is too narrow, repeat the  $45^\circ$  grind until the seat is slightly too wide, and then return to the seat O.D. measurement step above.
- ★ If the seat width is too wide, make the  $67.5^\circ$  grind described below.
- ★ If the seat width is within the specified range, lap the valve to the seat as described below.
- Grind the seat at a  $67.5^\circ$  angle until the seat width is within the specified range.
- To make the  $67.5^\circ$  grind, fit a  $67.5^\circ$  cutter to the holder, and slide it into the valve guide.
- Turn the holder, while pressing down lightly.
- After making the  $67.5^\circ$  grind, return to the seat width measurement step above.
- Lap the valve to the seat, once the seat width and O.D. are within the ranges specified above.
- Put a little coarse grinding compound on the face of the valve in a number of places around the valve head.
- Spin the valve against the seat until the grinding compound produces a smooth, matched surface on both the seat and the valve.
- Repeat the process with a fine grinding compound.
- The seating area should be marked about in the middle of the valve face.
- ★ If the seat area is not in the right place on the valve, check to be sure the valve is the correct part. If it is, it may have been refaced too much; replace it.
- Be sure to remove all grinding compound before assembly.
- When the engine is assembled, be sure to adjust the valve clearances (see Valve Clearance Adjustment).

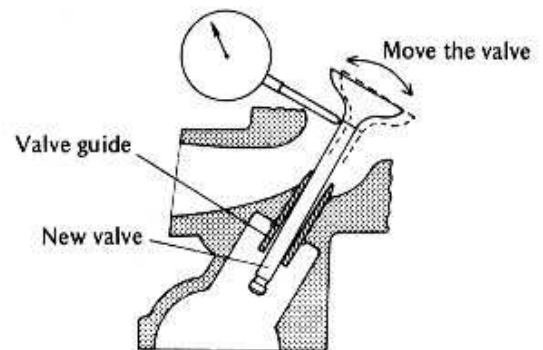
## Valve Lapping



1. Lapper  
2. Valve Seat

3. Valve

## Wobble Method



### Measuring Valve-to Guide Clearance (Wobble Method)

If a small bore gauge is not available, inspect the valve guide wear by measuring the valve to valve guide clearance with the wobble method, as indicated below.

- Insert a new valve into the guide against the stem perpendicular to it as close as possible to the cylinder head mating surface.
- Move the stem back and forth to measure valve/valve guide clearance.
- Repeat the measurement in a direction at a right angle to the first.
- ★ If the reading exceeds the service limit, replace the guide.

#### NOTE

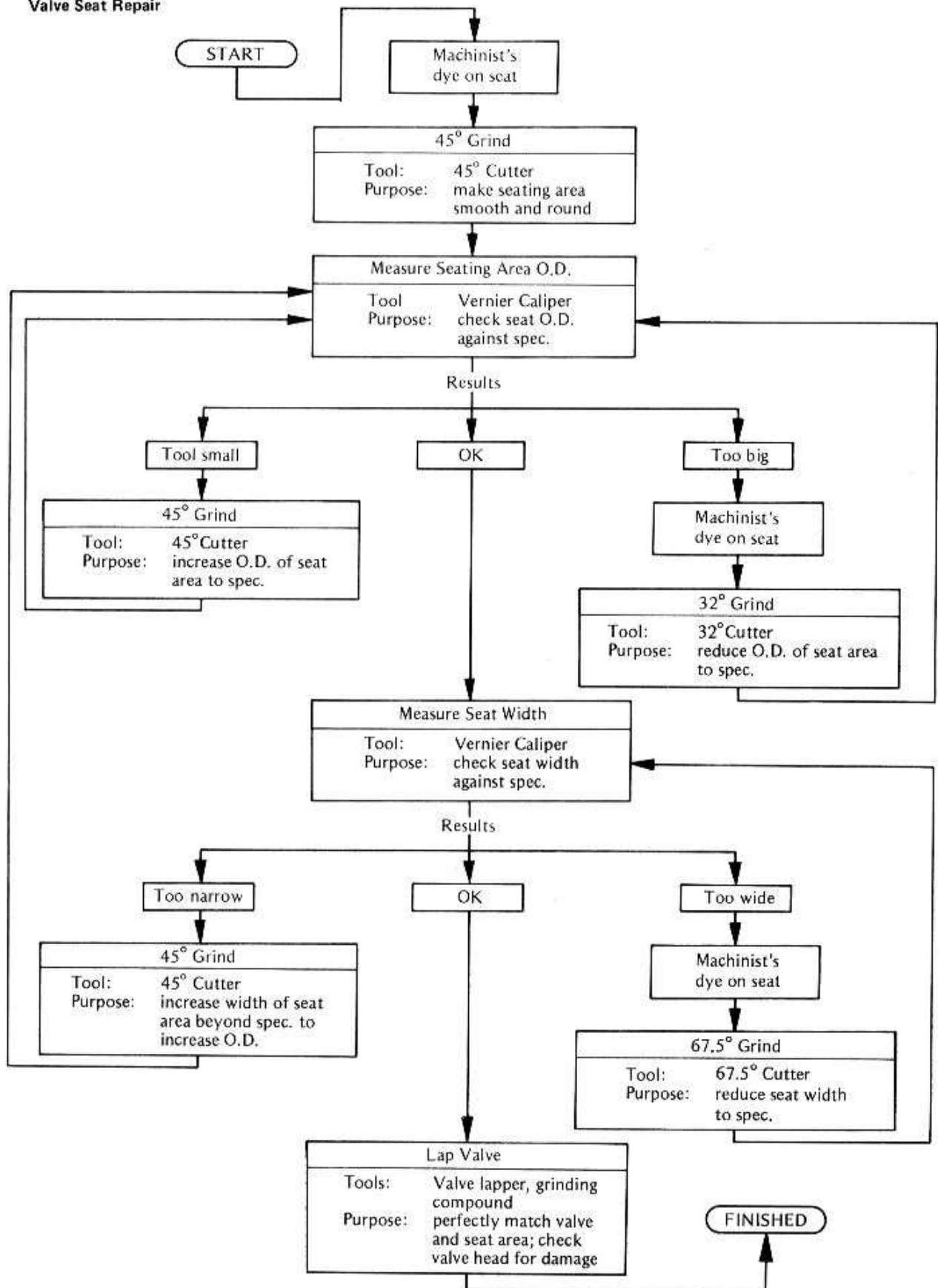
○ The reading is not actual valve/valve guide clearance because the measuring point is above the guide.

### Valve/Valve Guide Clearance (Wobble Method)

	Standard	Service Limit
Inlet	0.03 – 0.10 mm	0.24 mm
Exhaust	0.08 – 0.15 mm	0.29 mm

## 4-20 ENGINE TOP END

### Valve Seat Repair



## Cylinder, Piston

### Cylinder Removal

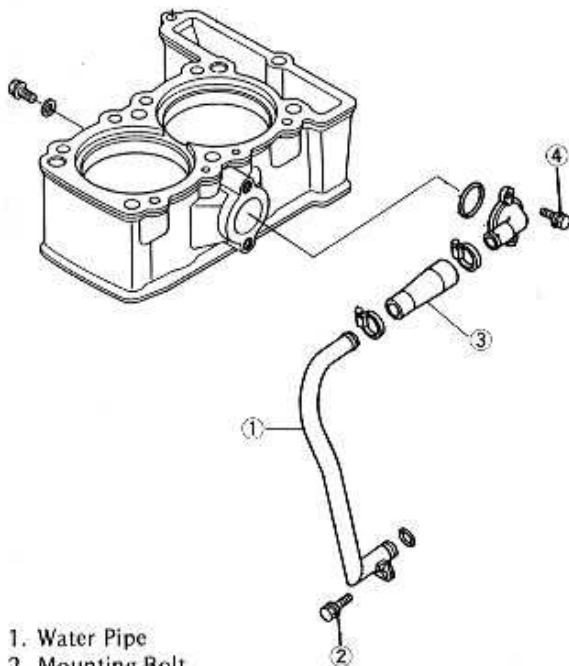
- Remove the following parts before cylinder and piston removal.

Position the crankshaft at compression stroke TDC for the Number 2 piston, and then turn the clockwise about 90°.

- Fairing
- Fuel Tank
- Coolant Draining
- Radiator
- Muffler
- Carburetor (Pull the rearward)
- Camshaft Chain Tensioner
- Rear Camshaft Chain Guide Bolt (Upper)
- Cylinder Head Cover
- Cylinder Head

- Remove the water pipe mounting bolt and take off the pipe from the water pump.
- Remove the cylinder, and then remove the water hose from the cylinder.

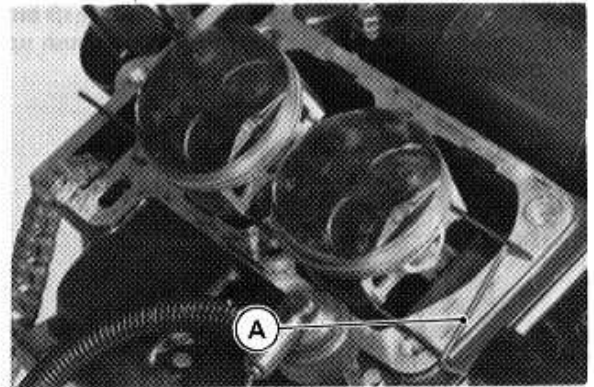
### Water Pipe and Hose



- Water Pipe
- Mounting Bolt
- Water Hose
- Mounting Bolts

### Cylinder Installation Notes

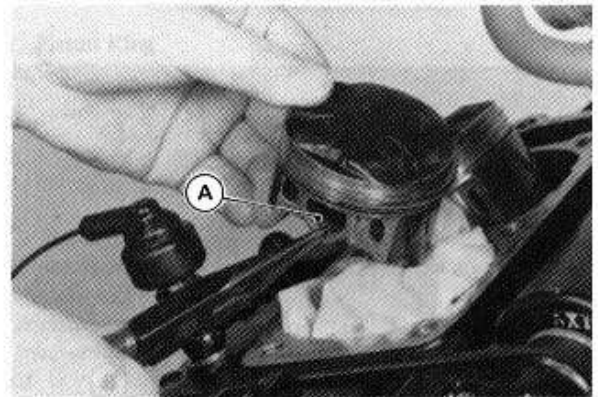
- Apply a engine oil to the cylinder bores, piston rings, and piston skirt.
- Replace the cylinder base gasket with a new one.
- Slip piston base (special tool) as shown if necessary to hold piston level.



A. Piston Base: 57001-149

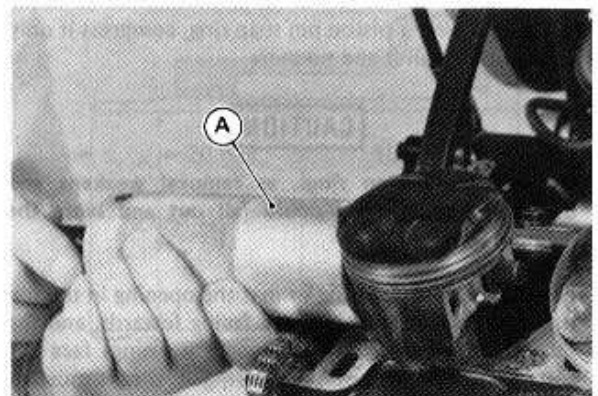
### Piston Removal

- Remove the piston pin snap ring from the outside of each piston.
- Be sure to place a clean cloth under the piston to prevent the snap ring from falling into the crankcase.



A. Snap Ring

- Remove the piston by pushing its piston pin out the side that the snap ring was removed. Use piston pin puller assembly (special tool), if the pin is tight.



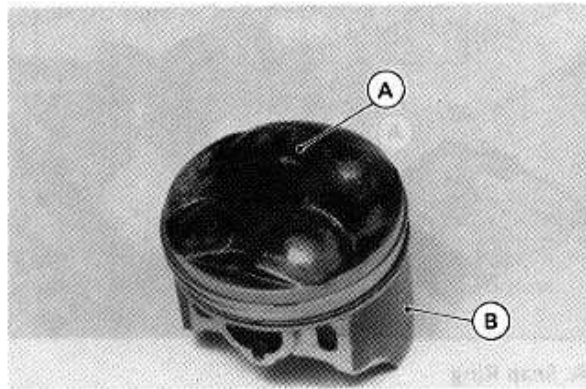
A. Piston Pin Puller Assembly: 57001-910

## 4-22 ENGINE TOP END

- When the top, second and oil rings for carefully spread the ring opening with your thumbs and then push up on the opposit side of the ring to remove it.

### *Piston Installation Note*

- The arrow on the Top of the piston must point toward front.



A. Arrow

B. Piston

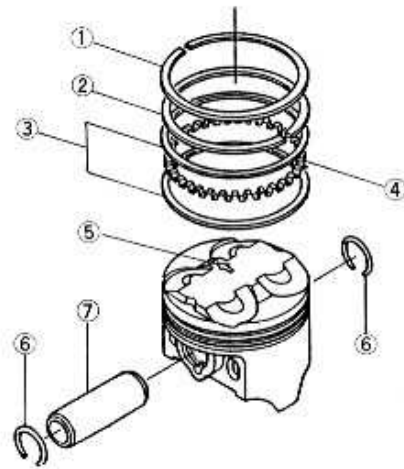
- When installing a piston pin snap ring, compress it only enough to install it and no more.

### **CAUTION**

- Do not reuse snap rings, as removal weakens and deforms them. They could fall out and score the cylinder wall.

- Position each piston ring so that the opening in the top ring and oil ring steel rails are facing fowards, and the second ring and oil ring expander openings face the rear. The openings of the oil ring steel rails must be about 30 – 40° of angle from the opening of the top ring.

### Piston Ring Installation



- |                         |               |
|-------------------------|---------------|
| 1. Top Ring             | 5. Arrow Mark |
| 2. Second Ring          | 6. Snap Ring  |
| 3. Oil Ring Steel Rails | 7. Piston Pin |
| 4. Oil Ring Expander    |               |

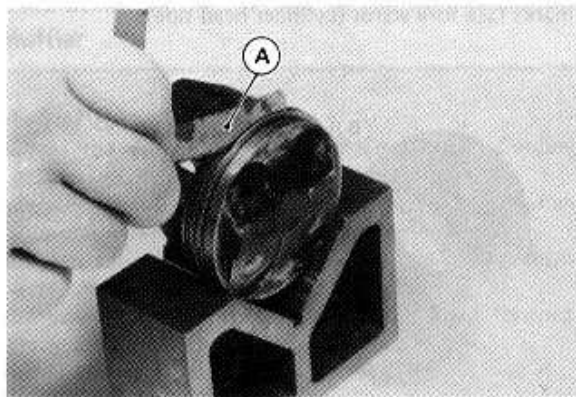
- Install the oil ring upper and lower steel rails. There is no UP or DOWN to the rails. They can be installed either way.

**Piston Ring, Piston Ring Groove Wear**

- Check for uneven groove wear by inspecting the ring seating.
- ★The rings should fit perfectly parallel to the groove surfaces. If not, the piston must be replaced.
- With the piston rings in their grooves, make several measurements with a thickness gauge to determine piston ring/groove clearance.

**Piston Ring Groove Clearance**

	Standard	Service Limit
Top, Second	0.02 – 0.06 mm	0.16 mm



A. Thickness Gauge

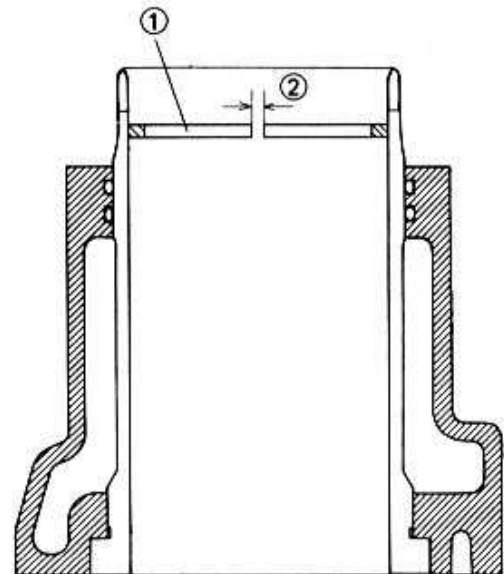
**Piston Ring End Gap**

- Place the piston ring inside the cylinder, using the piston to locate the ring squarely in place. Set it close to the bottom of the cylinder, where cylinder wear is low.
- Measure the gap between the ends of the ring with a thickness gauge.

**Piston Ring End Gap**

	Standard	Service Limit
Top, Second	0.30 – 0.45 mm	0.80 mm
Oil	0.2 – 0.8 mm	1.1 mm

**End Gap Measurement**

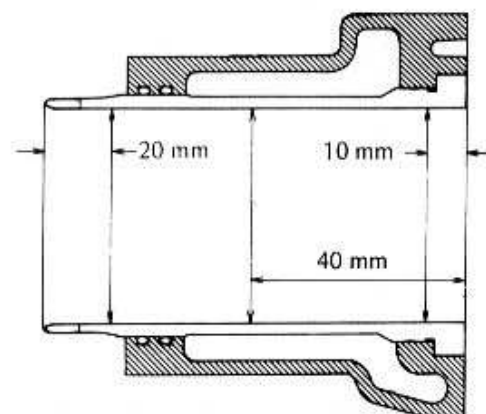


1. Piston Ring
2. Gap

**Cylinder Inside Diameter**

- Since there is a difference in cylinder wear in different directions, take a side-to-side and a front-to-back measurement at each of the 3 locations (total of 6 measurements) shown in the figure.
- ★If any of the cylinder inside diameter measurements exceeds the service limit, the cylinder will have to be bored to oversize and then honed.

**Cylinder Inside Diameter Measurement**



## 4-24 ENGINE TOP END

### Cylinder Inside Diameter

<b>Standard:</b>	<b>62.000 – 62.012 mm and less than 0.01 mm difference between any two measurements</b>
<b>Service Limit:</b>	<b>62.10 mm or more than 0.05 mm difference between any two measurements.</b>

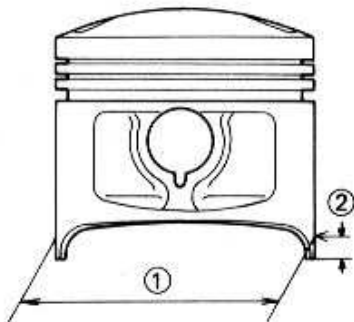
### Piston Diameter

- Measure the outside diameter of each piston 5 mm up from the bottom of the piston at a right angle to the direction of the piston pin.
- ★ If the measurement is under the service limit, replace the piston.

### Piston Diameter

<b>Standard</b>	<b>Service Limit</b>
<b>61.942 – 61.957 mm</b>	<b>61.80 mm</b>

### Piston Diameter Measurement



1. Piston Diameter
2. 5 mm

### Boring, Honing

When boring and honing a cylinder, note the following:

- There is one size of oversize piston available. Oversize piston require oversize ring.

Oversize Piston and Ring

0.5 mm Oversize

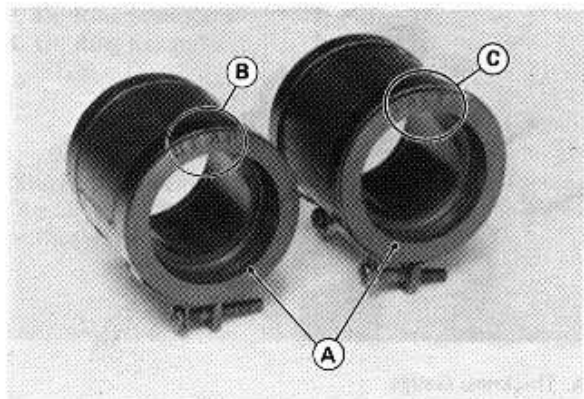
- Before boring a cylinder, first measure the exact diameter of the oversize piston, and then, according to the standard clearance in the Service Data Section, determine the rebore diameter. However, if the amount of boring necessary would make the inside diameter greater than **0.5 mm** oversize, the cylinder block must be replaced.
- Be wary of measurements taken immediately after boring since the heat affects cylinder diameter.

- In the case of a rebored cylinder and oversize piston, the service limit for the cylinder is the diameter that the cylinder was bored to plus **0.1 mm** and the service limit for the piston is the oversize piston original diameter minus **0.15 mm**. If the exact figure for the rebored diameter is unknown, it can be roughly determined by measuring the diameter at the base of the cylinder.
- Never separate the liner from the cylinder, because the top surface of cylinder and liner is machined at the factory as an assembly.

### Carburetor Holder

#### Carburetor Holder Installation

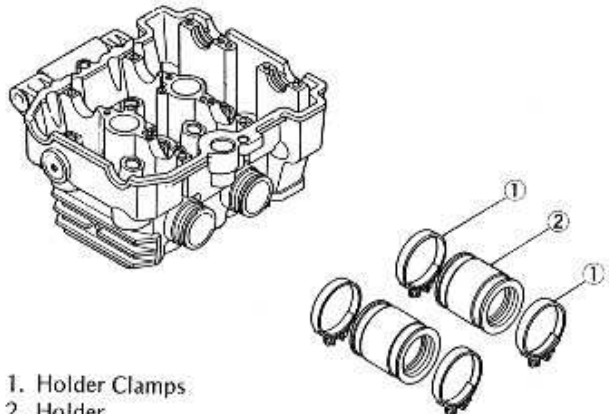
- Install the carburetor holders so that the "HEAD" marks face forward (cylinder head side).



A. Carburetor Holder C. "CARB" Mark  
B. "HEAD" Mark

- Install the holder clamps as shown being careful of the screw position and the screw head direction.

#### Carburetor Holder Clamps Installation



1. Holder Clamps  
2. Holder

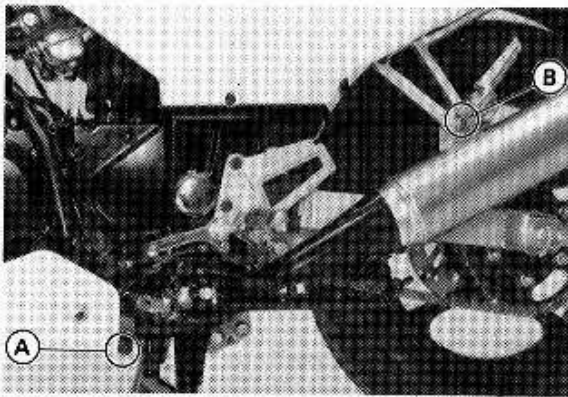
**WARNING**

- Install the clamp screws horizontal. Or the screws could come in contact with the vacuum adjusting screws, resulting in an unsafe riding condition.

**Muffler**

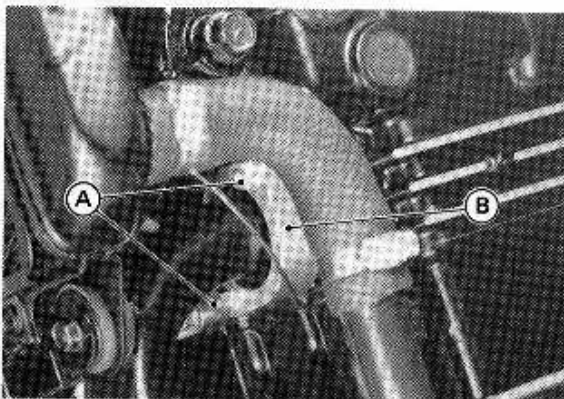
*Muffler Removal*

- Loosen the muffler clamp bolt until the clamp turns freely on the muffler.
- Remove the muffler mounting bolt and nut at the rear footpeg bracket, and take off each muffler.
- Repeat the same procedure on the other side of the vehicle.
- Take off each muffler.



A. Clamp      B. Muffler Mounting Bolt and Nut

- Remove the following parts.  
 Lower Fairing (see Frame chapter)  
 Lower Fairing Stay  
 Exhaust Pipe Holders  
 Split Keepers



A. Nuts      B. Exhaust Pipe Holder

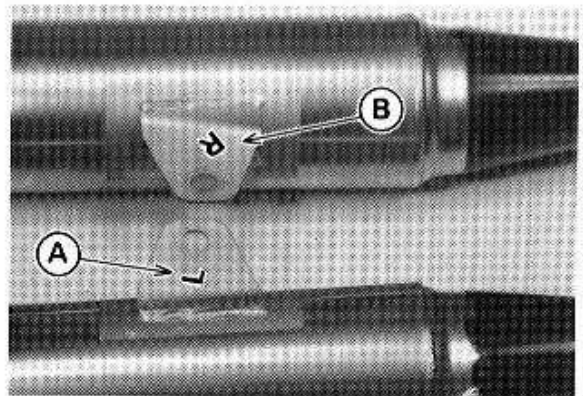
- Pull the exhaust pipe toward the front.
- Remove the exhaust pipe holders and gaskets.

**CAUTION**

- Be careful not to touch the radiator fins during work. The fins are easily deformed.

*Muffler Installation*

- Refer to the Base Manual noting the following.
- The left-hand muffler has an L mark and the right-hand muffler a R mark. Be careful not to mix them up.



A. L Mark      B. R Mark



abstract

# Clutch

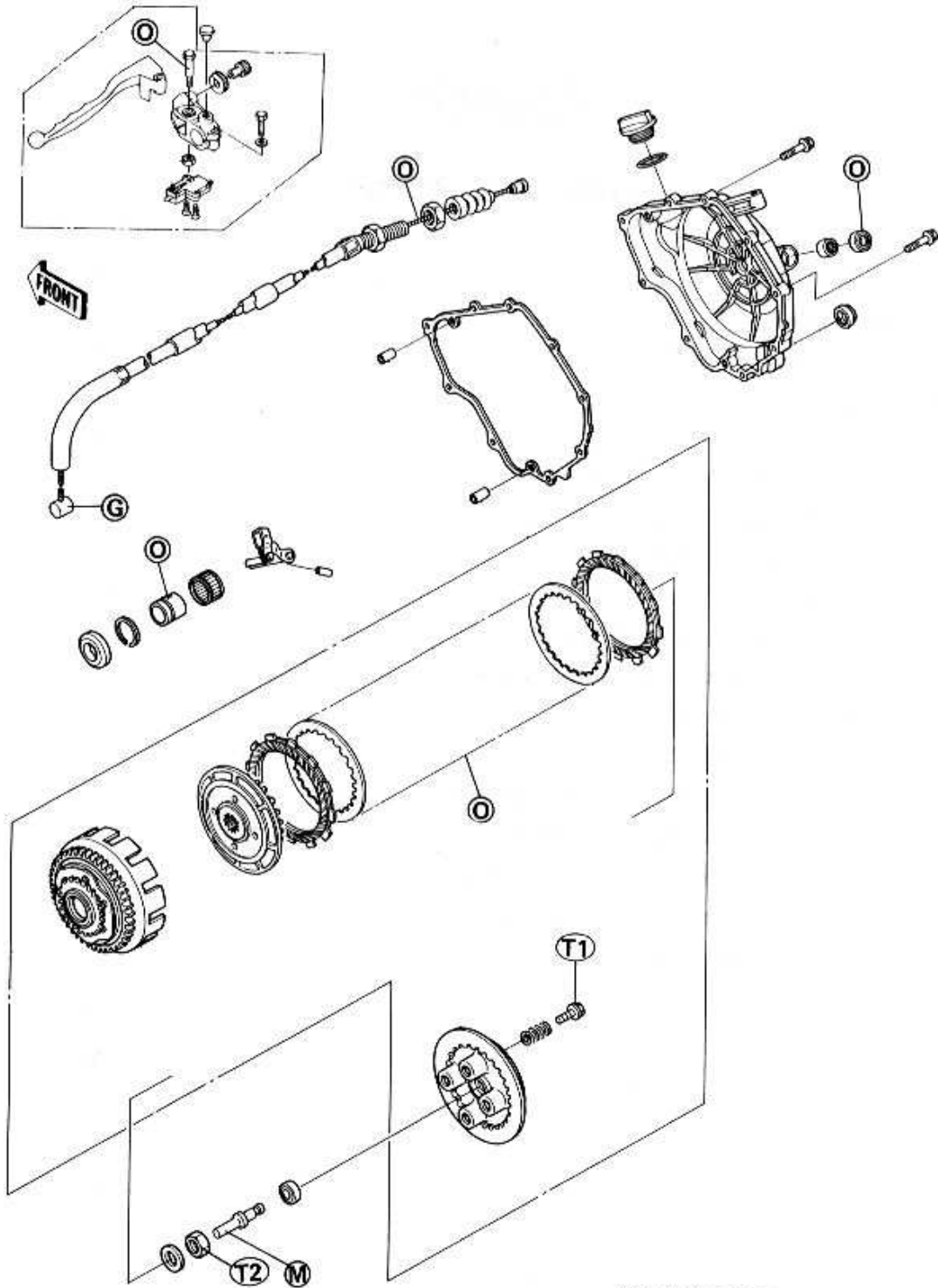
## Table of Contents

Exploded View .....	5-2
Specifications .....	*
Special Tools .....	5-3
Sealant .....	5-3
Clutch .....	5-3
Clutch Adjustment Check .....	*
Clutch Adjustment .....	*
Clutch Cover Removal .....	*
Clutch Cover Installation Note .....	5-3
Clutch Release Lever (Shaft) Removal .....	5-3
Clutch Release Lever (Shaft) Installation Notes .....	*
Clutch Removal .....	*
Clutch Installation Notes .....	*
Friction Plate Wear, Damage Inspection .....	*
Friction or Steel Plate Warp Inspection .....	*
Clutch Spring Free length Measurement .....	*
Clutch Housing Finger Inspection .....	*
Clutch Hub Spline Inspection .....	*

\* : Base Manual

## 5-2 CLUTCH

### Exploded View



- G : Apply grease.
- L : Apply non-permanent locking agent.
- M : Apply molybdenum disulfide grease.
- O : Apply engine oil.
- T1 : 8.8 N-m (0.90 kg-m, 78 in-lb)
- T2 : 130 N-m (13.5 kg-m, 98 ft-lb)

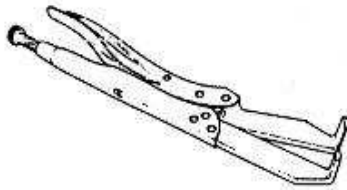
.....  
**Specifications**  
 .....

Item	Standard	Service Limit
<b>Clutch:</b>		
Clutch lever play	2 – 3 mm	— — —
Clutch Spring free length	32.6 mm	31.7 mm
Friction plate thickness	2.9 – 3.1 mm	2.8 mm
Friction and steel plate warp	Less than 0.2 mm	0.3 mm

.....  
**Special Tools**  
 .....

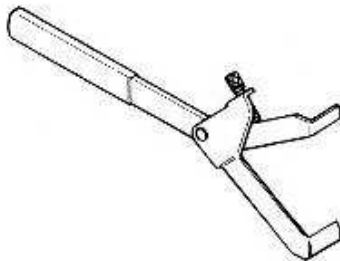
Along with common hand tools, the following more specialized tool is required for complete clutch servicing.

**Clutch Hub Holder: 57001-305**

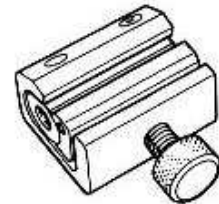


**Clutch Holder: 57001-1243**

○ This clutch holder may be used instead of the clutch holder (special tool: PN 57001-305).



**Pressure Cable Luber: K56019-021**



.....  
**Sealant**  
 .....

**Kawasaki Bond (Silicone Sealant): 56019-120**



## 5-4 CLUTCH

### Clutch

Due to the friction plate wear and clutch cable stretch over a long period of use, the clutch must be adjusted in accordance with the Periodic Maintenance Chart.

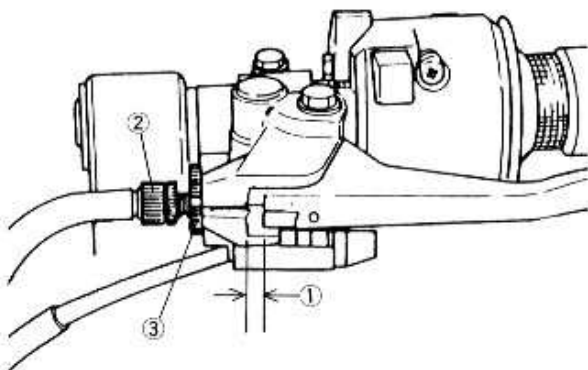
#### WARNING

○To avoid a serious burn, never touch the engine or exhaust pipe during clutch adjustment.

#### Clutch Adjustment Check

- Pull the clutch lever just enough to take up the free play.
- Measure the gap between the lever and the lever bracket.

#### Clutch Lever Free Play

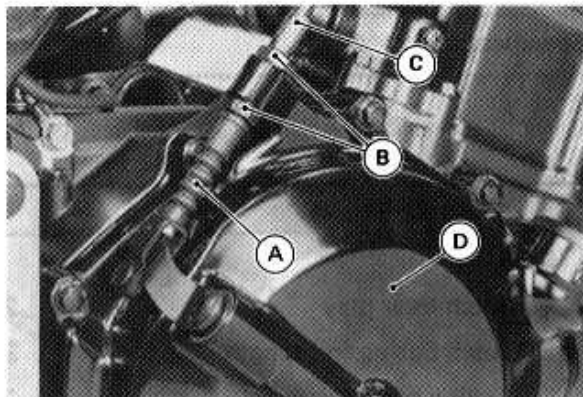


1. Clutch Lever Free Play 2 ~ 3 mm      3. Locknut  
2. Adjuster

★If the gap is too wide, the clutch may not release fully.  
If the gap is too narrow, the clutch may not engage fully. In either case, adjust the clutch.

#### Clutch Adjustment

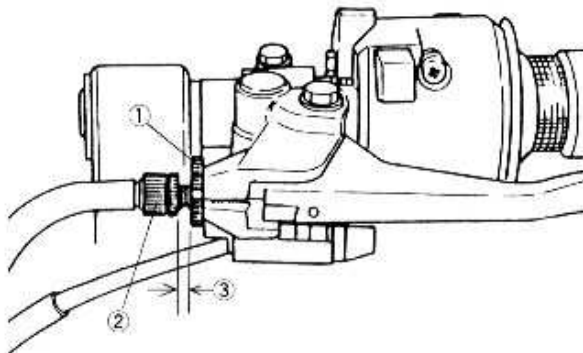
- Loosen the knurled locknut at the clutch lever.
- Turn the adjuster so that the clutch lever will have 2 ~ 3 mm of play.
- Tighten the locknut.
- ★If it cannot be done, use the adjusting nuts at the lower end of the cable.
- Loosen the lower cable adjusting nuts at the clutch cover as far as they will go.



- A. Dust Cover      C. Clutch Cable  
B. Adjusting Nuts      D. Clutch Cover

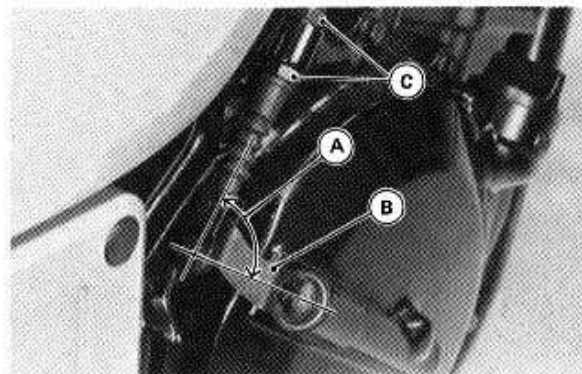
- Loosen the knurled locknut at the clutch lever.
- Turn in the adjuster so that 5 ~ 6 mm of threads are visible.

#### Clutch Adjuster Clearance



1. Locknut      3. 5 ~ 6 mm  
2. Adjuster

- Pull the clutch outer cable tight and tighten the lower cable adjusting nuts against the bracket.
- At this time, check that the clutch release lever to clutch cable angle is 80 ~ 90°.



- A. 80 ~ 90°      C. Adjusting Nuts  
B. Release Lever

- Turn the adjuster at the clutch lever until the free play is correct.

- ★If the clutch cannot be adjusted by this method, inspect the clutch parts.
- Tighten the knurled locknut at the clutch lever.

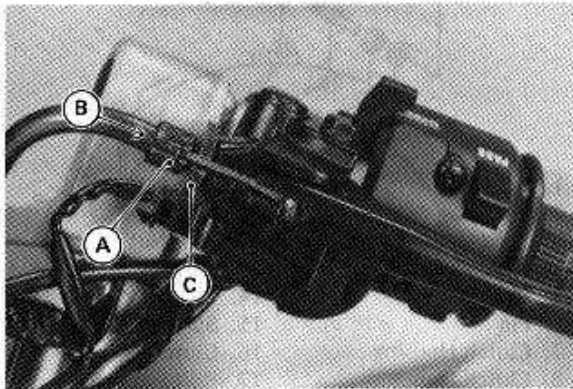
**NOTE**

○Be sure that the outer cable end at the clutch lever is fully seated in the adjuster at the clutch lever, or it could slip into place later, creating enough cable play to prevent clutch disengagement.

- After the adjustment is made, start the engine and check that the clutch does not slip and that it releases properly.

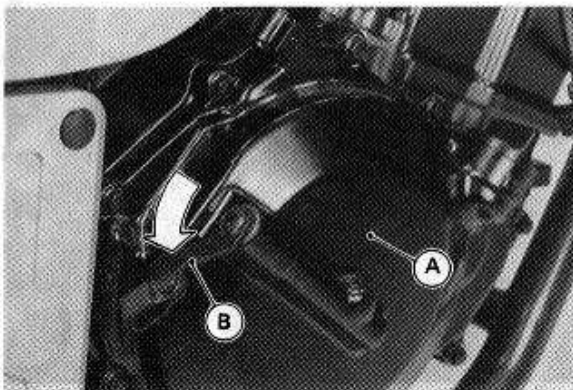
**Clutch Cover Removal**

- Drain the engine oil (see Engine oil Change in Engine Lubrication System chapter).
- Loosen the nuts, and slide the lower end of the clutch cable to give the cable plenty of play.
- Loosen the knurled locknut at the clutch lever, and screw in the adjuster.
- Line up the slots in the clutch lever, knurled locknut, and adjuster, and then free the cable from the lever.



A. Adjuster                      C. Knurled Locknut  
B. Slot

- Remove the clutch cable lower end from the release lever.
- Turn the release lever counterclockwise about 90°.
- Remove the clutch cover bolts and take off the cover.

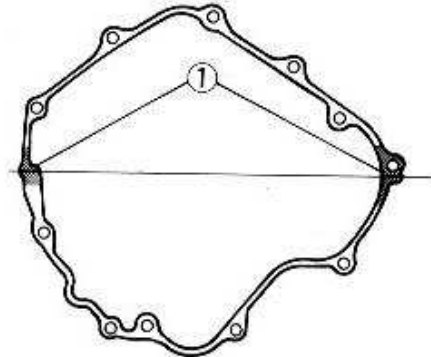


A. Clutch Cover              B. Release Lever

**Clutch Cover Installation Note**

- Replace the clutch cover gasket with a new one.

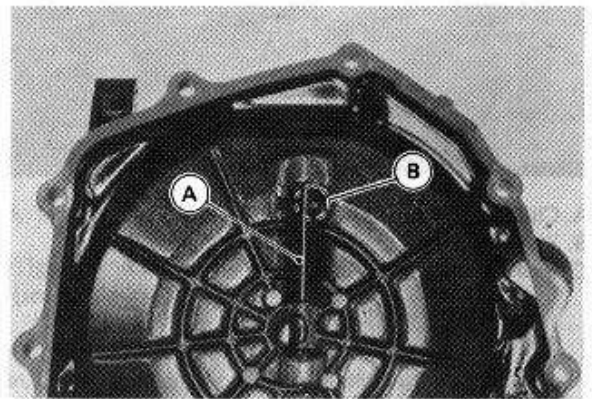
- Apply silicone sealant partially to the crankcase halves mating surface on the front and rear sides of the cover mount.



1. Silicone Sealant Applied Areas

**Clutch Release Lever (Shaft) Removal**

- Remove the clutch cover.
- Turn the release lever forward as shown.
- Take the pin off of the release shaft.

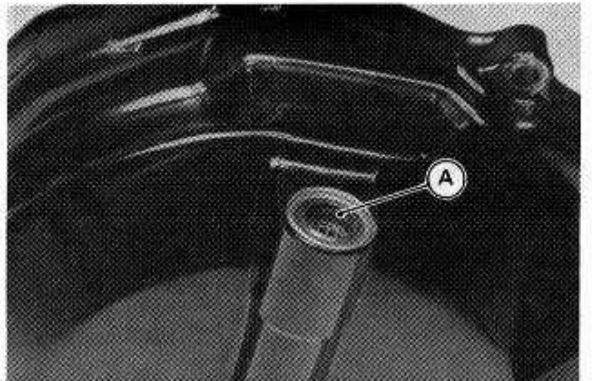


A. Release Shaft              B. Pin

- Pull the release shaft out of the cover.

**Clutch Release Lever (Shaft) Installation Note**

- Release lever installation is the reverse of removal.
- Inspect the oil seal and replace if necessary.
- Do not remove the clutch release lever and shaft assembly unless it is absolutely necessary. If removed, the oil seal replacement may be required.

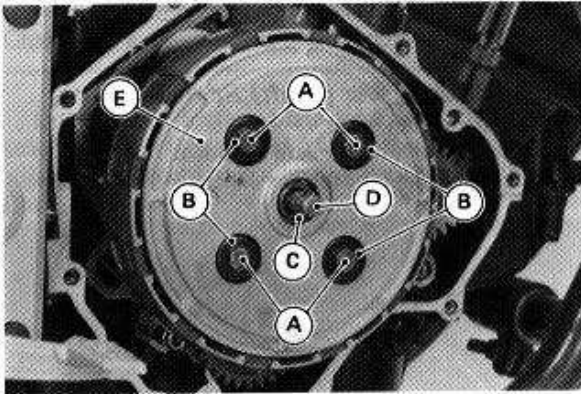


A. Oil Seal

## 5-6 CLUTCH

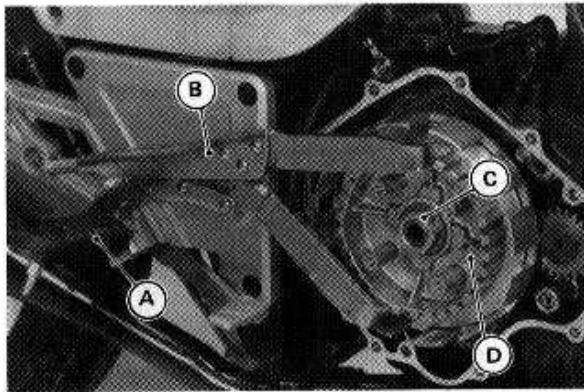
### Clutch Removal

- Remove the clutch cover.
- Remove the clutch spring bolts, washers, and springs; then take off the clutch spring plate with the bearing and pusher.



A. Clutch Spring Bolts  
B. Washers  
C. Bearing  
D. Pusher  
E. Clutch Spring Plate

- Remove the friction plates and steel plates as a set.
- Remove the clutch hub nut. When loosening the hub nut, use the clutch hub holder (special tool) to keep the clutch hub from turning as shown.



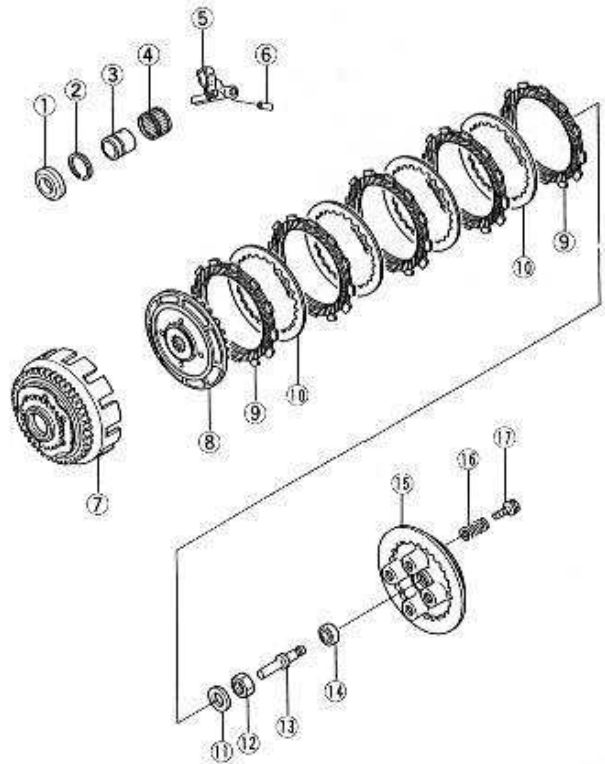
A. Right Footpeg  
B. Holder: 57001-305  
C. Hub Nut  
D. Clutch Hub

- Remove the thrust washer, clutch hub, clutch housing, needle bearing, collar, and spacer.

### Clutch Installation Notes

- Clutch installation is the reverse of removal. Pay attention to the following items.

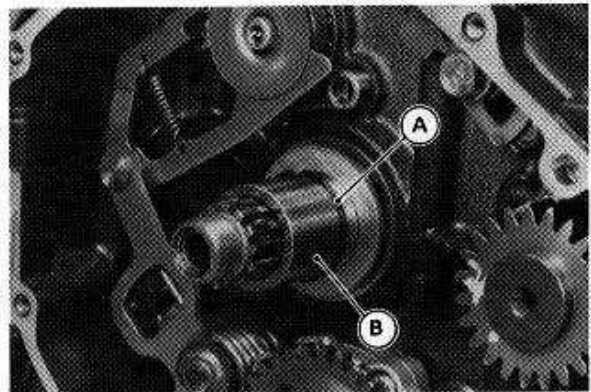
### Clutch Parts



- |                   |                   |
|-------------------|-------------------|
| 1. Spacer         | 10. Clutch Plate  |
| 2. Circlip        | 11. Washer        |
| 3. Collar         | 12. Hub Nut       |
| 4. Needle Bearing | 13. Pusher        |
| 5. Release Lever  | 14. Spring Plate  |
| 6. Pin            | 15. Spring Plate  |
| 7. Clutch Housing | 16. Clutch Spring |
| 8. Clutch Hub     | 17. Bolt          |
| 9. Friction Plate |                   |

○ Install the spacer with the chamfered side facing inwards.

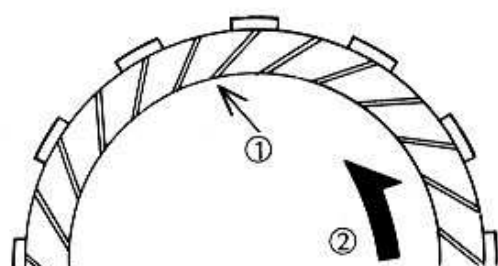
○ Install the collar with the attached circlip side inwards.



A. Circlip  
B. Collar

- When installing the clutch housing, mesh the oil pump drive gear with the oil pump gear so that the pump gear is turning.
- Discard the used hub nut, and install a new nut.
- Install the clutch hub holder (special tool: 57001-305) to keep the clutch hub from turning and tighten the clutch hub nut to the specified torque (see Exploded Views).
- Install the friction plates and steel plates, starting with a friction plate and alternating them.
- The grooves on the friction plate surfaces are cut tangentially and radially; install the friction plates so that the grooves run toward the center in the direction of clutch housing rotation (counterclockwise viewed from the engine right side).

#### Friction Plate Installation



1. Oil Groove

2. Direction of Rotation

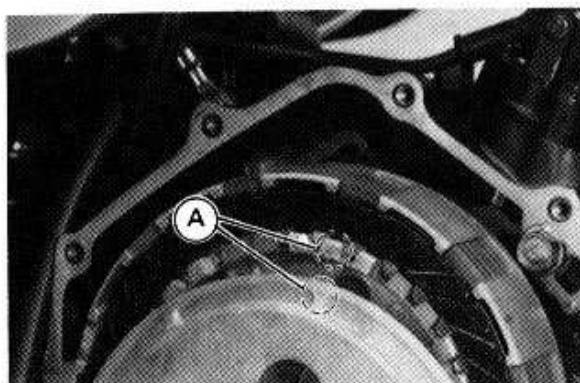
#### CAUTION

- If new dry steel plates and friction plates are installed, apply engine oil to the surfaces of each plate to avoid clutch plate seizure.

- Fit the spring plate back into place, aligning the mark on the plate with the mark on the clutch hub.

#### CAUTION

- Misalignment of the spring plate can cause clutch drag (when it is disengaged), or clutch slipping.



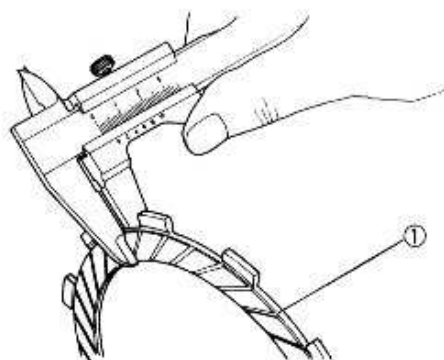
A. Marks

- Tighten the clutch spring bolts to the specified torque (see Exploded View).

#### Friction Plate Wear, Damage Inspection

- Visually inspect the friction plates to see if they show any signs of seizure, overheating, or uneven wear.
- ★If any plates show signs of damage, replace the friction plates and steel plates as a set.
- Measure the thickness of the friction plates at several points.
- ★If any of the measurements is less than the service limit, replace the friction plate.

#### Friction Plate Thickness Measurement



1. Friction Plate

#### Friction Plate Thickness

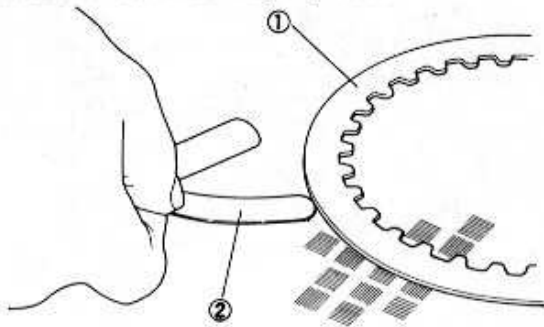
Standard:	2.9 – 3.1 mm
Service Limit:	2.8 mm

#### Friction or Steel Plate Warp Inspection

- Place each friction plate or steel plate on a surface plate, and measure the gap between the surface plate and each friction plate or steel plate. The gap is the amount of friction or steel plate warp.
- ★If any plate is warped over the service limit, replace it with a new one.

## 5-8 CLUTCH

### Friction or Steel Plate Warp Inspection



1. Friction or Steel Plate    2. Thickness Gauge

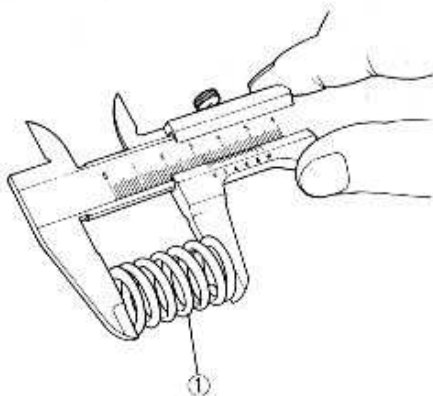
### Friction and Steel Plate Warp

<b>Standard:</b>	<b>less than 0.2 mm</b>
<b>Service Limit:</b>	<b>0.3 mm</b>

### Clutch Spring Free Length Measurement

- Since the spring becomes shorter as it weakens, check its free length to determine its condition.
- ★ If any of the springs is shorter than the service limit, it must be replaced.

### Clutch Spring Free Length Measurement



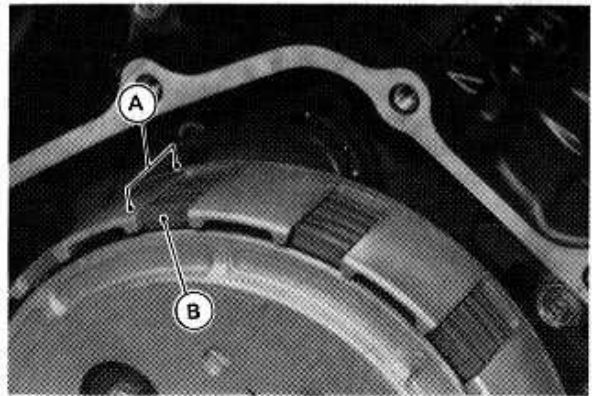
1. Clutch Spring

### Clutch Spring Free Length

<b>Standard:</b>	<b>32.6 mm</b>
<b>Service Limit:</b>	<b>31.7 mm</b>

### Clutch Housing Finger Inspection

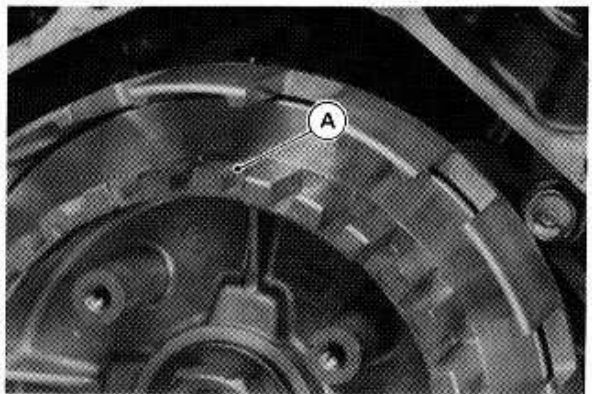
- Visually inspect the fingers of the clutch housing where the tangs of the friction plates hit them.
- ★ If they are badly worn or if there are grooves cut where the tangs hit, replace the housing. Also, replace the friction plates if their tangs are damaged.



A. Clutch Housing Finger    B. Friction Plate Tang

### Clutch Hub Spline Inspection

- Visually inspect where the teeth on the steel plates wear against the splines of the clutch hub.
- ★ If there are notches worn into the splines, replace the clutch hub. Also, replace the steel plates if their teeth are damaged.



A. Clutch Hub Spline

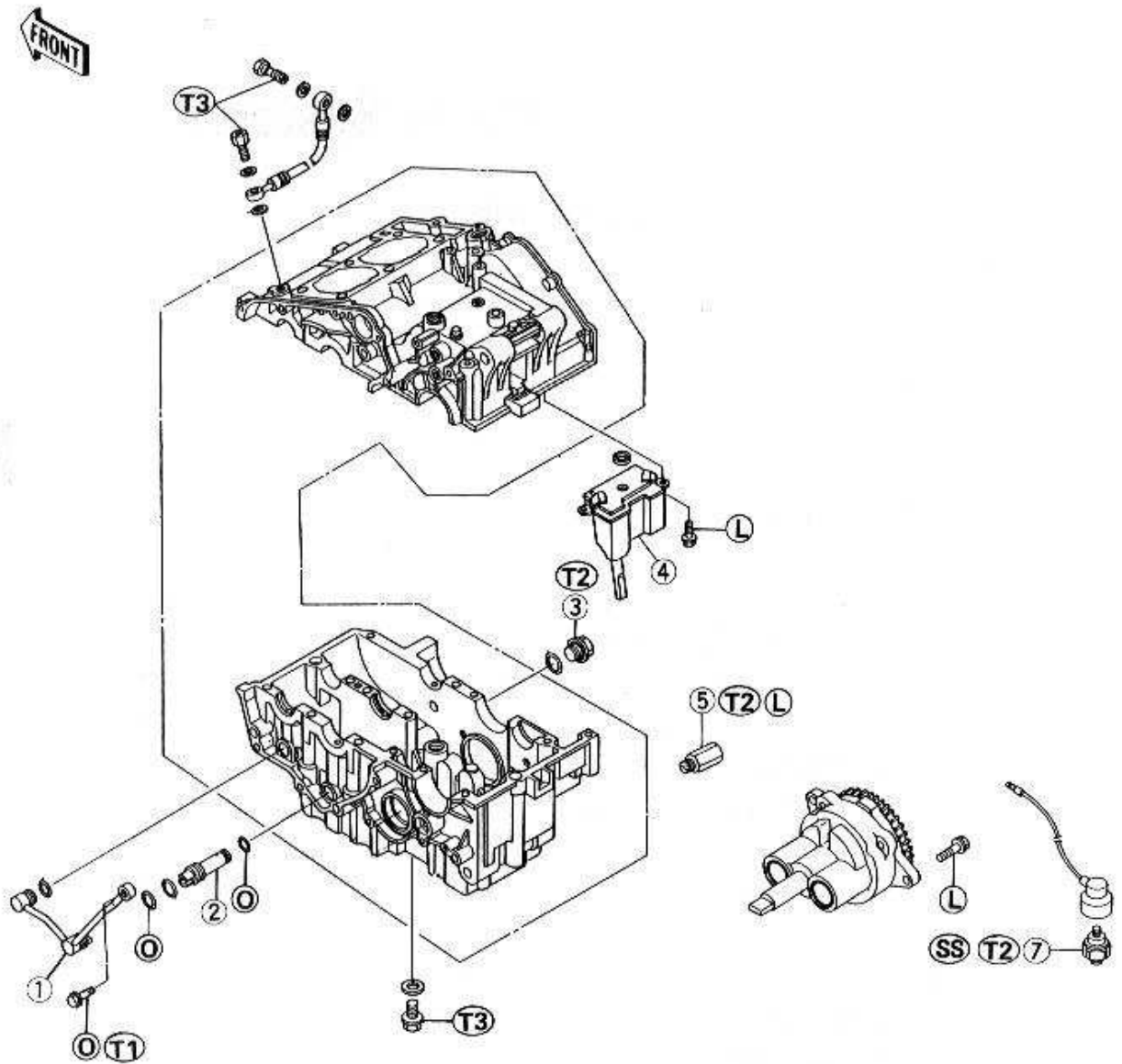
# Engine Lubrication System

## Table of Contents

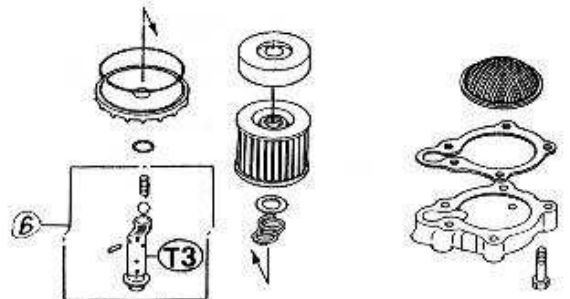
Exploded View .....	6-2
Engine Oil Flow Chart .....	*
Specifications .....	*
Special Tools .....	*
Sealant .....	6-2
Engine Oil and Filter .....	*
Engine Oil Level Inspection .....	*
Engine Oil and/or Filter Change .....	*
Oil Filter and Mounting Bolt Removal .....	*
Oil Filter and Mounting Bolt Installation Notes .....	*
Bypass Valve Disassembly .....	*
Bypass Valve Assembly .....	*
Bypass Valve Cleaning and Inspection .....	*
Relief Valve Removal .....	*
Relief Valve Installation Note .....	*
Oil Pump .....	*
Oil Pump Removal .....	*
Oil Pump Installation Notes .....	*
Oil Pump Disassembly .....	*
Oil Pump Assembly .....	*
Oil Pressure Measurement .....	*
Oil Pump Inspection .....	*
Relief Valve Inspection .....	*

## 6-2 ENGINE LUBRICATION SYSTEM

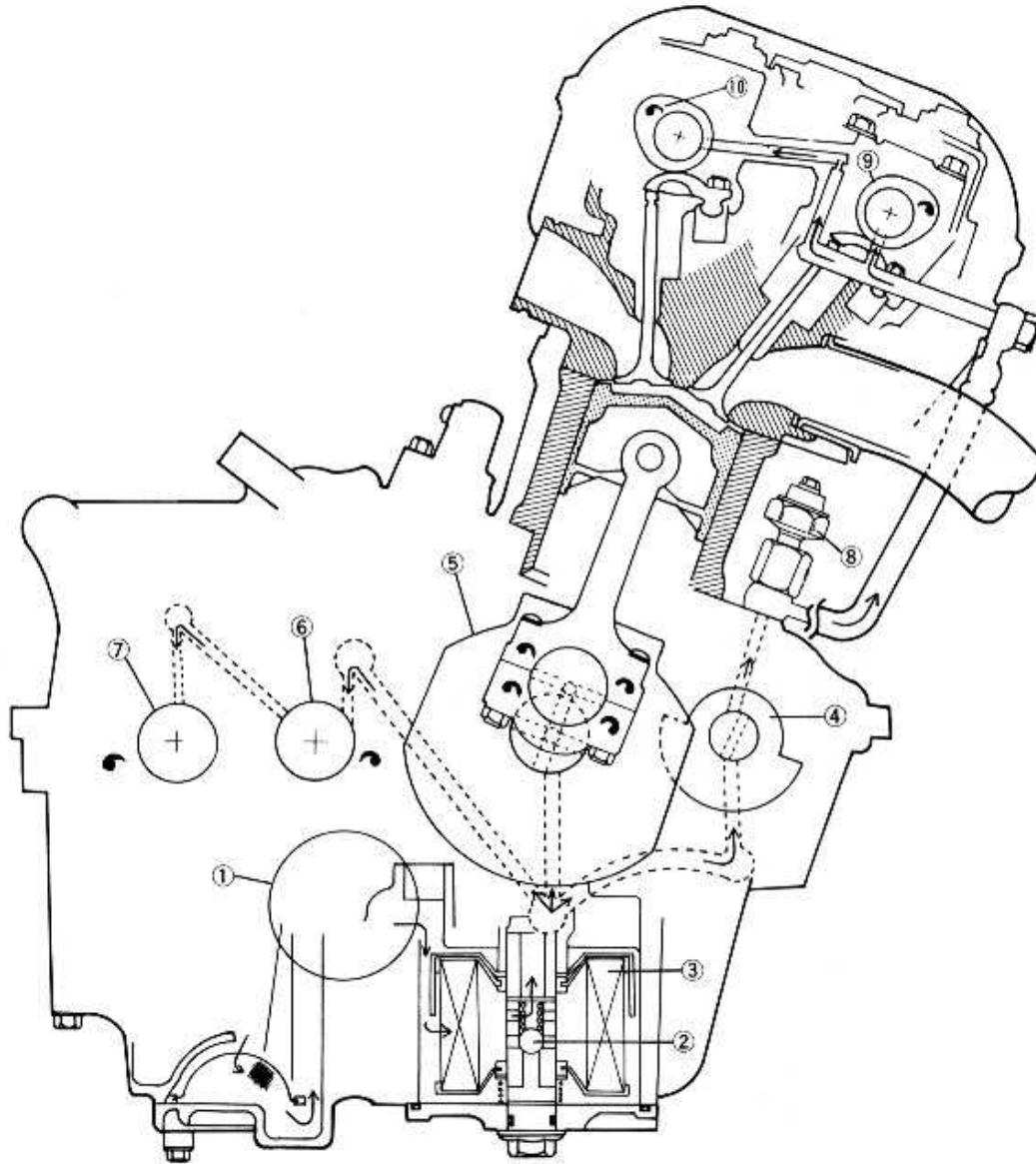
### Exploded View



1. Oil Pipe
  2. Oil Passage Pipe
  3. Oil Passage Plug
  4. Oil Breather
  5. Relief Valve
  6. Oil Filter Bolt
  7. Oil Pressure Switch
- L : Apply non-permanent locking agent to the threads.  
 O : Apply engine oil.  
 SS: Apply silicone sealant to the threads.
- T1: 12 N-m (1.2 kg-m, 104 in-lb)  
 T2: 15 N-m (1.5 kg-m, 11.0 ft-lb)  
 T3: 20 N-m, (2.0 kg-m, 14.5 ft-lb)

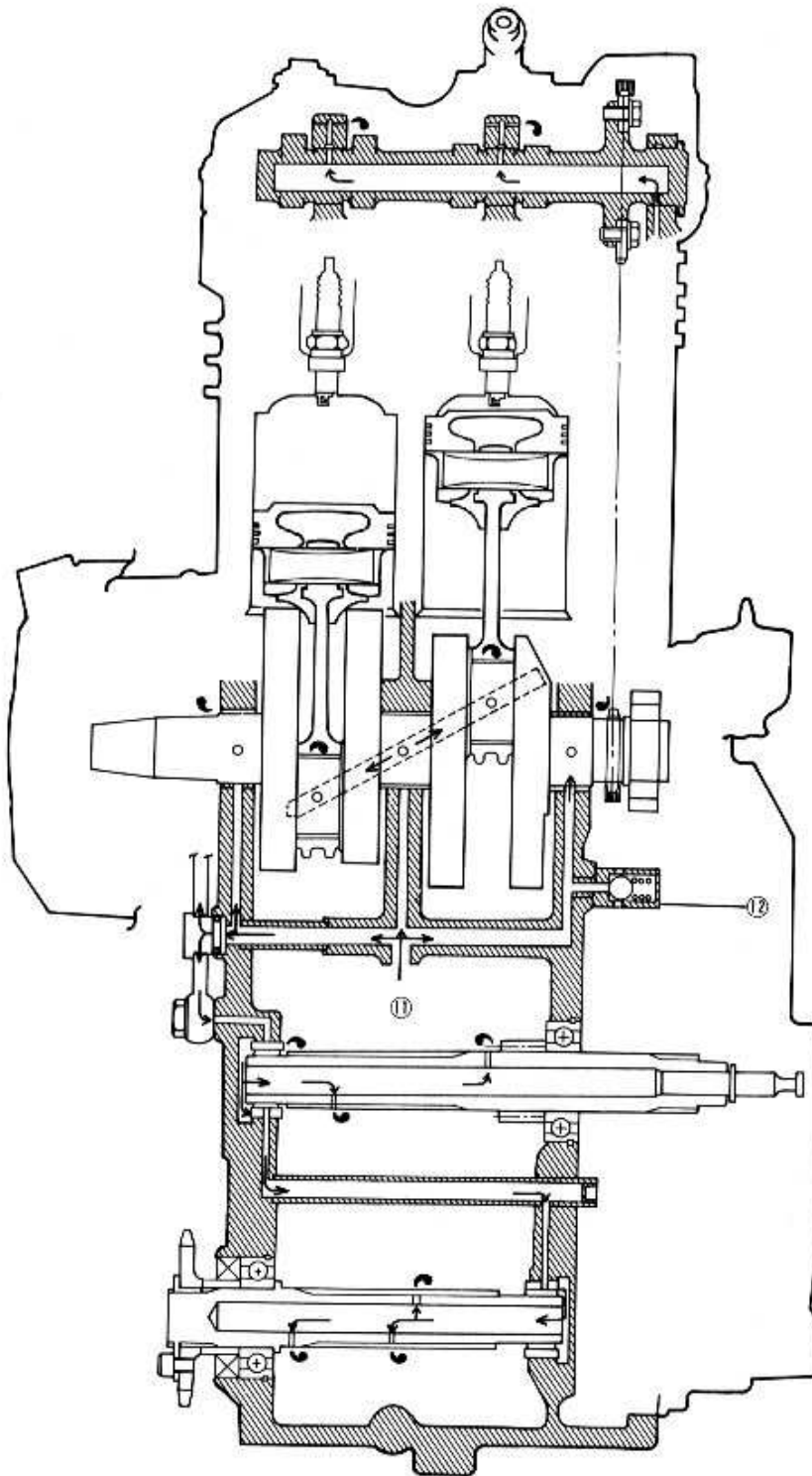


.....  
Engine Oil Flow Chart  
.....



1. Oil Pump
2. Bypass Valve
3. Oil Filter
4. Balancer Shaft
5. Crankshaft
6. Drive Shaft
7. Output Shaft
8. Oil Pressure Switch
9. Exhaust Camshaft
10. Inlet Camshaft

## 6-4 ENGINE LUBRICATION SYSTEM



- 11. Oil Flow from Oil Pump
- 12. Relief Valve

.....  
**Specifications**  
 .....

Item		Standard
Engine oil:	Grade	SE or SF class
	Viscosity	SAE 10W40, 10W50, 20W40, or 20W50
	Required amount	1.5 L (when filter is not removed)
		1.9 L (when filter is removed)
Level	Between upper and lower levels	
Relief valve opening pressure		430 -- 590 kPa (4.4 -- 6.0 kg/cm <sup>2</sup> , 63 -- 85 psi)
Oil Pressure @4,000 r/min (rpm), oil temp. 90° C (194° F)		More than 343 kPa (3.5 kg/cm <sup>2</sup> , 49.8 psi)

.....  
**Special Tools**  
 .....

Along with common hand tools, the following more specialized tools are required for complete engine lubrication system servicing.

**Oil Pressure Gauge: 57001-164**



**Oil Pressure Gauge Adapter: 57001-1188**



.....  
**Sealant**  
 .....

**Kawasaki Bond (Silicone Sealant): 56019-120**



## 6-6 ENGINE LUBRICATION SYSTEM

### Engine Oil and Filter

#### WARNING

Motorcycle operation with insufficient, deteriorated, or contaminated engine oil will cause accelerated wear and may result in engine or transmission seizure, accident, and injury.

#### Engine Oil Level Inspection

If the oil has just been changed, start the engine and run it for several minutes at idle speed. This fills the oil filter with oil. Stop the engine, then wait several minutes until the oil settles.

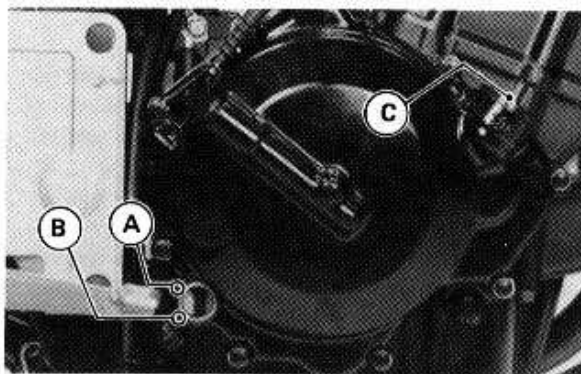
#### CAUTION

Racing the engine before the oil reaches every part can cause engine seizure.

- If the motorcycle has just been used, wait several minutes for all the oil to drain down.
- Situate the motorcycle so that it is perpendicular to the ground, and check the engine oil level through the oil level gauge.
- The oil level should come up between the upper and lower level lines.
- If the oil level is too high, remove the excess oil, using a syringe or some other suitable device.
- If the oil level is too low, add the correct amount of oil through the oil filler opening. Use the same type and make of oil that is already in the engine.

#### NOTE

If the engine oil type and make are unknown, use any brand of the specified oil to top up the level in preference to running the engine with the oil level low. Then at your earliest convenience, change the oil completely.



A. Upper Level  
B. Lower Level

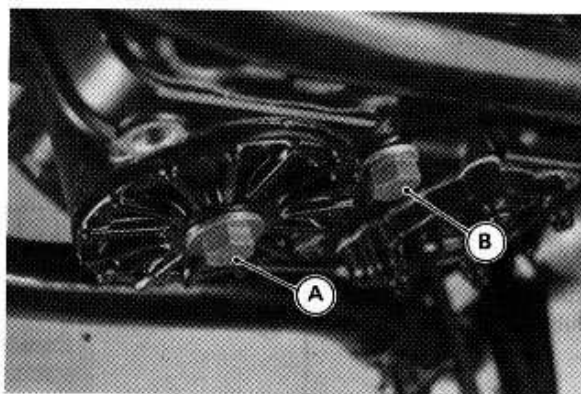
C. Oil Filler Opening Cap

#### CAUTION

If the engine oil gets extremely low or if the oil pump or oil passages clog up or otherwise do not function properly, the oil pressure warning light will light. If this light stays on when the engine is running above idle speed, stop the engine immediately and find the cause.

#### Engine Oil and/or Filter Change

- Warm up the engine so that the oil will pick up any sediment and drain easily. Then stop the engine.
- With the motorcycle up on its center stand, place an oil pan beneath the engine.
- Remove the engine drain plug, and let the oil drain completely.



A. Drain Plug

B. Oil Filter Mounting Bolt

- If the oil filter is to be changed, replace it with a new one (see Oil Filter and Mounting Bolt Removal and Installation Notes).
- Check the gasket at the drain plug for damage.
- Replace the gasket with a new one if it is damaged.
- After the oil has completely drained out, install the drain plug with the gasket, and tighten it to the specified torque (see Exploded View).
- Fill the engine with a good quality motor oil specified in the table.
- Check the oil level.

#### Engine Oil

Grade: SE or SF class  
Viscosity: SAE 10W40, 10W50,  
20W40, or 20W50

#### Required Amount

When filter is not removed: 1.5 L  
When filter is removed: 1.9 L

## ENGINE LUBRICATION SYSTEM 6-7

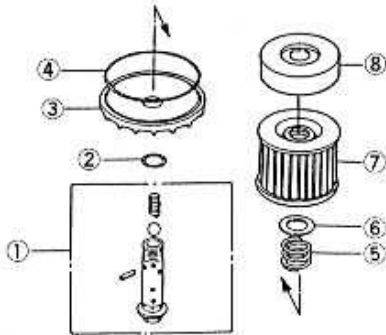
### Oil Filter and Mounting Bolt Removal

- With the motorcycle up on its center stand, place an oil pan beneath the engine.
- Unscrew the oil filter mounting bolt and drop out the filter.
- Take off the oil fence, and then holding the filter steady, turn the mounting bolt to work the filter free and take the filter off the bolt.
- Remove the flat washer and spring, then pull the filter cover off the bolt.
- The oil filter bypass valve is assembled in the mounting bolt.

### Oil Filter and Mounting Bolt Installation Notes

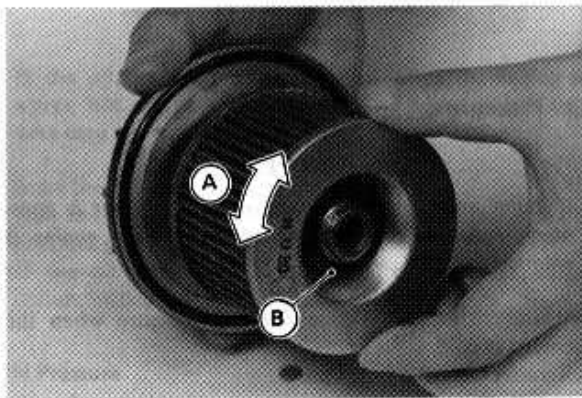
- Check that the O-rings are in good condition.
- ★ If they are damaged, replace them with new ones.

### Oil Filter and Mounting Bolt Installation



1. Mounting Bolt (including Bypass Valve)
2. O-ring
3. Filter Cover
4. O-ring
5. Spring
6. Washer
7. Oil Filter
8. Filter Cover

- Apply oil to the mounting bolt, turn the filter or the mounting bolt to work the filter into place. Be careful that the filter grommets do not slip out of place.



A. Turn the filter.

B. Grommet

- Install the oil filter and filter cover then tighten the mounting bolt to the specified torque (see Exploded View).
- Add engine oil (see Oil Level Inspection).

### Bypass Valve Disassembly

- Remove the oil filter. Oil draining is not necessary.
- Drive the retaining pin out of the filter mounting bolt.
- Drop out the spring and the bypass valve steel ball.

### Bypass Valve Assembly

- Drop the bypass valve steel ball into the filter mounting bolt.
- Put the spring into the mounting bolt and compress it beyond the small hole.
- Drive the retaining pin into the small hole to hold the spring.
- Install the oil filter.

### Bypass Valve Cleaning and Inspection

- Remove the oil filter.
- Disassemble the bypass valve.
- Clean the bypass valve parts in a high flash-point solvent.

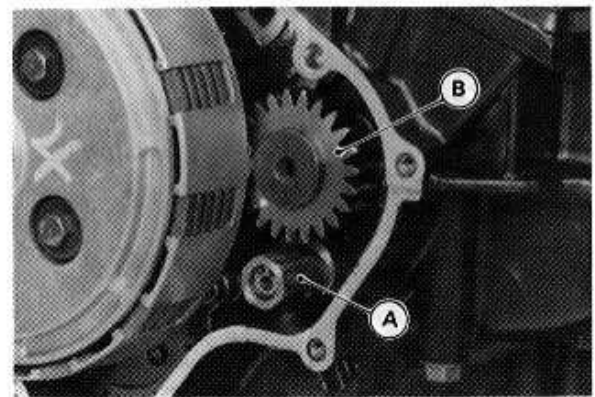
### WARNING

- Clean the parts in a well-ventilated area, and take care that there is no spark or flame anywhere near the working area. Because of the danger of highly flammable liquids, do not use gasoline or low flash-point solvent.

- Visually inspect the bypass valve parts.
- ★ If there is any damaged part, replace it.

### Relief Valve Removal

- Remove the clutch cover.
- Unscrew the oil pressure relief valve from the crankcase.



A. Relief Valve

B. Primary Gear

## 6-8 ENGINE LUBRICATION SYSTEM

### Relief Valve Installation Note

- Apply a non-permanent locking agent on the valve threads, and tighten the valve to the specified torque (see Exploded View).

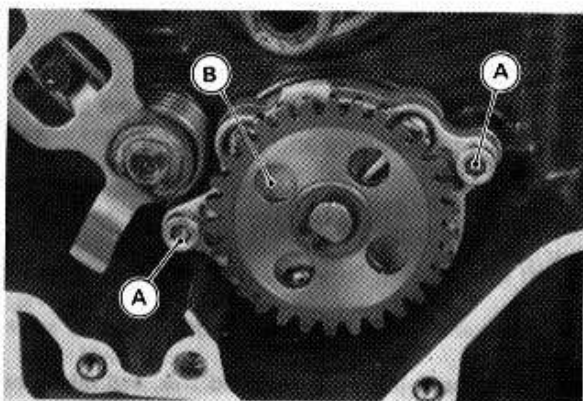
---

### Oil Pump

---

#### Oil Pump Removal

- Remove the clutch cover (see Clutch Cover Removal in Clutch chapter).
- Remove the clutch (see Clutch Removal in Clutch chapter).
- Remove the oil pump mounting Allen bolts.

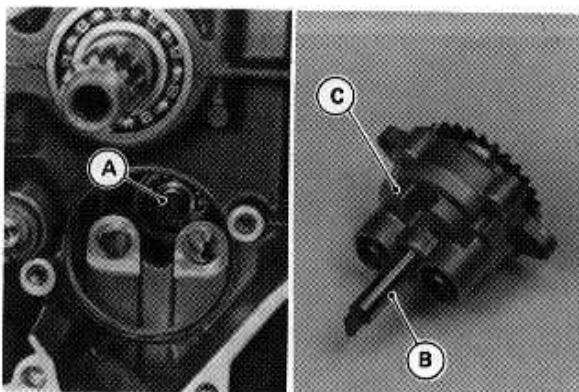


A. Allen Bolts      B. Oil Pump

- Pull the oil pump off the crankcase.

#### Oil Pump Installation Notes

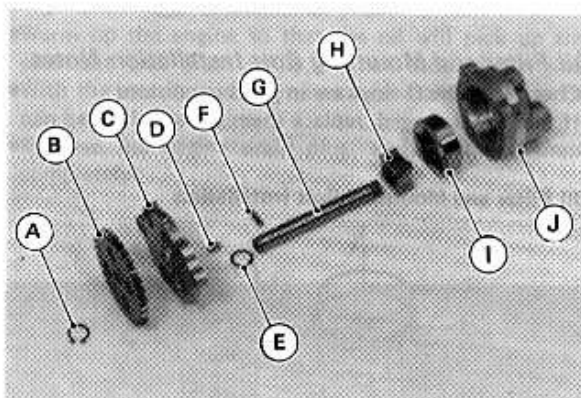
- Fill the oil pump with engine oil for initial lubrication.
- Apply a non-permanent locking agent to the threads of the pump Allen bolts.
- When installing the oil pump, note the position of the water pump shaft slot and turn the oil pump shaft so that the projection fits into the slot.



A. Water Pump Shaft      C. Oil Pump  
B. Oil Pump Shaft

#### Oil Pump Disassembly

- Remove the oil pump.
- Remove the circlip with circlip pliers (special tool) on the pump shaft end.
- Take off the gear from the shaft.
- Unscrew the oil pump cover screws, and take off the cover.
- Pull the oil pump shaft, washer, pin, inner rotor, and outer rotor from the pump.



A. Circlip      E. Washer      H. Inner Rotor  
B. Gear      F. Pin      I. Outer Rotor  
C. Pump Cover      G. Pump Shaft      J. Pump Body  
D. Pin

#### Oil Pump Assembly Note

- After completing the oil pump assembly, check that the rotor shaft and rotor turn smoothly.

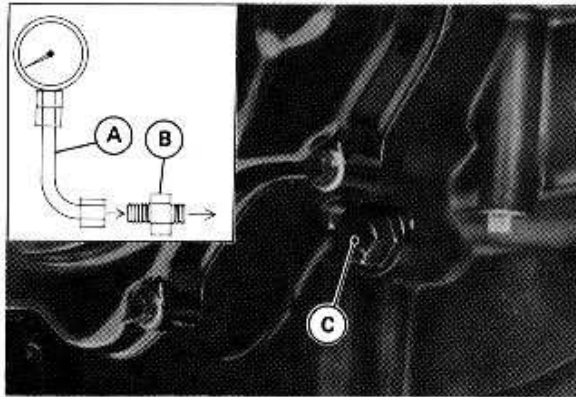
#### Oil Pressure Measurement

##### NOTE

○If relief valve opening pressure measurement is necessary, measure the oil pressure before the engine is warmed up.

- Measure the relief valve opening pressure when the engine is cold.
- Remove the oil passage plug.
- Install the oil pressure gauge and adapter (special tools).

## ENGINE LUBRICATION SYSTEM 6-9



- A. Oil Pressure Gauge: 57001-164
- B. Adapter: 57001-1188
- C. Plug

Start the engine, and read the oil pressure gauge while running the engine at various speeds. A normal relief valve keeps the maximum oil pressure between the specified values.

### Relief Valve Opening Pressure

430 ~ 590 kPa  
(4.4 ~ 6.0 kg/cm<sup>2</sup>, 63 ~ 85 psi)

- Stop the engine.
- Remove the oil pressure gauge and adapter.
- Install the oil passage plug.
- If the reading exceeds the standard by very much, the relief valve is stuck in its closed position.
- If the reading is much lower than the standard, the relief valve may be stuck open, or there may be other damage in the lubrication system. Stop the engine immediately and find the cause.
- Measure the oil pressure at normal operating temperature.
- Warm up the engine, and then stop the engine.
- Install the oil pressure gauge and adapter as shown above.

### WARNING

- If the oil passage plug is removed while the engine is warm, hot engine oil will drain through the oil passage; take care against burns.
- Start the engine again.
- Run the engine at the specified speed, and read the oil pressure gauge.
- If the oil pressure is significantly below the specification, inspect the oil pump and relief valve.

### Oil Pressure

More than 345 kPa (3.5 kg/cm<sup>2</sup>, 50 psi)  
@4 000 r/min (rpm), 90°C (194°F) of oil temp.

If the oil pump and relief valve are not at fault, inspect the rest of the lubrication system.

### Oil Pump Inspection

- Disassemble the oil pump.
- Visually inspect the oil pump body, outer and inner rotors, and covers.
- If there is any damage or uneven wear, replace the oil pump as an assembly.

### Relief Valve Inspection

- Remove the relief valve.
- Check to see if the steel ball inside the valve sides smoothly when pushing it in with a wooden or other soft rod, and see if it comes back to its seat by valve spring pressure.

### NOTE

Inspect the valve in its assembled state. Disassembly and assembly may change the valve performance.

- If any rough spots are found during above inspection, wash the valve clean with a high flash-point solvent and blow out any foreign particles that may be in the valve with compressed air.

### WARNING

- Clean the parts in a well-ventilated area, and take care that there is no spark or flame anywhere near the working area. Because of the danger of highly flammable liquids, do not use gasoline or low flash-point solvents.
- If cleaning does not solve the problem, replace the relief valve as an assembly. The relief valve is precision made with no allowance for replacement of individual parts.



# Engine Removal/Installation

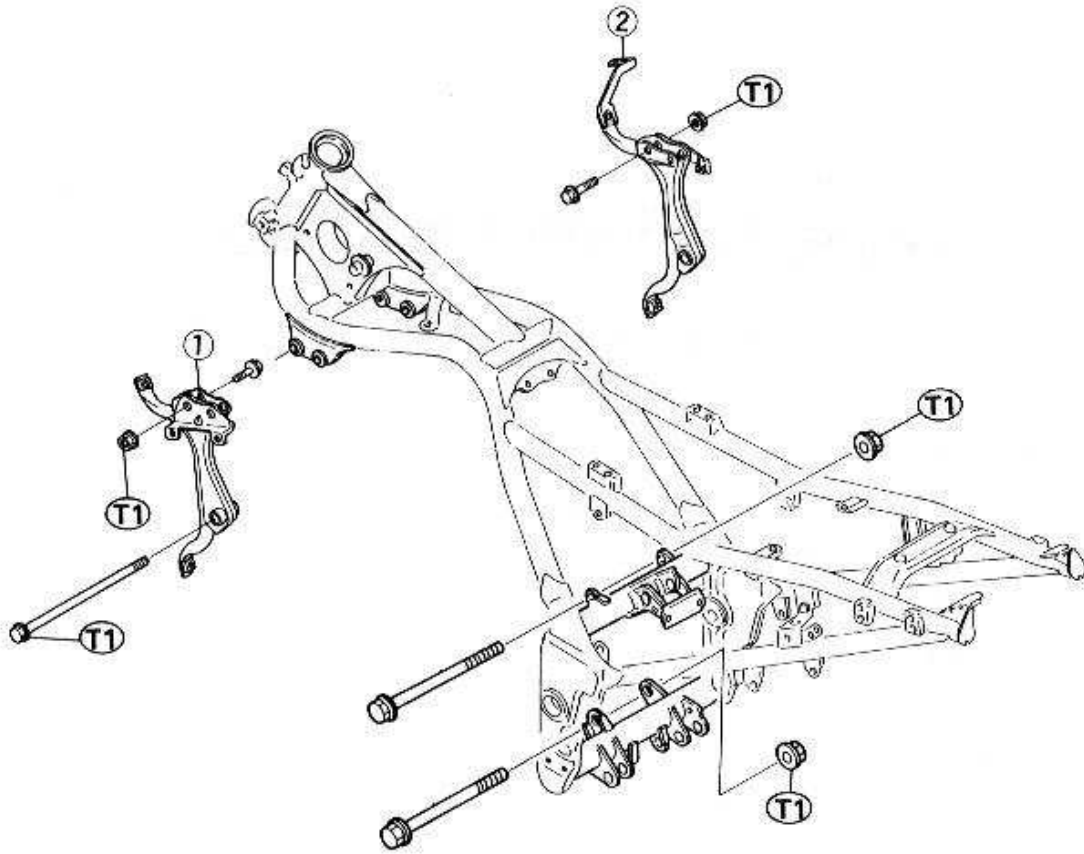
## Table of Contents

Exploded View .....	7-2
Special Tool .....	7-2
Engine Removal/Installation .....	7-2
Engine Removal .....	7-2
Engine Installation .....	*

\* : Base Manual

## 7-2 ENGINE REMOVAL/INSTALLATION

### Exploded View

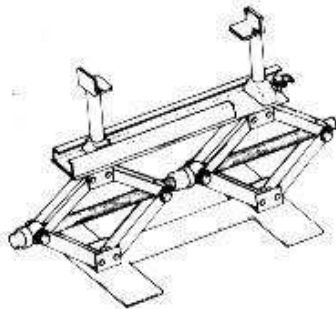


- 1. Left-Hand Engine Bracket
- 2. Right-Hand Engine Bracket
- T1: 32 N-m (3.3 kg-m, 24 ft-lb)

### Special Tool

Jack: 57001-1238

○ This tool may be used instead of the common tool.



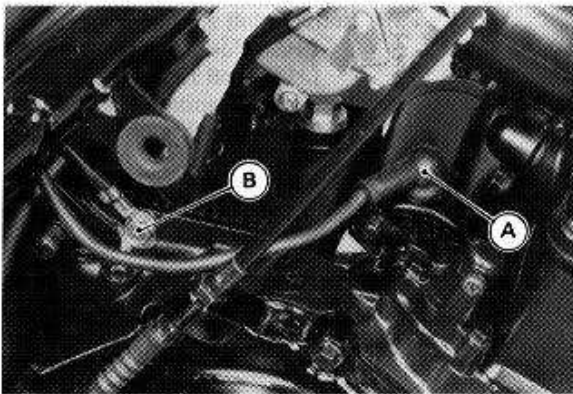
**Engine Removal/Installation**

**Engine Removal**

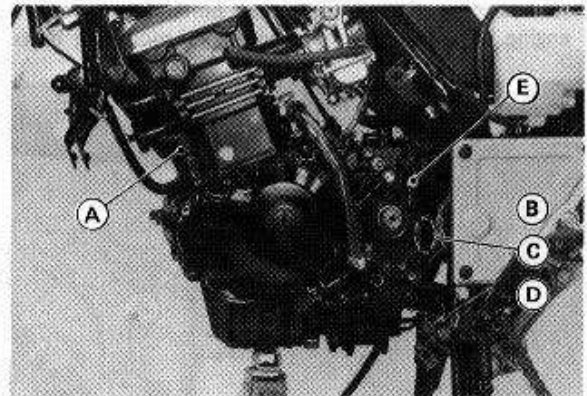
- Drain the engine oil (see Engine Oil Change in Engine Lubrication System chapter).
- Drain the coolant (see Coolant Change in Cooling System chapter).
- Remove the seats, side covers
- Remove the upper and lower fairings (see Frame chapter) for engine removal.
- Remove the fuel tank (see Fuel Tank Removal in Fuel chapter).
- Remove the following parts.
  - Muffler (see Muffler Removal in Engine Top End chapter)
  - Engine Sprocket (see Engine Sprocket Removal in Final Drive chapter)
  - Throttle and Choke Cables
  - Clutch Cable
- Disconnect the wiring from the engine components, and free them from the clamps.
  - Starter Motor Wire Terminal
  - Oil Pressure Switch Wire Terminal
  - Alternator Wire Connector
  - Pickup Coil Wire Connector
  - Side Stand Switch Wire Connector
  - Battery Ground Wire Terminal
  - Neutral Switch Wire Terminal

**CAUTION**

○ Be careful not to damage the radiator fins during engine removal or installation.

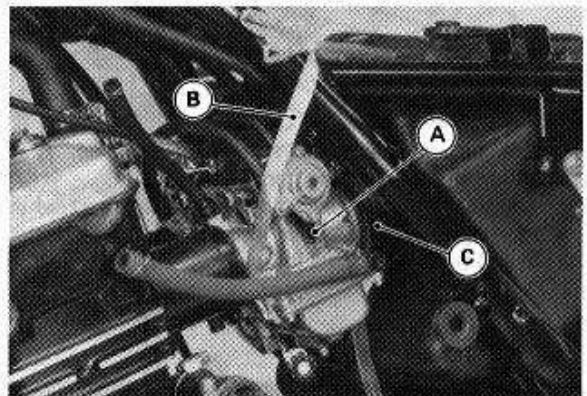


A. Starter Motor Wire Terminal  
B. Battery Ground Wire Terminal



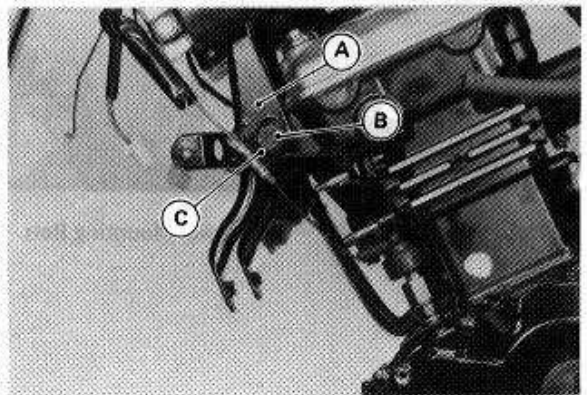
A. Oil Pressure Switch Wire Terminal  
B. Alternator Wire Connector  
C. Pickup Coil Wire Connector  
D. Side Stand Switch Wire Terminal  
E. Neutral Switch Wire Terminal

- Before removing the engine, hold the carburetor to the air cleaner duct with a string.



A. Carburetor  
B. String  
C. Air Cleaner Duct

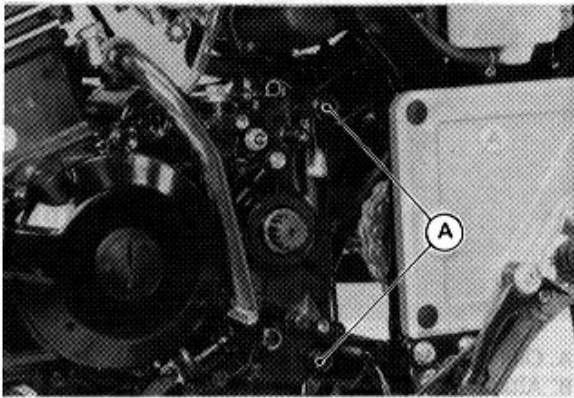
- Remove the engine bracket bolt and take the both bracket with ignition coils off the frame.



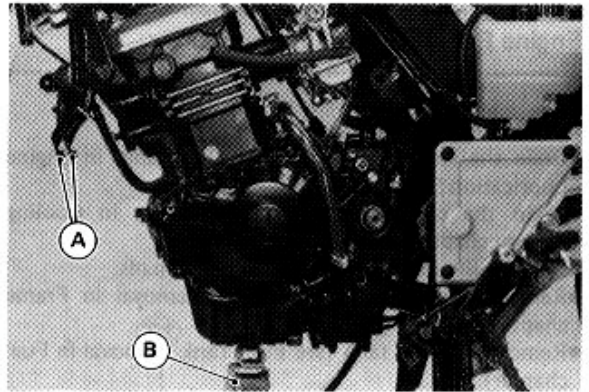
A. Engine Bracket  
B. Engine Bracket Bolt  
C. Oil Pressure Switch Wire Connector

## 7-4 ENGINE REMOVAL/INSTALLATION

- Remove the engine mounting bolts. Support the engine before sliding out the engine mounting bolts.



A. Engine Mounting Bolts

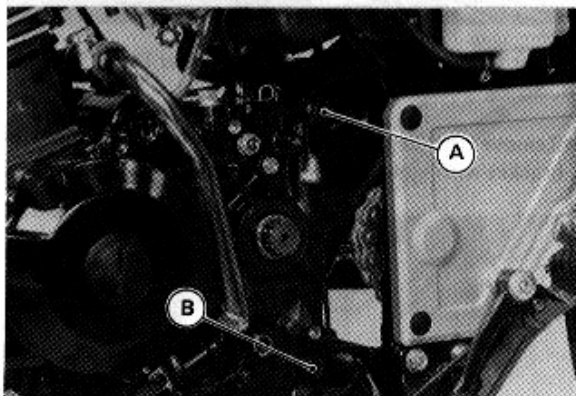


A. Engine Brackets      B. Jack

- Route the wiring harness correctly (see Wiring Routing in General Information chapter).

### *Engine Installation*

- Engine installation is the reverse of removal. Pay attention to the following item.
- Insert the lower engine mounting bolt first, while supporting the engine. Then insert the upper mounting bolt, and tighten the nuts loosely.



A. Upper Mounting Bolt      B. Lower Mounting Bolt

- Before tightening the mounting bolts, install the engine brackets. When inserting the front engine mounting bolt, use a jack under the engine to lift the engine.

# Crankshaft/Transmission

## Table of Contents

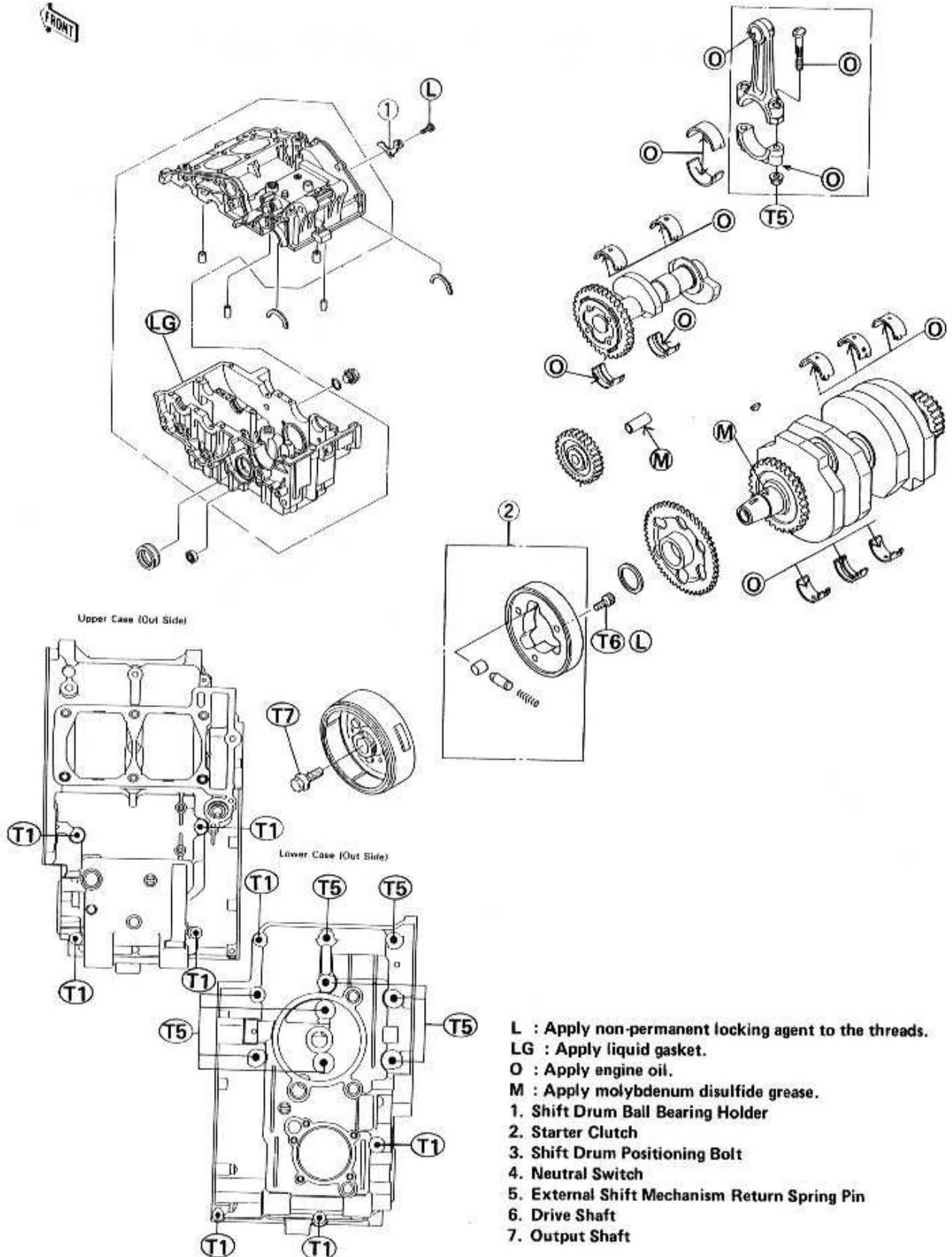
Exploded View . . . . .	8-2	Transmission . . . . .	8-5
Specifications . . . . .	8-4	External Shift Mechanism	
Special Tool . . . . .	*	Removal Note . . . . .	8-5
Sealant . . . . .	8-5	External Shift Mechanism	
Crankcase Splitting . . . . .	*	Installation Notes . . . . .	8-5
Crankcase Splitting . . . . .	*	External Shift Mechanism Inspection . . . . .	*
Crankcase Assembly . . . . .	*	Transmission Shaft Removal . . . . .	*
Crankcase Exchange . . . . .	*	Transmission Shaft Installation . . . . .	*
Crankshaft/Connecting Rods . . . . .	*	Drive Shaft Disassembly . . . . .	*
Crankshaft Removal . . . . .	*	Drive Shaft Assembly Notes . . . . .	*
Crankshaft Installation Notes . . . . .	*	Output Shaft Disassembly . . . . .	*
Connecting Rod Removal . . . . .	*	Output Shaft Assembly Notes . . . . .	*
Connecting Rod Installation . . . . .	*	Shift Drum and Fork Removal . . . . .	*
Crankshaft/Connecting Rod		Shift Drum and Fork Installation . . . . .	*
Cleaning . . . . .	*	Shift Drum Disassembly Note . . . . .	*
Connecting Rod Bend . . . . .	*	Shift Drum Assembly Notes . . . . .	*
Connecting Rod Twist . . . . .	*	Gear Backlash . . . . .	*
Connecting Rod Big End Side		Shift Fork Bending . . . . .	*
Clearance . . . . .	*	Shift Fork/Gear Groove Wear . . . . .	*
Connecting Rod Big End Bearing		Shift Fork Guide Pin/Shift	
Insert/Crankpin Wear . . . . .	*	Drum Groove Wear . . . . .	*
Crankshaft Runout . . . . .	*	Gear Dog/Gear Dog Hole Damage . . . . .	*
Crankshaft Main Bearing Insert/		Ball and Needle Bearing Wear . . . . .	*
Journal Wear . . . . .	*		
Crankshaft Side Clearance . . . . .	*		
Balancer . . . . .	*		
Balancer Removal . . . . .	*		
Balancer Installation Notes . . . . .	*		
Balancer Shaft Bearing Insert/			
Journal Wear . . . . .	*		
Starter Motor Clutch . . . . .	*		
Starter Motor Clutch Removal . . . . .	*		
Starter Motor Clutch			
Installation Notes . . . . .	*		
Starter Motor Clutch Disassembly . . . . .	*		
Starter Motor Clutch Assembly Note . . . . .	*		
Starter Motor Clutch Inspection . . . . .	*		

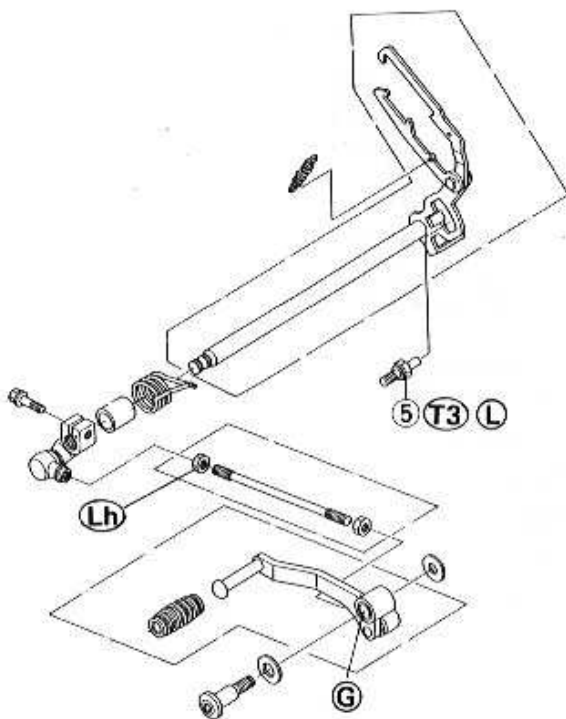
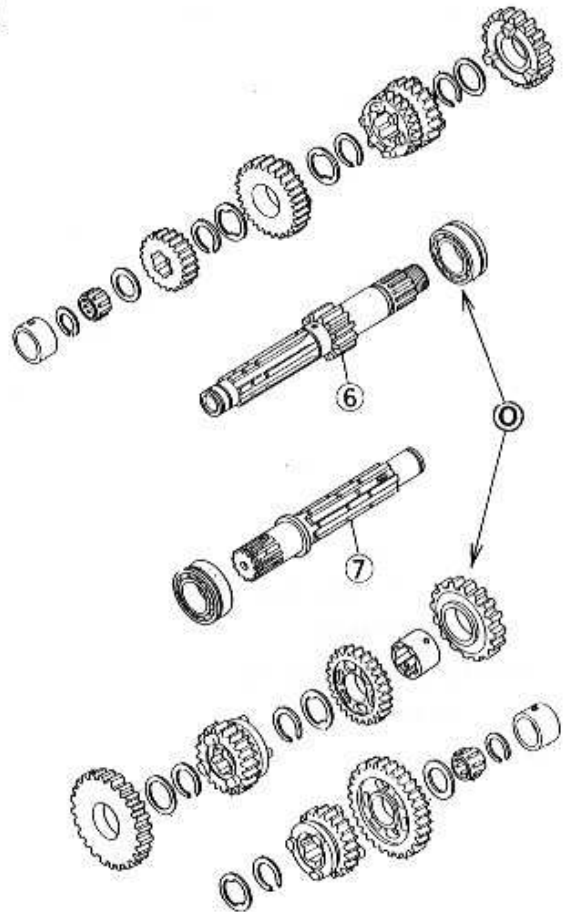
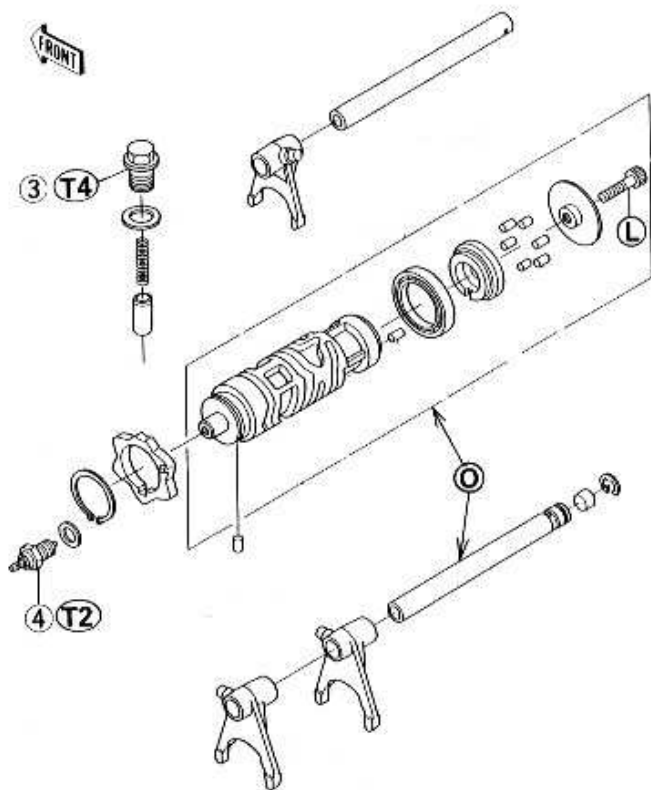
\* : Base Manual

## 8-2 CRANKSHAFT/TRANSMISSION

### Exploded View

FRONT





- G : Apply grease.
- Lh: Left-Hand Threads
- T1: 12 N-m (1.2 kg-m, 104 in-lb)
- T2: 15 N-m (1.5 kg-m, 11.0 ft-lb)
- T3: 20 N-m (2.0 kg-m, 14.5 ft-lb)
- T4: 25 N-m (2.5 kg-m, 18.0 ft-lb)
- T5: 27 N-m (2.8 kg-m, 20 ft-lb)
- T6: 34 N-m (3.5 kg-m, 25 ft-lb)
- T7: 69 N-m (7.0 kg-m, 51 ft-lb)

## 8-4 CRANKSHAFT/TRANSMISSION

### Specifications

Item	Standard	Service Limit																					
<b>Crankshaft, Connecting Rods:</b>																							
Connecting rod bend	---	0.2/100 mm																					
Connecting rod twist	---	0.2/100 mm																					
Connecting rod big end side clearance	0.13 – 0.38 mm	0.50 mm																					
Connecting rod big end bearing insert/crankpin clearance	0.031 – 0.059 mm	0.10 mm																					
Crankpin diameter:	29.984 – 30.000 mm	29.97 mm																					
Marking	None	29.984 – 29.994 mm																					
	○	29.995 – 30.000 mm																					
Connecting rod big end bore diameter:	33.000 – 33.016 mm	---																					
Marking	None	33.000 – 33.008 mm																					
	○	33.009 – 33.016 mm																					
Connecting rod big end bearing insert thickness:																							
	White/Blue	1.490 – 1.494 mm																					
	White/Black	1.485 – 1.490 mm																					
	White/Brown	1.480 – 1.485 mm																					
<b>Connecting rod big end bearing insert selection:</b>																							
<table border="1"> <thead> <tr> <th rowspan="2">Con-rod Big End Bore Diameter Marking</th> <th rowspan="2">Crankpin Diameter Marking</th> <th colspan="2">Bearing Insert</th> </tr> <tr> <th>Size Color</th> <th>Part Number</th> </tr> </thead> <tbody> <tr> <td>○</td> <td>None</td> <td>Blue</td> <td>92028-1492</td> </tr> <tr> <td>None</td> <td>None</td> <td rowspan="2">Black</td> <td rowspan="2">92028-1493</td> </tr> <tr> <td>○</td> <td>○</td> </tr> <tr> <td>None</td> <td>○</td> <td>Brown</td> <td>92028-1494</td> </tr> </tbody> </table>				Con-rod Big End Bore Diameter Marking	Crankpin Diameter Marking	Bearing Insert		Size Color	Part Number	○	None	Blue	92028-1492	None	None	Black	92028-1493	○	○	None	○	Brown	92028-1494
Con-rod Big End Bore Diameter Marking	Crankpin Diameter Marking	Bearing Insert																					
		Size Color	Part Number																				
○	None	Blue	92028-1492																				
None	None	Black	92028-1493																				
○	○																						
None	○	Brown	92028-1494																				
Crankshaft runout	---	0.05 mm TIR																					
Crankshaft main bearing insert/journal clearance	0.014 – 0.038 mm **	0.08 mm																					
Crankshaft main journal diameter:	27.984 – 28.000 mm	27.96 mm																					
Marking	None																						
	1	27.993 – 28.000 mm																					
Crankcase main bearing bore diameter:	31.000 – 31.016 mm	---																					
Marking	○	31.000 – 31.008 mm																					
	None	31.009 – 31.016 mm																					
Crankshaft main bearing insert thickness:																							
	Blue	1.499 – 1.503 mm																					
	Black	1.495 – 1.499 mm																					
	Brown	1.491 – 1.495 mm																					

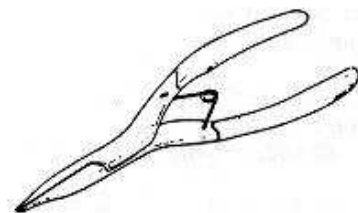
\*\*The bearing insert for No. 2 journal has an oil groove.

Item	Standard	Service Limit																																	
<b>Crankshaft main bearing insert selection:</b>																																			
<table border="1"> <thead> <tr> <th rowspan="2">Crankcase Main Bearing Bore Diameter Marking</th> <th rowspan="2">Crankshaft Main Journal Diameter Marking</th> <th colspan="3">Bearing Insert*</th> </tr> <tr> <th>Size Color</th> <th>Part Number</th> <th>Journal Nos.</th> </tr> </thead> <tbody> <tr> <td>○</td> <td>1</td> <td rowspan="2">Brown</td> <td>92028-1488</td> <td>1, 3</td> </tr> <tr> <td></td> <td></td> <td>92028-1491</td> <td>2</td> </tr> <tr> <td>○</td> <td>None</td> <td rowspan="2">Black</td> <td>92028-1487</td> <td>1, 3</td> </tr> <tr> <td>None</td> <td>1</td> <td>92028-1490</td> <td>2</td> </tr> <tr> <td rowspan="2">None</td> <td rowspan="2">None</td> <td rowspan="2">Blue</td> <td>92028-1486</td> <td>1, 3</td> </tr> <tr> <td>92028-1489</td> <td>2</td> </tr> </tbody> </table>	Crankcase Main Bearing Bore Diameter Marking	Crankshaft Main Journal Diameter Marking	Bearing Insert*			Size Color	Part Number	Journal Nos.	○	1	Brown	92028-1488	1, 3			92028-1491	2	○	None	Black	92028-1487	1, 3	None	1	92028-1490	2	None	None	Blue	92028-1486	1, 3	92028-1489	2		
Crankcase Main Bearing Bore Diameter Marking			Crankshaft Main Journal Diameter Marking	Bearing Insert*																															
	Size Color	Part Number		Journal Nos.																															
○	1	Brown	92028-1488	1, 3																															
			92028-1491	2																															
○	None	Black	92028-1487	1, 3																															
None	1		92028-1490	2																															
None	None	Blue	92028-1486	1, 3																															
			92028-1489	2																															
*The bearing insert for No. 2 journals have oil grooves.																																			
Crankshaft side clearance	0.05 – 0.20 mm	0.40 mm																																	
<b>Transmission:</b>																																			
Gear backlash	0 – 0.17 mm	0.25 mm																																	
Gear shift fork groove width	5.05 – 5.15 mm	5.3 mm																																	
Shift fork ear thickness	4.9 – 5.0 mm	4.8 mm																																	
Shift fork guide pin diameter	5.9 – 6.0 mm	5.8 mm																																	
Shift drum groove width	6.05 – 6.20 mm	6.3 mm																																	
<b>Balancer Shaft:</b>																																			
Balancer shaft bearing insert/ journal clearance	0.020 – 0.044 mm	0.08 mm																																	
Balancer shaft journal diameter:	25.984 – 26.000 mm	25.96 mm																																	
Marking	None	---																																	
	○	---																																	
Balancer shaft bearing bore diameter:	29.000 – 29.016 mm	---																																	
Marking	○	---																																	
	None	---																																	
29.009 – 29.016 mm																																			
<b>Balancer shaft bearing insert selection:</b>																																			
<table border="1"> <thead> <tr> <th rowspan="2">Balancer Shaft Journal Diameter Marking</th> <th rowspan="2">Crankcase Balancer Shaft Bore Diameter Marking</th> <th colspan="2">Bearing Insert</th> </tr> <tr> <th>Size Color</th> <th>Part Number</th> </tr> </thead> <tbody> <tr> <td>○</td> <td>○</td> <td>Brown</td> <td>92028-1424</td> </tr> <tr> <td>○</td> <td>None</td> <td rowspan="2">Black</td> <td rowspan="2">92028-1423</td> </tr> <tr> <td>None</td> <td>○</td> </tr> <tr> <td>None</td> <td>None</td> <td>Blue</td> <td>92028-1422</td> </tr> </tbody> </table>	Balancer Shaft Journal Diameter Marking	Crankcase Balancer Shaft Bore Diameter Marking	Bearing Insert		Size Color	Part Number	○	○	Brown	92028-1424	○	None	Black	92028-1423	None	○	None	None	Blue	92028-1422															
Balancer Shaft Journal Diameter Marking			Crankcase Balancer Shaft Bore Diameter Marking	Bearing Insert																															
	Size Color	Part Number																																	
○	○	Brown	92028-1424																																
○	None	Black	92028-1423																																
None	○																																		
None	None	Blue	92028-1422																																

**Special Tools**

Circlip Pliers: 57001-144

Along with common hand tools and precision instrument specialized tools are required for complete crankshaft/transmission servicing.



## 8-6 CRANKSHAFT/TRANSMISSION

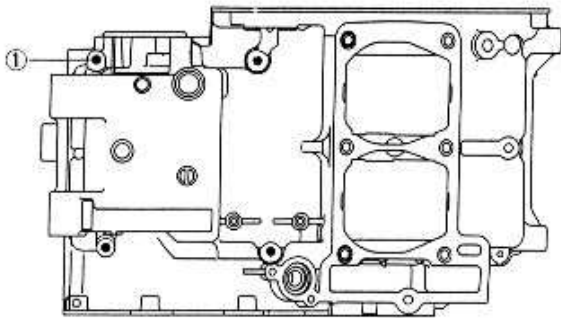
### Crankcase Splitting

#### Crankcase Splitting

- Remove the engine (see Engine Removal/Installation chapter).
- Set the engine on a clean surface or, preferably, mount it on an engine stand to hold the engine steady while parts are being removed.
- Remove the water pipe and hose (cylinder rearward).

#### NOTE

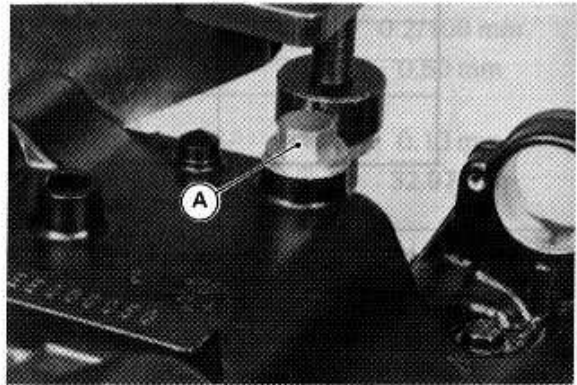
*If the engine is to be mounted on an engine stand, the upper crankcase half bolts shown must be removed before mounting the engine.*



1. Remove this bolt first.

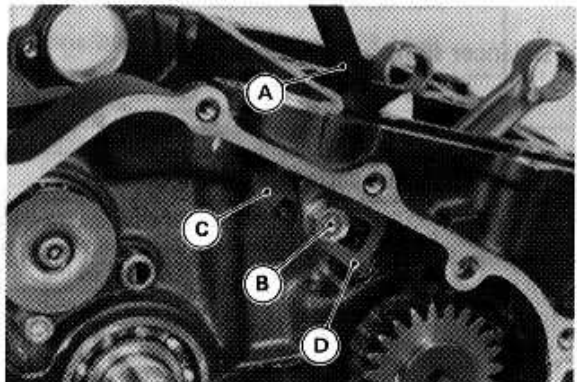
- Remove the following parts from the engine.
  - Water Pump, Hose and Pipe (see Water Pump Removal in Cooling System chapter)
  - Starter Motor Clutch Gear
  - Oil Pipe and Banjo Bolt
  - Starter Motor
  - Oil Pump (see Oil Pump Removal in Lubrication System chapter)
- Remove the following parts only if the crankshaft is to be removed.
  - Cylinder Head Cover
  - Alternator Cover Plugs
  - Position the Crankshaft at Number 2 Cylinder's TDC (compression stroke), and turn it clockwise about 90°
  - Alternator Rotor
  - Oil Hose Banjo Bolt
  - Camshaft Chain Tensioner
  - Camshafts (see Camshaft, Rocker Arm Removal in Engine Top End chapter)
  - Rocker Arms
  - Cylinder Head (see Cylinder Removal in Engine Top End chapter)
  - Cylinder (Cylinder Removal in Engine Top End chapter)
  - Pistons (see Piston Removal in Engine Top End chapter)

- Remove the clutch only if the transmission drive shaft assembly.
- Remove the neutral positioning bolt.



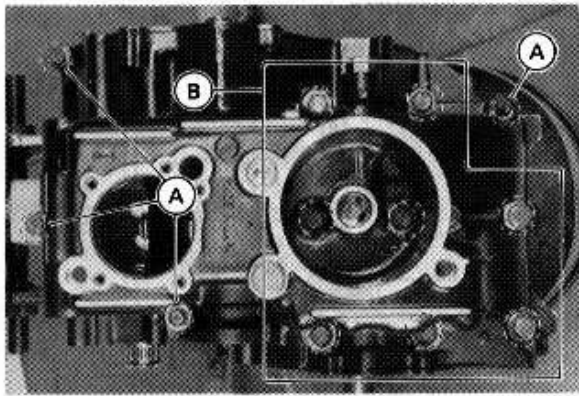
A. Neutral Positioning Bolt

- Remove the oil pressure switch lead terminal, pressure switch and oil hose.
- Remove the neutral switch.
- Remove the external shift mechanism.
- Remove the chain guide lever bolt and take the stopper plate, guide lever, guide, and spacer as a set.



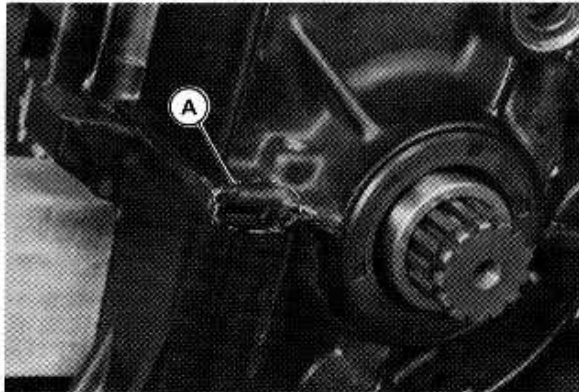
A. Chain Guide  
B. Lever Bolt  
C. Guide Lever  
D. Stopper Plate

- Remove the upper crankcase half bolts (4 or 2 if 2 were removed just after engine removal).
- Turn the engine upside down.
- Remove the oil filter mounting bolt, oil filter, and large O-ring.
- Remove the oil screen cover and screen if necessary.
- Remove the 6 mm and 8 mm lower crankcase half bolts, ply the two points shown to split the two crankcase halves apart, and lift off the lower crankcase half.



A. 6 mm Bolts

B. 8 mm Bolts



A. Ply Point

### Crankcase Assembly

#### NOTE

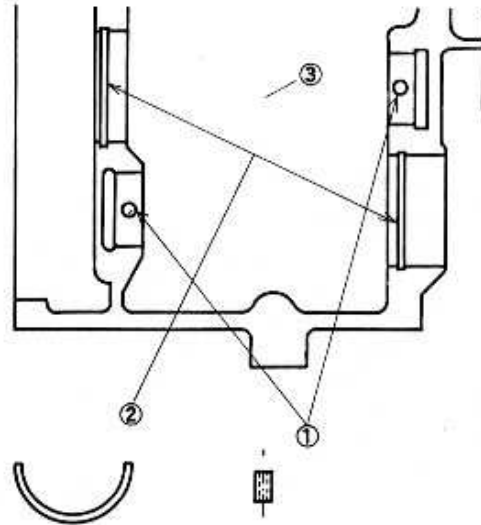
○The upper and lower crankcase halves are machined at the factory as an assembly, so the crankcase halves must be replaced as a set.

●Assembly is the reverse of splitting. Be careful of the following items.

○With a high flash-point solvent, clean off the mating surfaces of the crankcase halves and wipe dry.

○When installing the output and drive shafts, the crankcase set pins must go into the holes in the needle bearing outer races, and the set rings must fit into the grooves in the ball bearings.

### Set Pins and Set Rings Installation



1. Set Pins
2. Set Rings
3. Upper Crankcase Half

#### CAUTION

○Make sure the crankcase set pins are properly aligned to avoid damage to the crankcases upon installation.

○Don't use usual set pins because the set pins of this model are different from usual pins. They are hollow and also used to pass oil. If you use usual pins by mistake, the engine always seizes.

○Check that the knock pins (2) are in place.

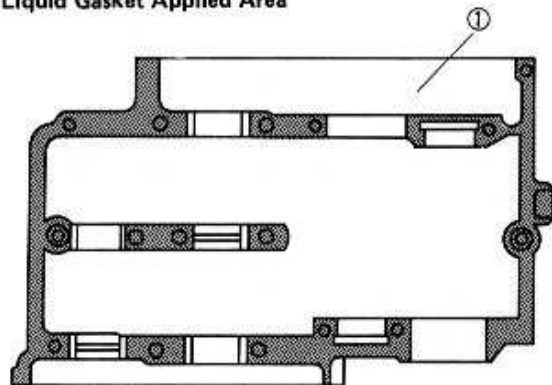
○Apply a little engine oil to the transmission gears, ball bearings, shift drum, and crankshaft main bearing inserts.

○Apply liquid gasket to the mating surface of the lower crankcase half.

#### CAUTION

○If liquid gasket adheres to any areas not indicated, the engine oil passages may be obstructed, causing engine seizure.

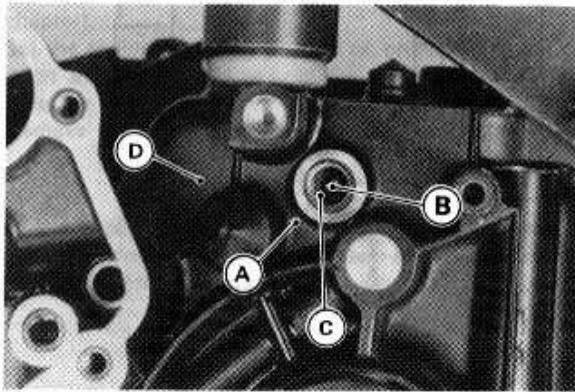
### Liquid Gasket Applied Area



1. Lower Crankcase Half

## 8-8 CRANKSHAFT/TRANSMISSION

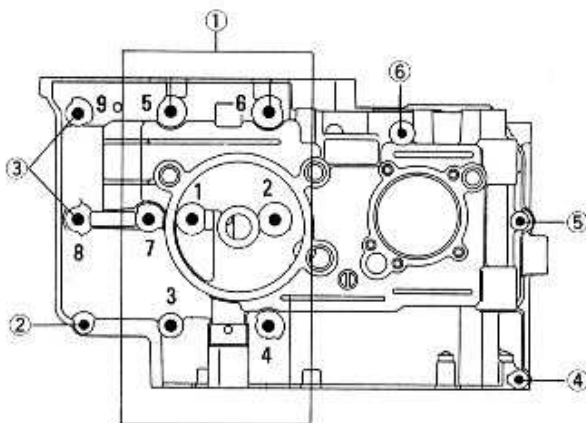
○Check to see that the shift drum is in the neutral position, that is, the projection at operating plate is seen from neutral switch hole at the upper crankcase half.



A. Neutral Switch Hole      C. Operating Plate  
B. Projection                  D. Upper Crankcase Half

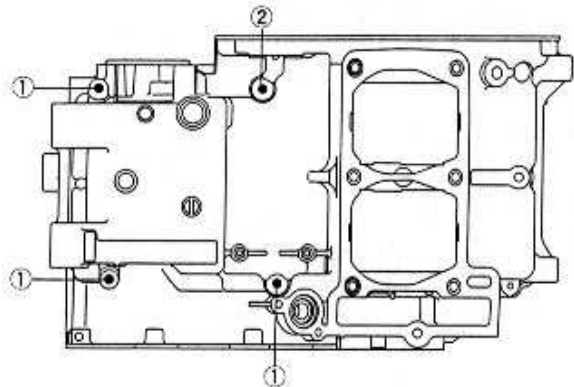
- When fitting the lower crankcase half on the upper crankcase half, each shift fork must fit in its gear groove.
- Loosely tighten all lower crankcase half bolts to a snug fit.
- Following the sequence numbers on the lower crankcase half, tighten the 8 mm bolts first to about one half of the specified torque, and finally to the specified torque in the same sequence (see Exploded View).

### Lower Crankcase Half Bolts Tightening Order



1. M8 x 72 mm
2. M6 x 38 mm
3. M8 x 90 mm
4. M6 x 60 mm
5. M6 x 135 mm
6. M6 x 85 mm (Copper Washer)

### Upper Crankcase Half Bolts



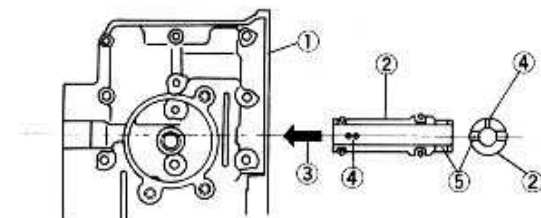
1. M6 x 85 mm
2. M6 x 60 mm (Copper Washer)

- Tighten the 6 mm bolts on the upper crankcase half to the specified torque (see Exploded View).
- Tighten the 6 mm bolts on the lower crankcase half to the specified torque (see Exploded View).
- After tightening all crankcase bolts, check the following items.
  - Drive shaft and output shaft turn freely.
  - While spinning the output shaft, shift the transmission smoothly from 1st to 6th gear, and back.
  - Unless the output shaft is turning, the transmission cannot be shifted to 2nd gear or other higher gear positions.

### Crankcase Exchange

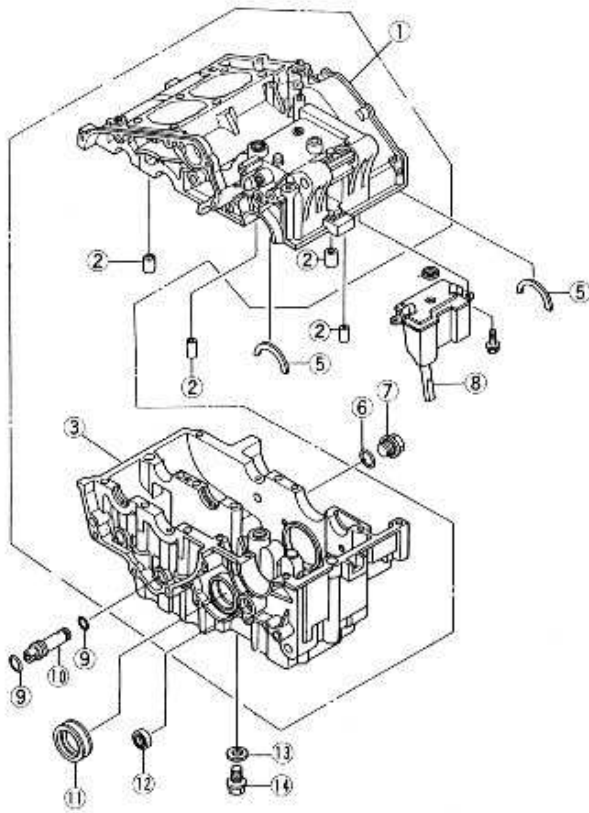
- ★If crankcase is damaged, replace it with new one.
- Remove the crankcase parts from the damaged case, and install it to the new case. Pay attention to the following items.
  - When installing the oil passage plug must be inserted as shown.

### Oil Passage Pipe Installation



1. Lower Crankcase Half
2. Oil Passage Pipe
3. Press
4. Small Hole (Up)
5. Slit (Horizontal)

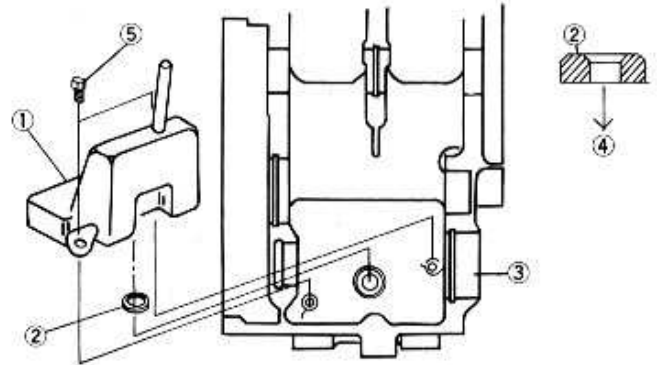
**Crankcase Parts**



1. Upper Crankcase Half
2. Knock Pin
3. Lower Crankcase Half
4. O-ring
5. Set Ring
6. O-ring
7. Oil Passage Plug
8. Breather Body
9. O-ring
10. Oil Passage Pipe
11. Oil Seal
12. Oil Seal
13. Gasket
14. Drain Plug

●Fit the oil passage O-ring on the breather body. Replace the O-ring with new ones, if deteriorated or damaged. The flat side of the O-ring must face down.

**Breather Body Installation**



1. Breather Body
2. O-ring
3. Upper Crankcase Half
4. Crankcase Side
5. Bolt

○Apply a non-permanent locking agent to the thread of the breather bolts, and tighten them.

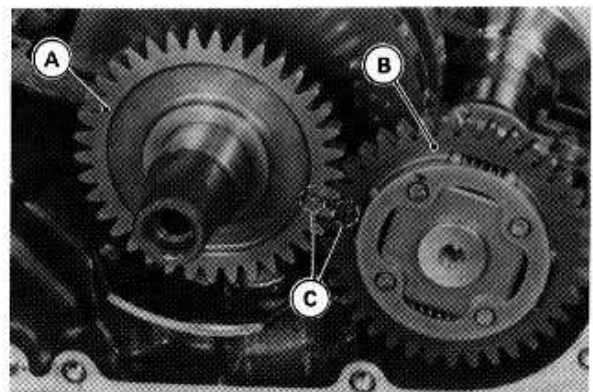
**Crankshaft/Connecting Rods**

**Crankshaft Removal**

- Remove the engine.
- Remove the cylinder head, cylinder and pistons.
- Split the crankcase (see Crankcase Splitting).
- Take the crankshaft out of the upper crankcase.

**Crankshaft Installation Notes**

- If the crankshaft or bearing inserts are replaced with new ones, check the clearances with plastigage to be sure the correct bearing inserts are installed.
- Align the timing mark on the balancer drive gear with the timing mark on the balancer gear.



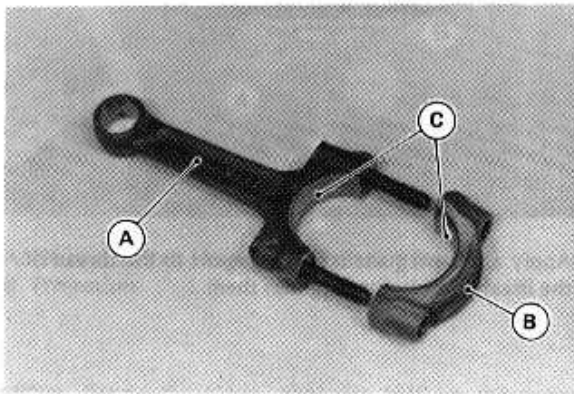
A. Balancer Drive Gear      C. Marks Aligned  
B. Balancer Shaft Gear

## 8-10 CRANKSHAFT/TRANSMISSION

- Apply engine oil to the main bearing inserts.

### Connecting Rod Removal

- Remove the crankshaft.
- Make and record the locations of the connecting rods and their big end caps so that they can be reassembled in their original positions.
- Remove the connecting rod big end cap nuts, and take off the connecting rod and cap with the bearing inserts.



A. Connecting Rod  
B. Big End Cap  
C. Bearing Inserts

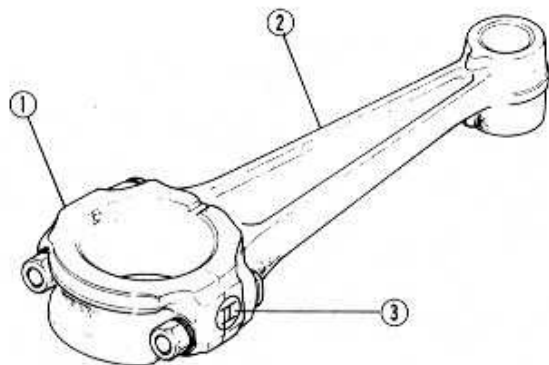
### CAUTION

- To prevent damage to the crankpin surfaces, do not allow the big end cap bolts to hit them.

### Connecting Rod Installation Notes

- To minimize vibration, a pair of connecting rods should have the same weight mark. The weight mark is indicated by a capital letter, and is stamped on the connecting rod big end.

### Weight Mark Location



1. Big End Cap
2. Connecting Rod
3. Weight Mark, Alphabet

- ★If the connecting rods or bearing inserts are replaced with new ones, check clearance with plastigage before assembling engine to be sure the correcting bearing inserts are installed.

- Apply engine oil to the bearing inserts.

### Crankshaft/Connecting Rod Cleaning

- After removing the connecting rods from the crankshaft, wash them with a high flash-point solvent.
- Blow the crankshaft oil passage with compressed air to remove any foreign particles or residue that may have accumulated in the passages.

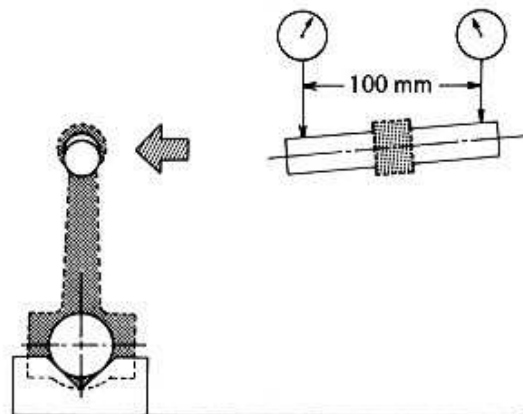
### Connecting Rod Bend

- Measure connecting rod bend.
- Remove the connecting rod big end bearing inserts, and reinstall the connecting rod big end cap.
- Select an arbor of the same diameter as the connecting rod big end, and insert the arbor through the connecting rod big end.
- Select an arbor of the same diameter as the piston pin and at least 100 mm long, and insert the arbor through the connecting rod small end.
- On a surface plate, set the big-end arbor on V blocks.
- With the connecting rod held vertically, use a height gauge to measure the difference in the height of the arbor above the surface plate over a 100 mm length to determine the amount of connecting rod bend.
- ★If connecting rod bend exceeds the service limit, the connecting rod must be replaced.

### Connecting Rod Bend

Service Limit: 0.2/100 mm

### Connecting Rod Bend Measurement



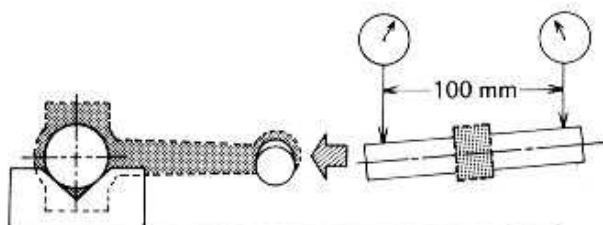
### Connecting Rod Twist

- Measure connecting rod twist.
- With the big-end arbor still on V blocks, hold the connecting rod horizontally and measure the amount that the arbor varies from being parallel with the surface plate over a 100 mm length of the arbor to determine the amount of connecting rod twist.
- ★ If the connecting rod twist exceeds the service limit, the connecting rod must be replaced.

### Connecting Rod Twist

**Service Limit:** 0.2/100 mm

### Connecting Rod Twist Measurement



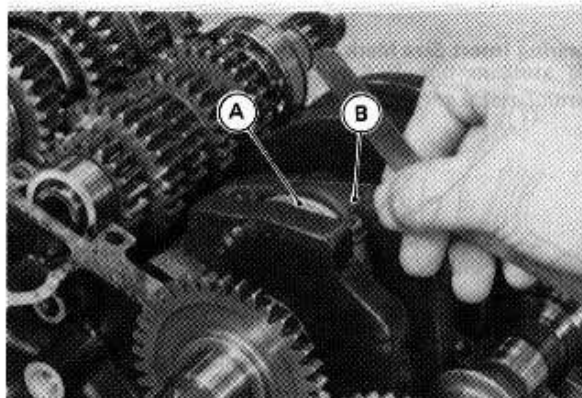
### Connecting Rod Big End Side Clearance

- Measure connecting rod big end side clearance.
- Insert a thickness gauge between the big end and either crank web to determine clearance.

### Connecting Rod Big End Side Clearance

**Standard:** 0.13 – 0.38 mm

**Service Limit:** 0.50 mm



A. Connecting Rod      B. Thickness Gauge

- ★ If clearance exceeds the service limit, replace the connecting rod with a new one and then check clearance again. If clearance is too large after connecting rod replacement, the crankshaft also must be replaced.

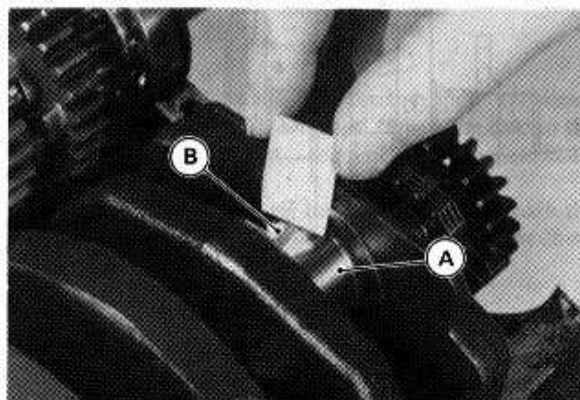
### Connecting Rod Big End Bearing Insert/Crankpin Wear

Bearing insert/crankpin wear is measured using a plastigage (press gauge), which is inserted into the clearance to be measured. The plastigage indicates the clearance by the amount it is compressed and widened when the parts are assembled.

- Measure the bearing insert/crankpin clearance.
- Remove the connecting rod big end caps and wipe each bearing insert and crankpin surface clean of oil.
- Cut strips of plastigage to bearing insert width, and place a strip on the crankpin for each connecting rod parallel to the crankshaft so that the plastigage will be compressed between the crankpin and the bearing insert.
- Install the connecting rod big end caps and tighten the big end cap nuts to the specified torque (see Exploded View).

### NOTE

- Do not turn the crankshaft and/or connecting rod during clearance measurement.
- Remove the connecting rod big end caps, and measure the plastigage width to determine the bearing insert/crankpin clearance.



A. Crankpin      B. Plastigage

### Connecting Rod Big End

#### Bearing Insert/Crankpin Clearance

**Standard:** 0.031 – 0.059 mm

**Service Limit:** 0.10 mm

- ★ If clearance is within the standard, no bearing replacement is required.
- ★ If clearance is between 0.059 mm and the service limit (0.10 mm), replace the bearing inserts with inserts painted white/blue. Check insert/crankpin clearance with plastigage. The clearance may exceed the standard slightly, but it must not be less than the minimum in order to avoid bearing seizure.
- ★ If clearance exceeds the service limit, measure the diameter of the crankpins.

## 8-12 CRANKSHAFT/TRANSMISSION

### Crankpin Diameter

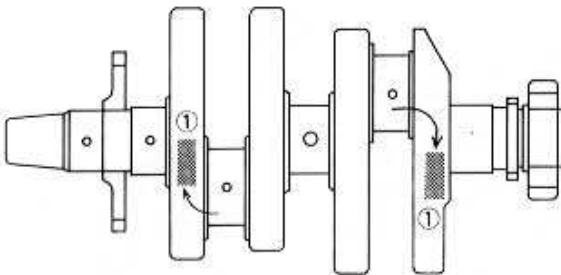
Standard: 32.984 – 33.000 mm  
 Service Limit: 32.97 mm

- ★If any crankpin has worn past the service limit, replace the crankshaft with a new one.
- ★If the measured crankpin diameters are not less than the service limit, but do not coincide with the original diameter markings on the crankshaft, make new marks on it.

### Crankpin Diameter Marks

None: 32.984 – 32.992 mm  
 ○ : 32.993 – 33.000 mm

### Crankpin Dia. Mark Location



#### 1. Crankpin Diameter Marks "O" or None

- Put the connecting rod big end caps on the rods and tighten the nuts to the specified torque (see Exploded View).
- Measure the inside diameter, and mark each connecting rod big end in accordance with the inside diameter.

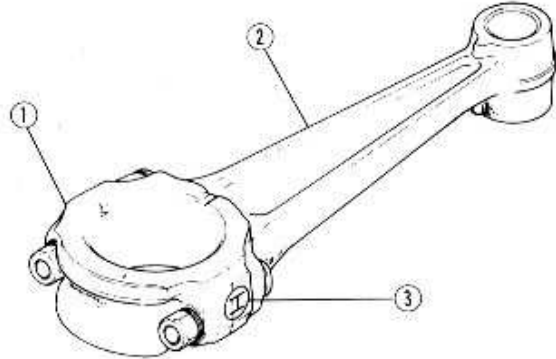
#### NOTE

○The mark already on the big end should coincide with the measurement.

### Connecting Rod Big End Inside Diameter Marks

None: 36.000 – 36.008 mm  
 ○ : 36.009 – 36.016 mm

### Connecting Rod Mark Location



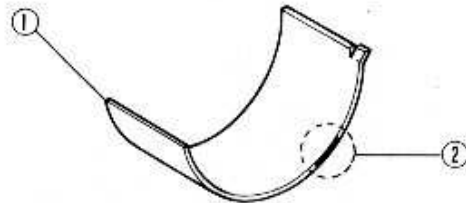
1. Big End Cap
2. Connecting Rod
3. Diameter Mark  
"O" Mark or No Mark

- Select the proper bearing insert in accordance with the combination of the connecting rod and crankshaft coding.
- Install the new insert in the connecting rod and check insert/crankpin clearance with plastigage.

### Bearing Insert Selection

Con-rod Big End Bore Diameter Marking	Crankpin Diameter Marking	Bearing Insert	
		Size Color	Part Number
○	None	White/Blue	92028-1429
○	○	White/Black	92028-1430
None	None	White/Black	92028-1430
None	○	White/Brown	92028-1431

### Bearing Insert Size Mark Location



1. Bearing Insert
2. Color Size Mark

### Crankshaft Runout

- Measure the crankshaft runout.
- Set the crankshaft in a flywheel alignment jig or on V blocks.
- Set a dial gauge against the center journal.

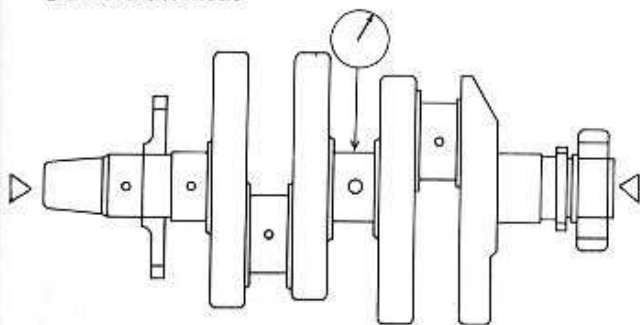
○Turn the crankshaft slowly to measure the runout. The difference between the highest and lowest dial gauge readings (TIR) is the amount of runout.

★If the measurement exceeds the service limit, replace the crankshaft.

**Crankshaft Runout**

**Service Limit: 0.05 mm TIR**

**Crankshaft Runout**



**Crankshaft Main Bearing Insert/Journal Wear**

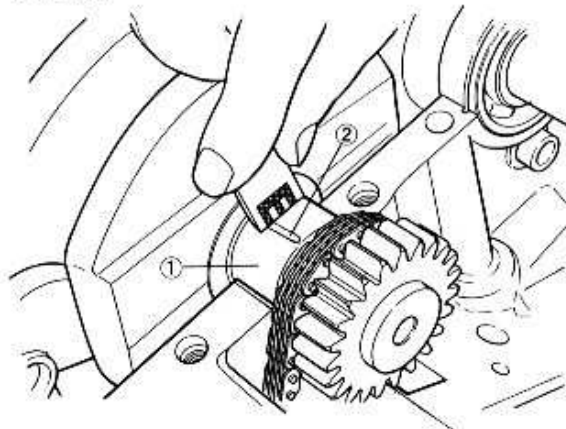
Bearing insert/journal wear is measured using a plastigage (press gauge), which is inserted into the clearance to be measured. The plastigage indicates the clearance by the amount it is compressed and widened when the parts are assembled.

- Measure the bearing insert/journal clearance.
- Split the crankcase and wipe each bearing insert and journal surface clean of oil.
- Cut strips of plastigage to bearing insert width, and place a strip on each journal parallel to the crankshaft so that the plastigage will be compressed between the journal and the bearing insert.
- Install the lower crankcase half, and tighten the case bolts to the specified torque (see Exploded View).

**NOTE**

○Do not turn the crankshaft during clearance measurement.

○Remove the lower crankcase half and measure the plastigage width to determine the bearing insert/journal clearance.



1. Journal                      2. Plastigage

**Crankshaft Main Bearing Insert/Journal Clearance**

**Standard: 0.014 – 0.038 mm**

**Service Limit: 0.08 mm**

★If clearance is within the standard, no bearing replacement is required.

★If clearance is between 0.038 mm and the service limit (0.08 mm), replace the bearing inserts with inserts painted blue. Check insert/journal clearance with plastigage. The clearance may exceed the standard slightly, but it must not be less than the minimum in order to avoid bearing seizure.

★If clearance exceeds the service limit, measure the diameter of the crankshaft main journal.

**Crankshaft Main Journal Diameter**

**Standard: 29.984 – 30.000 mm**

**Service Limit: 29.96 mm**

★If any journal has worn past the service limit, replace the crankshaft with a new one.

★If the measured journal diameters are not less than the service limit, but do not coincide with the original diameter markings on the crankshaft, make new marks on it.

**Crankshaft Main Journal Diameter Marks**

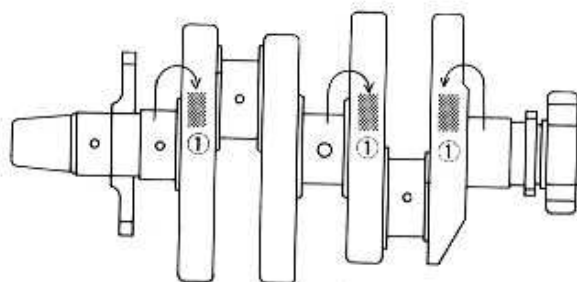
**None: 29.984 – 29.992 mm**

**1 : 29.993 – 30.000 mm**

●Put the lower crankcase half on the upper crankcase half without bearing inserts, and tighten the case to the specified torque and sequence (see Crankcase Assembly).

●Measure the main bearing bore diameter, and mark the upper crankcase half in accordance with the bore diameter.

**Crankshaft Journal Dia. Mark Location**



1. Crankshaft Main Journal Diameter Marks "1" or None

**NOTE**

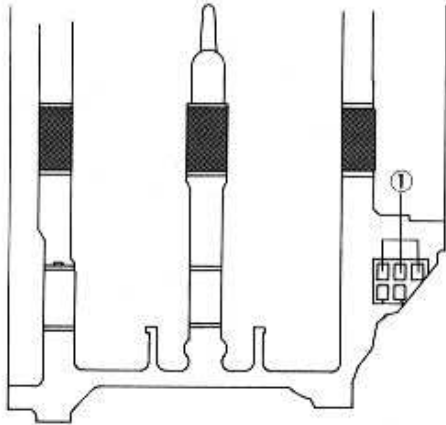
○The mark already on the upper crankcase half should coincide with the measurement.

## 8-14 CRANKSHAFT/TRANSMISSION

### Crankcase Main Bearing Bore Diameter Marks

- : 33.000 – 33.008 mm
- None: 33.009 – 33.016 mm

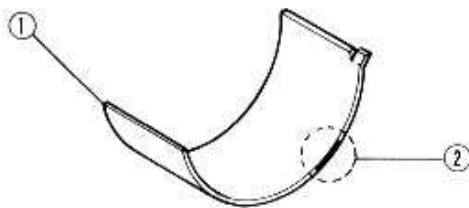
### Crankcase Mark Location (Crankshaft)



### 1. Crankcase Main Bearing Bore Diameter Marks "O" or None

- Select the proper bearing insert in accordance with the combination of the crankcase and crankshaft coding.
- Install the new insert in the crankcase and check insert/journal clearance with plastigage.

### Bearing Insert Size Mark Location



### 1. Bearing Insert      2. Color Size Mark

### Bearing Insert Selection

Crankcase Main Bearing Bore Diameter Marking	Crankshaft Main Journal Diameter Marking	Bearing Insert		
		Size Color	Part Number	Journal Nos.
○	1	Brown	92028-1418	1, 3
			92028-1421	2
○	None	Black	92028-1417	1, 3
			92028-1420	2
None	1	Blue	92028-1416	1, 3
			92028-1419	2

### Crankshaft Side Clearance

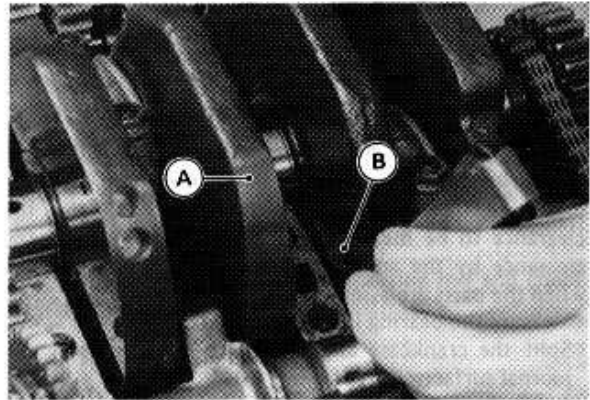
- Measure crankshaft side clearance.
- Insert a thickness gauge between the No.x crankcase main journal and the crank web to determine clearance.
- ★ If the clearance exceeds the service limit, replace the crankcase halves as a set.

### NOTE

- The upper crankcase half, lower crankcase half, are machined at the factory as an assembly, so they must be replaced as a set.

### Crankshaft Side Clearance

- Standard: 0.05 – 0.20 mm
- Service Limit: 0.40 mm



A. Crankshaft

B. Thickness Gauge

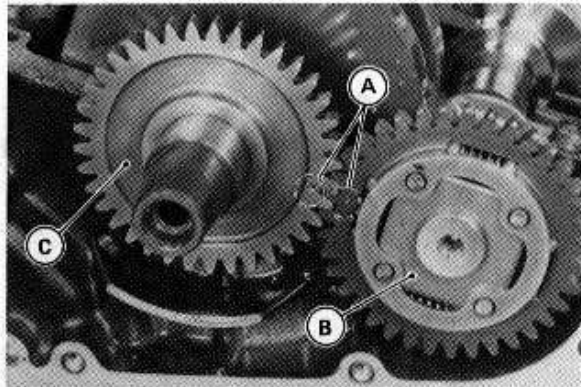
**Balancer**

**Balancer Removal**

- Split the crankcase.
- Pull the balancer shaft with the balancer gear out of the crankcase.

**Balancer Installation Notes**

- Apply oil to the inside of the balancer shaft bearing insert.
- Align the timing mark on the balancer gear with the timing mark on the balancer drive gear of the crankshaft.



A. Timing Mark      C. Balancer Drive Gear  
B. Balancer Gear

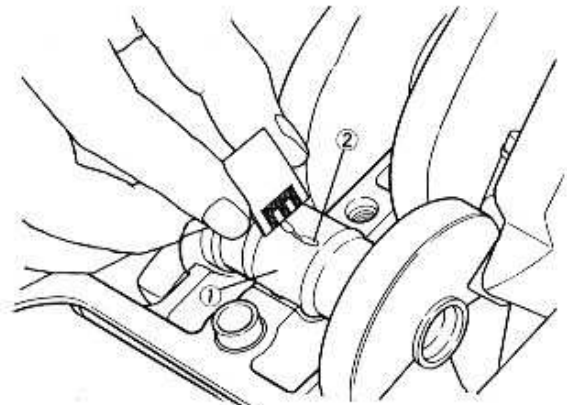
**Balancer Shaft Bearing Insert/Journal Wear**

Bearing insert/journal wear is measured using a plastigage (press gauge), which is inserted into the clearance to be measured. The plastigage indicates the clearance by the amount it is compressed and widened when the parts are assembled.

- Measure the bearing insert/injournal clearance.
- Split the crankcase and wipe each bearing insert and journal surface clean of oil.
- Cut strips of plastigage to bearing insert width, and place a strip on each journal parallel to the balancer shaft so that the plastigage will be compressed between the journal and the bearing insert.
- Install the lower crankcase half, and tighten the case bolts to the specified torque (see Exploded View).

**NOTE**

- Do not turn the balancer shaft during clearance measurement.
- Remove the lower crankcase half and measure the plastigage width to determine the bearing insert/journal clearance.



1. Journal      2. Plastigage

**Balancer Shaft Bearing Insert/Journal Clearance**

**Standard:** 0.020 – 0.044 mm  
**Service Limit:** 0.08 mm

- ★ If clearance is within the standard, no bearing replacement is required.
- ★ If clearance is between 0.044 mm and the service limit (0.08 mm), replace the bearing inserts with inserts painted blue. Check insert/journal clearance with plastigage. The clearance may exceed the standard slightly, but it must not be less than the minimum in order to avoid bearing seizure.
- ★ If clearance exceeds the service limit; measure the diameter of the balancer shaft journal.

**Balancer Shaft Journal Diameter**

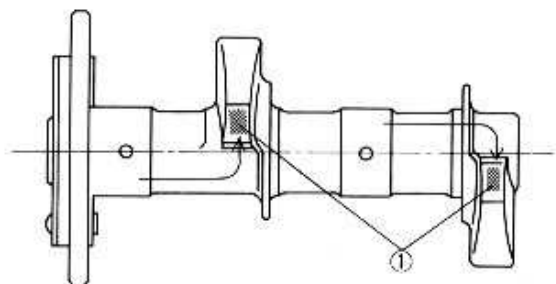
**Standard:** 25.984 – 26.000 mm  
**Service Limit:** 25.96 mm

- ★ If either journal has worn past the service limit, replace the balancer shaft with a new one.
- ★ If the measured journal diameter is not less than the service limit, but does not coincide with the original diameter markings on the balancer shaft, write new marks on it.

**Balancer Shaft Journal Diameter Marks**

**None:** 25.984 – 25.994 mm  
**○ :** 25.995 – 26.000 mm

**Balancer Shaft Mark Location**



1. Journal Diameter Marks  
○ or None

## 8-16 CRANKSHAFT/TRANSMISSION

- Put the lower crankcase half on the upper crankcase half without bearing inserts, and tighten the case bolts to the specified torque and sequence (see Crankcase Assembly).
- Measure the main bearing inside diameter, and mark the upper crankcase half in accordance with the inside diameter.

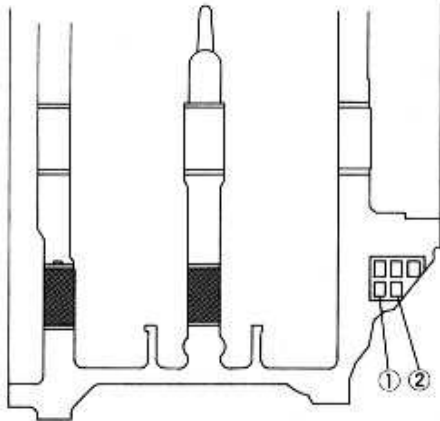
### NOTE

○The mark already on the upper crankcase half should almost coincide with the measurement.

#### Crankcase Bearing Inside Diameter Marks

- : 29.000 – 29.008 mm
- None: 29.009 – 29.016 mm

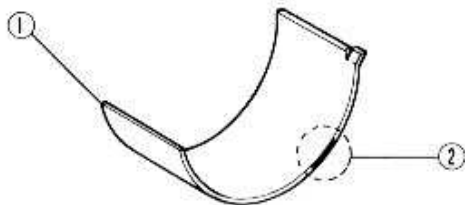
#### Crankcase Mark Location (Balancer Shaft)



- 1. No. 1 Journal
- 2. No. 2 Journal

- Select the proper bearing insert in accordance with the combination of the crankcase and crankshaft coding.
- Install the new insert in the crankcase and check insert/journal clearance with plastigage.

#### Balancer Shaft Mark Location



- 1. Bearing Insert
- 2. Color Size Mark

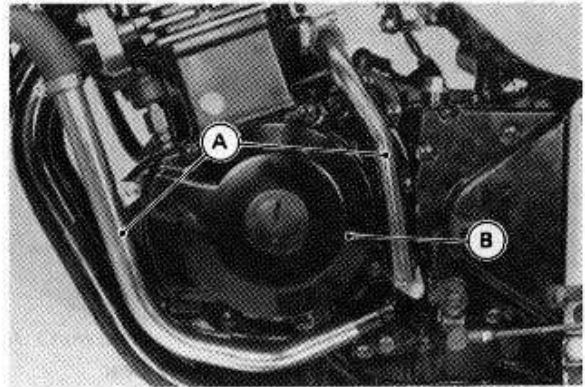
#### Bearing Insert Selection

Crankcase Bearing Inside Diameter Mark	Balancer Shaft Journal Diameter Mark	Bearing Insert	
		Size Color	Part Number
○	○	Brown	92028-1424
None	None	Blue	92028-1422
○	None	Black	92028-1423
None	○		

#### Starter Motor Clutch

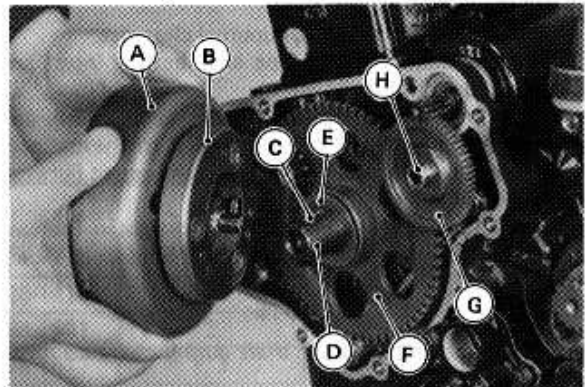
##### Starter Motor Clutch Removal

- Drain the engine oil.
- Drain the coolant (see Coolant Draining in Cooling System chapter).
- Pull the water pipes off the water pump (see Water Pump Removal in Cooling System chapter).



- A. Water Pipes
- B. Alternator Cover

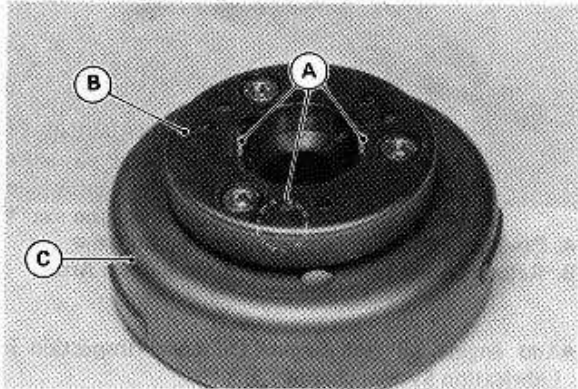
- Remove the alternator cover.
- Remove the alternator rotor (see Alternator Rotor Removal in Electrical chapter).
- Pull the starter motor idle gear and shaft out of the crankcase.
- Remove the woodruff key, thrust washer, and starter motor clutch gear from the crankshaft end.



- A. Alternator Rotor
- B. Starter Motor Clutch
- C. Woodruff Key
- D. Crankshaft End
- E. Thrust Washer
- F. Starter Motor Clutch Gear
- G. Starter Motor Idle Gear
- H. Shaft

**Starter Motor Clutch Installation Notes**

- Apply a molybdenum disulfide grease to the inside of the starter motor clutch gear.
- Check that the starter motor clutch rollers (3) are in place.



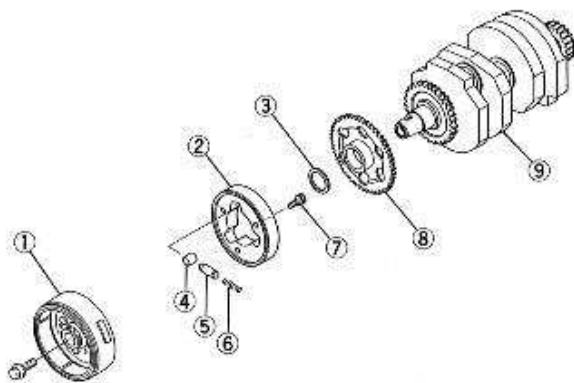
A. Rollers  
B. Starter Motor Clutch  
C. Alternator Rotor

- Put the alternator rotor (with starter motor clutch) by rotating the starter motor clutch gear counterclockwise.

**Starter Motor Clutch Disassembly**

- Remove the alternator cover.
- Remove the alternator rotor (see Alternator Rotor Removal in Electrical chapter).
- Holding the alternator rotor steady, remove the Allen bolts (3) to separate the rotor and starter motor clutch.
- Remove the Roller, Spring cap, and spring if necessary.

**Starter Motor Clutch**



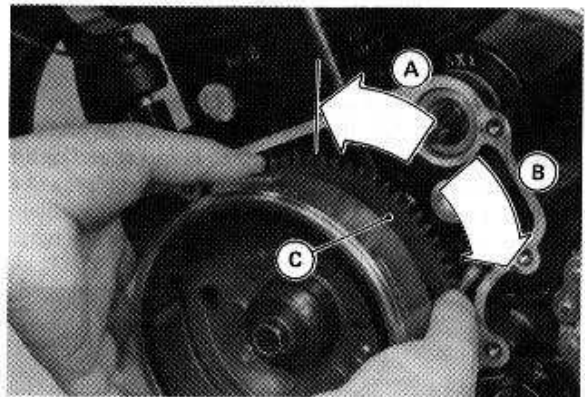
1. Alternator Rotor  
2. Starter Motor Clutch  
3. Thrust Washer  
4. Roller  
5. Spring Cap  
6. Spring  
7. Allen Bolt  
8. Starter Motor Clutch Gear  
9. Crankshaft

**Starter Motor Clutch Assembly Note**

- Apply a non-permanent locking agent to the thread of the starter motor clutch Allen bolts (3), and tighten the bolts to the specified torque (see Exploded View).

**Starter Motor Clutch Inspection**

- Drain the engine oil.
- Drain the coolant (see Coolant Draining in Cooling System chapter).
- Pull the water pipes off the water pump.
- Remove the alternator cover.
- Remove the starter motor idle gear and shaft from the crankcase.
- Turn the starter motor clutch gear by hand. The starter motor clutch gear should turn clockwise freely but should not turn counterclockwise.



A. Locked  
B. Turn Freely.  
C. Starter Motor Clutch Gear

- ★If the starter motor clutch does not operate as it should or if it makes noise, go to the next step.
- Disassemble the starter motor clutch, and visually inspect the clutch parts: springs, spring caps, rollers, and gear.
- ★If there is any worn or damaged part, replace it.

.....  
**Transmission**  
.....

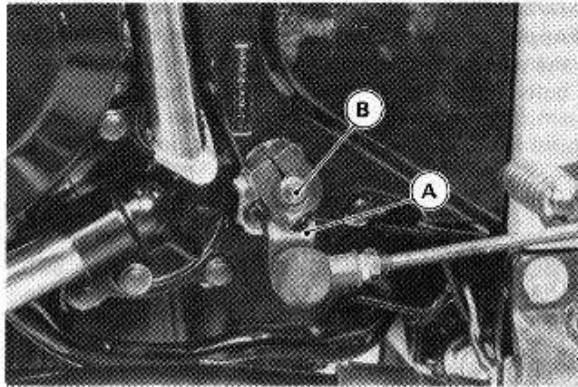
**External Shift Mechanism Removal Note**

- Before removing the shift lever off the shift shaft, mark the position of the lever on the shift shaft so that it can be installed after in the same position.

**External Shift Mechanism Removal**

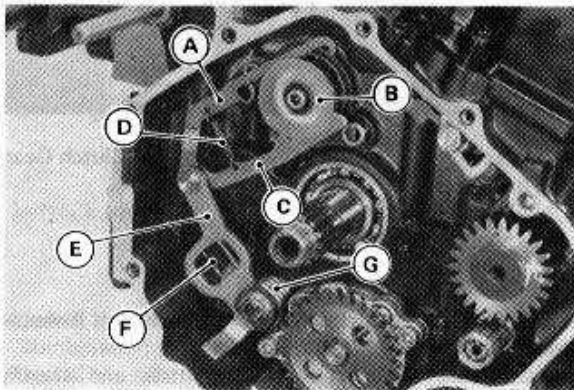
- Remove the shift lever bolt and pull the lever off the shift shaft end.

## 8-18 CRANKSHAFT/TRANSMISSION



A. Shift Lever      B. Shift Shaft

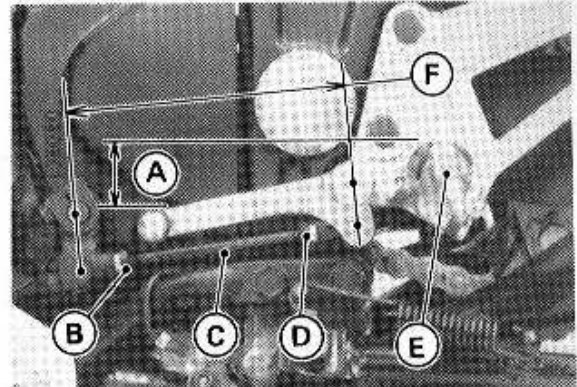
- Remove the clutch (see Clutch Removal in Clutch chapter).
- Move the shift mechanism arm and overshift limiter out of their positions on the end of the shift drum, and pull out the shift shaft with the arm, pawl spring and return spring.



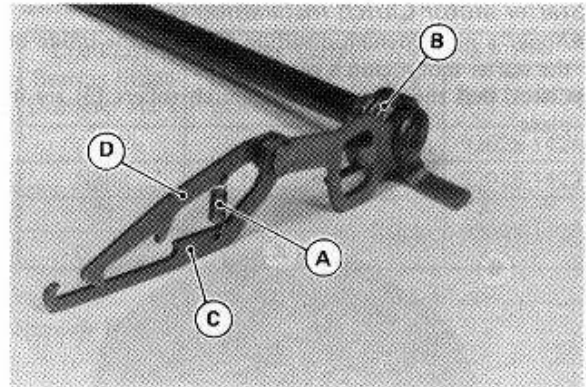
A. Overshift Limiter      E. Shift Shaft  
B. Shift Drum      F. Return Spring Bolt  
C. Shift Mechanism Arm      G. Return Spring  
D. Pawl Spring

### External Shift Mechanism Installation Notes

- Check that the return spring and pawl spring are properly fitted on the mechanism, install the external shift mechanism, and place the shift mechanism arm and overshift limiter on the shift drum pins.
- Grease the body of the pedal mounting bolt.
- The standard shift pedal position is about 30 mm lower than the top of the footpeg with the shift levers parallel to each other.
- ☆ If necessary, adjust the pedal position from the standard position to suit you as follows.
- Loosen the front and rear rod locknuts. The front locknut has left-hand threads.
- Turn the rod to adjust the pedal position.
- Tighten the locknuts securely.



A. Pedal Position      D. Rear Locknut  
B. Front Locknut      E. Footpeg  
C. Rod      F. Almost Parallel

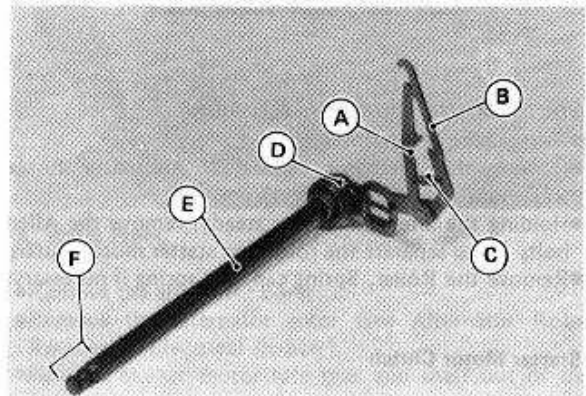


A. Pawl Spring      C. Overshift Limiter  
B. Return Spring      D. Shift Mechanism Arm

- Add engine oil (see Engine Oil Level Inspection in Lubrication System chapter).

### External Shift Mechanism Inspection

- Examine the shift shaft for any damage.



A. Shift Mechanism Arm      D. Return Spring  
B. Overshift Limiter      E. Shift Shaft  
C. Pawl Spring      F. Splines

- Check the shift shaft for bending or damage to the splines.

## CRANKSHAFT/TRANSMISSION 8-19

- ✧ If the shaft is bent, straighten or replace it. If the splines are damaged, replace the shaft.
- Check the return spring and pawl spring for breaks or distortion.
- ✧ If the springs are damaged in any way, replace them.
- Check the shift mechanism arm and overshift limiter for distortion.
- ✧ If the shift mechanism arm or overshift limiter is damaged in any way, replace the shift shaft.
- Check that the return spring pin is not loose.
- ✧ If it is loose, unscrew it, apply a non-permanent locking agent to the threads, and tighten it to the specified torque (see Exploded View).
- Visually inspect the shift drum pins, pin holder, and pin plate.
- ✧ If they are badly worn or if they show any damage, replace them.

### Transmission Shaft Removal

- Remove the engine.
- Split the crankcase.
- Take out the drive and output shaft assemblies.

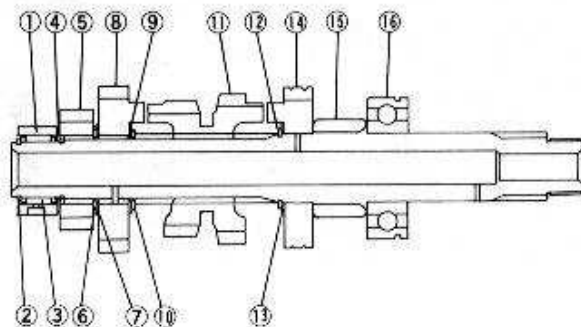
### Transmission Shaft Installation

- With a high flash-point solvent, clean off the outer circumferences of the transmission ball bearings and needle bearing housings, and wipe dry.
- Check to see that the set rings and set pins are in place in the transmission bearing housings and blow the oil passages in the bearing housings clean with compressed air.
- Install the drive and output shaft assemblies in the upper crankcase half.
- The bearing set pins and rings must match properly with the holes or grooves in the bearing outer races. When they are properly matched, there is no clearance between the crankcase and the bearing outer races.
- Assemble the crankcase.
- Install the engine.

### Drive Shaft Disassembly

- Remove the engine.
- Remove the clutch.
- Split the crankcase.
- Take out the drive shaft assembly.

### Drive Shaft

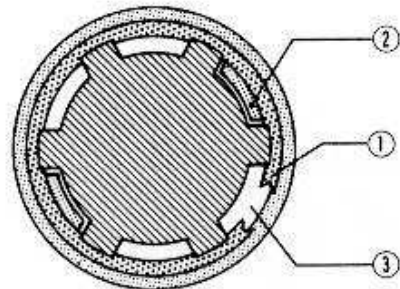


1. Bearing Outer Race
2. Circlip
3. Needle Bearing
4. Thrust Washer
5. 2nd Gear
6. Circlip
7. Toothed Washer
8. Top Gear
9. Toothed Washer
10. Circlip
11. 3rd, 4th Gear
12. Circlip
13. Washer
14. 5th Gear
15. Drive Shaft (1st Gear)
16. Ball Bearing

### Drive Shaft Assembly Notes

- Replace any circlips that were removed with new ones.
- Always install circlips so that the opening is aligned with a spline groove, and install toothed washers so that the teeth are not aligned with the circlip opening.

### Circlip and Toothed Washer Installation



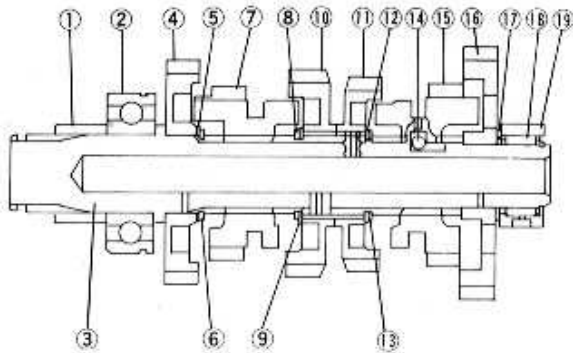
1. Circlip
2. Toothed Washer
3. Groove

### Output Shaft Disassembly

- Remove the engine.
- Split the crankcase.
- Take out the output shaft assembly.

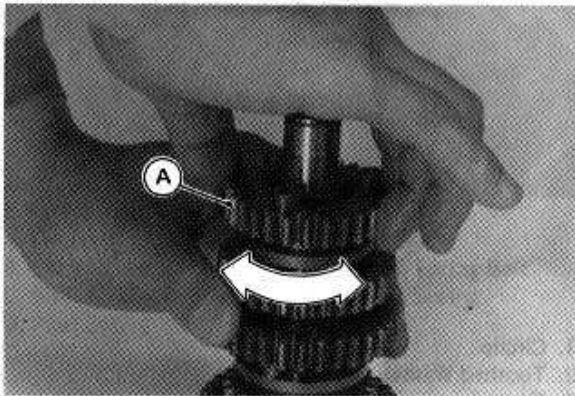
## 8-20 CRANKSHAFT/TRANSMISSION

### Output Shaft



- |                   |                        |
|-------------------|------------------------|
| 1. Collar         | 11. 3rd Gear           |
| 2. Ball Bearing   | 12. Toothed Washer     |
| 3. Output Shaft   | 13. Circlip            |
| 4. 2nd Gear       | 14. Steel Ball         |
| 5. Toothed Washer | 15. 5th Gear           |
| 6. Circlip        | 16. 1st Gear           |
| 7. Top Gear       | 17. Thrust Washer      |
| 8. Circlip        | 18. Needle Bearing     |
| 9. Toothed Washer | 19. Bearing Outer Race |
| 10. 4th Gear      |                        |

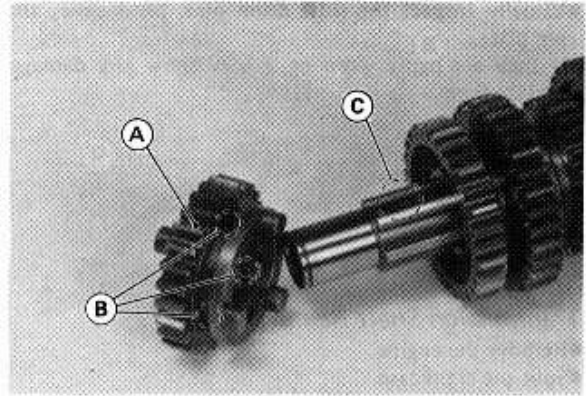
- The 5th gear has three steel balls assembled into it for the positive neutral finder mechanism. To remove this gear from the 5th gear, quickly spin the shaft in a vertical position while holding the 3rd gear, and pull off the 5th gear upwards.



A. 5th Gear

### Output Shaft Assembly Notes

- When installing the 5th gear and steel balls, do not apply grease to the balls to hold them in place. This will cause the positive neutral finder mechanism to malfunction.

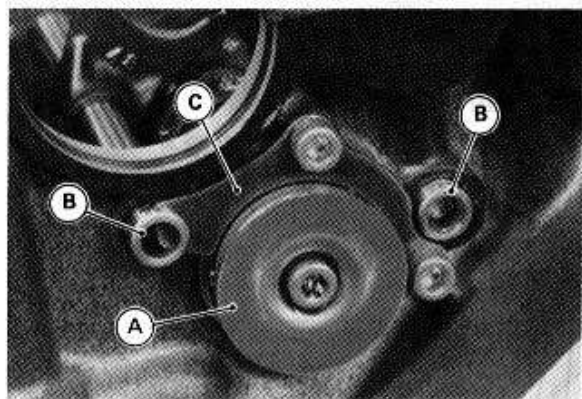


A. 5th Gear  
B. Steel Balls  
C. Recess

- Replace any circlips that were removed with new ones.
- Always install circlips so that the opening is aligned with a spline groove, and install toothed washers so that the teeth are not aligned with the circlip opening.

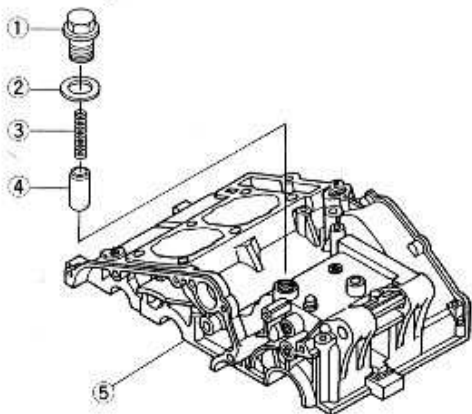
### Shift Drum and Fork Removal

- Remove the engine (see Engine Removal in Engine Removal/Installation chapter).
- Split the crankcase (see Crankcase Splitting).
- Remove the neutral positioning bolt and take off the washer, spring, and pin from the crankcase.
- Remove the shift drum holding plate bolts (2) and take the plate out of the shift drum and shift rod.



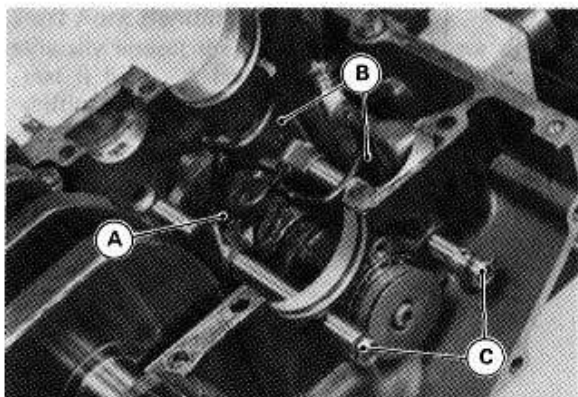
A. Shift Drum  
B. Shift Rods  
C. Holding Plate

**Neutral Positioning Bolt**



- 1. Neutral Positioning Bolt
- 2. Gasket
- 3. Spring
- 4. Pin
- 5. Upper Crankcase Half

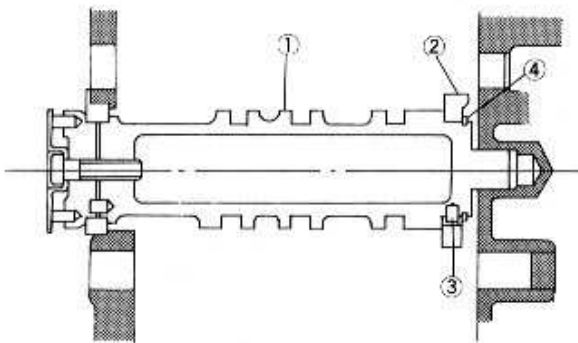
●Pull the shift rods off the right side of the crankcase, and take off the shift forks.



- A. Shift Fork (Drive)
- B. Shift Forks (Output)
- C. Shift Rods

●Pull out the shift drum about half.  
●Remove the operating plate circlip and operating plate.

**Shift Drum**



- 1. Shift Drum
- 2. Operating Plate
- 3. Operating Plate Pin
- 4. Circlip

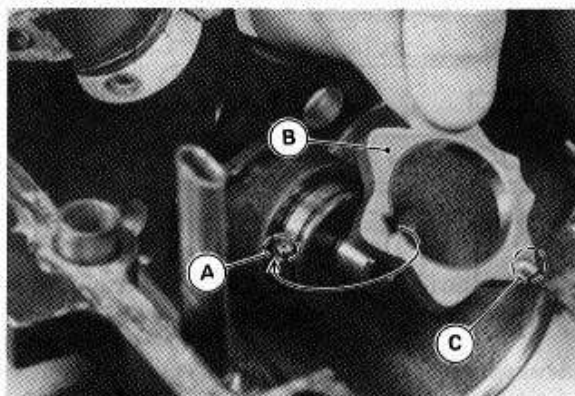
●Pull the shift drum out of the upper crankcase half.

**Shift Drum and Fork Installation**

●Installation is the reverse of removal. Note the following.  
○Check to see that the operating plate pin is in place, fit the operating plate onto the end of the shift drum, and install the circlip.

**NOTE**

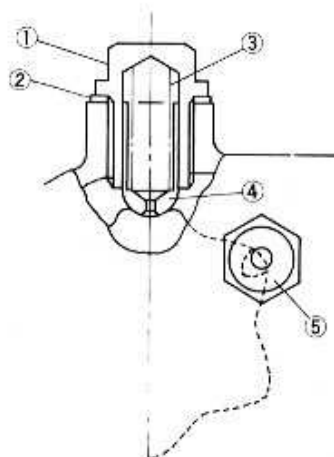
○When installing the operating plate, the projections face toward the outside.



- A. Operating Plate Pin
- B. Operating Plate
- C. Projection

○Set the shift drum in neutral position as shown.

**Neutral Position**

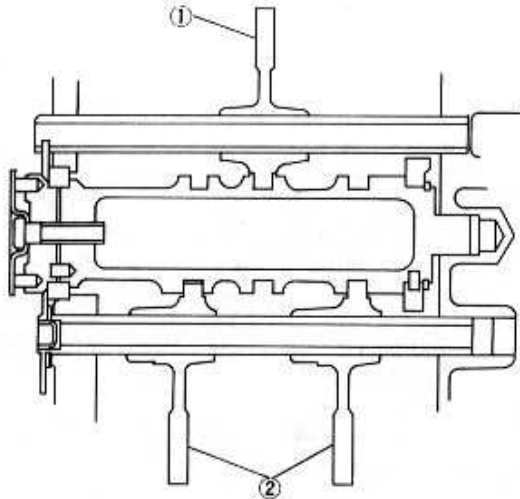


- 1. Neutral Positioning Bolt
- 2. Gasket
- 3. Spring
- 4. Pin
- 5. Neutral Switch

## 8-22 CRANKSHAFT/TRANSMISSION

○Apply a little engine oil to the shift rod and shift fork fingers. Insert the shift rod, running it through the shift forks, fitting each shift fork guide pin into the shift drum groove. The output shaft shift forks are identical.

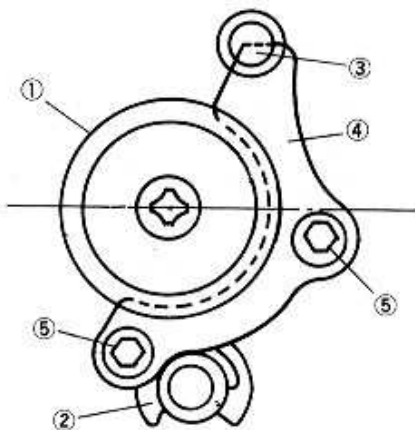
### Shift Forks Installation



1. Shift Fork (Drive Shaft)
2. Shift Forks (Output Shaft)

○Install the shift drum holding plate as shown.

### Shift Drum Holding Plate Installation



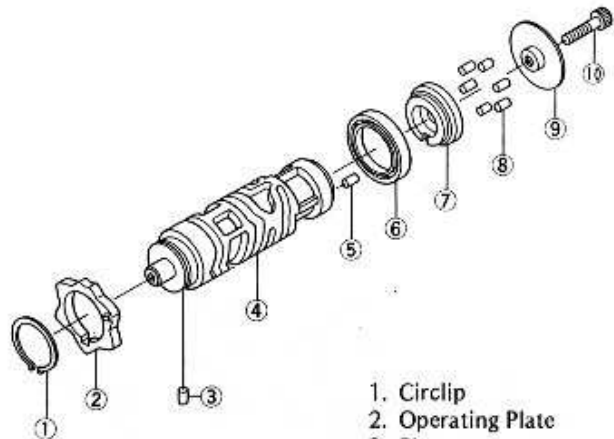
1. Shift Drum
2. Circlip
3. Fit the plate end to the notch.
4. Holding Plate
5. Plate Bolts

○Apply a non-permanent locking agent to the thread of the plate bolts, and tighten them.

### Shift Drum Disassembly Note

○Remove the shift drum and the disassemble the drum as shown.

### Shift Drum Parts



1. Circlip
2. Operating Plate
3. Pin
4. Shift Drum
5. Pin
6. Bearing
7. Holder
8. Pin
9. Pin Plate
10. Pin Plate Allen Bolt

### Shift Drum Assembly Notes

- The shift drum pins (6) are identical.
- Apply a non-permanent locking agent to the pin plate bolt, and tighten it.

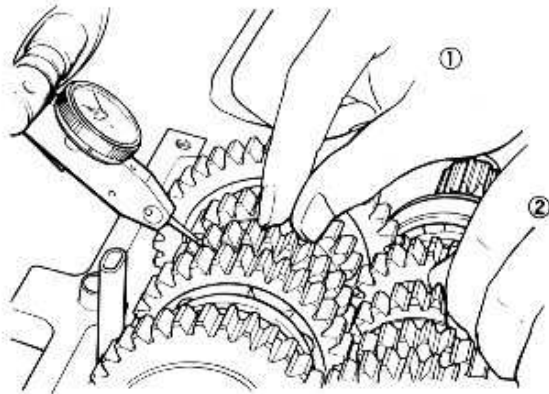
### Gear Backlash

- Split the crankcase leaving the transmission in place.
- Set a dial gauge against the teeth on one gear, and move the gear back and forth while holding the other gear steady. The difference between the highest and the lowest gauge readings is the amount of backlash.
- ★Replace both gears if the amount of backlash exceeds the service limit.

### Gear Backlash

Standard:	0 – 0.17 mm
Service Limit:	0.25 mm

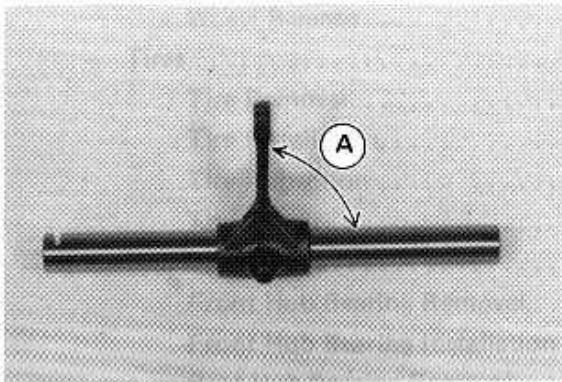
**Gear Backlash Inspection**



1. Move back and forth lightly
2. Hold steady.

**Shift Fork Bending**

- Visually inspect the shift forks, and replace any fork that is bent. A bent fork could cause difficulty in shifting, or allow the transmission to jump out of gear when under power.



A. 90°

**Shift Fork/Gear Groove Wear**

- Measure the thickness of the shift fork ears, and measure the width of the shift fork grooves on the transmission gears.
- ★ If the thickness of a shift fork ear is less than the service limit, the shift fork must be replaced.

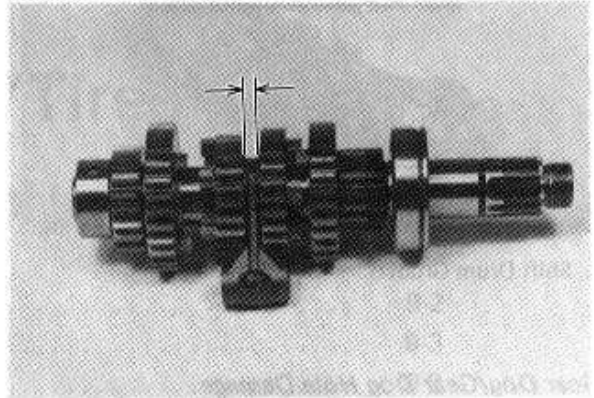
**Shift Fork Ear Thickness**

<b>Standard:</b>	<b>4.9 – 5.0 mm</b>
<b>Service Limit:</b>	<b>4.8 mm</b>

- ★ If a gear shift fork groove is worn over the service limit, the gear must be replaced.

**Gear Shift Fork Groove Width**

<b>Standard:</b>	<b>5.05 – 5.15 mm</b>
<b>Service Limit:</b>	<b>5.3 mm</b>



**Shift Fork Guide Pin/Shift Drum Groove Wear**

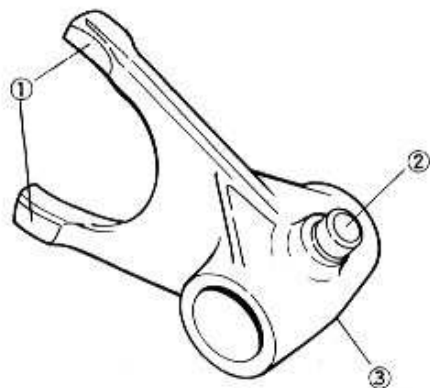
- Measure the diameter of each shift fork guide pin, and measure the width of each shift drum groove.
- ★ If the guide pin on any shift fork is less than the service limit, the fork must be replaced.

**Shift Fork Guide Pin Diameter**

<b>Standard:</b>	<b>5.9 – 6.0 mm</b>
<b>Service Limit:</b>	<b>5.8 mm</b>

- ★ If any shift drum groove is worn over the service limit, the drum must be replaced.

**Shift Fork**

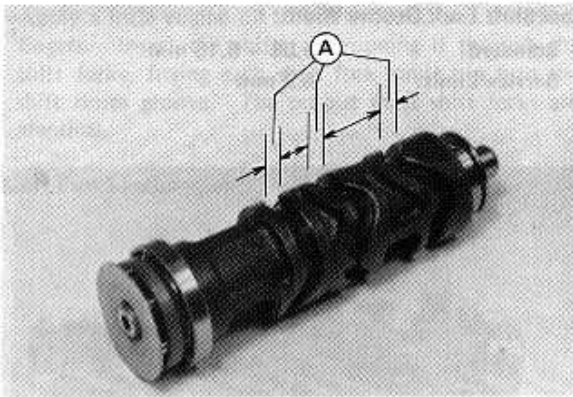


1. Shift Fork Ears
2. Shift Fork Guide Pin
3. Shift Fork

**Shift Drum Groove Width**

<b>Standard:</b>	<b>6.05 – 6.20 mm</b>
<b>Service Limit:</b>	<b>6.3 mm</b>

## 8-24 CRANKSHAFT/TRANSMISSION

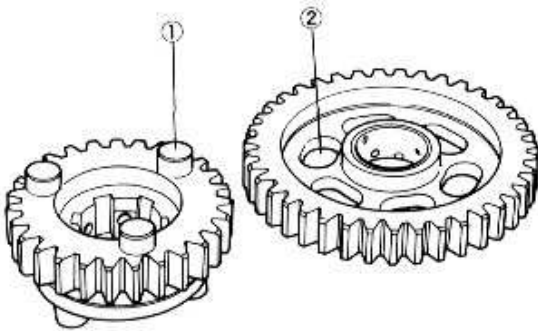


A. Shift Drum Grooves

### ***Gear Dog/Gear Dog Hole Damage***

- Visually inspect the gear dogs and gear dog holes.
- ★Replace any gears that have damaged or excessively worn dogs or dog holes.

### **Gear Dog/Dog Hole**



1. Dog

2. Dog Hole

### ***Ball and Needle Bearing Wear***

- Check the following ball bearings: drive shaft RH, output shaft LH, and shift drum RH.
  - Since the ball bearings are made to extremely close tolerances, the wear must be judged by feel rather than measurement. Clean each bearing in a high flash-point solvent, dry it (do not spin the bearing while it is dry), and oil it with engine oil.
  - Spin the bearing by hand to check its condition.
  - ★If the bearing is noisy, does not spin smoothly, or has any rough spots, replace it.
- Check the following needle bearing: drive shaft LH, and output shaft RH.
  - The rollers in a needle bearing normally wear very little, and wear is difficult to measure. Instead of measuring, inspect the bearing for abrasion, color change, or other damage.
  - ★If there is any doubt as to the condition of a needle bearing, replace it.

# Wheels/Tires

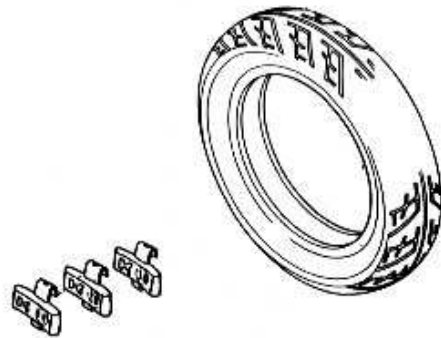
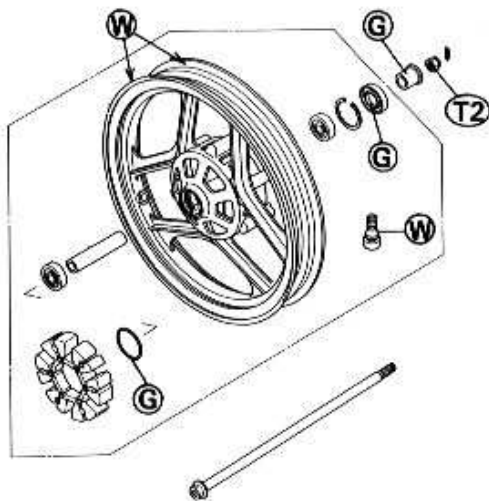
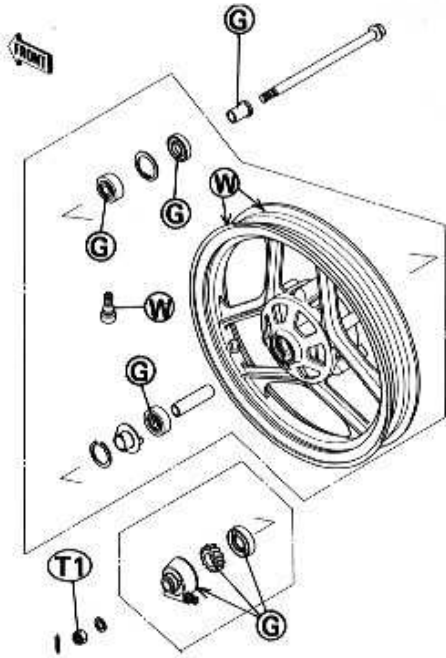
## Table of Contents

Exploded View .....	9-2
Specifications .....	9-3
Special Tool .....	9-3
Wheels (Rims) .....	*
Front Wheel Removal .....	*
Front Wheel Installation .....	*
Rear Wheel Removal .....	*
Rear Wheel Installation .....	*
Wheel Inspection .....	*
Axle Inspection .....	*
Wheel Balance .....	*
Tires .....	9-3
Tire Removal .....	*
Tire Installation .....	9-3
Tire Inspection .....	*
Tire Repair .....	*
Hub Bearings .....	9-4
Front Hub Bearing Removal .....	*
Front Hub Bearing Installation .....	9-4
Rear Hub Bearing Removal .....	9-5
Rear Hub Bearing Installation .....	*
Hub Bearing Inspection and Lubrication .....	9-5
Grease Seal Inspection and Lubrication .....	*
Speedometer Gear Housing .....	*
Speedometer Gear Housing Disassembly .....	*
Speedometer Gear Housing Assembly .....	*
Speedometer Gear Housing Lubrication .....	*

\* : Base Manual

## 9-2 WHEELS/TIRES

### Exploded View



W : Apply soap and water solution, or Rubber Lubricant.

G : Apply grease.

T1 : 88 N-m (9.0 kg-m, 65 ft-lb)

T2 : 110 N-m (11.0 kg-m, 80 ft-lb)

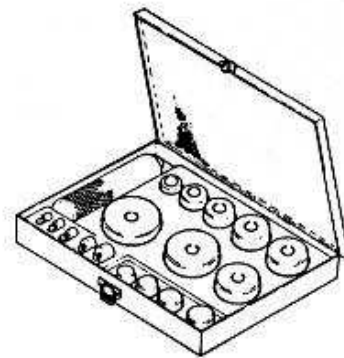
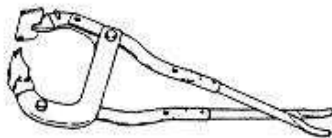
.....  
**Specifications**  
 .....

Item		Standard	Service Limit
<b>Wheels:</b>			
Tire tread depth:	Front	4.4 mm	1 mm
	Rear	6.4 mm	2 mm Under 130 km/h (80 mph) 3 mm Over 130 km/h (80 mph)
Standard tire:	Front	100/80-16 50S TUBELESS DUNLOP K630F	---
	Rear	130/80-16 64S TUBELESS DUNLOP K630	---
Tire air pressure		Load	Air Pressure (when cold)
	Front		200 kPa (2.0 kg/cm <sup>2</sup> , 28 psi)
	Rear	Up to 1 520 N (155 kg, 342 lb)	225 kPa (2.25 kg/cm <sup>2</sup> , 32 psi)
Rim runout:	Axial	---	0.5 mm
	Radial	---	0.8 mm
Axle runout/100 mm:		Under 0.05 mm	0.2 mm (0.7 mm : RL)

.....  
**Special Tools**  
 .....

**Bearing Driver Set: 57001-1129**

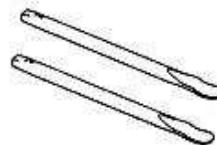
**Bead Breaker Assembly: 57001-1072**



**Rim Protector: 57001-1063**



**Tire Iron: 57001-1073**

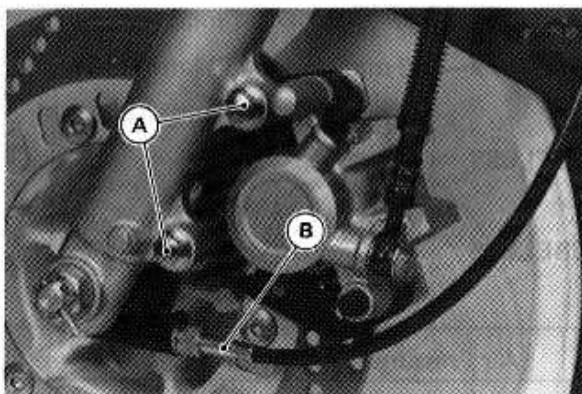


## 9-4 WHEELS/TIRES

### Wheels (Rims)

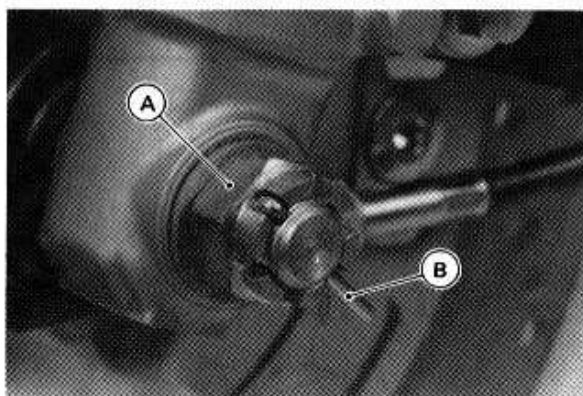
#### Front Wheel Removal

- Disconnect the speedometer cable lower end.
- Remove both mounting bolts for the brake caliper. Support the caliper so that does not hang by its brake hose.



A. Caliper Mounting Bolts    B. Speedometer Cable

- Remove the cotter pin, and loosen the axle nut.



A. Axle Nut    B. Cotter Pin

- Use a jack under the engine or other suitable means to lift the front of the motorcycle.
- Pull out the axle to the right and drop the front wheel out of the forks.
- Remove the front wheel.

#### CAUTION

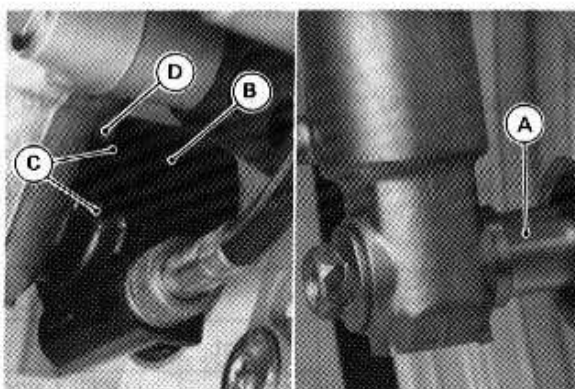
- Do not lay the wheel down on the disc. This can damage or warp the disc. Place blocks under the wheel so that the disc do not touch the ground.

#### Front Wheel Installation

- Install is the reverse of removal.

#### NOTE

- Install the speedometer gear housing so that it fits in the speedometer gear drive notches.
- Fit the speedometer gear housing stop to the fork leg stop, and check that the collar is on the right hand side of the hub.



A. Collar    C. Housing Stop  
B. Speedometer Gear Housing    D. Fork Leg Stop

- Tighten the axle nut to the specified torque (see Exploded View).
- Replace the axle nut cotter pin with a new one.
- Tighten the caliper mounting bolts to the specified torque (see Exploded View in Brake chapter).
- Check the front brake.

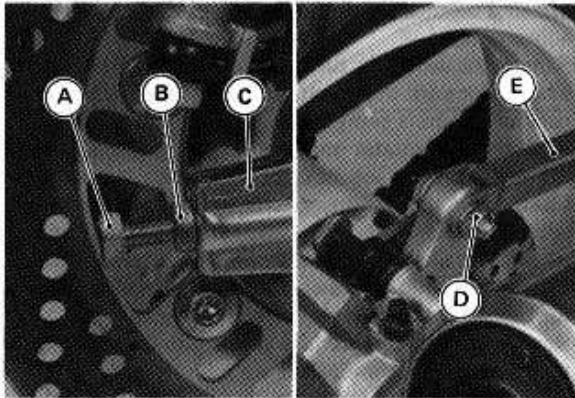
#### WARNING

- Do not attempt to drive the motorcycle until a full brake lever is obtained by pumping the brake lever until the pads are against the disc. The brakes will not function on the first application of the lever if this is not done.

#### Rear Wheel Removal

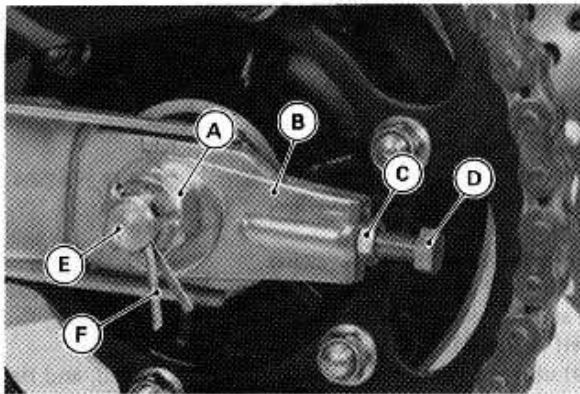
- Remove or loosen the following parts before rear wheel removal.
  - Chain Cover (Remove)
  - Axle Nut Cotter Pin (Remove)
  - Torque Link Nut (Loosen)
  - Chain Adjusting Bolt Locknuts, Adjusting Bolts (Full Loosen)
  - Drive Chain (Full Loosen)
  - Axle and Axle Nut (Remove)
- Pull the drive chain toward the left, and remove the rear wheel.

Right Side



- |                   |                    |
|-------------------|--------------------|
| A. Adjusting Bolt | D. Torque Link Nut |
| B. Locknut        | E. Torque Link     |
| C. Chain Adjuster |                    |

Left Side



- |                   |                   |
|-------------------|-------------------|
| A. Axle Nut       | D. Adjusting Bolt |
| B. Chain Adjuster | E. Axle           |
| C. Locknut        | F. Cotter Pin     |

**CAUTION**

Do not lay the wheel on the ground with the disc facing down. This can damage or warp the disc. Place blocks under the wheel so the disc does not touch the ground.

**Rear Wheel Installation**

- Installation is the reverse of removal.
- Be careful of the following items.
  - Adjust the drive chain after installation (see Drive Chain Adjustment in Final Drive chapter).
  - Tighten the axle nut to the specified torque (see Exploded View).
  - Tighten the torque link nut to the specified torque (see Exploded View in Brake chapter).

**Wheel Inspection**

If there is any doubt as to the condition of the wheel, or if the wheel has received a heavy impact, check the rim runout as follows:

- Remove the tire and support the wheel by the axle. Set a dial gauge against the side of the rim, and rotate the wheel to measure the axial runout. The difference between the highest and lowest dial readings is the amount of runout.
- Set the dial gauge against the outer circumference of the rim, and rotate the wheel to measure radial runout. The difference between the highest and lowest dial readings is the amount of runout.
- ★ If rim runout exceeds the service limit, check the wheel bearings first. Replace them if they are damaged.
- ★ If the problem is not due to the bearings, the wheel must be replaced. Do not attempt to repair a damaged wheel.

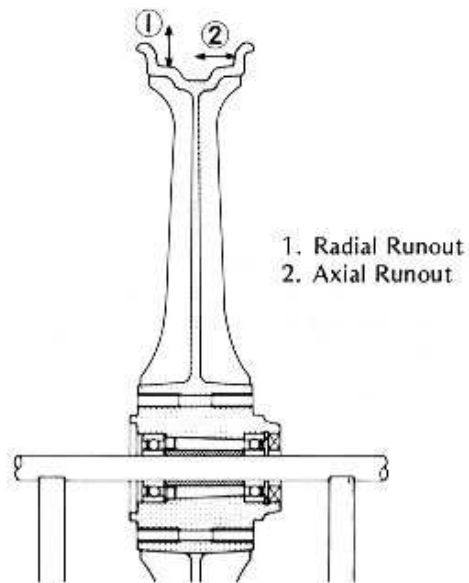
**Axial Runout**

Service Limit: 0.5 mm

**Radial Runout**

Service Limit: 0.8 mm

**Rim Runout**



Carefully inspect the wheel for small cracks, dents, bending, or warping. If there is any damage to the wheel, it must be replaced.

**WARNING**

Never attempt to repair a damaged wheel. If there is any damage besides wheel bearings, the wheel must be replaced to insure safe operational condition.

If the rim has a scratch deeper than 0.5 mm and/or across the rim-sealing surface, replace the wheel.

## 9-6 WHEELS/TIRES

### Axle Inspection

To measure axle runout, remove the axle, place it in V blocks that are 100 mm apart, and set a dial gauge on the axle at a point halfway between the blocks. Turn the axle to measure the runout. The amount of runout is the amount of dial variation.

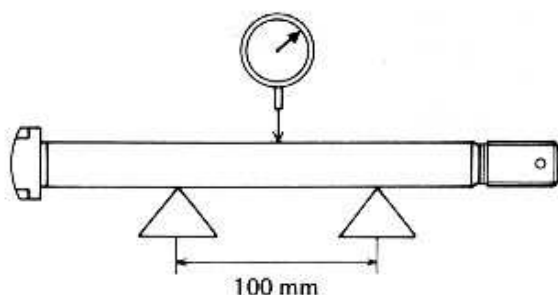
If runout exceeds the service limit, straighten the axle or replace it. If the axle cannot be straightened to within service limit, or if runout exceeds the repair limit, replace the axle.

#### Axle Runout/100 mm

Service Limit: 0.2 mm

Repair Limit: 0.7 mm

#### Axle Runout

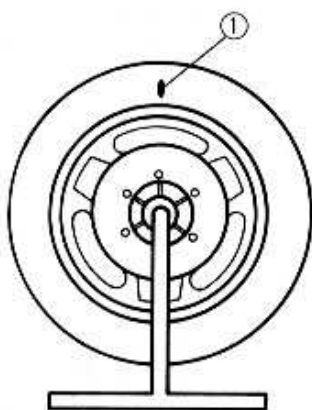


### Wheel Balance

#### To check the wheel balance:

- Support the wheel so that it can be spun freely.
- Spin the wheel lightly, and mark the wheel at the top when the wheel stops.

#### Wheel Balance Check



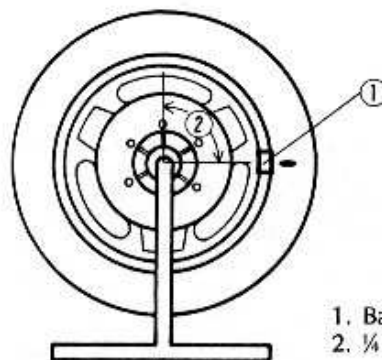
1. Mark

- Repeat this procedure several times. If the wheel stops of its own accord in various positions, it is well balanced.

#### To balance the wheel:

- If the wheel always stops in one position, provisionally attach a balance weight on the rim at the marking using adhesive tape.
- Rotate the wheel  $\frac{1}{4}$  turn, and see whether or not the wheel stops in this position. If it does, the correct balance weight is being used.
- ★ If the wheel rotates and the weight goes up, replace the weight with the next heavier size. If the wheel rotates and the weight goes down, replace the weight with the next lighter size. Repeat these steps until the wheel remains at rest after being rotated  $\frac{1}{4}$  turn.
- Rotate the wheel another  $\frac{1}{4}$  turn, and then another  $\frac{1}{4}$  turn to see if the wheel is correctly balanced.
- Repeat the entire procedure as many times as necessary to achieve correct wheel balance.
- Permanently install the balance weights.

#### Wheel Balance Adjustment



1. Balance Weight
2.  $\frac{1}{4}$  Turn

#### Installation of Balance Weight:

- Check if the weight portion has any play on the blade-and-clip plate.
- ★ If it does, discard it.
- Lubricate the balance weight blade, tire bead, and rim flange with a soap and water solution or rubber lubricant. This helps the balance weight slip onto the rim flange.

#### CAUTION

- Do not lubricate the tire bead with engine oil or gasoline because they will deteriorate the tire.
- Install the balance weight on the rim.
- Slip the weight on the rim flange by pushing or lightly hammering the weight in the direction shown in the figure.
- Check that the blade and weight seat fully on the rim flange, and that the clip is hooked over the rim ridge and reaches rim flat portion.

#### WARNING

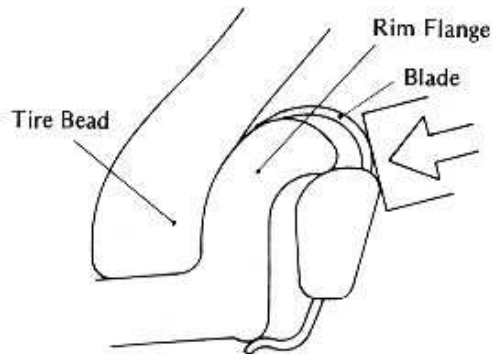
- If the balance weight has any play on the rim flange, the blade and/or clip have been stretched. Replace the loose balance weight.
- Do not reuse used balance weights.

**Balancer Weight**

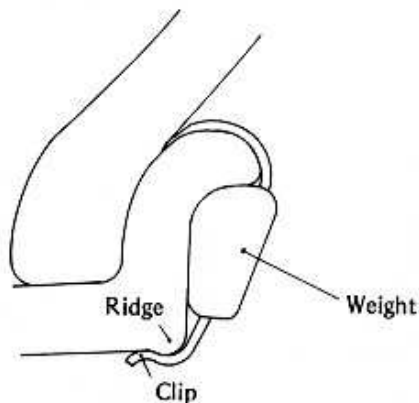
Part Number	Weight (grams)
41075-1014	10
41075-1015	20
41075-1016	30

**Installing Balance Weight**

(a) Press or lightly hammer the weight in.



(b) Installation completed.

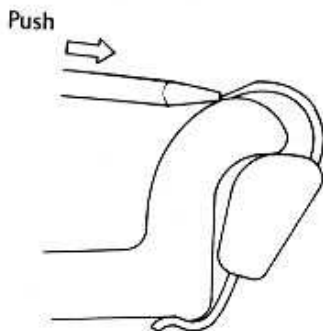


**Removal of Balance Weight:**

(a) When the tire is not on the rim.

- Push the blade portion toward the outside with a regular tip screw driver, and slip the weight off the rim flange.
- Discard the used balance weight.

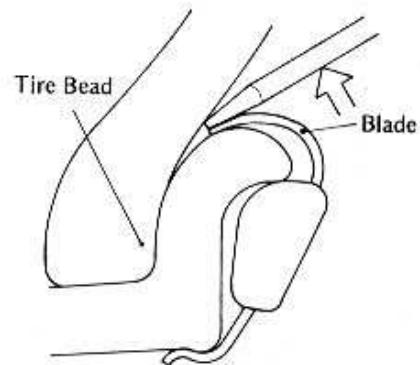
**Removing Balance Weight (without tire on rim)**



(b) When the tire is on the rim.

- Pry the Balance weight off the rim flange using a regular tip screw driver as shown in the figure.
- Insert a tip of the screw driver between the tire bead and weight blade until the end of the tip reaches the end of the weight blade.
- Push the driver grip toward the tire so that the balance weight slips off the rim flange.
- Discard the used balance weight.

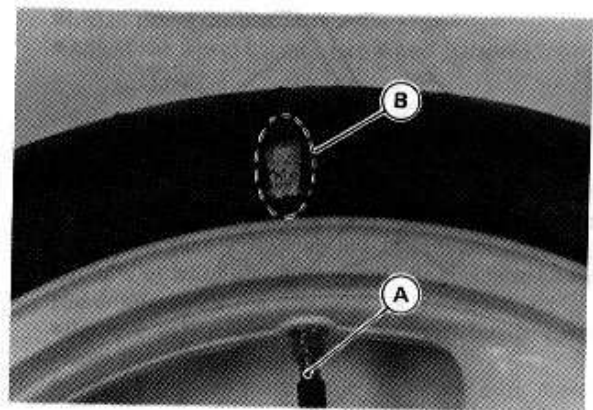
**Removing Balance Weight (with tire on rim)**



**Tires**

**Tire Removal**

- Remove the wheel from the motorcycle (see Wheel Removal), and remove the disc from the hub.
- To maintain wheel balance, mark the valve stem position on the tire with chalk so that the tire will be reinstalled in the same position.
- Take out the valve core to let out the air.



A. Valve Core

B. Chalk Mark

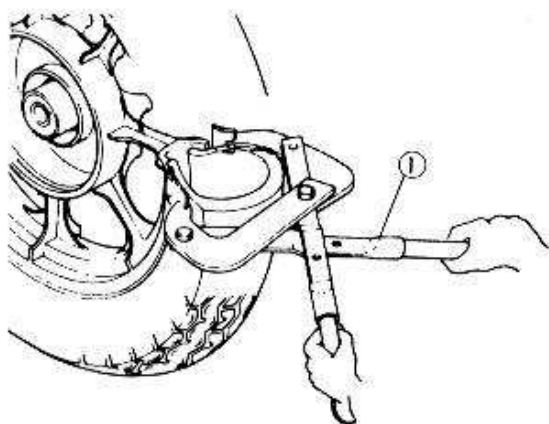
## 9-8 WHEELS/TIRES

- Lubricate the tire beads and rim flanges on both sides with a soap and water solution or rubber lubricant. This helps the tire beads slip off the rim flanges.

### CAUTION

- Never lubricate with mineral oil (engine oil) or gasoline because they will cause deterioration of the tire.
- Break the beads away from both sides of the rim with the bead breaker (special tool).

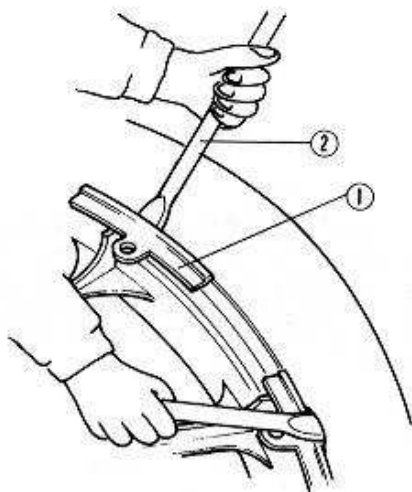
### Tire Beads Brake



1. Bead Breaker: 57001-1072

- Install the rim protectors (special tools) around the valve stem. Lubricate the tire irons and rim protectors with a soap and water solution, or rubber lubricant.
- Step on the side of the tire opposite the valve stem, and start prying the tire off the rim near the valve stem with tire irons (special tools).

### Tire Removal



1. Rim Protectors: 57001-1063  
2. Tire Irons: 57001-1073

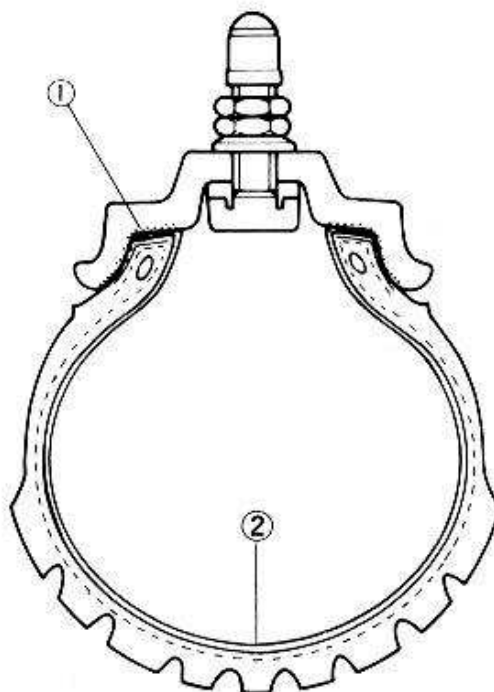
### NOTE

- For easier removal, always position the tire bead opposite the valve stem in the rim well, and pry the tire bead a little at a time.

### CAUTION

- Be careful not to scratch the inner liner and air sealing surfaces of the rim and tire with the tire irons. A scratched inner liner or sealing surface may allow air to leak.

### Air Sealing Surfaces



1. Air Sealing Surfaces  
2. Inner Liner

- After removing the bead on one side, remove the other bead from the same side.
- Remove the rim from the tire.
- Remove the rim protectors from the rim.

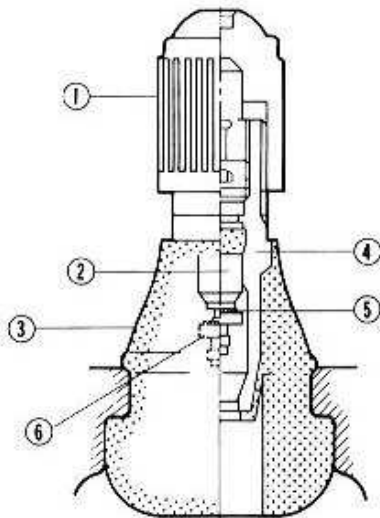
### Tire Installation

- Inspect the rim and tire, and replace them if necessary.
- Clean the sealing surfaces of the rim and tire, and smooth the sealing surfaces of the rim with a fine emery cloth if necessary.
- Remove the air valve and discard it.

### CAUTION

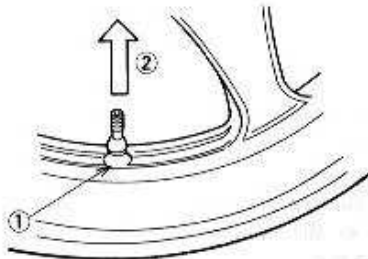
- Replace the air valve whenever the tire is replaced.
- Do not reuse the air valve.

## Air Valve



- |                |                 |
|----------------|-----------------|
| 1. Plastic Cap | 4. Valve Stem   |
| 2. Valve Core  | 5. Valve Seat   |
| 3. Stem Seal   | 6. Valve Opened |

- Install a new air valve in the rim.
- Remove the valve cap, lubricate the stem with a soap and water solution, and pull the stem through the rim from the inside out until it snaps into place.



1. Apply soap and water solution.
2. Pull the stem out.

### CAUTION

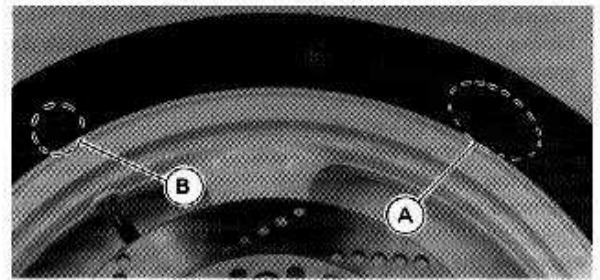
- Do not use engine oil or petroleum distillates to lubricate the stem because they will deteriorate the rubber.

- Apply a soap and water solution, or rubber lubricant to the rim flanges, rim protectors, tire beads, and tire irons.
- Check the tire rotation mark on the tire and install it on the rim accordingly.

### NOTE

- The direction of the tire rotation is shown by an arrow on the tire sidewall.

## WHEELS/TIRES 9-9



- A. Rotation Mark (Arrow)  
B. Balance Mark (Yellow Paint)

- Position the tire on the rim so that the valve is at the tire balance mark (the chalk mark made during removal, or the yellow paint mark on a new tire).
- By hand, slide as much as possible of the lower side of the tire bead over the rim flange, starting at the side opposite the valve.
- Fit the rim protectors and tire irons to install the remaining part of the tire bead which cannot be installed by hand. For easy tire installation, position the parts of the bead which is already over the rim flange in the rim well.

### NOTE

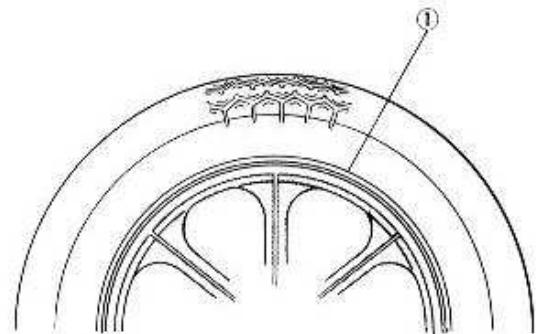
- To prevent rim damage, be sure to place the rim protectors at any place the tire irons are applied.
- Install the other side of the tire bead onto the rim in the same manner.
- Lubricate the tire beads and rim flanges with a soap and water solution or rubber lubricant to help seat the tire beads in the sealing surfaces of the rim while inflating the tire.
- Center the rim in the tire beads, and inflate the tire with compressed air until the tire beads seat in the sealing surfaces.

### WARNING

- Be sure to install the valve core whenever inflating the tire, and do not inflate the tire to more than 390 kPa (4.0 kg/cm<sup>2</sup>, 57 psi). Overinflation can explode the tire with possibility of injury and loss of life.

- Check to see that the rim lines on both sides of the tire sidewalls are parallel with the rim flanges.

### Rim Line



1. Rim Line

## 9-10 WHEELS/TIRES

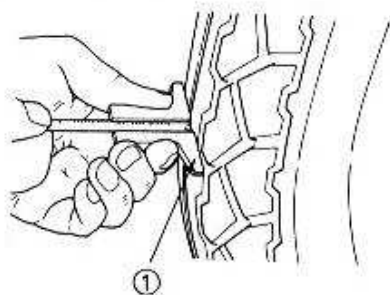
- If the rim flanges and tire sidewall rim lines are not parallel, remove the valve core. Lubricate the rim flanges and tire beads. Install the valve core and inflate the tire again.
- After the tire beads seat in the rim flanges, check for air leaks. Inflate the tire slightly above standard inflation. Use a soap and water solution or submerge it, and check for bubbles that would indicate leakage.
- Adjust the air pressure to the specified pressure (see Tire Inspection).
- Install the brake disc.
- Adjust the wheel balance (see Wheel Balance).

### Tire Inspection

As the tire tread wears down, the tire becomes more susceptible to the puncture and failure. An accepted estimate is that 90% of all tire failures occur during the last 10% of tread life (90% worn). So it is false economy and unsafe to use the tires until they are bald.

- Remove any imbedded stones or other foreign particles from the tread.
- Visually inspect the tire for cracks and cuts, replacing the tire in case of bad damage. Swelling or high spots indicate internal damage, requiring tire replacement.
- Measure the tread depth at the center of the tread with a depth gauge. Since the tire may wear unevenly, take measurements at several places.
- ★ If any measurement is less than the service limit, replace the tire.

### Tire Wear Inspection



#### 1. Depth Gauge

#### Tire Tread Depth

##### Front

Standard	4.4 mm
Service Limit	1 mm

##### Rear

Standard	6.4 mm
Service Limit	2 mm Up to 130 km/h (80 mph) 3 mm Over 130 km/h (80 mph)

### WARNING

- To ensure safe handling and stability, use only the recommended standard tires for replacement, inflated to the standard pressure.

### NOTE

- Check and balance the wheel when a tire is replaced with a new one.

#### Standard Tires (Tubeless):

##### Front

100/80-1  
DUNLOP K630F      DUNLOP K630

#### Tire Air Pressure (when cold)

Front	200 kPa (2.0 kg/cm <sup>2</sup> , 28 psi)
Rear	up to 155 kg (342 lb): 225 kPa (2.25 kg/cm <sup>2</sup> , 32 psi)

### Tire Repair

Currently two types of repair for tubeless tires have come into wide use. One type is called temporary (external) repairs which can be carried out without removing the tire from the rim, and another type is called permanent (internal) repairs which require tire removal. It is generally understood that higher running durability is obtained by permanent (internal) repairs than by temporary (external) ones. Also, permanent (internal) repairs also have the advantage of permitting a thorough examination for secondary damage not visible from external inspection of the tire. For these reasons, Kawasaki does not recommend temporary (external) repair. Only appropriate permanent (internal) repairs are recommended. Repair methods may vary slightly from make to make. Follow the repair methods indicated by the manufacturer of the repair tools and materials so that safe results can be obtained.

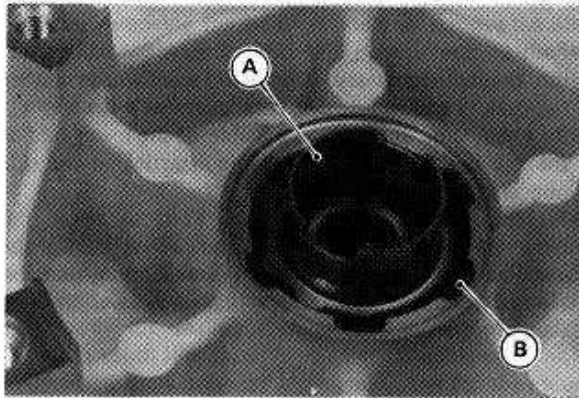
### Hub Bearings

#### Front Hub Bearing Removal

### CAUTION

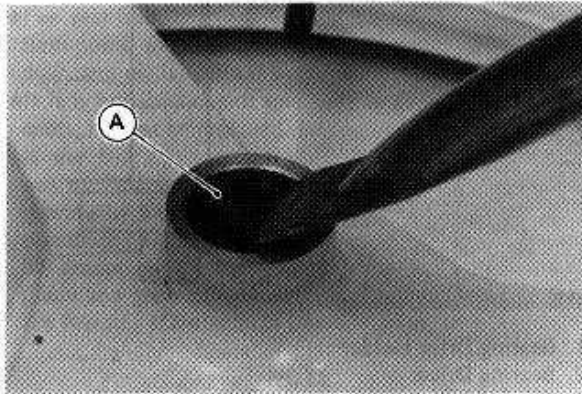
- Do not lay the wheel on the ground with the disc facing down. This can damage or warp the disc. Place blocks under the wheel so the disc does not touch the ground.

- Remove the front wheel.
- Remove the speedometer gear housing, and collar(s) from the wheel.
- Remove the disc mounting Allen bolts and take off the discs.
- Remove the circlip and speedometer gear drive.



A. Speedometer drive    B. Circlip

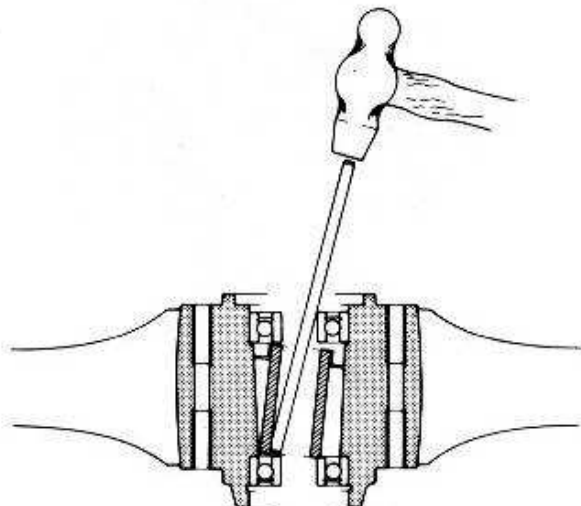
- Remove the grease seal using a hook, and remove the circlip.



A. Gear Seal

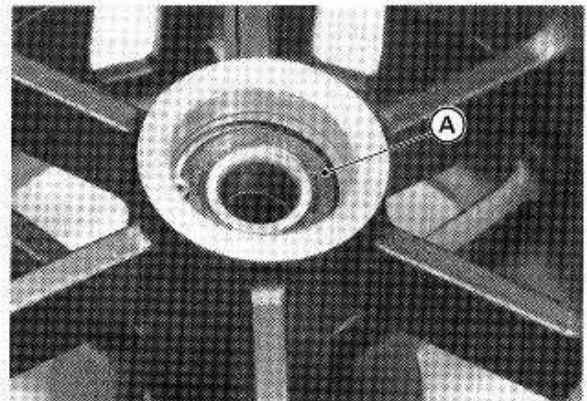
- Insert a metal rod into the hub from the left side, and remove the right side bearing by tapping evenly around the bearing inner race.
- Remove the remaining bearing by tapping evenly around the bearing inner race. The distance collar comes out with the bearing.

**Bearing Removal**

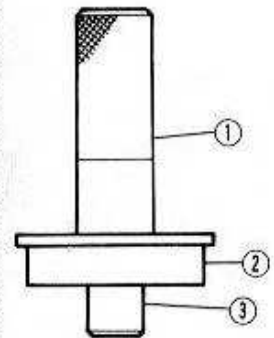


**Front Hub Bearing Installation**

- When install the front hub, be careful of the following items.
  - Before installing the wheel bearings, blow any dirt or foreign particles out of the hub with compressed air to prevent contamination of the bearings.
  - Inspect the bearings and replace them if necessary. Lubricate them and install them using the bearing driver set (special tools) so that the marked or shielded sides face out.



A. Bearing Seal



1. Bearing Driver Holder
2. Bearing Driver
3. Bearing Driver

- Inspect the grease seal and replace if necessary. Press it in until it stops at the circlip in the hole using the same special tools used for bearing installation.
- Tighten the disc mounting Allen bolts to the specified torque. The disc must be installed with the chamfered hole side facing toward the wheel. After installing the disc check the disc runout. Completely clean off any grease that has gotten on either side of the disc with a high flashpoint solvent. Do not use one which will leave an oily residue.

## 9-12 WHEELS/TIRES

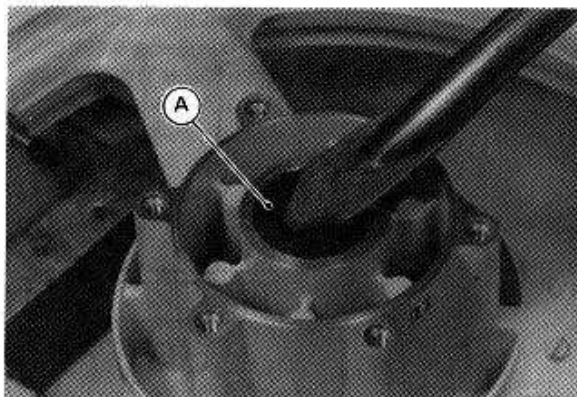
### Rear Hub Bearing Removal

○ Since the rear hub bearings are packed with grease and sealed, they are not required to be removed for lubrication.

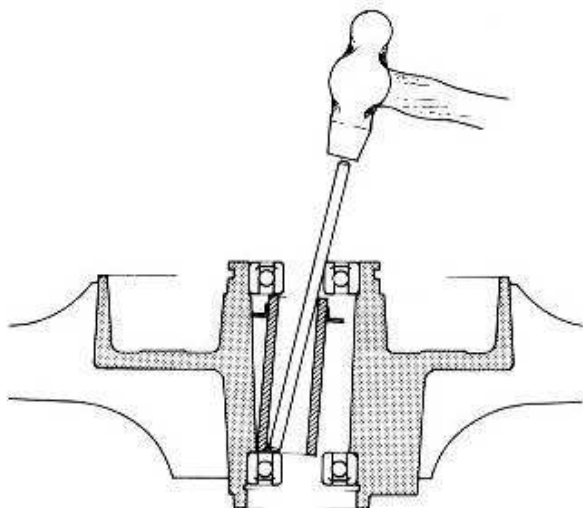
#### CAUTION

○ Do not lay the wheel on the ground with the disc facing down. This can damage or warp the disc. Place blocks under the wheel so the disc does not touch the ground.

- Remove the rear wheel.
- Remove the coupling sleeve, rear wheel coupling, and coupling collar from the wheel.
- Remove the disc mounting Allen bolts and take off the disc.
- Remove the grease seal using a hook, and remove the circlip.



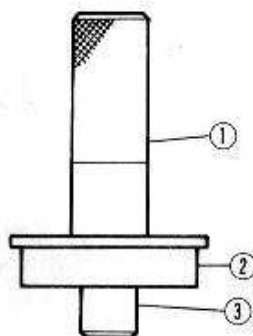
A. Grease Seal



- Insert a metal rod into the hub from the left side, and remove the right side bearing by tapping evenly around the bearing inner race.
- Remove the remaining bearing by tapping evenly around the bearing inner race. The distance collar comes out with the bearing.

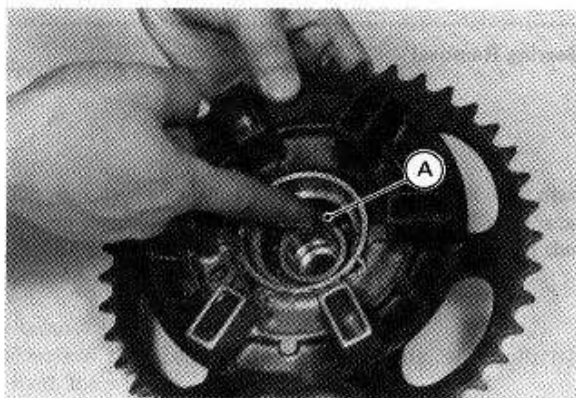
### Rear Hub Bearing Installation

- When installing the rear hub, be careful of the following items.
- Before installing the wheel bearings, blow any dirt or foreign particles out of the hub with compressed air to prevent contamination of the bearings.
- Inspect the bearings and replace them if necessary (see Hub Bearing Inspection). Lubricate them and install them using the bearing driver set (special tools) so that the marked or shielded Sides face out.



1. Bearing Drive Holder
2. Bearing Driver
3. Bearing Driver

- Inspect the grease seal and replace if necessary (see Grease Seal Inspection). Press it in until it stops at the circlip in the hole using the same special tools used for bearing installation.
- Apply a little grease to the inside of the rear coupling.



A. Grease

- Tighten the disc mounting Allen bolts to the specified torque (see Exploded View in Brake chapter). The disc must be installed with the flat side facing toward the wheel. After installing the disc, check the disc runout (see Disc Wear in Brake chapter).
- Completely clean off any grease that has gotten on either side of the disc with a high flash-point solvent. Do not use one which will leave an oily residue.

### Hub Bearing Inspection and Lubrication

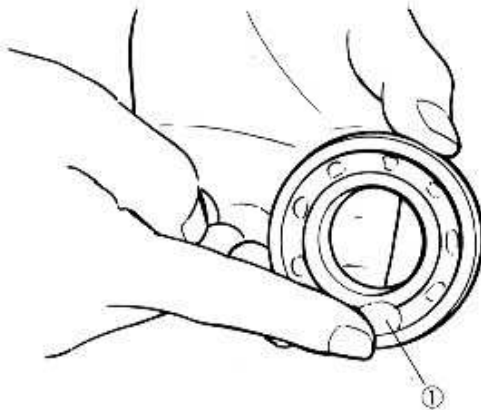
Since the wheel bearings are made to extremely close tolerances, the clearance cannot normally be measured.

- For front hub bearing, turn each bearing back and forth while checking for roughness or binding.
- ★If roughness or binding is found, replace the bearing.
- For rear hub bearing, wash the bearing with a high flash-point solvent, dry it (do not spin it while it is dry), and oil it. Spin it by hand to check its condition.
- ★If it is noisy, does not spin smoothly, or has any rough spots, it must be replaced.
- ★If the bearing is to be used again, rewash it with a quality flash-point solvent, dry it and pack it with good bearing grease by hand a few times to make sure the grease is distributed uniformly inside the bearing, and wipe the oil grease out of the hub before bearing installation. Clean and grease the wheel bearings in accordance with the Periodic Maintenance Chart.

**NOTE**

○Since the bearings on the rear wheel hub are packed with grease and shield, they are not required to be removed for lubrication.

**Bearing Lubrication**



1. Grease.

- Examine the bearing seal for tears or leakage.
- ★If the seal is torn or is leaking, replace the bearing.

**Grease Seal Inspection and Lubrication**

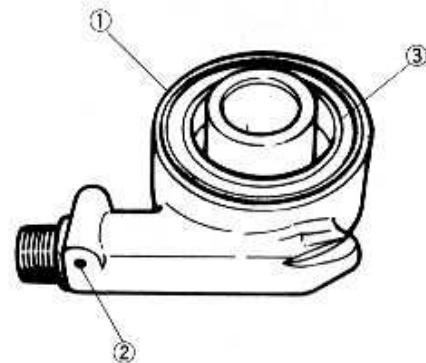
If the grease seals are examined without removing the seals themselves, look for discoloration (indicating the rubber has deteriorated), hardening, damage to the internal ribbing, or other damage. If the seal or internal ribbing has hardened, the clearance between the seal and the axle sleeve will not be taken up, which will allow dirt and moisture to enter and reach the bearing. If in doubt as to its condition and whenever the seal is removed for greasing the bearing, the seal should be replaced. The seal are generally damaged upon removal.

.....  
**Speedometer Gear Housing**  
 .....

**Speedometer Gear Housing Disassembly**

- Pull the speedometer gear housing and collar off the front wheel.
- Pull out the grease seal using a hook.

**Speedometer Gear Housing**



1. Speedometer Gear Housing
2. Pin
3. Grease Seal

- Pull out the speedometer gear.
- If the speedometer cable bushing or speedometer pinion needs to be removed, first drill the housing through the pin using a 1.0 to 1.5 mm drill bit. Drill the housing from the under side using a 3.0 to 3.5 mm drill bit. Using a suitable tool, tap out the pin, and then pull out the speedometer cable bushing, pinion, and washers.

**NOTE**

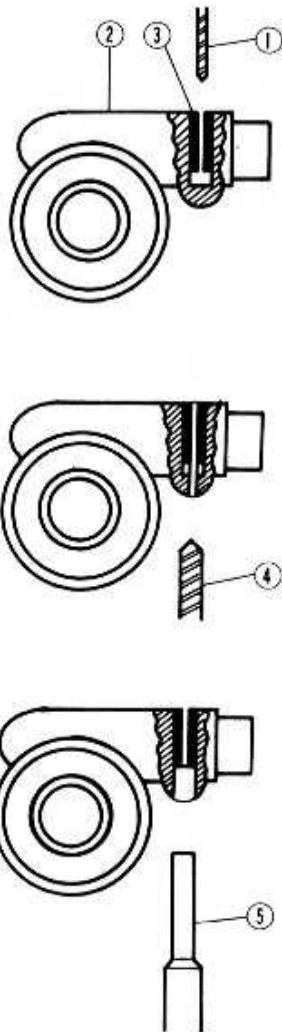
○It is recommended that the assembly be replaced rather than attempting to repair the components.

**Speedometer Gear Housing Assembly**

- When assembling the speedometer gear housing, be careful of the following items.
- After inserting a new pin, stake the housing hole to secure the pin in place.
- Replace the grease seal with a new one. Apply a little grease to the seal. Install it using a press or a suitable driver so that the face of the seal is level with the surface of the housing.
- Regrease the speedometer gear.
- Install the speedometer gear housing so that it fits in the speedometer gear drive notches.

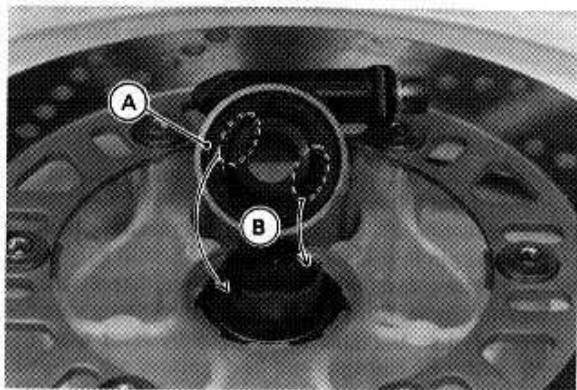
## 9-14 WHEELS/TIRES

### Speedometer Gear Housing Pin Removal



1. 1 ~ 1.5 mm bit
2. Housing
3. Pin

4. 3 ~ 3.5 mm bit
5. 3 mm Rod

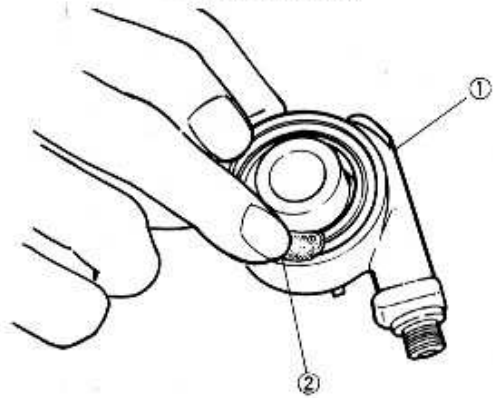


- A. Speedometer Gear Housing
- B. Fit in the gear drive notches.

### Speedometer Gear Housing Lubrication

Clean and grease the speedometer gear housing in accordance with the Periodic Maintenance Chart.

### Speedometer Gear Housing Lubrication



1. Speedometer Gear Housing
2. Grease.





# Final Drive

## Table of Contents

Exploded View .....	10-2
Specifications .....	10-3
Special Tools .....	*
Drive Chain .....	*
Drive Chain Slack Inspection .....	*
Drive Chain Slack Adjustment .....	*
Wheel Alignment Inspection .....	*
Wheel Alignment Adjustment .....	*
Drive Chain Wear Inspection .....	*
Drive Chain Lubrication .....	*
Drive Chain Removal .....	*
Drive Chain Installation .....	*
Sprocket, Coupling .....	10-3
Engine Sprocket Removal .....	*
Engine Sprocket Installation .....	*
Rear Sprocket, Coupling Removal .....	*
Rear Sprocket, Coupling Installation .....	*
Sprockets Wear .....	*
Sprocket Warp .....	*
Coupling Bearing Removal .....	*
Coupling Bearing Installation .....	*
Coupling Bearing Inspection and Lubrication .....	10-3
Grease Seal Inspection and Lubrication .....	*
Damper Inspection .....	*

\* : Base Manual



.....  
**Specifications**  
 .....

Item	Standard	Service Limit
<b>Drive Chain:</b>		
Make and type	Enuma Endless EK520 MV-O 106 Link	--- ---
Chain slack	35 – 40 mm	Less than 35 mm, or more than 45 mm
20-Link length	317.5 – 318.4 mm	323 mm
<b>Sprockets:</b>		
Engine sprocket diameter	60.68 – 61.18 mm/14T	60.3 mm
Rear sprocket diameter	217.33 – 217.88 mm/45T	217.0 mm
Rear sprocket warp	Under 0.4 mm	0.5 mm

.....  
**Special Tools**  
 .....

**Bearing Driver Set: 57001-1129**



## 10-4 FINAL DRIVE

### Drive Chain

The drive chain must be checked, adjusted, and lubricated in accordance with the Periodic Maintenance Chart for safety and to prevent excessive wear. If the chain becomes badly worn or maladjusted – either too loose or too tight – the chain could jump off the sprocket or break.

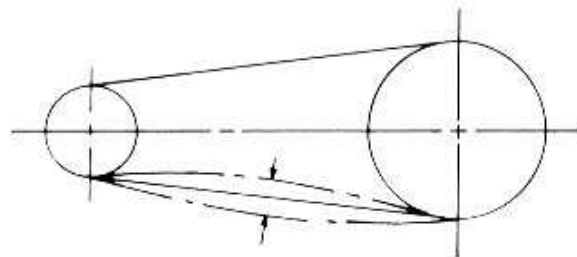
#### WARNING

○A chain that breaks or jumps off the sprockets could snag on the engine sprocket or lock the rear wheel, severely damaging the motorcycle and causing it to go out of control.

#### Drive Chain Slack Inspection

- Set the motorcycle up on its center stand.
- Check to see if wheel alignment is properly adjusted. The left and right notches on the adjuster should point to the same marks or positions on the swing arm. If they do not, adjust wheel alignment as described in the later paragraph—Wheel Alignment Adjustment.
- If the drive chain is too tight or too loose, adjust it so that the chain slack will be within the standard value.

#### Chain Slack Inspection



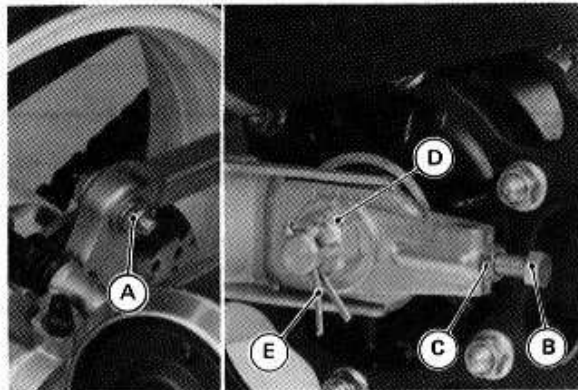
Chain Slack

#### Drive Chain Slack

Standard:	35 ~ 40 mm
Too Tight:	Less than 35 mm
Too Loose:	More than 45 mm

#### Drive Chain Slack Adjustment

- Loosen the torque link nut (rear).
- Loosen the left and right chain adjusting bolt locknuts.



A. Torque Link Nut      D. Rear Axle Nut  
B. Chain Adjusting Bolt      E. Cotter pin  
C. Locknut

- Remove the axle cotter pin, and loosen the axle nut.
- When the chain is too tight, back out both the chain adjusting bolts evenly, and push the wheel forward until the chain is too loose.
- When the chain is too loose, turn in both the chain adjusting bolts evenly. To keep the chain and wheel aligned, the notch on the left chain adjuster should align with the same swing arm mark that the right chain adjuster notch aligns with.

#### WARNING

○Misalignment of the wheel will result in abnormal wear, and may result in an unsafe riding condition.

- Tighten the axle nut loosely, and tighten both chain adjusting bolts (but not enough to change the adjustment), and then tighten both locknut securely.
- Tighten the axle nut and torque link nut to the specified torque.
- Rotate the wheel, measure the chain slack again at the tightest position, and readjust if necessary.
- Insert the new cotter pin through the axle nut and axle, and spread its ends.

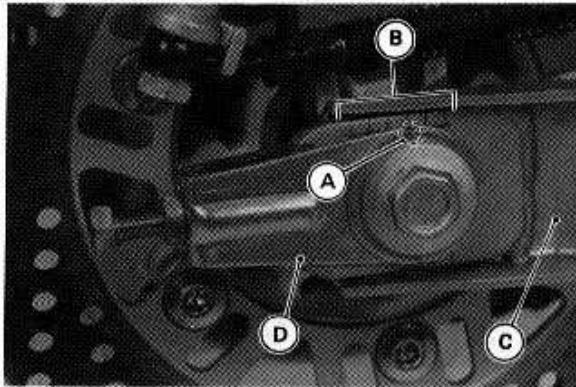
#### WARNING

○If the axle and torque link nuts are not securely tightened and the cotter pin is not installed, an unsafe riding condition may result.

- Check the rear brake (see the Brakes section).

**Wheel Alignment Inspection**

- Set the motorcycle up on its center stand.
- Check to see if wheel alignment is properly adjusted. The left and right notches on the chain adjuster should point to the same marks or positions on the swing arm.
- ★If they do not, adjust the wheel alignment.



A. Notch  
B. Marks  
C. Swing Arm  
D. Chain Adjuster

**NOTE**

○Wheel alignment can also be checked using the straight-edge or string method.

**WARNING**

○Misalignment of the wheel will result in abnormal wear, and may result in an unsafe riding condition.

**Wheel Alignment Adjustment**

- Loosen the torque link nut.
- Loosen the left and right chain adjusting bolt locknuts.
- Remove the axle cotter pin, and loosen the axle nut.
- Turn the chain adjusting bolts so that their notches point to the same marks or positions on the swing arm on both side.
- Inspect the chain slack.
- Tighten the axle nut loosely, and tighten both chain adjusting bolts (but not enough to change the adjustment), and then tighten both locknut securely.
- Tighten the axle nut and torque link nut to the specified torque (see Exploded View).
- Rotate the wheel, measure the chain slack again at the tightest position, and readjust if necessary.
- Insert the new cotter pin through the axle nut and axle, and spread its end.

**WARNING**

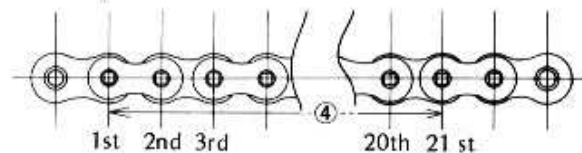
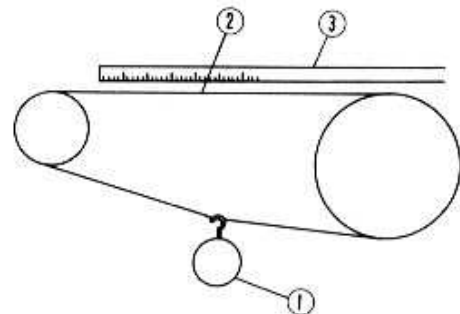
○If the axle and torque link nuts are not securely tightened and the cotter pin is not installed, an unsafe riding condition may result.

- Check the rear brake (see the Brakes section).

**Drive Chain Wear Inspection**

- Rotate the rear wheel to inspect the drive chain for damaged rollers, and loose pins and links.
- Also inspect the sprockets for unevenly or excessively worn teeth, and damaged teeth.
- ★If there is any irregularity, replace the drive chain and both sprockets.
- Stretch the chain taut hanging a 98 N (10 kg, 20 lb) weight on the chain.
- Measure the length of 20 links on the straight part of the chain from pin center of the 1st pin to pin center of the 21st pin. Since the chain may wear unevenly, take measurements at several places.

**Chain Length**



1. Weight
2. Measure this length
3. Measure
4. 20 link length

## 10-6 FINAL DRIVE

### Drive Chain 20-Link Length

Standard:	317.5 ~ 318.4 mm
Service Limit:	323 mm

★If any measurements exceeds the service limit, replace the chain. Also, replace the engine and rear sprockets when the drive chain is replaced.

### WARNING

○For safety, use only the standard chain. It is an endless type and should not be cut for installation.

### Drive Chain Lubrication

The chain should be lubricated with a lubricant which will both prevent the exterior from rusting and also absorb shock and reduce friction in the interior of the chain. An effective, good quality lubricant specially formulated for chains is best for regular chain lubrication.

If a special lubricant is not available, a heavy oil such as SAE 90 is preferred to a lighter oil because it will stay on the chain longer and provide better lubrication.

●If the chain appears especially dirty, it should be cleaned before lubrication.

### CAUTION

○The O-rings between the side plates seal in the lubricant between the pin and the bushing. To avoid damaging the O-rings and resultant loss of lubricant, observe the following rules.

○Use only kerosene or diesel oil for cleaning an O-ring drive chain. Any other cleaning solution such as gasoline or trichloroethylene will cause deterioration and swelling of the O-rings.

○Immediately blow the chain dry with compressed air after cleaning.

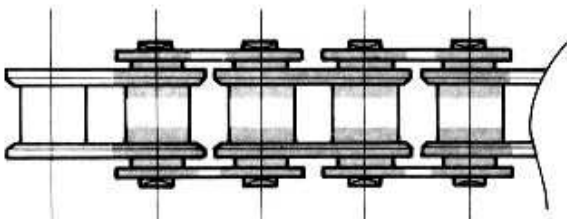
○Complete cleaning and drying the chain within 10 minutes.

●Apply oil to the sides of the rollers so that oil will penetrate to the rollers and bushings. Apply the oil to the O-rings so that the O-rings will be coated with oil.

●Wipe off any excess oil.

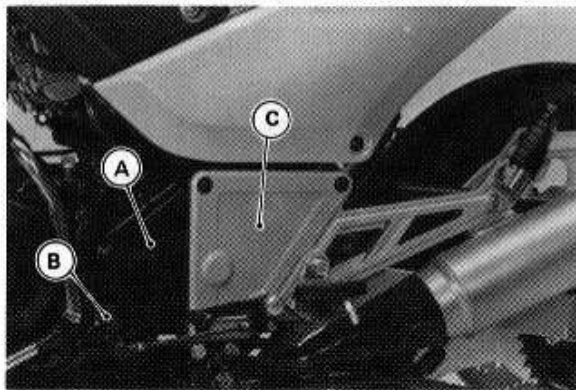
### Drive Chain Lubrication

■ Oil Applied Areas



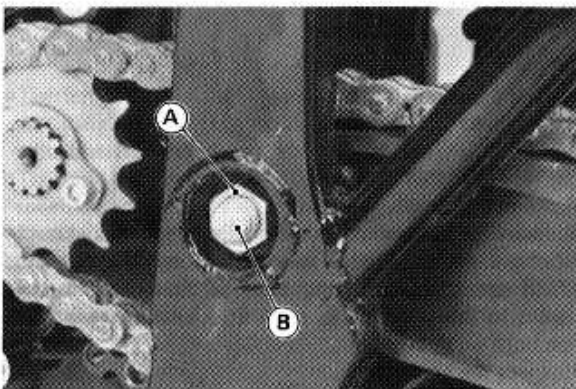
### Drive Chain Removal

- Remove the engine sprocket cover (see Engine Sprocket Removal).
- Remove the left side footpeg bracket (see Left Footpeg Bracket Removal in Frame chapter).



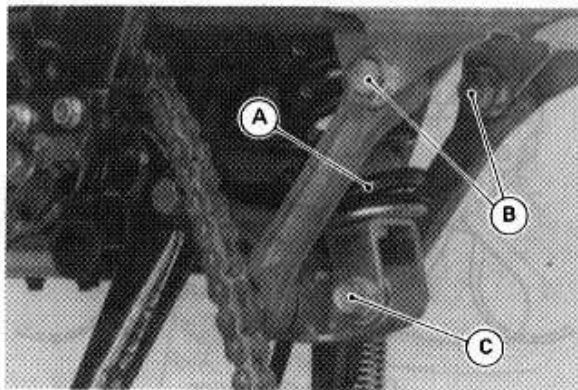
A. Engine Sprocket Cover C. Footpeg Bracket  
B. Shift Lever

- Remove the LH muffler.
- Remove the right side footpeg bracket (see Right Footpeg Bracket Removal in Frame chapter).
- Remove the RH muffler.
- Remove the rear caliper (see Rear Caliper Removal in Brakes chapter).
- Remove the rear wheel (see Rear Wheel Removal in Wheels/Tires chapter).
- Remove the swing arm pivot nut. Do not remove the pivot shaft.



A. Pivot Nut B. Pivot Shaft

- Remove the lower shock absorber nut. Do not remove the bolt.
- Remove the uni-trak tie-rod upper nut. Do not remove the bolt.



A. Rear Shock Absorber  
B. Tie-rod Upper Bolt  
C. Bolt

- Remove the Uni-trak tie rod lower nut. Do not remove the bolt.
- Remove the tie rod bolt, shock absorber bolt, and swing arm pivot shaft while supporting the swing arm.
- Pull the swing arm toward the rear.
- Take the drive chain off the engine sprocket.

**CAUTION**

- Take care not to damage the brake hose. Damage to the brake line greatly reduces the brake line strength and increases the change of brake fluid leakage, resulting in the loss of brake control.

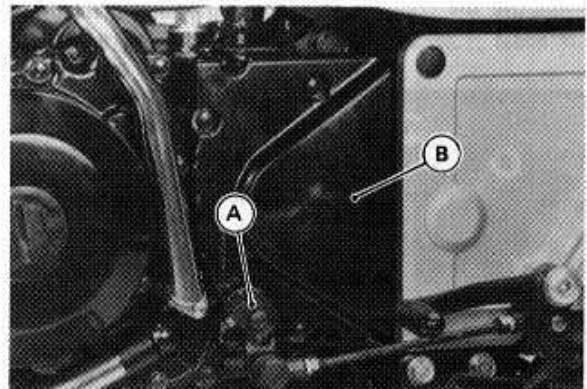
**Drive Chain Installation**

- Installation is the reverse of removal.
- When installing the drive chain, be careful of the following items.
  - Tighten the swing arm pivot nut to the specified torque (see Exploded View in Suspension chapter).
  - Tighten the lower shock absorber nut to the specified torque (see Exploded View in Suspension chapter).
  - Tighten the torque link nut to the specified torque. (see Exploded View in Brakes chapter).
  - Install the shift lever at the correct position (see Left Footpeg Bracket Installation Note in Frame chapter).
  - Adjust the drive chain slack after installation.

.....  
**Sprocket, Coupling**  
.....

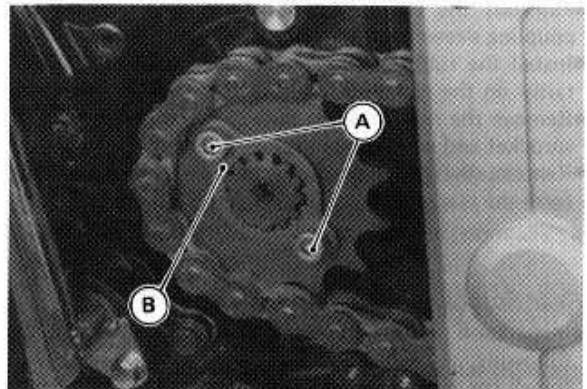
**Engine Sprocket Removal**

- Remove the shift lever bolt and pull the lever.
- Remove the bolts and take off the engine sprocket cover.



A. Shift Lever  
B. Engine Sprocket Cover

- Loosen the engine sprocket Allen bolts while applying the rear brake.
- Remove the rear wheel (see Rear Wheel Removal in Wheels/Tires chapter).
- Remove the Allen bolts, holding plate, and pull the engine sprocket off the output shaft with the drive chain, and then separate them.



A. Allen Bolts  
B. Holding Plate

**Engine Sprocket Installation**

- Installation is the reverse of removal. Note the following.
  - Engage the sprocket with the chain so the flat side faces outward.
  - Tighten the engine sprocket bolts to the specified torque (see Exploded View).
  - Tighten the torque link nut to the specified torque (see Exploded View in Brakes chapter).
  - Install the shift lever at the correct position (see Left Footpeg Bracket Installation in Frame chapter).

**Rear Sprocket, Coupling Removal**

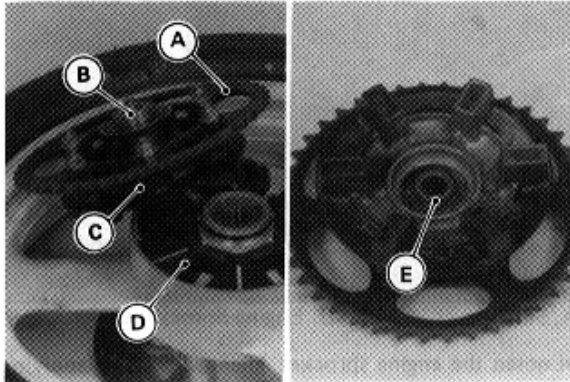
- Remove the rear wheel (see Rear Wheel Removal in Wheels/Tires chapter).

**CAUTION**

- Do not lay the wheel on the ground with the disc facing down. This can damage or warp the disc. Place blocks under the wheel so the disc does not touch the ground.

## 10-8 FINAL DRIVE

- Remove the coupling with the rear sprocket from the wheel.

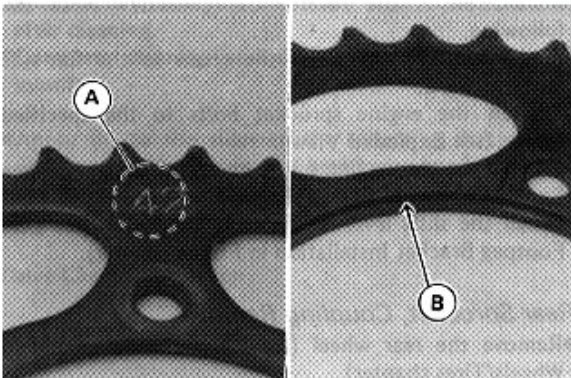


A. Rear Sprocket  
B. Coupling Collar  
C. Coupling  
D. Rubber Damper  
E. Coupling Sleeve

- Pull out the coupling collar from the left, and the coupling sleeve from the right.
- Install the rubber damper and wheel coupling temporarily on the rear hub to aid in rear sprocket removal.
- Remove the rear sprocket nuts (6) to separate the rear sprocket and wheel coupling.
- Remove the rear sprocket and remove the coupling from the rear wheel.

### Rear Sprocket, Coupling Installation

- Installation is the reverse of removal. Note the following.
  - Install the rear sprocket with the chamfered side facing to toward the hub (tooth number marking side outward). Tighten the sprocket nuts to the specified torque (see Exploded View).

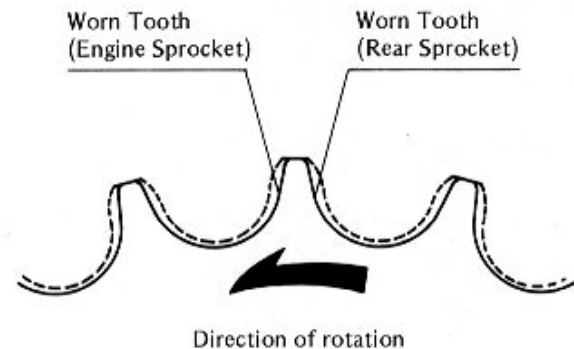


A. Tooth Number Marking B. Chamfered Side

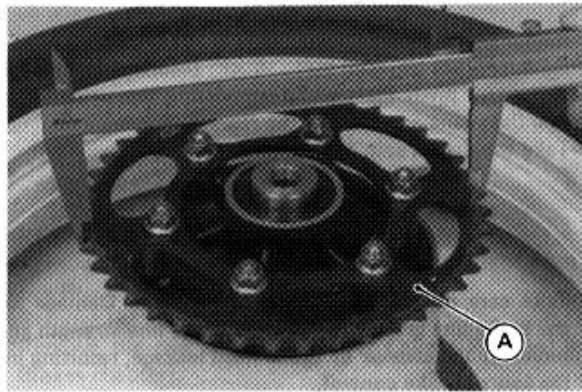
### Sprockets Wear

Visually inspect the sprocket teeth. If they are worn as illustrated, replace the sprocket.

### Sprocket Teeth



Measure the diameter of the sprocket at the base of the teeth. If the sprocket is worn down to less than the service limit, replace the sprocket.



A. Rear Sprocket

### Sprocket Diameter

<b>Engine Sprocket</b>	
Standard	60.68 ~ 61.18 mm
Service Limit	60.3 mm
<b>Rear Sprocket</b>	
Standard	202.32 ~ 202.82 mm
Service Limit	202.0 mm

### NOTE

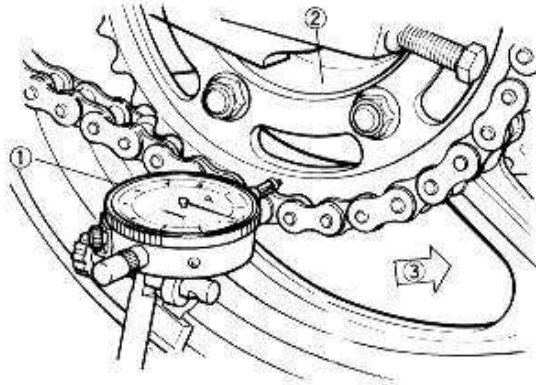
If a sprocket requires replacement, the chain is probably worn also. Upon replacing a sprocket, inspect the chain.

### Sprocket Warp

Elevate the rear wheel so that it will turn freely, and set a dial gauge against the rear sprocket near the teeth as shown. Rotate the rear wheel. The difference between the highest and lowest dial gauge readings is the amount of runout (warp).

If the runout exceeds the service limit, replace the rear sprocket.

**Sprocket Warp Inspection**



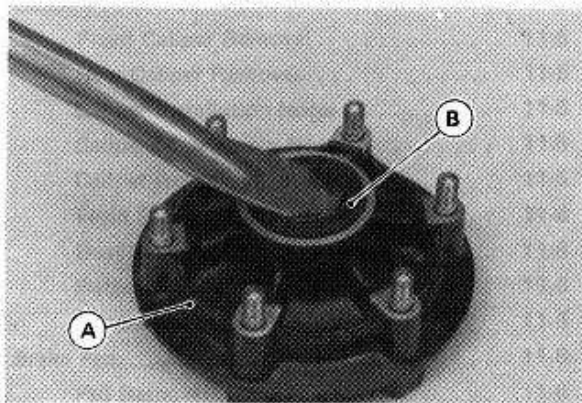
- 1. Dial Gauge
- 2. Rear Sprocket
- 3. Turn.

**Rear Sprocket Warp**

<b>Standard</b>	<b>Under 0.4 mm</b>
<b>Service Limit</b>	<b>0.5 mm</b>

**Coupling Bearing Removal**

●Using a hook, pull out the grease seal and remove the circlip.

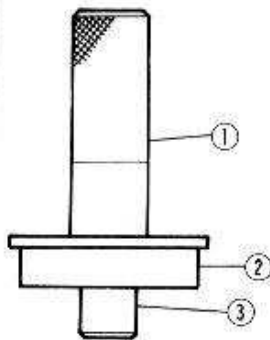


A. Wheel Coupling      B. Grease Seal

●Using the bearing driver set (special tools) or some other suitable tool, remove the bearing by tapping from the wheel side.



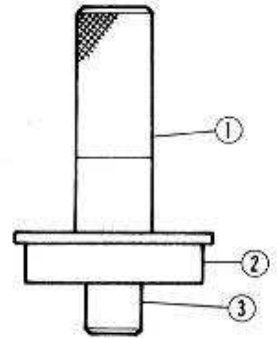
1. Bearing Driver Holder  
2. Bearing Driver



3. Bearing Driver

**Coupling Bearing Installation**

●Installation is the reverse of removal. Note the following.  
○Inspect the bearing, and replace if necessary (see Coupling Bearing Inspection). Lubricate it, and then install it using the wheel bearing driver set (special tools).



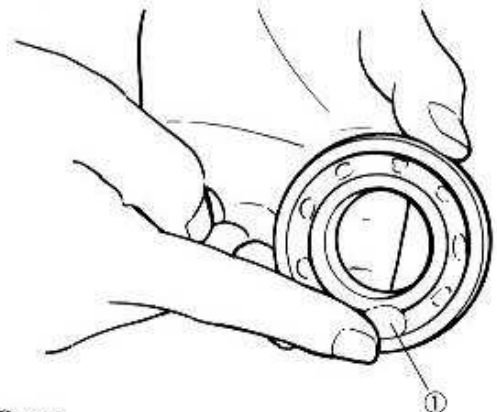
1. Bearing Driver Holder  
2. Bearing Driver  
3. Bearing Driver

**Coupling Bearing Inspection and Lubrication**

Since the coupling bearings are made to extremely close tolerances, the clearance cannot normally be measured.

- Periodic maintenance is not required. If necessary or whenever the coupling is removed, inspect and grease the bearings.
- Wash the bearing with a high flash-point solvent, dry it (do not spin it while it is dry), and oil it. Spin it by hand to check its condition.
- ★If it is noisy, does not spin smoothly, or has any rough spots, it must be replaced.
- If the same bearing is to be used again, rewash it with a high flash-point solvent, dry it, and pack it with good quality bearing grease before installation. Turn the bearing by hand a few times to make sure the grease is distributed uniformly inside the bearing, and wipe the old grease out of the coupling before bearing installation.

**Bearing Lubrication**



1. Grease.

## 10-10 FINAL DRIVE

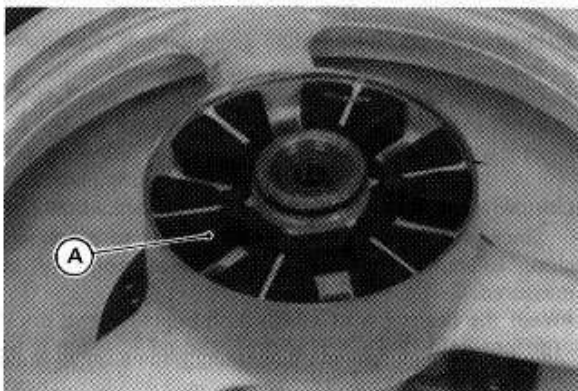
### *Grease Seal Inspection and Lubrication*

If the grease seals are examined without removing the seals themselves, look for discoloration (indicating the rubber has deteriorated), hardening, damage to the internal ribbing, or other damage. If the seal or internal ribbing has hardened, the clearance between the seal and the axle sleeve will not be taken up, which will allow dirt and moisture to enter and reach the bearing. If in doubt as to its condition and whenever the seal is removed for greasing the bearing, the seal should be replaced. The seals are generally damaged upon removal.

### *Damper Inspection*

Remove the rear wheel coupling, and inspect the rubber damper.

Replace the damper if it appears damaged or deteriorated.



A. Rubber Damper

# Brakes

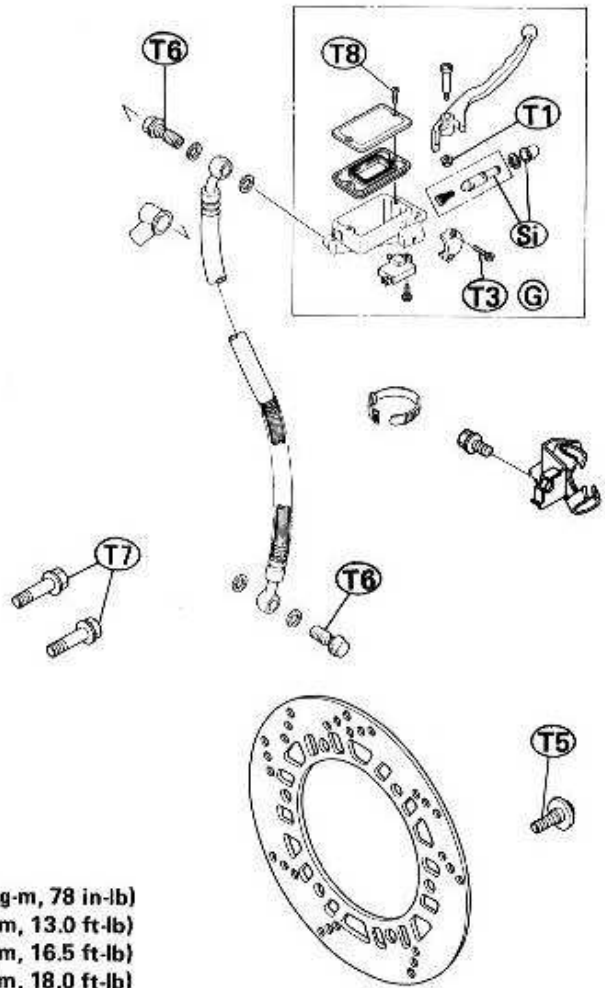
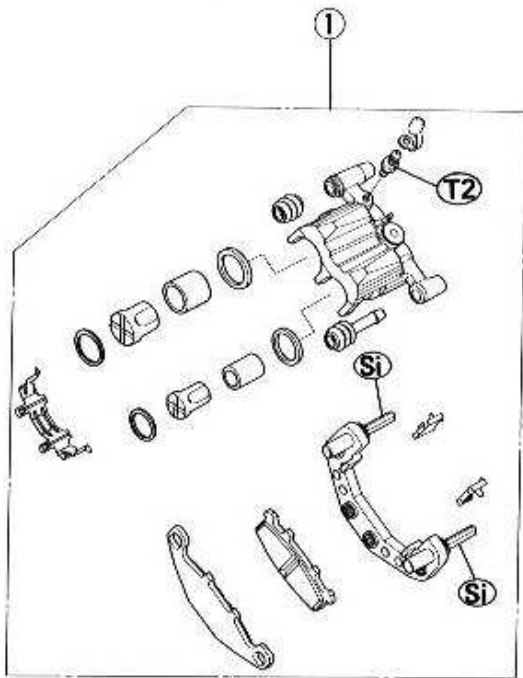
## Table of Contents

Exploded View . . . . .	11-2	Discs . . . . .	*
Specifications . . . . .	11-4	Disc Wear . . . . .	11-4
Special Tools . . . . .	11-4	Disc Cleaning . . . . .	*
Brake Adjustment . . . . .	*	Disc Warp . . . . .	*
Front Brake . . . . .	*	Brake Fluid . . . . .	*
Rear Brake . . . . .	*	Fluid Level Inspection . . . . .	*
Brake Pedal Position Inspection . . . . .	*	Brake Fluid Change . . . . .	*
Brake Pedal Position Adjustment . . . . .	*	Brake Fluid Requirement . . . . .	*
Calipers . . . . .	11-4	Changing Brake Fluid . . . . .	*
Front Caliper Removal . . . . .	*	Bleeding the Brake Line . . . . .	*
Rear Caliper Removal . . . . .	*	Bleeding the rear brake line . . . . .	*
Caliper Installation Notes . . . . .	*	Bleeding the front brake line . . . . .	*
Caliper Disassembly Notes . . . . .	11-4	Brake Hoses . . . . .	*
Caliper Assembly Notes . . . . .	11-4	Brake Hose Inspection . . . . .	*
Fluid Seal Damage . . . . .	*	Brake Hose Replacement . . . . .	*
Dust Seal and Cover Damage . . . . .	*		
Piston Cylinder Damage . . . . .	*		
Caliper Holder Shaft Wear . . . . .	*		
Brake Pads . . . . .	11-5		
Brake Pad Removal . . . . .	11-5		
Brake Pad Installation Note . . . . .	11-5		
Brake Pad Lining Wear Inspection . . . . .	11-5		
Master Cylinders . . . . .	*		
Front Master Cylinder Removal . . . . .	*		
Front Master Cylinder			
Installation Notes . . . . .	*		
Rear Master Cylinder Removal . . . . .	*		
Rear Master Cylinder			
Installation Notes . . . . .	*		
Inspection and Adjustment			
after Installation . . . . .	*		
Front Master Cylinder			
Disassembly Notes . . . . .	*		
Front Master Cylinder			
Assembly Notes . . . . .	*		
Rear Master Cylinder			
Disassembly Notes . . . . .	*		
Rear Master Cylinder			
Assembly Notes . . . . .	*		
Master Cylinder Inspection			
(Visual Inspection) . . . . .	*		
Reservoir Removal Notes . . . . .	*		
Reservoir Installation Notes . . . . .	*		

\* : Base Manual

## 11-2 BRAKES

### Exploded View



- 1. BAC (Balanced Actuation Caliper)
- 2. Dual-Piston Caliper
- G : Apply grease.
- Si : Apply silicone grease.
- T1: 5.9 N-m (0.60 kg-m, 52 in-lb)
- T2: 7.8 N-m (0.80 kg-m, 69 in-lb)

- T3: 8.8 N-m (0.90 kg-m, 78 in-lb)
- T4: 18 N-m (1.8 kg-m, 13.0 ft-lb)
- T5: 23 N-m (2.3 kg-m, 16.5 ft-lb)
- T6: 25 N-m (2.5 kg-m, 18.0 ft-lb)
- T7: 32 N-m (3.3 kg-m, 24 ft-lb)
- T8: 1.5 N-m (0.15 kg-m, 13 in-lb)

### Specifications

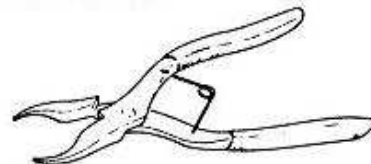
Item	Standard	Service Limit
Pad lining thickness: Front and Rear	4.35 mm	1 mm
Brake fluid grade	D.O.T.3	---
Brake pedal position	About 40 mm	---
Disc runout: Front	Under 0.15 mm	0.3 mm
Rear	Under 0.15 mm	0.3 mm
Disc thickness: Front	4.8 – 5.1 mm	4.5 mm
Rear	4.8 – 5.1 mm	4.5 mm

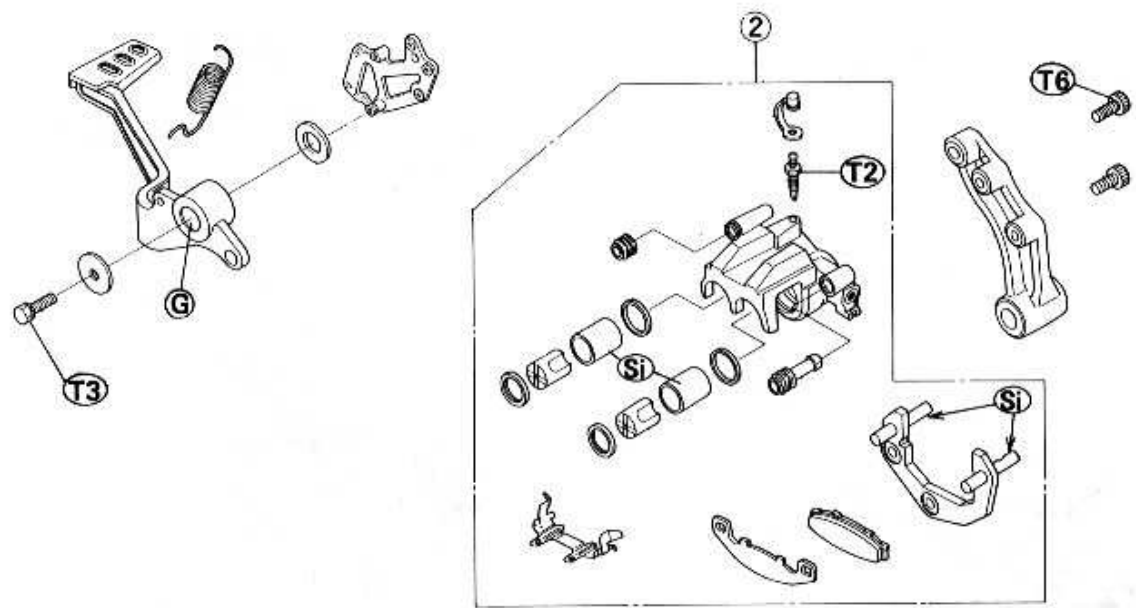
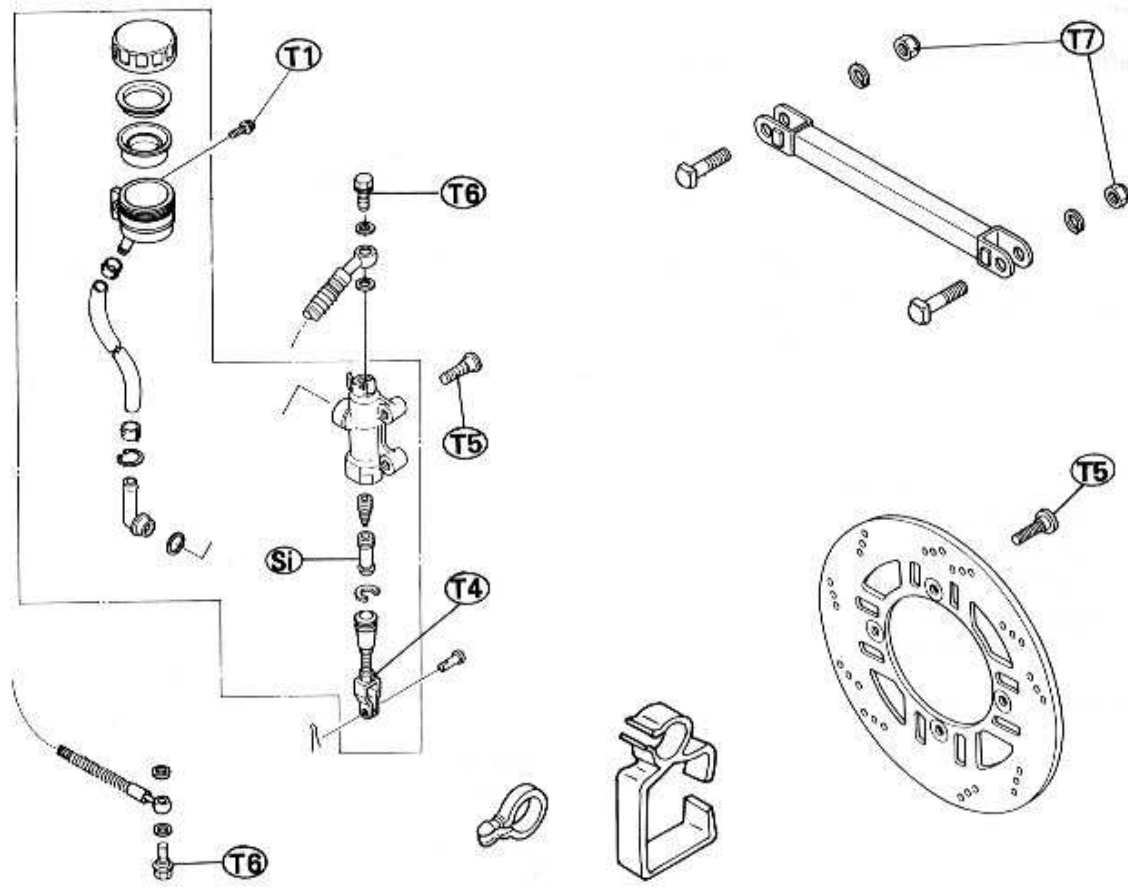
### Recommended Disc Brake Fluid

Type	Brand
D.O.T.3	Atlas Extra Heavy Duty
	Shell Super Heavy Duty
	Texaco Super Heavy Duty
	Wagner Lockheed Heavy Duty
	Castrol Girling-Universal
	Castrol GT (LMA)
	Castrol Disc Brake Fluid

### Special Tools

Circlip Pliers: 57001-143





## 11-4 BRAKES

### Brake Adjustment

#### Front Brake:

Disc and disc pad wear is automatically compensated for and has no effect on brake lever action. So there are no parts that require adjustment on the front brake. However if the brake lever has a soft, or "spongy feeling", check the brake fluid level in the master cylinder and bleed the air from the brake line (see Bleeding the Brake).

#### NOTE

○Check the brake fluid level in accordance with the Periodic Maintenance Chart.

#### Rear Brake:

Disc and disc pad wear is automatically compensated for and has no effect on brake pedal action. However, the brake pedal position may occasionally require adjustment due to wear of the pedal pivot, or in case of disassembly. If the brake pedal has a soft, or "spongy feeling", check the brake fluid level in the reservoir and bleed the air from the brake line (see Bleeding the Brake).

#### NOTE

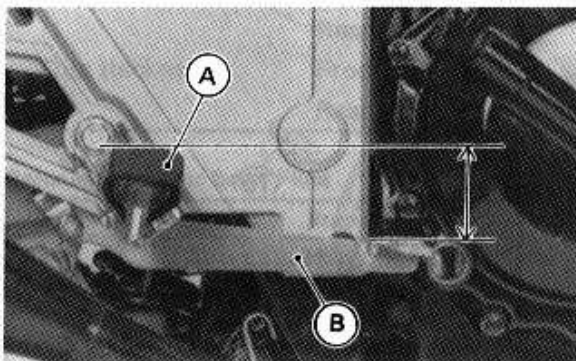
○Check the brake fluid level in accordance with the Periodic Maintenance Chart.

#### Brake Pedal Position Inspection

●When the brake pedal is in its position, it should be at the correct position.

#### Pedal Position

**Standard**      **About 40 mm below top of footpeg**



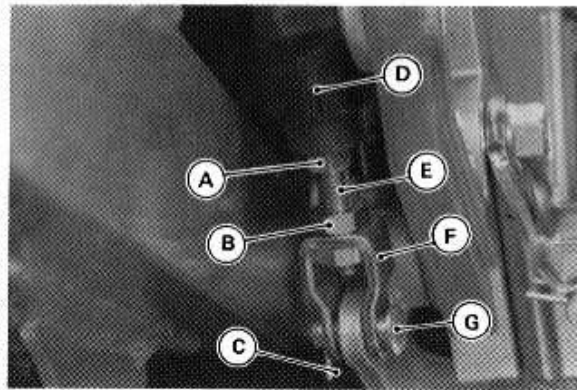
A. Footpeg

B. Brake Pedal

★If it is not, adjust the brake pedal position as follows.

#### Brake Pedal Position Adjustment

- Remove the right hand muffler.
- Loosen the clevis locknut and up or down the clevis by turning the adjuster to adjust the brake pedal position.



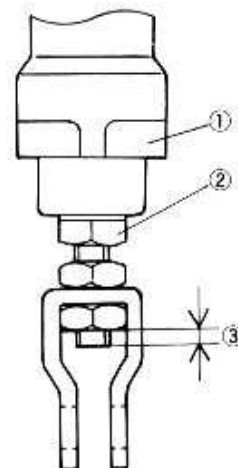
- |                    |              |
|--------------------|--------------|
| A. Adjuster        | E. Push Rod  |
| B. Clevis Locknut  | F. Clevis    |
| C. Cotter Pin      | G. Joint Pin |
| D. Master Cylinder |              |

- Tighten the locknut to the specified torque (see Exploded View).
- Install the removal parts.

#### NOTE

- If the pedal position cannot be adjusted by turning the clevis, the brake pedal may be deformed or incorrectly installed.
- If the brake rod protrusion is 3.5 ~ 5.5 mm below the nut, the pedal position will be within the standard range (about 40 mm).

#### Brake Rod Protrusion



1. Master Cylinder
2. Adjuster
3. Rod Protrusion

- Check the brake pedal position, and readjust it if necessary.

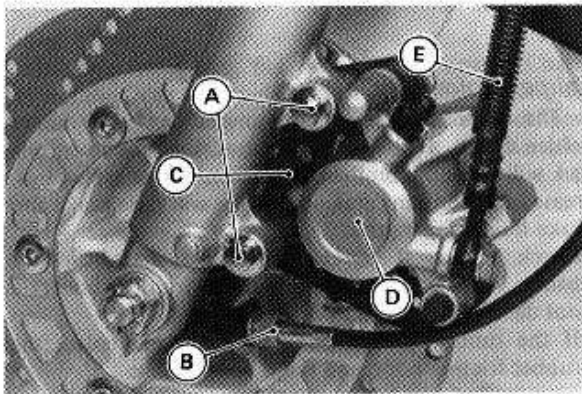
## Calipers

### Front Caliper Removal

- Put the motorcycle on center stand.
- Loosen the banjo bolt at the caliper, and tighten it loosely.
- Remove the caliper mounting bolts and take off the caliper.
- Disconnect the brake hose from the caliper.

#### NOTE

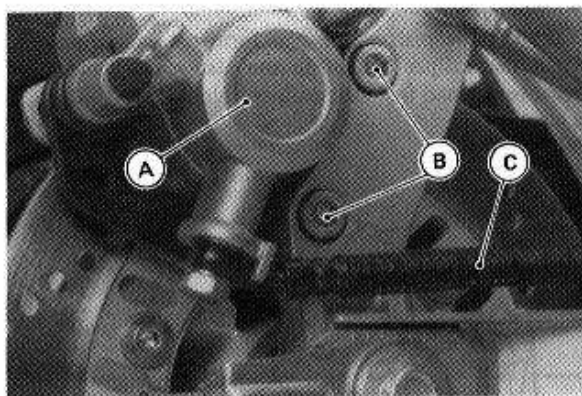
○ Disconnect the speedometer cable lower end before caliper removal.



A. Caliper Mounting Bolts  
B. Cable Lower End  
C. Caliper Holder  
D. Caliper  
E. Brake Hose

### Rear Caliper Removal

- Loosen the banjo bolt at the caliper, and tighten it loosely.
- Remove the caliper mounting bolts and take off the caliper.
- Disconnect the brake hose from the caliper.



A. Caliper  
B. Caliper Mounting Bolts  
C. Brake Hose

★ If the front or rear caliper is to be disassembled after removal and if compressed air is not available, remove the piston using the following steps before disconnecting the brake hose from the caliper.

- Remove the pads.
- Pump the brake lever or pedal to remove the caliper piston.
- Immediately wipe up any brake fluid that spills.

### Caliper Installation Notes

- Tighten the caliper mounting bolts to the specified torque (see Exploded View).
- Connect the brake hose to the caliper putting a new flat washer on each side of the brake hose fitting, and tighten the banjo bolt to the specified torque (see Exploded View).
- Check the fluid level in the master cylinder (reservoir), and bleed the brake line (see Bleeding the Brake).
- Check the brake for weak braking power, brake drag, and fluid leakage.

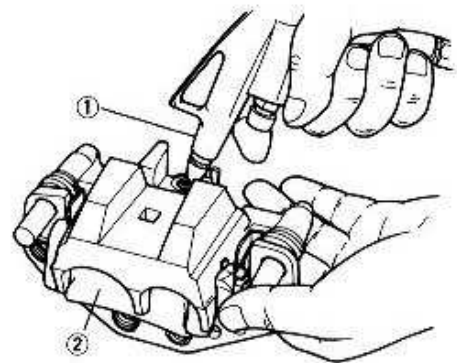
### Caliper Disassembly Notes

- Using compressed air, remove the piston.
- Cover the caliper opening with a clean, heavy cloth.
- Remove the piston by lightly applying compressed air to where the brake line fits into the caliper.

#### WARNING

- To avoid serious injury, never place your fingers or palm inside the caliper opening. If you apply compressed air into the caliper, the piston may crush your hand or fingers.

### Piston Removal



1. Apply compressed air.      2. Cloth

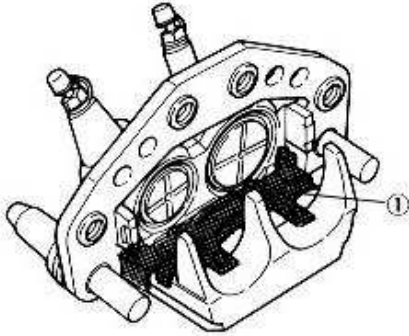
### Caliper Assembly Notes

- Apply brake fluid to the outside of the piston and the fluid seal, and push the piston into the cylinder by hand. Take care that neither the cylinder nor the piston skirt get scratched.

## 11-6 BRAKES

- Apply a thin coat of silicone grease to the caliper holder shafts and holder holes (silicone grease is a special high temperature, water-resistant grease).
- Install the anti-rattle spring in the caliper as shown.

### Anti-Rattle Spring Installation

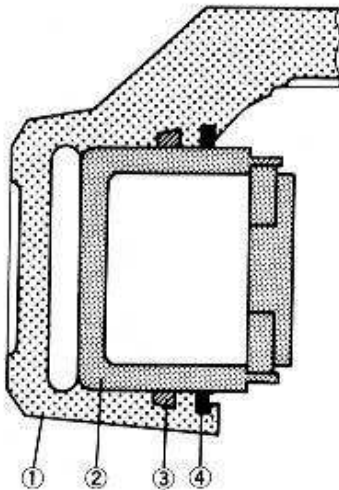


1. Anti-Rattle Spring

### Fluid Seal Damage

The fluid seal around the piston maintains the proper pad/disc clearance. If this seal is not satisfactory, pad wear will increase, and constant pad drag on the disc will raise brake and brake fluid temperature.

### Caliper



1. Caliper  
2. Piston  
3. Fluid Seal  
4. Dust Seal

Replace the fluid seals under any of the following conditions: (a) fluid leakage around the pad; (b) brakes overheat; (c) there is a large difference in left and right pad wear; (d) the seal is stuck to the piston. If the fluid seal is replaced, replace the dust seal as well. Also, replace all seals every other time the pads are changed.

### Dust Seal and Cover Damage

- Check that the dust seals and covers are not cracked, worn, swollen, or otherwise damaged.
- ★ If they show any damage, replace them.

### Piston Cylinder Damage

- Visually inspect the piston and cylinder surfaces.
- ★ Replace the cylinder and piston if they are badly scored or rusty.

### Caliper Holder Shaft Wear

The caliper body must slide smoothly on the caliper holder shafts. If the body does not slide smoothly, one pad will wear more than the other, pad wear will increase, and constant drag on the disc will raise brake and brake fluid temperature.

- Check to see if the caliper holder shafts are not badly worn or stepped, or rubber friction boot are not damaged.
- ★ If the rubber friction boot are damaged, replace the rubber friction boot, and the caliper holder.

---

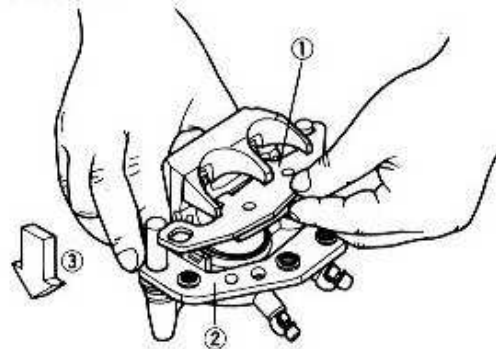
### Brake Pads

---

#### Brake Pad Removal

- Remove the caliper (see Front or Rear Caliper Removal).
- Take off the piston side pad from the caliper holder.
- Push the caliper holder to the piston side, and then remove the pad from the caliper holder shaft.

#### Pad Removal



1. Pad  
2. Caliper Holder  
3. Push the caliper holder.

*Brake Pad Installation Notes*

- Push the caliper pistons in by hand as far as they will go and install the pads.

**WARNING**

- Do not attempt to drive the motorcycle until a full brake lever or pedal is obtained by pumping the brake lever or pedal until the pads are against the disc. The brake will not function on the first application of the lever or pedal if this is not done.

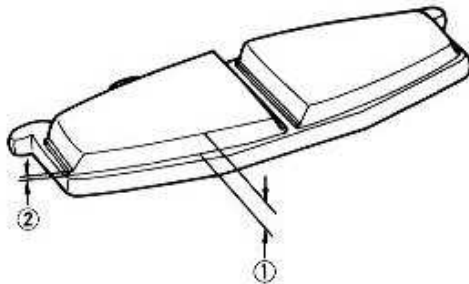
*Brake Pad Lining Wear*

- ★ If the lining thickness of either pad is less than the service limit, replace both pads in the caliper as a set.

**Pad Lining Thickness**

<b>Standard:</b>	<b>4.35 mm</b>
<b>Service Limit:</b>	<b>1 mm</b>

**Brake Pad**



1. Lining Thickness
2. Service Limit

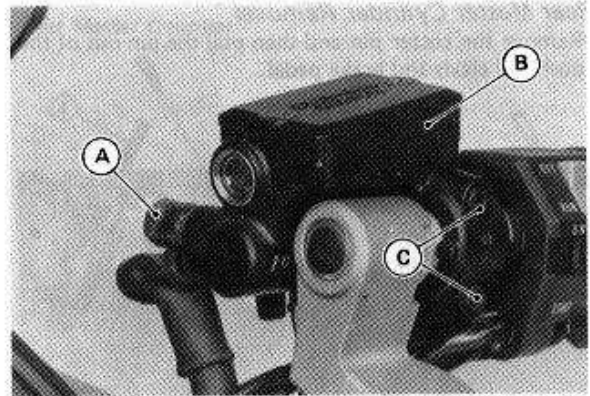
**Pad Lining Thickness**

<b>Standard</b>	<b>4.35 mm</b>
<b>Service Limit</b>	<b>1 mm</b>

**Master Cylinders**

*Front Master Cylinder Removal*

- Pull back the dust cover, and remove the banjo bolt to disconnect the upper brake hose from the master cylinder. There is a flat washer on each side of the hose fitting.

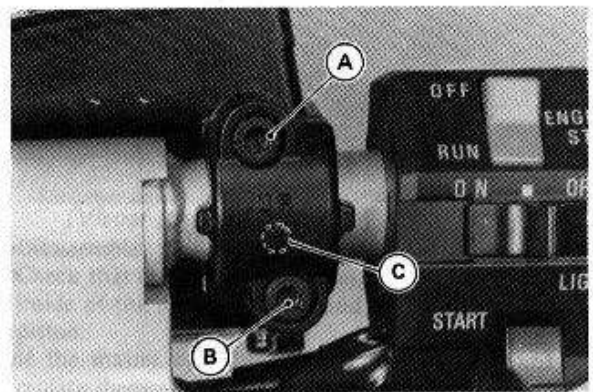


A. Banjo Bolt                      B. Master Cylinder  
C. Clamp Bolts

- Remove the clamp bolts and take off the master cylinder. Immediately wipe up any brake fluid that spills.

*Front Master Cylinder Installation Notes*

- Master Cylinder Clamp Installation:
  - The master cylinder clamp must be installed with the arrow mark upward.
  - Torque the upper clamp bolt first, and then the lower clamp bolt to the specification (see Exploded View). There will be a gap at the lower part of the clamp after tightening.



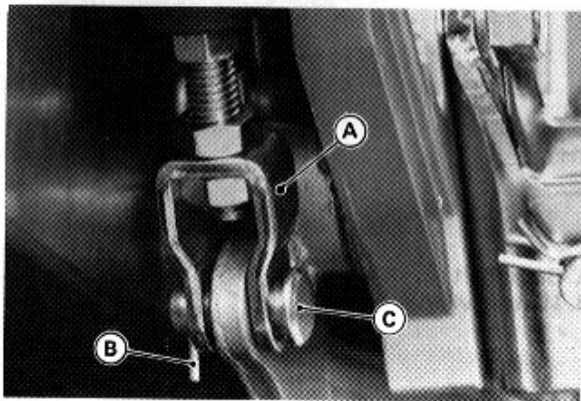
A. Tighten upper clamp bolt first.    C. Arrow Mark  
B. Lower Clamp Bolt

- Use a new flat washer on each side of the brake hose fitting, and tighten the banjo bolts to the specified torque (see Exploded View).

## 11-8 BRAKES

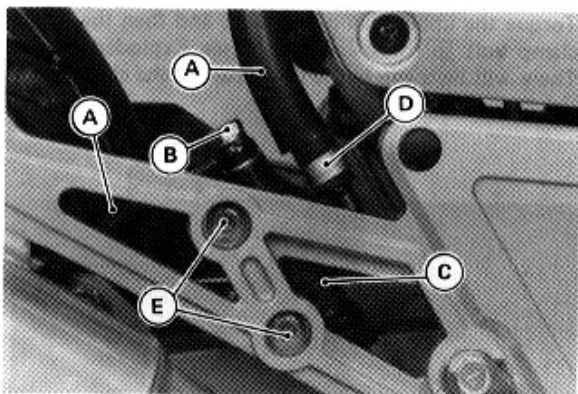
### Rear Master Cylinder Removal

- Remove the cotter pin and then pull the pin out of the push rod clevis and brake pedal.



A. Clevis  
B. Cotter Pin  
C. Joint Pin

- Slide the brake hose (master cylinder) clamp out of place.



A. Brake Hoses  
B. Banjo Bolt  
C. Master Cylinder  
D. Hose Clamp  
E. Mounting Bolts

- Disconnect the brake hose from the master cylinder, and temporarily secure the end of the brake hose so some high place to keep fluid loss to a minimum immediately wipe up any brake fluid that spills.
- Remove the master cylinder mounting bolts and take the master cylinder off the footpeg bracket.

- Remove the banjo bolt to disconnect the brake hose from the master cylinder, and temporarily secure the end of the brake hose to some high place to keep fluid loss to a minimum. There is a flat washer on each side of the hose fitting.

### Rear Master Cylinder Installation Notes

- Use a new flat washer on each side of the brake hose fitting, and tighten the banjo bolts to the specified torque (see Exploded View). Be sure that the metal pipe is properly fitted into the U-shaped notch in the master cylinder.
- Tighten the rear master cylinder mounting bolts (2) to the specified torque (see Exploded View).
- Check and adjust the following items:
  - Brake pedal position (see Brake Pedal Position Inspection).
  - Rear brake light switch (see Rear Brake Light Switch Position Adjustment in Electrical System chapter).

### Inspection and Adjustment after Installation

- Bleed the brake line after master cylinder installation.
- Check the brake for weak braking power, brake drag, and fluid leakage.

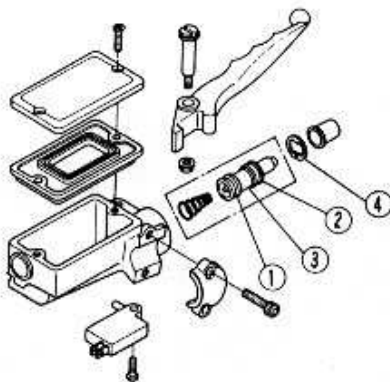
### Front Master Cylinder Disassembly Notes

- Remove the front master cylinder from the handlebar.
- Remove the reservoir cap and diaphragm, and empty out the brake fluid.
- Remove the locknut and pivot bolt, and remove the brake lever.
- Slide the dust cover out of its place.
- Remove the retainer with a circlip pliers and pull out the piston with secondary cup, and take off the primary cup and spring.

### CAUTION

- Do not remove the secondary cup from the piston since removal will damage them.

## Front Master Cylinder



1. Primary Cup
2. Secondary Cup
3. Piston
4. Retainer

*Front Master Cylinder Assembly Notes*

- Before assembly, clean all parts including the master cylinder with brake fluid or alcohol.

**CAUTION**

- Except for the disc pads and disc; use only disc brake fluid, isopropyl alcohol, or ethyl alcohol, for cleaning brake parts. Do not use any other fluid for cleaning these parts. Gasoline, engine oil, or any other petroleum distillate will cause deterioration of the rubber parts. Oil spilled on any part will be difficult to wash off completely, and will eventually deteriorate the rubber used in the disc brake.

- Apply brake fluid to the removed parts and to the inner wall of the cylinder.
- Tighten the brake lever pivot bolt and tighten the locknut to the specified torque.

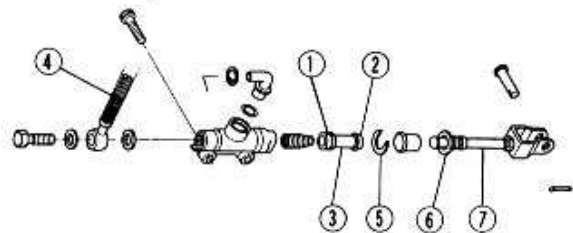
*Rear Master Cylinder Disassembly Notes*

- Remove the rear master cylinder from the right footpeg bracket.
- Remove the retainer with a circlip pliers, and pull out the piston stop, push rod, as a set. Then remove the piston and secondary cup, and the spring and primary cup.

**CAUTION**

- Do not remove the secondary cup from the piston since removal will damage it.

## Rear Master Cylinder



1. Primary Cup
2. Secondary Cup
3. Piston
4. Brake Hose
5. Retainer
6. Piston Stop
7. Push Rod

- Remove the retainer with a circlip pliers and pull out the brake hose connector and O-ring from the master cylinder.

*Rear Master Cylinder Assembly Notes*

- Before assembly, clean all parts including the master cylinder with brake fluid or alcohol.

**CAUTION**

- Except for the disc pads and disc; use only disc brake fluid, isopropyl alcohol, or ethyl alcohol, for cleaning brake parts. Do not use any other fluid for cleaning these parts. Gasoline, engine oil, or any other petroleum distillate will cause deterioration of the rubber parts. Oil spilled on any part will be difficult to wash off completely, and will eventually deteriorate the rubber used in the disc brake.

- Apply brake fluid to the parts removed and to the inner wall of the cylinder.
- Take care not to scratch the piston or the inner wall of the cylinder.

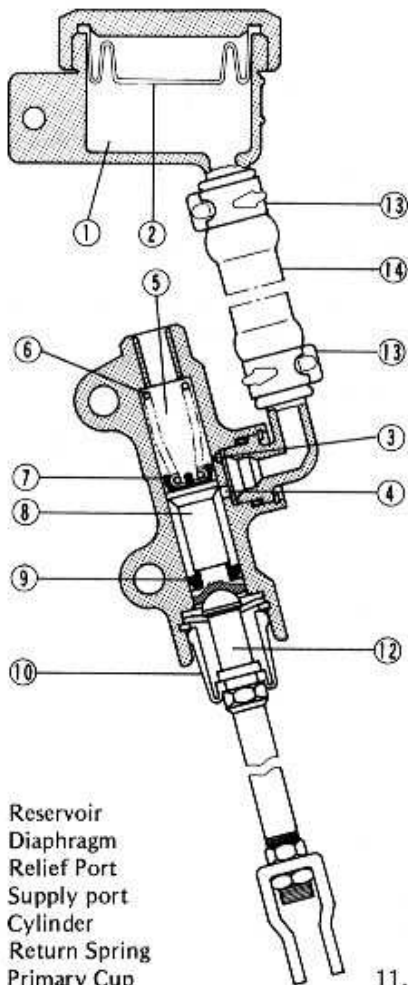
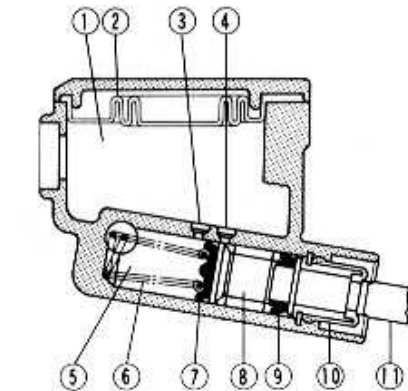
*Master Cylinder Inspection  
(Visual Inspection)*

- Disassemble the front and rear master cylinders.
- Check that there are no scratches, rust or pitting on the inside of the master cylinder and on the outside of the piston.
- ★ If the master cylinder or piston shows any damage, replace them.
- Inspect the primary cups and secondary cups.
- ★ If a cup is worn, damaged, softened (rotted), or swollen, the piston assembly should be replaced to renew the cups.
- ★ If fluid leakage is noted at the brake lever, the piston assembly should be replaced to renew the cup.
- Check the dust covers for damage.
- ★ If they are damaged, replace them.
- Check that the relief and supply ports are not plugged.

## 11-10 BRAKES

- ★If the small relief port becomes plugged, the brake pads will drag on the disc. Blow the ports clean with compressed air.
- Check the piston return springs for any damage.
- ★If the spring is damaged, replace it.

### Front and Rear Master Cylinder

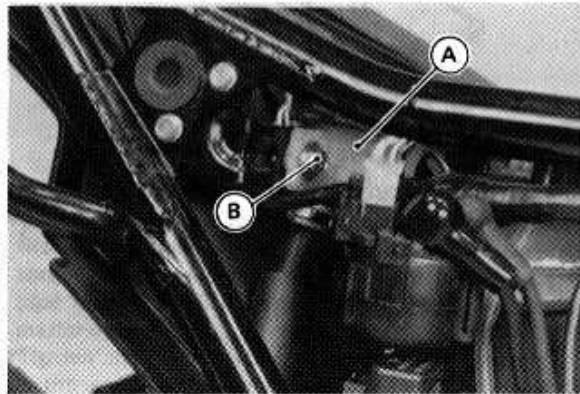


1. Reservoir
2. Diaphragm
3. Relief Port
4. Supply port
5. Cylinder
6. Return Spring
7. Primary Cup
8. Piston
9. Secondary Cup
10. Dust Cover

11. Brake lever
12. Push Rod
13. Clamp
14. Hose

### Reservoir Removal

- Remove the rear brake reservoir mounting bolt.
- Remove the bolts and take the bracket off the frame.
- Take the starter relay off the bracket, and pull the reservoir out of the frame.



A. Reservoir B. Mounting Bolt

- Take off the reservoir cap and diaphragm, and empty the brake fluid into a suitable container.
- Slide the hose clamps, and pull the brake hose off the reservoir. Immediately wipe up any brake fluid that spills.

### Reservoir Installation Notes

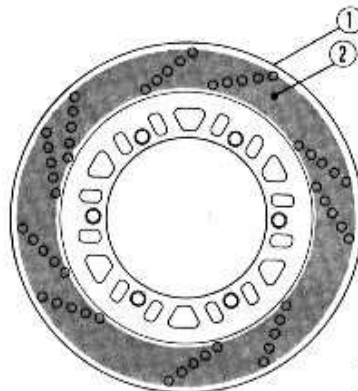
- Install the clamps for the brake hose ends.
- Fill the reservoir with fresh brake fluid, and bleed the brake line (see Bleeding the Brake).

### Discs

#### Disc Wear

Measure the thickness of each disc at the point where it has worn the most. Replace the disc if it has worn past the service limit.

#### Disc Thickness



1. Brake Disc
2. Measuring Area

**Front Disc Thickness**

Standard	4.8 ~ 5.1 mm
Service Limit	4.5 mm

**Rear Disc Thickness**

Standard	5.3 ~ 5.6 mm
Service Limit	5.0 mm

**Disc Cleaning**

Poor braking can be caused by oil on the disc. Oil on the disc must be cleaned off with an oil-less cleaning fluid such as trichloroethylene or acetone.

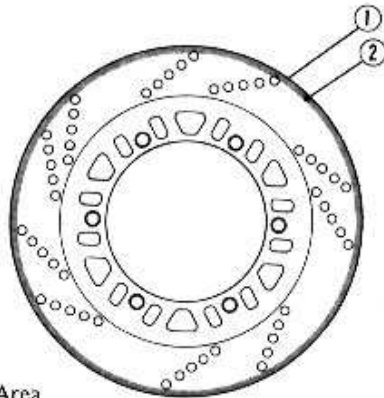
**WARNING**

○These cleaning fluid are usually highly flammable and harmful if breathed for prolonged periods. Be sure to heed the fluid manufacturers warnings.

**Disc Warp**

Jack up the motorcycle so that the front wheel is off the ground, and turn the handlebar fully to one side. Set up a dial gauge against the front disc, and measure disc runout. Remove the jack, set the motorcycle up on its center stand, and then measure the rear disc runout. If runout exceeds the service limit, replace the disc.

**Disc Runout**



- 1. Brake Disc
- 2. Measuring Area

**Disc Runout**

Standard	Under 0.15 mm
Service Limit	0.3 mm

**Brake Fluid**

**Fluid Level Inspection**

In accordance with the Periodic Maintenance Chart, inspect the brake fluid level in the front and rear brake fluid reservoirs.

●Check the brake fluid level in the reservoir.

**NOTE**

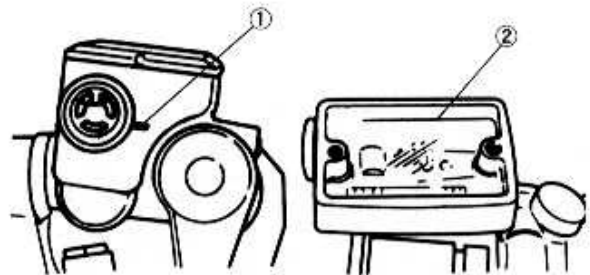
○Hold the reservoir horizontal when checking brake fluid level.

★The fluid level must be kept above the lower level lines. If the fluid level is lower than the lower level line, fill the reservoir to the upper level line of the reservoir.

**WARNING**

○Change the brake fluid in the brake line completely if the brake fluid must be refilled but the type and brand of the brake fluid that already is in the reservoir are unidentified. After changing the fluid, use only the same type and brand of fluid thereafter. Mixing different types and brands of brake fluid lowers the brake fluid boiling point and could cause the brake to be ineffective. It may also cause the rubber brake parts to deteriorate.

**Front Brake Fluid Reservoir**



- 1. Lower Level Line
- 2. Upper Level Line

**Rear Brake Fluid Reservoir**



- 1. Lower Level Line
- 2. Upper Level Line

**Brake Fluid Change**

In accordance with the Periodic Maintenance Chart, change the brake fluid. The brake fluid should also be changed if it becomes contaminated with dirt or water.

## 11-12 BRAKES

### Brake Fluid Requirement:

Recommended fluids are given in the table below. If none of the recommended brake fluids are available, use extra heavy-duty brake fluid only from a container marked D.O.T.3.

### Recommended Brake Fluid

Type	D.O.T.3.
Brand	Atlas Extra Heavy Duty Shell Super Heavy Duty Texaco Super Heavy Duty Wagner Lockheed Heavy Duty Castrol Girling-Universal Castrol GT (LMA) Castrol Disc Brake Fluid

### Changing Brake Fluid:

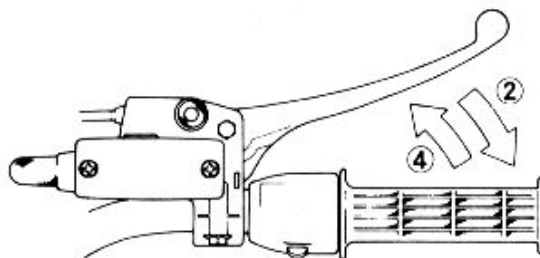
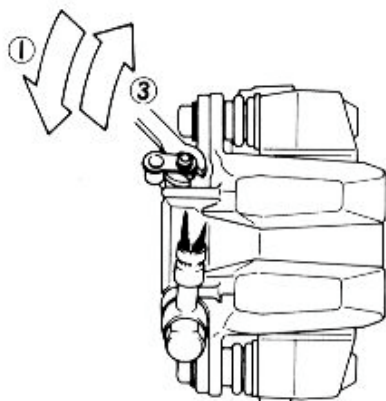
- Remove the rubber cap on the bleed valve.
- Attach a clear plastic hose to the bleed valve on the caliper, and run the other end of the hose into a container.
- Open the bleed valve (counterclockwise to open), and pump the brake lever or pedal until all the fluid is drained from the line.
- Close the bleed valve.
- Remove the reservoir cap.
- Fill the reservoir with fresh brake fluid.
- Install the reservoir cap.
- Open the bleed valve, apply the brake by the brake lever or pedal, close the valve with the brake held applied, and then quickly release the lever or pedal. Repeat this operation until the brake line is filled and fluid starts coming out of the plastic hose.

### NOTE

○ Replenish the fluid in the reservoir as often as necessary to keep it from running completely out.

- Bleed the air from the lines (continue with Bleeding the Brake).

### Filling up the Brake Line



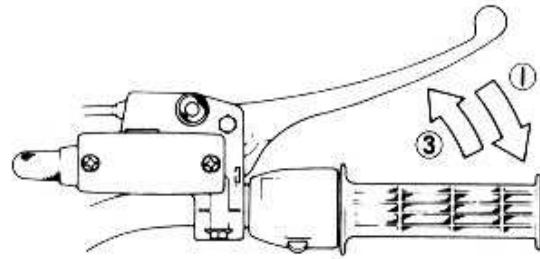
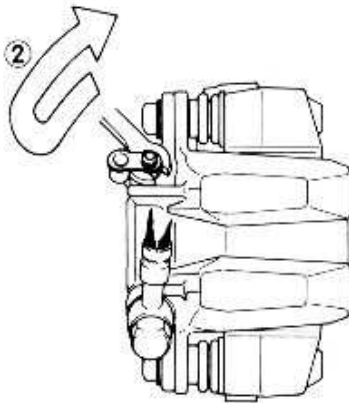
1. Open the bleed valve.
2. Apply the brake and hold it.
3. Close the bleed valve
4. Then quickly release the brake.

### Bleeding the Brake Line

The brake fluid has a very low compression coefficient so that almost all the movement of the brake lever or pedal is transmitted directly to the caliper for braking action. Air, however, is easily compressed. When air enters the brake lines, brake lever or pedal movement will be partially used in compressing the air. This will make the lever or pedal feel spongy, and there will be a loss in braking power.

- Bleed the air from the brake whenever brake lever or pedal action feels soft or spongy, after the brake fluid is changed, or whenever a brake line fitting has been loosened for any reason.
- Check that there is plenty of fluid in the reservoir.
  - The fluid level must be checked several times during the bleeding operation and replenished as necessary (see Brake Fluid Change).
  - ★ If the fluid in the reservoir runs completely out any time during bleeding, the bleeding operation must be done over again from the beginning since air will have entered the line.
- With the reservoir cap off, slowly pump the brake lever or pedal several times until no air bubbles can be seen rising up through the fluid from the holes at the bottom of the reservoir. This bleeds the air from the master cylinder end of the line.
- ★ If brake lever or pedal action still feels soft or spongy, bleed the remaining air as follows.
  - Connect a clear plastic hose to the bleed valve at the caliper, running the other end of the hose into a container.
  - Pump the brake lever or pedal a few times until it comes hard.
  - Holding the brake applied, quickly open (turn counterclockwise) and close the bleed valve.
  - Repeat this operation until no more air can be seen coming out into the plastic hose.
  - Check the fluid level in the reservoir every so often, replenishing it as necessary.

## Bleeding the Brake Line

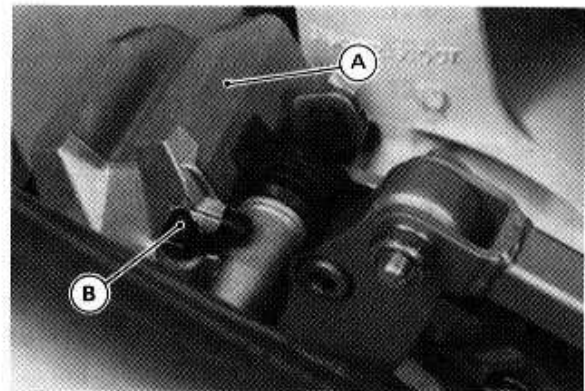


1. Hold the brake applied.
2. Quickly open and close the valve.
3. Release the brake.

**WARNING**

○When working with the disc brake, observe the precautions listed below.

1. Never reuse old brake fluid.
2. Do not use fluid from a container that has been left unsealed or that has been open for a long time.
3. Do not mix two types and brands of fluid for use in the brake. This lowers the brake fluid boiling point and could cause the brake to be ineffective. It may also cause the rubber brake parts to deteriorate.
4. Don't leave the reservoir cap off for any length of time to avoid moisture contamination of the fluid.
5. Don't change the fluid in the rain or when a strong wind is blowing.
6. Except for the disc pads and disc, use only disc brake fluid, isopropyl alcohol, or ethyl alcohol for cleaning brake parts. Do not use any other fluid for cleaning these parts. Gasoline, engine oil, or any other petroleum distillate will cause deterioration of the rubber parts. Oil spilled on any part will be difficult to wash off completely and will eventually deteriorate the rubber used in the disc brake.
7. When handling the disc pads or disc, be careful that no disc brake fluid or any oil gets on them. Clean off any fluid or oil that inadvertently gets on the pads or disc with a high flash-point solvent. Do not use one which will leave an oily residue. Replace the pads with new ones if they cannot be cleaned satisfactorily.
8. Brake fluid quickly ruins painted surfaces; any spilled fluid should be completely wiped up immediately.
9. If any of the brake line fittings or the bleed valve is opened at any time, the **AIR MUST BE BLED FROM THE BRAKE.**



A. Caliper

B. Bleed Valve

- When air bleeding is finished, install the rubber caps on the bleed valve, and check that the brake fluid is filled to the upper level line marked in the reservoir (handlebar turned so that the reservoir is level).

---

**Brake Hose**


---

*Brake Hose Inspection*

- The high pressure inside the brake line can cause fluid to leak or the hose to burst if the line is not properly maintained. Bend and twist the rubber hose while examining it.
- ★Replace it if any cracks or bulges are noticed.
- The metal pipes which feed the brake fluid to the anti-dive units are made of plated steel, and will rust if the plating is damaged. Replace the pipe if it is rusted, cracked (especially check the fittings), or if the plating is badly scratched.

## 11-14 BRAKES

### *Brake Hose Replacement*

- Pump the brake fluid out of the line as explained in the Brake Fluid Change in Brake Fluid Section.
- Remove the banjo bolts at both ends of the brake hose, and pull the hose off the motorcycle. Especially, for the brake hose between the rear master cylinder and the reservoir, loosen the clamps at both ends of the hose, and take off the hose.
- Install the new brake hose in its place, and tighten the banjo bolts to the specified torque (see Exploded View), noting the following.
- Use a new flat washer for each side of the fittings.

# Suspension

## Table of Contents

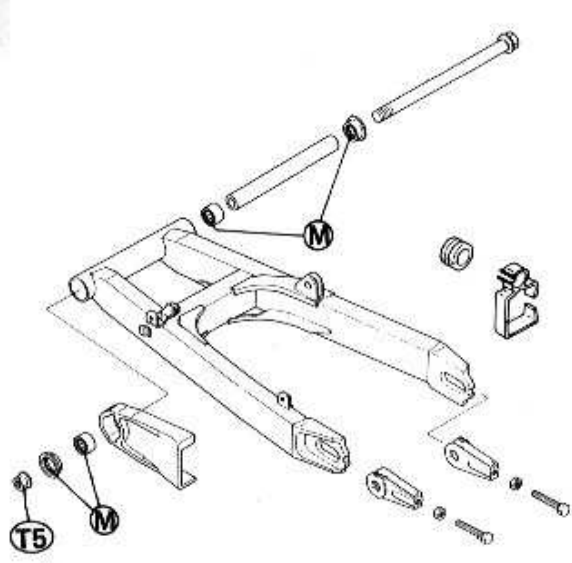
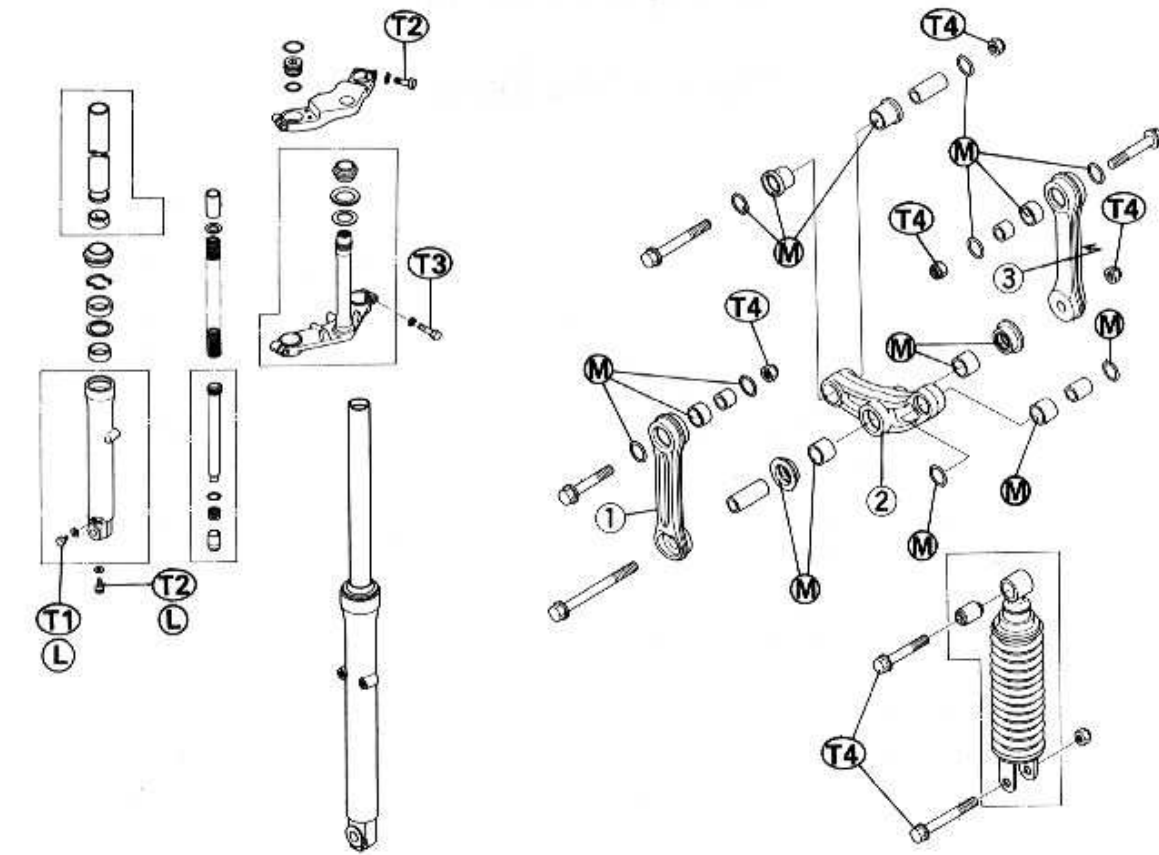
Exploded View .....	12-2
Specifications .....	12-3
Special Tool .....	12-3
Front Fork .....	12-3
Fork Oil Change .....	*
Front Fork Removal (each fork leg) .....	12-3
Front Fork Installation (each fork leg) .....	12-3
Front Fork Disassembly .....	12-4
Front Fork Assembly .....	12-5
Inner Tube Inspection .....	*
Guide Bush Inspection .....	12-5
Oil Seal and Dust Seal Inspection .....	*
Spring Tension .....	*
Rear Suspension (Uni-Trak) .....	12-6
Rear Shock Absorber .....	12-6
Rear Shock Absorber Adjustment .....	12-6
Rear Shock Absorber Removal .....	12-6
Rear Shock Absorber Installation .....	*
Rear Shock Absorber Scrapping .....	12-6
Swing Arm .....	*
Swing Arm Removal .....	*
Swing Arm Installation Notes .....	*
Swing Arm Sleeve inspection .....	*
Swing Arm Needle Bearing Inspection .....	*
Swing Arm Needle Bearing Lubrication .....	*
Tie-Rod, Rocker Arm: .....	*
Tie-Rod Removal .....	*
Tie-Rod Installation Note .....	*
Rocker Arm Removal .....	*
Rocker Arm Installation Notes .....	*
Tie-Rod, Rocker Arm Bushing Inspection .....	*
Tie-Rod, Rocker Arm Sleeve Inspection .....	*
Tie-Rod, Rocker Arm Bushing Lubrication .....	*

\* : Base Manual



## 12-2 SUSPENSION

### Exploded View



1. Left-Hand Tie-Rod
  2. Rocker Arm
  3. Right-Hand Tie-Rod
- L : Apply non-permanent locking agent to the threads.  
M : Apply molybdenum disulfide grease.
- T1: 7.8 N-m (0.80 kg-m, 69 in-lb)  
T2: 20 N-m (2.0 kg-m, 14.5 ft-lb)  
T3: 29 N-m (3.0 kg-m, 22 ft-lb)  
T4: 44 N-m (4.5 kg-m, 33 ft-lb)  
T5: 88 N-m (9.0 kg-m, 65 ft-lb)

## SUSPENSION 12-3

### Specifications

#### Front Fork (per one unit)

- Front fork inner tube diameter:  $\phi 36$  mm  
Fork oil viscosity: SAE 10W-20  
Fork oil capacity:  $268 \pm 2.5$  mL (completely dry)  
approx. 230 mL  
(when changing oil)  
Fork oil level:  $205 \pm 2$  mm below from top of  
inner tube (fully compressed,  
without main spring)  
Fork spring free length:  
Standard: 463.8 mm  
Service limit: 455 mm

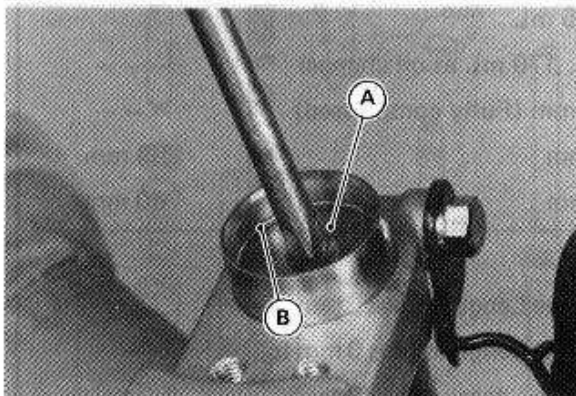
#### Rear Shock Absorber

Spring preload setting: Non-adjustable

### Front Fork

#### Fork Oil Change

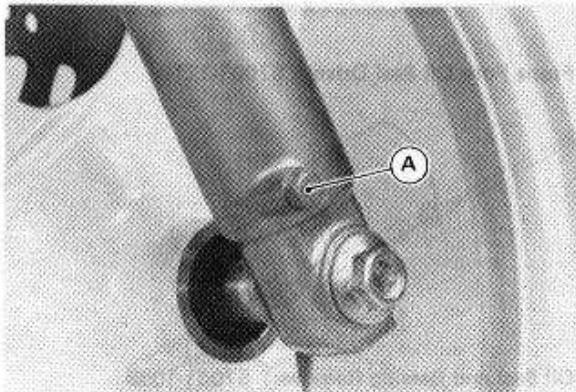
- Remove the handlebar holder mounting Allen bolts, and take the handlebar off the stem head.
- Press the top plug to remove the retaining ring, and then remove the plug.



A. Top Plug

B. Retaining Ring

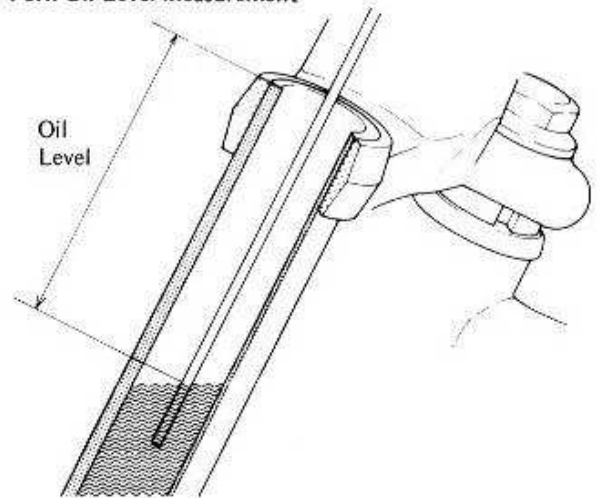
- Pull the fork spring off the fork leg.
- Unscrew the drain bolt from the lower end of the outer tube.



A. Drain Bolt

- Allow the oil to drain into a suitable container. If you pump the fork legs to force out the oil, be sure to catch the oil in a container as it squirts out.
- Wash the drain bolt threads clean of oil, and blow them dry.
- Apply a liquid gasket to the threads of the drain bolt, and install the bolt and gasket.
- Pour in the specified type and amount of oil.
- Pump the fork enough times to expel the air from the upper and lower chambers.
- With the fork fully compressed insert a tape measure or rod in the inner tube, and measure the distance from the top of the inner tube to the oil.
- ★ If the oil is above or below the specified level, remove or add oil and recheck the oil level.

#### Fork Oil Level Measurement



### CAUTION

- The operation of air front forks is especially dependent upon correct oil level. Higher level than specified may cause oil leakage and seal breakage. So be sure to maintain the specified level.

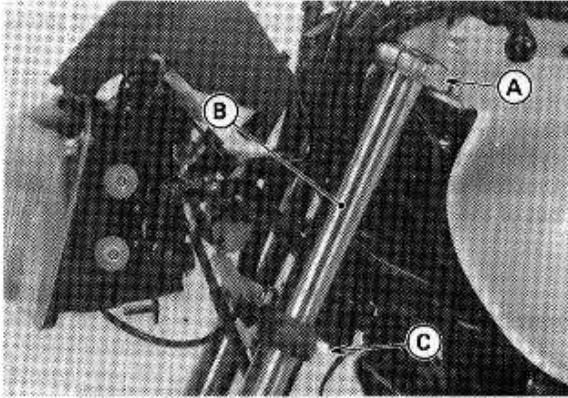
- Inspect the O-ring on the top plug, and replace it with a new one if it is damaged.
- Install the spring and spring seat.
- Install the top plug with retaining ring.
- Change the oil of the other fork leg in the same manner.

#### Front Fork Removal (each fork leg)

- Remove the following parts.  
Lower Fairing (see Frame chapter in this text)  
Upper Fairing (see Frame chapter in this text)  
Front Wheel (see Base Manual)  
Handlebar

## 12-4 SUSPENSION

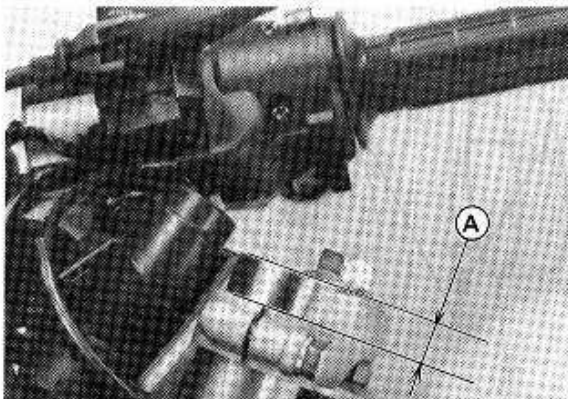
- Loosen the upper and lower fork clamp bolts.
- With the twisting motion, work the fork leg down and out.



A. Upper Clamp Bolt C. Lower Clamp Bolt  
B. Fork Leg

### Front Fork Installation (each fork leg)

- Install the fork leg so that the top of the inner tube is about **12 mm** above the upper surface of the stem head.



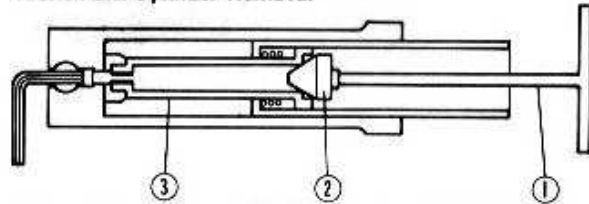
A. 12 mm

- If the fork leg was disassembled, check the fork oil level.
- Tighten the following bolts to the specified torque.
  - Upper and Lower Clamp Bolts (see Exploded View)
  - Caliper Mounting Bolts (see Exploded View in the Brakes chapter)
  - Front Axle Nut (see Exploded View in the Wheels/Tires chapter)
- Check the front brake after installation.

### Front Fork Disassembly

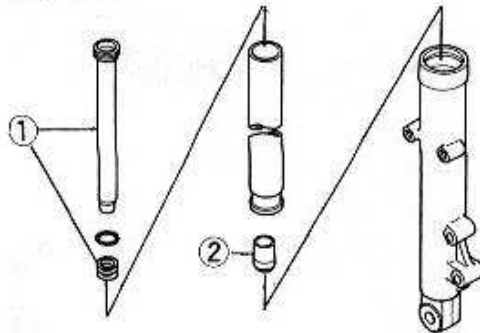
- Remove the retaining ring, top plug, spring, and spring seat.
- Pour out the fork oil.
- Remove the front fork leg (see Front Fork Removal).
- Stop the cylinder from turning by using the front fork cylinder holder handle and adapter (special tools). Unscrew the Allen bolt and take the bolt, and gasket out of the bottom of the outer tube.

### Front Fork Cylinder Removal



1. Front Fork Cylinder Holder Handle: 57001-183
2. Adapter: 57001-1057
3. Front Fork Cylinder

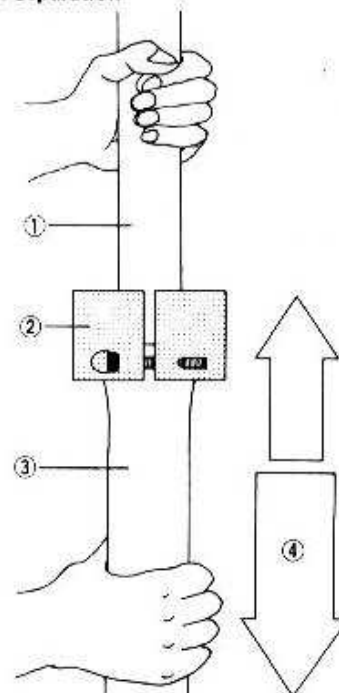
- Remove the piston and the rebound spring from the top of the inner tube and the cylinder base from the outer tube.



1. Cylinder Unit with Rebound Spring
2. Cylinder Base

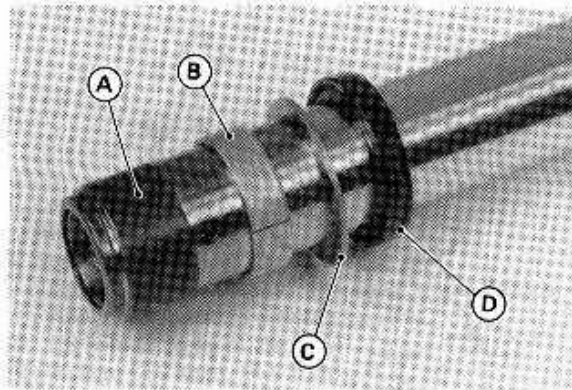
- Remove the dust seal and oil seal retainer ring from the outer tube.
- Use the fork outer tube weight (special tool) to separate the inner tube from the outer tube.
- Holding the inner tube by hand in a vertical position, pull down the outer tube several times to pull out the inner tube.

### Front Fork Separation



1. Inner Tube
2. Weight: 57001-1218
3. Outer Tube
4. Pull down.

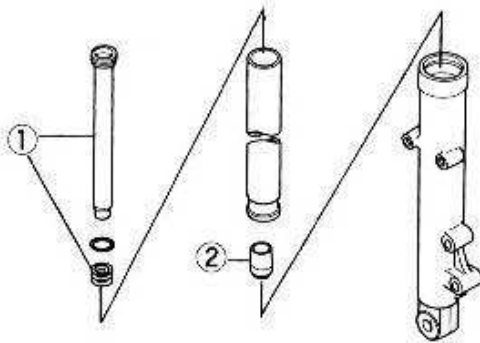
○The oil seal, washer, and guide bushes come off with the inner tube.



A. Inner Tube Guide Bush  
B. Outer Tube Guide Bush  
C. Washer  
D. Oil Seal

**Front Fork Assembly**

- Fork assembly is the reverse of disassembly. Note the following.
- Check the top plug O-rings for damage. Replace them with new ones if damaged.
- Replace the oil seal removed with a new one.
- Inspect the guide bushes (see Guide Bush Inspection), and replace them with new ones if necessary.
- Insert the cylinder unit with the short spring installed into the inner tube.
- Insert the cylinder base in the bottom of the outer tube.
- Insert the inner tube and cylinder as a set into the outer tube.

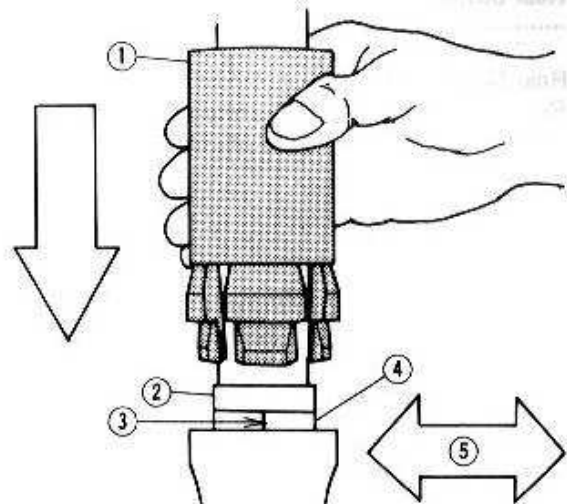


1. Cylinder Unit with Rebound Spring  
2. Cylinder Base

- If the drain bolt was removed, check the gasket for damage. Replace the damaged gasket with a new one.
- Apply non-permanent locking agent to the Allen bolt.
- Tighten the Allen bolt to the specified torque, using the front fork cylinder holder handle (special tool: PN 57001-183) and holder adapter (special tool: PN 57001-1057) to stop the cylinder from turning.

- Install the outer tube guide bush with a used guide bush as a tool by tapping the used guide bush with the driver (special tool) until it stops. The split of the bush must be faced toward the right or left.
- Install the washer.
- Replace the oil seal with a new one.
- Apply oil to the outside of the inner tube and install the oil seal with the same driver (special tool: 57001-1219) so that the marked side faces out.

**Guide Bush Installation**



1. Driver: 57001-1219  
2. Used Guide Bush  
3. Split  
4. New Guide Bush  
5. Front and Rear

- Install the dust seal and circlip by hand.
- Pour in the type and amount of fork oil specified (see Specifications), and adjust the oil level.
- Install the fork main spring so that the smaller diameter end is facing down.

**Inner Tube Inspection**

- Visually inspect the inner tube, and repair any damage.
- Nicks or rust damage can sometimes be repaired by using a wet-stone to remove sharp edges or raised areas which cause seal damage.
- ★If the damage is not repairable, replace the inner tube. Since damage to the inner tube damages the oil seal, replace the oil seal whenever the inner tube is repaired or replaced.
- Temporarily assemble the inner and outer tubes, and pump them back and forth manually to check for smooth operation.

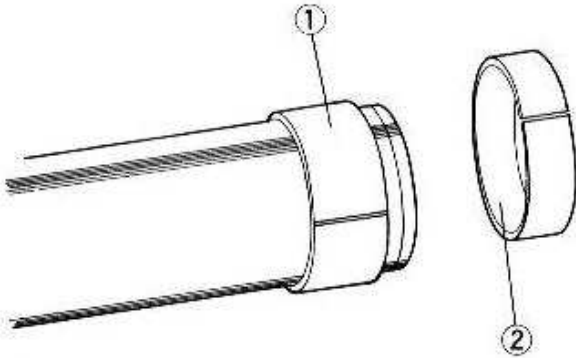
**CAUTION**

○If the inner tube is badly bent or creased, replace it. Excessive bending, followed by subsequent straightening, can weaken the inner tube.

## 12-6 SUSPENSION

### Guide Bush Inspection

- Visually inspect the internal surface of the outer tube guide bush and the external surface of the inner tube guide bush.
- ★ Replace the bushings, if they have excessive scoring, scratching, or abnormal wear.

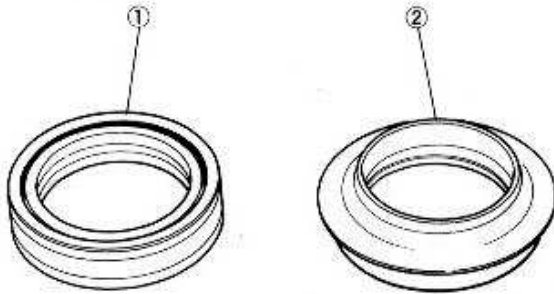


1. Inner Tube Guide Bush 2. Outer Tube Guide Bush

### Oil Seal and Dust Seal Inspection

- Inspect the dust seal for any signs of deterioration or damage.
- ★ Replace them if necessary.
- Replace the oil seal with a new one whenever it has been removed.

### Oil Seal and Dust Seal



1. Oil Seal 2. Dust Seal

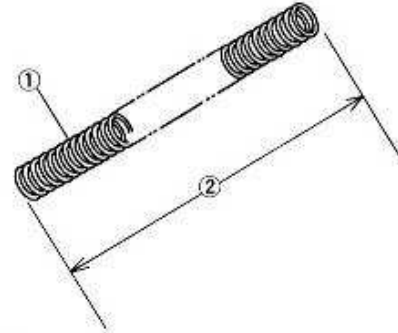
### Spring Tension

- Since the spring becomes shorter as it weakens, check its free length to determine its condition.
- ★ If the spring of either fork leg is shorter than the service limit, it must be replaced. If the length of a replacement spring and that of the remaining spring vary greatly, the remaining spring should also be replaced in order to keep the fork legs balanced for motorcycle stability.

### Fork spring free length:

Standard: 463.8 mm  
Service limit: 455 mm

### Fork Spring Free Length



1. Fork Spring  
2. Free Length

## Rear Suspension (Uni-Trak)

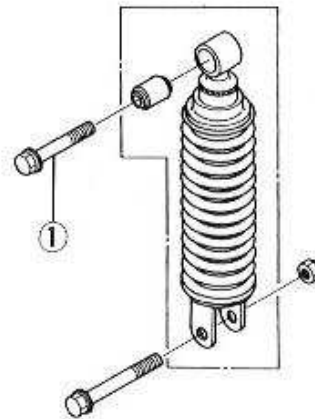
### Rear Shock Absorber:

#### Rear Shock Absorber Adjustment

- The spring preload can not be adjusted.

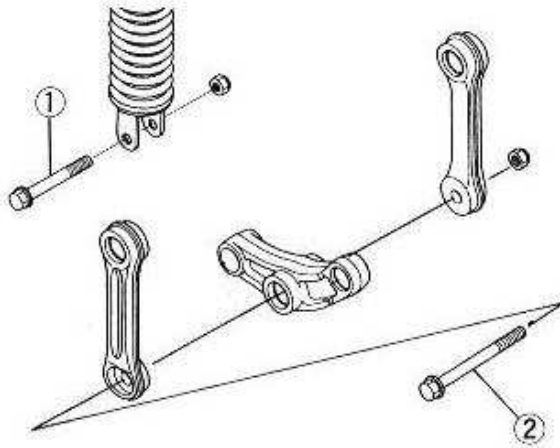
#### Rear Shock Absorber Removal

- The shock absorber upper mounting nut is welded on the frame.
- It is not necessary to remove the coolant reservoir tank and the IC igniter for rear shock removal.
- Remove the following parts.
  - Seat (see Frame chapter in this text)
  - Left Side Cover (see Frame chapter in this text)
- Loosen the upper shock absorber nut. Do not remove it yet.



1. Upper Shock Absorber Bolt

- Remove the lower shock absorber bolt and the tie-rod lower bolt and nut.



1. Lower Shock Absorber Bolt and Nut
2. Tie-Rod Lower Bolt and Nut

- Set the motorcycle on its center stand to lift the rear wheel off the ground.
- Remove the upper shock absorber bolt, then take off the rear shock absorber unit toward the ground.

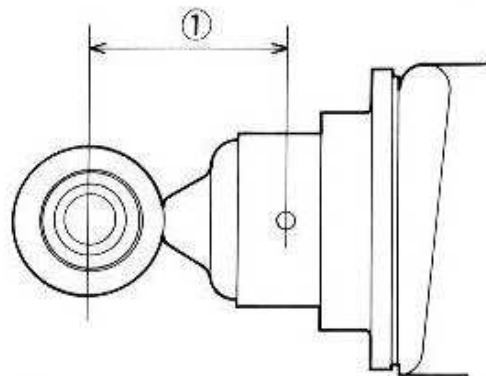
#### Rear Shock Absorber Installation

- Installation is the reverse of removal.
- When installing the rear shock absorber, be careful of the following items.
  - Tighten the upper and lower shock absorber nuts to the specified torque.
  - Tighten the tie rod nut to the specified torque (see Exploded View).

#### Rear Shock Absorber Scrapping

#### WARNING

- Since the rear shock absorber contains nitrogen gas, do not incinerate the rear shock absorber without first releasing the gas or it may explode.
- Before a rear shock absorber is scrapped, drill a hole at a point about 40 mm up from the bottom of the cylinder to release the nitrogen gas completely. Wear safety glasses when drilling the hole, as the gas may blow out bits of drilled metal when the hole opens.

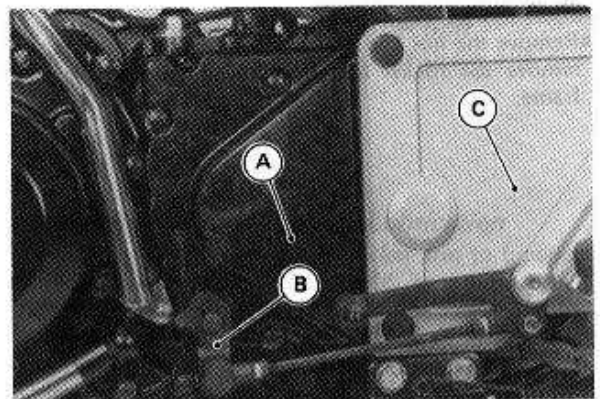


1. 40 mm

#### Swing Arm:

##### Swing Arm Removal

- Remove the left side footpeg bracket (see Left Footpeg Bracket Removal in Frame chapter).

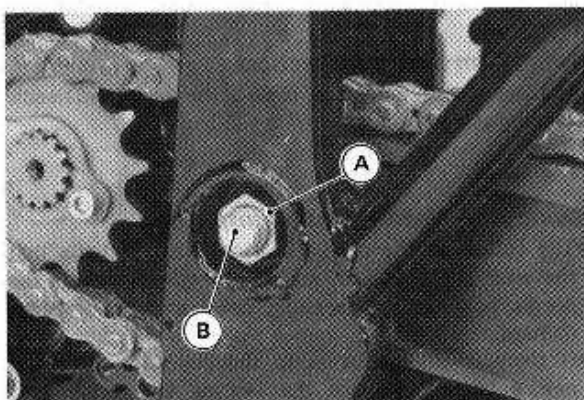


- A. Engine Sprocket Cover    C. Footpeg Bracket  
B. Shift Lever

- Remove the LH muffler.
- Remove the right side footpeg bracket (see Right Footpeg Bracket Removal in Frame chapter).
- Remove the RH muffler.

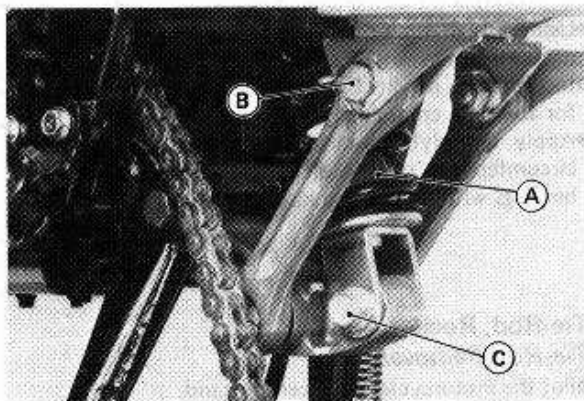
## 12-8 SUSPENSION

- Remove the rear caliper (see Rear Caliper Removal in Brakes chapter).
- Remove the rear wheel (see Rear Wheel Removal in Wheels/Tires chapter).
- Remove the swing arm pivot nut. Do not remove the pivot shaft.



A. Pivot Nut      B. Pivot Shaft

- Remove the lower shock absorber nut. Do not remove the bolt.
- Remove the uni-trak tie rod upper nut. Do not remove the bolt.



A. Rear Shock Absorber      C. Lower Bolt  
B. Tie Rod Upper Bolt

- Remove the tie-rod bolt, shock absorber bolt, and swing arm pivot shaft while supporting the swing arm.
- Remove the swing arm toward the rear.

### Swing Arm Installation Notes

- When installing the swing arm, be careful of the following items.
  - Tighten the swing arm pivot nut to the specified torque (see Exploded View).
  - Tighten the lower shock absorber nut to the specified torque (see Exploded View).

- Tighten the tie-rod upper nut to the specified torque (see Exploded View).
- Tighten the torque link nut to the specified torque (see Exploded View in Brake chapter).
- Adjust the drive chain after installation (see Drive Chain Slack Adjustment in Final Drive chapter).

### Swing Arm Sleeve Inspection

- ★ If there is visible damage, replace the sleeve and needle bearing as a set.

### Swing Arm Needle Bearing Inspection

- The rollers in the needle bearings wear so little that the wear is difficult to measure. Instead, inspect the needle bearings for abrasion, color change, or other damage.
- ★ If there is any doubt as to the condition of either needle bearing, replace the bearing and sleeve as a set.

### Swing Arm Needle Bearing Lubrication

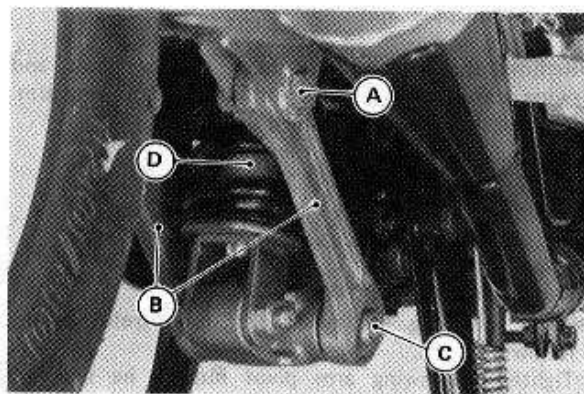
In order for the swing arm to function safely and wear slowly, it should be lubricated in accordance with the Periodic Maintenance Chart or whenever disassembled.

- Disassemble the swing arm.
- Using a high flash-point solvent, wash the sleeves and needle bearings, and dry them.
- Inspect the needle bearings, sleeves and grease seals for abrasion, color change, or other damage.
- Apply a molybdenum disulfide grease to the outer circumference of the sleeves, and pack the needle bearings with the same grease.

### Tie-Rod, Rocker Arm:

#### Tie-Rod Removal

- Put the motorcycle on its center stand.
- Remove the tie-rod lower bolt.



A. Tie-rod Upper Bolt      C. Tie-rod Lower Bolt  
B. Tie-rod      D. Rear Shock Absorber

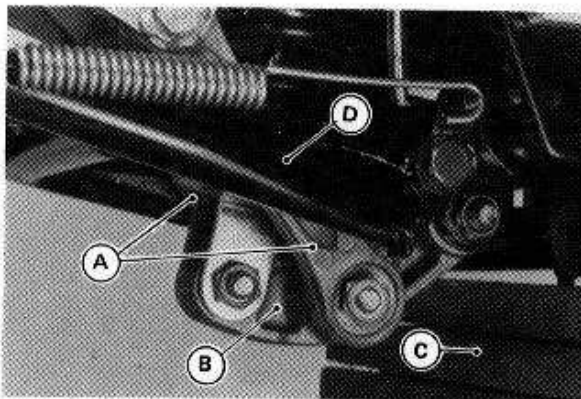
- Remove the tie-rod upper bolt and take the tie-rod off.
- Remove the other tie-rod.

**Tie-Rod Installation Note**

- Tighten the tie-rod upper and lower bolts to the specified torque (see Exploded View).

**Rocker Arm Removal**

- Put a suitable stand under the engine.
- Remove the right hand and left hand mufflers.
- Retract the center stand.
- Remove the lower shock absorber nut. Do not remove the bolt.
- Remove the tie-rod lower nut. Do not remove the bolt.
- Remove the tie-rod bolt and shock absorber bolt while supporting the swing arm.



A. Tie-rods  
B. Rocker Arm  
C. Suitable Stand  
D. Center Stand

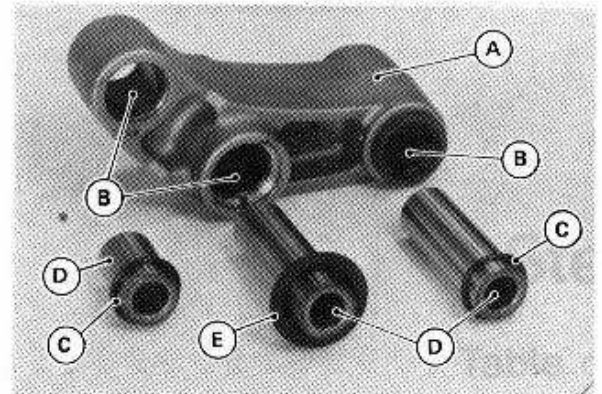
- Remove the nut and pull out the rocker arm shaft and remove the rocker arm from the bottom side of the frame.

**CAUTION**

- Use the stand suitable for the height of the motorcycle's engine, or the brake hose may be tugged and damaged.

**Rocker Arm Installation Notes**

- Check that the O-rings is in good condition.



A. Rocker Arm  
B. Sleeves  
C. O rings  
D. Sleeves  
E. Grease Seal

- Tighten the tie-rod lower nut to the specified torque (see Exploded View).
- Tighten the lower shock absorber nut to the specified torque (see Exploded View).
- Tighten the rocker arm shaft nut to the specified torque (see Exploded View).

**Tie-rod, Rocker Arm Bushing Inspection**

- The bushings wear so little that the wear is difficult to measure. Instead, inspect the bushings for abrasion, color change, or other damage.
- ★If there is any doubt as to the condition of either bushings, replace the bushing with new one.

**Tie-rod, Rocker Arm Sleeve Inspection**

- ★If there is visible damage, replace the sleeve with new one.

**Tie-rod, Rocker Arm Bushing Lubrication**

In order for the tie-rod and rocker arm to function safely and wear slowly, it should be lubricated in accordance with the Periodic Maintenance Chart or whenever disassembled.

- Disassemble the tie-rod and rocker arm.
- Using a high flash-point solvent, wash the sleeves and bushings, and dry them.
- Inspect the bushings, sleeves and grease seals for abrasion, color change, or other damage.
- Apply a molybdenum disulfide grease to the outer circumference of the sleeves, and pack the bushings with the same grease.



# Steering

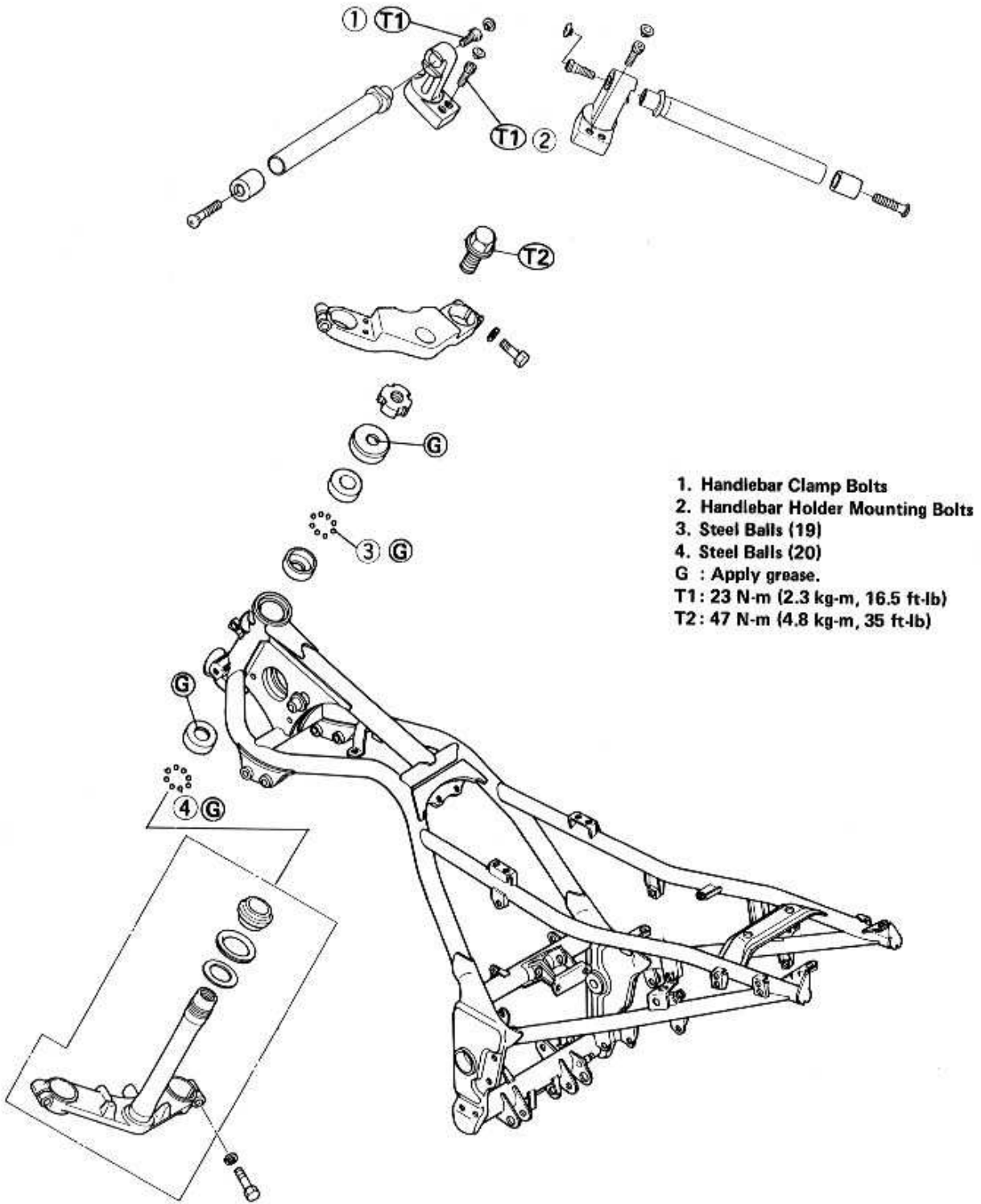
## Table of Contents

Exploded View .....	13-2
Special Tool .....	13-3
Handlebar .....	13-3
Handlebar Holder Installation Notes .....	13-3
Steering Adjustment .....	*
Steering Inspection .....	*
Checking for Steering Too Tight .....	*
Checking for Steering Too Loose .....	*
Steering Adjustment .....	*
Steering Removal/Installation .....	13-3
Steering Stem Removal .....	*
Steering Stem Installation .....	13-3
Steering Maintenance .....	*
Steering Stem Bearing Lubrication .....	*
Bearing Wear, Damage .....	*
Stem Cap Deterioration, Damage .....	*
Steering Stem Warp .....	*

\* : Base Manual

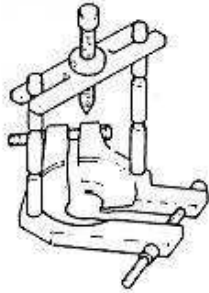
## 13-2 STEERING

### Exploded View



Special Tools

Bearing Puller: 57001-158



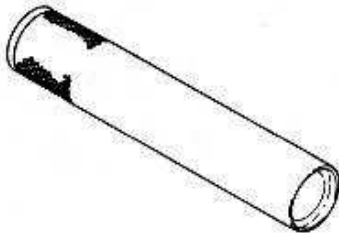
Adapter: 57001-317



Pole: 57001-1190



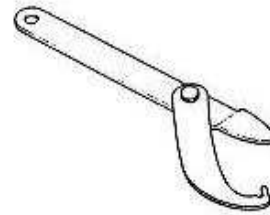
Stem Bearing Driver: 57001-137



Adapter: 57001-294

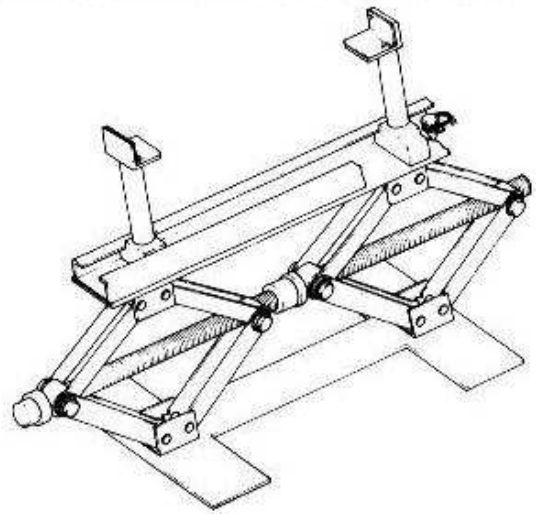


Stem Nut Wrench: 57001-1100



Jack: 57001-1238

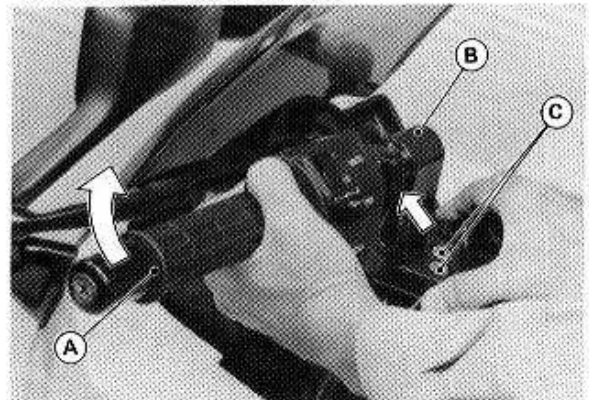
○This tool may be used instead of the common tool.



Handlebar

*Handlebar Holder Installation Notes*

●When tightening the handlebar holder mounting bolts, with handlebar end and holder pushed as forward as possible, tighten the holder mounting Allen bolts to the specified torque (see Exploded View). This prevents the left switch housing from hitting the fuel tank when the steering is turned fully left.



A. Handlebar Ends  
B. Handlebar Holders

C. Mounting Allen Bolts

## 13-4 STEERING

### Steering Adjustment

When the steering bearings are properly adjusted, the handlebar will turn freely from side to side with no looseness of the steering stem within the frame. In other words, the bearings will have little or no free play and absolutely no preload. Inspect the steering according to the Periodic Maintenance Chart or if the following symptoms are noticed.

Symptoms:

#### Tight

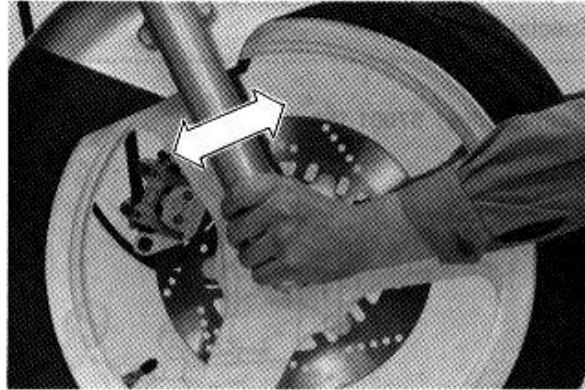
1. The motorcycle wanders while being ridden.
2. The steering feels tight.
3. The bearing races becomes notched.

#### Loose

1. The forks "clunk" or "click" when the brake is applied or when the motorcycle is ridden over a pothole.
2. The handlebars seem to vibrate more than normal.

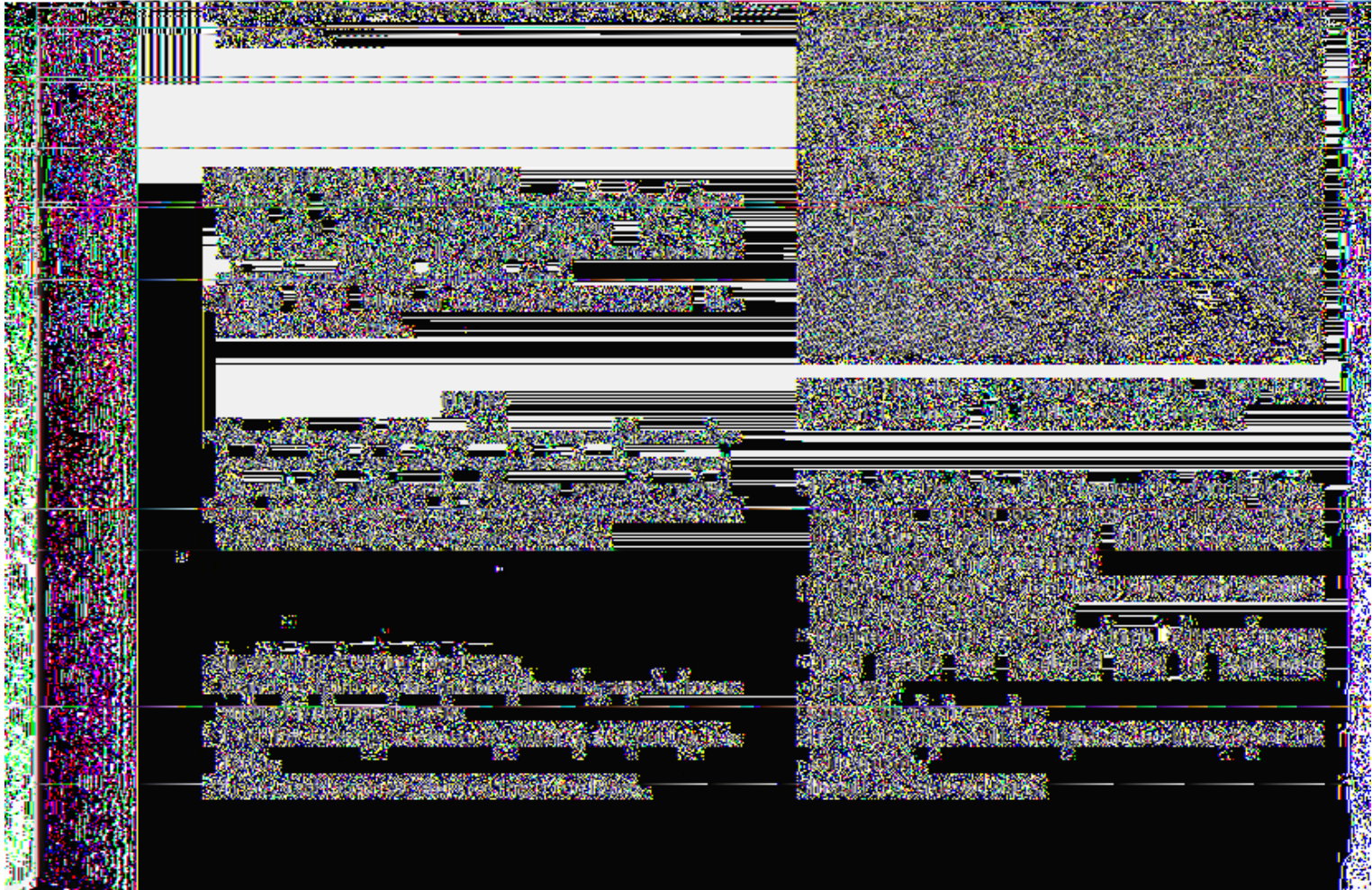
#### Steering Inspection

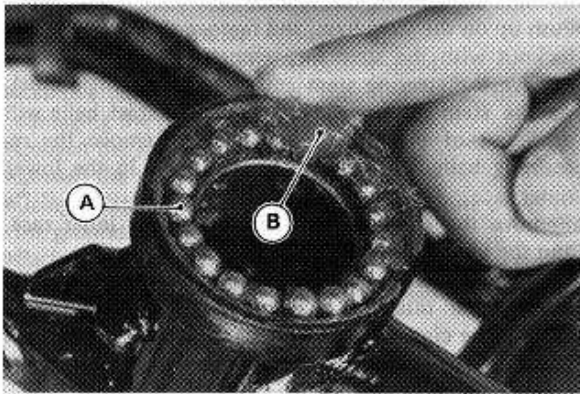
- Set the motorcycle on its center stand or other suitable stand.



#### Steering Adjustment

- Set the motorcycle up on its center stand.
- Remove the fairings and the fuel tank to avoid damaging the painted surface.
- Loosen the front fork lower clamp bolts.
- Loosen the stem head bolt.
- Using a jack under the engine, lift the front wheel off the ground.
- Back out the steering stem locknut using the stem nut wrench (special tools) a or 2 turns until it turns without drag.





A. Bearing Balls

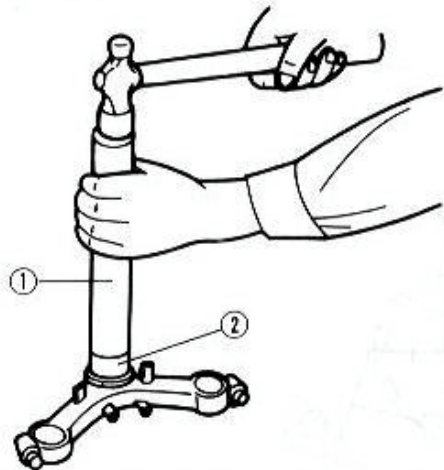
B. Grease

***Bearing Wear, Damage***

- Using a high flash-point solvent, wash the bearings clean of grease and dirt, and examine the races and balls.
- Visually check the balls or races.
- ★ If the balls or races are worn, or if either race is dented, replace both races and all the balls for that bearing as a set.

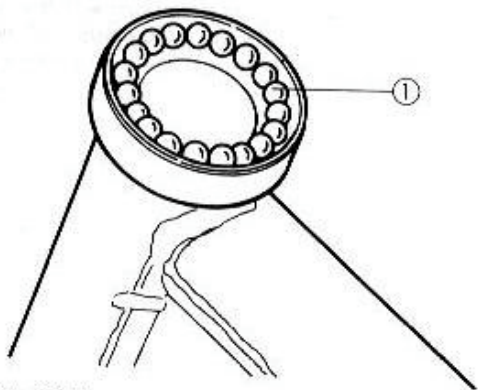
## 13-6 STEERING

- Apply oil to the lower inner race, and drive it onto the steering stem using the stem bearing driver and adapter (special tools). Be sure to press it in until it stops at the stem base.



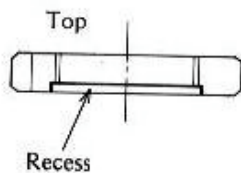
1. Stem Bearing Driver: 57001-137
2. Adapter: 57001-294

- Apply grease to the upper and lower outer races in the head pipe so that the steel balls will stick in place during stem insertion. Install the upper steel balls (19) and lower steel balls (20). All the steel balls are the same size.



1. Steel Balls

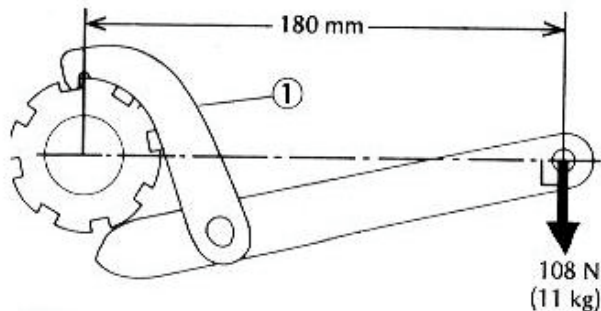
- Put on the upper inner race and steering stem cap and insert the steering stem into the head pipe.
- Install the locknut so that the recessed side faces down.



The following steps should be performed after steering bearing installation. This procedure settles the bearings in place.

- Using the stem nut wrench, tighten the stem locknut to **20 N-m (2 kg-m, 14.5 ft-lb)** of torque. To tighten the locknut to the specified torque, hook the wrench on the stem locknut, and pull the wrench at the hole with **11 kg** of force in the direction shown.

### Torque Stem Locknut to Seat Bearings



1. Stem Nut Wrench: 57001-1100

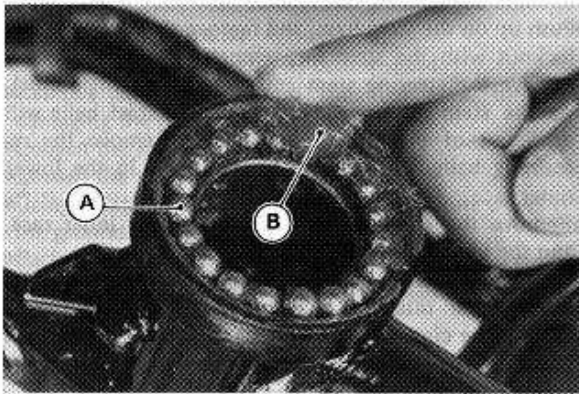
- Check that there is no play and that the steering stem turns smoothly without looseness. Otherwise, the steering stem bearings may be damaged.
- Again back out the stem locknut a fraction of turn until it turns lightly.
- Adjust the steering (see Steering Adjustment).
- Reinstall the parts removed.
- Route the cables and harnesses correctly. The cables and wiring harnesses must not hinder handlebar movement.
- Check and adjust the following items.
  - Front Brake
  - Clutch
  - Throttle Cables
  - Rear View Mirrors
  - Headlight Aim

## Steering Maintenance

### Steering Stem Bearing Lubrication

In accordance with the Periodic Maintenance Chart, lubricate the steering stem bearings.

- Remove the steering stem.
- Wipe all the old grease off the races and balls, washing them in a high flash-point solvent.
- Visually check the races and the balls.
- ★ Replace the bearing assemblies if they show wear or damage.
- Pack the upper and lower races with grease, and stick the bearing balls in place with grease.
- Install the steering stem, and adjust the steering.



A. Bearing Balls

B. Grease

#### ***Bearing Wear, Damage***

- Using a high flash-point solvent, wash the bearings clean of grease and dirt, and examine the races and balls.
- Visually check the balls or races.
- ★ If the balls or races are worn, or if either race is dented, replace both races and all the balls for that bearing as a set.

#### ***Grease Seal Deterioration, Damage***

- Inspect the grease seal for any signs of deterioration or damage.
- ★ Replace the grease seal if necessary.

#### ***Steering Stem Warp***

- Whenever the steering stem is removed, or if the steering cannot be adjusted for smooth action, check the steering stem for straightness.
- ★ If the steering stem shaft is bent, replace the steering stem.



# Frame

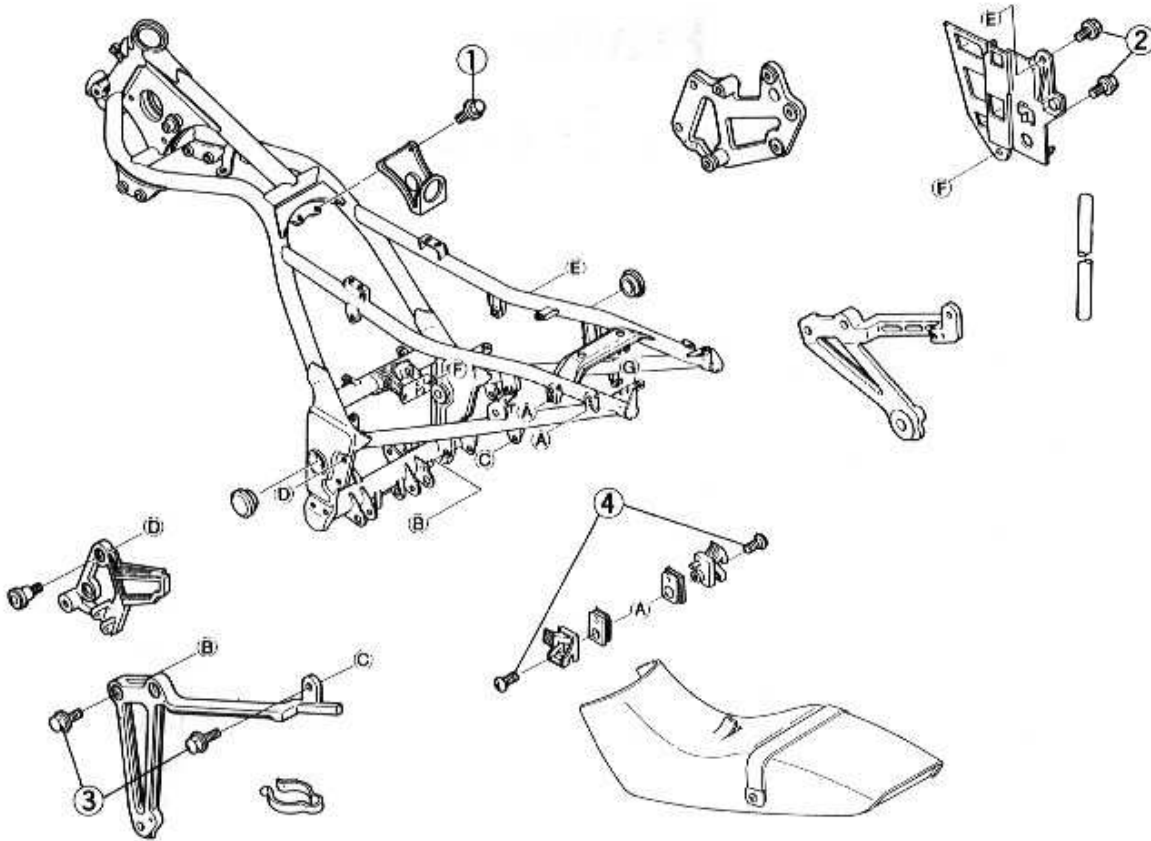
## Table of Contents

Exploded View .....	14-2
Seat .....	14-4
Seat Removal .....	14-4
Seat Installation .....	14-4
Side Covers .....	14-4
Side Cover Removal .....	14-4
Fairings .....	14-5
Upper Fairing Removal .....	14-5
Upper Fairing Installation Notes .....	14-5
Lower Fairing Removal .....	14-5
Upper Fairing Stay Removal .....	14-6
Fenders .....	14-6
Rear Part of Rear Fender Removal .....	14-6
Seat Cover Removal .....	14-6
Front Part of Rear Fender Removal .....	14-6
Front Part of Rear Fender Installation .....	14-7
Footpeg Bracket .....	14-7
Left Footpeg Bracket Removal .....	14-7
Left Footpeg Bracket Installation Note .....	14-7
Right Footpeg Bracket Removal .....	14-7

\* : Base Manual

## 14-2 FRAME

### Exploded View

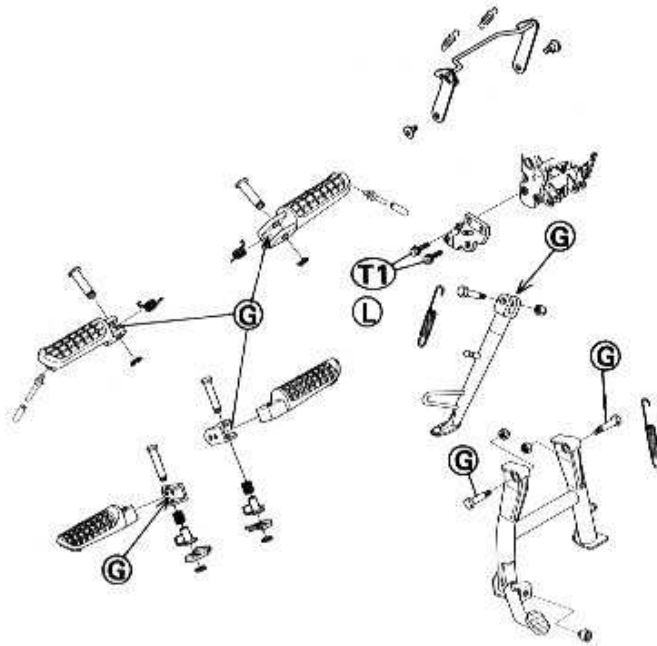


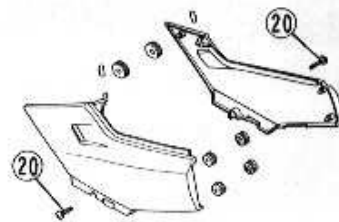
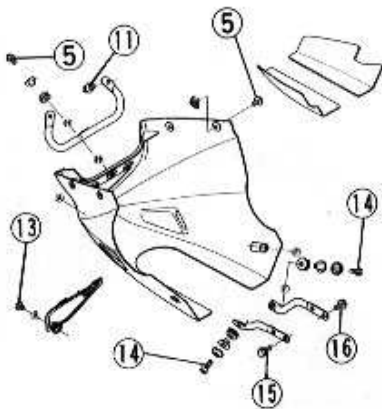
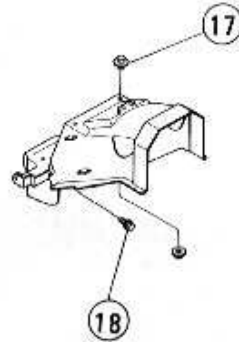
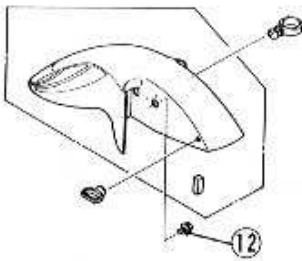
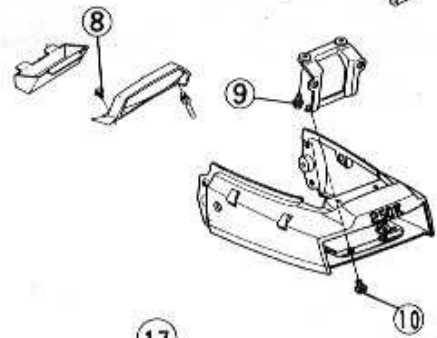
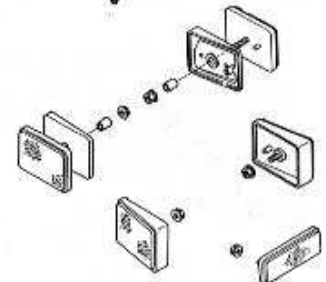
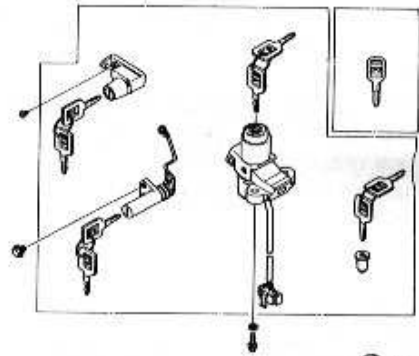
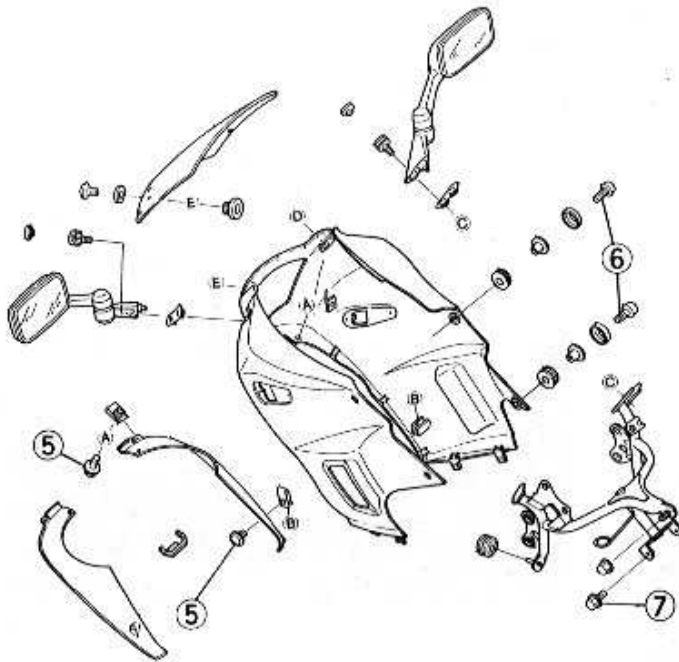
G : Apply grease.

L : Apply non-permanent locking agent.

T1: 44 N-m (4.5 kg-m, 33 ft-lb)

1. Bolts, 6 x 10
2. Bolts, 6 x 14
3. Bolts, 8 x 20
4. Screws, 6 x 25
5. Screws, 6 x 18
6. Allen Bolts, 6 x 18
7. Bolts, 6 x 10
8. Bolts, 8 x 20
9. Bolts, 6 x 25
10. Bolts, 6 x 25
11. Bolts, 6 x 25
12. Bolts, 8 x 16
13. Screws, 5 x 16
14. Screws, 6 x 20
15. Bolts, 10 x 25
16. Bolts, 6 x 14
17. Bolts, 6 x 16
18. Bolts, 6 x 14
19. Bolts, 6 x 20
20. Screws, 6 x 28



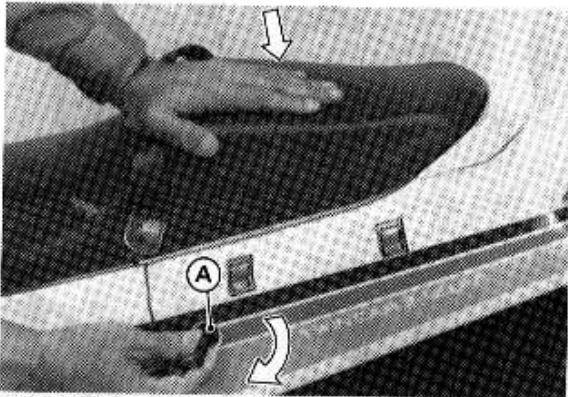


## 14-4 FRAME

### Seat

#### Seat Removal

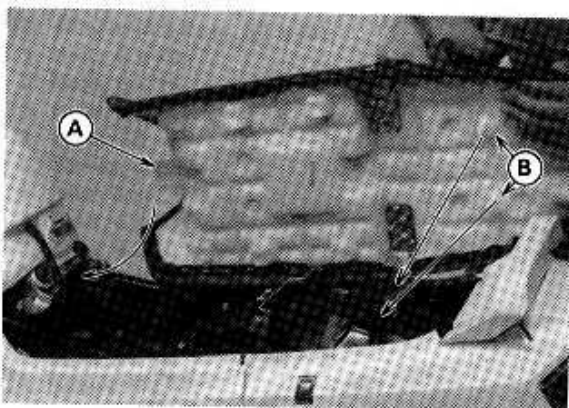
- Insert the ignition switch key into the seat lock.
- Push down the rear part of the seat and turn the ignition switch key clockwise.
- Swing open the seat and remove it.



A. Seat Lock

#### Seat Installation

- Slip the hook of the seat under the brace on the fuel tank, and put the stoppers of the seat into the holes in the frame.



A. Hook

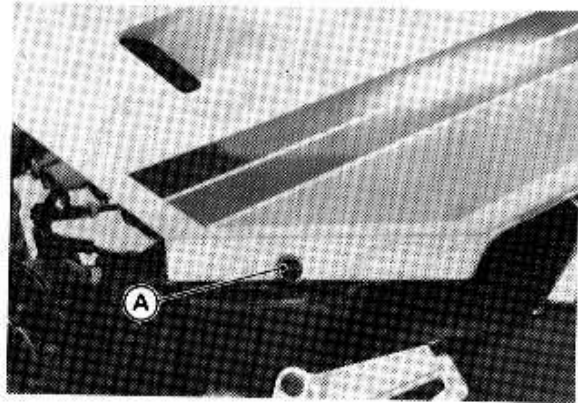
B. Stoppers

- Push down the rear part of the seat until the lock clicks.

### Side Covers

#### Side Cover Removal

- Remove the seat.
- Remove the screw.



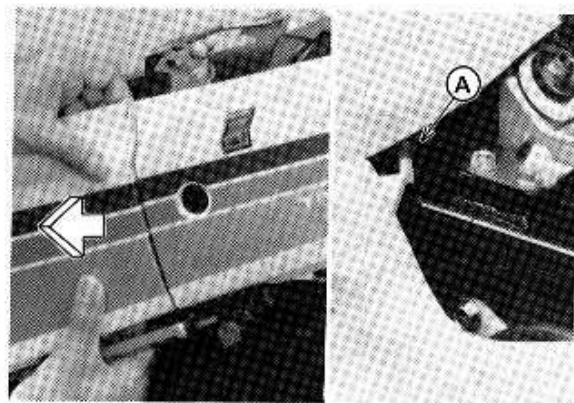
A. Screw

- Pull the rear part and front part of the side cover evenly outward to clear the stoppers.

### CAUTION

- Do not bend open the side cover too far. This could damage the stopper.

- Push down the rubber damper to clear the fuel tank.
- Remove the side cover.

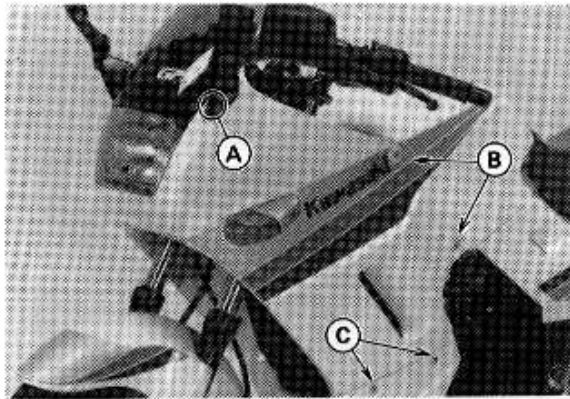


A. Rubber Damper

**Fairings**

**Upper Fairing Removal**

- Remove the following bolts and screws.



- A. Rear View Mirror Mounting Bolts
- B. Allen Bolts
- C. Screws

- Pull off the turn signal light connectors.
- Move the upper fairing forward while bending the fairing outward, and remove it.

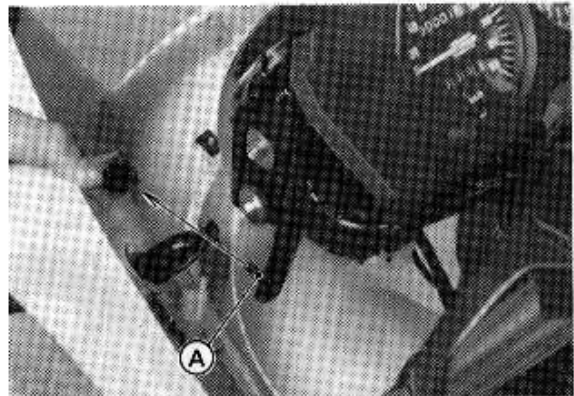


**CAUTION**

- Be careful not to scratch the painted surface during removal or installation.

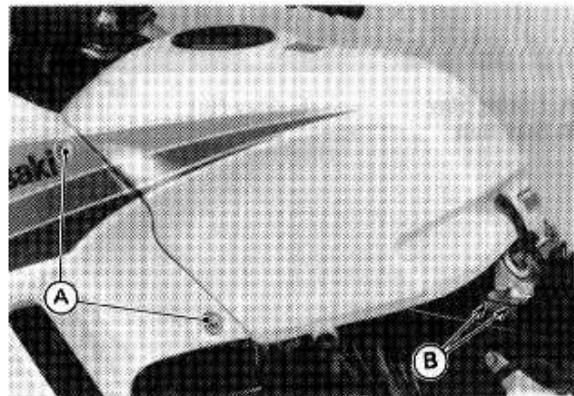
**Upper Fairing Installation Notes**

- Fit each fairing stopper into the hole in the fairing stay.



A. Fairing Stopper

- If the upper fairing bolts are difficult to install on the fuel tank because of misalignment, loosen the tank bracket bolts and adjust the tank position.

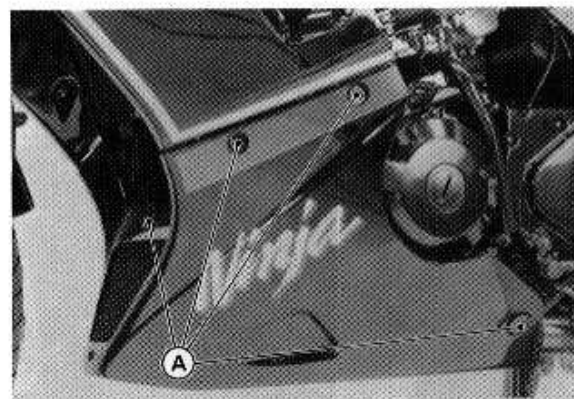


A. Upper Fairing Bolts    B. Tank Bracket Bolts

- Install the mounting screws, bolts, nuts flanged collars, and washers in the original positions (see Exploded View).

**Lower Fairing Removal**

- Remove the following screws to remove the lower fairing.

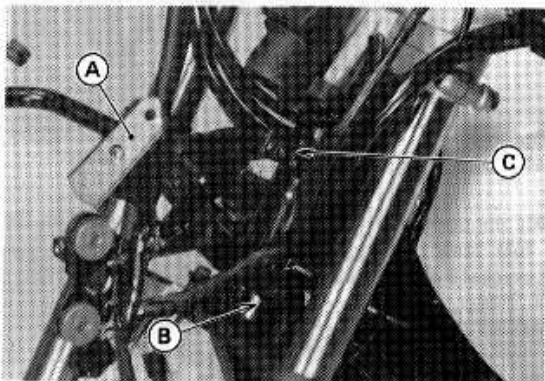


A. Screws

## 14-6 FRAME

### Upper Fairing Stay Removal

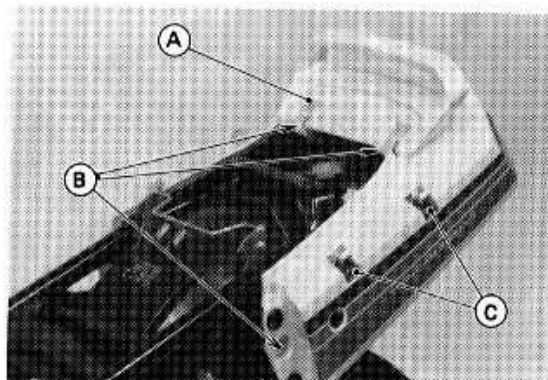
- Remove the following parts.
  - Upper Fairing
  - Headlight Unit
  - Meter Unit
- Take off the stay bolt and nut, then remove the fairing stay.



A. Fairing Stay  
B. Stay Bolt  
C. Stay Nut

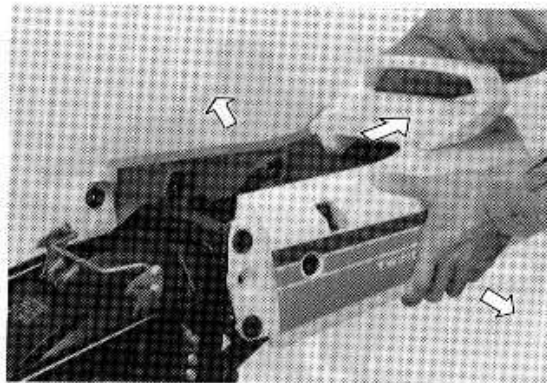
### Seat Cover Removal

- Remove the following parts.
  - Rear Part of Rear Fender
  - Seat
  - Side Covers
  - Taillight Connectors
- Remove the seat cover mounting bolts and screws.



A. Seat Cover  
B. Mounting Bolts  
C. Mounting Screws

- Move the seat cover rearward while bending the cover outward, and remove it.



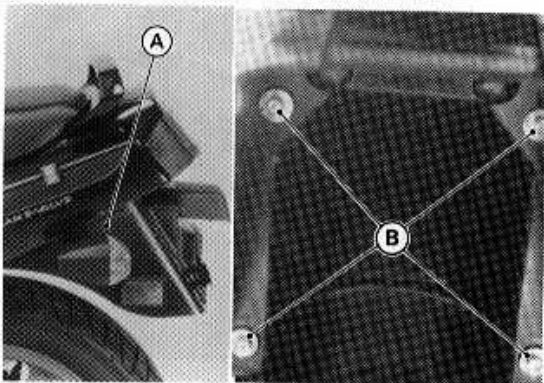
---

## Fenders

---

### Rear Part of Rear Fender Removal

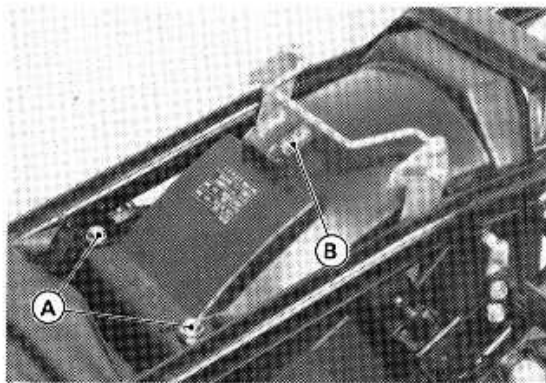
- Take off the mounting bolts to remove the rear fender.



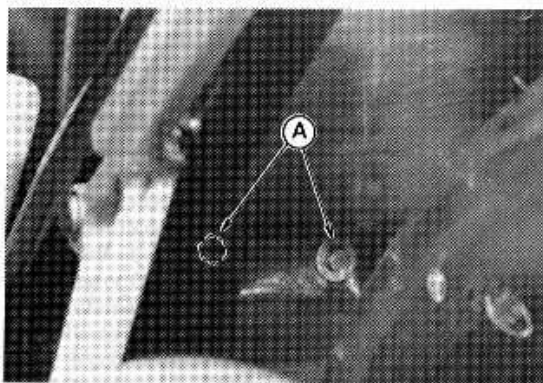
A. Rear Fender  
B. Mounting Bolts

### Front Part of Rear Fender Removal

- Remove the following parts.
  - Rear Part of Rear Fender
  - Seat Cover
  - Regulator/Rectifier Unit (on the right side)
  - IC Igniter (see Electrical System chapter)
  - Coolant Reservoir Tank
  - Air Cleaner Housing Rubber Band
  - Battery and Fender Mounting Bolts (bottom of the battery)
  - Seat Lock Lever Springs
- Remove the two upper and two lower mounting bolts.

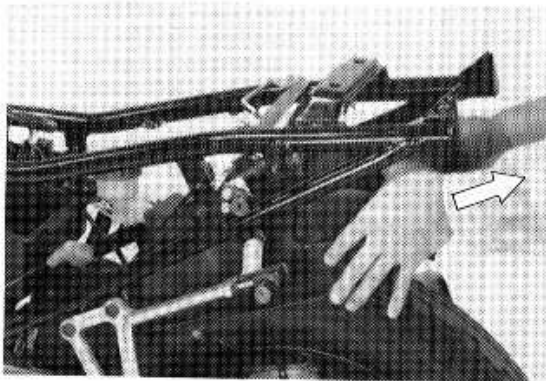


A. Upper Mounting Bolts    B. Lock Lever Springs



A. Lower Mounting Bolts

- Move the front part of the rear fender backward and remove it.



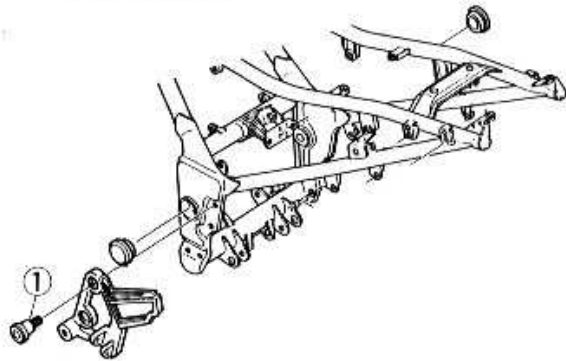
**Front Part of Rear Fender Installation**

- Install the mounting bolts and washers in the original position (see Exploded View).

**Footpeg Bracket**

**Left Footpeg Bracket Removal**

- Remove the external shift mechanism (see External Shift Mechanism Removal in the Crankshaft/Transmission chapter in this manual).
- Remove the footpeg bracket Allen bolts and take off the footpeg bracket.



1. Footpeg Bracket Allen Bolts

**Left Footpeg Bracket Installation Note**

Refer to External Shift Mechanism Installation Notes in the Crankshaft/Transmission chapter in this manual.

**Right Footpeg Bracket Removal**

- Refer to the Base Manual noting the following.
- It is not necessary to remove the muffler mounting bolt.



# Electrical System

## Table of Contents

Precautions .....	*	Lighting System .....	15-11
Exploded View .....	15-2	Headlight Beam	
Parts Locations .....	15-4	Horizontal Adjustment .....	*
Specifications .....	15-5	Headlight Beam Vertical Adjustment .....	15-11
Special Tools .....	15-5	Headlight Bulb Replacement Notes .....	*
Sealant .....	15-5	Tail/Brake Light Bulb	
Battery .....	15-6	Replacement Notes .....	*
Precautions .....	*	Tail/Brake Light Lens Removal/	
Electrolyte .....	*	Installation Note .....	*
Electrolyte Level Inspection .....	*	Turn Signal Light	
Battery Charging .....	15-6	Bulb Replacement Note .....	*
Battery Condition .....	*	License Plate Light Bulb	
Battery Initial Charging .....	*	Replacement Notes .....	15-12
Battery Ordinary Charging .....	15-6	Inspection .....	15-12
Battery Test Charging .....	*	Headlight Reserve Lighting	
Charging System .....	15-6	System Inspection .....	15-12
Alternator Cover Removal .....	*	Cooling Fan System .....	15-13
Alternator Cover Installation Note .....	15-6	Fan System Circuit Inspection .....	*
Alternator Rotor Removal .....	*	Fan Inspection .....	*
Alternator Rotor Installation Notes .....	*	Fan Relay Inspection .....	*
Stator Coil Removal .....	*	Meters and Gauge .....	15-13
Stator Coil Installation Notes .....	15-6	Meters and Gauge Removal .....	15-13
Alternator Inspection .....	*	Meters and Gauge Disassembly .....	15-14
Rectifier Inspection .....	*	Meters and Gauge Replacement .....	15-14
Regulator Inspection .....	*	Meter or Gauge Assembly Note .....	15-14
Regulator/Rectifier Output		Bulb Replacement Notes .....	*
Voltage Inspection .....	15-7	Tachometer Inspection .....	15-14
Ignition System .....	15-7	Water Temperature Gauge	
Safety Instructions .....	*	Operation Inspection .....	*
Pickup Coil Removal .....	*	Switches and Sensors .....	15-14
Pickup Coil Installation Notes .....	15-7	Front Brake Light Testing .....	*
Spark Plug Removal .....	15-7	Rear Brake Light Testing .....	*
Spark Plug Installation Note .....	15-7	Rear Brake Light Switch	
Ignition Coil Removal .....	15-8	Position Adjustment .....	*
Ignition Coil Installation Notes .....	15-8	Switch Removal Note .....	*
Pickup Coil Inspection .....	15-9	Switch Inspection .....	15-14
Ignition Coil Inspection .....	15-9	Fan Switch Inspection .....	*
Spark Plug Cleaning Inspection .....	*	Water Temperature	
Spark Plug Gap .....	*	Sensor Inspection .....	*
IC Igniter Removal .....	15-9	Junction Box .....	15-15
IC Igniter Installation Notes .....	15-9	Fuse Removal .....	*
IC Igniter Inspection .....	15-10	Fuse Installation note .....	15-15
Electric Starter System .....	15-10	Fuse Inspection .....	*
Starter Motor Removal .....	*	Junction Box Fuse	
Starter Motor Installation Notes .....	*	Circuit Inspection .....	15-15
Starter Motor Disassembly .....	*	Fan, Starter Circuit and Headlight	
Starter Motor Assembly .....	*	Relay Inspection .....	*
Brush Inspection .....	*	Diode Circuit Inspection .....	*
Brush Spring Inspection .....	*	Electrical Wiring .....	*
Commutator Cleaning		Wiring Inspection .....	*
and Inspection .....	*	Wiring Diagram (US and Canada models) .....	15-17
Armature Inspection .....	*	Wiring Diagram (UK and Australia models) .....	15-18
Brush Lead Inspection .....	*		
Brush Plate Inspection .....	*		
Starter Relay Inspection .....	*		

\* : Base Manual

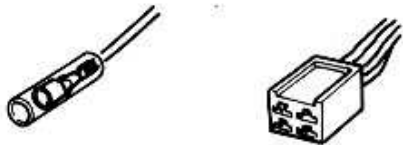
## 15-2 ELECTRICAL SYSTEM

### Precautions

There are numbers of important precautions that are musts when servicing electrical systems. Learn and observe all the rules below.

- Do not reverse the battery lead connections. This will burn out the diodes in the electrical parts.
- Always check battery condition before condemning other parts of an electrical system. A fully charged battery is a must for conducting accurate electrical system tests.
- The electrical parts should never be struck sharply, as with a hammer, or allowed to fall on a hard surface. Such a shock to the parts can damage them.
- To prevent damage to electrical parts, do not disconnect the battery leads or any other electrical connections when the ignition switch is on, or while the engine is running.
- Because of the large amount of current, never keep the starter switch pushed when the starter motor will not turn over, or the current may burn out the starter motor windings.
- Do not use a meter illumination bulb rated for other than voltage or wattage specified in the wiring diagram, as the meter or gauge panel could be warped by excessive heat radiated from the bulb.
- Take care not to short the leads that are directly connected to the battery positive (+) terminal to the chassis ground.
- Troubles may involve one or in some cases all items. Never replace a defective part without determining what CAUSED the failure. If the failure was brought on by some other item or items, they too must be repaired or replaced, or the new replacement will soon fail again.
- Make sure all connectors in the circuit are clean and tight, and examine wires for signs of burning, fraying, etc. Poor wires and bad connections will affect electrical system operation.
- Electrical Connectors

### Female Connectors



### Male Connectors



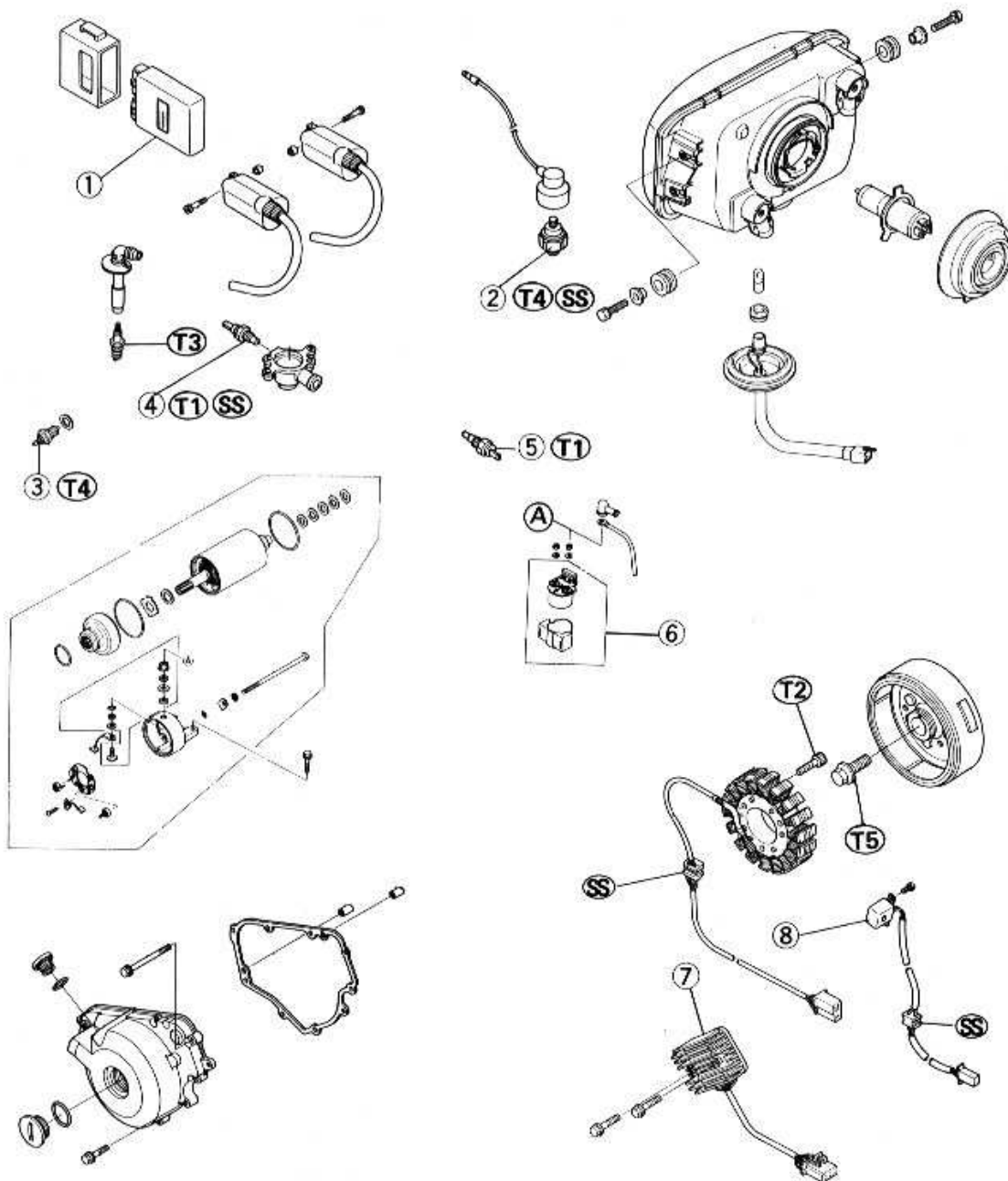
### Color Codes:

BK	Black
BL	Blue
BR	Brown
CH	Chocolate
DG	Dark green
G	Green
GY	Gray
LB	Light blue
LG	Light green
O	Orange
P	Pink
PU	Purple
R	Red
W	White
Y	Yellow

- Measure coil and winding resistance when the part is cold (at room temperature).

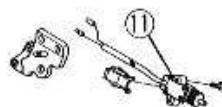
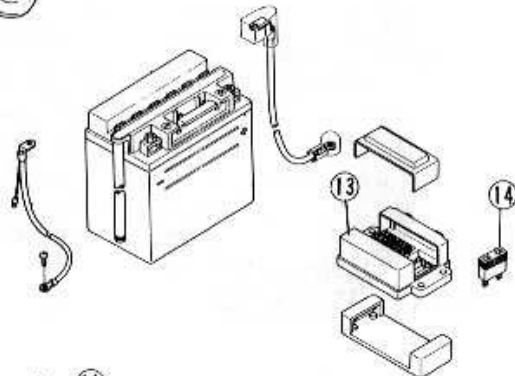
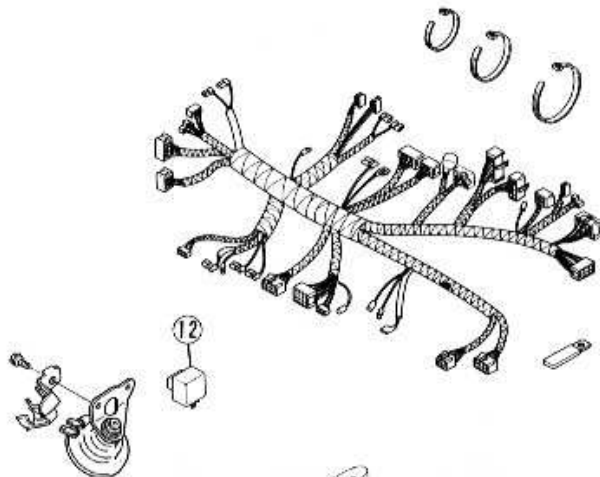
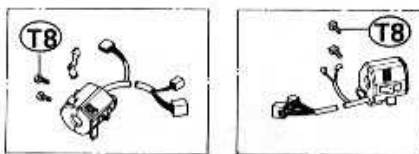
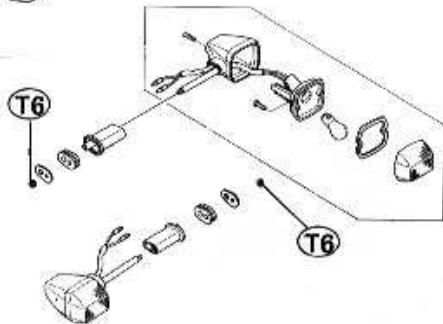
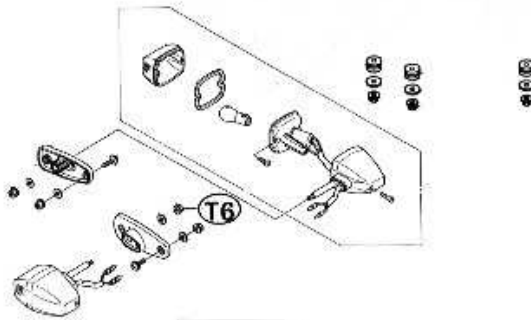
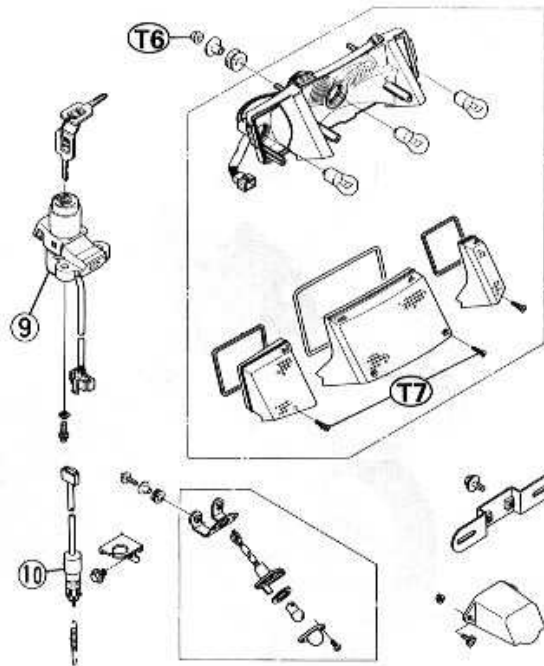
## 15-2 ELECTRICAL SYSTEM

### Exploded View



1. IC Igniter
2. Oil Pressure Switch
3. Neutral Switch
4. Water Temperature Sensor
5. Fan Switch
6. Starter Relay
7. Regulator/Rectifier
8. Pickup Coil

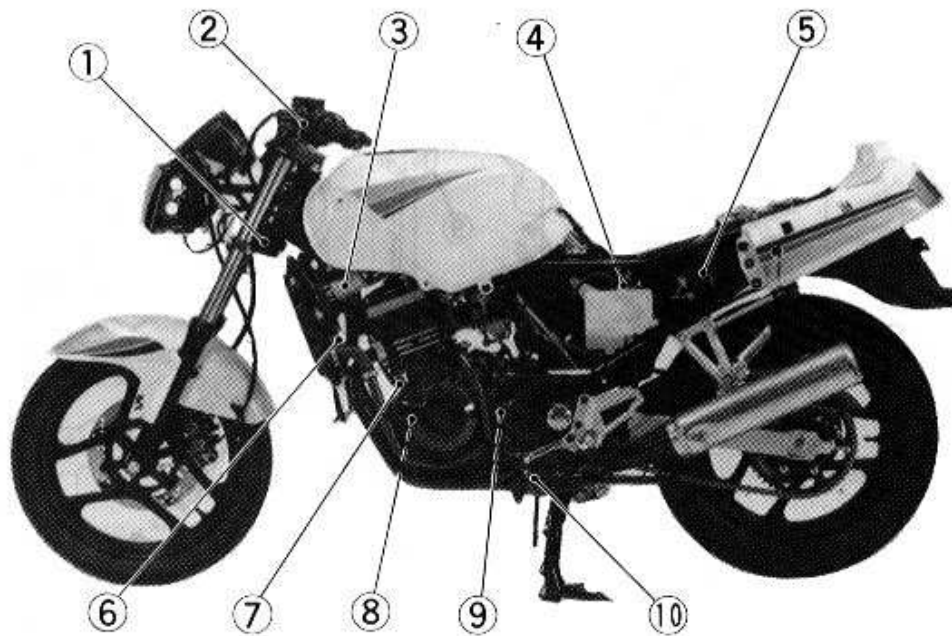
- SS : Apply silicone sealant to the threads.  
 T1 : 7.8 N-m (0.80 kg-m, 69 in-lb)  
 T2 : 12 N-m (1.2 kg-m, 104 in-lb)  
 T3 : 13 N-m (1.3 kg-m, 113 in-lb)  
 T4 : 15 N-m (1.5 kg-m, 11.0 ft-lb)  
 T5 : 69 N-m (7.0 kg-m, 51 ft-lb)



- 9. Ignition Switch
- 10. Rear Brake Light Switch
- 11. Side Stand Switch
- 12. Turn Signal Relay
- 13. Junction Box
- 14. Fuse
- L : Apply non-permanent locking agent.
- T6: 5.9 N-m (0.60 kg-m, 52 in-lb)
- T7: 1.0 N-m (0.10 kg-m, 9 in-lb)
- T8: 3.4 N-m (0.35 kg-m, 30 in-lb)

## 15-4 ELECTRICAL SYSTEM

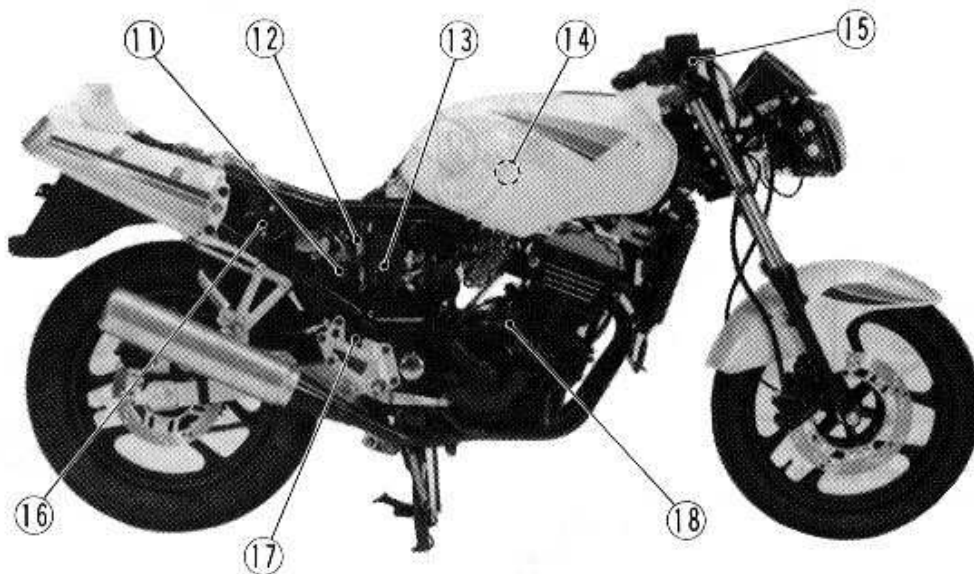
### Parts Locations



- 1. Horn
- 2. Starter Lockout Switch
- 3. Ignition Coils
- 4. Battery

- 5. IC Igniter
- 6. Fan Switch
- 7. Oil Pressure Switch
- 8. Pickup Coil

- 9. Neutral Switch
- 10. Side Stand Switch



- 11. Starter Relay
- 12. Turn Signal Relay
- 13. Junction Box

- 14. Water Temperature Sensor
- 15. Front Brake Light Switch
- 16. Regulator/Rectifier

- 17. Rear Brake Light Switch
- 18. Starter Motor

**Specifications**

Refer to the Base Manual noting the following.

**Ignition System**

Spark plug cap resistance: 3.75 – 6.25 kΩ

**Ignition coil resistance**

Primary winding: 2.2 – 3.5 Ω

Secondary winding: 10 – 16 kΩ  
(with plug cap removed)

Ignition timing: 10° BTDC @1300 r/min (rpm) –  
42° BTDC @4500 r/min (rpm),  
Ⓞ 5° BTDC @1300 r/min (rpm) –  
42° BTDC @4500 r/min (rpm)

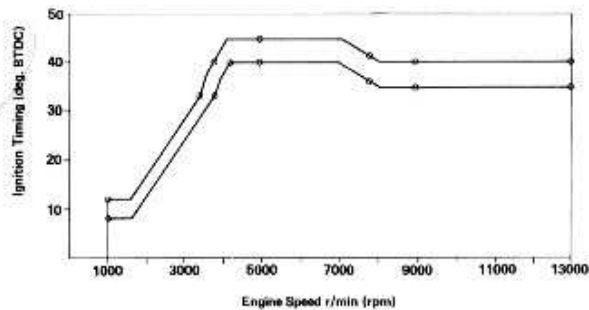
Pickup coil resistance: 100 – 150 Ω

IC Igniter Internal Resistance: in the text.

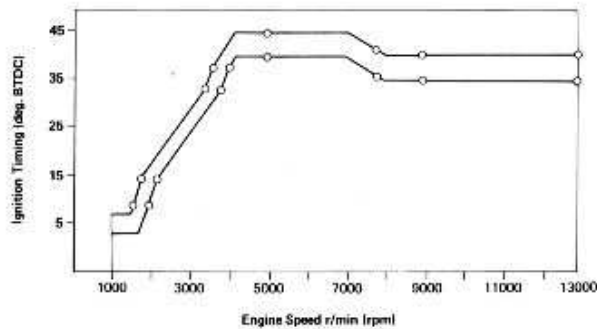
**Switch and Sensors**

Water temperature sensor resistance	
80°C (176°F)	: 42 – 62 Ω
100°C (212°F)	: 22 – 33 Ω

**Ignition Timing/Engine Speed Relationship**



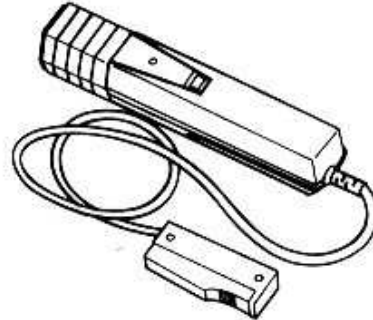
**(California model)**



**Special Tools**

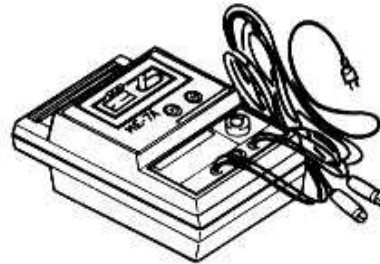
Refer to the Base Manual noting the following additional tools.

**Timing Light: 57001-1241**

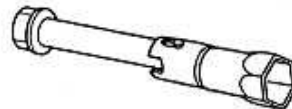


**Coil Tester: 57001-1242**

○Use the coil tester instead of Kawasaki electrotester (PN: 57001-980).

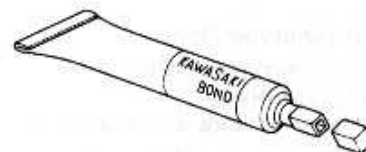


**Spark Plug Wrench (Owner's tool): 92110-1132**



**Sealant**

**Kawasaki Bond (Silicone Sealant): 56019-120**



## Battery

### Precautions:

Following a few simple rules will greatly extend the life of the battery.

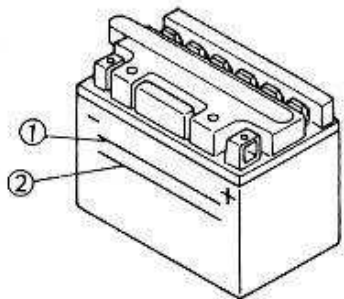
- When the level of the electrolyte in the battery is low, add only distilled water to each cell, until the level is at the upper level line marked on the outside of the battery. Ordinary tap water is not a substitute for distilled water and will shorten the life of the battery.
- Never add sulphuric acid solution to the battery. This will make the electrolyte solution too strong and will ruin the battery within a very short time.
- Avoid quick-charging the battery. A quick-charge will damage the battery plates.
- Never let a good battery stand for more than 30 days without giving it a supplemental charge, and never let a discharged battery stand without charging it. If a battery stands for any length of time, it slowly self-discharges. Once it is discharged, the plates sulphate (turn white), and the battery will no longer take a charge.
- Keep the battery well-charged during cold weather so that the electrolyte does not freeze and crack open the battery. The more discharged the battery becomes, the more easily it freezes.
- Always keep the battery vent hose free of obstruction, and make sure it does not get pinched, crimped, or melted shut by contact with the hot muffler. If battery gases cannot escape through this hose, they will explode the battery.
- DON'T INSTALL THE BATTERY BACKWARDS. The negative side is grounded.

### Electrolyte:

#### Electrolyte Level Inspection

- Remove the battery.
- Visually check the electrolyte level in the battery.

#### Battery Electrolyte Level



1. Upper Level Line
2. Lower Level Line

★If the level line of electrolyte in any cell is below the lower level line on the battery case, add distilled water only to that cell.

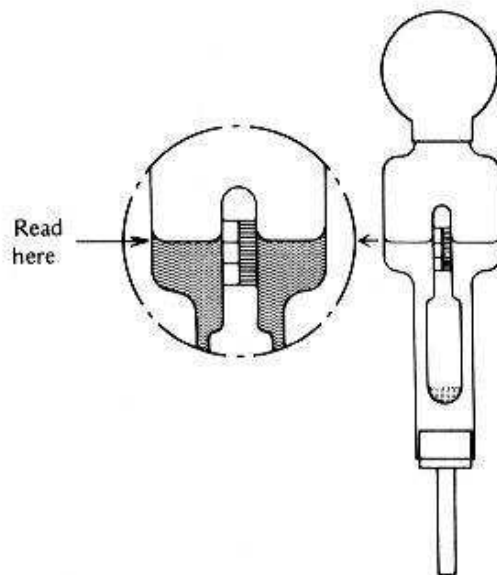
- Install the battery.

### Battery Charging:

#### Battery Condition

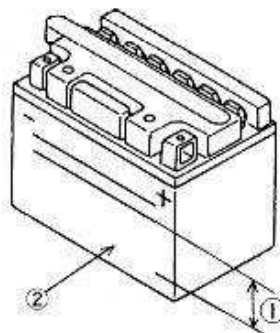
- Before charging, check battery condition by testing the specific gravity of the electrolyte in each cell.
- Draw a little fluid from the cell with a hydrometer.
- Read the level of the electrolyte on the floating scale. This is the specific gravity of the electrolyte.

#### Hydrometer



- Look for sediment and white sulfation inside the cells on the bottom of the plates.

#### Battery Condition



1. Sulfation here
2. Sediment here

●See the Battery Troubleshooting Guide in Battery Test Charging.

★If the specific gravity is below 1.200 (charge 60%), the battery needs to be charged.

## 15-10 ELECTRICAL SYSTEM

### NOTE

- The specific gravity of the electrolyte varies with changes in temperature, so the specific gravity reading must be corrected for the temperature of the electrolyte.
  - Celsius: Add 0.007 points to reading for each 10°C above 20°C or subtract 0.007 points for each 10°C below 20°C.
  - Fahrenheit: Add 0.004 points to reading for each 10°F above 68°F or subtract 0.004 points for each 10°F below 68°F.
- ★If the specific gravity of any of the cells is more than 0.050 away from any other reading, the battery will probably not accept a charge. It is generally best to replace a battery in this condition.
  - ★If the specific gravity of all the cells is 1.280 or more the battery is fully charged.

### Battery Initial Charging

Before being placed in service, a new battery must be given an initial charging.

- Cut off the sealed end of the battery vent hose and remove the filler caps.
- Fill each cell to the upper level line on the battery case with fresh electrolyte at a temperature of 30°C (86°F) or less. Let the battery stand for about 30 minutes before charging.

### NOTE

- If the electrolyte level drops, add electrolyte to the upper level line before charging.
- Leaving the caps off the cells, connect the battery to a charger, set the charging rate at 1/10 the battery capacity, and charge it for 10 hours. For example, if the battery is rated at 12 Ah, the charging rate would be 1.2 A.

### CAUTION

- If the battery is not given a full initial charging, it will discharge in a few weeks. After that it can not be charged by supplement charging.

### WARNING

- Keep the battery away from sparks and open flames during charging, since the battery gives off an explosive gas mixture of hydrogen and oxygen. When using a battery charger, connect the battery to the charger before turning on the charger. This procedure prevents sparks at the battery terminals which could ignite any battery gases.

### CAUTION

- Do not use a high rate battery charger, as is typically employed at automotive service stations, unless the charger rate can be reduced to the level required. Charging the battery at a rate higher than specified may ruin the battery. Charging at a high rate causes excess heat which can warp the plates and cause internal shorting. Higher-than-normal charging rates also cause the plates to shed active material. Deposits will accumulate, and can cause internal shorting.
- If the temperature of the electrolyte rises above 45°C (115°F) during charging, reduce the charging rate to lower the temperature, and increase charging time proportionately.
- Turn the charger off, then disconnect it from the battery.
- Check battery voltage. Battery voltage should be 12 – 13 V.
- Check the specific gravity of each cell with a hydrometer (see Battery Condition).
- ★If the voltmeter or hydrometer readings are below those specified, additional charging is necessary before the battery can be installed.

### Battery Ordinary Charging

- Remove the battery from the motorcycle.

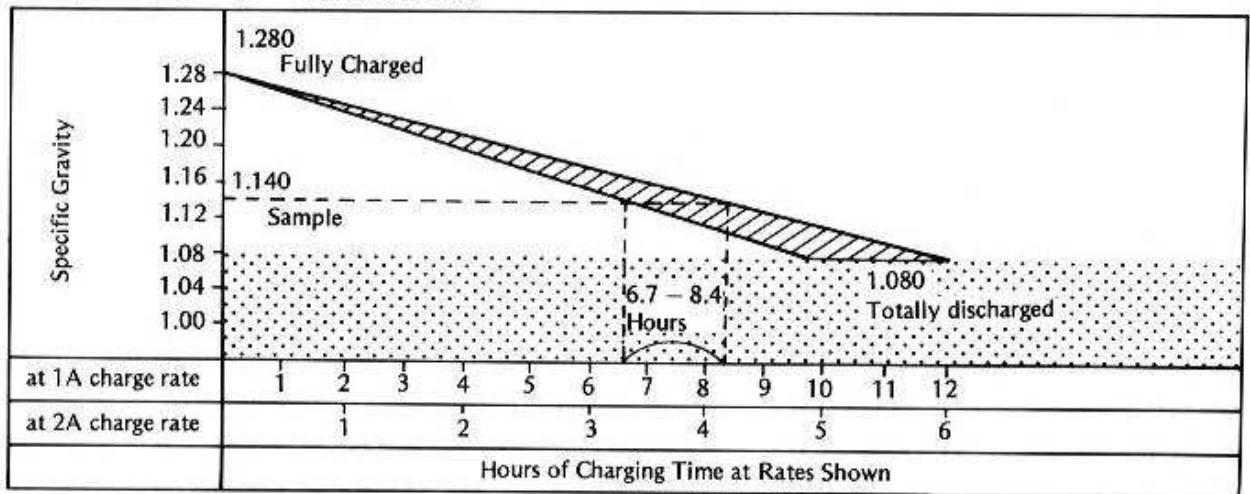
### CAUTION

- Always remove the battery from the motorcycle for charging. If the battery is charged while still installed, battery electrolyte may spill and corrode the frame or other parts of the motorcycle.
- Clean off the battery using a baking soda-and-water solution.
- Mix one heaping tablespoon of baking soda in one cup of water.
- Be careful not to get any of the cleaning solution in the battery.
- The terminals must be especially clean.
- If any of the cells are low, fill them to the LOWER level line with distilled water only. The electrolyte will expand during charging, and the level will rise.
- Connect a charger to the battery BEFORE plugging it in or turning it on.

### WARNING

- Keep the battery away from sparks and open flames during charging, since the battery gives off an explosive gas mixture of hydrogen and oxygen. When using a battery charger, connect the battery to the charger before turning on the charger. This procedure prevents sparks at the battery terminals which could ignite any battery gases.
- Set the charge rate and time according to the battery condition previously determined (see Battery Condition), using the table.

Battery Charging Rate/Time Table (12V 8Ah)

**CAUTION**

- Do not use a high rate battery charger, as is typically employed at automotive service stations, unless the charger rate can be reduced to the level required. Charging the battery at a rate higher than specified may ruin the battery. Charging at a high rate causes excess heat which can warp the plates and cause internal shorting. Higher-than-normal charging rates also cause the plates to shed active material. Deposits will accumulate, and can cause internal shorting.
- If the temperature of the electrolyte rises above 45°C (115°F) during charging, reduce the charging rate to lower the temperature, and increase charging time proportionately.
- Turn the charger off or unplug it, then disconnect it from the battery.
- Check battery condition (see Battery Condition).
- ★ If the battery condition indicates that it is not fully charged, additional charging time is necessary.

**Battery Test Charging**

- If the battery is suspected of being defective, sulfated, or unable to take a charge, consult the table.
- To test charge a battery, perform the ordinary charging procedure and monitor the battery voltage and other signs as mentioned below.
- ★ If the battery voltage suddenly jumps to over 13 V just after the start of charging, the plates are probably sulfated. A good battery will rise to 12 V immediately and then gradually go up to 12.5 or 13 V in about 30 min to an hour after the start of charging.
- ★ If one cell produces no gas bubbles or has a very low specific gravity, it is probably shorted.
- ★ If there does not appear to be enough sediment in a cell to short the plates, but that cell has a very low specific gravity after the battery is fully charged, the trouble may be that there is not enough acid in that one cell. In this case only, sulfuric acid solution may be added to correct the specific gravity.
- ★ If a fully charged battery not in use loses its charge after 2 to 7 days; or if the specific gravity drops markedly, the battery is defective. The self-discharge rate of a good battery is only about 1% per day.

**Battery Troubleshooting Guide**

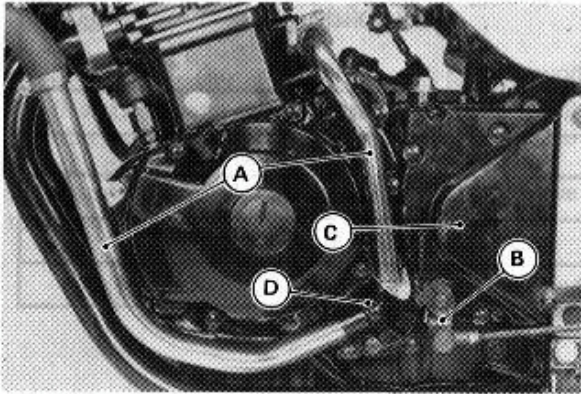
	Good Battery	Suspect Battery	Action
Plates	(+) chocolate color (-) gray	white (sulphated); + plates broken or corroded	Replace
Sediment	none, or small amount	sediment up to plates, causing short	Replace
Voltage	above 12 V	below 12 V	Test charge
Electrolyte Level	above plates	below top of plates	Fill and test charge
Specific Gravity	above 1.200 in all cells; no two cells more than 0.020 different	below 1.100, or difference of more than 0.020 between two cells	Test charge

## 15-12 ELECTRICAL SYSTEM

### Charging System

#### Alternator Cover Removal

- Drain the coolant (see Coolant Draining in Cooling System chapter).
- Remove the water pipes from the water pump.

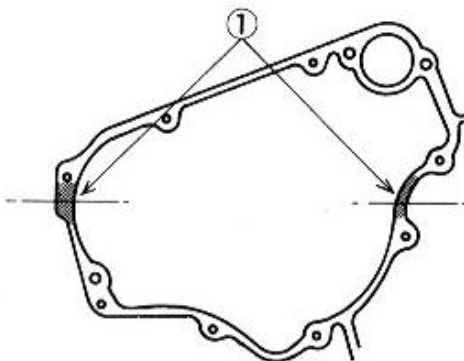


- A. Water Pipes  
B. Shift Lever  
C. Engine Sprocket Cover  
D. Water Pump

- Remove the shift lever.
- Remove the engine sprocket cover.
- Disconnect the alternator lead and pickup coil lead connectors.
- Remove the cover bolts and take the cover off the crankcase.

#### Alternator Cover Installation Note

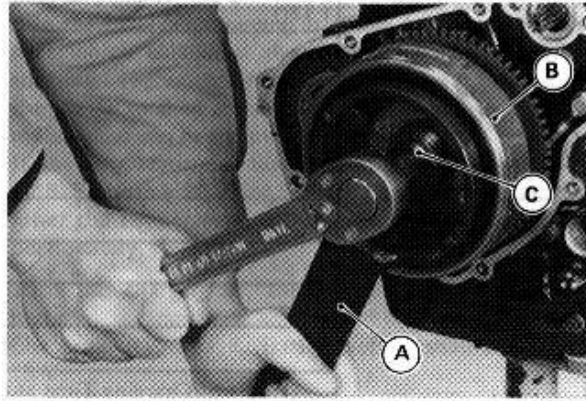
- Apply **silicone sealant** to the crankcase halves mating surface on the front and rear side of the cover mount.



1. Silicone Sealant Applied Areas

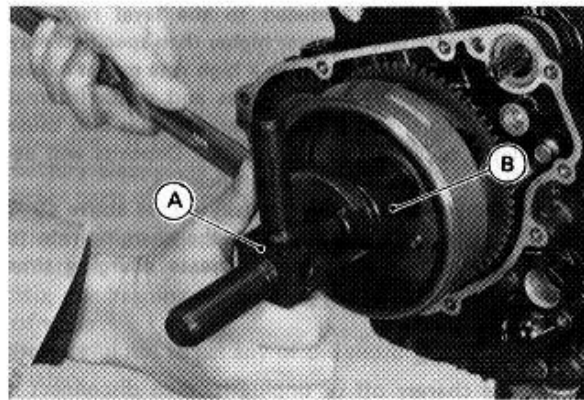
#### Alternator Rotor Removal

- Remove the alternator cover (see Alternator Cover Removal).
- Hold the alternator rotor steady with the rotor holder (special tool), and remove the rotor bolt.



- A. Rotor Holder: 57001-1222  
B. Rotor  
C. Rotor Bolt

- Remove the rotor with rotor pullers (special tools).



- A. Rotor Puller: 57001-1216  
B. Rotor Puller: 57001-1223

### CAUTION

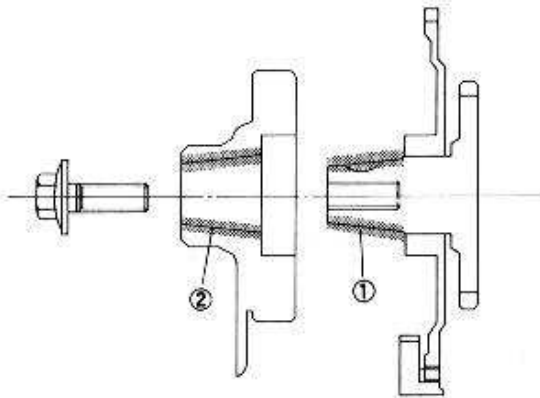
- If the rotor is difficult to remove, turn the puller using a wrench while tapping the head of the puller with a hammer. Do not attempt to strike the alternator rotor itself. Striking the rotor can cause the magnets to lose their magnetism.

#### Alternator Rotor Installation Notes

- Clean the following parts with an oil-less cleaning fluid such as trichlorethylene or acetone.

**WARNING**

○These cleaning fluids are usually highly flammable and harmful if breathed for prolonged periods. Be sure to heed the fluid manufacturer's warnings.

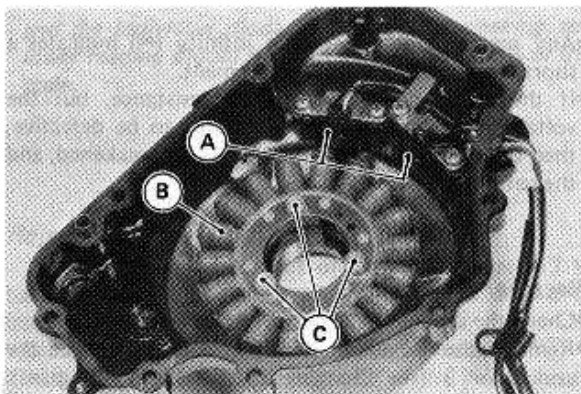
**Alternator Rotor Cleaning Area**

1. The tapered portion of the crankshaft.
2. The tapered portion of the alternator rotor.

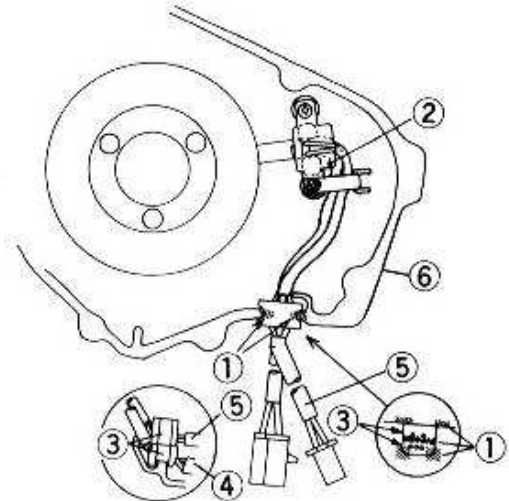
- When installing the alternator rotor, fit the rotor on the crankshaft tapered portion and tighten the rotor bolt temporarily.
- Tighten the alternator rotor bolt to the specified torque (see Exploded View) while holding the alternator rotor steady with the rotor holder.

**Stator Coil Removal**

- Remove the alternator cover.
- Remove the pickup coil screws, and take off the coils.
- Remove the alternator stator Allen bolts and take off the stator.



- A. Clamps  
B. Stator  
C. Allen Bolts

**Stator Coil Installation Notes****Alternator Lead Installation**

1. Silicon Sealant Applied Area
2. Pickup Coil
3. Grommets
4. Alternator Lead
5. Pickup Coil lead
6. Alternator Cover

- Fit the leads grommet into the notch in the alternator cover. Note the following.
- Clamp the alternator leads and pickup coil leads as shown.
- Apply **silicone sealant** to the grommets, and fit the grommets as shown.
- Install the pickup coil (see Pickup Coil Installation).
- Tighten the stator Allen bolts to the specified torque (see Exploded View).

**Alternator Inspection**

There are three types of alternator failures: short, open (wire burned out), or loss in rotor magnetism. A short or open in one of the coil wires will result in either a low output, or no output at all. A loss in rotor magnetism, which may be caused by dropping or hitting the alternator, by leaving it near an electromagnetic field, or just by aging, will result in low output.

- To check the alternator output voltage, do the following procedures. Refer to the appropriate chapters and charging system Wiring Diagram.

Turn off the ignition switch.

Disconnect connector 2.

Connect the multimeter as shown in table.

Start the engine.

Run it at the rpm given in table.

Note the voltage readings (total 3 measurements).

## 15-14 ELECTRICAL SYSTEM

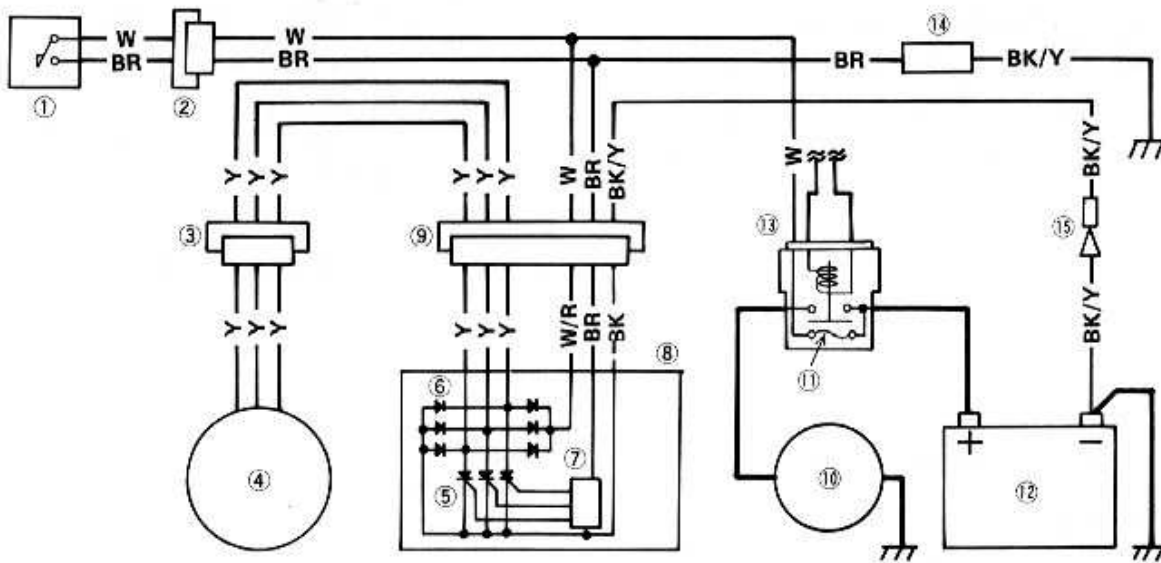
### Alternator Output Voltage

Meter Range	Connections		Reading @4 000 rpm
	Meter (+) to	Meter (-) to	
250 V AC	One yellow lead (Connector 2)	Another yellow lead (Connector 2)	about 45V

★If the output voltage shows the value in table, the alternator operates properly and the regulator/rectifier is damaged. A much lower reading than that given in the table indicates that the alternator is defective.

- Check the stator coil resistance as follows:  
Stop the engine  
Connect the multimeter as shown in table.  
Note the readings (total 3 measurement)

### Charging System Wiring Diagram



1. Ignition Switch
2. Connector 1
3. Connector 2
4. Alternator
5. Thyristors

6. Diodes (Rectifier)
7. Control Circuit (IC)
8. Regulator/Rectifier
9. Connector 3
10. Starter Motor

11. Main Fuse
12. Battery
13. Starter Relay
14. Load
15. Connector 4

### Stator Coil Resistance

Meter Range	Connections		Reading
	Meter (+) to	Meter (-) to	
x 1 $\Omega$	One yellow lead (Connector 1)	Another yellow lead (Connector 1)	0.2 – 0.9 $\Omega$

★Any meter reading less than infinity ( $\infty$ ) indicates a short, necessitating stator replacement.

★If the stator coils have normal resistance, but the voltage check showed the alternator to be defective; then the rotor magnetism have probably weakened, and the rotor must be replaced.

★If there is more resistance than shown in the Table, or no meter reading (infinity) for any two leads, the stator has an open lead and must be replaced. Much less than this resistance means the stator is shorted, and must be replaced.

- Using the highest resistance range of the multimeter, measure the resistance between each of the yellow leads and chassis ground.

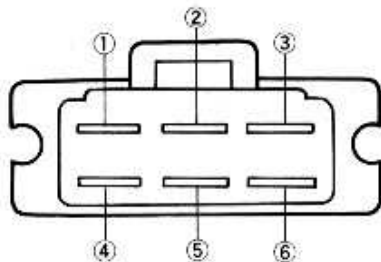
### Rectifier Inspection

- Check the diode resistance as follows.
- Remove the Regulator/Rectifier and disconnect the connector 3 (see Charging System Wiring Diagram).
- Connect an ohmmeter to the regulator/rectifier as shown in the Table, and check the resistance in both directions of each diode following the table.

**Rectifier Circuit Inspection**

Range x 100 Ω		Meter (+) Lead Connection					
Terminal		BK	BR	W/R	Y	Y	Y
Meter (-) Lead Connection	BK		1 kΩ ~ 5 kΩ	400 Ω ~ 2 kΩ	200 Ω ~ 600 Ω	200 Ω ~ 600 Ω	200 Ω ~ 600 Ω
	BR	10 kΩ ~ ∞		10 kΩ ~ ∞	10 kΩ ~ ∞	10 kΩ ~ ∞	100 kΩ ~ ∞
	W/R	∞	∞		∞	∞	∞
	Y	∞	∞	200 Ω ~ 600 Ω		∞	∞
	Y	∞	∞	200 Ω ~ 600 Ω	∞		∞
	Y	∞	∞	200 Ω ~ 600 Ω	∞	∞	

**Regulator/Rectifier Terminal**



- 1. Brown Lead Terminal
- 2. White/Red Lead Terminal
- 3. Black Lead Terminal
- 4. Y<sub>1</sub>
- 5. Y<sub>2</sub>
- 6. Y<sub>3</sub>

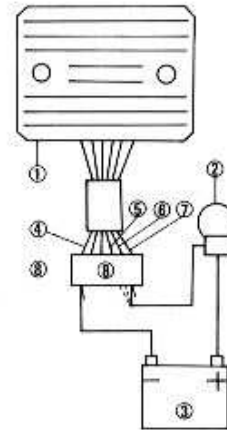
**NOTE**

○The actual meter reading varies with the meter used and the individual diode, but, generally speaking, the lower reading should be from zero to the first 1/3 of the scale.

**Regulator Inspection**

To test the regulator out of circuit, use three 12 V batteries and a test light made from a 12 V 3 – 6 W bulb in a socket with leads.

- Remove the regulator/rectifier from the frame.
- Using auxiliary leads, connect one of the yellow leads to the battery (+) terminal, and connect the test light between the black lead and the battery (-) terminal
- At this time the bulb should not be lit.

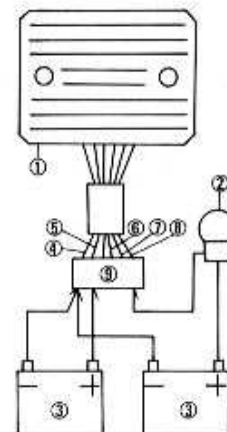


- 1. Regulator/Rectifier
- 2. Test Light
- 3. 12 V Battery
- 4. BK
- 5. Y<sub>1</sub>
- 6. Y<sub>2</sub>
- 7. Y<sub>3</sub>
- 8. 6 Pin Connector

**CAUTION**

○The test light works as an indicator and also as a current limiter to protect the regulator/rectifier from excessive current. Do not use an ammeter instead of a test light.

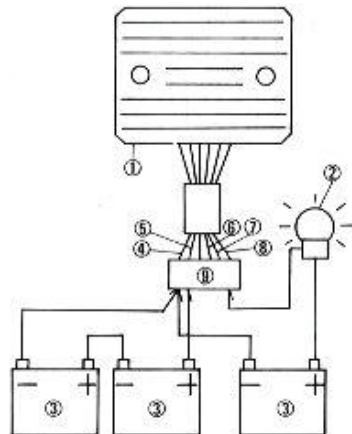
●Connect the brown lead to the other battery (+) terminal and connect the black lead to the battery (-) terminal momentarily. At this time the bulb should not be lit.



- 1. Regulator/Rectifier
- 2. Test Light
- 3. 12 V Battery
- 4. BK
- 5. BR
- 6. Y<sub>1</sub>
- 7. Y<sub>2</sub>
- 8. Y<sub>3</sub>
- 9. 6 Pin Connector

## 15-16 ELECTRICAL SYSTEM

- To apply 24 V to the regulator/rectifier, connect two 12 V batteries in series, and connect the brown lead to the battery (+) terminal and the black lead to the battery (-) terminal momentarily. The bulb should now light and stay on until the bulb circuit is opened.



- |                        |                    |
|------------------------|--------------------|
| 1. Regulator/Rectifier | 6. Y <sub>1</sub>  |
| 2. Test Light          | 7. Y <sub>2</sub>  |
| 3. 12 V Battery        | 8. Y <sub>3</sub>  |
| 4. BK                  | 9. 6 Pin Connector |
| 5. BR                  |                    |

### CAUTION

- Do not apply more than 24 volts. If more than 24 volts is applied, the regulator/rectifier may be damaged. Do not apply 24 V more than a few seconds, the regulator/rectifier may be damaged.

- Repeat the above three steps for other two yellow leads (in connector 3 which leads to the regulator/rectifier).
- ★Replace the regulator/rectifier if the bulb does not light as described above.

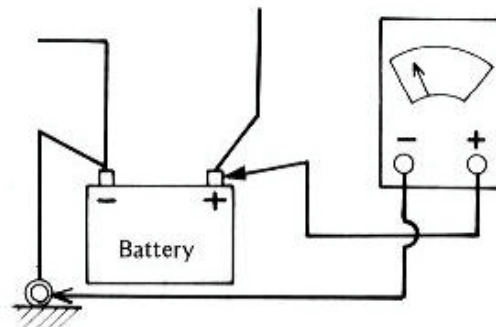
### NOTE

- The above test is not foolproof. If the above checks show the regulator/rectifier is not damaged, but there is still trouble in the charging system, first carefully inspect the alternator, battery, wiring, and all connections. Replace the regulator/rectifier if all these other components turn out good.

### Regulator/Rectifier Output Voltage Inspection

- Remove the seat.
- Check the battery condition (see Battery section).
- Warm up the engine to obtain actual alternator operating conditions.
- Stop the engine and connect the hand tester (special tool: 57001-983) to the battery leads as shown.

### Regulator/Rectifier Output Voltage



- Start the engine, and note the voltage readings at various engine speeds with the headlight turned on and then turned off (To turn off the headlight of US and Canada models, disconnect the headlight connector).
- ★The readings should show nearly battery voltage when the engine speed is low, and as the engine speed rises, the readings should also rise. But they must stay within the specified range.
- ★If the output voltage is much higher than the specification, the regulator/rectifier is defective.
- ★If the output voltage does not rise as the engine speed increases, then the regulator/rectifier is defective or the alternator output is insufficient for the loads. Check the alternator and regulator/rectifier to determine which part is defective.

### Regulator/Rectifier Output Voltage

- |              |                                   |
|--------------|-----------------------------------|
| Meter range: | 25 V DC                           |
| Connection:  | Battery lead (connected)          |
| Meter (+) —  | Battery + terminal                |
| Meter (-) —  | BK/Y lead                         |
| Reading:     | Battery voltage to 14.0 to 15.0 V |

### Ignition System

#### Safety Instructions:

### WARNING

- The ignition system produces extremely high voltage. Do not touch the spark plugs, high tension coils, or spark plug leads while the engine is running, or you could receive a severe electrical shock.

### CAUTION

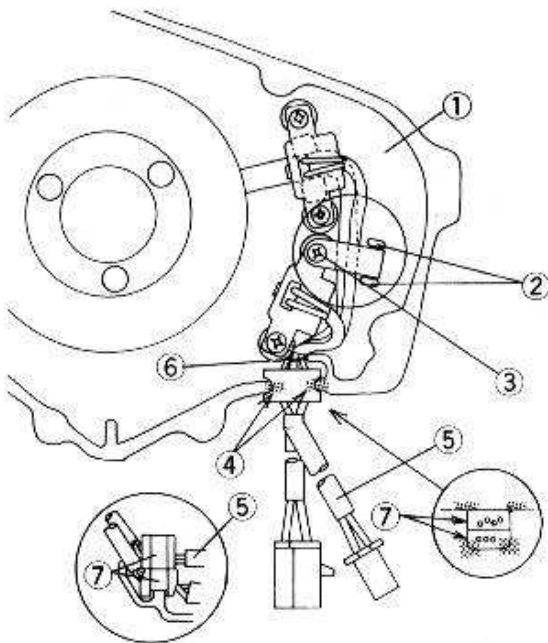
- Do not disconnect the battery leads or any other electrical connections when the ignition switch on, or while the engine is running. This is to prevent IC igniter damage.
- Do not install the battery backwards. The negative side is grounded. This is to prevent damage to the diodes and IC igniter.

**Pickup Coil Removal**

- Remove the alternator cover (see Alternator Rotor Removal).
- Remove the pickup coil lead clamp screw, and take the clamp off the cover, then remove the pickup coils.

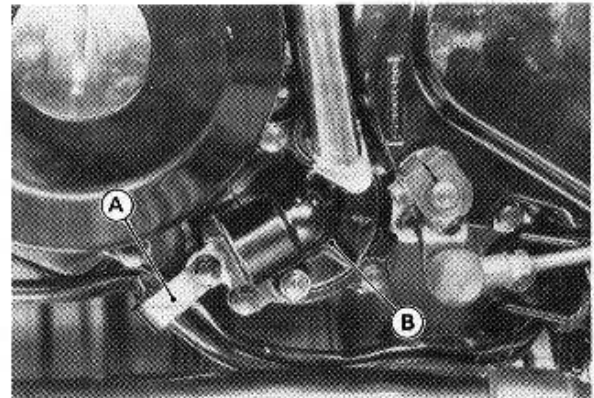
**Pickup Coil Installation**

- Install the pickup coils as follows.
  - Install the lead clamp between the libs on the alternator cover as shown.
  - Apply **silicone sealant** to the grommets, and fit the grommets as shown in the figure (see Starter Coil Installation in this chapter).

**Pickup Coil Lead Installation**

1. Alternator Cover
2. Libs
3. Clamp
4. Liquid Gasket Applied Area
5. Pickup Coil Lead
6. Lib
7. Grommets

- Do not run on the lead to the alternator cover lib as shown.
- The pickup coil grommet must be installed with the lead side downward as shown.
- Clamp the harness of the pickup coil leads as shown.

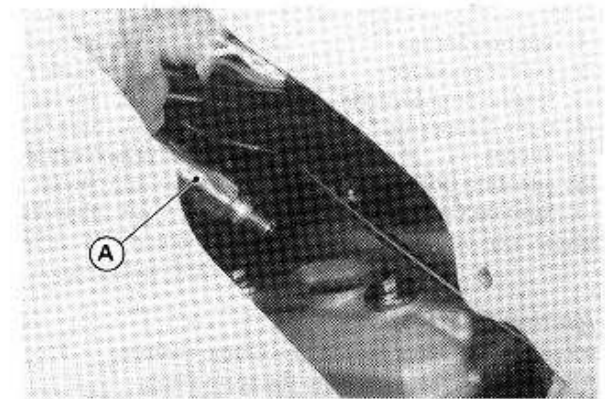


A. Clamp

B. Water Pump

**Spark Plug Removal**

- Remove the right side cover (see Side Cover Removal in the Frame chapter).
- Pull off the spark plug cap.
- Remove the spark plugs using the spark plug wrench (owner's tool).



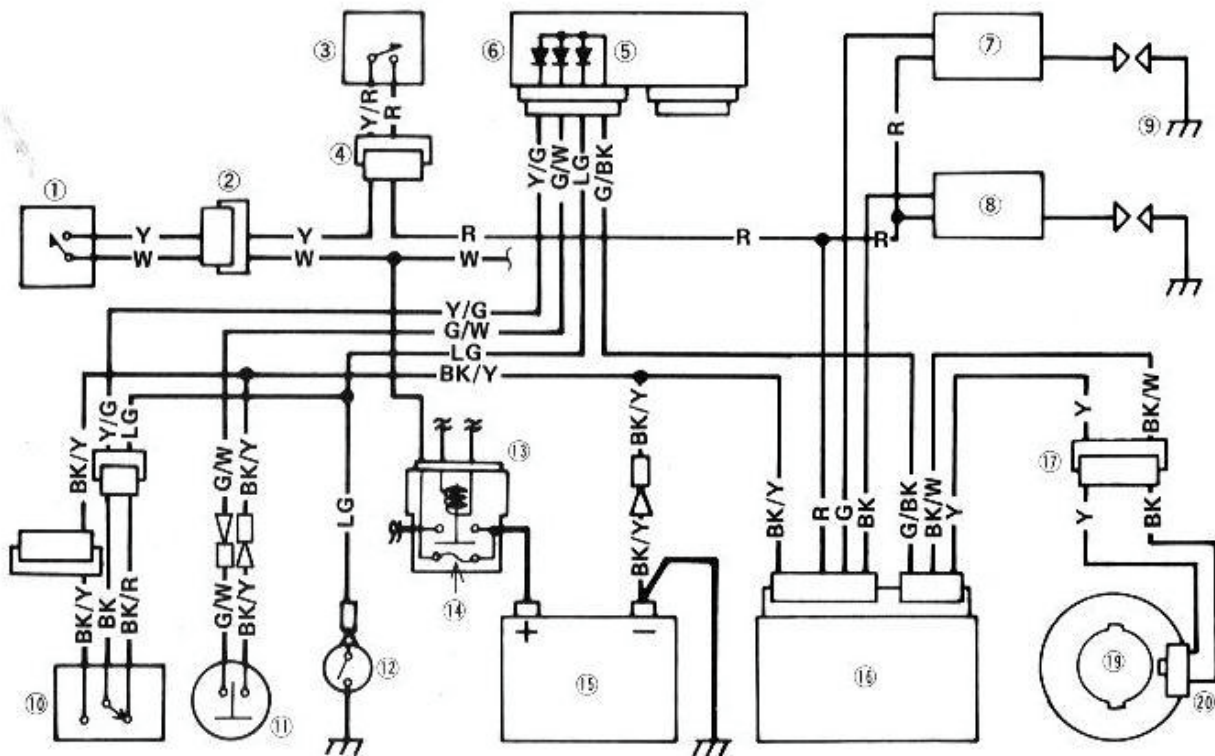
A. Spark Plug Wrench: 92110-1132

**Spark Plug Installation Notes**

- Insert the spark plug vertically into the plug hole with the plug installed in the plug wrench.
- Tighten the plug finger tight and to the specified torque (see Exploded View).
- Fit the plug caps securely.

## 15-18 ELECTRICAL SYSTEM

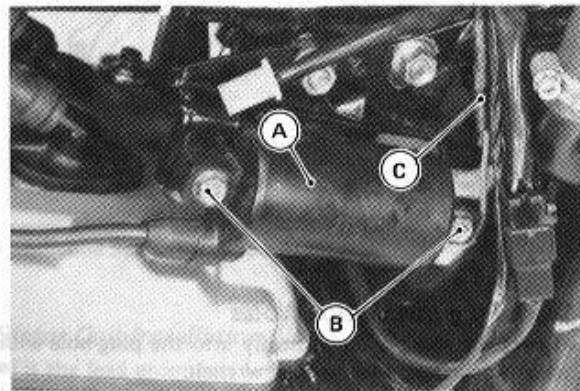
### Ignition System Wiring Diagram



- |                              |                              |                                 |
|------------------------------|------------------------------|---------------------------------|
| 1. Ignition Switch           | 8. Ignition Coil #1 Cylinder | 15. Battery                     |
| 2. 6-pin Connector           | 9. Spark Plugs               | 16. IC Igniter                  |
| 3. Engine Stop Switch        | 10. Starter Lockout Switch   | 17. 2-pin Connector             |
| 4. 6-pin Connector           | 11. Side Stand Switch        | 18. Alternator Rotor            |
| 5. Diodes                    | 12. Neutral Switch           | 19. Pickup Coil #1, #2 Cylinder |
| 6. Junction Box              | 13. Starter Relay            |                                 |
| 7. Ignition Coil #2 Cylinder | 14. Main Fuse 30A            |                                 |

### Ignition Coil Removal

- Remove the upper fairing (see Frame chapter).
- Pull out the plug caps from the spark plugs.
- Disconnect the ignition coil primary lead connectors.
- Remove the ignition coil mounting nuts and take off the coils.

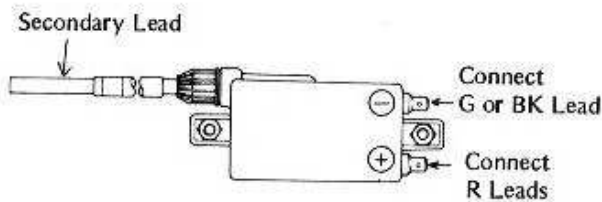


A. Ignition Coil  
B. Mounting Bolts

C. Primary Lead

**Ignition Coil Installation Notes**

- Connect the primary leads to the primary coil terminals as follows:
  - Black and red leads → No. 1 ignition coil
  - Green and red leads → No. 2 ignition coil
- The ⊕ and ⊖ markings next to the primary coil terminals on the ignition coil body indicate the polarity of the terminals. The polarity of the two spark plug leads are shown when the primary leads are connected as indicated in the figure.

**Pickup Coil Inspection**

- Disconnect the pickup coil connector.
- Zero the hand tester (special tool: 57001-983), and connect it to pickup coil leads.
- ★ If there is more resistance than the specified value, the coil has an open lead and must be replaced. Much less than this resistance means the coil is shorted, and must be replaced.

**Pickup Coil Resistance**

100 – 150 Ω

- Using the highest resistance range of the hand tester, measure the resistance between the pickup coil leads and chassis ground.
- ★ Any meter reading less than infinity (∞) indicates a short, necessitating replacement of the pickup coil assembly.

**Ignition Coil Inspection**

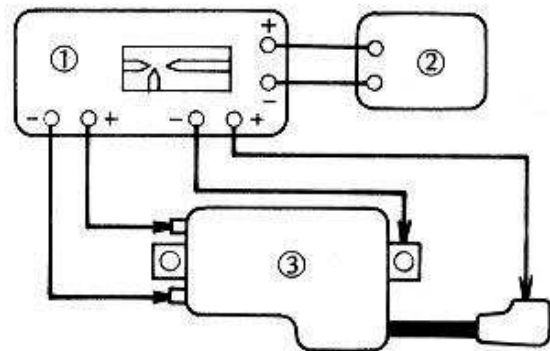
Measuring arcing distance:

The most accurate test for determining the condition of the ignition coil is made by measuring arcing distance with a coil tester (special tool: 57001-1242)

**NOTE**

○ Since a tester other than the Kawasaki Electrotester may produce a different arcing distance, the Kawasaki Electrotester is recommended for reliable results.

- Remove the ignition coil.
- Connect the ignition coil (with the spark plug cap left installed at each of the spark plug lead) to the tester, and measure the arcing distance.

**Ignition Coil Test**

1. Electotester
2. Voltage Source
3. Ignition Coil

**WARNING**

○ To avoid extremely high voltage shocks, do not touch the coil or lead.

- ★ If the distance reading is less than the specified value, the ignition coil or spark plug cap is defective.

**Ignition Coil Arcing Distance**

7 mm or more

- To determine which part is defective, measure the arcing distance again with the spark plug cap removed from the ignition coil.
- ★ If the arcing distance is subnormal as before, the trouble is with the ignition coil itself. If the arcing distance is now normal, the trouble is with the spark plug cap.

Measuring coil resistance:

If the arcing tester is not available, the coil can be checked for a broken or badly shorted winding with an

## 15-20 ELECTRICAL SYSTEM

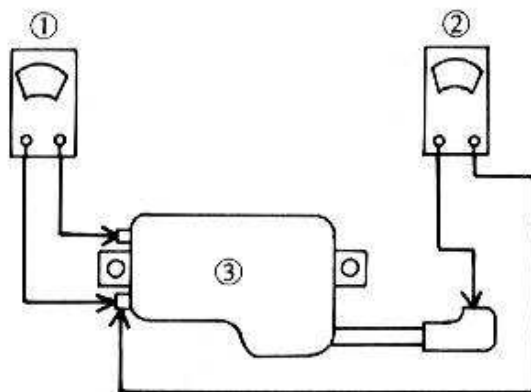
ohmmeter. However, an ohmmeter cannot detect layer shorts and shorts resulting from insulation breakdown under high voltage.

- Disconnect the primary leads from the coil terminals.
- Measure the primary winding resistance.
- Connect an ohmmeter between the coil terminals.
- Set the meter to the  $\times 1 \Omega$  range, and read the meter.
- Measure the secondary winding resistance.
- Pull the spark plug cap off the lead.
- Connect an ohmmeter between the spark plug lead and the terminal.
- Set the meter to the  $\times 1 \text{ k}\Omega$  range, and read the meter.
- ★ If the meter does not read as specified, replace the coil.

### Ignition Coil Winding Resistance

Primary windings:	2.1 – 3.2 $\Omega$
Secondary windings:	10 – 16 $\text{k}\Omega$

### Ignition Coil Winding Resistance



1. Measure primary winding resistance.
2. Measure secondary winding resistance.
3. Ignition coil

★ If the meter reads as specified, the ignition coil windings are probably good. However, if the ignition system still does not perform as it should after all other components have been checked, test replace the coil with one known to be good.

● Check the spark plug leads for visible damage.

★ If any spark plug lead is damaged, replace the coil.

### Spark Plug Cleaning Inspection

- Remove the spark plug.
- Clean the spark plug, preferably in a sandblasting device, and then clean off any abrasive particles. The plug may also be cleaned using a high flash-point solvent and a wire brush or other suitable tool.
- ★ If the spark plug electrodes are corroded or damaged, or if the insulator is cracked, replace the plug. Use the standard plug or its equivalent.

★ If the spark plug electrodes are corroded or damaged, or if the insulator is cracked, replace the plug. Use the standard plug or its equivalent.

### Spark Plug Gap

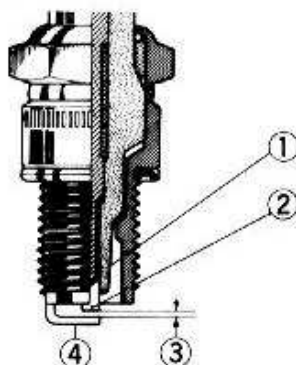
● Measure the gap with a wire-type thickness gauge.

★ If the gap is incorrect, carefully bend the side electrode with a suitable tool to obtain the correct gap.

### Spark Plug Gap

0.6 – 0.7 mm

### Spark Plug Gap



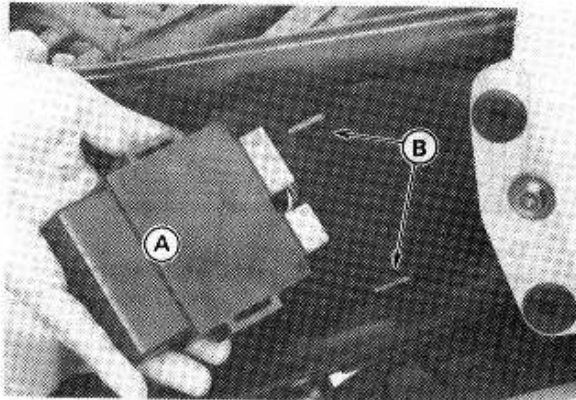
1. Insulator
2. Center Electrode
3. Plug Gap
4. Side Electrode

### IC Igniter Removal

- Remove the left side cover (see Frame chapter in this text).
- Pull the igniter outward evenly as far as it will go.
- Pull the igniter upper side out of the rear fender tongue just enough to clear the tongue, then pull the lower side out.

### CAUTION

- Pulling either side of the igniter too far out may break the fender tongue, and the rear fender will need to be replaced.



A. Igniter

B. Rear Fender Tongues

- Pull off the connector and remove the igniter.

**IC Igniter Installation Note**

- Installation is the reverse of removal. Note the following.
- Put the igniter lower side halfway into the fender tongue, then push on the upper side.

**CAUTION**

- Forcing either side of the igniter may break the fender tongue, and the rear fender will need to be replaced.



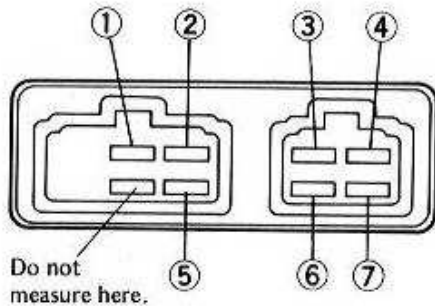
**IC Igniter Inspection**

- Remove the IC igniter.
- Zero an ohmmeter, and connect it to terminals of the IC igniter to check the internal resistance of the igniter.
- Be sure to set the tester to the x 1 kΩ range.

**CAUTION**

- Use only Kawasaki Hand Tester 57001-983 for this test. A tester other than the Kawasaki Hand Tester may show different readings.
- If a megger or a meter with a large-capacity battery is used, the IC igniter will be damaged.

**Terminal No. of IC Igniter**



**IC Igniter Internal Resistance**

unit : kΩ

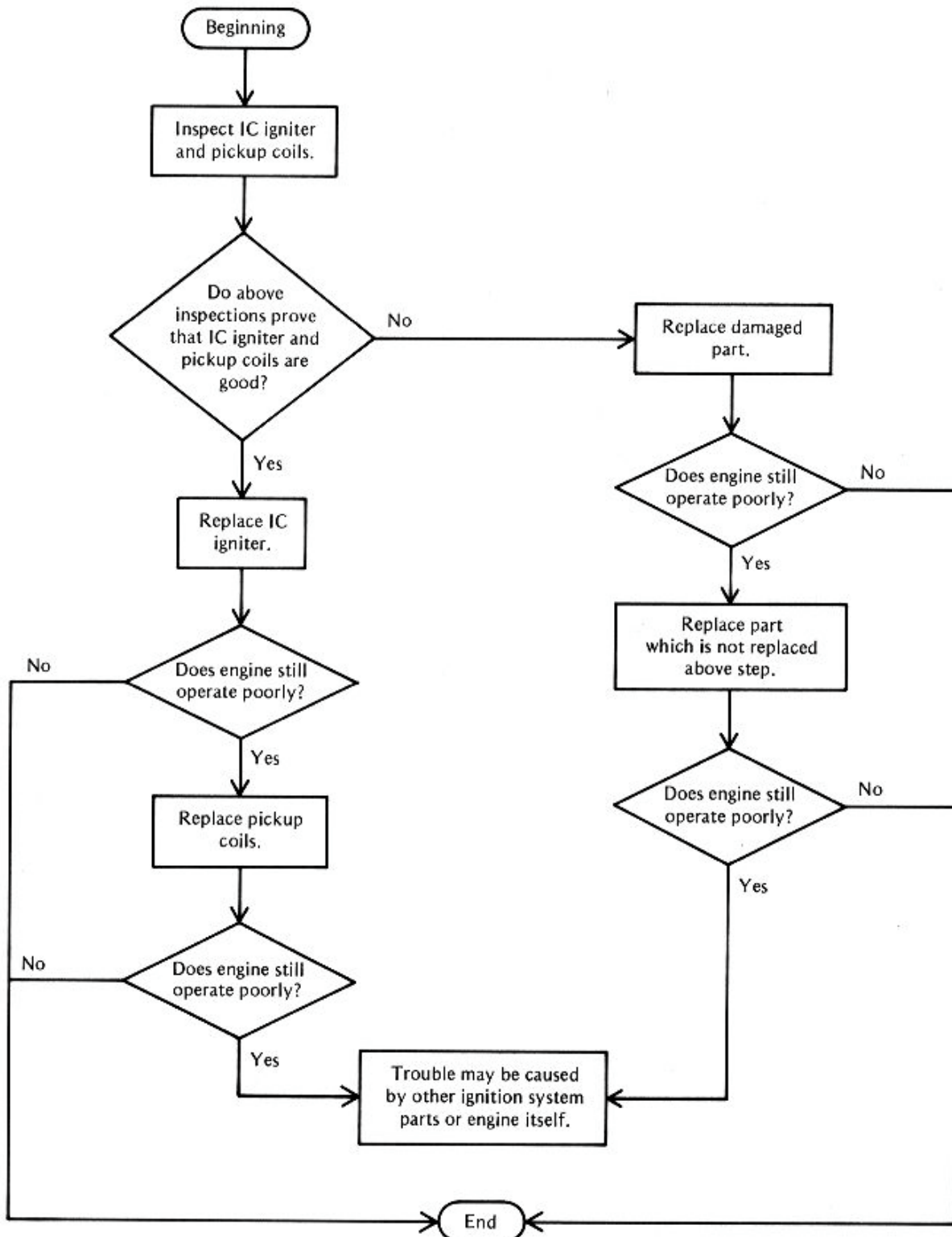
Range x 1 kΩ		Tester (+) Lead Connection						
		Terminal	1	2	3	4	5	6
Tester (-) Lead Connection	1		6 ~ 30	∞	10 ~ 50	10 ~ 45	6 ~ 30	10 ~ 50
	2	4 ~ 20		∞	1 ~ 8	3 ~ 20	0	1 ~ 8
	3	9 ~ 40	2 ~ 15		6 ~ 30	8 ~ 40	2 ~ 15	6 ~ 30
	4	∞	∞	∞		∞	∞	∞
	5	8 ~ 35	4 ~ 20	∞	7 ~ 35		4 ~ 20	7 ~ 35
	6	4 ~ 20	0	∞	1 ~ 8	3 ~ 20		1 ~ 8
	7	∞	∞	∞	∞	∞	∞	

Measured with the Kawasaki Hand Tester 57001-983. A tester other than the Kawasaki Hand Tester may show different readings.

★ Replace the IC igniter if the reading is not the specified value.

## 15-22 ELECTRICAL SYSTEM

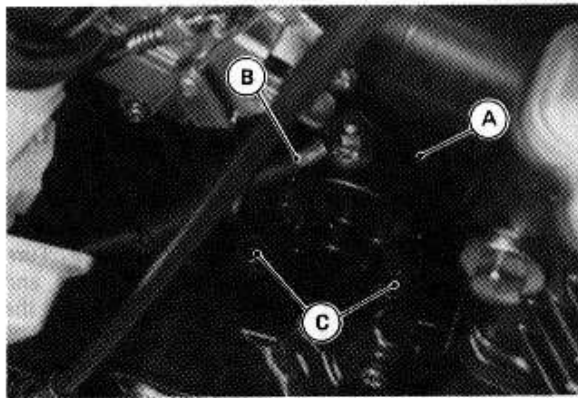
### IC Igniter Troubleshooting



## Electric Starter System

### Starter Motor Removal

- Drain the engine oil.
- Drain the coolant (see Coolant Change in Cooling System chapter).
- Remove the water pipe bolts and take the pipes off the water pump.
- Remove the shift lever and remove the engine sprocket cover.
- Remove the alternator cover and starter idle gear with shaft.
- Disconnect the starter motor lead from the motor.

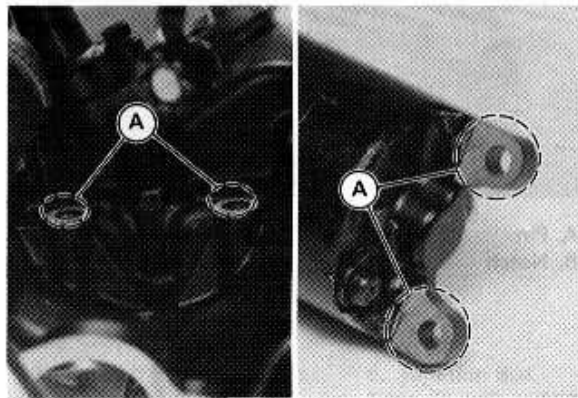


A. Starter Motor  
B. Starter Motor Lead  
C. Starter Motor Bolts

- Remove the starter motor bolts and pull the motor toward the right.

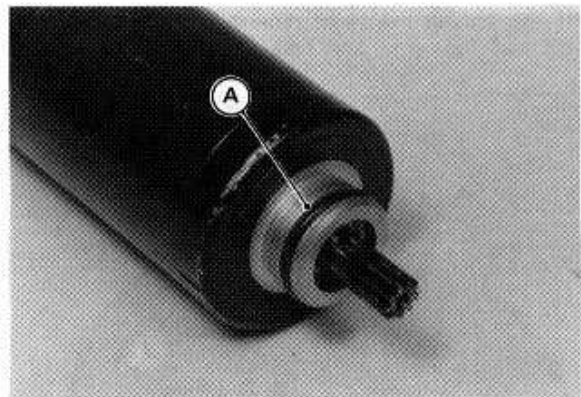
### Starter Motor Installation Notes

- Clean the starter motor lugs and crankcase where the starter motor is grounded.



A. Clean Here

- Apply a small amount of engine oil to the O-ring.

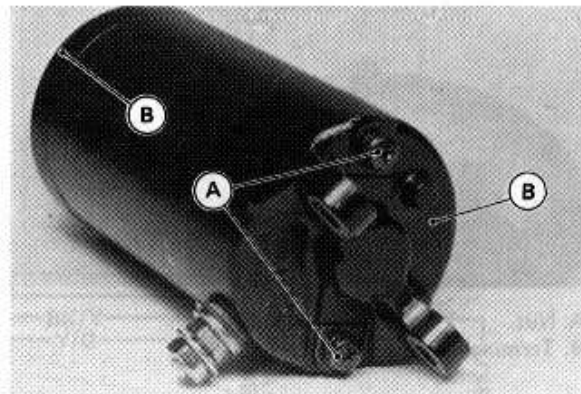


A. O-Ring

- Put the starter motor on the crankcase.
- Press the part of the motor end cover and push the motor into the crankcase hole.

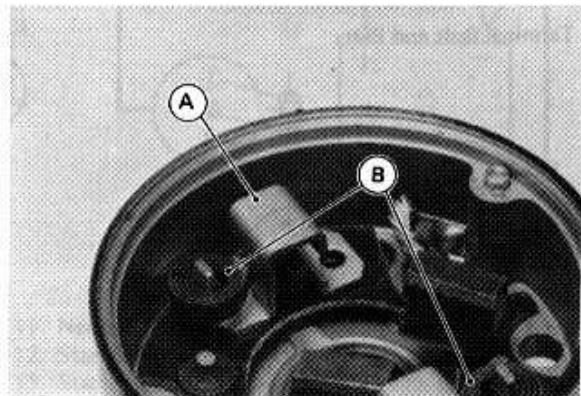
### Starter Motor Disassembly

- Remove the starter motor (see Starter Motor Removal).
- Take out the screws and remove both end covers.



A. Screws  
B. End Covers

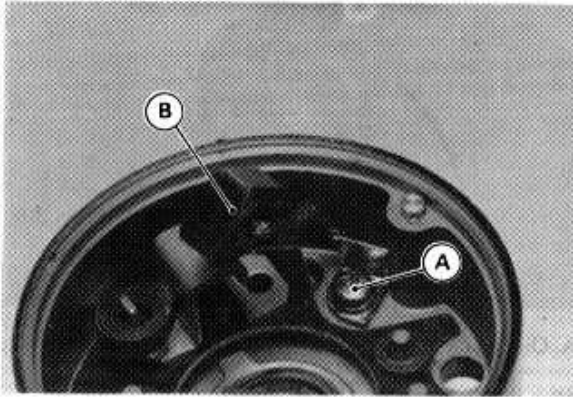
- Take the armature off the pinion gear side.
- Remove the brush springs from the brush holder.



A. Brush Holder  
B. Brush Springs

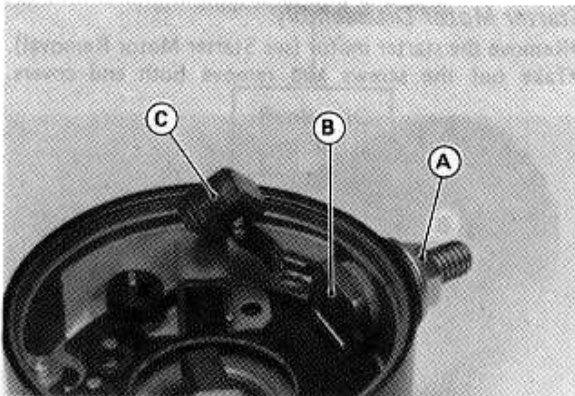
## 15-24 ELECTRICAL SYSTEM

- If the brushes are to be removed, follow the below.
- Remove the screw and take off the negative brush.



A. Screw      B. Negative Brush

- Remove the nut and terminal bolt then take off the positive brush.

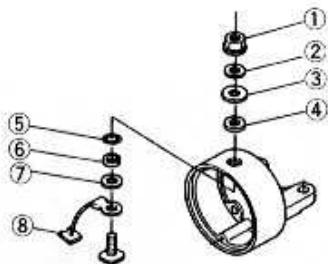


A. Nut      C. Positive Brush  
B. Terminal Bolt

### Starter Motor Assembly

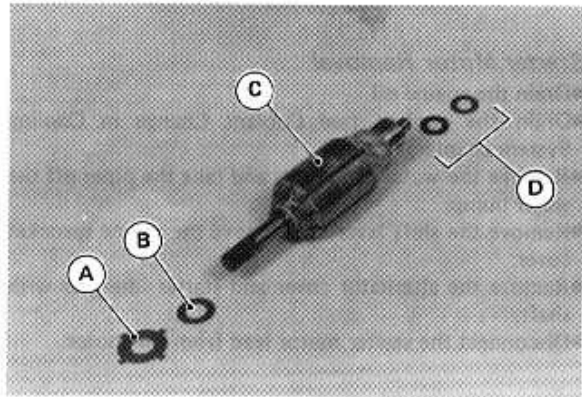
- Install the negative brush.
- Install the terminal bolt and the removed parts as shown.

#### Terminal Bolt and Parts



- |                    |                   |
|--------------------|-------------------|
| 1. Nut             | 5. O-ring         |
| 2. Washer          | 6. Terminal Bolt  |
| 3. Large Insulator | 7. Plastic Washer |
| 4. Small Insulator | 8. Positive Brush |

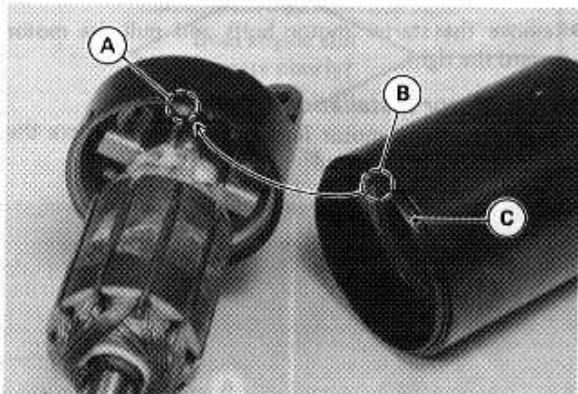
- Install the washers on the armature as shown.



A. Toothed Washer      C. Armature  
B. Thrust Washer      D. Trust Washer

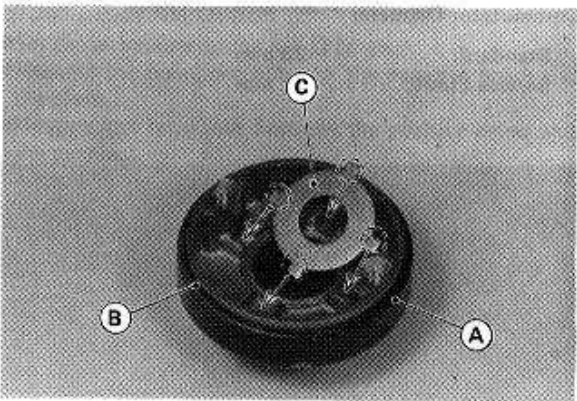
- Install the armature and yoke as follows.

- Fit the spring on the spring post halfway; the post must be positioned in the D-shaped end of the spring. Turn the other end of the spring a half turn clockwise, and fit the end in the brush groove. Push the spring all the way onto the post at the stepped portion.
- Be sure the slender O-ring is in place on the brush side yoke end.
- Fit the yoke notch onto the end cover pin.

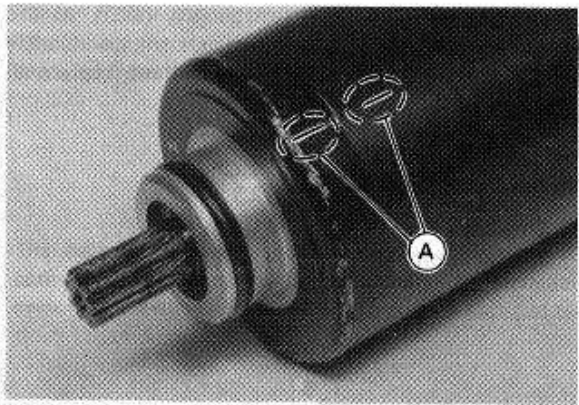


A. Pin      C. Slender O-ring  
B. Notch

- When installing the pinion gear side end cover, note the following.
- Fit the toothed washer tangs into the notches.
- Be sure the slender O-ring is in place on the end cover.



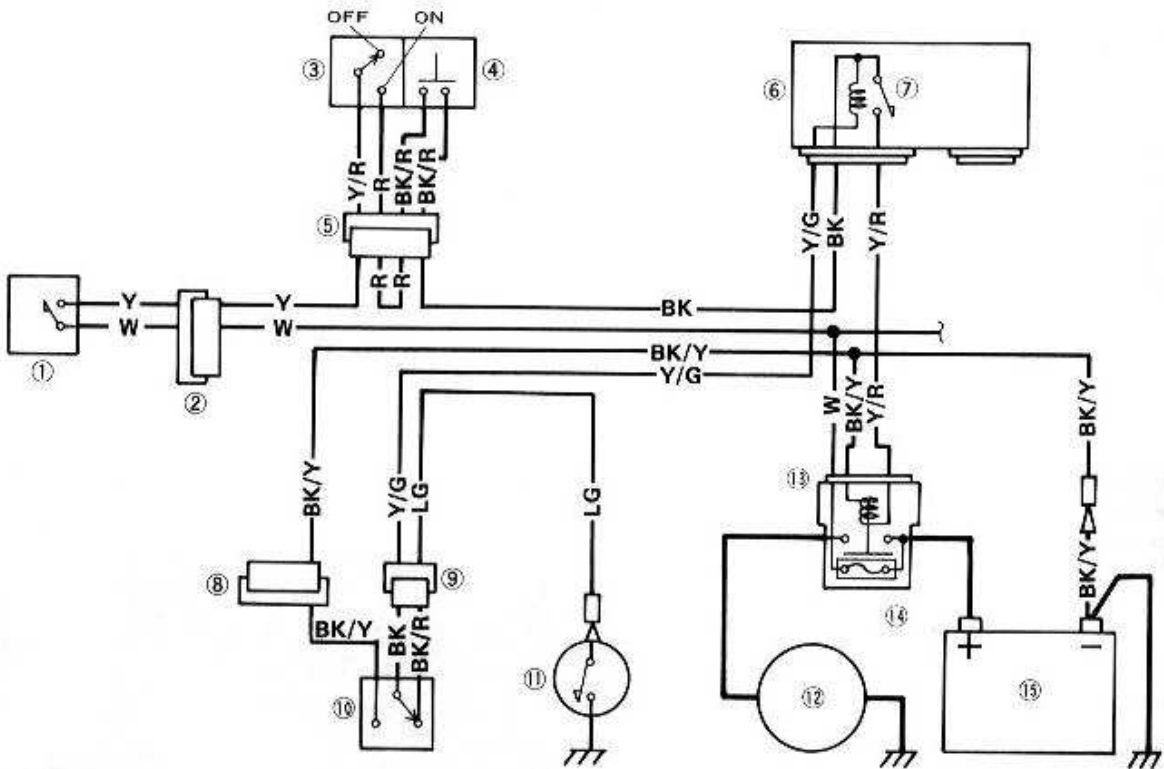
A. End Cover  
B. O-ring  
C. Toothed Washer



A. Align the marks

•Align the mark on the pinion gear side end cover with the mark on the yoke.

**Electric Starter Circuit**



- |                       |                            |                    |
|-----------------------|----------------------------|--------------------|
| 1. Ignition Switch    | 6. Junction Box            | 11. Neutral Switch |
| 2. 6-pin Connector    | 7. Starter Circuit Relay   | 12. Starter Motor  |
| 3. Engine Stop Switch | 8. 9-pin Connector         | 13. Starter Relay  |
| 4. Starter Button     | 9. 2-pin Connector         | 14. Main Fuse 30A  |
| 5. 4-pin Connector,   | 10. Starter Lockout Switch | 15. Battery        |
| Ⓢ 6-pin Connector     |                            |                    |

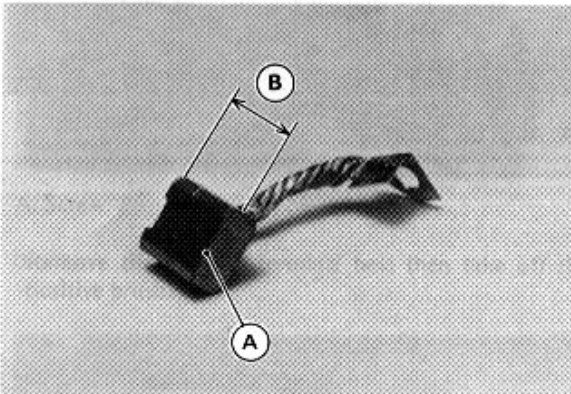
## 15-26 ELECTRICAL SYSTEM

### Brush Inspection

- Measure the length of each brush.
- ★ If any is worn down to the service limit, replace all brushes.

### Starter Motor Brush Length

Standard:	11 mm
Service Limit:	5 mm



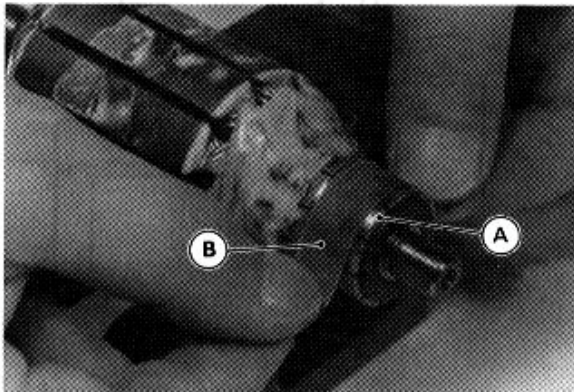
A. Brush                      B. Length

### Brush Spring Inspection

- Check that the brush springs are in place and will snap the brushes firmly into place.
- ★ If not, reinstall or replace the spring.

### Commutator Cleaning and Inspection

- Smooth the commutator surface if necessary with fine emery cloth, and clean out the grooves.

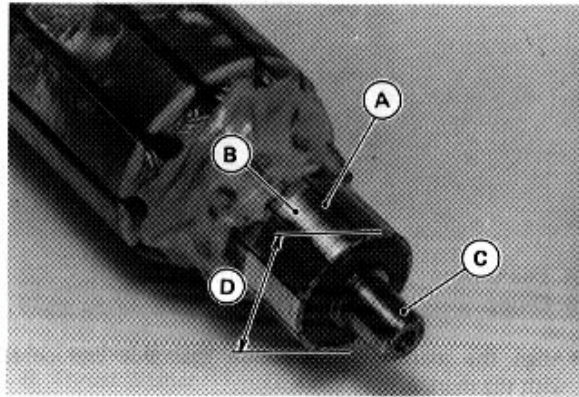


A. Commutator                      B. Emery Cloth

- Measure the diameter of the commutator.
- ★ Replace the starter motor with a new one if the commutator diameter is less than the service limit.

### Commutator Diameter

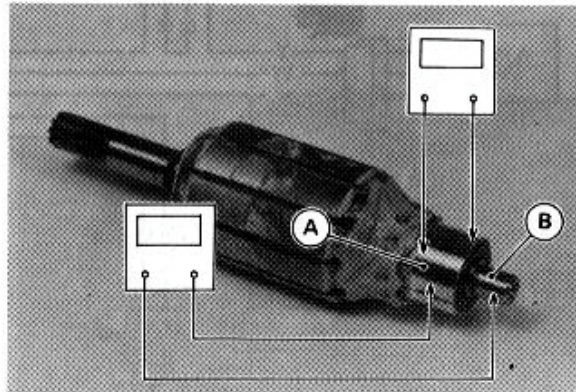
Standard:	23 mm
Service Limit:	22 mm



A. Groove                      C. Shaft  
B. Commutator Segment      D. Diameter

### Armature Inspection

- Using the x 1  $\Omega$  ohmmeter range, measure the resistance between any two commutator segments.
- ★ If there is a high resistance or no reading ( $\infty$ ) between any two segments, a winding is open and the starter motor must be replaced.

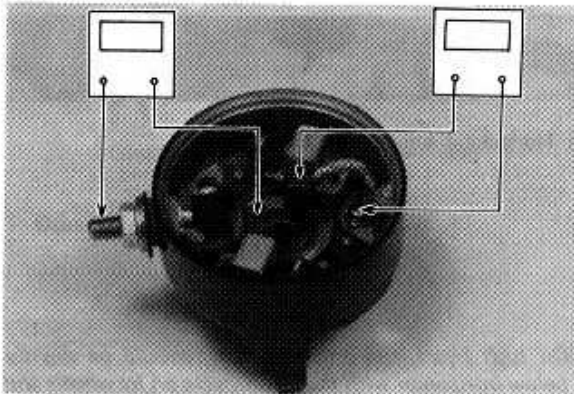


A. Segment                      B. Shaft

- Using the highest ohmmeter range, measure the resistance between the commutator and the shaft.
  - ★ If there is any reading at all, the armature has a short and the starter motor must be replaced.
- Even if the foregoing checks show the armature to be good, it may be defective in some manner not readily detectable with an ohmmeter. If all other starter motor and starter motor circuit components check good, but the starter motor still does not turn over or only turns over weakly, replace the starter motor with a new one.

**Brush Leads Inspection**

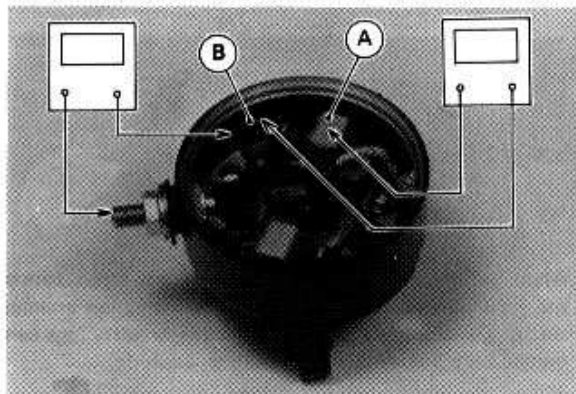
- Set the ohmmeter to the  $\times 1 \Omega$  range.
- Measure the resistance between the negative brush and the plate.
- Measure the resistance between the positive brush and the terminal.



- ★If there is not close to zero ohms, the brush is an open and brush must be replaced.

**Brush Plate and Terminal Bolt Inspection**

- Set the ohmmeter to the highest range.
- Measure the resistance between the positive brush holder and the end cover.
- Measure the resistance between the terminal and the end cover.
- ★If there is any reading at all, the insulator may be failed and the washer (insulator) of the end cover must be replaced.



A. Positive Brush Holder B. End Cover

**Starter Relay Inspection**

- Disconnect the starter motor lead and battery positive terminal from the starter relay.

**CAUTION**

- The battery positive (+) lead with the rubber cap is connected directly to the battery positive (+) terminal even when the ignition switch is off, so take care not to short the removed lead to chassis ground.
- Using the  $\times 1 \Omega$  ohmmeter range, measure the resistance across the relay terminals.
- ★If the relay clicks but the meter does not read zero, the relay is defective and must be replaced. If the relay does not click at all, the relay is defective and must be replaced.
- ★If the relay makes a single clicking sound and the meter reads zero the relay is good. The trouble is in the starter motor or the motor power supply wires.

**Switch Position:**

- Ignition switch ON
- Engine stop switch RUN
- Starter button ON
- Neutral switch ON (Transmission is in Neutral)

**Meter Connection:**

Location	Starter relay terminals (Leads disconnected)
Meter Range	$\times 1 \Omega$
Meter Reading:	0 $\Omega$ and relay clicks when starter button is pushed.

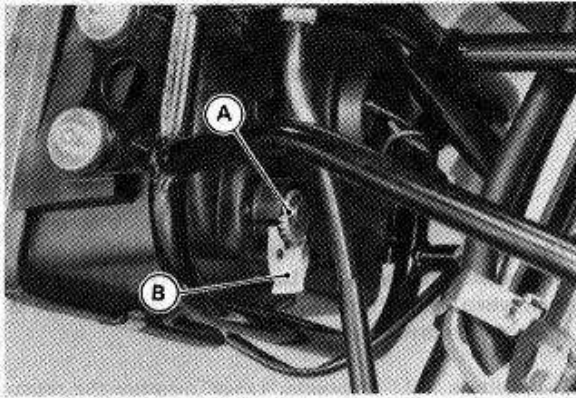
**Lighting System**

The headlight beam is adjustable both horizontally and vertically. Headlight aiming must be correctly adjusted for your safe riding as well as oncoming drivers. In most areas it is illegal to ride with improperly adjusted headlights.

**Headlight Beam Horizontal Adjustment**

- Put a Phillips screwdriver into the horizontal adjuster guide on the back of the headlight.

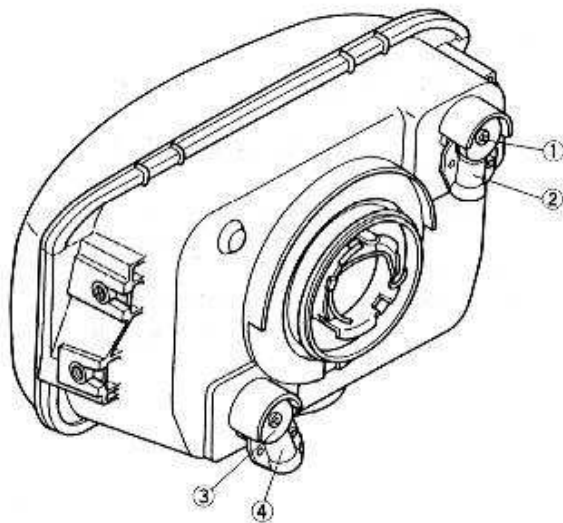
## 15-28 ELECTRICAL SYSTEM



A. Vertical Adjuster      B. Guide

- Turn the adjuster on the headlight in or out until the beam points straight ahead.

### Headlight Beam Adjustment

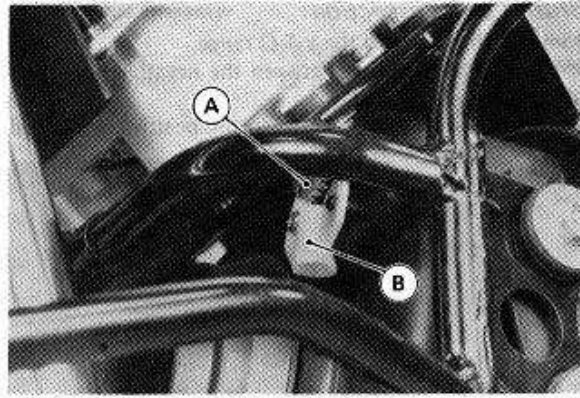


1. Horizontal Adjuster      3. Vertical Adjuster  
2. Adjuster Guide          4. Adjuster Guide

### Headlight Beam Vertical Adjustment

The headlight beam is adjustable vertically. If adjusted too low, neither low nor high beam will illuminate the road far enough ahead. If adjusted too high, the high beam will fail to illuminate the road close ahead, and the low beam will blind oncoming drivers.

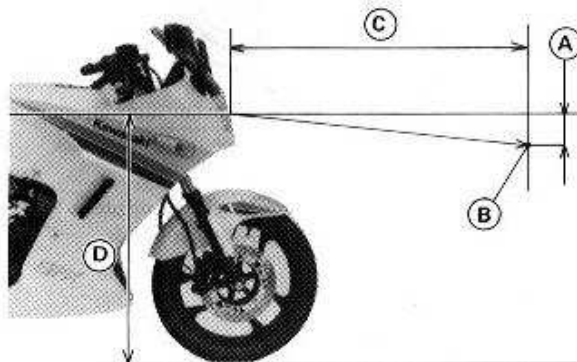
- Put a Phillips screwdriver into the vertical adjuster guide.
- Turn the adjuster on the headlight in or out to adjust the headlight vertically.



A. Horizontal Adjuster      B. Guide

### NOTE

- On high beam, the brightest point should be slightly below horizontal with the motorcycle on its wheels and the rider seated. Adjust the headlight to the proper angle according to local regulations.
- For US model, the proper angle is 0.4 degrees below horizontal. This is a 50 mm (2 in) drop at 7.6 m (25 ft) measured from the center of the headlight with the motorcycle on its wheels and the rider seated.



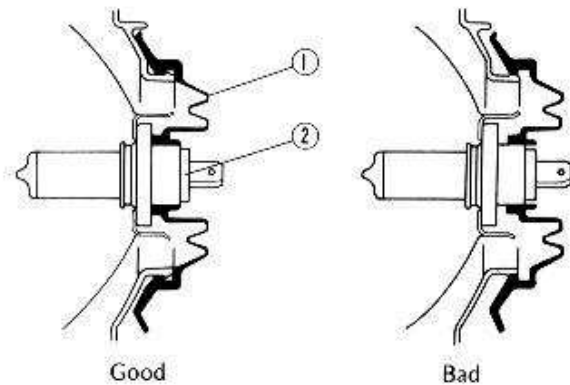
A. 50 mm (2 in)  
B. Center of Brightest Spot  
C. 7.6 m (25 ft)  
D. Height of Headlight Center

### Headlight Bulb Replacement Notes

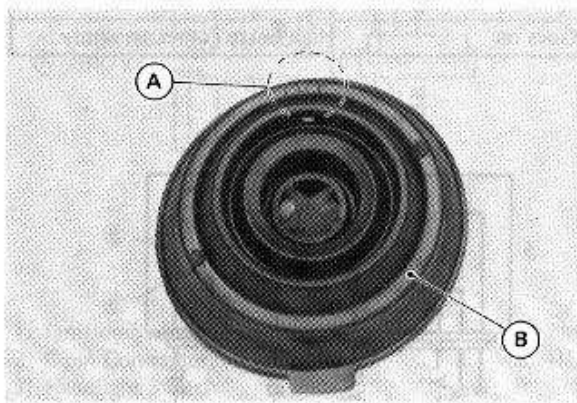
#### CAUTION

- When handling the quartzhalogen bulbs, never touch the glass portion with bare hands. Always use a clean cloth. Oil contamination from hands or dirty rags can reduce bulb life or cause the bulb to explode.
- Fit the dust cover onto the bulb firmly as shown in the figure.

**Dust Cover Installation**



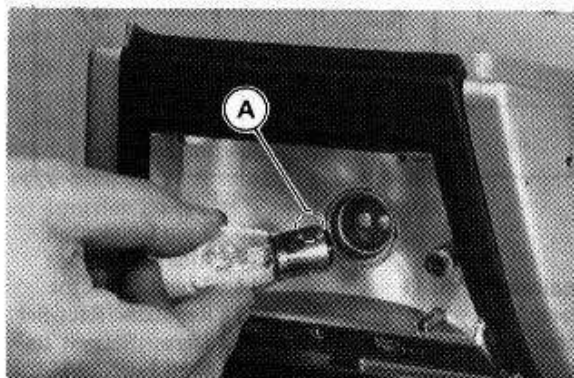
1. Dust Cover      2. Headlight Bulb



A. Top Mark      B. Dust Cover

**Tail/Brake Light Bulb Replacement Notes**

- Insert the new bulb by aligning the pins with the grooves in the walls of the socket so that the pin closest to the bulb base is to the upper right.



A. Pin Closest to Base.

**Tail/Brake Light Lens**

**Removal/Installation Note**

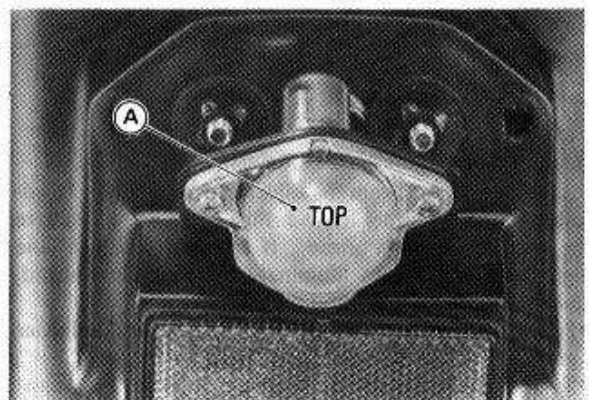
- Be careful not to overtighten the lens mounting screws.

**Turn Signal Light Bulb Replacement Note**

- Be careful not to overtighten the lens mounting screws.

**License Plate Light Bulb Replacement Notes**

- Install the bulb lens so that the "TOP" mark on the lens points up.
- Do not overtighten the lens mounting screws.



A. "TOP" Mark

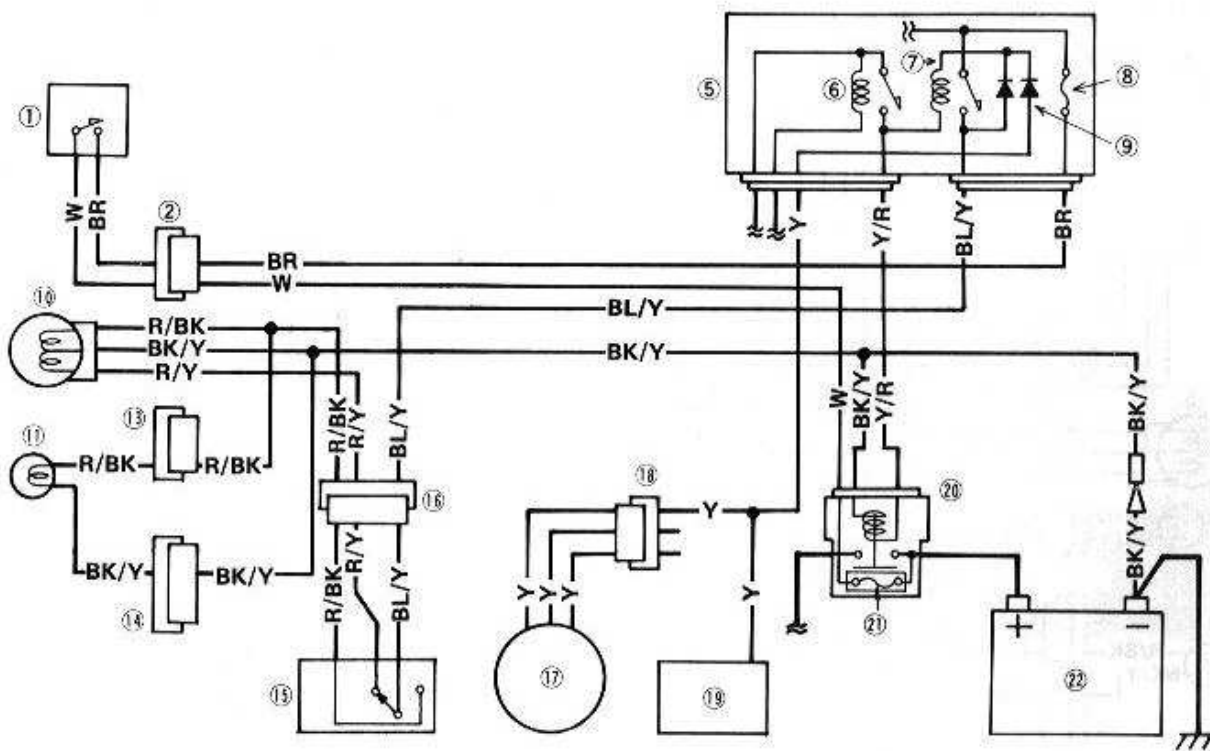
- Be careful not to overtighten the lens and socket mounting screws.

## 15-30 ELECTRICAL SYSTEM

### Inspection:

For any lighting system problems, always check the lighting system wiring and the bulbs first (see Wiring Inspection).

### Headlight Circuit (US Model)

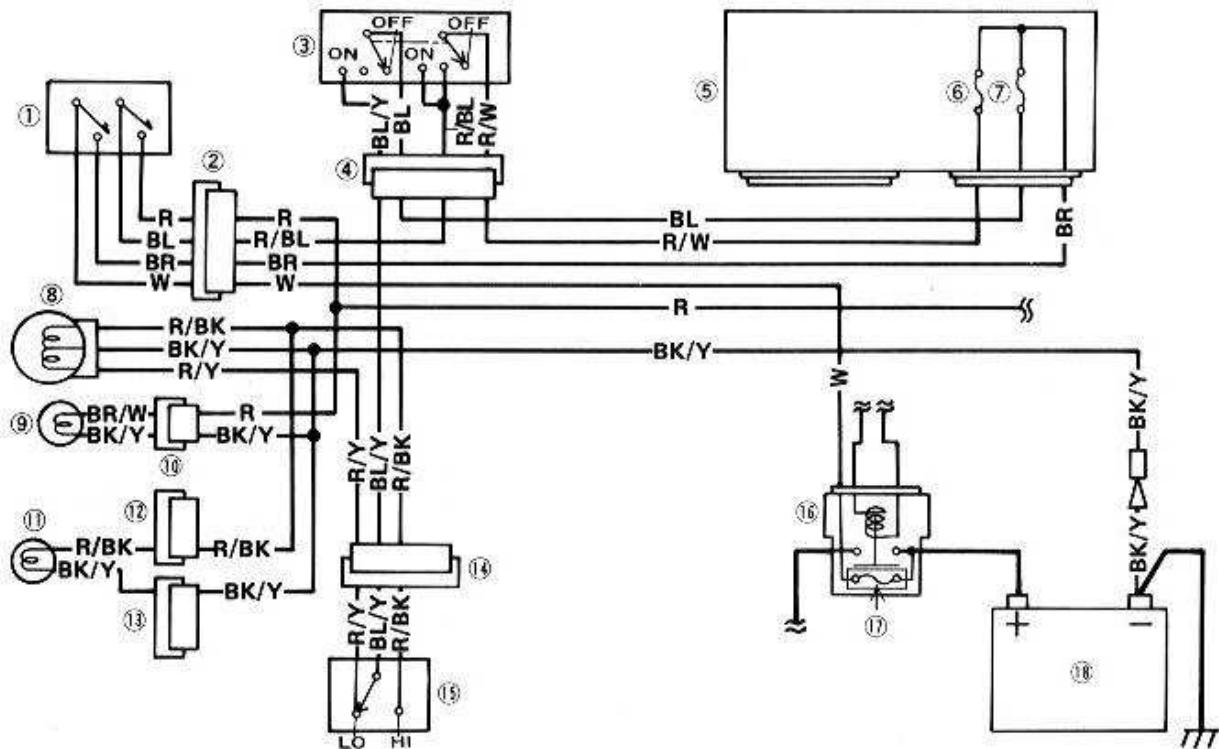


1. Ignition Switch
2. 6-pin Connector
3. Reserve Lighting Device
4. 6-pin Connector
5. Junction Box
6. Starter Circuit Relay
7. Headlight Relay
8. Headlight Fuse 10A

9. Diodes
10. Headlight
11. High Beam Indicator Light
12. Failure Indicator Light
13. 6-pin Connector
14. 6-pin Connector
15. Dimmer Switch
16. 9-pin Connector

17. Alternator
18. 3-pin Connector
19. Regulator/Rectifier
20. Starter Relay
21. Main Fuse 30A
22. Battery
23. 4-pin Connector

### Headlight Circuit (Other than US Model Shown)



1. Ignition Switch
2. 6-pin Connector
3. Headlight Switch
4. 6-pin Connector
5. Junction Box
6. Taillight Fuse 10A

7. Headlight Fuse 10A
8. Headlight
9. City Light
10. 2-pin Connector
11. High Beam Indicator Light
12. 6-pin Connector

13. 4-pin Connector
14. 9-pin Connector
15. Dimmer Switch
16. Starter Relay
17. Main Fuse 30A
18. Battery

### Cooling Fan System

#### Fan System Circuit Inspection

- Disconnect the connector from the fan switch.
- Ground the red/white wire to the engine with a suitable wire.
- ★ If the fan turns, inspect the fan switch.
- ★ If the fan does not turn, inspect the following.
  - Junction Box Parts (Fan Fuse, Fan Relay)
  - Fan
  - Main Fuse

#### Fan Inspection

- Disconnect the 2-pin connector of the fan leads.
- Using two auxiliary wires, supply battery power to the fan.

#### Wire Connections

- Blue Lead ↔ Battery (+)
- Black Lead ↔ Battery (-)

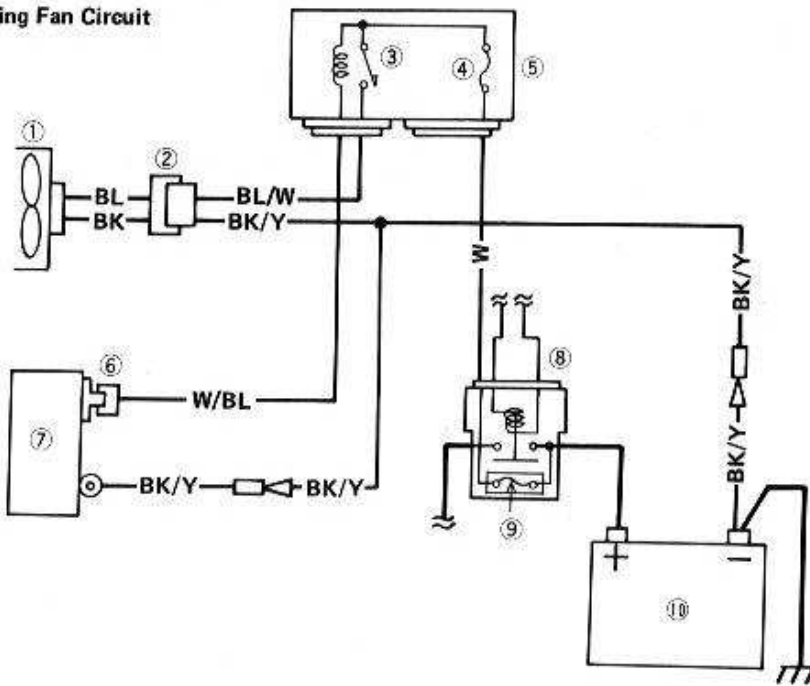
- ★ If the fan does not turn at this time, the fan is defective and must be replaced.

#### Fan Relay Inspection

- Refer to the Main, Starter Circuit, and Headlight Relay Inspection in the Junction Box section.

## 15-32 ELECTRICAL SYSTEM

### Cooling Fan Circuit



1. Cooling Fan
2. 2-pin Connector
3. Fan Relay
4. Fan Fuse 10A
5. Junction Box
6. Fan Switch
7. Radiator
8. Starter Relay
9. Main Fuse 30A
10. Battery

### Meters and Gauge

#### Meters and Gauge Removal

#### CAUTION

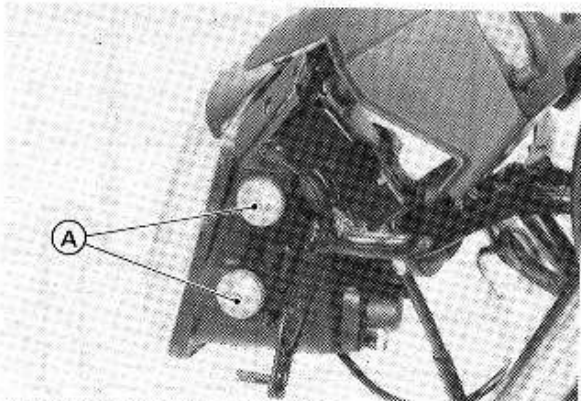
○ Place the meter or gauge so that the face is up. If a meter or gauge is left upside down or sideways for any length of time, it will malfunction.

● Remove the following parts.

Upper Fairing (see Frame chapter in this text)

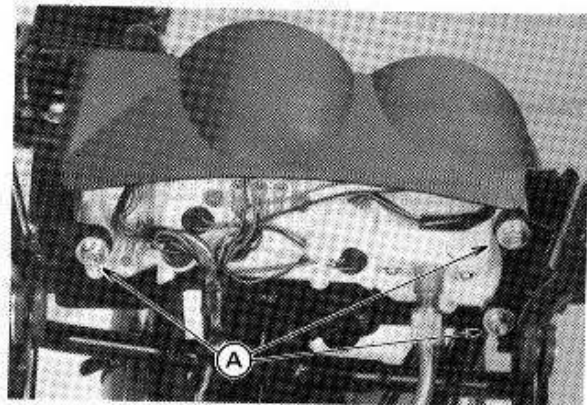
Headlight Unit

Speedometer Cable Upper End



A. Headlight Unit Mounting Bolts

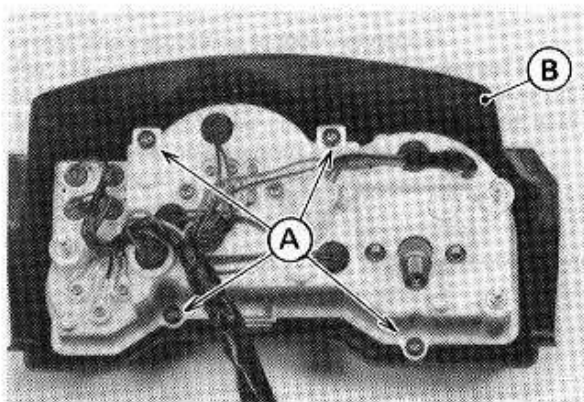
● Remove the meters and gauge by taking off the mounting nuts.



A. Three Mounting Nuts

### Meters and Gauge Disassembly

- Remove the cover mounting screws.



A. Four Cover Mounting Screws B. Cover

- Remove the transparent cover. The rubber knob cap comes off with the cover.
- Separate each meter or gauge by removing the mounting screws and the terminal screws.

### Meter or Gauge Replacement

- Replace the meter or the gauge along with the pointer if necessary.

### Meter and Gauge Assembly Note

- Install each lead on the original position shown.

### Bulb Replacement Notes

- To remove the wedge-base type bulbs (indicator and illumination), pull out the bulb sockets and pull the bulbs off the sockets.

**CAUTION**

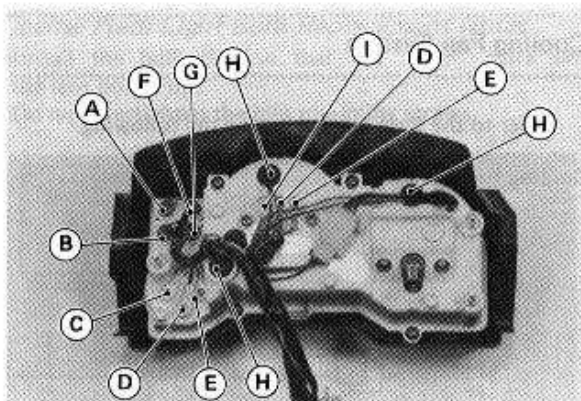
- Do not use bulbs rated for greater wattage than the specified value, as the meter or gauge panel could become warped by excessive heat radiated from the bulbs.

### Tachometer Inspection

#### NOTE

○ The Tachometer inspection is explained on the assumption that the ignition system operates normally.

- Check to see that the rubber dampers are installed at the meter mounting bracket.
- ★ Install a new damper where it is absent.
- Check to see that the rubber dampers at the meter mounting bracket are in good condition they should not be hard or cracked.
- ★ Replace any damaged rubber dampers with new ones.
- Check to see that all meter mounting nuts are tightened securely.
- ★ Tighten the loose fasteners.



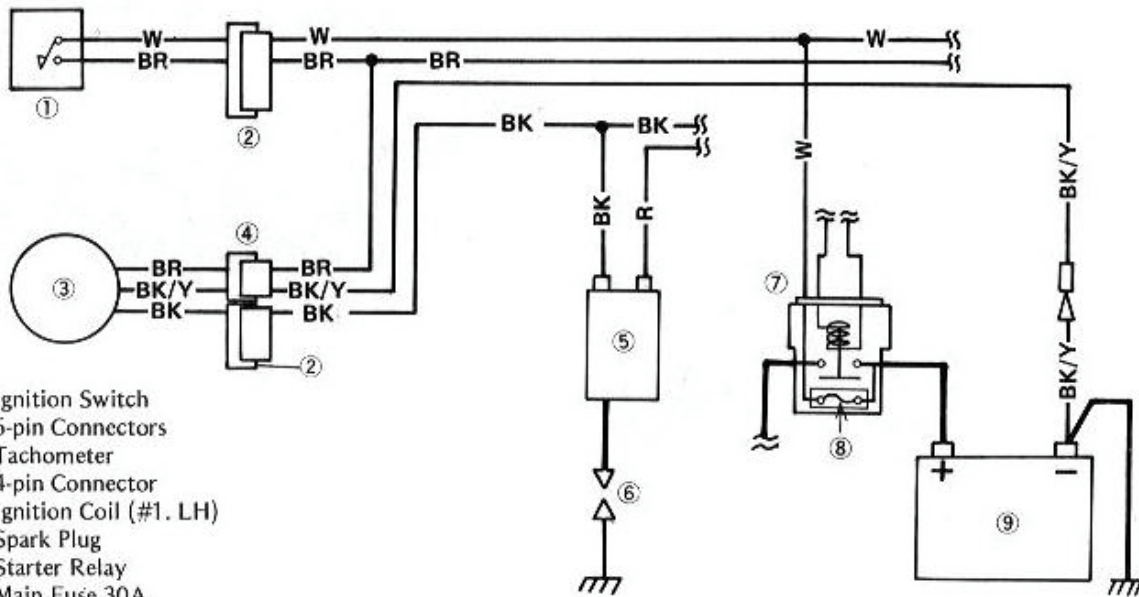
A. R/BK, BK/Y  
 B. BR, BL/R  
 C. W/Y  
 D. BK/Y  
 E. BR  
 F. G/GY  
 G. LG/BR  
 H. BK/Y, R/BL, 3.4 W Bulbs  
 I. BK, 3.4 W Bulb

### Tachometer Inspection

- Check the tachometer circuit wiring (see Tachometer Circuit and Wiring Inspection).
- ★ If all wiring and components other than the tachometer unit check out good, the unit is suspect. Check the unit as shown.
- Turn the ignition switch ON.
- Remove the BK lead of the ignition coil.
- Open or connect the BK lead to the battery positive terminal using an auxiliary lead. Then the pointer should flick.
- Turn the ignition switch OFF.
- ★ If the pointer does not flick, replace the tachometer unit.

## 15-34 ELECTRICAL SYSTEM

### Tachometer Circuit



1. Ignition Switch
2. 6-pin Connectors
3. Tachometer
4. 4-pin Connector
5. Ignition Coil (#1. LH)
6. Spark Plug
7. Starter Relay
8. Main Fuse 30A
9. Battery

### Water Temperature Gauge Operation Inspection

- Prepare an auxiliary wire, and check the operation of the gauge.

#### Gauge Operation Check

Ignition Switch Position: ON

Wire Location: Female, Sensor connector  
(disconnected)

Results: Gauge should read C when connector wire is opened.

Gauge should read H when connector wire is grounded to engine.

**CAUTION**

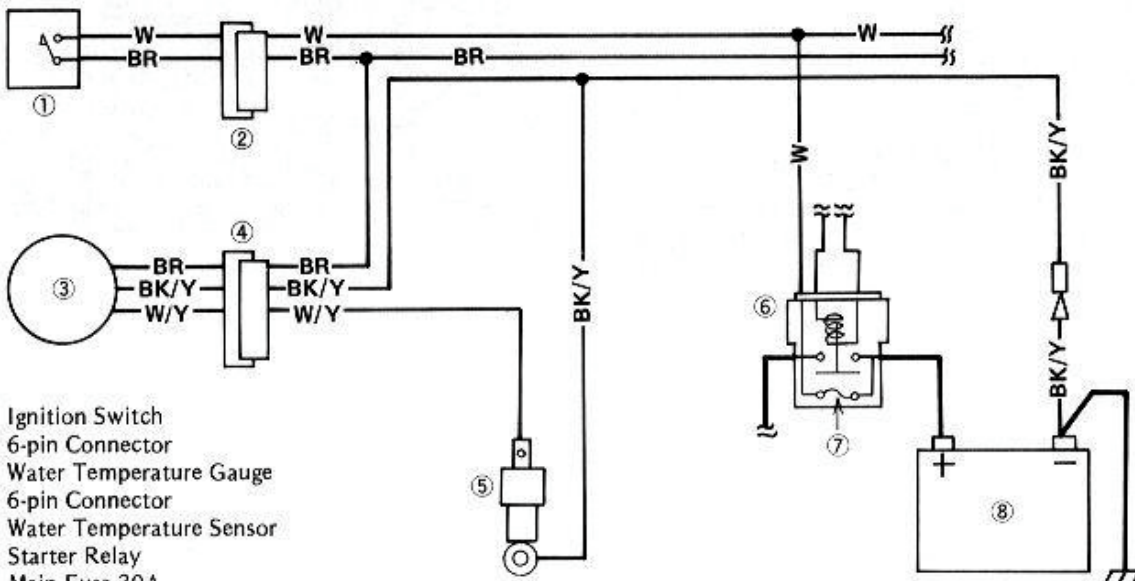
- Do not ground the wiring longer than necessary. After the needle swings to the H position, stop the test. Otherwise the gauge could be damaged.

\* If these readings are not correct, the trouble is with the gauge and/or wiring.

● Check the water temperature gauge circuit wiring (see Wiring Inspection).

● If all wiring and components other than the water temperature gauge unit check out good the unit is defective.

### Water Temperature Gauge Circuit



1. Ignition Switch
2. 6-pin Connector
3. Water Temperature Gauge
4. 6-pin Connector
5. Water Temperature Sensor
6. Starter Relay
7. Main Fuse 30A
8. Battery

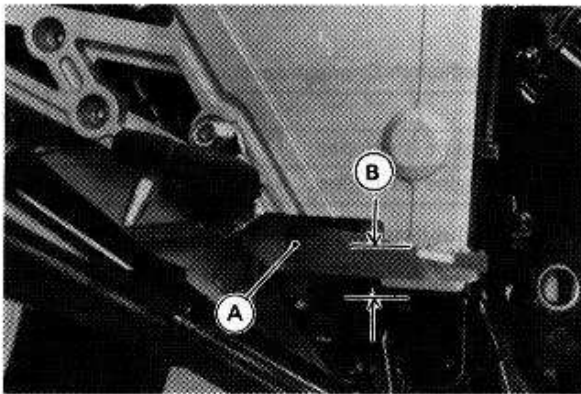
**Switches and Sensors**

**Front Brake Light Testing**

- Turn on the ignition switch.
- The brake light should go on when the front brake is applied.
- ★ If it does not, inspect the switch.

**Rear Brake Light Testing**

- Turn on the ignition switch.
- Check the operation of the rear brake light switch by depressing the brake pedal. The brake light should go on after about 10 mm of pedal travel.



A. Rear Brake Pedal      B. 10 mm

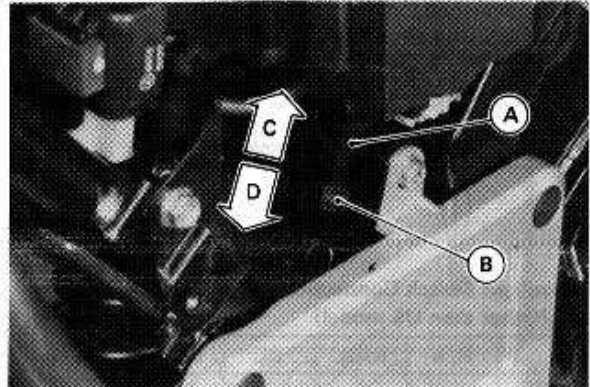
★ If it does not, adjust the brake light switch.

**Rear Brake Light Switch Position Adjustment**

- Remove the RH side cover.
- Turn the adjusting nut to adjust the switch.

**CAUTION**

○ To avoid damaging the electrical connections inside the switch, be sure that the switch body does not turn during adjustment.



A. Rear Brake Light Switch      C. Light sooner.  
B. Adjusting Nut                  D. Lights later.

**Switch Removal Note**

- Refer to the appropriate chapters for the switches and sensors.

**Switch Inspection**

- Using an ohmmeter, check to see that only the connections shown in the table have continuity (about zero ohms).
- ★ If the switch has an open or short, repair it or replace it with new one.

**Ignition Switch Connections**

	BR	W	Y	BL	R
OFF, LOCK					
ON	○	○	○	○	○
P(Park)		○	○	○	○

**Starter Button Connections**

	BK/R	BK/R
Free		
Push on	○	○

**Starter Lockout Switch Connections**

	BK/Y	BK	BK/R
When clutch lever is pulled in	○	○	
When clutch lever is released		○	○

**Engine Stop Switch Connections**

	R	Y/R
OFF		
RUN	○	○

## 15-36 ELECTRICAL SYSTEM

### Dimmer Switch Connections (US model)

	BL/Y	BL/O	R/Y	R/BK
HI	○	○	○	○
LO	○	○	○	○

### Dimmer Switch Connections

	R/BK	BL/Y	R/Y
HI	○	○	
LO		○	○

### Headlight Switch Connections (Other than US model)

	R/W	R/BL	BL	BL/Y
OFF				
■	○	○		
ON	○	○	○	○

### Passing Button Connections (Other than US model)

	BR	R/BK
Free		
Push on	○	○

### Front Brake Light Switch Connections

	BK	BK
When brake lever is pulled in	○	○

### Rear Brake Light Switch Connections

	BR	BL
When brake pedal is pushed down	○	○

### Turn Signal Switch Connections

	GY	O	G
R	○	○	
N			
L		○	○

### Horn Button Connections

	BK/W	BK/Y
Free		
Push on	○	○

### Side Stand Switch Connections

	G/W	BK/Y
When side stand is up	○	○
When side stand is down		

### Neutral Switch Connections

	LG	///
When transmission is in neutral	○	○
When transmission is not in neutral		

### Oil Pressure Switch Connections\*

	BL/R	///
When engine is stopped	○	○
When engine is running		

\*: Engine lubrication system is in good condition.

### Fan Switch Inspection

- Remove the fan switch
- Suspend the switch in a container of water so that the temperature sensing projection and threaded portion are submerged.
- Suspend an accurate thermometer in the water.
- Place the container over a source of heat and gradually raise the temperature of the water while stirring the water gently.
- Using an ohmmeter measure the internal resistance of the switch across the terminal and the body at the temperatures shown in the table.
- ★ If the ohmmeter does not show the specified values, replace the switch.

### Fan Switch (97°C) Connections

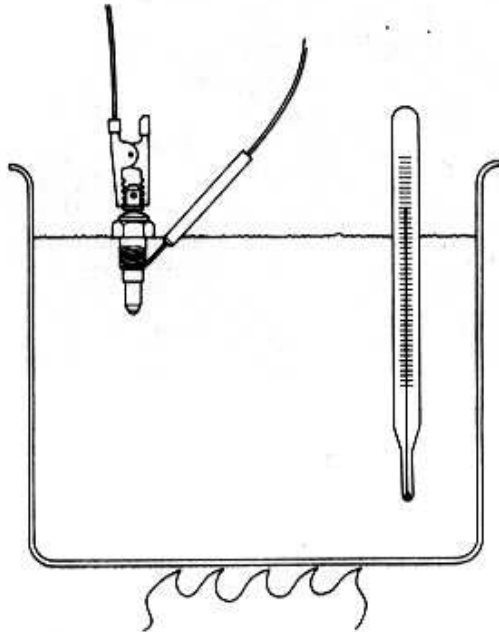
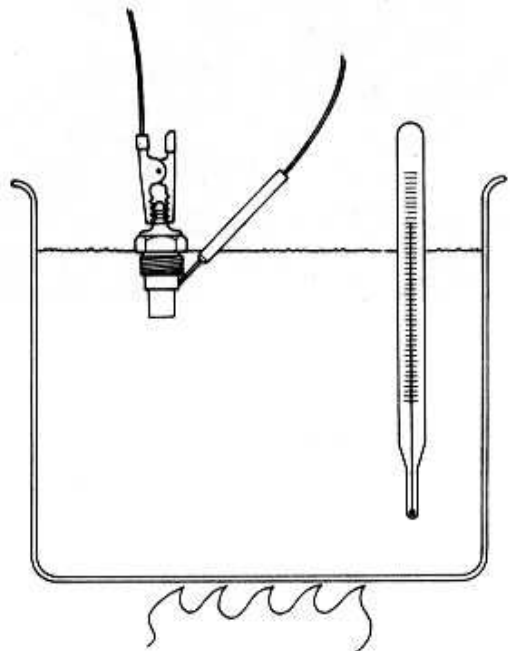
- Rising temperature: From OFF to ON at 94 ~ 100°C (201 ~ 212°F)
- Falling temperature: From ON to OFF above 90°C (194°F)

ON: Less than 0.5 Ω

OFF: More than 1 MΩ

### NOTE

- The switch and thermometer must not touch the container sides or bottom.

**Fan Switch Inspection.****Water Temperature Sensor Inspection****Water Temperature Sensor Inspection**

- Remove the water temperature sensor.
- Suspend the sensor in a container of water so that the temperature sensing projection and threaded portion are submerged.
- Suspend an accurate thermometer in the water.
- Place the container over a source of heat and gradually raise the temperature of the water while stirring the water gently.
- Using an ohmmeter Measure the internal resistance of the sensor across the terminal and the body at the temperatures shown in the table.
- ★ If the ohmmeter does not show the specified values, replace the sensor.

**Internal Resistance of Water Temperature Sensor**

80° C (176° F):	About 52 Ω
100° C (212° F):	About 27 Ω

**NOTE**

○ The switch and thermometer must not touch the container sides or bottom.

---

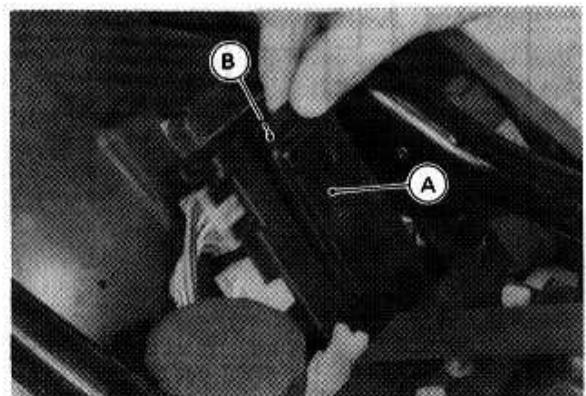
**Junction Box**


---

The junction box has fuses, relays and diodes. The relays and diodes can not be removed.

**Fuse Removal**

- Remove the seat.
- Unlock the hook to lift up the locking arm.

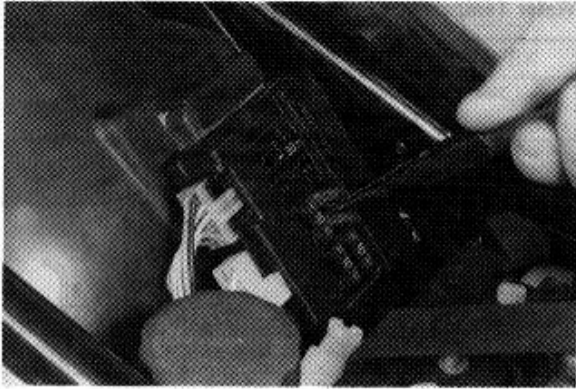


A. Fuse Cover

B. Locking Arm

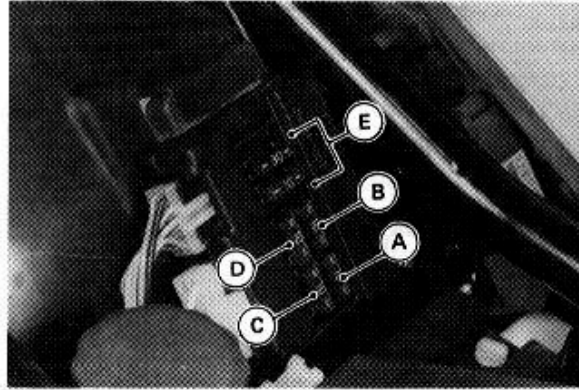
- Pull the fuses straight off the junction box with needle nose pliers.

## 15-38 ELECTRICAL SYSTEM



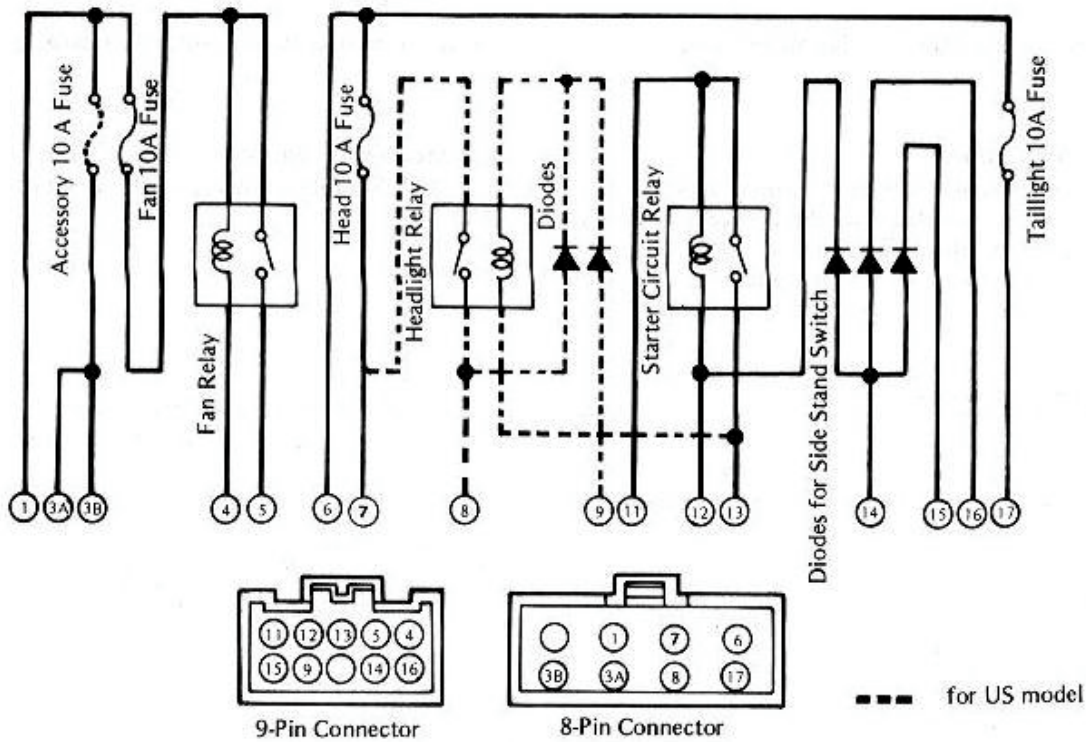
### Fuse Installation Notes

- Install the fuses on the original positions shown.
- The main 30A fuse is installed on the top of the starter relay.



- A. 10 A for Taillight
- B. 10 A for Accessory
- C. 10 A for Headlight Relay
- D. 10 A for Fan Relay
- E. Spare Fuses

### Junction Box Internal Circuit





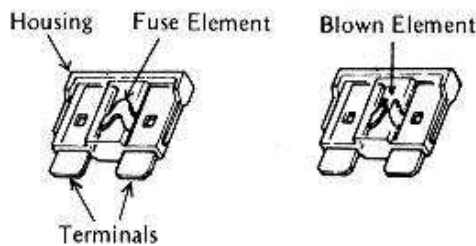
**Fuse Inspection**

- Remove the fuse from the junction box.
- Inspect the fuse element.
- ★ If it is blown out, replace the fuse. Before replacing a blown fuse, always check the amperage in the affected circuit. If the amperage is equal to or greater than the fuse rating, check the wiring and related components for a short circuit.

**CAUTION**

○ When replacing a fuse, be sure the new fuse matches the specified fuse rating for that circuit. Installation of a fuse with a higher rating may cause damage to wiring and components.

**Fuse**



**Junction Box Fuse Circuit Inspection**

- Remove the junction box from the motorcycle.
- Pull off the connectors from the junction box.
- Make sure all connector terminals are clean and tight, and none of them have been bent.
- ★ Clean the dirty terminals and, straighten slightly-bent terminals.
- Check conductivity of the numbered terminals with hand tester.
- ★ If the meter does not read as specified, replace the junction box.

**Fuse Circuit Inspect**

Meter Connection	Meter Reading (Ω)
1 - 3A	0
6 - 7	0
6 - 17	0
*3A - 8	∞
*8 - 17	∞

\*US Model Only

**Fan, Starter Circuit and Headlight Relay Inspection**

- Remove the junction box from the motorcycle.
- Check conductivity of the following numbered terminals by connecting and ohmmeter and one 12 V battery to the junction box as shown.
- ★ If the meter does not read as specified, replace the junction box.

**Relay Circuit Inspection (with the battery disconnected)**

Meter Connection	Meter Reading (Ω)
4 — 5	∞
11 — 13	∞
12 — 13	∞

**Relay Circuit Inspection (with the battery connected)**

Meter Connection	Battery Connection		Meter Reading (Ω)
	+	-	
11 — 13	11	12	0

**Diode Circuit Inspection**

- Remove the junction box from the motorcycle.
- Pull off the connectors from the junction box.
- Check conductivity of the following pair of terminals.

**Terminals for Diode Circuit Inspection**

\*13-8, \*13-9, 12-14, 15-14, 16-14

\*US Models Only

- ★ The resistance should be low in one direction and more than ten times as much in the other direction. If any diode shows low or high in both directions, the diode is defective and the junction box must be replaced.

**NOTE**

○ The actual meter reading varies with the meter used and the individual diode, but, generally speaking, the lower reading should be from zero to the first 1/3 of the scale.

**Electrical Wiring**

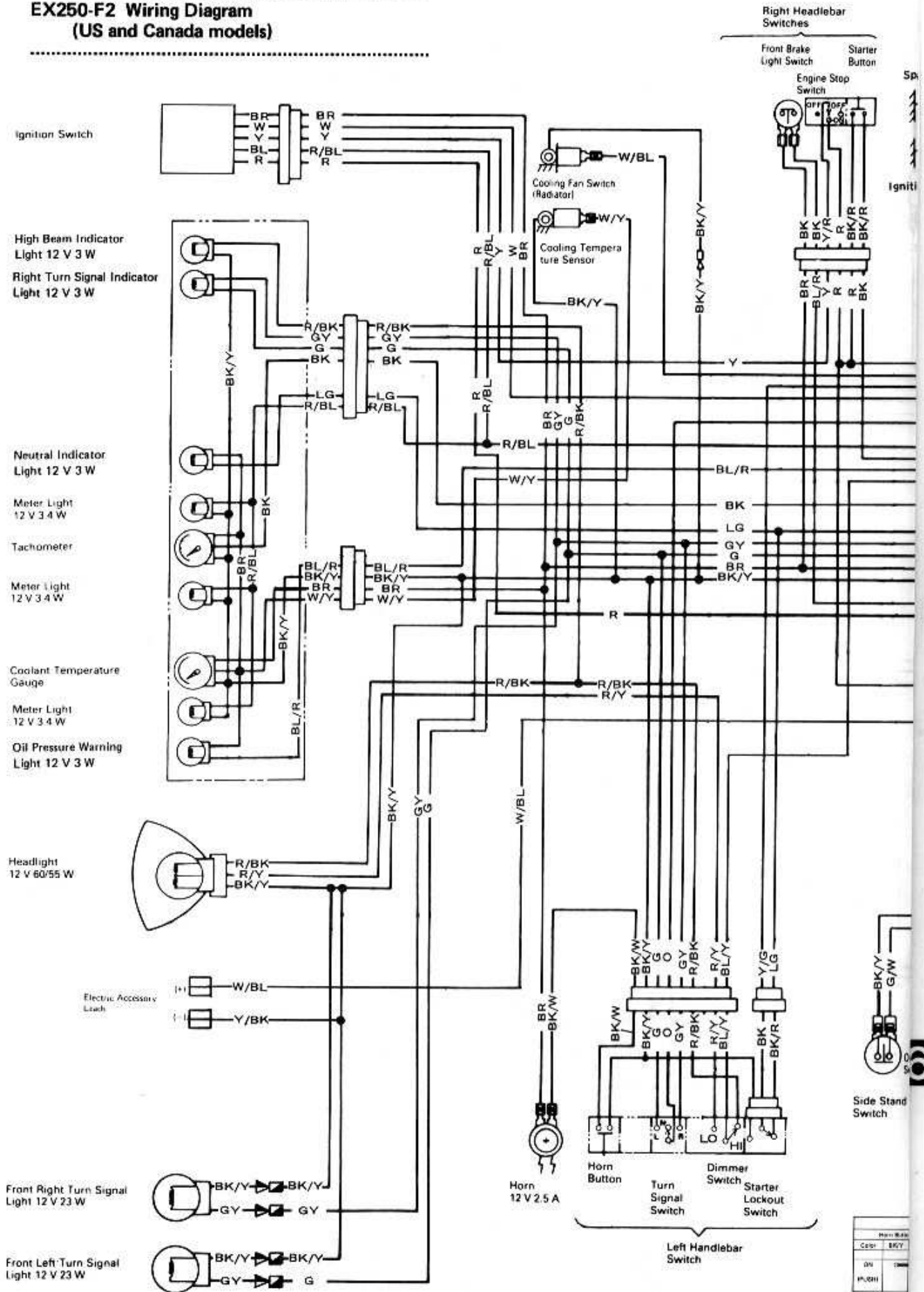
**Wiring Inspection**

- Visually inspect the wiring for signs of burning, fraying, etc.
- ★ If any wiring is poor, apart and inspect it for corrosion, dirt, and damage.

## 15-40 ELECTRICAL SYSTEM

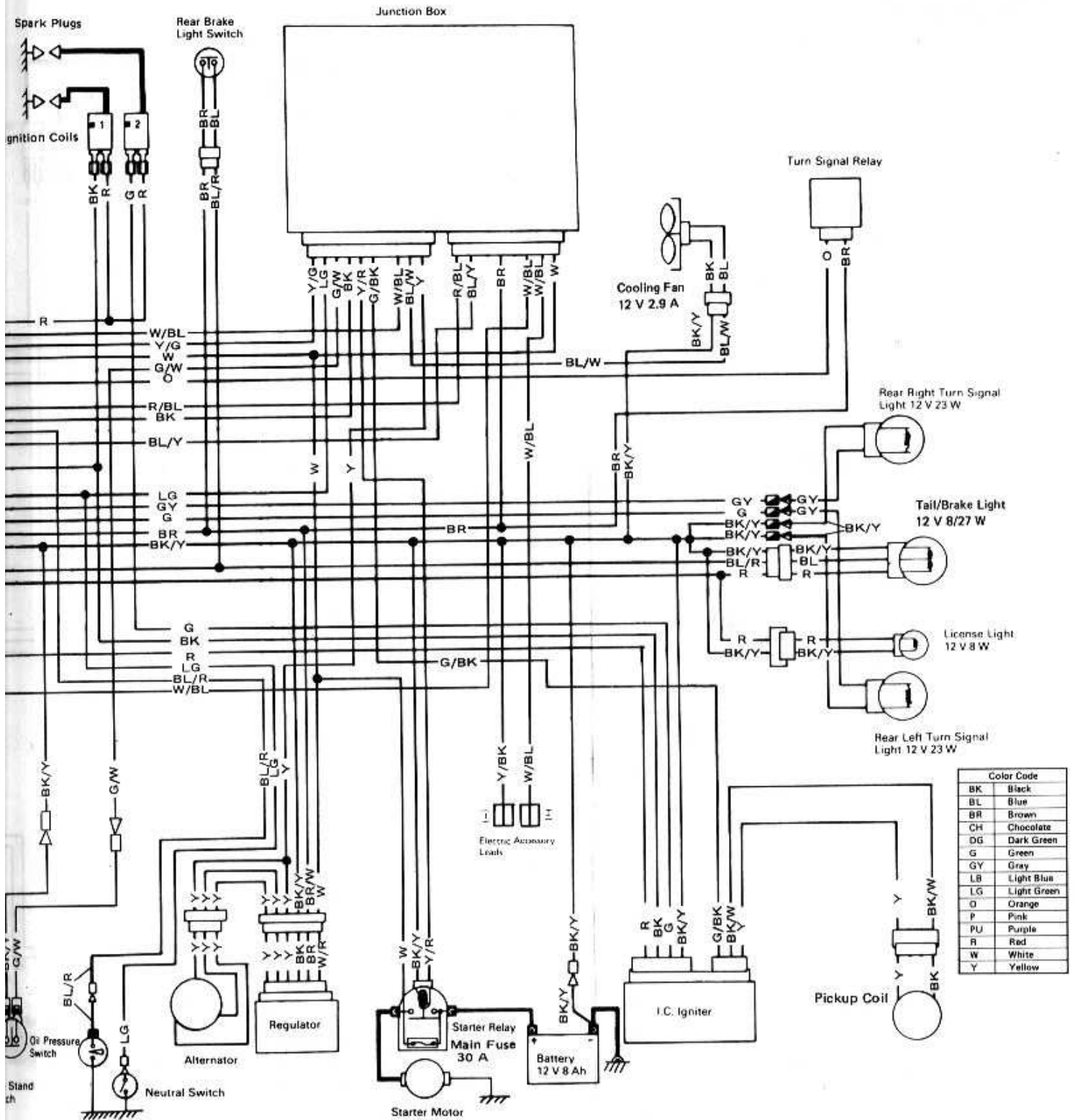
- Pull each connector apart and inspect it for corrosion, dirt, and damage.
- ★ If the connector is corroded or dirty, clean it carefully. If it is damaged, replace it.
- Check the wiring for continuity.
- Use the wiring diagram to find the ends of the lead which is suspected of being a problem.
- Connect an ohmmeter between the ends of the leads.
- Set the meter to the  $\times 1 \Omega$  range, and read the meter.
- ★ If the meter does not read  $0 \Omega$ , the lead is defective. Replace the lead or the wiring loom if necessary.

**EX250-F2 Wiring Diagram  
(US and Canada models)**



Color	Wiring
BR	W
W	Y
Y	BL
BL	R
R	R/BL
R/BL	R
R	W/BL
W/BL	W/Y
W/Y	BK/Y
BK/Y	BK
BK	R/BK
R/BK	GY
GY	G
G	LG
LG	R/BL
R/BL	R
R	BR
BR	BK/Y
BK/Y	BK
BK	BL/R
BL/R	W/Y
W/Y	R
R	BK
BK	LG
LG	GY
GY	BK/Y
BK/Y	R
R	R/BK
R/BK	R/Y
R/Y	R/BK
R/BK	R/Y
R/Y	BK/Y
BK/Y	BK/R
BK/R	Y/G
Y/G	LG
LG	BK/Y
BK/Y	G/W
G/W	

# ELECTRICAL SYSTEM 15-17



Color Code	
BK	Black
BL	Blue
BR	Brown
CH	Chocolate
DG	Dark Green
G	Green
GY	Gray
LB	Light Blue
LG	Light Green
O	Orange
P	Pink
PU	Purple
R	Red
W	White
Y	Yellow

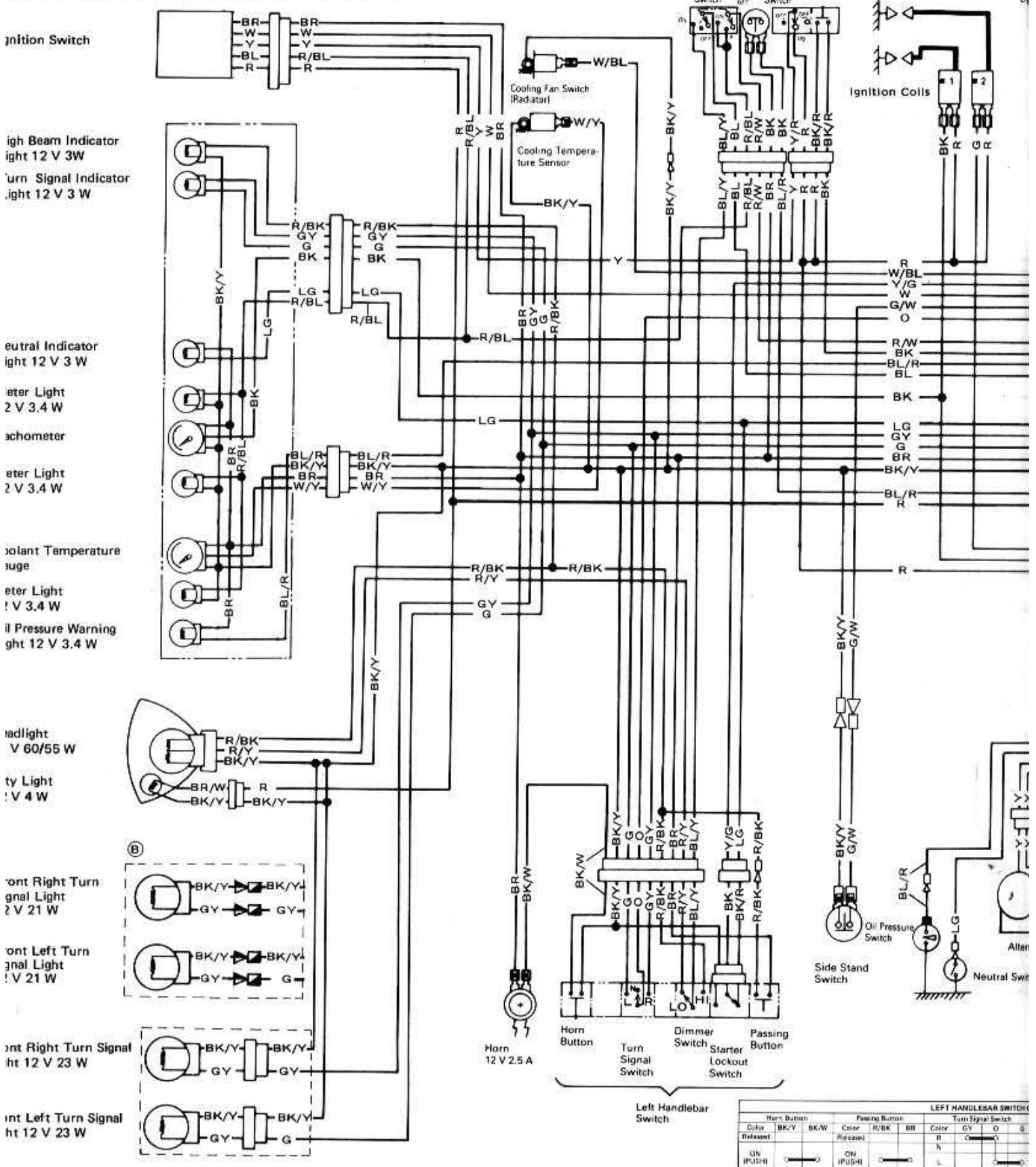
LEFT HANDLER SWITCH CONNECTIONS									
Turn Signal Switch			Turnover Switch			Starter Lockout Switch			
Color	W	D	Color	R/B	W/Y	Color	BK/Y	BK	BK/B
UP	—	—	HI	—	—	Released	—	—	—
DOWN	—	—	LO	—	—	Pushed In	—	—	—

IGNITION SWITCH CONNECTIONS				
Color	Ignition	Battery	Ignition	Tail/L
OFF	—	—	—	—
LOCK	—	—	—	—
ON	—	—	—	—
P (PARK)	—	—	—	—

RIGHT HANDLER SWITCH CONNECTION				
Engine Stop Switch		Starter Switch		
Color	W/R	Color	BK/R	BL/W
OFF	—	—	—	—
ON	—	—	—	—

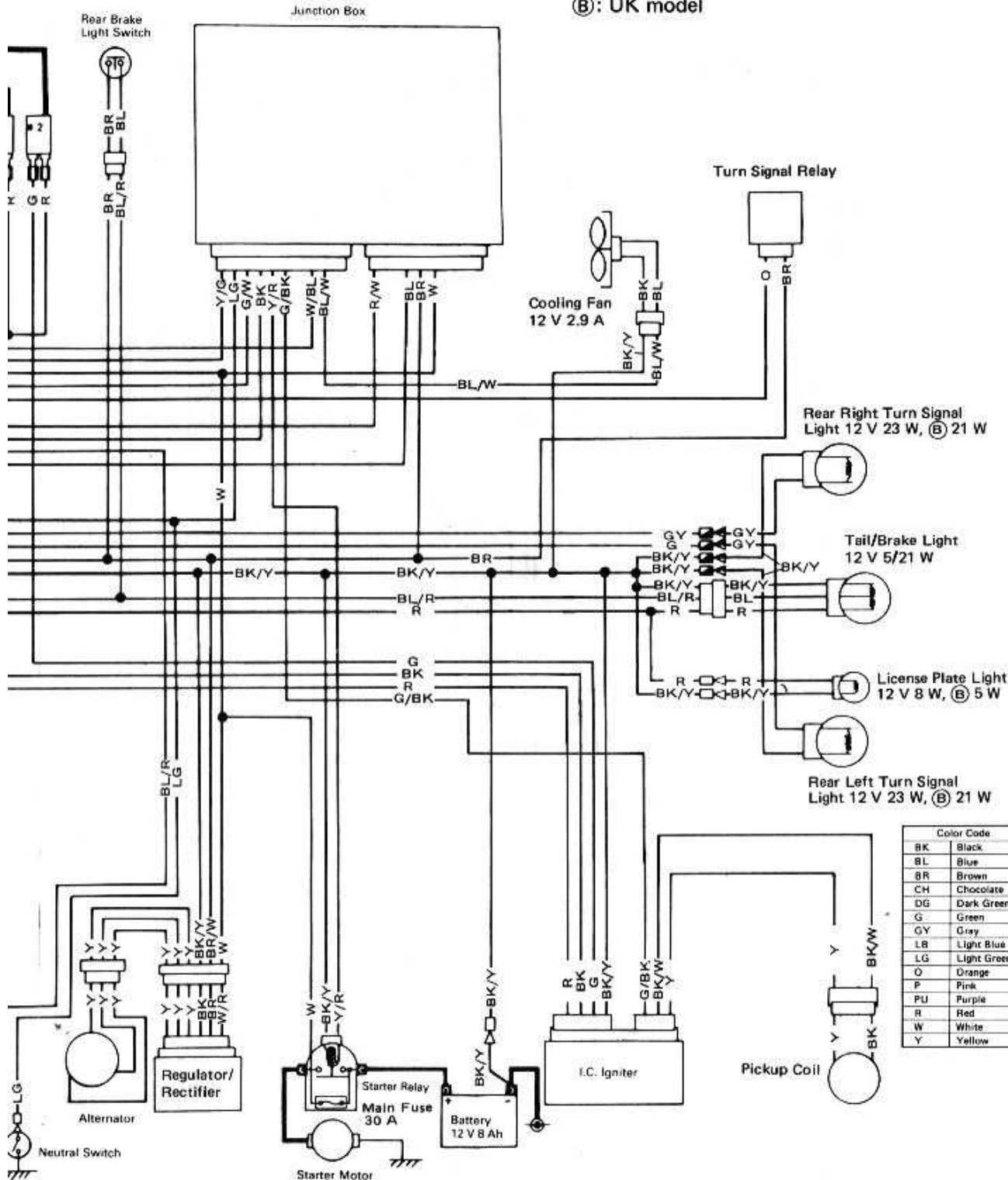
# 15-18 ELECTRICAL SYSTEM

## EX250-F2 Wiring Diagram (UK and Australia models)



Horn Button		Passing Button		LEFT HANDLEBAR SWITCH		
Color	Released	Color	Released	Color	Released	Color
BK/Y	BK/W	R/BK	BL	BL	GY	G
ON (PUSH)	ON (PUSH)	ON (PUSH)	L			

(B): UK model



Color Code	
BK	Black
BL	Blue
BR	Brown
CH	Chocolate
DG	Dark Green
G	Green
GY	Gray
LB	Light Blue
LG	Light Green
O	Orange
P	Pink
PU	Purple
R	Red
W	White
Y	Yellow

LEFT HANDLEBAR SWITCH CONNECTIONS						
Turn Signal Switch		Dimmer Switch		Starter Lockout Switch		
Color	Wiring	Color	Wiring	Color	Wiring	Wiring
GY	O	G	CH	R/BK	BL/Y	R/Y
				Released	BK/Y	BK
				PULL		

IGNITION SWITCH CONNECTIONS				
Color	Ignition	Battery	Ignition	Tail 1
BR	W	Y	BL	1
OFF/LOCK				2
ON				
P/PARK				

RIGHT HANDLEBAR SWITCH CONNECTIONS						
Engine Stop Switch		Starter Button		Headlight Switch		
Color	Wiring	Color	Wiring	Color	Wiring	Wiring
OFF	Y/B	R	BK/R	BK/R	R/W	R/BL
RUN		Released	BK/R	O	BL	BL/Y
				ON		



# Appendix

## Table of Contents

Additional Considerations for Racing .....	*
Carburetor .....	*
Spark Plug .....	*
Spark Plug Inspection .....	*
Troubleshooting Guide .....	16-2
General Lubrication .....	*
Lubrication .....	*
Nut, Bolt, and Fastener Tightness .....	16-2
Tightness Inspection .....	16-2
Unit Conversion Table .....	16-3

## 16-2 APPENDIX

### Additional Considerations for Racing

This motorcycle has been manufactured for use in a reasonable and prudent manner and as a vehicle only. However, some may wish to subject this motorcycle to abnormal operation, such as would be experienced under racing conditions. KAWASAKI STRONGLY RECOMMENDS THAT ALL RIDERS RIDE SAFELY AND OBEY ALL LAWS AND REGULATIONS CONCERNING THEIR MOTORCYCLE AND ITS OPERATION.

Racing should be done under supervised conditions, and recognized sanctioning bodies should be contacted for further details. For those who desire to participate in competitive racing or related use, the following technical information may prove useful. However, please note the following important points.

- You are entirely responsible for the use of your motorcycle under abnormal conditions such as racing, and Kawasaki shall not be liable for any damages which might arise from such use.
- Kawasaki's Limited Motorcycle Warranty and Limited Emission Control Systems Warranty specifically exclude motorcycles which are used in competitive or related uses. Please read the warranty carefully.
- Motorcycle racing is a very sophisticated sport, subject to many variables. The following information is theoretical only, and Kawasaki shall not be liable for any damages which might arise from alterations utilizing this information.
- When the motorcycle is operated on public roads, it **must** be in its original state in order to ensure safety and compliance with applicable regulations.

### Carburetor:

Sometimes an alteration may be desirable for improved performance under special conditions when proper mixture is not obtained after the carburetor has been properly adjusted, and all parts cleaned and found to be functioning properly.

If the engine still exhibits symptoms of overly lean carburetion after all maintenance and adjustments are correctly performed, the main jet can be replaced with a smaller or larger one. A smaller numbered jet gives a leaner mixture and a larger numbered jet a richer mixture.

### Spark Plug:

The spark plug ignites the fuel/air mixture in the combustion chamber. To do this effectively and at the proper time, the correct spark plug must be used, and the spark plug must be kept clean and adjusted.

Test have shown the plug listed in the "Electrical System" chapter to be the best plug for general use.

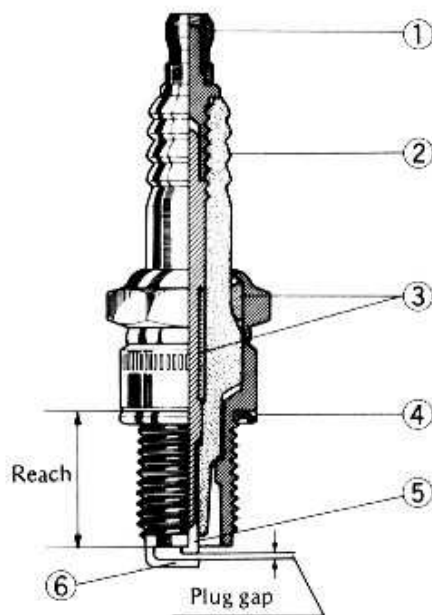
Since spark plug requirements change with the ignition and carburetion adjustments and with riding conditions, whether or not a spark plug of a correct heat range is used should be determined by removing and inspecting the plug.

When a plug of the correct heat range is being used, the electrodes will stay hot enough to keep all the carbon burned off, but cool enough to keep from damaging the engine and the plug itself. This temperature is about 400 ~ 800°C (750 ~ 1,450°F) and can be judged by noting the condition and color of the ceramic insulator around the center electrode. If the ceramic is clean and of a light brown color, the plug is operating at the right temperature.

A spark plug for higher operating temperatures is used for racing. Such a plug is designed for better cooling efficiency so that it will not overheat and thus is often called a "colder" plug. If a spark plug with too high a heat range is used — that is, a "cold" plug that cools itself too well — the plug will stay too cool to burn off the carbon, and the carbon will collect on the electrodes and the ceramic insulator.

The carbon on the electrodes conducts electricity, and can short the center electrode to ground by either coating the ceramic insulator or bridging across the gap. Such a short will prevent an effective spark. Carbon buildup on the plug can also cause other troubles. It can heat up red-hot and cause preignition and knocking, which may eventually burn a hole in the top of the piston.

### Spark Plug



- |              |                     |
|--------------|---------------------|
| 1. Terminal  | 4. Gasket           |
| 2. Insulator | 5. Center Electrode |
| 3. Cement    | 6. Side Electrode   |

### Spark Plug Inspection

- Remove the spark plug and inspect the ceramic insulator.

## Spark Plug Condition



Carbon fouling



Oil fouling



Normal operation



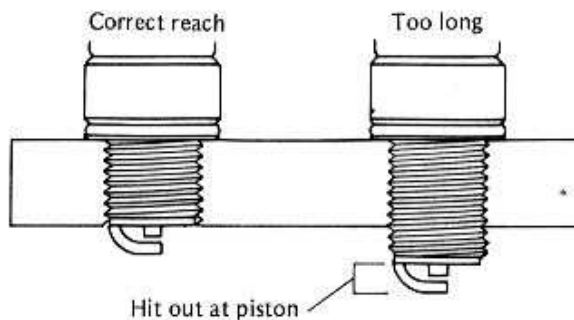
Overheating

★Whether or not the right temperature plug is being used can be ascertained by noting the condition of the ceramic insulator around the electrode. A light brown color indicates the correct plug is being used. If the ceramic is white, the plug is operating at too high a temperature and it should be replaced with the next colder type.

## CAUTION

- If the spark plug is replaced with a type other than the standard plug, make certain the replacement plug has the same thread pitch and reach (length of threaded portion) and the same insulator type (regular type or projected type) as the standard plug.
- If the plug reach is too short, carbon will build up on the plug hole threads in the cylinder head, causing overheating and making it very difficult to insert the correct spark plug later.
- If the reach is too long, carbon will build up on the exposed spark plug threads causing overheating, preignition, and possibly burning a hole in the piston top. In addition, it may be impossible to remove the plug without damaging the cylinder head.

## Plug Reach



## Standard Spark Plug Threads

Diameter: 10 mm  
Pitch: 1.25 mm  
Reach: 12.7 mm

## NOTE

- The heat range of the spark plug functions like a thermostat for the engine. Using the wrong type of spark plug can make the engine run too hot (resulting in engine damage) or too cold (with poor performance, misfiring, and stalling).

## Troubleshooting Guide

## NOTE

- This is not an exhaustive list, giving every possible cause for each problem listed. It is meant simply as a rough guide to assist the troubleshooting for some of the more common difficulties.

## Engine Doesn't Start, Starting Difficulty:

## Starter motor not rotating:

- Starter lockout or neutral switch trouble
- Starter motor trouble
- Battery voltage low
- Relays not contacting or operating
- Starter button not contacting
- Wiring open or shorted
- Ignition switch trouble
- Engine stop switch trouble
- Main fuse blown

## Starter motor rotating but engine doesn't turn over:

- Starter motor clutch trouble

## Engine won't turn over:

- Valve seizure
- Rocker arm seizure
- Cylinder, piston seizure
- Crankshaft seizure
- Connecting rod small end seizure
- Connecting rod big end seizure
- Transmission gear or bearing seizure
- Camshaft seizure

## 16-4 APPENDIX

### No fuel flow:

- Fuel tap vacuum hose clogged
- Fuel tank air vent obstructed
- Fuel tap clogged
- Fuel line clogged
- Float valve clogged

### Engine flooded:

- Fuel level in carburetor float bowl too high
- Float valve worn or stuck open
- Starting technique faulty  
(When flooded, crank the engine with the throttle fully open to allow more air to reach the engine.)

### No spark; spark weak:

- Battery voltage low
- Spark plug dirty, broken, or maladjusted
- Spark plug cap or high tension wiring trouble
- Spark plug cap not in good contact
- Spark plug incorrect
- IC igniter trouble
- Neutral, starter lockout, or side stand switch trouble
- Pickup coil trouble
- Ignition coil trouble
- Ignition or engine stop switch shorted
- Wiring shorted or open
- Main fuse blown

### Compression Low:

- Spark plug loose
- Cylinder head not sufficiently tightened down
- No valve clearance
- Cylinder, piston worn
- Piston ring bad (worn, weak broken, or sticking)
- Piston ring/land clearance excessive
- Cylinder head gasket damaged
- Cylinder head warped
- Valve spring broken or weak
- Valve not seating properly (valve bent, worn, or carbon accumulation on the seating surface)

### Poor Running at Low Speed:

#### Spark weak:

- Battery voltage low
- Spark plug dirty, broken, or maladjusted
- Spark plug cap or high tension wiring trouble
- Spark Plug cap shorted or not in good contact
- Spark plug incorrect
- IC igniter trouble
- Pickup coil trouble
- Ignition coil trouble

#### Fuel/air mixture incorrect:

- Pilot screw maladjusted
- Pilot jet, or air passage clogged
- Air bleed pipe bleed holes clogged
- Pilot passage clogged
- Air cleaner clogged, poorly sealed, or missing
- Starter plunger stuck open
- Fuel level in carburetor float bowl too high or too low
- Fuel tank air vent obstructed
- Carburetor holder loose
- Air cleaner duct loose

### Compression low:

- Spark plug loose
- Cylinder head not sufficiently tightened down
- No valve clearance
- Cylinder, piston worn
- Piston ring bad (worn, weak, broken, or sticking)
- Piston ring/land clearance excessive
- Cylinder head warped
- Cylinder head gasket damaged
- Valve spring broken or weak
- Valve not seating properly (valve bent, worn, or carbon accumulation on the seating surface)

### Other:

- IC igniter trouble
- Carburetors not synchronizing
- Vacuum piston doesn't slide smoothly
- Engine oil viscosity too high
- Drive train trouble
- Brake dragging

### Poor Running or No Power at High Speed:

#### Firing incorrect:

- Spark plug dirty, broken, or maladjusted
- Spark plug cap shorted or not in good contact
- Spark plug incorrect
- IC igniter trouble
- Pickup coil trouble
- Ignition coil trouble

#### Fuel/air mixture incorrect:

- Starter plunger stuck open
- Main jet clogged or wrong size
- Jet needle or needle jet worn
- Air jet clogged
- Fuel level in carburetor float bowl too high or too low
- Bleed holes of air bleed pipe or needle jet clogged
- Air cleaner clogged, poorly sealed, or missing
- Air cleaner duct poorly sealed
- Water or foreign matter in fuel
- Carburetor holder loose
- Fuel tank air vent obstructed
- Fuel tap clogged
- Fuel line clogged

#### Compression low:

- Spark plug loose
- Cylinder head not sufficiently tightened down
- No valve clearance
- Cylinder, piston worn
- Piston ring bad (worn, weak, broken, or sticking)
- Piston ring/land clearance excessive
- Cylinder head gasket damaged
- Cylinder head warped
- Valve spring broken or weak
- Valve not seating properly (valve bent, worn, or carbon accumulation on the seating surface.)

#### Knocking:

- Carbon built up in combustion chamber
- Fuel poor quality or incorrect
- Spark plug incorrect
- IC igniter trouble

**Miscellaneous:**

- Throttle valve won't fully open
- Vacuum piston doesn't slide smoothly
- Brake dragging
- Clutch slipping
- Overheating
- Engine oil level too high
- Engine oil viscosity too high
- Drive train trouble

**Overheating:****Firing incorrect:**

- Spark plug dirty, broken, or maladjusted
- Spark plug incorrect
- IC igniter trouble

**Fuel/air mixture incorrect:**

- Main jet clogged or wrong size
- Fuel level in carburetor float bowl too low
- Carburetor holder loose
- Air cleaner poorly sealed, or missing
- Air cleaner duct poorly sealed
- Air cleaner clogged

**Compression high:**

- Carbon built up in combustion chamber

**Engine load faulty:**

- Clutch slipping
- Engine oil level too high
- Engine oil viscosity too high
- Drive train trouble
- Brake dragging

**Lubrication inadequate:**

- Engine oil level too low
- Engine oil poor quality or incorrect

**Coolant incorrect:**

- Coolant level too low
- Coolant deteriorated

**Cooling system component incorrect:**

- Radiator clogged
- Thermostat trouble
- Radiator cap trouble
- Thermostatic fan switch trouble
- Fan relay trouble
- Fan motor broken
- Fan blade damaged
- Water pump not turning
- Water pump impeller damaged

**Over Cooling:****Cooling system component incorrect:**

- Thermostatic fan switch trouble
- Thermostat trouble

**Clutch Operation Faulty:****Clutch slipping:**

- Friction plate worn or warped
- Steel plate worn or warped
- Clutch spring plate misalignment

- Clutch spring broken or weak
- Clutch release mechanism trouble
- Clutch hub or housing unevenly worn

**Clutch not disengaging properly:**

- Clutch plate warped or too rough
- Clutch spring tension uneven
- Engine oil deteriorated
- Engine oil viscosity too high
- Engine oil level too high
- Clutch housing frozen on drive shaft
- Clutch release mechanism trouble
- Clutch spring plate misalignment
- Incorrect installation of friction plates

**Gear Shifting Faulty:****Doesn't go into gear; shift pedal doesn't return:**

- Clutch not disengaging
- Shift fork bent or seized
- Gear stuck on the shaft
- Shift return spring weak or broken
- Shift return spring pin loose
- Pawl spring broken
- Shift mechanism arm broken

**Jumps out of gear:**

- Shift fork worn
- Gear groove worn
- Gear dogs and/or dog holes worn
- Shift drum groove worn
- Neutral positioning pin spring weak or broken
- Shift fork pin worn
- Drive shaft, output shaft, and/or gear splines worn

**Overshifts:**

- Neutral positioning pin spring weak or broken
- Pawl spring broken

**Abnormal Engine Noise:****Knocking:**

- IC igniter trouble
- Carbon built up in combustion chamber
- Fuel poor quality or incorrect
- Spark plug incorrect
- Overheating

**Piston slap:**

- Cylinder/piston clearance excessive
- Cylinder, piston worn
- Connecting rod bent
- Piston pin, piston holes worn

**Valve noise:**

- Valve clearance incorrect
- Valve spring broken or weak
- Camshaft bearing worn

**Other noise:**

- Connecting rod small end clearance excessive
- Connecting rod big end clearance excessive
- Piston ring worn, broken or stuck
- Piston seizure, damage
- Cylinder head gasket leaking
- Exhaust pipe leaking at cylinder head connection
- Crankshaft runout excessive
- Engine mounts loose

## 16-6 APPENDIX

Crankshaft bearing worn  
Camshaft chain tensioner trouble  
Camshaft chain, sprocket, guide worn

### Abnormal Drive Train Noise:

#### Clutch noise:

Weak or damaged damper  
Clutch housing/friction plate clearance excessive  
Clutch housing gear worn

#### Transmission noise:

Bearings worn  
Transmission gears worn or chipped  
Metal chips jammed in gear teeth  
Engine oil insufficient

#### Drive chain noise:

Drive chain adjusted improperly  
Chain worn  
Rear and/or engine sprocket worn  
Chain lubrication insufficient  
Rear wheel misaligned

### Abnormal Frame Noise:

#### Front fork noise:

Oil insufficient or too thin  
Spring weak or broken

#### Rear shock absorber noise:

Shock absorber damaged

#### Disc brake noise:

Pad installed incorrectly  
Pad surface glazed  
Disc warped  
Caliper trouble

#### Other noise:

Bracket, nut, bolt, etc. not properly mounted or tightened

### Oil Pressure Warning Light Goes On:

Engine oil pump damaged  
Engine oil screen clogged  
Engine oil level too low  
Engine oil viscosity too low  
Camshaft bearings worn  
Crankshaft bearings worn  
Oil pressure switch damaged  
Wiring damaged  
Relief valve stuck open  
O-ring at the oil pipe in the crankcase damaged

### Exhaust Smokes Excessively:

#### White smoke:

Piston oil ring worn  
Cylinder worn  
Valve oil seal damaged  
Valve guide worn  
Engine oil level too high

#### Black smoke:

Air cleaner clogged  
Main jet too large or fallen off  
Starter plunger stuck open  
Fuel level in carburetor float bowl too high

#### Brown smoke:

Main jet too small  
Fuel level in carburetor float bowl too low  
Air cleaner duct loose  
Air cleaner poorly sealed or missing

### Handling and/or Stability Unsatisfactory:

#### Handlebar hard to turn:

Steering stem locknut too tight  
Bearing damaged  
Steering bearing lubrication inadequate  
Steering stem bent  
Tire air pressure too low

#### Handlebar shakes or excessively vibrates:

Tire worn  
Swing arm pivot bearing worn  
Rim warped, or not balanced  
Wheel bearing worn  
Handlebar mounting bolts loose  
Steering stem head bolt loose

#### Handlebar pulls to one side:

Frame bent  
Wheel misalignment  
Swing arm bent or twisted  
Steering maladjusted  
Front fork bent  
Right/left fork legs oil level unbalanced

#### Shock absorption unsatisfactory:

(Too hard)  
Front fork oil excessive  
Front fork oil viscosity too high  
Tire air pressure too high  
Front fork bent  
(Too soft)  
Front fork oil insufficient and/or leaking  
Front fork oil viscosity too low  
Front fork, rear shock absorber spring weak  
Rear shock absorber oil leaking

### Brake Doesn't Hold:

Air in the brake line  
Pad or disc worn  
Brake fluid leak  
Disc warped  
Contaminated pad  
Brake fluid deteriorated  
Primary or secondary cup damaged  
Master cylinder scratched inside

**Battery Discharged:**

- Battery faulty (e.g., plates sulphated, shorted through sedimentation, electrolyte level too low)
- Battery leads making poor contact
- Load excessive (e.g., bulb of excessive wattage)
- Ignition switch trouble
- Alternator trouble
- Wiring faulty
- Regulator/Rectifier trouble

**Battery Overcharged:**

- Regulator/Rectifier trouble

---

**General Lubrication**


---

*Lubrication*

- Before lubricating each part, clean off any rusty spots with rust remover and wipe off any grease, oil, dirt, or grime.
- Lubricate the points listed below with indicated lubricant.

**NOTE**

- *Whenever the vehicle has been operated under wet or rainy conditions, or especially after using a high-pressure spray water, perform the general lubrication.*

**Pivots: Lubricate with Motor Oil.**

- Center Stand
- Side Stand
- Clutch Lever
- Brake Lever
- Brake Pedal
- Rear Brake Rod Joint

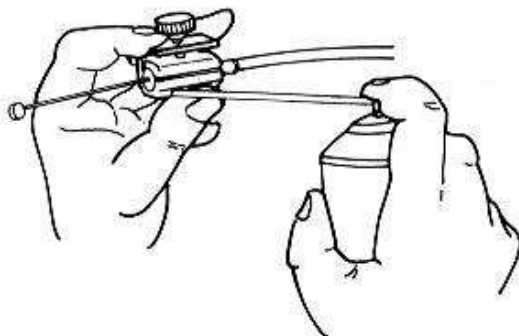
**Points: Lubricate with Grease.**

- Throttle Inner Cable Lower End
- Speedometer Inner Cable\*

- \*Grease the lower part of the inner cable sparingly.

**Cables: Lubricate with Motor Oil.**

- Choke Cable
- Throttle Cables
- Clutch Cable

**Cable Lubrication**


---

**Nut, Bolt, and Fastener Tightness**


---

*Tightness Inspection*

- Check the tightness of the bolts and nuts listed here. Also, check to see that each cotter pin is in place and in good condition.

**NOTE**

- *For the engine fasteners, check the tightness of them when the engine is cold (at room temperature).*

- ★ If there are loose fasteners, retorque them to the specified torque following the specified tightening sequence. Refer to the appropriate chapter for torque specifications. If torque specifications are not in the appropriate chapter, see the Standard Torque Table. For each fastener, first loosen it by ½ turn, then tighten it.

- ★ If cotter pins are damaged, replace them with new ones.

**Nut, Bolt, and Fastener to be checked****Wheels:**

- Front Axle Nut
- Rear Axle Nut
- Chain Adjusting Bolts and Locknuts
- Rear Sprocket Mounting Nuts

**Brakes:**

- Front Master Cylinder Clamp Bolts
- Front Caliper Mounting Bolts
- Rear Master Cylinder Mounting Bolt
- Rear Caliper Mounting Bolt
- Torque Link Nuts
- Brake Lever Pivot Nut
- Brake Pedal Bolt
- Brake Push Rod Clevis Cotter Pin

**Suspension:**

- Front Fender Mounting Bolts
- Rear Shock Absorber Mounting Bolts
- Swing Arm Pivot Shaft Nuts
- Uni-trak Link Nuts

**Steering:**

- Stem Head Bolt
- Handlebar Mounting Bolts
- Stem Head Bolt
- Handlebar Mounting Bolts
- Handlebar Clamp Bolts

**Engine:**

- Engine Mounting Bolts
- Cylinder Head Bolts
- Muffler Connecting Pipe Clamp Bolts
- Muffler Mounting Bolts
- Muffler Connecting Clamp Bolts
- Clutch Lever Pivot Nut

**Others:**

- Center Stand Bolts
- Side Stand Bolt
- Front Footpeg Mounting Bolts
- Footpeg Bracket Mounting Bolts
- Side Stand Bolt
- Side Stand Bracket Bolts

Unit Conversion Table

Prefixes for Units:

Prefix	Symbol	Power
mega	M	x 1,000,000
kilo	k	x 1,000
centi	c	x 0.01
milli	m	x 0.001
micro	μ	x 0.000001

Units of Mass:

kg	x	2.205	=	lb
g	x	0.03527	=	oz

Units of Volume:

L	x	0.2642	=	gal (US)
L	x	0.2200	=	gal (imp)
L	x	1.057	=	qt (US)
L	x	0.8799	=	qt (imp)
L	x	2.113	=	pint (US)
L	x	1.816	=	pint (imp)
mL	x	0.03381	=	oz (US)
mL	x	0.02816	=	oz (imp)
mL	x	0.06102	=	cu in

Units of Force:

N	x	0.1020	=	kg
N	x	0.2248	=	lb
kg	x	9.807	=	N
kg	x	2.205	=	lb

Units of Length:

km	x	0.6214	=	mile
m	x	3.281	=	ft
mm	x	0.03937	=	in

Units of Torque:

N-m	x	0.1020	=	kg-m
N-m	x	0.7376	=	ft-lb
N-m	x	8.851	=	in-lb
kg-m	x	9.807	=	N-m
kg-m	x	7.233	=	ft-lb
kg-m	x	86.80	=	in-lb

Units of Pressure:

kPa	x	0.01020	=	kg/cm <sup>2</sup>
kPa	x	0.1450	=	psi
kPa	x	0.7501	=	cm Hg
kg/cm <sup>2</sup>	x	98.07	=	kPa
kg/cm <sup>2</sup>	x	14.22	=	psi
cm Hg	x	1.333	=	kPa

Units of Speed:

km/h	x	0.6214	=	mph
------	---	--------	---	-----

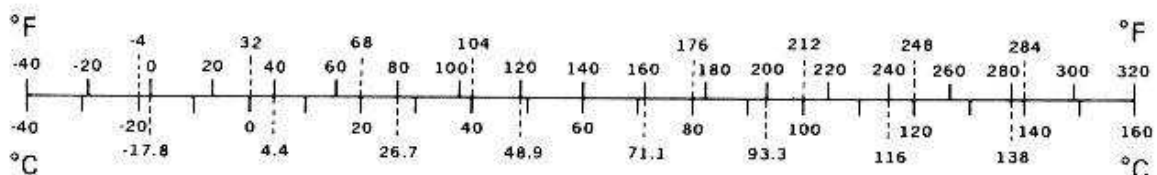
Units of Power:

kW	x	1.360	=	PS
kW	x	1.341	=	HP
PS	x	0.7355	=	kW
PS	x	0.9863	=	HP

Units of Temperature:

$$\frac{9(^{\circ}\text{C} + 40)}{5} - 40 = ^{\circ}\text{F}$$

$$\frac{5(^{\circ}\text{F} + 40)}{9} - 40 = ^{\circ}\text{C}$$



### MODEL APPLICATION

Year	Model	Beginning Frame No.
1988	EX250-F2 (US, Canada Model)	JKAEXMF1□JA000001
	EX250-F2 (Europe, General Model)	EX250 F-000001

: This digit in the frame number changes from one machine to another.

**KAWASAKI**  
HEAVY INDUSTRIES, LTD.  
CONSUMER PRODUCTS & COMPONENTS GROUP

Part No. 99924-1109-51

Printed in Japan