



Original Instruction Manual
Оригінальні інструкції з експлуатації
Oryginalna instrukcja obsługi
Manual de instrucțiuni original
Originalbetriebsanleitung
Eredeti használati útmutató
Pôvodný návod na obsluhu
Originální návod k obsluze

Important:

Read this instruction manual carefully before putting the brush cutter/string trimmer into operation and strictly observe the safety regulations! Preserve instruction manual carefully!

Важливо:

Уважно прочитайте ці інструкції з експлуатації перед тим, як використовувати куцюрізі/кордову газонокосарку, та строго дотримуйтесь правил з техніки безпеки!

Зберігайте цю інструкцію з експлуатації!

Ważne:

Przeczytać uważnie niniejszą instrukcję obsługi przed uruchomieniem kosy spalinowej/wykaszarki spalinowej i ściśle przestrzegać przepisów dotyczących bezpieczeństwa!

Przechowywać niniejszy podręcznik z należytą starannością!

Important:

Citiți cu atenție acest manual de instrucțiuni înainte de a pune în funcțiune motocositoarea/motocositoarea cu fir și respectați cu strictețe reglementările privind siguranța!

Păstrați cu atenție manualul de instrucțiuni!

Wichtig:

Lesen Sie vor Verwendung der Motorsense/des Motor Rasentrimmers diese Bedienungsanleitung aufmerksam durch und halten Sie die Sicherheitsregeln strikt ein!

Bewahren Sie diese Betriebsanleitung sorgfältig auf!

Fontos:

A bozótívágó/szegélyvágó első üzembe helyezése előtt figyelmesen olvassa át ezt a használati utasítást, és szigorúan tartsa be a biztonsági előírásokat!

Gondosan őrizze meg a használati utasítást!

Dôležité:

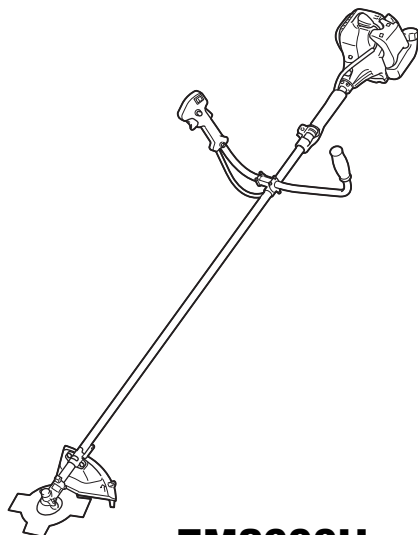
Pred uvedením krovinořezu/strunovej kosačky do prevádzky si pozorne prečítajte tento návod na obsluhu a striktné dodržiavajte bezpečnostné predpisy!

Tento návod na obsluhu starostlivo uschovajte!

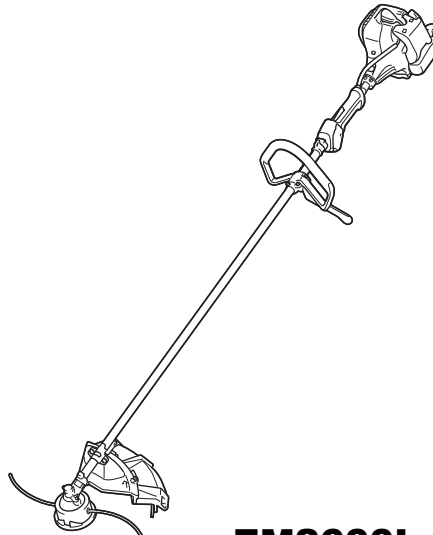
Důležité:

Před uvedením křovinořezu/strunové sekačky do provozu si důkladně prostudujte tento návod k obsluze a pečlivě dodržujte bezpečnostní směrnice!

Návod k obsluze pečlivě uschovejte!



EM2600U



EM2600L

Thank you for purchasing this MAKITA brush cutter/string trimmer. MAKITA brush cutters/string trimmers are developed as a product of our many years of knowledge, experience, and a detailed development programme. Please read this booklet thoroughly to ensure you gain the best possible performance and outstanding results that your MAKITA brush cutter/string trimmer can provide.



Table of Contents	Page
Symbols	2
Safety instructions.....	3
Technical data.....	7
Names of parts.....	8
Mounting the handle	9
Mounting the protector	10
Mounting the cutter blade/nylon cutting head	11
Fuel/Refuelling	12
Correct handling.....	13
Important operating points/stopping the cutter/ trimmer	13
Resharpener the cutting tool	15
Servicing instructions	17
Storage	19

Symbols

You need to note the following symbols when reading the instructions manual.

	Read instruction Manual		Wear eye and ear protection (for string trimmer only)
	Take Particular care and Attention		Wear protective helmet, eye and ear protection (for brush cutter only)
	Forbidden		Do not use metal blades (for string trimmer only)
	Keep your distance		Maximum permissible tool speed
	Flying object hazard		Hot surfaces - Burns to fingers or hands
	No Smoking		Fuel and oil mixture
	No open flames		Engine-Manual start
	Protective gloves must be worn		Emergency stop
	Kickback		First Aid
	Keep the area of operation clear of all persons and animals		ON/START
	Wear sturdy boots with nonslip soles. Steel- toed safety boots are recommended.		OFF/STOP
			START

Safety instructions

General Instructions

- To ensure correct operation, make sure that you read and fully understand this instruction manual to familiarise yourself with how to use the brush cutter/string trimmer. Using this equipment without understanding how to operate it correctly may result in serious injury to yourself or others.
- Only lend the brush cutter/string trimmer to people who have proved experienced with brush cutter/string trimmers. Always lend them this instruction manual at the same time.
- If this is your first time using an engine powered cutter, consult your dealer for basic instructions.
- Children and young persons aged under 18 years must not be allowed to operate the brush cutter/string trimmer. Persons over the age of 16 years may use the device for training purposes, only whilst under supervision of a qualified trainer.
- Use brush cutter/string trimmers with the utmost care and attention.
- Only operate the brush cutter/string trimmer if you are in good physical condition. Perform all work calmly and carefully. Users must accept responsibility for those around them.
- Never use the brush cutter/string trimmer after consumption of alcohol or medicines, or if you are feeling tired or ill.

WARNING: This power tool produces an electromagnetic field during operation. This field may under some circumstances interfere with active or passive medical implants. To reduce the risk of serious or fatal injury, we recommend persons with medical implants to consult their physician and the medical implant manufacturer before operating this machine.

Intended use of the equipment

- The brush cutter/string trimmer is only intended for cutting grass, weeds, bush and other such undergrowth, and should not be used for any other purpose such as edging or hedge cutting as this may cause injury.

Personal protective equipment

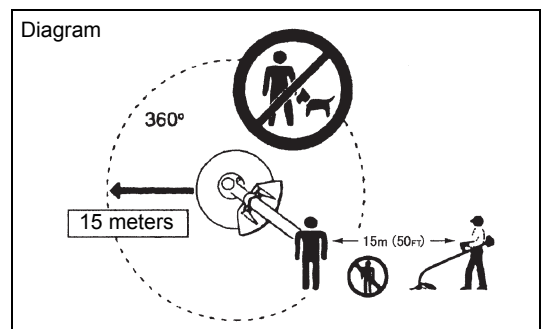
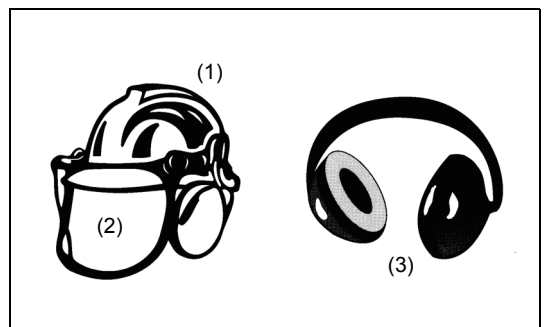
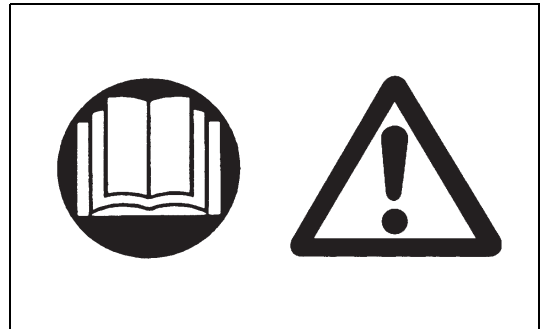
- Always wear clothing that is both functional and appropriate to your work, i.e. tight-fitting, but not so tight as to cause uncomfortable movement. Do not wear either jewelry or clothing which could become entangled with bushes or shrubs.
- In order to avoid head, eye, hand, or foot injuries, as well as to protect your hearing during operation, the following protective equipment and protective clothing must be used while using the brush cutter/string trimmer.
- Always wear a helmet where there is a risk of falling objects. The protective helmet (1) is to be checked at regular intervals for damage and is to be replaced at the latest after 5 years. Use only approved protective helmets.
- The visor (2) of the helmet (or alternatively goggles) protects the face from flying debris and stones. During operation of the brush cutter/string trimmer, always wear goggles or a visor to prevent eye injuries.
- Wear adequate noise protection equipment to avoid hearing impairment (ear muffs (3), ear plugs etc.).
- Work overalls (4) protect against flying stones and debris. We strongly recommend that you wear work overalls.
- Special gloves (5) made of thick leather are part of the prescribed equipment and must always be worn during operation of the brush cutter/string trimmer.
- When using the brush cutter/string trimmer, always wear sturdy shoes (6) with a non-slip sole. Such shoes protect against injuries and ensure good footing.

Residual risks

- Even when the power tool is used as prescribed it is not possible to eliminate all residual risk factors. The following hazards may arise in connection with the power tool's construction and design:
 1. Damage to lungs if an effective dust mask is not worn.
 2. Damage to hearing if effective hearing protection is not worn.
 3. Damages to health resulting from vibration emission if the power tool is being used over longer period of time or not adequately managed and properly maintained.

Starting the brush cutter

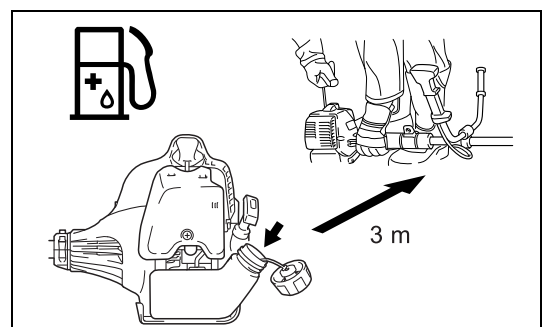
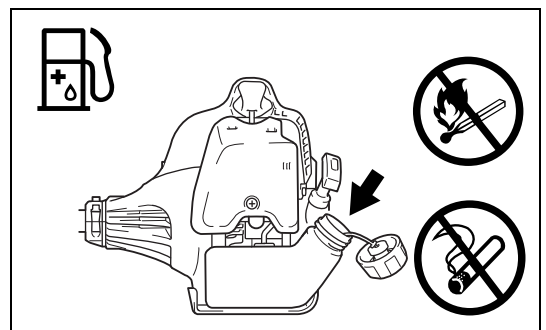
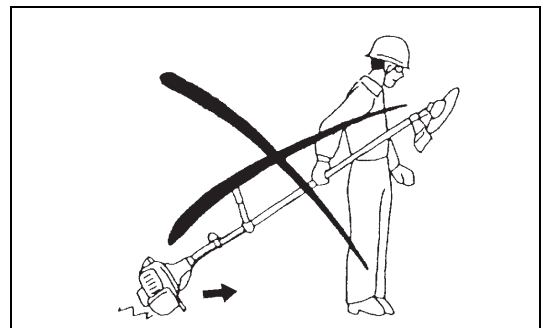
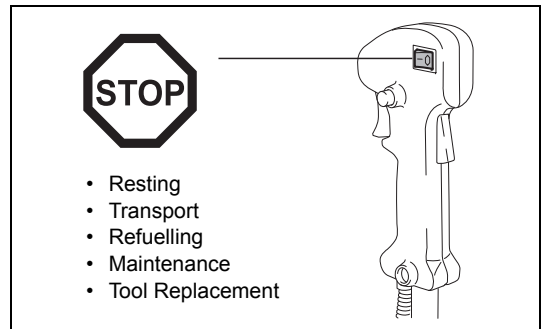
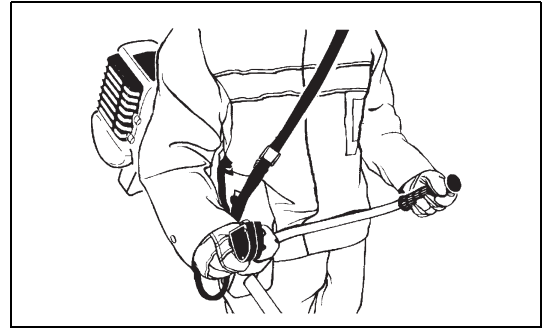
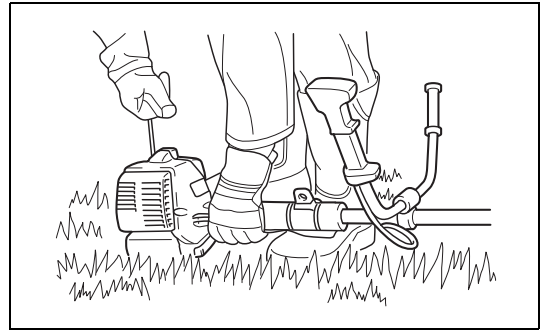
- Make sure that there are no children or other people within a working range of 15 meters (50ft), also pay attention to any animals in the working vicinity.
- Before use, always check that the brush cutter/string trimmer is safe for operation:
 - Check that the cutting tool is secure, that the control lever can be operated easily, and that the control lever lock is functioning correctly.
- Rotation of the cutting tool during idling is prohibited. Check with your dealer if you think the equipment may need adjusting. Check to make sure that the handles are clean and dry, and that the start/stop switch is functioning correctly.



- Start the brush cutter/string trimmer only in accordance with the instructions. Do not use any other methods to start the engine!
- Only use the brush cutter/string trimmer and tools for the specified purposes.
- Only start the brush cutter/string trimmer engine after the equipment is fully assembled. Do not operate the equipment until all of the appropriate accessories are attached!
- Before starting, make sure that the cutting tool is not in contact with hard objects such as branches, stones etc. as the cutting tool will rotate when starting.
- Switch off the engine immediately if any type of engine problem occurs.
- Should the cutting tool hit stones or other hard objects, immediately switch off the engine and inspect the cutting tool.
- Inspect the cutting tool at short regular intervals for damage (inspect for hairline cracks using the tapping test).
- Only operate the brush cutter/string trimmer after attaching and adjusting the shoulder strap to the correct length. The shoulder strap must be adjusted to the user's size and fastened to prevent fatigue during operation of the equipment. Never hold the cutter with one hand during operation.
- During operation, always hold the brush cutter/string trimmer with both hands. Always ensure you are on safe footing.
- Operate the brush cutter/string trimmer in such a manner as to avoid inhalation of the exhaust gases. Never run the engine in an enclosed space such as inside a room (risk of gas poisoning). Carbon monoxide is an odorless gas.
- Always switch off the engine when resting, or if you intend to leave the brush cutter/string trimmer unattended, and place it in a safe location to prevent injury to other people and damage to the equipment.
- Never put the hot brush cutter/string trimmer onto dry grass or onto any other combustible materials.
- The cutting tool must always be equipped with the appropriate guard. Never run the cutter without this guard!
- All protective installations and guards supplied with the equipment must be used during operation.
- Never operate the engine if the exhaust muffler is faulty.
- Shut off the engine during transport.
- When transporting the equipment, always attach the cover to the cutting blade.
- Ensure the brush cutter/string trimmer is positioned safely during transport to avoid fuel leakage.
- When transporting the brush cutter/string trimmer, ensure the fuel tank is completely empty.
- When unloading the brush cutter/string trimmer from a truck or other such vehicle, never drop the engine to the ground, as doing so may severely damage the fuel tank.
- Unless in an emergency, never drop or cast the brush cutter/string trimmer to the ground as doing so may severely damage the brush cutter/string trimmer.
- Always lift the entire equipment from the ground when moving it. Dragging the equipment on its fuel tank is extremely dangerous and may cause fuel to leak, which may cause fire.
- If the equipment gets heavy impact or fall, check the condition before continuing work. Check the fuel system for fuel leakage and the controls and safety devices for malfunction. If there is any damage or doubt, ask our authorized service center for the inspection and repair.

Refuelling

- Shut off the engine during refuelling, keep away from open flames and do not smoke during refuelling.
- Ensure mineral oil products do not come into contact with skin. Do not inhale the fuel vapor. Always wear protective gloves during refuelling. Change and clean protective clothing at regular intervals.
- To prevent soil contamination (environmental protection), make sure you do not spill fuel or oil on the ground. If you do spill fuel, clean the brush cutter/string trimmer immediately.
- Make sure fuel does not come into contact with your clothing. If fuel does come into contact with your clothing, change your clothing immediately to prevent fire.
- Inspect the fuel cap at regular intervals to make sure that it can be securely fastened and does not leak.
- Carefully tighten the fuel tank cap. Once refuelling is complete, move to a location at least 3 meters away from where you refuelled before starting the engine.
- Never refuel in an enclosed space such as inside a room. Doing so may cause an explosion due to the accumulation of fuel vapor at ground level.



- Only transport and store fuel in approved containers. Make sure stored fuel is not accessible to children.

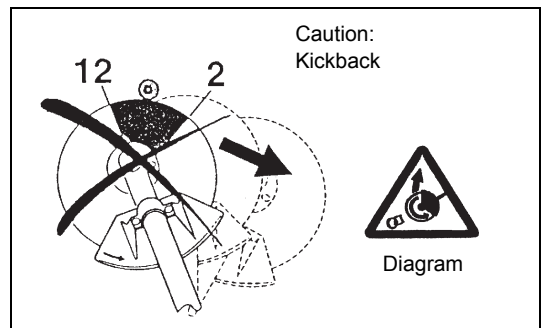
Method of operation

- Only use the brush cutter/string trimmer in good light and visibility. During the winter season, beware of slippery or wet areas such as icy or snow-covered areas (risk of slipping). Always ensure you are on safe footing.
- Never cut above waist height.
- Never stand on a ladder while using the brush cutter/string trimmer.
- Never climb up into trees to use with the brush cutter/string trimmer.
- Never work on unstable surfaces.
- Remove sand, stones, nails etc. found within the working range. Foreign objects may damage the cutting tool and can cause dangerous kickbacks.
- Before starting to cut, make sure the cutting tool has reached full working speed.
- If grass or branches get caught between the cutting tool and guard, always stop the engine before cleaning. Otherwise unintentional blade rotation may cause serious injury.
- Take a rest to prevent loss of control caused by fatigue. We recommend to take a 10 to 20-minute rest every hour.



Kickback (blade thrust)

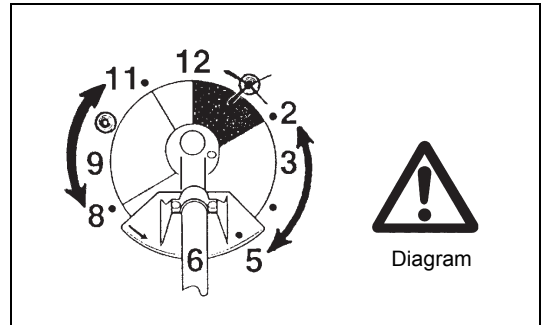
- When operating the brush cutter, uncontrolled kickbacks may occur.
- Kickbacks occur frequently when attempting to cut with the 12 to 2 o'clock section of the blade.
- Never apply the 12 to 2 o'clock section of the brush cutter blade.
- Never apply this section of the brush cutter blade to solid objects, such as bushes or trees etc. that have a diameter greater than 3 cm. Doing so will cause the brush cutter to deflect with a large amount of force, which is extremely dangerous and may cause injury.



Kickback prevention

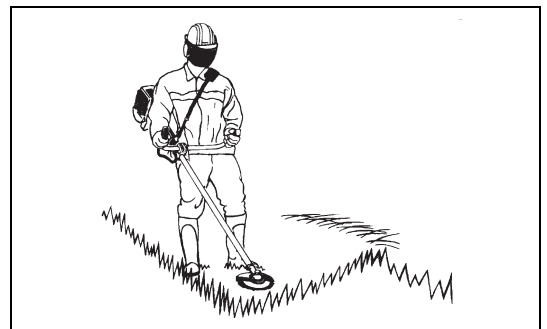
To avoid kickbacks, remember the following:

- Using the 12 to 2 o'clock section of the blade is extremely hazardous, especially when using metal cutting tools.
- Cutting operations using the 11 to 12 o'clock section and 2 to 5 o'clock section of the blade must only be performed by trained and experienced operators, and then only at their own risk.
The optimum cutting section for easy cutting with almost no kickback is between the 8 to 11 o'clock section of the blade.



Cutting Tools

- Use an applicable cutting tool for the job in hand.
Nylon cutting heads (string trimmer heads) are suitable for trimming lawn grass.
Metal blades are suitable for cutting weeds, high grasses, bushes, shrubs, underwood, thicket, and the like.
Never use other blades including metal multi-piece pivoting chains and flail blades. Otherwise serious injury may result.
- When using metal blades, avoid "kickback" and always prepare for an accidental kickback. See the section "Kickback" and "Kickback prevention".



Maintenance instructions

- Have your equipment serviced by our authorized service center, always using only genuine replacement parts. Incorrect repair and poor maintenance can shorten the life of the equipment and increase the risk of accidents.
- Always check the condition of the cutter, in particular the cutter protective devices and shoulder strap, before commencing work. Particular attention should also be paid to the cutting blades, which must be correctly sharpened.
- Turn off the engine and remove the spark plug connector when replacing or sharpening cutting tools, and also when cleaning the cutter or cutting tool.

Never straighten or weld damaged cutting tools.

- Operate the brush cutter/string trimmer with as little noise and contamination as possible. In particular, check that the carburetor is set correctly.
- Clean the brush cutter/string trimmer at regular intervals and check that all screws and nuts are well tightened.
- Never service or store the brush cutter/string trimmer in the vicinity of naked flames.
- Always store the brush cutter/string trimmer in locked rooms and with an emptied fuel tank.
- When cleaning, servicing and storing the equipment, always attach the cover to the cutting blade.

Observe the relevant accident prevention instructions issued by the relevant trade associations and insurance companies.

Do not perform any modifications on the brush cutter/string trimmer, as doing so will endanger your safety.

The performance of maintenance or repair work by the user is limited to those activities described in the instruction manual. All other work is to be done by an Authorized Service Agent. Use only genuine spare parts and accessories released and supplied by MAKITA.

Using non-approved accessories and tools will cause an increased risk of accidents.

MAKITA will not accept any liability for accidents or damage caused by the use of non-approved cutting tools, fixing devices of cutting tools, or accessories.

First Aid

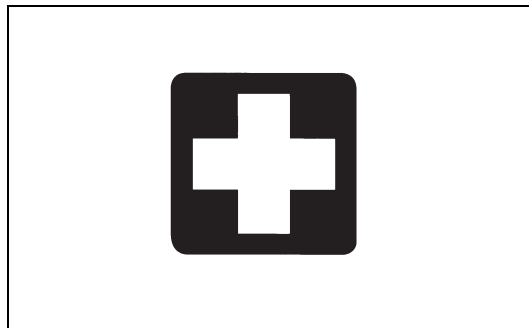
In case of accident, make sure that a first-aid box is available in the vicinity of the cutting operations. Immediately replace any item taken from the first aid box.

When asking for help, please give the following information:

- Place of the accident
- What happened
- Number of injured persons
- Kind of injuries
- Your name

Vibration

- People with poor circulation who are exposed to excessive vibration may experience injury to blood vessels or the nervous system. Vibration may cause the following symptoms to occur in the fingers, hands or wrists: "Falling asleep" (numbness), tingling, pain, stabbing sensation, alteration of skin color or of the skin. If any of these symptoms occur, see a physician!
- To reduce the risk of "white finger disease", keep your hands warm during operation and well maintain the equipment and accessories.



For European countries only

EC Declaration of Conformity

We Makita Corporation as the responsible manufacturer declare that the following Makita machine(s):

Designation of Machine: Brush Cutter/String Trimmer

Model No./ Type: EM2600U, EM2600L

Specifications: see "TECHNICAL DATA" table

are of series production and

Conforms to the following European Directives:

2000/14/EC, 2006/42/EC, 2004/108/EC

And are manufactured in accordance with the following standards or standardized documents:

EN ISO 11806-1, EN ISO 14982

The technical documentation is kept by:

Makita International Europe Ltd., Technical Department,

Michigan Drive, Tongwell, Milton Keynes, Bucks MK15 8JD, England

The conformity assessment procedure required by Directive 2000/14/EC was in Accordance with annex V.

Measured Sound Power Level (as a grass trimmer): 109.77 dB

Measured Sound Power Level (as a brush cutter): 107.29 dB

Guaranteed Sound Power Level: 112 dB

15. 4. 2013

A handwritten signature in black ink, appearing to read 'Tomoyasu Kato'.

Tomoyasu Kato
Director

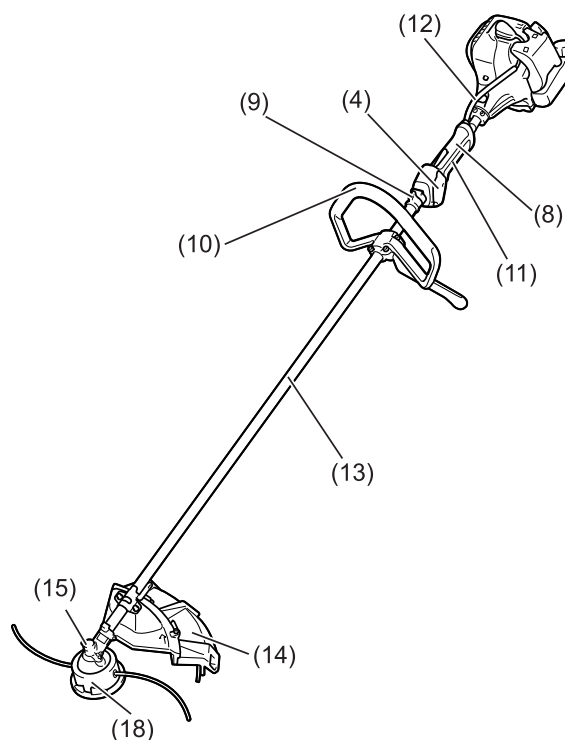
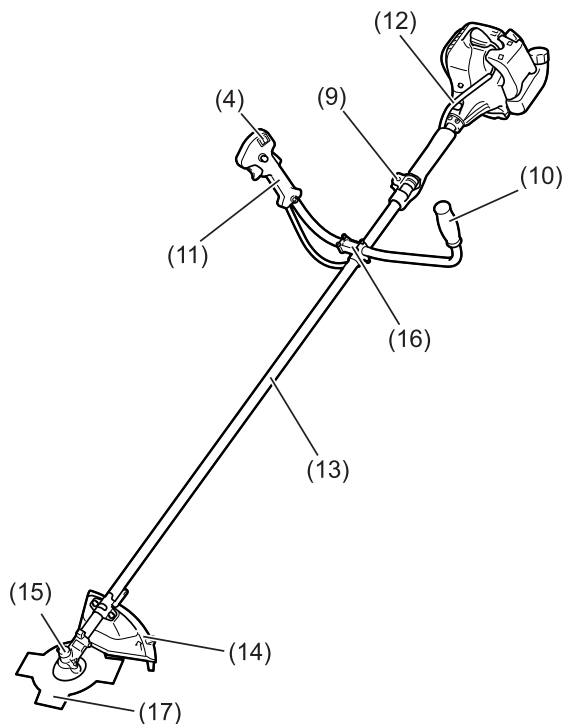
Makita Corporation
3-11-8, Sumiyoshi-cho,
Anjo, Aichi, JAPAN

Technical data

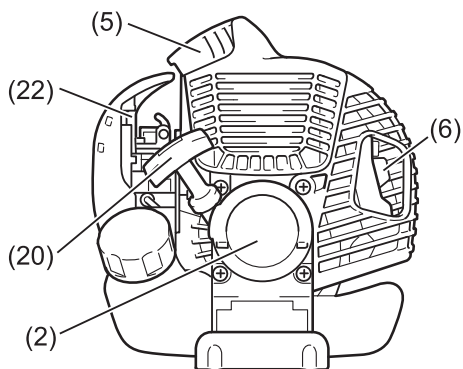
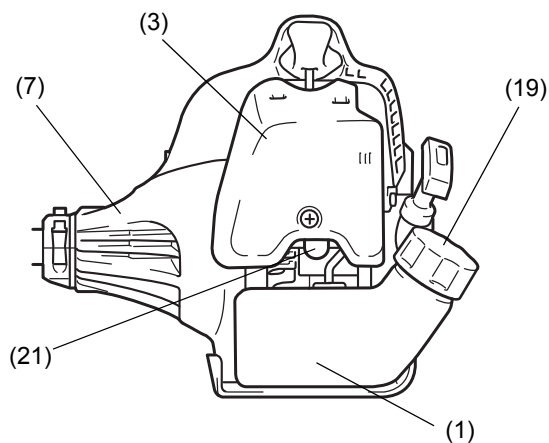
Model		EM2600U	EM2600L
		U handle	Loop handle
Dimensions: length x width x height (without cutting blade)		1,770 x 610 x 410 mm	1,770 x 330 x 185 mm
Net Weight		5 kg	5 kg
Engine displacement		25.7 cm ³	
Maximum engine performance		0.83 kW	
Maximum rotational frequency of the spindle		8,800 min ⁻¹	
Cutting attachment	Single piece metal blade	φ230 mm	
	String trimmer head	φ430 mm	
Idling speed		3,000/min	
Clutch engagement speed		4,100/min	
Gear ratio		14/19	
Fuel		Mixed gas Gasoline: Two-stroke Engine Oil = 50:1	
Volume (fuel tank)		0.6 L	
Carburetor		WALBRO WYC	
Ignition system		Solid state ignition	
Spark plug		NGK BPMR7A	
Electrode gap		0.6 - 0.7 mm	
Vibration: (For brush cutter)	Left handle (Front grip)	14.680 m/s ² K = 1.5 m/s ²	5.152 m/s ² K = 1.5 m/s ²
	Right handle (Rear grip)	9.037 m/s ² K = 1.5 m/s ²	9.677 m/s ² K = 1.5 m/s ²
Vibration: (For grass trimmer)	Left handle (Front grip)	7.961 m/s ² K = 1.5 m/s ²	8.83 m/s ² K = 1.5 m/s ²
	Right handle (Front grip)	7.019 m/s ² K = 1.5 m/s ²	14.381 m/s ² K = 1.5 m/s ²
Noise (tested according to 2000/14/EC & 2005/88/EC):			
Sound pressure level at the operator's position (Grass trimmer):		98.52 dB (A) K = 2.5 dB (A)	
Sound pressure level at the operator's position (Brush cutter):		96.15 dB (A) K = 2.5 dB (A)	
Measured sound power level (Grass trimmer):		109.77 dB (A) K = 2.5 dB (A)	
Measured sound power level (Brush cutter):		107.29 dB (A) K = 2.5 dB (A)	
Noise (tested according to 2000/14/EC & 2005/88/EC): guaranteed sound power values		112 dB (A)	

Names of parts

EM2600U U Handle Type



EM2600L Loop Handle Type



Names of parts	
1	Fuel Tank
2	Rewind Starter
3	Air Cleaner
4	I-Stop Switch (on/off)/Start-Stop Switch
5	Spark Plug
6	Exhaust Muffler
7	Clutch Case
8	Rear Grip
9	Hanger
10	Handle
11	Control Lever
12	Control Cable
13	Shaft
14	Protector (Cutting tool guard)
15	Gear Case
16	Handle Holder
17	Cutter Blade
18	Nylon Cutting Head
19	Fuel Filler Cap
20	Starter Knob
21	Primer Pump
22	Choke Lever

Mounting the handle

CAUTION: Before doing any work on the brush cutter, always stop the engine and disconnect the spark plug connector from the spark plug.

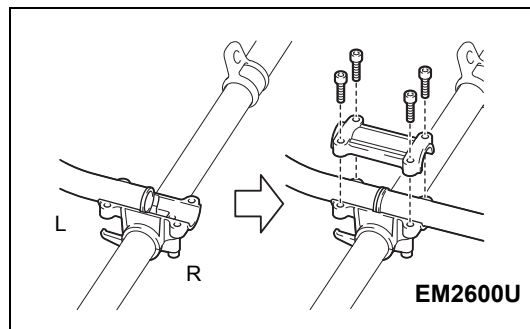
Always wear protective gloves!

CAUTION: Ensure you have reassembled the brush cutter completely before starting it.

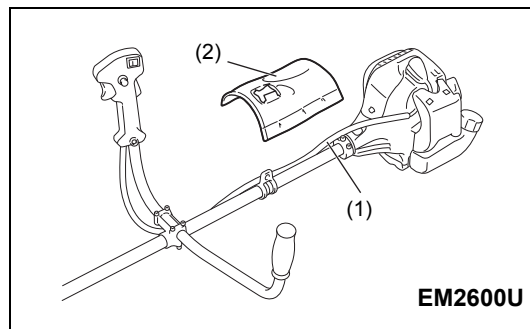


For U handle models

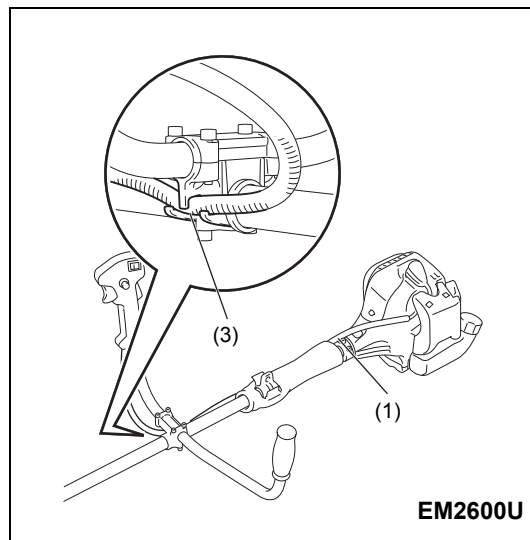
- Place the two handles onto the handle holder. The control lever must come right side when you look towards the cutting tool.
- Fit the handle ends to the groove on the handle holder and fit the clamp on them. Loosely tighten them with four bolts for adjustment.
- Adjust handles' angle, and then tighten all bolts evenly by a hex wrench.



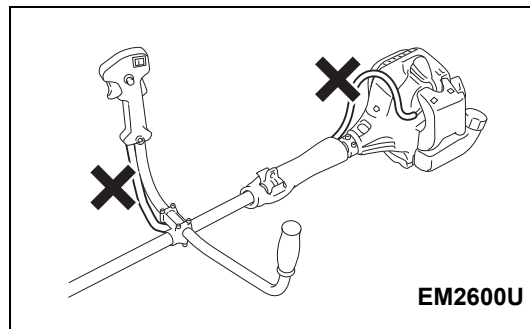
- Place the throttle cable (1) to the control lever side of the shaft. And then wrap them with the waist pad (2).



- Insert the throttle cable (1) into the clamping slot (3) of the handle holder.
- Make sure the throttle cable is positioned as shown.
- Operate the control lever and make sure it moves smoothly.

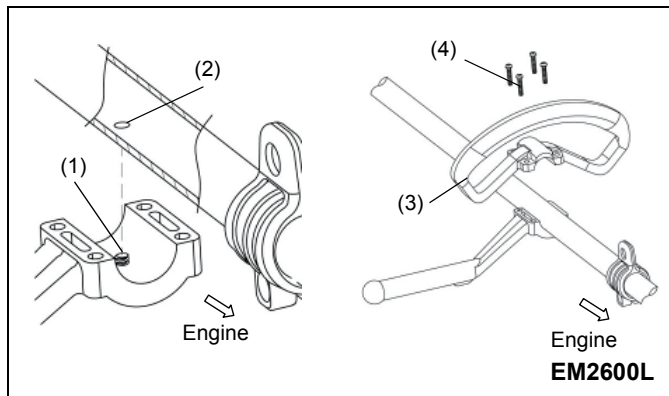


CAUTION: Do not position the throttle cable as shown. Otherwise curved cable may cause high idle speed, and uncontrollable blade may cause personal injury.



For loop handle model

- Put the thread (1) on handle holder into the location hole (2) on tube.
- Fix the assistant handle (3) onto the barrier.
- Tighten the 4 bolts (4) M5 x 30.

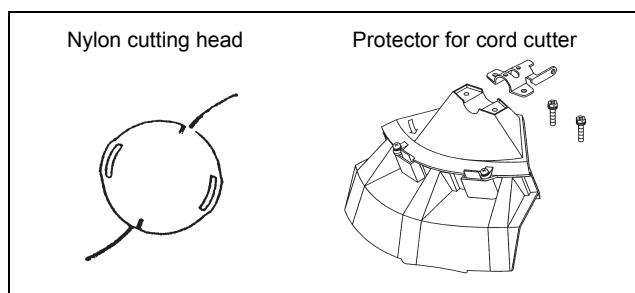
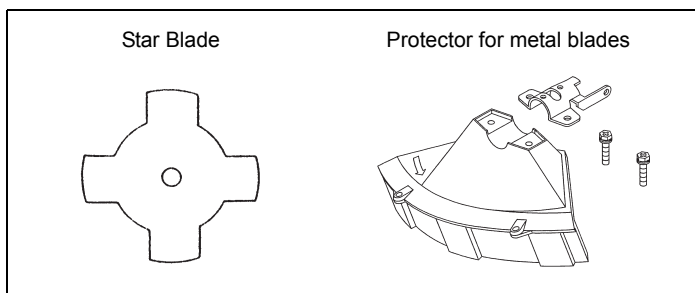


Mounting the protector

To meet the applicable safety standards, you must only use the tool/protector combinations indicated in the table.

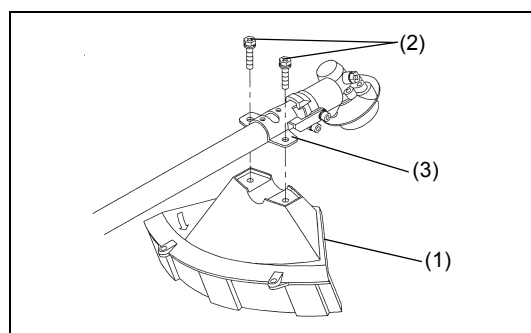
Always use genuine MAKITA cutter blades/nylon cutting head.

- The cutter blade must be well polished, and free of cracks or breakages. If the cutter blade hits against a stone during operation, stop the engine and check the blade immediately.
- Polish or replace the cutter blade every three hours of operation.
- If the nylon cutting head hits against a stone during operation, stop the engine and check the nylon cutting head immediately.

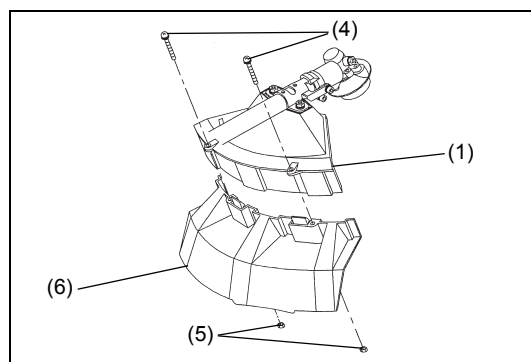


CAUTION: The appropriate protectors must always be installed for your own safety and in order to comply with accident-prevention regulations. Operation of the equipment without the guard installed is prohibited.

- Fix the protector (1) to the clamp (3) with two M6 x 30 bolts (2).



- When using the string head, fit the protector (6) into the protector (1), and tighten them with two nuts (5) and two screws (4).

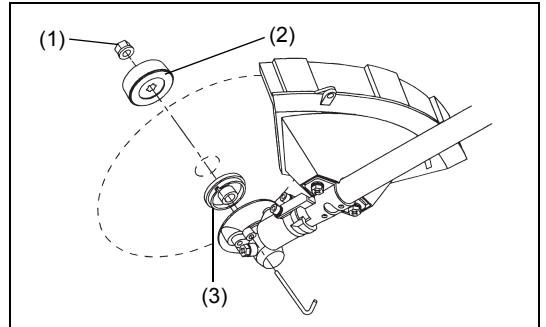


Mounting the cutter blade/nylon cutting head

The cutter blade or nylon cutting head can be replaced easily by first turning the equipment upside down.



- Insert the hex wrench through the hole in the gear case and rotate the receiver washer (3) until it is locked with the hex wrench.
- Loosen the nut/spring washer (1) (left-hand thread) with the socket wrench, and remove the nut/spring washer (1) and clamp washer (2).

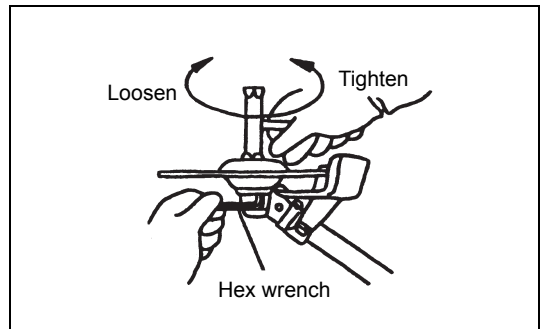


With the hex wrench still in place

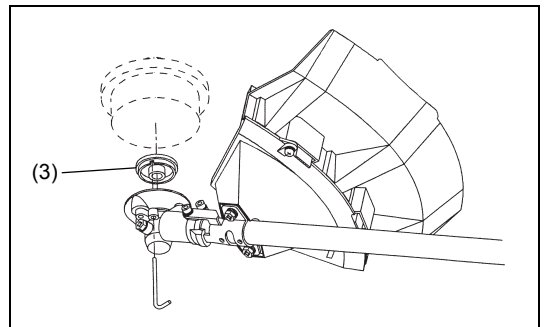
- Mount the cutter blade onto the shaft so that the guide of the receiver washer (3) fits in the arbor hole in the cutter blade. Install the clamp washer (2) and secure the cutter blade with the nut/spring washer (1). [Tightening torque: 13 - 23 N-m]

NOTE: Always wear gloves when handling the cutter blade.

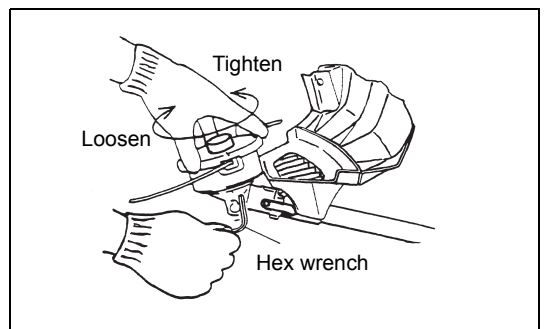
NOTE: The cutter blade-fastening nut (with spring washer) is a consumable part. If there appears any wear or deformation on the spring washer, replace the nut.



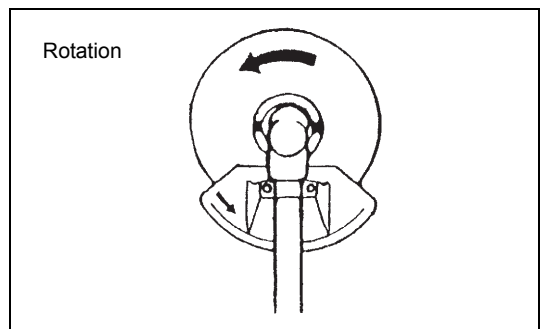
NOTE: The clamp washer (2), and nut/spring washer (1) are not necessary for mounting the nylon cutting head. The nylon head should go on top of the receiver washer (3).



- Screw the nylon cutting head onto the shaft.



- Make sure that the blade rotates counterclockwise.





Handling fuel

Utmost care is required when handling fuel. Fuel may contain substances similar to solvents. Refuel either in a well ventilated room or outdoors. Do not inhale fuel vapors, and avoid any contact of fuel or oil with your skin. Mineral oil products degrease your skin. Prolonged skin contact with these products will cause your skin to become extremely dry, which may result in various kinds of skin disease. In addition, allergic reactions may occur. Eyes can be irritated by contact with oil. If oil comes into your eyes, immediately wash them with clear water. If your eyes are still irritated, see a doctor immediately.



Fuel and oil mixture

The brush cutter engine is a high-efficiency two-stroke engine. It runs on a mixture of fuel and two-stroke engine oil. The engine is designed for unleaded regular fuel with a min. octane value of 91 RON. If for any reason no such fuel is available, you can use fuel with a higher octane value. This will not affect the engine, but it may cause poor operating behaviour. Similar problems will arise from the use of leaded fuel. To obtain optimum engine operation and to protect your health and the environment, use only unleaded fuel!



To lubricate the engine, add two-stroke engine oil (quality grade: JASO FC or ISO EGD) to the fuel. The engine has been designed to use the specified two-stroke engine oil at mixture ratio of 50:1 to protect the environment. Additionally, long service life accompanied by reliable operation and minimum emissions are guaranteed through the use of this mixture ratio. Reliable functioning of the brush cutter cannot be guaranteed unless this mixture ratio of 50:1 (specified 2-stroke engine oil) is strictly observed.

Correct mixture ratio:

Gasoline: Specified two-stroke engine oil = 50 : 1 or
 Gasoline: Other manufacturer's two-stroke engine oil = 25 : 1 recommended

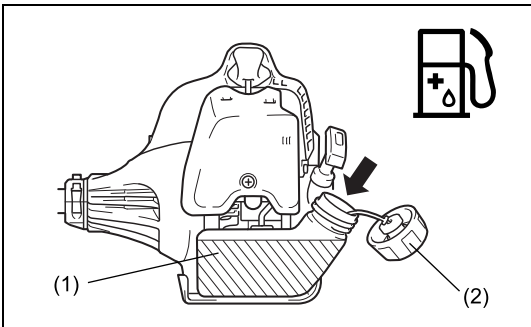
Gasoline	50:1	25:1
	+	
1,000 cm ³ (1 liter)	20 cm ³	40 cm ³
5,000 cm ³ (5 liter)	100 cm ³	200 cm ³
10,000 cm ³ (10 liter)	200 cm ³	400 cm ³

NOTE: To prepare the fuel-oil mixture, first mix the entire oil quantity with half of the fuel required, then add the remaining fuel. Thoroughly shake the mixture before pouring it into the brush cutter tank. To ensure safe operation, do not add more engine oil than the specified amount. Doing so will only result in a higher production of combustion residues which pollute the environment and clog the exhaust channel in the cylinder as well as the muffler. In addition, the fuel consumption will rise and the performance will decrease.

Refuelling

The engine must be switched off.

- Thoroughly clean the area around the fuel filler cap (2) to prevent dirt from getting into the fuel tank (1).
- Unscrew the fuel filler cap (2) and fill the tank with fuel.
- Tightly screw on the fuel filler cap (2).
- Clean the screw fuel filler cap (2) and tank after refueling.



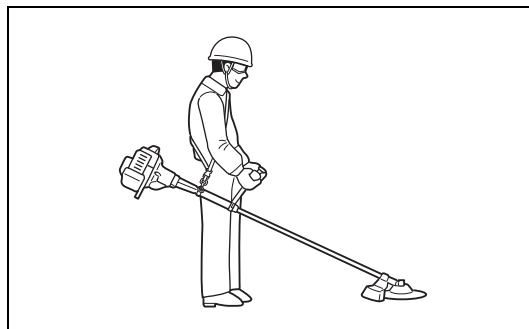
Storage of Fuel

Fuel cannot be stored for an unlimited period of time. Purchase only the quantity required for a 4-week operating period. Only use approved fuel storage containers.

Correct handling

Attachment of shoulder strap

- Adjust the strap length so that the cutter blade is kept parallel with the ground.



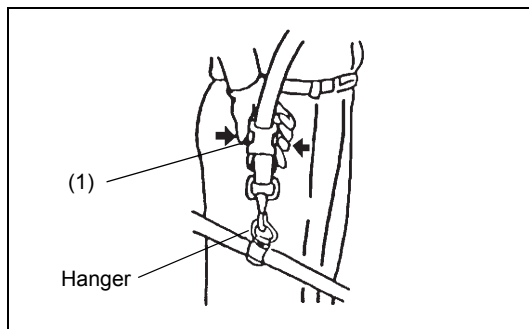
Detachment

- In case of emergency, push the notches (1) at both sides, and detach the equipment.

Be extremely careful to maintain control of the equipment at this time. Do not allow the equipment to be deflected toward you or anyone in your vicinity.

WARNING: Failure to maintain complete control of the machine at all could result in serious injury or DEATH.

Note: In some countries, shoulder strap does not have this detachment function.



Important operating points/stopping the cutter/trimmer

Observe the applicable accident prevention regulations.



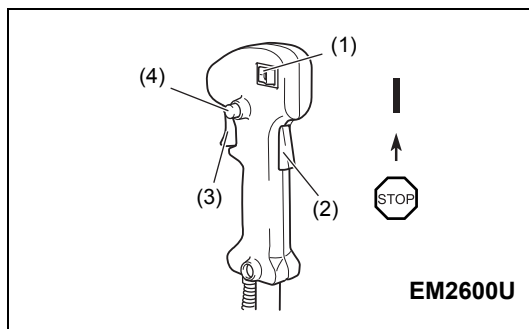
Starting

Move at least 3 m away from the area where you refuelled the equipment. Place the brush cutter on a clean piece of ground taking care that the cutting tool does not come into contact with the ground or any other objects.

WARNING: Pay attention that the cutting tool rotates immediately after the engine starts.

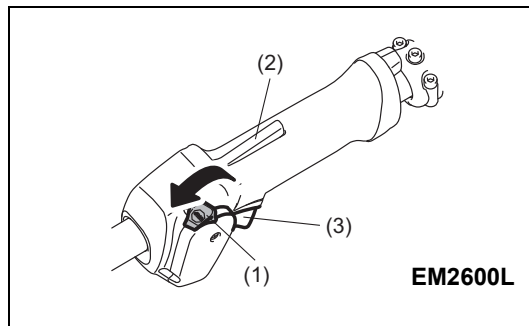
Cold start for U handle models

- Set the I-Stop Switch (on/off) (1) as illustrated.
- Grasp the handle (hand pressure activates the safety lock-off lever (2)).
- Press the throttle lever (3) and hold it down.
- Press the lock button (4) and release the control lever, and then release the lock button (the lock button holds the throttle lever in the start-up position).



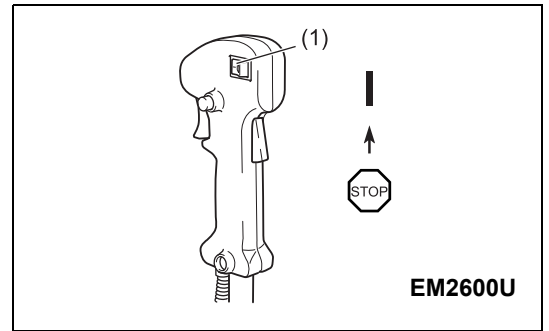
Cold start for loop handle models

- Set the Start-Stop Switch (1) to start position as illustrated.
- Grasp the handle (hand pressure activates the safety lock-off lever (2)).
- Press the throttle lever (3) and hold it down.
- Set the Start-Stop Switch (1) to start position and release the control lever, and then release the Start-Stop Switch (the Start-Stop Switch holds the throttle lever in the start-up position).



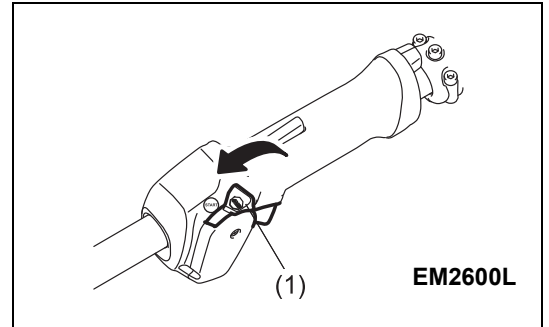
Warm start for U handle models

- Set the I-Stop Switch (on/off) (1) as illustrated.

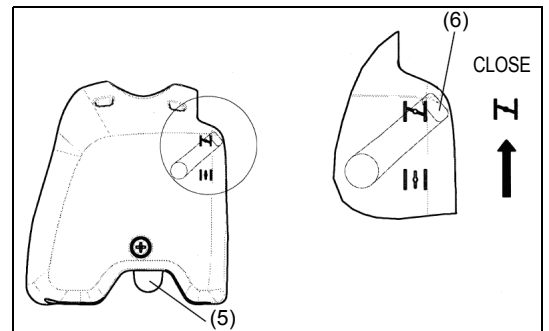


Warm start for loop handle models

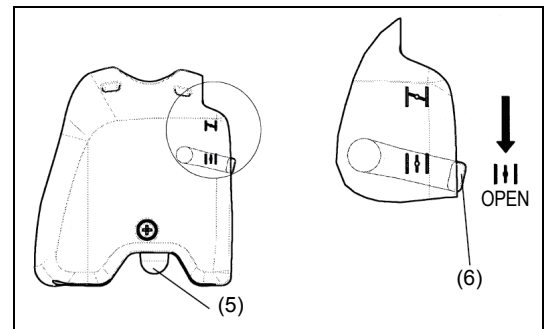
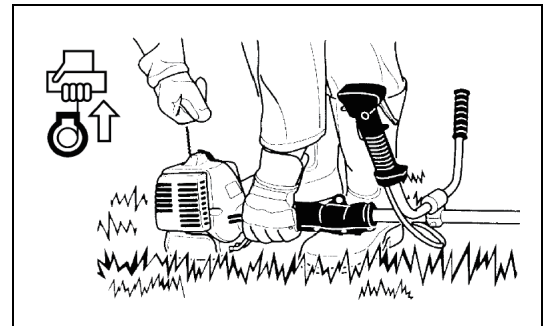
- Set the Start-Stop Switch (1) to neutral position as illustrated.



- First, place the equipment on the ground.
- Gently press the primer pump (5) repeatedly (7-10 times) until fuel comes into the primer pump.
- Close the choke lever (6).
 - Choke opening:
 - Fully closed in cold temperatures or when the engine is cold
 - Fully or half open for restart while the engine is still warm



- Firmly hold the clutch case with your left hand, as illustrated.
- Slowly pull the starter grip until you feel resistance, and then continue to pull sharply.
- Do not pull out the starter rope to its full extent, and do not allow the starter handle to retract by itself. Maintain control of the starter rope and ensure it retracts slowly.
- Repeat the starting operation until you hear the engine's initial ignitions.
- Depress the choke lever (6) (↓) and pull the starter rope again until the engine starts.
- As soon as the engine starts, immediately tap and release the throttle, to release the half-throttle lock and allow the engine to idle.
- Run the engine for approximately one minute at a moderate speed before applying full throttle.



- NOTE:**
- If you pull the starter handle repeatedly when the choke lever is in the at "↓" position, the engine will not start easily due to excessive fuel intake.
 - If excessive fuel intake occurs, remove the spark plug and pull the starter handle slowly to remove excess fuel. Also, dry the electrode section of the spark plug.

Caution during operation:

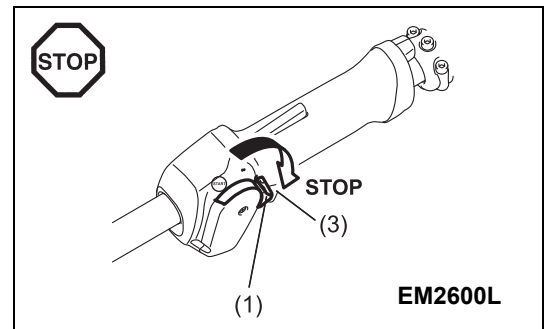
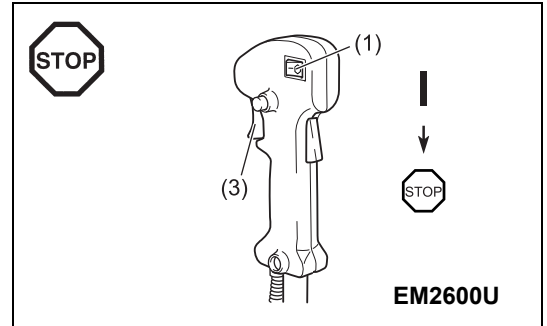
If the throttle lever is opened fully during a no-load operation, the engine revolutions increase over 10,000 min⁻¹. Never operate the engine at a higher speed than required, and keep the revolutions at an approximate speed of 6,000 - 8,000 min⁻¹.

CAUTION: Always reduce the engine revolutions when the equipment is not being used for work.

Operating the equipment at high revolutions when not being used for work will shorten the lifespan of the equipment.

Stopping

- Release the throttle lever (3) fully, and when the engine rpm has lowered, push the I-Stop Switch (on/off)/Start-Stop Switch (1) to "STOP" position to stop the engine.
- Be aware that the cutting head may not stop immediately, and always allow it to slow down and stop fully by itself.



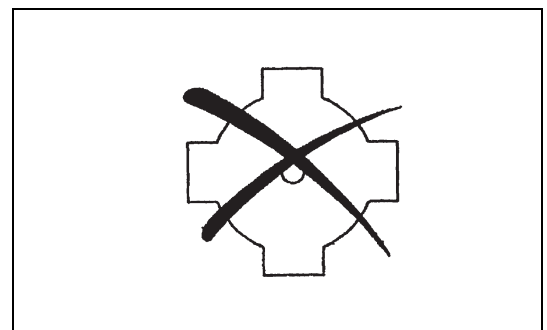
Resharpener the cutting tool

CAUTION: The cutting tools listed below must only be resharpener by an authorized facility. Manual resharpener will result in imbalances of the cutting tool, which will cause vibrations and damage to the equipment.

- cutter blade (star blade (4 teeth))

A professional resharpener and balancing service is provided by Authorized Service Agents.

NOTE: To increase the service life of the cutter blade (star blade) the blade may be turned over to allow both cutting edges to wear.

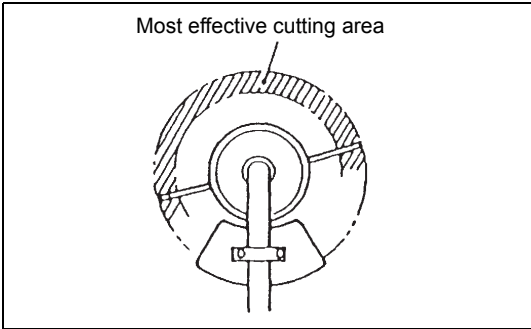


NYLON CUTTING HEAD

The nylon cutting head is a dual string trimmer head capable of both automatic and bump & feed mechanisms. The nylon cutting head will automatically feed out the proper length of nylon cord by the changes in centrifugal force caused by increasing or decreasing rpms. However, to cut soft grass more efficiently, bump the nylon cutting head against the ground to feed out the nylon cord as shown in operation section.

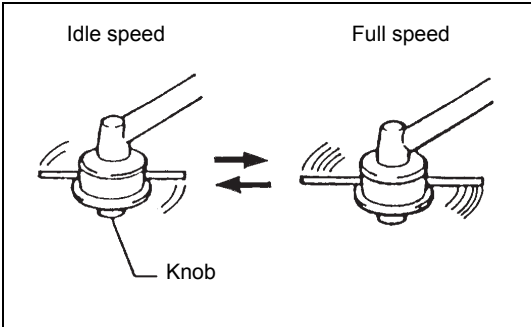
Operation

- Increase the nylon cutting head speed to approx. 6,000 min⁻¹. Nylon cord will not feed out correctly at lower speeds (under 4,800 min⁻¹).
- The most effective cutting area is shown by the shaded area in the diagram to the right.



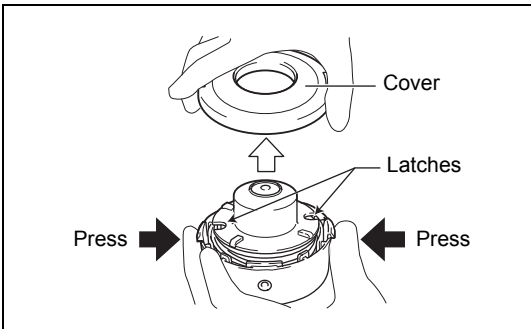
If the nylon cord does not feed out automatically, follow the instructions below:

1. Release the throttle lever so that the engine idles, and then squeeze the throttle lever fully. Repeat this procedure until the nylon cord feeds out to the proper length.
2. If the nylon cord is too short to feed out automatically using the procedure above, bump the knob of the nylon cutting head against the ground to feed out the nylon cord.
3. If the nylon cord does not feed out using procedure 2, rewind/replace the nylon cord by following the procedures described under "Replacing the nylon cord".

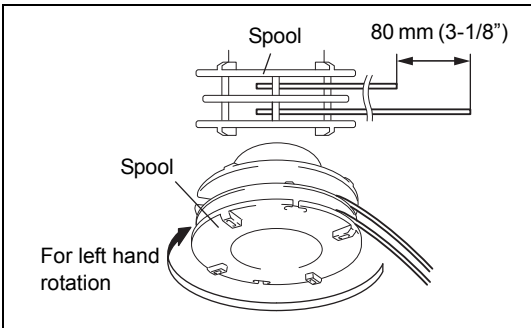


Replacing the nylon cord

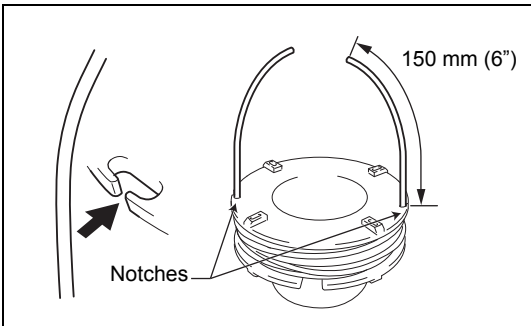
- Stop the engine.
- Press the housing latches inward to lift off the cover, then remove the spool.



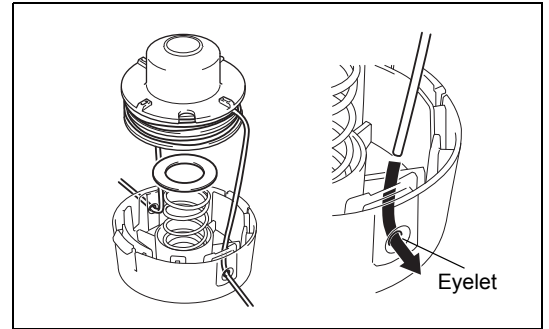
- Hook the center of new nylon cord into the notch in the center of the spool, with one end of the cord extending about 80 mm (3-1/8") more than the other. Then wind both ends firmly around the spool in the direction of the head rotation (left-hand direction indicated by LH and right-hand direction by RH on the side of the spool).



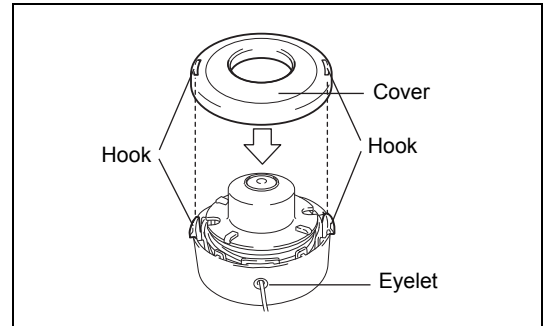
- Wind all but about 150 mm (6") of the cords around the spool, leaving the ends temporarily hooked through the notch on the side of the spool.



- Feed the cords through the eyelets to come out of the housing. Mount the washer, spring, and spool in the housing.



- Align the hooks on the the cover and the housing. Then push cover firmly onto the housing to secure it.



Servicing instructions

Servicing instructions

CAUTION: Before performing any type of maintenance work on the brush cutter, always switch off the motor and detach the plug cap from the spark plug (see "checking the spark plug"). Always wear protective gloves.

CAUTION: Never remove the recoil starter yourself. Doing so may cause an accident. This procedure should only be performed by an Authorized Service Agent.

To ensure a long service life and to avoid any damage to the equipment, perform the following maintenance operations regularly.

Daily inspection and maintenance

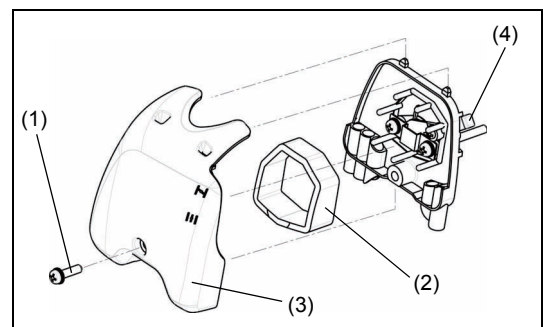
- Before operation, check the equipment for loose screws or missing parts. Pay particular attention to the tightness of the cutter blade or nylon cutting head.
- Before operation, always check to make sure that the cooling air passage and cylinder fins are not clogged. Clean them if necessary.
- Perform the following maintenance operations daily after use:
 - Clean the brush cutter externally and inspect it for damage.
 - Clean the air filter. When working under extremely dusty conditions, clean the filter several times a day.
 - Check the blade or the nylon cutting head for damage and make sure it is firmly mounted.
 - Check that there is sufficient difference between the idling and operating speeds to ensure the cutting tool is at a standstill while the engine is idling (if necessary, reduce the idling speed).
If the cutting tool continues to rotate during engine idling, consult your nearest Authorized Service Agent.
- Check that the I-Stop Switch (on/off)/Start-Stop Switch, the lock-off lever, the control lever, and the lock button are all functioning correctly.



Cleaning the air cleaner (filter)

- Turn the choke lever (4) to the fully closed side, and keep the carburetor away from any dust or dirt.
- Remove the screw (1).
- Remove the air cleaner cover (3).
- Remove the sponge element (2), wash it in lukewarm water and dry it completely.
- After cleaning, put back the air cleaner cover (3) and fasten it with screw (1).

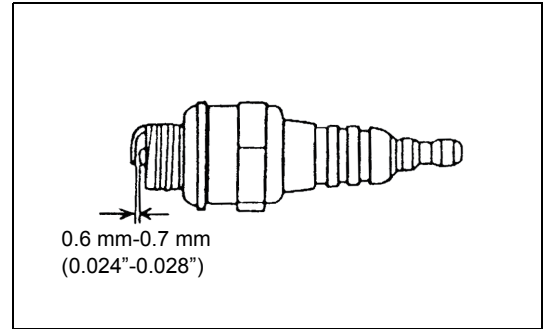
NOTE: If there is excessive dust or dirt adhering to the air cleaner, clean it every day. A clogged air cleaner may make it difficult or impossible to start the engine, or may increase the engine rotational speed.



Checking the spark plug

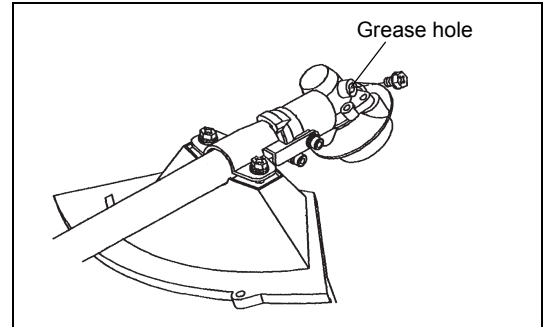
- Only use the supplied universal wrench to remove or to install the spark plug.
- The gap between the two electrodes of the spark plug should be 0.6-0.7 mm (0.024"-0.028"). If the gap is too wide or too narrow, adjust it. If the spark plug is clogged with carbon or dirty, clean it thoroughly or replace it.

CAUTION: Never touch the spark plug connector while the engine is running (danger of high voltage electric shock).



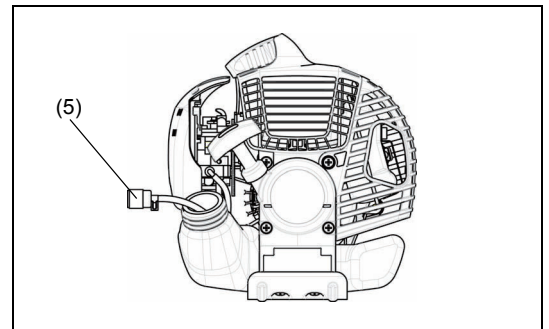
Supply of grease to gear case

- Supply grease (Shell Alvania 3 or equivalent) to the gear case through the grease hole every 30 hours. (Genuine MAKITA grease may be purchased from your MAKITA dealer.)



Suction head in the fuel tank

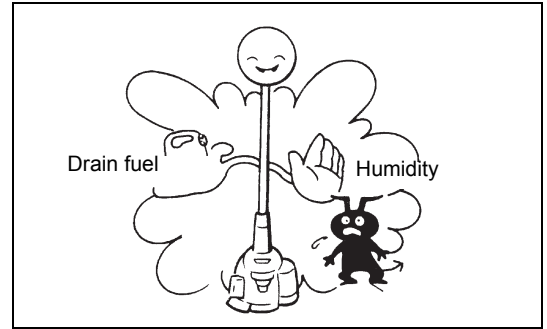
- The fuel filter (5) of the suction head is used to supply the fuel required by the carburetor.
- Visually inspect the fuel filter periodically. To inspect the filter, open the fuel filler cap, use a wire hook and pull out the suction head through the tank opening. Replace the filter if it has hardened, become particularly dirty, or clogged.
- Insufficient fuel supply may result in the maximum permissible speed being exceeded. Therefore, the fuel filter must be replaced at least quarterly to ensure satisfactory fuel supply to the carburetor.



Any other maintenance or adjustment work that is not described in this manual must only be performed by Authorized Service Agents.

Storage

- When storing the equipment for a long period of time, drain all the fuel from the fuel tank and carburetor. To do this, simply drain all of the fuel from the fuel tank. Dispose of the drained fuel in accordance with local applicable laws.
- Remove the spark plug and add a few drops of oil into the spark plug hole. Then, pull the starter gently so that oil coats the inside of the engine, then tighten the spark plug.
- Clean any dirt or dust from the cutter blade and outside of the engine, and wipe them with a oil-immersed cloth. Store the equipment in a dry place.



Maintenance schedule

General	Engine assembly, screws and nuts	Visual inspection for damage and tightness Check for general condition and security
After each refuelling	Control lever I-Stop Switch (on/off)/Start-Stop Switch	Functional check Functional check
Daily	Air filter Cooling air duct Cutting tool Idling speed	To be cleaned To be cleaned Check for damage and sharpness Inspection (cutting tool must not move)
Weekly	Spark plug Muffler	Inspection, replace if necessary Inspect, and clean the opening if necessary
Quarterly	Suction head Fuel tank	To be replaced To be cleaned
Shutting down procedure	Fuel tank Carburetor	Empty fuel tank Operate until engine runs out of fuel

Troubleshooting

Fault	System	Observation	Cause
Engine doesn't start, or is difficult to start	Ignition system	Ignition spark O.K.	Fault in fuel supply or compression system, mechanical defect
		No ignition spark	I-Stop Switch (on/off)/Start-Stop Switch operated, wiring fault or short circuit, spark plug or connector defective, ignition module faulty
	Fuel supply	Fuel tank filled	Incorrect choke position, carburetor defective, fuel supply line bent or blocked, fuel dirty
	Compression	No compression when pulled over	Cylinder bottom gasket defective, crankshaft seals damaged, cylinder or piston rings defective or improper sealing of spark plug
Warm start problems	Mechanical fault	Starter not engaging	Broken starter spring, broken parts inside the engine
		Tank filled. Ignition spark O.K.	Carburetor contaminated, must be cleaned
Engine starts but dies	Fuel supply	Tank filled	Incorrect idling adjustment, carburetor contaminated Fuel tank vent defective, fuel supply line interrupted, cable or I-Stop Switch (on/off)/Start-Stop Switch faulty
Insufficient performance	Several systems may simultaneously be affected	Engine idling poor	Air filter contaminated, carburetor contaminated, muffler clogged, exhaust duct in the cylinder clogged

Дякуємо Вам за те, що придбали кущоріз/кордову газонокосарку MAKITA. Розробка кущорізів/кордових газонокосарок компанії MAKITA є результатом багаторічного накопичення знань і досвіду, а також детальної програми розвитку.

Будь ласка, уважно прочитайте цей буклет, щоб забезпечити найпродуктивнішу роботу кущоріза/кордової газонокосарки MAKITA, яка дозволить досягти найкращих результатів.



Зміст	Сторінка
Позначення	20
Інструкції з техніки безпеки	21
Технічні дані	25
Назви частин	26
Установлення ручки	27
Установлення захисного пристрою	28
Установлення ріжучої пластини або ріжучої головки з нейлоновим шнуром	29
Пальне/заправлення	30
Належне поводження	31
Важливі зауваження щодо експлуатації/зупинення кущоріза/газонокосарки	31
Заточування ріжучого інструмента	33
Указівки щодо технічного обслуговування	35
Зберігання	37

Позначення

Під час читання цієї інструкції з експлуатації слід звернути увагу на такі позначення.

	Читайте інструкцію		Слід використовувати засоби захисту зору та слуху (стосовно тільки кордової газонокосарки)
	Будьте особливо уважними та обережними		Надягайте захисний шолом та засоби захисту зору й слуху (стосовно тільки кущоріза)
	Заборонено		Не використовуйте металеві ріжучі пластини (стосовно тільки кордової газонокосарки)
	Тримайте відстань		Максимальна швидкість роботи інструмента
	Небезпека предметів, що відлітають		Гарячі поверхні – Опіки пальців або рук
	Не палить		Паливно-мастильна суміш
	Не використовуйте поблизу відкритого вогню		Ручний запуск двигуна
	Надягайте захисні рукавиці		Аварійне зупинення
	Віддача		Перша допомога
	Заборонено допускати сторонніх осіб та тварин до зони роботи		УВІМКНЕННЯ/ПУСК
	Надягайте міцне взуття із підшвами, що не ковзають. Ми рекомендуємо захисне взуття зі сталевим носком.		ВИМКНЕННЯ/ЗУПИНЕННЯ
			ЗАПУСК

Інструкції з техніки безпеки

Загальні положення

- Щоб забезпечити належну роботу, обов'язково прочитайте ці інструкції з експлуатації для ознайомлення з правилами використання кущоріза/кордової газонокосарки. Використання цього пристрою без усвідомлення правил роботи з ним може призвести до серйозних травм користувача та сторонніх людей.
- Передавати цей кущоріз/кордову газонокосарку у користування дозволяється тільки тим особам, які довели, що вони є досвідченими користувачами цього пристрою. Завжди разом із пристроєм віддавайте їм ці інструкції з експлуатації.
- Якщо Ви вперше використовуєте кущоріз, оснащений двигуном, зверніться до свого дилера для отримання основних інструкцій з роботи.
- Забороною користуватись кущорізом/кордовою газонокосаркою дітям та особам, яким не виповнилося 18 років. Разом із тим особам, яким вже виповнилося 16 років, дозволяється використовувати цей пристрій із навчальною метою, однак тільки під безпосереднім наглядом кваліфікованого інструктора.
- Використовуйте кущоріз/кордову газонокосарку із максимальною обережністю й увагою.
- Працюйте із кущорізом/кордовою газонокосаркою, тільки якщо Ви перебуваєте в гарній фізичній формі. Усю роботу виконуйте спокійно та обережно. Користувачі несуть відповідальність за людей, які їх оточують.
- Ніколи не використовуйте кущоріз/кордову газонокосарку після приймання ліків чи вживання алкоголю або у разі втоми чи хворобливого стану.

УВАГА: Під час роботи цей інструмент утворює електромагнітне поле. За певних обставин це поле може впливати на активні або пасивні медичні імплантати. Щоб зменшити ризик отримання серйозних або смертельних тілесних ушкоджень, ми рекомендуємо особам із медичними імплантатами перед використанням цього інструмента звернутися до лікаря та виробника медичних імплантатів за консультацією.

Використання пристрою за призначенням

- Кущоріз/кордова газонокосарка призначені тільки для підстригання трави, бур'яну, кущів та підліска; не дозволяється використовувати пристрій за іншим призначенням, наприклад для окантовки та стриження живоплоту, оскільки це може призвести до отримання травм.

Засоби індивідуального захисту

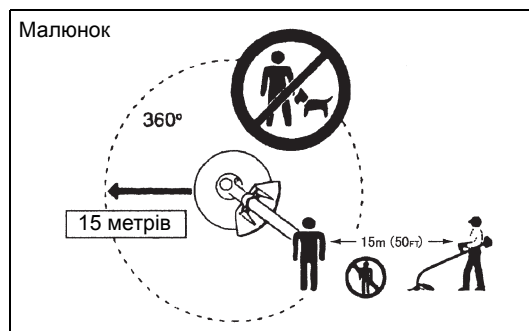
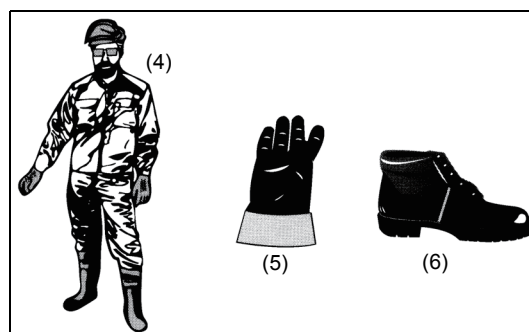
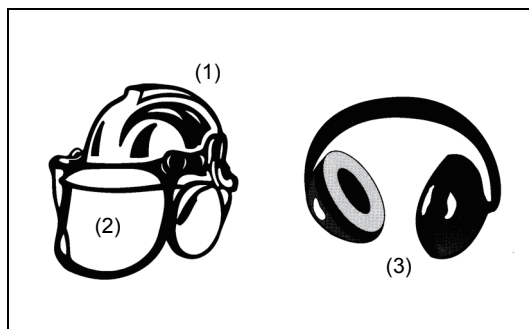
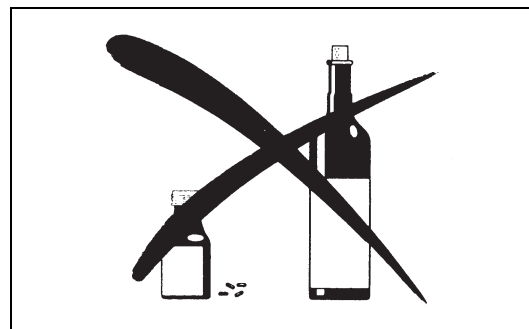
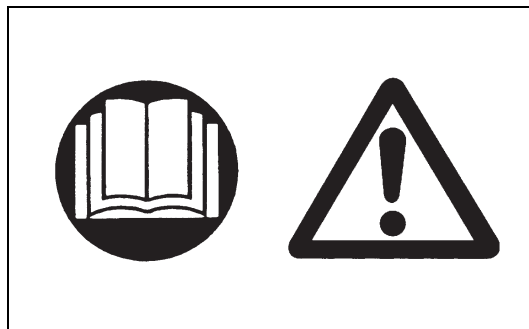
- Завжди надягайте придатний для роботи функціональний одяг, який щільно облягає, але не сковує рухи. Заборонено надягати прикраси та одяг, які можуть заплутатись у гілках або кущах.
- Для запобігання травмам голови, очей, рук або ніг, а також для захисту органів слуху, під час роботи з кущорізом/кордовою газонокосаркою слід використовувати такі засоби захисту та захисний спецодяг.
- Завжди надягайте шолом, якщо є небезпека падіння предметів. Захисний шолом (1) слід регулярно перевіряти на наявність пошкоджень та замінювати не рідше, ніж кожні 5 років. Користуйтеся тільки дозволеними захисними шоломами.
- Захисна маска (2) шолому (або захисні окуляри) захищає обличчя від уламків та каміння, що відлітають. Під час роботи з кущорізом/кордовою газонокосаркою завжди надягайте захисні окуляри або захисну маску, щоб запобігти травмам очей.
- Надягайте відповідні засоби захисту від шуму, щоб запобігти порушенням слуху (навушники (3), вушні втулки тощо).
- Робочий спецодяг (4) захищає від уламків та каміння, що відлітають. Ми наполегливо рекомендуємо надягати робочий спецодяг.
- Захисні рукавиці (5), зроблені з товстої шкіри, є частиною пропонованого обладнання; їх слід завжди надягати під час роботи з кущорізом/кордовою газонокосаркою.
- Використовуючи кущоріз/кордову газонокосарку, завжди надягайте міцне взуття (6) з підшвами, що не ковзають. Таке взуття захистить Вас від отримання травм та забезпечить стійку опору на ноги.

Залишкові ризики

- Навіть у разі використання інструмента із дотриманням усіх установлених правил безпеки неможливо повністю усунути всі фактори залишкового ризику. Із конструкцією інструмента та його дизайном можуть бути пов'язані такі ризики:
 - Ураження легенів, якщо не використовується ефективна пилозахисна маска.
 - Ураження органів слуху, якщо не використовуються ефективні засоби для захисту слуху.
 - Шкода здоров'ю внаслідок вібрації, якщо інструмент використовується протягом занадто тривалого часу, керування інструментом здійснюється неналежним чином та якщо невідповідним чином здійснюється технічне обслуговування інструмента.

Запуск кущоріза

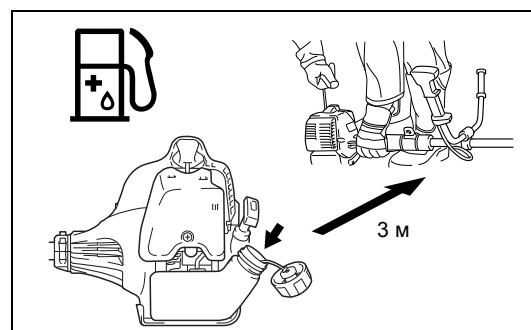
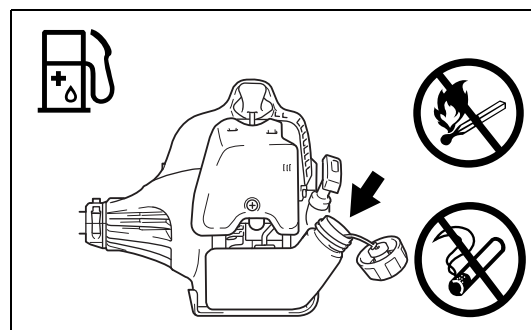
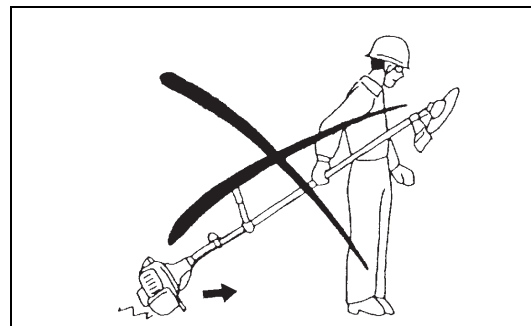
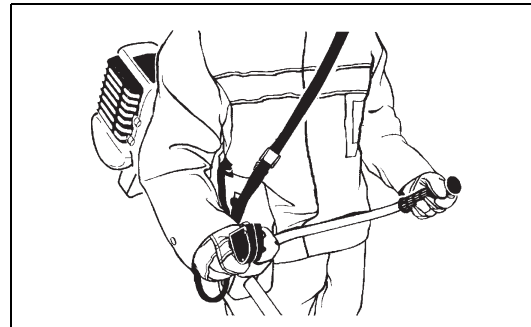
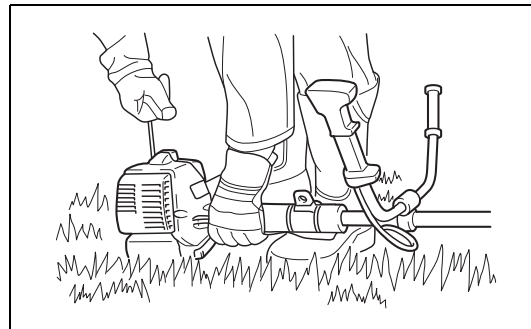
- Перевіряйте, щоб у зоні 15 метрів (50 футів) не було дітей або сторонніх осіб, а також слідкуйте за тваринами поблизу місця роботи.
- Перед початком роботи завжди перевіряйте, щоб кущоріз/кордова газонокосарка перебували в безпечному для роботи стані: Перевіряйте безпечність ріжучого інструмента, легкість управління важелем керування двигуном та належне функціонування блокування важеля керування двигуном.
- Обертання ріжучого інструмента на холостому ходу заборонено. Якщо Ви вважаєте, що пристрій потребує регулювання, звертайтеся до Вашого дилера. Перевіряйте, чи ручки є чистими й сухими та чи належним чином функціонує пусковий перемикач.



- Запускайте кущоріз/кордову газонокосарку строго у відповідності до цих інструкцій. Не використовуйте інші способи запуску двигуна!
- Використовуйте кущоріз/кордову газонокосарку тільки за умов достатнього освітлення та видимості.
- Запускайте кущоріз/кордову газонокосарку тільки після того, як пристрій було повністю зібрано. Не використовуйте пристрій, на якому не встановлене все відповідне приладдя!
- Перед початком роботи слід переконатися, що ріжучий інструмент не торкається твердих предметів, наприклад гілля, каміння тощо, оскільки під час пуску він обертається.
- У разі виникнення будь-яких проблем із двигуном його треба негайно вимкнути.
- Якщо ріжучий інструмент наштовхнувся на каміння або на інші тверді предмети, негайно вимкніть двигун та огляньте ріжучий інструмент.
- Регулярно оглядайте ріжучий інструмент через короткі проміжки часу на наявність ушкоджень (виявляйте тонкі тріщини за допомогою тесту постукування).
- Використовуйте кущоріз/кордову газонокосарку тільки після приєднання плечевого ремня та регулювання його довжини. Плечовий ремінь слід відрегулювати відповідно до статури користувача та закріпити, щоб запобігти виникненню втоми протягом роботи. Ніколи не тримайте інструмент однією рукою під час роботи.
- Під час роботи завжди тримайте кущоріз/кордову газонокосарку двома руками. Постійно слідкуйте за надійністю опори на ноги.
- Користуйтеся кущорізом/кордовою газонокосаркою таким чином, щоб уникати вдихання вихлопних газів. Ніколи не вмикайте двигун у закритому просторі, наприклад у приміщенні (небезпека отруєння газом). Чадний газ не має запаху.
- Коли Ви відпочиваєте або залишаєте кущоріз/кордову газонокосарку без нагляду, зупиняйте двигун та кладіть пристрій в належне місце, щоб запобігти отриманню травм іншими особами або пошкодженню пристрою.
- Ніколи не кладіть гарячий кущоріз/кордову газонокосарку на суху траву або на поверхню із займистого матеріалу.
- Ріжучий інструмент має бути обладнаний відповідним захисним щитком. Ніколи не запускайте інструмент без захисного щитка!
- Під час роботи необхідно використовувати всі захисні частини та щитки, що входять до комплексу цього пристрою.
- Ніколи не користуйтеся двигуном із пошкодженим глушителем.
- Вимикайте двигун під час транспортування.
- Під час транспортування пристрою слід завжди приєднувати кришку до ріжучої пластини.
- Задля запобігання витоку пального під час транспортування слідкуйте за безпечним положенням кущорізу/кордової газонокосарки.
- Перед транспортуванням кущорізу/кордової газонокосарки слід перевіряти, чи порожній паливний бак.
- Під час знімання кущорізу/кордової газонокосарки з транспортного засобу ніколи не кидайте двигун на землю, оскільки це може серйозно пошкодити паливний бак.
- Крім екстрених випадків, ніколи не роняйте та не кидайте кущоріз/кордову газонокосарку на землю, оскільки це може серйозно пошкодити пристрій.
- Під час переміщення не забувайте повністю піднімати пристрій з землі. Волокіння паливного баку є дуже небезпечним і може призвести до витоку пального, що може спричинити пожежу.
- Якщо пристрій зазнав серйозного удару або впад, перш ніж продовжувати роботу слід перевірити його стан. Перевіряйте паливну систему на наявність витоку пального, а також належне функціонування усіх важелів керування та засобів безпеки. Якщо Ви виявили пошкодження або якщо у Вас виникли будь-які сумніви, звертайтеся до нашого авторизованого сервісного центру для проведення огляду інструмента та його ремонту.

Заправлення

- Під час заправлення вимикайте двигун, тримайтеся подалі від відкритого вогню та не паліть.
- Уникайте контакту шкіри з мінеральними нафтопродуктами. Не вдихайте випаровування пального. Під час заправлення завжди надягайте захисні рукавиці. Регулярно замінійте та чистьте захисний одяг.
- Щоб запобігти забрудненню ґрунту (захист довкілля), робіть усе можливе, щоб пальне і мастило не проливалися на землю. Якщо Ви розлили пальне, відразу ж очистіть бензиновий кущоріз/кордову газонокосарку.
- Уникайте контакту пального з одягом. Якщо пальне потрапить на одяг, слід негайно переодягтися, щоб запобігти виникненню пожежі.
- Регулярно перевіряйте кришку паливного баку, аби переконались, що вона надійно закривається та не пропускає рідину.
- Надійно затягуйте кришку паливного баку. Після заправлення слід відійти на відстань щонайменше 3 метри від місця заправлення, перед тим як запустити двигун.
- Ніколи не заливайте пальне у закритому просторі, наприклад у приміщенні. Це може призвести до вибуху, зумовленого скупченням випарів пального на рівні підлоги.



- Перевозить та зберігати паливо тільки у відповідних контейнерах. Перевіряйте, щоб діти не мали доступу до пального, яке Ви зберігаєте.

Порядок роботи

- Використовуйте кущоріз/кордову газонокосарку тільки за умов достатнього освітлення та видимості. Узимку бережіться слизьких або вологих ділянок, а також ділянок, укритих льодом та снігом (небезпека ковзання). Постійно слідкуйте за надійністю опори на ноги.
- Ніколи не різте вище рівня пояса.
- Ніколи не стійте на сходах під час роботи з кущорізом/кордовою газонокосаркою.
- Ніколи не забирайтеся на дерево для використання кущоріза/кордової газонокосарки.
- Ніколи не працюйте на нестійких поверхнях.
- Якщо в межах місця роботи знаходяться цвяхи, пісок, каміння тощо, прибирайте їх. Сторонні предмети можуть пошкодити ріжучий інструмент та призвести до небезпечної віддачі.
- Перед початком роботи перевіряйте, щоб ріжучий інструмент досяг максимальної робочої швидкості.
- Якщо трава або гілля застрягнуть між ріжучим інструментом та захисним щитком, завжди вимикайте двигун перед виконанням очищення. Інакше неочікуване обертання ріжучої пластини може призвести до серйозних травм.
- Відпочивайте, щоб не допустити втрати контролю внаслідок перевтомлення. Ми рекомендуємо робити паузу на 10–20 хвилин після кожної години роботи.

Віддача (тиск на ріжучу пластину)

- Під час роботи з кущорізом можуть виникати випадки неконтрольованої віддачі.
- При намаганні різати сегментом ріжучої пластини між 12 та 2 годинами часто трапляється віддача.
- Ніколи не використовуйте сегмент ріжучої пластини кущоріза між 12 та 2 годинами.
- Ніколи не використовуйте цей сегмент ріжучої пластини кущоріза для різання твердих предметів, наприклад кущів або дерев тощо, чий діаметр перевищує 3 см. Це може спричинити сильне і небезпечне відхилення кущоріза, яке може призвести до травми.

Запобігання віддачі

Щоб запобігти віддачі, пам'ятайте таке:

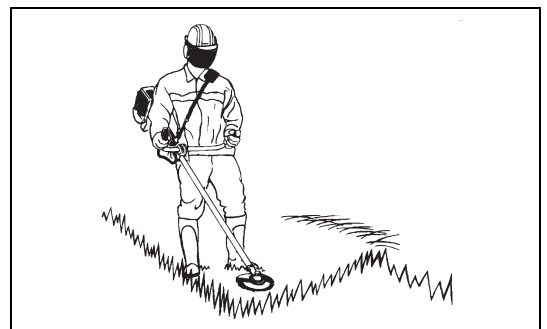
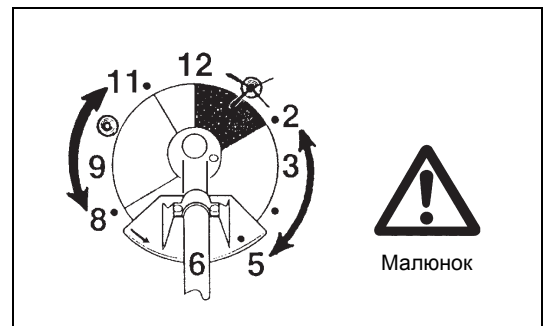
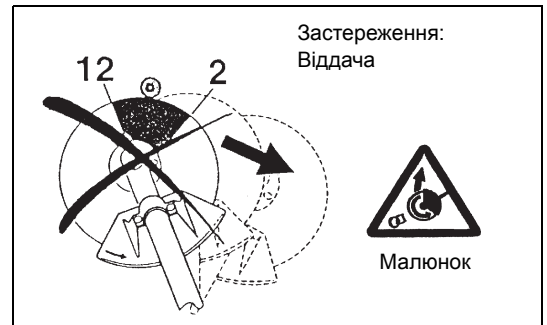
- Робота сегментом ріжучої пластини між 12 та 2 годинами може становити серйозну небезпеку, особливо під час використання металевих ріжучих інструментів.
- Операції з різання сегментом ріжучої пластини між 11 та 12 годинами та між 2 та 5 годинами дозволяється виконувати тільки тренованим та досвідченим операторам, але на їхній власний ризик. Сегмент між 8 і 11 годинами ріжучої пластини призначений для легкого і оптимального різання практично без віддачі.

Ріжучі інструменти

- Для виконання наявної роботи застосовуйте тільки відповідний ріжучий інструмент. Ріжучі головки з нейлоновим шнуром (головки кордових газонокосарок) підходять для підрізування газонної трави. Металеві ріжучі пластини підходять для різання бур'яну, високої трави, кущів, чагарнику, підліску, хазці тощо. Ніколи не використовуйте інші ріжучі пластини, у тому числі ріжучі металеві ланцюги та шарнірні ріжучі пластини. Інакше це може призвести до серйозних травм.
- Під час використання металевих ріжучих пластин уникайте віддачі та завжди будьте готовими до несподіваної віддачі. Див. розділи "Віддача" та "Запобігання віддачі".

Інструкції щодо технічного обслуговування

- Пристрій слід ремонтувати тільки в нашому авторизованому сервісному центрі і завжди з використанням оригінальних запасних частин. Технічне обслуговування та ремонт, проведені неналежним чином, можуть призвести до скорочення терміну служби пристрою та до підвищення ризику виникнення нещасних випадків.
- Перед початком роботи слід завжди перевіряти стан ріжучого інструмента, особливо його захисних засобів та плечового ремня. Особливу увагу слід приділяти ріжучій пластині – вона повинна бути належним чином заточена.
- Вимикайте двигун та виймайте конектор свічки запалювання, коли замінюєте або заточуєте ріжучий інструмент, а також під час чищення ріжучого інструмента або ріжучої пластини.



Ніколи не зварюйте та не випрямляйте пошкоджені ріжучі інструменти.

- Використовуйте кущоріз/кордову газонокосарку з якомога меншим рівнем шуму та забруднення. Особливо перевіряйте правильність налаштування карбюратора.
- Регулярно чистьте кущоріз/кордову газонокосарку та перевіряйте, чи міцно затягнуті всі гвинти та гайки.
- Ніколи не здійснюйте технічне обслуговування та не зберігайте кущоріз/кордову газонокосарку поблизу відкритого полум'я.
- Завжди зберігайте кущоріз/кордову газонокосарку в зачинених приміщеннях і з порожнім паливним баком.
- Під час чищення, технічного обслуговування і зберігання пристрою слід завжди приєднувати кришку до ріжучої пластини.

Дотримуйтеся усіх відповідних правил з техніки безпеки, виданих певними професійними асоціаціями та страховими компаніями.

Не змінюйте конструкцію кущоріза/кордової газонокосарки жодним чином, оскільки це може поставити під загрозу Вашу безпеку.

Технічне обслуговування та ремонт, покладені на користувача, обмежуються діями, описаними в цій інструкції. Усі інші роботи повинні виконуватися співробітниками авторизованої станції технічного обслуговування. Використовуйте тільки оригінальні запасні частини та приладдя, що виробляються та постачаються компанією MAKITA. Використання нерекоменованого приладдя та інструментів підвищує ризик нещасного випадку.

Компанія MAKITA не несе відповідальності за нещасні випадки або пошкодження, що сталися внаслідок використання будь-яких нерекоменованих ріжучих інструментів, кріпильних пристроїв або приладдя.

Перша допомога

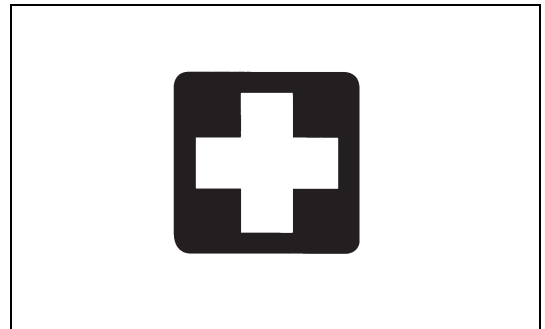
На випадок екстреної ситуації перевіряйте, чи добре укомплектована аптечка знаходиться поблизу місця роботи. Слід відразу ж замінювати предмети з аптечки, які були використані.

Викликаючи допомогу, надавайте таку інформацію:

- Місце нещасного випадку
- Що сталося
- Кількість поранених людей
- Тип поранень
- Ваше ім'я

Вібрація

- Людина, яка має поганий кровообіг та постійно стикається з сильною вібрацією, може здобути порушення кровоносних судин або нервової системи. Вібрація може спричинити наведені нижче симптоми з боку пальців, рук або зап'ястя: "Засипання" (оніміння), пощипування, біль, гострий біль, зміна шкіри або кольору шкіри. За наявності хоча б одного з цих симптомів слід обов'язково звернутися до лікаря!
- Щоб зменшити ризик отримання синдрому білих пальців, слід тримати пристрій та приладдя у належному стані та дбати про те, щоб руки під час роботи залишалися теплими.



Тільки для країн Європи

Декларація про відповідність стандартам ЄС

Ми, компанія Makita, як відповідальний виробник заявляємо, що наступне обладнання Makita:

позначення обладнання: Кущоріз/Кордова газонокосарка

№ моделі/тип: EM2600U, EM2600L

технічні характеристики: див. таблицю "ТЕХНІЧНІ ДАНІ"

є серійним виробництвом та

відповідає таким Європейським директивам:

2000/14/EC, 2006/42/EC, 2004/108/EC

та виготовлене відповідно до наступних стандартів або стандартизованих документів:

EN ISO 11806-1, EN ISO 14982

Технічна документація ведеться:

Makita International Europe Ltd., Technical Department,

Michigan Drive, Tongwell, Milton Keynes, Bucks MK15 8JD, Англія

Процедура оцінки відповідності яка вимагається Директивою 2000/14/EC, відбулася згідно з додатком V.

Вимірний рівень акустичної потужності (як газонокосарки): 109,77 dB

Вимірний рівень акустичної потужності (як кущоріза): 107,29 dB

Гарантований рівень акустичної потужності: 112 дБ

15. 4. 2013

Томоязу Като
Директор
Makita Corporation
3-11-8, Sumiyoshi-cho,
Anjo, Aichi, JAPAN

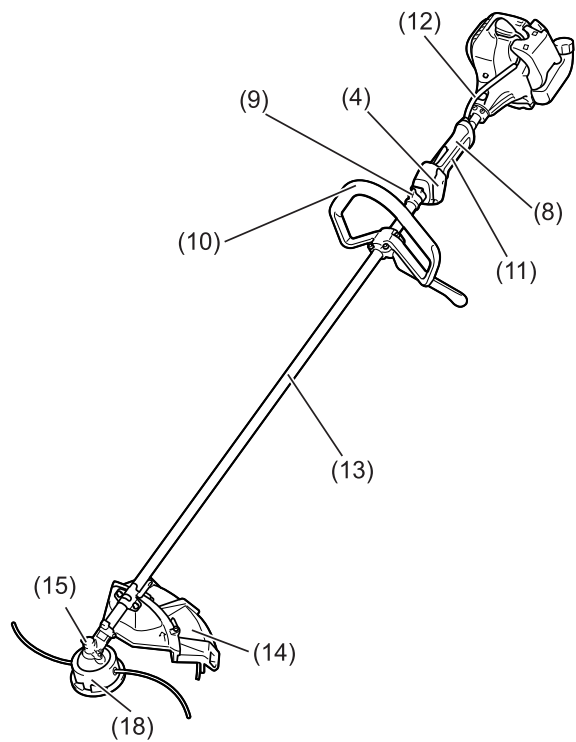
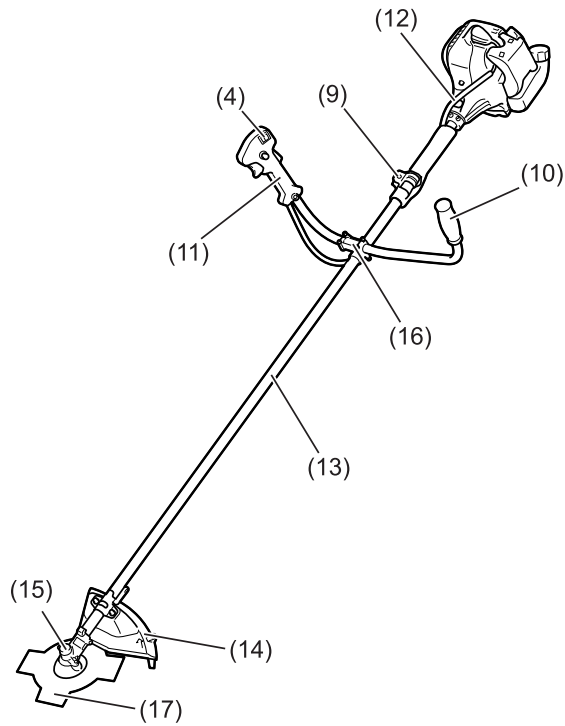
Технічні дані

Модель		EM2600U	EM2600L
		Ручка U-подібної форми	Ручка-дужка
Розміри: довжина x ширина x висота (без ріжучої пластини)		1770 x 610 x 410 мм	1770 x 330 x 185 мм
Вага нетто		5 кг	5 кг
Робочий об'єм двигуна		25,7 см ³	
Максимальна продуктивність двигуна		0,83 кВт	
Максимальна частота обертання шпинделя		8800 об./хв.	
Ріжуча насадка	Одинарна металева ріжуча пластинка	φ230 мм	
	Головка кордової газонокосарки	φ430 мм	
Швидкість холостого ходу		3000 об./хв.	
Швидкість включення зчеплення		4100 об./хв.	
Передатне відношення		14/19	
Пальне		Суміш Бензин : мастило для двотактних двигунів = 50:1)	
Об'єм (паливного баку)		0,6 л	
Карбюратор		WALBRO WYC	
Система запалювання		Запалювання в стані спокою	
Свічка запалювання		NGK BPMR7A	
Відстань між електродами		0,6 – 0,7 мм	
Вібрація: (стосовно кущоріза)	Ліва ручка (передня ручка)	14,680 м/с ² K = 1,5 м/с ²	5,152 м/с ² K = 1,5 м/с ²
	Права ручка (задня ручка)	9,037 м/с ² K = 1,5 м/с ²	9,677 м/с ² K = 1,5 м/с ²
Вібрація: (стосовно газонокосарки)	Ліва ручка (передня ручка)	7,961 м/с ² K = 1,5 м/с ²	8,83 м/с ² K = 1,5 м/с ²
	Права ручка (передня ручка)	7,019 м/с ² K = 1,5 м/с ²	14,381 м/с ² K = 1,5 м/с ²
Шум (перевірений відповідно до 2000/14/ЕС та 2005/88/ЕС):			
Рівень звукового тиску у місці знаходження оператора (газонокосарка):		98,52 дБ (А) K = 2,5 дБ (А)	
Рівень звукового тиску у місці знаходження оператора (кущоріз):		96,15 дБ (А) K = 2,5 дБ (А)	
Вимірний рівень акустичної потужності (газонокосарка):		109,77 дБ (А) K = 2,5 дБ (А)	
Вимірний рівень акустичної потужності (кущоріз):		107,29 дБ (А) K = 2,5 дБ (А)	
Шум (перевірений відповідно до 2000/14/ЕС та 2005/88/ЕС): гарантовані значення акустичної потужності		112 дБ (А)	

Назви частин

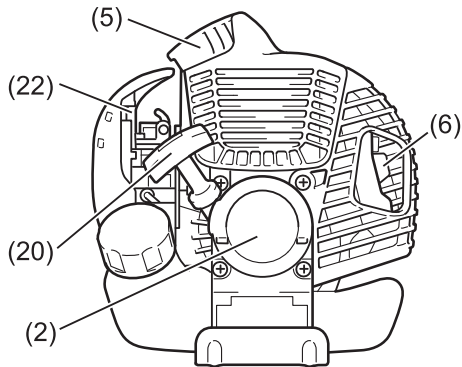
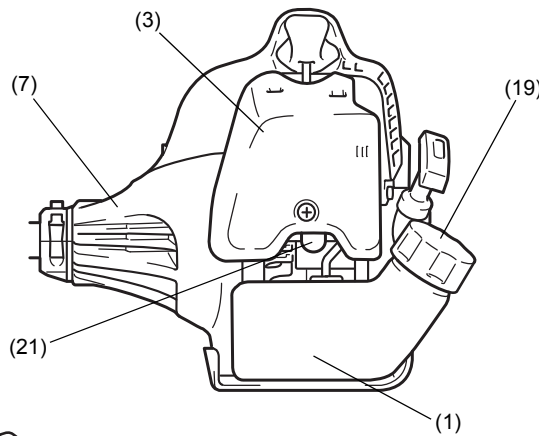
EM2600U

Модель з ручкою U-подібної форми



EM2600L

Модель з ручкою-дужкою



Назви частин	
1	Паливний бак
2	Стартер
3	Повітряний фільтр
4	Перемикач I-зупинення (увімкнення/вимкнення)/ перемикач запуску-зупинення
5	Свічка запалювання
6	Глушитель
7	Корпус муфти зчеплення
8	Задня ручка
9	Кріплення для підвішування
10	Ручка
11	Важіль керування двигуном
12	Кабель керування
13	Вал
14	Захисний пристрій (щиток ріжучого інструмента)
15	Редуктор
16	Фіксатор ручки
17	Ріжуча пластина
18	Ріжуча головка з нейлоновим шнуром
19	Кришка заливної горловини
20	Ручка стартера
21	Насос підкачування
22	Важіль дроселювання

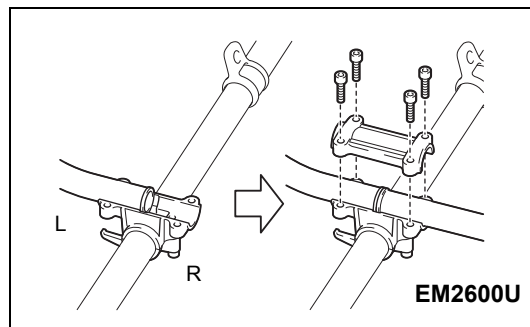
Установлення ручки

- ЗАСТЕРЕЖЕННЯ:** Перед проведенням будь-яких робіт на кущорізі завжди зупиняйте двигун та від'єднуйте конектор свічки запалювання. Завжди надягайте захисні рукавиці!
- ЗАСТЕРЕЖЕННЯ:** Запускайте бензиновий кущорізі тільки після того, як його було повністю зібрано.

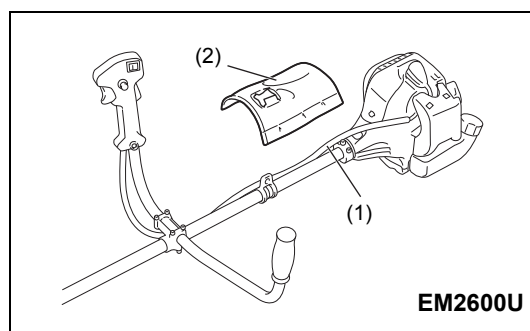


Для моделей з ручкою U-подібної форми

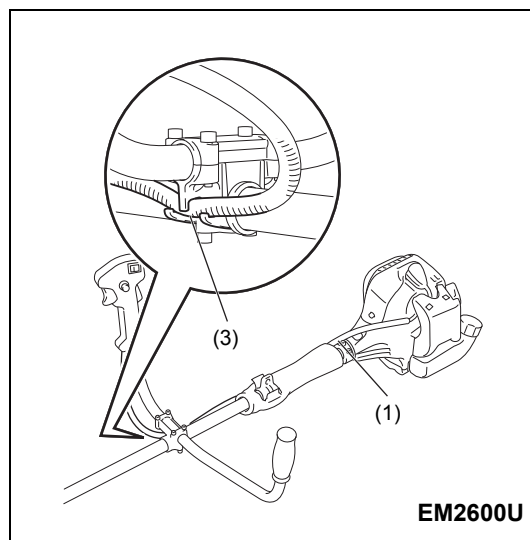
- Розташуйте дві ручки на фіксаторі ручки. Важіль керування двигуном повинен розташовуватися праворуч, якщо дивитися у бік ріжучого інструмента.
- Уставте кінці ручок у виїмку на фіксаторі й установіть на них затискач. Злегка затягніть їх чотирма болтами для регулювання.
- Відрегулюйте кут ручок, а потім рівномірно затягніть усі болти шестигранним ключем.



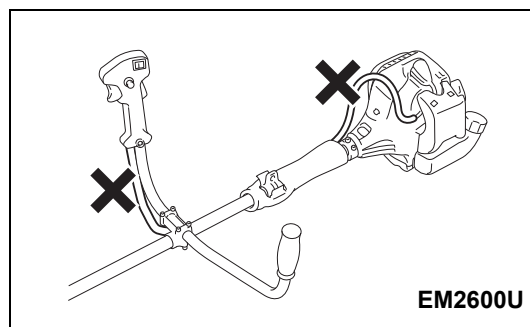
- Розташуйте трос керування подачею пального (1) на валу зі сторони важеля керування двигуном. А потім загорніть їх притисною накладкою (2).



- Уставте трос керування подачею пального (1) у проріз затискача (3) на фіксаторі ручки.
- Переконайтеся в тому, що кабель важеля постачання пального розташований, як показано на малюнку.
- Попрацюйте важелем керування двигуном і упевніться, що він рухається плавно.

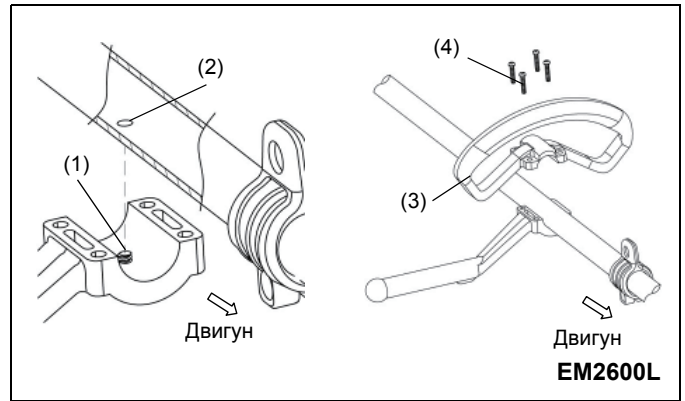


- ЗАСТЕРЕЖЕННЯ:** Не розташуйте кабель важеля постачання пального, як показано на малюнку. А інакше зігнутий трос може спричинити високу швидкість холостого ходу, а некерована ріжуча пластина може завдати травм.



Для моделі з ручкою-дужкою

- Розташуйте різьбу(1), нанесену на фіксатор ручки, у фіксуючому отворі (2) на трубці.
- Зафіксуйте допоміжну ручку (3) на обмежувачі.
- Затягніть 4 болти (4) M5 x 30.



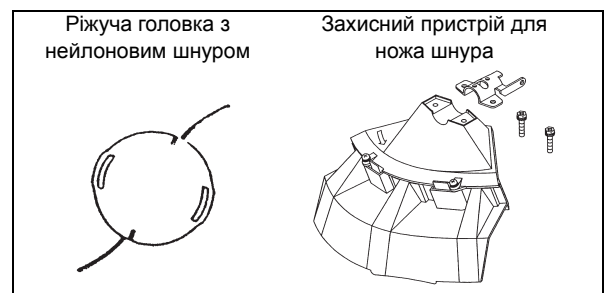
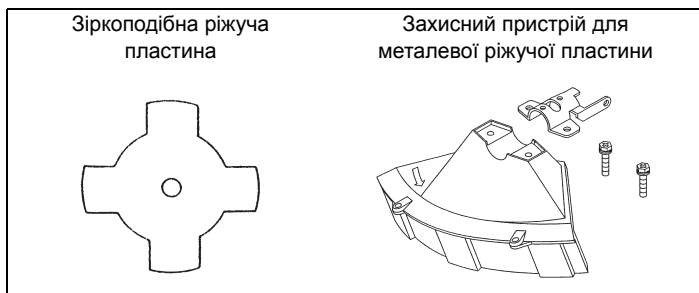
Установлення захисного пристрою

З метою дотримання встановлених правил з техніки безпеки потрібно використовувати лише такі комбінації інструментів/захисних пристроїв, які зазначені в таблиці.



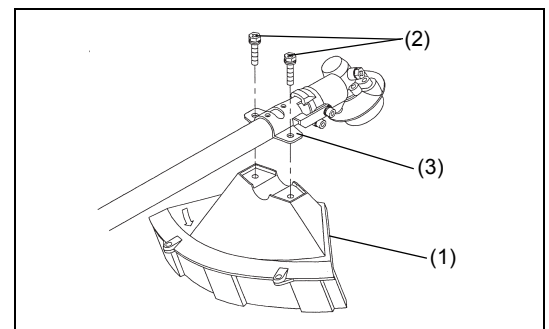
Завжди використовуйте оригінальні ріжучі пластини або ріжучу головку з нейлоновим шнуром МАКІТА.

- Ріжуча пластина має бути гладкою, на ній не повинно бути тріщин або пошкоджень. Якщо під час роботи ріжуча пластина натрапить на каміння, зупиніть двигун та негайно перевірте її.
- Заточуйте або замінюйте ріжучу пластину кожні три години роботи.
- Якщо під час роботи ріжуча головка з нейлоновим шнуром натрапить на каміння, зупиніть двигун та негайно перевірте її.

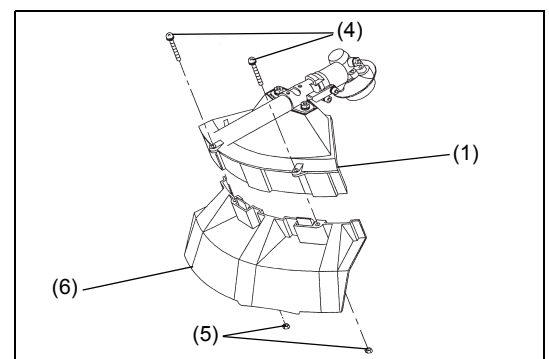


ЗАСТЕРЕЖЕННЯ: Задля Вашої безпеки та згідно з нормами техніки безпеки слід завжди встановлювати відповідні захисні пристрої. Забороняється використовувати інструмент без установленого захисного щитка.

- Прикріпіть захисний пристрій (1) до затискача (3) за допомогою двох болтів M6 x 30 (2).



- У разі використання ріжучої головки з нейлоновим шнуром устаткуйте захисний пристрій (6) у захисний пристрій (1) та затягніть його за допомогою двох гайок (5) та двох гвинтів (4).

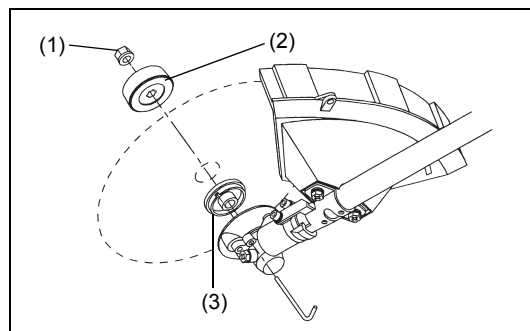


Установлення ріжучої пластини або ріжучої головки з нейлоновим шнуром

Ріжучу пластину або ріжучу головку з нейлоновим шнуром можна легко замінити, спочатку просто перевернувши пристрій.



- Уставте шестигранний ключ в отвір редуктора та поверніть опорну шайбу (3), доки вона не зафіксується за допомогою шестигранного ключа.
- Послабте гайку/пружинну шайбу (1) (ліва різьба) торцевим гайковим ключем та зніміть гайку/пружинну шайбу (1) і затискну шайбу (2).



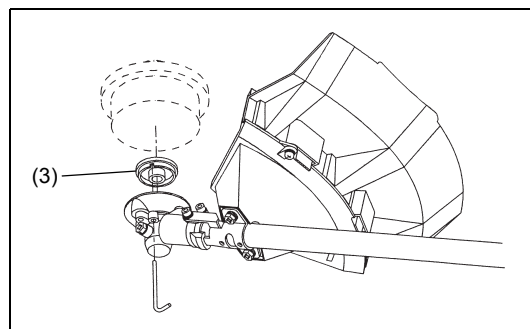
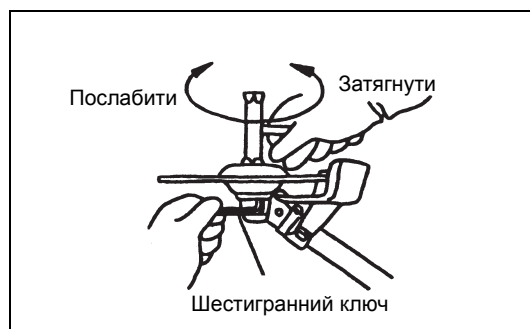
Залишаючи шестигранний ключ на місці

- Установіть ріжучу пластину на вал таким чином, щоб зафіксувати напрямний пристрій опорної шайби (3) в отворі ріжучої пластини. Установіть затискну шайбу (2) та зафіксуйте ріжучу пластину гайкою/пружинною шайбою (1).
[Крутний момент затягування: 13–23 Н-м]

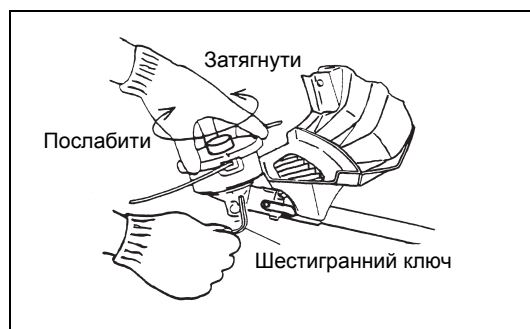
ПРИМІТКА: Під час роботи з ріжучою пластиною завжди надягайте рукавиці.

ПРИМІТКА: Гайка, що затягує ріжучу пластину (з пружинною шайбою), є розхідним матеріалом. У разі появи будь-яких ознак зношування чи деформації пружинної шайби гайку слід замінити.

ПРИМІТКА: При встановленні ріжучої головки з нейлоновим шнуром затискну шайбу (2) та гайку/пружинну шайбу (1) встановлювати не потрібно. Ріжучу головку з нейлоновим шнуром слід встановлювати поверх опорної шайби (3).



- Пригвинтіть ріжучу головку з нейлоновим шнуром до валу.



- Переконайтеся, що ріжуча пластина обертається проти годинникової стрілки.





Поводження з пальним

Поводитися з пальним слід особливо обережно. Пальне може вміщати речовини, подібні розчинникам. Заправляти пристрій пальним необхідно або в добре вентиляваному приміщенні, або просто неба. Не вдихайте випаровування пального, уникайте будь-якого контакту пального або мастила зі шкірою.

Нафтопродукти знежирюють шкіру. Через тривалий контакт із цими речовинами шкіра може сильно пересохнути, і це призведе до появи різних хвороб шкіри. На додаток можуть виникнути алергічні реакції. Потрапляння мастила в очі може призвести до подразнення. У разі потрапляння мастила в очі слід негайно промити їх чистою водою. Якщо подразнення не пройшло, слід негайно звернутись до лікаря.

Паливно-мастильна суміш

Двигун кущоріза – це високопродуктивний двотактний двигун. Він працює від суміші пального і мастила для двотактних двигунів. Двигун розроблений для роботи на стандартному неетилованому пальному з мінімальним октановим числом 91 RON. Якщо такого пального немає, можна використовувати пальне із більшим октановим числом. Це не призведе до пошкодження двигуна, однак може спричинити погіршення робочих характеристик.

Аналогічна ситуація може виникнути внаслідок використання етилованого пального. Щоб досягти найкращої продуктивності роботи двигуна та не завдати шкоди власному здоров'ю та довкіллю, використовуйте тільки неетиловане пальне!

Для змащування двигуна слід додавати мастило для двотактних двигунів (марка якості: JASO FC або ISO EGD) до пального. Двигун розрахований на використання вказаного мастила для двотактних двигунів у співвідношенні 50:1 для захисту навколишнього середовища.

Довгий термін служби і надійна робота з мінімальними викидами гарантовані у разі використання суміші з вказаним співвідношенням. Обов'язково потрібно дотримуватись співвідношення 50:1 щодо суміші (вказане мастило для двотактних двигунів), інакше не можна гарантувати надійної роботи кущоріза.

Належний склад суміші:

Бензин : Указане мастило для двотактного двигуна = 50 : 1 або
 Бензин : Мастило для двотактного двигуна іншого виробника = 25 : 1
 (рекомендовано)

ПРИМІТКА: Для підготовки паливно-мастильної суміші слід спочатку змішати всю кількість мастила з половиною потрібного пального, а потім додати решту пального. Перш ніж заливати суміш до баку кущоріза, її треба ретельно збовтати. Для забезпечення безпечної роботи недоцільно додавати більше моторного мастила, ніж зазначено. Недотримання цієї рекомендації призведе тільки до збільшення кількості продуктів згоряння, які забруднюватимуть довкілля та засмічуватимуть вихлопний канал в циліндрі й глушитель. До того ж збільшиться споживання пального, а продуктивність впаде.

Заправлення

Двигун повинен бути вимкненим.

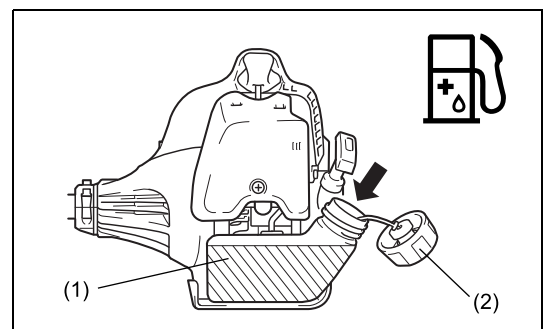
- Ретельно очистіть ділянку навколо кришки заливної горловини (2), щоб запобігти потраплянню бруду в паливний бак (1).
- Відкрити кришку заливної горловини (2) та наповнити бак пальним.
- Щільно закрийте кришку заливної горловини (2).
- Після заправлення витріть кришку заливної горловини (2) та бак.

Зберігання пального

Пальне не може зберігатися протягом необмеженого часу. Купуйте лише кількість, необхідну для 4 тижнів роботи. Зберігайте пальне тільки у рекомендованих контейнерах.



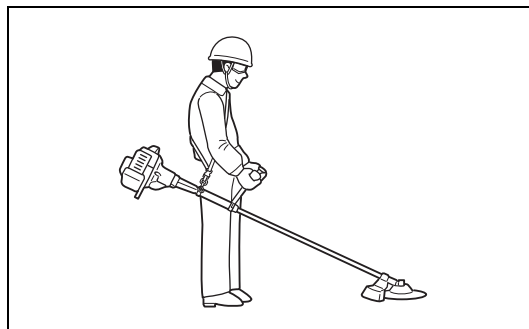
Бензин	50:1	25:1
	+	
1000 см ³ (1 літр) 5000 см ³ (5 літрів) 10000 см ³ (10 літрів)	20 см ³ 100 см ³ 200 см ³	40 см ³ 200 см ³ 400 см ³



Належне поводження

Приєднання плечового ремня

- Відрегулюйте довжину ремня таким чином, щоб ріжуча пластина розташовувалася паралельно землі.

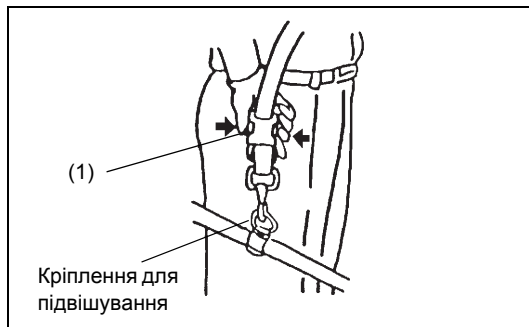


Від'єднання

- У разі надзвичайної ситуації натисніть на виїмки (1), розміщені по обидва боки, та від'єднайте інструмент від себе. Будьте надзвичайно обережними, щоб зберегти контроль над пристроєм в цей час. Не дозволяйте пристрою відхилитися у Ваш бік або в бік інших осіб, що знаходяться поблизу місця роботи.

УВАГА: Якщо Ви не зможете зберегти контроль над інструментом, це може призвести до серйозних травм або СМЕРТІ.

Примітка: Залежно від країни плечовий ремінь не має функції від'єднання.



Важливі зауваження щодо експлуатації/зупинення кущоріза/газонокосарки

Дотримуйтесь усіх застосовних правил з техніки безпеки.



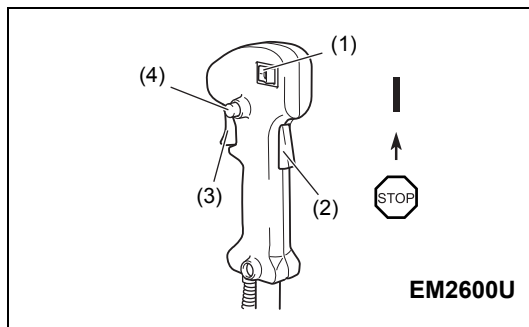
Запуск

Відійдіть щонайменше на 3 метри від місця заправлення пристроєм. Розташуйте кущоріз на відкритій ділянці землі, слідкуючи за тим, щоб ріжучий інструмент не торкався землі та інших предметів.

УВАГА: Зверніть увагу, що ріжучий інструмент починає обертатись відразу після запуску двигуна.

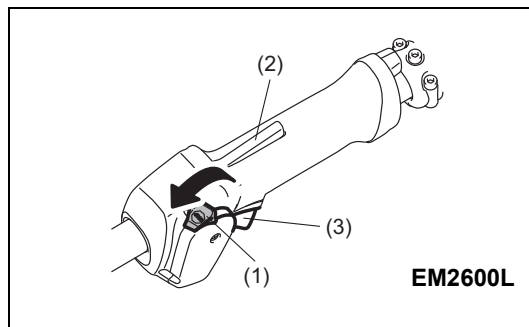
Холодний запуск для моделей із ручкою U-подібної форми

- Установіть перемикач I-зупинення (увімкнення/вимкнення) (1), як зображено на малюнку.
- Візьміться за ручку (тиск руки активізує захисний важіль блокування (2)).
- Натисніть на важіль постачання пального (3) і тримайте його в нижньому положенні.
- Після цього натисніть на кнопку блокування (4) і відпустіть важіль керування двигуном, а потім відпустіть кнопку блокування (кнопка блокування утримує важіль постачання пального у положенні запуску).



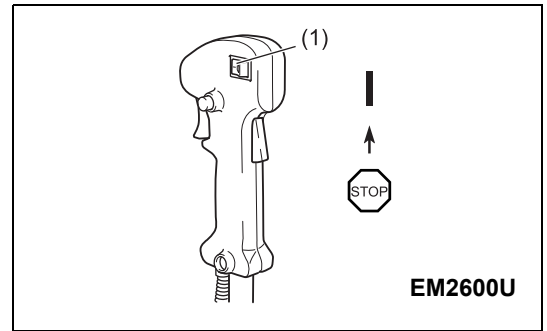
Холодний запуск для моделей із ручкою-дужкою

- Установіть перемикач запуску-зупинення (1) у положення запуску, як зображено на малюнку.
- Візьміться за ручку (тиск руки активізує захисний важіль блокування (2)).
- Натисніть на важіль постачання пального (3) і тримайте його в нижньому положенні.
- Установіть перемикач запуску-зупинення (1) у положення запуску і відпустіть важіль керування двигуном, після чого відпустіть перемикач запуску-зупинення (перемикач запуску-зупинення утримує важіль постачання пального у положенні запуску).



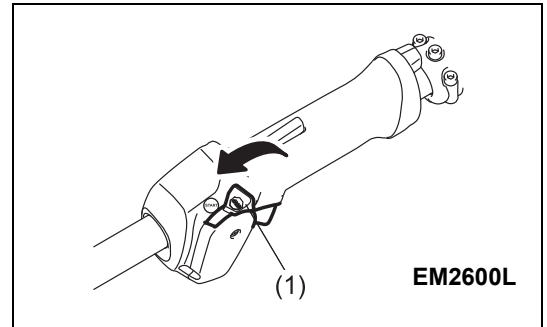
Теплий запуск для моделей із ручкою U-подібної форми

- Установіть перемикач I-зупинення (увімкнення/вимкнення) (1), як зображено на малюнку.

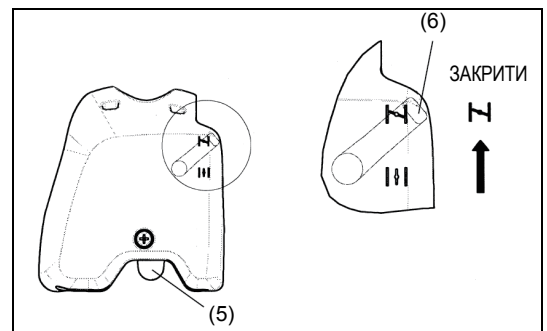


Теплий запуск для моделей із ручкою-дужкою

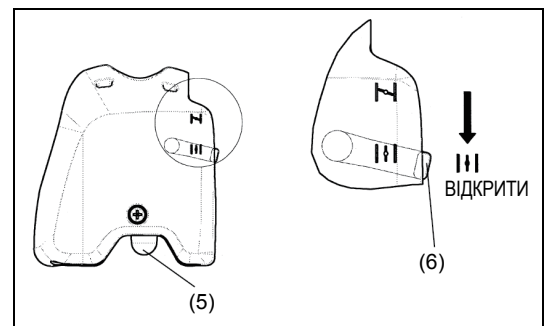
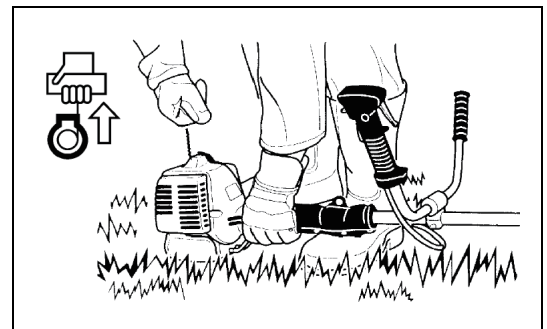
- Установіть перемикач запуску-зупинення (1) у нейтральне положення, як зображено на малюнку.



- Спочатку поставте пристрій на землю.
- Обережно зробіть декілька натискань (7–10 разів) на насос підкачування (5), поки пальне не потрапить всередину насоса підкачування.
- Закрийте важіль дроселювання (6).
 - Відкривання важеля дроселювання:
 - Повністю закритий за низьких температур або при холодному двигуні
 - Повністю відкритий або відкритий наполовину для повторного запуску двигуна, якщо двигун все ще теплий



- Міцно тримайте корпус муфти зчеплення лівою рукою, як показано на малюнку.
- Обережно потягніть за ручку стартера, поки не відчуєте опір, після чого потягніть різко.
- Не витягуйте трос стартера до кінця і не допускайте неконтрольованого повернення ручки стартера у вихідне положення. Зберігайте контроль над тросом стартера, щоб він втягувався повільно.
- Повторіть операцію запуску, поки не почуєте звук початкового запуску двигуна.
- Натисніть на важіль дроселювання (6) (↓) і знову потягніть за трос стартера, поки двигун не запуститься.
- Щойно двигун запуститься, відразу ж натисніть та відпустіть дросельну заслінку, тим самим відпускаючи кнопку блокування, щоб двигун міг працювати на холостому ході.
- Дайте двигуну попрацювати протягом однієї хвилини на помірній швидкості, перш ніж повністю відкрити заслінку.



- ПРИМІТКА: – Якщо неодноразово потягнути за ручку стартера, коли важіль дроселювання залишається в положенні "↓", двигун запуститься не відразу через надмірну подачу пального.
- У разі надмірної подачі пального зніміть свічку запалювання та повільно потягніть за ручку стартера, щоб видалити зайве пальне. Також висушіть електрод свічки запалювання.

Заходи безпеки під час роботи:

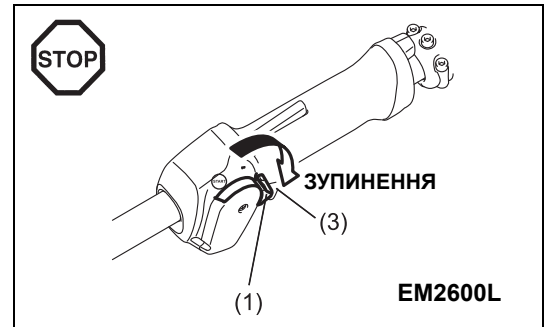
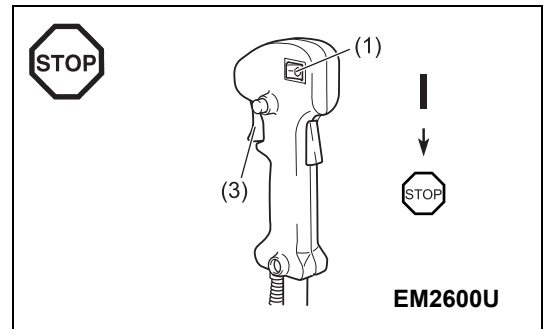
Якщо важіль постачання пального повністю відкритий при роботі на холостому ході, кількість обертів двигуна зростає до 10000 об./хв. або більше. Забороняється працювати з двигуном на швидкості вище потрібної, яка дорівнює 6000 – 8000 об./хв.

ЗАСТЕРЕЖЕННЯ: Завжди скорочуйте кількість обертів двигуна, коли пристрій не використовується для виконання роботи.

Використання пристрою на високих обертах без виконання роботи скорочує термін служби пристрою.

Зупинення

- Повністю відпустіть важіль постачання пального (3) та, коли знизиться кількість обертів двигуна на хвилину, установіть перемикач I-зупинення (увімкнення/вимкнення) (1) в положення "STOP" (ЗУПИНЕННЯ), щоб зупинити двигун.
- Зверніть увагу, що ріжуча головка може не зупинитися відразу, отже, дозвольте їй самостійно повністю зупинитися.



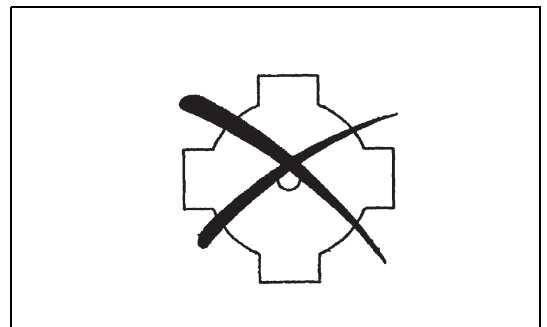
Заточування ріжучого інструмента

ЗАСТЕРЕЖЕННЯ: Наведені нижче ріжучі інструменти слід заточувати тільки на авторизованому обладнанні. Ручне заточування призведе до розбалансування ріжучого інструмента, спричиняючи вібрацію та пошкодження пристрою.

- ріжуча пластина (зіркоподібна ріжуча пластина (4-зубчаста))

Співробітники авторизованої станції технічного обслуговування нададуть Вам кваліфіковані послуги із заточування та балансування.

ПРИМІТКА: Щоб збільшити термін служби ріжучих пластин (зіркоподібної ріжучої пластини), їх можна перевернути один раз, поки не затупляться обидва ріжучі краї.



РІЖУЧА ГОЛОВКА З НЕЙЛОНОВИМ ШНУРОМ

Ріжуча головка з нейлоновим шнуром – це ріжуча головка з подвійним шнуром, конструкція якої оснащена як автоматичним механізмом випускання шнура, так і механізмом випускання шнура за рахунок удару. Ріжуча головка з нейлоновим шнуром автоматично висуває нейлоновий шнур на потрібну довжину відповідно до змін відцентрової сили, зумовленої збільшенням або зменшенням кількості обертів на хвилину. Разом із тим, щоб ефективно стригти м'яку траву, вдарте ріжучу головку з нейлоновим шнуром об землю, щоб висунути нейлоновий шнур на додаткову довжину, як вказано в розділі, присвяченому роботі інструмента.

Робота

- Збільште швидкість ріжучої головки з нейлоновим шнуром приблизно до 6000 об./хв. Нейлоновий шнур не буде висовуватися належним чином на низькій швидкості (менше 4800 об./хв.).
- Сектор, найбільш ефективний для різання, показаний затемненою ділянкою на малюнку праворуч.

Якщо нейлоновий шнур не висувається автоматично, зробіть наступне:

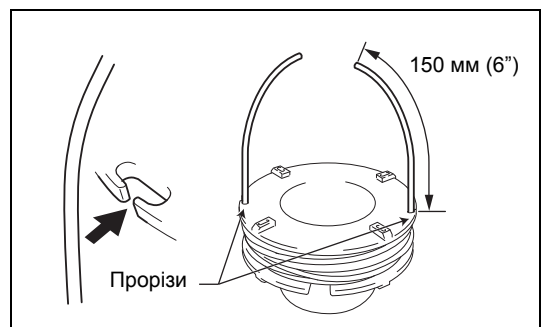
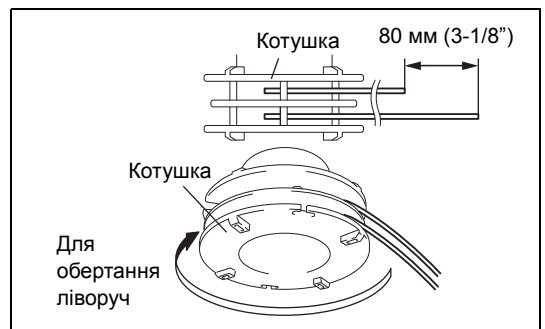
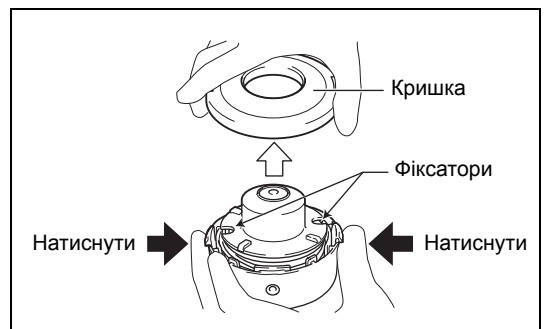
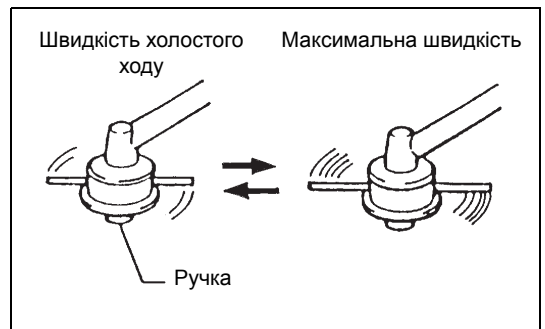
1. Відпустіть важіль постачання пального, щоб перевести двигун на холостий хід, після чого повністю стисніть його. Повторюйте цю процедуру, поки нейлоновий шнур висунеться на потрібну довжину.
2. Якщо нейлоновий шнур занадто короткий та не може висунутися автоматично, як описано вище, вдарте ручку ріжучої головки з нейлоновим шнуром об землю, щоб висунути нейлоновий шнур.
3. Якщо нейлоновий шнур не висувається за допомогою процедури 2, перемотайте/замініть його таким чином, як описано нижче в пункті "Заміна нейлонового шнура".

Заміна нейлонового шнура

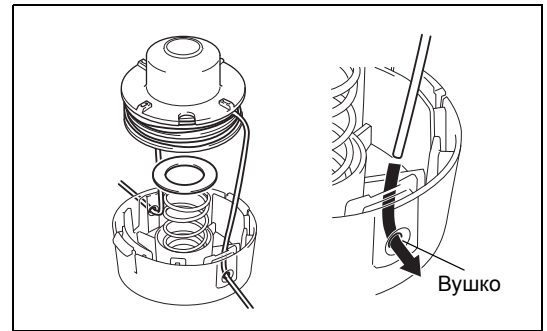
- Зупиніть двигун.
- Натисніть на фіксатори корпусу, щоб підняти кришку, та витягніть катушку.

- Просмикніть середину нового нейлонового шнура у формі петлі у проріз в центрі катушки таким чином, щоб один кінець шнура був приблизно на 80 мм (3-1/8") довшим за інший. Потім щільно намотайте обидва кінці шнура на катушку у напрямку обертання головки (напрямок ліворуч позначено на боці катушки як LH, а напрямком праворуч – як RH).

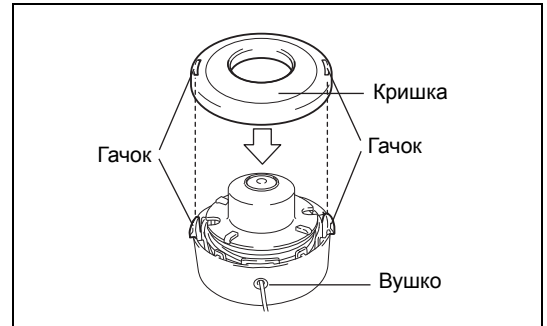
- Не намотуйте приблизно 150 мм (6") обох шнурів на катушку, а, просмикнувши кінці крізь прорізи з боків катушки, тимчасово залиште їх в такому положенні.



- Висуньте шнури з корпусу крізь вушко.
Установіть шайбу, пружину та котушку у корпус.



- Узгодьте гачки на кришці та корпусі.
Потім міцно натиснувши на кришку, закріпіть її на корпусі.



Указівки щодо технічного обслуговування

Указівки щодо технічного обслуговування

ЗАСТЕРЕЖЕННЯ: Перед проведенням будь-яких робіт із технічного обслуговування на кушорізі завжди зупиняйте двигун та від'єднуйте ковпачок свічки від свічки запалювання (див. "Перевірка свічки запалювання").

Завжди надягайте захисні рукавиці.

ЗАСТЕРЕЖЕННЯ: Ніколи не знімайте ручний стартер самотужки. Недотримання цієї вимоги може призвести до нещасного випадку. Ця процедура повинна проводитися тільки співробітником авторизованої станції технічного обслуговування.

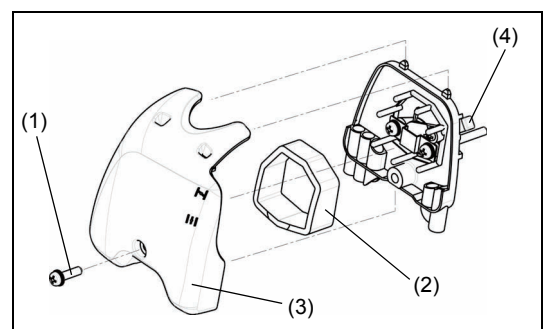
Для забезпечення довгого терміну служби та для запобігання пошкодженню пристрою слід регулярно проводити таке технічне обслуговування.

Щоденний технічний огляд та технічне обслуговування

- Перед початком роботи перевіряйте, чи всі гвинти пристрою затягнуті належним чином, а також чи присутні всі деталі. Особливу увагу звертайте на міцність закріплення ріжучої пластини або ріжучої головки з нейлоновим шнуром.
- Перед початком роботи завжди перевіряйте, чи не закупорені ребра циліндру та повітрязабірник охолоджувального повітря. За необхідністю чистьте їх.
- Щодня після роботи з приладом здійснюйте такі операції з технічного обслуговування:
 - Чистьте кушорізі ззовні та перевіряйте пристрій на предмет пошкоджень.
 - Чистьте повітряний фільтр. Якщо Ви працюєте у надзвичайно запиленому середовищі, чистьте фільтр декілька разів на день.
 - Перевіряйте ріжучу пластину або ріжучу головку з нейлоновим шнуром на предмет пошкоджень, а також перевіряйте, чи надійно вони встановлені.
 - Перевіряйте, щоб між швидкістю холостого ходу та робочою швидкістю була суттєва різниця, щоб забезпечити нерухомість ріжучого інструмента під час роботи двигуна на холостому ходу (за необхідності зменште швидкість холостого ходу). Якщо на холостому ходу ріжучий інструмент все ще продовжує обертатися, зверніться до співробітника найближчої авторизованої станції технічного обслуговування.
- Перевіряйте належне функціонування перемикача I-зупинення (увімкнення/вимкнення)/перемикача запуску-зупинення, важеля блокування, важеля керування двигуном та кнопки блокування.

Очищення повітряного фільтра

- Повністю поверніть важіль дроселювання (4) в сторону закриття; тримайте карбюратор подалі від пилу та бруду.
- Викрутіть гвинт (1).
- Зніміть кришку повітряного фільтра (3).
- Зніміть пористий компонент (2), промийте його теплуватою водою, після чого ретельно просушіть.
- Після чищення встановіть назад кришку повітряного фільтра (3) та зафіксуйте її за допомогою гвинтів (1).

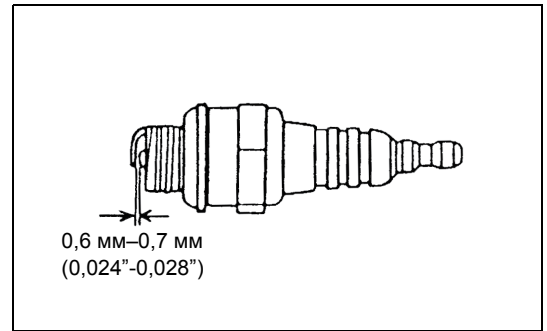


ПРИМІТКА: Якщо на повітряний фільтр налипає надмірна кількість пилу або бруду, чистьте його щоденно. Закупорений повітряний фільтр ускладнює або унеможлиблює запуск двигуна та може спричинити збільшення швидкості обертання двигуна.

Перевірка свічки запалювання

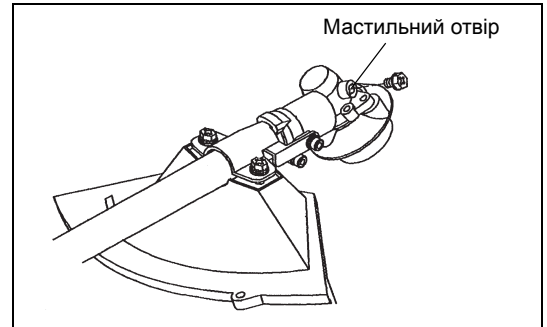
- Для знімання або встановлення свічки запалювання використовуйте тільки універсальний гайковий ключ, який входить до комплекту.
- Зазор між двома електродами свічки запалювання повинен складати 0,6–0,7 мм (0,024" - 0,028"). Якщо зазор занадто великий чи занадто малий, відрегулюйте його. Якщо свічка запалювання вкрита сажею або брудом, ретельно почистіть або замініть її.

ЗАСТЕРЕЖЕННЯ: Ніколи не торкайтеся конектора свічки запалювання під час роботи двигуна (небезпека ураження струмом високої напруги).



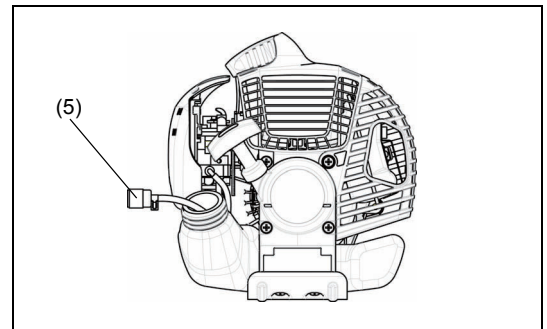
Постачання консистентного мастила на редуктор

- Подавайте консистентне мастило (Shell Alvania 3 або еквівалентне) на редуктор через мастильний отвір кожні 30 годин (оригінальне консистентне мастило MAKITA Ви можете придбати у дилера компанії MAKITA).



Усмоктувальна головка в паливному баку

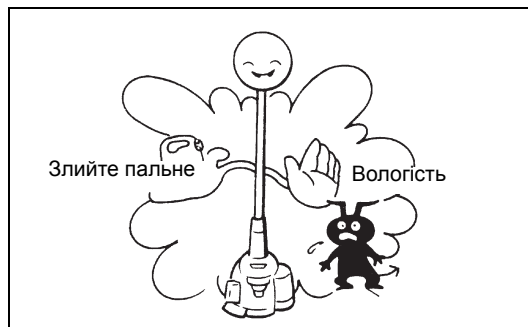
- Паливний фільтр (5) усмоктувальної головки використовується для постачання пального, необхідного для карбюратора.
- Періодично перевіряйте паливний фільтр. Для того щоб оглянути фільтр, необхідно відкрити кришку заливної горловини та за допомогою гачка з дроту витягнути усмоктувальну головку через отвір у баку. У разі ускладнення фільтрації, забруднення та засмічення фільтра його слід замінити.
- Недостатнє постачання пального може призвести до перевищення максимально припустимої швидкості. Тому паливний фільтр слід замінювати щонайменше один раз на три місяці, щоб забезпечити задовільне постачання пального до карбюратора.



Будь-які інші види технічного обслуговування та роботи із регулювання, не описані в цій інструкції з експлуатації, повинні виконуватися тільки співробітником авторизованої станції технічного обслуговування.

Зберігання

- У разі тривалого зберігання пристрою злийте все пальне з паливного баку та карбюратора. Щоб зробити це, просто злийте все пальне з паливного баку. Утилізуйте злите пальне належним чином відповідно до застосованих місцевих законів.
- Зніміть свічку запалювання і додайте декілька крапель мастила в отвір свічки запалювання. Після цього обережно потягніть за ручку стартера, щоб мастило розтеклося по двигуну, потім установіть свічку запалювання.
- Видаліть пил та бруд з ріжучої пластини та зовнішньої частини двигуна, протріть їхню поверхню змоченою у мастилі тканиною. Зберігайте пристрій у сухому місці.



Графік технічного обслуговування

Загальне	Вузол двигуна, гвинти і гайки	Оглядайте на наявність пошкоджень і надійність затягування Перевіряйте загальний стан та безпеку
Після кожного заправлення	Важіль керування двигуном Перемикач I-зупинення (увімкнення/вимкнення)/ перемикач запуску-зупинення	Перевіряйте функціонування Перевіряйте функціонування
Щодня	Повітряний фільтр Канал охолоджувального повітря Ріжучий інструмент Швидкість холостого ходу	Чистьте Чистьте Перевіряйте на наявність пошкоджень та на якість заточування Перевіряйте ріжучий інструмент (він не повинен рухатись)
Щотижня	Свічка запалювання Глушитель	Перевіряйте, за необхідності замініть Перевіряйте та за необхідності прочищайте отвір
Щоквартально	Усмоктувальна головка Паливний бак	Замініть Чистьте
Процедура відключення	Паливний бак Карбюратор	Спорожніть паливний бак Працюйте, доки в двигуні закінчиться пальне

Усунення несправностей

Несправність	Система	Спостереження	Причина
Двигун не запускається або важко запускається	Система запалювання	Є іскра запалювання Немає іскри запалювання	Несправність системи постачання пального або компресії, механічний дефект Було натиснуто на перемикач I-зупинення (увімкнення/вимкнення)/перемикач запуску-зупинення, несправність провідні або коротке замикання, несправність свічки запалювання або конектора, несправність блока запалювання
	Постачання пального	Паливний бак заповнено	Невірне положення дроселя, несправність карбюратора, перервано або заблоковано лінію постачання пального, пальне низької якості.
	Компресія	Немає компресії під час запуску	Несправність нижнього сальника циліндра, пошкоджено ущільнення колінчатого валу, несправність циліндра або поршневих кілець або ненадійне ущільнення свічки запалювання
	Механічна несправність	Стартер не вмикається	Зламана пружина стартера, зламані деталі всередині двигуна
Проблеми теплового запуску		Бак заповнений. Є іскра запалювання	Засмічено карбюратор, його слід почистити
Двигун запускається, але відразу ж зупиняється	Постачання пального	Бак заповнений	Невірне налаштування холостого ходу, карбюратор засмічено Несправність повітряного клапана паливного баку, перервано лінію постачання пального, несправність кабелю або перемикача I-зупинення (увімкнення/вимкнення)/перемикача запуску-зупинення
Недостатня продуктивність	Одночасне ураження декількох систем	Неналежний холостий хід двигуна	Засмічено повітряний фільтр, карбюратор, глушитель або витяжний канал у циліндрі

Dziękujemy za zakup kosi spalinowej/wykaszarki spalinowej firmy MAKITA.
Kosa spalinowa/wykaszarka spalinowa firmy MAKITA została zaprojektowana na podstawie wieloletniej wiedzy, doświadczenia oraz w oparciu o szczegółowy program rozwoju.

Prosimy o zapoznanie się z niniejszą instrukcją w celu zagwarantowania najlepszej wydajności i doskonałych wyników pracy kosi spalinowej/wykaszarki spalinowej firmy MAKITA.



Spis treści	Strona
Symbole	38
Zasady bezpieczeństwa	39
Dane techniczne	43
Nazwy części	44
Montaż uchwytu	45
Montaż osłony	46
Montaż ostrza tnącego/żyłkowej głowicy tnącej	47
Paliwo/uzupełnianie paliwa	48
Prawidłowe obchodzenie się z narzędziem	49
Ważne kwestie dotyczące obsługi/zatrzymywanie kosi/wykaszarki	49
Ostrzenie narzędzia tnącego	51
Zalecenia dotyczące serwisowania	53
Przechowywanie	55

Symbole

Podczas czytania niniejszej instrukcji obsługi można napotkać następujące symbole.

	Przeczytaj Instrukcję obsługi		Nosić okulary ochronne i stosować odpowiednią ochronę słuchu (tylko w przypadku wykaszarki spalinowej)
	Zachować szczególną ostrożność		Nosić kask ochronny oraz odpowiednią ochronę oczu i słuchu (tylko w przypadku kosi spalinowej)
	Zabronione		Nie używać metalowych ostrzy (tylko w przypadku wykaszarki spalinowej)
	Zachować odstęp		Maksymalna dopuszczalna prędkość narzędzia
	Niebezpieczeństwo zranienia przez wyrzucane przedmioty		Gorące powierzchnie – ryzyko oparzenia palców i dłoni
	Nie palić		Mieszanka paliwa i oleju
	Zakaz otwartego ognia		Ręczny rozruch silnika
	Nosić rękawice ochronne		Wyłączenie awaryjne
	Odrzut		Pierwsza pomoc
	W miejscu pracy nie mogą przebywać żadne osoby ani zwierzęta		ON/START
	Nosić wytrzymałe obuwie robocze na podeszwie antypoślizgowej. Zaleca się noszenie obuwia ze stalowymi noskami.	○	OFF/STOP
			START

Zasady bezpieczeństwa

Zalecenia ogólne

- W celu zapewnienia prawidłowej pracy narzędzia należy przeczytać ze zrozumieniem niniejszą instrukcję obsługi, gwarantującą prawidłową obsługę kosi spalinowej/wykaszarce spalinowej. Użytkowanie niniejszego sprzętu bez znajomości jego prawidłowej obsługi może przyczynić się do poważnych obrażeń, zarówno własnej osoby, jak i osób postronnych.
 - Kosę spalinową/wykaszarce spalinową można udostępnić wyłącznie osobom z doświadczeniem w obsłudze kos spalinowych/wykaszarek spalinowych. Podczas udostępniania niniejszego sprzętu należy również przekazać niniejszą instrukcję obsługi.
 - W przypadku pierwszego korzystania z kosi spalinowej należy skonsultować się ze sprzedawcą w celu uzyskania podstawowych informacji.
 - Kosa spalinowa/wykaszarce spalinowa nie może być obsługiwana przez dzieci i młodzież w wieku poniżej 18. roku życia. Młodzież powyżej 16 roku życia może korzystać ze sprzętu w celach szkoleniowych, jednak tylko pod nadzorem wykwalifikowanego instruktora.
 - Podczas korzystania z kosi spalinowej/wykaszarce spalinowej należy zawsze zachować maksymalną ostrożność.
 - Używać kosi spalinowej/wykaszarce spalinowej, tylko znajdując się w doskonałym stanie fizycznym. Wszelkie czynności powinny być wykonywane spokojnie i ostrożnie. Każdy użytkownik musi być świadomy ponoszonej odpowiedzialności za osoby i przedmioty znajdujące się w jego otoczeniu.
 - Nigdy nie używać kosi spalinowej/wykaszarce spalinowej, będąc pod wpływem alkoholu lub narkotyków, gdy jest się zmęczonym lub chorym.
- OSTRZEŻENIE:** Podczas pracy niniejsze elektronarzędzie wytwarza pole elektromagnetyczne. W pewnych warunkach pole to może zakłócać pracę aktywnych lub pasywnych implantów medycznych. Aby zmniejszyć ryzyko poważnych lub śmiertelnych obrażeń, zalecamy osobom z implantami medycznymi skonsultowanie się z lekarzem i producentem implantów medycznych przed przystąpieniem do obsługi tego urządzenia.

Przeznaczenie narzędzia

- Kosa spalinowa/wykaszarce spalinowa przeznaczona jest wyłącznie do ścinania trawy, chwastów, krzewów i innych zarośli. Nie należy jej używać do żadnych innych celów, takich jak wykańczanie krawędzi lub przycinanie żywopłotu, gdyż może to spowodować obrażenia ciała.

Sprzęt ochrony indywidualnej

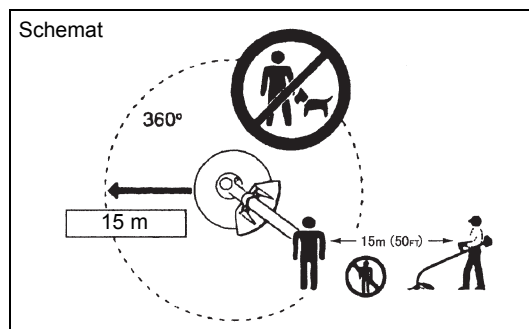
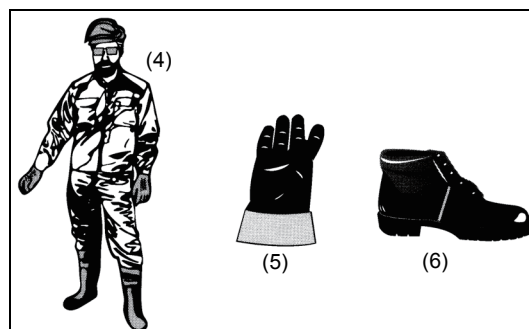
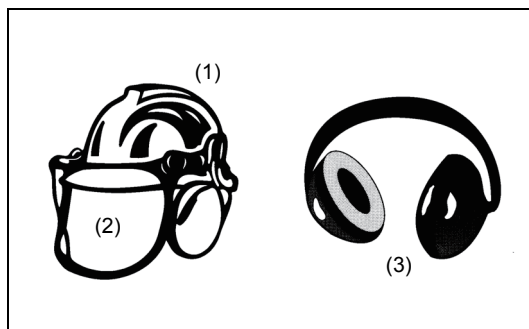
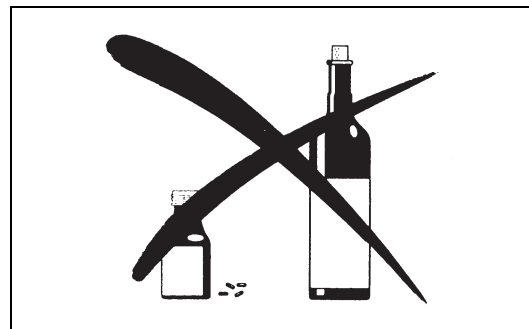
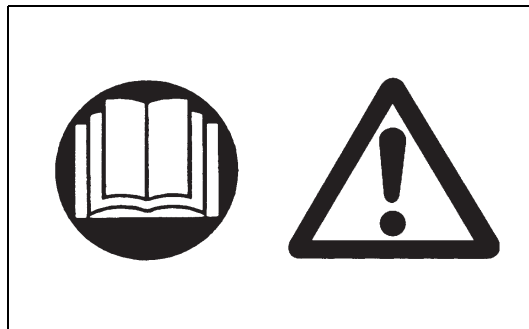
- Należy zawsze nosić odzież, która zarówno jest funkcjonalna, jak i odpowiednia do wykonywanej pracy, np. dobrze dopasowane ubrania, ale nie za ciasne, ponieważ w przeciwnym razie mogą one ograniczać ruchy. Nie wolno nosić biżuterii lub odzieży, która mogłaby zaplątać się w krzewy lub gałęzie.
- Aby uniknąć obrażeń głowy, oczu, dłoni lub stóp, jak również w celu ochrony słuchu podczas pracy z kosą spalinową/wykaszarce spalinową należy używać następującego sprzętu ochrony indywidualnej oraz odzieży ochronnej.
- Zawsze należy nosić kask ochronny, jeśli istnieje zagrożenie bezpieczeństwa przez spadające przedmioty. Kask ochronny (1) należy regularnie sprawdzać pod kątem ewentualnych uszkodzeń i wymieniać przynajmniej raz na 5 lat. Używać tylko atestowanych kasków ochronnych.
- Osłona twarzy (2) w kasku (lub alternatywnie okulary ochronne) chronią twarz przed wyrzucanymi drobinami i kamieniami. Podczas obsługi kosi spalinowej/wykaszarce spalinowej należy zawsze nosić okulary ochronne lub osłonę oczu, aby zapobiec obrażeniom oczu.
- Stosować odpowiednie zabezpieczenie słuchu (nauszniki (3), zatyczki do uszu itp.).
- Kombinezon roboczy (4) chroni przed wyrzucanymi kamieniami i drobinami. Zdecydowanie zalecamy użytkownikom noszenie kombinezonu roboczego podczas pracy ze sprzętem.
- Rękawice ochronne (5) wykonane z grubej skóry stanowią część przepisowego sprzętu ochronnego i muszą być zawsze noszone podczas pracy z kosą spalinową/wykaszarce spalinową.
- Podczas pracy z kosą spalinową/wykaszarce spalinową należy zawsze nosić wytrzymałe obuwie (6) z antypoślizgową podeszwą. Takie obuwie chroni przed obrażeniami i zapewnia stabilne oparcie.

Ryzyko resztkowe

- Nawet jeśli elektronarzędzie jest użytkowane zgodnie z zaleceniami, nie można całkowicie wyeliminować wszystkich czynników ryzyka resztkowego. Istnieje możliwość wystąpienia następujących zagrożeń związanych z budową oraz przeznaczeniem elektronarzędzia:
 1. Uszkodzenie płuc w przypadku braku stosowania maski przeciwpyłowej.
 2. Uszkodzenie słuchu w przypadku braku stosowania ochrony słuchu.
 3. Utrata zdrowia w wyniku wibracji w przypadku zbyt długiego użytkowania elektronarzędzia lub nieprawidłowego obchodzenia się z nim bądź nieprawidłowej konserwacji.

Uruchamianie kosi spalinowej

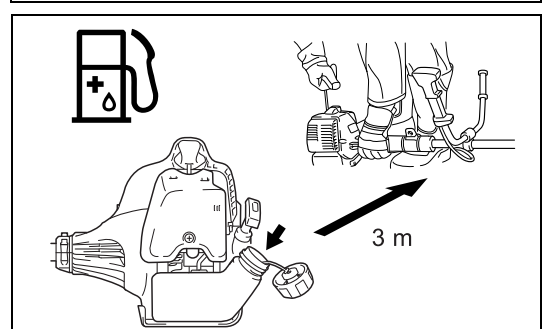
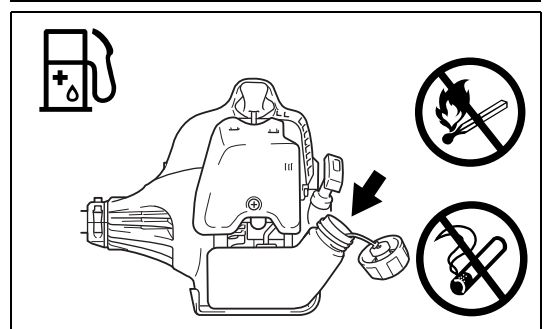
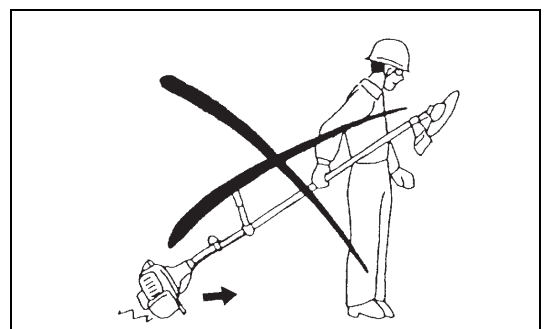
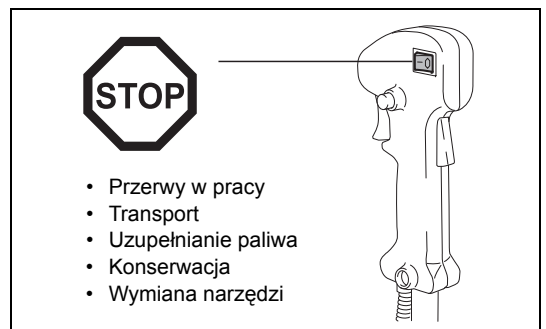
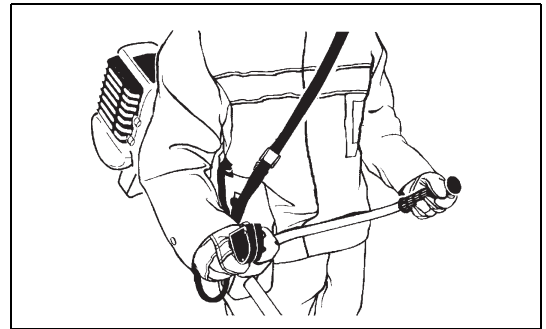
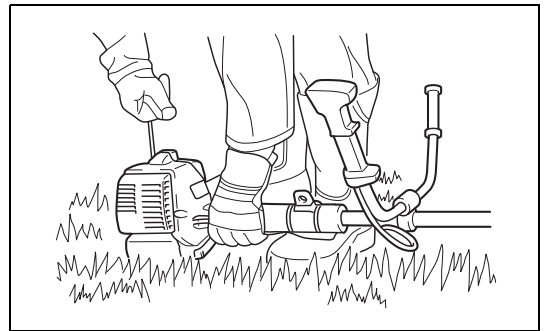
- Upewnić się, że w promieniu 15 metrów nie przebywają żadne dzieci lub inne osoby, jak również zwracać uwagę, czy w pobliżu miejsca pracy nie ma żadnych zwierząt.
- Przed użyciem zawsze sprawdzić, czy kosa spalinowa/wykaszarce spalinowa jest sprawna i nie stwarza zagrożenia:
 - Sprawdzić, czy narzędzie tnące jest prawidłowo zamocowane, czy dźwignia sterująca może być z łatwością obsługiwana oraz czy blokada dźwigni sterującej działa prawidłowo.
- Obracanie narzędzia tnącego przy pracy na biegu jałowym jest zabronione. Sprawdzić u sprzedawcy, czy sprzęt wymaga regulacji. Sprawdzić, czy uchwyty są czyste i suche oraz czy przycisk start/stop działa prawidłowo.



- Uruchamiać kosę spalinową/wykaszkarkę spalinową tylko zgodnie z instrukcją. Nie stosować żadnej innej metody w celu uruchomienia silnika!
- Kosę spalinową/wykaszkarkę spalinową oraz narzędzia należy używać wyłącznie zgodnie z przeznaczeniem.
- Uruchamiać silnik kosy spalinowej/wykaszkarki spalinowej tylko po całkowitym zamontowaniu całego sprzętu. Nie obsługiwać narzędzia dopóki nie zostaną zamontowane wszystkie odpowiednie akcesoria.
- Przed uruchomieniem narzędzia należy upewnić się, że narzędzie tnące nie dotyka twardych przedmiotów, takich jak gałęzie, kamienie itp., ponieważ przy rozruchu zaczyna się ono obracać.
- W razie jakichkolwiek problemów z silnikiem należy niezwłocznie go wyłączyć.
- W przypadku uderzenia narzędzia tnącego o kamień lub inny twardy przedmiot należy niezwłocznie wyłączyć silnik i sprawdzić narzędzie tnące pod kątem ewentualnych uszkodzeń.
- Należy często, regularnie sprawdzać narzędzie tnące pod kątem uszkodzeń (wykrywanie pęknięć za pomocą testu odgłosów przy stukaniu).
- Kosę spalinową/wykaszkarkę spalinową należy obsługiwać wyłącznie po zamocowaniu i wyregulowaniu długości paska na ramię. Pasek na ramię musi zostać dopasowany do wzrostu użytkownika oraz musi zostać zamocowany w celu niedopuszczenia do zmęczenia operatora podczas obsługiwanego narzędzia. Podczas pracy z narzędziem nie wolno trzymać go jedną ręką.
- Podczas pracy należy zawsze trzymać kosę spalinową/wykaszkarkę spalinową dwoma rękami. Należy zawsze upewnić się, czy stopy posiadają właściwe podparcie.
- Kosę spalinową/wykaszkarkę spalinową należy obsługiwać w taki sposób, aby unikać wdychania spalin. Nigdy nie uruchamiać silnika w zamkniętym miejscu, takim jak pomieszczenie (ryzyko zatrucia gazem). Tlenek węgla jest gazem bezwonny.
- Należy zawsze wyłączyć silnik podczas przerwy w pracy lub w przypadku pozostawienia kosy spalinowej/wykaszkarki spalinowej bez nadzoru oraz odłożyć ją w bezpiecznym miejscu w celu niedopuszczenia do obrażeń u innych osób lub uszkodzenia narzędzia.
- Nie odkładać gorącej kosy spalinowej/wykaszkarki spalinowej na suchą trawę ani na inne materiały łatwopalne.
- Narzędzie tnące musi być wyposażone w odpowiednią osłonę. Nigdy nie uruchamiać narzędzia bez zamontowanej osłony!
- Wszystkie zabezpieczenia i osłony dostarczone z narzędziem muszą być używane podczas pracy.
- Nigdy nie uruchamiać silnika z uszkodzonym tłumikiem wydechowym.
- Wyłączać silnik na czas transportu.
- Przed transportem narzędzia należy zawsze zamocować pokrywę ostrza tnącego.
- Przed transportem należy sprawdzić ustawienie kosy spalinowej/wykaszkarki spalinowej pod kątem bezpieczeństwa, aby uniknąć wycieku paliwa.
- Przed transportem kosy spalinowej/wykaszkarki spalinowej należy całkowicie opróżnić zbiornik paliwa.
- Podczas wyładowywania kosy spalinowej/wykaszkarki spalinowej z pojazdu ciężarowego lub innego pojazdu należy zachować ostrożność, aby nie dopuścić do upadku silnika na ziemię, w przeciwnym razie może doprowadzić to do uszkodzenia zbiornika paliwa.
- Z wyjątkiem sytuacji awaryjnych, nigdy nie upuszczać ani nie rzucać kosy spalinowej/wykaszkarki spalinowej na ziemię, gdyż może to spowodować poważne uszkodzenie narzędzia.
- Podczas przenoszenia narzędzia należy zawsze całkowicie je podnieść z ziemi. Ciągnięcie narzędzia ze zbiornikiem paliwa na ziemi jest szczególnie niebezpieczne i może spowodować wyciek paliwa, który z kolei może doprowadzić do pożaru.
- W przypadku silnego uderzenia narzędziem lub jego upadku należy sprawdzić stan narzędzia przed ponownym wystąpieniem do kontynuowania pracy. Sprawdzić układ paliwowy pod kątem szczelności oraz elementy sterujące i urządzenia zabezpieczające pod kątem prawidłowego działania. W przypadku stwierdzenia uszkodzenia lub wątpliwości, co do prawidłowej pracy narzędzia, należy zwrócić się do autoryzowanego centrum serwisowego w celu przeprowadzenia przeglądu i naprawy.

Uzupełnianie paliwa

- Przed tankowaniem należy wyłączyć silnik. Nie zbliżać się do otwartego ognia i nie palić tytoniu.
- Nie dopuszczać do kontaktu skóry z produktami na bazie oleju mineralnego. Nie wdychać oparów paliwa. Podczas uzupełniania paliwa zawsze nosić rękawice ochronne. Pamiętać o regularnej zmianie i praniu odzieży ochronnej.
- Aby nie dopuścić do zanieczyszczenia gruntu (ochrona środowiska naturalnego), nie wolno rozlewać paliwa lub oleju na ziemię. W przypadku rozlania paliwa należy niezwłocznie oczyścić kosę spalinową/wykaszkarkę spalinową.
- Sprawdzić, czy paliwo nie miało kontaktu z noszoną odzieżą. W przypadku kontaktu odzieży z paliwem należy niezwłocznie zmienić ubranie w celu niedopuszczenia do pożaru.
- Regularnie sprawdzać korek wlewu paliwa i upewnić się, że można go dokładnie dokręcić i że jest całkowicie szczelny.
- Starannie dokręcić korek wlewu paliwa. Po zakończeniu uzupełniania paliwa należy odejść do miejsca napełniania paliwa o co najmniej 3 metry przed ponownym uruchomieniem silnika.



- Nigdy nie napełniać paliwa w zamkniętym miejscu, takim jak wewnątrz pomieszczenia. Nieprzestrzeganie powyższego zalecenia może doprowadzić do wybuchu w wyniku nagromadzenia się oparów paliwa przy samej podłodze.
- Paliwo można transportować i przechowywać tylko w atestowanych kanistrach. Dopilnować, aby paliwo było przechowywane w miejscu niedostępnym dla dzieci.

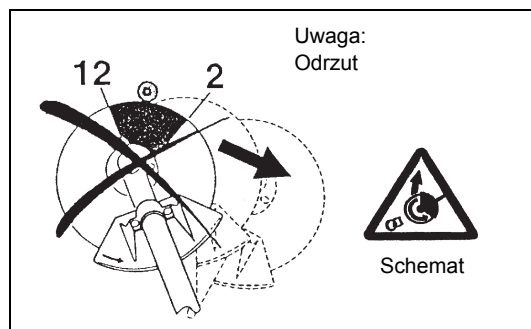
Metoda pracy

- Kosę spalinową/wykaszkarkę spalinową należy używać tylko przy dobrym oświetleniu i odpowiedniej widoczności. W sezonie zimowym należy uważać na śliskim lub mokrym terenie, jak również na lodzie i śniegu (ryzyko poślizgnięcia). Należy zawsze upewnić się, czy stopy posiadają właściwe podparcie.
- Nie wolno kosić powyżej poziomu pasa.
- Nie używać kosi spalinowej/wykaszkarki spalinowej, stojąc na drabinie.
- Nigdy nie wspinąć się na drzewa podczas korzystania z kosi spalinowej/wykaszkarki spalinowej.
- Nie pracować na niestabilnym podłożu.
- Obszar roboczy należy oczyścić z piasku, kamieni, gwoździ itp. Obce przedmioty mogą uszkodzić narzędzie tnące i spowodować niebezpieczny odrzut.
- Przed rozpoczęciem cięcia należy upewnić się, że narzędzie tnące osiągnęło pełną prędkość roboczą.
- W przypadku zablokowania się trawy lub gałęzi pomiędzy narzędziem tnącym a osłoną, należy zawsze przed ich usunięciem zatrzymać silnik. W przeciwnym razie przypadkowy obrót ostrza może przyczynić się do powstania poważnych obrażeń.
- Stosować przerwy podczas pracy z narzędziem, aby zapobiec utracie kontroli w wyniku zmęczenia. Zaleca się 10-20 minutową przerwę po każdej przepracowanej godzinie.



Odrzut (zablokowanie ostrza)

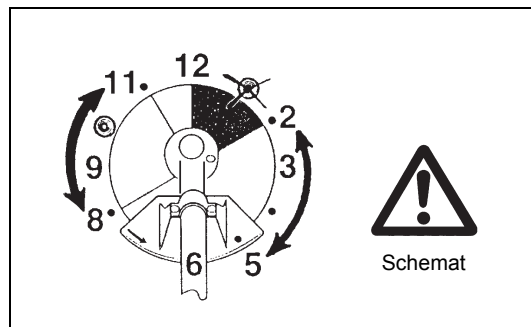
- Podczas pracy z kosą spalinową może dojść do niekontrolowanego odrzutu.
- Odrzuty występują często w przypadku próby cięcia odcinkiem ostrza zawartym pomiędzy godziną 12 a 2.
- Nigdy nie ciąć za pomocą odcinka ostrza kosi spalinowej zawartego pomiędzy godziną 12 a 2.
- Nigdy nie przykładaj tej części ostrza kosi spalinowej do twardych przedmiotów, takich jak krzaki, drzewa itp., których średnica jest większa niż 3 cm. Nieprzestrzeganie powyższej zasady może spowodować odchylenie się kosi spalinowej z dużą siłą, co jest niezwykle niebezpieczne i może doprowadzić do obrażeń ciała.



Zapobieganie odrzutowi

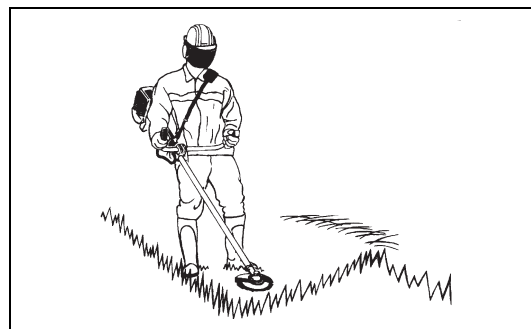
W celu uniknięcia odrzutu należy przestrzegać poniższych zasad:

- Cięcie za pomocą odcinka ostrza zawartego pomiędzy godziną 12 a 2 jest niezwykle niebezpieczne, szczególnie w przypadku używania metalowych narzędzi tnących.
- Cięciem odcinkiem ostrza zawartym między godziną 11 i 12 oraz między 2 i 5 wolno wykonywać tylko przeszkolonym i doświadczonym operatorom, na ich własne ryzyko. Optymalne cięcie, gwarantujące prawie całkowity brak odrzutów, zapewnia cięcie odcinkiem ostrza zawartym pomiędzy godziną 8 a 11.



Narzędzia tnące

- Do pracy należy używać tylko odpowiedniego narzędzia tnącego. Do podkaszania trawnika należy używać żytkowych głowic tnących (głowic wykaszkarki spalinowej). Ostrza metalowe są odpowiednie do koszenia chwastów, wysokiej trawy, krzewów, krzaków, poszycia, zarośli itp. Nigdy nie używać innych ostrzy zawierających metalowe wieloczęściowe łańcuchy obrotowe lub noże bijakowe. W przeciwnym wypadku może to przyczynić się do powstania poważnych obrażeń.
- W przypadku używania ostrzy metalowych należy unikać sytuacji mogących spowodować „odrzut” oraz być przygotowanym w każdej chwili na przypadkowy odrzut. Patrz punkt „Odrzut” oraz „Zapobieganie odrzutowi”.



Instrukcja konserwacji

- Aby narzędzie podlegało serwisowaniu przez nasze autoryzowane centrum serwisowe należy stosować wyłącznie oryginalne części zamienne. Nieprawidłowa naprawa i konserwacja mogą przyczynić się do skrócenia żywotności narzędzia oraz zwiększyć ryzyko wypadków.
- Przed rozpoczęciem pracy należy zawsze sprawdzać stan kosi, w szczególności urządzenia zabezpieczające kosi oraz pasek na ramieniu. Szczególną uwagę należy zwrócić na ostrza tnące, które muszą być prawidłowo naostrzone.
- Przed przystąpieniem do wymiany lub ostrzenia narzędzi tnących bądź czyszczenia kosi lub narzędzia tnącego należy wyłączyć silnik i zdjąć nasadki ze świec zapłonowych.

Nigdy nie prostować ani nie spawać uszkodzonych narzędzi tnących.

- Używać kosi spalinowej/wykaszarki spalinowej, powodując możliwie jak najmniejszy hałas i zanieczyszczenie. Przede wszystkim należy sprawdzić prawidłowe zamocowanie gaźnika.
- Regularnie czyścić kosę spalinową/wykaszarkę spalinową i sprawdzać dokręcenie wszystkich śrub i nakrętek.
- Nie serwisować ani nie przechowywać kosi spalinowej/wykaszarki spalinowej w pobliżu otwartego ognia.
- Zawsze przechowywać kosę spalinową/wykaszarkę spalinową w pomieszczeniach zamkniętych, z opróżnionym zbiornikiem paliwa.
- Przed czyszczeniem, serwisowaniem lub przechowywaniem narzędzia należy zawsze zamocować pokrywę ostrza tnącego.

Przestrzegać instrukcji dotyczących zapobiegania wypadkom wydanych przez organizacje branżowe i firmy ubezpieczeniowe.

Nie dokonywać żadnych modyfikacji kosi spalinowej/wykaszarki spalinowej, ponieważ zagraża to bezpieczeństwu.

Zakres prac konserwacyjnych lub naprawczych wykonywanych przez użytkownika ograniczony jest do tych, które opisano w niniejszej instrukcji obsługi. Wszelkie pozostałe prace muszą być wykonywane przez przedstawiciela autoryzowanego serwisu. Używać tylko oryginalnych części zamiennych i akcesoriów dostarczanych przez firmę MAKITA. Stosowanie niezalecanych akcesoriów i narzędzi może zwiększyć ryzyko wypadków.

Firma MAKITA nie ponosi żadnej odpowiedzialności za wypadki ani szkody spowodowane stosowaniem niezalecanych narzędzi tnących i elementów mocujących do narzędzi tnących lub niezalecanych akcesoriów.

Pierwsza pomoc

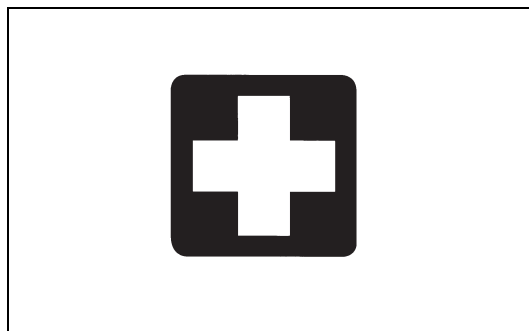
Należy zadbać, aby w pobliżu miejsca, w którym wykonuje się pracę, zawsze dostępna była apteczka pierwszej pomocy, z której można będzie skorzystać w razie wypadku. Wszelkie braki w apteczce należy niezwłocznie uzupełniać.

Wzywając karetkę, należy podać następujące informacje:

- Miejsce wypadku
- Opis wydarzenia
- Liczbę osób, które odniosły obrażenia
- Rodzaje obrażeń
- Własne imię i nazwisko

Drgania

- U osób z problemami krążeniowymi, które są narażone na działanie zbyt intensywnych drgań, może dochodzić do uszkodzenia naczyń krwionośnych lub układu nerwowego. Drgania mogą wywoływać poniższe objawy w palcach, rękach lub nadgarstkach: „senność” (odrętwienie), mrowienie, bóle, wrażenie klucia, zmiany w zabarwieniu skóry lub zmiany na skórze. W razie wystąpienia dowolnego z powyższych objawów, należy zasięgnąć porady lekarza.
- W celu zmniejszenia ryzyka wystąpienia „choroby białych palców” należy zapobiegać wyiębieniu dłoni oraz zapewnić prawidłowy stan narzędzia i akcesoriów.



Dotyczy tylko krajów europejskich

Deklaracja zgodności WE

Firma Makita Corporation, jako odpowiedzialny producent, niniejszym oświadcza, że poniższe narzędzie marki Makita:

Oznaczenie maszyny: Kosa Spalinowa/Wykaszarka Spalinowa

Model/typ: EM2600U, EM2600L

Dane techniczne: patrz tabela „DANE TECHNICZNE”

są produkowane seryjnie oraz

spełniają wymagania następujących dyrektyw Unii Europejskiej:

2000/14/WE, 2006/42/WE, 2004/108/WE

i są produkowane zgodnie z następującymi normami lub dokumentami normalizacyjnymi:

EN ISO 11806-1, EN ISO 14982

Dokumentacja techniczna przechowywana jest przez:

Makita International Europe Ltd., Technical Department,

Michigan Drive, Tongwell, Milton Keynes, Bucks MK15 8JD, Wielka Brytania

Procedura oceny zgodności wymagana przez Dyrektywę 2000/14/WE została przeprowadzona zgodnie z Załącznikiem V.

Zmierzony poziom mocy akustycznej (w przypadku wykaszarki spalinowej): 109,77 dB

Zmierzony poziom mocy akustycznej (w przypadku kosi spalinowej): 107,29 dB

Gwarantowany poziom mocy akustycznej: 112 dB

15. 4. 2013

Tomoyasu Kato
Dyrektor

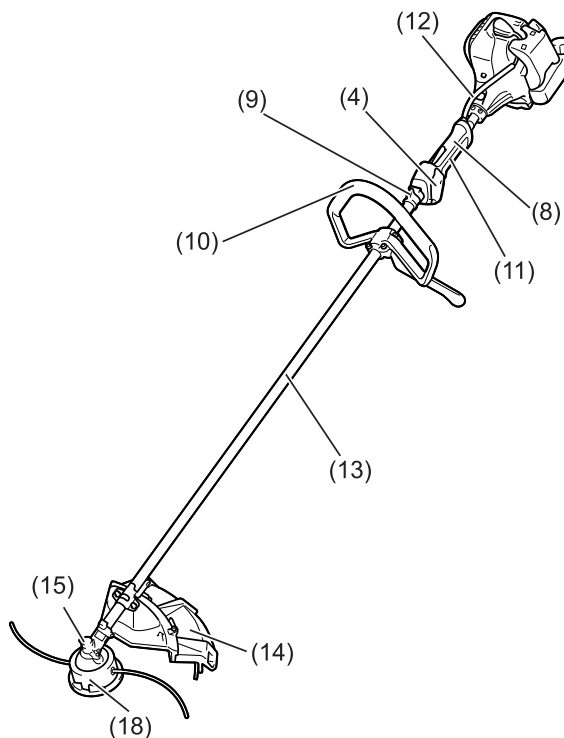
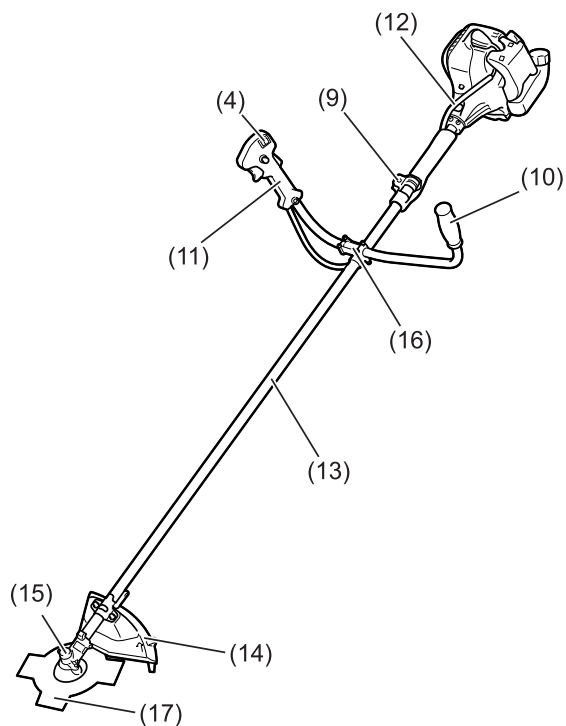
Makita Corporation
3-11-8, Sumiyoshi-cho,
Anjo, Aichi, JAPAN

Dane techniczne

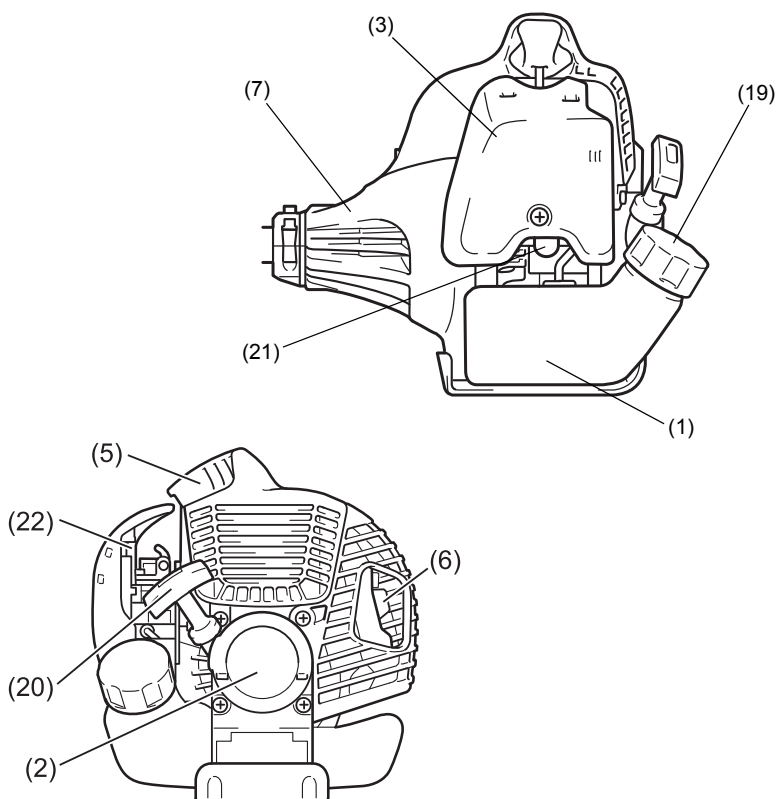
Model		EM2600U	EM2600L
		Uchwyt U	Uchwyt pałkowy
Wymiary: długość x szerokość x wysokość (bez ostrza tnącego)		1 770 x 610 x 410 mm	1 770 x 330 x 185 mm
Masa netto		5 kg	5 kg
Pojemność skokowa silnika		25,7 cm ³	
Maksymalna moc silnika		0,83 kW	
Maksymalna częstotliwość obrotowa wrzeciona		8 800 min ⁻¹	
Narzędzie tnące	Jednoczęściowe ostrze metalowe	φ230 mm	
	Głowica wykasarki spalinowej	φ430 mm	
Obroty na biegu jałowym		3 000 obr/min	
Prędkość włączania sprzęgła		4 100 obr/min	
Przełożenie przekładni		14/19	
Paliwo		Mieszanka paliwowa Benzyna: olej do silników dwusuwowych = 50:1	
Pojemność (zbiornik paliwa)		0,6 l	
Gaźnik		WALBRO WYC	
Układ zapłonowy		Zapłon bezrozdzielaczowy	
Świeca zapłonowa		NGK BPMR7A	
Przerwa między elektrodami		0,6 - 0,7 mm	
Wibracje: (dotyczy kosi spalinowej)	Lewy uchwyt (rękojeść przednia)	14,680 m/s ² K = 1,5 m/s ²	5,152 m/s ² K = 1,5 m/s ²
	Prawy uchwyt (rękojeść tylna)	9,037 m/s ² K = 1,5 m/s ²	9,677 m/s ² K = 1,5 m/s ²
Wibracje: (dotyczy wykasarki spalinowej)	Lewy uchwyt (rękojeść przednia)	7,961 m/s ² K = 1,5 m/s ²	8,83 m/s ² K = 1,5 m/s ²
	Prawy uchwyt (rękojeść przednia)	7,019 m/s ² K = 1,5 m/s ²	14,381 m/s ² K = 1,5 m/s ²
Hałas (przebadany zgodnie z dyrektywą 2000/14/WE i 2005/88/WE):			
Poziom ciśnienia akustycznego na stanowisku operatora (wykasarka spalinowa):		98,52 dB (A) K = 2,5 dB (A)	
Poziom ciśnienia akustycznego na stanowisku operatora (kosa spalinowa):		96,15 dB (A) K = 2,5 dB (A)	
Zmierzony poziom mocy akustycznej (wykasarka spalinowa):		109,77 dB (A) K = 2,5 dB (A)	
Zmierzony poziom mocy akustycznej (kosa spalinowa):		107,29 dB (A) K = 2,5 dB (A)	
Hałas (przebadany zgodnie z dyrektywą 2000/14/WE i 2005/88/WE): gwarantowany poziom mocy akustycznej		112 dB (A)	

Nazwy części

EM2600U Uchwyt U



EM2600L Uchwyt pałkowy



	Nazwy części
1	Zbiornik paliwa
2	Rozrusznik mechaniczny
3	Filtr powietrza
4	Przełącznik I-Stop (wł./wył.)/ przełącznik Start-Stop
5	Świeca zapłonowa
6	Tłumik wydechowy
7	Obudowa sprzęgła
8	Rękojeść tylna
9	Zaczep
10	Uchwyt
11	Dźwignia sterująca
12	Linka sterująca
13	Drażek
14	Ośłona (osłona narzędzia tnącego)
15	Skrzynka przekładniowa
16	Oprawa uchwytu
17	Ostrze tnące
18	Żyłkowa głowica tnąca
19	Korek wlewu paliwa
20	Pokrętko rozrusznika
21	Pompka zastrzykowa
22	Dźwignia ssania

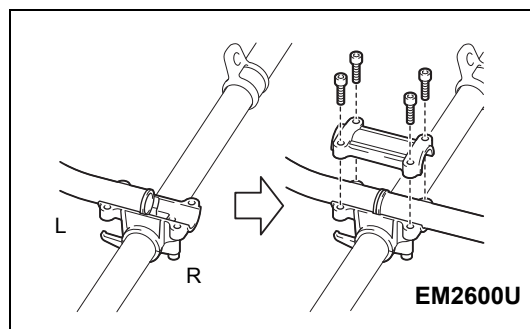
Montaż uchwyty

- UWAGA: Przed przystąpieniem do jakiegokolwiek pracy przy kosie spalinowej należy zawsze wyłączyć silnik i zdjąć nasadkę ze świecy zapłonowej. Zawsze nosić rękawice ochronne!
- UWAGA: Przed uruchomieniem kosy spalinowej należy sprawdzić, czy została ona całkowicie zmontowana.

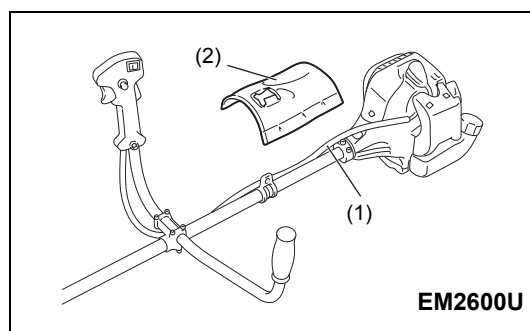


Dotyczy modeli z uchwytem U

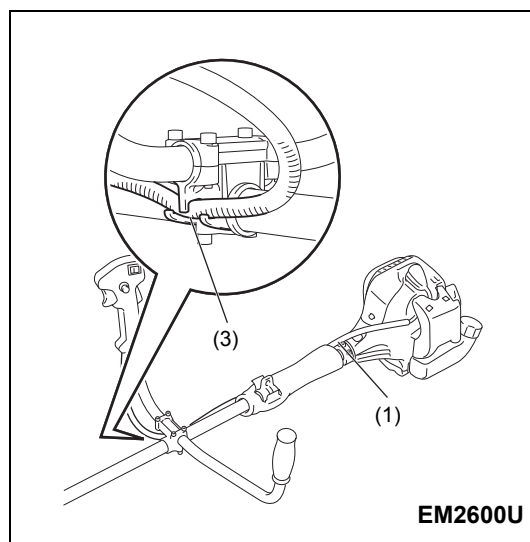
- Umieścić obydwie uchwyty w oprawie uchwyty. Dźwignia sterująca powinna znajdować się po prawej stronie, patrząc w kierunku narzędzia tnącego.
- Wsunąć końce uchwyty w rowek w oprawie uchwyty i zamocować na nich zacisk. Dokręcić je za pomocą czterech śrub, pozostawiając miejsce do regulacji.
- Ustawić odpowiedni kąt uchwyty, a następnie dokręcić równo wszystkie śruby za pomocą klucza sześciokątnego.



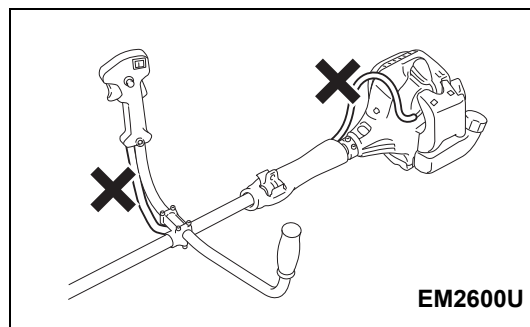
- Umieścić linkę przepustnicy (1) z boku dźwigni sterującej drążka. A następnie zasłonić je za pomocą osłony (2).



- Wsunąć linkę przepustnicy (1) w otwór zaciskowy (3) oprawy uchwyty.
- Sprawdzić, czy linka przepustnicy jest zamocowana, jak pokazano na rysunku.
- Sprawdzić, czy dźwignia sterująca porusza się płynnie.

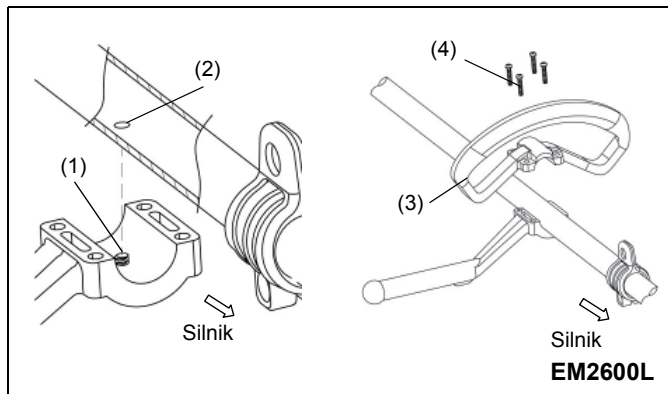


- UWAGA: Nie mocować linki przepustnicy, jak pokazano na rysunku. W przeciwnym wypadku skręcona linka może spowodować wysokie obroty jałowe, a niekontrolowane ostrze może spowodować obrażenia ciała.



Dotyczy modelu z uchwytem pałkowym

- Wkręcić gwint (1) oprawy uchwyty w otwór (2) drążka.
- Zamocować uchwyt pomocniczy (3) do bariery.
- Dokręcić 4 śruby (4) M5 × 30.

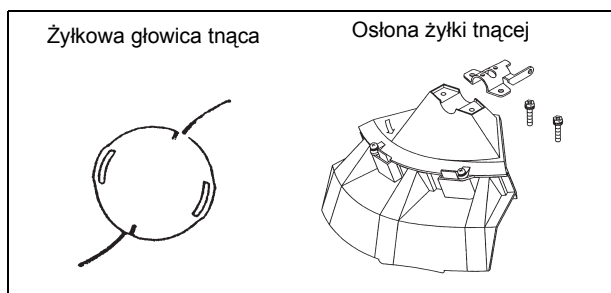
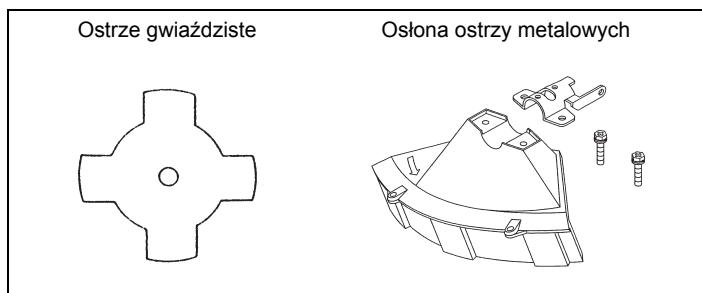


Montaż osłony

W celu zachowania zgodności z normami dotyczącymi bezpieczeństwa, należy stosować wyłączenia zespół narzędzia/osłony wskazany w tabeli.

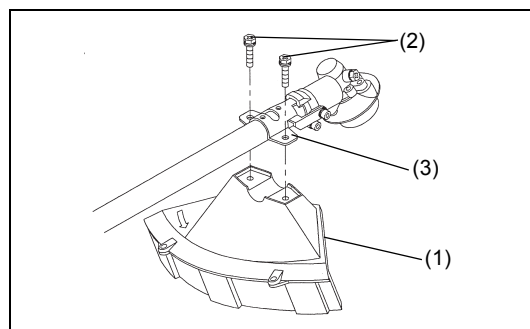
Należy zawsze stosować wyłącznie oryginalne ostrza tnące/żyłkową głowicę tnącą formy MAKITA.

- Ostrze tnące musi być dobrze wypolerowane, bez pęknięć i wyszczerbień. W przypadku uderzenia ostrza tnącego o kamień podczas pracy należy niezwłocznie wyłączyć silnik i sprawdzić ostrze pod kątem uszkodzeń.
- Ostrze tnące należy ostrzyć lub wymieniać po każdym trzech godzinach pracy.
- W przypadku uderzenia żyłkowej głowicy tnącej o kamień podczas pracy, należy niezwłocznie wyłączyć silnik i sprawdzić głowicę pod kątem uszkodzeń.

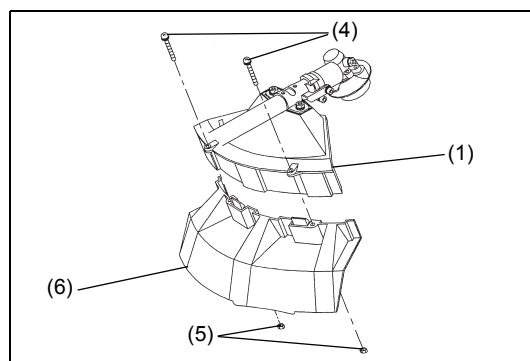


UWAGA: Dla własnego bezpieczeństwa, zgodnie z przepisami dotyczącymi zapobiegania wypadkom, narzędzie wolno używać tylko z odpowiednimi osłonami. Zabrania się użytkowania narzędzia bez zamontowanych osłon.

- Zamocować osłonę (1) do zacisku (3) za pomocą dwóch śrub M6 x 30 (2).



- W przypadku używania żyłkowej głowicy tnącej należy zamocować osłonę (6) do osłony (1) za pomocą dwóch śrub (4) i dwóch nakrętek (5).

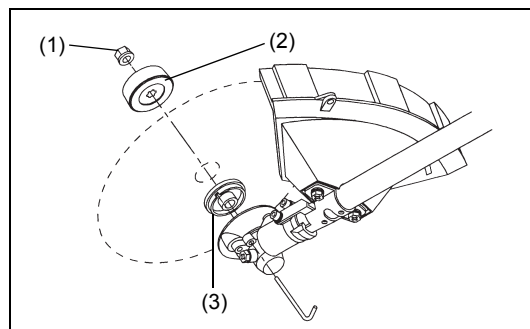


Montaż ostrza tnącego/żyłkowej głowicy tnącej

Ostrze tnące lub żyłkową głowicę tnącą można z łatwością wymienić, obracając w pierwszej kolejności narzędzie do góry nogami.



- Wsunąć klucz sześciokątny w otwór w skrzynce przekładniowej i obracać nim podkładkę (3), aż zostanie zablokowana kluczem sześciokątnym.
- Poluzować nakrętkę/podkładkę sprężystą (1) (gwint lewoskrętny) kluczem nasadowym, a następnie wyjąć nakrętkę/podkładkę sprężystą (1) i podkładkę dociskową (2).



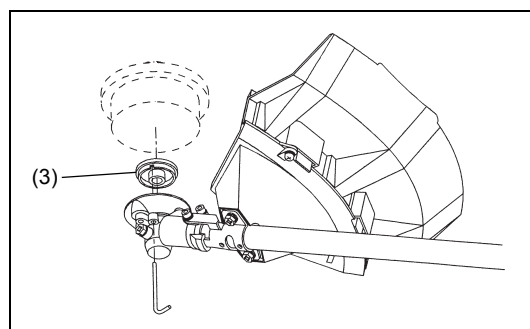
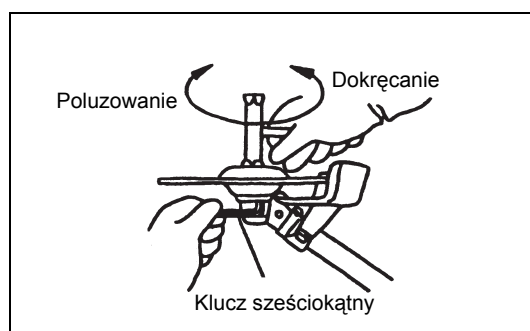
Z włożonym kluczem sześciokątnym

- Zamontować ostrze tnące na drążku w taki sposób, aby prowadnica podkładki (3) pokrywała się z otworem osiowym w ostrzu tnącym. Zamontować podkładkę dociskową (2) i zamocować ostrze tnące za pomocą nakrętki/podkładki sprężystej (1).
[Moment dokręcania: 13-23 Nm]

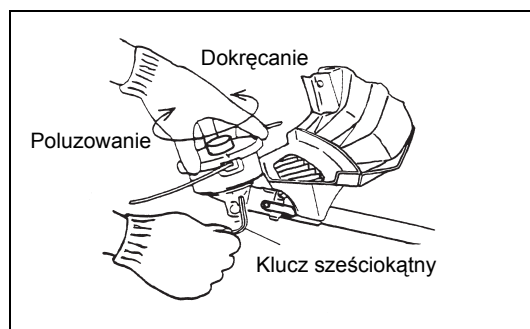
UWAGA: Podczas jakichkolwiek czynności wymagających kontaktu z ostrzem tnącym należy nosić rękawice ochronne.

UWAGA: Nakrętka mocująca ostrze tnące (z podkładką sprężystą) jest częścią ulegającą zużyciu. W razie zauważenia jakichkolwiek oznak zużycia lub zniszczenia podkładki sprężystej, należy wymienić nakrętkę.

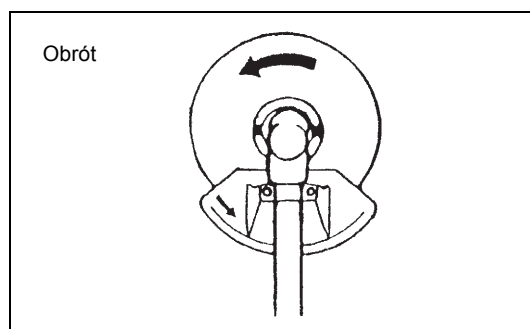
UWAGA: Do montażu żyłkowej głowicy tnącej nie jest wymagana podkładka dociskowa (2) ani nakrętka/podkładka sprężysta (1). Żyłkowa głowica tnąca powinna być zamontowana na podkładce (3).



- Nakręcić żyłkową głowicę tnącą na drążek.



- Sprawdzić, czy ostrze obraca się przeciwnie do ruchu wskazówek zegara.



Obchodzenie się z paliwem

Zachować maksymalną ostrożność podczas obchodzenia się z paliwem. Paliwa mogą zawierać substancje podobne do rozpuszczalników. Tankować w pomieszczeniu o dobrej wentylacji lub na zewnątrz. Nie wdychać oparów paliwa, chronić skórę przed kontaktem z paliwem lub olejem.

Produkty na bazie oleju mineralnego odtłuszczają skórę. Dłuższy kontakt z niniejszymi produktami może spowodować nadmierne przesuszenie skóry, które może prowadzić do wielu różnych chorób skórnych. Mogą także wystąpić reakcje alergiczne.

Kontakt z olejem może również podrażnić oczy. W przypadku dostania się oleju do oczu natychmiast przemyć je obficie czystą wodą. Jeżeli oczy są nadal podrażnione, natychmiast zasięgnąć porady lekarza.

Mieszanka paliwa i oleju

Kosa spalinowa wyposażona jest w silnik dwusuwowy o dużej wydajności. Jest on zasilany mieszanką paliwa i oleju do silników dwusuwowych. Silnik jest przeznaczony do pracy ze zwykłą benzyną bezołowiową o liczbie oktanowej min. 91 RON. Jeżeli paliwo takie nie jest dostępne z jakiegokolwiek powodu, można je zastąpić paliwem o wyższej liczbie oktanów. Nie uszkodzi to silnika, ale może obniżyć parametry pracy.

Podobna sytuacja wystąpi w przypadku użycia benzyny ołowiowej. Aby uzyskać optymalną pracę silnika, a także chronić zdrowie i środowisko naturalne, należy używać tylko benzyny bezołowiowej!

Do smarowania silnika używać oleju przeznaczonego do silników dwusuwowych (klasa jakości: JASO FC lub ISO EGD) do paliwa. Silnik jest przeznaczony do pracy z olejem zalecanym do silników dwusuwowych przy proporcji mieszanki wynoszącej 50:1, aby chronić środowisko naturalne.

Ponadto stosowanie powyższej proporcji mieszanki gwarantuje długi okres eksploatacji, dzięki niezawodnej pracy, oraz emisję na minimalnym poziomie. Jeśli proporcja mieszanki 50:1 nie jest przestrzegana, niezawodna praca kosi spalinowej nie może zostać zagwarantowana (olej zalecany do silników dwusuwowych).

Prawidłowa proporcja mieszanki:

Benzyna: zalecany olej do silników dwusuwowych = 50:1 lub

Benzyna: olej innego producenta do silników dwusuwowych = 25:1 (zalecany)

UWAGA: Aby przygotować mieszankę paliwa i oleju, należy w pierwszej kolejności wymieszać całą ilość oleju z połową paliwa, a następnie dodać pozostałą ilość paliwa. Dokładnie wstrząsnąć mieszankę przed waniem jej do zbiornika kosi spalinowej. W celu zapewnienia bezpiecznej pracy narzędzia nie dodawać większej ilości oleju niż zalecana. Spowoduje to jedynie powstanie większej ilości pozostałości spalania, które zanieczyszczą środowisko naturalne i zapychają kanał wydechowy w cylindrach, a także tłumik. Ponadto zużycie paliwa wzrośnie, a wydajność silnika ulegnie pogorszeniu.

Uzupełnianie paliwa

Silnik musi być wyłączony.

- Dokładnie oczyścić miejsce wokół korka wlewu paliwa (2), aby zapobiec przedostaniu się zanieczyszczeń do zbiornika paliwa (1).
- Odkręcić korek wlewu paliwa (2) i napełnić zbiornik paliwem.
- Mocno dokręcić korek wlewu paliwa (2).
- Oczyścić korek wlewu paliwa (2) i zbiornik paliwa po tankowaniu.



Przechowywanie paliwa

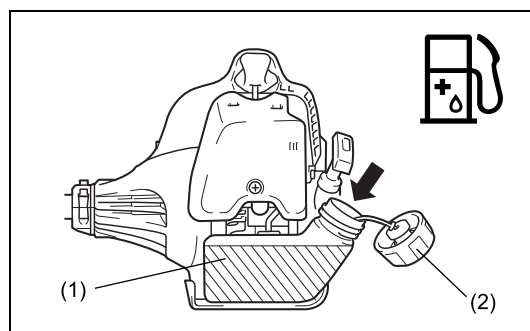
Paliwa nie można przechowywać przez nieograniczony okres.

Paliwo należy kupować tylko w takiej ilości, jaka wystarcza na 4 tygodnie pracy.

Paliwo można przechowywać tylko w atestowanych kanistrach.



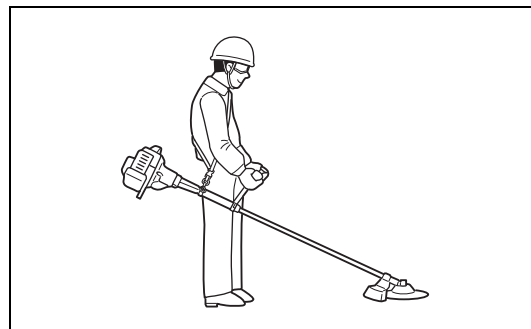
Benzyna	50:1	25:1
	+	
1 000 cm ³ (1 litr)	20 cm ³	40 cm ³
5 000 cm ³ (5 litrów)	100 cm ³	200 cm ³
10 000 cm ³ (10 litrów)	200 cm ³	400 cm ³



Prawidłowe obchodzenie się z narzędziem

Montaż paska na ramię

- Wyregulować długość paska tak, aby ostrze tnące znajdowało się w położeniu równoległym do podłoża.

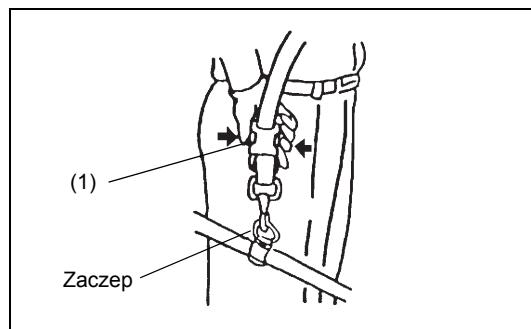


Demontaż

- W przypadku sytuacji awaryjnej nacisnąć przyciski (1) po obu stronach i odczepić narzędzie.
Należy zachować szczególną ostrożność, aby nie utracić kontroli nad narzędziem. Nie dopuścić, aby narzędzie odchyliło się w stronę użytkownika lub jakiegokolwiek innej osoby przebywającej w pobliżu.

OSTRZEŻENIE: Niezachowanie całkowitej kontroli nad narzędziem może spowodować poważne obrażenia lub ŚMIERĆ.

Uwaga: W niektórych krajach pasek na ramię nie posiada funkcji odczepiania.



Ważne kwestie dotyczące obsługi/zatrzymywanie kosi/wykaszarki

Przestrzegać stosownych przepisów dotyczących zapobiegania wypadkom.



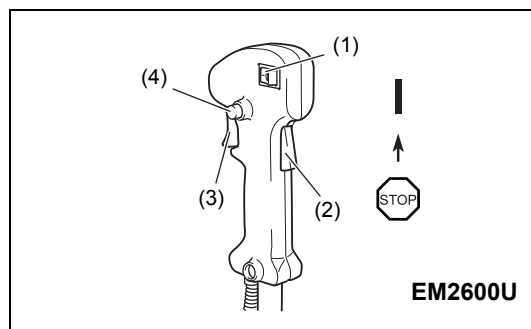
Uruchamianie

Oddalić się o co najmniej 3 m od miejsca, w którym narzędzie zostało napełnione paliwem. Umieścić kosę spalinową na oczyszczonym, otwartym terenie tak, aby narzędzie tnące nie stykało się z ziemią ani z żadnym innym przedmiotem.

OSTRZEŻENIE: Zachować ostrożność, ponieważ narzędzie tnące po uruchomieniu silnika natychmiast zaczyna się obracać.

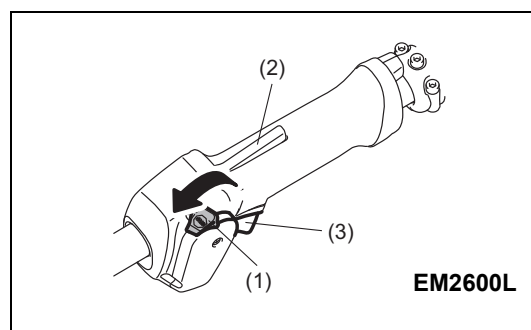
Rozruch na zimno w przypadku modeli z uchwytem U

- Ustawić przełącznik I-Stop (wł./wyt.) (1), jak pokazano na rysunku.
- Chwycić uchwyt (docisk ręką powoduje odblokowanie dźwigni zabezpieczającej (2)).
- Wcisnąć dźwignię przepustnicy (3) i przytrzymać ją.
- Nacisnąć przycisk blokady (4) i zwolnić dźwignię sterującą, a następnie zwolnić przycisk blokady (przycisk blokady zablokuje dźwignię przepustnicy w położeniu pracy).



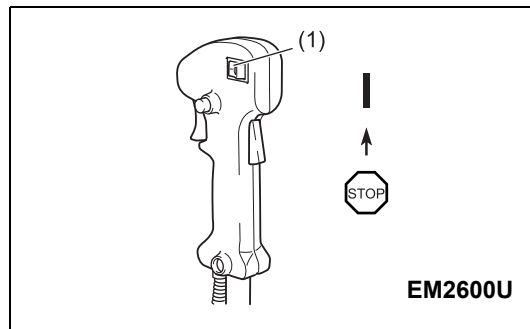
Rozruch na zimno w przypadku modeli z uchwytem pałkowym

- Ustawić przełącznik Start-Stop (1) w położeniu start, jak pokazano na rysunku.
- Chwycić uchwyt (docisk ręką powoduje odblokowanie dźwigni zabezpieczającej (2)).
- Wcisnąć dźwignię przepustnicy (3) i przytrzymać ją.
- Ustawić przełącznik Start-Stop (1) w położeniu start i zwolnić dźwignię sterującą, a następnie zwolnić przełącznik Start-Stop (przełącznik Start-Stop powoduje przytrzymanie dźwigni przepustnicy w położeniu rozruchu).



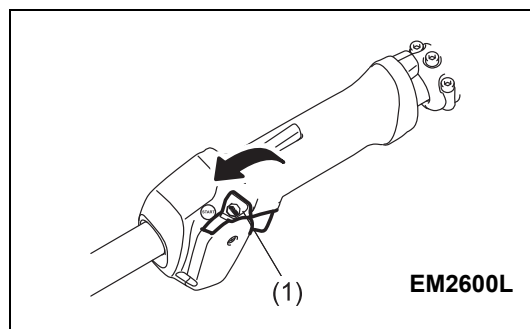
Rozruch rozgrzanego silnika w przypadku modeli z uchwytem U

- Ustawić przełącznik I-Stop (wł./wył.) (1), jak pokazano na rysunku.



Rozruch rozgrzanego silnika w przypadku modeli z uchwytem pałkowym

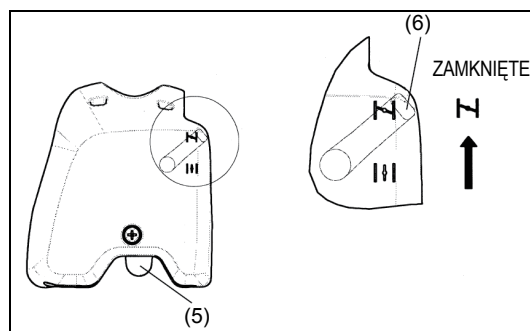
- Ustawić przełącznik Start-Stop (1) w położeniu neutralnym, jak pokazano na rysunku.



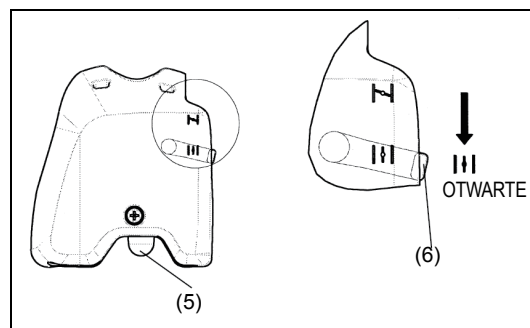
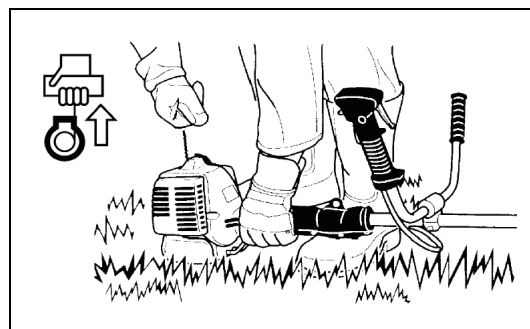
- W pierwszej kolejności należy ustawić narzędzie na ziemi.
- Lekko, kilkakrotnie nacisnąć pompkę zastrzykową (5) (7-10 razy), aż zostanie do niej doprowadzone paliwo.
- Zamknąć dźwignię ssania (6).

Otwieranie ssania:

- Całkowite zamknięcie w przypadku niskiej temperatury lub gdy silnik jest zimny
- Do połowy lub całkowite otwarcie w przypadku uruchomienia przy rozgrzanym silniku



- Chwycić mocno obudowę sprzęgła lewą ręką, jak pokazano na rysunku.
- Powoli pociągnąć rękojeść rozrusznika do oporu, a następnie gwałtownie ją pociągnąć.
- Nie naciągać linki rozrusznika do oporu ani nie dopuszczać, aby uchwyt rozrusznika nie cofnął się. Kontrolować linkę rozrusznika i zapewnić jej wolne cofnięcie się.
- Powtórzyć operację uruchamiania do momentu usłyszenia początkowego zapłonu silnika.
- Nacisnąć dźwignię ssania (6) (↓) i ponownie pociągnąć linkę rozrusznika, aż silnik uruchomi się.
- Po uruchomieniu silnika należy niezwłocznie nacisnąć i zwolnić przepustnicę, aby zwolnić blokadę przepustnicy w pozycji do połowy zamkniętej i umożliwić pracę silnika na biegu jałowym.
- Zostawić silnik uruchomiony przez około jedną minutę na średnich obrotach, aby rozgrzać go przed przejściem na pełne obroty.



UWAGA: – Jeżeli uchwyt rozrusznika zostanie wielokrotnie pociągnięty, gdy dźwignia ssania pozostaje w położeniu „↓”, wystąpią trudności z uruchomieniem silnika spowodowane nadmiernym zassaniem paliwa.

- W przypadku nadmiernego zassania paliwa należy wyjąć świecę zapłonową i pociągnąć powoli uchwyt rozrusznika, aby usunąć nadmiar paliwa. Osuszyć również odcinek elektrody na świecy zapłonowej.

Środki ostrożności podczas tej czynności:

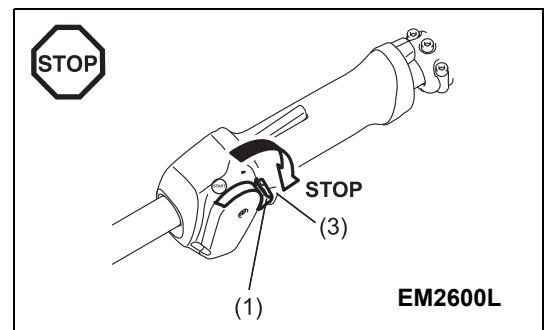
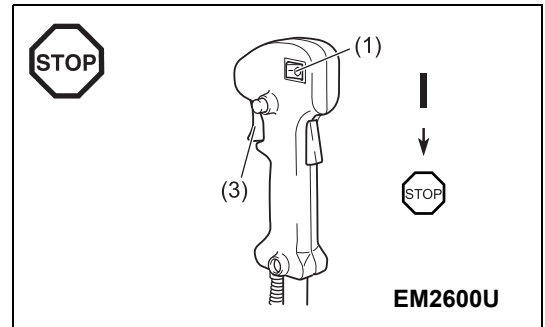
Jeśli dźwignia przepustnicy znajduje się w położeniu otwartym podczas pracy narzędzia bez obciążenia, prędkość obrotowa silnika wzrośnie do ponad 10 000 min⁻¹. Nigdy nie pracować z wyższą prędkością silnika, niż jest to konieczne, i zachować prędkość na poziomie około 6 000-8 000 min⁻¹.

UWAGA: Należy zawsze zredukować prędkość obrotową silnika, jeśli narzędzie nie jest w danym momencie używane przy pracy.

Praca narzędzia z wysoką prędkością obrotową, w czasie gdy nie jest ono używane, spowoduje skrócenie żywotności narzędzia.

Wyłączanie

- Całkowicie zwolnić dźwignię przepustnicy (3), a po spadku prędkości obrotowej silnika ustawić przełącznik I-Stop (wł./wyt.)/przełącznik Start-Stop (1) w położeniu „STOP” – silnik zatrzyma się.
- Należy pamiętać, że głowica tnąca może się jeszcze przez chwilę obracać – odczekać, aż jej obroty zostaną zredukowane i całkowicie się zatrzyma.



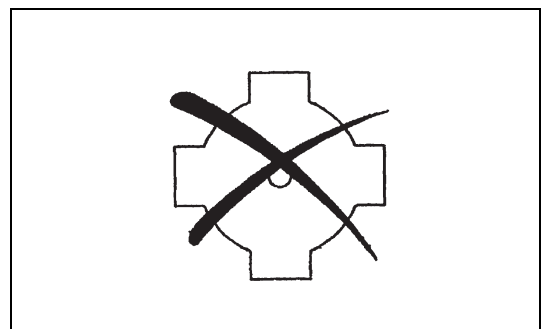
Ostrzenie narzędzia tnącego

UWAGA: Wymienione poniżej narzędzia tnące muszą być ostrzone wyłącznie w autoryzowanym serwisie. Ostrzenie ręczne spowodowałoby brak wyważenia narzędzia tnącego, powodujące drgania i uszkodzenie narzędzia.

- ostrze tnące (ostrze gwiazdziste (4 zęby))

Usługa ostrzenia i wyważania ostrza oferowana jest przez przedstawicieli autoryzowanych serwisów.

UWAGA: W celu przedłużenia żywotności ostrza tnącego (gwiazdzistego) można je obrócić i korzystać z niego, dopóki nie stępią się obie krawędzie tnące.



ŻYŁKOWA GŁOWICA TNĄCA

Żyłkowa głowica tnąca to dwużyłkowa głowica wykasarki spalinowej, umożliwiająca zarówno pracę automatyczną, jak i działanie w trybie „bump & feed”.

Żyłkowa głowica tnąca automatycznie uwalnia prawidłową długość żyłki nylonowej przy zmianie siły odśrodkowej powodowanej przez zwiększenie lub zmniejszenie obrotów silnika. W celu efektywniejszego koszenia miękkiej trawy można jednak lekko uderzyć żyłkową głowicą tnącą o ziemię, aby wysunąć więcej żyłki, zgodnie z zaleceniami podanymi w rozdziale dotyczącym obsługi.

Obsługa

- Zwiększyć prędkość żyłkowej głowicy tnącej do ok. 6 000 min⁻¹. Żyłka nylonowa nie wysunie się prawidłowo przy niższej prędkości obrotowej (poniżej 4 800 min⁻¹).
- Najefektywniejszy obszar koszenia został zaznaczony poprzez zacieniony obszar na schemacie po prawej stronie.

Jeżeli żyłka nylonowa nie wysuwa się automatycznie, należy postępować zgodnie z poniższymi zaleceniami:

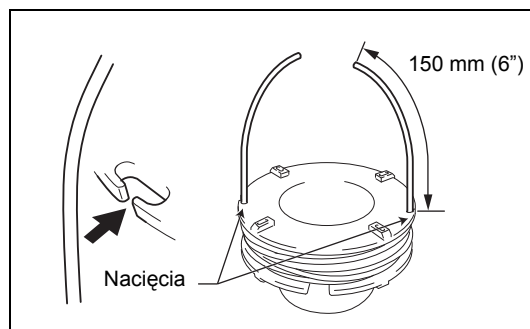
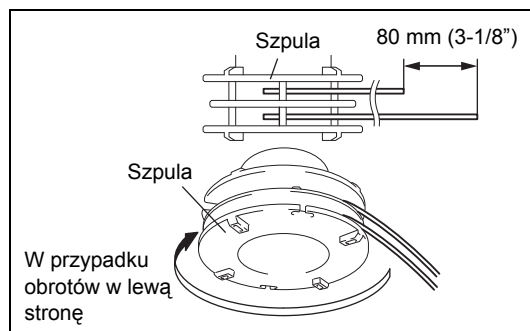
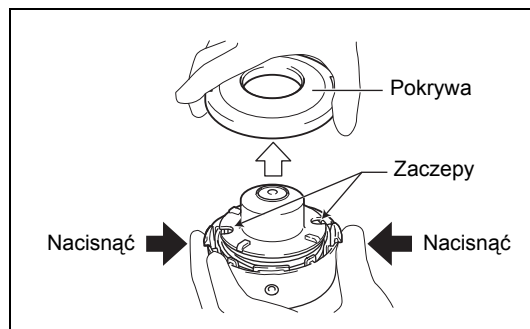
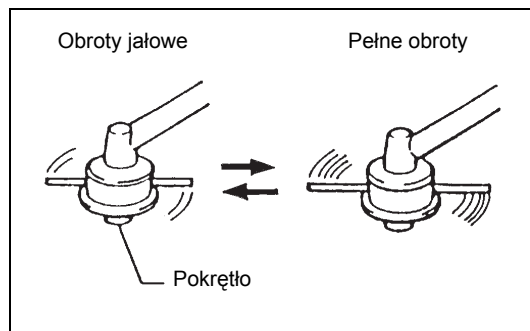
1. Zwolnić dźwignię przepustnicy, aby silnik pracował na biegu jałowym, po czym całkowicie przekreślić dźwignię przepustnicy. Powtarzać tę procedurę, dopóki żyłka nylonowa nie wysunie się na odpowiednią długość.
2. Jeżeli żyłka nylonowa jest zbyt krótka, aby mogła się wysunąć automatycznie po wykonaniu powyższej procedury, należy uderzyć żyłkową głowicą tnącą o ziemię, aby spowodować wysunięcie żyłki.
3. Jeżeli procedura nr 2 nie spowoduje wysunięcia się żyłki nylonowej, należy ponownie nawinąć/wymienić żyłkę nylonową zgodnie z procedurą opisaną w punkcie „Wymiana żyłki nylonowej”.

Wymiana żyłki nylonowej

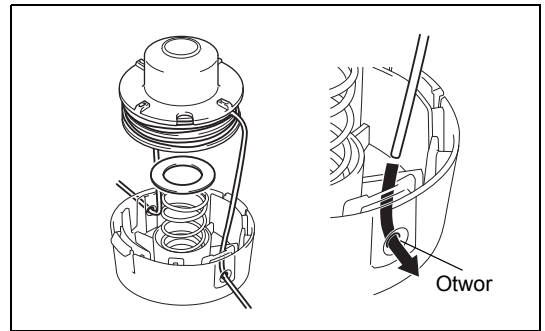
- Wyłączyć silnik.
- Nacisnąć zaczepy na obudowie, aby podnieść pokrywę i wyjąć szpulę.

- Zaczepić środek nowej żyłki nylonowej w nacięciu na środku szpuli tak, aby jeden koniec żyłki był dłuższy od drugiego o około 80 mm. Następnie nawinąć oba końce wokół szpuli w kierunku obrotów głowicy (symbole znajdujące się z boku szpuli oznaczają odpowiednio – LH obroty w lewo, RH obroty w prawo).

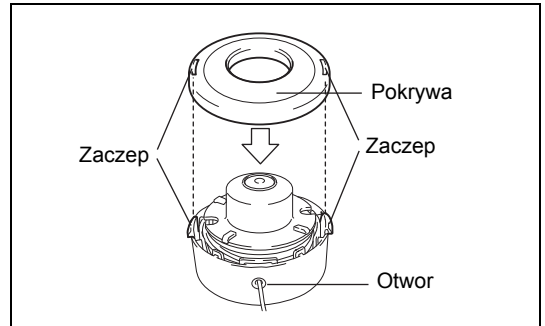
- Nawinąć całą żyłkę na szpulę, pozostawiając ok. 150 mm i zaczepiając tymczasowo końce w nacięciu z boku szpuli.



- Przełożyć oba końce żyłki przez otwory na zewnątrz obudowy. Zamontować podkładkę, sprężynę i szpulę w obudowie.



- Wyrównać zaczepy na pokrywie i obudowie. Następnie wcisnąć mocno pokrywę w obudowę w celu jej zamocowania.



Zalecenia dotyczące serwisowania

Zalecenia dotyczące serwisowania

UWAGA: Przed przystąpieniem do jakichkolwiek prac konserwacyjnych przy kosie spalinowej, należy zawsze wyłączyć silnik i zdjąć nasadkę ze świecy zapłonowej (patrz rozdział „Kontrola świecy zapłonowej”).
Zawsze nosić rękawice ochronne.

UWAGA: Nigdy nie wyjmować samemu rozrusznika mechanicznego. Nieprzestrzeganie powyższego zalecenia może doprowadzić do wypadku. Procedurę tę powinien przeprowadzać wyłącznie przedstawiciel autoryzowanego serwisu.

W celu zapewnienia długiego okresu eksploatacji oraz w celu uniknięcia uszkodzenia narzędzia wszystkie prace konserwacyjne należy przeprowadzać regularnie.

Codzienna kontrola i konserwacja

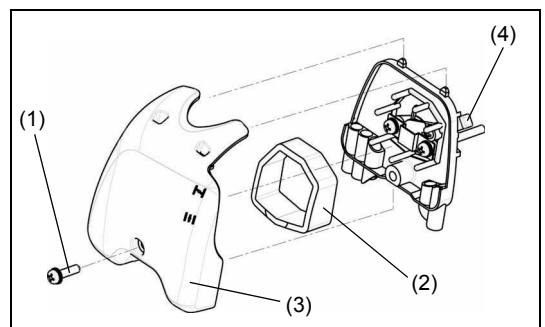
- Przed przystąpieniem do pracy sprawdzić narzędzie pod kątem poluzowanych śrub i brakujących części. Zwracać szczególną uwagę na dokręcenie ostrza tnącego lub żyłkowej głowicy tnącej.
- Przed przystąpieniem do pracy należy zawsze sprawdzić przewód powietrza chłodzącego oraz żeberka cylindra pod kątem zablokowania. W razie potrzeby oczyścić.
- Po zakończeniu pracy z narzędziem wykonać każdorazowo następujące czynności:
 - Oczyszczyć z zewnątrz kosę spalinową i sprawdzić narzędzie pod kątem uszkodzeń.
 - Oczyszczyć filtr powietrza. Podczas pracy w warunkach dużego zapylenia należy czyścić filtr kilka razy dziennie.
 - Sprawdzić ostrze lub żyłkową głowicę tnącą pod kątem uszkodzeń i prawidłowego zamocowania.
 - Sprawdzić, czy jest zachowana wystarczająca różnica pomiędzy prędkością na biegu jałowym a prędkością roboczą, aby upewnić się, że narzędzie tnące nie obraca się, gdy silnik pracuje na biegu jałowym (w razie konieczności zmniejszyć prędkość biegu jałowego). Jeśli narzędzie tnące nadal obraca się podczas pracy silnika na biegu jałowym, należy skontaktować się z przedstawicielem autoryzowanego serwisu.
- Sprawdzić przełącznik I-Stop (wł./wył.)/przełącznik Start-Stop, dźwignię zabezpieczającą, dźwignię sterującą i przycisk blokady pod kątem prawidłowego działania.



Czyszczenie filtra powietrza

- Obrócić dźwignię ssania (4) w położenie całkowicie zamknięte i zabezpieczyć gaźnik przed kurzem i zabrudzeniami.
- Odkręcić śrubę (1).
- Zdjąć pokrywę filtra powietrza (3).
- Wyjąć wkład filtra (2), umyć go w ciepłej wodzie i całkowicie osuszyć.
- Po oczyszczeniu założyć ponownie pokrywę filtra powietrza (3) i zamocować śrubę (1).

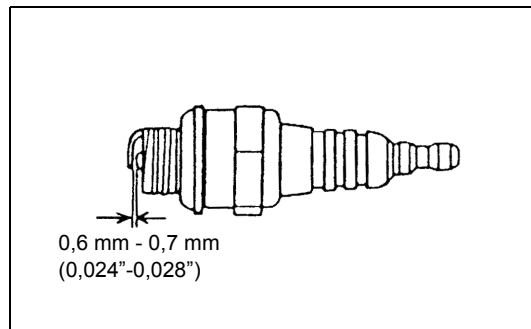
UWAGA: Jeśli filtr powietrza jest nadmiernie zabrudzony lub zakurzony, czyścić go codziennie. Zatkany filtr powietrza może utrudnić lub uniemożliwić uruchomienie silnika bądź może spowodować zwiększenie prędkości obrotowej silnika.



Kontrola świecy zapłonowej

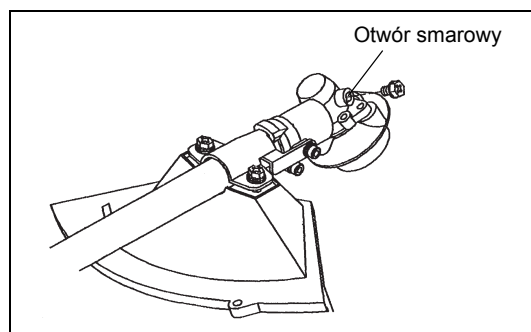
- Do montażu i demontażu świecy zapłonowej należy używać tylko dostarczonego klucza uniwersalnego.
- Odstęp pomiędzy dwoma elektrodami świecy zapłonowej powinien wynosić 0,6-0,7 mm. Jeżeli odstęp jest zbyt duży lub zbyt mały, należy go wyregulować. Jeżeli świeca zapłonowa jest pokryta nagarem lub zabrudzona, należy ją dokładnie oczyścić lub wymienić.

UWAGA: Nigdy nie dotykać łącznika świecy zapłonowej przy włączonym silniku (wysokie napięcie, ryzyko porażenia prądem).



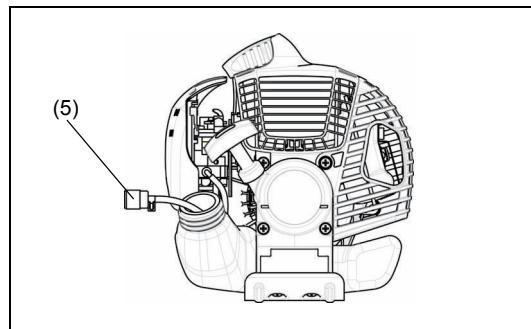
Dodawanie smaru do skrzynki przekładniowej

- Dodawać smar (Shell Alvania 3 lub odpowiednik) do skrzynki przekładniowej przez otwór smarowy co każde 30 godzin pracy (oryginalny smar MAKITA jest dostępny w punktach sprzedaży produktów MAKITA).



Głowica ssąca w zbiorniku paliwa

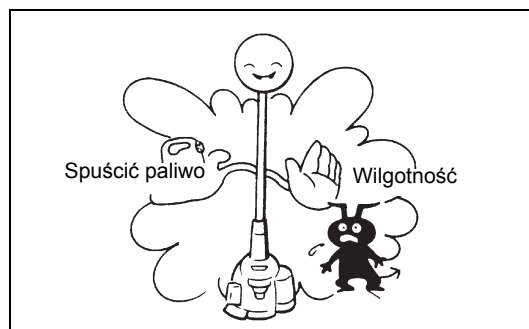
- Filtr paliwa (5) głowicy ssącej służy do dostarczania paliwa do gaźnika.
- Okresowo sprawdzać wzrokowo filtr paliwa. W tym celu należy odkręcić korek wlewu paliwa, użyć drucianego haka i wyciągnąć głowicę ssącą przez otwór zbiornika. Wymienić filtr na nowy, jeśli stwardniał, jest bardzo zanieczyszczony lub zablokowany.
- Niedostateczny dopływ paliwa może spowodować przekroczenie maksymalnej, dopuszczalnej prędkości. W związku z powyższym filtr paliwa należy wymieniać co najmniej raz na kwartał, aby zapewnić dostateczny dopływ paliwa do gaźnika.



Wszelkie prace konserwacyjne i regulacyjne niewymienione w niniejszej instrukcji obsługi mogą być wykonywane wyłącznie przez przedstawicieli autoryzowanego serwisu.

Przechowywanie

- W przypadku przechowywania narzędzia przez dłuższy okres należy spuścić całkowicie paliwo ze zbiornika i gaźnika. Aby wykonać tę czynność, należy po prostu spuścić całe paliwo ze zbiornika paliwa. Zutyliзовать spuszczone paliwo zgodnie z lokalnymi przepisami.
- Wyjąć świecę zapłonową i dodać kilka kropel oleju przez otwór świecy zapłonowej. Następnie pociągnąć lekko rozrusznik, aby wewnątrz silnika pokryło się cienką warstwą oleju, a następnie wkręcić świecę zapłonową.
- Oczyszczyć wszelkie zanieczyszczenia i kurz z ostrza tnącego oraz na obudowie silnika i przetrzeć je szmatką nasączoną olejem. Narzędzie należy przechowywać w suchym miejscu.



Harmonogram konserwacji

Konserwacja ogólna	Zespół silnika, śruby i nakrętki	Kontrola wzrokowa pod kątem uszkodzeń i dokręcenia Sprawdzić stan ogólny i bezpieczeństwo
Po każdym uzupełnieniu paliwa	Dźwignia sterująca Przełącznik I-Stop (wł./wył.)/ przełącznik Start-Stop	Kontrola działania Kontrola działania
Codziennie	Filtr powietrza Przewód powietrza chłodzącego Narzędzie tnące Obroty na biegu jałowym	Oczyszczyć Oczyszczyć Sprawdzić pod kątem uszkodzeń i naostrzenia Kontrola (narzędzie tnące nie może się poruszać)
Co tydzień	Świeca zapłonowa Tłumik	Kontrola, w razie potrzeby wymienić Sprawdzić i w razie potrzeby oczyścić otwór
Co kwartał	Głowica ssąca Zbiornik paliwa	Wymienić Oczyszczyć
Procedura wyłączenia	Zbiornik paliwa Gaźnik	Opróżnić zbiornik paliwa Uruchomić do czasu, aż silnik zużyje całe paliwo

Rozwiązywanie problemów

Usterka	Układ	Objaw	Przyczyna
Silnik nie uruchamia się lub występują trudności z jego uruchomieniem	Układ zapłonowy	Prawidłowa iskra zapłonowa	Nieprawidłowe działanie układu paliwowego, układu sprężania, usterka mechaniczna
		Brak iskry zapłonowej	Zadziałał przełącznik I-Stop (wł./wył.)/przełącznik Start-Stop, usterka okablowania lub zwarcie, wadliwa świeca zapłonowa lub łącznik, niesprawny moduł zapłonu
	Doprowadzanie paliwa	Zbiornik paliwa napelniony	Nieprawidłowa pozycja ssania, uszkodzony gaźnik, zgięty lub zatkany przewód paliwowy, zanieczyszczone paliwo
	Sprężanie	Brak sprężania podczas ciągnięcia	Wadliwa dolna uszczelka cylindra, uszkodzone uszczelki wałka korbowego, wadliwe pierścienie cylindra lub tłoka, nieprawidłowe uszczelnienie świecy zapłonowej
Trudności podczas rozruchu rozgrzanego silnika	Usterka mechaniczna	Rozrusznik nie włącza się	Pęknięta sprężyna rozrusznika, uszkodzone części wewnątrz silnika
		Zbiornik napelniony. Prawidłowa iskra zapłonowa	Zanieczyszczony gaźnik; zlecić jego wyczyszczenie
Silnik uruchamia się, ale natychmiast gaśnie	Doprowadzanie paliwa	Zbiornik napelniony	Nieprawidłowa regulacja biegu jałowego, zanieczyszczony gaźnik
Niewystarczająca moc	Może być to spowodowane przez równoczesną awarię kilku układów	Nieprawidłowa praca silnika na biegu jałowym	Wadliwe odpowietrzanie zbiornika paliwa, przerwany przewód doprowadzający paliwo, wadliwy przewód lub przełącznik I-Stop (wł./wył.)/przełącznik Start-Stop
			Zabrudzony filtr powietrza, zanieczyszczony gaźnik, niedrożny tłumik, niedrożny kanał wylotowy cylindra

Vă mulțumim pentru achiziționarea acestei motocositoare/motocositoare cu fir MAKITA. Motocositorile/motocositorile cu fir MAKITA sunt dezvoltate pe baza multor ani de acumulare de cunoștințe, experiență, precum și pe baza unui program de dezvoltare detaliat.

Vă rugăm să citiți acest manual cu atenție pentru a vă asigura că obțineți cele mai bune performanțe și că veți beneficia de rezultatele excelente pe care le poate oferi motocositoarea/motocositoarea cu fir MAKITA.



Cuprins	Pagina
Simboluri	56
Instrucțiuni de siguranță	57
Date tehnice	61
Denumirea pieselor	62
Montarea mânerului	63
Montarea apărătorii	64
Montarea lamei de tăiere/capului de tăiere cu nylon	65
Carburant/Alimentare	66
Manipularea corectă	67
Puncte de operare importante/oprirea lamei de tăiere/motocositoarei	67
Reascuțirea dispozitivului de tăiere	69
Instrucțiuni de service	71
Depozitare	73

Simboluri

Vă rugăm să țineți cont de următoarele simboluri atunci când citiți manualul de instrucțiuni.

	Citiți manualul de utilizare		Purtați sisteme de protecție pentru ochi și urechi (doar pentru motocositoarea cu fir)
	Acordați grijă și atenție specială		Purtați cască de protecție și sisteme de protecție pentru ochi și urechi (doar pentru motocositoare)
	Interzis		Nu utilizați lame metalice (doar pentru motocositoarea cu fir)
	Păstrați distanța		Turație maximă permisă a sculei
	Pericol de obiecte proiectate		Suprafețe fierbinți - Arsuri ale degetelor sau mâinilor
	Nu fumați		Amestec între carburant și ulei
	Fără flăcări deschise		Pornire manuală motor
	Trebuie purtate mănuși de protecție		Oprire de urgență
	Recul		Primul ajutor
	Interziceți accesul tuturor persoanelor și animalelor în zona de operare		PORNIT/START
	Purtați cizme robuste cu talpă antiderapantă. Sunt recomandate cizmele de siguranță cu bombeuri din oțel.		OPRIT/STOP
			START

Instrucțiuni de siguranță

Instrucțiuni generale

- Pentru a asigura operarea corectă, asigurați-vă că citiți și înțelegeți în întregime acest manual de instrucțiuni, pentru a vă familiariza cu modul de utilizare a motocositoarei/motocositoarei cu fir. Utilizarea acestui echipament fără a înțelege modul de utilizare corectă poate duce la accidentări personale grave sau la accidentări ale persoanelor din jur.
- Împrumutați motocositoarea/motocositoarea cu fir doar persoanelor care dovedesc experiență în utilizarea motocositorilor/motocositorilor cu fir. În același timp, împrumutați-le întotdeauna și acest manual de instrucțiuni.
- Dacă vă aflați la prima utilizare a unei motocositoare motorizate, consultați-vă cu distribuitorul pentru instrucțiuni de bază.
- Nu trebuie permisă utilizarea motocositoarei/motocositoarei cu fir de către copii și tineri cu vârsta sub 18 ani. Persoanele cu vârsta peste 16 ani pot totuși utiliza dispozitivul pentru instruire, numai sub supravegherea unui instructor calificat.
- Utilizați motocositorii/motocositorii cu fir cu cea mai mare grijă și atenție.
- Operați motocositoarea/motocositoarea cu fir numai dacă vă aflați într-o condiție fizică adecvată. Executați fiecare lucrare cu calm și cu atenție. Utilizatorii trebuie să-și asume responsabilitatea pentru persoanele din jur.
- Nu utilizați niciodată motocositoarea/motocositoarea cu fir după consumul de alcool sau medicamente, sau dacă sunteți obosit sau bolnav.

AVERTISMENT: Această unealtă electrică produce un câmp electromagnetic în timpul operării. În anumite condiții, acest câmp poate intra în interferență cu implanturi medicale active sau pasive. Pentru a reduce riscul accidentelor grave sau fatale, recomandăm ca persoanele cu implanturi medicale să consulte medicul și producătorul implantului medical înainte a opera această mașină.

Destinația de utilizare a echipamentului

- Motocositoarea/motocositoarea cu fir este concepută doar pentru tăierea ierbii, buruienilor, tufișurilor, subarboretului și nu trebuie utilizată în niciun alt scop, precum bordurarea sau tunderea gardului viu, deoarece poate cauza vătămări corporale.

Echipament personal de protecție

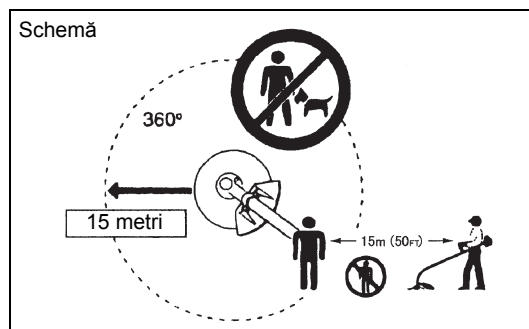
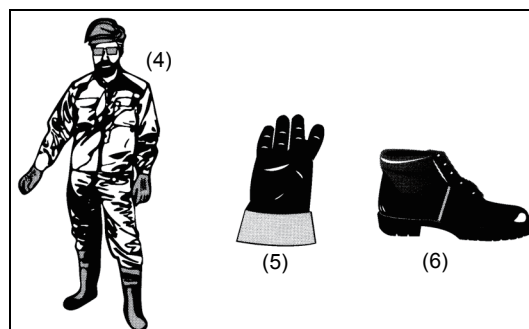
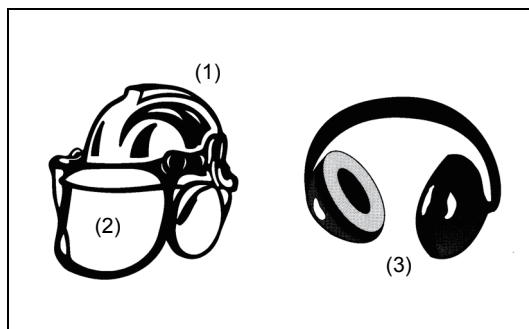
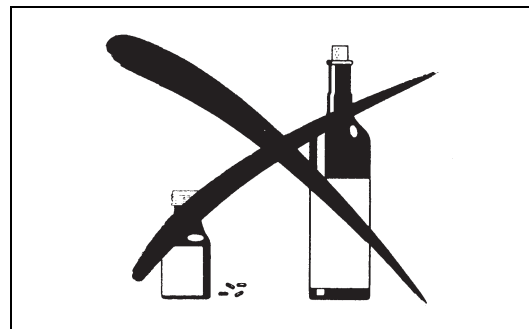
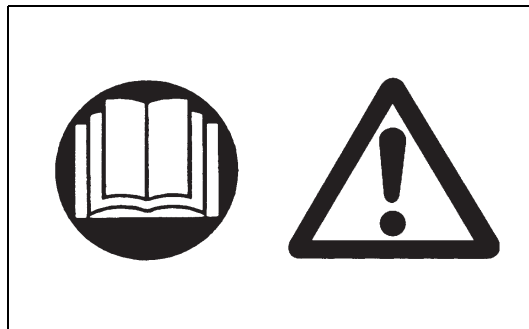
- Purtați întotdeauna haine funcționale și adecvate pentru lucrările desfășurate, adică strânse încât să cauzeze disconfort la mișcare. Nu purtați bijuterii sau haine care se pot agăța în tufișuri sau lăstăriși.
- Pentru a evita leziunile la cap, ochi, mâini sau picioare, precum și pentru a vă proteja auzul în timpul operării, următoarele echipamente și haine de protecție trebuie purtate în timp ce utilizați motocositoarea/motocositoarea cu fir.
- Purtați întotdeauna o cască acolo unde există riscul căderii de obiecte. Casca de protecție (1) trebuie verificată la intervale regulate pentru depistarea deteriorărilor și trebuie înlocuită după cel mult 5 ani. Utilizați numai căști de protecție omologate.
- Vizorul (2) al căștii (sau, alternativ, ochelarii de protecție) protejează fața de resturi și pietrele proiectate. În timpul folosirii motocositoarei/motocositoarei cu fir, purtați întotdeauna ochelari de protecție sau un vizor de protecție, pentru a preveni leziunile oculare.
- Purtați echipament adecvat de protecție la zgomot, pentru a evita pierderea auzului (amortizoare pentru urechi (3), dopuri de urechi etc.).
- Salopeta de lucru (4) protejează împotriva pietrelor și resturilor proiectate. Vă recomandăm insistent să purtați salopetă de lucru.
- Mănușile speciale (5), confecționate din piele groasă, sunt o parte a echipamentului recomandat și trebuie întotdeauna purtate în timpul operării motocositoarei/motocositoarei cu fir.
- Când utilizați motocositoarea/motocositoarea cu fir, purtați întotdeauna încălțăminte robustă (6) cu talpă antiderapantă. Această încălțăminte protejează împotriva vătămărilor corporale și asigură un sprijin bun.

Riscuri reziduale

- Chiar și atunci când unealta electrică este utilizată conform instrucțiunilor, nu este posibilă eliminarea tuturor factorilor de risc reziduali. Următoarele pericole pot apărea în legătură cu construcția și conceptul unelei electrice:
 1. Afecțiuni pulmonare, dacă nu este purtată o mască eficientă de protecție contra prafului.
 2. Afecțiuni ale auzului, dacă nu este purtat un dispozitiv eficient de protecție a auzului.
 3. Deteriorarea stării de sănătate în urma vibrațiilor, dacă unealta electrică este utilizată o perioadă de timp mai îndelungată sau nu este gestionată sau întreținută adecvat.

Pornirea motocositoarei

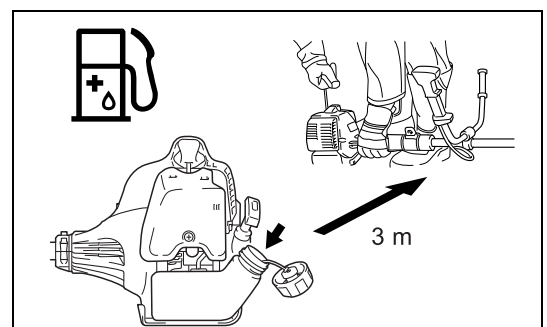
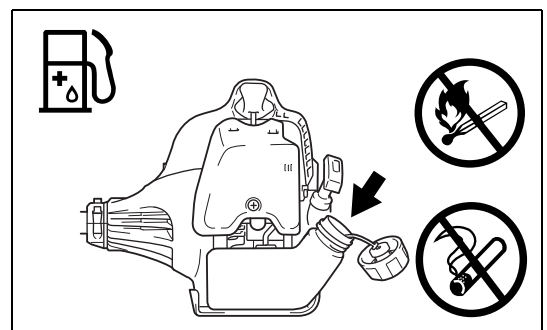
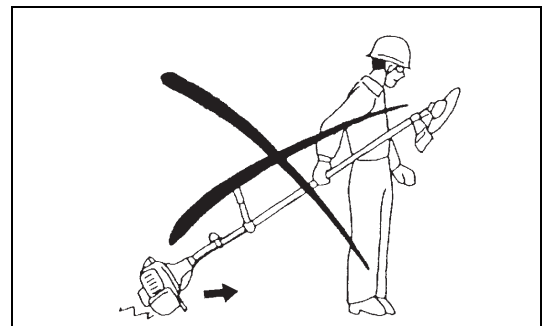
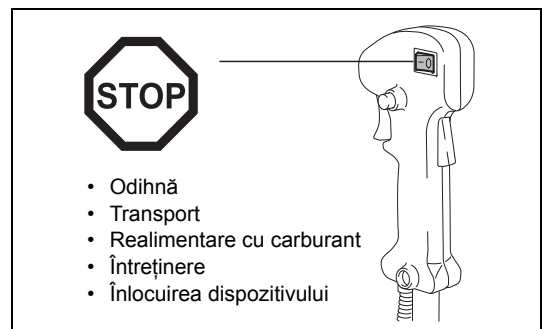
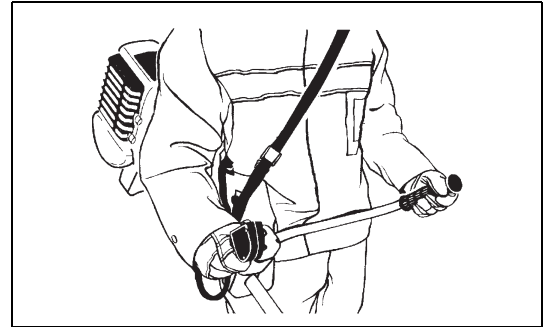
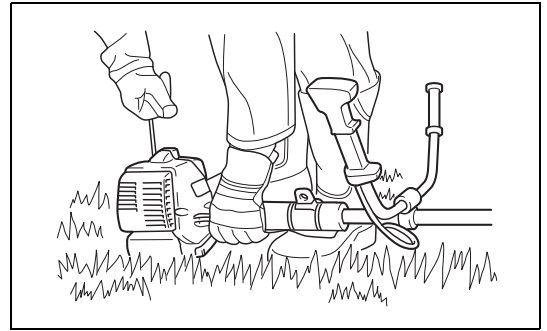
- Vă rugăm să vă asigurați că nu există copii sau alte persoane pe o rază de lucru de 15 metri (50ft), de asemenea, acordați atenție oricăror animale din apropierea zonei de lucru.
- Înainte de folosire, verificați întotdeauna dacă motocositoarea/motocositoarea cu fir prezintă siguranță în folosire: Verificați dacă dispozitivul de tăiere este fixat ferm, dacă maneta de control poate fi operată cu ușurință și dacă opritorul manetei de control funcționează corect.
- Rotirea dispozitivului de tăiere la turația de ralanti este interzisă. Consultați-vă cu distribuitorul în cazul în care considerați că echipamentul trebuie reglat. Asigurați-vă că mânerul este curat și uscat, iar comutatorul de pornire/oprire funcționează corect.



- Porniți motocosoitoarea/motocositoarea cu fir doar în conformitate cu instrucțiunile. Nu utilizați alte metode pentru a porni motorul!
- Utilizați motocosoitoarea/motocositoarea cu fir și accesoriile doar în scopurile specificate.
- Porniți motorul motocosoitoarei/motocositoarei cu fir doar după asamblarea în totalitate a echipamentului. Utilizați echipamentul doar după atașarea tuturor accesoriilor corespunzătoare!
- Înainte de pornire, asigurați-vă că dispozitivul de tăiere nu intră în contact cu obiecte dure precum crengi, pietre etc., deoarece dispozitivul de tăiere se va roti la pornire.
- Oprțiți motorul imediat în cazul apariției oricărui tip de probleme de motor.
- În cazul în care dispozitivul de tăiere lovește pietre sau alte obiecte dure, oprțiți imediat motorul și inspectați dispozitivul de tăiere.
- Inspectați dispozitivul de tăiere la intervale regulate scurte pentru a detecta eventuale deteriorări (detectarea fisurilor capilare cu ajutorul testul zgomotului la lovire ușoară).
- Utilizați motocosoitoarea/motocositoarea cu fir doar după atașarea și reglarea curelei de umăr la lungimea corectă. Cureaua de umăr trebuie reglată la dimensiunea utilizatorului și fixată pentru a preveni oboseala în timpul operării echipamentului. Este interzisă susținerea motocosoitoarei cu o singură mână în timpul operării.
- În timpul utilizării, țineți întotdeauna motocosoitoarea/motocositoarea cu fir cu ambele mâini. Asigurați-vă că aveți întotdeauna o poziție stabilă.
- Operați motocosoitoarea/motocositoarea cu fir astfel încât să evitați inhalarea gazelor de eșapament. Este interzis să porniți motorul în spații închise, de exemplu într-o cameră (risc de otrăvire cu gaze). Monoxidul de carbon este un gaz inodor.
- Oprțiți întotdeauna motorul când vă odihniți sau când intenționați să lăsați motocosoitoarea/motocositoarea cu fir nesupravegheată și amplasați-o într-o locație sigură, pentru nu pune în pericol alte persoane și pentru a nu deteriora echipamentul.
- Nu așezați niciodată motocosoitoarea/motocositoarea cu fir fierbinte pe iarbă uscată sau pe orice materiale combustibile.
- Dispozitivul de tăiere trebuie să fie întotdeauna prevăzut cu o apărătoare adecvată. Nu utilizați niciodată motocosoitoarea fără această apărătoare!
- Toate instalațiile de protecție și apărătoarele furnizate împreună cu echipamentul trebuie utilizate în timpul operării.
- Nu operați niciodată motorul cu toba de eșapament defectă.
- Oprțiți motorul în timpul transportului.
- La transportarea echipamentului, atașați întotdeauna capacul pe lama de tăiere.
- Asigurați-vă că motocosoitoarea/motocositoarea cu fir este poziționată în siguranță în timpul transportului, pentru a evita scurgerea de carburant.
- Când transportați motocosoitoarea/motocositoarea cu fir, asigurați-vă că rezervorul de carburant este complet gol.
- Când descărcați motocosoitoarea/motocositoarea cu fir dintr-un camion sau un vehicul similar, evitați scăparea motorului pe sol, deoarece acest lucru ar putea deteriora grav rezervorul de carburant.
- Cu excepția situațiilor de urgență, evitați scăparea sau aruncarea motocosoitoarei/motocositoarei cu fir pe sol, deoarece acest lucru ar putea deteriora grav motocosoitoarea/motocositoarea cu fir.
- Ridicați întotdeauna întregul echipament de la sol atunci când îl mutați. Tragerea echipamentului cu rezervorul de carburant pe sol este extrem de periculoasă, deoarece poate cauza scurgerea carburantului și posibile incendii.
- Dacă echipamentul suferă un impact puternic sau o cădere, verificați starea acestuia înainte de a continua lucrul. Verificați dacă sistemul de alimentare prezintă scurgeri și dacă dispozitivele de comandă și siguranță prezintă defecțiuni. Dacă există semne de deteriorări sau aveți dubii, contactați centrul nostru de service autorizat pentru inspecție și reparații.

Realimentare cu carburant

- Oprțiți motorul în timpul realimentării, țineți-l la distanță de flăcări deschise și nu fumați.
- Asigurați-vă că produsele din uleiuri minerale nu intră în contact cu pielea. Nu inhalați vapori de carburant. Purtați întotdeauna mănuși de protecție când realimentați. Schimbați și curățați îmbrăcămintea de protecție la intervale regulate.
- Pentru a preveni contaminarea solului (protecție a mediului înconjurător), asigurați-vă că nu vărsați carburant sau ulei pe sol. În cazul în care vărsați carburant, curățați motocosoitoarea/motocositoarea cu fir imediat.
- Asigurați-vă că hainele dumneavoastră nu intră în contact cu carburantul. În cazul în care carburantul intră în contact cu hainele dumneavoastră, schimbați-vă hainele imediat pentru a preveni aprinderea.
- Inspectați bușonul de alimentare cu carburant la intervale regulate, asigurându-vă că este bine fixat și nu prezintă scurgeri.
- Strângeți cu grijă bușonul rezervorului de carburant. După încheierea alimentării, mutați-vă la o distanță de cel puțin 3 metri de locul în care ați efectuat alimentarea înainte de a porni motorul.



- Nu alimentați niciodată într-un spațiu închis, de exemplu în interiorul unei camere. În caz contrar, pot rezulta explozii din cauza acumulării vaporilor de carburant la nivelul solului.
- Transportați și depozitați carburantul doar în recipiente omologate. Asigurați-vă că depozitați carburantul într-un loc inaccesibil copiilor.

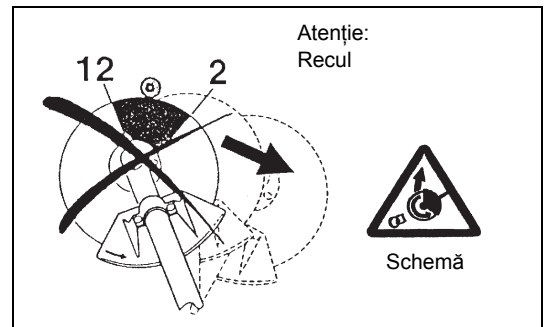
Metodă de operare

- Utilizați motocosoitoarea/motocositoarea cu fir doar în condiții de iluminare și vizibilitate adecvată. În timpul sezonului de iarnă, feriviți-vă de zonele alunecoase sau umede, precum zone acoperite cu gheață și zăpadă (risc de alunecare). Asigurați-vă că aveți întotdeauna o poziție stabilă.
- Nu tăiați niciodată deasupra nivelului taliei.
- Nu stați în picioare pe o scară în timp ce utilizați motocosoitoarea/motocositoarea cu fir.
- Este interzis urcatul în copaci pentru a efectua operația de tăiere cu motocosoitoarea/motocositoarea cu fir.
- Nu lucrați niciodată pe suprafețe instabile.
- Îndepărtați nisipul, pietrele, cuiile etc. din zona de lucru. Obiectele străine pot deteriora dispozitivul de tăiere și pot cauza reculul periculoase.
- Înainte de a începe tăierea, asigurați-vă că dispozitivul de tăiere a atins turația de lucru maximă.
- În cazul în care iarbă sau crengi sunt prinse între dispozitivul de tăiere și apărătoare, opriți întotdeauna motorul înainte de curățare. În caz contrar, rotirea accidentală a lamei poate cauza accidentări grave.
- Odihniți-vă pentru a preveni pierderea controlului din cauza oboselii. Vă recomandăm să luați o pauză de 10-20 de minute la fiecare oră.



Recul (șoc lamă)

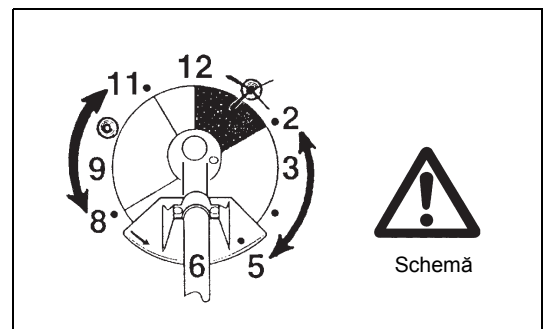
- Atunci când operați motocosoitoarea, poate avea loc un recul necontrolat.
- Reculurile apar frecvent atunci când încercați să tăiați cu secțiunea de la ora 12 la ora 2 a lamei.
- Nu folosiți niciodată secțiunea lamei de motocosoitoare cuprinsă între ora 12 și ora 2.
- Nu folosiți niciodată această secțiune a lamei motocosoitoarei pe obiecte solide, precum arbuști sau arbori etc. cu un diametru mai mare de 3 cm. În caz contrar, motocosoitoarea va fi deviată cu forță, acest lucru fiind extrem de periculos deoarece poate cauza rănierea.



Prevenirea reculului

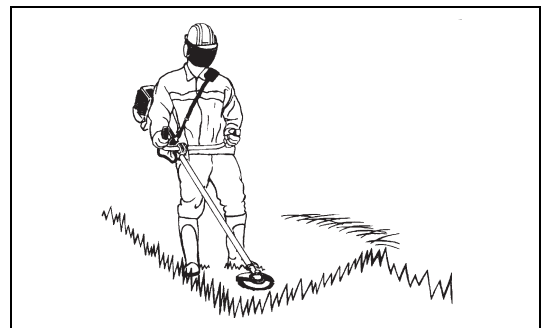
Pentru a evita reculurile, respectați următoarele:

- Utilizarea secțiunii lamei cuprinsă între ora 12 și ora 2 este extrem de periculoasă, în special la utilizarea unor dispozitive de tăiere metalice.
- Operațiile de tăiere utilizând secțiunea dintre ora 11 și ora 12 și secțiunea dintre ora 2 și ora 5 a lamei, trebuie efectuate doar de către operatori instruiți și experimentați și atunci doar pe propriul lor risc. Secțiunea de tăiere optimă pentru o tăiere ușoară cu lipsa aproape totală a reculurilor este cea cuprinsă între ora 8 și ora 11.



Dispozitive de tăiere

- Utilizați un dispozitiv de tăiere corect pentru lucrarea în curs. Capetele de tăiere cu nylon (capete de motocosoitoare cu fir) sunt adecvate pentru tunderea gazonului. Lamele metalice sunt adecvate pentru tăierea buruienilor, ierburilor înalte, tufișurilor, lăstărișului, subarboretului, hățșului și altor ierburi asemănătoare. Nu utilizați niciodată alte lame, inclusive lanțuri rotative metalice din mai multe componente și lame de îmblăciu. În caz contrar, există pericolul de accidentări grave.
- Când utilizați lame metalice, evitați "reculul" și pregătiți-vă întotdeauna pentru un recul accidental. Consultați secțiunea "Reculul" și "Prevenirea reculului".



Instrucțiuni de întreținere

- Service-ul echipamentului trebuie efectuat la centrul nostru de service autorizat, folosind întotdeauna piese de schimb originale. Reparațiile incorecte sau o întreținere inadecvată pot scurta durata de viață a echipamentului și mări riscul accidentărilor.
- Verificați întotdeauna starea dispozitivului de tăiere, în special a dispozitivelor de protecție, și cureaua de umăr înainte de începerea lucrului. O atenție specială trebuie acordată și lamelor de tăiere, care trebuie ascuțite corect.
- Opriți motorul și scoateți fișa bujiei atunci când înlocuiți sau ascuțiți dispozitivele de tăiere și, de asemenea, atunci când curățați motocosoitoarea sau dispozitivul de tăiere.

Este interzisă îndreptarea sau sudarea dispozitivelor de tăiere deteriorate.

- Operați motocositoarea/motocositoarea cu fir la un nivel cât mai redus de zgomot și de poluare. În mod special, asigurați-vă că ați reglat corect carburatorul.
- Curățați motocositoarea/motocositoarea cu fir la intervale regulate și verificați dacă toate șuruburile și piulițele sunt strânse bine.
- Este interzisă efectuarea operațiilor de service sau depozitarea motocositoarei/motocositoarei cu fir în apropierea flăcărilor deschise.
- Depozitați întotdeauna motocositoarea/motocositoarea cu fir în încăperi încuiate și cu rezervorul de carburant golit.
- La curățarea, service-ul și depozitarea echipamentului, atașați întotdeauna capacul pe lama de tăiere.

Respectați instrucțiunile relevante de prevenire a accidentelor emise de asociațiile profesionale relevante și de companiile de asigurări.
Nu aduceți modificări motocositoarei/motocositoarei cu fir, deoarece acestea vă pot periclita siguranța.

Efectuarea lucrărilor de întreținere sau reparații de către utilizator este limitată la acele activități descrise în manualul de instrucțiuni. Toate celelalte lucrări vor fi efectuate de un agent de service autorizat. Utilizați doar piese de schimb originale și accesorii fabricate și furnizate de MAKITA.
Utilizarea de accesorii și unelte neautorizate reprezintă un risc crescut de accidente.

MAKITA nu va accepta nicio responsabilitate pentru accidente sau daune cauzate de utilizarea unor dispozitive de tăiere și de fixare a sculelor de tăiere sau a unor accesorii neomologate.

Primul ajutor

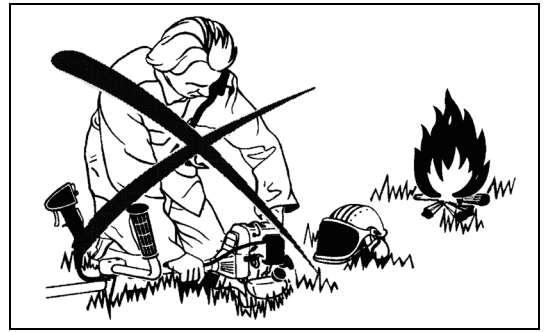
În caz de accident, asigurați-vă că o trusă de prim ajutor este disponibilă în apropierea locației unde se desfășoară operațiile de tăiere. Înlocuiți imediat orice element extras din trusa de prim ajutor.

Când solicitați ajutor, oferiți următoarele informații:

- Locul accidentului
- Ce s-a întâmplat
- Numărul de persoane rănite
- Tipul leziunilor
- Numele dumneavoastră

Vibrații

- Persoanele cu probleme circulatorii expuse la vibrații excesive pot suferi leziuni ale vaselor sanguine sau ale sistemului nervos. Vibrațiile pot provoca următoarele simptome la nivelul degetelor, mâinilor sau articulațiilor mâinilor: "amorțeală" (insensibilitate), furnicături, durere, înțepături, modificarea culorii sau texturii pielii. Dacă apare oricare dintre aceste simptome, consultați un medic!
- Pentru a reduce riscul apariției "sindromului degetelor albe", păstrați-vă mâinile calde în timpul utilizării și întrețineți în mod corect echipamentul și accesoriile.



Doar pentru țările europene

Declarație de conformitate CE

Subscrisa, Makita Corporation, în calitate de producător responsabil, declară că următoarea (următoarele) unealtă (unelte) Makita:

Denumirea utilajului: Motocositoare/Motocositoare cu fir

Nr. model/Tip: EM2600U, EM2600L

Specificații: consultați tabelul "DATE TEHNICE"

este/sunt produs(e) de serie și

sunt în conformitate cu următoarele Directive Europene:

2000/14/CE, 2006/42/CE, 2004/108/CE

Și sunt fabricate în conformitate cu următoarele standarde sau documente standardizate:

EN ISO 11806-1, EN ISO 14982

Documentația tehnică este păstrată de:

Makita International Europe Ltd., Technical Department,

Michigan Drive, Tongwell, Milton Keynes, Bucks MK15 8JD, Anglia

Procedura de evaluare a conformității prevăzută de Directiva 2000/14/CE a fost în concordanță cu anexa V.

Nivel de putere acustică măsurată (ca motocositoare pentru iarbă): 109,77 dB

Nivel de putere acustică măsurată (ca motocositoare): 107,29 dB

Nivel de presiune sonoră garantat: 112 dB

15. 4. 2013

A handwritten signature in black ink, appearing to read 'Tomoyasu Kato'.

Tomoyasu Kato
Director

Makita Corporation
3-11-8, Sumiyoshi-cho,
Anjo, Aichi, JAPAN

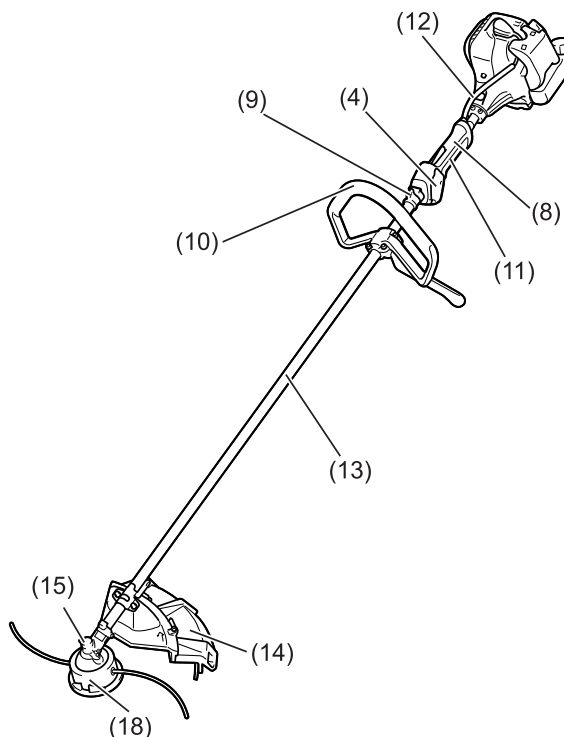
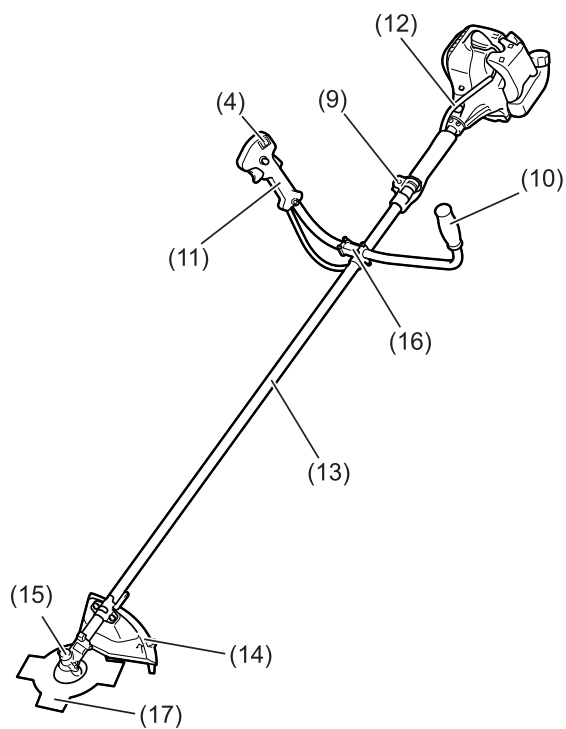
Date tehnice

Model		EM2600U	EM2600L
		Mâner în formă de U	Mâner cotit
Dimensiuni: lungime x lățime x înălțime (fără lamă de tăiere)		1.770 x 610 x 410 mm	1.770 x 330 x 185 mm
Greutate netă		5 kg	5 kg
Capacitate cilindrică motor		25,7 cm ³	
Performanțe maxime motor		0,83 kW	
Frecvența de rotație maximă a arborelui		8.800 min ⁻¹	
Accesoriu de tăiere	Lamă metalică dintr-o singură bucată	φ230 mm	
	Cap de motocositoare cu fir	φ430 mm	
Turație la ralanti		3.000/min	
Turație de cuplare ambreiaj		4.100/min	
Raport de transmisie		14/19	
Carburant		Gaz mixt Benzină: Ulei de motor în doi timpi = 50:1	
Volum (rezervor de carburant)		0,6 L	
Carburator		WALBRO WYC	
Sistem de aprindere		Aprindere electronică	
Bujie		NGK BPMR7A	
Distanța dintre electrozi		0,6 - 0,7 mm	
Vibrații: (Pentru motocositoare)	Mâner pe stânga (Prindere față)	14,680 m/s ² K = 1,5 m/s ²	5,152 m/s ² K = 1,5 m/s ²
	Mâner pe dreapta (Prindere spate)	9,037 m/s ² K = 1,5 m/s ²	9,677 m/s ² K = 1,5 m/s ²
Vibrații: (Pentru motocositoare pentru iarbă)	Mâner pe stânga (Prindere față)	7,961 m/s ² K = 1,5 m/s ²	8,83 m/s ² K = 1,5 m/s ²
	Mâner pe dreapta (Prindere față)	7,019 m/s ² K = 1,5 m/s ²	14,381 m/s ² K = 1,5 m/s ²
Zgomot (testat conform 2000/14/CE & 2005/88/CE):			
Nivel de presiune sonoră în poziția operatorului (Motocositoare pentru iarbă):		98,52 dB (A) K = 2,5 dB (A)	
Nivel de presiune sonoră în poziția operatorului (Motocositoare):		96,15 dB (A) K = 2,5 dB (A)	
Nivel de putere acustică măsurată (Motocositoare pentru iarbă):		109,77 dB (A) K = 2,5 dB (A)	
Nivel de putere acustică măsurată (Motocositoare):		107,29 dB (A) K = 2,5 dB (A)	
Zgomot (testat conform 2000/14/CE & 2005/88/CE): valori garantate pentru puterea acustică		112 dB (A)	

Denumirea pieselor

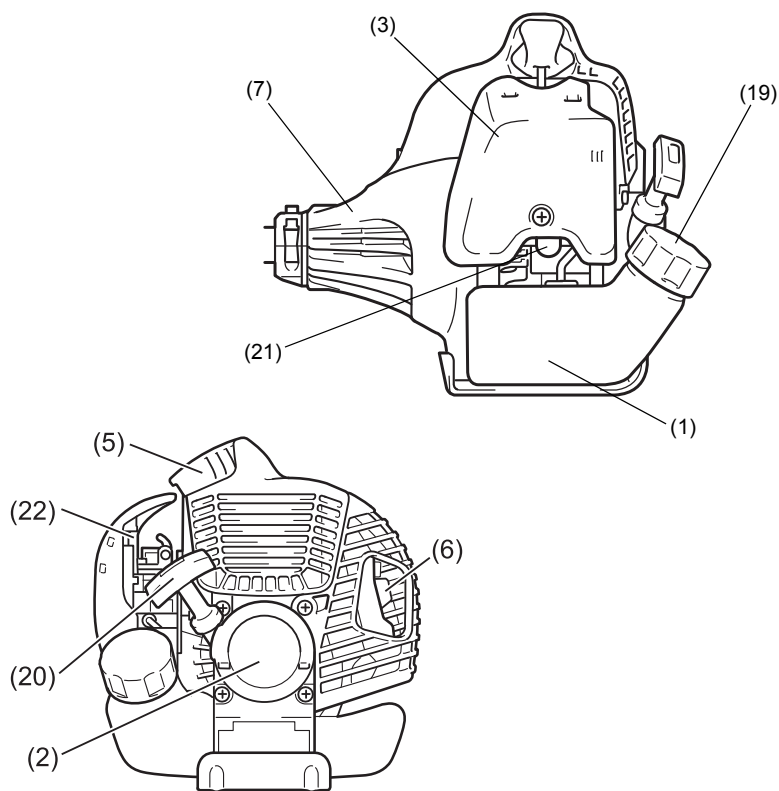
EM2600U

Tip de mâner în formă de U



EM2600L

Tip de mâner cotit



Denumirea pieselor	
1	Rezervor de carburant
2	Demaror cu rapel
3	Filtru de aer
4	Comutator I-Stop (pornit/oprit)/ Comutator pornire-oprire
5	Bujie
6	Tobă de eșapament
7	Carcasă ambreiaj
8	Prindere spate
9	Agățătoare
10	Mâner
11	Manetă de control
12	Cablu de control
13	Arbore
14	Apărătoare (Apărătoare dispozitiv de tăiere)
15	Carcasă angrenaj
16	Suport mâner
17	Lamă de tăiere
18	Cap de tăiere cu nylon
19	Bușon de alimentare cu carburant
20	Manetă pentru demaror
21	Pompă de amorsare
22	Manetă de șoc

Montarea mânerului

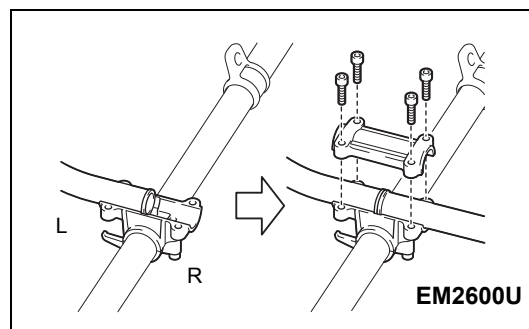
ATENȚIE: Înainte de a efectua orice lucrare la motocositoare, opriți întotdeauna motorul și scoateți fișa bujiei. Purtați întotdeauna mănuși de protecție!

ATENȚIE: Asigurați-vă că ați reasamblat motocositoarea complet înainte de a o porni.

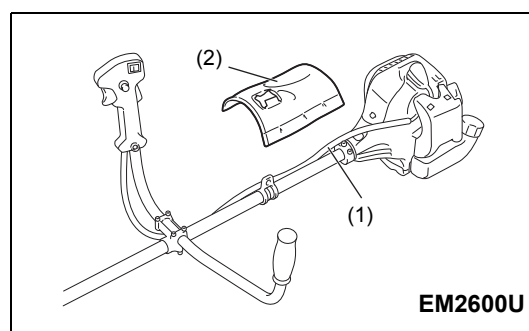


Pentru mânere în formă de U

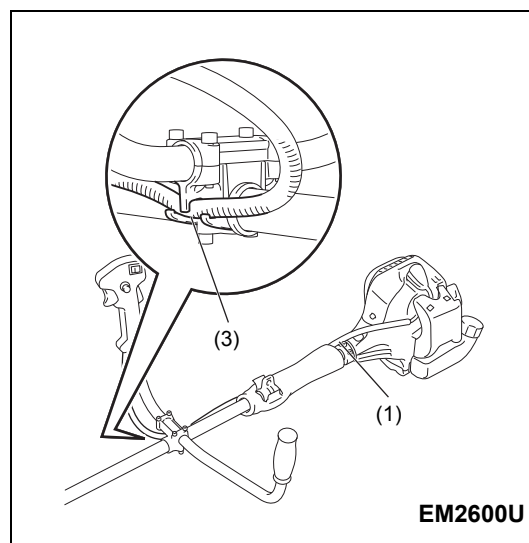
- Amplasați cele două mânere pe suportul pentru mâner. Maneta de control trebuie să fie în dreapta cum priviți spre dispozitivul de tăiere.
- Fixați capetele mânerului în canalul de pe suportul de mâner și fixați o clemă peste acestea. Strângeți ușor cu cele patru șuruburi pentru reglare.
- Reglați unghiul mânerelor și apoi strângeți complet toate șuruburile utilizând o cheie hexagonală.



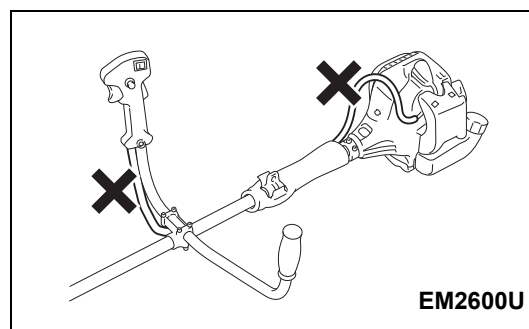
- Amplasați cablul de accelerație (1) pe partea manetei de control a arborelui. Iar apoi înfășurați-le cu curea pentru talie (2).



- Introduceți cablul de accelerație (1) în fanta de fixare (3) a suportului de mâner.
- Asigurați-vă că ați poziționat cablul de accelerație în modul indicat.
- Operați maneta de control și asigurați-vă că se mișcă ușor.

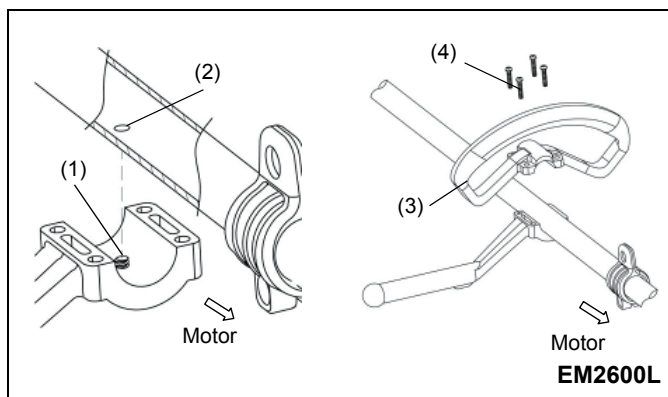


ATENȚIE: Nu poziționați cablul de accelerație în modul prezentat în figură. În caz contrar, cablul curbat poate cauza o turație ridicată la ralanti, iar lama scăpată de sub control poate cauza accidente.



Pentru model de mâner cotitl

- Așezați filetul (1) pe suportul de mâner în orificiul (2) de pe tub.
- Fixați mânerul auxiliar (3) pe piedică.
- Strângeți cele 4 șuruburi (4) M5 × 30.

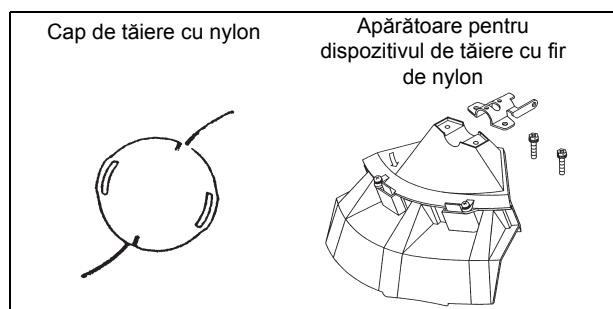
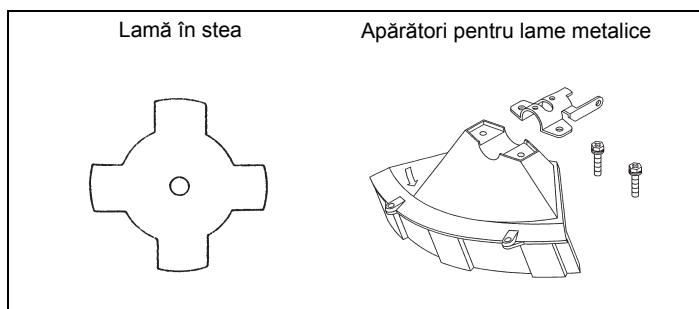


Montarea apărătorii

Pentru a standardele de siguranță în vigoare, trebuie să utilizați doar combinațiile unealtă/apărătoare indicate în tabel.

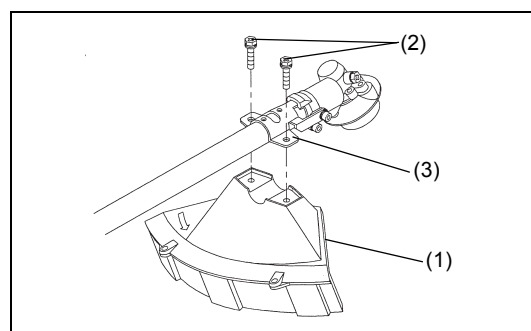
Utilizați întotdeauna lame de tăiere/capete de tăiere cu nylon originale MAKITA.

- Lama de tăiere trebuie să fie bine lustruită, să nu prezinte fisuri sau rupturi. Dacă lama de tăiere lovește o piatră în timpul operării, opriți motorul și verificați imediat lama.
- Lustruiți sau înlocuiți lama de tăiere la fiecare trei ore de funcționare.
- În cazul în care capul de tăiere cu nylon lovește o piatră în timpul operării, opriți motorul și verificați imediat capul de tăiere cu nylon.

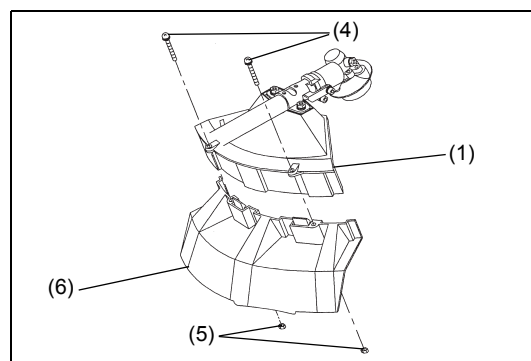


ATENȚIE: Trebuie să instalați întotdeauna apărătorile corespunzătoare pentru propria dumneavoastră siguranță și pentru a respecta reglementările de prevenire a accidentelor. Operarea echipamentului fără apărătoare instalată este interzisă.

- Fixați apărătoarea (1) pe clema (3) cu două șuruburi M6 x 30 (2).



- Când se utilizează capul cu fir, introduceți apărătoarea (6) în apărătoarea (1) și strângeți-le cu două piulițe (5) și două șuruburi (4).

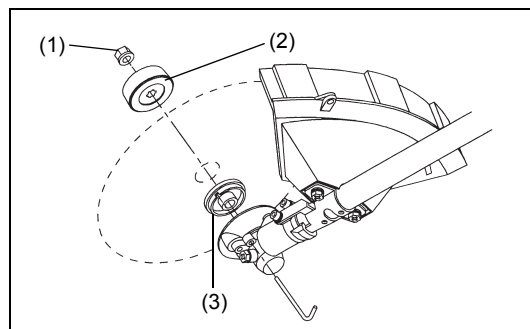


Montarea lamei de tăiere/capului de tăiere cu nylon

Lama de tăiere sau capul de tăiere cu nylon pot fi înlocuite ușor prin întoarcerea echipamentului invers.



- Introduceți cheia hexagonală prin orificiul din carcasa angrenajului și rotiți șaiba receptorului (3) până când aceasta este blocată cu cheia hexagonală.
- Slăbiți piulița/șaiba elastică (1) (filet pe partea stângă) cu cheia tubulară și scoateți piulița/șaiba elastică (1) și șaiba de prindere (2).



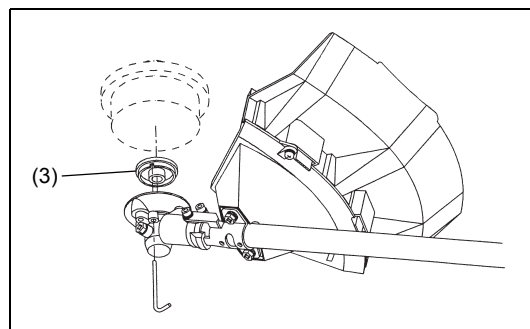
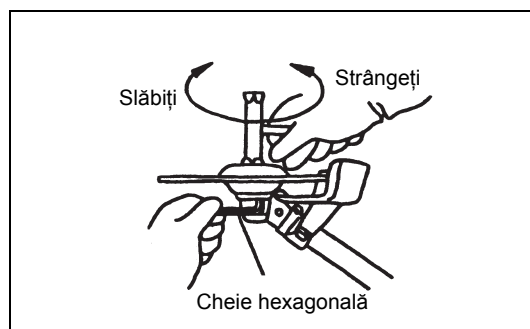
Cu cheia hexagonală instalată în continuare

- Montați lama de tăiere pe arbore astfel încât ghidajul șabei receptorului (3) să intre în orificiul arborelui din lama de tăiere. Instalați șaiba de prindere (2) și fixați lama de tăiere cu piulița/șaiba elastică (1).
[Cuplu de strângere: 13 - 23 N-m]

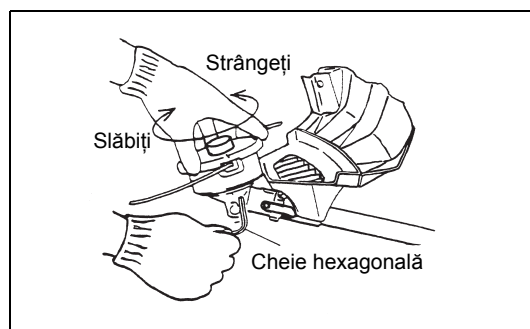
NOTĂ: Purtați întotdeauna mănuși atunci când manipulați lama de tăiere.

NOTĂ: Piulița de fixare a lamei de tăiere (cu șaibă elastică) este o piesă consumabilă. Dacă apare orice uzură sau deformare pe șaiba elastică, înlocuiți piulița.

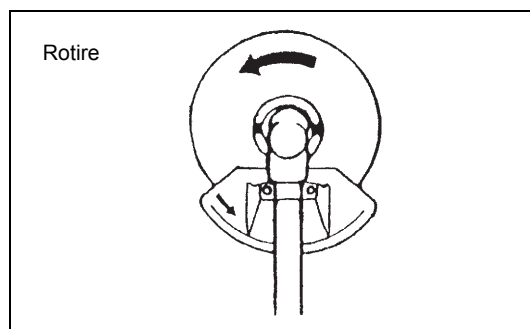
- NOTĂ: Șaiba de prindere (2) și piulița/șaiba elastică (1) nu sunt necesare pentru montarea capului de tăiere cu nylon. Capul cu nylon trebuie să fie amplasat deasupra șabei receptorului (3).



- Înșurubați capul de tăiere cu nylon pe arbore.



- Asigurați-vă că lama se rotește în sens invers acelor de ceasornic.



Manipularea carburantului

Este necesară o atenție maximă la manipularea carburantului. Carburantul poate conține substanțe similare solvenților. Alimentați fie în exterior, fie într-o zonă bine ventilată. Nu inhalați vapori de carburant și evitați contactul carburantului sau uleiului cu pielea dumneavoastră.

Produsele pe bază de uleiuri minerale degresează pielea. Contactul prelungit al pielii cu aceste produse va cauza uscarea accentuată a pielii dumneavoastră, putând rezulta diverse afecțiuni ale pielii. De asemenea, se pot produce reacții alergice.

Ochii pot fi iritați de la contactul cu uleiul. Dacă vă intră ulei în ochi, spălați-i imediat cu apă curată. Dacă ochii sunt în continuare iritați, consultați imediat un doctor.



Respectați instrucțiunile de siguranță de la pagina 57.

Amestec între carburant și ulei

Motorul motocicletei este un motor în doi timpi, de înaltă eficiență. Acesta funcționează cu un amestec de carburant și ulei de motor în doi timpi. Motorul este conceput pentru carburant normal fără plumb, cu o cifră octanică minimă de 91 RON. În cazul în care din anumite motive un astfel de carburant nu este disponibil, puteți folosi carburant cu o cifră octanică mai mare. Acesta nu va afecta motorul, dar poate determina un randament de funcționare mai redus. Probleme similare pot rezulta din folosirea carburantului cu plumb. Pentru obținerea unei funcționări optime a motorului și pentru a proteja sănătatea și mediul, utilizați doar carburant fără plumb!

Pentru lubrifierea motorului, folosiți un ulei de motor în doi timpi (grad calitate: JASO FC sau ISO EGD) adăugat în carburant. Motorul a fost proiectat să utilizeze uleiul de motor în doi timpi specificat, la un raport de amestec de 50:1, pentru protecția mediului.

Suplimentar, prin utilizarea acestui raport de amestec, sunt garantate o durată de viață lungă, însoțită de operare fiabilă și emisii minime. Funcționarea fiabilă a motocicletei nu poate fi garantată dacă nu este respectat acest raport de amestec de 50:1 (uleiul de motor în 2 timpi specificat).



Raport de amestec corect:

Benzină: Ulei de motor în doi timpi specificat = 50 : 1 sau

Benzină: Ulei de motor în doi timpi, de la alți producători = 25 : 1 recomandat

NOTĂ: Pentru pregătirea amestecului carburant-ulei, amestecați mai întâi întreaga cantitate de ulei cu jumătate din carburantul necesar, apoi adăugați restul de carburant. Scuturați bine amestecul înainte de a-l introduce în rezervorul motocicletei. Pentru a garanta o funcționare sigură, nu adăugați o cantitate de ulei mai mare decât cea specificată. Acest lucru ar duce doar la o producție mai mare de reziduuri de combustie care vor polua mediul și vor înfunda canalul de evacuare în cilindru și în toba de eșapament. În plus, consumul de carburant va crește, iar performanța se va reduce.

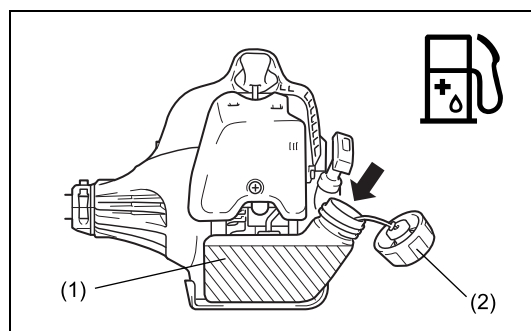


Benzină	50:1	25:1
		
1.000 cm ³ (1 litru)	20 cm ³	40 cm ³
5.000 cm ³ (5 litri)	100 cm ³	200 cm ³
10.000 cm ³ (10 litri)	200 cm ³	400 cm ³

Realimentare cu carburant

Motorul trebuie să fie oprit.

- Curățați temeinic zona din jurul bușonului de alimentare cu carburant (2), pentru a preveni pătrunderea impurităților în rezervorul de carburant (1).
- Deșurubați bușonul de alimentare cu carburant (2) și umpleți rezervorul cu carburant.
- Strângeți bine bușonul de alimentare cu carburant (2).
- Curățați bușonul de alimentare cu carburant cu filet (2) și rezervorul după realimentare.



Depozitarea carburantului

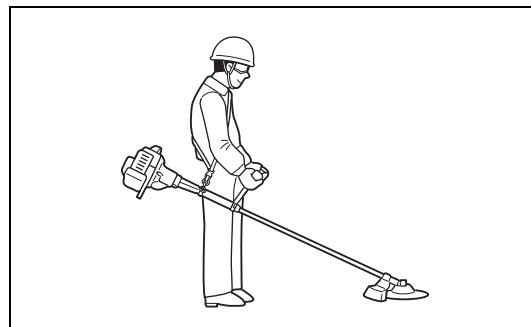
Carburantul nu poate fi păstrat pentru o perioadă nelimitată de timp.

Achiziționați doar cantitatea necesară pentru o perioadă de operare de 4 săptămâni. Utilizați numai recipiente omologate de depozitare a carburantului.

Manipularea corectă

Atașarea curelei pentru umăr

- Reglați lungimea curelei astfel încât lama de tăiere să fie menținută paralel cu solul.

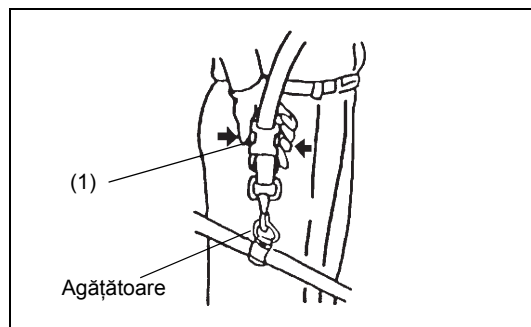


Detășarea

- În caz de urgență, apăsați creștăturile (1) de pe ambele părți și detașați echipamentul.
Fiți foarte atent pentru a menține controlul echipamentului în acest timp. Nu permiteți devierea echipamentului spre dumneavoastră sau spre orice altă persoană din apropierea zonei de lucru.

AVERTISMENT: Lipsa menținerii controlului complet asupra mașinii poate cauza leziuni corporale grave sau MOARTEA.

Notă: În unele țări, cureaua pentru umăr nu are această funcție de desprindere.



Puncte de operare importante/oprirea lamei de tăiere/motocosoarei

Respectați reglementările aplicabile privind prevenirea accidentelor.



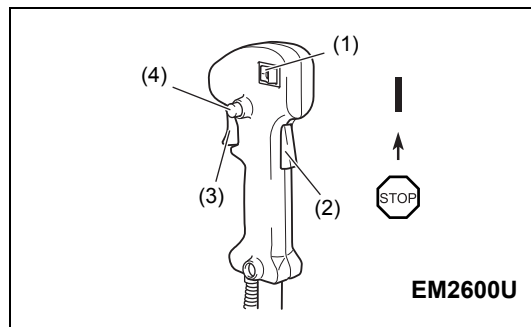
Pornire

Mutați-vă la o distanță de cel puțin 3 metri de zona în care ați alimentat echipamentul. Așezați motocosoarea pe o porțiune curată de sol, având grijă ca dispozitivul de tăiere să nu intre în contact cu solul sau cu alte obiecte.

AVERTISMENT: Țineți cont de faptul că dispozitivul de tăiere se va roti imediat după ce motorul pornește.

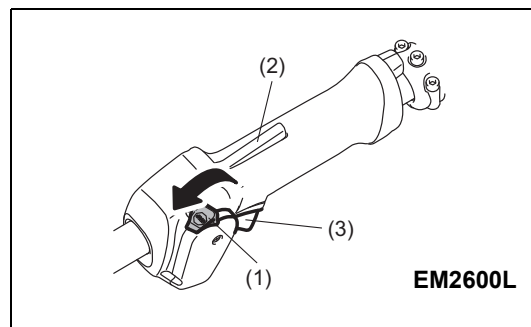
Pornire la rece pentru modele cu mâner în formă de U

- Poziționați comutatorul I-Stop (pornit-oprit) (1) în modul ilustrat.
- Prindeți mânerul (presiunea mâinii activează maneta de blocare de siguranță (2)).
- Apăsați maneta de accelerație (3) și mențineți-o apăsată.
- Apăsați butonul de blocare (4) și eliberați maneta de control, apoi eliberați butonul de blocare (butonul de blocare menține maneta de accelerație în poziție de pornire).



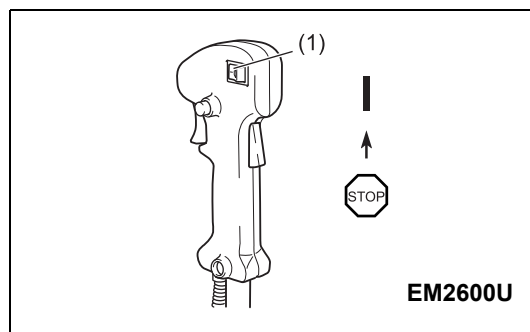
Pornire la rece pentru modele cu mâner cotite

- Poziționați comutatorul de pornire-oprire (1) la poziția de pornire, în modul ilustrat.
- Prindeți mânerul (presiunea mâinii activează maneta de blocare de siguranță (2)).
- Apăsați maneta de accelerație (3) și mențineți-o apăsată.
- Aduceți comutatorul de pornire-oprire (1) în poziția de pornire și eliberați maneta de control, apoi eliberați comutatorul de pornire-oprire (comutatorul de pornire-oprire menține maneta de accelerație în poziția de pornire).



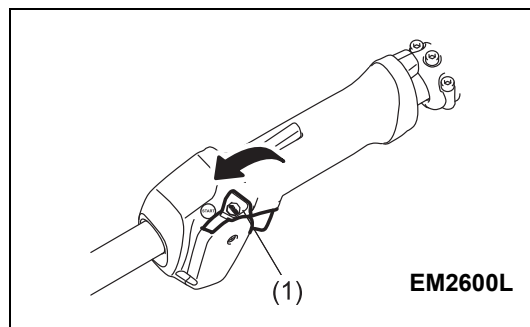
Pornire la cald pentru modele cu mânere în formă de U

- Poziționați comutatorul I-Stop (pornit-oprit) (1) în modul ilustrat.

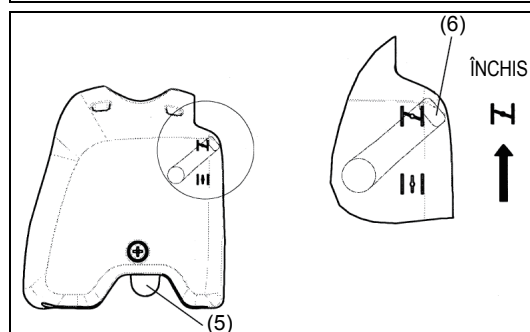


Pornire la cald pentru modele cu mânere cotite

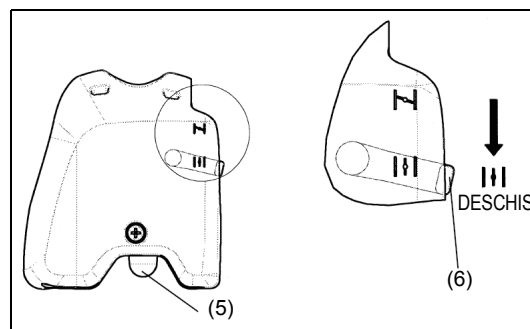
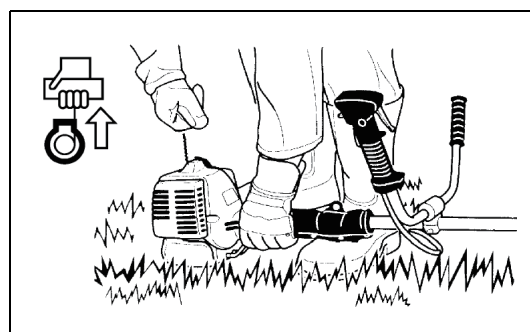
- Poziționați comutatorul de pornire-oprire (1) la poziția neutră, în modul ilustrat.



- Mai întâi, așezați echipamentul pe sol.
- Apăsăți ușor și repetat pompa de amorsare (5) (de 7 - 10 ori) până când carburantul pătrunde în pompa de pornire.
- Închideți maneta de șoc (6).
 - Deschidere șoc:
 - Închidere completă la temperaturi joase sau când motorul este rece
 - Deschidere completă sau pe jumătate pentru repornire în timp ce motorul este cald



- Țineți ferm carcasa ambreiajului cu mâna stângă, așa cum se arată în ilustrație.
- Retrageți lent mânerul demarorului până simțiți o rezistență, apoi continuați cu o tragere rapidă.
- Nu trageți cablul demarorului complet și nu permiteți retragerea de la sine a mânerului demarorului. Mențineți controlul cablului demarorului și asigurați-vă că acesta se retrage încet.
- Repetați operația de pornire până când se aud sunetele inițiale de aprindere ale motorului.
- Apăsăți maneta de șoc (6) (↑ ↓) și trageți din nou cablul demarorului, până când motorul pornește.
- Imediat ce motorul a pornit, strângeți și eliberați imediat maneta de accelerație, eliberând astfel blocajul accelerației parțiale, pentru ca motorul să poată funcționa la ralanti.
- Lăsați motorul să funcționeze timp de aproximativ un minut, la turație moderată, înainte de a deschide la maximum clapeta de accelerație.



- NOTĂ: - Dacă mânerul demarorului este tras în mod repetat atunci când maneta de șoc este în poziția "↑ ↓", motorul nu va porni ușor, din cauza admisiei excesive de carburant.
- În cazul admisiei excesive de carburant, scoateți bujia și trageți de mânerul demarorului încet pentru a elimina carburantul în exces. De asemenea, uscați secțiunea electrodului bujiei.

Atenționare în timpul operării:

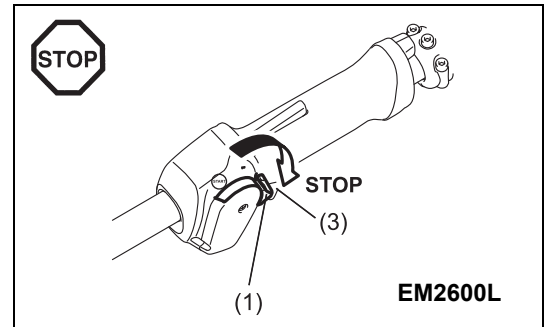
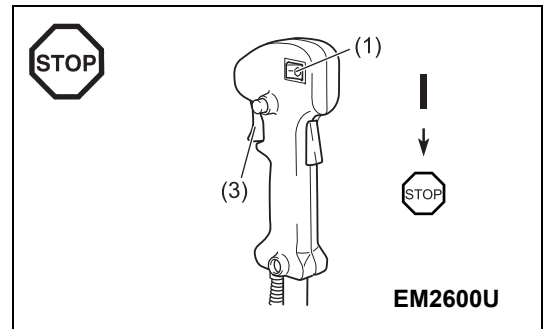
Dacă maneta de accelerație este deschisă complet în timpul funcționării în gol, turația motorului crește la peste 10.000 min⁻¹. Nu operați niciodată motorul la o turație mai mare decât cea necesară și păstrați turația la aproximativ 6.000 - 8.000 min⁻¹.

ATENȚIE: Reduceți întotdeauna turația motorului atunci când echipamentul nu este utilizat pentru lucrări.

Operarea echipamentului la o turație ridicată în timp ce nu este utilizat pentru lucrări va scurta durata de viață a acestuia.

Oprire

- Eliberați maneta de accelerație (3) complet și, când turația motorului a scăzut, setați comutatorul I-Stop (pornit/oprit)/comutatorul de pornire-oprire (1) la poziția "STOP" pentru a opri motorul.
- Fiți atenți la capul de tăiere, care s-ar putea să nu se oprească imediat, și permiteți încetinirea opririi completă a acestuia.



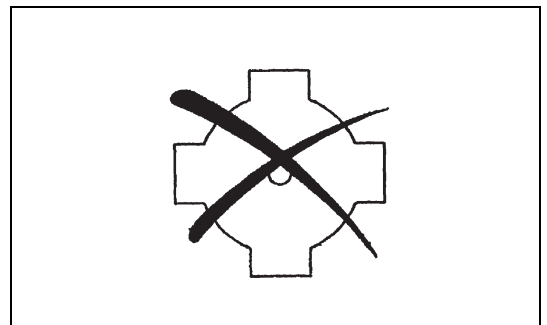
Reascuțirea dispozitivului de tăiere

ATENȚIE: Dispozitivele de tăiere menționate mai jos trebuie reascuțite doar de către o unitate autorizată. Reascuțirea manuală va avea ca rezultat dezechilibrarea dispozitivului de tăiere, producând vibrații și deteriorarea echipamentului.

- lamă de tăiere (lamă în stea (4 dinți))

Un serviciu expert de reascuțire și echilibrare profesional este furnizat de agenții de service autorizați.

NOTĂ: Pentru a crește durata de funcționare a lamei de tăiere (lamă în stea), aceasta poate fi întoarsă invers, până la tocirea ambelor muchii de tăiere.

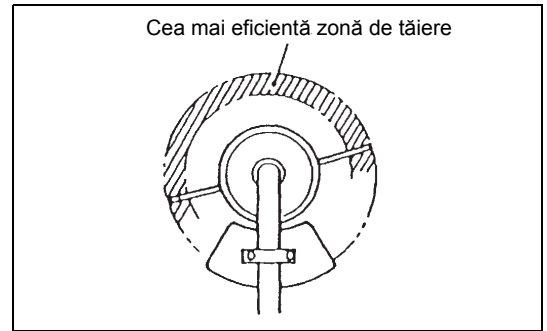


CAP DE TĂIERE CU NYLON

Capul de tăiere cu nylon este un cap de motocositoare cu două fire care se adaptează la ambele mecanisme, automat și de tip alimentare și percutare. Capul de tăiere cu nylon va elibera automat lungimea adecvată a firului de nylon prin modificările în forța centrifugă determinate de creșterea sau scăderea turației. Totuși, pentru a tăia iarba moale mai eficient, loviți capul de tăiere cu nylon de sol, pentru a elibera fir suplimentar, așa cum este indicat în secțiunea referitoare la operare.

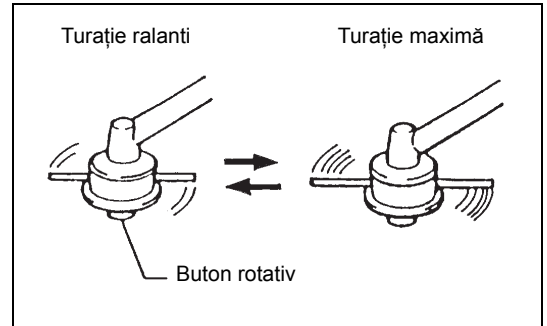
Operare

- Creșteți turația capului de tăiere cu nylon la aprox. 6.000 min^{-1} . Firul din nylon nu va fi alimentat corect la turații joase (sub 4.800 min^{-1}).
- Cea mai eficientă zonă de tăiere este indicată de zona întunecată în schema din partea dreaptă.



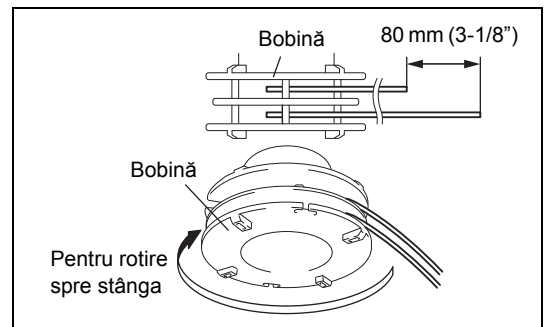
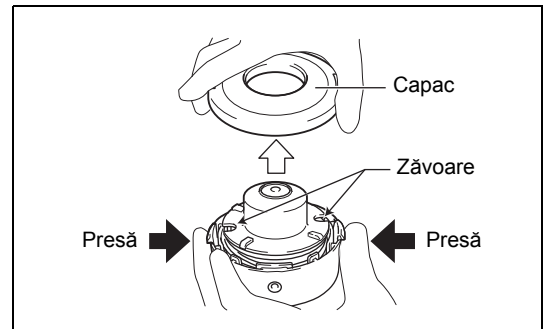
Dacă firul din nylon nu este alimentat automat, urmați instrucțiunile de mai jos:

1. Eliberați maneta de accelerație pentru a permite motorului să funcționeze la ralanti, apoi strângeți complet maneta de accelerație. Repetați această procedură până când firul de nylon este eliberat la lungimea corectă.
2. Dacă firul din nylon este prea scurt pentru a fi eliberat automat cu procedura de mai sus, loviți de sol butonul rotativ al capului de tăiere cu nylon, pentru a elibera firul din nylon.
3. În cazul în care firul din nylon nu este eliberat cu ajutorul procedurii 2, înfășurați/înlocuiți firul din nylon urmând procedurile descrise la secțiunea "Înlocuirea firului de nylon".

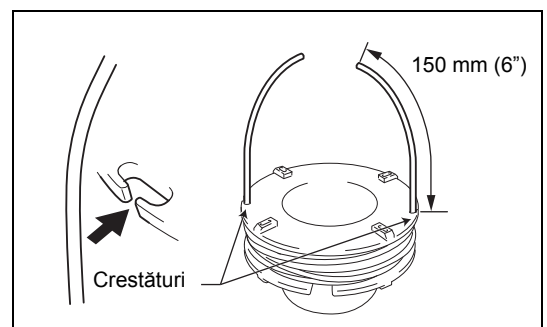


Înlocuirea firului din nylon

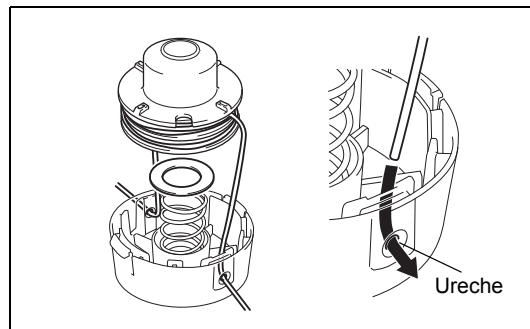
- Opriți motorul.
 - Apăsăți pe zăvoarele carcasei spre interior pentru ridicarea capacului, apoi scoateți bobina.
- Agățați vârful noului fir de nylon în creștătura din centrul bobinei, cu un capăt al firului întinzându-se cu circa 80 mm (3-1/8") mai mult decât celălalt. Apoi, înfășurați strâns ambele capete în jurul bobinei în sensul de rotație al capului (sens spre stânga indicat prin LH și sens spre dreapta indicat prin RH pe partea laterală a bobinei).



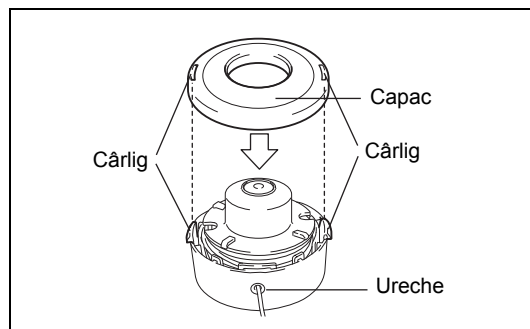
- Înfășurați în întregime, mai puțin 150 mm (6") din fir în jurul bobinei, lăsând capetele agățate temporar prin creștătura de pe partea laterală a bobinei.



- Introduceți firele prin urechi pentru a ieși în afara carcasei.
Montați șaiba, arcul și bobina în carcasă.



- Aliniați cârligele de pe capac și carcasă.
Apoi, apăsați ferm capacul pe carcasă pentru a-l fixa.



Instrucțiuni de service

Instrucțiuni de service

ATENȚIE: Înainte de a efectua orice operații de întreținere pe motocosoarea, opriți întotdeauna motorul și scoateți fișa bujiei (a se vedea "Verificarea bujiei").

Purtați întotdeauna mănuși de protecție.

ATENȚIE: Nu demontați niciodată demarorul cu rapel. În caz contrar, pot rezulta accidente. Acest procedeu trebuie efectuat doar de către un agent de service autorizat.



Pentru a asigura o durată de funcționare îndelungată și pentru a evita orice deteriorare a echipamentului, următoarele operații de întreținere trebuie efectuate la intervale regulate.

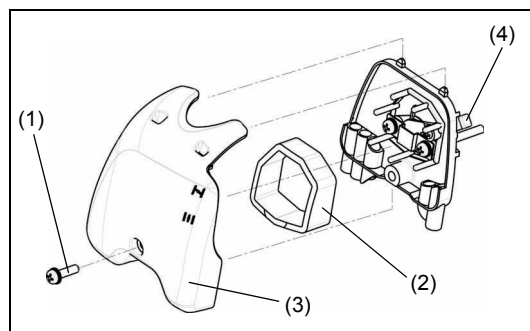
Inspecție și întreținere zilnică

- Înainte de operare, verificați echipamentul pentru a vedea dacă prezintă șuruburi slăbite sau piese lipsă. Acordați o atenție specială strângerii lamei de tăiere sau capului de tăiere cu nylon.
- Înainte de operare, verificați întotdeauna eventuala înfundare a pasajului de aer pentru răcire și a aripioarelor cilindrului.
Curățați-le, dacă este necesar.
- Efectuați următoarele operații de întreținere zilnic, după utilizare:
 - Curățați motocosoarea la exterior și verificați pentru a identifica eventuale defecte.
 - Curățați filtrul de aer. Atunci când lucrați în condiții cu foarte mult praf, curățați filtrul de mai multe ori pe zi.
 - Verificați eventuala deteriorare a lamei sau capului de tăiere cu nylon și asigurați-vă că este montat(ă) ferm.
 - Verificați dacă există diferență suficientă între turația de ralanti și de operare pentru a vă asigura că dispozitivul de tăiere este oprit în timp ce motorul funcționează la ralanti (dacă este necesar reduceți turația de ralanti).
Dacă în condiții de ralanti dispozitivul continuă să se rotească, consultați cel mai apropiat agent de service autorizat.
- Verificați funcționarea corectă a comutatorului I-Stop (pornit/oprit)/comutatorului de pornire-oprire, manetei de blocare, manetei de control și butonului de blocare.

Curățarea filtrului de aer (filtru)

- Rotiți maneta de șoc (4) în partea corespunzătoare poziției complet închis și țineți carburatorul la distanță de praf sau murdărie.
- Îndepărtați șurubul (1).
- Demontați capacul filtrului de aer (3).
- Scoateți elementul tip burete (2), spălați-l în apă caldă și uscați-l corespunzător.
- După curățare, reinstalați capacul filtrului de aer (3) și fixați-l cu șurubul (1).

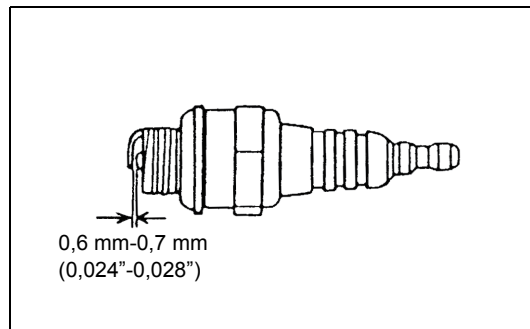
NOTĂ: Dacă pe filtrul de aer se depun cantități excesive de praf sau impurități, curățați-l zilnic. Un filtru de aer înfundat poate face dificilă sau imposibilă pornirea motorului sau poate crește turația acestuia.



Verificarea bujiei

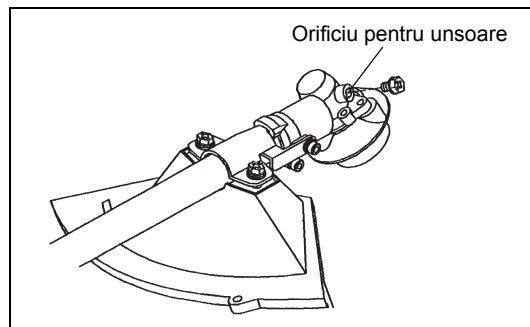
- Utilizați doar cheia universală furnizată pentru a scoate sau a instala bujia.
- Distanța dintre cei doi electrozi ai bujiei trebuie să fie între 0,6 și 0,7 mm (0,024" - 0,028"). Dacă distanța este prea mare sau prea mică, reglați-o. Dacă bujia este înfundată cu carton sau prezintă impurități, curățați-o bine sau înlocuiți-o.

ATENȚIE: Nu atingeți fișa bujiei în timp ce motorul funcționează (pericol de șoc electric la tensiune înaltă).



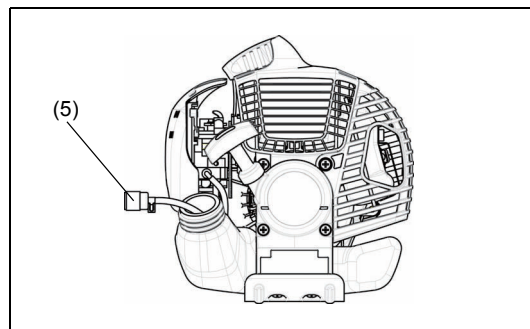
Alimentarea cu unsoare a carcasei angrenajului

- Alimentați cu unsoare (Shell Alvania 3 sau echivalent) carcasa angrenajului prin orificiul pentru unsoare, la fiecare 30 de ore. (Unsoarea MAKITA originală poate fi achiziționată de la distribuitorul dumneavoastră MAKITA.)



Capul de aspirație din rezervorul de carburant

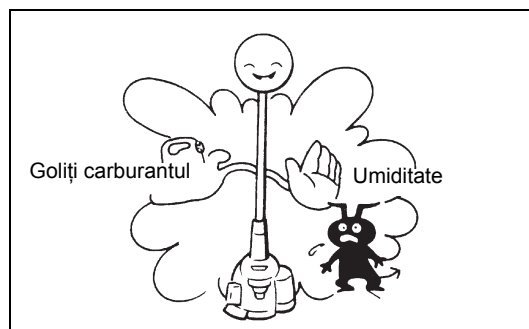
- Filtrul de carburant (5) al capului de aspirație este utilizat pentru a alimenta carburantul necesar pentru carburator.
- Verificați vizual filtrul de carburant periodic. Pentru a verifica filtrul, deschideți bușonul de alimentare cu carburant, utilizați un cârlig din sârmă și trageți afară capul de aspirație prin deschiderea rezervorului. Înlocuiți filtrul dacă acesta este întărit, este foarte murdar sau este înfundat.
- Alimentarea insuficientă cu carburant poate avea ca rezultat depășirea turației maxime admisibile. Înlocuiți filtrul de carburant cel puțin trimestrial, pentru a asigura o alimentare suficientă cu carburant a carburatorului.



Orice lucrare de întreținere sau reglare care nu este inclusă și descrisă în acest manual trebuie efectuată doar de către agenții de service autorizați.

Depozitare

- La depozitarea echipamentului pentru o perioadă lungă de timp, goliți întreaga cantitate de carburant din rezervor și carburator. Pentru a face acest lucru, trebuie doar să evacuați carburantul din rezervorul de carburant. Eliminați carburantul golit în mod corespunzător și în conformitate cu legislația locală.
- Scoateți bujia și adăugați câteva picături de ulei de motor prin orificiul bujiei. Apoi, trageți demarorul încet, pentru ca pelicula de ulei să acopere interiorul motorului și strângeți bujia.
- Curățați murdăria sau praful de pe lama de tăiere și de pe exteriorul motorului, apoi ștergeți-le cu o cârpă înmuiată în ulei. Depozitați echipamentul într-un loc uscat.



Program de întreținere

Generalități	Ansamblul motorului, șuruburi și piulițe	Verificare vizuală pentru defecte și strângere corectă Verificare a siguranței și stării generale
După fiecare realimentare	Manetă de control Comutator I-Stop (pornit/oprit)/ Comutator pornire-oprire	Verificare funcțională Verificare funcțională
Zilnic	Filtru de aer Conductă aer răcire Dispozitiv de tăiere Turație la ralanti	Se va curăța Se va curăța Verificați gradul de ascuțire și eventuale deteriorări Verificare (dispozitivul de tăiere trebuie să rămână imobil)
Săptămânal	Bujie Tobă de eșapament	Verificare, înlocuiți dacă este necesar Verificați și, dacă este necesar, curățați deschiderea
Trimestrial	Cap de aspirație Rezervor de carburant	Se va înlocui Se va curăța
Procedură de oprire	Rezervor de carburant Carburator	Goliți rezervorul de carburant Operați până la consumarea totală a carburantului

Depanare

Defect	Sistem	Observații	Cauză
Motorul nu pornește sau pornirea este dificilă	Sistem de aprindere	Scânteie de aprindere OK	Defect la sistemul de alimentare cu carburant sau în sistemul de compresie, defect mecanic
		Nu există scânteie de aprindere	Comutator I-Stop (pornit/oprit)/comutator de pornire-oprire acționat, defect de cablaj sau scurtcircuit, bujie sau fișă defectă, modul de aprindere defect
	Alimentare cu carburant	Rezervorul de carburant este plin	Poziție incorectă a șocului, carburator defect, conductă de alimentare cu carburant îndoită sau blocată, carburant murdar.
	Compresie	Lipsă compresie la tragerea demarorului	Garnitură inferioară cilindru defectă, etanșări arbore cotit deteriorate, segmenti de cilindru sau piston defecti sau etanșare incorectă a bujiei
Probleme de pornire la cald	Defecțiune mecanică	Demarorul nu cuplează	Arc demaror rupt, piese defecte în interiorul motorului
Motorul pornește, dar se oprește imediat	Alimentare cu carburant	Rezervor plin. Scânteie de aprindere OK	Carburator murdar, trebuie curățat
Performanțe insuficiente	Mai multe sisteme pot fi afectate simultan	Rezervor plin	Reglare la ralanti incorectă, carburator contaminat
		Turație de ralanti motor defectuoasă	Orificiu de ventilare rezervor de carburant defect, conductă de alimentare cu carburant întreruptă, cablu sau comutator I-Stop (pornit/oprit)/comutator de pornire-oprire defect
			Filtru de aer contaminat, carburator contaminat, tobă de eșapament înfundată, conductă de evacuare din cilindru înfundată

Herzlichen Glückwunsch, dass Sie sich für den Kauf einer Motorsense/eines Motor Rasentrimmers von MAKITA entschieden haben. Motorsensen/Motor Rasentrimmer von MAKITA sind das Ergebnis unserer jahrelangen Erkenntnisse, Erfahrungen und eines detaillierten Entwicklungsprogramms. Lesen Sie diese Gebrauchsanweisung aufmerksam durch, damit Sie die bestmögliche Leistung und außergewöhnliche Ergebnisse erreichen, die Ihnen die Motorsensen/Motor Rasentrimmer von MAKITA bieten können.



Inhaltsverzeichnis	Seite
Symbole	74
Sicherheitsanweisungen	75
Technische Daten	79
Bezeichnung der Bauteile	80
Montieren des Griffs.....	81
Montieren des Schutzes.....	82
Montieren des Schneidblattes/ des Nylon-Schneidkopfes	83
Kraftstoff/Betanken	84
Korrektur Umgang.....	85
Wichtige Betriebsschritte/Stoppen der Sense/ des Trimmers	85
Schärfen des Schneidwerkzeugs.....	87
Wartungsanweisungen.....	89
Aufbewahrung.....	91

Symbole

Beachten Sie beim Lesen der Gebrauchsanleitung die folgenden Symbole.

	Betriebsanleitung lesen		Augen- und Gehörschutz tragen (nur für den Motor Rasentrimmer)
	Besondere Aufmerksamkeit erforderlich		Tragen Sie Schutzhelm, Schutzbrille und Gehörschutz (nur für die Motorsense)
	Verboten		Kein Schneidblättern aus Metall verwenden (nur für den Motor Rasentrimmer)
	Halten Sie einen Abstand ein.		Maximal zulässige Werkzeugdrehzahl
	Gefahr durch herumfliegende Gegenstände		Heiße Flächen - Verbrennungsgefahr für Finger oder Hände
	Rauchverbot		Kraftstoff-Öl-Gemisch
	Umgang mit offenen Flammen verboten		Manueller Motorstart
	Schutzhandschuhe tragen		Not-Aus
	Rückschlag		Erste Hilfe
	Im Arbeitsbereich dürfen sich weder Personen noch Tiere aufhalten.		EIN/START
	Festes Schuhwerk mit rutschfesten Sohlen tragen. Empfohlen werden Arbeitsschutzschuhe mit Stahlkappen.		AUS/STOPP
			START

Sicherheitsanweisungen

Allgemeine Sicherheitsregeln

- Für die Sicherstellung eines ordnungsgemäßen Betriebs müssen Sie diese Betriebsanleitung durchlesen und vollständig verstanden haben, damit Sie mit der Verwendung der Motorsense/des Motor Rasentrimmers vertraut sind. Die Verwendung des Motorgeräts, ohne die Handhabung richtig verstanden zu haben, kann bei Ihnen und anderen Personen zu schweren Verletzungen führen.
- Verleihen Sie die Motorsense/den Motor Rasentrimmer nur an Personen, die über Erfahrungen im Umgang mit Motorsensen/Motor Rasentrimmern verfügen. Verleihen Sie das Motorgerät nur zusammen mit dieser Betriebsanleitung.
- Falls Sie erstmalig ein motorbetriebenes Schneidwerkzeug bedienen, wenden Sie sich an Ihren Händler, um grundlegende Anweisungen zu erhalten.
- Kindern und Jugendlichen unter 18 Jahren ist die Bedienung der Motorsense/des Motor Rasentrimmers untersagt. Personen über 16 Jahren dürfen das Gerät für Übungszwecke verwenden, jedoch nur unter Aufsicht eines qualifizierten Anleiters.
- Verwenden Sie die Motorsense/den Motor Rasentrimmer stets mit größtmöglicher Sorgfalt.
- Betreiben Sie die Motorsense/den Motor Rasentrimmer nur, wenn Sie in guter physischer Verfassung sind. Führen Sie alle Arbeiten ruhig und mit Vorsicht aus. Der Benutzer ist dafür verantwortlich, was um ihn herum passiert.
- Betreiben Sie die Motorsense/den Motor Rasentrimmer nie nach dem Genuss von Alkohol oder nach der Einnahme von Medikamenten oder wenn Sie müde oder krank sind.

WARNUNG: Während des Betriebs erzeugt dieses Elektrowerkzeug ein elektromagnetisches Feld. Unter bestimmten Umständen kann dieses Feld Auswirkungen auf aktive oder passive medizinische Implantate haben. Zur Verminderung der Gefahr ernsthafter oder tödlicher Verletzungen empfehlen wir Personen mit medizinischen Implantaten, sich vor der Bedienung dieses Geräts an einen Arzt oder den Hersteller des medizinischen Implantats zu wenden.

Verwendungszweck des Geräts

- Die Motorsense/der Motor Rasentrimmer ist nur zum Schneiden von Gras, Unkraut, Büschen und Gestrüpp bestimmt, und darf nicht für andere Zwecke verwendet werden, beispielsweise zum Abkanten oder Heckeschneiden, da dies zu Verletzungen führen kann.

Persönliche Schutzausrüstung

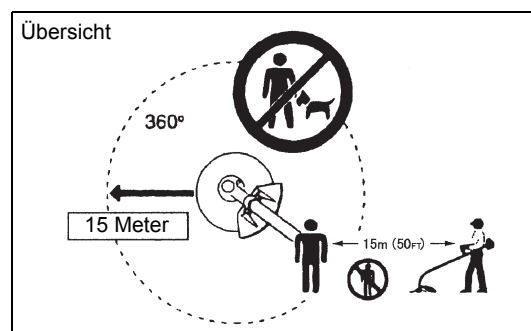
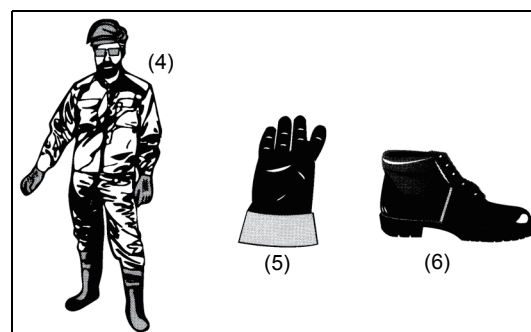
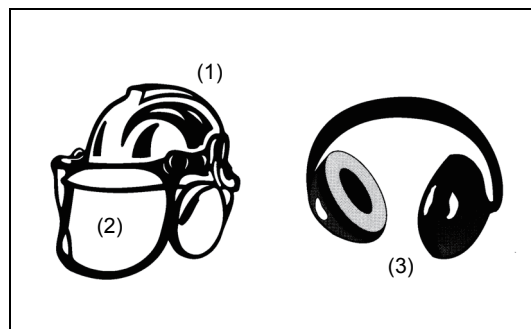
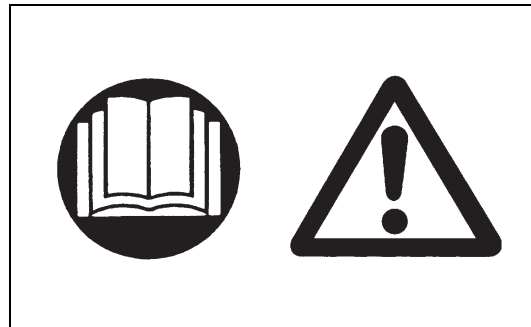
- Tragen Sie Kleidung, die sowohl praktisch, als auch für Ihre Arbeit geeignet ist, d.h. eng anliegende, jedoch für die Bewegung nicht zu enge Kleidung. Tragen Sie keinen Schmuck und keine Kleidung, der/die sich in Büschen oder Gestrüpp verfangen könnte.
- Um Verletzungen des Gehörs, der Augen, Hände und Füße zu vermeiden, aber auch um Ihre Hörleistung während des Betriebs zu schützen, müssen Sie während der Bedienung der Motorsense/des Motor Rasentrimmers die folgenden Schutzausrüstungen oder Schutzkleidungen tragen.
- Tragen Sie stets einen Helm, wenn die Gefahr herabfallender Gegenstände besteht. Der Schutzhelm (1) muss regelmäßig auf Beschädigungen überprüft und spätestens nach jeweils 5 Jahren durch einen neuen Helm ersetzt werden. Verwenden Sie ausschließlich zugelassene Schutzhelme.
- Das Visier (2) des Helms (oder alternativ eine Schutzbrille) schützt das Gesicht vor herumfliegenden Bruchstücken und Steinen. Tragen Sie während des Betriebs der Motorsense/des Motor Rasentrimmers eine Schutzbrille oder ein Visier, um Verletzungen der Augen zu vermeiden.
- Tragen Sie einen angemessenen Gehörschutz, um eine Schädigung des Gehörs zu vermeiden (Gehörschutzkapseln (3), Gehörschutzstöpsel usw.).
- Arbeitsanzüge (4) schützen gegen herumfliegende Steine und Fremdkörper. Wir empfehlen sehr, Arbeitsanzüge zu tragen.
- Spezielle Handschuhe (5) aus dickem Leder sind Bestandteil der vorgeschriebenen Ausrüstung und müssen beim Betrieb der Motorsense/des Motor Rasentrimmers stets getragen werden.
- Tragen Sie bei Betrieb der Motorsense/des Motor Rasentrimmers stets feste Schuhe (6) mit einer rutschfesten Sohle. Solche Schuhe schützen gegen Verletzungen und gewährleisten eine gute Standsicherheit.

Restrisiko

- Selbst wenn das Elektrowerkzeug vorschriftsmäßig verwendet wird, ist es nicht möglich, alle Restrisikofaktoren vollständig auszuschließen. Die folgenden Gefahren können durch die Beschaffenheit und Konstruktion des Elektrowerkzeugs auftreten:
 1. Lungenschäden, falls keine wirksame Staubmaske getragen wird.
 2. Gehörschäden, falls kein wirksamer Gehörschutz getragen wird.
 3. Durch Vibration hervorgerufene Gesundheitsschäden, falls das Elektrowerkzeug über einen längeren Zeitraum verwendet wird oder wenn es nicht ordnungsgemäß gehandhabt und nicht richtig gewartet wird.

Starten der Motorsense

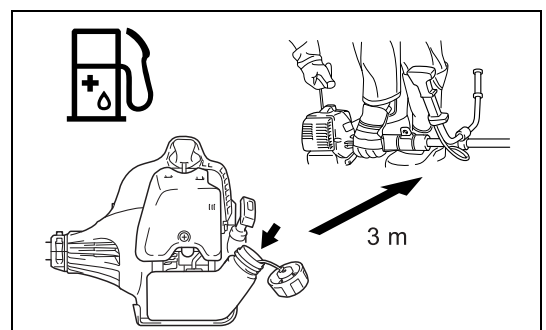
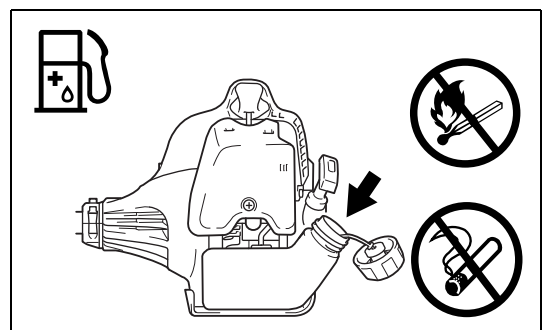
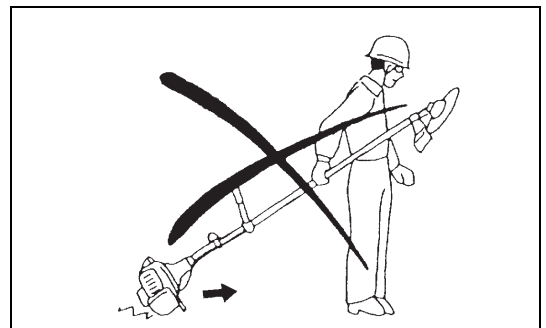
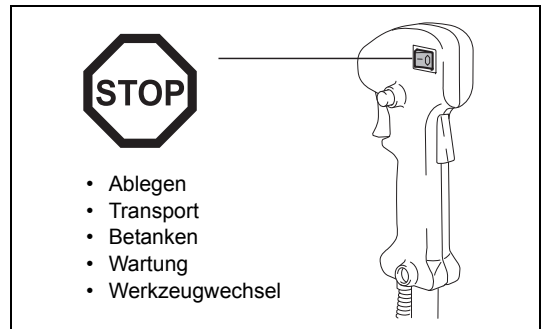
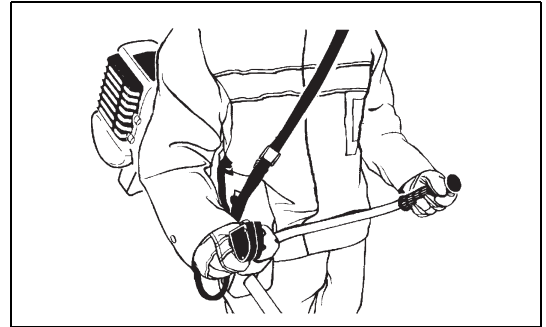
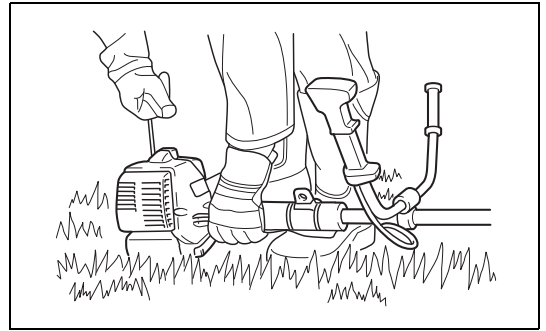
- Vergewissern Sie sich, dass sich in einem Arbeitsbereich von 15 m keine Kinder oder andere Personen aufhalten. Achten Sie außerdem auf Tiere im Arbeitsbereich.
- Überprüfen Sie vor der Verwendung stets den sicheren Betrieb der Motorsense/des Motor Rasentrimmers. Überprüfen Sie, dass das Schneidwerkzeug gesichert ist, dass der Gashebel leicht bedient werden kann, und dass die Sperre des Gashebel ordnungsgemäß funktioniert.
- Das Drehen des Schneidwerkzeugs im Leerlauf ist verboten. Prüfen Sie mit Ihrem Händler, ob das Werkzeug eingestellt werden muss. Stellen Sie sicher, dass die Griffe sauber und trocken sind und dass der Start-/Stoppsschalter ordnungsgemäß funktioniert.



- Starten Sie die Motorsense/den Motor Rasentrimmer immer nur gemäß der Anleitungen. Starten Sie den Motor auf keine andere Weise!
- Verwenden Sie die Motorsense/den Motor Rasentrimmer und die Werkzeuge nur für die angegebenen Zwecke.
- Starten Sie den Motor der Motorsense/des Motor Rasentrimmers nur nach der vollständigen Montage des Werkzeugs. Betreiben Sie das Werkzeug nur nach der Montage des gesamten geeigneten Zubehörs!
- Überprüfen Sie vor dem Starten, dass das Schneidwerkzeug keine harten Gegenstände (Geäst, Steine usw.) berührt, da sich das Schneidwerkzeug beim Starten dreht.
- Schalten Sie den Motor sofort aus, wenn irgendwelche Motorprobleme auftreten.
- Sollte das Schneidwerkzeug Steine oder andere harte Gegenstände treffen, schalten Sie sofort den Motor aus und überprüfen Sie das Schneidwerkzeug.
- Überprüfen Sie das Schneidwerkzeug in regelmäßigen, kurzen Intervallen (Prüfen Sie mit einem Klopfest auf Haarrisse).
- Betreiben Sie die Motorsense/den Motor Rasentrimmer nur nach Anbringen und Anpassen des Schultergurt auf die richtige Länge. Der Schultergurt muss auf die Körpergröße des Benutzers angepasst und festgezogen werden, um ein Ermüden während des Betriebs des Werkzeugs zu verhindern. Halten Sie die Sense niemals während des Betriebs mit nur einer Hand.
- Halten Sie die Motorsense/den Motor Rasentrimmer während des Betriebs stets mit beiden Händen. Sorgen Sie immer für eine gute Standsicherheit.
- Betreiben Sie die Motorsense/den Motor Rasentrimmer stets so, dass Sie die Abgase nicht einatmen. Betreiben Sie den Motor niemals in einem abgeschlossenen Raum (Risiko einer Gasvergiftung). Kohlenmonoxid ist ein geruchloses Gas.
- Schalten Sie den Motor immer aus, wenn Sie das Werkzeug ablegen, oder wenn Sie die Motorsense/den Motor Rasentrimmer unbeaufsichtigt lassen und lagern Sie es immer an einem sicheren Ort, um Verletzungen anderer Personen und Beschädigungen des Werkzeugs zu vermeiden.
- Legen Sie das heiße Werkzeug niemals in trockenes Gras oder auf andere entflammbare Materialien.
- Das Schneidwerkzeug muss immer mit dem entsprechenden Schutz versehen werden. Betreiben Sie das Werkzeug niemals ohne diesen Schutz.
- Während des Betriebs müssen alle mit dem Werkzeug gelieferten Schutzvorrichtungen und Abdeckungen verwendet werden.
- Betreiben Sie den Motor niemals mit beschädigtem Abluftschalldämpfer.
- Schalten Sie vor einem Transport den Motor aus.
- Bringen Sie vor dem Transportieren des Werkzeugs stets die Abdeckung am Schneidblatt an.
- Stellen Sie sicher, dass die Motorsense/der Motor Rasentrimmer sicher gelagert wird, um ein Auslaufen des Kraftstoffs während des Transports zu vermeiden.
- Stellen Sie während des Transports der Motorsense/des Motor Rasentrimmers sicher, dass der Kraftstofftank völlig leer ist.
- Lassen Sie beim Abladen der Motorsense/des Motor Rasentrimmers von einem Transporter oder einem anderen Fahrzeug niemals den Motor fallen, da sonst der Tank ernstlich beschädigt werden kann.
- Lassen Sie die Motorsense/den Motor Rasentrimmer nur in einem Notfall fallen, da sonst die Motorsense/der Motor Rasentrimmer ernstlich beschädigt werden können.
- Heben Sie beim Bewegen immer das gesamte Werkzeug vom Boden an. Das Ziehen des Werkzeugs am Kraftstofftank ist extrem gefährlich und kann zum Auslaufen des Kraftstoffs und somit zu einem Brand führen.
- Wenn das Werkzeug einem starken Stoß ausgesetzt wurde oder heruntergefallen ist, überprüfen Sie den Zustand des Werkzeugs, bevor Sie die Arbeiten fortsetzen. Überprüfen Sie das Kraftstoffsystem auf Leckagen und die Bedienelemente und Sicherheitseinrichtungen auf Fehlfunktionen. Wenn Sie einen Schaden bemerken oder sich nicht sicher sind, wenden Sie sich zur Inspektion und Reparatur an unser autorisiertes Servicecenter.

Betanken

- Schalten Sie während des Betankens den Motor aus, halten Sie den Motor von offenen Flammen fern und rauchen Sie während des Betankens nicht.
- Stellen Sie sicher, dass Mineralölerzeugnisse nicht in Kontakt mit Ihrer Haut kommen. Atmen Sie den Kraftstoffdampf nicht ein. Tragen Sie zum Betanken immer Schutzhandschuhe. Wechseln und reinigen Sie Schutzkleidung regelmäßig.
- Stellen Sie zur Vermeidung einer Kontaminierung des Erdbodens (Umweltschutz) sicher, dass weder Kraftstoff noch Öl in das Erdreich eindringt. Falls etwas Kraftstoff ausläuft, reinigen Sie die Motorsense/den Motor Rasentrimmer sofort.
- Stellen Sie sicher, dass Ihre Kleidung nicht in Kontakt mit dem Kraftstoff kommt. Falls Ihre Kleidung in Kontakt mit Kraftstoff kommt, wechseln Sie die Kleidung sofort, um einen Brand zu verhindern.
- Überprüfen Sie den Tankdeckel regelmäßig, damit dieser sicher festgeschraubt werden kann und kein Kraftstoff ausläuft.
- Schrauben Sie den Tankdeckel ordnungsgemäß fest. Entfernen Sie sich von dem Ort des Betankens mindesten 3 m, bevor Sie den Motor starten.



- Nehmen Sie das Betanken niemals in einem geschlossenen Raum vor. Andernfalls kann eine Explosion aufgrund der Ansammlung von Kraftstoffdampf auf dem Boden verursacht werden.
- Transportieren und lagern Sie Kraftstoff ausschließlich in dafür zugelassenen Behältern. Stellen Sie sicher, dass Kinder keinen Zugang zu dem gelagerten Kraftstoff haben.

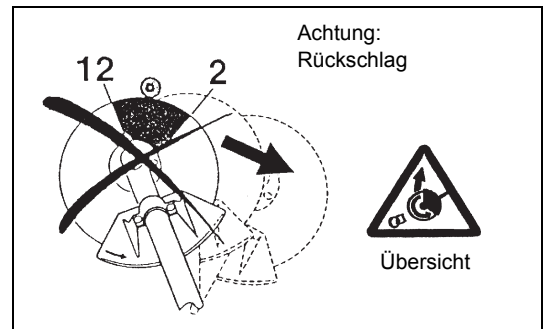
Handhabung

- Verwenden Sie die Motorsense/den Motor Rasentrimmer nur bei guten Lichtverhältnissen und guter Sicht. Achten Sie im Winter auf rutschige oder nasse Bereiche, z.B. auf vereiste oder schneebedeckte Flächen (Rutschgefahr). Sorgen Sie immer für eine gute Standsicherheit.
- Schneiden Sie niemals über Hüfthöhe.
- Betreiben Sie die Motorsense/den Motor Rasentrimmer niemals, wenn Sie auf einer Leiter stehen.
- Betreiben Sie die Motorsense/den Motor Rasentrimmer niemals, wenn Sie auf einen Baum geklettert sind.
- Arbeiten Sie niemals auf nicht stabilen Flächen.
- Entfernen Sie Sand, Steine, Nägel usw. aus dem Arbeitsbereich. Fremdkörper können das Schneidwerkzeug beschädigen und so gefährliche Rückschläge verursachen.
- Vergewissern Sie sich vor Beginn des Schnitts, dass das Schneidwerkzeug die volle Arbeitsdrehzahl erreicht hat.
- Falls sich Gras oder Äste zwischen dem Schneidwerkzeug und dem Schutz verfangen, stoppen Sie vor dem Reinigen stets den Motor. Andernfalls kann eine unbeabsichtigte Drehung des Blattes schwere Verletzungen verursachen.
- Legen Sie regelmäßig Pausen ein, damit es nicht zu einem Kontrollverlust aufgrund von Ermüdungserscheinungen kommt. Wir empfehlen, jede Stunde eine Pause von 10 bis 20 Minuten einzulegen.



Rückschlag (Kickback)

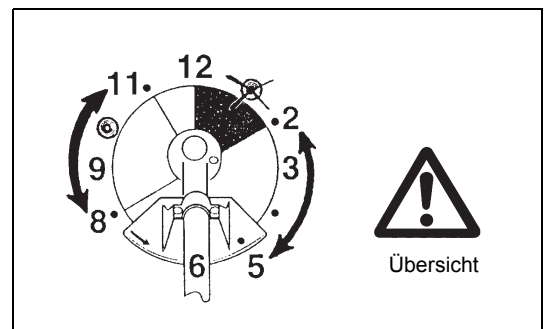
- Während des Betriebs der Motorsense können unkontrollierte Rückschläge auftreten.
- Rückschläge treten häufig auf, wenn Sie im Blattabschnitt zwischen der 12 und 2 Uhr-Position schneiden.
- Wenden Sie niemals den Blattabschnitt der Motorsense zwischen der 12 und 2 Uhr-Position an.
- Wenden Sie diesen Bereich des Motorsensenblattes niemals an festen Gegenständen (Büsche oder Bäume usw.) mit einem Durchmesser von mehr als 3 cm an. Andernfalls wird die Motorsense mit großer Kraft abgelenkt, was sehr gefährlich ist und zu Verletzungen führen kann.



Vermeiden von Rückschlägen

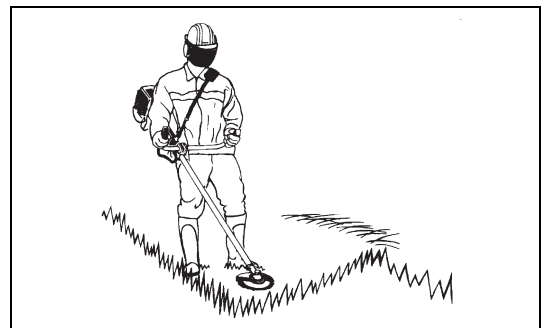
Beachten Sie Folgendes, um Rückschläge zu vermeiden:

- Das Arbeiten im Schneidblattbereich zwischen der 12 und 2 Uhr-Position ist extrem gefährlich, besonders bei Verwendung von Metallschneiden.
- Schnitтарbeiten im Schneidblattbereich zwischen der 11 und 12 Uhr-Position sowie zwischen der 2 und 5 Uhr-Position dürfen nur durch einen geschulten und erfahrenen Bediener und dann nur auf eigenes Risiko durchgeführt werden. Der optimale Bereich für ein leichtes Schneiden mit fast keinen Rückschlägen ist zwischen 8 und 11 einer Uhr des Schneidblattes.



Schneidwerkzeuge

- Verwenden Sie ein passendes Schneidwerkzeug für die zu erledigenden Arbeiten. Nylon-Schneidköpfe (Rasentrimmer-Köpfe) sind zum Trimmen von Gras geeignet. Schneidblätter aus Metall eignen sich zum Schneiden von Unkraut, hohem Gras, Gebüsch, Sträuchern, Unterholz, Gestrüpp u.ä. Verwenden Sie niemals andere Blätter, auch keine metallischen, mehrteiligen Pivotketten und Schlegelmesser. Andernfalls kann es zu schweren Verletzungen kommen.
- Vermeiden Sie „Rückschläge“ bei der Verwendung von Schneidblättern aus Metall und seien Sie immer auf einen plötzlichen Rückschlag gefasst. Beachten Sie den Abschnitt „Rückschlag“ und „Vermeiden von Rückschlägen.“



Wartungsanweisungen

- Lassen Sie Ihr Werkzeug durch unser autorisiertes Servicecenter warten. Verwenden Sie stets nur originale Ersatzteile. Unsachgemäße Reparatur- und Wartungsarbeiten können die Lebenszeit des Werkzeugs verkürzen und das Unfallrisiko erhöhen.
- Überprüfen Sie immer den Zustand des Schneidmessers, vor allem auch der Schutzvorrichtungen und des Schultergurtes, bevor Sie mit der Arbeit anfangen. Achten Sie besonders auf ordnungsgemäß geschärfte Schneidblätter.
- Schalten Sie den Motor aus und entfernen Sie den Zündkerzenstecker, wenn Sie das Schneidwerkzeug austauschen oder schärfen, aber auch wenn Sie die Sense oder das Schneidwerkzeug reinigen.

Beschädigte Schneidwerkzeuge dürfen auf keinen Fall begradigt oder geschweißt werden.

- Betreiben Sie die Motorsense/den Motor Rasentrimmer mit möglichst geringer Geräusch- und Abgasentwicklung, und verursachen Sie möglichst keine Verschmutzungen der Umwelt. Überprüfen Sie vor allem, dass der Vergaser richtig eingestellt ist.
- Reinigen Sie die Motorsense/den Motor Rasentrimmer regelmäßig und stellen Sie sicher, dass alle Schrauben und Muttern fest angezogen sind.
- Warten oder lagern Sie die Motorsense/den Motor Rasentrimmer niemals in der Nähe offener Flammen.
- Lagern Sie die Motorsense/den Motor Rasentrimmer in verschlossenen Räumen und mit leerem Tank.
- Bringen Sie vor dem Reinigen, Warten und Einlagern des Werkzeugs stets die Abdeckung am Schneidblatt an.

Beachten Sie die relevanten Anweisungen zur Verhinderung von Unfällen, die von den entsprechenden Handelsorganisationen und Versicherungsunternehmen herausgegeben werden. Führen Sie keine Veränderungen an der Motorsense/an dem Motor Rasentrimmer durch, da Sie sonst Ihre Sicherheit gefährden.

Der Bediener darf nur die in dieser Betriebsanleitung beschriebenen Wartungs- und Reparaturarbeiten durchführen. Alle anderen Arbeiten müssen von autorisiertem Wartungspersonal durchgeführt werden. Verwenden Sie ausschließlich originale Ersatz- und Zubehörteile, die von MAKITA freigegeben und geliefert wurden.

Die Verwendung nicht genehmigter Zubehörteile und Werkzeuge führt zu einem erhöhten Unfallrisiko.

MAKITA übernimmt keine Haftung für Unfälle oder Schäden, die durch die Verwendung nicht genehmigter Schneidwerkzeuge, Befestigungen der Schneidwerkzeuge und Zubehörteile verursacht werden.

Erste Hilfe

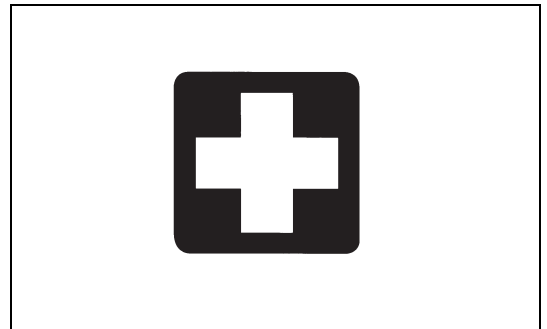
Stellen Sie für den Fall eines Unfalls sicher, dass ein Erste-Hilfe-Kasten in der Nähe des Schnittbetriebs verfügbar ist. Ersetzen Sie aus dem Erste-Hilfe-Kasten entnommene Materialien sofort.

Machen Sie folgende Angaben, wenn Sie Hilfe anfordern:

- Ort des Unfalls
- Was ist passiert
- Anzahl der verletzten Personen
- Art der Verletzungen
- Ihr Name

Schwingung

- Wenn sich Personen mit Durchblutungsstörungen zu starken mechanischen Schwingungen aussetzen, kann es zu Schädigungen von Blutgefäßen und/oder des Nervensystems kommen. Folgende Symptome können durch Vibrationen an Fingern, Händen oder Handgelenken auftreten: „Einschlafen“ von Körperteilen (Taubheit), Kribbeln, Schmerz, Stechen, Veränderung von Hautfarbe oder Haut. Falls eines dieser Symptome auftritt, suchen Sie einen Arzt auf!
- Um das Risiko der „Weißfingerkrankheit“ zu verringern, halten Sie Ihre Hände während des Arbeitens warm und warten und pflegen Sie Maschine und Zubehörteile gut.



Nur für europäische Länder

EG-Konformitätserklärung

Wir, Makita Corporation als verantwortlicher Hersteller, erklären, dass die folgenden Geräte der Marke Makita:

Bezeichnung des Geräts/der Geräte: Motorsense/Motor Rasentrimmer

Nummer/Typ des Modells: EM2600U, EM2600L

Technische Daten: siehe Tabelle „TECHNISCHE DATEN“

in Serienfertigung hergestellt werden und

den folgenden Richtlinien der Europäischen Union genügen:

2000/14/EG, 2006/42/EG, 2004/108/EG

Außerdem werden die Maschinen gemäß den folgenden Standards oder Normen gefertigt:

EN ISO 11806-1, EN ISO 14982

Die technische Dokumentation erfolgt durch:

Makita International Europe Ltd., Technical Department,

Michigan Drive, Tongwell, Milton Keynes, Bucks MK15 8JD, England

Das Verfahren zur Konformitätsbewertung, vorgesehen in 2000/14/EG, erfolgte in Übereinstimmung mit Anhang V.

Gemessener Schalleistungspegel (als ein Rasentrimmer): 109,77 dB

Gemessener Schalleistungspegel (als Motorsense): 107,29 dB

Garantierter Schalleistungspegel: 112 dB

15. 4. 2013

A handwritten signature in black ink, appearing to read 'Tomoyasu Kato'.

Tomoyasu Kato
Direktor

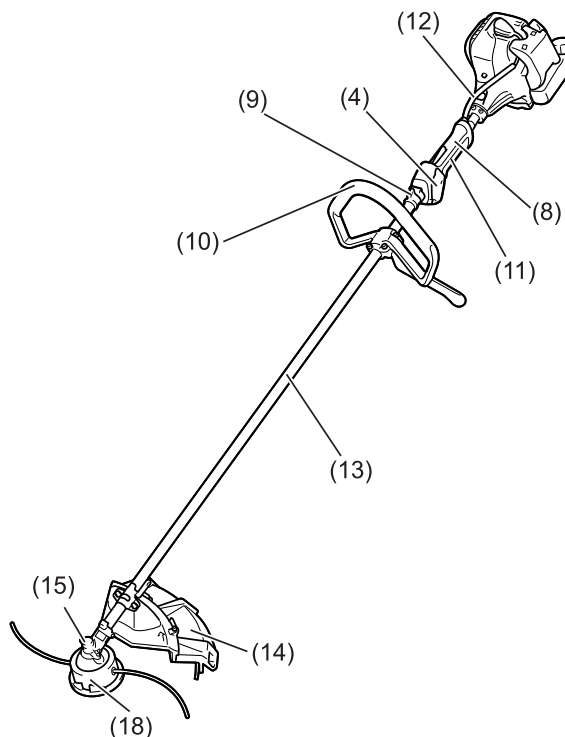
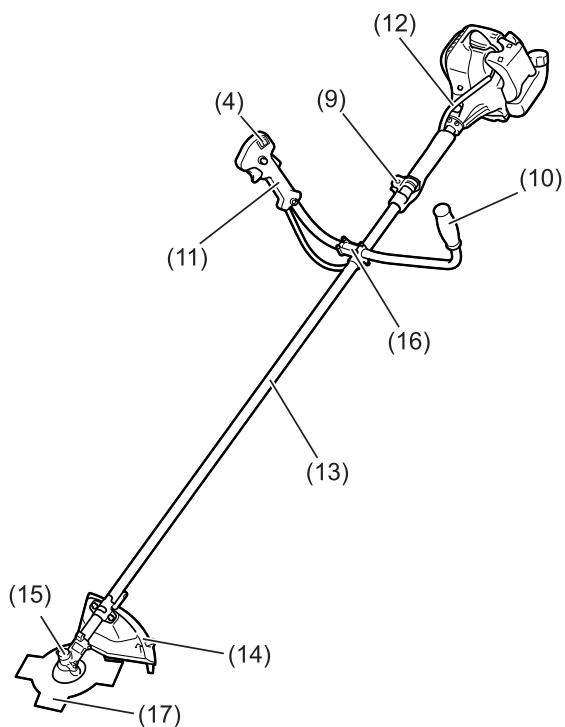
Makita Corporation
3-11-8, Sumiyoshi-cho,
Anjo, Aichi, JAPAN

Technische Daten

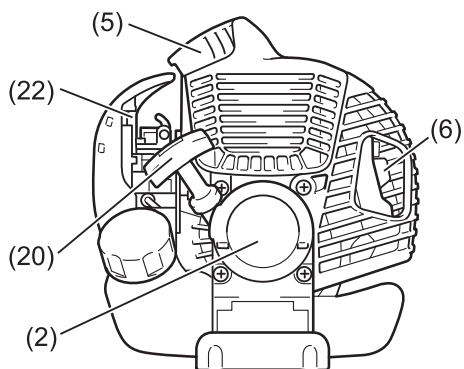
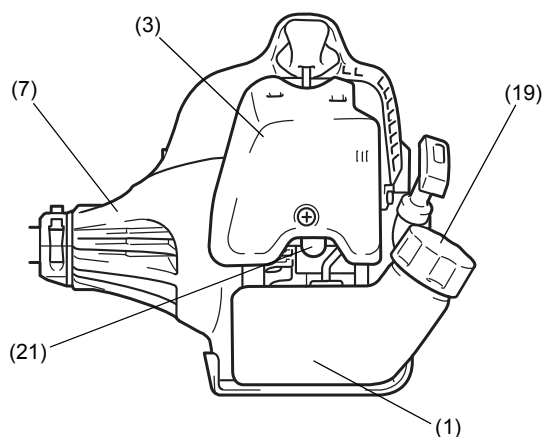
Modell		EM2600U	EM2600L
		U-Griff	Bügelgriff
Abmessungen: Länge x Breite x Höhe (ohne Schneidblatt)		1.770 x 610 x 410 mm	1.770 x 330 x 185 mm
Nettogewicht		5 kg	5 kg
Motor-Hubraum		25,7 cm ³	
Maximale Motorleistung		0,83 kW	
Maximale Drehzahl der Welle		8.800 min ⁻¹	
Schneidwerkzeug	Einteiliges Schneidblatt aus Metall	φ230 mm	
	Rasentrimmer-Kopf	φ430 mm	
Leerlaufdrehzahl		3.000 U/min	
Drehzahl Kupplungseingriff		4.100 U/min	
Übersetzung Getriebe		14/19	
Kraftstoff		Ottokraftstoff-Öl-Gemisch Ottokraftstoff: 2-Takt-Motoröl = 50 : 1	
Fassungsvermögen (Kraftstofftank)		0,6 l	
Vergaser		WALBRO WYC	
Zündsystem		Halbleiterzündung	
Zündkerze		NGK BPMR7A	
Elektrodenabstand		0,6 bis 0,7 mm	
Schwingung: (Für Motorsense)	Linker Handgriff (vorderer Griff)	14,680 m/s ² K = 1,5 m/s ²	5,152 m/s ² K = 1,5 m/s ²
	Rechter Handgriff (hinterer Griff)	9,037 m/s ² K = 1,5 m/s ²	9,677 m/s ² K = 1,5 m/s ²
Schwingung: (Für Rasentrimmer)	Linker Handgriff (vorderer Griff)	7,961 m/s ² K = 1,5 m/s ²	8,83 m/s ² K = 1,5 m/s ²
	Rechter Handgriff (vorderer Griff)	7,019 m/s ² K = 1,5 m/s ²	14,381 m/s ² K = 1,5 m/s ²
Schallpegel (getestet gemäß 2000/14/EG und 2005/88/EG):			
Schalldruckpegel an Bedienerposition (Rasentrimmer):		98,52 dB (A) K = 2,5 dB (A)	
Schalldruckpegel an Bedienerposition (Motorsense):		96,15 dB (A) K = 2,5 dB (A)	
Gemessener Schalleistungspegel (Rasentrimmer):		109,77 dB (A) K = 2,5 dB (A)	
Gemessener Schalleistungspegel (Motorsense):		107,29 dB (A) K = 2,5 dB (A)	
Schallpegel (getestet gemäß 2000/14/EG und 2005/88/EG): Garantierte Schalleistungswerte		112 dB (A)	

Bezeichnung der Bauteile

EM2600U U-Griff



EM2600L Bügelgriff



Bezeichnung der Bauteile	
1	Kraftstofftank
2	Seilspulstarter
3	Luftfilter
4	I-Stopp-Schalter (Ein/Aus)/ Start-Stopp-Schalter
5	Zündkerze
6	Abgasschalldämpfer
7	Kupplungsgehäuse
8	Hinterer Griff
9	Einhänger
10	Griff
11	Gashebel
12	Seilzug
13	Achse
14	Schutz (Schutz für Schneidwerkzeug)
15	Getriebegehäuse
16	Griffhalterung
17	Schneidblatt
18	Nylon-Schneidkopf
19	Tankdeckel
20	Startergriff
21	Ansaugpumpe
22	Choke-Hebel

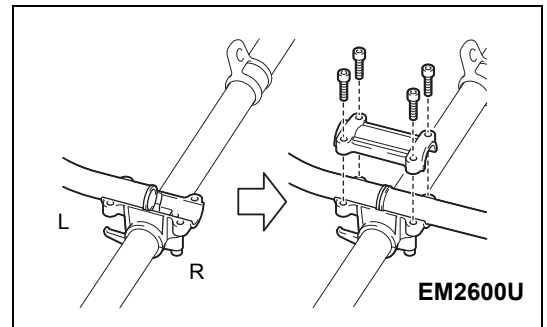
Montieren des Griffs

- ACHTUNG:** Stoppen Sie vor allen Arbeiten mit der Motorsense den Motor und trennen Sie den Zündkerzenstecker von der Zündkerze. Tragen Sie immer Schutzhandschuhe!
- ACHTUNG:** Stellen Sie sicher, dass Sie die Motorsense vor dem Start wieder vollständig montiert haben.

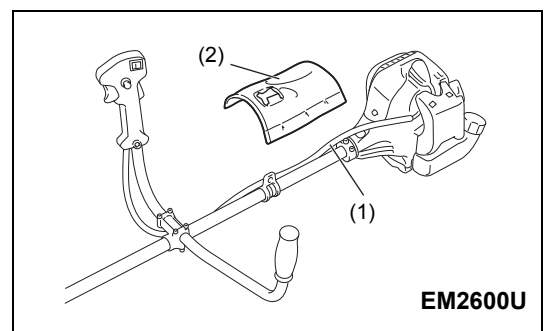


Für Modelle mit U-Griff

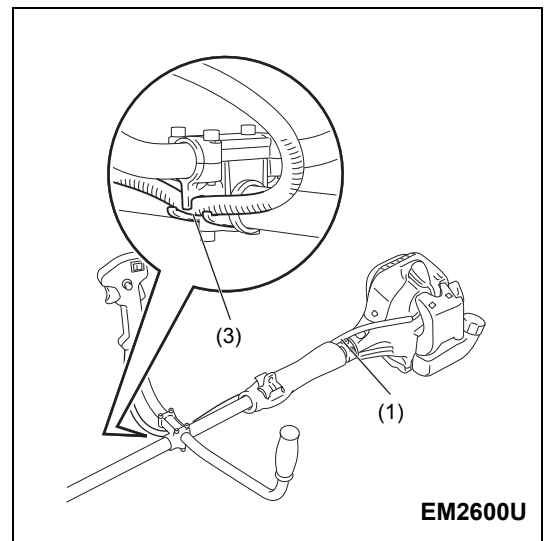
- Setzen Sie die beiden Griffe auf die Griffhalterung. Der Gashebel muss sich auf der rechten Seite befinden, wenn Sie in Richtung des Schneidwerkzeugs blicken.
- Passen Sie die Griffenden in die Rille der Griffhalterung ein und setzen Sie die Klemmvorrichtung auf. Zum Einstellen ziehen Sie sie leicht mit vier Schrauben an.
- Stellen Sie den Winkel der Griffe ein und ziehen Sie dann alle Schrauben gleichmäßig mit einem Inbusschlüssel an.



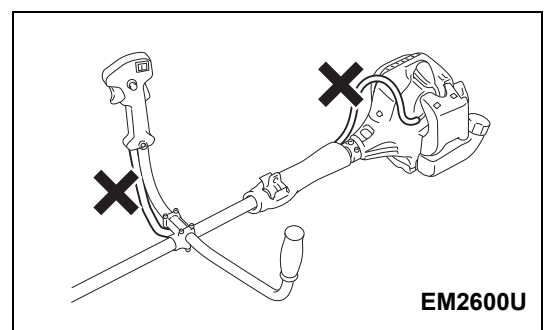
- Bringen Sie das Gashebel-Kabel (1) auf die Seite der Achse, auf der sich der Gashebel befindet. Umschließen Sie dann das Kabel mit der Hüftauflage (2).



- Führen Sie das Gashebel-Kabel (1) in die Klemmöffnung (3) an der Griffhalterung ein.
- Vergewissern Sie sich, dass das Gashebel-Kabel so verläuft, wie in der Abbildung dargestellt.
- Betätigen Sie den Gashebel und vergewissern Sie sich, dass er freigängig ist.

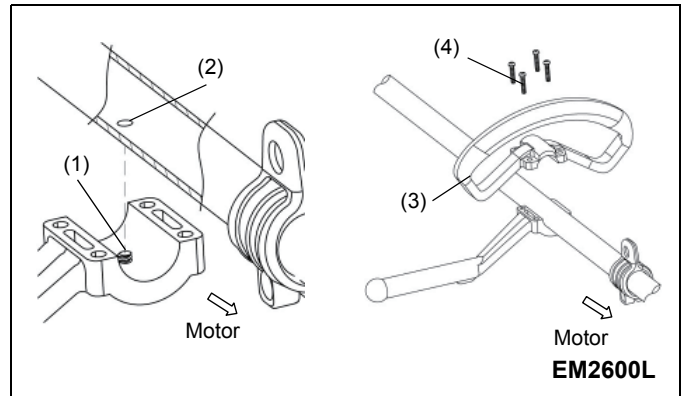


- ACHTUNG:** Das Kabel darf nicht so verlaufen, wie in der Abbildung dargestellt. Ein abstehendes Kabel kann zu einer hohen Leerlaufgeschwindigkeit führen und ein unkontrolliertes Blatt kann Verletzungen verursachen.



Für Modelle mit Bügelgriff

- Führen Sie das Gewinde (1) auf der Griffhalterung in die Befestigungsöffnung (2) auf dem Rohr.
- Befestigen Sie den Hilfsgriff (3) am Absperrstab.
- Befestigen Sie die 4 Schrauben (4) M5 × 30.

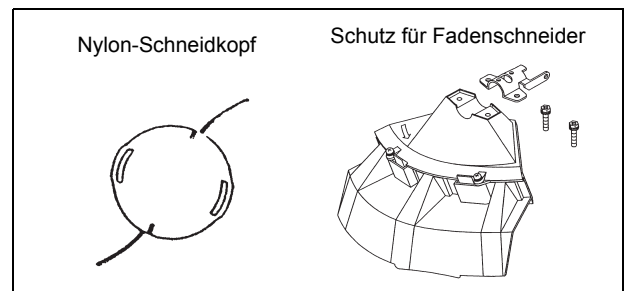
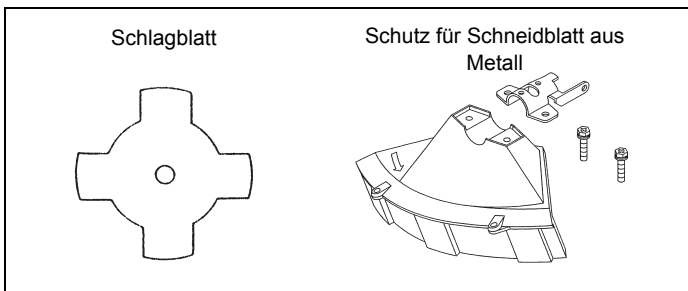


Montieren des Schutzes

Zur Erfüllung der geltenden Sicherheitsstandards dürfen Sie nur die in dieser Übersicht aufgezeigten Werkzeug/Schutz-Kombinationen verwenden.

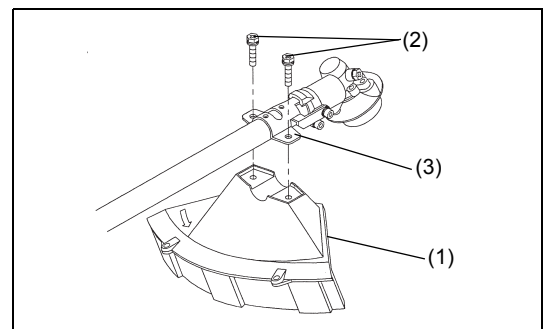
Verwenden Sie immer originale Schneidblätter/Nylon-Schneidköpfe von MAKITA.

- Die Schneidblatt muss gut glänzen und darf keine Risse oder Brüche aufweisen. Falls das Schneidblatt während des Betriebs gegen einen Stein geschlagen ist, stoppen Sie sofort den Motor und überprüfen Sie das Blatt.
- Schleifen oder ersetzen Sie das Schneidblatt nach jeweils drei Betriebsstunden.
- Falls der Nylon-Schneidkopf während des Betriebs gegen Steine schlägt, stoppen Sie den Motor und überprüfen Sie den Nylon-Schneidkopf sofort.

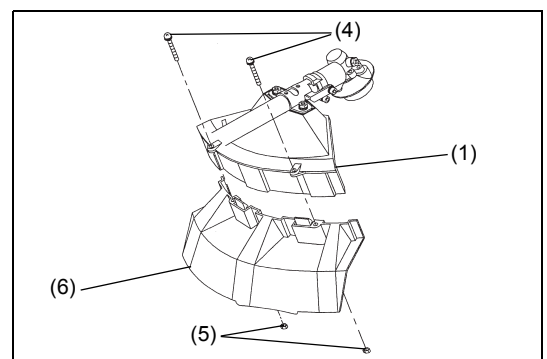


ACHTUNG: Für Ihre eigene Sicherheit und für die Einhaltung der Bestimmungen zur Unfallverhinderung müssen Sie stets den entsprechenden Schutz anbringen. Der Betrieb des Werkzeugs ohne installierten Schutz ist verboten.

- Befestigen Sie den Schutz (1) mit zwei Schrauben M6 x 30 (2) an der Klemme (3).



- Bei Verwendung des Fadenschneidkopfs passen Sie den Schutz (6) in den Schutz (1) ein und ziehen Sie diesen mit zwei Muttern (5) und zwei Schrauben (4) fest.

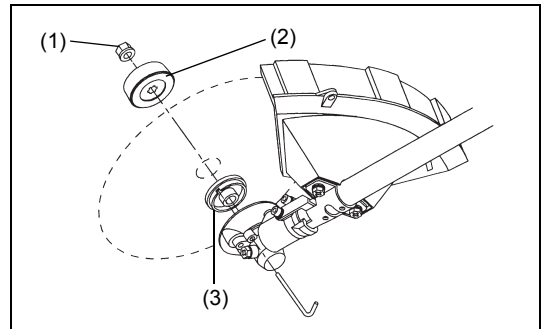


Montieren des Schneidblattes/des Nylon-Schneidkopfes

Das Schneidblatt oder den Nylon-Schneidkopf können Sie einfach austauschen, wenn Sie zuerst das Werkzeug umdrehen.



- Stecken Sie den Inbusschlüssel durch die Öffnung im Getriebegehäuse und drehen Sie die Aufnahmescheibe (3), bis diese mit dem Inbusschlüssel einrastet.
- Lösen Sie die Mutter/Federscheibe (1) (Linksgewinde) mit dem Steckschlüssel, und entfernen Sie die Mutter/Federscheibe (1) und die Klemmscheibe (2).



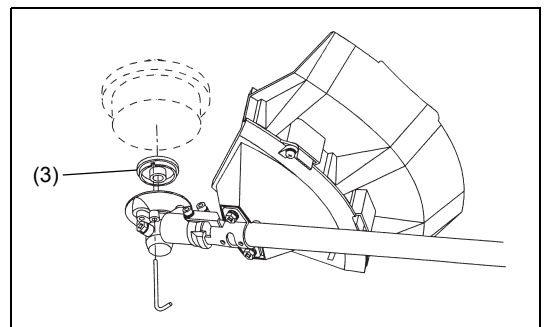
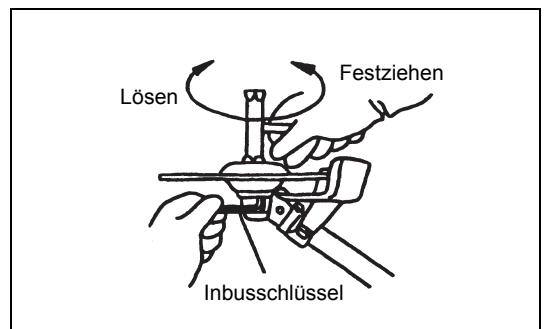
Mit eingestecktem Inbusschlüssel

- Montieren Sie das Schneidblatt so auf die Achse, dass die Führung der Aufnahmescheibe (3) in das Wellenloch im Schneidblatt passt. Befestigen Sie die Klemmscheibe (2) und sichern Sie das Schneidblatt mit der Mutter/Federscheibe (1).
[Anzugsmoment: 13 bis 23 Nm]

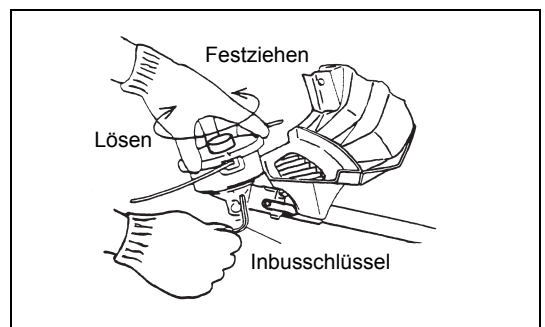
HINWEIS: Tragen Sie beim Umgang mit dem Schneidblatt immer Schutzhandschuhe.

HINWEIS: Die Mutter zum Befestigen des Schneidblattes (mit Federscheibe) ist ein Verschleißteil. Wenn Sie Verschleiß oder Deformation an der Federscheibe feststellen, ersetzen Sie die Mutter.

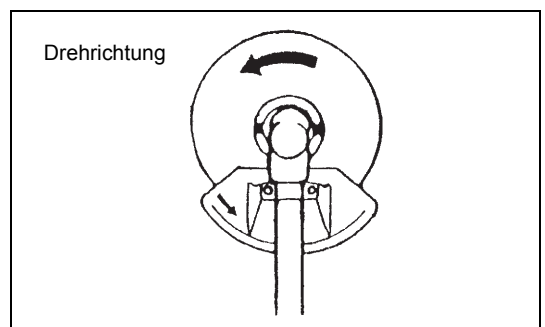
HINWEIS: Für die Montage des Nylon-Schneidkopfes werden die Klemmscheibe (2) und die Mutter/Federscheibe (1) nicht benötigt. Der Nylonkopf muss auf die Aufnahmescheibe (3) passen.



- Schrauben Sie den Nylon-Schneidkopf auf die Achse auf.



- Vergewissern Sie sich, dass sich die Klinge gegen den Uhrzeigersinn dreht.



Umgang mit Kraftstoff

Beim Umgang mit Kraftstoffen ist äußerste Vorsicht geboten. Kraftstoffe können Substanzen enthalten, die wie Lösungsmittel wirken. Tanken Sie nur in einem gut belüfteten Raum oder im Freien auf. Atmen Sie die Kraftstoffdämpfe nicht ein und vermeiden Sie jeglichen Kontakt des Kraftstoffs oder Öls mit Ihrer Haut. Mineralölzerzeugnisse wirken hautentfettend. Durch anhaltenden Hautkontakt mit diesen Erzeugnissen wird Ihre Haut extrem trocken, was zu zahlreichen Hauterkrankungen führen kann. Außerdem können allergische Reaktionen auftreten.

Bei Kontakt mit Öl können Augenirritationen auftreten. Falls Öl in Ihre Augen gelangt, spülen Sie die Augen sofort mit klarem Wasser. Falls die Augenirritationen anhalten, suchen Sie sofort einen Arzt auf.

Kraftstoff-Öl-Gemisch

Der Motorsense ist ein Hochleistungs-Zwei-Takt-Motor. Dieser wird mit einem Gemisch aus Kraftstoff und Zwei-Takt-Motorenöl betrieben. Der Motor ist für bleifreies Normalbenzin mit einer Oktanzahl von ROZ 91 vorgesehen. Ist aus irgendeinem Grund solcher Kraftstoff nicht verfügbar, können Sie Kraftstoff mit einer höheren Oktanzahl verwenden. Dies hat keinen Einfluss auf den Motor, kann jedoch die Betriebsleistung schmälern.

Ähnliche Probleme treten bei der Verwendung von verbleitem Kraftstoff auf. Verwenden Sie nur bleifreien Kraftstoff, um einen optimalen Motorbetrieb zu erreichen und um Ihre Gesundheit und die Umwelt zu schützen!

Zur Schmierung des Motors ist 2-Takt-Motoröl (Qualität: JASO FC oder ISO EGD) als Kraftstoffzusatz zu verwenden. Der Motor ist für die Verwendung des speziellen Zwei-Takt-Motorenöls in einem Mischverhältnis von 50:1 ausgelegt. Außerdem werden eine lange Lebensdauer begleitet von einem zuverlässigen Betrieb und minimalen Emissionen durch die Verwendung dieses Mischungsverhältnisses garantiert. Die zuverlässige Funktionsweise der Motorsense kann nicht garantiert werden, wenn das Mischungsverhältnis 50:1 (mit dem speziellen 2-Takt-Motoröl) nicht strengstens eingehalten wird.

Korrektes Mischungsverhältnis:

Ottokraftstoff: vom Hersteller freigegebenes 2-Takt-Motoröl = 50 : 1 oder Ottokraftstoff: 2-Takt-Motoröl eines anderen Herstellers = 25: 1 empfohlen

HINWEIS: Mischen Sie zur Vorbereitung des Kraftstoff-Öl-Gemischs zuerst die gesamte Ölmenge mit der Hälfte des erforderlichen Kraftstoffs und fügen Sie anschließend den restlichen Kraftstoff hinzu. Mischen Sie das Gemisch gut durch, bevor Sie es in den Tank der Motorsense einfüllen. Geben Sie nicht mehr Motorenöl als angegeben hinzu, um einen sicheren Betrieb zu gewährleisten. Andernfalls werden mehr Verbrennungsrückstände produziert, die Umwelt verschmutzt und der Abluftkanal sowie der Schalldämpfer verstopft. Außerdem steigt der Kraftstoffverbrauch und die Leistung sinkt.

Betanken

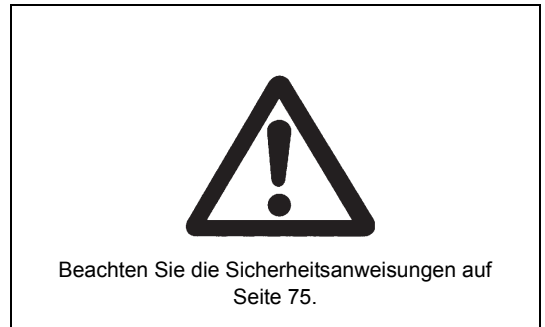
Der Motor muss ausgeschaltet sein.



- Reinigen Sie den Bereich um den Tankdeckel (2) gründlich, damit kein Schmutz in den Kraftstofftank (1) gelangt.
- Schrauben Sie den Tankdeckel (2) ab und füllen Sie den Kraftstoff ein.
- Schrauben Sie den Tankdeckel (2) wieder fest auf.
- Reinigen Sie den Tankdeckel (2) und den Tank nach dem Betanken.

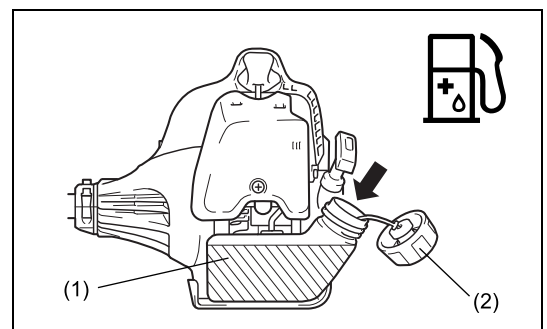
Aufbewahrung von Kraftstoffen

Kraftstoff kann nicht unbegrenzt gelagert werden.

Kaufen Sie nur die Menge, die Sie in einem Betriebszeitraum von 4 Wochen benötigen. Verwenden Sie ausschließlich zugelassene Kraftstoffbehälter.



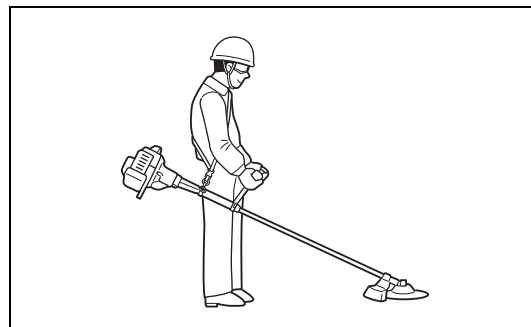
Kraftstoff	50:1	25:1
	+	
		
1.000 cm ³ (1 Liter)	20 cm ³	40 cm ³
5.000 cm ³ (5 Liter)	100 cm ³	200 cm ³
10.000 cm ³ (10 Liter)	200 cm ³	400 cm ³



Korrektter Umgang

Befestigen des Schultergurts

- Stellen Sie die Gurtlänge so ein, dass das Schneidblatt parallel zum Boden ist.



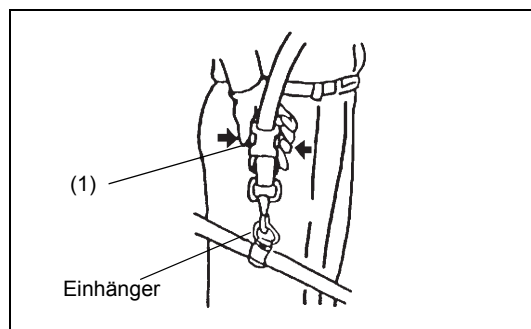
Abtrennung

- Drücken Sie im Notfall die Einrastungen (1) an beiden Seiten und trennen Sie die Anlage.

Gehen Sie äußerst vorsichtig vor, damit Sie die Kontrolle über das Werkzeug behalten. Lassen Sie nicht zu, dass das Werkzeug in Ihre Richtung oder in Richtung anderer Personen in Ihrer Nähe abprallt.

WARNUNG: Andernfalls können Sie die Kontrolle über das Werkzeug verlieren und schwere oder TÖDLICHE Verletzungen verursachen.

Hinweis: In einigen Ländern hat der Schultergurt diese Abtrennfunktion nicht.



Wichtige Betriebsschritte/Stoppen der Sense/des Trimmers

Beachten Sie die geltenden Bestimmungen zur Unfallvermeidung.



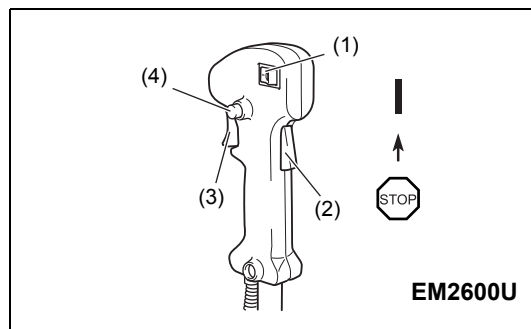
Starten

Bewegen Sie sich mindestens 3 m von dem Bereich weg, wo Sie das Werkzeug betankt haben. Legen Sie die Motorsense auf einem sauberen Untergrund ab und achten Sie darauf, dass das Schneidwerkzeug nicht in Kontakt mit dem Erdboden oder anderen Gegenständen steht.

WARNUNG: Beachten Sie, dass sich das Schneidwerkzeug sofort nach dem Motorstart zu drehen beginnt.

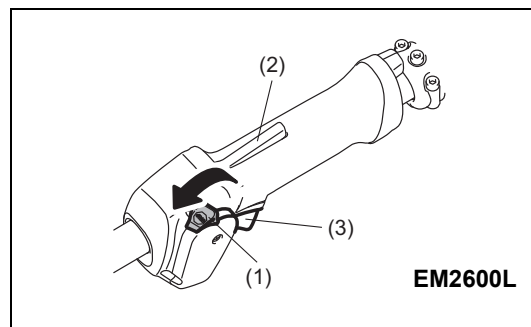
Kaltstart für Modelle mit U-Griff

- Stellen Sie den I-Stopp Schalter (Ein/Aus) (1) wie abgebildet ein.
- Erfassen Sie den Griff (der Sicherheits-Entsperrhebel (2) wird durch Handdruck aktiviert).
- Drücken Sie den Gashebel (3) und halten Sie ihn gedrückt.
- Drücken Sie die Verriegelungstaste (4) und lassen Sie den Gashebel los; lassen Sie anschließend die Verriegelungstaste los (die Verriegelungstaste hält den Gashebel in der Startposition).



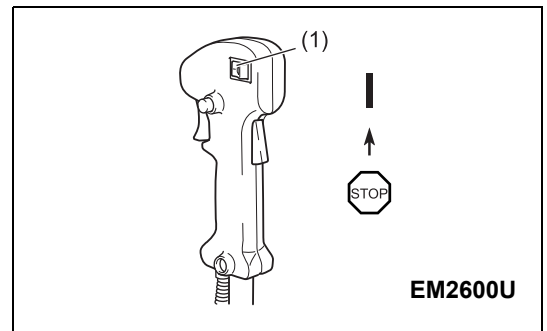
Kaltstart für Modelle mit Bügelgriff

- Stellen Sie den Start-Stopp-Schalter (1) wie abgebildet auf Startposition.
- Erfassen Sie den Griff (der Sicherheits-Entsperrhebel (2) wird durch Handdruck aktiviert).
- Drücken Sie den Gashebel (3) und halten Sie ihn gedrückt.
- Setzen Sie den Start-Stopp-Schalter (1) in die Startposition und lassen Sie den Gashebel los und lassen Sie dann den Start-Stopp-Schalter los (Der Start-Stopp-Schalter hält den Gashebel in der Startposition).



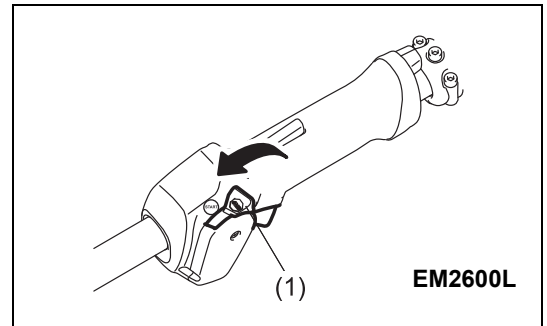
Warmstart für Modelle mit U-Griff

- Stellen Sie den I-Stopp Schalter (Ein/Aus) (1) wie abgebildet ein.

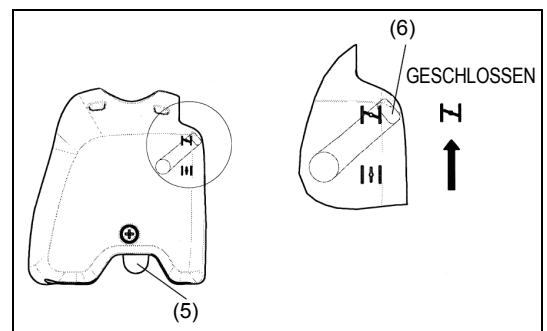


Warmstart für Modelle mit Bügelgriff

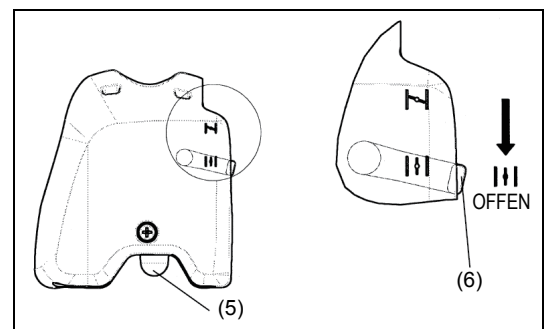
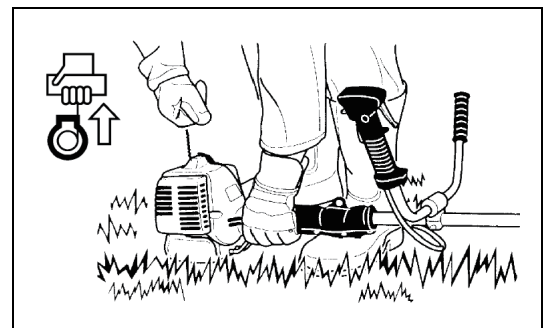
- Stellen Sie den Start-Stopp-Schalter (1) wie abgebildet auf Neutralposition.



- Legen Sie zuerst das Werkzeug auf dem Boden ab.
- Drücken Sie die Ansaugpumpe (5) mehrmals (7 bis 10 Mal) leicht, bis der Kraftstoff in die Ansaugpumpe gelangt.
- Schließen Sie den Choke-Hebel (6).
 - Öffnen des Chokes:
 - Bei kalten Temperaturen oder wenn der Motor kalt ist, ist der Choke völlig geschlossen
 - Bei einem erneuten Start bei noch warmen Motor ist der Choke völlig oder halb geöffnet



- Halten Sie das Kupplungsgehäuse sicher mit der linken Hand fest (siehe Abbildung).
- Ziehen Sie den Startergriff langsam, bis Sie einen Widerstand spüren, ziehen Sie dann stark.
- Ziehen Sie das Starterseil nicht bis zur vollen Länge heraus, und verhindern Sie, dass sich der Startergriff selbst einzieht. Halten Sie das Starterseil unter Kontrolle und gewährleisten Sie ein langsames Einziehen.
- Wiederholen Sie den Startvorgang, bis Sie die Startzündung des Motors hören.
- Drücken Sie auf den Choke-Hebel (6) (↕) und ziehen Sie das Starterseil erneut, bis der Motor startet.
- Lassen Sie sofort nach dem Start des Motors den Gashebel los, lassen Sie die Halbdrossel-Verriegelung los und lassen Sie den Motor im Leerlauf.
- Lassen Sie den Motor für etwa eine Minute mit einer recht niedrigen Drehzahl laufen, bevor Sie den Motor voll belasten.



- HINWEIS: – Wenn Sie den Startergriff wiederholt ziehen und der Choke-Hebel sich in der Position „↕“ befindet, startet der Motor aufgrund der übermäßigen Kraftstoffaufnahme nicht leicht.
- Falls übermäßig Kraftstoff aufgenommen wird, entfernen Sie die Zündkerze und ziehen Sie den Startergriff langsam, um den übermäßigen Kraftstoff zu entfernen. Trocknen Sie außerdem die Elektroden der Zündkerze.

Vorsichtsmaßnahmen bei Betrieb:

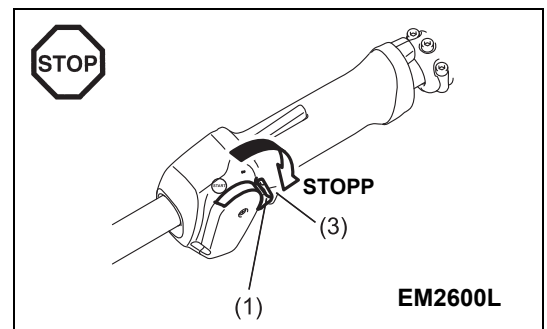
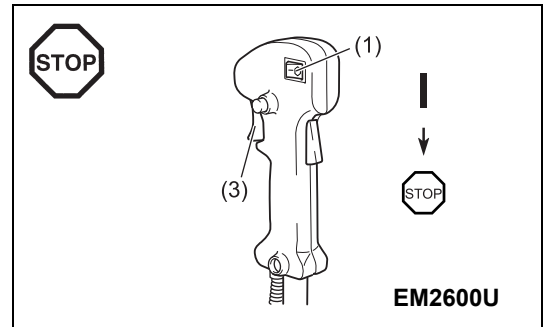
Falls der Gashebel während des lastlosen Betriebs vollständig geöffnet ist, erreicht die Motordrehzahl über $10.000 \text{ U/min}^{-1}$. Betreiben Sie den Motor nie mit einer höheren Geschwindigkeit als notwendig und bei etwa $6.000 - 8.000 \text{ U/min}^{-1}$.

ACHTUNG: Reduzieren Sie die Motordrehzahl immer, wenn Sie gerade nicht mit dem Werkzeug arbeiten.

Der Betrieb des Werkzeugs bei höheren Drehzahlen ohne Belastung verkürzt die Lebenszeit des Werkzeugs.

Stoppen

- Lassen Sie den Gashebel (3) vollkommen los und drücken Sie, wenn sich die Motordrehzahl verlangsamt hat, den I-Stopp-Schalter (Ein/Aus)/Start-Stopp-Schalter (1) in die Position STOPP (STOP), um den Motor zu stoppen.
- Beachten Sie, dass der Schneidkopf nicht sofort stoppt, und stellen Sie sicher, dass dieser langsamer wird und von selbst stoppt.



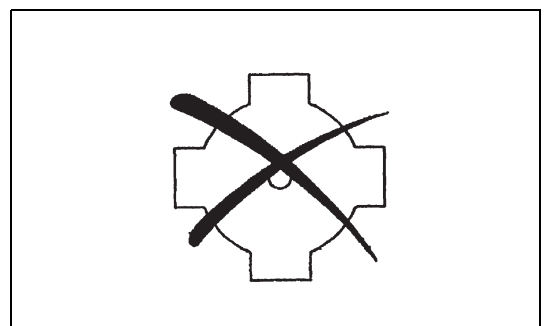
Schärfen des Schneidwerkzeugs

ACHTUNG: Die im Folgenden aufgeführten Schneidwerkzeuge dürfen nur durch autorisierte Einrichtungen geschärft werden. Manuelles Neuschärfen führt zu Unwuchten des Schneidwerkzeugs, wodurch Vibrationen und Beschädigungen des Werkzeugs verursacht werden.

- Schneidblätter (4-Zahn-Schlagblätter)

Professionelle Schärf- und Auswuchtdienste werden von autorisierten Dienstleistungsunternehmen angeboten.

HINWEIS: Zur Verbesserung der Lebenszeit der Schneidklinge (Schlagblatt) muss die Klinge möglicherweise umgedreht werden, damit sich beide Schneidkanten abnutzen.



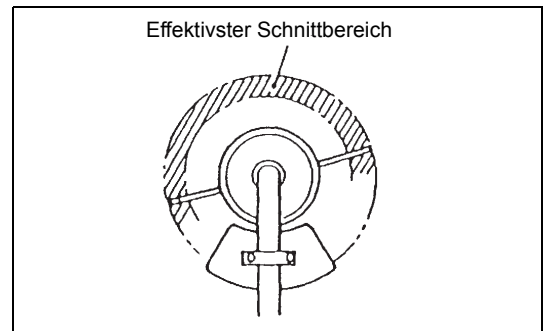
NYLON-SCHNEIDKOPF

Der Nylon-Schneidkopf ist ein Rasentrimmerkopf mit zwei Fäden. Die Schneidfäden werden sowohl automatisch als auch durch einen Stoß-Zufuhr-Mechanismus zugeführt.

Der Nylon-Schneidkopf führt automatisch die entsprechende Länge des Nylonseils heraus. Dies geschieht durch Ändern der Zentrifugalkraft aufgrund der Zunahme oder Abnahme der Drehzahl. Um weiches Gras jedoch wirksamer zu schneiden, stoßen Sie den Nylon-Schneidkopf gegen den Boden, um ein Stück zusätzliches Seil herauszuführen (siehe Betriebsabschnitt).

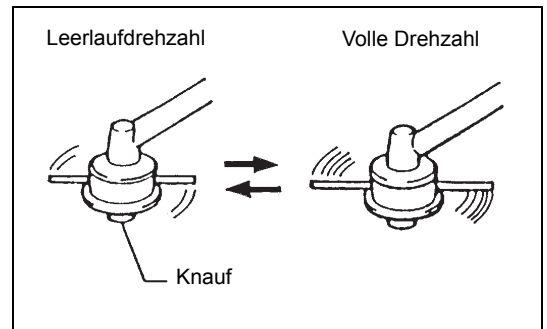
Betrieb

- Erhöhen Sie die Drehzahl des Nylon-Schneidkopfes auf ca. 6.000 U/min^{-1} . Bei niedrigeren Drehzahlen (unter 4.800 U/min^{-1}) wird das Nylonseil nicht korrekt herausgeführt.
- Der effektivste Schnittbereich ist in der Abbildung rechts schraffiert dargestellt.



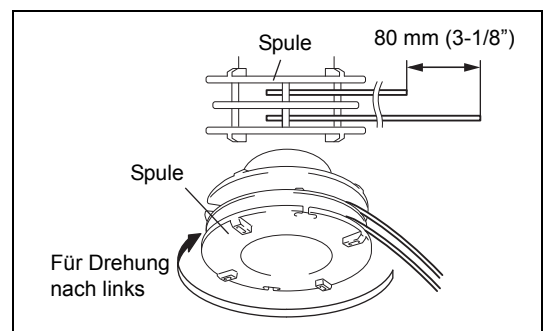
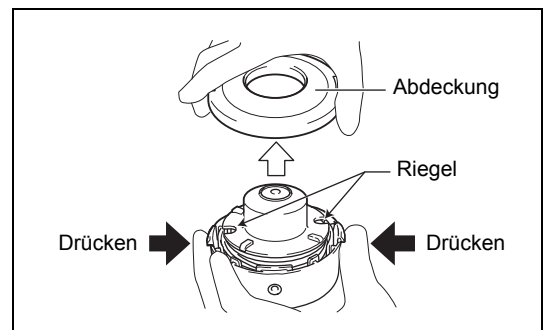
Falls das Nylonseil nicht automatisch herausgeführt wird, gehen Sie wie folgt vor:

1. Lassen Sie den Gashebel los, sodass der Motor im Leerlauf ist und drücken Sie den Gashebel dann ganz ein. Wiederholen Sie dies, bis das Nylonseil die richtige Länge hat.
2. Falls das Nylonseil zu kurz ist, um mittels dieser Methode automatisch herausgeführt zu werden, stoßen Sie den Knauf des Nylon-Schneidkopfes gegen den Boden, um das Nylonseil herauszuführen.
3. Falls das Nylonseil nicht mithilfe der Vorgehensweise 2 herausgeführt werden kann, spulen Sie das Nylonseil auf und tauschen Sie es aus (siehe Abschnitt „Ersetzen des Nylonseils“).

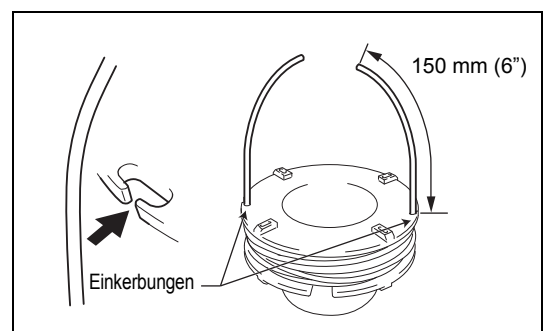


Ersetzen des Nylonseils

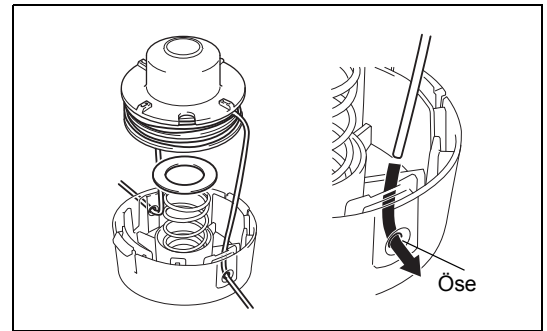
- Stoppen Sie den Motor.
- Drücken Sie die Riegel nach innen, um die Abdeckung anzuheben und die Spule zu entfernen.
- Haken Sie die Mitte des Nylonseils in die Kerbe in der Mitte der Spule ein, das eine Ende des Seils muss etwa 80 mm länger als das andere sein. Winden Sie anschließend beide Enden fest um die Spule in Richtung der Kopfdrehung (Linksdrehung wird durch „LH“ und Rechtsdrehung durch „RH“ an der Seite der Spule gekennzeichnet).



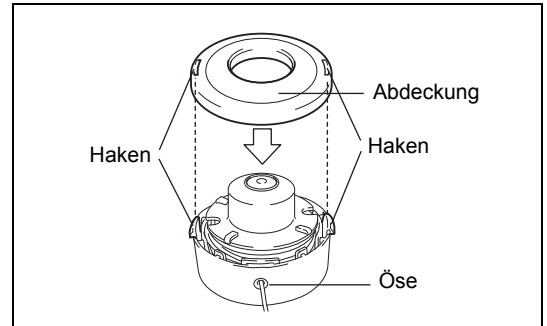
- Winden Sie etwa 150 mm des Seils um die Spule und lassen Sie die Enden vorübergehend in der Einkerbung an der Seite der Spule eingehängt.



- Fädeln Sie die Fäden durch die Ösen aus dem Gehäuse heraus. Montieren Sie die Unterlegscheibe, Feder und Spule im Gehäuse.



- Richten Sie die Haken auf der Abdeckung mit dem Gehäuse aus. Drücken Sie dann die Abdeckung fest auf das Gehäuse, um sie zu sichern.



Wartungsanweisungen

Wartungsanweisungen

- ACHTUNG:** Schalten Sie vor allen Wartungsarbeiten an der Motorsense den Motor aus und trennen Sie den Zündkerzenstecker von der Zündkerze (siehe „Überprüfen der Zündkerze“). Tragen Sie unbedingt Schutzhandschuhe.
- ACHTUNG:** Bauen Sie den Rückstoßstarter niemals selbst aus. Zuwiderhandlungen können zu Unfällen führen. Diese Vorgehensweise sollte nur von autorisierten Servicezentren durchgeführt werden.



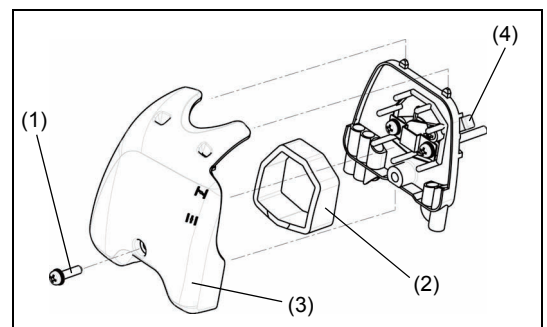
Führen Sie die folgenden Wartungsarbeiten regelmäßig durch, um eine lange Lebenszeit zu erzielen und Beschädigungen des Werkzeugs zu vermeiden.

Tägliche Inspektionen und Wartungsarbeiten

- Überprüfen Sie vor dem Betrieb das Werkzeug auf lose Schrauben und fehlende Teile. Achten Sie besonders auf den festen Sitz des Schneidblattes/des Nylon-Schneidkopfes.
- Überprüfen Sie vor jedem Betrieb, dass die Kühlluftdurchgänge und Zylinderlamellen nicht verstopft sind. Reinigen Sie diese bei Bedarf.
- Führen Sie die folgenden Wartungsarbeiten täglich nach der Arbeit durch:
 - Reinigen Sie die Motorsense im ausgebauten Zustand und überprüfen Sie diese auf Beschädigungen.
 - Reinigen Sie den Luftfilter. Wenn Sie unter sehr staubigen Bedingungen arbeiten, reinigen Sie den Filter mehrmals am Tag.
 - Überprüfen Sie das Schneidblatt/den Nylon-Schneidkopf auf Beschädigungen und auf ordnungsgemäßen Sitz.
 - Prüfen Sie, dass der Abstand zwischen Leerlauf- und Betriebsdrehzahlen ausreichend ist, damit das Werkzeug bei Leerlauf des Motors im Stillstand ist (reduzieren Sie bei Bedarf die Leerlaufdrehzahl).
Falls sich das Schneidwerkzeug während des Leerlaufs des Motors weiter dreht, wenden Sie sich an das nächste autorisierte Servicezentrum.
- Prüfen Sie den I-Stopp-Schalter (Ein/Aus)/Start-Stopp-Schalter, den Entriegelungshebel, den Regelungshebel und die Verriegelungstaste auf ordnungsgemäße Funktionsweise.

Reinigen des Luftreinigers (Luftfilter)

- Drehen Sie den Choke-Hebel (4) vollständig zu, und halten Sie den Vergaser fern von Staub oder Schmutz.
- Entfernen Sie die Schraube (1).
- Nehmen Sie die Luftfilterabdeckung (3) ab.
- Entfernen Sie den Schwamm (2), waschen Sie diesen in lauwarmen Wasser und trocknen Sie diesen vollständig.
- Setzen Sie nach dem Reinigen den Luftfilterdeckel (3) wieder auf und befestigen Sie ihn mit der Schraube (1).

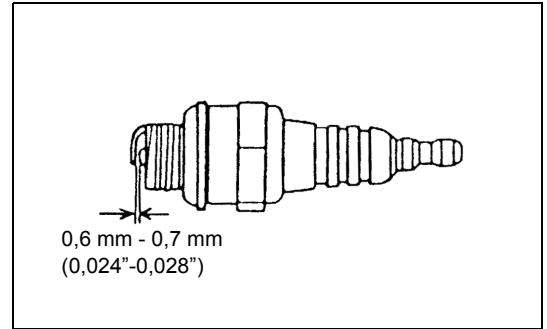


HINWEIS: Sollten übermäßiger Staub und Schmutz am Luftfilter anhaften, reinigen Sie den Luftfilter täglich. Der Motor kann mit einem verstopften Luftreiniger nur schwer oder gar nicht gestartet werden, oder die Motordrehzahl nimmt zu.

Überprüfen der Zündkerze

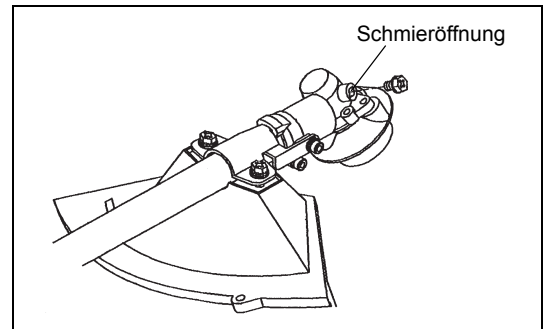
- Schrauben Sie die Zündkerze ausschließlich mit dem mitgelieferten Universalschlüssel heraus- und ein.
- Der Abstand zwischen den Elektroden der Zündkerze muss zwischen 0,6 und 0,7 mm liegen. Wenn der Abstand zu klein oder zu groß ist, korrigieren Sie den Abstand. Falls die Zündkerze mit einem Karton oder Schmutz verstopft ist, reinigen Sie diese gründlich oder ersetzen Sie sie.

ACHTUNG: Berühren Sie bei laufendem Motor niemals den Zündkerzenstecker (Gefahr eines Hochspannungsschlags).



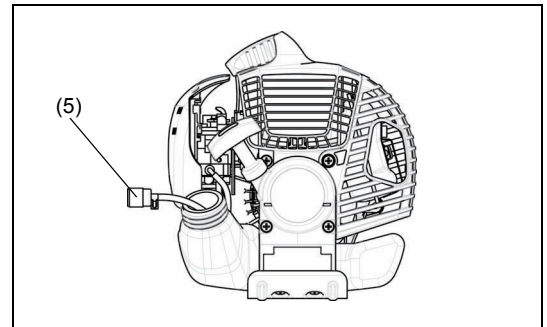
Einbringen von Schmierfett in das Getriebegehäuse

- Bringen Sie nach jeweils 30 Betriebsstunden Schmierfett (Shell Alvania 3 oder gleichwertig) durch die Schmieröffnung in das Getriebegehäuse ein. (Originales MAKITA-Schmierfett erhalten Sie bei Ihrem MAKITA-Händler.)



Ansaugkopf im Kraftstofftank

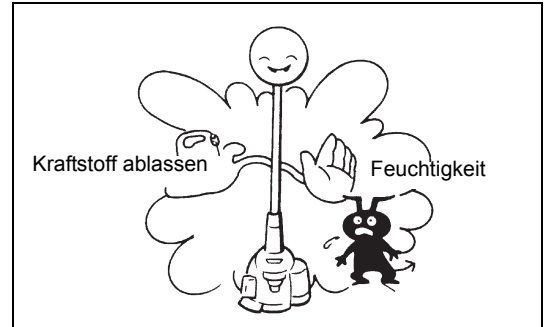
- Mit dem Kraftstofffilter (5) des Ansaugkopfes wird der benötigte Kraftstoff in den Vergaser geleitet.
- Führen Sie regelmäßig eine Sichtprüfung des Kraftstofffilters durch. Für die Inspektion des Filters öffnen Sie den Deckel des Tankeinfüllstutzens und ziehen Sie mit einem Drahthaken den Ansaugkopf durch die Tanköffnung. Ersetzen Sie den Filter, falls dieser verhärtet, schmutzig oder verstopft ist.
- Eine unzureichende Kraftstoffzufuhr kann dazu führen, dass die maximal zulässige Drehzahl überschritten wird. Aus diesem Grund muss der Kraftstofffilter mindestens quartalsweise ersetzt werden, um eine zufriedenstellende Kraftstoffzufuhr zum Vergaser zu gewährleisten.



Alle weiteren Wartungsarbeiten oder Einstellungen, die in diesem Handbuch nicht beschrieben wurden, müssen von autorisierten Servicezentren durchgeführt werden.

Aufbewahrung

- Wenn Sie das Werkzeug über einen längeren Zeitraum lagern, lassen Sie den gesamten Kraftstoff aus den Tank und dem Vergaser ab. Lassen Sie dazu einfach den Kraftstoff aus dem Tank ab. Entsorgen Sie den abgelassenen Kraftstoff gemäß den örtlichen Bestimmungen.
- Entfernen Sie die Zündkerze und geben Sie einige wenige Tropfen Öl in die Zündkerzenöffnung. Ziehen Sie anschließend den Starter leicht, sodass das Öl die Innenseite des Motors bedeckt und ziehen Sie dann die Zündkerze fest.
- Entfernen Sie allen Staub und Schmutz von dem Schneidblatt und dem Äußeren des Motors und reiben Sie diese mit einem ölgetränktem Tuch ein. Lagern Sie das Werkzeug an einem trockenem Platz.



Wartungsplan

Allgemein	Motorbaugruppe, Schrauben und Muttern	Sichtprüfung auf Beschädigungen und festen Sitz Überprüfen von allgemeinem Zustand und Sicherheit
Nach jedem Betanken	Gashebel I-Stopp-Schalter (Ein/Aus)/Start-Stopp-Schalter	Funktionsprüfung Funktionsprüfung
Täglich	Luftfilter Kühlluftkanal Schneidwerkzeug Leerlaufdrehzahl	Reinigen Reinigen Prüfen auf Beschädigungen und Schärfe Überprüfen (Schneidwerkzeug darf sich nicht bewegen)
Wöchentlich	Zündkerze Schalldämpfer	Inspektion, ggf. Austausch Inspektion und Reinigung der Öffnung bei Bedarf
Quartalsweise	Ansaugkopf Kraftstofftank	Austauschen Reinigen
Vorgehen für Stilllegung	Kraftstofftank Vergaser	Kraftstofftank leeren Betreiben des Motors, bis der Kraftstoff vollständig verbraucht ist

Fehlerbehandlung

Problem	System	Beobachtung	Ursache
Motor startet nicht oder nur schwer	Zündsystem	Zündfunke OK	Fehler in der Kraftstoffzufuhr oder im Verdichtungssystem, mechanischer Defekt
		Kein Zündfunke	I-Stopp-Schalter (Ein/Aus)/Start-Stopp-Schalter betätigt, Fehler oder Kurzschluss in Verdrahtung, Zündkerze oder Zündkerzenstecker defekt, Zündmodul defekt
	Kraftstoffzufuhr	Kraftstofftank gefüllt	Falsche Choke-Position, Vergaser defekt, Kraftstoff-Zufuhrleitung verbogen oder blockiert, Kraftstoff verschmutzt
	Verdichtung	Keine Verdichtung beim Durchziehen	Zylinderkopfdichtung defekt, Kurbelwellendichtungen beschädigt, Zylinder oder Kolbenringe defekt oder ungeeignete Dichtung an der Zündkerze
Probleme bei Warmstart	Mechanischer Fehler	Starter greift nicht ein	Gebrochene Starterfeder, gebrochenen Teile innerhalb des Motors
		Tank gefüllt, Zündfunke OK	Vergaser verschmutzt, muss gereinigt werden
Motor startet, geht jedoch gleich wieder aus	Kraftstoffzufuhr	Tank gefüllt	Falsche Leerlaufeinstellung, Vergaser verschmutzt
Unzureichende Leistung	Möglicherweise sind mehrere Systeme gleichzeitig betroffen.	Motorleerlaufdrehzahl zu niedrig	Problem mit Lüftungsöffnung im Kraftstofftank, Kraftstoff-Zufuhrleitung unterbrochen, Kabel oder I-Stopp-Schalter (Ein/Aus)/Start-Stopp-Schalter defekt
			Luftfilter verschmutzt, Vergaser verschmutzt, Schalldämpfer verstopft, Auslasskanal im Zylinder verstopft

Köszönjük, hogy megvásárolta ezt a MAKITA bozótvágót/szegélyvágót. A MAKITA bozótvágó/szegélyvágó termékek fejlesztése többéves tudásunk, tapasztalatunk, valamint részletes fejlesztési programunk eredményeként jött létre.

Kérjük, figyelmesen olvassa el ezt a füzetet, hogy a MAKITA bozótvágó/szegélyvágó által nyújtott lehető legnagyobb teljesítményt és használati élményt érhesse el.



Tartalom	Oldal
Szimbólumok.....	92
Biztonsági tudnivalók	93
Műszaki adatok	97
Alkatrészek megnevezése	98
A fogantyú felszerelése.....	99
A védőburkolat felszerelése	100
A vágókés/nejlonszálás vágófej felszerelése.....	101
Üzemanyag/Tankolás	102
Helyes használat.....	103
Fontos használati szempontok/a bozótvágó/ szegélyvágó leállítása	103
A vágószerszám újraélezése	105
Szervizelési utasítások.....	107
Tárolás	109

Szimbólumok

A használati utasítás olvasása közben a következő szimbólumokkal találkozik.

	Olvassa el a használati utasítást!		Viseljen szem- és hallásvédőt! (csak a szegélyvágóhoz)
	Legyen különösen elővigyázatos és figyelmes!		Sisak, szem- és hallásvédő eszköz viselendő! (csak a bozótvágóhoz)
	Tilos!		Ne használjon fém késeket! (csak a szegélyvágóhoz)
	Tartson kellő távolságot!		A szerszám legmagasabb megengedett fordulatszáma
	Repülő tárgyak veszélye!		Forró felületek – Megégetheti ujjait vagy kezét
	Dohányozni tilos!		Keverék üzemanyag
	Nyílt láng használata tilos!		Motor kézi indítása
	Védőkesztyű viselése kötelező!		Vészleállítás
	Visszarúgás		Elsősegély
	A működési területtől tartson távol minden embert és állatot!		BE/INDÍTÁS
	Viseljen csúszásmentes védőlábbelit! Acélbetétes lábbeli viselete javasolt.		KI/LEÁLLÍTÁS
			INDÍTÁS

Biztonsági tudnivalók

Általános tudnivalók

- A helyes használat biztosítása érdekében győződjön meg arról, hogy teljesen megértette a jelen használati utasítást, valamint megismerte a bozótvágó/szegélyvágó használatát. Ha a gépet anélkül használja, hogy tisztában lenne a kezelés módjával, azzal súlyos sérülést okozhat saját maga és mások számára.
- Csak olyan személyeknek adja kölcsön a bozótvágót/szegélyvágót, akik igazolhatóan tapasztalattal rendelkeznek a bozótvágók/szegélyvágók használatára. A géppel együtt mindig adja oda ezt a használati utasítást.
- Amennyiben először használ motoros vágót, az alapvető utasításokra vonatkozóan érdeklődjön forgalmazójánál.
- Gyermekek és 18 év alatti fiatalok nem használhatják a bozótvágót/szegélyvágót. 16 év feletti személyek szakképzett oktató felügyelete mellett oktatási célból használhatják az eszközt.
- A bozótvágóval/szegélyvágóval végzett munka különleges figyelmet igényel.
- A bozótvágót/szegélyvágót csak megfelelő egészségi és fizikai állapotban használja. Minden munkát nyugodtan és elővigyázatosan végezzen. A közelben tartózkodó személyekért a felhasználó felelős.
- Soha ne használja a bozótvágót/szegélyvágót alkohol vagy gyógyszerek fogyasztása után, vagy ha betegnek, fáradtnak érzi magát.

FIGYELEM: A szerszám gép működés közben elektromágneses mezőt generál. Ez az elektromágneses mező bizonyos körülmények között zavarhatja az emberi szervezetbe beültetett aktív vagy passzív implantátumokat. Az esetleges súlyos vagy halálos következmény elkerülése érdekében javasoljuk, hogy a beültetett implantátummal élő személy a gép használata előtt konzultáljon orvosával és az implantátum gyártójával.

A gép rendeltetésszerű használata

- A bozótvágó/szegélyvágó csak fű, gaz, bokrok és egyéb aljnövényzet vágására alkalmas, semmilyen más célra, például sövényvágásra vagy szélezésre nem használható, mert azzal személyi sérülést okozhat.

Személyi védőeszközök

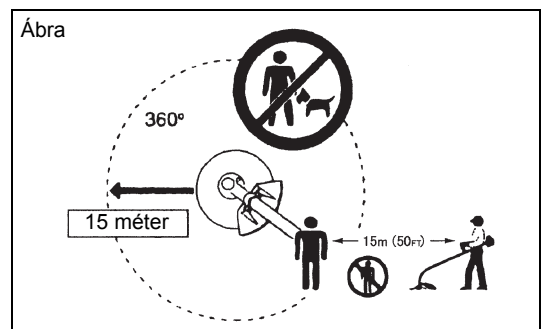
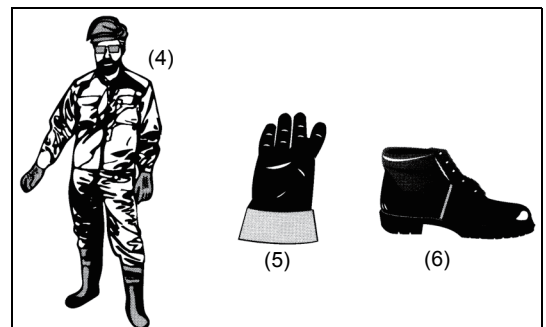
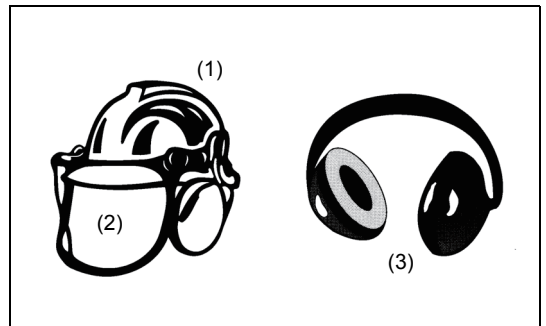
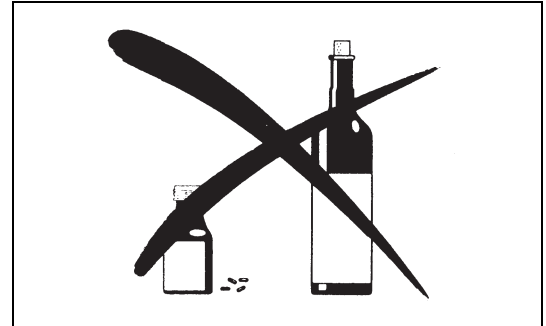
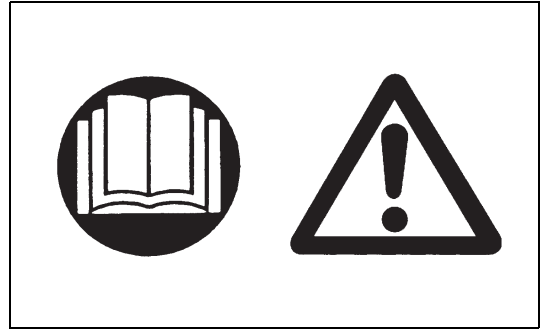
- Mindig viseljen a célnak megfelelő és a munkához alkalmas, vagyis szoros szabású, de a kényelmes munkavégzés szempontjából nem túl szoros ruházatot. Ne viseljen ékszert vagy laza ruhadarabot, ezek ugyanis beakadhatnak a bozótba vagy az ágakba.
- Annak érdekében, hogy a benzinmotoros bozótvágó/szegélyvágó használatakor elkerülhetőek legyenek a fej-, szem-, kéz- és lábsérülések, valamint a halláskárosodás, az alábbi védőeszközöket és védőruházatot kell viselni:
- Ahol fennáll a lezuhanó tárgyak veszélye, ott mindig viseljen védősisakot. A védősisak (1) épségét rendszeresen meg kell vizsgálni, és legkésőbb 5 év elteltével ki kell cserélni. Kizárólag jóváhagyott, engedélyezett sisakot szabad használni.
- A védősisak arcvédője (2) (vagy esetleg védőszemüveg) megvédi az arcát a repülő hulladékoktól és kövektől. A szemsérülések elkerülése végett a bozótvágó/szegélyvágó használata közben mindig viseljen védőszemüveget vagy arcvédőt.
- A halláskárosodások elkerülése végett arra alkalmas hallásvédő eszközöket (fülvédő (3), fül dugó stb.) kell használni.
- A kezeslábas munkaruha (4) megvédi a repülő kövektől és törmeléktől. Nyomatékosan javasoljuk munkaoverall viselését.
- Az erős bőrből készült védőkesztyű (5) az előírt védőfelszerelés részét képezi és a bozótvágóval/szegélyvágóval végzett munkák során állandóan hordani kell.
- A bozótvágó/szegélyvágó használatakor mindig csúszásmentes talpú, erős bakancsot (6) viseljen. Az ilyen lábbelik biztos állást nyújtanak és védenek a sérülések ellen.

Fennmaradó kockázatok

- A szerszám gép előírás szerinti használata esetén sem lehetséges az összes kockázati tényezőt kiküszöbölni. A szerszám gép kialakításából fakadóan az alábbi kockázati tényezők léphetnek fel:
 1. Tüdőkárosodás, amennyiben az érintett személy(ek) nem visel(nek) megfelelő hatékonyságú porvédő maszkot.
 2. Halláskárosodás, amennyiben az érintett személy(ek) nem visel(nek) megfelelő hatékonyságú fülvédő eszközt.
 3. A szerszám gép vibrációjából eredő, hosszabb idejű használat vagy nem megfelelő karbantartás esetén jelentkező egészségkárosodás.

A bozótvágó üzembe helyezése

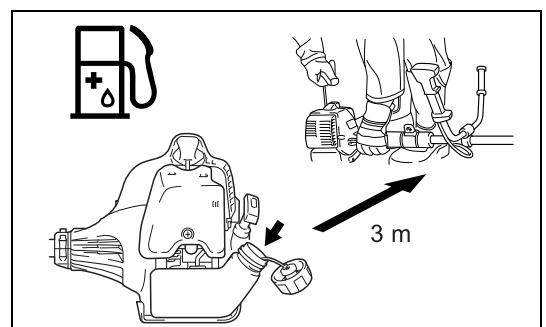
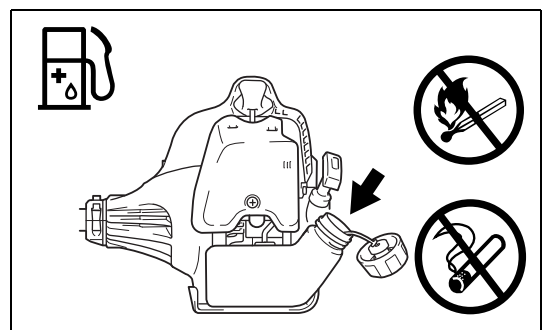
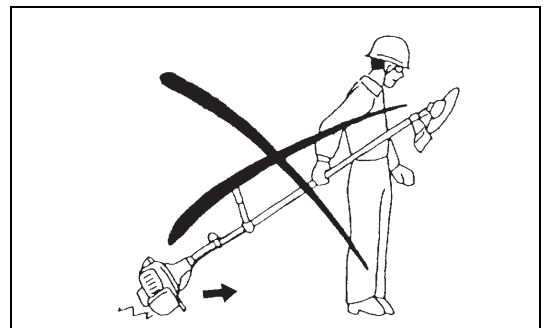
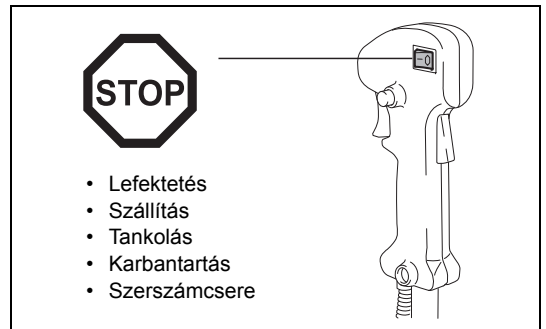
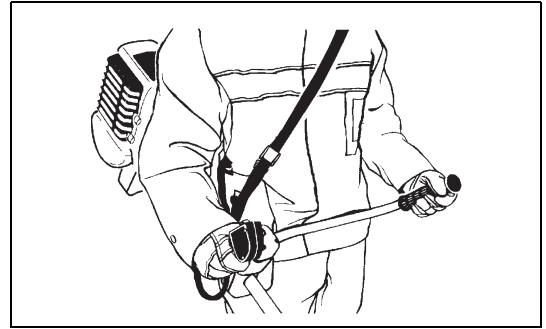
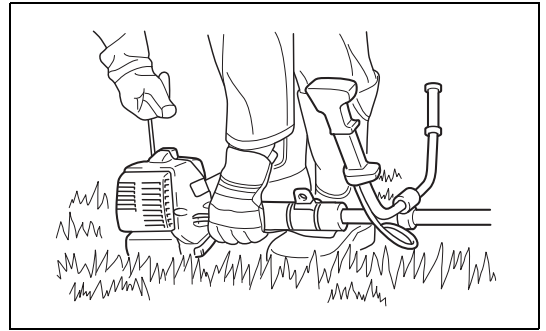
- Ügyeljen arra, hogy 15 méteres munkakörnyezetben ne legyenek gyerekek vagy más emberek, és figyeljen arra is, hogy állatok se legyenek a munkakörnyezetben.
- Használat előtt mindig ellenőrizze, hogy a bozótvágó/szegélyvágó biztonságosan használható-e: Ellenőrizze a vágószerszám biztonságos állapotát, a vezérlőkar könnyű mozgathatóságát és a vezérlőkar reteszének megfelelő működését.
- A vágószerszám alapjáraton nem foroghat. Amennyiben úgy látja, hogy berendezése beállítást igényel, forduljon a forgalmazóhoz. Ellenőrizze a markolatok tiszta és száraz állapotát, valamint az indító/leállító kapcsoló megfelelő működését.



- A bozótvágot/szegélyvágot csak az utasításban leírtak szerint indítsa be. Ne használjon más módszert a motor beindítására!
- A bozótvágot/szegélyvágot, valamint a szerszámokat kizárólag a rendeltetési célra használja.
- A bozótvágot/szegélyvágot motorját csak a gép teljes összeszerelése után indítsa be. Ne működtesse a gépet, amíg az összes szükséges tartozék fel nincs szerelve!
- A beindítás előtt ellenőrizze, hogy a vágószerszám nem érintkezik-e kemény tárgyakkal, például ágakkal, kövekkel stb., mert beindításkor a vágószerszám forogni kezd.
- Bármilyen motorhiba esetén azonnal állítsa le a motort.
- A vágószerszám kövel vagy kemény tárggyal való ütközésekor azonnal állítsa le a motort, és vizsgálja át a vágószerszámot.
- Rendszeres időközönként vizsgálja át a vágószerszámot esetleges károsodásokat keresve (hajszázrepedések keresése ütögetéssel).
- A bozótvágot/szegélyvágot csak a vállsík felszerelése és megfelelő hosszúságának beállítása után használja. A vállsíkját a felhasználó méretéhez kell állítani, valamint a gép használata során fellépő fáradás elkerülése érdekében rögzíteni kell. Használat közben soha ne egy kézzel tartsa a berendezést.
- Használat közben mindig két kézzel tartsa a bozótvágot/szegélyvágot. Mindig ügyeljen arra, hogy stabilan álljon.
- Úgy használja a bozótvágot/szegélyvágot, hogy elkerülje a kipufogógázok belélegzését. Soha ne járassa a motort zárt térben, például szobán belül (gázmérgezésveszély). A szén-monoxid szagtalan gáz.
- Pihenés idejére vagy ha a bozótvágot/szegélyvágot őrzetlenül kívánja hagyni, mindig állítsa le a motort, és mások és a gép biztonsága érdekében helyezze a gépet biztonságos helyre.
- A forró bozótvágot/szegélyvágot soha ne tegye száraz fűre vagy gyúlékony anyagra.
- A vágószerszámot mindig fel kell szerelni a megfelelő védőelemekkel. A vágószerszámot soha ne használja e védőburkolat nélkül!
- A géphez adott összes védelmi felszerelést és védőelemet használni kell.
- Ne használja a motort meghibásodott kipufogóval!
- A szállítást leállított motorral végezze.
- Az eszköz szállításakor mindig helyezze fel a burkolatot a vágókésre.
- Az üzemanyag-szivárgás elkerülése érdekében szállításkor ügyeljen a bozótvágot/szegélyvágot biztonságos elhelyezésére.
- A bozótvágot/szegélyvágot szállításkor ügyeljen arra, hogy az üzemanyagtartály teljesen üres legyen.
- A bozótvágot/szegélyvágot teherautóból vagy hasonló járműből történő kivételekor a motort soha ne dobja a földre, mert az üzemanyagtartály komolyan károsodhat.
- A vészhelyzetet kivéve soha ne ejtse vagy dobja a bozótvágot/szegélyvágot a földre, mert ez a gép súlyos károsodásához vezethet.
- Mozgatáskor mindig emelje fel az egész gépet a földről. A gép üzemanyagtartállyal a földön történő húzása különösen veszélyes, üzemanyag-szivárgást is okozhat, ami tűzveszélyhez vezethet.
- Ha az eszközt erős ütés éri, illetve leesik, a munka folytatása előtt ellenőrizze állapotát. Ellenőrizze, hogy az üzemanyag-rendszer nem szivárog-e, továbbá ellenőrizze, hogy a kezelőszervek és biztonsági eszközök helyesen működnek-e. Ha bármilyen károsodást észlel vagy felmerül a károsodás gyanúja, ellenőrzésért és javításért forduljon a hivatalos szervizközpontunkhoz.

Tankolás

- Tankolás előtt állítsa le a motort, ügyeljen rá, hogy ne legyen nyílt láng a közelben, és ne dohányozzon.
- Ügyeljen arra, hogy az ásványolajtermékek bőrrel ne érintkezzenek. Ne lélegezze be az üzemanyag gőzét! Tankolás közben viseljen védőkesztyűt. Rendszeres időközönként cserélje, és tisztítsa meg a védőruházatot.
- A talajszennyezés elkerülése érdekében (környezetvédelem) ügyeljen arra, hogy ne folyjon üzemanyag vagy olaj a talajra. Üzemanyag kifolyása esetén azonnal tisztítsa meg a bozótvágot/szegélyvágot.
- Ügyeljen arra, hogy az üzemanyag ne érintkezzen ruhájával. Ha üzemanyag kerül a ruhájára, a tűzveszély elkerülése érdekében azonnal váltson ruhát.
- Rendszeres időközönként ellenőrizze, hogy az üzemanyagtartály sapkája jól zár-e, nem szivárog.
- Óvatosan húzza meg az üzemanyagtartály sapkáját. A tankolást követően a motor beindítása előtt menjen legalább 3 méterre a tankolás helyéről.
- Soha ne tankoljon zárt térben, például helyiségben! Az üzemanyag gőzeinek talajszintű felhalmozódása miatt ez robbanáshoz vezethet.
- Az üzemanyagot csak arra engedélyezett kannákban szállítsa és tárolja. Az üzemanyagot mindig gyerekektől elzárva tárolja.



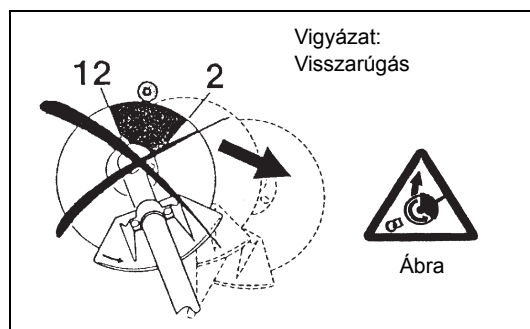
A használat módja

- A bozótvágót/szegélyvágót csak megfelelő fény- és látási viszonyok mellett használja. Télen ügyeljen a csúszós vagy nedves, például jeges vagy hóval fedett területekre (csúszásveszély). Mindig ügyeljen arra, hogy stabilan álljon.
- Soha ne végezzen vágást derékmagasság felett.
- A bozótvágó/szegélyvágó használatakor soha ne álljon létrára.
- Soha ne mászzon fára a bozótvágó/szegélyvágó használatához.
- Soha ne dolgozzon instabil felületen.
- Távolítsa el a munkaterületen található homokot, köveket, szegeket stb. Az idegen tárgyak károsíthatják a vágószerszámot és veszélyes visszarúgást okozhatnak.
- A vágás megkezdése előtt győződjön meg arról, hogy a szerszám elérte a teljes üzemi fordulatszámot.
- Amennyiben fű vagy gallyak szorulnak a vágószerszám és a védőelem közé, mindig állítsa le a motort tisztítás előtt. Ellenkező esetben a vágókés nem kívánt forgása súlyos sérüléseket okozhat.
- Tartson pihenőt, nehogy a fáradtság miatt elveszítse uralmát a gép felett. Célszerű óránként 10–20 perc pihenőt tartani.



Visszarúgás (a vágókés lököereje)

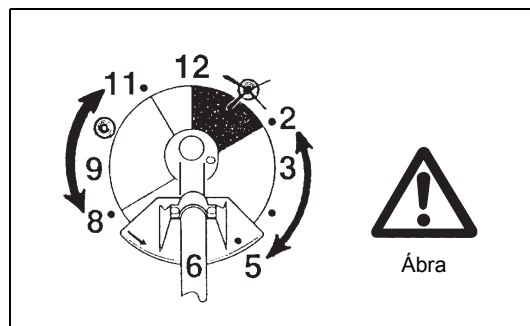
- A bozótvágó használata közben nem kontrollálható visszarúgás fordulhat elő.
- A visszarúgás gyakran akkor következik be, amikor a bozótvágó 12 és 2 óra közötti szegmensével próbál dolgozni.
- Ne a 12 és 2 óra közötti szegmessel végezzen vágást.
- Soha ne használja a bozótvágónak ezt a szakaszát 3 cm-nél nagyobb átmérőjű szilárd tárgyak, például bozót, fa stb. vágásához. Ellenkező esetben a bozótvágó nagy erővel kitér a helyzetéből, ami különösen veszélyes és sérülést okozhat.



Visszarúgás megelőzése

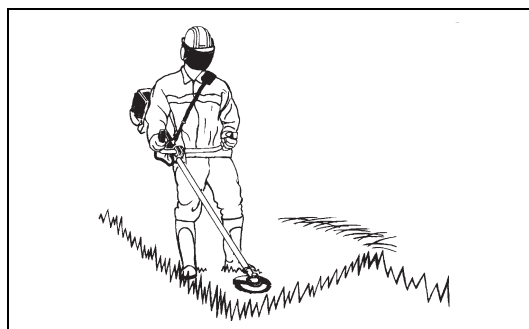
A visszarúgások megelőzéséhez ne feledje a következőket:

- A bozótvágó 12 és 2 óra közötti szegmensének használata fokozottan veszélyes, különösen fém vágószerszámok használata esetén.
- A bozótvágó 11 és 12 óra, illetve 2 és 5 óra közötti szegmensében csak gyakorlott és tapasztalt kezelők végezzenek vágási műveletet, és csakis a saját felelősségükre. A könnyű és szinte visszarúgásmentes vágás a bozótvágó 8 és 11 óra közötti szegmensével végezhető.



Vágószerszámok

- Mindig az adott munkához megfelelő vágószerszámot használjon. A nejlonszálas vágófejek (szegélynyíró fejek) gyep nyírására szolgálnak. A fém kések gyom, magas fű, sövény, bokor, aljnövényzet, cserjék és hasonló vágására alkalmasak. Soha ne használjon más kést, például fém többrészes csuklósláncokkal ellátott fejet vagy lengőkéseket, ellenkező esetben súlyos sérüléseket okozhat.
- Fém kések használatakor mindent tegyen meg a „visszarúgás” elkerülésére, mégis készüljön fel arra, hogy a gép visszarúghat. Lásd a „Visszarúgás”, valamint a „Visszarúgás megelőzése” című szakaszt.



Karbantartási útmutató

- Az eszközt hivatalos szervizközpontban szervizeltesse, és kizárólag eredeti cserealkatrészeket használjon. A helytelen javítás vagy nem megfelelő karbantartás csökkentheti az eszköz élettartamát és megnöveli a balesetek kockázatát.
- A munka megkezdése előtt mindig ellenőrizze a berendezés állapotát, különös tekintettel a védőelemekre és vállszíjra. Különös figyelmet kell fordítani még a vágókésekre, amelyeknek megfelelően élesnek kell lenniük.
- A vágószerszám cseréjéhez vagy élesítéséhez, valamint a berendezés vagy a vágószerszám tisztításához is állítsa le a motort, és vegye le a gyertyapipát.

Soha ne egyenesítse ki vagy hegessze meg a sérült vágószerszámokat.

- A bozótívágót/szegélyívágót a lehető legkisebb zajjal és legkevesebb szennyezéssel működtesse. Fordítson különös figyelmet a karburátor megfelelő beállítására.
- A bozótívágót/szegélyívágót rendszeres időközönként tisztítsa meg, valamint ellenőrizze a csavarok és az anyák meghúzott állapotát.
- Tilos a bozótívágót/szegélyívágót nyílt láng közelében karbantartani vagy tárolni!
- A bozótívágót/szegélyívágót mindig zárt helyiségben és üres üzemanyagtartállyal tárolja.
- Az eszköz tisztításakor, szervizelésekor és tárolásakor mindig helyezze fel a burkolatot a vágókésre.

Tartsa be a megfelelő kereskedelmi szervezetek és biztosítók által kiadott baleset-megelőzési utasításokat.

Semmilyen módosítást ne végezzen a bozótívágón/szegélyívágón, mert azzal a biztonságos munkavégzést veszélyezteti.

A felhasználó által csak azok a karbantartási és javítási munkák végezhetők, amelyek a használati utasításban le vannak írva. Minden más műveletet a hivatalos szervizzel kell elvégeztetni. Csak eredeti, a MAKITA által gyártott és szállított alkatrészeket és tartozékokat használjon.

A nem engedélyezett tartozékok és szerszámok használata megnöveli a balesetveszélyt.

A MAKITA nem vállal felelősséget a nem engedélyezett vágószerszámok és vágószerszám-rögzítő eszközök vagy tartozékok használata miatti bekövetkező balesetekért vagy károkért.

Elsősegély

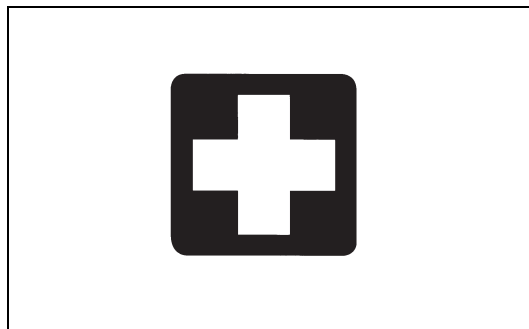
Ügyeljen rá, hogy baleset esetére legyen egy mentődoboz a vágási műveletek közelében. Az elsősegélydobozból kivett dolgokat azonnal pótolni kell.

Ha segítséget kell hívni, adja meg az alábbi információkat:

- a baleset helyszíne
- a bekövetkezett esemény
- a sérült személyek száma
- a sérülés típusa
- az Ön neve

Vibráció

- A keringési rendellenességben szenvedő emberek véredényei vagy idegrendszere a túlzott mértékű rezgés hatására megsérülhetnek. A rezgés a következő tünetek megjelenését okozhatja az ujjakban, a kézben vagy a csuklóban: Álmoság (zsibbadtság), bizsergő érzés, fájdalom, szúró fájdalomérzet, a bőr- vagy annak színének elváltozása. Ha ezen tünetek bármelyikét észleli, forduljon orvoshoz!
- A „fehér ujj betegség” kockázatának csökkentése érdekében tartsa melegen kezeit a működtetés alatt, és tartsa megfelelő állapotban az eszközt és tartozékait.



Csak európai országokra vonatkozóan

EK Megfelelőségi nyilatkozat

Mi, a Makita Corporation mint a termék felelős gyártója kijelentjük, hogy az itt megnevezett Makita gép(ek):

Gép megnevezése: Bozótívágó/Szegélyívágó

Típusszám/Típus: EM2600U, EM2600L

Műszaki adatok: lásd a „MŰSZAKI ADATOK” című táblázatban sorozatgyártásban készülnek, és

megfelelnek az alább felsorolt európai irányelvek előírásainak:

2000/14/EK, 2006/42/EK, 2004/108/EK

Illetve gyártásuk a következő szabványoknak, valamint szabványosított dokumentumoknak megfelelően történik:

EN ISO 11806-1, EN ISO 14982

A műszaki dokumentációt őrzi:

Makita International Europe Ltd., Technical Department,
Michigan Drive, Tongwell, Milton Keynes, Bucks MK15 8JD, Anglia

A 2000/14/EK irányelv által előírt megfelelőségi auditálási eljárás az V. függelék szerint történt.

Mért hangteljesítményszint (mint szegélynyíró): 109,77 dB

Mért hangteljesítményszint (mint bozótívágó): 107,29 dB

Garantált hangteljesítményszint: 112 dB

15. 4. 2013

A handwritten signature in black ink, appearing to read 'Tomoyasu Kato'.

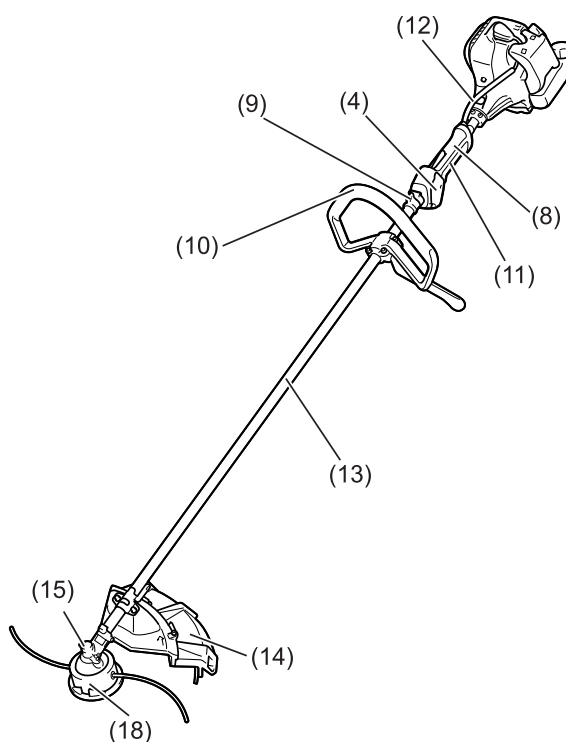
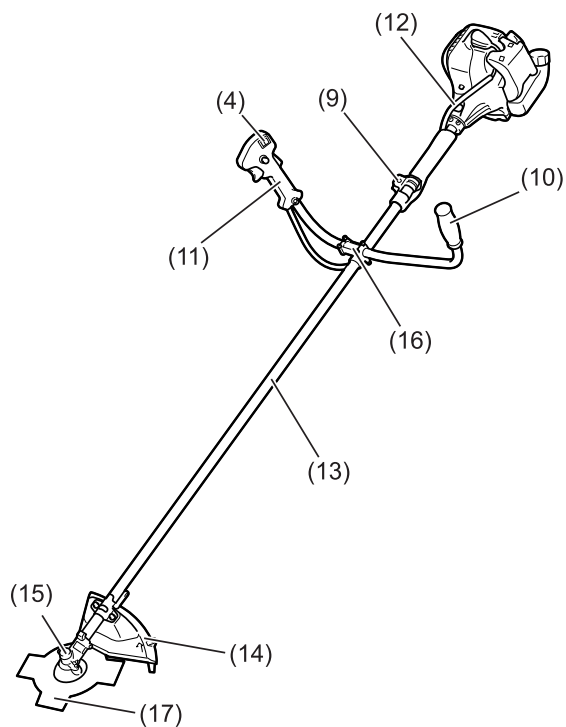
Tomoyasu Kato
Igazgató
Makita Corporation
3-11-8, Sumiyoshi-cho,
Anjo, Aichi, JAPAN

Műszaki adatok

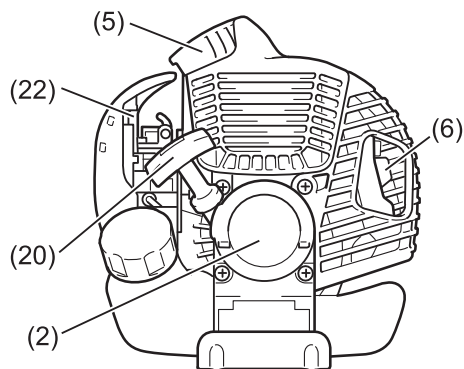
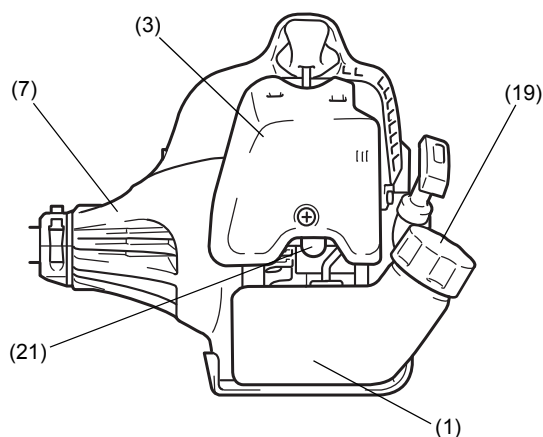
Típus		EM2600U	EM2600L
		U fogantyú	Kengyel fogantyú
Méretek: hosszúság x szélesség x magasság (vágókés nélkül)		1770 x 610 x 410 mm	1770 x 330 x 185 mm
Nettó tömeg		5 kg	5 kg
Motor lökettérfogata		25,7 cm ³	
Maximális motorteljesítmény		0,83 kW	
Az orsó maximális fordulatszáma		8800 min ⁻¹	
Vágóeszköz	Egy darab fém kés	φ230 mm	
	Szegélynyíró fej	φ430 mm	
Üresjárat fordulatszám		3000/perc	
Tengelykapcsoló kapcsolási fordulatszáma		4100/perc	
Áttétel		14/19	
Üzemanyag		Keverék üzemanyag Benzin: Kétütemű motorolaj = 50:1	
Úrtartalom (üzemanyagtartály)		0,6 l	
Karbúrátor		WALBRO WYC	
Gyújtásrendszer		Szilárdtest gyújtás	
Gyújtógyertya		NGK BPMR7A	
Elektródahézag		0,6 – 0,7 mm	
Vibráció: (a bozótívágóhoz)	Bal fogantyú (elülső markolat)	14,680 m/s ² K = 1,5 m/s ²	5,152 m/s ² K = 1,5 m/s ²
	Jobb fogantyú (hátsó markolat)	9,037 m/s ² K = 1,5 m/s ²	9,677 m/s ² K = 1,5 m/s ²
Vibráció: (szegélynyíróhoz)	Bal fogantyú (elülső markolat)	7,961 m/s ² K = 1,5 m/s ²	8,83 m/s ² K = 1,5 m/s ²
	Jobb fogantyú (elülső markolat)	7,019 m/s ² K = 1,5 m/s ²	14,381 m/s ² K = 1,5 m/s ²
Zaj (tesztelve a 2000/14/EK és 2005/88/EK irányelvek szerint):			
Hangnyomásszint a felhasználó pozíciójából (szegélynyíró):		98,52 dB (A) K = 2,5 dB (A)	
Hangnyomásszint a felhasználó pozíciójából (bozótívágó):		96,15 dB (A) K = 2,5 dB (A)	
Mért hangteljesítményszint (szegélynyíró):		109,77 dB (A) K = 2,5 dB (A)	
Mért hangteljesítményszint (bozótívágó):		107,29 dB (A) K = 2,5 dB (A)	
Zaj (tesztelve a 2000/14/EK és 2005/88/EK irányelvek szerint): Garantált hangteljesítmény-értékek:		112 dB (A)	

Alkatrészek megnevezése

EM2600U U-típusú fogantyú



EM2600L Kengyelfogantyús típus



Alkatrészek megnevezése	
1	Üzemanyagtartály
2	Berántós
3	Légszűrő
4	I-Stop kapcsoló (be/ki)/ Indítás/leállítás kapcsoló
5	Gyújtógyertya
6	Kipufogó hangtompítója
7	Tengelykapcsoló ház
8	Hátsó markolat
9	Akaszto
10	Fogantyú
11	Vezérlőkar
12	Gázbovden
13	Tengely
14	Védőburkolat (vágószerszám védőburkolat)
15	Hajtóműház
16	Fogantyú tartó
17	Vágókés
18	Nejlonszálalás vágófej
19	Az üzemanyag-betöltő zárósapkája
20	Indítógomb
21	Üzemanyagpumpa
22	Hidegindító kar

A fogantyú felszerelése

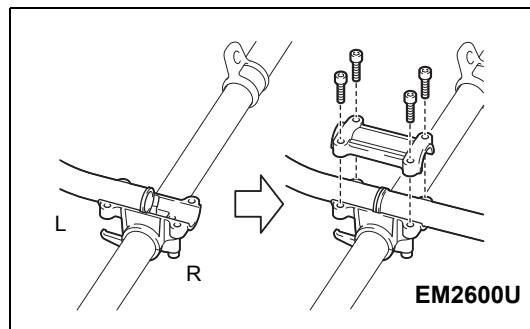
VIGYÁZAT: Mindig állítsa le a motort, és húzza le a gyertyapipát a bozótvégén történő bármilyen munkavégzés előtt. Mindig viseljen védőkesztyűt!

VIGYÁZAT: Indítás előtt győződjön meg arról, hogy a bozótvégő teljesen össze van szerelve.

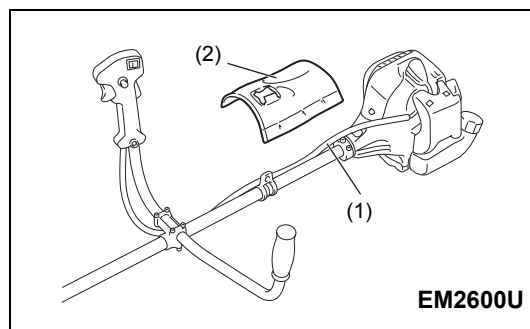


U fogantyús típusok

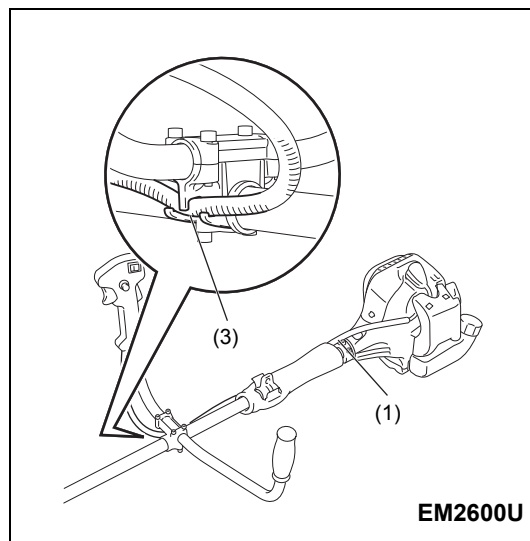
- Helyezze a két fogantyút a fogantyútartóba. A vezérlőkarnak a vágószerző irányába nézve a jobb oldalra kell esnie.
- Illessze a fogantyú végeit a vájatba, majd szerelje fel rájuk a bilincset. A beállításhoz lazán rögzítse a négy csavarral.
- Állítsa be a fogantyú állásszögét, majd imbuszkulccsal húzza meg az összes csavart.



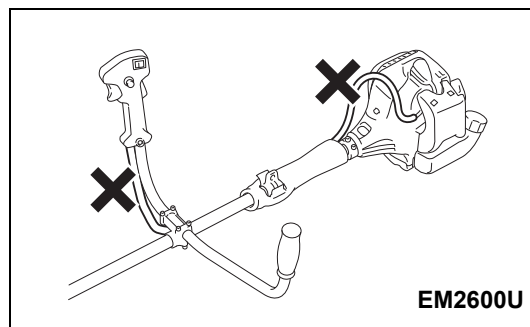
- Helyezze el a gázbovdent (1) a tengely vezérlőkar felőli oldalán. Ezután helyezze köréjük a derékpárnát (2).



- Helyezze a gázbovdent (1) a fogantyútartó bilincsenek a vájatába (3).
- A gázbovdent az ábrán látható módon helyezkedjen el.
- Működtesse a vezérlőkart, és győződjön meg arról, hogy akadálymentesen mozgatható.

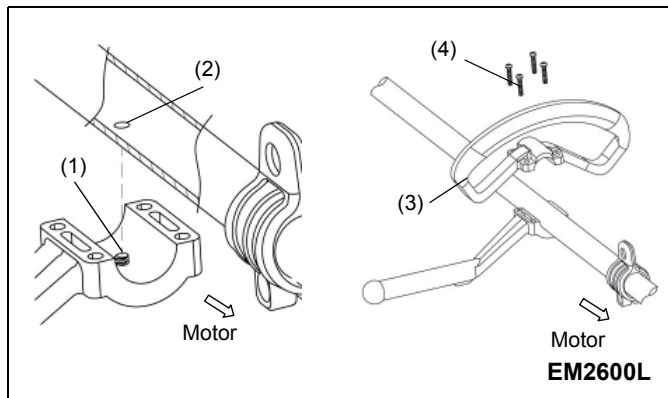


VIGYÁZAT: Ne az ábrán látható módon vezesse el a gázbovdent! Így a meghajlított gázbovdent magas alajárati fordulatszámhoz vezethet, és a nem szabályozható vágókés személyi sérülést okozhat.



Kengyelfogantyúval rendelkező típus

- Helyezze a fogantyútartón lévő menetet (1) a csövön található pozícionáló furatba (2).
- Rögzítse a segédfogantyút (3) az védőburkolatra.
- Húzza meg a 4 db M5 × 30 csavart (4).

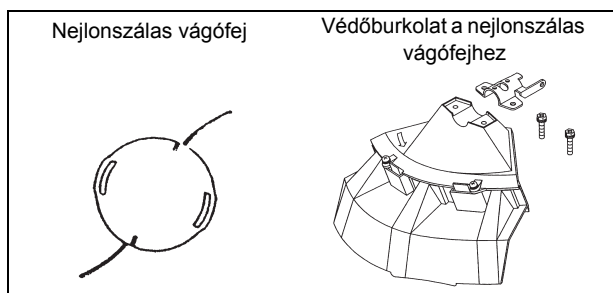
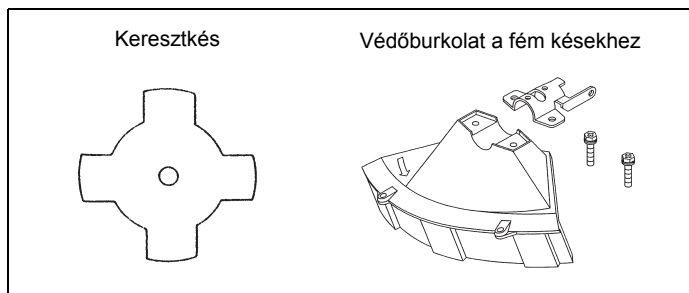


A védőburkolat felszerelése

A vonatkozó biztonsági normák betartása érdekében csak a táblázatban szereplő vágószerszám/védőburkolat kombinációkat szabad használni.

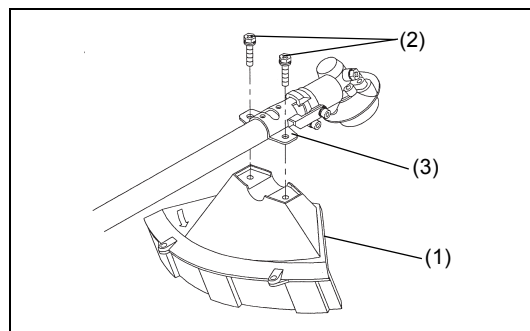
Mindig eredeti MAKITA vágókést/nejlonszálás vágófejet használjon.

- A vágókésnek jól polírozottnak, karcolás- és törésmentesnek kell lennie. Ha a vágókés használat közben kőbe ütközik, azonnal állítsa le a motort, és ellenőrizze a kést.
- Minden három óra használat után köszörülje meg, vagy cserélje ki a vágókést.
- Ha a nejlonszálás vágófej használat közben kőbe ütközik, azonnal állítsa le a motort, és ellenőrizze a nejlonszálás vágófejet.

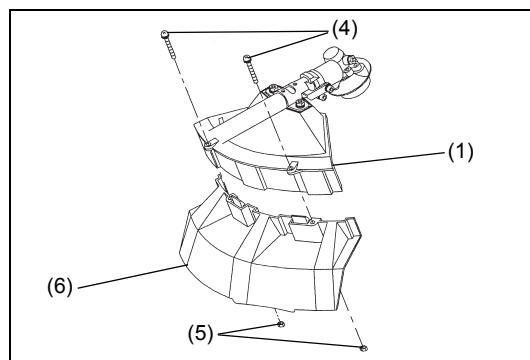


VIGYÁZAT: A saját biztonsága és a baleset-megelőzési előírásoknak való megfelelés érdekében a megfelelő védőburkolatot mindig fel kell szerelni. A gépet tilos felszerelt védőburkolat nélkül használni.

- Rögzítse a védőburkolatot (1) a bilincshez (3) két darab M6 x 30 (2) csavarral.



- Nejlon vágószál használata esetén a védőburkolatot (6) helyezze a védőburkolatba (1), majd rögzítse két csavarral (4) és két anyával (5).

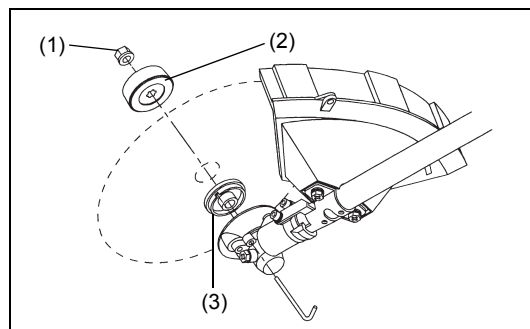


A vágókés/nejlonszálás vágófej felszerelése

A gépet fejjel lefelé fordítva a vágókés vagy a nejlonszálás vágófej egyszerűen cserélhető.



- A nyíláson keresztül illessze az imbuszkulcsot a hajtóműházba, és forgassa addig a rögzítő alátétet (3), amíg az imbuszkulcs meg nem akasztya.
- A dugókulccsal lazítsa meg az anyát/rugós alátétet (1) (balmenetes), majd távolítsa el az anyát/rugós alátétet (1) és a rögzítőalátétet (2).

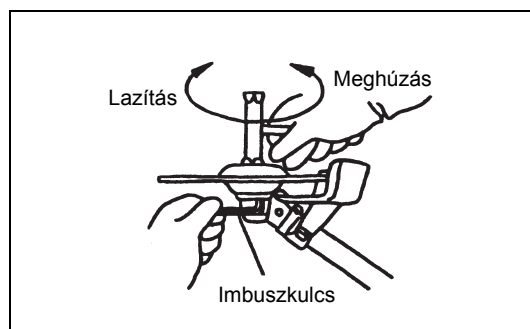


Az ellentartó imbuszkulccsal a helyén

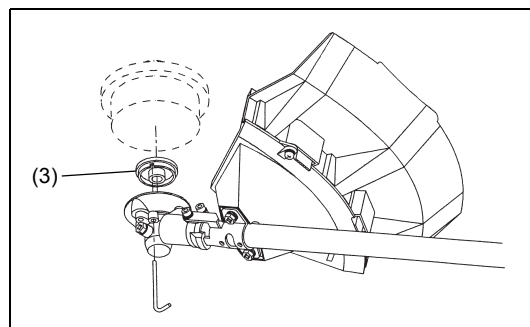
- Szerelje fel vágókést a tengelyre úgy, hogy a támasztó alátét (3) vezetője a vágókésen lévő tengelynyílásba illeszkedjen. Tegye vissza a rögzítő alátétet (2), majd az anyával/rugós alátéttel (1) rögzítse a vágókést.
[Meghúzási nyomaték: 13–23 Nm]

MEGJEGYZÉS: A vágókés kezelésekor mindig viseljen védőkesztyűt.

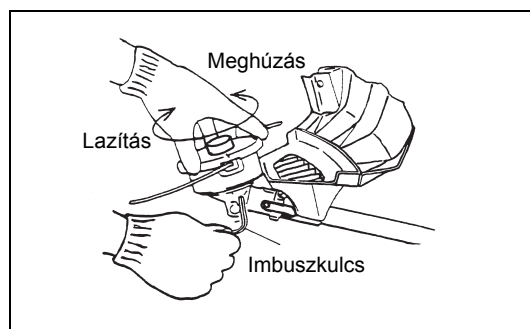
MEGJEGYZÉS: A vágókést rögzítő anyá (és az azt rögzítő rugós alátét) gyorsan kopó alkatrész. Ha bármilyen elhasználódás vagy deformáció látható a rugós alátéten, cserélje ki az anyát.



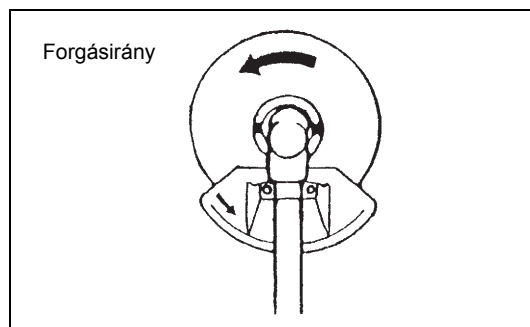
MEGJEGYZÉS: A rögzítő alátét (2) és az anya/rugós alátét (1) nem szükségesek a nejlonszálás vágófej felszereléséhez. A nejlonszálás vágófej a támasztó alátét (3) fölé kerül.



- Csavarja fel a nejlonszálás vágófejet a tengelyre.



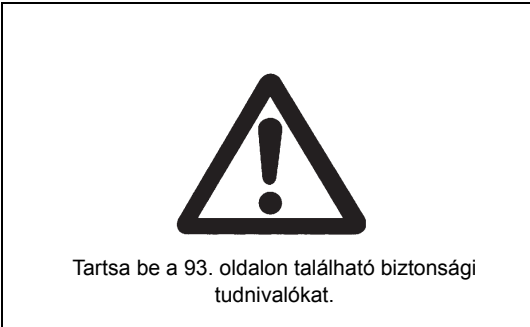
- Győződjön meg arról, hogy a vágókés az óramutató járásával ellentétes irányban forog.





Az üzemanyag kezelése

Üzemanyagok kezelése során járjon el különös körültekintéssel. Az üzemanyag oldószerekhez hasonló anyagokat tartalmazhat. Az üzemanyag-betöltést végezze jól szellőző helyen vagy a szabadban. Ne lélegezze be az üzemanyag gőzét, és ügyeljen arra, hogy ne kerüljön a bőrére üzemanyag vagy olaj! Az ásványolaj termékek és az olajok is elvonják a bőr zsírtartalmát. A bőrnek ezekkel a termékekkel való tartós érintkezése erős bőrszárazságot okozhat, ami különféle bőrbetegségekhez vezethet, emellett allergiás reakciót is kiválthatnak. Az olaj szemmel való érintkezése irritációkhoz vezet. Ha az olaj a szembe kerül, azonnal öblítsük át a szemet tiszta vízzel. Ha az irritáció továbbra is fennáll, azonnal keresse fel az orvost!



Keverék üzemanyag

A bozótvágó motorja nagy teljesítményű kétütemű motor. Ez a motor benzin és kétütemű motorolaj keverékével működik. A motor minimum 91-es oktánszámú, ólommentes üzemanyaghoz lett tervezve. Ha bármilyen okból ilyen típusú üzemanyag nem lenne elérhető, használhat magasabb oktánszámú üzemanyagot is. Ez nem károsítja a motort, működését azonban ronthatja. Hasonló következményekkel járhat az ólmozott üzemanyag használata is. Az optimális motorműködés, valamint egészsége és a környezet védelme érdekében csak ólommentes benzint használjon!



A motor kenéséhez adalékoljon kétütemű motorolajat (minőségi fok: JASO FC vagy ISO EGD). A motor a környezet védelme érdekében benzin és az előírt kétütemű motorolaj 50:1 arányú keverékével való üzemeltetésre készült. Emellett ez a keverékarány megbízható működést, hosszú üzemidőt és minimális károsanyag-kibocsátást garantál. A bozótvágó megbízható működése csak ennek az 50:1 keverési aránynak (megadott kétütemű motorolajjal) a szigorú betartása esetén garantálható.

Helyes keverési arány:

Benzin: Megadott kétütemű motorolaj = 50 : 1 vagy
 Benzin: Egyéb gyártó által előállított kétütemű motorolaj = 25 : 1 javasolt

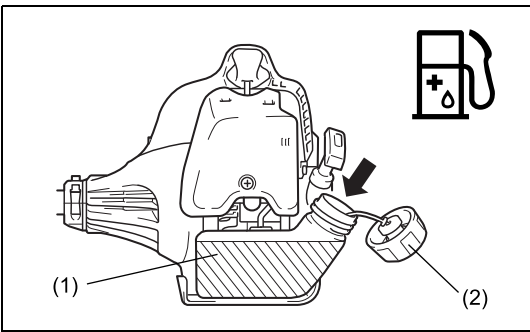
Benzin	50:1	25:1
	+	
1000 cm ³ (1 liter) 5000 cm ³ (5 liter) 10000 cm ³ (10 liter)	20 cm ³ 100 cm ³ 200 cm ³	40 cm ³ 200 cm ³ 400 cm ³

MEGJEGYZÉS: A benzin-olaj keverék előállításához mindig előzetesen bele kell keverni az erre szánt olajmennyiséget a benzin fele mennyiségébe, majd hozzá kell adni a maradék benzin mennyiséget. Alaposan rázza össze a keveréket, mielőtt betölti a bozótvágó üzemanyagtartályába. A biztonságos működés biztosításához ne használjon az előírtnál nagyobb mennyiségű motorolajat. A többlet olaj csak több elégtelen égéstermék eredményez, ami szennyezi a környezetet, valamint eltömíti a kipufogócsatornát a hengerben, valamint a hangtompítót. Emellett megnő az üzemanyag-fogyasztás és csökken a teljesítmény.

Tankolás

A motort le kell állítani.

- Alaposan tisztítsa meg a tanksapkát (2) körüli részt, hogy ne kerülhessen szennyeződés az üzemanyagtartályba (1).
- Csavarja le a tanksapkát (2), és töltsse fel a tartályt üzemanyaggal.
- Szorosan csavarja vissza a tanksapkát (2).
- Üzemanyag-betöltés után tisztítsa meg a tanksapkát (2) és az üzemanyagtartályt.



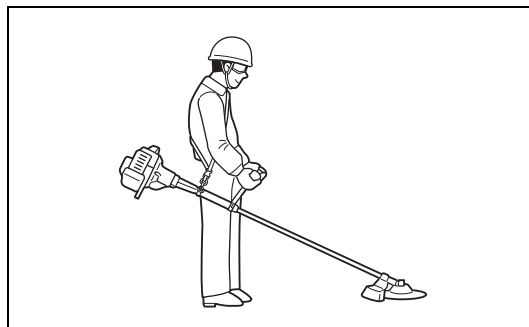
Az üzemanyag tárolása

Az üzemanyag nem tárolható korlátlan ideig. Csak annyi üzemanyagot szerezzen be, amennyi 4 heti használatra elegendő. Csak jóváhagyott tárolóedényt használjon.

Helyes használat

A vállsíz felhelyezése

- Úgy állítsa be a vállsíz hosszát, hogy a vágókés a talajjal párhuzamos legyen.



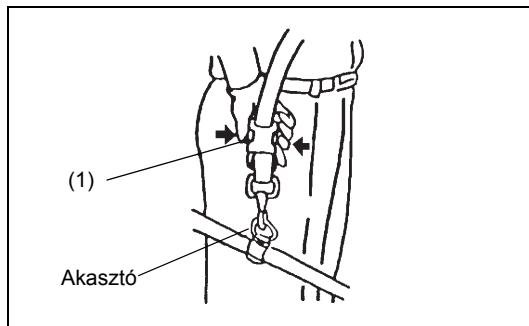
Lecsatolás

- Veszély esetén nyomja meg a két oldalon található bemélyedéseket (1), majd csatolja le a gépet.

Legyen különösen óvatos ekkor, nehogy elveszítse a gép fölötti uralmat. Ne hagyja, hogy a gép maga felé vagy a munkakörnyezetben tartózkodó személyek felé dőljön!

FIGYELEM: A gép teljes irányításának elvesztése súlyos testi sérülést, akár HALÁLT is okozhat.

Megjegyzés: Egyes országokban a vállszíjon nincs lecsatoló funkció.



Fontos használati szempontok/a bozótvágó/szegélyvágó leállítása

Tartsa be a vonatkozó baleset-megelőzési előírásokat!



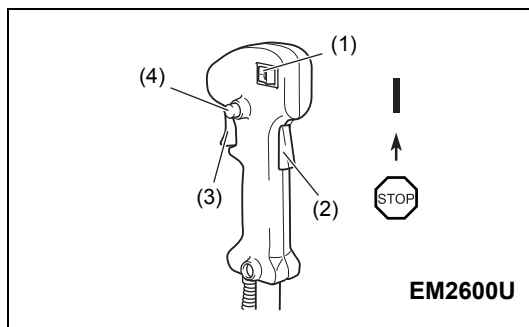
Beindítás

A tankolást követően menjen legalább 3 méterre a tankolás helyéről. A bozótvágót tegye egy tiszta felületre a talajon, ügyelve arra, hogy a vágószerszám ne érjen a földhöz vagy más tárgyhoz.

FIGYELEM: Legyen körültekintő, mert a vágószerszám a motor beindítása után azonnal forogni kezd.

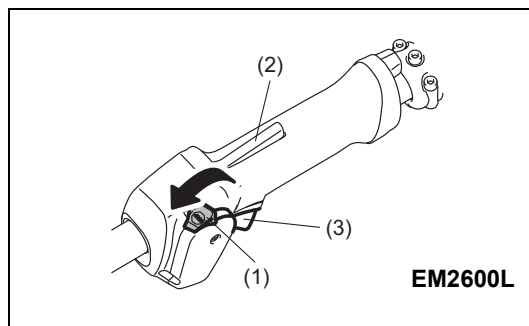
U fogantyús típusok hidegindítása

- Állítsa az I-Stop kapcsolót (be/ki) (1) az ábrán látható állásba.
- Fogja meg a fogantyút (a megmarkolás bekapcsolja a biztonsági kioldókart (2)).
- Nyomja meg, és tartsa lenyomva a gázkart (3).
- Nyomja be a reteszelőgombot (4), engedje ki a vezérlőkart, ezután engedje el a reteszelőgombot (a reteszelőgomb tartja a gázkart indítópozícióban).



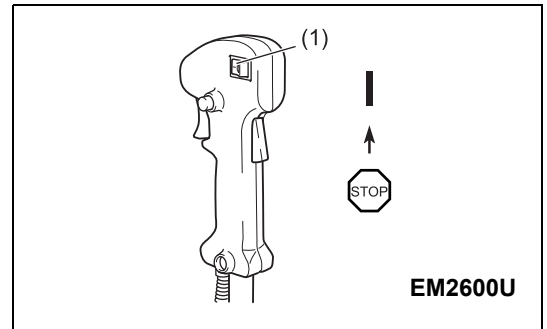
Kengyel fogantyús típusok hidegindítása

- Állítsa az Indítás/leállítás kapcsolót (1) az ábrán látható indítási állásba.
- Fogja meg a fogantyút (a megmarkolás bekapcsolja a biztonsági kioldókart (2)).
- Nyomja meg, és tartsa lenyomva a gázkart (3).
- Állítsa az Indítás/leállítás kapcsolót (1) indítási állásba, engedje ki a vezérlőkart, majd engedje el az Indítás/leállítás kapcsolót (az Indítás/leállítás kapcsoló indítási helyzetben tartja a gázkart).



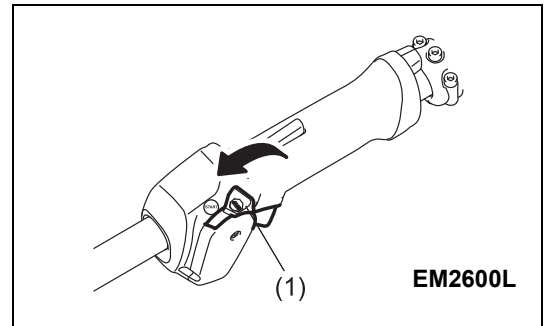
U fogantyús típusok melegindítása

- Állítsa az I-Stop kapcsolót (be/ki) (1) az ábrán látható állásba.

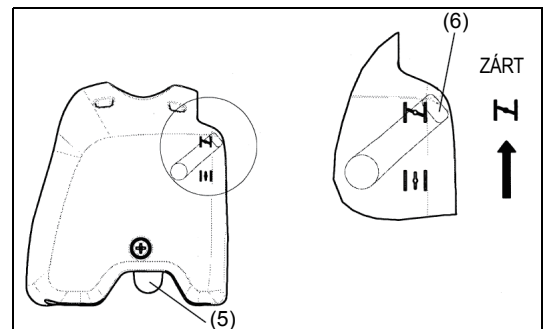


Kengyel fogantyús típusok melegindítása

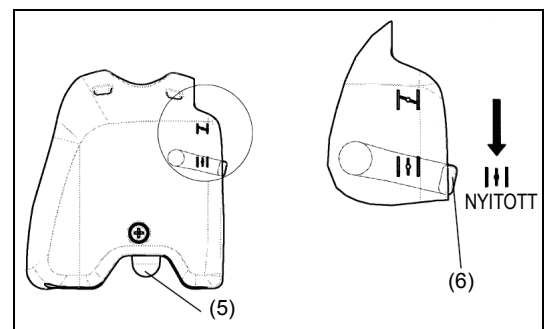
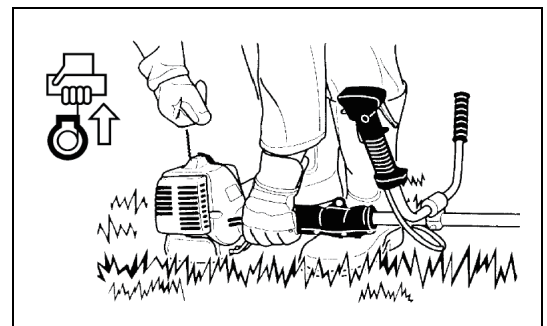
- Állítsa az Indítás/leállítás kapcsolót (1) az ábrán látható semleges állásba.



- Először helyezze a gépet a talajra.
- Finoman nyomja meg párszor (7–10 alkalommal) az üzemanyagpumpát (5), amíg meg nem telik üzemanyaggal.
- Állítsa zárt helyzetbe a hidegindító kart (6).
 - Hidegindító szelep nyitása:
 - Hidegen vagy hideg motornál teljesen zárt
 - Meleg motor újraindításánál teljesen vagy félig nyitva



- Erősen fogja meg bal kézzel a tengelykapcsoló házát, az ábra szerint.
- Lassan húzza meg az indítófogantyút, amíg ellenállást nem érez, majd hirtelen húzza tovább.
- Ne húzza ki teljesen az indítózsínort, és ne engedje az indítófogantyút magától visszahúzódní. Tartsa kézben az indítózsínort, és ügyeljen annak lassú visszahúzóására.
- Ismétlje az indítási műveletet, amíg nem hallja a motor első gyújtásainak a hangját.
- Tolja fel a hidegindító kart (6) (↑ ↓), majd addig húzza az indítózsínort, míg a motor e nem indul.
- A motor beindulását követően a félig behúzott helyzet kioldásához azonnal nyomja meg, majd engedje el a gázkart, és hagyja a motort alapjáraton működni.
- A teljes terhelés előtt járassa a motort körülbelül egy percig alacsonyabb fordulatszámon.



- MEGJEGYZÉS: – Ha az indítófogantyút a hidegindító kar „↑ ↓” állásában többször meghúzná, akkor a túl sok beszívott üzemanyag miatt a motor nem fog könnyen beindulni.
- Ha a motor túlszívta magát, csavarja ki a gyújtógyertyát, és lassan húzza meg az indítófogantyút a felesleges üzemanyag eltávolításához. Emellett szárítsa meg a gyújtógyertya elektród körüli részét is.

Figyeljen oda használat közben:

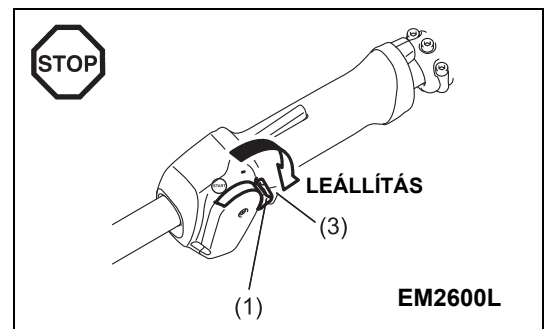
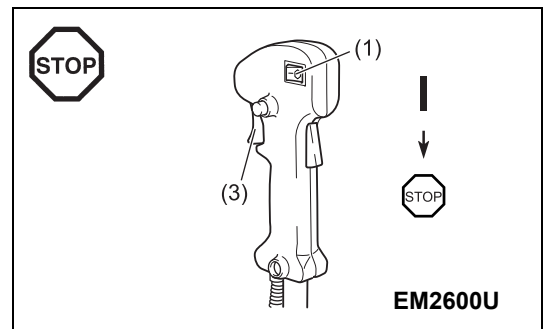
Terhelés nélkül teljes gázadáskor a motor 10000 min^{-1} fordulatszámra gyorsul. Ne üzemeltesse a szükségesnél nagyobb fordulatszámon a motort, és tartsa a fordulatszámot körülbelül $6000\text{--}8000 \text{ min}^{-1}$ értéken.

VIGYÁZAT: Mindig csökkentse a motor fordulatszámát, ha a géppel nem végez munkát.

A gép terhelés nélküli magas fordulatszámon való üzemeltetése csökkenti annak élettartamát.

Leállítás

- Teljesen engedje el a gázkart (3), és amikor a motor fordulatszáma már alacsony, állítsa az I-Stop kapcsolót (be/ki)/Indítás/leállítás kapcsolót (1) „LEÁLLÍTÁS” (STOP) helyzetbe, ekkor a motor leáll.
- Figyeljen oda, mert a vágófej esetleg nem áll meg azonnal, mindig hagyja azt teljes leállásig lassulni.



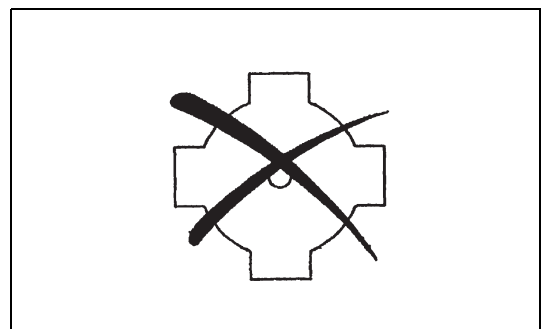
A vágószerszám újraélezése

VIGYÁZAT: Az alább felsorolt vágószerszámok csak a hivatalos szakműhelyben élezhetők újra. A kézi újraélezés a vágószerszám kiegyensúlyozatlanságát eredményezi, ami a gép károsodásával járó vibrációt okozhat.

- vágókés (keresztkés (4 pengével))

Szakemberi újraélezést és kiegyensúlyozást a hivatalos szerviz végez.

MEGJEGYZÉS: A vágókés (keresztkés) élettartama egyszeri megfordítással meghosszabbítható, és a kés addig használható, amíg mindkét vágóél el nem kopik.



NEJLONSZÁLÁS VÁGÓFEJ

A nejlonszálás vágófej két nejlonszálás szegélyvágófej, amely automatikus és ütközéssel adagolómechanizmussal is rendelkezik.

A nejlon vágófej a centrifugális erő okozta fordulatszám-növekedés vagy -csökkenés függvényében automatikusan adagolja a megfelelő hosszúságú nejlonszálát. Ugyanakkor a puha fű hatékonyabb vágásához a nejlonszálás vágófejet a használat részben leírt módon üsse enyhén a talajhoz, hogy további vágószálát adagoljon.

Használat

- Növelje a nejlon vágófej fordulatszámát kb. 6000 min^{-1} értékre. A nejlonszál alacsonyabb fordulatszámon (4800 min^{-1} alatt) nem adagolható megfelelően.
- A leghatékonyabb vágási területet a jobb oldali ábrán látható sötétített rész jelöli.

Ha a nejlonszál adagolása nem történik meg automatikusan, kövesse az alábbi utasításokat:

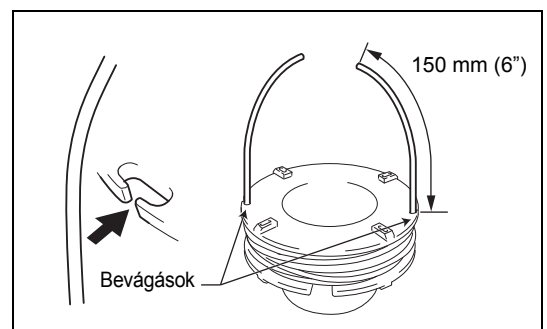
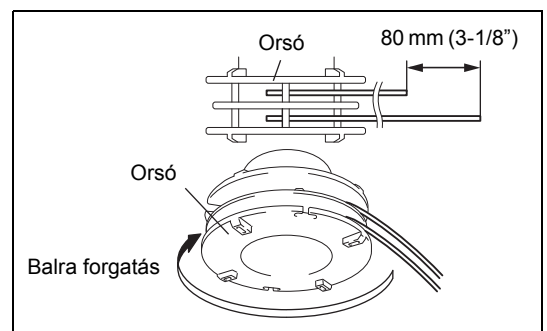
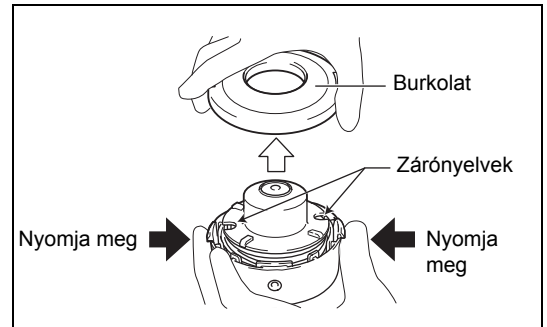
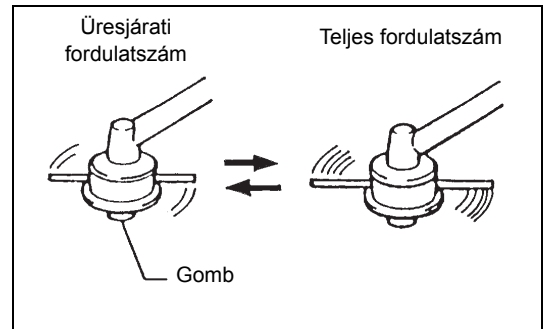
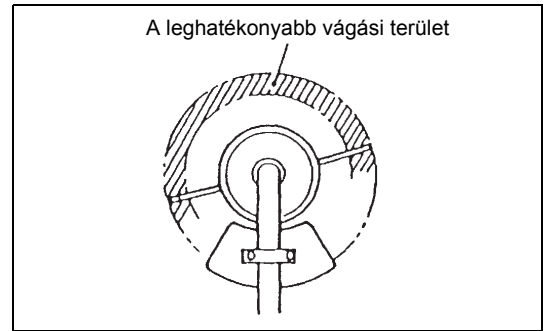
1. Engedje el a gázkart, hogy a motor alappárton működjön, majd teljesen húzza meg a gázkart. Addig ismétlje ezt a műveletet, amíg a gép a nejlonszálát megfelelő hosszúságban ki nem adagolja.
2. Ha a nejlonszál túl rövid ahhoz, hogy a fenti eljárással automatikusan adagolni lehessen, üsse enyhén a talajhoz a vágófej gombját a nejlonszál adagolásához.
3. Ha a nejlonszál adagolása a 2. művelettel sem történik meg, „A nejlonszál cseréje” részben leírt módon tekerje fel/cserélje ki a nejlonszálát.

A nejlonszál cseréje

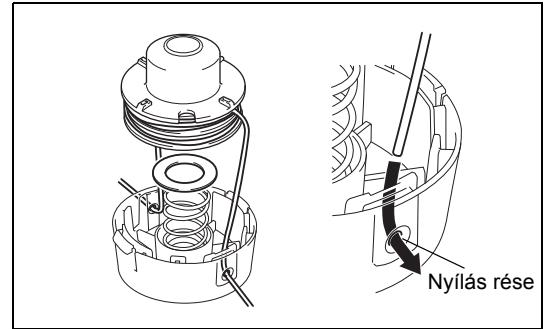
- Állítsa le a motort.
- Nyomja be a házon levő zárnyelveket a burkolat leemeléséhez, majd vegye ki az orsót.

- A nejlonszál közepét akassza be az orsó közepén lévő bevágásba úgy, hogy a szál egyik vége kb. 80 mm-rel ($3\frac{1}{8}$ ") hosszabb legyen, mint a másik vége. Ezután tekerje mindkét véget erősen az orsó köré a fej forgásirányával megegyezően (a balra forgást az LH, a jobbra forgást pedig az RH felirat jelzi az orsó oldalán).

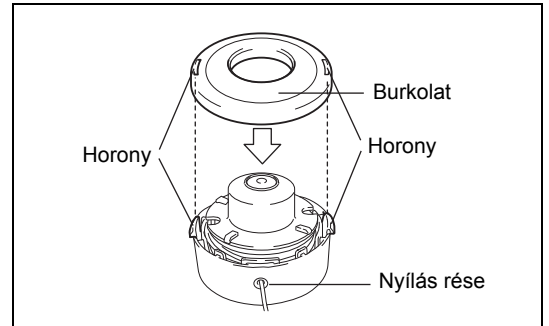
- Tekerje fel az egész szálát az orsóra egy kb. 150 mm-es (6 ") darabot kivéve úgy, hogy a végeket ideiglenesen beakasztja az orsó szélén lévő bevágásba.



- Vezesse a szálakat a nyíláson keresztül a házra kívülre. Szerelje fel a házra az alátétet, a rugót és az orsót.



- Igazítsa a burkolaton lévő hornyokat a házhoz. Ezután a rögzítéshez erősen nyomja rá a házra a burkolatot.



Szervizelési utasítások

Szervizelési utasítások

VIGYÁZAT: A bozótvégőn végzett bármilyen karbantartási munka előtt mindig állítsa le a motort, és vegye le a gyújtógyertyát (lásd: „A gyújtógyertya ellenőrzése”).

Mindig viseljen védőkesztyűt!

VIGYÁZAT: Soha ne szerelje le saját kezűleg az indítóorsót! Ez balesetet okozhat. Ezt a műveletet csak a hivatalos szervizben végezhetik el.

A hosszú üzemidő biztosítása és a gép károsodásának elkerülése érdekében rendszeres időközönként végezze el az következő karbantartási műveleteket.

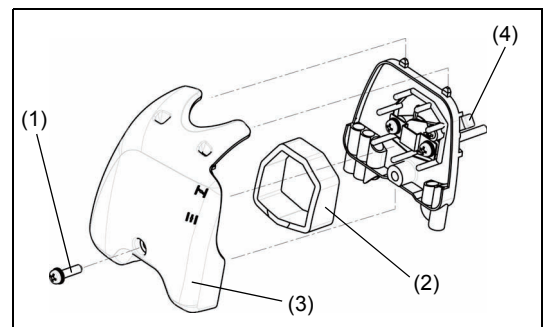
Napi ellenőrzés és karbantartás

- Használat előtt ellenőrizze, hogy a gépen nincsenek-e meglazult csavarok vagy hiányzó alkatrészek. Szenteljen különös figyelmet a vágókés vagy a nejlonszál vágófej rögzítésére.
- Használat előtt mindig győződjön meg arról, hogy a hűtőlevegő útvonala és a henger hűtőbordái nincsenek-e eltömődve. Szükség esetén tisztítsa meg ezeket.
- Használat után naponta végezze el a következő karbantartási műveleteket:
 - Tisztítsa meg a bozótvégő külsejét, és vizsgálja meg, hogy nem találhatók-e rajta sérülések.
 - Tisztítsa meg a légszűrőt. Ha különösen poros környezetben használja a gépet, naponta többször tisztítsa a légszűrőt.
 - Ellenőrizze a vágókés vagy a nejlonszál vágófej épségét és szilárd rögzítését.
 - Ellenőrizze, hogy elégséges különbség van-e az alapjáratú és az összekapcsolási fordulatszám között, amely biztosítja a vágószerszám mozdulatlanágát a motor alapjáratán (szükség esetén csökkentse az alapjáratú fordulatszámot). Ha a vágószerszám alapjáraton is tovább forog, akkor forduljon a legközelebbi hivatalos szervizhez.
- Ellenőrizze az az I-Stop kapcsoló (be/ki)/Indítás/leállítás kapcsoló, a kioldókar, a vezérlőkar és a reteszelőgomb megfelelő működését.



A légszűrő tisztítása

- Fordítsa a hidegindító kart (4) teljesen zárt állásba, és a karburátort tartsa portól és kosztól mentesen.
- Távolítsa el a rögzítőcsavart (1).
- Szerelje le a légszűrőház burkolatát (3).
- Vegye ki a szivacsbetétet (2), mossa ki kézmeleg vízzel, majd teljesen szárítsa meg.
- Tisztítás után tegye vissza a szivacsbetétet, majd helyezze vissza a légszűrő burkolatát (3), végül húzza meg a rögzítőcsavart (1).

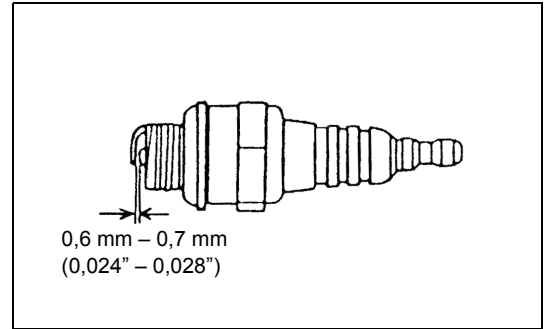


MEGJEGYZÉS: Túlzott mennyiségű por és szennyeződés felhalmozódása esetén naponta tisztítsa ki a betétet. Az eltömődött légszűrő nehézkessé vagy lehetetlenné teszi a motor elindítását vagy a fordulatszám növelését.

A gyújtógyertya ellenőrzése

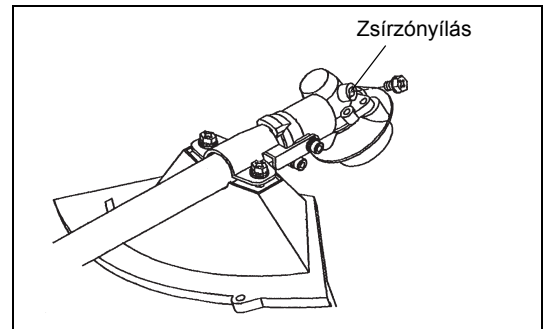
- A gyújtógyertya eltávolításához vagy beszereléséhez csak a mellékelt univerzális kulcsot használja.
- A gyújtógyertya két elektródja közötti távolságnak 0,6 és 0,7 mm között (0,024" – 0,028") kell lennie. Ha a hézag túl nagy vagy túl kicsi, állítsa be. Ha a gyújtógyertya szennyezett vagy lerakódások találhatók rajta, alaposan tisztítsa vagy cserélje ki.

VIGYÁZAT: Működő motornál soha ne érintse meg a gyertyapipát (nagyfeszültségű áramütés veszélye).



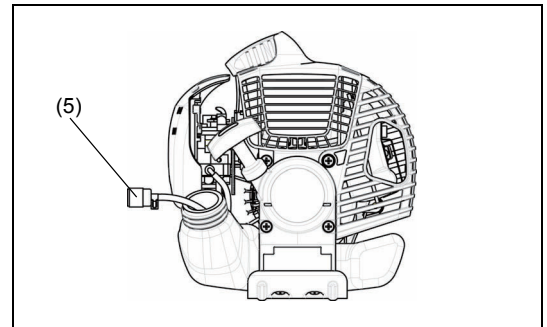
Kenőzsír adagolása a hajtóműházba

- 30 üzemóránként adagoljon (Shell Alvania 3 vagy azzal egyenértékű) kenőzsírt a fogaskerékházba a zsírzónnyíláson át. (Eredeti MAKITA kenőzsír a MAKITA forgalmazótól szerezhető be.)



Az üzemanyagtartályban lévő szívófej

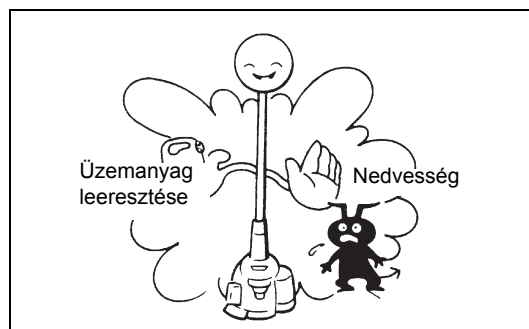
- A szívófejen levő üzemanyagszűrő (5) a karburátorba befolyó üzemanyag szűrésére szolgál.
- Szemrevételezéssel rendszeresen ellenőrizze az üzemanyagszűrőt. Ennek elvégzéséhez vegye le az üzemanyag-betöltő zárósapkáját, és egy drótkampó segítségével húzza ki a szívófejet az üzemanyagtartály nyílásán át. Cserélje ki a szűrőt, ha megkeményedett, erőteljesen szennyezetté vált vagy eltömődött.
- Az elégtelen üzemanyag-adagolás a megengedett legnagyobb fordulatszám túllépését eredményezheti. A porlasztó megfelelő üzemanyag-ellátásának biztosítása érdekében az üzemanyagszűrőt legalább negyedévenként cserélni kell.



Azokat a karbantartási munkákat, amelyek nem szerepelnek a kezelési utasításban, csak a hivatalos szerviz végezheti el.

Tárolás

- A gép hosszú időn keresztül történő tárolásához eressze le az összes üzemanyagot az üzemanyagtartályból és a karburátorból. Ehhez egyszerűen engedje le az összes üzemanyagot az üzemanyagtartályból. A leeresztett üzemanyag selejtezésekor tartsa be a vonatkozó helyi előírásokat.
- Szerelje ki a gyújtógyertyát, majd a gyújtógyertya nyílásába cseppentsen néhány csepp motorolajat. Ezután az indítószinórt finoman meghúzva járassa meg a motort az olaj motoron belüli egyenletes elosztatásához, majd szerelje vissza a gyújtógyertyát.
- Tisztítsa meg a vágókést és a motor külsejét az esetleges szennyeződésektől és portól, majd törölje le egy olajjal átitatott ruhával. Tárolja a gépet száraz helyen.



Karbantartási ütemterv

Általános teendők	Motor szerelése, csavarok és anyák	Épség és meghúzott állapot ellenőrzése szemrevételezéssel Ellenőrizze az általános állapotot és biztonságot
Minden tankolás után	Vezérlőkar I-Stop kapcsoló (be/ki)/Indítás/ leállítás kapcsoló	Működés ellenőrzése Működés ellenőrzése
Naponta	Légszűrő Hűtőlevegő csatorna Vágószerszám Üresjárat fordulatszám	Tisztítandó Tisztítandó Ellenőrizze az épséget és élességet Vizsgálat (a vágószerszám nem mozdulhat meg)
Hetente	Gyújtógyertya Kipufogódob	Vizsgálat, szükség esetén csere Ellenőrizze, szükség esetén tisztítsa meg a nyílást
Negyedévente	Szívófej Üzemanyagtartály	Cserélendő Tisztítandó
Leállítási eljárás	Üzemanyagtartály Karburátor	Üzemanyagtartály leürítése Járatás, amíg ki nem fogy az üzemanyag

Hibaelhárítás

Hiba	Rendszer	Hibajelenség	Ok
A motor nem indul be vagy nehezen indítható	Gyújtásrendszer	Gyújtószikra rendben	Hiba az üzemanyag-ellátásnál vagy a sűrítésnél, mechanikus meghibásodás
		Nincs gyújtószikra	Az I-Stop kapcsoló (be/ki)/Indítás/leállítás kapcsoló kikapcsolt helyzetben van, vezetékszakadás vagy rövidzárlat, a gyújtógyertya vagy a gyertyapipa hibás, gyújtásmódul meghibásodása
	Üzemanyag-ellátás	Az üzemanyagtartály fel van töltve	Helytelen állású hidegindító kar, a karburátor meghibásodott, az üzemanyag-vezeték elhajlott vagy eltömődött, szennyezett az üzemanyag
	Kompresszió	Berántáskor nem érezhető kompresszió	A henger alsó tömítése hibás, sérült a főtengely tömítése, a henger vagy a dugattyúgyűrűk hibásak, a gyújtógyertya tömítése nem megfelelő
Melegindítási problémák	Mechanikus hiba	Az indítórendszer nem forgat	Törött az indítórendszer rugója, törött alkatrészek a motor belsejében
		Az üzemanyagtartály fel van töltve. Gyújtószikra rendben	Eltömődött karburátor, tisztítást igényel
A motor beindul, de azután lefullad	Üzemanyag-ellátás	Az üzemanyagtartály fel van töltve	Az alapjárat beállítása rossz, eltömődött a karburátor Eltömődött az üzemanyagtartály szellőzése, megtört az üzemanyag-vezeték, kábelhiba vagy hibás I-Stop kapcsoló (be/ki)/Indítás/leállítás kapcsoló
Elégtelen teljesítmény	Egyszerre több rendszer lehet érintett	Gyenge a motor alapjárata	Eltömődött a légszűrő, eltömődött a karburátor, eltömődött a hangtompító, a henger kipufogónyílása eltömődött

Ďakujeme, že ste si zakúpil tento krovínorez/strunovú kosačku MAKITA.
Krovínorezy/strunové kosačky MAKITA sú vyvinuté na základe našich dlhoročných znalostí a skúseností a sú výsledkom rozsiahleho programu vývoja. Na dosahovanie čo najuspokojivejších výsledkov a čo najlepšieho výkonu, ktorý ponúka váš krovínorez/strunová kosačka MAKITA, je potrebné, aby ste si dôkladne prečítali tento materiál.



Obsah	Strana
Symbols	110
Bezpečnostné pokyny	111
Technické údaje	115
Názvy súčastí	116
Montáž rukoväte	117
Montáž chrániča	118
Montáž sečnej čepele/nylonovej sečnej hlavy	119
Palivo/Dopĺňanie paliva	120
Správna manipulácia	121
Dôležité pravidlá prevádzkovania/zastavenie krovínorezu/kosačky	121
Ostrenie sečného náradia	123
Pokyny na vykonávanie servisu	125
Uskladnenie	127

Symboly

Je potrebné, aby ste si pri čítaní návodu na obsluhu všimli nasledujúce symboly.

	Prečítajte si návod na obsluhu		Používajte chrániče zraku a sluchu (iba pre strunovú kosačku)
	Buďte obzvlášť opatrní a pozorní		Používajte ochrannú prilbu, chrániče zraku a sluchu (len pre krovínorez)
	Zakázané		Nepoužívajte kovové čepele (iba pre strunovú kosačku)
	Dodržiavajte odstup		Maximálne prípustné otáčky náradia
	Nebezpečenstvo odlietavajúcich predmetov		Horúce povrchy – popálenie prstov a rúk
	Zákaz fajčenia		Zmes paliva a oleja
	Zákaz používania otvoreného ohňa		Manuálne spustenie motora
	Je nevyhnutné používať ochranné rukavice		Núdzové zastavenie
	Spätňý náraz		Prvá pomoc
	Zabezpečte, aby sa v oblasti používania náradia nevyskytovali žiadne osoby ani zvieratá		ZAP./ŠTART
	Používajte pevnú obuv s nekĺzavou podrážkou. Odporúča sa používať bezpečnostnú obuv s oceľovou špičkou.	○	VYP./STOP
		○	ŠTART

Bezpečnostné pokyny

Všeobecné pokyny

- Na zaistenie správnej obsluhy krovinoresu/strunovej kosačky je potrebné, aby ste sa prečítaním si tohto návodu na obsluhu a jeho plným porozumením oboznámili so spôsobom používania tohto zariadenia. Používanie tohto zariadenia bez toho, aby ste pochopili, ako ho správne obsluhovať, môže spôsobiť vám alebo iným osobám vážne zranenie.
- Krovinores/strunovú kosačku požičajte iba ľuďom, ktorí majú preukázateľné skúsenosti s používaním krovinoresov/strunových kosačiek. Zároveň im pri tom požičajte aj tento návod na obsluhu.
- Ak je to prvýkrát, čo používate motorovú kosačku, obráťte sa na vášho predajcu, ktorý vám poskytne základné pokyny.
- Deťom a osobám mladším ako 18 rokov nie je povolené obsluhovať tento krovinores/strunovú kosačku. Aj napriek tomu smú osoby staršie ako 16 rokov toto zariadenie používať, no jedine na účely zaškolenia a ak túto činnosť vykonávajú pod dozorom kvalifikovaného školiteľa.
- Krovinores/strunové kosačky používajte s maximálnou opatrnosťou a pozornosťou.
- Krovinores/strunovú kosačku používajte, len ak ste v dobrej fyzickej kondícii. Všetky úkony vykonávajte pokojne a opatrne. Používatelia sú povinní prevziať zodpovednosť za osoby nachádzajúce sa v ich okolí.
- Krovinores/strunovú kosačku nepoužívajte po požití alkoholu alebo liekov, alebo ak sa cítite unavení alebo chorí.

VÝSTRAHA: Toto elektrické náradie počas svojej prevádzky vytvára elektromagnetické pole. Toto pole môže v niektorých prípadoch ovplyvňovať činnosť aktívnych alebo pasívnych zdravotných implantátov. Aby sa znížilo riziko vážnych alebo smrteľných úrazov, odporúčame osobám, ktoré používajú zdravotné implantáty, aby sa pred prevádzkovaním tohto strojného zariadenia poradili so svojím lekárom alebo s výrobcom zdravotného implantátu.

Určené použitie zariadenia

- Krovinores/strunová kosačka je určená iba na sekanie trávy, buriny, kríkov a iného podobného podrastu a toto zariadenie by sa nemalo používať na žiadny iný účel, ako napr. tvarovanie okrajov a strihanie okrasných plotov, pretože by tým mohlo dôjsť k zraneniam.

Osobné ochranné prostriedky

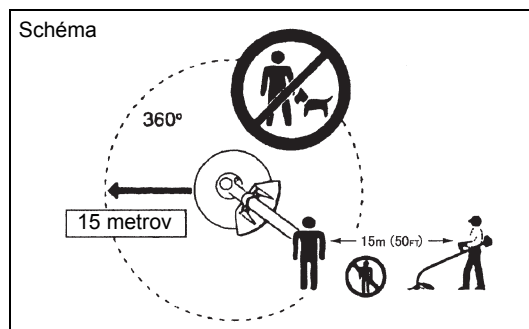
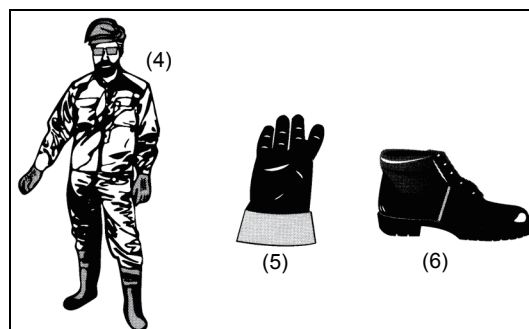
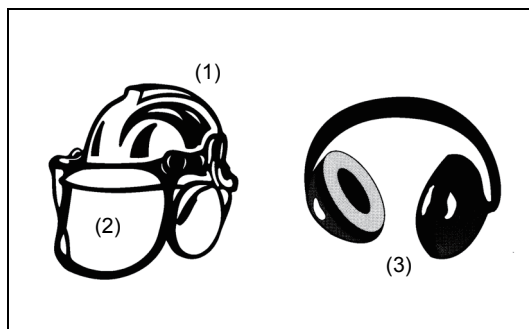
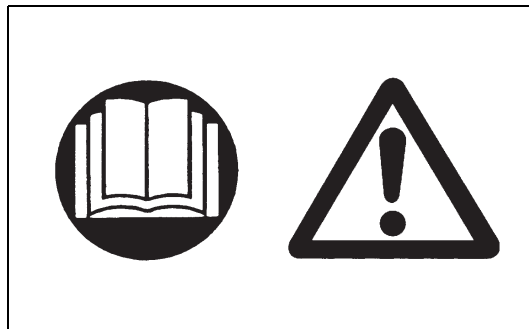
- Vždy používajte oblečenie, ktoré je funkčné a zároveň vhodné pre vašu prácu, t. j. tesné, no nie do takej miery tesné, aby ste sa pri pohybe cítili nepohodlne. Nenoste šperky ani oblečenie, ktoré by sa mohli zamotať do kríkov alebo krovín.
- Na zabránenie poraneniu hlavy, očí, rúk alebo nôh, ako aj na ochranu sluchu je nevyhnutné pri práci s krovinoresom/strunovou kosačkou používať nasledujúce ochranné prostriedky a ochranné odevy.
- Ak existuje riziko výskytu padajúcich predmetov, vždy používajte prilbu. Ochranná prilba (1) sa musí pravidelne kontrolovať, či nie je poškodená a musí sa vymeniť aspoň raz za 5 rokov. Používajte len schválené ochranné prilby.
- Ochranný štít (2) prilby (prípadne okuliare) chráni tvár pred letiacimi úlomkami alebo kameňmi. Počas používania krovinoresu/strunovej kosačky vždy používajte ochranné okuliare alebo ochranný štít, aby ste zabránili poraneniu zraku.
- Používajte primerané vybavenie na ochranu pred hlukom (kľapky na uši (3), vložky do uší a pod.), a to aby ste zabránili poškodeniu sluchu.
- Pracovné kombinézy (4) chránia pred letiacimi kameňmi a úlomkami. Dôrazne odporúčame, aby ste používali pracovné kombinézy.
- Špeciálne ochranné rukavice (5) vyrobené z hrubej kože sú súčasťou predpísaného vybavenia a počas používania krovinoresu/strunovej kosačky musia byť vždy navlečené.
- Pri práci s krovinoresom/strunovou kosačkou vždy používajte pevnú obuv (6) s nekĺzavou podrážkou. Táto obuv chráni pred poraneniami a zabezpečuje stabilný postoj.

Zvyškové riziká

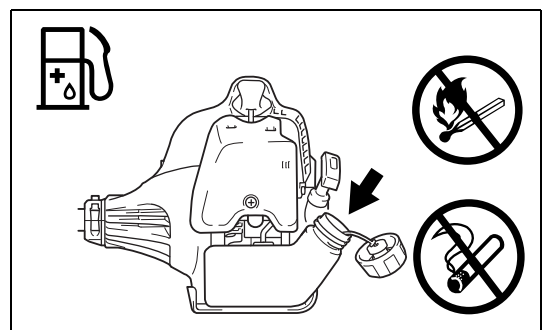
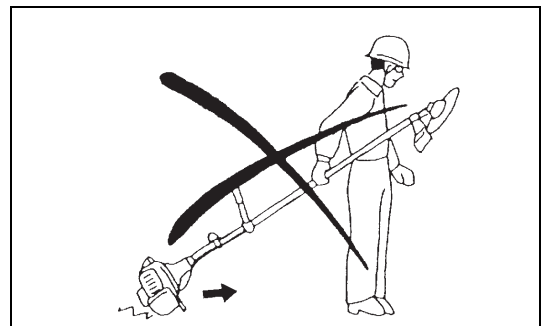
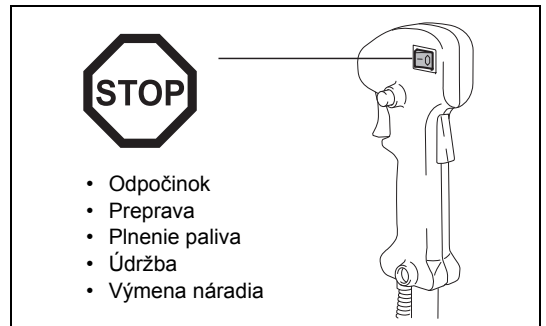
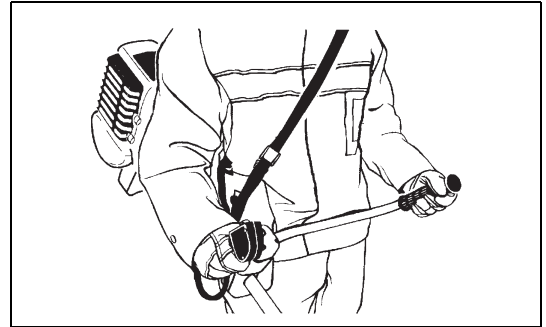
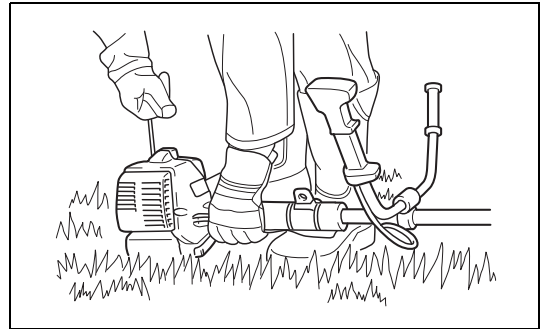
- Aj ak sa elektrické náradie používa predpísaným spôsobom, nie je možné eliminovať všetky zvyškové rizikové faktory. V súvislosti s konštrukciou a dizajnom môžu existovať nasledovné riziká:
 1. Poškodenie pľúc v prípade nepoužívania účinnej protiprachovej masky.
 2. Poškodenie sluchu v prípade nepoužívania účinnej ochrany sluchu.
 3. Poškodenie zdravia v dôsledku emisie vibrácií, ak sa elektrické náradie používa dlhodobou alebo ak je neprimerane používané alebo nesprávne udržiavané.

Spustenie krovinoresu

- Presvedčte sa, že v rámci pracovného dosahu 15 metrov (50 stôp) sa nenachádzajú deti alebo ľudia a taktiež dávajte pozor na zvieratá nachádzajúce sa v blízkosti pracoviska.
- Pred použitím vždy skontrolujte, či je krovinores/strunová kosačka bezpečná na prevádzku:
Uistite sa, že sečné náradie je zabezpečené, že ovládací páčka je ľahko použiteľná a že poistka ovládacej páčky funguje správne.
- Počas voľnobehu je zakázané otáčať sečným náradím. Ak si myslíte, že zariadenie je možno potrebné nastaviť, obráťte sa na vášho predajcu. Uistite sa, že rukoväte sú čisté a suché a že vypínač štart/stop je funkčný.

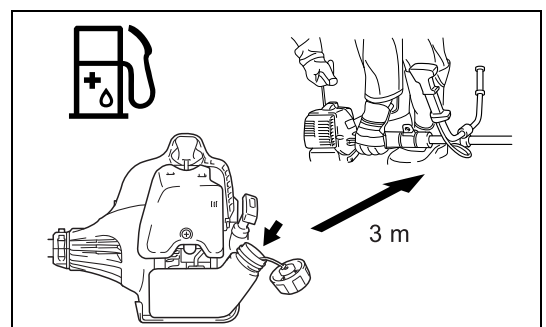


- Krovinoresz/strunovú kosačku naštartujte jedine podľa týchto pokynov. Na naštartovanie motora nepoužívajte žiadny iný spôsob!
- Krovinoresz/strunovú kosačku a náradie používajte len na určené účely.
- Motor krovinoreszu/strunovej kosačky naštartujte až po kompletnom zmontovaní zariadenia. Zariadenie nepoužívajte, kým nie sú riadne pripravené všetky príslušné doplnky!
- Pred spustením sa presvedčte, že sa sečné náradie nedotýka tvrdých predmetov, ako sú vetvy, kamene atď., pretože po naštartovaní sa sečné náradie roztočí.
- Keď sa vyskytne akýkoľvek problém s motorom, motor je nutné okamžite vypnúť.
- Pokiaľ sečné náradie narazí na kameň alebo iný tvrdý predmet, okamžite vypnite motor a skontrolujte sečné náradie.
- V pravidelných krátkych intervaloch kontrolujte sečné náradie z hľadiska poškodenia (zistenie vlasových trhlín pomocou testu poklepaním).
- Krovinoresz/strunovú kosačku používajte až po prichytení popruhu na plece a po jeho nastavení na správnu dĺžku. Popruh na plece sa musí nastaviť na veľkosť zodpovedajúcu používateľovi a musí sa riadne uchytiť, aby sa používateľ pri obsluhu zariadenia neunavil. Počas obsluhy nikdy nedržte zariadenie iba jednou rukou.
- Počas prevádzky držte krovinoresz/strunovú kosačku vždy oboma rukami. Dbajte na to, aby ste vždy zaujímali bezpečný postoj.
- Krovinoresz/strunovú kosačku prevádzkujte takým spôsobom, aby ste zabránili vdýchnutiu výfukových plynov. Motor nemajte nikdy spustený v uzavretom priestore, napr. vo vnútri miestnosti (nebezpečenstvo otravy plynom). Oxid uhoľnatý je plyn bez zápachu.
- Vždy keď si chcete oddýchnuť alebo máte v úmysle sa od krovinoreszu/strunovej kosačky vzdialiť, vypnite motor a uložte ju na bezpečné miesto, aby ste zabránili poraneniu iných osôb a poškodeniu zariadenia.
- Horúci krovinoresz/strunovú kosačku nikdy neukladajte na suchú trávu ani na žiadny iný horľavý materiál.
- Na sečnom náradí musí byť vždy namontovaný príslušný chránič. Krovinoresz nikdy nespúšťajte bez tohto chrániča!
- Všetky ochranné prvky a chrániče dodávané so zariadením sa musia počas prevádzky používať.
- Motor nikdy neprevádzkujte v prípade chybného tlmiča výfuku.
- Počas prepravy motor vypnite.
- Pri preprave zariadenia vždy nasadte na sečnú čepel kryt.
- Dbajte na to, aby bol krovinoresz/strunová kosačka pri preprave uložená v bezpečnej polohe, aby sa tak zabránilo úniku paliva.
- Počas prepravy krovinoreszu/strunovej kosačky vždy úplne vyprázdňte palivovú nádrž.
- Pri vykladaní krovinoreszu/strunovej kosačky z nákladného alebo iného vozidla nikdy nenechajte motor spadnúť na zem, pretože by sa tým mohla vážne poškodiť palivová nádrž.
- Okrem prípadov núdze nenechajte nikdy krovinoresz/strunovú kosačku spadnúť na zem, pretože môže dôjsť k vážnemu poškodeniu krovinoreszu/strunovej kosačky.
- Pri prenášaní zariadenia vždy zdvihnite zo zeme celé zariadenie. Ťahanie zariadenia o palivovú nádrž je mimoriadne nebezpečné, pretože môže viesť k úniku paliva a následnému vzniku požiaru.
- Ak bude zariadenie vystavené silnému nárazu, alebo ak spadne, pred pokračovaním v práci skontrolujte jeho stav. Palivový systém skontrolujte z pohľadu unikania a ovládacie prvky a bezpečnostné zariadenia skontrolujte z pohľadu vyskytnutých sa chýb. V prípade výskytu poškodenia alebo v prípade pochybností požiadajte naše autorizované servisné stredisko o vykonanie kontroly a opravy.



Plnenie paliva

- Počas plnenia paliva vypnite motor, zdržiavajte sa mimo otvoreného ohňa a nefajčíte.
- Dbajte na to, aby sa produkty minerálnych olejov nedostali do styku s pokožkou. Nevdychujte palivové výpary. Pri dopĺňaní paliva vždy používajte ochranné rukavice. Ochranný odev vymieňajte a čistite v pravidelných intervaloch.
- S cieľom zabrániť znečisteniu pôdy (ochrana životného prostredia) dbajte na to, aby ste palivo alebo olej nerozliali na zem. Ak napriek tomu dôjde k rozliatiu paliva, krovinoresz/strunovú kosačku okamžite vyčistite.
- Dbajte na to, aby sa palivo nedostalo do styku s vaším oblečením. Ak sa napriek tomu dostane palivo do styku s vaším oblečením, okamžite sa prezlečte, aby ste zabránili vzniku požiaru.
- V pravidelných intervaloch kontrolujte uzáver palivovej nádrže, aby ste sa presvedčili, že je bezpečne utiahnutý a neuniká cez neho palivo.
- Uzáver palivovej nádrže opatrne utiahnite. Keď ste plnenie paliva dokončili, pred naštartovaním motora sa presuňte aspoň 3 metre od miesta plnenia.
- Palivo nikdy nedopĺňajte v uzavretom priestore, napr. vo vnútri miestnosti. Môže to viesť k výbuchu v dôsledku nahromadenia palivových výparov na úrovni zeme.
- Palivo prepravujte a uskladňujte jedine v schválených typoch obalov. Zabezpečte, aby sa k uskladnenému palivu nedostali deti.



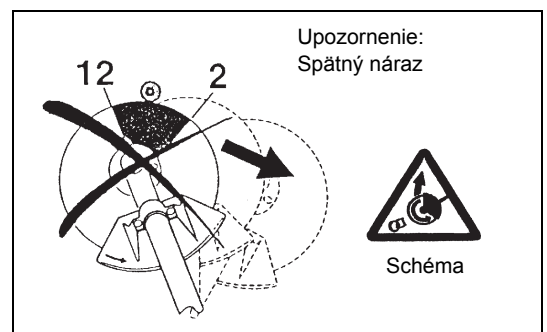
Spôsob prevádzky

- Krovinoresz/strunovú kosačku používajte jedine pri dobrých svetelných podmienkach a pri dobrej viditeľnosti. Počas zimného obdobia dávajte pozor na klzké alebo mokré plochy, ako sú zľadovatené alebo snehom pokryté povrchy (riziko pošmyknutia). Dbajte na to, aby ste vždy zaujímali bezpečný postoj.
- Nikdy nesekejte nad výškou pliec.
- Krovinoresz/strunovú kosačku nepoužívajte nikdy, keď stojíte na rebríku.
- Pri používaní krovinoreszu/strunovej kosačky nikdy nelezte na stromy.
- Nikdy nepracujte na nestabilných povrchoch.
- Z pracovného dosahu odstráňte piesok, kamene, klince atď. Cudzí predmety môžu poškodiť sečné náradie a môžu spôsobiť riziko spätného nárazu.
- Pred začatím sekania sa uistite, že sečné náradie dosiahlo plnú prevádzkovú rýchlosť.
- Ak sa medzi sečné náradie a chránič zachytí tráva alebo vetvičky, pred vyčistením vždy vypnite motor. V opačnom prípade môže náhodné otáčanie čepele spôsobiť vážne poranenie.
- Aby ste predišli strate kontroly v dôsledku únavy, robte si prestávky. Odporúčame urobiť si 10 až 20-minútovú prestávku každú hodinu.



Spätný náraz (tlak čepele)

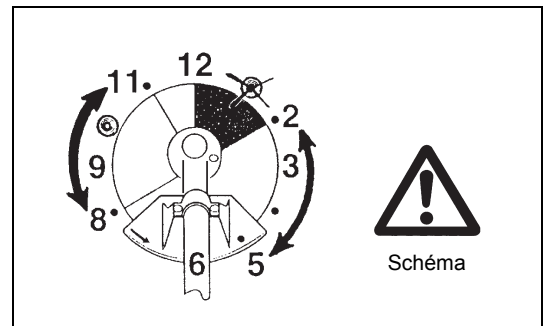
- Počas prevádzkovania krovinoreszu môže dochádzať k nekontrolovaným spätným nárazom.
- Výskyt spätných nárazov je častý pri pokuse o sekanie so segmentom čepele v konfigurácii 12 hodín až 2 hodiny.
- Nikdy nepoužívajte segment čepele krovinoreszu v konfigurácii 12 hodín až 2 hodiny.
- Tento segment čepele krovinoreszu nikdy neaplikujte na pevné predmety, ako sú kríky, stromy, atď., ktorých priemer je väčší ako 3 cm. Spôsobí to vychýlenie krovinoreszu pod vplyvom veľkej sily, čo je mimoriadne nebezpečné a môže to viesť k zraneniu.



Prevenia spätného nárazu

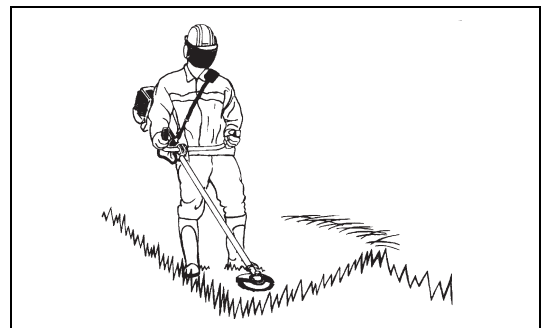
Aby ste predišli spätným nárazom, zapamätajte si nasledujúce pokyny:

- Použitie segmentu čepele v konfigurácii 12 hodín až 2 hodiny je mimoriadne nebezpečné, najmä pri použití kovového sečného náradia.
- Činnosť sekania s použitím segmentu čepele v konfigurácii 11 až 12 hodín a konfigurácii 2 až 5 hodín smie vykonávať jedine zaškolená a skúsená obsluha, a to na vlastné riziko. Optimálny sečný segment zaisťujúci ľahké sekание s výskytom takmer žiadnych spätných nárazov je so segmentom čepele v konfigurácii 8 až 11 hodín.



Sečné náradie

- Na vykonávanú prácu používajte správne sečné náradie. Nylonové sečné hlavy (hlavy strunových kosačiek) sú vhodné na kosenie trávy trávnikov. Kovové čepele sú vhodné na sekание buriny, vysokej trávy, krovia, krovín, podrastu, húštia a pod. Nikdy nepoužívajte iné čepele, vrátane kovových viackusových otáčajúcich sa reťazových ani cepových čepeľí. Môže to viesť k vážnemu zraneniu.
- Ak sa používajú kovové čepele, vyhňte sa „spätnému nárazu“ a vždy sa pripravte na náhodný spätný náraz. Pozrite si časť „Spätný náraz“ a „Prevenia spätného nárazu“.



Pokyny týkajúce sa údržby

- Servis svojho náradia zverte autorizovanému servisnému stredisku a vždy používajte len originálne náhradné diely. Nesprávnou opravou a nedostatočnou údržbou môže dôjsť k skráteniu životnosti zariadenia a zvýšeniu rizika úrazov.
- Pred začatím práce vždy skontrolujte stav krovinoreszu, najmä však stav jeho ochranných prvkov a popruhu na rameno. Zvláštnu pozornosť je treba venovať aj sečným čepeľiam, ktoré musia byť správne naostrené.
- Pri výmene alebo ostrení sečného náradia, ako aj pri čistení krovinoreszu alebo sečného náradia vypnite motor a odpojte konektor zapalovacej sviečky.

Poškodené sečné náradie nikdy nenarovnávejte ani nezvárajte.

- Krovinoresz/strunovú kosačku používajte pri čo najnižších možných hladinách hluku a znečistenia. Uistite sa najmä o správnom nastavení karburátora.
- Krovinoresz/strunovú kosačku čistite v pravidelných intervaloch a skontrolujte, či sú všetky skrutky a matice riadne utiahnuté.
- Servis krovinoreszu/strunovej kosačky nevykonávajte v blízkosti otvoreného ohňa a ani ho v jeho blízkosti neuskladňujte.
- Krovinoresz/strunovú kosačku uskladňujte vždy v uzamknutých miestnostiach a s vyprázdnenou palivovou nádržou.
- Počas čistenia, servisu a uskladnenia zariadenia vždy na sečnú čepeľ nasadte kryt.

Dodržiavajte príslušné pokyny na predchádzanie úrazom, ktoré boli vydané príslušnými obchodnými združeniami a poisťovňami.

Na krovinoresze/strunovej kosačke nevykonávajte žiadne úpravy, pretože to ohrozí vašu bezpečnosť.

Vykonávanie činností údržby alebo opráv je obmedzené na tie aktivity, ktoré sú popísané v návode na obsluhu. Všetky ostatné činnosti smie vykonávať iba autorizovaný servisný zástupca. Používajte jedine originálne náhradné diely a príslušenstvo uvedené na trh a dodávané spoločnosťou MAKITA.

Používaním neschválených doplnkov a náradia sa zvyšuje riziko výskytu úrazov. Spoločnosť MAKITA neprevezme žiadnu zodpovednosť za nehody alebo škody spôsobené používaním neschváleného sečného náradia a upevňovacích zariadení sečného náradia alebo príslušenstva.

Prvá pomoc

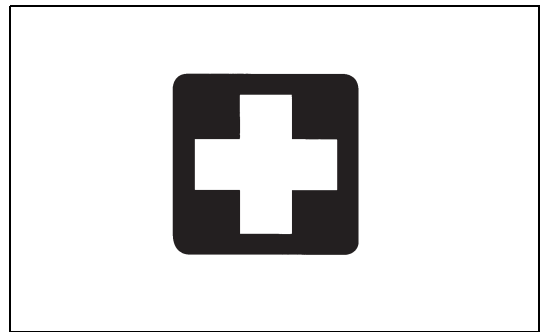
Pre prípad nehody zabezpečte, aby sa v dosahu miesta vykonávania činnosti sekania nachádzala lekárnica prvej pomoci. Všetky použité položky z lekárnice ihneď doplňte.

Pri privolaní pomoci poskytnite nasledujúce informácie:

- Miesto úrazu
- Čo sa stalo
- Počet zranených osôb
- Druh zranení
- Vaše meno

Vibrácie

- Osoby s oslabeným obehom vystavené nadmerným vibráciám môžu utrpieť poranenie ciev alebo nervového systému. Vibrácie môžu spôsobiť nasledujúce príznaky na prstoch, rukách alebo zápästiach: „Nemožnosť pohybu“ (z necitlivenie), trpnutie, bolesť, pocit pichania, zmena sfarbenia pokožky alebo zmena pokožky. Pri ktoromkoľvek z týchto príznakov navštívte lekára!
- Aby ste znížili riziko „choroby bielych prstov“, počas prevádzky udržiavajte ruky teplé a zariadenie a príslušenstvo majte v dobrom stave.



Len pre krajiny Európy

Vyhlasenie o zhode so smernicami Európskeho spoločenstva

Naša spoločnosť Makita Corporation, ako zodpovedný výrobca vyhlasuje, že nasledujúce strojné zariadenie(a) značky Makita:

Označenie zariadenia: Krovinoresz/Strunová kosačka

Č. modelu/typ: EM2600U, EM2600L

Technické špecifikácie: pozrite si tabuľku „TECHNICKÉ ÚDAJE“

predstavuje výrobok sériovej výroby

a vyhovuje nasledujúcim európskym smerniciam:

2000/14/ES, 2006/42/ES, 2004/108/ES

a je vyrobené podľa nasledujúcich noriem a štandardizovaných dokumentov:

EN ISO 11806-1, EN ISO 14982

Technickú dokumentáciu archívuje:

Makita International Europe Ltd., Technical Department,

Michigan Drive, Tongwell, Milton Keynes, Bucks MK15 8JD, Anglicko

Postup posúdenia zhody, ako vyžaduje smernica 2000/14/ES, bol zrealizovaný podľa prílohy V.

Meraná úroveň akustického výkonu (vo funkcii kosačky): 109,77 dB

Meraná úroveň akustického výkonu (vo funkcii krovinoreszu): 107,29 dB

Garantovaná úroveň akustického výkonu: 112 dB

15. 4. 2013

A handwritten signature in black ink, appearing to read 'Tomoyasu Kato'.

Tomoyasu Kato
Riaditeľ

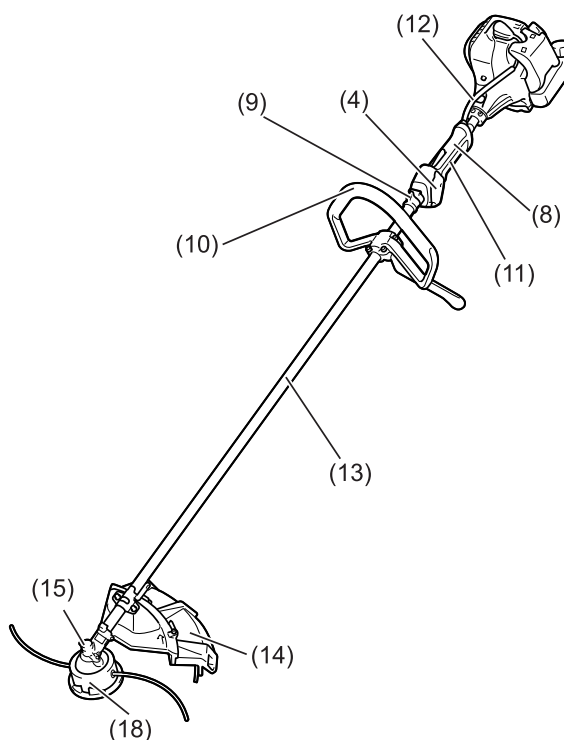
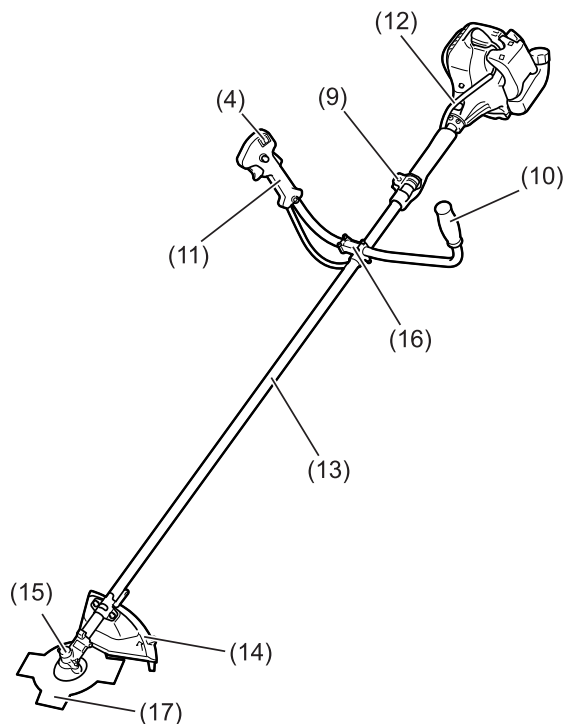
Makita Corporation
3-11-8, Sumiyoshi-cho,
Anjo, Aichi, JAPAN

Technické údaje

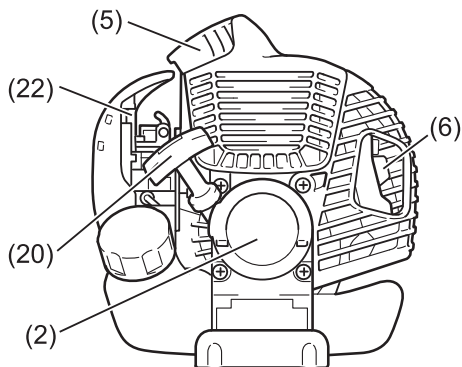
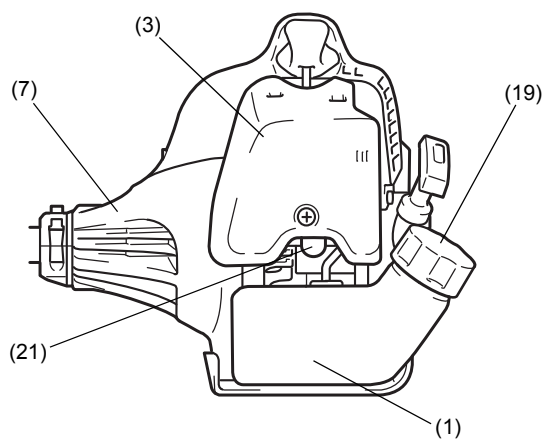
Model		EM2600U	EM2600L
		Rukoväť U	Uzavretá rukoväť
Rozmery: dĺžka x šírka x výška (bez sečnej čepele)		1770 x 610 x 410 mm	1770 x 330 x 185mm
Čistá hmotnosť		5 kg	5 kg
Zdvihový objem motora		25,7 cm ³	
Maximálny výkon motora		0,83 kW	
Maximálna rotačná frekvencia hriadeľa		8800 min ⁻¹	
Sečné príslušenstvo	Kovová čepeľ z jedného kusa	φ230 mm	
	Hlava strunovej kosačky	φ430 mm	
Voľnobežné otáčky		3000 / min.	
Otáčky pri zaradení spojky		4100 / min.	
Prevodový pomer		14/19	
Palivo		Zmes plynu Benzín: motorový olej pre dvojtaktné motory = 50:1	
Objem (palivovej nádrže)		0,6 l	
Karbúrátor		WALBRO WYC	
Systém zapalovania		Zapalovanie v pevnej fáze	
Zapaľovacia sviečka		NGK BPMR7A	
Vzdialenosť elektród zapaľovacej sviečky		0,6 – 0,7 mm	
Vibrácie: (pre krovinores)	Ľavá rukoväť (Predné držadlo)	14,680 m/s ² K = 1,5 m/s ²	5,152 m/s ² K = 1,5 m/s ²
	Pravá rukoväť (Zadné držadlo)	9,037 m/s ² K = 1,5 m/s ²	9,677 m/s ² K = 1,5 m/s ²
Vibrácie: (pre kosačku)	Ľavá rukoväť (Predné držadlo)	7,961 m/s ² K = 1,5 m/s ²	8,83 m/s ² K = 1,5 m/s ²
	Pravá rukoväť (Predné držadlo)	7,019 m/s ² K = 1,5 m/s ²	14,381 m/s ² K = 1,5 m/s ²
Hluk (testované podľa 2000/14/ES a 2005/88/ES):			
Úroveň akustického tlaku v polohe obsluhy (kosačka):		98,52 dB (A) K = 2,5 dB (A)	
Úroveň akustického tlaku v polohe obsluhy (krovinores):		96,15 dB (A) K = 2,5 dB (A)	
Meraná úroveň akustického výkonu (kosačka):		109,77 dB (A) K = 2,5 dB (A)	
Meraná úroveň akustického výkonu (krovinores):		107,29 dB (A) K = 2,5 dB (A)	
Hluk (testované podľa 2000/14/ES a 2005/88/ES): garantované hodnoty akustického výkonu		112 dB (A)	

Názvy súčastí

EM2600U S rukoväťou typu U



EM2600L S rukoväťou uzavretého typu



Názvy súčastí	
1	Palivová nádrž
2	Štartér s prevíjaním
3	Čistič vzduchu
4	Vypínač I-Stop (zap./vyp.)/vypínač Start-Stop)
5	Zapaľovacia sviečka
6	Tlmič výfuku
7	Skriňa spojky
8	Zadné držadlo
9	Záves
10	Rukoväť
11	Ovládacia páčka
12	Ovládacie lanko
13	Tyč
14	Chránič (chránič sečného náradia)
15	Prevodovka
16	Držiak rukoväti
17	Sečná čepeľ
18	Nylonová sečná hlava
19	Uzáver plniaceho hrdla
20	Gombík spúšťača
21	Vstrekovacie čerpadlo
22	Páčka sýtiča

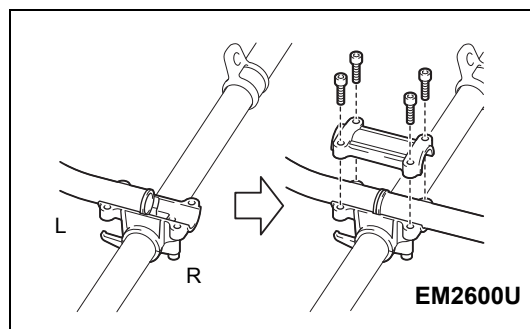
Montáž rukoväte

- UPOZORNENIE: Pred vykonávaním akejkoľvek činnosti na krovínoreze vždy zastavte motor a od zapaľovacej sviečky odpojte konektor zapaľovacej sviečky. Vždy používajte ochranné rukavice!
- UPOZORNENIE: Dbajte na to, aby bol krovínorez pred naštartovaním znovu zmontovaný v plnom rozsahu.

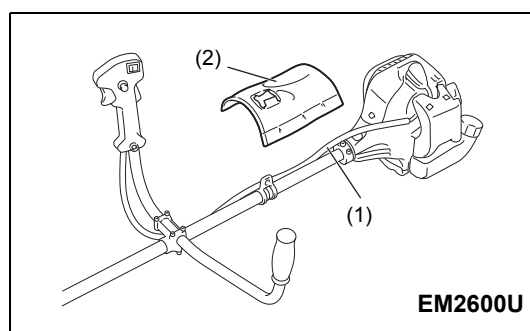


Pre modely s rukoväťou typu U

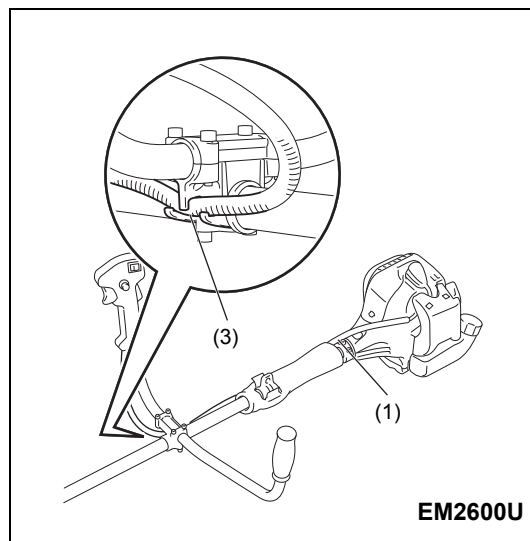
- Obidve rukoväte nasadíte na držiak rukoväti. Pri pohľade smerom na sečné náradie musí byť ovládací páčka umiestnená na pravej strane.
- Konce rukovätí umiestnite do drážky na držiaku rukoväti a nasadíte na ne svorku. Voľne ich uchyťte utiahnutím štyroch nastavovacích skrutiek.
- Nastavte uhol rukovätí a potom utiahnite všetky skrutky rovnomerne pomocou kľúča.



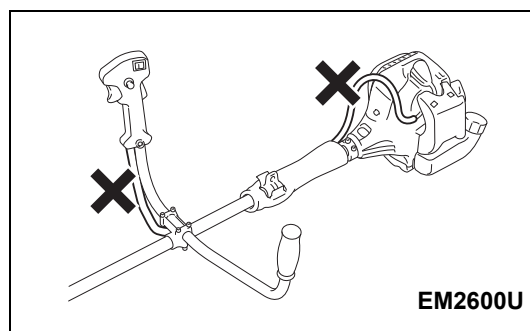
- Lanko škrtiacej klapky (1) priložte k tyči na strane s ovládacou páčkou. A potom ho oviňte upínacím obložím (2).



- Zasuňte lanko škrtiacej klapky (1) do svorky (3) na držiaku rukoväte.
- Dbajte na to, aby bolo lanko škrtiacej klapky uložené podľa znázornenia na obrázku.
- Vyskúšajte použiť ovládací páčku a uistite sa že sa pohybuje hladko.

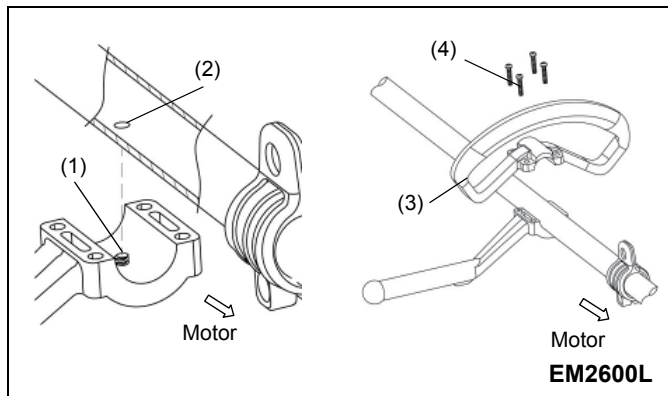


- UPOZORNENIE: Lanko škrtiacej klapky neumiestňujte tak, ako je to znázornené na obrázku. V dôsledku zvlneného lanka môže dôjsť k vysokým voľnobežným otáčkam a nekontrolovateľná čepeľ môže spôsobiť zranenie.



Pre modely s uzavretou rukoväťou

- Umiestnite závit (1) na držiaku rukoväti do polohovacieho otvoru (2) na rúrke.
- Upevnite pomocnú rukoväť (3) na bariéru.
- Utiahnite 4 skrutky (4) M5 × 30.

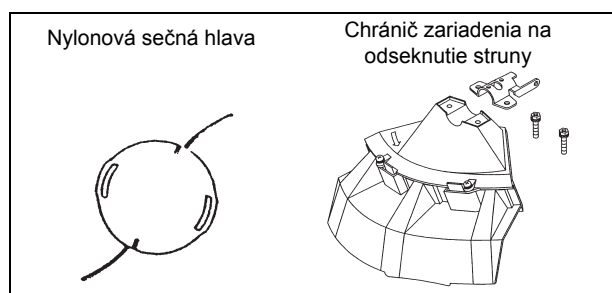
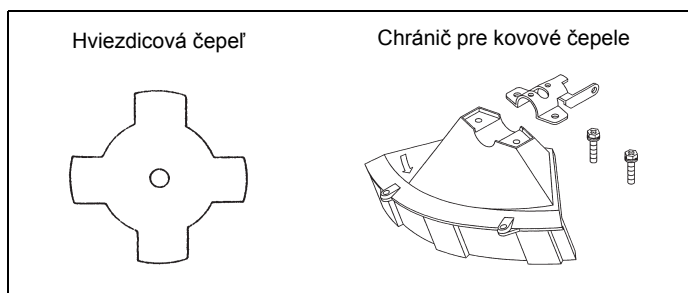


Montáž chrániča

Aby boli dodržané platné bezpečnostné normy, použiť smiete iba kombinácie náradie/chránič uvedené v tabuľke.

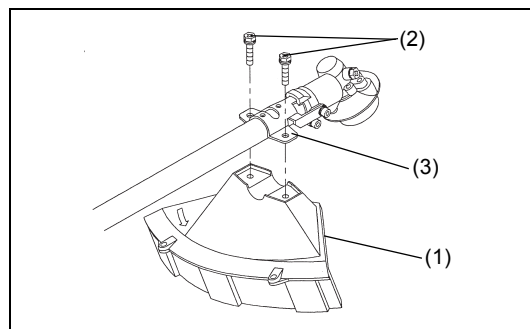
Vždy používajte iba originálne sečné čepele/nylonové sečné hlavy značky MAKITA.

- Sečná čepel musí byť dobre vyhladená a nesmie obsahovať žiadne praskliny alebo nalomené miesta. Pokiaľ čepel počas prevádzky narazí na kameň, okamžite zastavte motor a čepel skontrolujte.
- Po každých troch hodinách prevádzky sečnú čepel vyleštite alebo vymeňte.
- Pokiaľ nylonová sečná hlava počas prevádzky narazí na kameň, okamžite zastavte motor a nylonovú sečnú hlavu skontrolujte.

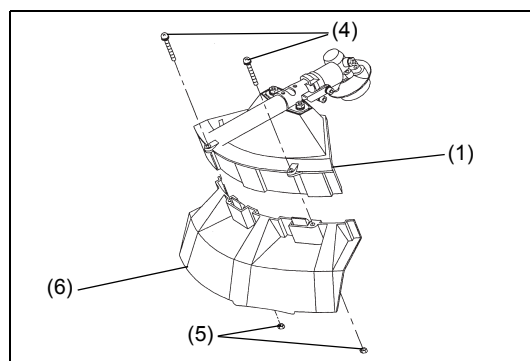


UPOZORNENIE: Kvôli vašej vlastnej bezpečnosti a kvôli dodržaniu predpisov týkajúcich sa prevencie pred úrazmi musí byť nainštalovaný vždy správny chránič. Prevádzkovanie zariadenia bez nainštalovaného chrániča je zakázané.

- Chránič (1) pripevníte k objímke (3) dvoma skrutkami M6 x 30 (2).



- Pokiaľ sa používa strunová hlava, zasuňte chránič (6) do chrániča (1) a následne utiahnite dve skrutky (5) a dve matice (4).

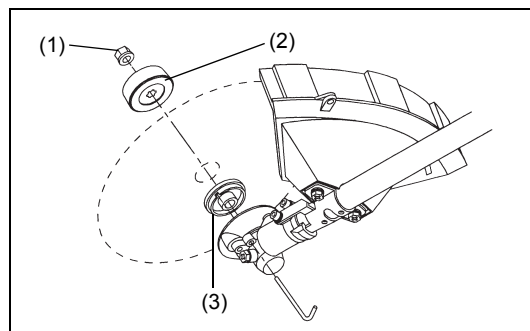


Montáž sečnej čepele/nylonovej sečnej hlavy

Sečná čepel alebo nylonová sečná hlava sa dá ľahko vymeniť, pričom je najprv potrebné obrátiť zariadenie „hore nohami“.



- Cez otvor v prevodovej skrini zasuňte šesťhranný kľúč a otáčajte podložnou podložkou (3), kým sa nezablokuje so šesťhranným kľúčom.
- Pomocou nástrčkového kľúča uvoľnite maticu/pružinovú podložku (1) (ľavotočivý závit) a odskrutkujte maticu/pružinovú podložku (1) a upínaciu podložku (2).



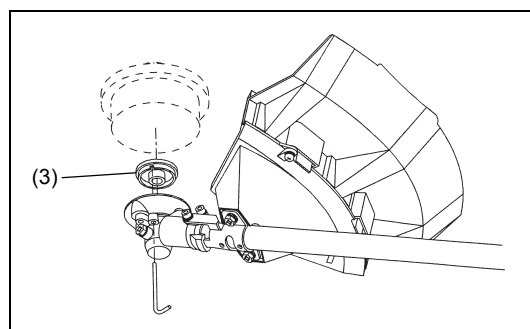
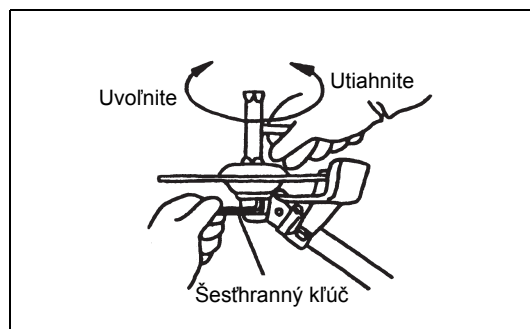
Pomocou šesťhranného kľúča, ktorý je ešte stále zasunutý

- Namontujte sečnú čepel na tyč tak, aby vodiaci prvok podložnej podložky (3) zapadol do otvoru pre hriadeľ na sečnej čepeli. Nainštalujte upínaciu podložku (2) a zaistíte sečnú čepel pomocou matice/pružinovej podložky (1). [Uťahovací moment: 13 – 23 N.m]

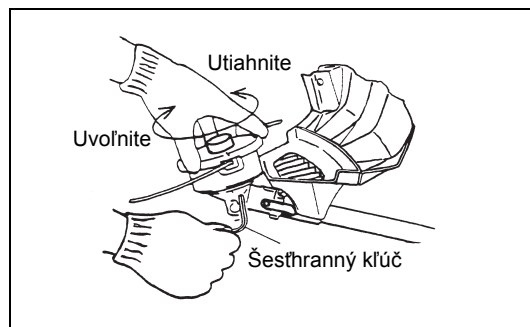
POZNÁMKA: Pri manipulácii so sečnou čepelou vždy používajte rukavice.

POZNÁMKA: Upevňovacia matica sečnej čepele (spolu s pružinovou podložkou) predstavuje spotrebný tovar. Pokiaľ na pružinovej podložke spozorujete príznaky opotrebovania alebo deformácie, maticu vymeňte.

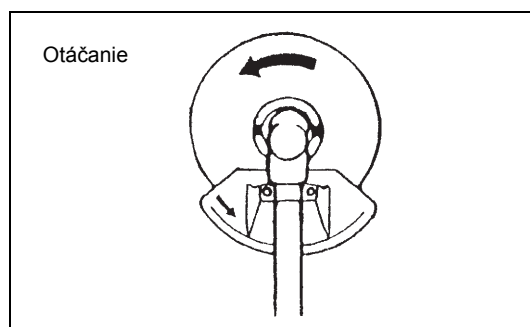
POZNÁMKA: Upínacia podložka (2) a matica/pružinová podložka (1) nie sú potrebné na namontovanie nylonovej sečnej hlavy. Nylonová sečná hlava by mala byť nasadená na hornú časť podložnej podložky (3).



- Nylonovú sečnú hlavu naskrutkujte na tyč.



- Uistite sa, že čepel sa točí proti smeru hodinových ručičiek.



Manipulácia s palivom

Pri manipulácii s palivom je potrebné dávať maximálny pozor. Palivo môže obsahovať látky podobné rozpúšťadlám. Plnenie paliva vykonávajte v dobre vetranej miestnosti alebo vonku. Palivové výpary nevdychujte a zabráňte kontaktu paliva alebo oleja s vašou pokožkou.

Produkty minerálnych olejov odmasťujú pokožku. Pri dlhodobjšom kontakte pokožky s týmito produktmi bude vaša pokožka extrémne suchá, čo môže viesť k rôznym druhom kožných ochorení. Okrem toho sa môžu vyskytnúť alergické reakcie.

Oči sa môžu pri kontakte s olejom podráždiť. Ak sa olej dostane do očí, ihneď ich vypláchnite čistou vodou. Ak podráždenie očí pretrváva, okamžite navštívte lekára.

Zmes paliva a oleja

Motor krovínorezu je vysoko efektívny dvojtaktný motor. Je poháňaný zmesou paliva a oleja pre dvojtaktné motory. Motor je navrhnutý na používanie bezolovnatých štandardných palív s minimálnym oktánovým číslom 91 RON. Ak takéto palivo nie je z akéhokoľvek dôvodu k dispozícii, môžete použiť palivo s vyšším oktánovým číslom. Nebude to mať vplyv na motor, no môže to viesť k zhoršeniu prevádzkových vlastností.

Podobné problémy vzniknú aj pri používaní olovnatého paliva. Aby ste dosiahli optimálne prevádzkové vlastnosti motora a chránili svoje zdravie a životné prostredie, používajte iba bezolovnaté palivo!

Na mazanie motora pridajte do paliva olej pre dvojtaktné motory (stupeň akosti: JASO FC alebo ISO EGD). Tento motor bol navrhnutý na používanie definovaného oleja pre dvojtaktné motory pri pomere zmesi 50:1 s cieľom chrániť životné prostredie.

Pri používaní daného pomeru zmesi palivo/olej je okrem toho možné garantovať dlhú životnosť a spoľahlivú prevádzku zariadenia, ako aj minimálne emisie. Spoľahlivé fungovanie krovínorezu je možné garantovať jedine pri prísnom dodržaní tohto pomeru zmesi 50:1 (olej pre dvojtaktné motory v súlade so špecifikáciou).

Správny pomer zmesi:

Benzín: Špecifikovaný motorový olej pre dvojtaktné motory = 50 : 1 alebo
Benzín: Motorový olej pre dvojtaktné motory od iného výrobcu = 25 : 1 – odporúčaný pomer

POZNÁMKA: Na prípravu zmesi paliva a oleja najskôr zmiešajte všetok olej s polovicou požadovaného množstva paliva, potom pridajte zvyšok paliva. Pred vliatím do palivovej nádrže krovínorezu zmes dôkladne pretrepte. Na zaistenie bezpečnej prevádzky nepridávajte väčšie než špecifikované množstvo oleja. Dôjde tým iba k vyššej produkcii spalín, ktoré znečistia prostredie a zanesú výfukový kanál valca, ako aj tlmič. Okrem toho sa zvýši spotreba paliva a zníži sa výkon.

Plnenie paliva

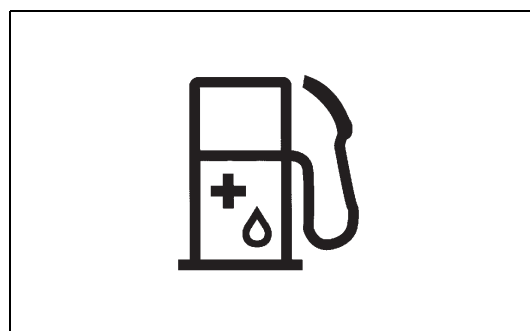
Motor musí byť vypnutý.



- Dôkladne očistite priestor okolo uzáveru palivovej nádrže (2), aby sa do palivovej nádrže (1) nedostali nečistoty.
- Odskrutkujte uzáver palivovej nádrže (2) a nádrž naplňte palivom.
- Uzáver palivovej nádrže (2) pevne naskrutkujte.
- Po naplnení paliva utrite naskrutkovaný uzáver palivovej nádrže (2) a samotnú nádrž.

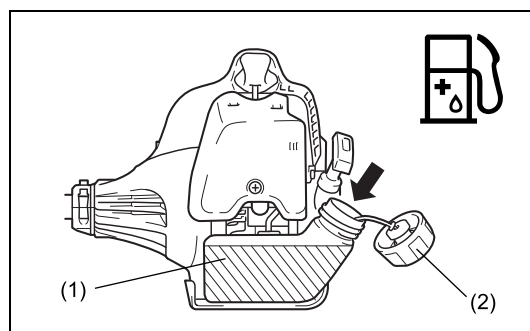
Skladovanie paliva

Palivo sa nesmie skladovať neobmedzený čas.

Kupujte iba množstvo, ktoré je potrebné na 4-týždňovú prevádzku. Používajte jedine schválené obaly na skladovanie paliva.



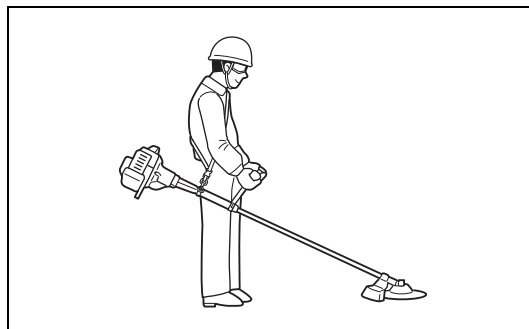
Benzín	50:1	25:1
	+	
1000 cm ³ (1 liter)	20 cm ³	40 cm ³
5000 cm ³ (5 litrov)	100 cm ³	200 cm ³
10000 cm ³ (10 litrov)	200 cm ³	400 cm ³



Správna manipulácia

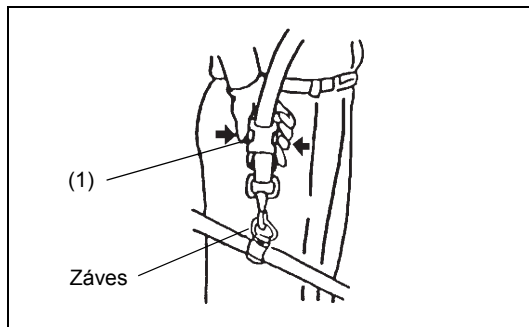
Prípojenie popruhu na plece

- Dĺžku popruhu nastavte tak, aby bola sečná čepel držaná rovnobežne so zemou.



Odpojenie

- V prípade núdze stlačte západky (1) na oboch stranách a odpojte zariadenie. Buďte pritom veľmi opatrní, aby ste zachovali kontrolu nad zariadením. Nedovoľte, aby sa zariadenie otočilo smerom k vám alebo ku komukoľvek vo vašej blízkosti.
- VÝSTRAHA: Nezachovanie úplnej kontroly nad strojným zariadením môže mať za následok vážne poranenie alebo SMRŤ.
- Poznámka: V niektorých krajinách popruh na plece nemá túto funkciu odpojenia.



Dôležité pravidlá prevádzkovania/zastavenie krovínorezu/kosačky

Dodržiavajte platné predpisy týkajúce sa predchádzania úrazom.



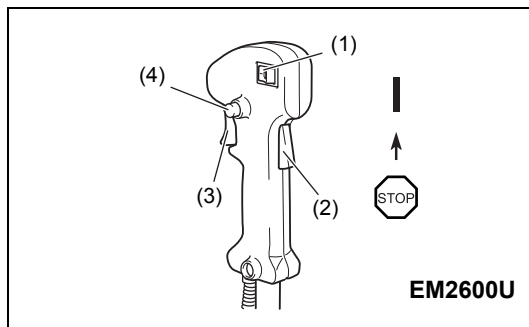
Naštartovanie

Presuňte sa aspoň 3 m od miesta, kde ste dopĺňali palivo do zariadenia. Krovínorez položte na čisté miesto na zemi a dávajte pozor, aby sa sečné čepele nedotýkali zeme ani iných predmetov.

VÝSTRAHA: Dávajte pozor, pretože sečné náradie sa začne otáčať ihneď po naštartovaní motora.

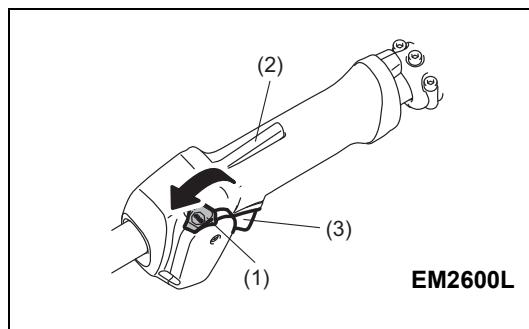
Studený štart u modelov s rukoväťou typu U

- Vypínač I-Stop (zap./vyp.) (1) uveďte do polohy podľa obrázku.
- Uchopte rukoväť (tlak ruky aktivuje bezpečnostnú páčku odblokovania (2)).
- Stlačte páčku škrtiacej klapky (3) a podržte ju stlačenú.
- Stlačte blokovacie tlačidlo (4), uvoľnite ovládaciu páčku a potom uvoľnite blokovacie tlačidlo (blokovacie tlačidlo drží páčku škrtiacej klapky v polohe na štart).



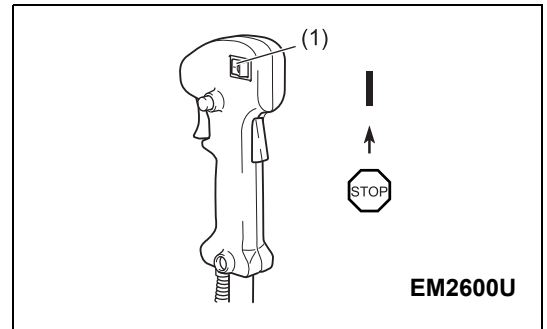
Studený štart u modelov s uzavretou rukoväťou

- Vypínač Start-Stop (1) uveďte do štartovacej polohy, ako je to znázornené na obrázku.
- Uchopte rukoväť (tlak ruky aktivuje bezpečnostnú páčku odblokovania (2)).
- Stlačte páčku škrtiacej klapky (3) a podržte ju stlačenú.
- Prepnete vypínač Start-Stop (1) do polohy na štart, uvoľnite ovládaciu páčku a potom uvoľnite vypínač Start-Stop (vypínač Start-Stop drží páčku škrtiacej klapky v polohe na štart).



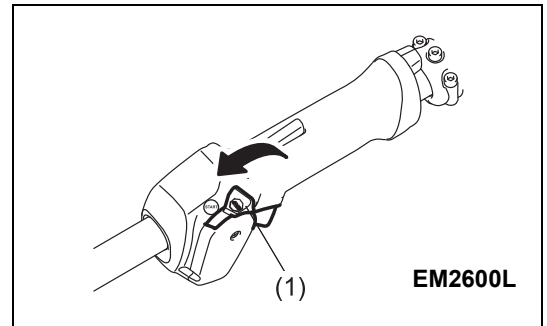
Teply štart u modelov s rukoväťou typu U

- Vypínač I-Stop (zap./vyp.) (1) uveďte do polohy podľa obrázka.



Teply štart u modelov s uzavretou rukoväťou

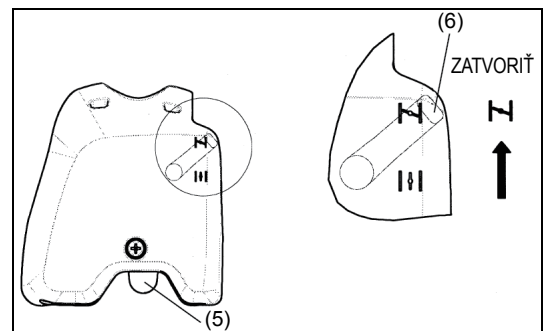
- Vypínač Start-Stop (1) uveďte do neutrálnej polohy, ako je to znázornené na obrázku.



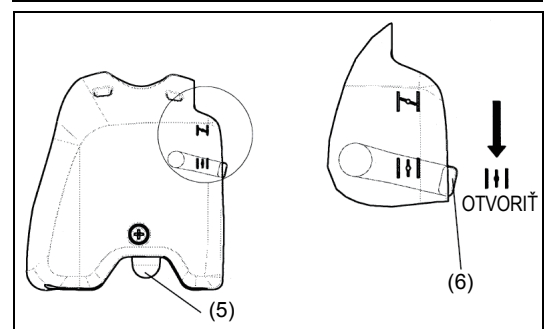
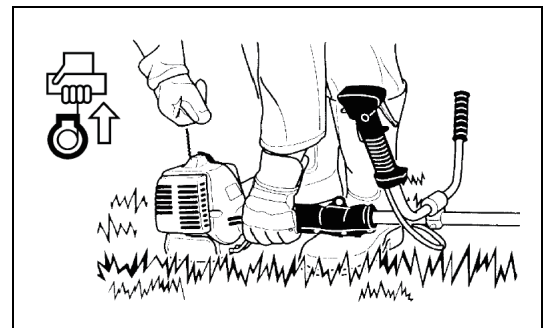
- Najprv uložte zariadenie na zem.
- Opakovane jemne stláčajte vstrekovacie čerpadlo (5) (7 – 10 krát), kým sa do vstrekovacieho čerpadla nedostane palivo.
- Zatvorte páčku sýtiča (6).

Otvorenie sýtiča:

- Úplné zatvorenie pri chladnom počasí alebo keď je motor chladný
- Úplné alebo polovičné otvorenie s cieľom opätovného štartu, keď je ešte motor teplý



- Ľavou rukou pevne uchopíte skriňu spojky, ako je to znázornené na obrázku.
- Pomaly ťahajte za rukoväť štartéra, kým nepocítíte odpor. Potom ťahajte prudkým pohybom.
- Lanko štartéra nevyťahujte v celej jeho dĺžke a nedovoľte, aby sa rukoväť štartéra stiahla samovoľne späť. Lanko štartéra majte pod kontrolou a dbajte na to, aby sa navíjalo späť pomaly.
- Postup štartovania opakujte dovtedy, kým nebudete počuť prvé zážihy motora.
- Stlačte páčku sýtiča (6) (↓) a znovu potiahnite lanko štartéra, kým sa motor nenašartuje.
- Ihneď po nábehu motora stlačte a uvoľnite škrtiacu klapku, aby sa uvoľnila západka polovičného otvorenia škrtiacej klapky a aby mohol motor bežať vo voľnobehu.
- Motor nechajte bežať asi jednu minútu na nízkych otáčkach a až následne úplne otvorte škrtiacu klapku.



POZNÁMKA: - Pokiaľ budete rukoväť štartéra opakovane ťahať, kým je páčka sýtiča v polohe „↓“, motor ľahko nenašartuje kvôli nadmernému prívodu paliva.

- V prípade nadmerného prívodu paliva demontujte zapaľovaciu sviečku a pomalým potiahnutím rukoväti štartéra odstráňte nadbytočné palivo. Okrem toho vysušte časť elektródy zapaľovacej sviečky.

Počas prevádzky dávajte pozor:

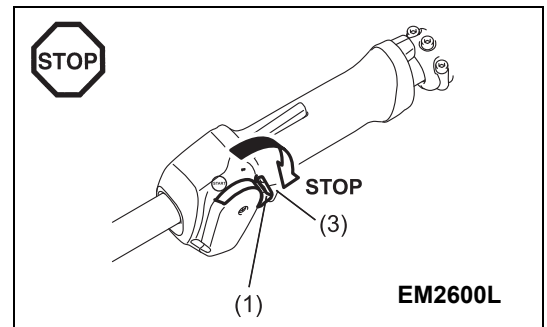
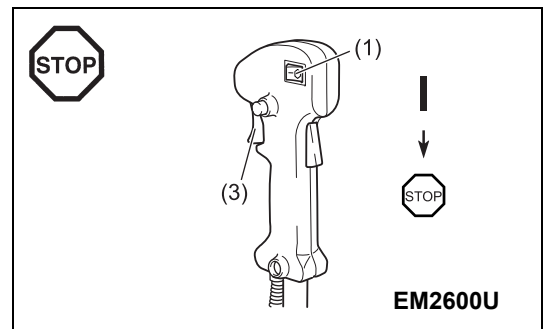
Ak je pri voľnobehu páčka škrtiacej klapky úplne otvorená, otáčky motora vystúpia nad 10000min^{-1} . Motor nikdy neprevádzkujte pri vyššej než požadovanej rýchlosti a otáčky udržiavajte na úrovni približne $6000 - 8000\text{min}^{-1}$.

UPOZORNENIE: Vždy keď sa zariadenie nepoužíva v pracovnom režime, znížte otáčky motora.

Prevádzkovaním zariadenia na vysokých otáčkach, keď nie je v pracovnom režime, sa skracuje jeho životnosť.

Zastavenie

- Uvoľnite úplne páčku škrtiacej klapky (3) a keď sa znížia otáčky motora, prepnite vypínač I-Stop (zap./vyp.)/vypínač Start-Stop (1) do polohy „STOP“ (ZASTAVENIE), aby sa motor vypol.
- Dávajte pozor, pretože sečná hlava sa nemusí zastaviť okamžite, a preto ju vždy nechajte, aby sa sama spomalila až do úplného zastavenia.



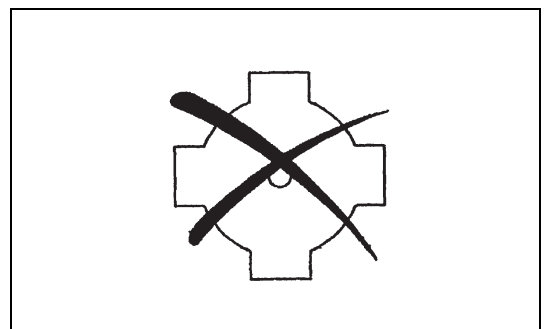
Ostrenie sečného náradia

UPOZORNENIE: Nižšie uvedené sečné náradie smie opätovne ostríť len autorizované stredisko. Manuálne ostrenie povedie k nevyváženosti sečného náradia s následkom vibrácií a poškodenia zariadenia.

- sečná čepeľ (hviezdicová čepeľ (4 zuby))

Odborné ostrenie a vyváženie poskytujú autorizovaní servisní zástupcovia.

POZNÁMKA: Kvôli predĺženiu životnosti sečnej čepele (hviezdicová čepeľ) je možné ju otočiť, aby sa opotrebovali obidve sečné hrany.



NYLONOVÁ SEČNÁ HLAVA

Nylonová sečná hlava predstavuje sečnú hlavu s dvojitou strunou, ktorá je vhodná pre automatický mechanizmus a mechanizmus typu udríeť a vysunúť strunu.

Nylonová sečná hlava automaticky vysunie správnu dĺžku nylonovej struny zmenou odstredivej sily spôsobenej zvyšovaním alebo znižovaním hodnoty otáčok za minútu. Ak však chcete kosiť mäkkú trávu účinnejšie, udríte nylonovou sečnou hlavou o zem, čím dôjde k vysunutiu dodatočnej dĺžky struny tak, ako je to uvedené v časti o prevádzke.

Prevádzka

- Zvýšte otáčky nylonovej sečnej hlavy na hodnotu asi 6000min^{-1} . Pri nižších otáčkach (menej ako 4800min^{-1}) sa nylonová struna nevysúva správne.
- Na obrázku vpravo je tieňovaním označená najúčinnejšia sečná plocha.

Pokiaľ sa nylonová struna nevysúva automaticky, postupujte podľa nasledujúcich pokynov:

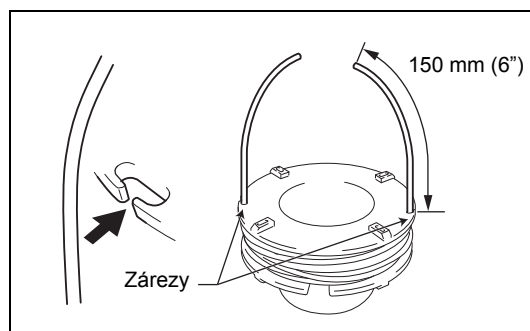
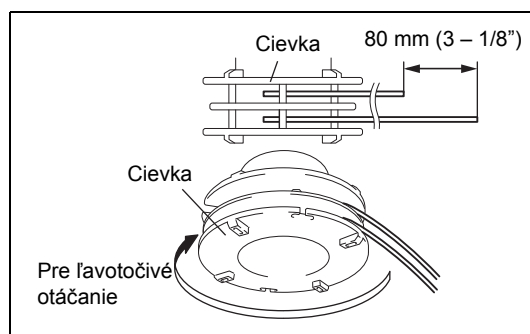
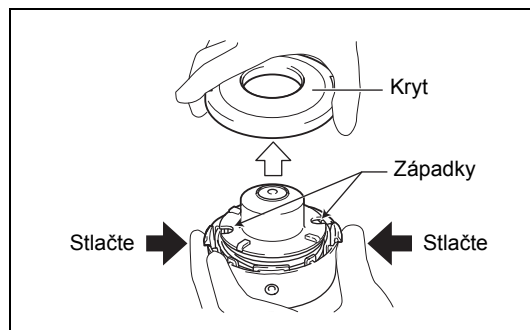
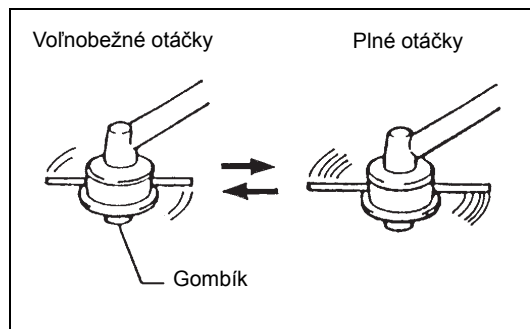
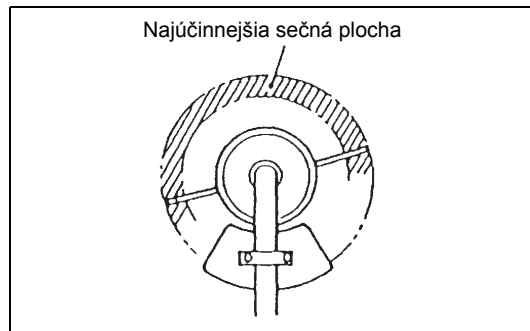
1. Uvoľnite páčku škrtiacej klapky, aby bežal motor vo voľnobehu a následne páčku škrtiacej klapky stlačte úplne. Tento postup opakujte, kým sa nylonová struna nevysunie na správnu dĺžku.
2. Ak je nylonová struna príliš krátka, aby sa vysunula automaticky podľa hore uvedeného postupu, udríte nylonovou sečnou hlavou o zem, čím dôjde k vysunutiu dodatočnej dĺžky nylonovej struny.
3. Ak sa nylonová struna nevysunie ani pri použití postupu 2, nylonovú strunu odviňte/vymeňte podľa postupu uvedeného v časti „Výmena nylonovej struny“.

Výmena nylonovej struny

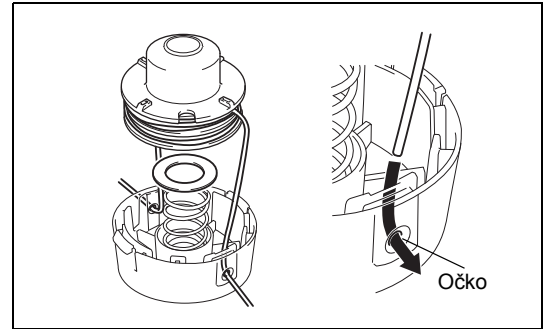
- Zastavte motor.
- Západky na skrini stlačte smerom dovnútra, čím sa zdvihne kryt a následne vyberte cievku.

- Zaháčkujte stred novej nylonovej struny do zárezu v strednej časti cievky, pričom musí byť jeden koniec struny o asi 80 mm ($3 - 1/8''$) dlhší než druhý. Následne oba konce pevne oviňte okolo cievky v smere otáčania hlavy (ľavotočivý smer je označený znakom LH a pravotočivý smer je označený znakom RH na boku cievky).

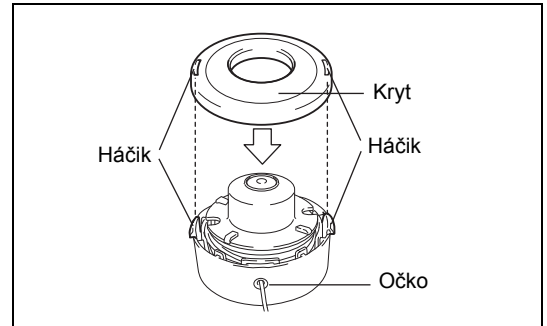
- Naviňte celé struny okrem približne 150 mm ($6''$) z ich dĺžky; tieto konce dočasne zaháčkujte o zárez na boku cievky.



- Vyvlečte struny cez očká von zo skrine.
Do skrine nainštalujte podložku, pružinu a cievku.



- Zarovnajte háčiky na kryte a skriini.
Potom kryt pevne zatlačte na skriňu a zaistite ho.



Pokyny na vykonávanie servisu

Pokyny na vykonávanie servisu

UPOZORNENIE: Pred vykonávaním akejkoľvek údržby na krovínoreze vždy najprv vypnite motor a zo zapalovacej sviečky odpojte kryt (pozrite si časť „Kontrola zapalovacej sviečky“).
Vždy používajte ochranné rukavice.

UPOZORNENIE: Odmontovanie navijacieho štartéra nikdy nevykonávajte vy sami. Môže to viesť k úrazu. Tento postup by mal vykonávať iba autorizovaný servisný zástupca.

Na zaistenie dlhej životnosti zariadenia a zabránenie jeho poškodeniu vykonávajte v pravidelných intervaloch nasledujúce údržbárske činnosti.

Každodenná kontrola a údržba

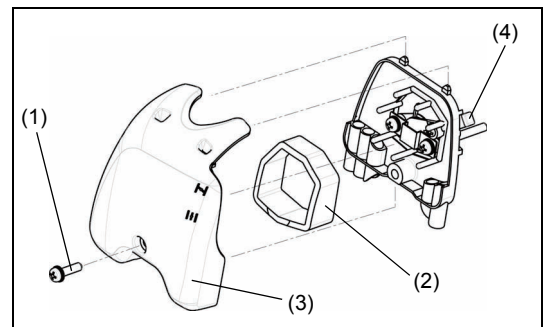
- Pred prevádzkou skontrolujte, či na zariadení nie sú uvoľnené skrutky alebo chýbajúce súčasti. Hlavný dôraz venujte utiahnutiu sečnej čepele alebo nylonovej sečnej hlavy.
- Pred prevádzkou vždy skontrolujte a uistite sa, že vedenie chladiaceho vzduchu a rebrá valca nie sú zanesené. V prípade potreby ich vyčistite.
- Každodenne po použití vykonajte nasledujúce operácie údržby:
 - Krovínorez očistite z vonkajšej strany a skontrolujte, či nie je poškodený.
 - Vyčistite vzduchový filter. Pokiaľ pracujete v silne prašnom prostredí, filter vyčistite niekoľkokrát za deň.
 - Skontrolujte, či sečná čepeľ alebo nylonová sečná hlava nie je poškodená a uistite sa, že je pevne namontovaná.
 - Uistite sa, že medzi voľnobežnými otáčkami a prevádzkovými otáčkami je dostatočný rozdiel, aby sa zabezpečilo, že sečné náradie sa počas voľnobehu nepohybuje (v prípade potreby znížte voľnobežné otáčky).
Ak sa sečné náradie točí ďalej, aj keď je motor vo voľnobehu, obráťte sa na najbližšieho autorizovaného servisného zástupcu.
- Skontrolujte správnu funkčnosť vypínača I-Stop (zap./vyp./vypínača Start-Stop, páčky odblokovania, ovládacej páčky a blokovacieho tlačidla.



Čistenie vzduchového čističa (filtra)

- Otočte páčku sýtiča (4) úplne na stranu zatvorenia a zabráňte prístupu prachu a nečistôt do karburátora.
- Odmontujte skrutku (1).
- Demontujte kryt vzduchového filtra (3).
- Odmontujte penový prvok (2), umyte ho vo vlažnej vode a nechajte ho úplne vyschnúť.
- Po vyčistení nasadte kryt vzduchového filtra (3) a utiahnite skrutku (1).

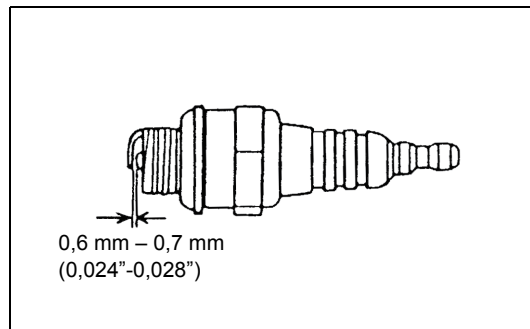
POZNÁMKA: Ak sa vzduchový filter nadmerne znečisťuje prachom alebo sa špiní, čistite ho každý deň. Zanesený vzduchový filter môže negatívne ovplyvniť alebo znemožniť naštartovanie motora, alebo zvýšiť jeho otáčky.



Kontrola zapaľovacej sviečky

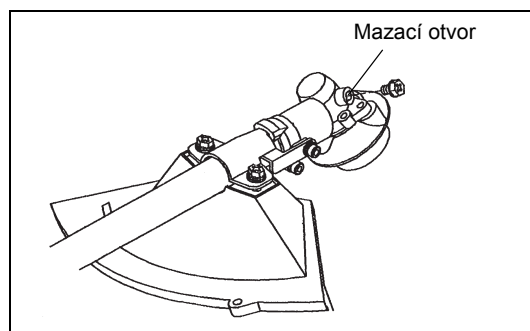
- Na demontáž a inštaláciu zapaľovacej sviečky používajte len dodávaný univerzálny kľúč.
- Štrbina medzi elektródami zapaľovacej sviečky by mala byť 0,6 – 0,7 mm (0,024" – 0,028"). Ak je štrbina veľmi široká alebo veľmi úzka, upravte ju. Ak je zapaľovacia sviečka zanesená uhlíkom alebo znečistená, dôkladne ju vyčistite alebo ju vymeňte.

UPOZORNENIE: Pokiaľ motor beží, nikdy sa nedotýkajte konektora zapaľovacej sviečky (riziko zasiahnutia vysokonapäťovým elektrickým prúdom).



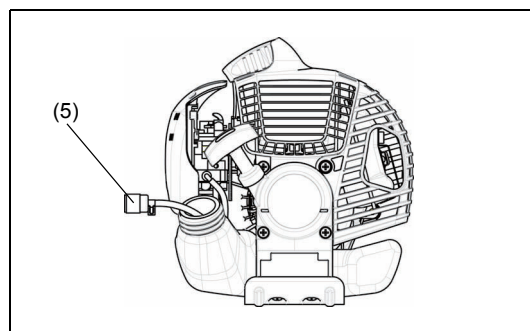
Naplnenie maziva do prevodovky

- Mazivo (Shell Alvania 3 alebo rovnocenné mazivo) naneste do prevodovky cez mazací otvor každých 30 hodín. (Originálne mazivo značky MAKITA si môžete zakúpiť u predajcu výrobkov značky MAKITA.)



Nasávací hlava v palivovej nádrži

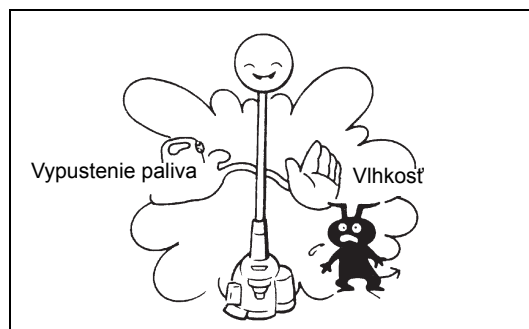
- Palivový filter (5) nasávacej hlavy sa používa na prívod paliva, ktoré potrebuje karburátor.
- Palivový filter pravidelne vizuálne kontrolujte. Keď chcete filter skontrolovať, otvorte uzáver plniaceho hrdla a pomocou drôteného háku vytiahnite nasávaciu hlavu von cez otvor nádrže. Keď je filter stuhnutý, mimoriadne znečistený alebo zanesený, vymeňte ho.
- Nedostatočný prívod paliva môže viesť k prekročeniu maximálnych dovolených otáčok. Palivový filter je preto nutné vymeniť aspoň raz za štvrtok, aby sa zabezpečil vyhovujúci prívod paliva do karburátora.



Akúkoľvek inú údržbu alebo nastavenie, ktoré nie sú popísané v tomto návode, smie vykonávať jedine autorizovaný servisný zástupca.

Uskladnenie

- V prípade dlhodobého uskladnenia zariadenia vypustíte z palivovej nádrže a karburátora celé množstvo paliva. Celé množstvo paliva jednoducho nechajte vytiecť z palivovej nádrže. Vypustené palivo zlikvidujte v súlade s platnými miestnymi zákonmi.
- Demontujte zapaľovaciu sviečku a do otvoru zapaľovacej sviečky nakvapkajte niekoľko kvapiek oleja. Následne mierne potiahnite štartér, aby sa na povrchoch vo vnútri motora vytvoril olejový povlak a zapaľovaciu sviečku utiahnite.
- Odstráňte nečistoty a prach zo sečnej čepele a z vonkajšej strany motora a utrite ich tkaninou namočenou do oleja. Zariadenie uskladnite na suchom mieste.



Harmonogram údržby

Všeobecné	Montážna zostava motora, skrutky, matice	Vizuálna kontrola výskytu poškodení a utiahnutia Kontrola všeobecného stavu a bezpečnosti
Po každom doplnení paliva	Ovládacia páčka Vypínač I-Stop (zap./vyp.)/vypínač Start-Stop)	Kontrola funkčnosti Kontrola funkčnosti
Každodenne	Vzduchový filter Vedenie chladiaceho vzduchu Sečné náradie Voľnobežné otáčky	Vyčistite Vyčistite Skontrolujte poškodenie a ostrosť Kontrola (sečné náradie sa nesmie pohybovať)
Týždenne	Zapaľovacia sviečka Tlmič	Kontrola, v prípade potreby výmena Vykonať kontrolu a v prípade potreby vyčistite otvor
Štvrťročne	Nasávacía hlava Palivová nádrž	Vymeňte Vyčistite
Vypínanie	Palivová nádrž Karburátor	Palivovú nádrž vyprázdniť Nechajte bežať, kým sa nespotrebuje celé množstvo paliva

Riešenie problémov

Chyba	Systém	Pozorovanie	Príčina
Motor nenašartuje, alebo našartuje ťažko	Systém zapaľovania	Zapaľovacia sviečka je v poriadku Žiadna zapaľovacia iskra	Chyba prívodu paliva alebo systému kompresie; mechanická chyba Bol použitý vypínač I-Stop (zap./vyp.)/vypínač Start-Stop; chybné vedenie alebo skrat; chybná zapaľovacia sviečka alebo konektor; chybný modul zapaľovania
	Prívod paliva	Palivová nádrž je naplnená	Nesprávna poloha škrtiacej klapky; chybný karburátor; vedenie paliva je ohnuté alebo zablokované; palivo je znečistené.
	Kompresia	Po zatahnutí nedochádza ku kompresii	Chybné spodné tesnenie valca; poškodené tesnenia kľukového hriadeľa; tesniace krúžky valca alebo piesta sú chybné, alebo nie je správne tesnenie zapaľovacej sviečky
	Mechanická chyba	Štartér nenabieha	Zlomená pružina štartéra; zlomené súčasti vo vnútri motora
Problémy pri teplom štarte		Nádrž je naplnená. Zapaľovacia sviečka je v poriadku	Znečistený karburátor; je potrebné ho vyčistiť
Motor sa spustí, ale samovoľne zastane	Prívod paliva	Nádrž je naplnená	Nesprávne nastavenie voľnobehu; znečistený karburátor Odvzdušňovanie palivovej nádrže je chybné; prívod paliva je prerušený, kábel alebo vypínač I-Stop (zap./vyp.)/vypínač Start-Stop sú chybné
Nedostatočný výkon	Možno je súčasne chybných niekoľko systémov	Voľnobež motora je slabý	Znečistený vzduchový filter; znečistený karburátor; zanesený tlmič výfuku; výfukové vedenie valca je zanesené

Děkujeme za zakoupení křovinořezy/strunové sekačky MAKITA. Křovinořezy/strunové sekačky MAKITA patří mezi výrobky, jež jsou výsledkem propracovaného vývojového programu a zúročením dlouholetých znalostí a zkušeností v této oblasti.

Tuto brožuru si pečlivě přečtěte, abyste co nejlépe zužitkovali výkon křovinořezy/strunové sekačky MAKITA a při práci s tímto zařízením dosáhli vynikajících výsledků.



Obsah	Strana
Symbole	128
Bezpečnostní pokyny	129
Technická data	133
Názvy dílů	134
Montáž držadla	135
Montáž ochranného krytu	136
Montáž nože/strunové hlavy	137
Palivo/doplňování paliva	138
Správná manipulace se zařízením	139
Důležité poznámky k ovládání/vypnutí křovinořezy/ sekačky	139
Ostření vyžínacího nástroje	141
Servisní pokyny	143
Skládování	145

Symbole

Při čtení návodu k obsluze je třeba, abyste si povšimli následujících symbolů.

	Přečtěte si návod k obsluze		Používejte ochranu zraku a sluchu (pouze při práci se strunovou sekačkou)
	Buďte obzvláště opatrní a dávejte pozor		Používejte ochrannou přilbu a ochranu zraku a sluchu (pouze při práci s křovinořezem)
	Zakázáno		Nepoužívejte kovové nože (pouze při práci se strunovou sekačkou)
	Dodržujte bezpečnou vzdálenost		Maximální povolené otáčky nástroje
	Nebezpečí odletujících úlomků		Horké plochy – nebezpečí popálení prstů či rukou
	Zákaz kouření		Palivo a směs s olejem
	Zákaz používání otevřeného ohně		Ruční startování motoru
	Nutno použít ochranné rukavice		Nouzové zastavení
	Zpětný ráz		První pomoc
	Zamezte vstupu na pracoviště všem osobám a domácím zvířatům		ZAP./START
	Noste pevnou obuv s protiskluzovou podrážkou. Doporučujeme bezpečnostní obuv s ocelovou špičkou.	○	VYP./STOP
			START

Bezpečnostní pokyny

Obecné pokyny

- K zajištění správného provozu si přečtěte tento návod k obsluze, abyste se obeznámili s obsluhou křovinořezy/strunové sekačky a ujistěte se, zda jste zcela porozuměli veškerému obsahu. Používání tohoto zařízení bez pochopení jeho správné obsluhy může způsobit vážná zranění vám či ostatním osobám.
- Křovinořezy/strunové sekačky půjčujte pouze osobám s prokázanými zkušenostmi s obsluhou těchto zařízení. K zařízení vždy zapůjčete také tento návod k obsluze.
- Jestliže budete s motorovou sekačkou pracovat poprvé, vyžádejte si základní pokyny od prodejce.
- Křovinořez/strunovou sekačku nesmí obsluhovat děti a osoby mladší 18 let. Osoby starší 16 let sice mohou zařízení používat za účelem získání praxe, avšak pouze pod dohledem kvalifikované osoby.
- Křovinořez/strunovou sekačku používejte s maximální opatrností a obezřetností.
- Křovinořez/strunovou sekačku používejte pouze pokud jste v dobrém fyzickém stavu. Veškerou práci provádějte klidně a opatrně. Uživatelé musí převzít odpovědnost za okolní osoby.
- Křovinořez/strunovou sekačku nikdy nepoužívejte po požití alkoholu či léků ani pokud jste unavení či nemocní.

VAROVÁNÍ: Při provozu tohoto elektrického nářadí vzniká elektromagnetické pole. Toto pole může za určitých okolností rušit činnost aktivních či pasivních lékařských implantátů. Osobám s lékařskými implantáty proto v zájmu omezení nebezpečí vážného poškození zdraví nebo i smrtelného úrazu doporučujeme, aby se před používáním tohoto zařízení poradily s lékařem nebo výrobcem příslušného implantátu.

Účel použití zařízení

- Křovinořez/strunová sekačka jsou určeny pouze k sekání trávy, plevelu, křovin či jiného podrostu; zařízení nesmí být nikdy použito k žádnému jinému účelu, například k zařezávání okrajů nebo ke stříhání živého plotu, neboť by mohlo dojít ke zranění.

Osobní ochranné pomůcky

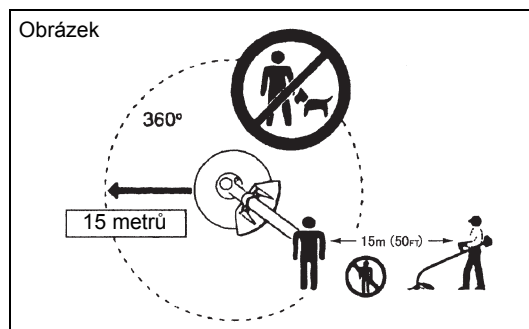
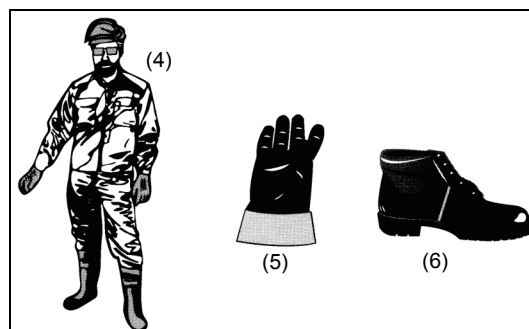
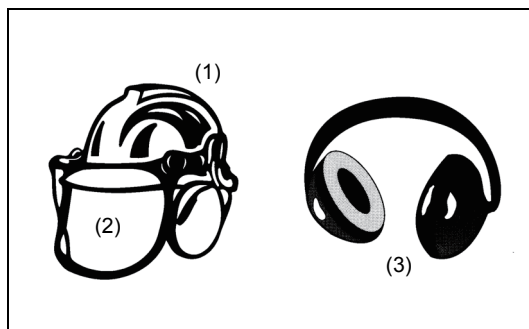
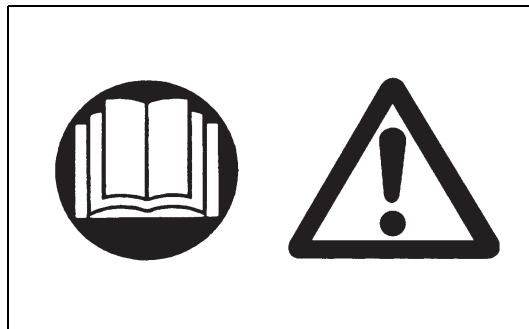
- Noste vždy funkční oděv, jenž bude vhodný pro vykonávanou práci (přiléhavý, avšak nikoli těsný, aby neomezoval v pohybu). Nenoste šperky ani oděv, který by se mohl zachytit o houštinu či křoviny.
- Při práci s motorovým křovinořezem/strunovou sekačkou je nutné používat následující ochranný oděv a ochranné prostředky zamezující zranění hlavy, očí, rukou, nohou či poškození sluchu.
- Při nebezpečí odlétávajících úlomků vždy noste ochrannou přilbu. Ochrannou přilbu (1) pravidelně kontrolujte, zda není poškozena. Přilbu je třeba nejpозději po pěti letech vyměnit. Používejte pouze schválené ochranné přilby.
- Ochranný štít (2) přilby (případně ochranné brýle) chrání tvář před odletujícími úlomky či kameny. K zamezení zranění očí noste při práci s křovinořezem/strunovou sekačkou vždy ochranné brýle nebo štít.
- K zamezení poškození sluchu používejte vhodné chrániče sluchu (ochranná sluchátka (3), ucpávky do uší, apod.).
- Pracovní kombinézy (4) chrání před odletujícími kameny a úlomky. Důrazně doporučujeme, abyste pracovní kombinézy používali.
- Součástí předepsaného vybavení tvoří speciální rukavice (5) ze silné kůže, jež musí obsluha při práci s křovinořezem/strunovou sekačkou vždy nosit.
- Při práci s křovinořezem/strunovou sekačkou vždy noste pevnou obuv (6) s protiskluzovou podrážkou. Používáním správné obuvi zamezíte zraněním a zajistíte si správný postoj.

Zbytková rizika

- Ani při používání elektrického nářadí v souladu s pokyny není možné eliminovat veškeré zbývající rizikové faktory. V souvislosti s konstrukcí a designem elektrického nářadí mohou vyvstat následující nebezpečí:
 1. Poškození plic v případě nepoužívání účinného respirátoru.
 2. Poškození sluchu při nepoužívání účinné ochrany sluchu.
 3. Poškození zdraví v důsledku emisí vibrací, jestliže se s nářadím pracuje delší dobu, manipuluje se s ním nesprávně nebo schází náležitá údržba.

Startování křovinořezy

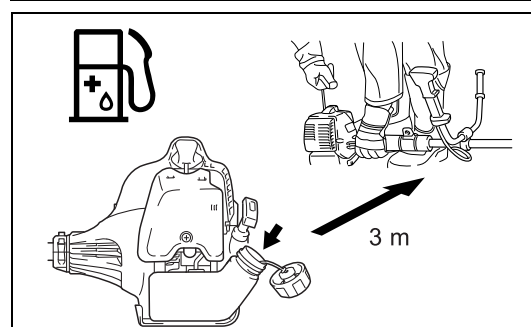
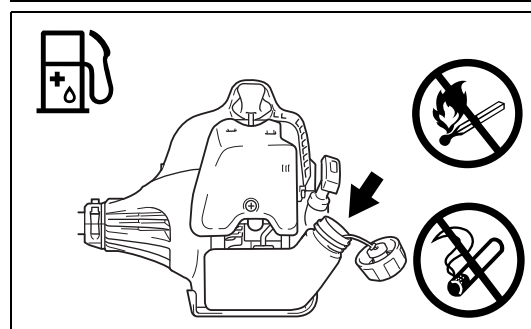
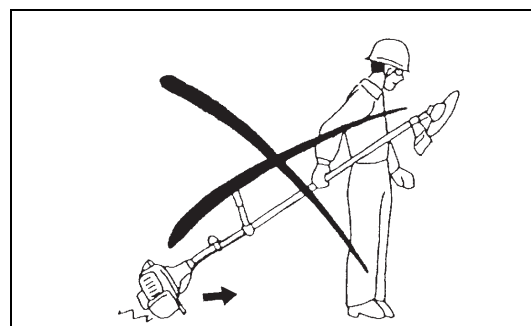
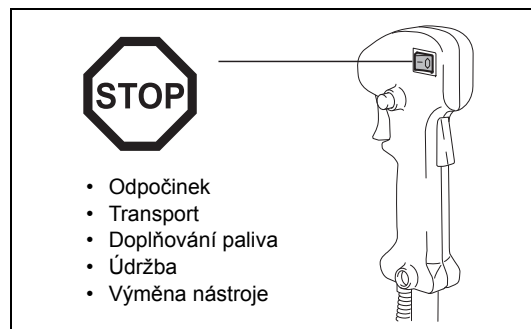
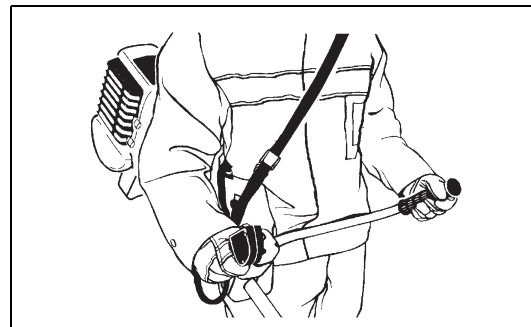
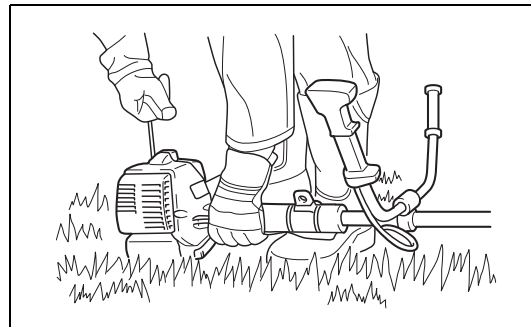
- Ujistěte se, zda nejsou v pracovním prostoru v okruhu 15 metrů žádné děti a další osoby a dejte také pozor na zvířata v blízkosti místa vykonávané práce.
- Před použitím vždy zkontrolujte, zda křovinořez/strunová sekačka umožňuje bezpečný provoz:
Zkontrolujte bezpečnost vyžinacího nástroje, zda se snadno pohybuje ovládací páčka a zda správně funguje pojistka ovládací páčky.
- Vyžinací nástroj se nesmí ve volnoběžných otáčkách pohybovat. Pokud se domníváte, že zařízení vyžaduje seřízení, poraďte se s prodejcem. Zkontrolujte, zda jsou držadla čistá a suchá a vyzkoušejte správnou funkci přepínače start/stop.



- Křovinořez/strunovou sekačku startujte pouze v souladu s pokyny. Nepoužívejte žádné jiné metody startování motoru!
- Křovinořez/strunovou sekačku a nástroje používejte pouze k určeným účelům.
- Motor křovinořezu/strunové sekačky nastavujte teprve po kompletním smontování zařízení. Se zařízením nepracujte, dokud nebude nasazeno veškeré náležité příslušenství!
- Před nastartováním se ujistěte, zda není vyžínací nástroj v kontaktu s pevnými předměty, například s větvemi, kameny atd., neboť vyžínací nástroj se po startu uvede do pohybu.
- Při zpozorování jakýchkoli problémů s motorem motor okamžitě vypněte.
- Jestliže vyžínací nástroj narazí do kamenů či jiných tvrdých předmětů, vypněte motor a vyžínací nástroj ihned prohlédněte.
- Vyžínací nástroj pravidelně a v krátkých intervalech kontrolujte, zda není poškozený (vlasové trhliny zjistíte sluchem při poklepaní).
- S křovinořezem/strunovou sekačkou pracujte pouze po nasazení a seřízení ramenního popruhu na správnou délku. Ramenní popruh musí být nastaven podle výšky uživatele a upevněn tak, aby se omezila námaha při obsluze zařízení. Při práci zařízení nikdy nedržte jen jednou rukou.
- Během provozu držte křovinořez/strunovou sekačku vždy oběma rukama. Vždy si zajistěte pevný postoj.
- S křovinořezem/strunovou sekačkou pracujte tak, abyste nevdechovali výfukové plyny. Motor nikdy nenechávejte běžet v uzavřených prostorách, například v místnostech (nebezpečí otravy výfukovými plyny). Oxid uhelnatý je plyn bez zápachu.
- Při odpočinku a při ponechání křovinořezu/strunové sekačky bez dozoru vždy vypněte motor a náradí uložte na bezpečném místě, abyste zamezili zranění ostatních osob či poškození zařízení.
- Rozehřátý křovinořez/strunovou sekačku nikdy nepokládejte do suché trávy ani na žádné jiné hořlavé materiály.
- Vyžínací nástroj musí být vždy opatřen příslušným krytem. Zařízení bez tohoto krytu nikdy nespouštějte!
- Během provozu musí být použity všechny ochranné prvky a kryty dodané k zařízením.
- Motor nikdy nespouštějte, pokud je vadný tlumič výfuku.
- Při přenášení zařízení vypněte motor.
- Při transportu zařízení vždy nasadte na nůž kryt.
- Při transportu zajistěte bezpečné uložení křovinořezu/strunové sekačky, aby nedošlo k úniku paliva.
- Při transportu křovinořezu/strunové sekačky zajistěte kompletní vyprázdnění palivové nádrže.
- Při vykládání křovinořezu/strunové sekačky z auta či vozidla zařízení nikdy nepouštějte motorem na zem, neboť by mohlo dojít k vážnému poškození palivové nádrže.
- S výjimkou stavu nouze křovinořez/strunovou sekačku nikdy nepouštějte na zem – mohlo by dojít k vážnému poškození zařízení.
- Při přenášení vždy zvedněte ze země celé zařízení. Tahání zařízení po palivové nádrži je mimořádně nebezpečné, neboť může dojít k úniku paliva a způsobení požáru.
- Jestliže zařízení utrpí prudký náraz nebo pokud upadne, zkontrolujte před obnovením práce jeho stav. Překontrolujte, zda z palivového systému neuniká palivo a zda nedošlo k poruše ovládacích prvků a bezpečnostního zařízení. V případě zjištění poškození či v pochybnostech požádejte o prohlídku a opravu naše autorizované servisní středisko.

Doplňování paliva

- Při doplňování paliva vypněte motor, nepřibližujte se k otevřenému ohni a nekuřte.
- Zamezte kontaktu produktů z minerálních olejů s pokožkou. Nevdechujte výpary paliva. Při doplňování paliva vždy používejte ochranné rukavice. Ochranný oděv v pravidelných intervalech vyměňujte.
- Dávejte pozor, abyste rozlitím paliva či oleje nezpůsobili kontaminaci půdy (chráňte životní prostředí). Při rozlití paliva křovinořez/strunovou sekačku neprodleně očistěte.
- Zajistěte, abyste si palivem nepotřísnili oděv. Při polítní oděvu palivem si oděv okamžitě vyměňte, abyste zamezili nebezpečí požáru.
- Pravidelně kontrolujte víčko palivové nádrže. Ujistěte se tak, že je správně dotaženo a palivo neuniká.
- Víčko palivové nádrže pečlivě dotáhněte. Po dokončení doplňování paliva se před startováním motoru přesuňte alespoň 3 metry od místa doplňování paliva.
- Palivo nikdy nedoplňujte v uzavřených prostorách, například v místnostech. V opačném případě může vinou nahromadění výparů paliva u země dojít k výbuchu.
- Palivo přepravujte a skladujte pouze ve schválených nádobách. Zajistěte, aby ke skladovanému palivu neměly přístup děti.



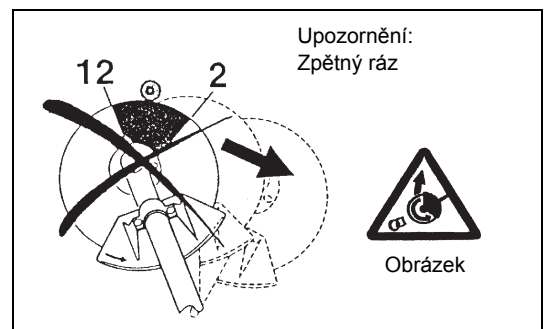
Provoz

- Křovinořez/strunovou sekačku používejte pouze za dobrého světla a viditelnosti. V zimním období dejte pozor na kluzká a vlhká místa, např. pokrytá ledem či sněhem (nebezpečí uklouznutí). Vždy si zajistíte bezpečný postoj.
- Nikdy nepracujte nad úroveň pasu.
- Při práci s křovinořezem/strunovou sekačkou nikdy nestůjte na žebříku.
- S křovinořezem/strunovou sekačkou nikdy nešplhejte na stromy.
- Nikdy nepracuje na nestabilních plochách.
- Z pracovního prostoru odstraňte písek, kameny, hřebíky apod. Cizorodá tělesa mohou poškodit vyžínací nástroj a způsobit nebezpečný zpětný ráz.
- Před zahájením práce zajistěte, aby byl vyžínací nástroj uveden do plných pracovních otáček.
- Jestliže se do vyžínacího nástroje a krytu zachytí tráva či větve, vypněte vždy před jejich odstraňováním motor. Rotující nůž by mohl obsluhu způsobit vážné zranění.
- Odpočívejte – zamezte tak ztrátě kontroly vinou únavy. Doporučujeme 10–20 minutový odpočinek po každé hodině práce.



Zpětný ráz (odskočení nože)

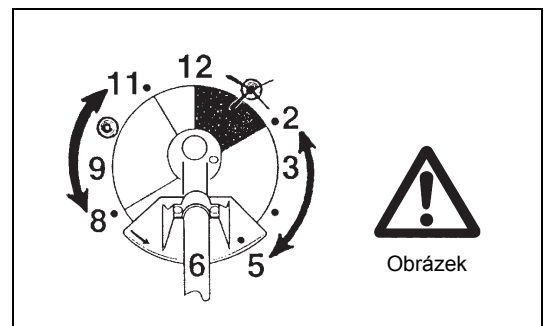
- Při práci s křovinořezem může dojít k nekontrolovanému zpětnému rázu.
- Ke zpětným rázům často dochází při snaze o sekání ve výšce nože mezi 12 a 2 hodinami.
- Nikdy nepracujte s využíváním výšece nože křovinořezu mezi 12 a 2 hodinami.
- Touto výšečí nože křovinořezu se nikdy nedotýkejte pevných předmětů, například křovin, stromů atd. o průměru přesahujícím 3 cm. Mohlo by dojít k velmi silnému vychýlení křovinořezu, což je mimořádně nebezpečné a mohlo by dojít ke zranění.



Předcházení zpětnému rázu

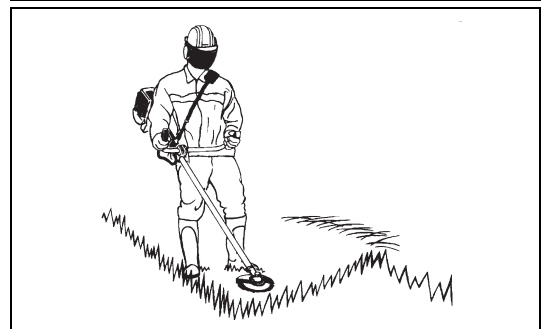
Zpětným rázům zamezíte dodržováním následujících pokynů:

- Využívání výšece nože v oblasti mezi 12 a 2 hodinami je mimořádně nebezpečné, zvláště při používání kovových vyžínacích nástrojů.
- Práce ve výšce nože mezi 11 a 12 hodinami a mezi 2 až 5 hodinami může provádět pouze školená a zkušená obsluha, a to pouze na vlastní nebezpečí. Optimální pracovní výšeč pro snadné sekání prakticky bez zpětných rázů se nachází mezi 8 až 11 hodinou výšece nože.



Vyžínací nástroje

- Pro vykonávanou práci použijte příslušný vyžínací nástroj. Strunové hlavy (s nylonovou sekací strunou) jsou vhodné k sekání trávníku. Kovové nože se hodí k sekání plevelu, vysoké trávy, křovin, keřů, mlází, houští apod. Nikdy nepoužívejte žádné jiné nástroje včetně kovových vícedílných řetízkových hlav a cepových nožů. V opačném případě může dojít k vážným zraněním.
- Při práci s kovovými noži dávejte pozor na „zpětné rázy“ a na náhodný zpětný ráz buďte vždy připraveni. Viz část „Zpětný ráz“ a „Předcházení zpětnému rázu“.



Pokyny k údržbě

- Servis zařízení svěďte našemu autorizovanému servisnímu středisku a vždy používejte pouze originální náhradní díly. Nesprávně provedené opravy či nedostatečná údržba mohou zkrátit životnost zařízení či zvýšit nebezpečí nehody.
- Před zahájením práce je nutné zkontrolovat stav nářadí, zvláště pak ochranných zařízení a ramenního popruhu. Zvláštní pozornost je třeba věnovat také nožům, jež musejí být správně naostřeny.
- Při výměně či ostření vyžínacích nástrojů a také při čištění nářadí či vyžínacího nástroje vypněte motor a odpojte konektor zapalovací svíčky.

Poškozené vyžínací nástroje nikdy nerovnejte a nesvařujte.

- Při práci s křovinořezem/strunovou sekačkou si počínejte tak, abyste způsobili co nejméně hluku a znečištění. Zkontrolujte zejména správné seřízení karburátoru.
- Křovinořez/strunovou sekačku pravidelně čistěte a kontrolujte, zda jsou dobře dotaženy všechny šrouby a matice.
- Údržbu ani skladování křovinořezu/strunové sekačky nikdy neprovádějte v blízkosti otevřeného ohně.
- Křovinořez/strunovou sekačku vždy skladujte v uzamčených místnostech a s vyprázdněnou palivovou nádrží.
- Při čištění, údržbě a skladování zařízení vždy nasadte na nůž kryt.

Dodržujte náležitě pokyny o bezpečnosti práce vydávané příslušnými obchodními sdruženími a pojišťovnami.

Křovinořez/strunovou sekačku nijak nepozměňujte, aby nedošlo k ohrožení vaší bezpečnosti.

Provádění údržby či oprav uživatelem je omezeno na aktivity předepsané v návodu k obsluze. Všechny ostatní práce svěřte zástupcům autorizovaného servisu. Používejte pouze originální náhradní díly a nástavce zajištěné a dodané společností MAKITA.

Použití neschváleného příslušenství a nástrojů představuje zvýšené nebezpečí nehod.

Společnost MAKITA nepřijímá žádnou odpovědnost za nehody či škody způsobené použitím neschválených vyžínacích nástrojů, upevňovacích zařízení vyžínacích nástrojů či příslušenství.

První pomoc

Pro případ nehody zajistěte, aby byla v blízkosti vykonávaných prací k dispozici lékárníčka. Použitý obsah lékárníčky je nutno okamžitě nahradit.

Při přivolávání pomoci poskytněte následující informace:

- Uveďte místo nehody
- Co se stalo
- Počet zraněných osob
- Druh zranění
- Uveďte své jméno

Vibrace

- Osoby se slabším krevním oběhem vystavené přílišným vibracím mohou utrpět zranění cévního či nervového systému. Vibrace mohou na prstech, rukou či zápěstích vyvolat následující příznaky: „ochablost“ (necitlivost), mravenčení, bolest, bodavá bolest, změna barvy či stavu pokožky. Trpíte-li jakýmkoli z těchto příznaků, vyhledejte lékaře!
- K zamezení vzniku oběhových problémů (Reynaudovy choroby) udržujte ruce při práci v teple a zajistěte dobrou údržbu zařízení i příslušenství.



Pouze pro evropské země

ES prohlášení o shodě

Společnost Makita Corporation jako odpovědný výrobce prohlašuje, že níže uvedené zařízení Makita:

popis zařízení: Křovinořez/Strunová sekačka
č. modelu/typ: EM2600U, EM2600L
Technické údaje: viz tabulka „TECHNICKÁ DATA“

vychází ze sériové výroby

a vyhovuje následujícím evropským směrnici:

2000/14/ES, 2006/42/ES, 2004/108/ES

a bylo vyrobeno v souladu s následujícími normami či normativními dokumenty:

EN ISO 11806-1, EN ISO 14982

Technická dokumentace je k dispozici na adrese:

Makita International Europe Ltd., Technical Department,
Michigan Drive, Tongwell, Milton Keynes, Bucks MK15 8JD, England

Postup posuzování shody vyžadovaný směrnicí 2000/14/ES byl v souladu s přílohou V.

Naměřená hladina akustického výkonu: (jako vyžínače): 109,77 dB

Naměřená hladina akustického výkonu: (jako křovinořezu): 107,29 dB

Zaručená hladina akustického výkonu: 112 dB

15. 4. 2013

Tomoyasu Kato
Ředitel

Makita Corporation
3-11-8, Sumiyoshi-cho,
Anjo, Aichi, JAPAN

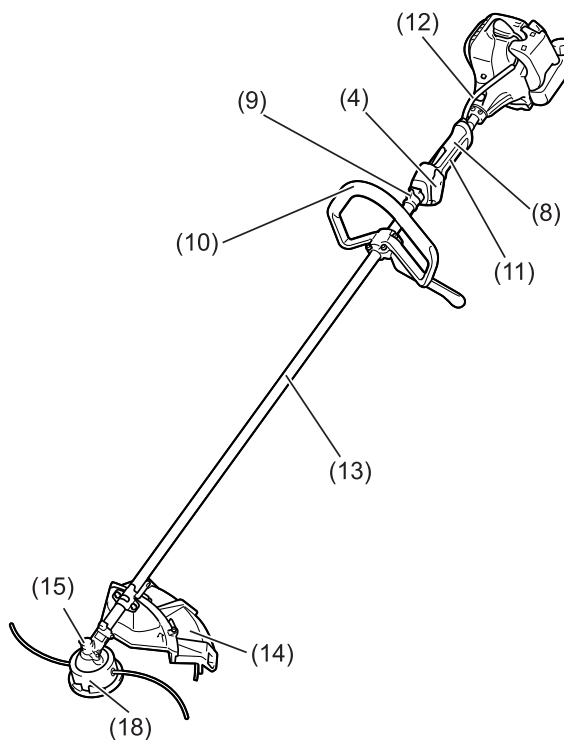
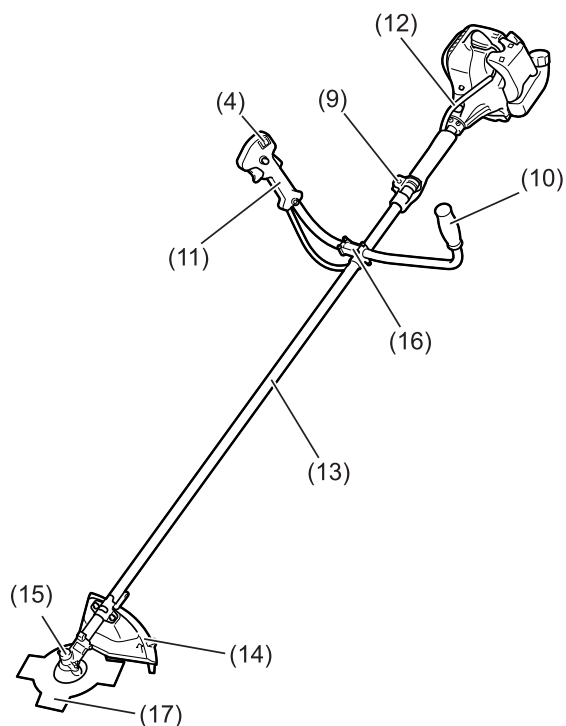
Technická data

Model		EM2600U	EM2600L
		Držadlo ve tvaru U	Obloukové držadlo
Rozměry: délka × šířka × výška (bez nože)		1 770 × 610 × 410 mm	1 770 × 330 × 185 mm
Čistá hmotnost		5 kg	5 kg
Zdvihový objem motoru		25,7 cm ³	
Maximální výkon motoru		0,83 kW	
Maximální počet otáček výstupního hřídele		8 800 min ⁻¹	
Sekací nástavec	Kovový nůž z jednoho kusu	φ230 mm	
	Strunová hlava (s nylonovou sekací strunou)	φ430 mm	
Volnoběžné otáčky		3 000/min	
Otáčky sepnutí spojky		4 100/min	
Převodový poměr		14/19	
Palivo		Palivová směs Benzín: olej pro dvoudobé motory = 50:1	
Objem (palivová nádrž)		0,6 l	
Karburač		WALBRO WYC	
Systém zapalování		Tranzistorové zapalování	
Zapalovací svíčka		NGK BPMR7A	
Vzdálenost elektrod		0,6 – 0,7 mm	
Vibrace: (křovinořez)	Levé držadlo (přední rukojeť)	14,680 m/s ² K = 1,5 m/s ²	5,152 m/s ² K = 1,5 m/s ²
	Pravé držadlo (zadní rukojeť)	9,037 m/s ² K = 1,5 m/s ²	9,677 m/s ² K = 1,5 m/s ²
Vibrace: (vyžínač)	Levé držadlo (přední rukojeť)	7,961 m/s ² K = 1,5 m/s ²	8,83 m/s ² K = 1,5 m/s ²
	Pravé držadlo (přední rukojeť)	7,019 m/s ² K = 1,5 m/s ²	14,381 m/s ² K = 1,5 m/s ²
Hlučnost (testováno dle 2000/14/ES a 2005/88/ES):			
Hladina akustického tlaku v místě obsluhy (vyžínač):		98,52 dB (A) K = 2,5 dB (A)	
Hladina akustického tlaku v místě obsluhy (křovinořez):		96,15 dB (A) K = 2,5 dB (A)	
Naměřená hladina akustického výkonu (vyžínač):		109,77 dB (A) K = 2,5 dB (A)	
Naměřená hladina akustického výkonu (křovinořez):		107,29 dB (A) K = 2,5 dB (A)	
Hlučnost (testováno dle 2000/14/ES a 2005/88/ES): hodnoty zaručené hladiny akustického výkonu		112 dB (A)	

Názvy dílů

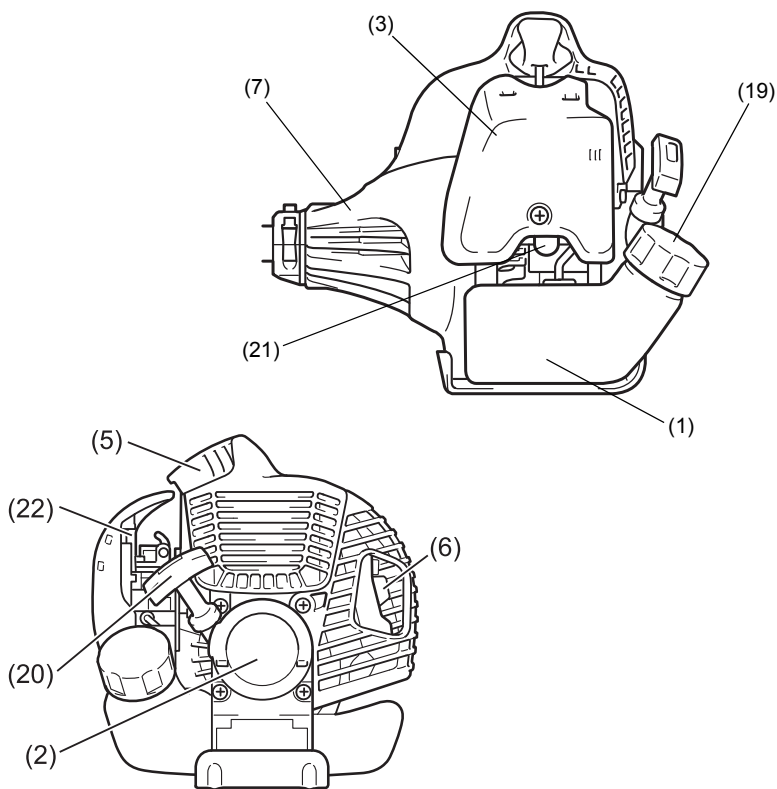
EM2600U

Typ s držadlem ve tvaru U



EM2600L

Typ s obloukovým držadlem



Názvy dílů	
1	Palivová nádrž
2	Lankový startér
3	Vzduchový filtr
4	Přepínač I-stop (zap./vyp.)/start-stop
5	Zapalovací svíčka
6	Tlumič výfuku
7	Pouzdro spojky
8	Zadní rukojeť
9	Závěs
10	Držadlo
11	Ovládací páčka
12	Ovládací lanko
13	Hřídelová tyč
14	Ochranný kryt (kryt vyžínacího nástroje)
15	Pouzdro převodovky
16	Konzola držadla
17	Nůž
18	Strunová hlava
19	Víčko plnicího otvoru paliva
20	Startovací madlo
21	Nastříkovač
22	Páčka sytiče

Montáž držadla

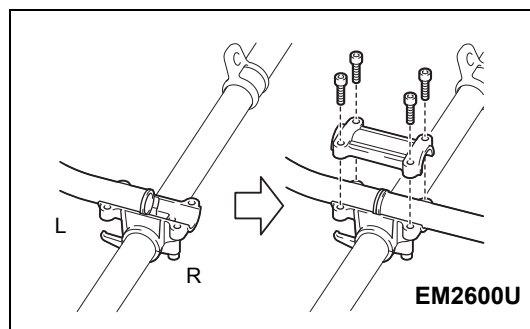
UPOZORNĚNÍ: Před prováděním jakýchkoli prací na křovinořezu vždy vypněte motor a odpojte konektor od zapalovací svíčky. Vždy noste ochranné rukavice!

UPOZORNĚNÍ: Zajistěte, aby byl křovinořez před startováním kompletně smontován.

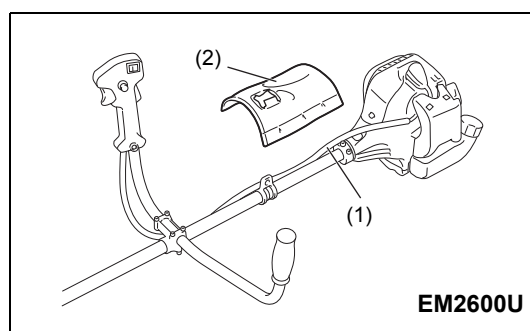


Modely s držadlem ve tvaru U

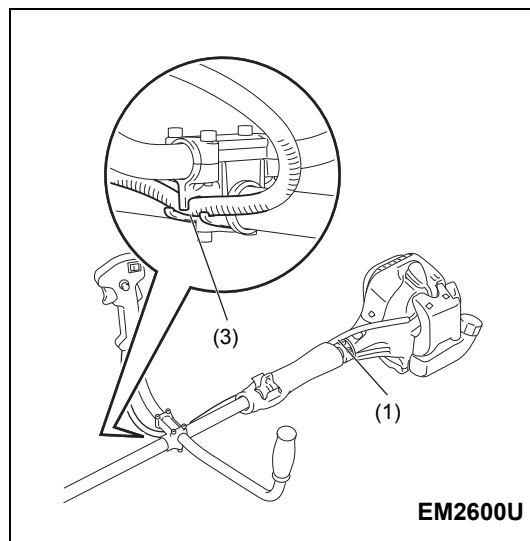
- Obě držadla vložte do konzoly držadla. Při pohledu na vyžínací nástroj musí být ovládací páčka na pravé straně.
- Konce držadel vsadte do drážky v konzole držadla a nasadte na ně příchytku. Zlehka je dotáhněte čtyřmi šrouby k umožnění seřízení.
- Seřídte úhel držadel a imbusovým klíčem rovnoměrně dotáhněte všechny šrouby.



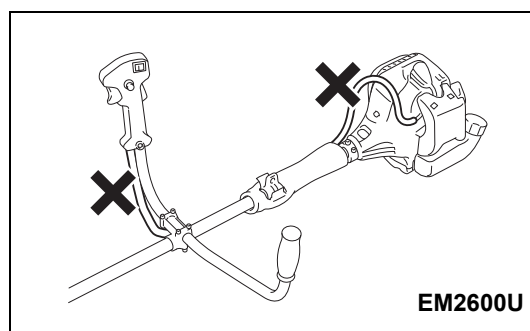
- Lanko plynu (1) vedte po straně ovládací páčky na hřídelové tyči. Potom místo oviňte návlekm (2).



- Lanko plynu (1) zasuňte do příchyté drážky (3) konzoly držadla.
- Ujistěte se, zda je lanko plynu umístěno v souladu s obrázkem.
- Posuňte ovládací páčkou a ujistěte se, zda se pohybuje plynule.

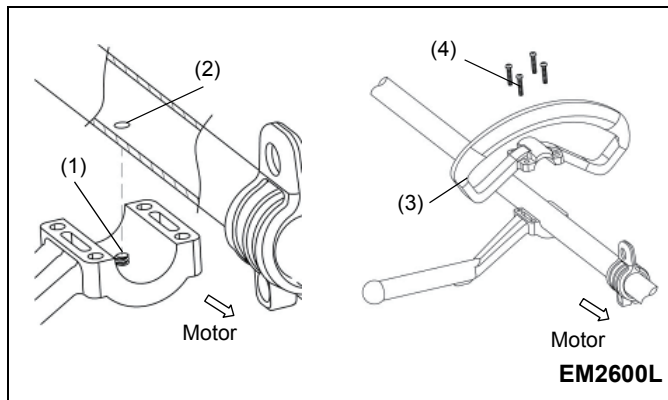


UPOZORNĚNÍ: Lanko plynu neumísťujte tak, jak je znázorněno na obrázku. Ohnuté lanko může způsobit vysoké otáčky volnoběhu a nekontrolovaný pohyb nože by mohl přivodit zranění.



Model s obloukovým držadlem

- Závítovou část (1) konzoly držadla vložte do příslušného otvoru (2) tubusu.
- K zábraně upevněte pomocné držadlo (3).
- Dotáhněte 4 šrouby (4) M5 × 30.

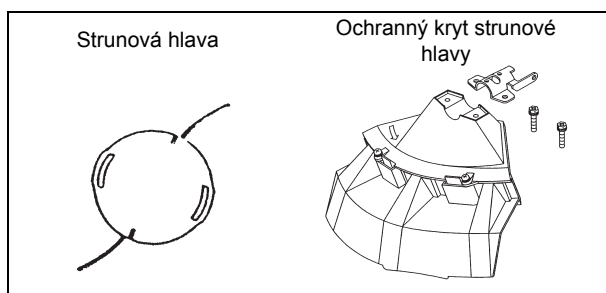
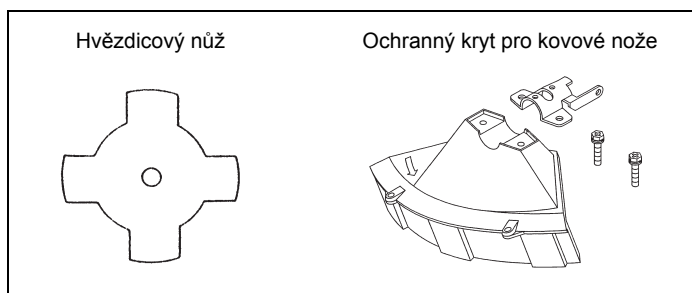


Montáž ochranného krytu

V rámci platných bezpečnostních standardů musí být použity pouze kombinace nářadí a ochranného krytu uvedené v tabulce.

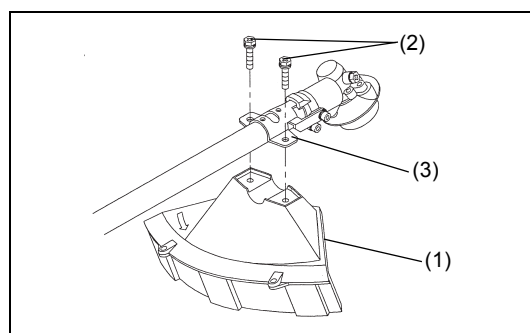
Vždy používejte originální nože/strunové hlavy MAKITA.

- Nůž musí být dobře nabroušený, bez prasklin a lomů. Narazí-li nůž během práce na kámen, vypněte motor a nůž ihned zkontrolujte.
- Po každých třech hodinách provozu nůž naostřete nebo vyměňte.
- Narazí-li strunová hlava během práce na kámen, vypněte motor a strunovou hlavu ihned zkontrolujte.

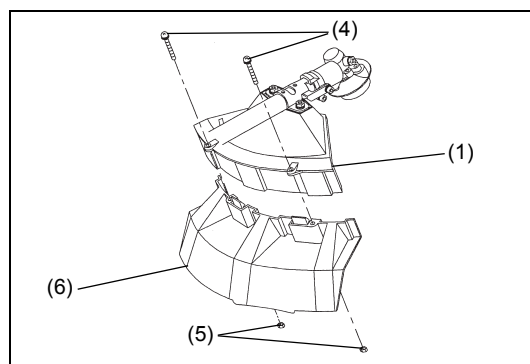


UPOZORNĚNÍ: K zajištění vlastní bezpečnosti a v rámci vyhovění předpisům bezpečnosti práce musí být vždy namontovány příslušné ochranné kryty. Provoz zařízení bez nainstalovaného krytu je zakázán.

- Dvěma šrouby M6 × 30 (2) připevněte ke svorce (3) ochranný kryt (1).



- Při použití strunové hlavy nasadte ochranný kryt (6) do krytu (1) a zajistěte jej dotažením dvou matic (5) a dvou šroubů (4).



Montáž nože/strunové hlavy

Nůž či strunovou hlavu lze snadno vyměnit po otočení zařízení vzhůru nohama.

- Do otvoru v pouzdru převodovky zasuňte imbusový klíč a otáčejte unášečem (3), dokud se imbusovým klíčem nezajistí.
- Nástrčným klíčem povolte matici/pružnou podložku (1) (s levým závitem) a sejměte matici/pružnou podložku (1) a přítlačnou podložku (2).

Imbusový klíč držte stále na místě.

- Nůž namontujte na hřídel tak, aby výstupek na unášeči (3) dosedl do opěrného otvoru v noži. Namontujte přítlačnou podložku (2) a nůž zajistěte maticí/pružnou podložkou (1).
[Utahovací moment: 13–23 Nm]

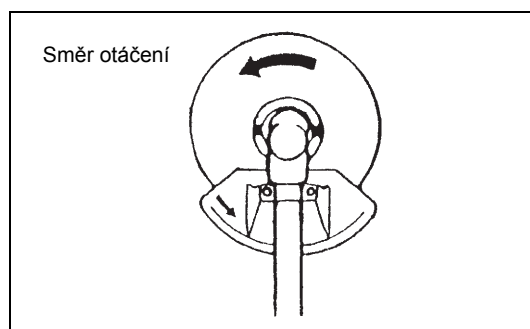
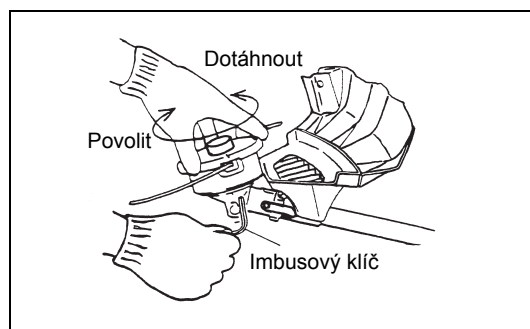
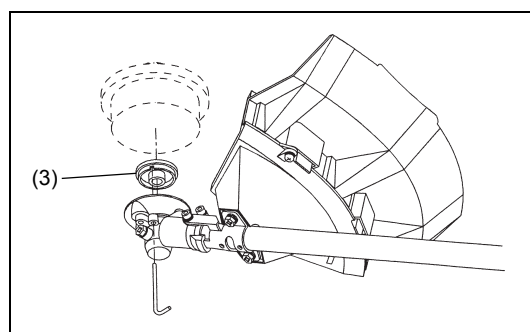
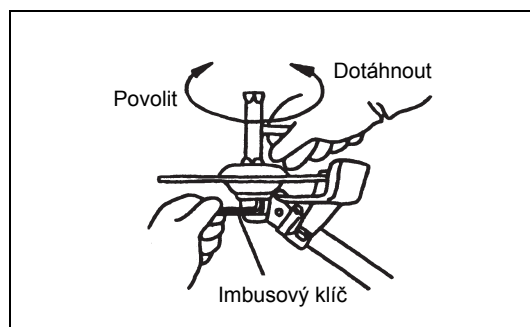
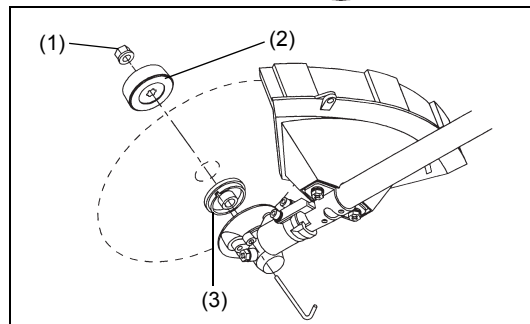
POZNÁMKA: Při manipulaci s nožem vždy používejte rukavice.

POZNÁMKA: Matice k upevnění nože (s pružnou podložkou) je spotřebním materiálem. Při opotřebení či deformaci pružné podložky matici vyměňte.

POZNÁMKA: Při montáži strunové hlavy není nutné použít přítlačnou podložku (2) a matici/pružnou podložku (1). Strunovou hlavu lze nasadit přímo na unášeč (3).

- Strunovou hlavu našroubujte na hřídel.

- Ujistěte se, zda se nůž otáčí směrem vlevo.



Manipulace s palivem

Při manipulaci s palivem je na místě nejvyšší opatrnost. Palivo může obsahovat látky podobné rozpouštědlům. Doplnění paliva provádějte v dobře větrané místnosti nebo venku. Nevdechujte výpary paliva a zamezte kontaktu paliva či oleje s pokožkou.

Ropné produkty odmašťují kůži. Dlouhodobý kontakt těchto produktů s pokožkou vyvolá extrémní vysušení kůže, což může vést ke vzniku nejrůznějších kožních onemocnění. Navíc může dojít i k alergickým reakcím.

Při kontaktu s olejem může dojít k podráždění očí. Při vniknutí oleje do očí je okamžitě vypláchněte čistou vodou. Jestliže podráždění očí přetrvává, vyhledejte neprodleně lékařskou pomoc.

Palivo a směs s olejem

Křovinořez je vybaven vysoce účinným dvoudobým motorem. Jako palivo slouží směs paliva a oleje pro dvoudobé motory. Motor je navržen pro obvyklé bezolovnaté palivo s minimální hodnotou oktanového čísla 91 (RON). Není-li takové palivo z nějakého důvodu k dispozici, můžete použít palivo s vyšším oktanovým číslem. Motor tím nebude ovlivněn, avšak může dojít ke zhoršení chování za provozu.

Podobné problémy nastanou při použití olovnatého paliva. Chcete-li dosáhnout optimálního chodu motoru a chránit své zdraví a životní prostředí, používejte pouze bezolovnaté palivo!

K mazání motoru přidejte do paliva olej pro dvoudobé motory (jakostní třída: JASO FC nebo ISO EGD). V rámci ochrany životního prostředí byl motor navržen pro použití se stanoveným olejem pro dvoudobé motory – se směšovací poměrem 50:1.

Používání tohoto směšovacího poměru navíc zaručí dlouhou životnost a spolehlivý provoz motoru s minimálními emisemi výfukových plynů. Bez přísného dodržování směšovacího poměru 50:1 (se stanoveným olejem pro dvoudobé motory) nelze zaručit spolehlivou funkci křovinořezu.

Správný směšovací poměr:

Benzín: předepsaný olej pro dvoudobé motory = 50 : 1 nebo

Benzín: doporučený olej jiného výrobce pro dvoudobé motory = 25 : 1 (doporučený poměr)

POZNÁMKA: Při přípravě směsi paliva s olejem smíchejte nejprve celé množství oleje s polovinou požadovaného objemu paliva a pak přidejte zbývající palivo. Před nalitím směsi do nádrže křovinořezu ji důkladně promíchejte. K zajištění bezpečného provozu nepřidávejte více motorového oleje, než je stanoveno. Výsledkem by byla pouze zvýšená tvorba zbytků spalování znečišťujících životní prostředí, ucpání výfukového kanálu ve válci a zanesení tlumiče. Navíc se zvýší spotřeba paliva a sníží výkon.

Doplňování paliva

Motor musí být vypnutý.

- Důkladně očistěte oblast kolem víčka plnicího otvoru paliva (2), abyste zamezili vniknutí nečistot do palivové nádrže (1).
- Odšroubujte víčko plnicího otvoru paliva (2) a naplňte nádrž palivem.
- Pevně našroubujte víčko plnicího otvoru paliva (2).
- Po doplnění paliva očistěte šroubovací víčko plnicího otvoru paliva (2) a nádrž.

Skladování paliva

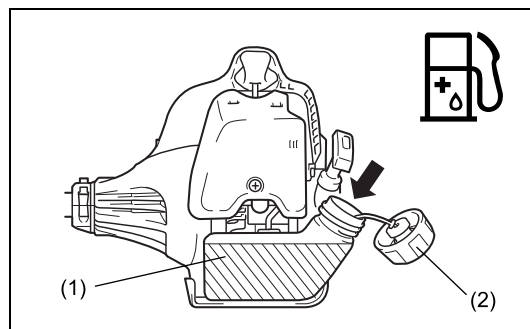
Palivo nelze skladovat po neomezenou dobu.

Nakupujte pouze takové množství, jež budete potřebovat pro 4 týdny provozu.

Používejte pouze nádoby schválené ke skladování paliva.



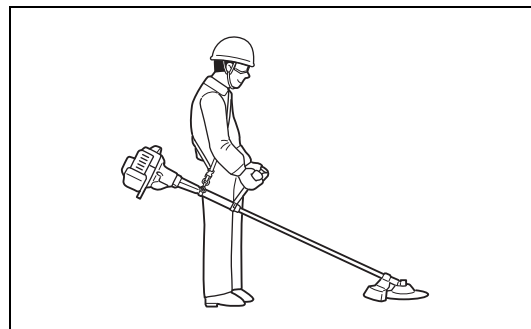
Benzín	50:1	25:1
	+	
1 000 cm ³ (1 litr)	20 cm ³	40 cm ³
5 000 cm ³ (5 litrů)	100 cm ³	200 cm ³
10 000 cm ³ (10 litrů)	200 cm ³	400 cm ³



Správná manipulace se zařízením

Přípevnění ramenního popruhu

- Nastavte délku popruhu tak, aby byl nůž v rovnoběžné poloze s terénem.

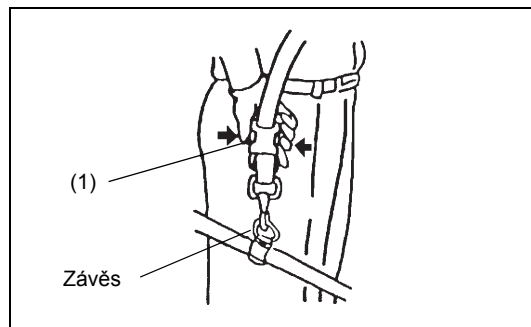


Odpojení

- V případě nouze stiskněte západky (1) po obou stranách a zařízení odpojte. Počínejte si velmi opatrně, abyste v tuto chvíli nad zařízením neztratili kontrolu. Nedovolte, aby se zařízení odrazilo směrem k vám či jakékoli osobě ve vaší blízkosti.

VAROVÁNÍ: Ztráta plné kontroly nad zařízením může vést až k vážným zraněním či SMRTI.

Poznámka: V některých zemích ramenní popruh nemá tuto odpojovací funkci.



Důležité poznámky k ovládání/vypnutí křovinořezu/sekačky

Dodržujte příslušné předpisy bezpečnosti práce.



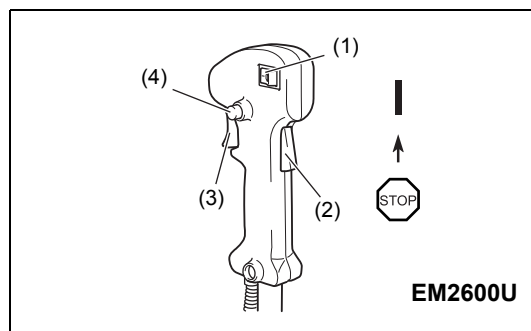
Startování

Přesuňte se nejméně 3 m od místa, kde jste do zařízení doplňovali palivo. Křovinořez umístěte na čistou část terénu a dejte pozor, aby se vyžínací nástroj nedostal do kontaktu s terénem ani s žádným jiným předmětem.

VAROVÁNÍ: Dejte pozor, vyžínací nástroj se po nastartování motoru ihned roztočí.

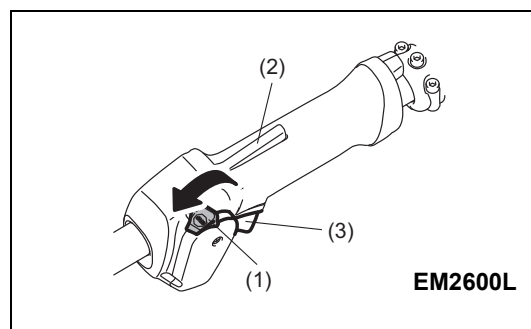
Studený start u modelů s držadlem ve tvaru U

- Přepínač I-stop (zap./vyp.) (1) nastavte podle obrázku.
- Uchopte držadlo (stisknutí ruky aktivuje bezpečnostní odjišťovací páčku (2)).
- Stiskněte a přidržte páčku plynu (3).
- Stiskněte aretační tlačítko (4), uvolněte ovládací páčku a potom uvolněte aretační tlačítko (aretační tlačítko přidržuje páčku plynu ve startovací poloze).



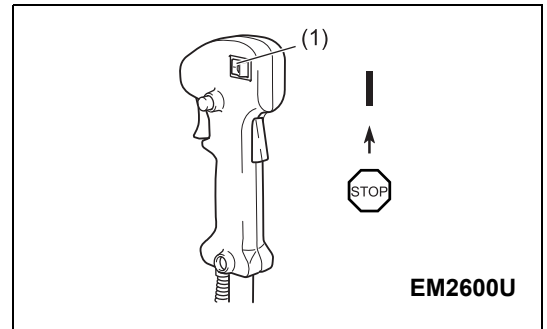
Studený start u modelů s obloukovým držadlem

- Přepínač start-stop (1) nastavte podle obrázku do startovací polohy.
- Uchopte držadlo (stisknutí ruky aktivuje bezpečnostní odjišťovací páčku (2)).
- Stiskněte a přidržte páčku plynu (3).
- Přepínač start-stop (1) nastavte do startovací polohy, uvolněte ovládací páčku a pak uvolněte přepínač start-stop (přepínač start-stop přidržuje páčku plynu ve startovací poloze).



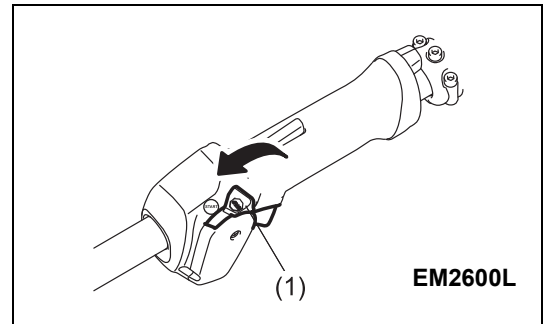
Teplý start u modelů s držadlem ve tvaru U

- Přepínač I-stop (zap./vyp.) (1) nastavte podle obrázku.



Teplý start u modelů s obloukovým držadlem

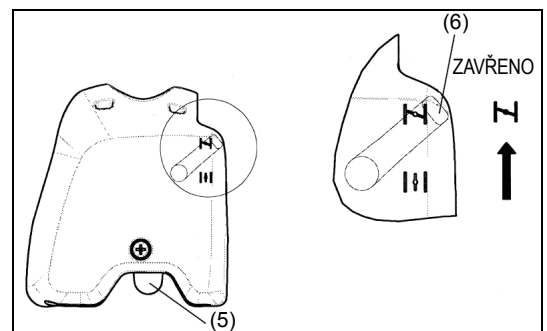
- Přepínač start-stop (1) nastavte podle obrázku do neutrální polohy.



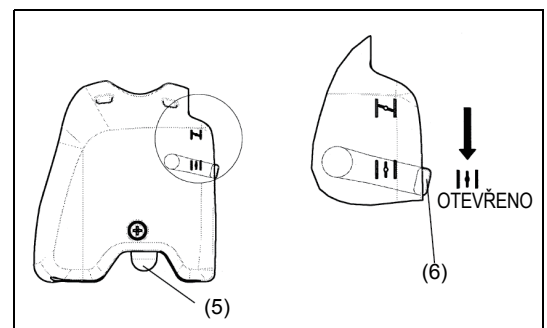
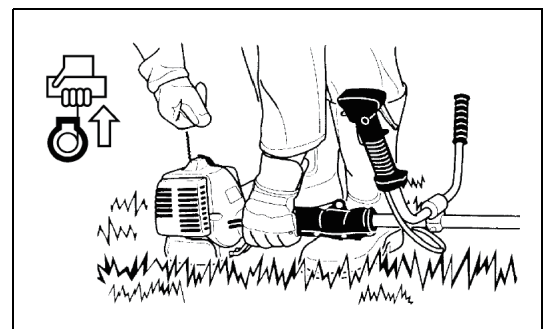
- Nejprve zařízení položte na zem.
- Opakovaně (7–10krát) mírně stlačte nastřikovač (5), až do něj vnikne palivo.
- Páčkou sytiče zavřete klapku (6).


Otevření sytiče:

- Zcela zavřít v chladném počasí nebo pokud je motor studený
- Zcela či napůl otevřený při opětovném startování ještě teplého motoru



- Levou rukou pevně přidržte pouzdro spojky tak, jak je znázorněno na obrázku.
- Pomalu potáhněte za rukojeť startéru a až se dostane do záběru, pokračujte prudším zatáhnutím.
- Netahejte za šňůru startéru na celou délku a nenechte rukojeť startéru vracet bez kontroly. Šňůru startéru přidržujte, aby se navíjela zpět pomalu.
- Postup startování opakujte, až uslyšíte, že motor začíná naskakovat.
- Uvolněte páčku sytiče (6) (↓) a znovu zatáhněte za šňůru startéru, až se motor rozeběhne.
- Po nastartování motoru ihned stiskněte a uvolněte plyn, čímž uvolníte aretaci polovičního plynu a motor poběží ve volnoběhu.
- Před uvedením do plných otáček nechte motor běžet zhruba minutu v mírných otáčkách.



- POZNÁMKA:– Při opakovaném tahání za rukojeť startéru s páčkou sytiče v poloze „“ nebude možné motor snadno nastartovat v důsledku přesycení palivem.
- V případě přesycení palivem vyjměte zapalovací svíčku a pomalým taháním za rukojeť startéru odstraňte přebytek paliva. Osušte také elektrody zapalovací svíčky.

Upozornění k provozu:

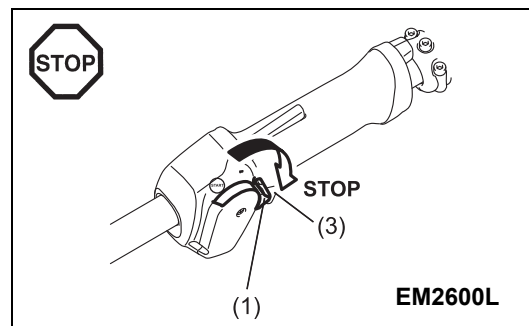
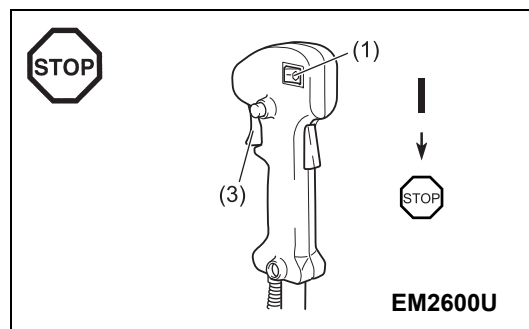
Při plném plynu za provozu bez zátěže se otáčky motoru zvýší na více než 10 000 min⁻¹. Nikdy nepracujte s motorem ve vyšších než požadovaných otáčkách a hodnotu otáček udržujte v úrovni přibližně 6 000–8 000 min⁻¹.

UPOZORNĚNÍ: Jestliže se zařízením nepracujete, vždy snižte otáčky motoru.

Ponechání zařízení ve vysokých otáčkách ve chvílích, kdy se s ním nepracuje, zkracuje jeho životnost.

Vypnutí motoru

- Jestliže chcete vypnout motor, zcela uvolněte páčku plynu (3) a po snížení otáček motoru stiskněte přepínač I-stop (zap./vyp.)/start-stop (1) do polohy „STOP“.
- Dávejte pozor, strunová hlava se nemusí okamžitě zastavit – vždy ji nechejte zpomalit, až se zcela zastaví.



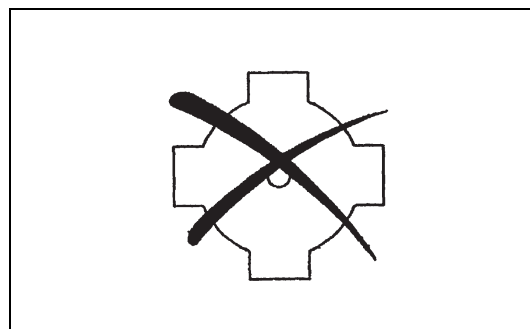
Ostření vyžínacího nástroje

UPOZORNĚNÍ: Níže uvedené vyžínací nástroje lze ostřit pouze v autorizovaných zařízeních. Důsledkem ručního ostření bude nevyváženost vyžínacího nástroje s následnými vibracemi a poškozením zařízení.

- nůž (hvězdicový nůž (4 zuby))

Služby odborného naostření a vyvážení vám poskytnou zástupci autorizovaného servisu.

POZNÁMKA: Životnost nože (hvězdicového) lze prodloužit jeho jedním otočením do doby, než se opotřebí obě strany.



STRUNOVÁ HLAVA

Strunová hlava je vyžínací dvoustrunná hlava s automatickým mechanismem a mechanismem posouvání struny klepnutím o zem.

Správnou délku struny zajistí strunová hlava automaticky při změnách odstředivé síly zvyšováním či snižováním otáček. Efektivnějšího sekání měkké trávy však docílíte klepnutím strunovou hlavou o zem, čímž vysunete delší strunu tak, jak je uvedeno v části věnované provozu.

Provoz

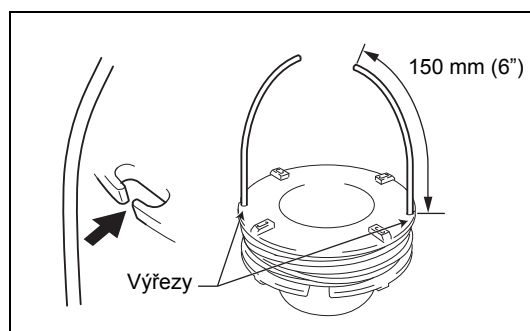
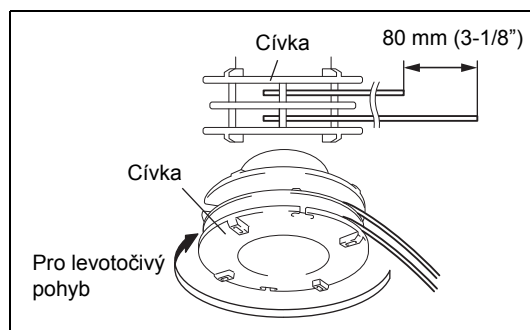
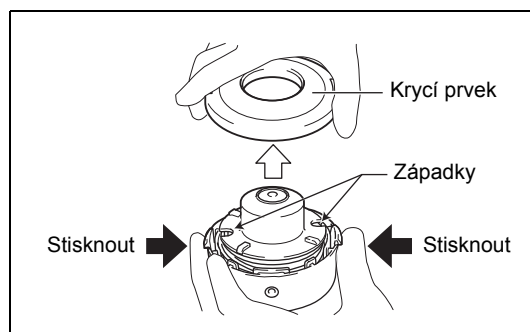
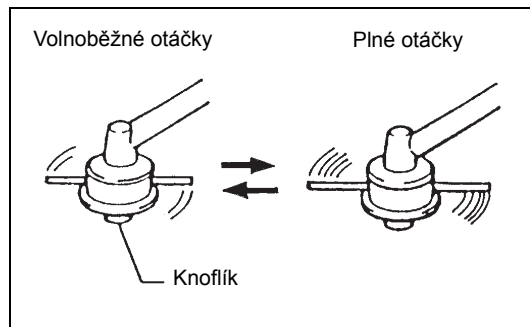
- Zvyšte otáčky strunové hlavy přibližně na $6\ 000\ \text{min}^{-1}$.
Při nižších otáčkách (pod $4\ 800\ \text{min}^{-1}$) se nylonová struna nevysune správně.
- Neefektivnější vyžínací oblast je na obrázku vpravo zvýrazněna šrafováním.

Jestliže se nylonová struna nevysune automaticky, postupujte podle níže uvedených pokynů:

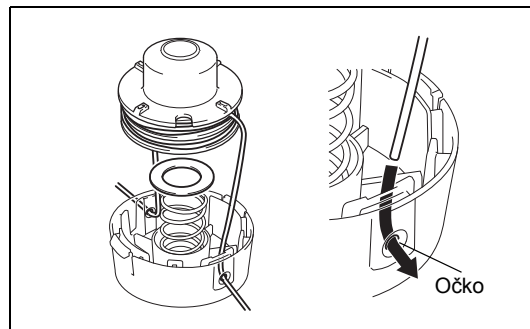
1. Uvolněte páčku plynu, čímž motor uvedete do volnoběhu, a pak páčku plynu stiskněte naplno. Tento postup opakujte, až se nylonová struna vysune ve správné délce.
2. Jestliže je nylonová struna příliš krátká na to, aby se provedením výše uvedeného postupu automaticky vysunula, vysuňte strunu klepnutím knoflíkem strunové hlavy o zem.
3. Pokud se nylonová struna provedením postupu č. 2 nevysune, převiňte či vyměňte nylonovou strunu podle postupu popsáno v části „Výměna nylonové struny“.

Výměna nylonové struny

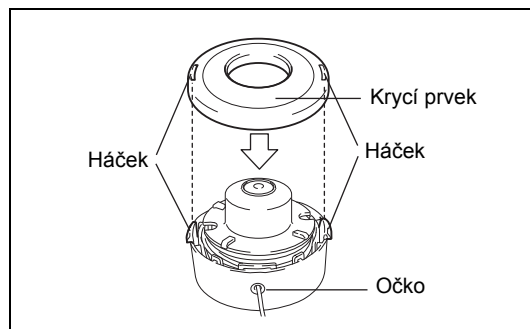
- Vypněte motor.
 - Stiskněte západky v plášti směrem dovnitř, zvedněte krycí prvek a pak vyjměte cívku.
-
- Střed nové nylonové struny zahákněte do výřezu ve středu cívky s jedním koncem přečnávajícím asi o 80 mm více než druhý. Potom oba konce pevně naviňte kolem cívky ve směru otáčení hlavy (levý směr naznačuje značka LH a pravý směr značka RH na straně cívky).
-
- Naviňte struny kompletně na cívku kromě zhruba 150 mm a konce dočasně zahákněte přes výřez na straně cívky.



- Struny protáhněte očky tak, aby vyčnívaly z pláště.
Do pláště namontujte podložku, pružinu a cívku.



- Vyrovnajte háčky na krytu s pláštěm.
Potom kryt pevným natlačením do pláště zajistíte na místě.



Servisní pokyny

Servisní pokyny

UPOZORNĚNÍ: Před prováděním jakýchkoli prací údržby na křovinořezu vždy vypněte motor a odpojte konektor zapalovací svíčky (viz „Kontrola zapalovací svíčky“).
Vždy noste ochranné rukavice.

UPOZORNĚNÍ: Nikdy sami nevyjímejte lankový startér. Tato činnost by mohla způsobit nehodu. Tento krok by měl být svěřen pouze zástupci autorizovaného servisu.

K zajištění dlouhé životnosti a zamezení poškození zařízení pravidelně provádějte následující úkony údržby.

Každodenní kontrola a údržba

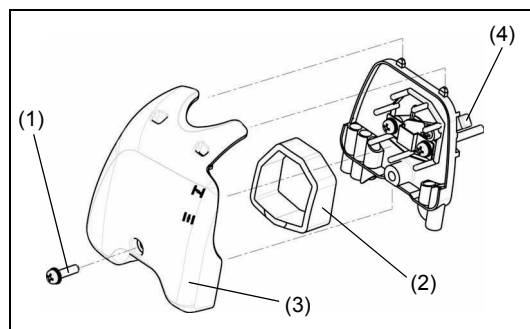
- Před zahájením činnosti zkontrolujte, zda nejsou u zařízení povolené šrouby a zda nechybí žádné části. Zvláštní pozornost věnujte dotažení nože či strunové hlavy.
- Před zahájením provozu vždy zkontrolujte, zda nejsou ucpané chladicí vzduchové kanály a žebra válce.
V případě nutnosti tato místa vyčistěte.
- Následující úkony údržby provádějte denně po skončení práce:
 - Očistěte vnější části křovinořezu a zkontrolujte, zda nedošlo k poškození.
 - Vyčistěte vzduchový filtr. Při práci v mimořádně prašném prostředí vyčistěte filtr i několikrát za den.
 - Zkontrolujte, zda nejsou nůž či strunová hlava poškozeny a ujistěte se, zda jsou pevně namontovány.
 - Zkontrolujte, zda je mezi volnoběžnými otáčkami a otáčkami sepnutí spojky dostatečný rozdíl, aby bylo zajištěno, že se ve volnoběžných otáčkách motoru nebude vyžínací nástroj pohybovat (v případě nutnosti volnoběžné otáčky omezte).
Jestliže se ve volnoběžných otáčkách vyžínací nástroj dále otáčí, obraťte se na nejbližšího zástupce autorizovaného servisu.
- Zkontrolujte správnou funkci přepínače I-stop (zap./vyp.)/start-stop, odjišťovací páčky, ovládací páčky a aretačního tlačítka.



Čištění vzduchového filtru

- Páčku sytiče (4) přesuňte ke straně plně zavřeného stavu a karburátor chraňte před prachem a nečistotami.
- Vyjměte šroub (1).
- Sejměte kryt vzduchového filtru (3).
- Vyjměte pěnovkový prvek (2), vyperte jej ve vlažné vodě a důkladně vysušte.
- Po vyčištění nasadte zpět kryt vzduchového filtru (3) a dotáhněte jej šroubem (1).

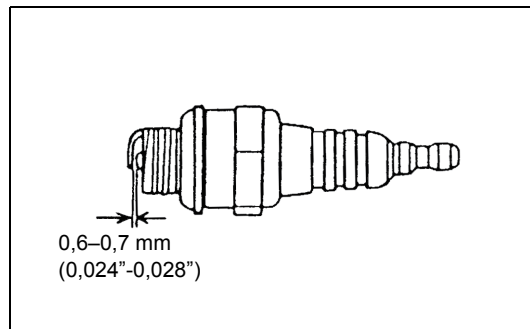
POZNÁMKA: Jestliže je vzduchový filtr příliš zaprášený či znečištěný, čistěte jej každý den. Ucpaný vzduchový filtr může ztížit či znemožnit nastartování motoru nebo zvýší jeho otáčky.



Kontrola zapalovací svíčky

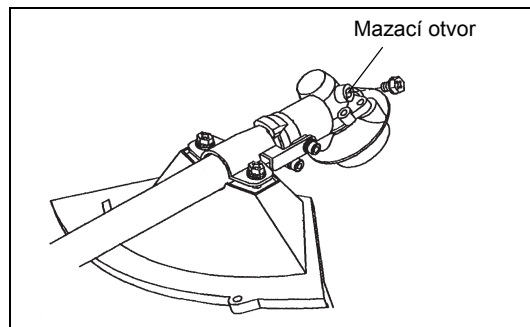
- K demontáži i montáži zapalovací svíčky použijte pouze dodaný univerzální klíč.
- Vzdálenost elektrod zapalovací svíčky musí být 0,6–0,7 mm. Jestliže je vzdálenost příliš velká nebo příliš malá, upravte ji. Pokud je zapalovací svíčka ucpaná karbonem nebo znečištěná, důkladně ji vyčistěte nebo vyměňte.

UPOZORNĚNÍ: Nikdy se nedotýkejte konektoru zapalovací svíčky, jestliže motor běží (nebezpečí úrazu vysokým elektrickým napětím).



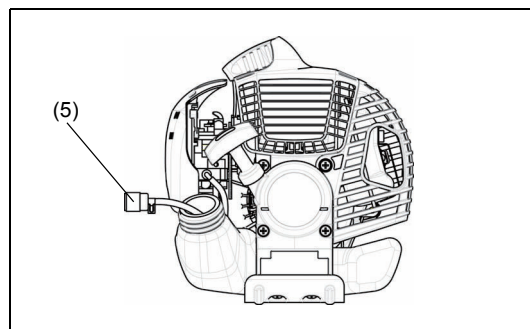
Doplnění maziva do převodovky

- Mazivo do převodovky (Shell Alvania 3 nebo ekvivalent) doplňujte do převodovky mazacím otvorem každých 30 hodin. (Originální mazivo MAKITA zakoupíte u prodejce MAKITA.)



Sací hlava v palivové nádrži

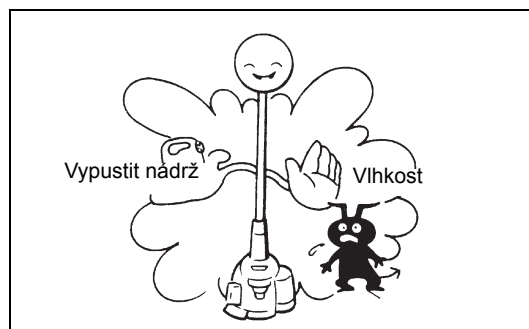
- Palivový filtr (5) sací hlavy slouží k dodávce paliva vstupujícího do karburátoru.
- Palivový filtr pravidelně vizuálně kontrolujte. Kontrolu filtru provedete otevřením víčka plnicího otvoru paliva a vyjmutím sací hlavy pomocí drátěného háčku otvorem nádrže ven. Jestliže je filtr ztvrdlý, obzvláště znečištěný nebo ucpaný, vyměňte jej.
- Nedostatečná dodávka paliva může způsobit překročení maximálních přípustných otáček. Palivový filtr je tedy nutné alespoň jednou za čtvrt roku vyměnit, aby byl zajištěn dostatečný přívod paliva do karburátoru.



Veškeré jiné než v této příručce popsané práce spojené s údržbou či seřizováním musí provádět pouze zástupci autorizovaných servisů.

Skladování

- Při dlouhodobějším skladování zařízení vypusťte z palivové nádrže a karburátoru palivo. To provedete jednoduchým vypuštěním veškerého paliva z palivové nádrže. S vypuštěným palivem naložte v souladu s místními platnými zákony.
- Vyjměte zapalovací svíčku a do otvoru svíčky kápněte několik kapek oleje. Potom mírně zatáhněte za startér, aby olej pokryl vnitřek motoru, a dotáhněte zapalovací svíčku.
- Nůž a vnější části motoru očistěte od veškerých nečistot a prachu a otřete je tkaninou namočenou v oleji. Zařízení skladujte na suchém místě.



Plán údržby

Obecně	Sestava motoru, šrouby a matice	Vizuální kontrola poškození a dotažení Kontrola celkového stavu a bezpečnosti
Po každém doplnění paliva	Ovládací páčka Přepínač I-stop (zap./vyp.)/ start-stop	Kontrola funkčnosti Kontrola funkčnosti
Denně	Vzduchový filtr Vedení chladicího vzduchu Vyžínací nástroj Volnoběžné otáčky	Vyčistit Vyčistit Kontrola poškození a naostření Kontrola (vyžínací nástroj nesmí být v pohybu)
Týdně	Zapalovací svíčka Tlumič	Kontrola, v případě nutnosti výměna Kontrola, v případě nutnosti vyčištění otvoru
Jednou za čtvrt roku	Sací hlava Palivová nádrž	Vyměnit Vyčistit
Postup odstavení z provozu	Palivová nádrž Karburátor	Vyprázdnit palivovou nádrž Nechat spuštěný motor, až dojde palivo

Odstraňování problémů

Závada	Systém	Výsledek pozorování	Příčina
Motor nespouští nebo spouští jen s obtížemi	Systém zapalování	Svíčka dává jiskru	Závada v dodávce paliva nebo v kompresním systému, mechanická vada
		Svíčka nedává jiskru	Přepínač I-stop (zap./vyp.)/start-stop ve vypnuté poloze, chyba nebo zkrat v elektroinstalaci, vadná zapalovací svíčka nebo konektor, chybný zapalovací modul
	Přívod paliva	V nádrži je palivo	Nesprávná poloha sytiče, vadný karburátor, zablokované nebo přehnuté vedení paliva, znečištěné palivo.
	Komprese	Při zatažení za startovací lanko není patrná komprese	Vadné dolní těsnění válce, poškozené těsnění klikového hřídele, vadný válec či pístní kroužky nebo nesprávné těsnění zapalovací svíčky
Potíže při startu s teplým motorem	Mechanická závada	Startér nezabírá	Zlomená pružina startéru, poškozené díly v motoru
	Přívod paliva	V nádrži je palivo. Svíčka dává jiskru	Karburátor je znečištěný, je nutné jej vyčistit
Motor nastartuje, ale zhasne	Přívod paliva	V nádrži je palivo	Nesprávné seřízení volnoběhu, znečištěný karburátor
Nedostatečný výkon	Závada může být současně v několika systémech	Chybný volnoběh motoru	Vadné odvětrání palivové nádrže, přerušení palivového vedení, vadný kabel nebo přepínač I-stop (zap./vyp.)/start-stop
			Znečištěný vzduchový filtr, znečištěný karburátor, ucpaný tlumič, ucpané výfukové vedení ve válci

Makita Corporation

Anjo, Aichi, Japan

www.makita.com

EM2600U-AT8-0413

ALA