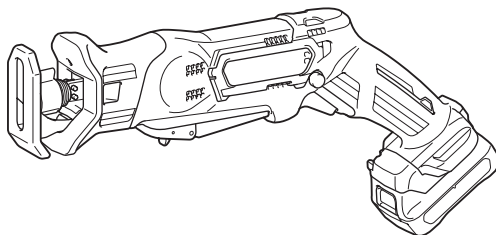




EN	Cordless Recipro Saw	INSTRUCTION MANUAL	4
SV	Batteridrivnen tigersåg	BRUKSANVISNING	9
NO	Batteridrevet bajonettsag	BRUKSANVISNING	14
FI	Akkukäyttöinen puukkosaha	KÄYTTÖOHJE	19
LV	Bezvadū zobenzāģis	LIETOŠANAS INSTRUKCIJA	24
LT	Belaidis atbulinis pjūklas	NAUDOJIMO INSTRUKCIJA	29
ET	Juhtmeta lõikesaag	KASUTUSJUHEND	34
RU	Аккумуляторная сабельная пила	РУКОВОДСТВО ПО ЭКСПЛУАТАЦИИ	39

JR103D
JR105D



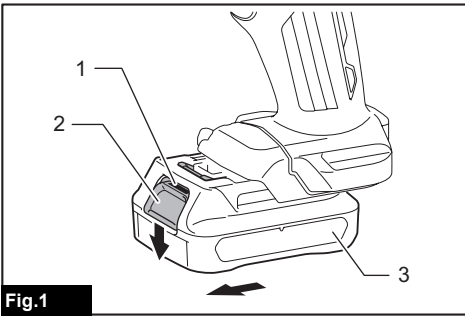


Fig.1

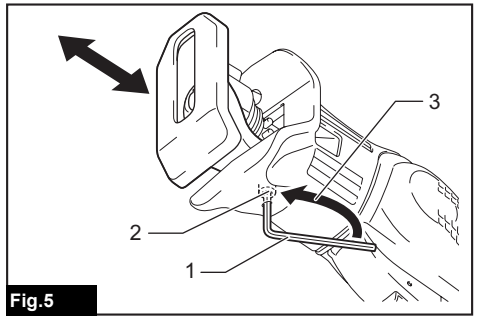


Fig.5

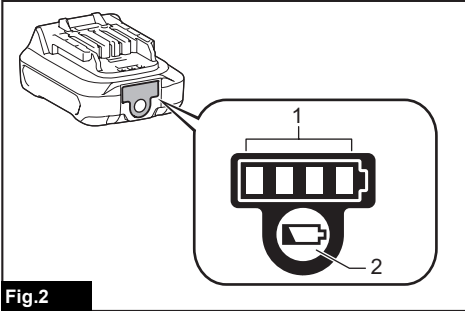


Fig.2

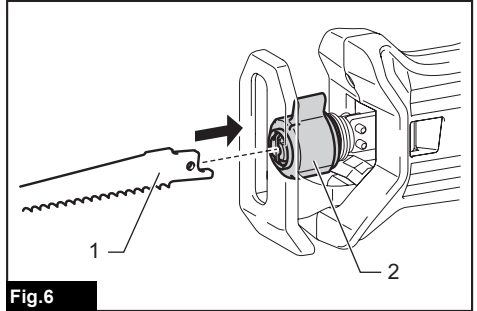


Fig.6

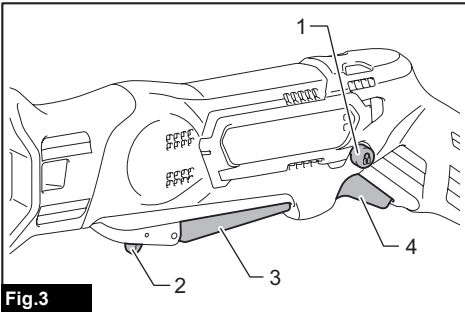


Fig.3

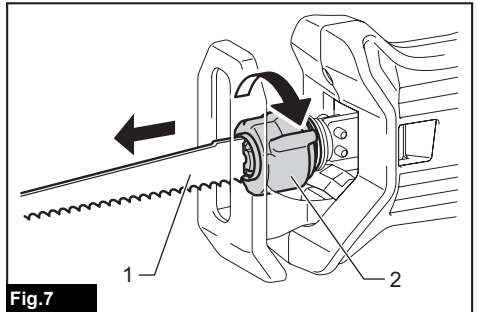


Fig.7

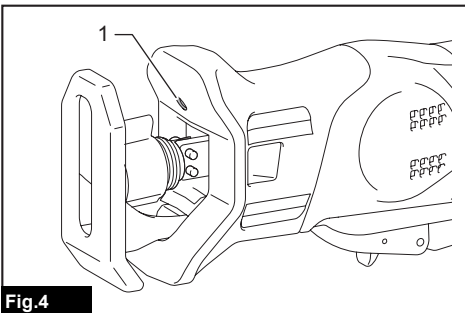


Fig.4

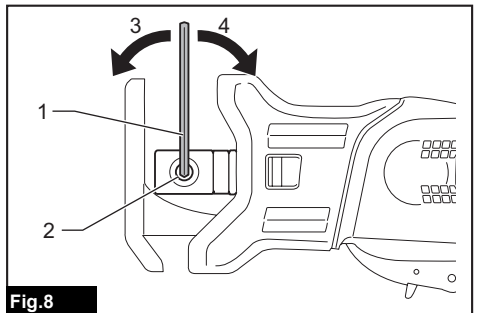


Fig.8

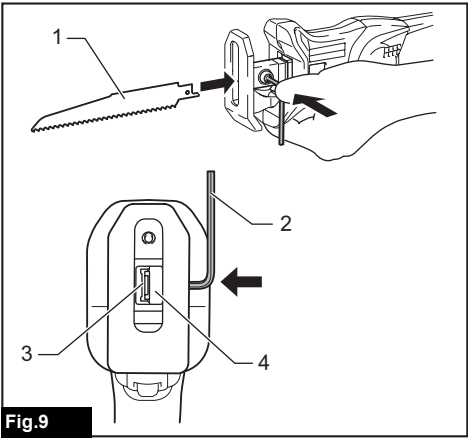


Fig.9

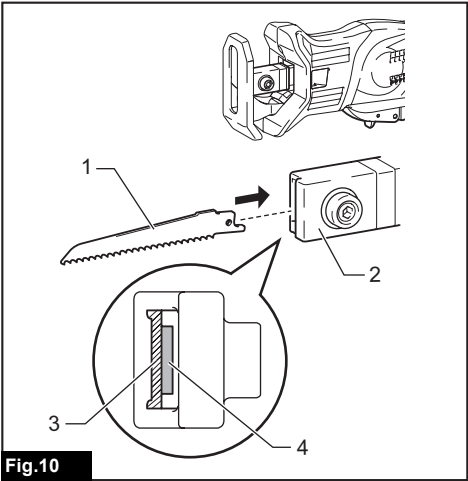


Fig.10

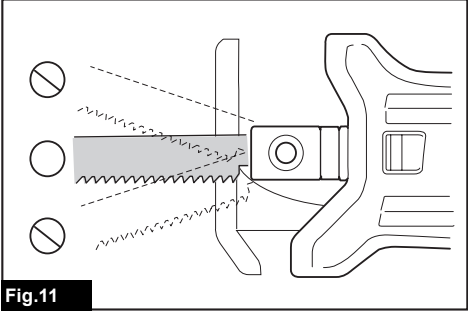


Fig.11

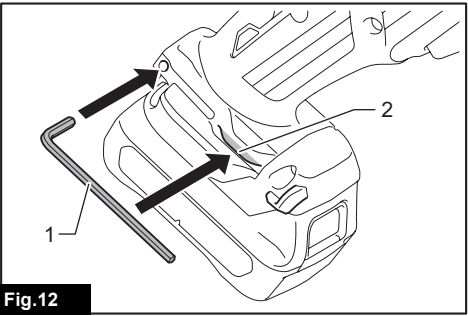


Fig.12

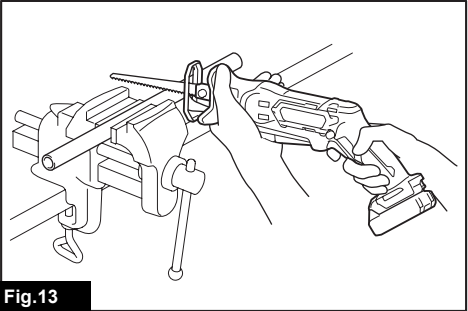


Fig.13

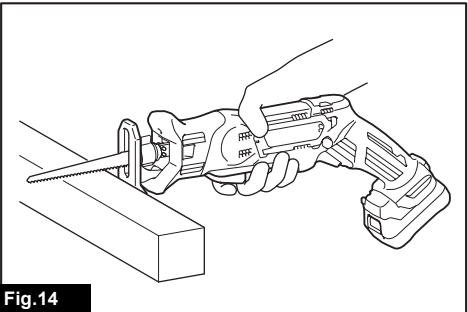


Fig.14

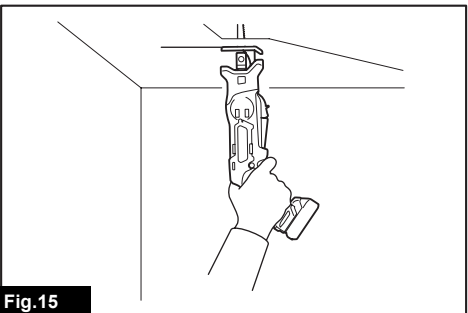


Fig.15

SPECIFICATIONS

Model:		JR103D	JR105D	
Length of stroke		13 mm		
Strokes per minute		0 - 3,300 min ⁻¹		
Max. cutting capacities	Pipe	50 mm		
	Wood	50 mm		
Rated voltage		D.C. 10.8 V		
Battery cartridge		BL1015, BL1020B	BL1040B	BL1015, BL1020B BL1040B
Overall length		376 mm	386 mm	376 mm 386 mm
Net weight		1.3 kg	1.5 kg	1.3 kg 1.5 kg

- Due to our continuing program of research and development, the specifications herein are subject to change without notice.
- Specifications and battery cartridge may differ from country to country.
- Weight, with battery cartridge, according to EPTA-Procedure 01/2003

Intended use

The tool is intended for sawing wood, plastic and ferrous materials.

Noise

The typical A-weighted noise level determined according to EN60745:

Model JR103D

Sound pressure level (L_{pA}) : 78 dB(A)

Uncertainty (K) : 3 dB(A)

The noise level under working may exceed 80 dB (A).

Model JR105D

Sound pressure level (L_{pA}) : 78 dB(A)

Uncertainty (K) : 3 dB(A)

The noise level under working may exceed 80 dB (A).

⚠ WARNING: Wear ear protection.

Vibration

The vibration total value (tri-axial vector sum) determined according to EN60745:

Model JR103D

Work mode: cutting boards

Vibration emission ($a_{h,B}$) : 8.0 m/s²

Uncertainty (K) : 1.5 m/s²

Work mode: cutting wooden beams

Vibration emission ($a_{h,WB}$) 8.0 m/s²

Uncertainty (K) : 1.5 m/s²

Model JR105D

Work mode: cutting boards

Vibration emission ($a_{h,B}$) : 8.0 m/s²

Uncertainty (K) : 1.5 m/s²

Work mode: cutting wooden beams

Vibration emission ($a_{h,WB}$) 8.0 m/s²

Uncertainty (K) : 1.5 m/s²

NOTE: The declared vibration emission value has been measured in accordance with the standard test method and may be used for comparing one tool with another.

NOTE: The declared vibration emission value may also be used in a preliminary assessment of exposure.

⚠ WARNING: The vibration emission during actual use of the power tool can differ from the declared emission value depending on the ways in which the tool is used.

⚠ WARNING: Be sure to identify safety measures to protect the operator that are based on an estimation of exposure in the actual conditions of use (taking account of all parts of the operating cycle such as the times when the tool is switched off and when it is running idle in addition to the trigger time).

EC Declaration of Conformity

For European countries only

Makita declares that the following Machine(s):

Designation of Machine: Cordless Recipro Saw

Model No./ Type: JR103D, JR105D

Conforms to the following European Directives:

2006/42/EC

They are manufactured in accordance with the following

standard or standardized documents: EN60745

The technical file in accordance with 2006/42/EC is

available from:

Makita, Jan-Baptist Vinkstraat 2, 3070, Belgium

24.2.2015



Yasushi Fukaya

Director

Makita, Jan-Baptist Vinkstraat 2, 3070, Belgium

General power tool safety warnings

⚠ WARNING: Read all safety warnings and all instructions. Failure to follow the warnings and instructions may result in electric shock, fire and/or serious injury.

Save all warnings and instructions for future reference.

The term "power tool" in the warnings refers to your mains-operated (corded) power tool or battery-operated (cordless) power tool.

Cordless reciprocating saw safety warnings

1. **Hold power tool by insulated gripping surfaces, when performing an operation where the cutting accessory may contact hidden wiring.** Cutting accessory contacting a "live" wire may make exposed metal parts of the power tool "live" and could give the operator an electric shock.
2. **Use clamps or another practical way to secure and support the workpiece to a stable platform.** Holding the work by hand or against your body leaves it unstable and may lead to loss of control.
3. **Always use safety glasses or goggles.** Ordinary eye or sun glasses are NOT safety glasses.
4. **Avoid cutting nails. Inspect workpiece for any nails and remove them before operation.**
5. **Do not cut oversize workpiece.**
6. **Check for the proper clearance beyond the workpiece before cutting so that the blade will not strike the floor, workbench, etc.**
7. **Hold the tool firmly.**
8. **Make sure the blade is not contacting the workpiece before the switch is turned on.**
9. **Keep hands away from moving parts.**
10. **Do not leave the tool running. Operate the tool only when hand-held.**
11. **Always switch off and wait for the blade to come to a complete stop before removing the blade from the workpiece.**
12. **Do not touch the blade or the workpiece immediately after operation; they may be extremely hot and could burn your skin.**
13. **Do not operate the tool at no-load unnecessarily.**
14. **Always use the correct dust mask/respirator for the material and application you are working with.**
15. **Some material contains chemicals which may be toxic. Take caution to prevent dust inhalation and skin contact. Follow material supplier safety data.**

SAVE THESE INSTRUCTIONS.

⚠ WARNING: DO NOT let comfort or familiarity with product (gained from repeated use) replace strict adherence to safety rules for the subject product. MISUSE or failure to follow the safety rules stated in this instruction manual may cause serious personal injury.

Important safety instructions for battery cartridge

1. **Before using battery cartridge, read all instructions and cautionary markings on (1) battery charger, (2) battery, and (3) product using battery.**
2. **Do not disassemble battery cartridge.**
3. **If operating time has become excessively shorter, stop operating immediately. It may result in a risk of overheating, possible burns and even an explosion.**
4. **If electrolyte gets into your eyes, rinse them out with clear water and seek medical attention right away. It may result in loss of your eyesight.**
5. **Do not short the battery cartridge:**
 - (1) **Do not touch the terminals with any conductive material.**
 - (2) **Avoid storing battery cartridge in a container with other metal objects such as nails, coins, etc.**
 - (3) **Do not expose battery cartridge to water or rain.**

A battery short can cause a large current flow, overheating, possible burns and even a breakdown.
6. **Do not store the tool and battery cartridge in locations where the temperature may reach or exceed 50 °C (122 °F).**
7. **Do not incinerate the battery cartridge even if it is severely damaged or is completely worn out. The battery cartridge can explode in a fire.**
8. **Be careful not to drop or strike battery.**
9. **Do not use a damaged battery.**
10. **Follow your local regulations relating to disposal of battery.**

SAVE THESE INSTRUCTIONS.

Tips for maintaining maximum battery life

1. **Charge the battery cartridge before completely discharged. Always stop tool operation and charge the battery cartridge when you notice less tool power.**
2. **Never recharge a fully charged battery cartridge. Overcharging shortens the battery service life.**
3. **Charge the battery cartridge with room temperature at 10 °C - 40 °C (50 °F - 104 °F). Let a hot battery cartridge cool down before charging it.**

FUNCTIONAL DESCRIPTION

CAUTION: Always be sure that the tool is switched off and the battery cartridge is removed before adjusting or checking function on the tool.

Installing or removing battery cartridge

CAUTION: Always switch off the tool before installing or removing of the battery cartridge.

CAUTION: Hold the tool and the battery cartridge firmly when installing or removing battery cartridge. Failure to hold the tool and the battery cartridge firmly may cause them to slip off your hands and result in damage to the tool and battery cartridge and a personal injury.

► **Fig.1:** 1. Red indicator 2. Button 3. Battery cartridge

To remove the battery cartridge, slide it from the tool while sliding the button on the front of the cartridge.

To install the battery cartridge, align the tongue on the battery cartridge with the groove in the housing and slip it into place. Insert it all the way until it locks in place with a little click. If you can see the red indicator on the upper side of the button, it is not locked completely.

CAUTION: Always install the battery cartridge fully until the red indicator cannot be seen. If not, it may accidentally fall out of the tool, causing injury to you or someone around you.

CAUTION: Do not install the battery cartridge forcibly. If the cartridge does not slide in easily, it is not being inserted correctly.

Battery protection system

The tool is equipped with a battery protection system. This system automatically cuts off power to the motor to extend battery life.

The tool will automatically stop during operation if the tool and/or battery are placed under one of the following conditions:

Overloaded:

The tool is operated in a manner that causes it to draw an abnormally high current.

In this situation, release the switch trigger on the tool and stop the application that caused the tool to become overloaded. Then pull the switch trigger again to restart. If the tool does not start, the battery is overheated.

In this situation, let the battery cool before pulling the switch trigger again.

Low battery voltage:

The remaining battery capacity is too low and the tool will not operate. If you pull the switch trigger, the motor runs again but stops soon. In this situation, remove and recharge the battery.

Indicating the remaining battery capacity

Only for battery cartridges with "B" at the end of the model number

► **Fig.2:** 1. Indicator lamps 2. Check button

Press the check button on the battery cartridge to indicate the remaining battery capacity. The indicator lamps light up for few seconds.

Indicator lamps		Remaining capacity
Lighted	Off	
■ ■ ■ ■	□	75% to 100%
■ ■ ■ □	□	50% to 75%
■ ■ □ □	□ □	25% to 50%
■ □ □ □	□ □ □ □	0% to 25%

NOTE: Depending on the conditions of use and the ambient temperature, the indication may differ slightly from the actual capacity.

Switch action

CAUTION: Before installing the battery cartridge into the tool, always check to see that the switch lever/trigger actuates properly and returns to the "OFF" position when released.

► **Fig.3:** 1. Lock-off button 2. Lock-off lever 3. Switch lever 4. Switch trigger

To prevent the switch lever/trigger from accidentally pulled, the lock-off lever/button are provided.

To start the tool, pull either switch lever or trigger.

- For the switch lever, pull the lock-off lever and then pull the switch lever to start the tool.
- For the switch trigger, depress the lock-off button and then pull the switch trigger to start to the tool. The lock-off button can be pressed from either right or left.

The tool speed is increased by increasing pressure on the switch lever/trigger. Release the switch lever/trigger to stop.

NOTICE: Do not pull the switch lever/trigger hard without pulling the lock-off lever/button. This can cause switch breakage.

Lighting up the front lamp

CAUTION: Do not look in the light or see the source of light directly.

► **Fig.4:** 1. Lamp

Pull the switch lever/trigger to light up the lamp. The lamp keeps on lighting while the switch lever/trigger is being pulled.

The lamp goes out approximately 10 seconds after releasing the switch lever/trigger.

NOTE: Use a dry cloth to wipe the dirt off the lens of the lamp. Be careful not to scratch the lens of lamp, or it may lower the illumination.

Adjusting the shoe

► **Fig.5:** 1. Hex wrench 2. Hex bolt 3. Loosen

When the blade loses its cutting efficiency in one place along its cutting edge, reposition the shoe to utilize a sharp, unused portion of its cutting edge. This will help to lengthen the life of the blade.

To reposition the shoe, loosen the bolt with hex wrench. Slide the shoe to the desired position and then tighten the bolt firmly.

ASSEMBLY

CAUTION: Always be sure that the tool is switched off and the battery cartridge is removed before carrying out any work on the tool.

Installing or removing the recipro/jig saw blade

CAUTION: Always clean out all chips or foreign matter adhering to the blade, blade clamp and/or slider. Failure to do so may cause insufficient tightening of the blade, resulting in a serious injury.

For Model JR103D

► **Fig.6:** 1. Recipro saw blade 2. Blade clamp sleeve

Insert the recipro saw blade into the blade clamp as far as it will go. The blade clamp sleeve rotates and fixes the recipro saw blade. Make sure that the recipro saw blade cannot be extracted even though you try to pull it out.

CAUTION: If you do not insert the recipro saw blade deep enough, the recipro saw blade may be ejected unexpectedly during operation. This can be extremely dangerous.

NOTE: You can not use the jig saw blade with JR103D.

► **Fig.7:** 1. Recipro saw blade 2. Blade clamp sleeve

To remove the recipro saw blade, rotate the blade clamp sleeve in the direction of the arrow fully. The recipro saw blade is removed and the blade clamp sleeve is fixed at the released position.

NOTE: If you remove the recipro saw blade without rotating the blade clamp sleeve fully, the sleeve may not be fixed. In this case, rotate the blade clamp sleeve fully, then make the sleeve fixed at the released position.

For Model JR105D

► **Fig.8:** 1. Hex wrench 2. Bolt 3. Loosen
4. Tighten

► **Fig.9:** 1. Recipro saw blade 2. Hex wrench
3. Hole for recipro saw blade 4. Blade clamp

To install the recipro/jig saw blade, loosen the bolt by hex wrench. When installing a recipro saw blade, press the bolt with the hex wrench to open the slot during inserting the blade.

► **Fig.10:** 1. Recipro/jig saw blade 2. Blade clamp
3. Hole for recipro saw blade 4. Hole for jig saw blade

► **Fig.11**

You can use both jig saw blades (B type) and recipro saw blades according to your work. Insert the recipro/jig saw blade straight into the blade clamp and tighten it by hex wrench. Pull the recipro/jig saw blade lightly to make sure that the recipro/jig saw blade does not fall off during operation.

To remove the recipro/jig saw blade, follow the installation procedure in reverse.

Hex wrench storage

► **Fig.12:** 1. Hex wrench 2. Protrusion

When not in use, store the hex wrench as shown in the figure to keep it from being lost.

OPERATION

CAUTION: Always press the shoe firmly against the workpiece during operation. If the shoe is held away from the workpiece during operation, strong vibration and/or twisting will be produced, causing the blade to snap dangerously.

CAUTION: Always wear gloves to protect your hands from hot flying chips when cutting metal.

CAUTION: Be sure to always wear suitable eye protection which conforms with current national standards.

CAUTION: Always use a suitable coolant (cutting oil) when cutting metal. Failure to do so will cause premature blade wear.

► **Fig.13**

Press the shoe firmly against the workpiece. Do not allow the tool to bounce. Bring the recipro saw blade into light contact with the workpiece. First, make a pilot groove using a slower speed. Then use a faster speed to continue cutting.

► **Fig.14**

► **Fig.15**

You can use the switch lever or trigger according to your work.

NOTE: If the tool is operated continuously until the battery cartridge has discharged, allow the tool to rest for 15 minutes before proceeding with a fresh battery.

MAINTENANCE

⚠ CAUTION: Always be sure that the tool is switched off and the battery cartridge is removed before attempting to perform inspection or maintenance.

NOTICE: Never use gasoline, benzine, thinner, alcohol or the like. Discoloration, deformation or cracks may result.

To maintain product SAFETY and RELIABILITY, repairs, any other maintenance or adjustment should be performed by Makita Authorized or Factory Service Centers, always using Makita replacement parts.

OPTIONAL ACCESSORIES

⚠ CAUTION: These accessories or attachments are recommended for use with your Makita tool specified in this manual. The use of any other accessories or attachments might present a risk of injury to persons. Only use accessory or attachment for its stated purpose.

If you need any assistance for more details regarding these accessories, ask your local Makita Service Center.

- Recipro saw blades
- Jig saw blades (only for Model JR105D)
- Makita genuine battery and charger

NOTE: Some items in the list may be included in the tool package as standard accessories. They may differ from country to country.

SPECIFIKATIONER

Modell:		JR103D		JR105D	
Slaglängd		13 mm			
Slag per minut		0 - 3 300 min ⁻¹			
Max. sågkapacitet	Rör	50 mm			
	Trä	50 mm			
Märkspänning		10,8 V likström			
Batterikassett		BL1015, BL1020B	BL1040B	BL1015, BL1020B	BL1040B
Total längd		376 mm	386 mm	376 mm	386 mm
Nettovikt		1,3 kg	1,5 kg	1,3 kg	1,5 kg

- På grund av vårt pågående program för forskning och utveckling kan dessa specifikationer ändras utan föregående meddelande.
- Specifikationer och batterikassett kan variera mellan olika länder.
- Vikt, med batterikassett, i enlighet med EPTA-procedure 01/2003

Avsedd användning

Verktyget är avsett för sågning i trä, plast och järn.

Buller

Den normala bullernivån för A-belastning är bestämd enligt EN60745:

Model JR103D

Ljudtrycksnivå (L_{pA}): 78 dB (A)

Måttolerans (K): 3 dB (A)

Bullernivån vid arbete kan överstiga 80 dB (A).

Model JR105D

Ljudtrycksnivå (L_{pA}): 78 dB (A)

Måttolerans (K): 3 dB (A)

Bullernivån vid arbete kan överstiga 80 dB (A).

⚠ VARNING: Använd hörselskydd.

Vibration

Det totala vibrationsvärdet (treaxlad vektorsumma) bestämt enligt EN60745:

Model JR103D

Arbetsläge: skivsågning

Vibrationsemission ($a_{h,B}$): 8,0 m/s²

Måttolerans (K): 1,5 m/s²

Arbetsläge: sågning av träbjälkar

Vibrationsemission ($a_{h,WB}$): 8,0 m/s²

Måttolerans (K): 1,5 m/s²

Model JR105D

Arbetsläge: skivsågning

Vibrationsemission ($a_{h,B}$): 8,0 m/s²

Måttolerans (K): 1,5 m/s²

Arbetsläge: sågning av träbjälkar

Vibrationsemission ($a_{h,WB}$): 8,0 m/s²

Måttolerans (K): 1,5 m/s²

OBS: Det deklarerade vibrationsemissionsvärdet har uppmätts i enlighet med standardtestmetoden och kan användas för att jämföra en maskin med en annan.

OBS: Det deklarerade vibrationsemissionsvärdet kan också användas i en preliminär bedömning av exponering för vibration.

⚠ VARNING: Vibrationsemissionen under faktisk användning av maskinen kan skilja sig från det deklarerade emissionsvärdet, beroende på hur maskinen används.

⚠ VARNING: Var noga med att identifiera säkerhetsåtgärder för att skydda användaren, vilka är grundade på en uppskattning av graden av exponering för vibrationer under de faktiska användningsförhållandena, (ta, förutom avtryckartiden, med alla delar av användarcykeln i beräkningen, som till exempel tiden då maskinen är avstängd och när den går på tomgång).

EU-konformitetsdeklaration

Gäller endast inom EU

Makita försäkras att följande maskiner:

Maskinbeteckning: Batteridriven tigersåg

Modellnr./-typ: JR103D, JR105D

Följer följande EU-direktiv: 2006/42/EC

De är tillverkade i enlighet med följande standard eller standardiseringsdokument: EN60745

Den tekniska dokumentationen i enlighet med 2006/42/EC finns tillgänglig från:

Makita, Jan-Baptist Vinkstraat 2, 3070, Belgium

24.2.2015



Yasushi Fukaya

Direktör

Makita, Jan-Baptist Vinkstraat 2, 3070, Belgium

Allmänna säkerhetsvarningar för maskiner

⚠ VARNING: Läs igenom alla säkerhetsvarningar och anvisningar. Underlåtenhet att följa varningar och instruktioner kan leda till elstöt, brand och/eller allvarliga personskador.

Spara alla varningar och instruktioner för framtida referens.

Termen "maskin" som anges i varningarna hänvisar till din eldrivna maskin (sladdansluten) eller batteridrivna maskin (sladdlös).

Säkerhetsvarningar för sladdlös tigersåg

1. Håll maskinen i de isolerade handtagen om det finns risk för att skärverket kan komma i kontakt med en dold elkabel. Om skärverket kommer i kontakt med en "strömförande" ledning blir maskinens blottlagda metalldelar "strömförande" och kan ge operatören en elektrisk stöt.
2. Använd tvingar eller en annan praktisk metod för att säkra och stödja arbetsstycket på ett stabilt underlag. Att hålla arbetsstycket i händerna eller mot kroppen ger inte tillräckligt stöd och du kan förlora kontrollen.
3. Använd alltid skyddsglasögon. Vanliga glasögon och solglasögon är INTE skyddsglasögon.
4. Undvik att såga i spik. Ta bort alla spikar i arbetsstycket innan du sågar.
5. Såga inte för stora arbetsstycken.
6. Kontrollera att det finns tillräckligt med fritt utrymme under arbetsstycket innan arbetet påbörjas så att sågbladet inte slår emot golvet, arbetsbänken etc.
7. Håll stadigt i maskinen.
8. Se till att sågbladet inte är i kontakt med arbetsstycket innan du trycker på avtryckaren.
9. Håll händerna borta från rörliga delar.
10. Lämna inte maskinen igång. Använd endast maskinen när du håller den i händerna.
11. Stäng av maskinen och vänta tills bladet stannat helt innan bladet avlägsnas från arbetsstycket.
12. Rör inte vid sågbladet eller arbetsstycket omedelbart efter avslutat arbete, eftersom de kan vara mycket heta och ge brännskador.
13. Använd inte maskinen obelastad i onödan.
14. Använd alltid andningsskydd eller skyddsmask anpassat för det material du arbetar med.
15. Vissa material kan innehålla giftiga kemikalier. Se till att du inte andas in damm eller får det på huden. Följ anvisningarna i leverantörens materialsäkerhetsblad.

SPARA DESSA ANVISNINGAR.

⚠ VARNING: GLÖM INTE att också fortsättningsvis strikt följa säkerhetsanvisningarna för maskinen även efter att du blivit van att använda den. Vid FELAKTIG HANTERING av maskinen eller om inte säkerhetsanvisningarna i denna bruksanvisning följs kan följden bli allvarliga personskador.

Viktiga säkerhetsanvisningar för batterikassetten

1. Innan batterikassetten används ska alla instruktioner och varningsmärken på (1) batteriladdaren, (2) batteriet och (3) produkten läsas.
2. Montera inte isär batterikassetten.
3. Om drifttiden blivit avsevärt kortare ska användningen avbrytas omedelbart. Det kan uppstå överhettning, brännskador och t o m en explosion.
4. Om du får elektrolyt i ögonen ska de sköljas med rent vatten och läkare uppsökas omedelbart. Det finns risk för att synen förloras.
5. Kortslut inte batterikassetten.
 - (1) Rör inte vid polerna med något strömförande material.
 - (2) Undvik att förvara batterikassetten tillsammans med andra metallobjekt som t.ex. spikar, mynt o.s.v.
 - (3) Skydda batteriet mot vatten och regn. En batterikortslutning kan orsaka ett stort strömflöde, överhettning, brand och maskinhaveri.
6. Förvara inte maskinen och batterikassetten på platser där temperaturen kan nå eller överstiga 50 °C.
7. Bränn inte upp batterikassetten även om den är svårt skadad eller helt utsliten. Batterikassetten kan explodera i öppen eld.
8. Var försiktig så att du inte råkar tappa batteriet och utsätt det inte för stötar.
9. Använd inte ett skadat batteri.
10. Följ lokala föreskrifter beträffande avfallshandtering av batteriet.

SPARA DESSA ANVISNINGAR.

Tips för att uppnå batteriets maximala livslängd

1. Ladda batterikassetten innan den är helt urladdad. Stanna alltid maskinen och ladda batterikassetten när du märker att maskinen blir svagare.
2. Ladda aldrig en fulladdad batterikasset. Överladdning förkortar batteriets livslängd.
3. Ladda batterikassetten vid en rumstemperatur på 10 °C - 40 °C. Låt en varm batterikasset svalna innan den laddas.

FUNKTIONSBESKRIVNING

⚠ FÖRSIKTIGT: Se alltid till att maskinen är avstängd och batterikassetten borttagen innan du justerar maskinen eller kontrollerar dess funktioner.

Montera eller demontera batterikassetten

⚠ FÖRSIKTIGT: Stäng alltid av maskinen innan du monterar eller tar bort batterikassetten.

⚠ FÖRSIKTIGT: Håll stadigt i maskinen och batterikassetten när du monterar eller tar bort batterikassetten. I annat fall kan det leda till att de glider ur dina händer och orsakar skada på maskinen och batterikassetten samt personskada.

► Fig. 1: 1. Röd indikator 2. Knapp
3. Batterikassett

Ta bort batterikassetten genom att skjuta ner knappen på kassetten framsida samtidigt som du drar ut batterikassetten.

Sätt i batterikassetten genom att rikta in tungan på batterikassetten mot spåret i höljet och skjut den på plats. Tryck in batterikassetten ordentligt tills den låser fast med ett klick. Om du kan se den röda indikatorn på knappens ovasida är den inte låst ordentligt.

⚠ FÖRSIKTIGT: Sätt alltid i batterikassetten helt tills den röda indikatorn inte längre syns. I annat fall kan den oväntat falla ur maskinen och skada dig eller någon annan.

⚠ FÖRSIKTIGT: Montera inte batterikassetten med våld. Om kassetten inte lätt glider på plats är den felinställt.

Skyddssystem för batteri

Maskinen är utrustad med ett batteriskyddssystem. Detta system bryter automatiskt strömmen till motorn för att förlänga batteriets livslängd.

Maskinen stoppas automatiskt under pågående användning om någon av följande situationer uppstår:

Överbelastning:

Maskinen används på ett sätt som gör att den förbrukar onormalt mycket ström.

I detta läge ska du släppa maskinens avtryckare och avbryta arbetet som ledde till att maskinen blev överbelastad. Tryck sedan in avtryckaren igen för att starta om. Om maskinen inte startar är batteriet överhettat. Låt då batteriet svalna innan du trycker in avtryckaren igen.

Batterispänningen faller:









Den kvarvarande batterikapaciteten är för låg och maskinen fungerar inte. Om du trycker in avtryckaren går motorn igång men stannar snart igen. I detta läge tar du bort batteriet och laddar det.

Indikerar kvarvarande batterikapacitet

Gäller endast för batterikassetter med ett "B" på slutet i modellnumret

► Fig. 2: 1. Indikatorlampor 2. Kontrollknapp

Tryck på kontrollknappen på batterikassetten för att se kvarvarande batterikapacitet. Indikatorlamporna lyser i ett par sekunder.

Indikatorlampor		Återstående kapacitet
Upplyst	Av	
		75% till 100%
		50% till 75%
		25% till 50%
		0% till 25%

OBS: Beroende på användningsförhållanden och den omgivande temperaturen kan indikationen skilja sig lätt från den faktiska batterikapaciteten.

Avtryckarens funktion

⚠ FÖRSIKTIGT: Innan du monterar batterikassetten i maskinen ska du alltid kontrollera att avtryckaren (reglage/knapp) fungerar och återgår till läget "OFF" när du släpper den.

► Fig. 3: 1. Säkerhetsknapp 2. Säkerhetsspärr
3. Avtryckare (reglage) 4. Avtryckare (knapp)

Säkerhetsspärren/-knappen förhindrar att avtryckaren (reglage/knapp) oavsiktligt aktiveras.

Tryck in avtryckaren, antingen reglaget eller knappen, för att starta maskinen.

- För avtryckare med reglage ska du först trycka in säkerhetsspärren och sedan reglaget för att starta maskinen.
- För avtryckare med knapp ska du först trycka in säkerhetsknappen och sedan knappen för att starta maskinen. Säkerhetsknappen kan tryckas in antingen från höger eller vänster sida.

Hastigheten ökar utan genom att du trycker hårdare på avtryckaren (reglage/knapp). Släpp avtryckaren (reglage/knapp) för att stanna maskinen.

OBSERVERA: Tryck aldrig in avtryckaren (reglage/knapp) hårt utan att ha tryckt in säkerhetsspärren/-knappen. Det kan skada avtryckaren.

Tända frontlampan

⚠ FÖRSIKTIGT: Titta inte in i ljuset eller direkt i ljuskällan.

► **Fig.4:** 1. Lampa

Tryck på avtryckaren (reglage/knapp) för att tända lampan. Lampan lyser medan du håller in avtryckaren (reglage/knapp). Lampan slocknar ungefär 10 sekunder efter att du har släppt avtryckaren (reglage eller knapp).

OBS: Använd en torr trasa för att torka bort smuts från lampglaslet. Var försiktig så att inte lampglaslet repas eftersom ljuset då kan bli svagare.

Inställning av anslag

► **Fig.5:** 1. Insexnyckel 2. Sexkantsbult 3. Lossa

När en del av bladet blir slött justerar du anslaget för att använda en vass, oanvänd del av skårytan. Detta hjälper till att förlänga bladets livslängd.

För att justera anslaget ska du lossa bulten med insexnyckeln. Flytta anslaget till önskat läge och därefter dra åt bulten ordentligt.

MONTERING

⚠ FÖRSIKTIGT: Se alltid till att maskinen är avstängd och batterikassetten borttagen innan du underhåller maskinen.

Montering eller demontering av sågblad för tiger-/sticksåg

⚠ FÖRSIKTIGT: Ta alltid bort sågspån och främmande partiklar som fastnat på sågbladet, bladklämman och/eller bladföraren. I annat fall finns risk för att bladets inte sitter fast ordentligt, vilket kan resultera i allvarliga skador.

För modell JR103D

► **Fig.6:** 1. Sågblad för tigersåg 2. Bladklämmans hylsa

Skjut in sågbladet för tigersåg i bladklämman så långt det går. Bladklämmans hylsa roterar och låser fast sågbladet för tigersåg. Kontrollera att sågbladet för tigersåg inte lossar även om du drar i det.

⚠ FÖRSIKTIGT: Om du inte skjuter in sågbladet för tigersåg helt kan sågbladet lossa oväntat under sågningen. Det kan vara extremt farligt.

OBS: Det går inte att använda sågbladet för sticksåg med JR103D.

► **Fig.7:** 1. Sågblad för tigersåg 2. Bladklämmans hylsa

När du ska ta ur sågbladet för tigersåg vrider du bladklämmans hylsa helt i pilens riktning. Sågbladet för tigersåg plockas ur och bladklämmans hylsa är låst i frigjort läge.

OBS: Om du tar bort sågbladet för tigersåg utan att ha roterat bladklämmans hylsa helt, kan det leda till att hylsan inte låses fast. Roterar i så fall bladklämmans hylsa helt för att låsa den i det frigjorda läget.

För modell JR105D

► **Fig.8:** 1. Insexnyckel 2. Bult 3. Lossa
4. Dra åt

► **Fig.9:** 1. Sågblad för tigersåg 2. Insexnyckel
3. Hål för sågblad (tigersåg) 4. Bladklämman

Lossa bulten med insexnyckeln för att montera sågbladet för tiger-/sticksåg. Vid montering av ett sågblad för tigersåg ska du trycka på bulten med insexnyckeln för att öppna skåran när sågbladet sätts i.

► **Fig.10:** 1. Sågblad för tiger-/sticksåg
2. Bladklämman 3. Hål för sågblad (tigersåg)
4. Hål för sågblad (sticksåg)

► **Fig.11**

Det går att använda både sågblad för sticksåg (typ B) och sågblad för tigersåg beroende på ditt arbete. Sätt i sågbladet för tiger-/sticksåg rakt i bladklämman och dra åt den med insexnyckeln. Dra i sågbladet för tiger-/sticksåg försiktigt för att kontrollera att det inte ramlar ur under användning.

Gör på omvänt sätt för att ta bort sågbladet för tiger-/sticksåg.

Förvaring av insexnyckel

► **Fig.12:** 1. Insexnyckel 2. Utskjutande del

Förvara insexnyckeln enligt figuren när den inte används så att du alltid har den till hands.

ANVÄNDNING

⚠ FÖRSIKTIGT: Tryck alltid anslaget mot arbetsstycket vid användning. Om anslaget inte hålls mot arbetsstycket under användning får du kraftiga vibrationer och/eller vridningar, varvid risken för bladbrott är stort.

⚠ FÖRSIKTIGT: Bär alltid handskar för att skydda dina händer från metallspån.

⚠ FÖRSIKTIGT: Använd alltid skyddsglasögon enligt gällande föreskrifter.

⚠ FÖRSIKTIGT: Använd alltid ett lämpligt kylmedel (skärolja) vid metallsågning. Utan kylning förlorar bladet skärpan i förtid.

► **Fig.13**

Tryck anslaget ordentligt mot arbetsstycket. Maskinen får inte studsas. Låt sågbladet för tigersåg få lätt kontakt med arbetsstycket. Börja såga i låg hastighet. Fortsätt sedan såga i en snabbare hastighet.

► **Fig.14**

► **Fig.15**

Du kan använda avtryckaren (reglaget eller knappen) beroende på ditt arbete.

OBS: Om maskinen används löpande tills batteriet är tomt bör maskinen vila 15 minuter innan du fortsätter arbetet med ett laddat batteri.

UNDERHÅLL

⚠FÖRSIKTIGT: Se alltid till att maskinen är avstängd och batterikassetten borttagen innan inspektion eller underhåll utförs.

OBSERVERA: Använd inte bensin, förtunningsmedel, alkohol eller liknande. Missfärgning, deformation eller sprickor kan uppstå.

För att upprätthålla produktens SÄKERHET och TILLFÖRLITLIGHET bör allt underhålls- och justeringsarbete utföras av ett auktoriserat Makita servicecenter och med reservdelar från Makita.

VALFRIA TILLBEHÖR

⚠FÖRSIKTIGT: Följande tillbehör eller tillsatser rekommenderas för användning med den Makita-maskin som denna bruksanvisning avser. Om andra tillbehör eller tillsatser används kan det uppstå risk för personsador. Använd endast tillbehören eller tillsatserna för de syften de är avsedda för.

Kontakta ditt lokala Makita servicecenter om du behöver ytterligare information om dessa tillbehör.

- Sägblad för tigersåg
- Sägblad för sticksåg (endast för modell JR105D)
- Makitas originalbatteri och -laddare

OBS: Några av tillbehören i listan kan vara inkluderade i maskinpaketet som standardtillbehör. De kan variera mellan olika länder.

TEKNISKE DATA

Modell:		JR103D		JR105D	
Slaglengde		13 mm			
Slag per minutt		0 - 3 300 min ⁻¹			
Maks. skjæreegenskap	Rør	50 mm			
	Tre	50 mm			
Nominell spenning		DC 10,8 V			
Batteriinnsets		BL1015, BL1020B	BL1040B	BL1015, BL1020B	BL1040B
Total lengde		376 mm	386 mm	376 mm	386 mm
Nettovekt		1,3 kg	1,5 kg	1,3 kg	1,5 kg

- På grunn av vårt kontinuerlige forsknings- og utviklingsprogram kan spesifikasjonene som oppgis i dette dokumentet endres uten varsel.
- Spesifikasjoner og batteriinnsets kan variere fra land til land.
- Vekt, med batteriinnsets, i henhold til EPTA-prosedyre 01/2003

Riktig bruk

Maskinen er beregnet på saging i tre, plast og jernholdige materialer.

Støy

Typisk A-vektet lydtrykknivå er bestemt i henhold til EN60745:

Modell JR103D

Lydtrykknivå (L_{pA}): 78 dB (A)

Usikkerhet (K): 3 dB (A)

Støynivået under arbeid kan overskride 80 dB (A).

Modell JR105D

Lydtrykknivå (L_{pA}): 78 dB (A)

Usikkerhet (K): 3 dB (A)

Støynivået under arbeid kan overskride 80 dB (A).

⚠ ADVARSEL: Bruk hørselsvern.

Vibrasjoner

Den totale vibrasjonsverdien (triaksial vektorsum) bestemt i henhold EN60745:

Modell JR103D

Arbeidsmodus: Skjærebrett

Genererte vibrasjoner ($a_{h,B}$): 8,0 m/s²

Usikkerhet (K): 1,5 m/a²

Arbeidsmodus: kutting av trebjelker

Genererte vibrasjoner ($a_{h,WB}$) 8,0 m/s²

Usikkerhet (K): 1,5 m/a²

Modell JR105D

Arbeidsmodus: Skjærebrett

Genererte vibrasjoner ($a_{h,B}$): 8,0 m/s²

Usikkerhet (K): 1,5 m/a²

Arbeidsmodus: kutting av trebjelker

Genererte vibrasjoner ($a_{h,WB}$) 8,0 m/s²

Usikkerhet (K): 1,5 m/a²

MERK: Den angitte verdien for de genererte vibrasjonene er målt i samsvar med standardtestmetoden og kan brukes til å sammenlikne et verktøy med et annet.

MERK: Den angitte verdien for de genererte vibrasjonene kan også brukes til en foreløpig vurdering av eksponeringen.

⚠ ADVARSEL: De genererte vibrasjonene ved faktisk bruk av elektroverktøyet kan avvike fra den angitte vibrasjonsverdien, avhengig av hvordan verktøyet brukes.

⚠ ADVARSEL: Sørg for å identifisere vernetiltak for å beskytte operatøren, som er basert på et estimat av eksponeringen under de faktiske bruksforholdene (idet det tas hensyn til alle deler av driftssyklusen, dvs. hvor lenge verktøyet er slått av, hvor lenge det går på tomgang og hvor lenge startbryteren faktisk holdes trykket).

EF-samsvarserklæring

Gjelder kun for land i Europa

Makita erklærer at følgende maskin(er):

Maskinens bruksområde: Batteridrevet bajonettags

Modellnr./type: JR103D, JR105D

Samsvarer med følgende europeiske direktiver:

2006/42/EC

De er produsert i henhold til følgende standarder eller standardiserte dokumenter: EN60745

Den tekniske filen i samsvar med 2006/42/EC er tilgjengelig fra:

Makita, Jan-Baptist Vinkstraat 2, 3070, Belgia

24.2.2015

Yasushi Fukaya

Yasushi Fukaya

Direktør

Makita, Jan-Baptist Vinkstraat 2, 3070, Belgia

Generelle advarsler angående sikkerhet for elektroverktøy

⚠ ADVARSEL: Les alle sikkerhetsadvarslene og alle instruksjonene. Hvis du ikke følger alle advarslene og instruksjonene som er oppført nedenfor, kan det føre til elektriske støt, brann og/eller alvorlige helseskader.

Oppbevar alle advarsler og instruksjoner for senere bruk.

Uttrykket «elektrisk verktøy» i advarslene refererer både til elektriske verktøy (med ledning) tilkoblet strømmen, og batteridrevne verktøy (uten ledning).

Sikkerhetsadvarsler for trådløse bajonettags

1. Hold maskinen i det isolerte håndtaket når skjæreverktøyet kan komme i kontakt med skjulte ledninger under arbeidet. Hvis kuttetiltbehøret kommer i kontakt med «strømførende» ledninger, vil ikke isolerte metalldele av verktøyet bli strømførende og kan gi brukeren elektrisk støt.
2. Bruk klemmer eller en annen praktisk måte å sikre og støtte arbeidsstykket på en stabil plattform. Hvis du holder det med hånden eller mot kroppen, kan det være ustabil og føre til at du mister kontrollen.
3. Du må alltid bruke vernebriller eller ansiktsvern. Vanlige briller eller solbriller er IKKE vernebriller.
4. Unngå å skjære i spiker. Se etter om det er spiker i arbeidsstykket, og fjern dem før du begynner arbeidet.
5. Ikke skjær for store arbeidsstykker.
6. Sjekk at det er plass nok bak arbeidsstykket før du begynner sagingen, så ikke bladet kommer til å treffe gulvet, arbeidsbenken e.l.
7. Hold godt fast i verktøyet.
8. Forviss deg om at bladet ikke er i kontakt med arbeidsstykket før du slår på startbryteren.
9. Hold hendene unna bevegelige deler.
10. Ikke gå fra verktøyet mens det er i gang. Verktøyet må bare brukes mens operatøren holder det i hendene.
11. Før du fjerner bladet fra arbeidsstykket, må du alltid slå av sagingen og vente til bladet har stoppet helt.
12. Ikke ta i bladet eller arbeidsemnet rett etter saging. De vil være ekstremt varme, og du kan brenne deg.
13. Ikke bruk maskinen uten belastning hvis det ikke er nødvendig.
14. Bruk alltid riktig støvmaske/pustemaske for det materialet og det bruksområdet du arbeider med.
15. Enkelte materialer inneholder kjemikalier som kan være giftige. Treff tiltak for å hindre hudkontakt og innånding av støv. Følg leverandørens sikkerhetsanvisninger.

TA VARE PÅ DISSE INSTRUKSENE.

⚠ ADVARSEL: IKKE LA hensynet til hva som er "behagelig" eller det faktum at du kjenner produktet godt (etter mange gangers bruk) gjøre deg mindre oppmerksom på sikkerhetsreglene for bruken av det aktuelle produktet. Ved MISBRUK eller hvis ikke sikkerhetsreglene i denne bruksanvisningen følges, kan det oppstå alvorlig personskade.

Viktige sikkerhetsanvisninger for batteriinnsetts

1. Før du begynner å bruke batteriet, må du lese alle anvisninger og forsiktighetsregler på (1) batteriladeren, (2) batteriet og (3) det produktet batteriet skal brukes i.
2. Ikke ta fra hverandre batteriet.
3. Hvis driftstiden er blitt vesentlig kortere, må du omgående slutte å bruke maskinen. Hvis ikke kan resultatet bli overoppheting, mulige forbrenninger eller til og med en eksplosjon.
4. Hvis du får elektrolytt i øynene, må du skylle dem med store mengder rennende vann og oppsøke lege med én gang. Denne typen uhell kan føre til varig blindhet.
5. Ikke kortslett batteriet:
 - (1) De kan være ekstremt varme og du kan brenne deg.
 - (2) Ikke lagre batteriet i samme beholder som andre metallgjenstander, som for eksempel spiker, mynter osv.
 - (3) Ikke la batteriet komme i kontakt med vann eller regn.En kortslutning av batteriet kan føre til et kraftig strømstøt, overoppheting, mulige forbrenninger og til og med til at batteriet går i stykker.
6. Ikke lagre maskinen og batteriet på steder hvor temperaturen kan komme opp i eller overskride 50 °C.
7. Ikke sett fyr på batteriet, ikke engang om det er sterkt skadet eller helt utslitt. Batteriet kan eksplodere hvis det begynner å brenne.
8. Vær forsiktig så du ikke mister batteriet eller utsetter det for slag.
9. Ikke bruk batterier som er skadet.
10. Følg lokale bestemmelser for avhending av batterier.

TA VARE PÅ DISSE INSTRUKSENE.

Tips for å opprettholde maksimal batterilevetid

1. Lad batteriinnsettsen før den er helt utladet. Stopp alltid driften av verktøyet og lad batteriinnsettsen når du merker at effekten reduseres.
2. Lad aldri en batteriinnsetts som er fulladet. Overopplading forkorter batteriets levetid.
3. Lad batteriet i romtemperatur ved 10 °C - 40 °C. Et varmt batteri må kjøles ned før lading.

FUNKSJONSBEKRIVELSE

⚠ ADVARSEL: Forviss deg alltid om at maskinen er slått av og batteriet tatt ut før du justerer maskinen eller kontrollerer dens mekaniske funksjoner.

Sette inn eller ta ut batteri

⚠ ADVARSEL: Slå alltid av verktøyet før du setter inn eller fjerner batteriet.

⚠ ADVARSEL: Hold verktøyet og batteripatronen i et fast grep når du monterer eller fjerner batteripatronen. Hvis du ikke holder verktøyet og batteripatronen godt fast, kan du miste grepet, og dette kan føre til skader på verktøyet og batteripatronen samt personskader.

► Fig.1: 1. Rød indikator 2. Knapp
3. Batteriinnsetts

For å ta ut batteriet må du skyve på knappen foran på batteriet og trekke det ut.

Når du skal sette inn batteriet, må du plassere tungen på batteriet på linje med sporet i huset og skyve batteriet på plass. Skyv det helt inn til det går i inngrep med et lite klikk. Hvis du kan se den røde anviseren på oversiden av knappen, er det ikke fullstendig låst.

⚠ ADVARSEL: Batteriet må alltid settes helt inn, så langt at den røde anviseren ikke lenger er synlig. Hvis dette ikke gjøres, kan batteriet komme til å falle ut av maskinen og skade deg eller andre som oppholder seg i nærheten.

⚠ ADVARSEL: Ikke bruk makt når du setter i batteriet. Hvis batteriet ikke blir lett inn, er det fordi det ikke settes inn på riktig måte.

Batteribeskyttelsessystem

Verktøyet er utstyrt med et batterivernsystem. Dette systemet slår automatisk av strømmen til motoren for å forlenge batteriets levetid.

Verktøyet stopper automatisk ved drift hvis det og/eller batteriet utsettes for en av følgende tilstander:

Overbelastning:

Verktøyet brukes på en måte som gjør at det trekker uvanlig mye strøm.

I så fall, slipp startbryteren på verktøyet og hold opp med det arbeidet som førte til at verktøyet ble overbelastet. Trekk deretter i startutløseren igjen for å starte på nytt.

Hvis verktøyet ikke starter, er batteriet overbelastet. I dette tilfellet, la batteriet kjøle seg ned før du drar i startbryteren igjen.

Lav batterispenningsnivå:

Gjenværende batterikapasitet er for lav og verktøyet vil ikke fungere. Når du trykker på startutløseren, starter motoren, men stopper like etterpå. I dette tilfellet, fjern og lad batteriet opp igjen.

Indikere gjenværende batterikapasitet

Kun for batterier med «B» sist i modellnummeret

► Fig.2: 1. Indikatorlamper 2. Kontrollknapp

Trykk på sjekk-knappen på batteriet for vise gjenværende batterikapasitet. Indikatorlampene lyser i et par sekunder.

Indikatorlamper		Gjenværende batterinivå
Tent	Av	
		75% til 100%
		50% til 75%
		25% til 50%
		0% til 25%

MERK: Det angitte nivået kan avvike noe fra den faktiske kapasiteten alt etter bruksforholdene og den omgivende temperaturen.

Bryterfunksjon

⚠ ADVARSEL: Før du setter batteriet inn i maskinen, må du alltid kontrollere at startspaken/utløseren aktiverer maskinen på riktig måte og går tilbake til «AV»-stilling når den slippes.

► Fig.3: 1. AV-sperreknapp 2. AV-sperrehendel
3. Startspak 4. Startbryter

For å unngå at startspaken/utløseren trekkes i ved en feiltakelse, er maskinen utstyrt med en AV-sperreknapp. For å starte verktøyet, trekk enten i startspake eller utløser.

- For startspaken, trekk i AV-sperrespaken og trekk deretter i startspaken for å starte verktøyet.
- For startutløseren, løs opp AV-sperreknappen og trekk deretter i startutløseren for å starte verktøyet. AV-sperreknappen kan trykkes enten fra høyre eller venstre.

Verktøyhastigheten økes ved å øke trykket på startspaken/utløseren. Slipp startspake/utløser for å stoppe maskinen.

OBS: Trekk ikke hardt i startspaken/utløseren uten å trekke i AV-sperreknappen/spaken. Dette kan få bryteren til å brenne.

Tenne frontlampen

⚠ ADVARSEL: Ikke se inn i lyset eller se direkte på lyskilden.

► Fig.4: 1. Lampe

Trekk i startspaken/utløseren for å tenne lampen. Lampen fortsetter å lyse så lenge startspaken/utløseren trekkes i.

Lampen slukkes omtrent 10 sekunder etter at startbryteren/utløseren er sluppet.

MERK: Bruk en tørr klut til å tørke støv osv. av lampelinsen. Vær forsiktig så det ikke blir riper i lampelinsen, da dette kan redusere lysstyrken.

Justere anleggsfoten

- **Fig.5:** 1. Sekskantnøkkel 2. Sekskantmutter
3. Løsne

Når sagbladet er blitt slitt på et område kan man endre plasseringen av anleggsfoten for å få tilgang til et nytt område på bladet med skarpe tenner. Dette forlenger bladets levetid.

For å endre posisjon på anleggsfoten må du løsne boltene med sekskantnøkkelen. Skyv anleggsfoten til ønsket posisjon, og stram deretter til boltene godt.

MONTERING

⚠ADVARSEL: Forviss deg alltid om at maskinen er slått av og batteriet tatt ut før du utfører noe arbeid på maskinen.

Montere eller fjerne bajonett-/løvsagbladet

⚠ADVARSEL: Pass alltid på å fjerne flis og fremmedlegemer som kleber til bladet, bladklemmen og/eller glidedelen. Hvis dette ikke gjøres, kan det bli vanskelig å stramme bladet ordentlig, noe som kan resultere i alvorlige helseskader.

For modell JR103D

- **Fig.6:** 1. Bajonett-sagblad
2. Bladklemmemansjett

Sett bajonett-sagbladet så langt inn i bladklemmen som det vil gå. Bladklemmemansjetten roteres og bajonett-sagbladet festes. Sørg for at bajonett-sagbladet ikke kan trekkes ut selv om du bevisst forsøker å gjøre det.

⚠ADVARSEL: Hvis du ikke setter bajonett-sagbladet dypt nok inn, kan det komme til å sprette ut helt uventet under saging. Dette kan være ekstremt farlig.

MERK: Løvsagbladet kan ikke brukes med JR103D.

- **Fig.7:** 1. Bajonett-sagblad
2. Bladklemmemansjett

For å ta av bajonett-sagbladet må du rotere bladklemmemansjetten fullstendig i pilens retning. Bajonett-sagbladet er tatt av og bladklemmemansjetten festet i frigjort posisjon.

MERK: Hvis du fjerner bajonett-sagbladet uten å dreie bladklemmemansjetten helt, vil mansjetten kanskje ikke festes. I så fall må du dreie bladklemmemansjetten helt, og så feste mansjetten i frigjort posisjon.

For modell JR105D

- **Fig.8:** 1. Sekskantnøkkel 2. Skrue 3. Løsne
4. Stramme

- **Fig.9:** 1. Bajonett-sagblad 2. Sekskantnøkkel
3. Hull for bajonett-sagbladet 4. Bladklemme

For å montere bajonett-/løvsagbladet, må du løsne boltene med en sekskantnøkkel. Når du monterer et bajonett-sagblad, trykker du på boltene med sekskantnøkkelen for å åpne sporet for å sette inn bladet.

- **Fig.10:** 1. Bajonett-/løvsagblad 2. Bladklemme
3. Hull for bajonett-sagbladet 4. Hull for løvsagbladet

► Fig.11

Du kan bruke både løvsagblader (type B) og bajonett-sagblader som det passer til arbeidet ditt. Sett bajonett-/løvsagbladet rett inn i bladklemmen og stram til med sekskantnøkkelen. Dra lett i bajonett-/løvsagbladet for å sikre at det ikke vil falle av under drift.

Fjern bajonett-/løvsagbladet ved å følge installeringsfremgangsmåten i motsatt rekkefølge.

Oppbevare sekskantnøkkel

- **Fig.12:** 1. Sekskantnøkkel 2. Sperrehake

Når sekskantnøkkelen ikke er i bruk, må du oppbevare den som vist i figuren slik at du ikke mister den.

BRUK

⚠ADVARSEL: Under arbeid må du alltid trykke anleggsfoten godt mot arbeidsstykket. Hvis anleggsfoten ikke ligger an mot arbeidsstykket under saging, vil sagen begynne å vibrere og/eller vri seg kraftig, slik at bladet ryker.

⚠ADVARSEL: Bruk alltid hansker for å beskytte hendene dine mot varmt spon når du sager i metall.

⚠ADVARSEL: Du må alltid bruke egnede vernebriller som samsvarer med aktuelle nasjonale standarder.

⚠ADVARSEL: Når du sager i metall, må du alltid bruke et passende kjølemiddel (en passende sagolje). Hvis du ikke gjør det, vil bladet bli slitt før tiden.

► Fig.13

Trykk anleggsfoten godt mot arbeidsstykket. Ikke la verktøyet hoppe. Sett bajonett-sagbladet forsiktig an mot arbeidsstykket. Lag først et styrespør med lavt turtall. Bruk deretter et høyere turtall til å fortsette sagingen.

► Fig.14

► Fig.15

Du kan bruke startspaken eller utløseren som det passer til arbeidet ditt.

MERK: Hvis verktøyet brukes kontinuerlig inntil batteriet er utladet, må du la verktøyet hvile i 15 minutter før du fortsetter med et nytt batteri.

VEDLIKEHOLD

⚠ADVARSEL: Forviss deg alltid om at maskinen er slått av og batteriet tatt ut før du foretar inspeksjon eller vedlikehold.

OBS: Aldri bruk gasolin, bensin, tynner alkohol eller lignende. Det kan føre til misfarging, deformering eller sprekkdannelse.

For å opprettholde produktets SIKKERHET og PALITELIGHET, må reparasjoner, vedlikehold og justeringer utføres av autoriserte Makita servicesentre eller fabrikk-servicesentre, og det må alltid brukes reservedeler fra Makita.

VALGFRITT TILBEHØR

⚠ADVARSEL: Det anbefales at du bruker dette tilbehøret eller verktøyet sammen med den Makita-maskinen som er spesifisert i denne håndboken. Bruk av annet tilbehør eller verktøy kan forårsake personskader. Tilbehør og verktøy må kun brukes til det formålet det er beregnet på.

Ta kontakt med ditt lokale Makita-servicesenter hvis du trenger mer informasjon om dette tilbehøret.

- Bajonettsagblader
- Løvsagblader (kun for modell JR105D)
- Makita originalbatteri og lader

MERK: Enkelte elementer i listen kan være inkludert som standardtilbehør i verktøypakken. Elementene kan variere fra land til land.

TEKNISET TIEDOT

Malli:	JR103D		JR105D	
Iskun pituus	13 mm			
Iskua minuutissa	0 - 3 300 min ⁻¹			
Suurin leikkauskapasiteetti	Putki	50 mm		
	Puu	50 mm		
Nimellisjännite	DC 10,8 V			
Akkupaketti	BL1015, BL1020B	BL1040B	BL1015, BL1020B	BL1040B
Kokonaispituus	376 mm	386 mm	376 mm	386 mm
Nettopaino	1,3 kg	1,5 kg	1,3 kg	1,5 kg

- Jatkuvasta tutkimus- ja kehitystyöstämme johtuen esitetyt tekniset tiedot saattavat muuttua ilman erillistä ilmoitusta.
- Tekniset tiedot ja akkupaketti voivat vaihdella maittain.
- Paino akkupaketilla, EPTA-menettelyn 01/2003 mukaan

Käyttötarkoitus

Työkalu on tarkoitettu puun, muovin ja metallien sahaamiseen.

Melutaso

Tyypillinen A-painotettu melutaso määräytyy standardin EN60745 mukaan:

Malli JR103D

Äänenpainetaso (L_{pA}): 78 dB (A)
Virhemarginaali (K): 3 dB (A)

Työskentelyn aikana melutaso voi ylittää 80 dB (A).

Malli JR105D

Äänenpainetaso (L_{pA}): 78 dB (A)
Virhemarginaali (K): 3 dB (A)

Työskentelyn aikana melutaso voi ylittää 80 dB (A).

VAROITUS: Käytä kuulosuojaimia.

Tärinä

Kokonaistärinä (kolmen akselin vektorien summa) määräytyy standardin EN60745 mukaan:

Malli JR103D

Työtila: levyjen sahaus
Tärinäpäästö ($a_{h,B}$): 8,0 m/s²
Virhemarginaali (K): 1,5 m/s²
Työtila: puupalkkien sahaaminen
Tärinäpäästö ($a_{h,WB}$): 8,0 m/s²
Virhemarginaali (K): 1,5 m/s²

Malli JR105D

Työtila: levyjen sahaus
Tärinäpäästö ($a_{h,B}$): 8,0 m/s²
Virhemarginaali (K): 1,5 m/s²
Työtila: puupalkkien sahaaminen
Tärinäpäästö ($a_{h,WB}$): 8,0 m/s²
Virhemarginaali (K): 1,5 m/s²

HUOMAA: Ilmoitettu tärinäpäästöarvo on mitattu standarditestausten mukaisesti, ja sen avulla voidaan vertailla työkaluja keskenään.

HUOMAA: Ilmoitettua tärinäpäästöarvoa voidaan käyttää myös altistumisen alustavaan arviointiin.

VAROITUS: Työkalun käytön aikana mitattu todellinen tärinäpäästöarvo voi poiketa ilmoitetusta tärinäpäästöarvosta työkalun käyttötavan mukaan.

VAROITUS: Selvitä käyttäjän suojaamiseksi tarvittavat varotoimet todellisissa käyttöolosuhteissa tapahtuvan arvioidun altistumisen mukaisesti (ottaen huomioon käyttöjako kokonaisuudessaan, myös jakset, joiden aikana työkalu on sammutettuna tai käy tyhjäkäynnillä).

VAKUUTUS EC-VASTAAVUUDESTA

Koskee vain Euroopan maita

Makita ilmoittaa, että seuraava(t) kone(et):

Koneen tunnistetiedot: Akkukäyttöinen puukkosaha
Mallinumero/tyyppi: JR103D, JR105D

Täyttävät seuraavien eurooppalaisten direktiivien vaatimukset: 2006/42/EC

On valmistettu seuraavien standardien tai standardoitu-
jen asiakirjojen mukaisesti: EN60745

Direktiivin 2006/42/EC mukaiset tekniset tiedot ovat
saatavissa seuraavasta osoitteesta:

Makita, Jan-Baptist Vinkstraat 2, 3070, Belgia
24.2.2015



Yasushi Fukaya

Johtaja

Makita, Jan-Baptist Vinkstraat 2, 3070, Belgia

Sähkötyökalujen käyttöä koskevat yleiset varoitukset

VAROITUS: Lue huolellisesti kaikki turvallisuusvaroitukset ja käyttöohjeet. Jos varoitusten ja ohjeiden noudattaminen laiminlyödään, seurauksena voi olla sähköisku, tulipalo ja/tai vakava vammautuminen.

Säilytä varoitukset ja ohjeet tulevaa käyttöä varten.

Varoituksissa käytettävällä termillä "sähkötyökalu" tarkoitetaan joko verkkovirtaa käyttävää (johdollista) työkalua tai akkukäyttöistä (johdotonta) työkalua.

Akkukäyttöisen puukkosahan turvaohjeet

- Kun suoritat toimenpidettä, jossa leikkaustyökalu voi joutua kosketukseen pilossa olevien johtojen kanssa, pidä kiinni työkalusta sen eristetyn tarttumispinnan kohdalta. Jos leikkaustyökalu joutuu kosketukseen jännitteisen johdon kanssa, jännite voi siirtyä työkalun sähköä johtaviin metalliosiin ja aiheuttaa käyttäjälle sähköiskun.
- Kiinnitä ja tue työkalupalle tukevalle alustalle puristimilla tai muulla käytännöllisellä tavalla. Työn pitäminen kädessä tai vasten vartaloa tekee sen epävakaaksi ja voi johtaa hallinnan menetykseen.
- Käytä aina suojalaseja. Tavalliset silmä- tai aurinkolasit EIVÄT ole suojalaseja.
- Vältä naulojen sahaamista. Tarkista, onko työkalupalleessa nauloja, ja poista ne ennen käyttöä.
- Älä leikkaa ylisuuria työkalupalleita.
- Tarkista ennen leikkaamista, että työkalupalleen takana on tarpeeksi tilaa, jotta terä ei osu lattiin, työpöytään tai vastaavaan.
- Ota koneesta lujaa ote.
- Varmista, että terä ei kosketa työkalupalletta, ennen kuin painat kytkintä.
- Pidä kädet poissa liikkuvien osien luota.
- Älä jätä konetta käymään itseksensä. Käytä laitetta vain silloin, kun pidät sitä kädessä.
- Sammuta laite ja odota, että terä pysähtyy täysin, aina ennen kuin irrotat terän työkalupalleesta.
- Älä kosketa terää tai työkalupalletta välittömästi käytön jälkeen, sillä ne voivat olla erittäin kuumia ja saattavat polttaa ihoa.
- Älä käytä työkalua tarpeettomasti ilman kuormaa.
- Käytä aina työstettävän materiaalin ja käyttö-tarkoituksen mukaan valittua pölynaamaria/hengityssuojainta.
- Jotkin materiaalit sisältävät kemikaaleja, jotka voivat olla myrkyllisiä. Huolehdi siitä, että pölyn sisäänhengittäminen ja ihokosketus estetään. Noudata materiaalin toimittajan turvaohjeita.

SÄILYTÄ NÄMÄ OHJEET.

VAROITUS: ÄLÄ anna työkalun helpokäyttöisyyden (toistuvan käytön aikaansaama) johtaa sinua vääran turvallisuuden tunteeseen niin, että laiminlyöt työkalun turvaohjeiden noudattamisen. **VÄÄRINKÄYTTÖ** tai tässä käyttöohjeessa ilmoitettujen turvamääräysten laiminlyönti voi aiheuttaa vakavia henkilövahinkoja.

Akkupakettia koskevia tärkeitä turvaohjeita

- Ennen akun käyttöönottoa tutustu kaikkiin laturissa (1), akussa (2) ja akkukäyttöisessä tuotteessa (3) oleviin varoitusteksteihin.
- Älä pura akkua.
- Jos akun toiminta-aika lyhenee merkittävästi, lopeta akun käyttö. Seurauksena voi olla ylikuumeneminen, palovammoja tai jopa räjähdys.
- Jos akkunestettä pääsee silmiin, huuhtele puhtaalla vedellä ja hakeudu välittömästi lääkärin hoitoon. Akkuneste voi aiheuttaa näön menetyksen.
- Älä oikosulje akkua.
 - Älä koske akun napoihin millään sähköä johtavalla materiaalilla.
 - Vältä akun oikosulkemista äläkä säilytä akkua yhdessä muiden metalliesineiden, kuten naulojen, kolikoiden ja niin edelleen kanssa.
 - Älä aseta akkua alttiiksi vedelle tai sateelle.Oikosulku voi aiheuttaa virtapiikin, ylikuumentumista, palovammoja tai laitteen rikkoutumisen.
- Älä säilytä työkalua ja akkua paikassa, jossa lämpötila voi nousta 50 °C:een tai sitäkin korkeammaksi.
- Älä hävitä akkua polttamalla, vaikka se olisi pahoin vaurioitunut tai täysin loppuun kulunut. Avotuli voi aiheuttaa akun räjähtämisen.
- Varo kolhimasta tai pudottamasta akkua.
- Älä käytä viallista akkua.
- Hävitä akku paikallisten määräysten mukaisesti.

SÄILYTÄ NÄMÄ OHJEET.

Vihjeitä akun käyttöön pidentämiseksi

- Lataa akku ennen kuin se purkautuu täysin. Lopeta aina työkalun käyttö ja lataa akku, jos huomaat työkalun tehon vähenevän.
- Älä koskaan lataa uudestaan täysin ladattua akkua. Ylilataaminen lyhentää akun käyttöikä.
- Lataa akku huoneen lämpötilassa välillä 10 °C - 40 °C. Anna kuuman akun jäähtyä ennen lataamista.

TOIMINTOJEN KUVAUS

▲HUOMIO: Varmista aina ennen säätöjä ja tarkastuksia, että työkalu on sammutettu ja akkupaketti irrotettu.

Akun asentaminen tai irrottaminen

▲HUOMIO: Sammuta työkalu aina ennen akun kiinnittämistä tai irrottamista.

▲HUOMIO: Pidä työkalusta ja akusta tiukasti kiinni, kun irrotat tai kiinnität akkua. Jos akkupaketti tai työkalu putoaa, ne voivat vaurioitua tai aiheuttaa tapaturman.

► **Kuva1:** 1. Punainen merkkivalo 2. Painike
3. Akkupaketti

Irrota akku painamalla akun etupuolella olevaa painiketta ja vetämällä akku ulos työkalusta.

Akku liitetään sovittamalla akun kieleke rungon uraan ja työntämällä se sitten paikoilleen. Työnnä akku pohjaan asti niin, että kuulet sen napsahdavan paikoilleen. Jos painikkeen yläpuolella näkyy punainen ilmaisin, akku ei ole lukkiutunut täysin paikoilleen.

▲HUOMIO: Työnnä akku aina pohjaan asti, niin että punainen ilmaisin ei enää näy. Jos akku ei ole kunnolla paikallaan, se voi pudota työkalusta ja aiheuttaa vammoja joko sinulle tai sivullisille.

▲HUOMIO: Älä käytä voimaa akun asennuksessa. Jos akku ei liu'u paikalleen helposti, se on väärässä asennossa.

Akun suojausjärjestelmä

Työkalu on varustettu akun suojausjärjestelmällä. Tämä järjestelmä pidentää akun käyttöikää katkaisemalla moottorin virran automaattisesti.

Työkalu pysähtyy automaattisesti kesken käytön, jos työkalussa tai akussa ilmenee jokin seuraavista tilanteista:

Ylikuormitus:

Työkalua käytetään tavalla, joka saa sen kuluttamaan epätavallisen paljon virtaa.

Vapauta silloin työkalun liipaisinkytkin ja lopeta ylikuormitustilan aiheuttanut käyttö. Käynnistä sitten työkalu uudelleen painamalla liipaisinkytkintä.

Jos työkalu ei käynnisty, akku on ylikuumentunut. Anna silloin akku jäähtyä, ennen kuin painat liipaisinkytkintä uudelleen.

Alhainen akun jännite:









Akun varaus ei riitä työkalun käyttämiseen. Jos painat liipaisinkytkintä, moottori alkaa toimia, mutta pysähtyy pian. Irrota silloin akku ja lataa se.

Akun jäljellä olevan varaustason ilmaisin

Vain akkupaketeille, joiden mallinumeron lopussa on "B"

► **Kuva2:** 1. Merkkivalot 2. Tarkistuspainike

Painamalla tarkistuspainiketta saat näkyviin akun jäljellä olevan varauksen. Merkkivalot palavat muutaman sekunnin ajan.

Merkkivalot		Akussa jäljellä oleva varaus
Palaa	Pois päältä	
		75% - 100%
		50% - 75%
		25% - 50%
		0% - 25%

HUOMAA: Ilmoitettu varaustaso voi erota hieman todellisesta varaustasosta sen mukaan, millaisissa oloissa ja missä lämpötilassa laitetta käytetään.

Kytkimen käyttäminen

▲HUOMIO: Tarkista aina ennen akkupaketin kiinnittämistä työkaluun, että liipaisin- tai vipukytkin toimii oikein ja palaa "OFF"-asentoon, kun se vapautetaan.

► **Kuva3:** 1. Lukon vapautuspainike 2. Lukon vapautusvipu 3. Vipukytkin 4. Liipaisinkytkin

Laitteessa on lukituksen vapautuspainike tai -vipu, joka estää liipaisin- tai vipukytkimen painamisen vahingossa. Käynnistä työkalu painamalla liipaisin- tai vipukytkintä.

- Jos kyseessä on vipukytkin, käynnistä työkalu painamalla ensin lukitusvipua ja sitten vipukytkintä.
- Jos kyseessä on liipaisinkytkin, käynnistä työkalu painamalla ensin lukituspainiketta ja sitten liipaisinkytkintä. Lukituksen vapautuspainiketta voidaan painaa vasemmalta tai oikealta puolelta.

Mitä voimakkaammin liipaisin- tai vipukytkintä tai painetaan, sitä nopeammin terä pyörii. Sammuta työkalu vapauttamalla vipu-/liipaisinkytkin.

HUOMAUTUS: Älä paina liipaisin- tai vipukytkintä voimakkaasti, ellei samalla paina lukituksen vapautusvipua. Kytkin voi rikkoutua.

Etulampun syyttäminen

▲HUOMIO: Älä katso suoraan lamppuun tai valonlähteeseen.

► **Kuva4:** 1. Lamppu

Lamppu syttyy, kun painat liipaisin- tai vipukytkintä. Lamppu palaa niin kauan kuin liipaisin- tai vipukytkintä vedetään. Lamppu sammuu noin 10 sekunnin kuluttua liipaisin- tai vipukytkimen vapauttamisesta.

HUOMAA: Pyyhi lika pois linssistä kuivalla liinalla. Varo naarmuttamasta linssiä, ettei valoteho laske.

Olkahihnan säätäminen

► **Kuva5:** 1. Kuusioavain 2. Kuusiopultti
3. Löysää

Kun terän leikkausteho katoaa sen leikkaavan reunan yhdestä kohdasta, vaihda kengän asentoa, niin voit käyttää leikkaavan reunan terävää, käyttämätöntä osaa. Tämä auttaa pidentämään terän käyttöikää. Kun haluat muuttaa kengän asentoa, kierrä ruuvi löysälle kuusioavaimella. Työnnä kenkä haluamaasi asentoon ja kiristä ruuvi tiukasti.

KOKOONPANO

▲ **HUOMIO:** Varmista aina ennen mitään työkalulle tehtäviä toimenpiteitä, että se on sammutettu ja akku irrotettu.

Puukko-/sahanterän asennus tai irrotus

▲ **HUOMIO:** Poista aina terään, terän kiinnikkeeseen ja/tai liukuohjaimen tarttuneet lastut tai vieraat aineet. Jos näin ei tehdä, terää ei ehkä voida kiristää tarpeeksi, mikä voi aiheuttaa vakavia vammoja.

Mallille JR103D

► **Kuva6:** 1. Puukkosahanterä 2. Terän kiinnitysholkki

Työnnä puukkosahanterä niin syväälle terän kiinnitysholkkiin, kuin se menee. Terän kiinnitysholkki lukitsee puukkosahanterän paikalleen, kun sitä käännetään. Varmista, ettei puukkosahanterä irtoa vedettäessä.

▲ **HUOMIO:** Jos puukkosahanterää ei ole kiinnitetty tarpeeksi syväälle, se saattaa irrota yllättäen käytön aikana. Tämä voi olla hyvin vaarallista.

HUOMAA: Mallin JR103D yhteydessä ei voida käyttää lehtisahanterää.

► **Kuva7:** 1. Puukkosahanterä 2. Terän kiinnitysholkki

Irrota puukkosahanterä kääntämällä terän kiinnitysholkki loppuun asti nuolen osoittamaan suuntaan. Puukkosahanterä irtoaa ja terän kiinnitysholkki jää vapautettuun asentoon.

HUOMAA: Jos irrotat puukkosahanterän ilman, että kierät terän kiinnitysholkkiä täysin, holkki ei kiinnity. Tässä tapauksessa kierrä terän kiinnitysholkki loppuun asti, ja kiinnitä holkki vapautettuun asentoon.

Mallille JR105D

► **Kuva8:** 1. Kuusioavain 2. Lankkuliitoskärki
3. Löysää 4. Kiristä

► **Kuva9:** 1. Puukkosahanterä 2. Kuusioavain
3. Reikä puukkosahanterälle 4. Terän kiinnike

Kun haluat asentaa puukko-/lehtisahanterän, löysää pultti kuusioavaimella. Kun asennat puukkosahanterän, avaa asennuskoloa asennuksen aikana painamalla pulttia kuusioavaimella.

► **Kuva10:** 1. Puukko-/lehtisahanterä 2. Terän kiinnike 3. Reikä puukkosahanterälle 4. Reikä lehtisahanterälle

► Kuva11

Voit käyttää tarpeen mukaan joko lehtisahanteriä (tyyppi B) tai puukkosahanteriä. Työnnä puukko-/lehtisahanterä terän kiinnitysholkkiin ja kiristä se paikalleen kuusioavaimella. Varmista, ettei puukko-/lehtisahanterä pääse irtoamaan käytön aikana vetämällä terää kevyesti. Puukko-/lehtisahanterä irrotetaan päinvastaisessa järjestyksessä.

Kuusioavaimen varastointi

► **Kuva12:** 1. Kuusioavain 2. Ulkonema

Säilytä kuusioavainta kuvan osoittamassa paikassa, ettei se pääse katoamaan.

TYÖSKENTELY

▲ **HUOMIO:** Paina kenkä aina tiukasti työkalupaleesta käytön aikana. Jos kenkä on irti työkalupaleesta käytön aikana, terä värisee voimakkaasti ja/tai väänntyylee, jolloin terä napsahtaa poikki aiheuttaen vaaratilanteen.

▲ **HUOMIO:** Suojaa kätesi kuumilta lentäviltä lastuilta pitämällä käsiänsä aina, kun leikkaat metallia.

▲ **HUOMIO:** Käytä aina sopivia, voimassaolevat kansalliset normit täytettäviä suojalaseja.

▲ **HUOMIO:** Käytä aina sopivaa jäähdytysainetta (leikkuuöljyä), kun leikkaat metallia. Muuten seurauksena on terän ennenaikainen kuluminen.

► Kuva13

Paina kenkä tiukasti työkalupaleesta vasten. Älä anna työkalun pomppia. Anna puukkosahanterän koskettaa kevyesti työkalupaleetta. Tee ensin ohjausura pienemällä nopeudella. Jatka sitten sahaamista suuremmalla nopeudella.

► Kuva14

► Kuva15

Voit käyttää liipaisinkytkintä tai vipukytkintä tarpeen mukaan.

HUOMAA: Jos työkalua käytetään jatkuvasti niin pitkään, että akku tyhjenee, anna työkalun seistä 15 minuuttia ennen kuin jatkat työskentelyä uudella akulla.

KUNNOSSAPITO

⚠️HUOMIO: Varmista aina ennen tarkastusta tai huoltoa, että työkalu on sammutettu ja akku irrotettu.

HUOMAUTUS: Älä koskaan käytä bensiiniä, ohenteita, alkoholia tai tms. aineita. Muutoin pinta voi halkeilla tai sen värit ja muoto voivat muuttua. Muutoin laitteeseen voi tulla värjäytymiä, muodon vääristymiä tai halkeamia.

Tuotteen TURVALLISUUDEN ja LUOTETTAVUUDEN takaamiseksi korjaukset, muut huoltotyöt ja säädöt on teetettävä Makitan valtuutetussa huoltopisteessä Makitan varaosia käyttäen.

LISÄVARUSTEET

⚠️HUOMIO: Seuraavia lisävarusteita tai laitteita suositellaan käytettäväksi tässä ohjeessa kuvatun Makita-työkalun kanssa. Muiden lisävarusteiden tai laitteiden käyttö voi aiheuttaa henkilövahinkoja. Käytä lisävarusteita ja -laitteita vain niiden käyttötarkoituksen mukaisesti.

Jos tarvitset apua tai yksityiskohtaisempia tietoja seuraavista lisävarusteista, ota yhteys paikalliseen Makitan huoltoon.

- Puukkosahanterät
- Lehtisahanterät (vain mallille JR105D)
- Aito Makitan akku ja laturi

HUOMAA: Jotkin luettelossa mainitut varusteet voivat sisältyä työkalun toimitukseen vakiovarusteina. Ne voivat vaihdella maittain.

SPECIFIKĀCIJAS

Modelis:	JR103D		JR105D	
Gājienu garums	13 mm			
Gājienu minūtē	0 - 3 300 min ⁻¹			
Maks. zāģēšanas jauda	Caurule	50 mm		
	Koks	50 mm		
Nominālais spriegums	Līdzstrāva 10,8 V			
Akumulatora kasetne	BL1015, BL1020B	BL1040B	BL1015, BL1020B	BL1040B
Kopējais garums	376 mm	386 mm	376 mm	386 mm
Tīrsvars	1,3 kg	1,5 kg	1,3 kg	1,5 kg

- Nepārtrauktās izpētes un izstrādes programmas dēļ šeit uzrādītās specifikācijas var tikt mainītas bez brīdinājuma.
- Specifikācijas un akumulatora kasetne var atšķirties dažādās valstīs.
- Svārs ar akumulatora kasetni saskaņā ar EPTA-Procedure 01/2003

Paredzētā lietošana

Šis darbarīks ir paredzēts koka, plastmasas un dzelzs materiālu zāģēšanai.

Trokšņa līmenis

Tipiskais A svērtais trokšņa līmenis noteikts saskaņā ar EN60745:

Modelis JR103D

Skaņas spiediena līmeni (L_{pA}): 78 dB (A)

Mainīgums (K): 3 dB (A)

Darbības laikā trokšņa līmenis var pārsniegt 80 dB (A).

Modelis JR105D

Skaņas spiediena līmeni (L_{pA}): 78 dB (A)

Mainīgums (K): 3 dB (A)

Darbības laikā trokšņa līmenis var pārsniegt 80 dB (A).

BRĪDINĀJUMS: Lietojiet ausu aizsargus.

Vibrācija

Vibrācijas kopējā vērtība (trīsasu vektora summa) noteikta atbilstoši EN60745:

Modelis JR103D

Darba režīms: plātņu zāģēšana

Vibrācijas emisija ($a_{h,B}$): 8,0 m/s²

Mainīgums (K): 1,5 m/s²

Darba režīms: koka baļķu zāģēšana

Vibrācijas emisija ($a_{h,WB}$): 8,0 m/s²

Mainīgums (K): 1,5 m/s²

Modelis JR105D

Darba režīms: plātņu zāģēšana

Vibrācijas emisija ($a_{h,B}$): 8,0 m/s²

Mainīgums (K): 1,5 m/s²

Darba režīms: koka baļķu zāģēšana

Vibrācijas emisija ($a_{h,WB}$): 8,0 m/s²

Mainīgums (K): 1,5 m/s²

PIEZĪME: Paziņotā vibrācijas emisijas vērtība noteikta atbilstoši standartā pārbaudes metodei un to var izmantot, lai salīdzinātu vienu darbarīku ar citu.

PIEZĪME: Paziņoto vibrācijas emisijas vērtību arī var izmantot iedarbības sākotnējā novērtējumā.

BRĪDINĀJUMS: Reāli lietojot elektrisko darbarīku, vibrācijas emisija var atšķirties no paziņotās emisijas vērtības atkarībā no darbarīka izmantošanas veida.

BRĪDINĀJUMS: Lai aizsargātu lietotāju, nosakiet drošības pasākumus, kas pamatoti ar iedarbību reālos darba apstākļos (ņemot vērā visus ekspluatācijas cikla posmus, piemēram, laiku, kamēr darbarīks ir izslēgts un kad darbojas tukšgaitā, kā arī palaides laiku).

EK Atbilstības deklarācija

Tikai Eiropas valstīm

Makita paziņo, ka šāds instruments(-):

Mašīnas nosaukums: Bezvadu zobenzāģis

Modeļa Nr./tips: JR103D, JR105D

Atbilst sekojošām Eiropas Direktīvām: 2006/42/EC

Ražots saskaņā ar šādu standartu vai normatīvajiem dokumentiem: EN60745

Tehniskā lieta saskaņā ar 2006/42/EC ir pieejama:

Makita, Jan-Baptist Vinkstraat 2, 3070, Beļģija

24.2.2015

Yasushi Fukaya

Yasushi Fukaya

Direktors

Makita, Jan-Baptist Vinkstraat 2, 3070, Beļģija

Vispārīgi elektrisko darbarīku drošības brīdinājumi

BRĪDINĀJUMS: Izlasiet visus drošības brīdinājumus un visus norādījumus. Brīdinājumu un norādījumu neievērošanas gadījumā var rasties elektriskās strāvas trieciens, ugunsgrēks un/vai nopietnas traumas.

Glabājiet visus brīdinājumus un norādījumus, lai varētu tajos ieskatīties turpmāk.

Termins „elektrisks darbarīks” brīdinājumos attiecas uz tādu elektrisko darbarīku, ko darbina ar elektrību (ar vadu), vai tādu, ko darbina ar akumulatoru (bez vada).

Drošības brīdinājumi bezvadu zobenzāģa lietošanai

1. Strādājot turiet mehānisko darbarīku aiz izolētajām satveršanas virsmām, ja griešanas darbarīks varētu saskarties ar neredzamu elektroinstalāciju. Griezējinstrumentam saskaroties ar vadu zem sprieguma, spriegums var tikt pārnest uz mehāniskā darbarīka metāla daļām, un, iespējams, radīt operatoram elektrotraumu.
2. Izmantojot skavas vai citā praktiskā veidā nostipriniet un atbalstiet apstrādājamo materiālu pret stabilu platformu. Turot materiālu ar roku vai pie sava ķermeņa, tas ir nestabilā stāvoklī, un jūs varat zaudēt kontroli pār to.
3. Vienmēr lietojiet aizsargbrilles. Parastās brilles vai saulesbrilles NAV aizsargbrilles.
4. Negrieziet naglas. Pirms sākt darbu pārbaudiet, vai apstrādājamajā materiālā nav naglas, un tās izņemiet.
5. Negrieziet pārāk lielu apstrādājamo materiālu.
6. Pirms griešanas pārbaudiet, vai starp apstrādājamo materiālu ir pietiekams attālums, lai asmens nepieskartos grīdai, darbagaldam u.c. Darbarīku turiet cieši.
7. Pirms slēdža ieslēgšanas pārliecinieties, vai asmens nepieskaras apstrādājamajam materiālam.
9. Netuviniet rokas kustīgajām daļām.
10. Neatstājiet darbarīku ieslēgtu. Darbiniet darbarīku vienīgi tad, ja turat to rokās.
11. Pirms asmens izņemšanas no apstrādājamā materiāla vienmēr izslēdziet darbarīku un pagaidiet, kamēr asmens pilnībā apstājas.
12. Nepieskarieties asmenim vai apstrādājamajam materiālam tūlīt pēc darba veikšanas; tie var būt ļoti karsti un var apdedzināt ādu.
13. Lieki nedarbiniet darbarīku bez slodzes.
14. Vienmēr izmantojiet materiālam un konkrētam gadījumam piemērotu putekļu masku/respiratoru.
15. Daži materiāli satur ķīmiskas vielas, kuras var būt toksiskas. Izvairieties no putekļu ieelpošanas un to nokļūšanas uz ādas. Ievērojiet materiāla piegādātāja drošības datus.

SAGLABĀJIET ŠOS NORĀDĪJUMUS.

BRĪDINĀJUMS: NEPIELĀUJIET to, ka labu iemaņu vai izstrādājuma labas pārziņāšanas (darbarīku atkārtoti ekspluatējot) rezultātā vairs stingri neievērojat šī izstrādājuma drošības noteikumus. NEPAREIZI LIETOJOT darbarīku vai neievērojot šajā instrukciju rokasgrāmatā minētos drošības noteikumus, var tikt gūtas smagas traumas.

Svarīgi drošības norādījumi par akumulatora kasetni

1. Pirms akumulatora lietošanas izlasiet visus norādījumus un brīdinājumus, kuri attiecas uz (1) akumulatora lādētāju, (2) akumulatoru un (3) ierīci, kurā tiek izmantots akumulators.
2. Neizjauciet akumulatoru.
3. Ja akumulatora darbības laiks kļūva ievērojami īsāks, nekavējoties pārtrauciet to izmantot. Citādi, tas var izraisīt pārkaršējumu, uzliesmojumu vai pat sprādzienu.
4. Ja elektrolīts nonāk acīs, izskalojiet tās ar tīru ūdens un nekavējoties griezieties pie ārsta. Tas var izraisīt redzes zaudēšanu.
5. Neradiet īssavienojumu akumulatora kasetnē:
 - (1) Nepieskarieties spaiļēm ar elektrību vadošiem materiāliem.
 - (2) Neuzglabājiet akumulatoru kasetni kopā ar citiem metāla priekšmetiem, tādēim kā naglas, monētas u. c.
 - (3) Nepakļaujiet akumulatora kasetni ūdens vai lietus iedarbībai.Akumulatora īssavienojums var radīt spēcīgu strāvas plūsmu, pārkaršanu, uzliesmojumu un pat sabojāt akumulatoru.
6. Neglabājiet darbarīku un akumulatora kasetni vietās, kur temperatūra var sasniegt vai pārsniegt 50 °C (122 °F).
7. Nededziniet akumulatora kasetni, pat ja tā ir stipri bojāta vai pilnībā nolietota. Akumulatora kasetne uguni var eksplodēt.
8. Uzmanieties, lai neļautu akumulatoram nokrist un nepakļautu to sītienu.
9. Neizmantojiet bojātu akumulatoru.
10. Ievērojiet vietējos noteikumus par akumulatora likvidēšanu.

SAGLABĀJIET ŠOS NORĀDĪJUMUS.

Ieteikumi akumulatora kalpošanas laika pagarināšanai

1. Uzlādējiet akumulatora kasetni, pirms tā ir pilnībā izlādējusies. Vienmēr, kad ievērojāt, ka darbarīka darba jauda zudusi, apturiet darbarīku un uzlādējiet akumulatora kasetni.
2. Nekad neuzlādējiet pilnībā uzlādētu akumulatora kasetni. Pārmērīga uzlāde saīsina akumulatora kalpošanas laiku.
3. Uzlādējiet akumulatora kasetni istabas temperatūrā 10 °C - 40 °C. Karstai akumulatora kasetnei pirms uzlādes ļaujiet atdzist.

FUNKCIJU APRAKSTS

⚠UZMANĪBU: Pirms darbarīka regulēšanas vai tā darbības pārbaudes vienmēr pārliecinieties, ka darbarīks ir izslēgts un akumulatora kasetne ir izņemta.

Akumulatora kasetnes uzstādīšana un izņemšana

⚠UZMANĪBU: Vienmēr pirms akumulatora kasetnes uzstādīšanas vai noņemšanas izslēdziet darbarīku.

⚠UZMANĪBU: Uzstādot vai izņemot akumulatora kasetni, darbarīku un akumulatora kasetni turiet cieši. Ja darbarīku un akumulatora kasetni netur cieši, tie var izkrist no rokām un radīt bojājumus darbarīkam un akumulatora kasetnei, kā arī izraisīt ievainojumus.

► **Att.1:** 1. Sarkanās krāsas indikators 2. Poga
3. Akumulatora kasetne

Lai izņemtu akumulatora kasetni, izvelciet to no darbarīka, pārbrīdot kasetnes priekšpusē esošo pogu.

Lai uzstādītu akumulatora kasetni, salāgojiet mēlīti uz akumulatora kasetnes ar rievu ietvarā un iebīdīet to vietā. Ievietojiet to līdz galam, līdz tā ar klikšķi nofiksējas. Ja pogas augšējā daļā redzams sarkanais krāsas indikators, tas nozīmē, ka tā nav pilnīgi fiksēta.

⚠UZMANĪBU: Vienmēr ievietojiet akumulatora kasetni tā, lai sarkanais indikators nebūtu redzams. Pretējā gadījumā tā var nejausi izkrist no darbarīka un izraisīt jums vai apkārtējiem traumas.

⚠UZMANĪBU: Neievietojiet akumulatora kasetni ar spēku. Ja kasetne neslīd ietvarā viegli, tā nav pareizi ielikta.

Akumulatora aizsardzības sistēma

Darbarīks ir aprīkots ar akumulatora aizsardzības sistēmu. Šī sistēma automātiski izslēdz jaudas padevi motoram, lai pagarinātu akumulatora kalpošanas laiku. Darbarīks automātiski pārstās darboties ekspluatācijas laikā, ja darbarīku un/vai akumulatoru pakļaus kādam no tālāk minētajiem apstākļiem:

Pārslodze:

Darbarīku ekspluatācijas laikā lieto tādā veidā, ka tas saista pārmērīgu strāvu. Šādā gadījumā atļaidiet darbarīka slēdža mēlīti un pārtrauciet darbību, kas izraisīja darbarīka pārslodzi. Pēc tam vēlreiz nospiediet slēdža mēlīti, lai atsāktu. Ja darbarīks nesāk darboties, akumulators ir pārkarsis. Šādā gadījumā ļaujiet akumulatoram atdzist pirms vēlreiz nospieš slēdža mēlīti.

Zema akumulatora jauda:

Akumulatora atlikusī jauda ir pārāk zema, un darbarīks nedarbosies. Ja nospiedīsiet slēdža mēlīti, motors vēlreiz sāks darboties, taču drīz apstāsies. Šādā gadījumā akumulatoru noņemiet un uzlādējiet.

Atlikusīs akumulatora jaudas indikators

Tikai akumulatoru kasetnēm, kuru modeļa numura beigās ir burts „B”

► **Att.2:** 1. Indikatora lampas 2. Pārbaudes poga

Nospiediet akumulatora kasetnes pārbaudes pogu, lai pārbaudītu akumulatora atlikušo uzlādes līmeni. Indikatori iedegsies uz dažām sekundēm.

Indikatora lampas		Atlikusī jauda
Iededzies	Izslēgts	
		No 75% līdz 100%
		No 50% līdz 75%
		No 25% līdz 50%
		No 0% līdz 25%

PIEZĪME: Reālā jauda var nedaudz atšķirties no norādītās atkarībā no lietošanas apstākļiem un apkārtējās temperatūras.

Slēdža darbība

⚠UZMANĪBU: Pirms akumulatora kasetnes uzstādīšanas darbarīkā, vienmēr pārbaudiet, vai slēdža svira/mēlīte darbojas pareizi un pēc atlaišanas atgriežas stāvoklī „OFF” (izslēgts).

► **Att.3:** 1. Atbloķēšanas poga 2. Atbloķēšanas svira 3. Slēdža svira 4. Slēdža mēlīte

Lai nepieļautu slēdža sviras/mēlītes nejašu pavilkšanu, darbarīks ir aprīkots ar atbloķēšanas sviru/pogu.

Lai iedarbinātu darbarīku, spiediet slēdža sviru vai mēlīti.

- Slēdža svirai vispirms pavelciet atbloķēšanas sviru un pēc tam nospiediet slēdža sviru, lai iedarbinātu darbarīku.
- Slēdža mēlītei vispirms nospiediet atbloķēšanas pogu un pēc tam nospiediet slēdža mēlīti, lai iedarbinātu darbarīku. Atbloķēšanas pogu var nospiegt gan no labās, gan kreisās puses.

Darbarīka ātrums pieaug, palielinoties spiedienam uz slēdža sviras/mēlītes. Lai apturētu darbarīku, atļaidiet slēdža sviru/mēlīti.

IEVĒRĪBAI: Nespiediet slēdža sviru/mēlīti ar spēku, nenospiežot atbloķēšanas sviru/pogu. Rezultātā var tikt sabojāts slēdzis.

Priekšējās lampas ieslēgšana

⚠UZMANĪBU: Neskatieties gaismā, neļaujiet tās avotam iespīdēt acīs.

► **Att.4:** 1. Lampa

Pavelciet slēdža sviru/mēlīti, lai ieslēgtu lampu. Kamēr slēdža svira/mēlīte ir nospiesta, lampiņa ir iedegta.

Apmēram 10 sekundes pēc slēdža mēlītes atlaišanas lampiņa izslēdzas.

PIEZĪME: Ar sausu lupatīņu notīriet netīrumus no lampas lēcas. Izvairieties saskrāpēt lampas lēcu, jo tādejādi tiek samazināts apgaismojums.

Slieces noregulēšana

► **Att.5:** 1. Sešstūru uzgriežņu atslēga 2. Sešstūru skrūve 3. Atlaišana

Kad asmens vienā vietā visā zāģēšanas malas garumā zaudē griešanas efektivitāti, nomainiet slieces stāvokli tā, lai lietotu aso, neizmantoto zāģēšanas malas daļu. Tādejādi paildzināsi asmens ekspluatācijas laiku. Lai pārvietotu slieci, ar sešstūru atslēgu atskrūvējiet skrūvi. Pavirziet slieci vajadzīgajā stāvoklī un cieši pieskrūvējiet skrūvi.

MONTĀŽA

▲ **UZMANĪBU:** Pirms darbarīka regulēšanas vai apkopes vienmēr pārlicinieties, ka darbarīks ir izslēgts un akumulatora kasetne ir izņemta.

Bezvadu zobenzāģa/finierzāģa asmens uzstādīšana vai noņemšana

▲ **UZMANĪBU:** Vienmēr notīriet visas skaidas vai svešķermeņus, kas pielipuši asmenim, asmens spailei un/vai bīdnim. Ja tā nerīkosieties, asmens nebūs pietiekami cieši piestiprināts un var izraisīt smagu traumu.

Modelim JR103D

► **Att.6:** 1. Zobenzāģa asmens 2. Asmens fiksatora uzdeva

Ievietojiet zobenzāģa asmeni asmens fiksatorā līdz galam. Asmens fiksatora uzdevai griežoties, zobenzāģa asmens tiek fiksēts. Pārlicinieties, ka zobenzāģa asmeni nav iespējams izvilkt, pat ja to mēģināt darīt.

▲ **UZMANĪBU:** Ja neievietosiet zobenzāģa asmeni pietiekami dziļi, darba laikā tas var negaidīti izkrist. Tas var būt ļoti bīstami.

PIEZĪME: Kopā ar JR103D nevar izmantot finierzāģi.

► **Att.7:** 1. Zobenzāģa asmens 2. Asmens fiksatora uzdeva

Lai izņemtu zobenzāģa asmeni, pagrieziet asmens fiksatora uzdevu bultiņas virzienā līdz galam. Zobenzāģa asmens ir izņemts, un asmens fiksatora uzdeva ir fiksēta atvienotā stāvoklī.

PIEZĪME: Ja izņemsiet zobenzāģa asmeni, nepagrieziet asmens fiksatora uzdevu līdz galam, uzdeva var nebūt nofiksēta. Šajā gadījumā pagrieziet asmens fiksatora uzdevu līdz galam, tad to atvienotā stāvoklī nofiksējiet.

Modelim JR105D

► **Att.8:** 1. Sešstūru uzgriežņu atslēga 2. Skrūve 3. Atlaišana 4. Pievilksana

► **Att.9:** 1. Zobenzāģa asmens 2. Sešstūru uzgriežņu atslēga 3. Zobenzāģa asmens atvere 4. Asmens fiksators

Lai uzstādītu zobenzāģa/finierzāģa asmeni, ar sešstūru uzgriežņu atslēgu atskrūvējiet skrūvi. Uzstādot zobenzāģa asmeni, ar sešstūru uzgriežņu atslēgu piespiediet skrūvi, lai atvērtu atveri, ievietojot asmeni.

► **Att.10:** 1. Zobenzāģa/finierzāģa asmens 2. Asmens fiksators 3. Zobenzāģa asmens atvere 4. Finierzāģa asmens atvere

► **Att.11**

Atbilstīgi darbam var izmantot gan finierzāģa (B tipa), gan zobenzāģa asmeni. Ievietojiet zobenzāģa/finierzāģa asmeni tieši asmens spailei un pieskrūvējiet ar sešstūru uzgriežņu atslēgu. Viegli pavelciet zobenzāģa/finierzāģa asmeni, lai pārbaudītu, vai tas ekspluatācijas laikā nenokritis.

Lai noņemtu zobenzāģa/finierzāģa asmeni, izpildiet iepriekš aprakstītās uzstādīšanas darbības pretējā secībā.

Sešstūru uzgriežņu atslēgas glabāšana

► **Att.12:** 1. Sešstūru uzgriežņu atslēga 2. Izvirzīšanās

Kad sešstūru uzgriežņu atslēga netiek lietota, glabājiet to, kā parādīts zīmējumā, lai to nepazaudētu.

EKSPLUATĀCIJA

▲ **UZMANĪBU:** Darba laikā vienmēr piespiediet slieci cieši pie apstrādājamā materiāla. Ja ekspluatācijas laikā slieci netiks turēta pie apstrādājamā materiāla, radīsies spēcīga vibrācija un/vai izliekšanās, kā rezultātā asmens bīstami salūzīs.

▲ **UZMANĪBU:** Zāģējot metālu, vienmēr valkājiet cimdus, lai aizsargātu rokas no karstām, atlecošām skaidām.

▲ **UZMANĪBU:** Obligāti izmantojiet piemērotus acu aizsarglīdzekļus saskaņā ar pašreiz spēkā esošajiem nosacījumiem.

▲ **UZMANĪBU:** Zāģējot metālu, vienmēr lietojiet piemērotu dzesēšanas šķidrums (zāģēšanas eļļu). Ja tā nerīkosieties, asmens priekšlaicīgi nolietosies.

► **Att.13**

Piespiediet slieci cieši pie apstrādājamā materiāla. Nepieļaujiet, ka darbarīks atlec. Viegli pielieciet zobenzāģa asmeni pie apstrādājamā materiāla. Vispirms ar mazāku ātrumu izzāģējiet sākotnējo rievu. Tad turpiniet zāģēt ar lielāku ātrumu.

► **Att.14**

► **Att.15**

Atbilstīgi darbam iespējams izmantot slēdža sviru vai mēlīti.

PIEZĪME: Ja darbarīks tiek darbināts nepārtraukti, līdz akumulatora kasetne ir izlādējusies, pirms turpināt darbu ar jaunu akumulatoru, izslēdziet darbarīku uz 15 minūtēm.

APKOPE

⚠UZMANĪBU: Pirms darbarīka pārbaudes vai apkopes vienmēr pārlicinieties, ka darbarīks ir izslēgts un akumulatora kasetne ir izņemta.

IEVĒRĪBA! Nekad neizmantojiet gazolīnu, benzīnu, atšķaidītāju, spirtu vai līdzīgus šķidrumus. Tas var radīt izbalēšanu, deformāciju vai plaisas.

Lai saglabātu izstrādājuma DROŠU un UZTICAMU darbību, remontdarbus, apkopi un regulēšanu uzticiet veikt tikai Makita pilnvarotam vai rūpnīcas apkopes centram, un vienmēr izmantojiet tikai Makita rezerves daļas.

PAPILDU PIEDERUMI

⚠UZMANĪBU: Šādi piederumi un papildierīces tiek ieteiktas lietošanai ar šajā rokasgrāmatā aprakstīto Makita darbarīku. Izmantojot citus piederumus vai papildierīces, var tikt radīta trauma gūšanas bīstamība. Piederumu vai papildierīci izmantojiet tikai paredzētajam mērķim.

Ja jums vajadzīga palīdzība vai precīzāka informācija par šiem piederumiem, vērsieties savā tuvākajā Makita apkopes centrā.

- Zobenzāģa asmeņi
- Finierzāģa asmeņi (tikai modeļim JR105D)
- Makita oriģinālais akumulators un lādētājs

PIEZĪME: Daži sarakstā norādītie izstrādājumi var būt iekļauti instrumenta komplektācijā kā standarta piederumi. Tie dažādās valstīs var būt atšķirīgi.

SPECIFIKACIJOS

Modelis:	JR103D		JR105D	
Smūgio ilgis	13 mm			
Smūgių per minutę	0–3 300 min ⁻¹			
Maks. pjovimo galia	Vamzdis	50 mm		
	Medis	50 mm		
Vardinė įtampa	Nuol. sr. 10,8 V			
Akumuliatoriaus kasetė	BL1015, BL1020B	BL1040B	BL1015, BL1020B	BL1040B
Bendrasis ilgis	376 mm	386 mm	376 mm	386 mm
Grynas svoris	1,3 kg	1,5 kg	1,3 kg	1,5 kg

- Atliekame tęstinius tyrimus ir nuolat tobuliname savo gaminius, todėl čia pateikiamos specifikacijos gali būti keičiamos be įspėjimo.
- Įvairiose šalyse specifikacijos ir akumuliatoriaus kasetė gali skirtis.
- Svoris su akumuliatoriaus kasete pagal 2003-01 EPTA procedūrą

Numatytoji naudojimo paskirtis

Įrankis skirtas medienai, plastmasei ir geležiai pjauti.

Triukšmas

Įprastas triukšmo A lygis, nustatytas pagal EN60745:

Modelis JR103D

Garso slėgio lygis (L_{pA}): 78 dB (A)

Paklaida (K): 3 dB (A)

Dirbant triukšmo lygis gali viršyti 80 dB (A).

Modelis JR105D

Garso slėgio lygis (L_{pA}): 78 dB (A)

Paklaida (K): 3 dB (A)

Dirbant triukšmo lygis gali viršyti 80 dB (A).

ĮSPĖJIMAS: Dėvėkite ausų apsaugą.

PASTABA: Paskelbtasis vibracijos emisijos dydis nustatytas pagal standartinį testavimo metodą ir jį galima naudoti vienam įrankiui palyginti su kitu.

PASTABA: Paskelbtasis vibracijos emisijos dydis taip pat gali būti naudojamas preliminariai įvertinti vibracijos poveikį.

ĮSPĖJIMAS: Faktiškai naudojant elektrinį įrankį, keliamos vibracijos dydis gali skirtis nuo paskelbtojo dydžio, priklausomai nuo būdų, kuriais yra naudojamas šis įrankis.

ĮSPĖJIMAS: Siekdami apsaugoti operatorių, būtina įvertinkite saugos priemones, remdamiesi vibracijos poveikio įvertinimu esant faktinėms naudojimo sąlygoms (atsižvelgdami į visas darbo ciklo dalis, pavyzdžiui, ne tik kiek laiko įrankis veikia, bet ir kiek kartų jis yra išjungiamas bei kai jis veikia be apkravų).

Vibracija

Vibracijos bendroji vertė (trიაšio vektorius suma) nustatyta pagal EN60745 standartą:

Modelis JR103D

Darbo režimas: lentų pjovimas

Vibracijos emisija ($a_{h,B}$): 8,0 m/s²

Paklaida (K): 1,5 m/s²

Darbo režimas: medinių sijų pjovimas

Vibracijos emisija ($a_{h,WB}$): 8,0 m/s²

Paklaida (K): 1,5 m/s²

Modelis JR105D

Darbo režimas: lentų pjovimas

Vibracijos emisija ($a_{h,B}$): 8,0 m/s²

Paklaida (K): 1,5 m/s²

Darbo režimas: medinių sijų pjovimas

Vibracijos emisija ($a_{h,WB}$): 8,0 m/s²

Paklaida (K): 1,5 m/s²

ES atitikties deklaracija

Tik Europos šalims

Bendrovė „Makita“ atsakingai pareiškia, kad šis įrenginys (-iai):

Mechanizmo pavadinimas: Belaidis atbulinis pjūklas Modelio Nr. / tipas: JR103D, JR105D

Atitinka šias Europos direktyvas: 2006/42/EC

Yra pagaminti pagal šį standartą arba normatyvinius dokumentus: EN60745

Techinį dokumentą pagal 2006/42/EC galima gauti iš:

Makita, Jan-Baptist Vinkstraat 2, 3070, Belgium

(Belgija)

24.2.2015



Yasushi Fukaya

Direktorius

Makita, Jan-Baptist Vinkstraat 2, 3070, Belgium

(Belgija)

Bendrieji įspėjimai dirbant elektriniais įrankiais

▲ ĮSPĖJIMAS: Perskaitykite visus saugos įspėjimus ir visą instrukciją. Nesilaikydami toliau pateiktų įspėjimų ir instrukcijų galite patirti elektros smūgį, gaisrą ir (arba) sunkų sužeidimą.

Įsaugokite visus įspėjimus ir instrukcijas, kad galėtumėte jas peržiūrėti ateityje.

Terminas „elektrinis įrankis“ pateiktuose įspėjimuose reiškia į maitinimo tinklą jungiamą (laidinį) elektrinį įrankį arba akumuliatoriaus maitinamą (belaidį) elektrinį įrankį.

Įspėjimai dėl akumuliatorinio siaurapjūklės saugos

1. Atlikdami darbus, kurių metu pjovimo dalys gali paliesti paslėptus laidus, laikykite elektrinį įrankį tik už izoliuotų, laikyti skirtų paviršių. Pjovimo antgaliui prisilietus prie laido, kuriuo teka elektros srovė, neizoliuotos metalinės elektrinio įrankio dalys gali sukelti elektros smūgį ir nutrenkti operatorių.
2. Ruošinį ant stabilios platformos tvirtinkite spautuvais arba kitais parankiais būdais. Laikant ruošinį rankomis arba prispaudus prie kūno, jis yra nestabilus, todėl galite prarasti jo kontrolę.
3. Būtinai naudokite apsauginius akinius. Įprastiniai akiniai ar akiniai nuo saulės NĖRA apsauginiai akiniai.
4. Nepjaukite vinių. Prieš dirbdami apžiūrėkite, ar ruošinyje nėra vinių, ir jas išimkite.
5. Nepjaukite didelių matmenų ruošinio.
6. Prieš įjaudami patikrinkite, ar tarpas po ruošiniu yra pakankamas, kad ašmenys neįpjautų grindų, darbastalo ir pan.
7. Tvirtai laikykite įrenginį.
8. Prieš įjungdami jungiklį, patikrinkite, ar diskas neličia ruošinio.
9. Žiūrėkite, kad rankos būtų kuo toliau nuo judamųjų dalių.
10. Nepalikite veikiančio įrankio. Naudokite įrankį tik laikydami rankomis.
11. Prieš išimdami geležtę iš ruošinio, būtinai išjunkite ir palaukite, kol ji visiškai sustos.
12. Nelieskite peilio arba ruošinio iškart po naudojimo; jie gali būti itin karšti ir nudeginti odą.
13. Be reikalo nenaudokite įrankio be apkrovos.
14. Atsižvelgdami į apdirbamą medžiagą ir darbo pobūdį, būtinai užsidėkite kaukę, saugančią nuo dulkių / respiratorių.
15. Kai kuriose medžiagose esama cheminių medžiagų, kurios gali būti nuodingos. Saugokitės, kad neįkvėptumėte dulkių ir nesiliestumėte oda. Laikykites medžiagų tiekėjo saugos duomenų.

SAUGOKITE ŠIAS INSTRUKCIJAS.

30 LIETUVIŲ KALBA

▲ ĮSPĖJIMAS: NELEISKITE, kad patogumas ir gaminio pažinimas (įgyjamas pakartotinai naudojant) susilpnintų griežtą saugos taisyklių, taikytinų šiam gaminiui, laikymąsi. Dėl NETINKAMO NAUDOJIMO arba saugos taisyklių, kurios pateiktos šioje instrukcijoje, nesilaikymo galima rimtai susižeisti.

Svarbios saugos instrukcijos, taikomos akumuliatoriaus kasetei

1. Prieš naudodami akumuliatoriaus kasetę, perskaitykite visas instrukcijas ir perspėjimus ant (1) akumuliatorių įkroviklio, (2) akumuliatorių ir (3) akumuliatorių naudojančio gaminio.
2. Neardykite akumuliatoriaus kasetės.
3. Jei įrankio darbo laikas žymiai sutrumpėjo, nedelsdami nutraukite darbą su įrankiu. Tai gali kelti perkaitimo, nudegimų ar net sprogdimo pavojų.
4. Jei elektrolitas pateko į akis, plaukite jas tyru vandeniu ir nedelsdami kreipkitės į gydytoją. Gali kilti regėjimo praradimo pavojus.
5. Neužtrumpinkite akumuliatoriaus kasetės:
 - (1) Nelieskite kontaktų degiomis medžiagomis.
 - (2) Venkite laikyti akumuliatoriaus kasetę kartu su kitais metaliniais daiktais, pavyzdžiui, vinimis, monetomis ir pan.
 - (3) Saugokite akumuliatoriaus kasetę nuo vandens ir lietaus.Trumpasis jungimas akumuliatoriuje gali sukelti stiprią srovę, perkaitimą, galimus nudegimus ar net akumuliatoriaus gedimą.
6. Nelaikykite įrankio ir akumuliatoriaus kasetės vietoje, kur temperatūra gali pasiekti ar viršyti 50 °C.
7. Nedeginkite akumuliatoriaus kasetės, net jei yra stipriai pažeista ar visiškai susidėvėjusi. Ugnyje akumuliatoriaus kasetė gali sprogti.
8. Saugokite akumuliatorių nuo kritimo ir smūgių.
9. Nenaudokite pažeisto akumuliatoriaus.
10. Vadovaukitės vietos įstatymais dėl akumuliatorių išmetimo.

SAUGOKITE ŠIAS INSTRUKCIJAS.

Patarimai, ką daryti, kad akumuliatoriaus veiktų kuo ilgiau

1. Pakraukite akumuliatoriaus kasetę prieš jai visiškai išsikraunant. Visuomet nustokite naudoti įrankį ir pakraukite akumuliatoriaus kasetę, kai pastebite, kad įrankio galia sumažėjo.
2. Niekada nekraukite iki galo įkrautos akumuliatoriaus kasetės. Perkraunant trumpėja akumuliatoriaus eksploatacijos laikas.
3. Akumuliatoriaus kasetę kraukite esant kambario temperatūrai 10 - 40 °C. Prieš pradėdami krauti, leiskite įkaitusiai akumuliatoriaus kasetei atvėsti.

VEIKIMO APRAŠYMAS

▲PERSPĖJIMAS: Prieš pradėdami reguliuoti arba tikrinti įrankio veikimą, visuomet būtinai išjunkite įrankį ir išimkite akumuliatoriaus kasetę.

Akumuliatoriaus kasetės uždėjimas ir nuėmimas

▲PERSPĖJIMAS: Prieš įdėdami arba išimdami akumuliatoriaus kasetę, visada išjunkite įrankį.

▲PERSPĖJIMAS: Įdėdami arba išimdami akumuliatoriaus kasetę, tvirtai laikykite įrankį ir akumuliatoriaus kasetę. Jeigu įrankį ir akumuliatoriaus kasetę laikysite netvirtai, jie gali išslysti iš jūsų rankų, todėl įrankis ir akumuliatoriaus kasetė gali būti sugadinti, o naudotojas sužalotas.

► **Pav.1:** 1. Raudonas indikatorius 2. Mygtukas
3. Akumuliatoriaus kasetė

Jei norite išimti akumuliatoriaus kasetę, ištraukite ją iš įrankio, stumdami mygtuką, esantį kasetės priekyje.

Jei norite įdėti akumuliatoriaus kasetę, sulygiuokite liežuvėlį ant akumuliatoriaus kasetės su grioveliu korpuso ir įstumkite į jai skirtą vietą. Įdėkite iki galo, kol spragtelės užsikisus. Jeigu matote raudoną indikatorių viršutinėje mygtuko pusėje, ji nėra visiškai užfiksuota.

▲PERSPĖJIMAS: Akumuliatoriaus kasetę visada įkiškite iki galo, kol nebematysite raudono indikatoriaus. Priešingu atveju ji gali atsitiktinai iškristi iš įrankio, sužeisti jus arba aplinkinius.

▲PERSPĖJIMAS: Nekiškite akumuliatoriaus kasetės į jėga. Jeigu kasetė sunkiai lenda, ją kišate netinkamai.

Akumuliatoriaus apsaugos sistema

Įrankyje įrengta akumuliatoriaus apsaugos sistema. Ši sistema automatiškai atjungia variklio maitinimą, kad pailgėtų akumuliatoriaus naudojimo laikas.

Įrankis automatiškai išsijungs darbo metu, esant vienai iš šių įrankio ir (arba) akumuliatoriaus darbo sąlygų:

Perkrautas:

įrankis naudojamas taip, kad jame neįprastai padidėja elektros srovė.

Tokiu atveju atleiskite įrankio gaiduką ir nutraukite darbą, dėl kurio kilo įrankio perkrova. Po to vėl paspauskite gaiduką, kad vėl įjungtumėte įrankį. Jeigu įrankis neįsijungia, reiškia perkaito akumuliatoriaus. Tokiu atveju palaukite, kol akumuliatoriaus atvės, paskui vėl paspauskite gaiduką.

Žema akumuliatoriaus įtampa:









Likusi akumuliatoriaus energija per maža ir įrankis negali veikti. Patraukus svirtinį jungiklį, variklis pradeda veikti, bet netrukus vėl išsijungia. Tokiu atveju išimkite akumuliatorių ir įkraukite jį.

Likusios akumuliatoriaus galios rodymas

Taikoma tik akumuliatorių kasetėms, kurių modelio numerio gale yra „B“

► **Pav.2:** 1. Indikatorijų lemputės 2. Tikrinimo mygtukas

Paspauskite akumuliatoriaus kasetės tikrinimo mygtuką, kad būtų rodoma likusi akumuliatoriaus energija. Maždaug trims sekundėms užsidegs indikatorių lemputės.

Indikatorijų lemputės		Likusi galia
Šviečia	Nešviečia	
		75% - 100%
		50% - 75%
		25% - 50%
		0% - 25%

PASTABA: Rodmuo gali šiek tiek skirtis nuo faktinės energijos lygio – tai priklauso nuo naudojimo sąlygų ir aplinkos temperatūros.

Jungiklio veikimas

▲PERSPĖJIMAS: Prieš įdėdami akumuliatoriaus kasetę į įrankį, visuomet patikrinkite, ar svirtinis jungiklis / gaidukas gerai veikia, o atleistas grįžta į išjungimo padėtį „OFF“.

► **Pav.3:** 1. Atlaisvinimo mygtukas 2. Atlaisvinimo svirtelė 3. Svirtinis jungiklis 4. Gaidukas

Kad svirtinis jungiklis / gaidukas nebūtų atsitiktinai nuspaustas, yra atlaisvinimo svirtelė / mygtukas. Norėdami paleisti įrankį, paspauskite svirtinį jungiklį arba gaiduką.

- Jeigu įrengtas svirtinis jungiklis, norėdami įjungti įrankį, patraukite atlaisvinimo svirtelę, po to patraukite svirtinį jungiklį.
- Jeigu įrengtas gaidukas, norėdami įjungti įrankį, nuspauskite atlaisvinimo mygtuką, po to patraukite gaiduką. Atlaisvinimo mygtuką galima nuspausti iš kairės arba dešinės pusės.

Įrankio greitis didėja stipriau spaudžiant svirtinį jungiklį / gaiduką. Norėdami sustabdyti, atleiskite svirtinį jungiklį / gaiduką.

PASTABA: Negalima stipriai spausti svirtinio jungiklio / gaiduko, nenuspaudus atlaisvinimo svirtelės / mygtuko. Taip galima sugadinti jungiklį.

Priekinės lemputės uždegimas

⚠ PERSPĖJIMAS: Nežiūrėkite tiesiai į šviesą arba šviesos šaltinį.

► **Pav.4:** 1. Lemputė

Paspauskite svirtinį jungiklį / gaiduką lemputei uždegti. Lemputė degs tol, kol bus nuspaustas svirtinis jungiklis / gaidukas.

Atleidus jungiklio svirtelę / gaiduką, lemputė užgesa maždaug po 10 sekundžių.

PASTABA: Purvą nuo lempos objektyvo nuvalykite sausu skudurėliu. Būkite atsargūs, kad nesubraižytumėte lempos objektyvo, nes pablogės apšvietimas.

Atraminės plokštės reguliavimas

► **Pav.5:** 1. Šešiakampis veržliaraktis
2. Šešiakampis varžtas 3. Atlaisvinti

Kai ašmenys atšimpa vienoje vietoje išilgai pjaunamojo krašto, atraminę plokštę reikia perstumti taip, kad būtų pjaunama aštria, dar nenaudota pjaunamojo krašto dalimi. Šitaip ašmenimis bus galima naudotis kur kas ilgiau. Norėdami pakeisti pado padėtį, atsukite varžtą šešiakampių veržliarakčiu. Pastumkite padą į norimą padėtį, tada vėl tvirtai užveržkite varžtą.

SURINKIMAS

⚠ PERSPĖJIMAS: Prieš darydami ką nors įrankiui visada patikrinkite, ar įrenginys išjungtas, o akumuliatorių kasėtė – nuimta.

Siaurapjūklio / metalo pjūklelio ašmenų montavimas arba nuėmimas

⚠ PERSPĖJIMAS: Visuomet nuvalykite visas prie pjūklė ašmenų, pjūklė veržtuvo ir (arba) šliaužiklio prilipusias drožles arba medžiagos gabalėlius. Jeigu nevalysite, pjūklas gali atsilaisvinti ir sužeisti jus.

Modeliui JR103D

► **Pav.6:** 1. Siaurapjūklio ašmenys 2. Ašmenų veržtuvo mova

Iki galo įkiškite tiesinio siaurapjūklio ašmenis į ašmenų veržtuvą. Ašmenų veržtuvo mova pasisuka ir užfiksuoja siaurapjūklė ašmenis. Pabandykite ištraukti siaurapjūklė ašmenis, kad įsitikintumėte, jog jų negalima ištraukti.

⚠ PERSPĖJIMAS: Jeigu siaurapjūklė ašmenis įkiškite nepakankamai giliai, pjaunant jie gali netikėtai išsitraukti. Tai itin pavojinga.

PASTABA: Modelyje JR103D metalo pjūklelio ašmenų naudoti negalima.

► **Pav.7:** 1. Siaurapjūklė ašmenys 2. Ašmenų veržtuvo mova

Norėdami ištraukti siaurapjūklė ašmenis, iki galo pasukite ašmenų veržtuvo movą rodyklės kryptimi. Siaurapjūklė ašmenys ištraukti, o ašmenų veržtuvo mova užfiksuota atlaisvintoje padėtyje.

PASTABA: Jeigu bandysite ištraukti siaurapjūklė ašmenis iki galo nepasukę ašmenų veržtuvo movos, mova nebus užfiksuota. Tokiu atveju, iki galo pasukite ašmenų veržtuvo movą, tada užfiksuokite ją atlaisvintoje padėtyje.

Modeliui JR105D

► **Pav.8:** 1. Šešiakampis veržliaraktis 2. Varžtas
3. Atlaisvinti 4. Priveržti

► **Pav.9:** 1. Siaurapjūklė ašmenys 2. Šešiakampis veržliaraktis 3. Siaurapjūklė ašmenų anga
4. Ašmenų veržtuvas

Norėdami įtaisyti siaurapjūklė / metalo pjūklelio ašmenis, atsukite varžtą šešiakampių veržliarakčiu. Montuodami siaurapjūklė ašmenis, paspauskite varžtą šešiakampių veržliarakčiu, kad būtų atverta anga ašmenims įdėti.

► **Pav.10:** 1. Siaurapjūklė / metalo pjūklelio ašmenys
2. Ašmenų veržtuvas 3. Siaurapjūklė ašmenų anga
4. Metalo pjūklelio ašmenų anga

► **Pav.11**

Galite naudoti ir metalo pjūklelių ašmenis (B tipo), ir siaurapjūklė ašmenis, tai priklauso nuo atliekamo darbo. Įkiškite siaurapjūklė / metalo pjūklelio ašmenis tiesiai į veržtuvą ir tvirtai užveržkite šešiakampių veržliarakčiu. Šiek tiek patraukite už siaurapjūklė / metalo pjūklelio ašmenų, patikrindami, ar ašmenys darbo metu neišskris.

Norėdami nuimti siaurapjūklė / metalo pjūklelio ašmenis, atlikite įdėjimo veiksmus atvirkščia eilės tvarka.

Šešiabriaunio veržliarakčio laikymas

► **Pav.12:** 1. Šešiakampis veržliaraktis 2. Iškyša

Nenaudojamą šešiabriaunį veržliarakčių laikykite taip, kaip parodyta paveikslėlyje, kad nepamestumėte.

NAUDOJIMAS

⚠ PERSPĖJIMAS: Pjudami visada tvirtai prispauskite atraminę plokštę prie pjovinio. Atraminę plokštę visada turi būti tvirtai prispausta prie pjovinio, jeigu tarp jų bus tarpas, pjaunant atsiras didelė vibracija ir (arba) sąsūka, dėl to ašmenys gali įstrigti, o tai pavojinga.

⚠ PERSPĖJIMAS: Pjudami metalą, visada dėvėkite pirštines, apsaugančias nuo lekiančių karštų drožių.

⚠ PERSPĖJIMAS: Visada būtinai dėvėkite tinkamas akių apsaugas, atitinkančias esamus nacionalinius standartus.

⚠ PERSPĖJIMAS: Pjudami metalą, visada naudokite tinkamą aušinimo priemonę (pjovimo alyvą). Jeigu jos nenaudosite, ašmenys gali per anksti nusidėvėti.

► Pav.13

Tvirtai prispauskite atraminę plokštę prie pjovinio. Laikykite tvirtai, kad įrankis nešokinėtų. Lengvai pjovimo ašmenimis palieskite ruošinį. Pirmiausia padarykite bandomąjį įpjovimą, naudodami mažesnę greitį. Po to padidinkite greitį ir tęskite pjovimą.

► Pav.14

► Pav.15

Galite naudoti svirtinį jungiklį arba gaiduką, tai priklauso nuo atliekamo darbo.

PASTABA: Jei įrankis naudojamas tol, kol akumulatoriaus kasetė išsiskrauna, leiskite įrankiui pailsėti 15 minučių prieš tęsdami su kitu akumulatoriumi.

TECHNINĖ PRIEŽIŪRA

▲PERSPĖJIMAS: Visuomet įsitikinkite, ar įrankis yra išjungtas ir akumulatoriaus kasetė yra nuimta prieš atlikdami apžiūrą ir priežiūrą.

PASTABA: Niekada nenaudokite gazolino, benzino, tirpiklio, spirito arba panašių medžiagų. Gali atsirasti išblukimų, deformacijų arba įtrūkimų.

Kad gaminys būtų SAUGUS ir PATIKIMAS, jį taisyti, apžiūrėti ar vykdyti bet kokią kitą priežiūrą ar derinimą turi įgaliotasis kompanijos „Makita“ techninės priežiūros centras; reikia naudoti tik kompanijos „Makita“ pagamintas atsargines dalis.

PASIRENKAMI PRIEDAI

▲PERSPĖJIMAS: Šiuos papildomus priedus arba įtaisus rekomenduojama naudoti su šioje instrukcijoje nurodytu „Makita“ bendrovės įrankiu. Naudojant bet kokius kitus papildomus priedus arba įtaisus, gali kilti pavojus sužeisti žmones. Naudokite tik nurodytam tikslui skirtus papildomus priedus arba įtaisus.

Jeigu norite daugiau sužinoti apie tuos priedus, kreipkitės į artimiausią „Makita“ techninės priežiūros centrą.

- Atbulinių pjūklų ašmenys
- Metalų pjūklėlių ašmenys (tik modeliui JR105D)
- Originalus „Makita“ akumulatorius ir įkroviklis

PASTABA: Kai kurie sąrašė esantys priedai gali būti pateikti įrankio pakuotėje kaip standartiniai priedai. Jie įvairiose šalyse gali skirtis.

TEHNILISED ANDMED

Mudel:	JR103D		JR105D	
Käigu pikkus	13 mm			
Käikude arv minutis	0 - 3 300 min ⁻¹			
Max löikevõimekus	Toru	50 mm		
	Puit	50 mm		
Nimipinge	Alalisvool 10,8 V			
Akukassett	BL1015, BL1020B	BL1040B	BL1015, BL1020B	BL1040B
Üldpikkus	376 mm	386 mm	376 mm	386 mm
Netokaal	1,3 kg	1,5 kg	1,3 kg	1,5 kg

- Meie pideva uuringu- ja arendusprogrammi tõttu võidakse tehnilisi andmeid muuta ilma sellest ette teatamata.
- Tehnilised andmed ja akukassett võivad riigiti erineda.
- Kaal koos akukassetiga, EPTA-protseduuri 01/2003 kohaselt

Kavandatud kasutus

Tööriist on ette nähtud puidu, plasti ja rauasulamite saagimiseks.

Müra

Tüüpiline A-korrigeeritud müratase, määratud standardi EN60745 kohaselt:

Mudel JR103D

Helirõhutase (L_{pA}): 78 dB (A)

Määramatus (K): 3 dB (A)

Töötamisel võib müratase ületada 80 dB (A).

Mudel JR105D

Helirõhutase (L_{pA}): 78 dB (A)

Määramatus (K): 3 dB (A)

Töötamisel võib müratase ületada 80 dB (A).

⚠️HOIATUS: Kasutage kõrvakaitsmeid.

Vibratsioon

Vibratsiooni koguväärtus (kolmeteljeliste vektorite summa) määratud standardi EN60745 kohaselt:

Mudel JR103D

Töörežiim: laudade saagimine

Vibratsiooni emissioon ($a_{h,B}$): 8,0 m/s²

Määramatus (K): 1,5 m/s²

Töörežiim: puittalade saagimine

Vibratsiooni emissioon ($a_{h,WB}$): 8,0 m/s²

Määramatus (K): 1,5 m/s²

Mudel JR105D

Töörežiim: laudade saagimine

Vibratsiooni emissioon ($a_{h,B}$): 8,0 m/s²

Määramatus (K): 1,5 m/s²

Töörežiim: puittalade saagimine

Vibratsiooni emissioon ($a_{h,WB}$): 8,0 m/s²

Määramatus (K): 1,5 m/s²

MÄRKUS: Deklareeritud vibratsiooniheite väärtus on mõõdetud kooskõlas standardse testimismeetodiga ning seda võib kasutada ühe seadme võrdlemiseks teisega.

MÄRKUS: Deklareeritud vibratsiooniheite väärtust võib kasutada ka mürataseme esmaseks hindamiseks.

⚠️HOIATUS: Vibratsioonitase võib elektritööriista tegelikku kasutamise ajal erineda deklareeritud väärtusest olenevalt tööriista kasutamise viisidest.

⚠️HOIATUS: Rakendage operaatori kaitsmiseks kindlasti piisavaid ohutusabinõusid, mis põhinevad hinnangulisel müratasemel tegelikus töösituatsioonis (võttes arvesse tööperioodi kõiki osasid, nagu näiteks korrad, kui seade lülitatakse välja ja seade töötab tühikäigul, lisaks tööajale).

EÜ vastavusdeklaratsioon

Ainult Euroopa riikide puhul

Makita deklareerib, et alljärgnev(ad) masin(ad):

Masina nimetus: Juhtmeta lõikesaag

Mudeli nr/tüüp: JR103D, JR105D

Vastavad alljärgnevatele Euroopa Parlamendi ja

Nõukogu direktiividele: 2006/42/EC

Need on toodetud järgmistest standardite või standardi-

seeritud dokumentide kohaselt: EN60745

Tehniline fail, mis on kooskõlas direktiiviga 2006/42/EC, on saadaval ettevõttes:

Makita, Jan-Baptist Vinkstraat 2, 3070, Belgia

24.2.2015



Yasushi Fukaya

Direktor

Makita, Jan-Baptist Vinkstraat 2, 3070 Belgia

Üldised elektritööriistade ohutushoiatused

⚠️ HOIATUS: Lugege läbi kõik ohutushoiatused ja juhtnõõrid. Hoiatuste ja juhtnõõride mittejärgmine võib põhjustada elektrišokki, tulekahju ja/või tõsiseid vigastusi.

Hoidke edaspidisteks viide- teks alles kõik hoiatused ja juhtnõõrid.

Hoiatustes kasutatud termini „elektritööriist“ all peetakse silmas elektriga töötavaid (juhtmega) elektritööriistu või akuga töötavaid (juhtmeta) elektritööriistu.

Juhtmeta lõikesae ohutusjuhised

1. Hoidke elektritööriista lõikamise ajal isoleeritud käepidemest, kui lõikeriist võib kokku puutuda peidetud juhtmetega. Voolu all oleva juhtmega kokkupuutesse sattunud lõiketera võib pingestada elektritööriista metallosi ning põhjustada kasutajale elektrilöögi.
2. Kasutage klambreid või mõnda muud sobivat viisi töödeldava detaili kinnitamiseks ja toetamiseks stabiilsele alusele. Töödeldava detaili hoidmisel käega või vastu keha on detail ebastabiilses asendis ning võib põhjustada kontrolli kaotust.
3. Kasutage alati kaitseprille või ohutusprille. Tavalised prillid või päikeseprillid EI OLE kaitseprillid.
4. Vältige naeltesse sisselõikamist. Kontrollige, kas töödeldavas detailis on naelu. Eemaldage need enne töö alustamist.
5. Ärge lõigake ülemõõdulist detaili.
6. Enne lõikamist kontrollige sobiva eraldamisvahemiku olemasolu töödeldava detaili ja toetuspinna vahel nii, et lõiketera ei tabaks põrandat, tööpinki jne.
7. Hoidke tööriistast kindlalt kinni.
8. Veenduge, et lihvketas ei puutuks enne tööriista sisselülitamist vastu töödeldavat detaili.
9. Hoidke käed liikuvatest osadest eemal.
10. Ärge jätke tööriista käima. Käivitage tööriist ainult siis, kui hoiate seda käes.
11. Enne lõiketera eemaldamist töödeldavast detailist lülitage tööriist alati vooluvõrgust välja ja oodake, kuni lõiketera on lõplikult seiskunud.
12. Ärge puudutage saelehte ega töödeldavat detaili vahetult pärast tööoperatsiooni, sest need võivad olla äärmiselt kuumad ja põletada nahka.
13. Ärge käitage tööriista tarbetult koormamata olekus.
14. Kasutage alati õiget tolmu maski/respiraatorit, mis vastab materjalile ja rakendusele, millega töötate.
15. Mõned materjalid võivad sisaldada mürgiseid aineid. Võtke meetmed tolmu sissehingamise ja nahaga kokkupuute vältimiseks. Järgige materjali tarnija ohutusteavet.

HOIDKE JUHEND ALLES.

⚠️ HOIATUS: ÄRGE UNUSTAGE järgida toote ohutusnõudeid mugavuse või toote (korduskasutamiseks saavutatud) hea tundmise tõttu. VALE KASUTUS või kasutusjuhendi ohutuseeskirjade eiramine võib põhjustada tervisekahjustusi.

Akukassetiga seotud olulised ohutusjuhised

1. Enne akukassetti kasutamist lugege (1) akulaadimise, (2) akul ja (3) seadmel olevad juhtnõõrid ja hoiatused läbi.
 2. Ärge võtke akukassetti lahti.
 3. Kui tööaeg järsult lüheneb, siis lõpetage kohe kasutamine. Edasise kasutamise tulemuseks võib olla ülekuumenemisoht, võimalikud põletused või isegi plahvatus.
 4. Kui elektrolüüti satub silma, siis loputage silma puhta veega ja pöörduge koheselt arsti poole. Selline õnnetus võib põhjustada pimedaksjäämist.
 5. Ärge tekitage akukassetis lühist:
 - (1) Ärge puutuge klemme elektrijuhtidega.
 - (2) Ärge hoidke akukassetti tööriistakastis koos metallsemetega, nagu naelad, mündid jne.
 - (3) Ärge tehke akukassetti märjaks ega jätke seda vihma kätte.
- Aku lühis võib põhjustada tugevat elektrivoolu, ülekuumenemist, põletusi ning ka seadet tõsiselt kahjustada.
6. Ärge hoidke tööriista ja akukassetti kohtades, kus temperatuur võib tõusta üle 50 °C.
 7. Ärge põletage akukassetti isegi siis, kui see on saanud tõsiselt vigastada või on täiesti kulunud. Akukassett võib tules plahvatada.
 8. Olge ettevaatlik, ärge laske akul maha kukkuda ja vältige lööke.
 9. Ärge kasutage kahjustatud akut.
 10. Järgige kasutuskõlbmatuks muutunud aku käitlemisel kohalikke eeskirju.

HOIDKE JUHEND ALLES.

Vihjeid aku maksimaalse kasutaja tagamise kohta

1. Laadige akukassetti enne selle täielikku tühjenemist. Kui märkate, et tööriist töötab väiksema võimsusega, peatage töö ja laadige akukassetti.
2. Ärge laadige täielikult laetud akukassetti. Ülelaadimine lühendab akude kasutusiga.
3. Laadige akukassetti toatemperatuuril 10 °C - 40 °C. Enne laadimist laske kuumenenud akukassetil maha jahtuda.

FUNKSIONAALNE KIRJELDUS

⚠ETTEVAATUST: Kandke alati hoolt selle eest, et tööriist oleks enne reguleerimist ja kontrollimist välja lülitatud ja akukassett eemaldatud.

Akukasseti paigaldamine või eemaldamine

⚠ETTEVAATUST: Lülitage tööriist alati enne akukasseti paigaldamist või eemaldamist välja.

⚠ETTEVAATUST: Akukasseti paigaldamisel või eemaldamisel tuleb tööriista ja akukassetti kindlalt paigal hoida. Kui tööriista ja akukassetti ei hoita kindlalt paigal, võivad need käest libiseda ning kahjustada tööriista ja akukassetti või põhjustada kehavigastusi.

► **Joon.1:** 1. Punane näidik 2. Nupp
3. Akukassett

Akukasseti eemaldamiseks libistage see tööriista küljest lahti, vajutades kasseti esiküljel paiknevat nuppu alla.

Akukasseti paigaldamiseks joondage akukasseti keel korpuse soonega ja libistage kassett oma kohale. Paigaldage akuadapter alati nii kaugele, et see lukustusklõpsatusega oma kohale. Kui näete nupu ülaosas punast osa, pole kassett täielikult lukustunud.

⚠ETTEVAATUST: Paigaldage akukassett alati täies ulatuses nii, et punast osa ei jääks näha. Muidu võib adapter juhuslikult tööriistast välja kukkuda ning põhjustada teile või läheduses viibivatele isikutele vigastusi.

⚠ETTEVAATUST: Ärge rakendage akukasseti paigaldamisel jõudu. Kui kassett ei lähe kergesti sisse, pole see õigesti paigaldatud.

Aku kaitsesüsteem

Tööriist on varustatud aku kaitsesüsteemiga. Süsteem lülitab mootori automaatselt välja, et pikendada aku tööiga.

Tööriist seiskub käitamise ajal automaatselt, kui tööriista ja/või aku kohta kehtivad järgmised tingimused:

Ülekoormus:

Tööriista kasutatakse viisil, mis põhjustab toitevoolu tugevuse tõusu lubatust kõrgemale.

Sellises olukorras vabastage tööriistal olev päästiklülitit ja peatage tegevus, mis põhjustaks tööriista ülekoormust. Seejärel tõmmake päästiklülitit uuesti, et taaskäivitada.

Kui tööriist ei käivitu, on aku üle kuumenenud. Sellisel juhul laske akul maha jahtuda, enne kui päästiklülitit uuesti tõmbate.

Madal akupinge:

Aku jääkmahutavus on liiga väike ja tööriist ei hakka tööle. Kui tõmbate päästiklülitit, käivitub mootor uuesti, kuid seiskub peagi. Sellisel juhul eemaldage aku ja laadige seda.

Aku jääkmahutavuse näit

Ainult akukassetid, mille mudelinumber lõppeb tähega „B”

► **Joon.2:** 1. Märgulambid 2. Kontrollimise nupp

Akukasseti järelejäänud mahutavuse kontrollimiseks vajutage kontrollimise nuppu. Märgulambid süttivad mõneks sekundiks.

Märgulambid		Jääkmahutavus
Pöleb	Ei põle	
■ ■ ■ ■	□	75–100%
■ ■ ■ □	□	50–75%
■ ■ □ □	□	25–50%
■ □ □ □	□	0–25%

MÄRKUS: Näidatud mahutavus võib veidi erineda tegelikust mahutavusest olenevalt kasutustingimustest ja ümbritseva keskkonna temperatuurist.

Lüliti funktsioneerimine

⚠ETTEVAATUST: Kontrollige alati enne akukasseti tööriista külge paigaldamist, kas hooblülitit/päästiklülitit funktsioneerib nõuetekohaselt ja liigub lahtilaskmisel tagasi väljalülitatud asendisse.

► **Joon.3:** 1. Lahtilukustusnupp
2. Lahtilukustushoob 3. Hooblülitit 4. Lülitit päästik

Selleks, et hooblülitit/päästiklülitit poleks võimalik juhuslikult tõmmata, on tööriistal lahtilukustushoob/lahtilukustusnupp.

Tööriista tööle lülitamiseks tõmmake kas hooblülitit või päästiklülitit.

- Hooblülitit puhul tõmmake lahtilukustushooba ja seejärel tõmmake hooblülitit, et käivitada tööriista.
- Päästiklülitit puhul vajutage lahtilukustusnuppu ja seejärel tõmmake päästiklülitit, et käivitada tööriista. Lahtilukustusnuppu võib vajutada nii paremalt kui ka vasakult poolt.

Tööriista kiirus kasvab, kui suurendate survet hooblülitile/päästiklülitile. Seiskamiseks vabastage hooblülitit/päästiklülitit.

TÄHELEPANU: Ärge tõmmake hooblülitit/päästiklülitit jõuga ilma lahtilukustushooba/lahtilukustusnuppu vajutamata. See võib põhjustada lüliti purunemise.

Eesmise lambi süütamine

⚠ETTEVAATUST: Ärge vaadake otse valgusesse ega valgusalikak.

► **Joon.4:** 1. Lamp

Tõmmake hoobülitiit/päästikülitiit, et lamp süttiks. Lamp põleb seni, kuni tõmmatakse hoobülitiit/päästikülitiit. Lamp kustub umbes 10 sekundit pärast hoobülitiit/päästikülitiit vabastamist.

MÄRKUS: Pühkige lamp kuiva lapiga puhtaks. Olge seda tehes ettevaatlik, et lambi läätse mitte kriimustada, sest muidu võib valgustus väheneda.

Talla reguleerimine

► **Joon.5:** 1. Kuuskantvõti 2. Kuuskantpolt
3. Vabastage

Kui tera lõiketõhusus väheneb ühes kohas piki lõikeserva, muutke talla asendit, et kasutada lõikeserva teravat, kasutamata osa. See aitab pikendada tera kasutusiga.

Talla asendi muutmiseks vabastage polt kuuskantvõtmega. Lükake tald soovitud asendisse ja pingutage polti korralikult.

KOKKUPANEK

⚠ETTEVAATUST: Kandke alati hoolt selle eest, et tööriist oleks enne igasuguseid hooldustöid välja lülitatud ja akukassett eemaldatud.

Lõikesae-/tikksaetera paigaldamine või eemaldamine

⚠ETTEVAATUST: Puhastage tera, teraklamber ja/või liugur alati selle külge jäänud laastudest või lahtistest osakestest. Muidu võib tera pingutus olla ebapiisav ja põhjustada tõsise vigastuse.

Mudelile JR103D

► **Joon.6:** 1. Lõikesaetera 2. Teraklambril hülss

Sisestage lõikesaetera võimalikult sügavale teraklambrisse. Teraklambril hülss pöörleb ja kinnitab lõikesaetera kohale. Veenduge, et lõikesaetera ei saa eemaldada, isegi kui proovite seda välja tõmmata.

⚠ETTEVAATUST: Kui te ei pane lõikesaetera piisavalt sügavale, võib see töö käigus ootamatult välja tulla. See võib olla äärmiselt ohtlik.

MÄRKUS: Tikksaetera ei saa kasutada mudeliga JR103D.

► **Joon.7:** 1. Lõikesaetera 2. Teraklambril hülss

Lõikesaetera eemaldamiseks pöörake teraklambril hülss noole suunas lõpuni. Lõikesaetera tuleb lahti ja teraklambril hülss fikseerub avatud asendisse.

MÄRKUS: Kui eemaldate lõikesaetera teraklambril hülssi lõpuni pööramata, võib juhtuda, et hülss ei fikseeru. Sellisel juhul pöörake teraklambril hülss lõpuni, seejärel fikseerige hülss avatud asendisse.

Mudelile JR105D

► **Joon.8:** 1. Kuuskantvõti 2. Polt 3. Vabastage
4. Pingutage

► **Joon.9:** 1. Lõikesaetera 2. Kuuskantvõti 3. Ava lõikesaeterale 4. Teraklamber

Lõikesae-/tikksaetera paigaldamiseks lõdvendage polti kuuskantvõtmega. Lõikesaetera paigaldamisel vajutage polti kuuskantvõtmega, et avada pilu tera sisestamise ajal.

► **Joon.10:** 1. Lõikesae- või tikksaetera
2. Teraklamber 3. Ava lõikesaeterale 4. Ava tikksaeterale

► **Joon.11**

Te saate kasutada nii tikksaeterasid (B-tüüp) kui lõikesaeterasid vastavalt teostatavale tööle. Sisestage lõikesae- või tikksaetera otse teraklambrisse ja pingutage seda kuuskantvõtmega. Tõmmake kergelt lõikesae- või tikksaetera, et see töötamise ajal kindlasti küljest ära ei kukuks.

Lõikesae- või tikksaetera eemaldamiseks järgige paigaldamise protseduuri vastupidises järjekorras.

Kuuskantvõtme hoiepaneel

► **Joon.12:** 1. Kuuskantvõti 2. Eend

Kui kuuskantvõtit ei kasutata, siis pange see joonisel näidatud moel hoiele, et vältida selle ära kadumist.

TÖÖRIISTA KASUTAMINE

⚠ETTEVAATUST: Suruge tald töö käigus alati kindlalt töödeldava detaili vastu. Kui talda hoitakse töö käigus töödeldavast detailist eemal, tekib tugev vibratsioon ja/või väändumine, mille tõttu võib tera ohtlikult puruneda.

⚠ETTEVAATUST: Metallil lõikamisel kandke alati kindaid, et kaitsta käsi õhku paiskuvate kuumade laastude eest.

⚠ETTEVAATUST: Kandke kindlasti alati sobivaid kaitseprille, mis vastavad kehtivatele riiklikele standarditele.

⚠ETTEVAATUST: Kasutage metallil lõikamisel alati sobivat jahutusainet (metallitõõtlusõli). Muidu on tagajärjeks tera enneaegne kulumine.

► **Joon.13**

Suruge tald kindlalt töödeldava detaili vastu. Ärge laske tööriistal hüpata. Pange lõikesaetera kergelt vastu töödeldavat detaili. Kõigepealt tehke madalamal kiirusel eelsoon. Seejärel jätkake lõikamist suuremal kiirusel.

► **Joon.14**

► **Joon.15**

Te saate kasutada hooblülitit või päästiklülitit vastavalt teostatavale tööle.

MÄRKUS: Kui tööriistaga töötatakse järjest seni, kuni akukassett on tühi, laske tööriistal enne uue akuga töö jätkamist 15 minutit seista.

HOOLDUS

⚠ETTEVAATUST: Enne kontroll- või hooldustööde tegemist kandke alati hoolt selle eest, et tööriist oleks välja lülitatud ja akukassett korpuse küljest eemaldatud.

TÄHELEPANU: Ärge kunagi kasutage bensiini, vedeldit, alkoholi ega midagi muud sarnast. Selle tulemuseks võib olla luitumine, deformatsioon või pragunemine.

Toote OHUTUSE ja TÖÖKINDLUSE tagamiseks tuleb vajalikud remonttööd ning muud hooldus- ja reguleerimistööd lasta teha Makita volitatud teeninduskeskustes või tehase teeninduskeskustes. Alati tuleb kasutada Makita varuosi.

VALIKULISED TARVIKUD

⚠ETTEVAATUST: Neid tarvikuid ja lisaseadiseid on soovitatav kasutada koos Makita tööriistaga, mille kasutamist selles kasutusjuhendis kirjeldatakse. Muude tarvikute ja lisaseadiste kasutamisega kaasneb vigastada saamise oht. Kasutage tarvikuid ja lisaseadiseid ainult otstarbekohaselt.

Saate vajaduse korral kohalikust Makita teeninduskeskusest lisateavet nende tarvikute kohta.

- Lõikesaeterad
- Tikksaeterad (ainult mudelile JR105D)
- Makita algupärane aku ja laadija

MÄRKUS: Mõned nimekirjas loetletud tarvikud võivad kuuluda standardvarustusse ning need on lisatud tööriista pakendisse. Need võivad riigiti erineda.

ТЕХНИЧЕСКИЕ ХАРАКТЕРИСТИКИ

Модель:		JR103D		JR105D	
Длина хода		13 мм			
Ходов в минуту		0 - 3 300 мин ⁻¹			
Макс. режущие возможности	Труба	50 мм			
	Дерево	50 мм			
Номинальное напряжение		10,8 В пост. тока			
Блок аккумулятора		BL1015, BL1020B	BL1040B	BL1015, BL1020B	BL1040B
Общая длина		376 мм	386 мм	376 мм	386 мм
Масса нетто		1,3 кг	1,5 кг	1,3 кг	1,5 кг

- Благодаря нашей постоянно действующей программе исследований и разработок указанные здесь технические характеристики могут быть изменены без предварительного уведомления.
- Технические характеристики и аккумуляторный блок могут отличаться в зависимости от страны.
- Масса (с аккумуляторным блоком) в соответствии с процедурой ЕРТА 01.2003

Назначение

Данный инструмент предназначен для распиливания древесины, резки пластика и черного металла.

Шум

Типичный уровень взвешенного звукового давления (A), измеренный в соответствии с EN60745:

Модель JR103D

Уровень звукового давления (L_{pA}): 78 дБ (A)

Погрешность (K): 3 дБ (A)

Уровень шума при выполнении работ может превышать 80 дБ (A).

Модель JR105D

Уровень звукового давления (L_{pA}): 78 дБ (A)

Погрешность (K): 3 дБ (A)

Уровень шума при выполнении работ может превышать 80 дБ (A).

⚠ ОСТОРОЖНО: Используйте средства защиты слуха.

Вибрация

Суммарное значение вибрации (сумма векторов по трем осям), определенное в соответствии с EN60745:

Модель JR103D

Рабочий режим: резка панелей

Распространение вибрации ($a_{h,v}$): 8,0 м/с²

Погрешность (K): 1,5 м/с²

Рабочий режим: резка деревянных балок

Распространение вибрации ($a_{h,vB}$) 8,0 м/с²

Погрешность (K): 1,5 м/с²

Модель JR105D

Рабочий режим: резка панелей

Распространение вибрации ($a_{h,v}$): 8,0 м/с²

Погрешность (K): 1,5 м/с²

Рабочий режим: резка деревянных балок

Распространение вибрации ($a_{h,vB}$) 8,0 м/с²

Погрешность (K): 1,5 м/с²

ПРИМЕЧАНИЕ: Заявленное значение распространения вибрации измерено в соответствии со стандартной методикой испытаний и может быть использовано для сравнения инструментов.

ПРИМЕЧАНИЕ: Заявленное значение распространения вибрации можно также использовать для предварительных оценок воздействия.

⚠ ОСТОРОЖНО: Распространение вибрации во время фактического использования электроинструмента может отличаться от заявленного значения в зависимости от способа применения инструмента.

⚠ ОСТОРОЖНО: Обязательно определите меры безопасности для защиты оператора, основанные на оценке воздействия в реальных условиях использования (с учетом всех этапов рабочего цикла, таких как выключение инструмента, работа без нагрузки и включение).

Декларация о соответствии ЕС

Только для европейских стран

Makita заявляет, что следующее устройство (устройства):

Обозначение устройства: Аккумуляторная сабельная пила

Модель / тип: JR103D, JR105D

Соответствует(-ют) следующим директивам ЕС: 2006/42/ЕС

Изготовлены в соответствии со следующим стандартом или нормативными документами: EN60745
Технический файл в соответствии с документом 2006/42/ЕС доступен по адресу:
Makita, Jan-Baptist Vinkstraat 2, 3070, Belgium
24.2.2015



Ясуси Фукая (Yasushi Fukaya)

Директор

Makita, Jan-Baptist Vinkstraat 2, 3070, Belgium

Общие рекомендации по технике безопасности для электроинструментов

⚠ОСТОРОЖНО: Ознакомьтесь со всеми инструкциями и рекомендациями по технике безопасности. Невыполнение инструкций и рекомендаций может привести к поражению электротоком, пожару и/или тяжелым травмам.

Сохраните брошюру с инструкциями и рекомендациями для дальнейшего использования.

Термин "электроинструмент" в предупреждениях относится ко всему инструменту, работающему от сети (с проводом) или на аккумуляторах (без провода).

Правила техники безопасности при эксплуатации аккумуляторной сабельной пилы

1. Если при выполнении работ существует риск контакта режущего инструмента со скрытой электропроводкой, держите электроинструмент за специально предназначенные изолированные поверхности. Контакт с проводом под напряжением приведет к тому, что металлические детали инструмента также будут под напряжением, что приведет к поражению оператора электрическим током.
 2. Для фиксации разрезаемой детали на устойчивой поверхности используйте зажимы или другие соответствующие приспособления. Никогда не держите распиливаемые детали в руках и не прижимайте их к телу, так как это не обеспечит устойчивого положения детали и может привести к потере контроля над инструментом.
 3. Обязательно надевайте защитные очки или защитную маску для лица. Обычные или солнцезащитные очки **НЕ ЯВЛЯЮТСЯ** защитными очками.
 4. Избегайте попадания режущего инструмента на гвозди. Перед пилением осмотрите деталь и убедитесь в отсутствии гвоздей.
 5. Не распиливайте детали, превышающие допустимый размер.
 6. Убедитесь в наличии свободного пространства за распиливаемой деталью, чтобы полотно не уперлось в пол, верстак и т. п.
 7. Крепко держите инструмент.
 8. Перед включением выключателя убедитесь в том, что диск не касается обрабатываемой детали.
 9. Руки должны находиться на расстоянии от движущихся деталей.
 10. Не оставляйте работающий инструмент без присмотра. Включайте инструмент только тогда, когда он находится в руках.
 11. Перед извлечением полотна из детали всегда выключайте инструмент и ждите остановки движения полотна.
- 40 РУССКИЙ

12. Не касайтесь полотна или обрабатываемой детали сразу же после работы; они могут быть очень горячими и обжечь кожу.
13. Без необходимости не эксплуатируйте инструмент без нагрузки.
14. Обязательно используйте соответствующую пылезащитную маску/респиратор для защиты дыхательных путей от пыли разрезаемых материалов.
15. Некоторые материалы могут содержать токсичные химические вещества. Примите соответствующие меры предосторожности, чтобы избежать вдыхания или контакта с кожей таких веществ. Соблюдайте требования, указанные в паспорте безопасности материала.

СОХРАНИТЕ ДАННЫЕ ИНСТРУКЦИИ.

⚠ОСТОРОЖНО: НЕ ДОПУСКАЙТЕ, чтобы удобство или опыт эксплуатации данного устройства (полученный от многократного использования) доминировали над строгим соблюдением правил техники безопасности при обращении с этим устройством. **НЕПРАВИЛЬНОЕ ИСПОЛЬЗОВАНИЕ** инструмента или несоблюдение правил техники безопасности, указанных в данном руководстве, может привести к тяжелой травме.

Важные правила техники безопасности для работы с аккумуляторным блоком

1. Перед использованием аккумуляторного блока прочитайте все инструкции и предупреждающие надписи на (1) зарядном устройстве, (2) аккумуляторном блоке и (3) инструменте, работающем от аккумуляторного блока.
2. Не разбирайте аккумуляторный блок.
3. Если время работы аккумуляторного блока значительно сократилось, немедленно прекратите работу. В противном случае, может возникнуть перегрев блока, что приведет к ожогам и даже к взрыву.
4. В случае попадания электролита в глаза промойте их обильным количеством чистой воды и немедленно обратитесь к врачу. Это может привести к потере зрения.
5. Не замыкайте контакты аккумуляторного блока между собой:
 - (1) Не прикасайтесь к контактам какими-либо токопроводящими предметами.
 - (2) Не храните аккумуляторный блок в контейнере вместе с другими металлическими предметами, такими как гвозди, монеты и т. п.
 - (3) Не допускайте попадания на аккумуляторный блок воды или дождя.Замыкание контактов аккумуляторного блока между собой может привести к возникновению большого тока, перегреву, возможным ожогам и даже поломке блока.

6. Не храните инструмент и аккумуляторный блок в местах, где температура может достигать или превышать 50 °C (122 °F).
7. Не бросайте аккумуляторный блок в огонь, даже если он сильно поврежден или полностью вышел из строя. Аккумуляторный блок может взорваться под действием огня.
8. Не роняйте и не ударяйте аккумуляторный блок.
9. Не используйте поврежденный аккумуляторный блок.
10. Выполняйте требования местного законодательства относительно утилизации аккумулятора.

СОХРАНИТЕ ДАННЫЕ ИНСТРУКЦИИ.

Советы по обеспечению максимального срока службы аккумулятора

1. Заряжайте блок аккумуляторов перед его полной разрядкой. Обязательно прекратите работу с инструментом и зарядите блок аккумуляторов, если вы заметили снижение мощности инструмента.
2. Никогда не подзаряжайте полностью заряженный блок аккумуляторов. Перезарядка сокращает срок службы аккумулятора.
3. Заряжайте блок аккумуляторов при комнатной температуре в 10 - 40 °C (50 - 104 °F). Перед зарядкой горячего блока аккумуляторов дайте ему остыть.

ОПИСАНИЕ РАБОТЫ

ВНИМАНИЕ: Перед регулировкой или проверкой функций инструмента обязательно убедитесь, что он выключен и его аккумуляторный блок снят.

Установка или снятие блока аккумуляторов

ВНИМАНИЕ: Обязательно выключайте инструмент перед установкой и извлечением аккумулятора.

ВНИМАНИЕ: При установке и извлечении аккумулятора блока крепко удерживайте инструмент и аккумуляторный блок. Если не соблюдать это требование, они могут выскользнуть из рук, что приведет к повреждению инструмента, аккумуляторного блока и травмированию оператора.

- **Рис. 1:** 1. Красный индикатор 2. Кнопка
3. Блок аккумулятора

Для снятия аккумуляторного блока нажмите кнопку на лицевой стороне и извлеките блок.

Для установки аккумуляторного блока совместите выступ аккумуляторного блока с пазом в корпусе и задвиньте его на место. Устанавливайте блок до упора так, чтобы он зафиксировался на месте с

небольшим щелчком. Если вы можете видеть красный индикатор на верхней части клавиши, адаптер аккумулятора не полностью установлен на месте.

ВНИМАНИЕ: Обязательно устанавливайте аккумуляторный блок до конца, чтобы красный индикатор не был виден. В противном случае аккумуляторный блок может выпасть из инструмента и нанести травму вам или другим людям.

ВНИМАНИЕ: Не прилагайте чрезмерных усилий при установке аккумулятора блока. Если блок не движется свободно, значит он вставлен неправильно.

Система защиты аккумулятора

На инструменте предусмотрена система защиты аккумулятора. Она автоматически отключает питание двигателя для продления срока службы аккумулятора.

Инструмент автоматически остановится во время работы при возникновении указанных ниже ситуаций.

Перегрузка:

Из-за способа эксплуатации инструмент потребляет очень большое количество тока.

В этом случае отпустите триггерный переключатель на инструменте и прекратите использование, повлекшее перегрузку инструмента. Затем снова нажмите на триггерный переключатель для перезапуска.

Если инструмент не включается, значит перегрелся аккумуляторный блок. В этом случае дайте ему остыть перед повторным нажатием на триггерный переключатель.

Низкое напряжение аккумуляторной батареи:

Уровень оставшегося заряда аккумулятора слишком низкий, и инструмент не работает. При нажатии триггерного переключателя электродвигатель включается и сразу отключается. В этом случае снимите и зарядите аккумулятор.



Индикация оставшегося заряда аккумулятора

Только для аккумуляторных блоков, номер модели которых заканчивается на "B"

► **Рис. 2:** 1. Индикаторы 2. Кнопка проверки

Нажмите кнопку проверки на аккумуляторном блоке для проверки заряда. Индикаторы загорятся на несколько секунд.

Индикаторы		Уровень заряда
		
Горит	Выкл.	
		от 75 до 100%
		от 50 до 75%
		от 25 до 50%

Индикаторы		Уровень заряда
 Горит	 Выкл.	
		от 0 до 25%

ПРИМЕЧАНИЕ: В зависимости от условий эксплуатации и температуры окружающего воздуха индикация может незначительно отличаться от фактического значения.

Действие выключателя

⚠ВНИМАНИЕ: Перед установкой аккумуляторного блока в инструмент обязательно убедитесь, что его рычаг/триггерный переключатель нормально работает и возвращается в положение «OFF» (ВЫКЛ.) при отпуске.

► **Рис.3:** 1. Кнопка разблокировки 2. Рычаг разблокировки 3. Рычаг переключателя 4. Триггерный переключатель

Для предотвращения случайного нажатия рычаг/триггерный переключатель оборудован рычагом/кнопкой разблокировки.

Для включения инструмента достаточно просто нажать на рычаг или триггерный переключатель.

- При использовании рычага переключателя для включения инструмента нажмите рычаг разблокировки, а затем рычаг переключателя.
- При использовании триггерного переключателя для включения инструмента нажмите кнопку разблокировки, а затем триггерный переключатель. Кнопку разблокировки можно нажимать как с левой, так и с правой стороны.

Для увеличения числа оборотов нажмите рычаг/триггерный переключатель сильнее. Для выключения инструмента отпустите рычаг/триггерный переключатель.

ПРИМЕЧАНИЕ: Не давите сильно на рычаг/триггерный переключатель, не нажав рычаг/кнопку разблокировки. Это может привести к поломке переключателя.

Включение передней лампы

⚠ВНИМАНИЕ: Не смотрите непосредственно на свет или источник света.

► **Рис.4:** 1. Лампа

Нажмите на рычаг/триггерный переключатель для включения лампы. Лампа будет светиться до тех пор, пока нажат рычаг/триггерный переключатель. Лампа гаснет примерно через 10 секунд после отпущения рычага/триггерного переключателя.

ПРИМЕЧАНИЕ: Для удаления пыли с линзы лампы используйте сухую ткань. Не допускайте возникновения царапин на линзе лампы, так как это приведет к снижению освещенности.

Регулировка башмака

► **Рис.5:** 1. Шестигранный ключ 2. Болт с шестигранной головкой 3. Ослабить

Когда полотно утратит свои режущие качества в одном месте его режущей кромки, переместите башмак для использования острой режущей кромки неиспользованной части полотна. Это позволит продлить срок службы полотна.

Для изменения положения башмака ослабьте болт шестигранным ключом. Сдвиньте башмак в нужное положение и затем плотно затяните болт.

СБОРКА

⚠ВНИМАНИЕ: Перед проведением каких-либо работ с инструментом обязательно убедитесь, что инструмент отключен, а блок аккумулятора снят.

Установка или снятие полотна для сабельной/ножовочной пилы

⚠ВНИМАНИЕ: Обязательно удалите все опилки или инородные частицы, прилипшие к полотну, держателю полотна и/или ползуна. Несоблюдение данного требования может привести к недостаточной натяжке лезвия и серьезной травме.

Для модели JR103D

► **Рис.6:** 1. Полотно сабельной пилы 2. Муфта зажима полотна

Вставьте полотно сабельной пилы в зажим полотна до упора. Втулка зажима полотна повернется и зафиксирует полотно. Убедитесь, что полотно не может быть извлечено из зажима, даже если вы потянете за него.

⚠ВНИМАНИЕ: Если вы не вставите полотно достаточно глубоко, при работе полотно сабельной пилы может неожиданно выскочить. Это может быть чрезвычайно опасно.

ПРИМЕЧАНИЕ: Полотно ножовочной пилы нельзя использовать с JR103D.

► **Рис.7:** 1. Полотно сабельной пилы 2. Муфта зажима полотна

Чтобы снять ножовочное полотно, поверните муфту держателя полотна до упора в направлении стрелки. Ножовочное полотно вынимается, а муфта держателя полотна фиксируется в открытом положении.

ПРИМЕЧАНИЕ: Если вы вытащили полотно сабельной пилы, не повернув муфту держателя полотна до упора, это значит, что муфта не зафиксирована. В этом случае снова поверните муфту держателя полотна до упора и убедитесь, что она зафиксировалась в открытом положении.

Для модели JR105D

► **Рис.8:** 1. Шестигранный ключ 2. Болт
3. Ослабить 4. Затянуть

► **Рис.9:** 1. Полотно сабельной пилы
2. Шестигранный ключ 3. Отверстие для полотна сабельной пилы 4. Зажим полотна

Для установки полотна сабельной/ножовочной пилы ослабьте болт шестигранным ключом. При установке полотна сабельной пилы нажмите на болт шестигранным ключом, чтобы открыть паз в момент установки полотна.

► **Рис.10:** 1. Полотно сабельной/ножовочной пилы
2. Зажим полотна 3. Отверстие для полотна сабельной пилы 4. Отверстие для полотна ножовочной пилы

► Рис.11

В зависимости от типа работ можно использовать полотно ножовочной пилы (тип В) или полотно сабельной пилы. Вставьте полотно сабельной/ножовочной пилы в зажим и затяните шестигранным ключом. Слегка потяните за полотно, чтобы убедиться, что оно не выпадет во время работы.

Для снятия полотна пилы повторите процедуру установки в обратном порядке.

Хранение шестигранного ключа

► **Рис.12:** 1. Шестигранный ключ 2. Выступ

Когда шестигранный ключ не используется, храните его, как показано на рисунке, чтобы не потерять.

ЭКСПЛУАТАЦИЯ

⚠ВНИМАНИЕ: Во время пиления всегда плотно прижимайте башмак к обрабатываемой детали. Если при работе держать башмак на расстоянии от обрабатываемой детали, это может привести к сильной вибрации и/или скручиванию, что, в свою очередь, может вызвать опасное зажимание полотна.

⚠ВНИМАНИЕ: При резке металла всегда надевайте перчатки для защиты рук от горячей летящей стружки.

⚠ВНИМАНИЕ: Обязательно надевайте соответствующие средства защиты глаз, соответствующие действующим национальным стандартам.

⚠ВНИМАНИЕ: При резке металла всегда пользуйтесь подходящей охлаждающей жидкостью (масло для резки). Несоблюдение данного требования приведет к преждевременному износу полотна.

► Рис.13

Крепко прижимайте башмак к обрабатываемой детали. Следите за тем, чтобы инструмент не отскакивал. В начале резки не прижимайте сильно полотно сабельной пилы к детали. Сначала сделайте пробный вырез при низкой скорости. Затем продолжите резку на более высокой скорости.

► Рис.14

► Рис.15

В зависимости от типа работ можно использовать рычаг или триггерный переключатель.

ПРИМЕЧАНИЕ: Если инструмент эксплуатировался непрерывно до разряда блока аккумулятора, сделайте перерыв на 15 минут перед началом работы с заряженным аккумулятором.

ОБСЛУЖИВАНИЕ

⚠ВНИМАНИЕ: Перед проведением проверки или работ по техобслуживанию всегда проверяйте, что инструмент выключен, а блок аккумулятора снят.

ПРИМЕЧАНИЕ: Запрещается использовать бензин, растворители, спирт и другие подобные жидкости. Это может привести к обесцвечиванию, деформации и трещинам.

Для обеспечения БЕЗОПАСНОСТИ и НАДЕЖНОСТИ оборудования ремонт, любое другое техобслуживание или регулировку необходимо производить в уполномоченных сервис-центрах Makita или сервис-центрах предприятия с использованием только сменных частей производства Makita.

ДОПОЛНИТЕЛЬНЫЕ ПРИНАДЛЕЖНОСТИ

⚠ВНИМАНИЕ: Данные принадлежности или приспособления рекомендуются для использования с инструментом Makita, указанным в настоящем руководстве. Использование других принадлежностей или приспособлений может привести к получению травмы. Используйте принадлежность или приспособление только по указанному назначению.

Если вам необходимо содействие в получении дополнительной информации по этим принадлежностям, свяжитесь с вашим сервис-центром Makita.

- Полотно для сабельных пил
- Полотно для ножовочных пил (только для модели JR105D)
- Оригинальный аккумулятор и зарядное устройство Makita

ПРИМЕЧАНИЕ: Некоторые элементы списка могут входить в комплект инструмента в качестве стандартных приспособлений. Они могут отличаться в зависимости от страны.

Makita Jan-Baptist Vinkstraat 2, 3070, Belgium
Makita Corporation Anjo, Aichi, Japan

www.makita.com

885441-984
EN, SV, NO, FI,
LV, LT, ET, RU
20150624