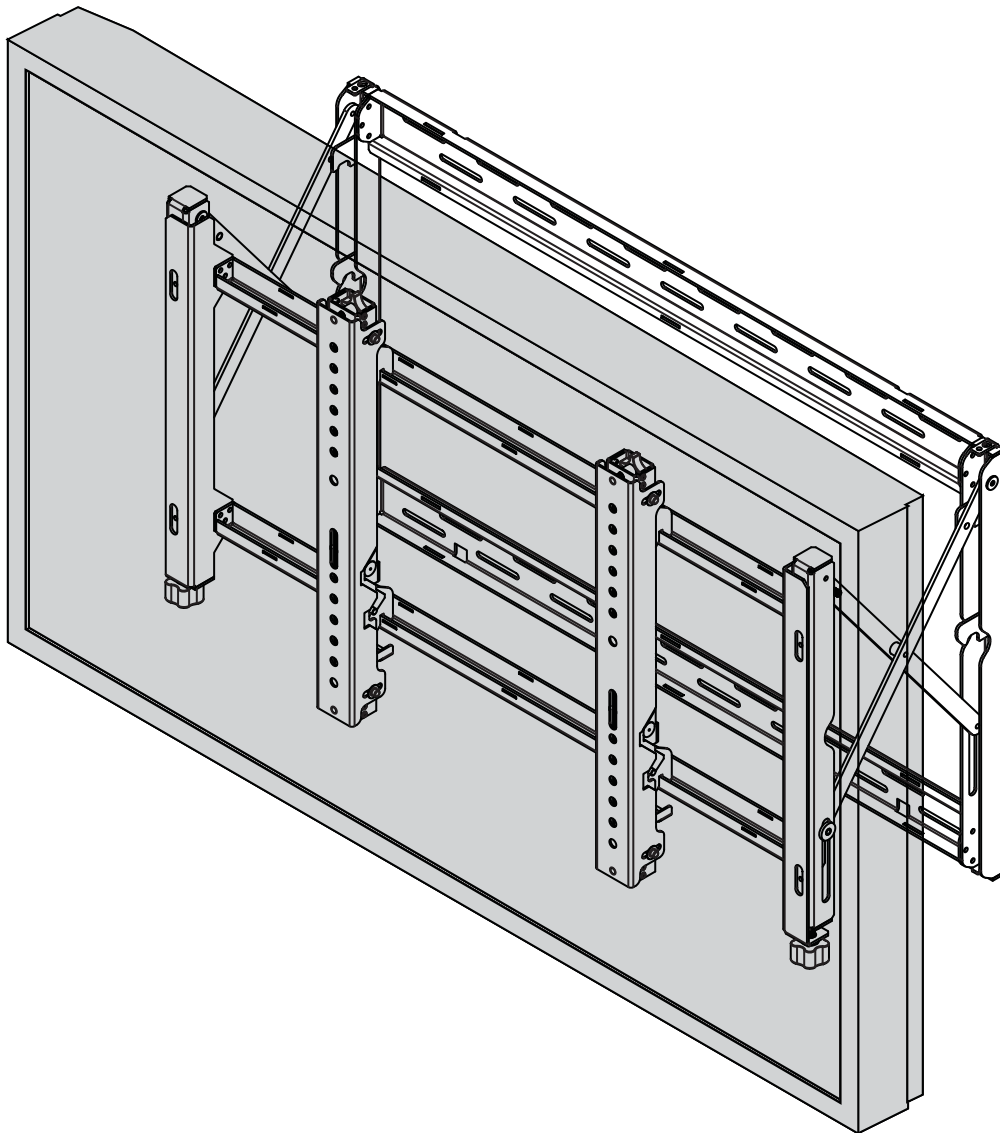


Installation and Assembly: Full Service Video Wall Mount

Model: PD02VW MFS 46 55 L

Designed for NEC MultiSync® 46" and 55" XUN/V, XS and P Series

Manufactured by Peerless-AV



Max UL Load Capacity:
125 lb (57 kg)

NOTE: Read entire instruction sheet before you start installation and assembly.

▲ WARNING

- Do not begin to install your product until you have read and understood the instructions and warnings contained in this Installation Sheet. If you have any questions regarding any of the instructions or warnings, for US customers please call customer care at 1-800-865-2112, for all international customers, please contact your local distributor.
- This product should only be installed by someone of good mechanical aptitude, has experience with basic building construction, and fully understands these instructions.
- Make sure that the supporting surface will safely support the combined load of the equipment and all attached hardware and components.
- Never exceed the Maximum UL Load Capacity. See page one.
- If mounting to wood wall studs, make sure that mounting screws are anchored into the center of the studs. Use of an "edge to edge" stud finder is highly recommended.
- Always use an assistant or mechanical lifting equipment to safely lift and position equipment.
- Tighten screws firmly, but do not overtighten. Overtightening can damage the items, greatly reducing their holding power.
- This product is intended for indoor use only. Use of this product outdoors could lead to product failure and personal injury.
- This product was designed to be installed on the following wall construction only;

WALL CONSTRUCTION

HARDWARE REQUIRED

- | | |
|--------------------|--|
| • Wood Stud | Included |
| • Wood Beam | Included |
| • Solid Concrete | Included |
| • Cinder Block | Included |
| • Metal Stud | Contact Qualified Professional (not evaluated by UL) |
| • Brick | Contact Qualified Professional (not evaluated by UL) |
| • Other or unsure? | Contact Qualified Professional (not evaluated by UL) |

Tools Needed for Assembly

- stud finder ("edge to edge" stud finder is recommended)
- phillips screwdriver
- drill
- 5/16" (8 mm) bit for concrete and cinder block wall
- 5/32" (4 mm) bit for wood stud wall
- level

Accessories

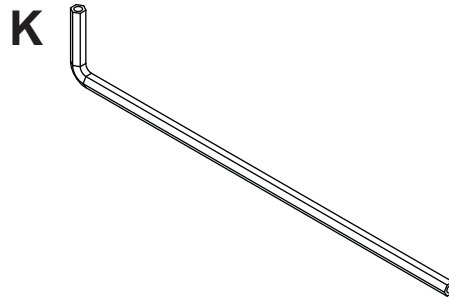
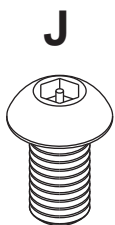
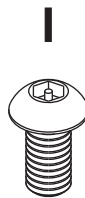
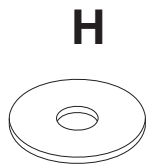
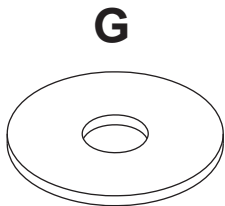
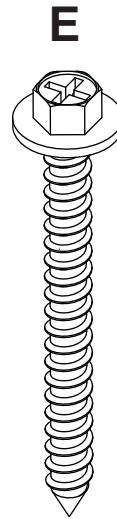
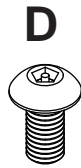
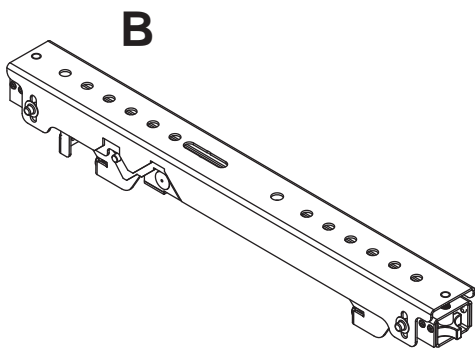
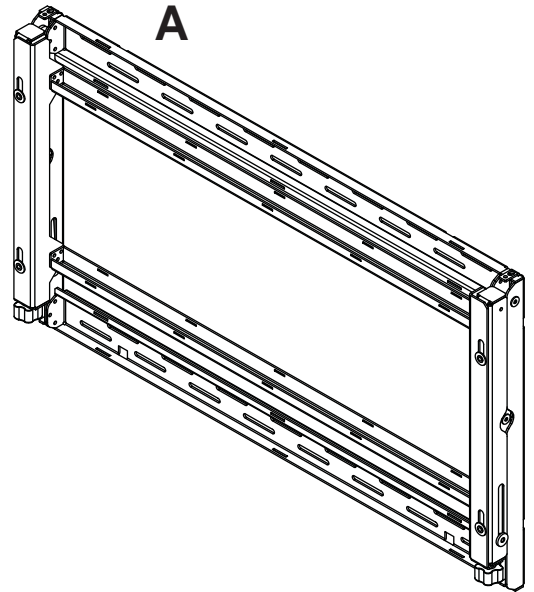
- RK02 MFS Cable Release Kit
- CK02## Wall Plate Connector Kits

Table of Contents

Horizontal and Vertical Video Wall Mount Assembly Formula	3
Parts List.....	4
Installation to Wood Stud Wall.....	5
Installation to Solid Concrete or Cinder Block	6
Installing Tilt Brackets.....	7
Display Adjustment	8 and 9
Mounting and Removing Flat Panel Display.....	10 and 11

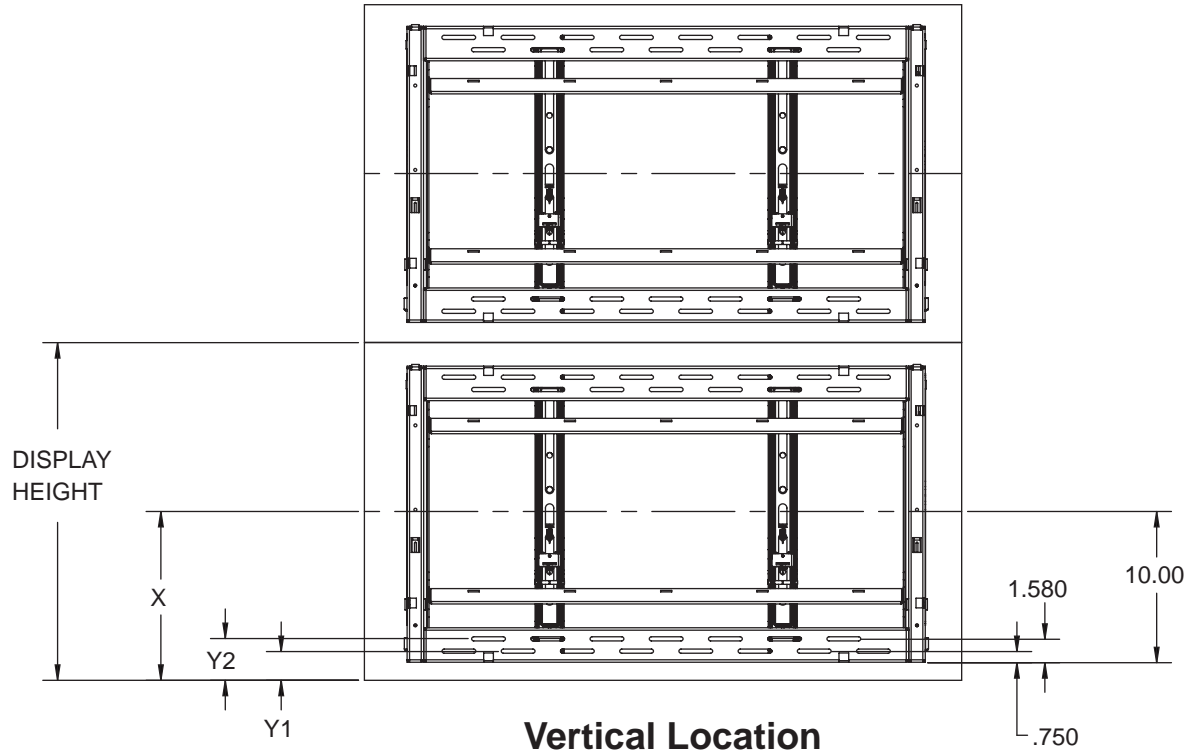
Parts List

Description	Qty.	Part #
A pull-out mount assembly	1	145-T1665
B adapter bracket	2	145-T1669
C mesh sleeve (not shown)	1	600-1014
D M5 x 10 mm socket pin type-F screw	2	520-1164
E #14 x 2.5" hex head wood screw	4	5S1-015-C03
F concrete anchor	4	590-0320
G fender washer	4	540-1008
H nylon shoulder washer	4	590-2233
I M6 x 12 mm socket pin screw	4	520-1050
J M8 x 15 mm socket pin screw	4	520-1068
K 4 mm allen wrench	1	560-9646
L cable tie (not shown)	2	560-9711



Vertical Spacing Location

If CK02## Wall Plate Connector Kit is not available use diagram below to determine vertical spacing.
To determine lower mounting slot position of second mount, add display height to (Y1) or (Y2)

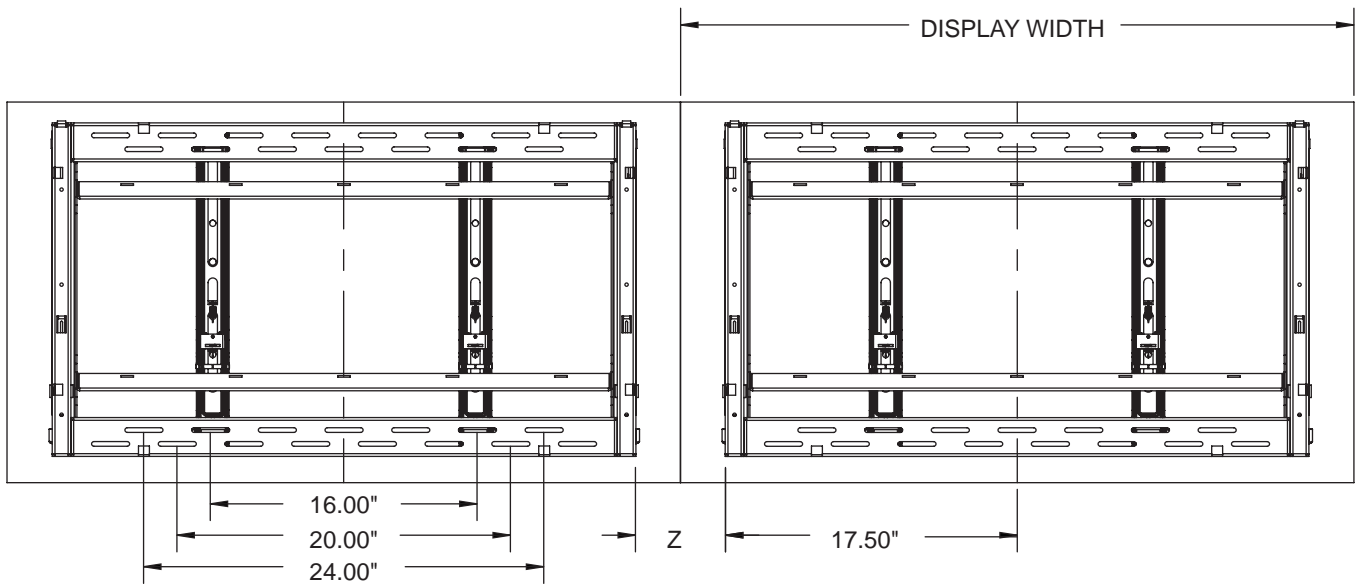


Vertical Location

$$X - 10.00 + (.750 \text{ OR } 1.580) = (Y1 \text{ OR } Y2)$$

Horizontal Spacing Location

If CK02## Wall Plate Connector Kit is not available use diagram below to determine horizontal spacing.
To determine edge of second mount, add (Z) to edge or first mount.



Horizontal Location

$$\text{DISPLAY WIDTH} - (35) = Z \text{ (SPACING BETWEEN MOUNTS)}$$

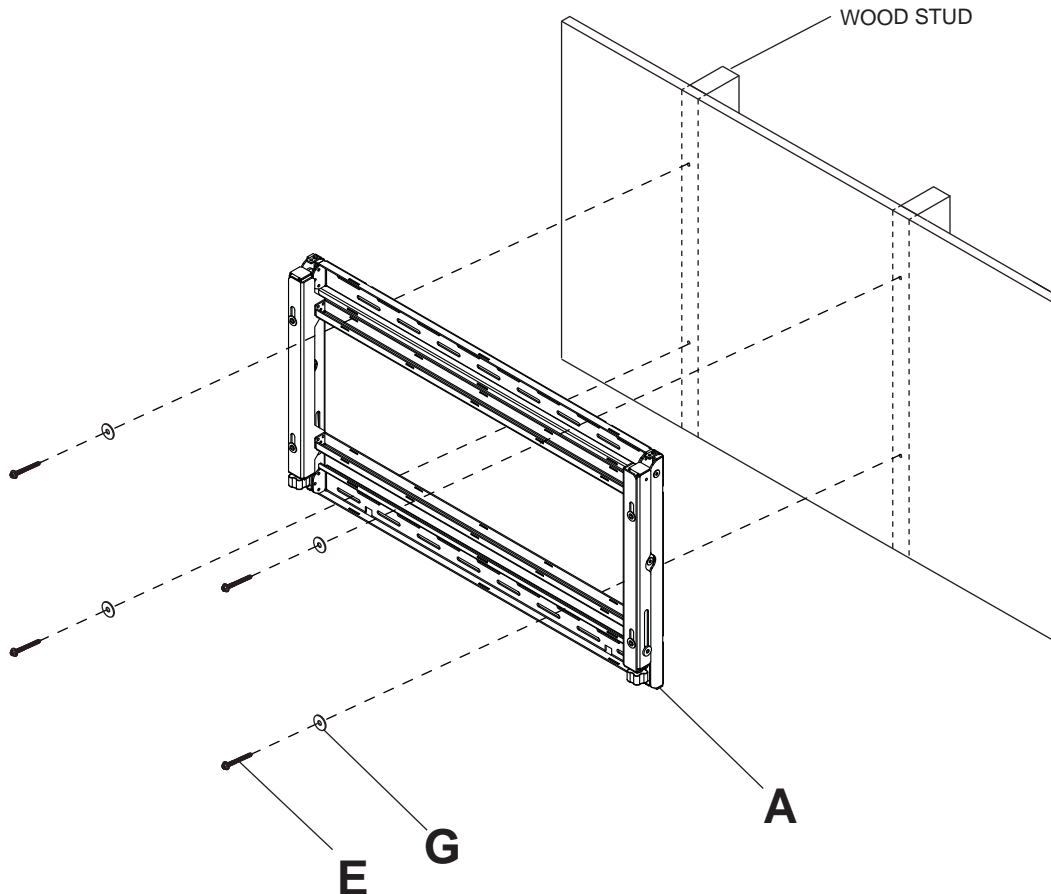
Installation to Wall Stud

⚠ WARNING

- Installer must verify that the supporting surface will safely support the combined load of the equipment and all attached hardware and components.
- Tighten wood screws so that wall plate is firmly attached, but do not overtighten. Overtightening can damage the screws, greatly reducing their holding power.
- Never tighten in excess of 80 in. • lb (9 N.M.).
- Make sure that mounting screws are anchored into the center of the stud. The use of an "edge to edge" stud finder is highly recommended.
- Hardware provided is for attachment of mount through standard thickness drywall or plaster into wood studs. Installers are responsible to provide hardware for other types of mounting situations (not evaluated by UL).

1 **NOTE:** Make sure that there is a minimum of 16" horizontal distance between #14 x 2.5" screws (**E**).

Use a stud finder to locate the edges of the stud. Use of an edge-to-edge stud finder is highly recommended. Based on their edges, draw a vertical line down the stud center. Place pull-out mount assembly (**A**) on wall as a template. Level plate, and mark the center of the four mounting holes. Make sure that the mounting holes are on the stud center line. Drill four 5/32" (4 mm) dia. holes 2-1/2" (64 mm) deep. Make sure that the pull-out mount assembly (**A**) is level, secure it using four #14 x 2.5" wood screws (**E**) and fender washers (**G**) as shown below.

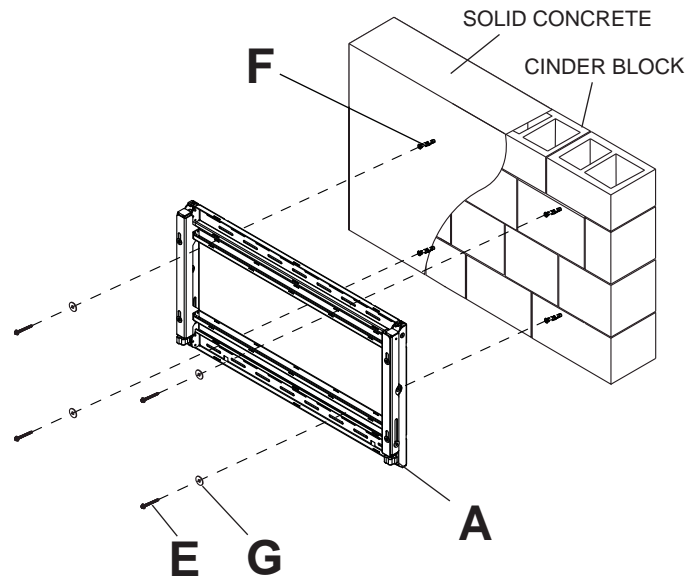


Installation to Solid Concrete or Cinder Block

⚠ WARNING

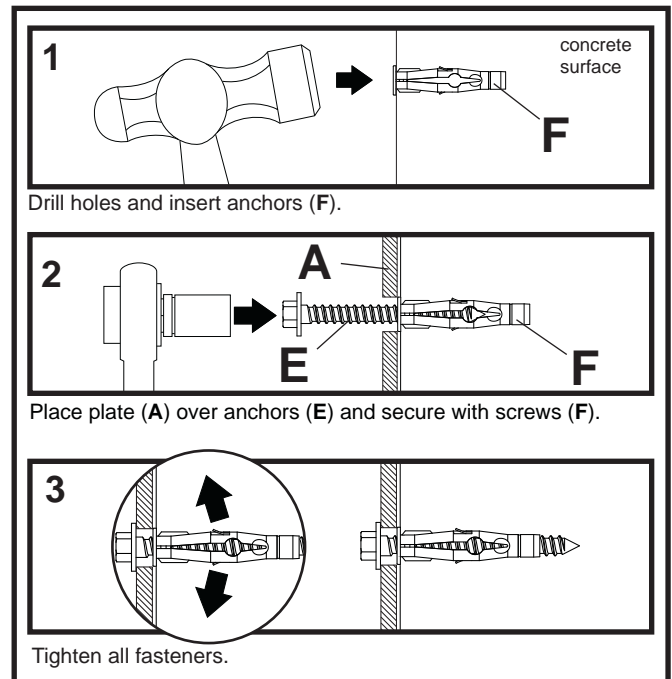
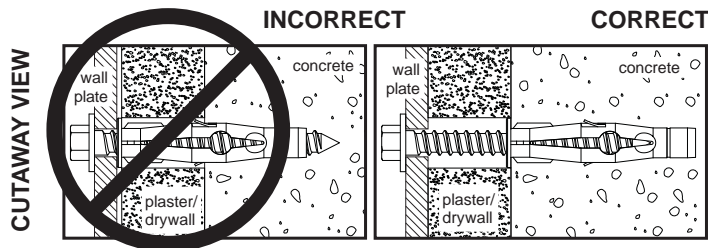
- When installing wall mounts on cinder block, verify that you have a minimum of 1-3/8" (35 mm) of actual concrete thickness in the hole to be used for the concrete anchors. Do not drill into mortar joints! Be sure to mount in a solid part of the block, generally 1" (25 mm) minimum from the side of the block. Cinder block must meet ASTM C-90 specifications. It is suggested that a standard electric drill on slow setting is used to drill the hole instead of a hammer drill to avoid breaking out the back of the hole when entering a void or cavity.
- Concrete must be 2000 psi density minimum. Lighter density concrete may not hold concrete anchor.
- Make sure that the wall will safely support four times the combined load of the equipment and all attached hardware and components.

1 **NOTE:** Make sure that there is a minimum of 16" horizontal distance between #14 x 2.5" screws (E). Make sure that pull-out mount assembly (A) is level, use it as a template to mark four mounting holes. Drill four 5/16" (8 mm) dia. holes to a minimum depth of 2.5" (64 mm). Insert anchors (F) in holes flush with wall as shown (right). Place pull-out mount assembly (A) over anchors and secure with four #14 x 2.5" screws (E), and fender washers (G). Level, then tighten all fasteners.



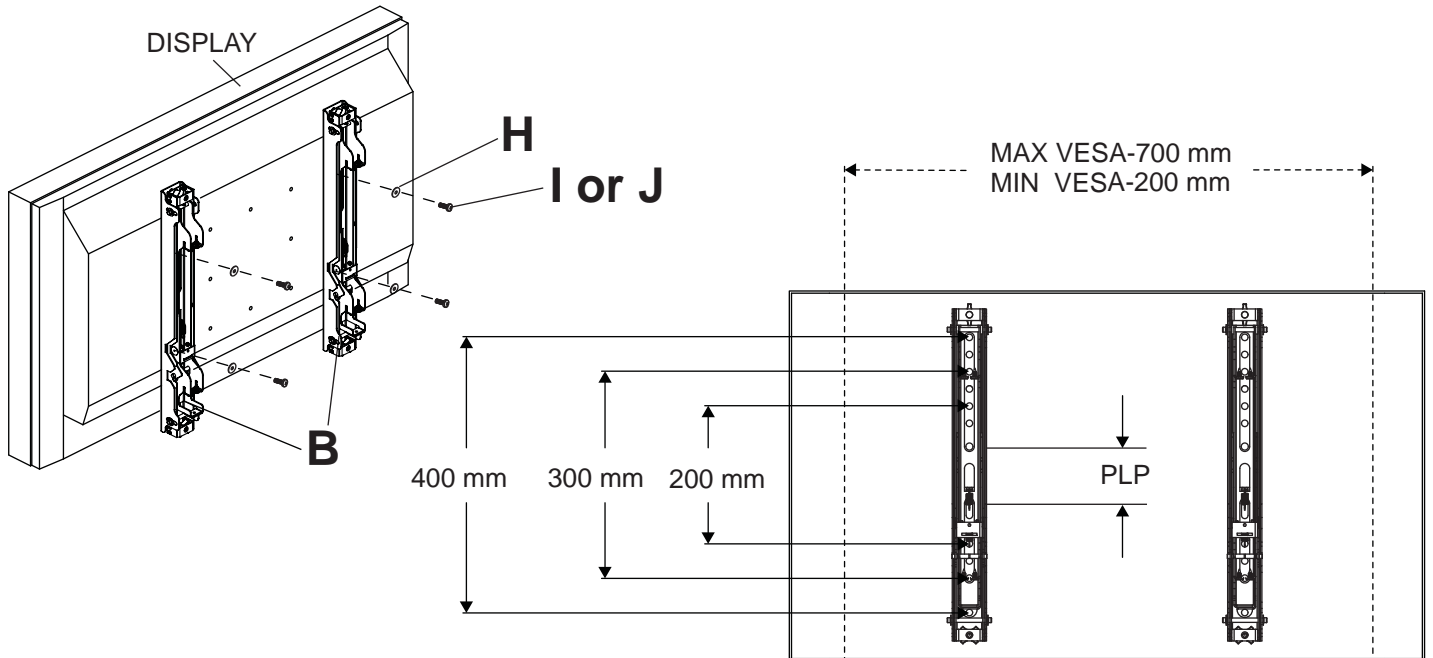
⚠ WARNING

- Tighten screws so that wall plate is firmly attached, but do not overtighten. Overtightening can damage screws, greatly reducing their holding power.
- Never tighten in excess of 80 in. • lb (9 N.M.).
- Always attach concrete expansion anchors directly to load-bearing concrete.
- Never attach concrete expansion anchors to concrete covered with plaster, drywall, or other finishing material. If mounting to concrete surfaces covered with a finishing surface is unavoidable, (not evaluated by UL) the finishing surface must be counter bored as shown below. Be sure concrete anchors do not pull away from concrete when tightening screws. If plaster/drywall is thicker than 5/8" (16 mm), custom fasteners must be supplied by installer (not evaluated by UL).



Attaching Adapter Brackets to Display

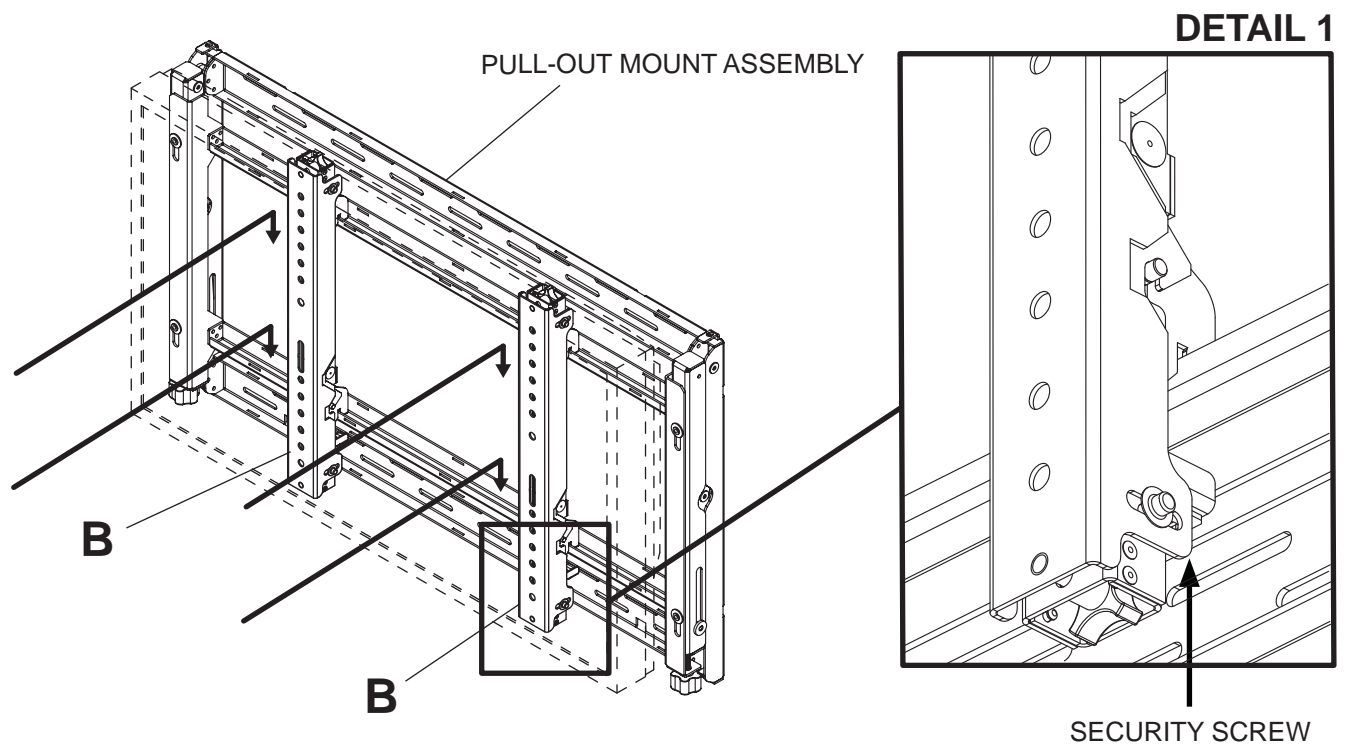
- 2** **NOTE:** Make sure to use largest hole pattern on back of display.
Attach adapter brackets (**B**) to back of display using four M6 x 12 mm socket pin screws (**I**) with nylon shoulder washer (**H**), or four M8 x 15 mm socket pin screws (**J**) as shown below.



Attaching Adapter Brackets to Pull-Out Mount Assembly

- 3** Attach adapter brackets (**B**) to pull-out mount assembly. Slide adapter brackets (**B**) into position. Loosely fasten in place using security screw as shown in detail 1.

NOTE: Once display is located in desired position ($\pm 2"$ from center), tighten security screws using 4mm allen wrench (**K**) to lock in place.



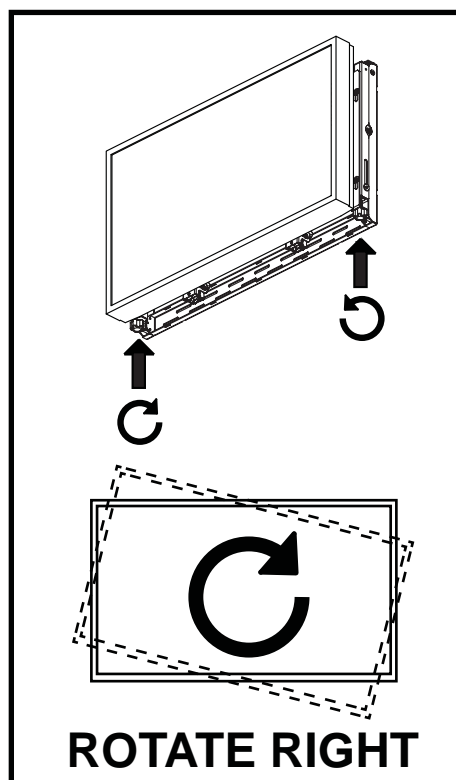
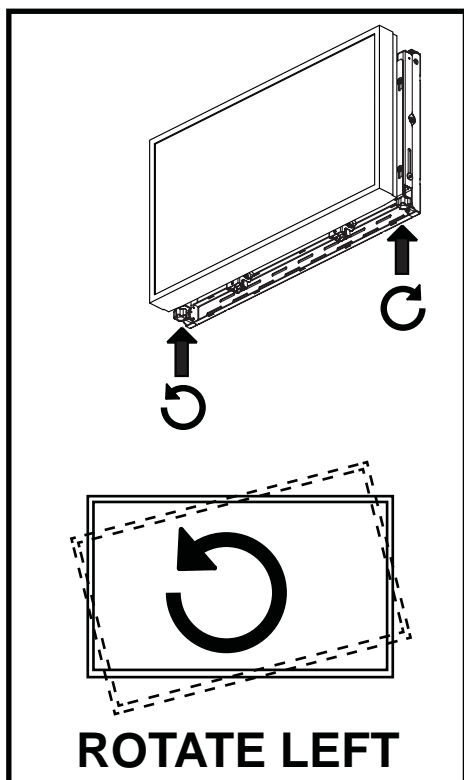
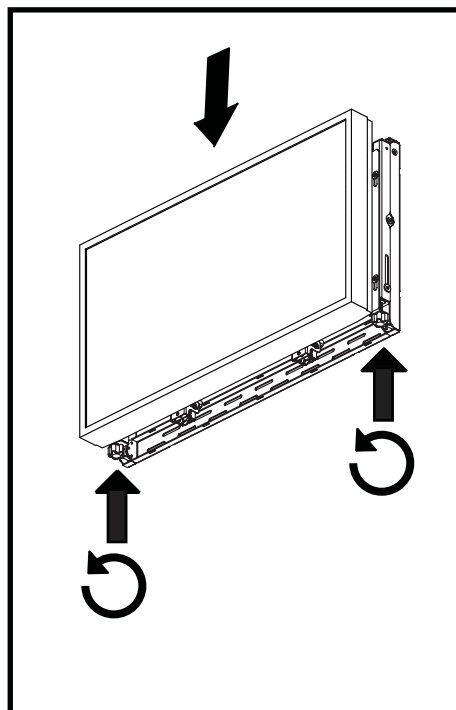
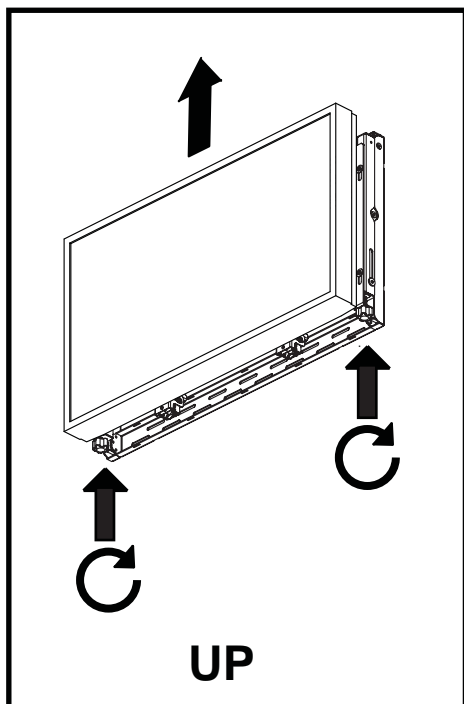
Pull Out Mount Assembly Adjustment

4 Use legend below to determine position of display.

NOTE: Each knob can be adjusted independently for fine tuning adjustments.

 Turn knob **CLOCKWISE** to raise side

 Turn knob **COUNTER-CLOCKWISE** to lower side



Adapter Bracket Adjustment

5 Use legend below to determine position of display.

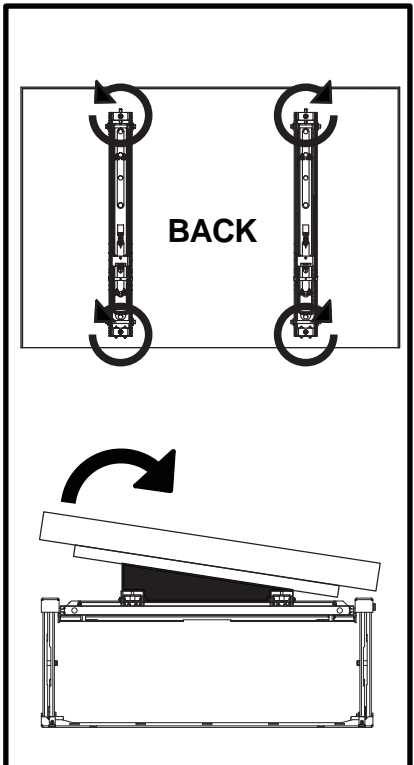
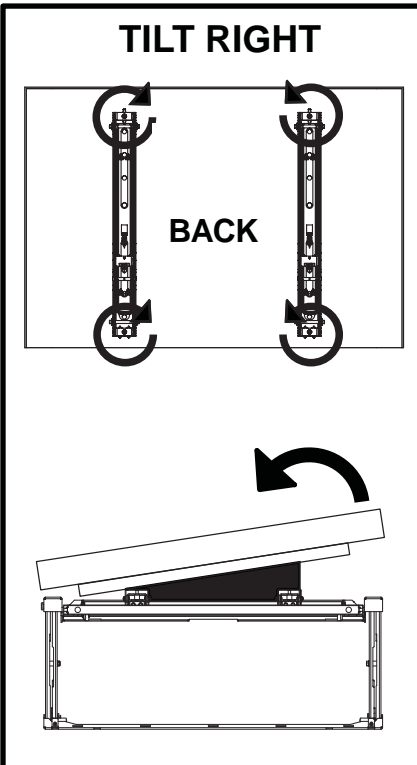
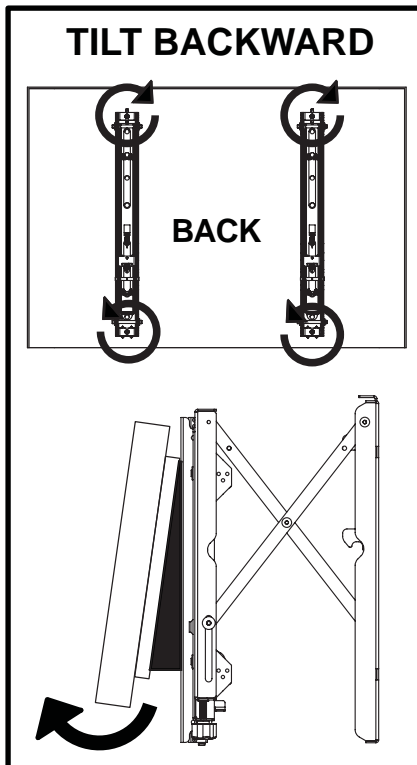
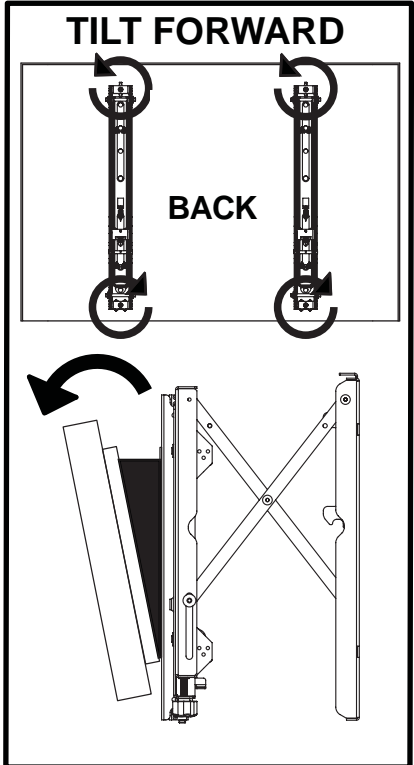
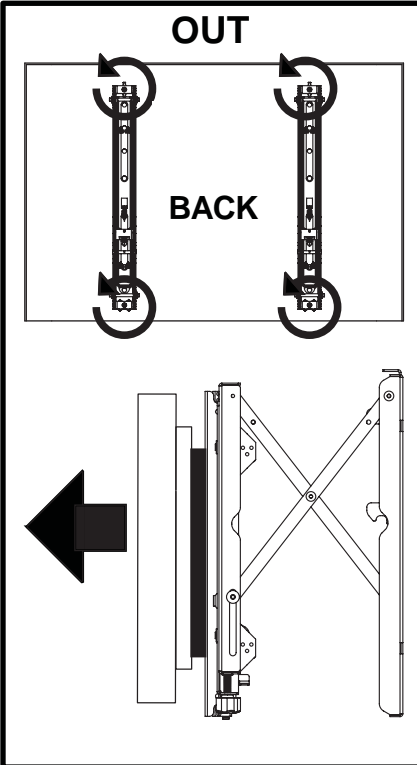
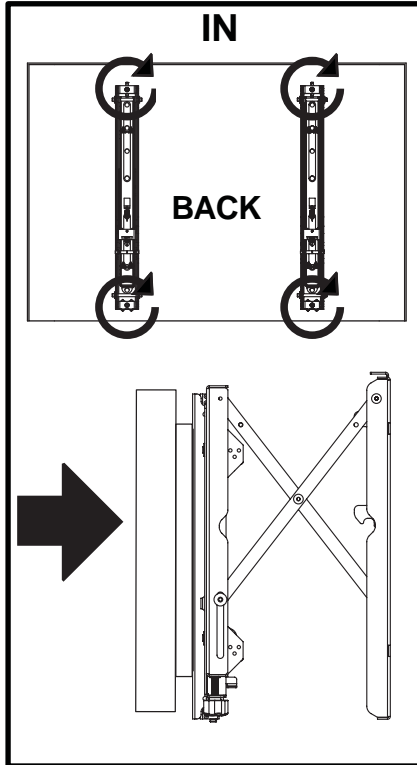
NOTE: Each knob can be adjusted independently for fine tuning adjustments.



Turn knob **CLOCKWISE** to move corner toward the wall

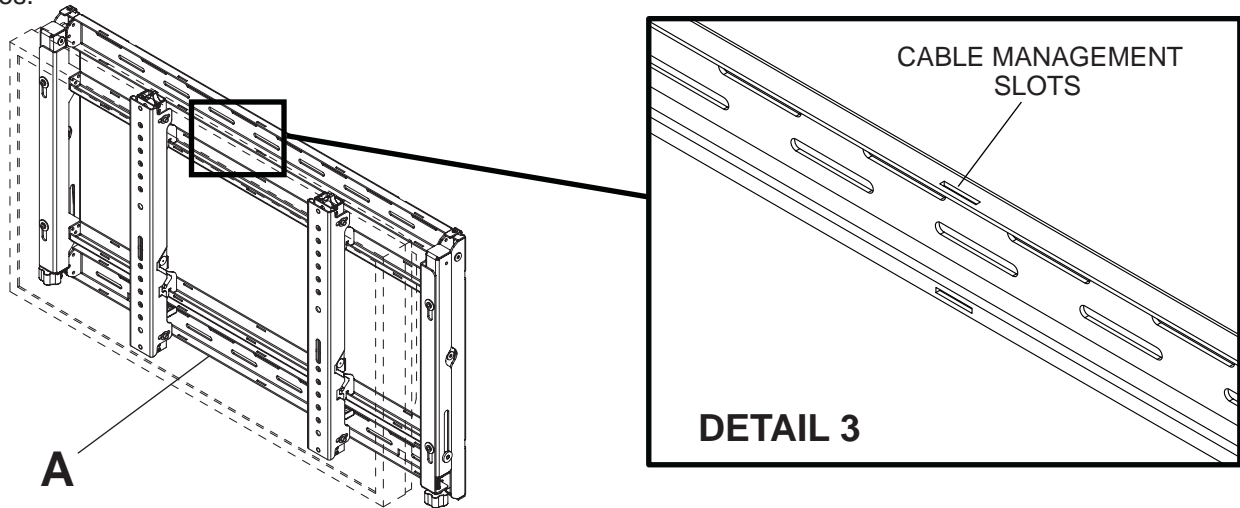


Turn knob **COUNTER-CLOCKWISE** to move corner away from the wall



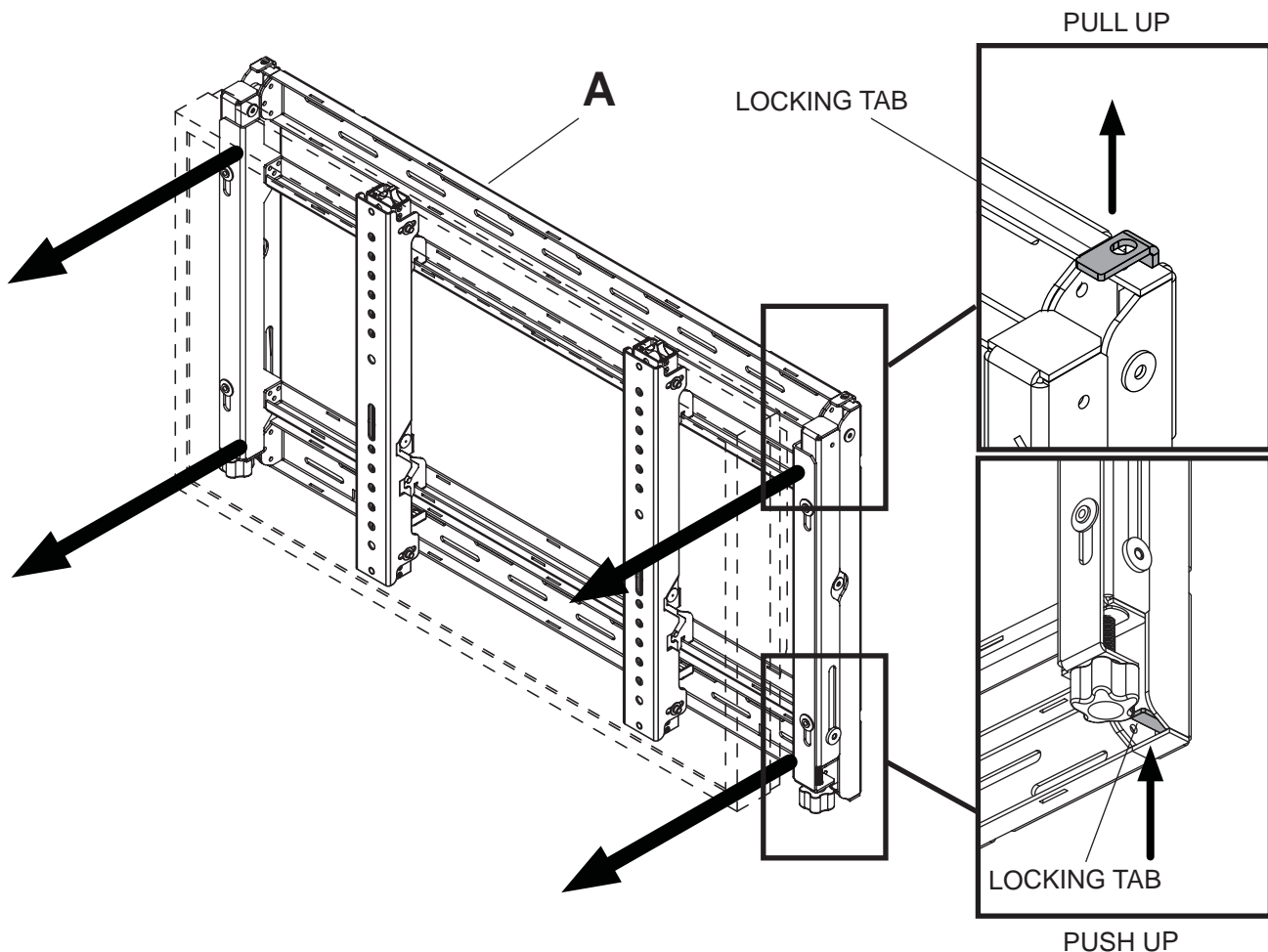
Cable Management

- 6 Display cables can be routed through top or bottom of pull-out mount assembly (A).
NOTE: Use mesh sleeve (M) and cable ties (L) for cable management.
NOTE: Cable ties and cable management slots on pull-out mount assembly (A) can be used to secure display cables.



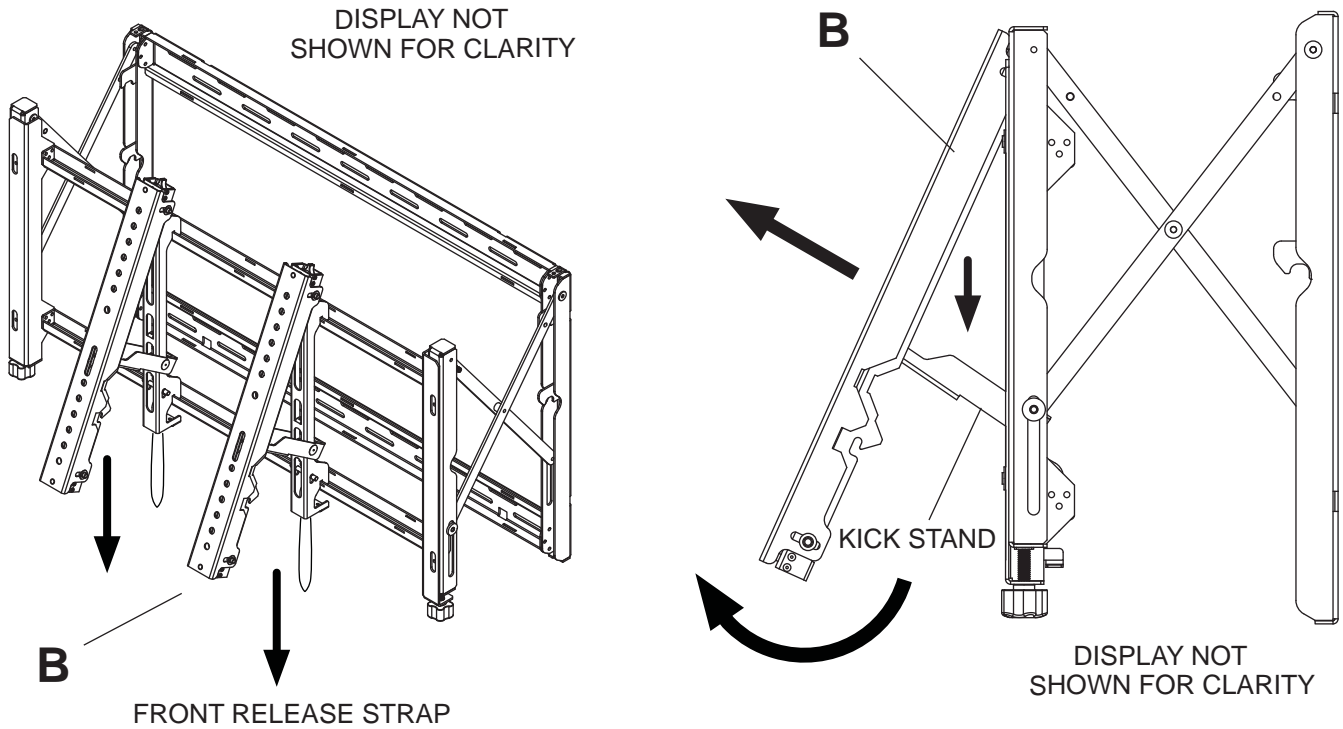
Open and Close Pull Out Mount Assembly

- 7 Open pull-out mount assembly (A) by releasing locking tab. Push or pull up on locking tab as shown below.
NOTE: Extended position is for service access only. The mount must be closed during normal use and operation.



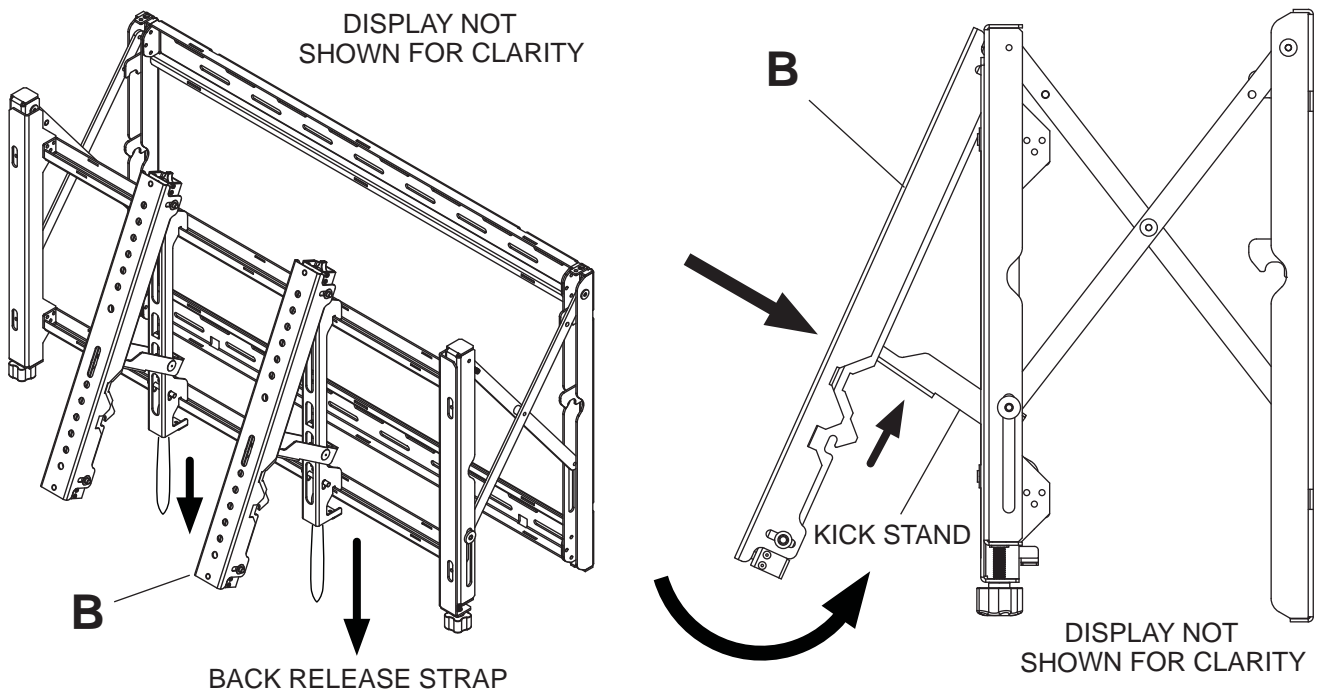
Open Adapter Brackets

- 8** Open adapter brackets (**B**) by pulling down on front release strap while pulling bottom of display away from wall.
NOTE: Once front release strap is pulled, adapter brackets (**B**) kick stand will engage.
NOTE: Extended position is for service access only. The mount must be closed during normal use and operation.



Close Adapter Brackets

- Slightly pull display away from wall to release kick stand while pulling down on back release straps on adapter brackets (**B**) as shown below. Support the display until the adapter brackets (**B**) are engaged in the closed position.
NOTE: Once back release strap is pulled, adapter brackets (**B**) kick stand will disengage.



Pull Out Mount Assembly (Optional) Security

- 9 To prevent locking tabs from releasing, secure using two M5 x 10 mm socket pin type-F screws (D).

