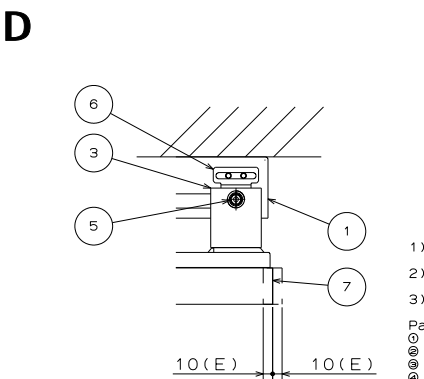
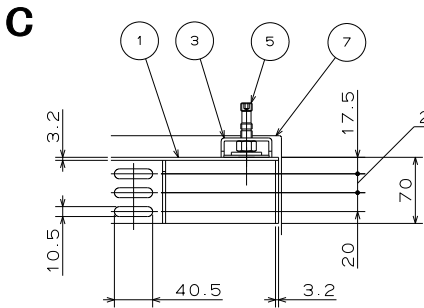
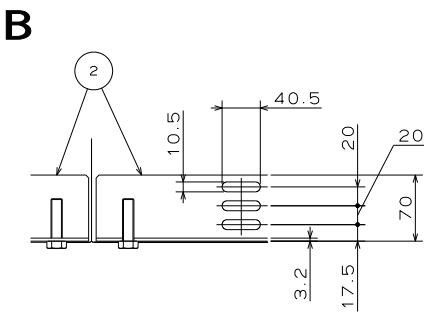
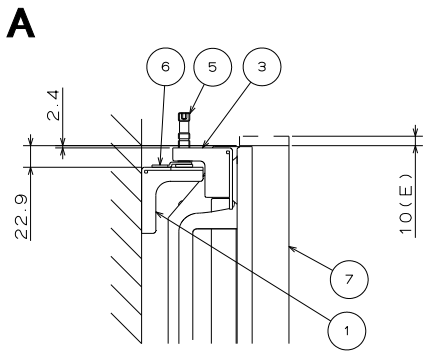


WM-55UN-L Installation Drawing/取付寸法図



- 1) This monitor is not symmetrical. Center line shows image center.
- 2) Dimension (E) shows adjustable range of horizontally. Dimension (F) shows adjustable range of vertically.
- 3) Monitor position is shown bottom end in adjustable range.

- Parts
- ⊙ Wall bracket (top)
 - ⊙ Wall bracket (bottom)
 - ⊙ Monitor bracket (top)
 - ⊙ Monitor bracket (bottom)
 - ⊙ Adjuster pin
 - ⊙ Stopper
 - ⊙ Monitor

