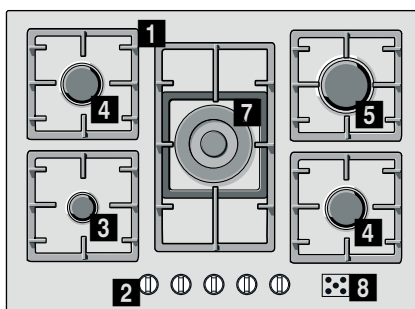
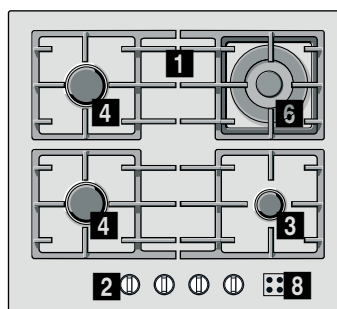




[en] Instruction manual3
[ru] Правила пользования..... 9

Gas hob
Газовая варочная панель



T63R46..**T62R36..**

- 1** Pan supports
- 2** Control knobs
- 3** Auxiliary burner (up to 1 kW)
- 4** Semi-rapid burner (up to 1.75 kW)

- 1** Решетки
- 2** Ручки управления
- 3** Вспомогательная газовая конфорка мощностью до 1 кВт
- 4** Полубыстрая газовая конфорка мощностью до 1,75 кВт
- 5** Быстрая газовая конфорка мощностью до 3 кВт

- 5** Rapid burner (up to 3 kW)
- 6** Double-flame wok burner (up to 3.3 kW)
- 7** Triple-flame wok burner (up to 4 kW)
- 8** Hotplate operating indicators

- 6** Газовая конфорка двойного пламени мощностью до 3,3 кВт для сковороды вок
- 7** Газовая конфорка тройного пламени мощностью до 4 кВт для сковороды вок
- 8** Индикаторы включения конфорок

Safety precautions 3

Your new appliance 4

Accessories 4

Gas burners 4

Switching on a burner 4

Operating and residual heat indicator 4

Safety system 5

Switching off a burner 5

Power levels 5

Protection against overheating 5

Warnings 5

Cooking guidelines 5

Operating indicators and error messages 6

Cooking pans 6

Suitable pans 6

Precautions for use 6

Cleaning and maintenance 7

Cleaning 7

Maintenance 7

Trouble shooting 7

Technical Assistance Service 8

Warranty conditions 8

Used appliances and packaging 8

Environmentally-friendly waste management 8

Additional information on products, accessories, replacement parts and services can be found at **www.neff-international.com** and in the online shop **www.neff-eshop.com**

Safety precautions

Read these instructions carefully. Reading these instructions will enable you to use your appliance safely and effectively.

Keep the operation and installation instructions and provide them along with the appliance if it is passed on to another user.

The manufacturer is exempt from all responsibility if the requirements of this manual are not complied with.

The graphics in this instruction manual are given as a guide only.

Do not remove the appliance from its protective packaging until it is installed in the unit.

Do not switch on the appliance if it is damaged in any way. Contact our Technical Assistance Service.

This appliance is class 3 type, according to the EN 30-1-1 regulation for gas appliances: built-in appliance.

This appliance can only be installed in a well-ventilated place in accordance with existing regulations and ventilation specifications. The appliance must not be connected to a combustion product removal device.

The place in which the appliance is installed must have fully-functioning ventilation, in accordance with the regulations.

Before installing your new hob, ensure that it is being installed according to the assembly instructions.

This appliance leaves the factory set to the type of gas that is indicated on the specifications plate. If this needs to be changed, please consult the assembly instructions.

All operations relating to installation, regulation and conversion to other types of gas must be carried out by an authorised installation engineer, respecting the applicable regulations, standards and the specifications of the local gas and electricity providers. You are recommended to contact the Technical Assistance Service to convert to another type of gas.

This appliance has been designed for home use only, not for commercial or professional use. This appliance cannot be installed on yachts or in caravans. The warranty will only be valid if the appliance is used for the purpose for which it was designed.

This appliance is only intended for cooking purposes, not as a heating system.

This appliance is not intended for operation with an external clock timer or a remote control.

Never leave the appliance unattended during operation.

This appliance may be used by children 8 years old and older and by persons with reduced physical, sensory or mental capacity or a lack of experience or knowledge if they are supervised or they have been instructed about the safe use of the appliance and have understood the associated dangers.

Never let children play with the appliance. Cleaning and user maintenance must not be carried out by unsupervised children.

The hotplates and surrounding area become very hot. Never touch the hot surfaces. Children under 8 years old must be kept at a safe distance from the appliance.

The hotplates become very hot. Never place combustible items on the hob. Never place objects on the hob.

Do not store or use corrosive chemicals, steamers, inflammable materials or non-food products below or near this domestic appliance.

Fat or oil which is overheated can catch fire easily. Do not leave oil or fats to heat up unattended. If oil or fats do catch fire, never use water to put the fire out. Risk of burns! Put the fire out by covering the pan with a lid and switch off the hotplate.

Pans which are damaged, are not the right size, hang over the edge of the hob or are not positioned correctly can cause serious injuries. Follow the advice and warnings provided relating to the cooking pans.

Do not subject the appliance to draughts. These might blow out the burners.

While using your hob, prevent any draughts and do not spill any cold liquids on it, as this may cause the glass to break.

Do not clean the hob using a steam cleaner. Risk of electrocution!

In the event of a malfunction, turn off the appliance's gas and electricity supply. For repairs, call our Technical Assistance Service.

Do not tamper with the appliance's interior. If necessary, call our Technical Assistance Service.

If one of the control knobs will not turn, do not force it. Call the Technical Assistance Service immediately, so that they can repair or replace it.

Cracks or fractures in the glass may cause electric shocks. Switch off the circuit breaker in the fuse box. Contact the after-sales service.

Your new appliance

Page 2 shows an overall view of your new appliance as well as the burner power.

Accessories

The following accessories can be purchased from the Technical Assistance Service:



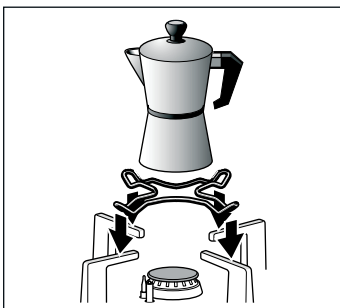
Additional wok pan support

Only for use on wok burners with pans with a round base. The additional wok pan support should be used to prolong the appliance's useful life.



Simmer Plate

This accessory has been designed to reduce the level of heat at the lowest power setting. Place the accessory directly on the pan support with the cones facing upwards, never directly over the burner. Centre the pan over the accessory.



Additional coffee maker support

Only for use on the auxiliary burner with pans which are no more than 12 cm in diameter.

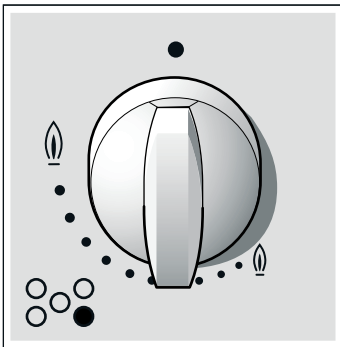
Code

Z2472X0	Additional wok pan support: cast iron (3.3 kW)
Z2471X0	Additional wok pan support: cast iron (4 kW)
Z2402X0	Additional coffee maker support
Z2480X0	Simmer Plate

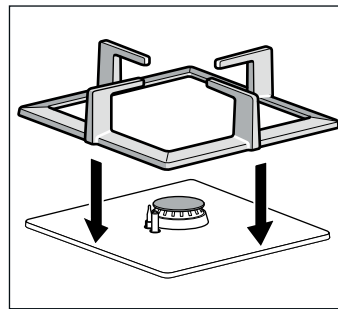
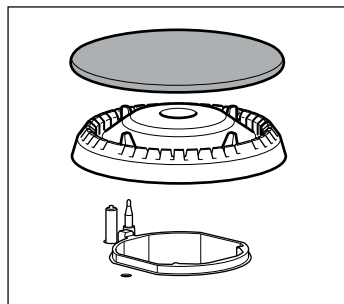
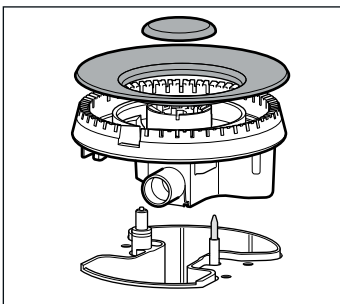
The manufacturer accepts no liability if these accessories are not used or are used incorrectly.

Gas burners

There are indications to show which burner each control knob operates.



It is essential to ensure that all the burner parts and pan supports are correctly installed for the appliance to work correctly.



Switching on a burner

Turn the desired burner control knob anticlockwise to the required position. The flame will ignite automatically and the hotplate indicator light will come on after a few seconds.

Operating and residual heat indicator

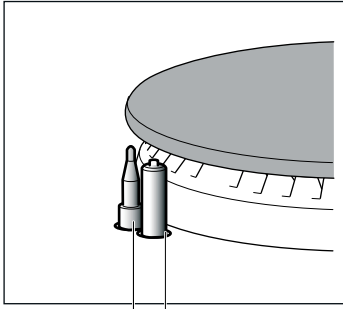
All the hobs have an operating and residual heat indicator which comes on when the flame on the corresponding hotplate is lit.

Once the hotplate is switched off, the residual heat indicator remains on indicating that the hotplate temperature is too high. Do not touch the hotplate while the indicator light is on.

After a while the residual heat indicator light will go off, indicating that the temperature of the hotplate has dropped and is no longer too high. Care must then be taken when touching the appliance to avoid burns, since the hotplate may not have completely cooled down.

Safety system

All the hotplates have a security device (thermocouple).



thermocouple ignition sparker

If the burner is switched off during operation (e.g. due to a draught), the appliance automatically switches on the hotplate again.

If reignition is not successful (e.g. due to food remains on the burner), the supply of gas to this burner is cut off and the burner hotplate indicator flashes. Turn the control knob to 0 and check the section on *Operating indicators and error messages*.

Switching off a burner

Turn the corresponding control knob clockwise to the 0 setting.

Automatic off

After six hours of operation, the appliance switches off automatically. Turn all control knobs to setting 0; the appliance can now be switched on again.

Power levels

The progressive control knobs can be used to control the power needed, from minimum to maximum power.

Setting	●	Control knob off
High flame	🔥	Maximum capacity or aperture and electricity on
Low flame	🔥	Minimum capacity or aperture

Protection against overheating

The hob has a protection against overheating system to protect the electrical installation. This switches off all the burners in case of overheating and the operating indicators start to flicker.

Turn all control knobs to setting 0. Wait until the appliance has cooled down sufficiently. Now you can reconnect the appliance normally. The rapid flickering of the burner operation indicators switches off or is replaced by the residual heat indicator.

Warnings

This appliance will not function if it is not connected to the mains or if the electricity supply is cut off.

It is normal to hear a soft whistling noise while the burner is operating.

When first used, it is normal for the burner to give off odours. This does not pose any risk and does not indicate a malfunction. They will disappear in time.

An orange-coloured flame is normal. This is caused by the presence of dust in the atmosphere, spilt liquids, etc.

The kitchen will become hot and humid when this gas appliance is used. You must therefore ensure that the kitchen is well ventilated: either keep the natural ventilation apertures open, or install a ventilation system (extractor hood).

Intense and prolonged use of the appliance may mean additional ventilation is required (for example, opening a window) or more effective ventilation (for example, increasing the hob's ventilation, if possible).

If the burner flames are accidentally blown out, switch off the burner operating control knob and do not try to relight it for at least 1 minute.

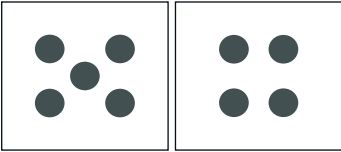
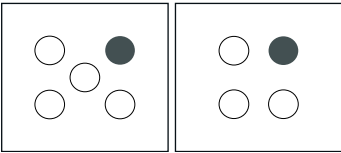
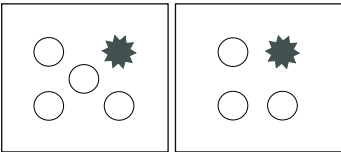
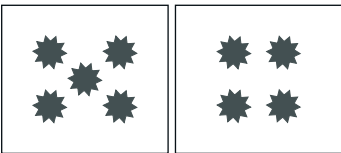
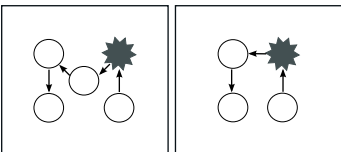
A few seconds after the burner is switched off, a sound (thud) will be produced. This is not a fault - this means that the safety device is no longer operating.

Keep the burner as clean as possible. If the ignition sparkers are dirty they will not light properly. Clean them periodically using a small non-wire brush. Bear in mind that the ignition sparkers must not suffer any serious impacts.

Cooking guidelines

Burner	Very high - High	Medium	Low
Wok burner	Boiling, steaming, griddling, toasting, paellas, Asian food (wok).	Reheating and keeping things hot: cooked and pre-cooked dishes	
Rapid burner	Escalopes, steaks, omelettes, frying	Rice, white sauce, ragout	Steaming: fish, vegetables
Semi-rapid burner	Steamed potatoes, fresh vegetables, vegetable stews, pasta	Reheating, keeping things hot and making tasty casseroles	
Auxiliary burner	Cooking: casseroles, rice pudding, caramel	Defrosting and slow cooking: vegetables, fruit and frozen products	Melting: butter, chocolate, jelly

Operating indicators and error messages

Operation indicators	Please note	Meaning
	The operation indicators are on.	All the burners are switched on or are still hot.
	A burner indicator lights up.	The burner is switched on or is still hot.
	A burner operation indicator flashes.	The burner could not be switched back on (because it is dirty, there are bits of food stuck to it, the burner components are not correctly positioned or there is a strong draught).
	The operation indicators flash simultaneously.	Protection against overheating: turn all the control knobs to setting 0, allow the appliance to cool until the operation indicators switch off or the residual heat indicator comes on.
	All the operation indicators flash one after another.	Electronic error: turn all the control knobs to setting 0. If the indicators continue to flash, contact the Technical Assistance Service.

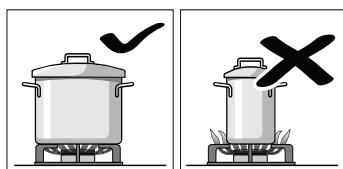
Cooking pans

Suitable pans

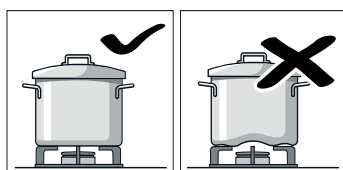
Burner	Minimum pan diameter	Maximum pan diameter
Wok burner	22 cm	30 cm
Rapid burner	22 cm	26 cm
Semi-rapid burner	14 cm	20 cm
Auxiliary burner	12 cm	16 cm

Precautions for use

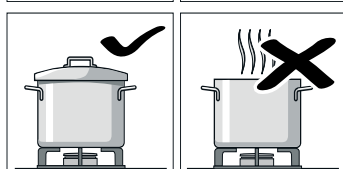
The following advice is intended to help you save energy and prevent pan damage:



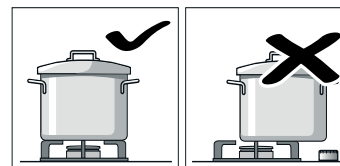
Use pans which are the right size for each burner.
Do not use small pans on large burners. The flame must not touch the sides of the pan.



Do not use damaged pans, which do not sit evenly on the hob. Pans may tip over.
Only use pans with a thick, flat base.

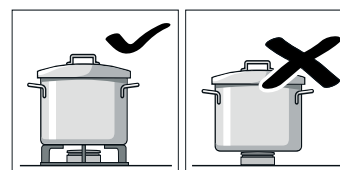


Do not cook without using a lid and make sure the lid is properly fitted. This wastes energy.



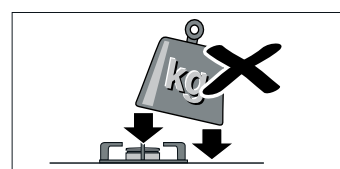
Always centre the pan over the burner, not to one side. Otherwise it could tip over.

Do not place large pans on the burners near the control knobs. These may be damaged by the very high temperatures.



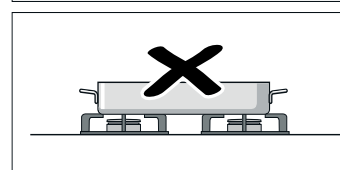
Place the pans on the pan supports, never directly on the burner.

Make sure that the pan supports and burner caps are correctly positioned before using the appliance.



Pans should be placed on the hob carefully.

Do not strike the hob and do not place excessive weight on it.



Never use two burners or heat sources to heat one single pan.

Do not use grill pans, earthenware casserole dishes, etc. for a long period of time on maximum power.

Cleaning and maintenance

Cleaning

Once the appliance is cool, use a sponge to clean it with soap and water.

After each use, clean the surface of the respective burner parts once they have cooled down. If any residue is left (baked-on food, drops of grease etc.), however little, it will become stuck to the surface and more difficult to remove later. The holes and grooves must be clean for the flame to ignite properly.

The movement of some pans may leave metal residue on the pan supports.

Clean the burners and pan supports using soapy water and scrub with a non-wire brush.

If the pan supports are fitted with rubber rests, ensure that these are also cleaned. The rests may come loose and the pan support may scratch the hob.

Always dry the burners and pan supports completely. Water droplets or damp patches on the hob at the start of cooking may damage the enamel.

After cleaning and drying the burners, make sure the burner caps are correctly positioned on the diffuser.

Caution!

- Do not use steam cleaners. This could damage the hob.
- Never use abrasive products, steel scourers, sharp implements, knives, etc. to remove bits of hardened food from the hob.
- Do not use knives, scrapers or similar implements to clean the point where the glass meets the burner trims, the metal frames or the glass/aluminium panels, if fitted.

Maintenance

Always clean off any liquid as soon as it is spilt. This will prevent food remains from sticking to the hob surface and you will save yourself any unnecessary effort.

Never slide pans across the glass surface, as you may scratch it. In addition, try not to drop heavy or sharp objects on the glass. Never strike any part of the hob.

Grains of sand that may come from cleaning fruits and vegetables will scratch the glass surface.

Melted sugar, or foods which contain a lot of sugar which may have spilt, should be cleaned off the hotplate immediately, using the glass scraper.

Trouble shooting

Sometimes certain faults detected can be easily resolved. Before calling the Technical Assistance Service, bear in mind the following advice:

Fault	Possible cause	Solution
The general electrical system is malfunctioning.	Defective fuse.	Check the fuse in the main fuse box and change it if it is damaged.
	The automatic safety switch or circuit breaker has tripped.	Check the main control panel to see if the automatic safety switch or circuit breaker has tripped.
The automatic on function does not work.	There may be food or cleaning products stuck between the ignition sparkers and the burners.	The space between the ignition sparker and the burner must be clean.
	The burners are wet.	Dry the burner caps carefully.
	The burner caps are not correctly positioned.	Check that the burner caps are correctly positioned.
The burner flame is not uniform.	The appliance is not earthed, is poorly connected or the earthing is faulty.	Contact the electrician.
	The burner components are not correctly positioned.	Ensure the components are correctly positioned.
The gas flow is not normal or there is no gas.	The grooves on the burner are dirty.	Clean the grooves on the burner.
	The gas supply is blocked via gas taps.	Open all gas taps.
The kitchen smells of gas.	If the gas is supplied from a gas cylinder, check that this is not empty.	Change the gas cylinder.
	A gas tap has been left on.	Turn off the taps.
	Incorrect coupling of gas cylinder.	Check that the coupling is sound.
	Possible gas leak.	Shut off the gas supply, ventilate the premises and immediately notify an authorised installation technician so that they can check and certify the installation. Do not use the appliance until you are sure that there is no gas leak in the installation or appliance itself.

Technical Assistance Service

When contacting our Technical Assistance Service, please provide the product number (E-Nr.) and production number (FD) of the appliance. This information is given on the specifications plate located on the lower section of the hob and on the label in the user manual.

Please find the contact data of all countries in the enclosed customer service list.

To book an engineer visit and product advice

GB 0844 8928989
Calls from a BT landline will be charged at up to 3 pence per minute. A call set-up fee of up to 6 pence may apply.

IE 01450 2655

Trust the expertise of the manufacturer, and rest assured that the repair will be carried out by trained service technicians using original spare parts for your domestic appliance.


Warranty conditions

In the unlikely event that the appliance is damaged or does not meet your expectations in terms of quality, please inform us as soon as possible. For the warranty to be valid, the appliance must not have been tampered with, or used inappropriately.

The applicable warranty conditions are those set out by the company's representative office in the country of purchase. Detailed information is available from retail outlets. Proof of purchase must be presented to obtain the benefits of the warranty.

We reserve the right to introduce changes.

Used appliances and packaging

If the  symbol is shown on the specifications plate, bear in mind the following instructions:

Environmentally-friendly waste management

Unpack the appliance and dispose of the packaging by environmentally-friendly means.

The packaging of your appliance has been manufactured using only the materials which are strictly necessary to guarantee efficient protection during transport. These materials are 100% recyclable, thus reducing the environmental impact. You can also contribute to caring for the environment by following the advice below:

- Dispose of the packaging in the appropriate recycling bin.
- Before you get rid of an old appliance, make sure you disable it. Contact your local authority to find out the address of your nearest recycling centre to dispose of your appliance.
- Do not pour used oil down the sink. Collect it in a sealed container and take it to an appropriate collection point or, failing that, place it in the rubbish bin (it will end up in a controlled dump; this is probably not the best option, but it will avoid contaminating ground water)

This appliance complies with European directive 2002/96/EC on electrical and electronic equipment identified as WEEE (waste electrical and electronic equipment).

Правила техники безопасности	9	Советы по эксплуатации	13
Ваша новая варочная панель	10	Очистка и уход	13
Дополнительное оборудование	10	Очистка	13
Газовые конфорки	10	Уход	13
Поджиг конфорки	11	Устранение неполадок	14
Индикатор включения и остаточного тепла.....	11	Сервисный центр	14
Система газ-контроль.....	11	Условия гарантийного обслуживания.....	14
Выключение конфорки	11	Упаковка и отработавшие приборы	15
Уровни мощности.....	11	Утилизация отходов с учетом требований охраны природы.....	15
Защита от перегрева	11		
Примечания.....	11		
Советы по приготовлению блюд.....	11		
Рабочие показания индикаторов и сообщения о неполадках	12		
Посуда	13		
Подходящая посуда	13		

Более подробную информацию о продукции, принадлежностях, запасных частях и службе сервиса можно найти на официальном сайте www.neff-international.com и на сайте интернет-магазина www.neff-eshop.com

Правила техники безопасности

Внимательно ознакомьтесь с данными правилами. Только после этого вы сможете правильно и безопасно пользоваться своим прибором.

Сохраните руководство по эксплуатации и монтажу и передайте их вместе с прибором, если он будет переходить к другому хозяину.

При невыполнении инструкций, содержащихся в данном руководстве, производитель освобождается от всякой ответственности.

Схемы, представленные в данном руководстве по эксплуатации, являются ориентировочными.

Не снимайте защитную упаковку с электроприбора до момента проведения монтажа.

Если вы заметили на приборе следы каких-либо повреждений, не подключайте его к сети. Свяжитесь с нашим сервисным центром.

Данный прибор относится к третьему классу защиты по стандарту EN 30-1-1 для газовых приборов: встроенное оборудование.

Данный прибор можно устанавливать только в хорошо проветриваемом месте, в соответствии с действующими нормами и инструкциями относительно вентиляции помещений. Данный прибор нельзя подсоединять к дымоходу для отвода дымовых газов.

В помещении, где устанавливается прибор, должна быть предусмотренная нормами вентиляция в рабочем состоянии.

Перед тем, как установить новую варочную панель, позаботьтесь о том, чтобы установка проводилась в соответствии с руководством по монтажу.

Данный прибор настроен для использования с газом, указанным в табличке с характеристиками. При необходимости перенастроить его для использования с другим типом газа ознакомьтесь с руководством по монтажу.

Все операции по монтажу, наладке и адаптации к другому виду газа должны проводиться квалифицированным специалистом в соответствии с действующими нормами и законодательством, а также с предписаниями местных газо- и электроснабжающих компаний. Для адаптации прибора к другому виду газа рекомендуется связаться с сервисным центром.

Данный прибор предназначен исключительно для бытового использования и не может применяться в промышленных или коммерческих целях. Данный прибор нельзя устанавливать на яхтах или в автокемперах. Гарантия производителя

действительна только в случае использования прибора по назначению.

Используйте прибор только для приготовления пищи, а не для обогрева помещения.

Этот прибор не предназначен для использования с внешним таймером или пультом управления.

Не оставляйте работающий прибор без присмотра.

Дети до 8 лет, лица с ограниченными физическими, умственными и психическими возможностями, а также лица, не обладающие достаточными знаниями о приборе, могут использовать прибор только под присмотром или после подробного инструктажа и осознания всех опасностей, связанных с эксплуатацией прибора.

Детям не разрешается играть с прибором. Очистка или техобслуживание прибора не должны производиться детьми без присмотра взрослых.

Конфорки и поверхность вокруг них сильно нагреваются. Не прикасайтесь к раскаленным поверхностям. Не допускайте к плите детей младше 8 лет.

Конфорки очень сильно нагреваются. Никогда не кладите легко воспламеняющиеся предметы на варочную панель. Не складывайте предметы на варочную панель.

Нельзя хранить и использовать едкие химические вещества, пар, легковозгорающиеся вещества и непищевые продукты вблизи данного электроприбора или под ним.

Перегретый жир и масло легко возгораются. Не оставляйте нагревающийся жир или масло без присмотра. Если возгорание произошло, не заливайте огонь водой. Существует опасность ожога! Накройте сковороду или кастрюлю крышкой, чтобы погасить огонь, и выключите конфорку.

Использование поврежденной посуды, посуды неподходящего размера и посуды, края которой выходят за пределы варочной панели, а также неправильная установка посуды на конфорку могут стать причиной серьезных травм. Следуйте советам и рекомендациям по использованию посуды.

Не устанавливайте прибор в местах, где есть сквозняки. Струя воздуха может задуть пламя на конфорках.

Следите, чтобы во время использования варочной панели не было сквозняков, и старайтесь не проливать на ее поверхность холодные жидкости, так как это может привести к повреждению стекла.

Нельзя пользоваться для очистки варочной панели парочистителем. Существует опасность поражения электротоком!

В случае неисправности варочной панели перекройте подачу газа и электроэнергии к прибору. По вопросам ремонта свяжитесь с нашим сервисным центром.

Не проводите никаких действий в середине варочной панели. Если это необходимо, свяжитесь с нашим сервисным центром.

Если какая-то ручка не поворачивается, не форсируйте ее. Сразу свяжитесь с сервисным центром, чтобы починить или заменить эту ручку.

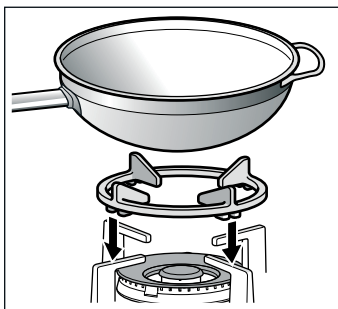
При наличии трещин или других повреждений стекла возникает опасность поражения электротоком. Отключите предохранитель на щитке предохранителей. Свяжитесь с сервисным центром.

Ваша новая варочная панель

На странице 2 представлен внешний вид вашей варочной панели и указана мощность конфорок.

Дополнительное оборудование

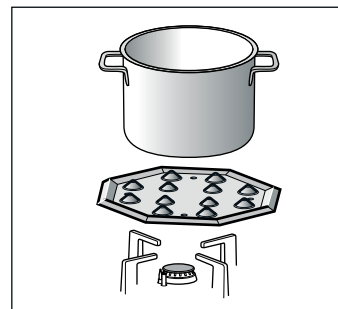
В сервисном центре можно приобрести следующее дополнительное оборудование:



Дополнительная решетка для сковороды вок

Предназначена для использования только на конфорках двойного и тройного пламени для сковороды вок с посудой с выпуклым дном.

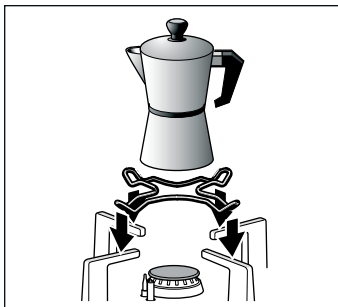
Для продления срока службы прибора рекомендуется использовать дополнительную решетку для сковороды вок.



Simmer Plate

Данное приспособление предназначено для снижения температуры нагрева в режиме минимального нагрева.

Установите приспособление прямо на решетку рельефной стороной вверх. Никогда не ставьте его прямо на горелку конфорки. Поставьте посуду по центру приспособления.



Дополнительная решетка для кофеварки

Предназначена исключительно для использования на вспомогательной конфорке с посудой диаметром менее 12 см.

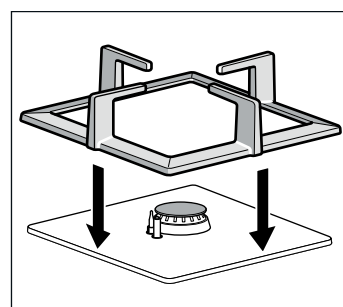
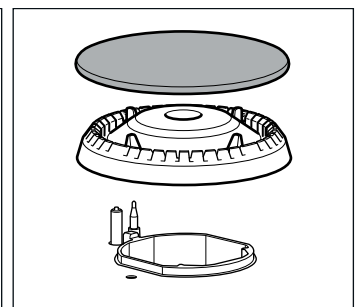
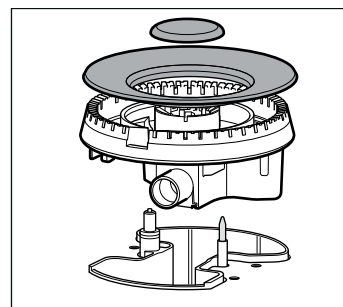
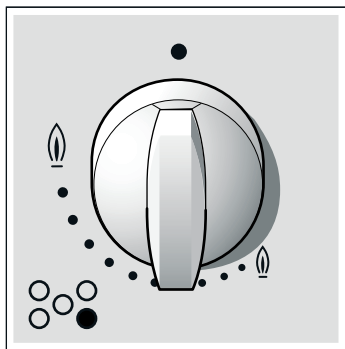
Артикул

- | | |
|---------|---|
| Z2472X0 | Дополнительная решетка для сковороды вок: Чугунная решетка (3,3 kW) |
| Z2471X0 | Дополнительная решетка для сковороды вок: Чугунная решетка (4 kW) |
| Z2402X0 | Дополнительная решетка для кофеварки |
| Z2480X0 | Simmer Plate |

Производитель не несет ответственности за последствия неиспользования или неправильного использования этого дополнительного оборудования.

Газовые конфорки

Около каждой ручки управления указано, какую конфорку она включает



Поджиг конфорки

Надавите на ручку нужной конфорки и поверните ее против часовой стрелки до нужной отметки. Газ автоматически поджигается, и через несколько секунд индикатор конфорки начинает светиться.

Индикатор включения и остаточного тепла

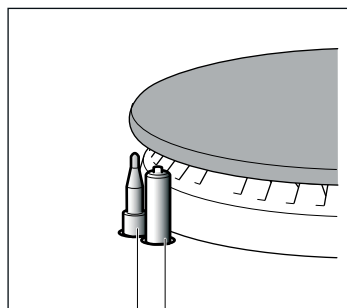
Все конфорки снабжены индикатором включения и остаточного тепла, который начинает светиться, как только на соответствующей конфорке появляется пламя.

После выключения конфорки индикатор остаточного тепла продолжает светиться, сигнализируя о том, что конфорка еще не остыла. Пока индикатор не погаснет, не прикасайтесь к конфорке.

Через некоторое время индикатор остаточного тепла выключится, что означает, что температура конфорки понизилась. Даже после выключения индикатора во избежание ожогов соблюдайте осторожность, прикасаясь к варочной панели, так как возможно, что конфорка не остыла окончательно.

Система газ-контроль

Все конфорки оборудованы устройствами газ-контроля (термопарами).



термопара | свеча

Если в процессе работы пламя на конфорке погаснет (например, задует сквозняком), конфорка снова поджигается автоматически.

Если повторный поджиг не приводит к появлению пламени (например, из-за пролившихся на горелку остатков пищи), подача газа на данную конфорку прекращается, и индикатор конфорки начинает мигать. Поверните ручку на отметку 0 и обратитесь к разделу «Рабочие показания индикаторов и сообщения о неполадках».

Выключение конфорки

Поверните соответствующую ручку вправо до отметки 0.

Автоматическое отключение

Варочная панель автоматически выключается после шести часов непрерывной работы. Поверните все ручки на отметку 0; теперь варочную панель можно снова включить.

Уровни мощности

Ручки плавной регулировки позволяют отрегулировать нужную вам мощность в пределах минимальной и максимальной мощности конфорки.

Положение	●	Выключено
Большой огонь	🔥	Максимальное открытие или мощность и электроподжиг
Маленький огонь	🔥	Минимальное открытие или мощность

Защита от перегрева

Варочная панель оборудована системой защиты от возможного перегрева, которая обеспечивает сохранность электрических компонентов. В случае перегрева эта система отключает все конфорки, индикаторы конфорок начинают мигать.

Поверните все ручки на отметку 0. Подождите, пока варочная панель остынет. Теперь вы можете снова включить варочную панель в обычном порядке. Мигание индикаторов конфорок прекратится, если конфорки еще не остыли, загорятся индикаторы остаточного тепла.

Примечания

Данный прибор не будет работать без подключения к электросети или в случае перебоев в подаче электроэнергии.

Во время работы конфорок может слышаться легкий свист, это нормально.

В первое время работы нового прибора могут выделяться специфические запахи. Они не представляют опасности для здоровья и не являются признаком неисправности варочной панели. Со временем запахи исчезнут.

Пламя оранжевого цвета является нормальным. Такой цвет пламени может быть обусловлен имеющейся в воздухе пылью, пролившейся жидкостью и т. д.

Использование газового прибора повышает температуру и влажность в помещении, где он установлен. Необходимо обеспечить хорошее проветривание кухни: не загромождайте отверстия естественной вентиляции или установите устройство для механической вентиляции (вытяжку).

При продолжительном или интенсивном использовании прибора может потребоваться дополнительное проветривание (например, можно открыть окно или увеличить мощность механической вытяжки, если она имеется).

Если пламя конфорки случайно погасло, поверните ручку этой конфорки в нулевое положение и подождите не менее 1 минуты перед повторным включением.

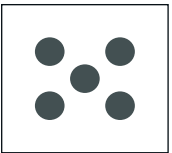
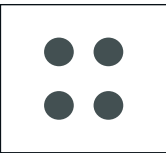
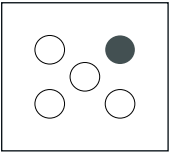
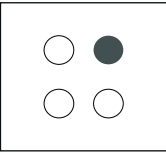
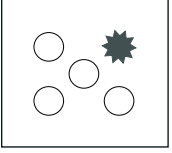
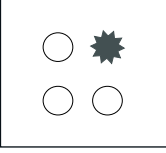


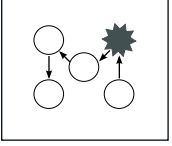
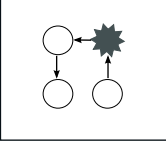
Через несколько секунд после выключения конфорки раздается сухой щелчок. Он не является признаком неисправности, а означает, что отключилась система газ-контроля.

Содержите варочную панель в чистоте. Если свечи загрязнились, поджиг будет работать плохо. Периодически очищайте их небольшой щеточкой с неметаллической щетиной. Имейте в виду, что со свечами нужно обращаться осторожно.

Советы по приготовлению блюд

Конфорка	Очень большой огонь - Большой огонь	Средний огонь	Маленький огонь
Конфорка для сковороды вок	Отваривание, тушение, жарение, подрумянивание, пазля, блюда азиатской кухни (вок)	Разогревание и поддержание температуры: готовые блюда, полуфабрикаты	
Быстрая конфорка	Эскалоп, бифштекс, омлет, продукты, жареные во фритюре	Рис, соус бешамель, рагу	Отваривание на пару: рыба, овощи
Полубыстрая конфорка	Картофель на пару, свежие овощи, густые супы, макаронные изделия	Разогревание и поддержание температуры готовых блюд и приготовление нежных блюд	
Вспомогательная конфорка	Приготовление: жаркое, молочная каша, карамель	Размораживание и медленное приготовление: бобовые, фрукты, замороженные продукты	Приготовление/растопление: сливочное масло, шоколад, желатин

Рабочие показания индикаторов и сообщения о неполадках

Индикаторы включения	Показания индикаторов	Значение
		<p>Все индикаторы включения конфорок светятся. Все конфорки работают или еще не остыли.</p>
		<p>Светится индикатор одной конфорки. Конфорка работает или еще не остыла.</p>
		<p>Индикатор включения одной из конфорок мигает. После угасания пламени конфорку не удалось снова зажечь (из-за загрязнения, остатков пищи, неправильно собранной горелки, сильного сквозняка).</p>
		<p>Все индикаторы включения конфорок одновременно мигают. Защита от перегрева: поверните все ручки на отметку 0 и дайте варочной панели остыть, пока индикаторы включения конфорок не погаснут или не загорятся индикаторы остаточного тепла.</p>
		<p>Все индикаторы включения конфорок поочередно мигают. Сбой в электронной системе: поверните все ручки на отметку 0. Если индикаторы не перестанут мигать, свяжитесь с сервисным центром.</p>

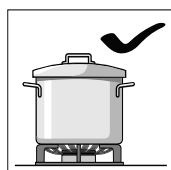
Посуда

Подходящая посуда

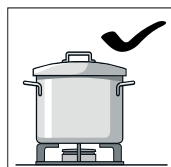
Конфорка	Минимальный диаметр посуды	Максимальный диаметр посуды
Конфорка для сковороды вок	22 см	30 см
Быстрая конфорка	22 см	26 см
Полубыстрая конфорка	14 см	20 см
Вспомогательная конфорка	12 см	16 см

Советы по эксплуатации

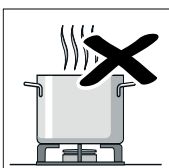
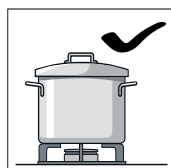
Приведенные ниже советы помогут вам сэкономить электроэнергию и избежать повреждения посуды:



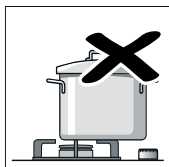
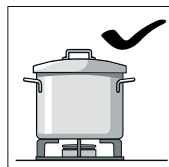
Используйте посуду, соответствующую размерам каждой конфорки.
Не пользуйтесь посудой маленького диаметра на больших конфорках. Пламя не должно касаться стенок посуды.



Не используйте посуду с поврежденным и неровным дном, которая неустойчиво стоит на плите. Такая посуда может перевернуться.
Пользуйтесь только посудой с ровным толстым дном.

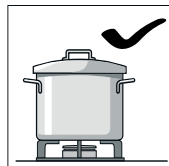


Не готовьте без крышки или с приоткрытой крышкой. Часть энергии при этом расходуется зря.



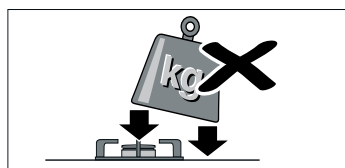
Ставьте посуду точно по центру конфорки. В противном случае она может перевернуться.

Не устанавливайте большие кастрюли и сковороды на конфорки, расположенные около ручек управления. Излишний перегрев может повредить ручки.



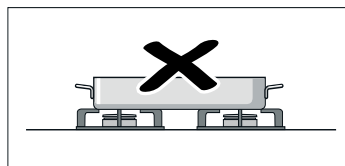
Устанавливайте посуду на решетку, никогда не ставьте ее прямо на горелку конфорки.

Перед использованием конфорки убедитесь, что решетки и крышки горелок правильно установлены.



Будьте осторожны в обращении с посудой на варочной панели.

Не ударяйте по варочной панели и не кладите на нее слишком тяжелые вещи.



Не используйте две конфорки или два источника тепла для нагревания одной кастрюли или сковороды.

Избегайте продолжительного нагревания сковород-гриль, керамических сотейников и другой подобной посуды на максимальной мощности.

Очистка и уход

Очистка

Когда варочная панель остынет, протрите ее с помощью губки, воды и мыла.

Каждый раз после использования протрите поверхность деталей горелки после того, как она остынет. Даже небольшие загрязнения (пригоревшие продукты, капли жира и т. п.) при повторном нагревании запекутся на поверхности, и потом их будет трудно удалить. Чтобы пламя горело ровно, необходимо содержать в чистоте все отверстия и прорези горелки.

От передвижения некоторых видов посуды на решетках могут оставаться металлические следы.

Горелки и решетки следует мыть водой с мылом с помощью неметаллической щетки.

Будьте осторожны при промывании решеток, на которых установлены резиновые прокладки. Прокладки могут слететь, и тогда решетка поцарапает варочную панель.

Всегда досуха протирайте детали горелок и решетки. Наличие на них капель воды или влажных участков в начале процесса нагревания может повредить эмаль.

После промывки и вытирания деталей горелок убедитесь в том, что крышки правильно установлены на рассекателях.

Внимание!

- Не используйте пароочистители. Это может повредить варочную панель.

- Никогда не пользуйтесь абразивными средствами, металлическими мочалками, режущими предметами, ножами и т. п. для устранения остатков пригоревшей пищи с поверхности варочной панели.
- Не пользуйтесь ножами, скребками и другими подобными инструментами для очистки стыка между стеклянной поверхностью и кольцами горелок или металлическими профилями и для очистки стеклянных и алюминиевых поверхностей, если они имеются.

Уход

Если на варочную панель пролилась какая-то жидкость, сразу вытрите ее. Таким образом можно избежать прилипания остатков пищи и впоследствии сэкономить усилия по очистке панели.

Не передвигайте посуду по поверхности варочной панели, стекло может поцарапаться. Также избегайте падения на стекло твердых и острых предметов. Не ударяйте по краям варочной панели.

Песчинки, которые могут попасть на варочную панель, например, в процессе очистки овощей, могут поцарапать поверхность стекла.

Расплавленный сахар или пролившиеся продукты с высоким содержанием сахара необходимо сразу же удалить с поверхности варочной панели с помощью скребка для чистки стеклянных поверхностей.

Устранение неполадок

Иногда возникающие неполадки легко устранить самостоятельно. Перед тем, как обратиться в сервисный центр, ознакомьтесь с данными рекомендациями:

Неполадка	Возможная причина	Решение
Общий сбой электросистемы.	Неисправный предохранитель.	Проверьте предохранитель на щитке предохранителей и замените его в случае неисправности.
	Сработал автоматический предохранитель или дифференциальный выключатель.	Проверьте, не сработал ли автоматический предохранитель или дифференциальный выключатель на электрощите.
Не работает автоматический поджиг.	Возможно, между свечами и горелками накопились остатки продуктов или моющих средств.	Пространство между свечой и горелкой должно содержаться в чистоте.
	Горелки мокрые.	Насухо вытрите крышки горелок.
	Плохо установлены крышки горелок.	Убедитесь, что крышки правильно установлены.
	Прибор незаземлен, неправильно заземлен или заземляющий провод неисправен.	Свяжитесь с квалифицированным электриком.
Пламя неравномерное.	Плохо собраны детали горелок.	Правильно установите детали горелки.
	Отверстия горелки загрязнены.	Очистите отверстия горелки.
Газ не выходит или выходит неравномерно.	Подача газа перекрыта промежуточным вентилем.	Откройте промежуточный вентиль, если он имеется.
	Если газ подается из баллона, проверьте, не пуст ли он.	Смените газовый баллон.
В кухне пахнет газом.	Открыт кран какой-то конфорки.	Закройте краны конфорок.
	Плохо подсоединен газовый баллон.	Проверьте, герметично ли подсоединен баллон.
	Возможно, происходит утечка газа.	Перекройте главный газовый вентиль, проветрите помещение и срочно свяжитесь с квалифицированным специалистом, имеющим право на проведение проверки и сертификацию систем газоснабжения. Не используйте прибор, пока не будет проведена проверка наличия утечки газа из система газоснабжения или самого прибора.

Сервисный центр

При обращении в сервисный центр необходимо сообщить код прибора (E-Nr.) и его заводской номер (FD). Эта информация находится в табличке с характеристиками, расположенной в нижней части варочной панели, и на этикетке в руководстве по эксплуатации.

Заявка на ремонт и консультация при неполадках

Контактные данные всех стран Вы найдёте в приложенном списке сервисных центров.

Положитесь на компетентность изготовителя. Тогда вы можете быть уверены, что ремонт будет произведён грамотными специалистами и с использованием фирменных запасных частей.


Условия гарантийного обслуживания

Если, вопреки нашим ожиданиям, данный электроприбор поврежден или не отвечает предъявляемым к нему требованиям качества, просим сообщить нам об этом как можно скорее. Гарантия на данный прибор действительна только в случае, если в приборе не производилось никаких изменений и он не использовался ненадлежащим образом.

Условия гарантийного обслуживания данного прибора определяются представительством нашей компании в стране, где была произведена покупка. Более подробную информацию вы можете получить в магазинах. Чтобы воспользоваться гарантией, необходимо предъявить торговый чек.

Производитель оставляет за собой право на внесение изменений.

Упаковка и отработавшие приборы

Если на табличке с характеристиками имеется символ , придерживайтесь следующих инструкций.

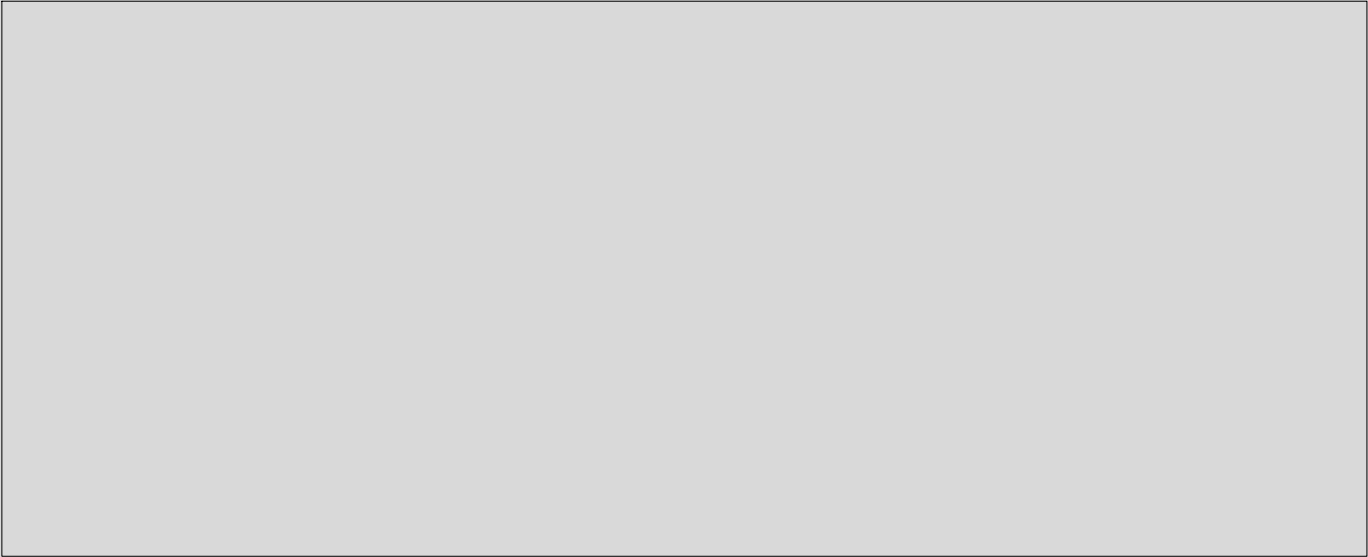
Утилизация отходов с учетом требований охраны природы

Снимите упаковку с прибора и выбросите ее так, чтобы не нанести вред природе.

Упаковка данного прибора произведена из минимального количества материалов, необходимого для обеспечения надежной защиты во время транспортировки. Все эти материалы могут быть повторно переработаны, что сокращает их негативное влияние на окружающую среду. Вы можете внести свой вклад в охрану природы, если последуете следующим советам:

- выбросите упаковку в соответствующий контейнер для материалов, подлежащих утилизации;
- прежде, чем выбросить ненужный прибор, сделайте его явно непригодным для использования; узнайте в местной администрации, где находится приемный пункт по сбору вторичного сырья, и отвезите туда свой прибор;
- не выливайте использованное растительное масло в раковину; вылейте его в закрывающуюся емкость и отнесите в приемный пункт, а если рядом с вашим домом такого пункта нет, положите емкость с маслом в мусорный контейнер (оттуда оно попадет на контролируруемую свалку; возможно, это не лучший вариант, но таким образом можно избежать загрязнения воды).

Данный прибор соответствует нормам европейской Директивы 2002/96/CE об утилизации электрического и электронного оборудования, обозначаемой WEEE (waste electrical and electronic equipment).



Constructa Neff
Vertriebs-GmbH
Carl-Wery-Straße 34
D-81739 München



9000567235