

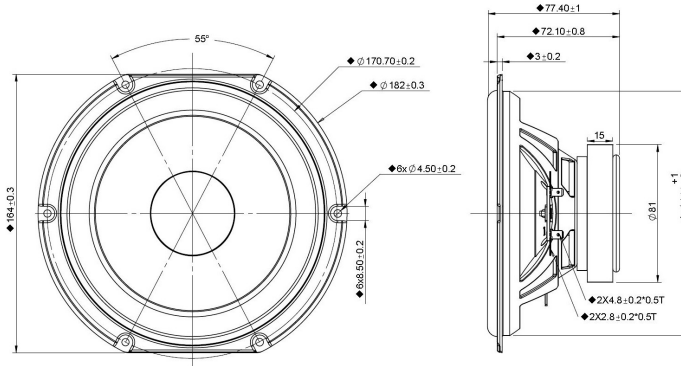
## Woofer

The SDS compact subwoofer family offers low resonant frequency performance, ideally suited for compact sealed enclosures. This 6.5 inch 8 ohm member of the SDS family offer a coated paper cone with rubber surround, a high power voice coil suspended in a ferrite magnet motor, and a narrow-profile steel basket, shaped to fit into narrow cabinets.



SDS-P830657

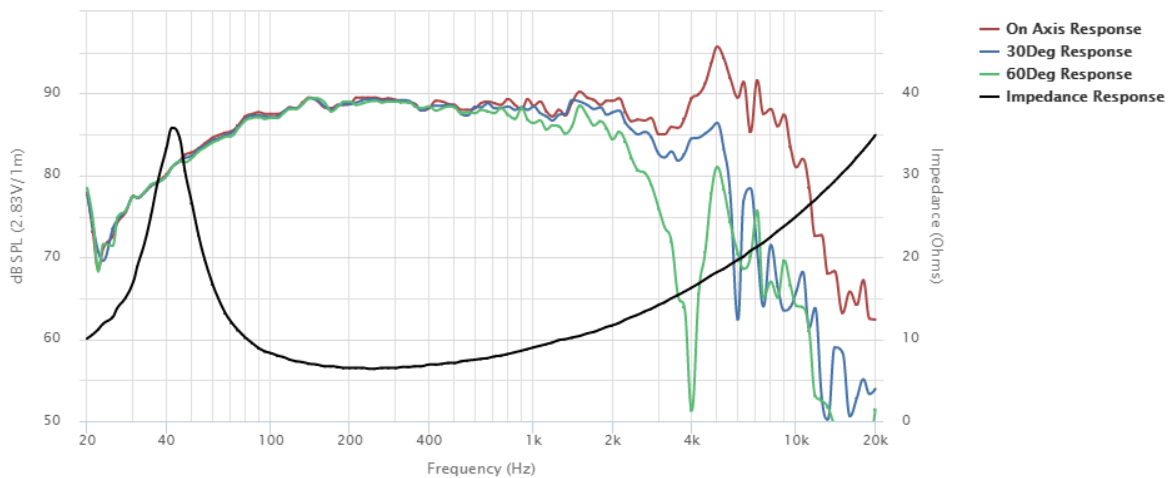
### MECHANICAL 2D DRAWING



### SPECIFICATIONS

|                                    |             |            |             |       |                            |      |                       |        |
|------------------------------------|-------------|------------|-------------|-------|----------------------------|------|-----------------------|--------|
| DC Resistance                      | Revc        | Ω          | 6.05        | ±5.0% | Moving Mass                | Mms  | g                     | 11.5   |
| Minimum Impedance                  | Zmin        | Ω          | 6.44        | ±7.5% | Suspension Compliance      | Cms  | um/N                  | 1101.4 |
| Voice Coil Inductance              | Le          | mH         | 0.38        | -     | Effective Cone Diameter    | D    | cm                    | 13.4   |
| Resonant Frequency                 | fs          | Hz         | 44.75       | 15%   | Effective Piston Area      | Sd   | cm <sup>2</sup>       | 141    |
| Mechanical Q Factor                | Qms         | -          | 2.74        | -     | Equivalent Volume          | Vas  | L                     | 30.77  |
| Electrical Q Factor                | Qes         | -          | 0.55        | -     | Motor Force Factor         | BL   | T•m                   | 5.98   |
| Total Q Factor                     | Qts         | -          | 0.46        | -     | Motor Efficiency Factor    | β    | (T•m <sup>2</sup> )/Ω | 5.9    |
| Ratio                              | fs/Qts      | -          | 98.35       | -     | Voice Coil Former Material | VCfm | -                     | ASV    |
| Half Space Sensitivity             | dB@2.83V/1m | dB         | 89.46       | ±1.01 | Voice Coil Inner Diameter  | VCd  | mm                    | 25.73  |
| Sensitivity                        | 1W/1m       | dB         | 88.5        | ±1.01 | Gap Height                 | Gh   | mm                    | 6      |
| Rated Noise Power (IEC 268-5 18.1) | P           | W          | 60          | -     | Maximum Linear Excursion   | Xmax | mm                    | 3.5    |
| Test Spectrum Bandwidth            |             | 12 dB/Oct  | 40Hz - 4kHz | -     | Ferrofluid Type            | FF   | -                     | -      |
| Energy Bandwidth Product           | EBP         | (1/Qes)•fs | -           | -     | Transducer Size            | -    | -                     | 6 in   |
|                                    |             |            |             |       | Transducer Mass            | -    | Kg                    | 0.84   |

### FREQUENCY & IMPEDANCE RESPONSE



Highcharts.com