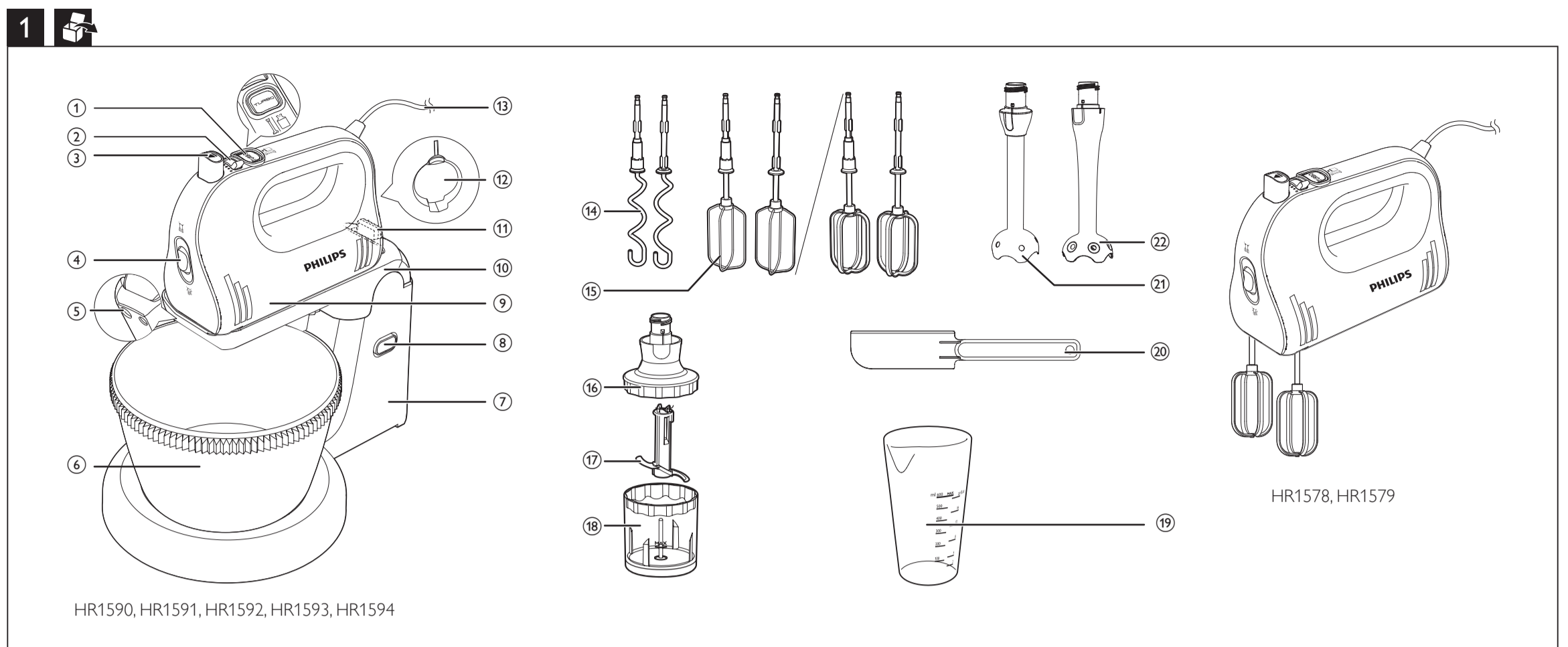


HR1578
HR1579
HR1590
HR1591
HR1592
HR1593
HR1594



EN User manual
RU Руководство пользователя

UK Посібник користувача



HR1590, HR1591, HR1592, HR1593, HR1594

HR1578, HR1579

PHILIPS



Specifications are subject to change without notice
© 2012 Koninklijke Philips Electronics N.V.
All rights reserved.



HR1578_1579_1590_1591_1592_1593_1594_EEU1_UM_V2.0

3140 035 31702

English

1 Important

Read this user manual carefully before you use the appliance, and save the user manual for future reference.

Warning

- Do not immerse the motor unit in water nor rinse it under the tap.
- Before you connect the appliance to the power, make sure that the voltage indicated on the bottom of the appliance corresponds to the local power voltage.
- If the power cord, the plug, or other parts are damaged, do not use the appliance.
- If the power cord is damaged, you must have it replaced by Philips, a service center authorized by Philips, or similarly qualified persons to avoid a hazard.
- This appliance is not intended for use by persons (including children) with reduced physical, sensory or mental capabilities, or lack of experience and knowledge, unless they have been given supervision or instruction concerning use of the appliance by a person responsible for their safety.
- Children should be supervised to ensure that they do not play with the appliance.
- Do not touch the blades, especially when the appliance is plugged in. The blades are very sharp.
- If the blades get stuck, unplug the appliance before you remove the ingredients that block the blades.
- Do not touch or insert any object on the gears of the mixer stand, especially when the appliance is in use.
- Before you connect the mixer to the mains, insert the beaters, kneading hooks, chopper or blender bar into the mixer.
- Before you switch on the appliance, lower the beaters, kneading hooks, or blender bar into the ingredients.
- Switch off the appliance and disconnect it from the mains if you leave it unattended and before you assemble, disassemble and clean it.

Caution

- Never use any accessories or parts from other manufacturers or that Philips does not specifically recommend. If you use such accessories or parts, your guarantee becomes invalid.
- This appliance is intended for household use only.
- Do not exceed the quantities and processing time indicated in the user manual.
- Do not process more than one batch without interruption. Let the appliance cool down to room temperature before you continue processing.

Note

- Noise level = 85 dB [A]

Electromagnetic fields (EMF)

This Philips appliance complies with all standards regarding electromagnetic fields (EMF). If handled properly and according to the instructions in this user manual, the appliance is safe to use based on scientific evidence available today.

Recycling



Your product is designed and manufactured with high quality materials and components, which can be recycled and reused.

When you see the crossed-out wheel bin symbol attached to a product, it means the product is covered by the European Directive 2002/96/EC:



Never dispose of your product with other household waste. Please inform yourself about the local rules on the separate collection of electrical and electronic products. The correct disposal of your old product helps prevent potentially negative consequences on the environment and human health.

2

		(MAX)		
		500 ml	6 min	max
		x5	4 min	max
		750 g	3 min	max
		750 g	3 min	max
		750 g	3 min	max
		750 g	3 min	max
		500 g	5 min	min to max
		100-200 g	30 sec	TURBO
		100-200 ml	90 sec	TURBO
		100-300 ml	60 sec	TURBO
		100 g	5X1sec	TURBO
		120 g	5sec	TURBO
		20 g	5X1sec	TURBO
		100 g	15 sec	TURBO
		100 g	20 sec	TURBO
		50 g	5X1sec	TURBO
		200 g	5 sec	TURBO

2 Introduction

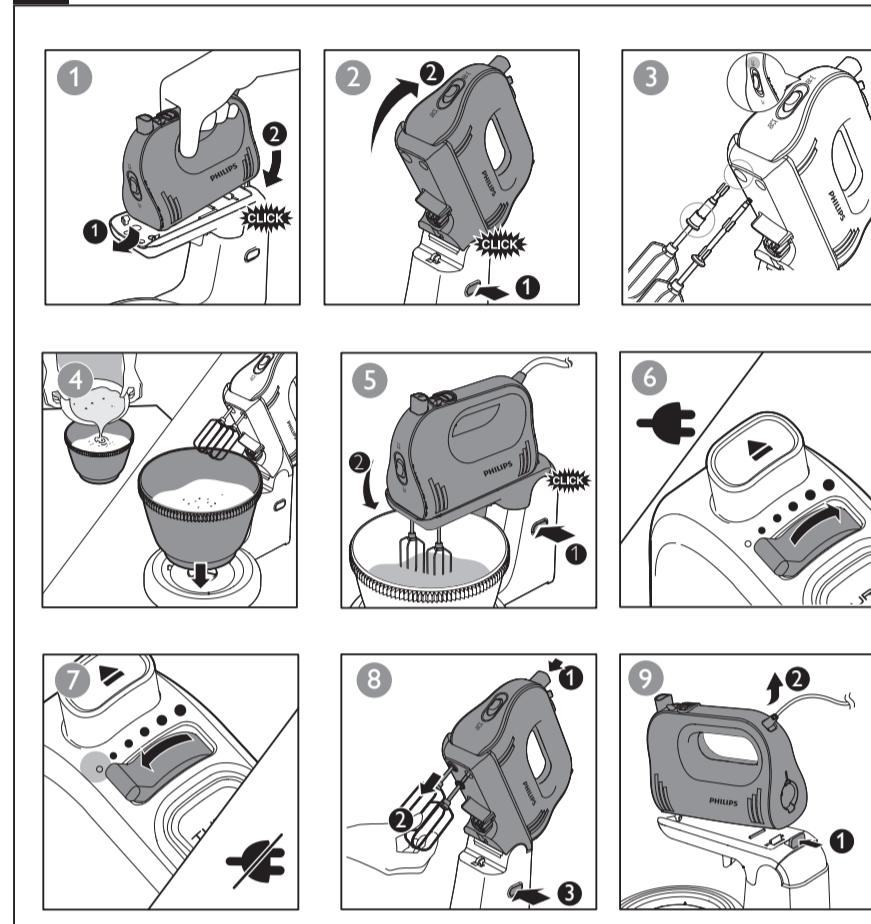
Congratulations on your purchase and welcome to Philips! To fully benefit from the support that Philips offers, register your product at www.philips.com/welcome.

The mixer, when used as handheld is equipped with the innovative FlexiMix system, which allows the beaters and dough hooks to move up and down when they touch the bowl. The two wire beaters/strip beaters (or kneading hooks) move independently of each other, which allows them to adjust to the shape of every bowl. As a result, it is much easier to reach every part of the bowl and to mix all ingredients thoroughly. The FlexiMix system makes the mixer easier to handle and gives you better control over the mixing process.

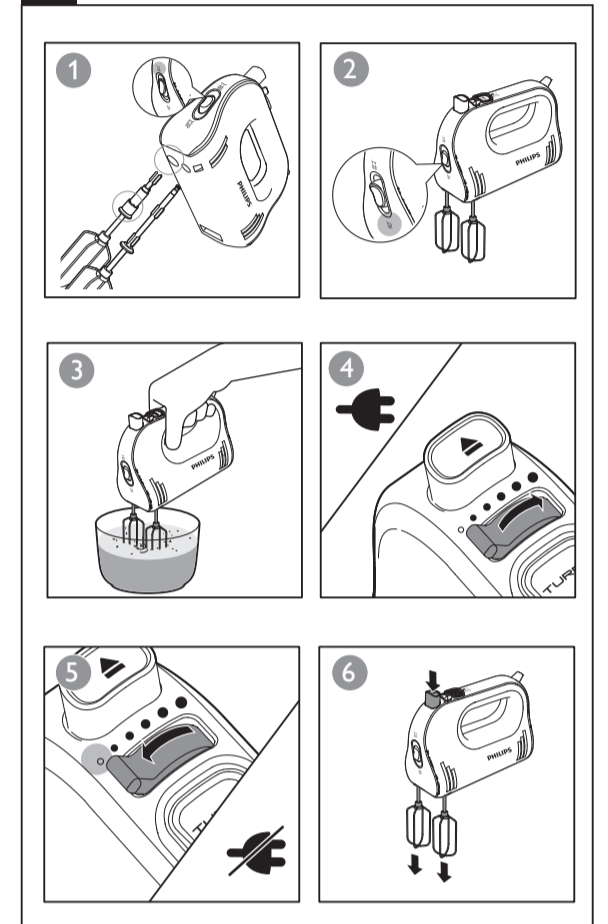
3 What's in the box

- Turbo knob
 - Press and hold to increase the speed
- Speed control
 - : OFF position
 - : Variable speeds
- Eject button
 - Press to release the beaters or kneading hooks
- FlexiMix switch
 - ☐ : FlexiMix off
 - ☑ : FlexiMix on
- Hole for the beaters and kneading hooks
- Stainless steel bowl (HR1590, HR1591, HR1592, HR1593 and HR1594 only)
- Mixer Stand (HR1590, HR1591, HR1592, HR1593 and HR1594 only)
- Holder release button
- Mixer unit
- Mixer holder
- Mixer release lever
- Door for bar blender and chopper
- Power cord
- Kneading hooks

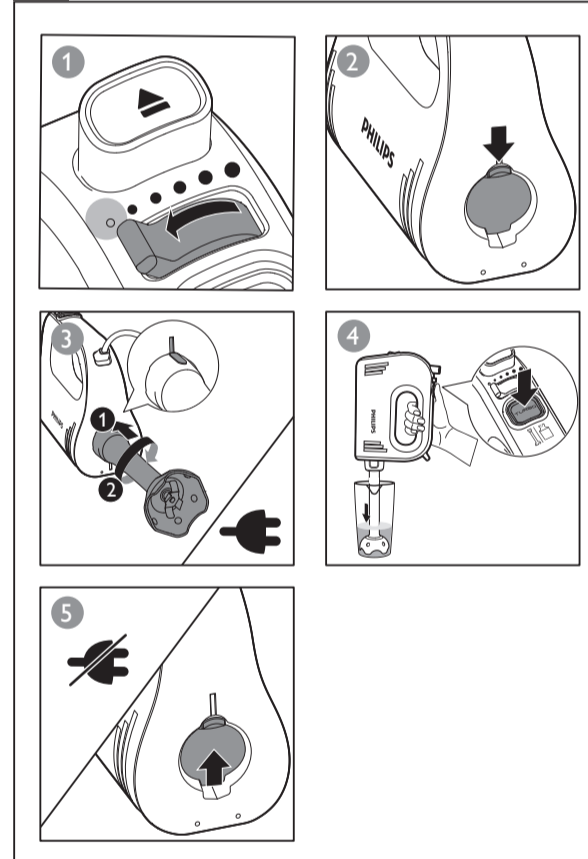
3



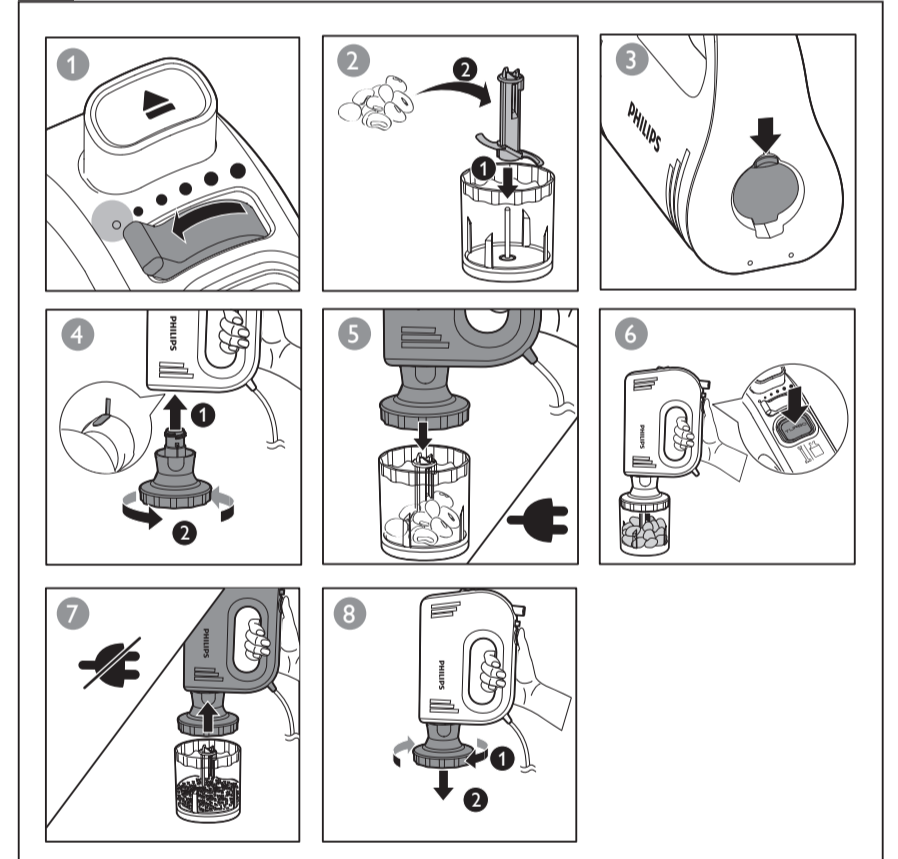
4



5



6 HR1578, HR1579



- Wire beaters or strip beaters (depending on countries)
- Chopper lid (HR1578 and HR1579 only)
- Chopper blade (HR1578 and HR1579 only)
- Chopper bowl (HR1578 and HR1579 only)
- Beaker for bar blender
- Spatula (HR1590, HR1591, HR1592, HR1593 and HR1594 only)
- Metal bar blender (HR1578, HR1579, HR1592 and HR1593 only)
- Plastic bar blender (HR1590 and HR1591 only)

4 Use the appliance

Before the first use

Before you use the appliance for the first time, thoroughly clean the parts that come into contact with food.

- Clean the mixer unit, stand and holder with a moist cloth.
- Clean the beaters, kneading hooks, bar blender, bowl, chopper and beaker in warm water with some washing-up liquid or in a dishwasher.

Wire beaters/Strip beaters/Kneading hooks

Switch on the mixer. Select a proper speed. To avoid splashing, start mixing at a low speed, and then switch to a higher speed.

- For a higher speed, press and hold **TURBO** while processing.
- When using the mixer as hand-held, switch on the FlexiMix Button to use the FlexiMix function.

When FlexiMix is on, the beaters or dough hooks move up and down when they touch the bowl, making it easier to reach every part of the bowl.

Tip

- Make sure that the door for bar blender is closed before you insert the beater or kneading hook.
- Press the spatula against the side of the bowl to remove unmixed ingredients in order to obtain a well-mixed mixture. (HR1590, HR1591, HR1592, HR1593 and HR1594 only)
- You can use the mixer with or without the stand. (HR1590, HR1591, HR1592, HR1593 and HR1594 only)

7

	X	X	✓
	X	X	✓
	✓	✓	✓
	✓	✓	✓
	✓	✓	✓
	✓	✓	✓
	✓	✓	✓
	X	X	✓
	✓	✓	✓
	✓	✓	✓

