

# **PARTS MANUAL**

**Model**

**RGX3800  
GENERATOR**

PUB-GP6795  
Rev. 07/09

**Robin America, Inc.**

905 Telser Road • Lake Zurich, IL 60047 • Phone: 847-540-7300 • Fax: 847-438-5012  
*e-mail: [sales@robinamerica.com](mailto:sales@robinamerica.com) • [www.subarupower.com](http://www.subarupower.com)*

© Copyright 2009 Robin America, Inc.





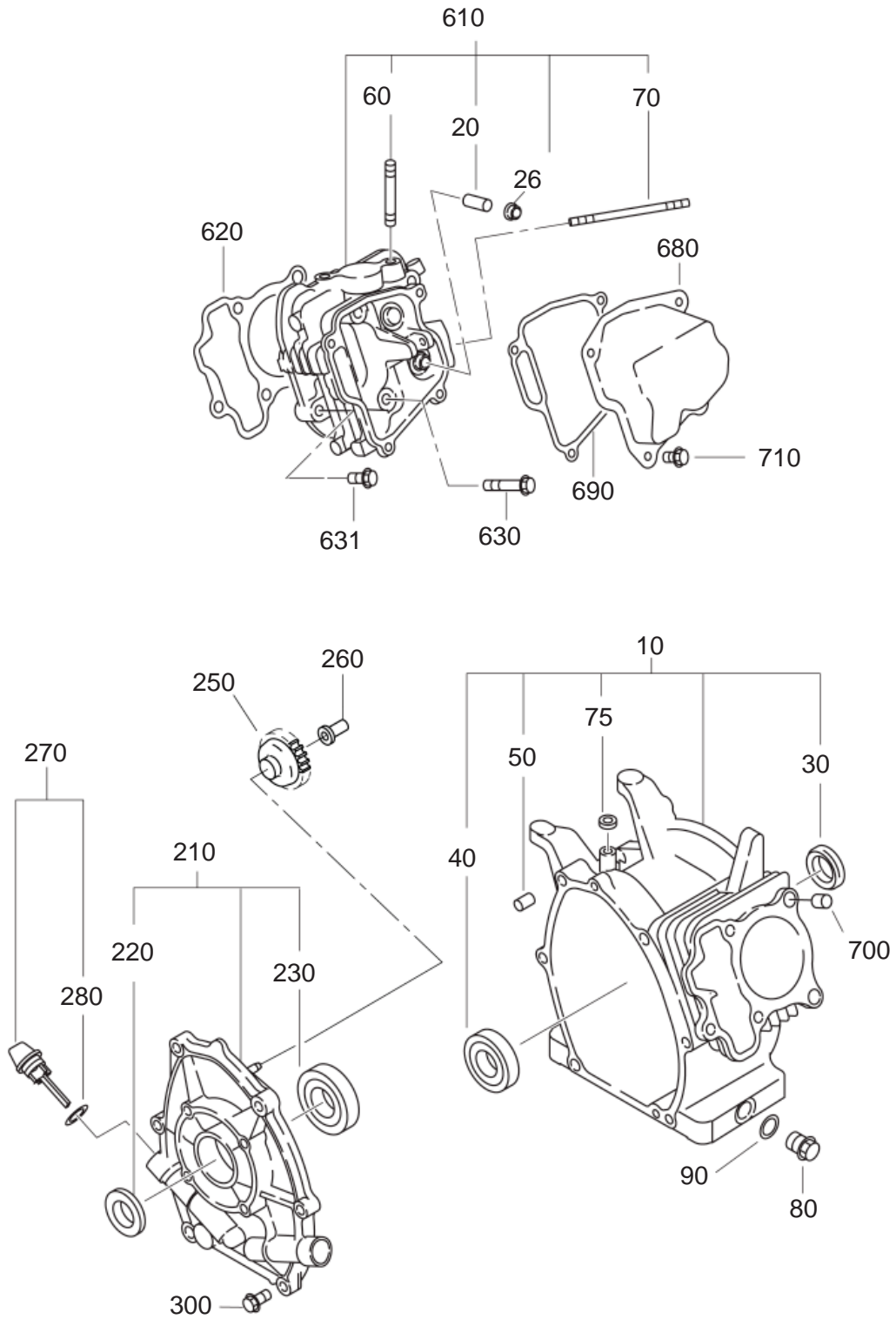
# GROUP INDEX

Group Name	Page
CRANKCASE GROUP .....	6
CRANKSHAFT GROUP .....	8
INTAKE and EXHAUST GROUP .....	10
GOVERNOR GROUP .....	14
COOLING and STARTING GROUP .....	16
FUEL, LUBRICANT GROUP .....	18
CARBURETOR GROUP .....	20
ELECTRIC DEVICE GROUP .....	22
GENERATOR GROUP .....	24

INDEX OF DESCRIPTION SYMBOLS			
SYMBOL	DESCRIPTION	SYMBOL	DESCRIPTION
AY .....	ASSEMBLY	P= .....	PITCH (in mm)
CP .....	COMPLETE	P.T.O. (PTO) .....	POWER TAKE OFF
EX .....	EXPORT (from Japan)	REF .....	REFERENCE
FIG .....	FIGURE	R.H. (RH) .....	RIGHT HAND SIDE
FR .....	FRONT	RR .....	REAR
" .....	INCH	STD. ....	STANDARD
INCL. ....	INCLUDE	SW .....	SWITCH
-L .....	LITER	T= .....	THICKNESS (in mm)
L= .....	LENGTH (in. mm)	UN .....	UNIT
L.H. (LH) .....	LEFT-HAND SIDE	U.S. ....	UNDER SIZE
MECH .....	MECHANICAL	~V .....	VOLTAGE
NO (NON) .....	NONE	~W .....	WATT
OPT .....	OPTIONAL	W/ .....	WITH
O.S. ....	OVER SIZE	W/O .....	WITHOUT

SECTION 1 CRANKCASE GROUP

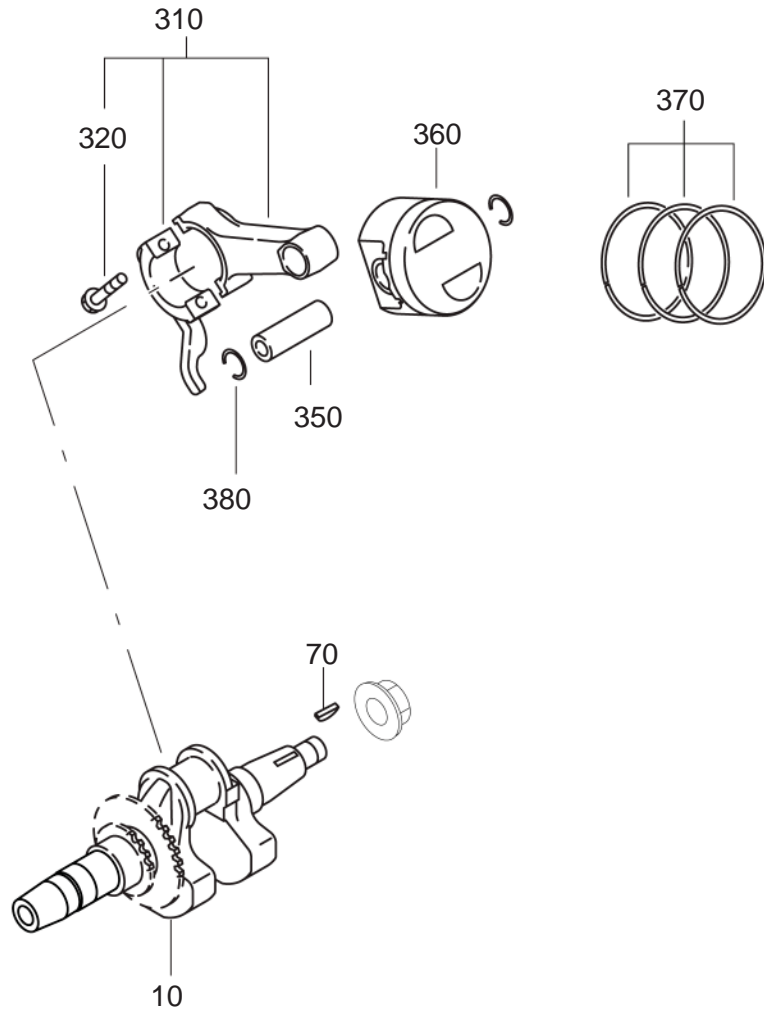
FIG. 100





SECTION 2 CRANKSHAFT GROUP

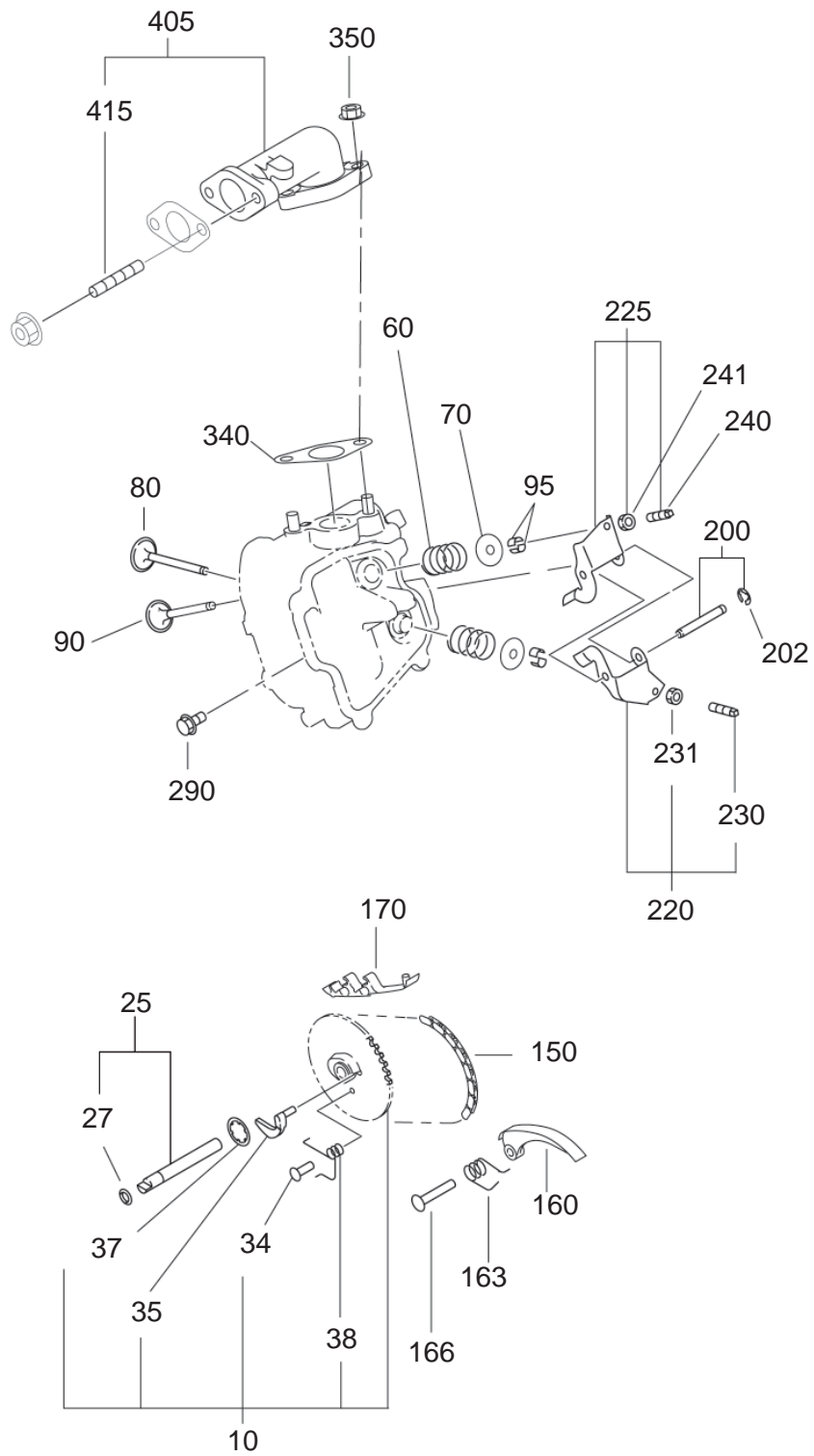
FIG. 200





SECTION 3 INTAKE and EXHAUST GROUP

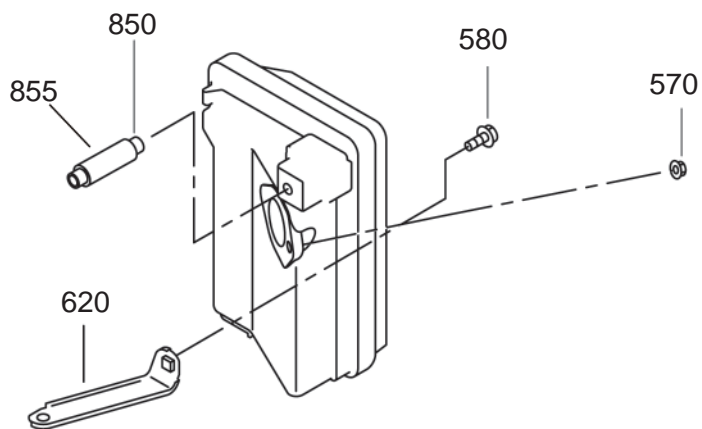
FIG. 300



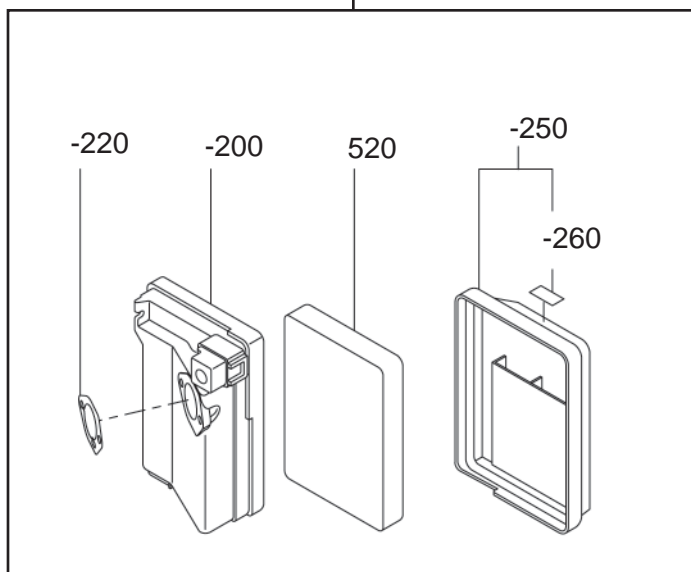


# SECTION 3 INTAKE and EXHAUST GROUP

FIG. 315



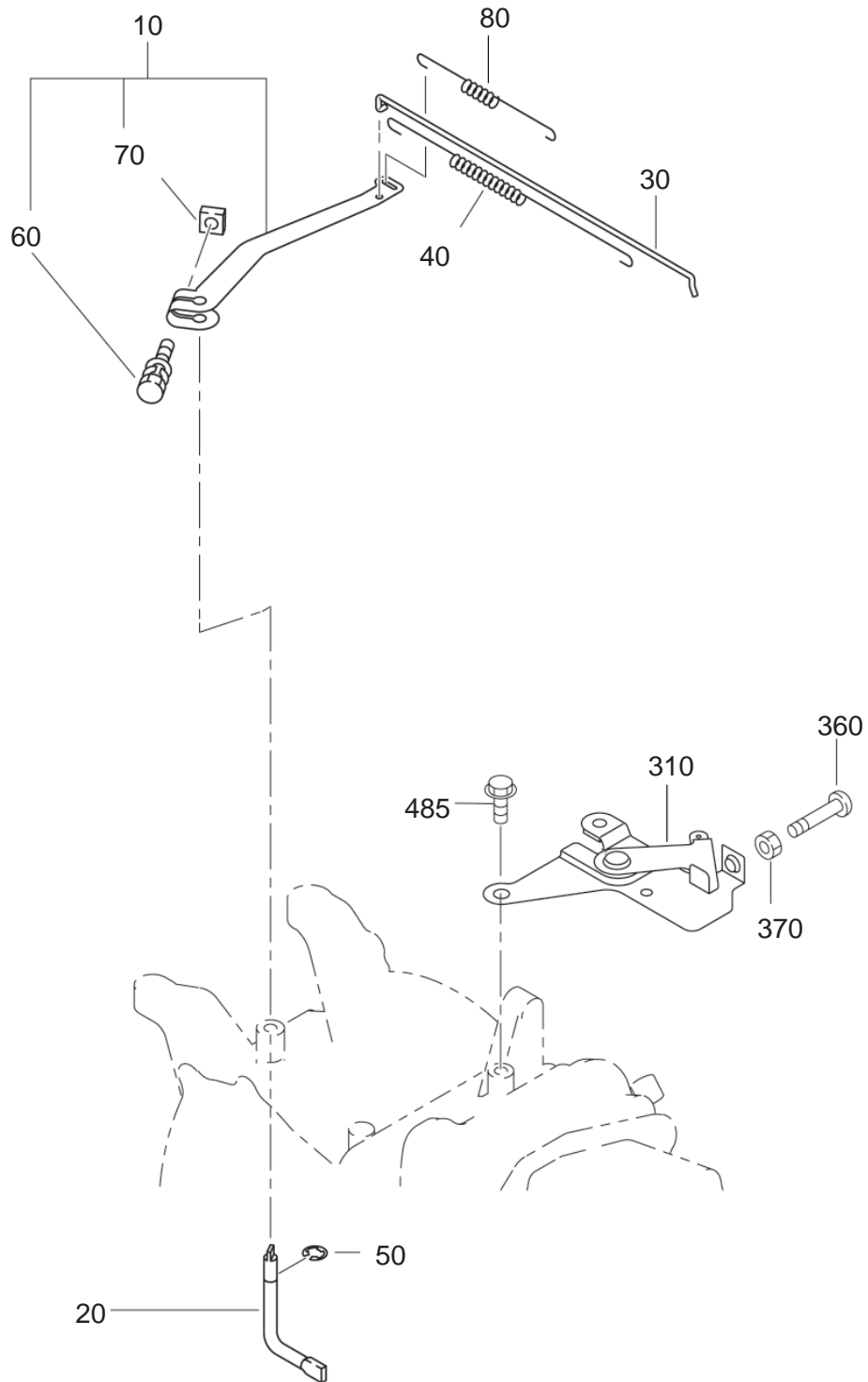
510





SECTION 4 GOVERNOR GROUP

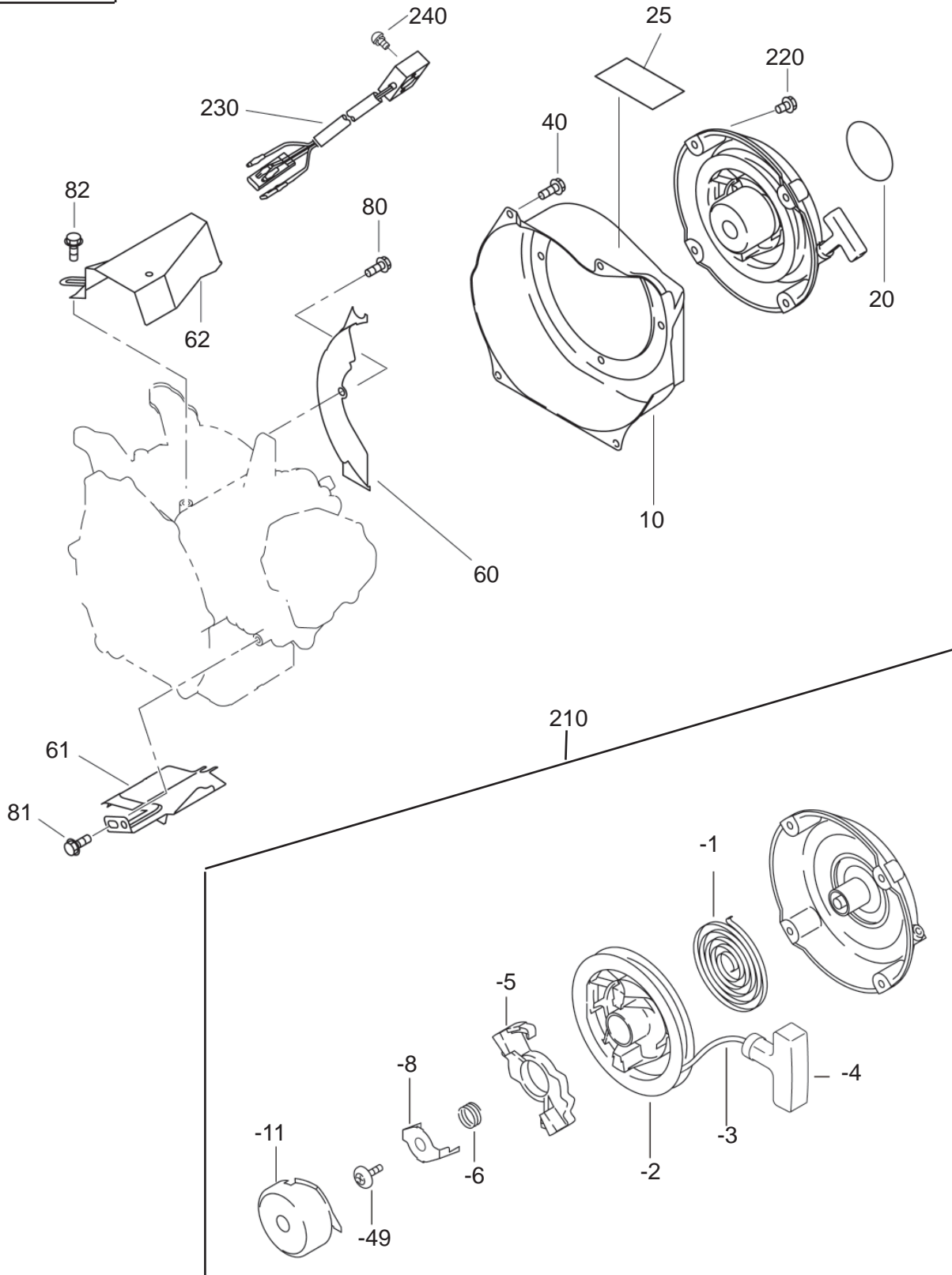
FIG. 400





SECTION 5 COOLING and STARTING GROUP

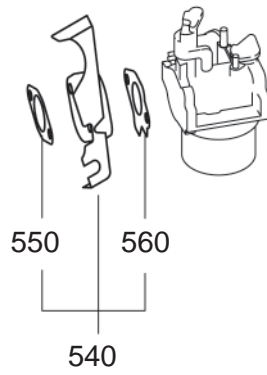
FIG. 500





SECTION 6 FUEL, LUBRICATION GROUP

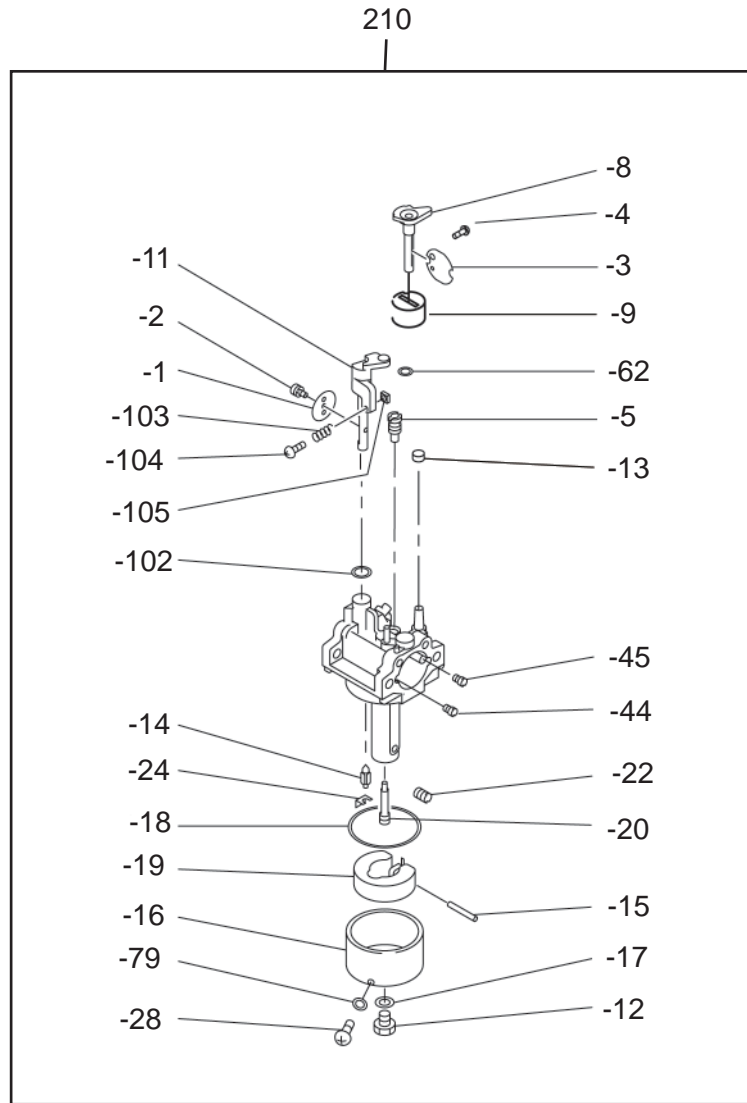
FIG. 600





SECTION 6 FUEL, LUBRICATION GROUP

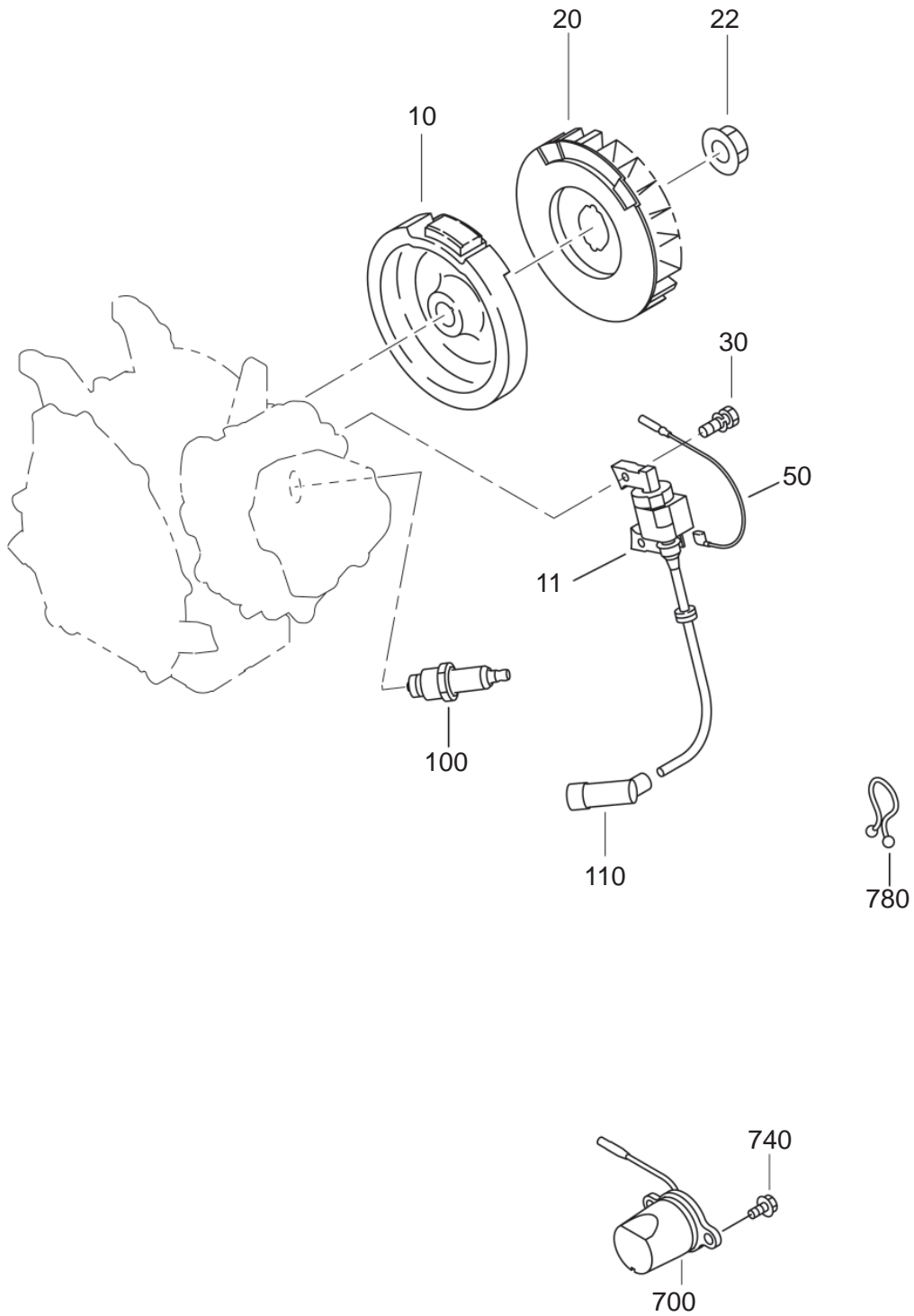
FIG. 640





SECTION 7 ELECTRIC DEVICE GROUP

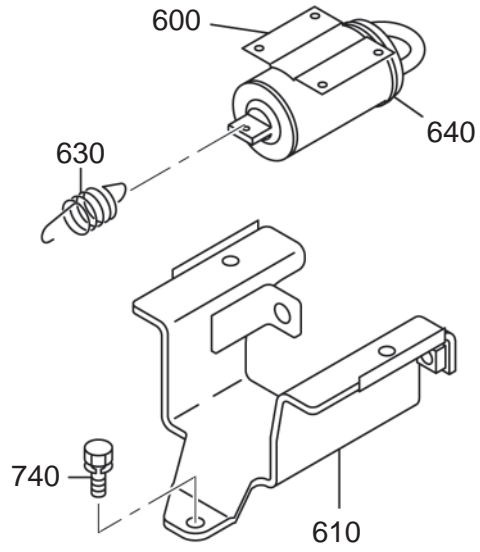
FIG. 700





SECTION 7 ELECTRIC DEVICE GROUP

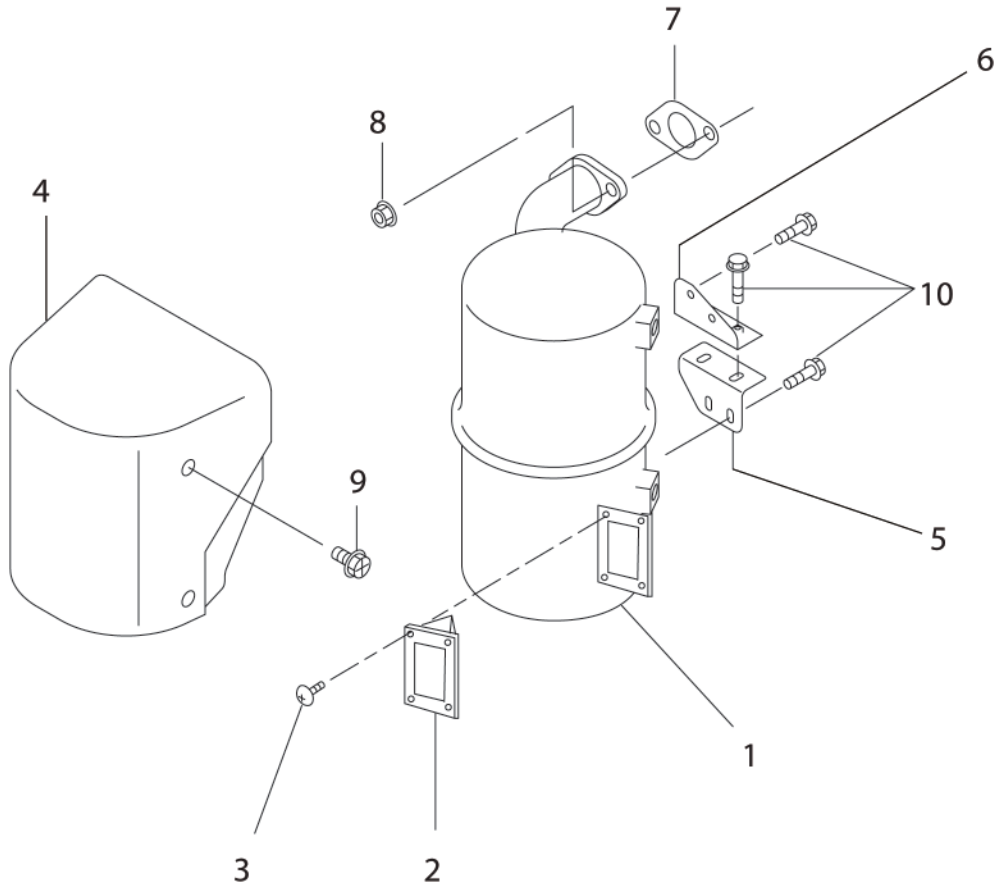
FIG. 740





SECTION 21 ENGINE GROUP

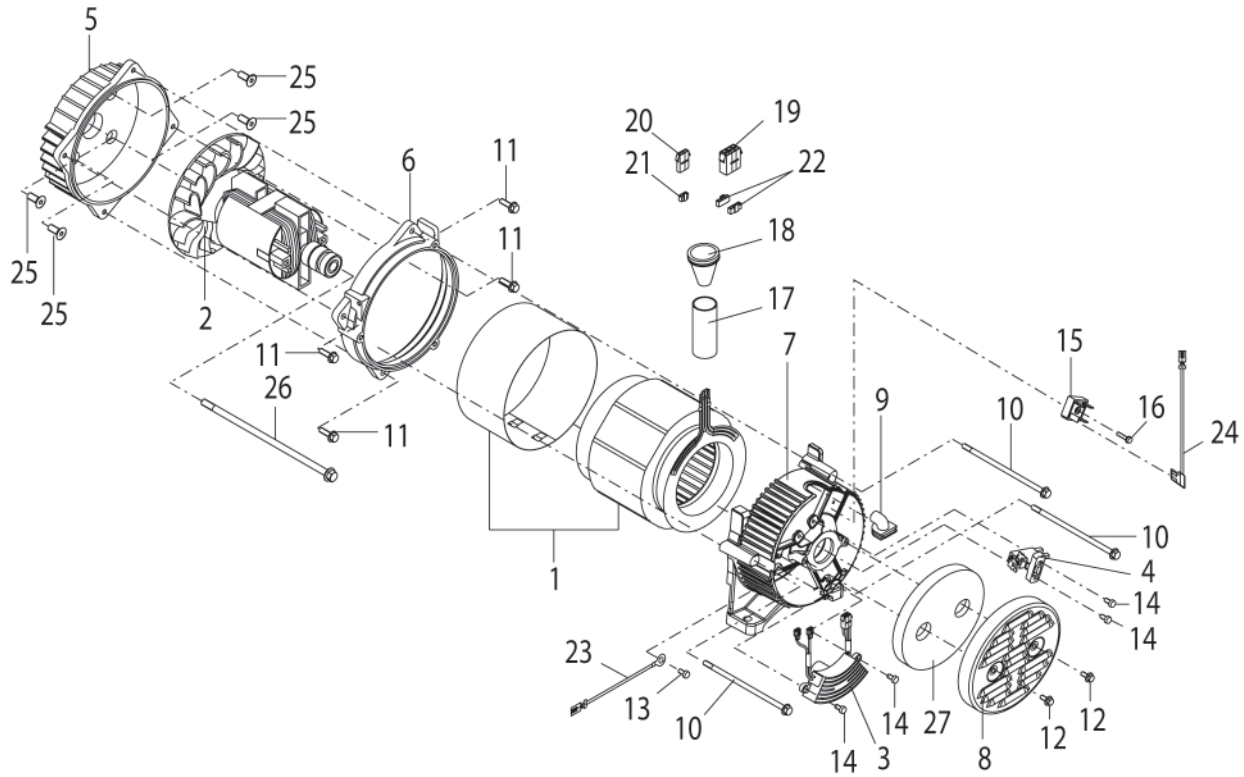
FIG. 2130





SECTION 22 GENERATOR GROUP

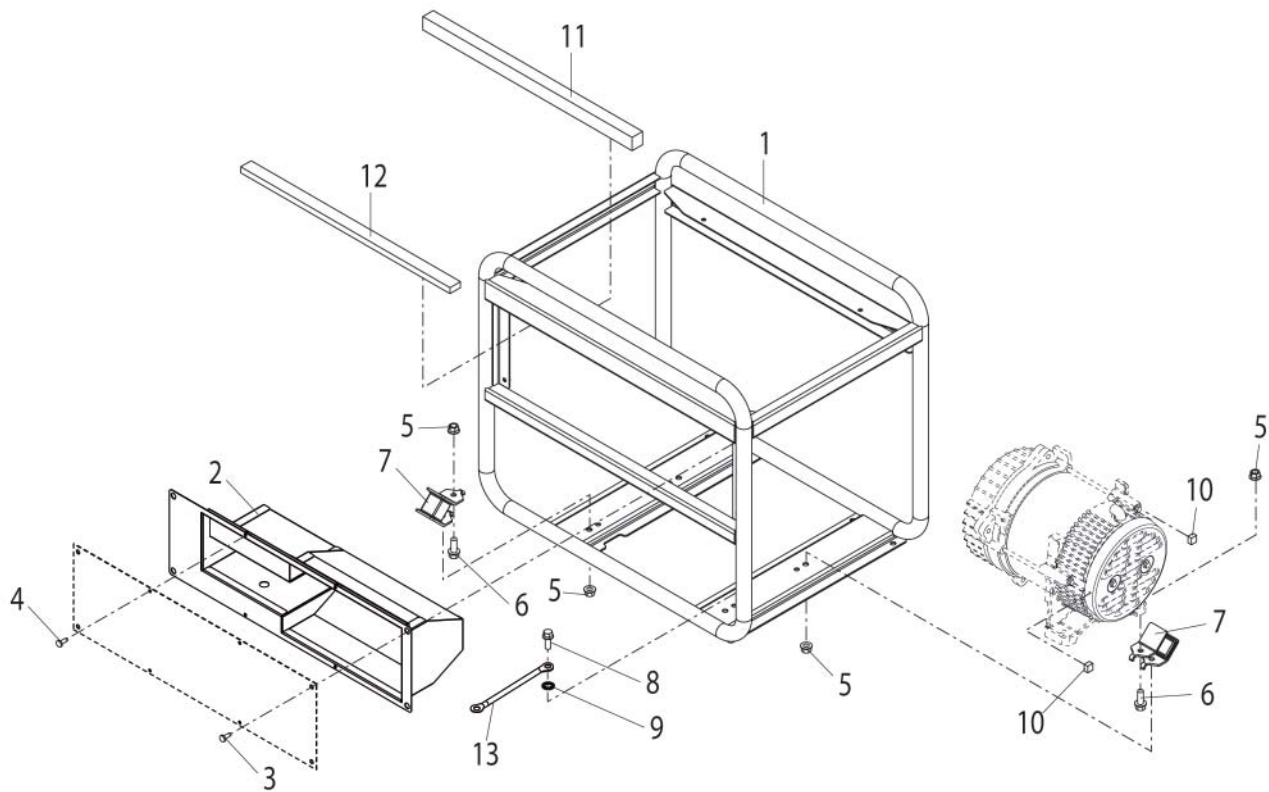
FIG. 2200





SECTION 23 BASE, FRAME GROUP

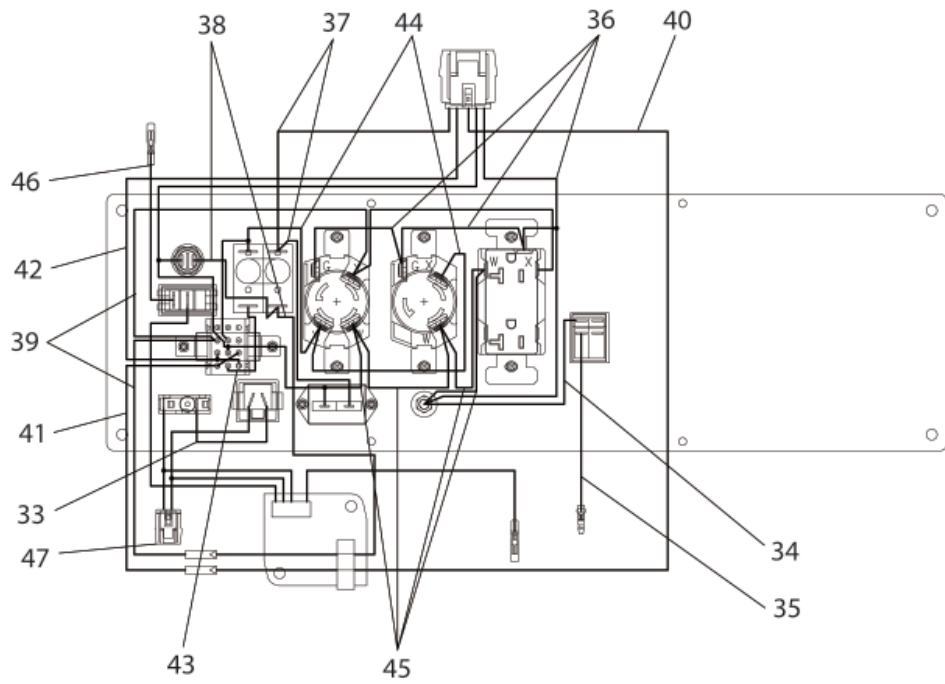
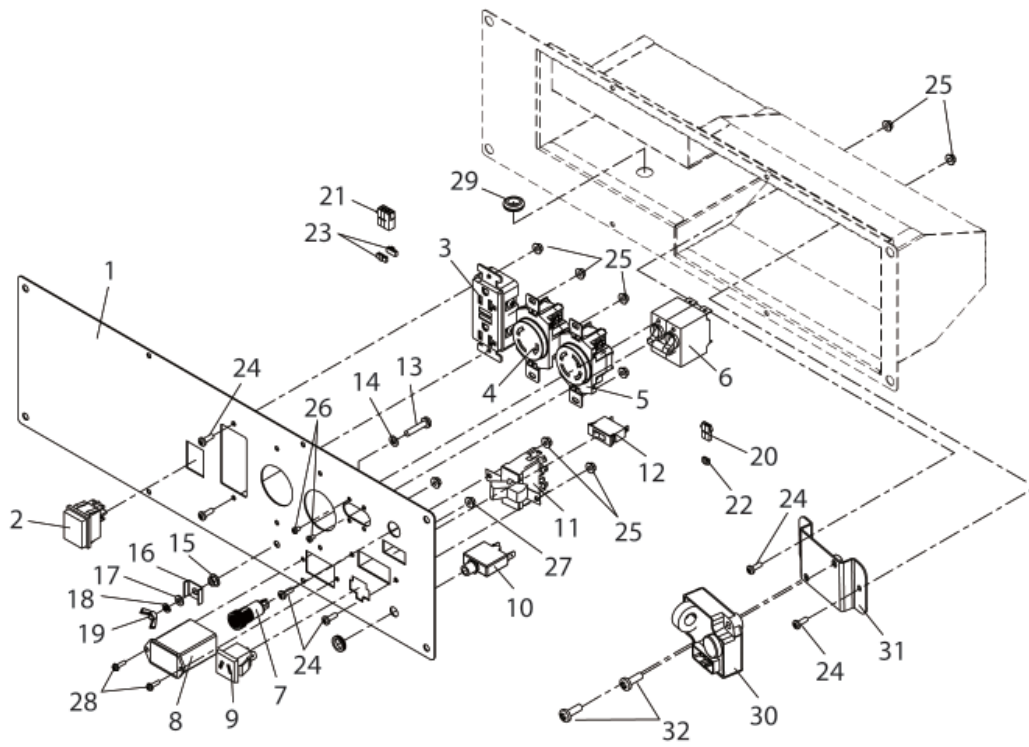
FIG. 2300





# SECTION 24 CONTROL GROUP

FIG.2400

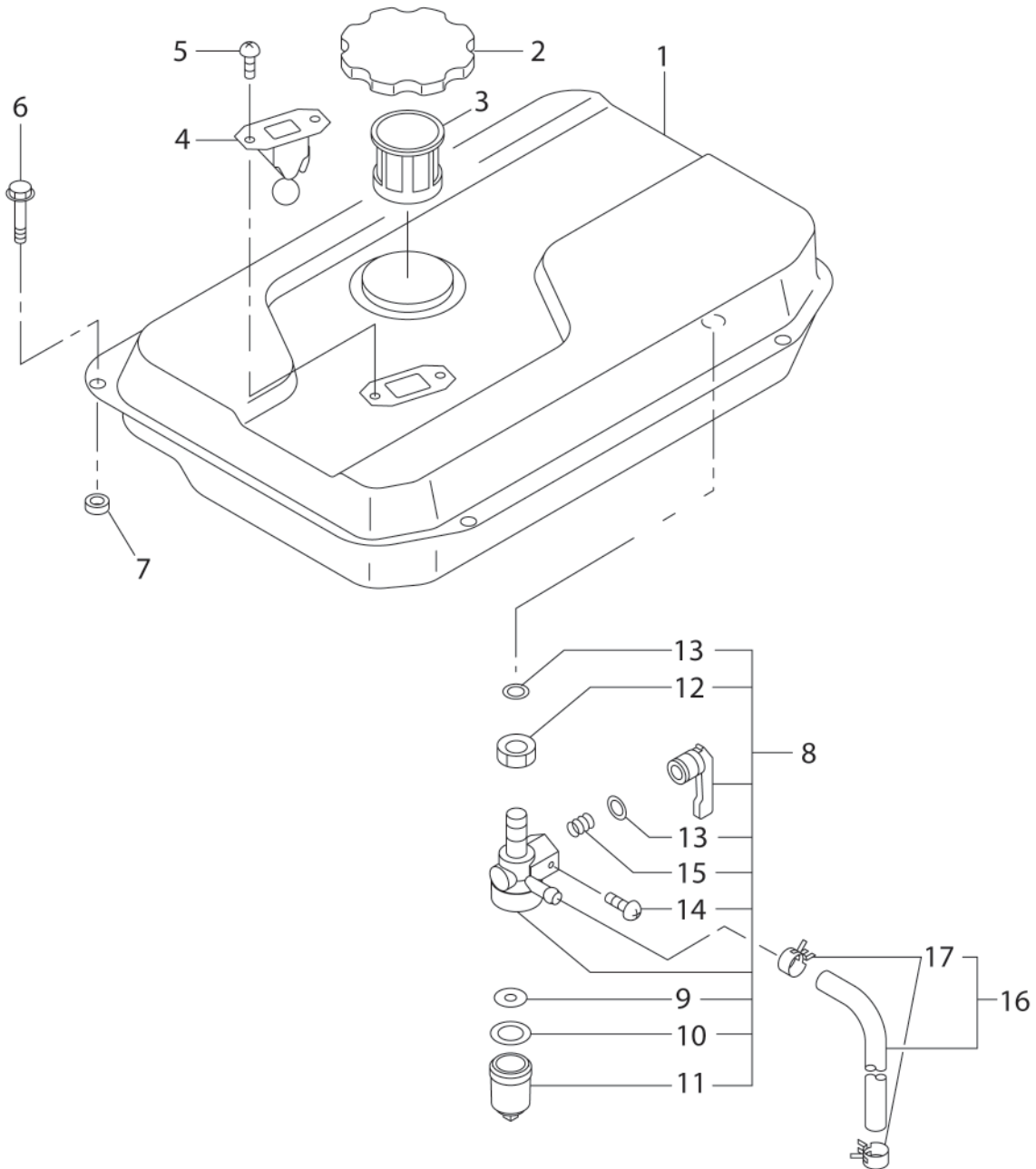


## SECTION 24      CONTROL GROUP

REF.	PART NO.	DESCRIPTION	QTY.	REMARKS	FROM-TO	FIG.
1	36B-41002-08	Control Panel Cp	1			2400
2	36A-49000-08	Switch, engine	1			2400
3	36A-47002-08	AC Concent	1	GFCI		2400
4	36B-47000-08	AC Concent	1	L5-30		2400
5	36B-47001-08	AC Concent	1	L14-30		2400
6	36B-48001-08	Circuit Breaker	1	15A		2400
7	36A-49003-08	Pilot Lamp	1			2400
8	36A-49002-08	Hour Meter	1			2400
9	36A-47101-08	DC Concent	1			2400
10	36A-48001-08	Circuit Breaker	1	10A		2400
11	36B-49000-08	Switch, v select	1			2400
12	36B-49001-08	Switch, i/c	1			2400
13	36A-80102-08	Screw and Washer Ay	1			2400
14	36A-82000-08	Lock Washer	1			2400
15	36A-81000-08	Flange Nut	1			2400
16	36A-82100-08	Cap Washer	1			2400
17	36A-82200-08	Washer	1			2400
18	36A-82300-08	Spring Washer	1			2400
19	36A-81100-08	Wing Nut	1			2400
20	36A-70003-08	Connector, 2p	1			2400
21	36A-70001-08	Connector, 6p	1			2400
22	36A-70101-08	Retainer, 2p	1			2400
23	36A-70100-08	Retainer, 3p	2			2400
24	36A-80202-08	Screw	10			2400
25	36A-81001-08	Flange Nut	10			2400
26	36A-80103-08	Screw and Washer Ay	4			2400
27	36A-81005-08	Flange Nut	2			2400
28	36A-80203-08	Screw	2			2400
29	36A-49900-08	Grommet	1			2400
30	KU3-11015-01	Idle C/U Cp	1	150V		2400
31	36B-49901-08	Idle Bracket	1			2400
32	36A-80204-08	Screw	2			2400
33	36A-71003-08	Wire	1	white		2400
34	36A-71005-08	Wire	1	green		2400
35	36A-71006-08	Wire	1	black		2400
36	36A-71025-08	Wire	1	green		2400
37	36A-71026-08	Wire	1	red		2400
38	36A-71027-08	Wire	1	red		2400
39	36A-71028-08	Wire	1	red		2400
40	36A-71029-08	Wire	1	orange		2400
41	36A-71030-08	Wire	1	orange		2400
42	36A-71031-08	Wire	1	blue		2400
43	36A-71032-08	Wire	1	blue		2400
44	36A-71033-08	Wire	1	blue		2400
45	36A-71034-08	Wire	1	gray		2400
46	36A-71035-08	Wire	1	white		2400
47	36A-70006-08	Connector Ay	1			2400

SECTION 26 FUEL TANK GROUP

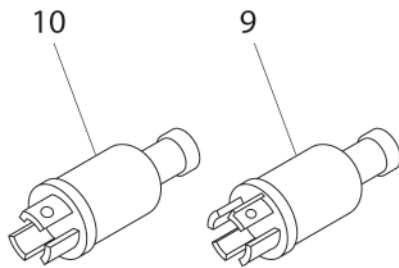
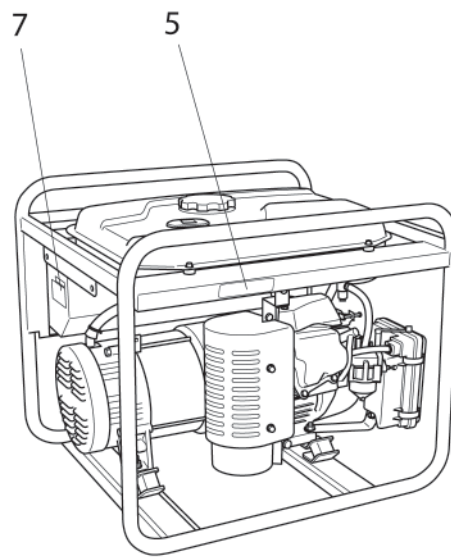
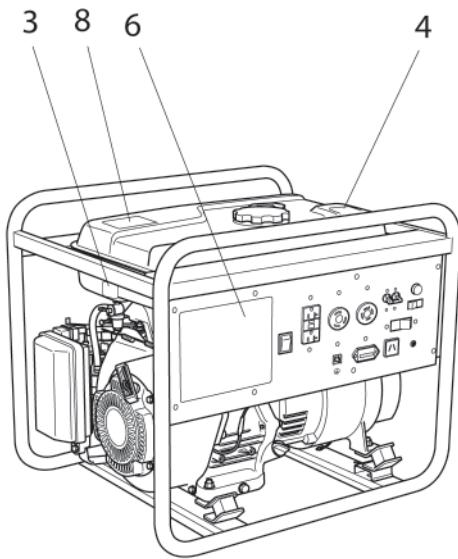
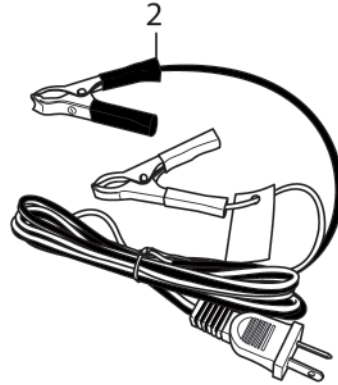
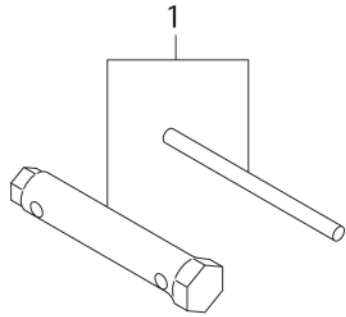
FIG.2600





SECTION 29 ACCESSORY GROUP

FIG.2900





PRINTED IN THE USA