

PARTS MANUAL

Model

**RGX7100
GENERATOR**

PUB-GP6799
Rev. 07/09

Robin America, Inc.

905 Telser Road • Lake Zurich, IL 60047 • Phone: 847-540-7300 • Fax: 847-438-5012
e-mail: sales@robinamerica.com • www.subarupower.com

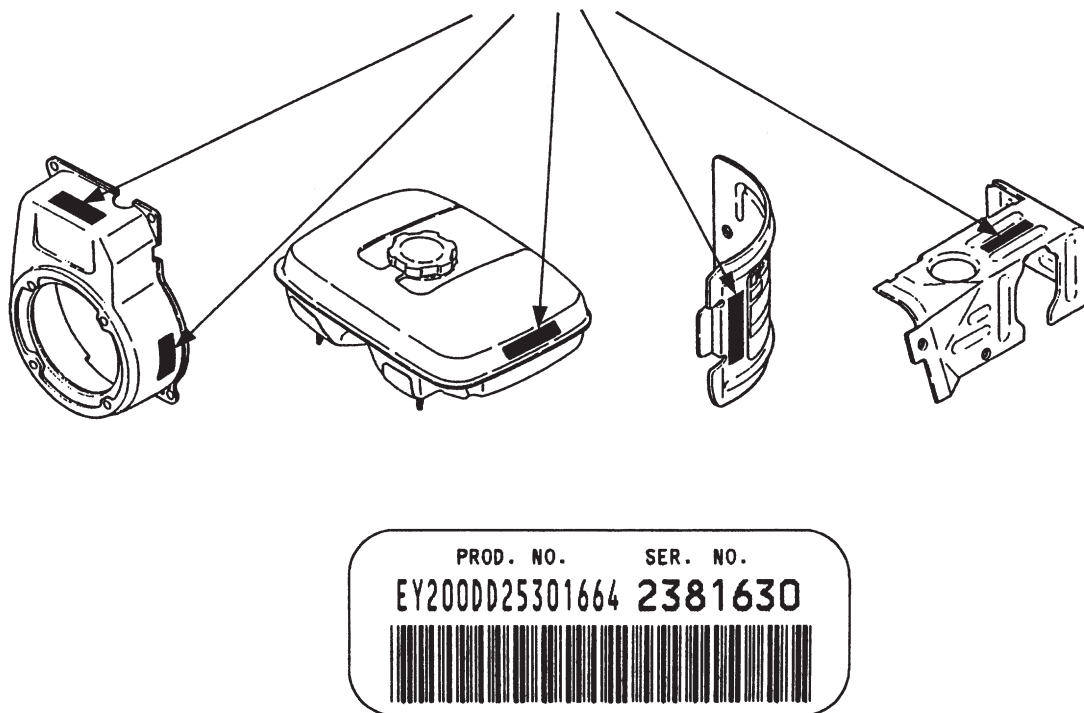
© Copyright 2009 Robin America, Inc.

HOW TO USE THIS MANUAL

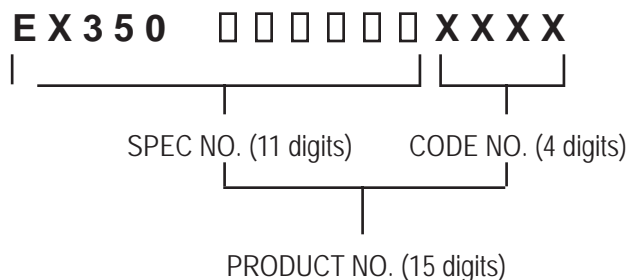
Robin engines are identified by MODEL, SPECIFICATION, and CODE NUMBER. For each model there may be many different versions called specifications. Each specification will be unique in some way. The difference may only be the paint color or it may have a different type of PTO or some other significant difference.

In order to identify the correct service part number, it is important to confirm the specification and code numbers for your engine. The specification and code number together are known as the PRODUCT NUMBER.

All Robin 4 cycle engines have a Product Number label similar to the label illustrated below.



The Product Number Label has a 15 digit alphanumeric string that consists of the SPECIFICATION (SPEC) number (11 digits) and the CODE number (4 digits). Please note the illustration below:



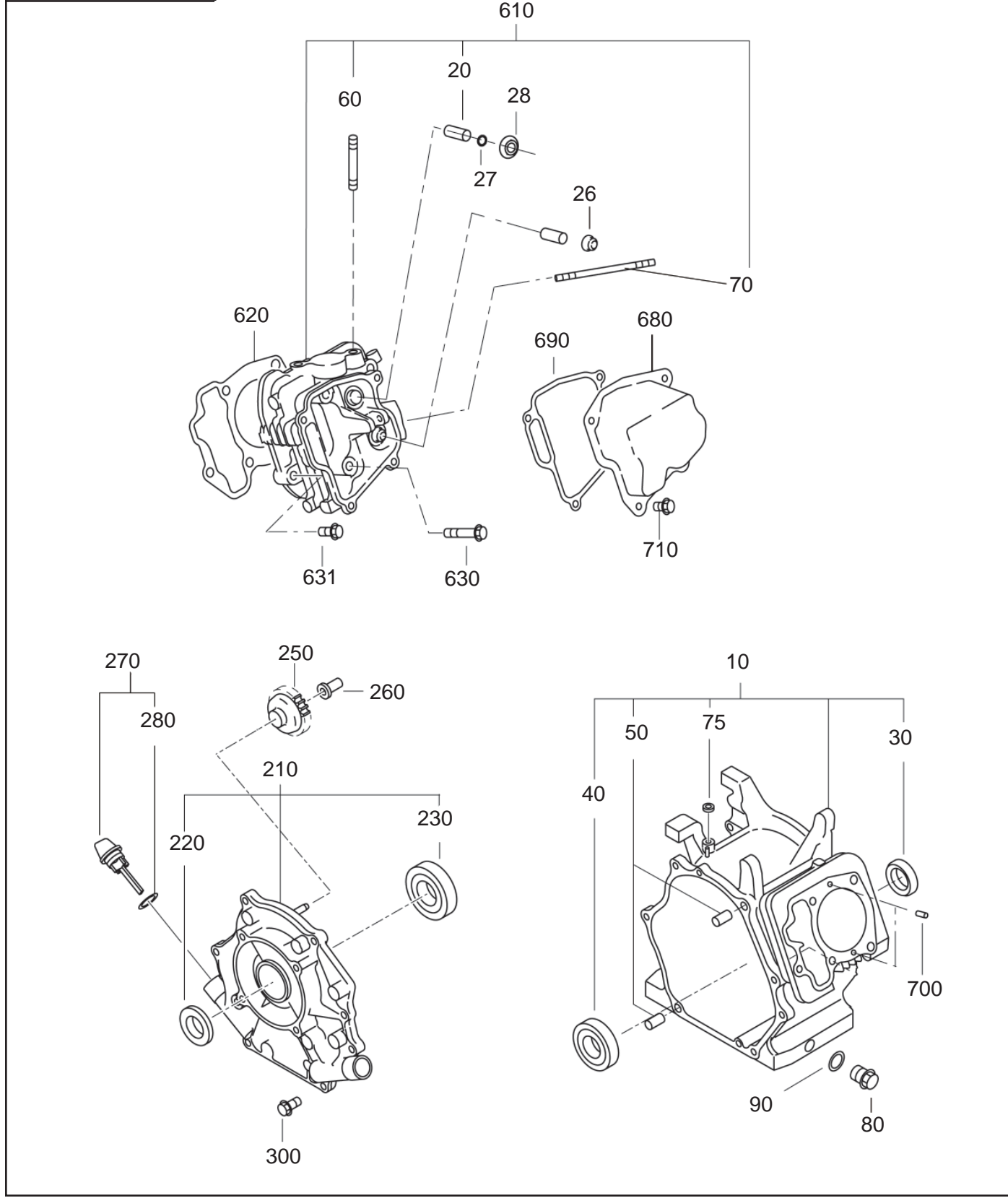
GROUP INDEX

Group Name	Page
CRANKCASE GROUP	6
CRANKSHAFT GROUP	8
INTAKE and EXHAUST GROUP	10
GOVERNOR GROUP	14
COOLING and STARTING GROUP	16
FUEL, LUBRICANT GROUP	18
CARBURETOR GROUP	20
ELECTRIC DEVICE GROUP	22
GENERATOR GROUP	30

INDEX OF DESCRIPTION SYMBOLS			
SYMBOL	DESCRIPTION	SYMBOL	DESCRIPTION
AY	ASSEMBLY	P=	PITCH (in mm)
CP	COMPLETE	P.T.O. (PTO)	POWER TAKE OFF
EX	EXPORT (from Japan)	REF	REFERENCE
FIG	FIGURE	R.H. (RH)	RIGHT HAND SIDE
FR	FRONT	RR	REAR
"	INCH	STD.	STANDARD
INCL.	INCLUDE	SW	SWITCH
-L	LITER	T=	THICKNESS (in mm)
L=	LENGTH (in. mm)	UN	UNIT
L.H. (LH)	LEFT-HAND SIDE	U.S.	UNDER SIZE
MECH	MECHANICAL	~V	VOLTAGE
NO (NON)	NONE	~W	WATT
OPT	OPTIONAL	W/	WITH
O.S.	OVER SIZE	W/O	WITHOUT

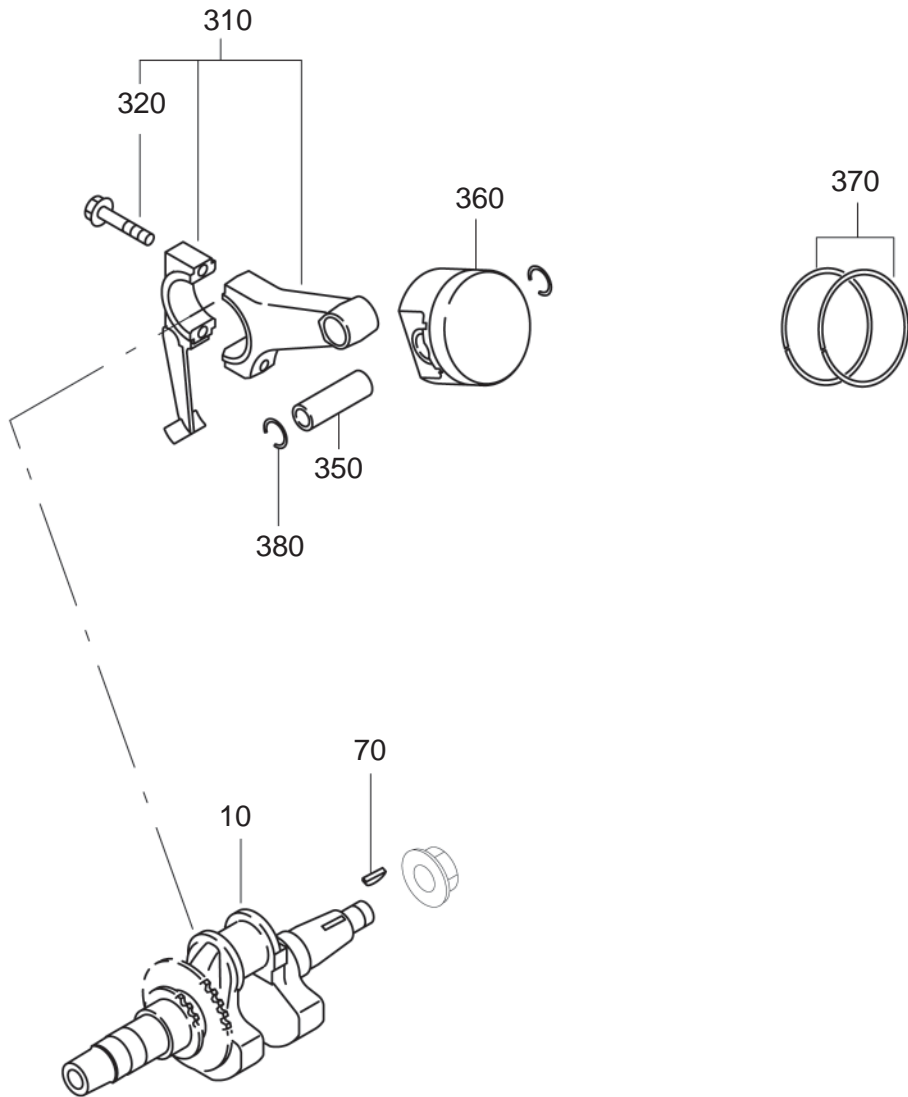
SECTION 1 CRANKCASE GROUP

FIG. 100



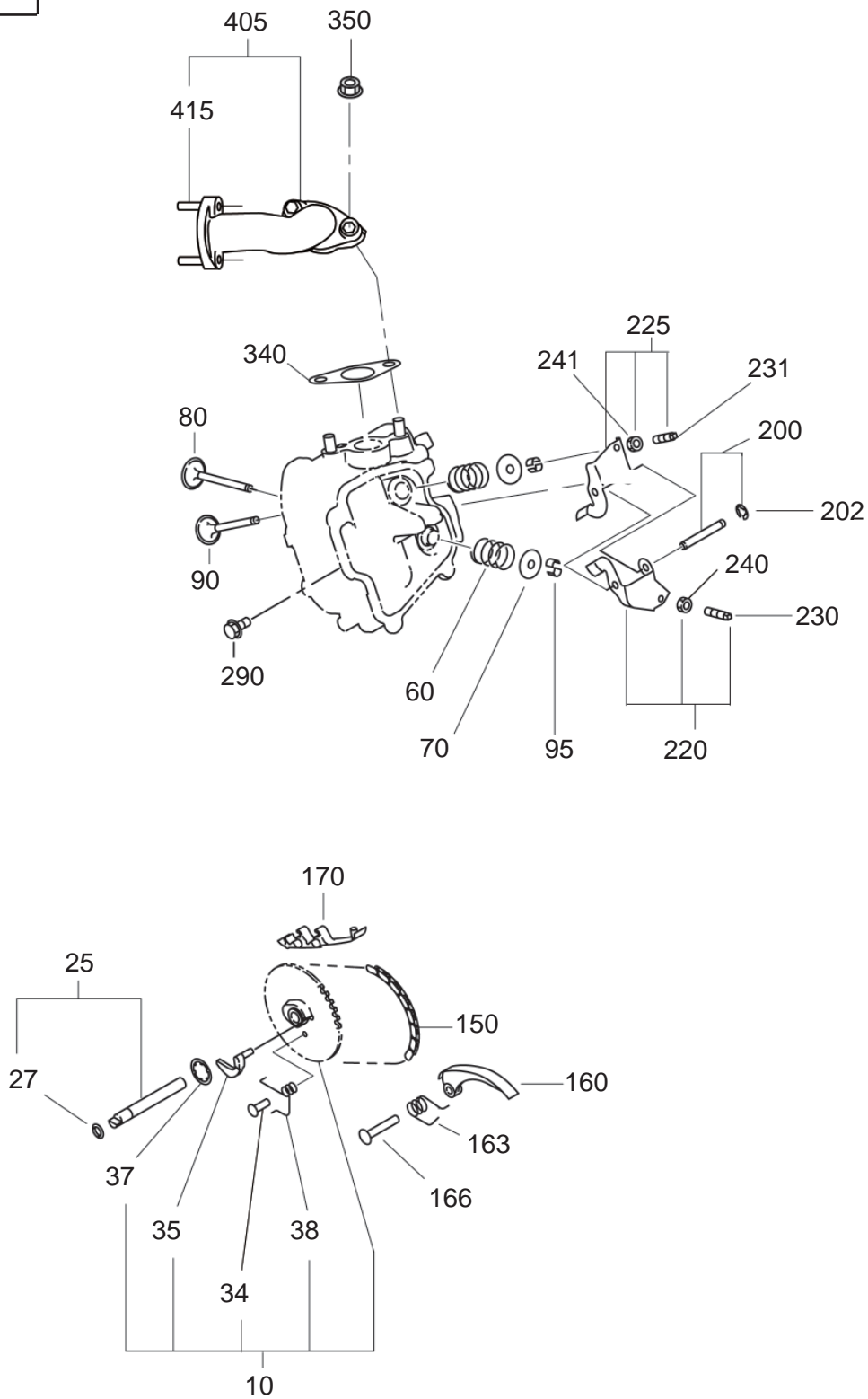
SECTION 2 CRANKSHAFT GROUP

FIG. 200



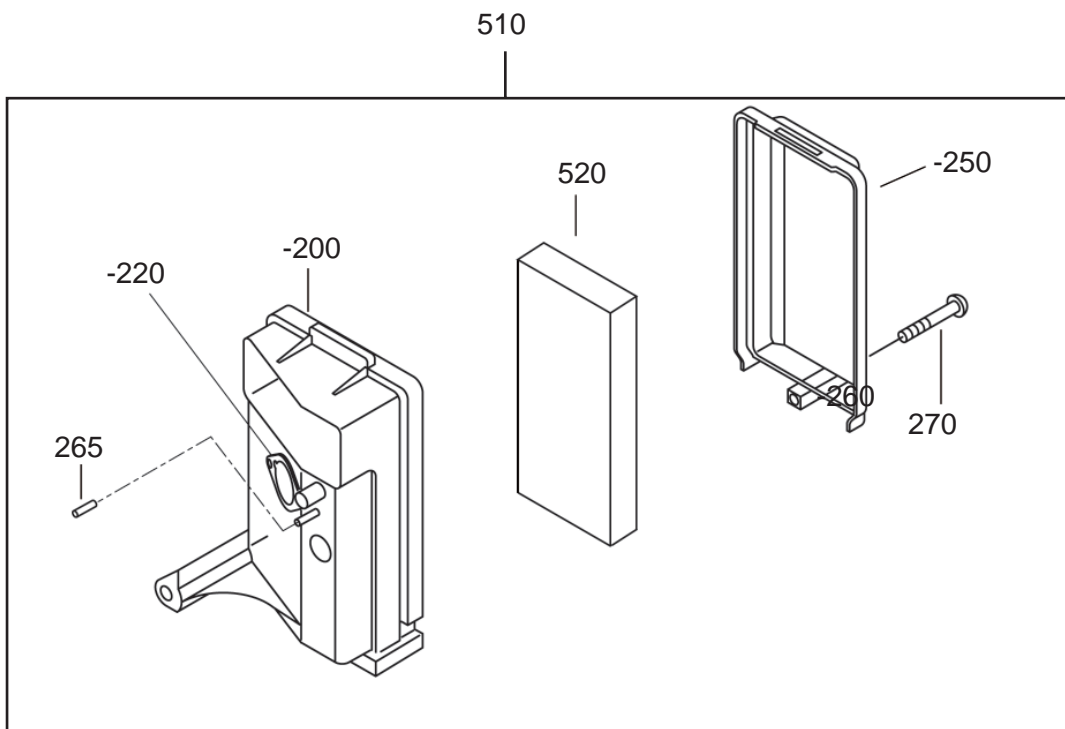
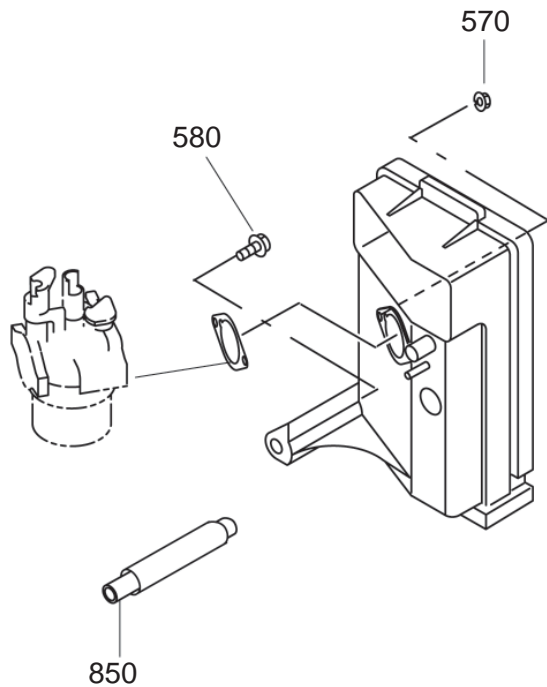
SECTION 3 INTAKE and EXHAUST GROUP

FIG. 300



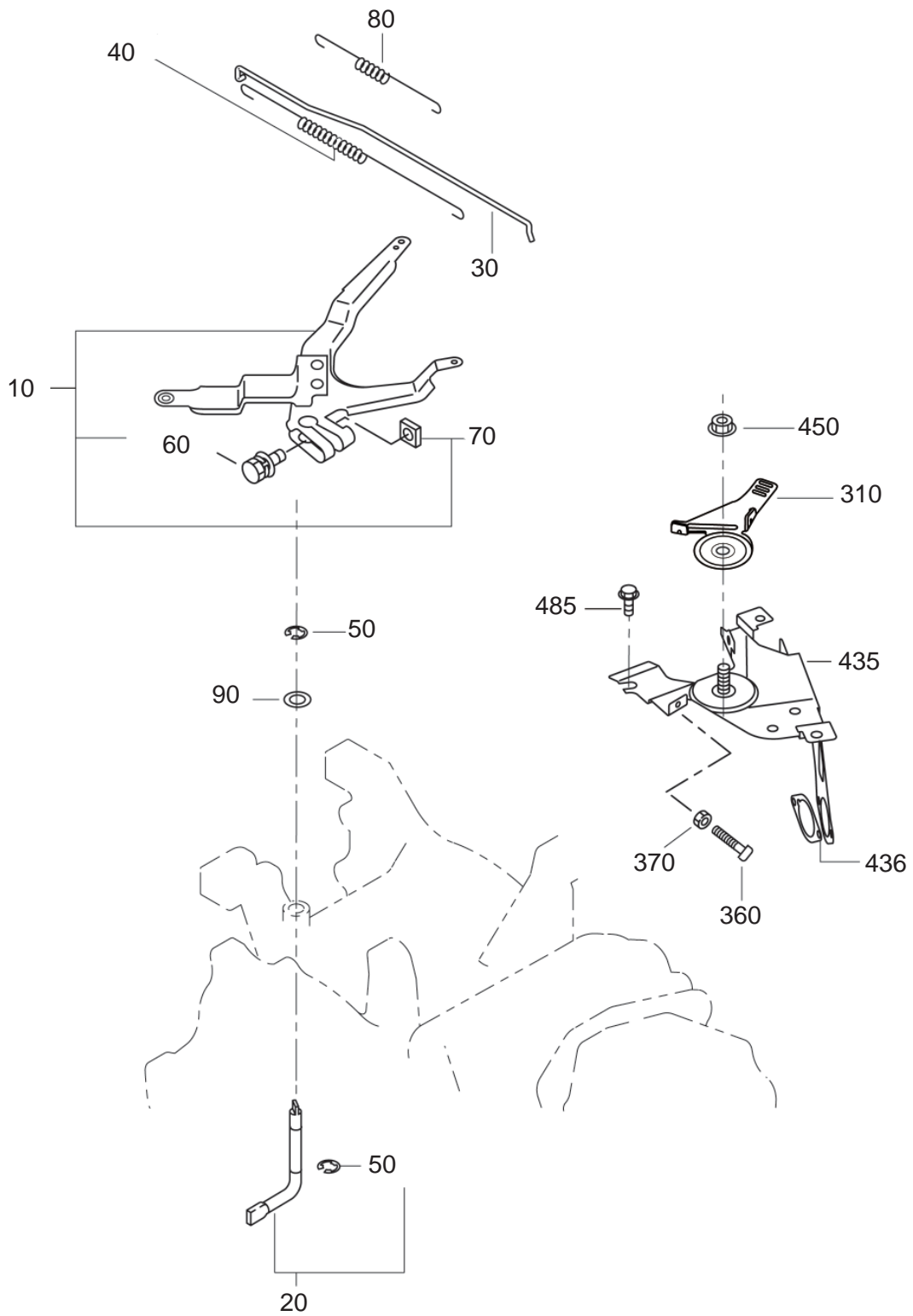
SECTION 3 INTAKE and EXHAUST GROUP

FIG. 315



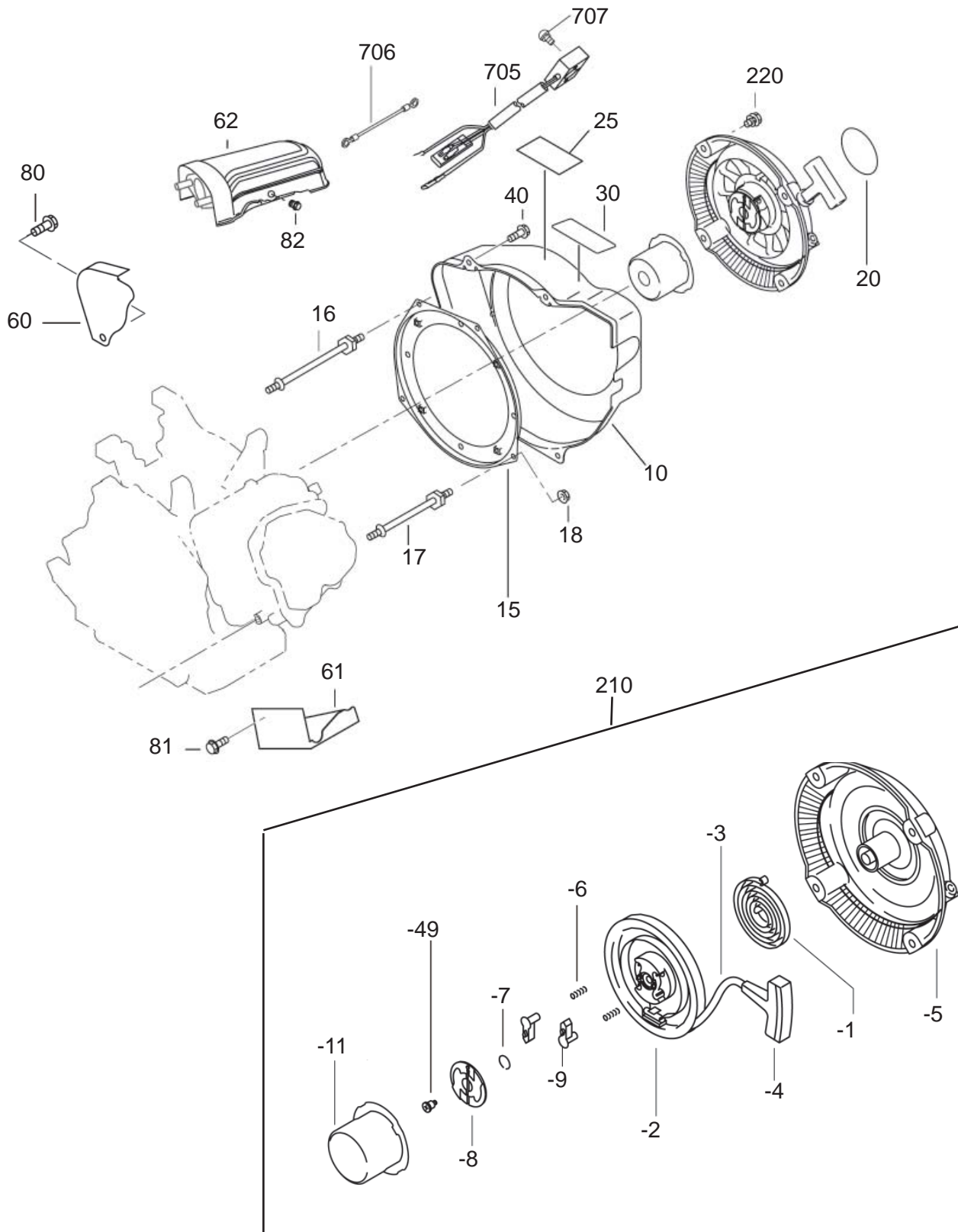
SECTION 4 GOVERNOR GROUP

FIG. 400



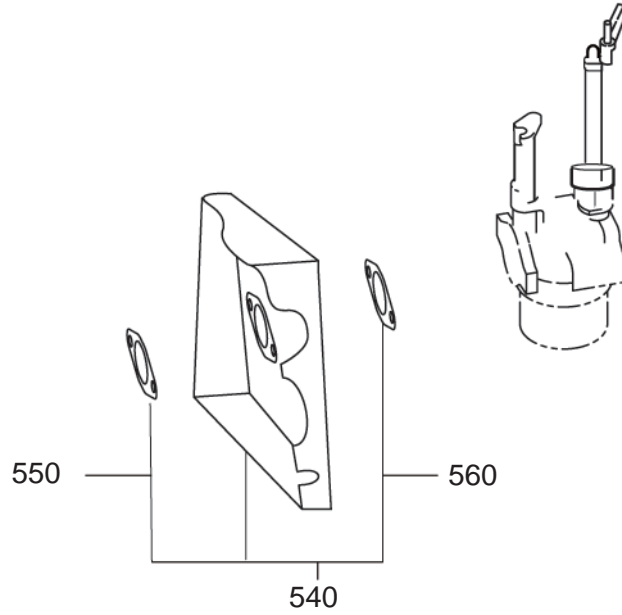
SECTION 5 COOLING and STARTING GROUP

FIG. 500



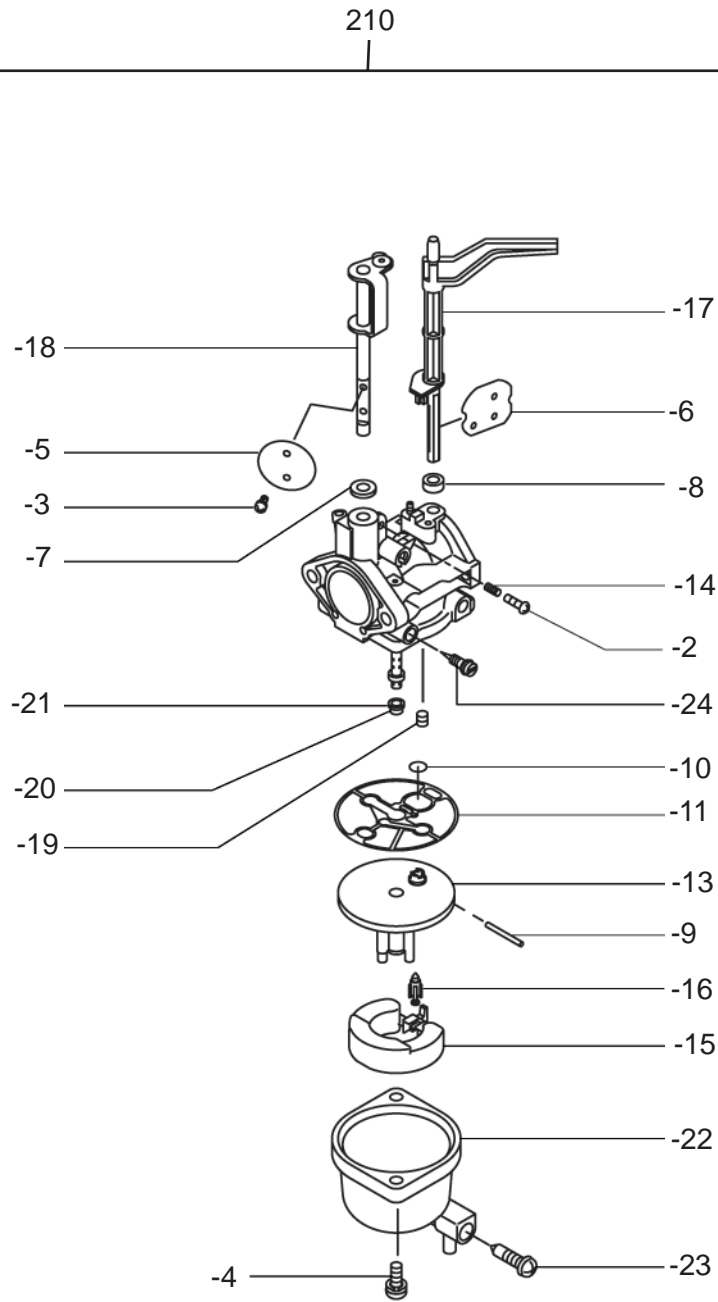
SECTION 6 FUEL, LUBRICATION GROUP

FIG. 600



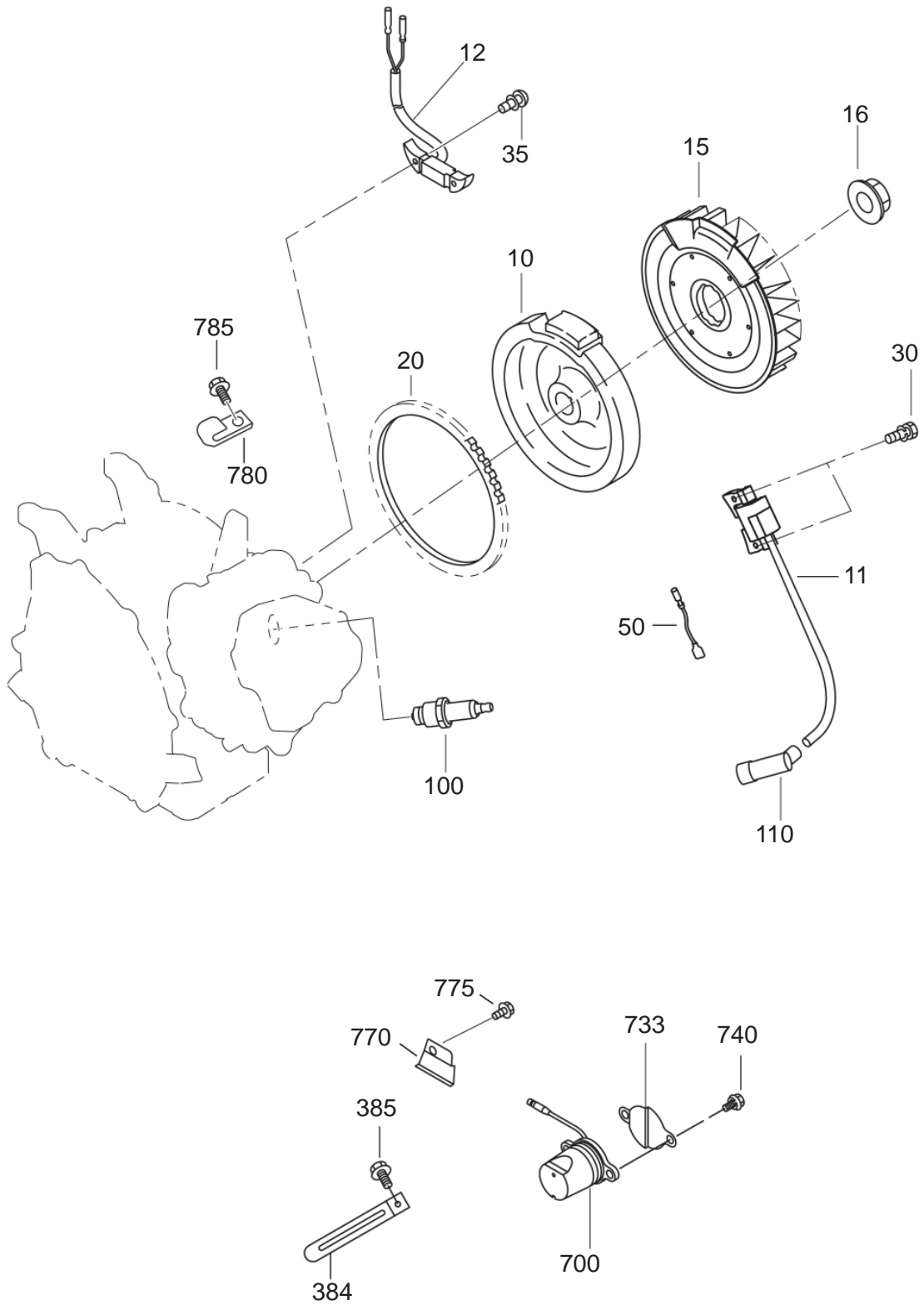
SECTION 6 FUEL, LUBRICATION GROUP

FIG. 640



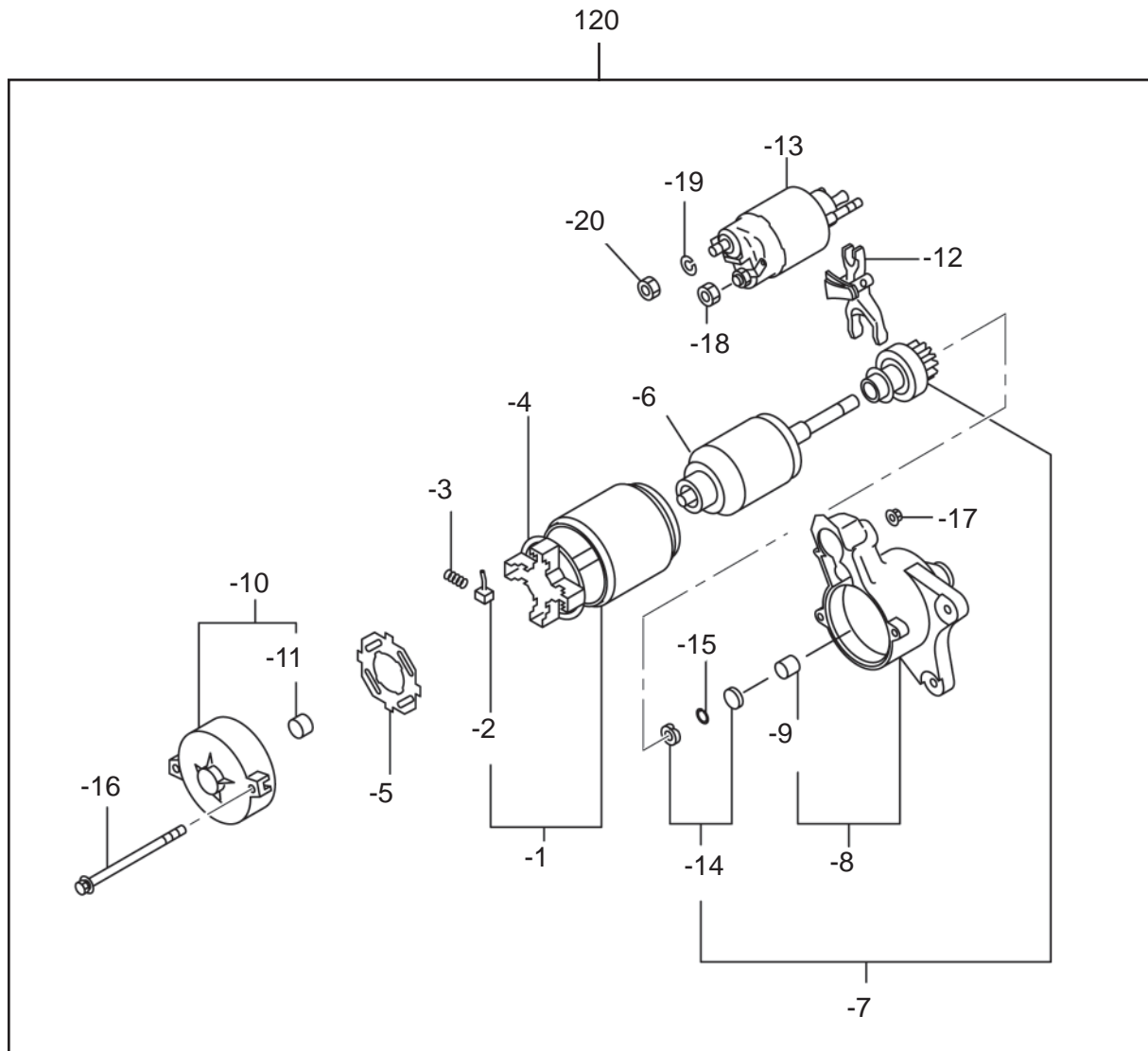
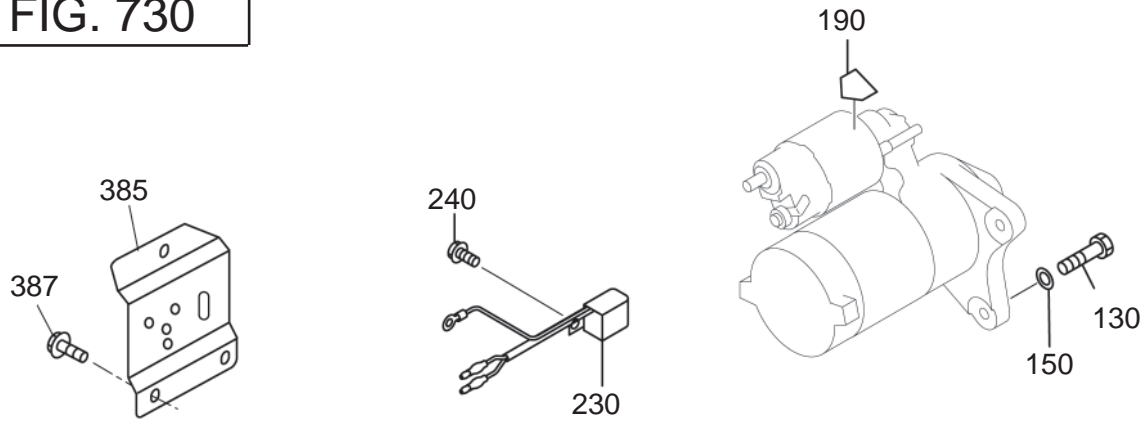
SECTION 7 ELECTRIC DEVICE GROUP

FIG. 700



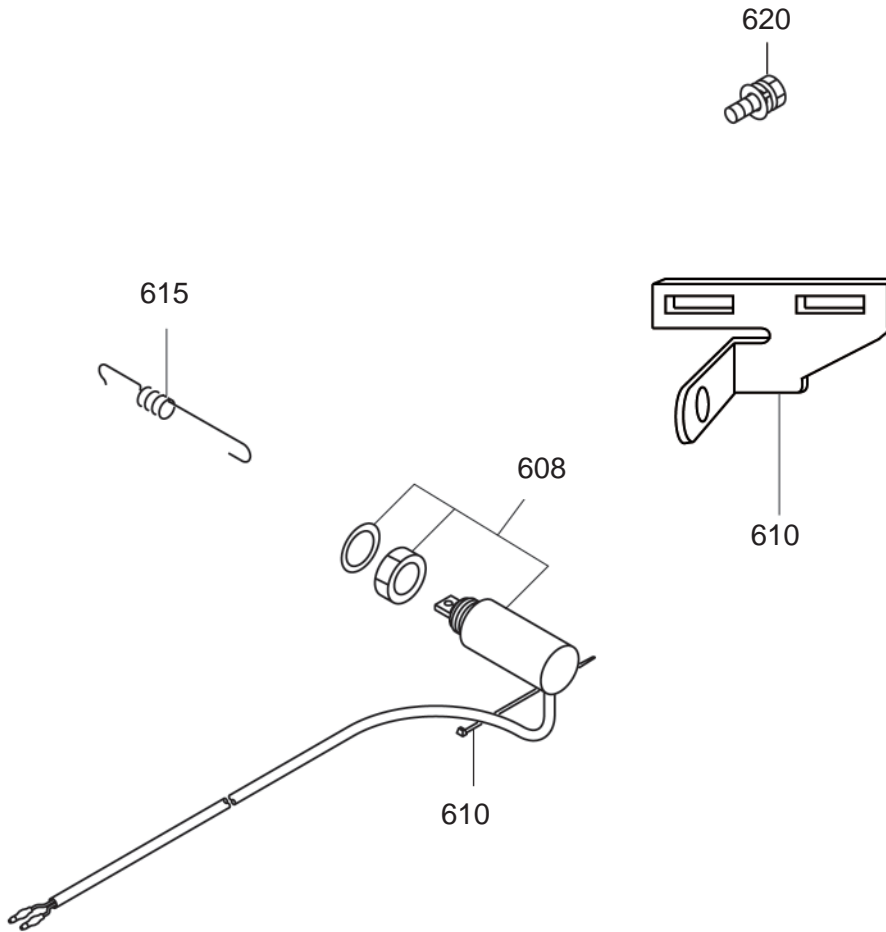
SECTION 7 ELECTRIC DEVICE GROUP

FIG. 730



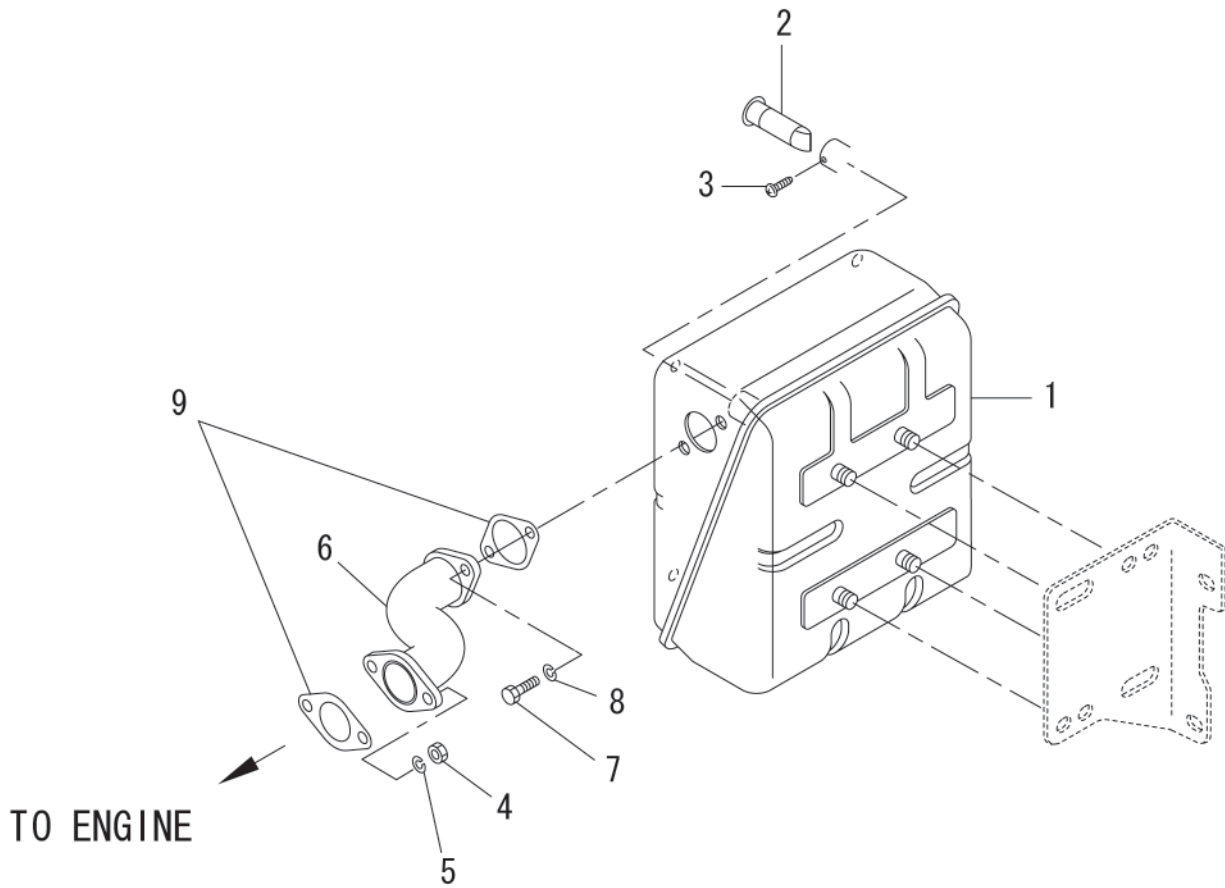
SECTION 7 ELECTRIC DEVICE GROUP

FIG. 740



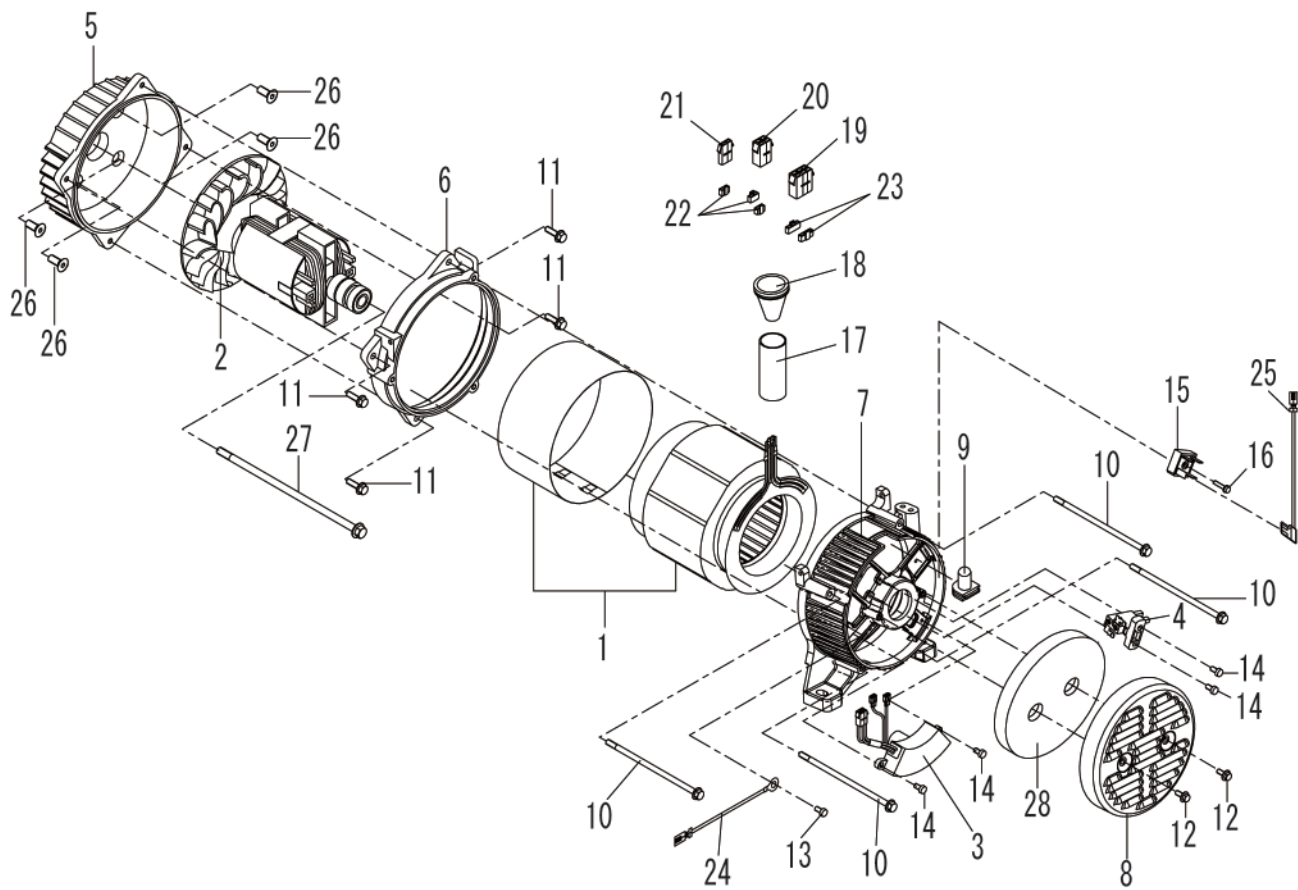
SECTION 21 ENGINE GROUP

FIG. 2130



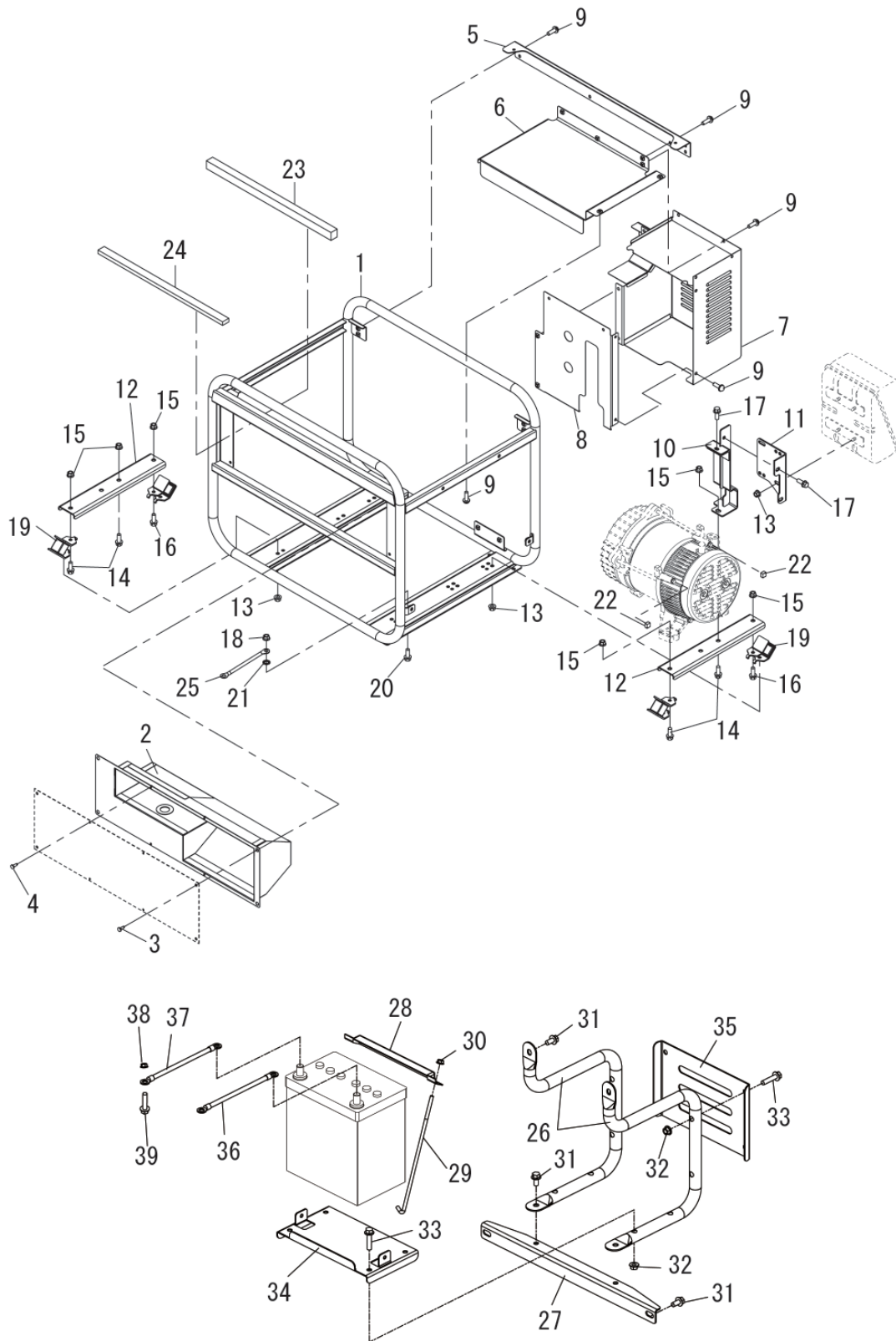
SECTION 22 GENERATOR GROUP

FIG. 2200



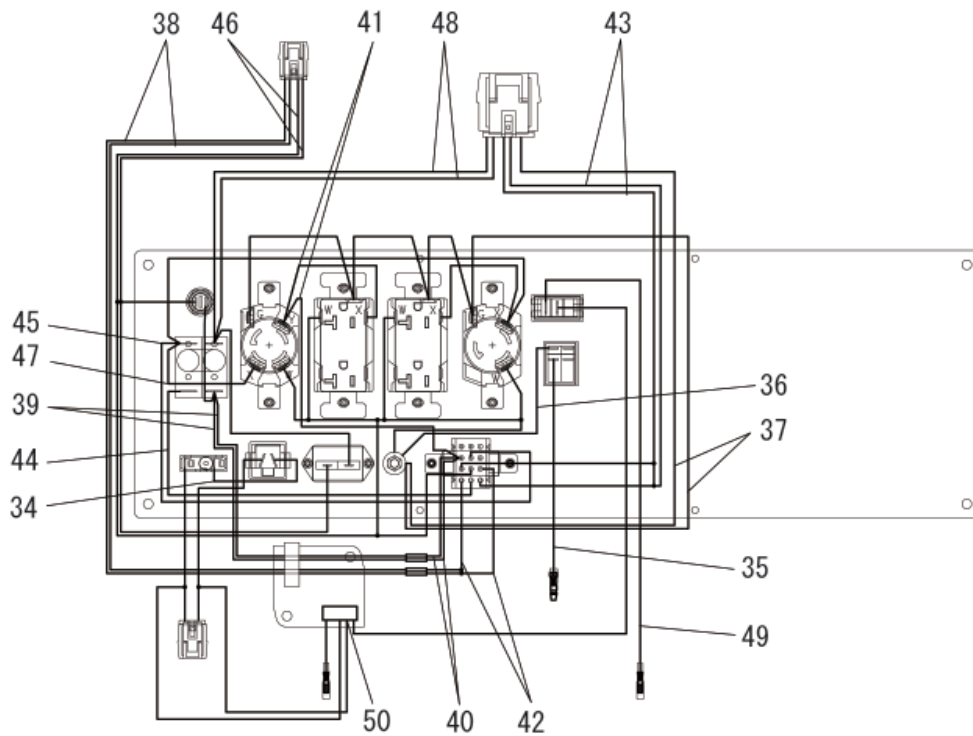
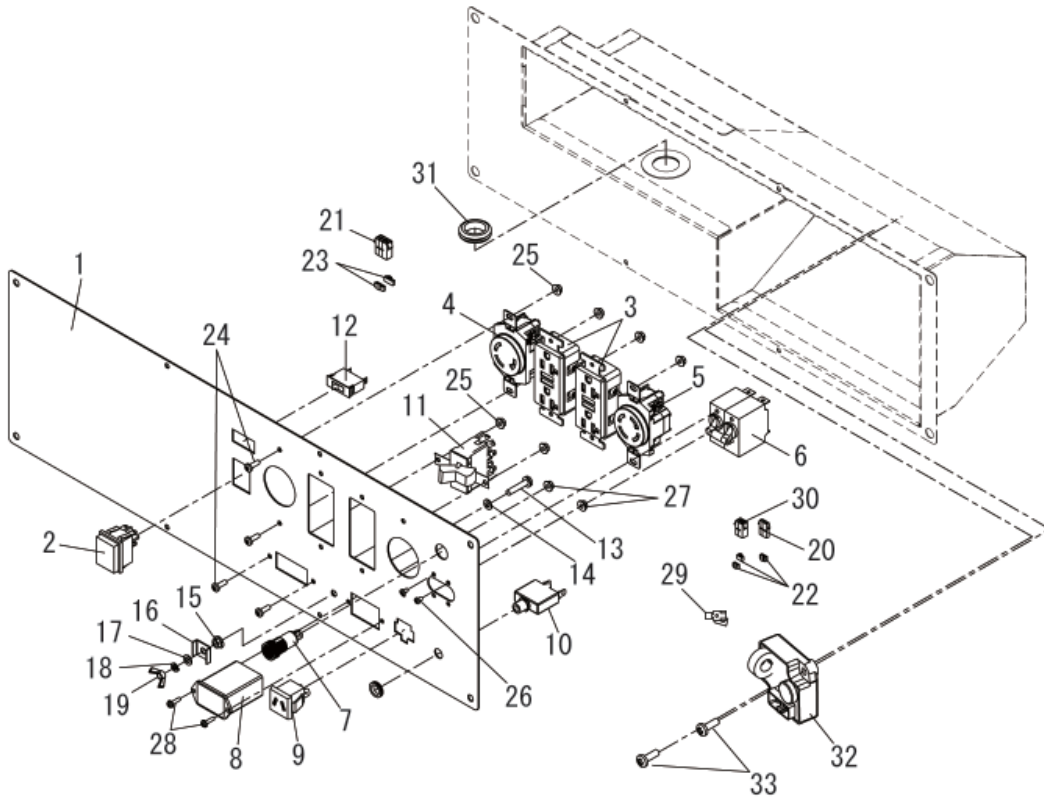
SECTION 23 BASE, FRAME GROUP

FIG. 2300



SECTION 24 CONTROL GROUP - RECOIL

FIG.2400

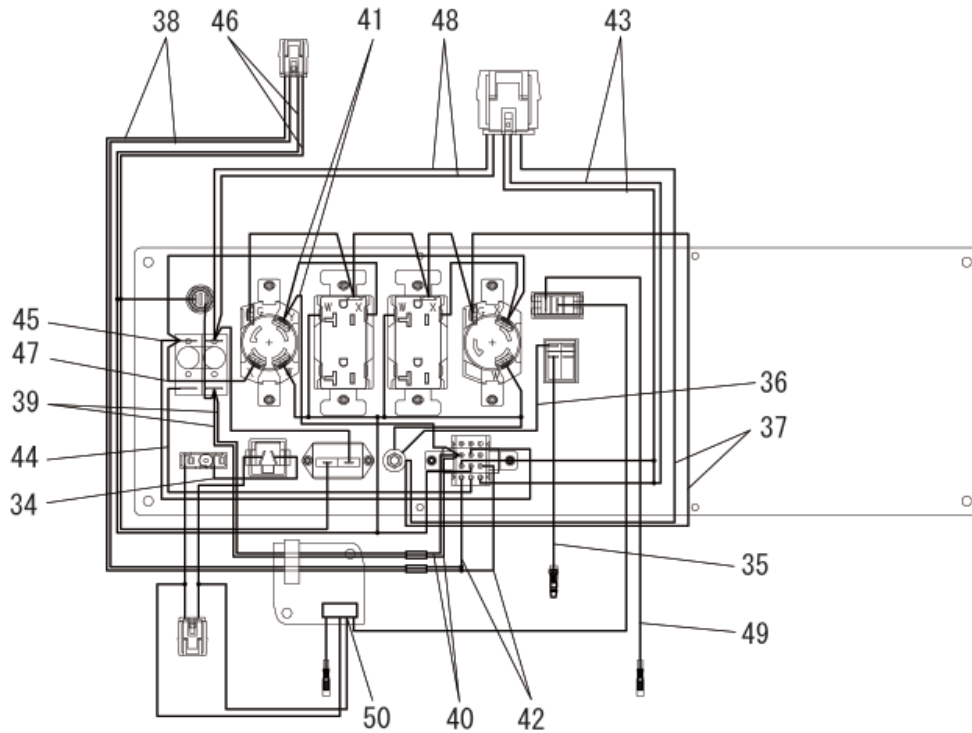
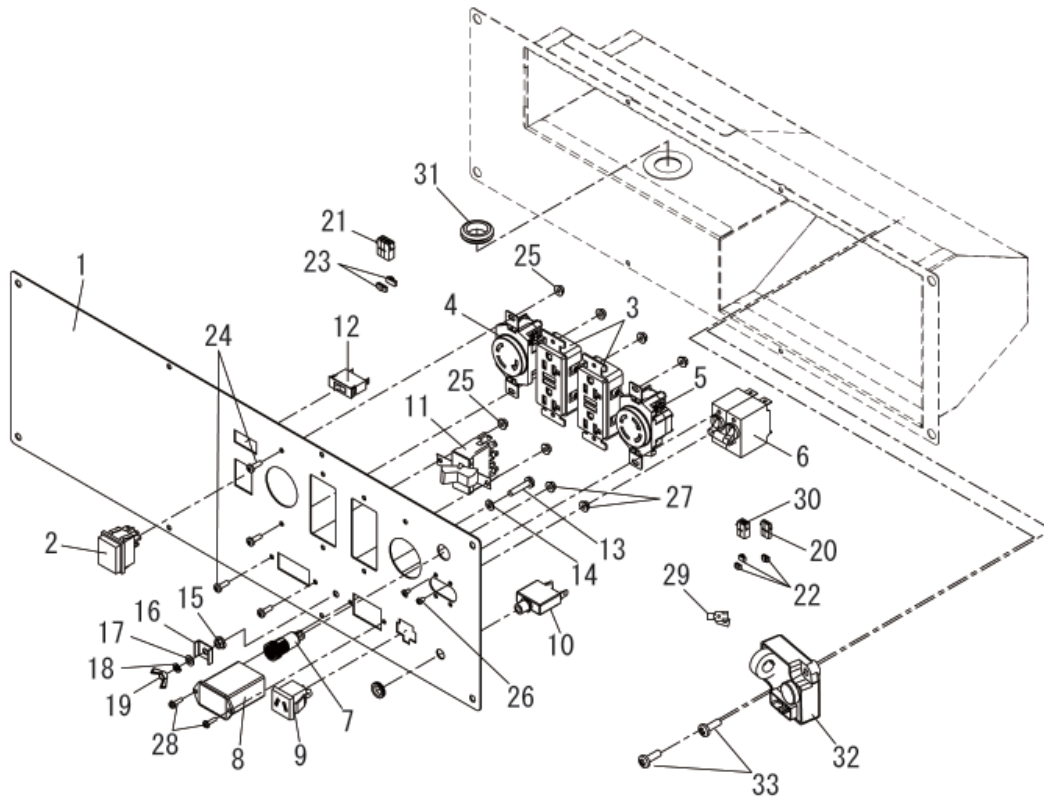


SECTION 24 CONTROL GROUP - RECOIL

REF.	PART NO.	DESCRIPTION	QTY.	REMARKS	FROM-TO	FIG.
1	36D-41002-08	Control Panel Cp	1			2400
2	36A-49000-08	Switch, engine	1			2400
3	36A-47002-08	AC ConCENT	2	GFCI		2400
4	36B-47000-08	AC ConCENT	1	L5-30		2400
5	36B-47001-08	AC ConCENT	1	L14-30		2400
6	36D-48000-08	Circuit Breaker	1	23A		2400
7	36A-49003-08	Pilot Lamp	1			2400
8	36A-49002-08	Hour Meter	1			2400
9	36A-47101-08	DC ConCENT	1			2400
10	36A-48001-08	Circuit Breaker	1	10A		2400
11	36B-49000-08	Switch, v select	1			2400
12	36B-49001-08	Switch, i/c	1			2400
13	36A-80102-08	Screw and Washer Ay	1			2400
14	36A-82000-08	Lock Washer	1			2400
15	36A-81000-08	Flange Nut	1			2400
16	36A-82100-08	Cap Washer	1			2400
17	36A-82200-08	Washer	1			2400
18	36A-82300-08	Spring Washer	1			2400
19	36A-81100-08	Wing Nut	1			2400
20	36A-70003-08	Connector	1	2P		2400
21	36A-70001-08	Connector	1	6P		2400
22	36A-70101-08	Retainer	3	2P		2400
23	36A-70100-08	Retainer	2	3P		2400
24	36A-80202-08	Screw	10			2400
25	36A-81001-08	Flange Nut	10			2400
26	66A-80103-08	Screw and Washer Ay	4			2400
27	36A-81005-08	Flange Nut	2			2400
28	36A-80203-08	Screw	2			2400
29	36A-70300-08	Terminal	1			2400
30	36A-70007-08	Connector	1	4P		2400
31	36C-49900-08	Grommet	1			2400
32	KU3-11015-01	Idle C/U Cp	1	150V		2400
33	36A-80204-08	Screw	2			2400
34	36A-71003-08	Wire	1	white		2400
35	36A-71006-08	Wire	1	black		2400
36	36A-71036-08	Wire	1	green		2400
37	36A-71037-08	Wire	1	green		2400
38	36A-71029-08	Wire	1	orange		2400
39	36A-71038-08	Wire	1	red		2400
40	36A-71039-08	Wire	1	red		2400
41	36A-71040-08	Wire	1	red		2400
42	36A-71041-08	Wire	2	orange		2400
43	36A-71042-08	Wire	1	blue		2400
44	36A-70143-08	Wire	1	blue		2400
45	36A-71044-08	Wire	1	blue		2400
46	36A-71045-08	Wire	1	gray		2400

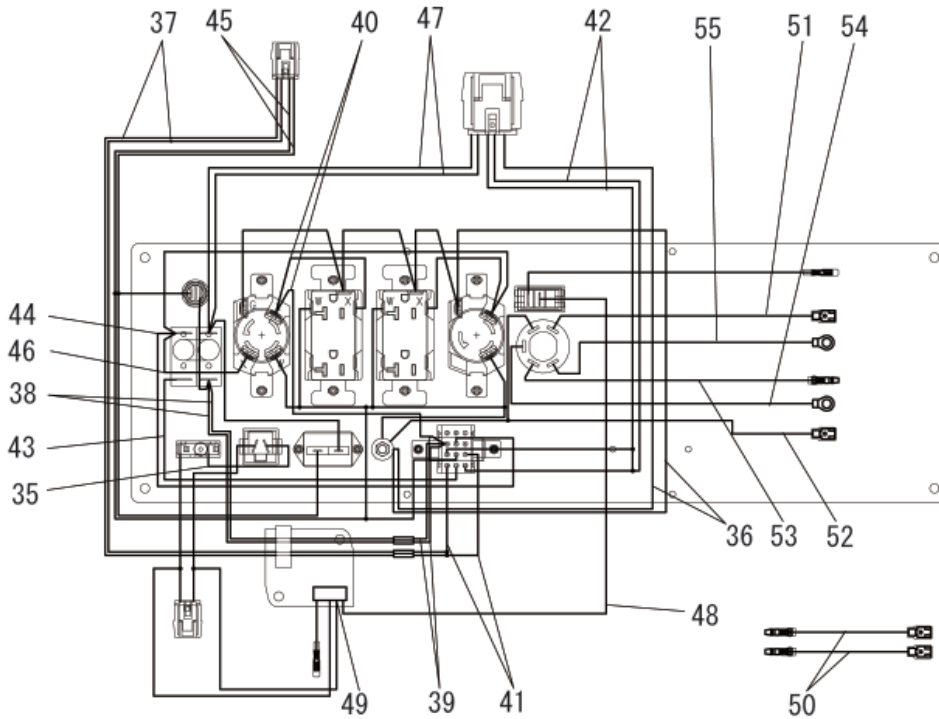
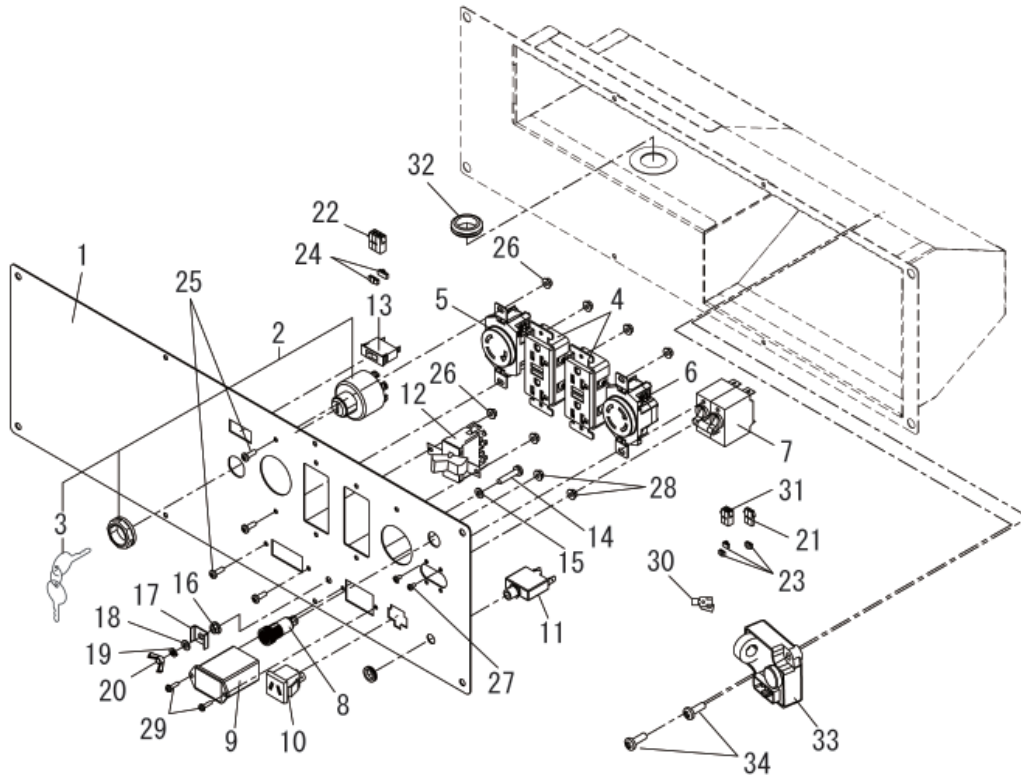
SECTION 24 CONTROL GROUP - RECOIL

FIG.2400



SECTION 24 CONTROL GROUP - ELECTRIC START

FIG.2400

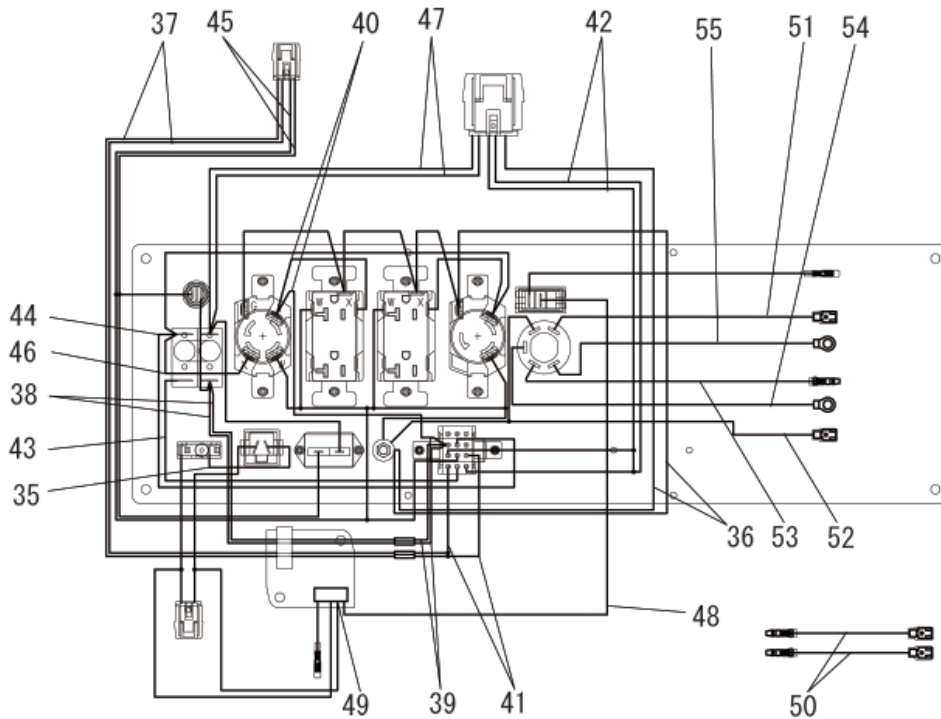
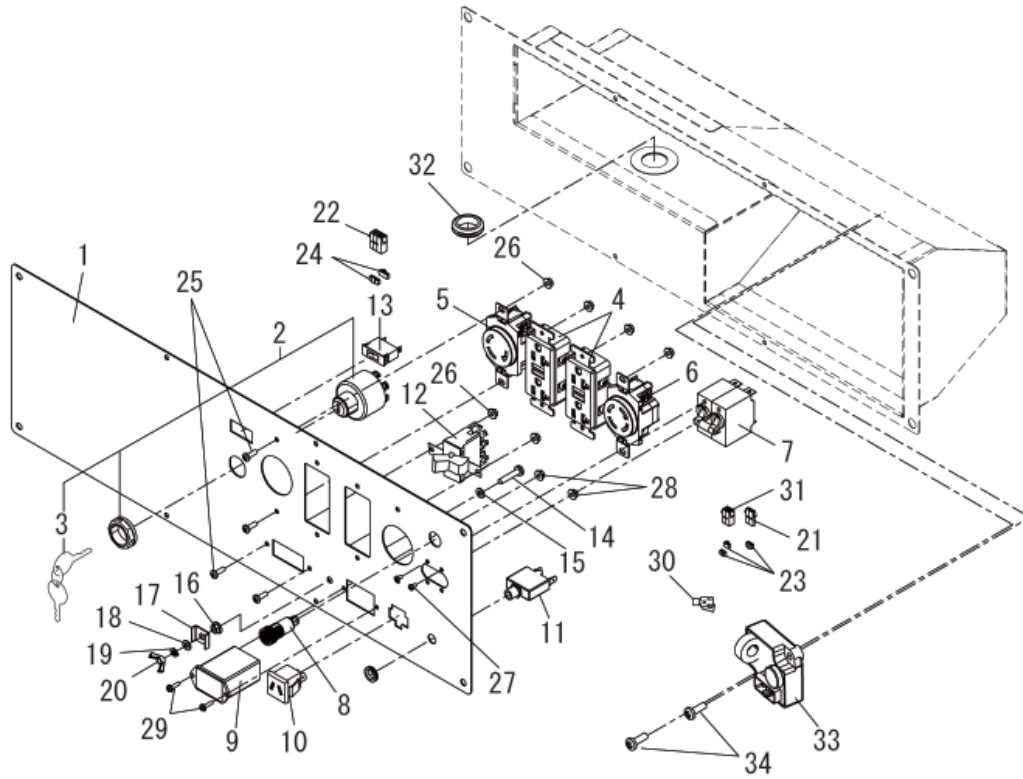


SECTION 24 CONTROL GROUP - ELECTRIC START

REF.	PART NO.	DESCRIPTION	QTY.	REMARKS	FROM-TO	FIG.
1	36D-41003-08	Control Panel Cp	1			2400
2	066-00003-30	Switch, engine	1			2400
3	066-00099-80	Key, switch	2			2400
4	36A-47002-08	AC Concent	2	GFCI		2400
5	36B-47000-08	AC Concent	1	L5-30		2400
6	36B-47001-08	AC Concent	1	L14-30		2400
7	36D-48000-08	Circuit Breaker	1	23A		2400
8	36A-49003-08	Pilot Lamp	1			2400
9	36A-49002-08	Hour Meter	1			2400
10	36A-47101-08	DC Concent	1			2400
11	36A-48001-08	Circuit Breaker	1	10A		2400
12	36B-49000-08	Switch, v select	1			2400
13	36B-49001-08	Switch, i/c	1			2400
14	36A-80102-08	Screw and Washer Ay	1			2400
15	36A-82000-08	Lock Washer	1			2400
16	36A-81000-08	Flange Nut	1			2400
17	36A-82100-08	Cap Washer	1			2400
18	36A-82200-08	Washer	1			2400
19	36A-82300-08	Spring Washer	1			2400
20	36A-81100-08	Wing Nut	1			2400
21	36A-70003-08	Connector	1	2 P		2400
22	36A-70001-08	Connector	1	6 P		2400
23	36A-70101-08	Retainer	3	2 P		2400
24	36A-70100-08	Retainer	2	3 P		2400
25	36A-80202-08	Screw	10			2400
26	36A-81001-08	Flange Nut	10			2400
27	36A-80103-08	Screw and Washer Ay	4			2400
28	36A-81005-08	Flange Nut	2			2400
29	36A-80203-08	Screw	2			2400
30	36A-70300-08	Terminal	1			2400
31	36A-70007-08	Connector	1	2 P		2400
32	36C-49900-08	Grommet	1			2400
33	KU3-11015-01	Idle C/U Cp	1	150V		2400
34	36A-80204-08	Screw	2			2400
35	36A-71003-08	Wire	1	white		2400
36	36A-71037-08	Wire	1	green		2400
37	36A-71029-08	Wire	2	orange		2400
38	36A-71038-08	Wire	1	red		2400
39	36A-71039-08	Wire	1	red		2400
40	36A-71040-08	Wire	1	red		2400
41	36A-71041-08	Wire	1	orange		2400
42	36A-71042-08	Wire	1	blue		2400
43	36A-71043-08	Wire	1	blue		2400
44	36A-71044-08	Wire	1	blue		2400
45	36A-71045-08	Wire	1	gray		2400
46	36A-71046-08	Wire	1	blue		2400
47	36A-71047-08	Wire	1	red		2400

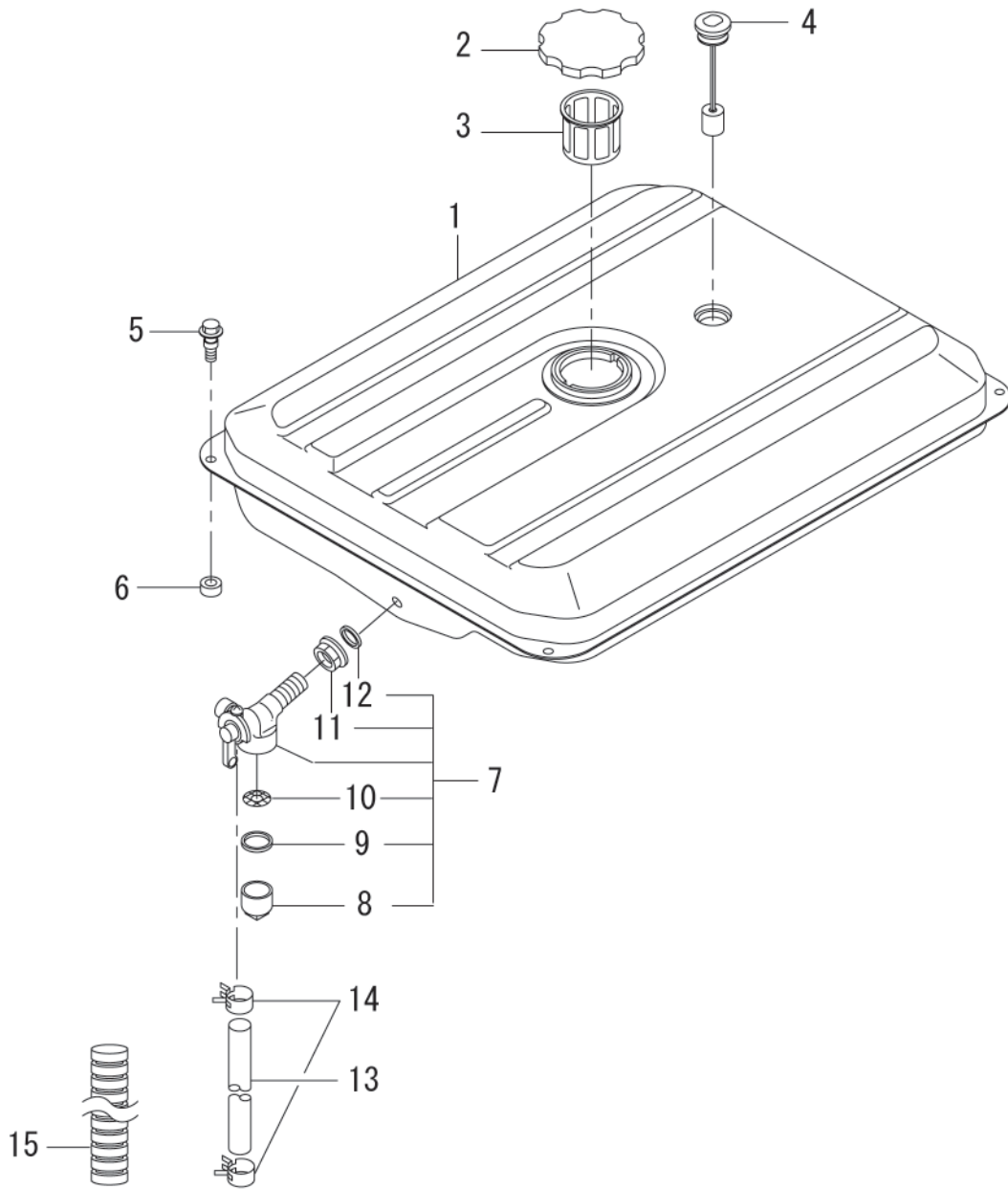
SECTION 24 CONTROL GROUP - ELECTRIC START

FIG.2400



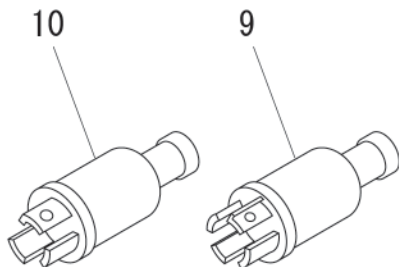
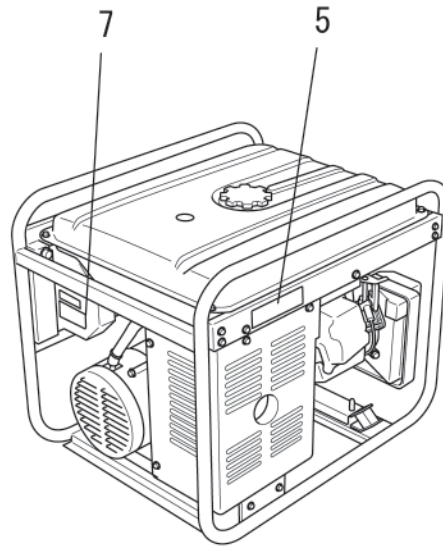
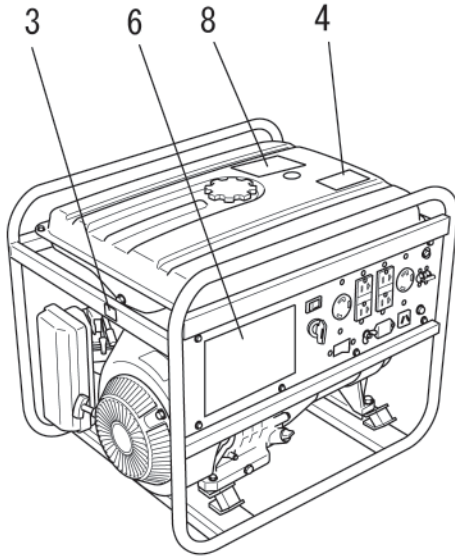
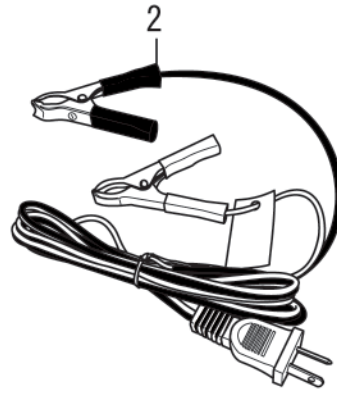
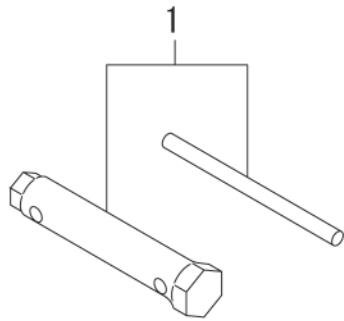
SECTION 26 FUEL TANK GROUP

FIG.2600



SECTION 29 ACCESSORY GROUP

FIG.2900



PRINTED IN THE USA