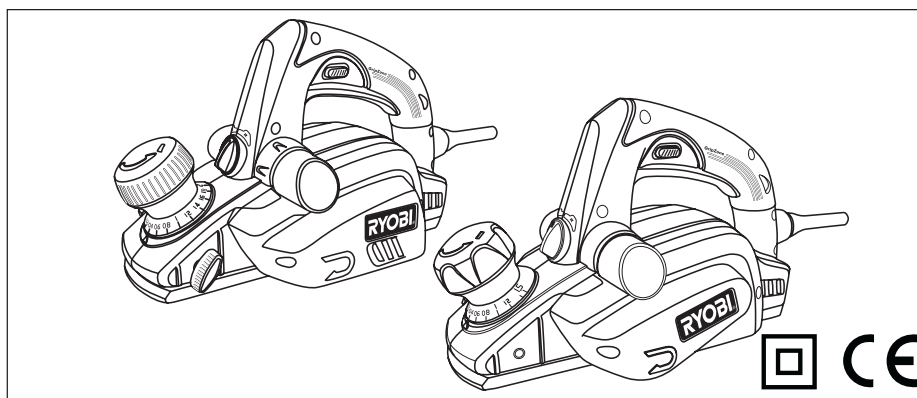
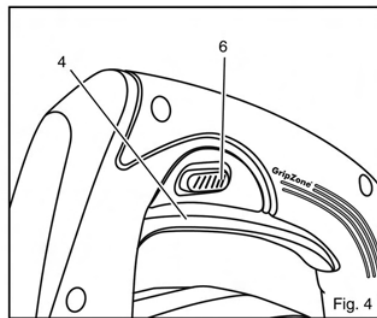
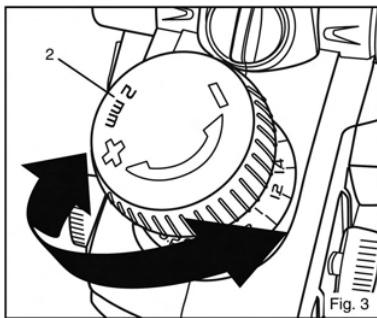
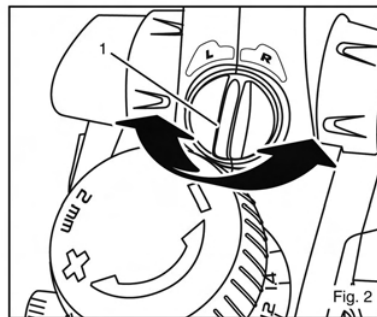
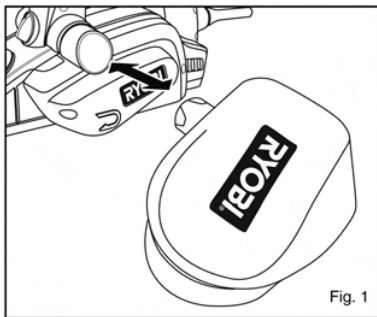
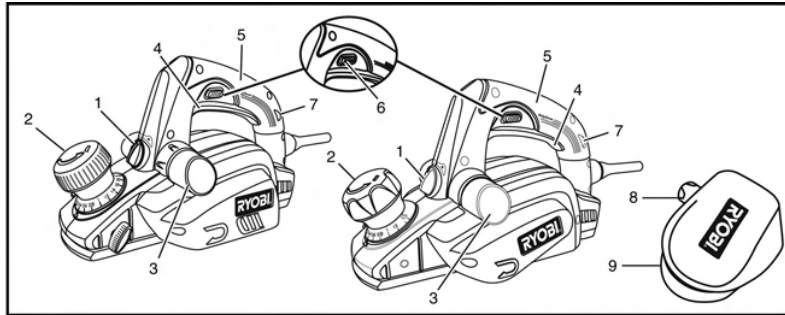


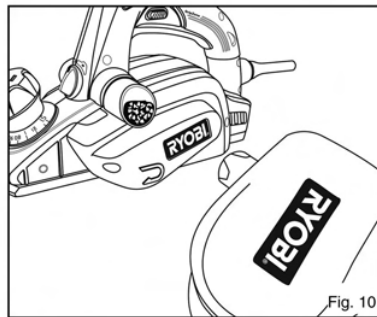
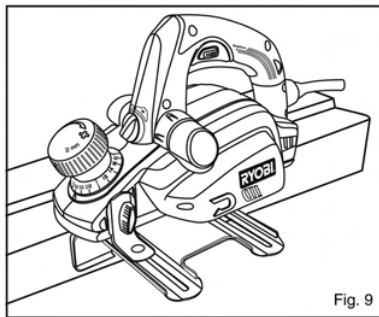
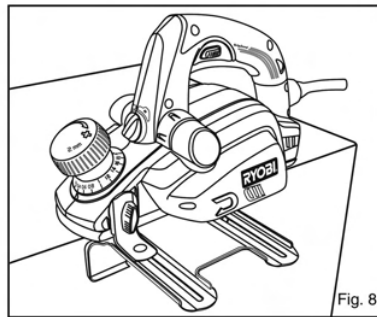
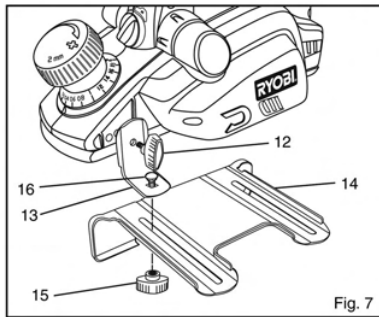
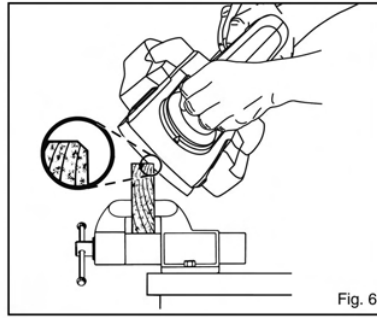
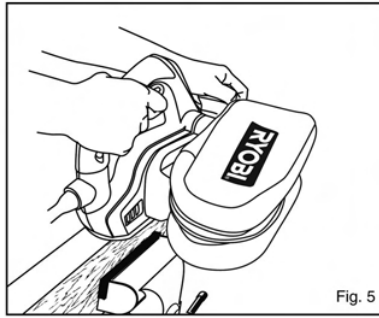
RYOBI®

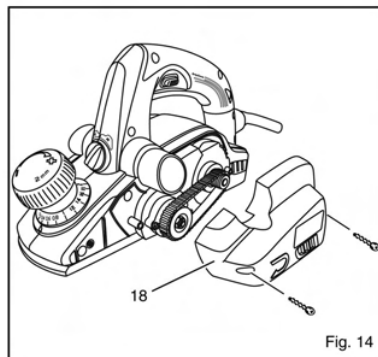
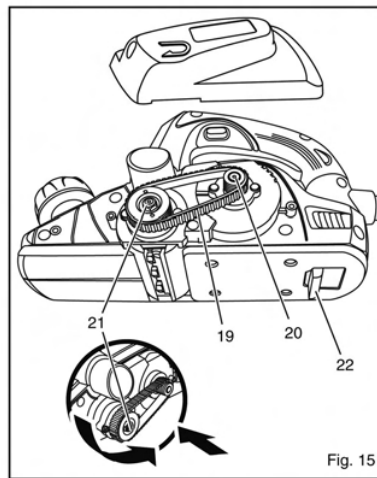
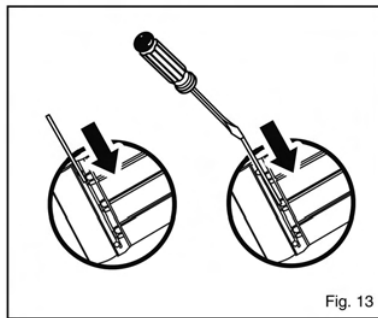
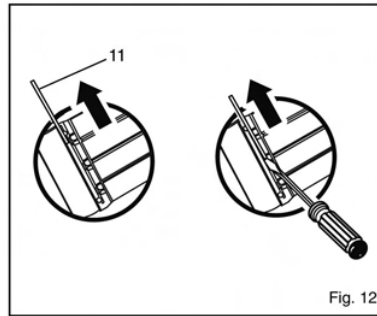
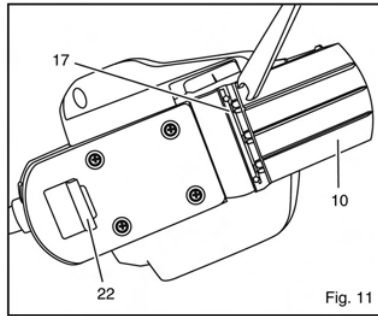
EPN-6082 EPN-7582N

(F) RABOT	MANUEL D'UTILISATION	1
(GB) PLANER	USER'S MANUAL	8
(D) HOBEL	BEDIENUNGSANLEITUNG	14
(E) CEPILLO	MANUAL DE UTILIZACIÓN	21
(I) PIALLATRICE	MANUALE PER L'UTENTE	27
(P) PLAINA	MANUAL DE UTILIZAÇÃO	34
(NL) SCHAAFMACHINE	GEBRUIKERSHANDLEIDING	41
(S) HYVEL	INSTRUKTIONSBOK	48
(DK) HØVL	BRUGERVEJLEDNING	54
(N) HØVELMASKIN	BRUKSANVISNING	60
(FIN) HÖYLÄKONE	KÄYTTÄJÄN KÄSIKIRJA	66
(GR) ΠΛΑΝΗ	ΟΔΗΓΙΕΣ ΧΡΗΣΗΣ	72
(HU) GYALUGÉP	HASZNÁLATI ÚTMUTATÓ	79
(CZ) HOBLÍK	NÁVOD K OBSLUZE	86
(RU) РУБАНOK	РУКОВОДСТВО ПО ЭКСПЛУАТАЦИИ	92
(RO) RINDEA	MANUAL DE UTILIZARE	98
(PL) STRUG	PODRĘCZNIK OBSŁUGI	105
(SLO) SKOBELJNIK	UPORABNIŠKI PRIROČNIK	112
(HR) BLANJALICA	KORISNIČKI PRIRUČNIK	118
(TR) RENDE	KULLANMA KILAVUZU	124









Attention !	Il est indispensable que vous lisiez les instructions contenues dans ce manuel avant le montage et la mise en service de l'appareil.
Important!	It is essential that you read the instructions in this manual before mounting and operating this machine.
Achtung!	Bitte lesen Sie unbedingt vor Montage und Inbetriebnahme die Hinweise dieser Bedienungsanleitung.
¡Atención!	Es imprescindible que lea las instrucciones de este manual antes del montaje y de la puesta en servicio.
Attenzione!	Prima di procedere al montaggio e alla messa in funzione, è indispensabile leggere attentamente le istruzioni del presente manuale.
Atenção!	É indispensável ler as instruções deste manual antes de montar e pôr em serviço.
Let op !	Het is absoluut noodzakelijk vóór montage en inbedrijfstelling de aanwijzingen in deze handleiding te lezen.
Observera!	Det är nödvändigt att läsa instruktionerna i denna bruksanvisning före montering och driftsättning.
OBS!	Denne brugsanvisning skal læses igennem inden montering og ibrugtagning.
Advarsel!	Vennligst les instruksjonene i denne bruksanvisningen før du monterer og tar i bruk maskinen.
Huomio!	On ehdottoman välttämätöntä lukea tässä käyttöohjeessa annetut ohjeet ennen asennusta ja käyttöönottoa.
Προσοχή!	Είναι απαραίτητο να διαβάσετε τις συστάσεις των οδηγιών αυτών πριν τη συναρμολόγηση και τη θέση σε λειτουργία
Figyelem!	Feltétlenül fontos, hogy a jelen használati útmutatóban foglalt előírásokat az összeszerelés és az üzembe helyezés előtt elolvassa!
Důležitá upozornění!	Před montáží nřadí a uvedením do provozu je nutné si přečíst následující pokyny.
Внимание!	Перед сборкой и запуском инструмента необходимо прочесть инструкции из настоящего руководства.
Atenție!	Este indispensabil să citiți instrucțiunile conținute în acest mod de utilizare înainte de montaj și de punerea în funcțiune.
Uwaga!	Przed montowaniem i uruchomieniem, koniecznie musicie się Państwo zapoznać z zaleceniami zawartymi w niniejszym sposobie użycia.
Pomembno!	Zelo pomembno je, da pred namestitvijo in prvo uporabo te naprave preberete navodila v tem priročniku.
Upozorenje!	Važno je da upute u ovom Korisničkom priručniku pročitate prije postavljanja i uporabe ovog alata.
Dikkat!	Montajdan ve aletin kullanımına başlamadan bu kılavuzda bulunan talimatları okumanız gerekmektedir.

Sous réserve de modifications techniques / Subject to technical modifications / Technische Änderungen vorbehalten /
 Bajo reserva de modificaciones técnicas / Con riserva di eventuali modifiche tecniche / Com reserva de modificações técnicas /
 Technische wijzigingen voorbehouden / Med förbehåll för tekniska ändringar / Med forbehold for tekniske ændringer /
 Med forbehold om tekniske ændringer / Tekniset muutokset varataan / Υπό την επιφύλαξη τεχνικών τροποποιήσεων /
 A műszaki módosítás jogát fenntartjuk / Změny technických údajů vyhrazeny / Могут быть внесены технические изменения /
 Sub rezerva modificatilor tehnice / Z zastrzeżeniem modyfikacji technicznych / Tehnične spremembe dopuščene
 Podložno tehničkim promjenama / Teknik düzeltmeler hakkı saklıdır

F GB D E I P NL S DK N FIN GR H CZ RUS RO PL SLO HR TR

English

THANK YOU FOR BUYING A RYOBI PRODUCT.

To ensure your safety and satisfaction, carefully read through this OWNER'S MANUAL and SAFETY INSTRUCTIONS before using the product.

INSTRUCTIONS FOR SAFE HANDLING



WARNING

When using electric tools, basic safety precautions, including the following, should always be followed to reduce the risk of fire, electric shock and personal injury.

- **Keep work area clean.** Cluttered areas and benches invite injuries.
- **Consider work area environment.** Do not expose power tools to rain. Do not use power tools in damp or wet locations. Keep work area lit. Do not use power tools where there is risk to cause fire or shock.
- **Guard against electric shock.** Avoid body contact with earthed or grounded surface (e.g. pipes, radiators, ranges, refrigerators).
- **Keep children away.** Do not let visitors touch the tool or extension cord. All visitors should be kept from area.
- **Store idle tools.** When not in use, tools should be stored in a dry, high or locked up place, out of reach of children.
- **Use the right tool.** Do not force small tools or attachments to do the job of a heavy duty tool. Do not use tools for purposes not intended.
- **Do not force the tool.** It will do the job better and safer the rate for which it was intended.
- **Have your tool repaired by a qualified person.** This electric tool is in accordance with the relevant safety requirements. Repairs should only be carried out by qualified persons using original spare parts, otherwise this may result in considerable danger to the user.
- **Only use sharp blades.**
- **Hearing protection should be worn.**
- **Dress properly.** Do not wear loose clothing or jewellery, they can be caught in moving parts. Rubber gloves and non-skid footwear are recommended when working outdoors. Wear protecting hair covering to contain long hair.
- **Use safety glasses.** Also use face or dust mask if the cutting operation is dusty.
- **Do not abuse the cord.** Never carry the tool by the cord or yank it to disconnect it from the socket. Keep the cord away from heat, oil and sharp edges.
- **Do not overreach.** Keep proper footing and balance at all times.
- **Maintain tools with care.** Keep tools clean for better and safer performance. Inspect tool cord periodically and if damaged have it repaired by an authorized service facility. Inspect extension cords periodically and replace, if damaged. Keep handles dry, clean and free from oil and grease.
- **Remove adjusting keys and wrenches.** Form the habit of checking to see that keys and adjusting wrenches are removed from the tool before turning it on.
- **Avoid unintentional starting.** Do not carry a plugged-in tool with a finger on the switch. Ensure switch is off when plugging in.
- **Use outdoor extension leads.** When tool is used outdoors, use only extension cords intended for outdoor use.
- **Stay alert.** Watch what your doing. Use common sense. Do not operate tool when you tired.
- **Check damaged parts.** Before further use of the tool, a guard or other part that is damaged should be carefully checked to determine that it will operate properly and perform its intended function. Check for alignment breakage of parts, mounting and any other conditions that may affect its operation. Have defective switches replaced by an authorized service facility. Do not use the tool if the switch can not turn it on and off.
- **Make sure that the tool is only connected to the voltage marked on the name plate.**
- **Never use the tool if its cover or any bolts are missing.** If the cover or bolts have been removed, replace them prior to use. Maintain all parts in good working order.
- **Always secure tools when working in elevated positions.**
- **Never touch the blade, drill bit, grinding wheel or other moving parts during use.** Never start a tool when its rotating component is in contact with the work piece.
- **Never lay a tool down before its moving parts have come to a complete stop.**
- **ACCESSORIES:** The use of accessories or attachments other than those recommended in this manual might present a hazard.
- **REPLACEMENT PARTS:** When servicing use only identical replacement parts.
- **Wait for the cutter to stop before setting the tool down.** An exposed cutter may engage the surface leading to possible loss of control and serious injury.

F GB D E I P NL S DK N FIN GR H CZ RUS RO PL SLO HR TR

English

SPECIFICATIONS


	EPN-6082	EPN-7582N
Input	230 V ~ 50 Hz	230 V ~ 50 Hz
Power	600 W	750 W
No load speed	16000 min ⁻¹	16000 min ⁻¹
Max. planing depth	1.5 mm	2 mm
Max. planing width	82 mm	82 mm
Max. rabbet depth	8 mm	12 mm
Weight	3.1 kg	3.2 kg

Be sure to check the nameplate on the product, because the voltage is subject to change depending on the area in which in the product is to be used.

DESCRIPTION

1. Exhaust direction knob
2. Depth adjust knob
3. Exhaust port
4. Trigger switch
5. Rear handle
6. Lock-off button
7. Livetool indicator
8. Collar
9. Dust bag
10. Front shoe
11. Blade
12. Knob bolt
13. Bracket
14. Edge guide
15. Knob nut
16. Carriage head bolt
17. Blade holder
18. Belt cover
19. Belt
20. Small pulley
21. Large pulley
22. Kick stand

FEATURES

WARNING
 If any parts are missing, do not operate your planer until the missing parts are replaced. Failure to do so could result in possible serious personal injury.

KNOW YOUR PLANER

Before attempting to operate your planer, familiarize yourself with all operating features and safety requirements. However, do not let familiarity with the tool make you careless.


Your planer is compact and lightweight. It is equipped with the following features:

SWITCH

The planer has a conveniently located trigger switch.

LOCK-OFF

The lock-off button locks the trigger switch in the OFF position when the trigger switch is released.

WARNING
 Do not allow familiarity with your planer to make you careless. Remember that being careless a fraction of a second is sufficient time to inflict severe injury.

DEPTH ADJUSTMENT

Adjust the planing depth from 0 to 1.5 mm (EPN-6082)/2.0 mm (EPN-7582N) in 0.2 mm increments, and the last step to meet the maximum depth 1.5 mm (EPN-6082)/2.0 mm (EPN-7582N).

KICK STAND (Fig. 11)

Your planer is fitted with an automatic retracting kick stand to prevent the blade from contacting the workbench on run down.

The kick stand will automatically retract as it passes over the edge of the workpiece when you commence planing operation.


EDGE/RABBET GUIDE

The edge guide included allows you to plane edges and make rabbet cuts.

DUST BAG

The dust bag attaches to the planer and helps keep the work area free of dust and debris.

ADJUSTMENTS

WARNING
 The power planer should never be connected to a power supply when you are assembling parts, making adjustments, cleaning, performing maintenance, or when the tool is not in use. Disconnecting the tool prevents accidental starting that could cause serious injury.

ATTACHING THE DUST BAG (Fig. 1)

Follow these steps to attach the dust bag (9).

- Unplug the planer.

F GB D E I P NL S DK N FIN GR H CZ RUS RO PL SLO HR TR

English

ADJUSTMENTS

- Slide the collar (8) of the dust bag onto the exhaust port (3).

NOTE: To remove the dust bag, pull it straight out of the exhaust port.



CAUTION

The dust bag fills quickly. Empty it often to prevent damage to the product.

ADJUSTING THE EXHAUST DIRECTION (Fig. 2)

Control the direction of debris when working in confined areas. Change the direction of the exhaust to either the right or left.

Follow these steps to adjust the exhaust direction:

- Unplug the planer.
- Adjust the exhaust direction and dust bag:
 - To adjust exhaust to the right: Move the exhaust direction knob (1) to the right and install the dust bag on the right exhaust port.
 - To adjust exhaust to the left: Move the exhaust direction knob to the left and install the dust bag on the left exhaust port.

ADJUSTING THE PLANING DEPTH (Fig. 3)

Always work from a rough cut to a finish cut. The approximate setting for rough planing is 0.8 mm. For finish planing use a setting of approximately 0.4 mm. Make test cuts in scrap wood after each adjustment to make sure that the planer is removing the desired amount of wood.

Follow these steps to adjust planing depth:

- Unplug the planer.
- Turn the depth adjustment knob (4) to the desired setting.

NOTE: To protect the blades during storage, transporting, etc., set the depth adjustment to 0.

OPERATION



WARNING

Always wear safety goggles or safety glasses with side shields when operating this tool. Failure to do so could result in dust, shavings, chips, loose particles, or foreign objects being thrown in your eyes resulting in possible serious injury. If the operation is dusty, also wear a face or dust mask.

STARTING / STOPPING THE PLANER (Fig. 4)

Follow these steps to start/stop the planer:

- To start the planer: Push the lock-off button (6), and then depress the trigger switch (4).
- The EPN-7582N is fitted with a feature known as soft start, this feature is electronically controlled and delays the start up of the motor and blades.
- To stop the planer: Release the trigger switch.

PLANING (Fig. 5)

Follow these steps to plane:

- Clamp the work securely.
- Adjust the planing depth. Refer to "Adjusting the Planing Depth" earlier in this manual.



WARNING

Always use two hands on the tool for any operation; this assures that you maintain control and avoid risk of serious personal injury. Always properly support and clamp the work so that both hands are free to control the planer.

- Place the front shoe (10) on the edge of work to be planed.
 - NOTE:** Make sure the blades (11) are not touching the work.

- Apply pressure to the front handle so that the front shoe is completely flat on the work.
- Start the planer and let the motor reach maximum speed.
- Hold the planer firmly and push it forward into the work, using a slow, steady motion.
- Apply downward pressure toward the rear handle as you reach the end of the planed cut. This helps keep the rear section of the planer base in contact with the work and prevents the front of the planer from gouging the cut.



WARNING

Be careful to avoid hitting nails during planing operation; this action could nick, crack, or damage blades.

NOTE: We suggest that you always keep an extra set of blades on hand. As soon as the blades in your planer show signs of becoming dull, replace them. The blades in your planer are reversible and can be reversed until both sides become dull.

F GB D E I P NL S DK N FIN GR H CZ RUS RO PL SLO HR TR

English

OPERATION

CHAMFERING (Fig. 6)

The planer is designed with a chamfering groove in the front shoe to chamfer edges of boards as shown. Before making a cut on good lumber, practice cutting on scrap lumber to determine the amount to be removed.

Follow these steps to chamfer:

- Clamp the work securely.
- Hold the front handle with your left hand and the rear handle with your right hand.
- Place the chamfering groove on the surface to be cut.
- Start the planer and let the motor reach maximum speed.
- Hold the planer firmly and push it forward into the work, using a slow, steady motion.
- Apply downward pressure to keep your planer flat at the beginning and the end of the work surface.

PLANING EDGES AND MAKING RABBET CUTS

The planer comes with an adjustable edge guide for precision edge planing and rabbet cutting. Attach the edge guide to either side of the planer for planing edges and attach the edge guide to the left side for making rabbet cuts.

TO ATTACH THE EDGE GUIDE FOR PLANING EDGES (Fig. 7)

Follow these steps to attach the edge guide for planing edges:

- Unplug the planer.
- Attach the bracket (13) to the desired side of the planer using the knob bolt (12).
- Attach the edge guide (14) to the bracket using the knob nut (15) and the carriage head bolt (16).
- Tighten the retaining knob securely.

TO PLANE EDGES (Fig. 8)

Follow the directions in the "Planing" section earlier in this manual. Hold the edge guide firmly against the edge of the work surface.

TO ATTACH THE EDGE GUIDE FOR MAKING RABBET CUTS (Fig. 9)

Follow these steps to attach the edge guide for making rabbet cuts:

- Unplug the planer.

- Attach the bracket to the left side of the planer using the knob bolt.
- Attach the edge guide loosely to the bracket using the knob nut and the carriage head bolt.
- Adjust the edge guide to the desired width for the rabbet cut.
- Tighten the retaining knob securely.

TO MAKE RABBET CUTS (Fig. 9)

Follow the directions in the "Planing" section earlier in this manual. Hold the edge guide firmly against the edge of the work surface. The depth of the rabbet is determined by the depth of the cut and the number of passes made along the work surface. The maximum depth of the rabbet cut is 8,5 mm and has to be cut in 2.5 mm passes, or less, to reach the desired depth. The width of the rabbet cut is adjustable by moving the edge guide.

MAINTENANCE



WARNING

When servicing, use only identical Ryobi replacement parts. Use of any other part may create a hazard or cause product damage.

GENERAL

All parts represent an important part of the double insulation system and should be serviced only at an authorized service center.

Avoid using solvents when cleaning plastic parts. Most plastics are susceptible to damage from various types of commercial solvents and may be damaged by their use. Use clean cloths to remove dirt, carbon dust, etc.



WARNING

Do not at any time let brake fluids, gasoline, petroleum-based products, penetrating oils, etc. come in contact with plastic parts. They contain chemicals that can damage, weaken, or destroy plastic.

Electric tools used on fiberglass material, wallboard, spackling compounds, or plaster are subject to accelerated wear and possible premature failure because the fiberglass chips and grindings are highly abrasive to bearings, brushes, commutators, etc. Consequently, we do not recommend using this tool for extended work on these types of materials. However, if you do work with any of these materials, it is extremely important to clean the tool using compressed air.

F GB D E I P NL S DK N FIN GR H CZ RUS RO PL SLO HR TR

English

MAINTENANCE



WARNING

Always wear safety goggles or safety glasses with side shields during power tool operation or when blowing dust. If operation is dusty, also wear a dust mask. Failure to do so could result in possible serious injury.

LUBRICATION

All of the bearings in this tool are lubricated with a sufficient amount of high-grade lubricant for the life of the unit under normal operating conditions. Therefore, no further lubrication is required.

CLEANING THE EXHAUST PORT AND EMPTYING THE DUST BAG (Fig. 10)

After using the planer for an extended period of time or when planing wet or green lumber, chips may build-up in the exhaust port and require cleaning. Chip build-up restricts air flow and causes the motor to overheat.

Clean the exhaust port and empty the dust bag regularly:

- Unplug the planer.



WARNING

Failure to unplug your planer could result in accidental starting causing serious injury.

- Remove the dust bag from the exhaust port.
- Clean the chip or dust build-up from the exhaust port of your planer with a small piece of wood. Do not use your hands or fingers.
- Empty all debris from the dust bag and ensure that the collar is free of debris.
- Replace the dust bag.

REPLACING BLADES (Fig. 11, 12 & 13)

The blades (11) in your planer are reversible. Therefore, you can reverse the blades when one edge becomes dull.

Always replace or reverse blades in pairs. Do not attempt to sharpen blades. If the blades become dull, replace them.

When replacing the blades, use recommended replacement blade only.



WARNING

Blades are sharp, use extreme caution when replacing the blades. Failure to heed this warning can result in serious personal injury.

- Unplug the planer.



WARNING

Failure to unplug the planer could result in accidental starting causing serious injury.

- Secure the planer in an upside down position.
- Loosen the three screws securing the blade on the blade holder (17) using the blade wrench provided.

NOTE: Do not over-loosen the screws. If screws are too loose, alignment of the new blade will not be accurate.

NOTE: Before removing the old blades, take notice of the direction of cut as well as how the tapered edge of the old blades are oriented. The tapered edge of the new blades must be in the same orientation as the original blades.

- Push the blade (to the right) out of the blade holder using the tip of a screwdriver.
- Remove the old blade from the blade holder.

NOTE: If blade cannot be easily pushed out of blade holder after loosening blade securing screws, use a block of wood to break the blade loose from the blade holder, with a short sharp blow. Then push the blade with a screwdriver to remove. If necessary, tap the block of wood sharply with a small hammer to break the blade loose.

- Clean any sawdust or wood chips from around the blade area.
- Slide the new blade into the slot of the blade holder.
- Use a screwdriver to push the blade into the blade holder until it is centered into position.
- Retighten the three blade securing screws using the blade wrench.
- Repeat the above procedure to change the other blade.

REPLACING THE BELT (Fig. 14 & 15)

When replacing the belt, use the recommended replacement belt only.

- Unplug the planer.



WARNING

Failure to unplug the planer could result in accidental starting causing serious injury.

- Remove belt cover (18) screws.
- Remove the belt cover.
- Force the old belt from the small pulley (20) by turning in the direction shown. As you turn the belt (19), pull and work it off the small pulley until it has been completely removed from both pulleys.

F **GB** D E I P NL S DK N FIN GR H CZ RUS RO PL SLO HR TR

English

MAINTENANCE

- Install the new belt over the large pulley (21). As you turn the belt, push and work it onto the small pulley until it is in place.
- Replace the belt cover.
- Install belt cover screws and tighten securely, but do not overtighten.

NOTE: Do not overtighten the screws.

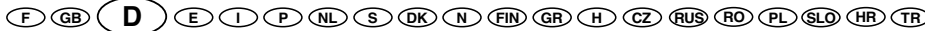
LIVE TOOL INDICATOR

This tool features a live tool indicator (7) which illuminates as soon as the tool is connected to the supply. This warns the user that the tool is connected and will operate when the switch is pressed.

ENVIRONMENTAL PROTECTION



Do not dispose of in general household waste. Instead, dispose of in an environmentally friendly way. Contact your local recycling centre or council for advice. Ryobi takes the care of the environment very seriously.



Deutsch

VIELEN DANK, DASS SIE SICH FÜR EIN PRODUKT VON RYOBI ENTSCHEIDEN HABEN.

Lesen Sie vor der Verwendung Ihres Geräts die vorliegende BEDIENUNGSANLEITUNG sowie die SICHERHEITSVORSCHRIFTEN gründlich durch, um eine optimale und sichere Verwendung zu gewährleisten.

ALLGEMEINE SICHERHEITSHINWEISE



WARNUNG

Bei der Verwendung von elektrischen Geräten müssen die grundlegenden Sicherheitsbestimmungen befolgt werden, um die Risiken von Bränden, elektrischen Schlägen und Körperverletzungen zu verringern.

- **Sorgen Sie dafür, dass der Arbeitsbereich stets sauber ist.** Herumliegende Gegenstände und Verschmutzungen stellen eine Gefährdung dar.
- **Berücksichtigen Sie Ihre Arbeitsumgebung.** Setzen Sie Ihre elektrischen Geräte nicht dem Regen aus. Verwenden Sie elektrische Geräte nie an nassen oder sehr feuchten Orten. Der Arbeitsbereich muss gut beleuchtet sein. Verwenden Sie keine elektrischen Geräte in Räumen, in denen ein Brandrisiko oder die Gefahr eines elektrischen Schlages besteht.
- **Schützen Sie sich gegen elektrische Schläge.** Vermeiden Sie jeden Kontakt mit geerdeten oder an Masse gelegten Flächen (d. h. Rohren, Heizkörpern, Backöfen, Kühlschränken, usw.).
- **Achten Sie darauf, dass Kinder fern bleiben.** Besucher dürfen weder das Gerät noch das Verlängerungskabel berühren. Alle Besucher müssen vom Arbeitsbereich fern gehalten werden.
- **Räumen Sie momentan nicht verwendete Geräte stets auf.** Ein nicht benutztes Gerät muss an einem trockenen, hoch gelegenen oder mit einem Schlüssel verschlossenen Ort außerhalb der Reichweite von Kindern aufbewahrt werden.
- **Verwenden Sie das geeignete Gerät.** Verwenden Sie die kleinen Geräte oder Zubehörteile nicht zur Ausführung für Arbeiten, für die Geräte mit einer höheren Leistung erforderlich wären. Verwenden Sie Ihr Gerät nur für Arbeiten, für die es entwickelt wurde.
- **Verwenden Sie Ihr Gerät nur auf der vorgesehenen Leistungsstufe.** Ihr Gerät arbeitet effizienter und sicherer, wenn Sie es auf der Stufe verwenden, für die es konzipiert wurde.
- **Lassen Sie Ihr Gerät von einem qualifizierten Techniker reparieren.** Dieses elektrische Gerät erfüllt die gesetzlichen Sicherheitsbestimmungen.

Reparaturen müssen von einem qualifizierten Techniker durchgeführt werden und es dürfen nur Original-Ersatzteile verwendet werden. Die Missachtung dieser Vorschrift kann zu einer Gefährdung des Bedieners führen.

- **Verwenden Sie nur gut geschliffene Klingen.**
- **Tragen Sie einen Gehörschutz.**
- **Tragen Sie geeignete Kleidung.** Tragen Sie keine weiten Kleidungsstücke oder Schmuckstücke, die sich in bewegenden Teilen verfangen können. Beim Arbeiten im Freien empfehlen wir das Tragen von Gummihandschuhen und rutschfesten Schuhen. Schützen Sie lange Haare durch eine Kopfabdeckung.
- **Tragen Sie eine Schutzbrille.** Tragen Sie außerdem eine Staubschutzmaske oder einen Gesichtsschutz, wenn beim Arbeiten Staub entsteht.
- **Achten Sie darauf, dass das Stromkabel in einwandfreiem Zustand bleibt.** Halten Sie Ihr Gerät niemals am Stromkabel und ziehen Sie niemals am Gerät oder am Stromkabel, um den Stecker aus der Steckdose zu ziehen. Achten Sie darauf, dass das Stromkabel nicht in die Nähe von Wärmequellen, Öl und scharfkantigen Objekten gerät.
- **Bewahren Sie stets eine Gleichgewichtsposition.** Achten Sie auf einen guten Stand und strecken Sie den Arm nicht zu weit aus.
- **Warten Sie Ihr Gerät sorgfältig.** Um beste Ergebnisse und eine optimale Sicherheit zu erzielen, sollten Ihre Geräte stets sauber sein. Prüfen Sie das Stromkabel regelmäßig. Falls es beschädigt ist, müssen Sie es von einem autorisierten Ryobi-Kundendienst reparieren lassen. Die Verlängerungskabel müssen ebenfalls regelmäßig überprüft und ausgetauscht werden, wenn sie beschädigt sind. Achten Sie darauf, dass die Griffe stets trocken und sauber sind und keine Öl- oder Fettspuren aufweisen.
- **Entfernen Sie die Spanschlüssel.** Überprüfen Sie vor dem Einschalten des Geräts stets, ob die Spanschlüssel entfernt wurden.
- **Vermeiden Sie ein versehentliches Einschalten.** Transportieren Sie Ihr Gerät nicht, während sich Ihr Finger auf dem Ein-/Aus-Schalter befindet, wenn das Gerät an das Stromnetz angeschlossen ist. Vergewissern Sie sich, dass der Ein-/Aus-Schalter auf "Stop" steht, wenn Sie Ihr Gerät an das Stromnetz anschließen.
- **Verwenden Sie geeignete Verlängerungskabel.** Verwenden Sie beim Arbeiten im Freien nur für eine Verwendung im Freien konzipierte Verlängerungskabel.
- **Blieben Sie stets wachsam.** Richten Sie Ihren Blick auf die auszuführende Arbeit. Handeln Sie vernünftig und umsichtig. Verwenden Sie das Gerät nicht, wenn Sie müde sind.



Deutsch

ALLGEMEINE SICHERHEITSHINWEISE

- **Vergewissern Sie sich, dass alle Teile des Geräts in unbeschädigtem Zustand sind.** Bevor Sie Ihr Gerät weiterverwenden, sollten Sie prüfen, ob ein beschädigtes Teil oder Zubehörteil noch funktioniert oder seine Funktion erfüllt. Prüfen Sie die Ausrichtung und den guten Halt der beweglichen Teile, die Montage sowie alle anderen Elemente, die einen Einfluss auf den Betrieb des Geräts haben können. Lassen Sie alle defekten Schalter von einem autorisierten Ryobi-Kundendienst auswechseln. Verwenden Sie das Gerät nicht, wenn der Ein-/Aus-Schalter defekt ist und das Gerät nicht ein- oder ausgeschaltet werden kann.
- **Vergewissern Sie sich, dass das Gerät an ein Netz mit der auf dem Typenschild angegebenen Spannung angeschlossen wird.**
- **Verwenden Sie Ihr Gerät niemals, wenn das Schutzgehäuse oder Schrauben fehlen.** Wenn das Schutzgehäuse oder Schrauben entfernt wurden, müssen diese vor der Verwendung wieder eingesetzt werden. Achten Sie darauf, dass alle Teile stets in einwandfreiem Zustand sind.
- **Achten Sie beim Arbeiten in der Höhe darauf, dass Ihre Geräte gut befestigt sind.**
- **Berühren Sie die Klinge, den Bohrer, die Scheibe oder andere bewegliche Elemente während der Verwendung niemals.** Schalten Sie das Gerät niemals ein, wenn seine Klinge das Werkstück berührt.
- **Legen Sie Ihr Gerät niemals ab, bevor die beweglichen Elemente nicht vollständig zum Stillstand gekommen sind.**
- **ZUBEHÖR:** Die Benutzung von anderen als den in der vorliegenden Bedienungsanleitung empfohlenen Zubehörteilen und Zusatzgeräten kann gefährlich sein.
- **ERSATZTEILE:** Bei einem Austausch von Teilen dürfen nur Originalersatzteile von Ryobi verwendet werden.
- **Warten Sie vor dem Ablegen Ihres Geräts, bis die Eisen vollständig zum Stillstand gekommen sind.** Rotierende Hobeleisen können sich auf der Fläche, auf der Sie Ihren Hobel ablegen, verkeilen und so zu einem Kontrollverlust über das Gerät und schweren Verletzungen führen.

PRODUKTDATEN

	EPN-6082	EPN-7582N
Stromversorgung	230 V ~ 50 Hz	230 V ~ 50 Hz
Leistung	600 W	750 W
Leerlaufdrehzahl	16 000 U./Min.	16 000 U./Min.
Max. Hobeltiefe	1,5 mm	2 mm
Max. Hobelbreite	82 mm	82 mm

Max. Falztiefe	8 mm	12 mm
Gewicht	3,1 kg	3,2 kg

Prüfen Sie das Typenschild des Geräts, denn die Spannung kann je nach Land unterschiedlich sein.

BESCHREIBUNG

1. Staubabsaugknopf rechts / links
2. Tiefeneinstellungsknob
3. Absaugdüse
4. Ein-/Aus-Schalter
5. Griff hinten
6. Entriegelungsknopf des Ein-/Aus-Schalters
7. Spannungsanzeiger
8. Staubbeutelmuffe
9. Staubbeutel
10. Hobelsohle vorne
11. Umkehrbare Hobelklinge
12. Knopf zur Blockierung des Winkels
13. Winkel
14. Seitenführung
15. Befestigungsknopf der Seitenführung
16. Schraube
17. Klingenhalterung
18. Riemengehäuse
19. Riemen
20. Motorriemenscheibe
21. Trommelriemenscheibe
22. Sicherheitsstütze

MERKMALE



WARNUNG

Bei einem fehlenden Teil darf das Gerät erst verwendet werden, nachdem das betreffende Teil ersetzt wurde. Die Missachtung dieser Vorschrift kann zu schweren Körperverletzungen führen.

LERNEN SIE IHREN HOBEL KENNEN

Vor der Verwendung Ihres Hobels sollten Sie sich mit all seinen Funktionen und den Merkmalen in bezug auf die Sicherheit des Geräts vertraut machen. Bleiben Sie jedoch auch nachdem Sie Ihren Hobel kennen stets wachsam.

Ihr Hobel ist kompakt und leicht. Er ist mit den folgenden Elementen ausgestattet:

EIN-/AUS-SCHALTER

Ihr Hobel ist mit einem einfach zu verwendenden Ein-/Aus-Schalter ausgestattet.



Deutsch

MERKMALE

ENTRIEGELUNG DES EIN-/AUS-SCHALTERS

Der Ein-/Aus-Schalter kann erst gedrückt werden, nachdem der Entriegelungsknopf des Ein-/Aus-Schalters gedrückt wurde. Dieser Knopf blockiert den Ein-/Aus-Schalter auf der Position STOP, sobald dieser freigegeben wird.



WARNUNG

Bleiben Sie auch nachdem Sie sich Ihren Hobel kennen stets wachsam. Denken Sie daran, dass nur ein Bruchteil einer Sekunde genügen kann, um eine schwere Verletzung zu verursachen.

TIEFENEINSTELLUNG

Sie können die Sohle Ihres Hobels in 0,2 mm-Schritten zwischen 0 und 1,5 mm (EPN-6082)/2 mm (EPN 7582N) einstellen. Die letzte mögliche Einstellung entspricht der maximalen Hobeltiefe, d. h. 1,5 mm (EPN-6082)/2,0 mm (EPN-7582N).

SICHERHEITSTÜTZE (Abb. 11)

Ihr Hobel ist mit einer abnehmbaren Stütze am hinteren Teil der Sohle ausgestattet. Mit dieser Stütze wird jeder Kontakt zwischen den Eisen und der Fläche, auf der Sie Ihren Hobel bei Stillstand des Motors ablegen, vermieden.

Die Stütze wird automatisch in dem Moment eingezogen, in dem sie an den Rand des Werkstücks kommt, wenn Sie mit dem Hobeln beginnen.

SEITENFÜHRUNG ZUM HOBELN VON RÄNDERN UND FALZEN

Die mit Ihrem Hobel gelieferte Führung ermöglicht das Hobeln von Rändern und die Ausführung von Falzen.

STAUBBEUTEL

Der Staubbeutel wird am Hobel befestigt und ermöglicht es, dass der Arbeitsbereich frei von Sägespänen und Splintern bleibt.

EINSTELLUNGEN



WARNUNG

Ziehen Sie stets den Netzstecker Ihres Hobels ab, während Sie Teile montieren, Einstellungen oder Wartungsarbeiten durchführen, das Gerät reinigen oder wenn Sie es nicht verwenden. Wenn der Netzstecker des Hobels abgezogen ist, besteht kein Risiko eines versehentlichen Einschaltens, das schwere Körperverletzungen verursachen kann.

EINSETZEN DES STAUBBEUTELS (Abb. 1)

Führen Sie zum Einsetzen des Staubbeutels die folgenden Schritte aus (9):

- Ziehen Sie den Netzstecker des Hobels ab.
- Schieben Sie die Muffe (8) des Staubbeutels in die Absaugdüse (3) des Hobels.

ANMERKUNG: Entfernen Sie den Staubbeutel von der Absaugdüse indem Sie ihn abziehen.



ACHTUNG

Der Staubbeutel ist schnell gefüllt. Leeren Sie ihn regelmäßig, um eine Beschädigung Ihres Geräts zu vermeiden.

EINSTELLUNG DER STAUBABSAUGRICHTUNG (Abb. 2)

Sie können die Staubabsaugrichtung wählen, wenn Sie in engen Räumen arbeiten. Der Staub kann nach rechts oder nach links abgesaugt werden.

Führen Sie die folgenden Schritte aus, um die Staubabsaugrichtung zu ändern:

- Ziehen Sie den Netzstecker des Hobels ab.
- Stellen Sie die Absaugrichtung ein und setzen Sie den Staubbeutel auf.
 - Um den Staub nach rechts abzusaugen, drücken Sie den Staubabsaugknopf rechts / links (1) nach rechts und befestigen den Staubbeutel an der rechten Düse.
 - Um den Staub nach links abzusaugen, drücken Sie den Staubabsaugknopf rechts / links (1) nach links und befestigen den Staubbeutel an der linken Düse.

EINSTELLUNG DER HOBELTIEFE (Abb. 3)

Das Hobeln muss immer von einer größeren Tiefe zu einer geringeren Tiefe erfolgen. Zu Beginn des Hobelns muss die Tiefe auf etwa 0,8 mm eingestellt sein. Stellen Sie dann zum Abschließen die Tiefe auf etwa 0,4 mm. Führen Sie nach jeder Einstellung einen Test an Abfallstücken durch, um sicherzustellen, dass der Hobel die gewünschte Schicht (Dicke) an Holz entfernt.

Führen Sie die folgenden Schritte aus, um die Hobeltiefe einzustellen:

- Ziehen Sie den Netzstecker des Hobels ab.
- Stellen Sie den Tiefeneinstellungsknopf (4) auf den gewünschten Wert.

ANMERKUNG: Wenn Sie Ihr Gerät aufräumen oder transportieren, müssen Sie den Tiefeneinstellungsknopf zum Schutz der Klingen auf 0 stellen.



Deutsch

BETRIEB



WARNUNG

Tragen Sie stets eine Sicherheits- oder Schutzbrille mit Seitenschutz, wenn Sie mit diesem Gerät arbeiten. Die Missachtung dieser Anweisung kann dazu führen, dass Fremdkörper, wie z. B. Staub, Späne oder Splitter in Ihre Augen spritzen und schwere Augenverletzungen verursachen. Tragen Sie außerdem einen Gesichtsschutz oder eine Staubschutzmaske, wenn beim Arbeiten Staub entsteht.

START / ANHALTEN DES HOBELS (Abb. 4)

Führen Sie die folgenden Schritte aus, um Ihren Hobel einzuschalten und anzuhalten:

- Drücken Sie zum Einschalten des Hobels den Entriegelungsknopf des Ein-/Aus-Schalters (6) und drücken Sie anschließend auf den Ein-/Aus-Schalter (4).
- Der Hobel EPN-7582N ist mit einem System für ein elektronisches Starten in mehreren Stufen ausgestattet, das ein kontrolliertes Einschalten des Motors und der Eisen in mehreren Stufen ermöglicht.
- Geben Sie zum Anhalten Ihres Hobels den Ein-/Aus-Schalter frei.

HOBELN (Abb. 5)

Führen Sie zum Hobeln die folgenden Schritte aus:

- Fixieren Sie das zu bearbeitende Teil gut.
- Stellen Sie die Hobeltiefe ein (siehe Abschnitt "Einstellung der Hobeltiefe" oben).



WARNUNG

Halten Sie Ihr Gerät bei seiner Verwendung stets mit beiden Händen fest, um die Kontrolle zu behalten und schwere Körperverletzungen zu vermeiden. Das zu bearbeitende Teil muss stets mit Hilfe von Schraubzwingen oder einem Schraubstock korrekt befestigt sein, damit Ihre beiden Hände zum Halten des Hobels frei bleiben.

- Positionieren Sie die vordere Hobelsohle (10) am Rand des zu hobelnden Teils.

ANMERKUNG: Vergewissern Sie sich, dass die Klingen (11) das Werkstück nicht berühren.

- Üben Sie einen Druck auf den vorderen Griff aus, so dass die vordere Hobelsohle vollkommen flach am Werkstück anliegt.
- Schalten Sie den Hobel ein und warten Sie, bis der Motor seine Höchstzahl erreicht hat.

- Halten Sie den Hobel gut fest und lassen Sie die Klingen in das Werkstück eindringen. Schieben Sie den Hobel langsam und in einer gleichmäßigen Bewegung nach vorne.
- Drücken Sie am Ende des Hobelvorgangs den hinteren Griff nach unten. Dadurch bleibt der hintere Teil des Hobels am Werkstück und der vordere Teil blockiert den Hobelvorgang nicht.



WARNUNG

Achten Sie darauf, dass das zu hobelnde Teil keine Nägel enthält: es besteht die Gefahr, dass Klingen ausbrechen, gespalten oder beschädigt werden.

ANMERKUNG: Wir empfehlen Ihnen, stets Austausch-klingen verfügbar zu halten. Sie können so die Klingen Ihres Hobels austauschen sobald sie stumpf sind. Die Klingen Ihres Hobels sind umkehrbar: Sie können eine Klinge daher umkehren, wenn eine Seite stumpf ist. Wechseln sie die Klingen nur aus, wenn die beiden Seiten stumpf sind.

ABSCHRÄGEN VON KANTEN (Abb. 6)

Ihr Hobel ist mit einer Nute zum Abschrägen auf der vorderen Hobelsohle ausgestattet. Dadurch können Sie Bretter abschrägen (wie in Abb. 6 gezeigt). Bevor Sie einen Schnitt in das Werkstück ausführen, sollten Sie Tests an Abfallstücken durchführen, um die Menge an zu entfernendem Holz zu ermitteln.

Führen Sie zum Abschrägen die folgenden Schritte aus:

- Fixieren Sie das zu bearbeitende Teil fest.
- Halten Sie den vorderen Griff mit Ihrer linken Hand und den hinteren Griff mit Ihrer rechten Hand.
- Positionieren Sie die Abschrägnute am Winkel des Werkstücks.
- Schalten Sie den Hobel ein und warten Sie, bis der Motor seine Höchstgeschwindigkeit erreicht hat.
- Halten Sie den Hobel fest und lassen Sie die Klingen in das Werkstück eindringen. Schieben Sie den Hobel langsam und mit einer gleichmäßigen Bewegung nach vorne.
- Üben Sie einen Druck nach unten aus, damit der Hobel von Anfang bis zum Ende des Hobelvorgangs am Teil anliegt.

HOBELN VON RÄNDERN UND AUSFÜHREN VON FALZEN

Ihr Hobel ist mit einer einstellbaren Seitenführung für ein präzises Hobeln von Rändern und für die Ausführung von Falzen ausgestattet.



Deutsch

BETRIEB

Befestigen Sie die Führung an einer beliebig gewählten Seite des Hobels zum Hobeln von Rändern und an der linken Seite zum Hobeln von Falzen.

MONTAGE DER SEITENFÜHRUNG ZUM HOBELN VON RÄNDERN (Abb. 7)

Führen Sie die folgenden Schritte aus, um die Seitenführung zum Hobeln von Rändern zu befestigen:

- Ziehen Sie den Netzstecker des Hobels ab.
- Montieren Sie den Winkel (13) mit Hilfe des Befestigungsknopfes (12) an einer Seite des Hobels.
- Befestigen Sie die Seitenführung (14) mit Hilfe des anderen Befestigungsknopfes (15) und der Schraube (16).
- Ziehen Sie die Befestigungsknöpfe fest an.

HOBELN VON RÄNDERN (Abb. 8)

Befolgen Sie die im Abschnitt "Hobeln" beschriebenen Anweisungen (siehe oben). Drücken Sie die Seitenführung fest gegen den Rand des Werkstücks.

MONTAGE DER SEITENFÜHRUNG ZUR AUSFÜHRUNG VON FALZEN (Abb. 9)

Führen Sie die folgenden Schritte aus, um die Seitenführung zur Ausführung von Falzen zu befestigen:

- Ziehen Sie den Netzstecker des Hobels ab.
- Montieren Sie den Winkel mit Hilfe des Befestigungsknopfes an der linken Seite des Hobels.
- Befestigen Sie die Seitenführung mit Hilfe des anderen Befestigungsknopfes und der Schraube am Winkel (ohne anzuziehen).
- Stellen Sie die Seitenführung auf die gewünschte Breite für den auszuführenden Falz ein.
- Ziehen Sie die Befestigungsknöpfe fest an.

AUSFÜHREN VON FALZEN (Abb. 9)

Befolgen Sie die im Abschnitt "Hobeln" beschriebenen Anweisungen (siehe oben). Drücken Sie die Seitenführung fest gegen den Rand des Werkstücks.

Die Tiefe des Falzes entspricht der Schnitttiefe und der Anzahl von Passagen, die entlang des Werkstücks ausgeführt werden. Die maximale Falztiefe beträgt 8,5 mm. Ein Falz muss durch aufeinander folgende Passagen von 2,5 mm oder weniger durchgeführt werden, bis die gewünschte Tiefe erreicht ist. Die Falzbreite kann durch Einstellen der Breite der Seitenführung gewählt werden.

WARTUNG



WARNUNG

Bei einem Austausch von Teilen dürfen nur Originalersatzteile von Ryobi verwendet werden. Die Verwendung von anderen Teilen kann zu einer Gefährdung führen oder Ihr Gerät beschädigen.

ALLGEMEINE ANWEISUNGEN

Alle Teile gehören zum System der doppelten Isolation des Geräts und dürfen nur von einem autorisierten Ryobi-Kundendienst repariert werden.

Verwenden Sie keine Lösungsmittel zum Reinigen der Kunststoffteile. Die meisten Kunststoffe können durch im Handel erhältliche Lösungsmittel beschädigt werden. Verwenden Sie einen sauberen Lappen für die Reinigung von Verschmutzungen, Staub usw.



WARNUNG

Die Kunststoffelemente dürfen niemals mit Bremsflüssigkeit, Benzin, Produkten auf Petroleumbasis, eindringenden Öle usw. in Kontakt kommen. Diese chemischen Produkte enthalten Substanzen, die den Kunststoff beschädigen, schwächen oder zerstören können.

Bei Verwendung der Geräte auf Glasfaseroberflächen, Verkleidungspaneele oder Gips kann es zu einer vorzeitigen Abnutzung und Defekten kommen, denn der generierte Staub und die Absplatterungen haben eine sehr hohe Schleifwirkung und können die Getriebe, die Bürsten, die Schalter usw. beschädigen. Wir raten Ihnen daher davon ab, Ihr Gerät über einen längeren Zeitraum für diese Arten von Material einzusetzen. Wenn Sie jedoch auf diesen Materialien arbeiten, müssen Sie Ihr Gerät nach jeder Verwendung mit Druckluft reinigen.



WARNUNG

Tragen Sie stets eine Sicherheitsbrille oder eine Brille mit Seitenblende, während Sie Ihr Gerät verwenden oder wenn Sie den angesammelten Staub vom Gerät entfernen. Tragen Sie außerdem eine Staubschutzmaske, wenn beim Arbeiten Staub entsteht. Die Missachtung dieser Vorschrift kann zu schweren Körperverletzungen führen.

SCHMIERUNG

Alle Zahnräder dieses Werkzeugs wurden mit einem hochwertigen Schmiermittel geschmiert, das für die gesamte Lebensdauer des Geräts bei normalen Nutzungsbedingungen ausreichend ist. Es ist daher keine zusätzliche Schmierung erforderlich.

F GB **D** E I P NL S DK N FIN GR H CZ RUS RO PL SLO HR TR

Deutsch

WARTUNG

REINIGUNG DER ABSAUGDÜSE UND ENTLERUNG DES STAUBBEUTELS (Abb. 10)

Nach einer längeren Verwendung Ihres Hobels oder wenn Sie nasses oder frisches Holz gehobelt haben, können sich Späne in der Absaugdüse angesammelt haben. Diese Späne müssen entfernt werden. Sie können tatsächlich die Belüftung behindern und zu einer Überhitzung des Motors führen.

Reinigen Sie die Absaugdüse und leeren Sie den Staubbeutel regelmäßig.

- Ziehen Sie den Netzstecker des Hobels ab.



WARNUNG

Wenn der Netzstecker des Hobels nicht abgezogen wird, kann es zu einem unbeabsichtigten Einschalten des Geräts kommen und dies kann schwere Körperverletzungen herbeiführen.

- Entfernen Sie den Staubbeutel von der Absaugdüse.
- Entfernen Sie den in der Düse angesammelten Staub mit einem kleinen Holzstückchen. Verwenden Sie niemals Ihre Hand oder Ihre Finger.
- Leeren Sie den Staubbeutel vollständig und vergewissern Sie sich, dass die Muffe sauber ist.
- Setzen Sie den Staubbeutel wieder ein.

AUSTAUSCH DER KLINGEN (Abb. 11, 12 & 13)

Die Klingen (11) Ihres Hobels sind umkehrbar: Wenn eine Seite der Klinge stumpf ist, können Sie sie umdrehen.

Die Klingen müssen stets paarweise umgedreht oder ausgewechselt werden. Versuchen Sie nicht, die Klingen zu schleifen. Wechseln Sie stumpfe Klingen stets aus.

Verwenden Sie beim Auswechseln der Klingen nur vom Hersteller empfohlene Klingen.



WARNUNG

Die Klingen sind sehr scharf; beim Auswechseln ist daher höchste Vorsicht geboten. Die Missachtung dieser Warnung kann zu schweren Körperverletzungen führen.

- Ziehen Sie den Netzstecker des Hobels ab.



WARNUNG

Wenn der Netzstecker des Hobels nicht abgezogen wird, kann es zu einem unbeabsichtigten Einschalten des Geräts kommen und dies kann schwere Körperverletzungen herbeiführen.

- Drehen Sie Ihren Hobel um und befestigen Sie ihn, so dass er stabil ist.
- Lösen Sie die drei Schrauben, die die Klingen in der Klingenhalterung (17) halten mit einem Sechskantschlüssel.

ANMERKUNG: Lösen Sie die Schrauben nicht vollständig. Wenn die Schrauben zu weit gelöst sind, kann die neue Klinge nicht korrekt ausgerichtet werden.

ANMERKUNG: Bestimmen Sie vor dem Entfernen der abgenutzten Klingen die Schnitttrichtung sowie die Richtung, in die die schneidenden Ränder ausgerichtet sind. Der schneidende Rand der neuen Klingen muss in dieselbe Richtung ausgerichtet sein wie der schneidende Rand der alten Klingen.

- Schieben Sie die Klinge mit der Spitze eines Schraubendrehers nach rechts, um sie aus der Klingenhalterung zu entfernen.
- Entfernen Sie die abgenutzte Klinge von der Klingenhalterung.

ANMERKUNG: Wenn es Ihnen nicht gelingt, die Klinge einfach aus der Klingenhalterung zu entfernen, nachdem die Schrauben gelöst sind, schlagen Sie rasch mit einem Holzhammer darauf, um die Klinge von ihrer Halterung zu lösen. Drücken Sie die Klinge anschließend mit einem Schraubendreher, um sie von der Halterung zu entfernen. Verwenden Sie falls erforderlich einen kleinen Hammer, um auf das Holzstück zu schlagen und die Klinge zu entfernen.

- Entfernen Sie den Staub oder die Späne aus den Schlitzen.
- Schieben Sie die neue Klinge in den Schlitz der Klingenhalterung ein.
- Verwenden Sie einen Schraubendreher, um die Klinge in die Klingenhalterung zu schieben, bis sie einwandfrei zentriert ist.
- Ziehen Sie die drei Klingenfixierschrauben mit einem Sechskantschlüssel an.
- Wechseln die andere Klinge auf dieselbe Art und Weise aus.

AUSTAUSCH DES RIEMENS (Abb. 14 & 15)

Verwenden Sie zum Austausch des Riemens nur einen Original-Ersatzriemen.

- Ziehen Sie den Netzstecker des Hobels ab.



WARNUNG

Wenn der Netzstecker des Hobels nicht abgezogen wird, kann es zu einem unbeabsichtigten Einschalten des Geräts kommen und dies kann schwere Körperverletzungen herbeiführen.

F GB **D** E I P NL S DK N FIN GR H CZ RUS RO PL SLO HR TR

Deutsch

WARTUNG

- Entfernen Sie die Schraube des Riemengehäuses (18)
- Entfernen Sie das Riemengehäuse.
- Drehen Sie Motorriemenscheibe (20) in die in Abbildung 15 gezeigte Richtung. Ziehen Sie am Riemen (19) während Sie ihn weiterhin drehen und lösen Sie die Motorriemenscheibe, bis der Riemen sich außerhalb der beiden Scheiben befindet.
- Legen Sie den neuen Riemen um die Trommelriemenscheibe (21). Legen Sie den Riemen um die Motorriemenscheibe während Sie ihn drehen, bis er fest eingesetzt ist.
- Setzen Sie das Riemengehäuse wieder ein.
- Ziehen Sie die Gehäuseschrauben des Riemens wieder an (nicht zu fest).

ANMERKUNG: Ziehen Sie die Schrauben nicht zu fest an.

SPANNUNGS-LED

Dieses Gerät ist mit einer Spannungs-LED (7) ausgestattet, die aufleuchtet, wenn das Gerät an das Stromnetz angeschlossen wird. Diese LED macht Sie darauf aufmerksam, dass das Gerät unter Spannung steht und eingeschaltet wird, sobald Sie auf den Ein-/Aus-Schalter drücken.

UMWELTSCHUTZ



Rohstoffe dürfen nicht in den Abfall geworfen werden, sondern müssen dem Recyclingsystem zugeführt werden. Trennen Sie Ihre Abfälle und entsorgen Sie abgenutzte Geräte, Zubehör und Verpackungen über die entsprechenden Recycling-Container. Ryobi engagiert sich für den Umweltschutz.



Nederlands

FIJN DAT U HEBT GEKOZEN VOOR EEN PRODUCT VAN RYOBI.

Lees eerst deze HANDLEIDING en ook de VEILIGHEIDSVOORSCHRIFTEN zorgvuldig door voordat u het apparaat gaat gebruiken om het veilig en optimaal te kunnen gebruiken.

ALGEMENE VEILIGHEIDSVOORSCHRIFTEN



WAARSCHUWING

Tijdens het gebruik van elektrisch gereedschap moeten altijd de elementaire veiligheidsvoorschriften in acht genomen worden om gevaar voor brand, elektrische schokken en lichamelijk letsel te beperken.

- **Zorg dat uw werkruimte goed schoon is.** Rommelige werkruimtes of werkbanken werken ongelukkig in de hand.
- **Houd rekening met uw werkomgeving.** Stel elektrisch gereedschap niet bloot aan regen. Gebruik uw elektrisch gereedschap niet op natte of zeer vochtige plaatsen. Zorg dat de plaats waar u werkt goed verlicht is. Gebruik elektrisch gereedschap nooit op plekken waar gevaar bestaat voor brand of elektrische schokken.
- **Bescherm uzelf tegen elektrische schokken.** Voorkom aanraking van geaarde oppervlakken (bijv. buizen, radiatoren, fornuizen, koelkasten, enz.).
- **Houd kinderen uit de buurt.** Zorg dat anderen het apparaat of het netsnoer niet kunnen aanraken. Alle bezoekers moeten uit de buurt van de werkzone blijven.
- **Berg gereedschappen die u niet gebruikt op.** Gereedschap dat niet in gebruik is, moet op een droge plaats worden opgeborgen, hoog boven de grond of achter slot en grendel, buiten bereik van kinderen.
- **Gebruik het juiste gereedschap.** Forceer geen licht gereedschap of accessoires om werkzaamheden te verrichten waarvoor een zwaardere uitvoering nodig is. Gebruik uw apparaat uitsluitend voor werkzaamheden waarvoor het bestemd is.
- **U mag het apparaat niet overbelasten.** Uw gereedschap zal veiliger en zekerder werken als u het gebruikt op het toerental waarvoor het berekend is.
- **Laat uw apparaat repareren door een ter zake kundig technicus.** Dit elektrische apparaat voldoet aan de wettelijke veiligheidsvoorschriften. Eventuele reparaties moeten door een ter zake kundig technicus worden uitgevoerd en met gebruik van originele reservedelen. Niet naleving van dit voorschrift kan gevaar opleveren voor de gebruiker.
- **Gebruik uitsluitend goed geslepen schaafmessen.**
- **Draag gehoorbeschermers.**
- **Draag geschikte kleding.** Draag geen wijde kleding of sieraden die in de bewegende delen beklemd kunnen raken. Draag bij het werken buitenshuis bij voorkeur rubber werkhandschoenen en schoenen met antislipzolen. Als u lang haar hebt, bescherm dit dan door een hoofdbedekking te dragen.
- **Draag een veiligheidsbril.** Draag ook een stofmasker of een gelaatsmasker bij werkzaamheden waarbij stofdeeltjes vrijkomen.
- **Houd het netsnoer in goede staat.** Til uw apparaat nooit op aan het netsnoer en probeer niet de stekker uit het stopcontact te halen door aan het apparaat of aan het snoer te trekken. Houd het snoer uit de buurt van warmtebronnen, olie en scherpe randen.
- **Zorg dat u altijd uw evenwicht goed kunt bewaren.** Ga altijd stevig op uw benen staan en reik met uw armen niet te ver weg.
- **Houd uw apparaten in goede staat van werking.** Houd uw gereedschap altijd schoon voor betere resultaten en optimale veiligheid. Controleer regelmatig de goede staat van het netsnoer. Laat het repareren door een Erkend Ryobi Servicecentrum als het beschadigd is. Controleer regelmatig of de verlengsnoeren in goede staat verkeren. Vervang ze onmiddellijk als ze beschadigd zijn. Zorg dat de handgrepen altijd droog, schoon en vrij van olie of vet zijn.
- **Verwijder stel- en moersleutels.** Maak er een gewoonte van om te controleren of alle stelsleutels van het gereedschap verwijderd zijn voordat u het in werking stelt.
- **Zorg dat het apparaat niet ongewild in werking kan treden.** Verplaats het apparaat nooit met uw vinger op de schakelaar terwijl het nog op de stroom is aangesloten. Controleer of de schakelaar op "uit" staat voordat u de stekker van het apparaat in het stopcontact steekt.
- **Gebruik geschikte verlengsnoeren.** Als u uw machine buitenshuis gebruikt, moeten de verlengsnoeren geschikt zijn voor een dergelijk gebruik.
- **Blijf waakzaam.** Kijk goed naar wat u doet. Gebruik uw gezonde verstand. Gebruik uw gereedschap nooit wanneer u moe bent.
- **Controleer of geen enkel onderdeel van het apparaat beschadigd is.** Controleer, voordat u doorgaat met uw gereedschap, of een eventueel beschadigd onderdeel kan blijven werken of zijn functie kan blijven vervullen.



Nederlands

ALGEMENE VEILIGHEIDSVOORSCHRIFTEN

- Controleer de uitlijning en de staat van de bewegende delen, de montage en alle andere elementen die de werking van het gereedschap kunnen beïnvloeden. Laat een defecte schakelaar vervangen door een erkend Ryobi servicecentrum. Gebruik het apparaat niet als u het niet meer met de schakelaar aan en uit kunt zetten.
- **Controleer of de netspanning overeenkomt met de aanduidingen op het kenplaatje van het apparaat.**
 - **Gebruik uw apparaat nooit zonder de behuizing of als er bouten ontbreken.** Als de behuizing of bouten zijn weggenomen, breng deze dan weer terug aan voordat u het apparaat gaat gebruiken. Houd alle onderdelen in goede staat van werking.
 - **Zorg dat u stevig greep hebt op het apparaat wanneer u hoog werkt.**
 - **Raak nooit het zaagblad, de boor, de slijpschijf of andere bewegende delen aan tijdens gebruik.** Start een apparaat nooit wanneer het mes in aanraking is met het werkstuk.
 - **Leg nooit een apparaat neer voordat alle bewegende delen volledig tot stilstand zijn gekomen.**
 - **ACCESSOIRES:** Het gebruik van andere accessoires en hulpstukken dan die welke in deze handleiding worden aanbevolen kan gevaar opleveren.
 - **RESERVEONDERDELEN:** Gebruik bij vervanging uitsluitend originele reserveonderdelen.
 - **Wacht tot de schaaftbeitels geheel tot stilstand zijn gekomen voordat u het apparaat ergens neerzet.** De nog draaiende beitels kunnen mogelijk in het oppervlak dringen waarop u de schaaft neerzet, waardoor de kans bestaat dat u de macht over het apparaat verliest en ernstig lichamelijk letsel oploopt.

PRODUCTGEGEVENS

	EPN-6082	EPN-7582N
Voeding	230 V ~ 50 Hz	230 V ~ 50 Hz
Vermogen	600 W	750 W
Toerental bij nullast	16.000 t.p.m.	16.000 t.p.m.
Maximum schaaftdiepte	1,5 mm	2 mm
Maximum schaaftbreedte	82 mm	82 mm
Maximum sponningdiepte	8 mm	12 mm
Gewicht	3,1 kg	3,2 kg

Controleer het kenplaatje van het product, want de spanning kan verschillen al naar gelang het land waar het product wordt gebruikt.

OVERZICHT

1. Keuzeknop stofafvoer links/rechts
2. Diepte-instelknop
3. Afvoermondstuk
4. Aan/uit-schakelaar
5. Hoofdhandgreep
6. Ontgrendelknop van de schakelaar
7. Spanningsverklikker
8. Aansluitstuk van de stofzak
9. Stofzak
10. Voorste voetplaat
11. Omkeerbaar schaaftmes
12. Bevestigingsknop van de winkelhaak
13. Winkelhaak
14. Langsgeleider
15. Bevestigingsknop van de langsgeleider
16. Schroef
17. Messenhouder
18. Snaardeksel
19. Snaar
20. Motorpoelie
21. Trommelpoelie
22. Veiligheidssteun

TECHNISCHE KENMERKEN



WAARSCHUWING

Als er een onderdeel ontbreekt, gebruik het apparaat dan niet voordat u beschikt over dat ontbrekende onderdeel. Niet naleving van dit voorschrift kan ernstig lichamelijk letsel veroorzaken.

MAAK UZELF VERTROUWD MET UW SCHAAFMACHINE

Maak uzelf, voordat u uw schaafmachine gaat gebruiken, eerst vertrouwd met alle functies en specifieke kenmerken wat betreft de veiligheid van de machine. Laat uw waakzaamheid echter niet verslappen als u eenmaal vertrouwd bent geraakt met uw schaafmachine.

De schaafmachine heeft een compacte bouw en is licht van gewicht. De machine is uitgerust met de volgende voorzieningen:

AAN/UIT-SCHAKELAAR

De schaafmachine is voorzien van een praktische aan/uit-schakelaar.

F GB D E I P **NL** S DK N FIN GR H CZ RUS RO PL SLO HR TR

Nederlands

TECHNISCHE KENMERKEN

ONTGREDELING VAN DE AAN/UIT-SCHAKELAAR

Om de aan/uit-schakelaar te kunnen indrukken moet u eerst de ontgrendelknop van de schakelaar indrukken. Deze knop blokkeert de schakelaar in de UIT-stand zodra u de schakelaar loslaat.



WAARSCHUWING

Laat uw waakzaamheid niet verslappen als u eenmaal vertrouwd bent geraakt met uw schaaaf. Vergeet niet dat een seconde onoplettendheid voldoende is om ernstig letsel te veroorzaken.

AFSTELLING VAN DE SCHAAFDIEPTE

U kunt de voet van de schaaafmachine op de gewenste diepte instellen tussen 0 en 1,5 mm (EPN-6082) / 2,0 mm (EPN-7582N) in stappen van 0,2 mm. De laatst mogelijke afstelling komt overeen met de maximale schaafdiepte, dat wil zeggen 1,5 mm (EPN-6082) / 2,0 mm (EPN-7582N).

VEILIGHEIDSTEUN (afb. 11)

Uw schaaaf is voorzien van een inklapbare steun aan de achterkant van de voet. Deze steun dient om te voorkomen dat de beitels in aanraking komen met het oppervlak waarop u de schaaaf neerzet terwijl de motor nog niet helemaal is gestopt.

Deze steun klapt automatisch weer in op het moment dat hij tegen de rand van het te schaven werkstuk aankomt wanneer u weer gaat schaven.

LANGSGELEIDER VOOR HET SCHAVEN VAN RANDEN EN SPONNINGEN

Met de bij de schaaafgeleider geleverde geleider kunt u randen schaven en sponningen maken.

STOFZAK

Door de stofzak op de schaaafmachine te monteren kunt u uw werkplek vrij houden van stof en spaanders.

INSTELLINGEN



WAARSCHUWING

De schaaafmachine mag nooit op de stroom zijn aangesloten als u onderdelen monteert, instellingen wijzigt of reparaties uitvoert, als u de machine schoonmaakt of niet gebruikt. Door de stekker van de machine uit het stopcontact te trekken voorkomt u dat het apparaat ongewild in werking treedt, wat ernstig letsel tot gevolg kan hebben.

STOFZAK INSTALLEREN (afb. 1)

Ga als volgt te werk om de stofzak (9) te installeren:

- Trek de stekker van de schaaaf uit het stopcontact.
- Schuif het aansluitstuk (8) van de stofzak in het afvoermondstuk (3) van de schaaafmachine.

OPMERKING: Om de stofzak te verwijderen trekt u het aansluitstuk weer uit het afvoermondstuk.



LET OP

De stofzak raakt snel vol. Leeg de zak regelmatig om beschadiging van het apparaat te voorkomen.

STOFAFVOERRICHTING INSTELLEN (afb. 2)

U kunt kiezen in welke richting het stof wordt afgevoerd als u op plaatsen werkt waar weinig vrije ruimte voor de stofzak is. Het stof kan naar links of naar rechts worden afgevoerd.

Ga als volgt te werk om de richting te veranderen waarin het stof wordt afgevoerd:

- Trek de stekker van de schaaaf uit het stopcontact.
- Regel de afvoerrichting en installeer de stofzak.
 - Om het stof naar rechts af te voeren, duwt u de links/rechts-keuzeknop (1) naar rechts en sluit u de stofzak aan op het rechter mondstuk.
 - Om het stof naar links af te voeren, duwt u de links/rechts-keuzeknop naar links en sluit u de stofzak aan op het linker mondstuk.

SCHAAFDIEPTE INSTELLEN (afb. 3)

Bij schaven begint u altijd met een grotere diepte-instelling voor de voorbereiding en gaat u over op een kleinere spaandikte voor de afwerking. Om het schaaferk te beginnen moet u de diepte op ongeveer 0,8 mm instellen. Daarna stelt u de diepte in op ongeveer 0,4 mm om het schaven af te maken. Doe na elke wijziging van een instelling eerst een proef op een stuk afvalhout om te controleren of de schaaafmachine de gewenste houddikte afschaaft.

Ga als volgt te werk om de schaafdiepte in te stellen:

- Trek de stekker van de schaaaf uit het stopcontact.
- Plaats de diepte-instelknop (4) op de gewenste stand.

OPMERKING: Plaats de diepte-instelknop op de nulstand om de messen te beschermen als u het apparaat opbergt of vervoert.

F GB D E I P **NL** S DK N FIN GR H CZ RUS RO PL SLO HR TR

Nederlands

BEDIENING

WAARSCHUWING

Draag altijd een veiligheidsbril of een beschermbril met zijschotjes wanneer u met dit gereedschap werkt. Als u zich hier niet aan houdt, kunnen wegsplattende deeltjes, zoals stofdeeltjes, spaanders of splinters in uw ogen komen en ernstig oogletsel veroorzaken. Draag ook een gelaatsmasker of een stofmasker als bij de werkzaamheden stofdeeltjes vrijkomen.

SCHAAFMACHINE AAN-/UITZETTEN (afb. 4)

Ga als volgt te werk om de schaafmachine aan te zetten en uit te zetten:

- Druk de ontgrendelknop (6) in en druk vervolgens op aan/uit-schakelaar (4) om de schaafmachine aan te zetten.
- De EPN-7582N schaafmachine is voorzien van een elektronisch geregelde zachte aanloop waardoor de motor en de beitels rustig en geleidelijk op gang komen.
- Laat u de aan/uit-schakelaar los om de schaafmachine uit te zetten.

SCHAVEN (afb. 5)

Ga als volgt te werk om te schaven:

- Zet het werkstuk stevig vast.
- Stel de schaaftdiepte in (zie het gedeelte "Schaaftdiepte instellen" hierboven).

WAARSCHUWING

Houd het apparaat tijdens gebruik altijd met twee handen vast om de macht over het apparaat te behouden en zodoende ernstig lichamelijk letsel te voorkomen. Het werkstuk moet altijd goed worden vastgezet met behulp van klemmen of een bankschroef, zodat u twee handen vrij hebt om de schaaft vast te houden.

- Plaats de voorste voetzool (10) op de rand van het te schaven werkstuk.
- **OPMERKING:** Zorg ervoor dat de beitels (11) het werkstuk niet aanraken.
- Oefen enige druk uit op de voorste handgreep om te zorgen dat de voorste zool zich geheel vlak op het werkstuk bevindt.
- Zet de schaafmachine aan en wacht totdat de motor de maximumsnelheid heeft bereikt.

- Houd de schaafmachine stevig vast en laat de schaaftmessen in het werkstuk dringen. Duw de schaafmachine langzaam en geleidelijk naar voren.
- Oefen enige druk naar beneden uit op de hoofdhandgreep als u het einde van het schaaftwerk bereikt. Op die manier blijft de achterkant van de schaafmachine tegen het werkstuk en blokkeert het voorste deel schaven niet.

WAARSCHUWING

Zorg dat het te schaven werkstuk geen spijkers bevat: hierdoor zouden stukken uit de schaaftmessen kunnen wegslaan of zouden de messen kunnen inscheuren of beschadigd raken

OPMERKING: Wij raden u aan om altijd reservemessen bij de hand te houden. Zo kunt u de schaaftmessen van uw machine meteen vervangen zodra deze bot zijn geworden. De schaaftmessen van de schaafmachine zijn omkeerbaar: u kunt een schaaftmes omkeren als hij aan één kant bot is geworden. Vervang alleen schaaftmessen die aan beide kanten bot zijn.

AFSCHUINEN (afb. 6)

De schaafmachine is voorzien van een groef in de voorste voetzool. Deze is nuttig als u planken wilt afschuinen of afkanten, zoals getoond in afbeelding 6. Doe een proef op een stuk afvalhout om te bepalen hoeveel hout u wilt afschaven voordat u het werkstuk gaat bewerken.

Ga als volgt te werk om af te schuinen:

- Zet het werkstuk stevig vast.
- Pak de voorste handgreep met uw linkerhand vast en de hoofdhandgreep met uw rechterhand.
- Plaats de afschuingroef tegen de hoek van het werkstuk.
- Zet de schaafmachine aan en wacht totdat de motor de maximumsnelheid heeft bereikt.
- Houd de schaafmachine stevig vast en laat de schaaftmessen in het werkstuk dringen. Duw de schaafmachine langzaam en geleidelijk naar voren.
- Oefen aan het begin en aan het einde van het schaaftwerk enige druk naar beneden uit om de schaafmachine tegen het werkstuk te houden.



Nederlands

BEDIENING

RANDEN SCHAVEN EN SPONNINGEN MAKEN

De schaafmachine is voorzien van een verstelbare langsgeleider waarmee u nauwkeurig randen kunt afschaven en sponningen kunt maken. Om randen te schaven bevestigt u de geleider aan een van de zijkanten (links of rechts, naar keuze) en om sponningen te maken bevestigt u hem aan de linkerkant van de schaaf.

LANGSGELEIDER INSTALLEREN OM RANDEN TE SCHAVEN (afb. 7)

Ga als volgt te werk om de langsgeleider vast te zetten om randen te schaven:

- Trek de stekker van de schaaf uit het stopcontact.
- Bevestig de winkelhaak (13) aan een van beide kanten van de schaaf met behulp van de bevestigingsknop (12).
- Bevestig de langsgeleider (14) aan de winkelhaak met behulp van de andere bevestigingsknop (15) en de schroef (16).
- Draai de bevestigingsknoppen stevig vast.

RANDEN SCHAVEN (afb. 8)

Volg de aanwijzingen die vermeld staan in het gedeelte "Schaven" (zie hierboven). Houd de langsgeleider stevig tegen de rand van het werkstuk aangedrukt.

LANGSGELEIDER INSTALLEREN OM SPONNINGEN TE MAKEN (afb. 9)

Ga als volgt te werk om de langsgeleider vast te zetten om sponningen te maken:

- Trek de stekker van de schaaf uit het stopcontact.
- Bevestig de winkelhaak aan de linkerkant van de schaaf met behulp van de bevestigingsknop.
- Bevestig de langsgeleider aan de winkelhaak (zonder vast te draaien) met behulp van de andere bevestigingsknop en de schroef.
- Stel de langsgeleider in op de gewenste breedte voor de te maken sponning.
- Draai de bevestigingsknoppen stevig vast.

SPONNINGEN MAKEN (afb. 9)

Volg de aanwijzingen die vermeld staan in het gedeelte "Schaven" (zie hierboven). Houd de langsgeleider stevig tegen de rand van het werkstuk aangedrukt.

De diepte van de sponning wordt bepaald door de schaafdiepte en het aantal malen dat de schaaf langs het werkstuk wordt gehaald.

De maximale sponningdiepte is 8,5 mm. Een sponning moet in meerdere etappes worden gemaakt door achtereenvolgens steeds 2,5 mm of minder af te schaven totdat de gewenste diepte wordt bereikt. De breedte van de sponning kan worden bepaald door de breedte van de langsgeleider in te stellen.

ONDERHOUD



WAARSCHUWING

Onderdelen mogen uitsluitend door Ryobi reserveonderdelen worden vervangen. Het gebruik van andere onderdelen kan gevaar opleveren of uw apparaat beschadigen.

ALGEMENE VOORSCHRIFTEN

Alle machinedelen zijn onderdeel van het dubbele isolatiesysteem van het apparaat en mogen uitsluitend door een Erkend Ryobi Servicecentrum worden hersteld.

Gebruik geen oplosmiddelen om de kunststof onderdelen te reinigen. De meeste kunststoffen kunnen worden beschadigd door de in de handel zijnde oplosmiddelen. Gebruik een schone doek om vuil of stof te verwijderen.



WAARSCHUWING

Kunststof onderdelen mogen nooit in aanraking komen met remvloeistof, benzine, petroleumproducten, kruipolie, enz. Deze chemicaliën bevatten namelijk substanties die kunststof kunnen beschadigen, verzwakken of aantasten.

Gereedschap dat voor bewerking van glasvezeloppervlakken, bekledingsplaten of gips wordt gebruikt, loopt meer risico om voortijdig te verslijten of defect te raken omdat de opgewekte stofdeeltjes en stukjes glasvezel zeer schurend werken en dus mogelijk schade kunnen veroorzaken aan tandwielstelsels, borstels, schakelaars, enz. Wij raden u af om uw gereedschap voor langere tijd op dit soort materialen te gebruiken. Als u toch op deze materialen moet werken, is het absoluut noodzakelijk om het gereedschap na elk gebruik met perslucht te reinigen.



WAARSCHUWING

Draag altijd een veiligheidsbril of een beschermbril met zijschotjes wanneer u met dit gereedschap werkt of wanneer u het opgehoopte stof verwijderd. Draag ook een stofmasker als bij de werkzaamheden stofdeeltjes vrijkomen. Niet naleving van dit voorschrift kan ernstig lichamelijk letsel veroorzaken.



Nederlands

ONDERHOUD

SMERING

Alle overbrengingen van deze machine zijn gesmeerd met een hoeveelheid hoogwaardig smeermiddel die bij normaal gebruik voldoende is voor de hele levensduur van deze machine. Extra smering is daarom niet noodzakelijk.

AFVOERMONDSTUK REINIGEN EN STOFZAK LEGEN (afb. 10)

Als u de schaafmachine langere tijd hebt gebruikt of als u nat of groen hout hebt geschaafd, kunnen er zich krullen hebben opgezameld in het afvoermondstuk. Deze dient u dan weg te halen. Krullen kunnen namelijk een goede ventilatie verhinderen waardoor de motor oververhit kan raken.

Reinig het afvoermondstuk en leeg de stofzak regelmatig.

- Trek de stekker van de schaaaf uit het stopcontact.



WAARSCHUWING

Als u de stekker van de schaafmachine niet uit het stopcontact trekt, kan de machine ongewild in werking treden en ernstig lichamenlijk letsel veroorzaken.

- Trek de stofzak van het afvoermondstuk.
- Verwijder met behulp van een stukje hout het stof of de krullen die vastgeklemd zitten in het mondstuk. Doe dit niet met uw hand of vingers.
- Leeg de stofzak en controleer of het aansluitstuk schoon is.
- Zet de stofzak terug op zijn plaats.

SCHAAFMESSEN VERVANGEN (afb. 11, 12 en 13)

De schaaafmesses (11) van de schaafmachine zijn omkeerbaar. Zodat één kant bot is geworden, kunt u het mes omkeren.

Ga altijd te werk in paren als u schaaafmesses omkeert of verwisselt. Probeer niet om schaaafmesses zelf te slijpen. Als schaaafmesses bot zijn, dient u ze te vervangen.

Gebruik voor vervanging uitsluitend door de fabrikant aanbevolen schaaafmesses.



WAARSCHUWING

Schaaafmesses zijn zeer scherp, daarom dient u uiterst voorzichtig te werk te gaan als u ze vervangt. Niet naleving van deze waarschuwing kan ernstig lichamenlijk letsel tot gevolg hebben.

- Trek de stekker van de schaaaf uit het stopcontact.



WAARSCHUWING

Als u de stekker van de schaaafmachine niet uit het stopcontact trekt, kan de machine ongewild in werking treden en ernstig lichamenlijk letsel veroorzaken.

- Keer de schaaafmachine helemaal om en zet hem vast zodat hij stabiel staat.
- Draai met behulp van een inbusleutel de drie schroeven die de schaaafmesses vasthouden in de messenhouder (17) enige slagen los.

OPMERKING: Draai de schroeven niet te veel los. Als de schroeven te los zitten, wordt het nieuwe schaaafmes niet goed uitgelijnd.

OPMERKING: Kijk voordat u de versleten messen uitneemt, wat de snijrichting is en aan welke kant het schuine snijvlak uitsteekt. Het snijvlak van de nieuwe schaaafmesses moet dezelfde kant op staan als het snijvlak van de oude schaaafmesses.

- Duw het schaaafmes naar rechts met behulp van het uiteinde van een schroevendraaier om het uit de houder te laten steken.

- Haal het versleten schaaafmes uit de messenhouder.

OPMERKING: Als u er niet in slaagt om het schaaafmes gemakkelijk uit de messenhouder te halen nadat u de schroeven hebt losgedraaid, kunt u een tik met een stuk hout op het schaaafmes geven om het los te maken van de messenhouder. Duw het schaaafmes daarna met een schroevendraaier om het uit de messenhouder te halen. Zonodig kunt u een kleine hamer gebruiken om op het stuk hout te slaan en het schaaafmes los te maken.

- Verwijder het stof of de krullen die vastzitten in de holte van de schaaafmesses.

- Steek het nieuwe schaaafmes in de gleuf van de messenhouder.

- Gebruik een schroevendraaier om het schaaafmes binnen in de messenhouder verder te duwen totdat het goed in het midden zit.

- Draai de klemmschroeven van de schaaafmesses vast met behulp van een inbusleutel.

- Volg dezelfde procedure om het andere schaaafmes te vervangen.

SNAAR VERVANGEN (afb. 14 en 15)

Gebruik uitsluitend een originele reservesnaar als u de aandrijfsnaar moet vervangen.

- Trek de stekker van de schaaaf uit het stopcontact.

F GB D E I P **NL** S DK N FIN GR H CZ RUS RO PL SLO HR TR

Nederlands

ONDERHOUD



WAARSCHUWING

Als u de stekker van de schaafmachine niet uit het stopcontact trekt, kan de machine ongewild in werking treden en ernstig lichamelijk letsel veroorzaken.

- Verwijder de schroeven van het snaardeksel (18).
- Verwijder het snaardeksel.
- Laat de motorpoelie (20) draaien in de richting die in afbeelding 15 staat aangeven. Trek aan de snaar (19) terwijl u de hem laat draaien en haal de snaar steeds verder van de motorpoelie af totdat de snaar van de twee poelies af is.
- Plaats de nieuwe snaar rond om de trommelpoelie (21). Sla de snaar om de motorpoelie terwijl u hem net zo lang laat draaien tot de snaar goed op zijn plaats zit.
- Zet het snaardeksel terug op zijn plaats.
- Draai de schroeven van het snaardeksel stevig op hun plaats vast, zonder te forceren.

OPMERKING: Draai de schroeven niet al te vast aan.

SPANNINGSVERKLIKKER

Dit apparaat is voorzien van een spanningsverklipper (7) die gaat branden zodra het apparaat is aangesloten. Dit controlelampje dient om u te waarschuwen dat het apparaat onder spanning staat en dat het apparaat gaat werken zodra u op de schakelaar drukt.

MILIEUBESCHERMING



Zorg dat gronstoffen gerecycleerd en niet vernietigd worden. U dient uw afvalstoffen gescheiden aan te bieden en oude apparaten, accessoires en verpakkingen in speciale bakken te deponeren of naar instanties te brengen die belast zijn met de recycling ervan. Ryobi hecht veel waarde aan milieubescherming.



Magyar

KÖSZÖNJÜK, HOGY RYOBI TERMÉKET VÁSÁROLT.

Kérjük, hogy a szerszám biztonságos és helyes használatának érdekében a használatbavétel előtt figyelmesen olvassa el jelen HASZNÁLATI ÚTMUTATÓT és a BIZTONSÁGI ELŐÍRÁSOKAT.

ÁLTALÁNOS BIZTONSÁGI ELŐÍRÁSOK



FIGYELMEZTETÉS

A tűzveszély, az áramütés és a más testi sérüléssel járó balesetek elkerülése végett feltétlenül fontos, hogy a szerszám használata során az alapvető biztonsági előírásokat teljes mértékben betartsa.

- **Gondoskodjon a munkaterület rendszeres takarításáról.** A zsúfolt, rendetlen helyiségek önmagukban is balesetforrást jelentenek.
- **Mindig vegye figyelembe a munkaterületi körülményeket.** Ne tegye ki az elektromos szerszámokat esőnek. Ne használja az elektromos szerszámot nedves vagy párák környezetben. Gondoskodjon arról, hogy a munkatér legyen tiszta és részeseüljön kellő megvilágításban. Ne vegye igénybe a szerszámot olyan helyen, ahol tűz- vagy áramütés veszélye áll fenn.
- **Óvja magát az áramütés ellen.** Kerülje a földelő tárgyakkal való érintkezést (például csővezeték, radiátor, gáz- vagy villanytűzhely, hűtőszekrény stb.).
- **Tartsa távol a gyermekeket.** Más személyek ne nyúljanak se a szerszámhoz, se a hosszabbítóhoz. Ezeket a személyeket munkaterületen kívül kell tartani.
- **Rakja el azokat a szerszámokat, amelyekre már nincs szüksége.** Száraz helyiségben, magasban lévő- vagy kulccsal zárható helyen tárolja a használaton kívüli szerszámot.
- **A célnak megfelelő szerszámot használja.** Ne erőltesse a kisméretű szerszámokat nagyobb kapacitást igénylő munkálatok elvégzésére. A szerszámot kizárólag olyan munkálatokra használja, amelyre tervezték / fejlesztették.
- **Ne erőltesse a szerszámot.** A szerszám hatékonysága, valamint az igénybevitel biztonsága akkor maximális, ha azt a célnak megfelelően használja.
- **A szerszámot egy erre képzett szakemberrel javíttassa.** Ez az elektromos kéziszerszám megfelel a törvényi előírásokban lefektetett biztonsági szabványoknak. A javítási munkákat egy olyan képzett szakemberre kell bízni, aki eredeti cserealkatrészeket használ. Ezen előírás be nem tartása súlyos testi sérüléssel járó balesetet okozhat.

- **Csak éles gyalukést használjon.**
- **Használjon hallásvédő eszközt (füldugót).**
- **Viseljen a munkának megfelelő öltözetet.** Ne hordjon bő ruhát és olyan ékszert, amelyet a készülék mozgó részei bekaphatnak. A kültéri munkálatokhoz nyomtatékosan javasoljuk a gumikesztyű és a csúszásgátló talppal ellátott cipő viselését. Amennyiben hosszú a haja, takarja sapka ill. kendő alá.
- **Hordjon védőszemüveget.** Ha a munkálatok során por termelődik, használjon porvédő maszkot vagy arcvédőt.
- **Ügyeljen arra, hogy az elektromos hálózati vezeték mindig jó állapotban legyen.** Soha ne tartsa a készüléket a zsinórnál fogva, illetve soha ne a zsinórnál fogva húzza azt ki a hálózati aljzattól. Tartsa távol a hálózati tápvezeték hőforrásoktól, olajos dolgoktól és éles peremektől.
- **Ügyeljen arra, hogy munka közben mindig egyensúlyban legyen.** Álljon fél-terpesz állásban és ne nyújtsa túl messze a karját.
- **Gondoskodjon a szerszám kellő karbantartásáról.** Tiszta és éles vágószerszámmal dolgozhat a legnagyobb biztonságban, így érheti el a legjobb eredményeket. Rendszeresen ellenőrizze a tápvezeték állapotát, és ha rongálódást tapasztal, javíttassa meg a legközelebbi hivatalos Ryobi Szerviz Központban. Rendszeresen ellenőrizze a hosszabbító állapotát és cserélje újra, ha megromlásra utal. Ügyeljen arra, hogy a fogantyúk tiszta állapotban, olaj- és zsíradékmentesek legyenek.
- **Ne felejtse a beállítókulcsokat eltávolítani.** Váljon szokásává az, hogy a készülék beindítása előtt leellenőrizze, hogy a kulcsokat eltávolította-e.
- **Minden esetben kerülje a szerszám véletlen beindítását.** Ne szállítsa vagy hordozza a hálózathoz csatlakoztatott készüléket úgy, hogy az ujját a be - ki kapcsológombon (ravasz) tartja. Mielőtt a készüléket a hálózati aljzathoz csatlakoztatja, bizonyosodjon meg arról, hogy a kapcsoló "ki" állásban van-e.
- **Használjon az előírásoknak megfelelő hosszabbítót.** Ha kint dolgozik, kizárólag kültéri használatra gyártott hosszabbítót használjon.
- **Legyen körültekintő.** Mindig óvatosan és körültekintően cselekedjen. Hallgasson a józan ítélőképességére. Ne használja a szerszámot, ha fáradtnak érzi magát.
- **Ellenőrizze, hogy a szerszám minden eleme jó állapotban van-e.** Ha bármilyen rendellenességet tapasztal, a munka folytatása előtt ellenőrizze, hogy a készülék sérült eleme működőképes állapotban van-e, be tudja-e tölteni rendeltetését.

F GB D E I P NL S DK N FIN GR **H** CZ RUS RO PL SLO HR TR

Magyar

ÁLTALÁNOS BIZTONSÁGI ELŐÍRÁSOK

Ellenőrizze a mozgó alkatrészek beállítását és rögzítését, az összes alkatrész felszerelését / illeszkedését, és minden egyéb körülményt, ami befolyásolhatja a szerszám működését. Bármilyen sérült kapcsológombot a legközelebbi hivatalos Ryobi Szerviz Központban cseréltesen ki. Ne használja a készüléket, ha a ki - be kapcsológomb nem teszi lehetővé a készülék bekapcsolását illetve leállítását.

- **Ellenőrizze, hogy az Ön által használt hálózati tápfeszültség paraméterei megfelelnek-e a szerszám típus tábláján feltüntetett értékeknek.**
- **Soha ne használja a készüléket, ha a védőlemez (védőbura) vagy az azt rögzítő csavarok nincsenek a helyükön.** Abban az esetben, ha a védőlemezt vagy az azt rögzítő csavarokat eltávolította, tegye azokat vissza a készülék használatára előtt. Ügyeljen arra, hogy minden alkatrész jó és üzemképes állapotban maradjon.
- **Ha magasban dolgozik, különös tekintettel figyeljen arra, hogy a szerszámot erősen tartsa a kezében.**
- **Soha ne érintse üzemeltetés közben a fűrészelemezt, a fúrófejet, a köszörűkövet ill. bármilyen más mozgásban lévő elemet.** Soha ne indítsa be a szerszámot úgy, hogy a kés a munkadarabhoz ér.
- **Ne tegye le a szerszámot addig, amíg a mozgásban lévő részek teljesen le nem állnak.**
- **TARTOZÉKOK:** A jelen útmutatóban nem említett tartozékok ill. kiegészítők használata veszélyes lehet.
- **PÓTALKATRÉSZEK:** Csere esetén kizárólag eredeti Ryobi pótalkatrésszel helyettesítse a régit.
- **Mielőtt letenné a szerszámot, várja meg, hogy a gyalukés teljesen leálljon.** A mozgásban lévő gyalukés beakadhat a felületbe, amelyre leteszi a gyalut, és ezáltal elveszítheti uralmát a szerszám felett, valamint súlyos sérüléseket okozhat.

A TERMÉK MŰSZAKI ADATAI

	EPN-6082	EPN-7582N
Tápfeszültség	230 V ~ 50 Hz	230 V ~ 50 Hz
Teljesítmény	600 W	750 W
Üresjárat fordulatszám	16 000 fordulat / perc	
Max. gyalulási mélység	1,5 mm	2 mm
Max. gyalulási szélesség	82 mm	82 mm
Max. hornyolási (fal-) mélység	8 mm	12 mm
Gépsúly	3,1 kg	3,2 kg

Ellenőrizze a készülék típus tábláját, mivel a hálózati feszültségérték ott, ahol a szerszámot használják más lehet.

A KÉSZÜLÉK RÉSZEI

1. Porelszívás irányváltó gomb (jobb / bal)
2. Mélység szabályzó gomb
3. Elszívócsonc
4. Ravasz (kapcsoló)
5. Hátsó fogantyú
6. Ravasz kireteszelő gomb
7. Kijelző (gép feszültség alatt)
8. Porzsák hüvely
9. Porzsák
10. Elülső talp
11. Fordítható gyalukés
12. Sarokvas rögzítógomb
13. Sarokvas (derékszög)
14. Oldalvezető
15. Oldalvezető rögzítő csavarfej
16. Csavar
17. Gyalukés tartó
18. Védőborítás
19. Hajtósíj
20. Kis szalagvezető tárcsa (motor)
21. Nagy szalagvezető tárcsa (dob)
22. Biztonsági támasz

MŰSZAKI ADATOK



FIGYELMEZTETÉS

Ne kapcsolja be a szerszámot, ha valamely eleme hiányzik, egészen addig, amíg a kérdéses alkatétel a helyén nincs. Ezen előírás be nem tartása súlyos testi sérüléssel járó balesetet okozhat.

ISMERJE MEG, TANULMÁNYOZZA A GYALUGÉP MŰKÖDÉSÉT

Ismerkedjen meg használatbavétel előtt a gyalu összes alkalmazási lehetőségével és a biztonsággal kapcsolatos jellemzőkkel / sajátosságokkal. Mindezen ellenére a készülék kiismerése ne késztesse a figyelmének csökkentésére.

A gyalugép kompakt, kis méretű és könnyű. A következő alkatélemeket tartalmazza:

RAVASZ

A gyalun egy könnyen használható ki - bekapcsoló ravasz található.



Magyar

MŰSZAKI ADATOK

A RAVASZ KIRETESZELÉSE

Ahhoz, hogy le lehessen nyomni a ravaszt, előtte be kell nyomni a ravasz kireteszelő gombot. Ez a gomb KI állásban rögzíti a ravaszt, amint elengedi.



FIGYELMEZTETÉS

A készülék kiismerése ne készítse figyelmének csökkentésére. Soha ne feledje, hogy egy pillanatnyi figyelmetlenség is elegendő ahhoz, hogy súlyosan megsérüljön.

A GYALULÁSI MÉLYSÉG BEÁLLÍTÁSA

A gyalu talpán beállíthatja a kívánt gyalulási mélységet 0,2 mm-es közönként 0 és 1,5 mm (EPN-6082) / 2,0 mm (EPN-7582N). között. Az utolsó beállítás a maximális gyalulási mélységnek, azaz az 1,5 mm (EPN-6082) / 2,0 mm (EPN-7582N) értéknek felel meg.

BIZTONSÁGI TÁMASZ (11. ábra)

A gyalutalp hátulján egy visszahúzó támasz lett kialakítva. Ennek az a szerepe, hogy a motor leállási ideje alatt megakadályozzon bármilyen érintkezést a gyalukés és azon felület között, amelyre lerakja a gyalut.

Ez a támasz automatikusan visszahúzódik, amikor a munkadarab szélére helyezte azt a gyalulás kezdetekor.

OLDALVEZETŐ SZÉLEK GYALULÁSÁHOZ ÉS HORNOLÁSHOZ

A gyaluhoz mellékelt vezető lehetővé teszi, hogy a munkadarab széléit / oldalát is legyalulja, valamint hogy hornyolásra is használhassa a gépet.

PORZSÁK

A porzsákat a gyaluhoz kell csatlakoztatni, így a munkaterületet nem szennyezi fűrészpor, forgács.

BEÁLLÍTÁSOK



FIGYELMEZTETÉS

A gyalugépet soha nem szabad az elektromos hálózatra csatlakozva (bedugva) hagyni tartozékok feltétele és beállítás közben, karbantartási munka alatt, tisztításakor, valamint ha hosszabb ideig nem tervezi használni a szerszámot. Amennyiben a készülék már nincs csatlakoztatva, akkor nem okozhat a véletlenszerű beindítás által súlyos testi sérüléssel járó balesetet.

A PORZSÁK FELSZERELÉSE (1. ábra)

Kövesse az alábbi lépéseket a porzsák (9) felszereléséhez:

- Húzza ki a gyalut a konnektorból (szüntesse meg az elektromos csatlakozást).
- Dugja be a porzsák hüvelyét (8) a gyalu elszívócsonkjába (3).

MEGJEGYZÉS: A porzsák levételéhez egyszerűen húzza ki azt az elszívócsonkból.



FIGYELMEZTETÉS

A porzsák gyorsan megtelik. Rendszeresen ürítse, hogy elkerülje a szerszám megrongálódását.

A PORELSZÍVÁS IRÁNYÁNAK BEÁLLÍTÁSA (2. ábra)

Beállíthatja a porelszívás irányát; ez különösen akkor hasznos, ha zárt térben dolgozik. A port jobbról vagy balról lehet elszívni.

Kövesse az alábbi lépéseket a porelszívás irányának megváltoztatásához:

- Húzza ki a gyalut a konnektorból (szüntesse meg az elektromos csatlakozást).
- Állítsa be a porelszívás irányát és helyezze fel a porzsákat.
 - A por jobbról történő elszívásához nyomja a porelszívás irányváltó gombját (1) jobbra és csatlakoztassa a porzsákat a jobb oldali elszívócsonkra.
 - A por balról történő elszívásához nyomja a porelszívás irányváltó gombját balra és csatlakoztassa a porzsákat a bal oldali elszívócsonkra.

A GYALULÁSI MÉLYSÉG BEÁLLÍTÁSA (3. ábra)

A gyalulást mindig a durvábbtól a finomabb felé haladva végezze. A gyalulás kezdetekor a gyalulási mélységet hozzávetőlegesen 0,8 mm-re kell beállítani, míg a végén körülbelül 0,4 mm-esre. Minden beállítás után végezzen próbagyalulást egy hulladék fán, hogy meggyőződhessen arról, hogy a gyalu a kívánt vastagságban szedi-e le a forgácsot a fáról.

Kövesse az alábbi lépéseket a gyalulási mélység beállításához:

- Húzza ki a gyalut a konnektorból (szüntesse meg az elektromos csatlakozást).
- Állítsa a mélység szabályozó gombot (4) a kívánt értékre.

MEGJEGYZÉS: Ha elrakja vagy áthelyezi a szerszámot, a gyalukés védelme érdekében állítsa a mélység szabályozó gombot 0-ra.



Magyar

MŰKÖDÉS



FIGYELMEZTETÉS

Viseljen mindig biztonsági szemüveget vagy oldallappal ellátott védőszemüveget, amikor a szerszámot használja. Ennek az előírásnak a be nem tartása súlyos szemsérüléssel járó balesetet okozhat, mert por, forgács, szikra stb. pattanhat a szemébe. Ha a munkálatok során por termelődik, használjon arcvédőt vagy porvédő maszkot is.

A GYALU BE - KI KAPCSOLÁSA (4. ábra)

Kövesse az alábbi lépéseket a gyalu beindításához ill. leállításához:

- A gyalu beindításához nyomja be a ravaszt kireteszelő gombot (6), majd nyomja meg a ravaszt (kapcsoló gomb) (4).
- Az EPN-7582N gyalu egy fokozatos elektronikus indítóval van felszerelve, mely lehetővé teszi, hogy a gyalumotor és -kés fokozatosan érje el maximális teljesítményét a gép bekapcsolásakor.
- Ha ki szeretné kapcsolni a készüléket, engedje el a ravaszt.

GYALULÁS (5. ábra)

Kövesse az alábbi lépéseket a gyalulási munka elvégzéséhez:

- Erősen rögzítse a munkadarabot.
- Állítsa be a gyalulási mélységet (lásd a "Gyalulási mélység beállítása" c. részt fentebb).



FIGYELMEZTETÉS

A szerszámot mindig két kézzel fogja használat közben, így irányítható marad és elkerülhetők a súlyos testi sérüléssel járó balesetek. A munkadarabot csavaros szorítók vagy egy sárga segítségével mindig, megfelelő módon rögzíteni kell, hogy a két keze szabadon maradjon a gyalu tartásához.

- Helyezze az elülső talpat (10) a megmunkálásra szánt felületre.

MEGJEGYZÉS: Ellenőrizze, hogy a gyalukés (11) ne érjen a munkadarabhoz.

- Fejtsen ki nyomóerőt az elülső fogantyúra oly módon, hogy az elülső talp teljes egészében a munkafelületre feküdjön.
- Kapcsolja be a készüléket, majd várjon, amíg a motor el nem éri a maximális sebességet.

- Tartsa szilárdan a gyalut és hagyja, hogy a kések a megmunkálendő munkadarabra hatoljanak. A gyaluval lassan, egyenletesen haladjon.
- Nyomja le a hátsó fogantyút, ha a gyalulás végére jutott. Ily módon a gyalu hátsó része a munkafelületen marad anélkül, hogy az elülső rész blokkolná a vágást.



FIGYELMEZTETÉS

Ügyeljen arra, hogy a gyalulandó munkadarabban ne legyenek szögek: ez kicsorbíthatja, megrepesztheti ill. károsíthatja a gyalukéseket.

MEGJEGYZÉS: Tartsa előírászerűen a pót gyalukéseket a közelben. Ily módon azonnal lecserélheti a gyalu késeit, amint élettelené váltak. A gyalu kései megfordíthatóak: e szerint egy kést meg lehet fordítani, amint eltompult az éle. Csak akkor cserélje le a gyalukéseket, ha mindkét oldaluk életlen már.

LEÉLEZÉS (6. ábra)

A gyalu talpán leélező nűt található, ennek segítségével le lehet vágni a deszkák éleit a 6. ábrán látható módon. Mielőtt egy munkadarab vágásához kezdene, végezzen előtte próbát egy hulladék fán, hogy meghatározhassa a levágásra kerülő fa mennyiségét.

Kövesse az alábbi lépéseket a leélezéshez:

- Erősen rögzítse a munkadarabot.
- Fogja meg az elülső fogantyút a bal kezével, a hátsó fogantyút pedig a jobb kezével.
- Helyezze a leélező nűtot a munkadarab sarkához.
- Kapcsolja be a készüléket, majd várjon, amíg a motor el nem éri a maximális sebességet.
- Tartsa szilárdan a gyalut és hagyja, hogy a kések a megmunkálendő munkadarabra hatoljanak. A gyaluval lassan, egyenletesen haladjon.
- Nyomja lefelé a készüléket a munkadarabra, hogy megtartsa a gyalut a felületen a vágás teljes hosszában, elejétől a végéig.

SZÉLEK GYALULÁSA ÉS HORNOLÁS

A gyaluhoz mellékelünk egy állítható oldalvezetőt, melynek használata biztosítja, hogy precíz szélgyalulást valamint hornolást végezzen. Rögzítse az oldalvezetőt a gyalu egyik (mindegy, hogy melyik) oldalához szélgyaluláshoz, a bal oldalra pedig hornoláshoz.



Magyar

MŰKÖDÉS

AZ OLDALVEZETŐ FELSZERELÉSE SZÉLEK GYALULÁSÁHOZ (7. ábra)

Kövesse az alábbi lépéseket az oldalvezető felszereléséhez szélgyalulás esetén:

- Húzza ki a gyalut a konnektorból (szüntesse meg az elektromos csatlakozást).
- Rögzítse a sarokvasat (13) a gyalu egyik oldalára a rögzítógomb (12) segítségével.
- Rögzítse az oldalvezetőt (14) a sarokvashoz a másik rögzítő csavarfej (15) és csavar (16) segítségével.
- Húzza meg erősen a csavarokat.

SZÉLGYALULÁS (8. ábra)

Kövesse a "Gyalulás" c. részben (lásd fentebb) lévő utasításokat. Tartsa szilárdan az oldalvezetőt a munkadarab oldalán.

AZ OLDALVEZETŐ FELSZERELÉSE HORNÝOLÁSHOZ (9. ábra)

Kövesse az alábbi lépéseket az oldalvezető felszereléséhez hornyolás esetén:

- Húzza ki a gyalut a konnektorból (szüntesse meg az elektromos csatlakozást).
- Rögzítse a sarokvasat a gyalu bal oldalára a rögzítógomb segítségével.
- Rögzítse az oldalvezetőt (anélkül, hogy megszorítaná) a sarokvashoz a másik rögzítő csavarfej és csavar segítségével.
- Állítsa be az oldalvezetőt a kívánt hornyolási szélességre.
- Húzza meg erősen a csavarokat.


HORNÝOLÁS (9. ábra)

Kövesse a "Gyalulás" c. részben (lásd fentebb) lévő utasításokat. Tartsa szilárdan az oldalvezetőt a munkadarab oldalán.

A hornyolási mélységet (falcmélység) a vágásmélység és a munkadarabon végrehajtott menetek száma határozza meg. A maximális hornyolási mélység 8,5 mm. A hornyot úgy kell kialakítani, hogy legfeljebb 2,5 mm-es mélységgel egymás után többször végigmegyünk az anyagon, amíg a kívánt mélységet el nem érjük. A hornyolási szélességet az oldalvezető szélességének beállításával lehet állítani.

KARBANTARTÁS


FIGYELMEZTETÉS

 Csere esetén kizárólag eredeti Ryobi pótalkatrésszel helyettesítse a régít. Bármilyen más alkatrész használata veszéllyel jár és a készülék megrongálódását okozhatja.

ÁLTALÁNOS JELLEGŰ ELŐÍRÁSOK


A készülék minden eleme a II. osztályú elektromos szigetelő rendszerhez (kettős szigetelés) tartozik és kizárólag egy szerződött Hivatalos Ryobi Szerviz Központ végezhet rajta javítást. Ne használjon oldószer (hígítót) a műanyagból készült részek tisztításához. A kereskedelemben beszerezhető oldószerek többsége rongáló hatással van a műanyagból készült elemekre. A por és egyéb szennyeződések stb. tisztítására használjon egy tiszta ruhadarabot.

FIGYELMEZTETÉS

 Óvja a műanyagból készült részeket fékolajtól, benzintől és minden egyéb olaj alapú terméktől. Ezek a vegyszerek olyan hatóanyagokat tartalmaznak, melyek megrongálhatják, tönkretelhetik ill. lebonthatják a műanyagból készült részeket.

Azok a szerszámok, amelyeket üvegszálás felületeken, burkolólapokon, gipszkartonon használnak, még inkább ki vannak téve az idő előtti elhasználódásnak és meghibásodásnak, mivel a keletkezett por és üvegszilánk rendkívül koptató hatású, így károsíthatja a fogaskerekeket, keféket, kapcsolókat stb. Kifejezetten tanácsoljuk tehát, hogy ne végezzen munkálatokat a szerszámmal hosszú ideig ilyen típusú felületeken. Amennyiben mégis elkerülhetetlen, hogy ilyen anyagokon dolgozzon, akkor feltétlenül szükséges, hogy minden használat után sűrített levegővel tisztítsa meg a szerszámot.

FIGYELMEZTETÉS

 Viseljen mindig biztonsági szemüveget vagy oldallappal ellátott védőszemüveget, amikor a szerszámot használja, vagy amikor az összegyűlt fűrészport távolítja el. Ha a munkálatok során por termelődik, használjon arcvédőt vagy porvédő maszkot is. Ezen előírás be nem tartása súlyos testi sérüléssel járó balesetet okozhat.

Magyar

KARBANTARTÁS

OLAJOZÁS

A szerszám összes fogaskerekét a gyártáskor magas kenőhatású és - normál felhasználás mellett - a szerszám teljes élettartamára elegendő mennyiségű olajjal kentük meg. Ebből kifolyólag nincs szükség arra, hogy ezt a szerszámot olajozza.

AZ ELSZÍVÓCSONK TISZTÍTÁSA, A PORZSÁK ÜRÍTÉSE (10. ábra)

A gyalu hosszabb ideig történő használata után, ill. ha nedves vagy zöld fát gyalult, az elszívócsonkban összegyűlhet a forgács. Ezt tehát ki kell venni a belőle. Az összegyűlt forgács akadályozhatja a szellőzést, így a motor túlmelegedését idézheti elő.

Tisztítsa az elszívócsonkot és ürítse a porzsákot rendszeresen.

- Húzza ki a gyalut a konnektorból (szüntesse meg az elektromos csatlakozást).



FIGYELMEZTETÉS

Ha nem húzza ki az aljzatból a gyalu vezetékét, akkor véletlenszerű beindítás következtében súlyos testi sérülésekkel járó balesetet okozhat.

- Húzza ki a porzsákot az elszívócsonkból.
- Piszkálja ki az összegyűlt port és a beszorult forgácsot egy kis fadarab segítségével. Ne használja ehhez a kezét és az ujjait.
- Ürítse ki teljes mértékben a porzsákot és bizonyosodjon meg arról, hogy a hüvely tiszta.
- Tegye vissza a helyére a porzsákot.

A GYALUKÉSEK CSERÉJE (11., 12. és 13. ábra)

A gyalu kései (11) megfordíthatók. Amint a kés egyik oldala eltompult, meg lehet fordítani.

Mindig kettesével fordítsa meg vagy cserélje le a késeket. Ne próbálja élezni a őket. Ha eltompultak, azonnal cserélje ki a késeket.

Gyalukéscsere esetén kizárólag a gyártó által előírt típusú késeket használja.



FIGYELMEZTETÉS

A kések nagyon élesek, kezelje őket nagyon óvatosan csere esetén. Ennek az előírásnak a be nem tartása súlyos testi sérüléseket okozó balesetet vonhat maga után.

- Húzza ki a gyalut a konnektorból (szüntesse meg az elektromos csatlakozást).



FIGYELMEZTETÉS

Ha nem húzza ki az aljzatból a gyalu vezetékét, akkor véletlenszerű beindítás következtében súlyos testi sérülésekkel járó balesetet okozhat.

- Fordítsa a gyalut a hátára, majd rögzítse stabilan.
- Lazítsa meg a gyalukéseket a tartóban (17) rögzítő három csavart egy hatlapszögű kulcs segítségével.

MEGJEGYZÉS: Ne húzza túl a csavarokat. Ha a csavarok túl lazák, az új kés nem fog megfelelően állni.

MEGJEGYZÉS: A használt kések kivétele előtt jegyezze fel a vágásirányt, a késélek irányát. Az új kések vágóélei ugyanabba az irányban kell hogy álljanak, mint a régieké.

- Nyomja a kést jobbra egy csavarhúzó végével, hogy kijöjjön a tartóból.
- Vegye ki a használt kést a tartóból.

MEGJEGYZÉS: Ha nem tudja a kést a tartóból könnyen kivenni, miután meglazította a csavarokat, akkor egy fadarabbal üssön egyet a késre, hogy elváljon a tartótól. Ezután nyomja meg a kést egy csavarhúzóval, hogy ki tudja venni a tartóból. Ha szükséges, egy kis kalapáccsal üssön a fadarabra, hogy elváljon a tartótól.

- Távolítsa el a kések helyén lévő port és forgácsot.
- Illessze az új kést a késtartó részébe.
- Használjon egy csavarhúzót ahhoz, hogy a kést a tartó belsejébe nyomja, míg jól a középre nem kerül.
- Egy hatlapszögű kulcs segítségével szorítsa vissza a késtartó mindhárom csavarját.
- Járjon el ugyanilyen módon a második kés cseréjéhez.

SZÍJCSERE (14. és 15. ábra)

A hajtószíj cseréjéhez kizárólag eredeti pótszíjat használjon.

- Húzza ki a gyalut a konnektorból (szüntesse meg az elektromos csatlakozást).



FIGYELMEZTETÉS

Ha nem húzza ki az aljzatból a gyalu vezetékét, akkor véletlenszerű beindítás következtében súlyos testi sérülésekkel járó balesetet okozhat.

- Csavarja ki a védőborítás (18) csavarjait.
- Vegye le a védőborítást.

F GB D E I P NL S DK N FIN GR **H** CZ RUS RO PL SLO HR TR

Magyar

KARBANTARTÁS

- Forgassa a motor kis szalagvezető tárcsáját (20) a 15. ábrán látható irányban. Húzza meg a hajtószíjat (19), miközben forgatja és csévélje le a motor tárcsájáról, amíg a szíj mindkét tárcsáról le nem jön.
- Helyezze fel az új szíjat a nagy szalagvezető tárcsára (21). Vezesse át a szíjat a kis szalagvezető tárcsán, miközben forgatja, míg jól a helyére nem kerül.
- Tegye vissza a védőborítást a helyére.
- Szorítsa meg, de ne túl erősen a védőborítás csavarjait.

MEGJEGYZÉS: Ne húzza túl a csavarokat.

KIJELZŐ (GÉP FESZÜLTÉG ALATT)

A szerszámot egy, a szerszám feszültség alá helyezését kijelző lámpával (7) látták el, mely akkor kezd el világítani, amikor a szerszám csatlakoztatva lett az elektromos hálózatra. Ez a kijelző arra hívja fel a figyelmét, hogy a szerszám feszültség alatt van, és be fog indulni, amint megnyomja a kapcsolót.

KÖRNYEZETVÉDELLEM



Segítse elő az alapanyagok újrahasznosítását azzal, hogy nem helyezi el őket a háztartási szemétként. A környezetbarát újrahasznosítás érdekében a hulladékot szelektív módon, szétválogatva gyűjtse. A kiszolgált szerszámot, tartozékokat és csomagolóanyagokat speciális gyűjtőkonténerekben, vagy újrahasznosító szervezeteknél (pl. hulladékudvarok) helyezze el. A Ryobi nagy fontosságot tulajdonít a környezet védelmének.



Čeština

DĚKUJEME VÁM, ŽE JSTE SI ZAKOUPILI VÝROBEK ZNAČKY RYOBI.

Než začnete nářadí používat, přečtěte si pozorně tento NÁVOD K OBSLUZE a BEZPEČNOSTNÍ POKYNY. Jen tak je zaručen optimální a bezpečný provoz nářadí.

OBECNÉ BEZPEČNOSTNÍ POKYNY



UPOZORNĚNÍ

Při používání elektronářadí je nutné dodržovat bezpečnostní pokyny, aby nemohlo dojít k požáru, úrazu elektrickým proudem nebo jiným úrazům.

- **Pracovní plocha musí být čistá.** Nepřehledné pracovní prostředí nebo přeplněné pracovní stoly jsou potenciálními zdroji úrazu.
- **Při práci je nutné přihlížet k okolním podmínkám.** Nářadí nevystavujte dešti. Elektrické nářadí nepoužívejte v nadměrném vlhku nebo mokru. Pracovní prostor musí být řádně osvětlen. Nářadí nepoužívejte v podmínkách, kde hrozí nebezpečí požáru nebo úrazu elektrickým proudem.
- **Chraňte se před úrazem elektrickým proudem.** Při práci se nedotýkejte uzemněných ploch (jako například vedení, topení, kamen, ledničky, apod.)
- **Nářadí nenechávejte v blízkosti dětí.** Osoby ve vaší blízkosti se nesmějí dotýkat nářadí ani prodlužovacího kabelu. Případně přihlížející osoby musí zůstat v dostatečné vzdálenosti od pracovního místa.
- **Pokud nářadí nepoužíváte, ukládejte ho.** Pokud nářadí nepoužíváte, uskladněte je na suchém místě, v dostatečné výšce, v uzamykatelném nábytku a chraňte je před dětmi.
- **Nářadí vybírejte podle povahy práce.** Používejte vždy nářadí a příslušenství odpovídající kapacity vzhledem k povaze materiálu. Nářadí používejte pouze k předepsaným účelům.
- **Na nářadí netlačte.** Nářadí nepřetěžujte, dodržujte předepsaný pracovní režim, nářadí tak bude bezpečnější a účinnější.
- **Opravy nářadí musí být prováděny pouze odborníkem s příslušnou technickou kvalifikací.** Toto nářadí je v souladu se zákonnými bezpečnostními předpisy. Opravy smí být prováděny pouze kvalifikovaným opravářem za pomoci originálních náhradních dílů. Při nedodržení tohoto pokynu se uživatel vystavuje nebezpečí.
- **Používejte pouze řádně naostřené hoblovací nože.**
- **Používejte sluchovou ochranu.**
- **Noste vhodný příslušný pracovní oděv.** Při práci nenoste široké oblečení ani šperky, které by se mohly zachytit v pohyblivých částech nářadí a být příčinou úrazu.

Při práci venku vám doporučujeme používat gumové rukavice a protiskluzovou obuv. Pokud máte dlouhé vlasy, při práci je nutné vlasy chránit vhodnou vlasovou pokrývkou.

- **Používejte ochranné brýle.** Při práci používejte obličejový štít nebo protiprašný respirátor nebo obličejový štít, pokud při práci vznikají jemné odpadové piliny nebo se tvoří brusný prach.
- **Přívodní síťový kabel je nutné dodržovat v dobrém technickém stavu.** Nářadí nikdy nedržte za přívodní síťový kabel a neodpojujte je z elektrické sítě taháním za přívodní kabel. Přívodní kabel ponechte v dostatečné vzdálenosti od zdrojů tepla, olejů a ostrých předmětů.
- **Vždy pracujte v rovnovážné a stabilní poloze.** Stůjte pevně oběma nohama na stabilní ploše, ruce nenatahujte příliš daleko nebo vysoko.
- **Nářadí udržujte v pořádku a čistotě.** Abyste dosáhli požadovaných výsledků při zachování optimální bezpečnosti, nářadí je nutné pravidelně čistit. Pravidelně kontrolujte přívodní síťovou šňůru a v případě poškození ji nechte opravit technikem s příslušnou odbornou kvalifikací v některé z autorizovaných servisních opravě výrobců Ryobi. Pravidelně kontrolujte stav prodlužovacích šňůr, poškozené kabely je nutné ihned vyměnit. Zkontrolujte, zda jsou rukojeti vždy čisté a suché a zda na nich nejsou stopy po oleji nebo mazivu.
- **Nezapomeňte odstranit všechny utahovací klíče.** Před každým použitím nářadí zkontrolujte, zda jste nezapomněli odstranit veškeré utahovací klíče.
- **Vyvarujte se tak nechtěnému rozběhu nářadí.** Při transportu elektronářadí nedržte ruku na spínači, pokud je nářadí připojeno k elektrické síti. Před připojením nářadí k elektrické síti zkontrolujte, zda je spínač nářadí v poloze "vypnuto".
- **Používejte pouze vhodné prodlužovací šňůry.** Pokud pracujete venku, používejte pouze prodlužovací kabely vhodné pro práci ve venkovním prostředí.
- **Buďte opatrní. Pozorně sledujte, co děláte.** Používejte zdravý rozum. Nářadí nepoužívejte, pokud cítíte únavu.
- **Zkontrolujte, zda žádný díl nářadí není poškozen.** Než budete pokračovat v práci, zkontrolujte, zda je poškozený díl nářadí provozuschopný a plně funkční. Zkontrolujte, zda jsou pohyblivé prvky nářadí v zárytu a zda jsou řádně upevněny. Zkontrolujte rovněž správnou montáž nářadí a dílů, které mají vliv na provoz nářadí. Poškozený spínač je nutné nechat vyměnit v některé z autorizovaných servisních opravě výrobců Ryobi. Nářadí nepoužívejte, pokud ho nelze zapnout nebo vypnout hlavním spínačem.
- **Zkontrolujte, zda hodnoty napětí v elektrické síti odpovídají provozním hodnotám napětí, které je uvedeno na štítku nářadí.**



Čeština

OBECNÉ BEZPEČNOSTNÍ POKYNY

- **Nářadí nikdy nepoužívejte, pokud chybí ochranný kryt nebo upevňovací šrouby.** Pokud jste demontovali ochranný kryt nebo vyjmuli šrouby, před uvedením do provozu je nutné nářadí zcela zkompletovat. Veškeré díly udržujte v dobrém provozním stavu.
- **Pokud pracujete ve výškách, dávejte pozor, aby bylo nářadí řádně upevněno.**
- **Při práci se nikdy nedotýkejte listu, vrtáku ani žádných jiných pohybujících se částí nářadí.** Nářadí nikdy nezapínejte, pokud se nůž dotýká opracovávaného materiálu.
- **Nářadí nikdy neodkládejte, pokud všechny pohyblivé díly nářadí nejsou zcela v klidu.**
- **PŘÍSLUŠENSTVÍ:** Používání jiného než doporučeného příslušenství nebo doplňků může být nebezpečné. Přečtěte si odpovídající části v tomto návodu.
- **NÁHRADNÍ DÍLY:** Při výměně částí přístroje je nutné použít pouze originální náhradní díly.
- **Než odložíte hoblík, počkejte, dokud se hoblovací nože zcela nezastaví.** V opačném případě existuje nebezpečí, že hoblovací nože zachytí za plochu, na kterou jste nářadí odložili. Mohli byste ztratit kontrolu nad nářadím a způsobit si zranění.

TECHNICKÉ ÚDAJE VÝROBKU

	EPN-6082	EPN-7582N
Napájení	230 V ~ 50 Hz	230 V ~ 50 Hz
Jmenovitý příkon	600 W	750 W
Otáčky naprázdno	16 000 ot./min	16 000 ot./min
Maximální úběr	1,5 mm	2 mm
Maximální šířka záběru	82 mm	82 mm
Maximální hloubka falcování	8 mm	12 mm
Hmotnost	3,1 kg	3,2 kg

Zkontrolujte údaje na typovém štítku nářadí, napětí elektrické sítě se může různit podle místa používání nářadí.

POPIS

1. Uzávěr odvodu hoblin - možnost nastavení doprava nebo doleva
2. Otočný knoflík pro nastavení hloubky záběru
3. Odsávací hrdlo
4. Spouštěč nářadí
5. Zadní rukojeť
6. Pojistka proti nechtěnému spuštění nářadí
7. Indikátor napětí

8. Připojení pilinového vaku
9. Pilinový vak
10. Přední pohyblivá hoblovací deska
11. Otočný hoblovací nůž
12. Otočný knoflík pro uchycení úhelníku
13. Úhelník
14. Boční vodítka (doraz)
15. Knoflík pro připevnění bočního vodítka
16. Šroub
17. Upnutí hoblovacího nože
18. Kryt převodu
19. Řemen
20. Řemenice motoru
21. Řemenice bubny
22. Odkládací botka pro bezpečné odložení

TECHNICKÉ ÚDAJE



UPOZORNĚNÍ

Pokud vám chybí některý díl nářadí, nářadí již dále nepoužívejte, dokud si chybějící díl neopatříte. Nedodržení tohoto pokynu může způsobit vážné zranění.

SEZNAMTE SE NEJDŘÍVE SE SVÝM NÁŘADÍM

Než začnete hoblík používat, seznámte se s provozními a bezpečnostními pokyny, které je nutné při práci dodržovat. I když se dobře seznámíte s hoblíkem, nikdy nepřestávejte být opatrní.

Hoblík je kompaktní a lehké nářadí. Je vybaven následujícími prvky:

SPOUŠTĚČ

Hoblík je vybaven spouštěčem s jednoduchou obsluhou.

ODBLOKOVÁNÍ BEZPEČNOSTNÍHO SPÍNAČE

Aby bylo možné použít spínač nářadí, je nutné zamáčknout pojistku. Pojistka, pokud je uvolněná, blokuje spínač v poloze VYPNUTO.



UPOZORNĚNÍ

I když se dobře seznámíte s hoblíkem, nikdy nepřestávejte být opatrní. Nezapomeňte, že i pouhý okamžik nepozornosti může být příčinou závažného úrazu.

NASTAVENÍ ÚBĚRU

Můžete měnit hloubku úběru plynule v intervalu 0,2 mm od 0 do 1,5 mm (u modelu EPN-6082)/2,0 mm (u modelu EPN-7582N). Krajní nastavení odpovídá maximální možné hloubce záběru, tj. 1,5 mm (u modelu EPN-6082)/2,0 mm (u modelu EPN-7582N).



Čeština

TECHNICKÉ ÚDAJE

ODKLÁDACÍ BOTKA PRO BEZPEČNÉ ODLOŽENÍ (obr. 11)

Váš hoblík je vybaven bezpečnostní odkládací botkou, která se nachází za hoblovací deskou. Zamezuje přímému dotyku hoblovacích nožů s plochou, na kterou odkládáte vypnutý hoblík v pracovních přestávkách.

Odkládací botka se automaticky zatáhne v momentě, kdy se hoblík dostane do záběru s opracovávaným materiálem v začátku hoblování.

BOČNÍ VODÍTKO PRO SRAŽENÍ HRAN A VYTVÁŘENÍ DRÁŽEK

Vodítko dodané s hoblíkem umožňuje vytváření drážek a sražení hran.

PILINOVÝ VAK

Pilinový vak se připevňuje na hoblík a umožňuje udržovat čistou pracovní plochu bez hoblin a třísek.

SEŘÍZENÍ

UPOZORNĚNÍ

Při seřizování, montáži, čištění a údržbě hoblíku nesmí být hoblík zapojen do elektrické sítě. Hoblík nesmí být zapojen do sítě, pokud nářadí nepoužíváte. Jakmile je nářadí odpojeno z elektrické sítě, nemůže dojít k jeho nechtěnému spuštění, které může být příčinou velmi vážného úrazu.

NASAZENÍ PILINOVÉHO VAKU (obr. 1)

Při nasazení pilinového vaku postupujte takto (9):

- Odpojte hoblík z elektrické sítě.
- Nasadte uchycení (8) pilinového vaku na odsávací hrdlo (3) hoblíku.

POZNÁMKA: Pokud chcete pilinový vak sundat, zatáhněte za vak a sundejte ho z odsávacího hrdla.

VAROVÁNÍ

Pilinový vak se naplní rychle. Pilinový vak je nutné pravidelně vyprazdňovat, aby nemohlo dojít k poškození nářadí.

USMĚRNĚNÍ ODVODU HOBLIN (obr. 2)

Pokud pracujete v malé místnosti, můžete pomocí uzávěru usměrnit odvod vylétajících hoblin. Odvod hoblin lze nastavit doleva nebo doprava.

Při nastavení směru odvodu hoblin postupujte takto:

- Odpojte hoblík z elektrické sítě.

- Nastavte požadovaný směr odvodu hoblin a nasadte pilinový vak.

- Pokud chcete odvádět odlétající hobliny doprava, přepněte uzávěr pro usměrnění odvodu hoblin (1) doprava a připevněte pilinový vak na pravé odsávací hrdlo.

- Pokud chcete odvádět odlétající hobliny doleva, přepněte uzávěr pro usměrnění odvodu hoblin doleva a připevněte pilinový vak na levé odsávací hrdlo.

NASTAVENÍ HLOUBKY ZÁBĚRU (obr. 3)

Při hoblování vždy začínejte s větší houbkou záběru, pak teprve pracujte s menší houbkou záběru. Hoblovací práce vždy začínejte s nastavenou houbkou úběru přibližně 0,8 mm. Při precizních dokončovacích pracích snižte houbku záběru na 0,4 mm. Po každém přestavení záběru se doporučuje vyzkoušet nové nastavení na kusu nepotřebného odřezku a zkontrolovat, zda nastavení záběru odpovídá vašim požadavkům.

Při nastavení houbky záběru postupujte takto:

- Odpojte hoblík z elektrické sítě.
- Nastavte otočný knoflík (4) na požadovanou houbku záběru.

POZNÁMKA: Před uskladněním nebo transportem nářadí nastavte otočný knoflík pro nastavení houbky záběru na 0. Chráněte tak hoblovací nože.

PROVOZ NÁŘADÍ

UPOZORNĚNÍ

Z bezpečnostních důvodů používejte vždy ochranné brýle, nejlépe uzavřené ochranné brýle, pokud pracujete s nářadím. Nedodržení tohoto bezpečnostního pokynu může způsobit vniknutí cizích těles do očí (jako např. třísek nebo hoblin) a vést k vážnému poškození zraku. Při práci používejte obličejový štít nebo protiprašný respirátor, pokud při práci vznikají jemné odpadové hobliny nebo se tvoří prach.

ZAPNUTÍ / VYPNUTÍ HOBLÍKU (obr. 4)

Při zapínání a vypínání hoblíku postupujte podle následujících pokynů:

- Pokud chcete zapnout hoblík, zamáčkněte nejdříve pojistku spínače (6) a pak stiskněte spínač (4).
- Hoblík EPN-7582N je vybaven elektronickým systémem postupného zvyšování otáček, který umožňuje kontrolovat rychlost motoru a hoblovacích nožů při rozběhu nářadí.



Čeština

PROVOZ NÁŘADÍ

- Jakmile spínač pustíte, hoblík se vypne.

HOBLOVÁNÍ (Obr. 5)

Při hoblování postupujte takto:

- Opracovávaný materiál dobře upevněte.
- Nastavte hloubku záběru (viz část "Nastavení hloubky záběru").



UPOZORNĚNÍ

Nářadí je nutné držet oběma rukama, abyste neztratili kontrolu nad nářadím a nezpůsobili si vážné zranění. Obráběný materiál musí být pevně upevněn na stole pomocí svěrek nebo svěraku, abyste měli obě ruce volné.

- Přiložte přední kraj hoblovací desky (10) na opracovávaný materiál.

POZNÁMKA: Zkontrolujte, zda se hoblovací nože (11) nedotýkají opracovávaného materiálu.

- Přitlačte přední držadlo tak, aby se přední pohyblivá deska hoblíku dotýkala opracovávaného materiálu.
- Zapněte hoblík a počkejte, dokud motor nedosáhne své maximální rychlosti.
- Držte hoblík pevně oběma rukama a přiveďte ho do záběru s opracovávaným materiálem. Pomalu a pravidelně vedte nářadí opracovávaným materiálem.
- Mírně přitlačte zadní rukojeť, jakmile dokončíte hoblování. Zadní část hoblíku tak zůstane v kontaktu s opracovávaným dílem a přední pohyblivá deska nebrání práci.



UPOZORNĚNÍ

Zkontrolujte, zda v hoblovaném materiálu nejsou hřebíky: to by mohlo ztupit, naštipnout nebo jinak poničit hoblovací nože.

POZNÁMKA: Doporučujeme vám mít stále po ruce nové hoblovací nože. Tak můžete snadno vyměnit opotřebené hoblovací nože za nové. Hoblovací nože jsou otočné: jakmile je jedna strana hoblovacího nože tupá, můžete nůž otočit a použít druhou stranu. Vyměňte hoblovací nože pouze v případě, že jsou obě dvě strany tupé.

SRÁŽENÍ HRAN (obr. 6)

Díky přesné drážce v přední pohyblivé desce hoblíku můžete srážet hrany prken nebo trámů tak, jak je znázorněno na obrázku 6. Než začnete hoblovat naostro, vyzkoušejte si nastavený úběr na nepotřebném odřezku materiálu.

Při srážení hran postupujte takto:

- Opracovávaný materiál dobře upevněte.
- Držte levou rukou přední držadlo hoblíku a pravou rukou zadní držadlo.
- Umístěte drážku v přední pohyblivé desce hoblíku na roh opracovávaného materiálu.
- Zapněte hoblík a počkejte, dokud motor nedosáhne své maximální rychlosti.
- Držte hoblík pevně oběma rukama a přiveďte ho do záběru s opracovávaným materiálem. Pomalu a pravidelně vedte nářadí opracovávaným materiálem.
- Mírně přitlačujte hoblík směrem k hoblovanému materiálu po celou dobu hoblování.

VEDENÍ HOBLÍKU PODÉL HRANY A FALCOVÁNÍ

Hoblík je vybaven naklápěcím bočním vodítkem (dorazem), který umožňuje snadné vedení hoblíku podél hrany materiálu a nastavení hloubky falcování (drážek). Pro vedení hoblíku podél hrany materiálu připojte vodítko z boku hoblíku (na libovolnou stranu), při falcování připojte vodítko na levou stranu hoblíku.

PŘIPOJENÍ BOČNÍHO VODÍTKA PRO VEDENÍ HOBLÍKU PODÉL HRANY (obr. 7)

Při připevnění vodítka pro vedení hoblíku podél hrany (sražení materiálu) postupujte takto:

- Odpojte hoblík z elektrické sítě.
- Připevněte úhelník (13) z boku hoblíku pomocí upevňovacího otočného knoflíku pro uchycení úhelníku (12).
- Připevněte boční vodítko (14) k úhelníku pomocí druhého upevňovacího knoflíku (15) a pomocí šroubu (16).
- Utáhněte pevně oba dva upevňovací knoflíky.

VEDENÍ HOBLÍKU PODÉL HRANY (obr. 8)

Postupujte podle obecných pokynů uvedených v části "Hoblování" (viz výše). Boční vodítko pevně opřete o hranu opracovávaného materiálu.

PŘIPOJENÍ BOČNÍHO VODÍTKA PRO FALCOVÁNÍ (obr. 9)

Při nastavení hloubkového falcovacího dorazu postupujte takto:

- Odpojte hoblík z elektrické sítě.
- Připevněte úhelník na levou stranu hoblíku pomocí otočného knoflíku pro uchycení úhelníku.
- Připevněte boční vodítko k úhelníku pomocí druhého otočného knoflíku a pomocí šroubu.
- Nastavte boční vodítko na požadovanou šířku drážky.
- Utáhněte pevně oba dva upevňovací knoflíky.

F GB D E I P NL S DK N FIN GR H **CZ** RUS RO PL SLO HR TR

Čeština

PROVOZ NÁŘADÍ

DRÁŽKOVACÍ PRÁCE (obr. 9)

Postupujte podle obecných pokynů uvedených v části "Hoblování" (viz výše). Boční vodítko pevně opřete o hranu opracovávaného materiálu.

Hloubka drážky je dána hloubkou řezu a počtem přejetí hoblíku po hoblované ploše. Maximální hloubka falcování je 8,5 mm. Pracujte se postupně, při každém záběru hoblíku lze ubrat 2,5 mm a postupně dosáhnout požadované hloubky falcování. Šířka drážky se nastaví upravením šířky bočního vodítka.

ÚDRŽBA

UPOZORNĚNÍ

Při výměně částí nářadí je nutné použít pouze originální náhradní díly značky Ryobi. Použití jiných náhradních dílů může nejen poškodit nářadí, ale způsobit i vážné zranění.

VŠEOBECNÉ POKYNY

Nářadí je vybaveno dvojitou izolací. Z tohoto důvodu musí být veškeré díly nářadí opravovány výhradně v autorizovaném servisním středisku firmy Ryobi.

K čištění plastových dílů nepoužívejte ředidla. Většina ředidel běžně dostupných v obchodní síti se nehodí k čištění plastových částí, neboť narušuje povrch plastů. K odstranění nečistot, prachu apod. používejte čistý hadr.

UPOZORNĚNÍ

Plastové části nářadí nesmí nikdy přijít do styku s brzdovou kapalinou, benzínem, produkty na bázi ropy, regenerovanými maznými oleji apod. Tyto výrobky obsahují chemikálie, které mohou poškodit, oslabit nebo zničit plastové části, případně snížit jejich životnost.

Nářadí používané k opracování desek ze skelných vláken nebo sádrových desek má sklony k předčasnému opotřebení a ke zvýšené poruchovosti, vzhledem k odlétajícím kouskům skelných vláken a skelného prachu, který se při práci vytváří. Skelný prach je ostrý a může poškodit převod, kartáče, spínače apod. Nedoporučuje se dlouhodobě používat hoblík k opracování tohoto typu materiálu. Pokud pracujete se skelným vláknem nebo sádrou, je nutné po práci vyčistit nářadí proudem stlačeného vzduchu.



UPOZORNĚNÍ

Z bezpečnostních důvodů používejte vždy ochranné brýle, nejlépe uzavřené ochranné brýle, při práci s nářadím a při odstraňování nahromaděných hoblin z nářadí. Při práci používejte protiprašný respirátor, pokud při práci vznikají jemné odpadové hobliny nebo se tvoří prach. Nedodržení tohoto pokynu může způsobit vážné zranění.

MAZÁNÍ

Veškeré převody nářadí byly výrobcem namazány dostatečným množstvím vysoce účinného maziva, které stačí na celou dobu životnosti nářadí při normálních podmínkách používání. Žádné další mazání nářadí není nutné.

ČIŠTĚNÍ ODSÁVACÍHO HRDLA A VYPRAZDNĚNÍ PILOVÉHO VAKU (obr. 10)

Pokud hoblík používáte delší dobu nebo při hoblování vlhkého nebo ještě nevyschlého dřeva se mohou v odsávacím hrdle hromadit třísky. Třísky je nutné z hrdla odstranit. Třísky by mohly bránit větrání a způsobit přehřívání motoru.

Vyčistěte odsávací hrdlo a vyprázdněte pilinový vak.

- Odpojte hoblík z elektrické sítě.



UPOZORNĚNÍ

Pokud hoblík není odpojen od elektrické sítě, existuje riziko nechtěného spuštění nářadí, které může být příčinou závažného úrazu.

- Sejměte pilinový vak z odsávacího hrdla.
- Odstraňte hoblinový prach nebo třísky zachycené v odsávacím hrdle malým kouskem dřeva. K čištění nepoužívejte ruce nebo prsty.
- Důkladně vyprázdněte pilinový vak a zkontrolujte, zda je upnutý pilinového vaku čistě.
- Pilinový vak znovu připojte na hoblík.

VÝMĚNA HOBLOVACÍCH NOŽŮ (obr. 11. 12 a 13)

Hoblovací nože (11) jsou otočné. Jakmile je jedna strana hoblovacího nože tupá, můžete nůž otočit.

Vyměňte vždy oba hoblovací nože současně. Hoblovací nože se nepokoušejte ostřit. Pokud jsou hoblovací nože tupé, vyměňte je za nové.

Při výměně hoblovacích nožů používejte pouze nože doporučené výrobcem.



Čeština

ÚDRŽBA



UPOZORNĚNÍ

Hoblovací nože jsou velmi ostré, při jejich manipulaci dávejte pozor, abyste se nezranili. Nedodržení tohoto pokynu může způsobit vážné zranění.

- Odpojte hoblík z elektrické sítě.



UPOZORNĚNÍ

Pokud hoblík není odpojen od elektrické sítě, existuje riziko nechtěného spuštění nářadí, které může být příčinou závažného úrazu.

- Obráťte hoblík hoblovací deskou směrem nahoru a ujistěte se, že je ve stabilní poloze.
- Šestihranným klíčem povolte tři šrouby držící hoblovací nože v držáku (17).

POZNÁMKA: Nepovolujte šrouby na maximum. Pokud šrouby příliš povolíte, nové hoblovací nože nebudou v rovině.

POZNÁMKA: Před výměnou hoblovacích nožů se podívejte na směr hoblování a na natočení ostré části hoblovacích nožů. Hrana nových hoblovacích nožů musí být nasměrována stejně jako hrana starých hoblovacích nožů.

- Špičkou šroubováku uvolněte hoblovací nůž z držáku.
- Vysuňte opotřeбенý hoblovací nůž.
- **POZNÁMKA:** Pokud povolené upevňovací šrouby nestačí k uvolnění hoblovacího nože z upnutí, klepněte do upnutí hoblovacího nože kouskem dřeva. Tím se hoblovací nůž uvolní. Pak hoblovací nůž vysuňte špičkou šroubováku. Pokud se hoblovací nůž nevysune, klepněte do upnutí nože kouskem dřeva a hoblovací nůž uvolněte.
- Odstraňte případné hobliny a třísky z upnutí hoblovacích nožů.
- Zasuňte nový hoblovací nůž do upnutí.
- Hoblovací nůž zasuňte šroubovákem do upnutí a zkontrolujte, zda je správně vystředěn.
- Šestihranným klíčem utáhněte tři šrouby držící hoblovací nůž v upnutí.
- Stejným způsobem postupujte i při výměně druhého hoblovacího nože.

VÝMĚNA ŘEMENE (obr. 14 a 15)

Pokud budete vyměňovat řemen převodu, musíte použít pouze originální řemen.

- Odpojte hoblík z elektrické sítě.



UPOZORNĚNÍ

Pokud hoblík není odpojen od elektrické sítě, existuje riziko nechtěného spuštění nářadí, které může být příčinou závažného úrazu.

- Odšroubujte kryt převodu (18).
- Sejměte kryt převodu.
- Otáčejte řemenici motoru (20) ve směru označeném na obrázku 15. Zatáhněte za řemen (19) za současného otáčení převodu a uvolněte řemen ze řemenice motoru a nakonec ji zcela sundejte z obou řemenic.
- Nasadte nový řemen nejprve na řemenici menšího průměru (21). Pak teprve nasadte řemen na řemenici motoru při současném otáčení pohonu, aby byl řemen správně nasazen.
- Nasadte zpět kryt převodu.
- Pevně utáhněte upevňovací šrouby krytu pohonu, neutahujte přes závit.

POZNÁMKA: Neutahujte šrouby násilím přes závit.

SVĚTELNÝ INDIKÁTOR NAPĚTÍ

Toto nářadí je vybaveno světelným indikátorem napětí (7), který se rozsvítí, jakmile je nářadí připojeno ke zdroji napětí. Tato kontrolka upozorňuje uživatele nářadí, že je nářadí pod napětím a že se uvede do provozu při stisknutí spínače.

OCHRANA ŽIVOTNÍHO PROSTŘEDÍ



V rámci možností neodhazujte vysloužilé nářadí do domovního odpadu a upřednostněte jeho recyklaci. Respektujte životní prostředí, třídte odpad a odneste vysloužilé nářadí, příslušenství a obalový materiál do speciálních kontejnerů nebo do speciální sběrný odpad k recyklaci. Rybci se velmi angažuje v ochraně životního prostředí.



Русский

RYOBI БЛАГОДАРИТ ВАС ЗА ПОКУПКУ.

Чтобы использовать инструмент с максимальной производительностью и в полной безопасности, перед началом работы внимательно прочтите настоящее РУКОВОДСТВО ПО ЭКСПЛУАТАЦИИ и ПРАВИЛА ТЕХНИКИ БЕЗОПАСНОСТИ.

ОБЩИЕ ПРАВИЛА ТЕХНИКИ БЕЗОПАСНОСТИ



ПРЕДУПРЕЖДЕНИЕ

При использовании электрическими инструментами, во избежание пожара, телесных повреждений и удара током, необходимо следовать основным правилам техники безопасности.

- **Следите за чистотой рабочего места.** Захламленные рабочие места и верстаки ведут к несчастным случаям.
- **Следите за условиями работы.** Не оставляйте электрические инструменты под дождем. Не пользуйтесь инструментом в мокрых и сырых местах. Следите за хорошим освещением рабочего места. Не пользуйтесь электрическими инструментами в огнеопасных и взрывоопасных местах.
- **Остерегайтесь ударов током.** Избегайте контакта с заземленными предметами (трубами, батареями, кухонными плитами, холодильниками и т.д.)
- **Не подпускайте детей к инструменту.** Посторонние не должны касаться инструмента и удлинителя. Посторонние должны держаться подальше от рабочего места.
- **Убирайте инструменты, которыми не пользуетесь.** В нерабочее время инструмент должен храниться в сухом месте (на высоте или под замком), вне пределов досягаемости детей.
- **Пользуйтесь адекватными инструментами.** Не форсируйте маломощные инструменты в работах, предназначенных для более мощного инструмента. Пользуйтесь инструментом только для тех работ, для которых он предназначен.
- **Не форсируйте инструмент.** Инструмент будет работать производительней и надежней в режиме, для которого он был разработан.
- **Доверяйте ремонт инструмента квалифицированному технику.** Ваш инструмент отвечает официальным стандартам техники безопасности. Ремонтные работы должны производиться квалифицированным техником с использованием марочных запчастей. Несоблюдение этой инструкции может представлять опасность для пользователя.
- **Пользуйтесь только хорошо заточенными резами.**
- **Пользуйтесь средствами защиты слуха.**
- **Пользуйтесь адекватной одеждой.** Не надевайте широкую одежду или бижутерию. Они могут попасть в подвижные части инструмента. При наружных работах рекомендуется пользоваться резиновыми перчатками и нескользящей обувью. Покрывайте длинные волосы головным убором.
- **Пользуйтесь защитными очками.** При пыльных работах также пользуйтесь защитным забралом или респиратором.
- **Поддерживайте сетевой шнур в хорошем состоянии.** Никогда не держите инструмент за сетевой шнур. Не дергайте за инструмент или за шнур, чтобы вынуть его из розетки. Держите сетевой шнур подальше от источников тепла, от масла и режущих предметов.
- **Всегда держите равновесие.** Крепко держитесь на ногах и не вытягивайте руки слишком далеко.
- **Тщательно обслуживайте инструменты.** Для достижения наилучших результатов работы и оптимальной безопасности всегда держите свои инструменты чистыми. Регулярно осматривайте сетевой шнур. В случае повреждения сдавайте его на ремонт в Центр Технического Обслуживания Ryobi. Регулярно проверяйте состояние удлинителей и немедленно меняйте их в случае повреждения. Следите за тем, чтобы ручки инструмента были всегда сухими и чистыми, чтобы на них не оставалось следов масла или жира.
- **Вынимайте из инструмента затяжные ключи.** Перед запуском инструмента всегда проверяйте, не осталось ли в нем затяжных ключей.
- **Избегайте случайного запуска инструмента.** Не переносите включенный в сеть инструмент, держа палец на курке. Прежде чем включать инструмент в розетку, проверьте, чтобы выключатель стоял в положении ВЫКЛ.
- **Пользуйтесь подходящими удлинителями.** При наружных работах пользуйтесь только специальными удлинителями для наружных работ.
- **Будьте бдительны.** Следите за своими действиями. Будьте рассудительными. Не пользуйтесь инструментами в уставшем состоянии.
- **Проверяйте целостность деталей инструмента.** Прежде чем продолжать пользоваться инструментом, проверьте рабочее состояние поврежденных деталей или аксессуаров. Проверяйте линейность и устойчивость подвижных деталей, а также крепление других важных деталей инструмента. Заменяйте сломанные выключатели в Центре Технического Обслуживания Ryobi. Не пользуйтесь инструментом, если выключатель не работает.

F GB D E I P NL S DK N FIN GR H CZ **RUS** RO PL SLO HR TR

Русский

ОБЩИЕ ПРАВИЛА ТЕХНИКИ БЕЗОПАСНОСТИ

- Проверьте, чтобы напряжение в сети соответствовало указаниям на табличке инструмента.
- Никогда не пользуйтесь инструментом, если в нем не хватает болтов или отсутствует картер. Если картер или болты были сняты, установите их на места перед началом работы. Следите за рабочим состоянием всех деталей.
- При работе на высоте надежно закрепляйте свои инструменты.
- Во время работы никогда не дотрагивайтесь до полотна, сверл, абразивного круга и подвижных деталей. Никогда не включайте инструмент, если его резец касается заготовки.
- Никогда не кладите инструмент, пока подвижные детали полностью не остановятся.
- **АКСЕССУАРЫ:** Использование аксессуаров и приспособлений, не рекомендованных в настоящем руководстве, может представлять опасность.
- **ЗАПАСНЫЕ ЧАСТИ:** В случае ремонта пользуйтесь только марочными запчастями Ryobi.
- **Прежде чем ставить рубанок подождите, пока резы полностью остановятся.** Работаящие резы могут зацепить поверхность, на которую вы ставите рубанок. Это ведет к потере контроля над инструментом и тяжелым травмам.

ОБЩИЕ ХАРАКТЕРИСТИКИ

	EPN-6082	EPN-7582N
Питание	230 В ~ 50 Гц	230 В ~ 50 Гц
Мощность	600 Вт	750 Вт
Скорость вхолостую	16 000 об/мин	16 000 об/мин
Максимальная глубина строгания	1,5 мм	2 мм
Максимальная ширина строгания	82 мм	82 мм
Максимальная глубина профильного строгания	8 мм	12 мм
Вес	3,1 кг	3,2 кг

Проверьте характеристики по табличке на инструменте. В разных рабочих местах – разное напряжение.

ОПИСАНИЕ

1. Переключатель направления отвода стружки вправо/влево

2. Ручка регулировки глубины строгания
3. Сопло выхода стружки
4. Курок
5. Задняя ручка
6. Кнопка разблокировки курка
7. Индикатор питания
8. Патрубок мешка для стружки
9. Мешок для стружки
10. Передняя колодка
11. Двусторонний резец
12. Ручка крепления угольника
13. Угольник
14. Боковая направляющая
15. Ручка крепления боковой направляющей
16. Винт
17. Резцедержатели
18. Картер приводного ремня
19. Приводной ремень
20. Шкив мотора
21. Шкив барабана
22. Каблук безопасности

ХАРАКТЕРИСТИКИ



ПРЕДУПРЕЖДЕНИЕ

Если в комплекте не хватает деталей, не пользуйтесь инструментом, не установив их. Несоблюдение этой инструкции может повлечь тяжелые телесные повреждения.

ОВЛАДЕЙТЕ СВОИМ РУБАНКОМ

Прежде чем пользоваться рубанком, ознакомьтесь со всеми его возможностями и особенностями техники безопасности. Привыкнув к рубанку, не теряйте бдительности.

Рубанок компактный и легкий. Он состоит из следующих деталей:

КУРОК

Рубанок оснащен простым в обращении курковым выключателем.

РАЗБЛОКИРОВКА КУРКА

Чтобы нажать на курковый выключатель, надо сначала нажать на кнопку разблокировки курка. Эта кнопка блокирует курок в положении ВЫКЛ, как только курок опущен.



ПРЕДУПРЕЖДЕНИЕ

Привыкнув к рубанку, не теряйте бдительности. Не забывайте, что достаточно секунды невнимания, чтобы тяжело пораниться.



Русский

ХАРАКТЕРИСТИКИ

РЕГУЛИРОВКА ГЛУБИНЫ СТРОГАНИЯ

Подшву рубанка можно отрегулировать на нужную глубину строгания от 0 до 1,5 мм (EPN-6082) / 2,0 мм (EPN-7582N) шагами по 0,2 мм. Последняя регулировка соответствует максимальной глубине строгания, т.е. 1,5 мм (EPN-6082) / 2,0 мм (EPN-7582N).

КАБЛУК БЕЗОПАСНОСТИ (Рис. 11)

Рубанок имеет раскладной каблук безопасности в задней части подошвы. Он препятствует контакту резцов с поверхностью, на которую вы ставите остановленный рубанок.

Когда вы начинаете работать и ставите этот каблук на край заготовки, он автоматически складывается.

БОКОВАЯ НАПРАВЛЯЮЩАЯ ДЛЯ СНЯТИЯ ФАСКИ И ВЫЕМКИ ПРОФИЛЕЙ

Направляющая, поставленная в комплекте, позволяет снимать фаски и изготавливать профили.

МЕШОК ДЛЯ СТРУЖКИ

Мешок для стружки крепится на рубанок и позволяет удалять с рабочей поверхности стружку и щепки.

РЕГУЛИРОВКА

ПРЕДУПРЕЖДЕНИЕ

В нерабочее время, при установке деталей, регулировке, обслуживании и чистке рубанок следует выключать из сети. Отключенный из сети инструмент не может случайно включиться и причинить тяжелые телесные повреждения.

УСТАНОВКА МЕШКА ДЛЯ СТРУЖКИ (Рис. 1)

Устанавливайте мешок для стружки (9) в следующем порядке:

- Выключите рубанок из сети.
- Вставьте патрубков мешка (8) в сопло выхода стружки (3) рубанка.

ПРИМЕЧАНИЕ: Чтобы снять мешок для стружки, стяните патрубков с сопла рубанка.

ПРЕДУПРЕЖДЕНИЕ

Мешок для стружки быстро наполняется. Чтобы не повредить инструмент, чаще опорожняйте мешок для стружки.

ВЫБОР НАПРАВЛЕНИЯ ОТВОДА СТРУЖКИ (Рис. 2)

При работе в тесных местах можно менять направление отвода стружки. Стружку можно направить вправо или влево от рубанка.

Чтобы сменить направление отвода стружки:

- Выключите рубанок из сети.
- Переместите переключатель направления отвода стружки и наденьте на рубанок мешок для стружки.
 - Чтобы стружка выходила справа от рубанка, переместите переключатель направления отвода стружки (1) вправо и наденьте мешок для стружки на правое сопло рубанка.
 - Чтобы стружка выходила слева от рубанка, переместите переключатель направления отвода стружки (1) влево и наденьте мешок для стружки на левое сопло рубанка.

РЕГУЛИРОВКА ГЛУБИНЫ СТРОГАНИЯ (Рис. 3)

Строгают сначала с большой, а затем с малой глубиной. В начале работы отрегулируйте глубину строгания на 0,8 мм. В конце работы строгайте на глубине около 0,4 мм. После каждой регулировки проверяйте работу рубанка на отходах материала.

Для регулировки глубины строгания:

- Выключите рубанок из сети.
- Установите ручку регулировки глубины строгания (4) на нужную отметку.

ПРИМЕЧАНИЕ: Чтобы предохранить резцы в нерабочее время или при перевозке, ставьте ручку регулировки глубины строгания на отметку "0".

РАБОТА

ПРЕДУПРЕЖДЕНИЕ

При работе с инструментом всегда пользуйтесь защитными очками с боковыми протекторами. При несоблюдении этого правила техники безопасности опилки или щепки могут попасть в глаза и вызвать тяжелые глазные ранения. При пыльных работах также пользуйтесь защитным забралом или респиратором.

ЗАПУСК И ОСТАНОВКА РУБАНКА (Рис. 4)

Для запуска и остановки рубанка:

- Чтобы запустить рубанок, нажмите на кнопку разблокировки курка (6), затем на курок (4).



Русский

РАБОТА

- Рубанок EPN-7582N оснащен электронной системой плавного запуска, позволяющей контролируемый и плавный запуск мотора и резцов.
- Чтобы остановить рубанок, отпустите курок.

СТРОГАНИЕ (Рис. 5)

Для строгания:

- Надежно закрепите заготовку.
- Отрегулируйте глубину строгания (см. раздел "Регулировка глубины строгания" выше).



ПРЕДУПРЕЖДЕНИЕ

Во избежание тяжелых ранений при работе всегда держите инструмент двумя руками, чтобы лучше его контролировать. Крепко закрепляйте заготовку струбцинами или тисками, чтобы работать инструментом обеими руками.

- Поставьте переднюю колодку рубанка (10) на край заготовки.

ПРИМЕЧАНИЕ: Проследите, чтобы резцы (11) не касались заготовки.

- Надавите на переднюю ручку, чтобы передняя колодка полностью плашмя легла на заготовку.
- Запустите рубанок и подождите, пока мотор наберет полную скорость.
- Крепко держите рубанок и дайте резцам войти в заготовку. Медленно и равномерно продвигайте рубанок вперед по заготовке.
- В конце строгания нажимайте на заднюю ручку рубанка. Таким образом, задняя часть рубанка остается на заготовке, а передняя часть не блокирует резку.



ПРЕДУПРЕЖДЕНИЕ

Проверьте, чтобы в заготовке не было гвоздей: гвозди могут расколоть или повредить резцы.

ПРИМЕЧАНИЕ: Рекомендуется всегда иметь под рукой запасные резцы. Своевременно заменяйте затупившиеся резцы. Резцы рубанка – двусторонние: когда резец затупился с одной стороны, его надо повернуть другой стороной. Заменяйте резцы только тогда, когда обе стороны затупились.

СНЯТИЕ ФАСОК (Рис. 6)

На передней колодке рубанка снизу есть риска для снятия фасок с досок (см. Рис. 6). Прежде чем снимать фаску с заготовки, проверьте настройку рубанка на отходах материалов.

Для снятия фаски:

- Надежно закрепите заготовку.
- Держите переднюю ручку левой рукой, а заднюю – правой.
- Установите риску для снятия фасок на кромку заготовки.
- Запустите рубанок и подождите, пока мотор наберет полную скорость.
- Крепко держите рубанок и дайте резцам войти в заготовку. Медленно и равномерно продвигайте рубанок вперед по заготовке.
- Нажимайте на рубанок, чтобы он был прижат к заготовке с начала до конца строгания.

СТРОГАНИЕ КРАЕВ И ИЗГОТОВЛЕНИЕ ПРОФИЛЕЙ

Рубанок оснащен регулируемой боковой направляющей для точной обработки краев заготовки и выемки профилей. Для строгания краев заготовки установите направляющую сбоку (справа или слева). Для изготовления профилей устанавливайте направляющую с левой стороны рубанка.

УСТАНОВКА БОКОВОЙ НАПРАВЛЯЮЩЕЙ ДЛЯ СТРОГАНИЯ КРАЕВ ЗАГОТОВКИ (Рис. 7)

Чтобы установить боковую направляющую для строгания краев заготовки:

- Выключите рубанок из сети.
- С помощью ручки крепления (12) установите угольник (13) сбоку рубанка.
- С помощью другой ручки крепления (15) и винта (16) прикрепите боковую направляющую (14) к угольнику.
- Крепко затяните ручки крепления.

СТРОГАНИЕ КРАЕВ ЗАГОТОВКИ (Рис. 8)

Следуйте инструкциям из раздела "Строгание" (см. выше). Крепко прижимайте боковую направляющую к краю заготовки.

УСТАНОВКА БОКОВОЙ НАПРАВЛЯЮЩЕЙ ДЛЯ ИЗГОТОВЛЕНИЯ ПРОФИЛЕЙ (Рис. 9)

Чтобы установить боковую направляющую для выемки профилей:

- Выключите рубанок из сети.
- С помощью ручки крепления установите угольник с левой стороны рубанка.
- С помощью другой ручки крепления и винта прикрепите боковую направляющую к угольнику (не затягивая).
- Выставьте боковую направляющую на нужную ширину профиля.



Русский

РАБОТА

- Крепко затяните ручки крепления.

ИЗГОТОВЛЕНИЕ ПРОФИЛЕЙ (Рис. 9)

Следуйте инструкциям из раздела "Строгание" (см. выше). Крепко прижимайте боковую направляющую к краю заготовки.

Глубина профиля зависит от установленной глубины строгания и количества проходов рубанком по заготовке. Максимальная глубина профиля – 8,5 мм. Для изготовления профиля делайте проходы с глубиной строгания не более 2,5 мм, пока не достигните нужной глубины профиля. Ширина профиля регулируется боковой направляющей.

ОБСЛУЖИВАНИЕ



ПРЕДУПРЕЖДЕНИЕ

В случае ремонта используйте только марочными запчастями Ryobi. Использование других запчастей может представлять опасность или повредить инструмент.

ОБЩИЕ ИНСТРУКЦИИ

Все детали инструмента входят в систему двойной изоляции и должны ремонтироваться только в Центре Технического Обслуживания Ryobi.

Никогда не используйте растворителями для чистки пластмассовых деталей. Большинство пластмасс может повредиться от обычных растворителей. Для снятия грязи, пыли и т.д. используйте чистой тряпкой.



ПРЕДУПРЕЖДЕНИЕ

Пластмассовые детали никогда не должны обрабатываться тормозной жидкостью, бензином, нефтепродуктами, едкими маслами и т.д. Эти химикаты содержат вещества, которые могут испортить, ослабить или разрушить пластмассу.

При работе на поверхностях из стекловолокна, на облицовочных или гипсовых плитах инструменты изнашиваются быстрее. Они могут сломаться от высококоррозионной пыли и осколков стекловолокна, портящих подшипники, щетки, выключатель и т.д. Настоятельно НЕ РЕКОМЕНДУЕТСЯ долго работать инструментом на таких поверхностях. После каждой работы на поверхностях этого типа необходимо прочищать инструмент сжатым воздухом.



ПРЕДУПРЕЖДЕНИЕ

При работе и при чистке инструмента от стружки всегда используйте защитными очками с боковыми протекторами. При пыльных работах также используйте пылезащитной маской. Несоблюдение этой инструкции может повлечь тяжелые телесные повреждения.

СМАЗЫВАНИЕ

Все подшипники инструмента были смазаны на заводе высококачественной смазкой на весь срок службы инструмента в нормальном режиме работы. Инструмент не нуждается в дополнительной смазке.

ЧИСТКА СОПЛА ВЫХОДА СТРУЖКИ И ОПОРОЖНЕНИЕ МЕШКА ДЛЯ СТРУЖКИ (Рис. 10)

После продолжительной работы, а также после строгания влажного или сырого дерева, в сопле выхода может скопиться стружка. Эту стружку следует извлекать из сопла. Она может нарушить вентиляцию инструмента и вызвать перегрев мотора.

Регулярно прочищайте сопло выхода стружки и опорожняйте мешок для стружки.

- Выключите рубанок из сети.



ПРЕДУПРЕЖДЕНИЕ

Если рубанок остается включенным в сеть, он может случайно включиться и причинить тяжелые телесные повреждения.

- Снимите мешок для стружки с сопла рубанка.
- Небольшой щепкой извлеките застрявшую в сопле стружку. Не пользуйтесь руками или пальцами.
- Полностью опорожните мешок для стружки и проверьте чистоту его патрубка.
- Установите мешок для стружки на место.

СМЕНА РЕЗЦОВ (Рис. 11, 12 и 13)

Резцы рубанка (11) – двусторонние. Когда одна сторона реза затупилась, его надо повернуть другой стороной.

Переворачивайте и меняйте сразу оба резца. Не пытайтесь затачивать резцы. Если они затупились, замените их.

При смене пользуйтесь только резцами, рекомендованными изготовителем.



Русский

ОБСЛУЖИВАНИЕ



ПРЕДУПРЕЖДЕНИЕ

При смене резцов будьте крайне осторожны: они чрезвычайно острые. Несоблюдение этого предупреждения может повлечь за собой тяжелые телесные повреждения.

- Выключите рубанок из сети.



ПРЕДУПРЕЖДЕНИЕ

Если рубанок остается включенным в сеть, он может случайно включиться и причинить тяжелые телесные повреждения.

- Переверните рубанок и надежно закрепите его в перевернутом положении.
- Шестигранным ключом отвинтите три винта, крепящих резцы в резцедержателях (17).

ПРИМЕЧАНИЕ: Не отвинчивайте сильно винты. В противном случае новый резец встанет неровно.

ПРИМЕЧАНИЕ: Прежде чем снимать изношенные резцы, определите рабочее направление режущих кромок. Режущая кромка новых резцов должна быть расположена в том же направлении, что и режущая кромка старых резцов.

- Чтобы вынуть резец из резцедержателя, протолкните его отверткой вправо.
- Затем выньте резец из резцедержателя.
ПРИМЕЧАНИЕ: Если резцы не выходят из резцедержателей, после того, как винты отпущены, – ударьте по ним деревянным бруском. Затем вытолкните их из резцедержателя отверткой. При необходимости, по бруску можно ударить молотком.
- Очистите резцедержатели от скопившейся стружки.
- Вставьте новый резец в гнездо резцедержателя.
- Проталкивайте резец отверткой, пока он не встанет ровно в резцедержателе.
- Шестигранным ключом затяните три винта, держащие резец.
- Точно также смените второй резец.

СМЕНА ПРИВОДНОГО РЕМНЯ (Рис. 14 и 15)

При смене ремня пользуйтесь только марочным запасным ремнем Ryobi.

- Выключите рубанок из сети.



ПРЕДУПРЕЖДЕНИЕ

Если рубанок остается включенным в сеть, он может случайно включиться и причинить тяжелые телесные повреждения.

- Отвинтите и снимите винты картера приводного ремня (18).
- Снимите картер.
- Проверните шкив мотора (20) в направлении стрелки (Рис. 15). Потяните за ремень (19), проворачивая его, пока он полностью не снимется с обоих шкивов.
- Установите новый ремень на шкив барабана (21). Натяните ремень на шкив мотора, проворачивая его, пока он полностью и ровно не встанет на шкив.
- Установите картер приводного ремня на место.
- Туго, но не форсируя, затяните винты картера.

ПРИМЕЧАНИЕ: Не затягивайте винты слишком сильно.

ИНДИКАТОР ПИТАНИЯ

Индикатор питания (7), который загорается, когда инструмент включен в сеть. Этот индикатор указывает на то, что инструмент включен в сеть и запустится при нажатии на выключатель.

ЗАЩИТА ОКРУЖАЮЩЕЙ СРЕДЫ



Не выбрасывайте сырье. Защищайте окружающую среду: сортируйте отходы и сдавайте использованные инструменты, аксессуары и упаковки в переработку. Ryobi очень заботливо относится к защите окружающей среды.



Română

VĂ MULȚUMIM PENTRU ÎNCREDEREA CE NE ACORDAȚI CUMPĂRÂND UN PRODUS RYOBI.

Pentru o utilizare optimă și în deplină siguranță, citiți în prealabil, cu atenție MANUALUL DE UTILIZARE și MĂSURILE DE SIGURANȚĂ.

MĂSURI DE SIGURANȚĂ GENERALE



AVERTISMENT

În timpul utilizării aparatelor electrice, trebuie să respectați măsurile de siguranță de bază pentru a reduce riscurile de incendii, electrocutare și răniri corporale.

- **Aveți grijă ca locul de muncă să fie tot timpul foarte bine iluminat.** Spațiile sau locurile de muncă aglomerate sunt propice pentru accidente.
- **Țineți cont de condițiile de muncă.** Nu expuneți aparatele electrice la ploaie. Nu utilizați mașini electrice în apă sau în locuri foarte umede. Aveți grijă ca locul de muncă să fie bine iluminat. Nu utilizați mașini electrice în locuri care prezintă riscuri de incendiu sau de electrocutare.
- **Protejați-vă de electrocutare.** Evitați contactul cu suprafețe care au împământare sau fac masă (țevi, calorifere, aragaz, frigider, etc.).
- **Țineți copiii la distanță.** Vizitatorii nu trebuie să atingă nici mașina nici cablurile electrice. Toți vizitatorii trebuie să stea la distanță de locul de muncă.
- **Aranjați uneltele de care nu vă serviți.** Când nu sunt utilizate, mașinile trebuie aranjate într-un loc uscat, la îndălțime sau închise cu cheia, într-un loc care nu este la îndemâna copiilor.
- **Utilizați uneltele adecvate.** Nu forțați aparatele mici sau accesoriile pentru a realiza lucrări corespunzătoare unor aparate de capacitate superioară. Folosiți mașina numai pentru lucrările pentru care a fost concepută.
- **Nu forțați mașina.** Mașina dumneavoastră va fi mai eficientă și mai sigură dacă o utilizați în regimul pentru care a fost concepută.
- **Pentru repararea mașinilor apălați la un tehnician calificat.** Această unealtă electrică respectă normele legale de siguranță. Orice reparație trebuie să fie efectuată de către un tehnician calificat, utilizând piese de schimb originale. Nerespectarea acestei măsuri, riscă să pună utilizatorul în pericol.
- **Nu utilizați decât lame bine ascuțite.**

- **Purtați protecții auditive.**
- **Purtați îmbrăcămintea adecvată.** Nu purtați haine largi sau bijuterii care se pot agăța în elementele mobile. Vă recomandăm să utilizați mănuși de cauciuc și încălțăminte antiderapantă când lucrați afară. Dacă aveți părul lung, protejați-l prin acoperire.
- **Purtați ochelari de protecție.** Purtați și un ecran facial sau o mască anti-praf dacă operația generează praf.
- **Păstrați cablul de alimentare în bună stare.** Nu țineți niciodată mașina de cablul de alimentare și nu trageți de cablu ca să o scoateți din priză. Aveți grijă să țineți cablul de alimentare departe de sursele de căldură, să nu fie în contact cu ulei sau cu obiecte tăioase.
- **Aveți grijă să fiți tot timpul în poziție de echilibru.** Țineți-vă bine pe picioare și nu întindeți brațul prea departe.
- **Întrețineți cu grijă uneltele.** Pentru a avea rezultate bune și pentru o siguranță optimă, aveți grijă ca uneltele să fie întotdeauna curate. Inspectați regulat cablul de alimentare și, dacă este deteriorat, acesta trebuie reparat la un Centru Service Agreat Ryobi. Verificați în mod regulat starea prelungitoarelor și înlocuiți-le dacă sunt stricate. Aveți grijă ca mânerul să fie întotdeauna uscate, curate, fără urme de ulei sau de grăsime.
- **Scoateți cheile de strângere.** Obișnuiți-vă să verificați că nu ați uitat chei de strângere sau de reglaj pe mașină înainte de a o pune în funcțiune.
- **Evitați orice pornire involuntară.** Nu deplasați unealta ținând degetul pe butonul de pornire atunci când acesta este conectat. Asigurați-vă că butonul de pornire este în poziția "oprit" atunci când conectați aparatul.
- **Utilizați prelungitoare electrice adecvate.** Când lucrați afară, utilizați numai prelungitoare de exterior.
- **Fiți vigilenți. Uitați-vă bine la ceea ce faceți.** Bazați-vă pe discernământul dumneavoastră. Nu utilizați niciodată aparatul când sunteți obosit.
- **Verificați că utilajul nu are piese deteriorate.** Înainte de a continua să utilizați mașina, verificați dacă o pișă sau un accesoriu deteriorat poate continua să funcționeze sau să-și îndeplinească funcția. Verificați aliniamentul și fixarea pieselor mobile, montajul și toate celelalte elemente ce pot afecta buna funcționare a aparatului. Înlocuiți orice întrerupător stricat într-un Centru Service Agreat Ryobi. Nu utilizați acest aparat dacă întrerupătorul nu permite pornirea și oprirea acestuia.

F GB D E I P NL S DK N FIN GR H CZ RUS **RO** PL SLO HR TR

Română

MĂSURI DE SIGURANȚĂ GENERALE

- **Asigurați-vă că tensiunea utilizată corespunde indicațiilor ce figurează pe placa descriptivă a mașinii.**
- **Nu utilizați utilajul dacă îi lipsesc carterul sau șuruburile.** Dacă acestea au fost demontate, remontați-le la loc înaintea de a folosi utilajul. Aveți grijă ca fiecare piesă să fie în stare bună de funcționare.
- **Dacă lucrați la înălțime, asigurați-vă că sculele dumneavoastră sunt bine fixate.**
- **Nu atingeți niciodată burghiul sau alte elemente mobile în cursul utilizării.** Nu porniți niciodată mașina dacă lama atinge piesa de prelucrat.
- **Nu lăsați din mână niciodată un utilaj înainte ca elementele mobile să fie complet oprite.**
- **ACCESORII:** Utilizarea altor accesorii și echipamente decât cele recomandate în prezentul manual poate reprezenta un pericol.
- **PIESE DE SCHIMB:** Nu utilizați decât piese de schimb originale identice în cazul reparațiilor.
- **Așteptați ca lamele să se oprească complet înainte de a așeza rindeaua.** Lamele în mișcare riscă să așeze suprafața pe care așezați rindeaua, producând un risc de pierdere a controlului aparatului și de răniri grave.

CARACTERISTICILE PRODUSULUI

	EPN-6082	EPN-7582N
Alimentare	230 V - 50 Hz	230 V - 50 Hz
Putere	600 W	750 W
Viteza în gol	16.000 rot/min	16.000 rot/min
Adâncime maximă de tăiere	1,5 mm	2 mm
Lățime maximă de tăiere	82 mm	82 mm
Adâncime maximă de fălțuire	8 mm	12 mm
Greutate	3,1 kg	3,2 kg

Verificați placa descriptivă a produsului, deoarece tensiunea poate fi diferită în funcție de locul în care va fi utilizat produsul.

DESCRIERE

1. Buton de evacuare a prafului dreapta / stânga
2. Buton de reglaj a adâncimii
3. Duză de evacuare
4. Buton de pornire
5. Mâner principal
6. Butonul de deblocare a butonului de pornire
7. Indicator al tensiunii de alimentare
8. Manșonul sacului de praf
9. Sac de praf
10. Talpă față
11. Lamă reversibilă
12. Buton de fixare a echerului
13. Echer
14. Ghid lateral
15. Buton de fixare a ghidului lateral
16. Șurub
17. Suportul lamei
18. Carterul curelei
19. Curea
20. Roata motorului
21. Roata tamburului
22. Suport de siguranță

CARACTERISTICILE PRODUSULUI



AVERTISMENT

Dacă lipsesc piese, nu utilizați acest produs înainte de a le fi înlocuit. Nerespectarea acestei măsuri poate antrena răniri corporale grave.

ÎNVĂȚAȚI SĂ CUNOAȘTEȚI RINDEAUA

Înainte de a folosi mașina, familiarizați-vă cu toate funcționalitățile și specificațiile ei privind siguranța. Totuși, nu slăbiți vigilența odată ce vă simțiți familiarizat cu rindeaua.

Rindeaua dumneavoastră este compactă și ușoară. Ea este echipată cu elementele prezentate mai jos:

BUTONUL DE PORNIRE

Rindeaua dumneavoastră este echipată cu un buton de pornire de tip trăgaci ușor de folosit.



Română

CARACTERISTICILE PRODUSULUI

DEBLOCAREA BUTONULUI DE PORNIRE

Trebuie să apăsați butonul de deblocare al butonului de pornire pentru a putea apăsa pe acesta din urmă. Acest buton blochează butonul de pornire în poziția OPRIT imediat ce acesta este eliberat.



AVERTISMENT

Nu slăbiți vigilența odată ce vă simțiți familiarizat cu rindeaua. Nu uitați niciodată că numai câteva fracțiuni de secundă de neatenție sunt suficiente pentru a vă răni foarte grav.

REGLAJUL ADÂNCIMII

Puteți regla talpa rindelei la adâncimea dorită în intervale de 0,2 mm între 0 și 1,5 mm (EPN-6082)/2,0 mm (EPN-7582N). Ultimul reglaj posibil corespunde adâncimii maxime de rindeluire, adică 1,5 mm (EPN-6082)/2,0 mm (EPN-7582N).

SUPORT DE SIGURANȚĂ (Fig. 11)

Rindeaua este echipată cu un suport escamotabil situat în spatele tălpii. Rolul acestuia este să evite orice contact între lame și suprafața pe care așezați rindeaua în timpul de oprire al motorului.

Suportul se retrage automat în momentul în care trece peste marginea piesei de prelucrat când începeți să tăiați.

GHIDUL LATERAL PENTRU RINDELUIREA MARGINILOR ȘI A FALŢURILOR

Ghidul furnizat împreună cu rindeaua vă permite să rindeluiți marginile și să realizați falțuri.

SAC DE PRAF

Sacul de praf se fixează pe rindea și vă permite astfel să păstrați un spațiu de lucru fără rumeguș și talaș.

REGLAJE



AVERTISMENT

Rindeaua nu trebuie niciodată să fie conectată la curent atunci când montați piese, efectuați reglaje sau operațiuni de întreținere, atunci când o curățați sau când nu este utilizată. Odată ce ați debransat-o, nu mai există riscul de pornire accidentală care poate cauza răni corporale grave.

INSTALAREA SACULUI DE PRAF (Fig. 1)

Urmați etapele de mai jos pentru a instala sacul de praf (9):

- Deconectați rindeaua de la curent.
- Fixați manșonul (8) sacului de praf pe duza de evacuare (3) a rindelei.

REMARCĂ: Pentru a scoate sacul de praf, desprindeți-l de duza de evacuare trăgându-l afară.



ATENȚIE

Sacul de praf se umple repede. Goliți-l regulat pentru a evita deteriorarea mașinii.

REGLAREA SENSULUI DE EVACUARE A PRAFULUI (Fig. 2)

Puteți alege sensul de evacuare a prafului atunci când lucrați în spații strâmte. Praful poate fi evacuat prin dreapta sau prin stânga.

Urmați etapele de mai jos pentru a schimba sensul de evacuare a prafului:

- Deconectați rindeaua de la curent.
- Reglați sensul de evacuare și instalați sacul de praf.
 - Pentru a evacua praful spre dreapta, apăsați butonul de evacuare a prafului la dreapta/stânga (1) spre dreapta și fixați sacul de praf pe duza din partea dreaptă.
 - Pentru a evacua praful spre stânga, apăsați butonul de evacuare a prafului la dreapta/stânga spre stânga și fixați sacul de praf pe duza din partea stângă.

REGLAREA ADÂNCIMII DE RINDELUIRE (Fig. 3)

Rindeluirea trebuie să se facă întotdeauna începând cu o adâncime mare de tăiere și sfârșind cu o adâncime mai mică. Pentru a începe rindeluirea, adâncimea trebuie să fie reglată la aproximativ 0,8 mm. Apoi, pentru a termina rindeluirea, reglați adâncimea în jurul valorii de 0,4 mm. Efectuați încercări pe rebuturi după fiecare reglaj pentru a vă asigura că rindeaua taie stratul de lemn dorit.

Urmați pașii de mai jos pentru a regla adâncimea de rindeluire:

- Deconectați rindeaua de la curent.
- Puneți butonul de reglaj al adâncimii (4) pe reglajul dorit.

REMARCĂ: Pentru a proteja lamele atunci când puneți mașina la păstrare sau o deplasați, puneți butonul de reglare a adâncimii pe valoarea 0.

F GB D E I P NL S DK N FIN GR H CZ RUS **RO** PL SLO HR TR

Română

FUNCȚIONARE



AVERTISMENT

Purtați întotdeauna ochelari de siguranță sau ochelari de protecție cu ecrane laterale când utilizați acest aparat. Nerespectarea acestor măsuri poate antrena leziuni oculare grave provocate de corpurile străine ce vă pot intra în ochi, cum ar fi praf, talas sau așchii. Purtați și un ecran facial sau o mască anti-praf dacă operația generează praf.

PORNIREA / OPRIREA RINDELEI (Fig. 4)

Urmați etapele de mai jos pentru a pune în funcțiune și a opri rindeaua:

- Pentru a porni rindeaua, apăsați butonul de deblocare a butonului de pornire (6), apoi apăsați pe trăgaci (4).
- Rindeaua EPN-7582N este echipată cu un sistem electronic de pornire progresivă, care permite o pornire controlată și treptată a motorului și a lamelor.
- Pentru a opri rindeaua, eliberați trăgaciul.

RINDELIUREA (Fig. 5)

Urmați etapele de mai jos pentru a rindelui:

- Fixați solid piesa de prelucrat.
- Reglați adâncimea de rindeluire (vezi secțiunea "Reglarea adâncimii de rindeluire" de mai sus).



AVERTISMENT

Țineți întotdeauna mașina cu două mâini în timpul utilizării pentru a păstra controlul mașinii și a evita astfel riscurile de răni corporale grave. Piesa de prelucrat trebuie să fie întotdeauna fixată corect cu ajutorul unor prese sau cu o menghină, ca să aveți ambele mâini libere pentru a ține rindeaua.

- Puneți talpa din față (10) pe marginea piesei de prelucrat.

REMARCĂ: Asigurați-vă că lamele (11) nu ating piesa de prelucrat.

- Exercați o presiune asupra mânerului din față astfel încât talpa din față să fie lipită complet de piesa de prelucrat.
- Porniți rindeaua și așteptați ca motorul să își atingă viteza maximă.
- Țineți bine rindeaua și introduceți lamele în piesa de prelucrat. Mișcați rindeaua încet în față de manieră constantă.

- Apăsați în jos pe mânerul din spate atunci când ajungeți la capătul rindeluirii. Astfel, partea din spate a rindelei rămâne sprijinită pe piesa de prelucrat și partea din față a rindelei nu blochează tăierea.



AVERTISMENT

Asigurați-vă că piesa de rindeluit nu are cuie: acestea ar putea stîrbi, fisura sau deteriora lamele.

REMARCĂ: Vă recomandăm să aveți întotdeauna la îndemână lame de schimb. Astfel veți putea înlocui lamele rindelei dacă acestea sunt tocite. Lamele rindelei sunt reversibile: puteți deci să întoarceți o lamă atunci când o parte a ei s-a tocit. Nu schimbați lamele decât atunci când ambele părți sunt tocite.

ȘANFRENAREA (Fig. 6)

Rindeaua este echipată cu un canal de șanfrenare pe talpa din față care vă permite să șanfrenați scânduri, așa cum se ilustrează în figura 6. Înainte de a realiza o tăietură în piesa de prelucrat, faceți încercări pe rebuturi pentru a determina cantitatea de lemn pe care doriți să o îndepărtați.

Urmați etapele de mai jos pentru a șanfrena:

- Fixați solid piesa de prelucrat.
- Prindeți mânerul din față cu mâna stângă și mânerul din spate cu mâna dreaptă.
- Așezați canalul de șanfrenare pe muchia piesei de prelucrat.
- Porniți rindeaua și așteptați ca motorul să își atingă viteza maximă.
- Țineți bine rindeaua și introduceți lamele în piesa de prelucrat. Mișcați rindeaua încet în față de manieră constantă.
- Apăsați rindeaua în jos pentru a o menține pe piesa de prelucrat de la începutul până la sfârșitul tăierii.

RINDELIUREA MARGINILOR ȘI REALIZAREA FALȚURILOR

Rindeaua este echipată cu un ghid lateral reglabil pentru rindeluirea precisă a marginilor și pentru realizarea falțurilor. Fixați ghidul pe o parte a rindelei (oricare parte) pentru a rindelui margini, și pe partea stângă pentru a realiza falțuri.



Română

FUNCȚIONARE

INSTALAREA GHIDULUI LATERAL PENTRU RINDELIUREA MARGINILOR (Fig. 7)

Urmați etapele de mai jos pentru a fixa ghidul lateral pentru rindeluirea marginilor:

- Deconectați rindeaua de la curent.
- Fixați echerul (13) pe o parte a rindelei cu ajutorul butonului de fixare (12).
- Fixați ghidul lateral (14) pe echer cu ajutorul celui alt buton de fixare (15) și a șurubului (16).
- Strângeți bine butoanele de fixare.

RINDELIUREA MARGINILOR (Fig. 8)

Urmați instrucțiunile din secțiunea "Rindeluirea" (vezi mai sus). Țineți ferm ghidul lateral lângă marginea piesei de prelucrat.

INSTALAREA GHIDULUI LATERAL PENTRU REALIZAREA FALȚURILOR (Fig. 9)

Urmați etapele de mai jos pentru a fixa ghidul lateral pentru realizarea falțurilor:

- Deconectați rindeaua de la curent.
- Fixați echerul pe partea stângă a rindelei cu ajutorul butonului de fixare.
- Fixați ghidul lateral pe echer (fără a strânge) cu ajutorul celui alt buton de fixare și a șurubului.
- Reglați ghidul lateral la lățimea dorită pentru falțul de realizat.
- Strângeți bine butoanele de fixare.

REALIZAREA FALȚURILOR (Fig. 9)

Urmați instrucțiunile din secțiunea "Rindeluirea" (vezi mai sus). Țineți ferm ghidul lateral lângă marginea piesei de prelucrat.

Adâncimea falțului este determinată de adâncimea de tăiere și de numărul de treceri efectuate de-a lungul piesei de prelucrat. Adâncimea maximă a falțurilor este de 8,5 mm. Un falț trebuie realizat prin treceri succesive de 2,5 mm, sau mai puțin, până când se atinge adâncimea dorită. Lățimea falțului poate fi aleasă reglând lățimea ghidului lateral.

ÎNȚREȚINERE



AVERTISMENT

Nu utilizați decât piese de schimb originale Ryobi în cazul reparațiilor. Utilizarea altor piese prezintă pericol pentru utilizator sau poate să deterioreze aparatul.

REGULI DE ORDIN GENERAL

Toate piesele fac parte din sistemul de dublă izolare a mașinii și trebuie să fie reparate numai de un Centru Service Agreat Ryobi.

Nu utilizați solvenți pentru curățarea pieselor din plastic. Cele mai multe materiale plastice pot să fie deteriorate prin utilizarea unor solvenți vânduți în comerț. Utilizați o cârpă curată pentru a curăța murdăriile, praful, etc.



AVERTISMENT

Elementele din plastic nu trebuie să intre niciodată în contact cu lichid de frână, cu benzină, cu produse petrolifere, cu uleiuri minerale, etc. Aceste produse chimice conțin substanțe care pot deteriora, slăbi sau distruge plasticul.

Mașinile utilizate pe suprafețe din fibre de sticlă, panouri de acoperire, sau ghips sunt mai expuse unei uzuri premature și la defecțiuni deoarece praful și așchile de fibră de sticlă produse sunt foarte abrazive și riscă să deterioreze angrenajele, periile, întrerupătoarele etc. Nu vă recomandăm să utilizați timp îndelungat mașina pe aceste tipuri de materiale. Dacă totuși lucrați cu aceste materiale, este indispensabil să curățați mașina cu aer comprimat după fiecare utilizare.



AVERTISMENT

Purtați întotdeauna ochelari de siguranță sau ochelari de protecție echipați cu ecrane laterale atunci când utilizați mașina sau când o curățați de praful acumulat. Purtați și o mască anti-praf dacă operația generează praf. Nerespectarea acestei măsuri poate antrena răniiri corporale grave.

UNGHEREA

Toate angrenajele acestui aparat au fost unse cu o cantitate suficientă de lubrifianț pentru toată durata de viață a aparatului în condiții de utilizare normale. În consecință, nici o ungere suplimentară nu este necesară.

F GB D E I P NL S DK N FIN GR H CZ RUS **RO** PL SLO HR TR

Română

ÎNȚREȚINERE

CURĂȚAREA DUZEI DE EVACUARE ȘI GOLIREA SACULUI DE PRAF (Fig. 10)

După o utilizare prelungită a rindelei sau când ați rindeluit lemn umed sau verde, talașul se poate acumula în duza de evacuare. Acesta trebuie îndepărtat. Acest talaș poate bloca ventilația și duce la o supraîncălzire a motorului.

Curățați duza de evacuare și goliți sacul de praf regulat.

- Deconectați rindeaua de la curent.



AVERTISMENT

Dacă rindeaua nu este debransată, se poate produce o pornire accidentală care poate provoca răni corporale grave.

- Scoateți sacul de praf de pe duza de evacuare.
- Scoateți praful sau talașul blocate în duză cu ajutorul unei bucațele de lemn. Nu utilizați mâna sau degetele dumneavoastră.
- Goliți complet sacul de praf și asigurați-vă că manșonul este curat.
- Montați din nou sacul de praf.

ÎNLOCUIREA LAMELOR (Fig. 11, 12 și 13)

Lamele (11) rindelei sunt reversibile. De îndată ce o parte a lamei s-a tocit, puteți să o întoarceți.

Întotdeauna întoarceți sau înlocuiți lamele câte două. Nu încercați să ascuțiți lamele. Dacă lamele sunt tocite, înlocuiți-le.

Atunci când înlocuiți lamele, utilizați numai lamele recomandate de producător.



AVERTISMENT

Lamele sunt foarte tăioase, fiți foarte prudent atunci când le înlocuiți. Nerespectarea acestui avertisment poate provoca răni corporale grave.

- Deconectați rindeaua de la curent.



AVERTISMENT

Dacă rindeaua nu este debransată, se poate produce o pornire accidentală care poate provoca răni corporale grave.

- Întoarceți rindeaua cu capul în jos și fixați-o ca să fie stabilă.
- Slăbiți cele trei șuruburi care mențin lamele pe suporturi (17) cu ajutorul unei chei hexagonale.

REMARCĂ: Nu slăbiți foarte tare șuruburile. Dacă șuruburile sunt prea slăbite, lama nouă nu va fi aliniată corect.

REMARCĂ: Înainte de a scoate lamele uzate, memorați sensul de tăiere precum și direcția în care sunt orientate muchiile tăioase ale lamelor. Muchia tăioasă a noilor lame trebuie să fie orientată în aceeași direcție ca cea a lamelor vechi.
- Împingeți lamele spre dreapta cu ajutorul vârfului unei șurubelnițe pentru a le scoate din suport.
- Scoateți lama uzată din suportul lamei.

REMARCĂ: Dacă nu reușiți să scoateți ușor lama din suport după ce șuruburile sunt slăbite, loviți scurt cu o bucată de lemn lama pentru a o desprinde din suport. Împingeți apoi lama cu o șurubelniță pentru a o scoate din suport. Dacă este nevoie, folosiți un ciocan mic pentru a lovi bucata de lemn și a detașa lama.
- Îndepărtați praful sau talașul intrat în locașurile lamelor.
- Introduceți o lamă nouă în fanta suportului.
- Utilizați o șurubelniță pentru a împinge lama în interiorul suportului până când este bine centrată.
- Strângeți din nou cele trei șuruburi de strângere a lamelor cu ajutorul unei chei hexagonale.
- Repetați etapa precedentă pentru a schimba și a doua lamă.

ÎNLOCUIREA CURELEI (Fig. 14 și 15)

Atunci când înlocuiți o curea, folosiți numai o curea de schimb originală.

- Deconectați rindeaua de la curent.



AVERTISMENT

Dacă rindeaua nu este debransată, se poate produce o pornire accidentală care poate provoca răni corporale grave.

- Scoateți șuruburile carterului curelei (18).
- carterul curelei.

F GB D E I P NL S DK N FIN GR H CZ RUS **RO** PL SLO HR TR

Română

ÎNȚREȚINERE

- Învârtiți roata motorului (20) în sensul indicat în figura 15. Trageți de curea (19) în timp ce rotiți și scoateți-o de pe roata motorului până când curea iese de pe ambele roți.
 - Așezați cureaua nouă în jurul roții tamburului (21). Treceți cureaua în jurul roții motorului în timp ce o învârtiți, până când cureaua se așează bine în poziție.
 - Remontați carterul curelei.
 - Strângeți bine șuruburile carterului curelei, fără a forța.
- REMARCĂ:** Nu strângeți prea tare șuruburile.

MARTOR INDICATOR AL TENSIUNII DE ALIMENTARE

Mașina este echipată cu un martor indicator al tensiunii de alimentare (7) care se aprinde atunci când mașina este conectată la priză. Acest martor indicator vă atrage atenția asupra faptului că mașina este conectată la priză și că va porni imediat ce apăsați pe întrerupător.

PROTECȚIA MEDIULUI ÎNCONJURĂTOR



Reciclați materiile prime în loc să le aruncați la gunoi. Pentru a respecta mediul înconjurător, triați-vă deșeurile și puneți aparatul uzat, accesoriile și ambalajele în containerele speciale sau duceți-le la organismele abilitate pentru reciclarea lor. Ryobi tratează protecția mediului înconjurător cu maximă seriozitate.



Polski

DZIĘKUJEMY PAŃSTWU ZA ZAKUP PRODUKTU RYOBI.

W celu optymalnego użytkowania przy zachowaniu bezpieczeństwa, prosimy o uważne przeczytanie, przed użyciem narzędzia, niniejszego PODRĘCZNIKA OBSŁUGI jak również WYMAGAŃ BEZPIECZEŃSTWA.

OGÓLNE WYMAGANIA BHP



OSTRZEŻENIE

W celu zmniejszenia ryzyka pożaru, porażenia prądem elektrycznym czy urazów cielesnych, przy używaniu narzędzi elektrycznych, należy koniecznie przestrzegać podstawowych wymagań BHP.

- **Pamiętajcie, aby wasza przestrzeń robocza była dobrze uporządkowana.** Przepelnione przestrzenie pracy czy stoły sprzyjają wypadkom.
- **Bierzcie pod uwagę wasze otoczenie robocze.** Nie wystawiajcie elektronarzędzi na deszcz. Nie używajcie narzędzi elektrycznych w miejscach zmoczonych lub wilgotnych. Dopilnujcie, aby wasza przestrzeń robocza była dobrze oświetlona. Nie używajcie elektronarzędzi w miejscach grozących pożarem lub porażeniem prądem.
- **Chroncie się przed porażeniem prądem.** Unikajcie wszelkiego kontaktu z powierzchniami uziemionymi lub połączonymi z korpusem (to znaczy: przewody, grzejniki, kuchenki, lodówki, itd.).
- **Trzymajcie dzieci z dala.** Osoby postronne nie powinny dotykać narzędzia ani przedłużacza. Wszelkie osoby postronne powinny być z dala od strefy roboczej.
- **Schowajcie narzędzia, którymi już się nie posługujecie.** Narzędzie, którego przestaliście używać, powinno być schowane w suchym miejscu, ułożone na wysokości lub zamknięte na klucz, poza zasięgiem dzieci.
- **Używajcie odpowiedniego narzędzia.** Nie przeciążajcie małych narzędzi lub akcesoriów wykonując nimi prace, do których mają zastosowanie narzędzia o wyższych możliwościach. Nie wolno używać narzędzia do pracy niezgodnej z przeznaczeniem.
- **Nie przeciążajcie narzędzia.** Wasze narzędzie będzie bardziej wydajne i pewne, jeżeli będziecie je używali zgodnie z przeznaczeniem.
- **Dajcie do naprawy wasze narzędzie wykwalifikowanemu technikowi.** Narzędzie to spełnia wymogi normatywne przepisów bezpieczeństwa pracy. Naprawy powinny być wykonywane przez wyspecjalizowanego technika przy użyciu oryginalnych części zamiennych.

Nie przestrzeganie tego zalecenia, mogłoby spowodować niebezpieczną sytuację dla użytkownika.

- **Używajcie tylko dobrze naostrzonych noży.**
- **Noście ochronniki słuchu.**
- **Noście odpowiednie ubrania.** Nie noście luźnych ubrań, czy też biżuterii, które mogą być pochwycone przez ruchome części. Zalecamy Państwu noszenie rękawic gumowych i obuwia przeciwpoślizgowego, kiedy pracujecie na zewnątrz. Jeżeli macie długie włosy, powinniście je chronić nakrywając je.
- **Zakładajcie okulary ochronne.** Zakładajcie również ochronę na twarz lub maskę przeciwpyłową w wypadku gdy przy pracy wydziela się pył.
- **Przewód zasilający należy utrzymywać w dobrym stanie.** Nie trzymajcie nigdy narzędzia za przewód zasilający i nigdy nie ciągnijcie za narzędzie czy za przewód zasilający w celu wyłączenia narzędzia. Przewód zasilający powinien się znajdować z dala od wszelkiego źródła ciepła, oleju czy wszelkich ostrych przedmiotów.
- **Zawsze zachowujcie pozycję równowagi.** Opierajcie się dobrze na waszych nogach i nie wyciągajcie ramion zbyt daleko.
- **Konserwujcie starannie wasze narzędzia.** Z myślą o lepszych wynikach i optymalnym bezpieczeństwie, dopilnujcie aby wasze narzędzia były zawsze czyste. Przeglądajcie regularnie przewód zasilający i jeżeli jest on uszkodzony, należy go oddać do naprawy do Autoryzowanego Punktu Serwisowego Ryobi. Należy regularnie sprawdzać stan przedłużaczy i wymieniać je jeżeli są uszkodzone. Dopilnujcie by uchwyty były zawsze suche i czyste, bez śladów oleju czy smaru.
- **Pamiętajcie o wyciągnięciu kluczy zaciskowych.** Nabierzcie zwyczaju sprawdzania przed uruchomieniem narzędzia czy kluczyki zaciskowe zostały wyciągnięte.
- **Unikajcie przypadkowego włączenia.** Nie należy przemieszczać waszego narzędzia z palcem na spuście - włączniku, kiedy jest ono podłączone. Kiedy podłączacie wasze narzędzie, upewnijcie się czy włącznik jest w pozycji "zatrzymane".
- **Używajcie odpowiednich przedłużaczy.** Kiedy pracujecie na zewnątrz (w plenerze), używajcie wyłącznie przedłużaczy przewidzianych do użytku na zewnątrz.
- **Zachowajcie czujność.** Patrząc na to co robicie. Zdajcie się na wasz zdrowy rozsądek. Nie używajcie waszego narzędzia jeżeli jesteście zmęczeni.



Polski

OGÓLNE WYMAGANIA BHP

- **Sprawdźcie czy narzędzie nie zawiera jakiejś uszkodzonej części.** Przed dalszym użytkowaniem narzędzia, sprawdźcie czy uszkodzona część lub akcesoria mogą dalej działać lub spełniać swoje funkcje. Sprawdźcie wyrównanie, przytrzymanie ruchomych części, montaż i wszelkie inne elementy mające wpływ na działanie narzędzia. Każdy zdefektowany wyłącznik należy wymienić w Autoryzowanym Punkcie Serwisowym Ryobi. Nie używajcie urządzenia jeżeli wyłącznik nie pozwala zatrzymać i uruchomić tego urządzenia.
- **Upewnijcie się, że napięcie sieciowe odpowiada wskazaniom figurującym na tabliczce znamionowej.**
- **Nigdy nie używajcie narzędzia, któremu brakuje pokrywy ochronnej lub śrub mocujących.** Jeżeli pokrywa ochronna lub śruby mocujące zostały ściągnięte, przed użyciem narzędzia, należy je ponownie zamontować. Utrzymujcie wszystkie części w stanie sprawnym do działania.
- **Przy pracy na wysokości, dopilnujcie solidnego przytrzymania narzędzi.**
- **Nigdy nie dotykajcie tarczy tnącej, wiertła, tarczy szlifierskiej czy innych ruchomych części w trakcie użytkowania.** Nigdy nie uruchamiajcie waszego narzędzia, kiedy ostrze dotyka przedmiotu do obróbki.
- **Nigdy nie odkładajcie waszego narzędzia zanim ruchome części nie będą zupełnie zatrzymane.**
- **AKCESORIA:** Używanie akcesoriów i wyposażenia innego niż zalecane w niniejszej instrukcji, może być niebezpieczne.
- **CZĘŚCI ZAMIENNE:** Należy używać tylko oryginalnych części zamiennych w wypadku wymiany.
- **Przed położeniem narzędzia, zaczekajcie aż noże struga będą zupełnie zatrzymane.** Poruszające się noże mogłyby zaczepić się o powierzchnię, na której kładziecie strug, pociągając za sobą ryzyko utraty kontroli nad narzędziem i poważnego zranienia.

CHARAKTERYSTYKA PRODUKTU

	EPN-6082	EPN-7582N
Zasilanie	230 V ~ 50 Hz	230 V ~ 50 Hz
Moc	600 W	750 W
Prędkość bez obciążenia	16 000 obrotów/min	16 000 obrotów/min
Maks. głębokość strugania	1,5 mm	2 mm
Maks. szerokość strugania	82 mm	82 mm

Maks. głębokość wyżłobienia	8 mm	12 mm
Ciężar	3,1 kg	3,2 kg

Sprawdźcie tabliczkę znamionową produktu, gdyż napięcie może być różne w zależności od miejsca, w którym używa się produktu.

OPIS

1. Gałka do ewakuacji strużyn w prawo / w lewo
2. Pokrętko regulacji głębokości
3. Przyłącze do odciągu strużyn
4. Spust-włacznik
5. Uchwyt z tyłu
6. Przycisk odblokowania spustu-włacznika
7. Wskaźnik obecności napięcia
8. Przystawka worka na pył
9. Worek na pył
10. Podstawa robocza przednia
11. Nóż odwracalny do struga
12. Pokrętko do zamocowania kątownika
13. Kątownik
14. Prowadnica boczna
15. Pokrętko mocujące prowadnicę boczną
16. Śruba
17. Obsada noży
18. Pokrywa ochronna pasa napędowego
19. Pas napędowy
20. Koło pasowe napędzające
21. Bęben cylindryczny
22. Wspornik zabezpieczający

CHARAKTERYSTYKA



OSTRZEŻENIE

Jeżeli brakuje jakiejś części, nie używajcie waszego narzędzia zanim nie dostaniecie brakującego elementu. Nie zastosowanie się do tego wymogu może spowodować ciężkie obrażenia ciała.

ZAPOZNAJCIE SIĘ Z WASZYM STRUGIEM

Przed użyciem waszego struga, należy zapoznać się z wszelkimi funkcjami oraz ich specyfiką w zakresie bezpieczeństwa. Jednakże, nawet po dokładnym zaznajomieniu się z waszym strugiem, bądźcie ostrożni.

Wasz strug jest kompaktowy i lekki. Wyposażony jest w niżej przedstawione elementy:

SPUST-WŁĄCZNIK

Wasz strug wyposażony jest w włącznik spustowy, który jest łatwy w obsłudze.



Polski

CHARAKTERYSTYKA

ODBLOKOWANIE WŁĄCZNIKA

Aby móc nacisnąć na spust- włącznik, trzeba uprzednio wcisnąć przycisk odblokowania spustu-włącznika. Przycisk ten blokuje spust na ZATRZYMANIE, gdy tylko zwolni się z niego palec.



OSTRZEŻENIE

Nawet po dokładnym zaznajomieniu się z waszym strugiem, bądźcie ostrożni. Nie zapominajcie, że wystarczy ułamek sekundy nieuwagi, aby doszło do poważnego zranienia.

REGULOWANIE GŁĘBOKOŚCI

Możecie ustawić podstawę struga na pożądaną głębokość głębokość w odstępach 0,2 mm między 0 i 1,5 mm (EPN-6082)/2,0 mm (EPN-7582N). Ostatnie możliwe ustawienie odpowiada maksymalnej głębokości strugania, czyli 1,5 mm (EPN-6082)/2,0 mm (EPN-7582N).

WSPORNIK ZABEZPIECZAJĄCY (Rys. 11)

Wasz strug wyposażony jest w składany wspornik znajdujący się z tyłu podstawy. Ma on za zadanie zapobiegać wszelkiemu kontaktowi noży z powierzchnią, na której kładziecie strug, podczas gdy silnik jest zatrzymany.

Kiedy zaczynacie strugać, wspornik ten chowa się automatycznie w momencie przejścia po krawędzi przedmiotu do obróbki.

PROWADNICA BOCZNA DO STRUGANIA KRAWĘDZI I WYŻŁOBIŃ

Prowadnica będąca na wyposażeniu struga umożliwia struganie krawędzi i wykonywanie wyżłobień.

WOREK NA PYŁ

Worek na pył przymocowuje się do struga i umożliwia on utrzymanie przestrzeni roboczej bez strużyn i wiórów.

REGULOWANIE



OSTRZEŻENIE

Wasz strug nie powinien być podłączony, kiedy zakładacie części, wykonujecie regulacje, lub czynności konserwacyjne, kiedy go czyszcicie lub kiedy go nie używacie. Po odłączeniu narzędzia od zasilania sieciowego, nie istnieje już ryzyko przypadkowego uruchomienia mogącego spowodować poważne obrażenia ciała.

ZAINSTALOWANIE WORKA NA PYŁ (Rys. 1)

Aby zainstalować worek na pył, należy iść za następującymi etapami (9):

- Odłączyć strug od zasilania.
- Włóżcie przystawkę worka na pył (8) do przyłącza do odciągu strużyn (3) waszego struga.
 - OBŚNIENIE:** Aby zdjąć worek na pył, odcepście go od przyłącza do odciągu strużyn ciągnąc za niego.



UWAGA

Worek na pył szybko się wypełnia. Opróżniajcie go regularnie, aby uniknąć uszkodzenia narzędzia.

REGULACJA KIERUNKU WYRZUTU PYŁU (Rys. 2)

Możecie dokonać wyboru kierunku wyrzutu pyłu (strużyn) podczas pracy w otoczeniu graniczącym z czymś. Pył (strużyny) może być wyrzucany w prawą lub w lewą stronę.

Aby dokonać wyboru kierunku wyrzutu pyłu (strużyn), należy iść za następującymi etapami:

- Odłączyć strug od zasilania
- Ustawić kierunek ewakuacji i zainstalować worek na pył.
 - W celu wyrzucenia pyłu w prawo, popchnijcie w prawo gałkę ewakuacji strużyn prawo/lewo (1) i zamocujcie worek na pył na prawym przyłączy.
 - W celu wyrzucenia pyłu w lewo, popchnijcie w lewo gałkę ewakuacji strużyn prawo/lewo i zamocujcie worek na pył na lewym przyłączy.

USTAWIANIE GŁĘBOKOŚCI STRUGANIA (Rys. 3)

Struganie powinno być zawsze wykonywane przechodząc z większej głębokości na mniejszą głębokość. Aby zacząć struganie, należy ustawić głębokość na około 0,8 mm. Następnie, aby zakończyć struganie, ustawcie głębokość na około 0,4 mm. Aby się upewnić czy strug zdziera pożądaną grubość drewna, wykonajcie próbę w drewnie odpadowym po każdym ustawieniu.

Aby ustawić głębokość strugania, należy iść za następującymi etapami:

- Odłączyć strug od zasilania
- Wyregulować pokrętko regulacji głębokości (4) na pożądaną ustawienie.

F GB D E I P NL S DK N FIN GR H CZ RUS RO **PL** SLO HR TR

Polski

FUNKCJONOWANIE

OBŚANIENIE: W celu zabezpieczenia noży, kiedy chowacie na miejsce wasze narzędzie, czy też gdy je przemieszczacie, musicie wyregulować pokrętko regulacji głębokości na 0.



OSTRZEŻENIE

Kiedy używacie tego narzędzia, zakładajcie zawsze okulary ochronne lub okulary zabezpieczające wyposażone w boczne osłony. W razie nie spełnienia tego wymogu może dojść do odrzutu obcego ciała do oczu, takiego jak pył, wióry, odłamki, co grozi poważnym skaleczeniem oka. Załóżcie również ochronę na twarz lub maskę przeciwpyłową w wypadku gdy przy danej operacji wydziela się pył.

URUCHOMIENIE / ZATRZYMANIE STRUGA (Rys. 4)

Aby uruchomić lub zatrzymać wasz strug, należy iść za następującymi etapami:

- W celu uruchomienia struga, wciśnijcie przycisk odblokowania spustu-włącznika(6), a następnie naciśnijcie na spust (4).
- Strug EPN-7582N wyposażony jest w elektroniczny system stopniowego rozruchu, który umożliwia kontrolowane i stopniowe uruchomienie silnika i noży.
- Aby zatrzymać wasz strug, zwolnijcie palec ze spustu.

STRUGANIE (Rys. 5)

Aby wykonać operację strugania, należy iść za następującymi etapami:

- Zamocujcie solidnie przedmiot do obróbki.
- Ustawcie głębokość strugania (patrz powyższy rozdział "Regulacja głębokości strugania").



OSTRZEŻENIE

Podczas używania struga, trzymajcie go dwoma rękami, co pozwoli wam zachować kontrolę nad narzędziem i uniknąć ryzyka poważnych obrażeń ciała. Po to by mieć dwie wolne ręce do trzymania struga, obrabiany przedmiot powinien być poprawnie zamocowany przy pomocy ścisków ślusarskich lub imadła.

- Umieścić przednią podstawę roboczą (10) na krawędzi przedmiotu do strugania.

OBŚANIENIE: Upewnijcie się, że noże (11) nie dotykają przedmiotu do obróbki.

- Naciśnijcie na przedni uchwyt w taki sposób, aby przednia podstawa robocza była na płasko całkowicie oparta o przedmiot do obróbki.
- Uruchomcie strug i zaczekajcie aż silnik osiągnie maksymalną prędkość.
- Trzymajcie zdecydowanie strug i wprowadźcie noże w przedmiot do obróbki. Przesuwajcie powoli strug do przodu i w sposób regularny.
- Kiedy dochodzicie do końca strugania, wykonajcie nacisk w dół na tylny uchwyt. W ten sposób tył struga pozostaje oparty o obrabiany przedmiot a przód struga nie blokuje cięcia.



OSTRZEŻENIE

Dopilnujcie, by przedmiot do strugania nie zawierał gwoździ: gdyż mogłyby one doprowadzić do wyszczerbienia, pęknięcia, czy uszkodzenia noży.

OBŚANIENIE: Zalecamy Państwu, aby mieć zawsze w zasięgu ręki noże zastępcze do wymiany. W ten sposób możecie wymienić noże waszego struga, gdy tylko są stępione. Noże waszego struga są odwracalne: możecie odwrócić nóż, kiedy jedna strona jest stępiona. Wymienijcie noże, tylko wtedy gdy obie strony są stępione.

UKOSOWANIE KRAWĘDZI (Rys. 6)

Wasz strug wyposażony jest w rowek do ukosowania krawędzi znajdujące się na przedniej podstawie roboczej, co umożliwia ukosowanie krawędzi płyt, jak pokazano na rysunku 6. Przed wykonaniem cięcia w przedmiocie do obróbki, wykonajcie próbę w drewnie odpadowym aby określić ilość drewna do zdarcia.

Aby wykonać operację ukosowania krawędzi, należy iść za następującymi etapami:

- Zamocujcie solidnie przedmiot do obróbki.
- Trzymajcie przedni uchwyt lewą ręką i tylny uchwyt prawą ręką.
- Oprzyjcie rowek do ukosowania o róg przedmiotu do obróbki.
- Uruchomcie strug i zaczekajcie aż silnik osiągnie maksymalną prędkość.
- Trzymajcie zdecydowanie strug i wprowadźcie noże w przedmiot do obróbki. Przesuwajcie powoli strug do przodu i w sposób regularny.
- Naciskajcie w dół, tak by strug pozostawał oparty o przedmiot do obróbki od początku do końca cięcia.



Polski

FUNKCJONOWANIE

STRUGANIE KRAWĘDZI I WYKONYWANIE WYŻŁOBIEŃ

Wasz strug wyposażony jest w boczną prowadnicę do dokładnego strugania krawędzi i wykonywania wyżłobień. Zamocujcie prowadnicę po dowolnej stronie struga w celu strugania krawędzi, a w celu wykonania wyżłobień, zamocujcie ją po lewej stronie struga.

MONTAŻ PROWADNICZY BOCZNEJ DO STRUGANIA KRAWĘDZI (Rys. 7)

Aby zainstalować prowadnicę boczną do strugania krawędzi, należy iść za następującymi etapami:

- Odłączyć strug od zasilania
- Przymocować kątownik (13) na boku struga przy pomocy pokrętła mocującego (12).
- Przymocować prowadnicę boczną (14) do kątownika przy pomocy pokrętła mocującego (15) i śruby (16).
- Mocno dokręcić pokrętła mocujące.

STRUGANIE KRAWĘDZI (Rys. 8)

Postąpić według instrukcji zawartych w rozdziale "Struganie" (patrz wyżej). Trzymajcie prowadnicę boczną zdecydowanie opartą o krawędź przedmiotu do obróbki.

MONTAŻ PROWADNICZY BOCZNEJ DO WYKONYWANIA WYŻŁOBIEŃ (Rys. 9)

Aby zainstalować prowadnicę boczną do wykonywania wyżłobień, należy iść za następującymi etapami:

- Odłączyć strug od zasilania.
- Przymocować kątownik na lewym boku struga przy pomocy pokrętła mocującego.
- Przymocować prowadnicę boczną (bez dociskania) do kątownika przy pomocy pokrętła mocującego i śruby.
- Ustawcie prowadnicę boczną na požądaną szerokość wyżłobienia do wykonania.
- Mocno dokręcić pokrętła mocujące.

WYKONYWANIE WYŻŁOBIEŃ (Rys. 9)

Postąpić według instrukcji zawartych w rozdziale "Struganie" (patrz wyżej). Trzymajcie prowadnicę boczną zdecydowanie opartą o krawędź przedmiotu do obróbki.

Głębokość wyżłobienia określona jest przez głębokość cięcia i ilość wykonanych przejść wzdłuż obrabianego przedmiotu. Maksymalna głębokość wyżłobienia wynosi 8,5 mm.

Wyżłobienie powinno być wykonane w wyniku następujących po sobie przejść przynajmniej 2,5 mm, aż do osiągnięcia pożądanej głębokości. Szerokość wyżłobienia może być wybrana poprzez regulowanie szerokości prowadnicy bocznej.

KONSERWACJA



OSTRZEŻENIE

Do wymiany należy używać tylko oryginalnych części zamiennych Ryobi. Użycie jakiegokolwiek innej części mogłoby spowodować zagrożenie lub też uszkodzić wasze narzędzie.

ZALECENIA OGÓLNE

Wszystkie części wchodzą w skład systemu podwójnej izolacji narzędzia i powinny być naprawiane jedynie w Autoryzowanym Punkcie Serwisowym Ryobi.

Nie używajcie rozpuszczalników do mycia części plastikowych. Większość tworzyw sztucznych, mogłyby zostać uszkodzone przez użycie rozpuszczalników dostępnych w sprzedaży. Używajcie czystej szmatki do mycia zabrudzeń, pyłu, itd.



OSTRZEŻENIE

Części plastikowe nigdy nie powinny być w kontakcie z płynem hamulcowym, benzyną, czy produktami na bazie ropy naftowej, przenikliwymi olejami itd. Substancje te zawierają produkty chemiczne, które mogłyby uszkodzić, osłabić lub zniszczyć plastik.

Narzędzia używane na powierzchniach z włókna szklanego, na płytach pokryciowych lub gipsie są bardziej narażone na przedwczesne zużycie się i na awarie, gdyż wydzielające się pył i odłamki włókna szklanego są bardzo ściernie i grożą uszkodzeniem kół zębatych, szczotek, wyłączników itd. Zdecydowanie odradzamy państwu przedłużone używanie tego narzędzia na tego typu materiałach. Jeżeli jednak pracujecie Państwo na tego typu materiałach, konieczne jest czyszczenie waszego narzędzia po każdym użyciu przy pomocy sprężonego powietrza.



OSTRZEŻENIE

Kiedy używacie tego narzędzia lub kiedy pozbywacie się nagromadzonych strużyn, zakładajcie zawsze okulary ochronne lub okulary zabezpieczające wyposażone w boczne osłony. Załóżcie również maskę przeciwpyłową w wypadku gdy przy danej operacji wydziela się pył. Nie zastosowanie się do tego wymogu może spowodować ciężkie obrażenia ciała.

F GB D E I P NL S DK N FIN GR H CZ RUS RO **PL** SLO HR TR

Polski

KONSERWACJA

SMAROWANIE

Wszystkie ząbienia tego narzędzia zostały nasmarowane smarem o wysokim wskaźniku smarowania w wystarczającej ilości na cały cykl życia produktu używanego w warunkach normalnych. W wyniku czego nie zachodzi potrzeba dodatkowego smarowania.

CZYSZCZENIE PRZYŁĄCZA DO ODCIĄGU STRUŻYNI I OPRÓŻNIANIE WORKA NA PYŁ (Rys. 10)

Po przedłużonym użyciu waszego struga, lub gdy heblowaliście zmocone lub zielone drewno, w przyłączy mogą się nagromadzić wióry. Wtedy trzeba je wyjąć.

Te wióry mogą przeszkadzać wentylacji i pociągnąć za sobą przegrzanie silnika.

Regulanie czystości przyłącze do odciągu strużyny i opróżnić worek na pył.

- Odłączyć strug od zasilania.



OSTRZEŻENIE

Jeżeli strug nie został odłączony, może dojść do przypadkowego włączenia, grożącego poważnymi obrażeniami ciała.

- Zdejmijcie worek na pył z przyłącza.
- Wyjmijcie pył lub pozostałe w przyłączy wióry przy pomocy małego kawałka drewna. Nie używajcie do tego ręki czy palców.
- Opróżnijcie zupełnie worek na pył i upewnijcie się, że przystawka worka jest czysta.
- Załóżcie ponownie worek na pył.

WYMIANA NOŻY (Rys. 11, 12 & 13)

Noże (11) waszego struga są odwracalne: Kiedy jedna strona jest stępiona, możecie go odwrócić.

Należy obracać i wymieniać noże zawsze po dwa. Nie próbujcie ostrzyć noży. Jeżeli noże są stępione, wymieńcie je.

Kiedy wymieniacie noże, używajcie jedynie noży zalecanych przez producenta.



OSTRZEŻENIE

Noże są bardzo tnące, bądźcie wyjątkowo ostrożni podczas ich wymiany. Nie zastosowanie się do tego ostrzeżenia może spowodować ciężkie obrażenia ciała.

- Odłączyć strug od zasilania.



OSTRZEŻENIE

Jeżeli strug nie został odłączony, może dojść do przypadkowego włączenia, grożącego poważnymi obrażeniami ciała.

- Połóżcie wasz strug do góry nogami i przymocujcie go tak, by był stabilny.
- Przy pomocy klucza sześciokątnego, należy odkręcić trzy śruby przytrzymujące noże w obsadzie noży.

OBŚANIENIE: Nie odkręcajcie zbyt mocno śrub. Jeżeli śruby są zbyt luźne, nowy nóż nie będzie porawnie zrównany.

OBŚANIENIE: Przed zdjęciem zużytych noży, przyjdźcie się kierunkowi cięcia i zauważcie w jaką stronę zwrócone są krawędzie tnące. Krawędź tnąca nowych noży powinna być zwrócona w tym samym kierunku, co krawędź tnąca starych noży.

- Popchnijcie nóż w prawo przy pomocy końcówki śrubokręta, po to by wyjąć go z obsady noży.
- Wyjmijcie zużyte noże z obsady noży.

OBŚANIENIE: Jeżeli nie udaje się wam łatwo wyjąć noży z obudowy noży już po odkręceniu śrub, uderzcie nóż kawałkiem drewna w celu uwolnienia go z obudowy noży. Następnie przesuniecie nóż przy pomocy śrubokręta w celu wyjęcia go z obudowy noży. Jeżeli zachodzi potrzeba, użyjcie małego młotka do uderzenia w kawałek drewna i uwolnienia noża.

- Wyjmijcie pył lub wióry znajdujące się w miejscu na noże.
- Wprowadźcie nowy nóż w szczelinę obudowy noży.
- Użyjcie śrubokręta do przesuwania noża do wnętrza obudowy noży tak aż znajdzie się on w samym środku.
- Dokręćcie ponownie trzy śruby zaciskowe noży przy pomocy klucza sześciokątnego.
- Zaczynajcie od nowa poprzedni etap w celu wymiany drugiego noża.

WYMIANA PASA NAPĘDOWEGO (Rys. 14 & 15)

Do wymiany pasa napędowego, używajcie jedynie oryginalnego zapasowego pasa napędowego.

- Odłączyć strug od zasilania.



OSTRZEŻENIE

Jeżeli strug nie został odłączony, może dojść do przypadkowego włączenia, grożącego poważnymi obrażeniami ciała.

- Zdejmijcie śrubę z pokrywy ochronnej pasa napędowego (18).
- Zdejmijcie pokrywę ochronną pasa napędowego.

F GB D E I P NL S DK N FIN GR H CZ RUS RO **PL** SLO HR TR

Polski

KONSERWACJA

- Obracajcie koło pasowe napędzające (20) w kierunku wskazanym na rysunku 15. Ciągnijcie za pas napędowy (19) jednocześnie obracając go i uwolnijcie go z koła pasowego napędzającego do momentu gdy pas napędowy znajdzie się poza dwoma kołami.
- Umieśćcie nowy pas napędowy wokół bębna cylindrycznego (21). Przełóżcie pas napędowy wokół bębna cylindrycznego jednocześnie go obracając, do momentu aż znajdzie się na swoim miejscu.
- Załóżcie na miejsce pokrywę ochronną pasa napędowego.
- Dokręćcie zdecydowanie śruby pokrywki ochronnej pasa napędowego, ale nie na siłę.
OBSZNIENIE: Nie dokręćcie śrub zbyt mocno.

LAMPKA KONTROLNA PODŁĄCZENIA POD NAPIĘCIE

To narzędzie wyposażone jest w lampkę kontrolną podłączenia pod napięcie (7), która zaświeca się, gdy narzędzie jest podłączone do zasilania. Kontrolka ta przyciąga uwagę na fakt, że narzędzie jest podłączone do zasilania i że się uruchomi gdy tylko naciśniesz na spust.

OCHRONA ŚRODOWISKA



Przetwarzaj surowce zamiast je wyrzucać. Dla poszanowania środowiska sortuj odpady i wróć zużyte urządzenie, akcesoria i opakowanie do specjalnych pojemników albo odnieś je do punktów zajmujących się recyklingiem. Ryobi podchodzi bardzo poważnie do problematyki ochrony środowiska.



Slovensko

ZAHVALJUJEMO SE VAM ZA NAKUP IZDELKA RYOBI.

Preden začnete uporabljati izdelek, pazljivo preberite PRIROČNIK ZA UPORABNIKA in NAVODILA ZA VARNO UPORABO. Tako boste poskrbeli za svojo varnost in zadovoljstvo.

NAVODILA ZA VARNO UPORABO



OPOZORILO

Ko uporabljate električne naprave, vedno upoštevajte naslednje osnovne varnostne ukrepe, da zmanjšate verjetnost požara, električnega udara in telesnih poškodb:

- **Poskrbite za čisto delovno okolje.** Nered na delovnem pultu povzroča nesreče.
- **Upoštevajte svoje delovno okolje.** Ne dovolite, da bi po orodju deževalo in ga ne uporabljajte na vlažnem ali mokrem mestu. Poskrbite, da bo delovno okolje dovolj osvetljeno. Ne uporabljajte električnega orodja, kjer lahko pride do požara ali električnega udara.
- **Varujte se pred električnim udarom.** Pazite, da se vaše telo ne dotika ozemljenih površin (na primer: pipe, radiatorji, štedilniki, hladilniki).
- **Ne dovolite, da se vam približajo otroci.** Ne dovolite, da bi se obiskovalci dotikali orodja ali kablov. Obiskovalci naj se ne zadržujejo v delovnem območju.
- **Pospravite orodje, ki ga ne uporabljate.** Ko orodja ne uporabljate, ga hranite na suhem mestu, visoko ali zaklenjenega, tako da ne bo na doseg otrok.
- **Uporabite orodje, ki je primerno za vaše potrebe.** Ne uporabljajte majhnega orodja ali priključkov za delo, ki potrebuje večje in težje orodje. Ne izvajajte del, za katera orodje ni predvideno.
- **Od orodja ne zahtevajte preveč.** Če orodje uporabljate, tako kot je predvideno, boste delo opravili boljše in bolj varno.
- **Orodje naj popravlja le kvalificirano osebje.** Ta električna naprava je v skladu z ustreznimi varnostnimi zahtevami. Vsa popravila naj izvaja kvalificirano osebje, ki uporablja originalne rezervne dele, sicer lahko pride do resne nevarnosti za uporabnika
- **Uporabljajte samo nabrušena rezila.**
- **Nosite zaščito za sluh.**
- **Oblecite se primerno.** Ne nosite ohlapne obleke ali nakita, saj se lahko ujame med premikajoče se dele. Za delo zunaj priporočamo uporabo gumijastih rokavic in obutve, ki ne zdrsuje. Dolge lase pokrijte z zaščitnim pokrivalom.
- **Uporabljajte varnostna očala.** Če se pri delu dviguje prah, uporabite tudi zaščito za obraz oziroma protiprašno masko.
- **Ne ravnajte neprimerno z napajalnimi kablom.** Ko prenašate orodje, ga ne držite za kabel in ne vlecite sunkovito, ko kabel izklapljate iz vtičnice. Poskrbite, da kabel ne bo izpostavljen toploti, oljem ali ostrim robovom.
- **Ne poizkušajte preveč iztegniti rok.** Ves čas bodite pozorni, da stojite trdno in v ravnotežju.
- **Skrbno vzdržujte orodje.** Poskrbite, da bo orodje vedno čisto, saj bo tako delovalo boljše in bolj varno. Občasno se prepričajte, ali je kabel orodja poškodovan. Če je, naj vam ga popravijo v pooblaščenih servisnih delavnicah. Preglejte tudi podaljške in jih zamenjajte, če so poškodovani. Ročice naj bodo ves čas suhe, čiste in brez madežev olja ali masti.
- **Odstranite ključke ali drugo orodje, ki ste ga uporabili za nastavitve.** Navadite se, da se pred vklopom orodja še enkrat prepričate, da ste z njega odstranili ključke in drugo orodje za nastavitve.
- **Pazite, da orodja ne vklopite po nesreči.** Orodja, ki je priključeno na napetost, nikoli ne prenašajte tako, da držite prst na stikalu za vklop. Preden priključite orodje na napetost, se prepričajte, da je stikalo izklopljeno.
- **Uporabljajte podaljške, ki so primerni za delo zunaj.** Ko z orodjem delate zunaj, uporabljajte le podaljške, ki so namenjeni uporabi na prostem.
- **Bodite pazljivi.** Glejte, kaj delate in ravnajte razumno. Ne uporabljajte orodja, če ste utrujeni.
- **Preglejte poškodovane dele.** Preden nadaljujete z uporabo orodja, pazljivo preglejte poškodovani del in se prepričajte, da pravilno deluje ter služi svojemu namenu. Prepričajte se, da so deli pravilno naravnani, da niso poškodovani, da so brezhibno montirani in tudi o vseh ostalih vidikih, ki bi lahko vplivali na delovanje orodja. Okvarjena stikala naj vam zamenjajo v pooblaščenih servisnih delavnicah. Orodja ne uporabljajte, če ga s stikalom ne morete vklopiti in izklopiti.
- **Prepričajte se, da orodje priključite le na napetost, ki je navedena na identifikacijski plošči.**
- **Ne uporabljajte orodja, če mu manjka ohišje ali kateri od vijakov.** Če ste odstranili ohišje ali vijake, jih pred uporabo ponovno namestite. Poskrbite, da so vsi deli v dobrem stanju.
- **Če delate na višini, vedno zavarujte orodje.**
- **Ko orodje deluje, se nikoli ne dotikajte rezila, svedra, brusnega koluta ali drugih premikajočih se delov.** Nikoli ne vklopite orodja, če je njegov vrteči se del v stiku s predmetom, ki ga obdelujete.



Slovensko

NAVODILA ZA VARNO UPORABO

- **Nikoli ne odložite orodja, preden se njegovi premikajoči se deli popolnoma ne zaustavijo.**
- **PRIBOR:** Če uporabljate pribor, ki ga ta priročnik ne priporoča, lahko povzročite nevarnost.
- **NADOMESTNI DELI:** Ob servisiranju orodja uporabljajte samo identične nadomestne dele.
- **Počakajte, da se rezilo zaustavi, preden odložite orodje.** Izpostavljeno rezilo se lahko zareže v površino ter povzroči izgubo nadzora in resno telesno poškodbo.

ZNAČILNOSTI

	EPN-6082	EPN-7582N
Vhodna napetost	230 V ~ 50 Hz	230 V ~ 50 Hz
Moč	600 W	750 W
Hitrost brez obremenitve	16000 min ⁻¹	16000 min ⁻¹
Največji odvzem materiala	1,5 mm	2 mm
Največja širina skobljanja	82 mm	82 mm
Največja globina utora	8 mm	12 mm
Teža	3,1 kg	3,2 kg

Preglejte identifikacijsko ploščo, saj se napetost spreminja glede na področje, kjer boste uporabljali izdelek.

OPIS

1. Gumb za smer izpuha
2. Gumb za nastavitev globine
3. Odprtina za izpuh
4. Stikalo za vklop
5. Zadnji ročaj
6. Gumb za zaklep delovanja
7. Indikator orodja pod napetostjo
8. Prirobnica
9. Lovilec prahu
10. Sprednja mizica
11. Rezilo
12. Vijak
13. Nosilec
14. Stransko vodilo
15. Matica
16. Vijak s kvadratnim vratom
17. Držalo rezila
18. Pokrov jermena
19. Jermen
20. Mali zobnik
21. Veliki zobnik
22. Varnostna povratna zapora

ZNAČILNOSTI



OPOZORILO

Če na skobeljniku ni vseh sestavnih delov, ga ne uporabljajte, dokler jih ponovno ne namestite. Če ne bi ravnali tako, lahko povzročite hude telesne poškodbe.

SPOZNAJTE SVOJ SKOBELJNIK

Preden začnete uporabljati svoj skobeljnik, se spoznajte z njegovimi delovnimi značilnostmi in varnostnimi zahtevami. Kljub temu pa ne delajte nepazljivo, tudi ko boste skobeljnik že dobro poznali.

Vaš skobeljnik je kompakten in lahek, odlikujejo pa ga naslednje lastnosti:

STIKALO ZA VKLOP

Skobeljnik ima udobno nameščeno stikalo za vklop.

GUMB ZA ZAKLEP DELOVANJA

Gumb za zaklep delovanja zaklene stikalo za vklop v izklopljenem položaju (OFF), ko to stikalo sprostite.



OPOZORILO

Ne dovolite si, da bi bili zaradi dobrega poznavanja skobeljnika nepazljivi. Zapomnite si, da je že delec sekunde nepazljivosti dovolj, da povzročite resne poškodbe.

GUMB ZA NASTAVITEV GLOBINE

Globino skobljanja nastavite od 0 do 1,5 mm (EPN-6082)/2,0 mm (EPN-7582N) v prirastkih 0,2 mm, in zadnji korak za doseganje maksimalne globine 1,5 mm (EPN-6082)/2,0 mm (EPN-7582N).

VARNOSTNA POVRATNA ZAPORA (SI. 11)

Vaš skobeljnik je opremljen z varnostno povratno zaporo s samodejnim uvlačenjem, ki preprečuje, da bi po zaustavitvi prišlo rezilo v stik z delovno mizo.

Ko začnete s skobljanjem, se varnostna povratna zapora samodejno uvleče ob prehodu preko roba obdelovanca.

STRANSKO VODILO

Vključeno stransko vodilo vam omogoča skobljanje robov in izdelavo utorov.

LOVILEC PRAHU

Lovilec prahu namestite na skobeljnik in tako poskrbite, da na delovnem območju ne bo prahu in oblancev.



Slovensko

NASTAVITVE



OPOZORILO

Skobeljnik izključite iz električne napetosti, vedno ko nameščate pripor, spreminjate nastavitve, ga čistite, vzdržujete ali ko orodja ne uporabljate. Tako boste preprečili neželen vklop skobeljnika, ki lahko povzroči resne telesne poškodbe.

NAMESTITEV LOVILCA PRAHU (Slika 1)

Lovilec prahu (9) namestite po naslednjem postopku.

- Izključite skobeljnik iz napetosti.
- Potisnite prirobnico (8) lovilca prahu na odprtino za izpuh (3).

OPOMBA: Ko želite odstraniti lovilec prahu, ga preprosto potegnite z odprtine za izpuh.



POZOR

Lovilec prahu se hitro napolni. Če ga boste pogosto praznili, boste preprečili nastanek škode na izdelku.

NASTAVITEV SMERI IZPUHA (Slika 2)

Ko delate v zaprtem prostoru, kontrolirajte smer oblancev. Smer izpuha lahko spremenite bodisi na levo bodisi na desno.

Ko želite nastaviti smer izpuha, upoštevajte naslednja navodila.

- Izključite skobeljnik iz napetosti.
- Nastavite smer izpuha in lovilec prahu:
 - Če želite smer izpuha nastaviti na desno stran, premaknite gumb za nastavev smeri izpuha (1) na desno in namestite lovilec prahu na desno odprtino za izpuh.
 - Če želite smer izpuha nastaviti na levo stran, premaknite gumb za nastavev smeri izpuha (1) na levo in namestite lovilec prahu na levo odprtino za izpuh.

NASTAVITEV GLOBINE SKOBLJANJA (Slika 3)

Vedno začnite z grobim rezom in končajte z zaključnim rezom. Za grobo skobljanje nastavite globino na približno 0,8 mm. Pri zaključnem skobljanju nastavite globino na približno 0,4 mm. Po vsaki nastavitvi poskusno skobljajte odpadni les, da se prepričate, da skobeljnik zares odstranjuje zeleno količino lesa.

Ko želite nastaviti globino skobljanja, upoštevajte naslednja navodila.

- Izključite skobeljnik iz napetosti.

- Obrnite gumb na nastavev globine (4) na zeleno vrednost.

OPOMBA: Med hrambo in transportom nastavite globino na 0, da zaščitite rezila.

DELOVANJE



OPOZORILO

Pri delu s tem orodjem vedno uporabljajte varovalne naočnike ali varnostna očala s stranskimi ščitniki. Če tega ne boste storili, vam lahko prah, oblanci, trske, prosti delci ali drugi tujki zaidejo v oči, kar lahko povzroči resne poškodbe. Če se pri delu dviguje prah, si nadenite tudi zaščitno za obraz oziroma protiprašno masko.

VKLOP IN IZKLOP SKOBEJLNKA (Slika 4)

Ko želite spremeniti hitrost vrtenja, upoštevajte naslednja navodila.

- Ko želite vklopiti skobeljnik, pritisnite gumb za zaklep (4), nato pa pritisnite še stikalo za vklop (4).
- EPN-7582N razpolaga s tako imenovanim mehkim zagonom na elektronsko krmiljenje, ki omogoča zamik zagona motorja in rezil.
- Ko želite izklopiti skobeljnik, sprostite stikalo za vklop.

SKOBLJANJE (Slika 5)

Ko želite skobljati, upoštevajte naslednja navodila.

- Dobro vrnite predmet, ki ga obdelujete.
- Nastavite globino skobljanja. Poglejte razdelek "Nastavev globine skobljanja" zgoraj.



OPOZORILO

Vedno uporabite obe roki za delo s tem orodjem. Tako ga boste imeli vedno pod nadzorom in boste zmanjšali možnosti za resne telesne poškodbe. Predmet, ki ga obdelujete, vedno ustrezno podprite in vrnite s spono, tako da boste imeli obe roki prosti za upravljanje orodja.

- Sprednjo mizico (10) postavite na rob predmeta, ki ga boste skobljali.

OPOMBA: Prepričajte se, da se rezila (11) ne dotikajo obdelovanega predmeta.

- Pritisnite na sprednji ročaj, tako da je sprednja mizica v celoti položena na obdelovani predmet.
- Vključite skobeljnik in počakajte, da se motor začne vrteti s polno hitrostjo.



Slovensko

DELOVANJE

- Dobro držite skobeljnik in ga potisnite naprej proti obdelovanemu predmetu s počasnim in enakomernim gibom.
- Ko se približate koncu reza, pritisnite navzdol na zadnji ročaj. Tako bo zadnji del skobeljnika ostal v stiku z obdelovanim predmetom, kar bo preprečilo, da bi njegov sprednji del izkrivil rez.



OPOZORILO

Pazite, da med skobljanjem ne zadenete žebeljev. To lahko razcepi, skrha ali poškoduje rezila.

OPOMBA: Svetujemo vam, da imate vedno pri sebi nadomestni komplet rezil. Takoj ko rezila skobeljnika začnejo kazati znake toposti, jih zamenjajte. Rezila v vašem skobeljniku so obrnljiva. Lahko jih obračate, dokler obe strani ne otopita.

POSNEMANJE ROBOV (Slika 6)

Skobeljnik ima na sprednji mizici utor, s pomočjo katerega lahko posnemate robove desk, kot je prikazano na sliki. Preden se lotite dela na stavbnem lesu, naredite preizkus na odpadnem lesu in ocenite količino lesa, ki se odstrani.

Ko želite posnemati robove, upoštevajte naslednja navodila.

- Dobro vrnite obdelovani predmet s spono.
- Sprednji ročaj držite z levo, zadnji ročaj pa z desno roko.
- Utor za posnemanje robov postavite na površino, ki jo boste skobljali
- Vklpite skobeljnik in počakajte, da se motor začne vrteti s polno hitrostjo.
- Dobro držite skobeljnik in ga potisnite naprej proti obdelovanemu predmetu s počasnim in enakomernim gibom.
- Pritisnite skobeljnik navzdol, tako da ostane raven, ko skobljate na začetku in na koncu obdelovane površine.

SKOBLJANJE ROBOV IN IZDELOVANJE UTOROV

Skobeljnik ima nastavljivo stransko vodilo za natančno skobljanje robov in izdelavo utorov. Namestite stransko vodilo na skobeljnik za skobljanje robov, za izdelovanje utorov pa ga namestite na levo stran.

NAMESTITEV STRANSKEGA VODILA ZA SKOBLJANJE ROBOV (Slika 7)

Ko želite skobljati robove, upoštevajte naslednja navodila.

- Izključite skobeljnik iz napetosti.
- Z vijakom (12) namestite nosilec (13) na skobeljnik.
- Namestite stransko vodilo (14) na nosilec (13) z vijakom s kvadratnim vratom (16) in ustrezno matico z gumbom (15).
- Gumb dobro privijte.

SKOBLJANJE ROBOV (Slika 8)

Sledite navodilom iz razdelka "Skobljanje" zgoraj. Držite stransko vodilo tesno ob robu obdelovane površine.

NAMESTITEV STRANSKEGA VODILA ZA IZDELOVANJE UTOROV (Slika 9)

Ko želite namestiti stransko vodilo za izdelovanje utorov, upoštevajte naslednja navodila.

- Izključite skobeljnik iz napetosti.
- Z vijakom (12) namestite nosilec (13) na levo stran skobeljnika.
- Stransko vodilo (14) ohlapno namestite na nosilec (13) z vijakom s kvadratnim vratom (16) in ustrezno matico z gumbom (15).
- Nastavite stransko vodilo na želeno širino utora.
- Gumb dobro privijte.

IZDELOVANJE UTOROV (Slika 9)

Sledite navodilom iz razdelka "Skobljanje" zgoraj. Držite stransko vodilo tesno ob robu obdelovane površine.

Globina utora je odvisna od globine skobljanja in od tega, kolikokrat ste s skobeljnikom prešli obdelovano površino. Največja globina utora je 8,5 mm dosežete pa jo v korakih po največ 2,5 mm, dokler ne pridete do zelene globine. Širino utora lahko nastavite s premikanjem stranskega vodila.

VZDRŽEVANJE



OPOZORILO

Ob servisiranju orodja uporabljajte samo identične nadomestne dele Ryobi. Če uporabite kak drug del, lahko povzročite nevarnost ali okvaro izdelka.

SPLOŠNO

Vsi deli so pomembni gradniki dvojnega izolacijskega sistema, zato jih lahko zamenjajo samo v pooblaščenem servisnem centru.

Izogibajte se uporabi topil za čiščenje plastičnih delov, saj je večina plastičnih materialov občutljiva na mnoge vrste dostopnih topil in jih ta lahko poškodujejo.



Slovensko

VZDRŽEVANJE

Za odstranjevanje umazanije, saj in podobnega uporabljajte čisto krpo.



OPOZORILO

Ne dovolite, da bi zavorne tekočine, gorivo, izdelki, ki vsebujejo petrolej, olja in podobno kadarkoli prišli v stik s plastičnimi deli. Te snovi vsebujejo kemikalije, ki lahko poškodujejo, oslabijo ali uničijo plastiko.

Če električna orodja uporabljate na materialih iz steklenih vlaken, predelnih stenah, sredstvih za kitanje ali gipsu, pride do pospešene obrabe in morda do prezgodnje okvare, saj so okruški steklenih vlaken zelo agresivni do ležajev, krtač, komutatorjev, itd. Zato vam ne priporočamo, da to orodje uporabljate dolgo časa na materialih te vrste. Če orodje kljub temu uporabite za te materiale, je zelo pomembno, da ga očistite s stisnjenim zrakom.



OPOZORILO

Ko delate z električnim orodjem ali čistite prah, si vedno nadenite varnostne naočnike ali zaščitna očala. Če se pri delu dviga prah, nosite tudi protiprašno masko. Če ne boste ravnali tako, lahko povzročite resne poškodbe.

PODMAZOVANJE

Vsi ležaji v tem orodju so podmazani z dovolj veliko količino visoko kakovostnega mazivnega sredstva, da lahko ob običajnih pogojih delovanja zdržijo do konca življenjske dobe izdelka. Kakršno koli dodatno podmazovanje torej ni potrebno.

ČIŠČENJE ODPRTINE ZA IZPUH IN PRAZNJENJE LOVILCA PRAHU (Slika 10)

Če skobjlate dolgo časa ali pa skobjlate moker ali nesušen les, se lahko oblanci zagozdijo v odprtini za izpuh, ki jo je nato treba očistiti. Zagozdeni oblanci zmanjšujejo pretok zraka, kar povzroči pregrevanje motorja.

Redno čistite odprtino za izpuh in lovilec prahu.

- Izključite skobeljnik iz napetosti.



OPOZORILO

Če skobeljnika ne boste izključili, se ta lahko po nesreči vklopi in povzroči resne poškodbe.

- Odstranite lovilec prahu z odprtine za izpuh.
- Z majhnim kosom lesa očistite zagozdene oblance in prah iz odprtine za izpuh vašega skobeljnika. Tega ne počnite z rokami ali prsti.

- Izpraznite vsebino lovilca prahu in se prepričajte, da na prirobnici ni oblancev ali prahu.
- Ponovno namestite lovilec prahu.

MENJAVA REZIL (Slike 11, 12 in 13)

Rezila (11) vašega skobeljnika so obrnljiva. Ko ena stran otopi, rezilo lahko obrnete.

Rezila vedno menjajte in obračajte v parih. Ne poizkušajte brusiti rezil. Če rezila otopijo, jih zamenjajte.

Ko menjate rezila, vedno uporabite priporočeno nadomestno rezilo.



OPOZORILO

Če skobeljnika ne boste izključili, se ta lahko po nesreči vklopi in povzroči resne poškodbe.

- Izključite skobeljnik iz napetosti.



OPOZORILO

Rezila so ostra, zato jih menjajte zelo pazljivo. Če tega opozorila ne boste upoštevali, se lahko resno poškodujete.

- Skobeljnik pritrdite z glavo navzdol.
- S priloženim ključem odvijte tri vijake, ki držijo rezilo na držalu za rezilo (17).

OPOMBA: Vijakov ne odvijte preveč. Če boste vijake preveč odvili, novega rezila ne boste mogli natančno naravnati.

OPOMBA: Preden odstranite stara rezila, pogledjte smer rezanja in kako so obrnjeni priostreni robovi starih rezil. Priostreni robovi novih rezil morajo biti obrnjeni enako kot originalna rezila.

- S konico izvijača potisnite rezilo (na desno) ven iz držala za rezilo.

- Odstranite staro rezilo iz držala.

OPOMBA: Če rezila ne morete zlahka potisniti iz držala, potem ko ste odvili vijake, ki so ga držali, ga izbijte s kosom lesa s kratkim in hitrim udarcem. Nato potisnite rezilo z izvijačem in ga odstranite. Če je potrebno, po kosu lesa udarite z majhnim kladivom in odstranite rezilo.

- Očistite vse žaganje in oblance iz območja rezil.
- Vstavite novo rezilo v režo na držalu za rezilo.
- Z izvijačem potisnite rezilo, dokler ne centrirate rezila v končni položaj.
- S priloženim ključem privijte tri vijake, ki držijo rezilo.
- Ponovite zgornji postopek še za preostalo rezilo.



Slovensko

VZDRŽEVANJE

MENJAVA JERMENA (Sliki 14 in 15)

Ko menjate jermen, vedno uporabite samo priporočeni nadomestni jermen.

- Izključite skobeljnik iz napetosti.



OPOZORILO

Če skobeljnika ne boste izključili, se ta lahko po nesreči vklopi in povzroči resne poškodbe.

- Odstranite vijake pokrova (18) jermena.
- Odstranite pokrov jermena.
- Iztaknite stari jermen z malega zobnika (20), tako da ga obrnete v prikazani smeri. Med tem ko obračate jermen (19), ga vlecite in iztikajte z malega zobnika, dokler ga ne odstranite z obeh zobnikov.
- Namestite novi jermen na veliki zobnik (21). Med tem ko obračate jermen, ga potiskajte in nataknite na mali zobnik, dokler ne pride v končni položaj.
- Ponovno namestite pokrov jermena.
- Ponovno vstavite vijake pokrova za jermen in jih privijte. Ne privijte jih preveč.

OPOMBA: Vijakov ne privijte preveč.

INDIKATOR ORODJA POD NAPETOSTJO

Vaša naprava ima indikator orodja pod napetostjo (7), ki se prižge, kakor hitro jo priključite na električno napajanje. Tako opozori uporabnika, da je orodje priključeno in da bo začelo delovati ob pritisku na stikalo.

ZAŠČITA OKOLJA



Ne mečite naprave med običajne gospodinjske odpadke. Odrzite jo na okolju prijazen način. Za nasvet se obrnite na krajevni center za recikliranje ali na mestne oblasti. Ryobi zelo resno jemlje skrb za okolje.



Hrvatski

HVALA ŠTO STE KUPILI RYOBI PROIZVOD.

Za optimalnu i sigurnu uporabu pažljivo pročitajte ovaj KORISNIČKI PRIRUČNIK, kao i SIGURNOSNE UPUTE prije uporabe alata.

OPĆE SIGURNOSNE UPUTE



UPOZORENJE

Pri uporabi električnih alata treba poštivati osnovne sigurnosne upute kako biste izbjegli opasnost od požara, strujnog udara i tjelesnih ozljeda.

- **Neka vaša radna površina bude čista.** Površine ili stolovi na kojima ima mnogo stvari pogodne su za nezgode.
- **Imajte na umu kakva je vaša radna okolina.** Električni alat nemojte izlagati kiši. Električni alat nemojte upotrebljavati na mokrim ili vrlo vlažnim mjestima. Neka vaša radna površina bude dobro osvijetljena. Električni alat nemojte upotrebljavati na mjestima gdje postoji opasnost od požara ili strujnog udara.
- **Zaštitite se od strujnog udara.** Izbjegavajte svaki kontakt s uzemljenim površinama poput cijevi, radijatora, kuhala, hladnjaka itd.
- **Djecu držite na udaljenosti.** Posjetitelji ne smiju dirati ni alat ni produžni kabel. Sve posjetitelje treba udaljiti iz zone rada.
- **Pospremite alat kojim se ne koristite.** Ako aparat ne upotrebljavate, treba ga spremiti na suho mjesto koje je visoko ili zaključano, izvan dosega djece.
- **Upotrebljavajte prikladan alat.** Ne primjenjujte silu na mali alat ili dodatke kako biste obavili posao namijenjen alatu većeg kapaciteta. Vaš alat upotrebljavajte samo za poslove za koje je namijenjen.
- **Ne primjenjujte silu.** Vaš električni alat bit će učinkovitiji i njegova uporaba sigurnija ako ga budete upotrebljavali za ono čemu je namijenjen.
- **Sve popravke treba obavljati ovlaštena osoba.** Ovaj električni alat usklađen je sa sigurnosnim propisima. Popravke treba obaviti ovlašteni serviser samo s originalnim rezervnim dijelovima. Nepoštivanje ove upute može dovesti korisnika u opasnost.
- **Upotrebljavajte samo dobro naoštrene oštrice.**
- **Nosite štitnike za uši.**
- **Nosite odgovarajuću odjeću.** Nemojte nositi široku odjeću i nakit koji bi se mogli zaplesti u pokretne dijelove. Preporučamo vam da kad radite na otvorenom nosite gumene rukavice i protuklizne cipele. Ako imate dugu kosu, pokrijte je i zaštitite.
- **Nosite sigurnosne naočale.** Ako se pri korištenju stvara prašina, dobro je da nosite zaštitu za lice ili masku.

- **Pazite da kabel za napajanje bude u dobrom stanju.** Alat nikad nemojte držati za kabel za napajanje, a kabel nemojte vući ni prilikom isključivanja iz struje. Kabel za napajanje držite dalje od izvora topline, ulja i oštrih predmeta.
- **Uvijek držite dobru ravnotežu tijela.** Stabilno stojte na nogama i nemojte stajati predaleko od aparata.
- **Brižno održavajte alat.** Za bolje rezultate i optimalnu sigurnost, pazite da alat uvijek bude čist. Redovito pregledavajte kabel za napajanje i, ako je oštećen, odnesite ga na popravak u ovlašteni Ryobi servis. Redovito provjeravajte stanje produžnog kabela i zamijenite ga ako je oštećen. Pazite na to da ručke uvijek budu suhe, čiste te da na njima nema ostataka ulja ili masti.
- **Uklonite ključeve za stezanje.** Naviknite se da provjeravate jesu li ključevi za stezanje uklonjeni prije nego što uključite alat.
- **Izbjegavajte svako nenamjerno pokretanje alata.** Alat nemojte prenositi dok je uključen i dok prst držite na otpincu. Prije nego što alat uključite u struju, provjerite nalazi li se prekidač u položaju "isključeno".
- **Upotrebljavajte prikladne produžne kabele.** Ako radite na otvorenom, upotrebljavajte samo produžne kabele koji su namijenjeni uporabi na otvorenom.
- **Budite koncentrirani.** Dobro gledajte što radite. Oslonite se na zdravi razum. Ne upotrebljavajte alat ako ste umorni.
- **Provjerite sadrži li alat oštećene dijelove.** Prije nego što nastavite upotrebljavati vaš alat, provjerite može li oštećeni dio ili nastavak nastaviti funkcionirati. Provjerite kako su pokretni dijelovi poravnati, jesu li učvršćeni te sve drugo što bi moglo utjecati na ispravni rad alata. Zamijenite sve oštećene prekidače u ovlaštenom Ryobi servisu. Ne upotrebljavajte električni alat ako prekidač ne omogućava da ga uključite i isključite.
- **Provjerite odgovara li korišteni napon oznakama na pločici na alatu.**
- **Ne upotrebljavajte alat ako nedostaju kućište ili vijci.** Ako su kućište ili vijci uklonjeni, ponovno ih postavite na mjesto prije uporabe. Pazite da svi dijelovi budu u dobrom stanju.
- **Kad radite na visini, pazite da vaš alat ima čvrsti oslonac.**
- **Nikad ne dirajte oštricu, svrdlo, brus ili druge pokretne dijelove tijekom uporabe.** Nemojte uključivati alat dok oštrica dodiruje komad koji obrađujete.



Hrvatski

OPĆE SIGURNOSNE UPUTE

- **Nikad ne odlažite alat prije nego što se pokretni dijelovi sasvim ne zaustave.**
- **DODACI:** Uporaba dodataka i opreme osim one preporučene u ovom priručniku može predstavljati opasnost.
- **REZERVNI DIJELOVI:** U slučaju zamjene treba koristiti samo originalne rezervne dijelove.
- **Čekajte da se stroj potpuno zaustavi prije nego što postavite alat.** Dijelovi stroja u pokretu mogu se zakačiti za površinu koju obrađujete i tako se izlažete riziku od gubitka kontrole nad alatom kao i riziku od ozbiljnih i teških ozljeda.

KARAKTERISTIKE PROIZVODA

	EPN-6082	EPN-7582N
Napajanje	230 V - 50 Hz	230 V - 50 Hz
Snaga	600 W	750 W
Brzina bez opterećenja	16 000 okretaja/min	
Maksimalna dubina blanjanja	1,5 mm	2 mm
Maksimalna širina blanjanja	82 mm	82 mm
Maksimalna dubina uzdužnog usjeka	8 mm	12 mm
Težina	3,1 kg	3,2 kg

Provjerite što piše na pločici s opisom proizvoda jer napon može biti različit ovisno o mjestu gdje se proizvod koristi.

OPIS

1. Dugme za odabir smjera izbacivanja prašine desno / lijevo
2. Dugme za podešavanje dubine
3. Ispušna cijev
4. Otponac
5. Stražnja ručka
6. Blokada otonca
7. Pokazatelj prisutnosti napona
8. Cijev vreće za prašinu
9. Vreća za prašinu
10. Prednja papuča
11. Oštrica
12. Dugme za učvršćivanje konzole
13. Konzola
14. Vodilica ruba
15. Dugme za učvršćivanje vodilice ruba
16. Vijak

17. Držać oštrica
18. Poklopac remena
19. Remen
20. Mali kolotur
21. Veliki kolotur
22. Sigurnosni uvjeti

KARAKTERISTIKE



UPOZORENJE

Ako nedostaje neki dio, ne koristite se alatom dok taj dio ne nabavite. Nepoštivanje ove upute može dovesti do teških tjelesnih ozljeda.

UPOZNAJTE VAŠU BLANJALICU

Prije uporabe blanjalice upoznajte sve funkcije aparata i njegove posebnosti na planu sigurnosti. Neka vam koncentracija pri radu ne popusti ni kad upoznate kako radi vaša brusilica.

Vaša blanjalica je kompaktna i lagana. Opremljena je sljedećim dijelovima:

OTPONAC

Vaša blanjalica opremljena je prekidačem s otoncem koji je lako upotrebljavati.

OTKLJUČAVANJE OTPONCA

Treba utisnuti dugme za otključavanje otonca kako biste otonac mogli pritisnuti. To dugme blokira otonac na ZAUSTAVLJENO čim je on otpušten.



UPOZORENJE

Neka vam koncentracija pri radu ne popusti ni kad upoznate kako radi vaša blanjalica. Uvijek imajte na umu da je dovoljan samo djelić sekunde nepažnje kako biste se teško ozlijedili.

PODEŠAVANJE DUBINE

Možete podesiti podlogu blanjalice na željenu dubinu u razmacima od 0,2 mm između 0 i 1,5 mm (EPN-6082)/2,0 mm (EPN-7582N). Najveće moguće podešavanje dubine odgovara najvećoj mogućoj dubini blanjanja, tj. 1,5 mm (EPN-6082)/2,0 mm (EPN-7582N).

SIGURNOSNA ZAŠTITA (Slika. 11)

Vaša je blanjalica opremljena skidivom zaštitnom opremom na stražnjem dijelu podloge. Njena je uloga u zaštiti od kontakta površinom na koju postavljate blanjalicu tijekom zaustavljanja rada motora.

Ova zaštita se automatski povlači u trenutku prijelaza na pluhu za blanjanje i prilikom početka blanjanja.

F GB D E I P NL S DK N FIN GR H CZ RUS RO PL SLO **HR** TR

Hrvatski

KARAKTERISTIKE

VODILICA RUBA ZA BLANJANJE RUBOVA I UZDUŽNIH USJEKA

Vodilica koja se isporučuje s blanjalicom omogućava vam blanjanje rubova i oblikovanje uzdužnih usjeka.

VREĆA ZA PRAŠINU

Vreća za prašinu pričvršćuje se na blanjalicu i omogućava da se radna površina sačuva čistom od piljevine i strugotina.

PODEŠAVANJE



UPOZORENJE

Vaša blanjalica ne smije biti uključena u struju kad postavljate dijelove, obavljate podešavanje, održavate alat, čistite ga ili kad nije u uporabi. Nakon što ste alat isključili iz struje, nema više opasnosti od neželjenog pokretanja alata koje bi moglo prouzročiti teške tjelesne ozljede.

POSTAVLJANJE VREĆE ZA PRAŠINU (slika 1)

Sljedite navedene korake kako biste postavili vreću za prašinu (9):

- Blanjalicu isključite iz struje.
- Umetnite cijev (8) vreće za prašinu u ispušnu cijev (3) blanjalice.

NAPOMENA: Kako biste skinuli vreću za prašinu, odvojite je od ispušne cijevi povlačenjem.



UPOZORENJE

Vreća za prašinu brzo se puni. Redovito je mijenjajte kako biste izbjegli oštećenja alata.

PODEŠAVANJE SMJERA ISPUŠTANJA PRAŠINE (slika 2)

Možete odabrati smjer ispuštanja prašine dok radite u zatvorenim prostorima. Prašina se može ispuštati na desno ili na lijevo.

Poduzmite sljedeće korake kako biste promijenili smjer ispuštanja prašine:

- Isključite blanjalicu iz struje.
- Podesite smjer ispuštanja i postavite vreću za prašinu.
 - Kako bi se prašina ispuštala na desnu stranu, gurnite dugme za ispuštanje prašine (1) na desnu stranu i pričvrstite vreću za prašinu na desnu cijev.

- Za ispuštanje prema lijevo, gurnite dugme za ispuštanje prašine na lijevu stranu i pričvrstite vreću za prašinu na lijevu cijev.

PODEŠAVANJE DUBINE BLANJANJA (slika 3)

Blanjanje treba uvijek obavljati tako da se s veće dubine prelazi na manju. Na početku blanjanja dubina mora biti podešena na oko 0,8 mm. Zatim na završetku blanjanja podesite dubinu na oko 0,4 mm. Napravite probu na ostacima drveta nakon svakog podešavanja kako biste bili sigurni da blanjalica skida željenu debljinu drveta.

Poduzmite sljedeće korake kako biste podesili dubinu blanjanja:

- Isključite blanjalicu iz struje.
- Postavite dugme za podešavanje dubine (4) na željenu vrijednost.

NAPOMENA: Kako biste zaštitili oštrice dok odlažete alat ili kad ga prenosite, postavite dugme za podešavanje dubine na 0.

DJELOVANJE



UPOZORENJE

Dok upotrebljavate alat, uvijek nosite sigurnosne naočale ili zaštitne naočale opremljene bočnim zaštitama. Nepoštivanje ovog upozorenja može dovesti do prskanja stranih tijela, poput prašine, strugotina ili krhotina u vaše oči i prouzročiti teška oštećenja. Ako se pri korištenju stvara prašina, dobro je da nosite zaštitu za lice ili masku.

UKLJUČIVANJE/ISKLJUČIVANJE BLANJALICE (slika 4)

Poduzmite sljedeće korake kako biste uključili, odnosno isključili blanjalicu:

- Za uključivanje blanjalice, utisnite tipku za otključavanje otponca (6), a zatim pritisnite otponac (4).
- Blanjalica EPN-7582N je opremljena elektronskim sustavom za pokretanje koji omogućava kontrolirano pokretanje i rad motora.
- Kako biste je isključili, otpustite otponac.

BLANJANJE (slika 5)

Za blanjanje poduzmite sljedeće korake:

- Dobro učvrstite komad koji obrađujete.
- Podesite dubinu blanjanja (pogledajte odjeljak "Podešavanje dubine blanjanja" više u tekstu).

F GB D E I P NL S DK N FIN GR H CZ RUS RO PL SLO **HR** TR

Hrvatski

DJELOVANJE



UPOZORENJE

Alat tijekom uporabe uvijek držite s dvije ruke kako biste imali kontrolu nad njim i tako izbjegli teške tjelesne ozljede. Komad koji obrađujete mora uvijek biti pravilno pričvršćen uz pomoć stegača ili škripa, kako bi obje vaše ruke bile slobodne za držanje blanjalice.

- Postavite prednju papuču (10) na rub komada koji blanjate.

NAPOMENA: Uvjerite se da oštrice (11) ne dodiruju komad koji obrađujete.

- Primijenite pritisak na prednju ručku kako bi prednja papuča bila sasvim ravna na komadu koji obrađujete.
- Uključite blanjalicu i pričekajte dok motor ne dosegne maksimalnu brzinu.
- Čvrsto držite blanjalicu i umetnite oštricu u komad koji obrađujete. Polako gurajte blanjalicu prema naprijed ravnomjernih pokretima.
- Primijenite pritisak prema dolje na stražnju ručku kad dođete do kraja blanjanja.
- Tako će stražnji dio blanjalice ostati prislonjen uz komad koji obrađujete a prednji dio neće blokirati površinu koju obrađujete.



UPOZORENJE

Pazite da komad koji blanjate ne sadrži čavle: to bi moglo okrnjiti, raspucati ili oštetiti oštrice.

NAPOMENA: Preporučamo vam da uvijek imate rezervne oštrice na dohvata ruke. Tako ćete moći zamijeniti oštrice na vašoj blanjalici čim otupe. Oštrice na vašoj blanjalici su dvostrane: oštrice možete okrenuti kad jedna strana otupi. Oštrice mijenjajte kad su obje strane tupe.

REZANJE KUTOVA (slika 6)

Vaša blanjalica opremljena je rezačem kutova na papuču koja vam omogućuje da režete daske kako je prikazano na slici 6. Prije nego što zarezete u komad koji obrađujete, napravite probu na ostacima drveta kako biste ustanovili koju količinu drveta treba ukloniti.

Poduzmite sljedeće korake za rezanje kutova:

- Dobro učvrstite komad koji obrađujete.
- Prednju ručku držite lijevom rukom, a stražnju desnom rukom.
- Postavite rezač kutova uz kut komada koji obrađujete.

- Uključite blanjalicu i pričekajte da motor dosegne svoju maksimalnu brzinu.
- Čvrsto držite blanjalicu i umetnite oštricu u komad koji obrađujete. Polagano gurajte blanjalicu prema naprijed ravnomjernih pokretima.
- Primijenite pritisak prema dolje kako bi blanjalica prijanjala uz komad koji obrađujete od početka do kraja površine koju obrađujete.

BLANJANJE RUBOVA I IZRADA UZDUŽNIH USJEKA (ŽLJEBOVA)

Vaša blanjalica opremljena je vodilicom ruba koja je podesiva za precizno blanjanje rubova i za izradu uzdužnih usjeka.

Pričvrstite vodilicu na jednu stranu blanjalice (bilo koju) za blanjanje rubova, a na lijevu stranu blanjalice za izradu uzdužnih usjeka.

POSTAVLJANJE VODILICE RUBA ZA BLANJANJE RUBOVA (slika 7)

Poduzmite sljedeće korake kako biste pričvrstili vodilicu ruba za blanjanje rubova:

- Isključite blanjalicu iz struje.
- Pričvrstite konzolu (13) na jednu stranu blanjalice pomoću dugmeta za učvršćivanje (12).
- Pričvrstite vodilicu ruba (14) na konzolu pomoću drugog dugmeta za učvršćivanje (15) i vijka (16).
- Čvrsto stegnite dugmad za učvršćivanje.

BLANJANJE RUBOVA (slika 8)

Slijedite upute u odjeljku "Blanjanje" (vidi gore). Čvrsto držite vodilicu ruba uz rub komada koji obrađujete.

POSTAVLJANJE VODILICE RUBA ZA IZRADU UZDUŽNIH USJEKA (slika 9)

Poduzmite sljedeće korake kako biste pričvrstili vodilicu ruba za izradu uzdužnih usjeka:

- Isključite blanjalicu iz struje.
- Pričvrstite konzolu na lijevu stranu blanjalice pomoću dugmeta za učvršćivanje.
- Pričvrstite vodilicu ruba na konzolu (bez stezanja) pomoću drugog dugmeta za učvršćivanje i vijka.
- Podesite vodilicu ruba na željenu širinu za uzdužni usjek koji želite izraditi.
- Čvrsto stegnite dugmad za učvršćivanje.



Hrvatski

DJELOVANJE

IZRADA UZDUŽNIH USJeka (slika 9)

Slijedite upute u odjeljku "Blanjanje" (vidi gore). Čvrsto držite vodilicu ruba uz rub komada koji obrađujete.

Dubina usjeka određena je dubinom rezanja i brojem ponavljanja pokreta blanjanja koje obavite uzduž komada koji obrađujete. Maksimalna dubina usjeka je 8,5 mm. Usjek se mora načiniti uzastopnim pokretima blanjanja od 2,5 mm ili manje sve dok ne dostignete željenu dubinu. Širinu usjeka možete odabrati podešavanjem širine vodilice ruba.

ODRŽAVANJE

UPOZORENJE

U slučaju zamjene treba koristiti originalne rezervne dijelove. Uporaba drugih rezervnih dijelova može predstavljati opasnost ili oštetiti alat.

OPĆE UPUTE

Svi dijelovi pripadaju sustavu dvostruke izolacije alata i trebaju se popravljati samo u ovlaštenom Ryobi servisu.

Za čišćenje plastičnih dijelova ne upotrebljavajte razrjeđivače. Razrjeđivači dostupni na tržištu oštetit će većinu plastičnih materijala. Za uklanjanje nečistoća, prašine, ulja masti i drugog upotrebljavajte čistu krpu.

UPOZORENJE

Plastični dijelovi nikad ne smiju doći u dodir s tekućinom za kočnicu, benzinom, proizvodima na bazi nafte, uljima itd. Ti kemijski proizvodi sadrže supstance koje mogu oštetiti ili uništiti plastiku.

Alati koji se upotrebljavaju na površinama od staklene vune, zidnim pločama ili površinama od gipsa više su izloženi ranom habanju i kvarovima jer su prašina i dijelovi staklene vune koji se stvaraju vrlo abrazivni te mogu oštetiti zupčanike, četke, sklopke itd. Ne preporučamo vam dužu uporabu vašeg alata na tim vrstama materijala. Ako ipak obrađujete te materijale, neophodno je nakon svake uporabe očistiti vaš alat pomoću komprimiranog zraka.

UPOZORENJE

Dok upotrebljavate alat ili dok čistite nagomilanu piljevinu, uvijek nosite sigurnosne naočale ili zaštitne naočale opremljene bočnim zaštitama. Nosite masku ako posao koji obavljate stvara prašinu. Nepoštivanje ove upute može dovesti do teških tjelesnih ozljeda.

PODMAZIVANJE

Svi zupčanici ovog alata podmazani su velikom količinom sredstva za podmazivanje koja je dovoljna za cijeli vijek trajanja alata u normalnim uvjetima uporabe. Zbog toga nije potrebno nikakvo dodatno podmazivanje.

ČIŠĆENJE ISPUŠNE CIJEVI I PRAŽNENJE VREĆE ZA PRAŠINU (slika 10)

Nakon duže uporabe vaše blanjalice ili kad ste blanjali mokro ili zeleno drvo, u ispušnoj cijevi mogu se nakupiti strugotine. Treba ih ukloniti. Te strugotine mogu začepiti ventilaciju i izazvati pregrijavanje motora. Redovito čistite ispušnu cijev i ispraznite vreću za prašinu.

- Isključite blanjalicu iz struje.

UPOZORENJE

Ako blanjalica nije isključena iz struje, može doći do neželjenog pokretanja i teških tjelesnih ozljeda.

- Izvadite vreću za prašinu iz ispušne cijevi.
- Pomoću komadića drveta uklonite prašinu ili strugotine zaostale u cijevi. Ne upotrebljavajte ruku ili prste.
- Sasvim ispraznite vreću za prašinu i provjerite je li cijev čista.
- Postavite vreću za prašinu na mjesto.

ZAMJENA OŠTRICA (slike 11, 12 i 13)

Oštrice (11) vaše blanjalice mogu se okretati. Čim je jedna strana oštrice tupa, možete je okrenuti.

Oštrice uvijek okrećite ili zamjenjujte u paru. Nemojte pokušati naoštriti oštrice. Ako su oštrice tupe, zamijenite ih.

Pri zamjeni oštrica upotrebljavajte one koje je preporučio proizvođač.

UPOZORENJE

Oštrice su vrlo oštre pa budite vrlo oprezni dok ih zamjenjujete. Nepridržavanje ovog upozorenja može dovesti do teških tjelesnih ozljeda.

- Isključite blanjalicu iz struje.

UPOZORENJE

Ako blanjalica nije isključena iz struje, može doći do neželjenog pokretanja i teških tjelesnih ozljeda.

- Postavite blanjalicu naopako i pričvrstite je kako bi bila stabilna.
- Otpustite tri vijka koji drže oštrice u držaču oštrica (17) pomoću šesterokutnog ključa.

F GB D E I P NL S DK N FIN GR H CZ RUS RO PL SLO **HR** TR

Hrvatski

ODRŽAVANJE

NAPOMENA: Vijke nemojte previše odvit. Ako su previše otpušteni, nova oštrica neće biti pravilno poravnata.

NAPOMENA: Prije uklanjanja pohabanih oštrica, ustanovite koji je smjer rezanja kao i u kojem su smjeru orijentirani rubovi za rezanje. Rub za rezanje novih oštrica mora biti okrenut u istom smjeru kao i rub za rezanje na starim oštricama.

- Gurnite oštricu na desno pomoću vrha odvijača kako bi izašla iz nosača oštrica.
- Uklonite staru oštricu iz nosača oštrica.
- NAPOMENA:** Ako, nakon što su vijci otpušteni, ne uspijevate lagano izvaditi oštricu iz nosača oštrica, udarite oštricu komadom drveta kako biste je oslobodili iz nosača oštrica. Zatim gurnite oštricu pomoću odvijača kako biste je oslobodili iz nosača oštrica.
- Ako je potrebno, za udaranje po komadu drveta i oslobađanje oštrice upotrijebite mali čekić.
- Uklonite prašinu ili strugotine koje su se nagomilale na mjestu oštrica.
- Umetnite novu oštricu u utor nosača oštrica.
- Upotrijebite odvijač kako biste gurnuli oštricu u unutrašnjost nosača oštrica sve dok nije dobro centrirana.
- Ponovno stegnite tri vijka za stezanje oštrica pomoću šesterokutnog ključa.
- Ponovite prethodne radnje pri zamjeni druge oštrice.

ZAMJENA REMENA (slike 14 i 15)

Pri zamjeni remena upotrebljavajte samo originalni rezervni remen.

- Isključite blanjalicu.



UPOZORENJE

Ako blanjalica nije isključena iz struje, može doći do neželjenog pokretanja i teških tjelesnih ozljeda.

- Uklonite vijke iz poklopca remena (18).
- Izvadite poklopac s remena.
- Okrenite mali kolotur (20) u smjeru koji je označen na slici 15. Povucite remen (19) okrećući ga i oslobodite mali kolotur sve dok remen ne bude izvan dva kolotura.
- Postavite novi remen oko velikog kolotura (21). Postavite remen oko malog kolotura okrećući ga sve dok ne bude na mjestu.
- Postavite poklopac remena na mjesto.
- Čvrsto stegnite vijke poklopca remena na mjesto, bez primjene sile.

NAPOMENA: Vijak nemojte previše stegnuti.

SIGNALNA LAMPICA ZA NAPON

Vaš alat opremljen je signalnom lampicom za napon (7) koja se pali kad je alat uključen u mrežu. Ta lampica vas upozorava da je alat pod naponom i da će se uključiti čim pritisnete otponac.

ZAŠTITA OKOLIŠA



Sirovine reciklirajte, umjesto da ih bacate. Kako biste zaštitili okoliš, odvajajte smeće a pohabani alat, njegove nastavke i ambalažu odlažite u posebne kontejnere ili kod poduzeća zaduženih za njihovo recikliranje. Ryobi iznimno drži do zaštite okoliša.

F GARANTIE - CONDITIONS

Ce produit Ryobi est garanti contre les vices de fabrication et les pièces défectueuses pour une durée de vingt-quatre (24) mois, à compter de la date faisant foi sur l'original de la facture établie par le revendeur à l'utilisateur final.

Les détériorations provoquées par l'usure normale, par une utilisation ou un entretien anormal ou non autorisé, ou par une surcharge sont exclues de la présente garantie de même que les accessoires tels que batteries, ampoules, lames, embouts, sacs, etc.

En cas de mauvais fonctionnement au cours de la période de garantie, veuillez envoyer le produit **NON DÉMONTÉ** avec la preuve d'achat à votre fournisseur ou au Centre Service Agréé Ryobi le plus proche de chez vous. Vos droits légaux se rapportant aux produits défectueux ne sont pas remis en cause par la présente garantie.

GB WARRANTY - STATEMENT

All Ryobi products are guaranteed against manufacturing defects and defective parts for a period of twenty four (24) months from the date stated on the original invoice drawn up by the retailer and given to the end user. Deterioration caused by normal wear and tear, unauthorised or improper use or maintenance, or overload are excluded from this guarantee as are accessories such as battery packs, light bulbs, blades, fittings, bags, etc. In the event of malfunction during the warranty period, please take the **NON-DISMANTLED** product, along with the proof of purchase, to your retailer or nearest Authorised Ryobi Service Centre.

This warranty in no way affects your legal rights concerning defective products.

D GARANTIE - BEDINGUNGEN

Für alle Ryobi-Produkte gilt eine Garantie gegen Material- und Verarbeitungsfehler für einen Zeitraum von vierundzwanzig (24) Monaten ab dem Datum der vom Wiederverkäufer für den Endbenutzer ausgestellten Originalrechnung.

Fehler, die auf Grund einer normalen Abnutzung, einer unberechtigten oder falschen Wartung oder Handhabung oder durch eine Überbelastung auftreten, sind von der Garantie ausgeschlossen. Dies gilt auch für Zubehörteile wie Batterien, Glühbirnen, Sägeblätter, Ansatzstücke, Beutel usw.

Senden Sie das Produkt im Fall eines Defekts innerhalb des Garantiezeitraumes in **NICHT ZERLEGTEM** Zustand zusammen mit dem Kaufnachweis an Ihren Händler oder Ihr nächstes Ryobi-Kundendienstzentrum zurück.

Diese Garantie hat keine Auswirkungen auf Ihre gesetzlichen Rechte in Bezug auf fehlerhafte Produkte.

E GARANTÍA - CONDICIONES

Este producto Ryobi está garantizado contra los defectos de fabricación y las piezas defectuosas por un período de veinticuatro (24) meses, a partir de la fecha que figura en el original de la factura establecida por el distribuidor al usuario final.

Se excluyen de la presente garantía los deterioros provocados por un desgaste normal, una utilización o mantenimiento incorrecto o no autorizado, y una sobrecarga, así como los diversos accesorios: baterías, bombillas, hojas, puntas, bolsas, etc.

En caso de funcionamiento incorrecto durante el período de la garantía, envíe el producto **SIN DESMONTAR** con la prueba de compra a su proveedor o al Centro de Servicio Acreditado Ryobi más cercano a su domicilio.

Los derechos legales relacionados con los productos defectuosos no son cuestionados por la presente garantía.

I GARANZIA - CONDIZIONI

Questo prodotto Ryobi è garantito contro tutti i difetti di fabbricazione e pezzi difettosi per una durata di ventiquattro (24) mesi, a partire dalla data indicata sull'originale della fattura compilata dal rivenditore e consegnata all'utente finale.

Il deterioramento provocato dall'usura normale, da un utilizzo o una manutenzione non conformi o non autorizzati, o da un sovraccarico, è escluso dalla presente garanzia. La garanzia è esclusa anche per gli accessori come batterie, lampadine, lame, punte, borse, ecc.

In caso di malfunzionamento nel corso del periodo di garanzia, riportare il prodotto **NON SMONTATO** corredato della prova d'acquisto al fornitore o al più vicino Centro di Assistenza Autorizzato Ryobi.

I diritti legali relativi ai prodotti difettosi non sono rimessi in causa dalla presente garanzia.

P GARANTIA - CONDIÇÕES

Este produto Ryobi está garantido contra os vícios de fabrico e as peças defeituosas por um prazo de vinte e quatro (24) meses, a contar da data que faz fé no original da factura emitida pelo vendedor ao utilizador final. As deteriorações provocadas pelo desgaste normal, por uma utilização ou uma manutenção anormal ou não autorizada, ou por uma sobrecarga ficam excluídas da presente garantia assim como os acessórios tais como baterias, lâmpadas, lâminas, ponteiros, sacos, etc.

No caso de mau funcionamento durante o período de garantia, queira enviar o produto **NÃO DESMONTADO** com a prova de compra ao seu fornecedor ou ao Centro de Serviço Autorizado Ryobi mais próximo.

Os seus direitos legais relativos aos produtos defeituosos não são prejudicados pela presente garantia.

NL GARANTIEVOORWAARDEN

Dit Ryobi product is gewaarborgd tegen fabricagefouten en defecte onderdelen gedurende een periode van vierentwintig (24) maanden, te rekenen vanaf de officiële datum op het origineel van de door de wederverkoper aan de eindgebruiker uitgeschreven rekening.

Beschadigingen veroorzaakt door normale slijtage, door abnormaal of ongeoorloofd gebruik of onderhoud, of door overbelasting vallen niet onder deze garantie, evenmin als accu's, lampen, bits, snijbladen, zakken enz.

In geval van slechte werking tijdens de garantieperiode, wordt u verzocht het **NIET GEDEMONTEERDE** product samen met de koopbon aan uw leverancier of aan het dichtstbijzijnde Ryobi servicecentrum te sturen.

Deze garantie doet niet af aan uw wettelijke rechten met betrekking tot defecte producten.

S GARANTI - VILLKOR

Ryobi garanterar denna produkt mot fabriktionsfel och defekta delar under tjugofyra (24) månader, räknat från det datum som anges på originalfakturan fastställt av återförsäljaren och överlämnad till slutanvändaren.

Denna garanti täcker inte skador som förorsakas av normalt slitage, av onormal eller otillåten användning eller skötsel, eller av överbelastning. Den täcker inte heller tillbehör som batterier, glödlampor, blad, ändstycken, påsar, osv.

I händelse av felaktig funktion medan garantin är i kraft skall produkten sändas **UTAN ATT DEMONTERAS** tillsammans med inköpsbeviset till leverantören eller till närmaste servicecenter som auktoriserats av Ryobi.

De rättigheter som lagen ger i förhållande till defekta produkter ifrågasätts inte av denna garanti.

DK GARANTI - REKLAMATIONSRET

Der er reklamationsret på dette Ryobi produkt for fabrikationsfejl og defekte dele i fireogtyve (24) måneder fra gyldighedsdatoen på originalfakturaen udstedt af forhandleren til slutbrugeren.

Skader opstået på grund af almindeligt slid, unormal eller ikke tilladt anvendelse, forkert vedligeholdelse eller overbelastning er ikke dækket af denne reklamationsret, det samme gælder tilbehør som batterier, pærer, klinger, indsatsler, poser osv.

I tilfælde af driftsfejl i garantiperioden skal produktet afleveres **IKKE DEMONTERET** med købebevis til forhandleren eller nærmeste autoriserede Ryobi serviceværksted.

De lovbestemte rettigheder i forbindelse med defekte produkter forringes ikke af denne reklamationsret.

N GARANTI - VILKÅR

Dette Ryobi produktet er garantert mot fabrikasjonsfeil og defekte deler i tjueogfire (24) måneder fra datoen som står på fakturaen utstedt av forhandleren til sluttbrukeren.

Garantien bortfaller dersom skadene er forårsaket av normal slitasje, unormal eller uautorisert bruk, eller overbelastning, og gjelder ikke tilbehør som batterier, lyspærer, blad, bits, poser, osv.

I tilfelle funksjonsfeil under garantiperioden, skal produktet leveres i **UDEMONTERT** tilstand sammen med kjøpsbeviset til forhandler eller til nærmeste autoriserte Ryobi servicesenter.

Dine lovmessige rettigheter med hensyn til defekte produkter er ikke påvirket av denne garantien.

FIN TAKUUEHDOT

Tällä Ryobi-tuotteella on valmistusvialt ja vialliset osat kattava vuoden (24 kk) takuu alkuperäiseen ostokuittiin tai laskuun merkitystä ostopäivästä lukien.

Takuu ei kata normaalisti kulumisesta, epänormaalisti tai kielletystä käytöstä tai ylikuormituksesta aiheutuneita vahinkoja eikä lisävarusteita kuten akkuja, polttimoita, teriä, pusseja jne.

Mikäli takuuaikana ilmaantuu toimintahäiriöitä, vie **PURKAMATON** tuote ostotodistuksineen myyjäliikkeeseen tai lähimpään Ryobi-keskushuoltamoon.

Tämä takuu ei vaikuta viallisia tuotteita koskeviin lakiperusteisiin oikeuksiin.

GR ΟΡΟΙ ΕΓΓΥΗΣΗ

Αυτό το προϊόν Ryobi φέρει εγγύηση κατά των κατασκευαστικών ελαττωμάτων και των ελαττωματικών τμημάτων για μια διάρκεια εικοσιτεσσάρων (24) μηνών, από την ημερομηνία που αναφέρεται στο πρωτότυπο του τιμολογίου που καταρτίστηκε από τον μεταπωλητή για τον τελικό χρήστη.

Οι φυσιολογικές φθορές ή εκείνες που θα προκληθούν από μη φυσιολογική ή μη επιτρεπτή χρήση ή συντήρηση, ή από υπερφόρτιση δεν καλύπτονται από την παρούσα εγγύηση καθώς και τα εξαρτήματα όπως μπαταρίες, λάμπες, μύτες, σακούλες κλπ.

Σε περίπτωση κακής λειτουργίας κατά την περίοδο εγγύησης, παρακαλείσθε να απευθύνετε το προϊόν **ΧΩΡΙΣ ΝΑ ΤΟ ΑΝΟΙΞΕΤΕ**, με την απόδειξη αγοράς, στον προμηθευτή σας ή στο κοντινότερο Κέντρο Τεχνικής Εξυπηρέτησης Ryobi.

Τα νόμιμα δικαιώματά σας που αφορούν στα ελαττωματικά προϊόντα δεν αμφισβητούνται από την παρούσα εγγύηση.

H A GARANCIA FELTÉTELEI

Ezt a Ryobi terméket huszonnégy (24) hónapig garantáljuk a gyártás hibák, valamint a készülékben található alkatrészek miatt jelentkező meghibásodás ellen. A garancia az eladó által, a vásárló számára készített, eredeti adás-vételi szerződésen feltüntetett dátumtól érvényes. A normális igénybevételből fakadó elhasználódás, a nem rendeltetésnek megfelelő használat vagy karbantartási művelet miatt fellépő, túlterhelés által okozott meghibásodásra nem terjed ki a garancia. A tartozékokra, mint például az akkumulátorra, izzókra, fűrófejekre, táskára, stb., a garancia szintén nem vonatkozik.

A garancia periódus alatt fellépő meghibásodás esetén, juttassa el **NEM SZÉTSZERELT ÁLLAPOTBAN** a Ryobi terméket a vásárlást és annak dátumát igazoló dokumentum kíséretében az eladóhoz vagy az Önhöz legközelebbi Ryobi Szerviz Központba.

A jelen garancia nem zárja ki a fogyasztási eszközökre vonatkozó jogszabályok által elrendeltek.

CZ ZÁRUKA - ZÁRUČNÍ PODMÍNKY

Na tento výrobek značky Ryobi se poskytuje záruka po dobu 24 (dvaceti čtyř) měsíců od data uvedeného na faktuře nebo pokladním bloku, který koncový uživatel obdržel v prodejně při nákupu výrobku. Záruka se vztahuje na výrobní vady a vadné díly.

Záruka se nevztahuje na poškození výrobku způsobené jeho běžným opotřebením, nesprávným nebo neschváleným používáním, nesprávnou údržbou nebo přetížením. Uvedené záruční podmínky se plně vztahují i na příslušenství, jako akumulátory, žárovky, pilové listy, nástavce, vaky apod. V případě provozních problémů u výrobku v záruce kontaktujte nejbližší autorizovanou servisní opravnu výrobků Ryobi. K opravě je nutné předložit **NEDEMONTOVANÝ** výrobek spolu s fakturou nebo pokladním blokem.

Tato záruka nevylučuje případná další Vaše spotřebitelská práva týkající se výrobních závad, v souladu s platnými legislativními předpisy.

RU ГАРАНТИЯ – УСЛОВИЯ

Настоящая продукция RYOBI гарантирована от дефектов производства и дефектов изделий на 2 года со дня официального оформления покупки, указанного на оригинале счета, выписанного продавцом покупателю.

Повреждения, полученные в результате обычного износа, ненормального или запрещенного использования или обслуживания, а также перегрузкой, – не покрываются настоящей гарантией, также как и аксессуары, такие как батареи, лампочки, щетки, патроны, мешки и т.д.

В случае поломки или неисправности в гарантийный период отнесите продукцию **НЕРАЗОБРАННОЙ** с подтверждением покупки Вашему продавцу или в ближайший Центр Технического Обслуживания Ryobi.

Настоящая гарантия не влияет на Ваши законные права, по отношению к дефектной продукции.

RO GARANȚIE - CONDIȚII

Acest produs Ryobi este garantat în cazul viciilor de fabricație și pieselor cu defecte pentru o durată de douăzecișipatru (24) de luni, începând cu data facturii originale emisă de către comerciant utilizatorului final.

Deteriorările provocate prin uzură normală, print-o utilizare sau întreținere anormală sau neautorizată, sau prin forțarea utilajului sunt excluse din prezenta garanție acestea aplicându-se și accesoriilor ca baterii, becuri, lame, capete, sași, etc.

În caz de funcționare defectuoasă în perioada de garanție, vă rugăm să trimiteți produsul **NEDEMONTAT** împreună cu factura de cumpărare furnizorului dumneavoastră sau la Centrul Service Agreeat Ryobi cel mai apropiat de dumneavoastră.

Drepturile dumneavoastră legale privind produsele defectuoase nu sunt alterate prin prezenta garanție.

PL WARUNKI GWARANCJI

Na niniejszy produkt Ryobi udzielona jest dwuletnia gwarancja na ukryte wady fabryczne oraz na zdefektowane części. Okres gwarancji dwudziestu czterech (24) miesięcy, zaczyna się od wiążącej daty widniejącej na oryginalnej faktury wystawionej przez sprzedawcę dla ostatecznego nabywcy. Gwarancja ta nie obejmuje zniszczenia wynikającego z normalnego zużycia, czy też uszkodzeń spowodowanych nadmierną eksploatacją, lub niewłaściwą konserwacją, czy nieodpowiednim użytkowaniem niezgodnym z przeznaczeniem. Wyłączone są z niej również akcesoria tj. akumulatory, żarówki, ostrza, końcówki, worki, itd.

W wypadku stwierdzenia złego funkcjonowania podczas okresu gwarancyjnego, prosimy o skierowanie **NIE ZDEMONTOWANEGO** produktu, wraz z dowodem zakupu do waszego dostawcy lub do najbliższego Autoryzowanego Punktu Serwisowego Ryobi.

Niniejsza gwarancja nie podważa przysługujących Państwu uprawnień dotyczących wadliwych produktów.

SLO GARANCIJSKA IZJAVA

Vsi izdelki znamke Ryobi imajo garancijo za napake v izdelavi in neustrezne sestavne dele za obdobje 24-ih mesecev od datuma, ki je naveden na originalnem računu, ki ga je prodajalec izdal končnemu uporabniku.

Staranje, ki ga povzroča običajna raba in obraba izdelka, njegova nepooblaščenost ali neustrezna uporaba ali vzdrževanje, ali preobremenitev, je izvzeto iz te garancije. Enako velja tudi za dodatno opremo kot so baterijski vložki, žarnice, rezila, pribor, vrečke, ipd.

Če pride v garancijskem roku do napake v delovanju izdelka, vas prosimo, da ga **NERAZSTAVLJENEGA**, skupaj z dokazilom o nakupu, odnesete vašemu prodajalcu ali v najbližji Ryobi servisni center.

Ta garancija nikakor ne vpliva na vaše pravice, ki vam jih v zvezi z neustreznimi izdelki daje zakon.

HR UVJETI GARANCIJE

Ovaj Ryobi proizvod je pod garancijom za sve nedostatke unutar dvadeset i četiri (24) mjeseca od datuma koji se nalazi na originalnom računu koji je prodavač izdao krajnjem korisniku.

Oštećenja uzrokovana normalnom uporabom, neprikladnim ili nedozvoljenim korištenjem ili održavanjem ili pak prevelikim opterećenjem nisu uključena u ovu garanciju, kao ni dodaci poput baterija, žarulja, noževa, vrhova, torbi itd.

U slučaju da tijekom garancijskog razdoblja alat radi neispravno, proizvod koji **NISTE RASTAVLJALI** zajedno s dokazom o kupnji pošaljite vašem dobavljaču ili najbližem Ovlaštenom Ryobi servisu. Vaša prava koja se odnose na neispravne proizvode ovom se garancijom ne dovode u pitanje.

TR GARANTI - ŞARTLAR

Bu Ryobi ürünü, üretim hatalarına karşı, satıcı tarafından son kullanıcıya verilmiş olan orijinal fatura tarihinden itibaren yirmidört (24) ay için garantilidir.

Normal kullanım sonucunda yıpranmalar, anormal yada izin verilmeyen kullanım yada bakım, yada aşırı yüklenme ve ayrıca bataryalar, ampuller, bıçaklar, yüksükler, torbalar gibi aksesuarlar sözkonusu garantinin dışındadır. Garanti dönemi süresinde meydana gelen bir arıza durumunda, ürünü **SÖKMEĐEN** satınalma belgesi ile yetkili satıcınıza yada size en yakın Ryobi Yetkili Servis Merkezi'ne gönderiniz. Defolu mallara ilişkin yasal haklarınız sözkonusu garantide bahis konusu edilmemiştir.

	EPN-6082	EPN-7582N
F Niveau de pression acoustique Niveau de puissance acoustique Valeur d'accélération de la moyenne quadratique pondérée	84.4+3 dB(A) 95.4+3 dB(A) 1.86 m/s ²	87.8+3 dB(A) 98.8+3 dB(A) 1.89 m/s ²
GB Sound pressure level Sound power level Weighted root mean square acceleration value	84.4+3 dB(A) 95.4+3 dB(A) 1.86 m/s ²	87.8+3 dB(A) 98.8+3 dB(A) 1.89 m/s ²
D Schalldruckpegel Schalleistungspegel Beschleunigung des quadratischen gewogenen Mittelwerts	84.4+3 dB(A) 95.4+3 dB(A) 1.86 m/s ²	87.8+3 dB(A) 98.8+3 dB(A) 1.89 m/s ²
E Nivel de presión acústica Nivel de potencia acústica Valor de aceleración de la media cuadrática ponderada	84.4+3 dB(A) 95.4+3 dB(A) 1.86 m/s ²	87.8+3 dB(A) 98.8+3 dB(A) 1.89 m/s ²
I Livello di pressione acustica Livello di potenza acustica Valore d'accelerazione della media quadratica ponderata	84.4+3 dB(A) 95.4+3 dB(A) 1.86 m/s ²	87.8+3 dB(A) 98.8+3 dB(A) 1.89 m/s ²
P Nivel de pressão acústica Nível de potência acústica Valor da aceleração da média quadrática ponderada	84.4+3 dB(A) 95.4+3 dB(A) 1.86 m/s ²	87.8+3 dB(A) 98.8+3 dB(A) 1.89 m/s ²
NL Geluidsdrukniveau Geluidsvermogensniveau Versnellingswaarde van de gewogen effectieve waarde	84.4+3 dB(A) 95.4+3 dB(A) 1.86 m/s ²	87.8+3 dB(A) 98.8+3 dB(A) 1.89 m/s ²
S Ljudtrycksnivå Ljudeffektnivå Accelerationsvärde för viktat kvadratisk medeltal	84.4+3 dB(A) 95.4+3 dB(A) 1.86 m/s ²	87.8+3 dB(A) 98.8+3 dB(A) 1.89 m/s ²
DK Lydtryksniveau Lydstyrkeniveau Accelerationsværdi for vægtet kvadratmiddeltal	84.4+3 dB(A) 95.4+3 dB(A) 1.86 m/s ²	87.8+3 dB(A) 98.8+3 dB(A) 1.89 m/s ²
N Lydtrykknivå Lydstyrkenivå Veid kvadratisk middelverdi av akselerasjonsverdien	84.4+3 dB(A) 95.4+3 dB(A) 1.86 m/s ²	87.8+3 dB(A) 98.8+3 dB(A) 1.89 m/s ²
FIN Äänenpainetaso Äänen tehotaso Painotettu kiihdytyksen tehollisarvo	84.4+3 dB(A) 95.4+3 dB(A) 1.86 m/s ²	87.8+3 dB(A) 98.8+3 dB(A) 1.89 m/s ²

	EPN-6082	EPN-7582N
GR Επίπεδο ακουστικής πίεσης Επίπεδο ακουστικής ισχύος Τιμή επιτάχυνσης της σταθμισμένης μέσης τετραγωνικής τιμής	84.4+3 dB(A) 95.4+3 dB(A) 1.86 m/s ²	87.8+3 dB(A) 98.8+3 dB(A) 1.89 m/s ²
H Hangnyomás szint Hangerő szint A gyorsítás négyzetes súlyozott átlag értéke	84.4+3 dB(A) 95.4+3 dB(A) 1.86 m/s ²	87.8+3 dB(A) 98.8+3 dB(A) 1.89 m/s ²
CZ Hladina akustického tlaku Hladina akustického výkonu Vážená efektivní hodnota zrychlení	84.4+3 dB(A) 95.4+3 dB(A) 1.86 m/s ²	87.8+3 dB(A) 98.8+3 dB(A) 1.89 m/s ²
RU Уровень акустического давления Уровень акустической мощности Величина ускорения средней умеренной квадратической	84.4+3 дБ(А) 95.4+3 дБ(А) 1.86 м/сек ²	87.8+3 дБ(А) 98.8+3 дБ(А) 1.89 м/сек ²
RO Nivel de presiune acustică Nivel de putere acustică Valoarea accelerației medie pătratică ponderată	84.4+3 dB(A) 95.4+3 dB(A) 1.86 m/s ²	87.8+3 dB(A) 98.8+3 dB(A) 1.89 m/s ²
PL Poziom ciśnienia akustycznego Poziom mocy akustycznej Wartość skuteczna przyspieszenia średnia kwadratowa ważona	84.4+3 dB(A) 95.4+3 dB(A) 1.86 m/s ²	87.8+3 dB(A) 98.8+3 dB(A) 1.89 m/s ²
SLO Nivo zvočnega pritiska Nivo zvočne moči Efektivna vrednost uteženega pospeška	84.4+3 dB(A) 95.4+3 dB(A) 1.86 m/s ²	87.8+3 dB(A) 98.8+3 dB(A) 1.89 m/s ²
HR Razina akustičnog pritiska Razina jačine zvuka Ponderirana vrijednost ubrzanja RMS-a	84.4+3 dB(A) 95.4+3 dB(A) 1.86 m/s ²	87.8+3 dB(A) 98.8+3 dB(A) 1.89 m/s ²
TR Akustik basınç düzeyi Ses güç seviyesi Ortalama temel vasat ağırlığın hızlanma değeri	84.4+3 dB(A) 95.4+3 dB(A) 1.86 m/s ²	87.8+3 dB(A) 98.8+3 dB(A) 1.89 m/s ²

(F)**DÉCLARATION DE CONFORMITÉ**

Nous déclarons sous notre propre responsabilité que ce produit est en conformité avec les normes ou documents normalisés suivants:
89/336/EEC, 98/37/EC, EN 50366, EN 55014-1, EN 55014-2, EN 61000-3-2, EN 61000-3-3, EN 60745-1, EN 60745-2-14

(GB)**DECLARATION OF CONFORMITY**

We declare under our sole responsibility that this product is in conformity with the following standards or standardized documents.
89/336/EEC, 98/37/EC, EN 50366, EN 55014-1, EN 55014-2, EN 61000-3-2, EN 61000-3-3, EN 60745-1, EN 60745-2-14

(D)**KONFORMITÄTSEKTLÄRUNG**

Wir erklären in alleiniger Verantwortung, dass dieses Produkt mit den folgenden Normen oder normativen Dokumenten übereinstimmt:
89/336/EEC, 98/37/EC, EN 50366, EN 55014-1, EN 55014-2, EN 61000-3-2, EN 61000-3-3, EN 60745-1, EN 60745-2-14

(E)**DECLARACIÓN DE CONFORMIDAD**

Declaramos bajo nuestra exclusiva responsabilidad que este producto es conforme a las siguientes normas o documentos normalizados:
89/336/EEC, 98/37/EC, EN 50366, EN 55014-1, EN 55014-2, EN 61000-3-2, EN 61000-3-3, EN 60745-1, EN 60745-2-14

(I)**DICHIARAZIONE DI CONFORMITÀ**

Dichiariamo, assumendo la piena responsabilità di tale dichiarazione, che il prodotto è conforme alle seguenti normative e ai relativi documenti.
89/336/EEC, 98/37/EC, EN 50366, EN 55014-1, EN 55014-2, EN 61000-3-2, EN 61000-3-3, EN 60745-1, EN 60745-2-14

(P)**DECLARAÇÃO DE CONFORMIDADE**

Declaramos, sob nossa exclusiva responsabilidade, que este produto cumpre as seguintes normas ou documentos normativos.
89/336/EEC, 98/37/EC, EN 50366, EN 55014-1, EN 55014-2, EN 61000-3-2, EN 61000-3-3, EN 60745-1, EN 60745-2-14

(NL)**CONFORMITEITSVERKLARING**

Wij verklaren op onze eigen verantwoordelijkheid dat dit product voldoet aan de volgende normen of normatieve documenten.
89/336/EEC, 98/37/EC, EN 50366, EN 55014-1, EN 55014-2, EN 61000-3-2, EN 61000-3-3, EN 60745-1, EN 60745-2-14

(S)**FÖRSÄKRAN**

Vi intygar och ansvarar för, att denna produkt överensstämmer med följande normer och dokument.
89/336/EEC, 98/37/EC, EN 50366, EN 55014-1, EN 55014-2, EN 61000-3-2, EN 61000-3-3, EN 60745-1, EN 60745-2-14

(DK)**KONFORMITETSEKTLÆRING**

Vi erklærer på eget ansvar, at dette produkt er i overensstemmelse med følgende standarder eller standardiseringsdokumenter:
89/336/EEC, 98/37/EC, EN 50366, EN 55014-1, EN 55014-2, EN 61000-3-2, EN 61000-3-3, EN 60745-1, EN 60745-2-14

(N)**SAMSVARSERKLÆRING**

Vi erklærer på eget ansvar at dette produktet er i samsvar med følgende standarder og normative dokumenter:
89/336/EEC, 98/37/EC, EN 50366, EN 55014-1, EN 55014-2, EN 61000-3-2, EN 61000-3-3, EN 60745-1, EN 60745-2-14

(FIN)**TODISTAMME STANDARDIN-MUKAISUDESTA**

Todistamme täten ja vastaamme yksin siitä, että tämä tuote on alla lueteltujen standardien ja standardoimis-asiakirjojen vaatimusten mukainen.
89/336/EEC, 98/37/EC, EN 50366, EN 55014-1, EN 55014-2, EN 61000-3-2, EN 61000-3-3, EN 60745-1, EN 60745-2-14

(GR)**ΔΗΛΩΣΗ ΣΥΜΜΟΡΦΩΣΗΣ**

Δηλώνουμε υπευθύνως ότι το προϊόν αυτό συμμορφούται προς τα ακόλουθα πρότυπα ή τυποποιημένα έγγραφα:
89/336/EEC, 98/37/EC, EN 50366, EN 55014-1, EN 55014-2, EN 61000-3-2, EN 61000-3-3, EN 60745-1, EN 60745-2-14

(HU)**MEGFELELŐSÉGI NYILATKOZAT**

Felelősségünk teljes tudatában kijelentjük, hogy a jelen termék megfelel a következő szabványoknak és előírásoknak:
89/336/EEC, 98/37/EC, EN 50366, EN 55014-1, EN 55014-2, EN 61000-3-2, EN 61000-3-3, EN 60745-1, EN 60745-2-14

(CZ)**PROHLÁŠENÍ O SHODĚ**

Prohlášíme na svou zodpovědnost, že tento výrobek splňuje požadavky níže uvedených norem a závazných předpisů:
89/336/EEC, 98/37/EC, EN 50366, EN 55014-1, EN 55014-2, EN 61000-3-2, EN 61000-3-3, EN 60745-1, EN 60745-2-14

(RU)**ЗАЯВЛЕНИЕ О СООТВЕТСТВИИ СТАНДАРТАМ**

Мы со всей ответственностью заявляем, что настоящая продукция соответствует ниже следующим нормам и документам:
89/336/EEC, 98/37/EC, EN 50366, EN 55014-1, EN 55014-2, EN 61000-3-2, EN 61000-3-3, EN 60745-1, EN 60745-2-14

(RO)**DECLARAȚIE DE CONFORMITATE**

Declarăm, cu toată responsabilitatea că acest produs este conform cu normele sau documentele următoare:
89/336/EEC, 98/37/EC, EN 50366, EN 55014-1, EN 55014-2, EN 61000-3-2, EN 61000-3-3, EN 60745-1, EN 60745-2-14

(PL)**DEKLARACJA ZGODNOŚCI**

Z całą odpowiedzialnością oświadczamy, że niniejszy produkt jest zgodny z normami czy też znormalizowanymi dokumentami wymienionymi poniżej:
89/336/EEC, 98/37/EC, EN 50366, EN 55014-1, EN 55014-2, EN 61000-3-2, EN 61000-3-3, EN 60745-1, EN 60745-2-14

(SLO)**IZJAVA O SKLADNOSTI**

Z lastno odgovornostjo izjavljamo, da je ta izdelek skladen z zahtevami sledečih standardov ali standardiziranih dokumentov:
89/336/EEC, 98/37/EC, EN 50366, EN 55014-1, EN 55014-2, EN 61000-3-2, EN 61000-3-3, EN 60745-1, EN 60745-2-14

(HR)**DEKLARACIJA O USKLADENOSTI**

Odgovorno izjavljujemo da je ovaj proizvod u skladu sa sljedećim normama ili normiranim dokumentima:
89/336/EEC, 98/37/EC, EN 50366, EN 55014-1, EN 55014-2, EN 61000-3-2, EN 61000-3-3, EN 60745-1, EN 60745-2-14

(TR)**UYGUNLUK BELGESİ**


Sorumluluğumuz altında beyan ederizki bu ürün aşağıdaki normlar ya da norm belgeleri ile uyumludur:
89/336/EEC, 98/37/EC, EN 50366, EN 55014-1, EN 55014-2, EN 61000-3-2, EN 61000-3-3, EN 60745-1, EN 60745-2-14

Machine: **PLANER**

Name of company: Ryobi Technologies S.A.S.
Address: Immeuble Le Grand Roissy
Z.A. du Gué
35, rue de Guivry B. P.5
77990 LE MESNIL AMELOT
FRANCE
Tel.: +33-1-60 94 69 70
Fax: +33-1-60 94 69 79

Name of company: Ryobi Technologies (UK) Ltd.
Address: MEDINA HOUSE
FIELD HOUSE LANE
MARLOW
BUCKS, SL71TB
UNITED KINGDOM
Tel.: +44-1628-894400
Fax: +44-1628-894401

Name of company: Ryobi Technologies GmbH
Address: ITTERPARK 4
D-40724 HILDEN
GERMANY
Tel.: +49-2103-29580
Fax: +49-2103-2958544

Type: **EPN-6082 / EPN-7582N**  **01.08.2006**

Name/Title: Michel Violleau
Président/Directeur Général

Signature: 

Name/Title: Mark Pearson
Managing Director

Signature: 

Name/Title: Walter Martin Eichinger
General Manager

Signature: 