

# RYOBI®

RCS1935  
RCS2340

ORIGINAL INSTRUCTIONS  
TRADUCTION DES INSTRUCTIONS ORIGINALES  
ÜBERSETZUNG DER ORIGINALANLEITUNG  
TRADUCCIÓN DE LAS INSTRUCCIONES ORIGINALES  
TRADUZIONE DELLE ISTRUZIONI ORIGINALI  
VERTALING VAN DE ORIGINELE INSTRUCTIES  
TRADUÇÃO DAS INSTRUÇÕES ORIGINAIS  
OVERSETTELSE AF DE ORIGINELE INSTRUKTIONER  
ÖVERSÄTTNING AV DE URSPRUNGLIGA INSTRUKTIONERNA  
ALKUPERÄISTEN OHJEIDEN SUOMENNOS  
OVERSETTELSE AV DE ORIGINELE INSTRUKSJONENE  
ПЕРЕВОД ОРИГИНАЛЬНЫХ ИНСТРУКЦИЙ  
TŁUMACZENIE INSTRUKCJI ORYGINALNEJ  
PŘEKLAD ORIGINÁLNÍCH POKYNŮ  
AZ EREDETI ÚTMUTATÓ FORDÍTÁSA  
TRADUCEREA INSTRUCȚIUNILOR ORIGINALE  
TULKOTS NO ORĪĢINĀLĀS INSTRUKCIJAS  
ORIGINALIŲ INSTRUKCIJŲ VERTIMAS  
ORIGINALAALJUHENDI TÕLGE  
PRIJEVOD ORIGINALNIH UPUTA  
PREVOD ORIGINALNIH NAVODIL  
PREKLAD ORIGINÁLNYCH POKYNOV  
ПРЕВОД ОТ ОРИГИНАЛНИТЕ ИНСТРУКЦИИ

EN  
FR  
DE  
ES  
IT  
NL  
PT  
DA  
SV  
FI  
NO  
RU  
PL  
CS  
HU  
RO  
LV  
LT  
ET  
HR  
SL  
SK  
BG





<b>Important!</b>	It is essential that you read the instructions in this manual before assembling, operating and maintaining this machine.
<b>Attention!</b>	Il est essentiel que vous lisiez les instructions contenues dans ce mode d'emploi avant d'assembler, d'entretenir et d'utiliser cette machine.
<b>Achtung!</b>	Es ist wichtig, dass Sie vor Zusammenbau, Benutzung und Wartung dieser Maschine die Anweisungen in dieser Anleitung lesen.
<b>¡Atención!</b>	Antes de montar, de utilizar o de realizar el mantenimiento de esta máquina es muy importante que lea las instrucciones de este manual.
<b>Attenzione!</b>	È essenziale leggere le istruzioni contenute nel manuale prima di montare, mettere in funzione e svolgere le operazioni di manutenzione sull'utensile.
<b>Let op!</b>	Het is van essentieel belang dat u de instructies in deze gebruiksaanwijzing leest voor u deze machine monteert, bedient en onderhoudt.
<b>Atenção!</b>	É essencial que leia as instruções neste manual antes de montar, operar e efetuar manutenção a esta máquina.
<b>OBS!</b>	Det er meget vigtigt, at man læser anvisningerne i denne brugsanvisning, inden maskinen samles, betjenes og vedligeholdes.
<b>Observera!</b>	Det är viktigt att du läser instruktionerna i manualen före monteringen, användning och underhåll av maskinen.
<b>Huomio!</b>	On tärkeää, että luet tämän käsikirjan ennen tämän laitteen kokoamista, huoltoa ja käyttöä.
<b>Advarsel!</b>	Det er vigtigt at du leser instruksjonene i denne brukermanualen før du monterer, bruker og vedlikeholder maskinen.
<b>Внимание!</b>	Необходимо прочитать инструкции в данном руководстве перед сборкой, эксплуатацией и обслуживанием этого устройства.
<b>Uwaga!</b>	KoniecznIE przeczytaj instrukcje zawarte w tym podręczniku przed montażem, obsługą oraz konserwacją tej maszyny.
<b>Důležitě upozornění!</b>	Neinstalujte, neprovádějte údržbu ani nepoužívejte tento nástroj dříve, než si přečtete pokyny uvedené v tomto návodu.
<b>Figyelem!</b>	Fontos, hogy a gép összeszerelése, használatá és karbantartása előtt elolvassa a kézikönyvben található utasításokat.
<b>Atenție!</b>	Este esențial să citiți instrucțiunile din acest manual, înainte de asamblarea, operarea sau întreținerea acestui aparat.
<b>Uzmanību!</b>	Pirms ierīces montāžas, darbināšanas un apkopes veikšanas obligāti izlasiet norādījumus šajā rokasgrāmatā.
<b>Dėmesio!</b>	Prieš surinkdami, eksploatuodami ir prižiūradami šį įrenginį, būtina, kad perskaitytumėte nurodymus, pateiktus šiose naudotojo vadove.
<b>Tähtis!</b>	Enne masina kokkupanekut, kasutama ja hooldama hakkamist tuleb käesolevas juhendis esitatud juhised kindlasti läbi lugeda.
<b>Upozorenie!</b>	Vrlo je važno da ste prije sklapanja, rada i održavanja ovog stroja pročitali upute u ovom priručniku.
<b>Pomembno!</b>	Zelo pomembno je, da pred sestavljanjem, vzdrževanjem in uporabo te naprave preberete navodila v tem priročniku.
<b>Dôležitě!</b>	Pred montážou, používaním a údržbou tohto nástroja je dôležité, by ste si prečítali pokyny v tomto návode.
<b>Важно!</b>	Исключительно важно е да прочетете инструкциите в настоящето ръководство, преди да сглобите и да работите с тази машина, както и да извършвате дейности по нейната поддръжка.

Subject to technical modification / Sous réserve de modifications techniques / Technische Änderungen vorbehalten /  
Bajo reserva de modificaciones técnicas / Con riserva di eventuali modifiche tecniche / Technische wijzigingen voorbehouden /  
Com reserva de modificações técnicas / Med forbehold for tekniske ændringer / Med förbehåll för tekniska ändringar /  
Tekniset muutokset varataan / Med forbehold om tekniske ændringer / могут быть внесены технические изменения /  
Z zastrzeżeniem modyfikacji technicznych / Změny technických údajů vyhrazeny / A műszaki módosítás jogát fenntartjuk /  
Sub rezerva modificațiilor tehnice / Paturam tiesības mainīt tehniskos raksturlielumus /  
Pasliiekant teisę daryti techninius pakeitimus / Tehnilised muudatused võimalikud / Подложено технічким промjenama /  
Tehnične spremembe dopuščene / Právo na technické zmeny je vyhradené / Подлежи на технически модификации





**⚠ WARNING**

When using the product, the safety rules must be followed. For your own safety and that of bystanders, you must read and fully understand these instructions before operating the product. You should attend a professionally organized safety course in the use, preventative actions, first-aid and maintenance of chainsaws. Please keep these instructions safe for later use.

**⚠ WARNING**

Chainsaws are potentially dangerous tools. Accidents involving the use of chainsaws often result in loss of limbs or death. It is not just the chainsaw that is the hazard. Falling branches, toppling trees, rolling logs can all kill. Diseased or rotting timber poses additional hazards. You should assess your capability of completing the task safely. If there is any doubt, leave it to a professional tree surgeon.

**GENERAL SAFETY WARNINGS**

**⚠ WARNING**

**Read all safety warnings and all instructions.** Failure to follow the warnings and instructions may result in electric shock, fire and/or serious injury.

**Save all warnings and instructions for future reference.**

The term "power tool" in the warnings refers to your mains-operated (corded) power tool or battery-operated (cordless) power tool.

**WORK AREA SAFETY**

- **Keep work area clean and well lit.** Cluttered or dark areas invite accidents.
- **Do not operate power tools in explosive atmospheres, such as in the presence of flammable liquids, gases or dust.** Power tools create sparks which may ignite the dust or fumes.
- **Keep children and bystanders away while operating a power tool.** Distractions can cause you to lose control.

**ELECTRICAL SAFETY**

- **Power tool plugs must match the outlet. Never modify the plug in any way. Do not use any adapter plugs with earthed (grounded) power tools.** Unmodified plugs and matching outlets will reduce risk of electric shock.
- **Avoid body contact with earthed or grounded surfaces, such as pipes, radiators, ranges and refrigerators.** There is an increased risk of electric shock if your body is earthed or grounded.
- **Do not expose power tools to rain or wet conditions.** Water entering a power tool will increase the risk of electric shock.
- **Do not abuse the cord. Never use the cord for carrying, pulling or unplugging the power tool.**

**Keep cord away from heat, oil, sharp edges or moving parts.** Damaged or entangled cords increase the risk of electric shock.

- **When operating a power tool outdoors, use an extension cord suitable for outdoor use.** Use of a cord suitable for outdoor use reduces the risk of electric shock.
- **If operating a power tool in a damp location is unavoidable, use a residual current device (RCD) protected supply.** Use of an RCD reduces the risk of electric shock.

**PERSONAL SAFETY**

- **Stay alert, watch what you are doing and use common sense when operating a power tool. Do not use a power tool while you are tired or under the influence of drugs, alcohol or medication.** A moment of inattention while operating power tools may result in serious personal injury.
- **Use personal protective equipment. Always wear eye protection.** Protective equipment such as dust mask, non-skid safety shoes, hard hat or hearing protection used for appropriate conditions will reduce personal injuries.
- **Prevent unintentional starting. Ensure the switch is in the off-position before connecting to power source and/or battery pack, picking up or carrying the tool.** Carrying power tools with your finger on the switch or energising power tools that have the switch on invites accidents.
- **Remove any adjusting key or wrench before turning the power tool on.** A wrench or a key left attached to a rotating part of the power tool may result in personal injury.
- **Do not overreach. Keep proper footing and balance at all times.** This enables better control of the power tool in unexpected situations.
- **Dress properly. Do not wear loose clothing or jewellery. Keep your hair, clothing and gloves away from moving parts.** Loose clothes, jewellery or long hair can be caught in moving parts.
- **If devices are provided for the connection of dust extraction and collection facilities, ensure these are connected and properly used.** Use of dust collection can reduce dust-related hazards.

**POWER TOOL USE AND CARE**

- **Do not force the power tool. Use the correct power tool for your application.** The correct power tool will do the job better and safer at the rate for which it was designed.
- **Do not use the power tool if the switch does not turn it on and off.** Any power tool that cannot be controlled with the switch is dangerous and must be repaired.
- **Disconnect the plug from the power source and/or the battery pack from the power tool before making any adjustments, changing accessories or storing power tools.** Such preventive safety measures reduce the risk of starting the power tool accidentally.
- **Store idle power tools out of the reach of children**

- EN
- FR
- DE
- ES
- IT
- NL
- PT
- DA
- SV
- FI
- NO
- RU
- PL
- CS
- HU
- RO
- LV
- LT
- ET
- HR
- SL
- SK
- BG



and do not allow persons unfamiliar with the power tool or these instructions to operate the power tool. Power tools are dangerous in the hands of untrained users.

- **Maintain power tools. Check for misalignment or binding of moving parts, breakage of parts and any other condition that may affect the power tool's operation. If damaged, have the power tool repaired before use.** Many accidents are caused by poorly maintained power tools.
- **Keep cutting tools sharp and clean.** Properly maintained cutting tools with sharp cutting edges are less likely to bind and are easier to control.
- **Use the power tool, accessories and tool bits etc, in accordance with these instructions, taking into account the working conditions and the work to be performed.** Use of the power tool for operations different from those intended could result in a hazardous situation.

## SERVICE

- **Have your power tool serviced by a qualified repair person using only identical replacement parts.** This will ensure that the safety of the power tool is maintained.

## ADDITIONAL GENERAL SAFETY WARNINGS

- Some regions have regulations that restrict the use of the product. Check with your local authority for advice.
- Never allow children or people unfamiliar with the instructions to use the product. Local regulations may restrict the age of the operator.
- Ensure before each use that all controls and safety devices function correctly. Do not use the power tool if the "off" switch does not stop the motor.
- Wear full eye and hearing protection, strong sturdy gloves as well as head protection while operating the product; use a face mask if operation is dusty.
- Do not wear loose fitting clothing, short trousers or jewellery of any kind.
- Secure long hair so it is above shoulder level to prevent entanglement in moving parts.
- Beware of thrown, flying or falling objects; keep all bystanders, children, and animals at least 15 m away from work area.
- Do not operate in poor lighting. The operator requires a clear view of the work area to identify potential hazards.
- Use of hearing protection reduces the ability to hear warnings (shouts or alarms). The operator must pay extra attention to what is going on in the working area.
- Operating similar tools nearby increases both the risk of hearing injury and the potential for other persons to enter your working area.
- Keep firm footing and balance. Do not overreach. Overreaching can result in loss of balance and can increase the risk of kickback.
- Keep all parts of your body away from any moving part.
- Inspect the machine before each use. Check for correct operation of all controls including the chain brake.

Check for loose fasteners, make sure all guards, and handles are properly and securely attached. Replace any damaged parts before use.

- Do not modify the machine in any way or use parts and accessories which are not recommended by the manufacturer.
- If you need to use an extension cable ensure it is suitable for outdoor use and has a current capacity sufficient to supply your tool, check it before every use for damage, always uncoil it during use because coiled cables can overheat.
- A power spike causes voltage fluctuations and may affect other electrical products in the same power line. Connect the product to a power supply with an impedance equal or less than 0.372Ω - RCS1935, 0.277Ω - RCS2340 to minimize voltage fluctuations. Contact your electric power supplier for further clarification.

### WARNING

If the machine is dropped, suffers heavy impact or begins to vibrate abnormally, immediately stop the machine and inspect for damage or identify the cause of the vibration. Any damage should be properly repaired or replaced by an authorised service centre.

## CHAINSAW SAFETY WARNINGS

- **Keep all parts of the body away from the saw chain when the chainsaw is operating. Before you start the chainsaw, make sure the saw chain is not contacting anything.** A moment of inattention while operating chainsaws may cause entanglement of your clothing or body with the saw chain.
- **Always hold the chainsaw with your right hand on the rear handle and your left hand on the front handle.** Holding the chainsaw with a reversed hand configuration increases the risk of personal injury and should never be done.
- **Hold the power tool by gripping surface only, because the saw chain may contact hidden wiring or its own cord.** Saw chains contacting a "live" wire may make exposed metal parts of the power tool "live" and could give the operator an electric shock.
- **Wear safety glasses and hearing protection. Further protective equipment for head, hands, legs and feet is recommended.** Adequate protective clothing will reduce personal injury by flying debris or accidental contact with the saw chain.
- **Do not operate a chainsaw in a tree.** Operation of a chainsaw while up in a tree may result in personal injury.
- **Always keep proper footing and operate the chainsaw only when standing on fixed, secure and level surface.** Slippery or unstable surfaces such as ladders may cause a loss of balance or control of the chainsaw.
- **When cutting a limb that is under tension be alert for spring back.** When the tension in the wood fibres is



released the spring loaded limb may strike the operator and/or throw the chainsaw out of control.

- **Use extreme caution when cutting brush and saplings.** The slender material may catch the saw chain and be whipped toward you or pull you off balance.
- **Carry the chainsaw by the front handle with the chainsaw switched off and away from your body. When transporting or storing the chainsaw always fit the guide bar cover.** Proper handling of the chainsaw will reduce the likelihood of accidental contact with the moving saw chain.
- **Follow instructions for lubricating, chain tensioning and changing accessories.** Improperly tensioned or lubricated chain may either break or increase the chance for kickback.
- **Keep handles dry, clean, and free from oil and grease.** Greasy, oily handles are slippery causing loss of control.
- **Cut wood only. Do not use chainsaw for purposes not intended. For example: do not use chainsaw for cutting plastic, masonry or non-wood building materials.** Use of the chainsaw for operations different than intended could result in a hazardous situation.

#### Causes and operator prevention of kickback:

Kickback may occur when the nose or tip of the guide bar touches an object, or when the wood closes in and pinches the saw chain in the cut.

Tip contact in some cases may cause a sudden reverse reaction, kicking the guide bar up and back towards the operator.

Pinching the saw chain along the top of the guide bar may push the guide bar rapidly back towards the operator.

Either of these reactions may cause you to lose control of the saw which could result in serious personal injury. Do not rely exclusively upon the safety devices built into your saw. As a chainsaw user, you should take several steps to keep your cutting jobs free from accident or injury.

Kickback is the result of tool misuse and/or incorrect operating procedures or conditions and can be avoided by taking proper precautions as given below:

- **Maintain a firm grip, with thumbs and fingers encircling the chainsaw handles, with both hands on the saw and position your body and arm to allow you to resist kickback forces.** Kickback forces can be controlled by the operator, if proper precautions are taken. Do not let go of the chainsaw.
- **Do not overreach and do not cut above shoulder height.** This helps prevent unintended tip contact and enables better control of the chainsaw in unexpected situations.
- **Only use replacement bars and chains specified by the manufacturer.** Incorrect replacement bars and chains may cause chain breakage and/or kickback.
- **Follow the manufacturer's sharpening and maintenance instructions for the saw chain.** Decreasing the depth gauge height can lead to increased kickback.

#### ADDITIONAL CHAINSAW SAFETY WARNINGS

- It is recommended to cut logs on a saw-horse or cradle when operating the product the first time.
- Ensure all guards, handles and spiked bumper are properly fitted and are in good condition.
- Persons using this chainsaw should be in good health. The chainsaw is a heavy unit so the operator requires to be physically fit. The operator should be alert, have good vision, mobility, balance and manual dexterity. If there is any doubt, do not operate the chainsaw.
- Do not start using the product until you have a clear work area, secure footing, and a planned retreat path away from the falling tree.
- Beware of the emission of lubricant mist and saw dust. Wear a mask or respirator if required.
- Electric power should be supplied via a residual current device (RCD) with a tripping current of not more than 30 mA.
- If the power cable becomes damaged, you must return the machine to an authorised service centre for repair or replacement.
- Always keep the power cable tidy and away from the area of cutting. Apart from the danger of electrocution, untidy cables cause falls and trips.
- Do not cut vines and/or small undergrowth (less than 75 mm in diameter).
- Always hold the chainsaw with both hands when operating the saw. Use a firm grip with thumbs and fingers encircling the chainsaw handles. Right hand must be on the rear handle and left hand on the front handle.
- Before starting the tool, make sure the saw chain is not contacting any object.
- Do not modify your tool in any way or use it to power any attachments or devices not recommended by the manufacturer for your saw.
- There should be a first-aid kit containing large wound dressings and a means to summon attention (e.g., whistle) close to the operator. A larger more comprehensive kit should be reasonably nearby.
- The operator may be tempted to remove the helmet if there is no danger of falling objects in the work area, but remember the helmet, particularly with the mesh visor, can help reduce the potential for injury to the face and head if kickback occurs.
- An incorrectly tensioned chain can jump off the guide bar and could result in serious injury or fatality. The length of chain depends on the temperature. Check the tension frequently.
- You should get used to your new chainsaw by making simple cuts on securely supported wood. Do this whenever you have not operated the saw for some time.
- To reduce the risk of injury associated with contacting moving parts, always stop the motor, apply chain brake, remove the plug from the power socket and make sure all moving parts have come to a stop before:
  - cleaning or clearing a blockage
  - leaving the product unattended

EN
FR
DE
ES
IT
NL
PT
DA
SV
FI
NO
RU
PL
CS
HU
RO
LV
LT
ET
HR
SL
SK
BG



- installing or removing attachments
- checking, maintenance or working on the machine
- The size of the work area depends on the job being performed as well as the size of the tree or work piece involved. For example, felling a tree requires a larger work area than making other cuts, i.e., bucking cuts, etc. The operator needs to be aware and in control of everything happening in this work area.
- Do not cut with your body in line with the guide bar and chain. If you do experience kickback this will help prevent the chain coming into contact with your head or body.
- Do not use a back and forward sawing motion, let the chain do the work, keep the chain sharp and don't try to push the chain through the cut.
- Do not put pressure on the saw at the end of the cut. Be ready to take on the weight of the saw as it cuts free from the wood. Failure to do so could result in possible serious personal injury.
- Do not stop the saw in the middle of a cutting operation. Keep the saw running until it is already removed from the cut.

#### Push and pull

The reaction force is always opposite to the direction the chain is moving. Thus, the operator must be ready to control the tendency for the machine to pull away (forward motion) when cutting on the bottom edge of the bar and the push backwards (towards the operator) when cutting along the top edge.

#### Saw jammed in the cut

Stop the chainsaw and make it safe. Do not try to force the chain and bar out of the cut as this is likely to break the chain which may swing back and strike the operator. This situation normally occurs because the wood is incorrectly supported and forcing the cut to close under compression thereby pinching the blade. If adjusting the support does not release the bar and chain, use wooden wedges or a lever to open the cut and release the saw. Never try to start the chainsaw when the guide bar is already in a cut or kerf.

#### Personal protective equipment

Good quality, personal protective equipment as used by professionals will help to reduce the risk of injury to the operator. The following items should be used when operating your chainsaw:

##### Safety helmet

- should comply with EN 397 and be CE marked

##### Hearing protection

- should comply with EN 352-1 and be CE marked

##### Eye and face protection

- should be CE marked and comply with EN 166 (for safety glasses) or EN 1731 (for mesh visors)

##### Gloves

- should comply with EN381-7 and be CE marked

##### Leg protection (chaps)

- should comply with EN381-5, be CE marked and provide all-round protection.

##### Chainsaw safety boots

- should comply with EN ISO 20345:2004 and be marked with a shield depicting a chainsaw to show compliance with EN 381-3. (Occasional users may use steel toe-cap safety boots with protective gaiters which conform to EN 381-9 if the ground is even and there is little risk of tripping or catching on undergrowth)

#### Chainsaw jackets for upper body protection

- should comply with EN 381-11 and be CE marked

#### INSTRUCTIONS CONCERNING THE PROPER TECHNIQUES FOR BASIC FELLING, LIMBING, AND CROSS-CUTTING

##### Understanding the forces within the wood

When you understand the directional pressures and stresses inside the wood you can reduce the "pinches" or at least expect them during your cutting. Tension in the wood means the fibers are being pulled apart and if you cut in this area the "kerf" or cut will tend to open as the saw goes through. If a log is being supported on a saw horse and the end is hanging unsupported over the end then tension is created on the upper surface due to the weight of the overhanging log stretching the fibers. Likewise, the underside of the log will be in compression and the fibers are being pushed together. If a cut is made in this area the kerf will have the tendency to close up during the cut. This would pinch the blade.

##### Felling a tree

See page 239 - 240.

When bucking and felling operations are being performed by two or more persons at the same time, the felling operations should be separated from the bucking operation by a distance of at least twice the height of the tree being felled. Trees should not be felled in a manner that would endanger any person, strike any utility line or cause any property damage. If the tree does make contact with any utility line, the company should be notified immediately.

The chainsaw operator should keep on the uphill side of the terrain as the tree is likely to roll or slide downhill after it is felled.

An escape path should be planned and cleared as necessary before cuts are started. The escape path should extend back and diagonally to the rear of the expected line of fall.

Before felling is started, consider the natural lean of the tree, the location of larger branches and the wind direction to judge which way the tree will fall.

Remove dirt, stones, loose bark, nails, staples and wire from the tree.

Do not attempt to fell trees which are rotten or have been damaged by wind, fire, lightning, etc. This is extremely dangerous and should only be completed by professional tree surgeons.

- Notching undercut

See page 239 - 240.

Make the notch 1/3 the diameter of the tree, perpendicular to the direction of falls. Make the lower horizontal notching cut first. This will help to avoid pinching either the saw chain or the guide bar when the

second notch is being made.

■ **Felling back cut**

See page 239 - 240.

Make the felling back cut at least 50 mm/2 in higher than the horizontal notching cut. Keep the felling back cut parallel to the horizontal notching cut. Make the felling back cut so enough wood is left to act as a hinge. The hinge wood keeps the tree from twisting and falling in the wrong direction. Do not cut through the hinge.

As the felling gets close to the hinge, the tree should begin to fall. If there is any chance that the tree may not fall in desired direction or it may rock back and bind the saw chain, stop cutting before the felling back cut is complete and use wedges of wood, plastic or aluminium to open the cut and drop the tree along the desired line of fall.

When the tree begins to fall remove the chainsaw from the cut, stop the motor, put the chainsaw down, then use the retreat path planned. Be alert for overhead limbs falling and watch your footing.

**Removing buttress roots**

See page 240.

A buttress root is a large root extending from the trunk of the tree above the ground. Remove large buttress roots prior to felling. Make the horizontal cut into the buttress first, followed by the vertical cut. Remove the resulting loose section from the work area. Follow the correct tree felling procedure after you have removed the large buttress roots.

**Bucking a log**

See page 241.

Bucking is cutting a log into lengths. It is important to make sure your footing is firm and your weight is evenly distributed on both feet. When possible, the log should be raised and supported by the use of limbs, logs or chocks. Follow the simple directions for easy cutting. When the log is supported along its entire length, it is cut from the top (overbuck).

When the log is supported on one end, cut 1/3 the diameter from the underside (underbuck). Then make the finished cut by overbucking to meet the first cut.

When the log is supported on both ends, cut 1/3 the diameter from the top (overbuck). Then make the finished cut by underbucking the lower 2/3 to meet the first cut.

When bucking on a slope always stand on the uphill side of the log. When "cutting through", to maintain complete control release the cutting pressure near the end of the cut without relaxing your grip on the chainsaw handles. Don't let the chain contact the ground. After completing the cut, wait for the saw chain to stop before you move the chainsaw. Always stop the motor before moving from tree to tree.

**Limbing a tree**

See page 242.

Limbing is removing the branches from a fallen tree. When limbing leave larger lower limbs to support the log off the ground. Remove the small limbs in one cut. Branches under tension should be cut from the bottom up to avoid binding the chainsaw.

**Cutting springpoles**

See page 242.

A springpole is any log, branch, rooted stump, or sapling which is bent under tension by other wood so that it springs back if the wood holding it is cut or removed.

On a fallen tree, a rooted stump has a high potential of springing back to the upright position during the bucking cut to separate the log from the stump. Watch out for springpoles—they are dangerous.

**⚠ WARNING**

Springpoles are dangerous and could strike the operator, causing the operator to lose control of the chainsaw. This could result in severe or fatal injury to the operator. This should be done by trained users.

**INTENDED USE**

The product is only intended for use outdoors. For safety reasons the product must be adequately controlled by using two handed operation at all times.

The product is designed for cutting branches, trunks, logs and beams of a diameter determined by the cutting length of the guide bar. It is only designed to cut wood. It is only to be used in domestic application by adults who have received adequate training on the hazards and preventative measures/actions to be taken whilst using it.

Do not use the product for any purpose not listed above. It is not to be used for professional tree services. The product is not to be used by children or by persons not wearing adequate personal protective equipment and clothing.

**RESIDUAL RISKS**

Even when the product is used as prescribed, it is still impossible to completely eliminate certain residual risk factors. The following hazards may arise in use and the operator should pay special attention to avoid the following:

- Injury caused by vibration. Always use the right tool for the job, use designated handles and restrict working time and exposure.
- Exposure to noise can cause hearing injury. Wear ear protection and limit exposure.
- Contact with exposed saw teeth of the chain (cutting hazards).
- Unforeseen, abrupt movement or kickback of the guide bar (cutting hazards).
- Parts ejected from the saw chain (cutting/injection hazards).
- Thrown out pieces of the work piece (wood chips, splinters).
- Inhalation of saw dust and particles.
- Skin contact with lubricant/oil.

**RISK REDUCTION**

It has been reported that vibrations from hand-held tools may contribute to a condition called Raynaud's Syndrome in certain individuals. Symptoms may include tingling,

EN
FR
DE
ES
IT
NL
PT
DA
SV
FI
NO
RU
PL
CS
HU
RO
LV
LT
ET
HR
SL
SK
BG



numbness and blanching of the fingers, usually apparent upon exposure to cold. Hereditary factors, exposure to cold and dampness, diet, smoking and work practices are all thought to contribute to the development of these symptoms. There are measures that can be taken by the operator to possibly reduce the effects of vibration:

- Keep your body warm in cold weather. When operating the unit wear gloves to keep the hands and wrists warm. It is reported that cold weather is a major factor contributing to Raynaud's Syndrome.
- After each period of operation, exercise to increase blood circulation.
- Take frequent work breaks. Limit the amount of exposure per day.
- Protective gloves available from professional chainsaw retailers are designed specifically for chainsaw use which give protection, good grip and also reduce the effect of handle vibration. These gloves should comply with EN381-7 and must be CE marked.

If you experience any of the symptoms of this condition, immediately discontinue use and see your doctor about these symptoms.

#### ⚠ WARNING

Injuries may be caused, or aggravated, by prolonged use of a tool. When using any tool for prolonged periods, ensure you take regular breaks.

### KNOW YOUR PRODUCT

See page 233.

1. Chain
2. Guide bar
3. Front hand guard/Chain brake
4. Front handle
5. Trigger release
6. Rear handle
7. Spiked bumper
8. Chain lubricant cap
9. Cord retainer
10. On/off trigger
11. Wood chips deflector
12. Wood chips deflector knob
13. Sprocket cover
14. Chain tensioner adjustment ring
15. Guide bar locking knob
16. Guide bar cover
17. Chain catcher

### SAFETY DEVICES

#### Low kick-back saw chain

A low-kick-back saw chain helps to reduce the possibility of a kickback event.

The rakers (depth gauges) ahead of each cutter can minimize the force of a kick-back reaction by preventing the cutters from digging in too deeply. Only use replacement guide bar and chain combinations recommended by the manufacturer.

As saw chains are sharpened, they lose some of the low

kickback qualities and extra caution is required. For your safety, replace saw chains when cutting performance decreases.

#### Spiked bumper

The integral bumper spike may be used as a pivot when making a cut. It helps to keep the body of the chainsaw steady while cutting. When cutting, push the machine forward until the spikes dig into the edge of the wood, then by moving the rear handle up or down in the direction of the cutting line it can help ease the physical strain of cutting

#### Guide bars

Generally, guide bars with small radius tips have somewhat lower potential for kick-back. You should use a guide bar and matching chain which is just long enough for the job. Longer bars increase the risk of loss of control during sawing. Regularly check the chain tension. When cutting smaller branches (less than the full length of the guide bar) the chain is more likely to be thrown off if the tension is not correct.

#### Chain brake

Chain brakes are designed to quickly stop the chain rotating. When the chain brake lever/hand guard is pushed towards the bar, the chain should stop immediately. A chain brake does not prevent kick-back. It only lowers the risk of injury should the chain bar contact the operator's body during a kick-back event. The chain brake should be tested before each use for correct operation in both the run and brake positions.

### ASSEMBLY

#### ⚠ WARNING

If any parts are damaged or missing do not operate this product until the parts are replaced. Failure to heed this warning could result in serious personal injury.

#### ASSEMBLING SAW CHAIN AND GUIDE BAR

See page 234 - 235. See page 244 - 245.

1. Disconnect the mains plug. Wear protective gloves.
2. Unscrew the guide bar locking knob and remove the sprocket cover.
3. The saw chain should face in the direction of chain rotation. If they face backwards, turn the loop over.
4. Place the chain drive links into the bar groove.
5. Position the chain so there is a loop at the back of the bar.
6. Hold the chain in position on the bar and place the loop around the drive sprocket. Lower the bar so that the bolt goes through the hole in the attached chain tension assembly. You may need to rotate this assembly so the bolt and hole align. You may rotate this assembly again to apply some tension to the chain which will help keep it in place.
7. Replace the sprocket cover and turn the guide bar locking knob until nearly tight, turn the chain tension adjustment ring until the saw chain is properly tensioned. The guide bar must then be pushed upwards, check



- chain tension again, do not tension the chain too tight.
- After the chain is well-tensioned, tighten the knob again.

### ADJUSTING THE CHAIN TENSION

See page 235. See page 246.

- Loosen the guide bar locking knob slightly by turning it counterclockwise.
- To increase the chain tension, turn the chain tensioner adjustment ring clockwise and check the chain tension frequently. To reduce the chain tension, turn the chain tensioner adjustment ring counterclockwise and check the chain tension frequently.
- The chain tension is correct when the gap between the cutter in the chain and the bar is between 3 mm - 4 mm. Pull the chain in the middle of the lower side of the bar downwards (away from the bar) and measure the distance between the bar and the chain cutters.
- Tighten the guide bar locking knob by turning it clockwise.

## OPERATION

### ADDING CHAIN LUBRICATING OIL

See page 234.

#### ⚠ WARNING

Never work without chain lubricant. If the saw chain is running without lubricant, guide bar and saw chain can be damaged. It is therefore essential to check the oil level in the oil level gauge frequently and every time before starting to use the chain saw.

- Clear surface around the oil cap to prevent contamination.
- Unscrew and remove the cap from the oil tank.
- Pour the oil into the oil tank and monitor the oil level gauge. Ensure that no dirt enters the oil tank while filling.
- Put the oil cap back on and tighten it up. Wipe away any spillage.
- One full oil tank will enable you to use the saw for 20-40 min.

### Recommended chain lubricating oil

- The manufacturer recommends you use only Ryobi chainsaw lubricating oil. (Available from your authorised Ryobi service centre)

### HOLDING THE CHAIN SAW

See page 235.

Always hold the chain saw with your right hand at the rear handle and your left hand at the front handle. Grip both handles with the thumbs and fingers encircling the handles. Ensure that your left hand is holding the front handle so that your thumb is underneath.

#### ⚠ WARNING

Always keep the power cable tidy and away from the area of cutting. Apart from the danger of electrocution, untidy cables cause falls and trips.

### STARTING THE CHAIN SAW

See page 235.

- Connect to power outlet. Make sure the chain brake is in the run position by pulling back on the lever/hand guard.
- To start the machine: Press the trigger release, and then press the on/off trigger.

### CHECKING AND OPERATING CHAIN BRAKE

- Engage the chain brake by rotating your left hand around the front handle. Allow the back of your hand to push the chain brake lever/hand guard toward the bar while the chain is rotating rapidly. Be sure to maintain both hands on the saw handles at all times.
- Reset the chain brake back into the Run position by grasping the top of the chain brake lever/hand guard and pulling toward the front handle until you hear a click.

#### ⚠ WARNING

If the chain brake does not stop the chain immediately, or if the chain brake will not stay in the run position without assistance, take the saw to an authorised service centre for repair prior to use.

## TRANSPORTATION AND STORAGE

See page 248, 249.

- Stop the product, disconnect from its power supply and allow it to cool before storing or transporting.
- Clean all foreign material from the product. Store it in a cool dry and well-ventilated place that is inaccessible to children. Keep away from corrosive agents such as garden chemicals and de-icing salts. Do not store outdoors.
- Fit guide bar cover before storing the unit, or during transportation.
- For transportation, secure the machine against movement or falling to prevent injury to persons or damage to the machine.

## MAINTENANCE

#### ⚠ WARNING

Use only original manufacturer's replacement parts, accessories and attachments. Failure to do so can cause possible injury, poor performance and may void your warranty.

**⚠ WARNING**

Servicing requires extreme care and knowledge and should be performed only by a qualified service technician. For service we suggest you return the product to your nearest authorized service center for repair. When servicing, use only identical replacement parts.

**⚠ WARNING**

Disconnect from the power supply before adjustment, maintenance or cleaning. Failure to do so could result in serious personal injury.

- You may only make adjustments or repairs described in this manual. For other repairs, contact the authorized service agent.
- Consequences of improper maintenance may cause the chain brake and other safety features to not function correctly, thus increasing the potential for serious injury. Keep your chainsaw professionally maintained and safe.
- Sharpening the chain safely is a skilled task. Therefore the manufacturer strongly recommends that a worn or dull chain is replaced with a new one, available from your authorised Ryobi service centre. The part number is available in the product specification table in this manual.
- Follow instructions for lubricating and chain tension checking and adjustment.
- After each use, clean the product with a soft dry cloth.
- Check all nuts, bolts and screws at frequent intervals for security to ensure the product is in safe working condition. Any part that is damaged should be properly repaired or replaced by an authorized service centre.

**REPLACING GUIDE BAR AND SAW CHAIN**

See page 244 - 245.

1. Disconnect the product from its power supply. Wear protective gloves.
2. Unscrew the guide bar locking knob by turning it counterclockwise until the sprocket cover comes loose.
3. Remove the sprocket cover. Remove the bar and saw chain from unit.
4. To replace the bar with a new one, loosen the screw of the chain tension assembly. Mount the chain tension assembly on to the new bar and tighten the screw.
5. Put the new chain in the correct direction onto the bar and make sure that the drive links are aligned in the bar groove.
6. Attach the bar to the chain saw and loop the chain around the drive sprocket.
7. Replace the sprocket cover.
8. Adjust the chain tension. Refer to the "Adjusting the chain tension" section.

**⚠ WARNING**

Improper chain sharpening increases the potential of kick-back.

**⚠ WARNING**

Failure to replace or repair a damaged chain can cause serious injury.

**⚠ WARNING**

The saw chain is very sharp. Always wear protective gloves when performing maintenance to the chain.

**INSPECTING AND CLEANING THE CHAIN BRAKE**

See page 247.

- Always keep the chain brake mechanism clean by lightly brushing the linkage free from dirt.
- Always test the chain brake performance after cleaning. Refer to "Operation - Checking and Operating Chain Brake" earlier in this manual for additional information.

**MAINTENANCE SCHEDULE**

Daily check	
Power cable for damage	Before each use
Bar lubrication	Before each use
Chain tension	Before each use and frequently
Chain sharpness	Before each use, visual check
For damaged parts	Before each use
For loose fasteners	Before each use
Chain brake function	Before each use
Inspect and clean	
Bar	Before each use
Complete saw	After each use
Chain brake	Every 5 hours*

\* Hours of operation

**SYMBOLS ON THE PRODUCT**



Safety alert



To reduce the risk of injury, user must read and understand operator's manual before using this product.



Wear eye, ear and head protection.



Wear non-slip safety footwear when using the product.



Wear non-slip, heavy duty gloves.



Remove plug from the mains immediately before maintenance or if cable is damaged or cut



Beware of chain saw kickback and avoid contact with bar tip.



Do not expose to rain or damp condition.



Hold and operate the saw properly with both hands.



Do not operate the saw using only one hand.



Conforms to all regulatory standards in the country in the EU where the product is purchased.



GOST-R Conformity



Class II tool, double insulation



Waste electrical products should not be disposed of with household waste. Please recycle where facilities exist. Check with your local authority or retailer for recycling advice.



The guaranteed sound power level is 108 dB (RCS1935)



The guaranteed sound power level is 107 dB (RCS2340)



Bar and chain lubricant



Lock



Unlock



Rotate to adjust chain tension  
+ = Tighten the chain  
- = Loosen the chain



Moving direction of the chain.  
(Marked under the sprocket cover)

L max

Maximum guide bar length

## SYMBOLS IN THIS MANUAL



Connect to power outlet.



Disconnect from power outlet.



Parts or accessories sold separately



Waste electrical products should not be disposed of with household waste. Please recycle where facilities exist.



Note



Warning



Wear eye and face protection.



Wear upper body protection.



Wear leg protection.



Stop the product.

The following signal words and meanings are intended to explain the levels of risk associated with this product.

### **DANGER**

Indicates an imminently hazardous situation, which, if not avoided, will result in death or serious injury.

### **WARNING**

Indicates a potentially hazardous situation, which, if not avoided, could result in death or serious injury.

### **CAUTION**

Indicates a potentially hazardous situation, which, if not avoided, may result in minor or moderate injury.

### **CAUTION**

Without safety alert symbol

Indicates a situation that may result in property damage.

EN

FR

DE

ES

IT

NL

PT

DA

SV

FI

NO

RU

PL

CS

HU

RO

LV

LT

ET

HR

SL

SK

BG

### **⚠ AVERTISSEMENT**

Suivez les règles de sécurité lorsque vous utilisez le produit. Pour votre sécurité et celle des passants, veuillez lire ces instructions avant d'utiliser le produit. Vous devriez suivre un stage professionnel de sécurité ayant trait à l'utilisation et à l'entretien des tronçonneuses, ainsi qu'aux mesures préventives et aux premiers soins. Veuillez conserver ce manuel pour vous-y reporter dans le futur.

### **⚠ AVERTISSEMENT**

Les tronçonneuses sont des outils potentiellement dangereux. Les accidents impliquant l'utilisation de tronçonneuses causent souvent la perte d'un membre ou la mort. La tronçonneuse en elle-même n'est pas le seul risque. La chute de branches et d'arbres et la rotation des bûches peuvent tuer. Le bois malade ou pourri crée des risques supplémentaires. Vous devez jauger votre capacité à effectuer une tâche de façon sûre. En cas de doute quel qu'il soit, confiez le travail à un chirurgien du bois.

## **AVERTISSEMENTS GÉNÉRAUX DE SÉCURITÉ**

### **⚠ AVERTISSEMENT**

**Lisez tous les avertissements de sécurité et toutes les instructions.** Le non-respect des avertissements et instructions peut entraîner une décharge électrique, un incendie et/ou de graves blessures.

**Conservez ces avertissements et instructions pour pouvoir vous y reporter ultérieurement.**

Le terme "outil électrique" dans les avertissements se rapporte à votre outil électrique alimenté par le secteur (à fil) ou par batterie (sans fil).

### **ENVIRONNEMENT DE TRAVAIL**

- **Gardez l'espace de travail propre et bien éclairé.** Les espaces de travail sombres ou encombrés sont propices aux accidents.
- **N'utilisez pas d'outil électrique en atmosphère explosive, comme en présence de liquides inflammables, de gaz ou de poussières.** Les appareils électriques produisent des étincelles susceptibles d'enflammer poussières et vapeurs.
- **Gardez les enfants et les visiteurs à distance lorsque vous utilisez un outil électrique.** Les distractions peuvent entraîner une perte de contrôle.

### **SÉCURITÉ ÉLECTRIQUE**

- **Les fiches secteur des outils électriques doivent correspondre à la prise de courant. Ne modifiez jamais la fiche secteur d'aucune façon. N'utilisez pas d'adaptateurs avec les outils électriques reliés à la terre.** L'utilisation de fiches secteur non modifiées et adaptées à la prise de courant réduit le risque de décharge électrique.

- **Évitez que votre corps entre en contact avec des surfaces reliées à la terre, telles que des tuyaux, radiateurs, cuisinières et réfrigérateurs.** Le risque de décharge électrique est accru si votre corps est électriquement relié à la terre.
- **N'exposez ce produit à la pluie ou à des conditions humides.** La pénétration d'eau dans un outil électrique augmente le risque de décharge électrique.
- **Ne maltraitez pas le câble d'alimentation. Ne vous servez jamais du câble d'alimentation pour transporter l'outil, pour le tirer, ou pour en débrancher la fiche secteur. Gardez le câble à l'écart de la chaleur, de l'huile, des bords coupants et des pièces en mouvement.** Les câbles endommagés ou emmêlés augmentent le risque de décharge électrique.
- **Lorsque vous utilisez un outil électrique en extérieur, utilisez une rallonge adaptée à un usage en extérieur.** L'utilisation d'une rallonge adaptée à un usage en extérieur réduit les risques de choc électrique.
- **S'il n'est pas possible d'éviter d'utiliser un outil électrique en environnement humide, utilisez une alimentation électrique équipée d'un disjoncteur différentiel.** L'utilisation d'un disjoncteur différentiel réduit le risque de choc électrique.

### **SÉCURITÉ PERSONNELLE**

- **Restez vigilant, regardez ce que vous faites et faites preuve de bon sens lorsque vous utilisez un outil électrique. N'utilisez pas d'outil électrique si vous êtes fatigué ou sous l'influence de l'alcool, de drogues ou de médicaments.** Un moment d'inattention lors de l'utilisation d'un outil électrique suffit à provoquer de graves blessures.
- **Utilisez des protections individuelles. Portez toujours une protection oculaire.** Des équipements de protection tels qu'un masque anti-poussières, des chaussures de sécurité antidérapantes, ou une protection auditive dans les conditions appropriées réduit le risque de blessures.
- **Prévenez les mises en marche accidentelles. Assurez-vous que l'interrupteur est en position "arrêt" avant la connexion au secteur et/ou l'insertion de la batterie, ainsi qu'avant de saisir ou de transporter l'outil.** Le transport d'un outil électrique avec votre doigt sur l'interrupteur ou la mise sous tension d'un outil dont l'interrupteur est en position "marche" est propice aux accidents.
- **Retirez toute clé ou tout outil de réglage avant de mettre l'outil électrique en marche.** Une clé ou un outil laissé sur une partie tournante d'un outil électrique est susceptible d'entraîner des blessures.
- **Ne travaillez pas en extension. Prenez bien appui sur vos jambes et ne tendez pas le bras trop loin.** Vous contrôlerez ainsi mieux l'outil électrique en cas d'imprévu.
- **Portez des vêtements adéquats. Ne portez pas de vêtements ou de bijoux amples. Maintenez vos cheveux, vos vêtements et vos gants éloignés des parties en mouvement.** Les vêtements et bijoux amples ainsi que les cheveux longs sont susceptibles d'être happés par les parties en mouvement.



EN
<b>FR</b>
DE
ES
IT
NL
PT
DA
SV
FI
NO
PL
RU
CS
HU
RO
LV
LT
ET
HR
SL
SK
BG

- **Si un dispositif d'extraction et de collecte des poussières est fourni, assurez-vous que ce dispositif est installé et utilisé de façon correcte.** L'utilisation d'un dispositif de collecte des poussières réduit les risques associés aux poussières.

## UTILISATION ET ENTRETIEN DES OUTILS ÉLECTRIQUES

- **Ne faites pas forcer le produit. Utilisez un outil électrique adapté au travail à effectuer.** Un outil électrique adapté utilisé dans les limites de ses capacités effectuera un meilleur travail dans de meilleures conditions de sécurité.
- **N'utilisez pas un outil électrique dont l'interrupteur marche/arrêt est inopérant.** Tout outil électrique qui ne peut pas être contrôlé par son interrupteur est dangereux et doit être réparé.
- **Débranchez la fiche secteur de la source de courant et/ou le pack batterie de l'outil électrique avant d'effectuer tout réglage, tout changement d'accessoire, et avant de le ranger.** De telles mesures préventives de sécurité réduisent les risques de mettre accidentellement en marche l'outil électrique.
- **Rangez les outils électriques inutilisés hors de portée des enfants et ne laissez pas les personnes non familiarisées avec l'outil électrique ou avec ces instructions s'en servir.** Les outils électriques sont dangereux entre des mains non entraînées.
- **Entretenez les outils électriques. Vérifiez que les pièces en mouvement sont bien alignées et non déformées, qu'aucune pièce n'est cassée ou mal montée, et qu'aucun autre problème n'est susceptible d'affecter le bon fonctionnement de l'outil électrique. En cas de dommage, faites réparer l'outil électrique avant de l'utiliser.** Beaucoup d'accidents sont dus à des outils électriques mal entretenus.
- **Gardez les outils coupants propres et affûtés.** Les outils coupants bien entretenus et bien affûtés sont moins susceptibles de se déformer et sont plus faciles à contrôler.
- **Utilisez l'outil électrique, ses accessoires et ses embouts, etc. en concordance avec ces instructions, en prenant en compte les conditions de travail et le travail à effectuer.** L'utilisation détournée d'un outil électrique entraîne des situations dangereuses.

## ENTRETIEN

- **Faites réparer votre outil électrique par un réparateur qualifié n'utilisant que des pièces détachées identiques.** Vous maintiendrez ainsi la sécurité d'utilisation de votre outil électrique.

## INSTRUCTIONS DE SÉCURITÉ GÉNÉRALE ADDITIONNELLES

- La législation de certaines régions restreint l'utilisation du produit. Contactez les autorités locales pour obtenir des conseils.
- Ne laissez jamais les enfants ou les personnes non familiarisées avec le mode d'emploi utiliser le produit.

Les lois locales peuvent imposer un âge minimum à l'opérateur.

- Avant chaque utilisation assurez-vous que toutes les commandes et tous les organes de sécurité fonctionnent correctement. N'utilisez pas l'outil à moteur si la mise de son interrupteur sur "off" (arrêt) n'arrête pas le moteur.
- Portez une protection oculaire et auditive totale, des gants solides ainsi qu'un casque de protection de la tête lors de l'utilisation du produit ; portez un masque facial au cas où l'opération générerait des poussières.
- Ne portez pas de vêtements amples, de pantalons courts ou de bijoux d'aucune sorte.
- Attachez les cheveux longs au-dessus du niveau des épaules afin d'éviter qu'ils ne se prennent dans les parties en mouvement.
- Prenez garde à la projection et à la chute d'objets. Gardez tous les passants (en particulier les enfants et les animaux) éloignés d'au moins 15m de distance de la zone de travail.
- N'utilisez pas cet outil dans une zone mal éclairée. L'opérateur doit avoir une bonne vue d'ensemble de la zone de travail pour identifier les dangers éventuels.
- L'utilisation d'une protection auditive réduit la capacité à entendre les avertissements (cris ou alarmes). L'utilisateur doit redoubler d'attention par rapport aux événements survenant dans la zone de travail.
- L'utilisation d'outils similaires alentours augmente le risque d'atteinte à l'audition ainsi que le risque que d'autres personnes entrent dans la zone de travail.
- Gardez un bon appui et un bon équilibre. Ne travaillez pas en extension. Un travail en extension excessive peut entraîner une perte d'équilibre et augmenter le risque de rebond.
- Maintenez toutes les parties de votre corps éloignées des parties en mouvement.
- Vérifiez le produit avant utilisation. Vérifiez le fonctionnement correct de toutes les commandes, frein de chaîne compris. Vérifiez le bon serrage des attaches. Assurez-vous que toutes les protections et toutes les poignées sont bien en place et bien verrouillés. Remplacez toute pièce endommagée avant utilisation.
- Ne modifiez la machine d'aucune façon et n'utilisez pas de pièces ou accessoires non recommandés par le fabricant.
- Si vous devez utiliser une rallonge électrique, assurez-vous qu'elle convient à une utilisation à l'extérieur et que sa capacité est suffisante pour alimenter votre outil, vérifiez son bon état avant chaque utilisation, et déroulez-la toujours pendant utilisation car les câbles enroulés sont susceptibles de surchauffer.
- Une surconsommation temporaire provoque des variations de tension susceptibles d'affecter les autres appareils électriques branchés sur la même ligne d'alimentation. Branchez le produit sur une source d'alimentation électrique dont l'impédance est inférieure ou égale à 0.372Ω - RCS1935, 0.277Ω - RCS2340 afin de minimiser les variations de tension. Contactez votre compagnie de distribution d'électricité pour de plus



amples informations.

### **A** AVERTISSEMENT

Si la machine est tombée, a subi un choc important ou se met à vibrer de façon anormale, arrêtez-la immédiatement et recherchez les dommages éventuels ou identifiez la cause des vibrations. Toute pièce endommagée doit être correctement remplacée ou réparée par un service après-vente agréé.

### AVERTISSEMENTS DE SÉCURITÉ RELATIFS À LA TRONÇONNEUSE

- **Gardez toutes les parties du corps éloignées de la chaîne de la tronçonneuse lorsque elle est en fonctionnement.** Avant de mettre la tronçonneuse en marche, assurez-vous que rien ne soit en contact avec la chaîne. Un moment d'inattention lors de l'utilisation d'une tronçonneuse est susceptible d'entraîner l'enchevêtrement de vos habits ou de votre corps dans sa chaîne.
- **Tenez toujours la tronçonneuse avec votre main droite sur la poignée arrière et votre main gauche sur la poignée avant.** Le maintien de la tronçonneuse avec la position des mains inversée augmente le risque de blessures et ne doit jamais être effectué.
- **Ne maintenez l'outil à moteur que par ses surfaces de préhension isolées, car sa chaîne est susceptible d'entrer en contact avec des câbles électriques cachés ou avec le câble d'alimentation de l'outil.** Une chaîne de tronçonneuse qui entrerait en contact avec un câble «sous tension» pourrait véhiculer cette tension électrique vers les parties métalliques de l'outil et exposer l'opérateur à une décharge électrique.
- **Portez des lunettes de sécurité et une protection auditive. L'utilisation d'équipement de protection supplémentaire pour la tête, les mains, les jambes et les pieds est recommandée.** Un habillement de protection adéquat réduit les risques de blessures provoquées par la projection de débris ou la mise en contact accidentelle avec la chaîne de la tronçonneuse.
- **N'utilisez pas de tronçonneuse dans un arbre.** L'utilisation d'une tronçonneuse en hauteur dans un arbre est susceptible de provoquer des blessures.
- **Gardez toujours un bon appui de vos pieds au sol et n'utilisez la tronçonneuse que lorsque vous vous tenez debout sur une surface fixe, sûre et horizontale.** Les surfaces glissantes ou instables telles que les échelles peuvent entraîner une perte d'équilibre ou de maîtrise de la tronçonneuse.
- **Lorsque vous coupez une branche sous tension, prenez garde à l'effet ressort.** Une fois la tension des fibres du bois relâchée, la branche sous tension pourrait frapper l'opérateur et/ou causer une perte de contrôle de la tronçonneuse.
- **Soyez particulièrement prudent lors de la coupe de broussailles et de jeunes arbres.** Les fins branchages sont susceptibles d'être agrippés par la chaîne de la tronçonneuse et de venir vous fouetter ou de vous faire perdre l'équilibre.

- **Transportez la tronçonneuse par sa poignée avant, moteur coupé et éloignée de votre corps. Mettez toujours le fourreau de protection du guide-chaîne en place lorsque vous transportez ou rangez la tronçonneuse.** Une manipulation correcte de la tronçonneuse réduit la probabilité de mise en contact accidentelle avec la chaîne en mouvement.
- **Respectez les instructions concernant la lubrification, la tension de la chaîne et le changement d'accessoires.** Une chaîne mal tendue ou mal lubrifiée peut soit casser ou augmenter le risque de rebond.
- **Gardez les poignées propres, sèches, et exemptes d'huile et de graisse.** Des poignées grasses ou huileuses sont glissantes et peuvent entraîner une perte de contrôle.
- **Ne coupez que du bois. N'utilisez pas cette tronçonneuse pour un usage autre que ceux prévus. Par exemple, n'utilisez pas la tronçonneuse pour couper du plastique, de la maçonnerie ou des matériaux n'étant pas à base de bois.** L'utilisation détournée de l'appareil peut entraîner des situations dangereuses.

#### Causes et prévention du rebond:

Il peut se produire un rebond si l'extrémité du guide-chaîne entre en contact avec un objet ou si la chaîne coupante se pince et se bloque dans le bois pendant la coupe.

Dans certains cas, le contact avec le nez du guide-chaîne peut provoquer un rebond extrêmement rapide et soudain en direction de l'opérateur.

Le pincement de la chaîne au niveau du haut du guide-chaîne est susceptible de le repousser rapidement le guide-chaîne en direction de l'opérateur.

Dans chacun de ces cas, vous pouvez perdre le contrôle de la tronçonneuse et être grièvement blessé. Ne vous fiez pas exclusivement aux éléments de protection de votre tronçonneuse. Vous devez également prendre différentes mesures pour éviter les risques d'accidents ou de blessures.

Le rebond est le résultat d'une utilisation incorrecte de l'outil et/ou de mauvaises procédures ou conditions d'utilisation, et il peut être évité en prenant les précautions adéquates indiquées ci-dessous :

- **Maintenez fermement la tronçonneuse des deux mains, vos pouces et vos doigts enserrant ses poignées, et positionnez votre corps et vos bras de façon à pouvoir résister aux forces de rebond.** Les forces de rebond peuvent être maîtrisées par l'opérateur si des précautions adaptées sont prises. Ne lâchez pas la tronçonneuse.
- **Ne travaillez pas en extension et ne tronçonnez pas au dessus du niveau des épaules.** Vous aiderez ainsi à éviter le contact accidentel avec le nez du guide-chaîne et à améliorer la contrôle de la tronçonneuse en cas de situation inattendue.
- **N'utilisez que les chaînes et guides-chaînes indiqués par le fabricant.** Des chaînes et guides-chaînes de rechange de type incorrect pourraient entraîner une rupture de la chaîne et/ou un rebond.



- **Respectez les instructions du fabricant pour l'aiguisage et l'entretien de la chaîne.** La diminution de la hauteur du limiteur de profondeur est susceptible d'augmenter le risque de rebond.

## AVERTISSEMENTS DE SÉCURITÉ SUPPLÉMENTAIRES CONCERNANT LES TRONÇONNEUSES

- Il est recommandé de couper les bûches sur un chevalet ou sur un berceau lors de la première utilisation du produit.
- Assurez-vous que toutes les protections et poignées ainsi que l'arrêtoir à griffes sont bien en place et en bon état.
- Les utilisateurs de cette tronçonneuse doivent être en bonne santé. Cette tronçonneuse pesant un certain poids, l'utilisateur doit être en bonne forme physique. L'utilisateur doit être vigilant, avoir une bonne vue, une bonne mobilité, un bon sens de l'équilibre, et être adroit de ses mains. En cas de doute quel qu'il soit, ne pas utiliser la tronçonneuse.
- Ne commencez pas à utiliser le produit avant de disposer d'une zone de travail dégagée, d'avoir un bon appui au sol, ainsi qu'un chemin de repli éloigné de la zone de chute de l'arbre.
- Prenez garde aux projections de brouillard d'huile et de sciure. Portez un masque ou un respirateur au besoin.
- L'appareil doit être alimenté par l'intermédiaire d'un disjoncteur différentiel d'une sensibilité minimale de 30mA.
- En cas d'endommagement du câble d'alimentation, vous devez retourner la machine à un service après-vente agréé pour le faire réparer ou remplacer.
- Gardez toujours le câble d'alimentation bien en ordre et éloigné de la zone de coupe. En plus des dangers d'électrocution qu'ils présentent, les câbles en désordre peuvent provoquer des trébuchements et des chutes.
- Ne coupez pas de vigne et/ou de petites broussailles (de moins de 75 mm de diamètre).
- Tenez toujours la tronçonneuse des deux mains lorsque vous l'utilisez. Tenez la tronçonneuse fermement, vos doigts entourant les poignées. La main droite doit tenir la poignée arrière et la main gauche la poignée avant.
- Avant de mettre l'outil en marche, assurez-vous que rien n'est en contact avec la chaîne de la tronçonneuse.
- Ne modifiez votre outil d'aucune façon, et ne l'utilisez pas pour faire fonctionner des accessoires ou appareils non recommandés par le fabricant de la tronçonneuse.
- Il devrait toujours y avoir une trousse de premiers soins contenant de grands pansements et un dispositif permettant d'attirer l'attention (par ex. un sifflet) à proximité de l'utilisateur. Une trousse de premiers soins mieux fournie doit aussi se trouver à distance raisonnablement proche.
- L'opérateur pourrait être tenté de retirer son casque si aucun risque de chute d'objets n'est présent, mais rappelez-vous que le casque, en particulier s'il est équipé d'une visière à grille, peut aider à réduire les risques de blessures infligées au visage et à la tête en cas de rebond.
- Une chaîne mal tendue peut dérailler du guide-chaîne

et provoquer de graves blessures potentiellement mortelles. La longueur de la chaîne varie en fonction de la température. Vérifiez fréquemment sa tension.

- Vous devriez vous familiariser avec votre nouvelle tronçonneuse en effectuant des coupes simples dans du bois bien calé. Faites-le si vous n'avez pas utilisé la tronçonneuse depuis longtemps.
- Pour réduire le risque de blessures occasionnées par le contact avec les éléments en mouvement, il convient de toujours arrêter le moteur, actionner le frein de chaîne, débranchez la fiche secteur et s'assurer que tous les éléments en mouvement se sont bien arrêtés avant de:
  - nettoyer ou dégager la cause d'un blocage
  - laisser le produit sans surveillance
  - mettre en place ou retirer des accessoires
  - vérifier, entretenir ou travailler sur la machine
- La superficie de la zone de travail dépend du travail à effectuer tout autant que de la taille de l'arbre ou de la pièce à usiner. Par exemple, l'abattage d'un arbre demande une zone de travail plus importante que les autres coupes, telles que le tronçonnage, etc. L'opérateur doit être conscient de son environnement de travail et opérer un contrôle total sur tout événement pouvant s'y produire.
- Ne coupez pas en ayant votre corps aligné avec le guide-chaîne et avec la chaîne. En cas de rebond, vous aiderez ainsi à éviter que la chaîne n'entre en contact avec votre tête ou votre corps.
- N'effectuez pas de mouvements de sciage d'avant en arrière, laissez la chaîne faire le travail, gardez la chaîne affûtée et ne tentez pas de la pousser dans la coupe.
- N'exercez pas de pression sur la tronçonneuse en fin de coupe. Tenez-vous prêt à supporter le poids de la tronçonneuse une fois celle-ci libérée en fin de la coupe. Le non respect de cet avertissement peut entraîner de graves blessures.
- N'arrêtez pas la tronçonneuse en pleine opération de coupe. Gardez la tronçonneuse en fonctionnement jusqu'à ce qu'elle soit sortie de la coupe.

### Poussée et traction

La force de réaction s'exerce toujours dans la direction opposée au sens de rotation de la chaîne. Ainsi, l'opérateur doit être prêt à contrôler la tendance de la machine à tracter (mouvement vers l'avant) lors de la coupe avec le côté bas de la chaîne et à pousser (vers l'opérateur) lors de la coupe avec le côté supérieur.

### Tronçonneuse coincée dans la coupe

Arrêtez la tronçonneuse et sécurisez-la. Ne tentez pas de faire sortir de force la chaîne et le guide-chaîne de la coupe, vous risqueriez de provoquer le bris de la chaîne qui pourrait alors basculer en arrière et frapper l'opérateur. Cette situation arrive généralement lorsque le bois est mal soutenu et force la coupe à se resserrer sous la pression, entraînant le pincement de la chaîne et du guide-chaîne. Si le réglage du support ne parvient pas à dégager la chaîne et le guide-chaîne, ouvrez la coupe à l'aide de coins ou d'un levier. Ne tentez jamais de mettre la tronçonneuse en



marche lorsque le guide-chaîne se trouve déjà dans une coupe ou dans un trait d'abattage.

### Équipement de protection individuel

Un équipement de protection individuel de bonne qualité utilisé par des professionnels aide à réduire le risque de blessures infligées à l'opérateur. Les éléments suivants doivent être utilisés lorsque vous utilisez votre tronçonneuse :

#### Casque de sécurité

- doit être conforme à EN 397 et porter l'inscription CE

#### Protection auditive

- doit être conforme à EN 352-1 et porter l'inscription CE

#### Protection oculaire et faciale

- doit porter l'inscription CE et être conforme à EN 166 (pour les lunettes de sécurité) ou EN 1731 (pour les visières à grille)

#### Gants

- doit être conforme à EN 381-7 et porter l'inscription CE

#### Protèges-jambes (jambières)

- doivent être conformes à EN381-5, porter l'inscription CE et protéger tout le tour des jambes.

#### Bottes de protection pour tronçonneuse

- doivent être conformes à EN ISO 20345:2004 et porter un pictogramme de tronçonneuse indiquant la conformité à EN 381-3. (Les utilisateurs occasionnels peuvent porter des chaussures de sécurité à embouts acier et des guêtres de sécurité conformes à EN 381-9 si le sol est régulier et que le risque de trébucher ou de s'emmêler dans des broussailles est faible)

#### Vestes de protection du haut du corps pour tronçonneuse

- doit être conforme à EN 381-11 et porter l'inscription CE

## INSTRUCTIONS CONCERNANT LES TECHNIQUES DE BASE ADÉQUATE POUR L'ABATTAGE, LE TRONÇONNAGE, ET L'ÉBRANCHAGE

### Compréhension des forces présentes dans le bois

Une fois comprises les pressions directionnelles et les tensions présentes dans le bois, vous pouvez réduire les "pincement" ou au moins les prévoir en cours de coupe. Une tension dans le bois signifie que les fibres subissent une force de traction et que si vous coupez dans cette zone, le "trait de coupe" ou la coupe auront tendance à s'ouvrir à mesure que la tronçonneuse progressera. Si une bûche est soutenue par un chevalet et que son extrémité pend sans être soutenue à son extrémité, une tension se crée alors sur son dessus due au poids de la partie qui dépasse et qui étire les fibres. De la même façon, le dessous de la bûche sera comprimé et les fibres seront compressées. Si une coupe est effectuée dans cette zone, le trait de coupe aura tendance à se refermer en cours de coupe. La chaîne et le guide-chaîne s'en trouveront pincés.

### Abattage d'un arbre

Voir page 239 - 240.

Lorsque des opérations de tronçonnage et d'abattage sont effectuées simultanément par deux personnes ou plus, les opérations d'abattage et de tronçonnage doivent être séparées par une distance égale à au moins deux fois la hauteur de l'arbre à abattre. Les arbres ne doivent pas être abattus d'une façon qui pourrait mettre quiconque en danger, atteindre toute conduite ou toute ligne électrique ou causer des dommages à la propriété d'autrui. En cas de contact avec toute conduite ou ligne électrique, prévenez immédiatement la compagnie d'exploitation.

Si le terrain est en pente, restez toujours en haut du terrain car l'arbre risque de rouler ou de glisser au bas de la pente une fois abattu.

Un chemin de repli doit être prévu et déblayé au besoin avant de commencer les coupes. Le chemin de repli doit s'étendre vers l'arrière et en diagonale par rapport à la ligne de chute prévue.

Avant de commencer l'abattage, prenez en compte l'inclinaison naturelle de l'arbre, la position des plus grosses branches ainsi que la direction du vent pour juger du chemin de chute de l'arbre.

Débarassez l'arbre de la terre, des pierres, des écorces détachées, des clous, des agrafes et des câbles.

Ne tentez pas d'abattre d'arbres pourris ou endommagés par le vent, le feu, la foudre, etc.

Ceci est extrêmement dangereux et ne doit être effectué que par des chirurgiens arboricoles professionnels.

#### ■ Entaille d'abattage

Voir page 239 - 240.

Effectuez l'entaille sur 1/3 du diamètre de l'arbre, perpendiculairement à la direction de chute. Commencez par l'entaille horizontale inférieure. Vous aiderez ainsi à éviter de pincer soit la chaîne ou le guide-chaîne lors de la coupe de la deuxième entaille.

#### ■ Trait d'abattage

Voir page 239 - 240.

Effectuez le trait d'abattage au moins 50 mm au dessus de l'entaille d'abattage horizontale. Gardez le trait d'abattage parallèle à l'entaille d'abattage horizontale. Effectuez le trait d'abattage de façon à laisser assez de bois pour que se forme une charnière. La charnière évite que l'arbre ne se vrille et chute dans la mauvaise direction. Ne coupez pas dans la charnière.

À mesure que la coupe se rapproche de la charnière, l'arbre doit commencer à tomber. S'il existe une possibilité que l'arbre ne chute pas dans la direction prévue ou qu'il bascule et coince la chaîne, arrêtez la coupe avant que le trait d'abattage ne soit terminé et utilisez des coins en bois, en plastique ou en aluminium pour ouvrir la coupe et faire tomber l'arbre le long de la ligne de chute prévue.

Lorsque l'arbre commence à tomber, retirez la tronçonneuse de la coupe, arrêtez le moteur, posez la tronçonneuse, puis empruntez le chemin de repli prévu. Prenez garde à la chute de branches hautes et assurez vos pas.



## Coupe des racines de contrefort

Voir page 240.

Une racine de contrefort est une grosse racine partant du tronc de l'arbre jusqu'au sol. Coupez les grosses racines avant de procéder à l'abattage. Effectuez tout d'abord une entaille horizontale dans le contrefort, puis une entaille verticale. Dégagez la partie ainsi coupée de la zone de travail. Procédez à l'abattage après avoir retiré les racines de contrefort.

## Coupe d'un tronçon

Voir page 241.

Le tronçonnage consiste à débiter une bûche en plusieurs tronçons. Il est important de vous assurer que votre appui au sol est ferme et que votre poids est bien réparti sur vos deux pieds. Lorsque cela est possible, la bûche doit être relevée et soutenue à l'aide de branches, de bûches ou de cales. Suivez les instructions de base pour une coupe facile. Lorsque la bûche est soutenue sur toute sa longueur, coupez-la par le dessus (tronçonnage par dessus).

Lorsque la bûche est soutenue par une extrémité, coupez 1/3 de son diamètre par le dessous (tronçonnage par dessous). Effectuez ensuite la coupe finale par le dessus en rejoignant la première coupe.

Lorsque la bûche est soutenue par ses deux extrémités, coupez 1/3 de son diamètre par le dessus (tronçonnage par dessus). Effectuez ensuite la coupe finale par le dessous aux 2/3 en rejoignant la première coupe.

Lorsque vous tronçonnez dans une pente, tenez-vous toujours en amont de la bûche. Lorsque vous atteignez la fin de la coupe, pour garder un contrôle total, relâchez la pression de coupe lorsque vous approchez de la fin de la coupe sans desserrer votre maintien des poignées de la tronçonneuse. Ne laissez pas la chaîne entrer en contact avec le sol. Une fois la coupe terminée, attendez l'arrêt complet de la chaîne avant de déplacer la tronçonneuse. Arrêtez toujours le moteur avant de passer d'un arbre à un autre.

## Ébranchage d'un arbre

Voir page 242.

L'ébranchage consiste à retirer les branches d'un arbre abattu. Lorsque vous procédez à un ébranchage, laissez les plus grosses branches inférieures en place pour soulever le tronc du sol. Retirez les petites branches en une seule coupe. Les branches sous tension doivent être coupées du dessous vers le dessus afin d'éviter de coincer la tronçonneuse.

## Coupe des branches sous tension

Voir page 242.

Un fouet est une branche, souche déracinée ou un arbrisseau qui est fléchi par un autre morceau de bois, de telle sorte qu'il se détend brusquement lorsque l'on coupe ou retire le morceau de bois le retenant.

La souche déracinée d'un arbre abattu risque fortement de se détendre et de revenir en position verticale pendant la coupe pour la séparer du tronc. Attention aux fouets, ils sont dangereux.

## AVERTISSEMENT

Les fouets sont dangereux car ils peuvent vous frapper et vous faire perdre le contrôle de la tronçonneuse. ce qui peut entraîner des blessures graves ou mortelles. Ceci doit être effectué par des utilisateurs entraînés.

## UTILISATION PRÉVUE

Ce produit ne doit être utilisé qu'à l'extérieur. Pour des raisons de sécurité, le produit doit être en permanence contrôlé des deux mains.

Le produit est destiné à la coupe des branches, troncs, bûches, et poutres d'un diamètre déterminé par la longueur de coupe du guide-chaîne. Il n'est autorisé de l'utiliser que pour couper du bois. Il ne doit être utilisé que de façon privée par des adultes ayant reçu un entraînement approprié couvrant les risques et mesures préventives liés à son utilisation.

N'utilisez pas le produit pour un usage autre que ceux listés ci-dessus. Il ne doit pas être utilisé de façon professionnelle pour l'abattage et l'élagage des arbres. Le produit ne doit pas être utilisé par des enfants ou par des personnes ne portant pas des équipements et vêtements de sécurité.

## RISQUES RÉSIDUELS

Même lorsque la machine est utilisée selon les prescriptions, il reste impossible d'éliminer totalement certains facteurs de risque résiduels. Les dangers suivants risquent de se présenter en cours d'utilisation et l'utilisateur doit prêter particulièrement garde à ce qui suit :

- Blessures dues aux vibrations. Utilisez toujours un outil adapté au travail à effectuer, servez-vous des poignées appropriées et limitez le temps de travail et d'exposition.
- L'exposition au bruit peut provoquer des pertes d'audition. Portez une protection auditive et limitez le temps d'exposition
- Entrée en contact avec les dents de la chaîne de l'élagueur (risques de coupures).
- Mouvement brusque et imprévu ou rebond du guide-chaîne (risques de coupures).
- Projection d'éléments en provenance de la chaîne (risques de coupures/injections).
- Éléments projetés en provenance de l'élément coupé (copeaux, éclats)
- Inhalation de sciure et particules.
- Mise en contact de la peau avec de l'essence et de l'huile.

## RÉDUCTION DES RISQUES

Il a été reporté que les vibrations engendrées par les outils à main peuvent contribuer à l'apparition d'un état appelé le Syndrome de Raynaud chez certaines personnes. Les symptômes peuvent comprendre des fourmillements, un engourdissement et un blanchiment des doigts, généralement par temps froid. Des facteurs héréditaires, l'exposition au froid et à l'humidité, le régime alimentaire, le tabagisme et les habitudes de travail peuvent contribuer



au développement de ces symptômes. Certaines mesures peuvent être prises par l'utilisateur pour aider à réduire les effets des vibrations:

- Gardez votre corps au chaud par temps froid. Lorsque vous utilisez l'appareil, portez des gants afin de garder vos mains et vos poignets au chaud. Le temps froid est considéré comme un facteur contribuant très largement à l'apparition du Syndrome de Raynaud.
- Après chaque session de travail, pratiquez des exercices qui favorisent la circulation sanguine.
- Faites des pauses fréquentes. Limitez la quantité d'exposition journalière.
- Les gants de protection disponibles auprès des revendeurs professionnels de tronçonneuses sont spécialement destinés à l'utilisation avec une tronçonneuse, ils procurent une bonne protection et une bonne accroche, et ils réduisent également les effets des vibrations des poignées. Ces gants doivent être conformes à EN 381-7 et porter l'inscription CE.

Si vous ressentez l'un des symptômes associés à ce syndrome, arrêtez immédiatement le travail et consultez votre médecin pour lui en faire part.

#### **⚠ AVERTISSEMENT**

L'utilisation prolongée d'un outil est susceptible de provoquer ou d'aggraver des blessures. Assurez-vous de faire des pauses de façon régulière lorsque vous utilisez tout outil de façon prolongée.

### **APPRENEZ À CONNAÎTRE VOTRE PRODUIT**

Voir page 233.

1. Chaîne coupante
2. Guide-chaîne
3. Protège-main avant / frein de chaîne
4. Poignée avant
5. Bouton de déverrouillage de la gâchette
6. Poignée arrière
7. Patin d'ébranchage
8. Bouchon du réservoir d'huile
9. Accroche-câble
10. Bouton poussoir marche
11. Défecteur de copeaux
12. Bouton du défecteur de copeaux
13. Carter de pignon
14. Bague de réglage de la tension de la chaîne
15. Bouton de verrouillage du guide-chaîne
16. Fourreau de guide-chaîne
17. Attrape-chaîne

### **ÉLÉMENTS DE SÉCURITÉ**

#### **Chaîne à faible tendance au rebond**

Une chaîne à faible rebond aide à réduire la possibilité qu'un rebond se produise.

Les limiteurs de profondeur situés à l'avant de chaque dent peuvent réduire la force de l'effet de rebond en évitant que les dents ne s'enfoncent trop profondément dans la zone de rebond. N'utilisez que les combinaisons de chaînes et guides-chaînes recommandés par le fabricant.

Redoublez de vigilance après avoir aiguisé la chaîne de votre tronçonneuse, car l'aiguisage rend la chaîne moins résistante au rebond. Pour votre sécurité, remplacez les chaînes des tronçonneuses lorsque leurs performances de coupe diminuent.

#### **Patin d'ébranchage**

Tout le patin d'ébranchage peut être utilisé comme pivot lors d'une coupe. Cela aide à garder le corps de la tronçonneuse stable en cours de coupe. Lors de la coupe, poussez la machine vers l'avant jusqu'à ce que les pointes s'enfoncent dans le bord du bois, puis en déplaçant la poignée arrière vers le bas et vers le haut dans le sens du trait de coupe, facilitez la libération des efforts de coupe.

#### **Guide-chaîne**

Les guides-chaîne ayant un rayon plus faible à leur extrémité présentent généralement une plus faible tendance au rebond. Vous devriez utiliser un guide-chaîne et une chaîne juste assez longs pour le travail à effectuer. Des guides-chaînes plus longs augmentent le risque de perte de contrôle en cours de coupe. Vérifiez régulièrement la tension de la chaîne. Lors de la coupe de branches courtes (plus courtes que le guide-chaîne) la chaîne a plus de chances de se faire éjecter si la tension n'est pas correcte.

#### **Frein de chaîne**

Le frein de chaîne a été conçu pour permettre d'arrêter rapidement la chaîne de tourner. La chaîne doit s'arrêter immédiatement lorsque le levier du frein / protège-main est poussé vers l'avant. Un frein de chaîne n'empêche pas l'effet de rebond. Il ne fait que diminuer le risque de blessures en cas de contact du guide-chaîne avec le corps de l'opérateur en cas de rebond. Le frein de chaîne doit être testé avant chaque utilisation afin de vérifier son bon fonctionnement à la fois en position de fonctionnement et en position de frein.

### **MONTAGE**

#### **⚠ AVERTISSEMENT**

Si une quelconque pièce ou partie de cette appareil est manquante ou endommagée, ne l'utilisez pas avant d'avoir changé la pièce. Le non-respect de cet avertissement pourrait entraîner de graves blessures.

### **MONTAGE DE LA CHAÎNE ET DU GUIDE-CHAÎNE**

Voir page 234 - 235. Voir page 244 - 245.

1. Débranchez le produit de son alimentation électrique. Portez des gants de protection.
2. Dévissez le bouton de verrouillage du guide-chaîne puis retirez le carter de pignon.
3. La chaîne doit être orientée vers son sens de rotation. Si elles sont orientées dans le sens inverse, retournez la boucle que vous avez formée.
4. Placez les maillons d'entraînement dans le rail du guide.
5. Positionnez la chaîne de façon à former une boucle à l'arrière du guide.



- Maintenez la chaîne en place sur le guide-Chaîne et enroulez sa boucle autour du pignon. Abaissez le guide-chaîne de façon que le boulon traverse le trou de l'ensemble tensionneur de chaîne attendant. Vous aurez peut-être à faire pivoter cet ensemble pour aligner le trou avec le boulon. Vous pouvez faire pivoter cet ensemble à nouveau pour appliquer une certaine tension à la chaîne, ce qui aidera à la maintenir en place.
- Remettez le carter de pignon en place et tournez le bouton de verrouillage du guide-chaîne jusqu'à ce qu'il soit presque serré, puis tournez la bague de réglage de tension de la chaîne jusqu'à obtenir une tension correcte. Le guide-chaîne doit alors être poussé vers le haut. Vérifiez à nouveau la tension de la chaîne. Ne tendez pas la chaîne de façon excessive.
- Une fois la chaîne correctement tendue, serrez à nouveau le bouton.

### RÉGLAGE DE LA TENSION DE LA CHAÎNE

Voir page 235. Voir page 246.

- Desserrez légèrement le bouton de verrouillage du guide-chaîne en le tournant dans le sens inverse des aiguilles d'une montre.
- Pour augmenter la tension de la chaîne, tournez la bague de réglage de tension dans le sens des aiguilles d'une montre et vérifiez régulièrement la tension de la chaîne. Pour diminuer la tension de la chaîne, tournez la bague de réglage de tension dans le sens inverse des aiguilles d'une montre et vérifiez régulièrement la tension de la chaîne.
- La tension est correcte lorsque le jeu entre la dent de la chaîne et le guide-chaîne est de 3 mm à 4 mm. Tirez la chaîne vers le bas au niveau du milieu de la partie inférieure du guide-chaîne (de façon à l'éloigner du guide-chaîne) et mesurez la distance entre le guide-chaîne et les dents de coupe.
- Serrez le bouton de verrouillage du guide-chaîne en le tournant dans le sens des aiguilles d'une montre.

### UTILISATION

#### AJOUT D'HUILE DE LUBRIFICATION DE CHAÎNE

Voir page 246.

#### ⚠ AVERTISSEMENT

Ne travaillez jamais sans huile de chaîne. Si la chaîne tourne sans lubrifiant, cela peut endommager la chaîne et le guide-chaîne. Il est donc essentiel de vérifier fréquemment le niveau d'huile à l'aide de la jauge, ainsi qu'à chaque démarrage.

- Nettoyez la surface autour du bouchon d'huile pour éviter toute contamination.
- Dévissez et retirez le bouchon du réservoir d'huile.
- Versez l'huile dans le réservoir d'huile et vérifiez la jauge de niveau d'huile. Prenez garde de ne pas faire pénétrer de saletés dans le réservoir d'huile lors de son remplissage.
- Remettez le bouchon d'huile en place et serrez-le. Essuyez toute huile renversée.

- Un réservoir d'huile plein vous permet d'utiliser la tronçonneuse pendant 20- 40 minutes.

#### Huile lubrifiante pour chaîne recommandée

- Le fabricant vous recommande de n'utiliser que de l'huile pour chaîne de marque Ryobi. (Disponible auprès de votre service après-vente agréé Ryobi)

#### COMMENT TENIR LA TRONÇONNEUSE

Voir page 235.

Tenez toujours la tronçonneuse avec votre main droite sur la poignée arrière et votre main gauche sur la poignée avant. Agrippez les deux poignées de façon que vos pouces et vos doigts les encerclent. Assurez-vous que votre main gauche tient la poignée avant de telle façon que votre pouce se trouve en dessous.

#### ⚠ AVERTISSEMENT

Gardez toujours le câble d'alimentation bien en ordre et éloigné de la zone de coupe. En plus des dangers d'électrocution qu'ils présentent, les câbles en désordre peuvent provoquer des trébuchements et des chutes.

#### DÉMARRAGE DE LA TRONÇONNEUSE

Voir page 235.

- Branchez le produit sur son alimentation électrique. Assurez-vous que le frein de chaîne est en position RUN en tirant le levier/protège-main vers l'arrière.
- Pour mettre la machine en marche: Pressez sur le verrouillage de gâchette, puis appuyez sur la gâchette Marche/Arrêt.

#### VÉRIFICATION ET UTILISATION DU FREIN DE CHAÎNE

- Actionnez le frein de chaîne en faisant tourner votre main gauche autour de la poignée avant. À l'aide du dos de votre main, poussez le levier du frein de chaîne/ sur le protège-mains en direction du guide-chaîne alors que la chaîne est en rotation rapide. Assurez-vous de maintenir les poignées de la tronçonneuse des deux mains en permanence.
- Remettez le frein de chaîne en position Run (fonctionnement) en saisissant la partie supérieure du levier de frein/protège-mains et en le tirant vers la poignée avant jusqu'à entendre un clic.

#### ⚠ AVERTISSEMENT

Si le frein de chaîne ne stoppe pas immédiatement la chaîne, ou s'il ne reste pas en position de fonctionnement sans y être aidé, apportez la tronçonneuse à un service après-vente agréé pour la faire réparer avant de continuer à l'utiliser.

#### TRANSPORT ET STOCKAGE

Voir page 248 - 249.

- Arrêtez le produit, débranchez-le de l'alimentation et laissez-le refroidir avant de le ranger ou de le transporter.
- Débarrassez l'appareil de tous les corps étrangers.



Rangez la en un endroit frais, sec et correctement ventilé, hors de portée des enfants. Ne la rangez pas à proximité d'agents corrosifs tels que produits chimiques de jardinage ou sels de dégel. Ne rangez pas à l'extérieur.

- Mettez le fourreau de protection du guide-chaîne en place avant de ranger l'appareil, ainsi qu'au cours de son transport.
- Pour le transport, attachez la machine pour l'empêcher de bouger ou de tomber, afin d'éviter toute blessure et tout dommage matériel.

## ENTRETIEN

### AVERTISSEMENT

N'utilisez que des pièces détachées et accessoires d'origine constructeur. Le non respect de cette précaution peut entraîner de mauvaises performances, des blessures, et annuler votre garantie.

### AVERTISSEMENT

Les réparations demandent un soin et des connaissances extrêmes et ne doivent être effectuées que par un réparateur qualifié. Pour toute réparation, nous vous conseillons de retourner votre appareil à votre service après vente agréé le plus proche. N'utilisez que des pièces détachées identiques pour effectuer les réparations.

### AVERTISSEMENT

Débranchez l'alimentation électrique avant tout réglage et toute opération d'entretien ou de nettoyage. Le non respect de cet avertissement peut entraîner de graves blessures.

- Vous pouvez effectuer les réglages et réparations décrits dans ce manuel. Pour les autres réparations, contactez un service après-vente agréé.
- Les conséquences d'un mauvais entretien peuvent être la rupture de la chaîne et le mauvais fonctionnement des dispositifs de sécurité, ce qui augmente les risques de graves blessures. Gardez votre tronçonneuse entretenue professionnellement et sûre.
- L'affûtage de la chaîne en toute sécurité est une opération demandant un certain savoir-faire. Le fabricant vous recommande donc de remplacer toute chaîne usée ou émoussée par une neuve, disponible auprès de votre service après-vente agréé Ryobi. Vous pourrez trouver la référence de la pièce dans le tableau des caractéristiques présent dans ce manuel.
- Respectez les instructions concernant la lubrification, la vérification de la tension de la chaîne et son réglage.
- Après chaque utilisation, utilisez un chiffon propre et sec pour nettoyer le produit.
- Vérifiez régulièrement le bon serrage des écrous, vis et boulons pour que le produit soit toujours en bon état de fonctionnement. Toute pièce endommagée doit être

correctement remplacée ou réparée par un service après-vente agréé.

## REPLACEMENT DU GUIDE-CHAÎNE ET DE LA CHAÎNE

Voir page 244 - 245.

1. Débranchez le produit de son alimentation électrique. Portez des gants de protection.
2. Dévissez le bouton de verrouillage du guide-chaîne en le tournant dans le sens inverse des aiguilles d'une montre jusqu'à ce que le carter de pignon soit desserré.
3. Retirez le carter de pignon. Retirez le guide-chaîne ainsi que la chaîne de l'appareil.
4. Pour remplacer le guide-chaîne par un neuf, desserrez l'écrou de l'ensemble tensionneur de chaîne. Montez l'ensemble tensionneur de chaîne sur le nouveau guide-chaîne et serrez la vis.
5. Mettez la nouvelle chaîne en place sur le guide-chaîne (dans le bon sens) et assurez-vous que les maillons d'entraînement sont bien alignés dans le sillon du guide-chaîne.
6. Assemblez le guide-chaîne sur la tronçonneuse puis passez la chaîne autour du pignon d'entraînement.
7. Remettez le carter de pignon en place, serrez-le ainsi que le bouton de serrage.
8. Réglez la tension de la chaîne. Reportez-vous au chapitre "Réglage de la tension de la chaîne".

### AVERTISSEMENT

Un mauvais aiguisage de la chaîne augmente le risque de rebond.

### AVERTISSEMENT

Si vous ne remplacez pas ou ne réparez pas une chaîne endommagée, vous vous exposez à des risques de blessures corporelles graves.

### AVERTISSEMENT

La chaîne est très coupante. Portez toujours des gants de protection lorsque vous assurez son entretien.

## VÉRIFICATION ET NETTOYAGE DU FREIN DE CHAÎNE

Voir page 247.

- Gardez toujours le mécanisme de frein de chaîne propre en en brossant légèrement l'accouplement pour en retirer la saleté.
- Testez toujours l'efficacité du frein de chaîne après l'avoir nettoyé. Reportez-vous à la section "Utilisation – Indiqué sous le carter de chaîne" de ce manuel pour plus d'informations.

## PÉRIODICITÉ D'ENTRETIEN

Vérification quotidienne	
Absence de dommages au câble d'alimentation	Avant chaque utilisation
Lubrification du guide	Avant chaque utilisation

Tension de la chaîne	Avant chaque utilisation et fréquemment
Affutage de la chaîne	Avant chaque utilisation, vérification visuelle
Pièces éventuellement endommagées	Avant chaque utilisation
Attaches mal serrées	Avant chaque utilisation
Le bon fonctionnement du frein de chaîne	Avant chaque utilisation
<b>Vérification et nettoyage</b>	
Guide-chaîne	Avant chaque utilisation
Tronçonneuse dans son ensemble	Après chaque utilisation
Frein de chaîne	Toutes les 5 heures*

\*Heures de fonctionnement

**SYMBOLES APPLIQUÉS SUR LE PRODUIT**



Avertissement



Lisez et comprenez toutes les instructions avant d'utiliser le produit, respectez tous les avertissements et toutes les instructions de sécurité.



Portez des protections oculaires et auditives, ainsi qu'un casque lorsque vous utilisez cet outil.



Portez des chaussures de sécurité antidérapantes lorsque vous utilisez le produit.



Portez des gants de protection solides et antidérapants.



Débranchez immédiatement la fiche secteur avant l'entretien ou si le câble est endommagé ou coupé.



Prenez garde au phénomène de rebond de la tronçonneuse et évitez le contact avec l'extrémité du guide-chaîne.



Ne pas exposer à la pluie ou à des conditions humides.



Tenez et utilisez votre tronçonneuse avec vos deux mains.



N'utilisez pas votre tronçonneuse en la tenant avec une seule main.



Cet outil est conforme à l'ensemble des normes réglementaires du pays de l'UE où il a été acheté.



Conformité GOST-R



Outil de Classe II, isolation double



Les produits électriques hors d'usage ne doivent pas être jetés avec les ordures ménagères. Recyclez-les par l'intermédiaire des structures disponibles. Contactez les autorités locales pour vous renseigner sur les conditions de recyclage.



Le niveau de puissance sonore garanti est 108 dB. (RCS1935)



Le niveau de puissance sonore garanti est 107 dB. (RCS2340)



Lubrifiant pour chaîne et guide-chaîne



Verrouillage



Déverrouillage



Tournez pour régler la tension de la chaîne  
+/-: Tendre/détendre la chaîne



Sens de déplacement de la chaîne  
(Indiqué sous le carter de chaîne)

L max

Longueur maximale du guide-chaîne

**ICÔNES DE CE MANUEL**



Branchez sur le secteur



Débranchez du secteur



Pièces détachées et accessoires vendus séparément



Les produits électriques hors d'usage ne doivent pas être jetés avec les ordures ménagères. Recyclez-les par l'intermédiaire des structures disponibles.



REMARQUE:



AVERTISSEMENT



Portez une protection oculaire et faciale.



Portez une protection du haut du corps.



Portez une protection des jambes.



Arrêtez le produit.

Les symboles suivants, et les noms qui leur sont associés, permettent d'expliquer les différents niveaux de risques liés à l'utilisation de cet outil.

**⚠ DANGER**

Situation potentiellement dangereuse qui, si l'on n'y prend garde, peut entraîner la mort ou des blessures graves.

**⚠ AVERTISSEMENT**

Situation potentiellement dangereuse qui, si l'on n'y prend garde, peut entraîner la mort ou des blessures graves.

**⚠ MISE EN GARDE**

Situation potentiellement dangereuse qui, si l'on n'y prend garde, peut entraîner des blessures moyennes ou légères.

**MISE EN GARDE**

Sans symbole d'alerte de sécurité

Indique une situation pouvant entraîner des dommages matériels.



### **⚠️ WARNUNG**

Die Sicherheitsregeln müssen befolgt werden, wenn dieses Produkt benutzt wird. Lesen Sie für Ihre eigene Sicherheit und die von Außenstehenden diese Anweisungen, bevor Sie das Produkt benutzen. Sie sollten einen professionell organisierten Sicherheitskurs über die Benutzung, Präventionsmaßnahmen, Erste Hilfe und Wartung der Kettensäge besuchen. Bitte bewahren Sie die Anweisungen zum späteren Nachschlagen auf.

### **⚠️ WARNUNG**

Kettensägen sind potenziell gefährliche Werkzeuge. Unfälle mit Kettensägen führen oft zum Verlust von Gliedmaßen oder zum Tode. Es ist nicht nur die Kettensäge, die gefährlich ist. Fallende Äste, umfallende Bäume, rollende Baumstämme können töten. Krankes oder verfaultes Holz stellt eine weitere Gefahr dar. Sie sollten Ihre Fähigkeiten, die Aufgabe sicher zu bewältigen, abschätzen. Wenn Sie irgendwelche Bedenken haben, überlassen Sie die Arbeit einem professionellen Baumpfleger.

## **ALLGEMEINE SICHERHEITSWARNUNGEN**

### **⚠️ WARNUNG**

**Lesen Sie alle Warnungen und Anweisungen!** Die Nichtbeachtung der Warnungen und Anweisungen kann zu Stromschlag, Feuer und/oder schweren Verletzungen führen.

**Bewahren Sie diese Warnhinweise und Anweisungen für einen späteren Gebrauch auf.**

Die Bezeichnung "Elektrowerkzeug" in den Warnhinweisen bezieht sich auf Ihr Elektrowerkzeug, das an das Stromnetz angeschlossen wird oder das akkubetriebene (kabellose) Elektrowerkzeug.

### **ARBEITSUMGEBUNG**

- **Der Arbeitsbereich muss sauber und gut ausgeleuchtet sein.** Unordentliche oder dunkle Bereiche fordern Unfälle heraus.
- **Setzen Sie Elektrowerkzeuge nicht in explosiver Umgebung ein, wie z.B. bei Vorhandensein entzündlicher Flüssigkeiten, von Gasen oder Staub.** Elektrowerkzeuge erzeugen Funken, die Staub oder Dämpfe entzünden können.
- **Halten Sie Kinder und Außenstehende bei der Arbeit mit dem Werkzeug fern.** Jede Ablenkung kann dazu führen, dass Sie die Kontrolle verlieren.

### **ELEKTRISCHE SICHERHEIT**

- **Der Stecker des Elektrowerkzeugs muss in die Steckdose passen.** Den Stecker niemals auf irgendeine Weise modifizieren. Verwenden Sie mit geerdeten Elektrowerkzeugen niemals Übergangsstecker. Nicht-modifizierte Stecker und passende Steckdosen reduzieren das Risiko von

Stromschlägen.

- **Vermeiden Sie Körperkontakt mit geerdeten Oberflächen, wie Rohren, Heizkörpern, Küchenherden und Kühlschränken.** Es besteht ein erhöhtes Stromschlagrisiko, wenn Ihr Körper geerdet ist.
- **Setzen Sie dieses Produkt nicht Regen oder feuchten Bedingungen aus.** Ein Eindringen von Wasser in ein Elektrowerkzeug erhöht die Gefahr eines Stromschlags.
- **Zweckentfremden Sie das Kabel nicht, um das Elektrowerkzeug zu tragen, aufzuhängen oder um den Stecker aus der Steckdose zu ziehen. Halten Sie das Kabel von Hitze, Öl, scharfen Kanten oder sich bewegende Teilen fern.** Beschädigte oder verwickelte Kabel erhöhen die Stromschlaggefahr.
- **Verwenden Sie bei der Arbeit mit Elektrowerkzeugen im Freien nur Verlängerungskabel, die auch zum Gebrauch im Freien geeignet sind.** Die Verwendung eines Kabels, das zum Gebrauch im Freien geeignet ist, verringert die Stromschlaggefahr.
- **Falls der Einsatz eines Elektrowerkzeugs an einem feuchten Ort unvermeidbar sein sollte, verwenden Sie ein durch eine Fehlerstromschutzschaltung geschütztes Stromnetz.** Der Einsatz einer Fehlerstromschutzschaltung verringert die Stromschlaggefahr.

### **PERSÖNLICHE SICHERHEIT**

- **Blieben Sie wachsam, achten Sie auf das was Sie tun und benutzen Sie bei der Arbeit mit Werkzeugen Ihren gesunden Menschenverstand.** Verwenden Sie das Werkzeug nicht bei Müdigkeit oder unter dem Einfluss von Drogen, Alkohol oder Medikamenten. Ein kurzer Moment der Unachtsamkeit bei der Arbeit mit einem Werkzeug kann zu schweren Verletzungen führen.
- **Verwenden Sie Schutzausrüstung. Tragen Sie immer einen Augenschutz.** Schutzausrüstung wie Staubmasken, rutschfeste Schuhe, Schutzhelm oder Gehörschutz, die unter entsprechenden Bedingungen verwendet werden, reduzieren die Verletzungsgefahr.
- **Vermeiden Sie ein unbeabsichtigtes Einschalten.** Vergewissern Sie sich, dass der Schalter des Werkzeugs sich vor dem Anschluss an das Stromnetz und/oder dem Akku, beim Aufheben oder Tragen, in der OFF (AUS) Position befindet. Wenn Sie beim Tragen des Elektrowerkzeugs den Finger am Schalter haben oder das Gerät eingeschaltet an die Stromversorgung anschließen, kann dies zu Unfällen führen.
- **Entfernen Sie Einstellschlüssel bevor Sie das Werkzeug einschalten.** Ein auf einem sich drehenden Teil des Werkzeugs verbleibender Schlüssel kann zu Verletzungen führen.
- **Vermeiden Sie eine abnormale Körperhaltung. Sorgen Sie jederzeit für einen festen Stand und ein gutes Gleichgewicht.** Dies sorgt für eine bessere Kontrolle über das Werkzeug in unerwarteten Situationen.
- **Kleiden Sie sich den Umständen entsprechend!**

EN
FR
<b>DE</b>
ES
IT
NL
PT
DA
SV
FI
NO
RU
PL
CS
HU
RO
LV
LT
ET
HR
SL
SK
BG



Tragen Sie keine weite Kleidung oder Schmuck. Halten Sie Haare, Kleidung und Handschuhe von sich bewegenden Teilen fern. Locker sitzende Kleidung, Schmuck oder lange Haare können von sich bewegenden Teilen erfasst werden.

- Falls Zubehörteile zum Absaugen von Staub oder als Sammelvorrichtungen geliefert werden, vergewissern Sie sich, dass diese angeschlossen sind und ordnungsgemäß funktionieren. Der Einsatz von Staubsammelvorrichtungen kann staubbedingte Gefahren reduzieren.

## BENUTZUNG UND PFLEGE DES ELEKTROWERKZEUGS

- Überlasten Sie das Gerät nicht. Verwenden Sie das geeignete Werkzeug für Ihre Arbeit. Das geeignete Werkzeug erledigt die Arbeit besser und sicherer mit der Geschwindigkeit für die es ausgelegt wurde.
- Verwenden Sie das Elektrowerkzeug nicht, falls es sich durch den Schalter nicht ein- und ausschalten lässt. Ein Elektrowerkzeug, das sich durch den Schalter nicht steuern lässt, ist gefährlich und muss repariert werden.
- Ziehen Sie den Netzstecker aus der Steckdose und/oder nehmen den Akku aus dem Elektrowerkzeug, bevor Sie irgendwelchen Einstellungen vornehmen, Zubehör wechseln oder Elektrowerkzeuge lagern. Diese vorbeugenden Maßnahmen reduzieren das Risiko eines unbeabsichtigten Startens des Elektrowerkzeugs.
- Bewahren Sie Werkzeuge, die nicht benutzt werden, außer Reichweite von Kindern auf und erlauben Sie Personen, die mit dem Werkzeug oder dieser Anleitung nicht vertraut sind, nicht den Umgang mit dem Werkzeug. Werkzeuge in den Händen unbedarfter Anwender sind ein Gefahr!
- Pflegen Sie Elektrowerkzeuge mit Sorgfalt. Kontrollieren Sie, ob bewegliche Teile einwandfrei funktionieren und nicht klemmen, ob Teile gebrochen oder so beschädigt sind, dass die Funktion des Elektrowerkzeuges beeinträchtigt ist. Lassen Sie das Werkzeug bei Beschädigung vor dem Gebrauch reparieren. Viele Unfälle werden durch schlecht gepflegte Werkzeuge verursacht.
- Halten Sie Schneidwerkzeuge scharf und sauber. Ordnungsgemäß gepflegte Schneidwerkzeuge mit scharfen Schnittklingen blockieren nicht so leicht und lassen sich einfacher unter Kontrolle halten.
- Benutzen Sie das Elektrowerkzeug, Zubehör und Werkzeugeinsätze usw. gemäß diesen Anweisungen und Sie ziehen die Arbeitsbedingungen und die zu leistende Arbeit in Betracht. Der Einsatz des Elektrowerkzeugs für Arbeiten, für die es nicht vorgesehen ist, kann zu gefährlichen Situationen führen.

## SERVICE – REPARATUR

- Lassen Sie Ihr Werkzeug durch qualifizierte Fachleute unter ausschließlicher Verwendung von identischen Ersatzteilen warten. Dadurch wird sichergestellt, dass das Werkzeug in einem sicheren

Betriebszustand gehalten wird.

## ZUSÄTZLICHE ALLGEMEINE SICHERHEITSWARNUNGEN

- In einigen Regionen können Vorschriften die Benutzung dieses Produkts einschränken. Lassen Sie sich von Ihrer örtlichen Behörde beraten.
- Erlauben Sie niemals Kindern oder Personen, die mit diesen Anweisungen nicht vertraut sind, das Produkt zu benutzen. Die lokale Gesetzgebung regelt das Mindestalter des Benutzers.
- Stellen Sie sicher, dass alle Bedienelemente und Sicherheitsvorrichtung ordnungsgemäß funktionieren. Benutzen sie das Werkzeug nicht, wenn das „Aus“ Schalter den Motor nicht stoppt.
- Tragen Sie vollen Augen- und Gehörschutz, feste und robuste Handschuhe sowie einen Kopfschutz, wenn Sie das Produkt betreiben; verwenden Sie einen Gesichtsmaske, wenn die Arbeit staubig ist.
- Tragen Sie keine weite Kleidung, kurze Hosen oder jeglichen Schmuck.
- Binden Sie lange Haare zurück, so dass diese sich über Schulterhöhe befinden um zu verhindern, dass sie sich in beweglichen Teilen verfangen.
- Achten Sie auf geschleuderte oder fallende Objekte. Halten Sie unbeteiligte Personen (insbesondere Kinder und Tiere) mindestens 15m vom Arbeitsbereich fern.
- Nicht bei schlechter Beleuchtung verwenden. Der Benutzer braucht einen ungehinderten Blick auf den Arbeitsbereich, um mögliche Gefahren zu erkennen.
- Das Tragen von Gehörschutz verringert Ihre Fähigkeit Warnungen zu hören (Warnungen oder Zurufe). Der Benutzer muss dem Geschehen, was im Arbeitsbereich vor sich geht ganz besondere Beachtung schenken.
- Der Betrieb ähnlicher Werkzeuge in der Umgebung erhöht das Risiko von Gehörschäden und die Wahrscheinlichkeit, dass andere Personen Ihren Arbeitsbereich betreten.
- Halten Sie immer das Gleichgewicht. Nehmen Sie keine abnormale Körperhaltung ein. Überstrecken kann zu einem Verlust des Gleichgewichts führen und die Gefahr eines Rückschlags erhöhen.
- Halten Sie alle Körperteile von den sich bewegenden Teilen fern.
- Untersuchen Sie das Gerät vor der Benutzung. Überprüfen Sie für den ordnungsgemäßen Betrieb alle Bedienelementen, einschließlich der Kettenbremse. Überprüfen Sie auf lockere Verschlüsse.
- Stellen Sie sicher, dass alle Schutzvorrichtungen und Griffe ordnungsgemäß und sicher befestigt sind. Ersetzen Sie vor der Benutzung irgendwelche beschädigten Teile.
- Verändern Sie die Maschine nicht auf irgendeine Weise oder verändern Teile oder Zubehör die nicht vom Hersteller empfohlen sind.
- Wenn Sie ein Verlängerungskabel benutzen müssen, stellen Sie sicher, dass es für den Einsatz im Freien geeignet ist und über eine für Ihr Werkzeug ausreichende Strombelastbarkeit verfügt, überprüfen

Sie es auf Schäden vor jedem Einsatz und entrollen Sie es für die Benutzung, weil aufgerollte Kabel überhitzen können.

- Eine Spannungsspitze kann Spannungsschwankungen verursachen und andere elektrische Produkte an der selben Stromleitung beeinflussen. Schließen Sie das Produkt an eine Stromversorgung mit einer Impedanz von 0.372Ω - RCS1935, 0.277Ω - RCS2340 oder weniger an, um die Spannungsschwankungen zu minimieren. Kontaktieren Sie Ihren Stromlieferanten für weitere Erklärungen.

#### **⚠ WARNUNG**

Wenn die Maschinen fallen gelassen wurde oder einen schweren Schlag erlitt oder ungewöhnlich vibriert, stoppen sie die Maschine sofort und überprüfen sie auf Schäden oder identifizieren Sie die Ursache der Vibration. Jeder Schaden muß durch den autorisierten Kundendienst ordnungsgemäß repariert oder ausgetauscht werden.

#### **KETTENSÄGE SICHERHEITSWARNUNGEN**

- **Halten Sie bei laufender Säge alle Körperteile von der Sägekette fern. Vergewissern Sie sich vor dem Starten der Säge, dass die Sägekette nichts berührt.** Beim Arbeiten mit einer Kettensäge kann ein Moment der Unachtsamkeit dazu führen, dass Bekleidung oder Körperteile von der Sägekette erfasst werden.
- **Halten Sie das Gerät immer mit der rechten Hand am hinteren Griff und mit der linken Hand am vorderen Griff.** Ein Halten der Kettensäge in umgekehrter Weise erhöht das Risiko einer Verletzung und darf niemals erfolgen.
- **Halten Sie das Werkzeug nur an den isolierten Griffteilen fest, weil die Sägekette in Kontakt mit versteckten Leitungen oder dem eigenen Stromkabel geraten könnte.** Sägeketten die ein stromführendes Kabel berühren, können Metallteile des Elektrowerkzeugs unter Strom setzen und den Bediener einem Stromschlag aussetzen.
- **Tragen Sie eine Sicherheitsbrille und Gehörschutz. Es wird das Tragen weiterer Schutzausstattung für Kopf, Hände, Beine und Füße empfohlen.** Hinreichende Schutzkleidung verringert das Verletzungsrisiko durch umherfliegende Teile oder unbeabsichtigten Kontakt mit der Sägekette.
- **Arbeiten Sie mit der Kettensäge, nicht auf einem Baum.** Der Betrieb einer Kettensäge, während man sich auf einem Baum befindet, kann zu Verletzungen führen.
- **Achten Sie immer auf einen festen Stand, und arbeiten Sie mit der Kettensäge nur während Sie auf einem festen, sicheren und ebenen Grund stehen.** Rutschige oder instabile Untergründe, wie zum Beispiel Leitern, können zu Gleichgewichtsverlust oder Verlust der Kontrolle über die Kettensäge führen.
- **Rechnen Sie beim Sägen eines Astes, der unter Spannung steht, dass er zurückschnellen kann.** Wenn die Spannung in den Holzfasern gelöst wird,

kann der unter Spannung stehende Ast dem Anwender entgegen schlagen und/oder zu einem Verlust der Kontrolle über die Kettensäge führen.

- **Seien Sie besonders vorsichtig beim Schneiden von Unterholz und jungen Bäumen.** Das dünne Material kann sich in der Sägekette verfangen und auf Sie schlagen oder Sie aus dem Gleichgewicht bringen.
- **Tragen Sie die Kettensäge ausgeschaltet und am Vordergriff, und halten Sie sie dabei von ihrem Körper abgewandt. Schieben Sie bei Transport oder Lagerung immer die Abdeckung über die Führungsschiene.** Ordnungsgemäßer Umgang mit der Kettensäge reduziert die Wahrscheinlichkeit eines unbeabsichtigten Kontakts mit der sich in Bewegung befindlichen Sägekette.
- **Befolgen Sie die Anweisungen zum Ölen, dem Spannen der Kette und dem Austausch von Zubehörteilen.** Nicht ordnungsgemäß gespannte oder geölte Ketten können reißen oder es besteht die erhöhte Gefahr eines Rückschlags.
- **Halten Sie die Griffe trocken, sauber und frei von Öl und Schmierstoffen.** Schmierige, verölte Griffe sind rutschig, und können zu Kontrollverlust führen.
- **Sägen Sie ausschließlich Holz. Verwenden Sie die Kettensäge nicht für Zwecke, für die sie nicht vorgesehen ist. Zum Beispiel, benutzen Sie die Kettensäge nicht zum Sägen von Kunststoff, Mauerwerk oder nicht aus Holz bestehenden Baumaterialien.** Der Einsatz der Kettensäge für Arbeiten, für die sie nicht vorgesehen ist, kann zu gefährlichen Situationen führen.

#### **Gründe für einen Rückschlag und wie man einen Rückschlag vermeidet:**

Rückschlag kann auftreten, wenn die Spitze der Führungsschiene einen Gegenstand berührt oder wenn das Holz sich biegt und die Sägekette im Schnitt festklemmt.

Eine Berührung mit der Schienenspitze kann in manchen Fällen zu einer unerwarteten nach hinten gerichteten Reaktion führen, bei der die Führungsschiene nach oben und in Richtung der Bedienperson geschlagen wird.

Das Verkleben der Sägekette an der Oberkante der Führungsschiene kann die Schiene rasch in Bedienerichtung zurückstoßen.

Jede dieser Reaktionen kann dazu führen, dass Sie die Kontrolle über die Säge verlieren und sich möglicherweise schwer verletzen.

Verlassen Sie sich nicht ausschließlich auf die in der Kettensäge eingebauten Sicherheitseinrichtungen.

Als Benutzer einer Kettensäge sollten Sie verschiedene Maßnahmen ergreifen, um unfall- und verletzungsfrei arbeiten zu können.

Ein Rückschlag ist die Folge einer falschen Verwendung des Werkzeugs und/oder einer falschen Arbeitsweise bzw. falschen Arbeitsbedingungen und kann durch Ergreifen der folgenden Vorsichtsmaßnahmen vermieden werden:

- **Halten Sie die Säge mit beiden Händen fest, wobei Daumen und Finger die Griffe der Kettensäge umschließen. Bringen Sie Ihren Körper und die Arme in eine Stellung, in der Sie den**



**Rückschlagkräften standhalten können.** Wenn geeignete Maßnahmen getroffen werden, kann der Bediener die Rückschlagkräfte beherrschen. Niemals die Kettensäge loslassen.

- **Vermeiden Sie eine abnormale Körperhaltung und sägen Sie nicht über Schulterhöhe.** Dadurch wird ein unbeabsichtigtes Berühren mit der Schienenspitze vermieden und eine bessere Kontrolle der Kettensäge in unerwarteten Situationen ermöglicht.
- **Verwenden Sie ausschließlich die durch den Hersteller vorgeschriebenen Ersatzschiene und -ketten.** Falsche Ersatzschiene und -ketten können Kettenbruch und/oder Rückschlag verursachen.
- **Halten Sie sich an die Anweisungen des Herstellers für das Schärfen und die Wartung der Sägekette.** Zu niedrige Tiefenbegrenzer erhöhen die Neigung zum Rückschlag.

#### ZUSÄTZLICHE SICHERHEITSWARNUNGEN FÜR KETTENSÄGEN

- Es wird empfohlen, Baumstämme auf einem Sägebock zu sägen, wenn Sie das Produkt zum ersten Mal benutzen.
- Stellen Sie sicher, dass alle Schutzabdeckungen, Griffe und Krallenanschlag ordnungsgemäß befestigt und in gutem Zustand sind.
- Personen, die die Kettensäge benutzen, sollten bei guter Gesundheit sein. Die Kettensäge ist ein schweres Gerät, deshalb sollte der Benutzer körperlich fit sein. Der Benutzer sollte aufmerksam sein, gutes Sehvermögen, Beweglichkeit, Balance und Handfertigkeit besitzen. Wenn irgendwelche Zweifel bestehen, benutzen sie die Kettensäge nicht.
- Fangen Sie nicht an das Produkt zu benutzen, bevor Sie über einen sauberen Arbeitsplatz, sicheren Stand und einen Rückzugsweg weg von dem fallenden Baum verfügen.
- Nehmen Sie sich vor Schmieröldunst und Sägespänen in Acht. Tragen Sie, wenn nötig, eine Maske oder Atemgerät.
- Die Stromversorgung sollte über eine Fehlerstromschutzeinrichtung mit einem Auslösestrom von nicht mehr als 30 mA angeschlossen werden.
- Wenn das Netzkabel beschädigt ist, müssen Sie die Maschine zur Reparatur oder Austausch zu einem autorisierten Kundendienst bringen.
- Halten Sie das Netzkabel immer ordentlich und fern von dem Sägebereich. Außer der Gefahr von Stromschlag, können unordentliche Kabel eine Stolpergefahr darstellen.
- Sägen Sie keine Rebstöcke und/oder kurzes Buschwerk (weniger als 75 mm Durchmesser).
- Halten Sie die Kettensäge bei der Benutzung der Kettensäge immer mit beiden Händen. Die Griffe der Kettensäge mit den Daumen auf einer Seite und den Fingern auf der anderen Seite fest umschließen. Die rechte Hand muss an dem hinteren Griff sein und die linke Hand an dem vorderen Griff.
- Achten Sie vor dem Starten der Kettensäge darauf, dass keine Gegenstände die Sägekette berühren.

- Verändern Sie Ihr Werkzeug nicht auf irgendeine Weise, oder verwenden es, um Anbauteile oder Geräte die nicht vom Hersteller Ihrer Kettensäge empfohlen sind anzutreiben.
- Ein Verbandskasten mit Verbandsmaterial für große Wunden und einem Mittel, um Hilfe zu rufen (z.B. Pfeife) sollten bei dem Benutzer sein. Ein größerer, umfangreicherer Verbandskasten sollte in der Nähe ein.
- Der Benutzer kann versucht sein, den Helm abzunehmen, wenn an dem Arbeitsplatz keine Gefahr von fallenden Gegenständen besteht, aber vergessen Sie nicht, der Helm, besonders mit dem Gittervisier, kann die Gefahr von Verletzungen am Gesicht und Kopf verringern, wenn ein Rückschlag auftritt.
- Eine falsch gespannte Kette kann von der Führungsschiene springen und zu schweren Verletzungen oder zum Tod führen. Die Länge der Kette ist von der Temperatur abhängig. Überprüfen Sie die Kettenspannung regelmäßig.
- Sie sollten sich mit Ihrer neuen Kettensäge vertraut machen, indem Sie einfache Schnitte in sicher abgestütztem Holz machen. Machen Sie Das immer dann, wenn Sie die Kettensäge längere Zeit nicht benutzt haben.
- Damit die Gefahr durch sich bewegende Teile verringert wird, stoppen Sie immer den Motor, ziehen Sie immer den Netzstecker und stellen sicher, dass alle bewegendenden Teile gestoppt sind, bevor Sie:
  - die Kettensäge reinigen oder eine Blockierung entfernen
  - Das Produkt unbeaufsichtigt lassen
  - Anbauteile montieren oder entfernen.
  - die Maschine prüfen, warten oder daran arbeiten
- Die Größe des Arbeitsbereichs hängt von der durchgeführten Aufgabe, der Größe des Baums oder des Arbeitsstücks ab. Zum Beispiel erfordert das Fällen eines Baumes einen größeren Arbeitsplatz wie Ablängen usw. Der Benutzer muss aufmerksam sein und alles unter Kontrolle haben, was an seinem Arbeitsplatz passiert.
- Sägen Sie nicht mit Ihrem Körper in einer Linie mit Führungsschiene und Kette. Wenn Sie einen Rückschlag erleben, verringert das die Chance, dass die Kette Ihren Kopf oder Körper trifft.
- Machen Sie keine Hin- und Her-Bewegungen beim Sägen, lassen Sie die Kette die Arbeit machen, halten Sie die Kette scharf und versuchen Sie nicht die Kette durch den Schnitt zu drücken.
- Am Ende des Schnitts keinen Druck auf die Säge ausüben. Seien Sie bereit die Säge zu entlasten, wenn sie das Holz durchsägt hat. Nichtbeachtung kann zu schweren Verletzungen führen.
- Stoppen Sie die Säge nicht während des Sägevorgangs. Lassen Sie die Säge laufen, bis sie den Sägeschnitt beendet hat.

#### DRÜCKEN UND ZIEHEN

Die Reaktionskraft wirkt immer in die entgegengesetzte Richtung der Kettenaufrichtung. Deshalb muss der





Benutzer bereit sein, die Tendenz der Maschine wegzuziehen (in einer Vorwärtsbewegung), wenn mit der Unterseite der Schiene gesägt wird, und rückwärts zu drücken (in Richtung Benutzer) wenn mit der Oberseite gesägt wird.

### Säge in dem Sägespalt verklemmt

Stoppen Sie die Kettensäge und sichern Sie die Säge. Versuchen Sie nicht, die Kette und Führungsschiene mit Gewalt aus dem Sägespalt zu entfernen, weil dadurch die Kette zurückschnellen, und den Benutzer verletzen kann. Diese Situation entsteht meistens, weil das Holz falsch abgestützt wird und der Sägespalt zugedrückt wird und die Schiene einklemmt. Wenn die Verstellung der Stütze die Schiene und Kette nicht löst, benutzen Sie Holzkeile oder einen Hebel, um den Schnitt zu öffnen und die Säge zu lösen. Versuchen Sie niemals die Kettensäge zu starten, wenn die Führungsschiene bereits in einem Schnitt oder einer Kerbe ist.

### Benutzen Sie eine persönliche Schutzausrüstung.

Persönliche Schutzausrüstung guter Qualität, wie sie von Profis benutzt wird, hilft die Gefahr von Verletzungen des Benutzers zu verringern. Die folgenden Artikel sollten beim Einsatz Ihrer Säge benutzt werden.

#### Sicherheits Helm

- sollte EN 397 erfüllen und CE gekennzeichnet sein.

#### Gehörschutz

- sollte EN 352-1 erfüllen und CE gekennzeichnet sein.

#### Augen- und Gesichtsschutz

- sollte CE gekennzeichnet sein und EN 166 erfüllen (für Sicherheitsbrillen) oder EN 1731 (für Gittervisiere)

#### Handschuhe

- sollte EN 381-7 erfüllen und CE gekennzeichnet sein.

#### Beinschutz (Beinschützer)

- sollten EN381-5 erfüllen, CE gekennzeichnet sein und Rundumschutz bieten.

#### Kettensäge Sicherheitsschuhe

- sollten EN ISO 20345:2004 erfüllen und mit der Abbildung einer Kettensäge gekennzeichnet sein, um darzustellen, dass EN 381-3 erfüllt wird. (Gelegentliche Benutzer können Sicherheitsschuhe mit Stahl-Vorderkappen und Schutzgamaschen die EN 381-9 erfüllen benutzen, wenn der Boden eben ist und geringe Gefahr von Stolpern oder von Verfangen im Buschwerk besteht)

#### Kettensägenjacken zum Schutz des Oberkörpers

- sollte EN 381-11 erfüllen und CE gekennzeichnet sein.

## ANWEISUNGEN ÜBER DIE RICHTIGE TECHNIK ZUM FÄLLEN, ENTASTEN UND DURCHSÄGEN.

### Verstehen Sie die Kräfte im Holz

Wenn Sie die gerichteten Drucke und Spannungen in dem Holz verstehen, können Sie die „Klemmungen“ verringern oder mindestens beim Sägen darauf vorbereitet sein.

Spannung im Holz bedeutet, dass die Fasern auseinander gezogen werden, und wenn Sie in diesem Bereich sägen, wird die „Kerbe“ oder der Schnitt sich öffnen, während Sie sägen. Wenn ein Baumstamm auf einem Holzbock liegt und ein Ende nicht gestützt wird, dann entsteht Spannung an der Oberseite, weil das Gewicht des überhängenden Baumstamms die Fasern dehnt. Ähnlich wird die Unterseite des Baumstamms komprimiert und die Fasern zusammengedrückt. Wenn ein Schnitt in diesem Bereich gemacht wird, wird die Kerbe dazu tendieren, sich beim Sägen zu schließen. Das würde die Schiene einklemmen.

### Fällen eines Baumes

*Siehe Seite 239 - 240.*

Wird von zwei oder mehreren Personen gleichzeitig zugeschnitten und gefällt, so sollte der Abstand zwischen den fällenden und zuschneidenden Personen mindestens die doppelte Höhe des zu fällenden Baumes betragen. Beim Fällen von Bäumen ist darauf zu achten, dass andere Personen keiner Gefahr ausgesetzt werden, keine Versorgungsleitungen getroffen und keine Sachschäden verursacht werden. Sollte ein Baum mit einer Versorgungsleitung in Berührung kommen, so ist das Versorgungsunternehmen sofort in Kenntnis zu setzen.

Der Bediener der Kettensäge sollte sich immer bergaufwärts des Baums befinden, da dieser nach dem Fällen wahrscheinlich bergabwärts rollen oder rutschen wird.

Es sollte eine Fluchtroute eingeplant und, sofern erforderlich, vor Beginn der Fällarbeiten freigeräumt werden. Der Fluchweg sollte von der erwarteten Falllinie aus schräg nach hinten wegführen.

Berücksichtigen Sie, bevor Sie mit dem Fällen beginnen, die natürliche Neigung des Baums, die Lage größerer Äste und die Windrichtung, um einschätzen zu können in welche Richtung der Baum fallen wird.

Entfernen sie Schmutz, Steine, lose Rinde, Nägel, Klammern und Draht vom bzw. aus dem Baum.

Versuchen Sie nicht Bäume zu fällen, die verfault sind oder durch Wind, Feuer, Blitz usw. beschädigt wurden.

Das ist extrem gefährlich und sollte von professionellen Baumpfleger durchgeführt werden.

#### ■ Fallkerbe

*Siehe Seite 239 - 240.*

Sägen Sie im rechten Winkel zur Fallrichtung eine Kerbe mit einer Tiefe von 1/3 des Baumdurchmessers. Zuerst den unteren waagerechten Schnitt durchführen. Dadurch wird das Einklemmen der Sägekette oder der Führungsschiene beim Setzen des zweiten Schnittes vermieden.

#### ■ Fällschnitt

*Siehe Seite 239 - 240.*

Führen Sie den Fällschnitt mindestens 50 mm höher als die waagerechte Fallkerbe aus. Führen Sie den Fällschnitt parallel zur waagerechten Fallkerbe aus. Führen Sie den Fällschnitt so aus, dass genügend Holz stehen bleibt, um als Bruchleiste zu dienen. Die Bruchleiste hindert den Baum daran, sich zu verdrehen und in die falsche Richtung zu fallen. Schneiden sie nicht durch die Bruchleiste!





Wenn der Fällschnitt sich der Bruchleiste nähert, sollte der Baum zu fallen beginnen. Sollte die Gefahr bestehen, dass der Baum nicht in die gewünschte Richtung fällt, oder zurückschwankt und die Sägekette einklemmt, hören Sie mit dem Schneiden auf, bevor der Fällschnitt vollständig ausgeführt ist, und verwenden Sie Holz-, Plastik- oder Aluminiumkeile, um den Schnitt zu erweitern und den Baum in der gewünschten Fallrichtung fallen zu lassen.

Ziehen Sie, sobald der Baum zu fallen beginnt, die Kettensäge aus dem Schnitt, schalten Sie den Motor aus, setzen sie die Kettensäge ab und folgen Sie dann dem geplanten Rückzugspfad. Achten Sie auf herunterfallende Äste und stolpern Sie nicht.

## WURZELANSÄTZE ENTFERNEN

*Siehe Seite 240.*

Ein Wurzelansatz ist eine große Wurzel, die über dem Erdreich aus dem Stamm des Baums vorsteht. Große Wurzelansätze müssen vor dem Fällen entfernt werden. Den Wurzelansatz erst horizontal und danach vertikal anschneiden. Das lose Wurzelstück aus dem Arbeitsbereich entfernen. Das korrekte Vorgehen zum Fällen des Baums einhalten, nachdem die großen Wurzelansätze entfernt wurden.

## Einen Baumstamm ablängen

*Siehe Seite 241.*

Ablängen ist das Schneiden eines Baumstammes in Stücke. Es ist wichtig, dass Sie einen festen Stand haben und ihr Gewicht gleichmäßig auf beide Füße verteilt ist. Sofern möglich, sollte der Stamm erhöht liegen und durch Äste, Stämme oder Holzkeile gestützt werden. Befolgen Sie die folgenden Anweisungen, um sich das Schneiden zu erleichtern: Wenn der Stamm über die gesamte Länge gestützt wird, wird er von oben geschnitten (Oberschnitt).

Wenn der Stamm an einem Ende gestützt wird, schneiden Sie durch ein Drittel des Durchmessers von der Unterseite (Unterschnitt). Führen Sie dann den abschließenden Schnitt als Oberschnitt aus, der auf den ersten Schnitt trifft.

Wenn der Stamm an beiden Enden gestützt wird, schneiden Sie durch ein Drittel des Durchmessers von der Oberseite (Oberschnitt). Führen Sie dann den abschließenden Schnitt als Unterschnitt über die unteren 2/3 aus, der auf den ersten Schnitt trifft.

Stehen Sie beim Ablängen in Hanglage immer auf der vom Stamm aus höher gelegenen Seite. Um beim Abschluss des Schnitts vollkommen die Kontrolle zu behalten, verringern Sie den Schnittdruck gegen Ende des Schnitts ohne Ihren festen Griff um die Griffe der Kettensäge zu lösen. Lassen Sie die Kette nicht in Kontakt mit dem Boden geraten. Warten sie nach Beendigung des Schnitts bis die Sägekette angehalten hat bevor sie die Kettensäge bewegen. Schalten Sie immer den Motor aus, bevor Sie sich von Baum zu Baum bewegen.

## Entasten eines Baumes

*Siehe Seite 242.*

Entasten ist das Entfernen von Zweigen von einem gefällten Baum. Belassen Sie beim Entasten größere unten liegende Äste als Stützen, um den Baum über dem

Boden zu halten. Entfernen Sie kleinere Äste in einem Schnitt. Äste, die unter Spannung stehen, sollten von unten nach oben geschnitten werden, um ein Einklemmen der Kettensäge zu vermeiden.

## Sägen von gespanntem Holz

*Siehe Seite 242.*

Gespanntes Holz ist ein Stamm, Ast, verwurzelter Stumpf oder Schößling, der von anderem Holz unter Spannung gebogen wird und zurückschnellt, wenn das andere Holz geschnitten oder entfernt wird.

Bei einem gefällten Baum ist es sehr wahrscheinlich, dass ein verwurzelter Stumpf wieder in seine aufrechte Stellung zurückschnellt, wenn der Stamm beim Ablängen vom Stumpf getrennt wird. Auf gespanntes Holz achten, da dies sehr gefährlich ist.

### ⚠️ WARNUNG

Gespanntes Holz ist gefährlich und kann den Arbeiter treffen und zum Verlust der Kontrolle über die Kettensäge führen. Das kann zu schweren oder tödlichen Verletzungen des Arbeiters führen. Das sollte von geschulten Benutzern durchgeführt werden.

### VORGEGEHENE VERWENDUNG

Dieses Produkt ist nur zum Einsatz im Freien vorgesehen. Aus Sicherheitsgründen muss das Produkt durch die Benutzung mit beiden Hände immer ausreichend kontrolliert werden.

Das Produkt wurde zum Sägen von Zweigen, Ästen, Stämmen und Balken mit einem Durchmesser, der durch die Schnittlänge der Führungsschiene bestimmt wird, entwickelt. Sie darf ausschließlich zum Schneiden von Holz verwendet werden. Es darf nur von Erwachsenen, die ausreichend über die Gefahren und Vorbeugungs-/ Schutzmaßnahmen unterwiesen wurden, für den Hausgebrauch verwendet werden.

Verwenden Sie das Produkt nicht für andere, als die oben aufgeführten Zwecke. Es darf nicht im Rahmen professioneller Baumarbeiten eingesetzt werden. Das Produkt darf nicht von Kindern oder Personen, die nicht die erforderliche persönliche Schutzausstattung und -kleidung tragen, verwendet werden.

### RESTRISIKEN:

Sogar wenn die Maschine wie vorgeschrieben benutzt wird, ist es unmöglich ein gewisses Restrisiko vollständig zu beseitigen. Die folgenden Gefahren können bei der Benutzung entstehen, und der Benutzer sollte besonders auf folgende Punkte achten:

- Durch Vibrationen verursachte Verletzungen. Benutzen Sie immer das richtige Werkzeug für die Aufgabe, benutzen Sie die vorgesehenen Griffe und schränken die Arbeitszeit und Exposition ein.
- Lärm kann zu Gehörschäden führen. Tragen Sie einen Gehörschutz und schränken Sie die Belastung ein.
- Kontakt mit freiliegenden Sägezähnen der Sägekette (Schnittgefahr).



- Unvorhergesehene, abrupte Bewegungen oder Rückschlag der Führungsschiene (Schnittgefahr).
- Teile die von der Sägekette wegfliegen (Schnittgefahr/ Injektionsgefahr).
- Geschleuderte Werkstücke (Holzspäne, Splitter)
- Einatmen von Staub und Teilchen.
- Hautkontakt mit Schmierstoff/Öl

11. Späneabweiser
12. Knopf für Späneabweiser
13. Zahnkranzabdeckung
14. Ring zum Einstellen der Kettenspannung
15. Verriegelungsknopf der Führungsschiene
16. Abdeckung Führungsschiene
17. Kettenfänger

### RISIKOVERRINGERUNG

Vibrationen von in der Hand gehaltenen Werkzeugen können bei einigen Personen zu einem Zustand, der Raynaud-Syndrom genannt wird, führen. Symptome sind u.a. Kribbeln, Taubheitsgefühl und episodische Weißfärbung der Finger und treten normalerweise bei Kälte auf. Man geht davon aus, dass ererbte Faktoren, Kälte und Feuchtigkeit, Essgewohnheiten, Rauchen und Arbeitsweise zur Entwicklung dieser Symptome beitragen. Der Anwender kann Maßnahmen ergreifen, um die Auswirkungen der Vibrationen möglicherweise zu verringern:

- Halten Sie den Körper bei Kälte warm. Tragen Sie beim Betrieb des Geräts Handschuhe, um Hände und Handgelenke warm zu halten. Berichten zu Folge ist kaltes Wetter ein wesentlicher Faktor, der zum Raynaud Syndrom beiträgt.
- Betätigen Sie sich nach jedem Einsatz körperlich, um den Blutkreislauf zu steigern.
- Machen Sie regelmäßige Pausen. Beschränken Sie die Beanspruchung pro Tag.
- Schutzhandschuhe die von professionellen Kettensägenhändlern erhältlich sind, sind speziell zur Benutzung mit Kettensägen entwickelt und bieten Schutz, sicheren Griff und reduzieren auch den Effekt des vibrierenden Griffs. Diese Handschuhe sollten EN381-7 erfüllen und CE gekennzeichnet sein.

Sollten bei Ihnen Symptome dieses Zustands auftreten, stellen Sie unverzüglich den Betrieb ein und suchen Sie in Hinsicht auf die Symptome einen Arzt auf.

### ⚠️ WARNUNG

Verletzungen können durch lange Benutzung eines Werkzeugs entstehen oder verschlimmert werden. Machen Sie regelmäßig Pause, wenn Sie ein Werkzeug für lange Zeit benutzen.

### MACHEN SIE SICH MIT IHREM PRODUKT VERTRAUT

Siehe Seite 233.

1. Kette
2. Führungsschiene
3. Vorderer Handschutz/Kettenbremse
4. Vorderer Haltegriff
5. Schalterfreigabe
6. Hinterer Haltegriff
7. Krallenanschlag
8. Kettenöltank-Deckel
9. Kabelhalter
10. Ein-/Ausschalter

### SCHUTZVORRICHTUNGEN

#### SÄGEKETTE MIT GERINGEM RÜCKSCHLAG

Eine Sägekette mit geringer Rückschlaggefahr kann die Wahrscheinlichkeit eines Rückschlags reduzieren.

Die Räumzähne (Tiefenbegrenzer) vor jedem Sägezahn können die Stärke der Rückschlagreaktion gering halten, indem sie verhindern, dass die Sägezähne in der Rückschlagzone zu tief eingreifen. Verwenden Sie ausschließlich die durch den Hersteller empfohlenen Kombinationen von Ersatzschiene und -ketten.

Beim Schleifen von Sägeketten verlieren diese etwas an den Qualitäten, die den Rückschlag gering halten, und es ist daher besondere Vorsicht geboten. Zu Ihrer eigenen Sicherheit, ersetzen Sie Sägeketten, wenn die Sägeleistung schwindet.

#### Krallenanschlag

Der integrierte Krallenanschlag kann als Drehpunkt verwendet werden, wenn ein Schnitt durchzuführen ist. Es ist hilfreich, beim Sägen das Gehäuse der Säge stabil zu halten. Drücken Sie beim Sägen die Maschine nach vorne, bis die Metalldorne in die Holzkannte dringen, wenn Sie dann den hinteren Griff nach oben oder unten in Richtung des Schnitts heben, kann die physische Belastung des Sägens verringert werden.

#### FÜHRUNGSSCHIENEN

Im allgemeinen haben Führungsschienen mit Spitzen mit kleinem Radius ein geringeres Rückschlagspotenzial. Sie sollten eine Führungsschiene mit passender Kette benutzen, die gerade lange genug für die Aufgabe ist. Längere Führungsschienen erhöhen die Gefahr eines Kontrollverlustes beim Sägen. Überprüfen Sie die Kettenspannung regelmäßig. Beim Sägen kleinerer Äste (dünner als die volle Länge der Führungsschiene), ist die Gefahr, dass die Kette abgeworfen wird, wenn die Spannung nicht richtig ist, größer.

#### KETTENBREMSE

Kettenbremsen sind dazu vorgesehen, die Kette schnell zum Stillstand zu bringen. Wenn der Kettenbremshebel/ Handschutz in Richtung Schiene gedrückt wird, muss die Kette sofort zum Stillstand gebracht werden. Eine Kettenbremse kann Rückschlag nicht verhindern. Sie verringert nur das Verletzungsrisiko, wenn die Führungsschiene den Körper des Benutzers bei einem Rückschlag trifft. Der ordnungsgemäße Betrieb der Kettenbremse muß vor jeder Benutzung getestet werden, in der Betriebs- und Bremsposition.

## MONTAGE

### WARNUNG

Falls Teile fehlen oder beschädigt sind, sollte das Gerät nicht in Betrieb genommen werden, bevor alles korrekt ersetzt wurde. Die Nichtbeachtung dieser Warnung kann zu schweren Personenschäden führen.

## MONTAGE DER KETTE UND FÜHRUNGSSCHIEBE

*Siehe Seite 234 - 235. Siehe Seite 244 - 245.*

1. Trennen Sie das Produkt von der Stromversorgung. Tragen Sie Schutzhandschuhe.
2. Lösen Sie den Verriegelungsknopf der Führungsschiene und entfernen die Zahnkranzabdeckung.
3. Die Sägekette muß auf die Richtung der Kettenrotation ausgerichtet sein. Wenn sie rückwärts zeigt, die Schleife umdrehen.
4. Setzen Sie die Kettenglieder in die Schienennut.
5. Die Kette so platzieren, dass sich an der Rückseite der Schiene eine Schleife bildet.
6. Halten Sie die Kette in Position auf der Schiene und führen die Schlaufe um den Zahnkranz. Senken Sie die Schiene, so dass die Schraube durch das Loch in der angebrachten Kettenspannvorrichtung gesteckt werden kann. Sie müssen die Kettenspannvorrichtung vielleicht drehen, so dass die Schraube und das Loch ausgerichtet sind. Sie können die Kettenspannvorrichtung nochmal drehen, um die Kette etwas mehr zu spannen, wodurch sie besser in Position bleibt.
7. Setzen Sie die Zahnkranzabdeckung wieder auf und drehen den Verriegelungsknopf der Führungsschiene, bis er annähernd angezogen ist, drehen Sie den Ring zum Einstellen der Kettenspannung, bis die Kette richtig gespannt ist. Die Führungsschiene muss dann nach oben gedrückt werden. Überprüfen Sie die Kettenspannung nochmal. Spannen Sie die Kette nicht zu fest.
8. Nachdem die Kette gut gespannt ist, ziehen Sie den Knopf wieder fest.

## KETTENSPIGUNG EINSTELLEN

*Siehe Seite 235. Siehe Seite 246.*

1. Lösen Sie den Verriegelungsknopf der Führungsschiene ein wenig, indem Sie ihn gegen den Uhrzeigersinn drehen.
2. Drehen Sie den Ring zum Einstellen der Kettenspannung im Uhrzeigersinn, um die Kettenspannung zu erhöhen, und überprüfen Sie dabei regelmäßig die Kettenspannung. Drehen Sie den Ring zum Einstellen der Kettenspannung gegen den Uhrzeigersinn, um die Kettenspannung zu verringern, und prüfen Sie dabei regelmäßig die Kettenspannung.
3. Die Kettenspannung ist richtig eingestellt, wenn der Abstand zwischen den Zähnen der Kette und der Schiene 3 mm bis 4 mm beträgt. Ziehen Sie die Kette an der unteren Seite der Schiene in der Mitte nach unten (von der Schiene weg) und messen dann den Abstand zwischen der Schiene und den Zähnen der Kette.
4. Ziehen Sie den Knopf der Verriegelungsknopf der

Führungsschiene fest, indem Sie ihn im Uhrzeigersinn drehen.

## VERWENDUNG

### FÜGEN SIE KETTENÖL HINZU.

*Siehe Seite 234.*

### WARNUNG

Arbeiten Sie niemals ohne Kettenschmierung. Wenn die Säge ohne Schmierung läuft, können die Führungsschiene und die Sägekette beschädigt werden. Es ist deshalb unerlässlich, den Ölstand mit dem an der Füllstandsanzeige regelmäßig zu prüfen, und jedes Mal, wenn Sie mit der Arbeit mit der Kettensäge beginnen.

1. Reinigen Sie die Oberfläche, um den Tankdeckel um Verunreinigung zu verhindern.
2. Schrauben Sie den Deckel auf und nehmen Sie ihn vom Öltank.
3. Füllen Sie das Öl in den Öltank und beobachten Sie dabei die Füllstandsanzeige. Achten Sie darauf, dass kein Schmutz in den Öltank gerät, während sie das Öl einfüllen.
4. Setzen Sie den Deckel wieder auf und drehen Sie ihn fest. Wischen Sie verschüttetes Öl ab.
5. Ein gefüllter Öltank ermöglicht Ihnen die Verwendung der Säge für 20-40min.

### Empfohlenes Kettenschmieröl

- Der Hersteller empfiehlt, dass Sie nur Ryobi Kettenschmieröl verwenden. (Erhältlich von Ihrem Ryobi Kundendienst.)

## HALTEN DER KETTENSÄGE

*Siehe Seite 235.*

Halten Sie das Gerät immer mit der rechten Hand am hinteren Griff und mit der linken Hand am vorderen Griff. Halten Sie beide Griffe mit fest umschlossenen Daumen und Fingern fest. Achten Sie darauf, dass ihre linke Hand den vorderen Griff so hält, dass ihr Daumen sich unter ihm befindet.

### WARNUNG

Halten Sie das Netzkabel immer ordentlich und fern von dem Sägebereich. Außer der Gefahr von Stromschlag, können unordentliche Kabel eine Stolpergefahr darstellen.

## STARTEN DER KETTENSÄGE

*Siehe Seite 235.*

1. Schließen Sie das Produkt an die Stromversorgung an. Stellen Sie sicher, dass die Kettenbremse sich in der Betriebsposition befindet, indem Sie an dem Hebel/ Handschutz ziehen.
2. Drücken sie zum Starten der Maschine die Schalterfreigabe und drücken den Ein/Aus-Schalter.



## ÜBERPRÜFUNG UND BETRIEB DER KETTENBREMSE

1. Betätigen Sie die Kettenbremse, indem Sie die linke Hand um den vorderen Griff drehen. Drücken Sie den Kettenbremshebel/Handschutz mit Ihrem Handrücken in Richtung Führungsschiene, während die Kette sich schnell bewegt. Stellen Sie sicher, dass sich beide Hände immer an den Griffen befinden.
2. Stellen Sie die Kettenbremse zurück auf die Betriebsposition, indem Sie die Oberseite des Hebels der Kettenbremse/Handschutzes greifen und in Richtung Griff ziehen bis Sie ein "Klick" hören.

### **⚠️ WARNUNG**

Falls die Kettenbremse die Kette nicht sofort anhält, oder falls die Kettenbremse nicht in der Laufstellung ohne Hilfe bleibt, bringen Sie die Säge zu einer zugelassene Reparaturstelle und erst nach der Reparatur wieder benutzen.

## TRANSPORT UND LAGERUNG

Siehe Seite 248 - 249

- Stoppen Sie das Produkt, trennen es von der Stromversorgung und lassen es abkühlen, bevor Sie es lagern oder transportieren.
- Entfernen Sie alle Fremdkörper vom Produkt. Lagern Sie das Gerät an einem trockenen und gut belüfteten Ort, der Kindern keinen Zugang bietet. Die Säge von korrodierend wirkenden Stoffen, wie Gartenchemikalien und Enteisungssalzen, fernhalten. Nicht im Freien lagern.
- Setzen Sie die Abdeckung der Führungsschiene auf, bevor Sie das Gerät lagern oder während des Transports.
- Sichern Sie die Maschine beim Transport gegen Bewegung oder Fallen, um Verletzungen und Beschädigung der Maschine zu verhindern.

## WARTUNG UND PFLEGE

### **⚠️ WARNUNG**

Verwenden Sie ausschließlich original Ersatzteile, Zubehör und Aufsätze des Herstellers. Nichtbefolgung kann mögliche Verletzungen oder schlechte Leistung verursachen und Ihre Garantie ungültig machen.

### **⚠️ WARNUNG**

Service und Wartung des Gerätes erfordert besondere Sorgfalt und Kenntnisstand und darf nur durch qualifiziertes Personal durchgeführt werden. Wir empfehlen zu diesem Zweck das Produkt umgehend an ein Autorisiertes Service Center zur Reparatur zu senden. Beim Service dürfen Sie nur originale Ersatzteile benutzen.

### **⚠️ WARNUNG**

Von der Stromversorgung trennen, bevor Sie Einstellungen, Wartungs- oder Reinigungsarbeiten durchführen. Nichtbeachtung dieser Warnung kann zu schweren Verletzungen führen.

- Sie dürfen, die die in dieser Bedienungsanleitung beschriebenen Einstellungen und Reparaturen durchführen. Kontaktieren Sie Ihren autorisierten Kundendienst für andere Reparaturen.
- Durch falsche Wartung können die Kettenbremse und andere Sicherheitsfunktionen nicht ordnungsgemäß funktionieren, und dadurch die Gefahr schwerer Verletzungen erhöhen. Halten Sie Ihre Kettensäge immer professionell gewartet und sicher.
- Das Schärfen der Kette ist eine anspruchsvolle Aufgabe. Deshalb empfiehlt der Hersteller, dass eine abgenutzte oder stumpfe Kette mit einer neuen ersetzt wird, erhältlich bei Ihrem Ryobi Kundendienst. Die Teilenummer ist in der Tabelle der Produktspezifikation in dieser Bedienungsanleitung aufgeführt.
- Befolgen Sie die Anweisungen zur Schmierung der Kette und Kettenspannung und -einstellung.
- Reinigen Sie das Produkt nach jeder Benutzung mit einem weichen, trockenen Lappen.
- Überprüfen Sie Bolzen, Muttern und Schrauben immer wieder ob alles fest angezogen ist so dass das Produkt in einem sicheren Zustand ist. Jedes beschädigte Teil muß durch den autorisierten Kundendienst ordnungsgemäß repariert oder ausgetauscht werden.

## ERSETZEN DER FÜHRUNGSSCHIENE UND DER SÄGEKETTE

Siehe Seite 244 - 245.

1. Trennen Sie das Produkt von der Stromversorgung. Tragen Sie Schutzhandschuhe.
2. Lösen Sie den Kettenspannungsknopf, indem Sie ihn gegen den Uhrzeigersinn drehen, bis die Zahnkranzabdeckung sich abnehmen lässt.
3. Nehmen Sie die Zahnkranzabdeckung ab. Entfernen Sie Schiene und Sägekette von dem Werkzeug.
4. Um die Führungsschiene mit einer neuen zu ersetzen, lösen Sie die Schraube der Kettenspannvorrichtung. Montieren Sie die Kettenspannvorrichtung an die neue Führungsschiene und ziehen die Schraube fest.
5. Führen Sie die neue Kette in der richtigen Richtung auf die Schiene und vergewissern sich, dass die Kettenglieder mit der Schienennut ausgerichtet sind.
6. Befestigen Sie die Schiene an der Kettensäge und führen die Kette um den Zahnkranz.
7. Setzen Sie die Zahnkranzabdeckung wieder auf.
8. Stellen Sie die Kettenspannung ein. Lesen Sie den Abschnitt „Einstellen der Kettenspannung“.

### **⚠️ WARNUNG**

Falsches Schleifen der Kette erhöht das Rückschlagpotenzial.



### ⚠️ WARNUNG

Wenn eine beschädigte Kette nicht ersetzt oder repariert wird, kann es zu schweren Verletzungen kommen.

### ⚠️ WARNUNG

Die Sägekette ist extrem scharf. Bei Wartungsarbeiten an der Kette immer Schutzhandschuhe tragen.

## ÜBERPRÜFEN UND REINIGEN DER KETTENBREMSE

Siehe Seite 247.

- Halten Sie den Kettenbremsmechanismus immer sauber, indem Sie das Gestänge vorsichtig abbürsten.
- Testen Sie nach der Reinigung immer die Funktionsfähigkeit der Kettenbremse. Siehe "Betrieb-Überprüfung und Betrieb der Kettenbremse" weiter vorne in dieser Bedienungsanleitung für zusätzliche Informationen.

## WARTUNGSPLAN

Tägliche Kontrollen	
Netzkabel auf Schäden	Vor jeder Verwendung
Schmierung Schiene	Vor jeder Verwendung
Kettenspannung	Vor jeder Benutzung und regelmäßig
Kettenschärfe	Vor jeder Benutzung, Sichtprüfung
Beschädigte Teile	Vor jeder Verwendung
Lose Befestigungsteile	Vor jeder Verwendung
Kettenbremse-Funktion	Vor jeder Verwendung
Inspezieren und Reinigen	
Führungsschiene	Vor jeder Verwendung
Komplette Säge	Nach jeder Verwendung
KETTENBREMSE	Alle fünf Stunden*

\*Betriebsstunden

## SYMBOLE AUF DEM PRODUKT



Sicherheitswarnung



Lesen und verstehen Sie alle Anweisungen, bevor Sie das Produkt benutzen, befolgen Sie alle Warnungen und Sicherheitsanweisungen.



Tragen Sie bei der Arbeit mit dieser Maschine einen Augen- und Gehörschutz und einen Helm.



Tragen Sie rutschfeste Sicherheitsschuhe, wenn Sie dieses Produkt benutzen.



Tragen Sie rutschfeste, strapazierfähige Handschuhe.



Trennen Sie vor Wartungsarbeiten den Stecker sofort vom Stromnetz, oder falls das Kabel beschädigt oder geschnitten ist.



Achten Sie auf Rückschlag der Kettensäge und vermeiden Sie den Kontakt mit der Schienenspitze.



Nicht Regen oder feuchten Bedingungen aussetzen.



Halten Sie Ihre Kettensäge bei der Arbeit mit beiden Händen.



Verwenden Sie Ihre Kettensäge niemals, in dem Sie sie nur mit einer Hand halten.



Dieses Gerät entspricht allen gesetzlichen Normen des Landes der europäischen Union, in dem es gekauft wurde.



GOST-R-Konformität



Klasse II Werkzeug, doppelte Isolation



Elektrische Geräte sollten nicht mit dem übrigen Müll entsorgt werden. Bitte entsorgen Sie diese an den entsprechenden Entsorgungsstellen. Wenden Sie sich an die örtliche Behörde oder Ihren Händler, um Auskunft über die Entsorgung zu erhalten.



Der garantierte Schalleistungspegel beträgt 108 dB. (RCS1935)



Der garantierte Schalleistungspegel beträgt 107 dB. (RCS2340)



Schmierung für Schiene und Kette



Schließen



Öffnen



Drehen zum Einstellen der Kettenspannung +/-: Kette festziehen/lockern



Drehrichtung der Kette  
(Markierung unter der  
Zahnkranzabdeckung)

L max Maximale Länge der Führungsschiene

Ohne Sicherheitswarnsymbol  
Bezeichnet eine Situation die zu Sachbeschädigungen  
führen kann.

- EN
- FR
- DE**
- ES
- IT
- NL
- PT
- DA
- SV
- FI
- NO
- RU
- PL
- CS
- HU
- RO
- LV
- LT
- ET
- HR
- SL
- SK
- BG

**SYMBOL IN DIESER BEDIENUNGSANLEITUNG**



Anschließen an das Stromnetz



Trennen vom Stromnetz



Teile oder Zubehör getrennt erhältlich



Elektrische Geräte sollten nicht mit dem übrigen Müll entsorgt werden.  
Bitte entsorgen Sie diese an den entsprechenden Entsorgungsstellen.



HINWEIS:



WARNUNG



Tragen Sie Augen- und Gesichtsschutz.



Tragen Sie einen Oberkörperschutz



Tragen Sie einen Beinschutz.



Stoppen des Produktes.

Mit den folgenden Symbolen wird die Bedeutung der verschiedenen Risikostufen, die mit dem Produkt einhergehen, dargestellt.

**⚠ GEFAHR**

Weist auf eine unmittelbare gefährliche Situation hin, die bei Missachtung zu Tod oder ernsthafter Verletzung führen kann.

**⚠ WARNUNG**

lWeist auf eine mögliche gefährliche Situation hin, die bei Missachtung zu Tod oder ernsthafter Verletzung führen kann.

**⚠ VORSICHT**

lWeist auf eine mögliche gefährliche Situation hin, die bei Missachtung zu einer leichten oder mittleren Verletzung führen kann.

**VORSICHT**

### ⚠ ADVERTENCIA

Al utilizar el producto, deben seguirse las normas de seguridad. Por su propia seguridad y la de los que le rodean, lea estas instrucciones antes de utilizar el producto. Debe asistir a un curso de seguridad organizado profesionalmente sobre uso, medidas preventivas, primeros auxilios y mantenimiento de motosierras. Guarde las instrucciones para usarlas en el futuro.

### ⚠ ADVERTENCIA

Las motosierras son herramientas potencialmente peligrosas. Los accidentes que impliquen el uso de motosierras a menudo pueden causar la pérdida de miembros o la muerte. La motosierra no es la única que conlleva riesgo. Las ramas que caen, el derribo de árboles, o troncos rodantes pueden causar la muerte. La madera enferma o podrida implica peligros adicionales. Debes evaluar tu capacidad para completar la tarea de manera segura. En caso de duda, déjelo en manos de un profesional de árboles.

## ALERTA DE SEGURIDAD GENERAL

### ⚠ ADVERTENCIA

Lea todas las advertencias de peligro e instrucciones. El incumplimiento de las advertencias e instrucciones puede provocar descargas eléctricas, incendios y/o lesiones graves.

Conserve estas advertencias e instrucciones para poder consultarlas posteriormente.

El término "herramienta eléctrica" que aparece en las advertencias se refiere a su herramienta eléctrica (con cable) o con batería (sin cables).

## ZONA DE TRABAJO

- **Mantenga el área de trabajo limpia y bien iluminada.** Las zonas oscuras o poco despejadas pueden provocar accidentes.
- **No utilice herramientas eléctricas en entornos inflamables, como puede ser en presencia de líquidos inflamables, gases o polvo.** Las herramientas eléctricas crean chispas que pueden inflamar el polvo o el humo.
- **Mantenga a los niños y personas ajenas alejadas de la zona en la que está utilizando la herramienta eléctrica.** Las distracciones pueden hacer que pierda el control de la herramienta.

## SEGURIDAD ELÉCTRICA

- **Las conexiones de la herramienta eléctrica deben corresponder a los de la toma de corriente. No modifique el enchufe de ninguna manera. No utilice ningún adaptador con herramientas eléctricas conectadas a tierra.** Utilizar enchufes sin modificar y tomas correspondientes reducirán el riesgo de

descargas eléctricas.

- **Evite el contacto corporal con superficies conectadas a tierra, como tuberías, radiadores, estufas y refrigeradores.** Existe un mayor riesgo de descargas eléctricas si su cuerpo está conectado a tierra.
- **No exponga este producto a la lluvia o humedad.** Si entra agua en una herramienta eléctrica podría aumentar el riesgo de descargas eléctricas.
- **Utilice correctamente el cable. No utilice el cable para llevar, tirar o desconectar el cable de la herramienta.** Mantenga el cable lejos del calor, aceite, bordes afilados o partes móviles. Los cables dañados o enredados aumentan el riesgo de descargas eléctricas.
- **A la hora de utilizar herramientas eléctricas al aire libre, utilice un alargador adecuado para uso en exteriores.** El uso de un cable adecuado para uso en exteriores reduce el riesgo de descargas eléctricas.
- **Si es inevitable utilizar una herramienta eléctrica en un lugar húmedo, utilice un dispositivo de corriente residual (RCD) como protección.** El uso de un RCD reduce el riesgo de descargas eléctricas.

## SEGURIDAD PERSONAL

- **Manténgase alerta y atento a lo que está haciendo y utilice el sentido común al utilizar una herramienta eléctrica. No utilice una herramienta eléctrica cuando esté cansado o bajo la influencia de drogas, alcohol o medicamentos.** En un momento de descuido, mientras utiliza herramientas eléctricas podrían ocurrir lesiones personales graves.
- **Utilice un equipo de protección personal. Utilice siempre dispositivos de protección ocular.** El equipo de protección como las máscaras de polvo, calzado antideslizante de seguridad, cascos rígidos o unas condiciones adecuadas reducirán los daños corporales.
- **Evite la puesta en marcha accidental de la herramienta. Asegúrese de que el interruptor está en posición OFF antes de conectar la herramienta a una toma de corriente y/o batería, y levantar o transportar la herramienta.** El transporte de herramientas con el dedo sobre el interruptor o la conexión de herramientas eléctricas con el interruptor en ON puede causar accidentes.
- **Extraiga cualquier llave de ajuste antes de encender la herramienta eléctrica.** Una llave que se encuentra conectada a una pieza de rotación puede resultar en lesiones personales.
- **No se extienda demasiado. Afírmese bien en sus piernas y no extienda demasiado el brazo.** Esto permite un mejor control de la herramienta eléctrica en situaciones inesperadas.
- **Lleve ropa adecuada. No use ropa holgada o joyas. Mantenga su cabello, ropa y guantes lejos de las piezas móviles.** La ropa suelta, joyas o el cabello largo pueden quedar atrapados en las piezas móviles.
- **Si existen dispositivos para la conexión de accesorios de recogida y extracción de polvo,**



asegúrese de que están conectados y que se utilizan adecuadamente. El uso de accesorios de recogida de polvo puede reducir riesgos relacionados con el polvo.

## USO Y CUIDADO DE LA HERRAMIENTA ELÉCTRICA

- **No fuerce el producto. Utilice la herramienta correcta para su aplicación.** La herramienta correcta hará un trabajo más seguro y mejor para el que ha sido diseñada.
- **No utilice la herramienta eléctrica si el interruptor de encendido no responde.** Cualquier herramienta que no puede ser controlada con el interruptor de encendido es peligrosa y debe ser reparada.
- **Desconecte el enchufe de la fuente de alimentación y/o extraiga la batería de la herramienta eléctrica antes de hacer cualquier ajuste, cambiar accesorios o almacenar herramientas eléctricas.** Estas medidas preventivas de seguridad reducen el riesgo de arranque accidental de la herramienta.
- **Coloque las herramientas eléctricas a ralentí fuera del alcance de los niños y no permita que personas no familiarizadas con la herramienta o con estas instrucciones la utilicen.** Las herramientas eléctricas son peligrosas en manos de personas no capacitadas.
- **Realice labores de mantenimiento de las herramientas eléctricas. Compruebe la alineación o unión de las piezas móviles, si existe rotura de piezas o cualquier otro problema que pueda afectar al funcionamiento de la herramienta. Si alguna pieza está dañada, la herramienta eléctrica debería repararse antes de volver a utilizarla.** Muchos accidentes son causados por un mantenimiento deficiente.
- **Mantenga las herramientas de corte bien afiladas y limpias.** Las herramientas de corte con bordes de corte afilados que tienen un mantenimiento adecuado reducen su deterioro y son más fáciles de controlar.
- **Utilice la herramienta, accesorios, partes eléctricas, etc., de acuerdo con estas instrucciones, teniendo en cuenta las condiciones de trabajo y el trabajo que se va a realizar.** Utilizar la herramienta eléctrica para realizar trabajos diferentes a los que esta herramienta está destinada podría dar como resultado una situación peligrosa.

## MANTENIMIENTO

- **Su herramienta eléctrica debería ser reparada por personas cualificadas, que deberían utilizar únicamente piezas de repuesto idénticas.** Esto garantizará la seguridad a la hora de utilizar la herramienta eléctrica.

## ADVERTENCIAS GENERALES DE SEGURIDAD ADICIONALES

- Algunas regiones tienen normas que limitan el uso del producto. Consulte con su autoridad local para obtener información.
- Nunca permita que niños o personas no familiarizadas con las instrucciones utilicen este producto. Las regulaciones locales pueden restringir la edad del

operario.

- Antes de cada uso, asegúrese de que todos los controles y dispositivos de seguridad funcionan correctamente. No utilice la herramienta eléctrica si el interruptor de "apagado" no detiene el motor.
- Lleve un equipo completo de protección auditiva y ocular, guantes fuertes resistentes, así como protección para la cabeza mientras esté utilizando el producto; use una mascarilla si el funcionamiento genera mucho polvo.
- No use ropa holgada, pantalones cortos ni joyería de ningún tipo.
- Recoja el cabello largo para que quede por encima del nivel de los hombros y evitar así que se enmarañe en cualquier pieza móvil.
- Tenga cuidado con los objetos proyectados, volantes o que caigan. Mantenga a los espectadores (especialmente niños y animales), por lo menos a 15m de distancia del área de trabajo.
- No trabaje con esta herramienta en una zona mal iluminada. El operador debe tener una visión clara de la zona de trabajo para identificar peligros potenciales.
- El uso de dispositivos de protección auditiva reducirá su capacidad para oír posibles advertencias (gritos o alarmas). El operador debe prestar atención extra a lo que está sucediendo en el área de trabajo.
- Utilizar herramientas similares a poca distancia aumenta tanto el riesgo de lesión auditiva como el riesgo potencial de que otras personas accedan a su área de trabajo.
- Mantenga su pisada firme y su equilibrio. No se extienda demasiado. Estirarse demasiado puede resultar en la pérdida de equilibrio y puede aumentar el riesgo de retroceso.
- Mantenga las piezas en movimiento alejadas de su cuerpo.
- Inspeccione el aparato antes de su uso. Compruebe el correcto funcionamiento de todos los controles incluyendo el freno de cadena. Revise si hay fijaciones sueltas. Asegúrese de que todas las protecciones y mangos están unidos de forma correcta y segura. Sustituya cualquier pieza damnificada antes de su utilización.
- No modifique la herramienta de modo alguno ni utilice piezas o accesorios que no sean los recomendados por el fabricante.
- Si necesita utilizar un alargador, asegúrese de que es adecuado para el exterior y que tiene una capacidad de corriente suficiente para el suministro de su herramienta, revíselo antes de cada uso para ver si está dañado, y desenróllelo siempre durante el uso ya que los cables enrollados pueden sobrecalentarse.
- Un pico de tensión causa variaciones de voltaje y puede afectar a otros aparatos eléctricos de la misma línea eléctrica. Enchufe el dispositivo a la toma de electricidad con una impedancia igual o inferior a 0.372Ω - RCS1935, 0.277Ω - RCS2340 para minimizar las variaciones de voltaje. Contacte con su proveedor de energía eléctrica para obtener más aclaraciones.



### ADVERTENCIA

Si el equipo se cae, sufre fuertes impactos o comienza a vibrar de manera anormal, detenga inmediatamente la máquina e inspeccione la máquina en busca de daños o para identificar la causa de la vibración. La reparación de daños y la sustitución de piezas deben ser realizadas por un centro de servicio autorizado.

### ADVERTENCIAS DE SEGURIDAD DE LA MOTOSIERRA

- **Mantenga todas las partes de su cuerpo alejadas de la cadena de la sierra cuando la motosierra se encuentre en funcionamiento. Antes de arrancar la motosierra, asegúrese de que la cadena de la sierra no está en contacto con nada.** Un momento de distracción en el manejo de la motosierra puede provocar que se enrede su ropa o su cuerpo con la motosierra.
- **Sujete siempre la herramienta con la mano derecha en la empuñadura trasera y la mano izquierda en la empuñadura delantera.** Sujetar la motosierra con la mano de forma invertida incrementa el riesgo de sufrir daños personales, por lo que nunca debe realizarse de ese modo.
- **Sostenga la herramienta eléctrica solamente con las superficies aisladas, ya que la motosierra pueda tener cables ocultos o su propio cable.** El contacto de la motosierra con un cable con corriente puede cargar las partes metálicas de la herramienta y puede provocar una descarga eléctrica.
- **Use gafas de seguridad y protección para los oídos. Se recomienda además el uso de equipos de protección para cabeza, manos, piernas y pies.** Una ropa de protección apropiada reducirá el riesgo de lesiones personales causadas por partículas volátiles o por el contacto accidental con la motosierra.
- **No utilice la motosierra en un árbol.** Utilizar la motosierra cuando se encuentra sobre un árbol puede provocar lesiones personales.
- **Mantenga siempre el equilibrio necesario y maneje la motosierra sólo cuando se encuentre sobre una superficie fija, firme y nivelada.** Las superficies resbaladizas o inestables, como las escaleras, pueden provocar una pérdida del equilibrio o del control de la motosierra.
- **Al cortar una rama que se encuentre bajo tensión, esté alerta por el efecto de retroceso.** Cuando la tensión de las fibras de madera se libera, la rama catapultada puede golpear al usuario y/o a la motosierra y dejarla fuera de control.
- **Tenga extremo cuidado al cortar los arbustos y brotes.** El material delgado puede bloquear la motosierra y lanzarla hacia usted o hacerle perder el equilibrio.
- **Lleve la motosierra por el mango delantero con la motosierra apagada y alejada de su cuerpo. Cuando transporte o guarde la herramienta, coloque siempre la cobertura de la barra guía.** Sujetar adecuadamente la motosierra reducirá la

probabilidad de un contacto accidental con la cadena móvil de la sierra.

- **Siga las instrucciones para lubricar, tensar la cadena y cambiar los accesorios.** Una cadena mal tensada o lubricada incorrectamente puede romperse o incrementar el riesgo de retroceso.
- **Mantenga las asas secas, limpias y libres de aceite y grasa.** Las asas manchadas de grasa o aceite son resbaladizas, pueden ocasionar la pérdida de control.
- **Corte únicamente madera. No utilice la motosierra para fines diferentes de los aquí indicados. Por ejemplo, no utilice la motosierra para cortar plástico, mampostería o materiales de construcción que no sean de madera.** Utilizar la motosierra para realizar trabajos diferentes a los que esta herramienta está destinada podría dar como resultado una situación peligrosa.

#### Causas y prevención de retroceso:

Se puede producir un efecto de retroceso si el extremo de la espada toca un objeto o si la cadena se pellizca y se bloquea en la madera durante el corte.

El extremo del contacto de la barra guía, en algunos casos, puede ocasionar una reacción inversa repentina, provocando que la barra guía salte hacia el usuario.

Apretar la cadena de la sierra a lo largo de la parte superior de la barra de guía puede hacer que la barra de guía retroceda rápidamente hacia el operador.

Ambas reacciones provocan la pérdida de control de la motosierra, con el consiguiente riesgo de lesiones de gravedad. No confíe exclusivamente en los dispositivos de seguridad integrados en la motosierra. Como usuario de una motosierra, deberá adoptar una serie de medidas para evitar accidentes y lesiones durante los trabajos de corte.

El retroceso es el resultado de un uso incorrecto de la herramienta y/o de condiciones o procedimientos de manejo incorrectos, y se puede evitar tomando las precauciones necesarias según lo indicado abajo:

- **Sujete firmemente con ambas manos las empuñaduras de la motosierra, y coloque su cuerpo y el brazo de forma que puedan resistir la fuerza del retroceso.** La fuerza del retroceso puede ser controlada por el usuario si se toman las precauciones adecuadas. No suelte la motosierra.
- **No realice sobreesfuerzos y no corte por encima de la altura del hombro.** Esto ayuda a impedir el contacto accidental del extremo de la barra y permite un mejor control de la motosierra en situaciones inesperadas.
- **Utilice solo las cadenas y barras especificadas por el fabricante.** El uso de barras y cadenas de recambio incorrectas podría provocar una ruptura de la cadena y/o un retroceso.
- **Siga las instrucciones de afilado y mantenimiento del fabricante de la motosierra.** Disminuir la altura del calibre de profundidad puede ocasionar un incremento del retroceso.



## ADVERTENCIAS ADICIONALES DE SEGURIDAD DE LA MOTOSIERRA

- Se recomienda cortar troncos sobre un caballete o un soporte al utilizar el producto por primera vez.
- Asegúrese de que todas las protecciones, mangos y paragolpes dentado están debidamente instalados y en buen estado.
- Las personas que utilicen este motosierra deberían gozar de buena salud. La motosierra es una herramienta pesada, por lo que el operario debería tener una buena condición física. El operario debe estar alerta, tener buena visión, movilidad, equilibrio y destreza manual. En caso de duda, no utilice la motosierra.
- No empiece a usar el producto hasta que el área de trabajo esté despejada, tenga los pies firmes y cuente con una zona planificada para alejarse de la caída del árbol.
- Tenga cuidado con la emisión de neblina del lubricante y aserrín. Use una máscara o respirador, si es necesario.
- El suministro eléctrico debería efectuarse mediante un dispositivo de corriente residual (RDC) con una corriente activa no superior a 30 mA.
- Si el cable de alimentación se daña, debe llevar la máquina a un centro de servicio autorizado para que lo repare o lo sustituya.
- Mantenga siempre el cable de alimentación ordenado y alejado del área de corte. Además del peligro de electrocución, los cables descuidados provocan caídas y tropezones.
- No corte vides y/o maleza pequeña (menos de 75 mm de diámetro).
- Sujete siempre la motosierra con ambas manos cuando la esté utilizando. Sujétela firmemente con los pulgares y los dedos alrededor de las asas. La mano derecha debe estar en el mango trasero y la mano izquierda en el mango delantero.
- Antes de arrancar la herramienta, asegúrese de que la cadena de la sierra no esté tocando ningún objeto.
- Debe haber un kit de primeros auxilios con vendajes grandes para heridas y un medio para llamar la atención (por ejemplo, un silbato) cerca del operario. Del mismo modo, debe haber un kit más amplio y completo cerca.
- El operario puede estar tentado a quitarse el casco si no hay peligro de caída de objetos en el área de trabajo, pero recuerde que el casco, especialmente si tiene pantalla de rejilla, puede ayudar a reducir la posibilidad de lesiones en el rostro y la cabeza en caso de retroceso.
- Una cadena mal tensada puede saltar fuera de la barra de guía, resultando en lesiones graves o la muerte. La longitud de la cadena depende de la temperatura. Compruebe frecuentemente la tensión.
- Debe familiarizarse con su nueva motosierra haciendo cortes simples en madera con un apoyo seguro. Haga esto cada vez que haya pasado algún tiempo sin utilizar la sierra.
- Para reducir el riesgo de lesiones causadas por el contacto con piezas móviles, detenga siempre el

motor, aplique el freno de cadena, desconectar de la toma de corriente y asegúrese de que todas las partes móviles se hayan detenido completamente antes de:

- limpieza y desobstrucción de bloqueo
- dejar el producto desatendido
- instalar o retirar accesorios
- tareas de comprobación, mantenimiento o reparación de la herramienta
- La extensión de la zona de trabajo depende de la tarea realizada así como del tamaño del árbol o de la pieza en cuestión. Por ejemplo, la tala de un árbol requiere una mayor área de trabajo que la realización de otros cortes, por ejemplo, cortes de división de troncos, etc. El operario tiene que estar atento y tener bajo control todo lo que ocurre en esta área de trabajo.
- No corte con su cuerpo en línea con la barra de guía y la cadena. En caso de retroceso, esto ayudará a evitar que la cadena entre en contacto con su cabeza o su cuerpo.
- No utilice un movimiento de vaivén hacia atrás y hacia delante mientras sierra, deje que la cadena haga el trabajo, mantenga la cadena afilada y no intente empujar la cadena a través del corte.
- No aplique presión sobre la sierra al final del corte. Prepárese para aguantar el peso de la sierra cuando ésta sobrepase la madera. De otro modo, podría sufrir lesiones personales graves.
- No detenga la sierra en medio de una operación de corte. Mantenga la sierra funcionando hasta que ya esté retirada del corte.

### Empuje y arrastre

La reacción es siempre opuesta a la dirección de movimiento de la cadena. Así, el operario debe estar preparado para controlar la tendencia de la máquina a apartarse (movimiento hacia delante) al cortar en el borde inferior de la barra y a empujar (hacia el operario) cuando se corta a lo largo del borde superior.

### Sierra atascada en el corte

Detenga la motosierra y asegúrela.

No intente forzar la cadena y la barra fuera del corte, ya que es probable que se rompa la cadena, pudiendo girar hacia tras y golpear al operario. Normalmente esta situación se debe a que la madera está mal apoyada y fuerza el corte bajo compresión, pellizcando así la hoja. Si la barra y la cadena no se liberan mediante el ajuste del soporte, use cuñas de madera o una palanca para abrir el corte y liberar la sierra. No intente arrancar la motosierra cuando la barra de guía ya esté en un corte o ranura.

### Equipo de protección personal

Los equipos de protección individual de buena calidad, como los utilizados por profesionales, ayudarán a reducir el riesgo de lesiones al operario. Al utilizar su motosierra, debe utilizar los siguientes elementos:

#### Casco de seguridad

- debe cumplir la norma EN 397 y poseer el marcado CE

#### Protección auditiva



- debe cumplir la norma EN 352-1 y poseer el marcado CE

#### Protección ocular y para el rostro

- deben poseer el marcado CE y cumplir la norma EN 166 (para gafas de seguridad) o EN 1731 (para pantallas de rejilla)

#### Guantes

- debe cumplir la norma EN381-7 y poseer el marcado CE

#### Protección para las piernas (pantalones de seguridad)

- deben cumplir la norma EN381-5, poseer el marcado CE y proporcionar una protección completa.

#### Botas de seguridad para la motosierra

- deben cumplir la norma EN ISO 20345:2004 y poseer un marcado que represente una motosierra para demostrar su conformidad con la norma EN 381-3. (Los usuarios ocasionales pueden utilizar botas de seguridad con punta de acero con polainas protectoras, de acuerdo con la norma EN 381-9 si el suelo está nivelado y hay poco riesgo de tropezar o engancharse en la maleza)

#### Chaquetas adecuados para motosierra para protección de la parte superior del cuerpo

- debe cumplir la norma EN 381-11 y poseer el marcado CE

### INSTRUCCIONES RELATIVAS A TÉCNICAS ADECUADAS PARA TALA BÁSICA, CORTE DE RAMAS Y CORTE TRANSVERSAL

#### Comprender las fuerzas dentro de la madera

Cuando se entienden las presiones y tensiones direccionales dentro de la madera, pueden reducirse los "pellizcos" o por lo menos preverlos durante el corte. La tensión en la madera significa que las fibras están siendo separadas y, si se corta en esta área, el corte tenderá a abrirse a medida que la sierra lo atraviesa. Si se está apoyando el tronco sobre un caballete y el extremo queda colgando sin soporte, se crea tensión en la superficie superior debido al peso del tronco que sobresale, estirando las fibras. Del mismo modo, la parte inferior del tronco estará en compresión, por lo que las fibras tienden a unirse. Si se hace un corte en esta zona, el corte de separación tenderá a cerrarse durante el corte. Esto podría pellizcar la hoja de corte.

#### Talar un árbol

Véase la página 239 - 240.

Cuando dos o más personas realizan operaciones de corte y tala al mismo tiempo, la operación tala debería realizarse a una distancia de la operación de corte de al menos dos veces la altura del árbol que se está talando. Los árboles no deberían talarse de forma que puedan poner a alguien en peligro, alcanzar la línea de suministro o causar daños a la propiedad. Si el árbol se pone en contacto con cualquier línea de suministro, las empresas deberían ser notificadas inmediatamente.

El operario de la motosierra debe mantenerse en la parte más elevada del terreno puesto que es probable que el árbol ruede o resbale hacia abajo una vez talado.

Debe planificarse y despejar una vía de escape ya que es necesario antes de iniciar los cortes. La ruta de retirada debe extenderse hacia atrás y en diagonal hacia la parte posterior de la línea de caída prevista.

Antes de empezar la tala, tenga en cuenta la inclinación natural del árbol, la ubicación de las ramas más grandes y la dirección del viento para evaluar cómo caerá el árbol.

Elimine la suciedad, piedras, trozos de corteza suelta, clavos, estribos o cualquier alambre que pueda estar en el árbol.

No intente talar árboles que estén podridos o dañados por el viento, el fuego, relámpagos, etc.

Esta tarea es extremadamente peligrosa y solo debería ser realizada por taladores profesionales.

#### ■ Corte inferior de entalle (muesca)

Véase la página 239 - 240.

Realice la muesca de 1/3 del diámetro del árbol, perpendicular a la dirección de la caída. Realice primero la muesca horizontal inferior. Esto ayudará a evitar que se pellizque la cadena de la sierra o la barra de guía al realizar la segunda muesca.

#### ■ Corte por cara opuesta

Véase la página 239 - 240.

Realice el corte trasero por lo menos 50 mm (2 pulgadas) por encima de la muesca horizontal. Mantenga el corte trasero paralelo al corte de la muesca horizontal. Haga el corte trasero para que haya suficiente madera para que funcione como una bisagra. La bisagra de madera evita que el árbol se retuerza y caiga en la dirección errónea. No corte a través de la bisagra.

A medida que se acerca el corte a la bisagra, el árbol debería comenzar a caer. Si hay alguna posibilidad de que el árbol pueda no caer en la dirección deseada o que pueda balancearse hacia atrás o atascar la cadena de la motosierra, detenga el corte antes de completar el corte trasero y utilice cuñas de madera, plástico o aluminio para abrir el corte y dejar caer el árbol en la línea deseada.

Cuando el árbol empiece a caer, retire la motosierra del corte, detenga el motor, coloque la motosierra en el suelo y, a continuación, use la ruta de retirada planeada. Esté alerta para evitar las ramas que puedan caer y preste atención siempre por donde camine.

#### Eliminación de las raíces fulcreas

Véase la página 240.

Una raíz fulcrea es una raíz grande que sale del tronco del árbol por encima del suelo. Elimine las raíces fulcreas antes de talar el árbol. Primero realice el corte horizontal en la raíz fulcrea, y luego el vertical. Retire de la zona de trabajo la sección suelta de madera que ha cortado. Después de eliminar las raíces fulcreas grandes, siga el procedimiento correcto para talar el árbol.

#### Corte transversal de un tronco

Véase la página 241.

Este aserrado se realiza longitudinalmente. Es importante asegurarse de que el suelo donde se encuentra sea firme y que su peso se distribuya uniformemente en ambos pies. Cuando sea posible el tronco debería ser levantado



y apoyado mediante ramas, troncos o cuñas. Siga estas sencillas instrucciones para realizar un corte fácil: Cuando el tronco esté apoyado en toda su longitud, se corta desde la parte superior (corte desde arriba).

Cuando el tronco esté apoyado en un extremo, corte 1/3 del diámetro a partir de la parte inferior (corte desde abajo). A continuación, realice el corte final cortando desde arriba para encontrar el primer corte.

Cuando el tronco está apoyado en ambos extremos, corte 1/3 del diámetro de la parte superior (overbuck). A continuación, realice el corte final cortando desde arriba 2/3 más abajo para encontrar el primer corte.

Cuando se realice el corte en una pendiente, sitúese siempre en la parte superior del terreno detrás del tronco. Al realizar un corte transversal y para mantener el control completo, libere la presión de corte cerca del extremo del corte sin relajar la fuerza que ejerce sobre las empuñaduras de la herramienta. No deje que la cadena toque el suelo. Después de completar el corte, espere hasta que la cadena se detenga antes de mover la herramienta. Detenga siempre el motor antes de pasar a otro árbol.

### Desramado un árbol

Véase la página 242.

La poda en este contexto se refiere a quitar las ramas de un árbol talado. Al podar, deje que las ramas más grandes apoyen el tronco en el suelo. Quite las ramas pequeñas de un solo corte. Las ramas bajo tensión deben cortarse desde la parte inferior hacia arriba para evitar que se atasque la motosierra.

### Cortar ramas pequeñas

Véase la página 242.

Una rama con acción de resorte es cualquier tronco, rama, tocón con raíz o árbol joven que está curvado con tensión bajo la acción de otra pieza de madera que, cuando se corta o se retira, libera la rama que recupera bruscamente su posición original.

En un árbol caído, es muy probable que un tocón con raíces vuelva de golpe a su posición vertical al realizar el corte de tronzado para separar el tronco del tocón. Tenga mucho cuidado con las ramas con acción de resorte, porque son peligrosas.

### ⚠ ADVERTENCIA

Las ramas con acción de resorte son peligrosas porque pueden golpear al operario haciéndole perder el control de la motosierra. Esto puede causar al operario lesiones graves o incluso fatales. Esta tarea debe ser realizada por usuarios capacitados.

### USO PREVISTO

Este producto sólo está destinado para usar al aire libre. Por razones de seguridad, la herramienta debe controlarse de forma adecuada utilizando las dos manos en todo momento.

Este producto está diseñado para el corte de ramas, troncos, leña y vigas de un diámetro determinado por la longitud de corte de la barra guía. Su uso se limita al corte

de madera. Sólo debe utilizarse en usos domésticos por adultos que hayan recibido una formación adecuada sobre los riesgos y las acciones/medidas preventivas a tener en cuenta durante su utilización.

No utilice el producto para cualquier otro propósito que no sea alguno de los mencionados anteriormente. No debe ser utilizado para servicios profesionales de tala de árboles. El producto no debería ser utilizado por niños o por personas que no lleven ropa o un equipo adecuados de protección personal.

### RIESGOS RESIDUALES:

Incluso cuando use la máquina conforme a lo prescrito, es imposible eliminar completamente determinados factores de riesgo residuales. Los siguientes peligros pueden surgir en el uso y el operador debe prestar especial atención para evitar lo siguiente:

- Lesiones por vibración. Utilice siempre la herramienta adecuada para el trabajo, utilice los mangos pertinentes y limite el tiempo de trabajo y de exposición.
- La exposición al ruido puede causar pérdidas de audición. Use protección para los oídos y limite el tiempo de exposición
- Contacto con los dientes de sierra de la motosierra expuestos (riesgo de cortes).
- Movimiento brusco o retroceso violento e imprevisto de la barra guía (riesgo de cortes).
- Piezas eyectadas por la motosierra (peligro de corte/inyección).
- Piezas proyectadas de la pieza de trabajo (virutas de madera, astillas)
- Inhalación de serrín y partículas.
- Contacto de la piel con el lubricante/aceite.

### REDUCCIÓN DEL RIESGO

Se ha informado de que las vibraciones de las herramientas de mano puede contribuir a una condición llamada síndrome de Raynaud en ciertos individuos. Los síntomas pueden incluir hormigueo, entorpecimiento y decoloración de los dedos, generalmente aparentes cuando tiene lugar una exposición al frío. Se considera que los factores hereditarios, exposición al frío y a la humedad, dieta, tabaquismo y prácticas de trabajo contribuyen al desarrollo de estos síntomas. Existen medidas que pueden ser tomadas por el operador para reducir los efectos de vibración:

- Mantenga su cuerpo caliente durante el tiempo frío. Al manipular la unidad, utilice guantes para mantener las manos y las muñecas calientes. Hay informes que indican que el tiempo frío es un gran factor que contribuye al síndrome de Raynaud.
- Después de cada período de funcionamiento, realice ejercicios para aumentar la circulación sanguínea.
- Haga pausas de trabajo frecuentes. Limite la cantidad de exposición por día.
- Los guantes de protección disponibles en tiendas de motosierras profesionales están diseñados específicamente para el uso de motosierras, ofreciendo protección y buen agarren, reduciendo también el



efecto de la vibración en el mango. Estos guantes deben cumplir la norma EN381-7 y poseer el marcado CE.

Si siente alguno de los síntomas de esta enfermedad, interrumpa inmediatamente el uso y consulte a su médico estos síntomas.

#### **⚠ ADVERTENCIA**

El uso prolongado de una herramienta puede causar o agravar lesiones. Al utilizar cualquier herramienta durante períodos prolongados asegúrese de tomar descansos regulares.

### **CONOZCA SU PRODUCTO**

Véase la página 233.

1. Cadena
2. Espada
3. Protección de la mano delantera/Freno de la cadena
4. Mango delantero
5. Liberador del gatillo
6. Mango trasero
7. Espiga del parachoques
8. Tapón de aceite de la cadena
9. Retenedor de cable
10. Interruptor Marcha
11. Deflector de virutas
12. Botón del deflector de virutas
13. Cubierta de la rueda dentada
14. Anillo de ajuste del tensor de la cadena
15. Perilla de bloqueo de la barra de guía
16. Cubierta de la barra de guía
17. Pasador de la cadena

### **DISPOSITIVOS DE SEGURIDAD**

#### **Cadena de bajo retroceso**

Una motosierra con poco nivel de retroceso ayuda a reducir la posibilidad de retroceso.

Las puntas (limitadores de profundidad) situadas delante de cada cuchilla reducen la fuerza de la reacción de retroceso evitando que las cuchillas se claven con demasiada profundidad en la zona de retroceso. Utilice solamente combinaciones de cadena y barras de guía recomendadas por el fabricante.

Cuando las cadenas se afilan, pierden parte de sus cualidades de bajo retroceso, por lo que se requiere mayor precaución. Por su seguridad, sustituya las cadenas de la sierra cuando disminuya el rendimiento de corte.

#### **Espiga del parachoques**

La espiga integral del parachoques puede usarse como pivote al hacer un corte. Ayuda a mantener el cuerpo de la motosierra estable durante el corte. Al cortar, empuje la herramienta hacia adelante hasta que las púas se claven en el borde de la madera y, a continuación, moviendo el mango trasero arriba o abajo en la dirección de la línea de corte, puede ayudar a aliviar la tensión física de corte

### **Espadas**

Por lo general, el retroceso es menor con una espada con punta de radio reducido. Debe utilizar una barra de guía y una cadena adecuada que sea lo bastante larga para el trabajo. Las barras más largas aumentan el riesgo de pérdida de control durante el aserrado. Compruebe regularmente la tensión de la cadena. Al cortar ramas más pequeñas (con menor longitud que la barra guía), existen más posibilidades de que la cadena sea proyectada si la tensión no es correcta.

### **Freno de la cadena**

El freno de la cadena está diseñado para detener rápidamente la rotación de la cadena. Cuando la palanca del freno/protección de la mano se presiona hacia la espada, la cadena debe detenerse inmediatamente. El freno de la cadena no evita el retroceso. Sólo reduce el riesgo de lesiones en caso de que la barra de la cadena entre en contacto con el cuerpo del operario durante un retroceso. El freno de cadena debe probarse antes de cada para comprobar que funciona correctamente en posición de funcionamiento y de frenado.

### **MONTAJE**

#### **⚠ ADVERTENCIA**

En caso de que se dañe o falte alguna pieza, no utilice este producto hasta que se hayan reemplazado las piezas. No prestar atención a esta advertencia podría resultar en lesiones personales.

### **MONTAJE DE LA CADENA Y LA BARRA DE GUÍA**

Véase la página 234 - 235. Véase la página 244 - 245.

1. Desconecte el aparato de la toma de alimentación. Use guantes de protección
2. Desenrosque la perilla de bloqueo de la barra de guía y retire la rueda dentada.
3. La motosierra debe estar orientada hacia la dirección de rotación de la cadena. Si están orientadas hacia atrás, dé la vuelta a la cadena.
4. Coloque los eslabones de la cadena sobre las ranura de la barra.
5. Coloque la cadena de forma que quede una vuelta en la parte trasera de la espada.
6. Mantenga la cadena en su lugar sobre la barra y enróllela en el piñón. Baje la barra de manera que el perno encaje en el orificio en el conjunto de tensión de la cadena. Puede que tenga que rotar este conjunto para que el perno y el orificio coincidan. También tendrá que rotar el conjunto para aplicar tensión a la cadena que ayudará a mantenerla en su lugar.
7. Sustituya la cubierta de la rueda dentada y gire la perilla de bloqueo de la barra de guía hasta que esté casi totalmente apretada, gire el anillo de ajuste de tensión de la cadena hasta esta tenga la tensión adecuada. A continuación, la barra de guía debe empujarse hacia arriba. Vuelva a revisar la tensión de la cadena. No tense la cadena con demasiada fuerza.
8. Después de que la cadena esté bien tensada, apriete la perilla de nuevo.



## AJUSTE DE LA TENSIÓN DE LA CADENA

Véase la página 235. Véase la página 246.

1. Suelte un poco la perilla de bloqueo de la barra de guía girando en sentido antihorario.
2. Para incrementar la tensión de la cadena, gire el anillo de ajuste del tensionador en sentido de las agujas del reloj y compruebe la tensión de la cadena con frecuencia. Para reducir la tensión de la cadena, gire el anillo de ajuste del tensionador en sentido contrario a las agujas del reloj y compruebe la tensión de la cadena con frecuencia.
3. La tensión de la cadena es correcta cuando el espacio entre la cuchilla de la cadena y la barra mide entre 3 mm y 4 mm.  
Tire de la cadena en el centro de la parte inferior de la barra hacia abajo (alejándola de la barra) y mida la distancia entre la barra y los cortadores de la cadena.
4. Apriete la perilla de bloqueo de la barra de guía girando en sentido horario.

## UTILIZACIÓN

### AÑADA ACEITE LUBRICANTE PARA LA CADENA

Véase la página 246.

#### ⚠ ADVERTENCIA

Nunca trabaje sin lubricante de cadena. Si la motosierra está funcionando sin lubricante, la barra de guía y la motosierra pueden estropearse. Por tanto, es imprescindible comprobar el nivel de aceite en el indicador de nivel de aceite con frecuencia y siempre antes de empezar a utilizar la motosierra.

1. Limpie el área alrededor de la tapa del aceite para prevenir la contaminación.
2. Desatornille y retire la tapa del depósito de aceite.
3. Vierta el aceite en el depósito de aceite y controle el indicador de nivel de aceite. Asegúrese de que no entre suciedad en el depósito de aceite durante la operación de llenado.
4. Coloque la tapa del depósito y apriétela. Limpie cualquier posible derrame.
5. Un depósito lleno de aceite le permitirá usar la sierra durante 20-40 minutos.

### Aceite lubricante para cadenas recomendado

- El fabricante recomienda utilizar únicamente el aceite lubricante de motosierra Ryobi. (Se encuentra disponible en el centro de asistencia autorizado de Ryobi)

### SUJECIÓN DE LA MOTOSIERRA

Véase la página 235.

Tenez toujours la tondeuse avec votre main droite sur la poignée arrière et votre main gauche sur la poignée avant. Sujete las empuñaduras con ambas manos. Asegúrese de que su mano izquierda sostiene el asa frontal y que su pulgar está debajo.

#### ⚠ ADVERTENCIA

Mantenga siempre el cable de alimentación ordenado y alejado del área de corte. Además del peligro de electrocución, los cables descuidados provocan caídas y tropezones.

### ARRANQUE DE LA MOTOSIERRA

Véase la página 235.

1. Conecte el aparato a la toma de alimentación. Asegúrese de que el freno de la cadena esté en posición de ejecución empujando hacia atrás la palanca/protección para manos.
2. Para arrancar la máquina: Pulse del gatillo de liberación y, a continuación, pulse el interruptor de encendido y apagado (On/Off).

### COMPROBACIÓN Y FUNCIONAMIENTO DEL FRENO DE CADENA

1. Accione el freno de cadena girando con la mano izquierda el mango delantero. Usando la palma de la mano, empuje la palanca del freno de cadena/protección manual en dirección a la barra mientras la cadena está girando rápidamente. Asegúrese de mantener ambas manos sobre los mangos de la sierra en todo momento.
2. Vuelva a colocar el freno de cadena en posición de funcionamiento sujetando la parte superior de la palanca del freno de cadena/protección manual y tirando de ella hacia el mango delantero hasta que oiga un clic.

#### ⚠ ADVERTENCIA

Si el freno no detiene la cadena inmediatamente, o si el freno no queda fijo en la posición de funcionamiento por sí mismo, lleve la motosierra a un centro oficial de reparación.

### TRANSPORTE Y ALMACENAMIENTO

Véase la página 248 - 249.

- Pare el aparato, desenchúfelo de la toma de alimentación y deje que se enfríe antes de guardarlo o transportarlo.
- Limpie todo el material extraño que pueda permanecer en el producto. Guarde en una zona seca y bien ventilada, a la que no puedan acceder los niños. Evite el contacto con agentes corrosivos tales como productos químicos de jardinería o sales descongelantes. No almacenar al aire libre.
- Coloque la cubierta de la barra de guía antes de almacenar la unidad o durante el transporte.
- Para el transporte, asegure la máquina para que no se mueva ni se caiga y evitar así lesionar a alguien o dañar la máquina.



## MANTENIMIENTO

### ⚠ ADVERTENCIA

Utilice sólo piezas y accesorios de recambio originales del fabricante. Si no lo hace podría ocurrir un mal funcionamiento, podrían producirse daños o podría quedar anulada la garantía.

### ⚠ ADVERTENCIA

Las reparaciones requieren tener mucho cuidado y conocimiento y sólo debe realizarse por un técnico de servicio calificado. Para obtener servicio, le sugerimos que devuelva el producto al centro de servicio autorizado más cercano para reparación. Al realizar una reparación, sólo use piezas de reemplazo idénticas.

### ⚠ ADVERTENCIA

Desconéctelo de la toma de alimentación antes de realizar cualquier operación de ajuste, mantenimiento o limpieza. Si no lo hace podría haber un riesgo de lesiones graves.

- Usted puede realizar los ajustes y reparaciones descritos en este manual del usuario. Para otro tipo de reparaciones póngase en contacto con un agente de servicios autorizado.
- Las consecuencias de un mantenimiento inadecuado pueden hacer que el freno de cadena y otras características de seguridad no funcionen correctamente, aumentando así la posibilidad de lesiones graves. Mantenga la motosierra con un mantenimiento profesional y segura.
- El afilado de la cadena de manera segura es una tarea especializada. Por tanto, el fabricante recomienda encarecidamente que una cadena opaca o desgastada se sustituya por otra nueva, que se encuentra disponible en el centro de asistencia autorizado de Ryobi. El nombre de la pieza se encuentra disponible en la tabla de especificaciones de producto de este manual.
- Siga las instrucciones para lubricar, ajustar y comprobar la tensión de la cadena.
- Limpiar el producto con un paño suave seco después de cada uso.
- Verifique a intervalos frecuentes si todas las tuercas, pernos y tornillos están apretados apropiadamente para asegurarse de que el producto esté en buenas condiciones de trabajo. Cualquier pieza dañada debe ser sustituida o reparada adecuadamente por un centro de servicio autorizado.

### SUSTITUCIÓN DE LA BARRA DE GUÍA Y DE LA CADENA

Véase la página 244 - 245.

1. Desconecte el aparato de la toma de alimentación. Use guantes de protección.
2. Desenrosque la perilla de bloqueo de la barra de guía

girando en sentido antihorario hasta que la rueda dentada se suelte.

3. Retire la barra y la cadena de la herramienta.
4. Para sustituir la barra, afloje el tornillo del conjunto de tensión de la cadena. Monte el conjunto de tensión de la cadena en la nueva barra y apriete el tornillo.
5. Coloque la nueva cadena en la dirección correcta en la barra y compruebe que las conexiones de transmisión están alineadas con la ranura de la barra.
6. Instale la barra en la motosierra y enrolle la cadena alrededor del piñón motriz.
7. Vuelva a colocar la tapa del piñón, apretando la tapa del piñón y la perilla.
8. Ajuste la tensión de la cadena. Consulte la sección "Ajuste de la tensión de la cadena".

### ⚠ ADVERTENCIA

El afilado inadecuado de la cadena aumenta el riesgo de retroceso.

### ⚠ ADVERTENCIA

Si no se sustituye o se repara a tiempo una cadena dañada, puede ocasionar lesiones graves.

### ⚠ ADVERTENCIA

La cadena está muy afilada. Utilice siempre guantes de protección cuando vaya a realizar alguna actividad de mantenimiento de la cadena.

## INSPECCIONAR Y LIMPIAR EL FRENO DE CADENA

Véase la página 247.

- Mantenga siempre limpio el mecanismo de freno de la cadena cepillando suavemente la conexión para mantenerla libre de suciedad.
- Compruebe siempre el funcionamiento del freno de la cadena tras limpiarlo. Consulte la sección "Funcionamiento – Comprobación y funcionamiento del freno de cadena" del manual para obtener más información.

## PROGRAMA DE MANTENIMIENTO





### Revisión diaria


Daños en el cable de alimentación	Antes de cada uso
Lubricación de la barra	Antes de cada uso
Tensión de la cadena	Antes de cada uso y con frecuencia
Filo de la cadena	Antes de cada uso, inspección visual
Si hay piezas dañadas	Antes de cada uso
Si hay sujetadores sueltos	Antes de cada uso
Funcionamiento del freno de cadena	Antes de cada uso


Inspeccionar y limpiar	
Barra	Antes de cada uso
Sierra completa	Después de cada uso
Freno de la cadena	Cada 5 horas*


\*Horas de funcionamiento

**SÍMBOLOS EN EL PRODUCTO**

-  Advertencia
-  Lea y comprenda todas las instrucciones antes de manipular el producto, respete las advertencias y las instrucciones de seguridad.
-  Utilice elementos de protección ocular y auditiva, y un casco cuando utilice esta máquina.
-  Utilice calzado de seguridad antideslizante cuando utilice este producto.
-  Use guantes de trabajo resistentes, antideslizantes.
-  Retire el enchufe de la corriente inmediatamente antes de realizar cualquier mantenimiento o si el cable está dañado o cortado.
-  Tenga cuidado con el rebote de la sierra y evite el contacto con el extremo de la espada.
-  No la exponga a la lluvia o a lugares húmedos.
-  Sostenga y utilice la motosierra con ambas manos.
-  No utilice la motosierra sosteniéndola con una sola mano.
-  Esta herramienta responde a todas las normas reglamentarias del país de la UE donde se ha comprado.
-  Conformidad con GOST-R
-  Herramienta de tipo II, doble aislamiento
-  Los productos eléctricos de desperdicio no deben desecharse con desperdicios caseros. Por favor recíclelos donde existan dichas instalaciones. Compruebe con su autoridad local o minorista para reciclar.


 El nivel de potencia sonora garantizado es de 108 dB. (RCS1935)


 El nivel de potencia sonora garantizado es de 107 dB. (RCS2340)

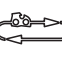
 Lubricante para la barra y cadena

 Nivel mínimo de lubricante

 Cierre

 Desbloquear

 Gire para ajustar la tensión de la cadena  
+/-: Apriete/afloje la cadena

 Dirección de movimiento de la cadena (Marca debajo de la tapa del piñón)

 L max Longitud máxima de la barra de guía

**ICONOS DE ESTE MANUAL**

-  Conectar a la toma de corriente
-  Desconectar de la toma de corriente
-  Las piezas o accesorios se venden por separado
-  Los productos eléctricos de desperdicio no deben desecharse con desperdicios caseros. Por favor recíclelos donde existan dichas instalaciones.
-  OBSERVACIÓN:
-  ADVERTENCIA
-  Use protección ocular y para el rostro.



Use protección para la parte superior del cuerpo.



Use protección para las piernas.



Detenga el aparato.

Los siguientes símbolos y palabras detallan los niveles de cuidado necesarios para usar este producto.

**⚠ PELIGRO**

Indica una situación potencialmente peligrosa que, de no evitarse, puede ocasionar la muerte o heridas de gravedad.

**⚠ ADVERTENCIA**

Indica una situación peligrosa que, de no evitarse, puede ocasionar la muerte o heridas de gravedad.

**⚠ ADVERTENCIA**

Indica una situación potencialmente peligrosa que, de no evitarse, puede ocasionar heridas leves.

**ADVERTENCIA**

Sin símbolo de alerta de seguridad

Indica una situación que puede causar daños en las cosas.



### ⚠ AVVERTENZA

Quando si utilizza questo prodotto, seguire eventuali norme di sicurezza. Per la propria sicurezza e per la sicurezza degli osservatori, leggere queste istruzioni prima di mettere in funzione il prodotto. L'utente deve partecipare a un corso professionale organizzato sulla sicurezza nell'utilizzo, sulle azioni preventive, sul pronto soccorso e la manutenzione delle motoseghe. Conservare le istruzioni per eventuali riferimenti futuri.

### ⚠ AVVERTENZA

Le motoseghe sono utensili potenzialmente pericolosi. Incidenti con motoseghe risultano spesso in perdita di parti del corpo o morte. La motosega non è l'unico pericolo. Anche rami in caduta, alberi tagliati e tronchi rotolanti possono uccidere. Il legno marcio o malato può costituire un ulteriore pericolo. Valutare la propria capacità nel completare il compito in maniera sicura. Nel dubbio, lasciar lavorare un professionista o medico degli alberi.

## AVVERTENZE GENERALI DI SICUREZZA

### ⚠ AVVERTENZA

**Leggere tutte le avvertenze di sicurezza e le istruzioni.** La mancata osservanza di tutte le istruzioni potrà causare scosse elettriche, incendi e/o gravi lesioni personali.

**Conservare le presenti avvertenze ed istruzioni per poterle consultare in seguito.**

Il termine "elettroutensile" nelle avvertenze fa riferimento a un elettroutensile che funziona con una spina (con cavo) o a batterie (senza cavo).

### AMBIENTE DI LAVORO

- **Mantenere l'area di lavoro pulita e ben illuminata.** Aree di lavoro disordinate o non illuminate adeguatamente potranno causare incidenti.
- **Non mettere in funzione gli elettroutensili in atmosfere esplosive, come in presenza di liquidi infiammabili, gas o polvere.** Gli elettroutensili creano scintille che possono causare incendi a contatto con polveri e fumi.
- **Tenere bambini ed eventuali osservatori lontani mentre si mette in funzione l'elettroutensile.** Eventuali distrazioni potranno causare una perdita di controllo.

### SICUREZZA ELETTRICA

- **La spina dell'elettroutensile deve corrispondere alla presa. Non modificare la spina in alcun modo. Non utilizzare spine adattatrici con elettroutensili con messa a terra (presa di terra).** Spine non modificate e prese corrispondenti ridurranno il rischio di scosse elettriche.
- **Evitare il contatto del corpo con superfici con**

**messa a terra come tubi, radiatori, piani cottura e refrigeratori.** Rischio aumentato di scosse elettriche se il corpo viene collegato con messa a terra.

- **Non esporre il prodotto a pioggia o umidità.** Nel caso in cui dell'acqua entrerà nell'elettroutensile il rischio di scosse elettriche aumenterà.
- **Non sottoporre a sforzi il cavo dell'alimentazione. Non trasportare né tirare o scollegare l'elettroutensile dal cavo. Tenere il cavo lontano da calore, olio, angoli appuntiti o parti in movimento.** Cavi danneggiati o intrecciati potranno far aumentare il rischio di scosse elettriche.
- **Quando si mette in funzione un elettroutensile all'esterno, utilizzare una prolunga adatta all'esterno.** Utilizzare un cavo adatto agli esterni per ridurre il rischio di scosse elettriche.
- **Nel caso in cui non si possa fare a meno di mettere in funzione un elettroutensile in un luogo umido, utilizzare un dispositivo di corrente residua (RCD).** Utilizzare un RCD ridurrà il rischio di scosse elettriche.

### SICUREZZA PERSONALE

- **Mantenere sempre l'attenzione e utilizzare buon senso quando si utilizza un elettroutensile. Non utilizzare un elettroutensile se stanchi o sotto l'influenza di droghe, alcool o farmaci.** Un momento di disattenzione durante le operazioni potrà risultare in gravi lesioni personali.
- **Utilizzare equipaggiamento di protezione personale. Indossare sempre occhiali di protezione.** Utilizzare sempre equipaggiamento di protezione come maschere per la polvere, calzature antiscivolo, caschi o cuffie di protezione per ridurre rischi di lesioni alla persona.
- **Prevenire l'avvio accidentale. Assicurarsi che l'interruttore sia sulla posizione off (spento) prima di collegare l'utensile all'alimentazione e/o al gruppo batterie, o prima di afferrare e trasportare l'utensile.** Trasportare elettroutensili tenendo un dito sull'interruttore o con l'elettroutensile acceso potrà causare incidenti.
- **Rimuovere eventuali chiavi o dispositivi di regolazione prima di accendere l'elettroutensile.** Una chiave o un dispositivo di blocco collegato a una parte rotante dell'utensile potrà risultare in gravi lesioni personali.
- **Non protendersi. Rimanere bene in equilibrio sulle gambe e non distendere troppo lontano le braccia.** Ciò permetterà un miglior controllo dell'elettroutensile in situazioni inaspettate.
- **Indossare un abbigliamento adatto. Non utilizzare abiti con parti svolazzanti o gioielli. Tenere capelli, vestiti e guanti lontani dalle parti in movimento.** Abiti con parti svolazzanti, gioielli o capelli lunghi potranno rimanere impigliati nelle parti in movimento.
- **Nel caso in cui vengano forniti dispositivi per l'estrazione e la raccolta della polvere, assicurarsi che gli stessi siano collegati e utilizzati correttamente.** Utilizzare il sacchetto di raccolta della polvere può ridurre rischi collegati alla polvere.

EN  
FR  
DE  
ES  
IT  
NL  
PT  
DA  
SV  
FI  
NO  
RU  
PL  
CS  
HU  
RO  
LV  
LT  
ET  
HR  
SL  
SK  
BG





## UTILIZZO E MANUTENZIONE ELETTROUTENSILI

- **Non forzare il prodotto. Utilizzare l'elettro utensile corretto per il proprio lavoro.** L'elettro utensile corretto svolgerà in maniera migliore e più sicura il lavoro per il quale è stato progettato.
- **Non utilizzare l'elettro utensile se l'interruttore non si accende e spegne.** Un elettro utensile che non può essere controllato dall'interruttore è pericoloso e deve essere riparato.
- **Scollare la presa dall'alimentazione e/o il gruppo batterie dall'elettro utensile prima di svolgere le eventuali regolazioni, cambiare gli accessori o riporre elettro utensili.** Queste misure di sicurezza preventive ridurranno il rischio di avvio dell'elettro utensile.
- **Riporre elettro utensili lontano dalla portata dei bambini e non permettere a persone che non conoscano il funzionamento dell'elettro utensile o queste istruzioni di metterlo in funzione.** Gli elettro utensili possono essere pericolosi se utilizzati da personale non preparato.
- **Svolgere sempre le operazioni di manutenzione sull'elettro utensile. Controllare l'eventuale allineamento scorretto o blocco delle parti in movimento, la rottura di parti e qualsiasi altra condizione che potrà influenzare il funzionamento dell'elettro utensile. In caso di danni far riparare l'elettro utensile prima di utilizzarlo.** Elettro utensili sui quali non sono state svolte le dovute operazioni di manutenzione possono essere causa di incidenti.
- **Mantenere tutti gli utensili affilati e appuntiti.** Utensili per operazioni di taglio con parti taglienti sui quali sono state svolte le corrette operazioni di manutenzione non si bloccheranno e saranno più facili da controllare.
- **Utilizzare l'elettro utensile, i suoi accessori, le punte ecc. assieme a queste istruzioni tenendo conto delle condizioni di lavoro e del lavoro da svolgere.** Utilizzare l'elettro utensile per operazioni diverse da quelle indicate potrà causare situazioni pericolose.

## MANUTENZIONE

- **Far svolgere la manutenzione da personale qualificato utilizzando solo parti di ricambio identiche.** Ciò permette di mantenere la sicurezza dell'elettro utensile.

## AVVERTENZE DI SICUREZZA GENERALI ADDIZIONALI

- Alcune regioni hanno norme che limitano l'utilizzo del prodotto. Rivolgersi alle autorità locali per eventuali consigli.
- Tenere il prodotto lontano dalla portata dei bambini e di persone che non ne conoscono l'uso o le istruzioni di funzionamento. Leggi locali possono limitare l'età dell'operatore.
- Assicurarsi prima di ciascun utilizzo che tutti i comandi e i dispositivi di sicurezza funzionino correttamente. Non utilizzare l'elettro utensile se l'interruttore "off" (spento) non arresta il motore.
- Indossare occhiali e cuffie di protezione, guanti resistenti e un casco di protezione mentre si utilizza il

prodotto, indossare una maschera di protezione per il volto nel caso in cui durante e operazioni di lavoro si prevede di produrre molta polvere.

- Non indossare abbigliamento con parti svolazzanti, pantaloni corti o gioielli di alcun tipo.
- Assicurare i capelli lunghi all'altezza delle spalle per evitare che rimangano impigliati nelle parti in movimento.
- Fare attenzione agli oggetti che potranno essere scagliati dall'utensile, agli oggetti volanti o che cadono. Tenere eventuali osservatori (soprattutto bambini e animali) ad una distanza di almeno 15 m dall'area di lavoro.
- Norme di sicurezza generali non utilizzare questo apparecchio in una zona scarsamente illuminata. L'area di lavoro deve essere pulita per essere in grado di individuare potenziali rischi.
- L'utilizzo di dispositivi di protezione ridurrà la capacità di ascoltare eventuali segnali d'allarme (grida o avvertimenti). L'operatore dovrà prestare attenzione a ciò che accade nella zona di lavoro.
- Mettere in funzione utensili simili troppo vicino al proprio corpo aumenterà il rischio di lesioni all'udito e i rischi potenziali per le persone che entrano nell'area di lavoro.
- Mantenere sempre un appoggio saldo e l'equilibrio. Non protendersi. Protendersi eccessivamente potrà causare una perdita di equilibrio e aumentare il rischio di contraccolpo.
- Tenere tutte le parti del proprio corpo lontane dalle parti in movimento.
- Controllare il prodotto prima dell'uso. Assicurarsi che tutti i controlli compreso il freno della catena funzionino correttamente. Assicurarsi che paralame e manici siano montati accuratamente e correttamente. Sostituire le parti danneggiate prima dell'utilizzo.
- Non modificare l'utensile in alcun modo né utilizzare parti e accessori non raccomandati dalla ditta produttrice.
- Nel caso in cui si debba utilizzare una prolunga, assicurarsi che sia adatta all'utilizzo in esterni e che abbia una capacità di corrente sufficiente per fornire l'utensile, controllare prima di ogni uso per evidenziare danni e srotolare sempre durante l'utilizzo dal momento che i cavi arrotolati possono surriscaldarsi.
- Sovratensioni potrebbero influenzare altri prodotti elettrici collegati alla stessa presa. Collegare il prodotto a una presa dell'alimentazione con una impedenza pari a o inferiore a 0.372Ω - RCS1935, 0.277Ω - RCS2340; un'alimentazione errata può dar luogo a sovratensioni. Contattare il proprio fornitore elettrico per avere maggiori chiarificazioni.

### **⚠ AVVERTENZA**

Se l'utensile cade, viene colpito o inizia a vibrare in modo anormale, arrestarlo immediatamente e controllare eventuali danni identificando la causa delle vibrazioni. Riparare eventuali danni o far sostituire i pezzi da un centro servizi autorizzato.



## AVVERTENZE DI SICUREZZA MOTOSEGA

- **Tenere tutte le parti del corpo lontane dalla motosega quando l'utensile è in funzione.** Prima di avviare la motosega assicurarsi che l'utensile non entri in contatto con alcun altro corpo estraneo. Un momento di disattenzione durante l'utilizzo della motosega potrà far impigliare l'abbigliamento dell'operatore e intrappolare parti del corpo nell'utensile.
- **Reggere sempre la motosega con la mano destra sul manico posteriore e la mano sinistra su quello anteriore.** Reggere la motosega impugnandola in modo diverso da come indicato potrà aumentare il rischio di lesioni personali e non dovrebbe mai essere fatto.
- **Reggere l'elettrotensile solo dall'impugnatura isolata perché la motosega potrà entrare in contatto con i cavi nascosti o con il suo stesso cavo.** Una motosega che tocca un cavo "vivo" potrà esporre le parti "vive" in metallo dell'elettrotensile causando scosse elettriche all'operatore.
- **Indossare occhiali e cuffie di protezione. Si raccomanda di utilizzare ulteriore attrezzatura di protezione per testa, mani, gambe e piedi.** Un adeguato abbigliamento protettivo ridurrà il rischio di lesioni personali causate da eventuali oggetti scagliati o di contatto accidentale con la motosega.
- **Non mettere in funzione la motosega in un albero.** Operazioni con la motosega mentre si è su un albero potranno causare lesioni personali.
- **Mantenere sempre l'equilibrio e mettere in funzione la motosega solo quando si sta in piedi su una superficie fissa, sicura e ben equilibrata.** Superfici scivolose o instabili come le scale potranno causare una perdita di equilibrio o controllo della motosega.
- **Quando si taglia un ramo sotto tensione fare attenzione all'eventuale contraccolpo.** Quando si rilascia la tensione delle fibre del legno, il contraccolpo del ramo potrà colpire l'operatore e/o far perdere allo stesso il controllo della motosega.
- **Fare estrema attenzione quando si tagliano rami e arbusti.** I materiali dallo spessore più esiguo potranno rimanere impigliati nella motosega ed essere scagliati contro l'operatore o far perdere allo stesso l'equilibrio.
- **Trasportare la motosega dal manico anteriore con il dispositivo spento e lontano dal proprio corpo. Installare sempre la copertura della barra di guida quando si trasporta o ripone la motosega.** Una gestione corretta della motosega ridurrà la probabilità di eventuale contatto accidentale con la sega in movimento.
- **Seguire le istruzioni per lubrificare e tensionare la catena o cambiare gli accessori.** Una catena non correttamente tensionata o lubrificata potrà rompersi o aumentare la possibilità di contraccolpi.
- **Mantenere i manici puliti, e rimuovere eventuali tracce di olio e grasso.** Manici coperti di grasso e olio sono scivolosi e possono causare una perdita di controllo.
- **Tagliare solo il legno. Non utilizzare la motosega per scopi non consentiti. Per esempio, non utilizzare**

la motosega per tagliare plastica, materiali edili, o materiali non legnosi. Utilizzare la motosega per operazioni diverse da quelle indicate potrà causare rischi.

### Cause e prevenzione di eventuali rimbalzi:

Può verificarsi un contraccolpo se la punta della barra di guida entra in contatto con un oggetto o se la catena si incastra e si blocca nel legno durante il taglio.

Il contatto con la barra di guida dell'utensile potrà causare una reazione veloce all'indietro facendo spostare la barra di guida verso l'alto e verso l'operatore.

Tirare la catena lungo la parte superiore della barra di guida potrà spingere l'utensile rapidamente verso l'operatore.

Queste reazioni possono causare all'operatore la perdita di controllo della sega, portando a gravi lesioni personali. Non affidarsi soltanto ai dispositivi di sicurezza predisposti sulla sega. L'operatore deve adottare altre misure di sicurezza per garantire che le operazioni di taglio non siano pericolose e non portino a infortuni.

Il contraccolpo è il risultato di un utilizzo scorretto dell'utensile e/o di procedure o condizioni di funzionamento non adeguate e potrà essere evitato prendendo le adeguate precauzioni, come indicato di seguito:

- **Mantenere una presa salda, con i pollici e le dita attorno al manico della motosega e con entrambe le mani sulla motosega, posizionando il corpo e il braccio in modo da resistere alla forza del contraccolpo.** Le forze del contraccolpo non possono essere controllate dall'operatore, se vengono prese adeguate precauzioni. Non lasciar andare la motosega.
- **Non protendersi e non tagliare al di sopra dell'altezza della spalla.** Ciò aiuterà a prevenire il contatto non intenzionale con la punta e garantirà un controllo migliore della motosega in situazioni inaspettate.
- **Utilizzare solo barre e catene di ricambio specificate dalla ditta produttrice.** Sostituzioni non corrette di barre e catene potranno causare rotture e/o contraccolpi.
- **Leggere tutte le istruzioni del produttore in merito all'affilimento della catena e tutte le relative istruzioni di manutenzione.** Diminuire l'altezza della profondità dell'indicatore potrà aumentare il rischio di contraccolpi.

### AVVERTENZE DI SICUREZZA ADDIZIONALI PER LA MOTOSEGA

- Si raccomanda di tagliare tronchi su un cavalletto o un supporto quando si mette in funzione il prodotto per la prima volta.
- Assicurarsi che tutti gli schermi, i manici e i respingenti dentati siano stati correttamente montati e siano in ottime condizioni.
- Gli operatori del presente utensile dovranno essere in buona salute. Questa motosega è un utensile pesante, quindi l'operatore dovrà essere fisicamente preparato. L'operatore dovrà essere attento, avere un'ottima vista, mobilità ed equilibrio oltre a destrezza manuale. Nel dubbio, non mettere in funzione la motosega.

EN  
FR  
DE  
ES

IT

NL

PT

DA

SV

FI

NO

RU

PL

CS

HU

RO

LV

LT

ET

HR

SL

SK

BG



- Non iniziare a utilizzare il prootto senza essersi prima assicurati prima un'area di lavoro pulita, massimo equilibrio e una via di fuga ben chiara da un eventuale albero in caduta.
- Fare attenzione alle emissioni di lubrificante e segatura. Indossare una maschera o un respiratore se necessario.
- La corrente elettrica dovrà essere fornita attraverso un dispositivo di corrente residua (RCD) con una corrente di scatto non superiore a 30 mA.
- Se il cavo dell'alimentazione viene danneggiato, restituire l'utensile a un centro servizi autorizzato per riparazioni o sostituzioni.
- Tenere sempre il cavo dell'alimentazione in ordine e lontano dall'area di taglio. Oltre al pericolo di scosse elettriche, i cavi in disordine potranno causare cadute e inciampi.
- Non tagliare viti e/o piccoli arbusti (con un diametro inferiore a 75 mm).
- Reggere sempre la motosega con entrambe le mani mentre è in funzione. Afferrare energicamente le impugnature della sega avvolgendovi attorno il pollice e le dita. Mettere sempre la mano destra sul manico posteriore e quella sinistra sul manico anteriore.
- Prima di avviare l'utensile, assicurarsi che la motosega non entri in contatto con eventuali oggetti.
- Non modificare l'utensile in alcun modo nè utilizzare prolunghe o dispositivi non raccomandati dalla ditta produttrice della motosega.
- Tenere sempre un kit di pronto soccorso con cerotti e bende grandi e un dispositivo per attirare l'attenzione (come un fischietto) accanto all'operatore. Tenere anche a portata di mano un kit più grande e meglio fornito.
- L'operatore potrà essere tentato di rimuovere il casco nel caso in cui non vi siano rischi di oggetti che cadono nella zona, ma ricordare che il casco e in particolare il casco con lo schermo di protezione, potranno ridurre eventuali rischi di lesioni al volto e alla testa nel caso si verificano contraccolpi.
- Una catena non correttamente tensionata può fuoriuscire dalla barra di guida e potrebbe risultare in gravi lesioni o incidenti. La lunghezza della catena dipende dalla temperatura. Controllare frequentemente la tensione.
- Familiarizzare con la propria motosega facendo tagli semplici su legno saldamente assicurato. Farlo quando la motosega non è stata messa in funzione per qualche tempo.
- Per ridurre il rischio di lesioni associate con il contatto con le parti in movimento, arrestare sempre il motore, applicare il freno della catena, scollegare dalla presa dell'alimentazione e assicurarsi che tutte le parti in movimento si siano arrestate prima di:
  - rimuovere o pulire un eventuale blocco
  - Lasciare il prodotto incustodito
  - Installare o rimuovere gli accessori
  - Svolgere le operazioni di controllo, manutenzione e lavoro sull'utensile
- la dimensione della zona di lavoro dipende dall'operazione da eseguire e dalla dimensione degli alberi o degli elementi coinvolti. Per esempio, tagliare un albero richiede un'area di lavoro più grande di quella di cui si ha bisogno per altri tipi di taglio, come per esempio tagliare un tronco in pezzi più piccoli, ecc.
- L'operatore deve essere attento e mantenere il controllo di tutto ciò che accade nella zona di lavoro.
- Non tagliare con il corpo allineato alla barra di guida e alla catena. In caso di contraccolpi ciò eviterà che la catena entri in contatto con la testa o il corpo dell'operatore.
- Non fare movimenti di taglio in avanti e indietro, lasciare che la catena faccia il suo lavoro, mantenere la catena affilata e non tentare di spingere la catena attraverso il taglio.
- Non esercitare pressione sulla sega al termine del taglio. Essere pronti ad accollarsi il peso della motosega mentre si libera dal legno. La mancata osservanza di queste regole potrà causare gravi lesioni personali.
- Non arrestare la motosega a metà delle operazioni di taglio. Lasciare la motosega in funzione fino a che non venga rimossa dal taglio.

### Spinta e trazione

La forza di reazione è sempre contraria alla direzione di movimento della catena. L'operatore dovrà essere pronto a controllare la tendenza della macchina ad allontanarsi (movimento in avanti) quando si taglia sulla parte inferiore della barra e a spingere indietro (verso l'operatore) quando si taglia lungo l'estremità inferiore.

### Motosega incastrata nel taglio

Arrestare la motosega e fare in modo che sia sicura. Non tentare di forzare la catena e la barra fuori dal taglio dal momento che ciò potrà rompere la catena che potrà rimbalzare e colpire l'operatore. Questa situazione si verifica normalmente se il legno viene sostenuto in maniera scorretta permettendo al taglio di chiudersi a causa della compressione e facendo quindi incastrare la lama. Se regolare il supporto non rilascia la barra e la catena, utilizzare delle zeppe in legno o una leva per aprire il taglio e rilasciare la motosega. Non tentare di avviare la motosega quando la barra di guida è già stata inserita nel taglio o nell'intaccatura.

### Equipaggiamento protettivo personale

Un equipaggiamento protettivo personale di ottima qualità come utilizzato dai professionisti aiuterà a ridurre il rischio di lesioni all'operatore. Le seguenti voci devono essere utilizzate quando si mette in funzione la motosega:

#### Casco di sicurezza

- deve essere conforme allo standard EN 397 ed essere contrassegnato CE

#### Cuffie di protezione

- deve essere conforme allo standard EN 352-1 ed essere contrassegnato CE

#### Protezione occhi e viso

- devono essere contrassegnate con il marchio CE e rispettare lo standard EN 166 (per gli occhiali di sicurezza) o lo standard EN 1731 (per visori con





rete)

#### **Quanti**

- deve essere conforme allo standard EN 381-7 ed essere contrassegnato CE

#### **Protezione gambe (sovrapantaloni)**

- deve essere conforme allo standard EN381-5, ed essere contrassegnata dal marchio CE e fornire una protezione totale.

#### **Stivali di sicurezza motosega**

- devono rispettare lo standard EN ISO 20345:2004 ed essere contrassegnati con uno scudo che indica una motosega per indicare la compatibilità con lo standard EN 381-3. (gli utenti occasionali potranno utilizzare stivali di sicurezza con punta in acciaio con ghette di protezione secondo quanto indicato dallo standard EN 381-9 se il pavimento è ben equilibrato e ci sono ben pochi rischi di inciampare o rimanere impigliati nell'erba)

#### **Giacche anti-infortunistiche per una protezione totale della parte superiore del corpo**

- deve essere conforme allo standard EN 381-11 ed essere contrassegnato CE

### **ISTRUZIONI RIGUARDANTI LE TECNICHE ADATTE PER TAGLI DI BASE, TAGLIO DEI RAMI E TAGLIO INCROCIATO**

#### **Studiare le forze delle fibre del legno**

Quando si comprendono le pressioni direzionali e le forze all'interno del legno, si possono ridurre le probabilità che la lama "si inceppi" nel legno o almeno prevenire che ciò avvenga durante le fasi di taglio. La tensione nel legno indica che le fibre si stanno separando e se si taglia in quest'area l'"intaccatura" o taglio tenderà ad aprirsi quando la sega lo attraverserà. Se un tronco viene sostenuto su un cavalletto e l'estremità dello stesso non viene sostenuta, si creerà tensione sulla superficie superiore a causa delle fibre del tronco sospeso che si allungano. Allo stesso modo la parte interna del tronco si comprimerà e le fibre verranno schiacciate assieme. Se si procede a far un taglio in questa zona l'intaccatura avrà la tendenza di chiudersi durante il taglio. Ciò intrappolerà la lama. .

#### **Tagliare un albero.**

*Vedere pagina 239 - 240.*

Quando le operazioni di taglio e disboscamento vengono svolte da due o più persone allo stesso tempo, le due operazioni dovranno essere separate l'una dall'altra e svolte a una distanza di almeno due volte l'altezza dell'albero che si sta tagliando. Gli alberi non dovranno essere tagliati in modo da mettere in pericolo delle persone, colpire cavi elettrici o causare danni alla proprietà. Se l'albero entra in contatto con una linea elettrica, la compagnia ne dovrà essere immediatamente notificata.

Si consiglia all'operatore di mettersi sul lato a monte del terreno, poiché è più probabile che un albero rotoli o scivoli verso valle una volta abbattuto.

Progettare sempre una via di fuga e tenerla sempre pronta, prima di avviare le operazioni di taglio. La via di fuga deve essere tracciata alle spalle dell'operatore e in maniera diagonale rispetto alla linea di caduta dell'albero.

Prima di avviare le operazioni di taglio, considerare l'inclinazione dell'albero, la posizione dei rami più grandi e la direzione del vento per capire dove cadrà l'albero.

Rimuovere sporco, pietre, pezzi di corteccia, chiodi, fermagli e cavi dall'albero.

Non tentare di tagliare alberi marci o danneggiati da vento, fuoco o fulmini, ecc.

Tali operazioni sono estremamente pericolose e dovranno essere svolte solo da un professionista come un medico degli alberi.

#### ■ Incidere il taglio

*Vedere pagina 239 - 240.*

Fare una incisione di 1/3 del diametro dell'albero, perpendicolare alla direzione della caduta. Fare prima il taglio orizzontale inferiore. Ciò aiuterà ad evitare che la catena o la barra di guida rimangano impigliate quando si fa il secondo taglio.

#### ■ Taglio posteriore di caduta

*Vedere pagina 239 - 240.*

Fare il taglio di caduta a una altezza di almeno 50 mm/2 volte più in alto del taglio di intaccatura. Tenere il taglio di caduta parallelo al taglio orizzontale. Fare il taglio in modo che venga lasciato abbastanza legno e che lo stesso possa agire come cerniera. Il legno della cerniera farà in modo che l'albero non si pieghi su se stesso e cada nella direzione sbagliata.

Non tagliare la cerniera. Man mano che il taglio si avvicina al cardine, l'albero inizierà a cadere. Nel caso in cui vi sia la possibilità che l'albero non cada nella direzione desiderata o che ondeggi avanti e indietro bloccando la catena, arrestare le operazioni di taglio prima che il taglio finale sia completato e utilizzare cunei di legno, plastica o alluminio per aprire il taglio e far cadere l'albero lungo la linea di caduta desiderata.

Quando l'albero inizia a cadere rimuovere la motosega dal taglio, arrestare il motore, mettere giù la motosega, quindi seguire la linea di fuga programmata. Fare attenzione ad eventuali rami sospesi che cadono dall'alto e fare attenzione al proprio equilibrio.

#### **Rimozione dei contrafforti**

*Vedere pagina 240.*

I contrafforti sono protuberanze legnose che si sviluppano nell'angolo tra le radici laterali e la loro inserzione al fusto, interessando la porzione basale del fusto stesso. È necessario rimuovere queste protuberanze prima di abbattere un albero. Praticare prima un taglio orizzontale nel contrafforte, seguito da un taglio verticale. Eliminare queste porzioni dalla zona di lavoro. Dopo aver eliminato tutti gli elementi cadenti, attenersi alla procedura di abbattimento appropriata.

#### **Tagliare un tronco in pezzi più piccoli**

*Vedere pagina 241.*

Questa operazione consiste nel tagliare un tronco in pezzi piccoli Assicurarsi sempre l'equilibrio e che il peso sia distribuito in maniera uguale su entrambi i piedi. Ove possibile, il tronco dovrà essere alzato e supportato utilizzando rami, tronchi o pezzi di legno. Seguire le direzioni semplici per tagliare facili. Quando il tronco è





sostenuto lungo tutta la sua lunghezza, viene tagliato dalla parte superiore (taglio dall'alto).

Quando il tronco viene sostenuto a una estremità, tagliare un diametro di 1/3 dalla parte interna (taglio dal basso). Fare il taglio finale dall'alto per incontrare il primo taglio.

Quando il tronco è sostenuto da entrambe le parti, tagliare un diametro di 1/3 dalla parte superiore (taglio dall'alto). Fare quindi un taglio finale a 2/3 dalla parte inferiore per incontrare il primo taglio.

Quando si svolgono le operazioni di taglio su un piano scosceso, posizionarsi sempre sulla parte più in alto. Quando si passa al "taglio finale", per mantenere il completo controllo rilasciare la pressione di taglio vicino all'estremità di taglio senza rilasciare la presa sulle impugnature della motosega. Non lasciare che la motosega entri in contatto con il terreno. Dopo aver completato il taglio, attendere che la motosega si arresti prima di spostare la motosega. Arrestare sempre il motore prima di spostarsi da un albero all'altro.

### Tagliare rami da un albero abbattuto

Vedere pagina 242.

Tale operazione consiste nel rimuovere rami da un albero abbattuto. Quando si svolgono queste operazioni lasciare i rami inferiori in modo che sostengano il tronco lontano dal terreno. Rimuovere i rami piccoli con un taglio. I rami sotto tensione dovranno essere tagliati dal basso verso l'alto per evitare di bloccare la motosega.

### Tagliare rami pendenti

Vedere pagina 242.

Un astone elastico è un qualsiasi elemento dell'albero (ramo, ceppaia radicata o giovane pertica) piegatosi sotto tensione a causa di altri elementi e che, se il corpo che lo trattiene venisse reciso o rimosso, manifesterebbe un ritorno elastico improvviso.

Una ceppaia radicata ha un grosso potenziale di ritorno elastico alla sua posizione verticale durante l'operazione di sezionamento che separa il fusto dalla ceppaia stessa. Prestare attenzione agli astoni elastici, poiché sono pericolosi.

### ⚠ AVVERTENZA

Gli astoni elastici sono pericolosi e potrebbero colpire l'operatore provocando la perdita di controllo della sega a catena. Le conseguenze possono essere anche letali per l'operatore. Queste operazioni dovranno essere svolte da operatori preparati.

### UTILIZZO RACCOMANDATO

Prodotto indicato solo per l'utilizzo all'esterno. Per ragioni di sicurezza, l'utensile deve essere adeguatamente controllato utilizzando sempre due mani.

Questo utensile è progettato per tagliare rami, fusti, tronchi, e rami di un diametro determinato dalla lunghezza di taglio della barra di guida. Questo utensile è adatto solo a tagliare legname. Il prodotto dovrà essere utilizzato solo per lavori domestici da adulti che abbiano ricevuto le adeguate istruzioni sui rischi e misure/azioni preventive dovranno

essere prese mentre lo si utilizza.

Non utilizzare il prodotto per scopi non indicati sopra. Il prodotto non deve essere utilizzato per lavori professionali di taglio alberi. Il prodotto non dovrà essere utilizzato da bambini o da persone che non indossino un adeguato equipaggiamento anti-infortunistico e abiti di protezione.

### RISCHI RESIDUI:

Anche quando l'utensile è utilizzato come indicato nel manuale, non è completamente impossibile eliminare alcuni fattori di rischio residuo. Si potranno verificare i seguenti rischi durante l'utilizzo e l'operatore dovrà prestare attenzione speciale per evitare quanto segue:

- Lesioni causate da vibrazioni. Utilizzare sempre l'utensile adatto per svolgere il lavoro, utilizzare i manici appositi e limitare le ore di lavoro e l'esposizione.
- L'esposizione al rumore può causare lesioni all'udito. Indossare cuffie di protezione e limitare l'esposizione.
- Contatto con denti esposti della motosega (rischi di taglio).
- Movimenti non previsti e improvvisi o rimbalzi della barra di guida (rischio di taglio).
- Parti che potranno essere scagliate dalla motosega (rischio di taglio/iniezione).
- Parti scagliate dal pezzo sul quale si sta lavorando (schegge e trucioli di legno)
- Inalazione di polvere e particelle di segatura.
- La pelle entra in contatto con il lubrificante/l'olio.

### RIDUZIONE DEL RISCHIO

Si è accertato che le vibrazioni causate da utensili a mano possono contribuire a causare una condizione chiamata Sindrome di Raynaud in alcune persone. I sintomi, comprendenti formicolio, intorpidimento e perdita di colore alle dita, si verificano di solito quando ci si espone al freddo. Fattori ereditari, esposizione a freddo e umidità, una dieta scorretta, fumo e condizioni di lavoro non sicure potranno contribuire allo sviluppo di questi sintomi. È possibile prendere delle precauzioni per ridurre le vibrazioni:

- Tenere il corpo al caldo a basse temperature. Quando si utilizza l'utensile, indossare guanti e tenere le mani e i polsi caldi. Le basse temperature contribuiscono a causare la Sindrome di Raynaud.
- Dopo aver utilizzato l'utensile per un certo periodo, fare degli esercizi per stimolare la circolazione del sangue.
- Fare spesso delle pause. Limitare la quantità di esposizione giornaliera.
- I guanti protettivi disponibili presso negozi professionali per motoseghe sono disegnati specificatamente per l'utilizzo con tali utensili e per garantire protezione, ottima impugnatura e ridurre l'effetto delle vibrazioni del manico. Questi guanti devono rispettare lo standard EN381-7 ed essere contrassegnati con marchio CE.

Nel caso in cui si provino i sintomi di questa condizione, interrompere immediatamente l'utilizzo dell'utensile e consultare un dottore.



## **⚠ AVVERTENZA**

Il prolungato utilizzo dell'utensile potrà causare o aggravare lesioni. Quando si utilizza questo utensile per periodi di tempo prolungati, assicurarsi di fare sempre delle pause regolari.

## **FAMILIARIZZARE CON IL PRODOTTO**

Vedere pagina 233.

1. Catena
2. Barra di guida
3. Protezione mano anteriore/freno catena
4. Manico anteriore
5. Rilascio della leva
6. Manico posteriore
7. Respingente protezione dentate
8. Tappo dell'olio
9. Dispositivo di blocco cavo
10. Pulsante di messa in funzione
11. Deflettore schegge legno
12. Manopola deflettore schegge legno
13. Coperchio ruota dentata
14. Anello di regolazione tensionatore catena
15. Manopola di blocco barra di guida
16. Coperchio barra di guida
17. Recuperatore della catena

## **DISPOSITIVI DI SICUREZZA**

### **Catena a contraccolpo basso**

Una catena a basso contraccolpo aiuta a ridurre la possibilità di contraccolpi.

I limitatori di spessore posti davanti a ciascun dente tagliente possono ridurre al minimo la forza prodotta da una reazione di contraccolpo, impedendo ai denti di penetrare in profondità una volta raggiunta la zona di contraccolpo. Utilizzare solo combinazioni di barra di guida e catena di ricambio raccomandati dalla ditta produttrice.

L'affilamento delle catene attenua via via le caratteristiche di contraccolpo basso e pertanto vanno trattate con maggiore cautela. Per la propria sicurezza, sostituire la catena della motosega quando le prestazioni di taglio diminuiscono.

### **Respingente protezione dentate**

Il respingente protezione dentata integrale può essere utilizzato come sostegno quando si svolgono delle operazioni di taglio. Aiuta a mantenere il corpo della motosega fermo durante le operazioni di taglio. Durante le operazioni di taglio, spingere l'utensile in avanti fino a che le punte non entrino dentro il legno, quindi muovendo il manico posteriore su o giù nella direzione della linea di taglio si allenterà lo sforzo fisico del taglio.

### **Barre di guida**

In linea di massima le barre di guida aventi punte dal diametro piccolo presentano un certo potenziale di contraccolpo basso. Si dovrà utilizzare una barra di guida e una catena compatibile che sia abbastanza lunga per il lavoro. Le barre più lunghe aumentano il rischio di perdita di controllo durante le operazioni di taglio. Controllare

regolarmente la tensione della catena. Quando si tagliano rami più piccoli (di lunghezza inferiore alla lunghezza della barra di guida) è più probabile che la catena venga spostata se la tensione non è corretta.

### **Freno della catena**

Il freno della catena è stato studiato per un arresto brusco della catena. Quando si spinge la leva del freno verso la barra, la catena dovrebbe arrestarsi immediatamente. Il freno della catena non impedisce il contraccolpo. Diminuisce solo il rischio di lesioni se la barra entra in contatto con il corpo dell'operatore durante un incidente di contraccolpo. Il freno della catena dovrà essere testato prima di ogni utilizzo per un corretto funzionamento nelle posizioni di avvio e freno.

## **MONTAGGIO**

### **⚠ AVVERTENZA**

Nel caso in cui un componente manchi o sia danneggiato, non tentare di utilizzare l'apparecchio prima di averlo sostituito. La mancata osservanza di queste avvertenze potrà causare gravi lesioni personali.

### **MONTAGGIO CATENA E BARRA DI GUIDA**

Vedere pagina 234 - 235. Vedere pagina 244 - 245.

1. Scollegare il prodotto dall'alimentazione. Indossare guanti di protezione
2. Svitare la manopola di blocco barra guida e rimuovere il coperchio della ruota dentata.
3. La catena della sega dovrebbe essere rivolta nella direzione della ruotazione catena. Se sono rivolti in direzione opposta, rovesciare il cerchio.
4. Posizionare i collegamenti di trasmissione della catena nel solco della barra.
5. Posizionare la catena in modo da formare un cerchio sulla parte posteriore della barra.
6. Reggere la catena in posizione sulla barra e posizionare l'anello attorno alla ruota dentata di trazione. Abbassare la barra in modo che il bullone entri nel foro del gruppo tensionamento catena collegato. Si potrà dover ruotare questo gruppo in modo che il bullone e il foro rimangano allineati. Si potrà dover ruotare di nuovo il gruppo per applicare tensione alla catena per mantenerla al suo posto.
7. Sostituire il coperchio della ruota dentata e girare la manopola di blocco della barra di guida fino a che non sia completamente serrata, girare l'anello di regolazione tensionamento catena fino a che la catena non sia correttamente tensionata. La barra di guida deve essere spinta verso l'alto. Controllare di nuovo la tensione. Non tensionare troppo la catena.
8. Dopo aver tensionato correttamente la catena, serrare di nuovo la manopola.

### **REGOLAZIONE DELLA TENSIONE DELLA CATENA**

Vedere pagina 235. Vedere pagina 246.

1. Allentare la manopola di blocco della barra di guida leggermente girandola in senso anti-orario.
2. Per aumentare la tensione della catena, girare l'anello

EN  
FR  
DE  
ES  
IT  
NL  
PT  
DA  
SV  
FI  
NO  
RU  
PL  
CS  
HU  
RO  
LV  
LT  
ET  
HR  
SL  
SK  
BG



di regolazione tensionatore catena in senso orario e controllare frequentemente la tensione della catena. Per ridurre la tensione della catena, girare l'anello di regolazione tensionatore catena in senso anti-orario e controllare la tensione della catena frequentemente.

3. La tensione della catena è corretta quando lo spazio tra la lama nella catena e la barra è tra i 3 mm e i 4 mm. Estrarre la catena nel centro del lato inferiore della barra rivolta verso il basso (lontano dalla barra) e misurare la distanza tra la barra e i dispositivi di taglio della catena.
4. Serrare la manopola di blocco della barra di guida girandola in senso orario.

## UTILIZZO

### AGGIUNGERE OLIO LUBRIFICANTE PER CATENE

Vedere pagina 246.

#### **⚠ AVVERTENZA**

Non lavorare mai senza lubrificante sulla catena. Se la catena della sega gira senza lubrificante, la barra di guida e la catena della sega potranno essere danneggiate. E' essenziale controllare l'indicatore del livello dell'olio frequentemente ogni volta prima di iniziare ad utilizzare la motosega.

1. Pulire attorno al tappo dell'olio per prevenire eventuale contaminazione.
2. Svitare e rimuovere il tappo dal serbatoio dell'olio.
3. Versare l'olio nel serbatoio e monitorare l'indicatore livello dell'olio. Assicurarsi che non entri sporco nel serbatoio dell'olio mentre si riempie lo stesso di olio.
4. Rimettere il tappo dell'olio e serrare. Rimuovere eventuali tracce di olio versato.
5. Un serbatoio pieno di olio permetterà di utilizzare la motosega per 20- 40 minuti.

#### Olio lubrificante per catene raccomandato

- La ditta produttrice raccomanda di utilizzare solo olio lubrificante per motoseghe Ryobi. (Disponibile dal proprio centro servizi autorizzato Ryobi.)

### REGGERE LA MOTOSEGA

Vedere pagina 235.

Reggere sempre la motosega con la mano destra sul manico posteriore e la mano sinistra su quello anteriore. Afferrare entrambi i manici con i pollici e le dita attorno ai manici. Assicurarsi che la mano sinistra regga il manico anteriore in modo che il pollice sia nella parte sottostante.

#### **⚠ AVVERTENZA**

Tenere sempre il cavo dell'alimentazione in ordine e lontano dall'area di taglio. Oltre al pericolo di scosse elettriche, i cavi in disordine potranno causare cadute e inciampi.

### AVVIO DELLA MOTOSEGA

Vedere pagina 235.

1. Collegare il prodotto all'alimentazione. Assicurarsi che il freno della catena sia nella posizione di funzionamento tirando indietro la leva/il paramani.
2. Per avviare la macchina: Premere il dispositivo di rilascio grilletto, e quindi premere il grilletto Acceso/ Spento.

### CONTROLLO MESSA IN FUNZIONE DEL FRENO CATENA

1. Inserire il freno della catena ruotandolo con la mano sinistra attorno al manico anteriore. Con il retro della mano, spingere la leva del freno della catena/lo schermo di protezione mani verso la barra mentre la catena ruota rapidamente. Assicurarsi di mantenere entrambe le mani sui manici della motosega in qualsiasi momento.
2. Riportare il freno della catena nella posizione di Avvio afferrando la parte superiore della leva del freno catena/ schermo mani e spingerla verso il manico anteriore fino a che non si senta uno scatto.

#### **⚠ AVVERTENZA**

Se il freno della catena non blocca la catena immediatamente, o se non rimane bloccato nella posizione di funzionamento automaticamente senza che l'operatore lo regga in questa posizione, far controllare la sega da un centro assistenza autorizzato prima di utilizzare l'utensile.

## TRASPORTO E RIPONIMENTO

Vedere pagina 248 - 249.

- Arrestare il prodotto, scollegare dall'alimentazione e lasciarlo raffreddare prima di riporlo o trasportarlo.
- Rimuovere eventuali materiali di scarto dal prodotto. Riporre in un luogo asciutto e ben ventilato non accessibile ai bambini, tenerlo a distanza da agenti corrosivi, come le sostanze chimiche per il giardinaggio e il fondente chimico. Non riporre all'esterno.
- Montare il coperchio della barra di guida prima di riporre l'unità o durante le fasi di trasporto.
- Per il trasporto, assicurare l'utensile contro il movimento e la caduta per prevenire lesioni a persone o danni alla macchina.

## MANUTENZIONE

#### **⚠ AVVERTENZA**

Utilizzare solo parti di ricambio, accessori e dispositivi originali della ditta produttrice. In caso contrario si potranno causare lesioni, prestazioni basse e la garanzia verrà invalidata.

#### **⚠ AVVERTENZA**

Le operazioni di manutenzione devono essere svolte con grande attenzione e accortezza solo da un tecnico qualificato. Si consiglia di riportare l'utensile al più vicino centro assistenza autorizzato per farlo riparare. Quando l'attrezzo viene riparato, utilizzare solo ricambi identici.



### AVVERTENZA

Scollegare dall'alimentazione elettrica prima di svolgere le operazioni di regolazione, manutenzione o pulizia. La mancata osservanza di queste norme potrà causare gravi lesioni alla persona.

- L'operatore potrà fare le regolazioni e riparazioni descritte nel presente manuale. Per ulteriori riparazioni, contattare il centro servizi autorizzato.
- Le conseguenze di una manutenzione scorretta potranno impedire al freno della catena e ad altre funzioni di sicurezza di funzionare correttamente, aumentando la probabilità di lesioni gravi. Svolgere sempre le operazioni di manutenzione in maniera professionale e fare in modo che l'utensile sia sempre sicuro.
- Affilare la catena in modo sicuro è un compito che richiede attenzione e professionalità. A questo proposito la ditta produttrice raccomanda che una catena consumata o rovinata venga sostituita con una nuova catena, disponibile presso il centro servizi autorizzato Ryobi. Il numero della parte è disponibile nella tabella specifiche prodotto nel presente manuale.
- Seguire le istruzioni per lubrificare, controllare e regolare il tensionamento catena.
- Dopo ogni uso, pulire il prodotto con un panno morbido e asciutto.
- Controllare frequentemente dadi, bulloni e viti, verificando che siano stati assicurati correttamente per fare in modo che il prodotto garantisca condizioni di lavoro ottimali. Riparare eventuali parti danneggiate o farle sostituire da un centro servizi autorizzato.

### SOSTITUIRE LA BARRA DI GUIDA E LA CATENA

Vedere pagina 244 - 245.

1. Scollegare il prodotto dall'alimentazione. Indossare guanti di protezione.
2. Svitare la manopola di blocco della barra di guida girandola in senso anti-orario fino a che il coperchio della ruota dentata non si allenti.
3. Rimuovere il coperchio della ruota dentata. Rimuovere la barra e la motosega dall'unità.
4. Per sostituire la barra con una nuova, allentare la vite del gruppo di tensionamento catena. Montare il gruppo di tensionamento catena sulla nuova barra e serrare la vite.
5. Mettere la nuova catena nella direzione corretta sulla barra e assicurarsi che i connettori della trazione siano allineati con il solco sulla barra.
6. Montare la barra sulla motosega e collegare la catena attorno alla ruota dentata della trazione.
7. Risposizionare il coperchio della ruota dentata, serrare il coperchio e la manopola.
8. Regolare la tensione della catena. Far riferimento alla sezione "Regolare la tensione della catena".

### AVVERTENZA

Se la catena non è affilata correttamente, si aumenta il potenziale di contraccolpo.

### AVVERTENZA

La mancata sostituzione o riparazione di una catena danneggiata può causare lesioni gravi.

### AVVERTENZA

La catena è affilata. Indossare sempre un paio di guanti per eseguire interventi di manutenzione sulla catena.

### ISPEZIONARE E PULIRE IL FRENO DELLA CATENA

Vedere pagina 247.

- Tenere sempre il meccanismo del freno della catena pulito mantenendo gli anelli della catena puliti.
- Testare sempre le prestazioni del freno della catena dopo le operazioni di pulizia. Per ulteriori informazioni, consultare la precedente sezione "Funzionamento – Controllo messa in funzione del freno catena" in questo manuale.

### PROGRAMMA DI MANUTENZIONE

Controllo quotidiano	
Cavo alimentazione per danni	Prima di ogni utilizzo
Lubrificazione barra	Prima di ogni utilizzo
Tensione catena	Prima di ogni utilizzo e frequentemente
Affilatura catena	Prima di ogni utilizzo, fare un controllo.
Parti danneggiate	Prima di ogni utilizzo
Coperchi allentati	Prima di ogni utilizzo
Funzione freno catena	Prima di ogni utilizzo
Ispezionare e pulire	
Barra	Prima di ogni utilizzo
Sega completa	Dopo ogni utilizzo
Freno della catena	Ogni 5 ore*

\*Ore di funzionamento

### SIMBOLI SUL PRODOTTO



Avvertenza



Leggere e comprendere tutte le istruzioni prima di mettere in funzione il prodotto, seguire tutte le istruzioni e le avvertenze di sicurezza.



Durante l'uso dell'apparecchio, indossare protezioni oculari e uditive ed un casco.



Indossare calzature anti-scivolo con questo prodotto.



Indossare guanti anti-scivolo da lavoro.



Rimuovere la spina immediatamente prima delle operazioni di manutenzione o se il cavo è tagliato o danneggiato.



Fare attenzione al rimbalzo della motosega ed evitare il contatto con la punta della barra.



Non esporre a pioggia o umidità.



Tenere ed utilizzare la motosega con entrambe le mani.



Non utilizzare la motosega tenendola con una sola mano.



Questo apparecchio è conforme a tutte le norme vigenti nel paese dell'UE in cui è stato acquistato.



Conformità GOST-R



Utensile di Classe II, isolamento doppio



I prodotti elettrici non devono essere smaltiti con i rifiuti domestici. Vi sono strutture per smaltire tali prodotti. Informarsi presso il proprio Comune o rivenditore di sicurezza per smaltire adeguatamente tali rifiuti.



Il livello garantito di potenza sonora è di 108 dB. (RCS1935)



Il livello garantito di potenza sonora è di 107 dB. (RCS2340)



Lubrificazione barra e catena



Blocco



Sblocco



Ruotare per regolare la tensione della catena

+/-: Serrare/allentare la catena

Direzione movimento della catena

(Indicata sotto il coperchio della ruota dentata)



L max

Lunghezza massima barra di guida

## ICONE IN QUESTO MANUALE



Collegare alla presa dell'alimentazione



Scollegare dalla presa dell'alimentazione



Parti o accessori venduti separatamente



I prodotti elettrici non devono essere smaltiti con i rifiuti domestici. Vi sono strutture per smaltire tali prodotti.



NOTA:



AVVERTENZA



Indossare maschere protettive per il volto e gli occhi.



Indossare protezioni per la parte superiore del corpo.



Indossare protezioni per le gambe.



Arrestare il prodotto.

I seguenti simboli indicano i livelli di rischio associati a questo prodotto.

### PERICOLO

Indica una situazione pericolosa che, se non evitata attentamente, potrà causare gravi lesioni alla persona o morte.

### AVVERTENZA

Indica una situazione potenzialmente pericolosa che, se non evitata attentamente, potrà causare gravi lesioni alla persona o morte

### ATTENZIONE

Indica una situazione potenzialmente pericolosa che, se non evitata attentamente, potrà causare lesioni minori o moderate alla persona.

### ATTENZIONE

Senza simbolo di allerta di sicurezza

Indica una situazione che potrà risultare in gravi danni a cose.



### **⚠ WAARSCHUWING**

Wanneer u het product gebruikt, moeten de veiligheidsregels worden opgevolgd. Voor uw eigen veiligheid en deze van omstanders, dient u deze instructies te lezen voor u het product gebruikt. U volgt best een professioneel georganiseerde veiligheidskursus inzake het gebruik, preventieve acties, eerste hulp en onderhoud van kettingzagen. Bewaar de instructies voor later gebruik.

### **⚠ WAARSCHUWING**

Kettingzagen zijn potentieel gevaarlijke werktuigen. Ongevallen met kettingzagen leiden vaak tot het verlies van ledematen of de dood. Niet enkel de kettingzaag is een gevaar. Valende takken, omvallende bomen, rollende boomstammen kunnen allemaal de dood veroorzaken. Zieke of rottende bomen vormen een bijkomend gevaar. U moet altijd verzekeren dat u in staat bent om de opdracht veilig te vervullen. Bij twijfel laat u het over aan een professionele boomchirurg.

## **ALGEMENE VEILIGHEIDSWAARSCHUWINGEN**

### **⚠ WAARSCHUWING**

**Lees alle veiligheidswaarschuwingen en instructies.** Wanneer niet de waarschuwingen en instructies niet opvolgt, kan dit leiden tot elektrische schok en/of ernstig letsel.

**Bewaar deze waarschuwingen en voorschriften zorgvuldig om ze ook later te kunnen inzien.**

De term "elektrisch gereedschap" in de waarschuwingen verwijst naar gereedschap dat met de stroomtoevoer is verbonden (met snoer) of accu-aangedreven (snoerloos) gereedschap.

### **WERKOMGEVING**

- **Houd de werkplek schoon en goed verlicht.** Vervuilde of donkere plekken nodigen uit tot ongevallen.
- **Gebruik elektrische werktuigen niet in explosieve omgevingen, zoals in de aanwezigheid van ontvlambare vloeistoffen, gassen of stof.** Elektrisch gereedschap kan vonken veroorzaken die het stof of de gassen kunnen ontsteken.
- **Houd kinderen en omstanders weg terwijl u elektrisch gereedschap gebruikt.** Wanneer u wordt afgeleid, kunt u de controle verliezen.

### **ELEKTRISCHE VEILIGHEID**

- **Stekkers van elektrisch gereedschap moeten overeenkomen met de contactdoos. Wijzig de stekker nooit. Gebruik geen adapters met geaarde elektrische werktuigen.** Niet-gewijzigde stekkers en overeenkomstige contactdozen zullen het risico op elektrische schok verminderen.
- **Vermijd lichaamscontact met een geaard oppervlak, zoals buizen, radiatoren, kookfornuizen**

**en koelkasten.** Er bestaat een verhoogd risico voor elektrische schokken als uw lichaam is geaard.

- **Stel dit product niet bloot aan regen of natte omstandigheden.** Water dat een elektrisch werktuig binnendringt, verhoogt het risico op elektrische schokken.
- **Misbruik het snoer niet. Gebruik het snoer nooit om het elektrisch werktuig te dragen, eraan te trekken of het uit de contactdoos te trekken.** Houd het snoer weg van hitte, olie, scherpe randen of bewegende onderdelen. Beschadigde of verstrikte snoeren verhogen het risico op elektrische schokken.
- **Gebruik een verlengsnoer geschikt voor buitenshuis gebruik wanneer u een elektrisch werktuig buitenshuis gebruikt.** Het gebruik van een snoer dat geschikt is voor buitenshuis gebruik, vermindert het risico op elektrische schokken.
- **Als het gebruik van een elektrisch werktuig op een vochtige plaats onvermijdelijk is, gebruikt u een contactdoos die beschermd is door een aardlekschakelaar.** Het gebruik van een aardlekschakelaar vermindert het risico op elektrische schokken.

### **PERSOONLIJKE VEILIGHEID**

- **Blijf alert, kijk naar wat u doet en gebruik uw gezond verstand wanneer u elektrisch gereedschap gebruikt.** Gebruik een elektrisch werktuig niet wanneer u moe of onder de invloed van drugs, alcohol of medicijnen bent. Een ogenblik van onoplettendheid terwijl u elektrisch gereedschap gebruikt, kan leiden tot ernstige verwondingen.
- **Gebruik een persoonlijke beschermuitrusting. Draag altijd gehoorbescherming.** Beschermonderdelen, zoals een stofmasker, antislipschoeisel, helm of gehoorbescherming dat op een geschikte manier wordt gebruikt, zal het risico op verwondingen verlagen.
- **Ongewenst starten voorkomen. Zorg ervoor dat de schakelaar zich in de uit-stand bevindt voor u de machine met een stroombron en/of accupack verbindt, de machine opheft of draagt.** Wanneer u elektrisch gereedschap draagt met de vinger op de schakelaar of wanneer het gereedschap met de stroombron is verbonden, kan dit leiden tot ongevallen.
- **Verwijder alle afstelsleutels voor u het elektrisch werktuig inschakelt.** Een sleutel die op een draaiend onderdeel van het elektrisch gereedschap werd achtergelaten, kan leiden tot verwondingen.
- **Overrek u niet. Ga altijd stevig op uw benen staan en reik niet te ver weg met uw arm.** Dit maakt een betere controle van het werktuig in onverwachte omstandigheden mogelijk.
- **Draag geen wijde kleding, dassen of sieraden die klem kunnen raken en u naar de bewegende delen toe kunnen trekken. Draag geen losse kledij of juwelen. Houd uw haar, kledij en handschoenen weg van de bewegende onderdelen.** Losse kledij, juwelen of lang haar kan in bewegende onderdelen verstrikt raken.
- **Als er apparaten worden geleverd voor de verbinding met een stofextractie en verzamefaciliteiten, zorgt**

EN  
FR  
DE  
ES  
IT  
NL  
PT  
DA  
SV  
FI  
NO  
RU  
PL  
CS  
HU  
RO  
LV  
LT  
ET  
HR  
SL  
SK  
BG



u ervoor dat deze zijn verbonden en goed worden gebruikt. Het gebruik van een stofverzamelaar vermindert stof-gerelateerde gevaren.

## GEbruIK VAN EN ZORG VOOR UW ELEKTRISCH GE-REEDSCHAP

- **Forceer het product niet. Gebruik het correcte werktuig voor uw toepassing.** Het juiste werktuig zal de taak beter en veiliger uitvoeren aan het tempo waarvoor het werd ontworpen.
- **Gebruik het elektrisch werktuig niet als de schakelaar het niet kan in- of uitschakelen.** Een elektrisch werktuig dat niet met behulp van de schakelaar kan worden bediend, is gevaarlijk en moet worden gerepareerd.
- **Trek de stekker uit de contactdoos en/of ontkoppel het accupack van het gereedschap voor u de machine afstelt, accessoires wisselt of het werktuig opbergt.** Zulke preventieve veiligheidsmaatregelen kunnen het risico op ongewenst starten van de machine verminderen.
- **Bewaar ongebruikt elektrisch gereedschap buiten het bereik van kinderen en niet-opgeleide personen die het gereedschap of deze gebruiksaanwijzingen niet kennen.** Elektrisch gereedschap is gevaarlijk in de handen van niet-opgeleide gebruikers.
- **Onderhoud elektrisch gereedschap. Controleer op verkeerde aflijning of verstrikt raken van bewegende delen, defecten van onderdelen en alle andere situaties die de werking van het werktuig kunnen beïnvloeden. Indien beschadigd, laat u het elektrisch gereedschap repareren voor gebruik.** Veel ongevallen worden veroorzaakt door slecht onderhouden elektrische werktuigen.
- **Houd de zaagwerktuigen scherp en schoon.** Correct onderhouden zaagwerktuigen met scherpe randen zijn minder geneigd om verstrikt te raken en kunnen makkelijker worden bestuurd.
- **Gebruik het werktuig, de accessoires en werktuigonderdelen, etc. in overeenstemming met deze instructies en houd rekening met de bedrijfsomstandigheden en het uit te voeren werk.** Het gebruik van een elektrisch werktuig voor zaken die niet in het voorgeschreven gebruik zijn beschreven, kan leiden tot gevaarlijke situaties.

## ONDERHOUD

- **Laat uw elektrisch gereedschap onderhouden door een gekwalificeerd onderhoudspersoon en gebruik hierbij uitsluitend identieke vervagonderdelen.** Dit zal ervoor zorgen dat de veiligheid van het werktuig wordt behouden.

## BIJKOMENDE VEILIGHEIDSWAARSCHUWINGEN

- Enkele regio's hebben regels die het gebruik van het product beperken. Raadpleeg uw lokale autoriteit voor advies.
- Laat kinderen of mensen die niet vertrouwd zijn met de gebruiksaanwijzingen, het product nooit gebruiken. De plaatselijke wetgeving kan beperkingen opleggen i.v.m.

de leeftijd van de bediener.

- Controleer voor elk gebruik of alle bedieningsknoppen en veiligheidsinrichtingen goed functioneren. Gebruik het gereedschap niet als de "uit"-schakelaar de motor niet stillegt.
- Draag een volledige gezichts- en gehoorbescherming, stevige veiligheidshandschoenen en hoofdbescherming terwijl u het product gebruikt; gebruik een gezichtsmasker als het werken veel stof veroorzaakt.
- Draag geen loszittende kledij, korte broek of juwelen.
- Maak lang haar vast zodat het zich boven schouderlengte bevindt om te voorkomen dat het in een bewegend deel verstrikt raakt.
- Pas op voor weggeslingerde, rondvliegende of vallende voorwerpen. Houd alle omstanders (in het bijzonder kinderen en huisdieren) op tenminste 15m afstand van het werkgebied.
- Gebruik dit apparaat niet op plekken waar u niet goed kunt zien. De gebruiker heeft een duidelijk overzicht nodig van het werkgebied om mogelijke gevaren te identificeren.
- Het gebruik van gehoorbescherming vermindert de mogelijkheid om waarschuwingen (verbaal of alarmeren) te horen. De gebruiker moet extra aandacht hebben voor wat er op de werkplaats gebeurt.
- Het gebruik van gelijksoortige apparaten in de nabijheid verhoogt het risico van letsel en de mogelijkheid dat er andere mensen in uw werkgebied komen.
- Bewaar steeds een stevige houvast en goed evenwicht. Overrek u niet. Overreiken kan leiden tot evenwichtsverlies en dit kan het risico op terugslag verhogen.
- Houd alle lichaamsdelen weg van de bewegende delen.
- Inspecteer het product voor gebruik. Controleer of alle bedieninstrumenten correct werken, met inbegrip van de kettingrem. Controleer op losse binders. Zorg ervoor dat alle beschermers en handvatten goed en veilig zijn vastgemaakt. Vervang alle beschadigde onderdelen voor gebruik.
- Het apparaat op geen enkele wijze aanpassen of reserveonderdelen gebruiken die niet worden aanbevolen door de fabrikant.
- Als u een verlengsnoer dient te gebruiken, zorg er dan voor dat het geschikt is voor buitenshuis gebruik en over voldoende stroomvermogen beschikt om uw werktuig van stroom te voorzien. Controleer voor elk gebruik op schade en ontról altijd tijdens gebruik aangezien opgerolde kabels kunnen oververhitten.
- Een stroomstoot veroorzaakt stroomschommelingen die andere elektrische producten op dezelfde stroomtoevoer kunnen beïnvloeden. Verbind het product met een stroombron waarvan de impedantie gelijk of lager is dan 0.372Ω - RCS1935, 0.277Ω - RCS2340 om stroomschommelingen tot een minimum te herleiden. Neem contact op met uw energieleverancier voor meer informatie.



## ⚠ WAARSCHUWING

Als het apparaat is gevallen, flink wordt gestoten of abnormaal begint te trillen, de machine direct uitschakelen en op schade controleren of de oorzaak van het trillen opsporen. Enige schade moet direct worden gerepareerd of vervangen door een bevoegd onderhoudscentrum.

EN  
FR  
DE  
ES  
IT  
NL

PT  
DA  
SV  
FI  
NO  
RU  
PL  
CS  
HU  
RO  
LV  
LT  
ET  
HR  
SL  
SK  
BG

## VEILIGHEIDSWAARSCHUWINGEN KETTINGZAAG

- **Houd alle lichaamsdelen weg van de zaagketting terwijl de kettingzaag werkt. Voor u de kettingzaag start, zorgt u ervoor dat de zaagketting met niets in contact komt.** Een korte onoplettendheid tijdens het werken met een kettingzaag kan ertoe leiden dat uw kledij of lichaam met de kettingzaag verstrikt raakt.
- **Houd de kettingzaag altijd vast met de rechterhand op het achterste handvat en de linkerhand op het voorste handvat.** Als u de kettingzaag in een omgekeerde configuratie vasthoudt, wordt het risico op lichamelijke letsels groter.
- **Houd het gereedschap alleen aan de geïsoleerde handvatten vast omdat de kettingzaag in contact kan komen met verborgen kabels of het eigen stroomsnoer.** Zaagkettingen die in contact komen met een spanningvoerende kabel kunnen metalen onderdelen van het gereedschap blootleggen, waardoor ook het gereedschap "onder spanning" komt te staan, waardoor de bediener een elektrische schok kan krijgen.
- **Draag een veiligheidsbril en gehoorbescherming. Een bijkomende beschermuitrusting voor het hoofd, de handen, benen en voeten is aangewezen.** Een aangepaste beschermkledij vermindert lichamelijke letsels veroorzaakt door rondvliegend afval of accidenteel contact met de zaagketting.
- **Gebruik de kettingzaag niet in een boom.** Als u de kettingzaag in een boom gebruikt, kan dit leiden tot lichamelijke letsels.
- **Zorg ervoor dat u altijd stevig vast staat en gebruik de kettingzaag alleen wanneer u op een vast, stabiel en effen oppervlak staat.** Een glad of onstabiel oppervlak, zoals een ladder kan ertoe leiden dat u het evenwicht of de controle over de kettingzaag verliest. **Wanneer u een tak onder spanning doorzaagt, pas dan op voor de terugslag.** Wanneer de spanning in de houtvezels vrijkomt, kan de tak die onder spanning staat de gebruiker raken en/of ervoor zorgen dat hij de controle over de kettingzaag verliest. **Weest uiterst voorzichtig als u hout en twijgen zaagt.** Het dunne materiaal kan verstrikt raken in de kettingzaag en in uw richting worden geworpen of u uit uw evenwicht trekken.
- **Draag de kettingzaag aan het voorste handvat en zorg ervoor dat de kettingzaag is uitgeschakeld en zich weg van uw lichaam bevindt. Wanneer u de kettingzaag transporteert of opbergt, dient u altijd het zwaarddeksel te bevestigen.** Als u de kettingzaag goed hanteert, zal dit de kans op accidenteel contact met de bewegende zaagketting verminderen.

- **Volg de instructies voor het smeren, aanspannen van de zaagketting en het vervangen van accessoires.** Een foutief aanspannen of gesmeerde ketting kan breken of de kans op terugslag verhogen.
- **Houd de handvatten droog, schoon en vrij van olie en vet.** Vettige handvatten zijn glad en kunnen tot controleverlies leiden.
- **Zaag uitsluitend hout. Gebruik de kettingzaag niet voor niet-voorgescreven doeleinden. Gebruik de kettingzaag bijvoorbeeld niet voor het zagen van kunststof, metselwerk of bouw materiaal dat niet uit hout is gemaakt.** Als u de kettingzaag voor andere doeleinden gebruikt dan deze die werden voorgeschreven, kan dit tot gevaarlijke situaties leiden.

### Orzaken en het voorkomen van terugslag:

Terugslag kan gebeuren wanneer de neus of de punt van het zaagblad een voorwerp raakt of het hout de kettingzaag afknelt in de zaagsnede.

Wanneer een voorwerp in contact komt met de neus van het zwaard kan dit in sommige gevallen leiden tot een bliksemsnelle tegenreactie, waarbij het zwaard naar boven in de richting van de gebruiker wordt geslingerd.

Wanneer u de zaagketting langs de bovenkant van het zwaard klemt, kan het zwaard snel achteruit in de richting van de gebruiker wordt geduwd.

Door beide reacties kan men de controle over de zaag verliezen wat kan resulteren in ernstig letsel. Vertrouw niet uitsluitend op de veiligheidsvoorzieningen die in uw zaag zijn ingebouwd. Als gebruiker van de kettingzaag dient u diverse stappen te ondernemen om uw zaagwerkzaamheden te vrijwaren van ongelukken of letsels.

Terugslag is het resultaat van misbruik van het gereedschap en /of foutieve bedieningsprocedures of omstandigheden en kunnen worden vermeden door de volgende voorzorgen te nemen:

- **Houd een stevige greep met de duimen en vingers rond de kettingzaaghandvatten, met beide handen op de zaag en plaats uw lichaam en arm zo dat u terugslagkrachten kunt weerstaan.** Terugslagkrachten kunnen door de gebruiker worden gecontroleerd als de nodige voorzorgen worden genomen. Laat de kettingzaag niet los.
- **Overreik niet en zaag niet boven schouderhoogte.** Dit helpt voorkomen dat de punt ongewild contact maakt en geeft u betere controle over de kettingzaag in onverwachte omstandigheden.
- **Gebruik uitsluitend vervangswaarden en -kettingen die door de fabrikant zijn gespecificeerd.** Een foutief vervangswaard of -ketting kan leiden tot kettingbreuk en/of terugslag.
- **Volg de slijp- en onderhoudsaanwijzingen van de fabrikant voor de kettingzaag op.** Het verminderen van de dieptemeterhoogte kan leiden tot verhoogde terugslag.

### BIJKOMENDE VEILIGHEIDSWAARSCHUWINGEN M.B.T. DE KETTINGZAAG

- Het is aangewezen om houtblokken op een zaagbank of krat wanneer u het product voor het eerst gebruikt.





- Zorg ervoor dat alle beschermers, handvatten en buffer goed zijn bevestigd en in goede staat zijn.
- De gebruikers van deze kettingzaag moeten in goede gezondheid verkeren. De kettingzaag is een zware machine, wat betekent dat de gebruiker altijd fysiek fit moet zijn. De gebruiker moet alert zijn, een goed zicht hebben, mobiel zijn, een goed evenwicht hebben en handig zijn. Als u twijfelt, gebruik dan de kettingzaag niet.
- Start het product niet tot uw werkruimte vrij is, zorg dat u stevig op de voeten staat en bereid een ontsnappingsroute voor weg van een vallende boom.
- Pas op voor de emissie van smeermiddelmist en zaagsel. Draag indien nodig een masker of ademhalingstoestel.
- Elektrische stroom moet via een aardlekschakelaar (RCD) worden geleverd met een uitschakelstroom van niet meer dan 30 mA.
- Als het stroomsnoer beschadigd raakt, moet u de machine terugbrengen naar een geautoriseerd onderhoudscentrum voor herstelling of vervanging.
- Houd het stroomsnoer altijd netjes en weg van het zaagberek. Naast het risico op elektrocutie, kunnen slordige snoeren ook zorgen voor ongevallen met struikelen en vallen.
- Zaag geen wijnranken en/of lage ondergroei (minder dan 75 mm in diameter).
- Houd de kettingzaag tijdens gebruik altijd met beide handen vast. Zorg voor een stevige grip waarbij duimen en vingers de handgrepen van de kettingzaag omsluiten. De rechterhand moet zich op het achterste handvat bevinden en de linkerhand op het voorste handvat.
- Voor u het werktuig start, zorgt u ervoor dat de zaagketting met geen enkel voorwerp in contact komt.
- Wijzig uw werktuig nooit of gebruik het niet om voorzetstukken of apparaten die niet door de fabrikant van uw zaag werden aangeraden, aan te drijven.
- Er moet zich een eerstephulpkit met grote wondverbanden en een middel om de aandacht te trekken (vb. een fluitje) in de buurt van de gebruiker bevinden. Een uitgebreidere kit moet zich op redelijke afstand bevinden.
- De gebruiker kan geneigd zijn om de helm af te nemen als er geen gevaar bestaat voor vallende voorwerpen in het werkgebied, maar onthoud dat de helm, in het bijzonder met het gelaatscherm in gaas, ook kan helpen om het risico op mogelijke gelaats- of hoofdletsels te verminderen als er terugslag is.
- Een foutief aangespannen ketting kan van het zwaard afspringen, wat kan leiden tot ernstige verwondingen of de dood. De lengte van de ketting hangt af van de temperatuur. Controleer regelmatig de spanning.
- U dient vertrouwd te worden met uw nieuwe kettingzaag door enkele eenvoudige zaagbewegingen te maken op een goed ondersteund stuk hout. Do dit altijd wanneer u de kettingzaag gedurende een zekere tijd niet hebt gebruikt.
- Om het risico te verminderen op letsels die samenhangen met contact aan bewegende onderdelen,

legt u de motor altijd stil, activeert u de kettingrem, trek de stekker uit en zorgt u ervoor dat alle bewegende onderdelen zijn stilgevallen voor:

- blokkering schoon- of vrijmaken
  - het product onbeheerd achterlaten
  - u voorzetstukken installeert of verwijdert
  - er controles, onderhoud of werkzaamheden worden uitgevoerd op de machine
- De omvang van het werkterrein is afhankelijk van het werk dat wordt uitgevoerd, alsmede het formaat van de desbetreffende boom of het werkstuk. Het vellen van een boom, bijvoorbeeld, veronderstelt een groter werkgebied dan nodig is voor andere zaagbewegingen, vb. het in stukken zagen van een houtblok, etc. De gebruiker moet zich bewust zijn van alles wat zich in het werkbereik afspeelt en er de controle over hebben.
  - Zaag niet terwijl u lichaam zich in lijn met het zwaard en de ketting bevindt. Als u een terugslag ervaart, zal dit helpen voorkomen dat de ketting in contact komt met uw hoofd of lichaam.
  - Gebruik geen voor- en achterwaartse beweging, maar laat de ketting zijn werk doen. Houd de ketting scherp en probeer de ketting niet door de zaagsnede te forceren.
  - Oefen geen druk uit op de zaag aan het einde van de zaagsnede. Wees klaar op het gewicht van de kettingzaag op te vangen als deze zich vrij van het hout zaagt. Wanneer u dit niet doet kan dit leiden tot ernstige letsels.
  - Stop het zagen niet in het midden van een zaagbeweging. Laat de zaag draaien tot ze uit de zaagsnede is verwijderd.

### Duwen en trekken

De reactiekracht is altijd tegenovergesteld aan de richting waarin de ketting beweegt. De gebruiker moet klaar zijn om de trekbeweging van de machine (voorwaartse beweging), te beheersen wanneer hij met de onderste rand van het zwaard zaagt en de duwbeweging (in de richting van de gebruiker) wanneer hij met de bovenste rand zaagt.

### Zaag zit vast in de zaagsnede

Stop de kettingzaag en beveilig deze. Probeer de ketting en het zwaard niet uit de zaagsnede te forceren aangezien de kans groot is dat de ketting breekt en terugslaat, waardoor de gebruiker wordt geraakt. Deze situatie doet zich normaal voor omdat het hout foutief wordt ondersteund en de zaagsnede onder druk komt te staan, waardoor het zaagblad vast raakt. Als u de steun afstelt, laat u het zwaard en de ketting niet los, maar gebruik houten spieën of een hefboom op de zaagsnede te openen en de zaag te bevrijden. Probeer de kettingzaag nooit te starten wanneer het zwaard zich reeds in een zaagsnede of insnijding bevindt.

### Persoonlijke beschermuitrusting

Goede kwaliteit, persoonlijke beschermuitrusting, zoals gebruikt door profs help u het risico voor de gebruiker te verminderen. De volgende items moeten worden gebruikt wanneer u de kettingzaag bedient:

### Veiligheidshelm





- moet overeenstemmen met EN 397 en CE-gemarkeerd zijn

#### **Gehoorbescherming**

- moet overeenstemmen met EN 352-1 en CE-gemarkeerd zijn.

#### **Oog- en gezichtsbescherming**

- moet CE-gemarkeerd zijn en overeenstemmen met EN 166 (voor veiligheidsbril) of EN 1731 (voor gezichtsmaskers in gaas)

#### **Handschoenen**

- moet overeenstemmen met EN381-7 en CE-gemarkeerd zijn

#### **Beenbeschermers (chaps)**

- moeten overeenstemmen met EN381-5 en CE-gemarkeerd zijn en een algemene bescherming bieden

#### **Veiligheidslaarzen kettingzaag**

- moeten overeenstemmen met EN ISO 20345:2004 en gemarkeerd zijn met een schild dat een kettingzaag afbeeldt om de overeenstemming met EN 381-3 aan te duiden. (Occasionele gebruikers kunnen veiligheidslaarzen met stalen punt met beschermende beenkappen gebruiken die overeenstemmen met EN 381-9 als de bodem vlak is er een maar weinig risico bestaat om te struikelen of in de ondergroei verstrikt te raken)

#### **Kettingzaagjassen voor bescherming van het bovenlichaam**

- moet overeenstemmen met EN 381-11 en CE-gemarkeerd zijn

### **INSTRUCTIES MET BETREKKING TOT CORRECTE TECHNIEKEN VOOR HET VELLEN VAN BOMEN, SNOEIEN VAN TAKKEN EN DWARSZAGEN.**

#### **De krachten in het hout begrijpen**

Als u de directionele druk en kracht in het hout begrijpt, kunt u de "knelpunten" verminderen of ze tenminste tijdens het zagen voorspellen. Spanning in het hout betekent dat de vezels uit elkaar worden getrokken en als u in deze omgeving de "insnijding" doorzaagt, zal de zaagsnede zich willen openen naargelang de zaag zich een weg door het hout baant. Als een houtblok op een zaagbank wordt ondersteund en het uiteinde hangt niet-ondersteund over, wordt spanning gecreëerd aan het buitenste oppervlak omwille van het gewicht van de overhangende blok die de vezels uitrekt. Op dezelfde manier zal de onderzijde van het houtblok onder druk staan en worden de vezels samengedrukt. Als u in deze buurt een insnede maakt, zal de zaagsnede de neiging hebben om zich tijdens het zagen te sluiten. Dit zou het zaagblad inklemmen.

#### **Een boom vellen**

*Zie pagina 239 - 240.*

Als u een boom in stukken zaagt of velt, moet dit door twee of meer personen tegelijk worden uitgevoerd en moet het vellen van het verzagen worden verwijderd door een afstand van tenminste twee keer de hoogte van de vellen boom. Bomen mogen niet worden geveld op een manier dat iemand in gevaar zou kunnen komen, een nutsleiding kan worden geraakt of er zich materiële schade kan voordoen.

Als de boom in contact komt met een nutsleiding, moet de nutsmaatschappij onmiddellijk worden verwittigd.

De gebruiker van de kettingzaag moet heuvelopwaarts staan op het terrein omdat de boom, nadat deze geveld is, zeer waarschijnlijk omlaag zal rollen of glijden.

Er moet een ontsnappingsroute worden gepland en vrijgemaakt, voor het zagen begint. De ontsnappingsroute moet weg van en diagonaal ten opzichte van de achterzijde van de verwachte vallijn worden gelegd.

Voor u met het vellen start, moet u de natuurlijke helling van de boom overwegen, de locatie van grotere takken en de windrichting om te oordelen waar de boom zal neerkomen. Verwijder vuil, stenen, losse schors, nagels, nietjes en draden van de boom.

Probeer geen bomen te vellen die rot zijn of beschadigd zijn door wind, brand, bliksem, etc.

Dit is uiterst gevaarlijk en mag uitsluitend door professionele boomchirurgen worden uitgevoerd.

#### ■ Valkerf aanbrengen

*Zie pagina 239 - 240.*

Maak de valkerf 1/3 de diameter van de boom, zijdelings tot de richting van de val. Zorg ervoor dat de ondersnede eerst wordt aangebracht. Dit helpt voorkomen dat de kettingzaag of het zwaard vast komen te zitten wanneer de tweede snede wordt gemaakt.

#### ■ Velsnede

*Zie pagina 239 - 240.*

Maak de velsnede tenminste 50 mm<sup>2</sup> hoger dan de valkerf. Houd de velsnede parallel tot de valkerf. Maak de velsnede zo dat er voldoende hout overblijft om als scharnier te werken.

Het scharnierhout zorgt ervoor dat de boom omkantelt en in de verkeerde richting valt. Zaag niet door het scharnier. Naarmate het vellen dicht bij de scharnier komt, moet de boom beginnen vallen. Als de kans bestaat dat de boom niet in de gewenste richting valt of terugkantelt en de zaagketting klemt, stopt u met zagen voor de velsnede voltooid is en gebruikt u houten, kunststof of aluminium spieën om de zaagsnede te openen en de boom in de gewenste vallijn te doen vallen.

Wanneer de boom begint te vallen, verwijdert u de kettingzaag uit de snede, legt u de motor stil, de kettingzaag neer en gebruikt u de geplande ontsnappingsroute. Wees alert voor vallende overhangende takken en let op waar u de voeten neerzet.

#### **Hoofdwortels verwijderen**

*Zie pagina 240.*

Zoals de naam al zegt, is een hoofdwortel een grote wortel die boven de grond vanuit de stam groeit. Verwijder grote hoofdwortels voorafgaand aan het vellen. Maak eerst een horizontale zaagsnede in de hoofdwortel, gevolgd door een verticale zaagsnede. Verwijder het losgezaagde stuk van de werkplek. Volg de juiste boomvelprocedure nadat u de grote hoofdwortels hebt verwijderd.

#### **Afkorten**

*Zie pagina 241.*





Verzagen betekent dat u een houtblok in stukken zaagt. Het is belangrijk te zorgen dat u stevig op de voeten staat en dat uw gewicht evenredig over beide voeten is verdeeld. Indien mogelijk, moet het houtblok worden opgeheven en ondersteund door takken, houtblokken of schoren. Volg de eenvoudige aanwijzingen voor gemakkelijk zagen. Wanneer het houtblok over de hele lengte wordt ondersteund, wordt het vanaf de bovenzijde gezaagd (bovensnede).

Wanneer het blok aan een zijde wordt ondersteund, zaagt u 1/3 de diameter vanaf de onderzijde (ondersnede). Dan maakt u de laatste zaagsnede langs de bovenzijde om de eerste zaagsnede te ontmoeten.

Wanneer het houtblok aan beide zijden wordt ondersteund, zaagt u 1/3 de diameter vanaf de bovenzijde (bovensnede). Dan maakt u de afgewerkte snede door de onderste 2/3 langs onder te zagen om de eerste snede te ontmoeten.

Wanneer u op een helling verzaagt, staat u altijd aan de bovenzijde van het houtblok. Wanneer u "doorzaagt" laat u de zaagdruk in de buurt van het einde van de zaagsnede los om de controle te behouden zonder uw grip op de kettingzaaghandvatten te verliezen. Laat de ketting de grond niet raken. Nadat u de zaagsnede hebt voltooid, wacht u tot de zaagketting is stilgevallen tot u de kettingzaag beweegt. Leg de motor altijd stil voor u van boom naar boom beweegt.

### Takken afzagen

Zie pagina 242.

Takken afzagen is het verwijderen van de takken van een geveld boom. Wanneer u de takken afzaagt, laat u de grotere, lager takken hangen om het houtblok van de grond te ondersteunen. De kleinere takken in een zaagsnede verwijderen. Takken onder spanning moeten vanaf de rand naar boven worden gezaagd om te vermijden dat de kettingzaag verstrikt raakt.

### Bomen onder spanning zagen

Zie pagina 242.

Met een gebogen tak bedoelen we in deze handleiding elke stam, tak, boomstronk of twijg die onder spanning gebogen staat door een ander stuk hout zodat het in zijn oorspronkelijke positie terugspringt zodra het hout dat de 'gebogen tak' in diens positie houdt, wordt gezaagd of verwijderd.

Bij een omgevallen boom is de kans groot dat een in de grond gewortelde boomstronk terugspringt in zijn oorspronkelijke positie tijdens het kortzagen om de stam van de stronk te scheiden. Pas op voor takken onder spanning, deze zijn gevaarlijk.

### WAARSCHUWING

Takken onder spanning zijn gevaarlijk en kunnen ervoor zorgen dat de gebruiker de controle over de kettingzaag verliest. Dit kan resulteren in ernstig of fataal letsel voor de gebruiker. Dit moet door ervaren gebruikers worden uitgevoerd.

### VOORGESCHREVEN GEBRUIK

Het product is uitsluitend geschikt voor buitenshuis gebruik. Omwille van veiligheidsredenen moet het product correct worden bediend door steeds twee handen te gebruiken.

Het product is ontworpen voor het zagen van takken, boomstammen, houtblokken en balken in een diameter die wordt bepaald door de zaaglengte van het zwaard. Het werd uitsluitend ontworpen om hout te zagen. Het mag alleen worden gebruikt voor huishoudelijke toepassingen door volwassenen die voldoende opleiding hebben gekregen over de gevaren en preventieve maatregelen/handelingen die tijdens het gebruik moeten worden genomen.

Gebruik het product voor andere doeleinden dan deze die hierboven zijn opgelijst. Het mag niet worden gebruikt voor professionele boomdiensten. Het product mag niet worden gebruikt door kinderen of personen die geen geschikte beschermuitrusting en -kledij dragen.

### RESTRISCO'S

Zelfs als de machine zoals voorgeschreven wordt gebruikt, is het onmogelijk om bepaalde restrisco's te vermijden. De volgende gevaren kunnen zich voordoen tijdens het gebruik en de gebruiker dient in het bijzonder aandacht te hebben om de volgende situaties te vermijden:

- Letsels veroorzaakt door trillingen. Gebruik altijd het juiste gereedschap voor de taak, gebruik de toegewezen handvaten en beperk de gebruikstijd en blootstelling.
- Blootstelling aan geluid kan gehoorletsels veroorzaken. Draag gehoorbescherming en beperk de blootstelling.
- Contact met blootgestelde zaagtanden van de zaagketting (snijgevaar).
- Onvoorziene, plotse bewegingen of terugslag van het zwaard (snijgevaar).
- Stukken die uit de kettingzaag worden weggegooid (snij/injectiegevaar).
- Uitgeworpen stukken van het werkstuk (houtzaagsel, splinters).
- Inhaleren van zaagsel en partikels.
- Huidcontact met smeermiddel/olie.

### RISICOBEPERKING

Er zijn meldingen dat trillingen van handwerktuigen bij sommige mensen bijdragen tot het Syndroom van Raynaud. Symptomen kunnen ondermeer tintelingen, gevoelloosheid en bleek worden van de vingers omvatten, wat normaal gezien duidelijk wordt bij blootstelling aan koude. Erfelijke factoren, blootstelling aan koude en vocht, dieet, roken en werkroutine kunnen allemaal bijdragen tot de ontwikkeling van deze symptomen. Er kunnen door de bediener maatregelen worden genomen om de gevolgen van de trillingen te beperken:

- Houd bij koud weer uw lichaam warm. Draag handschoenen wanneer u de machine gebruikt om handen en polsen warm te houden. Men neemt aan dat koud weer een belangrijke factor is die bijdraagt tot het Syndroom van Raynaud.
- Doe oefeningen om de bloeddoorstroming te





bevorderen na elke periode van gebruik.

- Neem regelmatig een pauze. Beperk het aantal uren dat u per dag wordt blootgesteld.
- Beschermhandschoenen verkrijgbaar bij professionele kettingzaaghandelaars zijn specifiek ontworpen voor gebruik met kettingzagen die bescherming bieden, een goede greep en de gevolgen van handgreeptrillingen verminderen. Deze handschoenen moeten overeenstemmen met EN381-7 en moet CE-gemarkeerd zijn.

Wanneer u enige van de symptomen van deze aandoening ervaart, stop dan onmiddellijk met het gebruik van het toestel en raadpleeg uw dokter

### WAARSCHUWING

Letsels kunnen worden veroorzaakt of ernstiger worden door verlengd gebruik van een werktuig. Als u een werktuig gedurende langere periodes gebruikt, neem dan regelmatig pauze.

### KEN UW PRODUCT

Zie pagina 233.

1. Ketting
2. Zaagblad
3. Voorste handbescherming/Kettingrem
4. Voorste handvat
5. Gashendelontgrendeling
6. Achterste handvat
7. Steunklauw
8. Kettingoliedop
9. Snoerhouder
10. Drukknop aan
11. Houtschaafdeflector
12. Houtschaafdeflectorknop
13. Kettingwieldeksel
14. Kettingspannerafstelling
15. Geleidervergrendelknop
16. Zwaarddeksel
17. Kettingvanger

### VEILIGHEIDSVORZIENINGEN

#### Zaagketting met lage terugslag

Een kettingzaag met weinig terugslag helpt de kans voor terugslag verminderen.

De dieptestellernok (tanddiepte) voor elke snijschakel kan de kracht van de terugslagreactie verminderen door te voorkomen dat de snijschakels zich te diep in het terugslaggebied ingraven. Gebruik uitsluitend een vervangzwaard en -kettingcombinatie, aangeraden door de fabrikant.

Wanneer zaagkettingen worden geslepen, verliezen ze iets van hun lage terugslag-functionaliteit en dient men extra op te letten. Voor uw veiligheid vervangt u de zaagkettingen wanneer de zaagprestaties verminderen.

#### Steunklauw

De geïntegreerde bumperspike kan als middelpunt worden gebruikt wanneer u een insnede maakt. Het helpt om het

lichaam van de kettingzaag stabiel te houden tijdens het zagen. Tijdens het zagen drukt u de machine voorwaarts tot de pinnen zich in de rand van het hout zetten en door het achterste handvat naar boven of onder in de zaagrichting te bewegen, wat kan helpen om de fysieke inspanning van het zagen te verlichten.

#### Zaagbladen

Over het algemeen zijn zaagbladen met uiteinden met een kleinere radius iets minder terugslaggevoelig. U dient een zwaard en passende ketting te gebruiken die net lang genoeg is voor het werk. Langere zwaarden verhogen het risico op controleverlies tijdens het zagen. Controleer regelmatig de spanning. Wanneer u kleinere takken zaagt (kleiner dan de volledige lengte van het zwaard) is de kans dat de ketting wordt afgeworpen groter als de spanning niet correct is.

#### Kettingrem

Kettingremmen zijn ontworpen om het draaien van de ketting snel te stoppen. Wanneer de kettingremhendel/handbescherming naar het zaagblad wordt geduwd, moet de ketting onmiddellijk stoppen. Een kettingrem voorkomt geen terugslag. Het vermindert het risico op letsels in geval het zwaard in contact komt met het lichaam van de gebruiker tijdens terugslag. De kettingrem moet worden getest voor elk gebruik op correcte werking in de stand draaien en rem.

### MONTAGE

### WAARSCHUWING

Als er onderdelen zijn beschadigd of ontbreken, gebruik dan het toestel niet vooraleer de onderdelen werden vervangen. Wanneer u deze waarschuwing niet in acht neemt, kan dit leiden tot ernstige letsels.

#### ZAAGKetting EN ZWAARD MONTEREN

Zie pagina 234 - 235. Zie pagina 244 - 245.

1. Ontkoppel het product van de stroomtoevoer. Draag beschermhandschoenen
2. Schroef de geleidervergrendelknop los en verwijder het kettingwieldeksel.
3. De zaagketting moet zich tegenover de richting van de kettingrotatie bevinden. Als deze naar achteren wijzen, moet u de lus omdraaien.
4. Plaats de kettingaandrijvingssschakels in de zwaardgroef.
5. Plaats de ketting dusdanig dat er aan de achterzijde van het zaagblad een lus is.
6. Houd de ketting in positie op het zwaard en plaats de lus rond het aandrijfkettingwiel. Breng het zwaard naar beneden zodat de bout door de opening in de bevestigde kettingspanningsinstallatie past. U moet deze installatie misschien omdraaien zodat de bout en opening zich met elkaar aflijnen. U moet deze installatie misschien opnieuw omdraaien om de ketting wat aan te spannen zodat deze op haar plaats wordt gehouden.
7. Plaats het kettingwieldeksel terug en span de geleidervergrendelknop aan tot hij bijna volledig



vast zit, draai aan de kettingspanningsafstelling tot de zaagketting goed is aangespannen. Het zwaard moet dan naar boven worden geduwd. Controleer de kettingspanning opnieuw. Span de ketting niet te strak aan.

8. Nadat de ketting goed is aangespannen, spant u de knop opnieuw aan.

## DE KETTINGSPANNING AANPASSEN

Zie pagina 235. Zie pagina 246.

1. Maak de geleidervergrendelknop los door deze lichtjes tegen de richting van de wijzers van de klok te draaien.
2. Om de kettingspanning te verhogen, draait u de kettingspannerafstelling in de richting van de wijzers van de klok en controleert u de kettingspanning regelmatig. Om de kettingspanning te verlagen, draait u de kettingspannerafstelling tegen de richting van de wijzers van de klok en controleert u de kettingspanning regelmatig.
3. De kettingspanning is correct wanneer de opening tussen de zaag in de ketting en het zwaard tussen de 3 en 4 mm is  
Trek de ketting in het midden van de onderste zijde van het zwaard naar beneden (weg van het zwaard) en meet de afstand tussen het zwaard en de kettingsnijders.
4. Span de geleidervergrendelknop aan door deze in de richting van de wijzers van de klok te draaien.

## BEDIENING

### KETTINGSMEEROLIE TOEVOEGEN

Zie pagina 246.

#### ⚠ WAARSCHUWING

Werk nooit zonder kettingsmeerolie. Als de zaagketting zonder smeermiddel dreigt te vallen, kunnen het zwaard en de zaagketting beschadigd raken. Het is daarom van essentieel belang om het oliepeil in de oliepeilmeter regelmatig te controleren en telkens voor u de kettingzaag begint te gebruiken.

1. Maak de omgeving rond de oliedop schoon om vervuiling te vermijden.
2. Schroef de dop los en verwijder ze van de olietank.
3. Giet de olie in de olietank en controleer de oliepeilmeter. Zorg ervoor dat er geen vuil in de olietank terecht komt wanneer u de machine met olie vult.
4. Plaats de oliedop terug en span aan. Veeg gemorste olie af.
5. Een volle olietank stelt u in staat om de zaag gedurende 20-40 minuten te gebruiken.

### Aangewezen kettingsmeerolie

- De fabrikant raadt aan dat u uitsluitend Ryobi kettingzaagsmeerolie gebruikt. (Verkrijgbaar bij uw geautoriseerd Ryobi servicecentrum)

### KETTINGZAAG VASTHOUDEN

Zie pagina 235.

Houd de kettingzaag tijdens gebruik altijd met beide handen vast. Grijp beide handvatten met de duimen en

vingers vast en omvat ze volledig. Zorg ervoor dat de linkerhand het voorste handvat vasthoudt en de duim zich onderaan bevindt.

#### ⚠ WAARSCHUWING

Houd het stroomsnoer altijd netjes en weg van het zaagbereik. Naast het risico op elektrocutie, kunnen slordige snoeren ook zorgen voor ongevallen met struikelen en vallen.

### KETTINGZAAG OPSTARTEN

Zie pagina 235.

1. Verbind het product met de stroomtoevoer. Zorg ervoor dat de kettingrem zich in de stand draaien bevindt door de hendel/handbeschermer terug te trekken.
2. Machine starten: Druk aan de triggerontgrendeling en druk dan op de aan-/uitknop.

### KETTINGREM CONTROLEREN EN BEDIENEN

1. Activeer de kettingrem door de linkerhand rond het voorste handvat te draaien. Met de achterzijde van uw hand drukt u de kettingremhendel/handbeschermer in de richting van het zwaard terwijl de ketting snel rondraait. Zorg ervoor dat u beide handen altijd op de handvatten van de zaag houdt.
2. Zet de kettingrem terug in de stand "Draaien" door de bovenkant van de kettingremhendel/handbeschermer vast te nemen en deze in de richting van het voorste handvat te trekken tot u een klik hoort.

#### ⚠ WAARSCHUWING

Indien de kettingrem de ketting niet onmiddellijk stopt, of indien de kettingrem niet in de draai-stand wil blijven zonder hulp, breng dan de kettingzaag naar een erkend Homeliteonderhoudscentrum voor herstel vooraleer u het opnieuw gebruikt.

### TRANSPORT EN OPSLAG

Zie pagina 248 - 249.

- Leg het product stil, trek de stekker uit de contactdoos en laat afkoelen voor u het opbergt of transporteert.
- Verwijder alle vreemde voorwerpen van het product. Bewaar op een koele, droge en goed geventileerde plaats die niet toegankelijk is voor kinderen. Houd corrosieve producten, zoals tuinchemicaliën en strooizout uit de buurt van het apparaat. Bewaar niet buitenshuis.
- Plaats het zwaarddeksel terug voor u de machine opbergt of tijdens het transport.
- Voor transport beveiligd u de machine tegen bewegingen of vallen om letsels of schade aan de machine te voorkomen.

**ONDERHOUD**

**⚠ WAARSCHUWING**

Gebruik uitsluitend originele vervangonderdelen, accessoires en voorzetstukken van de fabrikant. Als u dit niet doet, kan dit mogelijks letsels of slechte prestaties veroorzaken waardoor uw garantie kan vervallen.

**⚠ WAARSCHUWING**

Het onderhoud vereist extreme voorzichtigheid en deskundigheid en mag enkel door een gekwalificeerde onderhoudstechnicus worden uitgevoerd. Wij raden u aan het toestel voor herstellingen naar uw dichtstbijzijnde erkende onderhoudsdienst terug te brengen. Gebruik voor het onderhoud alleen identieke vervangingsonderdelen.

**⚠ WAARSCHUWING**

Trek de stekker uit de contactdoos voor u het product afstelt, onderhoudt of reinigt. Als u dit niet doet, kan dit leiden tot ernstige lichamelijke letsels.

- U kunt de afstellingen en reparaties die in deze gebruiksaanwijzing worden vermeld, uitvoeren. Voor andere herstellingen, neemt u contact op met uw geautoriseerd onderhoudsagent.
- De gevolgen van foutief onderhoud kunnen ertoe leiden dat de kettingrem en andere veiligheidsvoorzieningen niet correct werken, waardoor de kans op ernstige letsels verhoogt. Houd uw kettingzaag professioneel onderhouden en veilig.
- Het veilig slijpen van de ketting is een taak die gespecialiseerde kennis vereist. De fabrikant raadt daarom aan om een versleten of botte ketting door een nieuw exemplaar te vervangen, verkrijgbaar bij uw geautoriseerd Ryobi servicecentrum. Het onderdeelnummer is beschikbaar in de productspecificatie in deze gebruiksaanwijzing
- Volg de instructies voor het smeren en de afstelling en controle van de kettingspanning.
- Na elk gebruik, reinigt u het product met een zachte, droge doek.
- Controleer regelmatig of alle moeren, bouten en vijzen goed zijn vastgemaakt om zeker te zijn dat het product veilig kan worden gebruikt. Een beschadigd onderdeel moet door een geautoriseerd onderhoudscentrum goed worden gerepareerd of vervangen.

**ZWAARD EN ZAAGKETING VERVERGEN**

Zie pagina 244 - 245.

1. Ontkoppel het product van de stroomtoevoer. Draag beschermhandschoenen.
2. Schroef de geleidervergrendelknop los door deze tegen de richting van de wijzers van de klok te draaien tot het kettingwieldeksel loskomt.
3. Verwijder het kettingwieldeksel. Verwijder het zwaard en de zaagketting van de machine.

4. Om het zwaard te vervangen, schroeft u de schroef van de kettingspanning los. Monteer de kettingspanning op het nieuwe zwaard en span de schroef aan.
5. Plaats de nieuwe ketting in de correcte richting op het zwaard en zorg ervoor dat de drijfstangen in de zwaardgroef zijn afgelijnd.
6. Maak het zwaard aan de kettingzaag vast en leg de ketting rond het aandrijfkettingwiel.
7. Vervang het kettingwieldeksel, maak het kettingwieldeksel vast en span de knop aan.
8. Stel de kettingspanning af. Raadpleeg het hoofdstuk "Kettingspanning afstellen".

**⚠ WAARSCHUWING**

Onjuist slijpen van de ketting vergroot het risico op terugslag.

**⚠ WAARSCHUWING**

Nalatigheid bij het vervangen of repareren van een beschadigde ketting kan resulteren in ernstig letsel.

**⚠ WAARSCHUWING**

De zaagketting is zeer scherp. Draag altijd beschermende handschoenen tijdens het uitvoeren van onderhoud aan de ketting.

**KETTINGREM INSPECTEREN EN REINIGEN**

Zie pagina 247.

- Houd het kettingremmechanisme altijd schoon door de drijvers vrij van vuil te houden en licht af te borstelen.
- Test altijd de kettingremprestatie na het reinigen. Raadpleeg "Bediening - Kettingrem controleren en bedienen" eerder in deze handleiding voor aanvullende informatie.

**ONDERHOUDSSCHEMA**

Dagelijkse controle	
Stroomsnoer op schade	Voor elk gebruik
Zaagbladsmering	Voor elk gebruik
Kettingspanning	Voor elk gebruik en regelmatig
Kettingscherpte	Voor elk gebruik, visuele controle
Op beschadigde onderdelen	Voor elk gebruik
Op losse binders	Voor elk gebruik
Kettingremfunctie	Voor elk gebruik
Controleer en reinig	
Zwaard	Voor elk gebruik
Volledige zaag	Na elk gebruik
Kettingrem	Elke 5 uur*

\*Uren in gebruik

## SYMBOLEN OP HET PRODUCT



Waarschuwing



Lees en begrijp alle instructies voor u het product bedient, volg alle waarschuwingen en veiligheidsinstructies.



Draag oog-, gehoor- en hoofdbescherming tijdens het gebruik van dit apparaat.



Draag anti-slipschoeisel wanneer u het product gebruikt.



Draag zware, antislip handschoenen.



Verwijder onmiddellijk de stekker uit de contactdoos voor onderhoudswerken of wanneer het snoer is beschadigd of doorsneden.



Pas op voor de terugslag van de kettingzaagmachine en vermijd contact met de zwaardtip.



Stel niet bloot aan regen of vocht.



Houd de kettingzaag altijd met uw twee handen vast bij gebruik.



Gebruik de kettingzaag niet door deze met één hand vast te houden.



Dit apparaat voldoet aan alle geldende normen van Lid-Staat van de Europese Unie waar het werd gekocht.



GOST-R-conformiteit



Klasse II-apparaat, dubbele isolatie



Elektrisch afval mag niet samen met ander huishoudafval worden weggegooid. Gelieve te recycleren indien de mogelijkheid bestaat. Neem contact op met uw lokaal bestuur of handelaar om advies te krijgen over recyclage.



Het gegarandeerd geluidsniveau bedraagt 108 dB. (RCS1935)



Het gegarandeerd geluidsniveau bedraagt 107 dB. (RCS2340)



Zwaard- en kettingsmeermiddel



Vergrendeling



Ontgrendelen



Draai om de kettingspanning aan te passen

+/-: Ketting aanspannen/lossen



Beweegrichting van de ketting (Gemarkeerd onder het kettingwieldeksel)

L max

Maximum zwaardlengte

## ICONEN IN DEZE GEBRUIKSAANWIJZING



Met een contactdoos verbinden



Trek uit de contactdoos



Onderdelen of accessoires afzonderlijk verkocht



Elektrisch afval mag niet samen met ander huishoudafval worden weggegooid. Gelieve te recycleren indien de mogelijkheid bestaat.



OPMERKING:



WAARSCHUWING



Draag oog- en gezichtsbescherming.



Draag bescherming voor het bovenlichaam.



Draag beenbescherming.



Leg het product stil.

De volgende kernwoorden en verklaringen zijn bedoeld om de gevaarniveaus die op dit toestel betrekking hebben, te



EN
FR
DE
ES
IT
<b>NL</b>
PT
DA
SV
FI
NO
RU
PL
CS
HU
RO
LV
LT
ET
HR
SL
SK
BG

verklaren.

**⚠ GEVAAR**

Wijst op een gevaarlijke situatie die, als ze niet wordt voorkomen, dodelijk kan zijn of ernstige verwondingen kan veroorzaken.

**⚠ WAARSCHUWING**

Wijst op een mogelijks gevaarlijke situatie die, als ze niet wordt voorkomen, dodelijk kan zijn of ernstige verwondingen kan veroorzaken.

**⚠ LET OP**

Wijst op een mogelijks gevaarlijke situatie die, als ze niet wordt voorkomen, kleine of middelmatige verwondingen kan veroorzaken.

**LET OP**

Zonder veiligheidswaarschuwingssymbool

Wijst op een situatie die kan leiden tot materiële schade.



### ⚠️ ADVERTÊNCIA

Ao utilizar o produto, devem seguir-se as normas de segurança. Para a sua própria segurança e a dos que o rodeiam, leia estas instruções antes de utilizar o produto. Deve participar num curso de segurança organizada profissional sobre a utilização, ações preventivas, primeiros socorros e manutenção de motosserras. Guarde as instruções para usá-las no futuro.

### ⚠️ ADVERTÊNCIA

As moto-serras são ferramentas potencialmente perigosas. Os acidentes que envolvem o uso frequente de moto-serras podem causar a perda de membro ou a morte. A moto-serra não é a única que implica risco. Os ramos que caem, o derrube de árvores, ou troncos a girar podem causar a morte. A madeira doente ou podre implica perigos adicionais. Deve avaliar a sua capacidade para efetuar a tarefa de forma segura. Em caso de dúvida, peça a um profissional de corte de árvores para fazer o trabalho.

## AVISOS GERAIS DE SEGURANÇA

### ⚠️ ADVERTÊNCIA

**Leia todos os avisos de segurança e todas as instruções.** O facto de não seguir os avisos e as instruções pode conduzir a choque eléctrico, fogo e/ou lesão grave.

**Conserve estas advertências e instruções para que possa consultá-las mais tarde.**

O termo "ferramenta eléctrica" nos avisos refere-se à ferramenta operada através de ligação à rede eléctrica (com fios) ou à ferramenta operada através de bateria (sem fios).

### AMBIENTE DE TRABALHO

- **Mantenha a área de trabalho limpa e bem iluminada.** As áreas desordenadas ou escuras são um convite para acidentes.
- **Não opere ferramentas eléctricas em atmosferas explosivas, tais como na presença de líquidos inflamáveis, gases ou poeira.** As ferramentas eléctricas criam faíscas que podem causar a inflamação de poeiras ou vapores.
- **Ao operar esta ferramenta eléctrica, mantenha as crianças e as pessoas presentes afastadas.** Distrações podem fazer com que perca o controlo.

### SEGURANÇA ELÉCTRICA

- **As fichas eléctricas da ferramenta têm de corresponder à tomada. Nunca altere a ficha seja de que maneira for. Não use quaisquer fichas adaptadoras com ferramentas de ligação com terra.** As fichas não modificadas e tomadas compatíveis reduzirão o risco de choque eléctrico.
- **Evite o contacto do corpo com superfícies com**

**ligação terra ou enterradas, tais como tubos, radiadores, fogões e frigoríficos.** Há um aumento do risco de choque eléctrico se o seu corpo estiver ligado à terra.

- **Não exponha este produto à chuva ou humidade elevada.** A entrada de água na ferramenta eléctrica aumentará o risco de choque eléctrico.
- **Não abuse do cabo de alimentação. Nunca use o cabo para carregar, puxar ou retirar a ficha da ferramenta da tomada. Mantenha o cabo afastado do calor, óleo, pontas afiadas ou peças móveis.** Os cabos danificados ou emaranhados aumentam o risco de choque eléctrico.
- **Ao operar uma ferramenta eléctrica ao ar livre, use um cabo de extensão apropriado para o uso ao ar livre.** A utilização de um cabo apropriado para o uso ao ar livre reduz o risco de choque eléctrico.
- **Se operar uma ferramenta eléctrica num local húmido é inevitável, use uma fonte com protecção de dispositivo de corrente residual (RCD).** O uso de um RCD reduz o risco de choque eléctrico.

### SEGURANÇA PESSOAL

- **Ao operar esta ferramenta eléctrica, permaneça alerta, tenha em atenção ao que está a fazer e use o bom senso. Não utilize a ferramenta eléctrica quando se sentir cansado ou se se encontrar sob a influência de drogas, álcool ou medicamentos.** Um momento de desatenção enquanto opera estas ferramentas eléctricas pode resultar em ferimentos graves.
- **Utilizar equipamento de protecção. Use sempre protecção para os olhos.** O equipamento de protecção tal como a máscara contra pó, calçado antiderrapante de segurança, capacete, ou protecção para os ouvidos, usado para condições apropriadas irá reduzir a probabilidade de ferimentos.
- **Evite o arranque involuntário. Assegure-se de que o interruptor se encontra na posição de desligado antes de o ligar à fonte de energia e/ou bateria, levantando ou transportando a ferramenta.** Transportar ferramentas eléctricas com o seu dedo no interruptor ou ligar à corrente ferramentas eléctricas que têm o interruptor ligado são um convite a acidentes.
- **Remova qualquer chave de ajuste antes de ligar a ferramenta eléctrica.** Uma chave-inglesa ou uma chave colocada numa peça móvel da ferramenta eléctrica pode causar lesões pessoais.
- **Não se aproxime em demasia. Fique sempre bem apoiado nas pernas e não estique demasiado o braço.** Isto possibilita um melhor controlo da ferramenta eléctrica em situações inesperadas.
- **Use roupas adequadas. Não use roupa larga ou acessórios de jóias. Mantenha o seu cabelo, roupa e luvas longe das peças móveis.** A roupa larga, jóias ou cabelo comprido podem ficar presos nas peças móveis.
- **Se são fornecidos os dispositivos para a ligação de espaços de extracção e recolha de pó, assegure-se de que estes se encontram conectados e usados correctamente.** A utilização de um colectador de pó pode

reduzir os perigos relacionados com o pó.

## UTILIZAÇÃO E MANUTENÇÃO DA FERRAMENTA ELÉCTRICA

- **Não force o produto. Use a ferramenta eléctrica correcta para a sua aplicação.** A ferramenta fará o seu trabalho melhor e de forma mais segura trabalhando ao ritmo para que foi concebida.
- **Não use uma ferramenta caso o interruptor não ligue e desligue a ferramenta eléctrica correctamente.** Qualquer ferramenta eléctrica que não possa ser controlada com o interruptor é perigosa e deve ser reparada.
- **Desligue a ficha da alimentação eléctrica e/ou a bateria da ferramenta antes de proceder a quaisquer ajustes, mudança de acessórios ou de armazenar ferramentas eléctricas.** Estas medidas de segurança preventivas reduzem o risco de arranque accidental da ferramenta eléctrica.
- **Armazene as ferramentas eléctricas fora do alcance das crianças e não permita que pessoas não familiarizadas com a ferramenta eléctrica ou com estas instruções utilizem a ferramenta eléctrica.** As ferramentas eléctricas são perigosas nas mãos de utilizadores inexperientes.
- **Realize a manutenção das ferramentas eléctricas. Verifique se existe desalinhamento ou emperramento das peças móveis, ruptura das peças e qualquer outra condição que possa ter afectado o funcionamento da ferramenta eléctrica. Se danificado, mande a ferramenta eléctrica ser reparada antes de a utilizar.** Muitos acidentes são causados por ferramentas eléctricas com fracas manutenções.
- **Mantenha as ferramentas de corte afiadas e limpas.** É menos provável que as ferramentas de corte com uma correcta manutenção e com pontas de corte afiadas fiquem presas e são mais fáceis de controlar.
- **Utilize a ferramenta, acessórios, peças eléctricas, etc., de acordo com estas instruções, tendo em conta as condições de trabalho e o trabalho que se vai realizar.** O uso da ferramenta eléctrica para as operações diferentes daquelas a que se destina podem causar uma situação perigosa.

## MANUTENÇÃO

- **A manutenção da sua ferramenta eléctrica deve ser efectuada por uma pessoa qualificada para reparações, utilizando apenas peças de substituição idênticas.** Isto assegurará que a segurança da ferramenta eléctrica é mantida.

## AVISOS GERAIS DE SEGURANÇA ADICIONAIS

- Algumas regiões têm normas que limitam o uso do produto. Consulte a sua autoridade local para obter informação.
- Nunca permita que crianças ou pessoas que não estejam familiarizadas com estas instruções utilizem o produto. A legislação local pode restringir a idade do operador.
- Certifique-se antes de cada uso que todos os controlos

e dispositivos de segurança funcionam corretamente. Não utilize a ferramenta caso o interruptor "off" não pare o motor.

- Utilize proteção completa ocular e auricular, luvas grossas resistentes, bem como proteção para a cabeça durante o funcionamento do aparelho; utilize uma máscara de rosto caso a operação envolva poeira.
- Não use roupa folgada, calças curtas ou joias de qualquer tipo.
- Prenda o cabelo comprido para que fique acima do nível dos ombros para evitar que fique emaranhado em quaisquer peças móveis.
- Cuidado com os objetos projetados, voadores ou em queda. Mantenha todos os espectadores (especialmente crianças e animais) a uma distância de pelo menos 15m da área de trabalho.
- Não utilize esta ferramenta numa zona com pouca luz. O operador necessita de uma visão clara da área de trabalho para identificar potenciais perigos.
- O uso da protecção auditiva reduz a sua capacidade de ouvir avisos (gritos ou alarmes). O operador deve prestar atenção extra àquilo que está a acontecer na área de trabalho.
- Operar ferramentas similares nas proximidades aumenta tanto o risco de lesão auditiva e o potencial para outras pessoas entrarem na sua área de trabalho.
- Mantenha-se bem apoiado e equilibrado. Não se aproxime em demasia. O esticar-se pode resultar em perda de equilíbrio e pode aumentar o risco de ressalto.
- Mantenha qualquer peça em movimento longe do seu próprio corpo.
- Inspeccione o aparelho antes de o usar. Verifique o correto funcionamento de todos os controlos, incluindo o travão da corrente. Verifique se não existem fixadores soltos. Assegure-se de que todas as protecções e cabos estão unidos de forma correcta e segura. Substitua qualquer peça danificada antes da utilização.
- Não modifique a máquina em qualquer forma nem use peças e acessórios que não sejam recomendados pelo fabricante.
- Se precisar de utilizar um alargador, assegure-se de que é adequado para o exterior e que tem uma capacidade de corrente suficiente para o fornecimento da sua ferramenta, verifique antes de cada uso para ver se está danificado, e desenrole-o sempre durante o uso porque os cabos enrolados podem sobreaquecer.
- Um pico de corrente causa variações de voltagem e pode afectar outros aparelhos eléctricos na mesma linha eléctrica. Ligue o dispositivo à tomada eléctrica com uma impedância igual ou inferior a 0.372Ω - RCS1935, 0.277Ω - RCS2340 para minimizar as variações de voltagem. Contacte o seu fornecedor de energia eléctrica para mais esclarecimentos.

## ADVERTÊNCIA

Se a máquina cair, sofrer um impacto pesado ou começar a vibrar anormalmente, pare a máquina de imediato e verifique se existem danos ou identifique a causa da vibração. Qualquer dano deve ser devidamente reparado ou substituído por um centro de assistência autorizado.

## AVISOS DE SEGURANÇA DA MOTOSSERRA

- **Mantenha todas as partes do corpo distanciadas da corrente da serra quando a motosserra estiver em funcionamento. Antes de iniciar a motosserra, certifique-se que a corrente da serra não se encontra em contacto com nada.** Um momento de distração ao operar a motosserra pode causar emaranhamento da sua roupa ou corpo com a motosserra.
- **Segure sempre a motosserra com a sua mão direita na pega traseira e com a sua mão esquerda na pega dianteira.** Segurar a motosserra com uma configuração da mão invertida aumenta o risco de lesão pessoal e deva nunca ser feito.
- **Segure na ferramenta elétrica apenas através das superfícies isoladas, dado que a motosserra pode contar cabos ocultos ou com o seu próprio cabo.** O contacto da motosserra com um cabo com tensão elétrica pode expor as peças metálicas da ferramenta à corrente elétrica, o que pode provocar um choque ao operador.
- **Use óculos de segurança proteção para os ouvidos. Recomenda-se ainda equipamento de proteção para a cabeça, mãos, pernas e pés é recomendado.** A roupa de proteção adequada reduzirá o risco de lesões pessoais causadas por detritos esvoaçantes ou contacto accidental com a motosserra.
- **Não opere uma motosserra numa árvore.** A utilização de uma motosserra enquanto se encontra em cima de uma árvore pode causar lesões pessoais.
- **Mantenha sempre o equilíbrio adequado dos pés e opere a motosserra apenas quando se encontra sobre uma superfície fixa, firme e nivelada.** As superfícies escorregadiças ou instáveis tais como escadas podem causar uma perda de equilíbrio ou o controlo da motosserra.
- **Ao cortar um ramo que esteja sob tensão, esteja alerta para o efeito de ricochete.** Quando a tensão nas fibras de madeira é libertada, o ramo catapultado pode atingir o operador e/ou atirar a motosserra e ficar fora de controlo.
- **Use extrema cautela ao cortar os arbustos e rebentos.** O material delgado pode apanhar a motosserra e ser atirado para si ou tirar-lhe o equilíbrio.
- **Transporte a motosserra pela pega frontal com a motosserra desligada e afastada do seu corpo. Ao transportar ou armazenar a motosserra, coloque sempre a capa da barra guia.** O segurar adequadamente na motosserra reduzirá a probabilidade de contacto accidental com a corrente móvel da serra.
- **Siga as instruções para a lubrificação,**

**acionamento da corrente e mudança dos acessórios.** Uma corrente com a tensão ou a lubrificação incorretas também pode quebrar ou aumento o risco de ricochete.

- **Mantenha os manipulados secos, limpos e livres de óleo e graxa.** As pegas gordurosas, oleosas são escorregadias podendo causar a perda de controlo.
- **Corte apenas madeira. Não utilize a motosserra para fins a que não se destina. Por exemplo, não use a motosserra para cortar plástico, alvenaria ou materiais de construção que não sejam de madeira.** O uso da motosserra para as operações diferentes daquelas a que se destina podem causar uma situação perigosa.

### Causas e prevenção do utilizador do ricochete:

Pode ocorrer um coice quando a ponta da barra-guia toca num objecto ou se a corrente da serra ficar entalada e bloquear-se na madeira durante o corte.

O contacto do nariz da barra guia poderá causar, nalguns casos, uma repentina reacção reversa impelindo a barra guia para cima e para trás na direcção do operador.

Apertar a corrente da serra ao longo do topo da barra guia pode fazer com que esta recue rapidamente na direcção do operador.

Qualquer uma destas reacções pode fazer com que perca o controlo da serra e levar a graves ferimentos pessoais. Não dependa exclusivamente dos dispositivos de segurança incorporados na sua serra. Enquanto utilizador da serra, deverá tomar uma série de medidas tendentes a garantir que as operações de corte decorrem livres de acidentes ou ferimentos.

O ricochete é o resultado de uma má utilização da ferramenta e/ou condições ou procedimentos de operação incorretos e pode ser evitado tomando as precauções apropriadas conforme indicado abaixo:

- **Segure firmemente, com os polegares e os dedos que cercam as pegadas da motosserra, com ambas as mãos na serra e posicione o seu corpo e braço para permitir-lhe resistir à força do ricochete.** As forças do ricochete podem ser controladas pelo operador, se as precauções apropriadas forem tomadas. Não largue a motosserra.
- **Não se estenda e não corte acima da altura do ombro.** Isto ajuda a impedir o contacto da ponta não intencional e permite um melhor controlo da motosserra em situações inesperadas.
- **Utilize apenas correntes e barras sobressalentes do fabricante.** As barras e as correntes de substituição incorretas podem causar uma rutura da corrente e/ou ricochete.
- **Siga as instruções de afiação e manutenção do fabricante da corrente da serra.** Diminuir a altura do calibre da profundidade pode conduzir a aumentos do ricochete.

### ADVERTÊNCIAS ADICIONAIS DE SEGURANÇA DA MOTO-SERRA

- É recomendável cortar os troncos num cavalete de serrador ou num suporte ao operar o aparelho pela primeira vez.



- Certifique-se de todas as proteções, pegas e para-choques dentado estão devidamente instalados e em boas condições.
- As pessoas que utilizam esta motosserra devem gozar de boa saúde. A motosserra é uma unidade pesada e, como tal, o operador deve estar fisicamente apto. O operador deve estar alerta, ter boa visão, mobilidade, equilíbrio e destreza manual. Em caso de qualquer dúvida, não opere a serra eléctrica.
- Não comece a usar o produto até que tenha uma área de trabalho clara, base segura e um caminho de retirada planeada afastado da queda da árvore.
- Cuidado com a emissão da névoa de lubrificante e serrim. Utilize uma máscara ou respirador, se necessário.
- O fornecimento eléctrico deveria efectuar-se através de um dispositivo de corrente residual (RDC) com uma corrente activa não superior a 30 mA.
- Se o cabo de alimentação se danificar, deve levar a máquina a um centro de serviço autorizado ser reparado ou substituído.
- Mantenha sempre o cabo de alimentação arrumado e afastado da área de corte. Além do perigo de electrocussão, os cabos desarrumados provocam quedas e tropeções.
- Não corte as videiras e/ou mato pequeno (menos de 75 mm de diâmetro).
- Segure sempre a motosserra com ambas as mãos ao operar a serra. Segure firmemente na ferramenta, com os polegares e os dedos envolvendo as pegas da serra de corrente. A mão direita deve estar na pega traseira e a mão esquerda sobre a pega dianteira.
- Antes de iniciar a ferramenta, certifique-se que a corrente não está em contacto com qualquer objeto.
- Não modifique a sua ferramenta em qualquer forma nem a utilize para alimentar quaisquer acessórios ou dispositivos não recomendados pelo fabricante para a sua serra.
- Deve haver um kit de primeiros socorros que contenha grandes pensos para feridas e um meio para chamar a atenção (por exemplo, um apito) próximo do operador. Um kit maior e mais abrangente deve estar, razoavelmente, nas proximidades.
- O operador pode ficar tentado a remover o capacete, caso não exista perigo de queda de objetos na área de trabalho, mas lembre-se que o capacete, particularmente com a viseira de malha, pode ajudar a reduzir o potencial de lesões no rosto e na cabeça em caso de ressalto.
- Uma corrente incorretamente sujeita a tensão pode saltar fora da barra de guia e pode resultar em ferimentos graves ou morte. O comprimento da corrente depende da temperatura. Verifique a tensão regularmente.
- Deve familiarizar-se com a sua nova motosserra fazendo cortes simples em madeira firmemente apoiada. Faça isto sempre que não tenha operado a serra há algum tempo.
- Para reduzir o risco de lesões associadas com o contacto com partes móveis, pare sempre o motor,

aplique o travão da corrente, desligar da tomada de corrente e certifique-se de que todas as peças móveis pararam completamente antes de:

- limpeza e desobstrução de bloqueio
  - deixar o produto sem vigilância
  - instalar ou remover acessórios
  - proceder à verificação, manutenção ou trabalho na máquina
- O tamanho da área de trabalho depende do trabalho a ser realizado, bem como do tamanho da árvore ou da peça alvo da intervenção. Por exemplo, abater uma árvore requer uma maior área de trabalho do que para fazer outros cortes, como por exemplo, cortes de divisão de troncos, etc. O operador precisa estar atento e em controlo de tudo o que está a acontecer nesta área de trabalho.
  - Não corte com o seu corpo em linha com a barra de guia e corrente. Caso ocorra um ressalto, isto ajudará a evitar a corrente de entrar em contacto com a sua cabeça ou corpo.
  - Não utilize um movimento de serrar para trás e para a frente, deixe a corrente fazer o trabalho, mantenha a corrente afiada e não tente empurrar a corrente através do corte.
  - Não exerça pressão na serra no fim do corte. Prepare-se para aguentar com o peso da serra quando esta se liberta da madeira. O incumprimento desta indicação pode causar possíveis lesões pessoais graves.
  - Não pare a serra a meio de uma operação de corte. Mantenha a serra a funcionar até que tenha sido removida do corte.

### Pressão e tracção

A força de reacção é sempre oposta ao sentido de deslocação da corrente. Como tal, o operador deve estar preparado para controlar a tendência para a máquina se afastar (movimento para a frente) ao cortar na borda inferior da barra e a empurrar para trás (na direcção do operador) ao cortar ao longo da borda superior.

### Serra encravada no corte

Pare a motosserra e torne-a segura. Não tente forçar a corrente e a barra do corte, visto que é provável que isto quebre a corrente, a qual pode balançar para trás e atingir o operador. Esta situação ocorre normalmente porque a madeira está incorretamente apoiada e a forçar o corte demasiado perto sob compressão trilhando assim a lâmina. Caso, ao ajustar o suporte não liberte a barra e a corrente, use cunhas de madeira ou uma alavanca para abrir o corte e libertar a serra. Nunca tente iniciar a motosserra quando a barra guia já se encontra num corte ou ranhura.

### Equipamento de protecção pessoal

Os equipamentos de protecção individual de boa qualidade, conforme os utilizados por profissionais, ajudarão a reduzir o risco de ferimentos ao operador. Os itens seguintes devem ser utilizados ao operar a sua motosserra:

#### Capacete de segurança

- deverá cumprir a norma EN 397 e possuir a marcação CE





### Proteção auricular

- deverá cumprir a norma EN 352-1 e possuir a marcação CE

### Proteção para os olhos e rosto

- devem possuir a marcação CE e cumprir com EN 166 (para óculos de segurança) ou EN 1731 (para viseiras de malha)

### Guantes

- deverá cumprir a norma EN 381-7 e possuir a marcação CE

### Proteção das pernas (perneiras)

- deve cumprir com a norma EN381-5, possuir a marcação CE e fornecer uma proteção completa.

### Botas de segurança para motosserra

- deve cumprir com a norma EN ISO 20345:2004 e possuir uma marcação a ilustrar uma motosserra para demonstrar a conformidade com EN 381-3. (Os utilizadores ocasionais podem usar botas de segurança com biqueira de aço com polainas de proteção conformes à EN 381-9, caso o piso seja nivelado e exista pouco risco de tropeçar ou ficar preso na vegetação rasteira)

### Casacos próprios para motosserra para proteção do corpo superior do corpo

- deverá cumprir a norma EN 381-11 e possuir a marcação CE

## INSTRUÇÕES SOBRE AS TÉCNICAS ADEQUADAS PARA ABATE BÁSICO, CORTAR RAMOS E CORTE TRANSVERSAL

### Compreender as forças dentro da madeira

Quando compreende as pressões e tensões direccionais dentro da madeira, pode reduzir os “beliscões”, ou pelo menos prevê-los durante o corte. A tensão na madeira significa que as fibras estão a ser separadas e se cortar nesta área, a área de separação (“kerf”) ou corte tendem a abrir à medida que a serra passa. Se um tronco está a ser apoiado sobre um cavalete e a extremidade está pendurada sem apoio sobre a extremidade, então a tensão é criada na superfície superior devido ao peso do tronco suspenso, esticando as fibras. Da mesma forma, a parte inferior do tronco estará em compressão e as fibras são empurradas umas contra as outras. Se um corte é feito nesta área, o corte de separação terá tendência a fechar-se durante o corte. Isto iria trilhar a lâmina.

### Abater uma árvore

Ver a página 239 - 240.

Quando as operações de cortar e abater estão a ser realizadas por duas ou mais pessoas ao mesmo tempo, a operação de abate deve ser separada da operação de corte por uma distância de pelo menos duas vezes a altura da árvore que vai cair. As árvores não devem ser abatidas de alguma forma que possa pôr alguém em perigo, atingir alguma linha de fornecimento ou causar danos de propriedade. Se a árvore entrar em contacto com alguma linha de fornecimento, a empresa deve ser notificada de imediato.

O operador da serra de corrente deve manter-se no lado mais alto de um terreno inclinado, já que é provável que

a árvore role ou deslize pelo terreno abaixo aquando do abate.

Um percurso de escape deve ser planeado e desobstruído conforme necessário antes de se iniciar os cortes. O percurso de fuga deve estender-se para trás e na diagonal à traseira da linha de queda prevista.

Antes de iniciar o abate, tenha em conta a inclinação natural da árvore, a localização dos ramos maiores e a direção do vento para avaliar a forma como a árvore irá cair.

Remova a sujidade, pedras, casca solta, pregos, estribos e arames da árvore.

Não tente derrubar árvores que estão podres ou que tenham sido danificadas por vento, fogo, relâmpagos, etc. Isto é extremamente perigoso e só deve ser realizado por cortadores de árvores profissionais.

#### ■ Corte inferior de entalhe

Ver a página 239 - 240.

Faça o entalhe com 1/3 do diâmetro da árvore, perpendicular ao sentido das quedas. Realize o corte de entalhe horizontal inferior primeiro. Isto ajudará a evitar trilhar a corrente da serra ou a barra de guia quando o segundo entalhe está a ser feito.

#### ■ Corte pela face oposta

Ver a página 239 - 240.

Faça o corte de abate para trás com pelo menos 50 mm (2 polegadas) mais alto do que o corte de entalhadura horizontal. Mantenha o corte de abate para trás paralelo ao corte de entalhadura horizontal. Faça o corte de abate para trás de modo a que resta madeira suficiente para atuar como uma dobradiça. A articulação da madeira evita que a árvore se torça e caia na direção errada. Não corte através da articulação.

À medida que o abate se aproxima da dobradiça, a árvore deve começar a cair. Se houver qualquer possibilidade da árvore não cair no sentido desejado de poder balançar para trás e vincar a motosserra, pare de cortar antes que o corte de abate para trás esteja concluído e use cunhas de madeira, plástico ou alumínio para abrir o corte e deixar cair a árvore sobre a linha desejada.

Quando a árvore começa a cair, remova a motosserra do corte, pare o motor, coloque a motosserra para baixo e, em seguida, use o caminho de retirada planeado. Esteja alerta para ramos suspensos que possam cair e preste atenção ao seu equilíbrio.

### Remoção dos sustentáculos

Ver a página 240.

Um sustentáculo é uma raiz de grandes dimensões que se prolonga do tronco da árvore acima do solo. Deverá remover sustentáculos grandes antes de realizar o abate. Efectue primeiro o corte horizontal no sustentáculo e, só depois, o corte vertical. Remova a secção solta da área de trabalho. Siga o procedimento de abate de árvores correcto depois de terem sido removidos os sustentáculos grandes.

### Cortar transversalmente um tronco

Ver a página 241.





Decepar consiste em cortar um tronco em comprimentos. É importante certificar-se que o seu equilíbrio é firme e que o seu peso está distribuído uniformemente em ambos os pés. Quando possível o tronco deve ser levantado e suportado pelo uso de ramos, troncos ou calços. Siga a instrução simples para um corte fácil. Quando o tronco é suportado ao longo de todo o comprimento, é cortado a partir do topo (overbuck).

Quando o tronco é suportado numa extremidade, corte 1/3 do diâmetro do lado de baixo (underbuck). Em seguida, efetue o corte final overbucking para encontrar o primeiro corte.

Quando o tronco está apoiado em ambas as extremidades, corte 1/3 do diâmetro a partir de cima (overbuck). Em seguida, efetue o corte final underbucking 2/3 mais baixo para encontrar o primeiro corte.

Ao cortar numa inclinação, fique sempre no lado de cima do tronco. Ao cortar transversalmente, para manter o controlo total, liberte a pressão de corte perto da extremidade do corte sem relaxar o seu aperto nas pegas da motosserra. Não deixe a corrente entrar em contacto com o chão. Após ter terminado o corte, aguarde que a corrente da serra pare antes de deslocar a motosserra. Pare sempre o motor antes de se deslocar de árvore em árvore.

### Cortar ramos de uma árvore

Ver a página 242.

Desbastar consiste em remover os ramos de uma árvore abatida. Ao desbastar, deixe os ramos maiores inferiores para apoiar o tronco do chão. Remova os ramos com um só corte. Os ramos sob tensão devem ser cortados a partir do fundo para evitar comprometer a motosserra.

### Cortar springpoles

Ver a página 242.

Um tranchão tensionado é qualquer toro, ramo, cepo com raízes ou árvore jovem que está dobrada e tensionada por outro lenho e que efectua um movimento de ricochete se o lenho que a estava a segurar for cortado ou removido.

Numa árvore abatida, um cepo com raízes oferece um elevado potencial de regressar à posição vertical num movimento repentino, durante o corte transversal para separar o toro do cepo. Tenha atenção a tranchões tensionados, pois são muito perigosos.

### ⚠ ADVERTÊNCIA

Os tranchões tensionados são perigosos, podendo atingir o operador, fazendo com que perca o controlo da serra de corrente. Esta situação poderá conduzir a ferimentos graves ou mesmo mortais. Isto deve ser realizado por utilizadores formados.

### USO PREVISTO

Este produto destina-se exclusivamente a ser utilizado ao ar livre. Por razões de segurança, o aparelho tem que ser adequadamente controlado através da operação com as duas mãos em todos os momentos.

Este produto é concebido para cortar ramos, troncos, cepos e vigas de um diâmetro determinado pelo comprimento

de corte da barra-guia. Apenas foi concebida para cortar madeira. Só deve ser utilizado em aplicações domésticas por adultos que tenham recebido formação adequada sobre os perigos e medidas/ações preventivas a tomar durante a sua utilização.

Não use o produto para qualquer finalidade que não esteja listada acima. Não deve ser usado para serviços profissionais de corte de árvores. O produto não deve ser usada por crianças ou por pessoas que não usem o equipamento de proteção pessoal e vestuário adequados.

### RISCOS RESIDUAIS:

Mesmo quando a máquina é usada conforme prescrito, ainda é impossível eliminar completamente determinados factores de risco residuais. Os seguintes perigos podem surgir na utilização e o operador deve prestar especial atenção para evitar o seguinte:

- Lesões por vibração. Use sempre a ferramenta certa para o trabalho, use pegas concebidas e restrinja o tempo e exposição de trabalho.
- A exposição ao ruído pode provocar perda de audição. Use proteção para os ouvidos e limite o tempo de exposição
- O contacto com os dentes de serra expostos da motosserra (perigos de corte).
- Movimentos imprevistos ou ressalto e abruptos da barra-guia (perigos de corte).
- Peças ejetadas pela motosserra (perigos de corte/injeção).
- Pedacos projetados da peça de trabalho (lascas de madeira, farpas)
- Inalação de serrim e partículas.
- Contacto da pele com lubrificante/óleo.

### REDUÇÃO DO RISCO

Foi reportado que as vibrações das ferramentas de mão podem contribuir para uma doença designada de Síndrome de Raynaud em determinados indivíduos. Os sintomas podem incluir formigueiro, entorpecimento e empalidezimento dos dedos, habitualmente visível aquando da exposição ao frio. Estima-se que os factores hereditários, exposição ao frio e humidade, dieta, tabagismo e práticas de trabalho contribuem todos para o desenvolvimento destes sintomas. Existem medidas que podem ser tomadas pelo operador para possivelmente reduzir os efeitos da vibração:

- Mantenha o seu corpo quente durante o tempo frio. Ao operar a unidade, use luvas para manter as mãos e os pulsos quentes. Encontra-se reportado que o tempo frio é um grande factor que contribui para o Síndrome de Raynaud.
- Após cada período de operação, exercite para aumentar a circulação sanguínea.
- Faça pausas frequentes no trabalho. Limite o tempo de exposição por dia.
- As luvas protetoras disponíveis nos retalhistas de motosserra profissional são especificamente concebidas para uso de motosserra que dão proteção, boa aderência e também reduzem o efeito de vibração



da pega. Estas luvas devem cumprir com a norma EN381-7 e têm que ter a marcação CE.

Caso sinta algum dos sintomas desta doença, interrompa de imediato a sua utilização e consulte o seu médico sobre estes sintomas.

#### **⚠️ ADVERTÊNCIA**

O uso prolongado de uma ferramenta pode causar o agravar lesões. Ao usar qualquer ferramenta durante períodos prolongados, assegure-se que faz intervalos regulares.

### **CONHEÇA O SER APARELHO**

Ver a página 233.

1. Corrente
2. Barra-guia
3. Guarda-mão frontal/Travão da corrente
4. Pega frontal
5. Libertador do actuador
6. Pega traseira
7. Grampo pára-choques
8. Tampão do óleo da corrente
9. Fixador de cabo
10. Botão de premir Liga
11. Defletor de aparas de madeira
12. Manipulo do defletor de aparas de madeira
13. Capa da roda dentada
14. Anel de ajuste do tensor de corrente
15. Botão de bloqueio da barra de guia
16. Capa da barra guia
17. Retentor de corrente

### **DISPOSITIVOS DE SEGURANÇA**

#### **Serra de corrente de baixo coice**

Uma corrente de serra com reduzido ressalto ajuda a reduzir a possibilidade de um evento de ressalto.

Os limitadores de profundidade à frente de cada dente de corte podem minimizar a força de uma reacção de coice, prevenindo que os dentes de corte penetrem com profundidade na zona de coice. Utilize apenas combinações de barras de guia e correntes de substituição que sejam recomendadas pelo fabricante.

Com a continuação de afiação, as correntes da serra vão perdendo as suas qualidade de baixo coice, sendo necessário empregar cautela adicional. Por sua segurança, substitua as correntes da serra quando diminuir o rendimento de corte.

#### **Grampo pára-choques**

O grampo pára-choques integral pode ser usado como uma articulação ao realizar um corte. Ajuda a manter o corpo da motosserra estável durante o corte. Ao cortar, empurre a máquina para a frente até que os picos se introduzam na borda da madeira e, em seguida, movendo a pega traseira para cima ou para baixo na direcção da linha de corte pode ajudar a aliviar a tensão física do corte

### **Barras-guia**

Geralmente, as barras-guia com pontas de pequeno raio têm um potencial ligeiramente menor de coice. Deve usar uma barra de guia e uma corrente correspondente que seja apenas o suficientemente comprida para o trabalho. As barras mais compridas aumentam o risco de perda de controlo durante o corte de serra. Verifique regularmente a tensão da corrente. Ao cortar ramos mais pequenos (menos que o comprimento total da barra de guia), é provável que a corrente seja projetada caso a tensão não seja a correcta.

### **Travão da corrente**

Os travões de corrente foram concebidos para pararem rapidamente a corrente, impedindo-a de girar. Quando a alavanca do travão da corrente/guarda-mão é empurrada contra a barra, a corrente pára imediatamente. O travão da corrente não impede o coice. Apenas reduz o risco de lesão, caso a barra da corrente entre em contacto com o corpo do operador durante um evento de ressalto. O travão da corrente deve ser testado antes de cada utilização quanto à sua correcta operação em ambas as posições de funcionamento e travagem.

### **MONTAGEM**

#### **⚠️ ADVERTÊNCIA**

Se qualquer peça estiver danificada ou em falta, não utilize este produto até as peças serem repostas. A inobservância deste aviso pode resultar em graves ferimentos pessoais.

### **MONTAR A CORRENTE DA SERRA E A BARRA DE GUIA**

Ver a página 234 - 235. Ver a página 244 - 245.

1. Desconecte o aparelho da fonte de alimentação. Use luvas de protecção
2. Desenrosque o botão de bloqueio da barra de guia e retire a roda dentada.
3. A motosserra deve estar virada na direcção da rotação da corrente. Se estiverem virados para trás, vire o anel.
4. Coloque as ligações da direcção da corrente na ranhura da barra.
5. Posicione a corrente, de modo a ficar um anel na parte posterior da barra.
6. Mantenha a corrente no seu lugar sobre a barra e enrole-a no pinhão. Baixe a barra de forma que o perno encaixe no orifício no conjunto de tensão da cadeia. Pode necessitar de rodar este conjunto para que o perno e o orifício coincidam. Também terá que rodar o conjunto para aplicar tensão na corrente que ajudará a mantê-la no seu lugar.
7. Substitua a cobertura da roda dentada e rode o botão de bloqueio da barra de guia até estar quase totalmente apertada, rode o anel de ajuste de tensão da corrente até esta ter a tensão adequada. Em seguida, a barra de guia tem que ser empurrada para cima. Verifique a tensão da corrente novamente, Não sujeita a tensão a corrente com muito aperto.
8. Depois de o corrente estar bem tensionada, aperte

novamente o botão.

## AJUSTE DA TENSÃO DA CORRENTE

Ver a página 235. Ver a página 246.

1. Solte um pouco o botão de bloqueio da barra de guia rodando no sentido anti-horário.
2. Para aumentar a tensão da corrente, gire o anel de ajuste do tensor da corrente no sentido dos ponteiros do relógio e verifique a tensão da corrente frequentemente. Para reduzir a tensão da corrente, gire o anel de ajuste do tensor da corrente no sentido contrário ao dos ponteiros do relógio e verifique a tensão da corrente frequentemente.
3. A tensão da corrente está correta quando o espaço livre entre o cortador na corrente e a barra seja de 3 mm a 4 mm.  
Puxe a corrente no meio do lado inferior da barra para baixo (afastando da barra) e meça a distância entre a barra e os cortadores da corrente.
4. Aperte o botão de bloqueio da barra de guia rodando em sentido horário.

## UTILIZAÇÃO

### ADICIONAR ÓLEO LUBRIFICANTE DA CORRENTE

Ver a página 246.

#### ⚠ ADVERTÊNCIA

Nunca trabalhe sem lubrificante da corrente. Se a motosserra estiver a funcionar sem lubrificante, a barra guia e a moto-serra podem ficar danificadas. Por conseguinte, é indispensável verificar o nível de óleo no medidor de nível do óleo regularmente e sempre antes de começar a usar a motosserra.

1. Limpe a superfície ao redor da tampa do óleo para evitar a contaminação.
2. Desaparafuse e remova o tampão do depósito do óleo.
3. Verta o óleo no depósito de óleo e monitorize o indicador de nível de óleo. Certifique-se que não entra sujidade no depósito de óleo enquanto abastece de óleo.
4. Coloque o tampão do depósito de óleo novamente e aperte-o. Limpe qualquer respingo.
5. Um depósito cheio de óleo permite que usar a serra durante 20-40 minutos.

### Óleo lubrificante da corrente recomendado

- O fabricante recomenda utilizar apenas o óleo lubrificante de moto-serra Ryobi. (Está disponível no centro de assistência autorizado da Ryobi)

### SEGURAR NA MOTOSSERRA

Ver a página 235.

Segure sempre a motosserra com a sua mão direita na pega traseira e com a sua mão esquerda na pega dianteira. Segure ambas as pegas com os polegares e os dedos que cercam as pegas. Assegure-se de que a sua mão esquerda está a segurar o manípulo frontal de modo a que o polegar esteja por baixo.

#### ⚠ ADVERTÊNCIA

Mantenha sempre o cabo de alimentação arrumado e afastado da área de corte. Além do perigo de eletrocussão, os cabos desarrumados provocam quedas e tropeções.

### ARRANQUE DA MOTO-SERRA

Ver a página 235.

1. Conecte o aparelho à sua fonte de alimentação. Certifique-se de que o travão da corrente se encontra na posição de funcionamento puxando para trás a alavanca/protecção da pega.
2. Para arrancar a máquina: Pressione o gatilho de libertação e, a seguir, prima o interruptor de ligar e desligar (On/Off).

### VERIFICAÇÃO E FUNCIONAMENTO DO TRAVÃO DA CORRENTE

1. Acione o travão da corrente rodando a sua mão esquerda ao redor da pega dianteira. Usando a palma da sua mão, empurre a alavanca do travão da corrente/protecção manual na direção da barra enquanto a corrente está a rodar rapidamente. Certifique-se que mantém ambas as mãos sobre as pegas da serra em todos os momentos.
2. Redefina o travão da corrente de volta para a posição de funcionamento segurando no cimo da alavanca do travão da corrente/protecção manual e puxando em direção à pega dianteira até ouvir um clique.

#### ⚠ ADVERTÊNCIA

Se o travão de corrente não pára a corrente de imediato, ou se o travão de corrente não permaneça na posição de funcionamento sem auxílio, leve a serra a um centro de assistência autorizado para a reparar antes de usar.

### TRANSPORTE E ARMAZENAMENTO

Ver a página 248 - 249.

- Pare o aparelho, desligue-o da tomada de alimentação e deixe arrefecer antes de guardá-lo ou transportá-lo.
- Limpe todos os materiais estranhos do produto. Guarde-o num local fresco e seco e bem ventilado a que as crianças não consigam aceder. Mantenha-o afastado de substâncias corrosivas, tais como produtos químicos utilizados em jardinagem e sais de descongelação. Não armazenar ao ar livre.
- Coloque a capa da barra de guia antes de guardar a unidade, ou durante o transporte.
- Para o transporte, segure a máquina para não se mover nem cair e evitar assim lesionar alguém ou danificar a máquina.

## MANUTENÇÃO

### ⚠️ ADVERTÊNCIA

Utilize apenas peças de substituição, acessórios e encaixes do fabricante original. A inobservância desta indicação pode causar um fraco desempenho, possíveis lesões e poderá anular a sua garantia.

### ⚠️ ADVERTÊNCIA

Os serviços de manutenção requerem extremo cuidado e conhecimentos e devem apenas ser realizado por um técnico de assistência qualificado. Para assistência, sugerimos que devolva o produto ao seu centro de assistência autorizado mais próximo para reparação. Ao realizar serviços de manutenção, use apenas peças de substituição idênticas.

### ⚠️ ADVERTÊNCIA

Desligue da tomada de alimentação antes de realizar qualquer operação de ajuste, manutenção ou limpeza. O incumprimento desta instrução pode conduzir a lesões graves.

- Pode realizar os ajustes e reparações descritos neste manual do utilizador. Para outro tipo de reparações entre em contacto com um agente de serviço autorizado.
- As consequências de uma manutenção inadequada podem fazer com que o travão da corrente e outras características de segurança não funcionem corretamente, aumentando assim o potencial para ferimentos graves. Mantenha a sua motosserra profissionalmente mantida e segura.
- Afiar a corrente de forma segura é uma tarefa especializada. Portanto, o fabricante recomenda encarecidamente que uma corrente opaca ou desgastada se substitua por outra nova, que se encontra disponível no centro de assistência autorizado da Ryobi. O nome da peça encontra-se disponível na tabela de especificações de produto deste manual.
- Siga as instruções para lubrificação e verificação e ajuste da tensão da corrente.
- Limpar o produto com um pano suave seco depois de cada uso.
- Verifique todas as porcas, pregos e parafusos com intervalos frequentes para confirmar a tensão apropriada e se certificar que o produto está em condições seguras de funcionamento. Qualquer peça danificada deve ser substituída ou reparada adequadamente por um centro de serviço autorizado.

### SUBSTITUIÇÃO DA BARRA DE GUIA E CORRENTE DA SERRA

See page 244 - 245.

1. Desconecte o aparelho da fonte de alimentação. Use luvas de protecção.
2. Desenrosque o botão de bloqueio da barra de guia

rodando no sentido anti-horário até a roda dentada se soltar.

3. Remova a capa da roda dentada. Retire a lâmina e a corrente da unidade.
4. Para substituir a barra por uma nova, desaperte o parafuso do conjunto de tensão da corrente. Monte o conjunto de tensão da corrente na barra nova e aperte o parafuso.
5. Coloque a nova corrente na direção correta na barra e certifique-se de que as ligações de transmissão estão alinhadas com a ranhura da barra.
6. Instale a barra na motosserra e enrole a corrente em torno da roda dentada motriz.
7. Volte a colocar a tampa da roda dentada, aperte a tampa da roda dentada e aperte o manipulô.
8. Ajuste a tensão da corrente. Consulte a secção "Ajustar a tensão da corrente".

### ⚠️ ADVERTÊNCIA

Uma afiação inadequada da corrente aumenta o potencial de coice.

### ⚠️ ADVERTÊNCIA

A não substituição ou reparação de uma corrente danificada pode provocar ferimentos graves.

### ⚠️ ADVERTÊNCIA

A corrente da serra é muito afiada. Use sempre luvas de protecção quando realizar trabalhos de manutenção na corrente.

## INSPEÇÃO E LIMPEZA DO TRAVÃO DA CORRENTE

Ver a página 247.

- Mantenha sempre o mecanismo de travagem da corrente limpo, escovando levemente a ligação mantendo-a sem sujidade.
- Teste sempre o desempenho do travão da corrente após a limpeza. Consulte a secção "Operação – Verificação e funcionamento do travão da corrente" mais atrás no presente manual para mais informações.

## CALENDÁRIO DE MANUTENÇÃO

Verificação diária	
Danos no cabo de alimentação	Antes de cada utilização
Lubrificação da barra	Antes de cada utilização
Tensão da corrente	Antes de cada utilização e frequentemente
Afiação da corrente	Antes de cada utilização, verificação visual
Por peças danificadas	Antes de cada utilização
Por fixadores soltos	Antes de cada utilização

Função de travagem da corrente	Antes de cada utilização
<b>Inspeccionar e Limpar:</b>	
Barra	Antes de cada utilização
Serra completa	após cada utilização
Travão da corrente	A cada 5 horas*

\*Horas de Funcionamento

## SÍMBOLOS NO PRODUTO



Aviso



Leia e compreenda todas as instruções antes de manipular o produto, respeite os alertas e as instruções de segurança.



Utilize protecção ocular e auditivas assim como um capacete quando utilizar esta ferramenta.



Utilize calçado de segurança antidesslizante quando utilizar este produto.



Use luvas de trabalho resistentes, antidesslizantes.



Retire a ficha da corrente de imediato antes da manutenção ou caso o cabo esteja danificado ou cortado.



Tenha cuidado com o ressalto da serra e evite o contacto com o extremo da barra.



Não o exponha à chuva ou a condições de humidade.



Segure e utilize a serra de corrente com ambas as mãos.



Não utilize a serra de corrente segurando-a com uma só mão.



Esta ferramenta obedece a todas as normas regulamentares do país da UE onde foi comprada.



Conformidade GOST-R



Ferramenta de tipo II, duplo isolamento



Os aparelhos eléctricos antigos não devem ser eliminados juntamente com o lixo doméstico. Recicle onde existem instalações para o efeito. Verifique com as suas Autoridades Locais ou revendedor para obter informações sobre reciclagem.



O nível de potência sonora garantido é de 108 dB. (RCS1935)



O nível de potência sonora garantido é de 107 dB. (RCS2340)



Lubrificante para a barra e correia



Bloqueio



Abrir



Gire para ajustar a tensão da corrente +/- Aperte/afrouxe a corrente



Direcção de movimento da corrente (Marque debaixo da tampa do pinhão)

L max

Comprimento máximo da barra guia

## ÍCONES NESTE MANUAL



Ligar à tomada de corrente



Desligar da tomada de corrente



As peças ou acessórios vendem-se separadamente



Os aparelhos eléctricos antigos não devem ser eliminados juntamente com o lixo doméstico. Recicle onde existem instalações para o efeito.



NOTA:



ADVERTÊNCIA



Use protecção para os olhos e rosto.



Use protecção para a parte superior do corpo.



Use proteção para as pernas.



Pare o aparelho.

As seguintes palavras de sinal e significados destinam-se a explicar os níveis de risco associados a este produto.

**⚠ PERIGO**

Indica uma situação perigosa iminente, que, se não evitada, poderá resultar em morte ou ferimentos graves.

**⚠ ADVERTÊNCIA**

Indica uma situação potencialmente perigosa, que, se não evitada, poderá conduzir à morte ou graves lesões.

**⚠ ADVERTÊNCIA**

Indica uma situação potencialmente perigosa, que, se não evitada, poderá resultar em pequenas ou moderadas lesões.

**ADVERTÊNCIA**

Sem símbolo de alerta de segurança

Indica uma situação que pode resultar em danos de propriedade.



### ⚠ ADVARSEL

Når produktet anvendes, skal sikkerhedsreglerne efterleves. Af hensyn til egen og andres sikkerhed skal man læse denne brugsanvisning, inden produktet anvendes. Du bør deltage i et professionelt organiseret sikkerhedskursus i brug, forebyggende foranstaltninger, førstehjælp og vedligeholdelse af kædesave. Disse sikkerhedsregler skal opbevares med henblik på senere brug.

### ⚠ ADVARSEL

Kædesave er potentielt farlige værktøjer. Ulykker i forbindelse med brug af kædesave medfører ofte tab af lemmelede eller død. Det er ikke kun selve kædesaven, som er farlig. Nedfaldende grene, væltende træer, rullende træstammer kan alt sammen være dræbende. Dødt eller råddent træ udgør også faremomenter. Man skal vurdere, om man føler sig i stand til at fuldføre opgaven på sikker vis. Hvis der er den mindste tvivl, skal man overlade opgaven til en professionel trækirurg.

## GENERELLE SIKKERHEDSADVARSLER

### ⚠ ADVARSEL

**Alle sikkerhedsadvarsler og alle anvisninger skal læses.** Manglende overholdelse af advarselne og anvisningerne kan medføre elektrisk stød, brand og/eller alvorlige personskader.

**Gem vejledningen med advarsler og anvisninger til senere opslag.**

Med udtrykket "elværktøj" i advarselne henvises til dit lysnet-drevne (via ledning) elværktøj eller batteridrevne (ledningsfri) elværktøj.

### ARBEJDSOMGIVELSER

- **Hold arbejdsområdet rent og godt oplyst.** Rodede eller mørke områder inviterer til ulykker.
- **Brug ikke elværktøjer i eksplosive omgivelser som fx i nærheden af brandbar væske, gas eller støv.** Elværktøjer udløser gnister, som kan antænde støvet eller dampene.
- **Der må ikke være børn og tilskuere i nærheden, når et elværktøj anvendes.** Distractioner kan medføre, at du mister kontrollen.

### ELEKTRISK SIKKERHED

- **Elværktøjets elstik skal passe til elnetkontakten.** Elstikket må aldrig modificeres på nogen som helst måde. Undlad brug af adapterstik til jordede (stelforbundne) elværktøjer. Umodificerede elstik og passende elnetkontakter reducerer faren for elektrisk stød.
- **Undgå kropskontakt med jordede eller stelforbundne overflader som fx rør, radiatorer, komfurer og køleskabe.** Der er forøget risiko for elektrisk stød, hvis din krop er forbundet med jord eller

stel.

- **Dette produkt må ikke udsættes for regn eller fugt.** Hvis der trænger vand ind i et elværktøj, øges faren for elektrisk stød.
- **Undlad at misbruge ledningen. Ledningen må aldrig bruges til at bære eller trække i elværktøjet eller til at trække stikket ud. Ledningen må ikke komme i nærheden af varme, olie, skarpe kanter eller bevægelige dele.** Beskadigede eller sammenfildrede ledninger øger faren for elektrisk stød.
- **Når et elværktøj anvendes i det fri, skal der bruges en forlængerledning, der er egnet til udendørs brug.** Brug af ledninger beregnet til udendørs brug reducerer faren for elektrisk stød.
- **Hvis man er nødt til at bruge et elværktøj i fugtige omgivelser, skal strømforsyningen have en fejlstrømsafbryder (RCD-afbryder).** Brug af fejlstrømssikring reducerer faren for elektrisk stød.

### PERSONLIG SIKKERHED

- **Når man bruger et elværktøj, skal man være agtpågivende, iagttage hvad man gør og bruge sund fornuft. Undlad at bruge et elværktøj, hvis du er træt eller påvirket af narkotika, alkohol eller medikamenter.** Et øjeblikvis uopmærksomhed under brug af motoriserede værktøjer kan medføre alvorlige personskader.
- **Brug personlige værnemidler. Brug altid øjenværn.** Værnemidler som fx støvmaske, skridfast sikkerhedsfodtøj, hjelm eller høreværn anvendt korrekt i forhold til de givne forhold reducerer faren for personskader.
- **Forebyg utilsigtet start. Kontrollér, at kontakten er i pos. OFF (=slukket), inden elværktøjet sluttes til strømkilde og/eller batteri, samles op eller bæres.** At bære elværktøjer med fingeren på kontakten eller at slutte strøm til elværktøjer med tændt kontakt er at invitere til ulykker.
- **Fjern evt. skruenøgler, inden der tændes for elværktøjet.** En efterladt skruenøgle fastgjort til en roterende del af elværktøjet kan medføre personskader.
- **Overstræk ikke. Sørg for altid at have godt fodfæste og god balance.** Dette giver bedre kontrol over elværktøjet i uventede situationer.
- **Vær ordentligt klædt på. Bær ikke løftsiddende tøj eller smykker.** Sørg for, at hår, tøj og handsker ikke kommer i nærheden af bevægelige dele. Løstsiddende tøj, smykker eller langt hår kan hænge fast i bevægelige dele.
- **Hvis der findes anordninger for tilslutning af støvudsugnings- og -opsamlingsudstyr, skal disse tilsluttes og anvendes korrekt.** Brug af støvopsamling kan reducere støvrelaterede faremomenter.

### BRUG OG PLEJE AF ELVÆRKTØJ

- **Undlad at tvinge produktet. Brug elværktøjet til det tiltænkte anvendelsesformål.** Det korrekte elværktøj klarer opgaven bedre og sikrere med den hastighed, det er designet til.
- **Elværktøjet må ikke tages i brug, hvis TÆND/SLUK-**

EN
FR
DE
ES
IT
NL
PT
DA
SV
FI
NO
RU
PL
CS
HU
RO
LV
LT
ET
HR
SL
SK
BG





**kontakten ikke virker.** Et elværktøj, der ikke kan kontrolleres med TÆND/SLUK-kontakten, er farligt og skal repareres.

- **Inden udførelse af justeringer, udskiftning af tilbehør eller opbevaring af elværktøjer skal elstikket trækkes ud af elnetkontakten, og/eller batteriet skal tages ud af elværktøjet.** Disse forebyggende sikkerhedsforanstaltninger reducerer faren for utilsigtet start af elværktøjet.
- **Når elværktøjer ikke bruges, skal de opbevares utilgængeligt for børn; personer, som ikke er fortrolige med elværktøjet eller denne brugsanvisning, må ikke anvende elværktøjet.** Elværktøjer er farlige i hænderne på ukendte brugere.
- **Elværktøjet skal vedligeholdes. Kontrollér, om der er forkort indjusterede eller forbundne bevægelige dele, afbrækkede dele samt andre tilstande, som kan påvirke elværktøjets funktionsmåde.** Hvis der konstateres skader, skal elværktøjet repareres inden brug. Mange ulykker skyldes dårligt vedligeholdte elværktøjer.
- **Skærende værktøjer skal holdes skarpe og rene.** Korrekt vedligeholdte skærende værktøjer med skarpe skær er mindre tilbøjelige til at binde/blokere og er lettere at kontrollere.
- **Brug elværktøjet, tilbehøret og værktøjs-bits osv. som foreskrevet i denne brugsanvisning, og tag højde for arbejdsforholdene og den aktuelle arbejdsopgave.** Brug af elværktøjet i strid med de tilkænte anvendelsesformål kan medføre farlige situationer.

## VEDLIGEHOLDELSE

- **Sørg for, at elværktøjet serviceres af en kvalificeret reparatør, som kun benytter sig af originale reservedele.** Herved garanteres sikkerheden for elproduktet.

## YDERLIGERE GENERELLE SIKKERHEDSADVARSLER

- Nogle områder har regler, som begrænser brugen af produktet. Forhør dig hos de lokale myndigheder.
- Lad aldrig børn eller personer uden kendskab til brugsanvisningen bruge produktet. Lokale love kan have indflydelse på den tilladte brugerage.
- Inden hver brug skal man kontrollere, at alle betjeningselementer og alt sikkerhedsudstyr fungerer upåklageligt. Undlad at bruge elværktøjet, hvis motoren ikke kan standses med "SLUK"-kontakten.
- Benyt fuldt øjen- og høreværn, stærke solide handsker samt hovedbeskyttelse, mens du bruger produktet; brug ansigtsmaske, hvis arbejdet genererer støv.
- Undlad at bære løstsiddende tøj, korte bukser eller smykker af enhver art.
- Langt hår skal bindes op over skulderniveau, så det ikke risikerer at vikle sig ind i bevægelige dele.
- Pas på udslyngede, flyvende eller faldende objekter. Sørg for, at tilskuere (især børn og dyr) er mindst 15m fra arbejdsområdet.
- Må ikke anvendes under dårlige lysforhold. Operatøren skal have tydeligt overblik over arbejdsområdet, så han/

hun kan identificere evt. faremomenter.

- Vær opmærksom på, at høreværn begrænser evnen til at høre advarsler (alarmer eller råb). Operatøren skal være ekstra opmærksom på, hvad der sker i arbejdsområdet.
- Brug af lignende værktøjer i nærheden øger både risikoen for høreskader og for, at uvedkommende personer kommer ind i dit arbejdsområde.
- Hold et godt fodfæste og balance. Overstræk ikke. Ved at læne sig for langt frem risikerer man at miste balancen og øge risikoen for tilbageslag ('kickback').
- Hold alle legemsdele på afstand af alle bevægelige dele.
- Husk at inspicere produktet inden brug. Kontrollér, at alle betjeningselementer inkl. kædebremsen fungerer fejlfrit. Kontrollér for løse fastgørelseselementer. Kontrollér, at alle skærme, og håndtag er fastgjort ordentligt og sikkert. Udskift evt. beskadigede dele inden brug.
- Undgå at ændre ved maskinen på nogen som helst måde eller at bruge dele og tilbehør, som ikke anbefales af producenten.
- Hvis det bliver nødvendigt med et forlænger kabel, skal man sikre sig, at dette er beregnet til udendørs brug og har tilstrækkelig kapacitet til at forsyne værktøjet med strøm; inden ibrugtagning skal man kontrollere forlænger kablet for evt. skader og altid huske at rulle det helt ud under brug, da oprullede kabler kan blive overophedet.
- En strømspids forårsager spændingssvingninger og kan påvirke andre elektriske produkter tilsluttet samme strømforsyningslinje. Produktet skal slutes til en strømforsyning med en impedans lig med eller mindre end 0.372Ω - RCS1935, 0.277Ω - RCS2340 for at minimere spændingssvingninger. Kontakt dit elselskab for nærmere oplysninger.

### ⚠ ADVARSEL

Hvis maskinen tabes, udsættes for stød eller begynder at vibrere unormalt, skal man omgående stoppe den og inspicere den for skader eller lokalisere årsagen til vibrationen. Enhver beskadiget del skal repareres ordentligt eller udskiftes på et autoriseret servicecenter.

## SIKKERHEDSADVARSLER VEDR KÆDESAV.

- **Hold alle legemsdele på afstand af kæden under brug af kædesaven. Inden man starter kædesaven, skal man sikre sig, at kæden ikke er i kontakt med noget.** Et øjeblik uopmærksomhed under brug af kædesaven kan betyde, at tøj eller legemsdele filtrer sammen med kædesaven.
- **Hold altid kædesaven med højre hånd på det bageste håndtag og venstre hånd på det forreste håndtag.** Hvis man holder kædesaven omvendt, øges risikoen for personskade, hvorfor man aldrig bør gøre dette.
- **Elværktøjet må kun fastholdes i den isolerede gribeblade, da kædesaven kan komme i kontakt**





med skjulte ledninger eller sin egen elledning. Savkæder, som kommer i kontakt med en strømførende ledning, kan gøre udsatte metaldele på elværktøjet strømførende og give operatøren elektrisk stød.

- **Benyt sikkerhedsbriller og høreværn.** Det anbefales, at man benytter yderligere værnemidler for hoved, hænder, ben og fødder. Passende beskyttelsestøj vil reducere personskader som følge af flyvende affaldsstykker eller utilsigtet kontakt med savkæden.
- **Undlad at benytte en kædesav oppe i et træ.** Brug af en kædesav oppe i et træ kan medføre personskader.
- **Sørg altid for at have godt fodfæste, og benyt kun saven, når du står på en fast, sikker og plan overflade.** Glatte eller ustabile overflader som fx stiger kan bevirke, at man mister balancen eller kontrollen med kædesaven.
- **Når der saves i en gren, der er under spænding, skal man være opmærksom på tilbagespring.** Når spændingen i træfibrene frigøres, risikerer man, at den fjederbelastede gren rammer operatøren, og/eller at kædesaven kommer ud af kontrol.
- **Vær ekstremt forsigtig ved savning af buske og unge træer.** Det slanke materiale kan sætte sig fast i savkæden og blive pisket ind mod dig eller trække dig ud af balance.
- **Kædesaven skal bæres i det forreste håndtag, mens den er slukket, og holdes ud fra kroppen.** Når man transporterer eller opbevarer kædesaven, skal man altid montere sværdsleden. Korrekt håndtering af kædesaven vil reducere sandsynligheden for utilsigtet kontakt med den bevægelige savkæde.
- **Følg vejledningen for smøring, kædestramning og udskiftningstilbehør.** En forkert spændt eller smurt kæde kan enten knække eller øge risikoen for tilbageslag ('kickback').
- **Hold håndtagene tørre, rene og fri for olie og fedt.** Fedtede, olierede håndtag er glatte og kan medføre tab af kontrol.
- **Der må kun saves i træ. Undlad at bruge kædesaven til formål, den ikke er beregnet til. Undlad fx at bruge kædesaven til at save i plast, murværk eller byggematerialer, der ikke består af træ.** Brug af kædesaven i strid med det tiltænkte anvendelsesformål kan medføre farlige situationer.

#### Arsager til og operatør-foranstaltninger mod tilbageslag ('kickback'):

Tilbageslag kan forekomme, hvis sværdspiden rammer en fast overflade, eller hvis savkæden kommer i klemme i træet og sidder fast i snittet.

Kontakt med sværdets spids kan i visse tilfælde forårsage en lynhurtig reaktion, hvor sværdet slås op og tilbage mod operatøren.

Hvis savkæden blokeres langs toppen af sværdet, risikerer man, at sværdet presses hurtigt tilbage mod operatøren.

Begge disse reaktioner kan medføre, at man mister kontrollen over redskabet og føre til alvorlige ulykker, der kan være livsfarlige. MAN MÅ IKKE udelukkende forlade sig på motorsavens indbyggede sikkerhedsanordninger. Som motorsavsbruger bør man overholde nogle bestemte

forholdsregler for at minimere ulykkesrisikoen.

Tilbageslag ('kickback') er resultatet af forkert brug af værktøjet og/eller forkerte arbejdsmetoder eller -forhold og kan undgås ved at træffe nedenstående forholdsregler:

- **Bevar et fast greb, med tommelfingre og øvrige fingre omkring kædesavens håndtag, med begge hænder på saven, og placér kroppen og armen på en sådan måde, så du kan modstå tilbageslagskræfterne.** Tilbageslagskræfter kan kontrolleres af operatøren, hvis der træffes de rigtige forholdsregler. Undlad at slippe kædesaven.
- **Undgå at læne dig for langt frem eller save over skulderhøjde.** Dette hjælper dig med at undgå utilsigtet sværdspid-kontakt og giver dig bedre kontrol med kædesaven i uventede situationer.
- **Brug kun de typer reservesværd og -kæder, der er foreskrevet af producenten.** Ikke-godkendte reservesværd og -kæder kan forårsage kædebrud og/eller tilbageslag ('kickback').
- **Følg kædeproducentens anvisninger for filing og justering af kæden.** Reduktion af dybdeindstillingen kan medføre øget tilbageslag ('kickback').

#### EKSTRA SIKKERHEDSADVARSLER VEDR. KÆDE-SAVE

- Det anbefales, at man saver kævlér på en savbuk eller i en holder, når man bruger produktet for første gang.
- Sørg for, at alle afskærmninger, håndtag og barkstøtte er korrekt monteret og i god stand.
- Personer, som benytter denne kædesav, skal være sunde og raske. Kædesaven er tung, hvorfor operatøren skal være i god fysisk form. Operatøren bør være opmærksom, have et godt syn, mobilitet, balance og godt håndelag. Hvis der er den mindste tvivl, skal man undlade at bruge kædesaven.
- Undlad at bruge produktet, før du har et ryddet arbejdsområde, et sikkert fodfæste og en planlagt flugtvej fra det faldende træ.
- Pas på udledning af smøremiddeltåge og savsmuld. Benyt evt. maske eller åndedrætsværn.
- Strømmen skal tilføres via et fejlstrømsmodul (RCD) med en udløsestrøm på max 30 mA.
- Hvis strømforsyningskablet bliver beskadiget, skal man returnere maskinen til et autoriseret servicecenter for reparation eller udskiftning.
- Hold altid strømforsyningskablet ryddeligt og på afstand af skæreeområdet. Ud over fare for elektrisk stød kan rodede kabler forårsage snublefare.
- Undgå at save i vinstokke og/eller lav underskov (mindre end 75 mm i diameter).
- Hold altid kædesaven fast med begge hænder under arbejdet. Sørg for, at fingrene omslutter håndtagene helt. Højre hånd skal være på bageste håndtag og venstre hånd på forreste håndtag.
- Inden man starter værktøjet, skal man sikre sig, at savkæden ikke er i kontakt med noget.
- Man må ikke ændre værktøjet på nogen måde eller bruge det til at drive evt. tilbehørsdele eller enheder, der ikke er anbefalet af producenten til brug med saven.

EN
FR
DE
ES
IT
NL
PT
<b>DA</b>
SV
FI
NO
RU
PL
CS
HU
RO
LV
LT
ET
HR
SL
SK
BG





- Der bør være en førstehjælpskasse med store bandager og et middel til at tilkalde opmærksomhed (fx fløjte) tæt ved operatøren. Et større og mere omfattende sæt bør være inden for rimelig rækkevidde.
- Operatøren kan måske blive fristet til at aftage hjelmen, hvis der ikke er fare for nedfaldende genstande i arbejdsområdet; men husk på, at hjelmen, især med visirmaske, kan bidrage til at mindske risikoen for skader i ansigt og hoved i tilfælde af tilbageslag ('kickback').
- En forkert spændt kæde kan springe af sværdet og medføre alvorlige personskader eller dødsfald. Kædens længde afhænger af temperaturen. Kædens spænding skal kontrolleres hyppigt.
- Man skal gøre sig fortrolig med sin nye kædesav ved at foretage simple snit i sikkert fastspændt træ. Dette skal gøres, når man ikke har brugt saven i nogen tid.
- For at mindske risikoen for skader i forbindelse med kontakt med bevægelige dele skal man altid stoppe motoren, aktivere kædebremsen, træk stikket ud af stikkontakten og sørge for, at alle bevægelige dele er fuldstændigt stoppet, inden:
  - rengøre eller fjerne en blokering
  - at efterlade produktet uden opsyn
  - installation og fjernelse af tilbehørsdele
  - kontrollerer, vedligeholder eller foretager arbejde på maskinen
- Størrelsen af "arbejdsstedet" afhænger af, hvilken opgave der udføres, og af det pågældende træes eller træstykkets størrelse. Fx kræver fældning af et træ et større arbejdsområde, end når man foretager andre savesnit, dvs. savbuksnit o.lign. Operatøren skal være bevidst om og have kontrol med alt, hvad der sker i arbejdsområdet.
- Undgå at save med kroppen i lige linje med sværdet og kæden. Hvis man kommer ud for tilbageslag ('kickback'), vil dette bidrage til at forebygge, at kæden kommer i kontakt med ens hoved eller krop.
- Undgå at bruge frem- og tilbagegående savebevægelser; lad kæden gøre arbejdet, hold kæden skarp, og forsøg ikke at presse den gennem snittet.
- Undlad at tynde saven nedad i slutningen af snittet. Vær parat til at sværdets vægt, når den saver sig gennem træet. Manglende overholdelse af denne anvisning kan medføre alvorlige personskader.
- Undgå at stoppe saven i midten af en saveoperation. Hold saven kørende, til den er taget ud af saverillen.

### Skub og træk

Motorsaven vil altid trække modsat kædens omdrejningsretning. Dermed skal operatøren være parat til at styre maskinens tendens til at trække sig væk (fremad), når der saves på sværdets underkant, og til at skubbe sig bagud (mod operatøren), når der saves på overkanten.

### Sav har sat sig fast i saverillen

Stop kædesaven, og gør den sikker. Man skal undgå at tvinge kæden og sværdet ud af saverillen, da man herved risikerer at knække kæden, som så kan slå tilbage og ramme operatøren. Denne situation opstår normalt, fordi

træet er forkert understøttet og tvinger saverillen til at lukke under sammenpresning og derved fastklemme klingens. Hvis man ikke kan løse sværdet og kæden ved at justere understøttelsen, kan man bruge trækiler eller en løftestang til at åbne saverillen og frigøre saven. Forsøg aldrig at starte kædesaven, når sværdet allerede befinder sig i en saverille eller -fuge.

### Personlige værnemidler

Personlige værnemidler af god kvalitet, som anvendes af professionelle, bidrager til at mindske risikoen for personskader på operatøren. Man bør benytte følgende udstyr, når man arbejder med en kædesav:

#### Sikkerhedshjelm

- skal opfylde kravene iht. EN 397 og skal være CE-mærket

#### Høreværn

- skal opfylde kravene iht. EN 352-1 og skal være CE-mærket

#### Øjen- og ansigtssværn

- skal være CE-mærket og opfylde EN 166 (for sikkerhedsbriller) eller EN 1731 (for visirmasker)

#### Handsker

- skal opfylde kravene iht. EN 381-7 og skal være CE-mærket

#### Benværn (chaps)

- skal opfylde EN381-5, være CE-mærket og yde allround-beskyttelse.

#### Sikkerhedsstøvler til kædesave

- skal opfylde EN ISO 20345:2004 og være mærket med et emblem, der forestiller en kædesav og indikerer opfyldelse af EN 381-3. (Lejlighedsvis brugere kan anvende sikkerhedsstøvler med stål-tåkappe sammen med beskyttende gamacher, som opfylder EN 381-9, hvis underlaget er plant, og der er lille risiko for at snuble eller hænge fast i bundvegetationen)

#### Kædesavsjakker til beskyttelse af overkroppen

- skal opfylde kravene iht. EN 381-11 og skal være CE-mærket

## VEJLEDNING VEDR. KORREKT TEKNIK TIL GRUNDLÆGGENDE FÆLDNING, AFGRENING OG TVÆRSAVNING

### Forståelse af kræfterne i træet

Når man forstår de retningsbestemte trykkrafter og belastninger inde i træet, kan man begrænse "fastklemningerne" eller i det mindste være forberedt på dem under savearbejdet. Spændinger i træet betyder, at fibrene trækkes fra hinanden, og hvis man saver i dette område, vil "saverillen" eller snittet være tilbøjelig til at åbne sig, når saven går igennem. Hvis en kævlé understøttes på en savbuk, og enden rager ud over enden uden understøttelse, og der derefter genereres spænding på den øverste overflade som følge af vægten af den overhængende kævlé, vil fibrene blive strukket. På samme måde vil kævléns underside blive sammenpresset, så fibrene presses sammen. Hvis der foretages et snit i dette område, vil saverillen have tendens til at lukke sig sammen





EN
FR
DE
ES
IT
NL
PT
<b>DA</b>
SV
FI
NO
PL
RU
CS
HU
RO
LV
LT
ET
HR
SL
SK
BG

under savningen. Herved vil klingen blive fastklemmet.

## Fældning af et træ

Se side 239 - 240.

Når der udføres afkørings- og fældningsarbejde af to eller flere personer på samme tid, skal fældningsarbejdet adskilles fra afkøringsarbejdet med en afstand på mindst to gange højden af det træ, der skal fældes. Træer må ikke fældes på en måde, som kan bringe personer i fare, ramme forsyningslinjer eller forårsage materielle skader. Hvis træet berører en forsyningslinje, skal det pågældende selskab underrettes øjeblikkeligt.

Når man fælder et træ på en skråning, skal man stille sig på den højestliggende side af træet, der sandsynligvis vil rulle eller skride ned af bakke, når det er fældet.

Der skal planlægges og ryddes en flugtvej, inden savningen påbegyndes. Flugtvejen skal forløbe bag ved og diagonalt på bagsiden af den forventede faldlinje.

Før fældningen påbegyndes, skal man tage bestik af træets naturlige hældning, placeringen af større grene samt vindretningen for at vurdere, hvilken vej træet vil falde.

Fjern snavs, sten, løs bark, søm, hæfteklammer og wire fra træet.

Forsøg ikke at fælde træer, som er rådne eller er blevet beskadiget af vind, brand, lynnedslag osv.

Dette er ekstremt farligt og bør kun udføres af professionelle trækirurger.

### ■ Fremstilling af forhug

Se side 239 - 240.

Lav forhugget over 1/3 af træets diameter, retvinklet på faldretningen. Lav først det nederste horisontale forhug. Dette vil hjælpe med at undgå fastklemning af enten savkæden eller sværdet, når man laver det andet forhug.

### ■ Fældnings-baghud

Se side 239 - 240.

Lav fældnings-baghugget mindst 50 mm højere end det horisontale forhug. Sørg for, at fældnings-baghugget er parallelt med det horisontale forhug. Lav fældnings-baghugget således, at der er nok træ tilbage til, at det kan fungere som et hængsel.

Hængseltræet forhindrer træet i at vride sig og falde i den forkerte retning. Undgå at save gennem hængslet. I takt med at fældningen kommer tæt på hængslet, bør træet begynde at falde. Hvis der er nogen som helst risiko for, at træet ikke falder i den ønskede retning, eller at det vipper bagud og binder savkæden, skal man stoppe med at save, inden fældesnittet er færdigt, og i stedet bruge kiler af træ, plast eller aluminium til at åbne snittet og få træet til at falde langs den ønskede faldlinje.

Når træet begynder at falde, fjerner man kædesaven fra snittet, stopper motoren, sætter kædesaven ned, og benytter derefter den planlagte flugtvej. Vær opmærksom på nedfaldende grene, og hold øje med, hvor du træder.

## Fjerning af brætrødder

Se side 240.

En brætrodder er en af de store rødder, der stikker ud fra

træstammen over jorden. De store brætrødder skal saves over, inden træet fældes. Sav først vandret ind og derefter lodret ned i hver brætrodder. De opståede, løse rodstykker skal fjernes fra arbejdsområdet. Begynd derefter at fælde træet med brug af korrekt arbejdsteknik.

## Afkørring af en stamme

Se side 241.

Med afkørring menes opskæring af en stamme i kortere længder. Det er vigtigt at sikre sig, at man har et solidt fodfæste, og at ens vægt er jævnt fordelt på begge fødder. Stammen bør så vidt muligt løftes og understøttes ved hjælp af grene, kævler eller klodser. Følg den enkle vejledning for nem savning. Når stammen er understøttet over hele længden, saver man den fra oversiden.

Når stammen er understøttet i den ene ende, saver man 1/3 diameter fra undersiden af stammen. Man afslutter derefter snittet via savning ovenfra ned til det første snit.

Når stammen er understøttet i begge ender, saver man 1/3 diameter fra oversiden af stammen. Man afslutter derefter snittet ved at save de nederste 2/3 nedefra op til det første snit.

Ved afkørring af en stamme, der ligger på en skråning, skal man altid stå på siden oven for stammen. Når man "saver igennem", skal man - for at bevare den fulde kontrol - lette savetrykket nær slutningen af snittet, men uden at slippe grebet om kædesavens håndtag. Undlad at lade kæden røre ved jorden. Efter et udført snit skal man vente, til savkæden stopper, inden man atter bevæger kædesaven. Man skal altid stoppe motoren, inden man går fra træ til træ.

## Afgrening af et træ

Se side 242.

Med afgrening menes afsavning af grene fra et fældet træ. Under afgreningen skal man lade de nederste større grene sidde, så stammen holdes oppe fra jorden. Fjern de små grene i ét snit. Grene under spænding skal afsaves nedefra for at undgå, at kædesaven sætter sig fast.

## Savning af opspringende grene

Se side 242.

"Træ i spænd" kan være alle slags stammeog grenestykker, stubbe på rødder eller ungræer, der er bragt i spænd under vægten af et andet træ(stykke), og som vil springe tilbage i den oprindelige stilling, hvis man fælder eller fjerner det træ, der tynger.

Når man laver det sidste snit, inden et fældet træ vælter, vil stubben på rødder sandsynligvis springe tilbage i lodret stilling. Vær på vagt over for træstammer mv. i spænd – de er farlige!

**⚠ ADVARSEL**

Træstammer mv., der står i spænd, er farlige, fordi man risikerer at blive ramt af dem og miste kontrollen over motorsaven. Dette kan medføre alvorlige ulykker, der kann være livsfarlige. Dette må kun gøres af øvede brugere.



## TILTÆNKT ANVENDELSESFORMÅL

Produktet er kun beregnet til udendørs brug. Af sikkerhedshensyn skal produktet altid kontrolleres omhyggeligt ved at fastholde det med begge hænder.

Produktet er beregnet til at save i grene, træstammer, kævlér og bjælker med en diameter, der bestemmes af sværdets sværlængde. Den er kun beregnet til skæring i træ. Det må kun anvendes i husholdninger af voksne, der har modtaget behørig uddannelse i færemomenterne og de forebyggende foranstaltninger/tiltag, der skal træffes under brug.

Produktet må kun bruges til de ovennævnte formål. Det må ikke bruges til professionelt træarbejde. Produktet må ikke bruges af børn eller personer, som ikke bærer tilstrækkeligt med personlige værnemidler og -beklædning.

## UUNDGÅELIGE RISICI

Selv om maskinen anvendes som foreskrevet, er det stadig umuligt at eliminere visse uundgåelige risikofaktorer fuldstændigt. Følgende risici kan opstå under brug, og operatøren bør være særligt opmærksom for at undgå følgende:

- Personskader forårsaget af vibration. Brug altid det rigtige værktøj i forhold til arbejdsopgaven, benyt de hertil indrettede håndtag, og sørg for at begrænse arbejds- og eksponeringstiden.
- Eksponering for støj kan medføre høreskader. Benyt høreværn, og begræns eksponeringen
- Kontakt med savkædens blottede tænder (fare for skæring).
- Uforudsete, pludselige bevægelser eller tilbageslag ('kickback') af styresværdet (fare for skæring/ injektion).
- Dele udslynget fra savkæden (fare for skæring/ injektion).
- Udslyngede dele af emnet (træspåner, splinter)
- Inhalering af savstøv og partikler.
- Hudkontakt med smøremiddel/olie.

## RISIKOREDUKTION

Der er rapporteret om, at vibrationer fra håndholdte værktøjer kan være medvirkende til en lidelse kaldet Raynauds syndrom hos visse personer. Symptomerne herpå kan være prikken, følelsesløshed og blegning af fingrene, der normalt viser sig ved kuldepåvirkning. Faktorer som arvelighed, udsættelse for kulde og fugt, kost, rygning og arbejdsvaner menes alle at medvirke til udviklingen af disse symptomer. Der findes forholdsregler, som operatøren kan træffe for at begrænse påvirkningen fra vibrationer:

- Hold kroppen varm i koldt vejr. Brug handsker, så hænder og vrister holdes varme under arbejdet. Der er rapporteret om, at koldt vejr er en væsentlig faktor til Raynauds syndrom.
- Motionér efter hver arbejdsperiode for at øge blodcirkulationen.
- Hold hyppige arbejdspauser. Begræns eksponeringen for vibrationer pr. dag.
- Beskyttelseshandsker fra professionelle

kædesavsforhandlere er designet specielt til kædesavsbrug og yder beskyttelse, godt greb og formindsker desuden effekten af håndtagenes vibrationer. Disse skal opfylde EN381-7 og skal være CE-mærket.

Hvis du mærker nogen af symptomerne på denne tilstand, skal du straks ophøre med arbejdet og søge læge.

## ⚠ ADVARSEL

Længere tids brug af et værktøj kan forårsage - eller forværre - personskader. Når man bruger et værktøj i længere perioder ad gangen, skal man huske at holde hyppige pauser.

## KEND PRODUKTET

Se side 233.

1. Kæde
2. Sværd
3. Forreste håndskærm/kædebremse
4. Forhåndtag
5. Gashåndtagets udløserknap
6. Baghåndtag
7. Bumper spike
8. Kædeolie-dæksel
9. Ledningsholder
10. Tænd/Sluk-kontakt
11. Træflis-deflektor
12. Knap til træflis-deflektor
13. Kædehjulsskærm
14. Justeringsring til kædestrammer
15. Læseknop til styresværd
16. Sværdskede
17. Tankdæksel

## SIKKERHEDSUDSTYR

### Sikkerhedskæde (lav tilbageslags-effekt)

En low-kickback-savkæde bidrager til at reducere risikoen for tilbageslag ('kickback').

Rytterne (dybdestop), der sidder foran hver af savtænderne, kan mindske tilbageslagseffekten, idet de forhindrer savtænderne i at skære for dybt i det farlige område øverst på sværdspidsen. Brug kun de kombinationer af reservesværd og -kæder, der er foreskrevet af producenten.

Man skal være ekstra påpasselig med kæder, der er blevet fileet, da disse har mistet en del af deres evne til at modvirke tilbageslag. Af sikkerhedshensyn skal savkæder udskiftes, så snart deres ydelse aftager.

### Bumper spike

Den integrerede "bumper spike" (spids stop til at holde saven stabil ved træ) kan bruges som drejetap, når der skæres. Dette bidrager til at holde selve kædesaven stabil under arbejdet. Når man saver, skal man skubbe maskinen fremad, indtil tænderne griber ind i kanten af træet, og dernæst bevæge det bageste håndtag op eller ned i retning af skærelinjen for at begrænse den fysiske anstrengelse ved savningen.

## Sværdtyper

Jo mindre, det forreste kædehjul diameter er, desto mindre er tilbageslagseffekten generelt. Man bør bruge et sværd og en tilhørende kæde, som lige netop er lang nok til den pågældende arbejdsopgave. Længere svær øger risikoen for at miste kontrollen under savningen. Man skal kontrollere kædespændingen med jævne mellemrum. Når man saver mindre grene (mindre end sværdets fulde længde), er kæden mere tilbøjelig til at springe af, hvis den ikke er korrekt spændt.

## Kædebremse

Kædebremsen er beregnet til at standse kæden hurtigt, når gashåndtaget slippes. Når kædebremsegreb/-håndskærm skubbes fremad mod sværdet, skal kæden standse øjeblikkeligt. Kædebremsen forhindrer ikke tilbageslag. Dette reducerer kun risikoen for personskader, hvis sværdet skulle komme i kontakt med operatørens krop i tilfælde af et tilbageslag ('kickback'). Kædebremsen skal funktionstestes inden hver brug i både drifts- og bremseposition.

## MONTERING

### ⚠ ADVARSEL

Hvis dele enten er beskadiget eller mangler, så anvend ikke produktet før disse dele er udskiftet. Manglende overholdelse af denne advarsel kan medføre alvorlig personskade.

## MONTERING AF SAVKÆDE OG SVÆRD

Se side 234 - 235. Se side 244 - 245.

1. Afbryd strømmen til produktet. Benyt beskyttelseshandsker
2. Skru styresværdets låseknop af, og fjern kædehjulsdækslet.
3. Savkæden skal vende i kædens rotationsretning. Hvis de peger i forkert retning, skal kædeløkken vendes om.
4. Anbring kædestyreleddene i sværdtrillen.
5. Anbring kæden, så der dannes en løkke bag på sværdet.
6. Hold kæden fast på sværdet, og anbring løkken omkring drivkædehjulet. Sænk sværdet således, at bolten går gennem hullet i det påmonterede kædestrammemodul. Det kan være nødvendigt at dreje dette modul, for at få bolten til at passe til hullet. Man kan evt. dreje dette modul igen for at øge spændingen af kæden, så den bedre holdes på plads.
7. Genmonter kædehjulsdækslet, og spænd styresværdets låseknop næsten helt til; drej kædestramme-justeringsringen, indtil savkæden er korrekt spændt. Sværdet skal da presses opad. Kontrollér kædespændingen igen. Undgå at stramme kæden for hårdt.
8. Når kæden er ordentligt spændt, spændes knappen til.

## JUSTERING AF KÆDESTRAMNING

Se side 235. Se side 246.

1. Løsn styresværdets låseknop en smule ved at dreje den imod uret.

2. Man øger kædestramningen ved at dreje kædespænde-justeringsringen i urets retning og kontrollere kædespændingen hyppigt. Man reducerer kædestramningen ved at dreje kædespænde-justeringsringen imod urets retning og kontrollere kædespændingen hyppigt.
3. Kædespændingen er korrekt, når mellemrummet mellem skæret i kæden og sværdet ligger mellem 3 og 4 mm.  
Træk ud i kæden midt på undersiden af sværdet (væk fra sværdet), og mål afstanden mellem sværdet og kædens skæretænder.
4. Spænd styresværdets låseknop til ved at dreje den i urets retning.

## VEKSELSTRØM

## PÅFØRING AF KÆDESMØREOLIE

Se side 246.

### ⚠ ADVARSEL

Man må aldrig arbejde uden kædesmøring. Hvis savkæden kører uden smøremiddel, risikerer man at ødelægge sværd og savkæde. Det er derfor vigtigt at kontrollere oliestanden i oliestandsmåleren ofte, og altid inden man begynder at bruge kædesaven.

1. Rens overfladen omkring oliedækslet for at forhindre forurening.
2. Løsn og fjern dækslet fra olietanken.
3. Hæld olie i olietanken, og hold øje med oliestandsmåleren. Sørg for, at der ikke kommer snavs i olietanken under påfyldningen.
4. Påsæt oliedækslet igen, og spænd det fast. Evt. spildt olie tørres af.
5. På en fuld olietank kan man benytte saven i 20-40 minutter.

## Anbefalet kædesmøreolie

- Producenten anbefaler, at man kun bruger Ryobi's egen kædesavsmøreolie. (Fås på autoriserede Ryobi-servicecentre)

## FASTHOLDNING AF KÆDESAVEN

Se side 235.

Hold altid kædesaven med højre hånd på det bageste håndtag og venstre hånd på det forreste håndtag. Grib om begge håndtag, så tommelfingeren og de øvrige fingre omslutter håndtaget. Sørg for, at venstre hånd holder om forhåndtaget, således at tommelfingeren vender nedad.

### ⚠ ADVARSEL

Hold altid strømforsyningskablet ryddeligt og på afstand af skæremrådet Ud over fare for elektrisk stød kan rødede kabler forårsage snublefare.

## START AF KÆDESAVEN

Se side 235.

1. Slut strøm til produktet. Kontrollér, at kædebremsen

er i pos. RUN (=kør) ved at trække håndtaget/håndskærmen tilbage..

2. Sådan startes maskinen: Træk i udløseren, og tryk derefter på Tænd/Sluk-udløseren.

### KONTROL OG BETJENING AF KÆDEBREMSEN

1. Man aktiverer kædebremsen ved at dreje venstre hånd omkring det forreste håndtag. Med bagsiden af hånden presser man kædebremsehåndtaget/håndbeskyttelsen ind mod sværdet, mens kæden roterer hurtigt. Husk altid at holde begge hænder på savens håndtag.
2. Sæt kædebremsen tilbage i pos. Run (=Kør) ved at tage fat i det øverste af kædebremsehåndtaget/håndbeskyttelsen og trække det i retning mod forhåndtaget, til der høres et klik.

#### ⚠ ADVARSEL

Hvis kæde bremsen ikke stopper kæden med det samme, eller hvis kæde bremsen ikke vil blive i køre stillingen uden hjælp, tage saven til en autoriseret service agent for reparation før brug.

### TRANSPORT OG OPBEVARING

Se side 248 - 249.

- Stop produktet, træk stikket ud af stikkontakten, og lad det køle af, inden det opbevares eller transporteres.
- Afrens alle fremmedlegemer fra produktet. Opbevar den på et køligt, tørt og godt ventileret sted utilgængeligt for børn. Opbevar motorsaven på afstand af ætsende midler som f.eks. havekemikalier og optøningssalt. Må ikke opbevares udendørs.
- Montér sværdsmeden inden opbevaring eller transport af enheden.
- Til transport skal man sikre maskinen, så den ikke kan bevæge sig eller vælte; dette for at forebygge personskader eller skader på maskinen.

### VEDLIGEHOLDELSE

#### ⚠ ADVARSEL

Brug kun originale reservedele, ekstraudstyr og tilbehør fra producenten. I modsat fald er der fare for personskader, dårlig maskinydelse og annullering af garantien.

#### ⚠ ADVARSEL

Vedligeholdelse kræver stor omhyggelighed og viden og kun bør udføres af en kvalificeret tekniker. Vi anbefaler du leverer enheden tilbage til dit nærmeste autoriserede service center til reparation. Skal dele udskiftes må kun identiske reservedele anvendes.

#### ⚠ ADVARSEL

Træk stikket ud af kontakten inden påbegyndelse af indstilling, vedligeholdelse eller rengøring. Gør man ikke det, er der fare for alvorlige personskader.

- Du kan lave justeringer og reparationer beskrevet i denne brugervejledning. Til andre reparationsopgaver skal man kontakte den autoriserede servicemontør.
- Konsekvenser af forkert vedligeholdelse kan være, at kædebremsen og andre sikkerhedsanordninger ikke fungerer rigtigt, hvilket øger potentialet for alvorlige personskader. Sørg for at vedligeholde kædesaven professionelt og sikkert.
- Sikker opslibning af kæden kræver specialviden. Derfor anbefaler producenten på det kraftigste, at en slidt eller uskarp kæde udskiftes med en ny, der fås få autoriserede Ryobi-servicecentre. Reservodelsnummeret fremgår af produktspecificifikationstabellen i denne brugsanvisning.
- Følg vejledningen i smøring og kontrol/justering af kædespænding.
- Produktet skal rengøres med en blød klud efter hver brug.
- Tjek ofte alle møtrikker, bolte og skruer om de sidder godt fast, og sørg for at produktet fungerer ordentligt. Enhver del, som bliver beskadiget, skal repareres ordentligt eller udskiftes på et autoriseret servicecenter.

### UDSKIFTNING AF SVÆRD OG SAVKÆDE

Se side 244 - 245.

1. Afbryd strømmen til produktet. Benyt beskyttelseshandsker.
2. Løsn styresværdets låseknop ved at dreje den imod uret, til kædehjulsdækslet løsnes.
3. Fjern kædehjulsdækslet. Fjern sværdet og savkæden fra enheden.
4. Man udskifter sværdet ved at løsne skuen på kædespændemodulet. Montér kædespændemodulet på det nye sværd, og spænd skruen til.
5. Montér den nye kæde i den rigtige retning på sværdet, og sørg for, at styreleddene indjusteres i sværdtrillen.
6. Fastgør sværdet til kædesaven, og sæt kæden på drivkædehjulet
7. Genmontér kædehjulsdækslet, spænd det til, og fastspænd knappen.
8. Justér kædespændingen. Se afsnittet "Justering af kædespænding".

#### ⚠ ADVARSEL

Forkert kædefilling øger risikoen for tilbageslag.

#### ⚠ ADVARSEL

Ved at arbejde videre med en beskadiget kæde udsætter man sig for alvorlig ulykkesrisiko.

#### ⚠ ADVARSEL

Savkæden er meget skarp. Brug altid arbejdshandsker, når der udføres vedligeholdelse på kæden.

## INSPEKTION OG RENGØRING AF KÆDEBREMSEN

Se side 247.

- KædebremSENS mekanisme skal altid holdes ren ved at børste den fri for snavs.
- Man skal altid funktionsteste bremsen efter rengøring. Se nærmere i afsnittet "Betjening – Kontrol og betjening af kædebremSEN".

### VEDLIGEHOLDELSESOVERSIGT

Daglig kontrol	
Tjek elkablet for beskadigelser	Før hvert brug
Stangsmøring	Før hvert brug
Kædespænding	Inden hver brug - og hyppigt
Kædeskarphed	Inden hver brug, visuel kontrol
For beskadigede dele	Før hvert brug
For løse spænder	Før hvert brug
Kædebremsefunktion	Før hvert brug
Kontroller og rengør	
Sværd	Før hvert brug
Hele saven	Efter hvert brug
Kædebremse	For hver 5 timer*

\*Driftstimer

### SYMBOLER PÅ PRODUKTET



Sikkerheds Varsel



Alle vejledninger skal læses og forstås, inden produktet benyttes; følg alle advarsler og sikkerhedsinstrukser.



Brug øjen- og høreværn samt hjelm under arbejdet med redskabet.



Benyt skridsikkert sikkerhedsfodtøj, når produktet anvendes.



Brug friktionsfri, kraftige handsker.



Træk omgående stikket ud af lysnetkontakten, hvis kablet beskadiges eller skæres over.



Pas på tilbageslag ("kickback") fra kædesaven, og undgå kontakt med sværdspidsen.



Må ikke udsættes for regn eller bruges på fugtige steder.



Hold og styr motorsaven med begge hænder.



Anvend aldrig motorsaven med kun én hånd.



Dette redskab overholder alle lovkrav og standarder i det EU-land, hvor det er købt.



GOST-R Overensstemmelse



Klasse II-værktøj, dobbelt-isoleret



Elektriske affaldsprodukter bør ikke afskaffes sammen med husholdningsaffald. Genbrug venligst hvor faciliteterne tillader dette. Tjek med din lokale kommune eller forhandler for genbrugsråd.



Det garanterede lydeffektniveau er 108 dB(A). (RCS1935)



Det garanterede lydeffektniveau er 107 dB(A). (RCS2340)



Sværd- og kædesmørelie



Lås



Oplås



Roterer for at justere kædespændingen +/-: Spænd/løsn kæden



Kædens bevægelsesretning (Markeret under kædehjulsdækslet)

L max

Maksimal sværdlængde

### IKONER I DENNE BRUGSANVISNING



Tilslut til stikkontakt



Træk stikket ud af stikkontakten



Dele eller tilbehør, der sælges separat



Elektriske affaldsprodukter bør ikke afskaffes sammen med husholdningsaffald. Genbrug venligst hvor faciliteterne tillader dette.



BEMÆRK:



ADVARSEL



Benyt øjen- og ansigtssvævn.



Benyt overkropssvævn.



Benyt benvævn.



Stop produktet.

De følgende ikoner og betydninger er beregnet til at forklare risikoen involveret i at anvende denne enhed.

**⚠ FARE**

Indikerer en meget farlig situation, som hvis ikke undgås, kan føre til alvorlige skader og i værste fald døden.

**⚠ ADVARSEL**

Indikerer en potentielt farlig situation, som hvis ikke undgås, kan føre til alvorlige skader og i værste fald døden.

**⚠ PAS PÅ**

Indikerer en potentielt farlig situation, som hvis ikke undgås, kan føre til mindre eller moderate skader.

**PAS PÅ**

Uden sikkerhedsadvarselssymbol

Indikerer en situation, som kan medføre materiel skade.



### ⚠ VARNING

När man använder apparaten måste säkerhetsföreskrifterna följas För din egen, och andra närvarandes säkerhet, läs alltid dessa instruktioner innan du använder produkten Du bör gå en yrkesmässig utbildning för användning, förebyggande åtgärder, första hjälpen och underhåll av motorsågar. Förvara instruktionerna på ett säkert ställe för användning vid senare tillfälle.

### ⚠ VARNING

Motorsågar är potentiellt mycket farliga redskap. Olyckor med motorsågar leder ofta till stympning eller dödsfall. Det är inte bara kedjan som är farlig. Fallande grenar och träd, rullande stockar kan också döda. Dött eller ruttet timmer är extra farligt. Kontrollera alltid att arbetet kan utföras på säkert sätt. Om du tvekar ska du lämna det till yrkesarbetare.

### ALLMÄNNA SÄKERHETSFÖRESKRIFTER

### ⚠ VARNING

Läs alla säkerhetsvarningar och alla instruktioner. Om du inte följer varningarna och anvisningarna kan du orsaka elektrisk stöt, brand och allvarlig skada.

**Spara dessa varningar och instruktioner för senare behov.**

Termen "kraftverktyg" i varningarna hänvisar till ditt eldrivna (med sladd) verktyg eller ditt batteridrivna (utan sladd) verktyg.

### ARBETSMILJÖ

- **Håll arbetsområdet rent och välupplyst.** Oordnade och mörka områden inbjuder till olyckor.
- **Använd inte kraftverktyg i explosiva atmosfärer, exempelvis i närheten av brännbara vätskor, gaser eller damm.** Kraftverktyg ger upphov till gnistor vilka kan antända damm eller ångor.
- **Håll barn och åskådare borta när du använder ett kraftverktyg.** Distractioner kan få dig att tappa kontrollen.

### ELEKTRISK SÄKERHET

- **Kraftverktygets kontakt måste matcha uttaget. Modifiera inte kontakten på något sätt. Använd inga adapterkontakter med jordade kraftverktyg.** Omodifierade kontakter och matchande uttag minskar risken för elektrisk stöt.
- **Undvik kroppskontakt med jordade ytor, som exempelvis rör, element, spis och kylskåp.** Det föreligger en förhöjd risk för elektrisk stöt om din kropp är jordad.
- **Exponera inte produkten för regn eller våta förhållanden.** Vatten som tränger in i ett kraftverktyg ökar risken för elektrisk stöt.
- **Misshandla inte sladden. Använd aldrig sladden för**

att bära, dra eller koppla bort kraftverktyget. Håll sladden borta från värme, olja, vassa kanter och rörliga delar. Skadade eller intrasslade elsladdar ökar risken för elektrisk stöt.

- **Använd en förlängningssladd avsedd för utomhusbruk när du använder kraftverktyget utomhus.** Användning av en sladd lämplig för utomhusbruk minskar risken för elektrisk stöt.
- **Använd en jordfelsbrytare om det är oundvikligt att använda ett kraftverktyg i en fuktig miljö.** Användningen av en jordfelsbrytare minskar risken för elektrisk stöt.

### PERSONLIG SÄKERHET

- **Var uppmärksam på vad du gör och använd sunt förnuft när du använder ett kraftverktyg. Använd inte ett kraftverktyg när du är trött eller påverkad av droger, alkohol eller mediciner.** Ett ögonblicks ouppmärksamhet när du använder kraftverktyg kan orsaka allvarlig personskada.
- **Använd skyddsutrustning. Bär alltid ögonskydd.** Skyddsutrustning, som exempelvis andningsskydd, halkskyddade säkerhetsskor, huvudskydd och hörselskydd minskar i tillämpliga fall risken för personskador.
- **Förhindra oavsiktlig start. Säkerställ att strömbrytaren är i av-läge innan du ansluter till uttaget och/eller batteripaketet, innan du lyfter upp verktyget och innan du bär det.** Att bära kraftverktyg med fingret på avtryckaren eller kraftverktyg som är igång bjuder in olyckor.
- **Ta bort eventuella justerings- eller skiftnycklar innan du startar kraftverktyget.** En skiftnyckel eller justeringsnyckel som lämnas kvar i en roterande del av kraftverktyget kan orsaka personskada.
- **Sträck dig inte. Ha alltid ett bra fotfäste och en god balans.** Det ger dig bättre kontroll över kraftverktyget i oväntade situationer.
- **Klä dig korrekt. Använd inte löst åtsittande kläder eller smycken. Håll ditt hår, dina kläder och handskar borta från rörliga delar.** Lösliggande kläder, smycken och långt hår kan fastna i rörliga delar.
- **Om några uppsamlingsenheter för damm och avfall medföljer ska dessa vara ansluta och användas på ett korrekt sätt.** Användningen av en dammuppsamlare kan minska dammrelaterade faror.

### ANVÄND OCH TA HAND OM KRAFTVERKTYGET

- **Tvinga inte produkten. Använd rätt kraftverktyg för ditt jobb.** Rätt kraftverktyg gör jobbet bättre och säkrare om det används i den takt som det är designat för.
- **Använd inte kraftverktyget om strömbrytaren inte fungerar för att stänga av och sätta på verktyget.** Alla kraftverktyg som inte kan kontrolleras med strömbrytaren är farliga och måste repareras.
- **Koppla från eluttaget och/eller batteripaketet från elverket före justeringar, byte av tillbehör eller förvaring.** Sådana förebyggande åtgärder minskar risken för att kraftverktyget startar oavsiktligt.

EN
FR
DE
ES
IT
NL
PT
DA
SV
FI
NO
RU
PL
CS
HU
RO
LV
LT
ET
HR
SL
SK
BG





- **Förvara avstängda kraftverktyg utom räckhåll för barn och låt inte personer som är obekanta med kraftverktyg, eller dessa instruktioner, använda kraftverktyget.** Kraftverktyg är farliga i händerna på otränade användare.
- **Underhåll dina kraftverktyg. Kontrollera så att inga rörliga delar är felinriktade eller sitter fast, att inga delar har gått sönder samt att ingenting annat föreligger som kan påverka kraftverktygets användning. Reparera kraftverktyget innan användning om det är skadat.** Många olyckor uppstår på grund av dåligt underhållna kraftverktyg.
- **Håll skärverktyg vassa och rena.** Korrekt underhållna skärverktyg med vassa skärkanter fastnar inte lika lätt och är lättare att kontrollera.
- **Använd kraftverktyget, tillbehören och borrspetsar etc. i enlighet med dessa anvisningar och ta hänsyn till arbetsförhållanden och det jobb som ska utföras.** Användning av kraftverktyget till andra saker än det är avsett för kan resultera i en farlig situation.

#### UNDERHÅLL

- **Låt en kvalificerad serviceperson serva ditt kraftverktyg med identiska utbytesdelar.** Detta säkerställer att kraftverktygets säkerhet bibehålls.

#### YTTERLIGARE SÄKERHETSFORESKRIFTER

- I vissa regioner finns regleringar som begränsar användning av produkten. Ta kontakt med lokala myndigheter för information.
- Låt aldrig barn eller personer som inte har läst dessa anvisningar använda produkten. Lokala regler kan åldersbegränsa användningen av gräsklipparen.
- Kontrollera före användning så att reglage och säkerhetsanordningar fungerar som de ska. Använd inte verktyget om "Off"-läget inte stoppar motorn.
- Använd heltäckande skyddsglasögon och hörselskydd, ordentligt grova handskar och skyddshjälm vid användning av produkten. Använd ansiktsmask om det dammar mycket.
- Bär inte löst sittande kläder, korta byxor eller smycken av något slag.
- Fäst långt hår över axelhöjd för att undvika att det fastnar i rörliga delar.
- Se upp med kringflygande, ivägkastade och fallande föremål. Håll alla åskådare (speciellt barn och djur) minst 15 m bort från arbetsområdet.
- Använd endast i god belysning. Operatören måste ha god överblick över arbetsområdet för att upptäcka potentiella faror.
- När du använder hörselskydd minskar din förmåga att uppfatta varningar (skrik och alarm). Du måste vara extra uppmärksam på vad som sker i arbetsområdet.
- Användning av liknande maskiner i närheten ökar risken för både hörselskador och för andra personer i närheten av arbetsområdet.
- Bibehåll ett bra fotfäste och bra balans. Sträck dig inte. Sträck dig inte för långt så att du tappar balansen och ökar risken för bakslag.
- Håll alla kroppsdelar borta från rörliga delar.

- Se över produkten före användning. Se till att alla reglage fungerar som de ska, inklusive kedjebromsen. Kontrollera lösa fästen. Se till att alla skydd och handtag sitter fast ordentligt. Byt ut eventuella skadade delar före användning.
- Modifiera inte maskinen på något sätt och använd inte delar eller tillbehör som inte rekommenderats av tillverkaren.
- Om du måste använda förlängningskabel ska du se till att den är avsedd för utomhusbruk och har kapacitet för ditt elverktyg, kontrollera före användning så kabeln inte är skadad och rulla alltid ut den eftersom hoprullade kablar kan överhettas.
- Spänningsstopp ger spänningsvariationer och kan påverka andra elektrisk produkter anslutna till samma källa. Anslut produkten till en strömkälla med impedans lika eller mindre än 0.372Ω - RCS1935, 0.277Ω - RCS2340 för att minimera spänningsvariationer. Kontakta din elleverantör för ytterligare klargöranden.

#### VARNING

Om maskinen tappas, utsätts för hårda slag eller börjar vibrera onormalt mycket ska maskinen omedelbart stoppas och kontrolleras för eventuella skador eller orsak till vibrationerna. Eventuella skador ska repareras ordentligt eller bytas ut av ett auktoriserat servicecenter.

#### SÄKERHETSFORESKRIFTER FÖR MOTORSÅG

- **Håll alla kroppsdelar på säkert avstånd från klingan när motorsågen är i gång. Innan du startar motorsågen ska du kontrollera att klingan inte vidrör något.** Ett ögonblick med bristande uppmärksamhet vid användning av motorsåg kan göra att kläder eller kroppsdelar kommer in i sågklingan.
- **Håll alltid motorsågen med höger hand på bakre handtaget och vänster hand på det främre.** Om du håller motorsågen med omvänd fattning ökar risken för personskada. Undvik detta alltid.
- **Håll i verktygets isolerade handtag eftersom klingan kan komma i kontakt med dolda ledningar eller sin egen kabel.** Om klingan kommer i kontakt med en "aktiv" ledning kan metalldelar exponeras och ge användaren en elektrisk stöt.
- **Använd ögon- och hörselskydd. Vi rekommenderar även användning av skydd för huvud, händer, ben och fötter.** Korrekta skyddskläder minskar risken för personskador på grund av kringflygande skräp eller beröring av sågklingan.
- **Använd inte motorsågen i träd.** Användning av motorsåg när användaren befinner sig uppe i ett träd kan leda till personskador.
- **Se till att alltid stå stadigt och använd enbart motorsågen när du står på fast, säkert och jämnt underlag.** Hala eller instabila underlag som stegar kan göra att balansen eller kontroll av motorsågen förloras.
- **Vid kapning av grenar som är belastade ska du vara beredd på att den kan fjädra tillbaka.** När spänningen i träfiberna lossas kan den belastade grenen slå till





användaren och/eller kasta iväg motorsågen.

- **Var extremt försiktig när du kapar buskar och skott.** Det tunnare materialet kan fastna i kedjan och piska till mot dig eller dra dig ur balans.
- **Bär motorsågen i främre handtaget med motorsågen avslagen och håll den borta från kroppen. Vid transport eller förvaring av motorsågen ska alltid sågskyddet vara på.** Korrekt hantering av motorsågen minskar risken för beröring av misstag med sågklingan i rörelse.
- **Följ instruktionerna för smörjning, spänna kedjan och byte av tillbehör.** Felaktigt spänd eller smord kedja kan antingen gå av eller öka risken för bakslag.
- **Håll handtagen torra, rena och fria från olja och fett.** Fettiga och oljiga handtag är hala och kan göra så att du tappar kontrollen.
- **Kapa enbart trä. Använd inte motorsågen för annat än avsett. Använd exempelvis inte motorsågen för att kapa plats, sten eller byggnadsmaterial som inte är trä.** Användning av motorsågen för saker som den inte är avsedd för kan leda till riskfyllda situationer.

#### Orsaker och förhindran av bakslag:

Ett kast kan uppstå när spetsen på svärdet rör vid ett föremål eller om kedjan kilas fast i träet under arbetet.

Kontakt med guidestångens spets kan i vissa fall orsaka blixtnabbt backläge som slår upp guidestången tillbaka mot operatören.

Om man nyper sågkedjan längs översidan av guidestaven så kan guidestaven tryckas tillbaka mot operatören.

Båda dessa reaktioner kan medföra förlorad kontroll över sågen, och innebär risk för svåra skador. Förlita dig inte enbart på sågens inbyggda säkerhetsfunktioner. I egenskap av användare av motorsåg, bör du vidta flera olika åtgärder för att hålla alla sågningsarbeten fria från olycksfall och skador.

Bakslag beror på felaktig användning och/eller felaktiga procedurer eller förutsättningar och kan undvikas genom att vidta försiktighetsåtgärder enligt nedan:

- **Ha ett fast grepp med tumme och fingrar runt motorsågens handtag, båda händerna på sågen och se till att kroppen och armarna är beredda på bakslag.** Kraften i bakslag kan kontrolleras av användaren om man vidtar korrekta försiktighetsåtgärder. Släpp inte taget om motorsågen.
- **Sträck dig inte och kapa inte ovanför axelhöjd.** På så sätt undviks oönskad beröring med spetsen och det ger bättre kontroll på motorsågen i oväntade situationer.
- **Använd enbart ersättningsklingor och -kedjor som rekommenderas av tillverkaren.** Felaktiga ersättningsklingor och -kedjor kan leda till att kedjan går av och/eller bakslag.
- **Följ tillverkarens anvisningar beträffande slipning och skötsel av sågkedjan.** Minskning av djupet kan leda till ökade bakslag.

#### YTTERLIGARE VARNINGAR GÄLLANDE MOTORSÅGAR

- Vi rekommenderar att kapa stockar på sågbock eller i vaggva första gången produkten används.

- Se till att alla skydd, handtag och spikskydd sitter ordentligt och är i gott skick.
- Personer som använder motorsågen bör ha god fysik. Motorsågen är tung så användaren bör vara vältränad. Användaren ska vara alert, ha god syn, mobilitet, balans och kroppskontroll. Om det råder tveksamhet ska motorsågen inte användas.
- Börja inte använda produkten innan arbetsområdet är rensat, har säkert fotfäste och en planerad reträttväg bort från fallande träd.
- Se upp för utsläpp av smörjmedel och sågdamm. Använd mask eller respirator vid behov.
- El bör komma ifrån en apparat med residual krets (RCD) med en utlösande strömstyrka ej överstigande 30 mA.
- Om elkabeln skadas måste produkten returneras till auktoriserat servicecenter för reparation eller byte.
- Elkabeln ska alltid hållas ren och på säkert avstånd från klippområdet. Förutom risk för elstötter kan kablar i oordning innebära risk att snubbla och falla.
- Kapa inte smågrenar eller undervegetation (under 75 mm i diameter).
- Håll alltid motorsågen med båda händerna under användning. Håll ett stadigt grepp med tumme och fingrar runt motorsågens handtag. Höger hand på bakre handtaget och vänster hand på främre.
- Innan du startar motorsågen ska du kontrollera att klingan inte vidrör något.
- Modifiera inte enheten och använd den inte för att driva tillbehör eller enheter som inte rekommenderas av tillverkaren av sågen.
- Det ska finnas första hjälpen-utrustning med omslag för större sår och sätt att tillkalla hjälp (exempelvis visselpipa) i närheten av användaren. Ett större mer komplett utrustningspaket ska finnas i rimlig närhet.
- Användaren kan frestas att ta av hjälmen om det inte finns risk för fallande föremål på arbetsområdet men kom ihåg att hjälmen, speciellt om den har nätvisir, kan hjälpa till att minska risken för skador på ansikte och huvud vid bakslag.
- En felaktigt spänd kedja kan hoppa av klingan och leda till allvarlig personskada eller dödsfall. Kedjans längd är beroende på temperatur. Kontrollera spänningen regelbundet.
- Se till att vänja dig vid en ny motorsåg genom enklare kapning av ordentligt säkrat trä. Gör alltid det när du inte har använt sågen under en längre tid.
- För att minska risken för skador som kan uppkomma vid kontakt med rörliga delar ska motorn alltid stoppas, kedjebromsen aktiveras, urkoppling av huvudkontakten, och alla rörliga delar ska ha stoppat före:
  - rengöring eller rensning av ett stopp
  - att lämna produkten utan tillsyn
  - installation eller borttagning av tillbehör
  - kontroll, underhåll eller arbete på maskinen
- Arbetsrådets storlek beror på det arbete som utförs samt storleken på det träd eller arbetsstycke som sågas. Exempelvis kräver trådfällning större arbetsområde än andra kapningar, som på sågbock,

EN
FR
DE
ES
IT
NL
PT
DA
<b>SV</b>
FI
NO
RU
PL
CS
HU
RO
LV
LT
HR
SL
SK
BG



etc. Användaren ska vara uppmärksam och ha kontroll på allt som händer på arbetsområdet.

- Kapa inte med kroppen i linje med klingan och kedjan. Om det skulle bli bakslag hjälper detta till att förhindra kedjan att komma i kontakt med ditt huvud eller din kropp.
- Rör inte motorsågen fram och tillbaka vid kapning, låt kedjan arbeta, håll kedjan vass och försök inte trycka igenom klingan genom trä.
- Utsätt inte sågen för tryck i slutet av sågningen. Var beredd på att ta emot den extra vikten av sågen när den går igenom trä. Om du inte följer dessa anvisningar finns det risk för allvarliga personskador.
- Stoppa inte sågen mitt i en kapning. Låt kedjan gå tills den är borttagen från kapet.

### Dra och skjut

Reaktionskraften är alltid i motsatt riktning till kedjans rörelseriktning. Därför måste användaren vara beredd att kontrollera tendensen för maskinen att dra iväg (röra sig framåt) vid kapning nära basen på klingan och trycka bakåt (röra sig bakåt) vid kapning nära toppen på klingan.

### Sågen har fastnat i kapet

Stoppa motorsågen och var försiktig. Försök inte tvinga ut klingan ur kapet eftersom kedjan då kan gå av och slå bakåt och träffa användaren. Detta inträffar oftast på grund av att trästycket inte har bra stöd och man försöker tvinga och trycka ned klingan som därvid kommer i kläm. Om korrigering av stödet inte gör att klingan släpps loss kan du använda träkilar eller någon spak för att öppna kapet och få loss sågen. Försök aldrig starta motorsågen om klingan sitter fast i ett kap eller brott.

### Personlig skyddsutrustning

Personlig skyddsutrustning i hög kvalitet, sådan som används yrkesmässigt, hjälper till att minska risken för personskada på användaren. Följande bör användas vid bruk av motorsågen:

#### Skyddshjälm

- ska uppfylla EN 397 och vara CE-märkt

#### Hörselskydd

- ska uppfylla EN 352-1 och vara CE-märkt

#### Ögon- och ansiktsskydd

- ska vara CE-märkta och uppfylla EN 166 (skyddsglasögon) eller EN 1731 (nätvisir)

#### Arbetshandskar

- ska uppfylla EN 381-7 och vara CE-märkt

#### Benskydd (chaps)

- ska uppfylla EN 381-5, vara CE-märkta och ge allroundskydd.

#### Skyddsstövlar för motorsågsbruk

- ska uppfylla EN ISO 20345:2004 och vara märkta med en sköld och en motorsåg för att visa att de uppfyller EN 381-3. (Tillfälliga användare kan använda skyddsstövlar med ståltåhätta som uppfyller EN 381-9 om underlaget är jämnt och det finns minimal risk för att falla eller fastna i undervegetation)

#### Motorsågsjacka för skydd av överkroppen

- ska uppfylla EN 381-11 och vara CE-märkt

## INSTRUKTIONER FÖR KORREKT TEKNIK VID GRUNDLÄGGANDE TRÄDFÄLLNING, GRENKAPNING OCH KAPNING

### Förståelse för de krafter som finns i trä

När man förstår det riktade tryck och påfrestningarna inuti trä kan man minska "klämningar" eller åtminstone vara förberedd på dem vid kapning. Spänningar i träet innebär att fibrer dras isär och om man kapar i det området kommer kapet att öppnas upp allteftersom sågen går igenom. Om en stock stöds på en sågbock och ena änden hänger utan stöd skapas spänning i den övre delen på grund av vikten från överhänget och det sträcker fibrerna. Samtidigt är undersidan av stocken under tryck och fibrerna där trycks samman. Om man kapar i detta område kommer kapet att ha en tendens att stänga sig under kapningen. Och då kommer sågklingan i kläm.

### Fälla träd

Se sida 239 - 240.

Vid samtidig kapning och fällning som utförs av två personer eller flera ska fällningen skiljas från kapningen med minst dubbla avståndet motsvarande höjden på det träd som fälls. Träden ska inte fällas på så sätt att det utsätter någon person för fara, kan falla över kablar eller orsaka skador på egendom. Om träd skulle komma i kontakt med kablar ska företaget omedelbart meddelas.

Användaren av motorsågen skall hålla sig i terrängens motlutning eftersom trädet med all sannolikhet kommer att rulla eller glida nedåt efter fällningen.

En reträttväg ska finnas planerad och rensad vid behov innan kapning påbörjas. Reträttvägen ska sträcka sig bakåt och diagonalt mot den förväntade fallriktningen.

Innan fällningen kan påbörjas ska den naturliga lutningen på trädet kontrollera, placering av större grenar och vindriktningen för att bedöma åt vilket håll trädet kommer att falla.

Ta bort skräp, stenar, lösa barkbitar, spikar, klamrar och vajrar från trädet.

Fäll inte träd som är ruttna eller har skadats av vind, eld, blixtnedslag, etc.

Det är extremt farligt och får endast utföras av professionella trädfällare.

- Skära underifrån

Se sida 239 - 240.

Gör skåran 1/3 av trädets diameter och vinkelrätt mot det håll trädet ska falla. Gör den lägre horisontella skåran först. På så sätt kläms inte sågklingan när den andra skåran görs.

- Fällskåran på baksidan

Se sida 239 - 240.

Gör fällskåran på baksidan minst 50 mm/2 tum högre upp än den horisontella skåran underifrån. Se till att fällskåran är parallell med horisontella skåran underifrån. Gör fällskåran så att du lämnar tillräckligt med trä för att det ska kunna fungera som gångjärn. Trägångjärnet gör att trädet inte vrider sig och faller i fel riktning. Skär inte igenom gångjärnet.



När fällskåran närmar sig gångjärnet ska trädet börja falla. Om det finns risk att trädet inte kommer att falla i önskad riktning eller det kan gunga tillbaka och klämma fast sågklingan ska du sluta kapa innan fällskåran är klar och använd kilar av trä, plats eller aluminium för att öppna skåran och fälla trädet i önskad riktning.

När trädet börjar falla tar du bort motorsågen från skåran, stoppar motorn, lägger ner motorsågen och använder den planerade reträttvägen. Var uppmärksam på grenar som faller och var du sätter fötterna.

### Avlägsna rotben

Se sida 240.

Ett rotben är en stor rot som sticker ut från trädstammen ovan mark. Avlägsna stora rotben före fällning. Gör först ett horisontellt skär i rotbenet och därefter ett vertikalt skär. Avlägsna den resulterande lösa sektionen från arbetsplatsen. Använd korrekt trädfällningsteknik när du har avlägsnat de stora rotbenen.

### Kapa upp en stam

Se sida 241.

Kapa upp är att dela en trästam i delar. Det är viktigt att du har bra fotfäste och att vikten är lika fördelad på båda fötterna. Om det är möjligt ska stocken resas och stötta med grenar, stockar eller kilar. Följ de enkla anvisningarna för vanlig kapning. Om stocken har stöd över hela längden ska den kapas uppifrån (överkapning).

Om stocken har stöd från ena hållet ska ca 1/3 av diametern kapas underifrån (underkapning). Avsluta sedan med att göra resterande kapning uppifrån så att det möter den första skåran.

Om stocken stöds i båda ändrar ska ca 1/3 av diametern kapas uppifrån (överkapning). Avsluta sedan med att göra resterande kapning, 2/3 av diametern, underifrån så att det möter den första skåran.

Om du kapar i en sluttning ska du alltid stå på den övre sidan av stocken. När du "sågar igenom" ska du för att behålla kontrollen släppa på trycket mot slutet av skåran för utan att släppa det fasta greppet om handtagen. Låt inte kedjan komma i kontakt med marken. När du kapat klart ska du vänta tills kedjan stannat innan du flyttar motorsågen. Stoppa alltid motorn när du går från träd till träd.

### Kvista av träd

Se sida 242.

Att kvista av träd innebär att grenarna tas bort från ett fällt träd. Vid kvistning ska större nedre grenar lämnas kvar som stöd för stammen på marken. Ta bort de mindre grenarna med ett skär. Grenar i spänning ska kapas nerifrån och upp för att inte motorsågen ska klämmas.

### Kapa träd i spänning

Se sida 242.

Fjädrande trä är alla stockar, grenar, rotade stubbar, eller ungräd som är böjda under spänning av annat trä så att det fjädrar tillbaka om det trä som håller det på plats sågas av eller avlägsnas.

För fallna träd, är det stor risk att en rotad stubbe fjädrar tillbaka under kapning av stocken från stubben. Se upp för fjädrande trä. Det är farligt.

## ⚠ VARNING

Fjädrande trä är farligt och kan träffa användaren av sågen så att denne tappar kontrollen över motorsågen. Detta kan medföra svåra eller dödliga skador för användaren av sågen. Det får enbart utföras av utbildad användare.

## ANVÄNDNINGSSOMRÅDE

Produkten är enbart avsedd för utomhusbruk. Av säkerhetsskäl ska produkten hela tiden kontrolleras med båda händerna.

Produkten är designad för att sköra grenar, stammar, stockar och balkar upp till diameter som klingans såglängd. Du får endast såga i trä, inte i några andra material. Den får enbart användas till privata ändamål av vuxna som har utbildats gällande de risker som finns och försiktighetsåtgärder som ska vidtas vid användning.

Använd inte produkten till något annat än vad som anges ovan. Den är inte avsedd för yrkesmässigt bruk. Produkten får inte användas av barn eller av personer som inte tillräcklig personlig skyddsutrustning och -kläder.

## KVARSTÄENDE RISKER

Även om maskinen används enligt föreskrifterna, är det ändå omöjligt att helt eliminera kvarvarande mindre riskfaktorer. Följande risker kan uppkomma under bruk och användaren ska vara extra uppmärksam för att undvika följande:

- Skada orsakad av vibration. Använd alltid rätt verktyg för arbetet, håll ordentligt i handtagen och begränsa arbetstid och exponering.
- Exponering för buller kan orsaka hörselskador. Använd hörselskydd och begränsa exponeringen
- Kontakt med exponerad sågtand på sågkedjan (risk för kapning).
- Oförutsedd, abrupt förflyttning eller återkast av svärdet (risk för kapning).
- Delar skjuts iväg från kedjan (skär-/sticksår).
- Kringkastade delar av arbetsstycket (träflisor, stickor).
- Inandning av sågdamm och -partiklar.
- Hud i kontakt med smörjmedel/olja.

## RISKMINSKNING

Det finns rapporter om att vibrationer från handhållna verktyg kan bidra till ett tillstånd som kallas Raynauds syndrom för vissa personer. Symptomen brukar vara att det sticker i fingrarna och att de domnar bort; fingrarna kan också bli vita, särskilt vid kyla. Årftliga faktorer, kyla och fukt, diet, rökning och arbetsrutiner tros alla bidra till att orsaka dessa symptom. Det finns förebyggande åtgärder som du kan vidta för att försöka minska vibrationernas påverkan:

- Håll dig varm när du arbetar i kallt väder. Använd handskar för att hålla kvar värmen i händer och handleder. Kyla har rapporterats som en viktig del i utvecklandet av Raynauds syndrom.

EN
FR
DE
ES
IT
NL
PT
DA
SV
FI
NO
PL
RU
CS
HU
RO
LV
LT
ET
HR
SL
SK
BG



- Träna och rör på dig efter varje användningstillfälle för att öka blodcirkulationen.
- Ta ofta pauser från arbetet. Begränsa tiden du utsätter dig varje dag.
- Skyddshandskar som köps från motorsågsfackbutik är avsedda specifikt för motorsågsanvändning och ger skydd, bra grepp och minskar påverkan av vibration i handtagen. Dessa handskar ska uppfylla EN 381-7 och vara CE-märkta.

Upphör omedelbart om du upplever några av dessa symptom och uppsök din läkare.

#### VARNING

Risk för person- eller slitagekadorna vid användning av verktyget under lång tid. Om verktyget används under längre perioder krävs regelbundna pauser.

### LÄR KÄNNA PRODUKTEN

Se sida 233.

1. Kedja
2. Svärd
3. Främre handskydd/kedjebroms
4. Främre handtag
5. Avtryckarfrigöring
6. Bakre handtag
7. Stötdämpningsspets
8. Kedjeoljelock
9. Kabelvinda
10. Av/på-knapp
11. Träflisavvisare
12. Vred till träflisavvisare
13. Sägtandskydd
14. Justeringsring, kedjespänning
15. Låsvred för klingan
16. Klingskydd
17. Bränsleblandningslock

### SÄKERHETSENHETER

#### Sågkedja med låg kastrisk

En såg med "low-kick-back" hjälper till att minska risken för bakslag.

Underställningsklackarna (djupmätarna) framför varje sågtand kan minimera kaststyrkan genom att hindra sågtänderna från att skära för djupt i kastzonen. Använd enbart kombinationer av klinga och kedja som rekommenderas av tillverkaren vid utbyte.

Då sågkedjan slipas, förloras en del av dess antikastegenskaper och extra försiktighet bör iakttagas. För säkerhets skull ska kedjan bytas ut när effekten försämras.

#### Stötdämpningsspets

Den integrerade stötdämpningsspetsen kan användas som en svängtapp vid sågning. Det hjälper till att hålla motorsågen stabil under kapningen. Vid kapning förs motorsågen framåt tills tänderna biter i träkanten, sedan förs bakre handtaget upp och ned i kapningsriktningen för att minska spänningen i kapningen.

### Svärd

I allmänhet ger svärd vars spetsar har en liten radie något minskad kastrisk. Använd en guideklinga och en passande kedja som är lagom lång för arbetet. Längre klingor ökar risken för förlorad kontroll under sågning. Kontrollera kedjespänningen regelbundet. Vid kapning av mindre grenar (mindre än klingans halva längd) finns det större risk att kedjan lossnar om inte spänningen är korrekt.

### Kedjebroms

Kedjebromsen är utformad för att snabbt stoppa kedjan från att rotera. Då kedjebromsens spak/handskyddet trycks mot svärdet, skall kedjan stanna omedelbart. En kedjebroms förebygger inte kast. Den sänker bara risken för skada om sågklingan skulle komma i kontakt med användaren vid ett bakslag. Kedjebromsen ska testas före alla användningstillfällen så att den fungerar korrekt i både såg- och bromsläge.

### MONTERING

#### VARNING

Om några delar är skadade eller saknas, använd inte denna produkt innan delarna har bytts ut. Att inte följa denna säkerhetsvarning kan leda till allvarig kroppsskada.

### SÄTTA SAMMAN SÅGKEDJAN OCH KLINGAN

Se sida 234 - 235. Se sida 244 - 245.

1. Koppla från produkten från strömförsörjning. Bär skyddshandskar
2. Skruva loss vredet för klingan och ta bort sågtandskyddet.
3. Sågkedjan ska vara i samma riktning som kedjans rotation. Vänd på slingan, om de är bakåtriktade.
4. Placera kedjans drivlänkar i spåret.
5. Placera kedjan så att det finns en slinga vid svärdets bakre ände.
6. Håll kedjan på plats på svärdet och lägg öglan runt drivhjulet. Sänk svärdet så att bulten går genom hålet i kedjespänningen. Du kanske måste rotera kedjespänningen så att bulten och hålet passas in. Du kan rotera kedjespänningen på nytt för att späna kedjan och på så sätt hålla den på plats.
7. Byt ut sågtandskyddet och vrid vredet för klingan tills nästan fast läge, vrid kedjespänningens justeringsring tills sågkedjan är korrekt spänd. Klingan måste sedan tryckas uppåt. Kontrollera kedjespänningen på nytt. Spänn inte kedjan för hårt.
8. När kedjan är lagom spänd drar du åt vredet igen.

### INSTÄLLNING AV KEDJESPÄNNING

Se sida 235. Se sida 246.

1. Lossa vredet för klingan genom att vrida det moturs.
2. För att öka kedjespänningen ska du vrida justeringsringen för kedjespänning medurs och kontrollera kedjespänningen ofta. För att minska kedjespänningen ska du vrida justeringsringen för kedjespänning moturs och kontrollera kedjespänningen ofta.

- Kedjespänningen är lagom om glappet mellan kedjan och klingan på mitten är 3-4 mm. Dra i kedjan på mitten av nedre sidan av klingan (bort från klingan) och mät avståndet mellan klingan och kedjans tänder.
- Dra åt vredet för klingan genom att vrida det medurs.

## ANVÄNDNING

### SMÖRJA KEDJAN MED OLJA

Se sida 246.

#### ⚠ VARNING

Arbeta aldrig utan smörjolja. Om motorsågen går utan smörjolja kan svärd och sågkedja förstöras. Därför måste oljenivån kontrolleras ofta och före varje användning av motorsågen.

- Gör rent runt oljelocket för att förhindra nedsmutsning av oljan.
- Skruva av och ta av locket från oljebehållaren.
- Håll olja i oljebehållaren och läs av på oljemätaren. Se till att skräp inte kommer in i oljebehållaren under påfyllningen.
- Sätt tillbaka oljelocket och dra åt det. Torka bort eventuellt spill.
- En full oljebehållare räcker under 20-40 minuter.

### Rekommenderad kedjeolja

- Tillverkaren rekommenderar att du enbart använder Ryobi smörjolja för motorsåg. (Finns hos din auktoriserade Ryobi-återförsäljare.)

### HÅLLA MOTORSÅGEN

Se sida 235.

Håll alltid motorsågen med höger hand på bakre handtaget och vänster hand på det främre. Håll i båda handtagen med tummar och fingrar runt om handtagen. Se till att vänster hand håller främre handtaget med tummen nedåt.

#### ⚠ VARNING

Elkabeln ska alltid hållas ren och på säkert avstånd från klippområdet. Förutom risk för elstötar kan kablar i oordning innebära risk att snubbla och falla.

### STARTA MOTORSÅGEN

Se sida 235.

- Anslut produkten till strömkälla. Se till att kedjebromsen är satt i löpläget genom att dra tillbaka taget/handskyddet.
- Starta maskinen: Tryck i avtryckarreglaget och tryck sedan på on/off-reglaget.

### KONTROLLERA OCH ANVÄNDA KEDJEBROMSEN

- Aktivera kedjebromsen genom att vrida vänster hand runt det främre handtaget. Använd baksidan på handen och tryck kedjebromsreglaget/handskyddet mot staven medan kedjan roterar hastigt. Var noga med att ha båda händerna på handtagen hela tiden.
- Återställ kedjebromsen till driftläget genom att ta tag

i toppen av kedjebromsreglaget/handskyddet och dra mot främre handtaget tills ett klickande ljud hörs.

#### ⚠ VARNING

Lämna sågen till en auktoriserad serviceagent för reparation innan användning om kedjebromsen inte stoppar kedjan omedelbart eller om kedjebromsen inte stannar kvar i KÖR-läge utan hjälp.

### TRANSPORT OCH FÖRVARING

Se sida 248 - 249.

- Stoppa produkten, koppla från eluttag och låt den svalna före transport eller förvaring.
- Ta bort all främmande material från produkten. Förvara den svalt och välventilerat på en plats där barn inte kan komma åt den. Förvara på avstånd från frätande medel, t.ex. trädgårdskemikalier och vägsalt. Förvara den inte utomhus.
- Sätt på sågklingsskyddet före förvaring av enheten och under transport.
- Vid transport ska maskinen säkras mot rörelser eller fallande för att förhindra personskador eller att maskinen skadas.

### UNDERHÅLL

#### ⚠ VARNING

Använd enbart ersättningsdelar och tillbehör från tillverkaren. Om inte kan det eventuellt orsaka skador, sämre resultat och kan upphäva garantin.

#### ⚠ VARNING

Att serva produkten kräver extrem försiktighet och kunskap och bör endast utföras av en kvalificerad servicetekniker. Vi rekommenderar att du returnerar produkten till ditt närmsta auktoriserade servicecenter för reparation. Använd endast identiska utbytesdelar när produkten servas.

#### ⚠ VARNING

Koppla bort från eluttag före justering, underhåll och rengöring. Om det inte efterlevs kan det leda till allvarlig personskada.

- Du kan göra de justeringar och reparationer som beskrivs i den här manualen. För alla andra reparationer ska godkänt servicecenter kontaktas.
- Följden av eftersatt underhåll kan bli att kedjebromsen och andra skydd inte fungerar som de ska och därmed ökar risken för allvarlig personskada. Se till att motorsågen sköts professionellt och hålls säker.
- Slipa kedjan är en uppgift som kräver stor kunskap. Därför rekommenderar tillverkaren att en sliten eller slö kedja byts ut mot en ny som finns hos din auktoriserade Ryobi-återförsäljare. Artikelnumret finns angivet i

EN  
FR  
DE  
ES  
IT  
NL  
PT  
DA  
SV  
FI  
NO  
RU  
PL  
CS  
HU  
RO  
LV  
LT  
ET  
HR  
SL  
SK  
BG

specifikationstabellen i manualen.

- Följ instruktionerna för smörjning samt kontroll och justering av kedjespänning.
- Efter rengöring ska maskinen alltid rengöras med en mjuk torr trasa.
- För att vara säker på att produkten är säker att använda, kontrollera alla muttrar, bultar och skruvar regelbundet för att säkerställa att de är åtdragna ordentligt. Skadade delar skall repareras ordentligt eller bytas ut av en auktoriserad servicefirma.

## ERSÄTTA SÄGKLINGA OCH -KEDJA

Se sida 244 - 245.

1. Koppla från produkten från strömförsörjning. Bär skyddshandskar.
2. Skruva loss vredet för klingan genom att vrida det moturs tills sågtandskyddet lossnar.
3. Ta bort sågtandskyddet. Ta bort klingan och kedjan från enheten.
4. För att byta ut klingan mot en ny ska du skruva loss muttern för kedjespänning. Montera kedjespänningen på den nya klingan och dra åt muttern.
5. Sätt på den nya kedjan med rätt riktning på klingan och se till att drivlänkarna ligger rätt i spåren på klingan.
6. Fäst klingan på motorsågen och dra kedjan runt drivhjulet.
7. Sätt tillbaka sågtandskyddet, dra åt sågtandskyddet och dra åt vredet.
8. Justera kedjespänningen. Se avsnittet "Justera kedjespänningen".

### ⚠ VARNING

Felaktig slipning av kedjan ökar risken för kast.

### ⚠ VARNING

Svåra skador kan uppstå om man underlåter att byta ut eller reparera en skadad kedja.

### ⚠ VARNING

Sågkedjan är mycket vass. Använd alltid skyddshandskar vid underhåll av kedjan.

## SE ÖVER OCH RENGÖRA KEDJEBROMSEN

Se sida 247.

- Se till att kedjebromsen alltid är ren genom att borsta av länkarna så de är fria från skräp.
- Prova alltid kedjebromsens funktion efter rengöring. Läs i "Drift – Kontrollera och använda kedjebromsen" ovan i denna handledning, för ytterligare information.

## UNDERHÅLLSSCHEMA

Daglig kontroll	
Strömkabel vid skada	Innan varje användning
Svärdsmörjning	Innan varje användning

Kedjespänning	Före varje användning och regelbundet
Kedjeslipning	Före varje användning, visuellt
Skadade delar	Innan varje användning
Lösa fästankordningar	Innan varje användning
Kedjebromsfunktionen	Innan varje användning
Inspektera och rengör	
Stöd	Innan varje användning
Hela sågen	Efter varje användning
Kedjebroms	Var 5:e timme*

\*Användningstimmar

## SYMBOLER PÅ PRODUKTEN



Säkerhetsvarning



Läs igenom och var införstådd med alla instruktioner före användning av produkten, var uppmärksam på alla varningar och säkerhetsinstruktioner.



Använd ögon- och hörselskydd och en skyddshjälm då du arbetar med detta verktyg.



Bär halkskyddade säkerhetsskor när du använder produkten.



Används halkfria, grova skyddshandskar.



Koppla bort kontakten från elnätet direkt före underhåll eller om kabeln skulle vara skadad eller avklippt.



Se upp för kickback från motorsågen och undvik kontakt med spetsen.



Utsätt inte för regn eller våta omgivelningar.



Håll i och använd kedjesågen med båda händerna.



Använd inte kedjesågen med bara en hand.



Detta verktyg uppfyller alla standarder i de EU-länder där det kan köpas.



GOST-R-konformitet



Klass II-verktyg, dubbelt isolerat



Gamla elektroniska produkter ska inte kastas med hushållssoporna. Återvinn där sådana faciliteter finns. Kontrollera med din lokala myndighet eller säljaren för att få återvinningstips.



Garanterad ljudnivå är 108 dB. (RCS1935)



Garanterad ljudnivå är 107 dB. (RCS2340)



Svärd- och kedjesmjörningsmedel



Lås



Lås upp



Rotera för att ställa in kedjespänningen +/-: Dra åt/lossa kedjan



Kedjans riktning (Märkt under locket)

L max

Max längd på klingan



Använd skydd för överkroppen.



Använd benschydd.



Stoppa produkten.

Följande signalord och betydelser är tänkta att förklara de olika risknivåerna som är associerade med denna produkt.

**⚠ FARA**

Indikerar en överhängande farlig situation som kan, om den inte undviks, resultera i dödsfall eller allvarlig skada.

**⚠ VARNING**

Indikerar en potentiellt farlig situation som kan, om den inte undviks, resultera i dödsfall eller allvarlig skada.

**⚠ PÅMINNELSE**

Indikerar en potentiellt farlig situation som kan, om den inte undviks, resultera i mindre eller medelstora skador.

**PÅMINNELSE**

Utan säkerhetssymbol

Visar på en situation som kan orsaka skada på egendom.

- EN
- FR
- DE
- ES
- IT
- NL
- PT
- DA
- SV**
- FI
- NO
- RU
- PL
- CS
- HU
- RO
- LV
- LT
- ET
- HR
- SL
- SK
- BG

**BILDER I DENNA BRUKSANVISNING**



Koppla den till ett väggurtag



Urkoppling från väggurtag



Delar och utrustning säljs separat



Gamla elektroniska produkter ska inte kastas med hushållssoporna. Återvinn där sådana faciliteter finns.



ANMÄRKNING:



VARNING



Använd ögon- och ansiktsskydd.

### VAROITUS

Noudata turvallisuusääntöjä tuotetta käyttäessäsi. Oman ja sivullisten turvallisuuden vuoksi, lue nämä ohjeet ennen tuotteen käynnistämistä. Osallistu ammatillisesti järjestettyyn turvallisuuskurssiin moottorisahojen käytössä, varoimissa, ensiavussa ja huollossa. Säilytä ohjeet tulevaa käyttöä varten.

### VAROITUS

Moottorisahat saattavat olla vaarallisia. Moottorisahan käyttöön liittyvät onnettomuudet johtavat usein raajan tai hengen menetykseen. Vaarana ei ole ainoastaan moottorisaha. Putoavat oksat, kaatuvat puut ja pyörivät tukit voivat myös olla hengenvaarallisia. Sairas tai lahonnut puu on myös vaarallinen. Arvioi kykyisi suorittaa tehtävä turvallisesti. Jos epäilet kykyjäsi, jätä työ ammatilliselle ”puukirurgille”.

## YLEISET TURVALLISUUSVAROITUKSET

### VAROITUS

Lue kaikki turvallisuusvaroitukset ja ohjeet. Varoitusten ja ohjeiden laiminlyönnistä voi seurata sähköisku, tulipalo ja/tai vakava loukkaantuminen.

Säilytä nämä varoitukset ja ohjeet myöhempää tarvetta varten.

Sana ”sähköyökalu” viittaa varoituksissa verkkovirta- (langalliseen) tai akkukäyttöiseen (langattomaan) sähköyökaluun.

## TYÖYMPÄRISTÖ

- Pidä työalue siistinä ja valoisana. Epäjärjestyksessä olevat ja pimeät alueet myötävaikuttavat onnettomuuksiin.
- Älä käytä sähköyökalua räjähdyksalttiissa paikoissa, kuten helposti syttyvien nesteiden tai kaasujen tai pölyn läheisyydessä. Sähköyökalut kipinöivät, mikä saattaa sytyttää pölyn tai höyryt.
- Pidä lapset ja sivulliset loitolla, kun käytät sähköyökaluja. Häiriöt voivat saada koneen riistäytymään hallinnasta.

## SÄHKÖTURVALLISUUS

- Pistokkeen on sovittava pistorasiaan. Älä koskaan muunna pistoketta millään tavalla. Älä käytä maadoitettujen sähköyökalujen kanssa minkäänlaisia sovittipistokkeita. Alkuperäiset pistokkeet ja niitä vastaavat pistorasiat pienentävät sähköiskun vaaraa.
- Älä kosketa maadoitettuihin pintoihin, kuten putkiin, lämpöpattereihin, helioihin tai jääkaappeihin. Jos ruumiisi on maadoitettu, sähköiskun vaara on suurempi.
- Älä altista tätä tuotetta sateelle tai märille olosuhteille. Sähköyökaluun joutunut vesi kasvattaa sähköiskun vaaraa.
- Pidä huolta sähköjohdosta. Älä koskaan kannata tai

vedä sähköyökalua johdosta tai irrota pistoketta johdosta vetämällä. Pidä johto etäällä kuumista paikoista, öljystä, terävistä kulumista ja liikkuvista osista. Viottunut tai takkuinen johto lisää sähköiskun vaaraa.

- Kun käytät sähköyökalua ulkotiloissa, käytä ulkokäyttöön sopivaa jatkojohtoa. Ulkokäyttöön sopivan johdon käyttö pienentää sähköiskun vaaraa.
- Jos sähköyökalua on pakko käyttää kosteissa tiloissa, käytä jännönsvirtalaitteella (RCD) suojattua pistorasiaa. RCD:n käyttö pienentää sähköiskun vaaraa.

## KÄYTTÄJÄN TURVALLISUUS

- Ole valpas, katso mitä teet ja käytä maalaisjärkeä, kun käytät sähköyökalua. Älä käytä sähköyökalua väsyneenä tai huumeiden, alkoholin tai lääkkeiden vaikutuksen alaisena. Tarkkaamattomuus sähköyökalua käytettäessä saattaa johtaa vakavaan loukkaantumiseen.
- Käytä henkilökohtaisia suojavarusteita. Käytä aina suojalaseja. Suojalaitteet, kuten pölynaamari, luistamattomat suojakengät, kypärä ja kuulosuojaimet vähentävät loukkaantumisen vaaraa.
- Älä anna koneen käynnistyä vahingossa. Varmista, että katkaisin on poissa päältä, ennen kuin kytket koneen virtalähteeseen ja/tai akkuun ja ennen kuin nostat tai kannat konetta. Sähköyökalun kantaminen sormi katkaisimella ja virran kytkeminen koneeseen, joka on päällä, saattaa johtaa onnettomuuksiin.
- Irrota säätöavaimet ja jakoavaimet ennen sähköyökalun käynnistystä. Sähköyökalun pyörittävään osaan jätetty jako- tai säätöavain saattaa johtaa loukkaantumiseen.
- Älä kurkota liian pitkälle. Pysyttele tukevasti jaloillasi äläkä kurkotta käsivartta liian kauas. Tällöin sähköyökalua on helpompi hallita odottamattomissa tilanteissa.
- Älä pukeudu väljiin vaatteisiin, kravattiin tai koruihin, jotka voivat juuttua liikkuviin osiin. Älä käytä väljiä vaatteita tai koruja. Pidä hiukset, vaatteet ja käsineet etäällä liikkuvista osista. Löysät vaatteet, korut ja pitkät hiukset saattavat tarttua liikkuviin osiin.
- Jos laitetta varten on pölynpoisto- ja keräyslaite, kytke se asianmukaisesti ja käytä sitä oikein. Pölyn kerääminen voi vähentää pölyyn liittyviä vaaroja.

## SÄHKÖYÖKALUN KÄYTTÖ JA HUOLTO

- Älä pakota tuotetta. Käytä työhön sopivaa sähköyökalua. Asianmukainen sähköyökalu hoitaa työt paremmin ja turvallisemmin sillä vauhdilla, jota varten se on suunniteltu.
- Älä käytä sähköyökalua, jos se ei käynnisty ja sammu katkaisimesta. Jos sähköyökalua ei voida hallita katkaisimella, se on vaarallinen ja vaatii korjaamista.
- Irrota pistoke virranlähteestä ja/tai akku työkoneesta, ennen kuin teet säätöjä, vaihdat varusteita tai varastoit koneen. Tällaiset varoitimet pienentävät sitä vaaraa, että kone käynnistyy



vahingossa.

- **Varasto sähkötyökalu pois lasten ulottuvilta äläkä anna kenenkään, joka ei tunne työkonetta tai näitä ohjeita, käyttää sitä.** Sähkötyökalut ovat vaarallisia kouluttamattomien käyttäjien käsissä.
- **Huolla sähkötyökalut. Tarkista, että liikkuvat osat on kohdistettu oikein ja että ne liikkuvat kunnolla, että osia ei ole rikkoutunut ja että mikään muu seikka ei häiritse sähkötyökalun toimintaa. Jos sähkötyökalu vioittuu, korjaa se ennen käyttöä.** Onnettomuudet johtuvat usein sähkötyökalujen huonosta huollosta.
- **Pidä leikkuutyökalut terävinä ja puhtaina.** Asianmukaisesti huolletut leikkuutyökalut, joiden leikkuupinnat ovat teräviä, eivät jumiuudu helposti ja niitä on helppo hallita.
- **Käytä työkonetta, lisävarusteita, teriä jne. näiden ohjeiden mukaisesti, ja huomioi työolosuhteet ja tehtävän työn laatu.** Työkoneen käyttö muuhun kuin sille tarkoitettuun työhön voi aiheuttaa vaarallisia tilanteita.

## HUOLTO

- **Huollata työkonetta pätevällä huoltomiehellä, joka käyttää ainoastaan asianmukaisia varaosia.** Tämä varmistaa, että sähkötyökalu on turvallinen.

## MUITA YLEISIÄ TURVALLISUUSVAROITUKSIA

- Joillain alueilla vallitsee säädöksiä, jotka rajoittavat tämän tuotteen käyttöä. Pyydä paikallisilta viranomaisilta neuvoa.
- Älä anna lasten tai käyttöohjeita tuntemattomien ihmisten käyttää tuotetta. Paikalliset säädökset saattavat asettaa rajoituksia käyttäjän iälle.
- Varmista aina ennen käyttöä, että kaikki hallinta- ja turvallisuuslaitteet toimivat asianmukaisesti. Älä käytä sähkötyökalua, jos Off-kytkin ei sammuta moottoria.
- Käytä täysiä suojalaseja ja kuulosuojaimia, kestäviä käsineitä sekä kypärää käyttäessäsä tuotetta; käytä kasvosuojainta, jos käyttö on pölyistä.
- Älä käytä löysiä vaatteita, shortseja tai minkäänlaisia koruja.
- Sido pitkät hiukset hartioiden yläpuolelle, jotta ne eivät pääse tarttumaan liikkuviin osiin.
- Varo sinkoutuneita, lentäviä ja putoavia esineitä. Pidä kaikki sivulliset (erityisesti lapset ja lemmikit) vähintään 15 metrin päässä työalueesta.
- Älä käytä tätä työkalua huonosti valaistussa paikassa. Käyttäjällä on oltava esteetön näkyvyys työalueelle, jotta hän näkee mahdolliset vaaratilanteet.
- Kuulosuojaimet vaikeuttavat varoitusten kuulemista (häilytyksiä ja huutoja). Käyttäjän on kiinnitettävä enemmän huomiota siihen, mitä työalueella tapahtuu.
- Samankaltaisten laitteiden käyttö lähetyksillä kasvattaa kuulovaurion riskiä sekä vaaraa, että joku muu tulee työalueellesi.
- Pidä vakaa tasapaino. Älä kurkota liian pitkälle. Liian pitkälle kurottelu voi aiheuttaa tasapainon menetyksen ja kasvattaa takapotkun vaaraa.
- Pidä kaikki ruumiinosat kaukana liikkuvista osista.

- Tarkista tuote ennen käyttöä. Tarkista kaikkien hallintalaitteiden, mukaan lukien teräketjijarrun, asianmukainen toiminta. Tarkista liitäntöjen kireys. Varmista, että kaikki suojukset ja kädensijat on kiinnitetty tukevasti. Vaihda kaikki vioittuneet osat ennen käyttöä.
- Älä muunna laitetta millään tavoin tai käytä osia tai lisävarusteita, jotka eivät ole valmistajan suosittelemia.
- Jos sinun on käytettävä jatkojohtoa, varmista että se soveltuu ulko käyttöön ja että sen virtaluokitus riittää laitteen vaatimuksille; tarkista se ennen jokaista käyttökertaa vaurioiden varalta ja avaa se kääroltä käytön ajaksi, sillä käärytykset voivat ylikuumentua.
- Virtapiikki aiheuttaa jännitteen heilahtelua ja voi vaikuttaa muihin samaan syöttöverkkoon kytkettyihin tuotteisiin. Minimoidaksesi jänniteheilahtelun kytke tuote pistorasiaan, jonka impedanssi on enintään 0.372Ω - RCS1935, 0.277Ω - RCS2340 minimoidaksesi jänniteheilahtelun. Lisätietoja saa sähköyhtiöltä.

## VAROITUS

Jos laite putoaa, saa kovan iskun tai alkaa täristä normaalia enemmän, sammuta se heti ja tarkista se vaurioiden varalta tai paikanna tärinän syy. Valtuutetun huoltopisteen on korjattava tai vaihdettava vioittuneet osat asianmukaisesti.

## MOOTTORISAHAN TURVALLISUUSVAROITUKSET

- **Pidä kaikki rungon osat pois teräketjun lähetyksiltä moottorisahan ollessa päällä. Varmista ennen moottorisahan käynnistämistä, ettei teräketju ole kosketuksissa mihinkään.** Herpaantuminen hetkiseksi moottorisahan käytön aikana saattaa aiheuttaa vaatetuksesi tai vartalosi sotkeutumisen teräketjuun.
- **Pidä aina oikealla kädellä kiinni takakädensijasta ja vasemalla kädellä etukädensijasta.** Moottorisahan pitelemisen kädet vastakkaisessa asennossa lisää loukkaantumisen riskiä, eikä niin tule koskaan tehdä.
- **Pitele sähkötyökalua ainoastaan eristetyistä kosketuspinnosta, sillä moottorisaha saattaa osua kätettyihin johtoihin tai omaan johtoonsa.** Jos teräketju koskettaa sähköistettyä johtoa, työkalun metalliosat voivat sähköistyä ja aiheuttaa käyttäjälle sähköiskun.
- **Käytä täysiä suojalaseja ja kuulosuojaimia. Suosittelemme myös pään, käsien, raajojen ja jalkojen suojavarusteiden käyttöä.** Asianmukainen suojavaatetus vähentää loukkaantumisia, jotka johtuvat lentävistä pirstaleista tai tahattomasta kosketuksesta teräketjuun.
- **Älä käytä moottorisahaa puussa.** Moottorisahan käyttö ylhäällä puussa saattaa johtaa loukkaantumiseen.
- **Ota aina hyvä jalansija ja käytä moottorisahaa vain, kun seisot kiinteällä, turvallisella tasapinnalla.** Liukkaat tai epävakaat pinnat, kuten tikkaat, voivat saada käyttäjän menettämään tasapainon tai sahan hallinnan.

EN  
FR  
DE  
ES  
IT  
NL  
PT  
DA  
SV  
FI  
NO  
RU  
PL  
CS  
HU  
RO  
LV  
LT  
ET  
HR  
SL  
SK  
BG





- **Muista sahatessasi jännitettyä oksaa, että se potkaisee katketessaan takaisin.** Puun kuitujen jännityksen vapautuessa taipunut oksa saattaa osua käyttäjään ja/tai aiheuttaa moottorisahan hallinnan menetyksen.
- **Ole erityisen varovainen sahatessasi pensaita ja puun vesoja.** Ohuet oksat saattavat osua teräketjuun ja iskeytyä sinuun tai saada sinut menettämään tasapainosi.
- **Kanna moottorisahaa etukavasta ja sammuta se sekä pidä se pois varalosi lähetyviltä. Käytä aina ketjunsuojusta, kun kuljetat moottorisahaa tai jätät sen varastoon.** Moottorisahan asianmukainen käyttö vähentää satunnaisen kosketuksen todennäköisyyttä liikkuvan teräketjun kanssa.
- **Noudata voiteluun, ketjun kiristykseen ja lisävarusteiden vaihtoon liittyviä ohjeita.** Huonosti kiristetty tai voideltu ketju saattaa katketa tai saada sahan iskemään takaisin.
- **Pidä kädensijat kuivina ja puhtaina liasta, öljystä ja rasvasta.** Rasvaiset ja öljyiset kädensijat ovat liukkaita ja estävät sahan hallinnan.
- **Sahaa ainoastaan puuta. Älä käytä moottorisahaa muihin kuin sille suunniteltuihin tarkoituksiin. Esimerkki: älä käytä moottorisahaa muovin, tiilen tai muiden kuin puusta valmistettujen rakennusmateriaalien sahaamiseen.** Moottorisahan käyttö muuhun kuin sille tarkoitettuun työtehtävään voi aiheuttaa vaarallisia tilanteita.

#### Takapotkun syyt ja sen esto:

Takapotku voi ilmaantua, kun terälevyn pää tai kärki koskettaa esinettä tai kun ketju tarttuu ja puristuu puun leikkauksohtaan.

Terälevyn törmäminen saattaa joskus aiheuttaa erittäin nopean takapotkun, jossa terälevy ponnahtaa ylös ja taaksepäin käyttäjää kohden.

Teräketjun joutuminen puristuksiin saattaa heittää terälevyn käyttäjää kohden.

Kumpikin näistä reaktioista voi aiheuttaa sahan hallinnan menetyksen, joka voi johtaa vakavaan tapaturmaan. Älä luota yksinomaan sahaan rakennettuihin turvalaitteisiin. Moottorisahan käyttäjänä sinun on tehtävä useita varotoimia, jotta sahaustöissä ei tapahtuisi onnettomuuksia tai vammautumisia.

Takapotku johtuu työkalun väärästä käytöstä ja/tai vääristä toimenpiteistä tai tilanteista, jotka voidaan välttää alla olevia asianmukaisia varotoimenpiteitä noudattaen:

- **Pitele moottorisahaa tukevasti kahvoista siten, että peukalot ja sormet ympäröivät kahvat molempien käsien pidellessä sahaa. Aseta varalosi ja kätesi siten, että voit vastustaa takapotkun voimaa.** Käyttäjä pystyy hallitsemaan takapotkun voiman, jos hän ryhtyy asianmukaisiin varotoimiin. Älä päästä otettasi irti moottorisahasta.
- **Älä kurkota liian kauaksi äläkä sahaa harteita korkeammalla.** Tämä auttaa tahattoman karkikosketuksen estämisessä ja mahdollistaa moottorisahan paremman hallinnan odottamattomissa tilanteissa.
- **Käytä ainoastaan valmistajan suosittelemia terälevyjä ja ketjuja.** Epäasianmukaiset terälevyt ja ketjut voivat saada ketjun katkeamaan ja/tai sahan iskemään takaisin.
- **Noudata valmistajan antamia teräketjun teroitusja kunnossapito-ohjeita.** Syvyystulkin korkeuden pienentäminen voi aiheuttaa voimakkaamman takapotkun.

#### MUITA MOOTTORISAHAN TURVALLISUUSVAROITUKSIA

- Suositellaan, että tukit pilkotaan sahapukilla tai telineessä, kun tuotetta käytetään ensimmäistä kertaa.
- Varmista, että kaikki suojukset, kahvat ja piikillinen puskuri ovat kunnolla paikoillaan ja hyvässä kunnossa.
- Moottorisahan käyttäjän terveyden on oltava hyvä. Moottorisaha on painava, joten käyttäjän tulee olla hyväkuntoinen. Käyttäjän on oltava valpas ja hänen näkönsä, liikkuvuutensa, tasapainonsa ja ketteryytensä hyviä. Jos epäilet asiaa, älä käytä moottorisahaa.
- Älä aloita tuotteen käyttöä, ennen kuin sinulla on esteetön työalue, vakaa jalansija ja suunniteltu poistumisreitti kaatuvan puun tieltä.
- Varo voiteluainesumua ja sahanpurua. Käytä tarvittaessa maskia tai hengityslaitetta.
- Virtälähteessä tulee olla jännönsvirtalaitte (RCD), jonka trippausvirta on enintään 30 mA.
- Jos virtajohto vioittuu, laite on palautettava valtuutettuun huoltoon korjattavaksi tai vaihdettavaksi.
- Pidä virtajohto aina siistinä ja pois leikkausalueelta. Sähköiskuvaaran lisäksi epäsiistit johdot aiheuttavat kaatumisia ja kompastumisia.
- Älä sahaa köynnöksiä ja/tai pientä alakasvillisuutta (halkaisijaltaan alle 75 mm).
- Pitele moottorisahaa aina kaksin käsin sitä käytettäessä. Ota teräketjun kahvoista kiinni lujalla otteella peukalot ja sormet kahvojen ympärillä. Pidä oikealla kädellä kiinni takakädensijasta ja vasemmalla kädellä etukädensijasta.
- Ennen kuin käynnistät laitteen, varmista että teräketju ei kosketa mitään esinettä.
- Älä muuntele laitetta millään tavoin tai käytä sitä minkään lisävarusteen tai laitteen virtälähteenä, jos valmistaja ei suosittele sitä sahalle.
- Käyttäjän lähellä on oltava ensiapupakkaus, jossa on suuria haavasiteitä ja keino kutsua apua (esim. pilli). Suurempi ja täydellisempi pakkaus on oltava suhteellisen lähellä.
- Käyttäjää voi houkuttaa ottaa kypärä pois, jos työalueella ei ole putoavien esineiden vaaraa, mutta pidä mielessä, että kypärä ja erityisesti verkkosuojus voi auttaa pienentämään kasvojen ja pään vammaa, jos tapahtuu takapotku.
- Väärin kiristetty ketju voi hypätä pois terälevyltä ja aiheuttaa vakavan vamman tai kuoleman. Ketjun pituus riippuu lämpötilasta. Tarkista kireys säännöllisesti.
- Totuttele käyttämään uutta moottorisahaa sahaamalla yksinkertaisia leikkauksia tukevasti tuettuun puuhun. Tee näin aina kun ei ole käyttänyt verkkoa pitempään





aikaan.

- Jotta liikkuvien osien kosketukseen liittyvä riski olisi pienempi, sammuta aina moottori, laita teräjarru päälle, irrota pistorasiasta ja varmista, että kaikki liikkuvat osat ovat pysähtyneet, ennen kuin:
  - ennen tukoksen poistamista
  - tuotteen jättäminen valvomatta
  - asennat tai irrotat lisävarusteita
  - tarkistat tai huollat laitetta tai työskentelet sen parissa
- Työalueen koko riippuu suoritetusta työstä sekä kysymyksessä olevan puun tai leikkauskohteen koosta. Esimerkiksi puun kaataminen vaatii laajemman työalueen kuin muiden leikkausten tekeminen – esim. karsinta. Käyttäjän on oltava tietoinen kaikesta työalueella tapahtuvasta ja pystyttävä hallitsemaan sitä.
- Älä sahaa siten, että vartalosi olisi samassa linjassa terälevyn ja ketjun kanssa. Jos moottorisaha potkaisee takaisin, tällainen asento auttaa estämään ketjuja osumasta päähäsi tai vartalosi.
- Älä käytä edestakalista sahausliikettä; anna ketjun tehdä työ; pidä ketju terävänä äläkä yritä painaa terää leikkauksen läpi.
- Älä paina sahaa sahausksen lopussa. Ole valmis kannattamaan sahan painon sen leikkautuessa puun läpi. Muuton seurauksena voi olla vakava loukkaantuminen.
- Älä pysäytä sahaa keskellä leikkausta. Pidä saha käynnissä, kunnes se on irti leikkauksesta.

## Työntö ja veto

Reaktiovoima on aina ketjun liikkumissuunnan päinvastainen voima. Käyttäjän on näin ollen oltava valmis hallitsemaan laitteen taipumusta vetäytyä pois (liike eteenpäin) leikattaessa terälevyn alareunalla ja työntää taaksepäin (käyttäjää khden) leikattaessa yläreunalla.

## Leikkauksen jumittunut saha

Sammuta moottorisaha ja tee se turvallisiksi. Älä yritä pakottaa ketjuja ja teräleVYä ulos leikkauksesta, sillä tämä saattaisi rikkoa ketjun, joka voi sitten sinkoutua taaksepäin ja osia käyttäjään. Näin tapahtuu tavallisesti sen takia, että puu on tuettu virheellisesti ja pakottaa leikkauksen sulkeutumaan, jättäen terän puristuksiin. Jos tuen säätäminen ei vapauta terälevyä ja ketjuja, käytä puukiloja tai vipua avataksesi leikkauksen ja vapauttaaksesi sahan. Älä koskaan yritä käynnistää moottorisahaa, jos terälevy on leikkauksessa tai uurreksessa.

## Henkilöstön suojaimet

Laadukkaat ammattilaisten käyttämät henkilösuojat auttavat pienentämään käyttäjän loukkaantumiseriskiä.

Moottorisahaa käytettäessä on käytettävä seuraavia varusteita:

### Suojakypärä

- sen tulee noudattaa EN 397 -standardia ja olla CE-merkitty

### Kuulosuojaimet

- sen tulee noudattaa EN 352-1 -standardia ja olla

CE-merkitty

## Suojalasit ja kasvosuojus

- niiden tulee olla CE-merkittyjä ja noudattaa EN 166 -standardia (suojalasit) ja EN 1731 -standardia (verkkovisiiri)

## Käsineet

- sen tulee noudattaa EN 381-7 -standardia ja olla CE-merkitty

## Jalkasuojat

- niiden tulee noudattaa EN381-5-standardia, olla CE-merkittyjä ja suojata kaikilta suunnilta.

## Moottorisahan suojajalkineet

- niiden tulee noudattaa EN ISO 20345:2004 -standardia, ja niissä tulee olla moottorisahaa kuvaava kilpi todisteena EN 381-3 -standardin noudattamisesta. (Joskus käyttäjät voivat käyttää teräskärkisiä suojajalkineita ja säärystimiä, jotka noudattavat EN 381-9 -standardia, jos maa on tasaista ja kaatumisen ja alakasvullisuuteen takertumisen vaara on hyvin pieni)

## Moottorisahatakki suojaamaan ylävartaloa

- sen tulee noudattaa EN 381-11 -standardia ja olla CE-merkitty

## OHJEET PUUN KAADON, KARSINNAN JA PILKKOMISEN OIKEISTA TEKNIKOISTA

### Puun voimien ymmärtäminen

Kun ymmärrät puun sisällä vallitsevat suunnatut paineet ja voimat, voit vähentää "puristumisia" tai vähintäänkin ennakoita ne sahatessasi. Puun jännite merkitsee sitä, että kuituja vedetään erilleen, ja jos sahaat tällaista aluetta, uurre tai leikkaus avautuu sahan mennessä puun läpi. Jos tukkia kannatellaan sahapukissa ja sen pääty riippuu tukematta päädyistä, yläpintaan syntyy jännitystä sen takia, että riippuva tukki venyttää kuituja. Vastaavasti, tukin alapinta puristuu kokoon ja kuituja työnnetään yhteen. Jos tätä aluetta sahataan, uurre pyrkii sulkeutumaan sahausksen aikana. Tällöin terä jää puristuksiin.

### Puun kaataminen

*Katso sivu 239 - 240.*

Karsiminen ja kaataminen suoritetaan kahden tai useamman henkilön toimesta, mutta kaataminen erottuu karsimisesta sikäli, että etäisyyden tulee olla vähintään kaksi kertaa niin suuri kuin kaadettavan puun korkeus. Puita ei tule kaataa siten, että ihmiset ovat vaarassa tai että ne voivat osua sähkölinjaan tai aiheuttaa omaisuusvahinkoja. Mikäli puu on kosketuksissa sähkölinjaan, sähkölaitokselle tulee ilmoittaa siitä välittömästi.

Moottorisahan käyttäjän tulisi olla maastossa ylämäen puolella, koska puu todennäköisesti pyörii tai liikuu mäkeä alas kaaduttuaan.

Pakoreitti tulee suunnitella ja tarvittaessa raivata ennen sahaamisen aloittamista. Perääntymisreitit tulee ulottautua viistosti suunnitellun kaatumislinjan taakse.

Ota huomioon ennen kaatamisen aloittamista puun luonnollinen kallistuma, suurempien oksien sijainti ja tuulen suunta arvioidaksesi mihin suuntaan puu kaatuu.

Irrota puusta muta, kivet, irrallinen kaarna, naulat, niitit ja

EN
FR
DE
ES
IT
NL
PT
DA
SV
<b>FI</b>
NO
RU
PL
CS
HU
RO
LV
LT
ET
HR
SL
SK
BG





rautalangat.

Älä yritä kaataa lahoja tai tuulen, tulen, salaman tms. vahingoittamia puita.

Se on erittäin vaarallista, ja ainoastaan ammattillisten puukirurgien tulisi suorittaa tällaiset toimet.

#### ■ Alasahaus

*Katso sivu 239 - 240.*

Leikkaa puuhun noin 1/3 paksuinen lovi suorassa kulmassa kaatumissuuntaan nähden. Sahaa ensin alempi, vaakasuora lovi. Näin ketju ei jää puristuksiin, kun teet toisen loven.

#### ■ Kaatosahaus

*Katso sivu 239 - 240.*

Tee kaatoleikkaus vähintään 50 mm/2 tuumaa korkeammalle kuin kaatolovi. Pidä kaatosahaus samansuuntaisena vaakasuoran, alemman loven kanssa. Tee kaatosahaus siten, että puuta jää jäljelle, jotta se toimisi saranana. Pöpuu estää puun kääntymisen ja kaatumisen väärään suuntaan. Älä sahaa saranan läpi.

Kaatosahauksen lähestyessä saranaa puun pitäisi ruveta kaatumaan. Jos on mahdollisuus, ettei puu ehkä kaadukaan haluttuun suuntaan tai että se kallistuu takaisin puristaen moottorisahaa, lopeta sahaaminen ennen kuin kaatosahaus on suoritettu loppuun ja käytä puista, muovista tai alumiinista kiilaa avatakseksi loven ja kaataaksesi puun halutun kaatolinjan mukaisesti.

Kun puu alkaa kaatua, poista moottorisaha lovesta, pysäytä moottori, aseta moottorisaha maahan ja käytä suunniteltua perääntymisreittiä. Varo, ettei päällesii putoa oksia, ja katso minne astut.

### Ulkonevien juurien poistaminen

*Katso sivu 240.*

Ulkoneva juuri on suuri rungosta maan päälle ulottuva juuri. Poista isot ulkonevat juuret ennen puun kaatamista. Tee ensin vaakasuuntainen leikkaus ulkonevaan juureen, ja sen jälkeen pystysuuntainen leikkaus. Poista tästä lähtevä irrallinen osa työskentelyalueelta. Kun olet poistanut isot ulkonevat juuret, jatka puun kaatamistoimia oikeaa tekniikkaa noudattamalla.

### Tukin apteraus

*Katso sivu 241.*

Apteraus tarkoittaa rungon leikkaamista paloiksi. On tärkeää, että seisot tukevasti ja että painosi jakautuu tasaisesti molemmille jaloille. Mikäli mahdollista, runko tulee nostaa ja se tulee tukea oksien, pölkkyjen tai pönkien varaan. Noudata näitä yksinkertaisia ja helppoja leikkausohjeita: Jos tukki on tuettu koko matkalta, se leikataan yläpuolelta.

Kun runko on tuettu toisesta päästä, sahataan halkaisijasta 1/3 alapuolelta (rungon ali). Sahaa sitten loput ylhäältä, jotta yhtyisit ensimmäisen sahaukseen.

Kun runkoa tuetaan molemmista päistä, sahataan halkaisijasta 1/3 yläpuolelta. Leikkaa sitten alapuolelta 2/3 siten, että leikkaus kohtaa ensimmäisen loven.

Kun pilkot rinteessä, seiso aina tukkiin nähden ylärinteessä. Kun leikkaat tukkia poikki, lakkaa painamasta sahaa lähellä leikkauksen loppua ilman, että hellität otettasi

moottorisahan kädensijoista, jotta saha pysyisi hallinnassa. Alla anna ketjun koskettaa maata. Kun leikkaus on valmis, anna ketjun pysähtyä ennen kuin liikutat sahaa. Pysäytä moottori aina ennen kuin liikut puun luota toiselle.

### Puun karsiminen

*Katso sivu 242.*

Oksimisella tarkoitetaan oksien poistamista kaatuneesta puusta. Jätä oksissa suuremmat, alempana sijaitsevat oksat tukemaan maassa olevaa runkoa. Poista pienet oksat yhdellä sahauskella. Jännitetyt oksat tulee leikata alhaalta latvaan päin moottorisahan puristumisen välttämiseksi.

### Tukkirakennelmien sahaaminen

*Katso sivu 242.*

Jousiruku on mikä tahansa tukki, oksa, juurellinen kanto tai nuori puu, joka on taipunut toisen puun alle ja joka ponnahtaa ylös, jos sitä painava puu katkaistaan ja poistetaan.

Kaatuneessa puussa juurellinen kanto voi mahdollisesti ponnahtaa ylös pystyasentoon katkaisun aikana, jolloin tukkiosa eroaa kannosta. Varo jousirukuja; ne ovat vaarallisia.

#### VAROITUS

Jousiri'uut ovat vaarallisia ja voivat iskeä sahan käyttäjää ja aiheuttaa sahan hallinnan menetyksen. Tämä voi aiheuttaa vakavan tai kohtalokkaan vamman käyttäjälle. Tämä tulee jättää koulutetun käyttäjän tehtäväksi.

### KÄYTTÖTARKOITUS

Tämä tuote on tarkoitettu yksinomaan ulkokäyttöön. Turvallisuussyistä tuotteen on oltava asianmukaisesti hallinnassa ja käyttäjän on pideltävä sitä aina kaksin käsin.

Tuote on tarkoitettu oksien, puunrunkojen, tukkien ja paalujen, sahaamiseen, joiden halkaisija on terälevyn pituutta pienempi. Sillä saa sahata vain puuta. Sitä saa käyttää vain kotitalouskohteissa ja käyttäjän on oltava aikuinen, joka on saanut riittävän koulutuksen sen käytön aikaisista vaaroista ja varotoimista.

Älä käytä tuotetta mihinkään käyttötarkoitukseen, jota ei luetella yllä. Tämä tuote ei ole tarkoitettu ammattikäyttöön. Tuotetta eivät saa käyttää lapset tai henkilöt, joilla ei ole riittäviä henkilökohtaisia suojavarusteita ja -vaatetusta.

### KÄYTTÖÖN LIITTYVÄT RISKIT

Vaikka laitetta käytettäisiin ohjeiden mukaisesti, ei ole mahdollista täysin eliminoida tiettyjä käyttöön liittyviä riskitekijöitä. Käytössä voi aiheutua seuraavia vaaroja, ja käyttäjän tulee kiinnittää erityistä huomiota niiden välttämiseen:

- Tärinän aiheuttama vamma. Käytä aina työhön sopivaa laitetta, käytä nimettyjä kahvoja ja rajoita työaikaa sekä altistumista.
- Liian kova melu voi aiheuttaa kuulovamman. Käytä suojalaseja ja rajoita altistumista.
- Teräketjun paljaisiin hampaisiin koskettaminen (leikkuuvaara).



- Terälevyn odottamaton, äkillinen liike tai takapotku (leikkuuvaara).
- Teräketjusta sinkoutuvat osat (leikkuu/lävistysvaara)
- Sinkoutuneet puukappaleet (puulastut, tikut)
- Sahanpurun ja hiukkasten hengittäminen Ihokosketus voiteluaineen/öljyn kanssa

## RISKIEN VÄHENTÄMINEN

Raporttien mukaan käsikäyttöisten laitteiden tärinä voi joidenkin kohdalla myötävaikuttaa Raynaud's Syndromen (Raynauodin oikeen) ilmenemiseen. Oireita ovat pistely, turtuus ja sormien kalpeneminen, yleensä kylmässä ilmassa. Perinnölliset tekijät, kylmyys ja kosteus, ruokavalio, tupakointi sekä työtavat voivat kaikki myötävaikuttaa näiden oireiden ilmenemiseen. Käyttäjä voi ehkäistä tärinän aiheuttamia vaikutuksia seuraavasti:

- Pidä itsesi lämpimänä kylmällä säällä. Käytä laitteen käytön aikana käsineitä, jotta kätesi ja ranteesi pysyvät lämpöisinä. Raporttien mukaan kylmä ilma on tärkeä tekijä Raynaud's Syndromen (Raunauodin oireiden) ilmenemisessä.
- Harjoita kunkin käyttöjakson jälkeen liikuntaa, jotta verenkierto lisääntyy.
- Pidä työn aikana säännöllisesti taukoja. Rajoita päivittaisen tärinän määrää.
- Ammatilliselta moottorisahojen jälleenmyyjältä saatavat suojakäsineet on suunniteltu erityisesti moottorisahakäyttöön; ne tarjoavat suojaa ja hyvän otteen ja vaimentavat lisäksi kahvan tärinävaikutusta. Tällaisten käsineiden tulee noudattaa EN381-7 standardia ja olla CE-merkitty.

Jos mitään yllä mainittuja oireita ilmenee, lopeta heti laitteen käyttö ja kerro oireista lääkärille.

## VAROITUS

Laitteen pitkittynyt käyttö voi aiheuttaa tai vaikeuttaa vammoja. Kun käytät mitä tahansa laitetta pitkiä aikoja, muista pitää säännöllisiä taukoja.

## TUNNE TUOTTEESI

Katso sivu 233.

1. Ketju
2. Terälevy
3. Käden etusuojaus/Ketjujarru
4. Etukädensija
5. Liipaisimen vapautin
6. Takakädensija
7. Moottorisahan kuorituki
8. Ketjuöljysäiliön tulpalla
9. Johdon kotelo
10. Käynnistyksen painonappi
11. Puulastujen ohjain
12. Puulastujen ohjaimen nappi
13. Vetopyörän suoja
14. Ketjunkierrimen säätörengas
15. Terälevyn lukitusnappi
16. Terälevyn suojaus
17. Polttoaineseossäiliön tulpalla

## SUOJALAITTEET

### Pienitakapotkuinen teräketju

Takapotkua vaimentava teräketju auttaa vähentämään takapotkun mahdollisuutta.

Höylähampaat (syvyysmitat) kunkin leikkurin edessä voivat minimoida takapotkun reaktion voiman estämällä leikkureita kaivautumasta liian syvälle takapotkuvyöhykkeellä. Käytä ainoastaan valmistajan suosittelemia vaihtoterälevy ja –teräketjuyhdistelmiä.

Kun teräketjuja teroitetaan, ne menettävät jonkin verran pientakapotkuominaisuksistaan. Noudata sen vuoksi erityistä varovaisuutta. Vaihda turvallisuutesi vuoksi sahan teräketju suorituskyvyn heiketessä.

### Moottorisahan kuorituki

Sisään rakennettua moottorisahan kuoritukea voidaan käyttää nivelpisteenä katkaistaessa. Se auttaa pitämään moottorisahan rungon vakaana sahattaessa. Työnnä laitetta sahatessasi eteenpäin kunnes piikit tunkeutuvat puun reunaan; liikuta sitten takakahvaa ylös tai alas leikkuulinjalla pienentääksesi sahausksen rasitusta.

### Terälevyt

Terälevyillä, joissa on pienenäiset terät, on jonkin verran pienempi takapotkun mahdollisuus. Käytä terälevyä ja sitä vastaavaa teräketjua, joka on riittävän pitkä työhön. Pitempi terälevy lisää vaaraa, että saha riistäytyy hallinnasta sahattaessa. Tarkista ketjun kireys säännöllisesti. Kun sahaat pienempiä oksia (terälevyn koko pituutta pienempiä), teräketju irtoaa todennäköisemmin jos kireys ei ole oikea.

### Ketjujarru

Ketjujarrut on tarkoitettu pysäyttämään nopeasti ketjun pyöriminen. Kun ketjujarrun vipu/kädensuojaus työnnetään terälevyä kohti, ketjun tulisi pysähtyä heti. Ketjujarru ei estä takapotkua. Se pienentää loukkaantumisriskiä vain, jos terälevy koskettaa käyttäjän ruumista takaiskun yhteydessä. Ketjujarrun toiminta tulee testata ennen jokaista käyttökertaa sekä käyttö- että jarruasennossa.

## KOKOONPANO

### VAROITUS

Jos osia puuttuu, älä käytä työkalua ennen, kuin olet hankkinut puuttuvan osan. Muutoin seurauksena voi olla vakava loukkaantuminen.

## TERÄKETJUN JA TERÄLEVYN KOKOAMINEN

Katso sivu 234 - 235. Katso sivu 244 - 245.

1. Irrota tuote virtalähteestä. Käytä suojakäsineitä.
2. Avaa terälevyn lukitusnappi ja irrota vetopyörän suoja.
3. Teräketjun tulee osoittaa sen pyörimissuuntaan. Jos ne ovat taaksepäin, käännä silmukka toisinpäin.
4. Aseta ketjun vetolenkit terälevyn uraan.
5. Aseta ketju niin, että terän takana on silmukka.
6. Pidä ketjua paikoillaan terälevyllä ja pujota silmukka vetopyörän ympärille. Laske terälevyä siten, että pultti kulkee kiinnitetyn ketjunkierrityskokoonpanon

riensä läpi. Voit joutua kääntämään kokoonpanoa, jotta pultti ja reikä osuvat kohdakkain. Voit kääntää tätä kokoonpanoa uudelleen kiristääkseen ketjua, mikä auttaa pitämään sen paikoillaan.

- Asenna vetopyörän suojus takaisin ja käännä terälevyn lukitusnuppia, kunnes se on lähes tiukalla; kierrä sitten ketjünkireyden säätörengasta, kunnes ketju on oikealla kireydellä. Terälevyvä ja sitten työnnettävä ylöspäin. Tarkista ketjun kireys uudelleen. Älä kiristä ketjua liikaa.
- Kun ketju on kiristetty, kiristä nuppi uudelleen.

### KETJUN JÄNNITTEEN SÄÄTÖ

Katso sivu 235. Katso sivu 246.

- Löysennä terälevyn lukitusnuppia hieman kiertämällä sitä vastapäivään.
- Jos haluat kiristää ketjua, käännä ketjünkiristimen säätönuppia myötäpäivään; tarkista ketjun kireys säännöllisesti. Jos haluat löysentää ketjua, käännä ketjünkiristimen säätönuppia vastapäivään ja tarkista ketjun kireys säännöllisesti.
- Ketjun kireys on oikea, kun ketjun ja terälevyn välinen rako on 3–4 mm. Vedä ketjua alapuolen keskikohdasta (poispäin terälevystä) ja mitata terälevyn ja ketjun välinen rako.
- Kiristä terälevyn lukitusnuppia kiertämällä sitä myötäpäivään.

### KÄYTTÖ

#### KETJUN VOITELUÖLJYN LISÄÄMINEN

Katso sivu 246.

#### VAROITUS

Älä koskaan työskentele ilman voiteluöljyä. Jos sahan teräketjua käytetään ilman voiteluainetta, terälevy ja teräketju voivat vioittua. Näin ollen on tärkeää tarkistaa öljyn määrä mitta-asteikosta säännöllisesti aina ennen moottorisahan käyttöä.

- Puhdista öljysäiliön korkin ympäristö, jotta se ei likaannu.
- Ruuvaa öljysäiliön tulppa auki.
- Kaada öljysäiliöön öljyä ja pidä silmällä säiliön öljytason mittausta. Kun täytät öljyä, pidä huoli että säiliöön ei pääse likaa.
- Aseta öljysäiliön tulppa paikoilleen ja kiristä se. Pyyhi läikkynyt öljy pois.
- Täydellä öljysäiliöllisellä voidaan sahata 20–40 minuuttia.

#### Suositteltu teräketjuöljy

- Valmistaja suosittelee käyttämään ainoastaan Ryobin moottorisahan voiteluöljyä. (Sitä on saatavilla valtuutetusta Ryobi-huollosta.)

#### MOOTTORISAHAN PITELEMINEN

Katso sivu 235.

Pidä aina oikealla kädellä kiinni takakädensijasta ja vasemmalla kädellä etukädensijasta. Pidä kiinni molemmista kädensijoista siten, että sormet kietoutuvat niiden ympärille. Varmista, että pidät vasenta kättä siten,

että peukalo on etukädensijan alapuolella.

#### VAROITUS

Pidä virtajohto aina siistinä ja poissa leikkausalueelta. Sähköiskuvaaran lisäksi epäsiistit johdot aiheuttavat kaatumisia ja kompastumisia.

#### MOOTTORISAHAN KÄYNNISTÄMINEN

Katso sivu 235.

- Kytke tuote virtalähteeseen. Varmista, että ketjun jarru on RUN-asennossa vetämällä vipua/käsisuojaaja taaksepäin.
- Laitteen käynnistäminen: Paina liipaisimen vapautinta ja paina On/Off-liipaisinta.

#### KETJUJARRUN TARKISTAMINEN JA KÄYTTÖ

- Kytke ketjujarru päälle kiertämällä vasenta kättä etukahvan ympärillä. Työnnä käden takapuolella ketjujarrun vipua/käsisuojaaja tankoa kohden ketjun pyöriessä nopeasti. Muista pitää molemmat kädet sahan kahvoilla kaiken aikaa.
- Palauta ketjujarru käyttöasentoon ottamalla kiinni ketjujarrun vivun/käsisuojaajan yläosasta ja vetämällä sitä etukahvaa kohden, kunnes kuulet napsahduksen.

#### VAROITUS

Jos ketjujarru ei pysäytä teräketjua välittömästi tai jos siitä on pidettävä kiinni käytön aikana, ettei se pääsisi vapautumaan, vie moottorisaha korjattavaksi valtuutettuun korjaamoon ennen, kuin käytät sitä uudelleen.

#### KULJETUS JA VARASTOITAESSA

Katso sivu 248 - 249.

- Sammuta tuote, irrota se pistorasiasta ja anna sen jäähtyä ennen varastointia ja kuljetusta.
- Puhdista laitteesta kaikki vieraat materiaalit. Varastoi laite viileään, kuivaan ja hyvin tuuletettuun paikkaan, jossa lapset eivät pääse siihen käsiksi. Pidä poissa syövyttävilta aineilta kuten puutarhakemikaaleilta ja jäänsulatusuualta. Älä säilytä ulkona.
- Aseta terälevyn suojus paikoilleen ennen laitteen varastointia ja kuljetusta.
- Kiinnitä laite kuljetettaessa siten, että se ei pääse liikkumaan tai kaatumaan, jotta vältytään loukkaantumisilta ja vaurioilta.

#### HUOLTO

#### VAROITUS

Käytä ainoastaan alkuperäisiä valmistajan tuottamia varaosia, lisälaitteita ja lisävarusteita. Tämän noudattamatta jättäminen voi johtaa loukkaantumiseen ja huonoon tulokseen ja voi mitätöidä takuun.

### VAROITUS

Huolto kaipaa suurta huolellisuutta ja hyvää työkalun tuntemusta: Se on annettava pätevän teknikon tehtäväksi. Suosittelemme, että viet työkalun korjattavaksi lähimpään valtuutettuun liikkeeseen. Käytä vaihdossa yksinomaan alkuperäisiä varaosia.

### VAROITUS

Irrota pistorasiasta ennen säätöjä, huoltoa ja puhdistusta. Muutoin seurauksena voi olla vakava loukkaantuminen.

- Voit tehdä tässä käyttöoppaassa kuvattuja säätöjä ja korjauksia. Jos laite vaatii muuta huoltoa, ota yhteys valtuutettuun huoltopisteeseen.
- Virheellinen huolto voi aiheuttaa sen, että ketjujarru ja muut turvallisuusominaisuudet eivät toimi asianmukaisesti, mikä kasvattaa vakavan loukkaantumisen vaaraa. Pidä moottorisahasi ammattimaisesti huollettuna ja turvallisena.
- Ketjun teroittaminen turvallisesti vaatii taitoa. Tästä syystä valmistaja suosittelee, että kulunut tai tylsä ketju vaihdetaan uuteen; uuden ketjun voi hankkia valtuutetusta Ryobi-huollosta. Osanumero ilmoitetaan tuotteen teknisten tietojen taulukossa tässä käsikirjassa.
- Noudata ohjeita voitelusta ja ketjun kireyden tarkistamisesta ja säädöstä.
- Puhdista tuote aina käytön jälkeen pehmeällä ja kuivalla liinalla.
- Varmista aina, että ruuvit ja mutterit ovat tiukasti kiinni, jotta tuote olisi aina turvallinen ja käyttövalmis. Valtuutetun huoltopisteen on korjattava tai vaihdettava vioittuneet osat asianmukaisesti.

### TERÄLEVYN JA TERÄKETJUN ASENTAMINEN

*Katso sivu 244 - 245.*

1. Irrota tuote virtalähteestä. Käytä suojakäsineitä.
2. Ruuvaa terälevyn lukitusnappi auki vastapäivään siten, että vetopyörän suojia irtoaa.
3. Irrota vetopyörän suojia. Irrota terälevy ja ketju laitteesta.
4. Vaihda terälevy uuteen löysentämällä ketjun kiristyskokoontalon ruuvia. Asenna ketjun kiristyskokoontalo uuteen terälevyyn ja kiristä ruuvi.
5. Aseta uusi ketju oikean suuntaisesti terälevylle ja varmista, että vetosilmukat ovat kohdakkain terälevyn uran kanssa.
6. Kiinnitä terälevy moottorisahaan ja pujota ketju vetopyörän ympäri.
7. Aseta vetopyörän suojia paikoilleen kiristä vetopyörän suojia ja kiristä nappi.
8. Säädä ketjun kireys. Viittaa kohtaan Ketjun kireyden säätäminen.

### VAROITUS

Ketjun väärä teroitus lisää takapotkun mahdollisuutta.

### VAROITUS

Vaurioituneen ketjun vaihtamisen tai korjaamisen laiminlyönti voi aiheuttaa vakavan vamman.

### VAROITUS

Teräketju on erittäin terävä. Käytä aina suojakäsineitä, kun suoritat ketjun kunnossapitotoimia.

### KETJUJARRUN TARKISTAMINEN JA PUHDISTAMINEN

*Katso sivu 247.*

- Pidä ketjujarrumeکانismi aina puhtaana harjaamalla sen puhtaaksi.
- Testaa ketjujarrun toiminta aina puhdistuksen jälkeen. Katso lisätietoja aiempänä tässä käsikirjassa olevasta kohdasta "Käyttö – Ketjujarrun tarkistaminen ja käyttö".

### POLTOAINESEKOITUKSEN MÄÄRÄ

Päivittäinen tarkastus	
Virtajohto vaurioiden varalta	ennen jokaista käyttöä
Teräketjun kireys	ennen jokaista käyttöä
Teräketjun terävyys	Ennen jokaista käyttökertaa ja säännöllisesti
Viallisten varaosien varalta	Ennen jokaista käyttökertaa, silmämääräinen tarkastus
Irtonaisten kansien varalta	ennen jokaista käyttöä
Irtonaisten kiinnitysosien varalta	ennen jokaista käyttöä
Ketjun jarrutustoiminto	ennen jokaista käyttöä
Tarkasta ja puhdista	
Terälevy	ennen jokaista käyttöä
Koko saha	jokaisen käytön jälkeen
Ketjujarru	Joka 5. tunti*

\*Käyttötunnit

### TUOTTEESSA OLEVAT SYMBOLIT



Varoitus



Lue ja ymmärrä kaikki ohjeet ennen tuotteen käyttöä ja noudata kaikkia varoituksia ja turvallisuusohjeita.



Käytä silmien-, kuulon- ja päänsuojaimia tätä työkalua käyttäessäsi.



Käytä tätä tuotetta käyttäessäsi luisumattomia turvajalkineita.



Käytä luisumattomia raskaan käytön käsitteitä.



Jos johto vioittuu tai katkeaa, irrota se heti pistokkeesta ennen sen huoltoa.



Varo teräketjun takapotkua äläkä kosketa terälevyn kärkeä.



Älä altista konetta sateelle tai kosteudelle.



Pidä ja käytä moottorisahaa kaksin käsin.



Älä käytä moottorisahaa yhdellä kädellä.



Tämä työkalu on sen EU-maan kaikkien sääntömääräisten standardien mukainen, josta se on ostettu.



GOST-R-vastaavuus



Luokan II laite, kaksoiseristetty



Käytöstä poistettavia sähkölaitteita ei pidä hävittää talousjätteiden mukana. Ne on mahdollisuuksien mukaan pantava kiertoon. Kierrätysohjeita antavat kunnan viranomaiset ja vähittäiskauppiat.



Taattu äänenteho on 108 dB. (RCS1935)



Taattu äänenteho on 107 dB. (RCS2340)



Terälevyn ja ketjun voitelu



Lukko



Avaa



Kierrä säätääksesi ketjun kireys +/-: Kiristä/löysennä ketjua



Ketjun liikesuunta (Merkitty vetopyörän suojan alle)

L max

Terälevyn maksimipituus

## TÄMÄN KÄSIKIRJAN KUVAKKEET



Kytke pistorasiaan



Irrota pistorasiasta



Osat ja lisävarusteet on hankittava erikseen



Käytöstä poistettavia sähkölaitteita ei pidä hävittää talousjätteiden mukana. Ne on mahdollisuuksien mukaan pantava kiertoon.



HUOMAUTUS:



VAROITUS



Käytä suojalaseja ja kasvosuojusta.



Käytä vartalonsuojusta.



Käytä jalkasuojusta.



Pysäytä tuote.

Seuraavat signaalisanat ja merkitykset on tarkoitettu selittämään tähän tuotteeseen liittyviä riskejä.

### ⚠ VAARA

Ilmaisee välitöntä vaaratilannetta, joka ellei sitä vältetä, johtaa kuolemaan tai vakavaan loukkaantumiseen.

### ⚠ VAROITUS

Ilmaisee potentiaalisen vaaratilanteen, joka ellei sitä vältetä, johtaa kuolemaan tai vakavaan loukkaantumiseen.

### ⚠ HUOMAUTUS

Ilmaisee potentiaalisen vaaratilanteen, joka ellei sitä vältetä, saattaa johtaa pienempään tai keskivaikavaan loukkaantumiseen.

### HUOMAUTUS

Ilman turvallisuusvaroitussymbolia Ilmoittaa tilanteesta, jossa omaisuutta saattaa vaurioitua.

### ⚠ ADVARSEL

Når produktet brukes må sikkerhetsreglene følges. Les disse instruksjonene før du tar i bruk produktet for din egen sikkerhet og sikkerheten til personer som befinner seg i nærheten. Du bør være med på et profesjonelt sikkerhetskurs vedrørende bruk, forebyggende tiltak, førstehjelp og vedlikehold av kjedesager. Vennligst ta vare på instruksjonene for fremtidig bruk.

### ⚠ ADVARSEL

En kjedesag er et potensielt farlig verktøy. Ulykker der kjedesager er innblandet fører ofte til tap av ekstremiteter eller død. Det er ikke kjedesagen i seg selv som er farlig. Fallende grener, veltende trær, rullende tømmerstokker kan drepe. Dødt eller råtnende trevirke utgjør en ytterligere fare. Du bør vurdere dine evner for å kunne fullføre oppgavene trygt. Ved tvil, la heller en profesjonell trefeller utføre jobben.

## GENERELLE SIKKERHETSADVARSLER

### ⚠ ADVARSEL

**Les alle sikkerhetsadvarslene og alle instruksjonene.** Å unnlate å følge advarslene og instruksjonene kan føre til elektrisk støt, brann og alvorlig personskade.

**Ta vare på disse advarslene og instruksene for å se i dem senere.**

Begrepet "elektrisk verktøy" i advarslene gjelder ditt elektriske verktøy koblet til strømmettet (med ledning) eller batteridrevet (uten ledning) elektrisk verktøy.

## ARBEIDSOMGIVELSER

- **Hold arbeidsområdet rent, ryddig og godt opplyst.** Uryddige og dårlig opplyste områder fører lett til ulykker.
- **Ikke bruk elektrisk verktøy i eksplosive atmosfærer, som der det finnes brennbare væsker, gasser eller støv.** Elektrisk verktøy skaper gnister som kan antenne støv eller gasser.
- **Hold barn og andre på avstand når et elektrisk verktøy brukes.** Distraksjon kan føre til tap av kontroll.

## ELEKTRISK SIKKERHET

- **Støpslet på det elektriske verktøyet må stemme med stikkkontakten. Foreta aldri noen form for endringer av støpslet. Ikke bruk noen form for adapterstøpsel til jordet elektrisk verktøy.** Umodifiserte støpsler og passende stikkontakter vil redusere risikoen for elektrisk støt.
- **Unngå kroppskontakt med jodede overflater, som vannrør, radiatorer, kokeapparater og kjøleaggregater.** Det er økt risiko for elektrisk støt dersom kroppen din har kontakt med jord.
- **Ikke utsett produktet for regn eller fuktige forhold.** Vann som trenger inn i et elektrisk verktøy vil øke faren for elektrisk støt.
- **Ikke misbruk den elektriske ledningen.** Bruk aldri

ledningen til å bære det elektriske verktøyet eller trekke støpslet ut av stikkkontakten. Hold ledningen vekk fra varme, olje, skarpe kanter eller bevegelige deler. Skadet eller sammenfloknet ledning øker risikoen for elektrisk støt.

- **Når du bruker det elektriske verktøyet utendørs, bruk en skjøteledning som er tilpasset utendørs bruk.** Bruk av ledning som er tilpasset utendørs bruk reduserer risikoen for elektrisk støt.
- **Dersom bruk av elektrisk verktøy i fuktige omgivelser ikke er til å unngå, bruk en strømkrets med sikring som er tilpasset verktøyet.** Bruk av strømkrets med sikring reduserer risikoen for elektrisk støt.

## PERSONLIG SIKKERHET

- **Vær våken, se på hva du gjør og bruk fornuft når du arbeider med et elektrisk verktøy. Ikke bruk elektrisk verktøy når du er sliten eller under påvirkning av narkotiske stoffer, alkohol eller medisiner som kan påvirke din reaksjonsevne og/eller dømmekraft.** Et øyeblikks uoppmerksomhet når elektrisk verktøy brukes kan føre til alvorlige personskade.
  - **Bruk personlig verneutstyr. Bruk alltid øyebeskyttelse.** Verneutstyr som støvmaske, sklisikre vernesko, hjelm eller hørselsvern brukt i passende sammenhenger vil redusere risikoen for personskade.
  - **Unngå utilsiktet start. Sørg for at bryteren er i posisjon OFF før utstyret kobles til strømmettet og / eller batteripakken, plukkes opp eller bæres.** Å bære det elektriske verktøyet med fingeren på startknappen eller koble strøm til et elektrisk verktøy med bryteren i ON inviterer til ulykker.
  - **Fjern justeringsnøkler og annet verktøy før du setter strøm på det elektriske verktøyet.** En fastnøkkel eller annet verktøy festet til en roterende del av et elektrisk verktøy når det startes kan føre til personskade.
  - **Ikke len deg for langt. Sørg for godt fotfeste og god balanse til enhver tid.** Dette gir bedre kontroll over det elektriske verktøyet i en uventet situasjon.
  - **Kle deg riktig. Ikke bruk løstsittende plagg og/eller løsthengende smykker. Hold hår, klær og hansker vekke fra bevegelige deler.** Løse plagg, smykker og langt hår kan fanges opp av bevegelige deler.
  - **Hvis det finnes tilkoblingsmuligheter for oppsugnings- og oppsamlingsutstyr for støv, sørg for at dette blir tilkoblet og brukt på riktig måte.** Bruk av støvoppsamler kan redusere støvrelatert faresituasjoner.
- ## BRUK OG BEHANDLING AV ELEKTRISK VERKTØY
- **Ikke press maskinen. Bruk korrekt elektrisk verktøy for jobben som skal gjøres.** Riktig elektrisk verktøy vil gjøre jobben bedre og tryggere når det brukes slik det var tiltenkt.
  - **Ikke bruk verktøyet hvis bryteren ikke slår verktøyet av og på.** Ethvert elektrisk verktøy som ikke kan kontrolleres med bryteren er farlig og må repareres før det kan brukes.
  - **Trekk støpslet ut av den elektriske kontakten og/eller batteripakken fra det elektriske verktøyet**



før du foretar endringer, skifter tilbehør eller lagrer det elektriske verktøyet. Slike forebyggende sikkerhetstiltak reduserer risikoen for utilsikket start av det elektriske verktøyet.

- **Oppbevar elektrisk verktøy som ikke brukes utenfor barns rekkevidde og la ikke personer som ikke er kjent med det elektriske verktøyet eller dets instruksjoner bruke det.** Elektrisk verktøy er farlig i hendene på uerfarne brukere.
- **Vedlikehold av elektrisk verktøy. Kontroller for feilinnretting og at bevegelige deler løper fritt, at det ikke finnes ødelagte deler og enhver annen tilstand som kan påvirke det elektriske verktøyets drift. Hvis skadet må det elektriske verktøyet repareres før bruk.** Mange ulykker skyldes dårlig vedlikeholdt elektrisk verktøy.
- **Hold skjæreredskap skarpe og rene.** Korrekt vedlikeholdt skjæreverktøy med skarpe skjærekanter har mindre mulighet for å blokkere seg og er lettere å kontrollere.
- **Bruk det elektriske verktøyet, tilbehøret, verktøytits etc i henhold til disse instruksjonene, der du tar hensyn til arbeidsforholdene og det arbeidet som skal utføres.** Bruk av elektrisk verktøy på en måte det ikke var tiltenkt kan skape farlige situasjoner.

#### VEDLIKEHOLD

- **Sørg for at reparasjoner og vedlikehold av ditt elektriske verktøy utføres av kvalifiserte teknikere som kun bruker originale erstatningsdeler.** Dette vil sørge for at sikkerheten med det elektriske verktøyet ivaretas.

#### GENERELLE TILLEGGSSIKKERHETSADVARSLER

- Noen regioner har bestemmelser som begrenser bruk av dette produktet. Spør de lokale myndigheter for råd.
- Ikke tillat at barn eller personer som ikke er kjent med brukermanualen bruker produktet. Lokale forskrifter kan begrense en alder av operatøren.
- Kontroller før hver bruk at alle styreenheter og sikkerhetsanordninger fungerer som de skal. Ikke bruk dette motordrevne verktøyet hvis "av" knappen ikke stanser motoren.
- Bruk full øye- og hørselvern, sterke hansker og hodebeskyttelse når du bruker dette produktet; bruk en ansiktsmaske hvis arbeidene er støvete.
- Ikke bruk løstsittende klær, korte bukser og smykker uansett type.
- Sørg for at langt hår ikke når lenger ned enn skuldrene for å hindre at det kan fanges opp av roterende deler.
- Pass deg for gjenstander som blir slengt ut, flyr eller faller gjennom luften. Hold alle tilskuere (spesielt barn og dyr) minst 15 m vekk fra arbeidsområdet.
- Ikke bruk i dårlig lys. Operatøren må ha klar sikt over arbeidsfeltet for å identifisere potensielle farer.
- Bruk av hørselsvern reduserer muligheten for å høre advarsler (rop eller alarmer). Brukeren må være ekstra oppmerksom med hensyn til hva som skjer på arbeidsområdet.
- Bruk av lignende utstyr i nærheten øker faren for både

hørselskade og muligheten for at andre kommer inn i din arbeidssonen.

- Ha god fotfeste og ballanse til enhver tid. Ikke len deg for langt. Å bøye seg for langt over ting kan føre til at man mister balansen og øker faren for kickback.
- Hold alle deler av kroppen vekke fra bevegelige deler.
- Inspiser produktet før bruk. Sjekk at alle kontrollene fungerer som de skal, inkludert kjedebremsen. Sjekk at ingen fester er løse. Påse at alle deksler, stropper og håndtak er korrekt og trygt montert. Erstatt alle skadede deler før fortsatt bruk.
- Du må ikke endre maskinen på noe måte eller bruke deler og tilbehør som ikke er anbefalt brukt av produsenten.
- Hvis du må bruke en skjøteledning, sjekk at den er ment for utendørs bruk og at den har en strømkapasitet som er tilstrekkelig for å forsyne verktøyet, kontroller før bruk for skader og rull ledningen alltid ut under bruk fordi sammenrullede ledninger kan bli overopphetet.
- Strømstans skaper spenningsvariasjoner og kan påvirke andre elektriske apparater på den samme kursen. Koble produktet til en strømforsyning med en impedans mindre enn  $0.372\Omega$  - RCS1935,  $0.277\Omega$  - RCS2340 for å minimalisere spenningsvariasjon. Kontakt det lokale energiverket for å få en ytterligere klargjøring.

#### ⚠ ADVARSEL

Dersom maskinen faller i bakken, får et sterkt slag eller starter å vibrere unormalt, stans maskinen omgående og sjekk for skader eller finn ut hva som er årsaken for vibrasjonene. Enhver skade må repareres helt eller delen skiftes av et autorisert serviceverksted.

#### KJEDESAG SIKKERHETSADVARSLER

- **Hold alle kroppsdelenes unna kjedesagen når kjedesagen er i gang. Før du starter kjedesagen, påse at sagen ikke er i kontakt med noe.** Et øyeblikk med uoppmerksomhet når du bruker kjedesagen kan føre til at klærne eller kroppen blir klemt inn i sagens kjede.
- **Hold kjedesagen alltid med høyre hånd på bakhåndtaket og venstre hånd på fremre håndtak.** Hvis man holder kjedesagen omvendt, øker risikoen for personskade og det bør derfor aldri gjøres.
- **Hold dette motorverktøyet kun i de isolerte håndtakene fordi sagens kjede kan ha kontakt med en skjult ledningsføring eller maskinens egen elektriske ledning.** Kjeder som er i kontakt med strømførende ledninger kan gjøre metalldele på elektroverktøyet strømførende, noe som kan føre til at brukeren får elektrisk støt.
- **Bruk vernebriller og hørselvern. Annet verneutstyr for hode, hender, bein og føtter anbefales.** Passende verneklær vil redusere personskader utløst av smuss som slenges ut og utilsikket kontakt med kjede.
- **Ikke bruk kjedesagen i et tre.** Bruk av kjedesagen mens man befinner seg i et tre kan føre til personskader.





- **Stå alltid stødig og bruk kjedesagen kun når du står på en fast, sikker og jevn overflate.** Et glatt eller ustabil underlag som stiger kan føre til at man taper balansen eller mister kontrollen over kjedesagen.
- **Når du kutter en gren som er under spenning, vær oppmerksom på at det kan sprette tilbake.** Når spenningen i trefibrene slippes, kan den fjærbelastede grenen sprette tilbake på operatøren og/eller slenge kjedesagen ut av kontroll.
- **Vær ekstremt forsiktig når du kutter busker og skudd.** Slikt tynt materiale kan hekte seg fast i kjede og bli slengt mot deg eller dra deg ut av balanse.
- **Bær kjedesagen ved å holde i fronthåndtaket ved at kjedesagen er skrudd av og alltid unna kroppen. Når du skal transportere eller lagre kjedesagen, sett alltid på dekslet.** Riktig håndtering av kjedesagen vil redusere sannsynligheten for utilsiktet kontakt med kjedesagen som er i bevegelse.
- **Følg instruksene for smøring, kjedestramming og bytte av tilleggsutstyr.** Et feilstrammet eller feilsmurt kjede kan sprekke eller øke faren for kickback.
- **Hold håndtakene tørre, rene og fri for olje og fett.** Håndtak som er fettete eller tilsølt med olje kan lett føre til at du mister kontrollen.
- **Kun til trekutting. Ikke bruk kjedesagen for annet enn tilsiktet bruk. F.eks. må du ikke bruke kjedesagen for å kutte plast, mur eller byggematerialer som ikke er tre.** Bruk av kjedesagen for arbeider som avviker fra de tilsiktede, kan føre til farlige situasjoner.

#### Arsaker til kickback og hvordan hindre de:

Det kan oppstå tilbakeslag når tuppen på sverdet kommer borti en gjenstand eller når sagkjeden knipes eller låses fast i treverket under sagingen.

Kontakt med tuppen på sverdet kan i noen tilfeller gi en lynrask bevegelse bakover, der sverdet kastes opp og bakover mot brukeren.

Blokking av sagkjedet langs toppen av sverdet vil kunne skyve sverdet hurtig tilbake mot brukeren.

Begge disse reaksjonene kan medføre at du mister styringen på sagen, og det kan føre til alvorlige personskader. Du må ikke bare stole blindt på de sikkerhetsanordninger som er innebygget i sagen. Som bruker av en motorsag må du ta flere forholdsregler for å beskytte deg mot ulykker og skader.

En kickback er resultatet av misbruk av verktøyet og/eller feil bruksprosedyrer eller forhold som kan unngås ved å ta riktige forholdsregler som følger:

- **Hold verktøyet fast, med tommelen og fingrene rundt kjedesagens håndtak, med begge hendene på sagen og med kroppen og armene slik at du klarer å motstå kickback.** Kickback-kreftene kan kontrolleres av brukeren hvis man tar de riktige forholdsreglene. Ikke slipp taket på kjedesagen.
- **Ikke strekk deg over den og ikke kutt over skulderhøyde.** Det bidrar til å hindre utilsiktet kontakt med tuppen og sikrer bedre kontroll over kjedesagen i uventede situasjoner.
- **Bruk kun reservedeler for skinnen og kjede i samsvar med produsentens spesifikasjoner.** Feil

reservedeler for skinnen og kjede kan føre til at kjede brister og/eller kickback.

- **Følg fabrikantens anvisninger for kvessing og vedlikehold av sagkjeden.** Ved å minske høyden på dybdemåleren, er det større fare for kickback.

#### GENERELLE TILLEGGSADVARSLER FOR KJEDESAGEN

- Det anbefales å kutte tømmer på en sagbukk eller lignende når man bruker produktet for første gang.
- Påse at alle verneanordninger, håndtak og piggvernet er påsatt riktig og i god stand.
- Personer som bruker denne kjedesagen bør ha god helse. kjedesagen er en tung enhet slik at brukeren bør være fysisk i form. Brukeren må være oppmerksom, ha godt syn, mobilitet, balanse og være høyrehendt. Dersom et foreligger noe tvil rundt dette, bør kjedesagen ikke brukes.
- Ikke start å bruke produktet inntil du har et ryddet arbeidsområde, står trygt, og en planlagt fluktvei unna et fallende tre er klarlagt.
- Pass deg for utslipp av smøredamp og sagstøv. Bruk maske eller helmaske ved behov.
- Utstyret må få strøm fra en elektrisk kurs med jordfeilbryter som ikke overstiger 30 mA.
- Hvis strømledningen blir skadet, må du returnere produktet til en autorisert servicebedrift for reparasjon eller bytting.
- Hold alltid strømledningen ryddig og unna kutteområde. I tillegg til faren for å bli utsatt for dødelig elektrisk støt, kan krøllede ledninger føre til at man snubler og faller.
- Ikke kutt slyngplanter og/eller buskas (mindre enn 75 mm i diameter).
- Hold kjedesagen alltid med begge hender når du bruker den. BRUK ET FAST GREP, og grip om håndtakene med alle fingrene. Høyre hånd må være på bakre håndtak og venstre håndtak på fronthåndtaket.
- Før du starter kjedesagen, påse at sagen ikke er i kontakt med noe objekt.
- Du må ikke modifisere verktøyet på noe måte eller bruke det til å drive tilleggsutstyr eller andre enheter som ikke er anbefalt av produsenten av din sag.
- Du bør ha et førstekjelpsskrin med store sårbind og utstyr for å tilkalle hjelp (f.eks. fløyte) stående nær deg. Et større, mer velutstyrt skrin bør være innen rekkevidde.
- Brukeren kan være fristet til å fjerne hjelmen hvis det ikke er fare for fallende objekter i arbeidsområde, men husk at hjelmen, spesielt med gittervernet, kan bidra til å redusere potensiell fare for skader i fjeset og hode ved kickback.
- Feil spenning i kjede kan føre til at sagsverdet spretter av og fører til alvorlige personskader eller død. Kjedes lengde er avhengig av temperaturen. Sjekk spenningen ofte.
- Du kan bli vant til din nye kjedesag ved å gjøre enkle kutt på trygt støttet trevirke. Gjør det hver gang du ikke har brukt sagen på en stund.
- For å minske faren for personskader forårsaket av

EN
FR
DE
ES
IT
NL
PT
DA
SV
FI
NO
RU
PL
CS
HU
RO
LV
LT
ET
HR
SL
SK
BG



kontakt med bevegelige deler, stans alltid motoren, sett på bremsen, trekk ut hovedstøpslet og sikre at alle bevegelige deler har stanset før:

- rengjøring eller fjernes en blokkering
  - etterlater produktet uten tilsyn
  - installasjon eller fjerning av påsatser
  - sjekk, vedlikehold og arbeid på maskinen
- Størrelsen på arbeidsområdet avhenger av hvilken jobb som skal gjøres, og av størrelsen på det treet eller det arbeidsstykket du skal arbeide med. F.eks. krever felling av et tre et større arbeidsområde enn når man bare kutter, f.eks. oppkapping osv. Brukeren må være oppmerksom og ha kontroll over alt som skjer i arbeidsområde.
- Ikke kutt hvis du har kroppen på linje med sagsverdet og kjede. Hvis det oppstår kickback vil du slik bidra til å hindre at kjede kan komme i kontakt med hode eller kroppen din.
- Ikke bruk en bakover og framover sagebevegelse, la kjede gjøre arbeidet, hold kjede skarpt og ikke prøv å dytte kjede gjennom kuttet.
- Ikke trykk på sagen ved slutten av kuttet. Vær klar for å ta imot vekten av sagen når den har kuttet gjennom treet. Å unnlate å gjøre det kan føre til alvorlig personskade.
- Ikke stans sagen midt i kutteprosessen. Hold sagen i gang inntil den helt er fjernet fra kuttet.

### Skyvende og trekkende

Reaksjonskraften går alltid motsatt vei av den retningen sagkjeden beveger seg. Derfor må brukeren være klar til å styre maskinens tendens til å dra unna (bevegelse framover) når det kuttet med nedre kant av skinnen og dytt bakover (mot brukeren) når man kutter med øvre kant.

### Sag kjørt fast i kuttet.

Stans kjedesagen og sikre den. Ikke prøv å forsere kjede og skinnen ut av kuttet for det vil sannsynligvis føre til at kjede vil bryte og slå mot brukeren. Denne situasjonen oppstår vanligvis når trevirket ikke er støttet opp riktig slik at kuttet blir presset sammen etterhvert som man fortsetter, noe som klemmer bladet i kuttet. Hvis justering av støtten ikke løser skinnen og kjedet, bruk trekiler eller et brekkjern for å åpne kuttet og frigjøre sagen. Du må aldri prøve å starte kjedesagen når sagsverdet allerede er i et kutt eller sagsnitt.

### Personlig verneutstyr

Personlig verneutstyr av god kvalitet som profesjonelle bruker, vil hjelpe til å redusere faren for personskader hos brukeren. Følgende ting bør brukes når du bruker kjedesagen:

#### Vernehjelm

- bør være iht. EN 397 og merket med CE

#### Hørselvern

- bør være iht. EN 352-1 og merket med CE

#### Beskyttelse for øyne og ansiktet

- bør være CE-merket og iht. EN 166 (for vernebriller) eller EN 1731 (for masker med gitter)

#### Hansker

- bør være iht. EN 381-7 og merket med CE

#### Beinbeskyttelse (chaps)

- bør være iht. EN 381-5, være CE-merket og gi helhetlig beskyttelse.

#### Kjedesag vernestøvler

- bør være iht. EN ISO 20345:2004, være merket med et piktogram med kjedesag for å vise at det er iht. EN 381-3. (De som bruker enheten av og til kan bruke vernesko med stålupp og gamasjer iht. EN 381-9 hvis bakken er jevn og det er liten fare for å å snuble eller hekte seg fast i lyngen)

#### Kjedesagjakke for å beskytte kroppen

- bør være iht. EN 381-11 og merket med CE

### ANVISNINGER OM RIKTIG TEKNISK FOR GRUNNLEGGENDE FELLING, KVISTING OG KRYSSKUTTING

#### Å forstå kreftene i trevirke

Når du har forstått retningstrykk og stresskrefter i trevirke, kan du redusere "klem" eller i det minste forvente de under kutting. Spenninger i trevirke betyr at fibrene blir dratt fra hverandre og his du kutter inn i et slikt område, vil sagsnittet eller kuttet prøve å åpne seg mens sagen går gjennom. Hvis et tømmer er støttet opp på en sagbukkk og enden henger uten støtte over enden, da vil spenningen som oppstår strekke fibrene på øvre overflate på grunn av vekten på det overhengende tømmeret. Tilsvarende vil undersiden være i kompresjon og fibrene blir presset sammen. Hvis et kutt gjøres i dette område, vil sagsnittet ha en tendens til å lukke seg under kuttet. Det vil klemme kjede.

#### Felle et tre

Se side 239 - 240.

Når oppkapping og felling gjøres av to eller flere personer samtidig, bør fellingen gjøres adskilt fra kappingen på en avstand minst dobbel så stor som høyden på treet som felles. Trær bør ikke felles på en slik måte at man setter personer i fare, treffer en strømledning eller forårsaker materielle skader. Hvis treet kommer i kontakt med en strømledning, må selskapet kontaktes omgående.

Motorsagbrukeren bør stå høyere enn treet i en evt. skråning, slik at treet mest sannsynlig vil rulle eller gli nedover skråningen etter at det er felt.

Man bør ha en fluktvei klar og rensket etter behov før man starter kappingen. Fluktveien bør være utvidet bakover og diagonalt for bakdelen av forventet falllinje.

Før du starter fellingen, ta med i beregningen treets naturlige helling, hvor større grener er og vindretningen for å avveie hvor treet vil falle.

Fjern møkk, steiner og løst bark, spiker, stifter og wire fra treet.

Ikke forsøk å felle trær som er råtne eller har blitt skadet av vinn, brann, lyn osv. Det er ekstremt farlig og skal kun utføres av profesjonelle trefellere.

#### ■ Lage styreskjær

Se side 239 - 240.

Lag et snitt på 1/3 av treets diameter, loddrett til fallretningen. Lag den nedre vannrette innsnittet først.



Slik vil du unngå at kjede eller sagsverdet blir klemt når det andre snittet lages.

#### ■ Lage felleskjæret

Se side 239 - 240.

Lag felleskjæret minst 50 mm høyere enn det vannrette styreskjæret. Hold felleskjæret parallelt til styreskjæret. Lag felleskjæret slik at det er nok trevirke igjen for at det blir som en hengsel. Hengselen hindrer at treet vil vri seg og falle i feil retning. Ikke kutt gjennom hengselen.

Når felleskjæret nærmer seg hengselen, bør treet starte å falle. Hvis det er noe mulighet for at treet ikke vil falle i ønsket retning eller kan bikke bakover og klemme sagens kjede, stans kuttingen før felleskjæret er kuttet ferdig og bruk så kiler i tre, plastikk eller aluminium for å åpne kuttet, slik at treet kan falle i ønsket retning.

Når treet begynner å falle, fjern kjedesagen fra kuttet, stans motoren, sett ned kjedesagen og bruk deretter veien som var planlagt for tilbaketrekking. Vær oppmerksom på grener som kan falle ovenfra og pass på hvor du trækker.

#### Fjerne støtterøtter

Se side 240.

En støtterot er en stor rot som går ut fra stammen på treet over jorden. Støtterøtter bør fjernes før treet felles. Sag først det vannrette kuttet inn i roten, deretter det vertikale. Fjern den løse delen fra arbeidsområdet. Følg korrekt prosedyre for felling etter at du har fjernet de store støtterøttene.

#### Kappe opp stammen.

Se side 241.

Kappe opp stammen i mindre lengder. Det er viktig at du står stødig og vekten er fordelt jevnt på begge føtter. Hvis mulig, skal tømmerstokken løftes og støttes ved hjelp av grener, andre stokker eller klosser. Følg disse enkle anvisningene for lettere kapping. Når tømmerstokken er støttet over hele lengden, kutter du ovenfra.

Når tømmerstokken er støttet i en ende, kutt 1/3 av diameteren fra undersiden. Deretter fullfører du kuttet ovenfra slik at du møter kuttet fra undersiden.

Når tømmerstokken er støttet i begge ender, kutt 1/3 av diameteren fra oversiden. Deretter fullfører du kuttet nedenfra slik at du møter det første kuttet.

Kutter du i en skråning, stå alltid på oversiden av tømmerstokken. Når du kutter gjennom, slipp opp kuttetrykket nær enden av kuttet for å beholde kontrollen, men uten å slippe opp grepet på kjedesagens håndtak. Kjede må ikke komme i kontakt med bakken. Etter at du har fullført kuttet, vent til kjedesagen har stanset før du flytter kjedesagen. Stopp alltid motoren før du går fra et tre til neste.

#### Kviste et tre

Se side 242.

Å kviste betyr å fjerne grener fra treet som er felt. Under kvistingen la større grener lenger ned bli igjen for å støtte opp tømmerstokken. Fjern de små grenene i ett kutt. Grener under spenning bør kuttes fra undersiden og opp for å unngå at sagen går i klem.

#### Kutte grener under spenning

Se side 242.

En stamme som står i spenn, kan være alle stammer, gjenstående stubber eller renninger som er bøyd av andre trær og står i spenn, slik at de vil slå opp når det som holder dem fjernes eller sages bort.

På et nedfelt tre kan rotstubben ha høy risiko for å slå tilbake når du kapper stammen fri fra stubben. Se opp for stammer som står i spenn, de er farlige.

#### ⚠ ADVARSEL

Stammer som står i spenn er farlige; de kan slå til brukeren slik at han mister kontrollen over sagen. Dette kan forårsake alvorlig eller dødelig skade på brukeren. Dette bør kun gjøres av erfarne brukere.

#### TILTENKT BRUK

Produktet er kun til utendørs bruk. Av sikkerhetsmessige årsaker må produktet holdes under kontroll ved alltid å holde det med to hender.

Produktet er ment til kutting av grener, stammer, tømmerstokker og bjelker på en diameter som bestemmes av lengden på sagsverdet. Den kan kun brukes til saging i tre. Det er kun til privat bruk og skal kun brukes av voksne som har fått tilstrekkelig opplæring om farene og forebyggende tiltak/handlinger som skal iverksettes under bruk.

Ikke bruk produktet til annet enn det som er beskrevet over. Skal ikke brukes i profesjonell trefelligsvirksomhet. Produktet skal ikke brukes av barn eller personer som ikke bruker tilstrekkelig personlig verneutstyr og verneklær.

#### GJENVÆRENDE RISIKO

Selv om utstyret brukes som beskrevet er det ikke mulig å unngå enhver gjenværende risiko. Følgende faresituasjoner kan oppstå ved bruk, og operatøren må legge spesielt vekt på å unngå følgende:

- Personskade på grunn av vibrasjon. Bruk alltid riktig verktøy til jobben, bruk håndtakene og begrens arbeidstiden og eksponeringen.
- Eksponering for støy kan føre til hørselskader. Bruk hørselvern og begrens eksponeringen.
- Kontakt med sagtennene i sagkjeden (fare for kuttskader).
- Uforutsette brå bevegelser eller tilbakeslag fra sverdet (fare for kuttskader).
- Deler som slenges ut av kjedesagen (kutte/innskytingsfare).
- Biter av trevirke (trefliser, splinter)
- Innånding av sagstøv og partikler.
- Hudkontakt med smøring/olje.

#### FAREREDUKSJON

Det foreligger rapporter om at vibrasjoner fra håndholdt verktøy for enkelte personer kan bidra til en tilstand som kalles Raynauds Syndrome. Symptomene kan omfatte

EN
FR
DE
ES
IT
NL
PT
DA
SV
FI
<b>NO</b>
RU
PL
CS
HU
RO
LV
LT
ET
HR
SL
SK
BG





følelsesløshet og gjøre fingrene bleke, vanligvis synlig ved eksponering til lave temperaturer. Arvelige faktorer, eksponering mot lave temperaturer og fuktighet, diett, røyking og arbeidspraksis blir alle ansett for å kunne bidra til å utvikle disse symptomene. Brukeren kan iverksette tiltak for mulig å redusere virkningene av vibrasjonene:

- Hold kroppen din varm i kaldt vær. Bruk hansker og hold hender og vrister varme ved bruk av gressklipperen. Det er rapportert at kaldt vær er en viktig faktor som bidrar til Raynauds Syndrome.
- Etter hver arbeidsperiode bør det utføres øvelser for å øke blodsirkulasjonen.
- Ta ofte pauser fra arbeidet som utføres. Begrens mengden av eksponering pr. dag.
- Vernehansker fås hos profesjonelle forhandlere av kjedesager og er spesielt utformet til bruk med kjedesagen slik at de beskytter, gir godt grep og også reduserer effekten av håndtakvibrasjonene. Disse hanskene bør være iht. EN381-7 og må være CE-merket.

Hvis du opplever noen av symptomene på denne tilstanden må du øyeblikkelig avbryte arbeidet og oppsøke en lege med disse symptomene.

#### ADVARSEL

Hvis man bruker verktøyet for lenge av gangen, kan det føre til eller forverre allerede eksisterende personskaade. Når du bruker et verktøy over en lenger tidsperiode, husk å ta regelmessige pauser.

#### KJENN PRODUKTET DITT

Se side 233.

1. Kjede
2. Sverd
3. Håndvern/kjedebremse
4. Fremre håndtak
5. Utløser for gasshåndtak
6. Bakre håndtak
7. Fenderlist
8. Lokk for oljetank
9. Trådholder
10. Av/På-bryter
11. Flisdeflektor
12. Knott på flisdeflektor
13. Tanndeksel
14. Justeringsring kjedespenning
15. Sverdets låseknot
16. Sagsverddekse
17. Lokk for brennstofftank

#### SIKKERHETSANORDNINGER

##### Sagkjede med lav risiko for tilbakeslag

Et sagkjede med lav kickback bidrar til å redusere muligheten for at kickback oppstår.

Renseknastene (dybdeknastene) foran hver tann kan minske kraften i et tilbakeslag ved at de hindrer tennene å grave seg for dypt ned i tilbakeslagssonen. Ved utskifting må du kun bruke sagsverd og kjeder som produsenten

anbefaler i kombinasjon med hverandre.

Når du kvesser tennene, mister de noe av sin evne til å hindre tilbakeslag, og da må du være ekstra forsiktig. For din sikkerhet, bør du skifte kjede når det begynner å kappe dårligere.

#### Fenderlist

Den integrerte fenderlisten kan brukes som dreiesenter når man gjør et kutt. Det hjelper å holde motoren til kjedesagen rolig under kuttingen. Når du kutter, dytt maskinen forover inntil piggene graver seg inn i treverkets kant, deretter flytter du øverste håndtak oppover eller nedover, dvs. i retning av kuttelinjen slik at man letter på den fysiske tyngden kuttingen utgår.

#### Sverd

Sverd med liten radius i tuppen har generelt sett lav risiko for tilbakeslag. Du bør bruke et sagsverd og passende kjede som er passende stort for jobben. Lange sverd øker risikoen for at man kan tape styringen under sagingen. Sjekk kjedespenningen regelmessig. Når du kutter mindre grener (under full lengde på sagsverdet), er det større mulighet for at kjede spretter av hvis spenningen ikke er riktig.

#### Kjedebremse

Kjedebremsen er konstruert for å stoppe kjedens rotasjon øyeblikkelig. Når hendelen for kjedebremsen trykkes mot sverdet, skal kjeden stoppe øyeblikkelig. En kjedebremse forhindrer ikke tilbakeslag. Det vil kun redusere risikoen for personskaade dersom sagsverdet kommer i kontakt med brukerens kroppsdeler ved en kickback. Kjedebremsen bør testes for hvert bruk at den fungerer som den skal i begge posisjoner, åpen og utløst.

#### MONTERING

#### ADVARSEL

Om noen deler er skadet eller mangler ikke bruk dette produktet før det er reparert eller erstattet. Å ikke følge denne advarselen kan føre til alvorlig personskaade.

#### MONTERING AV KJEDESAGEN OG SAGSVERDET

Se side 234 - 235. Se side 244 - 245.

1. Koble produktet fra strømforsyningen. Bruk vernehansker
2. Skru opp sverdets låseknot og fjern tannhjuldekselet.
3. Sagkjede bør være vendt i retning av kjederotasjonen. Hvis de snur bakover, snur du løkken.
4. Plasser kjedeledene i sporet på sverdet.
5. Legg kjeden slik at det er en fri løkke ved bakenden på sverdet.
6. Hold kjede i riktig posisjonen i forhold til sverdet og ta det rund drivtennene. Senk sverdet slik at boltene går gjennom hullet i den påsatte kjedespenningsenheten. Det kan hende at du må rotere enheten for å justere hullet. Du kan så rotere denne enheten nok en gang for å få litt spenning i kjeden slik at den sitter bedre på plass.
7. Skift tannhjuldekselet og skru sverdets låseknot





inntil den er nesten stram, skru på justeringsringen for kjedespenning inntil kjede er under riktig spenning. Sagsverdet må så dyttes oppover. Sjekk kjedespenningen på nytt. Ikke stram kjede for fast.

- Etter at kjede er spent riktig, stram knotten på nytt.

### JUSTERE KJEDESTRAMMINGEN

Se side 235. Se side 246.

- Løsne på sverdet's låseknot ved å skru den litt mot klokken.
- For å øke kjedespenningen, skrur du justeringsringen med klokken og husk å sjekke kjedespenningen ofte. For å redusere kjedespenningen, skrur du justeringsringen mot klokken og husk å sjekke kjedespenningen ofte.
- Kjedespenningen er riktig når mellomrommet mellom kutteren i kjede og sverdet er mellom 3 mm og 4 mm. Dra i kjede midt på undersiden av sverdet nedover (unna sverdet) og mål avstanden mellom sverdet og kjedekutterne.
- Stram sverdet's låseknot ved å skru den litt med klokken.

### BETJENING

#### FYLL KJEDESMØREOLJE

Se side 246.

#### ⚠ ADVARSEL

Du må aldri jobbe uten kjedesmøring. Hvis kjede går uten smøring, kan sagsverdet og kjede bli skadet. Derfor er det nødvendig å sjekke oljenivået i oljemåleren ofte og hver gang man starter å jobbe med kjedesagen igjen.

- Rengjør område rundt oljedekselet for å hindre forurensing.
- Skru opp og ta av dekslet til oljetanken.
- Hell oljen inn i oljetanken og følg med på oljemåleren. Pass på at smuss ikke kommer inn i oljetanken mens du fyller på oljen.
- Sett tilbake oljedekselet og skru fast. Tørk bort eventuelt søl.
- En full oljetank er nok til å bruke aken i 20 - 40 minutter.

#### Anbefalt kjedesmøreolje

- Produsenten anbefaler at du kun bruker Ryobi smøreolje for kjedesager. (Kan fås på ditt autoriserte Ryobi servicesenter)

#### VEDLIKEHOLD AV KJEDESAGEN

Se side 235.

Hold kjedesagen alltid med høyre hånd på bakhåndtaket og venstre hånd på fremre håndtak. Ta tak i begge håndtak slik at du griper rundt med tommel og fingre. Påse at din venstre hånd holder fronthåndtaket slik at tommelen er under.

#### ⚠ ADVARSEL

Hold alltid strømledningen ryddig og unna kutteområde. I tillegg til faren for å bli utsatt for dødelig elektrisk støt, kan krøllede ledninger føre til at man snubler og faller.

#### STARTE KJEDESAGEN

Se side 235.

- Koble produktet til strømforsyningen. Påse at kjedebremsen er i driftsposisjon ved å trekke spaken/ håndvernet bakover.
- For å starte maskinen: Trykk i utløseren og trykk så på på/av utløserknappen.

#### SJECHE OG BRUKE KJEDEBREMSEN

- Utløs kjedebremsen ved å rotere din venstre hånd rundt fronthåndtaket. Med håndbaken dytter du kjedebremsspaken/ håndvernet mot sverdet mens kjede roterer raskt. Påse å at du til enhver tid holder i saghåndtakene.
- Sett kjedebremsen tilbake til fri ved å ta tak i kjedebremsspaken / håndvernet og dra fronthåndtaket inntil du hører et klikk.

#### ⚠ ADVARSEL

Hvis kjedebremsen ikke stopper kjedet øyeblikkelig, eller hvis kjedebremsen ikke vil holde seg i kjørestilling uten hjelp, ta saken med til et autorisert servicesenter for reparasjon før bruk.

#### TRANSPORT OG LAGRING

Se side 248 - 249.

- Stans maskinen, koble fra strømuttaket og å la den kjøle ned før lagring eller transport.
- Fjern alle fremmedelementer fra produktet. Lagres på et kjølig, tørt og godt ventilert sted som er utilgjengelig for barn. Hold den borte fra korrosive materialer, så som ugressmidler og veisalt. Ikke oppbevar utendørs.
- Sett på sverddekslet før du lagrer enheten eller under transport.
- Ved transport må du sikre maskinen mot at den flytter seg eller kan falle ned for å hindre personskader eller skader på maskinen.

#### VEDLIKEHOLD

#### ⚠ ADVARSEL

Bruk kun produsentens originale reservedeler, tilleggsutstyr og påsats. Dersom dette ikke følges, kan det forårsake personskader, dårlig funksjon og kan annullere garantien din.

#### ⚠ ADVARSEL

Service krever meget stor forsiktighet og kunnskap og bør utføres kun av kvalifisert teknisk personale. Vi anbefaler at man sender verktøyet tilbake til nærmeste autoriserte servicesenter for reparasjon. Når service utføres skal kun identiske reservedeler brukes.



### ⚠ ADVARSEL

Koble fra strømforsyningen før justering, vedlikehold eller rengjøring. Hvis denne advarselen ikke følges, kan det føre til alvorlig personskade.

- Du kan foreta justeringer og reparasjoner som er beskrevet i denne brukermanualen. For andre reparasjoner, ta kontakt med et autorisert serviceverksted.
- Følgene etter uriktig vedlikehold kan føre til at kjede sprekker og andre sikkerhetsfunksjoner ikke virker som de skal, slik at det øker faren for alvorlige skader. Utfør profesjonelt vedlikehold på kjedesagen og oppbevar trygt.
- Kvessing av kjeden på en sikker måte er en avansert operasjon. Derfor anbefaler produsenten sterkt at et slitt og sløvt kjede skiftes ut med et nytt som kan kjøpes fra ditt autoriserte Ryobi servicesenter. Delenummeret står i tabellen over produktspesifikasjoner i denne manualen.
- Følg anvisningene for smøring samt kontroll og justering av kjedespenningen.
- Etter hver bruk, rens produktet med en myk tørr klut.
- Kontroller all mutter, bolter og skruer med jevne mellomrom at de er skrudd fast for å sikre at produktet er i driftssikker stand. Enhver del som er skadet må repareres eller skiftes ut ved et autorisert serviceverksted.

### SKIFTE SAGSVERDET OG KJEDE

Se side 244 - 245.

1. Koble produktet fra strømforsyningen. Bruk vernehansker.
2. Skru opp sverdet låseknott ved å skru den mot klokken inntil tannhjuldekselet har løsnet.
3. Fjern tanndekelet. Ta sverdet og kjede av enheten.
4. For å skifte ut sverdet med et nytt, skru opp skruen på kjedespenningsenheten. Sett kjedespenningsenheten på det nye sverdet og stram skruen.
5. Sett det nye kjede i riktig retning på sverdet og sikre at kjøreleddene er i flukt med fordypningene på sverdet.
6. Fest sverdet til kjedesagen og legg kjede rundt drivtennene.
7. Sett på tanndekelet igjen, fest dekelet og stram knotten.
8. Juster kjedespenningen. Se i kapittelet "Juster kjedespenningen".

### ⚠ ADVARSEL

Feil kvessing øker risikoen for tilbakeslag.

### ⚠ ADVARSEL

Hvis du unnlater å skifte eller å reparere en skadet kjede, kan det føre til alvorlige personskader.

### ⚠ ADVARSEL

Tenne på sagkjeden er veldig skarpe. Du må alltid bruke hansker når du vedlikeholder kjeden.

### KONTROLL OG RENGJØRING AV KJEDEBREMSEN

Se side 247.

- Hold alltid mekanismen til kjedebremsen ren ved lett å børste over leddene slik at de er smussfrie.
- Sjekk alltid at kjedebremsen fungerer etter rengjøring. Se "Bruk - Sjekke og bruke kjedebremsen" ovenfor i denne håndboken for mer informasjon.

### VEDLIKEHOLDSPLAN

#### Daglig sjekk

Skade på strømledning	Før hvert bruk
Sverdsmøring	Før hvert bruk
Kjedestramming	Før hver bruk og regelmessig
Kjedekarphet	Før hver bruk, visuell kontroll
Skadede deler	Før hvert bruk
Løse festemidler	Før hvert bruk
Kjedebremsefunksjon	Før hvert bruk

#### Undersøk og rengjør:

Skinne	Før hvert bruk
Hele sagen	etter hvert bruk
Kjedebremse	Hvert 5 time*

\*Antall timer drift

### SYMBOLER PÅ PRODUKTET



Sikkerhetsalarm



Les og forstå alle instruksjoner før du tar i bruk produktet, følg alle advarsler og sikkerhetsanvisninger.



Bruk vernebriller, hørselsvern og hjelm når du bruker verktøyet.



Anvend glisikkert fottegg ved bruk av dette produktet.



Bruk kraftige, sklisikre hansker.



Fjern øyeblikkelig støpslet fra stikkkontakten dersom ledningen er skadet eller skåret over.



Vær klar over faren for tilbakeslag fra kjedesagen og unngå kontakt med sverdtuppen.



Ikke utsette for regn eller fuktige forhold.



Hold og bruk kjedesagen med begge hender.



Hold ikke kjedesagen med bare én hånd når du bruker den.



Dette verktøyet overholder samtlige standarder i det EU-landet det er kjøpt i.



GOST-R samsvar



Klasse II verktøy, dobbelisolasjon



Avfall fra elektriske produkter skal ikke kastes sammen med husholdningsavfall. Vennligst resirkulervedeksisterende avfallsbehandlingssted. Undersøk hos dine lokale myndigheter eller forhandler for råd om resirkulering.



Garantert lydeffektnivå er 108 dB. (RCS1935)



Garantert lydeffektnivå er 107 dB. (RCS2340)



Smøring for sverd og kjede



Lås



Låse opp



Roter for å justere kjedestrammingen +/-: Stram/løse kjedet



Bevegelsesretning på kjedet (Merket under tannhjuldekslet)

L max

Maks. lengde på sagkjede

## IKON I DENNE MANUALEN



Tilkoble til strømkontakten



Ta ut av strømkontakten



Deler eller tilbehør solgt separat



Avfall fra elektriske produkter skal ikke kastes sammen med husholdningsavfall. Vennligst resirkulervedeksisterende avfallsbehandlingssted.



MERK:



ADVARSEL



Bruk beskyttelse for øyne og ansiktet.



Bruk verneutstyr for øvre kroppsdeler.



Bruk beinbeskyttelse.



Stans produktet.

Følgende symboler og betydninger forklarer risikonivået som er assosiert med dette produktet.

### ⚠ FARE

Indikerer en øyeblikkelig farlig situasjon, som, hvis ikke unngås, kan resultere i død eller alvorlig personskade.

### ⚠ ADVARSEL

Indikerer en potensiell farlig situasjon, som, hvis ikke unngås, kan resultere i død eller alvorlig personskade.

### ⚠ FORSIKTIGHETSREGEL

Indikerer en potensiell farlig situasjon, som, hvis ikke unngås, kan resultere i mindre eller moderat personskade.

### FORSIKTIGHETSREGEL

Uten sikkerhetsvarselsymbol

Indikerer en situasjon som kan føre til skade på eiendom.

EN

FR

DE

ES

IT

NL

PT

DA

SV

FI

NO

RU

PL

CS

HU

RO

LV

LT

ET

HR

SL

SK

BG

### **⚠ ОСТОРОЖНО**

При использовании устройства необходимо соблюдать правила техники безопасности. В целях собственной безопасности и безопасности наблюдающих лиц перед использованием устройства прочитайте приведенные в данном руководстве инструкции. Вам необходимо пройти профессионально организованные курсы по безопасности эксплуатации, профилактическим действиям, первой помощи и техническому обслуживанию цепных пил. Сохраните данные инструкции для последующего использования.

### **⚠ ОСТОРОЖНО**

Цепные пилы являются потенциально опасными инструментами. Несчастные случаи, связанные с использованием цепных пил, обычно приводят к повреждению конечностей и летальному исходу. Но не только сама цепная пила может быть источником опасности. Падающие ветви, сваливающиеся деревья, укатывающиеся бревна могут убить человека. Поврежденная или сгнившая древесина представляет дополнительную опасность. Вы должны оценить свою способность выполнять поставленные задачи безопасно. Если у вас есть сомнения, доверьте эту работу профессиональному специалисту по резке дерева.

## **ОБЩИЕ ПРАВИЛА БЕЗОПАСНОСТИ**

### **⚠ ОСТОРОЖНО**

Прочтите все предупреждения и инструкции по технике безопасности. Несоблюдение приводимых ниже предупреждений и инструкций может привести к поражению электрическим током, возгоранию или тяжким телесным повреждениям.

Сохраните все предупреждения и инструкции по технике безопасности для последующего использования.

Термин "электроинструмент" в данном описании относится к инструментам с питанием от сети (проводные) и от аккумуляторных батарей (беспроводные).

### **БЕЗОПАСНОСТЬ НА РАБОЧЕМ МЕСТЕ**

- Рабочая зона должна быть свободна и хорошо освещена. Загромождение или плохое освещение рабочей зоны может привести к несчастным случаям.
- Не используйте электроинструмент во взрывоопасной среде, например в присутствии легковоспламеняющихся жидкостей, газов или пыли. В электроинструментах происходит искрообразование, что может привести к воспламенению пыли или газа.
- Не допускайте присутствия детей и

посторонних лиц при работе с инструментом. Невнимательность может привести к утрате контроля.

### **ЭЛЕКТРОБЕЗОПАСНОСТЬ**

- Вилка кабеля питания инструмента должна соответствовать используемой розетке. Не подтвержайте вилку кабеля каким-либо изменениям. Не используйте какие-либо переходники с электроинструментами с заземляющим проводом. Использование оригинальных штепсельных вилок и соответствующих розеток предотвращает опасность поражения электрическим током.
- Не допускайте контакта частей тела с поверхностями заземленных предметов, таких как трубы, радиаторы отопления, кухонные плиты, холодильники. При соприкосновении частей тела человека с заземленными участками возрастает опасность поражения электрическим током.
- Категорически запрещается использование этого продукта в условиях повышенной влажности. Попавшая внутрь инструмента вода повышает опасность поражения электрическим током.
- Обращайтесь с кабелем питания надлежащим образом. Не используйте кабель для переноски, перемещения или отключения инструмента от сети питания. Оберегайте кабель от источников тепла, масляных и острых предметов и движущихся деталей. Поврежденные или запутанные провода повышают опасность поражения электрическим током.
- При работе с электроинструментом вне помещений пользуйтесь удлинительным кабелем, предназначенным для наружного применения. Использование кабеля, предназначенного для наружного применения, снижает опасность поражения электрическим током.
- Если нет возможности избежать работы в условиях повышенной влажности, подключайте инструмент через устройство защитного отключения. При использовании устройства защитного отключения снижается опасность поражения электрическим током.

### **ЛИЧНАЯ БЕЗОПАСНОСТЬ**

- Соблюдайте осторожность, следите за своими действиями и пользуйтесь здравым смыслом при работе с электроинструментом. Не пользуйтесь инструментом в состоянии усталости или под воздействием наркотических средств, алкоголя или медицинских препаратов. Малейшая невнимательность при работе с инструментом может привести к тяжкому телесному повреждению.
- Используйте средства индивидуальной защиты. Всегда надевайте средства защиты зрения. Средства защиты, такие как пылезащитная



маска, нескользящая защитная обувь, шлем-каска, средства защита органов слуха, используемые надлежащим образом, снижают опасность телесного повреждения.

- **Не допускайте случайного запуска.** Перед подключением к источнику питания или установкой аккумуляторной батареи, подъемом или перемещением инструмента убедитесь, что переключатель находится в положении «выключено». Во избежание несчастных случаев при перемещении инструмента не держите пальцы на переключателе инструмента и не подключайте его к источнику питания при включенном положении переключателя.
- **Перед включением инструмента уберите все регулировочные и гаечные ключи.** Гаечные или регулировочные ключи, оставленные на вращающихся частях инструмента, могут привести к телесному повреждению.
- **Не перенапрягать.** Старайтесь сохранять устойчивость и подыскивайте твердую опору. Это обеспечивает лучшую управляемость электроинструментом в непредвиденных ситуациях.
- **Одевайтесь соответствующим образом.** Не надевайте свободную одежду и украшения. Не допускайте попадания волос, одежды и перчаток в движущиеся части. Свободная одежда, украшения и длинные волосы могут попасть в движущиеся части.
- **Если в инструменте предусмотрено использование устройства удаления и сбора пыли, обеспечьте их надежное крепление и надлежащее использование.** Использование пылесборника снижает опасность, связанную с пылеобразованием.

## ИСПОЛЬЗОВАНИЕ И ОБРАЩЕНИЕ С ИНСТРУМЕНТОМ

- **Не прикладывайте чрезмерных усилий при работе с данным инструментом.** В каждом случае используйте надлежащий электроинструмент. Правильно выбранный электроинструмент позволяет выполнить работу, для которой он предназначен, более качественно и более безопасно.
- **Не пользуйтесь инструментом, если выключатель не включается или не выключается.** Любой электроинструмент, не управляемый выключателем, представляет опасность и должен быть отремонтирован.
- **Перед выполнением каких-либо регулировок, заменой приспособлений или хранением инструмента отключите вилку кабеля источника питания и/или аккумуляторной батареи от электроинструмента.** Такие меры предосторожности помогут предотвратить опасность случайного пуска инструмента.
- **Храните неиспользуемые электроинструменты в месте, недоступном для детей, а также не допускайте к использованию данного инструмента лиц, не знакомых с его**

**работой или не ознакомленных с данными данными инструкциями.** Инструмент в руках неподготовленного лица представляет опасность.

- **Бережно обращайтесь с инструментом.** Проверяйте инструмент на отсутствие перекосов или заклинивания движущихся частей, их неисправности или других причин, которые могут отразиться на работе инструмента. При повреждении инструмента перед его дальнейшим использованием его следует отремонтировать. Многие несчастные случаи вызваны ненадлежащим обращением с инструментом.
- **Содержите режущее устройство в чистоте и заточенном виде.** При надлежащем техническом обслуживании режущего инструмента снижается вероятность застревания режущих частей и облегчается управляемость.
- **Используйте инструмент, принадлежности, насадки и т.п. в соответствии с данными указаниями, и принимая во внимание условия работы и выполняемую работу.** Использование данного электроинструмента не по назначению может создать опасную ситуацию.

## ОБСЛУЖИВАНИЕ

- **Техническое обслуживание и ремонт инструмента должно выполняться только квалифицированным специалистом с использованием взаимозаменяемых запасных частей.** Это обеспечит нормальное техническое состояние устройства.

## ДОПОЛНИТЕЛЬНЫЕ ОБЩИЕ УКАЗАНИЯ ПО БЕЗОПАСНОСТИ

- В некоторых регионах существуют правила, ограничивающие использование этого продукта. Проконсультируйтесь с местными органами власти.
- Не допускайте к работе с данным устройством детей и лиц, незнакомых с инструкциями по использованию изделия. Местные инструкции могут ограничить возраст оператора.
- Убедитесь перед каждым использованием, что все элементы управления и предохранительные устройства функционируют правильно. Не используйте электроинструмент, если невозможно остановить двигатель выключателем.
- Используйте надежные приспособления для защиты глаз и органов слуха, прочные перчатки, а также средства защиты головы при работе с продуктом. Для защиты от пыли используйте защитную маску.
- Не допускается ношение слишком свободной одежды, коротких брюк, ювелирных изделий.
- Чтобы избежать наматывания волос на вращающиеся детали, закрепите длинные волосы таким образом, чтобы они не свисали ниже плеч.
- Остерегайтесь отлетающих или падающих предметов. Не подпускайте посторонних (особенно детей и домашних животных) ближе чем на 15 метров к месту проведения работ.





- Не работайте при недостаточном освещении. Оператор должен четко видеть рабочую зону в целях выявления потенциальных опасностей.
- Использование средств защиты органов слуха снижает способность услышать предупреждения (крики или сигналы). Работающий уделять повышенное внимание к происходящему в зоне работы.
- Эксплуатация аналоговных устройств вблизи рабочей зоны повышает риск повреждения слуха и опасность появления посторонних лиц в вашей рабочей зоне.
- Держать устойчивую опору и баланс. Не перенапрягать. Перенапряжение может вызвать потерю равновесия и увеличить опасность возникновения отскока.
- Не допускайте попадания частей тела в движущиеся детали.
- Проверьте устройство перед использованием. Проверьте правильную работу всех элементов управления, включая тормоз пильной цепи. Проверьте надежность креплений. Проверьте правильность установки и надежность крепления всех защитных устройств и ручек. Перед использованием замените поврежденные детали.
- Запрещается каким-либо образом изменять конструкцию устройства или использования детали и принадлежности, не рекомендованные производителем.
- Если необходимо использовать удлинитель, убедитесь, что он подходит для использования вне помещений, и допустимый ток достаточен для питания инструмента, проверяйте его перед каждым использованием на наличие повреждений и обязательно разматывайте его во время эксплуатации устройства, потому что гибкие кабели могут перегреваться.
- Резкое увеличение нагрузки приводит к флуктуации напряжения, что может повлиять на работу других электроприборов, подключенных к данной линии питания. Для снижения флуктуаций напряжения подключите устройство к сети питания с полным сопротивлением, не превышающим  $0.372\Omega$  - RCS1935,  $0.277\Omega$  - RCS2340. За подробными разъяснениями обращайтесь к поставщику электроэнергии.

#### **⚠ ОСТОРОЖНО**

Если устройство уронили, издает громкий стук или начинает чрезмерно вибрировать, немедленно остановите устройство и проверьте на наличие повреждений или выясните причину вибрации Любые поврежденные детали должны быть надлежащим образом отремонтированы или заменены в авторизованном сервисном центре.

### **ПРЕДОСТЕРЕЖЕНИЯ ОТНОСИТЕЛЬНО БЕЗОПАСНОГО ПОЛЬЗОВАНИЯ ЦЕПНОЙ ПИЛЫ**

- **Не приближайте режущую цепь к телу во время работы пилы. Перед запуском цепной пилы удостоверьтесь, что пильная цепь ни к чему не прикасается.** Минутная невнимательность при работе с цепной пилой может привести к тому, что пильная цепь зацепит вашу одежду или тело.
- **Всегда держите пилу правой рукой за заднюю рукоятку, а левой рукой – за переднюю рукоятку.** Работа цепной пилой с обратным положением рук повышает опасность телесных повреждений и ни в коем случае не допускается.
- **Держите электроинструмент только за изолированную поверхность рукоятки, так как пильная цепь может войти в контакт со скрытой электропроводкой или собственный кабель питания.** Касание провода, находящегося под напряжением, режущей цепью может вызвать протекание электрического тока через металлические части электроинструмента и привести к поражению оператора электрическим током.
- **Надевайте защитные очки и средства защиты слуха. Рекомендуется дополнительное защитное снаряжение для головы, рук, ног и ступней.** Соответствующая защитная одежда уменьшит опасность телесных повреждений отлетающими отходами пиления или при случайном контакте с пильной цепью.
- **Не используйте цепную пилу, если вы находитесь на дереве.** Эксплуатация цепной пилы при нахождении на дереве может привести к телесному повреждению.
- **Всегда имейте надлежащую опору и эксплуатируйте цепную пилу только при нахождении на неподвижной, безопасной и ровной поверхности.** Скользкие или неустойчивые поверхности, например, стремянки, могут привести к потере равновесия или потере управления цепной пилой.
- **При пилении согнутой напряженной ветви остерегайтесь ее распрямления.** Когда натяжение в древесных волокнах высвобождается, то напряженная ветвь может ударить оператора и/или нарушить управляемость цепной пилы.
- **Будьте крайне осторожны при пилении кустарника и молодых деревьев.** Тонкий лесоматериал может быть захвачен пильной цепью, хлестнуть вас или вывести из равновесия.
- **Переносите цепную пилу за переднюю ручку, в выключенном состоянии, не прижимая к телу. При транспортировке или хранении цепной пилы всегда надевайте на пильную шину защитное приспособление.** Надлежащее обращение с цепной пилой снижает опасность случайного контакта с движущейся пильной цепью.
- **Следуйте инструкциям по смазке, натяжению цепи и замене принадлежностей.** Неправильно натянутая или смазанная цепь может порваться или





увеличить опасность отскока.

- **Содержите ручки в сухом и чистом виде, очищайте их от масла и смазки.** Сальные, масляные ручки могут привести к потере управляемости инструмента.
- **Цепная пила предназначена только для пиления древесины. Используйте цепную пилу только по прямому назначению. Например, не используйте цепную пилу для пиления пластика, каменной кладки или недревесных строительных материалов.** Во избежание опасности соблюдайте указанное для цепной пилы предназначение.

#### **Причины отскоков и меры защиты оператора от них**

Если носок шины натолкнется на препятствие или пыльная цепь зажмется в дереве во время работы, бензопила может отскочить.

При касании рабочей поверхностью пыльной шины в некоторых случаях может произойти мгновенная отдача, выраженная в отбросе режущего полотна вверх и назад в сторону оператора.

Заклинивание цепной пилы в верхней части направляющей может привести к отскоку в направлении оператора.

И в первом и во втором случае можно потерять контроль за бензопилой и получить тяжелые травмы. Не надейтесь только на средства безопасности самой бензопилы. Во избежание несчастных случаев и травм, необходимо принимать различные меры предосторожности.

Отскок является результатом неправильного использования инструмента и/или нарушений правил или условий его эксплуатации. Этого следует избегать, соблюдая указанные ниже меры предосторожности.

- **Поддерживайте надежный захват так, чтобы большие пальцы (с одной стороны) и остальные пальцы (с другой стороны) крепко охватывали рукоятки цепной пилы, держите пилу обеими руками, располагайте тело и руки таким образом, чтобы противостоять усилию отскока.** Оператор может справиться с усилием отскока, если предприняты надлежащие меры предосторожности. Не выпускайте пилу из рук.
- **Не перенапрягайтесь и не пилите выше уровня плеч.** Это поможет избежать непреднамеренного касания пилы и позволит лучше управлять цепной пилой в непредвиденных ситуациях.
- **Используйте запасные шины и цепи, только указанные производителем.** Ненадлежащие запасные шины и цепи могут привести к обрыву цепи и/или отскоку.
- **При обслуживании и заточке пыльной цепи соблюдайте инструкции изготовителя.** Уменьшение высоты ограничителя подачи может привести к увеличению отдачи.

#### **ДОПОЛНИТЕЛЬНЫЕ ПРЕДУПРЕЖДЕНИЯ О ТЕХНИКЕ БЕЗОПАСНОСТИ ЦЕПНОЙ ПИЛЫ**

- При работе с инструментом в первый раз рекомендуется пилить бревна на козлах или на опорах.

- Убедитесь в том, что все устройства защиты, ручки и зубчатый упор должным образом установлены и находятся в хорошем состоянии.
- Лица, эксплуатирующие данную цепную пилу, должны находиться в хорошем физическом состоянии. Цепная пила имеет достаточно большой вес, поэтому оператор должен быть в хорошей физической форме. Оператор должен быть осторожным, иметь хорошее зрение, обладать подвижностью, чувством равновесия и ловкостью рук. При наличии любых сомнений не эксплуатируйте цепную пилу.
- Не начинайте использование инструмента, пока не расширена рабочая зона, не обеспечена опора и не подготовлен путь отхода от падающего дерева.
- Остерегайтесь выбросов паров смазки и опилок. При необходимости надевайте маску или респиратор.
- Электропитание на устройство должно подаваться через устройство защитного отключения (RCD) с силой тока размыкания не более 30 мА.
- Если шнур питания поврежден, вы должны вернуть устройство в авторизованный сервисный центр для ремонта или замены.
- Всегда держите сетевой шнур аккуратно сложенным и вдаль от зоны резки. Помимо опасности поражения электрическим током неаккуратно сложенный шнур может привести к падению и спотыканию.
- Не допускается пиление вьющихся растений и/или молодого подлеска (диаметром менее 75 мм).
- При работе всегда держите цепную пилу обеими руками. Крепко держите бензопилу, обхватив рукоятки пальцами. Правой рукой нужно держать заднюю рукоятку, а левой рукой – переднюю рукоятку.
- Перед запуском инструмента удостоверьтесь, что пыльная цепь не прикасается к какому-либо предмету.
- Запрещается каким-либо образом изменять конструкцию устройства или использовать насадки или устройства, не рекомендованные производителем для вашей пилы.
- Рядом с оператором должна находиться аптечка первой помощи, содержащая крупные перевязочные материалы и сигнальные средства (например, свисток). В пределах досягаемости должен находиться большой, более полный комплект.
- Оператор может снять шлем, если нет опасности падения предметов в рабочей зоне, но должен помнить о том, что шлем, особенно с сетчатым козырьком, снижает опасность травмирования лица и головы при отскоке.
- Неправильно натянутая цепь может выскочить из пыльной шины и нанести тяжкие телесные повреждения, вплоть до смертельного исхода. Длина цепи зависит от температуры. Регулярно проверяйте натяжение.
- Необходимо привыкнуть к новой цепной пиле, делая простые пропилы на надежно подпертом



дереве. Делайте это каждый раз, когда пила некоторое время не эксплуатировалась.

- Для снижения риска получения травмы, связанной с касанием движущихся частей, обязательно выключите двигатель, заблокируйте тормоз цепи, выньте сетевую вилку из розетки и убедитесь, что все движущиеся части остановились перед выполнением следующих операций:
  - очистка или устранение засора
  - Оставление изделия без присмотра
  - установка и снятие насадок
  - проверка, техобслуживание и ремонт устройства
- Размеры рабочей зоны зависят от вида работ и размеров дерева. Например, валка дерева требует большей рабочей зоны, чем другие виды пиления – раскряжевка и т.д. Оператор должен знать и контролировать все, что происходит в этой рабочей зоне.
- Не располагайте ваше тело на одной линии с пильной шиной и цепью. Если действительно произойдет отскок, то это поможет предотвратить соприкосновение цепи с головой или телом.
- Не перемещайте пилу вперед-назад, дайте цепи свободно работать. Поддерживайте цепь наточенной. Не пытайтесь протолкнуть цепь через пропил.
- Не нажимайте на бензопилу в конце распиловки. Будьте готовы принять вес пилы, когда пиление в древесине закончится. Невыполнение данного требования может привести к получению серьезной травмы.
- Не останавливайте пилу в процессе пиления. Не выключайте пилу, пока она не выйдет из пропила.

### **Возвратно-поступательная тяга**

Рабочая тяга всегда противоположна направлению движения пильной цепи. Поэтому оператор должен быть готов противостоять тенденции инструмента к вытягиванию наружу (движение вперед) при пилении нижним краем шины и толчку назад (к оператору) при пилении верхним краем.

### **Пилу заклинило в пропиле**

Остановите цепную пилу и обеспечьте ее безопасное состояние. Не пытайтесь с излишним усилием вынуть цепь и шину из пропила, так как при этом цепь может порваться, отлететь назад и ударить оператора. Такая ситуация обычно возникает из-за того, что дерево неправильно поддерживается и сдавливает пропил, заставляя его закрыться, таким образом защемляя зубья пилы. Если регулировкой подпоры не удается освободить шину и цепь, используйте для расширения пропила и освобождения пилы деревянные клинья или рычаг. Никогда не запускайте цепную пилу, если пильная шина находится в пропиле.

### **Индивидуальные средства защиты**

Высококачественные индивидуальные средства защиты, используемые профессионалами, снижают опасность получения оператором телесных повреждений. При эксплуатации цепной пилы должны

использоваться следующие средства:

#### **Каска**

- должна соответствовать EN 397 и иметь маркировку CE

#### **Устройства защиты слуха**

- должна соответствовать EN 352-1 и иметь маркировку CE

#### **Средства защиты органов зрения и слуха**

- должны иметь маркировку CE и соответствовать EN 166 (для бесколочных стекол) или 1731 EN (для сетчатых козырьков)

#### **Перчатки**

- должна соответствовать EN 381-7 и иметь маркировку CE

#### **Защита ног (защитные гетры)**

- должны соответствовать EN381-5, иметь маркировку CE и обеспечивать полную защиту.

#### **Защитная обувь**

- должна соответствовать EN ISO 20345:2004 и быть маркирована знаком, изображающим цепную пилу, что указывает на соответствие EN 381-3. (Непостоянные пользователи могут использовать защитную обувь со стальным носком и защитными гетрами, которые соответствуют EN 381-9, если поверхность грунта ровная и опасность потери сцепления или захвата подроста невелика)

#### **Куртка для работы с цепной пилой, для защиты верхней части тела**

- должна соответствовать EN 381-11 и иметь маркировку CE

## **ИНСТРУКЦИИ ПО ПРАВИЛЬНЫМ СПОСОБАМ ОСНОВНОЙ ВАЛКИ, ОБРЕЗАНИЯ СУЧЬЕВ И ПОПЕРЕЧНОГО ПИЛЕНИЯ**

### **Описание сил, действующих в древесине**

Когда вы представляете себе направление давлений и напряжений в древесине, можно устранить возникновение защемлений или, по крайней мере, ожидать их в процессе пиления. Натяжение в древесине приводит к тому, что слои растягиваются и, если пилить эту область, то пропил будет стремиться расходиться по мере прохождения пилы. Если бревно лежит на козлах для пилки дров, а конец свисает без опоры, то напряжение создается на верхней поверхности из-за веса свисающего конца бревна, растягивающего слои древесины. Аналогично, нижняя сторона бревна будет под давлением, и слои древесины сжимаются. Если пропил будет делаться в этой области, то он будет стремиться замкнуться во время пиления. Это приводит к защемлению зубьев пилы.

### **Валка деревьев**

См. стр. 239 - 240.

Если работы по раскряжевке и валке выполняются несколькими лицами одновременно, работы по валке должны быть удалены от работ по раскряжевке на расстояние не менее чем две высоты валимого дерева. Валка деревьев не должна производиться способом,



представляющим опасность для любого лица, а также вызывающим повреждение линий электропередачи или наносящим материальный ущерб. Если произойдет контакт дерева с какой-либо линией электропередачи, следует немедленно известить об этом соответствующую энергетическую компанию.

При валке на косогоре стойте всегда выше дерева, т.к. после падения оно может покатиться вниз.

Путь отхода должен быть продуман и, при необходимости, расчищен до начала пиления. Путь отхода должен идти назад и вбок относительно ожидаемого направления падения.

Перед началом валки определите естественный наклон дерева, расположение крупных ветвей и направление ветра, чтобы оценить предположительный путь падения дерева.

Удалите с дерева грязь, камни, отставшую кору, гвозди, скобы и провода.

Не производите валку гнилых деревьев, поврежденных ветром, огнем, молнией и т.п. Это чрезвычайно опасно и должно выполняться только профессиональными рабочими по уходу за деревьями.

#### ■ Валочный пропил

См. стр. 239 - 240.

Сделайте так называемый обратный пропил на 1/3 от диаметра дерева перпендикулярно к направлению падения и с той же стороны. Сначала сделайте нижний горизонтальный обратный пропил. Это поможет предотвратить защемление пильной цепи или шины при выполнении второго пропила.

#### ■ Валочный пропил

См. стр. 239 - 240.

Сделайте валочный пропил выше горизонтального обратного пропила минимум на 50 мм. Поддерживайте валочный пропил параллельным горизонтальному обратному пропилу. Сделайте валочный пропил таким образом, чтобы осталось достаточно древесины для перемычки. Перемычка на дереве предотвращает вращение дерева и обеспечивает падение в нужном направлении. Не перепиливайте перемычку.

Как только валочный пропил дойдет до перемычки, дерево должно начать падать. Если существует возможность того, что дерево не упадет в нужном направлении или отклонится назад и зажмет пильную цепь, прекратите пиление до завершения валочного пропила и используйте деревянные, пластиковые или алюминиевые клинья, чтобы разжать пропил и наклонить дерево в нужную сторону падения.

Когда дерево начнет падать, выньте цепную пилу из пропила, остановите двигатель, отложите цепную пилу, а затем воспользуйтесь подготовленным путем отхода. Остерегайтесь падения ветвей сверху и следите за своей опорой.

#### Обрезание несущих корней

См. стр. 240.

Несущие корни - это крупные корни, отходящие от ствола к земле. Обрежьте эти корни перед валкой

дерева. Сделайте сначала горизонтальный разрез (А) в корне, затем вертикальный (В). Удалите вырезанную часть (С) из рабочей зоны. Удалив несущие корни, приступайте к валке дерева.

#### Раскрывка бревен

См. стр. 241.

Раскрывка – это распиловка бревна по длине. Необходимо обеспечить устойчивую опору и равномерное распределение веса на обе ноги. По возможности, бревно нужно поднять и подпереть с помощью ветвей, бревен или деревянных чурок. Соблюдайте простые правила для облегчения пиления. Если бревно подперто по всей длине, оно пилится сверху (надпил).

Если бревно подперто с одного конца, пропилите 1/3 диаметра снизу (подпил). Затем завершите пиление, сделав надпил до встречи с первым пропилом.

Если бревно поддерживается с обоих концов, пропилите 1/3 диаметра сверху (надпил). Затем завершите пиление, сделав подпил на 2/3 снизу до встречи с первым пропилом.

Если раскрывка выполняется на склоне, следует всегда находиться на верхней по склону стороне бревна. При сквозном пропилировании, чтобы сохранить полный контроль до конца, ослабьте давление на пилу при приближении к концу пропила, не ослабляя захват рукояток цепной пилы. Не допускайте контакта цепи с землей. После завершения пиления подождите, пока цепь пилы остановится, прежде чем перемещать цепную пилу. Всегда останавливайте двигатель, прежде чем перейти от дерева к дереву.

#### Сучкование дерева

См. стр. 242.

Сучкование – это удаление сучьев с поваленного дерева. При сучковании, не обрезайте первыми крупные нижние ветви, чтобы они поддерживали дерево над землей. Срезайте небольшие ветки за один проход. Напряженные ветви следует пилить снизу вверх, во избежание заклинивания цепной пилы.

#### Пиление напряженных стволов

См. стр. 242.

Хлыст (А) - это ветка, выкорчеванный корень или куст, натянутый под давлением другим деревом. Хлыст может резко выпрямиться, если отрезать держащее его дерево.

Пень поваленного дерева часто возвращается в вертикальное положение, когда ствол отрезает от него до конца. Будьте осторожны! Хлысты опасны.

#### **▲ ОСТОРОЖНО**

Хлысты могут ударить рабочего и вывести бензопилу из-под его контроля. Что ведет тяжелым и даже смертельным травмам. Это должно выполняться квалифицированными пользователями.





## НАЗНАЧЕНИЕ

Инструмент предназначен только для использования на открытом воздухе. Из соображений безопасности всегда необходимо эксплуатировать инструмент, управляя им двумя руками.

Данный инструмент предназначен для распила веток, стволов, бревен и бруса, диаметр которых определяется длиной резания пильной шины. Предназначено только для распила дерева. Инструмент предназначен только для бытового применения взрослыми, прошедшими соответствующее обучение на предмет потенциальной опасности, профилактических мер и действий, предпринимаемых при эксплуатации.

Используйте инструмент только в вышеперечисленных целях. Он не предназначен для использования профессиональными службами озеленения. К использованию инструментом не должны допускаться дети или лица без соответствующих средств защиты и одежды.

## БУДЬТЕ ВСЕГДА ОСТОРОЖНЫ

Даже при использовании данного инструмента строго по назначению, невозможно полностью исключить отдельные факторы риска. При эксплуатации могут возникнуть следующие ситуации, которым пользователь должен уделять особое внимание, чтобы избежать проблем:

- Травмы, вызываемые вибрацией. Применяйте инструмент только по своему назначению, используйте надлежащие ручки и соблюдайте рабочий режим.
- Воздействие шума может привести к повреждению слуха. Носите устройства защиты слуха и ограничивайте продолжительность шумового воздействия
- Контакт с открытыми зубьями пильной цепи (опасность получения порезов).
- Внезапное резкое движение или отскок пильной шины (опасность порезов).
- Части, выброшенные из пильной цепи (опасность порезов и проникающих травм).
- Отбрасываемые части обрабатываемой древесины (древесная стружка, щепа и т.п.)
- Вдыхание пыли и мелких частичек.
- Попадание смазки/масла на кожу.

## СНИЖЕНИЕ РИСКА

Считается, что вибрация ручного инструмента может привести к проявлению у отдельных лиц так называемой болезни Рейно (Raynaud's Syndrome). К симптомам могут относиться покалывание, онемение и побеление пальцев (как при переохлаждении). Считают, что наследственные факторы, охлаждение и влажность, диета, курение и практический опыт способствуют развитию этих симптомов. Ниже приводятся меры, которые может принять оператор для снижения воздействия вибрации:

- Одевайтесь теплее в холодную погоду. При работе

с устройством пользуйтесь перчатками, чтобы руки и запястья были в тепле. Считается, что холодная погода является основным фактором, способствующим возникновению болезни Рейно (Raynaud's Syndrome).

- После каждого этапа работы выполните упражнения для усиления кровообращения.
- Чаще делайте перерывы в работе. Сократите длительность ежедневного пребывания на открытом воздухе.
- Защитные перчатки, продаваемые поставщиками профессиональных цепных пил, предназначены специально для использования с цепной пилой, они обеспечивают защиту, хороший захват, а также уменьшают воздействие вибрации рукоятки. Эти перчатки должны соответствовать EN381-7 и иметь маркировку CE.

При появлении каких-либо из указанных симптомов сразу же прекратите работу и обратитесь по их поводу к врачу.

## ⚠ ОСТОРОЖНО

Слишком продолжительное использование инструмента может привести к травме. При использовании инструмента в течение длительного времени делайте регулярные перерывы.

## ИЗУЧИТЕ УСТРОЙСТВО

См. стр. 233.

1. Пильная цепь
2. Шина
3. Передний защитный щиток тормоз пильной цепи
4. Передняя ручка
5. Кнопка разблокировки курка
6. Задняя ручка
7. Шип Бампера
8. Крышка масляного бака
9. Фиксатор шнура
10. Тумблер включения/выключения
11. Отражатель опилок
12. Ручка отражателя опилок
13. Крышка звездочки
14. Кольцо регулятора натяжения цепи
15. Ручка фиксации пильной шины
16. Защитное приспособление пильной шины
17. Крышка топливного бака

## УСТРОЙСТВА БЕЗОПАСНОСТИ

### Противоотскоковая пильная цепь

Пильная цепь с низкой отдачей снижает опасность отскока.

Ограничители глубины перед каждым зубом пильной цепи могут сократить силу отскока, не давая зубьям слишком глубоко врезаться в дерево. Используйте запасные пильные шины и цепи, только рекомендуемые производителем.

Будьте вдвойне бдительны после заточки цепи: она легче отскакивает. Для вашей безопасности





EN
FR
DE
ES
IT
NL
PT
DA
SV
FI
NO
<b>RU</b>
PL
CS
HU
RO
LV
LT
ET
HR
SL
SK
BG

производите замену цепей пилы при остановке процесса резания.

### Шип Бампера

Составной шип бампера может использоваться как центр при создании среза. Это поможет надежно удерживать корпус цепной пилы при пилении. При выполнении пиления нажимайте на инструмент от себя, пока упорные зубья не войдут в край древесины, а затем двигайте задней рукояткой вверх-вниз на линии пропила – это поможет уменьшить физическую нагрузку при пилении.

### Шина

Шины с носком малого радиуса менее подвержены отскоку. Необходимо использовать пильную шину и подходящую цепь, которая имеет длину, достаточную для работы. Увеличенная длина шины повышает опасность потери управляемости во время пиления. Регулярно проверяйте натяжение цепи. При пилении небольших ветвей (короче полной длины пильной шины) цепь может соскочить, если ее натяжение установлено неправильно.

### Тормоз цепи

Этот тормоз предназначен для быстрой остановки пильной цепи. При перемещении вперед тормоз пильной цепи/защитный щиток должен немедленно останавливать цепь. Тормоз пильной цепи не предупреждает отскоков. Это только снижает опасность телесного повреждения в случае соприкосновения пильной шины с телом оператора при возникновении отскока. Тормоз пильной цепи должен проверяться перед каждым использованием на предмет правильной работы в обоих положениях – рабочем положении и положении торможения.

### СБОРКА

#### ОСТОРОЖНО

Если любые части повреждены, или отсутствуют не использовать это изделие, пока части не заменены. Пренебрежение данным предупреждением может привести к тяжкому телесному повреждению.

### СБОРКА ПИЛЬНОЙ ЦЕПИ И ПИЛЬНОЙ ШИНЫ

См. стр. 234 - 235. См. стр. 244 - 245.

1. Отключите устройство от источника питания. Надевайте защитные перчатки
2. Отверните ручку фиксации пильной шины и снимите крышку цепного колеса.
3. Пильная цепь должна быть обращена в направлении вращения цепи. Если они смотрят в другую сторону, переверните пильную цепь.
4. Поместите звенья привода цепи в паз шины.
5. Наденьте всю цепь на шину.
6. Держите цепь в положении на шине и зацепите петель вокруг ведущего зубчатого барабана. Опустите шину, так чтобы болт вошел в отверстие модуля натяжения цепи. Вам может понадобится

вернуть этот модуль, поэтому болт и отверстие должны совмещены. Вы можете повернуть этот модуль повторно, чтобы придать некоторое натяжение цепи, что поможет поставить ее на место.

7. Установите крышку цепного колеса и поворачивайте ручку фиксации пильной шины по часовой стрелке, пока пильная цепь не будет почти полностью натянута, поверните кольцо регулировки натяжения цепи, пока пильная цепь не натянется должным образом. Затем необходимо толкнуть пильную шину вверх. Вновь проверьте натяжение цепи. Не натягивайте цепь слишком сильно.
8. Когда цепь будет холодно растянута, затяните маховик заново.

### РЕГУЛИРОВКА НАТЯЖЕНИЯ ЦЕПИ

См. стр. 235. См. стр. 246.

1. Слегка ослабьте ручку фиксации пильной шины, вращая ее против часовой стрелки.
2. Чтобы увеличить натяжение цепи, поворачивайте кольцо регулировки натяжного устройства цепи по часовой стрелке и часто проверяйте натяжение цепи. Чтобы уменьшить натяжение цепи, поворачивайте кольцо регулировки натяжного устройства цепи против часовой стрелки и часто проверяйте натяжение цепи.
3. Натяжение цепи правильное, если зазор между зубом цепи и шиной составляет 3-4 мм. Вытяните цепь вниз в середине нижней стороны шины (от шины) и измерьте расстояние между шиной и зубьями цепи.
4. Затяните ручку фиксации пильной шины, вращая ее по часовой стрелке.

### ЭКСПЛУАТАЦИЯ

#### СМАЗКА ЦЕПИ СМАЗОЧНЫМ МАСЛОМ

См. стр. 246.

#### ОСТОРОЖНО

Никогда не работайте без смазки цепи. При использовании цепи пилы без смазки пильная шина и цепь пилы могут получить повреждения. Поэтому важно регулярно проверять уровень масла по указателю уровня масла и каждый раз перед началом использования цепной пилы.

1. Протрите поверхность около масляного колпачка во избежание загрязнения.
2. Открутите и снимите крышку с масляного бака.
3. Залейте масло в масляный бак и проверьте указатель уровня масла. При заливке масла не допускайте попадания грязи в масляный бак.
4. Поставьте масляный колпачок на место и заверните его. Вытрите все подтеки.
5. Один полный масляный бак позволяет эксплуатировать пилу в течение 20-40 минут.





### Рекомендуемое смазочное масло цепи

- Производитель рекомендует использовать смазочное масло для цепной пилы только марки Ryobi. (Его можно получить в авторизованном сервисном центре Ryobi.)

### КАК ДЕРЖАТЬ ЦЕПНУЮ ПИЛУ

См. стр. 235.

Всегда держите пилу правой рукой за заднюю рукоятку, а левой рукой – за переднюю рукоятку. Обхватите обе рукоятки, используя большой и остальные пальцы рук. Большой палец левой руки, удерживающей переднюю рукоятку, должен располагаться снизу.

#### **⚠ ОСТОРОЖНО**

Никогда не работайте без смазки цепи. При использовании цепи пилы без смазки пыльная шина и цепь пилы могут получить повреждения. Поэтому важно регулярно проверять уровень масла по указателю уровня масла и каждый раз перед началом использования цепной пилы.

### ЗАПУСК ЦЕПНОЙ ПИЛЫ

См. стр. 235.

1. Подключите устройство к источнику питания. Потянув назад рычаг с защитным экраном, убедитесь, что цепной тормоз находится в рабочем положении.
2. Чтобы запустить устройство: Нажмите разблокировку рычажка, а затем нажмите рычажок Вкл/Выкл.

### ПРОВЕРКА И РАБОТА ЦЕПНОГО ТОРМОЗА

1. Включите тормоз пыльной цепи, вращая левую руку вокруг передней рукоятки. При быстром вращении цепи тыльной стороной кисти толкните рычаг тормоза пыльной цепи/устройство защиты рук к шине. Постоянно держите пилу обеими руками за обе рукоятки.
2. Верните тормоз пыльной цепи в рабочее положение, взявшись за верх рычага тормоза пыльной цепи/устройства защиты рук и потянув его к передней рукоятке до щелчка.

#### **⚠ ОСТОРОЖНО**

Всегда держите сетевой шнур аккуратно сложенным и вдали от зоны резки. Помимо опасности поражения электрическим током неаккуратно сложенный шнур может привести к падению и спотыканию.

### ТРАНСПОРТИРОВКА И ХРАНЕНИЕ

См. стр. 248 - 249.

- Остановите устройство, отключите его от источника питания и дайте ему остыть перед постановкой на хранение или транспортировкой.
- Очистите устройство от всех посторонних материалов. Храните его в прохладном, сухом,

хорошо проветриваемом и недоступном для детей месте. Не держите бензопилу рядом с коррозионными веществами, такими как садовые химикаты или размораживающая соль. Не храните на открытом воздухе.

- Перед хранением или транспортировкой пилы наденьте на пыльную шину крышку.
- Перед транспортировкой закрепите устройство, чтобы не допустить его перемещения или падения в целях обеспечения безопасности персонала или устройства.

### ТЕХНИЧЕСКОЕ ОБСЛУЖИВАНИЕ

#### **⚠ ОСТОРОЖНО**

Используйте только оригинальные запчасти, аксессуары и насадки от производителя. Невыполнение этого требования может привести к травме, к снижению производительности и к аннулированию гарантии.

#### **⚠ ОСТОРОЖНО**

Обслуживание требует чрезвычайной заботы и знания и должно быть выполнено только квалифицированным техником обслуживания. Для обслуживания мы предлагаем, чтобы вы возвратили изделие вашему самому близкому уполномоченному центру обслуживания для ремонта. При обслуживании использовать только идентичные сменные части.

#### **⚠ ОСТОРОЖНО**

Отключайте от источника питания перед регулировкой, обслуживанием или чисткой. Несоблюдение этого правила может привести к серьезным травмам.

- Вы можете также выполнить другие виды регулировки и ремонтные работы, описанные в данном руководстве. По вопросу ремонта обращайтесь в авторизованный сервисный центр.
- Следствием неправильного технического обслуживания может быть неверная работа тормоза пыльной цепи и других средств безопасности, что повышает опасность причинения тяжелых телесных повреждений. Поддерживайте цепную пилу в безопасном состоянии и выполняйте профессиональное техобслуживание.
- Безопасная отточка цепи - задача, требующая навыка. Таким образом, производитель строго рекомендует производить замену изношенной и тупой цепи на новую, которую можно получить в авторизованном сервисном центре Ryobi. Номер детали доступен в таблице спецификаций изделия в руководстве.
- Соблюдайте инструкции по смазке, проверке натяжения цепи и регулировке.



- После каждого использования протирайте изделие мягкой сухой тканью.
- Проверить все болты, задвижки, и винты, через короткие интервалы, на надлежащую плотность, чтобы убедиться, что изделие находится в безопасном, рабочем состоянии. В случае повреждения какой-либо детали необходимо обратиться в авторизованный сервисный центр для выполнения надлежащего ремонта или замены.

### ЗАМЕНА ПИЛЬНОЙ ШИНЫ И ЦЕПИ

См. стр. 244 - 245.

1. Отключите устройство от источника питания. Надевайте защитные перчатки.
2. Отверните ручку фиксации пильной шины, вращая ее против часовой стрелки, пока крышка цепного колеса не открепится.
3. Снимите крышку цепного колеса. Снимите шину и цепь с устройства.
4. Чтобы заменить шину на новую, ослабьте винт узла натяжения цепи. Соберите узел натяжения цепи на новой шине и затяните винт.
5. Поместите новую цепь на шину в правильном направлении и удостоверьтесь в том, что приводные звенья расположены в канавке шины.
6. Прикрепите шину к цепной пиле и наденьте цепь на ведущую звездочку.
7. Установите на место крышку цепного колеса, затяните крышку цепного колеса ручкой.
8. Регулировка натяжения цепи. См. раздел «Регулировка натяжения цепи».

#### ⚠ ОСТОРОЖНО

При плохой заточке цепи вырастает опасность отскока.

#### ⚠ ОСТОРОЖНО

Во избежание тяжелых травм заменяйте или ремонтируйте поврежденную пильную цепь.

#### ⚠ ОСТОРОЖНО

Цепь очень острая. При обслуживании цепи всегда пользуйтесь защитными перчатками.

### ОСМОТР И ОЧИСТКА ТОРМОЗА ПИЛЬНОЙ ЦЕПИ

См. стр. 247.

- Всегда содержите в чистоте механизм тормоза пильной цепи, бережно очищая соединения от грязи щеткой.
- После очистки всегда проверяйте работу тормоза пильной цепи. См. дополнительную информацию в разделе "Работа - Проверка и работа цепного тормоза" настоящего руководства.

### СПИСОК ОБСЛУЖИВАНИЯ

Ежедневная проверка

Шнур питания на предмет повреждения	Перед каждым использованием
Смазка Шины	Перед каждым использованием
Напряженность Цепи	Перед каждым использованием и регулярно
Острота Цепи	Перед каждым использованием, визуальная проверка
На поврежденные части	Перед каждым использованием
На свободные застёжки	Перед каждым использованием
Цепной тормоз	Перед каждым использованием
<b>Осмотр и Чистка</b>	
Шина	Перед каждым использованием
Целостность пилы	после каждого использования
Тормоз цепи	Каждые 5 часов*

\*Часы Действия

### УСЛОВНЫЕ ОБОЗНАЧЕНИЯ НА ПРОДУКТЕ



Внимание



Внимательно прочитайте все инструкции перед началом работы с продуктом, соблюдайте все предупреждения и инструкции по безопасности.



При работе пользуйтесь каской и средствами защиты слуха и очками, каской и зрения.



При работе с данным изделием надевайте нескользящую защитную обувь.



Надевайте нескользящие перчатки для работы в тяжелых условиях.



При повреждении или порезе кабеля питания или перед техническим обслуживанием отключите кабель питания от сетевой розетки.



Не забывайте о возможности отскока пильной цепи и не прикасайтесь к концу пильной шины.



Не подвергайте инструмент воздействию дождя и не используйте в условиях повышенной влажности.



Работайте бензопилой, держа ее обеими руками.



Не работайте бензопилой, держа ее одной рукой.



Настоящий инструмент отвечает всем официальным стандартам страны ЕС, в которой он был приобретен.



Соответствие требованиям GOST-R



Инструмент класса II, двойная изоляция



Отработанная электротехническая продукция должна уничтожаться вместе с бытовыми отходами. Утилизируйте, если имеется специальное техническое оборудование. По вопросам утилизации проконсультируйтесь с местным органом власти или предприятием розничной торговли.



Гарантируемый уровень звуковой мощности составляет 108 дБ. (RCS1935)



Гарантируемый уровень звуковой мощности составляет 107 дБ. (RCS2340)



Смазка пильной шины и цепи



Сцепить



Расцепить



Поверните для регулировки натяжения цепи +/-: Затяните/ослабьте цепь



Направление перемещения цепи Отмечено под целной шестерней

L max

Максимальная длина пильной шины

## ОБОЗНАЧЕНИЯ, ИСПОЛЬЗУЕМЫЕ В ДАННОМ РУКОВОДСТВЕ



Подключение к сетевой розетке



Отсоединение от сетевой розетки



Детали или принадлежности, приобретаемые отдельно



Отработанная электротехническая продукция должна уничтожаться вместе с бытовыми отходами. Утилизируйте, если имеется специальное техническое оборудование.



ПРИМЕЧАНИЕ:



ОСТОРОЖНО



Надевайте средства защиты глаз и лица.



Надевайте защитную одежду для верхней части тела.



Надевайте защитную обувь.



Остановите устройство.

Следующие сигнальные слова и значения предназначены, чтобы объяснить уровни риска, связанного с этим изделием.

### ⚠ ОПАСНО

Указывает неизбежно опасную ситуацию, которая, если не избежать, кончится смертельным или серьезным ущербом.

### ⚠ ОСТОРОЖНО

Указывает потенциально опасную ситуацию, которая, если не избежать, может кончиться смертельным или серьезным ущербом.

### ⚠ ПРЕДОСТЕРЕЖЕНИЕ

Указывает потенциально опасную ситуацию, которая, если не избежать, может кончиться малым или уменьшенным ущербом.

### ПРЕДОСТЕРЕЖЕНИЕ

Употребляется без предупреждающего знака

Указывает на ситуацию, которая может привести к повреждению имущества.



### ⚠ OSTRZEŻENIE

Podczas używania tego urządzenia należy przestrzegać odpowiednich zasad bezpieczeństwa. Aby zapewnić bezpieczeństwo sobie i osobom postronnym, przed przystąpieniem do użytkowania urządzenia należy zapoznać się z niniejszą instrukcją. Użytkownik powinien wziąć udział w profesjonalnie zorganizowanym kursie dotyczącym bezpiecznego użytkowania, działań zaradczych, pierwszej pomocy oraz konserwacji pilarki łańcuchowej. Niniejszą instrukcję należy przechowywać w bezpiecznym miejscu do późniejszego użytku.

### ⚠ OSTRZEŻENIE

Pilarki łańcuchowe są potencjalnie niebezpiecznymi narzędziami. Wypadki związane z użyciem pilarek łańcuchowych często skutkują utratą kończyn lub śmiercią. Nie tylko pilarka łańcuchowa jest niebezpieczna. Spadające konary i gałęzie, przewracające się drzewa lub staczające się kłody mogą stanowić śmiertelne niebezpieczeństwo. Spróchniałe drewno stanowi dodatkowe zagrożenie. Należy ocenić możliwość bezpiecznego wykonania zadania. W przypadku wątpliwości należy zwrócić się o pomoc do zawodowego drwala.

## OGÓLNE OSTRZEŻENIA DOTYCZĄCE BEZPIECZEŃSTWA

### ⚠ OSTRZEŻENIE

**Zapoznaj się ze wszystkimi zasadami bezpieczeństwa i instrukcjami.** Niezastosowanie się do ostrzeżeń i instrukcji może spowodować porażenie prądem, pożar oraz/lub poważne obrażenia ciała.

**Zachowajcie te ostrzeżenia i zalecenia, aby móc się do nich odnieść w późniejszym czasie.**

Termin "elektronarzędzia" stosowany w przedstawionych tu zasadach bezpieczeństwa odnosi się zarówno do urządzeń zasilanych z sieci energetycznej (przewodowych) jak i urządzeń zasilanych z akumulatora (bezprowadowych).

### OTOCZENIE ROBOCZE

- **Miejsce pracy musi być utrzymywane w czystości i dobrze oświetlone.** Obszary zaśmiecone lub niewystarczająco oświetlone mogą być przyczyną wypadku.
- **Nie wolno uruchamiać urządzeń elektrycznych w miejscach, gdzie grozi to wybuchem, na przykład w pobliżu łatwopalnych cieczy, gazów lub pyłów.** Urządzenia elektryczne mogą wytwarzać iskry, które mogą być przyczyną zapłonu pyłów lub oparów.
- **Podczas używania narzędzi elektrycznych należy utrzymywać osoby postronne i dzieci z dala od miejsca pracy.** Odwrócenie uwagi operatora może spowodować utratę kontroli nad urządzeniem.

## ZASADY BEZPIECZEŃSTWA DOTYCZĄCE OBSŁUGI URZĄDZEŃ ELEKTRYCZNYCH

- **Wtyczki zasilania elektronarzędzi muszą pasować do gniazd sieciowych. Nie wolno modyfikować wtyczek w żaden sposób. Nie wolno używać żadnych przejściówek do podłączania urządzeń posiadających przewód zasilania z uziemieniem.** Stosowanie oryginalnych wtyczek i dopasowanych gniazd sieciowych zmniejsza ryzyko porażenia prądem.
- **Unikać kontaktu ciała z powierzchniami uziemionymi lub podłączonymi do bieguna zerowego, np. rury, instalacje grzewcze i chłodnicze.** Kontakt ciała z masą lub uziemieniem zwiększa ryzyko porażenia prądem.
- **Nie narażać tego produktu na działanie deszczu lub wody.** Przedostanie się wody do wnętrza elektronarzędzia zwiększa ryzyko porażenia prądem.
- **Nie uszkodzić przewodu zasilania. Nie wolno używać przewodu zasilania do przenoszenia, ciągnięcia urządzenia lub jego odłączania z gniazda sieciowego. Przewody elektryczne trzymać z dala od źródeł ciepła, oleju, ostrych krawędzi lub ruchomych elementów.** Uszkodzony lub zaplątany przewód elektryczny zwiększa ryzyko porażenia prądem.
- **W przypadku używania urządzenia na zewnątrz, ewentualne przedłużacze muszą być do tego przystosowane.** Zastosowanie przedłużacza przystosowanego do warunków zewnętrznych zmniejsza ryzyko porażenia prądem.
- **Jeśli nie można uniknąć użytkowania urządzenia elektrycznego w warunkach wilgotnych, należy je zasilac z obwodu zabezpieczonego wyłącznikiem różnicowo-prądowym (RCD).** Zastosowanie takiego wyłącznika pozwala zmniejszyć ryzyko porażenia prądem elektrycznym.

## BEZPIECZEŃSTWO OSOBISTE

- **Zachowywać skupienie, uważnie obserwować wykonywane czynności, stosować zasady zdrowego rozsądku podczas obsługi urządzenia. Nie używać urządzeń elektrycznych w stanie zmęczenia lub będąc pod wpływem leków, alkoholu lub środków odurzających.** Moment nieuwagi podczas obsługi elektronarzędzia może być przyczyną poważnego zranienia.
- **Stosować środki ochrony osobistej. Zawsze nosić okulary ochronne.** Stosowanie takich środków ochrony osobistej jak maska przeciwpyłowa, obuwie antypoślizgowe, twarde nakrycie głowy, nauszники pozwoli zmniejszyć ryzyko zranienia.
- **Unikać możliwości przypadkowego uruchomienia urządzenia. Przed podłączeniem do zasilania/ założeniem akumulatora lub w celu jego podniesienia lub przeniesienia należy upewnić się, że wyłącznik zasilania znajduje się w położeniu wyłączonym.** Przenoszenie elektronarzędzia z palcem na wyłączniku lub podłączenie zasilania do urządzenia, w którym wyłącznik znajduje się w położeniu włączonym grozi wypadkiem.
- **Usunąć wszelkie narzędzia i klucze przed**





włączeniem zasilania. Uruchomienie elektronarzędzia z kluczem założonym na ruchomym elemencie grozi poważnym wypadkiem.

- **Nie sięgać zbyt daleko. Należy cały czas pewnie opierać stopy i utrzymywać równowagę.** Zapewni to lepsze panowanie nad urządzeniem w nieprzewidzianych sytuacjach.
- **Należy zakładać odpowiednią odzież ochronną. Nie zakładać luźnego ubioru ani biżuterii. Trzymać włosy, ubranie i okulary z dala od ruchomych elementów.** Mogą być one wciągnięte przez ruchome części urządzenia.
- **Jeśli używane urządzenie posiada przyłącznie do wyciągu i gromadzenia kurzu, należy go używać w odpowiedni sposób.** Stosowanie metod usuwania pyłu zmniejsza zagrożenie związane z jego gromadzeniem.

## UŻYTKOWANIE I KONSERWACJA URZĄDZEŃ ELEKTRYCZNYCH

- **Nie przeciążać urządzenia. Używać odpowiedniego narzędzia do odpowiedniego rodzaju prac.** Najlepsze efekty pracy, przy zachowaniu pełnego bezpieczeństwa, zapewni używanie urządzeń w zakresie parametrów znamionowych i stosownie do ich przeznaczenia.
- **Nie używać tego urządzenia, jeśli wyłącznik nie pracuje poprawnie.** Używanie elektronarzędzia bez sprawnego wyłącznika jest zbyt niebezpieczne - należy oddać je do naprawy.
- **Przed przystąpieniem do regulacji, wymiany akcesoriów lub przed odłożeniem elektronarzędzia w miejsce przechowywania należy wyjąć wtyczkę z gniazda sieciowego lub wyjąć akumulator.** Tego rodzaju środki zapobiegawcze pozwolą zmniejszyć ryzyko przypadkowego uruchomienia elektronarzędzia.
- **Nieużywane urządzenia należy przechowywać poza zasięgiem dzieci. Nie wolno zezwalać osobom nie obeznanym z obsługą urządzeń elektrycznych na ich używanie.** Urządzenia elektryczne mogą być niebezpieczne w rękach osób nieposiadających odpowiedniego przygotowania.
- **Urządzenia elektryczne wymagają konserwacji. Należy sprawdzać wyrównanie elementów ruchomych, sprawdzać, czy nie ma jakichkolwiek uszkodzeń, uwzględnić wszelkie aspekty mające wpływ na bezpieczną pracę urządzenia. W przypadku stwierdzenia uszkodzeń, oddać urządzenie do naprawy.** Wiele wypadków spowodowane jest używaniem urządzeń w niewłaściwym stanie technicznym.
- **Elementy tnące muszą być ostre i czyste.** Odpowiednio ostre krawędzie tnące ułatwią prowadzenie urządzenia i są bardziej odporne na uszkodzenie.
- **Wszelkie urządzenia, przystawki, akcesoria itp. należy używać zgodnie z dołączonymi instrukcjami obsługi, z uwzględnieniem warunków i charakteru wykonywanej pracy.** Używanie narzędzi w sposób niezgodny z ich przeznaczeniem grozi poważnym niebezpieczeństwem.

## KONSERWACJA

- **Urządzenie elektryczne powinno być naprawiane przez wykwalifikowany personel, z zastosowaniem identycznych części zamiennych.** Dzięki temu zapewnione będzie bezpieczeństwo użytkownika urządzenia.

## DODATKOWE OGÓLNE OSTRZEŻENIA DOTYCZĄCE BEZPIECZEŃSTWA

- W niektórych regionach obowiązują przepisy ograniczające używanie produktu. Informacja na ten temat można uzyskać w lokalnych urzędach.
- Nie wolno zezwalać ani dzieciom, ani osobom dorosłym nie zaznajomionym z tym podręcznikiem na obsługę tego produktu. Przepisy lokalne mogą ograniczać dopuszczalny wiek operatora.
- Przed użyciem należy sprawdzić, czy wszystkie przyrządy sterowania oraz zabezpieczenia działają prawidłowo. Nie należy używać elektronarzędzia, jeśli wyłącznik („off”) nie umożliwia wyłączenia silnika.
- Podczas obsługi produktu należy nosić pełne zabezpieczenie oczu i uszu, grube, wytrzymałe rękawice, jak również zabezpieczenie głowy. W przypadku pracy w zapyłonym miejscu należy nosić maskę oddechową.
- Nie należy nosić luźnego ubrania, krótkich spodenek ani żadnej biżuterii.
- Długie włosy należy zabezpieczyć w taki sposób, aby znajdowały się powyżej poziomu ramion, co pozwoli uniknąć ryzyka ich zaplątania w ruchome elementy urządzenia.
- Należy zwrócić uwagę na odrzucane, latające lub spadające obiekty. Trzymać wszystkie osoby postronne (szczególnie dzieci i zwierzęta) w odległości przynajmniej 15 m od miejsca pracy.
- Nie pracować w słabym oświetleniu. Operator musi dobrze widzieć miejsce pracy, aby móc zidentyfikować potencjalne zagrożenia.
- Stosowanie środków ochrony słuchu zmniejsza słyszalność ostrzeżeń (alarmów, okrzyków). Należy zwracać większą uwagę na to, co dzieje się w miejscu pracy.
- Praca podobnych narzędzi w pobliżu zwiększa ryzyko urazu słuchu oraz wtargnięcia innej osoby na miejsce pracy.
- Stać stabilnie, zachowując równowagę. Nie sięgać zbyt daleko. Nadmierne wychylenie się może spowodować utratę równowagi i zwiększa ryzyko odskoku.
- Wszystkie kończyny należy trzymać z dala od ruchomych elementów urządzenia.
- Sprawdzić stan techniczny urządzenia przed każdym użyciem. Należy sprawdzić, czy wszystkie przyrządy urządzenia, w tym hamulec łańcucha, działają prawidłowo. Sprawdzić, czy wszystkie mocowania są dobrze dokręcone. Upewnić się, że wszystkie elementy zabezpieczające, osłony i uchwyty są prawidłowo i bezpiecznie zamocowane. Wymienić wszystkie uszkodzone elementy przed rozpoczęciem użytkowania.
- Nie należy modyfikować maszyny w żaden sposób



ani używać części i akcesoriów, które nie są zalecane przez producenta.

- Jeśli konieczne jest użycie przedłużacza, należy upewnić się, że nadaje się on do stosowania na zewnątrz pomieszczeń oraz że ma parametry (moc podłączonych urządzeń) umożliwiające podłączenie danego urządzenia. Przed każdym użyciem należy sprawdzić, czy przedłużacz nie jest uszkodzony i zawsze należy odwijać przewód podczas użycia, ponieważ zwinięte przewody mogą się przegrzewać.
- Impuls elektryczny powoduje wahania napięcia i może wpływać na pracę innych urządzeń elektrycznych podłączonych do tej samej linii zasilającej. Podłącz produkt do źródła zasilania o impedancji równej lub mniejszej niż 0.372Ω - RCS1935, 0.277Ω - RCS2340, aby ograniczyć wahania napięcia. Skontaktuj się z dostawcą energii elektrycznej, aby uzyskać szczegółowe informacje.

#### **⚠ OSTRZEŻENIE**

W przypadku upuszczenia maszyny, narażenia jej na silne uderzenie lub w przypadku wystąpienia nietypowych wibracji należy natychmiast zatrzymać maszynę i sprawdzić, czy nie ma oznak uszkodzenia lub ustalić przyczynę wibracji. Wszelkie uszkodzone części muszą być odpowiednio naprawione lub wymienione w autoryzowanym punkcie serwisowym.

#### **OSTRZEŻENIA BEZPIECZEŃSTWA DOTYCZĄCE PILARKI ŁAŃCUCHOWEJ**

- Nie wolno zbliżać żadnych części ciała do łańcucha tnącego, gdy łańcuch jest w ruchu. Przed uruchomieniem pilarki łańcuchowej należy upewnić się, że pilarka łańcuchowa nie styła się z żadnym przedmiotem. Chwila nieuwagi podczas obsługi pilarki łańcuchowej może spowodować wplątanie odzieży lub kontakt łańcucha tnącego z częścią ciała.
- Pilarkę łańcuchową zawsze należy trzymać w taki sposób, aby prawa ręka spoczywała na tylnym uchwycie a lewa ręka na przednim uchwycie. Trzymanie pilarki łańcuchowej z odwrotnym ustawieniem rąk zwiększa ryzyko obrażeń ciała i nigdy nie wolno trzymać pilarki w ten sposób.
- Elektronarzędzie należy trzymać wyłącznie za powierzchnie uchwytów, ponieważ pilarka łańcuchowa może uszkodzić ukrytą instalację elektryczną pod napięciem lub własnym przewodem. Zetknięcie pilarki z przewodem pod napięciem spowoduje, że wszystkie metalowe części elektronarzędzia będą również pod napięciem, co w rezultacie spowoduje porażenie operatora prądem elektrycznym.
- Należy nosić okulary ochronne i środki ochrony słuchu. Zalecamy stosowanie innych środków ochrony głowy, rąk, nóg oraz stóp. Odpowiednia odzież robocza ograniczy ryzyko obrażeń ciała na skutek odrzucanych obiektów lub przypadkowego kontaktu z łańcuchem pilarki.
- Nie używać pilarki łańcuchowej na drzewie. Obsługa

pilarki łańcuchowej na drzewie może spowodować obrażenia ciała.

- **Zawsze należy zapewnić odpowiednie oparcie dla nóg. Pilarkę łańcuchową można obsługiwać wyłącznie stojąc na stałej, stabilnej i równej powierzchni.** Śliskie lub niestabilne powierzchnie, takie jak drabiny mogą spowodować utratę równowagi lub kontroli nad pilarką łańcuchową.
- **Należy zachować ostrożność w przypadku przecinania naprężonej gałęzi, ponieważ występuje ryzyko odskoczenia gałęzi.** Gdy naprężenie włókien drewna zostanie zwolnione, gałąź może odskoczyć i uderzyć operatora oraz/lub spowodować utratę kontroli nad pilarką łańcuchową.
- **Należy zachować szczególną ostrożność podczas cięcia krzaków i młodych drzew.** Wiotki materiał może być pochwycony przez łańcuch pilarki, przyciągnięty do operatora lub operator może stracić równowagę.
- **Pilarkę łańcuchową należy trzymać za przedni uchwyt, gdy pilarka jest wyłączona i znajduje się z dala od ciała. W przypadku transportu lub przechowywania pilarki łańcuchowej zawsze należy zakładać osłonę prowadnicy.** Prawidłowa obsługa pilarki łańcuchowej ograniczy prawdopodobieństwo przypadkowego kontaktu z pracującym łańcuchem pilarki.
- **Należy postępować zgodnie z instrukcjami dotyczącymi smarowania, napinania łańcucha i wymiany akcesoriów.** Nieprawidłowo napięty lub nienasmarowany łańcuch może pęknąć lub zwiększyć ryzyko odbicia piły.
- **Uchwytę utrzymywać w czystości, muszą być zawsze suche, wolne od oleju i smarów.** Śliskie, zaolejone lub zabrudzone smarem uchwyty grożą utratą kontroli.
- **Należy ciąć wyłącznie drewno. Pilarkę łańcuchową należy używać wyłącznie zgodnie z jej przeznaczeniem. Na przykład nie należy używać pilarki łańcuchowej do cięcia plastiku, muru ani materiałów budowlanych innych niż drewniane.** Stosowanie pilarki łańcuchowej do prac niezgodnych z jej przeznaczeniem może doprowadzić do niebezpiecznych sytuacji.

#### **Przyczyny odskoku i środki zaradcze:**

Może dojść do odrzutu (odboju) jeżeli czubek prowadnicy łańcucha wchodzi w kontakt z przedmiotem lub gdy łańcuch tnący zaklinuje się czy zablokuje w drewnie podczas piłowania.

Koniec prowadnicy w niektórych przypadkach może wywoływać gwałtowne szarpnięcia i odepchnięcie prowadnicy w kierunku operatora.

Zakleszczenie łańcucha piły na wysokości górnej krawędzi prowadnicy może spowodować gwałtowne odepchnięcie prowadnicy w stronę operatora.

W każdym przypadku, możecie utracić kontrolę nad piłą łańcuchową i poważnie się zranić. Nie wolno polegać jedynie na elementach zabezpieczających waszej piły łańcuchowej. W celu uniknięcia ryzyka wypadków czy zranienia powinniście podjąć różne środki bezpieczeństwa.



Odskok ma miejsce w rezultacie nieprawidłowego użycia oraz/lub niewłaściwych procedur roboczych lub warunków i można go uniknąć, stosując się do poniższych środków ostrożności:

- **Należy trzymać urządzenie w pewny sposób, tak aby kciuki i palce obejmowały uchwyty pilarki łańcuchowej, obie ręce znajdowały się na pilarcie oraz aby pozycja ciała i ramion była odpowiednia, aby oprzeć się odskokowi.** Siły odskoku mogą być kontrolowane przez operatora, jeśli zostaną zastosowane odpowiednie środki zaradcze. Nie wolno utracić kontroli nad pilarką łańcuchową.
- **Nie należy zbyt mocno wychylać się ani ciąć powyżej wysokości ramion.** Pomoże to wyeliminować niezamierzony kontakt końcówki i zapewni lepszą kontrolę nad pilarką łańcuchową w niespodziewanych sytuacjach.
- **Należy wyłącznie stosować prowadnice i łańcuchy określone przez producenta.** Nieprawidłowe zamienne prowadnice i łańcuchy mogą spowodować pęknięcie łańcucha oraz/lub odskok.
- **Przy ostrzeniu i konserwacji łańcucha należy przestrzegać zaleceń producenta.** Zmniejszenie wysokości głębokościomierza może zwiększyć siłę odskoku.

#### **DODATKOWE OSTRZEŻENIA BEZPIECZEŃSTWA DOTYCZĄCE PILARKI ŁAŃCUCHOWEJ**

- Zalecamy ciąć kłody na koźle w przypadku pierwszej obsługi produktu.
- Należy dopilnować, aby wszystkie osłony, uchwyty oraz oporowy zderzak zębaty było odpowiednio zamontowane i znajdowały się w dobrym stanie.
- Osoby używające pilarki łańcuchowej powinny być w dobrej kondycji zdrowotnej. Pilarka łańcuchowa jest ciężkim urządzeniem i w związku z tym operator powinien znajdować się w dobrej kondycji fizycznej. Operator powinien być czujny, skupiony, mieć dobrą widoczność, swobodę ruchu, zachowywać równowagę oraz manualną zręczność. W przypadku wątpliwości nie należy używać pilarki łańcuchowej.
- Nie należy rozpoczynać używania produktu zanim obszar pracy nie będzie dobrze przygotowany, operator zajmie pewną pozycję oraz określi drogę ewakuacji w przypadku spadającego drzewa.
- Należy uważać na emisję mgiełki środka smarnego oraz pyłu drzewnego. Należy nosić maskę lub respirator, jeśli jest to wymagane.
- Urządzenie powinno być zasilane przez wyłącznik różnicowo-prądowy (RCD), o prądzie zadziałania nie większym niż 30 mA.
- Jeśli dojdzie do uszkodzenia kabla zasilającego, maszynę należy zwrócić do autoryzowanego punktu serwisowego w celu przeprowadzenia naprawy lub wymiany.
- Kabel zasilający zawsze musi być w dobrym stanie i musi znajdować się poza obszarem cięcia. Zaniedbane kable zwiększają ryzyko śmiertelnego porażenia prądem elektrycznym, jak również stanowią ryzyko potknięcia lub przewrócenia.

- Nie należy przecinać winorośli oraz/lub niewielkich roślin (o średnicy poniżej 75 mm).
- Piłę łańcuchową podczas pracy zawsze należy trzymać obiema rękami. Należy mocno trzymać piłę łańcuchową, palce powinny być wokół uchwytów. Prawa ręka musi znajdować się na tylnym uchwycie, a lewa ręka na przednim uchwycie.
- Przed uruchomieniem narzędzia należy upewnić się, że łańcuch pilarki nie dotyka żadnego obiektu.
- Nie należy modyfikować narzędzia w żaden sposób ani używać go do napędzania innych urządzeń, które nie są zalecane przez producenta jako współpracujące z pilarką.
- W pobliżu operatora powinien znajdować się zestaw pierwszej pomocy zawierający duże opatrunki oraz przyrząd do wzywania pomocy (np. gwizdek). Większy, lepiej wyposażony zestaw powinien znajdować się w bliskim sąsiedztwie.
- Operator może mieć pokusę zdjęcia kasku, jeśli nie ma ryzyka spadających obiektów w miejscu pracy, ale należy pamiętać, że kask, a w szczególności z siatkową osłoną, może ograniczyć ryzyko obrażeń twarzy i głowy w przypadku odskoku.
- Nieprawidłowo napięty łańcuch może ześlizgnąć się z prowadnicy i może spowodować poważne obrażenia lub śmierć. Długość łańcucha zależy od temperatury. Należy regularnie sprawdzać napięcie łańcucha.
- Należy zaznajomić się z obsługą nowej pilarki łańcuchowej, wykonując proste cięcia na odpowiednio zabezpieczonym drewnie. Należy to zrobić w przypadku, gdy operator przez jakiś czas nie używał pilarki.
- Aby ograniczyć ryzyko obrażeń ciała związanych z kontaktem z ruchomymi częściami, zawsze należy zatrzymać silnik, włączyć hamulec łańcucha, odłączyć z gniazda zasilania i sprawdzić, czy wszystkie ruchome części zatrzymały się przed wykonaniem następujących czynności:
  - czyszczenie lub usuwanie blokady
  - pozostawianie produktu bez nadzoru
  - montaż lub demontaż osprzętu
  - sprawdzanie, konserwacja lub obsługa maszyny
- Powierzchnia strefy roboczej zależy tak samo od rodzaju pracy do wykonania jak i od rozmiaru drzewa czy przedmiotu do obróbki. Np. ścięcie drzewa wymaga większego obszaru pracy niż wykonywanie innych cięć, takich jak przeryzanie itp. Operator musi być świadomy oraz musi kontrolować wszystko, co dzieje się na obszarze pracy.
- Nie należy ciąć, znajdując się w jednej linii z prowadnicą i łańcuchem. W przypadku odskoku pomoże to uniknąć kontaktu głowy lub ciała z łańcuchem.
- Nie należy wykonywać ruchów piłowania do przodu/ do tyłu. Piłowanie musi odbywać się za pomocą ruchu łańcucha. Łańcuch musi być ostry i nie można dociskać łańcucha do przecięcia.
- Pod koniec cięcia nie naciskajcie na piłę łańcuchową. Należy przygotować się do przejścia ciężaru pilarki, gdy przetnie ona drewno. W przeciwnym razie może dojść do poważnych obrażeń ciała.





- Nie należy zatrzymywać pilarki w połowie cięcia. Piła musi pracować aż do wyjęcia z wrąbu.

### Ciąg i naciąg

Siła ciągu (nacisku) przejawia się zawsze w kierunku przeciwnym do ruchu łańcucha. W ten sposób operator musi być gotowy do kontrolowania tendencji odciągnięcia przez maszynę (ruch do przodu) przy cięciu dolnej krawędzi belki i dociągania (w stronę operatora) przy cięciu górnej krawędzi.

### Piła zablokowana we wrąbie.

Zatrzymać pilarkę łańcuchową w bezpieczny sposób. Nie próbować wyjmować na siłę łańcucha i prowadnicy z wrąbu, ponieważ może to spowodować pęknięcie łańcucha i w rezultacie odskoczenie i uderzenie łańcuchem operatora. Ta sytuacja z reguły ma miejsce przypadku, gdy drewno jest nieprawidłowo podparte i oddziałuje siła zamykania wrąbu, powodując zaklinowanie ostrza. Jeśli poprawienie podparcia nie pozwoli odblokować prowadnicy i łańcucha, należy użyć drewnianych klinów lub zastosować dźwignię w celu zwolnienia pilarki. Nigdy nie wolno usiłować uruchamiać pilarki łańcuchowej, gdy prowadnica znajduje się we wrąbie lub szczelinie.

### Środki ochrony osobistej

Dobrej jakości środki ochrony osobistej stosowane przez zawodowców pomogą ograniczyć ryzyko obrażeń ciała u operatora. W przypadku obsługi pilarki łańcuchowej powinny być używane następujące elementy:

#### Kask ochronny

- powinien być zgodny z normą EN 397 i mieć oznaczenie CE

#### Środki ochrony słuchu

- powinien być zgodny z normą EN 352-1 i mieć oznaczenie CE

#### Ochrona oczu i twarzy

- powinny mieć oznaczenie CE oraz być zgodne z normą EN 166 (dot. okularów ochronnych) lub EN 1731 (siatkowa osłona)

#### Rękawice

- powinien być zgodny z normą EN 381-7 i mieć oznaczenie CE

#### Ochrona nóg (pęknięcia)

- powinna być zgodna z normą EN 381 -5, mieć oznaczenie CE oraz zapewniać całościową ochronę.

#### Buty ochronne do pracy z pilarką łańcuchową

- powinny być zgodne z normą EN ISO 20345:2004 i być oznaczone symbolem przydatności do użytkowania z pilarką łańcuchową, zgodnie z normą EN 381-3. (Sporadyczni użytkownicy mogą używać butów ochronnych z metalową wkładką ochronną oraz ochronnymi mieszkaniami zgodnymi z normą EN 381-9, jeśli podłoże jest równe i występuje niewielkie ryzyko przewrócenia się lub zaplątania się w roślinność)

#### Kurtki przeznaczone do obsługi pilarki łańcuchowej zapewniające ochronę górnej części ciała

- powinien być zgodny z normą EN 381-11 i mieć oznaczenie CE

## INSTRUKCJE DOTYCZĄCE PRAWIDŁOWYCH TECHNIK PODSTAWOWEGO WYRĄBU, OKRZESYWANIA ORAZ CIĘCIA POPRZECZNEGO

### Zrozumienie sił oddziałujących w przypadku drewna

Gdy użytkownik zrozumie naciski i naprężenia kierunkowe występujące wewnątrz drewna, będzie mógł ograniczyć częstość zakleszczenia narzędzia lub przynajmniej będzie w stanie przygotować się na nie podczas cięcia. Naprężenie drewna oznacza, że włókna rozciągają się i wycięcie wrębu lub szczeliny w tym miejscu ma tendencję do rozchylania się w miarę zagłębiania piły. Jeśli kłoda opiera się na koźle i końcówka zwisa bez podparcia, wtedy występuje naprężenie górnej powierzchni na skutek ciężaru fragmentu zwisającej kłody, powodując rozciąganie włókien. W ten sam sposób spodnia część kłody będzie ściskana i włókna będą ze sobą ściskane. Jeśli cięcie wykonywane jest w tym obszarze, wrąb będzie miał tendencję do zamykania się podczas cięcia. Spowoduje to zakleszczenie ostrza.

### Wyraub drzewa

*Patrz str. 239 - 240.*

Przy przeryzaniu i wyrąbie przeprowadzanym jednocześnie przez dwie lub więcej osób, operacje wyrębu powinny być oddzielone od operacji ogławiania odległością stanowiącą przynajmniej dwukrotność wysokości ścinanego drzewa. Drzew nie wolno ścinać w sposób, który może stanowić zagrożenie wobec jakiegokolwiek osoby, może dojść do zetknięcia z linią energetyczną lub do uszkodzenia mienia. Jeśli drzewo zetknie się z linią energetyczną, trzeba natychmiast powiadomić stosowne służby.

Jeżeli teren jest spadkowy, pozostanie na górze terenu, gdyż ścięte drzewo mogłoby się stoczyć czy ześliznąć na dół stoku.

Przed rozpoczęciem cięcia należy zaplanować i odpowiednio przygotować drogę ewakuacji. Droga ewakuacji powinna rozciągać się do tyłu i ukośnie do tyłu przewidywanej linii upadku drzewa.

Przed rozpoczęciem ścinania należy uwzględnić naturalne pochylenie drzewa, rozmieszczenie większych konarów oraz kierunek wiatru, aby ustalić kierunek przewrócenia się drzewa.

Należy usunąć z drzewa zanieczyszczenia, luźną korę, gwoździe, klamry oraz drut.

Nie należy ścinać drzew, które są spróchniałe lub zostały uszkodzone przez wiatr, pożar, uderzenie pioruna itp. Jest to bardzo niebezpieczne i powinno być wykonane przez zawodowego drwala.

#### ■ Rzaz podcinający

*Patrz str. 239 - 240.*

Należy wykonać wycięcie o średnicy 1/3 drzewa, prostopadle do kierunku upadku drzewa. Najpierw należy wykonać niższe poziome cięcie. Pomoże to uniknąć zakleszczenia łańcucha pilarki lub prowadnicy podczas wykonywania drugiego cięcia.

#### ■ Rzaz ścinający

*Patrz str. 239 - 240.*

Rzaz ścinający należy wykonać przynajmniej 50 mm powyżej poziomego rzazu podcinającego. Rzaz





ścinający należy wykonać równoległe do poziomego rzazu podcinającego. Rzasz ścinający należy wykonać w taki sposób, aby pozostawić wystarczająco dużo drewna, które będzie pełnił funkcję zawiasu. Zadaniem zawiasu jest uniemożliwienie przekręcenia się drzewa i spadnięcia w nieprawidłowym kierunku. Nie należy przecinać zawiasu.

Gdy rzasz zbliży się do zawiasu, drzewo powinno zacząć się przewracać. Jeśli występuje jakiegokolwiek ryzyko, że drzewo może przewrócić się w niezamierzonym kierunku lub odchylić się do tyłu i zakleszczyć pilarkę łańcuchową, należy przerwać cięcie przed zakończeniem cięcia i użyć klinów z drewna, tworzywa sztucznego lub aluminium, aby otworzyć rzasz i powalić drzewo w odpowiednim kierunku.

Gdy drzewo zacznie się przewracać, należy wyjąć pilarkę łańcuchową z rzazu, wyłączyć silnik, odłożyć pilarkę łańcuchową i wycofać się zaplanowaną drogą ewakuacji. Należy zwrócić uwagę na spadające konary oraz na przeszkody leżące na ziemi.

### Cięcie głównych korzeni

*Patrz str. 240.*

Główny korzeń, to gruby korzeń wychodzący z pnia aż do ziemi. Należy ścinać grube korzenie przed przystąpieniem do ścinania drzewa. Wykonajcie najpierw poziome nacięcie w głównym korzeniu, a następnie nacięcie pionowe. Usunąć w ten sposób odciętą część ze strefy roboczej. Przystąpcie do ścinania drzewa po zdjęciu głównych korzeni.

### Przerzynanie kłody

*Patrz str. 241.*

Przerzynanie to cięcie kłody na odcinki. Ważne jest pewne oparcie na obu nogach oraz odpowiednie rozłożenie ciężaru ciała. Gdy jest to możliwe, kłoda powinna być podniesiona i podparta przy użyciu konarów, kłód lub klocków. Należy postępować zgodnie z prostymi wskazówkami w zakresie cięcia. Gdy kłoda jest podparta na całej długości, jest ona cięża od góry (overbuck).

Gdy kłoda jest podparta na jednym końcu, należy przeciąć 1/3 średnicy od spodu (underbuck). Następnie należy wykonać cięcie kończące, przecinając, aby zejść się z pierwszym cięciem.

Gdy kłoda jest podparta na obu końcach, należy przeciąć 1/3 średnicy od góry (overbuck). Następnie należy wykonać cięcie kończące, przecinając dolne 2/3, aby zejść się z pierwszym cięciem.

W przypadku przecinania na wzniesieniu zawsze należy stać powyżej kłody. W przypadku przecinania, aby zachować pełną kontrolę, należy zwolnić nacisk przy cięciu w pobliżu końca rzazu, bez luzowania chwytu na uchwytach pilarki łańcuchowej. Łańcuch nie może mieć kontaktu z ziemią. Po wykonaniu cięcia należy odczekać aż pilarka łańcuchowa zatrzyma się. Dopiero wtedy można przenieść pilarkę. Przechodząc od drzewa do drzewa, zawsze należy wyłączać silnik.

### Okresywanie drzewa

*Patrz str. 242.*

Okresywanie to usuwanie gałęzi zwalonego drzewa. W przypadku okresywania należy pozostawić większe

dolne konary, aby unieść kłodę nad ziemią. Małe konary należy usunąć jednym cięciem. Naprężone gałęzie należy odcinać od dołu, aby nie dopuścić do zakleszczenia pilarki łańcuchowej.

### Cięcie sprężystych gałęzi

*Patrz str. 242.*

Różga jest gałązką, pniakiem wyrwanym z korzeniami, lub drzewkiem które jest zgięte pod innym kawałkiem drewna, tak że rozpręża się ono gwałtownie, kiedy trnie się lub zdejmuje kawałek drewna, który je przytrzymywał.

Pniak wyrwany z korzeniami obalonego drzewa również grozi rozprężeniem się i powrotem do pozycji pionowej podczas wykonywania odcinania tego pniaka od pnia. Uwaga na różgki, są one niebezpieczne.

### ⚠ OSTRZEŻENIE

Różgi są niebezpieczne, gdyż mogą was uderzyć co może doprowadzić do utraty kontroli nad piłą łańcuchową. I spowodować ciężkie a nawet śmiertelne obrażenia. Powinni to wykonywać przeszkoleni użytkownicy.

### PRZEZNACZENIE

Produkt jest przeznaczony do użytku wyłącznie na zewnątrz pomieszczeń. Ze względów bezpieczeństwa produkt musi być odpowiednio kontrolowany – należy przez cały czas trzymać go obiema rękoma.

Produkt jest przeznaczony do cięcia gałęzi, pni, kłód i belek o średnicy określonej przez długość cięcia prowadnicy. Może być używana wyłącznie do cięcia drewna. Produkt może być używany wyłącznie do zastosowań domowych przez osoby dorosłe, które zostały odpowiednio przeszkolenie w zakresie zagrożeń i środków/działań zaradczych, które należy podjąć w trakcie używania urządzenia.

Nie wolno używać produktu do jakiegokolwiek celu, który nie jest wyszczególniony powyżej. Produkt nie jest przeznaczony do zawodowej ścinki drzewa. Produkt nie może być używany przez dzieci lub osoby, które nie noszą odpowiednich środków ochrony osobistej oraz odzieży ochronnej.

### RYZYKO ZWIĄZANE Z UŻYTKOWANIEM:

Nawet jeśli urządzenie jest używane zgodnie z zaleceniami, nadal nie jest możliwe wyeliminowanie określonych czynników ryzyka. Następujące zagrożenia mogą wystąpić podczas używania urządzenia i operator powinien zwracać szczególną uwagę na poniższe punkty:

- Urazy ciała spowodowane przez wibracje. Zawsze należy używać do określonego zadania odpowiednich narzędzi, korzystać z przeznaczonych do tego uchwytów i stosować się do zaleceń dotyczących czasu pracy i narażenia.
- Narażenie na hałas może spowodować utratę słuchu. Należy nosić środki ochrony uszu oraz ograniczyć poziom narażenia
- Kontakt z odsłoniętymi zębami piły łańcuchowej (ryzyko przecięcia).



- Niespodziewane i gwałtowne szarpnięcie lub odrzut prowadnicy (ryzyko przecięcia).
- Części wyrzucone z pilarki łańcuchowej (zagrożenie zranienia).
- Odrzucone kawałki obrabianego materiału (drzazgi, wióry)
- Wdychanie pyłu drzewnego i cząstek stałych.
- Kontakt środka smarnego/oleju ze skórą.

## OGRANICZENIE RYZYKA

Badania dowodzą, że wibracje powodowane przez narzędzia ręczne mogą wywoływać u niektórych osób objawy syndromu Raynauda. Typowe objawy to mrowienie, drętwienie i blednięcie palców, widoczne zwykle po wystawieniu na działanie zimna. Uważa się, że czynniki dziedziczne, wystawienie na działanie zimna i wilgoci, dieta, palenie papierosów i przyjęte zwyczaje przyczyniają się do rozwoju tych objawów. Istnieją środki zaradcze, które może podjąć operator narzędzia, aby zmniejszyć efekt wibracji:

- Zadbaj o niskich temperaturach o ciepłotę własnego ciała, zakładając odpowiednie ubranie. Podczas obsługi urządzenia należy nosić rękawice, aby dłonie i nadgarstki były ciepłe. Wiadomo, że niskie temperatury są główną przyczyną powstawania objawu Raynauda.
- Podczas przerw w pracy należy wykonywać ćwiczenia poprawiające krążenie krwi..
- Podczas pracy robić częste przerwy. Ograniczyć ekspozycję w ciągu dnia.
- Rękawice ochronne, które są dostępne u wyspecjalizowanych sprzedawców pił łańcuchowych, są przeznaczone specjalnie do obsługi pilarki łańcuchowej i zapewniają ochronę, pewny chwyt oraz ograniczają efekt wibracji uchwytu. Rękawice te powinny być zgodne z normą EN 381-7 i mieć oznaczenie CE.

W razie doświadczenia dowolnego z wymienionych objawów, należy niezwłocznie zaprzestać użytkowania tego urządzenia i skontaktować się z lekarzem.

## ⚠ OSTRZEŻENIE

Długotrwałe użytkowanie narzędzia może spowodować obrażenia ciała lub nasilić dolegliwości zdrowotne. W przypadku używania narzędzia przed dłuższy czas należy pamiętać o regularnych przerwach.

## ZAPOZNAJ SIĘ ZE SWOIM PRODUKTEM

Patrz str. 233.

1. Łańcuch tnący
2. Prowadnica łańcucha
3. Przednia osłona ręki/hamulec łańcucha
4. Przedni uchwyt
5. Przycisk odblokowania spustu-włącznika
6. Tylny uchwyt
7. Kolec oporowy
8. Korek zbiornika oleju
9. Uchwyt przewodu
10. Przelącznik Wł-Wył

11. Deflektor odłamków drewna
12. Pokrętko deflektora odłamków drewna
13. Osłona koła łańcuchowego
14. Pierścień regulacji napinacza łańcucha
15. Pokrętko blokujące prowadnicę
16. Osłona prowadnicy
17. Korek wlewu paliwa

## ELEMENTY ZABEZPIEZAJĄCE

### Łańcuch o słabej skłonności do odrzutu

Łańcuch odznaczający się dobrą odpornością na odskok pomaga ograniczyć ryzyko odskoku.

Ograniczniki głębokości znajdujące się z przodu każdego zęba mogą ograniczyć siłę efektu odrzutu unikając zbytniego zagłębienia się zębów w strefę odrzutu (odboju). Należy stosować wyłącznie kombinacje prowadnic i łańcuchów zalecanych przez producenta.

Zalecamy zdwojenie uwagi po naostrzeniu łańcucha waszej piły, gdyż ostrzenie czyni łańcuch mniej odpornym na odrzut. Ze względów bezpieczeństwa łańcuch pilarki należy wymienić, gdy pogorszy się jego skuteczność cięcia.

### Kolec oporowy

Zintegrowany kolec oporowy może służyć jako przegub podczas cięcia. Pomaga to zachować odpowiednią pozycję ciała podczas cięcia. Podczas cięcia należy popchnąć maszynę do przodu, aż kolce wbiją się w krawędź drewna. Następnie należy przesunąć tylny uchwyt do góry i na dół, zgodnie z kierunkiem cięcia. Pomoże to ograniczyć wysiłek fizyczny podczas cięcia.

### Prowadnica łańcucha

Prowadnice łańcucha mające mniejszy promień na końcówce (czubku) charakteryzują się zwykle słabszą skłonnością do odrzutu. Użytkownik powinien używać prowadnicy oraz odpowiedniego łańcucha o właściwej długości dla danego zadania. Dłuższe prowadnice zwiększają ryzyko utraty kontroli podczas piłowania. Należy regularnie sprawdzać napięcie łańcucha. W przypadku cięcia mniejszych krawędzi (poniżej pełnej długości prowadnicy) łańcuch jest bardziej narażony na odrzut, jeśli napięcie jest nieprawidłowe.

### Hamulec łańcucha

Hamulec łańcucha został zaprojektowany, tak by umożliwić szybkie zatrzymanie poruszającego się łańcucha. Łańcuch musi się natychmiast zatrzymać, kiedy dźwignia hamulca/osłona ręki jest popchnięta do przodu. Hamulec łańcucha nie zapobiega efektowi odrzutu (odboju). Ogranicza to jedynie ryzyko obrażeń ciała, jeśli prowadnica zetknie się z ciałem operatora w przypadku odskoku. Hamulec łańcucha powinien być sprawdzony przed każdym użyciem. Należy sprawdzić jego działanie w położeniu roboczym oraz hamowania.

## MONTAŻ

### ⚠ OSTRZEŻENIE

W przypadku uszkodzenia lub braku dowolnego podzespołu urządzenia, nie wolno go używać aż do wymiany podzespołu. W przeciwnym wypadku może dojść do poważnych obrażeń.

## MONTAŻ ŁAŃCUCHA I PROWADNICY

*Patrz str. 234 - 235. Patrz str. 244 - 245.*

1. Odłączyć produkt od źródła zasilania. Zakładać rękawice ochronne.
2. Należy odkręcić pokrętko blokujące prowadnicę i zdjąć osłonę koła łańcuchowego.
3. Łańcuch powinien być ustawiony zgodnie z kierunkiem obrotu łańcucha. Jeżeli są skierowane w odwrotnym kierunku, odwróćcie pętlę, którą uformowaliście.
4. Umieścić ogniwa łańcucha w rowku prowadnicy.
5. założyć łańcuch w taki sposób, by utworzył pętlę z tyłu prowadnicy.
6. Przytrzymać łańcuch w odpowiednim położeniu na prowadnicy i założyć go na ząb koła łańcuchowego. Obniżyć prowadnicę, tak aby śruba przeszła przez otwór w zamocowanym zespole napinacza łańcucha. Może być konieczne obrócenie tego zespołu, tak aby spasaować śrubę i otwór. Można ponownie obrócić ten zespół, aby nieco napiąć łańcuch, co pozwoli utrzymać go na miejscu.
7. Założyć osłonę koła łańcuchowego i obracać pokrętkiem blokującym prowadnicę, aż łańcuch będzie prawie mocno napięty, obrócić pierścień regulacji napinacza łańcucha aż do uzyskania odpowiedniego napięcia łańcucha. Prowadnica musi być wtedy podciągnięta do góry. Należy ponownie sprawdzić napięcie łańcucha. Nie należy zbyt mocno napinać łańcucha.
8. Gdy łańcuch jest dobrze napięty, dokręcić ponownie pokrętko.

## REGULACJA NAPIĘCIA ŁAŃCUCHA

*Patrz str. 235. Patrz str. 246.*

1. Poluzować lekko pokrętko blokujące prowadnicę, obracając je w lewo.
2. Aby zwiększyć napięcie łańcucha, należy obrócić pierścień regulacji napinacza łańcucha w prawo i należy regularnie sprawdzać napięcie łańcucha. Aby zmniejszyć napięcie łańcucha, należy obrócić pierścień regulacji napinacza łańcucha w lewo i należy regularnie sprawdzać napięcie łańcucha.
3. Napięcie łańcucha jest prawidłowe, gdy przestrzeń pomiędzy frezem łańcucha oraz prowadnicą wynosi 3-4 mm. Należy pociągnąć na dół łańcuch na środku dolnej strony prowadnicy (na zewnątrz prowadnicy) i zmierzyć odległość pomiędzy prowadnicą i frezami łańcucha.
4. Dokręcić pokrętko blokujące prowadnicę, obracając je w prawo.

## SPOSÓB UŻYCIA

### DOLEWANIE OLEJU SMAROWANIA ŁAŃCUCHA

*Patrz str. 246.*

### ⚠ OSTRZEŻENIE

Nigdy nie wolno pracować bez środka smarnego łańcucha. Jeśli łańcuch pilarki będzie pracował bez smarowania, może dojść do uszkodzenia łańcucha pilarki i prowadnicy. W związku z tym bardzo ważne jest sprawdzanie poziomu oleju w okienku poziomu oleju oraz za każdym razem przed rozpoczęciem pilarki łańcuchowej.

1. Wyczyścić powierzchnię wokół korka oleju, aby nie dopuścić do zanieczyszczenia.
2. Odkręcić i zdjąć korek oleju ze zbiornika oleju.
3. Wlać olej do zbiornika oleju i kontrolować wskaźnik poziomu oleju. Podczas wlewania oleju należy zachować ostrożność, aby do zbiornika oleju nie dostały się żadne zanieczyszczenia.
4. Założyć i przykręcić korek oleju. Wytrzeć rozlany olej.
5. Jeden pełny zbiornik oleju umożliwia używanie pilarki przez 20–40 minut.

### Zalecany olej smarowy łańcucha

- Producent zaleca stosowanie wyłącznie oleju smarowego Ryobi do pilarek łańcuchowych. (Można go kupić w autoryzowanym punkcie serwisowym Ryobi.)

## TRZYMANIE PILARKI ŁAŃCUCHOWEJ

*Patrz str. 235.*

Pilarkę łańcuchową zawsze należy trzymać w taki sposób, aby prawa ręka spoczywała na tylnym uchwycie a lewa ręka na przednim uchwycie. Chwycić oba uchwyty palcami i kciukami w taki sposób, aby całe uchwyty były objęte dłońmi. Lewa ręka musi znajdować się na przednim uchwycie, tak aby kciuk znajdował się pod spodem.

### ⚠ OSTRZEŻENIE

Kabel zasilający zawsze musi być w dobrym stanie i musi znajdować się poza obszarem cięcia. Zaniedbane kable zwiększają ryzyko śmiertelnego porażenia prądem elektrycznym, jak również stanowią ryzyko potknięcia lub przewrócenia.

## URUCHAMIANIE PILARKI ŁAŃCUCHOWEJ

*Patrz str. 235.*

1. Odłączyć produkt od źródła zasilania. Upewnić się, że hamulec łańcucha znajduje się w położeniu, przyciągając do siebie dźwignię/osłonę ręki.
2. Aby uruchomić maszynę: Nacisnąć przełącznik zwalnający spustu, a następnie nacisnąć spust wł./wył.

## SPRAWDZANIE I OBSŁUGA HAMULCA ŁAŃCUCHA

1. Włączyć hamulec łańcucha, obracając lewą ręką na przednich uchwycie. Gdy łańcuch porusza się szybko, za pomocą tylnej części dłoni należy popchnąć dźwignię hamulca ręcznego/osłonę ręki w stronę prowadnicy. Należy pamiętać, aby przez cały czas ręce znajdowały się na uchwytach pilarki.
2. Ustawić hamulec pilarki w położeniu roboczym, chwytając górną część dźwigni hamulca łańcucha/osłony dłoni i pociągając w stronę przedniego uchwytu,

aż do usłyszenia kliknięcia.

### **⚠ OSTRZEŻENIE**

Jeśli hamulec nie zatrzyma niezwłocznie łańcucha lub jeśli nie pozostaje samoczynnie w położeniu umożliwiającej pracę pilarki, należy oddać pilarkę do serwisu w celu naprawy, a do tego momentu nie używać jej.

### **TRANSPORT I PRZECHOWYWANIE**

*Patrz str. 248 - 249.*

- Przed schowaniem lub transportem produktu należy zatrzymać go, odłączyć od źródła zasilania i odczekać, aż ostygnie.
- Usunąć z produktu wszelkie zanieczyszczenia. Należy przechowywać urządzenie w chłodnym, suchym i dobrze wentylowanym miejscu, które jest niedostępne dla dzieci. Nie chowajcie jej w pobliżu czynników żrących, takich jak ogrodowe produkty chemiczne czy sole odmrażające. Nie przechowywać na zewnątrz.
- Założyć osłonę prowadnicy przed schowaniem urządzenia lub podczas transportu.
- W przypadku transportu urządzenia należy zabezpieczyć je przed przemieszczaniem się lub upadkiem, aby nie dopuścić do obrażeń ciała lub uszkodzenia urządzenia.

### **KONSERWACJA**

#### **⚠ OSTRZEŻENIE**

Należy stosować wyłącznie oryginalne części zamienne, akcesoria oraz przystawki producenta. W przeciwnym razie może dojść do obrażeń ciała, niskiej wydajności oraz do unieważnienia gwarancji.

#### **⚠ OSTRZEŻENIE**

Serwisowanie wymaga wyjątkowej staranności i wiedzy. Może być wykonywane wyłącznie przez wykwalifikowany personel serwisowy. W celu naprawy zaleca się oddać kosiarkę do najbliższego autoryzowanego punktu serwisowego. Do napraw używać wyłącznie identycznych zamienników.

#### **⚠ OSTRZEŻENIE**

Odłączyć od źródła zasilania przed regulacją, konserwacją lub czyszczeniem. W przeciwnym razie może dojść do poważnych obrażeń ciała.

- Możesz wykonywać czynności regulacyjne i naprawcze opisane w tej instrukcji obsługi. W przypadku innych napraw należy skontaktować się autoryzowanym punktem serwisowym.
- Konsekwencje nieprawidłowej konserwacji mogą spowodować pęknięcie łańcucha oraz niezadziałanie funkcji zabezpieczającej, co może zwiększyć

ryzyko poważnych obrażeń ciała. Należy zapewnić profesjonalną konserwację pilarki łańcuchowej.

- Bezpieczne ostrzenie łańcucha wymaga wprawy. W związku z tym producent zdecydowanie zaleca, aby zużyty lub tępy łańcuch wymienić na nowy łańcuch, który można zakupić w autoryzowanym centrum serwisowym Ryobi. Numer części można znaleźć w tabeli specyfikacji produktu w tym podręczniku.
- Należy postępować zgodnie z instrukcjami w zakresie smarowania oraz sprawdzania i regulacji napięcia łańcucha.
- Po każdym użyciu należy wyczyścić produkt miękką, suchą szmatką.
- Systematycznie sprawdzać, czy wszystkie nakrętki, wkrety i śruby są dobrze dokręcone, aby upewnić się, że produkt jest w bezpiecznym stanie. Każdą uszkodzoną część należy odpowiednio naprawić lub wymienić w autoryzowanym punkcie serwisowym.

### **WYMIANA PROWADNICZY I ŁAŃCUCHA PILARKI**

*Patrz str. 244 - 245.*

1. Odłączyć produkt od źródła zasilania. Zakładać rękawice ochronne.
2. Odkręcić pokrętko blokujące prowadnicę, obracając je w lewo, aż pokrywa koła łańcuchowego będzie luźna.
3. Zdjąć osłonę koła łańcuchowego. Wyjąć prowadnicę i łańcuch z pilarki.
4. Aby wymienić prowadnicę na nową, należy poluzować nakrętkę zespołu napinacza łańcucha. Zamontować zespół napinacza łańcucha w nowej prowadnicy i dokręcić śrubę.
5. Nałożyć nowy łańcuch w odpowiednim kierunku na prowadnicę i upewnić się, że ogniwa napędowe są odpowiednio ustawione w rowku prowadnicy.
6. Zamocować prowadnicę do pilarki łańcuchowej i nałożyć łańcuch na koło łańcuchowe.
7. Założyć osłonę koła łańcuchowego, dokręcić osłonę koła łańcuchowego i dokręcić pokrętko.
8. Wyreguluj naciąg łańcucha. Zapoznać się z sekcją „Regulacja napięcia łańcucha”.

#### **⚠ OSTRZEŻENIE**

Złe naostwienie łańcucha zwiększa ryzyko odrzutu.

#### **⚠ OSTRZEŻENIE**

Jeżeli nie przystąpiacie do wymiany czy naprawy uszkodzonego łańcucha, narażacie się na poważne obrażenia cielesne.

#### **⚠ OSTRZEŻENIE**

Łańcuch jest bardzo ostry. Noście zawsze rękawice ochronne podczas konserwacji łańcucha.

### **KONTROLA I CZYSZCZENIE HAMULCA ŁAŃCUCHA**

*Patrz str. 247.*

- Mechanizm hamulca łańcucha zawsze powinien być

EN  
FR  
DE  
ES  
IT  
NL  
PT  
DA  
SV  
FI  
NO  
RU  
PL  
CS  
HU  
RO  
LV  
LT  
ET  
HR  
SL  
SK  
BG

czysty. W tym celu należy lekko czyścić szczotką ogniwa, usuwając wszelkie zanieczyszczenia.

- Po czyszczeniu zawsze należy sprawdzać działanie hamulca łańcucha. Odnieście się do rozdziału tego podręcznika "Obsługa - Sprawdzanie i obsługa hamulca łańcucha" w celu pogłębienia informacji.

## HARMONOGRAM KONSERWACJI

Codzienna kontrola	
Kabel zasilający przed uszkodzeniem	Przed każdym użyciem
Smarowanie prowadnicy	Przed każdym użyciem
Naciąg łańcucha	Przed każdym użyciem i często
Ostrość łańcucha	Przed każdym użyciem, kontrola wizualna
Występowanie uszkodzeń	Przed każdym użyciem
Dokręcenie elementów mocujących	Przed każdym użyciem
Działanie hamulca łańcucha	Przed każdym użyciem
Sprawdzić i oczyścić	
Prowadnica	Przed każdym użyciem
Całą pilarkę	po każdym użyciu
Hamulec łańcucha	Co każde 5 godzin*

\*Godziny przepracowane

## SYMBOLE PRODUKTU



Alarm bezpieczeństwa



Należy przeczytać i zrozumieć wszystkie instrukcje przed rozpoczęciem obsługi produktu oraz przestrzegać wszystkich ostrzeżeń i instrukcji dotyczących bezpieczeństwa.



Kiedy używacie narzędzia, zakładajcie słuchawki i okulary ochronne, oraz kask.



Podczas korzystania z tego produktu należy zakładać wysokie, antypoślizgowe obuwie ochronne.



Zakładać antypoślizgowe, grube rękawice ochronne.



W przypadku stwierdzenia uszkodzenia przewodu zasilania i przed rozpoczęciem czynności konserwacyjnych niezwłocznie wyjąć wtyczkę z gniazda zasilania



Uważaj na odrzut pilarki łańcuchowej i unikaj kontaktu z końcówką prowadnicy.



Nie wystawiać urządzenia na działanie deszczu ani nie używać w miejscach o dużej wilgotności.



Trzymajcie i obsługujcie wasza pilarkę dwoma rękami.



Nie używajcie waszej pilarki trzymając ją jedną ręką.



Narzędzie to spełnia wymogi wszystkich norm reglamentacji kraju UE, w którym było ono zakupione.



Zgodność GOST-R



Narzędzie klasy II, podwójna izolacja



Zużyte produkty elektryczne nie powinny być utylizowane z odpadami domowymi. Prosimy poddawać recyklingowi w odpowiednich miejscach. Informacje o właściwych metodach recyklingu można uzyskać u władz lokalnych lub sprzedawcy.



Maksymalny poziom natężenia hałasu wynosi 108 dB. (RCS1935)



Maksymalny poziom natężenia hałasu wynosi 107 dB. (RCS2340)



Olej do smarowania prowadnicy i łańcucha



Blokada



Odkręcenie uchwytu



Obróć, aby wyregulować naciąg łańcucha +/-: Dokręć/poluzuj łańcuch



Kierunku ruchu łańcucha  
Oznaczenie pod osłoną koła łańcuchowego

L max

Maksymalna długość prowadnicy

## IKONY UŻYWANE W TYM PODRĘCZNIKU



Podłączyc do gniazda zasilania



Odłączyć z gniazda zasilania



Części lub akcesoria sprzedawane oddzielnie



Zużyte produkty elektryczne nie powinny być utylizowane z odpadami domowymi. Prosimy poddawać recyklingowi w odpowiednich miejscach.



OBJAŚNIENIE:



OSTRZEŻENIE



Należy nosić ochronę oczu i twarzy.



Należy nosić zabezpieczenie górnej części ciała.



Należy nosić ochronę nóg.



Zatrzymać produkt.

Poniższe symbole i nazwy które im nadano, pozwalają wyjaśnić różne poziomy ryzyka związanego z używaniem tego narzędzia.

#### **NIEBEZPIECZEŃSTWO**

Wskazuje na realne zagrożenie, które może spowodować śmierć lub poważne zranienie, jeżeli się nie uniknie tego niebezpieczeństwa.

#### **OSTRZEŻENIE**

Wskazuje na potencjalne zagrożenie, które może spowodować śmierć lub poważne zranienie, jeżeli się nie uniknie tego niebezpieczeństwa.

#### **UWAGA**

Wskazuje na potencjalne zagrożenie, które może spowodować mniejsze lub bardziej poważne zranienie, jeżeli się nie uniknie tego niebezpieczeństwa.

#### **UWAGA**

Bez symbolu ostrzeżenia

Sytuacja, która może grozić uszkodzeniem mienia.



### **⚠ VAROVÁNÍ**

Při používání výrobku musí být dodrženy bezpečnostní předpisy. Pro vaši vlastní bezpečnost i bezpečnost kolemjdoucích si přečtěte tento návod k obsluze. Velmi doporučujeme účast na profesionálně organizovaném bezpečnostním kurzu o používání, preventivních opatřeních, první pomoci a údržbě řetězových pil. Tyto pokyny uschovejte pro příští použití.

### **⚠ VAROVÁNÍ**

Řetězové pily jsou velmi nebezpečné nástroje. Nehody způsobené používáním řetězové pily často končí ztrátou končetiny či smrtí. Nejde jen o to, že je pila nebezpečná. Padající větve, kácené stromy i odvalující se polena mohou usmrtit. Napadené nebo shnilé dřevo představuje další nebezpečí. Měli byste zhodnotit své schopnosti k bezpečnému dokončení úkolu. V případě pochyb neváhejte profesionální dřevorubce.

## **VŠEOBECNÁ BEZPEČNOSTNÍ VAROVÁNÍ**

### **⚠ VAROVÁNÍ**

**Přečtěte si všechny pokyny a bezpečnostní varování.** Opomenutí dodržování varování a pokynů uvedených níže může způsobit úraz elektrinou požár a/nebo vážná poranění osob.

**Uschovejte všechny pokyny a upozornění, abyste se k nim mohli v budoucnosti vrátit.**

Pojem „elektricky poháněný nástroj“ ve varování poukazuje na váš nástroj, který je napájen pomocí napájecího kabelu z elektrické sítě (s kabelem) nebo z baterie (bez přívodního kabelu).

### **PRACOVNÍ PROSTŘEDÍ**

- **Udržujte pracovní prostor čistý a dobře osvětlený.** Zatarasené nebo tmavé oblasti vedou k nehodám.
- **Nepracujte s tímto elektricky poháněným nástrojem ve výbušných prostředích, například v přítomnosti hořlavých kapalin, plynů nebo prachu.** Elektricky poháněné nástroje vytváří jiskry, které mohou zapálit prach nebo výpary.
- **Udržujte děti a přihlížející během práce s elektricky poháněným nástrojem stranou.** Rozptylování může způsobit ztrátu kontroly.

### **ELEKTRICKÁ BEZPEČNOST**

- **Zástrčky elektricky poháněného nástroje musí být shodné s elektrickou zásuvkou.** Nepokoušejte se zástrčku jakýmkoliv způsobem upravovat. **Nepoužívejte žádný adaptér zástrček se zemněným (uzemněným) elektricky poháněným nástrojem.** Neupravené zástrčky a shodné zásuvky snižují nebezpečí elektrického úrazu.
- **Předcházejte tělesnému kontaktu s uzemněnými nebo zemněnými povrchy, například trubkami, radiátory, sporáky a lednicemi.** Je zde zvýšené

nebezpečí zásahu elektrickým proudem, pokud je vaše tělo zemněno nebo uzemněno.

- **Nevystavujte tento přístroj dešti nebo vlhkým podmínkám.** Voda vnikající do elektricky poháněného nástroje zvyšuje nebezpečí elektrického úrazu.
- **Nepoškoďte napájecí kabel. Nikdy pro odpojování, táhnutí nebo přenášení elektricky poháněného nástroje nepoužívejte kabel. Udržujte kabel mimo horké plochy, olej, pohyblivé součásti nebo ostré hrany.** Poškozené nebo zamotané kabely zvyšují nebezpečí elektrického úrazu.
- **Pokud používáte elektricky poháněný nástroj ve venkovním prostředí, použijte prodlužovací kabel vhodný pro venkovní prostředí.** Použití kabelu vhodného pro venkovní prostředí snižuje nebezpečí elektrického úrazu.
- **Pokud používáte elektricky poháněný nástroj ve vlhkém prostředí, je nezbytné používat proudový chránič (PCH).** Použitím PCH snížíte nebezpečí poranění elektrickým proudem.

### **OSOBNÍ BEZPEČNOST**

- **Budte ve střehu, hlídejte, co děláte a použijte zdravý rozum při provozu tohoto elektricky poháněného nástroje.** Elektricky nástroj nepoužívejte, pokud jste unaveni nebo pod vlivem drog, alkoholu nebo léků. Chvilce nepozornosti při práci s tímto elektricky poháněným nástrojem může způsobit vážná poranění osob.
- **Používejte osobní ochrannou výbavu. Vždy noste ochranu očí.** Ochranná výbava jako respirátor, protiskluzová obuv, ochranná přilba nebo ochrana sluchu použitá pro příslušné podmínky snižuje osobní poranění.
- **Zabraňte náhodnému spuštění. Zabezpečte, aby byl spínač v poloze vypnuto (off) před připojením zdroje energie a/nebo bloku baterií, přípravou nebo nesením nástroje.** Nošení elektrického nástroje s vaším prstem na spínači nebo se zapojenou zástrčkou elektrického nástroje může při zapnutí vést k nehodě.
- **Odstraňte všechny seřizovací klíče nebo šroubováky, než zapnete poháněný nástroj.** Klíč nebo šroubovák ponechaný přiložený k pohyblivému dílu elektricky poháněného nástroje může způsobit poranění osob.
- **Nepřeceňujte se. Udržujte řádné postavení a rovnováhu po celou dobu práce.** Toto umožňuje lepší ovládnutí poháněného nástroje v neočekávaných situacích.
- **Správně se oblékejte. Nenoste volný oděv nebo šperky. Udržujte svoje vlasy, oděv a rukavice mimo pohyblivé části.** Volný oděv, šperky nebo dlouhé vlasy mohou být zachyceny do pohyblivých dílů.
- **Pokud jsou zařízení vybavena přípojkou pro odsávání prachu a sběrným zařízením, ujistěte se, že jsou správně připojeny k nástroji, a že se správně používají.** Použití odsavače prachu může snížit nebezpečí související s prachem.





## POUŽITÍ A PÉČE O NÁSTROJ

- **Nepoužívejte nadměrnou sílu na nástroj. Nářadí vybírejte podle povahy práce, kterou chcete provádět.** Správný elektricky poháněný nástroj bude svou práci provádět lépe a bezpečněji při práci, pro kterou byl navržen.
- **Elektricky poháněný nástroj nepoužívejte, pokud spínač nezapíná a nevypíná.** Každý elektricky poháněný nástroj, který nemůže být ovládnán spínačem, je nebezpečný a musí být opraven.
- **Odpojte zástrčku od zdroje napájení a/nebo bateriový modul dříve, než provedete jakákoliv nastavení, výměnu příslušenství nebo než elektrický nástroj uložíte.** Také bezpečnostní preventivní opatření snižují riziko náhodného spuštění elektrického nástroje.
- **Ukládejte nečinný elektricky poháněný nástroj mimo dosah dětí a nenechávejte neznámé osoby pracovat s elektricky poháněným nástrojem nebo s těmito pokyny k obsluze elektrického nástroje.** Elektricky poháněné nástroje jsou nebezpečné v rukou nekvalifikovaných uživatelů.
- **Udržujte elektrické nástroje. Kontrolujte vychýlení nebo zasekávání pohyblivých dílů, rozbité části a každé jiné podmínky, které mohou ovlivnit funkci elektricky poháněných nástrojů. Zjistí-li se poškození, musí se elektricky poháněný nástroj před použitím opravit.** Mnoho úrazů je způsobeno nedostatečně udržovanými elektricky poháněnými nástroji.
- **Udržujte řezné nástroje ostré a čisté.** Řádně udržované řezné nástroje s ostrými řeznými hranami mají nízkou pravděpodobnost zaseknutí a jsou snadněji ovladatelné.
- **Poháněné nástroje, příslušenství a vrtáky, atd. používejte v souladu s těmito pokyny s ohledem k pracovním podmínkám a práci, která má být provedena.** Použití elektricky poháněného nástroje pro práce jiné, než zamýšlené by mohlo mít za následek nebezpečnou situaci.

## ÚDRŽBA

- **Váš elektricky poháněný nástroj smí opravovat pouze kvalifikovaný opravárenský pracovník a musí používat pouze shodné náhradní díly.** Toto zajišťuje udržování bezpečnosti elektricky poháněného nástroje.

## DOPLŇUJÍCÍ VŠEOBECNÁ BEZPEČNOSTNÍ VAROVÁNÍ

- Místní předpisy mohou omezovat použití výrobku. Ověřte si u svého orgánu místní správy toto nařízení.
- Nenechejte děti nebo osoby neseznámené s těmito pokyny pracovat s výrobkem. Místní předpisy mohou omezovat dobu obsluhy.
- Před každým použitím se ujistěte, že všechny ovladače a jističe řádně fungují. Nástroj nepoužívejte, pokud přepínač „nevypíná“ (off) motor.
- Při práci s nástrojem používejte kompletní ochranu zraku a sluchu, zesílené pevné rukavice a helmu; používejte respirátor, pokud pracujete v prachu.

- Nenoste volný oděv, kraťasy nebo jakékoliv šperky.
- Dlouhé vlasy si svažte nad rameny, aby se nemohly zaplést do pohyblivých částí.
- Dávejte pozor na odhazované, padající nebo odletávané předměty. Všechny přihlízející (zvláště děti a zvířata) udržujte ve vzdálenosti alespoň 15m od pracovní oblasti.
- Neprovozujte při slabém osvětlení. Obsluha musí mít čistý výhled na pracovní oblast k identifikaci potenciálních nebezpečí.
- Uvědomte si, že použití ochrany sluchu snižuje vaši schopnost slyšet varování (poplachy nebo výkřiky). Obsluha si musí být tohoto vědoma a platí speciální upozornění, aby si všímala události v jeho pracovní oblasti.
- Obsluha podobných nástrojů zvyšuje jak nebezpečí poranění sluchu, tak osob vstupujících do zóny práce.
- Udržujte bezpečné postavení a rovnováhu. Nepřeceňujte se. Přeceňování může mít za následek ztrátu rovnováhy a zvýšení nebezpečí zpětného vrhu.
- Udržujte všechny části těla mimo pohyblivé součásti.
- Zkontrolujte zařízení před každým použitím. Ověřte správnou funkci všech ovládacích prvků včetně brzdý řetězu. Zkontrolujte, zda nejsou uvolněny upínací prvky.
- Ujistěte se, že jsou všechny ochranné kryty a rukojeti správně a bezpečně nasazeny. Před použitím vyměňte jakékoliv poškozené součásti.
- Nástroj nijak neupravujte nebo nepoužívejte příslušenství, jež nejsou doporučena výrobcem.
- Používejte pouze prodlužovací kabel vhodný pro venkovní práce, pracujete-li venku a musí mít dostatečnou proudovou kapacitu pro napájení vašeho nástroje, před každým použitím zkontrolujte napájecí kabel na poškození, během používání kabel vždy plně rozvířte, smotaný kabel se může přehřívát.
- Výkonové špičky způsobují napěťovou fluktuaci a mohou ovlivnit ostatní elektrické přístroje na stejném napájecím okruhu. Připojte výrobek ke zdroji napájení s impedancí rovné či menší jak 0.372Ω - RCS1935, 0.277Ω - RCS2340 pro minimalizaci napěťové fluktuace. Více informací vám poskytne váš dodavatel elektrické energie.

### VAROVÁNÍ

Pokud začne po pádu, silných nárazech nástroj nenormálně vibrovat, zastavte nástroj a ihned zjistěte příčinu vibrací a rozsah škod. Pokud je nějaká část poškozena, musí se nechat řádně opravit nebo vyměnit pověřeným servisním střediskem.

### BEZPEČNOSTNÍ VAROVÁNÍ K ŘETĚZOVÉ PILE

- **Udržujte všechny části těla v dostatečné vzdálenosti od řetězu, když řetězová pila pracuje. Před spuštěním řetězové pily zkontrolujte, zda se řetěz pily nedotýká žádného předmětu.** Chvilce nepozornosti při práci s řetězovou pilou může způsobit zamotání vašeho oděvu nebo těla do řetězu pily.





- **Vždy držte řetězovou pilu pravou rukou na zadní rukojeti a levou rukou na přední rukojeti.** Držení řetězové pily v opačném umístění rukou se zvyšuje nebezpečí poranění osob a nemělo by se nikdy používat.
- **Elektrický nástroj držte pouze za izolované úchopové plochy, protože může dojít ke styku pilového řetězu se skrytými vodiči nebo jeho vlastním kabelem.** Kontakt pilového řetězu s „živým“ vodičem způsobí, že kovové části elektrického nástroje se stanou také „živými“ a způsobí elektrický úraz obsluze.
- **Noste ochranné brýle a ochranu sluchu.** Doporučuje se také nosit další ochranné pomůcky pro hlavu, ruce, nohy a chodidla. Vhodný ochranný oděv sníží četnost poranění osob odletávajícími úlomky nebo náhodného dotyku s řetězem pily.
- **Řetězovou pilu nepoužívejte na stromě.** Obsluha řetězové pily, když jste na stromě, může mít za následek poranění osob.
- **Vždy udržujte řádné postavení a obsluhujte pilu pouze při postavení na pevné, bezpečné a rovné ploše.** Kluzké a nestabilní plochy jako například žebříky mohou zapříčinit ztrátu rovnováhy a kontroly nad řetězovou pilou.
- **Když řežete větev, která je napnutá, buďte ve střehu před zpětným švihem.** Pokud se uvolní pnutí ve vláknech dřeva může napružená větev udeřit obsluhu anebo způsobit ztrátu kontroly nad řetězovou pilou.
- **Buďte velmi opatrní při řezání malých větviček a křovin.** Mohou se zachytit o zuby řetězu a být vymrštěny směrem k vám a narušit tak vaši rovnováhu.
- **Noste řetězovou pilu za přední rukojeť ve vypnutém stavu a směrem od vašeho těla.** Pokud řetězovou pilu přepravujete nebo ukládáte, vždy připevňte kryt vodičí lišty. Správné držení řetězové pily sníží pravděpodobnost náhodného dotyku s pohyblivým se řetězem pily.
- **Postupujte dle pokynů pro mazání, napnutí řetězu a výměnu příslušenství.** Nesprávně upnutý nebo namazaný řetěz může buď způsobit nebo zvýšit zpětný vrh.
- **Udržujte rukojeti suché, čisté a bez mastnot a oleje.** Rukojeti znečištěné mastnotou a olejem jsou kluzké a mohou způsobit ztrátu kontroly.
- **Řežte pouze dřevo. Nepoužívejte řetězovou pilu pro účely, pro které nebyla navržena.** Například nepoužívejte řetězovou pilu pro řezání plastových, kamenných nebo nedřevěných stavebních materiálů. Použití řetězové pily pro práce jiné, než zamýšlené, by mohlo mít za následek nebezpečnou situaci.

#### **Příčiny a prevence zpětnému vrhu:**

Pokud konec vodičí lišty narazí na cizí předmět nebo dojde k zablokování řetězu při řezání, existuje nebezpečí zpětného vrhu.

Přední konec lišty řetězové pily může v některých případech způsobit náhlou zpětnou reakci, což je vyhození vodičí lišty nahoru a zpět směrem k obsluze.

Sevření řetězu pily na horní části vodičí lišty může vodičí lištu rychle zatlachtit zpět směrem k obsluze.

Ve všech uvedených případech může obsluha pily ztratit kontrolu nad náradím a způsobit si vážný úraz. Nespoléhejte pouze na ochranné prvky řetězové pily. Při obsluze řetězové pily je třeba dodržovat opatření k zajištění bezpečnosti a ochrany zdraví při práci.

Zpětný vrh je následkem nesprávného používání nástroje anebo nesprávných pracovních postupů nebo podmínek a lze se jim vyhnout prováděním správných opatření, viz níže:

- **Udržujte pevný úchop, palce a prsty obepínají rukojeti řetězové pily, oběma rukama na řetězové pile a rozestavte své tělo a ruce tak, abyste odolávali silám zpětného vrhu.** Síly zpětného vrhu mohou být ovládnuty obsluhou, pokud provede správná opatření. Řetězovou pilu neopouštějte.
- **Nepřeceňujte se a neřežte nad úroveň ramen.** Toto pomáhá zabránit neúmyslnému kontaktu s vrcholem vodičí lišty a umožňuje lepší ovládnutí řetězové pily v neočekávaných situacích.
- **Používejte pouze náhradní vodičí lišty a řetězy určené výrobcem.** Nesprávné náhradní vodičí lišty a řetězy mohou způsobit zlomení řetězu anebo zpětný vrh.
- **Dodržujte pokyny výrobce při ostření a údržbě řetězu.** Zmenšení výšky hloubkoměru může vést ke zvýšenému zpětnému vrhu.

#### **DOPLŇUJÍCÍ BEZPEČNOSTNÍ VAROVÁNÍ K ŘETĚZOVÉ PILE**

- Doporučujeme řezat polena na řezací koze nebo speciální podpěře (kolébce), když výrobek používáte poprvé.
- Zkontrolujte, zda jsou všechny bezpečnostní kryty, rukojeti a ozubené opěrky správně instalovány a v dobrém stavu.
- Osoby pracující s řetězovou pilou by měly mít dobrý zdravotní stav. Řetězová pila je těžká, proto by obsluha měla mít dobrou fyzickou kondici. Obsluha musí být pozorná, mít dobrý výhled, mobilitu, rovnováhu a manuální zručnost. Jste-li i na pochybách, nepracujte s nástrojem.
- Nezačínajte řezat, dokud není pracovní zóna vyčištěná, dokud nebudete stát pevně oběma nohama na zemi a dokud nebudete mít promyšlenou únikovou cestu před padajícím stromem.
- Dávejte si pozor na emise výparů z mazacího oleje a prachu z pilin. V případě nutnosti noste masku nebo respirátor.
- Elektrické zařízení musí být napájeno přes proudový chránič s reziduálním proudem nepřesahujícím 30 mA.
- Pokud se poškodí napájecí kabel, je nutné vrátit výrobek autorizovanému středisku za účelem opravy či výměny.
- Vždy udržujte kabel natažený a mimo oblast sečení. Kromě nebezpečí usmrcení elektrickým proudem, můžete o zamotaný kabel zakopnout a upadnout.
- Neodřezávejte výhonky ani křoviny s malým průměrem (do 75 mm).





- Nástroj vždy držte během používání pevně oběma rukama. Držte řetězovou pilu pevně, prsty musí pevně spočívat na rukojeti. Pravou rukou držte zadní rukojeť a levou rukou přední rukojeť.
- Před nastartováním nástroje zkontrolujte, zda se řetěz nedotýká žádného předmětu.
- Nástroj nijak neupravujte nebo nepoužívejte pro pohon žádného příslušenství nebo zařízení, jež nejsou doporučena výrobcem.
- Na pracovišti obsluhy pily by se měla nacházet lékárníčka s obvazy a prostředky pro upozornění (např. pišťalku). V rozumném dosahu by se pak měla nacházet obsáhlejší sada.
- Obsluha si může v době, kdy nehrozí nebezpečí pádu předmětů sundávat helmu, nicméně helma, zejména se síťovinovým průhledem může redukovat potenciální nebezpečí poranění obličeje a hlavy či zpětném vrhu.
- Nesprávně napnutý řetěz může vyskočit z vodící lišty a způsobit vážné či smrtelné poranění. Délka řetězu závisí na teplotě. Pravidelně kontrolujte napnutí řetězu.
- Měli byste si zvyknout na novou motorovou pilou tím, že budete provádět jednoduché řezy pevně podepřeného dřeva. Udělejte to vždy, když jste pilu nějakou dobu nepoužívali.
- Pro snížení nebezpečí poranění spojených s dotykem pohyblivých dílů vždy zastavte motor, použijte brzdu řetězu, odpojení od elektrické sítě a ujistěte se, že se všechny rotační díly zastavily před:
  - čištění nebo odstranění ucpávky
  - ponechání výrobku bez dozoru
  - demontáží a montáží příslušenství
  - kontrolou, údržbou nebo práci na nástroji
- Plocha pracovní zóny závisí na povaze práce, na velikosti stromu nebo řezaného materiálu. Např. při kácení stromu potřebujete více místa než při řezání větví. Obsluha musí být pozorná a mít pod kontrolou veškeré dění v pracovní oblasti.
- Neřežte v linii s vodící lištou a řetězem. Pokud budete vystaveni zpětnému vrhu, pomůže to zabránit kontaktu řetězu s vaší hlavou či tělem.
- Nepoužívejte při řezání pohyby plou vpřed a vzad, vlastní řezání nechejte provádět řetěz, při řezání netlačte na řetěz.
- V konečné fázi řezu na řetězovou pilu netlačte. Buďte připraveni na hmotnost pily, když se uvolní ze dřeva. Pochybení tak může způsobit případně vážné osobní poranění.
- Nezastavujte pilu během řezání. Nechejte pilu běžet, dokud se neuvolní z řezu.

### tlak a tah

Zpětné působení (reakce) je vždy v opačném směru oproti směru otáčení řetězu. Proto musí být obsluha připravena zvládnout tendenci nástroj odtážením (pohyb dopředu), při řezání na spodní straně lišty a tlačení dozadu (směrem k obsluze) při řezání horní stranou.

### Pila zaseknuta v řezu

Zastavte řetězovou pilu a zabezpečte ji. Netlačte na řetěz ani lištu, abyste ji dostali z řezu, protože se snadno zlomí

řetěz, který pak následně odletí směrem k obsluze. K situaci dochází, pokud není dřevo řádně podepřeno, což nutí řez uzavírat pod tlakem s následkem sevření lišty. Pokud úpravou podpěry neuvolníte řetěz ani lištu, použijte dřevěné klíny nebo páku k otevření řezu a uvolnění pily. Nikdy se nepokoušejte spustit řetězovou pilu, když je vodící lišta již v řezu či zářezu.

### Prostředky osobní ochrany

Kvalitní osobní ochranné prostředky, které používají profesionálové, pomohou snížit riziko poranění obsluhy. Při obsluze řetězové pily je třeba použít následující:

#### Ochranná přilba

- ve shodě s EN 397 a označená značkou CE

#### Ochrana sluchu

- ve shodě s EN 352-1 a označená značkou CE

#### Ochrana zraku a obličeje.

- označená značkou CE a ve shodě s EN 166 (pro safety glasses) nebo EN 1731 (síťovinový průhled)

#### Rukavice

- ve shodě s EN 381-7 a označená značkou CE

#### Ochrana dolních končetin (s vycpávkou)

- ve shodě s EN381-5, označená značkou CE a poskytuje všestrannou ochranu.

#### Bezpečnostní obuv odolnou řetězové pile

- ve shodě s EN ISO 20345:2004 a označeno štítek bráncí průniku řetězové pily a označeno dle EN 381-3. (Občasní uživatelé mohou používat bezpečnostní obuv se špičkou vyztuženou ocelí dle EN 381-9, zpokud je podklad rovný a kde je malé riziko zakopnutí nebo zachycení porostem)

#### Ochranná bunda proti zásahu pilou pro horní část těla

- ve shodě s EN 381-11 a označená značkou CE

## POKYNY TÝKAJÍCÍ SE SPRÁVNÉ TECHNIKY PRO ZÁKLADNÍ KÁCENÍ, ODVĚTVOVÁNÍ A PŘÍČNÉ ŘEZÁNÍ

### Pochopení sil ve dřevě

Pokud porozumíte směrovým tlakům a pnutí ve dřevě můžete redukovat počet „sevření“, nebo je alespoň očekávat během řezání. Pnutí ve dřevě znamená, že vlákna dřeva jsou tažena od sebe a pokud vedete „zářez“ v této oblasti, nebo řez, bude mít tendenci se uvolňovat při púchodu pily. Je-li poleno podpořeno na stojanu pro dřevo („koza“) a konec visí nepodepřen pak je pnutí vytvářeno pnutí vláken na horní straně hmotností převislé části polena. Stejně tak je napnutá i spodní strana polena a vlákna jsou tlačena k sobě. Pokud je řez prováděn v této oblasti, bude mít zářez tendenci se během řezání uzavírat. Může dojít k sevření lišty.

### Kácení stromu

Viz strana 239 - 240.

Při přeřezávání a kácení jsou zapotřebí dvě a více osob současně, kácení by se mělo provádět odděleně od přeřezávání od vzdálenosti alespoň dvojnásobku výšky káceného stromu. Strom se nesmí káčet tak, aby neohrožoval žádné osoby, narážel do jakéhokoli technického zařízení nebo způsobil jakéhokoli vážné poškození. Pokud se strom dostane do kontaktu s nějakým





technickým zařízením, musí se ihned kontaktovat firma, která toto zařízení provozuje.

Pokud má terén sklon, stůjte vždy nahoře na svahu, neboť pokácený strom se může skoulet ze svahu dolů.

Úniková cesta by se měla napláňovat a dle potřeby vyčistit před začátkem řezání. Úniková cesta by měla směřovat dozadu a úhlopříčně k předpokládané dráze pádu.

Než začnete kácet, uvědomte si přirozený náklon stromu, umístění velkých větví a směr větru, abyste posoudili, kterým směrem bude strom padat.

Ze stromu odstraňte nečistoty, kameny, volnou kůru, hřebíky, třmeny a drát.

Nekácejte stromy, které jsou strouchnivělé nebo byly poškozeny větrem, ohněm, bleskem atd. Je to velmi nebezpečné, proto přenechte tuto práci profesionálům.

#### ■ Zářez

*Viz strana 239 - 240.*

Provedte zásek do 1/3 průměru kmenu stromu ze strany, kam bude strom padat. Provedte nejprve spodní vodorovný řez. Pomáhá to proti sevření buď řetězové pily nebo vodící lišty, když by se provedl nejprve vodorovný zářez.

#### ■ Hlavní řez

*Viz strana 239 - 240.*

Hlavní řez provádějte minimálně 50 mm (2 palce) nad vodorovným zářezem záseku. Hlavní řez provádějte rovnoběžně s vodorovným řezem záseku. Zajistěte, aby při hlavním řezu zůstal dostatečný nedořez. Nedořez zabraňuje otáčení stromu a pádu nesprávným směrem. Neprořezávejte nedořez.

Jakmile bude hlavní řez blízko nedořezu, měl by strom začít padat. Je-li nějaká možnost, že strom nebude padat požadovaným směrem nebo se nakloní zpět a sevře řetězovou pilu, zastavte řezání před dokončením hlavního řezu a použijte klín ze dřeva, plastu nebo hliníku abyste hlavní řez otevřeli a nechli padnout strom do požadovaného směru.

Jakmile začne strom padat, vyndejte řetězovou pilu z řezu, zastavte motor, položte pilu, pak použijte dříve napláňovanou únikovou cestu. Dávejte si pozor na pád horních větví a sledujte své postavení.

### Řezání kořenových náběhů

*Viz strana 240.*

Kořenový náběh je kořen vedoucí z kmene až k zemi. Než začnete kácet strom, odřežte kořenové náběhy. Provedte nejdříve vodorovný zářez do kořenového náběhu a poté svislý zářez. Odstraňte odřezané části z pracovní zóny. Po odstranění náběhových kořenů můžete začít s kácením.

### Rozřezávání kmene

*Viz strana 241.*

Rozřezávání kmene je řezání na požadované délky. Je důležité, abyste si zajistili pevné postavení a rovnoměrně rozmístili svou hmotnost na obě nohy. Je-li to možné, nadzvedněte a podepřete kmen pomocí větví, kmenů nebo špalků. Nechte se věst přirozeným směrem pro snadné řezání. Je-li kmen podepřen po celé délce, vedte řez seshora (horní řez).

Je-li kmen podepřen na jednom konci, vedte řez zesponu do 1/3 (zesponu nahoru). Pak proveďte konečný řez seshora, tak abyste se setkali s prvním řezem.

Je-li kmen podepřen na jednom konci, vedte řez shora do 1/3 (shora dolů). Pak proveďte konečný řez zesponu do zbylých 2/3 tak, abyste se setkali s prvním řezem.

Když řezáte na svahu, vždy stůjte na horní straně pokáceného kmenu. Při přeřezávání, pro udržení maximální kontroly, uvolněte řezací tlak na konci řezu bez uvolnění úchopu na rukojetích řetězové pily. Nedovolte, aby řetěz přišel do kontaktu se zemí. Po dokončení řezu počkejte, až se řetěz pily zastaví, pak teprve pilu přesunujte. Před přemísťováním od stromu ke stromu vždy zastavujte motor.

### Odvětvování stromu

*Viz strana 242.*

Odvětvování je odstraňování větví z poraženého stromu. Při odvětvování ponechte spodní větve jako podporu kmenu na zemi. Malé větve odstraňujte v jedno řezu. Velké větve pod pnutí by se měly ořezávat z horní strany, aby se zabránilo sevření řetězové pily.

### Odřezávání bočních šlahounů

*Viz strana 242.*

Šlahoun je větve, pokácený strom nebo část keře, která se ohnula pod váhou dřeva a která se náhle vymrščí, jakmile začnete řezat nebo vyndávat kládu, která tento živý šlahoun drží.

Pokácený strom se může vymrštit do svislé polohy při odřezávání od kmene. Tyto živé překážky jsou nebezpečné.

### ⚠ VAROVÁNÍ

Živé šlahouny jsou nebezpečné, protože vás mohou udeřit a můžete ztratit kontrolu nad řetězovou pilou. Tyto kritické situace mohou být příčinou vážného úrazu, v některých případech se smrtelnými následky. To mohou provádět pouze zkušení uživatelé.

### ZAMÝŠLENÉ POUŽITÍ

Tento výrobek je určen pouze pro venkovní používání. Z bezpečnostních důvodů se musí výrobek vždy řádně obsluhovat oběma rukama.

Řetězová pila je navržena pro řezání větví, kmenů, klád a trámů o průměru stanoveného řezací délkou vodící lišty. Je povoleno pouze řezat do dřeva. Je možné používat pouze pro domácí používání dospělými osobami, které absolvovali odpovídající školení o rizicích a preventivních opatřeních/činnostech, která mají být přijata během používání pily.

Nepoužívejte tento nástroj pro zde neuvedené účely. Tento nástroj není určen pro profesionální zpracovávání stromů. Výrobek smí být používán dospělými osobami a ne dětmi nebo osobami, které nenosí odpovídající osobní ochranné vybavení a oděv.

### ZBYTKOVÁ RIZIKA

Dokonce, i když se zařízení provozuje jak je předepsáno, je stále nemožné zcela eliminovat veškeré zbytkové rizikové





faktory. Následující nebezpečí mohou nastat při používání; vyhýbejte se:

- Poranění způsobené vibracemi. Pro danou práci vždy používejte správný nástroj, navržené rukojeti a dodržujte pracovní dobu a expozici.
- Vystavování hluku může způsobit poškození sluchu. Noste ochranu sluchu a omezte vystavení.
- Kontakt s vystaveným pilovým zubem řetězu pily (nebezpečí pořezání).
- Nepředvídaný, náhlý pohyb či zpětný ráz vodící lišty (nebezpečí pořezání).
- Od řetězu pily odlétávají částice (nebezpečí pořezání/vpichnutí).
- Odmršťování úlomků obrobku (piliny, třísky)
- Inhalace prachu a částic.
- Kontakt kůže s palivem/olejem.

### SNÍŽENÍ RIZIKA

Bylo zjištěno, že vibrace z ručních pracovních nástrojů mohou u některých osob přispívat ke stavu tzv. Raynaud's Syndrome (Raynaudovu syndromu). Mezi jeho příznaky patří brnění, necitlivost a zblednutí prstů, patrné obvykle po pobytu v chladu. Vědci se domnívají, že k rozvinutí těchto příznaků přispívají dědičné faktory, pobyt v chladu a vlhku, strava, kouření a pracovní návyky. Uživatel může omezit případné působení vibrací použitím vhodných opatření:

- Za chladného počasí se teple oblečte. Při práci s nástrojem si navlékněte rukavice, abyste udrželi ruce a zápěstí v teple. Bylo zjištěno, že chladné počasí je hlavním faktorem přispívajícím k Raynaud's Syndrome (Raynaudovu syndromu).
- Během práce si v pravidelných intervalech zacvičte, abyste zvýšili krevní oběh.
- Zařazujte časté pracovní přestávky. Omezte dobu práce za den.
- U profesionálních prodejců řetězových pil jsou k dispozici speciální ochranné rukavice poskytující ochranu, dobrý úchop a rovněž redukuje účinek vibrací rukojeti. Rukavice musí být ve shodě s EN 381-7 a označeny značkou CE

Jakmile pocítíte některý z výše uvedených příznaků tohoto syndromu, okamžitě přerušete práci a vyhledejte lékaře.

### VAROVÁNÍ

Poranění mohou být způsobena, či zhoršena, prodlouženým používáním nástroje. Když používáte jakýkoliv nástroj delší dobu, dělejte pravidelně přestávky.

### POZNEJTE SVŮJ NÁSTROJ

Viz strana 233.

1. Ostrá část řetězu
2. Vodící lišta
3. Ochranný kryt ruky/bezpečnostní brzda řetězu
4. Přední rukojeť
5. Pojistka proti nechtěnému spuštění nářadí
6. Zadní rukojeť
7. Špička nárazníku

8. Uzávěr olejové nádrže
9. Přidržovač kabelu
10. Spínač On/Off (Zapnuto/Vypnuto)
11. Chránič před pilinami
12. Šroub chrániče před pilinami
13. Kryt ozubeného kola
14. Seřizovací kroužek napnutí řetězu
15. Šroub uzamknutí vodící lišty
16. Údržba vodící lišty
17. Uzávěr palivové nádrže

### BEZPEČNOSTNÍ ZAŘÍZENÍ

#### Řetěz omezující nebezpečí zpětného vrhu

Slabý zpětný vrh pomáhá redukovat possibility plného zpětného vrhu.

Omezovací zuby pilového řetězu mohou potlačit efekt zpětného vrhu a zamezit tak, aby zuby pily pronikly příliš hluboko do oblastí zpětného vrhu. Používejte pouze náhradní vodící lišty a řetězy doporučené výrobcem.

Po nabroušení řetězu budete velmi opatrní, při naostření se oslabí ochrana proti zpětnému vrhu. Pro vaši bezpečnost měňte pilový řetěz když se řezací výkon sníží.

#### Špička nárazníku

Integrovaná špička nárazníku se může používat otočená, když provádíte řez. Pomáhají udržovat stabilitu těla řetězové pily během řezání. Při řezání tlačte nástroj dopředu, dokud se ozubené opěrky nebudou dotýkat okraje dřeva, pak pohybem zadní rukojeti nahoru nebo dolů ve směru řezu může zmírnit fyzickou zátěž řezání.

#### Vodící lišta

Vodící lišty mají obvykle menší zakřivení na konci a mají tudíž menší tendenci ke zpětnému vrhu. Měli byste použít vodící lišty a odpovídající řetěz, které jsou dlouhé tak, aby provedly danou práci. Delší lišty zvyšují nebezpečí ztráty kontroly během řezání. Pravidelně kontrolujte napnutí řetězu. Při řezání menších větví (méně než celá délka vodící lišty) je více než pravděpodobné, že nesprávně napnutý řetěz bude odhazován.

#### Bezpečnostní brzda řetězu

Cílem bezpečnostní brzdy je rychle zastavit řetěz. Řetěz se musí rychle zastavit, jakmile je brzdová páčka/ochranný kryt ruky sklopena dopředu. Brzda řetězu nezabrání efektu zpětného vrhu. Řádné napnutí tedy snižuje riziko poranění obsluhy způsobené řezací lištou při plném zpětném vrhu. Brzda řetězu by se měla kontrolovat před každým použitím na řádnou funkci jak v jejím běhu a brzdných polohách.

### MONTÁŽ

### VAROVÁNÍ

Pokud nějaké předměty chybí nebo jsou viditelně poškozeny, nepracujte s tímto výrobkem, dokud se součásti nevymění. Pochybení tak může způsobit vážné osobní poranění.





## MONTÁŽ VODICÍ LIŠTY A PILOVÉHO ŘETĚZU.

Viz strana 234 - 235. Viz strana 244 - 245.

1. Odpojte výrobek od elektrické zásuvky. Použijte ochranné brýle.
2. Odšroubujte šroub uzamknutí vodící lišty a sejměte kryt ozubeného kola.
3. Jednotlivé řezné články řetězu musí být otočeny ve směru otáčení řetězu. Pokud směřují obráceně, otočte celý řetěz.
4. Nasadte vodící články řetězu do drážky vodící lišty.
5. Nasadte řetěz tak, aby vytvořil smyčku v zadní části vodící lišty.
6. Přidržte řetěz na liště a nasadte smyčku řetězu na hnací řetězové kolo. Zasuňte lištu tak, že šroub projde otvorem v přiložené sestavě napínání řetězu. Sestavu lze otočit, aby se dal šroub provléct otvorem. Sestavu lze znovu otočit, aby se dosáhlo napnutí řetězu, které jej pomáhá udržet na daném místě.
7. Nasadte kryt ozubeného kola a otáčejte šroubem uzamknutí vodící lišty, až se téměř utáhne, otáčejte seřizovacím kroužkem napnutí, až je řetěz pily správně napnut. Vodící lišta se pak musí tlačit směrem nahoru. Opět zkontrolujte napnutí řetězu. Řetěz příliš nepřepínajte.
8. Po správném napnutí řetězu znovu utáhněte regulátor.

## SEŘÍZENÍ NAPNUTÍ ŘETĚZU

Viz strana 235. Viz strana 246.

1. Uvolněte šroub uzamknutí vodící lišty mírným pootočením proti smyslu otáčení hodinových ručiček.
2. Pro zvýšení napnutí řetězu otáčejte seřizovací kroužek napnutí řetězu ve směru otáčení hodinových ručiček a často kontrolujte napnutí řetězu. Pro snížení napnutí řetězu otáčejte seřizovací kroužek napnutí řetězu proti směru otáčení hodinových ručiček a často kontrolujte napnutí řetězu.
3. Správně napnutý řetěz je, když je mezera mezi řezacím článkem řetězu a vodící lištou 3 mm až 4 mm. Zatahněte řetěz uprostřed spodní strany vodící lišty směrem dolů (od vodící lišty) a změřit vzdálenost mezi vodící lištou a řezným článkem řetězu.
4. Uvolněte šroub uzamknutí vodící lišty otáčením ve směru chodu hodinových ručiček.

## POUŽITÍ

### DOPLNĚNÍ MAZACÍHO OLEJE ŘETĚZU

Viz strana 246.

#### VAROVÁNÍ

Nikdy nepracujte bez maziva řetězu. Pokud pila běží bez maziva, mohou se vodící lišta i řetěz poškodit. Je proto nezbytné pravidelně kontrolovat hladinu oleje olejovou měrkou často a pokaždé před používáním řetězové pily.

1. Vyčistěte oblast okolo víka olejové nádrže pro zabránění kontaminace.
2. Odšroubujte a sundejte víko z olejové nádrže.
3. Lijte do olejové nádrže olej a sledujte měрку hladiny oleje. Zajistěte, aby se při plnění oleje do olejové nádrže nedostaly žádné nečistoty.

4. Našroubujte víko olejové nádrže zpět a utáhněte. Setřete veškeré rozlité množství.
5. Jedna plná olejová nádrž vydrží na 20 – 40 minut používání řetězové pily.

### Doporučený mazací olej řetězu

- Výrobce doporučuje použití pouze olejů pro řetězové pily Ryobi. (Dostupné u pověřeného servisního střediska Ryobi)

### DRŽENÍ ŘETĚZOVÉ PILY

Viz strana 235.

Vždy držte řetězovou pilu pravou rukou na zadní rukojeti a levou rukou na přední rukojeti. Držte řetězovou pilu pevně oběma rukama, palce a prsty musí obepínat rukojeti. Zajistěte, aby levá ruka držela přední rukojet tak, že je palec dole.

#### VAROVÁNÍ

Vždy udržujte kabel natažený a mimo oblast sečení. Kromě nebezpečí usmrcení elektrickým proudem, můžete o zamotaný kabel zakopnout a upadnout.

### SPUŠTĚNÍ ŘETĚZOVÉ PILY

Viz strana 235.

1. Připojte výrobek k elektrické zásuvce. Zatažením za páčku brzdy/chrániče ruky směrem dozadu se ujistěte, že brzda řetězu není aktivní.
2. Pro spuštění nástroje: stiskněte uvolnění spouště a poté stiskněte spoušť On/Off (Zap./Vyp.).

### KONTROLA A PROVOZ BRZDY ŘETĚZU

1. Levou rukou uchopte přední rukojet pro aktivaci brzdy řetězu. Hřbetem ruky tlačte brzdu řetězu stlačením páčky brzdy řetězu/chrániče ruky směrem k liště, až se začne řetěz rychle otáčet. Vždy mějte na rukojetích pily obě ruce.
2. Uvolněte brzdu řetězu uchopením a přesunutím páčky brzdy řetězu/chrániče ruky směrem k přední rukojeti. Při uvolnění brzdy lze slyšet cvaknutí.

#### VAROVÁNÍ

Pokud brzda řetězu ihned nezastaví řetěz, nebo je třeba brzdu řetězu přidržovat, aby se neseplula sama, před dalším použitím pily nechte pilu zkontrolovat a opravit v autorizovaném servisu.

### TRANSPORT A SKLADOVÁNÍ

Viz strana 248 - 249.

- Před skladováním nebo transportem výrobek vždy zastavte, odpojte od napájení a nechte vychladnout.
- Odstraňte z výrobku všechny cizí materiál. Ukládejte v chladných, suchých a dobře větraných prostorech, které nejsou přístupné dětem. Nářadí neuskładňujte v blízkosti žíravých látek, jako například v blízkosti zahradkářských nebo zahradnických chemických přípravků nebo soli na zimní spání komunikací. Neskladujte mimo budovu.



- Před skladováním nebo přepravováním vždy naumístěte kryt vodící lišty.
- Při transportu nástroj zajistěte proti pohybům nebo pádu, abyste zabránili poranění osob nebo poškození stroje.

## ÚDRŽBA

### ⚠ VAROVÁNÍ

Používejte pouze originální příslušenství, doplňky a náhradní díly výrobce. Zanedbání může zapříčinit možné poranění, slabý výkon a může dojít ke ztrátě záruky.

### ⚠ VAROVÁNÍ

Údržba vyžaduje extrémní péči a znalosti a měla by být prováděna pouze kvalifikovaným servisním technikem. Pro údržbu nebo servis doporučujeme výrobek vrátit do nejbližšího pověřeného opravárenského střediska. Pokud opravujete, používejte pouze stejné náhradní díly.

### ⚠ VAROVÁNÍ

Před seřizováním, údržbou a čištěním odpojte od napájení. Pochybení tak může způsobit vážné poranění osob.

- Můžete provádět v návodu k obsluze uvedené opravy a seřízení. Další opravy se smí provádět pouze u pověřených servisních prodejců.
- Důsledky nesprávné údržby mohou způsobit, že brzda řetězu a další bezpečnostní prvky nebudou správně fungovat, to znamená možnost vážného poranění. Udržujte svou řetězovou pilu profesionálně udržovanou a bezpečnou.
- Bezpečné ostření řetězu je odborný úkol. Proto výrobce velmi doporučuje opotřebovaný nebo tupý řetěz nahradit novým, který je dostupný u pověřeného servisního střediska Ryobi. Číslo dílu je uvedeno v tabulce specifikací produktu v tomto návodu.
- Postupujte dle pokynů pro mazání, napnutí řetězu, kontrolu a seřízení.
- Po každém použití seřete nástroj měkkým a suchým hadříkem.
- Zkontrolujte všechny šrouby, matice v častých intervalech na řádné utažení, aby se zajistilo, že výrobek bude pracovat v bezpečných pracovních podmínkách. Jakýkoliv poškozený díl je nutné správně opravit nebo nechat vyměnit v autorizovaném servisním středisku.

## VÝMĚNA VODÍCÍ LIŠTY A ŘEZACÍHO ŘETĚZU

Viz strana 244 - 245.

1. Odpojte výrobek od elektrické zásuvky. Použijte ochranné brýle.
2. Uvolněte zamykací šroub vodící lišty otáčením proti smyslu otáčení hodinových ručiček, až se kryt ozubeného kola uvolní.
3. Sundejte kryt ozubeného kola. Sundejte vodící lištu a

řetěz z nástroje.

4. Pro výměnu lišty za novou uvolněte šroub sestavy napínání řetězu. Namontujte sestavu napínání řetězu na novou lištu a utáhněte šroub.
5. Umístěte nový řetěz ve správném směru na vodící lištu a ujistěte se, že jsou vodící články řetězu srovnány v drážce vodící lišty.
6. Připevněte lištu k řetězové pile a obtočte řetěz okolo hnacího ozubeného kola.
7. Nasadte kryt ozubeného kola, utáhněte kryt ozubeného kola a utáhněte šroub.
8. Nastavte napnutí řetězu. Přečtěte si informace uvedené v části „Seřízení napnutí řetězu“.

### ⚠ VAROVÁNÍ

Nesprávné naostření řetězu může být příčinou zpětného vrhu.

### ⚠ VAROVÁNÍ

Pokud nezajistíte výměnu nebo opravu poškozeného řetězu, vystavujete se nebezpečí vážného úrazu.

### ⚠ VAROVÁNÍ

Řetěz je velmi ostrý. Při údržbě řetězu vždy pracujte v rukavicích.

## KONTROLA A ČIŠTĚNÍ BRZDY ŘETĚZU

Viz strana 247.

- Mechanismus brzdy řetězu vždy udržujte čistý pomocí kartáče.
- Po vyčištění vždy zkontrolujte výkon brzdy řetězu. Přečtěte si informace uvedené v části "Používání nářadí - Kontrola a provoz brzdy řetězu".

## PLÁN ÚDRŽBY

### Denní kontroly

Poškození napájecího kabelu	před každým použitím
Mazání lišty	před každým použitím
Napnutí řetězu	Před každým použitím a pravidelně
Ostrost řetězu	Před každým použitím, vizuální kontrola
Poškozené součásti	před každým použitím
Uvolnění spojovacích prvků	před každým použitím
Funkce brzdy řetězu	před každým použitím
<b>Prohlízejte a čistěte:</b>	
Lišta	před každým použitím
Úplnost pily	po každém použití

Bezpečnostní brzda řetězu	každých 5 hodin*
---------------------------	------------------

\*Hodin provozu

## SYMBOLY NA VÝROBKU



Bezpečnostní výstraha



Řádně si návod přečtěte, porozumějte veškerým pokynům a dodržujte všechny bezpečnostní pokyny a bezpečnostní varování.



Při používání nářadí noste ochranné brýle a sluchovou ochranu.



Noste neklouzavou bezpečnostní obuv, když používáte tento výrobek.



Navlékněte si pevné neklouzavé rukavice.



Výndejte ihned zástrčku z elektrické zásuvky, jakmile zjistíte poškození nebo před údržbou.



Zabraňujte zpětnému vrhu řetězové pily a kontaktu se špičkou vodící lišty.



Nevystavujte dešti nebo nepoužívejte ve vlhkých podmínkách.



Řetězovou pilu držte pevně oběma rukama.



Řetězovou pilu nikdy neobsluhujte jen jednou rukou.



Toto nářadí je v souladu se všemi normami a předpisy platnými v zemi EU, ve které bylo zakoupeno.



Zařízení třídy II, dvojitě izolováno



Shoda GOST-R



Odpad elektrických výrobků se nesmí likvidovat v domovním odpadu. Recyklujte prosím na sběrných místech. Ptejte se u místních úřadů nebo prodejce na postup při recyklaci.



Zaručená hladina akustického výkonu je 108 dB. (RCS1935)



Zaručená hladina akustického výkonu je 107 dB. (RCS2340)



Olej pro lištu a řetěz



Zamknuto



Odemknuto



Otáčejte pro seřízení napnutí řetězu +/- Utažení/uvolnění řetězu



Směr pohybu řetězu  
Vyznačeno pod krytem ozubeného kola

L max

Maximální délka vodící lišty

## IKONY V NÁVODU



Zapojení do elektrické zásuvky



Odpojení od elektrické sítě



Díly nebo příslušenství jsou v prodeji samostatně



Odpad elektrických výrobků se nesmí likvidovat v domovním odpadu. Recyklujte prosím na sběrných místech.



POZNÁMKA:



VAROVÁNÍ



Noste ochranu sluchu a obličeje.



Noste ochranu horní části těla.



Noste ochranu dolních končetin.



Zastavte zařízení.

Následující signální slova a významy jsou vhodné pro vysvětlení úrovně nebezpečí spojených s tímto výrobkem.

### **NEBEZPEČÍ**

Označuje bezprostředně rizikovou situaci, které je třeba předejít, jinak bude jejím následkem smrt nebo vážné zranění.

### **VAROVÁNÍ**

Označuje možnou rizikovou situaci, které je třeba předejít, jinak jejím následkem může být smrt nebo vážné zranění.

### **VAROVÁNÍ**

Označuje možnou rizikovou situaci, které je třeba předejít, jinak jejím následkem může být smrt nebo vážné zranění.

### **VAROVÁNÍ**

Bez symbolu bezpečnostní výstrahy

Určuje situaci, která může mít za následek vážné poškození.



### ▲ FIGYELMEZTETÉS

A termék használatakor a biztonsági szabályokat be kell tartani. A saját és mások biztonsága érdekében kérjük, olvassa el ezt az útmutatót a termék használata előtt. Részt kell vennie egy a láncfűrész használatával, megelőző műveletekkel, elsődleglyel és karbantartással kapcsolatos professzionális biztonsági tanfolyamon. Tartsa meg a kézikönyvet, hátha a későbbiekben szüksége lehet rá.

### ▲ FIGYELMEZTETÉS

A láncfűrészek potenciálisan veszélyes gépek. A láncfűrészek használatával összefüggő balesetek sokszor végtagvesztést vagy halált okoznak. Nem csak maga a láncfűrész veszélyes. A leeső ágak, kidőlő fák, guruló rönkök is ölhetnek. A beteg vagy rothadó tönkök további veszélyt jelentenek. Minden erejével a feladat biztonságos befejezésére kell összpontosítania. Bármilyen kétség esetén hagyja a munkát egy profi favágóra.

## ÁLTALÁNOS BIZTONSÁGI FIGYELMEZTETÉSEK

### ▲ FIGYELMEZTETÉS

**Olvassa el az összes biztonsági figyelmeztetést és útmutatót.** A figyelmeztetések és utasítások be nem tartása elektromos áramütést, tüzet és/vagy súlyos sérülést eredményezhet.

Őrizz meg ezeket a figyelmeztetéseket és utasításokat a későbbi tájékozódásra is.

A figyelmeztetésekből a „szerszámgép” kifejezés az elektromos hálózatról (kábel) működtetett vagy akkumulátorról (kábel nélkül) működtetett gépet jelenti.

### MUNKATERÜLET

- **A munkaterületet tartsa tisztán és jól megvilágítva.** A rendetlen vagy sötét munkaterületek balesetekhez vezethetnek.
- **Az elektromos szerszámgépeket ne működtesse robbanásveszélyes környezetben, mint például robbanásveszélyes folyadékok, gázok vagy porok jelenlétében.** Az elektromos gépekben szikrák keletkeznek, amik begyűjthetik a port vagy a gőzöket.
- **Az elektromos szerszámgép használatakor a gyerekeket és a kívülről tartókat tartsa távol.** A figyelem elterelődése az irányítás elvesztését okozhatja.

### ELEKTROMOS BIZTONSÁG

- **A szerszámgép dugaszának illeszkednie kell az aljzathoz. Semmilyen módon ne módosítsa a dugaszt.** A földelt elektromos gépekhez ne használjon adapter dugaszt. A nem módosított és illeszkedő dugasz csökkenti az áramütés kockázatát.
- **Kerülje az érintkezést földelt felületekkel, mint például csövekkel, radiátorokkal és hűtőkkel.** Megnöveli az áramütés kockázatát, ha a teste földeltté

válíik.

- **Ne tegye ki a terméket esőnek vagy nedves környezet hatásának.** A szerszámgépekbe kerülő víz növeli az áramütés kockázatát.
- **Ne rongálja meg a kábelt.** A szerszámgép kábelét soha ne használja a szerszám hordozására, húzására vagy kihúzására. A kábelt hőtől, olajtól, éles tárgyaktól vagy mozgó alkatrészekről tartsa távol. A sérült vagy beakadt kábelek növelik az áramütés kockázatát.
- **Szerszámgépnek a szabadban való működtetésekor kültéri használatra is megfelelő hosszabbító kábelt használjon.** Kültéri használatra megfelelő hosszabbító kábel csökkenti az áramütés kockázatát.
- **Ha a szerszámgép használata nedves környezetben elkerülhetetlen, használjon áram-védőkacsolót (RCD).** Az RCD használata csökkenti az áramütés kockázatát.

### SZEMÉLYI BIZTONSÁG

- **Elektromos szerszámgép működtetésekor legyen mindig éber, figyeljen arra, amit csinál, és használja a józan eszt.** Ne használja a szerszámgépet, ha fáradt vagy alkohol, gyógyszer illetve más tudatmódosító szerek hatása alatt áll. A gép használata közben már egyetlen figyelmetlen pillanat is súlyos személyi sérüléshez vezethet.
  - **Használjon személyi védelmi eszközöket. Mindig viseljen védőszemüveget.** A védelmi felszerelések, mint például a pormaszok, a csúszásmentes biztonsági lábbelik, a védősisak vagy a fülvédő megfelelő használata csökkenti a személyi sérüléseket.
  - **Kerülje el a véletlen bekapcsolást.** A szerszám szállítása vagy felemelése, az áramellátás és/vagy akkumulátor csatlakoztatása előtt ellenőrizze, hogy a kapcsoló kikapcsolt állásban van. Szerszámgépek szállítása a kapcsolón tartott ujjal vagy bekapcsolt szerszámgépek áram alá helyezése balesetekhez vezet.
  - **A szerszámgépről bekapcsolás előtt távolítson el minden beállító kulcsot és csavarkulcsot.** Egy a szerszámgép forgó alkatrészén maradt beállító kulcs vagy csavarkulcs személyi sérülést eredményezhet.
  - **Ne hajoljon ki túlságosan. Mindig tartson megfelelő testtartást és egyensúlyt.** Ez a szerszámgép jobb irányítását teszi lehetővé váratlan szituációkban.
  - **Viseljen megfelelő ruházatot. Ne vegyen fel laza ruhát vagy ékszereket.** A haját, a ruháit és a kesztyűjét tartsa távol a forgó alkatrészekről. A laza ruházat, ékszerek vagy a hosszú haj beakadhatnak a mozgó alkatrészekbe.
  - **Ha a gép el van látva porkivezető vagy -gyűjtő berendezésekhez való csatlakozási lehetőséggel, akkor ügyeljen rá, hogy ezeket csatlakoztassák és megfelelően használják.** A porfogó használata csökkentheti a porral kapcsolatos veszélyeket.
- A SZERSZÁMGÉP HASZNÁLATA ÉS KARBANTARTÁSA**
- **Ne erőltesse a terméket. A feladathoz a megfelelő szerszámgépet használja.** A megfelelő szerszámgép





jobb teljesítménnyel és sokkal biztonságosabban fog dolgozni olyan körülmények között, amilyenekre azt tervezték.

- **Ne használja a szerszámgépet, ha a kapcsoló nem kapcsol be és ki.** Bármilyen szerszámgép veszélyes, amit a kapcsolóval nem lehet irányítani, ezért azt meg kell javítani.
- **Bármilyen beállítás, tartozékcseré elvégzése vagy a szerszámgép tárolása előtt húzza ki a szerszámgépet a hálózathoz és/vagy vegye ki az akkumulátort a szerszámgépéből.** Az ilyen megelőző biztonsági óvintézkedések csökkentik a szerszámgép véletlen bekapcsolódásának kockázatát.
- **A használaton kívüli gépet gyerekek számára nem elérhető helyen tárolja, és ne hagyja, hogy a szerszámgép vagy a kézikönyvet nem ismerő személyek használják a szerszámgépet.** Gyakorlatlan felhasználók kezében a szerszámgépek veszélyesebbek.
- **Tartsa megfelelő állapotban a szerszámgépeket. Ellenőrizze a mozgó alkatrészek akadását vagy helytelen beállítását, az alkatrészek törését és minden más körülményt, ami hatással lehet a szerszámgép működésére. Ha sérült, a szerszámgépet használat előtt meg kell javítani.** Sok balesetet a rosszul karbantartott szerszámgépek okoznak.
- **A vágószerszámok legyenek élesek és tiszták.** A megfelelően karbantartott, éles vágóélű vágószerszámok kevésbé akadnak be és könnyebben irányíthatók.
- **A szerszámgépet, a tartozékokat és a biteket stb. ezen utasításban leírtaknak megfelelően használja, figyelembe véve a munkakörülményeket és az elvégzendő feladatot.** A szerszámgép rendeltetésétől eltérő műveletekre való használata veszélyes helyzeteket eredményezhet.

## KARBANTARTÁS

- **A szerszámgépet csak szakképzett szervizszakemberrel szervizeltesse, csak azonos cserealkatrészeket használva.** Ez biztosítja, hogy a szerszámgép használata továbbra is biztonságos legyen.

## TOVÁBBI ÁLTALÁNOS BIZTONSÁGI FIGYELMEZTETÉSEK

- Egyes régiókban olyan előírások érvényesek, amelyek korlátozzák a termék használatát. További információért forduljon a helyi önkormányzatához.
- Ne hagyja, hogy gyerekek vagy a termék használatát nem ismerő felnőttek használják a terméket. A helyi előírások korlátozhatják a kezelő életkorát.
- Minden használat előtt ellenőrizze, hogy az összes kezelőszerv és biztonsági eszköz megfelelően működik. Ne használja a gépet, ha a főkapcsoló nem állítja le a motort.
- A termék működtetése közben viseljen teljes szem- és fülvédőt, erős munkakesztyűt valamint fejtámlát; poros műveletek végzésekor viseljen arcmaszkot.

- Ne vegyen fel laza ruhát, rövidnadrágot, illetve semmilyen ékszert.
- Ha hosszú a haja, azt a vállvonal felett rögzítse, nehogy beakadjon valamilyen mozgó alkatrészekbe.
- Figyeljen a kivetett, repülő vagy leeső tárgyakra. Az nézelődők, különösen a gyerekek és a háziállatok, legyenek legalább 15m -es távolságra a használati területtől.
- Ne használja a gépet gyenge megvilágítás esetén. A kezelőnek tiszta rálátással kell rendelkeznie a munkaterületre, hogy azonosíthassa a potenciális veszélyeket.
- Fülvédő viseletek csak korlátozottan hallja a figyelmeztetéseket (riasztást vagy kiáltást). A kezelőnek jobban oda kell figyelnie arra, hogy mi folyik a munkaterületen.
- Hasonló gépek egymás közelében történő használata növeli a halláskárosodás veszélyét, valamint annak veszélyét, hogy más személyek lépnek be az Ön munkaterületére.
- Stabilan álljon és vegyen fel megfelelő egyensúlyt. Ne hajoljon ki túlságosan. A túlzott kinyúlás egyensúlyvesztést eredményezhet és növelheti a visszarúgás kockázatát.
- A testrészeit tartsa távol a mozgó alkatrészekről.
- Használat előtt vizsgálja át a terméket. Ellenőrizze az összes kezelőszerv megfelelő működését, beleértve a láncfékét is. Ellenőrizze a meglazult szorítókat. Ügyeljen rá, hogy minden a védőburkolat és fogantyú megfelelően fel legyen szerelve és rögzítve. Használat előtt cserélje ki az összes sérült alkatrészt.
- Semmilyen módon ne módosítsa a gépet vagy használjon a gyártó által nem ajánlott alkatrészeket és tartozékokat.
- Ha hosszabbító kábelt kell használnia, ügyeljen arra, hogy az kültéri használatra alkalmas és a gép meghajtásához elegendő besorolású legyen, minden használat ellenőrizze azt sérülések tekintetében, és használatkor mindig tekerje szét a tápkábelt, a feltekert kábelek túlhevülhetnek.
- A pillanatnyi áramfelvétel kiugrások feszültségingadozást okozhatnak és ez az azonos áramkörbe kapcsolt más elektromos termékek működésére is hatással lehet. A feszültségingadozások minimalizálása érdekében a terméket olyan áramforráshoz csatlakoztassa, melynek impedanciája legfeljebb 0.372Ω - RCS1935, 0.277Ω - RCS2340. További információkért forduljon az áramszolgáltatóhoz.

### ▲ FIGYELMEZTETÉS

Ha a gép leesett, erős ütést kapott vagy rendellenesen kezd vibrálni, azonnal állítsa le a gépet, és vizsgálja át sérülések tekintetében vagy azonosítsa a vibráció okát Minden sérülést hivatalos szervizközpontban kell megjavítani vagy kicseréltetni.

EN
FR
DE
ES
IT
NL
PT
DA
SV
FI
NO
RU
PL
CS
<b>HU</b>
RO
LV
LT
HR
ET
SL
SK
BG



## LÁNCFŰRÉSZRE VONATKOZÓ BIZTONSÁGI FIGYELMEZTETÉSEK

- **Tartsa távol a testrészeit a fűrészlánctól a láncfűrész működése közben. A láncfűrész beindítása előtt ellenőrizze, hogy a fűrészlánc nem érintkezik semmivel.** Egy figyelmetlen pillanat a láncfűrész használata közben a ruházata vagy a teste fűrészláncba való beakadását okozhatja.
- **A láncfűrész mindig jobb kézzel a hátsó fogantyút, bal kézzel pedig az elülső fogantyút fogva tartsa.** A láncfűrész fordított kéz-konfigurációban való tartása növeli a személyi sérülés kockázatát, így használata tilos.
- **A szerszámgépet csak szigetelő fogófelületnél fogja, mert a fűrészlánc rejtett vezetékbe vagy a saját kábelébe vághat.** A fűrészlánc „élő” vezetékkel való érintkezése következtében a szerszám fém alkatrészei áram alá kerülhetnek, minek következtében a kezelőt áramütés érheti.
- **Viseljen védőszemüveget és fülvédőt. További fej, kéz, láb és lábfej védőfelszerelés viselete is ajánlott.** A megfelelő védőruházat csökkenti a kirepülő hulladékok okozta személyi sérülés és a fűrészláncsal való véletlen érintkezés kockázatát.
- **Ne használja a láncfűrész fára felmászva.** A láncfűrész használata fára felmászva személyi sérülést eredményezhet.
- **Mindig megfelelően támassza meg magát, és csak rögzített, szilárd és sima felületen állva használja a láncfűrész.** Csúszós vagy nem stabil felületek, például a létrák az egyensúly vagy a láncfűrész irányításának elvesztését okozhatják.
- **Feszülő ág vágásokor figyeljen a visszarugózásra.** Ha a fa feszülő rostjai felszabadulnak, a visszarugózó ág eltalálhatja a kezelőt és/vagy megdobhatja a láncfűrész.
- **Különleges figyelemmel járjon el a kisebb bozót és facsometék vágásokor.** A kisméretű darabok beakadhatnak a fűrészláncba és kivethetőnek a kezelő felé, vagy kilendíthetik az egyensúlyából.
- **A láncfűrész kikapcsolt állapotban és a testétől távol tartva, az elülső fogantyúnál fogva szállítsa. A láncfűrész szállításkor vagy tároláskor mindig helyezze fel a láncvezető védőburkolatát.** A láncfűrész megfelelő kezelése csökkenti a mozgó fűrészláncsal való véletlen érintkezés kockázatát.
- **Tartsa be a kenésre, a láncfeszességre és a tartozékcserére vonatkozó utasításokat.** A hibásan megfeszített vagy megkent lánc elszakadhat, és növeli a visszarugás esélyét is.
- **A fogantyúkat tartsa szárazon, tisztán, olajtól és kenőzsírtól mentesen.** A kenőzsíros, olajos fogantyúk csúszósak és az irányítás elvesztését okozhatják.
- **Csak fát vágjon. Ne használja másra a láncfűrész, mint amire szánták.** Például ne használja a láncfűrész műanyag, kőfal vagy nem fából készült építési anyagok vágására. A láncfűrész rendeltetésétől eltérő műveletekre való használata veszélyes helyzeteket eredményezhet.

## A visszarugás okai és a kezelő megóvása:

A szerszám megugorhat, ha a működő gép orr-része valamihez hozzáér, vagy ha a vágás során a láncvezető becsípődik a fába és megszorul.

A láncvezető hegyének valamivel való érintkezése egyes esetekben villámgyors ellenreakciót eredményezhet, ami a vezetőt felfelé és a kezelő irányába hajítja.

A fűrészlánc beszorulása a láncvezető felső részénél a láncvezetőt hirtelen a kezelő felé dobhatja.

Minden ilyen esetben elveszítheti uralmát a láncfűrész felett, és súlyosan megsérülhet. A biztonság tekintetében ne bizonn kizárólag a láncfűrész védőelemeiben. Különböző óvintézkedéseket is kell tenni annak érdekében, hogy csökkentse a balesetek és sérülések veszélyét.

A visszarugás a szerszám helytelen használatának és/vagy a nem megfelelő használati eljárások vagy körülmények eredménye, és megelőzhető a lent megadott utasítások betartásával:

- **Erős fogást tartson, a hüvelykujja és az ujjai öleljék körbe a láncfűrész fogantyúit, mindkét keze a fűrészre legyen, és úgy helyezze a testét és a karjait, hogy lehetővé tegyék a visszarugás erejének kivédését.** A visszarugási erőket a kezelő kontrollálhatja, ha betartja a megfelelő óvintézkedéseket. Ne hagyja, hogy a láncfűrész elszabaduljon.
- **Ne hajoljon ki túlságosan, és ne vágjon vállmagaság felett.** Ezek segítenek megelőzni a hegy véletlen érintkezését és váratlan szituációkban a láncfűrész jobb irányíthatóságát teszik lehetővé.
- **Csak a gyártó által megadott csere láncvezetőt és láncot használjon.** Nem megfelelő csere láncvezetőt és láncot lánctörést és/vagy visszarugást okozhatnak.
- **Tartsa be a gyártó utasításait a lánc élezését és karbantartását illetően.** A mélységbeállító magasságának csökkentése a visszarugás veszélyének megnövekedését okozhatja.

## A LÁNCFŰRÉSZRE VONATKOZÓ TOVÁBBI BIZTONSÁGI FIGYELMEZTETÉSEK

- Javasolt, hogy a termék első használatakor a rönköket bakon vagy bölcsön vágja.
- Ügyeljen rá, hogy az összes védőburkolat, fogantyú és tuskés ütköző megfelelően felszerelt és jó állapotú legyen.
- A láncfűrész használó személyeknek jó egészségi állapotban kell lenniük. A láncfűrész egy nehéz szerszám, ezért a kezelőnek fizikailag fitnek kell lennie. A kezelőnek ébernek, jó látással, reflexekkel, egyensúlyérzékkel és kéz ügyességgel kell rendelkeznie. Ha bármilyen gondja van, ne működtesse a láncfűrész.
- Ne kezdje meg a termék használatát, amíg meg nem tisztította a munkaterületet, nem vett fel stabil testtartást és nincs meg a tervezett menekülési útvonal a fa dőlése esetére.
- Figyeljen a kenőanyagpára és a fűrészpor kibocsátásra. Ha szükséges, viseljen maszkot vagy álarcot.
- A készüléket egy 30 mA-nél nem nagyobb kioldóáramú áram-védőkapcsolóval (RCD) kell felszerelni.



- Ha a tápkábel megsérül, a gépet javításra vagy cserére vissza kell vinni egy hivatalos szervizközpontba.
- A tápkábel mindig legyen megfelelően elvezetve, távol a vágási területtől. Az áram alatt levő kábel átvágása mellett a rosszul elvezetett kábel miatt elesés vagy felborulás következhet be.
- Ne vágjon szőlőtőkét és/vagy kisméretű bozótot (75 mm-nél kisebb átmérőjűt).
- Használat közben mindig két kézzel fogja a láncfűrész. Tartsa a láncfűrész erősen, úgy hogy az ujjai öleljék körül a fogantyúkat. Jobb kézzel a hátsó fogantyút, bal kézzel pedig az előlő fogantyút fogja.
- A gép beindítása előtt ellenőrizze, hogy a fűrészlánc nem érintkezik semmilyen tárggyal.
- Semmilyen módon ne alakítsa át a szerszámgépet, illetve ne használja a gyártó által nem ajánlott más tartozékok vagy eszközök működtetésére.
- A kezelő közelében lennie kell egy elsősegélydoboznak, amelynek nagyméretű kötszert és a figyelemfelhívó eszközt (pl. sip) kell tartalmaznia. Egy nagyobb, átfogóbb készletnek kell a közelben lennie.
- A kezelő esetleg leveheti a sisakot, ha éppen nincs leeső tárgyak jelentette veszély a munkaterületen, de ne felelje, hogy a sisak, különösen a hálós arcvédővel segíthet csökkenteni az arc és a fejsérülések kockázatát visszarúgás esetén.
- Egy nem megfelelően megfeszített lánc leugorhat a láncvezetőről, és súlyos sérülést vagy halált okozhat. A lánc hossza függ a hőmérséklettől. Rendszeresen ellenőrizze a feszességet.
- Egy biztonságosan rögzített fadarabon végzett egyszerű vágásokkal szokja meg az új láncfűrész használatát. Bármikor megteheti ezt, ha egy ideje nem használta a fűrész.
- A mozgó alkatrészekkel való érintkezés okozta sérülések veszélyének csökkentése érdekében mindig állítsa le a motort, húzza be a láncfékét, húzza ki az elektromos hálózati aljzatból, és ellenőrizze, hogy minden mozgó rész megállt, mielőtt:
  - tisztítás vagy eltömődés megszüntetése
  - a termék felügyelet nélkül hagyása
  - felszerelné vagy eltávolítaná a tartozékokat
  - ellenőrzi, karbantartja vagy dolgozik a gépen
- A munkaterület mérete függ a végrehajtandó munkától, és a fa méretétől, vagy a munkadarab nagyságától. Például, egy fa kidöntéséhez nagyobb terület kell, mint másfajta vágásokhoz, pl. keresztvágásokhoz stb. A kezelőnek ébernek kell lennie, és oda kell figyelnie mindenre a munkaterületen.
- Ne vágjon úgy, hogy a teste egy vonalba kerül a láncvezetővel és a láncsal. Ha visszarúgást észlel, ezzel elkerülheti, hogy a lánc érintkezzen a fejével vagy az arcával.
- Ne használjon oda-vissza fűrészelő mozdulatot, hagyja, hogy a lánc végezze a dolgát, tartsa élesen a láncot, és ne próbálja áttolni a láncot a vágáson.
- Ne fejtse ki nyomóerőt a láncfűrészre a vágás végén. Legyen készen, hogy átvegye a fűrész súlyát, amint az kiszabadul a vágásból. Ha nem így tesz, súlyos

személyi sérülés lehet az eredmény.

- Ne állítsa le a fűrész a vágási művelet közepén. Addig működtesse a fűrész, amíg ki nem veszi a vágásból.

### Lökő- és húzóerő

A reakcióerő mindig a fűrészlánc forgási irányával ellentétes irányban hat. Ezért a kezelőnek készen kell állnia a gép elhúzásra hajlamosságának kontrollálására (előrefelé mozgás) a láncvezető alsó élével való vágáskor, és a hátranyomás kontrollálására (a kezelő felé mozgás) a láncvezető felső élével való vágáskor.

### A fűrész beakadt a vágásba

Állítsa le a láncfűrész, és tegye biztonságossá. Ne próbálja kieriőltetni a láncot és a vezetőt a vágásból, mert elszakíthatja a láncot, ami hátracsap és megsérti a kezelőt. Ez a helyzet általában akkor fordul elő, ha a fa nem megfelelően van megtámasztva és a nyomóerő összezárja a vágást, ezáltal összecsapja a láncot. Ha a megtámasztás megváltoztatása nem szabadítja ki a láncvezetőt és a láncot, fa ékek vagy egy emelő segítségével szabadítsa ki a fűrész. Ne próbálja meg beindítani a fűrész, ha a láncvezető még a vágásban vagy a bevágásban van.

### Személyi védelmi eszközök

A szakemberek által is használt jó minőségű személyi védelmi eszközök segítenek csökkenteni a kezelő sérülésének kockázatát. A következő eszközöket kell használni a láncfűrész használatakor:

#### Védősisak

- meg kell felelnie az EN 397 szabványnak, és CE jelöléssel kell rendelkeznie

#### Fülvédő

- meg kell felelnie az EN 352-1 szabványnak, és CE jelöléssel kell rendelkeznie

#### Szem- és arcvédő

- CE jelöléssel kell rendelkeznie és meg kell felelnie az EN 166 (a védőszemüvegek esetében) vagy az EN 1731 (hálós arcvédő esetében) szabványnak

#### Kesztyűk

- meg kell felelnie az EN 381-7 szabványnak, és CE jelöléssel kell rendelkeznie

#### Lábvédelem (vágásálló)

- meg kell felelnie az EN381-5 szabványnak és CE jelöléssel kell rendelkeznie, és teljes körű védelmet kell nyújtania.

#### Láncfűrész biztonsági lábbeliek

- meg kell felelniük az EN ISO 20345:2004 szabványnak és láncfűrész ábrás jelöléssel kell rendelkeznie az EN 381-3 szabványnak való megfelelés igazolására. (Az alkalmi felhasználók használhatnak acél orrmerevítővel ellátott biztonsági lábbelit is lábszárvédőkkel, ami megfelel az EN 381-9 szabványnak, ha a talaj egyenletes és kicsi az aljnyomozatba való felbukás vagy beakadás esélye)

#### Láncfűrész kabátok a felsőtest védelméhez

- meg kell felelnie az EN 381-11 szabványnak, és CE jelöléssel kell rendelkeznie





## ALAPVETŐ FAKIVÁGÁSI, ÁGAZÁSI ÉS KERESZTVÁGÁSI TECHNIKÁK

### A fára ható erők megértése

Ha megérti a fára ható irányított nyomást és feszültséget, csökkentheti a „becsípődéseket” vagy legalább felkészülhet ezekre a favágásokra. A fában lévő feszültség azt jelenti, hogy a rostokra egymást taszító erő hat, és ha belevág ebbe a területbe a „fűrészjárat” vagy a vágás a szétnyílás felé fog tendálni, ahogy a fűrész áthalad a vágáson. Ha a rönk egy bakon van megtámasztva és a vége támaszték nélkül lóg túl a bakon, a rönk felső része a túlnyúló rész súlyának a rostokra gyakorolt hatása miatt megfeszül. Hasonlóképpen a rönk alsó részére összenyomó erő hat, és a rostok össze fognak nyomódní. Ha ebbe a területbe vág bele, a bevágás a vágás során összezáródás felé fog tendálni. Ez becsípheti a fűrészláncot.

### Fakidöntés

Lásd 239 - 240. oldal.

Amikor a rönkdarabolási és kivágási műveleteket egyszerre két vagy több személy végzi, akkor a kidöntési műveletet a rönkdarabolástól külön kell elvégezni, legalább kétszer olyan távolságra, mint a kivágandó fa magassága. A fákat nem szabad úgy kidönteni, hogy az más személyeket veszélyeztet, bármilyen elektromos vezetékkel találkozhat vagy bármilyen vagyoni kárt okozhat. Ha a fa érintkezett egy elektromos vezetékkel, akkor azonnal értesíteni kell az áramszolgáltatót.

Ha a talaj lejtős, a lejtő felső részén helyezkedjen el, mivel a kivágott fa legurulhat vagy lecsúszhat.

A vágás megkezdése előtt meg kell tervezni a menekülési útvonalat, és szükség esetén meg kell tisztítani. A menekülési útvonalnak hátrafelé és átlósan kell haladnia a várható dőlési vonalhoz képest.

A fakidöntés megkezdése előtt határozza meg a fa természetes dőlését, a nagyobb ágak helyzetét és a szélirányt, hogy eldöntse, merre fog dőlni a fa.

A fáról távolítsa el a koszt, köveket, laza kérget, szegeket, ácskapcsokat és vezetékeket.

Ne kísérleljen meg korhadt vagy szél, tűz, villámias, stb. által megrongált fákat kivágni.

Ez különösen veszélyes, és csak profi favágókkal végezhető el.

#### ■ Bevágó alávágás

Lásd 239 - 240. oldal.

Készítsen egy ék alakú bevágást a fa 1/3 átmérőjéig, merőlegesen a dőlési irányra. Először az alsó vízszintes vágást készítse el. Ez segít elkerülni a lánc vagy a láncvezető becsípődését a második vágás készítésekor.

#### ■ Visszavágás döntéskor

Lásd 239 - 240. oldal.

A döntési visszavágást legalább 50 mm-rel (2 in.) magasabban készítse a bevágás vízszintes vágásánál. A döntési visszavágást párhuzamosan végezze a bevágás vízszintes vágásával. Úgy készítse a döntési visszavágást, hogy elég fa maradjon a csuklóhoz. A csukló akadályozza meg a fa rossz irányba csavarodását vagy dőlését. Ne vágja át a csuklót.

Amint a döntő vágás közel kerül a csuklóhoz, a fának el kell kezdenie dőlni. Ha bármi esély van arra, hogy a fa nem a kívánt irányba dől vagy visszalendül és beszorítja a láncfűrész, akkor döntési visszavágás befejezése előtt állítsa le a vágást, és fa-, műanyag- vagy alumínium ékekkel biztosítsa a vágat nyitva tartását és a fa kívánt irányba való dőlését.

A fa dőlésének kezdetekor vegye ki a láncfűrész a vágásból, állítsa le a motort, tegye le a láncfűrész és használja a megtervezett menekülési útvonalat. Figyeljen a feje feletti ágak zuhanására és nézzen a lába elé.

### A támasztógyökerek elvágása

Lásd 240. oldal.

A támasztógyökér a fa egy vastag gyökere, mely a fatörzsből a talajig hatol. Vágja át ezeket a vastag gyökereket, mielőtt kivágja a fát. Előbb vágjon vízszintesen, majd függőlegesen a támasztógyökérbe. Az így levágott darabot távolítsa el a munkaterületről. A fa kivágását a támasztógyökerek eltávolítása után kezdje meg.

### Rönk méretre vágása

Lásd 241. oldal.

A rönkvágás egy rönk darabokra vágása. Fontos, hogy stabilan álljon, és testsúlyát jól ossza el a két lábán. Ha lehetséges, akkor a rönköt ágak, rönkök vagy ékek segítségével fel kell emelni és meg kell támasztani. A könnyű vágás érdekében tartsa be az egyszerű utasításokat. Amikor a rönk teljes hosszában meg van támasztva, akkor felülről kell vágni (felülvágás).

Amikor a rönk csak az egyik végén van megtámasztva, alulról vágjon be az átmérő 1/3-ig (alulvágás). Majd felülvágással fejezze be a vágást úgy, hogy szembe megy az első vágással.

Amikor a rönk mindkét végén meg van támasztva, felülről vágjon be az átmérő 1/3-ig (felülvágás). Majd alulvágással fejezze be a vágást a rönk maradék 2/3-án úgy, hogy szembe megy az első vágással.

Lejtőn való rönkdaraboláskor mindig a rönk felső oldalához álljon. Átvágáskor a teljes irányítás megtartásához ne nyomja a fűrész a vágás végén, de ne engedje el a láncfűrész fogantyúit. Ne hagyja a talajjal érintkezni a láncot. A vágás befejezése után a láncfűrész mozgatása előtt várja meg a fűrészlánc megállását. Egyik fától a másikhoz való továbblépéskor mindig állítsa le a motort.

### Fa ágazása

Lásd 242. oldal.

Az ágazás az ágak eltávolítását jelenti egy kidöntött fáról. Ágazáskor hagyja rajta a nagyobb alsó ágakat a rönkön, hogy megtámasszák azt. Egy vágással távolítsa el az összes kisebb gallyat. A feszültség alatt lévő ágakat alulról felfelé kell vágni, elkerülve ezzel a láncfűrész beakadását.

### Rugalmas ágak vágása

Lásd 242. oldal.

Előfordulhat, hogy egy ág, egy kidőlt fa törzse vagy egy törpefa beszorul egy másik fa alá oly módon, hogy hirtelen felcsapódik, amint a ránehezdedő fát fűrészelni vagy elmozdítani kezdjük.





Könnyen előfordulhat, hogy az élő fán lévő kivágott fa törzse elengedi magát és felcsapódik függőleges pozícióba, miközben megpróbáljuk lefűrészelni a rönkről. Vigyázzon ezekkel a beszorult fákkal, mert veszélyesek.

### **▲ FIGYELMEZTETÉS**

A beszorult fák veszélyesek, mert megüthetik önt, és így elveszítheti uralmát a láncfűrész felett. Ami súlyos vagy akár halálos sérüléseket is okozhat. Ezt a műveletet csak gyakorlott felhasználók végezhetik.

### **RENDELTESSZERŰ HASZNÁLAT**

A termék kizárólag a szabadban használható. Biztonsági okokból a terméket mindig kétkezes műveletekkel kell irányítani.

A termék a láncvezető vágáshossza által meghatározott átmérőjű ágak, törzsek, rönkök és tönkök vágására alkalmas. Kizárólag fa vágása készült. Csak otthoni alkalmazásra használható olyan felnőttek által, akik megfelelő képzést kaptak a veszélyekről és a használatkor betartandó megelőző utasításokról/műveletekről.

Ne használja a terméket a fent leírtaktól eltérő célra. A láncfűrész nem használható professzionális favágási célokra. A terméket nem használhatják gyerekek, illetve megfelelő személyi védelmi eszközöket és ruházatot nem viselő személyek.

### **FENNMARADÓ KOCKÁZAT**

Még a gép rendeltésszerű használata esetén sem lehet teljesen kiküszöbölni minden kockázati tényezőt. A gép használata során a következő veszélyek merülhetnek fel, és a kezelőnek különösen oda kell figyelnie az alábbiak elkerülésére:

- A vibráció sérüléseket okozhat. Mindig a munkához megfelelő célszerszámot használja, használja a gépre szerelt fogantyúkat, és korlátozza a munkaidőt és a vibrációnak való kitettséget.
- A zajnak való kitettség halláskárosodást okozhat. Viseljen hallásvédőt és korlátozza a zajnak való kitettséget
- Érintkezés a fűrészlánc szabadon maradt fogaival (vágásveszély).
- A láncvezető előre nem látható, hirtelen mozgása vagy visszarugása (vágásveszély).
- Alkatrészek kiesése a fűrészláncból (vágás-/sérülésveszély).
- A fadarabból kidobott részek (faforgács, szilánkok).
- Fűrészpor és részecskék belélegzése.
- A bőr érintkezése a kenőanyaggal/olajjal.

### **KOCKÁZATCSÖKKENTÉS**

Arról számoltak be, hogy a kéziszerszámok használata során fellépő vibráció bizonyos személyeknél hozzájárulhat az úgynevezett Raynaud-szindróma (Raynaud's Syndrome) nevű állapot kialakulásához. A tünetei lehetnek: az ujjak zsibbadása, elfehéredése, szúrások érzése, amelyek hidegnek kitéve gyakran

felerősödnek. Az öröklődő tényezők, a hidegnek kitettség és verejtékezés, a diéta, a dohányzás és munka közben alkalmazott fogások valószínűleg mind hozzájárulhatnak ezen tünetek megjelenéséhez. A vibráció hatásainak csökkentése érdekében a kezelőnek be kell tartani az alábbi övintézkedéseket:

- Hideg időben tartsa melegen a testét. A gép használatakor viseljen kesztyűt a kéz és a csukló melegen tartásához. Arról számoltak be, hogy a hideg időjárásnak fontos szerepe van a Raynaud-szindróma kialakulásában.
- Bizonyos időtartamú használat után mindig végezzen gyakorlatokat a vérkeringés javításához.
- Gyakran tartson munkaszünetet. Korlátozza a napi munkaidőt.
- Profi láncfűrész-kereskedőtől beszerezhető olyan védőkesztyűk, amelyek kizárólag a láncfűrész használatához lettek kialakítva, védelmet és jó fogást biztosítanak, és még a kéz vibráció hatását is csökkentik. Ezeknek a kesztyűknek meg kell felelniük az EN381-7 szabványnak és CE jelöléssel kell rendelkezniük.

Ha ezen állapotot bármelyik tünetét tapasztalja, azonnal hagyja abba a munkát, és tájékoztassa az orvosát a tünetekről.

### **▲ FIGYELMEZTETÉS**

Injuries may be caused, or aggravated, by prolonged use of a tool. Ha a gépet hosszú időn át kell használnia, tartson gyakran szünetet.

### **ISMERJE MEG A TERMÉKET**

Lásd 233. oldal.

1. Fűrészlánc
2. Láncvezető
3. Elülső kézvédő/biztonsági láncfék
4. Elülső fogantyú
5. Ravasz kireteszelő gomb
6. Hátsó fogantyú
7. Ütközőtűske
8. Olajtartály sapka
9. Kábeltartó
10. Be/ki kapcsoló
11. Faforgács terelőlemez
12. Faforgács terelőlemez gomb
13. Fogaskerék fedele
14. Láncfeszítő beállítógyűrű
15. Láncvezető rögzítőgomb
16. Láncvezető védőburkolata
17. Üzemanyagtartály sapka

### **BIZTONSÁGI ESZKÖZÖK**

#### **Nehezen megugró lánc**

Az alacsony visszarugású fűrészlánc segít csökkenteni a visszarugás lehetőségét.

A fogak elején található mélységghatárolók megakadályozzák, hogy a fogak túl mélyre hatoljanak a fába, így csökkentik a megugrás erejét. Csak a gyártó által





javasolt csere láncvezető és lánc kombinációt használjon. Kétszeres óvatossággal járjon el a láncfűrész élesítése után, mivel ez a művelet kevésbé ellenállóvá teszi a láncot a megugrással szemben. A biztonsága érdekében cserélje ki a fűrészláncot, amint a vágóteljesítmény csökken.

### Ütközőtüske

A beépített ütközőtüske forgócsapként használható vágás készítése közben. Segít stabilan tartani láncfűrész testét a vágás során. Vágáskor nyomja előre a gépet, amíg a tuskék be nem mélyednek a fa szélébe, ezután a hátsó fogantyú felfelé vagy lefelé mozgásával a vágásvonal irányába segíthet enyhíteni a vágás fizikai terhelését.

### Láncvezető

Azok a láncvezetők, amelyeknek kisebb a görbületi sugara az orr-részen, általában nehezebben ugranak meg. A munkához elegendően hosszú láncot és láncvezetőt kell használnia. A hosszabb láncvezető növeli az irányítás elvesztésének kockázatát a vágás során. Rendszeresen ellenőrizze a lánc feszességét. Kisebb (a láncvezető teljes hosszánál rövidebb) ágak vágásakor a lánc nagyobb valószínűséggel dobódik le, ha nem megfelelő a feszessége.

### Láncfék

A láncfék arra szolgál, hogy adott esetben gyorsan leállítsa a forgó láncot. A lánc azonnal leáll, amint a láncfék kart/kézvédőt előretolja. A láncfék nem arra szolgál, hogy kivédje a megugrást. Csak csökkenti a sérülésveszélyt, amikor a láncvezető érintkezik a kezelő testével egy visszarúgás során. A láncfék megfelelő működését futás és fék állásban is mindig, minden használat előtt tesztelni kell.

## ÖSSZESZERELÉS

### ▲ FIGYELMEZTETÉS

Ha bármilyen alkatrész megsérült vagy hiányzik, addig ne működtesse a terméket, amíg nem pótolta azokat. Ezen figyelmeztetés figyelmen kívül hagyása súlyos személyi sérülést eredményezhet.

### A LÁNCVEZETŐ ÉS A FÜRÉSZLÁNC FELSZERELÉSE

Lásd 234 - 235. oldal. Lásd 244 - 245. oldal.

1. Válassza le a terméket az áramforrásról. Viseljen védőkesztyűt.
2. Csavarja ki a láncvezető rögzítőgombot, és távolítsa el a fogaskerék fedelét.
3. A fűrészláncnak a láncforgás irányába kell néznie. Ha az ellenkező irányban állnak, fordítsa ki a hurkot, amit csinált.
4. Helyezze a lánc meghajtó szemeket a láncvezető vátjába.
5. Helyezze a láncot olyan pozícióba, hogy hurkot formázzon a láncvezető mögött.
6. A láncvezetőn tartsa a helyén a láncot, és a hurkot tegye a hajtó fogaskerék köré. Engedje le a láncvezetőt, hogy a csavar átmenjen a szíjfeszítő szerelvényen található furaton. Előfordulhat, hogy el

kell forgatnia a szerelvényt, hogy a furat a csavarhoz kerüljön. A szerelvényt tovább elforgatva megfeszítheti valamennyire a láncot, hogy a helyén maradjon.

7. Helyezze vissza a fogaskerék fedelét, és addig forgassa el a láncvezető rögzítőgombját, amíg majdnem szoros, forgassa el a láncfeszesség beállítógyűrűt, amíg a lánc nincs megfelelően megfeszítve. Ezután nyomja felfelé a láncvezetőt. Ellenőrizze újra a lánc feszességét. Ne feszítse meg a láncot túl szorossra.
8. A lánc megfelelő megfeszítése után húzza meg újra a gombot.

### A LÁNCFESZESSÉG BEÁLLÍTÁSA

Lásd 235. oldal. Lásd 246. oldal.

1. Némileg lazítsa meg a láncvezető rögzítőgombot úgy, hogy elforgatja az óramutató járásával ellentétes irányba.
2. A lánc feszességének növeléséhez forgassa el az óramutató járásának irányába a láncfeszítő beállítógyűrűt, közben folyamatosan ellenőrizze a lánc feszességét. A lánc feszességének csökkentéséhez forgassa el az óramutató járásával ellentétes irányba a láncfeszítő beállítógyűrűt, közben folyamatosan ellenőrizze a lánc feszességét.
3. A lánc feszessége akkor megfelelő, ha a láncvezető és a lánc vágószeme közötti hézag 3 és 4 mm között van. Húzza el a láncot a láncvezető alsó részének közepénél lefelé (el a láncvezetőtől), és mérje meg a láncvezető és a lánc vágószemei közötti távolságot.
4. Húzza meg a láncvezető rögzítőgombot úgy, hogy elforgatja a gombot az óramutató járásának irányába.

## HASZNÁLAT

### LÁNC KENŐOLAJ BETÖLTÉSE

Lásd 246. oldal.

### ▲ FIGYELMEZTETÉS

Ne dolgozzon lánc kenőanyag nélkül. Ha a fűrészlánc kenőanyag nélkül fut, a láncvezető és a fűrészlánc károsodhat. Ezért különösen fontos az olajsint gyakori ellenőrzése az olajsint nézőablakban, minden munkakezdés előtt.

1. A szennyeződés megelőzése érdekében tisztítsa meg az olajtartály fedele körüli területet.
2. Csavarja ki és távolítsa el az olajtartály fedelét.
3. Öntse be az olajat az olajtartályba, és figyelje az olaj nivópalcát. Ügyeljen rá, hogy az olaj betöltése közben semmilyen szennyeződés ne kerüljön az olajtartályba.
4. Tegye vissza az olajtartály fedelét, és húzza be. A kilöttyent olajat törölje le.
5. Egy tartály olaj a fűrész 20–40 perces működéséhez elegendő.

### Javasolt lánc kenőolaj

- A gyártó kizárólag Ryobi fűrészlánc kenőolaj használatát javasolja. (Ez a hivatalos Ryobi szervizközpontban szerezhető be)





EN
FR
DE
ES
IT
NL
PT
DA
SV
FI
NO
RU
CS
PL
HU
RO
LV
LT
ET
HR
SL
SK
BG

## A LÁNCFŰRÉSZ TARTÁSA

Lásd 235. oldal.

A láncfűrészét mindig jobb kézzel a hátsó fogantyút, bal kézzel pedig az elülső fogantyút fogva tartsa. Mindkét kezével fogja a fogantyúkat, a hüvelykujj és az ujjak öleljék körül a fogantyút. Ügyeljen rá, hogy a bal keze úgy legyen az elülső fogantyún, hogy a hüvelykujja alul van.

### ⚠ FIGYELMEZTETÉS

A tápkábel mindig legyen megfelelően elvezetve, távol a vágási területtől. Az áram alatt levő kábel átvágása mellett a rosszul elvezetett kábel miatt elesés vagy felborulás következhet be.

## A LÁNCFŰRÉS BEINDÍTÁSA

Lásd 235. oldal.

1. Csatlakoztassa a terméket az áramforráshoz. Ügyeljen rá, hogy a láncfékét működési pozícióba állítsa a kar/kézvédő visszahúzásával.
2. A gép elindítása: Húzza meg a kioldóreteszt, majd nyomja meg a kioldókapcsolót.

## A LÁNCFÉK ELLENŐRZÉSE ÉS HASZNÁLATA

1. Húzza be a láncfékét úgy, hogy a bal kezét elfordítja az elülső fogantyú körül. A keze hátsó részével nyomja meg a láncfék kar/kézvédőt a láncvezető felé, miközben a lánc gyorsan forog. Mindig tartsa mindkét kezét a fűrész fogantyúin.
2. Állítsa vissza Működési pozícióba a láncfékét úgy, hogy a láncfék kar/kézvédő tetejét az elülső fogantyú felé húzza addig, amíg egy kattanó hangot nem hall.

### ⚠ FIGYELMEZTETÉS

Ha a láncfék azonnal nem állítja meg a láncot vagy a láncfék segítség nélkül nem marad működési pozícióban, akkor használat előtt javítás céljából vigye a fűrész egy hivatalos szervizközpontba.

## SZÁLLÍTÁS ÉS TÁROLÁS

Lásd 248 - 249 oldal.

- Szállítás vagy tárolás előtt állítsa le a terméket, csatlakoztassa le a hálózatról, és hagyja lehűlni.
- Minden idegen anyagtól tisztítsa meg a terméket. Hűvös, száraz és jól szellőztetett, gyerekektől elzárt helyiségben tárolja. Ne tárolja olyan oxidálószerrel közelében, mint pl. kerti munkáknál használatos vegyszerek vagy jégmentesítő sók. Ne tárolja a szabadban.
- A gép eltárolása előtt és szállítás során helyezze fel a láncvezető védőburkolatát.
- Szállításkor rögzítse a gépet elmozdulás és leesés ellen, hogy elkerülje a sérüléseket és az anyagi kárt.

## KARBANTARTÁS

### ⚠ FIGYELMEZTETÉS

Csak a gyártó eredeti cserealkatrészeit, tartozékait és szereléseit használja. Ennek figyelmen kívül hagyása gyenge motorteljesítményt, esetleges sérülést és a jótállás elvesztését okozhatja.

### ⚠ FIGYELMEZTETÉS

szervizelés különös figyelmet és hozzáértést igényel, és csak szakképzett szerelő végezheti el. Javasoljuk, hogy a szervizeléskor a terméket vigye a legközelebbi hivatalos szervizközpontba javítás céljából. Szervizeléskor csak azonos cserealkatrészeket használjon.

### ⚠ FIGYELMEZTETÉS

Beállítás, karbantartás vagy tisztítás előtt csatlakoztassa le a gépet a hálózati áramforrásról. Ennek elmulasztása súlyos személyi sérülést eredményezhet.

- A használati útmutatóban leírt beállításokat és javításokat Ön is elvégezheti. Az egyéb javításokhoz vegye fel a kapcsolatot a hivatalos szervizzel.
- A nem megfelelő karbantartás miatt előfordulhat, hogy a láncfék és más biztonsági funkciók nem működnek megfelelően, ami növeli a személyi sérülés kockázatát. A láncfűrészét tartsa szakszerűen karbantartott és biztonságos állapotban.
- A lánc biztonságos élezéséhez megfelelő gyakorlat szükséges. Ezért a gyártó kifejezetten javasolja, hogy az elkopott vagy életlen láncot egy újra cserélje le, amelyet egy hivatalos Ryobi szervizközpontban szerezhet be. Az alkatrészszám a kézikönyvnek a termék műszaki adatait ismertető részében található meg.
- Tartsa be a kenésre, és a láncfeszesség ellenőrzésre és a beállításra vonatkozó utasításokat.
- Minden egyes használat után egy puha, száraz ruhával tisztítsa meg a terméket.
- Gyakori időközönként ellenőrizze a csavaranyák, csavarok és fejecscsavarok megfelelő meghúzását, hogy a termék biztonságos üzemi állapotban legyen. A sérült alkatrészeket egy hivatalos szervizközpontban kell megjavíttatni vagy kicseréltetni.

## A LÁNCVEZETŐ ÉS A LÁNC CSERÉJE

Lásd 244 - 245 oldal.

1. Válassza le a terméket az áramforrásról. Viseljen védőkesztyűt.
2. Az őramutató járásával ellentétes irányba való elforgatással csavarja ki a láncvezető rögzítógombot, hogy a fogaskerék fedele meglazuljon.
3. Távolítsa el a fogaskerék fedelét. Távolítsa el a láncvezetőt és a fűrészláncot a gépről.
4. A láncvezető lecseréléséhez lazítsa meg a láncfeszítő szerelvény csavarját. Szerelje fel a láncfeszítő szerelvényt az új láncvezetőre, és húzza meg a csavart.



5. Tegye fel az új láncot a láncvezetőre a megfelelő irányba, és győződjön meg róla, hogy a lánc hajtószemei illeszkednek a láncvezető vajatába.
6. Szerelje fel a láncvezetőt a láncfűrészre, és hurkolja át a láncot a meghajtó fogaskeréken.
7. Helyezze vissza a fogaskerék fedelét, húzza meg a fogaskerék fedelét, és húzza meg a gombot.
8. Állítsa be a láncfeszességet. Lásd „A láncfeszesség beállítása” részt.

#### ⚠ FIGYELMEZTETÉS

A lánc rossz élesítése növeli a megugrás veszélyét.

#### ⚠ FIGYELMEZTETÉS

Ha a sérült láncot nem cseréli ki, vagy nem javíttatja meg, súlyos testi sérülésekkel járó balesetnek teszi ki magát.

#### ⚠ FIGYELMEZTETÉS

A lánc nagyon éles. Hordjon mindig védőkesztyűt, amikor a karbantartást végzi.

### A LÁNCFÉK ÁTVIZSGÁLÁSA ÉS TISZTÍTÁSA

Lásd 247. oldal.

- A láncfék mechanizmust mindig tartsa tisztán, a rudazatról mindig távolítsa el a szennyeződések.
- Tisztítás után mindig tesztelje a láncfék teljesítményét. Lásd a jelen kézikönyv "Használat - A láncfék ellenőrzése és használata" c. részét további tájékozódás végett.

#### ⚠ FIGYELMEZTETÉS

Még a rendszeres tisztítás sem biztosíthatja azt, hogy a láncfék munka közben megbízhatóan fog működni.

### KARBANTARTÁSI ÜTEMTERV

Napi ellenőrzés	
Tápkábel sérülései	Minden használat előtt
Láncvezető kenése	Minden használat előtt
Láncfeszesség	Minden használat előtt és rendszeresen
Lánc élessége	Minden használat előtt, vizuális ellenőrzés
Sérült alkatrészek	Minden használat előtt
Meglazult csavarok	Minden használat előtt
A láncfék működése	Minden használat előtt

### Átvizsgálás és megtisztítás

Láncvezető	Minden használat előtt
Teljes fűrész	Minden használat után
Láncfék	Minden 5 óránként*

\*Üzemóránként

### SZIMBÓLUMOK A TERMÉKEN



Biztonsági figyelmeztetés



A termék használata előtt olvassa el és értse meg a kezelési útmutatóban leírtakat, és tartsa be az összes figyelmeztető és biztonsági utasítást.



Viseljen szem- és hallásvédő eszközt (fülvédő, fül dugó) és védősisakot a szerszám használata közben.



A termék használata közben csúszásmentes biztonsági lábbelit viseljen.



Viseljen nem csúszós, nehéz igénybevételre tervezett kesztyűt.



Karbantartás előtt vagy sérülése, illetve átvágása esetén azonnal húzza ki a tápkábel az elektromos hálózatból.



Figyeljen a láncfűrész visszarúgására, és kerülje az érintkezést a láncvezető végével.



Ne tegye ki esőnek, és ne használja nedves környezetben.



A láncfűrész két kézzel fogja és használja.



Ne használja a láncfűrész egy kézzel tartva.



Ez a szerszám minden, a vásárlás európai uniós országában hatályos szabványnak megfelel.



GOST-R megfelelőség



Class II gép, kettős szigetelés



A kiselejtezett elektromos termékeket nem szabad a háztartási hulladékkal együtt kidobni. Ezeket újra kell hasznosítani, ha van rá lehetőség. Az újrahasznosítással kapcsolatban érdeklődjön a helyi önkormányzatnál vagy a termék forgalmazójánál.



Garantált hangteljesítményszint: 108 dB. (RCS1935)



Garantált hangteljesítményszint: 107 dB. (RCS2340)



Láncvezető és lánc kenőanyag



Retesz



Szétnyitás



Forgassa el a láncfeszesség beállításához  
+/-: A lánc meghúzása/meglazítása



A lánc mozgásiránya  
A fogaskerék fedele alatt van megjelölve

L max

Láncvezető maximális hossza



Állítsa le a gépet.

A következő jelölőszavak és jelentések arra szolgálnak, hogy megmagyarázzák a termékkel kapcsolatos veszélyességi szinteket.

#### ⚠ VESZÉLY

Egy bekövetkező veszélyes helyzetet jelez, ami, ha nem előzik meg, halált vagy komoly sérülést eredményezhet.

#### ⚠ FIGYELMEZTETÉS

Egy potenciálisan bekövetkező veszélyes helyzetet jelez, amit, ha nem előznek meg, halált vagy komoly sérülést eredményezhet.

#### ⚠ FIGYELEMFELHÍVÁS

Egy potenciálisan veszélyes helyzetet jelez, ami, ha nem előzik meg, kisebb vagy mérsékelt sérülést eredményezhet.

#### FIGYELEMFELHÍVÁS

Biztonsági figyelmeztető szimbólum nélkül

Egy olyan helyzetet jelez, ami anyagi kárt eredményezhet.

- EN
- FR
- DE
- ES
- IT
- NL
- PT
- DA
- SV
- FI
- NO
- RU
- PL
- CS
- HU**
- RO
- LV
- LT
- ET
- HR
- SL
- SK
- BG

### IKONOK A KÉZIKÖNYVBEN



Csatlakoztassa egy elektromos hálózati aljzathoz



Húzza ki az elektromos hálózati aljzathól



Külön értékesített alkatrészek és kiegészítők



A kiselejtezett elektromos termékeket nem szabad a háztartási hulladékkal együtt kidobni. Ezeket újra kell hasznosítani, ha van rá lehetőség.



MEGJEGYZÉS:



FIGYELMEZTETÉS



Viseljen szem- és arcvédőt.



Viseljen felsőtestvédőt.



Viseljen lábvédőt.

### ⚠️ AVERTISMENT

Atunci când utilizează produsul, normele de siguranță trebuie să fie respectate. Pentru siguranța dumneavoastră și a trecătorilor, vă rugăm să citiți aceste instrucțiuni înainte de utilizarea produsului. Trebuie să urmați un curs profesional organizat de siguranță în folosirea, acțiunile preventive, de prim ajutor și întreținere a ferăstraielor cu lanț. Vă rugăm să păstrați instrucțiunile într-un loc sigur pentru utilizare ulterioară.

### ⚠️ AVERTISMENT

Ferăstraiele sunt scule potențial periculoase. Accidentele implicând folosirea ferăstraielor adesea rezultă în pierderea unui membru sau deces. Nu este doar ferăstrăul principalul pericol. Crengile în cădere, prăbușirea copacilor, buștenii în rostogolire toți pot provoca moartea. Lemnăraia bolnavă sau putrezită reprezintă un pericol suplimentar. Trebuie să evaluați capacitatea dvs de a finaliza sarcină în siguranță. Dacă există orice îndoială, lăsați sarcina unui profesionist în chirurgie a copacilor.

### AVERTISMENTE GENERALE PRIVIND SIGURANȚA

### ⚠️ AVERTISMENT

**Citiți toate avertismentele și instrucțiunile de siguranță.** Nerespectarea acestor avertismente și instrucțiuni poate conduce la șocuri electrice, incendii și/ sau accidente grave.

**Păstrați aceste avertismente și instrucțiuni, pentru a le putea consulta ulterior.**

Termenul de "unealtă electrică" folosit în avertismente se referă la uneltele electrice alimentate de la rețea (cu cablu) sau cu acumulator (fără cablu).

### MEDIUL DE LUCRU

- **Mențineți curată și bine iluminată zona de lucru.** Zonele dezordonate și întunecate prezintă pericol de accidente.
- **Nu operați cu unealta electrică în atmosfere explozive, precum în prezența lichidelor, gazelor sau a prafului inflamabil(e).** Uneltele electrice creează scântei care pot aprinde praful sau vaporii.
- **Țineți copiii și persoanele din jur la distanță în timpul operării unei unelte electrice.** Distragerea atenției vă poate face să pierdeți controlul.

### SIGURANȚĂ ELECTRICĂ

- **Ștecărele uneltelor electrice trebuie să se potrivească cu priza. Nu modificați niciodată ștecărul în nici un fel. Nu folosiți niciodată adaptoare de ștecăr cu uneltele electrice cu împământare.** Ștecărele nemodificate și prizele potrivite reduc riscul de electrocutare.
- **Evitați contactul corpului cu suprafețele conectate**

la împământare, precum țevi, radiatoare, reșouri, mașini de gătit și frigider. Există un risc crescut de electrocutare când corpul dumneavoastră are contact cu împământarea.

- **Nu expuneți acest produs la ploaie sau condiții de umiditate.** Apa care intră într-o unealtă electrică va crește riscul de electrocutare.
- **Nu forțați cablul. Nu trageți niciodată unealta electrică de cablul de alimentare pentru a o transporta, a o trage sau a scoate ștecărul din priză. Țineți cablul de alimentare departe de căldură, ulei, muchii ascuțite sau piese în mișcare.** Cablurile deteriorate sau încurcate cresc riscul de electrocutare.
- **Atunci când lucrați cu o unealtă electrică în aer liber, folosiți un prelungitor adecvat pentru utilizarea în aer liber.** Folosirea unui prelungitor adecvat pentru utilizarea în aer liber reduce riscul de electrocutare.
- **În cazul în care operarea unei unelte electrice într-o zonă umedă nu poate fi evitată, folosiți o alimentare protejată cu un dispozitiv de curent rezidual (RCD).** Utilizarea unui RCD reduce riscul de electrocutare.

### SIGURANȚĂ PERSONALĂ

- **Fiți vigilenți, fiți atenți la ceea ce faceți, acționați cu simț practic când operați o unealtă electrică. Nu folosiți unealta electrică în timp ce sunteți obosit sau sub influența drogurilor, a alcoolului sau a medicamentelor.** Un moment de neatenție în timpul operării uneltelor electrice poate cauza vătămare personală gravă.
- **Utilizați echipament personal de protecție. Purtați întotdeauna ochelari de protecție.** Echipamentele de protecție, precum masca de praf, încălțăminte de protecție antiderapantă, casca sau protecția auditivă, folosite în condiții adecvate, vor reduce riscul rănilor.
- **Prevenirea pornirii neintenționate. Asigurați-vă că comutatorul este în poziția oprit înainte deconectarea la sursa de alimentare și / sau la acumulator, ridicarea sau transportul uneltei.** Transportarea uneltelor electrice cu degetul pe comutator sau punerea sub tensiune a uneltelor electrice care au comutatorul în poziția pornit predispune la accidente.
- **Îndepărtați orice cheie de reglare înainte de a porni unealta.** O cheie sau rămasă atașată de o piesă rotativă a uneltei electrice poate cauza vătămări corporale.
- **Nu vă aplecați excesiv. În timpul operării dispozitivului, păstrați-vă în permanență echilibrul și stabilitatea.** Acest lucru permite un mai bun control al uneltei electrice în situații neașteptate.
- **Îmbrăcați-vă corespunzător. Nu purtați haine largi sau bijuterii. Mențineți părul, hainele și mânușile departe de piesele în mișcare.** Hainele largi, bijuteriile sau părul lung pot fi prinse de piesele aflate în mișcare.
- **Dacă sunt prevăzute dispozitive pentru conectarea facilităților de extracție și de colectare a prafului, asigurați-vă că acestea sunt conectate și folosite corect.** Utilizarea colectării prafului poate reduce riscurile legate de praf.



## FOLOSIREA ȘI ÎNTREȚINEREA UNELTEI ELECTRICE

- **Nu forțați produsul. Folosiți unealta electrică corectă pentru aplicație.** Unealta electrică corectă va funcționa mai bine și mai sigur la viteza pentru care a fost proiectată.
- **Nu folosiți unealta electrică dacă comutatorul nu o poate porni și opri.** Orice unealtă electrică, care nu poate fi controlată cu comutatorul este periculoasă și trebuie reparată.
- **Deconectați ștecărul de la sursa de alimentare și / sau acumulatorul de la unealta electrică înainte de a efectua orice reglaje, a schimba accesorii sau de a stoca uneltele electrice.** Astfel de măsuri preventive de siguranță reduc riscul de pornire accidentală a unelei electrice.
- **Nu lăsați uneltele electrice la îndemâna copiilor și nu permiteți persoanelor nefamiliarizate cu unealta electrică sau cu aceste instrucțiuni să folosească uneltele.** Uneltele electrice sunt periculoase în mâinile utilizatorilor neinstruiți.
- **Întrețineți uneltele electrice. Verificați alinierea sau lipirea pieselor în mișcare, spargerea pieselor, precum și orice altă stare care poate afecta funcționarea unelei electrice. Dacă este deteriorată, solicitați repararea unelei înainte de utilizare.** Multe accidente sunt cauzate de uneltele electrice întreținute necorespunzător.
- **Păstrați uneltele de tăiere ascuțite și curate.** Uneltele de tăiere corect întreținute, cu muchii de tăiere ascuțite au o probabilitate mai redusă de lipire și sunt mai ușor de controlat.
- **Folosiți uneltele electrice, accesoriile și burghiile etc. în conformitate cu aceste instrucțiuni, ținând cont de condițiile de lucru și de lucrarea care urmează să fie efectuată.** Utilizarea unelei electrice pentru alte operații decât cele preconizate poate duce la situații periculoase.

## ÎNȚREȚINERE

- **Solicitați efectuarea lucrărilor de service la uneltele dvs. electrice numai de către o persoană calificată în reparații, folosind numai piese de schimb identice.** Acest lucru va garanta că siguranța unelei electrice este menținută.

## AVERTIZĂRI GENERALE SUPPLEMENTARE DE SIGURANȚĂ.

- Anumite regiuni au reglementări ce restricționează folosirea produsului. Pentru sfaturi întrebați autoritățile dvs. locale.
- Nu permiteți niciodată copiilor sau persoanelor care nu sunt familiarizate cu aceste instrucțiuni să utilizeze produsul. Reglementările locale pot restricționa vârsta operatorului.
- Asigurați-vă că înainte de fiecare folosire toate funcțiile de control și dispozitivele de siguranță funcționează corect. Nu folosiți sula electrică dacă întrerupătorul „oprit” nu oprește motorul.
- Purtați protecție completă pentru ochi și pentru auz, mănuși rezistente și puternice precum și protecție a

auzului atunci când operați produsul; folosiți o mască de față dacă operațiunea implică praf.

- Nu purtați haine largi, pantaloni scurți sau bijuterii de niciun fel.
- Strângeți părul lung mai sus de nivelul umerilor pentru a preveni prinderea în orice piese în mișcare.
- Fiți atent la obiectele aruncate, în zbor sau în cădere. Țineți toate persoanele (în special copiii și animalele de companie) la cel puțin 15m distanță de zona de lucru.
- Nu utilizați în condiții de iluminare necorespunzătoare. Operatorul necesită o panoramă clară a zonei de lucru pentru identificarea potențialelor pericole.
- Utilizarea antifoanelor reduce capacitatea de auzi avertismente (alarme sau strigăte). Operatorul trebuie să fie foarte atent la ceea ce se întâmplă în zona de lucru.
- Operarea de aparate similare în vecinătate crește atât riscul unei deteriorări a auzului cât și posibilitatea ca alte persoane să intre în zona dvs. de lucru.
- Mențineți sprijin ferm pe picioare și echilibru. Nu vă aplecați excesiv. Întinderea prea lungă poate rezulta în pierderea echilibrului și poate crește risc de recul.
- Țineți toate părțile corpului la distanță de orice piesă în mișcare.
- Inspectați produsul înainte de utilizare. Verificați ca toate comenzile să funcționeze corect inclusiv frâna lanțului. Verificați să nu fie slăbite închizătorile. Asigurați-vă că toate dispozitivele de protecție și mânerul sunt fixate corect și strâns. Înlocuiți toate piesele deteriorate înainte de utilizare.
- Nu modificați mașina în niciun fel sau să folosiți părți și accesorii ce nu sunt recomandate de către producător.
- Dacă e nevoie să folosiți un cablu prelungitor, asigurați-vă că este corespunzător pentru folosirea în exterior și că are o capacitate de curent suficientă pentru a alimenta aparatul dvs, verificați-l înainte de fiecare folosire dacă este deteriorat și întotdeauna desfășurați-l în timpul folosirii întrucât cablurile înfășurate pot să se supraîncalzească.
- O cădere a tensiunii cauzează fluctuații ale voltajului și poate afecta alte produse electrice de la aceeași sursă de curent. Conectați produsul la o sursă de curent cu o impedanță egală sau mai mică de 0.372Ω - RCS1935, 0.277Ω - RCS2340 pentru a micșora fluctuațiile voltajului. Contactați furnizorul dvs de energie electrică pentru clarificări ulterioare.

### ⚠ AVERTISMENT

Dacă mașina este scăpată, suferă un impact dur sau începe să vibreze anormal, opriți imediat mașina și inspectați-o de deteriorări sau identificați cauza vibrației. Orice deteriorare trebuie reparată corespunzător sau înlocuită la un centru service autorizat.

### AVERTIZĂRI DE SIGURANȚĂ ASUPRA FERĂSTRĂULUI CU LANȚ.

- **Țineți ferite toate părțile corpului de ferăstrăul cu lanț atunci când el este în funcțiune.** Înainte de a





porni ferăstrăul cu lanț, asigurați-vă că lanțul nu vine în contact cu nimic. Un moment de neatenție în timpul operării ferăstrăului cu lanț ar putea cauza prinderea hainelor sau a corpului dvs la ferăstrăul cu lanț.

- **Țineți întotdeauna ferăstrăul cu mâna dreaptă de mânerul posterior și cu mâna stângă de mânerul din față.** Ținerea ferăstrăului cu o configurație inversă a mâinilor crește riscul vătămării personale și nu trebuie niciodată ținute așa.
- **Țineți scula de putere doar de suprafața de prindere izolată, întrucât ferăstrăul ar putea intra în contact cu fire electrice ascunse sau cu propriul cablu.** Ferăstraiele cu lanț ce vin în contact cu fire electrice sub tensiune ar putea face expuse piesele de metal ale sculei electrice „la tensiune” și poate electrocuta operatorul.
- **Purtați ochelari de protecție și protecție pentru auz.** Echipament de protecție suplimentar pentru cap, mâini, picioare și laba piciorului este recomandat. Hainele de protecție corespunzătoare vor reduce vătămarea personală de resturile aruncate sau de contactul accidental cu ferăstrăul cu lanț.
- **Nu operați ferăstrăul urcat în copac.** Operarea ferăstrăului cu lanț suit în copac poate rezulta în vătămare personală.
- **Mențineți întotdeauna o poziție sigură și operați ferăstrăul cu lanț doar când stați pe o suprafață fixă, sigură și dreaptă.** Suprafețele alunecoase sau nesigure precum scările mobile pot cauza pierderea echilibrului sau a controlului ferăstrăului.
- **Când tăiați o creangă ce este sub tensiune fiți atent la faptul că revine brusc înapoi.** Atunci când tensiunea fibrelor de lemn sunt eliberate, creanga elastică poate să lovească operatorul și/sau să scape ferăstrăul de sub control.
- **Folosiți maximă atunc când tăiați tufișuri și puiet.** Materialul subțire ar putea prinde ferăstrăul și să se înfășoare în fața dvs sau să vă dezechilibreze.
- **Transportați ferăstrăul de mânerul frontal și nu în stare de funcționare și țineți-l ferit de corp.** Atunci când transportați sau depozitați ferăstrăul montați întotdeauna apărătoarea barei de ghidare. Manipularea corectă a ferăstrăului va reduce posibilitatea contactului accidental cu ferăstrăul în mișcare.
- **Urmați instrucțiunile privind lubrifierea, tensionarea lanțului și schimbării accesoriilor.** Lanțul tensionat sau lubrifiat necorespunzător poate fie să se rupă sau să crească posibilitatea de recul.
- **Mențineți mânerul uscat, curat și fără urme de ulei și vaselină.** Mănerul cu urme de vaselină și ulei sunt alunecoase și pot cauza pierderea controlului.
- **Tăiați doar lemn. Nu folosiți ferăstrăul pentru alte scopuri decât cel prevăzut. De exemplu, nu folosiți ferăstrăul cu lanț pentru tăierea plasticului, a zidăriei sau a materialelor de construcție ce nu sunt din lemn. Folosirea ferăstrăului pentru operații diferite de cele prevăzute poate rezulta în situație periculoasă.**

## Cauzele și prevenirea operatorului de recul:

Se poate produce un recul dacă extremitatea ghidului lanțului intră în contact cu un obiect sau dacă lanțul ferăstrăului se agață și se blochează în lemn în timpul tăierii.

Contactul cu vârful lamei de ghidare poate cauza în unele cazuri o reacție instantanee care proiectează lama de ghidare în sus și înapoi spre operator.

Agățarea lanțului de ferăstrău de-a lungul părții superioare a lamei de ghidare poate împinge lama de ghidare rapid înapoi spre operator.

În fiecare din aceste cazuri, puteți pierde controlul ferăstrăului cu lanț și să fiți rănit grav. Nu vă bazați exclusiv pe elementele de protecție ale ferăstrăului cu lanț. Și dumneavoastră trebuie să luați diverse măsuri pentru a evita riscurile de accidente sau de rănire.

Recul este rezultatul folosirii incorecte și/sau procedurii sau condițiilor incorecte de operare a sculei și poate fi evitat luând măsurile de precauție corecte așa cum sunt date mai jos:

- **Mențineți o prindere fermă, cu degetul mare și degetele înconjurând mânerul ferăstrăului, cu ambele mâini pe ferăstrău și poziția corpului și a brațelor să vă permită să rezistați forțelor reculului.** Forețele de recul pot fi controlate de operator, dacă măsurile de precauție corespunzătoare sunt luate. Nu dați drumul ferăstrăului.
- **Nu vă întindeți prea mult și nu tăiați deasupra înălțimii umerilor.** Acest lucru previne contactul neintenționat cu vârful și permite un mai bun control al ferăstrăului în situații neașteptate.
- **Folosiți doar bară de schimb și lanțurile specificate de către producător.** Bările de schimb și lanțurile necorespunzătoare pot cauza ruperea lanțului și/sau recul.
- **Respectați instrucțiunile producătorului pentru ascuțirea și întreținerea lanțului.** Scăderea înălțimii etalonului adâncimii de tăiere poate duce la un recul crescut.

## AVERTIZĂRI DE SIGURANȚĂ SUPLIMENTARĂ PRIVIND FERĂSTRĂUL CU LANȚ

- Este recomandat să tăiați bușteni pe o capră sau un cadru când operați produsul pentru prima dată.
- Asigurați-vă că toate apărătorile, mânerul și amortizoarele în formă ascuțită sunt corespunzător montate și se află în stare bună.
- Persoanele ce folosesc acest ferăstrău trebuie să aibă o stare de sănătate bună. Ferăstrăul este un aparat greu, astfel încât operatorul trebuie să fie apt din punct de vedere fizic. Operatorul trebuie să fie prevăzător, să aibă o vedere, mobilitate și echilibru bun și o dexteritate manuală. Dacă există vreo nelămurire, nu operați ferăstrăul cu lanț.
- Nu porniți produsul până când nu aveți o zonă de lucru curată, o poziție sigură, și o cale de retragere planificată față de copacul în cădere.
- Fiți atent la emisiile de gaze de lubrifiere și pulberea ferăstrăului. Purtați o mască sau mască protectoare dacă e necesar.





EN

FR

DE

ES

IT

NL

PT

DA

SV

FI

NO

RU

PL

CS

HU

RO

LV

LT

ET

HR

SL

SK

BG



- Energia electrică trebuie să fie furnizată printr-un dispozitiv pentru curent rezidual (RCD) cu un curent de declanșare de nu mai mult de 30 mA.
- În cazul în care cablul de curent devine deteriorat, trebuie să returnați aparatul la un centru service autorizat pentru a fi reparat sau înlocuit.
- Mențineți întotdeauna cablul de curent ordonat și ferit de zona de tăiere. În afara pericolului electrocutării, cablurile neordonate pot cauza căderi și împiedicări.
- Nu tăiați lujeri și/sau arboret mic (mai mic de 75 mm în diametru).
- Țineți întotdeauna ferăstrăul cu ambele mâini când îl operați. Țineți bine ferăstrăul, cu degetele cuprinzând mânerul. Mâna dreaptă trebuie să fie pe mânerul posterior și mâna stângă pe mânerul frontal.
- Înainte de a porni echipamentul, asigurați-vă că ferăstrăul nu vine în contact cu niciun obiect.
- Nu modificați scula în niciun fel sau să o folosiți pentru a alimenta orice alte accesorii sau dispozitive nerecomandate de către producător pentru ferăstrăul dvs.
- Trebuie să existe o cutie de prim ajutor conținând un pansament mare și mijloace de atragere a atenției (de exemplu un fluier) aproape de operator. O cutie mai mare și mai cuprinzătoare trebuie în mod normal să existe în apropiere.
- Operatorul ar putea fi tentat să renunțe la casca de protecție dacă nu există pericol de cădere a obiectelor din zona de lucru, dar rețineți că această cască, în special cea cu vizieră lată, poate reduce riscul unei potențiale vătămări a feței sau a capului dacă are loc un recul.
- Un lanț incorect tensionat poate să sară de pe bara de ghidare și poate cauza vătămare gravă sau deces. Lungimea lanțului depinde de temperatură. Verificați frecvent tensiunea lanțului.
- Trebuie să vă obișnuiți cu noul dvs ferăstrău cu lanț prin efectuarea de tăieri simple pe un lemn prin fix. Daceți acest lucru oricând nu ați operat ferăstrăul o bucată de timp.
- Pentru a reduce riscul de vătămare asociat cu contactul părților mobile, opriți întotdeauna motorul, aplicați frâna pentru lanț, deconectați de la priză și asigurați-vă că toate piesele în mișcare s-au oprit complet, înainte de:
  - curățarea sau eliminarea unui blocaj
  - lăsarea produsului fără supraveghere
  - instalarea sau îndepărtarea atașamentelor/ accesoriilor
  - verificarea, întreținerea sau lucrul cu mașina
- Suprafața zonei de lucru depinde de sarcina care trebuie realizată, în aceeași măsură cu mărirea copacului sau a piesei de prelucrat. De exemplu, pentru a doborî un copac e necesară o zonă mai mare de lucru decât pentru a face alte tăieri, de ex. tăieri mici, etc. Operatorul trebuie să fie conștient și să aibă controlul la tot ce se întâmplă în această zonă de lucru.
- Nu tăiați având corpul dvs în linie cu bara de ghidare și cu lanțul. Dacă aveți parte de reculuri aceasta vă va ajuta să preveniți ca lanțul să vină în contact cu capul

sau corpul dvs.

- Nu folosiți o mișcare de tăiere în față și înapoi, lăsați lanțul să facă treaba, mențineți lanțul ascuțit și nu încercați să împingeți lanțul în porțiunea tăiată.
- Nu exercitați presiune asupra ferăstrăului la terminarea tăierii. Fiți gata să preluați din greutatea ferăstrăului pe măsură ce tăietura în lemn este aproape gata. În caz contrar, pot rezulta vătămări corporale grave.
- Nu opriți ferăstrăul în mijlocul operațiunii de tăiere. Mențineți ferăstrăul în funcțiune până când este eliberat prin finalizarea tăierii.

### Împingerea și tracțiunea

Forța de reacție se exercită întotdeauna în direcția opusă direcției de rotație al lanțului. Astfel, operatorul trebuie să fie pregătit să controleze tendința aparatului de a împinge înainte (mișcare în față) atunci când tăiați la marginea de jos a barei și de a împinge în spate (cître operator) atunci când tăierea este de-a lungul marginii de sus.

### Ferăstrăul bolcat în tăietură.

Opriți ferăstrăul și faceți-l sigur. Nu încercați să forțați lanțul și bara să iasă din tăietură întrucât e foarte probabil ca lanțul să se rupă și ar putea să balanseze înapoi și să lovească operatorul. Această situație în mod normal se întâmplă pentru că lemnul este necorespunzător sprijinit și forțează tăietură să se închidă sub compresie, ca urmare să strângă lama. Dacă reglarea sprijinului nu eliberează bara și lanțul, folosiți pene de lemn sau un levier pentru a deschide tăietura și a elibera ferăstrăul. Nu încercați niciodată să porniți ferăstrăul când bara de ghidare este deja în tăietură sau secțiunea tăiată.

### Echipament personal de protecție.

Echipamentul personal de protecție de o bună calitate ca cel folosit de profesioniști va ajuta la reducerea riscului de vătămare a operatorului. Următoarele articole trebuie folosite când operați ferăstrăul dvs cu lanț:

#### Cască de protecție

- trebuie să fie în conformitate cu EN 397 și marcată CE

#### Protecție a auzului

- trebuie să fie în conformitate cu EN 352-1 și marcată CE

#### Protecția ochilor și a feței

- trebuie să fie marcată CE și să fie în conformitate cu EN 166 (pentru ochelarii de protecție) sau EN 1731 (pentru viziere)

#### Mănuși

- trebuie să fie în conformitate cu EN 381-7 și marcată CE

#### Protecție a picioarelor (ghete de piele)

- trebuie să fie în conformitate cu EN 381-5, să fie marcat CE și să ofere protecție generală.

#### Ghete de protecție pentru ferăstrăul cu lanț

- trebuie să fie în conformitate cu EN ISO 20345:2004, să fie marcat cu o apărătoare înfățișând un ferăstrău cu lanț pentru a arătat conformitatea cu EN 381-3. Utilizatorii ocazionali pot să folosească ghete de protecție cu bombeu metalic de protecție



a degetelor piciorului cu jambiere de protecție ce sunt conforme cu EN381-9 dacă solul este drept și există un risc scăzut de a face pași greșiți sau să fiți prinși de arbuști)

#### **Geci pentru protecția superioară a corpului împotriva ferăstrăului**

- trebuie să fie în conformitate cu EN 381-11 și marcată CE

### **INSTRUCȚIUNI CU PRIVIRE LA TEHNICILE CORESPUNZĂTOARE PENTRU DOBORĂREA, TĂIEREA CRENGILOR ȘI A TĂIERII TRANSVERSALE**

#### **Înțelegerea forțelor din interiorul lemnului**

Atunci când înțelegeți presiunile direcționale și solicitările dinn interiorul lemnului puteți reduce „strângerea” lemnului sau cel puțin vă așteptați la ea în timpul tăierii. Tensiunea în interiorul lemnului înseamnă că fibrele sunt trase la o parte și dacă tăiați în această zonă „tăietura” va tinde să se deschidă pe măsură ce ferăstrăul înaintează. Dacă un buștean este sprijinit pe o capră iar capătul bușteanului atârna nesprrijint atunci tensiunea este creată pe suprafața superioară datorită greutateii bușteanului ce întinde fibrele lemnului. Tot așa, partea dedesubt a bușteanului va fi strânsă/comprimată și fibrele vor fi împinse împreună. Dacă o tăietură este făcută în această zonă, partea tăiată va avea tendința să se închidă în timpul tăierii. Aceasta ar putea prinde lama.

#### **Doborârea unui copac.**

*Vezi pagina 239 - 240.*

Atunci când sunt îndeplinite operațiuni de tăiere sau doborâre a copacilor simultan de către două sau mai multe persoane, operațiunea de doborâre trebuie să fie separată de cea de tăiere la o distanță de cel puțin două ori înălțimea copacului ce vine doborât. Copacii trebuie doborâți în așa fel încât să nu pună în pericol nicio persoană, să nu lovească nicio linie de serviciu public sau să cauzeze orice distrugere a proprietății. În cazul în care copacul face contact cu o linie de serviciu public, compania trebuie să fie notificată imediat.

Dacă terenul este în pantă, stați întotdeauna în partea de sus a terenului deoarece copacul riscă să se rostogolească sau să alunece în josul pantei după ce este tăiat.

O cale de retragere trebuie întotdeauna planificată și eliberată necesar înainte ca operațiunile de tăiere să înceapă. Calea de retragere trebuie să se înapoi și în diagonală în spatele liniei prevăzute de cădere a copacului.

Înainte ca doborârea să aibă loc, luați în considerare înclinarea naturală a copacului, localizarea crengilor mari și a direcției vântului pentru a judeca felul în care copacul va cădea.

Îndepărtați noroiul, coaja ce stă să se desprindă, cielele, cârligele și firele din copac.

Nu încercați să doboâți copaci ce sunt putreziți sau au fost deteriorați de vânt, incendiu sau fulgere etc.

Este extrem de periculos și trebuie efectuată această operațiune doar de către persoane profesioniste în doborârea copacilor.

#### **■ Tăietura la trunchi**

*Vezi pagina 239 - 240.*

Faceți o tăietură de 1/3 din diametrul copacului perpendiculară pe direcția de cădere. Faceți mai întâi tăietura orizontală la bază. Acest lucru va ajuta la prevenirea prinderii fie a ferăstrăului sau a barei de ghidare atunci când a doua tăietură este făcută.

#### **■ Tăierea finală de doborâre**

*Vezi pagina 239 - 240.*

Faceți tăietura de doborâre la cel puțin 50 mm/2 inci mai sus decât tăietura orizontală de doborâre. Faceți tăietura de doborâre paralelă cu tăietura orizontală. Faceți tăietura de doborâre în așa fel încât să rămână suficient lemn care să acționeze ca o balamaua. Balamaua de lemn menține copacul să nu se răsucescă și să cadă în direcția greșită. Nu tăiați prin balamaua de lemn Pe măsură ce căderea se apropie de balamaua de lemn, copacul ar trebui să înceapă să cadă. Dacă există vreo posibilitate ca direcția de cădere a copacului să fie una greșită sau să balanseze înapoi și să înțepenească ferăstrăul, opriți tăierea înainte ca tăietura de doborâre să fie completă și folosiți pene de lemn, plastic sau aluminiu pentru a deschide tăietura și să cadă copacul de-a lungul liniei de cădere dorite.

Atunci când copacul începe să cadă îndepărtați ferăstrăul din tăietură, opriți motorul, puneți ferăstrăul jos, apoi retrageți-vă pe calea de retragere planificată. Fiți atent la căderea crengilor de deasupra capului și priviți unde pășiți.

#### **Tăierea rădăcinilor de contrafort**

*Vezi pagina 240.*

O rădăcină de contrafort este o rădăcină groasă care pleacă de la trunchiul copacului până la sol. Tăiați rădăcinile groase înainte de a începe doborârea. Efectuați mai întâi o tăietură orizontală în rădăcină, apoi o tăietură verticală. Degajați partea tăiată astfel din zona de lucru. Procedați la doborâre după ce ați îndepărtat rădăcinile de contrafort.

#### **Debitarea unui buștean la dimensiune**

*Vezi pagina 241.*

Debitarea este tăierea unui buștean la dimensiune. Este important să vă asigurați că poziția dvs este fermă și că greutatea dvs este egal distribuită pe ambele picioare. Atunci când e posibil, bușteanul trebuie să fie ridicat și sprijinit prin folosirea crengilor, a butucilor sau a proptelei. Urmați instrucțiunile simple pentru o tăiere ușoară. Atunci când bușteanul este sprijinit pe întreaga sa lungime, este tăiat din partea de sus (tăiere de deasupra)

Când bușteanul este sprijinit la un capăt, tăiați 1/3 din diametru pornind de dedesubt (tăiere de dedesubt). Apoi faceți tăietura finală prin tăiere de deasupra pentru a vă întâlni cu prima tăietură.

Atunci când bușteanul este sprijinit la ambele capete, tăiați 1/3 din diametru cu o tăiere de sus (tăiere de deasupra). Apoi faceți tăietura finală prin tăiere de dedesubt cam 2/3 pentru a vă întâlni cu prima tăietură.

Atunci când debitați bușteanul în pantă stați mereu pe partea de sus a bușteanului. Atunci când faceți o „tăiere completă” pentru a menține complet controlul ferăstrăului eliberați presiunea de tăierea aproape de finalizarea tăierii fără relaxa prinderea fermă a mânerelor ferăstrăului. Nu lăsați lanțul să vină în contact cu solul. După ce tăierea este



finalizată, așteptați ca ferăstrăul să se oprească înainte de a-l muta. Opritiți întotdeauna motorul înainte de a vă muta de la un copac la altul.

### Tăierea crengilor unui copac

Vezi pagina 242.

Tăierea crengilor reprezintă îndepărtarea crengilor unui copac doborât. Atunci când tăiați crengile lăsați crengile de jos să sprijine bușteanul de sol. Îndepărtarea crengilor mici dintr-o singură tăiere. Crengile tensionate trebuie să fie tăiate de la fund în sus pentru a evita înțepenirea ferăstrăului.

### Tăierea crengilor arcuite

Vezi pagina 242.

O prăjină este o ramură, o buturugă dezrădăcinată sau un arbust care este îndoit de o altă bucată de lemn, astfel încât aceasta se destinde brusc atunci când o tăiați sau când îndepărtați bucată de lemn care o reține.

Buturuga dezrădăcinată a unui copac doborât riscă să se destindă și să revină în poziție verticală în timpul tăierii pentru a o separa de trunchi. Fiți atenți la prăjini, acestea sunt periculoase.

#### **⚠ AVERTISMENT**

Prăjinile sunt periculoase pentru că vă pot lovi și să vă facă să pierdeți controlul ferăstrăului cu lanț. Ceea ce poate provoca răni grave sau mortale. Această operațiune trebuie îndeplinită de utilizatori instruiți.

### UTILIZARE PREVĂZUTĂ

Acest produs este proiectat doar pentru folosirea în mediul exterior. Pentru motive de siguranță, acest produs trebuie să fie controlat adecvat prin folosirea tot timpul a operațiunilor cu ambele mâini.

Produsul este proiectat să taie crengi, trunchiuri, bușteni și grinzi de un diametru determinat de lungimea de tăiere a barei de ghidare. Este permisă numai tăierea lemnului. Este folosit doar pentru operațiuni casnice de către un adult ce a primit instruirea necesară privind măsurile/acțiunile periculoase și de prevenire ce trebuie a fi luate în timpul folosirii ferăstrăului.

Nu folosiți produsul pentru niciun alt scop nementionat mai sus. A nu se folosi pentru tăieri profesionale de copaci. Produsul nu trebuie folosit de copii sau persoane ce nu poartă echipamentul și hainele de protecție corespunzătoare.

### RISCURI REZIDUALE

Chiar dacă mașina este folosită conform instrucțiunilor, este totuși imposibil să eliminați complet anumiți factori de risc reziduali. Următoarele pericole pot apărea în timpul folosirii și operatorul trebuie să acorde atenție specială pentru a evita următoarele:

- Vătămare cauzată de vibrație. Folosiți întotdeauna aparatul potrivit pentru sarcină, folosiți mânerele prevăzute și restricționați timpul de lucru și expunerea.
- Expunerea la zgomot poate cauza vătămarea auzului.

Purtați protecție pentru auz și limitați expunerea.

- Contactul cu dinții expuși ai lanțului ferăstrăului (pericole de tăiere).
- Mișcare neprevăzută, abruptă sau recul al lanțului de ghidare (pericole de tăiere).
- Părți proiectate de ferăstrău (pericole la tăiere/injecție)
- Părți aruncate din piesa de lucru (așchii de lemn, fragmente de lemn)
- Inhalarea de praf și particule ca urmare a tăierii
- Contactul pielii cu lubrifianți/ulei.

### REDUCEREA RISCULUI

S-a raportat faptul că vibrațiile produse de unelte manuale pot contribui, la anumite persoane, la o afecțiune denumită Sindromul Raynaud. Simptomele pot include furnicături, amorțeală și albirea degetelor, care apare, de obicei, după expunerea la frig. Factori ereditari, expunerea la frig și umiditate, dieta, fumatul și practicile de muncă contribuie la dezvoltarea acestor simptome. Există măsurător care pot fi efectuate de către operator pentru a reduce efectele de vibrațiilor:

- Păstrați-vă temperatura corporală ridicată pe vreme rece. Când operați unitatea purtați mănuși pentru a vă menține mâinile și încheieturile la căldură. S-a constatat că vremea rece este un factor major care contribuie la sindromul Raynaud.
- După fiecare perioadă de operare, trebuie făcute exerciții pentru a crește circulația sângelui.
- Trebuie făcute pauze la intervale de timp regulate. Limitați expunerea zilnică.
- Mănușile de protecție disponibile la magazinele profesionale de ferăstraie sunt proiectate în mod special pentru a folosirea ferăstrăului și care oferă protecție, o priză bună și reduc riscul de vibrație a mânerelor. Aceste mănuși trebuie să fie în conformitate cu EN381-7 și trebuie să fie marcate CE.

Dacă sunt experimentate oricare dintre simptomele acestei afecțiuni, trebuie întrerupt utilizarea și consultat un medic.

#### **⚠ AVERTISMENT**

Pot fi cauzate sau agravate vătămările de la folosirea prelungită a aparatului. Atunci când folosiți o sculă pentru perioade prelungite, asigurați-vă că luați pauze regulate.

### CUNOAȘTEȚI-VĂ PRODUSUL

Vezi pagina 233.

1. Lanțul ferăstrăului
2. Ghidul lanțului
3. Apărătoarea-mâinii din față/frâna lanțului
4. Mâner anterior
5. Butonul de deblocare a trăgaciului
6. Mânerul principal
7. Știftul amortizor
8. Bușonul rezervorului de ulei
9. Opritor cablu
10. Întrerupător pornire/oprire





11. Apărătoare împotriva așchiilor de lemn.
12. Buton rotativ al apărătorii împotriva așchiilor de lemn.
13. Apărătoare roată lanț
14. Inel de reglare a tensiunii lanțului
15. Buton rotativ de blocare a barei de ghidare
16. Apărătoare bară de ghidare
17. Bușonul rezervorului de carburant

## DISPOZITIVE DE SIGURANȚĂ

### Lanț cu tendință redusă de recul

Un ferăstrău cu recul redus ajută la reducerea posibilității unui eveniment de recul.

Limitatorii de adâncime situați în fața fiecărui dinte pot reduce forța efectului de recul evitând ca dinții să pătrundă prea adânc în zona de recul. Folosiți doar bară de ghidare și combinații de lanț de schimb recomandate de producător.

Fiți și mai vigilenți după ce ați ascuțit lanțul ferăstrăului, deoarece ascuțirea face ca lanțul să fie mai puțin rezistent la recul. Pentru siguranța dvs, înlocuiți lanțul ferăstrăului atunci când performanța tăierii scade.

### Știftul amortizor

Știftul integral amortizor poate fi folosit ca articulație atunci când se execută o tăiere. Vă ajută să țineți corpul ferăstrăului stabil în timp ce tăiați. Atunci când tăiați, împingeți în față aparatul până când dinții ferăstrăului crestează în marginea lemnului, apoi mișcând mânerul posterior în sus și în jos în direcția liniei de tăiere poate ajuta la ușurarea solicitării fizice ale tăierii.

### Ghidul de lanț

Ghidurile de lanț care au un diametru mai redus la capăt prezintă în general o tendință mai redusă de recul. Trebuie să folosiți o bară de ghidare și un lanț potrivit care este îndeajuns de lung pentru lucrare. Barele mai lungi cresc riscul de pierdere a controlului în timpul tăierii. Verificați regulat tensiunea lanțului. Atunci când tăiați crengi mai mici (mai mici decât lungimea totală a barei de ghidare) lanțul este foarte probabil să fie aruncat dacă tensiunea lui nu este corectă.

### Frâna lanțului

Frâna lanțului a fost concepută pentru a permite oprirea rapidă a lanțului din rotație. Lanțul trebuie să se oprească imediat atunci când mânerul frânei/apărătoarei mâinii este împins în față. Frâna lanțului nu împiedică efectul de recul. Doar scade riscul de vătămare dacă bara cu lanț vine în contact cu corpul operatorului în timpul unui eveniment de recul. Frâna lanțului trebuie să fie testată înainte de fiecare folosire pentru o corectă operare atât în poziția de funcționare cât și în poziția frână.

## MONTARE

### ⚠ AVERTISMENT

Dacă orice piesă este deteriorată sau lipsă nu operați acest produs până când piesele nu sunt înlocuite. Nerespectarea acestei avertizări poate provoca vătămări corporale grave.

## ASAMBLAREA LANȚULUI FERĂSTRĂULUI ȘI A BAREI DE GHIDARE.

Vezi pagina 234 - 235. Vezi pagina 244 - 245.

1. Deconectați produsul de la priza de curent. Purtați mănuși de protecție
2. Deșurubați butonul rotativ de blocare a barei de ghidare și îndepărtați capacul roții de lanț.
3. Lanțul ferăstrăului trebuie să fie în direcția rotirii lanțului. Dacă ele sunt orientate în sens invers, întoarceți bucla pe care ați format-o.
4. Așezați zalele de antrenare a lanțului în canalul lamei.
5. Poziționați lanțul astfel încât să formeze o buclă în partea din spate a ghidului.
6. Țineți lanțul în poziție pe bară și puneți bucla lanțului în jurul roții dințate a lanțului. Coborâți bara în așa fel încât șurubul să treacă prin gaura ansamblului de tensionare a lanțului atașat. Ar putea fi nevoie să rotiți acest ansamblu pentru ca șurubul și gaura să se alinieze. Puteți roti acest ansamblu din nou pentru a aplica o certă tensiune lanțului ceea ce-l va ajuta să rămână țină la locul lui.
7. Reașezați capacul roții de lanț și rotiți butonul rotativ de blocare a barei de ghidare până când e aproape strâns, rotiți inelul de reglare a tensiunii lanțului până când lanțul este tensionat corespunzător. Bara de ghidare trebuie să fie împinsă în sus. Verificați tensiunea lanțului din nou. Nu tensionați prea strâns lanțul.
8. După ce lanțul este bine tensionat, strângeți butonul rotativ din nou.

## REGLAREA TENSIUNII LANȚULUI

Vezi pagina 235. Vezi pagina 246.

1. Slăbiți butonul rotativ de blocare a barei de ghidare rotindu-l ușor în sens invers acelor de ceas.
2. Pentru a crește tensiunea lanțului, rotiți inelul de reglare a tensiunii lanțului în sensul acelor de ceas și verificați frecvent tensiunea lanțului. Pentru a reduce tensiunea lanțului, rotiți inelul de reglare a tensiunii lanțului în sens invers acelor de ceas și verificați frecvent tensiunea lanțului.
3. Tensiunea lanțului este corectă atunci când spațiul dintre dinții lanțului și bară este între 3 și 4 mm. Trageți lanțul la mijlocul marginii inferioare a barei (în afara barei) și măsurați distanța dintre bară și dinții lanțului.
4. Strângeți butonul rotativ de blocare a barei de ghidare rotindu-l în sensul acelor de ceas.

## UTILIZARE

### ADĂUGAREA DE ULEI LUBRIFIANT PENTRU LANȚ

Vezi pagina 246.

### ⚠ AVERTISMENT

Nu lucrați niciodată fără lubrifiant pentru lanț. Dacă ferăstrăul cu lanț funcționează fără lubrifiant, bara de ghidare și lanțul ferăstrăului pot fi deteriorate. Este așadar esențial să verificați frecvent nivelul uleiului la indicatorul de nivel de ulei și de fiecare dată înainte de a începe să folosiți ferăstrăul.



1. Curățați suprafața din jurul capacului de ulei pentru a preveni murdărirea.
2. Deșurubați și îndepărtați capacul de la rezervorul de ulei.
3. Turnați ulei în rezervorul de ulei și monitorizați indicatorul de nivel al uleiului. Asigurați-vă că nu intrați murdărie în rezervorul de ulei când turnați ulei.
4. Puneți înapoi capacul de ulei și strângeți-l. Ștergeți orice scurgere.
5. Un rezervor de ulei plin vă permite să folosiți ferăstrăul timp de 20-40 de minute.

#### Ulei recomandat de lubrifiere a lanțului

- Producătorul recomandă să folosiți doar ulei de ungere pentru ferăstrău de la Ryobi. (Disponibil la centrul dvs service autorizat Ryobi.)

#### ȚINEREA FERĂSTRĂULUI

Vezi pagina 235.

Țineți întotdeauna ferăstrăul cu mâna dreaptă de mânerul posterior și cu mâna stângă de mânerul din față. Prindeți ambele mâneruri cu degetul mare și degetele încercuind mânerul. Asigurați-vă că mâna dvs stângă prinde mânerul frontal în așa încât degetul mare să fie dedesubt.

#### ⚠ AVERTISMENT

Mentțineți întotdeauna cablul de curent ordonat și ferit de zona de tăiere. În afara pericolului electrocutării, cablurile neordonate pot cauza căderi și împiedicări.

#### PORNIREA FERĂSTRĂULUI CU LANȚ

Vezi pagina 235.

1. Conectați produsul la priză de curent. Asigurați-vă că frâna lanțului este în poziția de funcționare trăgând înapoi de manetă/protecția mânerului.
2. Pentru a porni aparatul: Trageți de trăgaciul de eliberare, apoi apăsați trăgaciul pornit/oprit.

#### VERIFICAREA ȘI OPERAREA FRÂNEI LANȚULUI.

1. Angajați frâna lanțului rotind mâna stângă în jurul mânerului frontal. Folosind dosul palmei, împingeți levierul frânei lanțului/apărătoarea mâinii înspre bară în timp ce lanțul se rotește cu rapiditate. Asigurați-vă că permanent țineți ambele mâini pe mânerul ferăstrăului.
2. Restabiliți înapoi frâna lanțului în poziția Funcționare apucând partea de sus a levierului frânei lanțului/apărătoarea mâinii și trăgând înspre mânerul frontal până când auziți un clic.

#### ⚠ AVERTISMENT

Dacă frâna lanțului nu oprește lanțul imediat, sau dacă frâna nu stă în poziția regim de funcționare fără asistență, duceți drujba la un centru service autorizat pentru a fi reparată înainte de a o folosi din nou.

#### TRANSPORTAREA ȘI DEPOZITAREA

Vezi pagina 248 - 249.

- Opriti produsul, deconectați-l de la priză și lăsați-l să se răcească înainte de a-l depozita sau transporta.
- Curățați toate materialele străine din produs. Depozitați-l într-un loc răcoros, uscat și bine aerisit ce este inaccesibil copiilor. Nu-l depozitați în apropiere de agenți corozivi cum ar fi produși chimici de grădinarit sau săruri antigel. Nu depozitați în aer liber.
- Potrivii apărătoarea barei de ghidare înainte de a depozita produsul sau în timpul transportării lui.
- Pentru transportare, fixați aparatul împotriva mișcării sau căderii pentru a preveni vătămarea persoanelor sau a deteriora aparatul.

#### ÎNȚEȚINEREA

#### ⚠ AVERTISMENT

Folositi doar piese de schimb, accesorii si atasamente originale ale producatorului. Neurmarea acestora poate cauza posibilă vătămare, slaba funcționare și ar putea anula garanția.

#### ⚠ AVERTISMENT

Service-ul necesită atenție și cunoștințe deosebite și trebuie îndeplinit doar de către un tehnician service calificat. Pentru service sugerăm să returnați produsul la cel mai apropiat centru service autorizat pentru efectuarea reparațiilor. Când se efectuează service-ul folosiți doar piese de schimb identice.

#### ⚠ AVERTISMENT

Deconectați de la priză înainte de a efectua reglaje, întreținere sau curățare. Neîndeplinirea acestui lucru poate rezulta în vătămare personală gravă.

- Puteți face reglaje și reparații descrise în acest manual de instrucțiuni. Pentru alte reparații, contactați agentul service autorizat.
- Consecințele unei întrețineri incorecte poate cauza ca frâna lanțului și alte caracteristici de siguranță să nu funcționeze corect, ca urmare crește potențialul unei vătămări grave. Păstrați ferăstrăul întreținut profesionist și în siguranță.
- Ascuțirea lanțului în siguranță este o sarcină expertă. De aceea producătorul recomandă puternic ca un lanț bont sau uzat să fie înlocuit cu unul nou, disponibil la centrul dvs de service autorizat Ryobi. Numărul de piese/părți este disponibil în tabelul cu specificații ale produsului din acest manual.
- Urmați instrucțiunile privind lubrifierea, verificarea și reglarea tensiunii lanțului.
- După fiecare folosire curățați produsul cu o cârpă moale și uscată.
- Verificați toate piulițele, suruburile la intervale frecvente de timp ca să fie corespunzător strânse pentru a vă asigura că produsul este în stare de lucru în siguranță. Orice piesă deteriorată trebuie să fie reparată în mod corespunzător sau înlocuită de un service autorizat.

## ÎNLOCUIREA BAREI DE GHIDARE ȘI A LANȚULUI FERĂSTRĂULUI

Vezi pagina 244 - 245.

1. Deconectați produsul de la priza de curent. Purtați mănuși de protecție.
2. Deșurubați butonul rotativ de blocare a barei de ghidare rotindu-l în sens invers acelor de ceas până când capacul roții de lanț devine slăbit.
3. Îndepărtați capacul roții lanțului. Îndepărtați bara și lanțul ferăstrăului de pe produs.
4. Pentru a înlocui bara cu una nouă, slăbiți șurubul de pe ansamblul de tensionare a lanțului. Montați ansamblul de tensionare a lanțului pe noua bară și strângeți șurubul.
5. Puneți noul lanț în direcția corectă pe bară și asigurați-vă că legăturile de acționare sunt aliniate cu șanțul de pe bară.
6. Atașați bara la ferăstrău și înfășurați lanțul în jurul roții de acționare.
7. Repuneți la loc capacul roții lanțului, strângeți capacul roții și înșurubați butonul rotativ.
8. Reglarea tensiunii lanțului. Consultați secțiunea „Reglarea tensiunii lanțului”.

### ⚠️ AVERTISMENT

O ascuțire incorectă a lanțului mărește riscul de recul.

### ⚠️ AVERTISMENT

Dacă nu înlocuiți sau nu reparați un lanț deteriorat, vă expuneți la riscuri de răniri corporale grave.

### ⚠️ AVERTISMENT

Lanțul este foarte tăios. Purtați întotdeauna mănuși de protecție atunci când întrețineți lanțul.

## INSPECTAREA ȘI CURĂȚAREA FRÂNEI LANȚULUI

Vezi pagina 247.

- Mențineți întotdeauna curat mecanismul de frânare a lanțului curățând ușor de mizerie racordurile.
- Testați întotdeauna funcționarea frânei lanțului după curățare. Consultați secțiunea "Utilizare -Verificarea și operarea frânei lanțului." din acest manual pentru informații suplimentare.

## SCHEMA DE ÎNTREȚINERE

Verificare zilnică	
Cablu de curent pentru defect.	Înainte de fiecare folosire
Lubrifierea lamei	Înainte de fiecare folosire
Tensiunea lanțului	Frecvent și înainte de fiecare folosire
Ascuțimea lanțului	Înainte de fiecare folosire, verificați vizual

Dacă sunt piese defecte	Înainte de fiecare folosire
Dacă sunt slăbite dispozitivele de fixare	Înainte de fiecare folosire
Funcția frânei cu lanț	Înainte de fiecare folosire
Inspektați și curățați	
Lamă	Înainte de fiecare folosire
Drujba completă	După fiecare folosire
Frâna lanțului	La fiecare 5 ore*

\*Ore de operare

## SIMBOLURILE DE PE PRODUS.



Avertizare de siguranță



Citiți și înțelegeți toate instrucțiunile înainte de a opera produsul, urmați toate avertizările și instrucțiunile de siguranță.



Purtați protecții oculare și auditive, precum și o cască atunci când utilizați acest aparat.



Purtați întotdeauna încălțăminte de siguranță antiderapantă când utilizați acest produs.



Purtați mănuși care nu alunecă, destinate pentru operațiuni grele.



Deconectați fișa de la rețeaua de alimentare cu electricitate imediat înainte de a realiza operații de întreținere sau în cazul în care cablul este deteriorat sau tăiat.



Fiți atenți la reculul drujbei și evitați contactul cu vârful barei.



Nu expuneți la ploaie sau umezeală.



Țineți și utilizați ferăstrăul cu ambele mâini.



Se interzice utilizarea ferăstrăului cu lanț ținându-l cu o singură mână.



Acest aparat este conform cu ansamblul normelor reglementare din țara din UE în care a fost cumpărat.



Conform GOST-R



Aparat clasa II, izolație dublă.



Deșeurile produselor electrice nu trebuie să fie eliminate împreună cu deșeurile casnice. Vă rugăm să reciclați acolo unde există facilități. Verificați la autoritatea dvs. locală sau la vânzător pentru sfaturi privind reciclarea.



Nivelul de putere sonoră garantat este de 108 dB. (RCS1935)



Nivelul de putere sonoră garantat este de 107 dB. (RCS2340)



Lubrifiant pentru lamă și lanț



Piedică



Deblocare



Roțiți pentru a regla tensiunea lanțului +/-: Strângeți/slăbiți lanțul



Direcția de mișcare a lanțului  
Marcat sub apărătoarea roții dințate.

L max

Lungime maximă a barei de ghidare



Purtați protecție superioară a corpului.



Purtați protecție pentru picioare.



Opriți produsul.

rmătoarele cuvinte simbol și înțelesul lor au intenția de a explica nivelele de risc asociate cu acest produs.

#### **⚠ PERICOL**

Indică o situație periculoasă iminentă, care dacă nu este evitată va cauza decesul sau vătămarea gravă.

#### **⚠ AVERTISMENT**

Indică o situație periculoasă iminentă, care dacă nu este evitată poate rezulta în deces sau vătămare gravă.

#### **⚠ ATENȚIE**

Indică o situație potențial periculoasă, care dacă nu este evitată poate cauza vătămarea moderată sau ușoară.

#### **ATENȚIE**

Fără a simbolul de alertă privind siguranța  
Indică o situație care poate duce la pagube materiale.

### PICTOGRAMĂ ÎN ACEST MANUAL



Conectarea la priză



Deconectați de la priză



Piese sau accesorii vândute separat



Deșeurile produselor electrice nu trebuie să fie eliminate împreună cu deșeurile casnice. Vă rugăm să reciclați acolo unde există facilități.



OBSERVAȚIE:



AVERTISMENT



Purtați protecție pentru ochi și față.

### ⚠ BRĪDINĀJUMS

Izmantojot ierīci, izpildiet drošības noteikumus. Pirms darba uzsākšanas Jūsu un blakusstāvētāju drošības dēļ, lūdzu, izlasiet šos norādījumus. Jums vajadzētu apmeklēt profesionāli organizētus kursus par drošību saistībā ar ķēdes zāģi apkopi, lietošanu, profilaktiskiem pasākumiem un pirmās palīdzības sniegšanu. Lūdzu, glabājiet noteikumus drošā vietā vēlākai izmantošanai.

### ⚠ BRĪDINĀJUMS

Ķēdes zāģi ir potenciāli bīstamas ierīces. Nelaiemes gadījumi saistībā ar ķēdes zāģu lietošanu bieži noved pie ekstremitāšu zaudēšanas vai nāves. Bīstams ir ne tikai pats ķēdes zāģis. Nogalināt var gan krītoši zari un koki, gan ritoši balķi. Papildu bīstamību rada slimi vai pūstoši koki. Jums jāizvērtē sava spēja droši pabeigt uzdevumu. Ja pastāv šaubas, uzticiet to koku zāģēšanas profesionāļiem.

## VISPĀRĪGIE DROŠĪBAS BRĪDINĀJUMI

### ⚠ BRĪDINĀJUMS

**Izlasiet visus drošības brīdinājumus un norādījumus.** Brīdinājumu un norādījumu neizpildīšana var izraisīt elektrisko triecienu, aizdegšanos un/vai smagu ievainojumu.

Brīdinājumus un instrukcijas saglabājiet turpmāki uzziņai.

Nosaukums "elektroinstruments" brīdinājumos attiecas uz jūsu elektrisko (ar vadu) elektroinstrumentu vai ar akumulatoru darbināmo (bez vada) elektroinstrumentu.

### DARBA VIETA

- Turiet darba vietu tīru un labi apgaismotu. Pārblīvētas un tumšas vietas izraisa negadījumus.
- Nedarbiniet elektroinstrumentus sprādzienbīstamā vidē, piemēram, degošu šķidrums, gāzu vai putekļu klātbūtnē. Elektroinstrumenti rada dzirksteles, kas var aizdedzināt putekļus vai gāzes.
- Neļaujiet bērniem un blakusstāvētājiem tuvoties darbā esošiem elektroinstrumentiem. Izklaidības dēļ jūs varat zaudēt kontroli.

### ELEKTRODROŠĪBA

- Elektroinstrumenta kontaktdakšai jāatbilst kontaktlīdzdai. Nekad nepārveidojiet kontaktdakšu. Sazemētiem elektroinstrumentiem nelietojiet pārejas ligzdas. Nepārveidotas kontaktdakšas un atbilstošas kontaktlīdzdas samazinās elektriskā triecienu risku.
- Nepieļaujiet ķermeņa kontaktu ar sazemētām virsmām, piemēram, caurulēm, radiatoriem, pavārdiem un saldētavām. Ja jūsu ķermenis ir sazemēts, pastāv palielināts elektriskā triecienu risks.
- Nepakļaujiet šo precī lietum vai slapjiem apstākļiem. Ūdens iekļūšana elektroinstrumentā palielina elektriskā

triacienu risku.

- Neizmantojiet kabeli nepareizi. Nekad neizmantojiet vadu, lai nestu, vilktu elektroinstrumentu vai atvienotu kontaktdakšu. Turiet kabeli tālu no siltuma avota, eļļas, asiem priekšmetiem vai kustīgām detaļām. Bojāts vai savērpts kabelis palielina elektriskā triecienu iespēju.
- Strādājot ar elektroinstrumentu ārpus telpām, lietojiet āra lietošanai piemērotu pagarinātāju. Elektriskā triecienu risku samazina lietošanai ārpus telpām piemērota kabeļa izmantošana.
- Ja elektroinstruments ir jālieto mitrās telpās, izmantojiet strāvas noplūdes automātslēdzi (RCD) barošanas vadā. Palielinošās strāvas ierīces izmantošana samazina elektriskā triecienu risku.

### PERSONISKĀ DROŠĪBA

- Uzmanieties darba laikā un izmantojiet veselo saprātu, darbojoties ar elektroinstrumentu. Neizmantojiet elektroierīci, ja esat noguris vai narkotisko vielu, alkohola vai medikamentu ietekmē. Neuzmanības brīdis, strādājot ar elektroinstrumentiem, var izraisīt smagus ievainojumus.
- Lietojiet personīgo aizsargaprīkojumu. Vienmēr lietojiet aizsargbrilles. Aizsargaprīkojums, piemēram, putekļu maska, neslīdoši aizsargapavi, aizsargķivere vai ausu aizsargi, kas lietoti atbilstošos apstākļos, samazina personas ievainojumu iespēju.
- Nepieļaujiet nejašu iedarbināšanu. Pirms pievienot enerģijas avotam un/vai akumulatoram, pacelt un pārvietot darbarīku, pārliecinieties, ka slēdzis ir izslēgtā stāvoklī. Elektroinstrumentu pārnēsāšana, turot pirkstu uz slēdža vai ieslēgtu elektroinstrumentu pārnēsāšana var izraisīt nelaiemes gadījumus.
- Noņemiet visas regulēšanas uzgriežņu atslēgas pirms elektroierīces ieslēgšanas. Uzgriežņu atslēga vai atslēga, kas palikusi piestiprināta pie elektroinstrumenta rotējošās detaļas, var izraisīt personas ievainojumu.
- Nepersitempkite. Visu laiku stāviet stingri un stabili. Tas ļauj labāk vadīt elektroinstrumentu negaidītās situācijās.
- Apģērbieties pareizi. Nevalkājiet vaļīgu apģērbu vai rotaslietas. Turiet savus matus, apģērbu un cimdus tālu no kustīgām detaļām. Vaļīgs apģērbs, rotaslietas vai gari mati var tikt ierauti starp kustīgām detaļām.
- Ja ierīce ir aprīkota ar putekļu nosūcēja un savācēja pievienojumu, pārliecinieties, ka tas ir pievienots un tiek pareizi lietots. Putekļu savācēja lietošana var samazināt putekļu izraisītos riskus.

### ELEKTROINSTRUMENTU LIETOŠANA UN APRŪPE

- Nepielietojiet spēku, izmantojot ražojumu. Izmantojiet savam darbam atbilstošu elektroierīci. Pareizais elektroinstruments veiks darbu labāk un drošāk ar ātrumu, kādam ticis konstruēts.
- Nelietojiet elektroinstrumentu, ja ar slēdzi to nevar ieslēgt un izslēgt. Ja elektroinstrumentu nevar vadīt ar slēdzi, tas ir bīstams un jāremontē.
- Atvienojiet kontaktdakšu no enerģijas avota un/



vai akumulatoru no elektroinstrumenta pirms veikt jebkādas regulējumus, piederumu maiņu vai novietot glabāšanai elektroinstrumentus. Šādi profilakses pasākumi samazina elektroierīces nejaūšas iedarbināšanas iespēju.

- **Glabājiet neizmantotus elektroinstrumentus bērniem nepieejamās vietās un neļaujiet neapmācītām personām darboties ar elektroinstrumentiem.** Elektroinstrumenti ir bīstami neapmācītu personu rokās.
- **Apkopt elektroinstrumentus. Pārbaudiet kustīgo detaļu savienojumu pareizību, detaļu berzi un citus apstākļus, kas var ietekmēt elektroinstrumenta darbu. Ja elektroinstrumentis ir bojāts, pirms lietošanas veiciet tā remontu.** Daudzus negadījumus izraisa slikti apkopti elektroinstrumenti.
- **Turiet griezējriekus asus un tīrus.** Pareizi apkopti griezējinstrumenti ar asām griezējšķautnēm retāk pielip un ir vieglāk vadāmi.
- **Izmantojiet elektroierīci, piederumus, darbinstrumentus u.c. saskaņā ar šiem norādījumiem, ņemiet vērā darba apstākļus un veicamo darbu.** Elektroinstrumenta izmantošana neparedzētu darbību veikšanai var radīt bīstamu situāciju.

#### APKOPE

- **Vai jūsu elektroinstrumentu apkalpo kvalificēts personāls, izmantojot tikai identiskas rezerves daļas.** Tas nodrošinās elektroinstrumenta drošības saglabāšanu.

#### PAPILDU VISPĀRĪGĀS DROŠĪBAS BRĪDINĀJUMI

- Dažos reģionos pastāv noteikumi, kas ierobežo preces lietošanu. Vērsieties pie atbildīgajām amatpersonām pēc padoma.
- Neļaujiet šo izstrādājumu lietot bērniem vai cilvēkiem, kuri nav izlasījuši šīs instrukcijas. Vietas īstataimai gali apriboti jrengimo operatoriaus amžīju.
- Pirms katras lietošanas reizes pārliecinieties, ka visas kontroles un drošības sistēmas ir darba kārtībā. Neizmantojiet elektroinstrumentu, ja slēdzis "off" (izslēgts) neaptur motoru.
- Darbinot ierīci, valkājiet aizsargbrilles un dzirdes aizsargu, izturīgus cimdus, kā arī galvas aizsargu; putekļu gadījumā lietojiet sejas masku.
- Nevalkājiet vaļīgu apģērbu, īsas bikses vai jebkādas rotaslietas.
- Nostipriniet garus matus virs pleciem, lai nepieļautu to ieķeršanos kustīgās detaļās.
- Uzmanieties no izvaidītiem, lidojošiem vai krītošiem priekšmetiem. Neļaujiet nepiederošām personām (it īpaši bērniem un mājdzīvniekiem) tuvoties darba zonai tuvāk par 15m.
- Nelietojiet sliktā apgaismojumā. Lietotājam jābūt pilnai redzamībai pār darba zonu, lai spētu identificēt iespējamus draudus.
- Dzirdes aizsargu lietošana mazinās jūsu spēju dzirdēt brīdinājumus (bļāvienus vai skaņas signālus). Operatoram jāpievērš sevišķa uzmanība tam, kas

notiek darba zonā.

- Līdzīgas ierīces izmantošana tuvumā palielina gan risku sabojāt dzirdi, gan iespēju, ka otrs cilvēks ieies jūsu darba zonā.
- Visada tvirtai stovēkite ir īslaikykite pusiausvyrā. Nepersitempkite. Cenšoties pārāk tālu aizsniegties, var zaudēt līdzsvaru un palielināt atsitiena risku.
- Turiet visas ķermeņa daļas tālu no visām kustīgajām detaļām.
- Pirms lietošanas pārbaudiet ražojumu. Pārbaudiet, kā pareizi jārikojas ar visām vadības ierīcēm, tai skaitā ķēdes bremzi. Pārbaudiet, vai stiprinājumi nav vaļīgi. Pārbaudiet, vai visi aizsargi un rokturi ir pareizi un stingri piestiprināti. Pirms lietošanas nomainiet visas bojātās detaļas.
- Nepārveidojiet ierīci un nelietojiet detaļas un aksesuārus, kurus nav ieteicies ražotājs.
- Ja jāizmanto vada pagarinātājs, pārliecinieties, kas tas ir piemērots lietošanai ārpus telpām un ka tā strāvas jauda ir pietiekama, lai apgādātu jūsu instrumentu; pirms katras lietošanas reizes pārbaudiet, vai tas nav bojāts, un lietošanas laikā vienmēr to atīniet, jo satīti vadi var pārkarst.
- Elektrības kāpumi izraisa sprieguma svārstības un var ietekmēt citas elektroierīces tajā pašā elektrības slēgumā. Pievienojiet izstrādājumu strāvas padevei, kas ir vienāda vai mazāka par 0 0.372Ω - RCS1935, 0.277Ω - RCS2340, lai samazinātu sprieguma svārstības. Sazinieties ar savu elektroenerģijas piegādātāju, lai saņemtu plašāku informāciju.

EN
FR
DE
ES
IT
NL
PT
DA
SV
FI
NO
PL
RU
CS
HU
RO
<b>LV</b>
LT
ET
HR
SL
SK
BG

#### ⚠ BRĪDINĀJUMS

Ja ierīce ir nomesta, cietusi smagu triecienu vai sāk neparasti vibrēt, nekavējoties apturiet ierīces darbību un pārbaudiet bojājumus vai atrodiet vibrācijas cēloni Jebkāda tehniska apkope ir jāveic tikai autorizētos tehniskās apkopes centros.

#### ⚠ KĒDES ZĀGA DROŠĪBAS BRĪDINĀJUMI

- **Zāģim darbojoties, turiet visas ķermeņa daļas prom no zāģa ķēdes. Pirms iedarbiniet ķēdes zāģi pārliecinieties, ka zāģa ķēde nekam nepieskaras.** Mirkļa neuzmanība, darbinot ķēdes zāģi, var novest pie apģērba vai ķermeņa sapīšanās zāģa ķēdē.
- **Vienmēr turiet ķēdes zāģi, labajai rokai atrodies uz aizmugurējā roktura, bet kreisajai rokai - uz priekšējā roktura.** Turot ķēdes zāģi pretēji norādītajai roku pozīcijai, palielinās miesas bojājumu gūšanas risks, un šādi rīkoties nekad nevajadzētu.
- **Turiet elektroinstrumentu tikai pie izolētās, satveršanai domātās virsmas, jo zāģa ķēde var saskarties ar aplēptiem vadiem vai pats ar savu kabeli.** Zāģa ķēdēm saskaroties ar vadu, kurā plūst elektriskā strāva, strāva var sākt plūst arī caur elektroinstrumenta atklātajām metāla daļām un operators var saņemt elektriskās strāvas triecienu.
- **Valkājiet aizsargbrilles un dzirdes aizsargu. Ieteicams lietot papildu aizsardzības līdzekļus**





galvai, rokām, kājām un pēdām. Atbilstošs aizsargapģērbs samazinās miesas bojājumus, ko var gūt no izsvaidītiem priekšmetiem vai nejaušas saskarsmes ar zāga ķēdi.

- **Nedarbiniet ķēdes zāģi, atrodoties kokā.** Ķēdes zāģa darbināšana, atrodoties kokā, var izraisīt miesas bojājumus.
- **Vienmēr nodrošiniet stingru atbalstu kājām, un darbiniet ķēdes zāģi tikai tad, ja stāvat uz stabilas, drošas un līdzenas virsmas.** Stāvat uz slidenas vai nestabilas virsmas, piemēram, trepēm, var zaudēt līdzsvaru vai kontroli pār ķēdes zāģi.
- **Zāģējot nospriegotu zaru, ir jāuzmanās no atsitienu riska.** Samazinoties koka šķiedru spriegojumam, nospriegotais zars atbrīvojas un var trāpīt operatoram un/vai izraisīt kontroles zaudēšanu pār ķēdes zāģi.
- **Zāģējot jaunus krūmus esiet ārkārtīgi uzmanīgs.** Nelieli atgriezumi var iestrēgt zāģa ķēdē un izlidot jūsu virzienā, kā rezultātā jūs varat zaudēt līdzsvaru.
- **Transportējot ķēdes zāģi, turiet to aiz priekšējā roktura, izslēdziet to un turiet tālu no sava ķermeņa.** Transportējot vai noliekot ķēdes zāģi glabāšanā, vienmēr ir jāuzstāda sliedes vāks. Pareiza apiešanās ar ķēdes zāģi samazina risku nejauši pieskarties pie kustīgas zāģa ķēdes.
- **Ievērojiet norādījumus par eļļošanu, ķēdes nosprieošanu un piederumu nomaiņu.** Nepareizi nospriegota un ieeļļota ķēde var saplīst vai paaugstināt atsitienu risku.
- **Turiet rokturus sausus, tīrus un bez eļļas un smērvielām.** Eļļaini rokturi ir slideni un var izraisīt kontroles zaudēšanu.
- **Zāģējiet tikai koka materiālus. Nelietojiet ķēdes zāģi neparedzētiem mērķiem.** Piemēram, nelietojiet ķēdes zāģi plastmasas, būvmateriālu un citu priekšmetu, kas nav izgatavoti no koka, zāģēšanai. Ķēdes zāģa lietošana neparedzētiem mērķiem var radīt bīstamas situācijas.

**Atsitienu iemesli un veidi, kā operators no tiem var izvairīties:**

Var notikt tā saucamais motorzāģa prettrieciens, ja ķēdes vadīklas gals uzduras kādam priekšmetam vai ja ķēde zāģēšanas laikā tiek saspiesta un iesprūst kokā.

Troksnis, kas rodas, vadošai slidei nonākot saskarē ar dažiem materiāliem, var izraisīt ļoti ātru pretreakciju, atsitot vadošo sliedi atpakaļ operatora virzienā.

Ja zāģa ķēde tiek iespiesta vadošās sliedes augšdaļā, tad vadošā sliede var tikt strauji mesta operatora virzienā.

Abos gadījumos jūs varat zaudēt vadību pār motorzāģi un gūt smagus savainojumus. Nepietiek ar to, ka jūs uzticiaties tikai šā motorzāģa aizsargierīcēm! Jums ir arī jāievēro vairāki nosacījumi, lai novērstu nelaimes gadījumu izraisīšanos un savainojumu gūšanas iespēju.

Atsitiens rodas ierīces nepareizas lietošanas rezultātā un/vai nepareizu darba procedūru vai darba apstākļu dēļ, un no tā var izvairīties, ievērojot turpmākos piesardzības pasākumus:

- **Cieši turiet zāģi ar abām rokām tā, lai tīkšķis un pārējie pirksti aptvertu ķēdes zāģa rokturus, un**

**novietojiet savu ķermeni un rokas tādā pozīcijā, kas ļaus jums izturēt atsitienu spēku.** Operators var kontrolēt atsitienu spēku, ievērojot attiecīgus norādījumus. Neatļaidiet ķēdes zāģi.

- **Nestiepieties un nezāģējiet virs plecu līmeņa.** Tas ļaus izvairīties no nejaušas saskarsmes un ļaus labāk kontrolēt ķēdes zāģi neparedzētās situācijās.
- **Lietojiet tikai ražotāja norādītās sliedes un ķēdes.** Neatbilstošas rezerves sliedes un ķēdes var izraisīt ķēdes plīšanu un/vai atsitienu.
- **Ievērojiet norādījumus, ko ražotājuzņēmums ir sniedzis par ķēdes asināšanu un apkopi.** Zāģēšanas dziļuma samazināšana var palielināt atsitienu spēku.

#### PAPILDU ĶĒDES ZĀGA DROŠĪBAS BRĪDINĀJUMI

- Pirmoreiz darbinot ierīci, baļķus ieteicams zāģēt uz statīva.
- Nodrošiniet, ka visi aizsargi, rokturi un mizas buferis ir pareizi uzstādīts un ir labā stāvoklī.
- Personām, kas izmanto šo ķēdes zāģi, jābūt labai veselībai. Ķēdes zāģis ir smaga ierīce, tāpēc operatoram jābūt labā fiziskā formā. Operatoram jāpiemīt modrībai, labai redzei, mobilitātei, līdzsvaram un roku veiklībai. Ja pastāv šaubas, nedarbiniet ķēdes zāģi.
- Nesāciet izmantot ierīci pirms nav atīrīta darba zona, nestāvat uz drošas pamatnes un neesat izplānojis atkāpšanās ceļu no krītoša koka.
- Uzmanieties no eļļas miglīņas un zāģskaidu izmešiem. Nepieciešamības gadījumā valkājiet masku vai respiratoru.
- Elektriskā enerģija jāpiegādā caur strāvas noplūdes automātslēdzi (RCD) ar atslēgšanas strāvu, kas nepārsniedz 30 mA.
- Ja ir bojāts elektrības vads jums ierīce ir jānogādā atbilstošā servisa centrā, lai tā tiek salabota vai nomainīta.
- Rūpējieties, lai jaudas kabelis būtu tīrs un neatrastos zāģēšanas zonas tuvumā. Netīri kabeli var izraisīt ne tikai elektrošoku, bet arī kritienus un pakļupšanu.
- Negrieziet vīnogulāju un/vai nelielu pamežu (kas diametrā mazāks par 75 mm).
- Darbinot ķēdes zāģi, vienmēr turiet zāģi ar abām rokām. Motorzāģis ir jātur stingri, ar pirkstiem aptverot rokturus. Labajai rokai jāatrodas uz aizmugurējā roktura, bet kreisajai uz priekšējā roktura.
- Pirms iedarbiniet ierīci pārlicinieties, ka zāģa ķēde nepieskaras kādam priekšmetam.
- Nekādi nepārveidojiet ierīci un neizmantojiet to, lai darbinātu piederumus vai ierīces, ko zāģim nav rekomendējis ražotājs.
- Operatora tuvumā jāatrodas pirmās palīdzības aptieciņai ar lieliem brūču pārsējiem un līdzekļiem, kā piemērs uzmanību (piemēram, svilpei). Pietiekami tuvu jāatrodas arī lielāki, visaptverošai aptieciņai.
- Ja darba zonā nepastāv krītošu priekšmetu risks, operators var vēlēties noņemt ķiveri, bet jāatceras, ka ķivere, it īpaši tāda, kas aprīkota ar sieta vizieri, var palīdzēt samazināt sejas un galvas traumas





iespējamību atsietena gadījumā.

- Nepareizi nosprigota ķēde var nokrist no sliedes, izraisot nopietnu traumu vai nāvi. Ķēdes garums ir atkarīgs no temperatūras. Bieži pārbaudiet nosprigojumu.
- Jums vajadzētu pieradināties lietot jauno ķēdes zāģi, veicot vienkāršus griezumus droši atbalstītā kokā. Rīkojieties tā ikreiz, kad ilgāku laiku neesat darbojies ar zāģi.
- Lai samazinātu traumas risku saistībā ar kontaktu ar kustīgam daļām, vienmēr apturiet motoru, ieslēdziet ķēdes bremzi, atvienojiet no enerģijas avota un pārlicinieties, ka visas kustīgās daļas ir apstājušās, pirms:
  - nosprostojumu tīrīšana vai aizvākšana
  - izstrādājuma atstāšana bez uzraudzības
  - piederumu uzstādīšanas vai noņemšanas
  - pārbaudes, apkopes vai darba pie ierīces uzsākšanas
- Bīstamā apgabala plašums ir atkarīgs no veicamā darba, kā arī no koka garuma un no apstrādājamā priekšmeta lieluma. Piemēram, koku gāšanai nepieciešama lielāka darba zona nekā citiem zāģēšanas veidiem, t.i. sagarumošanai utt. Operatoram jāapzinās un jākontrolē viss, kas notiek šajā darba zonā.
- Zāģēšanas laikā neturiet ķermeņi vienā līnijā ar sliedi un ķēdi. Ja tomēr izjutīsiet atsietenu, tas palīdzēs izvairīties no galvas vai ķermeņa kontakta ar ķēdi.
- Nevirziet zāģi uz priekšu un atpakaļ, ļaujiet ķēdei veikt savu uzdevumu, uzturiet ķēdi uzasinātu un nemēģiniet ķēdi izstumt caur griezuma vietu.
- Zāģējuma beigās motorzāģis vairs nav jāgrūž. Esiet gatavs noturēt zāģa svaru, kad tas pārzāģē koku. Noteikumu neievērošana var izraisīt smagus ievainojumus.
- Neapturiet zāģi zāģēšanas darbības laikā. Darbiniet zāģi līdz tas izņemts no griezuma vietas.

### Vilkšanas un grūšanas spēks

Uz motorzāģi iedarbojas spēks, kura virziens ir pretējs tam virzienam, kādā kustas ķēde. Līdz ar to operatoram jābūt gatavam kontrolēt mašīnas tendenci parauties uz priekšu (uz priekšu vērsta kustība), zāģējot gar sliedes apakšējo malu, un atrauties atpakaļ (virzienā uz operatoru), zāģējot gar augšējo malu.

### Zāģis iestrēdzis griezumā

Apturiet ķēdes zāģi un padariet to drošu. Necentieties ar spēku izvilkāt ķēdi no griezuma, jo ķēde var notrūkt un atsisties atpakaļ, trāpot operatoram. Šāda situācija parasti notiek tāpēc, ka koks ir nepareizi atbalstīts un piespiež griezuma vietu, tādējādi saspiežot asmeni. Ja, noregulējot atbalstu, netiek atbrīvota sliede un ķēde, izmantojiet koka ķīļus vai sviru, lai atvērtu griezuma vietu un atbrīvotu zāģi. Nekad nemēģiniet ieslēgt ķēdes zāģi, ja sliede jau atrodas griezumā vai izzāģējumā.

### Individuālie aizsardzības līdzekļi

Labas kvalitātes individuālie aizsardzības līdzekļi, kādus izmanto profesionāļi, palīdzēs samazināt operatora

ievainojumu gūšanas risku. Darbinot ķēdes zāģi, būtu jāvalkā turpmākās lietas:

#### Aizsargķivere

- jāatbilst standartam EN 397-11 un jābūt marķētai ar CE zīmi

#### Dzirdes aizsargs

- jāatbilst standartam EN 352-1-11 un jābūt marķētai ar CE zīmi

#### Acu un sejas aizsargs

- jābūt marķētam ar CE zīmi un jāatbilst standartam EN 166 (aizsargbrīļļu gadījumā) vai standartam EN 1731 (sieta viziera gadījumā)

#### Cimdi

- jāatbilst standartam EN 381-7-11 un jābūt marķētai ar CE zīmi

#### Kāju aizsargi ("chaps" tipa bikses)

- jāatbilst standartam EN381-5, jābūt marķētiem ar CE zīmi un jānodrošina visaptveroša aizsardzība.

#### Aizsargzābaki ķēdes zāģa lietošanai

- jāatbilst standartam EN ISO 20345:2004 un jābūt marķētam ar vairogu, uz kura attēlots ķēdes zāģis, demonstrējot atbilstību standartam EN 381-3. (Neregulāri lietotāji var izmantot aizsargzābakus ar tērauda purngalu kopā ar aizsargājošām getrām, kas atbilst standartam EN 381-9, ja zeme ir līdzena un pastāv mazs risks paklupt vai sapīties pamežā)

#### Jakas ķermeņa augšdaļas aizsardzībai, lietojot ķēdes zāģi

- jāatbilst standartam EN 381-11-11 un jābūt marķētai ar CE zīmi

### NORĀDĪJUMI PAREIZAS METODES IZMANTOŠANAI, VEICOT KOKU GĀŠANU, ATZAROŠANU UN SAGARUMOŠANU

#### Izpratne par koksnes iekšējiem spēkiem

Izprotot koksnes iekšējo virzienvērsto spiedienu un spriegumu, jūs varat samazināt saspiēšanos vai vīsmaz ar to zāģēšanas laikā rēķināties. Koksnes nosprigojums nozīmē to, ka šķiedras tiek saplēstas, un, ja šajā zonā tiek veikts "izzāģējums" vai iegriezums, tam būs tendence atvērties, zāģim virzoties cauri. Ja balķis ir atbalstīts uz staļīva, bet tā gals neatbalstīts karājas pār malu, balķa gala svara dēļ, kas nostiepj šķiedras, augšējā virsma tiek nosprigota. Līdzīgi tiks saspiesta balķa apakšējā puse, saspiēžot kopā šķiedras. Izdarot griezumu šajā zonā, izzāģējumam būs tendence zāģēšanas laikā aizvērties. Šajā gadījumā tiktu saspiests asmens.

#### Koka gāšana

*Skatīt 239 - 240.*

Ja sagarumošanas un koku gāšanas darbības vienlaicīgi veic divas vai vairākas personas, gāšanas darbības būtu jāveic tādā attālumā no sagarumošanas darbībām, kas ir divreiz lielāks par koka garumu, kas tiek gāzts. Kokus nevajadzētu gāzt tādā veidā, kas var apdraudēt kādu personu, pārraut kādu komunālo tīklu vai radīt bojājumus īpašumam. Ja koks tomēr trāpa kādam komunālajam tīklam, tas nekavējoties jāpaziņo attiecīgajam uzņēmumam. Ja jūs zāģējat, stāvēdams uz nogāzes, tad vienmēr





uzturieties augstāk par koku, jo tas pēc nogāšanas var velties vai slīdēt lejup pa nogāzi.

Pirms uzsākt zāģēšanu jāizplāno atkāpšanās ceļš un tas vajadzības gadījumā jāattīra. Atkāpšanās ceļam jābūt vērstam atpakaļ un diagonāli pret sagaidāmās krišanas līnijas aizmuguri.

Pirms uzsākt koku gāšanu ņemiet vērā koka dabisko liekšanās virzienu, lielāko zaru novietojumu un vēja virzienu, lai spriestu, kurā virzienā kritīs koks.

Attīriet koku no netīrumiem, akmeņiem, vaļīgas mizas, naglām, skavām un vadiem.

Nemēģiniet gāzt kokus, kas ir sapuvuši vai kurus bojājis vējš, uguns, zibens utt. Tas ir ļoti bīstami un būtu jāveic tikai koku gāšanas profesionāļiem.

- Koka aizzāģējums pirms gāšanas

*Skatīt 239 - 240.*

Veiciet 1/3 dziļu iegriezumu koka diametrā, perpendikulāri kritiena virzienam. Vispirms veiciet zemāko horizontālo iegriezumu. Tas palīdzēs izvairīties no zāģa ķēdes vai sliedes saspiešanas, veicot otro iegriezumu.

- Gāšanas zāģējums

*Skatīt 239 - 240.*

Veiciet gāšanas zāģējumu vismaz 50 mm augstāk par horizontālo aizzāģējumu. Gāšanas zāģējumam jābūt paralēlam horizontālajam aizzāģējumam. Veicot gāšanas zāģējumu, atstājiet pietiekami daudz koknes, kas kalpos kā enģe. Koka enģe neļaus kokam pagriezties un nokrist nepareizā virzienā. Nepārgrieziet enģi.

Aizzāģējot līdz enģei, kokam vajadzētu sākt krist. Ja pastāv iespēja, ka koks varētu nekritēt vēlamajā virzienā vai varētu šūpoties at muguriski un saspīest zāģa ķēdi, pārtrauciet zāģēšanu pirms gāšanas zāģējuma pabeigšanas un, izmantojot koka, plastmasas vai alumīnija ķīļus, atveriet griezuma vietu un nogāziet koku gar vēlamo kritiena līniju.

Kokam sākot krist, izņemiet ķēdes zāģi no griezuma vietas, apturiet motoru, nolieciet ķēdes zāģi un izmantojiet plānoto atkāpšanās ceļu. Uzmanieties no krītošiem zariem un saglabājiet pamatu zem kājām.

## Balsta sakņu apzāģēšana

*Skatīt 240. lappusi*

Par balsta sakni sauc lielu koka sakni, kas atiet no stumbra nedaudz virs zemes. Šādas lielas saknes ir jāapzāģē, pirms sākat gāzt koku. Vispirms veidojiet līmenisku zāģējumu balsta saknē, pēc tam statenisku. To, kas nozāģēts, aizvāciet no darba vietas. Kad balsta saknes ir novāktas, ķerieties pie koka gāšanas.

## Balža sagarumošana

*Skatīt 241.*

Sagarumošana ir balža sazāģēšana noteiktos garumos. Ir svarīgi pārliecināties, ka stāvat uz stingras pamatnes un jūsu svars ir vienmērīgi sadalīts uz abām kājām. Ja iespējams, balži vajadzētu pacelt un atbalstīt, izmantojot zarus, balžus vai ķīļus. Ievērojiet vienkāršos norādījumus viegla zāģēšanai. Ja balžis ir atbalstīts visā tā garumā, to jāzāģē no augšpusēs (sagarumošana no augšas).

Ja balžis ir atbalstīts vienā galā, veiciet 1/3 dziļu iezāģējumu pa diametru no apakšpusēs (sagarumošana no apakšas). Tad pabeidziet zāģēšanu, veicot iezāģējumu no augšas pretī pirmajam griezumam.

Ja balžis ir atbalstīts abos galos, veiciet 1/3 dziļu iezāģējumu pa diametru no augšpusēs (sagarumošana no augšas). Tad pabeidziet zāģēšanu, veicot 2/3 iezāģējumu no apakšas pretī pirmajam griezumam.

Veicot sagarumošanu uz slīpas virsmas, vienmēr stāviet augstāk par balži. Lai saglabātu pilnīgu kontroli, zāģējot šķērsām, tuvu zāģēšanas beigām samaziniet zāģēšanas spiedienu, nesamazinot ķēdes zāģa rokturu satvērienu. Neļaujiet ķēdei saskarties ar zemi. Kad zāģēšana pabeigta, pirms ķēdes zāģa kustināšanas ļaujiet zāģa ķēdei apstāties. Vienmēr apturiet motoru pirms uzsākat darbu ar nākamo koku.

## Koka atzarošana

*Skatīt 242. lappusi*

Atzarošana ir zaru nozāģēšana kritušam kokam. Atzarošanas laikā atstājiet lielos zemākos zarus balža atbalstīšanai pret zemi. Nozāģējiet mazākos zarus ar vienu griezienu. Lai izvairītos no ķēdes zāģa sapišanās, nospriegotos zarus vajadzētu griezt virzienā no apakšas uz augšu.

## Lokanu zaru zāģēšana

*Skatīt 242. lappusi*

Par nospriegotu balsteni var saukt zaru, izgāztu celmu vai krūmu, kuru ar savu svaru ir saliecis kāds cits koks tā, ka balstenis strauji atbrīvojas no sprieguma, ja pārzāģē vai aizvāc to koku, kas rada balsteņa nospiegojumu.

Izgāztam nozāģēta koka celmam, kad to zāģējot atdala no stumbra, ir spēcīga tieksme atbrīvoties no sprieguma un atgriezties stateniskā stāvoklī. Ar nospriegotiem balsteņiem ir jārikojas uzmanīgi, jo tie var būt bīstami!

### ⚠ BRĪDINĀJUMS

Nospriegoti balsteņi ir bīstami, jo tie var ar spēku triekties jums virsū un likt jums zaudēt vadību pār motorzāģi. Pat gūt smagus vai nāvējošus savainojumus. To būtu jādara treniņiem zāģa lietotājiem.

### PAREDZĒTAIS LIETOJUMS

Šī ierīce paredzēta izmantošanai tikai ārpus telpām. Drošības apsvērumu dēļ ierīci vienmēr jābūt pienācīgi kontrolētai, izmantojot abas rokas.

Ierīce ir paredzēta zaru, stumburu, balžu un apaļkoku zāģēšanai ar tādu diametru, ko nosaka sliedes griešanas garums. Tas ir paredzēts tikai koka zāģēšanai. Tā ir paredzēta izmantošanai tikai mājās apstākļos pieaugušajiem, kuri ir pienācīgi apmācīti par bīstamību un profilaktiskiem pasākumiem/darbībām, kas jāveic tās lietošanas laikā.

Neizmantojiet ierīci citiem nolūkiem, kas nav iepriekš uzskaitīti. Tā nav paredzēta izmantošanai profesionāliem zāģēšanas pakalpojumu sniedzējiem. Ierīci nedrīkst izmantot bērni vai personas bez atbilstošiem individuālajiem aizsardzības līdzekļiem un apģērba.





EN
FR
DE
ES
IT
NL
PT
DA
SV
FI
NO
RU
PL
CS
HU
RO
<b>LV</b>
LT
ET
HR
SL
SK
BG

## OBJEKTĪVIE RISKI

Pat tad, ja ierīce tiek lietota atbilstoši norādījumiem, joprojām nav iespējams pilnībā novērst atsevišķus riska faktorus. Lietošanas laikā var rasties šādas bīstamas situācijas, un lietotājam ir jāpievērš pastiprināta uzmanība, lai tās novērstu:

- Vibrācijas radīts ievainojums. Vienmēr izmantojiet pareizos rīkus tiem paredzētajam darba, izmantojiet norādītos rokturus un ierobežojiet laiku, cik ilgi izmantojat ierīci.
- Saskarsme ar troksni var radīt dzirdes traucējumus. Valkājiet ausu aizsargu un ierobežojiet saskarsmi.
- Saskaņojiet ar atklātiem ķēdes zāga zobiem (iegriezuma risks).
- Vadošās slīdes neparedzēta, aprauta kustība vai atsitiens (iegriezuma risks).
- No zāga ķēdes izmestas daļas (sagriešanās/saduršanās bīstamība).
- No apstrādājamā materiāla izmestas daļas (koka skaidas, šķembas)
- Zāgskaidu un daļiņu ieelpošana.
- Ādas saskarsme ar smērēļļu/eļļu.

## RISKA SAMAZINĀŠANA

Ir ticis ziņots, ka vibrācijas no rokas instrumentiem atsevišķos cilvēkos var veicināt kaiti, ko sauc par Reino sindromu. Simptomi var ietvert pirkstu tīkšķēšanu, nejutīgumu un nobālēšanu, parasti aukstā laikā. Tiek uzskatīts, ka tradicionālie faktori, aukstums un mitrums, uzturs, smēķēšana un darba prakse sekmē šo simptomu attīstību. Operators var veikt pasākumus, lai iespējami samazinātu vibrācijas efektu:

- Aukstā laikā ķermenim jābūt siltam. Darbinot ierīci, nēsājiet cimdus, lai rokas un plaukstas locītavas būtu siltas. Ir pētījumi, ka auksts laiks ir galvenais faktors, kas veicina Reino sindromu.
- Ik pēc laika apturiet darbu un veiciet vingrinājumus, kas uzlabo asins cirkulāciju.
- Strādājot jābūt biežiem pārtraukumiem. Ierobežojiet iedarbības ilgumu dienā.
- Aizsargcimdi, kas pieejami pie profesionāliem ķēdes zāgu mazumtirgotājiem, ir īpaši paredzēti ķēdes zāga izmantošanai, sniedzot aizsardzību un labu satvērienu, kā arī samazina roktura vibrāciju. Šiem cimdiem jāatbilst standartam EN381-7 un jābūt marķētiem ar CE zīmi.

Ja jūs izjūtat kādu no šiem simptomiem, nekavējoties apturiet ierīces lietošanu un sazinieties ar ārstu par šiem simptomiem.

## ⚠ BRĪDINĀJUMS

Ilgstoša preces lietošana var radīt ievainojumus vai pasliktināt jau esošos. Ilgstoši lietojot jebkuru instrumentu, pārliecinieties, ka tiek veikti regulāri pārtraukumi.

## PAZĪSTIET SAVU IERĪCI

*Skatīt 233. lappusi*

1. Zāgēšanas ķēde
2. Ķēdes vadītāla
3. Priekšējais roksargs jeb ķēdes bremze
4. Priekšējais rokturis
5. Slēdža atbloķēšanas poga
6. Aizmugurējais rokturis
7. Atsitēja dzelkšņi
8. Eļļas tvertnes vāciņš
9. Auklas aizturis
10. Ieslēgšanas/izslēgšanas slēdzis
11. Šķeldu atvairītājs
12. Šķeldu atvairītāja slēdzis
13. Zobrata vāks
14. Ķēdes nospriegojuma regulēšanas gredzens
15. Slīdes pievilksanas poga
16. Slīdes vāks
17. Degvielas tvertnes vāciņš

## DROŠĪBAS IERĪCES

### Ķēde ar mazu prettriecienu tieksmi

Zāga ķēde ar zemu atsitienu palīdz samazināt atsitienu iespējamību.

Pie katra asmenīša ir dziļuma ierobežotājs, un tas palīdz samazināt prettriecienu spēku, jo neļauj pārāk dziļi iegrimt asmenīšiem, kad tie atrodas vietā, kur izraisās prettrieciens. Lietojiet tikai ražotāja ieteiktās rezerves sliežu un ķēžu kombinācijas.

Esiet divtik modri, kad strādājat ar svaigi uzasinātu ķēdi, jo asināšanas dēļ samazinās ķēdes spēja mazināt prettriecienu. Savas drošības dēļ nomainiet zāga ķēdes, ja pasliktinās zāgēšanas sniegums.

### Atsitēja dzelkšņi

Integrētie atsitiņa dzelkšņi var tikt izmantoti kā rotācijas atbalsta punkts veicot zāgēšanu. Tas palīdz zāgēšanas laikā saglabāt ķēdes zāga stabilitāti. Veicot zāgēšanu, pagrūdiet mašīnu uz priekšu līdz mizas buferis ir iedūries koka malā, tad, pavirzot aizmugurējo rokturi uz augšu vai leju griešanas līnijas virzienā, var samazināt zāgēšanas fizisko slodzi.

### Ķēdes vadītāla

Ja ķēdes vadītāla ir gals ar mazāku rādiusu, tad parasti tai piemīt arī mazāka tieksme izraisīt prettriecienu. Ieteicams izmantot slīdi un atbilstošu ķēdi, kas ir pietiekami gara darba veikšanai. Garākas slīdes palielina risku zāgēšanas laikā zaudēt kontroli. Regulāri pārbaudiet ķēdes nospriegojumu. Griežot mazākus zarus (īsaķū par slīdes garumu), ja nospriegojums ir nepareizs, ķēdei pastāv lielāka iespējamība nokrist.

### Ķēdes bremze

Ķēdes bremze ir paredzēta tam, lai varētu ātri apturēt ķēdes kustību. Ķēdei ir uzreiz jāapstājas, kad bremzes svira jeb roksargs tiek nospiests uz priekšu. Ķēdes bremze nenovērš prettriecienu. Tas tikai samazina ievainojumu gūšanas risku, ja atsitienu laikā slīde saskaras ar operatora ķermeni. Pirms katras lietošanas



reizes jāpārbauda, vai ķēdes bremze pareizi darbojas gan darbības, gan bremzēšanas pozīcijā.

## MONTĀŽA

### ⚠ BRĪDINĀJUMS

Nenaudokite prietaiso, jei trūkst detaļu ar jos yra apgadintos tol, kol jos nebus pakeistos. Šī brīdinājuma neievērošanas rezultātā var rasties nopietni savainojumi.

## ZĀGA ĶĒDES UN SLIEDĒS UZSTĀDĪŠANA

Skatīt 234 - 235. lappusi. Skatīt 244 - 245. lappusi

1. Atvienojiet produktu no tā jaudas padeves. Lietojiet aizsargcimdus
2. Atskrūvējiet sliedes pievilksana pogu un noņemiet ķēdesrata aizsargu.
3. Zāga ķēdei jābūt novietotai ķēdes rotācijas virzienā. Ja tie ir vērsti pretējā virzienā, tad apvēršiet ķēdi.
4. Ievietojiet ķēdes piedziņas izciņģus sliedes rievā.
5. Novietojiet ķēdi tā, lai tā veidotu loku ķēdes vadīklas tuvākajā galā.
6. Turiet ķēdi vietā uz sliedes un novietojiet cilpu ap piedziņas zobratu. Nolaiziet sliedi zemāk, lai skrūve ir izbīdīta caur atveri pievienotajā ķēdes nospriegošanas mehānismā. Jums var nākties rotēt šo mehānismu, lai skrūve atrastos pretī atverei. Jūs varat šo mehānismu rotēt vēlreiz, lai nospriegotu ķēdi, kas palīdzēs to noturēt vietā.
7. Nomainiet ķēdesrata aizsargu un aizskrūvējiet sliedes pievilksana pogu ļoti cieši, pagrieziet ķēdes savilkšanas noregulēšanas gredzenu, līdz zāga ķēde ir atbilstoši savilkta. Tālāk paspiediet sliedi uz augšu. Vēlreiz pārbaudiet ķēdes nospriegojumu. Pārāk nenospriegojiet ķēdi.
8. Kad ķēde ir labi nospriegota, pievelciet slēdzi.

## ĶĒDES NOSPRIGOJUMA IESTATĪŠANA

Skatīt 235. lappusi Skatīt 246. lappusi

1. Atbrīvojiet sliedes aizslēdzošo pogu maigi pagriežot to pretēji pulksteņrādītāja virzienam.
2. Lai palielinātu ķēdes nospriegojumu, pagrieziet ķēdes nospriegojuma regulēšanas gredzenu pulksteņrādītāju kustības virzienā un bieži pārbaudiet ķēdes nospriegojumu. Lai samazinātu ķēdes nospriegojumu, pagrieziet ķēdes nospriegojuma regulēšanas gredzenu pretēji pulksteņrādītāju kustības virzienam un bieži pārbaudiet ķēdes nospriegojumu.
3. Ķēde ir pareizi nospriegota, ja starp ķēdes griezējzobiem un sliedi ir 3 līdz 4 mm liela atstarpe. Sliedes apakšpusēs vidū pavelciet ķēdi uz leju (prom no sliedes) un izmēriet attālumu starp sliedi un ķēdes griezējzobiem.
4. Savelciet sliedes pievilksana pogu, griežot to pulksteņrādītāja virzienā.

## EKSPLUATĀCIJA

### ĶĒDES SMĒREĻLAS PIEVIENOŠANA

Skatīt 246. lappusi

### ⚠ BRĪDINĀJUMS

Nekad nedarbiniet zāģi bez smēreļlas. Ja zāģa ķēde tiek darbināta bez smēreļlas, sliede un zāģa ķēde var tikt bojāta. Tāpēc ir būtiski bieži pārbaudīt eļļas līmeņrādi, kā arī katru reizi pirms uzsākt lietot ķēdes zāģi.

1. Notīriet virsmu ap eļļas uzpildes atveres vāciņu, lai novērstu piesārņojumu.
2. Atskrūvējiet un noņemiet vāciņu no eļļas tvertnes.
3. Ielejiet eļļu eļļas tvertnē un pārbaudiet eļļas līmeņrādi. Pārlicinieties, ka eļļas uzpildes laikā eļļas tvertnē neiekļūst netīrumi.
4. Uzlieciet atpakaļ eļļas uzpildes atveres vāciņu un pievelciet to. Noslaukiet izlijušo eļļu.
5. Vienreiz pilnībā piepildot eļļas tvertni, jūs zāģi varēsiet izmantot 20- 40 minūtes.

### Ieteicamā ķēžu smēreļļa

- Ražotājs iesaka izmantot tikai Ryobi ķēdes zāģu smēreļļu. (Pieejama pilnvarotā Ryobi servisa centrā)

## ĶĒDES ZĀGA TURĒŠANA

Skatīt 235. lappusi

Vienmēr turiet ķēdes zāģi, labajai rokai atrodoties uz aizmugurējā roktura, bet kreisajai rokai - uz priekšējā roktura. Satveriet abus rokturus tā, lai īkšķi un pirksti aptver rokturus. Pārlicinieties, ka labā roka ir satvērusi priekšējo rokturi, īkšķim atrodoties apakšā.

### ⚠ BRĪDINĀJUMS

Rūpējieties, lai jaudas kabelis būtu tīrs un neatrastos zāģēšanas zonas tuvumā. Netīri kabeli var izraisīt ne tikai elektrošoku, bet arī kritienus un pakļupšanu.

## ĶĒDES ZĀGA IEDARBINĀŠANA

Skatīt 235. lappusi

1. Pievienojiet produktu tā jaudas padevei. Pārlicinieties, vai ķēdes bremze ir darbības pozīcijā, pavelkot atpakaļ aiz sviras/rokas aizsarga.
2. Lai iedarbinātu ierīci: Pavelciet startera rokturi un tad nospiediet pogu ieslēgt/izslēgt.

## ĶĒDES BREMZES PĀRBAUDE UN DARBINĀŠANA

1. Ieslēdziet ķēdes bremzi, pagriežot kreiso roku ap priekšējo rokturi. Izmantojot rokas aizmuguri, pastumiet ķēdes bremzes sviru/rokas aizsargu sliedes virzienā, kamēr ķēde strauji rotē. Vienmēr turiet abas rokas uz zāģa rokturiem.
2. Atiestatiet ķēdes bremzi atpakaļ darbības pozīcijā, satverot ķēdes bremzes sviras/rokas aizsarga virspusi un pavelkot to uz priekšējā roktura pusi līdz atskan klikšķis.

### ⚠ BRĪDINĀJUMS

Ja ķēdes bremze nekavējoties neaptur ķēdi vai ķēdes bremze nenostāties gaitas pozīcijā bez palīdzības, pirms lietošanas nogādājiet zāģi pilnvarotajā servisa centrā remontam.

## TRANSPORTĒŠANA UN UZGLABĀŠANA

Skatīt 248 - 249. lappusi

- Izslēdziet ierīci, atvienojiet to no elektrības padeves un pirms noglabāšanas vai pārvešanas, ļaujiet tai atdzist.
- Notīriet visus svešķermeņus no izstrādājuma. Uzglabājiet to vēsā, sausā un labi vēdinātā vietā, kurai nevar piekļūt bērni. Neglabājiet to vietā, kur tuvumā atrodas korozīvas vielas, piemēram dārza darbos izmantojamas ķimikālijas vai atsaldēšanai domāta sāls. Neuzglabājiet ārpus telpām.
- Pirms ierīces uzglabāšanas vai transportēšanas laikā uzstādiet slīdes vāku.
- Transportēšanas laikā nostipriniet iekārtu tā, lai tā nevarētu kustēties vai apkrīst, lai izvairītos no personu ievainošanas un iekārtas bojāšanas.

## APKOPE

### ⚠ BRĪDINĀJUMS

Lietojiet tikai oriģinālās ražotāja rezerves daļas, piederumus un uzgaļus. Pretējā gadījumā var tikt radīti ievainojumi un parādīts slikts sniegums, kā arī var tikt anulēta garantija.

### ⚠ BRĪDINĀJUMS

Aptarnavimā atlikti būtina itin atdīžai, todēl rekomēduojame, kad tehēnē apzēiurā vykdytu kvalifikuotas specialistas. Tehēnēi apzēiurai atlikti patariame gražinti prietaisā j artimēiasiā jgaliot ā paslaugū teikimo tarnyb ā. Sugeodusias detales keiskite tik originaliomis detalēmīs.

### ⚠ BRĪDINĀJUMS

Pirms pielāgošanas, apkopes vai tīrēšanas, atvienojiet to no elektrības padeves. Pretējā gadījumā var rasties nopietni miesas bojājumi.

- Daudzus šajā lietotāja rokasgrāmatā aprakstītos regulēšanas un remontdarbus varat veikt pats. Lai veiktu citus remontdarbus, sazinieties ar pilnvarotu servisa darbinieku.
- Nepareiza apkope var novest pie ķēdes bremžu un citu drošības funkciju nepareizas darbības, palielinot nopietnu ievainojumu risku. Uzturiet ķēdes zāģi profesionāli apkoptu un drošu.
- Lai droši uzasinātu zāģa ķēdi, nepieciešamas prasmes. Tāpēc ražotāji stingri iesaka noliegtot vai trulu ķēdi nomainīt ar jaunu, kas pieejama pilnvarotā Ryobi servisa centrā. Daļas numurs ir norādīts šīs rokasgrāmatas iekārtas specifikāciju tabulā.
- Ievērojiet norādījumus par eļļošanu, ķēdes nospriegojuma pārbaudi un regulēšanu.
- Pēc katras lietošanas reizes notīriet precī ar mīkstu, sausu drāniņu.
- Regulāri pārbaudiet visus uzgriežņus, stiprinājumus un skrūves, lai pārliecinātos, ka tās ir cieši pievilktas

un izstrādājums ir drošā darba stāvoklī. Jebkura bojāta detaļa jānodod remontam vai nomainītai pilnvarotā apkopes centrā.

## SLĪDES UN ZĀĢA ĶĒDES NOMAIŅA

Skatīt 244 - 245. lappusi

- Atvienojiet produktu no tā jaudas padeves.
- Atskrūvējiet slīdes pievilšanas pogu, griežot to pretējā pulksteņrādītāja virzienam, līdz ķēdesrata aizsargs kļūst vaļīgs.
- Noņemiet zobrata vāku. Izņemiet sliedi un zāģa ķēdi no ierīces.
- Lai nomainītu veco sliedi pret jaunu, atlaidiet ķēdes savilkšanas skrūvi. Savelciet ķēdi jaunajai slīdei un pievelciet skrūvi.
- Novietojiet jauno ķēdi uz slīdes pareizajā virzienā un pārliecinieties, ka ķēdes posmi pieguļ slīdes gropēm.
- Pievienojiet sliedi ķēdes zāģim un aptiniet ķēdi ap piedziņas zobratu.
- Nomainiet zobrata vāku, nostipriniet zobrata vāku un pievelciet slēdzi.
- Noregulējiet ķēdes nospriegojumu. Skatīt sadaļu "Ķēdes nospriegojuma regulēšana".

### ⚠ BRĪDINĀJUMS

Ja ķēde nav labi uzasināta, tad palielinās varbūtība izraisīt prettriecienu.

### ⚠ BRĪDINĀJUMS

Ja sabojāta ķēde netiek nomainīta vai salabota, tad strādnieks ir pakļauts bīstamībai - var gūt smagus savainojumus.

### ⚠ BRĪDINĀJUMS

Ķēde ir ļoti asa. Noteikti valkājiet aizsargocimdus, kad veicat tās apkopi!

## ĶĒDES BREMZES PĀRBAUDE UN TĪRĪŠANA

Skatīt 247. lappusi

- Vienmēr uzturiet ķēdes bremzes mehānismu tīru, viegli noslaukot netīrumus no mehānisma.
- Pēc tīrēšanas vienmēr pārbaudiet ķēdes bremzes veikspēju. Skatieties rokasgrāmatas nodaļas "Lietošana" sadaļu "Ķēdes bremzes pārbaude un darbināšana", kur atradīsiet sīkākas ziņas!

## APKOPES GRAFIKS

Ikdienas pārbaude	
Jaudas kabelis bojājumiem	Pirms katras lietošanas
Slīdes eļļošanu	Pirms katras lietošanas
Ķēdes spriegojumu	Bieži un pirms katras lietošanas reizes
Ķēdes asumu	Pirms katras lietošanas reizes, vizuāla pārbaude

Vai nav bojājumu	Pirms katras lietošanas
Vai nav valīgi stiprinājumi	Pirms katras lietošanas
Ķēdes bremzes funkcija	Pirms katras lietošanas
<b>Apskatiet un notīriet</b>	
Sliede	Pirms katras lietošanas
Visu zāģi	Pēc katras lietošanas
Ķēdes bremze	Ik pēc 5 stundām*

\*Darba stundas

## UZ PRECES ESOŠIE SIMBOLI



Drošības brīdinājums



Pirms preces darbināšanas izlasiet un izprotiet visus norādījumus, ievērojiet visus brīdinājumus un drošības norādījumus.



Strādājiet ar šo darbarīku, izmantojiet redzes un dzirdes aizsardzības līdzekļus, kā arī ķiveri.



Kad izmantojat šo izstrādājumu, lietojiet neslidošus aizsargapavus.



Valkājiet neslidošus darba cimdus.



Pirms apkopes veikšanas vai gadījumā, ja kabelis ir bojāts vai sagriezts, nekavējoties atvienojiet kontaktdakšu no elektrotīkla.



Uzmanieties no ķēdes zāģa atsitienu un sargieties no stieņa uzgaļa.



Nepakļaujiet lielum vai mitriem apstākļiem.



Strādājot motorzāģi turiet ar abām rokām.



Motorzāģi darba laikā nedrīkst turēt tikai ar vienu roku.



Darbarīks atbilst visām normām ES valstī, kurā tas ir iegādāts.



GOST-R atbilstība



2. klases instruments, dubulta izolācija



Izlietotie elektroprodukti nedrīkst tikt izmesti kopā ar mājāsaimniecības atkritumiem. Lūdzu, nododiet tos attiecīgajās atk ār tās izmantošanas vietās. Sazinieties ar savu vietējo varas pārstāvi vai izplatītāju, lai noskaidrotu, kur iespējama atkārtota pārstrāde.



Garantētais skaņas jaudas līmenis ir 108 dB. (RCS1935)



Garantētais skaņas jaudas līmenis ir 107 dB. (RCS2340)



Stieņu un ķēžu smērviela



Bloķētājs



Atbloķēt



Pagrieziet, lai mainītu ķēdes nospirojumumu +/-: Pievelciet/atbrīvojiet ķēdi



Ķēdes kustības virziens  
Marķēts zem zobrata vāka

L max

Maksimālais sliedes garums

## IKONAS ŠAJĀ ROKASGRĀMATĀ



Pievienojiet enerģijas avotam



Atvienojiet no enerģijas avota



Atsevišķi nopērkamās daļas vai piederumi



Izlietotie elektroprodukti nedrīkst tikt izmesti kopā ar mājāsaimniecības atkritumiem. Lūdzu, nododiet tos attiecīgajās atk ār tās izmantošanas vietās.



PIEZĪME:



BRĪDINĀJUMS



Valkājiet aizsargbrilles un sejas aizsargu.



Valkājiet ķermeņa augšdaļas aizsargu.



Valkājiet kāju aizsargu.



Apturiet iekārtu.

Lai izskaidrotu risku, kas saistīti ar izstrādājumu, līmeni, paredzēti šādi norādījuma vārdi un jēdzieni.

**⚠ BĪSTAMI**

Norāda draudošo bīstamo situāciju, kas, ja no tās neizvairās, var novest pie nāves vai nopietnas traumas.

**⚠ BRĪDINĀJUMS**

Norāda potenciālo bīstamo situāciju, kas, ja no tās neizvairās, var novest pie nāves vai nopietnas traumas.

**⚠ UZMANĪBU**

Norāda potenciālo bīstamo situāciju, kas, ja no tās neizvairās, var novest pie nelielas vai vidējas traumas.

**UZMANĪBU**

Bez drošības brīdinājuma apzīmējuma

Norāda uz situāciju, kas var radīt īpašuma bojājumus.



### ĮSPĖJIMAS

Būtina laikytis saugos reikalavimų naudojantis šiuo produktu. Dėl savo pačių ir šalia esančių asmenų saugumo, perskaitykite šias instrukcijas prieš pradėdami dirbti prietaisu. Jums reikėtų dalyvauti profesionaliai organizuotuose saugos kursuose, kuriuose mokoma kaip saugiai naudotis grandininiais pjūklais bei juos prižiūrėti, aiškinama, kokios yra prevencinės bei pirmosios pagalbos priemonės. Išsaugokite šią instrukciją ateičiai.

### ĮSPĖJIMAS

Grandininiai pjūkļai yra potencialiai pavojingi įrankiai. Nelaimingi atsitikimai, kurie įvyksta naudojant grandininis pjūklus, dažnai baigiasi galūnių netekimo ar mirties atvejais. Pavojų kelia ne tik patys grandininiai pjūkļai. Žūti galima nuo nukritusios šakos, virstančio medžio ar nusiritusio rąsto. Papildomą pavojų kelia ligoti ar supuvę medžiai. Būtina įvertinti savo galimybes saugiai atlikti užduotį. Kilus abejojimams, palikite šiuos darbus atlikti profesionaliam pažeistų medžių kirtėjui.

## BENDRIEJI SAUGOS ĮSPĖJIMAI

### ĮSPĖJIMAS

**Perskaitykite visus saugos įspėjimus ir visą instrukciją.** Įspėjimų ir instrukcijų nesilaikymas gali sukelti elektros smūgį, gaisrą ir (ar) rimtus sužeidimus.

Saugokite šiuos įspėjimus ir nurodymus, kad galėtumėte vadovautis jais vėliau.

Įspėjimuose nurodytas terminas „elektrinis įrankis“ reiškia elektrinio įrankio naudojimą, jį prijungus prie maitinimo tinklo (laidu) arba maitinimo baterijos (belaidis).

### DARBO APLINKA

- Darbo vieta turi būti švari ir gerai apšviesta. Nelaimingi atsitikimai įvyksta netvarkingose ar tamsiose vietose.
- Nenaudokite elektrinių įrankių, jei šalia yra degios ir sprogti galinčios medžiagos (skysčiai, dujos ar dulkės). Elektriniai įrankiai kibirkščiuoja ir gali uždegti dulkes arba garus.
- Neleiskite vaikams ir šalia esantiems asmenims būti šalia įjungto elektrinio įrankio. Išsiblaškę galite prarasti kontrolę.

### ELEKTROS SAUGA

- Elektrinio įrankio kištukai turi atitikti kištukinį lizdą. Niekada nekeiskite kištuko. Su įžemintais (įžeminimo) elektriniais įrankiais niekada nenaudokite kištukų adapterių. Nepakeisti kištukai ir atitinkantys lizdai sumažina elektros smūgio pavojų.
- Stenkitės nesiliesti prie įžemintų ar įžeminimo paviršių (vamzdžių, radiatorių, grandinių / viryklių, šaldytuvų). Įžeminius savo kūną, padėdės elektros smūgio pavojus.
- Įrenginio negalima laikyti lietuje ar drėgmėje. Dėl

vandens, patekusio į elektrinį įrankį, padidėja elektros smūgio pavojus.

- Laidą naudokite pagal jo paskirtį. Niekada jo nenaudokite elektriniams įrankiams pernešti, tempti ar išjungti. Saugokite maitinimo laidą nuo karščio, tepalų, aštrių kampų ir judančių detalių. Pažeisti ar supainioti laidai padidina elektros smūgio galimybę.
- Dirbdami su elektriniu įrankiu lauke, naudokite tik lauke naudoti skirtus ilginamuosius laidus. Naudojant tinkamą laukui laidą sumažinama elektros smūgio tikimybė.
- Jei būtina naudotis elektriniu įrankiu drėgnomis oro sąlygomis, naudokite likutinės srovės prietaisą (RCD). Naudojant RCD sumažinama elektros smūgio tikimybė.

### ASMENINĖ SAUGA

- Būkite budrus ir stebėkite, ką darote, bei sąmoningai naudokite elektrinį įrankį. Nesinaudokite įrankiu, kai esate pavargę ar paveikti narkotinių medžiagų, alkoholio ar vaistų. Neatidumas darbo su elektriniu įrankiu metu gali sukelti sunkius sužeidimus.
- Naudokite asmeninės apsaugos įrangą. Visada dėvėkite akių apsaugos priemones. Atitinkamomis sąlygomis naudojamoms apsaugos priemonėms, pvz. dulkių kaukė, neslystantys apsauginiai batai, šalmas ar apsaugos ausims, sumažina asmeninių sužeidimų pavojų.
- Saugokitės, kad įrankis netyčia neįsijungtų. Įsitikinkite, kad prieš prijungiant įrankį prie maitinimo šaltinio ir (ar) baterijos, pakeliant ar nešant įrankį, jungiklis yra išjungtas. Nešant elektrinį įrankį, uždėjęs pirštą ant jungiklio, arba elektrinį įrankį, kurio jungiklis yra įjungtoje padėtyje, gali įvykti nelaimingas atsitikimas.
- Prieš įjungiant elektrinį įrankį, išimkite derinimo raktą ar veržliaraktį. Jei juos paliksite pridėtus prie besisukančios įrankio dalies, galite susižaloti.
- Nepersitempkite. Visada tvirtai stovėkite ir išlaikykite pusiausvyrą. Tai padės geriau kontroliuoti įrankį netikėtų situacijų metu.
- Dėvėkite tik darbui tinkamus drabužius. Nedėvėkite laisvų, neprigludusių drabužių ir juvelyrinių dirbinių. Saugokite plaukus, drabužius ir pirštines toliau nuo judančių dalių. Laisvi drabužiai, papuošalai ar ilgi plaukai gali įsipainioti į judančias įrankio dalis.
- Jei įrengti dulkių ištraukimo ir surinkimo įrengimai, įsitikinkite, kad jie prijungti ir naudojami tinkamai. Su dulkelėmis susijusiam pavojui sumažinti naudokite dulkių surinkimą.

### ELEKTRINIO ĮRANKIO NAUDOJIMAS IR PRIEŽIŪRA

- Nenaudokite per didelės jėgos. Pritaikykite tinkamą elektrinį įrankį atliekamam darbui. Naudojami pagal paskirtį pagamintą tinkamą elektrinį įrankį, darbą atliksite geriau ir saugiau.
- Nenaudokite elektrinio įrankio, jei jungiklio negalite įjungti ir išjungti. Jungikliu nevaldomas elektrinis įrankis yra pavojingas ir jį reikia taisyti.





EN
FR
DE
ES
IT
NL
PT
DA
SV
FI
NO
RU
PL
CS
HU
RO
LV
<b>LT</b>
ET
HR
SL
SK
BG

- **Prieš sureguliuojant įrankį, keičiant atsargines dalis ar sandėliavimą atjunkite laidą nuo maitinimo šaltinio ir (ar) akumuliatoriaus.** Tokios saugumo priemonės apsaugos nuo atsitiktinio įrankio įsijungimo.
- **Laikykite elektrinį įrankį vaikams neprieinamoje vietoje ir neleiskite juo naudotis asmenims, kurie nemoka juo naudotis.** Neįgudusiems asmenims elektriniai įrankiai yra pavojingi.
- **Pržiūrėkite elektrinius įrankius. Patikrinkite judančių detalių nesutapimus, sukibimą, ar sumontuotos detalės nesulūžusios bei kitą būklę, kuri gali turėti neigiamos įtakos įrankio veikimui. Jei įrankis sugedęs, prieš naudojimą jį reikia suremontuoti.** Nemažai nelaimingų atsitikimų įvyksta dėl netinkamai pržiūrimų elektrinių įrankių.
- **Pjovimo įrankius reikia pastoviai galąsti ir valyti.** Tinkamai pržiūrėti aštriais ašmenimis pjovimo įrankiai mažiau stringa ir juos lengviau valdyti.
- **Naudokite elektrinius įrankius, atsargines detales, gražtus ir t. t., pagal šias instrukcijas ir atsižvelgdami į darbo sąlygas bei turimą atlikti darbą.** Naudokite elektrinį įrankį tik pagal tiesioginę paskirtį, kitaip sukelsite pavojingą situaciją.

## TECHNINIS APTARNAVIMAS

- **Elektrinį įrankį turi remontuoti tik kvalifikuoti darbuotojai, kurie naudoja identiškas atsargines dalis.** Tai užtikrina elektrinio įrankio saugumą.

## PAPILDOMI BENDRIEJI SAUGOS ĮSPĖJIMAI

- Kai kuriuose regionuose taisyklės riboja įrenginio naudojimą. Kreipkitės patarimo į vietos įstaigą.
- Niekada neleiskite naudotis šiuo gaminiu vaikams ar asmenims, nesusipažinusiems su šiomis instrukcijomis. Vietos įstatymai gali apriboti įrengimo operatoriaus amžių.
- Prieš kiekvieną naudojimą patikrinkite, ar tinkamai veikia visi valdikliai ir saugos įtaisai. Nenaudokite elektrinio įrankio, jeigu išjungimo jungiklis nesustabdo variklio.
- Naudodamiesi pjūkle, dėvėkite akių ir klausos apsaugos priemones, mūvėkite tvirtas pirštines ir galvos apsaugos priemones; jeigu dirbant kyla daug dulkių, dėvėkite apsauginę veido kaukę.
- Nedėvėkite dukšlių drabužių, trumpų kelnų ar papuošalų.
- Ilgus plaukus suriškite aukščiau pečių, priešingu atveju, jie gali įsipainioti į judančias įrankio dalis.
- Saugokitės išsviedžiamų, išskriejančių ar krintančių objektų. Įsitinkinkite, kad 15 metrų atstumu nuo darbo zonos nėra pašalinių asmenų (ypač vaikų ir gyvūnų).
- Dirbkite gerai apšviestoje aplinkoje. Kad pastebėtų galimus pavojus, prietaisu dirbančiam asmeniui turi būti sudarytos gero matomumo sąlygos.
- Klausos apsaugos priemonių naudojimas sumažina įspėjamųjų garsų (ryksmų arba pavojaus signalų) girdėjimo galimybę. Operatorius turi atkreipti ypatingą dėmesį, kas vyksta darbo vietoje.
- Netoliese naudojant panašius prietaisus padidėja pavojus pakenkti klausą ir galimybė kitiems asmenims

patekti į darbo zoną.

- Visada tvirtai stovėkite ir išlaikykite pusiausvyrą. Nepersitempkite. Per plačiai užsimojus, galima netekti pusiausvyros ir padidėja atitranskos pavojus.
- Stovėkite toliau nuo visų judančių įrankio detalių.
- Prietaisą patikrinkite prieš naudojimą. Patikrinkite, ar tinkamai veikia visi valdymo įtaisai, įskaitant grandinės stabdį. Patikrinkite, ar nėra atspalaidavusių tvirtinamųjų elementų Patikrinkite, ar visos apsaugos, rankenos tinkamai ir patikimai pritvirtintos. Prieš naudodami prietaisą pakeiskite visas pažeistas dalis.
- Niekaip nemodifikuokite prietaiso ir nemontuokite dalių bei priedų, kurias naudoti nepataria gamintojas.
- Jei reikia jungti pailginimo laidą, patikrinkite, ar jis tinkamas naudojimui lauko sąlygomis ir juo gali tekėti srovė, reikalinga įrankio maitinimui. Prieš kiekvieną naudojimą, patikrinkite, ar pailginimo laidas nepažeistas ir būtinai išvyniokite, nes susukti į ritę laidai gali perkaisti.
- Dėl srovės pertrūkio įtampa pradeda svyruoti bei gali turėti įtakos kitiems prie tos pačios energijos grandinės prijungtiems elektros prietaisams. Kad sumažintumėte įtampos svyravimus, gaminįjunkite į maitinimo tinklą, kurio tariamoji varža yra lygi arba mažesnė nei 0.372Ω - RCS1935, 0.277Ω - RCS2340. Dėl išsamesnės informacijos kreipkitės į elektros energijos tiekėją.

### ⚠ ĮSPĖJIMAS

Prietaisą numetus, stipriai sutrenkus ar jam pradėjus neįprastai vibruoti, jį reikia kuo skubiau sustabdyti ir apžiūrėti, kas pakenkta arba nustatyti vibracijos priežastį. Pakenktos dalys turi būti tinkamai sutaisytos arba pakeistos įgaliotame techninio aptarnavimo centre.

## GRANDININIO PJŪKLO SAUGOS ĮSPĖJIMAI

- **Pjudami grandininio pjūkle, būkite atokiai nuo pjūklo grandinės. Prieš paleisdami grandininį pjūklą, būtinai patikrinkite, ar pjūklo grandinė nesiliečia su jokiais kitais objektais.** Pjaunant grandininio pjūkle, nors akimirksnį esant neatidiems, į pjūklo grandinę gali įsivelti drabužiai ar žmogaus kūno dalys.
- **Grandininį pjūklą laikykite dešiniąja plaštaka paėmę už galinės rankenos, o kairiąja – už priekinės.** Grandininį pjūklą laikant priešinga tvarka, padidėja asmens susižeidimo pavojus, todėl būtina elgtis saugiai.
- **EElektrinį įrankį laikykite tik už izoliuoto paviršiaus, nes pjūklo grandinė gali susilieti su paslėptais elektros laidais ar savo paties laidu.** Pjūklo grandinei prisilietus prie laidų, kuriais teka elektros srovė, neapsaugotomis metalinėmis elektrinio įrankio dalimis taip pat gali pradėti tekėti srovė ir darbuotojas gali patirti elektros smūgį.
- **Dėvėkite apsauginius akinius ir klausos apsaugos priemones. Be to, patartina naudoti apsaugines galvos, kojų ir pėdų priemones.** Tinkama apsauginė darbo apranga sumažina asmens susižeidimo nuo





išskriejančių nuopjovų ar atsitiktinio susilietimo su pjūklo grandine pavojų.

- **Nepjaukite grandininio pjūklu įsilipę į medį.** Pjaunant grandininio pjūklu įsilipus į medį, galima susižeisti.
- **Būtinai tvirtai atstokite ir pjaukite grandininio pjūklu tik stovėdami ant tvirto ir lygaus paviršiaus.** Stovint ant slidžių ar nestabilių paviršių, pavyzdžiui, ant kopėčių, galima netekti pusiausvyros arba nesuvaldyti grandininio pjūklo.
- **Pjaudami įtemptą šaką, saugokitės, nes šaka gali atsokti kaip spyruoklė.** Kai medienos plaušo įtempimas nuslūgsta, įsitempusi šaka gali atsimušti į darbuotoją ir (arba) grandininis pjūklas gali tapti nevaldomas.
- **Būkite ypatingai atsargūs pjaudami krūmus ir medelius.** Laibas kotelis gali įsivelti į pjūklo grandinę ir kaip botagas nupliekti jus arba išmušti jus iš pusiausvyros.
- **Išjungtą iš maitinimo grandininį pjūklą neškite paėmę už priekinės rankenos ir atokiai nuo savęs.** Transportuojant ar nenaudojamą grandininį pjūklą padedant į sandėlį, būtina uždėti kreipiamosios juostos gaubtą. Tinkamai naudojant grandininį pjūklą, sumažėja tikimybė atsitiktinai susiliesti su judančia pjūklo grandine.
- **Vadovaukitės pjūklo tepimo, grandinė įtempimo ir dalių bei priedų keitimo instrukcijomis.** Netinkamai įtempta ar sutepta grandinė gali sutrūkti arba gali padidėti galimybė įvykti atatrakai.
- **Rankenas reikia visada sausai nuvalyti, kad jos nebūtų suteptos alyva ir riebalais.** Suteptos tepalais, alyva rankenos yra slidžios, todėl galite įrankio nesuvaldyti.
- **Pjaukite tik medieną. Nenaudokite grandininio pjūklo ne pagal paskirtį.** Pavyzdžiui, nenaudokite grandininio pjūklo plastiko, mūro ar nemedienos statybinėms medžiagoms pjauti. Grandininį pjūklą naudojant ne pagal paskirtį, gali kilti pavojinga situacija.

#### Atatrankos priežastys ir darbuotojo prevencija:

Jei pjovimo juosta paliečia kažkokį daiktą arba jei pjovimo grandinė yra suspaudžiama ir užblokuojama medienoje pjovimo metu, tai gali atsirasti atšokimas.

Kartais kontaktas su kreipiamosios juostos antgaliu gali sukelti staigią atvirksčinę reakciją, išmesti kreipiamąją juostą į viršų ir sviesti atgal į operatorių.

Grandininio pjūklo kreipiamosios juostos viršaus suspaudimas gali kreiptuvą staiga nukreipti atgal į operatorių.

Kiekvienu atveju jūs galite prarasti grandininio pjūklo kontrolę ir sunkiai susižeisti. Nesitikėkite vien tik apsaugos priemonių, integruotų į jūsų grandininį pjūklą. Taip pat jums reikia imtis kitų priemonių nelaimingų atsitikimų ar sužalojimų rizikai išvengti.

Atatranka įvyksta dėl įrankio netinkamo naudojimo ir (arba) neteisingai atliekamų darbo procedūrų ar netinkamų sąlygų, ir jos galima išvengti ėmusis reikiamų atsargumo priemonių, kaip nurodyta toliau:

- **Abiem rankomis, visais pirštais tvirtai suimkite ir laikykite grandininio pjūklo rankenas ir atstokite į**

**tokią padėtį, kad kūnas ir ranka atlaikytų atatrankos jėgas.** Darbuotojas gali valdyti atatrankos jėgas, jeigu imasi reikiamų atsargumo priemonių. Neleiskite pjūklui laisvai judėti.

- **Neužsimokite per plačiai ir nepjaukite virš pečių aukščio.** Tai padeda apsaugoti nuo netyčinio sąlyčio su pjūklo galiuku ir geriau valdyti grandininį pjūklą kilus nenumatytoms situacijoms.
- **Juostas ir grandines keiskite tik gamintojo nurodytais analogais.** Naudojant netinkamus juostas ir grandines, grandinė gali sutrūkti ir (arba) gali išsivystyti atatrankos jėga.
- **Laikykites gamintojo instrukcijų dėl pjovimo grandinės galandimo ir techninio aptarnavimo.** Sumažinus gylio matuoklio aukštį, gali padidėti atatranka.

#### PAPILDOMI GRANDININIO PJŪKLO SAUGOS ĮSPĖJIMAI

- Pjūklą naudojant pirmą kartą, rąstus patartina pjauti pasidėjus ant malkų pjovimo ožio arba ant atramos.
- Patikrinkite, ar visi apsauginiai įtaisai, rankenos ir smaigčio amortizatorius tinkamai įtaisyti ir geros būklės.
- Grandininį pjūklą naudojantys asmenys turi būti geros sveikatos būklės. Grandininis pjūklas yra sunkus įrankis, todėl darbuotojas asmuo turi būti tinkamos fizinės būklės. Darbuotojas turi būti budrus, pasižymėti geru regėjimu, judrus, gebėti išlaikyti pusiausvyrą ir mikliu rankų. Kilus abejonei, nenaudokite grandininio pjūklo.
- Nepradėkite naudoti grandininio pjūklo, kol darbo plotas neparuoštas, nesate tvirtai atsistoję ir nenumatę, kaip atsitrauksite nuo medžio kritimo trajektorijos.
- Saugokitės nuo tepalų ir pjuvenų skleidžiamos taršos. Jei reikia, dėvėkite kaukę ar respiratorių.
- Elektros maitinimas turi būti paduodamas per prietaisą su srovės atjungimo (RCD), kurio išsijungimo srovės riba neturi būti didesnė, nei 30 mA.
- Pakenkus maitinimo laidą, krūmapjovę reikia nugabenti į galiotą techninio aptarnavimo centrą remontui ar keitimui.
- Maitinimo laidas visada turi būti tvarkingas ir laikomas atokiai nuo pjovimo vietos. Netvarkingi laidai kelia ne tik žūties nuo elektros srovės pavojų: už jų užkliuvus galima nukristi.
- Nepjaukite vijoklinių ar šliaužiančių augalų ir (arba) nedidelio atžalyno (plonesnių nei 75 mm skersmens stiebų bei kamienų).
- Pjaudami grandininio pjūklu, būtinai laikykite jį suėmę abiem plaštakomis. Tvirtai laikykite grandininį pjūklą, jūsų pirštams apimant rankenas. Dešinioji plaštaka turi būti uždėta ant galinės rankenos, o kairioji – ant priekinės.
- Prieš paleisdami įrankį, patikrinkite, ar pjūklo grandinė nesiliečia su jokių objektu.
- Niekai nemonifikuokite pjūklo ir nemontuokite prie jo jokių pjūklo gamintojo nerekomenduotų įtaisų ar prietaisų.
- Netoli darbuotojo asmens būtinai turi būti laikoma pirmosios pagalbos vaistinė su didelių žaizdų





tvarstymo priemonėmis bei dėmesį pritraukiančios priemonės (pvz., švilpukas). Didesnė pirmosios pagalbos vaistinė, kurioje daugiau priemonių, taip pat turi būti netoliese.

- Jeigu darbo vietoje nėra krintančių objektų pavojaus, darbuotojui gali kilti pagunda nusiimti šalną, reikia nepamiršti, kad šalnas, ypač su antveidžiu iš tinklelio, gali padėti sumažinti galimybę susižeisti veidą ir galvą įvykus atitrūkiant.
- Netinkamai įtempta grandinė gali nušokti nuo kreipiamosios juostos ir sukelti sunkų ar net mirtiną sužeidimą. Grandinės ilgis priklauso nuo temperatūros. Reguliariai tikrinkite grandinės įtempimą.
- Prie darbo nauju grandininio pjūklų reikia pratintis atliekant nesudėtingus pjūvius ant tvirtai atremto medienos ruošinio. Tokį bandomąjį pjūvimą taip pat reikia atlikti prieš pradėdant dirbti ilgesnį laiką nenaudojus pjūklo.
- Norint sumažinti sužeidimų, kuriuos gali sukelti susilietimas su judamosiomis dalimis, pavojų, būtina sustabdyti variklį, įjungti grandinės stabdį, ištraukite maitinimo kištuką ir įsitikinti, ar visos judamosios dalys sustojo prieš:
  - valant ar šalinant užsikimšimą
  - gaminio palikimas be priežiūros
  - Montuojant ar nuimant įtaisus
  - atlikite prietaiso patikros arba priežiūros darbus, arba paleiskite jį
- Darbo zonos paviršius priklauso tiek pat nuo atliktino darbo, kaip ir nuo medžio aukščio ar apdorotino gabalo. Pavyzdžiui, norint nuleisti medį, darbo plotas turi būti didesnis nei atliekant kitus pjūvius, t. y. pjaunant medžius rąstams ar pan. Darbuotojas turi žinoti apie viską, kas yra darbo plote ir valdyti visą padėtį.
- Nepjunkite stovėdami vienoje linijoje su kreipiamąja juosta ir grandine. Jeigu įvyktų atitrūkimas, stovėdami ne vienoje linijoje apsisaugotumėte nuo grandinės smūgio į galvą ar kūną.
- Pjaudami nemosukite pjūklų pirmyn–atgal: visą darbą palikite grandinei; ji turi būti aštri ir nemėginkite jos stumti per įpjovą.
- Nespauskite grandininio pjūklo plovimo pabaigoje. Būkite pasirengęs perimti pjūklo svorį, kai jis pjaunant nustoja liestis į medieną. Priešingu atveju, galite sunkiai susižeisti.
- Nestabdykite pjūklo per plovimo operacijos vidurį. Pjūklas turi veikti, kol yra visiškai ištraukiamas iš įpjovos.

### **Stūmimo jėga ir traukimo jėga**

Reakcijos jėga visuomet veikia priešinga kryptimi, nei plovimo grandinės sukimosi kryptis. Tokiu būdu darbuotojas turi būti pasirengęs valdyti įrankio tendenciją atsiplešti nuo medienos (judesį į priekį) pjaunant ant apatinio juostos krašto ir spausiti atgal (link darbuotojo), pjaunant išilgai viršutinio krašto.

### **Pjūklui įstrigus įpjovoje**

Sustabdykite grandininį pjūklą ir pasirūpinkite, kad jis būtų nepavojingas. Nebandykite jėga traukti grandinės

ir juostos iš įpjovos, nes dėl to gali nutrūkti grandinė, susiūbuoti atgal ir atsitrenkti į darbuotoją. Ši situacija paprastai susidaro, nes medis netinkamai atremtas ir reikia užbaigti pjūvį veikiant spaudimui, tuo būdu suspaudžiant ašmenis. Jeigu reguliuojant atramą, juostos ir grandinės nepavyksta išlaisvinti, įkiškite medinius pleištus ar svertą, kad atvertumėte įpjovą ir išlaisvintumėte pjūklą. Jokiu būdu nebandykite paleisti grandininio pjūklo, kai kreipiamoji juosta jau yra įpjovoje ar įrantoje.

### **Asmeninės apsaugos priemonės**

Profesionalams skirtos geros kokybės asmeninės apsaugos priemonės padės sumažinti darbuotojo sužeidimo riziką. Dirbant grandininio pjūklų, reikia naudoti šias apsaugos priemones:

#### **Apsauginį šalną**

- turi atitikti EN 397 standartą arba būti paženklintas „CE“

#### **Klauso apsauga**

- turi atitikti EN 352-1 standartą arba būti paženklintas „CE“

#### **Akių ir veido apsauga**

- turi būti paženklinta „CE“ ir atitikti EN 166 standartą (apsauginiai akiniai) arba EN 1731 standartą (antveidžiai iš tinklelio)

#### **Pirštines**

- turi atitikti EN 381-7 standartą arba būti paženklintas „CE“

#### **Kojų apsauga (blauzdu)**

- turi atitikti EN 381-5 standartą arba būti paženklintas „CE“

#### **Darbiu grandininio pjūklų skirtus apsauginius batus**

- turi atitikti EN ISO 20345:2004 standartą ir būti pažymėti nuo grandininio pjūklo apsaugančio skydo simboliu, rodančiu atitiktį EN 381-3 standartui. (Jeigu žemės paviršius lygus ir nėra pavojaus suklypti ar užkliūti už atžalyno, nenuolatiniai darbuotojai gali mėvėti apsauginiais batais su plieno nosimi ir apsauginėmis blauzdinėmis, atitinkančiomis EN 381-9 standartą)

#### **Darbiu grandininio pjūklų skirtas striukes viršutinės kūno dalies apsauga**

- turi atitikti EN 381-11 standartą arba būti paženklintas „CE“

### **TINKAMŲ ELEMENTARIŲ MEDŽIO NULEIDIMO, ŠAKŲ GENĖJIMO IR SKERSINIO PJOVIMO BŪDŲ INSTRUKCIJOS**

#### **Supratimas apie medienoje veikiančias jėgas**

Turint supratimą apie kryptinius slėgius ir įrašas medienoje, galima sumažinti spaudimu arba bent jau jų tikėtis pjaunant. Įtempis medienoje reiškia, jog plaušai yra draskomi ir pjaunant šiame plote, pjūklui skrodžiant medieną, įranta ar įpjova bus linkusi atsiverti. Jeigu rąstas atremtas ant malkų plovimo ožio, o jo galas pakibęs neatremtas, dėl išsikūšusio rąsto svorio, kuris tempia plaušą, viršutiniame paviršiuje susidaro įtampa. Panašiai, rąsto apatinė pusė bus suspausta ir plaušai stumiami kartu. Jeigu pjūvis daromas tame plote, įranta atliekant pjūvį bus linkusi užsidaryti. Tai





suspaustų pjūklo ašmenis.

### Medžio nuleidimas

Žr. 239 - 240 psl.

Kai medžių pjovimo malkoms ir nuleidimo darbus vienu metu atlieka du ar daugiau asmenų, medžio nuleidimo darbus reikia atskirti nuo pjovimo malkoms atstumu, kuris yra mažiausiai dukart didesnis už nuleidžiamo medžio aukštį. Medžių negalima nuleisti taip, kad jie keltų pavojų žmonėms, atsitrenktų į elektros perdavimo linijas ar keltų žalą turtui. Medžiui prisilietus prie elektros perdavimo linijos, apie tai būtina nedelsiant pranešti už šią liniją atsakingai įmonei.

Jei žemės sklypas yra nuožulnus, tai visuomet būkite žemės sklypo viršuje, kadangi yra rizika, kad medis po kirtimo nusiris ar nuslys nuo šlaito apačion.

Prieš pradėdant pjovimo darbus, būtina numatyti ir išvalyti atsitraukimo takelį. Atsitraukimo takelis turi driektis atgal į įstrižai numatomos medžio kritimo trajektorijos galinėje pusėje.

Prieš pradėdant nuleidimą, reikia apžiūrėti, į kurią pusę medis natūraliai palinkęs, kaip išsidsėsiuos stambesnės šakos ir kokia kryptimi pučia vėjas, kad būtų galima įvertinti, į kurią pusę medis kris.

Nuo pjaunamo medžio pašalinkite nešvarumus, akmenis, atplyšusią žievę, vinis, kabės ir vielą.

Nenuleidinėkite supuvusių ar vėjo, ugnies, žaibų ir pan. pažeistų medžių. Tai ypatingai pavojinga ir šiuos darbus turi atlikti profesionalūs pažeistų medžių kirtėjai.

#### ■ Pakirtimas

Žr. 239 - 240 psl.

Statmenai medžio kritimo trajektorijai atlikite 1/3 medžio skersmens dydžio įkirtimą. Pirma atlikite apatinį horizontalų pakirtimą. Tai padės išvengti pjūklo grandinės ar kreipiamosios juostos suspaudimo atliekant antrą įkirtimą.

#### ■ Nuleidimo įpjova

Žr. 239 - 240 psl.

Nuleidimo įpjovą atlikite mažiausiai 50 mm / 2 col. aukščiau nei horizontalus įkirtimas. Nuleidimo įpjova turi būti lygiagreti horizontaliam įkirtimui. Nuleidimo įpjovą darykite tokią, kad liktų pakankamai medienos, kuri atliktų lanksto vaidmenį. Medienos lankstas neleidžia medžiui išlinkti ir nukristi netinkama kryptimi. Nepjaukite per lankstą.

Kai nuleidimas priartėja prie lanksto, medis turėtų pradėti kristi. Jeigu kyla įtarimas, kad nuleidžiant medis gali kristi nepageidaujama kryptimi arba susvyruoti atgal ir suvaržyti pjūklo grandinę, liaukitės įpjovę, kol prieš atliekant nuleidimo įpjovą ir įkiškite medienos, plastiko ar aliuminio pleištus, kad atvertumėte įpjovą ir nuleistumėte medį pageidaujama kritimo trajektorija.

Medžiui pradėjus kristi, ištraukite grandininį pjūklą iš įpjovos, sustabdykite variklį, padėkite pjūklą į atsitraukite numatytu takeliu. Saugokitės iš viršaus krintančių šakų ir būkite atsargūs, kad neužkliūtumėte ir išsilaikytumėte ant kojų.

### Atramos šaknų pjovimas

Žr. 240 psl.

Atramos šaknis yra didelė šaknis, išeinanti iš medžio kamieno ir pasiekianti žemę. Prieš imdamiesi medžio kirtimo, nupjaukite dideles šaknis. Visų pirma atlikite horizontalinę įpjovą atramos šaknyje ir po to vertikalią įpjovą. Pašalinkite taip nupjautą dalį iš darbo ploto. Pašalinkite atramos šaknis, imkitės medžio kirtimo.

### Rąsto pjovimas

Žr. 241 psl.

Rąsto pjovimas – tai jo sukopojimas atitinkamo ilgio gabalais. Svarbu, kad tvirtai stovėtumėte ir svoris būtų tolygiai pasiskirstęs ant abiejų kojų. Kai yra galimybė, rąstą reikėtų pakelti ir atremti šakomis, kitais rąstais ar ramsčiais. Vadovaukitės paprastais nesudėtingo pjovimo nurodymais. Kai rąstas atremtas visu ilgiu, jis pjaunamas nuo viršaus (pjovimas iš viršaus).

Kai rąstas atremtas viename gale, pjaukite 1/3 jo skersmens iš apatinės pusės (pjovimas iš apačios). Tada atlikite galutinį pjovimą, pjudami iš viršaus, kad viršutinis pjūvis susidurtų su apatiniu pjūviu.

Kai rąstas atremtas abiejuose galuose, pjaukite 1/3 jo skersmens iš viršaus (pjovimas iš viršaus). Tada atlikite galutinį pjovimą, 2/3 skersmens pjudami iš apačios, kad apatinis pjūvis susidurtų su pirmą įpjovą.

Pjudami medį rąstams šlaite, būtinai stovėkite įkalnėje. Pjaunant „kiaurai“, tam, kad visiškai valdytumėte padėtį, atleiskite pjovimo spaudimą bebaigdami atlikti įpjovą, tačiau tvirtai laikykite suėmę grandinį pjūklą už rankenų. Neleiskite grandinei susiliesti su žeme. Baigę pjovimą, palaukite, kol pjūklo grandinė visiškai sustos ir tik tada perkelkite grandininį pjūklą į pageidaujamą vietą. Prieš pereinant nuo medžio prie medžio, būtina sustabdyti pjūklo variklį.

### Medžio genėjimas

Žr. 242 psl.

Genėjimas – tai šakų nukopojimas nuo nuleisto medžio. Genėdami, stambesnes apatines šakas palikite nenukopotas, kad rąstas nesiremtų tiesiai į žemę. Mažas šakeles nukopokite vienu pjūviu. Įtempio veikiamas šakeles reikia pjauti iš apačios į viršų, kad nesulinktų grandininis pjūklas.

### Išlenktų medžių pjovimas

Žr. 242 psl.

“Botagas” yra šaka, išrautas kelmas arba medelis, kurį sulenkė kitas medžio gabalas tokiu būdu, kad jis staiga išsitiesia, kai pjaunamas arba nuimamas medžio gabalas, kuris jį sulaiko.

Išrautas nukirsto medžio kelmas kelia didelę riziką išsitiesti ir sugrįžti į vertikalią padėtį pjaunant, kad jis būtų atskirtas nuo kamieno. Dėmesio “botagams” - jie pavojingi.

#### ⚠ ĮSPĖJIMAS

“Botagai” yra pavojingi, nes jie gali trenkti į jus ir priversti prie to, kad jūs prarasite grandinio pjūklo kontrolę. Tai gali sukelti sunkius ar mirtinus sužalojimus. Šį darbą turi atlikti apmokyti darbuotojai.



## NAUDOJIMO PASKIRTIS

Grandininis pjūklas skirtas pjauti tik lauke. Saugos sumetimais, gaminytis turi būti tinkamai valdomas visada dirbant abiem rankomis.

Grandininis pjūklas yra skirtas pjauti tokio skersmens šakas, raštus ir tašus, kokį nustato kreipiamosios juostos pjovimo ilgis. Jis skirtas pjauti tik medieną. Grandininis pjūklas naudojamas tik buitiniams darbams, juo pjaunant tinkamai apmokytiems suaugusiems asmenims, žinantiems, kokie pavojai gali ištykti ir kokių prevencijos priemonių / veiksmų reikia imtis.

Nenaudokite grandininio pjūklo jokiai kitai, aukščiausiai nenurodytai paskirčiai. Grandininis pjūklas nėra skirtas naudoti atliekant profesionalius medžių kirtimo darbus. Grandininio pjūklo negali naudoti vaikai ar asmenys, nedėvintys atitinkamų asmeninės apsaugos priemonių ir aprangos.

## ŠALUTINIAI PAVOJAI

Netgi prietaisą naudojant pagal jo paskirtį visų šalutinių rizikos veiksmų visiškai pašalinti neįmanoma. Gali kilti toliau nurodyti pavojai, todėl operatorius turi būti itin dėmesingas, kad išvengtų šių dalykų:

- Vibracijos sukeltas sužalojimas. Kiekvieną darbą atlikite jam skirtu įrankiu, naudokite atitinkamas rankenas ir ribokite darbo bei buvimo sveikatai žalingoje aplinkoje laiką.
- Ilgai būnant triukšme, galima pakenkti klausai. Dėvėkite akių apsaugą ir ribokite poveikio trukmę.
- Prisilietimas prie atvirų pjūklo grandinės dantukų (įsijovimo pavojus).
- Nenumatytas, staigus apsaugos kreiptuvo judėjimas (įsijovimo pavojus).
- Pjūklo grandinės išmetamos dalys (pjovimo / įpurškimo pavojai).
- Pjaunant ruošinį iššokančios dalys (medienos skiedros, atplaišos, šipuliai)
- Pjuvenų ir dalelių įkvėpimas.
- Tepalų / alyvos patekimas ant odos.

## RIZIKOS MAŽINIMAS

Turime pranešimų, kad vibracija nuo ranka laikomų įrankių kai kuriems asmenims gali turėti neigiamos įtakos vystantis Raynaud sindromui. Šios ligos požymiai yra pirštų dilgčiojimas, nutirpimas ir pabalimas, paprastai pasireiškiantis nuo šalčio. Šie simptomai vystosi dėl paveldimų veiksmų, nesisaugant nuo šalčio ir drėgmės, dėl mitybos, rūkymo ir darbo praktikos. Operatorius gali imtis šių priemonių, kurios gali sumažinti vibracijos poveikį:

- Apsirenkite kuo šilčiau šaltu oru. Dirbant šiuo prietaisu mūvėkite pirštines, kad plaštakos ir riešai būtų laikomi šiltai. Turime pranešimų, kad Raynaud sindromas labiausiai vystosi nuo šalto oro sąlygų.
- po darbo kiekvieną kartą pasportuokite, kad pagerėtų kraujo apytaka;
- dažnai darykite darbo pertraukas. Apribokite darbo laikotarpį per dieną.
- Apsauginės pirštinės, kurias galima įsigyti iš

mažmenininkų, prekiaujančių profesionaliais grandininiais pjūkiais, yra skirtos specialiai dėvėti dirbant grandininio pjūklu ir apsaugos rankas, leidžia gerai sumti pjūklą ir sumažina rankenų vibracijos efektą. Šios pirštinės atitinka EN381-7 standartą ir turi būti paženklintos „CE“.

Jei jums pasireiškia kokie nors šios būklės simptomai, nedelsdami nutraukite darbą ir kreipkitės į gydytoją.

**⚠ ĮSPĖJIMAS**

Ilgiau naudojant, įrankis kelia sužeidimų pavojų ir apsunkina darbą. Ilgiau naudojant įrankius, reikia reguliariai daryti pertraukas.

## PAŽINKITE SAVO GRANDININĮ PJŪKLĄ

Žr. 233 psl.

1. Pjovimo grandinė
2. Pjovimo juosta
3. Priekinis įtaisas rankai apsaugoti/pjovimo grandinės stabdys
4. Priekinė rankena
5. Jungiklio deblokavimo mygtukas
6. Galinė rankena
7. Bamberio smaigas Integruotas bamperio smaigas
8. Alyvos bako dangtelis
9. Laido fiksatorius
10. Įjungimo/išjungimo mygtukas
11. Skiedrų kreiptuvas
12. Skiedrų kreiptuvo galvelė-mygtukas
13. Grandininio rato gaubtas
14. Grandinės įtempiklio reguliavimo žiedas
15. Kreipiamosios strypo blokavimo galvutė
16. Kreipiamosios juostos gaubtas
17. Degalų bako dangtelis

## SAUGOS ĮTAISAI

### Mažo atšokimo grandinė

Mažos atatranks pjūklo grandinė padeda sumažinti galimybę įvykti atatrakai.

Gylio ribotuvi, esantis kiekvieno dantuko priekyje, gali sumažinti atšokimo efektą, vengiant per gilaus dantukų skverbimosi į atšokimo vietą. Keitimui naudokite tik gamintojo rekomenduojamą kreipiamąją juostą ir grandinę. Išgalandę pjovimo grandinę, padvigubinkite budrumą, kadangi galandimas daro grandinę mažiau atsparią atšokimui. Savo saugumo labui, pakeiskite pjūklo grandines, kai yra mažiau pjovimo darbų.

### Bamberio smaigas Integruotas bamperio smaigas

Gali būti naudojamas kaip ašis atliekant pjūvį. Ji padeda išlaikyti pjūklo korpusą stabilų pjaunant. Pjaudami stumkite įrankį į priekį, kol smaigai įsireš į medienos kraštą, tada stumkite galinę rankeną aukštyn ar žemyn pjovimo linijos kryptimi, kad pjaudami mažiau įsitemtumėte.

### Pjovimo juosta

pskritai pjovimo juosta su mažesniu savo galo radiusu turi mažesnę tendenciją atšokti. Reikia naudoti kreipiamąją juostą ir ją atitinkančią grandinę, kuri yra pakankamai



ilga pageidaujama darbui atlikti. Ilgesnės juostos padidina pavojų pjaunant netekti kontrolės. Reguliariai tikrinkite grandinės įtempimą. Pjaunant mažesnes šakeles (trumpesnes nei visas krepiamosios juostos ilgis), grandinė gali dažniau nušokti, jeigu yra netinkamai įtempta.

### Pjovimo grandinės stabdys

Pjovimo grandinės stabdys skirtas tam, kad būtų galima greitai sustabdyti grandinės sukimąsi. Pjovimo grandinė turi tučiuojau sustoti, kai stabdžio svirtis/įtaisas rankai apsaugoti stumiamas pirmyn. Pjovimo grandinės stabdys netrukdo atšokimo efektui. Tai tik sumažina sužeidimų pavojų per atatrąką grandinės juostai susilietus su darbuotojo kūnu. Grandinės stabdį reikia tikrinti kiekvieną kartą prieš naudojant pjūklą: reikia patikrinti, ar stabdys tinkamai veikia pjovimo ir įjungto stabdžio padėtyse.

### SURINKIMAS

#### ⚠ ĮSPĖJIMAS

Nenaudokite prietaiso, jei trūksta detalių ar jos yra apgadintos tol, kol jos nebus pakeistos. Nepaisydami šių įspėjimų, galite sunkiai susižeisti.

### PJŪKLO GRANDINĖS IR KREPIAMOSIOS JUOSTOS MONTAVIMAS

Žr. 234 - 235 psl. Žr. 244 - 245 psl.

1. Išjunkite gaminį iš maitinimo. Mūvėkite apsauginėmis pirštinėmis
2. Nusukite krepiamosio strypo blokavimo galvutę ir nuimkite krumpliaračio gaubtą.
3. Pjūklo grandinė turi būti išore pasukta grandinės sukimosi kryptimi. Jei jie orientuoti priešinga kryptimi, tai apverskite jūsų padarytą kilpą.
4. Įdėkite pavaros lankstą į įlaidą, kaip parodyta.
5. Padėkite pjovimo grandinę tokiu būdu, kad pjovimo juostos užpakalyje susidarytų kilpa.
6. Laikykite grandinę ant juostos ir uždėkite kilpą ant pavaros grandininio rato. Nuleiskite juostą, kad varžtas praeitų per angą pritvirtintoje grandinės įtempimo sistemoje. Gali reikėti pasukti šią sistemą, kad varžtas ir anga susilygiuotų. Gali reikėti šią sistemą pasukti dar kartą, kad grandinė šiek tiek įsitemptų: tai padeda ją išlaikyti reikiamoje padėtyje.
7. Pakeiskite krumpliaračio gaubtą ir sukite krepiamosio strypo blokavimo galvutę, kol ji bus beveik tvirtai prisukta. Tada galima pastumti aukštyn krepiamąją juostą. Vėl patikrinkite grandinės įtempimą. Neįtempkite grandinės per stipriai.
8. Kai grandinė bus gerai įtempta, vėl suveržkite galvutę.

### GRANDINĖS ĮTEMPIMO REGULIAVIMAS

Žr. 235 psl. Žr. 246 psl.

1. tada sukite grandinės įtempimo reguliavimo žiedą, kol pjūklo grandinė bus tinkamai įtempta.
2. Norėdami padidinti grandinės įtempimą, pasukite grandinės įtempiklio reguliavimo žiedą pagal laikrodžio rodyklę ir dažnai tikrinkite grandinės įtempimą. Norėdami sumažinti grandinės įtempimą, pasukite grandinės įtempiklio reguliavimo žiedą prieš laikrodžio

rodyklę ir dažnai tikrinkite grandinės įtempimą.

3. Grandinės įtempimas tinkamas, kai tarpas tarp grandinėje įtaisyto pjoviklio ir juostos yra 3 - 4 mm. Vidurinėje juostos apatinės pusės dalyje patraukite grandinę į apačią (atokiai nuo juostos) ir išmatuokite atstumą tarp juostos ir grandinės pjoviklių.
4. Atpalaiduokite krepiamosio strypo blokavimo galvutę šiek tiek pasukdami ją prieš laikrodžio rodyklę.

### EKSPLOATAVIMAS

#### GRANDINĖS TEPIMO ALYVOS ĮPYLIMAS

Žr. 246 psl.

#### ⚠ ĮSPĖJIMAS

Jokiu būdu nenaudokite įrankio, jei nėra įpilta grandinės tepalo. Jeigu pjūklo grandinė veikia nesutepta, krepiamoji juosta ir pjūklas gali būti pakenkti. Todėl būtina dažnai ir kiekvieną kartą prieš pradėdant naudoti grandininį pjūklą, tikrinti alyvos lygį alyvos lygio matuoklyje.

1. Išvalykite paviršių apie alyvos bakelio dangtelį, kad neužterštumėte tepalo.
2. Nusukite ir nuimkite dangtelį nuo alyvos bakelio.
3. Įpilkite alyvos į bakelį ir stebėkite alyvos lygio matuoklį. Pasirūpinkite, kad pilant į bakelį alyvą, į jį nepatektų jokių nešvarumų.
4. Vėl uždėkite ir užsukite alyvos bakelio dangtelį. Nušluostykite išišiusią alyvą.
5. Esant pilnam alyvos bakeliui, galima atlikti pjovimo darbus 20–40 minučių.

#### Rekomenduojama grandinės tepimo alyva

- Gamintojas rekomenduoja naudoti tik „Ryobi“ grandininį pjūklų tepimo alyvą. (Ją galima įsigyti iš įgaliotojo „Ryobi“ techninės priežiūros bei aptarnavimo centro.)

#### GRANDININIO PJŪKLO LAIKYMAS

Žr. 235 psl.

Grandininį pjūklą laikykite dešiniąja plaštaka paėmę už galinės rankenos, o kairiąja – už priekinės. Abiem plaštakomis, visais pirštais tvirtai suimkite ir laikykite grandininio pjūklo rankenas. Priekinę rankeną būtinai reikia laikyti kairiąją plaštaka, nykščiu apkabinus rankenos apatinę dalį.

#### ⚠ ĮSPĖJIMAS

Maitinimo laidas visada turi būti tvarkingas ir laikomas atokiai nuo pjovimo vietos. Netvarkingi laidai kelia ne tik žūties nuo elektros srovės pavojų: už jų užkliuvus galima nukristi.

#### GRANDININIO PJŪKLO PALEIDIMAS

Žr. 235 psl.

1. Įjunkite gaminį į maitinimą. Atgal traukdami svirtį/ rankenos apsaugą, patikrinkite, ar grandinės stabdis yra nustatytas darbo (Run) padėtyje.



2. Priveržkite kreipiamojo strypo blokavimo galvutę pasukdami ją pagal laikrodžio rodyklę.

## GRANDINĖS STABDŽIO PATIKRINIMAS IR ĮJUNGIMAS

1. Įjunkite grandinės stabdį sukdami kairiąja plaštaka apie priekinę rankeną. Grandinei greitai sukantis, plaštakos gūbriu pastumkite grandinės stabdžio svertą / plaštakos apsauginį įtaisą link juostos. Jokiu būdu neatitraukite nė vienos plaštakos nuo pjūklo rankenų.
2. Sugriebdami už grandinės stabdžio sverto viršutinės dalies / plaštakos apsauginio įtaiso ir traukdami link priekinės rankenos, kol pasigirs spragtelėjimas, vėl nustatykite grandinės stabdį į veikimo padėtį.

### ⚠ ĮSPĖJIMAS

Jei grandinės stabdis nesustabdo grandinės staigiai arba jei stabdis neužsifiksuoja veikimo pozicijoje, prieš naudodami prietaisą, nuneškite jį pataisyti į techninio aptarnavimo centrą.

## GABENIMAS IR LAIKYMAS

Žr. 248 - 249 psl.

- Norėdami paleisti krūmaprovę: patraukite už spragtuko atleidimo įtaiso, tada paspauskite jį./išj. spragtuką.
- Nuo įrankio nuvalykite visas pašalines medžiagas. Laikykite vėsioje, sausoje, gerai vėdinamoje ir vaikams nepasiekiamoje vietoje. Nelaikykite jo arti nuo tokių koroziją sukeliančių reagentų kaip cheminės sodininkystės medžiagos arba druskos, naudojamų prieš apledėjimą. Nelaikykite lauke.
- Prieš padėdami įrankį į sandėlį ar paruošdami gabenimui, uždėkite kreipiamosios juostos gaubtą.
- Ruošdami gabenimui, nejudamai pritvirtinkite įrenginį, kad gabenant nenukristų ir nesužeistų žmonių arba nesugestų pats.

## PRIEŽIŪRA

### ⚠ ĮSPĖJIMAS

Keitimui naudokite tik originalias gamintojo atsargines dalis. Neoriginalios dalys gali būti sužeidimų ir įrenginio blogo veikimo priežastis, ir dėl to gali būti anuluotas garantinis pažymėjimas.

### ⚠ ĮSPĖJIMAS

Aptarnavimą atlikti būtina itin atidžiai, todėl rekomenduojame, kad techninę apžiūrą vykdytų kvalifikuotas specialistas. Techninei apžiūrai atlikti patariame gražinti prietaisą į artimiausią įgaliotą paslaugų teikimo tarnybą. Sugedusias detales keiskite tik originaliomis detalėmis.

### ⚠ ĮSPĖJIMAS

Prieš padėdami į sandėlį ar gabendami, sustabdykite krūmaprovę, atjunkite iš maitinimo tinklo ir palikite atvėsti. Neišėmus baterijos, galima sunkiai susižeisti.

- Prietaisą galite reguliuoti ir remontuoti, kaip aprašyta šiame naudotojo vadove. Dėl kitų remonto darbų kreipkitės į įgaliotą techninio aptarnavimo centrą.
- Dėl netinkamos priežiūros gali sutrūkti grandinė ir netinkamai veikti kitos saugos funkcijos, taip padidinant sunkaus sužeidimo galimybę. Grandininis pjūklas turi būti profesionaliai prižiūrimas ir saugus.
- Saugiai pagalašti grandinę gali tik įgudęs specialistas, todėl gamintojas primygtinai rekomenduoja sudilusią ar atšipusią grandinę pakeisti nauja, kurią galima įsigyti iš „Ryobi“ techninės priežiūros bei aptarnavimo centro. Dalies numeris nurodytas šiame instrukcijų vadove pateiktoje gamtinio specifikacijų lentelėje.
- Vadovaukitės tepimo bei grandinės įtempimo patikros ir reguliavimo nurodymais.
- Po kiekvieno naudojimo, išvalykite įrenginį sausu švelniausiu audinio gabalėliu.
- Dažnai tikrinkite visas varžles, varžtus ir sraigtus, ar jie tvirtai laikosi ir ar gaminys yra saugios darbo būklės stovyje. Bet kurią apgadintą detalę leidžiama remontuoti arba keisti tik autorizuosime aptarnavimo centre.

## KREIPIAMOSIOS JUOSTOS IR PJŪKLO GRANDINĖS KEITIMAS

Žr. 244 - 245 psl.

1. Išjunkite gaminį iš maitinimo. Mūvėkite apsauginėmis pirštinėmis.
2. Prieš pradėdami priežiūros ar valymo darbus, krūmaprovę išjunkite ir atjunkite nuo maitinimo tinklo.
3. Nuimkite grandininio rato gaubtą. Nuimkite nuo įrankio juostą ir pjūklo grandinę.
4. Norėdami pakeisti strypą nauju, atsukite grandinės įtempimo sąrankos varžtą. "Uždėkite grandinės įtempimo sąranką ant naujo strypo ir užveržkite varžtą.
5. Naują grandinę uždėkite ant juostos teisinga kryptimi ir patikrinkite, ar pavaros švaisistikliai juostos griovelyje sulygiuoti.
6. Pritvirtinate juostą prie grandininio pjūklo ir uždėkite grandinę ant pavaros grandininio rato.
7. Pakeiskite grandininio rato gaubtą, suveržkite jį ir galvutę.
8. Sureguliuokite grandinės įtempimą. Vadovaukitės skyrelyje „Grandinės įtempimo reguliavimas“ pateiktais nurodymais.

### ⚠ ĮSPĖJIMAS

Blogas grandinės galavimas padidina atšokimo riziką.

### ⚠ ĮSPĖJIMAS

Jei jūs nekeisite ar netaisote sugadintos grandinės, tai jūs statote save į sunkių kūno sužalojimų pavojų.

## ⚠ ĮSPĖJIMAS

Grandinė yra labai aštri. Visuomet nešiokite apsaugines pirštines, kai jūs atliekate jos techninį aptarnavimą.

## GRANDINĖS STABDŽIO APŽIŪRA IR VALYMAS

Žr. 247 psl.

- Grandinės stabdžio mechanizmas turi būti visada švarus: nuo švaistiklių reikia reguliariai šepečiu nubraukti nešvarumus.
- Po kiekvieno grandinės stabdžio valymo reikia patikrinti, kaip jis veikia. Remkitės šio vadovo skirsniu "Naudojimas - Grandinės stabdžio patikrinimas ir įjungimas", kad gautumėte daugiau informacijos.

## PRIEŽIŪROS TVARKARAŠTIS

Kasdienė patikra	
Ar maitinimo laidas nepažeistas	Kiekvieną kartą prieš naudojant
Strypo sutepimą	Kiekvieną kartą prieš naudojant
Grandinės įtempimą	Prieš kiekvieną naudojimą ir dažnai
Grandinės aštrumą	Prieš kiekvieną naudojimą, vizualinė patikra
Ar nėra sugadintų dalių	Kiekvieną kartą prieš naudojant
Ar nėra atsipalaidavusių spaustukų	Kiekvieną kartą prieš naudojant
Grandinės stabdžio funkcija	Kiekvieną kartą prieš naudojant
Patikrinkite ir išvalykite	
Apsagas	Kiekvieną kartą prieš naudojant
Visą pjūklą	Kiekvieną kartą prieš naudojant
Pjovimo grandinės stabdys	Kas 5 val*

\*Veikimo valandos

## SIMBOLIAI ANT ĮRENGINIO



Pranešimas apie saugumą



Prieš naudodami įrenginį, atidžiai perskaitykite instrukcijas, laikykitės įspėjimų ir saugos nurodymų.



Naudodami šį įrankį, dėvėkite akių ir ausų apsaugos priemones bei šalną.



Naudodamiesi šiuo gaminiu visada avėkite avalynę neslystančiais padais.



Mūvėkite neslystančias, tvirtas apsaugines pirštines.



Prieš atlikdami priežiūros darbus arba jei laidas pažeistas ar įpjautas, nedelsiant ištraukite kištuką iš maitinimo šaltinio.



Atsargiai – saugokitės grandininio pjūklo atatranks ir neprisilieskite prie strypo galo.



Nenaudoti lyjant ar esant drėgnoms sąlygoms.



Laikykite ir naudokite grandininį pjūklą abejomis rankomis.



Nenaudokite savo grandininio pjūklo, laikydami jį viena ranka.



Šis prietaisas atitinka visas reglamentuotas normas ES šalies, kur jis buvo nupirktas.



GOST-R suderinimas



II klasės įrankis, dviguba izoliacija



Elektrinių produktų atliekos neturi būti metamos kartu su namų ūkio atliekomis. Prašome perdirbkite jas ten, kur yra tokios perdirbimo bazės. Dėl perdirbimo patarimo kreipkitės į savo vietinę savivaldybę ar pardavėją.



Garantuotas garso galios lygis yra 108 dB. (RCS1935)



Garantuotas garso galios lygis yra 107 dB. (RCS2340)



Strypo ir grandinės alyva



Blokėtąjs



Atrakinti



Pasukite grandinės įtempimą nustatyti +/- Grandinės priveržimas / atlaisvinimas



Grandinės judėjimo kryptis Pažymėta po grandininio rato gaubtu

L max      Maksimalus kreipiamosios juostos ilgis

## ŽENKLAI ŠIOJE INSTRUKCIJOJE



Pajunkite į maitinimo lizdą



Išjunkite iš maitinimo lizdo



Detalės arba priedai yra parduodami atskirai



Elektrinių produktų atliekos neturi būti metamos kartu su namų ūkio atliekomis. Prašome perdirbkite jas ten, kur yra tokios perdirbimo bazės.



PASTABA:



ĮSPĖJIMAS



Dėvėkite akių ir veido apsaugos priemones.



Dėvėkite viršutinės kūno dalies apsaugos priemones.



Dėvėkite kojų apsaugos priemones.



Sustabdykite pjūklą.

Šie signaliniai žodžiai yra skirti nurodyti su prietaiso naudojimu susijusio pavojaus lygį.

### ⚠ PAVOJUS

Reiškia ypač pavojingą padėtį, kurios neišvengus bus patirti sunkūs ar net mirtini sužeidimai.

### ⚠ ĮSPĖJIMAS

Reiškia potencialiai pavojingą situaciją, kurios neišvengus galimi sunkūs ar net mirtini sužeidimai.

### ⚠ ATSARGIAI

Reiškia potencialiai pavojingą situaciją, kurios neišvengus galimi lengvi ar vidutinio sunkumo sužeidimai.

### ATSARGIAI

Be įspėjamųjų simbolių

Reiškia nuosavybės žalos tikimybę.



### ⚠ HOIATUS

Seadme kasutamisel tuleb järgida ohutusreegleid. Teie ja kõrvalseisjatele ohutuse tagamiseks lugege käesolevad juhised enne seadme kasutamist läbi. Kettaagide kasutamiseks, ohtude vältimiseks, esmaabiks ja hooldamiseks peate läbima professionaalselt korraldatud ohutustehnika kursused. Hoidke juhend edaspidiseks kasutamiseks alles.

### ⚠ HOIATUS

Kettaaed on potentsiaalselt ohtlikud tööriistad. Kettaaega seotud õnnetused lõpevad tihti jäseme kaotuse või surmaga. Alati ei ole ohud tingimata seotud kettaaega. Surma võib saada okste langemise, puude ümberkukkumise ja veerevate palkide tõttu. Täiendavat ohtu kujutavad haiged ja mädanenud puud. Hinnake oma võimet tööd ohutult teha. Kui teil on kahtlusi, jätke see kutselistele saagijatele.

## OHUTUSE ÜLDESKIRJAD

### ⚠ HOIATUS

**Lugege kõik ohuhoiatused ja juhised läbi.** Hoiatuste ja juhiste eiramisel on oht saada elektrilööki või raskeid kehavigastusi ning/või põhjustada tulekahju.

**Hoidke kõik hoiatused ja juhised tulevikus vaatamiseks alles.**

Hoiatustes kasutatav termin „elektritööriist” tähendab mehaanilist tööriista, mis saab toidet elektrivõrgust (juhtmega) või akust (ilma juhtmeta).

### TÖÖKOHT

- Hoidke töökoht puhas ja hästi valgustatud. Korrastamata ja pimedas kohas töötamisel võivad juhtuda õnnetused.
- Ärge kasutage elektritööriistu plahvatusohtlikes keskkondades, näiteks kergestisüttivate vedelike ja gaaside läheduses ega tolmises kohas. Elektritööriistad tekitavad sädemeid, mis võivad tolmu või auru süüdata.
- Elektritööriistaga töötamisel hoidke lapsed ja kõrvalised isikud eemal. Tähelepanu hajumise korral võib teil kontroll kaduda.

### ELEKTROHUTUS

- Elektritööriistade pistikud peavad pistikupesasa sobima. Ärge püüdke pistiku konstruktsiooni mingil moel muuta. Ärge ühendage maanduskontaktiga (kordusmaandusega) elektritööriistu elektrivõrku läbi vahepistmike. Pistiku ja pistikupesa konstruktsiooni muutmise korral tekib elektrilöögi oht.
- Hoiduge kehalisest kontaktist maandatud pindadega, näiteks torud, radiaatorid, elektripliidid ja külmikud. Kehaosade maandamisel suureneb elektrilöögi saamise oht.
- Ärge jätke seadet vihma kätte või märga kohta.

Vee sattumisel elektrilise tööriista sisemusse suureneb elektrilöögi saamise oht.

- **Ärge kasutage toitejuhet mittesihipäraselt. Ärge kasutage toitejuhet tööriista kandmiseks, vedamiseks või pistikupesast väljatõmbamiseks. Hoidke toitejuhe eemal kuumusest, õlist, teravatest servadest ja liikuvatest osadest.** Vigastatud või keerdus toitekaabli suurendavad elektrilöögi ohtu.
- **Väljas töötamisel kasutage välistingimustes kasutamiseks sobivaid pikendusjuhtmeid.** Välistingimustele sobiva pikendusjuhtme kasutamine vähendab elektrilöögi ohtu.
- **Kui elektritööriistaga töötamine niisketes oludes on vältimatu, siis kasutage rikkevoolu-kaitselülitiga (RCD) kaitstud vooluvõrku.** RCD kasutamine vähendab elektrilöögi ohtu.

### ISIKUKAITSE

- **Mehaanilise tööriistaga töötamisel jälgige tööpiirkonda ja kasutage sealjuures tervet mõistust. Ärge kasutage tööriista siis, kui te olete väsinud, uimastite, alkoholi või ravimite mõju all.** Hetkeline tähelepanu hajumine tööriista kasutamise ajal võib põhjustada raske kehavigastuse.
- **Kasutage isikukaitsevahendeid. Kandke alati silmakaitsevahendeid.** Kui tööolud seda nõuavad, tuleb kasutada isikukaitsevahendeid, näiteks tolmu maski, libisemiskindlaid turvajalatsid, kiivrit ja kuulmiskaitsevahendeid, mis kehavigastuste riski vähendavad.
- **Vältige tahtmatut käivitumist. Enne toitejuhtme või aku ühendamist, tööriista kättevõtmist või teisaldamist veenduge, et tööriista lüliti on välja lülitatud.** Õnnetuste vältimiseks ärge hoidke tööriista kandmise ajal sõrme lülitusnupul ega ühendage tööriista toitevõrku siis, kui lüliti on sisse lülitatud.
- **Enne tööriista sisselülitamist eemaldage sellelt reguleerivõti või mutrivõti.** Elektritööriista külge jäetud reguleerivõti või mutrivõti võivad põhjustada raske kehavigastuse.
- **Ärge kummardage. Hoidke end pidevalt jalgadel ja tasakaalus.** Siis on teil ootamatu olukorra tekkimisel tööriista üle parem kontroll.
- **Kandke tööks sobivat riietust. Ärge kandke lõtvu riideid ja ehteid. Hoidke juuksed, riietusesemed ja töökindad liikuvatest osadest eemal.** Lõdvad riietusesemed, ehted ja pikad juuksed võivad haakuda liikuvate osade külge.
- **Kui tööriistal tuleb kasutada tolmu eraldamis- või kogumisseadisi, siis veenduge, et need on ühendatud ja nõuetekohases kasutuses.** Tolmukoguri kasutamisega saab vähendada tolmu ga seotud ohtusid.

### ELEKTRI-TÖÖRIISTA KASUTAMINE JA KORRASHOID

- **Ärge kasutage töötamisel liigset jõudu. Kasutage tööks sobivat elektritööriista.** Õigesti valitud elektritööriist töötab ettenähtud võimsuspiirkonnas paremini ja ohutumalt.
- **Ärge kasutage elektritööriista, kui lüliti ei lülita seda sisse ja välja.** Lülitiga lülitamatu tööriista kasutamine





on ohtlik ja see tuleb lasta ära remontida.

- **Enne tööriista reguleerimist, tarvikute vahetamist või hoiumistamist võtke toitejuhe pistikupesast välja ja/või eemaldage aku.** Need ennetavad ohutusmeetmed vähendavad tööriista tahtmatu käivitumise riski.
- **Hoidke kasutuses mitteolevaid elektritööriista lastele kättesaamatus kohas ja ärge lubage elektritööriista mitte tundvaid või kasutusjuhendiga mitte tutvunud isikuid elektritööriista kasutada.** Oskamatu kasutaja käes olev elektritööriist on ohtlik.
- **Mehaaniliste elektritööriistade hooldus. Kontrollige liikuvate osade mittesentreeritust ja kinnitumist, osade vigastusi ning tehke kindlaks muud seisundid, mis võivad mõjustada elektritööriista tööd.** Kui mõni osa on vigastatud, siis laske elektritööriist enne kasutamist ära parandada. Halvasti hooldatud elektritööriistad põhjustavad palju õnnetusi.
- **Hoidke lõiketerad teravad ja puhtad.** Teravate lõiketeradega ja nõuetekohaselt hooldatud lõikeriistad jäävad harvemini kinni ning neid on kergem kontrolli all hoida.
- **Tööriistade, tarvikute, otsakute ja muude lisaseadmete kasutamisel juhendage nende kasutusjuhenditest, võttes arvesse tehtavat tööd ja tööolusid.** Tööoperatsiooniks mitte ettenähtud tööriista kasutamine võib tekitada ohtliku olukorra.

## TEENINDAMINE

- **Laske oma elektrilist tööriista hooldada väljaõppinud teenindustöötajal; remontimisel tohib kasutada ainult originaalvaruosi.** See tagab elektriseadme ohutuse.

## TÄIENDAVAD ÜLDISED OHUTUSJUHISED

- Mõnedes piirkondades on seadused, mis piiravad selle toote kasutamist. Lisateavet saate kohaliku omavalitsusest.
- Ärge laske toodet kasutada lastel või inimestel, kes ei ole käesoleva juhendiga tutvunud. Kohalikud regulatsioonid võivad seada kasutaja vanusele piiranguid.
- Enne seadme kasutamise alustamist veenduge, et kõik juht- ja ohutusseadised töötavad nõuetekohaselt. Kui mootor nupule OFF vajutamisel välja ei lülitu, ärge hakake seadet kasutama.
- Kandke seadme kasutamisel silmi täielikult katvaid ja kuulmist kaitsvaid kaitsevahendeid, tugevaid kindaid ja peakaitset; kui töökeskkond on tolmune, kasutage näomaski.
- Ärge kandke lõtvu riideid, lühikesi pükse ega mingeid ehteid.
- Kinnitage pikad juuksed õlgadest kõrgemale, et vältida nende takerdumist liikuvate osade vahele.
- Hoiduge ülespaisatud, lendavate ja kukkuvate esemete eest. Hoidke kõik kõrvalseisjad (eriti lapsed ja lemmikloomad) tööalalt vähemalt 15 meetri kaugusele.
- Ärge kasutage seadet halva valgustatuse korral. Töötajal peab tööpiirkonnale olema selge väljavaade,

et tuvastada võimalikud ohud.

- Kuulmiskaitsevahendid takistavad häälihoiatuste (hüüded ja helisignaalid) kuulmist. Operaator peab seda arvesse võtma ja pöörama täiendavat tähelepanu sellele, mis toimub tema töökohal.
- Mitme sarnase seadme töötamisel samas piirkonnas suurendab kuulmiskahjustuse riski töötajal ja inimestel, kes tööpiirkonda sisenevad.
- Hoidke kindlat jalgade asendit ja tasakaalu. Ärge kummardage. Liigse ette küünitamine tõttu võite kaotada tasakaalu ja suureneb tagasilöögi oht.
- Hoidke kõik kehaosad liikuvatest osadest eemal.
- Kontrollige seade enne kasutamist üle. Kontrollige, et juhtimisseadised, kaasa arvatud ketipidur töötavad nõuetekohaselt. Kontrollige saag üle lõtvunud kinnitite suhtes. Veenduge, et kõik kaitseid ja käepidemed on õigesti ja ohutult kinnitatud. Enne kasutamist asendage kõik vigastatud koosteosad.
- Ärge püüdke seadme konstruktsiooni mingil viisil muuta ega kasutage varuosi või tarvikud, mis pole tootja poolt soovitatud.
- Kui teil on vaja kasutada pikendusjuhet, veenduge et see on välistingimuste jaoks sobiv ja teie tööriista jaoks piisava ristlõikega ning kontrollige see enne iga kasutuskorda vigastuste suhtes üle ja kerige alati lahti, sest kokku keeratud juhe võib üle kuumeneda.
- Voolutõuke põhjustavad pingekoikumisi ja võivad mõjutada samasse teiteahelasse ühendatud elektriseadmete tööd. Ühendage seade toitevõrku, mille näivtakistus on kuni 0.372Ω - RCS1935, 0.277Ω - RCS2340, et pingekoikumisi minimeerida. Lisateabe saamiseks võtke ühendust oma elektritamijaga.

## ⚠ HOIATUS

Kui seade on maha kukkunud, saanud tugeva löögi või hakkab ebanormaalselt vibreerima, seisake seade viivitamatult ja kontrollige see üle vigastuste suhtes. Kõik vigastused tuleb lasta volitatud hooldustöökojas parandada või asendada.

## SAEKETI OHUHOIATUSED

- **Saeketi liikumise ajal hoidke kõik kehaosad saeketist eemal. Enne kettsae käivitamist veenduge, et saekett ei puutu millegi vastu.** Hetkeline tähelepanematus kettsaega töötamise ajal on piisav, et saekett võib jääda teie riietesse või keha külge kinni.
- **Hoidke kettsaagi alati nii, et teie parem käsi on tagumisel käepidemel ja vasak käsi eesmisel käepidemel.** Kettsae hoidmisel vastupidise käte hoiakuga suurendab kehavigastuse ohtu ja nii ei tohi kunagi töötada.
- **Hoidke tööriista kinni ainult isoleeritud haardepindadest, sest kettsaag võib sattuda kokkupuutest varjatud juhtmetega või tööriista enda toitejuhtmega.** Kui kettsaag satub kontakti pingele all olevate juhtmetega, jäävad tööriista isoleerimata metallosad pingele alla ja kasutaja võib saada elektrilöögi.

EN
FR
DE
ES
IT
NL
PT
DA
SV
FI
NO
RU
PL
CS
HU
RO
LV
LT
<b>ET</b>
HR
SL
SK
BG





- **Kandke kaitseprille ja kuulmiskaitseid. Lisaks sellele soovitatakse kaitsta kaitsevarustusega ka pead, käsi, jalasääri ja jalalabasid.** Õige kaitseriietus vähendab kehavigastuse ohtu, mis on põhjustatud lendavatest jäätmetest või juhuslikust kokkupuutest saeketiga.
- **Ärge töötage kettsaega puu otsas.** Kettsae kasutamine puu otsas võib põhjustada kehavigastuse.
- **Leidke endale kindel jalgealune ja töötage saega ainult liikumatul, kindlal ja tasasel pinnal.** Libedad ja ebakindlad pinnad, näiteks redell, võivad tingida tasakaalu kaotuse või kontrolli kaotamise kettsae üle.
- **Pinge all oleva oksa saagimisel olge tähelepanelik tagasilöögi suhtes.** Kui puidukiudude pinge vabaneb, siis võib vetruv oks anda operaatorile löögi ja/või põhjustada saeketi väljumise kontrolli alt.
- **Olge okste ja puuvõsude saagimisel äärmiselt ettevaatlik.** Peened võsud võivad saeketi külge kinni jääda ja lüüa teie suunas või põhjustada tasakaalu kaotuse.
- **Sae kandmisel hoidke väljalülitatud saagi kinni eesmisest käepidemest ja eemal oma kehast. Kettsae teisel käepidemel või hoiustamisel paigaldage juhtlatile alati kaitsekate.** Kettsae nõuetekohane käsitsemine vähendab saeketiga juhusliku kokkupuute tõenäosust.
- **Järgige saeketi määrimise, pingutamise ja tarvikute vahetamise juhiseid.** Valesti pingutatud või määritud saekett võib katkeda või suurendada tagasilöögi võimalust.
- **Hoidke tööriista käepidemed kuivana, puhtana ja ärge laske neile sattuda õli või määret.** Määrduvad või õlised käepidemed on libedad ja tingivad kontrolli kadumise.
- **Kasutage saagi ainult puidu lõikamiseks. Ärge kasutage tööriista otstarbeks, milleks see ei ole ette nähtud.** Näiteks ärge kasutage saagi plastide, seinakivide või muude kui puitmaterjalide saagimiseks. Kettsae kasutamise mitte ettenähtud tööoperatsiooniks võib tekitada ohtliku olukorra.

#### **Tagasilöökidest põhjustatud juhusid nende vältimiseks:**

Tagasilöök võib esineda juhul, kui juhiku ots puudutab mõnd eset või kui saekett puidu sisse kinni jääb.

Saeketi otsa kontakt võib mõnel juhul põhjustada välkkiire tagasilöögi operaatori suunas üles.

Saeketi kinnijäämine juhtlati otsas võib lükata juhtlatti kiiresti tagasi operaatori suunas.

Mõlemad nimetatud reaktsioonid võivad lõppeda kontrolli kaotamisega sae üle, mis omakorda võib põhjustada kehavigastusi. Ärge loote ülemäära oma kettsae turvaelementidele. Kettsae kasutajana tuleks Teil võtta tarvitusele mitmeid tööohutusmeetmeid.

Tagasilöök on sae väära kasutamise, ebaõigete töövõtete või tööks mittevastavate töötingimuste tulemus ja seda saab vältida allpool esitatud ettevaatusabinõude rakendamiseks.

- **Hoidke saagi nii, et põidlad ja sõrmed on kindlalt mõlema käepideme ümber ning hoidke oma keha ning käsivarred nii, et saate tagasilöögist**

tulenevaid jõudusid vastu võtta. Operaatoril on võimalik tagasilöögist tekkivaid jõudusid hallata, kui selleks vastavaid meetmeid võtta. Ärge laske haaret lõtvuda.

- **Ärge küünitage end liigselt välja ja ärge püüdke saagida ülevalpool oma õlgasid.** See aitab vältida soovimatut otsakontakti ja võimaldab ootamatul olukorral tekkimisel tööriista üle kontrolli säilitada.
- **Kasutage ainult tootja poolt ette nähtud juhtlatti ja ketti.** Vale juhtlatti ja -kett võib põhjustada keti katkemise ja/või tagasilöögi.
- **Järgige tootja ettekirjutusi saeketi teritamise ja hoolduse kohta.** Vähenenud lõikesügavuse piiraja kõrgus võib suurendada tagasilöögi võimalust.

#### **TÄIENDAVALD KETTSAEGA SEOTUD OHUTUSJUHISED**

- Kui kasutate saagi esimest korda, on soovitatav on saagida ümarmaterjali saepukil või vastaval alusel.
- Veenduge, et kõik kaitsekatted, käepidemed ja ogalatt on nõuetekohaselt kinnitatud ning heas seisundis.
- Kettsae kasutaja peab olema hea tervise juures. Kettsaag on raske seade, seega peab kasutaja olema füüsiliselt tugev. Kasutaja peab olema valvas, tal peab olema hea väljavaade, vaba liikumisruum, tasakaal ja käelselt osav. Kui on mingeid kahtlusi, siis ärge kettsaagi kasutage.
- Ärge alustage toote kasutamist enne kui tööpiirkond on vaba, teil on kindel jalgealune ja varem plaanitud taganemistee langeva puu eest.
- Kaitse end määrdeainetega ja saepuru eest. Kandke vajadusel maski või respiraatorit.
- Elektriline tööriist tuleb ühendada vooluvõrku läbi rikkevoolu-kaitselülitit (RCD), mille rakendumisvoolu tugevus on maksimaalselt 30 mA.
- Kui toitejuhe saab vigastada, siis tuleb seade tagastada volitatud hoolduskeskusesse remondiks või asendamiseks.
- Hoidke toitekaabel puhas ja eemal lõikepiirkonnast. Peale elektrilöögi ohu põhjustavad määrdunud kaablid kukkumist ja komistamist.
- Ärge saagige väätsid ja/või peenikest alusmetsa (peenemat kui 75 mm).
- Hoidke kettsaagi töötamise ajal kinni mõlema käega. Hoidke käepidemetest tugevasti kinni, nii et põial on ümber käepideme. Parema käega tuleb kinni hoida tagumisest käepidemest ja vasakuga eesmisest käepidemest.
- Enne kettsae käivitamist veenduge, et saekett ei puutu millegi vastu.
- Ärge püüdke kettsaagi mingil moel muuta või kasutada seda mingite seadmete või seadiste käitamiseks, mis ei ole sae tootja poolt soovitatud.
- Sae kasutamisel peab teil olema kättesaadav esmaabikomplekt, milles on suure haava sidumisvahendid ja abikutsevahendid (näiteks vile). Läheduses peab olema suurem esmaabikomplekt.
- Sae kasutaja võib kiivri peast võtta, kui tööpiirkonnas pole langevate puude ohtu, kuid pidage meeles, et kiiver ja selle võrkvisiir aitab teil vähendada võimalikku





ohtu näole ja peale, kui peaks ilmne tagasilöökk.

- Valesti pingutatud kett võib juhtlatil maha tulla ja põhjustada sellega raske kehavigastuse või surma. Keti pikkus sõltub temperatuurist. Kontrollige keti pingust korrapäraselt.
- Õppige oma uue kettsaega töötama tehes lihtsaid löikeid ohutult toetatud puusse. Tehke seda ka siis kui te pole saaga töötanud pikka aega.
- Pöörlevate osadega kokkupuutumisest tingitud kehavigastuste vähendamiseks peatage esmalt mootor, rakendage ketipidur, võtke pistikupesast välja ja veenduge liikuvate osade seiskumises, enne kui asute:
  - puhastamine ja ummistuse kõrvaldamine
  - toote jätmisel järelevalveta
  - tarvikuid paigaldama või eemaldama.
  - seadme kontrollimine, puhastamine või teenindamine
- Tööplatsi suurus sõltub töö iseloomust ja puu või muu saetava eseme suurusel. Näiteks puude langetamine nõuab rohkem tööruumi kui seda on vaja muudel lõikamistöimingutel, näiteks järkamisel. Saagija peab olema ettevaatlik ja jälgima kõike, mis toimub tööpiirkonnas.
- Ärge hoidke oma keha samal joonel juhtlati ja ketiga. Keti te pole harjunud tagasilöögiga, siis aitab see vältida keti liikumist teie pea ja keha suunas.
- Ärge liigutage saagi edasi tagasi, laske ketil ise lõigata, hoidke kett terav ja ärge suruge ketile jõuga peale.
- Saagimise lõppjärgus ärge avaldage enam survet. Olge valmis hoidma saagi hetkel, kui see läbibast puu. Muidu võite saada raske kehavigastuse.
- Ärge peatage saagi saagimisoperatsiooni keskel. Laske sael töötada kuni see on lõikest välja võetud.

### Lükkamine ja tõmbamine

Vastasmõju suund on alati vastupidine keti liikumissuunale. Saagija peab olema valmis selleks, et saag võib liikuda eemale (ettepoole) ja kui saete juhtlati alasarvaga võib saag liikuda tagasi (saagija suunas).

### Saag on jäänud puusse kinni

Seisake saag ja võtke ohutusmeetmeid. Ärge püüdke ketti ja juhtlati jõuga lõikekohast välja võtta, sellega võite keti lõhkuda kui see pöörleb tagasi ja annab saagijale löögi. See olukord tekib tavaliselt siis, kui puu on valesti toetatud ja seetõttu surutakse lõikekoht kokku ja saag jääb puusse kinni. Kui toetuspunkti muutmine juhtlati ja ketti ei vabasta, kasutage puukilusid või kangid, et lõige avada ja saag vabastada. Ärge mingil juhul käivitage saagi kui juhtlatt on lõikes või pilus.

### Isikukaitsevahendid

Saagija vigastamise riski vähendamiseks kasutage kvaliteetseid isikukaitsevahendeid. Ketsae kasutamisel kasutage järgmisi isikukaitsevahendeid:

#### Kaitsekiiver

- peab vastama standardi EN 397 nõuetele ja olema CE-märgisega

#### Kuulmiskaitsevahendid

- peab vastama standardi EN 352-1 nõuetele ja olema CE-märgisega

#### Silma- ja kuulmiskaitsevahendid

- peavad olema CE-märgisega ja vastama standardi EN 166 nõuetele (turvapriidid) või standardi EN 1731 nõuetele (võrkvisiir)

#### Kaitsekindad

- peab vastama standardi EN 381-7 nõuetele ja olema CE-märgisega

#### Jalgakaitse (säärised)

- peavad vastama standardi EN381-5 nõuetele, olema CE-märgisega ja tagama üldkaitse.

#### Saagija turvajalatsid

- peavad vastama standardi EN ISO 20345:2004 nõuetele ja peavad olema markeeritud kettsae sümboliga, mis näitab vastavust standardile EN 381-3. (Hooajalise kasutajad võivad kasutada terasest ninakaitsega turvasaapaid ja kaitse sääriseid, mis vastavad standardi EN 381-9 nõuetele, kui maapind on tasane, kukkumisoht on minimaalne ning puudub alusmets)

#### Saagija turvajakk

- peab vastama standardi EN 381-11 nõuetele ja olema CE-märgisega

### ÜLDISED JUHISED NÕUETEKOHASEKS LANGETAMISEKS, OKSTE LÕIKAMISEKS JA JÄRKAMISEKS

#### Ohud puidus esinevatest sisepingetest

Kui saate aru puidu sees olevatest jõududest ja pingetest saate vältida kinnikiilumist või vähemalt saate aru pingete toimest. Puidus oleva pinged suruvad puidu kiudusid laiali ja kui sellises kohas teha lõige või pilu, siis on suundumus kiudude avanemisele kui saag puitu läbib. Kui puutüvi on toetatud saepükile ja üleulatav ots on toetamata, siis tekib pinged ülalpinna, mis on tingitud üleulatava tüveosa massist ja kiud satuvad pingele alla. Samuti on tüve alaosa surve all ja puidu kiud surutakse seal kokku. Kui lõige tehakse selles osas, siis on saetel suundumus sulguda. See võib saelati kinni suruda.

#### Puu langetamine

*Vt leht 239 - 240.*

Kui puude langetamisel ja järkamisel töötab samaaegselt kaks või rohkem töötajat, siis peab langetamine toimuma järkamisest eraldi, sellisel kaugusel, mis minimaalselt võrdub langetatava puu kahe kõrgusega. Puud tuleb langetada sellisel moel, et see ei ohusta ühtegi inimest ega taba õhuline ning ei tekita ainekahju. Kui puu puudutab õhuliini, siis tuleb sellest viivitamatult teavitada õhuliini haldajat.

Saagija peaks hoiduma ülesmäge, kuna pärast langemist veereb puu tõenäoliselt allamäge.

Ohutsoonist lahkumise teekond tuleb ette planeerida ja puhastada enne puu langetamise alustamist. Ohutsoonist lahkumise teekond peab olema langeva puu taga, diagonaalis puu langemise oletatava suunaga.

Enne langetamise alustamist tehke kindlaks puu loomuliku kalde suund, suuremate okste paiknemine ja tuule suund, et hinnata mis võib puu langemist mõjutada.

EN
FR
DE
ES
IT
NL
PT
DA
SV
FI
NO
RU
PL
CS
HU
RO
LV
LT
<b>ET</b>
HR
SL
SK
BG





Eemaldage puult mustus, kivid, lahtine koor, naelad, klambrid ja traat.

Ärge püüdke langetada mädanenud, tuulega murdunud, põlenud ja välgulöögi saanud puid.

See on äärmiselt ohtlik ja seda tohivad teha vaid väljaõppinud saagijad.

- **Puu sälkamine**  
*Vt leht 239 - 240.*

Tehke risti langetamise suunale puu sisse sälk, mille sügavus on 1/3 puu läbimõõdust. Esmalt tehke alumine horisontaalne sisselõige. See väldib teise sisselõike tegemise ajal saeketi või juhtlati kinnijäämist.

- **Langetuslõige**  
*Vt leht 239 - 240.*

Tehke langetuslõige puusse vähemalt 50 mm võrra sälkloikest kõrgemale. Saagige langetuslõige paralleelselt sälkloike horisontaallõikega. Tehke langetuslõige sellise sügavusega, et murdekohta jääks alles piisavalt puitu. Murdekoha puit väldib puu pöördumist ja vales suunas langemist. Ärge lõigake murdekohta läbi.

Kui langetuslõige jõuab murdekohale liiga lähedale, siis hakkab puu langema. Kui tekib oht, et puu võib langeda mittesooovitavas suunas või tagasisuunas õõtsuma hakata ja sae kinni kiiluda, ärge tehke langetuslõiget lõpuni ja kasutage puidust, plastist või alumiiniumist kiilusid, et lõige avada ning lasta puul langeda soovitud suunas.

Kui puu hakkab langema, võtke saag lõikest välja, seisake mootor, pange saag maha ja lahkuge varem ettevalmistatud tee kaudu. Olge ettevaatlik allalangevate okste suhtes ja jälgige oma jalgealust.

## Peajuurte eemaldamine

*Vt leht 240.*

Peajuur on jäme juur, mis väljub tüvest maapinna kohal. Kõrvaldage suuremad peajuured enne langetamist. Tehke juure sisse esmalt horisontaalne lõige, seejärel vertikaalne. Koristage järelejääv lahtine tükk töökohalt. Pärast peajuurte eemaldamist järgige korrektset puulangetamise korda.

## Palgi järkamine

*Vt leht 241.*

Järkamine tähendab puutüve järkamist soovitud pikkusega palkideks. Järkamisel on tähtis tagada endale kindel jalgealune ja jagada kehakaal mõlemale jalale. Võimaluse korral tuleb tüvi üles tõsta ja toetada harude, puutüvede või kiiludega. Saagimise hõlbustamiseks tuleb järgida järgmisi juhiseid. Kui tüvi on maapinnal kogu oma pikkuses, siis tuleb seda saagida ülemiselt poolelt (ülalõige).

Kui tüvi on toetatud ühes otsas, siis tehke lõige 1/3 läbimõõdu ulatuses altpoolt (alllõige). Seejärel tehke ülevalt lõplik lõige vastu alllõiget.

Kui tüvi on toetatud mõlemast otsast, siis tehke lõige 1/3 läbimõõdu ulatuses ülemiselt poolelt (ülalõige). Seejärel tehke ülevalt lõplik lõige 2/3 läbimõõdu ulatuses vastu alllõiget.

Kallakul järkamisel olge tõusupoolel küljel. Läbilõikamise hetkel hoidke saagi kontrolli all ja ärge lõike lõpus saele

suruge, kuid ärge lödvendage haaret sae käepidemete ümber. Ärge laske ketil maapinda puudutada. Pärast lõike lõpetamist laske sael lõplikult seiskuda, enne kui te hakkate saagi teise kohta ümber paigutama. Ühe puu saagimiselt teisele siirdumisel tuleb saag alati seisata.

## Okste laasimine

*Vt leht 242.*

Laasimine tähendab langetatud puult okste äralõikamist. Laasimisel jätke suuremad oksad alles, mis toetavad puutüve maapinnale. Saagige väiksemad oksad maha ühe lõikega. Pinge all olevad harud tuleb ära lõigata altpoolt üles, et sae kinnijäämist vältida.

## Vetruvate tüvede lõikamine

*Vt leht 242.*

Pinge all olev puu on mis tahes palk, oks, känd või võsu, mida mõni teine puu pinge all hoiab ja mis pinge alt vabanedes võib tagasilöögi anda.

Langenud puu juurtega känd võib järkamise tulemusel suure tõenäosusega püstiasendisse liikuda. Olge selliste puudega ettevaatlik; need on ohtlikud.

### ⚠ HOIATUS

Pinge all olevad puud on ohtlikud ning kasutajat tabades võib saag väljuda kontrolli alt. See võib osutuda kasutajale eluohtlikuks. Seda tohivad teha vaid väljaõppe saanud töötajad.

## OTSTARBEKOHANE KASUTAMINE

See toode on ette nähtud kasutamiseks vaid väljaspool ruume. Ohutuse tagamiseks peab saagi kasutamise ajal kogu aeg hoidma kahe käega.

See kettsaag on ette nähtud okste, kändude, puutüvede ja talade lõikamiseks, mille läbimõõt on ära määratud juhtlati pikkusega. Saag on ette nähtud vaid puidu saagimiseks. Seda tohivad kasutada vaid täiskasvanud koduses majapidamises ja nad peavad olema saanud ohutuse alase väljaõppe ning rakendama sae kasutamisel ennetavaid meetmeid ja turvatoiminguid.

Ärge kasutage saagi mingiks muuks otstarbeks kui alpool loetletud. See saag ei ole ette nähtud kutsealaseks puude langetamiseks. Saagi ei tohi kasutada lapsed ja need inimesed, kes ei kannu nõuetekohast kaitsevarustust ja riietust.

## JÄÄKRISKID

Isegi siis, kui masinat kasutatakse kirjeldatud viisil, ei ole võimalik kõrvaldada kõiki jääkriskide mõjureid. Töötamise ajal võivad tekkida järgmised ohud, millele operaator peab pöörama erilist tähelepanu.

- Vibratsioonist põhjustatud kehavigastus. Kasutage töötamiseks õiget seadet, kasutage ettenähtud käepidemeid, piirake tööaega ja kokkupuudet vibratsiooniga.
- Tugev müra võib põhjustada kuulmiskahjustuse. Kandke kuulmiskaitsevahendeid ja piirake müraga kokkupuudet





- Kokkupuutumine saeketi hammastega (sisselõikamisoht).
- Saelati ettenägematu järsk liikumine või saelati tagasilöök (sisselõikamisoht).
- Saeketilt paiskuvad tükid välja (löikeoht/torkeoht).
- Saetavalt puidult välja paiskuvad tükid (saelõiked, pinnud)
- Saepuru ja osakeste sisse hingamine.
- Naha kokkupuutumine bensiini/õliga.

## RISKI ALANDAMINE

Teadaolevalt võib käsitööriistade kasutamine põhjustada mõnedel inimestel seisundit, mida nimetatakse Raynaud' sündroomiks. Sümptomidena võib ilmneda sõrmede tuimus ja valkjaks muutumine, mis tavaliselt ilmneb külmas töötamisel. Nende sümptomite puhul tuleb hoiduda külmast ja niiskusest, dieedist ning suitsetamisest ja kasutada õigeid töövõtteid. Vibratsiooni mõju vähendamiseks tuleb rakendada järgmisi abinõusid.

- Külma ilmaga hoidke oma keha soe. Kandke kindaid, et hoida oma käed ja randmed soojad. Uuringud näitavad, et Raynaud's Syndrome ilmneb põhiliselt külma ilmaga.
- Pärast külmas töötamist tehke harjutusi, et verevarustust kiirendada.
- Tehke regulaarselt töövaheaegasid. Piirake tööperioodi pikkust.
- Kaitsekindad, mida on võimalik saada kettsaagide edasimüüjatelt, on toodetud spetsiaalselt kettsaega töötamiseks ja need tagavad hea haarduvuse ning kaitsevad vibratsiooni eest. Kindad peavad vastama standardi EN 381-7 nõuetele ja olema CE-märgisega.

Kui ilmnevad haigustunnused, lõpetage kohe töö ja pöörduge arsti poole.

## ⚠ HOIATUS

Seadme pikaajalisel kasutamisel võite saada kehavigastusi ja varasemad vigastused võivad süveneda. Seadme kasutamisel pika aja jooksul tuleb teha korralisi vaheaegasid.

## ÕPPIGE OMA TOODET TUNDMA

Vt leht 233.

1. Kett
2. Juhik
3. Eesmine kaitse/Ketipidur
4. Eesmine käepide
5. Päästiku hoob
6. Tagumine käepide
7. Hambuline tugiraud
8. Õlikork
9. Juhtmekinniti
10. „Sisse/välja“-lüüti
11. Saepuru suunaja
12. Saepuru suunaja nupp
13. Ketiratta kaas
14. Keti pinguse reguleernupp
15. Juhtlati lukustusnupp

16. Juhtlati kate
17. Kütusepaagi kork

## OHUTUST TAGAVAD SEADISED

### Nõrga tagasilöögiga saekett

Vähendatud tagasilöögiga saekett loob tingimused, et vähendada tagasilöögi ohtu.

Sügavusmõõdikud iga lõiketera ees aitavad tagasilööki vältida, hoides lõiketera liiga sügavale tungimast. Kasutage ainult tootja poolt ette nähtud juhtlatti ja ketti.

Kui saekette teritatakse, võib tagasilöök muutuda tugevamaks ning seega tuleb olla eriti ettevaatlik. Oma ohutuse tagamiseks asendage saekett kui selle saagimisvõime langeb.

### Hambuline tugiraud

Külgeehitatud hambulist tugirauda võib kasutada ka sisselõiget tehes pöördepunktina. See aitab hoida saagi töötamise ajal kindlalt kinni. Saagimise ajal suruge saagi ette, kuni tugiplaadi hambad haakuvad puiduga ja seejärel liigutage tagumist käepidet üles ja alla löikejoone sihis, see hõlbustab vabastada lõikamisel vallanduvaid pingeid.

### Juhikud

Üldjuhul on väikese raadiusega juhikutel nõrgem tagasilöök. Saagimisel kasutage piisava pikkusega juhtlatti ja sobivat ketti. Pikemad juhtlatis töstavad ohtu kontrolli kadumise üles. Kontrollige keti pingust korrapäraselt. Kui lõikate väiksemad harusid, mis on juhtlatis väiksemad, siis on oht, et kett võib juhtlatis maha tulla kui pinge ei ole nõuetekohane.

### Ketipidur

Ketipidurite ülesanne on keti liikumine kiiresti peatada. Kui ketipiduri hoob/käekaitse juhiku poole lükata, peaks kett otsekohe peatuma. Ketipidur ei hoia ära tagasilööki. See vaid langetab kehavigastuse ohtu kui juhtlatis peaks sattuma vastulöögi ajal kokkupuutesse saagija kehaga. Ketipidurit tuleb kontrollida toimimise suhtes alati enne iga kasutuskorda nii lukustatud kui lahti lukustatud olekus.

## KOKKUPANEK

### ⚠ HOIATUS

Kui mõni osa on kahjustunud või puudu, ärge kasutage seda seadet enne, kui vastav osa on asendatud. Selle hoiatuse eiramine võib põhjustada raskeid vigastusi.

### SAEKETI JA JUHTLATI KOKKUPANEK

Vt leht 234 - 235. Vt leht 244 - 255.

1. Ühendage seade elektritoitest lahti. Kandke kaitsekindaid
2. Keerake lahti juhtlati pingutusmutter ja võtke maha ketiratta kaas.
3. Saekett peab olema suunatud keti pöörlemise suunda. Vastasel korral pöörake kett ümber.
4. Juhtige keti veo lülid soonde.
5. Asetage kett nii, et juhiku tagaosa juures oleks aas.
6. Hoidke ketti saelatil paigal ja pange liing ümber veoratta.





Langetage saelett, nii et poldi saab ketipingutuse sõlmes läbi ava suunata. Teil võib olla vaja seda sõlme nii, et polt ja ava ühtivad. Võite pöörata seda sõlme veel, et rakendada ketile pinget, mis aitab seda kohal hoida.

7. Pange oma kohale tagasi ketiratta kaas ja keerake juhtlati pingutusnuppu kuni see on peaaegu pingul ning keerake keti pingutuse reguleernuppu, kuni saekett on nõuetekohaselt pingul. Juhtlatt peab olema seejärel üles lükatud. Kontrollige keti pingust uuesti. Ärge ketti liigselt pingutage.
8. Pärast seda, kui keti pingus on nõuetekohane, pingutage nupp uuesti.

### KETI PINGE SEADISTUS

Vt leht 235. Vt leht 246.

1. Keerake juhtlati pingutusnupp vastupäeva veidi lahti.
2. Keti pinguse suurendamiseks pöörake keti pinguse reguleernuppu päripäeva ja kontrollige keti pingust sagedasti. Keti pinguse vähendamiseks pöörake keti pinguse reguleernuppu vastupäeva ja kontrollige keti pingust sagedasti.
3. Keti pingus on nõuetekohane siis, kui saeketi lõikehamba ja juhtlati vahel on vahe 3–4 mm. Parim viis keti pinguse mõõtmiseks on tõmmata ketti juhtlati alaosa keskel alla (juhtlatist eemale) ja mõõta seejärel lati ja keti liugpindade vaheline kaugus.
4. Pingutage juhtlati lukustusnupp päripäeva keerates.

### KASUTAMINE

#### KETIÖLI LISAMINE

Vt leht 246.

#### ⚠ HOIATUS

Ärge mingil juhul kasutage ketti ilma õlita. Kui saekett liigub ilma õlita, võib juhtlatt vigastada saada. Seetõttu on oluline kontrollida õli taset õli taseme kontrollaknas korrapäraselt ja iga kord enne kettsae käivitamist.

1. Saastumise vältimiseks pühkige kütusepaagi korgi ümbrus puhtaks.
2. Keerake õlipaagi kork lahti ja võtke see maha.
3. Valage õli paaki, jälgides sealjuures taset paagi vaateakna kaudu. Hoolitsege, et õli sissevalamisel ei satuks paaki mustust.
4. Pange õlipaagi kork oma kohale tagasi ja keerake lõpuni kinni. Pühkige ära kogu mahasattunud õli.
5. Täidetud õlipaagiga on võimalik saagida 20–40 minutit.

#### Soovitav ketiõli

- Tootja soovib kasutada vaid saeketi määrdeõli. (Saadaval volitatud Ryobi teeninduskeskusest.)

#### KETTSAE KÄESHODIMINE

Vt leht 235.

Hoidke kettsaagi alati nii, et teie parem käsi on tagumisel käepidemel ja vasak käsi eesmisel käepidemel. Hoidke saagi kahe käega nii, et põidlad ja sõrmed on ümber käepidemete. Veenduge, et hoiate vasaku käega käepidemest nii kinni, et põial on allpool.

#### ⚠ HOIATUS

Hoidke toitekaabel puhas ja eemal lõikepiirkonnast.

Peale elektrilöögi ohu põhjustavad määrdund kaablid kukkumist ja komistamist.

#### KETTSAE KÄIVITAMINE

Vt leht 235.

1. Ühendage seade toitevõrku. Seadke ketipidur tööolekusse (asend A) tõmmates hooba/käekaitset tagasi.
2. Mootori käivitamiseks tehke järgmist. Vajutage päästikule selle vabastamiseks ja seejärel vajutage uuesti päästikule.

#### KETIPIDURI KONTROLLIMINE JA KASUTAMINE

1. Rakendage ketipidur oma vasaku käe pööramisega ümber eesmise käepideme. Kasutades oma käeselga, lükake kangi / käekaitset juhtlati suunas sel ajal kui kett liigub kiiresti. Hoidke kogu aeg sae käepidemetest kahe käega kinni.
2. Tagastage ketipidur kangi / käekaitse tõmbamisega esikäepideme suunas tööasendisse kuni on kuulda klõpsatust.

#### ⚠ HOIATUS

Kui ketipidur ei peata koheselt ketti või ei püsi ilma lisaabita tööasendis, viige saag enne selle kasutamist volitatud teeninduskeskusesse remondiks.

#### TRANSPORTIMINE JA HOIUSTAMINE

Vt leht 248 - 249.

- Enne hoiule panekut või teisaldamist seisake mootor, ühendage lahti toide ja laske jahtuda.
- Puhastage seade kõikidest võõrkehadest. Hoidke kuivas ja hästi ventileeritud kohas, mis on lastele juurdepääsmatu. Hoidke kettsaagi eemal söövitavatest ainetest nagu aiakemikaalid ja jäätõrjevahendid. Ärge hoiustage õues.
- Enne kettsae hoiule panekut ja transportimist pange juhtlatile kaitsekate.
- Vedamise ajal tõkestage masin liikuma hakkamise ja alla kukkumise vastu, et vältida kehavigastusi ja masinaosade kahjustamist.

#### HOOLDUS

#### ⚠ HOIATUS

Kasutage ainult tootja originaalvaruosi, tarvikuid ja tööorganeid. Selle nõude eiramine võib põhjustada, kehavigastuse, tootluse languse ja teile antud garantii tühistamise.



### ⚠ HOIATUS

Hooldamine nõuab ülimalt korrashoidu ja teadmisi ning tuleks teostada ainult kvalifitseeritud hooldustehnikute poolt. Hoolduseks soovitame me viia toote remontimiseks lähimasse või lit atud teenind uskesse . Kui hooldate, kasutage ainult identseid varuosi.

### ⚠ HOIATUS

Enne reguleerimist, hooldust või puhastamist ühendage toide lahti. Muidu võite saada raske kehavigastuse.

- Lubatud on teha ainult selles kasutusjuhendis kirjeldatud reguleerimis- ja parandustoiminguid. Muude remonditööde tegemiseks võtke ühendust volitatud hooldajaga.
- Ebapisava hoolduse tagajärjel võivad ketipiduris ja teistes ohutusfunktsioonides ilmuda häired ja sellega tekib tõsise kehavigastuse oht. Hoidke kettsaag hooldatud olekus ja turvalisena.
- Saeketi teritamine nõuab professionaalseid oskusi. Seetõttu soovitab tootja tungivalt kulunud ja nüri saeketi asendada uuega, mis on saadaval Ryobi hoolduskeskusest. Toote number on saadaval selle kasutusjuhendi seadme tehniliste andmete tabelis.
- Järgige saeketi määrimise, keti pinguse ja kontrollimise ning reguleerimise juhiseid.
- Pühkige trimmer pärast iga kasutuskorda pehme kuiva lapiga puhtaks.
- Kontrollige kõiki mutreid, polte ja kruvisid sagedaste intervallidega õige pinguloleku suhtes, et veenduda toote ohutus töökorras olemises. Vigastatud osad tuleb lasta pädeval hooldajal parandada või asendada.

### JUHTLATI JA SAEKEDI ASENDAMINE

Vt leht 244 - 245.

1. Ühendage seade elektritoitest lahti.
2. Keerake juhtlati kinnitusnuppu vastupäeva seni, kui ketiratta kaas pinge alt vabaneb.
3. Eemaldage ketiratta kaas. Võtke saelt ära juhtlatt ja saekett.
4. Juhtlati asendamiseks uuega lõdvendage keti pinguse reguleernupp. Ühendage uus juhtlatt keti pinguse reguleersõlmele ja keerake kruvi kinni.
5. Pange uus kett juhtlatile õiges suunas ja veenduge, et juhtlülid on juhtlati soone sees.
6. Kinnitage juhtlatt saele ja pange keti tagaosa ling ümber keti ajamratta.
7. Pange oma kohale tagasi ketiratta kaas, suruge see alla ja keerake nupp kinni.
8. Reguleerige keti pingus välja. Juhenduge osast "Keti pinguse reguleerimine".

### ⚠ HOIATUS

Ebaõige teritamine suurendab tagasilöögi ohtu.

### ⚠ HOIATUS

Kahjustatud ketti välja vahetamata või parandamata jätmine võib põhjustada tõsiseid kehavigastusi.

### ⚠ HOIATUS

Saekett on äärmiselt terav. Ketti hooldades kandke alati kaitsekindaid.

### KETIPIDURI KONTROLLIMINE JA PUHASTAMINE

Vt leht 247.

- Hoidke ketipiduri mehhanism puhas ja pühkige hoovastik kergelt harjaga puhtaks.
- Kontrollige pärast puhastamist ketipiduri toimimist. Lugege selles juhendis eespool paiknevat jaotist "Kasutamine - Ketipiduri kontrollimine ja kasutamine".

### HOOLDUSPLAAN

Igapäevane kontrollimine	
Toitekaabel vigastuste suhtes	Enne iga kasutuskorda
Saeplaadi määrimine	Enne iga kasutuskorda
Keti pinge	Enne iga kasutuskorda ja korrapäraselt
Keti teravus	Enne iga kasutuskorda, välise vaatluse teel
Kahjustunud osade suhtes	Enne iga kasutuskorda
Lahtiste kinnitite suhtes	Enne iga kasutuskorda
Keti pidurdamise funktsioon	Enne iga kasutuskorda
Kontrollige ja puhastage	
Juhtlatt	Enne iga kasutuskorda
Kogu saag	peale iga kasutuskorda
Ketipidur	Iga 5 tunni järel*

\*Töötunnid

### MASINAL OLEVAD SÜMBOLID



Ohutusalaane teave



Enne seadmega töö alustamist lugege kõik juhised hoolikalt läbi ja pidage kinni hoiatustest ja ohutusega seotud juhistest.



Kandke tööriista kasutades kaitseprille, kõrvaklappe ja kiivrit.



Kandke selle toote kasutamisel alati libisemiskindlaid turvajalatsi.



Kandke libisemiskindlaid, tugevdatud kaitsekindaid.



Kui seadme toitejuhe on vigastatud või sellel on sisselõige, siis ühendage pistik vooluvõrgust enne parandamist kohe lahti.



Hoiduge saeketi tagasilöögi eest ja kokkupuutest saelati otsaga.



Ärge jätke vihma kätte või kasutage niiskes kohas.



Hoidke ja kasutage saagi korralikult mõlema käega.



Ärge kasutage saagi ainult ühe käega.



Vastab kõigile eeskirjadele EL-i liikmesriigis, kus toode on ostetud.



GOST-R vastavus



Tööriista klass II, topeltisolatsiooniga



Mittekasutatavaid elektritooteid ei tohi visata olmejäätmete hulka. Vaid tuleb viia vastavasse kogumispunkti. Vajadusel küsige sellekohast nõu oma edasimüüjalt või vastavalt kohaliku omavalitsuse institutsioonilt.



Garanteeritud helivõimsuse tase on 108 dB. (RCS1935)



Garanteeritud helivõimsuse tase on 107 dB. (RCS2340)



Saelati ja keti määre



Lukk



Lahtikeeramine



Pöörake saeketi pingutamiseks +/-: Saeketi pingutamine/lõdvendamine



Saeketi liikumissuund  
Markeerang on veoratta kaane all

L max

Juhtlatti maksimaalne pikkus

## KASUTUSJUHENDIS KASUTATAVAD IKOONID



Ühendage pistikupesassa



Võtke pistikupesast välja



Eraldi ostetavad osad või tarvikud



Mittekasutatavaid elektritooteid ei tohi visata olmejäätmete hulka. Vaid tuleb viia vastavasse kogumispunkti.



MÄRKUS.



HOIATUS



Kandke kaitseprille ja näomaski.



Kandke turvavesti.



Kasutage jalgade kaitsevahendeid.



Seisake saag.

Järgnevad märguandesõnad ja tähendused on mõeldud selle toote kasutamisega seotud riskitasemete kirjeldamiseks.

### ⚠ OHT.

Viitab kohe tekkivale ohtlikule situatsioonile, mis, kui ei väldita, lõpeb surma või tõsise vigastusega.

### ⚠ HOIATUS

Viitab võimalikule ohtlikule situatsioonile, mis, kui ei väldita, võib lõppeda surma või tõsise vigastusega.

### ⚠ ETTEVAATUST

Viitab võimalikule ohtlikule situatsioonile, mis, kui ei väldita, võib lõppeda väiksemate või keskmiste vigastusega.

### ETTEVAATUST

Ilma hoiatussümbolita

Osutab olukorrale, mis võib põhjustada varakahju.

### ⚠ UPOZORENJE

Prilikom korištenja proizvoda moraju se slijediti sigurnosna pravila. Radi vaše i sigurnosti ostalih promatrača, molimo vas da prije rada s proizvodom pročitate ove upute. Trebali prisustvovati profesionalno organiziranom tečaju o sigurnosti u korištenju, preventivnim mjerama, prvog pomoći i održavanju motornih pila. Molimo vas da čuvate ove upute radi kasnijeg korištenja.

### ⚠ UPOZORENJE

Pile su potencijalno opasni alati. Nesreće koje uključuju korištenje pile često rezultiraju gubitkom uda ili smrću. Nije opasna samo pila. Padajuće grane, debela ili kotrljajući trupci također mogu ubiti. Oronula ili trula stabla također predstavljaju opasnost. Trebate procijeniti svoje mogućnosti sigurnog dovršetka zadatka. Ako imalo sumnjate, ostavite profesionalcima da obrežu stablo.

## OPĆA SIGURNOSNA PRAVILA

### ⚠ UPOZORENJE

**Pročitajte sva sigurnosna upozorenja i sve upute.** Nepridržavanje upozorenja i uputa može izazvati strujni udar, požar i/ili ozbiljne ozljede.

**Sačuvajte ova upozorenja i upute kako biste ih naknadno mogli konzultirati.**

Pojam „električni alat“ u upozorenjima odnosi se na vaš glavni alat (napajanje preko kabela) ili električni alat koji se napaja preko baterije (bez kabela).

## RADNA OKOLINA

- **Držite radni prostor čistim i dobro osvijetljenim.** Zatrpani i neosvijetljeni radni prostori izazivaju nezgode.
- **Nemojte rukovati električnim alatima u eksplozivnim atmosferama u kojima su prisutne zapaljive tekućine, plinovi ili prašina.** Električni alati stvaraju iskre koje mogu zapaliti prašinu ili pare.
- **Tijekom rada s električnim alatom držite podalje djecu i promatrače.** Ometanje može dovesti do toga da izgubite kontrolu.

## ELEKTRIČNA SIGURNOST

- **Utikači električnog alata moraju odgovarati utičnici.** Nikada nemojte modificirati utikače ni na koji način. Nemojte koristiti nikakve adapter utikače s uzemljenim električnim alatima. Originalni utikači i odgovarajuće utičnice smanjuju opasnost od strujnog udara.
- **Izbjegavajte kontakt tijela s uzemljenim površinama poput cijevi, radijatora, štednjaka i hladnjaka.** Ako je vaše tijelo uzemljeno, povećava se opasnost od strujnog udara.
- **Nemojte uređaj izlagati kiši ili vlažnim uvjetima.** Ulazak vode u električni alat povećava opasnost od strujnog udara.

- **Nemojte zlorabiti kabel.** Nikada nemojte koristiti kabel za nošenje, povlačenje ili isključivanje električnog alata. Držite kabel podalje od topline, ulja, oštih rubova ili pokretnih dijelova uređaja. Oštećeni ili zapleteni kabeli povećavaju opasnost od strujnog udara.
- **Kada radite s električnim alatom na otvorenom, koristite produžni kabel prikladan za rad na otvorenom.** Korištenje kabela prikladnog za rad na otvorenom smanjuje opasnost od strujnog udara.
- **Ako se ne može izbjeći rad s električnim alatom u vlažnoj lokaciji koristite FID sklopku (RCD uređaj) za zaštitu napajanja.** Korištenje RCD uređaja smanjuje opasnost od električnog udara.

## OSOBNJA SIGURNOST

- **Budite na oprezu, gledajte to što radite i pri radu s električnim alatom koristite zdrav razum.** Nemojte koristiti električni alat kad ste umorni ili pod utjecajem droge, alkohola ili lijekova. Trenutak nepažnje pri radu s električnim alatima može dovesti do teških osobnih ozljeda.
- **Koristite osobnu zaštitnu opremu. Uvijek nosite zaštitna sredstva za oči.** Zaštitna oprema poput maske za prašinu, zaštitna obuća sa zaštitom od klizanja, kaciga ili zaštitna za uši koja se koristi u odgovarajućim uvjetima smanjuje osobne ozljede.
- **Spriječite slučajno pokretanje. Osigurajte da je prije priključivanja na izvor napajanja i/ili baterije, podizanja ili nošenja alata, sklopka u položaju OFF (isključeno).** Nošenje električnog alata s vašim prstom na sklopki ili uključivanje električnih alata sa sklopkom postavljenom na položaj on (uključeno) dovodi do nezgoda.
- **Prije uključivanja električnog alata uklonite sve klinove za podešavanje i ključeve.** Ključ ili klin ostavljen priključen na rotirajućem dijelu električnog alata može dovesti do osobne ozljede.
- **Ne sežite preko određene granice. Cijelo vrijeme držite pravilno uporište i ravnotežu.** Ovo u neočekivanim situacijama omogućuje bolju kontrolu nad električnim alatom.
- **Pravilno se odjenite. Nemojte nositi široku odjeću ili nakit.** Kosu, odjeću i rukavice držite podalje od pokretnih dijelova. Široka odjeća, nakit ili dugačka kosa mogu biti zahvaćeni u pokretne dijelove alata.
- **Ako su uređaji opremljeni s priključkom aparata za odvajanje i prikupljanje prašine, osigurajte da su oni priključeni i pravilno korišteni.** Korištenje uređaja za sakupljanje prašine smanjuje opasnosti vezane uz prašinu.

## KORIŠTENJE I BRIGA O ELEKTRIČNOM ALATU

- **Nemojte proizvod koristiti iznad njegovih mogućnosti.** Za vašu primjenu koristite točan električni alat. Točan električni alat bolje će i sigurnije uraditi posao u odnosu za što je namijenjen.
- **Nemojte koristiti električni alat ako ga sklopka pravilno ne uključuje i isključuje.** Svaki električni alat koji se ne može kontrolirati pomoću sklopke je opasan i mora se popraviti.



- **Prije nego što izvršite bilo kakva podešavanja, zamijenite dodatni pribor ili pohranite električne alate, odspojite utikač iz izvora napajanja i/ili bateriju iz električnog alata.** Ovakve preventivne sigurnosne mjere smanjuju opasnost od slučajnog pokretanja električnog alata.
- **Električne alate pohranite u stanju mirovanja izvan dohvata djece i ne dopustite rad s električnim alatom osobama koje nisu upoznate s električnim alatom ili ovim uputama.** Električni alati su opasni u rukama nestručnih korisnika.
- **Održavanje električnih alata.** Provjerite radi pogrešnog poravnanja ili savijanja pokretnih dijelova, puknuća dijelova i drugih uvjeta koji mogu utjecati na rad električnog alata. **Ako je oštećen, električni alat prije korištenja popravite.** Većina nezgoda uzrokovano je od strane električnih alata koji su slabo održavani.
- **Rezne alate držite oštrim i čistim.** Pravilno održavanim reznim alatima s oštrim rubovima za rezanje, manja je vjerojatnost zahvaćanja i lakše se kontroliraju.
- **Koristite električni alat, pribor i dijelove alata itd., u skladu s ovim uputama i uzevši u obzir radne uvjete i rad koji treba izvršiti.** Korištenje električnog alata za radove drugačije od njegove namjene može dovesti do opasne situacije.

#### ODRŽAVANJE

- **Neka vaš električni alat servisira kvalificirana osoba za popravak koristeći samo identične zamjenske dijelove.** Ovo će osigurati da se održi sigurnost električnog alata.

#### DODATNA OPĆA SIGURNOSNA UPOZORENJA

- Neke regije imaju pravila koja ograničavaju korištenje proizvoda. Provjerite kod lokalnih tijela za savjet.
- Nikada nemojte dopustiti korištenje ovog proizvoda djeci ili osobama koje nisu upoznate s ovim uputama. Moguće je da lokalni propisi propisuju starosnu dob rukovatelja.
- Osigurajte prije svakog korištenja da svi upravljački elementi i sigurnosni uređaji pravilno funkcioniraju. Ne koristite električni alat ako sklopka „isključeno“ ne zaustavlja motor.
- Nosite punu opremu za zaštitu očiju i sluha, jake čvrste rukavice, kao i zaštitu za glavu dok radite s proizvodom; koristite masku za lice, ako je prašnjav rad.
- Nemojte nositi široku odjeću, kratke hlače ili nakit bilo kakve vrste.
- Osigurajte dugu kosu na način da je iznad razine ramena kako biste spriječili zahvaćanje u bilo koje pokretne dijelove.
- Čuvajte se odbačenih, letećih ili padajućih predmeta. Držite sve promatrače (naročito djecu i kućne ljubimce) na udaljenosti ne manjoj od 15m od radnog područja.
- Nemojte raditi u slabom osvjetljenju. Operateru treba jasan pogled radnog područja kako bi identificirao potencijalne opasnosti.
- Korištenje zaštite za sluh smanjuje vašu mogućnost da čujete upozorenja (viku ili alarme). Rukovatelj mora

obratiti posebnu pozornost na to što se događa u radnom području.

- Rad u blizini sličnim alatom dovodi do opasnosti povreda sluha i mogućim ulaskom drugih osoba u radno područje.
- Zauzmite čvrst stav i ravnotežu. Ne sežite preko određene granice. Naginjanje preko ruba može dovesti do gubitka ravnoteže i može povećati opasnost povratnog udara.
- Držite sve dijelove tijela dalje od svih pokretnih dijelova.
- Prije korištenja provjerite proizvod. Provjerite ispravnost rada svih kontrola uključujući kočnicu lanca. Provjerite za slabljenje zatezače. Osigurajte da su svi štitnici i ručke pravilno i čvrsto priključeni. Prije korištenja zamijenite sve oštećene dijelove.
- Nemojte modificirati uređaj ni na koji način ili koristiti dijelove ili dodatni pribor koje nije preporučio proizvođač.
- Ako trebate produžni kabel, osigurajte da je prikladan za korištenje na otvorenom i da ima dovoljan kapacitet za napajanje alata, prije svakog korištenja provjerite za oštećenje i uvijek odmotajte tijekom korištenja jer se namotani kabel može pregrijati.
- Vršna struja uzrokuje fluktuacije napona i može utjecati na druge električne proizvode na istoj liniji napajanja. Priključite uređaj na napajanje s impedancijom jednakom ili manjom od 0.372Ω - RCS1935, 0.277Ω - RCS2340 radi minimaliziranja fluktuacija napona. Obratite se dobavljaču električne energije za daljnje informacije.

#### ⚠ UPOZORENJE

Ako je uređaj ispao, pretrpio težak udar ili abnormalno vibrira, odmah zaustavite uređaj i provjerite na oštećenje ili identificirajte uzrok vibracija Svaki oštećeni dio trebao bi pravilno popraviti ili zamijeniti ovlašteni servisni centar.

#### SIGURNOSNA UPOZORENJA VEZANO ZA PILU

- **Držite podalje sve dijelove tijela od pile kada pila radi. Prije pokretanja pile provjerite da lanac pile ne dodiruje ništa.** Trenutak nepažnje priilikom rukovanja s pilama može dovesti do zahvaćanja vaše odjeće ili tijela s lancem pile.
- **Uvijek držite pilu vašom desnom rukom na stražnjoj ručki i vašom lijevom rukom na prednjoj ručki.** Držanje pile obrnutim rukama povećava opasnost od osobnih ozljeda i nikada tako ne treba raditi.
- **Držite električni alat za izoliranu površinu za hvatanje jer lanac pile može doći u kontakt sa skrivenim ožičenjem ili njegovim vlastitim kablom.** Dodirivanje „žive“ žice lancem pile može izložiti metalne dijelove alata električnoj energiji i dovesti do strujnog udara na operatera.
- **Nosite zaštitne naočale i zaštitu za sluh. Preporuča se dodatna zaštitna oprema za glavu, ruke, noge i stopala.** Odgovarajuća zaštitna odjeća smanjit će osobne ozljede od letećih krhovina ili slučajnog dodira s lancem pile.





- **Nemojte raditi s pilom na stablu.** Rad s pilom dok ste na stablu može dovesti do osobnih ozljeda.
- **Uvijek držite pravilno uporište i radite s pilom samo kada stojite na čvrstoj, sigurnoj i ravnoj površini.** Skliska ili nestabilna površina kao što su ljestve, može dovesti do gubitka ravnoteže ili kontrole pile.
- **Kada režete granu koja je zategnuta pazite se povratnog udara.** Kada je zategnutost vlakana u drvetu otpuštena, zategnuta grana može udariti operatera i/ili nekontrolirano odbaciti pilu.
- **Poduzmite posebne mjere opreza prilikom rezanja žbunja ili mladica.** Tanki materijal može se zahvatiti lancem pile i biti odbačen prema vama ili vas izbaciti iz ravnoteže.
- **Nosite isključenu pilu držeći je za prednju ručku i dalje od tijela.** Kada transportirate ili skladištite pilu uvijek postavite pokrov vodilice lanca. Pravilno rukovanje pilom smanjit će vjerojatnost slučajnog dodira s pokretnim lancem pile.
- **Slijedite upute za podmazivanje, zatezanje lanca i promjenu dodatnog pribora.** Nepravilno zategnut ili podmazan lanac može puknuti ili povećati šansu za povratni udar.
- **Održavajte ručke suhim, čistim i da na njima nema ulja i masti.** Umašćene, nauljene ručke su skliske i mogu dovesti do gubitka kontrole.
- **Režite samo drva. Nemojte koristiti pilu za svrhe za koje nije namijenjena.** Primjerice, nemojte koristiti pilu za rezanje plastike, zidarija ili materijala za gradnju koji nisu od drva. Korištenje pile za radove drugačije od njezine namjene može dovesti do opasne situacije.

#### **Uzroci i mjere operatera za sprečavanje povratnog udara:**

Može doći do odskakivanja ako kraj vodilice lanca dođe u dodir s nekim predmetom ili ako se lanac priklješti i blokira u drvetu tijekom rezanja.

Kontakt ispusta vodilice u nekim slučajevim može dovesti do brze lagane reakcije odbacujući vodilicu prema gore i unatrag prema rukovatelju.

Prignječenje lanca pile uzduž gornje strane vodilice može brzo gurnuti vodilicu unatrag prema rukovatelju.

U oba slučaja možete izgubiti nadzor nad motornom pilom i teško se ozlijediti. Nemojte se pouzdati samo u zaštitu koja je integrirana u motornu pilu. Morate poduzeti i dodatne mjere kako biste izbjegli opasnost od nezgoda i ozljeda.

Povratni udar je rezultat nepravilnog korištenja i/ili nepravilnih postupaka rukovanja ili uvjeta i može se izbjeći tako da se poduzmu pravilne mjere opreza navedene u nastavku:

- **Održavajte čvrsti stisak, s palčevima i prstima koji okružuju ručke pile, s obje ruke na pili i u položaju tijela i ramena koji vam omogućuje otpor silama povratnog udara.** Ako su poduzete pravilne mjere opreza sile povratnog udara mogu biti kontrolirane od strane operatera. Nemojte ispustiti pilu.
- **Nemojte se naginjati preko ruba i nemojte rezati iznad visine ramena.** Ovo pomaže u sprečavanju nenamjernih dodira i omogućuje bolju kontrolu pile u

neočekivanim situacijama.

- **Koristite samo zamjenske vodilice i lance navedene od proizvođača.** Nepravilna zamjena vodilica ili lanaca može dovesti do puknuća lanca i/ili povratnog udara.
- **Poštujte upute proizvođača vezane uz brušenje i održavanje lanca.** Smanjenje visine limitatora dubine može dovesti do povećanja povratnog udara.

#### **DODATNA SIGURNOSNA UPOZORENJA ZA PILU**

- Preporučuje se da kada po prvi puta radite s proizvodom trupce režete na konju za rezanje ili postolju.
- Osigurajte da su svi štitnici, ručke i šiljci odbojnika pravilno pričvršćeni i da su ispravni.
- Osobe koje koriste ovu pilu trebaju biti zdrave. Ova pila je teška, stoga operater mora biti fizički izdržljiv. Operater treba biti oprezan, imati dobar vid, pokretljivost, ravnotežu i spretnost. Ako niste sigurni, ne radite s pilom.
- Ne započinjte s radom ako nemate čisto radno područje i planirani put izvlačenja od padajućeg stabla.
- Pazite se maglice od sredstva za podmazivanje i prašine od pile. Po potrebi nosite masku ili respirator.
- Napajanje treba biti putem FID sklopke (RCD uređaj) s proradnom strujom ne većom od 30 mA.
- Ako dođe do oštećenja kabela za napajanje, morate vratiti uređaj ovlaštenom servisnom centru za popravak ili zamjenu.
- Uvijek držite kabel za napajanje urednim i dalje od područja rezanja. Za razliku od strujnog udara, neuredani kabeli uzrokuju padove i spalitanja.
- Ne režite vinovu lozu i/ili nisko raslinje (manje od 75 mm u promjeru).
- Uvijek kada radite držite pilu s obje ruke. Čvrsto držite motornu pilu tako da vaši prsti obujme ručke. Desna ruka mora biti na stražnjoj ručki, a lijeva ruka na prednjoj ručki.
- Prije pokretanja alata provjerite da lanac pile ne dodiruje ništa.
- Ne modificirajte alat ni na koji način ili ga ne koristite za pokretanje nekih priključaka ili uređaja koje ne preporučuje proizvođač za vašu pilu.
- Pored operatera treba postojati komplet za prvu pomoć koji sadrži velike obloge za rane i sredstva za prizivanje pomoći (npr. zviždaljka). Mnogo veći, sadržajni komplet treba biti također blizu.
- Operater može biti u iskušenju da skinе kacigu, ako ne postoji opasnost od pada predmeta na radnom mjestu, ali ne zaboravite da kaciga, osobito s mrežom viziorom, može pomoći smanjiti mogućnost ozljede na licu i glavi, ako dođe do povratnog udarca.
- Nepravilno zategnut lanac može iskočiti iz vodilice i dovesti do ozbiljnih ili fatalnih ozljeda. Duljina lanca ovisi o temperaturi. Često provjeravajte zategnutost.
- Trebate se naviknuti na rad sa svojom novom pilom radeći jednostavne posjekotine na sigurno podložnom drvetu. Ovo uvijek činite kada neko vrijeme niste radili s pilom.
- Za smanjenje opasnosti od povreda povezanih s dodirrom rotirajućih dijelova, uvijek zaustavite motor,





primijenite kočnicu lanca, isključite iz utičnice za napajanje i provjerite da su svi pokretni dijelovi zaustavljeni prije:

- čišćenje i odblokiranje
  - ostavljanje proizvoda bez nadzora
  - ugradnje ili uklanjanja priključaka
  - provjere, održavanja ili rada na uređaju
- Površina zona rada ovisi o poslu koji trebate obaviti kao i o visini drveta ili komada koji obrađujete. Primjerice, padajuća stabla trebaju veće radno područje od drugih rezanja, npr. rezanja na mjeru itd. Operater treba biti upozoren i imati pod kontrolom sve događaje u području rada.
  - Nemojte rezati s tijelom u liniji s vodilicom o lancem. Ako dođe do povratnog udara ovo će pomoći spriječiti da lanac dođe u dodir s vašom glavom ili tijelom.
  - Nemojte koristiti stražnji i prednji pokret rezanja, pustite da lanac radi, održavajte lanac oštirim i ne pokušavajte gurnuti lanac kroz rez.
  - Ne primjenjujte silu na motornu pilu na kraju rezanja. Spremite se da preuzmete težinu pile kad prođe kroz drvo. Nepoštivanje ove upute može dovesti do mogućih ozbiljnih osobnih ozljeda.
  - Ne zaustavljate pilu usred rezanja. Neka se pila pokreće iako je već uklonjena iz reza.

### Guranje i povlačenje

Reakcijska snaga uvijek se ostvaruje u suprotnom smjeru od smjera okretanja lanca. Dakle, operater mora biti spreman za kontrolu tendencije uređaja povlačenje dalje (prema naprijed) prilikom rezanja na donjem rubu vodilice i pritiska unatrag (prema operateru) prilikom rezanja uz gornji rub.

### Zaglavljivanje pile u rezu

Zaustavite pilu i osigurajte je. Ne pokušavajte silom izvući lanac i vodilicu iz reza jer će to dovesti do pucanja lanca koji se može okrenuti natrag i udariti operatera. Do ove situacije obično dolazi jer je drvo krivo poduprto i rez se prisiljava da se zatvori pod pritiskom čime štipa oštricu. Ako podešavanje potporna ne oslobodi vodilicu i lanac, koristite drvene klinove ili polugu za otvaranje reza i oslobađanje pile. Nikada ne pokrećite pilu ako je vodilica već u rezu ili usjeku.

### Osobna zaštitna oprema

Kvalitetna, osobna zaštitna oprema kakvu koriste profesionalci pomaže smanjiti opasnost od ozljeda operatera. Sljedeće predmete treba koristiti prilikom korištenja pile:

#### Sigurnosna kaciga

- treba biti u skladu s EN 397 i označena CE

#### Zaštita za sluh

- treba biti u skladu s EN 352-1 i označena CE

#### Zaštita za vid i lice

- treba imati oznaku CE i biti u skladu s EN 166 (za sigurnosno staklo) ili EN 1731 (za mrežne vizire)

#### Rukavice

- treba biti u skladu s EN 381-7 i označena CE

### Zaštita nogu (navlake preko hlače)

- treba biti u skladu s EN381-5, označena CE i pružati potpunu zaštitu.

### Zaštitna obuća za rad s pilom

- treba biti u skladu s EN ISO 20345:2004 i treba biti označena sa prikazom štitnika za pilu kako bi prikazala da je u skladu s EN 381-3. (Povremeni korisnici mogu koristiti čelične zaštitne čizme sa zaštitnim potkoljenicama koje udovoljavaju normi EN 381-9, ako je tlo ravno i mala je opasnost saplitanja ili zahvaćanja raslinja)

### Jakne za rad s pilom za zaštitu gornjeg dijela trupa

- treba biti u skladu s EN 381-11 i označena CE

## UPUTE PODRAZUMIJEVAJU PRAVILNE TEHNIKE OSBARANJA, OBREZIVANJA I REZANJA U KOSO

### Razumijevanje sila u drvetu

Kada razumijete smjerove tlaka i stresa unutar drveta, možete smanjiti „prignječena“ ili ih očekivati tijekom rezanja. Naprezanja u drvetu znače da se vlakna razdvajaju te da ako režete u ovom području „usj ek“ ili rez se može otvoriti jer pila prolazi kroz njega. Ako je trupac oslonjen na konju za rezanje, a kraj visi neoslonjen preko ruba, dolazi do naprezanja na gornjoj površini jer težina prekomjernog vješanja napreže vlakna trupaca. Isto tako, donja strana trupca će biti pod pritiskom i vlakna se guraju zajedno. Ako režete u ovom području usjek će nastojati da se zatvori tijekom rezanja. Ovo će prignječiti oštricu.

### Obaranje stabala

*Pogledajte stranicu 239 - 240.*

Kada se radovi rezanja trupca na određenu duljinu i obaranja istovremeno izvode od strane dvije ili više osoba, radovi obaranja trebaju biti odvojeni od radova rezanja trupca na određenu duljinu na udaljenosti od najmanje dvije duljine visine stabla koje se obara. Stabla se ne smiju obarati na način da dovedu u opasnost bilo koju osobu, udare bilo koju komunalnu uslužnu liniju ili uzrokuju neku štetu na vlasništvu. Ako stablo dođe u kontakt s bilo kojom komunalnom uslužnom linijom, odmah treba obavijestiti nadležnu komunalnu službu.

Ako je teren na padini, uvijek budite na višem dijelu terena jer se stablo može otkotrljati ili skliznuti niz padinu kad se obori.

Put za uzmak treba planirati i po potrebi očistiti prije nego rezanje započne. Put za uzmak treba se protezati unatrag i dijagonalno na stražnju liniju očekivanog pada.

Prije nego obaranje započne, za ocjenu kuda bi stablo moglo pasti uzmite u obzir prirodno naginjanje stabla, lokaciju većih grana i smjer vjetra.

Uklonite blato, kamenje, koru drveta, čavle, spojnice i žicu sa stabla.

Ne pokušavajte obrezati stablo koje je trulo ili oštećeno od vjetra, vatre, munje itd. Ovo je izuzetno opasno i to trebaju izvoditi samo profesionalni drvosječe.

- Urezivanje podsijecanjem

*Pogledajte stranicu 239 - 240.*

Napravite urez od 1/3 promjera stabla okomito na smjer pada. Najprije učinite donji vodoravni urez.





Ovo pomaže da kada napravite drugi urez izbjegnute prignječenje lanca pile ili vodilice.

■ **Stražnji rez za obaranje**

*Pogledajte stranicu 239 - 240.*

Učinite stražnji rez za obaranje najmanje 50 mm/2 više od vodoravnog reza urezivanja. Neka stražnji rez za obaranje bude paralelan na vodoravni rez urezivanja. Napravite stražnji rez za obaranje tako da ostane dovoljno drveta da djeluje kao zglob. Drveni zglob stabla drži stablo od uvrtnja i padanja u krivom smjeru. Nemojte rezati kroz zglob.

Kako se rez za obaranje bliži prema zglobu, stablo počinje padati. Ako postoji ikakva šansa da stablo možda ne padne u željenom smjeru ili se možda zaljulja unazad i zahvati lanac pile, prestanite rezati prije završetka stražnjeg reza za obaranje i upotrijebite drvene, plastične ili aluminijske klinove kako biste otvorili rez i pustili stablo uzduž željene linije pada.

Kada stablo počne padati uklonite pilu iz reza, zaustavite motor, odložite pilu i povucite se planiranim putem. Pazite na padajuće grane iznad glave i gledajte gdje stajete.

**Rezanje potpornog korijenja**

*Pogledajte stranicu 240.*

Potporno korijenje je veliko korijenje koje viri iz stabla drveta iznad zemlje. Odrežite velike korijene prije nego što počnete s obaranjem. Prvo načinite vodoravni usjek u potpornom korijenu, a zatim okomiti. Oslobodite tako izrezani dio iz zone rada. Nastavite s obaranjem nakon što ste uklonili potporno korijenje.

**Rezanje trupca na određenu duljinu**

*Pogledajte stranicu 241.*

Trupci se režu na određene duljine. Vrlo je važno da ste sigurni da je vaše uporište čvrsto i da je vaša težina jednako raspoređena na oba stopala. Kada je to moguće, trupac bi trebalo podignuti i poduprijeti granama, trupcima ili klinovima. Za lakše rezanje slijedite jednostavne upute: Kada je trupac podložen uzduž cijele duljine, reže se s gornje strane (preko trupca).

Kada je trupac podložen s jednog kraja, reže se 1/3 promjera od donje strane (ispod trupca). Potom izvršite završni rez preko trupca kako biste susreli prvi rez.

Kada je trupac podložen s oba kraja, reže se 1/3 promjera od gornje strane (ispod trupca). Potom izvršite završni rez s donje strane manje 2/3 kako biste susreli prvi rez.

Kada režete trupac na kosini, uvijek stanite na gornju stranu trupca. Kada „režete kroz trupac“, za održavanje potpune kontrole otpustite pritisak rezanja blizu kraja reza bez opuštanja zahvata na ručkama pile. Ne dozvolite da lanac dodiruje zemlju. Nakon dovršetka reza pričekajte da se zaustavi lanac pile prije nego maknete pilu. Prije prebacivanja sa stabla na stablo uvijek zaustavite pilu.

**Obrezivanje stabla**

*Pogledajte stranicu 242.*

Obrezivanje je uklanjanje grana s palog stabla. Prilikom obrezivanja ostavite velike niže grane da podupiru trupac sa zemlje. Uklonite male grane u jednom rezu. Grane koje su zategnute treba rezati odozdo prema gore kako bi se

izbjeglo zahvaćanje lanca pile.

**Rezanje stupova**

*Pogledajte stranicu 242.*

Savijeno šiblje je grana, panj bez korijena ili grm koji je savijen zbog nekog drugog komada drveta, tako da se naglo otpušta kad odrežemo ili uklonimo komad tog drveta koji ga drži.

Panj bez korijena oborenog stabla vrlo se lako može odvojiti od debla i vratiti u okomit položaj tijekom rezanja kako bi ga odvojio od trupla. Pazite na savijeno šiblje, opasno je.

**⚠ UPOZORENJE**

Savijeno šiblje je opasno je jer vas može udariti i možete izgubiti kontrolu nad motornom pilom. Što može dovesti do teških ili smrtonosnih ozljeda. Ovo trebaju vršiti obučeni korisnici.

**NAMJENA**

Uređaj je namijenjen samo za korištenje na otvorenom. Zbog sigurnosnih razloga, proizvod mora biti adekvatno upravljan pomoću dvije ruke u svakom trenutku.

Ovaj proizvod namijenjen je za rezanje grana, stabala, trupaca ili debela do promjera prema duljini vodilice lanca. Namijenjena je samo za rezanje drva. Namijenjena je za korištenje u domaćinstvu od strane odraslih osoba koje su dobile adekvatnu obuku o opasnostima i preventivnim mjerama/radnjama koje treba poduzeti tijekom korištenja.

Nemojte koristiti proizvod za bilo koju svrhu koja nije navedena. Nije namijenjen za korištenje u svrhu profesionalne obrade stabala. Proizvod ne smiju koristiti djeca ili osobe koje ne nose odgovarajuću zaštitnu odjeću i obuću.

**OSTALE OPASNOSTI:**

Čak i kad je uređaj korišten kao što je prethodno opisano, još uvijek nije moguće potpuno isključiti ostale čimbenike opasnosti. Može doći do sljedećih opasnosti prilikom korištenja i operater mora obratiti posebnu pozornost kako bi izbjegao sljedeće:

- Ozljede uzrokovane vibracijom. Uvijek koristite pravi alat za posao, koristite označenu kopču i ograničite radno vrijeme i izloženost.
- Izlaganje buci može izazvati povredu sluha. Nosite zaštitu za sluh i ograničite izloženost
- Dodir s izloženim zubom pile na lancu pile (opasnost od porezotina).
- Nepredviđena, nenadana kretnja ili povratni udar vodilice lanca (opasnost od porezotina).
- Dijelovi izbačeni iz lanca pile (opasnost od porezotina).
- Izbacivanje komada izratka (drveno iverje, odlomci)
- Udisanje piljevine i čestica.
- Dodir kože sa sredstvom za podmazivanje/uljem.

**SMANJENJE OPASNOSTI**

Prijavljeno je da vibracije alata koje se drži u ruci kod određenih pojedinaca mogu doprinijeti stanju pod nazivom

EN
FR
DE
ES
IT
NL
DA
PT
SV
FI
NO
RU
PL
CS
HU
RO
LV
LT
ET
<b>HR</b>
SL
SK
BG



Raynaud's Syndrome. Simptomi mogu uključivati trnce, ukočenost i bjelinu prstiju, obično uočljivo po izlaganju hladnoći. Smatra se da nasljedne osobine, izlaganje hladnoći i vlazi, dijeta, pušenje i radni postupci pridonose razvoju ovih simptoma. Postoje mjere koje operator može poduzeti kako bi smanjio moguće učinke vibracije:

- Održavajte svoje tijelo toplim u hladnim vremenskim uvjetima. Kad radite s uređajem nosite rukavice kako biste ruke i zglobove održavali toplima. Prijavljeno je da je hladnoća glavni čimbenik koji doprinosi Raynaud's Syndrome.
- Nakon svakog perioda rada vježbajte kako biste povećali cirkulaciju krvi.
- Uzimajte česte stanke u radu. Ograničite količinu izlaganja po danu.
- Zaštitne rukavice dostupne od dobavljača opreme profesionalnih pila su posebno dizajnirane za pilu, te pružaju zaštitu, dobro držanje i smanjuju učinak vibracije na ručku. Ove rukavice trebaju biti u skladu s EN381-7 i moraju biti označene CE.

Ako osjetite neke od simptoma ovog stanja, odmah prekinite korištenje i obratite se svome liječniku vezano uz ove simptome.

#### **⚠ UPOZORENJE**

Povrede mogu biti uzrokovane ili zadobivene produljenim korištenjem alata. Kada koristite bilo koji alat dulje vremena, osigurajte da uzimate povremene stanke.

#### **UPOZNAJTE SVOJ PROIZVOD**

*Pogledajte stranicu 233.*

1. Lanac
2. Vodilica lanca
3. Prednji štitičnik za ruku/kočnica lanca
4. Prednja ručka
5. Blokada otponca
6. Stražnja ručica
7. Odbojni zupci
8. Čep spremnika za ulje
9. Držać kabela
10. Sklopka za Uklj./isklj. (ON/OFF)
11. Deflektor za drveno iverje
12. Gumb deflektora za drveno iverje
13. Pokrov zupčanika
14. Prsten za podešavanje natezača lanca
15. Gumb za blokiranje vodilice
16. Pokrov vodilice lanca
17. Čep spremnika za gorivo

#### **SIGURNOSNI UREĐAJI**

##### **Lanac sa slabom tendencijom odskakivanja**

lanac pile za smanjeni udar pomaže smanjenju mogućnosti povratnog udara.

Limitatori dubine koji se nalaze na prednjoj strani svakog zupca mogu smanjiti snagu odskakivanja te se tako izbjegava da zupci predbukovo uđu u zonu odskakivanja. Koristite samo zamjenske vodilice i lance navedene od proizvođača.

Udvostručite oprez nakon što ste naoštrili lanac vaše motorne pile jer brušenje čini lanac manje otpornim na odskakivanje. Iz sigurnosnih razloga, zamijenite lanac pile kada se smanji rezna učinkovitost.

#### **Odbojni zupci**

Integralni odbojni zupci mogu se koristiti za navođenje (središnja točka) kod prvog reza. Pomaže održati tijelo pile stabilnim tijekom rezanja. Prilikom rezanja, gurnite uređaj prema naprijed dok se šiljci ne uđu koru drveta, a zatim pomicanjem stražnje ručke prema gore ili prema dolje u smjeru rezanja pomaže olakšati tjelesni napor rezanja

#### **Vodilica lanca**

Vodilice lanca koje na vrhu imaju manji radijus obično imaju i manju tendenciju odskakivanja. Trebate koristiti vodilicu i odgovarajući lanac koji su dovoljno dugi za zadatak. Dulja vodilica povećava opasnost od gubitka kontrole tijekom rezanja. Redovito provjeravajte zategnutost lanca. Kada režete manje grane (manje od pune duljine vodilice) lanac će vjerojatno iskočiti ako napetost nije pravilna.

#### **Kočnica lanca**

Kočnica lanca osmišljena je kako bi se brzo moglo zaustaviti okretanje lanca. Lanac se treba zaustaviti odmah nakon što se poluga kočnice/štitnik za ruku gurne prema naprijed. Kočnica lanca ne sprječava učinak odskakivanja. To samo smanjuje rizik od ozljede ako lanac dođe u kontakt s tijelom operatera tijekom događaja povratnog udara. Kočnicu lanca treba ispitati prije svakog korištenja za pravilan rad kako u pokrenutom tako i u položaju kočenja.

#### **POSTAVLJANJE**

#### **⚠ UPOZORENJE**

Ukoliko je bilo koji dio oštećen ili nedostaje ne koristite ovaj proizvod sve dok se ti dijelovi ne nadomjeste. Nepoštivanje ovog upozorenja može dovesti do ozbiljnih osobnih ozljeda.

#### **SKLAPANJE LANCA PILE I VODILICE**

*Pogledajte stranicu 234 - 235. Pogledajte stranicu 244 - 245.*

1. Odspojite proizvod iz napajanja. Nosite zaštitne rukavice
2. Odvijte gumb za blokiranje vodilice i uklonite pokrov zupčanika.
3. Lanac pile treba gledati u smjeru rotacije lanca. Ako su okrenuti u suprotnom smjeru, okrenite omču koju ste načinili.
4. Postavite karike za pogon lanca u šinu vodilice.
5. Lanac postavite tako da formira navoj u pozadini vodilice lanca.
6. Držite lanac u položaju na vodilici i postavite omču oko poklopca zupčanika. Spustite vodilicu tako da svornjak prolazi kroz otvor u sklopu priključenog natezača lanca. Možda budete trebali rotirati ovaj sklop kako bi se poravnali svornjak i otvor. Možete ponovno rotirati ovaj sklop kako bi se primjenilo nešto zategnutosti na lanac što će vam pomoći održati ga u mjestu.

- Ponovno postavite poklopac zupčanika i zakrenite gumb blokiranje vodilice sve dok se ne pritegne, okrenite prsten za zatezanje lanca sve dok lanac ne bude pravilno zategnut.
- nakon što je lanac dobro nategnut, pritegnite ponovno gumb.

### PODEŠAVANJE ZATEGNUTOSTI LANCA

Pogledajte stranicu 235. Pogledajte stranicu 246.

- Neznatno otpustite gumb za blokiranje vodilice zakrećući ga suprotno od smjera kretanja kazaljki na satu.
- Za povećanje nategnutosti lanca zakrećite prsten za podešavanje natezača lanca u smjeru kretanja kazaljki na satu i povremeno provjeravajte nategnutost. Za smanjenje nategnutosti lanca zakrećite prsten za podešavanje natezača lanca suprotno od smjera kretanja kazaljki na satu i povremeno provjeravajte lanac.
- Nategnutost lanca je pravilna kada je razmak između rezača na lancu i vodilice između 3 mm i 4 mm. Povucite lanac na sredini donje strane vodilice prema dolje (dalje od vodilice) i izmjerite udaljenost između vodilice i rezača lanca.
- Pritegnite gumb za blokiranje vodilice okretanjem u smjeru kretanja kazaljki na satu.

### UPORABA

#### DODAVANJE ULJA ZA PODMAZIVANJE LANCA

Pogledajte stranicu 246.

#### ⚠ UPOZORENJE

Nikada ne radite bez sredstva za podmazivanje lanca. Ako pila radi bez sredstva za podmazivanje, vodilica i lanac mogu biti oštećeni. Stoga je nužno često provjeriti razinu ulja u mjerачu razine ulja i svaki put prije nego što počnete koristiti pilu.

- Očistite površinu oko čepa za ulje kako biste spriječili onečišćenje.
- Odvijte i uklonite čep sa spremnika za ulje.
- Nalijte ulje u spremnik za ulje i pratite mjerач razine ulja. Osigurajte da prilikom punjenja ulja ne ulazi prljavština u spremnik za ulje.
- Vratite natrag čep za ulje i pritegnite ga. Obrišite svo proliveno gorivo.
- Jedan puni spremnik za ulje omogućuje vam korištenje pile od 20 do 40 min.

#### Preporučeno ulje za podmazivanje lanca

- Proizvođač preporučuje korištenje samo Ryobi ulje za podmazivanje pile. (Dostupno od ovlaštenog servisnog centra Ryobi)

#### DRŽANJE PILE

Pogledajte stranicu 235.

Uvijek držite pilu vašom desnom rukom na stražnjoj ručki i vašom lijevom rukom na prednjoj ručki. Uvijek uhvatite obje ručke s palčevima i prstima okružujući ručke pile. Osigurajte da vaša lijeva ruka drži ručku tako da je vaš

palac u donjem dijelu.

#### ⚠ UPOZORENJE

Uvijek držite kabel za napajanje urednim i dalje od područja rezanja. Za razliku od strujnog udara, neuredani kabeli uzrokuju padove i spalivanja.

#### POKRETANJE PILE

Pogledajte stranicu 235.

- Priključite proizvod na napajanje. Provjerite da li je kočnica lanca u položaju run (pokretanje) na način da povučete u nazad polugu/štitnik za ruku.
- Za pokretanje uređaja: Pritisnite sklopku za otpuštanje i pritisnite sklopku za uključivanje/isključivanje.

#### PROVJERA I RAD KOČNICE LANCA

- Uključite kočnicu lanca zakretanjem lijeve ruke oko prednje ručke. Korištenjem stražnjeg dijela ruke, pritisnite polugu kočnice lanca/štitnik za ruku prema šipki dok se lanac istovremeno brzo okreće. Pazite da cijelo vrijeme obje ruke držite na ručkama pile.
- Vratite kočnicu lanca natrag u položaj RUN (Pokreni) hvatanjem gornjeg dijela kočnice lanca/štitnika za ruku i povlačenjem prema prednjoj ručki dok ne čujete klik.

#### ⚠ UPOZORENJE

Ukoliko kočnica lanca odmah ne zaustavi lanac, ili ukoliko se kočnica lanca ne vrati u položaj „run“ (uključeno) bez pomoći, odnesite pilu u ovlaštenu servis radi opravke.

#### PRIJEVOZ I SKLADIŠTENJE

Pogledajte stranicu 248 - 249.

- Zaustavite proizvod, odspojite napajanje i omogućite mu da se ohladi prije skladištenja ili prijevoza.
- Očistite svaki strani materijal s uređaja. Skladištite ga na suhom i dobro ventiliranom mjestu koje nije pristupačno djeci. Nemojte ju ostavljati u blizini korozivnih agenasa kao ni vrtnih kemijskih proizvoda i soli za odmrzavanje. Ne ostavljajte na otvorenom.
- Prije spremanja uređaja ili tijekom transporta postavite štitnik vodilice.
- Za prijevoz, osigurajte uređaj protiv pomicanja ili pada kako biste spriječili povrede osoba ili oštećenja na uređaju.

#### ODRŽAVANJE

#### ⚠ UPOZORENJE

Koristite samo originalne zamjenske dijelove, dodatni pribor i priključke od proizvođača. Nepoštivanje ovih uputa može dovesti do mogućih ozljeda, loše učinkovitosti i može dovesti do poništenja jamstva.

### ⚠ UPOZORENJE

Servisiranje iziskuje krajnju pažnju i znanje i treba da ga vrši samo kvalificirani serviser. Za servisiranje mi vam preporučamo da odnesete proizvod u najbliži ovlašteni servisni centar radi opravke. Prilikom servisiranja koristiti identične zamjenske dijelove.

### ⚠ UPOZORENJE

Prije podešavanja održavanja ili čišćenja odspojite iz napajanja. Nepoštivanje ove upute može dovesti do ozbiljnih osobnih ozljeda.

- Možete izvršiti podešavanja i popravke koji su opisani u ovom priručniku. Za druge popravke, obratite se ovlaštenom servisnom agentu.
- Posljedice nepravilnog održavanja mogu izazvati da kočnica lanca i druge sigurnosne funkcije ne funkcioniraju ispravno, čime se povećava mogućnost ozbiljne ozljede. Održavajte svoju pilu profesionalno i sigurno.
- Oštrenje lanca pile je zahtjevan zadatak. Stoga proizvođač preporučuje da istrošeni ili tupi lanac bude zamijenjen s novim, koji je dostupan u ovlaštenom servisnom centru Ryobi. Broj dijela dostupan je u tablici specifikacija proizvoda u ovom priručniku.
- Slijedite upute za podmazivanje i provjeru zategnutosti i podešavanja lanca.
- Nakon svakog korištenja proizvod obrišite sa suhom mekom krpom.
- Često provjeravajte sve matice i zavrtnje da li su dobro pritegnuti kako biste bili sigurni da je proizvod u sigurnom radnom stanju. Svaki oštećeni dio trebao bi pravilno popraviti ili zamijeniti ovlašteni servisni centar.

### ZAMJENA VODILICE I LANCA PILE

Pogledajte stranicu 244 - 245.

- Odspojite proizvod iz napajanja.
- Odvijte gumb za blokiranje vodilice zakrećući ga u smjeru suprotnom od kretanja kazaljki na satu sve dok se pokrov zupčanika ne otpusti.
- Uklonite pokrov zupčanika. Uklonite vodilicu i lanac pile s uređaja.
- Za zamjenu vodilice s novom, otpustite vijak sklopa za zatezanje lanca. Montirajte sklop za zatezanje lanca na novu vodilicu i pritegnite vijak.
- Postavite novi lanac na vodilicu u točnom smjeru i provjerite da li su karike za pogon poravnate u šini vodilice.
- Pričvrstite vodilicu na pilu i postavite omču lanca oko pogonskog zupčanika.
- Ponovno postavite pokrov zupčanika, pritegnite poklopac i pritegnite gumb.
- Podesite zategnutost lanca. Pogledajte odlomak „Podešavanje nategnutosti lanca“.

### ⚠ UPOZORENJE

Loše naoštren lanac povećava opasnost od odskakivanja.

### ⚠ UPOZORENJE

Ako ne zamijenite ili ne popravite oštećeni lanac, izlažete se opasnosti od teških tjelesnih ozljeda.

### ⚠ UPOZORENJE

Lanac je vrlo oštar. Kad god ga održavate, nosite zaštitne rukavice.

### PROVJERITE I OČISTITE KOČNICU LANCA

Pogledajte stranicu 247.

- Uvijek održavajte mehanizam kočnice lanca čistim tako da lagano očekate kanale od prašine.
- Uvijek nakon čišćenja provjerite rad kočnice lanca. Za detaljnije obavijesti pogledajte odjeljak "Uporaba - Provjera i rad kočnice lanca" u ovom priručniku.

### PLAN ODRŽAVANJA

Svakodnevna provjera	
Kabel za napajanje na oštećenja	Prije svake uporabe
Podmazivanje vodilice	Prije svake uporabe
Zategnutost lanca	Prije svakog korištenja i često
Oštrina lanca	Prije svakog korištenja, vizualna provjera
Oštećenje pojedinih dijelova	Prije svake uporabe
Labavi pričvršćivači	Prije svake uporabe
Funkcija kočnice lanca	Prije svake uporabe
Pregledati i očistiti	
Vodilica	Prije svake uporabe
Kompletna pila	nakon svake uporabe
Kočnica lanca	Nakon svakih 5 sati*

\*Sati rada

### SIMBOLI NA PROIZVODU



Sigurnosno upozorenje



Pročitajte i razumite sve upute prije rada s proizvodom, slijedite sva upozorenja i sigurnosne upute.



Kad rabite ovaj alat, nosite zaštitne naočale, štitnike za uši i kacigu.



Nosite obuću protiv klizanja prilikom korištenja ovog proizvoda.



Nosite zaštitne rukavice velike debljine koje se ne klizu.



Pazite na povratni udar lanca pile i izbjegavajte kontakta s vrhom vodilice.



Pazite na povratni udar lanca pile i izbjegavajte kontakta s vrhom vodilice.



Ne izlažite kiši ili vlažnim uvjetima.



Držite i rabite motornu pilu dvijema rukama.



Ne upotrebljavajte motornu pilu držeći je samo s jednom rukom.



Ovaj alat usklađen je sa svim normama i propisima zemlje Europske unije u kojoj je kupljen.



Sukladno GOST-R



**Alat II razreda s dvostrukom izolacijom**



Otpadni električni proizvodi ne treba da se odlažu s otpadom iz domaćinstva. Molimo da reciklirate gdje je to moguće. Potražite savjet od lokalnih vlasti ili prodavca kako reciklirati.



Jamčena razina zvučne snage 108 dB. (RCS1935)



Jamčena razina zvučne snage 107 dB. (RCS2340)



Sredstva za podmazivanje lanca i vodilice



Brava



Otključavanje



Rotirajte kako biste podesili nategnutost lanca +/- Pritezanje/otpuštenje lanca



Pomicanje smjera lanca Označeno ispod poklopca zupčanika

L max

Maksimalna duljina vodilice

## IKONE U OVOM PRIRUČNIKU



**Priključite u utičnicu za napajanje**



**Isključite iz utičnice za napajanje**



Dijelovi ili pribor prodan odvojeno



Otpadni električni proizvodi ne treba da se odlažu s otpadom iz domaćinstva. Molimo da reciklirate gdje je to moguće.



NAPOMENA:



UPOZORENJE



Nosite sredstva za zaštitu vida i lica.



Nosite zaštitu za gornji dio trupa.



Nosite sredstva za zaštitu nogu.



Zaustavite uređaj.

Slijedeće riječi upozorenja i značenja imaju namjeru da objasne nivo rizika u vezi s ovim proizvodom.

### **⚠ OPASNOST**

Ukazuje na neposrednu opasnu situaciju, koja, ukoliko se ne izbjegne, može rezultirati smrću ili opasnim povredama

### **⚠ UPOZORENJE**

Ukazuje na moguću opasnu situaciju, koja, ukoliko se ne izbjegne, može rezultirati smrću ili opasnim povredama

### **⚠ UPOZORENJE**

Ukazuje na moguću opasnu situaciju, koja, ukoliko se ne izbjegne, može rezultirati manjim ili blažim povredama

### **UPOZORENJE**

Bez sigurnosnog simbola upozorenja  
Naznačuje situaciju koja može rezultirati oštećenjem imovine.

EN

FR

DE

ES

IT

NL

PT

DA

SV

FI

NO

RU

PL

CS

HU

RO

LV

LT

ET

HR

SL

SK

BG

### ⚠ OPOZORILO

Med uporabo stroja upoštevajte varnostna navodila. Za svojo varnost in varnost drugih oseb preberite ta navodila pred uporabo izdelka. Udeležite se strokovnega varnostnega usposabljanja glede uporabe, preventivnih ukrepov, prve pomoči in vzdrževanja verižnih žag. Prosimo, shranite ta navodila za kasnejšo rabo.

### ⚠ OPOZORILO

Verižne žage so nevarna orodja. Pri nesrečah z verižno žago si ljudje običajno odrežejo ude ali pa so nesreče celo smrtno. Nevarna pa ni le verižna žaga. Smrtno nevarne so tudi padajoče veje in drevesa ter kotaleči se hlodi. Dodatno nevarnost predstavlja tudi oslABLJENO ali nagnito drevo. Ocenite morate svoje zmožnosti za varno dokončanje dela. Če ste v dvomih, naj vam pomaga strokovnjak.

## SPLOŠNA VARNOSTNA OPOZORILA

### ⚠ OPOZORILO

**Preberite vsa varnostna opozorila in navodila.** Zaradi neupoštevanja opozoril in navodil lahko pride do električnega udara, požara in/ali resnih poškodb.

**Shranite vsa opozorila in navodila za kasnejšo uporabo.**

Izraz »električno orodje« v opozorilih se nanaša na orodja, ki jih poganja električni tok (žična), ali na akumulatorska (brezžična) orodja.

## DELOVNO OBMOČJE

- **Delovno območje naj bo čisto in dobro osvetljeno.** V neurejenih in temnih območjih se rade zgodijo nesreče.
- **Električnih orodij ne uporabljajte v eksplozivnih okoljih npr. v bližini vnetljivih tekočin, plinov ali prahu.** Električna orodja proizvajajo iskre, ki lahko vnamejo prah ali hlape.
- **Med uporabo električnega orodja v bližino ne pustite otrok in drugih ljudi.** Zaradi zmanjšane koncentracije lahko izgubite nadzor.

## ELEKTRIČNA VARNOST

- **Vtiči električnih orodij se morajo prilegati vtičnicam. Vtiča nikoli in na noben način ne smete spreminjati. Z ozemljenimi električnimi orodji ne uporabljajte adapterjev vtiča.** Nespremenjeni vtiči in ustrezne vtičnice zmanjšajo tveganje električnega udara.
- **Izogibajte se telesnemu stiku z ozemljenimi površinami, kot so cevi, radiatorji, kuhalniki in hladilniki.** Če je vaše telo ozemljeno, obstaja povečano tveganje električnega udara.
- **Izdelka ne izpostavljajte dežju ali vlažnim pogojem.** Voda v električnem orodju znatno poveča tveganje električnega udara.
- **Kabla ne uporabljajte za neustrezne namene. Kabla nikoli ne uporabljajte za prenašanje, vleko ali izklop**

električnega orodja. Pazite, da kabel ne pride v stik z vročino, oljem, ostrimi robovi ali gibljivimi deli. Poškodovani ali zapleteni kabli zvišujejo tveganje električnega udara.

- **Med uporabo električnega orodja na prostem uporabljajte podaljševalni kabel, ki je primeren za zunanjo uporabo.** Uporaba kabla, primernega za zunanjo uporabo, znižuje tveganje električnega udara.
- **Če je delo z električnim orodjem v vlažnem okolju neizogibno, uporabite tokovno zaščitno stikalo (RCD).** Uporaba naprave RCD zmanjša tveganje za električni udar.

## OSEBNA VARNOST

- **Med obratovanjem bodite pozorni, spremljajte potek dela in uporabljajte zdrav razum. Električnega orodja ne uporabljajte, ko ste utrujeni oz. pod vplivom drog, alkohola ali zdravil.** Trenutek nepazljivosti med uporabo električnega orodja lahko povzroči hude telesne poškodbe.
- **Uporabljajte osebno zaščitno opremo. Vedno nosite zaščito za oči.** Če v različnih okoliščinah nosite ustrezno zaščitno opremo, kot so maska proti prahu, obutev z neдрsečim podplatom, trdno pokrivalo glave in zaščita za sluh, zmanjšate možnost telesnih poškodb.
- **Preprečite nežen zagon. Preden orodje priključite na vir napajanja, vstavite baterije, ga vzamete v roke ali prenašate, se prepričajte, da je stikalo v izključenem položaju.** Prenašanje električnih orodij, tako da prst držite na stikalu, ali dovajanje napajanja električnim orodjem, pri katerih je stikalo v položaju »on (vklop)« poveča tveganje nesreč.
- **Pred vklopom električnega orodja odstranite morebitne nastavitvene ključe ali izvijače.** Izvijač ali ključ, ki ostane pritrjen na vrtljivi del električnega orodja, lahko povzroči telesne poškodbe.
- **Nesiahajte priliš daleko. Pazite, da stojite stabilno in da imate ravnotežje.** To omogoča boljši nadzor nad električnim orodjem v nepričakovanih situacijah.
- **Bodite primerno oblečeni. Ne nosite ohlapnih oblačil ali nakita. Pazite, da lasje, oblačila in rokavice ne pridejo v bližino gibljivih delov.** Ohlapna oblačila, nakit ali dolgi lasje se lahko zapletejo v gibljive dele.
- **Če so naprave namenjene priključitvi na pripomočke za sesanje in zbiranje prahu, se prepričajte, da so ti priključeni in ustrezno uporabljeni.** Uporaba zbiralca prahu lahko zmanjša nevarnosti, povezane s prahom.

## UPORABA IN NEGA ELEKTRIČNEGA ORODJA

- **Izdelka ne preobremenjujte. Uporabite električno orodje, ki ustreza vašemu delu.** Ustrezno električno orodje bo nalogo opravilo bolje in varneje v kategoriji, za katero je bilo zasnovano.
- **Ne uporabljajte električnega orodja, če ga stikalo ne vklopi ali izklopi, kot bi bilo treba.** Kakršno koli električno orodje, ki ga ni mogoče nadzirati s stikalom, je nevarno in ga je potrebno popraviti.
- **Odklopite vtič z vira napajanja in/ali baterije, preden opravljate kakršne koli prilagoditve, menjate dodatke ali shranjujete električno orodje.**



Tovrstni preventivni varnostni ukrepi zmanjšajo možnost slučajnega zagona električnega orodja.

- **Električna orodja, ki niso v uporabi, shranjujte izven dosega otrok in ne dovolite, da bi električno orodje uporabljale osebe, ki niso seznanjene z električnim orodjem ali s temi navodili.** Električna orodja so v rokah neusposobljenih uporabnikov nevarna.
- **Električna orodja redno vzdržujte. Preverite, če so gibljivi deli napačno poravnani ali zaskočeni, če so sestavni deli polomljeni ali če obstaja kakršno koli druge stanje, ki lahko vpliva na varno delovanje električnega orodja. Če je električno orodje poškodovano, ga pred ponovno uporabo dajte v popravilo.** Številne nesreče zakrivijo neustrezno vzdrževana električna orodja.
- **Rezalna orodja naj bodo vedno nabrušena in čista.** Pravilno vzdrževana rezalna orodja z ostrimi rezili se težje zaskočijo in jih je lažje nadzirati.
- **Električno orodje, dodatke, nastavke za orodje itd. uporabljajte v skladu s temi navodili ter upoštevajte delovne pogoje in vrsto dela, ki ga boste izvajali.** Uporaba električnega orodja za namene, ki so drugačni od tistih, za katere je bilo orodje zasnovano, lahko povzroči nevarne situacije.

## SERVISIRANJE

- **Električno orodje naj servisira usposobljena oseba, uporabljati pa sme le originalne nadomestne dele.** To bo zagotovilo vzdrževanje varnostni električnega orodja.

## DODATNA SPLOŠNA VARNOSTNA OPOZORILA

- Predpisi nekaterih regij omejujejo uporabo tega izdelka. Za nasvet se obrnite na lokalne oblasti.
- Izdelka nikoli ne smejo uporabljati otroci ali osebe, ki niso seznanjene z navodili za uporabo. Lokalni predpisi se morda nanašajo tudi na minimalno starost upravitelja.
- Pred vsako uporabo zagotovite, da vse kontrole in varnostne naprave delujejo pravilno. Orodja ne uporabljajte, če stikalo za izklop ne ustavi naprave.
- Pri delu nosite zaščito za oči in sluh, robustne delovne rokavice in čelado; če boste med delom proizvajali veliko prahu, nosite ščitnik za obraz.
- Ne nosite ohlapnih oblačil, kratkih hlač ali kakršnega koli nakita.
- Dolge lase si spnite nad rameni in tako preprečite, da bi se ujeli v premikajoče se dele.
- Beware of thrown, flying, or falling objects. Prisotni (še posebej otroci in živali) naj bodo med obratovanjem oddaljeni vsaj 15m od delovnega območja.
- S cepilnikom ne upravljajte pri slabi osvetljavi. Upravljaavec mora imeti jasen pregled nad delovnim območjem, da lahko prepozna morebitne nevarnosti.
- Zaščita za sluh zmanjša vašo sposobnost, da slišite opozorila (alarme ali klice). Upravljaavec mora še bolj paziti na dogajanje v okolici.
- Uporaba podobnih orodij v bližini poveča nevarnost za poškodbe sluha in nevarnost, da druge osebe vstopijo v vaše delovno območje.

- Pazite na ravnotežje in ne pretiravajte. Nesiahajte priliš daleko. Če se boste preveč iztegnili, lahko izgubite ravnotežje, poleg tega pa se poveča nevarnost odsunka.
- Dele telesa držite proč od premikajočih se delov.
- Pred vsako uporabo izdelek pregledajte. Preverite, ali vsi krmilni elementi pravilno delujejo, vključno z zavoro za verigo. Preverite, ali so pritrdila dobro pritjena. Prepričajte se, da so vsa varovala in ročaji pravilno in trdno pritrdeni. Pred uporabo zamenjajte poškodovane dele.
- Na noben način ne spreminjajte naprave ter ne uporabljajte delov in dodatkov, ki jih ne priporoča proizvajalec.
- Če potrebujete podaljševalni kabel, se prepričajte, da je primeren za uporabo na prostem in da njegova kapaciteta zadostuje za napajanje vašega orodja; pred vsako uporabo preverite, ali je morda poškodovan, in ga vedno med uporabo odvijte, saj je zaviti kabli lahko pregrejejo.
- Tokovna konica povzroči fluktuacije napetosti in lahko vpliva na druge električne izdelke na istem električnem vodu. Izdelek priključite na električni tok z impedanco 0.372Ω - RCS1935, 0.277Ω - RCS2340 ali manj, da minimalizirate fluktuacije napetosti. Za nadaljnja pojasnila se obrnite na svojega dobavitelja električne energije.

## ⚠ OPOZORILO

Če vam naprava pade na tla, nanjo pade predmet ali se začne neobičajno tresti, jo takoj izključite in pregledajte, ali je poškodovana oz. ugotovite vzrok tresenja. Vsakršno poškodbo mora ustrezno popraviti ali zamenjati pooblaščen servisni center.

## VERIŽNA ŽAGA – VARNOSTNA OPOZORILA

- **Ko verižna žaga obratuje, se ji ne približujte z nobenim delom telesa. Pred zagonom verižne žage preverite, da se veriga žage ničesar ne dotika.** Trenutek nepazljivosti med upravljanjem verižne žage lahko povzroči, da se z oblačili ali s telesom zapletete v verigo žage.
- **Verižno žago vedno držite z desno roko za zadnji ročaj, z levo roko pa za sprednjega.** Če verižno žago držite obratno, povečate nevarnost za telesne poškodbe, zato tega nikoli ne storite.
- **Orodje držite le za izolirane prijemalne površine, saj lahko veriga žage pride v stik s skritim ožičenjem ali kablom.** Če se veriga žage dotakne žice, ki je pod električno napetostjo, se lahko izpostavljeni kovinski deli električnega orodja naelektrijo in povzročijo električni udar.
- **Nosite zaščitna očala in zaščito sluha. Priporočljiva je tudi uporaba zaščitne opreme za glavo, roke, noge in stopala.** Ustrezna zaščitna oblačila bodo zmanjšala telesne poškodbe zaradi letečih delcev ali nenamerne stika z verigo žage.
- **Verižne žage ne uporabljajte na drevesu.** Če verižno





žago uporabljate, medtem ko ste na drevesu, se lahko poškodujete.

- **Bodite pozorni na svoje ravnotežje in verižno žago uporabljajte le, kadar stojite na trdni, varni in ravni površini.** Zaradi spolzkih ali nestabilnih površin, kot so lestve, lahko izgubite ravnotežje ali nadzor nad verižno žago.
- **Ko žagate napeto vejo, pazite na možnost povratnega udarca.** Ko napetost lesenih vlaken popusti, lahko napeta veja udari delavca in/ali povzroči, da verižna žaga ni več pod nadzorom.
- **Pri rezanju grmičevja in mladega drevja bodite še posebej previdni.** Tanek material se lahko zaplete v verigo žage in vas lahko udari ali vrže iz ravnotežja.
- **Verižno žago nosite le, ko je izključena, in sicer tako, da jo držite za sprednji ročaj ter proč od telesa.** Med transportom ali skladiščenjem verižne žage vedno namestite pokrov za meč žage. Pravilno ravnanje z verižno žago bo zmanjšalo možnost nenamernega kontakta s premikajočo se verigo žage.
- **Za mazanje in napenjanje verige ter menjanje delov sledite navodilom.** Neustrezno napeta ali namazana veriga se lahko strga, ali pa poveča možnost odsunka.
- **Ročaji naj bodo suhi, čisti in brez madežev olja ali masti.** Mastni ročaji so spolzki in lahko povzročijo izgubo nadzora.
- **Žagajte samo les.** Verižne žage ne uporabljajte za neprimerne namene. Na primer, verižne žage ne uporabljajte za žaganje plastike, zidakov oz. kakršnih koli ne-lesenih gradbenih materialov. Če boste verižno žago uporabljali za neustrezne namene, lahko pride do nevarnih situacij.

#### Vzroki odsunkov in njihovo preprečevanje:

Če se konica meča dotakne predmeta ali če se zapre les in se verižna žaga zagozdi v rezu, lahko pride do odsunka. Stik konice lista žage lahko v nekaterih primerih sproži zelo hitro povratno reakcijo ter list vrže navzgor in nazaj proti upravljavcu.

Če verigo žage na zgornjem delu žaginega lista stisnete, žagin list lahko hitro sune nazaj proti uporabniku.

Vsaka od teh reakcij lahko povzroči izgubo nadzora nad žago, posledice tega pa so lahko težke telesne poškodbe. Ne zanašajte se izključno na varnostne naprave, vgrajene v žago. Kot uporabnik žage morate izvesti več ukrepov, da pri žaganju ne bi prihajalo do nesreč ali poškodb.

Odsunek je rezultat nepravilne uporabe orodja in/ali nepravilnih delovnih postopkov ali okoliščin in se mu ob ustreznih varnostnih ukrepih, kot so navedeni v nadaljevanju, lahko izognete:

- **Ohranite čvrst prijem, tako da s palcem in ostalimi prsti objamete ročaj verižne žage, pri tem pa žago držite z obema rokama in svoje telo ter roke imejte v takem položaju, da boste pripravljeni na morebitne sile odsunkov.** Sile odsunkov lahko upravljavec nadzoruje, če upošteva ustrezne varnostne ukrepe. Verižne žage ne izpustite iz rok.
- **Ne iztegujte se preveč in ne žagajte nad višino ramen.** S tem pomagate preprečiti nenamerni dotik konice in omogočite boljši nadzor nad verižno žago v

nepričakovanih situacijah.

- **Za zamenjavo uporabljajte le meče in verige, ki jih določa proizvajalec.** Neustrezni nadomestni meči in verige lahko povzročijo trganje verige in/ali odsunek.
- **Upoštevajte navodila proizvajalca glede brušenja in vzdrževanja verige žage.** Zmanjšanje višine merilnika globine lahko povzroči več odsunkov.

#### DODATNA VARNOSTNA OPOZORILA ZA VERIŽNO ŽAGO

- Priporočamo, da ob prvi uporabi izdelka polena žagate na kozi ali podobni opori.
- Poskrbite, da bodo vse zaščite, ročaji in zobata opora pravilno nameščeni in v dobrem stanju.
- Verižno žago naj uporabljajo le osebe brez zdravstvenih težav. Verižna žaga je težka, zato naj bo upravljavec dobro fizično pripravljen. Upravljavec mora biti pozoren in okreten ter imeti brezhiben vid, dobro ravnotežje in spretno roke. Če ste v dvomih, ne upravljajte verižne žage.
- Ne začnite uporabljati izdelka, dokler nimate prostega delovnega območja, dobrega ravnotežja in načrtovanega zasilnega umika v primeru padajočega drevesa.
- Pazite na emisije meglice maziva in žagovine. Po potrebi nosite ščitnik ali dihalni aparat.
- Napajanje naprave mora imeti napravo za rezidualni tok (RCD), tok naj ne presega 30 mA.
- Če se napajalni kabel poškoduje, morate napravo vrniti pooblaščenemu servisnemu centru v popravilo ali zamenjavo.
- Napajalni kabel naj bo vedno čist in stran od območja rezanja. Neurejeni kabli lahko povzročijo električni udar ali pa se čezenje lahko spotaknete oz. prevrnete.
- Ne žagajte trte in/ali manjše podrasti (s premerom manj kot 75 mm).
- Motorno žago pri delu vedno držite z obema rokama. S palcema in prsti združujte trden oprijem ročajev verižne žage. Desno roko imejte na zadnjem ročaju, levo pa na sprednjem.
- Pred zagonom orodja preverite, da se verižna žaga ne dotika nobenega predmeta.
- Orodja na nikakršen način ne spreminjajte ali uporabljajte za poganjanje priključkov oz. naprav, ki jih ne priporoča proizvajalec žage.
- V bližini upravljavca naj bo komplet prve pomoči z obvezami za hujše poškodbe ter pripomoček za klic na pomoč (npr. piščalka). Dokaj blizu naj bo tudi večji oz. obširnejši komplet za prvo pomoč.
- Kot upravljavec boste morda želeli odstraniti čelado, če boste ocenili, da v delovnem območju ni nevarnosti padajočih predmetov, vendar pa upoštevajte, da čelada, še posebej v kombinaciji s ščitnikom za obraz, zmanjšuje tveganje za poškodbe obraza in glave v primeru odsunka.
- Nepravilno napeta veriga se lahko sname z meča in povzroči hude poškodbe ali celo smrt. Dolžina verige je odvisna od temperature. Napetost verige redno preverjajte.





- Privadite se na svojo novo verižno žago, tako da na dobro podprtem lesu napravite nekaj enostavnih zarez. To storite po vsakem daljšem obdobju neuporabe žage.
- Da bi zmanjšali tveganje poškodb zaradi stika z gibljivimi deli, vedno ustavite napravo, aktivirajte zavoro verige, izključite iz vtičnice in se prepričajte, da so se gibljivi deli ustavili, pred:
  - čiščenje ali ko odstranjujete blokado
  - pustiti izdelek brez nadzora
  - nameščanjem ali odstranjevanjem pripomočkov
  - pregledovanjem, vzdrževanjem ali delu na napravi
- Velikost delovnega območja je odvisna od izvajanega dela pa tudi od velikosti drevesa ali obdelovanca. Podiranje drevesa na primer zahteva večje delovno območje kot druga dela, kot je npr. krojenje ipd.
  - a) Upravlavec mora biti pozoren na dogajanje v okolici in imeti nadzor nad njim.
- Ne žagajte tako, da boste telo imeli vzporedno z mečem in verigo. Če pride do odsunka, boste tako lažje preprečili stik verige z glavo oz. telesom.
- Ne žagajte naprej in nazaj – pustite, da veriga opravi svoje delo; verigo redno brusite in ne poskušajte je potisniti skozi zarezo.
- Ne pritiskajte na žago ob zaključku reza. Bodite pripravljeni, da boste lahko zadržali težo žage, ko prežagate skozi les. Neupoštevanje tega nasveta lahko povzroči hude telesne poškodbe.
- Ne ustavljajte žage med žaganjem. Žaga naj obratuje, dokler je ne odstranite iz zareze.

### Potisni in povleci

Reakcijska sila je vedno nasprotna smeri premikanja verige. Zato mora biti upravlavec pripravljen, da bo zadržal nagljenost stroja k uhajanju (premikanju naprej) med žaganjem s spodnjim robom meča oz. potiskanju (proti upravljavcu) med žaganjem z zgornjim robom meča.

### Zatakljena žaga v zarezi

Ustavite žago in jo zavarujte. Ne poskusite izvleči verige in meča iz zareze, saj boste s tem verjetno polomili verigo, ki lahko zaniha nazaj in udari upravljavca. Do tega običajno pride zaradi nepravilne podpore lesa med žaganjem, kar povzroči zapiranje zareze zaradi stiskanja in s tem ukleščenje meča. Če s prilagajanjem podpore ne sprostite meča in verige, zarezo odprite s pomočjo lesenih klinov ali vzvoda in tako sprostite žago. Nikoli ne poskušajte zagnati verižne žage, kadar je meč že v zarezi ali krajniku.

### Osebna varovalna oprema

S kakovostno profesionalno osebno varovalno opremo boste zmanjšali tveganje za poškodbe upravljavca. Pri delu z verižno žago uporabljajte naslednje elemente:

#### Varnostna čelada

- mora biti skladna z EN 397 in imeti mora oznako CE

#### Zaščita sluha

- mora biti skladna z EN 352-1 in imeti mora oznako CE

#### Zaščita oči in obraza

- imeti mora oznako CE ter mora biti skladna z EN 166 (zaščitna očala) oz. EN 1731 (obrazni ščitniki)

### Rokavice

- mora biti skladna z EN 381-7 in imeti mora oznako CE

### Zaščita nog (delovne hlače)

- mora biti skladna z EN 381-5, imeti mora oznako CE ter zagotavljati zaščito z vseh strani.

### Varovalni škornji za delo z verižno žago

- Morajo biti skladni EN ISO 20345:2004 in imeti morajo oznako s ščitom, v katerem je verižna žaga, kar dokazuje skladnost z EN 381-3. (Občasni uporabniki lahko uporabljajo varovalne škornje z jekleno kapico in zaščitnimi gamašami, ki so skladni z EN 381-9, če je podlaga enakomerna in je nevarnost zatikanja v podrast nizka.)

### Jakne za delo z verižno žago za zaščito zgornjega dela telesa

- mora biti skladna z EN 381-11 in imeti mora oznako CE

## NAVODILA GLEDE PRAVILNIH TEHNIK PODIRANJA, KLEŠČENJA IN KRIŽNEGA ŽAGANJA

### Razumevanje sil znotraj lesa

Če razumete smeri pritiska in napetosti znotraj lesa, lahko zmanjšate možnosti »ukleščenja« oz. jih med žaganjem vsaj pričakujete. Napetost znotraj lesa pomeni, da vlakna vleče narazen, in če boste zažagali v to območje, se bo zareza oz. krajnik ob pomiku žage mimo razprl. Če imate poleno na kozi tako, da konec gleda preko kože in ni podprt, se na zgornji površini zaradi teže visečega dela polena ustvari napetost, ki razteguje vlakna. Prav tako bo prišlo do stiskanja na spodnji strani debla, zaradi česar bodo vlakna stisnjena skupaj. Če v tem območju napravite zarezo, se bo krajnik med žaganjem zapiral. Tako lahko ukleščite meč.

### Podiranje dreves

*Glejte stran 239 - 240.*

Če sta pri krojenju in podiranju dreves udeleženi dve osebi ali več hkrati, podiranje dreves ločite od krojenja vsaj v dvakratni razdalji višine drevesa, ki ga podirate. Dreves ne podirajte tako, da bi pri tem ogrozili kogar koli, ali tako, da bi drevo padlo na daljnovid oz. povzročilo kakršno koli materialno škodo. Če drevo pride v stik z daljnovidom, takoj obvestite ustrezno podjetje za oskrbo z energijo.

Delavec z verižno žago naj stoji na zgornji strani terena, saj se bo drevo po podiranju po vsej verjetnosti skotalilo ali zdrsnilo po pobočju navzdol.

Preden začnete z žaganjem, je treba načrtovati in izprazniti pot umika. Pot umika naj bo diagonalno in v nasprotni smeri pričakovanega padca.

Preden začnete s podiranjem, preučite naraven nagib drevesa, položaj večjih vej in smer vetra ter tako ocenite, v katero smer naj bi drevo padlo.

Z drevesa najprej odstranite zemljo, kamne, ohlapne veje, žeblice, sponke in žice.

Ne poskušajte podirati gnilih dreves ali dreves, ki jih je poškodoval veter, požar, strela ipd.

To početje je izjemno nevarno, zato ga lahko opravljalo le strokovnjaki.





- Izdelava zaseka

*Glejte stran 239 - 240.*

Naredite zasek pravokotno na smer padca, ki bo globok 1/3 premera drevesa. Najprej ustvarite spodnjo vodoravno zarezo. Tako se boste izognili ukleščenju verige ali meča žage pri ustvarjanju druge zareze.

- Zadnja zarez za podiranje

*Glejte stran 239 - 240.*

Zadnjo zarezo za podiranje naredite vsaj 50 mm višje od spodnje vodoravne zareze. Zadnja zarez naj bo vzporedna spodnji vodoravni zarezi. Zadnjo zarezo naredite tako, da ostane dovolj lesa, ki deluje kot sklep. Sklepni les omogoča, da se drevo ne zasuče in pade v napačno smer. Sklepa ne prežagajte.

Ko se zadnja zarez približuje sklepu, bi drevo moralo začeti padati. Če obstaja možnost, da drevo ne pade v želeni smeri, ali da se zaziba nazaj in uklešči žago, prekinite žaganje, preden je zadnja zarez končana, in uporabite lesene, plastične ali aluminijaste kline ter odprite zarezo, tako da drevo pade v želeni smeri.

Ko drevo začne padati, odstranite žago iz zareze, ugasnite motor, odložite žago in uporabite načrtovano pot umika. Pazite na padajoče veje ter na to, kod stopate.

## Odstranjevanje opornih korenin

*Glejte stran 240.*

Oporna korenina je velika korenina, ki sega od debla drevesa nad zemljo. Pred podiranjem odstranite oporne korenine. Najprej naredite vodoraven rez v oporno korenino, nato pa še navpični rez. Nastali odpadni material odstranite z delovnega območja. Potem ko ste odstranili velike oporne korenine, izvajajte pravilni postopek za podiranje drevesa.

## Krojenje debela

*Glejte stran 241.*

Krojenje pomeni žaganje debela na krajše kose. Pomembno je, da imate dobro ravnotežje in da je vaša teža enakomerno razporejena na obe nogi. Če je mogoče, deblo dvignite in ga podprite z vejami, drugimi debli ali zagozdami. Sledite preprostim navodilom za enostavno žaganje. Če je deblo podprto po celotni dolžini, ga žagajte zvrha.

Če je deblo podprto na enem koncu, zarezite za 1/3 premera globoko s spodnje strani. Nato rez dokončajte od zgoraj, tako da se reza srečata.

Če je deblo podprto na obeh koncih, zarezite za 1/3 premera globoko z zgornje strani. Nato od spodaj zarezite še 2/3, tako da se reza srečata.

Ko krojite na klancu, vedno stojte na tisti strani debela, kjer je teren višje. Za ohranjanje popolnega nadzora med žaganjem »skozi« deblo proti koncu reza sprostite pritisk, vendar ne popustite prijema verižne žage. Pazite, da veriga ne pride v stik s tlemi. Ko rez zaključite, počakajte, da se veriga ustavi, preden verižno žago premikate. Ko se pomikate od drevesa do drevesa, vedno ugasnite motor.

## Kleščenje drevesa

*Glejte stran 242.*

Kleščenje pomeni odstranjevanje vej s padlega drevesa.

Pri kleščenju dopustite, da spodnje, večje veje podpirajo deblo in ga držijo nad tlemi. Manjše veje odstranite z enim rezom. Napete veje odžagajte od spodaj navzgor, da se izognete ukleščenju verižne žage.

## Žaganje upognjenih dreves

*Glejte stran 242.*

Odskočno deblo je vsako deblo, veja, ukoreninjen štor ali mlado drevesce, ki je upognjeno pod pritiskom zaradi drugega lesa, tako da odskoči nazaj, če odžagamo ali odstranimo les, ki ga zadržuje.

Pri podrtem drevesu obstaja velika možnost, da med razrezovanjem debela od štora ukoreninjeni štor odskoči nazaj v pokončen položaj. Bodite pozorni na odskočna debela, ker so nevarna.

### ⚠ OPOZORILO

Odskočna debela so nevarna, saj lahko udarijo delavca ter povzročijo, da izgubi nadzor nad verižno žago. Posledica tega so lahko težke ali usodne poškodbe delavca. Ta opravila naj izvajajo usposobljeni uporabniki.

### NAMEN UPORABE

Izdelek je namenjen izključno zunanji uporabi. Iz varnostnih razlogov morate izdelek v vsakem trenutku imeti pod nadzorom z obema rokama.

Izdelek je namenjen žaganju vej, debel, hlodov in tramov s premerom, ki ga določa dolžina meča. Namenjena je zgolj za žaganje lesa. Namenjen je le domači uporabi, uporabljajo pa ga lahko odrasle osebe z ustreznim usposabljanjem o nevarnosti in preventivnih ukrepih/dejanjih, ki jih je treba upoštevati pri uporabi.

Izdelka ne uporabljajte drugače, kot je navedeno zgoraj. Izdelek ni namenjen za uporabo v profesionalne namene obdelovanja dreves. Izdelka ne smejo uporabljati otroci ali osebe, ki ne nosijo ustrezne osebne varovalne opreme in oblačil.

### REZIDUALNA TVEGANJA:

Tudi če napravo uporabljate tako, kot je predpisano, ni mogoče popolnoma odpraviti določenih preostalih dejavnikov tveganja. Med uporabo se lahko pojavijo naslednje nevarnosti, upravljavec pa naj bo pozoren na sledeče:

- Poškodbe zaradi vibracij. Vedno uporabljajte pravo orodje za opravilo, uporabite ustrezne ročaje in omejite delovni čas in izpostavljenost.
- Izpostavljenost hrupu lahko povzroči poškodbo sluha. Nosite zaščito za sluh in omejite izpostavljenost
- Stik z izpostavljenimi zobci žage (nevarnost vreza).
- Nepredviden, nenaden premik ali povratni sunek meča (nevarnost vreza).
- Delci, ki odletijo iz verige žage (nevarnost ureza/vboda).
- Delci, ki odletijo iz obdelovanca (odkruški, trske).
- Vdihavanje žagovine in delcev.
- Stik kože z mazivom/oljem.



## ZMANJŠANJE TVEGANJA

Ugotovljeno je bilo, da lahko pri nekaterih posameznikih vibracije ročnih orodij povzročijo Raynaudov sindrom. Simptomi so lahko mravljinci, otrplost in pobledele prsti, kar je običajno vidno, kadar je oseba izpostavljena mrazu. Dedni dejavniki, izpostavljenost mrazu in vlagi, dieta, kajenje in delovne navade naj bi pripomogle k razvoju teh simptomov. Za zmanjšanje učinkov vibracij lahko upravljavec upošteva naslednja navodila:

- Poskrbite, da bo vaše telo na mrazu toplo. Med upravljanjem nosite rokavice in tako ohranjajte toploto vaših dlani in zapestij. Kot poročajo, je mraz glavni dejavnik, ki prispeva k Raynaudovemu sindromu.
- Po vsakem obdobju upravljanja naprave telovadite in tako pospešite krvni obtok.
- Pogosto si vzemite odmor. Omejite dnevno količino izpostavljenosti.
- Zaščitne rokavice, ki jih lahko kupite v strokovnih trgovinah, kjer prodajajo motorne žage, so zasnovane posebej za uporabo z motorno žago in nudijo zaščito in dober oprijem ter zmanjšajo tresljaje na ročaju. Rokavice morajo biti skladne s standardom EN381-7 in morajo imeti oznako CE.

Če zaznavate kakršne koli simptome takšnega stanja, takoj prenehajte z uporabo naprave in se o simptomih posvetujte z zdravnikom.

## ⚠ OPOZORILO

Daljša uporaba orodja lahko privede do poškodb ali pa so poškodbe lahko hujše. Kadar orodje uporabljate dalj časa, si večkrat vzemite odmor.

## SPOZNAJTE SVOJ IZDELEK

Glejte stran 233.

1. Veriga
2. Meč
3. Prednji ščitnik roke/zavora verige
4. Srednji ročaj
5. Sprožilni gumb
6. Zadnji ročaj
7. Meč motorne žage
8. Pokrovček olja za verigo
9. Držalo kabla
10. Stikalo za vklop/izklop
11. Deflektor iveri
12. Gumb deflektorja iveri
13. Pokrov verižnika
14. Obroček za prilagajanje napenjalnika verige
15. Gumb za zaklep vodilnega meča
16. Pokrov za meč žage
17. Pokrovček za mešanico goriva

## VARNOSTNE NAPRAVE

### Veriga žage z nizkim odsunkom

Veriga žage z nizkim odsunkom pomaga preprečevati pojav odsunkov.

Grablici (vodilni zobje) pred vsakim rezalnim zobom lahko

zmanjšajo moč reakcije pri odsunku, tako da preprečijo, da se rezalni zobi ne bi zakopali pregloboko na območju odsunka. Uporabljajte le kombinacije mecev in verig, ki jih priporoča proizvajalec.

Pri brušenju verige izgubijo nekaj od svojih lastnosti glede odsunka, zaradi česar je potrebna posebna pozornost. Zaradi varnosti zamenjajte verige, ko se njihova učinkovitost zmanjša.

### Meč motorne žage

Vgrajeni meč motorne žage lahko uporabite kot ročico pri rezanju. Pomaga ohranjati stabilnost ohišja motorne žage med žaganjem. Med žaganjem potisnite napravo naprej, da zobata opora zareže v rob lesa, nato pa premikajte zadnji ročaj navzgor oz. navzdol v smeri reza, da zmanjšate fizični napor, ki je potreben za žaganje.

### Meči

Na splošno imajo meči s konicami malega polmera nekaj manjšo možnost odsunka. Uporabljajte kombinacijo meča in verige, ki je ravno prav dolga za želeno opravilo. Predolgi meči povečajo tveganje za izgubo nadzora med žaganjem. Redno preverjajte napetost verige. Pri žaganju manjših vej (manj, kot je celotna dolžina meča) je nevarnost snetja veriga v primeru napačne napetosti še večja.

### Zavora verige

Zavore verige so zasnovane tako, da hitro zaustavijo vrtenje verige. Ko je vzvod zavora verige/ščitnik roke potisnjen proti meču, se mora veriga takoj zaustaviti. Zavora verige ne prepreči odsunka. Le zniža tveganje za poškodbe v primeru stika meča verige s telesom uporabnika pri odsunku. Pred vsako uporabo preverite, ali zavora za verigo pravilno deluje (tako v blokiranem kot v sproščenem položaju).

## MONTAŽA

### ⚠ OPOZORILO

Če so deli poškodovani ali manjkajo, izdelka ne uporabljajte, dokler deli niso zamenjani. Če tega opozorila ne upoštevate, lahko pride do hudih osebnih poškodb.

### SESTAVLJANJE VERIGE IN MEČA ŽAGE

Glejte stran 234 - 235. Glejte stran 244 - 245.

1. Izdelek izključite iz napajanja. Nosite zaščitne rokavice
2. Odvijte gumb za zaklep vodilnega meča in odstranite pokrov verižnika.
3. Veriga žage mora biti obrnjena v smeri vrtenja verige. Če gledajo nazaj, preobrnite zanko.
4. Razmejevalni zob verige postavite v utor meča.
5. Verigo namestite tako, da se nahaja zanka za mečem.
6. Verigo držite na mestu na meču in namestite zanko okrog zobatega kolesa. Meč spustite, da gre vijak lahko skozi odprtino v pritrdjenem sklopu za napenjanje verige. Sklop bo morda potrebno zasukati, da se bosta vijak in odprtina poravnala. Sklop lahko znova zasučete, da verigo malo napnete, zaradi česar bo ta ostala na mestu.

- Ponovno namestite pokrov zobatega kolesa in zasučite gumb za zaklep vodilnega meča, da je skoraj popolnoma zategnjen, in zasučite gumb za prilagajanje napetosti verige, dokler veriga ni ustrezno napeta. Znova preverite napetost verige. Verige ne napnite premočno.
- Potem ko ste napetost verige primerno prilagodili, gumb ponovno zategnite.

### NASTAVITEV ZATEGNJENOSTI VERIGE

Glejte stran 235. Glejte stran 246.

- Rahlo odvijte gumb za zaklep vodilnega meča, tako da ga obrnete v nasprotni smeri urinega kazalca.
- Za povečanje napetosti verige obroček napenjalnika verige obrnite v smeri urinega kazalca in sproti preverjajte napetost verige. Za zmanjšanje napetosti verige obroček napenjalnika verige obrnite v nasprotni smeri urinega kazalca in sproti preverjajte napetost verige.
- Napetost verige je pravilna, ko je razmik med mečem in verigo med 3 in 4 mm.  
Na sredini spodnje strani meča povlecite verigo navzdol (proč od meča) in izmerite razdaljo med mečem in rezili verige.
- Zategnite gumb za zaklep vodilnega meča, tako da ga obrnete v smeri urinega kazalca.

### DELOVANJE

#### DODAJANJE OLJA ZA MAZANJE VERIGE

Glejte stran 246.

### ⚠ OPOZORILO

Nikoli ne opravljajte del brez maziva za verigo. Če veriga obratuje brez maziva, lahko pride do poškodb meča in verige. Zato redno in pred vsakim zagonom motorne žage preverite raven olja s pomočjo merilnika za raven olja.

- Očistite površino okoli pokrovčka za olje, da preprečite onesnaženje.
- Odvijte in odstranite čep posode za olje.
- Dolijte olje v posodo za olje in pri tem spremljajte merilnik ravni olja. Pazite, da med dolivanjem olja v posodo za olje ne pride nesnaga.
- Znova namestite čep posode za olje in ga dobro privijte. Obrišite morebitna razlivanja.
- Ena polna posoda olja omogoča uporabo žage za 20–40 minut.

#### Priporočeno olje za mazanje verige

- Proizvajalec priporoča, da uporabljate le maziva podjetja Ryobi. (Na voljo pri pooblaščenih servisih Ryobi.)

#### DRŽANJE VERIŽNE ŽAGE

Glejte stran 235.

Verižno žago vedno držite z desno roko za zadnji ročaj, z levo roko pa za sprednjega. Primite oba ročaja, tako da ju čvrsto objamete s palcem in z ostalimi prsti. Pazite, da z levo roko držite sprednji ročaj tako, da imate palec spodaj.

### ⚠ OPOZORILO

Napajalni kabel naj bo vedno čist in stran od območja rezanja. Neurejeni kabli lahko povzročijo električni udar ali pa se čežnje lahko spotaknete oz. prevrnete.

#### ZAGON VERIŽNE ŽAGE

Glejte stran 235.

- Izdelek priključite na napajanje. Zagotovite, da je zavora verige biti v položaju RUN (TEK) tako, da ročico/ščitnik za roke povlečete nazaj.
- Za zagon naprave najprej pritisnite sprostitvev za sprožilec, nato pa pritisnite sprožilnik za vklop/izklop.

#### PREVERJANJE IN DELOVANJE ZAVORE VERIGE

- Zavoro verige aktivirate tako, da levo roko zavrtite okoli sprednjega ročaja. Z zadnjim delom roki potisnite ročico zavora verige/zaščitno roke naprej proti meču, medtem ko se veriga še vrti. Roki ves čas imejte na obeh ročajih.
- Zavoro verige ponastavite nazaj v položaj za obratovanje, tako da primete zgornji del ročice zavora verige/zaščitne roke in povlečete sprednji ročaj, dokler ne klikne.

### ⚠ OPOZORILO

Če zavora ne ustavi verige takoj ali če zavora verige ne ostane v položaju vklop brez dodatne pomoči, odnesite žago na pooblaščen servis za popravilo pred uporabo.

#### TRANSPORT IN SHRANJEVANJE

Glejte stran 248 - 249.

- Ustavite izdelek, odklopite ga od napajanja in počakajte, da se ohladi, preden ga shranite ali prenašate.
- Očistite vse tujke z izdelka. Shranite jo na suhem in dobro prezračenem mestu, ki ni na dosegu otrok. Hranite proč od jedkih sredstev, kot so kemikalije za vrtnarjenje in soli za odmrzovanje. Ne shranjujte na prostem.
- Pred shranjevanjem enote oz. med transportom namestite pokrov za meč.
- Pri transportiranju napravo zavarujte tako, da se ne bo premikala ali padla, in tako preprečite poškodbe oseb ali naprave.

#### VZDRŽEVANJE

### ⚠ OPOZORILO

Uporabljajte le originalne rezervne dele in dodatke, ki jih priporoča proizvajalec. V nasprotnem primeru naprava lahko slabo deluje, povzroči poškodbe, garancija pa ne velja več.



### ⚠ OPOZORILO

Servisiranje zahteva posebno pozornost in znanje in naj jo zato opravlja samo izurjeni servisni tehnik. Servisiranje in popravila izdelka vam priporočamo pri vašem najbližjem pooblaščenem servisnem centru. Pri servisiranju uporabljajte le identične nadomestne dele.

### ⚠ OPOZORILO

Pred nastavljanjem, vzdrževanjem ali čiščenjem odklopite napajanje. Neupoštevanje tega nasveta lahko povzroči hude poškodbe.

- Opravljati smete le nastavitve in popravila, ki so opisana v teh navodilih za uporabo. Za ostala popravila se obrnite na pooblaščenega serviserja.
- Posledice nepravilnega vzdrževanja so med drugim lahko napačno delovanje zavoze verige in drugih varnostnih funkcij, zaradi česar se poveča tveganje za hude poškodbe. Strokovno vzdržujte in ohranjajte varnost verižne žage.
- Varno brušenje verige zahteva usposobljenost. Zato proizvajalec toplo priporoča, da obrabljene in tope verige zamenjate z novo, ki jo dobite pri pooblaščenem serviserju Ryobi. Številka dela je navedena v tabeli s specifikacijami izdelka v tem priročniku.
- Sledite navodilom za mazanje ter preverjanje in prilagajanje napetosti verige.
- Po vsaki uporabi izdelek očistite z mehko in suho krpo.
- Pogosto preverjajte, ali so vse matice in vijaki dobro priviti in tako zagotovite varno delovno stanje izdelka. Vsak poškodovan del mora ustrezno popraviti ali zamenjati pooblaščen servisni center.

### MENJAVA MEČA IN VERIGE ŽAGE

*Glejte stran 244 - 245.*

1. Izdelek izključite iz napajanja. Nosite zaščitne rokavice.
2. Odvijte gumb za zaklep vodilnega meča, tako da ga obračate v nasprotni smeri urinega kazalca, dokler se pokrov verižnika ne sprostí.
3. Odstranite pokrov verižnika. Z enote odstranite meč in verigo.
4. Da bi zamenjali meč z novim, najprej odvijte vijak na sklopu napenjalnika verige. Namestite napenjalnik verige na novi meč in privijte vijak.
5. Novo verigo namestite na meč v pravilni smeri in poskrbite, da so členi pravilno poravnani v utoru.
6. Namestite meč na verižno žago in napeljite verigo po verižniku.
7. Znova namestite pokrov verižnika, ga privijte in nato privijte še gumb.
8. Prilagodite napetost verige. Preberite poglavje »Prilagajanje napetosti verige«.

### ⚠ OPOZORILO

Neustrezno brušenje verige povečuje možnost odsunka.

### ⚠ OPOZORILO

Če ne zamenjate ali popravite poškodovane verige, lahko pride do težke telesne poškodbe.

### ⚠ OPOZORILO

Veriga žage je zelo ostra. Med vzdrževanjem verige vedno nosite zaščitne rokavice.

### PREVERJANJE IN ČIŠČENJE ZAVORE VERIGE

*Glejte stran 247.*

- Vzdržujte čistočo mehanizma zavoze verige, tako da nežno očistite spojne elemente.
- Po čiščenju vedno preverite delovanje zavoze verige. Več podrobnosti najdete v poglavju tega priročnika "Delovanje - Preverjanje in delovanje zavoze verige".

### URNIK VZDRŽEVANJA

Dnevno preverjanje	
Napajalni kabel glede poškodb	Pred vsako uporabo
Mazanje meča	Pred vsako uporabo
Napetost verige	Pred vsako uporabo in ob rednih intervalih
Ostrino verige	Pred vsako uporabo, vizualni pregled
Poškodovanost delov	Pred vsako uporabo
Privitost pritrdil	Pred vsako uporabo
Funkcija zavoze verige	Pred vsako uporabo
Preverite in očistite	
Meč	Pred vsako uporabo
Celotno žago	po vsaki uporabi
Zavoza verige	Vsaj 5 ur*

\*Ure obratovanja

### SIMBOLI NA IZDELKU



Varnostni alarm



Pred uporabo izdelka morate prebrati in razumeti vsa navodila, upoštevati vsa opozorila in varnostne napotke.



Pri uporabi tega stroja morate nositi zaščitna očala in opremo za varovanje sluha in glave.



Ko uporabljate izdelek, nosite zaščitno obutev, ki ne drsi.



Nosite si naddrseče, močne delovne zaščitne rokavice.

EN  
FR  
DE  
ES  
IT  
NL  
PT  
DA  
SV  
FI  
NO  
PL  
RU  
CS  
HU  
RO  
LV  
LT  
ET  
HR  
SL  
SK  
BG





Pred vzdrževanjem oziroma če je kabel poškodovan ali prerezan, takoj izvlecite vtič iz glavnega omrežja.



Pazite na verigo, saj lahko pride do povratnega udara, in se izogibajte dotikanju predmetov s konico meča.



Ne izpostavljajte ga dežju ali vlagi.



Žago uporabljajte tako, da jo trdno držite z obema rokama.



Ne uporabljajte žage tako, da jo držite samo z eno roko.



Ustreza vsem predpisanim standardom v državi članici EU, kjer je bil kupljen izdelek.



Skladnost GOST-R



Orodje razreda II, dvojna izolacija



Odpadne električne izdelke odlagajte skupaj z ostalimi gospodinjstskimi odpadki. Reciklažo opravljajte na predpisanih mestih. Za reciklažni nasvet se obrnite na lokalne oblasti.



Zajamčena raven zvočne moči je 108 dB. (RCS1935)



Zajamčena raven zvočne moči je 107 dB. (RCS2340)



Mazivo za meč in verigo



Uzamknutie



Odklep



Zavrtite za prilagoditev napetosti verige +/-: Napnite/sprostite verigo



Smer premikanja verige  
Oznaka pod pokrovom zobatega kolesa

L max

Maksimalna dolžina meča

## IKONE V TEM PRIROČNIKU



Priključite v vtičnico



Izključite iz vtičnice



Deli ali dodatki so na prodaj ločeno



Odpadne električne izdelke odlagajte skupaj z ostalimi gospodinjstskimi odpadki. Reciklažo opravljajte na predpisanih mestih.



OPOMBA:



OPOZORILO



Nosite zaščito za oči in obraz.



Nosite zaščito za zgornji del telesa.



Nosite zaščito za noge.



Zaustavite izdelek.

Sledeče signalne besede in pomeni naj bi pojasnili ravni tveganja, ki so povezane s tem izdelkom.

### ⚠ NEVARNOST

Označuje neizbežno tvegano stanje, ki če se ji ne izognete lahko povzroči smrt ali resno poškodbo.

### ⚠ OPOZORILO

Označuje morebitno tvegano stanje, ki če se ji ne izognete lahko povzroči smrt ali resno poškodbo.

### ⚠ POZOR

Označuje morebitno tvegano stanje, ki če se mu ne izognete lahko povzroči manjšo ali srednje resno poškodbo.

### POZOR

Brez simbola za varnostno opozorilo

Prikazuje situacijo, ki lahko povzroči materialno škodo.



### **VAROVANIE**

Pri používaní tohto produktu sa musia dodržiavať bezpečnostné zásady. Pre vašu vlastnú bezpečnosť a bezpečnosť okolostojacich osôb si pred použitím produktu prečítajte tento návod. Odporúčame absolvovať profesionálne organizované bezpečnostné školenie o používaní, preventívnych krokoch, prvej pomoci a údržbe reťazových píl. Odložte si tento návod na neskoršie použitie.

### **VAROVANIE**

Reťazové píly sú potenciálne nebezpečné nástroje. Nehody pri používaní reťazových píl často spôsobia stratu končatín alebo smrť. Riziko nepredstavuje len reťazová píla. Padajúce konáre, zvalujúce sa stromy, kotľajúce sa brvná – to všetko môže zabiť. Ďalšie riziká predstavuje choré alebo trúchnivajúce drevo. Musíte odhadnúť vlastnú schopnosť bezpečne dokončiť úlohu. Ak máte akékoľvek pochybnosti, prenehajte úlohu profesionálnemu stromovému chirurgovi.

## **VŠEOBECNÉ BEZPEČNOSTNÉ VÝSTRAHY**

### **VAROVANIE**

**Prečítajte si všetky bezpečnostné výstrahy a pokyny.** Pri nedodržaní týchto výstrah a pokynov môže dôjsť k úrazu elektrickým prúdom, požiaru a/alebo závažnému poraneniu.

**Odložte všetky upozornenia a pokyny použité v budúcnosti.**

Pojem „mechanický nástroj“ vo výstrahách sa vzťahuje na váš sieťový (káblový) mechanický nástroj alebo akumulátorový (bezkáblový) mechanický nástroj.

### **PRACOVNÝ PRIESTOR**

- **Pracovisko udržiavajte v čistote a správne osvetlené.** Prepchané alebo tmavé miesta zvyšujú pravdepodobnosť nehôd.
- **Nepracujte s mechanickými nástrojmi vo výbušných atmosférach, napríklad v blízkosti zápalných tekutín, plynov alebo prachu.** Mechanické nástroje vytvárajú iskry, ktoré môžu podpáliť takýto prach alebo výpary.
- **Deti a okolostojaci sa počas práce s mechanickým nástrojom nesmú zdržovať v jeho blízkosti.** Rozptýlenie môže spôsobiť, že stratíte nad nástrojom kontrolu.

### **ELEKTRICKÁ BEZPEČNOSŤ**

- **Zástrčky mechanického nástroja musia zodpovedať zásuvke.** Zástrčku nikdy žiadnym spôsobom neupravujte. S uzemnenými mechanickými nástrojmi nepoužívajte rozdvojnú zásuvku. Použitím neupravovaných zástrčiek a zodpovedajúcich zásuviek sa znižuje riziko úrazu elektrickým prúdom.
- **Vyhýbajte sa telesnému kontaktu s uzemnenými**

povrchmi, napríklad rúrami, radiátormi, sporákmi a chladničkami. Ak je vaše telo uzemnené, hrozí vysoké riziko úrazu elektrickým prúdom.

- **Produkt nevystavujte dažďu ani mokrému prostrediu.** Voda, ktorá vnikne do mechanického nástroja, zvyšuje riziko úrazu elektrickým prúdom.
- **Kábel nenamáhajte. Nikdy nepoužívajte kábel na prenášanie, ťahanie alebo odpájanie mechanického nástroja. Kábel nedávajte do blízkosti tepla, oleja, ostrých okrajov alebo pohyblivých dielov.** Poškodené alebo zamotané káble zvyšujú riziko úrazu elektrickým prúdom.
- **Pri práci s mechanickým nástrojom v exteriéri používajte predlžovací kábel vhodný pre použitie v exteriéri.** S káblom vhodným pre použitie v exteriéri sa znižuje riziko úrazu elektrickým prúdom.
- **Ak je nevyhnutné pracovať s mechanickým nástrojom vo vlhkom prostredí, použite zdroj chránený zariadením pre zvyškový prúd.** Použitie zariadenia pre zvyškový prúd znižuje riziko úrazu elektrickým prúdom.

### **OSOBNÁ BEZPEČNOSŤ**

- **Pri práci s mechanickým nástrojom buďte ostražití, sledujte, čo robíte a používajte zdravý rozum.** Nepoužívajte mechanický nástroj, keď ste unavení alebo pod vplyvom drog, alkoholu alebo liekov. Chvilka nepozornosti počas práce s mechanickými nástrojmi môže spôsobiť závažné osobné poranenie.
- **Používajte osobné ochranné pomôcky. Vždy používajte chrániče zraku.** Ochranné pomôcky ako protiprachová maska, protišmyková bezpečnostná obuv, pevný klobúk alebo chrániče sluchu, používané pre príslušné podmienky, znižujú riziko vzniku osobného poranenia.
- **Zabráňte neúmyselnému spusteniu.** Pred zapojením zariadenia do siete a/alebo k jednotke akumulátora, zdvíhaním alebo prenášaním nástroja vždy skontrolujte, či je spínač vo vypnutej polohe. Pri prenášaní mechanických nástrojov s prstom položeným na spínači alebo pripájaní mechanických nástrojov so zapnutým spínačom sa zvyšuje riziko úrazu.
- **Pred zapnutím nástroja odstráňte prípadný nastavovací klin alebo kľúč.** Keď necháte kľúč alebo klin nasadený na rotujúci diel mechanického nástroja, môže dôjsť k vážnemu poraneniu osôb.
- **Neprecaňujte sa. Neustále zachovávajte pevnú oporu nôh a rovnováhu.** Tak si zaistíte lepšiu kontrolu nad mechanickým nástrojom v nečakaných situáciách.
- **Primerane sa oblečte. Nenoste voľný odev ani šperky. Vlasý, odev a rukavice nepribližujte k pohyblivým sa dielom.** Voľný odev, šperky či dlhé vlasý sa môžu zachytiť do pohyblivých častí.
- **Ak sú zariadenia vybavené pripojením na prostriedky na odsávanie a zber prachu, zaistite, aby boli správne pripojené a primerane sa používali.** Pri použití týchto prostriedkov sa znižujú riziká pochádzajúce z prachu.

EN  
FR  
DE  
ES  
IT  
NL  
PT  
DA  
SV  
FI  
NO  
RU  
PL  
CS  
HU  
RO  
LV  
LT  
ET  
HR  
SL  
**SK**  
BG





## POUŽÍVANIE ELEKTRICKÉHO NÁSTROJA A STABILNOSŤ OŇ

- Na nástroj nevyvíjajte silu. Používajte vhodný nástroj pre dané použitie. Správny mechanický nástroj splní svoju úlohu lepšie a bezpečnejšie pri rýchlosti, na ktorú je určený.
- Mechanický nástroj nepoužívajte, ak spínač nezapína a nevypína nástroj. Mechanický nástroj, ktorý sa nedá ovládať spínačom, je nebezpečný a musí sa dať opraviť.
- Pred vykonaním akýchkoľvek úprav, výmene príslušenstva alebo odložením mechanického nástroja odpojte zástrčku zo sieťovej zásuvky a/alebo jednotky akumulátora. Takéto preventívne opatrenie znižuje riziko neúmyselného spustenia mechanického nástroja.
- Nečinné mechanické nástroje odložte mimo dosahu detí a nedovoľte používať mechanický nástroj osobám neoboznámeným s mechanickým nástrojom alebo týmito pokynmi. Mechanické nástroje sú v rukách netrénovaných osôb nebezpečné.
- Na mechanických nástrojoch vykonávajte údržbu. Skontrolujte, či pohyblivé diely nie sú nesprávne nastavené alebo zablokované, či niektoré diely nie sú poškodené, ako aj akýkoľvek iný stav, ktorý by mohol ovplyvniť činnosť mechanického nástroja. V prípade poškodenia nechajte mechanický nástroj pre použitím opraviť. Veľké množstvo nehôd je spôsobených nedostatočnou údržbou mechanických nástrojov.
- Rezacie nástroje udržiavajte ostré a v čistote. Správne udržiavané rezacie nástroje s ostrými ostriami sa menej pravdepodobne zaseknú a ľahšie sa ovládajú.
- Mechanický nástroj, príslušenstvo a vrtáky a pod., používajte v súlade s týmto návodom, pričom berte do úvahy pracovné podmienky a úlohu, ktorú chcete vykonať. Pri používaní mechanického nástroja na iné ako určené činnosti môže dôjsť k nebezpečným situáciám.

## OPRAVY

- Servis mechanického nástroja prenechajte kvalifikovanému servisnému pracovníkovi s použitím len identických náhradných dielov. Takto zachováte bezpečnosť mechanického nástroja.

## ĎALŠIE VŠEOBECNÉ BEZPEČNOSTNÉ VÝSTRAHY

- Niektoré regióny majú nariadenia, ktoré obmedzujú použitie produktu. Poradte sa s miestnym úradom.
- Produkt nikdy nedovoľte používať deťom alebo osobám neoboznámeným s návodom na použitie. Miestne platné predpisy môžu obmedzovať dobu použitia kosačky.
- Pred každým použitím skontrolujte, či všetky ovládacie prvky a bezpečnostné zariadenia fungujú správne. Mechanický nástroj nepoužívajte, ak vypínací spínač nezastaví motor.
- Pri práci s produktom používajte kompletné chrániče zraku a sluchu, pevné a odolné rukavice a ochranu hlavy. V prašnom prostredí použite tvárovú masku.

- Nenoste oblečenie voľného strihu, krátke nohavice, ani bižutériu žiadneho druhu.
- Dlhé vlasy zaistíte, aby boli nad úrovňou pliec a nedošlo tak k ich zamotaniu do pohyblivých dielov.
- Pozor na vymrštené, odletujúce alebo padajúce objekty. Všetky okolostojace osoby (najmä deti a domáce zvieratá) musia stáť minimálne 15 m od pracoviska.
- Nepracujte pri nedostatočnom osvetlení. Obsluhujúci musí mať jasný výhľad na pracovný priestor, aby mohol identifikovať potenciálne nebezpečenstvo.
- Použitie ochrany sluchu znižuje schopnosť počuť zvukové výstrahy (výkriky alebo alarmy). Operátor musí dávať zvlášť pozor, čo sa deje v pracovnej oblasti.
- Pri používaní podobných nástrojov v blízkosti sa zvyšuje riziko poranenia sluchu a potenciál pre ostatné osoby, ktoré vstúpia do pracovného priestoru.
- Udržujte bezpečný postoj a rovnováhu. Nepreceňujte sa. Pri siahaní príliš ďaleko môžete stratiť rovnováhu a zvýšite riziko spätného nárazu.
- Žiadnu časť tela nedávajte do blízkosti žiadnej pohybujúcej sa časti.
- Pred použitím produkt skontrolujte. Skontrolujte správnu činnosť všetkých ovládacie prvkov vrátane brzdy reťaze. Skontrolujte, či nie sú uvoľnené upínadlá. Skontrolujte, či sú všetky kryty a rukoväte bezpečne nasadené. Pred použitím vymeňte všetky poškodené diely.
- Zariadenie žiadnym spôsobom neupravujte ani nepoužívajte diely či príslušenstvo, ktoré neodporúča výrobca.
- Ak potrebujete použiť predžľovací kábel, dbajte na to, aby bol vhodný na použitie v exteriéri a mal prúdovú kapacitu dostatočnú na napájanie vášho nástroja, pred každým použitím ho skontrolujte, či nie je poškodený a vždy ho pri použití odviňte, lebo zvinuté káble sa môžu prehrievať.
- Napájacia špička spôsobí fluktuácie napätia a môže mať vplyv na ostatné elektrické zariadenia na rovnakom elektrickom vedení. Produkt pripojte do elektrickej siete s impedanciou max. 0.372Ω - RCS1935, 0.277Ω - RCS2340, minimalizujete tak fluktuácie napätia. Bližšie vysvetlenie žiadajte od vášho dodávateľa elektrickej energie.

### VAROVANIE

Ak zariadenie spadne, utrpí silný náraz alebo začne neštandardne vibrovať, okamžite zariadenie zastavte s skontrolovaním, či nedošlo k poškodeniu alebo zistíte príčinu vibrácií. Akékoľvek poškodenie sa musí náležite opraviť alebo vymeniť v autorizovanom servisnom centre.

### REŤAZOVÁ PÍLA – BEZPEČNOSTNÉ VÝSTRAHY

- Ak je reťazová píla v prevádzke, nepribližujte sa telom k pilovej reťazi. Pred spustením reťazovej pily skontrolujte, či sa reťazová píla ničoho nedotýka. Chvilka nepozornosti počas práce s reťazovou pilou môže spôsobiť zapletenie odevu alebo tela do pilovej reťaze.





- **Reťazovú pílu vždy držte pravou rukou na zadnej rukoväti a ľavou rukou na pravej rukoväti.** Pri opačnom držaní reťazovej píly sa zvyšuje riziko osobného poranenia a toto držanie sa nesmie nikdy používať.
- **Elektrický nástroj držte len za izolovaný úchopný povrch, lebo pilová reťaz sa môže dostať do kontaktu so skrytými vodičmi alebo vlastným káblom.** Pilová reťaz v kontakte so „živým“ vodičom by mohli spôsobiť, že obnažené kovové diely budú pod prúdom a spôsobiť obsluhujúcemu zásah elektrickým prúdom.
- **Vždy používajte ochranné okuliare a chrániče sluchu. Odporúčajú sa aj ďalšie ochranné pomôcky na hlavu, ruky, nohy a chodidlá.** Primeraný ochranný odev znižuje riziko osobného poranenia od odletujúcich úlomkov alebo následkom náhodného kontaktu s pilovou reťazou.
- **Nepracujete s reťazovou pilou na strome.** Pri práci s reťazovou pilou, keď sa nachádzate na strome, môže dôjsť k osobnému poraneniu.
- **Neustále zachovávajte pevnú oporu nôh a pracuje s reťazovou pilou len v stoji na pevnom, bezpečnom a rovnom povrchu.** Na klzkých alebo nestabilných povrchoch, napríklad terakozách, môže dôjsť k strate rovnováhy alebo kontroly nad reťazovou pilou.
- **Pri rezaní konára, ktorý je napnutý, dávajte pozor na spätný náraz.** Pri uvoľnení pnutia vo vláknach dreva môže odpružený konár udrieť obsluhujúceho a/alebo spôsobiť stratu kontroly nad reťazovou pilou.
- **Pri rezaní kríkov a mladých stromčekov buďte mimoriadne opatrní.** Tenký materiál sa môže zachytiť v pilovej reťazi a môže ťiahnuť smerom k vám alebo vás vyviešť z rovnováhy.
- **Reťazovú pílu prenášajte za prednú rukoväť, pričom reťazová píla je vypnutá a držite ju ďalej od tela.** Pre prenášanie alebo skladovanie reťazovej píly vždy nasadzte kryt vodiacej lišty. Pri správnej manipulácii s reťazovou pilou sa znižuje pravdepodobnosť náhodného kontaktu s pohybujúcou sa pilovou reťazou.
- **Dodržiavajte pokyny na mazanie, napínanie reťaze a výmenu príslušenstva.** Nesprávne napnutá alebo namazaná reťaz sa môže pretrhnúť alebo zvýšiť pravdepodobnosť spätného nárazu.
- **Rukoväte udržiavajte suché a čisté, bez zvyškov oleja či maziva.** Zamastené či zaolejané rukoväte sú klzké môžu spôsobiť stratu kontroly.
- **Pilte len drevo. Nepoužívajte reťazovú pílu na iné ako určené účely. Nepoužívajte reťazovú pílu napríklad na pílenie plastov, muriva a iných ako drevených stavebných materiálov.** Pri používaní reťazovej píly na iné ako určené práce môže vzniknúť nebezpečná situácia.

#### Príčiny spätného nárazu a ako mu možno predchádzať:

Keď sa špička vodiacej lišty dotkne nejakého predmetu alebo keď sa reťaz zakliesni v reze, môže dôjsť k spätnému rázu.

Kontakt hrotu vodiacej lišty môže v niektorých prípadoch spôsobiť náhlu zvratnú reakciu, odhodíť vodiacu lištu nahor

a dozadu smerom k obsluhujúcemu.

Pri zovretí pilovej reťaze pozdĺž horného okraja vodiacej lišty môže prudko postrčiť vodiacu lištu dozadu smerom k obsluhujúcemu.

Obidve tieto reakcie môžu spôsobiť stratu kontroly nad náradím, čo môže viesť k vážnemu zraneniu. Nespoliehajte sa len na bezpečnostné prvky reťazovej píly. Pri obsluhu reťazovej píly je potrebné prijať určité opatrenia na zabránenie vzniku úrazov alebo zranení pri rezacích prácach:

Spätný náraz je výsledok nesprávneho používania nástroja a/alebo nesprávnych prevádzkových postupov a možno mu predchádzať vykonávaním príslušných predbežných opatrení uvedených nižšie:

- **Udržiavajte pevný úchop, pri ktorom palce a prsty obopínajú rukoväte reťazovej píly a obe ruky sú umiestnené na pile a vaše telo je v polohe, ktorá vám umožní odolávať sile spätného nárazu.** Sily spätného nárazu môže kontrolovať obsluhujúci, ak podnikne príslušné predbežné opatrenia. Reťazovú pílu nepúšťajte.
- **Nesiahajte príliš ďaleko a nepíľte nad výškou pliec.** Tak predídete neúmyselnému kontaktu hrotu a zaistíte si lepšiu kontrolu nad reťazovou pilou v neočakávaných situáciách.
- **Používajte len náhradné lišty a reťaze špecifikované výrobcom.** Nesprávne náhradné lišty a reťaze môžu spôsobiť pretrhnutie reťaze a/alebo spätný náraz.
- **Dodržiavajte pokyny výrobcu na ostrenie a údržbu reťazovej píly.** Pri poklese obmedzovacej pätky môže dochádzať k častejšiemu spätnému nárazu.

#### REŤAZOVÁ PÍLA – ĎALŠIE BEZPEČNOSTNÉ VÝSTRAHY

- Pri prvom použití produktu sa odporúča piliť poľenú na koze na drevo alebo vidlicí.
- Skontrolujte, či sú všetky ochranné kryty, rukoväte a nárazovú ostriu správne nasadené a v dobrom stave.
- Osoby obsluhujúce reťazovú pílu musia byť v dobrom zdravotnom stave. Reťazová píla je ťažké zariadenie, takže obsluhujúca osoba musí byť fyzicky zdatná. Obsluhujúca osoba musí byť v strehu, mať dobrý zrak, pohyblivosť, rovnováhu a byť manuálne zručná. V prípade akýchkoľvek pochybností nepracujte s reťazovou pilou.
- Nepúšťajte sa do práce s produktom, kým nevyčistíte pracovisko, nezaistíte si pevný postoj a nebudete mať naplánovanú únikovú trasu od padajúceho stromu.
- Pozor na vyfukovanie oparu maziva a pilín. V prípade potreby použite masku alebo respirátor.
- Elektrické napájanie musí byť privádzané cez zariadenie pre zvyškový prúd s vypínacím prúdom maximálne 30 mA.
- Ak dôjde k poškodeniu napájacieho kábla, musíte dať produkt opraviť alebo vymeniť do autorizovaného servisného centra.
- Okrem toho, že neusporiadané káble predstavujú riziko usmrtienia elektrickým prúdom, môžu spôsobiť pády a zakopnutia. Odpojte produkt od zdroja energie.
- Nerezte vinič alebo malý podrast (s priemerom menším



ako 75 mm).

- Reťazovú pílu pri práci vždy držte oboma rukami. Obidve rukoväte uchopte pevne obopnutím palcami a prstami. Pravá ruka musí byť na zadnej rukoväti a ľavá ruka na prednej rukoväti.
- Pred spustením nástroja skontrolujte, či sa reťazová píla nedotýka žiadneho predmetu.
- Nástroj žiadnym spôsobom nemodifikujte ani ho nepoužívajte na poháňanie žiadnych nástavcov alebo zariadení, ktoré neodporúčal výrobca píly.
- V blízkosti obsluhujúcej osoby sa musí nachádzať lekárnička obsahujúca dostatok materiálu na obviazanie rany a prostriedky na privolanie pomoci (napr. pišťalka). V rozumnom dosahu by mala byť aj väčšia a komplexnejšia súprava.
- Obsluhujúca osoba môže byť v pokušení zložiť si helmu, pokiaľ neexistuje riziko padajúcich predmetov na pracovisku, ale pamätajte, že helma, najmä s mriežkovým priezorom pomáha znižovať riziko poranenia tváre a hlavy v prípade spätného nárazu.
- Nesprávne napnutá reťaz môže vyskočiť z vodiacej lišty a spôsobiť závažné poranenie alebo smrť. Dĺžka reťaze závisí od teploty. Pravidelne kontrolujte napnutie.
- Mali by ste si navyknuť na novú reťazovú pílu vykonávaním jednoduchých rezov na bezpečne podoprenom dreve. To robte vždy, keď ste pílu nejakú dobu nepoužívali.
- Na zníženie rizika poranenia následkom kontaktu s pohyblivými dielmi pred nasledujúcimi činnosťami vždy zastavte motor, aplikujte brzdu reťaze, odpojte z elektrickej zásuvky a skontrolujte, či sa všetky pohybujúce úplne zastavili:
  - čistenie alebo odstránenie upchatia
  - ponechanie produktu bez dozoru
  - montáž alebo demontáž nástavcov
  - kontrola, údržba alebo práca na zariadení
- Veľkosť pracovnej zóny závisí od vykonávanej práce, ako aj od veľkosti stromu alebo spracovávaného materiálu. Napríklad, padajúci strom vyžaduje väčšie pracovisko ako vykonávanie iných rezov, napr. skracovanie výrezov a pod. Obsluhujúca osoba si musí uvedomovať a mať kontrolu nad všetkým, čo sa deje na pracovisku.
- Nerežte s telom v línii s vodiacou lištou a reťazou. Ak predsa len zaznamenáte spätný náraz, zabránite týmto, aby reťaz prišla do kontaktu s vaším telom alebo hlavou.
- Nepoužívajte pílové pohyby vzad a vpred, nechajte pracovať samotnú reťaz, udržiavajte ju ostrú a nesnažte sa tlačiť reťaz cez rez.
- V konečnej fáze rezu na pílu netlačte. Buďte pripravení udržať hmotnosť píly, po prepílení dreva. V opačnom prípade môže dôjsť k prípadnému závažnému osobnému poraneniu.
- Nezastavujte pílu v strede pílenia. Nechajte ju bežať, kým nevyjde úplne z rezu.

## Tlak a ťah

Spätné pôsobenie (reakcia) je vždy v opačnom smere, ako je smer otáčania reťaze. Takto musí byť obsluhujúca osoba pripravená mať pod kontrolou tendenciu zariadenia odtláhať sa (pohyb dopredu) pri pílení na spodnom okraji lišty a odštrčiť sa dozadu (smerom k obsluhujúcej osobe) pri pílení pozdĺž vrchného okraja.

## Pila zaseknutá v reze

Zastavte pílu a zaistite ju. Nevytáňujte nasilu reťaz a lištu von z rezu, inak sa reťaz pravdepodobne pretrhne a následne môže vyletieť dozadu a udrieť obsluhujúcu osobu. Táto situácia bežne nastane, lebo drevo je nesprávne podoprené a dochádza k násilnému uzatvárania rezu pod tlakom, čím dochádza k zovretiu ostria. Ak pri úprave podpery nedôjde k uvoľneniu lišty a reťaze, pomocou drevených klinov alebo páky roztvorte rez a uvoľníte reťaz. Nikdy sa nepokúšajte spustiť reťazovú pílu, keď je vodiaca lišta už v reze alebo záreze.

## Osobné ochranné pomôcky

Osobné ochranné prostriedky v dostatočnej kvalite, aké používajú profesionáli, pomôžu znížiť riziko zranenia obsluhujúcej osoby. Pri práci s reťazovou pílou je nevyhnutné používať nasledujúce položky:

### Bezpečnostná helma

- musí spĺňať EN 397 a mať označenie CE

### Ochrana sluchu

- musí spĺňať EN 352-1 a mať označenie CE

### Ochrana zraku a tváre

- musí mať označenie CE a spĺňať EN 166 (pre ochranné okuliare) alebo EN 1731 (pre mriežkové priezory)

### Rukavice

- musí spĺňať EN 381-7 a mať označenie CE

### Ochrana nôh (chrániče)

- musia spĺňať EN381-5, mať označenie CE a zabezpečovať všestrannú ochranu.

### Bezpečnostné topánky pre reťazovú pílu

- musí spĺňať EN ISO 20345:2004 a mať označenie štítu s vyobrazením reťazovej píly podľa EN 381-3. (Príležitostní používatelia môžu používať bezpečnostné čizmy vybavené oceľovými špičkami s ochrannými gumákmi, ktoré spĺňajú EN 381-9, pokiaľ je terén rovný a existuje len minimálne riziko zakopnutia alebo zachytenia sa o podrast)

### Plášte pre reťazové píly na ochranu hornej polovice tela

- musí spĺňať EN 381-11 a mať označenie CE

## POKYNY TÝKAJÚCE SA SPRÁVNÝCH TECHNÍK PRE ZÁKLADNÉ PORÁŽANIE, ODVETVOVÁVANIE A PREREZÁVANIE

### Porozumenie silám v dreve

Keď porozumiete smerovým tlakom a pnutiám v dreve, môžete redukovať výskyt „zovretí“ alebo ich aspoň pri pílení očakávať. Pnutie v dreve znamená, že vlákna sú ťahané od seba a ak pílíte v tejto oblasti, „zárez“ alebo rez, ako píla postupuje ďalej, bude mať tendenciu otvárať



sa. Ak je poleno podpierané na koze a jeho koniec vidí bez podpory cez okraj, na hornej ploche vzniká pnutie, lebo hmotnosť prečnievajúceho polena natahuje vlákna. Podobne, spodná strana polena bude stláčaná a vlákna tlačene dokopy. Pri vykonaní rezu v tejto oblasti bude mať zárez tendenciu počas rezania sa uzatvárať. Tým dôjde k zovretiu ostria.

### Porážanie stromu

*Pozrite stranu 239 - 240.*

Pri skracovaní a porážaní dvoma alebo viacerými osobami súčasne je potrebné oddeliť porážanie od skracovania vzdialenosťou minimálne dvojnásobku výšky porázaného stromu. Stromy sa nesmú porážať spôsobom, ktorý by ohrozil akúkoľvek osobu, zasiahol akúkoľvek inžiniersku sieť alebo spôsobil škody na majetku. V prípade, že strom predsa zasiahne nejakú inžiniersku sieť, je potrebné bezodkladne upovedomiť príslušnú spoločnosť.

Ak pracujete na teréne so sklonom, stojte vždy s pilou hore na svahu, keďže strom sa môže po spílení šmykať alebo gúľať smerom dole.

Pred zahájením pílenia musí byť úniková trasa naplánovaná a vyčistená. Úniková cesta by mala presahovať dozadu a diagonálne po zadnú časť očakávanej línie pádu.

Pred zahájením porážania zhodnotte prirodzené naklonenie stromu, polohu väčších konárov a smer vetra a určite tak pravdepodobný smer pádu stromu.

Zo stromu odstráňte hlinu, kamene, voľnú kôru, klinec, strmene a drôty.

Nepokúšajte sa porážať stromy, ktoré sú prehnité alebo boli poškodené vetrom, ohňom, bleskom a pod.

Je to veľmi nebezpečné a môžu to vykonávať len profesionálni stromoví chirurgovia.

- Podtínací rez  
*Pozrite stranu 239 - 240.*

Vykonajte tento rez do 1/3 priemeru stromu kolmo na smer pádu. Najskôr urobte spodný vodorovný podtínací rez. Predídete tak zovretiu pilovej reťaze alebo vodiacej lišty pri vykonávaní druhého zárezu.

- Zadný podtínací rez  
*Pozrite stranu 239 - 240.*

Zadný podtínací rez vykonajte minimálne o 50 mm vyššie ako vodorovný podtínací rez. Zadný podtínací rez vykonajte kolmo na vodorovný podtínací rez. Zadný podtínací rez vykonajte tak, aby ako pánt poslužil dostatok dreva. Drevo slúžiace ako pánt zabráni skrúteniu stromu a jeho pádu nesprávnym smerom. Cez pánt nepíľte.

Ako sa podtínací rez blíži k pántu, strom by mal začať padať. Ak existuje akákoľvek možnosť, že strom nespadne požadovaným smerom alebo sa nakloní opačným smerom a zovrie pilový reťaz, prestaňte píliť pred dokončením zadného podtínacieho rezu a pomocou klinov z dreva, plastu alebo hliníka otvoríte rez a zvalíte strom požadovaným smerom pádu.

Keď strom začne padať, vyberte reťazovú pilu z rezu, zastavte motor, spustíte reťazovú pilu nadol a potom použijete naplánovanú únikovú trasu. Dávajte pozor na padajúce konáre nad hlavou a sledujte, kam stúpate.

### Odstaňovanie koreňových nábehov

*Pozrite stranu 240.*

Koreňový nábeh je veľký koreň, ktorý vychádza z kmeňa stromu nad zemou. Pred spíľovaním stromu odstráňte všetky veľké koreňové nábehy. Najprv urobte do koreňového nábehu vodorovný rez a potom zvislý rez. Odstráňte odrezané časti z pracovnej zóny. Po odstránení koreňových nábehov môžete začať spíľovať.

### Skracovanie guľatiny

*Pozrite stranu 241.*

Skracovanie je pílenie polien na určité dĺžky. Je dôležité aby ste si zabezpečili pevnú oporu nôh a hmotnosťou rovnomerne rozloženou na oboch nohách. Keď je to možné, guľatinu nadvihnite a podprite pomocou konárov, inej guľatiny alebo klinov. Dodržiavajte jednoduchý návod na jednoduché pílenie. Keď je guľatina podpretá po celej dĺžke, píli sa z vrchu (zhora).

Keď je guľatina podpretá na jednom konci, odpíľte 1/3 priemeru zo spodnej strany (zospodu). Potom vykonajte záverečný rez zospodu, ktorý sa spojí s prvým rezom.

Keď je guľatina podpretá na oboch koncoch, odpíľte 1/3 priemeru z vrchnej strany (zhora). Potom vykonajte záverečný rez spodných 2/3, ktorý sa spojí s prvým rezom.

Pri skracovaní na svahu vždy stojte na hornej strane guľatiny. Aby ste pri prerezávaní udržali maximálnu kontrolu, uvoľnite rezný tlak pri konci rezu, pričom neumožňujete uchopenie na rukovätiach reťazovej pily. Nedovoľte, aby sa reťaz dotkla zeme. Po dokončení rezu počkajte, kým sa reťaz nezastaví a až potom pohybujte reťazovou pilou. Pred presunom od stromu k stromu vždy zastavte motor.

### Odvetvovanie stromu

*Pozrite stranu 242.*

Odvetvovanie je odstraňovanie konárov z porazeného stromu. Pri odvetvovaní nechajte väčšie spodné konáre, aby držali kmeň nad zemou. Malé konáre odstráňte jedným rezom. Napnuté konáre sa musia rezať zdola nahor, aby nedošlo k zovretiu reťazovej pily.

### Rezanie napnutých vetiev

*Pozrite stranu 242.*

Drevo pod pnutím je akékoľvek poleno, vetva, zakorenený peň alebo mladý strom, ktoré sú ohnuté pod tlakom iného dreva a ktoré sa po odrezaní alebo odstránení vymršťa späť.

U spíleného stromu sa môže zakorenený peň vymrštiť smerom hore pri oddeľovaní rezaného kusa od pňa. Dávajte pozor na drevo pod pnutím, je nebezpečné.

### VAROVANIE

Drevo pod pnutím je nebezpečné a môže vás zasiahnuť a spôsobiť stratu kontroly nad náradím. To môže spôsobiť vážne alebo smrteľné zranenie. To musia vykonávať zaškolení používatelia..



## ÚČEL POUŽITIA

Tento produkt je určený len pre použitie v exteriéri. Z bezpečnostných dôvodov sa musí tento produkt primerane ovládať neustále oboma rukami.

Tento produkt je určený na rezanie konárov, kmeňov, polien a trávov s priemerom určenom reznou dĺžkou vodiacej lišty. Je určená len na pilenie dreva. Možno ho používať pri domácich aplikáciách dospelými osobami, ktoré sú primerane zaškolené o rizikách a preventívnych opatreniach/krokoch, ktoré treba pri jeho používaní vykonať.

Nepoužívajte produkt na iné účely, ako sú uvedené vyššie. Nie je určený na používanie v profesionálnych lesníckych službách. Tento produkt nesmú používať deti ani osoby, ktoré nie sú vybavené primeranými osobnými ochrannými pomôckami a odevom.

## ZVYŠKOVÉ RIZIKÁ:

Aj keď sa nástroj používa podľa predpisu, nie je možné eliminovať určité zvyškové rizikové faktory. Pri použití vznikajú nasledujúce riziká a obsluhujúca osoba musí venovať zvláštnu pozornosť, aby nedošlo k nasledovnému:

- Zranenie spôsobené vibráciami. Vždy používajte vhodný nástroj pre danú úlohu, používajte určené rukoväte a obmedzte pracovný čas a mieru rizika.
- Vystavovanie hluku môže spôsobiť poranenie sluchu. Používajte ochranu sluchu a obmedzte expozíciu
- Kontakt s obnaženými zubami reťaze reťazovej pily (nebezpečenstvo porezania).
- Neočakávaný, náhly pohyb alebo spätný náraz vodiacej lišty (nebezpečenstvo porezania).
- Diely vymrštené z pilovej reťaze (nebezpečenstvo porezania/vstreknutia).
- Vyrhnuté kusy obrobku (drevené triesky, odštepy).
- Vdýchnutie dreveného prachu a častôčiek.
- Kontakt pokožky s mazivom či olejom.

## OBMEDZENIE RIZIKA

Bolí hlásené prípady, kedy vibrácie z ručných nástrojov u niektorých osôb prispeli k stavu nazývanému Raynaudov syndróm. K symptómom patria: trpnutie, znecitlivenie a blednutie prstov, zvyčajne zjavné po vystavení zime. Je známe, že k vývoju týchto symptómov prispievajú: dedičné faktory, vystavovanie zime a vlhkosti, diéta, fajčenie a pracovné návyky. Opatrenia, ktoré môže vykonať obsluhujúca osoba na možné zníženie účinkov vibrácií:

- V studenom počasí udržiavajte svoje telo v teple. Pri práci so zariadením noste rukavice, aby ste mali ruky a zápästia v teple. Bolí hlásené prípady, kedy hlavným faktorom prispievajúcim k Raynaudovmu syndrómu bolo studené počasie.
- Po každom určitom časovom úseku prevádzky cvičte, aby ste zlepšili krvný obeh.
- Počas práce si doprajte časté prestávky. Obmedzte počet vystavení za deň.
- Ochranné rukavice dostupné u profesionálnych predajcov reťazových pil sú určené špeciálne pre použitie s reťazovými pilami a zaisťujú ochranu, dobrú

uchopenie a tiež znižujú účinok vibrácií rukoväte. Tieto rukavice musia spĺňať EN381-7 a mať označenie CE.

Ak zistíte ktorýkoľvek zo symptómov tohto stavu, okamžite prerušte používanie zariadenia, navštívte svojho lekára a povedzte mu o symptómoch.

## VAROVANIE

Pri dlhodobom alebo zvýšenom používaní môže dôjsť k zraneniam. Pri používaní nástroja príliš dlhé obdobia si vždy doprajte pravidelné prestávky.

## OBOZNÁMTE SA S VAŠIM PRODUKTOM

Pozrite stranu 233.

1. Reťaz
2. Vodiaca lišta
3. Predný chránič ruky/brzda reťaze
4. Predná rukoväť
5. Západka plynovej páčky
6. Zadná rukoväť
7. Tlmiaci klin
8. Uzáver olejovej nádrže
9. Držiak kábla
10. Hlavný spínač
11. Tlačidlo vychyľovača drevených triesok
12. Tlačidlo vychyľovača drevených triesok
13. Kryt reťazového kolesa
14. Nastavovací krúžok napnutia reťaze
15. Poistné tlačidlo vodiacej lišty
16. Kryt vodiacej lišty
17. Uzáver palivovej nádrže

## BEZPEČNOSTNÉ ZARIADENIA

### Pilová reťaz s nízkou tendenciou k spätnému rázu

Pilová reťaz so slabým spätným nárazom pomáha znižovať pravdepodobnosť, že dôjde k spätnému nárazu.

Výstupky (obmedzovače hĺbky) pred každým rezným zubom minimalizujú silu spätného rázu tým, že bránia rezným zubom príliš hlbokému vniknutiu v zóne spätného rázu. Používajte len kombinácie náhradných vodiacich lišt a reťazí odporúčaných výrobcom.

Po naostrení reťaze buďte veľmi opatrní, pretože ostrením sa znižuje vlastnosť ochrany pred spätným rázom. Pre vašu vlastnú bezpečnosť vymieňajte pilové reťaze pri poklese výkonnosti pilenia.

### Tlmiaci klin

Integrovaný tlmiaci klin môže byť použitý ústredný bod pri rezaní. Pomáha udržiavať stabilitu tela reťazovej pily pri rezaní. Pri pílení tlačte zariadenie dopredu, kým sa hroty nezahryznú do okraja dreva, potom pohybom zadnej rukoväte nahor alebo nadol v smere reznej línie pomáhajte zmierňovať fyzické pnutie rezania.

### Vodiace lišty

Všeobecne platí, že vodiace lišty s malým polomerom špičky majú menšiu tendenciu k spätnému rázu. Mali by ste používať vodiacu lištu a zodpovedajúcu reťaz, ktorá je dostatočne dlhá pre danú úlohu. Dlhšie lišty zvyšujú riziko

straty kontroly pri pílení. Pravidelne kontrolujte napnutie reťaze. Pri pílení menších vetiev (menej ako plná dĺžka vodiacej lišty) je vyššia pravdepodobnosť, že dôjde k odhodneniu reťaze, pokiaľ jej napnutie nie je správne.

### Brzda reťaze

Brzdy reťaze sú určené na rýchle zastavenie otáčajúcej sa reťaze. Reťaz sa musí okamžite zastaviť, keď sa páčka brzdy reťaze/chrániča ruky zatlačia smerom k lište. Brzda reťaze nezabraňuje spätnému rázu. To len znižuje riziko zranenia, keby došlo ku kontaktu lišty reťaze s telom obsluhujúce osoby v prípade spätného nárazu. Brzdu reťaze je potrebné pred každým použitím otestovať, či funguje správne v uvoľnenej aj zabrzdenej polohe.

### MONTÁŽ

#### VAROVANIE

Ak nejaké predmety chýbajú alebo sú viditeľne poškodené, nepracujte s týmto strojom, kým sa súčasti nevymenia. Pri nerešpektovaní tejto výstrahy by mohlo dôjsť k vážnemu poraneniu osôb.

### MONTÁŽ PÍLOVEJ REŤAZE A VODIACEJ LIŠTY

*Pozrite stranu 234 - 235. Pozrite stranu 244 - 245.*

1. Odpojte produkt k zdroju energie. Používajte ochranné rukavice
2. Odskrutkujte poistné tlačidlo vodiacej lišty a odstráňte kryt reťazového kolesa.
3. Pílová reťaz musí byť otočená v smere otáčania reťaze. Ak sú orientované dozadu, otočte celú reťaz.
4. Články reťazového prevodu vložte do drážky lišty.
5. Reťaz musí vytvoriť slučku v zadnej časti vodiacej lišty.
6. Podržte reťaz v správnej pozícii na lište a nasadte slučku okolo hnacieho reťazového kolesa. Spustite lištu, aby maticová skrutka prešla cez otvor v nasadenej zostave napnutia reťaze. Možno bude potrebné otočiť zostavu, aby sa maticová skrutka a otvor zarovnali. Znova môžete otočiť túto zostavu, aby sa na reťaz vyvinulo určité napnutie, ktoré ju lepšie udrží na mieste.
7. Znova nasadte kryt reťazového kolesa a otáčajte poistné tlačidlo vodiacej lišty, až kým sa takmer neutiahne a otáčajte nastavovací krúžok napnutia reťaze, až kým nie je pílová reťaz správne napnutá. Znova skontrolujte napnutie reťaze. Nenastavujte napnutie reťaze príliš tesne.
8. Keď je reťaz správne napnutá, znova utiahnite tlačidlo.

### NASTAVENIE NAPNUTIA REŤAZE

*Pozrite stranu 235. Pozrite stranu 246.*

1. Uvoľnite trocha poistné tlačidlo vodiacej lišty jeho otočením proti smeru hodinových ručičiek.
2. Ak chcete zväčšiť napnutie reťaze, otáčajte nastavovací krúžok napnutia reťaze v smere pohybu hodinových ručičiek a často kontrolujte napnutie reťaze. Ak chcete zmenšiť napnutie reťaze, otáčajte nastavovací krúžok napnutia reťaze proti smeru pohybu hodinových ručičiek a často kontrolujte napnutie reťaze.
3. Napnutie reťaze je správne, keď medzera medzi medzi nožom v reťazi a lištou približne 3 mm až 4 mm.

Potiahnite reťaz v strede spodnej strany nadol (smerom od lišty) a odmerajte vzdialenosť medzi lištou a nožmi reťaze.

4. Uťahnite poistné tlačidlo vodiacej lišty jeho otáčaním v smere pohybu hodinových ručičiek.

### PREVÁDZKA

#### PRIDÁVANIE MAZACIEHO OLEJA REŤAZE

*Pozrite stranu 246.*

#### VAROVANIE

Nikdy nepracujte bez maziva reťaze! Ak pílová reťaz beží bez maziva, vodiaca lišta a pílová reťaz môžu byť poškodené. Preto je nevyhnutné pravidelne a vždy pred použitím reťazovej píly kontrolovať hladinu oleja v hladinomeri s prizorom.

1. Vyčistite plochu v okolí olejového viečka, aby nedošlo ku kontaminácii.
2. Odskrutkujte a odstráňte viečko z olejovej nádržky.
3. Do olejovej nádržky nalejte olej a sledujte hladinomer oleja. Dbajte na to, aby do olejovej nádržky pri naplňaní nevnikli žiadne nečistoty.
4. Znova nasadte a utiahnite olejové viečko. Prípadne vyliaty olej utrite.
5. Jedna plná olejová nádržka umožňuje používanie píly po dobu 20-40 minút.

#### Odporúčaný mazací olej reťaze

- Výrobca odporúča používať len mazací olej na reťazové píly značky Ryobi. (K dispozícii v autorizovanom servisnom centre Ryobi)

#### DRŽANIE REŤAZOVEJ PÍLY

*Pozrite stranu 235.*

Reťazovú pílu vždy držte pravou rukou na zadnej rukoväti a ľavou rukou na pravej rukoväti. Uchopte obe rukoväte, aby palce a prsty obopínali rukoväte. Dbajte na to, aby vaša ľavá ruka držala prednú rukoväť tak, že palec je zospodu.

#### VAROVANIE

Okrem toho, že neusporiadané káble predstavujú riziko usmrtienia elektrickým prúdom, môžu spôsobiť pády a zakopnutia. Odpojte produkt od zdroja energie.

#### SPUSTENIE REŤAZOVEJ PÍLY

*Pozrite stranu 235.*

1. Napájací kábel, či nie je poškodený Skontrolujte, či brzda reťaze v prevádzkovej polohe – stiahnite páčku/chrániča ruky.
2. Spustenie nástroja: Stlačte poistku spínača a potom stlačte hlavný spínač.

#### KONTROLA A OBSLUHA BRZDY REŤAZE

1. Brzdu reťaze aktivujete tak, že otočíte ľavou rukou okolo prednej rukoväte. Zadnou stranou ruky potlačte páčku brzdy reťaze alebo chrániča ruky smerom k lište, kým sa reťaz rýchlo otáča. Dbajte na to, aby ste obe



ruky mali neustále na rukovätiach pily.

2. Znova nastavte brzdu reťaze do polohy RUN – uchopte vrchnú časť päčky brzdy/chrániča ruky a potiahnite smerom k prednej rukoväti.

#### **VAROVANIE**

Ak reťazová brzda nezastaví reťaz okamžite, alebo ak reťazová brzda nezostáva v polohe RUN bez pomoci, pred použitím zoberte pílu do autorizovaného servisného centra na opravu.

#### **PREPRAVA A SKLADOVANIE**

*Pozrite stranu 248 - 249.*

- Pred uskladnením alebo prepravou zastavte zariadenie, odpojte ho od elektrickej siete a nechajte ho vychladnúť.
- Odstráňte zo zariadenia všetky cudzie materiály. Odložte ho na suché a dobre vetrané miesto, na ktoré nemajú prístup deti. Náradie neuskladňujte v blízkosti žieravých látok, ako napríklad v blízkosti záhradníckych chemických prípravkov alebo solí na zimný posyp komunikácií. Neskladujte v exteriéri.
- Predtým, ako zariadenie odložíte alebo počas prepravy nasadte kryt vodiacej lišty.
- Pri preprave zaistíte zariadenie pred pohybom alebo pádom, aby nedošlo k poraneniu osôb alebo poškodeniu zariadenia.

#### **ÚDRŽBA**

#### **VAROVANIE**

Používajte len originálne náhradné diely, príslušenstvo a nástavce výrobcu. V opačnom prípade môže dôjsť k možnému poraneniu, nedostatočnému výkonu a strate platnosti záruky.

#### **VAROVANIE**

Údržba vyžaduje extrémnu starostlivosť a znalosti, a musí byť prevádzkaná výhradne v autorizovanom servise. Z dôvodu servisu vám odporúčame vrátiť výrobok do najbližšieho autorizovaného servisného centra na opravu. Ak výrobok opravujete, používajte iba rovnaké originálne náhradné diely.

#### **VAROVANIE**

Pred úpravami, údržbou alebo čistením odpojte z elektrickej siete. V opačnom prípade môže dôjsť k závažnému poraneniu osôb.

- Môžete vykonávať úpravy a opravy popísané v tejto príručke. Pri ostatných opravách sa obráťte na autorizovaného servisného zástupcu.
- Následkami nesprávnej údržby môže byť nesprávne fungovanie brzdy reťaze a ostatných bezpečnostných funkcií, čím sa zvyšuje potenciál závažného poranenia.

Reťazová pílu udržiavajte správnu údržbou a v bezpečí.

- Bezpečné ostrenie reťaze je úloha vyžadujúca určitú zručnosť. Preto výrobca dôrazne odporúča nahradiť opotrebovanú alebo tupú reťaz za novú, ktorá je dostupná v autorizovanom servisnom centre Ryobi. Číslo dielu nájdete v tabuľke špecifikácií produktu v tomto návode.
- Dodržiavajte pokyny na mazanie a kontrolu a nastavovanie napnutia reťaze.
- Po každom použití vyčistite produkt mäkkou suchou tkaninou.
- Skontrolujte všetky skrutky, matice v častých intervaloch či sú riadne utiahnuté, aby sa zaistila bezpečná prevádzka produktu. Akýkoľvek poškodený diel sa musí náležite opraviť alebo vymeniť v autorizovanom servisnom centre.

#### **VÝMENA VODIACEJ LIŠTY A PÍLOVEJ REŤAZE**

*Pozrite stranu 244 - 245.*

1. Odpojte produkt k zdroju energie. Používajte ochranné rukavice.
2. Odskrutkujte poistné tlačidlo vodiacej lišty jeho otáčaním proti smeru pohybu hodinových ručičiek, kým sa kryt reťazového kolesa neuvolní.
3. Vyberte kryt reťazového kolesa. Odstráňte lištu a reťazovú pílu z jednotky.
4. Ak chcete vymeniť lištu za novú, uvoľnite skrutku zostavy napnutia reťaze. Namontujte zostavu napnutia reťaze na novú lištu a utiahnite skrutku.
5. Položte novú reťaz v správnom smere na lištu a skontrolujte, či vodiace články sú zarovnané v drážke lišty.
6. Nasadte lištu na reťazovú pílu a obtočte reťaz okolo reťazového kolesa.
7. Znova nasadte kryt reťazového kolesa, utiahnite ho a potom utiahnite tlačidlo.
8. Nastavte napnutie reťaze. Pozrite sekciu „Nastavenie napnutia reťaze“.

#### **VAROVANIE**

Nesprávne naostrenie reťaze zvyšuje riziko spätného rázu.

#### **VAROVANIE**

Ak nevymeníte alebo neopravíte poškodenú reťaz, vystavujete sa riziku vážneho zranenia.

#### **VAROVANIE**

Reťaz je veľmi ostrá. Pri údržbe reťaze vždy pracujte v rukaviciach.

#### **KONTROLA A ČISTENIE BRZDY REŤAZE**

*Pozrite stranu 247.*

- Mechanizmus brzdy reťaze vždy udržiavajte v čistote – jemne okefujte spoje od špiny.
- Po čistení vždy skontrolujte výkonnosť brzdy reťaze.



Viac informácií nájdete v časti "Používanie náradia - Kontrola a obsluha brzdy reťaze".

## URNÍK VZDRŽEVANJA

Každodenné čistenie	
Elektrická reťazová píla	Pred vsako uporabo
Mazanje meča	Pred vsako uporabo
Napetost verige	Pred každým použitím a pravidelne
Ostrino verige	Pred každým použitím, vizuálna kontrola
Poškodovanost delov	Pred vsako uporabo
Privitost pritržil	Pred vsako uporabo
Funkcia brzdy reťaze	Pred vsako uporabo
Preverite in očistite	
Lišta	Pred vsako uporabo
Celotno žago	Po vsaki uporabi
Brzda reťaze	Vsakih 5 ur*

\*Ure obratovanja

## SYMBOLY NA PRODUKTE



Výstražná značka



Pred použitím produktu si s porozumením prečítajte všetky pokyny a dodržiavajte výstražné a bezpečnostné upozornenia.



Pri práci s náradím používajte ochranné okuliare, chrániče sluchu a ochrannú prilbu.



Pri používaní tohto produktu používajte nešmykľavú obuv.



Používajte protišmykové odolné rukavice.



Ak sa kábel poškodí alebo pretrhne, bezprostredne pred vykonaním údržby odpojte zástrčku z elektrickej siete.



Dávajte pozor na spätný náraz reťazovej píly a vyhýbajte sa kontaktu s hrotom lišty.



Nevystavujte dažďu ani nepoužívajte vo vlhkom prostredí.



Pri práci držte pílu pevne obidvomi rukami.



Reťazovú pílu nikdy neobsluhujte len jednou rukou.



Vyhovuje všetkým regulačným normám v krajine EÚ, v ktorej bol výrobok zakúpený.



GOST-R konformita



Nástroj triedy II, dvojitá izolácia



Opotrebované elektrické zariadenia by ste nemali odhadzovať do domového odpadu. Prosíme o recykláciu ak je možné. Kontaktujte miestne úrady, alebo predajcu pre viac informácií ohľadom ekologického spracovania.



Garantovaná hladina akustického výkonu je 108 dB. (RCS1935)



Garantovaná hladina akustického výkonu je 107 dB. (RCS2340)



Mazivo na lištu a reťaz



Zamknuté



Odomknuté



Otáčaním nastavte napnutie reťaze +/-: Utiahnite/uvoľnite reťaz



Smer pohybu reťaze  
Vyznačené pod krytom reťazového kolesa

L max

Maximálna dĺžka vodiacej lišty

## IKONY V TOMTO NÁVODE



Pripojte do elektrickej zásuvky



Odpojte z elektrickej zásuvky



Diely alebo príslušenstvo predávané samostatne



Opotrebované elektrické zariadenia by ste nemali odhadzovať do domového odpadu. Prosíme o recykláciu ak je možné.

EN  
FR  
DE  
ES  
IT  
NL  
PT  
DA  
SV  
FI  
NO  
RU  
PL  
CS  
HU  
RO  
LV  
LT  
ET  
HR  
SL  
**SK**  
BG



POZNÁMKA:



VAROVANIE



Používajte chrániče zraku a tváre.



Používajte ochranu hornej polovice tela.



Používajte ochranu nôh.



Zastavte zariadenie.

Nasledujúce značky a významy vysvetľujú úroveň rizika spojeným s výrobkom.

**⚠ NEBEZPEČENSTVO**

Označuje bezprostredne nebezpečnú situáciu, ktorá môže vyústiť v smrť, alebo vážne zranenie.

**⚠ VAROVANIE**

Označuje potenciálne nebezpečnú situáciu, ktorá môže vyústiť v smrť, alebo vážne zranenie.

**⚠ VÝSTRAHA**

Označuje potenciálne nebezpečnú situáciu, ktorá môže vyústiť v ľahké, alebo stredne ťažké zranenie.

**VÝSTRAHA**

Bez symbolu bezpečnostného alarmu

Označuje situáciu, ktorá môže zapríčiniť poškodenie majetku.



### ⚠ ПРЕДУПРЕЖДЕНИЕ

При използване на продукта трябва да се спазват правилата за безопасност. За осигуряване на вашата безопасност и тази на страничните наблюдатели прочетете тези инструкции, преди да работите с продукта. Трябва да посетите професионално организиран курс по безопасност относно използването, превантивните действия, оказването на първа помощ и поддръжката при работа с верижни триони. Съхранявайте ръководството за експлоатация на сигурно място, за да можете да го ползвате и по-късно.

### ⚠ ПРЕДУПРЕЖДЕНИЕ

Верижните триони са потенциално опасни инструменти. Инцидентите, свързани с използването на верижни триони, често завършват със загуба на крайници или смърт. Опасността не идва само от самия верижен трион. Падащите клони, повалените дървета и търкалящите се дънери също могат да убиват. Нездравият или гниещ дървен материал създава допълнителни опасности. Трябва внимателно да преценявате възможностите си за безопасно справяне със съответната дейност. Ако имате някакви съмнения, оставете работата на професионален лесовъд.

### ОБЩИ ПРЕДУПРЕЖДЕНИЯ ЗА БЕЗОПАСНОСТ

### ⚠ ПРЕДУПРЕЖДЕНИЕ

Прочетете всички предупреждения относно безопасността и всички инструкции. Неспазването на предупрежденията и инструкциите може да доведе до токов удар, пожар и/или сериозни наранявания.

**Съхранявайте всички предупреждения и инструкции за бъдещи справки.**

Терминът "електрически инструмент" в предупрежденията се отнася за вашия инструмент - със захранване от електрическата мрежа (с кабел) или на батерия (безжичен).

### БЕЗОПАСНОСТ НА РАБОТНАТА ЗОНА

- **Поддържайте работното пространство чисто и добре осветено.** Безпорядъкът или тъмнината в работното пространство са предпоставка за злополуки.
- **Не използвайте електрически инструменти в експлозивни среди, например в присъствието на запалителни течности, газове или прах.** По време на работа електрическите инструменти произвеждат искри, които могат да възпламенят прах или пари.
- **Дръжте децата и страничните наблюдатели далече, докато боравите с електрически инструмент.** Ако вниманието ви бъде отклонено, може да загубите контрола над електрическия инструмент.

### ЕЛЕКТРИЧЕСКА БЕЗОПАСНОСТ

- **Щепселът на електрическия инструмент трябва да е съвместим с контакта. В никакъв случай не внасяйте изменения в конструкцията на щепсела. Когато работите със занулени електрически инструменти, не използвайте адаптери за щепсела.** Използването на оригиналните щепсели и контакти намалява риска от токов удар.
- **Избягвайте допир със заземени повърхности, като тръби, радиатори, печки и хладилници.** Когато тялото ви е заземено, рискът от възникване на токов удар е по-голям.
- **Не излагайте продукта на дъжд или влажни условия.** Проникването на вода в електрическия инструмент повишава опасността от токов удар.
- **Не насилвайте захранващия кабел. Никога не носете, не изключвайте и не дърпайте електрическия инструмент за кабела.** Предпазвайте кабела от нагряване, омасляване, допир до остри ръбове или до подвижни звена на машини. Повредените или усукани кабели увеличават риска от токов удар.
- **Когато работите с електрически инструмент на открито, използвайте само удължителни кабели, предназначени за работа на открито.** Използването на удължител, предназначен за работа на открито, намалява риска токов удар.
- **Ако не можете да избегнете използването на електрически инструмент на влажно място, използвайте RCD (прекъсвач със защитно изключване).** Използването на RCD намалява опасността от електрически удар.

### ЛИЧНА БЕЗОПАСНОСТ

- **Бъдете бдителни, внимавайте какво правите и проявявайте благоразумие, когато боравите с електрически инструмент. Не използвайте електрическия инструмент, когато сте уморени или под влиянието на наркотични вещества, алкохол или лекарства.** Миг невнимание, докато боравите с електрически инструмент, е достатъчен за получаването на сериозни наранявания.
- **Използвайте лична защитна екипировка. Винаги носете защитни очила.** Защитната екипировка, като маска против прах, пригодени против плъзгане защитни обувки, твърда шапка или антифони, използвани за подходящите условия, ще намали опасността от физически наранявания.
- **Не допускате нежелано стартиране. Преди да вдигате или носите инструмента и преди да го включвате в електрическата мрежа и/или батерия, винаги проверявайте дали превключвателят е на позиция OFF (изкл).** Носенето на инструмента с пръст върху превключвателя или включването му към електричеството, докато превключвателят му е на включен, е предпоставка за злополуки.
- **Махнете всички гачни или френски ключове за настройка преди да включите инструмента.** Помощен инструмент, забравен на въртящ се елемент, може да доведе до физически наранявания.
- **Не се протягайте, за да работите на трудно**





достижими места. **Винаги стъпвайте стабилно по време на работа и пазете равновесие.** Това дава възможност за по-добър контрол над електрическия инструмент в неочаквани ситуации.

- **Обличайте се целесъобразно. Не носете широки дрехи или украшения. Дръжте косата, дрехите и ръкавиците си на безопасно разстояние от подвижните елементи.** Широките дрехи, украшенията, дългите коси могат да бъдат захванати и увлечени от движещи се елементи.
- **Ако устройствата са оборудвани със съоръжение за издърпване и събиране на прах, уверете се, че е то свързано и функционира правилно.** Използването на устройства за събиране на прах ще намали рисковете, свързани с работа в прашни условия.

#### **ИЗПОЛЗВАНЕ И ОБСЛУЖВАНЕ НА ЕЛЕКТРИЧЕСКИЯ ИНСТРУМЕНТ**

- **Не насилвайте продукта.** Използвайте електрическия инструмент, съобразно неговото предназначение. Правилно подбреният електрически инструмент ще свърши работата по-добре и по-безопасно в зададения от производителя диапазон на натоварване.
- **Не използвайте електрически инструменти, чиито пусков прекъсвач е повреден.** Електрически инструмент, който не може да бъде контролиран посредством превключвател, е опасен и трябва да бъде ремонтиран.
- **Изключете щепсела от източника на захранване и/или батерията от електрическия инструмент, преди да извършвате каквито и да е корекции, да сменяте принадлежностите и преди съхраняване на електрическите инструменти** Тази мярка премахва опасността от задействане на електрическия инструмент по невнимание.
- **Съхранявайте незаетите електрически инструменти на недостъпни за деца места и не позволявайте на лица, непознати с инструмента или с тези указания, да боравят с него.** Когато са в ръцете на неопитни потребители, електрическите инструменти могат да бъдат изключително опасни.
- **Поддържайте електрическите инструменти в изправност.** Проверявайте за неизправности или заклиняване в подвижните елементи, за счупени части или други обстоятелства, които могат да влошат работата на електрическия инструмент. **Преди да използвате електрическия инструмент, се погрижете повредите да бъдат отстранени.** Много от трудовите злополуки се дължат на недобре поддържани електрически инструменти.
- **Поддържайте режещите инструменти винаги добре заточени и чисти.** Инструменти, за които е полагана правилна грижа и са с добре наточени режещи елементи, се управляват по-лесно и вероятността да заядат е по-малка.
- **Използвайте електрическите инструменти, принадлежностите и режещите и др. части съобразно тези указания, като се съобразявате с работните условия и с работата, която ще**

**извършвате.** Използването на електрически инструменти за различни от предвидените от производителя приложения повишава опасността от възникване на трудови злополуки.

#### **СЕРВИЗНО ОБСЛУЖВАНЕ**

- **Ремонтът на електрическите инструменти трябва да се извършва само от квалифицирани специалисти и само с използването на оригинални резервни части.** По този начин се гарантира поддържането на безопасност при работа с електрическия инструмент.

#### **ДОПЪЛНИТЕЛНИ ОБЩИ ПРЕДУПРЕЖДЕНИЯ ЗА БЕЗОПАСНОС**

- В някои региони действат наредби, които ограничават употребата на продукта. За съвети се обръщайте към местните власти.
- Не позволявайте на деца или на лица, непознати с инструкциите да използват продукта. Местните наредби могат да налагат ограничения за възрастта на оператора.
- Преди всяка употреба проверявайте дали всички контроли и устройства за безопасност функционират правилно. Не използвайте електрическия инструмент, ако превключвателят "Off" ("Изключване") не спира мотора.
- При работа с продукта носете предпазни очила, антифони, здрави предпазни ръкавици и защитна каска; използвайте маска за лице, ако дейността е свързана с вдигане на много прах.
- Не носете широки дрехи, шорти или каквито и да било бижута.
- Дългата коса трябва да бъде прибрана на ниво над раменете, за да се избегне заплитането ѝ в движещите се части.
- Внимавайте за отхвъркнали, летящи или падащи предмети. Дръжте всички странични наблюдатели (особено деца и домашни любимци) на поне 15m разстояние от работната зона.
- Не използвайте тази машина при слабо осветление. Операторът трябва да има чиста видимост върху работното пространство, за да идентифицира потенциални опасности.
- При използване на антифони ще се намали способността да чувате предупреждения (подвиквания или аларми). Операторът трябва да е особено внимателен за това, което се случва в работната зона.
- Ако наблизно се работи с подобни уреди, това увеличава както риска от увреждане на слуха, така и вероятността други хора да навлязат във вашето работно пространство.
- Заемайте стабилна позиция и пазете баланс. Не се протягайте, за да работите на трудно достижими места. Прекомерното протягане може да доведе до загуба на равновесие и да увеличи опасността от откат.
- Дръжте движещите се части на разстояние от тялото си.
- Преглеждайте уреда преди употреба. Проверете дали всички части по управлението функционират правилно, включително верижната спирачка.





Проверете за разхлабени свързки. Уверете се, че всички предпазители и дръжки са правилно стабилно прикрепени. Заменяйте повредените части преди употреба.

- Не модифицирайте машината по никакъв начин и не използвайте части и принадлежности, които не са препоръчани от производителя.
- Ако трябва да използвате удължителен кабел, уверете се, че е подходящ за употреба на открито и има капацитет за напрежение, достатъчен за инструмента; преди употреба го проверете за повреди и винаги го развивайте, преди да го използвате, понеже навитите кабели могат да прегреят.
- А мощностен скок предизвиква колебания на напрежението и може да засегне и други електрически продукти в една и съща мощностна линия. Свържете принтера към източник на захранване с импеданс, равен или по-малко, отколкото 0.372Ω - RCS1935, 0.277Ω - RCS2340 се сведе до минимум колебанията на напрежението. Свържете се с вашия доставчик на електроенергия за по-нататъшно изясняване.

#### **⚠ ПРЕДУПРЕЖДЕНИЕ**

Ако машината бъде изпусната, претърпи тежък удар или започне да вибрира необичайно, незабавно я спрете, за да проверите за потенциална повреда или да установите източника на вибрациите. Поправките и замените на части при повреда трябва да се извършват от оторизиран сервизен център.

#### **ПРЕДУПРЕЖДЕНИЯ ЗА БЕЗОПАСНА РАБОТА С ВЕРИЖНИЯ ТРИОН**

- При работещ верижен трион дръжте режещата верига далеч от всички части на тялото си. Преди да стартирате верижния трион, се уверете, че веригата не допира никъде. Един миг невнимание при работа с верижния трион може да завлече части на облеклото или тялото ви във веригата.
- Винаги дръжте верижния трион с дясната ръка за задната ръкохватка и с лявата ръка за предната ръкохватка. Захващането на верижния трион с обратния захват увеличава опасността от нараняване и е забранено.
- Дръжте електрическия инструмент само за изолираните повърхности за хващане, тъй като веригата може да влезе в контакт със скрити кабели или с кабела на инструмента. Ако веригата влезе в контакт с открити жици, може да протече ток по металните части на електрическия инструмент, в следствие на което операторът може да претърпи токов удар.
- Носете предпазни очила и антифони. Препоръчва се също и използването на предпазни средства за главата, ръцете и краката. Подходящото предпазно облекло намалява опасността от нараняване от отхвърчащите

отломки, както и от допир по невнимание до режещата верига.

- **Не работете с верижния трион, качени на дърво.** Съществува опасност от нараняване, ако работите с верижния трион, докато сте се качили на дърво.
- **Стъпвайте винаги стабилно с двата крака и използвайте верижния трион само ако сте стъпили на здрава, сигурна и равна повърхност.** При стоене върху хлъзгава и нестабилна повърхност, като например стълба, е възможно да загубите равновесие и контрол над верижния трион.
- **Когато режете клон, който е обтегнат под напрежение, бъдете в готовност той да отскочи в определена посока.** Когато обтегнатите под напрежение влакна на дървото се освободят, клонът може да удари оператора или да предизвика загуба на контрол над верижния трион.
- **Бъдете особено внимателни при рязане на храсти или млади дървета.** Крехкият дървен материал може да се захване за режещата верига и да ви удари или да ви изкара от равновесно положение.
- **Носете верижния трион, като го дръжте за предната ръкохватка, с изключен мотор и далеч от тялото ви.** При транспортиране или при съхраняване на верижния трион винаги поставяйте предпазния капак на водещата шина. Внимателното боравене с верижния трион намалява вероятността от случаен допир до движещата се верига.
- **Спазвайте указанията за смазване, обтягане на веригата и смяна на допълнителните принадлежности.** Неправилно обтегнатата или недостатъчно смазаната верига може да се счупи или да повиши значително опасността от откат.
- **Поддържайте ръкохватките сухи, чисти и неомаслени.** Омаслените ръкохватки се приплъзват в ръцете и могат да доведат до загуба на контрол.
- **Резете само дървен материал.** Не използвайте верижния трион за дейности, за които той не е предназначен. Например не използвайте верижния трион за рязане на пластмаса, зидарски или други строителни елементи, които не са от дърво. Използването на верижния трион за дейности, за които не е предназначен, може да доведе до рискови ситуации.

**Причини за възникване на откат и начини за избягването му:**

Може да се получи откат, ако краят на шината влезе в контакт с даден предмет или ако режещата верига бъде затисната и захваната в дървото по време на рязане.

Понякога допирът на върха на шината с предмет може да предизвика рязко отскачане на шината нагоре и назад, по посока на оператора.

Заклинването на веригата от горната страна на шината може рязко да отхвърли шината по посока на оператора.

В такива случаи е възможно да загубите контрол





над триона и да получите сериозно нараняване. Не разчитайте само на предпазните механизми, които има трионът. Вие също трябва да предприемете различни мерки, за да избегнете риска от злополуки и наранявания.

Откатът е следствие на неправилно използване на електрическия инструмент. Той може да бъде предотвратен с предприемане на подходящи предпазни мерки, които са описани по-долу:

- **Дръжте верижния трион здраво с двете ръце, като обхващате хубаво ръкохватките му с палците и показалците. Заемайте позиция на тялото и ръцете, при която ще можете да противостоите на евентуално възникнали откатни сили.** Ако се вземат подходящи предпазни мерки, при възникване на откат операторът може да овладее възникващите откатни сили. В никакъв случай не пускайте верижния трион.
- **Не се протягайте прекомерно с инструмента и не режете над височина над раменете си.** Така предотвратявате нежеланото докосване на предмети с върха на водещата шина и ще имате по-добър контрол над верижния трион при внезапно възникване на неочаквани ситуации.
- **Винаги използвайте само резервни водещи шини и режещи вериги, посочени от производителя.** Неподходящите шини или вериги могат да предизвикат счупване на веригата или възникване на откат.
- **Спазвайте инструкциите на производителя при заточване и поддръжка на веригата.** Твърде ниските ограничители на дълбочината увеличават опасността от възникване на откат.

## ДОПЪЛНИТЕЛНИ ОБЩИ ПРЕДУПРЕЖДЕНИЯ ЗА БЕЗОПАСНОСТ

- Ако работите с продукта за първи път и режете дънери, е препоръчително да ги поставите върху стенд или „магаре“ за рязане на дърва.
- Уверете се, че всички предпазители, ръкохватки и буферни шипове са поставени на мястото им и са в изправност.
- Лицата, работещи с верижния трион, трябва да са в добро здравословно състояние. Вержижният трион е тежък инструмент, затова операторът трябва да е физически здрав. Операторът трябва да е бдителен, да има добро зрение, подвижност, баланс и ловкост в ръцете. Ако имате каквито и да са съмнения, не използвайте верижния трион.
- Не започвайте работа с продукта, преди да е осигурена чиста работна зона, стабилна опора и път за оттегляне при падащо дърво.
- Внимавайте да не вдъшвате пръски от смазочната течност или стърготини. При необходимост носете маска или респиратор.
- Уредът трябва да бъде захранван чрез прекъсвач за защитно изключване, пропускащ ток не повече от 30 mA.
- Ако захранващият кабел се повреди, трябва да занесете машината в оторизиран сервизен център за ремонт или подмяна на кабела.

- Винаги дръжте захранващия кабел в добро състояние и далече от зоната на рязане. Развлечените кабели крият опасност от токов удар, а също така е възможно да се спънете в тях и да паднете.
  - Не режете асми и/или малки хресталаци (с диаметър под 75 мм).
  - Винаги дръжте верижния трион с две ръце, когато работите с него. Дръжте здраво триона, като пръстите ви трябва да обхващат дръжките. Дясната ви ръка трябва да е на задната ръкохватка, а лявата ръка на предната ръкохватка.
  - Преди да включите инструмента, се уверете, че веригата не се допира до каквито да е предмети.
  - Не модифицирайте инструмента по никакъв начин и не го използвайте за захранване или задвижване на приставки и устройства, които не са препоръчани от производителя на верижния трион.
  - Налице трябва да е аптечка за първа помощ с превъзочни материали за големи рани, както и средство за привличане на вниманието на оператора, когато сте близо до него (напр. свирка). В обзирима близост трябва да се намира здравен комплект с повече материали за оказване на помощ.
  - Ако в работната зона няма опасност от падащи предмети, операторът може да се изкуши да сваля каската си, но той не бива да забравя, че каската (особено ако е снабдена с мрежест визьор) намалява риска от нараняване на лицето и главата при възникване на откат.
  - Неправилно обтегнатата верига може да отскочи от водещата шина, което може да доведе до сериозно нараняване или смърт. Дължината на веригата зависи от температурата. Периодично проверявайте обтегнатостта на веригата.
  - За да свикнете да използвате своя нов верижен трион, започнете с прости разрези на дървени материали, които са здраво застопорени. Правете това също и когато дълго време не сте работили с верижния трион.
  - За да намалите риска от нараняване в следствие на допир с движещите се части, винаги спирайте мотора, задействайте верижната спирачка, изключете от електрическия контакт и се уверявайте, че всички движещи се части са спрели напълно, преди да:
    - почистване или отстраняване на препятствия
    - оставяне на продукта без надзор
    - монтирате или демонтирате допълнителни приставки
    - извършвате проверки, поддръжка или работа по машината.
  - Площта на работния участък зависи от работата, която ще се извършва, както и от на дървото или от ствола, който ще се обработва. Например повалянето на дърво изисква по-голяма работна зона от други видове рязане, като например бичене на трупи и др.
- Операторът трябва да внимава и да контролира всичко, което се случва в работната зона.





- Докато режете, тялото ви не трябва да бъде на една линия с водещата шина и веригата. Ако спазвате това, при евентуален откат веригата няма да влезе в контакт с вашата глава или тяло.
- Не използвайте режещи движения напред и назад, а оставете веригата сама да свърши работата. Поддържайте веригата наточена и не се опитвайте да я бутате със сила през прореза.
- Не упражнявайте натиск върху триона в края на рязането. Бъдете готови да поемете тежестта на верижния трион, когато той прореже рязаното дърво и се освободи. Несъобразяването с това предупреждение може да доведе до сериозни контузии.
- Не спирате триона по средата на рязането. Оставете триона да работи, докато не се освободи от прореза.

#### Натиск и теглене

Противодействащата сила винаги е с посока, обратна на въртенето на веригата. Затова операторът трябва да е готов да контролира тенденцията инструментът да се изплъзва (да се придвижва напред) при рязане с долния ръб на шината и да се придърпва назад (към оператора) при рязане с горния ръб на шината.

#### Засядане на триона в прореза

Спрете верижния трион и го обезопасете. Не се опитвайте да освободите със сила веригата и шината от прореза, защото това вероятно ще счупи веригата, която може да отхвъркне и да удари оператора. Тази ситуация обикновено възниква, защото рязаното дърво не е поставено на правилна опора и прорязаната част прищипва острието. Ако регулирането на опората не освободи шината и веригата, използвайте дървени клинове или лост, за да разширите прореза и да освободите триона. Никога не опитвайте да стартирате верижния трион, когато водещата шина вече е заседнала в прорез или цепнатина.

#### Лични предпазни средства

Висококачествените лични предпазни средства, използвани от професионалните работници, намаляват опасността от нараняване на оператора. Следните защитни средства трябва да се използват при работа с верижния трион:

##### Предпазна каска

- трябва да е в съответствие с EN 397 и да има CE маркировка

##### Антифони

- трябва да е в съответствие с EN 352-1 и да има CE маркировка

##### Предпазни средства за очите и лицето

- трябва да имат CE маркировка и да са в съответствие с EN 166 (за защитни очила) или с EN 1731 (за мрежести визьори)

##### Ръкавици

- трябва да е в съответствие с EN 381-7 и да има CE маркировка

##### Защитни средства за краката (гамаша)

- трябва да са в съответствие с EN381-5, да имат CE маркировка и да предоставят цялостна защита.

#### Предпазни ботуши за работа с верижни триони

- трябва да са в съответствие с EN ISO 20345:2004 и да са маркирани с щит, изобразяващ верижен трион, който е знак за съответствие с EN 381-3. (Потребителите, които рядко работят с уреда, могат да използват предпазни ботуши със стоманена обшивка на пръстите и със защитни маншони. Тези ботуши са в съответствие с EN 381-9 и могат да бъдат използвани, ако работната зона е равна и съществува минимален риск от спъване или заплитане в наземната растителност)

#### Якето за защита на горната част на тялото при работа с верижни триони

- трябва да е в съответствие с EN 381-11 и да има CE маркировка

#### ИНСТРУКЦИИ ОТНОСНО ОСНОВНИТЕ ТЕХНИКИ ЗА ПОВАЛЯНЕ НА ДЪРВЕТА, КАСТРЕНЕ И НАПРЕЧНО РЯЗАНЕ

##### Разбиране на силите и процесите, протичащи в дървения материал

Когато разберете посоките на оказване на обтягащо напрежение и притискащ натиск в дървения материал, можете да намалите „прищипванията“ на триона или поне да знаете кога да ги очаквате в процеса на рязане. Когато дървеният материал е обтегнат под напрежение, влакната в дървото се раздалечат и при рязане в тази зона „цепнатината“ или прорезът се разширяват след преминаване на триона. Ако използвате „магаре“ за подпора при рязане на дънер, но единият край на дънера виси без подпора, ще се създаде обтягащо напрежение в горната част на дървения материал, защото теглото на висящата част на дънера ще обтегне влакната. Съответно в долната част на дънера ще се създаде притискащ натиск, защото влакната ще бъдат притиснати едно в друго. Ако направите прорез в тази зона, цепнатината ще се опита да се стесни и да се затвори по време на рязането. Това ще прещипе острието.

##### Поваление на дърво

Вж. страница 239 - 240.

Ако двама или повече човека едновременно бичат трупи и повалят дърво, между мястото на бичене и дървото за поваление трябва да има разстояние, което е поне два пъти по-голямо от височината на поваляното дърво. При поваление на дървета трябва да се внимава да не бъдат застрашени други лица, електропроводи, водопроводи, газопроводи и други подобни съоръжения, както и да не бъдат нанесени материални щети. Ако поваленото дърво засегне съоръжение на инфраструктурата, незабавно трябва да бъде уведомена съответната организация, стопанисваща съоръжението.

Ако работите по наклонен участък, винаги стойте нависоко, защото съществува опасност при отсичането си дървото да се изтъркаля или плъзне надолу по





наклона.

Преди да се започне с повалянето, трябва да бъде набелязан и разчистен път за безопасно оттегляне от работната площадка. Пътят за оттегляне трябва да води косо назад спрямо очакваната линия на падане на дървото.

Преди повалянето трябва да бъдат отчетени естественият наклон на дървото, позицията на поголемите клони и посоката на вятъра, за да бъде преценена възможно най-точно линията на падане на дървото.

Дървото трябва да се почисти от боклуци, камъни, откъртваща се кора, пирони, скоби и тел.

Не опитвайте да повалите дървета, които са изгнили или са повредени от вятър, огън, мъгливи и др.

Това е изключително опасна дейност, която трябва да се извършва само от професионални лесовъди.

#### ■ Направляващ прорез

Вж. страница 239 - 240.

Направляващият прорез трябва да е с дълбочина 1/3 от диаметъра на дънера и да е перпендикулярен на желаната посока на падане. Първо направете долния хоризонтален срез на направляващия прорез. Така ще избегнете защипването на верижния трион или на водещата шина при направата на втория срез на прореза.

#### ■ Повалец заден срез

Вж. страница 239 - 240.

Повалецът заден срез трябва да се направи поне 50 мм (2 инча) по-високо от хоризонталния срез на направляващия прорез. Повалецът заден срез трябва да е успореден на хоризонталния срез на прореза. Направете повалеца срез така, че да остане известна непрекъсната част, която действа като шарнир. Шарнирът предотвратява завъртането и падането на дървото на неправилна посока. Не прерязвайте шарнира.

Когато повалецът заден срез доближи шарнира, би трябвало дървото само да започне да пада. Ако видите, че има възможност дървото да не падне в желаната посока или да се наклони и да блокира верижния трион, прекъснете разрязването и използвайте клинове от дърво, пластмаса или алуминий за разтваряне на среза и накланяне на дървото в желаната посока.

Когато дървото започне да пада, извадете верижния трион от среза, изключете го, оставете го на земята и напуснете работната площадка по предварително набелязания път за оттегляне. Внимавайте за падащи клони, както и да не се препънете.

### Изрязване на дебели корени

Вж. страница 240.

Това са много големи корени, които излизат от ствола над повърхността. Преди да отсечете дървото, отстранете дебелите корени. Първо направете хоризонтален прорез в корена, след това и вертикален. Махнете изрязаната част от работния участък. След като извадите дебелите корени, пристъпете към отрязване на дървото.

### Бичене на дънера

Вж. страница 241.

Биченето представлява нарязване на дънера по дължина на трупи. Важно е да стъпвате стабилно и тежестта ви да е разпределена равномерно между двата крака. Ако е необходимо, дънерът трябва да бъде подпрян с клони, греди или клинове. За да разрязвате леко, спазвайте тези прости указания. Когато дънерът е подпрян по цялата му дължина, трябва да се реже от горната му страна (горно бичене).

Когато дънерът е подпрян само от едната му страна, направете разрез от долната страна на дънера с дълбочина 1/3 от диаметъра му (долно бичене). След това направете финалния срез чрез горно бичене, като го свържете с първия разрез.

Когато дънерът е подпрян и от двете му страни, направете разрез от горната страна на дънера с дълбочина 1/3 от диаметъра му (горно бичене). След това направете финалния срез чрез долно бичене, за да срежете останалите 2/3 от диаметъра, като го свържете с първия разрез.

Когато бичите трупи на склон, винаги стойте от горната страна на дънера. За да запазите пълен контрол по време на рязане, постепенно освобождавайте упражнявания от вас натиск при приближаване края на среза, без да отпускате хватата на ръкохватките. Не позволявайте на веригата да докосва земята. След приключване на прореза изчакайте веригата да спре, преди да преместите верижния трион. Винаги изключвайте мотора, преди да преминете към следващото дърво.

### Кастрене на дърво

Вж. страница 242.

Кастренето представлява премахване на клони от повалено дърво. Когато кастрите дърво, оставете големите клони от долната му страна, за да го подпират. Отрязвайте малките клони с едно режещо движение. Клоните, които са обтегнати под напрежение, трябва да бъдат отрязвани отдолу нагоре, за да се предотврати заклещването на верижния трион.

### Рязане на пружиниращи дървесни елементи

Вж. страница 255.

Огънатите клони може да са клони, изкоренени пънове или фиданки, които са огънати от друго дърво, така че рязко ще се изправят, когато ги отрежете или махнете дървото, което ги държи.

Съществува сериозен риск изкорененият пън на отсеченото дърво да се освободи и да застане във вертикално положение при рязане, за да се отдели от ствола. Внимавайте - огънатите клони са опасни.

#### **⚠ ПРЕДУПРЕЖДЕНИЕ**

Огънатите клони са опасни, защото могат да ви ударят и да загубите контрол над триона. При което да получите тежки или смъртоносни телесни повреди. Тази дейност трябва да се извършва от обучени потребители.



## ПРЕДНАЗНАЧЕНИЕ

Продуктът е предназначен за използване само на открито. От съображения за безопасност този продукт трябва по всяко време да бъде управляван и контролиран стабилно с две ръце.

Продуктът е предназначен за рязане на клони, дънери, трупи и греди с диаметър, определен от режещата дължина на водещата шина. Предназначен е за рязане единствено на дърво. Верижният трион е предназначен за извършване на битови дейности от лица, които са преминали адекватно обучение и са запознати с опасностите и превантивните мерки/дейности, свързани с използването на инструмента.

Не използвайте продукта за цели, различни от описаните по-горе. Той не трябва да се използва за професионално рязане на дърва. Продуктът не трябва да се използва от деца, както и от лица, които не носят подходящи лични предпазни средства и облекло.

## НЕПРЕДВИДЕНИ РИСКОВЕ.

Дори когато машината се използва по предназначение, е невъзможно напълно да се отстранят определени остатъчни рискови фактори. Рисковете, описани по-долу, може да възникнат по време на употреба и операторът трябва да внимава за избягването на следното:

- Нараняване, причинено от вибрация. Винаги използвайте подходящия инструмент за съответната дейност и предназначението за целта ръкохватки, като ограничавате времето на работа и излагането на рискове.
- Излагането на шум може да доведе до увреждане на слуха. Носете антифони и ограничете излагането
- Контакт с оголени зъбци на веригата на триона (опасност от порязване).
- Непредвидено, внезапно движение или откат на шината (опасност от порязване).
- Части, отхвъркнали от веригата на триона (опасност от порязване/убождане).
- Отхвъркнали отломки от материала (дървени стружки, трески).
- Вдишване на стърготини и други частици.
- Контакт на кожата със смазочната течност/маслото.

## ΜΕΙΩΣΗ ΚΙΝΔΥΝΟΥ

Известно е, че вибрациите, произвеждани от ръчни инструменти може да предизвикат у някои индивиди заболяване, наречено Синдром на Рейнолд (Raynaud's Syndrome). Симптомите може да включват изтръпване, схващане и изbledняване на пръстите, обикновено се забелязват при излагане на студ. Смята се, че наследствените фактори, излагането на студ и влага, диетите, пушенето и някои работни навици допринасят за развитието на тези симптоми. Могат да се вземат някои мерки, които могат да се предприемат от оператора, за да се намалят ефектите от вибрациите:

- Поддържайте телесната температура в студено време. Когато боравите с инструмента, носете

ръкавици, за да поддържате ръцете и китките си топли. Според изследванията главният фактор, допринасящ за развитието на Raynaud's Syndrome, е студено време.

- Правете упражнения за активизиране на кръвообращението след всеки работен цикъл.
- Редовно излизайте в почивка. Ограничете излагането на вибрации на ден.
- Предпазните ръкавици, които се предлагат в търговските обекти за професионални верижни триони, са специално предназначени за работа с верижни триони и предоставят защита и добър захват, като същевременно намаляват ефекта от вибрирането на ръкохватките. Тези ръкавици трябва да са в съответствие с EN381-7 и да имат CE маркировка.

При поява на някой от симптомите на това заболяване, незабавно прекратете употребата на инструмента и посетете лекар.

## ⚠ ПРЕДУПРЕЖДЕНИЕ

Продължителното използване на инструмента може да доведе до наранявания или влошаване. При използване на инструмента за продължителни периоди от време правете чести почивки.

## ОПОЗНАЙТЕ ВАШИЯ ПРОДУКТ

Вж. страница 233.

1. Режеща верига
2. Шина
3. Преден предпазител/спирачка на веригата
4. Предна ръкохватка
5. Бутон за блокиране на пусковия лост
6. Задна ръкохватка
7. Буферен шип
8. Капачка на резервоара за маслото
9. Фиксатор за кабела
10. Превключвател (за стартиране и спиране)
11. Отклонител за трески
12. Врътка на отклонителя за трески
13. Капак на зъбното колело
14. Настройващ пръстен за обтягане на веригата
15. Врътка за фиксиране на водещата шина
16. Капак на водещата шина
17. Капачка за горивото

## УСТРОЙСТВА ЗА БЕЗОПАСНОСТ

### Верига с ниска склонност към откат

Нискооткатните режещи вериги намаляват вероятността от възникване на откат.

Ограничителите на височината, разположени в предната част на всеки зъб, могат да намалят ефекта от отката, като се предотврати навлизането в дълбочина в зоната на отката. Използвайте само комбинации от резервни водещи шини и режещи вериги, посочени от производителя.

Бъдете двойно по-внимателни след заточване на веригата на триона, тъй като тогава веригата става по-



податлива на откат. За ваша безопасност подменяйте веригата винаги когато нейната способност за рязане намалява.

### Буферен шип

Неделимия буферен шип може да се използва като опорна точка при рязане. Това помага за по-стабилното боравене с верижния трион по време на рязане. При рязане избутайте инструмента напред, докато шиповете се забият в ръба на дървото, а след това чрез преместване на задната ръкохватка нагоре или надолу по посока на прорезната линия можете да намалите физическото натоварване, съпровождащо процеса на рязане.

### Шина

По принцип шините с по-малък радиус при върха имат по-малка склонност към откат. Трябва да използвате водеща шина и подходяща верига, които да са с точната дължина за извършване на конкретната дейност. По-дългите шини увеличават риска от загуба на контрола по време на рязане. Редовно проверявайте обтегнатостта на веригата. Когато режете малки клони (по-къси от пълната дължина на водещата шина), има по-голяма вероятност веригата да падне или отхвъркне, ако тя не е обтегната както трябва.

### Спирачка на веригата

Спирачката на веригата е разработена с цел да спира бързо въртящата се верига. Веригата трябва незабавно да спре, когато натиснете лоста на спирачката/предпазителя напред. Спирачката на веригата не ограничава ефекта от отката. Тя само намалява риска от наранявания, в случай че верижната шина се допре до тялото на оператора при възникване на откат. Изправността на верижната спирачка трябва да бъде тествана преди всяко използване на продукта – както в работеща, така и в спряна позиция на веригата.

## СГЛОБЯВАНЕ

### ⚠ ПРЕДУПРЕЖДЕНИЕ

Ако има липсващи или повредени части, не използвайте този продукт, преди те да бъдат заменени. Несъобразяването с това предупреждение може да доведе до сериозни физически наранявания.

## СГЛОБЯВАНЕ НА РЕЖЕЩАТА ВЕРИГА И ВОДЕЩАТА ШИНА

Вж. страница 234 - 235. Вж. страница 244 - 245.

1. Изключете продукта от електрозахранването. Носете защитни ръкавици
2. Развийте врътката за фиксиране на водещата шина и свалете капака на зъбното колело.
3. Режещата верига трябва да е насочена по посоката на нейното въртене. Ако са обърнати в обратна посока, завъртете направената от вас примка.
4. Наместете водещите звена на веригата в канала на шината.
5. Разположете веригата така, че да образува примка

в задната част на шината.

6. Задръжте веригата неподвижно върху шината и преметнете свободната част около зъбното колело. Сnižете шината, така че болтът да може да премине през отвора на прикачения механизъм за обтягане на веригата. Може да е необходимо да завъртите механизма, за да напаснете болта към отвора. След това отново завъртете механизма, за да обтегнете леко веригата, което ще помогне за нейното правилно позициониране.
7. Поставете отново капака на зъбното колело и завъртете почти докрай врътката за фиксиране на водещата шина, след което завъртете пръстена за регулиране обтягането на веригата, докато тя не се обтегне както трябва. След това водещата шина трябва да бъде избутана нагоре. Проверете отново обтегнатостта на веригата. Не обтягайте веригата прекалено много.
8. След правилното обтягане на веригата затегнете отново врътката.

## РЕГЛАЖ НА ОБТЯГАНЕТО НА ВЕРИГАТА

Вж. страница 235. Вж. страница 246.

1. Разплабете леко врътката за фиксиране на водещата шина, като я завъртите обратно на часовниковата стрелка.
2. За да увеличите обтегнатостта на веригата, завъртете пръстена за регулиране на обтягането по посока на часовниковата стрелка, като периодично проверявайте обтегнатостта на веригата. За да намалите обтегнатостта на веригата, завъртете пръстена за регулиране на обтягането обратно на часовниковата стрелка, като периодично проверявайте обтегнатостта на веригата.
3. Веригата е оптимално обтегната, когато разстоянието между резците на веригата и шината е от 3 мм до 4 мм.  
Най-добре е да дръпнете веригата в средата на шината откъм нейния долен край (от шината навън) и да измерите разстоянието между шината и резците на веригата.
4. Затегнете врътката за фиксиране на водещата шина, като я завъртите по посока на часовниковата стрелка.

## РАБОТА

## ДОБАВЯНЕ НА СМАЗОЧНО МАСЛО ЗА ВЕРИГАТА

Вж. страница 246.

### ⚠ ПРЕДУПРЕЖДЕНИЕ

Никога не работете без смазочно масло за веригата. Ако веригата работи без смазочно масло, нейните резци и тя самата могат да бъдат повредени. Затова е важно да проверявате нивото на маслото редовно и преди всяка употреба на верижния трион.

1. Почистете повърхността около капачката на маслото, за да предпазите маслото от замърсяване.
2. Отвинтете и отстранете капачката на резервоара за маслото.





3. Напълнете масло в резервоара, като едновременно следете маркера за равнището на маслото. Уверете се, че докато наливате масло, не влизат никакви мръсотии в резервоара.
4. Поставете обратно капачката на резервоара за маслото и я затегнете. Забършете, ако има разлято масло.
5. С едно пълнене на резервоара за масло трионът може да се използва 20 – 40 минути.

#### Препоръчително смазочно масло за веригата

- Производителят препоръчва да използвате само смазочно масло за верига с марката на Ryobi. (Можете да намерите такова във вашия оторизиран сервизен център на Ryobi.)

#### ПРАВИЛНО ЗАХВАЩАНЕ НА ВЕРИЖНИЯ ТРИОН

Вж. страница 235.

Винаги дръжте верижния трион с дясната ръка за задната ръкохватка и с лявата ръка за предната ръкохватка. Обхващайте добре ръкохватките, като сключвате палците и останалите си пръсти плътно около тях. Лявата ръка трябва да обхваща предната ръкохватка така, че палецът да е отдолу.

#### ⚠ ПРЕДУПРЕЖДЕНИЕ

Винаги дръжте захранващия кабел в добро състояние и далече от зоната на рязане. Развлечените кабели крият опасност от токов удар, а също така е възможно да се спънете в тях и да паднете.

#### СТАРТИРАНЕ НА ВЕРИЖНИЯ ТРИОН

Вж. страница 235.

1. Включете продукта към електрозахранването. Дръпнете назад лоста на спирачката/предпазителя за ръката, за да сте сигурни, че спирачката е позиция за работа.
2. За да стартирате машината: Натиснете фиксатора на спусъка, след което натиснете спусъка за включване/изключване.

#### ПРОВЕРЯВАНЕ НА ИЗПРАВНОСТТА И ИЗПОЛЗВАНЕ НА ВЕРИЖНАТА СПИРАЧКА

1. За да използвате верижната спирачка, завъртете лявата си ръка около предната ръкохватка. Докато веригата се върти бързо, използвайте задната страна на ръката си, за да избутате лоста на верижната спирачка/предпазителя за ръцете към шината. Помнете, че винаги трябва да поддържате здрав хват с двете ръце върху ръкохватките.
2. Върнете обратно спирачката в работеща позиция на веригата, като хванете върха на лоста на верижната спирачка/предпазителя за ръцете и го дръпнете в посока към предната ръкохватка, докато се чуе щракване.

#### ⚠ ПРЕДУПРЕЖДЕНИЕ

Ако спирачката не спира моментално веригата или не може да стои в позиция "работи" без намеса, занесете триона в упълномощен сервизен център за поправка, преди да го използвате.

#### ТРАНСПОРТИРАНЕ И СЪХРАНЕНИЕ

Вж. страница 248 - 249.

- Спрете продукта, изключете го от захранването и го изчакайте да се охлади, преди да го транспортирате или приберете за съхранение.
- Почистете продукта от всички чужди частици. Съхранявайте я на хладно, сухо и добре проветрявано място, което е недостъпно за деца. Не го оставяйте в близост до корозивни материали като градински химикали или соли за размразяване. Не съхранявайте на открито.
- Поставете капака на водещата шина, когато прибирате за съхранение или транспортирате продукта.
- При транспортиране закрепете здраво машината, за да елиминирате вероятността от придвижване или падане и да предотвратите физическите наранявания на лица или повреди по машината.

#### ПОДДРЪЖКА

#### ⚠ ПРЕДУПРЕЖДЕНИЕ

Използвайте само оригинални резервни части, аксесоари и приставки от производителя. В противен случай може да се влоши работата на инструмента или да получите тежки контузии, а гаранцията ви ще стане невалидна.

#### ⚠ ПРЕДУПРЕЖДЕНИЕ

Сервизното обслужване изисква изключително внимание и специфични познания и следва да бъде извършвано само от квалифициран техник. За сервизно обслужване и поправка препоръчваме да занесете продукта до най-близкия упълномощен сервизен център. При ремонт използвайте само идентични резервни части.

#### ⚠ ПРЕДУПРЕЖДЕНИЕ

Винаги изключвайте уреда от захранването, преди да извършвате дейности по регулиране, поддръжка или почистване. Несъобразяването с това предупреждение може да доведе до сериозно физическо нараняване.

- Можете да правите настройки и поправки, описани в това ръководство на потребителя. За други поправки се свържете с агент на упълномощения сервиз.
- Неправилната поддръжка на инструмента може да



доведе до счупване на веригата или до неизправност в някои от функциите за безопасност, което увеличава опасността от сериозно нараняване. Грижете се професионално за поддръжката и безопасността на своя верижен трион.

- Безопасното заточване на веригата е дейност, която изисква съответните умения. Затова производителят силно препоръчва да подменяте износените и затъпени вериги с нови, които можете да намерите във вашия оторизиран сервизен център на Ryobi. Каталогният номер е поместен в таблицата със спецификациите на продукта в настоящото ръководство.
- Следвайте инструкциите за смазване на веригата, както и за проверяване и регулиране на нейната обтегнатост.
- Всеки път след употреба почиствайте продукта с мека и суха кърпа.
- Периодично проверявайте дали всички гайки, болтове и винтове са правилно затегнати, за да сте сигурни, че продуктът е в изправност. Всяка повредена част трябва да бъде поправена или заменена от упълномощен сервизен център.

#### ПОДМЯНА НА ВОДЕЩАТА ШИНА И РЕЖЕЩАТА ВЕРИГА

Вж. страница 244 - 245.

1. Изключете продукта от електрозахранването. Носете защитни ръкавици.
2. Развийте врътката за фиксиране на водещата шина, като я завъртите обратно на часовниковата стрелка, докато капакът на зъбното колело се разхлаби.
3. Свалете капака на зъбното колело. Свалете шината и режещата верига от инструмента.
4. За да замените шината с нова, разхлабете винта на механизма за обтягане на веригата. Монтирайте механизма за обтягане на веригата на новата шина, след което затегнете винта.
5. Поставете новата верига върху шината в правилната позиция и се уверете, че водещите звена на веригата са наместени в канала на шината.
6. Закрепете шината към верижния трион и преметнете веригата около зъбното колело.
7. Поставете отново капака на зъбното колело и затегнете врътката.
8. Регулирайте обтегнатостта на веригата. Вижте раздела „Регулиране на обтегнатостта на веригата“.

#### ⚠ ПРЕДУПРЕЖДЕНИЕ

Лошото заточване на веригата повишава опасността от откат.

#### ⚠ ПРЕДУПРЕЖДЕНИЕ

Ако не подмените или не поправите повредената верига, се излагате на риск от тежки телесни повреди.

#### ⚠ ПРЕДУПРЕЖДЕНИЕ

Веригата е много остра. Винаги носете предпазни ръкавици, когато извършвате дейности по поддръжката.

Проверка и почистване на верижната спирачка Вж. страница 247.

- Винаги поддържайте механизма на верижната спирачка чист, като леко изчетквайте гглобката му от мръсотия.
- След всяко почистване проверявайте изправността на верижната спирачка. За повече информация вижте раздел "Начин на работа - Проверяване на изправността и използване на верижната спирачка" от това ръководство.

#### ГРАФИК ЗА ПОДДРЪЖКА

Ежедневна проверка	
Захранващия кабел за повреди	Преди всяка употреба
Смазване на шината	Преди всяка употреба
Обтягане на веригата	Редовно и преди всяка употреба
Острота на веригата	Преди всяка употреба, визуална проверка
За повредени части	Преди всяка употреба
За разхлабени връзки	Преди всяка употреба
Функция на спирачката на веригата	Преди всяка употреба
Проверка и почистване	
Шина	Преди всяка употреба
Целия трион	след всяка употреба
Спирачка на веригата	На всеки 5 часа*

\*Часове работа

#### СИМВОЛИ НА ПРОДУКТА



Предупреждение относно безопасността



Прочетете и осмислете всички указания, преди да започнете работа с продукта; спазвайте всички предупреждения и инструкции за безопасност.



Когато работите с тази машина, носете предпазни средства за очите и ушите, както и каска.



Носете непързалиящи се защитни обувки, когато използвате продукта.



Носете здрави ръкавици, пригодени против плъзгане.



Ако кабелът е повреден или срязан, както и непосредствено преди профилактика, изключете щепсела от електрическата мрежа.



Внимавайте за откат на верижния трион и избягвайте контакт с върха на шината.



Не излагайте на дъжд и на влажни условия.



Дръжте и работете с триона с двете си ръце.



Не работете с триона, като го държите само с една ръка.



Тази машина е в съответствие с нормативната уредба на държавата от ЕС, където е била закупена.



GOST-R Съответствие



Инструмент от клас II, двойна изолация



Електрическите уреди не трябва да се изхвърлят заедно с битовите отпадъци. Рециклирайте, където има възможност. Обърнете се за съвет по рециклирането към местните власти или разпространителите.



Гарантираното ниво на шум е 108 dB. (RCS1935)



Гарантираното ниво на шум е 107 dB. (RCS2340)



Верижно масло



Ключалка



Отключване



Завъртете, за да регулирате опъна на веригата  
+/-: Затягане/разхлабване на веригата



Посока на движение на веригата  
Маркирано под капака на зъбното колело

L max

Максимална дължина на водещата шина

## ИКОНИ В ТОВА РЪКОВОДСТВО



Свържете към електрически контакт.



Изключете от електрическия контакт



Частите или принадлежностите се продават отделно



Електрическите уреди не трябва да се изхвърлят заедно с битовите отпадъци. Рециклирайте, където има възможност.



ЗАБЕЛЕЖКА:



ПРЕДУПРЕЖДЕНИЕ



Носете защитни средства за очите и лицето.



Носете защитни средства за горната част на тялото.



Носете защитни средства за краката.



Спрете инструмента.

Следните сигнални думи и значенията им са предназначени да обяснят нивата на опасност, свързани с този продукт.

### ⚠ ОПАСНОСТ

Указва неминуемо опасна ситуация, която ако не бъде избегната, ще доведе до сериозни наранявания или смърт.

### ⚠ ПРЕДУПРЕЖДЕНИЕ

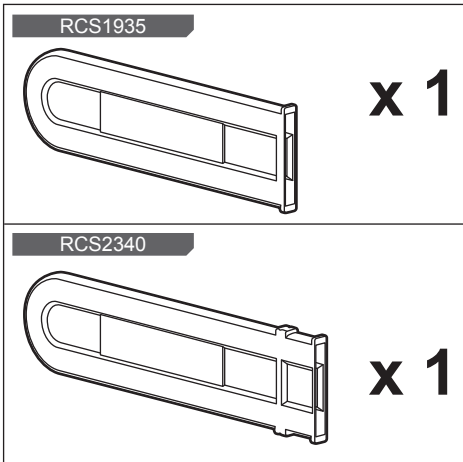
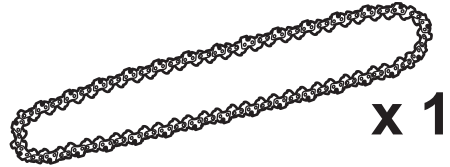
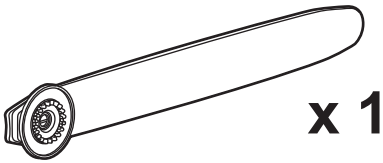
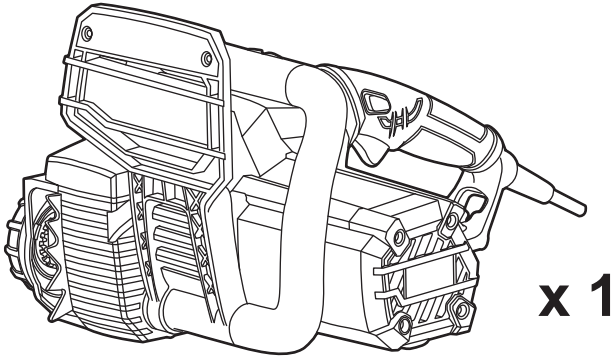
Указва потенциално опасна ситуация, която ако не бъде избегната, може да доведе до сериозни наранявания или смърт.

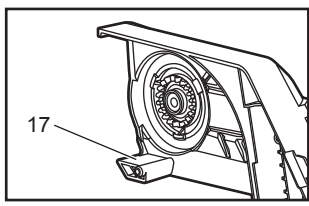
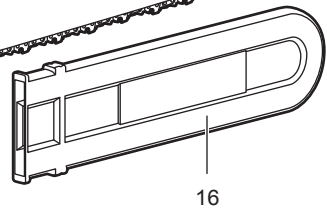
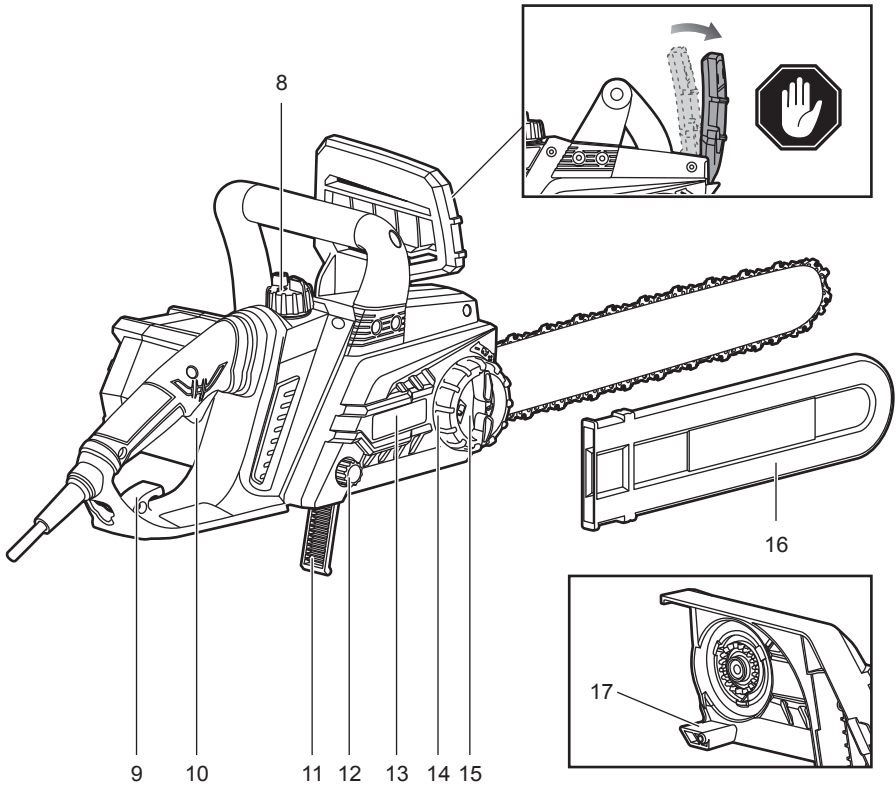
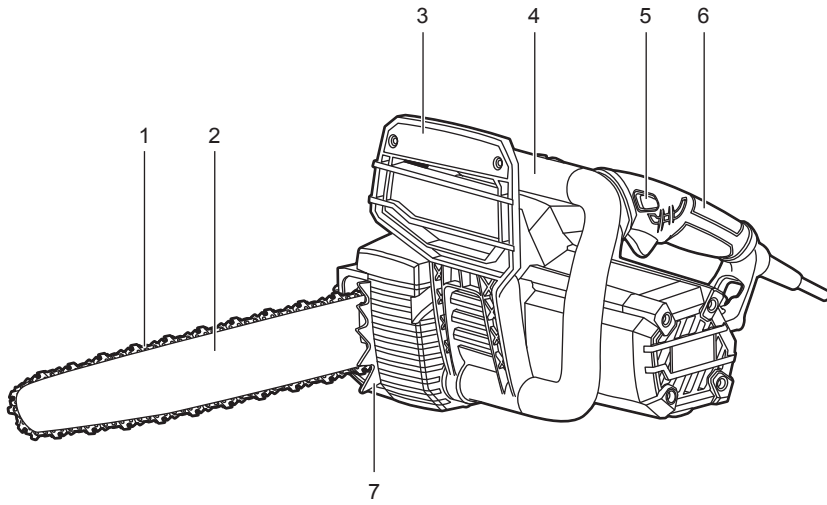
### ⚠ ВНИМАНИЕ

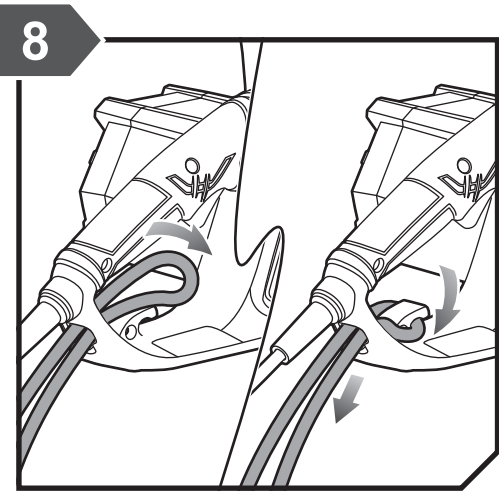
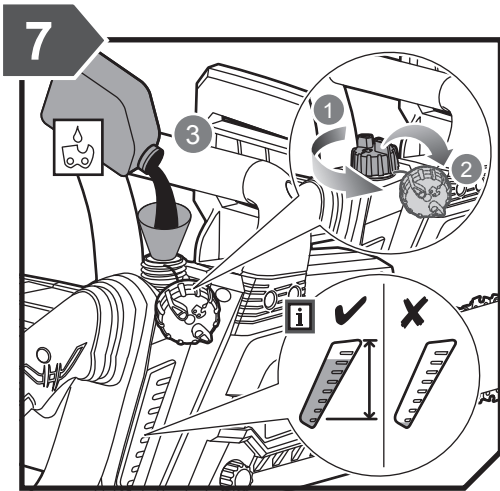
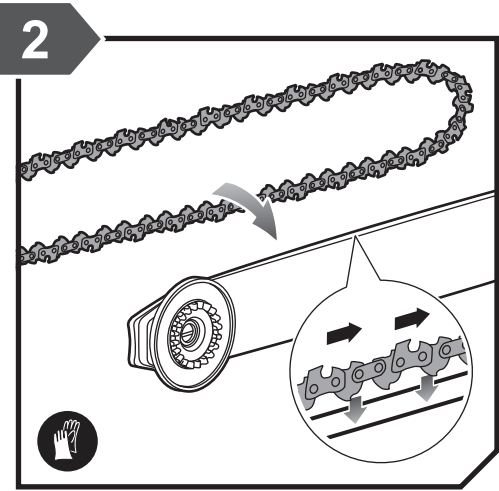
Указва потенциално опасна ситуация, която ако не бъде избегната, може да доведе до дребни или средни наранявания.

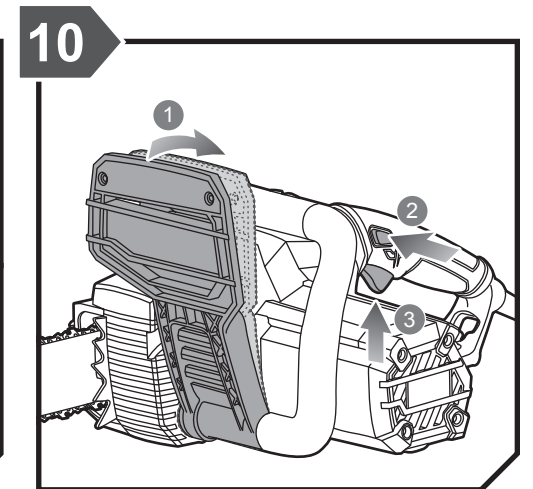
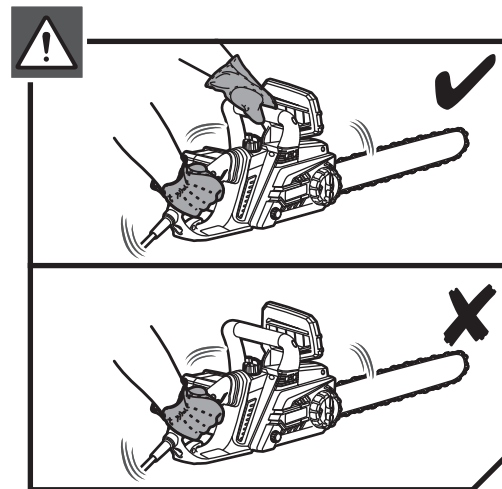
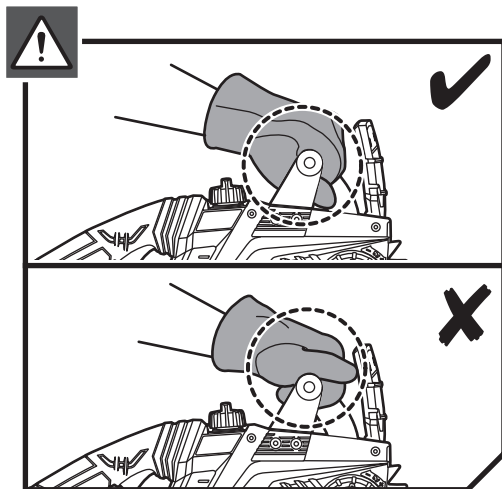
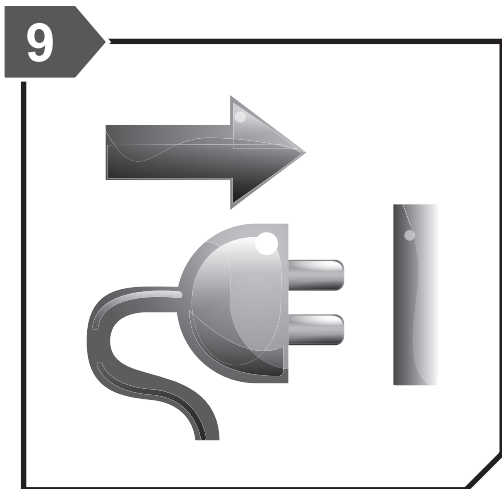
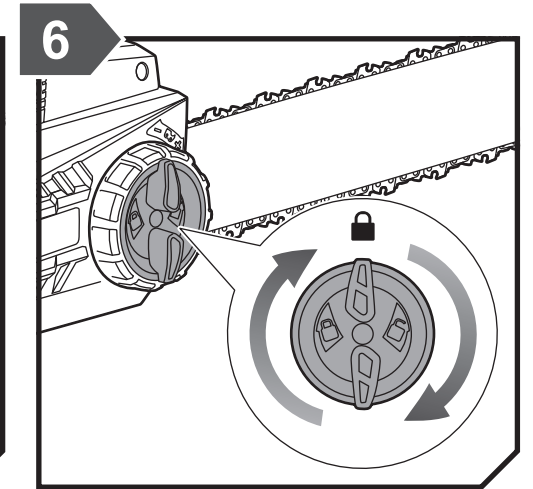
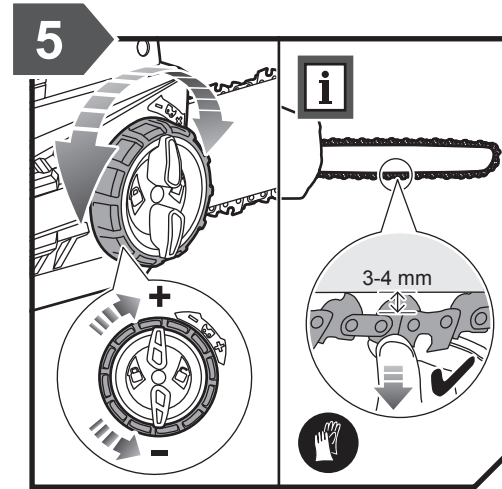
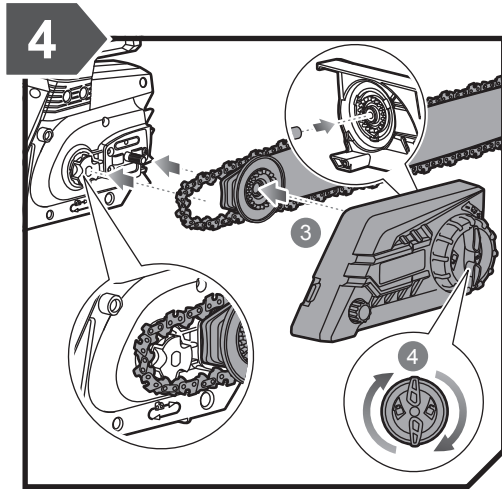
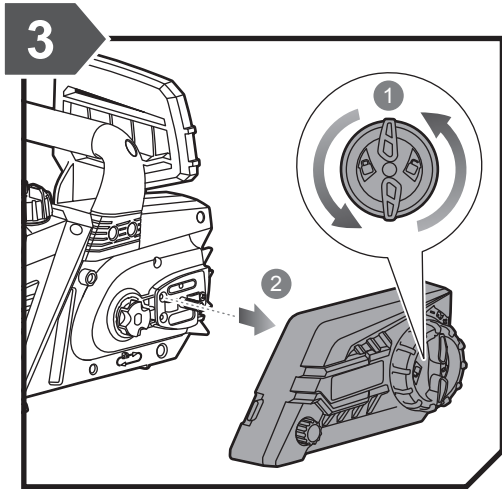
### ВНИМАНИЕ

Без предупредителен символ за безопасност  
Указва ситуация, която може да доведе до имуществени щети.

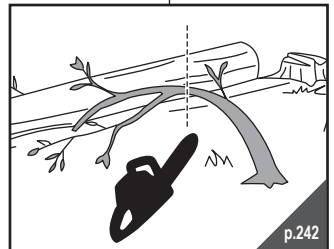
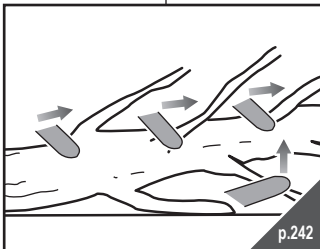
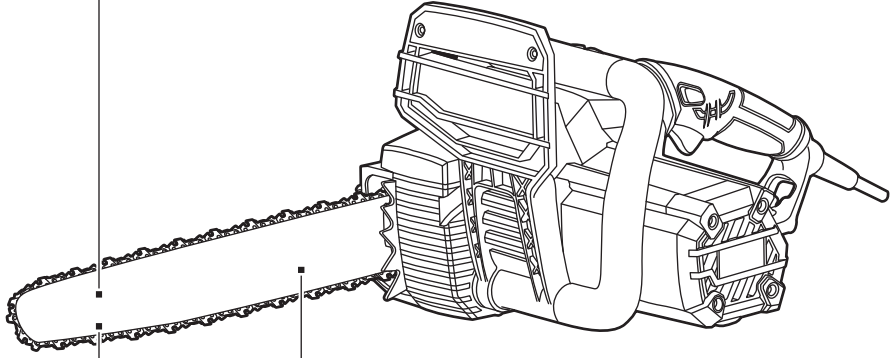
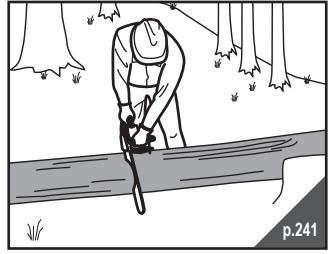
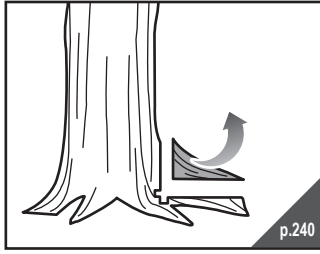
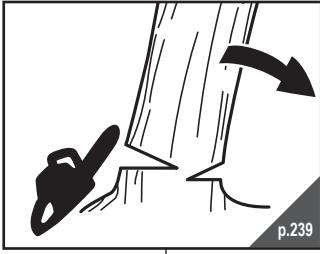


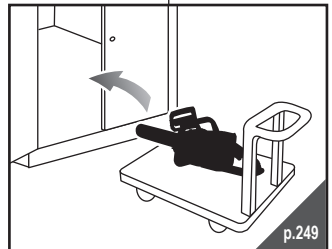
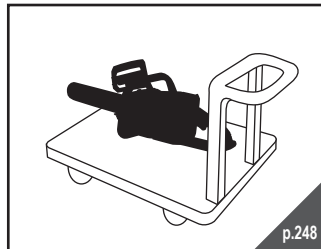
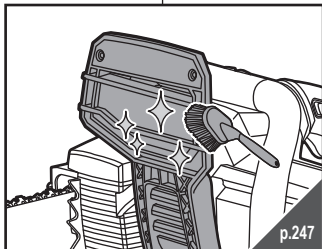
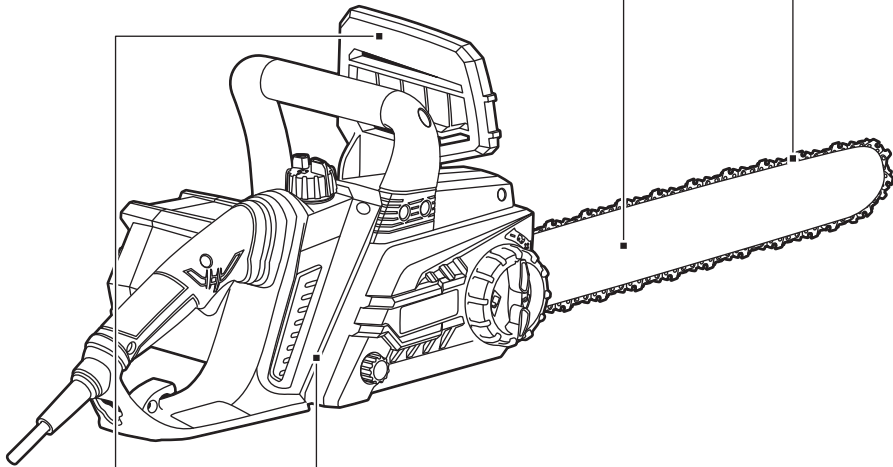
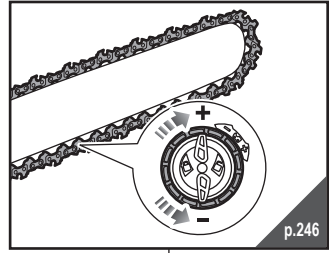
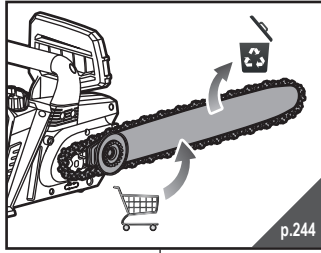
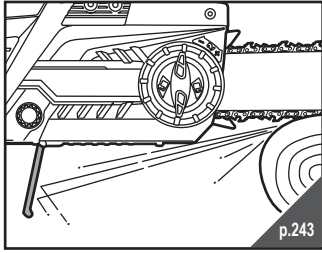


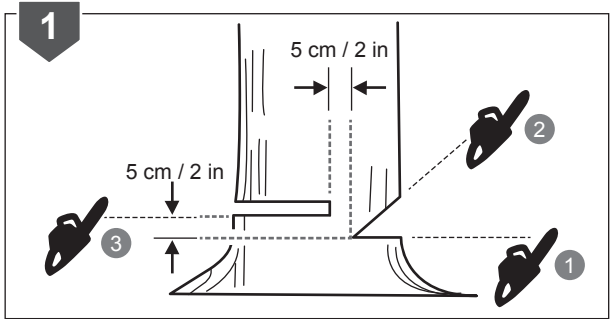
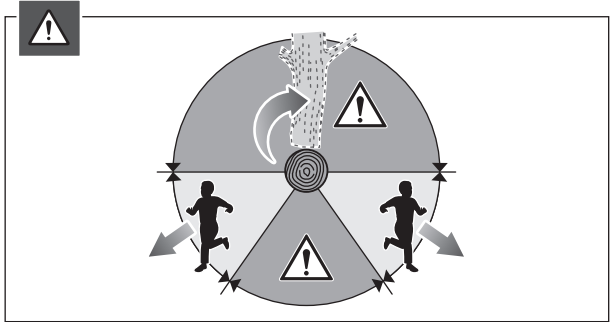
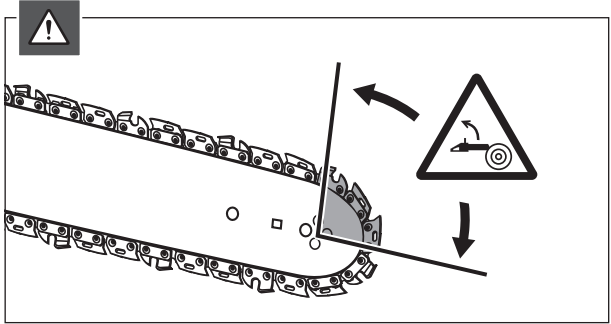
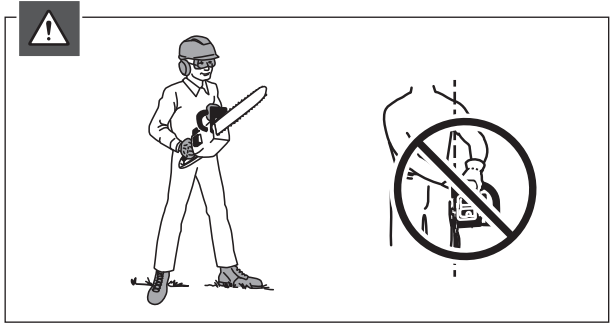
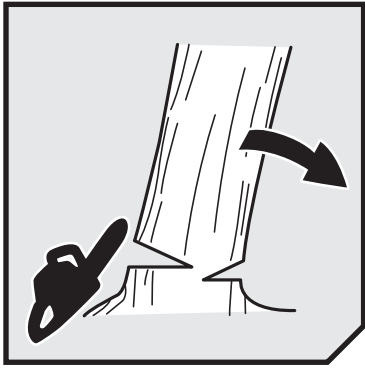


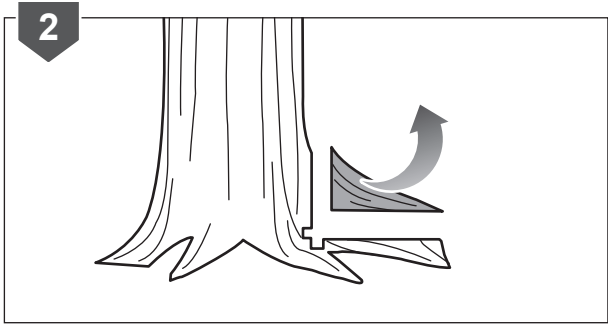
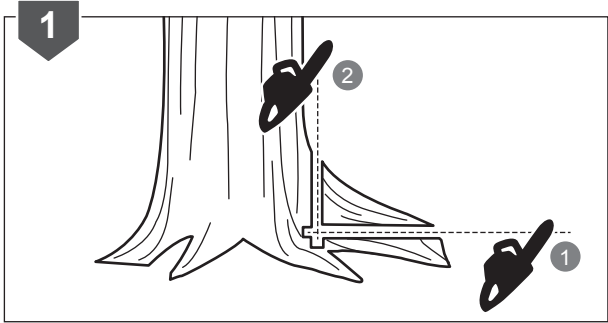
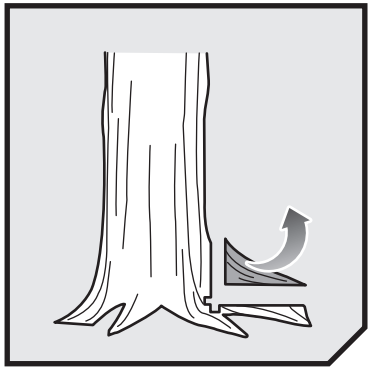
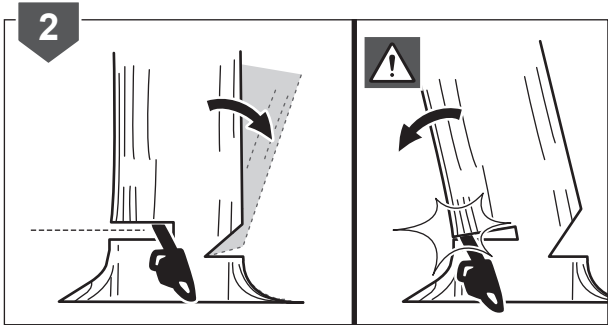
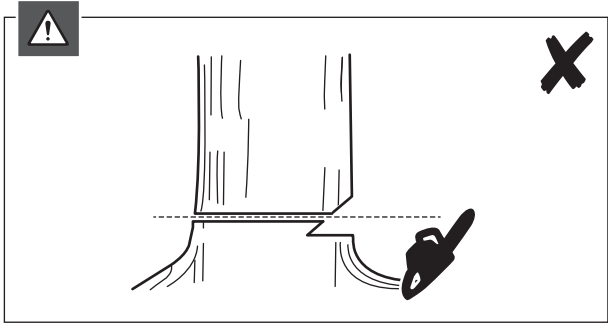


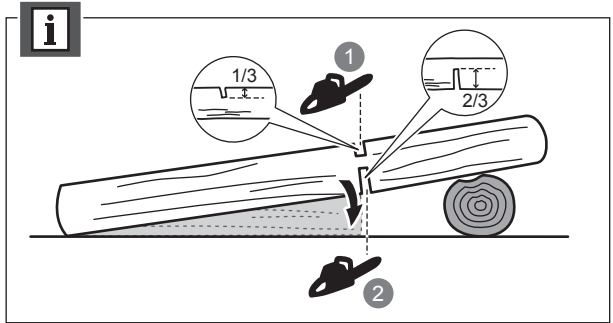
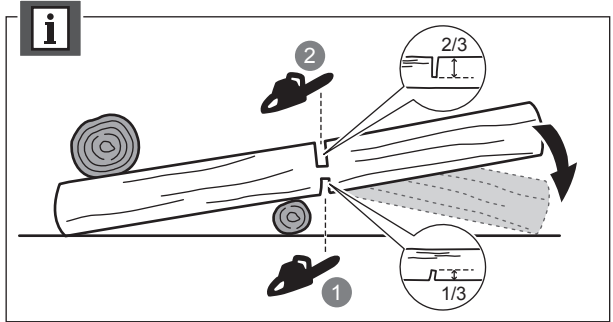
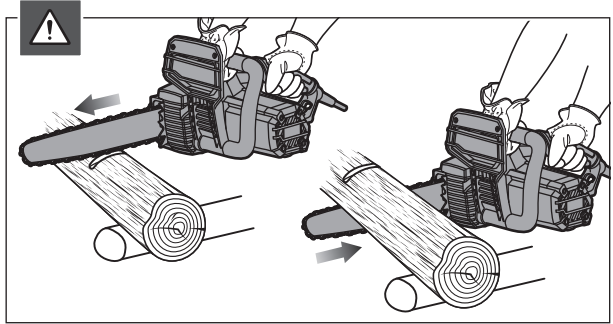
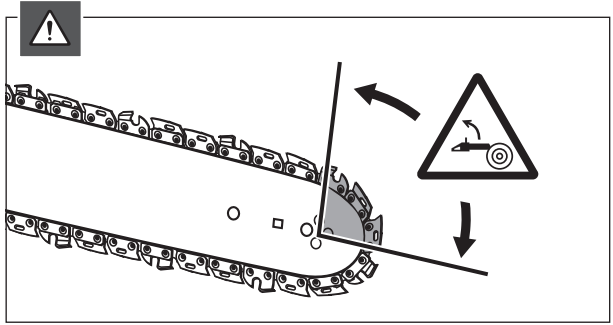
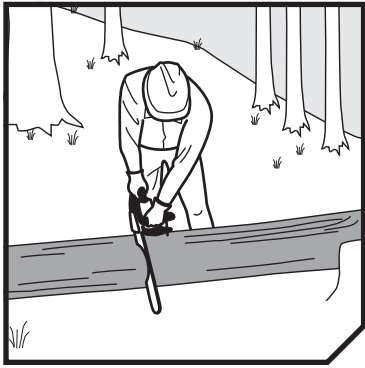


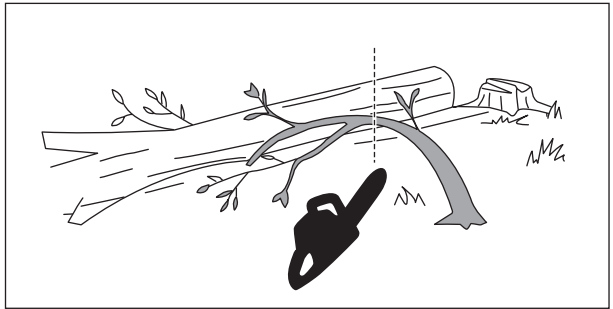
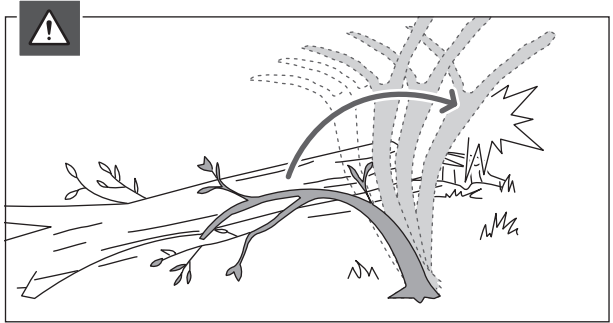
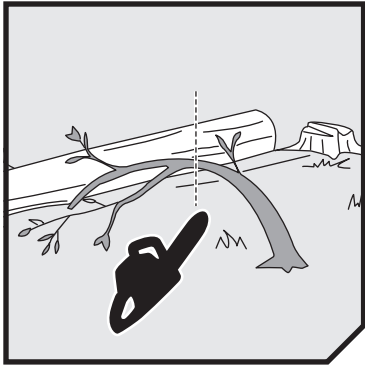
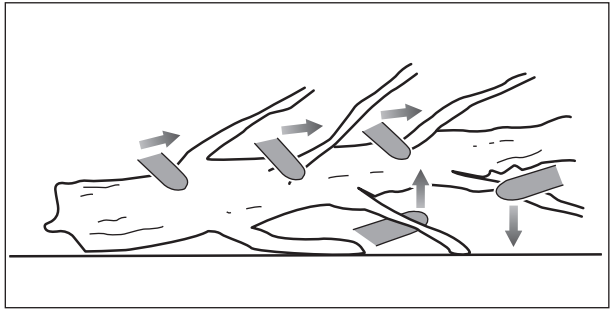
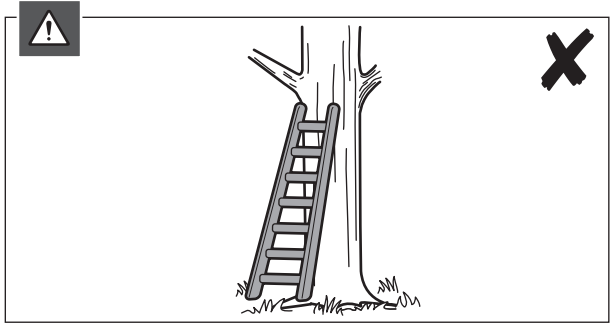
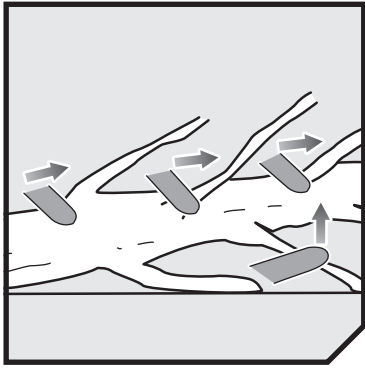


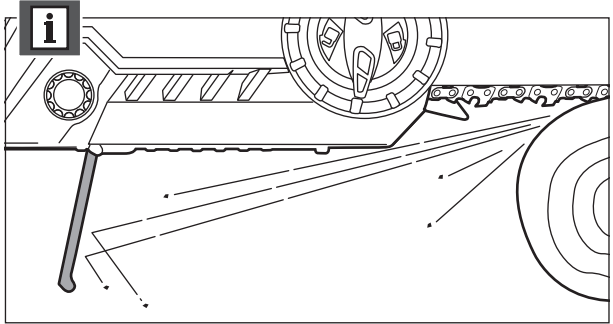
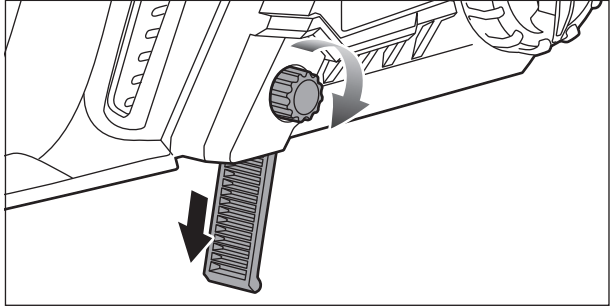
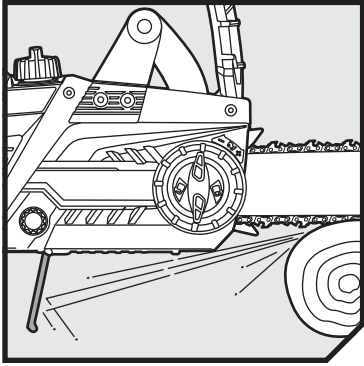


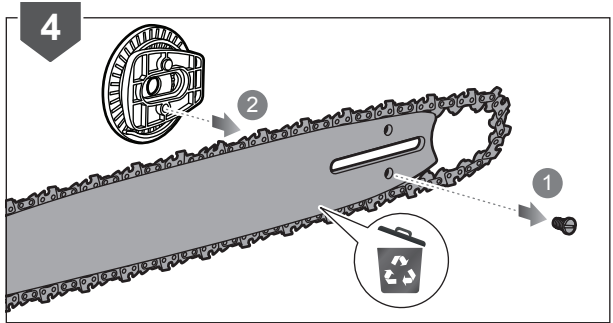
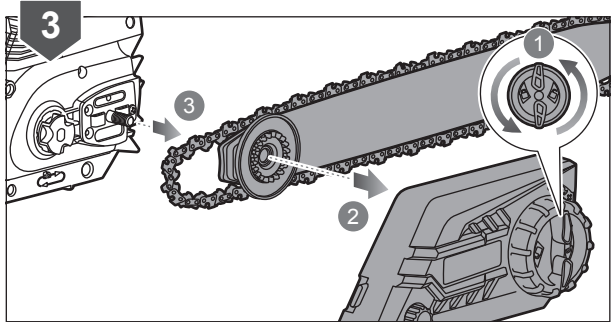
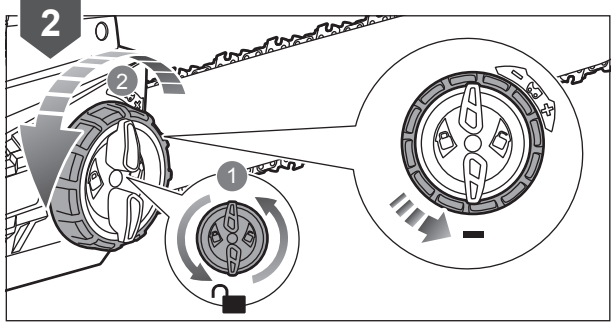
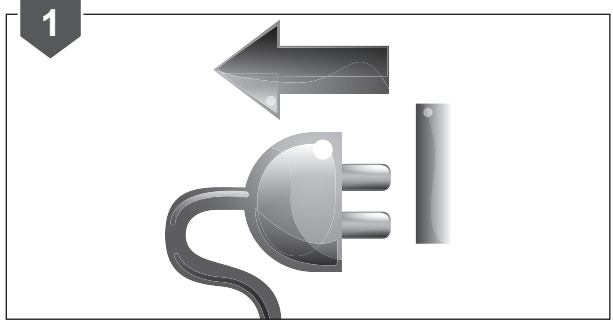
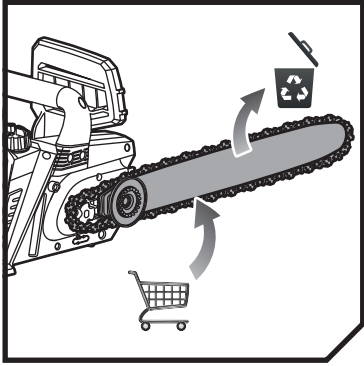


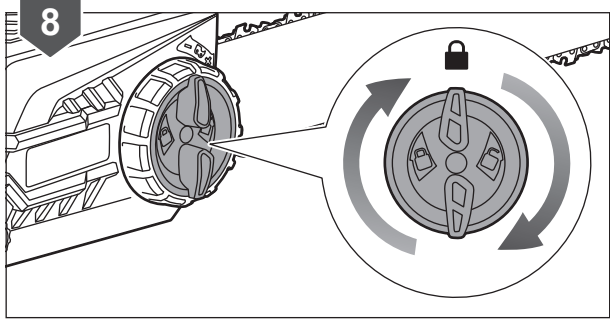
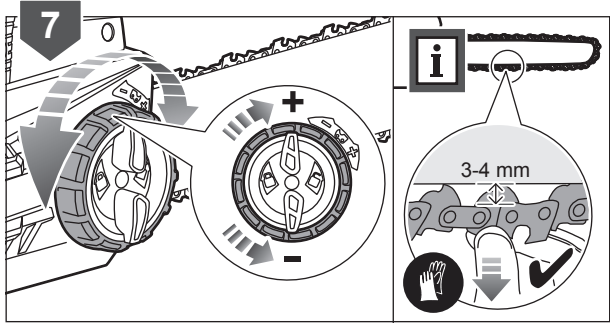
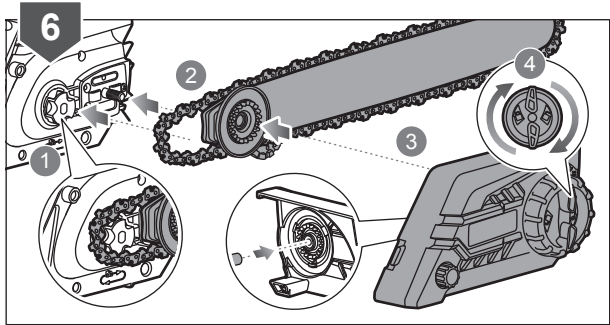
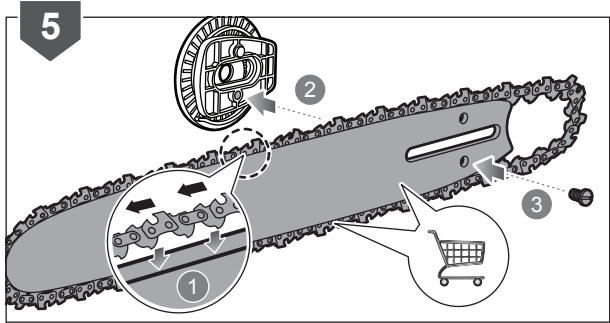


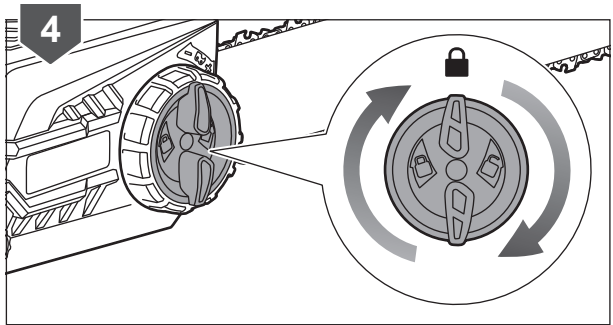
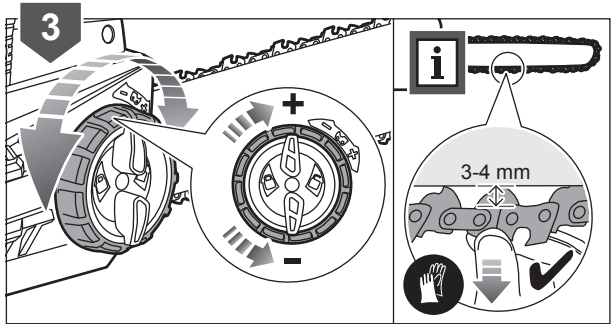
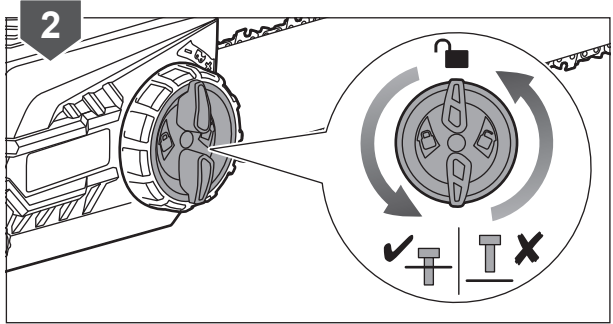
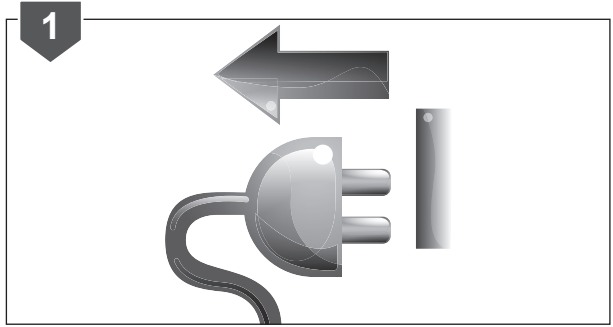
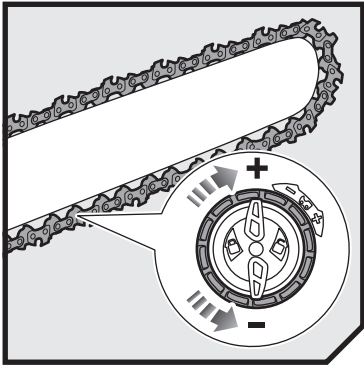


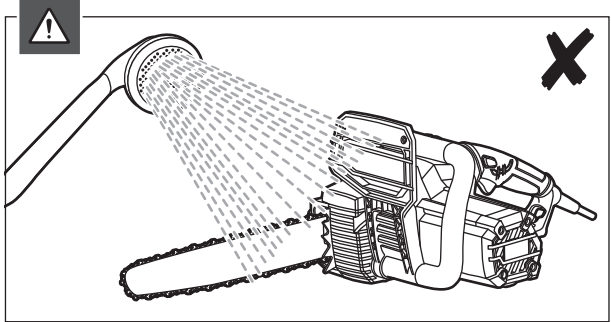
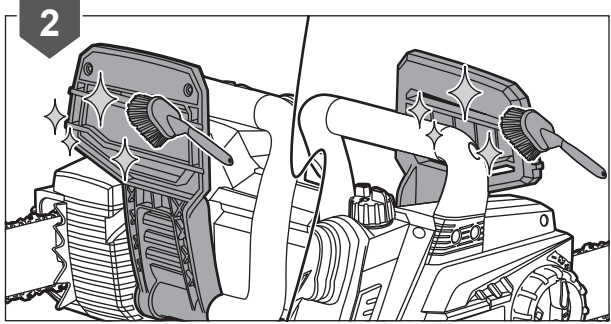
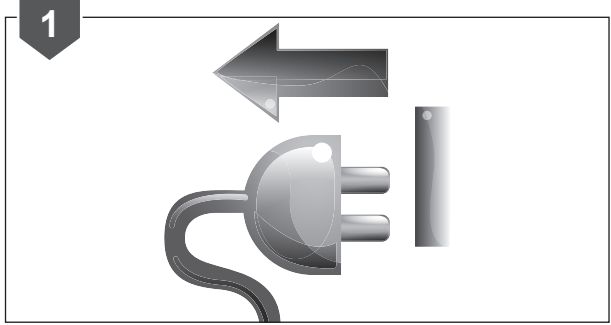
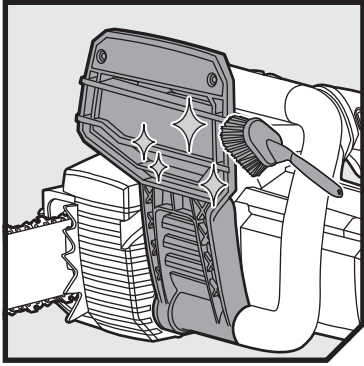


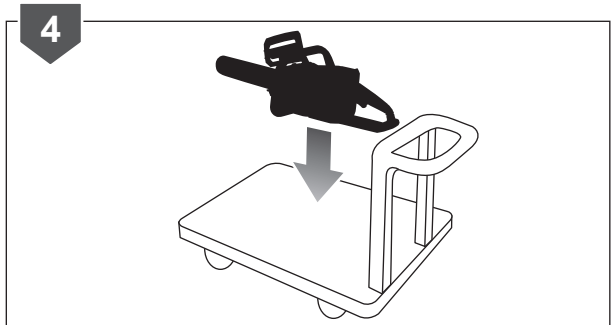
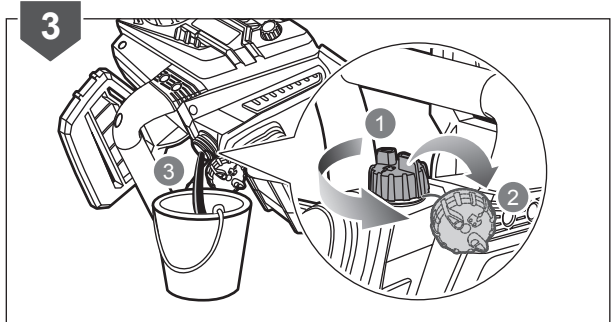
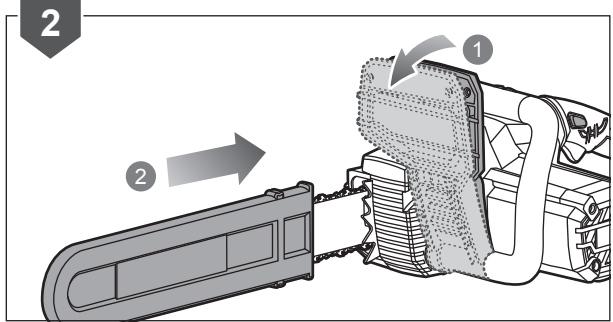
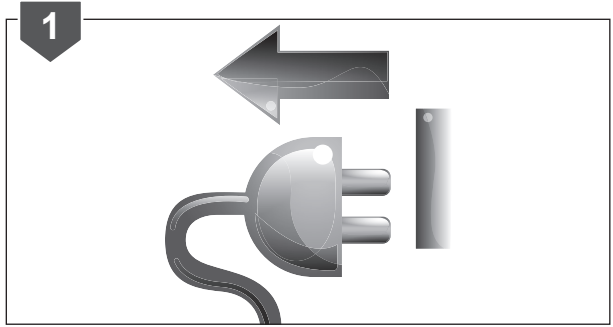
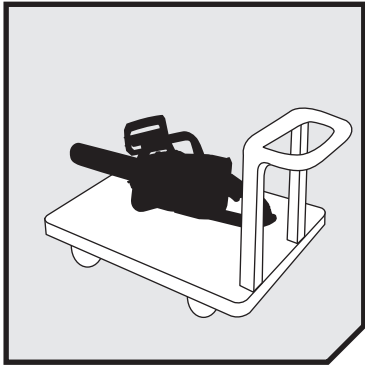


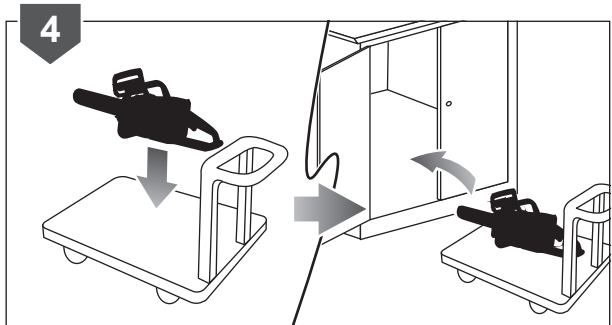
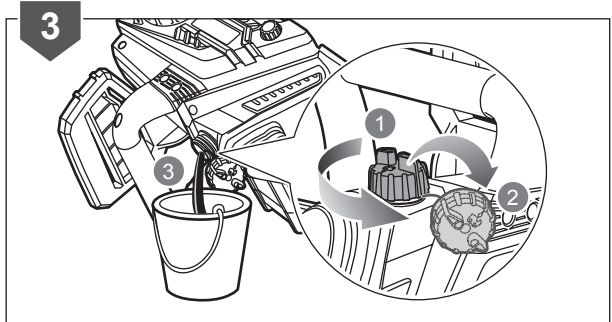
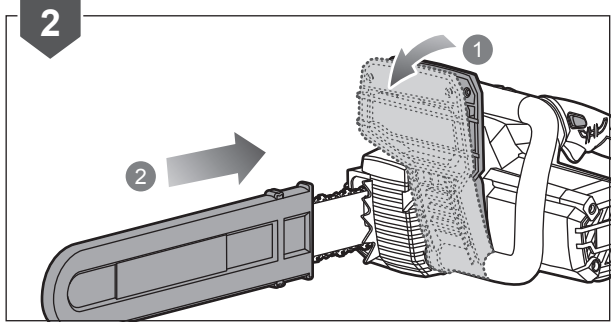
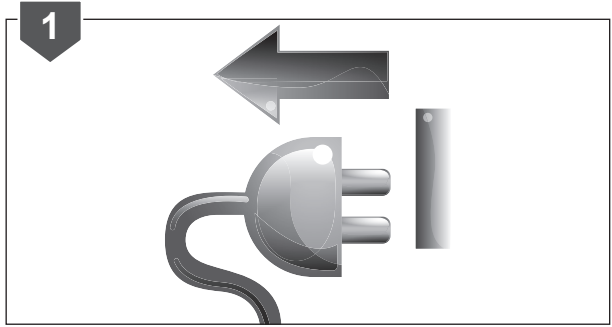
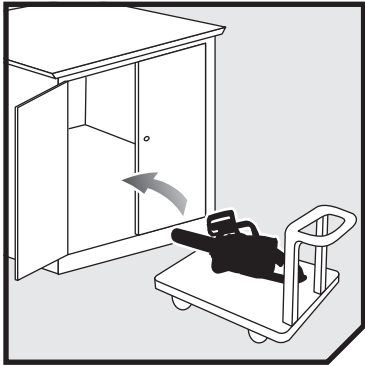














English	Français	Deutsch	Español	Italiano	Nederlands	Português
Specifications	Caractéristiques techniques	Technische daten	Características técnicas	Caratteristiche tecniche	Technische gegevens	Características técnicas
Rated power	Puissance nominale	Nennleistung	Potencia nominal	Potenza nominale	Nominaal vermogen	Potência nominal
Rated voltage	Tension nominale	Nennspannung	Tensión nominal	Voltaggio nominale	Toegekende spanning	Tensão nominal
Guide bar length	Longueur du guide-chaîne	Länge der Führungsschiene	Longitud de la barra guía	Lunghezza barra di guida	Zwaardlengte	Comprimento da lâmina-guia
Usable cutting length	Longueur de coupe utile	Andwendbare Schnittlänge	Largo de corte	Lunghezza di taglio disponibile	Bruikbare zaaigengte	Comprimento de corte útil
Chain brake stop	Arrêt de chaîne	Kettenstop	Parada de la cadena	Arresto catena	Kettingstop	Paragem da corrente
Chain oil tank capacity	Contenance du réservoir d'huile de chaîne	Kettenöltankkapazität	Capacidad del depósito de aceite de la cadena	Capacità serbatoio olio catena	Kettingolietankcapaciteit	Capacidade do depósito do óleo da corrente
Weight (with guide bar, chain and empty tank)	Poids (avec chaîne, guide-chaîne et réservoir vide)	Gewicht (mit Führungsschiene, Kette und leerem Tank)	Peso (con barra guía, cadena y depósito vacío)	Peso (con barra di guida, catena e serbatoio vuoto)	Gewicht (met zwaard, ketting en lege tank)	Peso (com barra guia, corrente e depósito vazio)
Vibration level (in accordance with EN 60745-1 and EN 60745-2-13)	Niveau de vibrations (selon EN 60745-1 & EN 60745-2-13)	Vibrationsgrad (nach EN 60745-1 & EN 60745-2-13)	Nivel de vibración (de acuerdo con la norma EN 60745-1 & EN 60745-2-13)	Livello di vibrazioni (secondo quanto indicato dalle norme EN 60745-1 & EN 60745-2-13)	Trillingsniveau (in overeenstemming met EN 60745-1 & EN 60745-2-13)	Nível de vibração (de acordo com a norma EN 60745-1 & EN 60745-2-13)
Total vibration value	Valeur totale des vibrations	Gesamtwert der Vibration	Valor total de vibración	Valore totale vibrazioni	Totale waarde trilling	Valor total da vibração
Uncertainty of measurement	Incertitude de la mesure	Unsicherheit der Messung	Incertidumbre de medición	Incertezza della misurazione	Onzekerheid bij meting	Incerteza de medições
Noise emission level (in accordance with EN 60745-1 and EN 60745-2-13)	Niveau d'émission sonore (selon EN 60745-1 & EN 60745-2-13)	Geräuschemission (nach EN 60745-1 & EN 60745-2-13)	Nivel de emisión de ruido (de acuerdo con la norma EN 60745-1 & EN 60745-2-13)	Livello di emissione rumori (secondo quanto indicato dalle norme EN 60745-1 & EN 60745-2-13)	Niveau geluidsemissie (in overeenstemming met EN 60745-1 & EN 60745-2-13)	Nível de emissão de ruído (de acordo com a norma EN 60745-1 & EN 60745-2-13)
A-weighted sound pressure level at operator's position	Niveau de pression sonore pondéré A au niveau de l'opérateur	A-bewerteter Schalldruckpegel an der Position des Benutzers	Nivel de presión sonora ponderada A en la posición del operario	Livello di pressione sonora ponderata A alla posizione dell'operatore	A-gewogen geluidsdrumniveau bij positie van gebruiker	Nível de pressão sonora ponderada A na posição do operador
Uncertainty of measurement	Incertitude de la mesure	Unsicherheit der Messung	Incertidumbre de medición	Incertezza della misurazione	Onzekerheid bij meting	Incerteza de medições
A-weighted sound power level	Niveau de puissance sonore pondéré-A	A-bewerteter Schalleistungspegel	Nivel de potencia acústica ponderada en A	Livello di potenza sonora pesato A	A-gewogen geluidsniveau	Nível de potência sonora ponderada A
Uncertainty of measurement	Incertitude de la mesure	Unsicherheit der Messung	Incertidumbre de medición	Incertezza della misurazione	Onzekerheid bij meting	Incerteza de medições

Replacement parts (Bar and chain)	Pièces de Rechange (Guide-chaîne et chaîne)	Ersatzteile (Schiene und Kette)	Piezas de repuesto (Barra y cadena)	Parti di ricambio (Barra e catena)	Vervangonderdelen (Ketting en zwaard)	Peças de substituição (Barra e corrente)
Manufacturer	Fabricant	Hersteller	Fabricante	Ditta produttrice	Fabrikant	Fabricante
Chain	Chaîne coupante	Kette	Cadena	Catena	Ketting	Corrente
Bar	Guide-chaîne	Führungsschiene	Barra	Barra	Zwaard	Barra
Chain must be fitted with bar from the same manufacturer according to above combinations.	La chaîne doit être appariée avec un guide-chaîne de la même marque selon les combinaisons ci-dessus.	Die Kette muss mit einer Schiene von demselben Hersteller, entsprechend den oben genannten Kombinationen, montiert sein.	La cadena debe llevar una barra del mismo fabricante según las combinaciones anteriores.	La catena deve essere montata con una barra prodotta dalla stessa ditta produttrice seguendo le indicazioni di cui sopra.	De ketting moet op een zwaard van dezelfde fabrikant worden gemonteerd volgens de volgende combinaties.	A correia deve levar uma barra do mesmo fabricante consoante as combinações anteriores.





Dansk	Svenska	Suomi	Norsk	Русский	RCS1935	RCS2340
Tekniske specifikationer	Tekniska data	Tekniset tiedot	Tekniske egenskaper	Технические характеристики		
Mærkeeffekt	Klassad effekt	Nimellisteho	Nominell effekt	Номинальная мощность	1900 W	2300 W
Mærkespænding	Spänning	Nimellispännite	Nominell spänning	Номинальное напряжение	220-240 V-50 Hz	
Sværdets længde	Klingans längd	Terälevyn pituus	Sagsverdlængde	Длина пильной шины	356 mm (14")	406 mm (16")
Anvendelig skærer længde	Använderbar sågningslängd	Leikkupituus	Bruklar kuttelængde	Используемая режущая длина	330 mm (13")	380 mm (15")
Kædestop	Kedjestopp	Ketjun pysäytyminen	Kjædestopp	Останов цепи	< 0,12 s	
Kædeolietank-kapacitet	Kapacitet för oljebehållaren	Ketjun öljysäiliön tilavuus	Kjædeolje tankkapasitet	Емкость масляного бака пилы	200 ml	
Vægt (med sværd, kæde og tom tank)	Vikt (med stödarm, kedja och tom tank)	Paino (terälevy, ketju ja tyhjä säiliö)	Vekt (med føringskinne, kjæde og tom tank)	Вес (с пильной шиной, цепью и пустым топливным баком)	5,4 kg	5,7 kg
Vibrationsniveau (i henhold til EN 60745-1 & EN 60745-2-13)	Vibrationsnivå (i enlighet med EN 60745-1 & EN 60745-2-13)	Tärinätaiso (standardin EN 60745-1 & EN 60745-2-13 -standardin mukaan)	Vibrasjonsnivå (i henhold til EN 60745-1 & EN 60745-2-13)	Уровень вибрации (в соответствии со стандартом EN 60745-1 & EN 60745-2-13)		
Total vibrationsværdi	Totalvärde för vibration	Tärinän kokonaisarvo	Vibrasjon totalverdi	Суммарное значение вибрации	8,0 m/s <sup>2</sup>	6,0 m/s <sup>2</sup>
Målingsikkerhed	Osäkerhet i mätningar	Mittausten epätarkkuus	Usikkerhet ved måling	Погрешность измерения	1,5 m/s <sup>2</sup>	
Støjmissionsniveau (i henhold til EN 60745-1 & EN 60745-2-13)	Bullernivå (i enlighet med EN 60745-1 & EN 60745-2-13)	Melutaso (standardin EN 60745-1 & EN 60745-2-13 -standardin mukaan)	Støyemissionsnivå (i henhold til EN 60745-1 & EN 60745-2-13)	Уровень шума (в соответствии со стандартом EN 60745-1 & EN 60745-2-13)		
A-vægtet lydtryksniveau ved operatørens position	A-viktad ljudtrycksnivå vid operatörersplats	A-painotettu käyttäjään kohdistuva äänenpainetaso	Støynivåvektning ved operatørens posisjon	Амплитудно-взвешенный уровень звукового давления в рабочем месте оператора	94,1 dB(A)	95,2 dB(A)
Målingsikkerhed	Osäkerhet i mätningar	Mittausten epätarkkuus	Usikkerhet ved måling	Погрешность измерения	2,5 dB	
A-vægtet lydeffektniveau	A-vägd lydteffektnivå	A-painotettu äänenlehti	A-vektet lydeffektnivå	Уровень A-взвешенной звуковой мощности	105,1 dB(A)	106,2 dB(A)
Målingsikkerhed	Osäkerhet i mätningar	Mittausten epätarkkuus	Usikkerhet ved måling	Погрешность измерения	2,5 dB	

Reserve dele (Sværd og kæde)	Ubytesdelar (Klinga och kedja)	Varaosat (Terälevy ja ketju)	Erstatningsdeler (Sagsverd og kjæde)	Запасные части (Пильная шина и цепь)		
Producent	Tillverkare	Valmistaja	Produsent	Изготовитель	Oregon	Oregon
Gashåndtagets udløserknep	Avtrykkrifgøring	Liipaisimen vapautin	Utløser for gashåndtak	Кнопка разблокировки курка	91PJ052X	91PJ057X
Sværd	Stöd	Terälevy	Skinne	Шина	140SDEA041	160SDEA041
Kæden skal sættes på et sværd fra samme producent ifølge ovenstående kombinationer.	Kedjan måste sitta på ett svärd från samma tillverkare enligt ovan nämnda kombinationer.	Ketjun on oltava saman valmistajan toimittamaan terälevyyn sopiva, yllä mainittujen yhdistelmien mukaisesti.	Kjæde må benyttes med styreskinne fra samme produsent i henhold til ovenstående kombinasjoner.	Цепь следует использовать с пильной шиной того же производителя в соответствии с приведенными выше сочетаниями.		





Polski	Čeština	Magyar	Română	Latviski	Lietuviškai	Eesti
Parametry techniczne	Technické údaje	Műszaki adatok	Caracteristici tehnice	Specifikācijas	Techninės sąlygos	Techninės sąlygos
Moc znamionowa	Jmenovitý výkon	Névleges teljesítmény	Puterea nominală	Nominālā jauda	Nominali galia	Nimivõimsus
Napięcie znamionowe	Jmenovité napětí	Névleges feszültség	Tensiunea nominală	Nominālais spriegums	Nominali įtampa	Nimipinge
Długość prowadnicy	Délka vodič lišty	Láncvezető hossza	Lungime a barei de ghidare	Sliedes garums	Kreipiamosios juostos ilgis	Juhtlati pikkus
Użyteczna długość cięcia	Využitelná řezací délka	Hasznos vágáshossz	Lungime de tăiere utilizabilă	Izmantojamais griešanas garums	Naudojamas pjovimo ilgis	Kasutatav lõike pikkus
Ogranicznik łańcucha	Zastavení řetězu	Láncleállás	Oprire lanț	Ķēdes apstāšanās	Grandinės stabdiklis	Keti seiskumine
Pojemność zbiornika oleju łańcuchowego	Kapacita olejové nádrže pro řetěz	Láncolaj tartályának térfogata	Capacitate rezervor ulei de lanț	Ķēdes eļļas tvernes tilpums	Grandinės alyvos bakelio tūris	Õlipaagi maht
Masa (z prowadnicą, łańcuchem i pustym zbiornikiem paliwa)	Hmotnost (s vodič lištou, řetězem a prázdnou nádrží)	Tömeg (láncvezetővel, láncolaj és üres tartállyal)	Greutate (cu lamă de ghidare, lanț și rezervor gol)	Svars (ar sliedi, ķēdi un tukšu tvertni)	Svoris (su kreiptuvu, grandine ir tuščiu baku)	Mass (juhtlatiga, ketiga ja tühja paagiga)
Poziom drgań (zgodnie z normą EN 60745-1 i EN 60745-2-13)	Úroveň vibrací (v souladu s EN 60745-1 i EN 60745-2-13)	Vibrációs szint (a EN 60745-1 i EN 60745-2-13 szerint)	Nivelul vibrațiilor (în conformitate cu EN 60745-1 i EN 60745-2-13)	Vibrācijas līmenis (saskaņā ar EN 60745-1 i EN 60745-2-13)	Vibracijos lygis (pagal EN 60745-1 i EN 60745-2-13)	Vibratsioonitase (vastavalt standardile EN 60745-1 i EN 60745-2-13)
Łączna wartość vibracji	Hodnota celkových vibrací	Vibráció teljes értéke	Valoare totală vibrație	Vibrācijas kopējais apjoms	Bendra vibracijos vertė	Vibratsiooni koguväärtus
Niepewność pomiaru	Nejistota měření	Mérés bizonytalansága	Incertitudine a măsurării.	Mērījuma mainīgums	Matmenų paklaida	Mõõtmisvõrramatust
Poziom emisji hałasu (zgodnie z normą EN 60745-1 i EN 60745-2-13)	Hladina emise hluku (v souladu s EN 60745-1 i EN 60745-2-13)	Zajkiobscátási szint (a EN 60745-1 i EN 60745-2-13 szerint)	Nivel emisie zgomot (în conformitate cu EN 60745-1 i EN 60745-2-13)	Trokšņa emisijas līmenis (saskaņā ar EN 60745-1 i EN 60745-2-13)	Triukšmo emisijų norma (pagal EN 60745-1 i EN 60745-2-13)	Müraemisiooni tase (vastavalt standardile EN 60745-1 i EN 60745-2-13)
Poziom ciśnienia akustycznego w pozycji operatora	Hladina akustického tlaku vážená funkcií A v poloze obsluhy	A-súlyozott hangnyomásszint a kezelő helyén	Un nivel de presiune al sunetului mai tare la poziția operatorului.	Lietotāja pozīcijā ir ar A novērtēts skaņas spiediena līmenis.	A lygio svoris garso slėgis operatoriaus padėtyje.	A-kaalutud müraemisiooni rõhu tase operatori töökohtal
Niepewność pomiaru	Nejistota měření	Mérés bizonytalansága	Incertitudine a măsurării.	Mērījuma mainīgums	Matmenų paklaida	Mõõtmisvõrramatust
A-ważny poziom natężenia hałasu	Hladina akustického výkonu vážená funkcií A	A-súlyozott hangteljesítményszint	Nivel de putere acustică ponderată A	A-līmeņa skaņas jaudas līmenis	A svertinis garso galios lygis	A-kaalutud hülvõimsuse tase
Niepewność pomiaru	Nejistota měření	Mérés bizonytalansága	Incertitudine a măsurării.	Mērījuma mainīgums	Matmenų paklaida	Mõõtmisvõrramatust

Čzści zamiennie (Prowadnica i łańcuch)	Náhradní díly (Lišta a řetěz)	Cserealkatrészek (Láncvezető és lánc)	Piese de schimb (Bară și lanț)	Rezerves daļas (Sliede un ķēde)	Atsarginės detalės (Juosta ir grandinė)	Asendusosad (Juhtlati ja ketti)
Producenit	Výrobce	Gyártó	Producător	Ražotājs	Gamintojas	Tootja
Przycisk odblokovania spustu-włacznika	Pojistka proti nechtěnému spuštění nářadí	Ravasz kireteszelő gomb	Butonul de deblocare a trăgaciului	Sliēda atbloķēšanas poga	Jungtiklio deblokavimo mygtukas	Päästikuhob
Prowadnica	Lišta	Láncvezető	Lamă	Sliede	Āpsagas	Juhtlati
Należy stosować kombinacje łańcucha i prowadnicy wymienione powyżej; obydwa elementy muszą pochodzić od tego samego producenta.	Řetěz musí být upevněn na liště od stejného výrobce dle výše uvedených kombinací.	A láncot ugyanazon gyártójú láncvezetőjével kell használni, a fenti párosítás szerint.	Lanțul trebuie să fie montat cu lamă de la același producător, conform combinațiilor de mai sus.	Ķēde ir jāsalāgo ar atbilstošu ražotāja sliedi minētājās kombinācijās.	Grandinę būtina pritvirtinti naudojant to paties gamintojo strypą pagal aukščiau nurodytus derinius.	Kett peab olema komplekteeritud juhtlatiga vastavalt sama tootja osade ühalesitatud kombinatsioonidele.





Hrvatski	Slovensko	Slovenčina	България	RCS1935	RCS2340
Tehničke karakteristike	Tehnični podatki	Špecifikácie	Спецификации на продукта		
Nazivna snaga	Nazivna moć	Menoviti výkon	Номинална мощност	1900 W	2300 W
Nazivni napon	Nazivna napetost	Menovite napätie	Номинален волтаж	220-240 V~50 Hz	
Duljina vodilice lanca	Dolžina meča	Dĺžka vodiace lišty	Дължина на водещата шина	356 mm (14")	406 mm (16")
Korisna duljina vodilice	Dolžina uporabne površine za žaganje	Využitelná dĺžka rezania	Използваема дължина на рязане	330 mm (13")	380 mm (15")
Hvatač lanca	Ustavitev verige	Zastavenie reťaze	Време до спиране на веригата	< 0.12 s	
Kapacitet spremnika ulja za lanac	Kapaciteta posode za olje verige	Kapacita olejovej nádrže reťaze	Вместимост на резервоара за верижно масло	200 ml	
Težina (s vodilicom, lancem i praznim spremnikom)	Teža (z mečem, verigo in praznim rezervoarjem)	Hmotnosť (s vodiacom lištou, reťazou a prázdňou nádržou)	Тегло (с шина, верига и празен резервоар)	5.4 kg	5.7 kg
Razina vibracije (u skladu s EN 60745-1 & EN 60745-2-13)	Raven vibracij (skladno z EN 60745-1 & EN 60745-2-13)	Úroveň vibrácií (podľa normy EN 60745-1 & EN 60745-2-13)	Ниво на вибрация (в съответствие с EN 60745-1 & EN 60745-2-13)		
Ukupna vrijednost vibracija	Skupna vrednost vibracij	Celková hodnota vibrácií	Обща стойност на вибрациите	8.0 m/s <sup>2</sup>	6.0 m/s <sup>2</sup>
Neodređenost mjerenja	Negotovost meritev	Nespolahlivost merení	Несигурност на измерването	1.5 m/s <sup>2</sup>	
Razina emitirane buke (u skladu s EN 60745-1 & EN 60745-2-13)	Raven emisiji hrupa (skladno z EN 60745-1 & EN 60745-2-13)	Úroveň emisii hluku (podľa normy EN 60745-1 & EN 60745-2-13)	Ниво на шумова емисия (в съответствие с EN 60745-1 & EN 60745-2-13)		
A-ponderirana razina zvučnog tlaka u položaju operatera	A-izmerjena raven zvočnega tlaka pri položaju upravljalca	Vážená A hladina akustického tlaku na pozícii obsluhujúcej osoby.	Равнище А на нивото на шумовото налягане на мястото на оператора.	94.1 dB(A)	95.2 dB(A)
Neodređenost mjerenja	Negotovost meritev	Nespolahlivost merení	Несигурност на измерването	2.5 dB	
Ponderirana razina zvučne snage	A-izmerjena raven zvočne moći	Vážená A hladina akustického výkonu	Ниво на силата на шума с равнище А	105.1 dB(A)	106.2 dB(A)
Neodređenost mjerenja	Negotovost meritev	Nespolahlivost merení	Несигурност на измерването	2.5 dB	

Zamjena dijelova (Vodilica i lanac)	Nadomestni deli (Meč in veriga)	Náhradné diely (Lišta a reťaz)	Резервни части (Шина и верига)		
Proizvođač	Proizvajalec	Výrobca	Производител	Oregon	Oregon
Blokada otkopca	Sprožilni gumb	Západka plynovej páčky	Бутон за блокиране на пусковия лост	91PJ052X	91PJ057X
Vodilica	Meč	Lišta	Шина	140SDEA041	160SDEA041
Lanac mora biti učvršćen s vodilicom od istog proizvođača prema gornjim kombinacijama.	Veriga mora biti na meč istega proizvajalca nameščena skladno z zgornjimi kombinacijami.	Reťaz musí byť od rovnakého výrobcu a nasadená s lištou podľa vyššie uvedených kombinácií.	Веригата трябва да е поставена върху шина от същия производител съобразно горепосочените комбинации.		





## EN Vibration level

The declared vibration value has been measured with a standard test method and may be used to compare one tool with another.

The declared vibration value may be used in a preliminary assessment of exposure. The vibration emission during actual use of power tool can differ from the declared total value depending on the ways in which the tool is used.

Identify safety measures to protect yourself based on an estimation of exposure in the actual conditions of use, taking account of all parts of the operating cycle such as the times when the tool is switched off and when it is running idle in addition to the trigger time.

## FR Niveau de vibrations

La valeur déclarée totale des vibrations a été mesurée selon une méthode de test standardisée qui peut être utilisée pour comparer un outil avec un autre.

La valeur déclarée totale des vibrations peut également être utilisée pour évaluer par avance le niveau d'exposition.

La valeur des vibrations réellement produites durant l'utilisation de l'outil électrique peuvent différer de la valeur totale déclarée, en fonction de la manière dont l'outil est utilisé.

Identifiez les mesures de sécurité à prendre pour vous protéger, sur la base d'une estimation de l'exposition réelle, en tenant compte de tous les éléments du cycle d'utilisation tels que le temps d'arrêt de l'outil et le temps de son fonctionnement au ralenti, en plus du temps de fonctionnement normal.

## DE Vibrationsgrad

Der angegebene Vibrationswert wurde durch eine Standard-Testmethode ermittelt und kann dazu verwendet werden, ein Werkzeug mit einem anderen zu vergleichen. Der angegebene Vibrationswert kann für eine Vorabbeurteilung der Exponierung herangezogen werden.

Die Vibrationsemissionen bei der tatsächlichen Benutzung von Elektrowerkzeugen kann sich, abhängig von der Art der Benutzung des Werkzeugs, von dem genannten Wert unterscheiden.

Identifizieren Sie aufgrund einer Einschätzung der Exponierung unter tatsächlichen Einsatzbedingungen Maßnahmen zum eigenen Schutz, unter Berücksichtigung aller Bestandteile des Betriebszyklus, wie die Zeiten zu denen das Werkzeug ausgeschaltet ist, und zu denen es sich zusätzlich zu den Auslösezeitpunkten im Leerlauf befindet.

## ES Nivel de vibración

El valor declarado de vibraciones se ha medido con un método de prueba estándar y puede utilizarse para comparar una herramienta con otra.

El valor declarado de vibraciones puede utilizarse en una evaluación preliminar de exposición.

La emisión de las vibraciones durante el uso real de la herramienta eléctrica puede diferir del valor total declarado según el uso que se le dé a la herramienta. Identifique las medidas de seguridad para protegerse en base a una estimación de la exposición en las condiciones reales de uso, teniendo en cuenta todas las partes del ciclo de funcionamiento, como los tiempos en que la herramienta está apagada y cuando está en ralentí, además del tiempo de activación.

## IT Livello di vibrazioni

Il valore delle vibrazioni dichiarato deve essere misurato con un metodo di test standard e può essere utilizzato per paragonare un utensile a un altro.

Il valore dichiarato delle vibrazioni può essere utilizzato nella valutazione preliminare dell'esposizione.

L'emissione delle vibrazioni durante l'utilizzo dell'utensile può essere diversa al valore totale dichiarato a seconda dei modi in cui l'utensile viene utilizzato.

Individuare misure di sicurezza per proteggersi basate su una stima dell'esposizione nelle attuali condizioni di utilizzo, prendendo in considerazione tutte le parti del ciclo operativo come i tempi in cui l'utensile viene spento o quando funziona al minimo oltre al tempo di attivazione.

## NL Trillingsniveau

De aangegeven trillingswaarde werd gemeten met behulp van een standaard testmethode en kan worden gebruikt om gereedschap met elkaar te vergelijken.

De aangegeven trillingswaarde kan worden gebruikt in een voorlopige blootstellingsanalyse.

De trillingsemissie tijdens het gebruik van het werktuig kan verschillen van de aangegeven totale waarde, afhankelijk van de manier waarop het werktuig wordt gebruikt.

Neem veiligheidsmaatregelen om uzelf te beschermen op basis van een inschatting van de blootstelling in de huidige gebruiksomstandigheden, rekening houdend met alle onderdelen van de bedrijfscyclus, zoals de tijd dat het werktuig wordt uitgeschakeld en het stationair draait, bovenop de bedrijfstijd.

## PT Nivel de vibração

O valor de vibração declarado foi medido com um método de teste padrão e pode ser usado para comparar uma ferramenta com outra.

O valor de vibração declarado pode ser utilizado numa avaliação preliminar da exposição.

A emissão das vibrações durante o uso real da ferramenta eléctrica pode diferir do valor total declarado segundo o uso que se der à ferramenta.

Identifique as medidas de segurança para se proteger com base numa estimativa de exposição nas actuais condições de uso, tendo em conta todas as peças do ciclo de funcionamento, como as vezes que a ferramenta é desligada e quando está a trabalhar em ralentí para além do tempo de gatilho.

## DA Vibrationsniveau

Den erklærede vibrationsværdi er målt i henhold til en standard-testmetode og kan bruges til at sammenligne forskellige værktøjer indbyrdes.

Den erklærede vibrationsværdi kan bruges som en foreløbig vurdering af eksponeringen.

Vibrationsemissionen ved praktisk brug af elværktøjet kan variere fra den erklærede totalværdi, alt efter hvordan værktøjet anvendes.

Træf passende sikkerhedsforanstaltninger for at beskytte dig selv ud fra den skønnede eksponering for risici under de aktuelle anvendelsesforhold, hvor du - ud over den effektive arbejdstid - også tager højde for de varierende perioder, som fx når værktøjet er slukket, og når det kører i tomgang.





## SV Vibrationsnivå

Det angivna vibrationsvärdet har uppmätts med en standardmetod och kan användas för att jämföra med andra kraftverktyg.

Det angivna vibrationsvärdet kan användas i en preliminär analys av vibrationerna som användaren utsätts för.

De vibrationer som uppstår vid användningen av el-verktyget kan skilja sig från det uppgivna totalvärdet beroende på det sätt som verktyget används på.

Vidtag säkerhetsåtgärder för ditt personliga skydd utifrån den exponering som sker under användningen, ta hänsyn till all användning som då verktyget är avstängt och när det går på tomgång förutom den faktiska brukstiden.

## FI Tärinätaso

Ilmoitettu tärinäarvo on mitattu tavallisin testimenetelmin, ja sitä voidaan käyttää verrattaessa laitetta toiseen.

Ilmoitettua tärinäarvoa voidaan käyttää arvioitaessa tärinävaikutusta.

Sähkötyökalun todellisen käytön aikainen tärinä saattaa poiketa ilmoitetusta kokonaisarvosta, laitteen käyttötavasta riippuen.

Määritä käyttäjän suojauskeinot, jotka perustuvat todellisten käyttöolosuhteiden tärinävaikutusarvoon, ottaen huomioon kaikki käyttöjakson osat, kuten ajan, jonka laite on sammuksissa ja käy tyhjäkäynnillä, varsinaisen sahausajan lisäksi.

## NO Vibrasjonsnivå

Den oppgitte vibrasjonsverdien er målt med en standard testmetode og kan benyttes for å sammenligne ett verkøy med et annet.

Den oppgitte vibrasjonsverdien kan benyttes for en foreløpig angivelse av eksponering.

Vibrasjonene ved faktisk bruk av et elektrisk verkøy kan skille seg fra oppgitte totalverdier avhengig av måten verkøyet brukes på.

Identifiser sikkeringstiltak som beskytter deg selv, basert på et anslag for eksponering i den faktiske brukssituasjonen der man tar hensyn til alle brukkssyklusene, som tidspunktet da maskinen ble slått av og når den går på tomgang i tillegg til tiden når verkøyet arbeider.

## RU Уровень вибрации

Заявленная величина вибрации измерялась в соответствии со стандартной методикой проведения испытаний и может использоваться для сравнения одного инструмента с другим.

Заявленная величина вибрации может использоваться при предварительной оценке характеристик.

Уровень вибрации при работе электронного инструмента может отличаться от заявленной общей величины вибрации в зависимости от условий его использования.

Выберите средства защиты оператора с учетом реальных условий эксплуатации, принимая во внимание все факторы рабочего цикла, такие как время, в течение которого инструмент был выключен, и время его работы в холостом режиме.

## PL Poziom drgań

Deklarowany poziom drgań został zmierzony za pomocą standardowej metody pomiaru i jego wyniki mogą służyć do porównywania tego urządzenia z innymi.

Deklarowana wartość drgań może służyć do wstępnej oceny narażenia operatora na wibracje.

Emisja drgań podczas użytkowania elektronarzędzi może różnić się od zadeklarowanej wartości, w zależności od sposobu użytkowania urządzenia.

Określić zasady bezpieczeństwa, oparte na oszacowaniu narażenia operatora w rzeczywistych warunkach użytkowania, uwzględniając wszystkie elementy cyklu operacyjnego, takie jak czasy wyłączenia oraz czasy pracy bez obciążenia, oprócz czasu pracy przy wciśniętym przycisku uruchamiania.

## CS Úroveň vibrací

Uznaná hodnota vibrací byla naměřena pomocí standardního testovacího postupu a lze ji použít k porovnání s jiným nástrojem.

Uznaná hodnota vibrací se může používat k předběžnému odhadu vystavování uživatelům.

Aktuální hodnoty vibrací během používání nástroje se mohou lišit od výše uvedených a mohou se lišit dle použitého nástroje.

Určete bezpečnostní opatření pro vlastní ochranu, která jsou založena na odhadu vystavení v aktuálních podmínkách používání, popisu všech částí pracovního cyklu jako doby, kdy je nástroj vypnut a když běží naprázdno, kromě doby spuštění.

## HU Vibrációs szint

A megadott vibrációs érték szabványos tesztmódszerrel lett meghatározva, és két szerszám összehasonlításakor is használható.

A megadott vibrációs érték a vibrációnak való kitettség előzetes becsüléséhez is felhasználható.

A vibráció-kibocsátás a szerszámgép tényleges használat során eltérhet a nyilatkozatban szereplő teljes értéktől; ez függ a gép használatának módjától.

Határozza meg a saját védelmét szolgáló óvintézkedéseket az adott használati körülmények között érvényes kitettség felmérésével, figyelembe véve a használat teljes időtartamát, vagyis beleértve azokat az időszakokat, amikor a gép ki van kapcsolva, vagy bekapcsolt állapotban üresjárásban működik.

## RO Nivelul vibrațiilor

Valoarea declarată a vibrațiilor a fost măsurată cu o metodă de testare standard și poate fi utilizată pentru a compara o unealtă cu alta.

Valoarea declarată a vibrațiilor poate fi utilizată într-o evaluare preliminară a expunerii.

Emisia de vibrații în timpul folosirii efective a unelei electrice poate diferi de valoarea totală declarată în funcție de modulele în care este utilizată unealta.

Identificați măsurile de siguranță pentru a vă proteja, pe baza estimării expunerii la condițiile efective de utilizare, luând în considerare toate etapele ciclului de operare, precum momentele în care unealta este oprită și atunci când funcționează în gol, suplimentar momentului declanșării.





## LV Vibrācijas līmenis

Nosauktais vibrācijas līmenis ir ticis izmērīts ar standarta pārbaudes metodi un var tikt izmantots, lai salīdzinātu vienu instrumentu ar citu.

Nosauktā vibrācijas vērtība var tikt izmantota sākotnējās iedarbības novērtējumam.

Elektroinstrumenta vibromesija reālā darba laikā var atšķirties no norādītās kopējās vērtības atkarībā no veidiem, kā instruments tiek lietots.

Nosakiet drošības pasākumus, lai sevi aizsargātu, balstoties uz saskares ilguma novērtējumu atbilstoši lietošanas apstākļiem, ņemot vērā visas lietošanas cikla daļas, tostarp laikus, kad instruments tiek izslēgts un kad tas darbojas tukšgaitā papildus darbināšanas laikam.

## SL Raven vibracij

Navedena vrednost vibracij je bila izmerjena s standardno metodo testiranja in se lahko uporabi za primerjavo različnih orodij.

Navedena vrednost vibracij se lahko uporabi za predhodne ocene izpostavljenosti.

Emisije med dejansko uporabo električnega orodja se od navedene vrednosti lahko razlikujejo, odvisno od načina, kako se orodje uporablja.

Ugotovite varnostne ukrepe za zaščito upravljalca, ki temeljijo na oceni izpostavljenosti v dejanskih pogojih uporabe, pri tem pa je treba upoštevati vse dele delovnega cikla – npr. ko je orodje izključeno in ko je v prostem teku in čas zagona.

## LT Vibracijos lygis

Deklaruotas vibracijos lygis yra išmatuotas standartinio testo metu ir gali būti naudojamas vieno įrankio su kitu palyginimui.

Deklaruotas vibracijos lygis gali būti naudojamas preliminariam pavojaus įvertinimui.

Elektrinio įrankio naudojimo metu vibracijos lygis gali skirtis nuo deklaruotos bendrosios vertės pagal įrankio naudojimo būdus.

Nustatykite saugumo priemones, kad apsisaugotumėte, kurios pagrįstos pavojaus įvertinimu pačiose naudojimo sąlygose, atkreipiant dėmesį į visas darbo ciklo dalis, pvz. laikotarpį, kai įrankis yra išjungtas ir kai veikia tuščiaja eiga bei perjungimo laiką.

## SK Úroveň vibrácií

Deklarovaná hodnota vibrácií bola meraná podľa štandardnej testovacej metódy a možno ju používať na porovnanie jedného nástroja s iným.

Deklarovaná hodnota vibrácií sa dá použiť aj v predbežnom odhade expozície.

Úroveň emisii počas samotného používania elektrického nástroja sa môže líšiť od deklarovanej celkovej hodnoty v závislosti od toho, ktorý nástroj sa používa.

Identifikujte bezpečnostné opatrenia na vašu ochranu ne základe posúdenia skutočných podmienok použitia, pričom vezmite do úvahy všetky časti prevádzkového cyklu, napríklad časov, kedy je nástroj vypnutý a kedy pracuje na voľnobehu okrem času spúšťania.

## ET Vibratsioonitase

Deklareeritud vibratsiooniväärtus on mõõdetud standardse testimismeetodiga ja seda võib kasutada tööriistade omavaheliseks võrdlemiseks.

Olenevalt seadme kasutusviisist võib mehaanilise tööriista töötamisel ilmneva vibratsioonimissiooni, mille suurus erineb deklareeritud väärtustest.

Olenevalt seadme kasutusviisist võib mehaanilise tööriista töötamisel ilmneva vibratsioonimissiooni, mille suurus erineb deklareeritud väärtustest.

Kasutaja kaitsmiseks seadmega töötamisel tuleb kindlaks teha turvameetmed, mis põhinevad tegelikes kasutustingimustes esinevale vibratsioonile, sealjuures tuleb arvesse võtta kõiki töötsükli osi, lisaks sisselülitatud olekule näiteks ka vibratsiooni väljalülitamise ajal ja tühikäigul.

## BG Ниво на вибрация

Посочената стойност за вибрациите е измерена с помощта на стандартен тест и може да се използва за сравнение с друг инструмент.

Посочената стойност за вибрациите може да бъде използвана в предварително оценяване за излагане на вибрации.

Вибрациите по време на действителната употреба на електромеханичния инструмент може да се различават от обявената обща стойност в зависимост от начините, по които се използва инструментът.

Определете мерки за безопасност за собствена защита според преценка за излагането на вибрации в реални условия, като се вземат предвид всички елементи на работния цикъл, като например времето, в което инструментът е изключен и когато работи на празен ход, както и времето за задействане.

## HR Razina vibracije

Objavljena vrijednost vibracija je izmjerena standardnom metodom testiranja i može se koristiti za usporedbu jednog alata s drugim.

Objavljena vrijednost vibracija može se koristiti u početnom usklađivanju izloženosti.

Razina vibracija tijekom trenutačne uporabe AKU alata može se razlikovati od deklarirane ukupne vrijednosti ovisno o načinima na koje se alat koristi.

Identificirajte sigurnosne mjere za svoju zaštitu na temelju procjene izloženosti u trenutim uvjetima korištenja, uzevši u obzir sve dijelove radnog ciklusa kao što su vrijeme kada je alat isključen i kada je pokrenut u praznom hodu u dodatku vremenu pokretanja.



## EN GUARANTEE

In addition to any statutory rights resulting from the purchase, this product is covered by a guarantee as stated below.

1. The guarantee period is 24 months for consumers and commences on the date when the product was purchased. This date has to be documented by an invoice or other proof of purchase. The product is designed and dedicated to consumer and private use only. So there is no guarantee provided in case of professional or commercial use.
2. There is, in some cases (i.e. promotion, range of tools), a possibility to extend the warranty period over the period described above using the registration on the [www.ryobitools.eu](http://www.ryobitools.eu) website. The eligibility of the tool is clearly displayed in stores and/or on packaging. The end user needs to register his/her newly-acquired tools online within 8 days from the date of purchase. The end user may register for the extended warranty in his country of residence if listed on the online registration form where this option is valid. Furthermore, end users must give their consent to the storage of the data which are required to enter online and they have to accept the terms and conditions. The registration confirmation receipt, which is sent out by e-mail, and the original invoice showing the date of purchase will serve as proof of the extended warranty. Your statutory rights remain unaffected.
3. The guarantee covers all defects of the product during the warranty period due to defaults in workmanship or material at the purchase date. The guarantee is limited to repair and/or replacement and does not include any other obligations including but not limited to incidental or consequential damages. The warranty is not valid if the product has been misused, used contrary to the instruction manual, or being incorrectly connected. This guarantee does not apply to
  - any damage to the product that is the result of improper maintenance
  - any product that has been altered or modified
  - any product where original identification (trade mark, serial number) markings have been defaced, altered or removed
  - any damage caused by non-observance of the instruction manual
  - any non CE product
  - any product which has been attempted to be repaired by an non-qualified professional or without prior authorization by Techtronic Industries
  - any product connected to improper power supply (amps, voltage, frequency)
  - any product used with inappropriate fuel mixture (fuel, oil, percentage of oil)
  - any damage caused by external influences (chemical, physical, shocks) or foreign substances
  - normal wear and tear of spare parts
  - inappropriate use, overloading of the tool
  - use of non-approved accessories or parts
  - carburettor after 6 months, carburettor adjustments after 6 months
  - components (parts and accessories) subject to natural wear and tear, including but not limited to bump knobs, drive belts, clutch, blades of hedge trimmers or lawn mowers, harness, cable throttle, carbon brushes, power cord, tines, felt washers, hitch pins, blower fans, blower and vacuum tubes, vacuum bag and straps, guide bars, saw chains, hoses, connector fittings, spray nozzles, wheels, spray wands, inner reels, outer spools, cutting lines, spark plugs, air filters, gas filters, mulching blades, etc.
4. For servicing, the product must be sent or presented to a RYOBI authorized service station listed for each country in the following list of service station addresses. In some countries your local RYOBI dealer undertakes to send the product to the RYOBI service organisation. When sending a product to a RYOBI service station, the product should be safely packed without any dangerous contents such as petrol, marked with sender's address and accompanied by a short description of the fault.
5. A repair/replacement under this guarantee is free of charge. It does not constitute an extension or a new start of the guarantee period. Exchanged parts or tools become our property. In some countries delivery charges or postage will have to be paid by the sender.
6. This guarantee is valid in the European Community, Switzerland, Iceland, Norway, Liechtenstein, Turkey and Russia. Outside these areas, please contact your authorized RYOBI dealer to determine if another warranty applies.

### AUTHORISED SERVICE CENTRE

To find an authorised service centre near you, visit <http://uk.ryobitools.eu/header/service-and-support/service-agents>.

## FR GARANTIE

En plus des droits statutaires liés à l'achat, ce produit est couvert par une garantie telle que décrite ci-dessous.

1. La durée de la garantie accordée au consommateur est de 24 mois à partir de la date d'achat. Cette date doit être authentifiée par une facture ou tout autre preuve d'achat. Le produit a été conçu en vue d'une utilisation strictement privée. Aucune garantie ne s'applique donc en cas d'utilisation professionnelle ou commerciale.
2. Il existe, dans certains cas (par exemple promotion, gamme d'outils), une possibilité d'étendre la période de garantie au-delà de la période précédemment décrite en utilisant le formulaire d'enregistrement présent sur le site Internet [www.ryobitools.eu](http://www.ryobitools.eu). L'éligibilité d'un outil est clairement affichée dans les points de vente et/ou sur l'emballage. L'utilisateur final doit enregistrer son/ses outil(s) nouvellement acheté(s) en ligne dans les 8 jours qui suivent la date d'achat. L'utilisateur a la possibilité de s'enregistrer pour l'extension de garantie dans son pays de résidence si celui-ci est listé dans le formulaire d'enregistrement en ligne où cette option est valide. L'utilisateur final doit donner son consentement pour l'enregistrement des données requises pour accéder au site et doit accepter les termes et conditions. La confirmation d'enregistrement, envoyée par courrier électronique, ainsi que la facture originale mentionnant la date d'achat serviront de preuve de l'extension de garantie. Vos droits statutaires restent inchangés.
3. La garantie couvre les défauts des pièces et de main d'oeuvre du produit pendant la période de garantie à partir de la date d'achat. La garantie n'inclut aucune autre obligation, tel que, mais sans s'y limiter, les dommages accessoires ou indirects. La garantie est non valable en cas de mauvaise utilisation du produit, d'utilisation contraire aux instructions du mode d'emploi, ou en cas de branchement incorrect. Cette garantie ne s'applique pas pour :
  - tout dommage au produit résultant d'un mauvais entretien
  - tout produit ayant été altéré ou modifié
  - tout produit dont les marquages originaux d'identification (marque, numéro de série) ont été dégradés, altérés ou retirés
  - tout dommage causé par le non-respect des instructions du mode d'emploi
  - tout produit non CE
  - tout produit ayant subi une tentative de réparation par du personnel non qualifié ou sans autorisation préalable de Techtronic Industries
  - tout produit raccordé à une alimentation secteur non conforme (ampérage, voltage, fréquence)
  - tout produit utilisé avec un mélange inapproprié (essence, huile, pourcentage d'huile)
  - tout dommage causé par des influences extérieures (chimiques, physiques, chocs) ou par des substances étrangères
  - l'usure normale des pièces consommables
  - une utilisation inappropriée, une surcharge de l'outil
  - l'utilisation de pièces ou accessoires non agréés
  - les carburateurs après plus de 6 mois à compter de la date d'achat, également les réglages du carburateur après plus de 6 mois à compter de la date d'achat
  - les composants (pièces et accessoires) sujets à une usure naturelle, incluant de façon non exhaustive les têtes de fil à frapper, les courroies de transmission, les embrayages, les lames des taille-haies ou des tondeuses à gazon, les harnais, les câbles d'accélérateur, les charbons, les cordons d'alimentation, les fraises de cultivateurs, les rondelles feutre, les goupilles de fraise, les turbines et lame de broyage des souffleurs, les tubes de soufflage et d'aspiration des souffleurs, les sacs de souffleurs et leurs lanières, les guides-chaîne, les chaînes de tronçonneuses, les tuyaux et raccords, les buses et lances de nettoyeurs haute pression, les roues, les recharges de fil des têtes de coupe, les têtes de coupe, le fil de coupe, les bougies d'allumage, les filtres à air, les filtres à essence, etc.
4. Si le produit doit être réparé, envoyez-le à un service après-vente agréé RYOBI dont vous trouverez ci-dessous la liste pour chaque pays. Dans certains pays, votre revendeur RYOBI se chargera d'envoyer le produit à un centre de réparation RYOBI. Lorsque vous envoyez un produit à un service après-vente RYOBI, celui-ci doit être correctement emballé, sans contenir aucun produit dangereux tel que de l'essence, et vous devez indiquer votre adresse ainsi qu'une courte description du problème.
5. Une réparation / un remplacement sous garantie est gratuit(e). Ceci ne constituera pas une extension de garantie ni un nouveau départ de la période de garantie. Les pièces ou les outils remplacés deviennent notre propriété. Dans certains pays, les frais de port devront être assumés par l'expéditeur.
6. Cette garantie est valable au sein de l'Europe, de la Suisse, de l'Islande, de la Norvège, du Liechtenstein, de la Turquie, de la Russie. En dehors de ces zones, veuillez contacter votre distributeur agréé RYOBI pour déterminer si une autre garantie s'applique.

### SERVICE APRÈS-VENTE AGRÉÉ

Pour trouver le service après-vente agréé le plus proche, rendez-vous sur <http://fr.ryobitools.eu/header/service-and-support/service-agents>.

## DE GARANTIE

Zusätzlich zu den aufgrund des Kaufs entstehenden gesetzlichen Rechten, ist dieses Produkt von der unten aufgeführten Garantie abgedeckt.

- Die Garantiezeit für Endverbraucher beträgt 24 Monate für und beginnt ab dem Kaufdatum des Produktes. Dieses Datum muss durch eine Rechnung oder einen anderen Kaufbeleg dokumentiert sein. Das Produkt ist ausschließlich für den Privatgebrauch entwickelt und bestimmt. Deshalb wird keine Garantie im Fall von professionellem oder kommerziellem Einsatz angeboten.
- In einigen Fällen (z.B. Promotion, auf eine bestimmte Produktpalette oder auf bestimmte Produkte begrenzt) besteht die Möglichkeit die Garantiezeit über den oben genannten Zeitraum, durch Registrierung auf der Webseite [www.ryobitools.eu](http://www.ryobitools.eu), zu verlängern. Der verlängerte Garantieanspruch für ein bestimmtes Produkt wird deutlich in den Geschäften und/oder auf der Verpackung des Produktes gezeigt. Der Endverbraucher muss seine neu verkauften Produkte innerhalb von 8 Tagen ab Kaufdatum registrieren. Der Endverbraucher kann sich für die erweiterte Garantie im Land seines permanenten Wohnsitzes registrieren, wenn diese Möglichkeit in dem Online-Formular gegeben ist. Des weiteren müssen die Endverbraucher ihr Einverständnis zur Speicherung der online angegebenen Daten geben und die Geschäftsbedingungen annehmen. Die per E-Mail verschickte Bestätigung der Registrierung und die Originalrechnung mit Kaufdatum dienen als Nachweis für die verlängerte Garantie. Ihre gesetzlichen Rechte bleiben unangetastet.
- Die Garantie deckt während der Garantiezeit ab Kaufdatum alle Produktmängel aufgrund von Material- oder Herstellungsmängeln ab. Diese Garantie ist auf Reparatur und/oder Ersatz beschränkt und enthält keine weiter Verpflichtungen einschließlich aber nicht beschränkt auf beiläufige oder resultierende Schäden. Die Garantie ist nicht gültig, wenn das Produkt missbräuchlich oder entgegen der Bedienungsanleitung benutzt, oder falsch angeschlossen wurde. Diese Garantie gilt nicht für:
  - Jegliche Schäden die an dem Produkt aufgrund falscher Wartung entstehen.
  - Jedes Produkt das verändert oder modifiziert wurde.
  - Jedes Produkt an dem die originale Identifizierung (Markenzeichen, Seriennummer) verunstaltet, verändert oder entfernt wurden.
  - Jede Beschädigung die durch Nichtbeachtung der Bedienungsanleitung verursacht wurde.
  - Jedes Produkt ohne CE Zeichen.
  - Jedes Produkt das von einer unqualifizierten Person oder ohne vorherige Genehmigung von Techtronic Industries versucht wurde zu reparieren.
  - Jedes Produkt das an eine falsche Stromversorgung (Ampere, Spannung, Frequenz) angeschlossen wurde.
  - Jedes Produkt das mit einer falschen Treibstoffmischung (Treibstoff, Öl, Prozentanteil von Öl) betrieben wurde.
  - Jede Beschädigung die von äußeren Einflüssen (chemisch, physisch, Stöße) oder fremden Substanzen verursacht wurde.
  - Normaler Verschleiß und Abnutzung von Ersatzteilen.
  - Zweckwidrige Benutzung, Überlastung des Werkzeugs.
  - Benutzung von nicht zugelassenem Zubehör oder Teilen.
  - Den Vergaser nach 6 Monaten, die Vergasereinstellung nach 6 Monaten.
  - Teile (Teile und Zubehörteile) die normalem Verschleiß unterliegen, einschließlich aber nicht beschränkt auf Fadenköpfe, Antriebsriemen, Kupplungen, Klängen von Heckenschneidern oder Rasenmähern, Gurtzeug, Gaszügen, Kohlebürsten, Netzkabel, Zinken, Filzunterlegscheiben, Anhangstifte, Gebläse, Gebläse- und Saugschläuche, Saugbeutel und Riemen, Führungsschienen, Sägeketten, Schläuche, Anschlüsse, Sprühdüsen, Räder, Sprühdüsen, innere Rollen, äußere Spulen, Schneidfäden, Zündkerzen, Luftfilter, Treibstofffilter, Mulchmesser usw.
- Zur Wartung muss das Produkt eingeschickt werden oder einem für jedes Land in der folgenden Liste aufgeführten autorisierten RYOBI Kundendienst gebracht werden. In einigen Ländern schickt Ihr örtlicher RYOBI Händler das Produkt an den RYOBI Kundendienst. Wenn ein Produkt an den RYOBI Kundendienst geschickt wird, sollte es sicher verpackt werden, ohne gefährlichen Inhalt, wie Treibstoff, mit der Absenderadresse versehen sein und eine kurze Beschreibung des Fehlers enthalten.
- Reparatur/Ersatz unter dieser Garantie sind kostenfrei. Das stellt keine Verlängerung oder Neustart der Garantiezeit dar. Ausgewechselte Teile oder Werkzeuge treten in unseren Besitz über. In einigen Ländern müssen Lieferkosten oder Postgebühren von dem Absender getragen werden.
- Diese Garantie gilt in der Europäische Gemeinschaft, Schweiz, Island, Norwegen, Liechtenstein, Türkei und Russland. Bitte kontaktieren Sie Ihren autorisierten RYOBI-Händler, um herauszufinden ob eine andere Gewährleistung außerhalb dieser Gebiete gültig ist.

### AUTORISIERTER KUNDENDIENST

Besuchen Sie <http://de.ryobitools.eu/header/service-and-support/service-agents>, um einen autorisierten Kundendienst in Ihrer Nähe zu finden.

## ES GARANTÍA

Además de cualquier derecho estatutario derivado de la compra, este producto está cubierto con la siguiente garantía.

- El período de garantía es de 24 meses para los consumidores y comienza a partir de la fecha de compra del producto. Esta fecha debe demostrarse con una factura u otra prueba de compra. El producto está diseñado y destinado al consumidor y únicamente para uso privado. Por tanto, no se ofrece ninguna garantía en caso de uso profesional o comercial.
- En algunos casos (como promociones o un conjunto de herramientas) existe la posibilidad de ampliar el período de garantía hasta el período descrito anteriormente mediante el registro en el sitio web [www.ryobitools.eu](http://www.ryobitools.eu). La elegibilidad de la herramienta se muestra claramente en las tiendas o en el embalaje. El usuario final debe registrar sus herramientas recién adquiridas en línea en los 8 días siguientes a la fecha de compra. El usuario final podrá registrarse para ampliar la garantía en su país de residencia si éste aparece en el formulario de registro en línea en que esta opción es válida. Además, los usuarios finales deben dar su consentimiento para que se guarden los datos que se solicitan para entrar en línea y aceptar los términos y condiciones. El recibo de la confirmación de registro, que se enviará por correo electrónico, y la factura original que muestre la fecha de compra servirán como prueba de la ampliación de la garantía. Sus derechos estatutarios permanecerán intactos.
- La garantía cubre, durante el período de garantía, todos los defectos del producto que se deban a fallos de la mano de obra o a fallos del material en la fecha de compra. La garantía tiene un límite de reparación o sustitución y no incluye ninguna otra obligación se deba a, aunque sin limitarse a ello, daños accidentales o incidentales. La garantía no es válida si se ha hecho un uso inadecuado del producto, si no se ha usado siguiendo el manual de instrucciones o si se ha conectado incorrectamente. Esta garantía no se aplica a:
  - cualquier daño del producto derivado de un mantenimiento inadecuado
  - cualquier producto que haya sido alterado o modificado
  - cualquier producto en el que las marcas de identificación originales (marca comercial, número de serie) hayan sido borradas, modificadas o eliminadas
  - cualquier daño causado por el incumplimiento del manual de instrucciones
  - cualquier producto que no sea CE
  - cualquier producto que haya intentado reparar un profesional no cualificado o sin una autorización previa de Techtronic Industries
  - cualquier producto conectado a un suministro eléctrico inadecuado (amperios, tensión, frecuencia)
  - cualquier producto utilizado con una mezcla de combustible inadecuada (combustible, aceite, porcentaje de aceite)
  - cualquier daño causado por influencias externas (de productos químicos, daños físicos, descarga eléctrica) o sustancias extrañas
  - desgaste o rotura normal de las piezas de repuesto
  - uso inadecuado, sobrecarga de la herramienta
  - uso de accesorios o piezas no homologados
  - carburador después de 6 meses, ajustes del carburador después de 6 meses
  - componentes (piezas y accesorios) sujetos a un desgaste o rotura natural, incluyendo, aunque sin limitarse a ello, las perillas de las bombas, correas de transmisión, embrague, cuchillas de cortasetos o cortacéspedes, arnés, acelerador, escobillas de carbón, cable de alimentación, horquillas, arandelas de fieltro, pasadores de enganche, ventiladores, tubos de ventilador y de vacío, correas y bolsas de vacío, barras de guía, sierras de cadena, mangueras, accesorios de conexión, boquillas pulverizadoras, ruedas, varas rioradoras, carretes interiores y exteriores, hilos de corte, bujías, filtros de aire, filtros de gas, cuchillas de trituración, etc.
- Para el servicio, el producto debe enviarse o entregarse en un punto de servicio técnico autorizado RYOBI enumerado para cada país en la siguiente lista de direcciones de servicio técnico. En algunos países su distribuidor local RYOBI se encarga de enviar el producto a la organización del servicio de RYOBI. Al enviar un producto a un punto de servicio técnico RYOBI, el producto debe embalarse de forma segura sin que contenga ninguna sustancia peligrosa como petróleo, debe llevar la dirección del remitente e ir acompañado de una breve descripción del fallo.
- Una reparación/sustitución dentro de esta garantía se realiza de forma gratuita. No constituye una ampliación ni un reinicio del período de garantía. Las piezas o herramientas que se cambian pasan a ser de nuestra propiedad. En algunos países los gastos de envío o del franqueo deberán pagarlos el remitente.
- Esta garantía es válida en la Comunidad Europea, Suiza, Islandia, Noruega, Liechtenstein, Turquía y Rusia. Fuera de estas zonas, póngase en contacto con su distribuidor autorizado RYOBI para determinar si se aplica otra garantía.

### SERVICIO TÉCNICO AUTORIZADO

Para encontrar el servicio técnico autorizado más cercano, visite <http://uk.ryobitools.eu/header/service-and-support/service-agents>.



## IT GARANZIA

Oltre ai legittimi diritti derivanti dall'acquisto del prodotto, quest'ultimo è coperto da garanzia come indicato nei seguenti punti.

- Il periodo di garanzia per il consumatore è di 24 mesi ed ha inizio dalla data in cui il prodotto è stato acquistato. Questa data deve essere documentata da una ricevuta o da altra prova d'acquisto. Il prodotto è stato disegnato e progettato solo per l'utilizzo privato del consumatore. La garanzia viene invalidata in caso di utilizzo professionale o commerciale.
- In alcuni casi (per esempio promozioni e gamme di prodotti) esiste la possibilità di estendere il periodo di garanzia oltre il periodo indicato sopra registrandosi sul sito web [www.ryobitools.eu](http://www.ryobitools.eu). L'idoneità del prodotto a rievolvere tale estensione viene indicata chiaramente nei punti vendita e/o sull'imballo. L'utente finale deve registrare il suo prodotto appena acquistato online entro 8 giorni dalla data d'acquisto. L'utente finale può accedere all'offerta nel suo paese quando la stessa è valida e qualora si sia registrato online. Inoltre, gli utenti finali devono dare il proprio consenso all'archiviazione dei dati che si inseriscono online indicando che i termini e le condizioni sono stati accettati. La ricezione della conferma della registrazione verrà inviata via email e la fattura originale indicante la data d'acquisto verrà utilizzata come prova della garanzia estesa. I diritti legittimi dell'utente rimarranno invariati.
- La garanzia copre tutti i difetti di fabbricazione del prodotto durante il periodo di garanzia a causa di guasti di fabbricazione o di materiale alla data di acquisto. La garanzia è limitata alla riparazione e/o alla sostituzione e non include altri obblighi compreso ma non limitato a danni incidentali o consequenziali. La garanzia non è valida se il prodotto non è stato utilizzato come indicato nel manuale di istruzioni o se è stato collegato in maniera non corretta. La garanzia non si applica a:
  - qualsiasi danno al prodotto che sia il risultato di una scorretta manutenzione
  - qualsiasi prodotto che sia stato alterato o modificato
  - qualsiasi prodotto sul quale l'identificazione originale (marchio registrato, numero di serie) sia stata resa illegibile, sia stata danneggiata o alterata
  - qualsiasi danno causato dalla non osservanza del manuale d'istruzioni
  - qualsiasi prodotto non contrassegnato con il marchio CE
  - qualsiasi prodotto che una persona non qualificata abbia tentato di riparare o che si è tentato di riparare senza l'autorizzazione delle Techtronisianoc Industries
  - qualsiasi prodotto collegato a un'alimentazione non corretta (per amp, voltaggio, frequenza)
  - qualsiasi prodotto utilizzato con la miscela scorretta di carburante (carburante, olio, percentuale d'olio)
  - qualsiasi danno causato da agenti esterni (chimici, fisici o shock) o da sostanze estranee
  - normale usura di parti di ricambio
  - utilizzo non appropriato, sovraccaricamento di utensili
  - utilizzo non approvato di accessori o parti
  - carburatore dopo 6 mesi, regolazioni al carburatore dopo 6 mesi
  - componenti (parti e accessori) soggetti alla normale usura, compreso ma non limitato a manopole di avviamento a spinta, cinghie di trasmissione, frizione, lame di sfondatori o tagliaerba, cablaggio, cavo dell'acceleratore, spazzole al carbonio, cavi dell'alimentazione, lancette, rondelle in feltro, perni di aggancio, ventole del soffiatore, tubi del soffiatore e dell'aspirapolvere, sacchetti e cinghie dell'aspirapolvere, barre di guida, catene della motosega, tubi, raccordi del connettore, ugelli a spruzzo, ruote, bacchette a spruzzo, bobine interne, bobine esterne, fili di taglio, candele, filtri dell'aria, filtri del gas, lame di triturazione, ecc.
- Per servizi di manutenzione, il prodotto dovrà essere mandato o presentato presso un punto di servizio clienti autorizzato RYOBI indicato nella seguente lista. In alcune nazioni il rivenditore RYOBI si occuperà di inviare il prodotto al più vicino servizio clienti RYOBI. Quando si invia un prodotto a un servizio clienti RYOBI, il prodotto dovrà essere correttamente imballato senza eventuali contenuti pericolosi quali carburanti, e contrassegnato con l'indirizzo della persona che lo ha inviato e accompagnato da una breve descrizione del problema riscontrato.
- Si garantisce una riparazione/sostituzione gratuita quando il prodotto è coperto da garanzia. Questa sostituzione o riparazione non costituisce una estensione o un nuovo inizio di un periodo di garanzia. Le parti o l'utensile cambiati sono di proprietà della ditta. In alcune nazioni i costi di consegna o invio dovranno essere pagati dalla persona che spedisce.
- Questa garanzia è valida all'interno della Comunità Europea, in Svizzera, Islanda, Norvegia, Liechtenstein, Turchia e Russia. Al di fuori di queste aree, si prega di contattare il proprio gestore autorizzato RYOBI per determinare se si applica un'altra garanzia.

### CENTRO SERVIZI AUTORIZZATO

Per individuare il più vicino centro servizi autorizzato, visitare il sito <http://uk.ryobitools.eu/header/service-and-support/service-agents>.

## NL GARANTIE

Bovenop de statutaire rechten als gevolg van de aankoop, wordt dit product gedekt door een garantie, zoals deze hieronder wordt beschreven.

- De garantieperiode bedraagt 24 maanden voor consumenten en begint vanaf de datum waarop het product werd aangekocht. Deze datum moet worden gedocumenteerd door een factuur of ander aankoopbewijs. Het product is uitsluitend ontworpen en bedoeld voor particuliere gebruikers. De garantie vervalt bij professioneel of commercieel gebruik.
- In enkele gevallen (vb. promotie, gereedschapsaanbod) bestaat er een mogelijkheid om de garantieperiode te verlengen met dezelfde periode als deze hierboven beschreven met behulp van de registratie op de website [www.ryobitools.eu](http://www.ryobitools.eu). Of het product al of niet in aanmerking komt, is duidelijk aangegeven in winkels en/of de verpakking. De eindgebruiker dient zijn/haar nieuw werktuig binnen de 8 dagen na de aankoopdatum online registreren. De eindgebruiker kan zich aanmelden voor de uitgebreide garantie in zijn verblijfsland als dit op het online registratieformulier is opgenomen wanneer deze optie geldig is. Bovendien moet de eindgebruiker zijn toestemming geven om informatie te gebruiken die nodig is om toegang te krijgen tot de website en dient de algemene voorwaarden te accepteren. Het ontvangstbewijs van dit registratieformulier, dat via e-mail wordt verzonden, en de originele factuur die de aankoopdatum vermeldt dienen als bewijs van de uitgebreide garantie. Uw statutaire rechten blijven onveranderd.
- De garantie dekt alle defecten van het product gedurende de garantieperiode als gevolg van fouten in het werk of materiaal op de aankoopdatum. De garantie is beperkt tot de reparatie en/of vervanging en omvat geen andere verplichtingen waaronder, maar niet beperkt tot, incidentele of gevolgschade. De garantie is niet geldig als het product werd misbruikt, in tegenspraak met de gebruiksaanwijzing werd gebruikt of foutief werd verbonden. Deze garantie geldt niet voor:
  - schade aan het product als gevolg van foutief onderhoud
  - als het product op enigerlei wijze werd gewijzigd
  - als originele markeringen ter identificatie (handelsmerk, serienummer) van het product werden verwijderd of gewijzigd
  - voor schade als gevolg van het niet in acht nemen van deze gebruiksaanwijzing
  - een niet EC-product
  - een product, waaraan een niet-gekwalificeerde vakman reparaties uitvoerde of waaraan reparaties werden uitgevoerd zonder voorafgaande toestemming van Techtronic Industries
  - een product dat werd aangesloten aan een foutieve krachtbron (amps, spanning, frequentie)
  - een product dat met een ongeschikt brandstofmengsel (brandstof, olie, oliepercentage) werd gebruikt
  - schade veroorzaakt door externe invloeden (chemische, fysieke schokken) of vreemde stoffen
  - normale slijtage van reserve-onderdelen
  - foutief gebruik, overbelasting van het werktuig
  - gebruik van niet-goedgekeurde accessoires of onderdelen
  - de carburator na 6 maanden, carburatorafstellingen na 6 maanden
  - componenten (onderdelen en accessoires) die onderworpen zijn aan slijtage, met inbegrip van, maar niet beperkt tot stookknoppen, aandrijfriemen, koppeling, snijbladen van heggentrimmers of grasmaaimachines, harnassen, versnellingskabels, koolborstels, stroomsnoeren, tanden, viltrepen, trekpenen, ventilatoren, blazer- en vacuümhuizen, stofzuigzakken en -riemen, geleiders, zaagkettingen, slangen, connectoren, sproeimodellen, wielen, sproeiërs, inwendige spoelen, uitwendige spoelen, maaijlijnen, bougies, luchtfilters, gasfilters, struikruimbladen, etc.
- Voor onderhoud moet het product naar een geautoriseerd RYOBI-onderhoudsstation worden gestuurd of gebracht. Een lijst met de adressen van deze stations per land is hier opgenomen. In bepaalde landen verzendt uw plaatselijke RYOBI-verdeler het product naar de RYOBI-onderhoudsorganisatie. Als een product naar een RYOBI-onderhoudsstation wordt gezonden, moet het product veilig zijn verpakt zonder gevaarlijke inhoud, zoals benzine, met aanduiding van het adres van de verzender en met inbegrip van een korte beschrijving van de fout.
- Een reparatie/vervanging onder deze garantie is gratis. Dit heeft geen gevolgen voor de duur van deze garantie of betekent niet dat de garantie wordt verlengd of opnieuw begint. Vervangen onderdelen of werktuigen worden onze eigendom. In bepaalde landen moeten verzendings- of leveringskosten door de verzender worden betaald.
- Deze garantie is geldig in de Europese Unie, Zwitserland, IJsland, Noorwegen, Liechtenstein, Turkije en Rusland. Buiten deze landen neemt u contact op met uw geautoriseerde RYOBI-verdeler om te bepalen of er een andere garantie geldt is.

### GEAUTORISEERD ONDERHOUDSCENTRUM

Om een geautoriseerd onderhoudscentrum in uw buurt te vinden, surf u naar <http://uk.ryobitools.eu/header/service-and-support/service-agents>.



## PT GARANTIA

Além de qualquer direito estatutário derivado da compra, este produto está coberto com a seguinte garantia.

- O período de garantia é de 24 meses para os consumidores e começa a partir da data de compra do produto. Esta data deve ser comprovada com uma factura ou outra prova de compra. O produto foi desenhado e destinado ao consumidor e apenas para uso privado. Portanto, não se oferece qualquer garantia em caso de uso profissional ou comercial.
- Em alguns casos (como promoções ou um conjunto de ferramentas) existe a possibilidade de ampliar o período de garantia até ao período descrito anteriormente através do registo no website [www.ryobitools.eu](http://www.ryobitools.eu). A elegibilidade da ferramenta mostra-se claramente nas lojas ou na embalagem. O utilizador final deve registar as suas ferramentas recém-adquiridas on-line nos 8 dias seguintes à data de compra. O utilizador final poderá registar-se para ampliar a garantia no seu país de residência se este aparecer no formulário de registo on-line em que esta opção é válida. Além disso, os utilizadores finais devem dar o seu consentimento para se guardarem os dados que se solicitam para entrar on-line e aceitar os termos e condições. A confirmação de registo, que será enviada por correio electrónico, e a factura original que mostre a data de compra servirão como prova da ampliação da garantia. Os seus direitos estatutários permanecerão intactos.
- A garantia cobre, durante o período de garantia, todos os defeitos do produto que se devam a falhas da mão-de-obra ou a falhas do material na data de compra. A garantia tem um limite de reparação ou substituição e não inclui qualquer outra obrigação que se deva a, embora sem se limitar a tal, danos acidentais ou incidentais. A garantia não é válida se se fez um uso inadequado do produto, se não se usou seguindo o manual de instruções ou se foi ligado incorrectamente. Esta garantia não se aplica a:
  - qualquer dado do produto derivado de uma manutenção inadequada
  - qualquer produto que tenha sido alterado ou modificado
  - qualquer produto em que as marcas de identificação originais (marca comercial, número de série) tenham sido apagadas, modificadas ou eliminadas
  - qualquer dano causado por incumprimento do manual de instruções
  - qualquer produto que não seja CE
  - qualquer produto que um profissional não qualificado tenha tentado reparar ou sem uma autorização prévia de Techtronic Industries
  - qualquer produto ligado a um fornecimento eléctrico inadequado (ampérios, tensão, frequência)
  - qualquer produto utilizado com uma mistura de combustível inadequada (combustível, óleo, percentagem de óleo)
  - qualquer dano causado por influências externas (de produtos químicos, danos físicos, descarga eléctrica) ou substâncias estranhas
  - desgaste ou ruptura normal das peças de substituição
  - uso inadequado, sobrecarga da ferramenta
  - uso de acessórios ou peças não homologadas
  - carburador após 6 meses, ajustes do carburador após 6 meses
  - componentes (peças e acessórios) sujeitos a um desgaste ou ruptura natural, incluindo, embora sem se limitar a tal, os botões de embate, correias de transmissão, embraiagem, lâminas de corta-arbustos ou corta-relvas, ameses, acelerador, escovas de carvão, cabo de alimentação, forquilhas, anilhas de feltro, passadores de gancho, ventiladores, tubos de ventilador e de vácuo, correias e bolsas de vácuo, barras de guia, serras de cadeia, mangueiras, acessórios de ligação, boquilhas pulverizadoras, rodas, varas borrifadoras, carretes interiores e exteriores, fios de corte, velas, filtros de ar, filtros de gás, lâminas de trituração, etc.
- Para o serviço, o produto deve ser enviado ou entregue num ponto de serviço técnico autorizado RYOBI enumerado para cada país na seguinte lista de moradas de serviço técnico. Em alguns países o seu distribuidor local RYOBI encarrega-se de enviar o produto para a organização do serviço de RYOBI. Ao enviar um produto a um ponto de serviço técnico RYOBI, o produto deve ser embalado de forma segura sem que contenha qualquer substância perigosa como petróleo, deve levar a morada do remetente e ir acompanhado de uma breve descrição da falha.
- Uma reparação/substituição dentro desta garantia realiza-se de forma gratuita. Não constitui uma ampliação nem um reinício do período de garantia. As peças o ferramentas que se alterem passam a ser da nossa propriedade. Em alguns países os gastos de envio ou da franquia deverá pagá-los o remetente.
- Esta garantia é válida na Comunidade Europeia, Suíça, Islândia, Noruega, Liechtenstein, Turquia e Rússia. Fora destas zonas, entre em contacto com o seu distribuidor autorizado RYOBI para determinar se se aplica outra garantia.

### CENTRO DE ASSISTÊNCIA AUTORIZADO

Para encontrar um centro de assistência autorizado próximo de si, visite <http://uk.ryobitools.eu/header/service-and-support/service-agents>.

## DA GARANTI

Ud over de lovbestemte rettigheder ved køb, er dette produkt dækket af en garanti som angivet nedenfor.

- Garantien er 24 måneder for forbrugerne og træder i kraft den dato, hvor produktet bliver købt. Denne dato skal dokumenteres af en faktura eller andet købsbevis. Produktet er designet og beregnet til privat brug. Så der er ingen garanti i tilfælde af erhvervs-mæssig brug.
- Der er i visse tilfælde (f.eks. kampagner eller udvalgt produkter) mulighed for at forlænge garantien i perioden beskrevet ovenfor ved at registrere produktet på [www.ryobitools.dk](http://www.ryobitools.dk). Berettigelsen af produktet vises tydeligt i butikker og / eller på emballagen. Slutbrugeren skal registrere hans/hendes nyhvervede produkter online indenfor 8 dage fra købsdatoen. Slutbrugeren kan tilmelde sig den udvidede garanti i sit bopælsland, hvis det er opført på den online tilmeldingsformular. Desuden skal slutbrugere give deres samtykke til lagring af de data, der er nødvendige for at komme ind på nettet, og de er nødt til at acceptere vilkår og betingelser. Kvittingen på modtagelsen af registrering, som udsendes via e-mail, og den originale faktura, der angiver købsdatoen, fungerer som bevis på den udvidede garanti. Dine lovbestemte rettigheder forblive uændret.
- Garantien dækker alle fejl ved produktet i løbet af garantiperioden, som kan føres tilbage til fabriktions- eller materialefejl på købsdatoen. Garantien begrænser sig til reparation og/eller udskidning og omfatter ikke andre forpligtelser inklusiv, men ikke begrænset til, skader eller følgeskader. Garantien er ikke gyldig, hvis produktet har været udsat for misbrug, anvendelse i strid med brugsanvisningen eller har været tilsluttet forkert. Denne garanti dækker ikke:
  - Enhver skade på produktet som følge af ukorrekt vedligeholdelse
  - Ethvert produkt, som er blevet ændret eller modificeret
  - Ethvert produkt, hvor de originale identifikationsmærker (varemærke, serienummer) er blevet ødelagt, ændret eller fjernet
  - Enhver skade, der skyldes manglende overholdelse af brugsanvisningen
  - Ethvert produkt uden CE-mærkning
  - Ethvert produkt, som har været udsat for forsøg på reparation af en uautoriseret fagmand eller uden accept fra Techtronic Industries
  - Ethvert produkt, der har været sluttet til forkert strømforsyning (ampere, spænding, frekvens)
  - Ethvert produkt, der har været anvendt med forkert brændstofblandning (brændstof, olie, olieforhold)
  - Enhver skade, der skyldes udefra kommende påvirkninger (kemisk, fysisk, stød) eller fremmedlegemer
  - Normal slitage på reservedele
  - Forkert anvendelse, overbelastning af produktet
  - Brug af ikke-godkendt tilbehør eller (reserve)dele
  - Karburator efter 6 måneder, karburatorjusteringer efter 6 måneder
  - komponenter (dele og tilbehør), der har været udsat for naturlig slitage, inklusiv, men ikke begrænset til, afstandsknopper, drivremme, kobling, klinger på hækkeklippere eller plæneklippere, seler, gaskabel, kulbørster, strømforsyningskabel, knive, filtknive, låsestifte, blæseventilatorer, blæse- og indsuigningsrør, sugepose og stropper, styresværd, savkæder, slanger, tilslutningsfittings, sprøjtedyser, hjul, sprøjtetave, indvendige hjul, udvendige spoler, skæretråd, tændrør, luftfiltre, gasfiltre, bioklip-klinger, mv.
- Til servicering skal produktet indleveres til eller forevises et autoriseret RYOBI serviceværksted for det pågældende land. I nogle lande vil din lokale RYOBI-forhandler sende produktet til RYOBI's serviceorganisation. Når et produkt indleveres til et RYOBI serviceværksted, skal det emballeres forsvarligt uden farligt indhold (som f.eks. benzin), være forsynet med afsenderadresse og ledsaget af en kort beskrivelse af fejlen.
- Reparation/udskifning i henhold til denne garanti er gratis. Den medfører ikke forlængelse eller ny start af garantiperioden. Udskiftede dele eller værktøjer overgår til vores ejendom. I nogle lande skal leveringsomkostninger eller porto betales af afsenderen.
- Denne garanti er gyldig i EU, Schweiz, Island, Norge, Liechtenstein, Tyrkiet og Rusland. Uden for disse områder bedes man venligst kontakte sin autoriserede RYOBI-forhandler for at få opklaret, om evt. andre garantier er gældende.

### AUTORISERED SERVICE/VERKSTEDER

Find nærmeste autoriserede serviceværksted på <http://dk.ryobitools.eu/header/service-and-support/service-agents>.

## SV GARANTI

Förutom de lagstadgade rättigheter som följer köpet omfattas denna produkt av en garanti som anges nedan.

- Garantitiden är 24 månader för konsumenter och börjar den dag då produkten köptes. Detta datum måste kunna dokumenteras av en faktura eller annat inköpsbevis. Produkten är utformad och avsedd för konsumenter och ska endast användas för privat bruk. Det innebär att ingen garanti lämnas vid yrkesmässig eller kommersiell användning.
- I vissa fall (t.ex. marknadsföring, sortiment av verktyg), finns det en möjlighet att förlänga garantitiden under den period som beskrivs ovan genom registrering på hemsidan [www.ryobitools.eu](http://www.ryobitools.eu). De verktyg det gäller för framgår tydligt i butikern och/eller på förpackningen. Slut användaren måste registrera sitt nyinköpta verktyg på nätet inom 8 dagar från inköpsdatum. Slut användaren kan registrera sig för den utökade garantitiden i sitt hemland om det framgår på registreringsformuläret online där detta alternativ är giltigt. Dessutom måste slut användarna ge sitt samtycke till lagring av de uppgifter som krävs för att komma in på nätet och de måste godkänna villkoren. Registreringens mottagningsbevis som skickas ut via e-post och den ursprungliga fakturan som visar inköpsdatum fungerar som bevis på förlängd garantitid. Dina lagstadgade rättigheter påverkas inte.
- Garantin täcker alla fel på produkten under garantitiden som beror på fel i utförande eller material vid inköpsdatumet. Garantin är begränsad till reparation och/eller utbyte och inkluderar inte några andra åtaganden, inklusive men inte begränsat till oförutsedda skador eller följdskador. Garantin gäller inte om produkten har använts på fel sätt, använts på ett sätt som inte följer användarhandboken eller som har anslutits på ett felaktigt sätt. Denna garanti gäller inte för:
  - skador på produkten som beror på felaktigt underhåll
  - om produkten har ändrats eller modifierats
  - en produkt där den ursprungliga identifieringen (varumärke, serienummer) har förstörts, ändrats eller tagits bort
  - skador som orsakas av att användarhandboken inte har följts
  - alla produkter som inte följer CE-bestämmelser
  - en produkt som en icke-kvalificerad yrkesperson eller en person som inte har behörighet från Technronic Industries har försökt att reparera
  - en produkt som ansluts till eluttaget (ampere, spänning, frekvens) på fel sätt
  - en produkt som används med olämplig bränsleblandning (bränsle, olja, procent av olja)
  - skador som orsakas av yttre påverkan (kemiska, fysikaliska, stötar) eller främmande ämnen
  - normalt slitage av reservdelar
  - felaktig användning, överbelastning av verktyget
  - användning av icke-godkända tillbehör eller delar
  - förgasare efter 6 månader, justering av förgasare efter 6 månader
  - komponenter (delar och tillbehör) med förbehåll för normalt slitage, inklusive men inte begränsat till stötknappar, drivremmar, koppling, blad av häcksaxar eller gräsklippare, sele, kabelhållare, kolborstar, nätkabel, pinnar, filtbrickor, hitchkopplingar, blåsfåtkar, fläkt- och vakuumpör, vakuumpåse och remmar, ledskenor, sågkedjor, slangar, anslutningar, sprutmunstycken, hjul, sprayanordningar, inre spolar, yttre spolar, skärande linjer, tändstift, luftfilter, gasfilter, marktäckningsblad, osv.
- För service, måste produkten skickas eller presenteras till en RYOBI-godkänd servicestation som anges för varje land i följande lista med adresser. I vissa länder ombesörjer den lokala RYOBI-återförsäljaren att skicka produkten till RYOBI-serviceorganisationen. När en produkt skickas till en RYOBI-servicestation, ska produkten förpackas på ett säkert sätt utan farligt innehåll som bensin, märkt med avsändarens adress tillsammans med en kort som beskriver felet.
- En reparation/utbyte som sker under denna garanti är gratis. Den utgör inte en förlängning eller en ny start på garantitiden. Utbyts delar eller verktyg blir vår egendom. I vissa länder måste leveranskostnader eller porto betalas av avsändaren.
- Denna garanti gäller i EU, Schweiz, Island, Norge, Liechtenstein, Turkiet och Ryssland. Utanför dessa områden ska du kontakta din auktoriserade RYOBI-återförsäljare för att avgöra om en annan garanti gäller.

## AUKTORISERAT SERVICECENTER

Du hittar närmaste auktoriserade servicecenter genom att gå till <http://uk.ryobitools.eu/header/service-and-support/service-agents>.

## FI TAKUU

Hankinnasta kuitioivien laillisten oikeuksien lisäksi tätä tuotetta hallitsee alla kuvattu takuu.

- Takuukausi on 24 kuukautta kuluttajille ja alkaa tuotteen ostopäivästä. Tämän päivän on oltava merkitty kuittiin tai muuhen todisteseen hankinnasta. Tämä tuote on suunniteltu ja tarkoitettu ainoastaan kuluttajien yksityiskäyttöön. Ammatti- ja kaupalliseen käyttöön ei näin ollen ole takuuta.
- Joissain tapauksissa (kuten tarjous, laitesarjat) takuukautta voidaan pidentää kuvattua kautta pidemmäksi rekisteröimällä tuote osoitteessa [www.ryobitools.eu](http://www.ryobitools.eu). Takuun pidentymismahdollisuus ilmoitetaan selkeästi kaupassa jätät pakkaussessa. Loppukäyttäjän on rekisteröitävä uusi laitteensa online 8 päivän sisällä sen hankkimisesta. Loppukäyttäjän voi rekisteröityä saadakseen jatkuvan takuun asuinmaassaan, jos se mainitaan online-rekisteröintilomakkeessa. Lisäksi, loppukäyttäjän on annettava suostumuksensa tallentaa syötetyt tiedot online, ja hänen on hyväksyttävä ehdot. Sähköpostitse lähetettävä rekisteröintivahvistus ja alkuperäinen kuitti, josta ilmenee hankintapäivä, toimivat todistena takuun jatkamisesta. Lailliset oikeudet eivät muutu.
- Takuu kattaa takuuaikana kaikki tuotteen viat, jotka johtuvat valmistus- tai materiaaliavista hankintapäivänä. Takuu rajoittuu korjaukseen ja/ tai vaihtoon eikä sisällä mitään muita velvoitteita, mukaan lukien mm. satunnaiset ja seuraamukset vauriot. Takuu ei ole voimassa, jos tuotetta on väärinkäytetty tai käytetty käyttöoppaan vastaisesti tai se on kytketty virheellisesti. Takuu ei kata seuraavia:
  - tuotteelle koitunee vahingot, jotka johtuvat virheellisestä ylläpidosta
  - tuote, jota on muunneltu
  - tuote, jossa alkuperäiset tunnisteen (tavaramerkki, sarjanumero) ovat turmeltuneet tai niitä on muutettu tai ne on poistettu
  - käyttöoppaan laiminlyönnistä johtuvat vauriot
  - ei-EC-tuotteet
  - tuotteet, joita on yrittänyt korjata ei-pätevä asentaja tai jonka korjaukselle ei ole saatu Technronic Industriesiltä hyväksyntää etukäteen
  - tuotteet, jotka on kytketty vääranlaiseen virtalähteeseen (virta, jännite, taajuus)
  - tuote, jossa on käytetty virheellistä polttoaineseosta (polttoaine, öljy, öhlyn osuus)
  - vauriot, jotka johtuvat ulkoisista syistä (kemikaalit, fyysiset tekijät, iskut) tai vieraista aineista
  - normaali varaosien kuluminen
  - virheellinen käyttö, laitteen ylikuormitus
  - muiden kuin hyväksytyjen lisävarusteiden ja osien käyttö
  - kaasutin 6 kuukauden jälkeen, kaasuttimen säätö 6 kuukauden jälkeen
  - komponentit (osat ja lisävarusteet), joihin kohdistuu luonnollista kulumista, mukaan lukien mm. napautusnupit, vetohihnat, kytin, pensastrimmeriden ja ruohonleikkurien terät, valjaat, kaapelikaasutin, hiilijarhat, virtajohto, piikit, huopavälilevyt, sokat, puhallimet, puhallin- ja imuputket, polynimurin pussit ja hihnat, terälevyt, teräketjut, letkut, liittimet, suuttimet, pyörät, suihkuputket, sisäkelat, ulkoiset kelat, leikkusuimat, syytystulpat, ilmansuodattimet, polttoainesuodattimet, silppuriterät jne.
- Huollon saaminen edellyttää, että tämä tuote lähetetään tai viedään RYOBI:n valtuuttamaan huoltoon, jotka luetaan maittain seuraavassa huoltojen osoiteluettelossa. Joissain maissa paikallinen RYOBI-jälleenmyyjä hoitaa tuotteen lähettämisen RYOBI-huoltoon. Kun tuote lähetetään RYOBI-huoltoon, se on pakattava turvallisesti ilman mitään vaarallista sisältöä, kuten bensiniä, siihen on merkittävä lähettäjän osoite ja sen mukana on lähetettävä vian kuvaus.
- Tämän takuun puitteissa tapahtuva korjaaminen/vaihto on ilmaista. Se ei merkitse takuujakson jatkamista tai uuden kauden alkua. Vaihdetuista osista ja laitteista tulee meidän omaisuuttamme. Joissain maissa lähettäjän on maksettava toimituskulut tai postimaksu.
- Tämä takuu on voimassa Euroopan Yhteisössä, Sveitsissä, Islannissa, Norjassa, Liechtensteinissa, Turkissa ja Venäjällä. Jos olet näiden alueiden ulkopuolella, ota yhteys valtuutettuun RYOBI-jälleenmyyjään, joka voi kertoa, onko joku muu takuu voimassa.

## VALTUUTETTU HUOLTO

Valitse lähimmän valtuutetun huollon sivulta <http://fi.ryobitools.eu/header/service-and-support/service-agents>.

## NO GARANTI

I tillegg til enhver lovbestemt rettighet som følge av dette kjøpet er dette produktet dekket av en garanti som beskrevet nedenfor.

- Garantitiden er 24 måneder for forbrukere, og starter på produktets kjøpsdato. Denne datoen må dokumenteres av faktura eller annet kjøpsbevis. Produktet er konstruert og beregnet på forbrukere og kun privat bruk. Det gis ingen garanti ved profesjonell eller kommersiell bruk.
- Det er, i noen tilfeller, (dvs. markedsføring, serie av verktøy), mulig å utvide garantitiden ut over den perioden som er nevnt ovenfor ved bruk av registrering på nettstedet [www.ryobitools.eu](http://www.ryobitools.eu). Verktøys garantiberegtelse vises klart i butikkene og/eller på emballasjen. Sluttbruker må registrere sitt nylig innkjøpte verktøy på nettet innen 8 dager etter kjøpsdatoen. Sluttbruker kan registrere seg for utvidet garanti i det landet hvor vedkommende bor hvis dette landet er ført opp på nettregistreringsskjemaet hvor dette alternativet er gyldig. Sluttbruker må også gi sin tillatelse til lagring av de data som er påkrevet å registrere på nettet, og må akseptere vilkår og betingelser. Registreringsbekreftelesen, som sendes som epost, og den originale kvitteringen som viser kjøpsdatoen, vil gjelde som bevis på den utvidede garantien. Dine lovbestemte rettigheter vil fortsatt gjelde.
- Garantien gjelder alle defekter på produktet i garantitiden som følge av feil på arbeid eller materialer på kjøpsdatoen. Garantien er begrenset til reparasjon og/eller utskifting av produktet, og inkluderer ingen annen forpliktelse, inklusive men ikke begrenset til tilfældige eller direkte eller indirekte følgeskader. Garantien gjelder ikke dersom produktet er misbrukt, brukt i strid med brukermanualens instruksjoner eller vært feilaktig tilkoblet. Denne garantien gjelder ikke:
  - enhver skade på produktet som følge av utilstrekkelig vedlikehold
  - et produkt som er endret eller modifisert
  - ethvert produkt hvor original identifikasjonsmerke (varemerke, serienummer) er tildekket, endret eller fjernet
  - enhver skade som følge av at instruksjoner i brukermanualen ikke er fulgt
  - ethvert ikke-CE-produkt
  - ethvert produkt som er forsøkt reparert av en ukvalifisert person, eller uten forutgående tillatelse av Techtronic Industries
  - ethvert produkt som er tilkoblet uriktig strømkilde (ampere, spenning, frekvens)
  - ethvert produkt som er brukt med feil drivstoffblanding (drivstoff, olje, prosentvis andel olje)
  - enhver skade forårsaket av eksterne påvirkninger (kjemiske, fysiske eller slag) eller fremmede substanser
  - normal slitasje på reservedeler
  - feilaktig bruk, overbelastning av verktøyet
  - bruk av ikke godkjent tilbehør eller reservedeler
  - forgasser etter 6 måneder, forgasserjusteringer etter 6 måneder
  - komponenter (deler og tilbehør) gjenstand for naturlig slitasje, inklusive men ikke begrenset til dunkeknotter, drivreimer, clutch, kniver på hekklippere eller gressklippere, seler, gasswire, karbonborster, elektriske ledninger, tenner, filtpakninger, skaftpinner, blåseviser, blåse- og sugeslangar, oppsamlingsposer, motorsagsverd, sagkjeder, slanger, tilkoblingsdeler, sprøytedyser, hjul, sprøytestaver, innvendige ruller, utvendige spoler, klippesnorer, tennplugger, luftfiltere, gassfiltere, oppkappingsblader, etc.
- For ettersyn og reparasjoner må produktet leveres til et RYOBI-autorisert servicesenter ført opp for det enkelte land i følgende liste av servicesentersadresser. I noen land vil din lokale RYOBI-forhandler sørge for å sende produktet til RYOBI's serviceorganisasjon. Når et produkt sendes til en RYOBI servicesentasjon må produktet være forsvarlig emballert uten farlig innhold som bensin, merket med senders navn og adresse og medsendt en kort beskrivelse av feilen.
- En reparasjon/utskifting i henhold til denne garantien er gratis. Den representerer ikke en forlengelse av garantiperioden eller en ny start på garantiperioden. Utskiftede deler eller verktøy blir vår eiendom. I noen land vil leveringskostnader eller porto måtte betales av sender.
- Denne garantien er gyldig i EU, Sveits, Island, Norge, Liechtenstein, Tyrkia og Russland. Utenfor disse områdene ber vi om at du kontakter en autorisert RYOBI-forhandler for å finne ut om en annen garanti gjelder.

## AUTORISERT SERVICESENTER

For å finne et autorisert servicesenter i nærheten, gå til <http://no.ryobitools.eu/header/service-and-support/service-agents>.

## RU ГАРАНТИЯ

В дополнение к законным правам, вытекающим из факта покупки, на данный продукт распространяются следующие гарантийные обязательства.

- Гарантийный период составляет 24 месяца для покупателей и начинается с даты приобретения продукта. Дата приобретения подтверждается документально товарным чеком или другим доказательством покупки. Данный продукт предназначен для использования только в личных целях. Гарантия не предоставляется в случае профессионального или коммерческого использования данного продукта.
- В некоторых случаях (например, при продвижении продукта, приобретении некоторых видов инструментов) возможно продление гарантийного срока при регистрации продукта на веб-сайте [www.ryobitools.eu](http://www.ryobitools.eu). Применительно к продукту разъясняется в магазинах при продаже и/или на упаковке продукта. Конечному пользователю следует зарегистрировать вновь приобретенный инструмент через Интернет в течение 8 дней с даты покупки. Конечный пользователь может зарегистрировать продукт для получения расширенной гарантии в стране проживания, если данная возможность предоставляется интернет-формой регистрации. Также, конечный пользователь должен дать свое согласие на хранение данных, требуемых при заполнении формы через Интернет, и принять условия соглашения. Уведомление о подтверждении регистрации, отправляемое по электронной почте, и оригинальный товарный чек с датой покупки служат доказательством расширенной гарантии. Законные права потребителя при этом остаются в силе.
- Данная гарантия распространяется на все дефекты продукта, связанные с производственным браком или браком материалов в момент приобретения, в течение гарантийного периода. Данная гарантия ограничивается ремонтом и/или заменой и не включает другие обязательства, в том числе, связанные с побочным или косвенным ущербом. Гарантия недействительна в случае ненадлежащего использования, использования с нарушением инструкций руководства по эксплуатации или неправильного подключения продукта. Гарантия недействительна, если:
  - повреждение продукта вызвано ненадлежащим техническим обслуживанием
  - продукт подвергся изменениям или был модифицирован
  - оригинальная маркировка (товарный знак, заводской номер) неудобочитаема, изменена или удалена
  - повреждение вызвано несоблюдением инструкций данного руководства
  - отсутствует маркировка CE
  - была попытка отремонтировать продукт неквалифицированным лицом или без предварительного согласования с компанией Techtronic Industries
  - продукт подключался к ненадлежащему источнику питания (ненадлежащая сила тока, напряжение, частота)
  - продукт использовался с недопустимой топливной смесью (топливо, масло, процент содержания масла)
  - повреждение вызвано внешним воздействием (химические, физические, удары) или посторонними веществами
  - это связано с нормальным износом заменяемых деталей
  - это связано с ненадлежащим использованием, перегрузкой инструмента
  - это связано с использованием нереккомендованных принадлежностей или деталей
  - карбюратор использовался свыше 6 месяцев, регулировка карбюратора после 6 месяцев
  - компоненты (детали и принадлежности) подверженные естественному износу, в том числе, колпачки, приводные ремни, муфта, режущие полотна шапалерных ножиц или газонокосилок, крепежные ремни, тросик дроссельной заслонки, угольные щетки, кабель питания, фрезы, фетровые прокладки, шпильки, крыльчатки, выпускные и всасывающие трубки, мешок для мусора и решетки, пыльные шины, пыльные щели, шланги, соединительные фитинги, распылительные насадки, колеса, распылители, внутренние бобины, внешние бобины, режущие струны, свечи зажигания, воздушные фильтры, газовые фильтры, механизмы для мульчирования и т.п.
- Для проведения технического обслуживания продукт следует представить в официальный центр технического обслуживания компании RYOBI в соответствии со списком по каждой стране. В некоторых странах дилерам компании RYOBI требуется пересылка продукта в соответствующий сервисный центр компании RYOBI. При отправке продукта в центр технического обслуживания RYOBI, продукт следует упаковать надлежащим образом без содержания любых опасных веществ (таких как бензин) с указанием адреса отправителя и кратким описанием неисправности.
- Ремонт/замена продукта по условиям данной гарантии осуществляются бесплатно. В данном случае не предусмотрено продление срока гарантии или начало нового гарантийного периода. Заменяемые детали или инструмент становятся собственностью компании. В некоторых странах оплата доставки и почтовые расходы ложатся на отправителя.
- Данная гарантия действительна в странах ЕС, Швейцарии, Исландии, Норвегии, Лихтенштейне, Турции и России. Для получения информации о применении данной гарантии в других регионах обращайтесь к официальному дилеру компании RYOBI.

## УПОЛНОМОЧЕННЫЙ СЕРВИСНЫЙ ЦЕНТР

Чтобы найти ближайший уполномоченный сервисный центр, обратитесь к веб-сайту <http://uk.ryobitools.eu/header/service-and-support/service-agents>.

## PL GWARANCJA

Oprócz wszelkich praw ustawowych wynikających z zakupu, ten produkt jest objęty gwarancją jak podano poniżej.

- Okres gwarancji wynosi 24 miesiące dla konsumentów i rozpoczyna się w dniu, w którym produkt został zakupiony. Ta data musi być udokumentowana przez fakturę lub inny dowód zakupu. Produkt został zaprojektowany i jest przeznaczony wyłącznie do użytku konsumenckiego i prywatnego. W związku z tym gwarancja nie jest udzielana w przypadku zastosowań profesjonalnych i komercyjnych.
- Nie ma, w niektórych przypadkach (promocja tj. zakres narzędzi), możliwość przedłużenia okresu gwarancji w okresie opisanym powyżej przy rejestracji na stronie internetowej [www.ryobitools.eu](http://www.ryobitools.eu). Kwalifikowalność narzędzia jest wyraźnie określona w sklepaczu oraz/lub na opakowaniu. Użytkownik końcowy musi zarejestrować swoje nowe zakupione narzędzia online w ciągu 8 dni od daty zakupu. Użytkownik końcowy może zarejestrować się w celu rozszerzenia gwarancji w swoim kraju zamieszkania, jeśli jest on wymieniony w formularzu rejestracji online, kiedy ta opcja jest ważna. Ponadto użytkownicy końcowi muszą wyrazić zgodę na przechowywanie danych, które są wymagane do zalogowania online oraz muszą zaakceptować regulamin. Otrzymanie potwierdzenia rejestracji, które jest wysyłane na adres e-mail oraz oryginalna faktura z podaną datą zakupu będą służyć jako dowód przedłużonej gwarancji. Twoje prawa ustawowe pozostają nienaruszone.
- Gwarancja obejmuje wszystkie wady produktu w okresie gwarancyjnym, spowodowane usterekami w wykonaniu lub materiale w chwili nabycia. Gwarancja jest ograniczona do naprawy oraz/lub wymiany i nie obejmuje żadnych innych obowiązków w tym m.in. odpowiedzialności za szkody przypadkowe lub wtórne. Gwarancja nie jest ważna, jeśli produkt był użytkowany w niewłaściwy sposób, był wykorzystywany w sposób niezgodny z instrukcją obsługi lub był nieprawidłowo podłączony. Ta gwarancja nie obejmuje:
  - uszkodzenia produktu, które jest wynikiem nieprawidłowej konserwacji
  - produktu, który został przerobiony lub zmodyfikowany
  - produktu, w którym znieskształcono, zmieniono lub usunęto oryginalne oznaczenia (nazwę handlową, numer seryjny)
  - uszkodzeń spowodowanych nieprzebraniem instrukcji obsługi
  - produktu bez certyfikatu CE
  - produktu, który był naprawiany przez niewykwalifikowaną osobę lub bez uprzedniej autoryzacji firmy Techtronic Industries
  - produktu podłączonego do nieprawidłowego źródła zasilania (napięcie, napięcie, czystość)
  - produktu używanego z nieprawidłową mieszanką paliwa (paliwo, olej, zawartość procentowa oleju)
  - uszkodzeń spowodowanych przez czynniki zewnętrzne (chemiczne, fizyczne, uderzenia) lub obce substancje
  - normalnego zużycia części zamiennych
  - niewłaściwego użytkowania, przecięcia narzędzia
  - stosowania niezatwierdzonych akcesoriów lub części
  - gaźnika po 6 miesiącach, regulacji gaźnika po 6 miesiącach
  - elementów (części i akcesoriów) podlegających naturalnemu zużyciu, m.in. gałek odbojnikowych, pasów napędowych, sprężła, ostrej nożyc do żywopłotów lub kosiariek, uprząży, przepustnicy, szczołek węglowych, przewodu zasilającego, zębów, podkładek filcowych, sworzni zaczepu, wentylatorów dmuchawy, przewodów dmuchawy i podciśnieniowych, worków próżniowych i pasków, prowadnic, łańcuchów pilarki, przewodów, mocowań złączy, dyszy rozpylających, kółek, lancy rozpylających kat., dmuchawy, dmuchawy i rury próżniowe, torebki próżniowe i paski, prowadnice, bębnowe wewnętrznych, szpulki zewnętrznych, żyłki tnącej, świec zapłonowych, filtrów powietrza, filtrów gazu, ostrej do ściółkowania itp.
- W celu serwisowania produktu należy wysłać lub okazać w autoryzowanym centrum serwisowym RYOBI wymienionym dla każdego kraju na poniższej liście adresów stacji serwisowych. W niektórych krajach lokalny dealer firmy RYOBI zobowiązuje się wysłać produkt do centrum serwisowego firmy RYOBI. W przypadku wysyłki produktu do centrum serwisowego RYOBI, produkt należy dobrze zapakować, bez umieszczenia żadnych niebezpiecznych rzeczy, tj. paliwa i oznaczyć adresem nadawcy oraz krótkim opisem usterek.
- Naprawa/wymiana w ramach tej gwarancji jest bezpłatna. Nie stanowi to przedłużenia lub nowego rozporządzenia okresu gwarancji. Wymieniane części lub narzędzia stają się naszą własnością. W niektórych krajach koszty wysyłki lub pocztowe będą musiały być opłacone przez nadawcę.
- Ta gwarancja obowiązuje na terytorium Wspólnoty Europejskiej, Szwajcarii, Islandii, Norwegii, Liechtenstein, Turcji i Rosji. Poza tymi obszarami należy skontaktować się z autoryzowanym dealerem RYOBI aby sprawdzić, czy dostępna jest jeszcze inna gwarancja.

## AUTORYZOWANY PUNKT SERWISOWY

Najbliższy autoryzowany punkt serwisowy można wyszukać w witrynie internetowej <http://uk.ryobitools.eu/header/service-and-support/service-agents>.

## CS ZÁRUKA

Navíc k zákonným právam, které vznikají nákupem, je k výrobku poskytována záruka.

- Záruka je období 24 měsíců pro spotřebitele a začíná běžet datem nákupu produktu. Toto datum musí být zadokumentováno fakturou nebo jiným důkazem o koupi. Tento výrobek je určen a vyhrazen jen pro domácí a soukromé používání. Záruka se tedy nepoukazuje pro profesionální ani komerční používání.
- Existuje, v některých případech (tj. propagace, určité nástroje), možnost prodloužení doby záruky nad výše uvedené období pomocí registrace na stránkách [www.ryobitools.eu](http://www.ryobitools.eu). Vhodnost nástroje je jasně vyobrazena v prodejních a/nebo na obalu. Koncový uživatel musí zaregistrovat své nově pořízené nástroje online během 8 dní od data nákupu. Koncový uživatel se může zaregistrovat k prodloužení doby záruky v zemi jeho trvalého bydliště, pokud je uvedeno v online registračním formuláři, kde je tato možnost platná. Navíc musí koncový uživatel poskytnout souhlas s uchováním údajů, které jsou zapotřebí do online registru a musí přijmout podmínky smlouvy. Přijetí potvrzení o registraci, odeslané e-mailem, a originální faktura udávající datum nákupu slouží jako důkaz prodloužené záruky. Vaše zákonná práva zůstávají nedotčena.
- Záruka pokrývá veškeré vady produktu během záruky způsobené vadami při zpracování nebo v materiálu v době nákupu. Záruka se omezuje na opravu a/nebo výměnu a nezahrnuje žádné jiné závazky včetně, ale ne omezeně na související nebo následné škody. Záruka neplatí, pokud, pokud se produkt nesprávně používal, používal v rozporu s návodem nebo byl nesprávně zapojen. Záruka nelze uplatnit v následujících případech:
  - jakákoliv škoda na výrobku v důsledku nesprávné údržby
  - jakýkoliv výrobek byl pozměněn či modifikován
  - jakýkoliv výrobek, kde byly původní identifikační značky (obchodní značka, výrobní číslo) odstraněny, pozměněny či modifikovány
  - jakákoliv škoda způsobená nedodržováním návodu k obsluze
  - výrobek nemá značku CE
  - každý výrobek, kde došlo k pokusu jej opravit nekvalifikovanou osobou nebo bez předchozího souhlasu společnosti Techtronic Industries
  - každý výrobek byl připojen nesprávnému napájení (proud, napětí, frekvence)
  - každý výrobek, který se používal s nesprávnou palivovou směsí (palivo, olej, podíl oleje)
  - veškeré škody byly způsobeny externími vlivy (chemické, fyzické, nárazy) či cizími látkami
  - běžné opotřebení a spotřební náhradní díly
  - nevhodné používání, přetěžování nástroje
  - použití neschválených doplňků nebo dílů
  - karburátor po 6 měsících, seřízení karburátoru po 6 měsících
  - komponenty (díly a doplňky) podléhající běžnému opotřebení, včetně, ale ne omezeně, nárazových tlačítek, hnacích řemenů, spojky, nožů plotostříhu či sekaček trávy, postroje, lanka škrtící klapky, uhlikových kartáčů, napájecího kabelu, plechů, plstěných podložek, závlaček, ventilátorů fukaru, hadic fukaru a vysavače, vaku vysavače a popruhu, vodičích listů, pilových řetězů, hadic, spojovacích tvarovek, rozprašovačích trysek, kol, střikací trubice, vnitřních, vnějších cívek, sekacích strun, zapalovačích svíček, vzduchových filtrů, spalňových filtrů, umíčovacích nožů atd.
- Pro servis výrobku je třeba zaslat nebo předložit pověřenému servisnímu středisku RYOBI dle seznamu adres servisních středisek. V některých zemích váš místní prodejce RYOBI provádí odeslání výrobku servisní organizaci RYOBI. Při zasílání výrobku servisnímu středisku RYOBI by se měl výrobek bezpečně zabalit bez nebezpečného obsahu jako benzin, označit adresu odesílatele a přiložit list krátkým popisem vady.
- Oprava/výměna během záruky je bezplatná. Neznamená prodloužení ani začátek nového záručního období. Vyměněné díly či nástroje se stávají naším vlastnictvím. V některých zemích doručení či poštovné platí odesílatelem.
- Záruka je platná v Evropské unii, Švýcarsku, Islandu, Norsku, Lichtenštejnsku, Turecku a Rusku. U ostatních oblastí prosím kontaktujte pověřeného prodejce RYOBI pro upřesnění, zda platí jiná záruka.

## POVĚŘENÉ SERVISNÍ STŘEDISKO

Pro nalezání nejbližšího pověřeného servisního střediska navštivte <http://uk.ryobitools.eu/header/service-and-support/service-agents>.

## HU GARANCIA

A vásárlással összefüggő esetleges törvény adta jogok mellett a termékre az alábbiakban részletezett garancia vonatkozik.

1. A garancia időtartama a fogyasztók számára 24 hónap, ami a termék megvásárlásának napjától számítódik. Ezt a dátumot számlával vagy a vásárlást igazoló más dokumentummal kell igazolni. A terméket kizárólag a vevő által, személyes célokra való használatra tervezték és készítették. Ezért a garancia nem vonatkozik a profik általi vagy üzleti célokra való használatra.
2. Egyes esetekben (pl. promóció, bizonyos termékcsaládok) lehetőség van a garancia időtartamának a fent leírt garanciaperióduson túli meghosszabbítására a [www.ryobitools.eu](http://www.ryobitools.eu) webhelyen történő regisztrációval. Az, hogy egy adott gép jogosult-e erre, egyértelműen fel van tüntetve a boltokban és/vagy a csomagoláson. A végfelhasználónak a vásárlás napjától számított 8 napon belül regisztrálnia kell az újonnan beszerzett gépet. A végfelhasználó a kiterjesztett garanciáért a lakóhelye szerinti országban regisztrálhat, ha az szerepel az online regisztrációs űrlapon. Emellett a végfelhasználónak hozzá kell járulnia az online belépéshez szükséges adatai tárolásához és el kell fogadnia a szerződési feltételeket. A regisztráció e-mailedben küldött visszaigazolása, valamint a vásárlást igazoló eredeti számla szolgálkan a kiterjesztett garancia érvényesítésére. A törvény adta jogai nem sérülnek.
3. A garancia a garancia időtartama alatt a termék összes olyan hibájára kiterjed, amelyek a vásárlás napján is fennálló gyártási vagy anyaghiba miatt következnek be. A garancia javításra és/vagy cserére korlátozódik, és nem tartalmaz további kötelezettséget, beleértve, de nem kizárólag a véletlenszerű vagy következetes károkra vonatkozó kötelezettségeket sem. A garancia nem érvényes a termék helytelen használatára, a használati utasításban leírtakkal ellentétes használatára vagy hibás csatlakoztatása esetén. A garancia nem vonatkozik a következőkre:
  - a termék helytelen karbantartásból eredő esetleges károsodásokra
  - átalakított vagy módosított termékekre
  - olyan termékre, melyen az eredeti azonosító jelöléseket (védjegy, sorozatszám) megrongálták, átalakították vagy eltávolították
  - a használati utasítás be nem tartásával összefüggő károkra
  - a CE minősítéssel nem rendelkező termékre
  - a nem képzett szakember által vagy a Technronic Industries előzetes jóváhagyása nélküli javított termékre
  - a nem megfelelő tápforrásokhoz (áramerősség, feszültség, frekvencia) csatlakoztatott termékre
  - a nem megfelelő üzemanyag-keverékkel (üzemanyag, olaj, olajárány) használt termékre
  - külső hatások (vegyi, fizikai, ütés) vagy idegen anyagok által okozott károsodásokra
  - a cserealkatrészek normál kopására és elhasználódására
  - helytelen használatra, a szerszám túlterhelésére
  - nem jóváhagyott tartozékok vagy alkatrészek használatára
  - a karburátorra 6 hónap elteltével, a karburátor beállításaira 6 hónap elteltével
  - Természetes elhasználódásnak és kopásnak kitett összetevőkre (alkatrészek és tartozékok), beleértve de nem kizárólag az ütközőgombokra, hajtószíjakra, tengelykapcsolóra, sóvényvágó vagy fűnyíró kecséire, vezetékkecsékre, gázkábelekre, szénkefékre, tápkábelekre, kapákra, nemez alátétkarikákra, sasszegekre, fűvágó ventilátoraira, fűvő és vákuumszívókra, fűvőszálókra és szíjakra, lánccvetőkre, fűrészlánccokra, tömlőkre, csatlakozókra, szűrőfejekre, kerekkekre, lánccsákra, belső orsókra, külső orsókra, vágószálakra, gyújtógyertyákra, légszűrőkre, üzemanyagszűrőkre, tömörítő kapákra stb.
4. A szervizeléshez a terméket el kell küldeni vagy be kell mutatni valamelyik hivatalos RYOBI szervizközpontban, melyek elérhetősége az egyes országokban az alábbiakban van megadva. Egyes országokban a RYOBI kereskedő vállalja, hogy elküldi a terméket a RYOBI szervizbe. A terméknek a RYOBI szervizlátnak való küldésekor a termék biztonságosan be kell csomagolni, mindenféle veszélyes anyagot, pl. üzemanyagot el kell távolítani belőle, meg kell adni a feladó címét és a hiba rövid leírását.
5. A garancia keretében végzett javítás/cseréje ingyenes. Ugyanakkor ez nem jelenti a garancia időtartamának kiterjesztését vagy új garanciaperiódus kezdetét. A kicserélt alkatrészek vagy szerszámok a mi tulajdonunkban maradnak. Egyes országokban a szállítási vagy a postaköltségeket a feladó fizeti.
6. Ez a garancia az Európai Közösségekben, Svájcban, Izlandon, Norvégiában, Liechtensteinben, Törökországban és Oroszországban érvényes. Ezen területeken kívül az érvényes garancia-feltételeket illetően lépjen kapcsolatba a hivatalos RYOBI forgalmazóval.

## HIVATALOS SZERVIZKÖZPONT

A legközelebbi hivatalos szervizközpont megtalálásához látogasson el a <http://uk.ryobitools.eu/header/service-and-support/service-agents>.

## RO GARANȚIE

În plus față de alte drepturi statutare rezultând din achiziție, produsul este acoperit de o garanție ca cea menționată mai jos.

1. Perioada de garanție este de 24 de luni pentru consumatorii și începe de la data la care produsul a fost achiziționat. Această dată trebuie să fie dovedită de o factură sau altă dovadă de cumpărare. Produsul este proiectat și dedicat pentru consumator și doar pentru uz privat. Ca urmare nu există nicio garanție asigurată în caz de folosire profesională sau comercială.
2. Există, în anumite cazuri (de ex. promoții, game de produse) o posibilitate de a prelungi perioada de garanție peste perioada descrisă mai sus folosind înregistrarea pe site-ul [www.ryobitools.eu](http://www.ryobitools.eu). Eligibilitatea aparatului este afișată clar în magazine și/sau ambalaj. Utilizatorul final se poate înregistra pentru o garanție extinsă în țara sa de reședință dacă e listată pe formularul de înregistrare online acolo unde opțiunea este validă. Mai mult, utilizatorii finali trebuie să-și dea consimțământul cu privire la păstrarea datelor ce sunt cerute a fi introduse online și trebuie să accepte termenii și condițiile. Notificarea de confirmare a înregistrării, ce este trimisă prin email, și factura originală ce arată data achiziționării vor servi ca dovadă a garanției extinse. Drepturile dvs statutare rămând neafectate.
3. Garanția acoperă toate defectele produsului în timpul perioadei de garanție cauzate de defecte din procesul de producție sau ale materialului la data achiziționării. Garanția este limitată la reparație și/sau înlocuire și nu include alte obligații incluzând dar nelimitându-se la pagube incidentale sau secundare. Garanția nu este validă dacă produsul a fost folosit greșit, folosit contrar instrucțiunilor din manual sau a fost conectat incorect. Această garanție nu se aplică la:
  - orice defecțiune a produsului ca rezultat a întreținerii necorespunzătoare
  - orice produs ce a fost schimbat sau modificat
  - orice produs unde marcajul original de identificare (marcă comercială, număr serie) a fost deteriorat, schimbat sau modificat
  - orice defecțiune cauzată de nerespectarea manualului de instrucțiuni
  - orice produs non CE
  - orice produs care a fost încercat să fie reparat de către o persoană necalificată sau fără autorizare în prealabil de către Technronic Industries
  - orice produs conectat necorespunzător la sursa de curent (amperi, voltaj, frecvență)
  - orice produs folosit cu amestec necorespunzător de combustibil (combustibil, ulei, procentaj de ulei)
  - orice defecțiune cauzată de influențe externe (chimice, fizice, șocuri) sau substanțe străine
  - uzura normală a pieselor de schimb
  - folosire necorespunzătoare, suprasolicitare a sculei
  - folosire de accesorii și părți neaprobate
  - carburator după 6 luni, reglări ale carburatorului după 6 luni
  - componente (părți și accesorii) subiect a uzurii naturale, incluzând dar nelimitându-se la butoane rotative, curele de distribuție, ambreiaj, lame ale aparatelor de bordurat și tuns iarba, hamuri, cabluri de accelerație, perii de carbon, cabluri electrice, dinți ale furcii, șaibe de păsli, ventilatoare și tuburi de absorbție, sac vacuum și chingi, bare de ghidare, ferăstraie cu lanț, furture, fitinguri de conectare, vergele de pulverizat, duze de pulverizat, roți, vergele de pulverizat, bobine interioare, bobine exterioare, fire pentru tăiat, buji, filtre de aer, filtre de gaz, lame protectoare, etc
4. Pentru service, produsul trebuie să fie trimis sau prezentat la un punct service RYOBI autorizat listat pentru fiecare țară în următoarea listă cu adrese ale punctelor service. În anumite țări reprezentantul dvs local RYOBI se angajează să trimită produsul la un punct de service RYOBI. Atunci când se trimite un produs la un punct service RYOBI, produsul trebuie să fie împachetat cu grijă fără a conține produse periculoase precum benzină, marcat cu adresa expeditorului și însoțit de o scurtă descriere a defecțiunii.
5. Repararea/inlocuirea în timpul garanției este fără niciun cost. Nu constituie o prelungire sau un nou început a perioadei de garanție. Părțile sau aparatele schimbate devin proprietatea noastră. În anumite țări taxele de expediere trebuie să fie plătite de către expeditor.
6. Garanția este valabilă în Uniunea Europeană, Elveția, Islanda, Norvegia, Liechtenstein, Turcia și Rusia. În afara acestor zone, vă rugăm contactați reprezentantul dvs local autorizat RYOBI pentru a determina dacă se aplică altă garanție.

## CENTRU DE SERVICE AUTORIZAT

Pentru a găsi un centru de service autorizat lângă dvs., vizitați <http://uk.ryobitools.eu/header/service-and-support/service-agents>.

## LV GARANTĪJA

Papildus visām likumā paredzētajām tiesībām saistībā ar iegādi šim izstrādājumam ir turpinājuma izklāstīta garantija.

1. Garantijas periods patērētājiem ir 24 mēneši, un tas sākas izstrādājuma iegādes dienā. Šim datumam ir jābūt dokumentētām rēķinā vai citā iegādi apliecinošā dokumentā. Šis izstrādājums ir izgatavots un paredzēts vienīgi patērētājam un privātai lietošanai. Profesionālais vai komerciālais lietošanas gadījumā garantija nav spēkā.
2. Atsevišķos gadījumos (piem., akcija, vairāki instrumenti) pastāv iespēja pagarināt garantijas periodu virs seīti minētā perioda, reģistrējot to [www.ryobitools.eu](http://www.ryobitools.eu) vietnē. Instrumenta pielietojums ir skaidri norādīts veikalos un/vai uz iepakojuma. Lietotājiem ir jāreģistrē savj jauniegūtie instrumenti tiešsaistē 8 dienu laikā no iegādes datuma. Lietotājs var reģistrēties pagarinātajai garantijai savā dzīvesvietas valstī, ja tā ir norādīta tiešsaistes reģistrācijas veidlapā, kur pieejama šī iespēja. Turklāt lietotājiem ir jāievada dati tiešsaistē, jādod piekrišana šo dāt uzglabāšanai un jāpiekrīt noteikumiem. Saņemtais reģistrācijas apstiprinājums, kas izsūtīts pa e-pastu, un rēķina oriģināls, kurā redzams iegādes datums, ir pagarinātās garantijas pierādījums. Jūsu likumā paredzētās tiesības netiek ietekmētas.
3. Garantija attiecas uz visiem izstrādājuma bojājumiem, kas radušies garantijas perioda laikā iegādes dienā esošo izgatavošanas vai materiāla defektu dēļ. Garantija ir ierobežota līdz remontam un/vai nomaigai un neietver citus pienākumus, ieskaitot, bet neaprobežojoties ar nejausiem vai netiesiem zaudējumiem. Garantija nav spēkā, ja izstrādājums ir liets nepareizi vai neievērojot rokasgrāmatas norādījumus vai ticis nepareizi savienots. Garantija netiecas uz:
  - izstrādājuma bojājumiem, kas radušies nepareizas apkopes dēļ;
  - izstrādājumiem, kas tikusi pielāgoti vai pārveidoti;
  - izstrādājumiem, kuru oriģinālais identifikācijas marķējums (preču zīme, sērijas numurs) ticis sabojāts, pārveidots vai noņemts;
  - bojājumiem, kurus izraisījis rokasgrāmatas norādījumu neievērošana;
  - izstrādājumiem bez CE marķējuma;
  - izstrādājumiem, kurus ir mēģinājis remontēt nekvalificēts speciālists vai kuri remontēti bez Technonic Industries atļaujas;
  - izstrādājumiem, kas tikusi pievienoti neatbilstošai energopadevei (apmēri, spriegums, frekvence);
  - izstrādājumiem, kuros izmantots nepareizs degvielas maisījums (degviela, eļļa, eļļas daudzums);
  - bojājumiem, kurus izraisījis ārēja iedarbība (ķīmiska, fiziska, triecieni) vai svešas vielas;
  - nomaļu detaļu nolietojumu un nodilumu;
  - instrumenta nepareizu lietošanu, pārslogozi;
  - neapstiprinātu detaļu un piederumu lietošanu;
  - karburatoru pēc 6 mēnešiem, karburatora regulējumiem pēc 6 mēnešiem;
  - komponentiem (detaļām un piederumiem), kas ir pakļauti dabiskam nodilumam un nolietojumam, ietverot, bet neaprobežojoties ar darbināšanas pogām, piedziņas siksnām, dzīvzoga trimeru un zāles plāvēji asmeņiem, plecu turētāju, kabeļa droseli, ogļekļa sukām, elektrības vadu, tapām, filca starplikām, sakabes tapām, pūteja ventilatoriem, pūteja un vakuuma caurulēm, vakuuma maisiem un lencēm, virzošajiem stieņiem, zāga ķēdēm, šļūtenēm, savienotāja stiprinājumiem, smidzināšanas sprauslām, riteņiem, smidzināšanas nūjām, iekšējiem rulljiem, ārējām spolēm, griešanas auklām, aizdedzes svečēm, gaisa filtriem, gāzes filtriem, mulčēšanas asmeņiem u. c.;
4. Ja nepieciešams veikt remontu, izstrādājums jānosūta vai jānodod RYOBI pilnvarotam servisa centram, kas norādīts pie attiecīgās valsts servisa centru adresu sarakstā. Atsevišķs valstis vietējais RYOBI dīleris uzņemas nosūtīt izstrādājumu RYOBI servisa organizācijai. Nosūtot izstrādājumu RYOBI servisa centram, izstrādājuma jābūt droši iepakotam bez bīstama satura, piemēram, degvielas, marķētam ar sūtītāja adresi un kopā ar īsu aprakstu par defektu.
5. Remonts/nomaigā šīs garantijas ietvaros ir bez maksas. Tas nepagarina un neuzsāk jaunu garantijas periodu. Nomainītās detaļas un instrumenti nonāk mūsu īpašumā. Atsevišķs valstis piegādes maksa un pasta izdevumi jāsedz sūtītājam.
6. Šī garantija ir derīga Eiropas Kopienā, Šveicē, Islandē, Norvēģijā, Lihtenšteinā, Turcijā un Krievijā, Ārpus šiem reģioniem, lūdzu, sazinieties ar savu pilnvaroto RYOBI dīleri, lai noskaidrotu, vai ir spēkā cita garantija.

## AUTORIZĒTS APKALPOŠANAS CENTRS

Lai atrastu tuvāko autorizēto apkalpošanas centru, apmeklējiet <http://uk.ryobitools.eu/header/service-and-support/service-agents>.

## LT GARANTĪJA

Be įstatymais nustatyty teisių, įgyjamų nusipirkus šį produktą, produktui taikoma toliau nurodyta garantija.

1. Pirkėjams galiojantis garantinis periodas yra 24 mėnesiai ir prasideda nuo produkto pirkimo datos. Data turi būti nurodyta sąskaitoje-faktūroje arba kitame pirkimą įrodančiame dokumente. Produktas sukurtas ir skirtas tik naudotojui ir tik asmeniniam naudojimui. Todėl garantija netaikoma produktą naudojančiam profesionaliam ar komerciniam tikslams.
2. Kai kuriais atvejais yra galimybė pratęsti garantinį laikotarpį iki toliau nurodyto laikotarpio, prieš tai užsiregistravus [www.ryobitools.eu](http://www.ryobitools.eu) svetainėje. Įrankio tinkamumo aiškiai parodytas parduotuvėse ir (arba) ant pakuotės. Galutinis naudotojas turi užregistruoti savo naujai įsigytus įrankius internetu per 8 dienas nuo jų pirkimo datos. Galutinis naudotojas gali užsiregistruoti dėl garantijos pratęsimo savo šalyje, jei ši pateikta registracijos internetu formoje, kurioje galimas šis pasirinkimas. Be to, galutinai naudotojai privalo duoti savo sutikimą laikyti duomenis, kuriuos reikia įvesti internete, ir jie turi sutikti su sąlygomis ir nuostatomis. Registracijos patvirtinimo pranešimas, išsiunčiamas el. paštu, ir originali sąskaityta faktūra, kurioje nurodyta pirkimo data, įrodo pratęstą garantiją. Jūsų įstatymuose nustatyti teisės nebus panaikintos.
3. Garantiniui laikotarpiui garantija taikoma visiems produkto trūkumams, atsiradusiems dėl prastos darbo kokybės arba prastu produkto medžiagų pirkimo dieną. Garantija taikoma tik taisymsi ir (arba) pakeltimui ir joje nenumatyti jokie tik įsipareigojimai, įskaitant, bet neapsiribojant atsitiktine ar susijusia žala. Garantija negalioja produktą netinkamai naudojant, priešingai vadove nurodytoms instrukcijoms, arba netinkamai prijungus. Garantija netaikoma šiais atvejais:
  - produktui padaryti žalai netinkamai atliekamam produkto techninė priežiūra;
  - pakeistam arba modifikuotam produktui;
  - bet kokiems produktams, kurių originalios identifikacijos (prekės ženklas, serijos numeris) žymės buvo sugadintos, pakeistos ar pašalintos;
  - bet kokiai žalai, patirtai nesaikant naudojimo vadovo;
  - bet kokiame CE nepaženklintam produktui;
  - bet kokiame produktui, kurį bandė taisyti nekvalifikuotas specialistas, arba iš anksto negavus „Technonic Industries“ leidimo;
  - bet kokiame produktui, įjungtam į netinkamą maitinimo tinklą (amperai, įtampa, dažnis);
  - bet kokiame produktui, naudojamam su netinkamu degalų mišiniu (degalai, alyva, alyvos procentinis kiekis);
  - bet kokiai žalai, kilusiai dėl išorinio poveikio (cheminis, fizinis poveikis, smūgiai) arba pašaliniių medžiagų;
  - įprastam atsarginių dalių dėvėjimuisi;
  - produktą netinkamai naudojant arba jį perkrovus;
  - naudojant nepatvirtintus priedus arba dalis;
  - karbiuratorius po 6 mėnesių, karbiuratoriaus reguliavimui po 6 mėnesių;
  - komponentams (daliims ir priedams), kurie dėvisi savaime, įskaitant, bet neapsiribojant iškiliais mygtukais, diržinėmis pavaromis, sankaba, gyvatvorės žirklių arba vejos pjovimo mašinų asmenimis, diržais, kabele droseliu, anglies šepetėliais, maitinimo laidu, virbams, veltinio poveržlėmis, traukimo kaiščiais, pūtimo ventilatoriais, pūstuvu ir siurblio vamzdžiais, siurblio maišeliu ir dirželiais, kreipiamaisiais strypais, pjūkle grandinėmis, žarnelėmis, jungtimis, purkštukais, ratais, purškimo lazdelėmis, vidiniais sukutvais, išorinėmis ritėmis, mulktintuvais, uždegimo žvakėmis, oro filtrais, dujų filtrais, mulčiavimo asmenimis ir t. t.;
4. Norint atlikti techninį aptarnavimą, produktą reikia nusiųsti arba pristatyti į vieną iš RYOBI įgaliotų techninio aptarnavimo punktų, esančių kiekvienoje šalyje toliau pateiktame aptarnavimo punktų adresų sąraše. Kai kuriose šalyse jūsų vietinis RYOBI pardavėjas gali nusiųsti produktą į RYOBI techninio aptarnavimo punktą. Siunčiant produktą į RYOBI techninio aptarnavimo punktą, produktą reikia saugiai supakuoti, prieš tai iš jo pašalinus pavojingas medžiagas, pavyzdžiui, benzina, nurodyti siuntėjo adresą ir pridėti trumpą gedimo aprašymą.
5. Pagal šią garantiją taisymo ar keitimo darbai atliekami nemokamai. Garantijoje nenumatytas garantijos pratęsimas ar naujo garantinio laikotarpio pradėjimas. Pakeistos dalys arba įrankiai tampa mūsų nuosavybe. Kai kuriose šalyse pristatymo ar siuntimo paštu išlaidas turi padengti siuntėjas.
6. Ši garantija taikoma Europos bendrijoje, Šveicarijoje, Islandijoje, Norvegijoje, Lihtenšteinėje, Turkiijoje ir Rusijoje. Kitose šalyse kreipkitės į savo įgaliotą RYOBI pardavėją, norėdami sužinoti, ar taikoma kita garantija.

## ĮGALIJOTAS TECHINIS PRIEŽIŪROS CENTRAS

Jei norite surasti įgaliotą techninės priežiūros centrą netoli Jūsų, apsilankykite interneto svetainėje <http://uk.ryobitools.eu/header/service-and-support/service-agents>.

## ET GARANTIID

Lisaks ostu puhul kaasnevate seadusjärgsete õiguste kehtib tootele allpool esitatud tingimustega garantiid.

- Ostja poolt ostetud tootele on kehtestatud garantiiperiood 24 kuud ja see hakkab kehtima toote ostmise kuupäeval. See kuupäev on märgitud arvele või muule ostu lõendavale dokumendile. Toode on ette nähtud ostjale ainult isiklikuks kasutamiseks. Kui toodet kasutatakse ametialast või ärilistel eesmärkidel, siis garantiid ei kehti.
- Mõnel juhul (nt reklaam, seadmest seeria) on võimalik pikendada garantiiperioodi pikemaks ajaks kui ülal mainitud, kui kasutatakse registreerimist veebisaidil [www.ryobitools.eu](http://www.ryobitools.eu) kaudu. Registreerimise tingimused on välja pandud kauplustesse ja/või on pakendil. Lõppkasutaja peab oma uued tüüristad veebis registreerima 8 päeva jooksul alates ostukuupäevast. Lõppkasutaja võib registreerida end pikendatud garantiis oma asukohamaal, kui see on esitatud veebis registreerimise loendil, seal kus see vaik on olemas. Peale selle, lõppkasutajad peavad andma nõusoleku enda andmete salvestamiseks, mida vajatakse veebi sisenumiseks ja nõustuma esitatud tingimustega. Pikendatud garantiid kehtivust lõendab e-postiga saadetud registreerimise kinnitusteada, ja algupärane arve, millel on ostukuupäev. Teie seadusjärgsed õigused jäävad mõjutamata.
- Garantiid kehtib kõikide ostukuupäevast kehtima hakkaval garantiiperioodil ilmnenu rike suhtes, mis on tingitud töötlemis- või materjalivigadest. Garantiid on piiratud remondi ja/või asendamise ja ei sisalda muid kohustusi, kuid mitte ainult, kaasneva või tuleneva kahju eest. Garantiid ei kehti, kui toode on väärkasutatud, kasutusjuhendis nimetatud otstarbele mittevastavalt kasutatud või toode on ebaõigesti ühendatud. See garantiid ei rakendu järgmistel juhtudel:
  - tootel on mingi vigastus, mis on põhjustatud ebaõigest kasutamisest,
  - toode on mingil viisil ümber ehitatud või muudetud,
  - toote algupärane tuvastusmarkering (kaubamärk, seerianumber) on kahjustatud, ümber tehtud või eemaldatud,
  - tootel on mingi vigastus, mis on tingitud kasutusjuhendi mittejälgimisest,
  - toode ei ole CE-märgisega,
  - toode on püüdnud parandada ebaõiged spetsialist või seda on tehtud ilma Techtronic Industries volitusteta,
  - toode on ühendatud selleks mitteettnähtud elektritoitevõrguga (väär voolu tugevus, pinge või sagedus),
  - tootes on kasutatud mitteettnähtud kütusesegu (kütus, õli, väär õli vahetord),
  - tootel on vigastus välistõmõjudest (keemilised või füüsilised mõjud või löögid),
  - toote varuosadel ilmneb tavapärane kulumine,
  - toode on ebaõigesti kasutatud või üle koormatud,
  - tootel on kasutatud mitteettnähtud tarvikuid või osi,
  - toote karburaator pärast 6 kuu möödumist, toote karburaatori sätted pärast 6 kuu möödumist,
  - toote koostesadel (osad ja tarvikud) ilmneb tavapärane kulumine järgmistel detailidel (kuid mitte ainult): etteandenu, ajamirihmad, sidur, hekiõikuri või muruniiduki terad, rakmed, gaasitross, süsinikharjad, toitejuhe, piid, viitseibid, vedrutihvid, puhumisventilaatorid, puhuri ja imuri torud, imisüsteemi kotid ja ribad, juhtvardad, saeketid, voolikud, õhendusliitmikud, düüsid, rattad, pihustustorud, siseturumid, välispoolid, lõikeõhvid, süüteküünlad, õhufiltrid, gaasifiltrid, multšimisterad jne.
- Hooldamiseks tuleb toode saata või tuua mõnda RYOBI volitatud hoolduspunkti, mis on esitatud loendis iga riigi jaoks ja milles on hoolduspunkti aadressid. Mõnes riigis kohustub RYOBI edasimüüja saatma toote RYOBI hooldusasutusse. Kui toode saadetakse RYOBI hooldusasutusse, tuleb toode turvaliselt ära pakkida ilma, et sellesse jääks ohtlikku sisu, näiteks bensiin ja pakendile tuleb märkida saatja aadress ja riike lühikirjeldus.
- Selle garantiid alusel tehtud remont/asendus on tasuta. Sellega ei kaasne garantiiperioodi pikemine või uue garantiiperioodi algus. Asendatud osad ja tüüristad jäävad meie omandusse. Mõnes riigis tuleb saate- või postikulud tasuda saatja poolt.
- See garantiid kehtib Euroopa Liidus, Šveitsis, Islandil, Norras, Liechtensteinis, Türgis ja Venemaal. Väljaspool neid riike võtke ühendust Ryobi volitatud edasimüüjaga, et teada saada teistsuguste garantiid kehtivus.

## VOLITATUD HOOLDUSKESKUS

Oma volitatud hoolduskeskuse leiate veebisaidil <http://uk.ryobitools.eu/header/service-and-support/service-agents>.

## HR JAMSTVO

U dodatku svih zakonskih prava koja proizlaze kao rezultat kupnje, ova proizvod pokriven je jamstvom kao što je utvrđeno u nastavku.

- Jamstveno razdoblje je 24 mjeseca za korisnike, a započinje na datum kupnje proizvoda. Ovaj datum treba biti dokumentiran računom ili nekim drugim dokazom o kupnji. Proizvod je dizajniran i namijenjen samo za korisnike i osobno korištenje. Stoga nema omogućenog jamstava u slučaju profesionalnog ili komercijalnog korištenja.
- U nekim slučajevima (primjerice promocije, paleta alata) postoji mogućnost produženog jamstvenog razdoblja preko gore navedenog razdoblja korištenjem registracije na web mjestu [www.ryobitools.eu](http://www.ryobitools.eu). Sukladnost alata jesno je prikazana u trgovini ili na pakiranju. Krajnji korisnik treba registrirati svoje novo pribavljene alate na mreži unutar 8 dana od datuma kupnje. Krajnji korisnik može se registrirati za produženo trajanje jamstava u svojoj zemlji stanovanja ako je navedena na mrežnom obrascu za registraciju gdje je ova opcija valjana. Nadalje, krajnji korisnici moraju dati svoje odobrenje za spremanje podataka koji su potrebni za unos na mreži i moraju prihvatiti uvjete i odredbe. Primatku potvrde o registraciji, koja se šalje e-poštom i originalni račun koji prikazuje datum kupnje služe kao dokaz produženog jamstava. Vaša zakonska prava ostaju nepromijenjena.
- Jamstvo pokriva sve kvarove proizvoda tijekom jamstvenog razdoblja zbog pogreški u izradi ili materijalu na datum kupnje. Jamstvo je ograničeno na popravak ili zamjenu i ne uključuje nikakve druge obveze uključujući ne ograničavajući se na slučajne ili posljedične štete. Jamstvo nije valjano ako je proizvod pogrešno korišten, korišten suprotno od korisničkog priručnika ili je nepravilno priključen. Ovo jamstvo se ne primjenjuje na:
  - svako oštećenje proizvoda koje je rezultat nepravilnog održavanja
  - svaki proizvod koji je izmijenjen ili modificiran
  - svaki proizvod gdje su originalne identifikacijske oznake (zaštitni znak, serijski broj) izbrisane, zamijenjene ili uklonjene
  - svako oštećenje uzrokovano neprikladnim korištenjem priručnika
  - svaki proizvod koji nije CE
  - svaki proizvod koji je pokušao popraviti neovlašten profesionalac ili bez prethodnog odobrenja od strane Techtronic Industries
  - svaki proizvod priključen na nepravilno napajanje energijom (amperi, napon, frekvencija)
  - Svaki proizvod korišten s neodgovarajućom mješavinom (gorivo, ulje, postotak ulja)
  - svako oštećenje uzrokovano vanjskim utjecajima (kemijsko, fiziko, udar) ili stranim stvarima
  - normalno trošenje i habanje rezervnih dijelova
  - nepravilno korištenje, preopterećenje alata
  - korištenje neodobrenog dodatnog pribora ili dijelova
  - rasplinjača nakon 6 mjeseci, podešavanje rasplinjača nakon 6 mjeseci
  - komponente (dijelovi i dodatni pribor) koji su predmet prirodnog trošenja i habanja, uključujući ne ograničavajući se na gumbce za otpuštanje, pogonske remene, spojku, oštrice trimera za grmlje ili kosilicu, kope, sajle gasa, ugljene četke, kabele za napajanje, nožve, podloške, ztkice za zgubnu vezu, ventilatore puhalice, cijevi za ispuhivanje i usisavanje, vakuumske vrećice i trake, vodilice, lance pile, crijeva, priključene elemente, mlaznice za raspršivanje, kotače, kopljica za raspršivanje, unutartrajne kolute, vanjske kaleme, flaksove, svječice, filtre za zrak, filtre za plin, oštrice za usitnjavanje itd.
- Za servisiranje, proizvod se mora poslati ili predati ovlaštenoj stanici za servis tvrtke RYOBI navedenoj za svaku zemlju u sljedećem popisu adresa stanica za servis. U nekim zemljama vaša lokalni RYOBI zastupnik obavezan je poslati proizvod u servisnu organizaciju tvrtke RYOBI. Prilikom slanja proizvoda u stanicu za servis tvrtke RYOBI, proizvod treba biti sigurno pakiran bez ikakvog opasnog sadržaja poput benzina, s označenom adresom pošiljatelja i pripadajućim kratkim opisom pogreške.
- Popravak/zamjena pod ovim jamstvom se ne naplaćuje. Ne produžuje zakonsko ili ne započinje novo jamstveno razdoblje. Zamijenjeni dijelovi ili alati postaju naše vlasništvo. U nekim zemljama pošiljatelj plaća poštarinu.
- Ovo jamstvo je valjano u Europskoj zajednici, Švicarskoj, Islandu, Norveškoj, Litnjenštajnu, Turskoj i Rusiji. Izvan ovih područja molimo vas da kontaktirate vašeg ovlaštenog zastupnika RYOBI kako biste odredili ako se primjenjuje druga jamstva.

## OVLAŠTENI SERVISNI CENTAR

Za pronalaženje ovlaštenog servisnog centra pored vas posjetite <http://uk.ryobitools.eu/header/service-and-support/service-agents>.

## SL GARANCIJA

Poleg kakršnih koli zakonskih pravic, ki jih pridobite z nakupom, za ta izdelek velja tudi garancija, kot je opisano spodaj.

- Garancijsko obdobje je 24 mesecev za potrošnike in se začne z datumom nakupa. Ta datum mora biti dokumentiran z računom ali drugim dokazilom o nakupu. Izdelek je namenjen in posevčen le potrošniški in zasebni uporabi. Zato garancija ne velja za profesionalno ali komercialno uporabo.
- V nekaterih primerih (npr. promocija, obseg orodij) obstaja možnost podaljšanja garancijskega obdobja prek zgoraj opisanega obdobja, kar je mogoče storiti z registracijo na spletnem mestu [www.ryobitools.eu](http://www.ryobitools.eu). Namen orodja je jasno označen v trgovinah in/ali na embalaži. Končni uporabnik mora svoje novo orodje registrirati prek spleta v 8 dneh od datuma nakupa. Končni uporabnik se lahko registrira za podaljšano garancijo v svoji državi, kjer ima stalno prebivališče, če je država vključena na seznam v obrazcu za registracijo, kjer je ta možnost veljavna. Poleg tega mora končni uporabnik odobriti shranjevanje podatkov, ki so potrebni za spletni vstop, in morajo sprejeti pogoje in določila. Potrdilo o registraciji, ki se pošlje po e-pošti, ter originalni račun, na katerem je naveden datum nakupa, veljata kot dokazilo o podaljšani garanciji. Vaše zakonske pravice ostanejo nespremenjene.
- Garancija krje vse okvare izdelka med garancijskim obdobjem zaradi napak v izdelavi ali materialu na datum nakupa. Garancija je omejena na popravilo/zamenjavo in ne vključuje drugih obveznosti, med drugim ne vključuje obveznosti zaradi nenamerne ali posledične škode. Garancija ni veljavna, če je bil izdelek zlorabljen, uporabljen v nasprotju z navodili za uporabo ali nepravilno priključen. Garancija ne velja:
  - za kakršno koli poškodbo izdelka, ki je posledica neprimernega vzdrževanja,
  - če je bil izdelek spremenjen ali modificiran,
  - če so originalne identifikacijske oznake (blagovna znamka, serijska številka) na izdelku poškodovane, spremenjene ali odstranjene,
  - če je do poškodbe prišlo zaradi neupoštevanja navodil za uporabo,
  - za katere koli izdelke, ki niso skladni z oznako CE,
  - če je izdelek poskusil opraviti neusposobljen strokovnjak ali brez predhodne odobritve družbe Techtronic Industries,
  - če je bil izdelek priključen na neustrezno električno omrežje (jakost, napetost, frekvenca),
  - če je bil izdelek uporabljen z neustrezno mešanico goriva (gorivo, olje, odstotek olja),
  - če je do poškodbe prišlo zaradi zunanjih vplivov (kemični, fizični, udarci) ali tujih snovi,
  - za normalno obrabo nadomestnih delov,
  - neustrezne uporabe, preobremenitve orodja,
  - uporabe neodobrenih dodatkov ali delov,
  - za uplinjač po 6 mesecih, prilagoditve uplinjača po 6 mesecih,
  - za sestavne dele (dele in dodatke), ki so podvrženi normalni obrabi, med drugim za vzmetne gumbe, pogonske jermene, sklopko, rezila obrezovalnikov ali kosilnic, nosilni trak, kabelske dušilke, karbonskih krtačk, napajalnega kabla, zobovje, polstene podložke, varnostne zatiče, ventilatorje, puhalne in sesalne cevi, sesalne vreče in trakove, vodila, verige za žage, gibljive cevi, nastavke priključkov, pršilne šobe, kolesa, pršilne palice, notranje kolote, zunanja vretena, rezalne nitke, vžigalne svečke, zračne filtre, plinske filtre, drobilna rezila itd.,
- Za servisiranje je treba izdelek poslati ali prinesiti v pooblaščen servisni center RYOBI, ki je za vsako državo naveden na naslednjem seznamu z naslovi servisnih centrov. V nekaterih državah pošiljanje izdelka servisnemu centru RYOBI prevzame lokalni trgovec z izdelki RYOBI. Za pošiljanje servisnemu centru RYOBI mora biti izdelek varno zapakiran, brez kakršnih koli nevarnih snovi, npr. gorivo, označen z naslovom pošiljatelja, priložen pa mora biti kratek opis napake.
- Popravilo/nadomestilo v sklopu te garancije je brezplačno. Ne pomeni podaljšanja ali novega začetka garancijskega obdobja. Zamenjani deli ali orodja postanejo naša last. V nekaterih državah mora stroške pošiljanja ali dostave poravnati pošiljatelj.
- Ta garancija je veljavna v Evropski skupnosti, Šviciji, na Islandiji, Norveškem, v Liechtensteinu, Turčiji in Rusiji. Izven teh področij stopite v stik s pooblaščenim trgovcem RYOBI, da ugotovite, ali velja katera druga garancija.

## POOBLAŠČEN SERVISNI CENTER

Pooblaščen servisni center blizu vas poiščite na <http://uk.ryobitools.eu/header/service-and-support/service-agents>.

## SK ZÁRUKA

Okrem zákonných práv vyplývajúcich zo zakúpenia je tento produkt pokrytý zárukou, ako je uvedené nižšie.

- Záručná doba pre spotrebiteľov je 24 mesiacov a začína dňom zakúpenia produktu. Tento dátum musí byť zdokumentovaný faktúrou alebo iným dokladom o kúpe. Tento produkt je navrhnutý a určený len na potrebné a osobné použitie. Takže v prípade profesionálneho alebo komerčného použitia neplatí žiadna záruka.
- V niektorých prípadoch (napr. reklamná akcia, rad produktov) existuje možnosť predĺženia záručnej doby nad dobu uvedenú vyššie pomocou registrácie na webovej stránke [www.ryobitools.eu](http://www.ryobitools.eu). Spôsobilosť nástroja je zreteľne zobrazená v obchodoch a ha obale. Koncový používateľ si musí zaregistrovať svoje novonadobudnuté nástroje online do 8 dní odo dňa zakúpenia. Koncový používateľ sa môže zaregistrovať za účelom získania predĺženej záruky vo svojej krajine, ak je uvedená v online registračnom formulári, kde je táto možnosť platná. Okrem toho musia koncoví používatelia poskytnúť súhlas k uloženiu údajov, ktoré sa zadávajú online a musia súhlasiť so zmluvnými podmienkami. Doklad s potvrdením o registrácii, ktorý posielame prostredníctvom e-mailu a originál faktúry s uvedeným dátumom zakúpenia slúžia ako dôkaz predĺženej záruky. Vaše zákonné práva ostávajú nedotknuté.
- Táto záruka pokrýva všetky poruchy produktu počas záručnej doby, ktoré vznikli následkom nedostatkov vo vypracovaní alebo materiáli v deň zakúpenia. Táto záruka je omezená na opravu alebo výmenu a nezahŕňa ďalšie povinnosti, napríklad vedľajšie alebo následné škody. Táto záruka je neplatná, ak bol produkt požívaný nesprávne, používaný v rozpore s návodom na použitie alebo nesprávne pripojený. Táto záruka sa nevzťahuje na:
  - akékoľvek poškodenie produktu, ku ktorému došlo následkom nesprávnej údržby
  - akýkoľvek produkt, ktorý bol pozmenený alebo upravený
  - akýkoľvek produkt, na ktorom boli poškodené pozmenené alebo odstránené originálne identifikačné znaky (obchodná známka, sériové číslo)
  - akékoľvek poškodenie spôsobené následkom neodržania návodu na použitie
  - akýkoľvek produkt iný ako CE
  - akýkoľvek produkt, o ktorého opravu sa pokúšal nekvalifikovaný odborník alebo v prípade opravy bez predchádzajúceho oprávnenia od spoločnosti Techtronic Industries
  - akýkoľvek produkt pripojený k nesprávnejmu napájaciemu zdroju (prúd, napätie, frekvencia)
  - akýkoľvek produkt používaný s nevhodnou palivovou zmesou (palivo, olej, percento oleja)
  - akékoľvek poškodenie spôsobené vonkajšími vplyvmi (chemické, fyzické, nárazy) alebo cudzími látkami
  - bežné opotrebenie náhradných dielov
  - nesprávne používanie a preťažovanie nástroja
  - používanie neschváleného príslušenstva alebo dielov
  - karburátor po 6 mesiacoch, úpravy karburátora po 6 mesiacoch
  - komponenty (diely a príslušenstvo), ktoré podliehajú prirodzenému opotrebeniu, napríklad pružinové tlačidlá, hnacie remene, spojka, ostria strihača živého plotu alebo kosačky trávy, postroj, ťahadlo škrťacej klapky, uhlikové kefky, napájaci kábel, končeky, plstené podložky, kolíky s háčikom, ventilátory dýchadla, rúrky dýchadla a vysávača, vrecko a remene vysávača, vodiace lišty, pilové reťaze, hadice, konektorové armatúry, rozprašovače trysky, kolieska, striekacie tyče, vnútorné navijaky, vonkajšie cievy, rezné drôty, zapalovače sviečky, vzduchové filtre, benzínové filtre, mulčovacie ostria a pod.
- Na servis sa musí produkt odoslať alebo predložiť autorizovanému servisnému centru RYOBI uvedenému pre každú krajinu v nasledujúcom zozname adres servisných staníc. V niektorých krajinách pošle produkt do servisnej organizácie RYOBI váš miestny predajca produktov RYOBI. Pri odoslaní produktu do servisnej stanice RYOBI musí byť produkt bezpečne zabalený bez akéhokoľvek nebezpečného obsahu, napríklad paliva, označený adresou odosielateľa a musí byť k nemu priložený krátky popis poruchy.
- Oprava či výmena v rámci tejto záruky je bezplatná. Nevplyvá na nej predĺženie či nový začiatok záručnej doby. Vymenené diely alebo nástroje sa stávajú našim majetkom. V niektorých krajinách doručovací poplatok alebo poštovné platí odosielateľ.
- Táto záruka je platná v Európskej únii, Švajčiarsku, na Islande, v Nórsku, Lichtenštajnsku, Turecku a Rusku. Mimo týchto oblastí kontaktujte autorizovaného predajcu spoločnosti Ryobi, u ktorého zisťíte, či platí nejaká iná záruka.

## AUTORIZOVANÉ SERVISNÉ CENTRUM

Ak chcete nájsť najbližšie autorizované servisné centrum, navštívte stránku <http://uk.ryobitools.eu/header/service-and-support/service-agents>.

## **BG** ГАРАНЦИЯ

В допълнение към законоустановените права, произтичащи от покупката, този продукт е обхванат от гаранция, както е изложено по-долу.

1. Гаранционният срок е 24 месеца за клиенти и започва да тече от деня на закупуване на продукта. Тази дата трябва да се докаже с фактура или друго доказателство за покупка. Продуктът е изработен и предназначен само за потребителска и лична употреба. Следователно не се дава гаранция в случай на използване от професионалисти или с търговска цел.
2. В някои случаи (като промоция, гама инструменти) съществува възможност за удължаване на гаранционния срок след изтичането на описания тук чрез регистрация на уеб сайта [www.ryobitools.eu](http://www.ryobitools.eu). Дали инструментът отговаря на условията за такова удължаване, ясно показано в магазини и/или върху опаковката. Крайният потребител трябва да регистрира своите новопридобити инструменти онлайн в рамките на 8 дни от датата на покупка. Крайният потребител може да се регистрира за удължена гаранция в държавата си на пребиваване, ако е посочена във формуляра за онлайн регистрация като място, където тази опция е валидна. Освен това крайните потребители трябва да дадат съгласието си за съхранение на данните, които са задължителни за попълване онлайн, и трябва да приемат общите условия. Полученото потвърждение за регистрация, изпратено по имейл, и оригиналната фактура, показваща датата на покупка, ще служат като доказателство за удължената гаранция. Законоустановените Ви права остават незаसेгнати.
3. Гаранцията покрива всички дефекти на продукта по време на гаранционния срок, които се дължат на проблеми в изработката или материалите към момента на покупката. Гаранцията е ограничена до ремонт и/или замяна и не включва други задължения, включително, но не само, случайни или закономерни щети. Гаранцията е невалидна, ако продуктът е използван неправилно или в противоречие с ръководството с инструкции, както и ако е свързан неправилно. Тази гаранция не важи за:
  - щети по продукта в резултат на неправилна профилактика;
  - продукти, които са били изменени или модифицирани;
  - продукт, при който оригиналните маркировки за идентификация (търговска марка, сериен номер) са изтрети, променени или премахнати;
  - повреда, причинена от неспазване на ръководството с инструкции;
  - продукт без CE маркировка;
  - продукт, за който е направен опит за ремонт от неквалифициран специалист или без предварително разрешение от Techtronic Industries;
  - продукт, свързан към неподходящо електрозахранване (ампераж, волтаж, честота);
  - продукт, използван с неподходяща горивна смес (гориво, масло, процент масло);
  - щети, причинени от външни влияния (химични, физични, удари) или чужди вещества;
  - нормално износване на резервни част;
  - неподходяща употреба, претоварване на инструмента;
  - използване на неодобриени аксесоари или части;
  - карбуратора след 6 месеца, настройки на карбуратора след 6 месеца;
  - компоненти (част и аксесоари), подложени на естествено износване, включително, но не само, копчета за тласкане, задвижващи ремъци, съединител, остриета на ножци за жив плет, косачки, самар, кабелен дросел, карбонови четки, захранващ кабел, остриета, филцови шайби, осигурителни щифтове, вентилатори на уреди за обдуване, тръби за обдуване и всмукване, торба за отпадъци и ремъци, водеща шина, вериги за триони, маркучи, фитинги на конектори, дюзи, колела, пръскалки, вътрешни и външни макари, режещо влакно, запалителни свещи, въздушни филтри, горивни филтри, остриета за мулчиране и т.н.
4. За обслужване продуктът трябва да се изпрати или занесе на оторизиран сервиз на RYOBI, посочен за всяка държава в следния списък с адреси на сервиси. В някои държави местният търговец на RYOBI поема да изпрати продукта до сервизен център на RYOBI. При изпращане на продукт до сервиз на RYOBI продуктът трябва да е опакован безопасно без опасно съдържание, като бензин, да е маркиран с адреса на подателя и придружен от кратко описание на повредата.
5. Ремонтът или замяната по силата на тази гаранция са безплатни. Те не водят до удължаване или подновяване на гаранционния срок. Сменените части или инструменти стават наша собственост. В някои държави таксите за доставка или изпращане трябва да се платят от подателя.
6. Тази гаранция е валидна в Европейската общност, Швейцария, Исландия, Норвегия, Лихтенщайн, Турция и Русия. Извън тези области се свържете с упълномощения търговец на RYOBI, за да се установи дали са приложими други гаранции.

### **УПЪЛНОМОЩЕН СЕРВИЗЕН ЦЕНТЪР**

За да намерите упълномощен сервизен център близо до вас, посетете <http://uk.ryobitools.eu/header/service-and-support/service-agents>.



## EN EC DECLARATION OF CONFORMITY

Techtronic Industries GmbH  
Max-Eyth-Straße 10, 71364 Winnenden, Germany

Herewith we declare that the product

Electric Chainsaw  
Brand: Ryobi  
Model number: RCS1935/RCS2340  
Serial number range:  
RCS1935: 44420901000001 - 44420901999999  
RCS2340: 44421101000001 - 44421101999999

is in conformity with the following European Directives and harmonised standards  
2006/42/EC, 2004/108/EC, 2000/14/EC, 2005/88/EC, 2011/65/EU,  
EN 60745-1:2009+A11:2010, EN 60745-2-13:2009+A1:2010,  
EN ISO 3744:2010, EN 55014-1:2006+A1:2009+A2:2011,  
EN 55014-2:1997+A1:2001+A2:2008, EN 61000-3-2:2006+A1:2009+A2:2009,  
EN 61000-3-11:2000, EN 50581:2012

RCS1935  
Measured sound power level: 106.2 dB(A)  
Guaranteed sound power level: 108 dB(A)  
Conformity assessment method to Annex V Directive 2000/14/EC amended by 2005/88/EC.  
Notified body, 0197 TÜV Rheinland LGA Products GmbH; Tillystraße 2 D - 90431 Nürnberg, Germany has carried out EC type approval, and the certificate No. is: BM 50286999 0001.

RCS2340  
Measured sound power level: 106.1 dB(A)  
Guaranteed sound power level: 107 dB(A)  
Conformity assessment method to Annex V Directive 2000/14/EC amended by 2005/88/EC.  
Notified body, 0197 TÜV Rheinland LGA Products GmbH; Tillystraße 2 D - 90431 Nürnberg, Germany has carried out EC type approval, and the certificate No. is: BM 50286991 0001.

Andrew John Eyre (BEng, CEng, MIET)  
Vice President, Regulatory & Safety  
Winnenden, Jul. 23, 2014

Authorised to compile the technical file:  
Alexander Krug, Managing Director  
Techtronic Industries GmbH  
Max-Eyth-Straße 10, 71364 Winnenden, Germany



## DE EC KONFORMITÄTSERKLÄRUNG

Techtronic Industries GmbH  
Max-Eyth-Straße 10, 71364 Winnenden, Germany

Hiermit erklären wir, dass die Produkte

Elektrische Kettensäge  
Marke: Ryobi  
Modellnummer: RCS1935/RCS2340  
Seriennummernbereich:  
RCS1935: 44420901000001 - 44420901999999  
RCS2340: 44421101000001 - 44421101999999

mit den folgenden europäischen Richtlinien und harmonisierten Normen entspricht  
2006/42/EC, 2004/108/EC, 2000/14/EC, 2005/88/EC, 2011/65/EU,  
EN 60745-1:2009+A11:2010, EN 60745-2-13:2009+A1:2010,  
EN ISO 3744:2010, EN 55014-1:2006+A1:2009+A2:2011,  
EN 55014-2:1997+A1:2001+A2:2008, EN 61000-3-2:2006+A1:2009+A2:2009,  
EN 61000-3-11:2000, EN 50581:2012

RCS1935  
Gemessener Schalleistungspegel: 106,2 dB(A)  
Garantierter Schalleistungspegel: 108 dB(A)  
Konformitätsbeurteilungsmethode zu Anhang V Richtlinie 2000/14/EC wie durch 2005/88/EC.  
Benannte Stelle, 0197 TÜV Rheinland LGA Products GmbH; Tillystraße 2 D - 90431 Nürnberg, Germany hat die EC Typen-Überprüfung durchgeführt und die Zertifikatnummer lautet: BM 50286999 0001.

RCS2340  
Gemessener Schalleistungspegel: 106,1 dB(A)  
Garantierter Schalleistungspegel: 107 dB(A)  
Konformitätsbeurteilungsmethode zu Anhang V Richtlinie 2000/14/EC wie durch 2005/88/EC.  
Benannte Stelle, 0197 TÜV Rheinland LGA Products GmbH; Tillystraße 2 D - 90431 Nürnberg, Germany hat die EC Typen-Überprüfung durchgeführt und die Zertifikatnummer lautet: BM 50286991 0001.

Andrew John Eyre (BEng, CEng, MIET)  
Vizepräsident, Vorschriften und Sicherheit  
Winnenden, Jul. 23, 2014

Autorisiert die technische Datei zu erstellen:  
Alexander Krug, Geschäftsführer  
Techtronic Industries GmbH  
Max-Eyth-Straße 10, 71364 Winnenden, Germany



## FR DÉCLARATION DE CONFORMITÉ EC

Techtronic Industries GmbH  
Max-Eyth-Straße 10, 71364 Winnenden, Germany

Déclarons par la présente que le produit

Tronçonneuse Electrique  
Marque: Ryobi  
Numéro de modèle: RCS1935/RCS2340  
Étendue des numéros de série:  
RCS1935: 44420901000001 - 44420901999999  
RCS2340: 44421101000001 - 44421101999999

est conforme aux Directives Européennes et Normes Harmonisées suivantes  
2006/42/EC, 2004/108/EC, 2000/14/EC, 2005/88/EC, 2011/65/EU,  
EN 60745-1:2009+A11:2010, EN 60745-2-13:2009+A1:2010,  
EN ISO 3744:2010, EN 55014-1:2006+A1:2009+A2:2011,  
EN 55014-2:1997+A1:2001+A2:2008, EN 61000-3-2:2006+A1:2009+A2:2009,  
EN 61000-3-11:2000, EN 50581:2012

RCS1935  
Niveau de puissance sonore mesuré: 106,2 dB(A)  
Niveau de puissance sonore garanti: 108 dB(A)  
Méthode d'évaluation de conformité de l'annexe V Directive 2000/14/EC modifiée 2005/88/EC.  
L'organisme notifié, 0197 TÜV Rheinland LGA Products GmbH; Tillystraße 2 D - 90431 Nürnberg, Germany a validé la conformité EC, et le No de certificat est: BM 50286999 0001.

RCS2340  
Niveau de puissance sonore mesuré: 106,1 dB(A)  
Niveau de puissance sonore garanti: 107 dB(A)  
Méthode d'évaluation de conformité de l'annexe V Directive 2000/14/EC modifiée 2005/88/EC.  
L'organisme notifié, 0197 TÜV Rheinland LGA Products GmbH; Tillystraße 2 D - 90431 Nürnberg, Germany a validé la conformité EC, et le No de certificat est: BM 50286991 0001.

Andrew John Eyre (BEng, CEng, MIET)  
Vice-Président, Réglementation & Sécurité  
Winnenden, Jul. 23, 2014

Autorisé à rédiger le dossier technique:  
Alexander Krug, Directeur Général  
Techtronic Industries GmbH  
Max-Eyth-Straße 10, 71364 Winnenden, Germany



## ES DECLARACIÓN EC DE CONFORMIDAD

Techtronic Industries GmbH  
Max-Eyth-Straße 10, 71364 Winnenden, Germany

Por la presente declaramos que los productos

Sierra Eléctrica  
Marca: Ryobi  
Número de modelo: RCS1935/RCS2340  
Intervalo del número de serie:  
RCS1935: 44420901000001 - 44420901999999  
RCS2340: 44421101000001 - 44421101999999

se encuentra en conformidad con las siguientes Directivas Europeas y normas armonizadas  
2006/42/EC, 2004/108/EC, 2000/14/EC, 2005/88/EC, 2011/65/EU,  
EN 60745-1:2009+A11:2010, EN 60745-2-13:2009+A1:2010,  
EN ISO 3744:2010, EN 55014-1:2006+A1:2009+A2:2011,  
EN 55014-2:1997+A1:2001+A2:2008, EN 61000-3-2:2006+A1:2009+A2:2009,  
EN 61000-3-11:2000, EN 50581:2012

RCS1935  
Nivel de potencia acústica medido: 106,2 dB(A)  
Nivel de potencia acústica garantizado: 108 dB(A)  
Método de evaluación de conformidad con el anexo V Directiva 2000/14/EC modificada por la 2005/88/EC.  
El organismo notificado, 0197 TÜV Rheinland LGA Products GmbH; Tillystraße 2 D - 90431 Nürnberg, Germany ha llevado a cabo la homologación de tipo EC, y el n.º de certificado es: BM 50286999 0001.

RCS2340  
Nivel de potencia acústica medido: 106,1 dB(A)  
Nivel de potencia acústica garantizado: 107 dB(A)  
Método de evaluación de conformidad con el anexo V Directiva 2000/14/EC modificada por la 2005/88/EC.  
El organismo notificado, 0197 TÜV Rheinland LGA Products GmbH; Tillystraße 2 D - 90431 Nürnberg, Germany ha llevado a cabo la homologación de tipo EC, y el n.º de certificado es: BM 50286991 0001.

Andrew John Eyre (BEng, CEng, MIET)  
Vicepresidente, Director General de Normativa y Seguridad  
Winnenden, Jul. 23, 2014

Autorizado para elaborar la ficha técnica:  
Alexander Krug, Administrador Ejecutivo  
Techtronic Industries GmbH  
Max-Eyth-Straße 10, 71364 Winnenden, Germany





## IT DICHIARAZIONE DI CONFORMITÀ EC

Techtronic Industries GmbH  
Max-Eyth-Straße 10, 71364 Winnenden, Germany

Si dichiara con la presente che il prodotto  
Motosega Elettrica  
Marca: Ryobi  
Numero modello: RCS1935/RCS2340  
Gamma numero seriale:  
RCS1935: 44420901000001 - 44420901999999  
RCS2340: 44421101000001 - 44421101999999

è conforme alle seguenti Direttive Europee e ai seguenti standard armonizzati  
2006/42/EC, 2004/108/EC, 2000/14/EC, 2005/88/EC, 2011/65/EU,  
EN 60745-1:2009+A11:2010, EN 60745-2-13:2009+A1:2010,  
EN ISO 3744:2010, EN 55014-1:2006+A1:2009+A2:2011,  
EN 55014-2:1997+A1:2001+A2:2008, EN 61000-3-2:2006+A1:2009+A2:2009,  
EN 61000-3-11:2000, EN 50581:2012

RCS1935  
Livello di potenza acustica misurato: 106,2 dB(A)  
Livello di potenza sonora garantita: 108 dB(A)  
Metodo di valutazione sulla conformità all'allegato V Direttiva 2000/14/EC modificata con la 2005/88/EC.  
Ente notificatore, 0197 TÜV Rheinland LGA Products GmbH; Tillystraße 2 D - 90431 Nürnberg, Germany ha svolto i test di conformità EC e il N. del certificato è. BM 50286999 0001.

RCS2340  
Livello di potenza acustica misurato: 106,1 dB(A)  
Livello di potenza sonora garantita: 107 dB(A)  
Metodo di valutazione sulla conformità all'allegato V Direttiva 2000/14/EC modificata con la 2005/88/EC.  
Ente notificatore, 0197 TÜV Rheinland LGA Products GmbH; Tillystraße 2 D - 90431 Nürnberg, Germany ha svolto i test di conformità EC e il N. del certificato è. BM 50286991 0001.

Andrew John Eyre (BEng, CEng, MIET)  
Vice-Presidente, Dipartimento Regolazioni & Sicurezza  
Winnenden, Jul. 23, 2014

Autorizzato per compilare il file tecnico:  
Alexander Krug, Direttore Amministrativo  
Techtronic Industries GmbH  
Max-Eyth-Straße 10, 71364 Winnenden, Germany



## PT DECLARAÇÃO EC DE CONFORMIDADE

Techtronic Industries GmbH  
Max-Eyth-Straße 10, 71364 Winnenden, Germany

Pelo presente declaramos que os produtos  
Serra Elétrica  
Marca: Ryobi  
Número do modelo: RCS1935/RCS2340  
Intervalo do número de série:  
RCS1935: 44420901000001 - 44420901999999  
RCS2340: 44421101000001 - 44421101999999

se encontra em conformidade com as seguintes Directivas Europeias e normas harmonizadas  
2006/42/EC, 2004/108/EC, 2000/14/EC, 2005/88/EC, 2011/65/EU,  
EN 60745-1:2009+A11:2010, EN 60745-2-13:2009+A1:2010,  
EN ISO 3744:2010, EN 55014-1:2006+A1:2009+A2:2011,  
EN 55014-2:1997+A1:2001+A2:2008, EN 61000-3-2:2006+A1:2009+A2:2009,  
EN 61000-3-11:2000, EN 50581:2012

RCS1935  
Nível de potência sonora medido: 106,2 dB(A)  
Nível de potência sonora garantido: 108 dB(A)  
Método de avaliação de conformidade para o anexo V Directiva 2000/14/EC alterada por 2005/88/EC.  
Órgão notificado, 0197 TÜV Rheinland LGA Products GmbH; Tillystraße 2 D - 90431 Nürnberg, Germany realizou a aprovação tipo EC, e o certificado é o Nº. BM 50286999 0001.

RCS2340  
Nível de potência sonora medido: 106,1 dB(A)  
Nível de potência sonora garantido: 107 dB(A)  
Método de avaliação de conformidade para o anexo V Directiva 2000/14/EC alterada por 2005/88/EC.  
Órgão notificado, 0197 TÜV Rheinland LGA Products GmbH; Tillystraße 2 D - 90431 Nürnberg, Germany realizou a aprovação tipo EC, e o certificado é o Nº. BM 50286991 0001.

Andrew John Eyre (BEng, CEng, MIET)  
Vice-Presidente, Regulação & Segurança  
Winnenden, Jul. 23, 2014

Autorizado para compilar o ficheiro técnico:  
Alexander Krug, Administrador Executivo  
Techtronic Industries GmbH  
Max-Eyth-Straße 10, 71364 Winnenden, Germany



## NL EC CONFORMITEITSVERKLARING

Techtronic Industries GmbH  
Max-Eyth-Straße 10, 71364 Winnenden, Germany

Hierbij verklaren wij dat het product  
Elektrische Kettingzaagmachine  
Merk: Ryobi  
Modelnummer: RCS1935/RCS2340  
Serienummerbereik:  
RCS1935: 44420901000001 - 44420901999999  
RCS2340: 44421101000001 - 44421101999999

is in overeenstemming met de volgende Europese Richtlijnen en geharmoniseerde normen  
2006/42/EC, 2004/108/EC, 2000/14/EC, 2005/88/EC, 2011/65/EU,  
EN 60745-1:2009+A11:2010, EN 60745-2-13:2009+A1:2010,  
EN ISO 3744:2010, EN 55014-1:2006+A1:2009+A2:2011,  
EN 55014-2:1997+A1:2001+A2:2008, EN 61000-3-2:2006+A1:2009+A2:2009,  
EN 61000-3-11:2000, EN 50581:2012

RCS1935  
Gemeten geluidsniveau: 106,2 dB(A)  
Gegarandeerd geluidsniveau: 108 dB(A)  
Evaluatiemethode conformiteit volgens bijlage V Richtlijn 2000/14/EC gewijzigd door 2005/88/EC.  
Aangemelde instantie, 0197 TÜV Rheinland LGA Products GmbH; Tillystraße 2 D - 90431 Nürnberg, Germany heeft de EC-typegoedkeuring uitgevoerd en het certificaatnr. is. BM 50286999 0001.

RCS2340  
Gemeten geluidsniveau: 106,1 dB(A)  
Gegarandeerd geluidsniveau: 107 dB(A)  
Evaluatiemethode conformiteit volgens bijlage V Richtlijn 2000/14/EC gewijzigd door 2005/88/EC.  
Aangemelde instantie, 0197 TÜV Rheinland LGA Products GmbH; Tillystraße 2 D - 90431 Nürnberg, Germany heeft de EC-typegoedkeuring uitgevoerd en het certificaatnr. is. BM 50286991 0001.

Andrew John Eyre (BEng, CEng, MIET)  
Vice-president, Regelgeving en Veiligheid  
Winnenden, Jul. 23, 2014

Afgevaardigde voor het samenstellen van de technische fiche:  
Alexander Krug, Directeur  
Techtronic Industries GmbH  
Max-Eyth-Straße 10, 71364 Winnenden, Germany



## DA EC OVERENSSTEMMELSEERKLÆRING

Techtronic Industries GmbH  
Max-Eyth-Straße 10, 71364 Winnenden, Germany

Vi erklærer hermed, at produktet  
Elektrisk Kædesav  
Brand: Ryobi  
Modelnummer: RCS1935/RCS2340  
Serienummerområde:  
RCS1935: 44420901000001 - 44420901999999  
RCS2340: 44421101000001 - 44421101999999

er i overensstemmelse med følgende EU-direktiver og harmoniserede standarder  
2006/42/EC, 2004/108/EC, 2000/14/EC, 2005/88/EC, 2011/65/EU,  
EN 60745-1:2009+A11:2010, EN 60745-2-13:2009+A1:2010,  
EN ISO 3744:2010, EN 55014-1:2006+A1:2009+A2:2011,  
EN 55014-2:1997+A1:2001+A2:2008, EN 61000-3-2:2006+A1:2009+A2:2009,  
EN 61000-3-11:2000, EN 50581:2012

RCS1935  
Målt støjniveau: 106,2 dB(A)  
Garanteret støjniveau: 108 dB(A)  
Overensstemmelsesvurderingsmetode til bilag V Direktiv 2000/14/EC ændret ved 2005/88/EC.  
Bemyndiget organ, 0197 TÜV Rheinland LGA Products GmbH; Tillystraße 2 D - 90431 Nürnberg, Germany har foretaget EC-typegodkendelse, og certifikatnummeret er. BM 50286999 0001.

RCS2340  
Målt støjniveau: 106,1 dB(A)  
Garanteret støjniveau: 107 dB(A)  
Overensstemmelsesvurderingsmetode til bilag V Direktiv 2000/14/EC ændret ved 2005/88/EC.  
Bemyndiget organ, 0197 TÜV Rheinland LGA Products GmbH; Tillystraße 2 D - 90431 Nürnberg, Germany har foretaget EC-typegodkendelse, og certifikatnummeret er. BM 50286991 0001.

Andrew John Eyre (BEng, CEng, MIET)  
Vicepræsident, Regler og Sikkerhed  
Winnenden, Jul. 23, 2014

Bemyndiget til at udarbejde det tekniske kortek:  
Alexander Krug, Administrerende Direktør  
Techtronic Industries GmbH  
Max-Eyth-Straße 10, 71364 Winnenden, Germany



## SV EC-KONFORMITETSDEKLARATION

Techtronic Industries GmbH  
Max-Eyth-Straße 10, 71364 Winnenden, Germany

### Härmed deklarerar vi att produkterna

Elektrisk Motorsåg  
Märke: Ryobi  
Modellnummer: RCS1935/RCS2340  
Serienummerintervall:  
RCS1935: 44420901000001 - 44420901999999  
RCS2340: 44421101000001 - 44421101999999

är i enlighet med följande EU-direktiv och harmoniserade standarder  
2006/42/EC, 2004/108/EC, 2000/14/EC, 2005/88/EC, 2011/65/EU,  
EN 60745-1:2009+A11:2010, EN 60745-2-13:2009+A1:2010,  
EN ISO 3744:2010, EN 55014-1:2006+A1:2009+A2:2011,  
EN 55014-2:1997+A1:2001+A2:2008, EN 61000-3-2:2006+A1:2009+A2:2009,  
EN 61000-3-11:2000, EN 50581:2012

RCS1935  
Uppmätt ljudeffektnivå: 106,2 dB(A)  
Garanterad ljudeffektnivå: 108 dB(A)  
Konformitetsbedömning gjord enligt metod i V Direktiv 2000/14/EC samt tillägg  
i 2005/88/EC.  
Anmält organ: 0197 TÜV Rheinland LGA Products GmbH; Tillystraße 2 D - 90431  
Nürnberg, Germany har utfört EC-typgodkännandet och certifikatnumret är. BM  
50286999 0001.

RCS2340  
Uppmätt ljudeffektnivå: 106,1 dB(A)  
Garanterad ljudeffektnivå: 107 dB(A)  
Konformitetsbedömning gjord enligt metod i V Direktiv 2000/14/EC samt tillägg  
i 2005/88/EC.  
Anmält organ: 0197 TÜV Rheinland LGA Products GmbH; Tillystraße 2 D - 90431  
Nürnberg, Germany har utfört EC-typgodkännandet och certifikatnumret är. BM  
50286999 0001.

  
Andrew John Eyre (BEng, CEng, MIET)  
Vice President, Regelverk och Säkerhet  
Winnenden, Jul. 23, 2014

Godkänd att sammanställa den tekniska filen:  
Alexander Krug, VD  
Techtronic Industries GmbH  
Max-Eyth-Straße 10, 71364 Winnenden, Germany

CE

## NO EC-SAMSVARSEKLERING

Techtronic Industries GmbH  
Max-Eyth-Straße 10, 71364 Winnenden, Germany

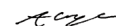
### Herved erklærer vi at produktet

Elektrisk Kjedesag  
Märke: Ryobi  
Modellnummer: RCS1935/RCS2340  
Serienummerserie:  
RCS1935: 44420901000001 - 44420901999999  
RCS2340: 44421101000001 - 44421101999999

er i samsvar med følgende europeiske direktiver og harmoniserede standarder  
2006/42/EC, 2004/108/EC, 2000/14/EC, 2005/88/EC, 2011/65/EU,  
EN 60745-1:2009+A11:2010, EN 60745-2-13:2009+A1:2010,  
EN ISO 3744:2010, EN 55014-1:2006+A1:2009+A2:2011,  
EN 55014-2:1997+A1:2001+A2:2008, EN 61000-3-2:2006+A1:2009+A2:2009,  
EN 61000-3-11:2000, EN 50581:2012

RCS1935  
Målt lyd-effektnivå: 106,2 dB(A)  
Garanteret lyd-effektnivå: 108 dB(A)  
Metode for vurdering av konformitet til Tillegg V Direktiv 2000/14/EC endret ved  
2005/88/EC.  
Teknisk kontrollorgan, 0197 TÜV Rheinland LGA Products GmbH; Tillystraße 2  
D - 90431 Nürnberg, Germany har gjennomført EC typegodkjenning, og  
sertifikatnummeret er. BM 50286999 0001.

RCS2340  
Målt lyd-effektnivå: 106,1 dB(A)  
Garanteret lyd-effektnivå: 107 dB(A)  
Metode for vurdering av konformitet til Tillegg V Direktiv 2000/14/EC endret ved  
2005/88/EC.  
Teknisk kontrollorgan, 0197 TÜV Rheinland LGA Products GmbH; Tillystraße  
2 D - 90431 Nürnberg, Germany har gjennomført EC typegodkjenning, og  
sertifikatnummeret er. BM 50286999 0001.

  
Andrew John Eyre (BEng, CEng, MIET)  
Vise-president, Forskriver og Sikkerhet  
Winnenden, Jul. 23, 2014

Autorisert til å sette sammen den tekniske filen:  
Alexander Krug, Administrerende Direktør  
Techtronic Industries GmbH  
Max-Eyth-Straße 10, 71364 Winnenden, Germany

CE

## FI EC-SÄÄNNÖSTEN NOUDATTAMINEN

Techtronic Industries GmbH  
Max-Eyth-Straße 10, 71364 Winnenden, Germany

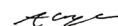
### Ilmoitamme täten, että tuotteet

Sähkökäyttöinen Moottorisaha  
Tuotemerkki: Ryobi  
Mallinumero: RCS1935/RCS2340  
Sarjanumeroalue:  
RCS1935: 44420901000001 - 44420901999999  
RCS2340: 44421101000001 - 44421101999999

noudattaa seuraavia EU-direktiivejä ja harmonoituja standardeja  
2006/42/EC, 2004/108/EC, 2000/14/EC, 2005/88/EC, 2011/65/EU,  
EN 60745-1:2009+A11:2010, EN 60745-2-13:2009+A1:2010,  
EN ISO 3744:2010, EN 55014-1:2006+A1:2009+A2:2011,  
EN 55014-2:1997+A1:2001+A2:2008, EN 61000-3-2:2006+A1:2009+A2:2009,  
EN 61000-3-11:2000, EN 50581:2012

RCS1935  
Mitattu äänenteho: 106,2 dB(A)  
Taattu äänenteho: 108 dB(A)  
Säännösten noudattaminen tarkastettu direktiivin 2000/14/EC liitteen V mukaisesti  
muunnettu direktiivillä 2005/88/EC.  
Ilmoituksen saanut elin, 0197 TÜV Rheinland LGA Products GmbH; Tillystraße  
2 D - 90431 Nürnberg, Germany, on suorittanut EC-tyyppisen hyväksynnän, ja  
todistuksen numero on. BM 50286999 0001.

RCS2340  
Mitattu äänenteho: 106,1 dB(A)  
Taattu äänenteho: 107 dB(A)  
Säännösten noudattaminen tarkastettu direktiivin 2000/14/EC liitteen V mukaisesti  
muunnettu direktiivillä 2005/88/EC.  
Ilmoituksen saanut elin, 0197 TÜV Rheinland LGA Products GmbH; Tillystraße  
2 D - 90431 Nürnberg, Germany, on suorittanut EC-tyyppisen hyväksynnän, ja  
todistuksen numero on. BM 50286999 0001.

  
Andrew John Eyre (BEng, CEng, MIET)  
Varatoimitusjohtaja, Säästöstenmukaisuus ja Turvallisuus  
Winnenden, Jul. 23, 2014

Valtuutettu kokoamaan tekninen tiedosto:  
Alexander Krug, Toimitusjohtaja  
Techtronic Industries GmbH  
Max-Eyth-Straße 10, 71364 Winnenden, Germany

CE

## RU ЗАЯВЛЕНИЕ О СООТВЕТСТВИИ ТРЕБОВАНИЯМ ЕС

Techtronic Industries GmbH  
Max-Eyth-Straße 10, 71364 Winnenden, Germany

### Настоящим мы заявляем, что данный продукт

Электрическая Цепная Пила  
Марка: Ryobi  
Номер модели: RCS1935/RCS2340  
Диапазон заводских номеров:  
RCS1935: 44420901000001 - 44420901999999  
RCS2340: 44421101000001 - 44421101999999

соответствует требованиям следующих Директив ЕС и согласованных  
стандартов  
2006/42/EC, 2004/108/EC, 2000/14/EC, 2005/88/EC, 2011/65/EU,  
EN 60745-1:2009+A11:2010, EN 60745-2-13:2009+A1:2010,  
EN ISO 3744:2010, EN 55014-1:2006+A1:2009+A2:2011,  
EN 55014-2:1997+A1:2001+A2:2008, EN 61000-3-2:2006+A1:2009+A2:2009,  
EN 61000-3-11:2000, EN 50581:2012

RCS1935  
Измеренный уровень звуковой мощности: 106,2 dB(A)  
Гарантируемый уровень звуковой мощности: 108 dB(A)  
Способ оценки соответствия, приложение V к директиве 2000/14/EC с  
изменениями 2005/88/EC.  
Нотифицированная организация, 0197 TÜV Rheinland LGA Products GmbH;  
Tillystraße 2 D - 90431 Nürnberg, Germany выполнила утверждение типового  
образца по стандарту ЕС, номер сертификата. BM 50286999 0001.

RCS2340  
Измеренный уровень звуковой мощности: 106,1 dB(A)  
Гарантируемый уровень звуковой мощности: 107 dB(A)  
Способ оценки соответствия, приложение V к директиве 2000/14/EC с  
изменениями 2005/88/EC.  
Нотифицированная организация, 0197 TÜV Rheinland LGA Products GmbH;  
Tillystraße 2 D - 90431 Nürnberg, Germany выполнила утверждение типового  
образца по стандарту ЕС, номер сертификата. BM 50286999 0001.

  
Andrew John Eyre (BEng, CEng, MIET)  
Вице-Президент По Технике Безопасности И Стандартам  
Winnenden, Jul. 23, 2014

Лицо, ответственное за подготовку технической документации:  
Alexander Krug, Директор  
Techtronic Industries GmbH  
Max-Eyth-Straße 10, 71364 Winnenden, Germany

CE

**PL** DEKLARACJA ZGODNOŚCI EC

Technronic Industries GmbH  
Max-Eyth-Straße 10, 71364 Winnenden, Germany

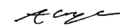
*Niniejszym deklarujemy, że produkty*  
Elektryczna Piłarka Łańcuchowa  
Marka: Ryobi  
Numer modelu: RCS1935/RCS2340  
Zakres numerów seryjnych:  
RCS1935: 44420901000001 - 44420901999999  
RCS2340: 44421101000001 - 44421101999999

*jest zgodny z następującymi dyrektywami europejskimi i zharmonizowanymi normami*

2006/42/EC, 2004/108/EC, 2000/14/EC, 2005/88/EC, 2011/65/EU,  
EN 60745-1:2009+A11:2010, EN 60745-2-13:2009+A1:2010,  
EN ISO 3744:2010, EN 55014-1:2006+A1:2009+A2:2011,  
EN 55014-2:1997+A1:2001+A2:2008, EN 61000-3-2:2006+A1:2009+A2:2009,  
EN 61000-3-11:2000, EN 50581:2012

RCS1935  
Zmierzony poziom natężenia hałasu: 106,2 dB(A)  
Maksymalny poziom natężenia hałasu: 108 dB(A)  
Metoda ocena zgodności zgodnie z aneksem V Dyrektywa 2000/14/EC zmieniona przez dyrektywę 2005/88/EC.  
Jednostka notyfikowana, 0197 TÜV Rheinland LGA Products GmbH; Tillystraße 2 D - 90431 Nürnberg, Germany potwierdziła zgodność z dyrektywami EC, nr certyfikat. BM 50286999 0001.

RCS2340  
Zmierzony poziom natężenia hałasu: 106,1 dB(A)  
Maksymalny poziom natężenia hałasu: 108 dB(A)  
Metoda ocena zgodności zgodnie z aneksem V Dyrektywa 2000/14/EC zmieniona przez dyrektywę 2005/88/EC.  
Jednostka notyfikowana, 0197 TÜV Rheinland LGA Products GmbH; Tillystraße 2 D - 90431 Nürnberg, Germany potwierdziła zgodność z dyrektywami EC, nr certyfikat. BM 50286991 0001.

  
Andrew John Eyre (BEng, CEng, MIET)  
Wiceprezes ds. Zgodności Prawnej i Bezpieczeństwa  
Winnenden, Jul. 23, 2014



Osoba upoważniona do sporządzenia dokumentu technicznego:  
Alexander Krug, Dyrektor Zarządzający  
Technronic Industries GmbH  
Max-Eyth-Straße 10, 71364 Winnenden, Germany

**CS** PROHLÁŠENÍ O SHODĚ EC

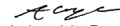
Technronic Industries GmbH  
Max-Eyth-Straße 10, 71364 Winnenden, Germany

*Tímto prohlašujeme, že výrobky*  
Elektrická Řetězová Pila  
Značka: Ryobi  
Číslo modelu: RCS1935/RCS2340  
Rozsah sériových čísel:  
RCS1935: 44420901000001 - 44420901999999  
RCS2340: 44421101000001 - 44421101999999

*že tento výrobek je v souladu s evropskými a harmonizovanými standardy*  
2006/42/EC, 2004/108/EC, 2000/14/EC, 2005/88/EC, 2011/65/EU,  
EN 60745-1:2009+A11:2010, EN 60745-2-13:2009+A1:2010,  
EN ISO 3744:2010, EN 55014-1:2006+A1:2009+A2:2011,  
EN 55014-2:1997+A1:2001+A2:2008, EN 61000-3-2:2006+A1:2009+A2:2009,  
EN 61000-3-11:2000, EN 50581:2012

RCS1935  
Změřená hladina akustického výkonu: 106,2 dB(A)  
Zaručená hladina akustického výkonu: 108 dB(A)  
Soulad s metodou určování pro přílohu V směrnice 2000/14/EC upravená 2005/88/EC.  
Úředně oznámený orgán, 0197 TÜV Rheinland LGA Products GmbH; Tillystraße 2 D - 90431 Nürnberg, Germany provedl typovou zkoušku EC a vystavil osvědčení č. BM 50286999 0001.

RCS2340  
Změřená hladina akustického výkonu: 106,1 dB(A)  
Zaručená hladina akustického výkonu: 107 dB(A)  
Soulad s metodou určování pro přílohu V směrnice 2000/14/EC upravená 2005/88/EC.  
Úředně oznámený orgán, 0197 TÜV Rheinland LGA Products GmbH; Tillystraße 2 D - 90431 Nürnberg, Germany provedl typovou zkoušku EC a vystavil osvědčení č. BM 50286991 0001.

  
Andrew John Eyre (BEng, CEng, MIET)  
Viceprezident, Normy a Bezpečnost  
Winnenden, Jul. 23, 2014



Pověřené ke kompilaci technického souboru:  
Alexander Krug, Generální Reditel  
Technronic Industries GmbH  
Max-Eyth-Straße 10, 71364 Winnenden, Germany

**HU** EC MEGFELELŐSÉGI NYILATKOZAT

Technronic Industries GmbH  
Max-Eyth-Straße 10, 71364 Winnenden, Germany

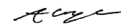
*Ezúton kijelentjük, hogy a termékek*  
Elektromos Lánctűrés  
Márka: Ryobi  
Típusszám: RCS1935/RCS2340  
Sorozatszám tartomány:  
RCS1935: 44420901000001 - 44420901999999  
RCS2340: 44421101000001 - 44421101999999

*megfelel az alábbi Európai irányelvek és harmonizált szabványok vonatkozó rendelkezésének*

2006/42/EC, 2004/108/EC, 2000/14/EC, 2005/88/EC, 2011/65/EU,  
EN 60745-1:2009+A11:2010, EN 60745-2-13:2009+A1:2010,  
EN ISO 3744:2010, EN 55014-1:2006+A1:2009+A2:2011,  
EN 55014-2:1997+A1:2001+A2:2008, EN 61000-3-2:2006+A1:2009+A2:2009,  
EN 61000-3-11:2000, EN 50581:2012

RCS1935  
Mért hangteljesítményszint: 106,2 dB(A)  
Garantált hangteljesítményszint: 108 dB(A)  
A megfelelőségi értékelési eljárás a 2000/14/EC irányelv V. függeléke szerint történt által módosított 2005/88/EC irányelv.  
Az EC típusjóváhagyási eljárást a 0197 TÜV Rheinland LGA Products GmbH; Tillystraße 2 D - 90431 Nürnberg, Germany alatti tanúsító testület végezte; a tanúsítvány száma. BM 50286999 0001.

RCS2340  
Mért hangteljesítményszint: 106,1 dB(A)  
Garantált hangteljesítményszint: 107 dB(A)  
A megfelelőségi értékelési eljárás a 2000/14/EC irányelv V. függeléke szerint történt által módosított 2005/88/EC irányelv.  
Az EC típusjóváhagyási eljárást a 0197 TÜV Rheinland LGA Products GmbH; Tillystraße 2 D - 90431 Nürnberg, Germany alatti tanúsító testület végezte; a tanúsítvány száma. BM 50286991 0001.

  
Andrew John Eyre (BEng, CEng, MIET)  
Alelnök, Megfelelőségi és Biztonsági Területék  
Winnenden, Jul. 23, 2014



A műszaki dokumentáció összeállítására felhatalmazott:  
Alexander Krug, Ügyvezető Igazgató  
Technronic Industries GmbH  
Max-Eyth-Straße 10, 71364 Winnenden, Germany

**RO** DECLARAȚIE DE CONFORMITATE EC


Technronic Industries GmbH  
Max-Eyth-Straße 10, 71364 Winnenden, Germany

*Prin prezenta, declarăm că produsele*  
Ferăstrău Cu Lanț Electric  
Mărcă: Ryobi  
Număr serie: RCS1935/RCS2340  
Gamă număr serie:  
RCS1935: 44420901000001 - 44420901999999  
RCS2340: 44421101000001 - 44421101999999

*este în conformitate cu următoarele Directive Europene și standarde armonizate*  
2006/42/EC, 2004/108/EC, 2000/14/EC, 2005/88/EC, 2011/65/EU,  
EN 60745-1:2009+A11:2010, EN 60745-2-13:2009+A1:2010,  
EN ISO 3744:2010, EN 55014-1:2006+A1:2009+A2:2011,  
EN 55014-2:1997+A1:2001+A2:2008, EN 61000-3-2:2006+A1:2009+A2:2009,  
EN 61000-3-11:2000, EN 50581:2012

RCS1935  
Nivelul măsurat al puterii acustice: 106,2 dB(A)  
Nivel garantat al puterii acustice: 108 dB(A)  
Metoda de evaluare a conformității cu Anexa V Directiva 2000/14/EC modificată prin 2005/88/EC.  
Agenția notificată, 0197 TÜV Rheinland LGA Products GmbH; Tillystraße 2 D - 90431 Nürnberg, Germany a efectuat o procedură de aprobare tip EC, iar nr. certificatului este. BM 50286999 0001.

RCS2340  
Nivelul măsurat al puterii acustice: 106,1 dB(A)  
Nivel garantat al puterii acustice: 107 dB(A)  
Metoda de evaluare a conformității cu Anexa V Directiva 2000/14/EC modificată prin 2005/88/EC.  
Agenția notificată, 0197 TÜV Rheinland LGA Products GmbH; Tillystraße 2 D - 90431 Nürnberg, Germany a efectuat o procedură de aprobare tip EC, iar nr. certificatului este. BM 50286991 0001.

  
Andrew John Eyre (BEng, CEng, MIET)  
Vicepreședintele, Reglementare și Siguranță  
Winnenden, Jul. 23, 2014



Autorizat să completeze fișa tehnică:  
Alexander Krug, Director General  
Technronic Industries GmbH  
Max-Eyth-Straße 10, 71364 Winnenden, Germany

**LV EC ATBILSTĪBAS DEKLARĀCIJA**

Techtronic Industries GmbH  
Max-Eyth-Straße 10, 71364 Winnenden, Germany

Ar šo paziņojamo, ka produkti

Elektriskais Kēdes Zāģis  
Zīmols: Ryobi  
Modeļa numurs: RCS1935/RCS2340  
Sērijas numura intervāls:  
RCS1935: 44420901000001 - 44420901999999  
RCS2340: 44421101000001 - 44421101999999

atbilst šādām Eiropas direktīvām un saskaņotajiem standartiem

2006/42/EC, 2004/108/EC, 2000/14/EC, 2005/88/EC, 2011/65/EU,  
EN 60745-1:2009+A11:2010, EN 60745-2-13:2009+A1:2010,  
EN ISO 3744:2010, EN 55014-1:2006+A1:2009+A2:2011,  
EN 55014-2:1997+A1:2001+A2:2008, EN 61000-3-2:2006+A1:2009+A2:2009,  
EN 61000-3-11:2000, EN 50581:2012

RCS1935

Izmērītās skaņas jaudas līmenis: 106,2 dB(A)  
Garantētais skaņas intensitātes līmenis: 108 dB(A)  
Atbilstības novērtēšanas metode pielikumam V Direktīvai 2000/14/EC labota 2005/88/EC.  
Informētā iestāde 0197 TÜV Rheinland LGA Products GmbH; Tillystraße 2 D - 90431 Nürnberg, Germany ir veikusi EC tipa pārbaudi, un sertifikāta Nr. Ir. BM 50286999 0001.

RCS2340

Izmērītās skaņas jaudas līmenis: 106,1 dB(A)  
Garantētais skaņas intensitātes līmenis: 107 dB(A)  
Atbilstības novērtēšanas metode pielikumam V Direktīvai 2000/14/EC labota 2005/88/EC.  
Informētā iestāde 0197 TÜV Rheinland LGA Products GmbH; Tillystraße 2 D - 90431 Nürnberg, Germany ir veikusi EC tipa pārbaudi, un sertifikāta Nr. Ir. BM 50286991 0001.

Andrew John Eyre (BEng, CEng, MIET)  
Viceprezidents, Darba Drošības Noteikumu  
Winnenden, Jul. 23, 2014

Pilnvarots sastādīt tehnisko failu:

Alexander Krug, Izpildītājs  
Techtronic Industries GmbH  
Max-Eyth-Straße 10, 71364 Winnenden, Germany

**ET EC VASTAVUSDEKLARATSIOON**

Techtronic Industries GmbH  
Max-Eyth-Straße 10, 71364 Winnenden, Germany

Kinnitame, et see toode

Elektriline Kettisaag  
Mark: Ryobi  
Mudeli number: RCS1935/RCS2340  
Seerianumbri vahemik:  
RCS1935: 44420901000001 - 44420901999999  
RCS2340: 44421101000001 - 44421101999999

vastab järgmistele Euroopa direktiividele ja harmoniseeritud standarditele

2006/42/EC, 2004/108/EC, 2000/14/EC, 2005/88/EC, 2011/65/EU,  
EN 60745-1:2009+A11:2010, EN 60745-2-13:2009+A1:2010,  
EN ISO 3744:2010, EN 55014-1:2006+A1:2009+A2:2011,  
EN 55014-2:1997+A1:2001+A2:2008, EN 61000-3-2:2006+A1:2009+A2:2009,  
EN 61000-3-11:2000, EN 50581:2012

RCS1935

Mõeldetud helivõimsuse tase: 106,2 dB(A)  
Garanteeritud helivõimsuse tase: 108 dB(A)  
Vastavushindamine vastavalt lisale V direktiivis 2000/14/EC muudetud direktiiviga 2005/88/EC.  
Tunnustatud asutus, 0197 TÜV Rheinland LGA Products GmbH; Tillystraße 2 D - 90431 Nürnberg, Germany on läbi viinud EC tüübikinnitustoimingud ja välja andnud sertifikaadi nr. BM 50286999 0001.

RCS2340

Mõeldetud helivõimsuse tase: 106,1 dB(A)  
Garanteeritud helivõimsuse tase: 107 dB(A)  
Vastavushindamine vastavalt lisale V direktiivis 2000/14/EC muudetud direktiiviga 2005/88/EC.  
Tunnustatud asutus, 0197 TÜV Rheinland LGA Products GmbH; Tillystraße 2 D - 90431 Nürnberg, Germany on läbi viinud EC tüübikinnitustoimingud ja välja andnud sertifikaadi nr. BM 50286991 0001.

Andrew John Eyre (BEng, CEng, MIET)  
Asepresident Standardiseerimise Ja Ohutuse Alal  
Winnenden, Jul. 23, 2014

Tehnilise faili koostamiseks volitatud isik:

Alexander Krug, Tegevdirektor  
Techtronic Industries GmbH  
Max-Eyth-Straße 10, 71364 Winnenden, Germany

**LT EC ATITIKTIES DEKLARACIJA**

Techtronic Industries GmbH  
Max-Eyth-Straße 10, 71364 Winnenden, Germany

Mes pareiškiamo, kad šie produktai

Elektrinis Grandininis Pjūklas  
Prekės ženklas: Ryobi  
Modelio numeris: RCS1935/RCS2340  
Serijinio numerio diapazonas:  
RCS1935: 44420901000001 - 44420901999999  
RCS2340: 44421101000001 - 44421101999999

pagamintas laikantis toliau nurodytųjų Europos Direktyvų ir darniųjų standartų

2006/42/EC, 2004/108/EC, 2000/14/EC, 2005/88/EC, 2011/65/EU,  
EN 60745-1:2009+A11:2010, EN 60745-2-13:2009+A1:2010,  
EN ISO 3744:2010, EN 55014-1:2006+A1:2009+A2:2011,  
EN 55014-2:1997+A1:2001+A2:2008, EN 61000-3-2:2006+A1:2009+A2:2009,  
EN 61000-3-11:2000, EN 50581:2012

RCS1935

Išmatuotas akustinis lygis: 106,2 dB(A)  
Garantuotas akustinis lygis: 108 dB(A)  
Atitikties įvertinimo metodas pagal direktyvos 2000/14/EC, V Priedą su pataisomis 2005/88/EC.  
Notifikuotoji įstaiga, 0197 TÜV Rheinland LGA Products GmbH; Tillystraße 2 D - 90431 Nürnberg, Germany atliko EC tipo patvirtinimą. Pažymėjimo numeris. BM 50286999 0001.

RCS2340

Išmatuotas akustinis lygis: 106,1 dB(A)  
Garantuotas akustinis lygis: 107 dB(A)  
Atitikties įvertinimo metodas pagal direktyvos 2000/14/EC, V Priedą su pataisomis 2005/88/EC.  
Notifikuotoji įstaiga, 0197 TÜV Rheinland LGA Products GmbH; Tillystraße 2 D - 90431 Nürnberg, Germany atliko EC tipo patvirtinimą. Pažymėjimo numeris. BM 50286991 0001.

Andrew John Eyre (BEng, CEng, MIET)  
Kontrolės Ir Saugos Viceprezidentas  
Winnenden, Jul. 23, 2014

Įgaliotas sudaryti techninį failą:

Alexander Krug, Generalinis Direktorius  
Techtronic Industries GmbH  
Max-Eyth-Straße 10, 71364 Winnenden, Germany

**HR EC IZJAVA O USKLADENOSTI**

Techtronic Industries GmbH  
Max-Eyth-Straße 10, 71364 Winnenden, Germany

Ovimе izjavljujemo da su proizvodi

Električna Pila  
Marka: Ryobi  
Broj modela: RCS1935/RCS2340  
Raspon serijskog broja:  
RCS1935: 44420901000001 - 44420901999999  
RCS2340: 44421101000001 - 44421101999999

usklađeni sa sljedećim Europskim Direktivama i usklađenim normama

2006/42/EC, 2004/108/EC, 2000/14/EC, 2005/88/EC, 2011/65/EU,  
EN 60745-1:2009+A11:2010, EN 60745-2-13:2009+A1:2010,  
EN ISO 3744:2010, EN 55014-1:2006+A1:2009+A2:2011,  
EN 55014-2:1997+A1:2001+A2:2008, EN 61000-3-2:2006+A1:2009+A2:2009,  
EN 61000-3-11:2000, EN 50581:2012

RCS1935

Izmjerena razina zvučne snage: 106,2 dB(A)  
Jamčena razina zvučne snage: 108 dB(A)  
Metoda procjene usklađenosti prema Dodatku V Direktive 2000/14/EC navedeno u 2005/88/EC.  
Nadzorno tijelo, 0197 TÜV Rheinland LGA Products GmbH; Tillystraße 2 D - 90431 Nürnberg, Germany izdalo je odobrenje tipa EC i broj certifikata je. BM 50286999 0001.

RCS2340

Izmjerena razina zvučne snage: 106,1 dB(A)  
Jamčena razina zvučne snage: 107 dB(A)  
Metoda procjene usklađenosti prema Dodatku V Direktive 2000/14/EC navedeno u 2005/88/EC.  
Nadzorno tijelo, 0197 TÜV Rheinland LGA Products GmbH; Tillystraße 2 D - 90431 Nürnberg, Germany izdalo je odobrenje tipa EC i broj certifikata je. BM 50286991 0001.

Andrew John Eyre (BEng, CEng, MIET)  
Potpredsjednik za Pravila i Sigurnost  
Winnenden, Jul. 23, 2014

Ovlašten da sastavi tehničku datoteku:

Alexander Krug, Direktor Upravljanja  
Techtronic Industries GmbH  
Max-Eyth-Straße 10, 71364 Winnenden, Germany

**SL** IZJAVA EC O SKLADNOSTI

Techtronic Industries GmbH  
Max-Eyth-Straße 10, 71364 Winnenden, Germany

*Izjavljamo, da je izdelek*

Električna Veržina Žaga  
Znamka: Ryobi  
Številka modela: RCS1935/RCS2340  
Razpon serijskih številok:  
RCS1935: 44420901000001 - 44420901999999  
RCS2340: 44421101000001 - 44421101999999

*v skladu s sledečimi evropskimi direktivami in harmoniziranimi standardi*

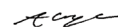
2006/42/EC, 2004/108/EC, 2000/14/EC, 2005/88/EC, 2011/65/EU,  
EN 60745-1:2009+A11:2010, EN 60745-2-13:2009+A1:2010,  
EN ISO 3744:2010, EN 55014-1:2006+A1:2009+A2:2011,  
EN 55014-2:1997+A1:2001+A2:2008, EN 61000-3-2:2006+A1:2009+A2:2009,  
EN 61000-3-11:2000, EN 50581:2012

RCS1935

Izmerjena raven zvočne moči: 106,2 dB(A)  
Zajamčena raven zvočne moči: 108 dB(A)  
Način ugotavljanja skladnosti z aneksom V direktive 2000/14/EC ki je bila spremenjena z 2005/88/EC.  
Priglašeni organ, 0197 TÜV Rheinland LGA Products GmbH; Tillystraße 2 D - 90431 Nürnberg, Germany je izvedel EC homologacijo, številka certifikata pa je. BM 50286999 0001.

RCS2340

Izmerjena raven zvočne moči: 106,1 dB(A)  
Zajamčena raven zvočne moči: 107 dB(A)  
Način ugotavljanja skladnosti z aneksom V direktive 2000/14/EC ki je bila spremenjena z 2005/88/EC.  
Priglašeni organ, 0197 TÜV Rheinland LGA Products GmbH; Tillystraße 2 D - 90431 Nürnberg, Germany je izvedel EC homologacijo, številka certifikata pa je. BM 50286991 0001.

  
Andrew John Eyre (BEng, CEng, MIET)  
Podpredsednik, Zakonodajne In Varnostne Zadeve  
Winnenden, Jul. 23, 2014

Pooblaščen oseba za sestavo tehnične dokumentacije:  
Alexander Krug, Izvršni Direktor  
Techtronic Industries GmbH  
Max-Eyth-Straße 10, 71364 Winnenden, Germany

CE

**BG** ЕС ДЕКЛАРАЦИЯ НА ЗА СЪОТВЕТСТВИЕ

Techtronic Industries GmbH  
Max-Eyth-Straße 10, 71364 Winnenden, Germany

C настоящею декларираме, че продуктите

Електрически Верижен Трион  
Марка: Ryobi  
Номер на модела: RCS1935/RCS2340  
Обхват на серийни номера:  
RCS1935: 44420901000001 - 44420901999999  
RCS2340: 44421101000001 - 44421101999999

отговаря на следните директиви на ЕС и хармонизирани стандарти

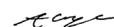
2006/42/EC, 2004/108/EC, 2000/14/EC, 2005/88/EC, 2011/65/EU,  
EN 60745-1:2009+A11:2010, EN 60745-2-13:2009+A1:2010,  
EN ISO 3744:2010, EN 55014-1:2006+A1:2009+A2:2011,  
EN 55014-2:1997+A1:2001+A2:2008, EN 61000-3-2:2006+A1:2009+A2:2009,  
EN 61000-3-11:2000, EN 50581:2012

RCS1935

Измерено ниво на шум: 106,2 dB(A)  
Гарантирано ниво на шум: 108 dB(A)  
Метод за оценяване на съответствието с приложение V Директива 2000/14/EC, изменена от 2005/88/EC,  
Компетентен орган, 0197 TÜV Rheinland LGA Products GmbH; Tillystraße 2 D - 90431 Nürnberg, Germany извърши одобрение за ЕС и номерът на сертификата е. BM 50286999 0001.

RCS2340

Измерено ниво на шум: 106,1 dB(A)  
Гарантирано ниво на шум: 107 dB(A)  
Метод за оценяване на съответствието с приложение V Директива 2000/14/EC, изменена от 2005/88/EC,  
Компетентен орган, 0197 TÜV Rheinland LGA Products GmbH; Tillystraße 2 D - 90431 Nürnberg, Germany извърши одобрение за ЕС и номерът на сертификата е. BM 50286991 0001.

  
Andrew John Eyre (BEng, CEng, MIET)  
Вицепрезидент, Правни Услуги И Безопасност  
Winnenden, Jul. 23, 2014

Упълномощено лице за съставяне на техническия файл:  
Alexander Krug, Изпълнителен Директор  
Techtronic Industries GmbH  
Max-Eyth-Straße 10, 71364 Winnenden, Germany

CE

**SK** PREHLÁSENIE O ZHODE EC

Techtronic Industries GmbH  
Max-Eyth-Straße 10, 71364 Winnenden, Germany

*Týmto vyhlasujeme, že výrobok*

Vychylovač Drevených Triesok  
Značka: Ryobi  
Číslo modelu: RCS1935/RCS2340  
Rozsah sériových čísel:  
RCS1935: 44420901000001 - 44420901999999  
RCS2340: 44421101000001 - 44421101999999

*je v súlade s nasledujúcimi Európskymi smernicami a harmonizovanými normami*

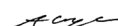
2006/42/EC, 2004/108/EC, 2000/14/EC, 2005/88/EC, 2011/65/EU,  
EN 60745-1:2009+A11:2010, EN 60745-2-13:2009+A1:2010,  
EN ISO 3744:2010, EN 55014-1:2006+A1:2009+A2:2011,  
EN 55014-2:1997+A1:2001+A2:2008, EN 61000-3-2:2006+A1:2009+A2:2009,  
EN 61000-3-11:2000, EN 50581:2012

RCS1935

Nameraná úroveň hluku: 106,2 dB(A)  
Garantovaná úroveň hluku: 108 dB(A)  
Spôsob určenia zhody podľa Dodatku V Smernica 2000/14/EC doplnená o 2005/88/EC.  
Upovedomený orgán 0197 TÜV Rheinland LGA Products GmbH; Tillystraße 2 D - 90431 Nürnberg, Germany previedol schválenie typu EC a certifikáciu č. BM 50286999 0001.

RCS2340

Nameraná úroveň hluku: 106,1 dB(A)  
Garantovaná úroveň hluku: 107 dB(A)  
Spôsob určenia zhody podľa Dodatku V Smernica 2000/14/EC doplnená o 2005/88/EC.  
Upovedomený orgán 0197 TÜV Rheinland LGA Products GmbH; Tillystraße 2 D - 90431 Nürnberg, Germany previedol schválenie typu EC a certifikáciu č. BM 50286991 0001.

  
Andrew John Eyre (BEng, CEng, MIET)  
Viceprezident, Regulácia a Bezpečnosť  
Winnenden, Jul. 23, 2014

Oprávnená osoba na zostavenie technického súboru:  
Alexander Krug, Generálny Riaditeľ  
Techtronic Industries GmbH  
Max-Eyth-Straße 10, 71364 Winnenden, Germany

CE









**RYOBI®**

