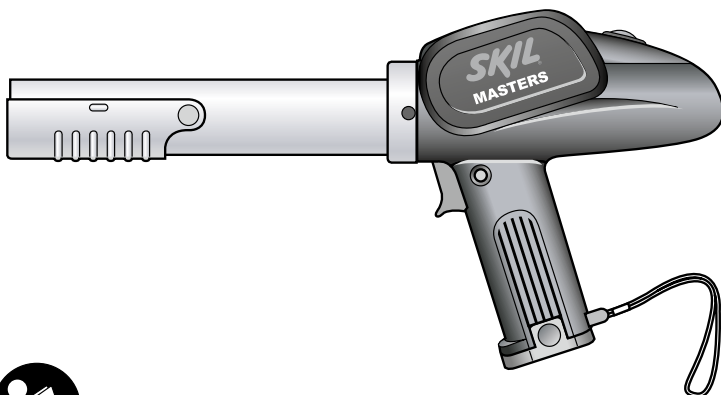


SKIL MASTERS

PROFESSIONAL POWER TOOLS

CORDLESS SEALANT GUN 2055 (F0152055..)



GB	ORIGINAL INSTRUCTIONS	6	UA	ОРИГІНАЛЬНА ІНСТРУКЦІЯ З ЕКСПЛУАТАЦІЇ	63
F	NOTICE ORIGINALE	9	GR	ΠΡΩΤΟΤΥΠΟ ΟΔΗΓΙΩΝ ΧΡΗΣΗΣ	67
D	ORIGINALBETRIEBSANLEITUNG	13	RO	INSTRUCȚIUNI DE FOLOSIRE ORIGINALE	71
NL	ORIGINELE GEBRUIKSAANWIJZING	16	BG	ОРИГИНАЛНО РЪКОВОДСТВО ЗА ЕКСПЛОАТАЦИЯ	75
S	BRUKSANVISNING I ORIGINAL	20	SK	PŔOVODNÝ NÁVOD NA POUŽITIE	79
DK	ORIGINAL BRUGSANVISNING	23	HR	ORIGINALNE UPUTE ZA RAD	83
N	ORIGINAL BRUKSANVISNING	27	SRB	ORIGINALNO UPUTSTVO ZA RAD	86
FIN	ALKUPERÄISET OHJEET	30	SLO	IZVIRNA NAVODILA	89
E	MANUAL ORIGINAL	33	EST	ALGUPÄRANE KASUTUSJUHEND	92
P	MANUAL ORIGINAL	37	LV	ORIĢINĀLĀ LIETOŠANAS PAMĀCĪBA	95
I	ISTRUZIONI ORIGINALI	41	LT	ORIGINALI INSTRUKCIJA	99
H	EREDETI HASZNÁLATI UTASÍTÁS	45	MK	ИЗБОРНО УПАТСТВО ЗА РАБОТА	102
CZ	PŔVODNÍM NÁVODEM K POUŽÍVÁNÍ	48	AL	UDHËZIMET ORIGINALE	106
TR	ORİJİNAL İŞLETME TALİMATI	52	AR	دليل الاستعمال	115
PL	INSTRUKCJA ORYGINALNA	55	FA	راهنمای اصلی	113
RU	ПОДЛИННИК РУКОВОДСТВА ПО ЭКСПЛУАТАЦИИ	59			

www.skilmasters.com



1 2055

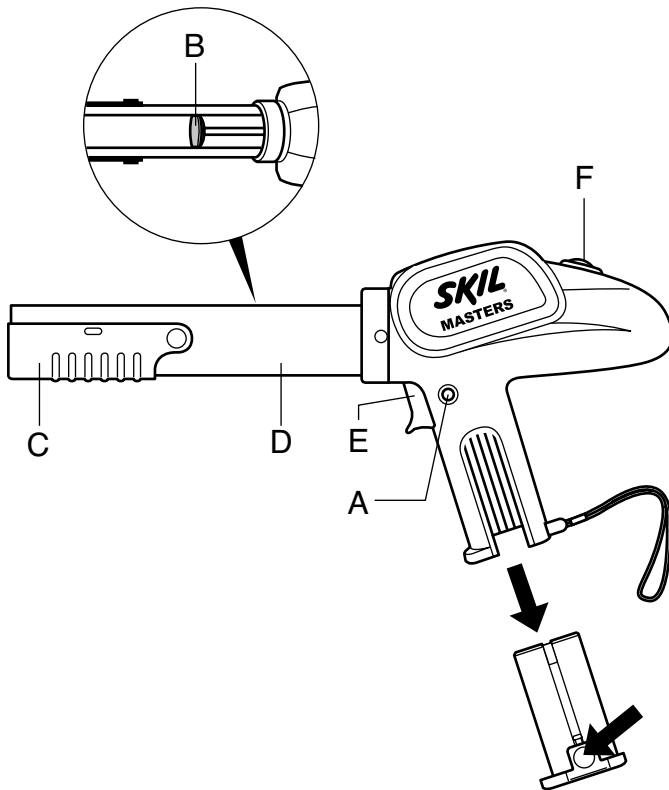
4,8
Volt

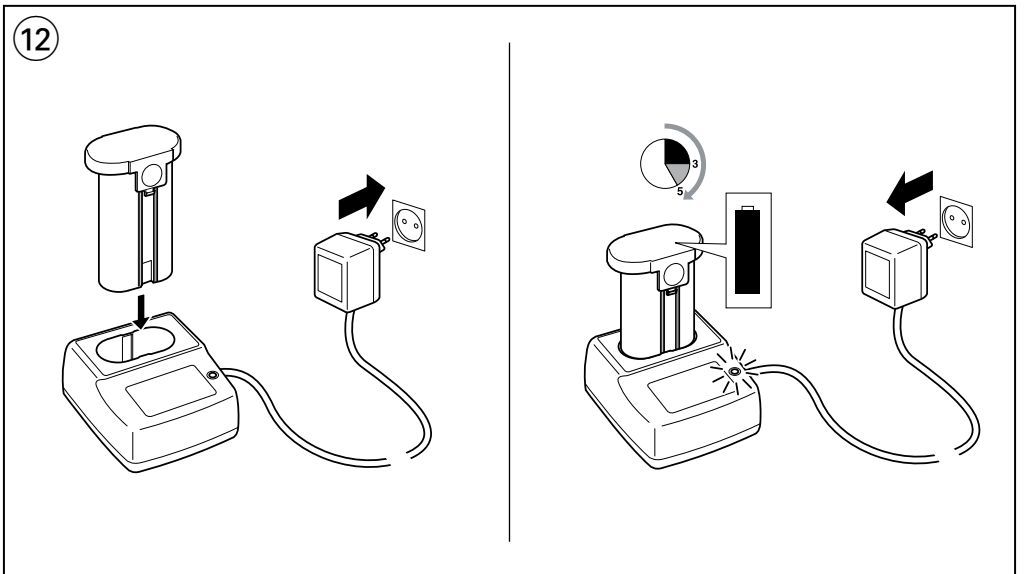
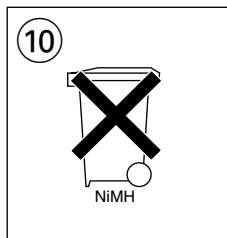
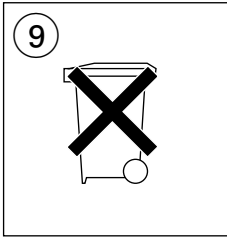
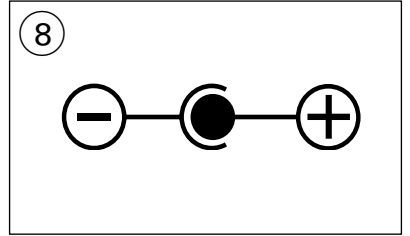
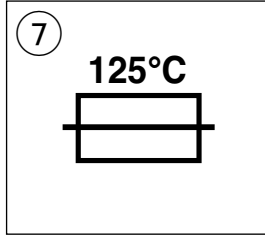
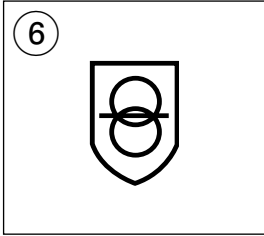
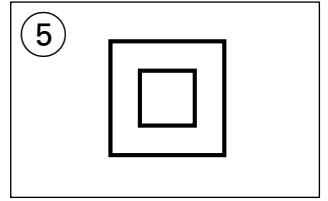
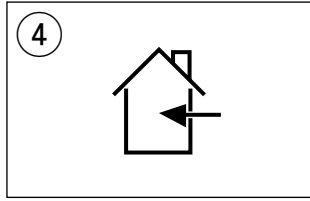
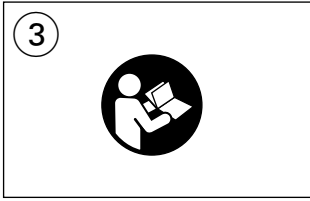
EPTA 01/2003
1,7 kg

40-450
mm/min

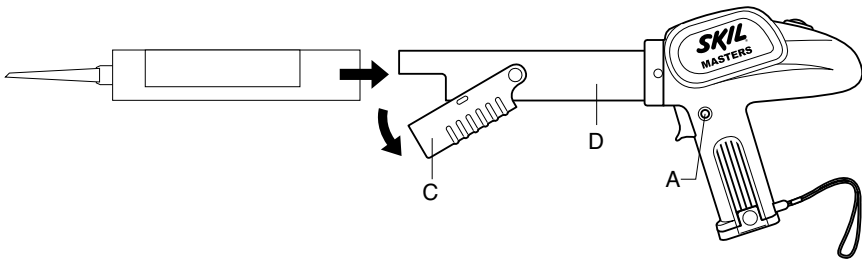
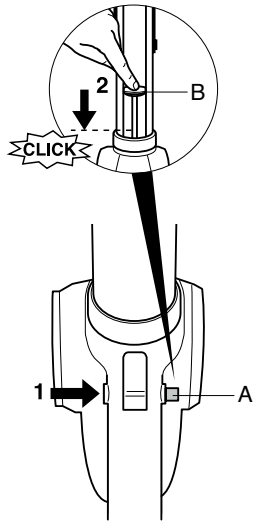
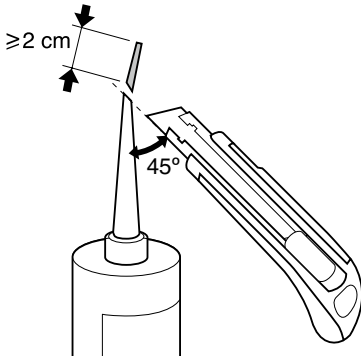
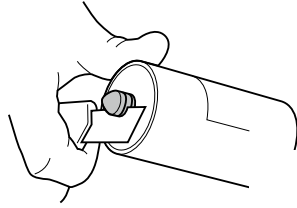
3-5 HOURS

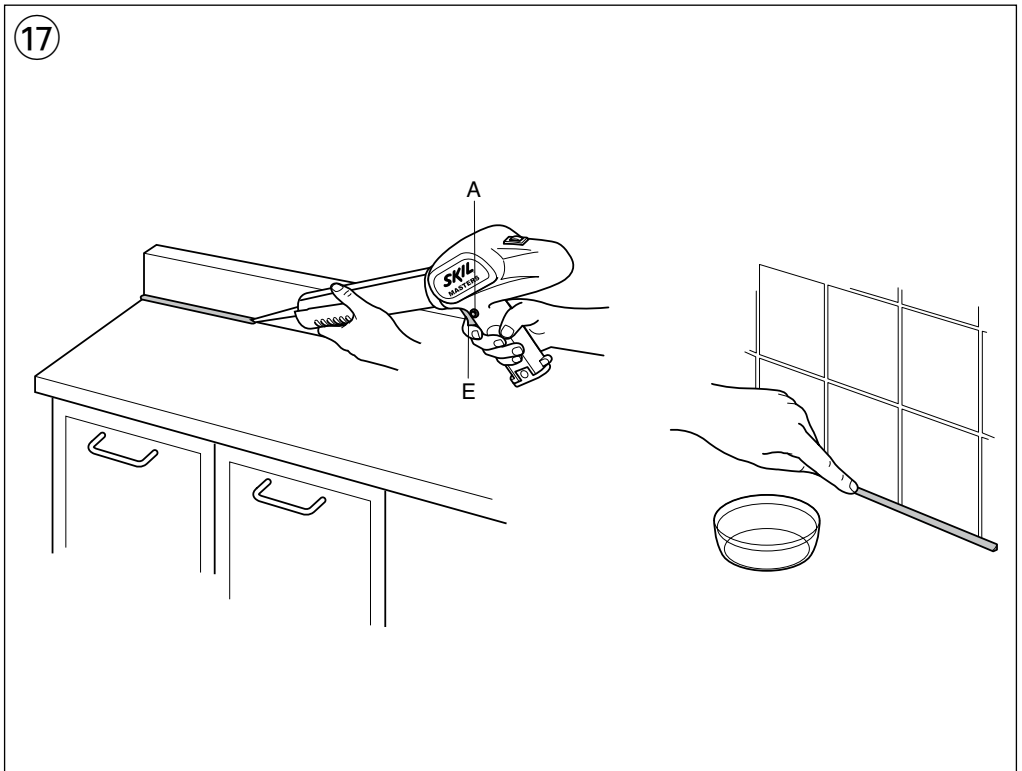
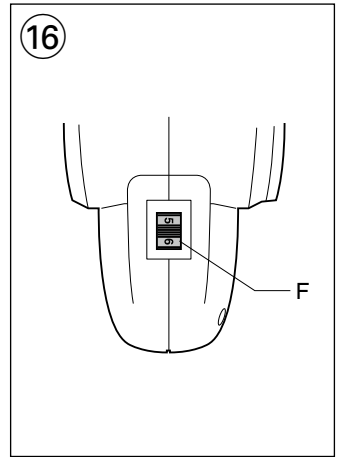
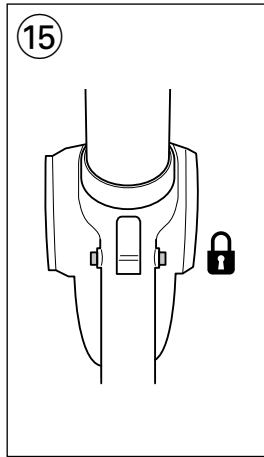
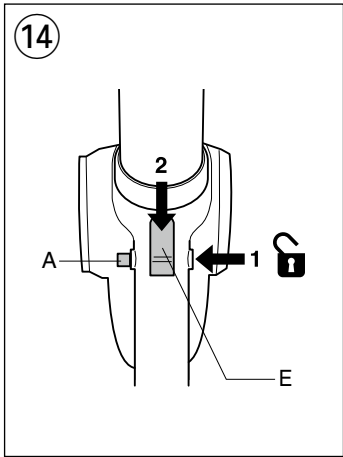
2





13





ACCESSORIES



WWW.SKILMASTERS.COM

Cordless sealant gun

2055

INTRODUCTION

- This tool is intended for dispensing sealant out of standard cartridges
- Read and save this instruction manual ③

TECHNICAL DATA ①

TOOL ELEMENTS ②

- A Multifunctional switch
- B Plunger
- C Cartridge cover
- D Carriage frame
- E Trigger switch
- F Speed selection wheel

SAFETY

GENERAL SAFETY INSTRUCTIONS

⚠ WARNING! Read all safety warnings and all instructions. Failure to follow the warnings and instructions may result in electric shock, fire and/or serious injury. **Save all warnings and instructions for future reference.** The term "power tool" in the warnings refers to your mains-operated (corded) power tool or battery-operated (cordless) power tool.

1) WORK AREA SAFETY

- a) **Keep work area clean and well lit.** Cluttered or dark areas invite accidents.
- b) **Do not operate power tools in explosive atmospheres, such as in the presence of flammable liquids, gases or dust.** Power tools create sparks which may ignite the dust or fumes.
- c) **Keep children and bystanders away while operating a power tool.** Distractions can cause you to lose control.

2) ELECTRICAL SAFETY

- a) **Power tool plugs must match the outlet. Never modify the plug in any way. Do not use any adapter plugs with earthed (grounded) power tools.** Unmodified plugs and matching outlets will reduce risk of electric shock.
- b) **Avoid body contact with earthed or grounded surfaces such as pipes, radiators, ranges and refrigerators.** There is an increased risk of electric shock if your body is earthed or grounded.
- c) **Do not expose power tools to rain or wet conditions.** Water entering a power tool will increase the risk of electric shock.
- d) **Do not abuse the cord. Never use the cord for carrying, pulling or unplugging the power tool. Keep cord away from heat, oil, sharp edges or moving parts.** Damaged or entangled cords increase the risk of electric shock.
- e) **When operating a power tool outdoors, use an extension cord suitable for outdoor use.** Use of a

cord suitable for outdoor use reduces the risk of electric shock.

- f) **If operating a power tool in a damp location is unavoidable, use an earth leakage circuit breaker.** Use of an earth leakage circuit breaker reduces the risk of electric shock.

3) PERSONAL SAFETY

- a) **Stay alert, watch what you are doing and use common sense when operating a power tool. Do not use a power tool while you are tired or under the influence of drugs, alcohol or medication.** A moment of inattention while operating power tools may result in serious personal injury.
 - b) **Use personal protective equipment. Always wear eye protection.** Protective equipment such as dust mask, non-skid safety shoes, hard hat, or hearing protection used for appropriate conditions will reduce personal injuries.
 - c) **Prevent unintentional starting. Ensure the switch is in the off-position before connecting to power source and/or battery pack, picking up or carrying the tool.** Carrying power tools with your finger on the switch or energising power tools that have the switch on invites accidents.
 - d) **Remove any adjusting key or wrench before turning the power tool on.** A wrench or a key left attached to a rotating part of the power tool may result in personal injury.
 - e) **Do not overreach. Keep proper footing and balance at all times.** This enables better control of the power tool in unexpected situations.
 - f) **Dress properly. Do not wear loose clothing or jewelry. Keep your hair, clothing and gloves away from moving parts.** Loose clothes, jewelry or long hair can be caught in moving parts.
 - g) **If devices are provided for the connection of dust extraction and collection facilities, ensure these are connected and properly used.** Use of dust collection can reduce dust-related hazards.
- #### 4) POWER TOOL USE AND CARE
- a) **Do not force the power tool. Use the correct power tool for your application.** The correct power tool will do the job better and safer at the rate for which it was designed.
 - b) **Do not use the power tool if the switch does not turn it on and off.** Any power tool that cannot be controlled with the switch is dangerous and must be repaired.
 - c) **Disconnect the plug from the power source and/or the battery pack from the power tool before making any adjustments, changing accessories, or storing power tools.** Such preventive safety measures reduce the risk of starting the power tool accidentally.
 - d) **Store idle power tools out of the reach of children and do not allow persons unfamiliar with the power tool or these instructions to operate the power tool.** Power tools are dangerous in the hands of untrained users.
 - e) **Maintain power tools. Check for misalignment or binding of moving parts, breakage of parts and any other condition that may affect the power tool's operation.** If damaged, have the power tool repaired

before use. Many accidents are caused by poorly maintained power tools.

- f) **Keep cutting tools sharp and clean.** Properly maintained cutting tools with sharp cutting edges are less likely to bind and are easier to control.
- g) **Use the power tool, accessories and tool bits etc., in accordance with these instructions, taking into account the working conditions and the work to be performed.** Use of the power tool for operations different from those intended could result in a hazardous situation.

5) BATTERY TOOL USE AND CARE

- a) **Recharge only with the charger specified by the manufacturer.** A charger that is suitable for one type of battery pack may create a risk of fire when used with another battery pack.
- b) **Use power tools only with specifically designated battery packs.** Use of any other battery packs may create a risk of injury and fire.
- c) **When battery pack is not in use, keep it away from other metal objects like paper clips, coins, keys, nails, screws, or other small metal objects that can make a connection from one terminal to another.** Shorting the battery terminals together may cause burns or a fire.
- d) **Under abusive conditions, liquid may be ejected from the battery; avoid contact. If contact accidentally occurs, flush with water. If liquid contacts eyes, additionally seek medical help.** Liquid ejected from the battery may cause irritation or burns.

6) SERVICE

- a) **Have your power tool serviced by a qualified repair person using only identical replacement parts.** This will ensure that the safety of the power tool is maintained.

SAFETY INSTRUCTIONS FOR CORDLESS SEALANT GUNS

- Always check that the supply voltage is the same as the voltage indicated on the nameplate of the charger (chargers with a rating of 230V or 240V can also be connected to a 220V supply)
- In case of electrical or mechanical malfunction, immediately switch off the tool or unplug charger from power source
- SKIL can assure flawless functioning of the tool only when the correct accessories are used which can be obtained from your SKIL dealer
- The tool/charger is not intended for use by persons (including children) with reduced physical, sensory or mental capabilities, or lack of experience and knowledge, unless they have been given supervision or instruction concerning use of the tool/charger by a person responsible for their safety
- Ensure that children do not play with the tool/charger

CHARGING/BATTERIES

- Charge battery only with the charger that is supplied with the tool
- Do not touch the contacts in the charger
- Do not charge battery in damp or wet environments
- Do not expose tool/charger/battery to rain
- Store tool/charger/battery in locations where temperature will not exceed 40°C or drop below 0°C

- Batteries may explode when disposed of in fire, so do not burn battery for any reason
- Do not use charger when damaged; take it to one of the officially registered SKIL Service Stations for a safety check
- Do not use charger when cord or plug is damaged; cord or plug should be replaced immediately at one of the officially registered SKIL Service Stations
- Do not use battery when damaged; it should be replaced immediately
- Do not disassemble charger or battery
- Do not attempt to recharge non-rechargeable batteries with the charger

EXPLANATION OF SYMBOLS ON CHARGER/BATTERY

- ④ Only use the charger indoors
- ⑤ Double insulation (no earth wire required)
- ⑥ Fail-safe isolating transformer (the power source is electrically separated from the transformer output)
- ⑦ Automatic shut-off when charger gets too hot (thermic fuse blows and charger becomes useless)
- ⑧ Incorrect polarity of the charger connection could cause a hazard (only charge the battery with the charger supplied)
- ⑨ Do not dispose of the charger together with household waste material
- ⑩ Do not dispose of the battery together with household waste material
- ⑪ NiMH technology provides more energy in a less environment-polluting way

USE

- Charging battery ⑫
 - battery of new tools is not fully charged
 - ! **remove battery from charger after charging period has ended thereby lengthening the service life of the battery**

IMPORTANT:

- after 3 hours the charging operation will be completed, and the battery may be used, **even though the red light may still be on** (the red light may require more than 3 hours to turn off)
- while charging, the charger and the battery may become warm to touch; this is normal and does not indicate a problem
- ensure that the outside surface of the battery is clean and dry before inserting into charger
- do not charge at temperatures below 0°C and over 40°C; this will seriously damage the battery as well as the charger
- do not remove battery from tool while it is running
- ! **a battery that is new or has not been used for a longer period does not develop its full capacity until after approximately 5 charging/discharging cycles**
- do not repeatedly recharge the battery after only a few minutes of operation; this may result in a reduction of operating time and battery efficiency
- the nickel-metalhydride battery must be kept separate from the natural environment and should not be disposed of as normal domestic waste (symbol ⑩ will remind you of this when the need for disposing occurs)

- ! **prior to disposal protect battery terminals with heavy tape to prevent short-circuit**
- if you anticipate long periods of non-use for the tool, it is best to unplug the charger from its power source
- Loading cartridges ⑬
 - open a standard cartridge with a utility knife
 - mount the nozzle on top of the opened cartridge
 - cut off at least 2 cm of the nozzle tip at a 45° angle, so that the opening is large enough when using the highest speed setting
 - push switch A to the left
 - push plunger B back to its starting position until it snap-locks (no snap-locking results later on in malfunctioning of the plunger)
 - open cartridge cover C
 - insert cartridge until its base reaches the back of carriage frame D
 - close cartridge cover C
- On/off ⑭
 - push switch A to the right to unlock trigger switch E
 - switch on/off tool by pressing/releasing trigger switch E
 - the tool switches off automatically when the cartridge is empty
 - ! **ensure that switch A is in the locking position after each use ⑮**
- Variable speed ⑯
 - with wheel F the sealant flow output can be adjusted (6 positions)
 - before starting a job, find the optimal speed by testing out on spare material
 - ! **if the tool does not run with wheel F in position 1, adjust the speed while pressing trigger switch E ② until the optimal setting is found**
- Applying sealant ⑰
 - ensure that the area to be sealed is clean and dry (remove old sealant, if applicable)
 - after pushing switch A to the right, press trigger switch E to start the sealant flow output
 - hold the tool at a slight angle and carefully move the tool at an even pace along the gap/crack to be filled while pressing trigger switch E
 - ensure that the sealant comes in full contact with both surfaces to be sealed
 - release trigger switch E for ending the sealant flow output
 - to avoid spilling of sealant, push switch A to the left immediately after releasing trigger switch E
 - draw a moistened finger along the sealant flow after applying and use a clean, damp cloth to remove any excess sealant
 - ! **remove any residuary sealant from the cartridge nozzle and carriage frame**
- Electronic overload protection
Stops the motor automatically in case too much pressure is applied on the cartridge thus preventing the tool and cartridge from damage
 - release trigger switch E
 - allow the electronics to re-set for 5 seconds
 - press trigger switch E
 - if motor stops again, move wheel F to the middle position, and press trigger switch E again

- To avoid overload, always ensure that
 - the nozzle tip is cut off at least 2 cm
 - hardened material is removed from the nozzle
 - the cartridge is not damaged or frozen
 - the carriage frame is free of sealant
 - the lowest possible speed setting is selected
- Troubleshooting
In case halfway the sealing job plunger B ② stops moving forward
 - switch off the tool
 - remove cartridge from carriage frame D ②
 - push switch A ② to the left
 - ! **push plunger B back to its starting position until it snap-locks**
 - insert cartridge again
 - push switch A to the right
 - press trigger switch E ② to continue the sealing job

MAINTENANCE / SERVICE

- Keep tool and charger clean
 - clean charging contacts in charger with alcohol or contact cleaner
 - ! **unplug charger from power source before cleaning**
- Keep carriage frame D ② free from any residuary sealant by using a clean, damp cloth
- If the tool/charger should fail despite the care taken in manufacturing and testing procedures, repair should be carried out by an after-sales service centre for SKIL power tools
 - send the tool or charger **undismantled** together with proof of purchase to your dealer or the nearest SKIL service station (addresses as well as the service diagram of the tool are listed on www.skilmasters.com)
 - in case of a defective charger send **both charger and battery** to your dealer or the SKIL service station

ENVIRONMENT

- **Do not dispose of electric tools, accessories and packaging together with household waste material** (only for EU countries)
 - in observance of European Directive 2012/19/EC on waste of electric and electronic equipment and its implementation in accordance with national law, electric tools that have reached the end of their life must be collected separately and returned to an environmentally compatible recycling facility
 - symbol ⑨ will remind you of this when the need for disposing occurs

DECLARATION OF CONFORMITY C E

- We declare under our sole responsibility that the product described under "Technical data" is in conformity with the following standards or standardization documents: EN 60335, EN 61000, EN 60745, EN 55014, in accordance with the provisions of the directives 2006/95/EC, 2004/108/EC, 2006/42/EC, 2011/65/EU

- **Technical file at:** SKIL Europe BV (PT-SEU/ENG1), 4825 BD Breda, NL

Marijn van der Hoofden
Operations & Engineering

Olaf Dijkgraaf
Approval Manager




SKIL Europe BV, 4825 BD Breda, NL

13.08.2014

NOISE/VIBRATION

- Measured in accordance with EN 60745 the sound pressure level of this tool is <70 dB(A) (standard deviation: 3 dB) and the vibration <2.5 m/s² (hand-arm method; uncertainty K = 1.5 m/s²)
 - The vibration emission level has been measured in accordance with a standardised test given in EN 60745; it may be used to compare one tool with another and as a preliminary assessment of exposure to vibration when using the tool for the applications mentioned
 - using the tool for different applications, or with different or poorly maintained accessories, may significantly **increase** the exposure level
 - the times when the tool is switched off or when it is running but not actually doing the job, may significantly **reduce** the exposure level
- ! protect yourself against the effects of vibration by maintaining the tool and its accessories, keeping your hands warm, and organizing your work patterns**

F

Pistolet à mastic sans fil 2055

INTRODUCTION

- Cet outil permet d'effectuer des joints à l'aide des cartouches standard
- Lisez et conservez ce manuel d'instruction ③

CARACTERISTIQUES TECHNIQUES ①

ELEMENTS DE L'OUTIL ②

- A Bouton multifonction
- B Piston
- C Couvercle du compartiment pour cartouche
- D Compartiment pour cartouche
- E Gâchette
- F Molette de sélection de la vitesse

SECURITE

INSTRUCTIONS GENERALES DE SECURITE

⚠ ATTENTION! Lisez tous les avertissements de sécurité et toutes les instructions. Ne pas suivre les avertissements et instructions peut entraîner un choc électrique, un incendie et/ou de graves blessures sur les

personnes. **Conservez tous les avertissements et toutes les instructions pour pouvoir s'y reporter ultérieurement.** La notion d'"outil électroportatif" dans les avertissements se rapporte à des outils électriques raccordés au secteur (avec câble de raccordement) et à des outils électriques à batterie (sans câble de raccordement).

1) SECURITE DE LA ZONE DE TRAVAIL

- a) **Maintenez l'endroit de travail propre et bien éclairé.**
Un lieu de travail en désordre ou mal éclairé augmente le risque d'accidents.
- b) **N'utilisez pas l'appareil dans un environnement présentant des risques d'explosion et où se trouvent des liquides, des gaz ou poussières inflammables.** Les outils électroportatifs génèrent des étincelles risquant d'enflammer les poussières ou les vapeurs.
- c) **Tenez les enfants et autres personnes éloignés durant l'utilisation de l'outil électroportatif.** En cas d'inattention vous risquez de perdre le contrôle sur l'appareil.

2) SECURITE RELATIVE AU SYSTEME ELECTRIQUE

- a) **La fiche de secteur de l'outil électroportatif doit être appropriée à la prise de courant. Ne modifiez en aucun cas la fiche. N'utilisez pas de fiches d'adaptateur avec des appareils avec mise à la terre.** Les fiches non modifiées et les prises de courant appropriées réduisent le risque de choc électrique.
 - b) **Evitez le contact physique avec des surfaces mises à la terre telles que tuyaux, radiateurs, fours et réfrigérateurs.** Il y a un risque élevé de choc électrique au cas où votre corps serait relié à la terre.
 - c) **N'exposez pas l'outil électroportatif à la pluie ou à l'humidité.** La pénétration d'eau dans un outil électroportatif augmente le risque d'un choc électrique.
 - d) **N'utilisez pas le câble à d'autres fins que celles prévues, n'utilisez pas le câble pour porter l'appareil ou pour l'accrocher ou encore pour le débrancher de la prise de courant. Maintenez le câble éloigné des sources de chaleur, des parties grasses, des bords tranchants ou des parties de l'appareil en rotation.** Un câble endommagé ou torsadé augmente le risque d'un choc électrique.
 - e) **Au cas où vous utiliseriez l'outil électroportatif à l'extérieur, utilisez une rallonge autorisée homologuée pour les applications extérieures.** L'utilisation d'une rallonge électrique homologuée pour les applications extérieures réduit le risque d'un choc électrique.
 - f) **Si l'usage d'un outil dans un emplacement humide est inévitable, utilisez un disjoncteur de fuite à la terre.** L'utilisation d'un disjoncteur de fuite à la terre réduit le risque de choc électrique.
- #### 3) SECURITE DES PERSONNES
- a) **Restez vigilant, surveillez ce que vous faites. Faites preuve de bon sens en utilisant l'outil électroportatif. N'utilisez pas l'appareil lorsque vous êtes fatigué ou après avoir consommé de l'alcool, des drogues ou avoir pris des médicaments.** Un moment d'inattention lors de l'utilisation de l'appareil peut entraîner de graves blessures sur les personnes.

- b) **Portez des équipements de protection. Portez toujours des lunettes de protection.** Le fait de porter des équipements de protection personnels tels que masque anti-poussières, chaussures de sécurité antidérapantes, casque de protection ou protection acoustique suivant le travail à effectuer, réduit le risque de blessures.
- c) **Évitez tout démarrage intempestif. S'assurez que l'interrupteur est en position arrêt avant de brancher l'outil au secteur et/ou au bloc de batteries, de le ramasser ou de le porter.** Porter les outils en ayant le doigt sur l'interrupteur ou brancher des outils dont l'interrupteur est en position marche est source d'accidents.
- d) **Enlevez tout outil de réglage ou toute clé avant de mettre l'appareil en fonctionnement.** Une clé ou un outil se trouvant sur une partie en rotation peut causer des blessures.
- e) **Ne surestimez pas vos capacités. Veillez à garder toujours une position stable et équilibrée.** Ceci vous permet de mieux contrôler l'appareil dans des situations inattendues.
- f) **Portez des vêtements appropriés. Ne portez pas de vêtements amples ni de bijoux. Maintenez cheveux, vêtements et gants éloignés des parties de l'appareil en rotation.** Des vêtements amples, des bijoux ou des cheveux longs peuvent être happés par des pièces en mouvement.
- g) **Si des dispositifs servant à aspirer ou à recueillir les poussières doivent être utilisés, vérifiez que ceux-ci soient effectivement raccordés et qu'ils sont correctement utilisés.** L'utilisation des collecteurs de poussière réduit les dangers dus aux poussières.
- 4) UTILISATION ET EMPLOI SOIGNEUX DE L'OUTIL ELECTROPORTATIF**
- a) **Ne surchargez pas l'appareil. Utilisez l'outil électroportatif approprié au travail à effectuer.** Avec l'outil électroportatif approprié, vous travaillerez mieux et avec plus de sécurité à la vitesse pour laquelle il est prévu.
- b) **N'utilisez pas un outil électroportatif dont l'interrupteur est défectueux.** Un outil électroportatif qui ne peut plus être mis en ou hors fonctionnement est dangereux et doit être réparé.
- c) **Débranchez la fiche de la source d'alimentation en courant et/ou le bloc de batteries de l'outil avant tout réglage, changement d'accessoires ou avant de ranger l'outil.** Cette mesure de précaution empêche une mise en fonctionnement par mégarde.
- d) **Gardez les outils électroportatifs non utilisés hors de portée des enfants. Ne permettez pas l'utilisation de l'appareil à des personnes qui ne se sont pas familiarisées avec celui-ci ou qui n'ont pas lu ces instructions.** Les outils électroportatifs sont dangereux lorsqu'ils sont utilisés par des personnes non initiées.
- e) **Prenez soin des outils électroportatifs. Vérifiez que les parties en mouvement fonctionnent correctement et qu'elles ne soient pas coincées, et contrôlez si des parties sont cassées ou endommagées de telle sorte que le bon fonctionnement de l'appareil s'en trouve entravé. Faites réparer les parties endommagées avant**

- d'utiliser l'appareil.** De nombreux accidents sont dus à des outils électroportatifs mal entretenus.
- f) **Maintenez les outils de coupe aiguisés et propres.** Des outils soigneusement entretenus avec des bords tranchants bien aiguisés se coincent moins souvent et peuvent être guidés plus facilement.
- g) **Utilisez les outils électroportatifs, les accessoires, les outils à monter etc. conformément à ces instructions. Tenez compte également des conditions de travail et du travail à effectuer.** L'utilisation des outils électroportatifs à d'autres fins que celles prévues peut entraîner des situations dangereuses.
- 5) UTILISATION ET EMPLOI SOIGNEUX DES APPAREILS SANS FIL**
- a) **Ne chargez les accumulateurs que dans des chargeurs recommandés par le fabricant.** Un chargeur approprié à un type spécifique d'accumulateur peut engendrer un risque d'incendie lorsqu'il est utilisé avec d'autres accumulateurs.
- b) **Dans les outils électroportatifs, n'utilisez que les accumulateurs spécialement prévus pour celui-ci.** L'utilisation de tout autre accumulateur peut entraîner des blessures et des risques d'incendie.
- c) **Tenez l'accumulateur non-utilisé à l'écart de toutes sortes d'objets métalliques tels qu'agrafes, pièces de monnaie, clés, clous, vis ou autres, étant donné qu'un pontage peut provoquer un court-circuit.** Un court-circuit entre les contacts d'accu peut provoquer des brûlures ou un incendie.
- d) **En cas d'utilisation abusive, du liquide peut sortir de l'accumulateur. Évitez tout contact avec ce liquide. En cas de contact par mégarde, rincez soigneusement avec de l'eau. Au cas où le liquide rentrerait dans les yeux, consultez en plus un médecin.** Le liquide qui sort de l'accumulateur peut entraîner des irritations de la peau ou causer des brûlures.
- 6) SERVICE**
- a) **Ne faites réparer votre outil électroportatif que par un personnel qualifié et seulement avec des pièces de rechange d'origine.** Ceci permet d'assurer la sécurité de l'appareil.

INSTRUCTIONS DE SECURITE POUR DES PISTOLETS À MASTIC SANS FIL

- Contrôlez toujours si la tension secteur correspond à la tension indiquée sur la plaquette signalétique du chargeur (les chargeurs conçus pour une tension de 230V ou 240V peuvent également être branchés sur 220V)
- En cas d'anomalie électrique ou mécanique, coupez immédiatement l'outil ou débranchez le chargeur du secteur
- SKIL ne peut se porter garant du bon fonctionnement de cet outil que s'il a été utilisé avec les accessoires appropriés en vente chez votre distributeur SKIL
- L'outil/chargeur n'a pas été conçu pour être utilisé par des personnes (y compris des enfants) dont les capacités physiques, sensorielles ou mentales sont réduites, ou manquant d'expérience ou de connaissances, excepté si elles ont fait l'objet d'une

surveillance ou ont reçu des instructions concernant l'utilisation de l'outil/chargeur par une personne responsable de leur sécurité

- Veillez à ce que les enfants ne jouent pas avec l'outil/le chargeur

RECHARGE/BATTERIES

- Rechargez la batterie uniquement avec le chargeur fourni avec l'outil
- Ne touchez pas les contacts du chargeur
- Ne chargez pas la batterie dans un environnement humide
- Ne jamais exposez l'outil/le chargeur/la batterie à la pluie
- Rangez l'outil/le chargeur/la batterie dans des endroits où la température n'excède pas 40°C et ne descende pas au dessous de 0°C
- La batterie explosera si elle est jetée au feu - ne la brûlez en aucun cas
- N'utilisez jamais un chargeur endommagé; confiez-le à une des stations-service agréées SKIL que effectuera un contrôle de sécurité
- N'utilisez jamais de chargeur avec un câble ou une fiche endommagé; remplacez le câble ou la fiche au plus vite dans l'une des stations-service agréées SKIL
- Ne pas utiliser la batterie lorsque celle-ci est endommagée; remplacez-la au plus vite
- Ne démontez pas le chargeur ou la batterie
- Ne tentez pas de recharger des batteries non-rechargeables avec le chargeur

EXPLICATION DES SYMBOLES SUR LE CHARGEUR/ LA BATTERIE

- ④ Utilisez le chargeur uniquement à l'intérieur
- ⑤ Double-isolation (ne nécessite pas de mise à la terre)
- ⑥ Transformateur isolant à sécurité intégrée (la source d'alimentation est séparée électriquement de la sortie du transformateur)
- ⑦ Arrêt automatique lorsque le chargeur devient trop chaud (le fusible thermique saute et le chargeur n'est plus utilisable)
- ⑧ Une polarité incorrecte dans la connexion du chargeur peut entraîner un danger (charger uniquement la batterie avec le chargeur fourni)
- ⑨ Ne jetez pas le chargeur dans les ordures ménagères
- ⑩ Ne jetez pas la batterie dans les ordures ménagères
- ⑪ La technologie NiMH permet d'obtenir plus d'énergie, d'une manière plus écologique

UTILISATION

- Chargement de la batterie ⑫
 - dans les outils neufs la batterie n'est pas complètement chargée
- ! retirez la batterie du chargeur après la fin de la durée de charge rallongant ainsi la durée de vie de la batterie

IMPORTANT:

- au bout de 3 heures la charge sera terminée et la batterie peut être utilisée, **bien que le voyant rouge puisse être allumé encore** (le voyant rouge peut mettre plus de 3 heures à s'éteindre)
- en chargeant, le chargeur et la batterie peuvent devenir chaud au toucher; cette situation est tout à fait normale et n'indique pas un problème

- s'assurez que l'extérieur de la batterie est propre et sec avant de la placer dans le chargeur
- ne jamais rechargez à une température inférieure à 0°C ou supérieure à 40°C au risque de détériorer sérieusement la batterie ainsi que le chargeur
- ne pas retirez la batterie de l'outil lorsque ce dernier est en marche
- ! **une batterie neuve ou une batterie qui n'a pas été utilisée pendant une période assez longue, n'atteint sa pleine puissance qu'après environ 5 cycles de charge/décharge**
- ne pas rechargez trop souvent la batterie si vous n'avez utilisé l'outil que quelques minutes; sinon il pourrait en résulter une réduction de la durée d'utilisation et une perte d'efficacité de la batterie
- il faut que la batterie au nickel-métalhydride est tenue éloignée de l'environnement naturel et ne s'est débarrassée pas comme ordures ménagères normales (le symbole ⑩ vous en souvient quand la nécessité du débarras se présente)
- ! **avant d'envoyer les batteries au recyclage, pour éviter un éventuel court-circuit, il convient de revêtir les bornes d'un épais ruban adhésif isolant**
- si vous prévoyez de ne pas utiliser l'outil pendant quelques temps, il serait préférable de débrancher le chargeur du secteur
- Mise en place de la cartouche ⑬
 - ouvrez une cartouche standard à l'aide d'un cutter
 - placez l'embout sur la cartouche ouverte
 - coupez au moins 2 cm de l'extrémité de l'embout selon un angle de 45°, de telle sorte que l'ouverture soit suffisamment large pour une utilisation en vitesse rapide
 - poussez le bouton A vers la gauche
 - poussez à fond le piston B en position de départ jusqu'à ce qu'il s'enclenche (s'il n'est pas enclenché, le piston risque de mal fonctionner)
 - ouvrez le couvercle du compartiment pour cartouche C
 - insérez la cartouche jusqu'à ce que sa base soit en contact avec le fond du compartiment D
 - refermez le couvercle du compartiment pour cartouche C
- Marche/arrêt ⑭
 - poussez le bouton A vers la droite pour déverrouiller la gâchette E
 - pour mettre l'outil sous tension, appuyez sur la gâchette E et relâchez cette dernière pour la mise hors tension
 - l'outil s'arrête automatiquement lorsque la cartouche est vide
- ! **assurez-vous que le bouton A est en position de verrouillage après chaque utilisation ⑮**
- Vitesse variable ⑯
 - le flux du mastic peut être réglé grâce à la molette F (6 positions)
 - avant de commencer un travail, choisissez la vitesse la plus adaptée en procédant à un test
- ! **si l'outil ne fonctionne pas lorsque la molette F est en position 1, réglez la vitesse tout en appuyant sur la gâchette E ② jusqu'à ce que le réglage optimal soit trouvé**

- Application du mastic ①
 - assurez-vous que la zone où le joint doit être effectué est propre et sèche (le cas échéant, retirez l'ancien produit)
 - après avoir poussé le bouton A vers la droite, appuyez sur la gâchette E pour faire sortir le mastic
 - tenez l'outil un peu penché et déplacez-le avec précaution à un rythme régulier le long de la fente ou de la fissure à remplir tout en maintenant la gâchette E enfoncée
 - assurez-vous que le produit entre en contact avec les deux surfaces à joindre
 - relâchez la gâchette E pour stopper la sortie du produit
 - pour éviter que le produit ne coule, poussez immédiatement le bouton A vers la gauche une fois la gâchette E relâchée
 - passez un doigt humide sur le joint après son application et retirez l'excès de mastic à l'aide d'un chiffon propre et humide

! retirez tout résidu de produit de l'embout de la cartouche et du compartiment qui lui est réservé

- Débrayage de sécurité électronique
Déclenche l'arrêt automatique du moteur si une trop grande pression est appliquée sur la cartouche, afin d'empêcher tout dégât à l'outil ou à la cartouche
 - relâchez la gâchette E
 - laissez le circuit électronique se réinitialiser pendant 5 secondes
 - appuyez sur la gâchette E
 - si le moteur s'arrête à nouveau, placez la molette F en position intermédiaire et appuyez à nouveau sur la gâchette E

Pour éviter les surcharges, assurez-vous toujours que

- l'extrémité de l'embout a été coupée sur 2 cm
 - tout résidu de matière durcie a été retiré de l'embout
 - la cartouche n'est pas endommagée ou gelée
 - le compartiment de la cartouche ne contient pas de produit
 - la plus petite vitesse de réglage possible a été sélectionnée
 - Dépannage
Si à mi-parcours, le piston B ② cesse d'avancer
 - mettez l'outil hors tension
 - retirez la cartouche du compartiment D ②
 - poussez le bouton A ② vers la gauche
- ! poussez le piston B en position de départ jusqu'à ce qu'il s'enclenche**
- insérez de nouveau la cartouche
 - poussez le bouton A vers la droite
 - appuyez sur la gâchette E ② pour continuer la pose du joint

ENTRETIEN / SERVICE APRES-VENTE

- Veillez à ce que votre outil et le chargeur soient toujours propres
 - nettoyez les contacteurs du chargeur avec de l'alcool ou un produit spécial
- ! débranchez le chargeur du secteur avant de le nettoyer**

- Débarrassez le compartiment pour cartouche D ② de tout résidu de produit à l'aide d'un chiffon propre et humide
- Si, malgré tous les soins apportés à la fabrication et au contrôle de l'outil/chargeur, celui-ci devait avoir un défaut, la réparation ne doit être confiée qu'à une station de service après-vente agréée pour outillage SKIL
 - retournez l'outil ou le chargeur **non démonté** au vendeur ou au centre de service après-vente SKIL le plus proche, en joignant la preuve d'achat (les adresses ainsi que la vue éclatée de l'outil figurent sur www.skilmasters.com)
 - si le chargeur est défectueux, veuillez renvoyer le **chargeur ainsi que la batterie** au vendeur ou au centre de services après-vente SKIL

ENVIRONNEMENT

- **Ne jetez pas les outils électriques, les accessoires et l'emballage dans les ordures ménagères** (pour les pays européens uniquement)
 - conformément à la directive européenne 2012/19/EG relative aux déchets d'équipements électriques ou électroniques, et à sa transposition dans la législation nationale, les outils électriques usés doivent être collectés séparément et faire l'objet d'un recyclage respectueux de l'environnement
 - le symbole ⑨ vous le rappellera au moment de la mise au rebut de l'outil

DÉCLARATION DE CONFORMITÉ CE

- Nous déclarons sous notre propre responsabilité que le produit décrit sous "Caractéristiques techniques" est en conformité avec les normes ou documents normatifs suivants: EN 60335, EN 61000, EN 60745, EN 55014, conformément aux termes des réglementations en vigueur 2006/95/CE, 2004/108/CE, 2006/42/CE, 2011/65/JE
- **Dossier technique auprès de:** SKIL Europe BV (PT-SEU/ENG1), 4825 BD Breda, NL

Marijn van der Hoofden Olaf Dijkgraaf
Operations & Engineering Approval Manager




SKIL Europe BV, 4825 BD Breda, NL

13.08.2014

BRUIT/VIBRATION

- Mesuré selon EN 60745 le niveau de la pression sonore de cet outil est <70 dB(A) (déviations standard: 3 dB) et la vibration <2,5 m/s² (méthode main-bras; incertitude K = 1,5 m/s²)
- Le niveau de vibrations émises a été mesuré conformément à l'essai normalisé de la norme EN 60745; il peut être utilisé pour comparer plusieurs outils et pour réaliser une évaluation préliminaire de l'exposition aux vibrations lors de l'utilisation de l'outil pour les applications mentionnées

- l'utilisation de l'outil dans d'autres applications, ou avec des accessoires différents ou mal entretenus, peut considérablement **augmenter** le niveau d'exposition
 - la mise hors tension de l'outil et sa non-utilisation pendant qu'il est allumé peuvent considérablement **réduire** le niveau d'exposition
- ! protégez-vous contre les effets des vibrations par un entretien correct de l'outil et de ses accessoires, en gardant vos mains chaudes et en structurant vos schémas de travail**

D

Schnurlose Dichtungspistole 2055

EINLEITUNG

- Dieses Werkzeug ist für das Aufbringen von Dichtungsmittel aus Standardkartuschen vorgesehen
- Bitte diese Bedienungsanleitung sorgfältig lesen und aufbewahren ③

TECHNISCHE DATEN ①

WERKZEUGKOMPONENTEN ②

- A Multifunktionsschalter
- B Kolben
- C Kartuschenabdeckung
- D Kartuschenrahmen
- E Auslöseschalter
- F Vorschubwähler

SICHERHEIT

ALLGEMEINE SICHERHEITSHINWEISE

⚠ ACHTUNG! Lesen Sie alle Sicherheitshinweise und Anweisungen. Versäumnisse bei der Einhaltung der Sicherheitshinweise und Anweisungen können elektrischen Schlag, Brand und/oder schwere Verletzungen verursachen. **Bewahren Sie alle Sicherheitshinweise und Anweisungen für die Zukunft auf.** Der in den Sicherheitshinweisen verwendete Begriff "Elektrowerkzeug" bezieht sich auf netzbetriebene Elektrowerkzeuge (mit Netzkabel) und auf akkubetriebene Elektrowerkzeuge (ohne Netzkabel).

1) ARBEITSPLATZSICHERHEIT

- a) **Halten Sie Ihren Arbeitsbereich sauber und gut beleuchtet.** Unordnung oder unbeleuchtete Arbeitsbereiche können zu Unfällen führen.
- b) **Arbeiten Sie mit dem Gerät nicht in explosionsgefährdeter Umgebung, in der sich brennbare Flüssigkeiten, Gase oder Stäube befinden.** Elektrowerkzeuge erzeugen Funken, die den Staub oder die Dämpfe entzünden können.
- c) **Halten Sie Kinder und andere Personen während der Benutzung des Elektrowerkzeugs fern.** Bei Ablenkung können Sie die Kontrolle über das Gerät verlieren.

2) ELEKTRISCHE SICHERHEIT

- a) **Der Anschlussstecker des Gerätes muss in die Steckdose passen. Der Stecker darf in keiner Weise verändert werden. Verwenden Sie keine Adapterstecker gemeinsam mit schutzgeerdeten Geräten.** Unveränderte Stecker und passende Steckdosen verringern das Risiko eines elektrischen Schlages.
- b) **Vermeiden Sie Körperkontakt mit geerdeten Oberflächen, wie von Rohren, Heizungen, Herden und Kühlschränken.** Es besteht ein erhöhtes Risiko durch elektrischen Schlag, wenn Ihr Körper geerdet ist.
- c) **Halten Sie das Gerät von Regen oder Nässe fern.** Das Eindringen von Wasser in ein Elektrogerät erhöht das Risiko eines elektrischen Schlages.
- d) **Zweckentfremden Sie das Kabel nicht, um das Gerät zu tragen, aufzuhängen oder um den Stecker aus der Steckdose zu ziehen. Halten Sie das Kabel fern von Hitze, Öl, scharfen Kanten oder sich bewegenden Geräteteilen.** Beschädigte oder verwickelte Kabel erhöhen das Risiko eines elektrischen Schlages.
- e) **Wenn Sie mit einem Elektrowerkzeug im Freien arbeiten, verwenden Sie nur Verlängerungskabel, die auch für den Außenbereich zugelassen sind.** Die Anwendung eines für den Außenbereich geeigneten Verlängerungskabels verringert das Risiko eines elektrischen Schlages.
- f) **Wenn der Betrieb des Elektrowerkzeuges in feuchter Umgebung nicht vermeidbar ist, verwenden Sie einen Fehlerstromschutzschalter.** Der Einsatz eines Fehlerstromschutzschalters vermindert das Risiko eines elektrischen Schlages.

3) SICHERHEIT VON PERSONEN

- a) **Seien Sie aufmerksam, achten Sie darauf, was Sie tun, und gehen Sie mit Vernunft an die Arbeit mit einem Elektrowerkzeug. Benutzen Sie das Gerät nicht, wenn Sie müde sind oder unter dem Einfluss von Drogen, Alkohol oder Medikamenten stehen.** Ein Moment der Unachtsamkeit beim Gebrauch des Gerätes kann zu ernsthaften Verletzungen führen.
- b) **Tragen Sie persönliche Schutzausrüstung und immer eine Schutzbrille.** Das Tragen persönlicher Schutzausrüstung, wie Staubmaske, rutschfeste Sicherheitsschuhe, Schutzhelm oder Gehörschutz, je nach Art und Einsatz des Elektrowerkzeuges, verringert das Risiko von Verletzungen.
- c) **Vermeiden Sie eine unbeabsichtigte Inbetriebnahme. Vergewissern Sie sich, dass das Elektrowerkzeug ausgeschaltet ist, bevor Sie es an die Stromversorgung und/oder den Akku anschließen, es aufnehmen oder tragen.** Wenn Sie beim Tragen des Elektrowerkzeuges den Finger am Schalter haben oder das Gerät eingeschaltet an die Stromversorgung anschließen, kann dies zu Unfällen führen.
- d) **Entfernen Sie Einstellwerkzeuge oder Schraubenschlüssel, bevor Sie das Gerät einschalten.** Ein Werkzeug oder Schlüssel, der sich in einem drehenden Geräteteil befindet, kann zu Verletzungen führen.

- e) **Überschätzen Sie sich nicht. Sorgen Sie für einen sicheren Stand und halten Sie jederzeit das Gleichgewicht.** Dadurch können Sie das Gerät in unerwarteten Situationen besser kontrollieren.
- f) **Tragen Sie geeignete Kleidung. Tragen Sie keine weite Kleidung oder Schmuck. Halten Sie Haare, Kleidung und Handschuhe fern von sich bewegenden Teilen.** Lockere Kleidung, Schmuck oder lange Haare können von sich bewegenden Teilen erfasst werden.
- g) **Wenn Staubabsaug- und -auffangeinrichtungen montiert werden können, vergewissern Sie sich, dass diese angeschlossen sind und richtig verwendet werden.** Verwendung einer Staubabsaugung verringert Gefährdungen durch Staub.

4) SORGFÄLTIGER UMGANG UND GEBRAUCH VON ELEKTROWERKZEUGEN

- a) **Überlasten Sie das Gerät nicht. Verwenden Sie für Ihre Arbeit das dafür bestimmte Elektrowerkzeug.**
Mit dem passenden Elektrowerkzeug arbeiten Sie besser und sicherer im angegebenen Leistungsbereich.
- b) **Benutzen Sie kein Elektrowerkzeug, dessen Schalter defekt ist.** Ein Elektrowerkzeug, das sich nicht mehr ein- oder ausschalten lässt, ist gefährlich und muss repariert werden.
- c) **Ziehen Sie den Stecker aus der Steckdose und/oder entfernen Sie den Akku, bevor Sie Geräteeinstellungen vornehmen, Zubehörteile wechseln oder das Gerät weglegen.** Diese Vorsichtsmaßnahme verhindert den unbeabsichtigten Start des Geräts.
- d) **Bewahren Sie unbenutzte Elektrowerkzeuge außerhalb der Reichweite von Kindern auf. Lassen Sie Personen das Gerät nicht benutzen, die mit diesem nicht vertraut sind oder diese Anweisungen nicht gelesen haben.** Elektrowerkzeuge sind gefährlich, wenn Sie von unerfahrenen Personen benutzt werden.
- e) **Pflegen Sie das Gerät mit Sorgfalt. Kontrollieren Sie, ob bewegliche Geräteteile einwandfrei funktionieren und nicht klemmen, ob Teile gebrochen oder so beschädigt sind, dass die Funktion des Gerätes beeinträchtigt ist. Lassen Sie beschädigte Teile vor dem Einsatz des Geräts reparieren.** Viele Unfälle haben ihre Ursache in schlecht gewarteten Elektrowerkzeugen.
- f) **Halten Sie Schneidwerkzeuge scharf und sauber.** Sorgfältig gepflegte Schneidwerkzeuge mit scharfen Schneidkanten verklemmen sich weniger und sind leichter zu führen.
- g) **Verwenden Sie Elektrowerkzeug, Zubehör, Einsatzwerkzeuge usw. entsprechend diesen Anweisungen. Berücksichtigen Sie dabei die Arbeitsbedingungen und die auszuführende Tätigkeit.** Der Gebrauch von Elektrowerkzeugen für andere als die vorgesehenen Anwendungen kann zu gefährlichen Situationen führen.

5) SORGFÄLTIGER UMGANG UND GEBRAUCH VON AKKUGERÄTEN

- a) **Laden Sie die Akkus nur in Ladegeräten, die vom Hersteller empfohlen werden.** Für ein Ladegerät, das für eine bestimmte Art von Akku geeignet ist,

besteht Brandgefahr, wenn es mit anderen Akkus verwendet wird.

- b) **Verwenden Sie nur die dafür vorgesehenen Akkus in den Elektrowerkzeugen.** Der Gebrauch von anderen Akkus kann zu Verletzungen und Brandgefahr führen.
- c) **Halten Sie den nicht benutzten Akku fern von Büroklammern, Münzen, Schlüsseln, Nägeln, Schrauben oder anderen kleinen Metallgegenständen, die eine Überbrückung der Kontakte verursachen könnten.** Ein Kurzschluss zwischen den Akkukontakten kann Verbrennungen oder Feuer zur Folge haben.
- d) **Bei falscher Anwendung kann Flüssigkeit aus dem Akku austreten. Vermeiden Sie den Kontakt damit. Bei zufälligem Kontakt mit Wasser abspülen. Wenn die Flüssigkeit in die Augen kommt, nehmen Sie zusätzlich ärztliche Hilfe in Anspruch.** Austretende Akkufflüssigkeit kann zu Hautreizungen oder Verbrennungen führen.

6) SERVICE

- a) **Lassen Sie Ihr Gerät nur von qualifiziertem Fachpersonal und nur mit Original-Ersatzteilen reparieren.** Damit wird sichergestellt, dass die Sicherheit des Geräts erhalten bleibt.

SICHERHEITSHINWEISE FÜR SCHNURLOSE DICHTUNGSPISTOLEN

- Stets nachprüfen, daß die Netzspannung mit der auf dem Typenschild des Ladegeräts angegebenen Spannung übereinstimmt (mit 230V oder 240V beschriftete Ladegeräte können auch an 220V betrieben werden)
- Im Falle von atypischem Verhalten oder Fremdgeräuschen schalten Sie das Werkzeug sofort aus oder ziehen Sie den Netzstecker des Ladegeräts aus der Steckdose
- SKIL kann nur dann die einwandfreie Funktion des Werkzeuges zusichern, wenn das entsprechende Zubehör verwendet wird, welches bei ihren Fachhändlern erhältlich ist
- Das Werkzeug/Ladegerät ist nicht dafür bestimmt durch Personen (einschließlich Kinder) mit eingeschränkten physischen, sensorischen oder geistigen Fähigkeiten, oder mangelnder Erfahrung und Wissen, benutzt zu werden; es sei denn, sie werden durch eine für ihre Sicherheit zuständige Person beaufsichtigt oder erhalten von ihr Anweisungen, wie das Werkzeug/Ladegerät zu benutzen ist
- Stellen Sie sicher, dass Kinder nicht mit dem Werkzeug/ Ladegerät spielen

AUFLADEN/BATTERIEN

- Laden Sie die Batterie ausschließlich durch das mitgelieferte Ladegerät auf
- Die Kontakte im Ladegerät nicht berühren
- Die Batterie nicht in einer feuchten oder nassen Umgebung aufladen
- Setzen Sie das Werkzeug/Ladegerät/Batterie niemals dem Regen aus
- Bewahren Sie das Werkzeug/Ladegerät/Batterie stets bei Raumtemperaturen unter 40°C und über 0° auf
- Batterien werden bei Kontakt mit Feuer explodieren, die Batterien daher niemals verbrennen

- Beschädigte Ladegeräte nicht in Betrieb nehmen; bringen Sie das Gerät zwecks Überprüfung stets zu einer unserer offiziellen SKIL-Vertragswerkstätten
- Ladegerät nicht weiter verwenden, wenn Kabel oder Stecker beschädigt sind, sondern Kabel oder Netzstecker sofort ersetzen bei einer unserer offiziellen SKIL-Vertragswerkstätten
- Beschädigte Batterien nicht weiter verwenden, sondern sofort ersetzen
- Zerlegen Sie niemals das Ladegerät oder die Batterie
- Nicht versuchen, nicht-aufladbare Batterien mit dem Ladegerät zu laden

ERKLÄRUNG DER SYMBOLE AUF DEM LADEGERÄT/ DER BATTERIE

- ④ Das Ladegerät nur in Innenräumen benutzen
- ⑤ Doppelte Isolierung (kein Erdleiter erforderlich)
- ⑥ Störungssicherer Isoliertransformator (die Stromquelle ist elektrisch von dem Transformatorausgang getrennt)
- ⑦ Automatische Abschaltung, wenn das Ladegerät zu heiß wird (thermischer Kurzschluss und das Ladegerät wird unbrauchbar)
- ⑧ Eine falsche Polung beim Ladegerätanschluss kann eine Gefährdung verursachen (die Batterie nur mit dem mitgelieferten Ladegerät aufladen)
- ⑨ Das Ladegerät nicht in den Hausmüll werfen
- ⑩ Die Batterie nicht in den Hausmüll werfen
- ⑪ NiMH-Technologie bietet mehr Energie, ohne die Umwelt unnötig zu belasten

BEDIENUNG

- Aufladen der Batterie ⑫
 - neue Werkzeuge sind nicht aufgeladen
 - ! **die Batterie sollte nach Beendigung des Ladevorganges vom Ladegerät genommen werden, womit sich die Lebensdauer der Batterie verlängert**

WICHTIG:

- nach 3 Stunden Ladezeit ist der Ladevorgang beendet und kann die Batterie benutzt werden, **sogar wenn das rote Signal weiter leuchtet** (es dauert manchmal länger als 3 Stunden bis das rote Signal erlischt)
- beim Aufladen könnten Ladegerät und Batterie warm werden; dies ist normal und kein Anzeichen eines Problems
- achten Sie darauf, daß die Batterie-Außenfläche sauber und trocken ist, bevor Sie die Batterie in das Ladegerät einsetzen
- bei Temperaturen unter 0°C und über 40°C eine Ladung vermeiden; dadurch können Ladegerät und Batterie empfindlich geschädigt werden
- die Batterie darf nicht während des Betriebs des Werkzeuges abgenommen werden
- ! **eine neue oder längere Zeit nicht verwendete Batterie bringt erst nach ungefähre 5 Lade-/ Entladezyklen seine volle Leistung**
- die Batterie sollte nicht nach jeder kurzen Benutzung des Werkzeuges immer wieder geladen werden, da dies den Verschleiß erhöhen kann
- die Nickel-Metalhydrid Batterie muß ordnungsgemäß entsorgt werden und darf nicht in den Hausmüll gelangen (hieran soll Sie Symbol ⑩ erinnern)

! **bevor Sie die Batterie entsorgen, schützen Sie die Batterieenden mit einem schweren Band, um so Kriechströme zu vermeiden**

- wenn Sie Ihr Werkzeug lange nicht verwenden, sollten Sie den Netzstecker des Ladegeräts aus der Steckdose ziehen
- Einsetzen von Kartuschen ⑬
 - öffnen Sie die Standardkartusche mit einem Messer
 - befestigen Sie die Spritzdüse oben auf der geöffneten Kartusche
 - schneiden Sie mindestens 2 cm der Düsenspitze in einem Winkel von 45° ab, so dass die Öffnung groß genug für die Benutzung mit maximalem Vorschub ist
 - drücken Sie den Stift A nach links
 - drücken Sie den Kolben B zurück in seine Ausgangsposition, bis er einrastet (andernfalls kann es später zu einer Fehlfunktion des Kolbens kommen)
 - öffnen Sie die Kartuschenabdeckung C
 - führen Sie die Kartusche so weit ein, bis ihr Boden am Ende des Kartuschenrahmens D anliegt
 - schließen Sie die Kartuschenabdeckung C
- Ein-/Aus-Schalten ⑭
 - drücken Sie den Stift A nach rechts, um den Auslöser E zu entriegeln
 - schalten Sie das Werkzeug ein/aus, indem Sie den Auslöser E drücken/loslassen
 - wenn die Kartusche leer ist, wird das Werkzeug automatisch ausgeschaltet
- ! **achten Sie nach jeder Benutzung darauf, dass sich der Stift A in der Sperr-Position befindet ⑮**
- Variabler Vorschub ⑯
 - mit dem Wählrad F lässt sich die Abgabemenge regeln (6 Positionen)
 - ermitteln Sie vor Beginn der Arbeit an einem Probestück den optimalen Vorschub
 - ! **sollte das Werkzeug mit dem Wählrad F in Position 1 nicht funktionieren, passen Sie bei gedrücktem Auslöser E ② den Vorschub an, bis die optimale Einstellung gefunden ist**
- Aufbringen des Dichtungsmittels ⑰
 - achten Sie darauf, dass der Arbeitsbereich sauber und trocken ist (entfernen Sie ggf. altes Dichtungsmittel)
 - drücken Sie den Stift A nach rechts, und betätigen Sie dann den Auslöser E, um den Vorschub zu starten
 - halten Sie das Werkzeug leicht angewinkelt und führen Sie es vorsichtig mit einer gleichmäßigen Bewegung entlang des zu füllenden Spalts/Risses, während Sie den Auslöser E drücken
 - achten Sie darauf, dass das Dichtungsmittel mit beiden abzudichtenden Oberflächen vollständig in Kontakt kommt
 - lassen Sie den Auslöser E los, um den Dichtungsmittelfluss zu stoppen
 - drücken Sie sofort nach dem Loslassen des Auslösers E den Stift A nach rechts, um zu vermeiden, dass weiter Dichtungsmittel austritt
 - fahren Sie nach dem Auftragen mit einem angefeuchteten Finger über das Dichtungsmittel, und entfernen Sie überschüssiges Material mit einem sauberen, feuchten Tuch
 - ! **beseitigen Sie Materialrückstände an der Kartuschendüse und der Kartuschenaufnahme**

- Elektronischer Überlastschutz
Stoppt den Motor automatisch, falls zu viel Druck auf die Kartusche ausgeübt wird, und verhindert so Schäden am Werkzeug und an der Kartusche
 - Auslöser E loslassen
 - Elektronik 5 Sekunden lang initialisieren lassen
 - Auslöser E drücken
 - wenn der Motor erneut stoppt, Wählrad F in die mittlere Position bewegen und Auslöser E erneut drücken

Um eine Überlastung zu vermeiden, sollten Sie stets sicherstellen, dass

- die Düsenspitze mindestens 2 cm weit abgeschnitten ist
- verfestigtes Material von der Düse entfernt wird
- die Kartusche nicht beschädigt oder gefroren ist
- die Kartuschenaufnahme frei von Dichtungsmaterial ist
- der geringst mögliche Vorschub gewählt wird

- Störungsbeseitigung

Falls der Kolben B ② auf halbem Wege stoppt

- schalten Sie das Werkzeug aus
- entfernen Sie die Kartusche aus dem Rahmen D ②
- drücken Sie den Stift A ② nach links

! drücken Sie den Kolben B zurück in seine Ausgangsposition, bis er einrastet

- setzen Sie die Kartusche wieder ein
- drücken Sie den Stift A nach rechts
- drücken Sie den Auslöser E ②, um die Arbeit fortzusetzen

WARTUNG / SERVICE

- Halten Sie Ihr Werkzeug und Ladegerät sauber
 - säubern Sie die Kontakte des Ladegeräts entweder mit Alkohol oder Kontaktreiniger
- ! den Netzstecker des Ladegeräts aus der Steckdose ziehen, bevor Sie das Ladegerät säubern**
- Halten Sie den Kartuschenrahmen D ② frei von Dichtungsrückständen, indem Sie ihn mit einem sauberen, feuchten Tuch reinigen
- Sollte das Elektrowerkzeug/Ladegerät trotz sorgfältiger Herstellungs- und Prüfverfahren einmal ausfallen, ist die Reparatur von einer autorisierten Kundendienststelle für SKIL-Elektrowerkzeuge ausführen zu lassen
 - das Werkzeug oder Ladegerät **unzerlegt**, zusammen mit dem Kaufbeleg, an den Lieferer oder die nächste SKIL-Vertragswerkstätte senden (die Anschriftenlisten so wie die Ersatzteilzeichnung des Werkzeuges finden Sie unter www.skilmasters.com)
 - wenn das Ladegerät defekt ist **sowohl das Ladegerät als auch die Batterie** an den Lieferer oder eine SKIL-Vertragswerkstätte senden

UMWELT

- **Elektrowerkzeuge, Zubehör und Verpackungen nicht in den Hausmüll werfen** (nur für EU-Länder)
 - gemäß Europäischer Richtlinie 2012/19/EG über Elektro- und Elektronik- Altgeräte und Umsetzung in nationales Recht müssen nicht mehr gebrauchsfähige Elektrowerkzeuge getrennt gesammelt und einer umweltgerechten Wiederverwertung zugeführt werden
 - hieran soll Sie Symbol ⑨ erinnern

KONFORMITÄTSERKLÄRUNG CE

- Wir erklären in alleiniger Verantwortung, daß das unter "Technische Daten" beschriebene Produkt mit den folgenden Normen oder normativen Dokumenten übereinstimmt: EN 60335, EN 61000, EN 60745, EN 55014, gemäß den Bestimmungen der Richtlinien 2006/95/EG, 2004/108/EG, 2006/42/EG, 2011/65/EU
- **Technische Unterlagen bei:** SKIL Europe BV (PT-SEU/ENG1), 4825 BD Breda, NL

Marijn van der Hoofden
Operations & Engineering

Olaf Dijkgraaf
Approval Manager

SKIL Europe BV, 4825 BD Breda, NL

13.08.2014

GERÄUSCH/VIBRATION

- Gemessen gemäß EN 60745 beträgt der Schalldruckpegel dieses Gerätes <70 dB(A) (Standardabweichung: 3 dB) und die Vibration <2,5 m/s² (Hand-Arm Methode; Unsicherheit K = 1,5 m/s²)
- Die Vibrationsemissionsstufe wurde mit einem standardisierten Test gemäß EN 60745 gemessen; Sie kann verwendet werden, um ein Werkzeug mit einem anderen zu vergleichen und als vorläufige Beurteilung der Vibrationsexposition bei Verwendung des Werkzeugs für die angegebenen Anwendungszwecke
 - die Verwendung des Werkzeugs für andere Anwendungen oder mit anderem oder schlecht gewartetem Zubehör kann die Expositionsstufe erheblich **erhöhen**
 - Zeiten, zu denen das Werkzeug ausgeschaltet ist, oder wenn es läuft aber eigentlich nicht eingesetzt wird, können die Expositionsstufe erheblich **verringern**
- ! schützen Sie sich vor den Auswirkungen der Vibration durch Wartung des Werkzeugs und des Zubehörs, halten Sie Ihre Hände warm und organisieren Sie Ihren Arbeitsablauf**

NL

Snoerloze kit-spuit

2055

INTRODUCTIE

- Deze machine is bestemd voor het spuiten van kit uit standaard tubes
- Lees en bewaar deze gebruiksaanwijzing ③

TECHNISCHE GEGEVENS ①

MACHINE-ELEMENTEN ②

- A Multifunctionele schakelaar
- B Drukstang
- C Tube-deksel
- D Tube-houder
- E Trekkerschakelaar
- F Snelheidsinstelwielje

VEILIGHEID

ALGEMENE VEILIGHEIDSVORSCHRIFTEN

⚠ LET OP! Lees alle veiligheidsaarschuwingen en alle voorschriften. Als de waarschuwingen en voorschriften niet worden opgevolgd, kan dit een elektrische schok, brand of ernstig letsel tot gevolg hebben. **Bewaar alle waarschuwingen en voorschriften voor toekomstig gebruik.** Het in de waarschuwingen gebruikte begrip "elektrisch gereedschap" heeft betrekking op elektrische gereedschappen voor gebruik op het stroomnet (met netsnoer) en op elektrische gereedschappen voor gebruik met een accu (zonder netsnoer).

1) VEILIGHEID VAN DE WERKOMGEVING

- a) **Houd uw werkomgeving schoon en opgeruimd.** Een rommelige of onverlichte werkomgeving kan tot ongevallen leiden.
- b) **Werk met het gereedschap niet in een omgeving met explosiegevaar waarin zich brandbare vloeistoffen, gassen of stof bevinden.** Elektrische gereedschappen veroorzaken vonken die het stof of de dampen tot ontsteking kunnen brengen.
- c) **Houd kinderen en andere personen tijdens het gebruik van het elektrische gereedschap uit de buurt.** Wanneer u wordt afgeleid, kunt u de controle over het gereedschap verliezen.

2) ELEKTRISCHE VEILIGHEID

- a) **De aansluitstekker van het gereedschap moet in het stopcontact passen. De stekker mag in geen geval worden veranderd. Gebruik geen adapterstekkers in combinatie met geaarde gereedschappen.** Onveranderde stekkers en passende stopcontacten beperken het risico van een elektrische schok.
- b) **Voorkom aanraking van het lichaam met geaarde oppervlakken, bijvoorbeeld van buizen, verwarmingen, fornuizen en koelkasten.** Er bestaat een verhoogd risico door een elektrische schok wanneer uw lichaam geaard is.
- c) **Houd het gereedschap uit de buurt van regen en vocht.** Het binnendringen van water in het elektrische gereedschap vergroot het risico van een elektrische schok.
- d) **Gebruik de kabel niet voor een verkeerd doel, om het gereedschap te dragen of op te hangen of om de stekker uit het stopcontact te trekken. Houd de kabel uit de buurt van hitte, olie, scherpe randen en bewegende gereedschapsdelen.** Beschadigde of in de war geraakte kabels vergroten het risico van een elektrische schok.
- e) **Wanneer u buitenshuis met elektrisch gereedschap werkt, dient u alleen verlengkabels te gebruiken die voor gebruik buitenshuis zijn goedgekeurd.** Het gebruik van een voor gebruik buitenshuis geschikte verlengkabel beperkt het risico van een elektrische schok.
- f) **Als het gebruik van het elektrische gereedschap in een vochtige omgeving onvermijdelijk is, dient u een aardlekschakelaar te gebruiken.** Het gebruik van een aardlekschakelaar vermindert het risico van een elektrische schok.

3) VEILIGHEID VAN PERSONEN

- a) **Wees alert, let goed op wat u doet en ga met verstand te werk bij het gebruik van het elektrische gereedschap. Gebruik het gereedschap niet wanneer u moe bent of onder invloed staat van drugs, alcohol of medicijnen.** Een moment van onoplettendheid bij het gebruik van het gereedschap kan tot ernstige verwondingen leiden.
 - b) **Draag persoonlijke beschermende uitrusting en altijd een veiligheidsbril.** Het dragen van persoonlijke beschermende uitrusting zoals een stofmasker, slipvaste werkschoenen, een veiligheidshelm of gehoorbescherming, afhankelijk van de aard en het gebruik van het elektrische gereedschap, vermindert het risico van verwondingen.
 - c) **Voorkom per ongeluk inschakelen. Controleer dat het elektrische gereedschap uitgeschakeld is voordat u de stekker in het stopcontact steekt of de accu aansluit en voordat u het gereedschap oppakt of draagt.** Wanneer u bij het dragen van het elektrische gereedschap uw vinger aan de schakelaar hebt of wanneer u het gereedschap ingeschakeld op de stroomvoorziening aansluit, kan dit tot ongevallen leiden.
 - d) **Verwijder instelgereedschappen of schroefslutels voordat u het gereedschap inschakelt.** Een instelgereedschap of sleutel in een draaiend deel van het gereedschap kan tot verwondingen leiden.
 - e) **Probeer niet ver te reiken. Zorg ervoor dat u stevig staat en steeds in evenwicht blijft.** Daardoor kunt u het gereedschap in onverwachte situaties beter onder controle houden.
 - f) **Draag geschikte kleding. Draag geen loshangende kleding of sieraden. Houd haren, kleding en handschoenen uit de buurt van bewegende delen.** Loshangende kleding, sieraden en lange haren kunnen door bewegende delen worden meegenomen.
 - g) **Wanneer stofafzuigings- of stofopvangvoorzieningen kunnen worden gemonteerd, dient u zich ervan te verzekeren dat deze zijn aangesloten en juist worden gebruikt.** Het gebruik van een stofafzuiging beperkt het gevaar door stof.
- ### 4) GEBRUIK EN ONDERHOUD VAN ELEKTRISCHE GEREEDSCHAPPEN
- a) **Overbelast het gereedschap niet. Gebruik voor uw werkzaamheden het daarvoor bestemde elektrische gereedschap.** Met het passende elektrische gereedschap werkt u beter en veiliger binnen het aangegeven capaciteitsbereik.
 - b) **Gebruik geen elektrisch gereedschap waarvan de schakelaar defect is.** Elektrisch gereedschap dat niet meer kan worden in- of uitgeschakeld, is gevaarlijk en moet worden gerepareerd.
 - c) **Trek de stekker uit het stopcontact of neem de accu uit het elektrische gereedschap voordat u het gereedschap instelt, toebehoren wisselt of het gereedschap weglegt.** Deze voorzorgsmaatregel voorkomt onbedoeld starten van het gereedschap.
 - d) **Bewaar niet-gebruikte elektrische gereedschappen buiten bereik van kinderen. Laat het gereedschap niet gebruiken door personen die er niet mee vertrouwd zijn en deze aanwijzingen niet hebben**

gelezen. Elektrische gereedschappen zijn gevaarlijk wanneer deze door onervaren personen worden gebruikt.

e) **Verzorg het gereedschap zorgvuldig. Controleer of bewegende delen van het gereedschap correct functioneren en niet vastklemmen en of onderdelen zodanig gebroken of beschadigd zijn dat de werking van het gereedschap nadelig wordt beïnvloed. Laat beschadigde delen repareren voordat u het gereedschap gebruikt.** Veel ongevallen hebben hun oorzaak in slecht onderhouden elektrische gereedschappen.

f) **Houd snijdende inzetgereedschappen scherp en schoon.** Zorgvuldig onderhouden snijdende inzetgereedschappen met scherpe snijkanten klemmen minder snel vast en zijn gemakkelijker te geleiden.

g) **Gebruik elektrische gereedschappen, toebehoren, inzetgereedschappen en dergelijke volgens deze aanwijzingen. Let daarbij op de arbeidsomstandigheden en de uit te voeren werkzaamheden.** Het gebruik van elektrische gereedschappen voor andere dan de voorziene toepassingen kan tot gevaarlijke situaties leiden.

5) GEBRUIK EN ONDERHOUD VAN ACCUGEREEDSCHAPPEN

a) **Laad accu's alleen op in opladers die door de fabrikant worden geadviseerd.** Voor een oplader die voor een bepaald type accu geschikt is, bestaat brandgevaar wanneer deze met andere accu's wordt gebruikt.

b) **Gebruik alleen de daarvoor bedoelde accu's in de elektrische gereedschappen.** Het gebruik van andere accu's kan tot verwondingen en brandgevaar leiden.

c) **Vorkom aanraking van de niet-gebruikte accu met paperclips, munten, sleutels, spijkers, schroeven en andere kleine metalen voorwerpen die overbrugging van de contacten kunnen veroorzaken.** Kortsluiting tussen de accucontacten kan brandwonden of brand tot gevolg hebben.

d) **Bij verkeerd gebruik kan vloeistof uit de accu lekken. Voorkom contact. Spoel bij onvoorziën contact met water af. Wanneer de vloeistof in de ogen komt, dient u bovendien een arts te raadplegen.** Gelekte accuvloeistof kan tot huidirritaties en verbrandingen leiden.

6) SERVICE

a) **Laat het gereedschap alleen repareren door gekwalificeerd en vakkundig personeel en alleen met originele vervangsonderdelen.** Daarmee wordt gewaarborgd dat de veiligheid van het gereedschap in stand blijft.

VEILIGHEIDSVOORSCHRIFTEN VOOR SNOERLOZE KITSPUITEN

- Controleer altijd of het voltage, dat vermeld staat op het typeplaatje van de oplader, overeenkomt met de netspanning (met 230V of 240V aangeduide opladers kunnen ook op 220V aangesloten worden)
- In geval van elektrische of mechanische storing, de machine onmiddellijk uitschakelen of de oplader uit het stopcontact halen
- SKIL kan alleen een correcte werking van de machine garanderen, indien de juiste accessoires worden gebruikt, die verkrijgbaar zijn bij de vakhandel

- De machine/oplader is niet bedoeld voor gebruik door personen (waaronder begrepen kinderen) met fysieke, zintuiglijke of mentale beperkingen, of een gebrek aan ervaring en kennis, tenzij zij onder toezicht staan of instructies hebben ontvangen ten aanzien van het gebruik van de machine/oplader door een persoon, die verantwoordelijk is voor hun veiligheid
- Zorg ervoor dat kinderen de machine/oplader niet als speelgoed gebruiken

OPLADEN/BATTERIJEN

- Laad de batterij alleen met de bijgeleverde oplader op
- Raak de contacten in de oplader niet aan
- Laad de batterij niet op in een vochtige of natte omgeving
- Stel machine/oplader/batterij niet bloot aan regen
- Bewaar de machine/oplader/batterij op een plaats, waar de temperatuur niet hoger dan 40°C kan worden of onder 0°C kan zakken
- Accu's exploderen als zij in vuur worden gegooid, dus verbrand de accu in geen geval
- Gebruik de oplader niet wanneer deze beschadigd is; breng deze naar één van de officieel aangestelde SKIL Service Stations voor een veiligheidstest
- Gebruik de oplader niet, wanneer snoer of stekker beschadigd is; laat snoer of stekker onmiddellijk bij één van de officieel aangestelde SKIL Service Stations vervangen
- Gebruik de batterij niet, wanneer deze beschadigd is; vervang deze onmiddellijk
- Haal de oplader of de batterij niet uit elkaar
- Niet proberen om niet-oplaadbare batterijen met de oplader te laden

UITLEGGING VAN SYMBOLEN OP OPLAADAPPARAAT/ BATTERIJ

- ④ Gebruik de oplader alleen binnenshuis
- ⑤ Dubbele isolatie (geen aarddraad nodig)
- ⑥ Storingbestendige scheidingstransformator (de stroombron wordt elektrisch gescheiden van de transformatoruitgang)
- ⑦ Automatische uitschakeling wanneer de oplader te heet wordt (thermische zekering slaat door en de oplader wordt onbruikbaar)
- ⑧ Aansluiting van de oplader met een onjuiste polariteit kan gevaarlijk zijn (laad de accu uitsluitend op met de geleverde oplader)
- ⑨ Geef de oplader niet met het huisvuil mee
- ⑩ Geef de batterij niet met het huisvuil mee
- ⑪ NiMH-technologie zorgt voor meer energie op een minder milieubelastende wijze

GEBRUIK

- Opladen batterij ⑫
 - batterij van nieuwe machines is niet volledig opgeladen
 - ! **haal de batterij na het opladen uit de oplader; de batterij gaat dan langer mee**
- BELANGRIJK:**
- na 3 uur is het laden voltooid en kan de batterij gebruikt worden, **ook al brandt het rode lampje nog** (het duurt soms langer dan 3 uur voordat het rode lampje uitgaat)

- tijdens het laden kunnen de oplader en de batterij warm aanvoelen; dit is normaal en geen indicatie voor een probleem
- zorg ervoor, dat de buitenkant van de batterij schoon en droog is, voordat u deze in de oplader steekt
- laad de batterij niet op als de temperatuur lager is dan 0°C of hoger dan 40°C, omdat dit ernstige beschadiging van zowel de batterij als de oplader tot gevolg kan hebben
- haal de batterij niet uit de machine, wanneer deze in gebruik is
- ! **een nieuwe of lang niet gebruikte batterij levert pas na ongeveer 5 oplaad-/ontlaadcycli zijn volledige capaciteit**
- laad de batterij niet herhaaldelijk, na enkele minuten gebruik, op; dit kan krachtverlies van de batterij tot gevolg hebben
- de nikkel-metaalhydride batterij moet uit het milieu gehouden worden en mag daarom niet in het vuilnis terecht komen (symbool 10 zal u in het afdankstadium hieraan herinneren)
- ! **bescherm de batterij-contacten met stevig plakband voordat ze afgedankt worden, om kortsluiting te voorkomen**
- als u denkt uw machine gedurende lange tijd niet te gebruiken, kunt u het best de oplader uit het stopcontact halen
- Plaatsen van tubes 13
 - open een standaard tube met een afbreekmes
 - plaats de spuit boven op de geopende tube
 - snij tenminste 2 cm van de spuitmond af onder een hoek van 45°, zodat de opening groot genoeg is voor gebruik van de hoogste snelheidspositie
 - druk schakelaar A naar links
 - druk drukstang B terug naar de startpositie totdat deze klikt (niet klikken zorgt later voor slecht functioneren van de drukstang)
 - open tube-deksel C
 - schuif de tube in, totdat deze de achterkant van tubehouder D bereikt
 - sluit tube-deksel C
- Aan/uit 14
 - druk schakelaar A naar rechts om schakelaar E te ontgrendelen
 - zet de machine aan/uit door trekker-schakelaar E in te drukken/los te laten
 - de machines schakelt automatisch uit als de tube leeg is
 - ! **zorg ervoor, dat schakelaar A in de vergrendelingspositie staat na ieder gebruik 15**
- Regelbare snelheid 16
 - met wielje F kan de kitstroom ingesteld worden (6 posities)
 - zoek, voordat u aan een karwei begint, de optimale snelheid door uitproberen op rest-materiaal
 - ! **als de machine niet start met wielje F in positie 1, stel de snelheid dan in terwijl u trekker-schakelaar E 2 indrukt totdat de optimale instelling is gevonden**
- Aanbrengen van kit 17
 - zorg ervoor, dat het te kitten gebied schoon en droog is (verwijder oude kit, indien van toepassing)
 - druk, nadat u schakelaar A naar rechts hebt gedrukt, trekker-schakelaar E in om de kitstroom in gang te zetten
 - houd de machine onder een kleine hoek en beweeg de machine nauwkeurig en gelijkmatig langs de te vullen uitsparing/spleet terwijl u trekker-schakelaar E indrukt
 - zorg ervoor, dat de kit volledig in contact komt met beide oppervlakken, die gekit moeten worden
 - laat trekker-schakelaar E los voor het beëindigen van de kitstroom
 - om het morsen van kit te vermijden, schakelaar A onmiddellijk naar links drukken na het loslaten van trekker-schakelaar E
 - ga na het aanbrengen met een vochtig gemaakte vinger langs de kit-rand en gebruik een schone, vochtige doek om het teveel aan kit te verwijderen
 - ! **verwijder kit-resten uit de spuitmond en de tubehouder**
- Electronisch geregelde bescherming tegen overbelasting

Stopt de motor automatisch als er te veel druk wordt uitgeoefend op de tube en voorkomt zodoende, dat de machine en de tube beschadigd kunnen raken

 - laat trekker-schakelaar E los
 - laat de elektronische inrichting gedurende 5 seconden resetten
 - druk trekker-schakelaar E in
 - als de motor weer stopt, wielje F in de middelste stand zetten en trekker-schakelaar E opnieuw bedienen

Om overbelasting te voorkomen, altijd ervoor zorgen dat

 - de spuitmond minstens 2 cm afgesneden is
 - hard geworden materiaal uit de spuitmond verwijderd is
 - de tube niet beschadigd of bevroren is
 - in de tube-houder geen kit zit
 - de laagst mogelijke snelheid is geselecteerd
- Oplossen van problemen

Als halverwege het kitten drukstang B 2 niet meer naar voren beweegt

 - zet de machine uit
 - verwijder de tube uit tube-houder D 2
 - druk schakelaar A 2 naar links
 - ! **druk drukstang B terug naar zijn startpositie totdat deze klikt**
 - schuif de tube er weer in
 - druk schakelaar A naar rechts
 - druk trekker-schakelaar E 2 in om met het kitten door te gaan

ONDERHOUD / SERVICE

- Houd machine en oplader schoon
 - maak de laadcontactpunten van de oplader schoon met alcohol of speciaal contactpunten-schoonmaakmiddel
 - ! **haal de oplader uit het stopcontact voordat u deze schoonmaakt**
- Houd tube-houder D 2 vrij van kit-resten door een schone, vochtige doek te gebruiken

- Mocht de machine/oplader ondanks zorgvuldige fabricage- en testmethoden toch defect raken, dient de reparatie te worden uitgevoerd door een erkende klantenservice voor SKIL elektrische gereedschappen
- stuur de machine of de oplader **ongedemonteerd**, samen met het aankoopbewijs, naar het verkoopadres of het dichtstbijzijnde SKIL service-station (de adressen evenals de onderdeeltekening van de machine vindt u op www.skilmasters.com)
- als de oplader defect is, **zowel de oplader als de accu** naar het verkoopadres of het SKIL service-station sturen

MILIEU

- **Geef electrisch gereedschap, accessoires en verpakkingen niet met het huisvuil mee** (alleen voor EU-landen)
 - volgens de Europese richtlijn 2012/19/EG inzake oude elektrische en elektronische apparaten en de toepassing daarvan binnen de nationale wetgeving, dient afgedankt electrisch gereedschap gescheiden te worden ingezameld en te worden afgevoerd naar een recycle-bedrijf, dat voldoet aan de geldende milieu-eisen
 - symbool ④ zal u in het afdankstadium hieraan herinneren

CONFORMITEITSVERKLARING CE

- Wij verklaren als alleen verantwoordelijke, dat het onder "Technische gegevens" beschreven product voldoet aan de volgende normen of normatieve documenten: EN 60335, EN 61000, EN 60745, EN 55014, overeenkomstig de bepalingen van de richtlijnen 2006/95/EG, 2004/108/EG, 2006/42/EG, 2011/65/EU
- **Technisch dossier bij:** SKIL Europe BV (PT-SEU/ENG1), 4825 BD Breda, NL

Marijn van der Hoofden
Operations & Engineering

Olaf Dijkgraaf
Approval Manager

SKIL Europe BV, 4825 BD Breda, NL

13.08.2014

GELUID/VIBRATIE

- Gemeten volgens EN 60745 bedraagt het geluidsdruk niveau van deze machine <70 dB(A) (standaard deviatie: 3 dB) en de vibratie <2,5 m/s² (hand-arm methode; onzekerheid K = 1,5 m/s²)
- Het trillingsemisniveau is gemeten in overeenstemming met een gestandaardiseerde test volgens EN 60745; deze mag worden gebruikt om twee machines met elkaar te vergelijken en als voorlopige beoordeling van de blootstelling aan trilling bij gebruik van de machine voor de vermelde toepassingen
 - gebruik van de machine voor andere toepassingen, of met andere of slecht onderhouden accessoires, kan het blootstellingsniveau aanzienlijk **verhogen**

- wanneer de machine is uitgeschakeld of wanneer deze loopt maar geen werk verricht, kan dit het blootstellingsniveau aanzienlijk **reduceren**
- ! **bescherm uzelf tegen de gevolgen van trilling door de machine en de accessoires te onderhouden, uw handen warm te houden en uw werkwijze te organiseren**

S

Sladdlös limpistol

2055

INTRODUKTION

- Det här verktyget är avsett att dispensera lim från standardpatroner
- Läs och spara denna instruktionsbok ③

TEKNISKA DATA ①

VERKTYGSELEMENT ②

- A Mångfunktionell omkopplare
- B Kolv
- C Patronskydd
- D Cylinder
- E Strömbrytare
- F Hastighetshjul

SÄKERHET

ALLMÄNNA SÄKERHETSINSTRUKTIONER

⚠ OBS! Läs noga igenom alla anvisningar. Fel som uppstår till följd av att anvisningarna nedan inte följts kan orsaka elstöt, brand och/eller allvarliga kroppsskador. **Förvara alla varningar och anvisningar för framtida bruk.** Nedan använt begrepp "elverktyg" hänför sig till nätdrivna elverktyg (med nätsladd) och till batteridrivna elverktyg (sladdlösa).

1) ARBETSPLATSSÄKERHET

- a) **Håll arbetsplatsen ren och välbelyst.** Oordning på arbetsplatsen eller dåligt belyst arbetsområde kan leda till olyckor.
- b) **Använd inte elverktyget i explosionsfarlig omgivning med brännbara vätskor, gaser eller damm.** Elverktygen alstrar gnistor som kan antända dammet eller gaserna.
- c) **Håll under arbetet med elverktyget barn och obehöriga personer på betryggande avstånd.** Om du störs av obehöriga personer kan du förlora kontrollen över elverktyget.

2) ELEKTRISK SÄKERHET

- a) **Elverktygets stickpropp måste passa till vägguttaget. Stickproppen får absolut inte förändras. Använd inte adapterkontakter tillsammans med skyddsjordade elverktyg.** Oförändrade stickproppar och passande vägguttag reducerar risken för elektriskt slag.

- b) **Undvik kroppskontakt med jordade ytor som t. ex. rör, värmeelement, spisar och kylskåp.** Det finns en större risk för elektriskt slag om din kropp är jordad.
- c) **Skydda elverkytet mot regn och väta.** Tränger vatten in i ett elverktyg ökar risken för elektriskt slag.
- d) **Missbruka inte nätsladden och använd den inte för att bära eller hänga upp elverkytet och inte heller för att dra stickproppen ur vägguttaget. Håll nätsladden på avstånd från värme, olja, skarpa kanter och rörliga maskindelar.** Skadade eller tilltrasslade ledningar ökar risken för elektriskt slag.
- e) **När du arbetar med ett elverktyg utomhus använd endast förlängningssladdar som är godkända för utomhusbruk.** Om en lämplig förlängningssladd för utomhusbruk används minskar risken för elektriskt slag.
- f) **Använd en jordfelsbrytare om det inte är möjligt att undvika elverktygets användning i fuktig miljö.** Genom att använda en jordfelsbrytare minskas risken för elstöt.

3) PERSONSÄKERHET

- a) **Var uppmärksam, kontrollera vad du gör och använd elverkytet med förnuft. Använd inte elverkytet när du är trött eller om du är påverkad av droger, alkohol eller mediciner.** Under användning av elverkytet kan även en kort uppmärksamhet leda till allvarliga kroppsskador.
- b) **Bär alltid personlig skyddsutrustning och skyddsglasögon.** Användning av personlig skyddsutrustning som t. ex. dammfiltermask, halkfria säkerhetsskor, skyddshjälm och hörselskydd reducerar alltefter elverktygets typ och användning risken för kroppsskada.
- c) **Undvik oavsiktlig igångsättning. Kontrollera att elverkytet är frånkopplat innan du ansluter stickproppen till vägguttaget och/eller ansluter/tar bort batteriet, tar upp eller bär elverkytet.** Om du bär elverkytet med fingret på strömställaren eller ansluter påkopplat elverktyg till nätströmmen kan olycka uppstå.
- d) **Ta bort alla inställningsverktyg och skruvnycklar innan du kopplar på elverkytet.** Ett verktyg eller en nyckel i en roterande komponent kan medföra kroppsskada.
- e) **Överskatta inte din förmåga. Se till att du står stadigt och håller balansen.** I detta fall kan du lättare kontrollera elverkytet i oväntade situationer.
- f) **Bär lämpliga kläder. Bär inte löst hängande kläder eller smycken. Håll håret, kläderna och handskarna på avstånd från rörliga delar.** Löst hängande kläder, smycken och långt hår kan dras in av roterande delar.
- g) **Vid elverktyg med dammutsugnings- och -uppsamlingsutrustning kontrollera att anordningarna är rätt monterade och används på korrekt sätt.** Användning av dammutsugning minskar de risker damm orsakar.

4) OMSORGSFULL HANTERING OCH ANVÄNDNING AV ELVERKTYG

- a) **Överbelasta inte elverkytet. Använd för aktuellt arbete avsett elverktyg.** Med ett lämpligt elverktyg kan du arbeta bättre och säkrare inom angivet effektområde.

- b) **Ett elverktyg med defekt strömställare får inte längre användas.** Ett elverktyg som inte kan kopplas in eller ur är farligt och måste repareras.
- c) **Dra stickproppen ur vägguttaget och/eller ta bort batteriet innan inställningar utförs, tillbehörskomponenter byts ut eller elverkytet lagras.** Denna skyddsåtgärd förhindrar oavsiktlig inkoppling av elverkytet.
- d) **Förvara elverkyten oåtkomliga för barn. Låt elverkytet inte användas av personer som inte är förtrogna med dess användning eller inte läst denna anvisning.** Elverkyten är farliga om de används av oerfarna personer.
- e) **Sköt elverkytet omsorgsfullt. Kontrollera att rörliga komponenter fungerar felfritt och inte kärvar, att komponenter inte brustit eller skadats; orsaker som kan leda till att elverktygets funktioner påverkas menligt. Låt skadade delar repareras innan elverkytet återanvänds.** Många olyckor orsakas av dåligt skötta elverktyg.
- f) **Håll skärverktygen skarpa och rena.** Omsorgsfullt skötta skärverktyg med skarpa eggar kommer inte så lätt i kläm och går lättare att styra.
- g) **Använd elverkytet, tillbehör, insatsverktyg osv. enligt dessa anvisningar. Ta hänsyn till arbetsvillkoren och arbetsmomenten.** Används elverkytet på icke ändamålsenligt sätt kan farliga situationer uppstå.

5) OMSORGSFULL HANTERING OCH ANVÄNDNING AV SLADDLÖSA ELVERKTYG

- a) **Ladda batterierna endast i de laddare som tillverkaren rekommenderat.** Om en laddare som är avsedd för en viss typ av batterier används för andra batterityper finns risk för brand.
- b) **Använd endast batterier som är avsedda för aktuellt elverktyg.** Används andra batterier finns risk för kroppsskada och brand.
- c) **Håll gem, mynt, nycklar, spikar, skruvar och andra små metallföremål på avstånd från reservbatterier för att undvika en bygling av kontakterna.** En kortslutning av batteriets kontakter kan leda till brännskador eller brand.
- d) **Om batteriet används på fel sätt finns risk för att vätska rinner ur batteriet. Undvik kontakt med vätskan. Vid oavsiktlig kontakt spola med vatten. Om vätska kommer i kontakt med ögonen uppsök dessutom läkare.** Batterivätskan kan medföra hudirritation eller brännskada.

6) SERVICE

- a) **Låt elverkytet repareras endast av kvalificerad fackpersonal och med originalreservdelar.** Detta garanterar att elverktygets säkerhet upprätthålls.

SÄKERHETSANVISNINGAR FÖR SLADDLÖS LIMPISTOL

- Kontrollera alltid att den tillförda strömtypen stämmer med spänningen som anges på laddarens märkplåt (laddare med beteckningen 230V eller 240V kan även anslutas till 220V)
- I händelse av onormala elektriska eller mekaniska störningar, stäng genast av maskinen eller dra ur laddarens stickpropp från elurtaget

- SKIL kan endast garantera att maskinen fungerar felfritt om rätt tillbehör används som du kan köpa hos närmaste SKIL-återförsäljare
- Maskin/laddare får inte användas av barn eller personer med ett förståndshandikapp eller på annat sätt medsatt förmåga, såvida denna inte sker med överinseende av en vuxen person som ansvarar för personsäkerheten
- Barn får inte använda maskinen/laddaren som leksak

LADDNING/BATTERIERNA

- Ladda endast batteriet med den medföljande laddaren
- Rör inte kontakten i laddaren
- Ladda inte batteriet i fuktig eller våt miljö
- Utsätt inte maskinen/laddaren/batteriet för regn
- Förvara maskinen/laddaren/batteriet i lokaler, där temperaturen inte överstiger 40°C eller faller under 0°C
- Batterierna kan explodera om de utsätts för eld, undanhåll batterierna från heta källor
- Anslut aldrig trasig laddare; lämna dem till en auktoriserad SKIL serviceverkstad för säkerhetskontroll
- Använd ej laddaren när sladd eller stickpropp är trasig; sladd eller stickpropp skall omedelbart bytas ut på någon av SKIL's auktoriserade serviceverkstäder
- Använd aldrig trasig batteriet; de skall omedelbart bytas ut
- Försök ej ta isär laddaren eller batteriet
- Ej återuppladdningsbara batterier får ej uppladdas med laddaren

FÖRKLARING AV SYMBOLERNA PÅ LADDAREN/BATTERIET

- ④ Använd laddaren enbart inomhus
- ⑤ Dubbel isolering (ingen jordning krävs)
- ⑥ Felsäkrad isolerad transformator (strömkällan är separerad från transformatorns uteffekt)
- ⑦ Automatisk avstängning när laddaren blir för varm (den termiska säkringen går och laddaren blir oanvändbar)
- ⑧ Fel polanslutning av laddarkontakten kan vara farligt (ladda batteriet enbart i originalladdaren)
- ⑨ Laddaren får inte kastas i hushållsoporna
- ⑩ Batteriet får inte kastas i hushållsoporna
- ⑪ NiMH-teknik ger mer energi på ett miljövänligare sätt

ANVÄNDNING

- Laddning av batteri ⑫
 - när maskinen leveras är batteriet inte fullt laddat
- ! **ta bort batteriet från laddaren, efter laddningstiden förflutit; därmed förlängs livslängden på batteriet**
- VIKTIGA:
 - efter 3 timmar är laddningen klar och batteriet kan användas, även om den röda lampan fortfarande lyser (den röda lampan kan behöva mer än 3 timmar för att slockna)
 - under laddning kan laddaren och batteriet kännas varmt vid vidröring; detta är normalt och indikerar inget fel
 - kontrollera att batteriets utsida är ren och torr innan du placerar det i laddaren
 - ladda inte då temperaturen ligger under 0°C och över 40°C eftersom detta allvarligt kan skada batteriet och laddaren
 - tag ej bort batteriet från maskinen när den är igång

! en ny eller under en längre tid inte använd batteri uppnår först efter ca. 5 laddnings- / urladdningscykler full kapacitet

- återuppladda inte batteriet efter endast några få minuters användning; att göra så kan resultera i minskad verkningstid och effektivitet
- nickelmetallhydrid batteriet måste hållas ifrån vår miljö och får således inte kastas som vanligt hushållsavfall (symbolen ⑩ kommer att påminna om detta när batteriet är slut)

! före avyttring av batterierna, tejsa kontaktytorna med kraftig tejp för att undvika kortslutning

- om Du knär med att ej använda Ditt maskin under en lång tid är det bäst att dra ur laddarens stickpropp från elurtaget
- Ladda patroner ⑬
 - öppna en standardpatron med kniv
 - placera munstycket ovanpå den öppnade patronen
 - skär av minst 2 cm av munstyckets spets i 45° vinkel, så att öppningen blir tillräckligt stor för att köra med den högsta hastighetsinställningen
 - för omkopplare A åt vänster
 - för tillbaka kolven B till dess utgångsposition, tills den knäpper på plats (om den inte knäpper på plats, kommer kolven senare inte att fungera)
 - öppna patronskyddet C
 - för in patronen tills dess bas når cylinderns D botten
 - stäng patronskyddet C
- Till/från ⑭
 - för omkopplare A åt höger för att frigöra avtryckaren E
 - slå på/av verktyget genom att trycka på/släppa avtryckaren E
 - verktyget stängs av automatiskt när patronen är tom
- ! **kontrollera att omkopplare A står i låst läge efter varje användning ⑮**
- Variabel hastighet ⑯
 - limflödet justeras med hjulet F (6 lägen)
 - prova dig fram till optimal hastighet på en bit spillmaterial, innan du inleder arbetet
- ! **om verktyget inte fungerar med hjulet F i läge 1, justerar du hastigheten till optimal inställning medan du håller avtryckaren E ② intryckt**
- Applicera lim ⑰
 - kontrollera att ytorna är rena och torra (avlägsna gammalt lim, om så behövs)
 - för omkopplare A åt höger och tryck på avtryckaren E för att börja mata ut lim
 - håll verktyget något vinklat och för det med jämn hastighet längs den spalt/spricka som ska fyllas, medan du håller avtryckaren E intryckt
 - lim ska ha god kontakt med båda ytorna
 - släpp avtryckaren E för att stoppa utflödet av lim
 - för att undvika limspill för D omkopplaren A åt vänster omedelbart efter att du släppt avtryckaren E
 - fukta ett finger och dra längs den applicerade limranden och avlägsna överflödigt lim med en fuktig trasa
- ! **avlägsna limspill från patronmunstycke och cylinder**

- Elektronisk överbelastningskydd
Slår automatisk av motorn vid ett för stort tryck på patronen och förebygger därmed att verktyget och patronen skadas
 - släpp avtryckare E
 - vänta i 5 sekunder så att elektroniken kan återställas
 - tryck in avtryckare E
 - om motorn stannar igen, flytta hjul F till mittpositionen och tryck ingen på avtryckare E
- Beakta nedanstående för att undvika överbelastning
 - munstycket ska vara avskuret minst 2 cm
 - hårdat material ska avlägsnas från munstycket
 - patronen får inte vara skadad eller frusen
 - cylindern ska vara fri från lim
 - lägsta möjliga hastighet ska vara vald
- Felsökning
Om kolven B ② slutar röra sig framåt halvvägs
 - stäng av verktyget
 - ta ut patronen ur cylindern D ②
 - för omkopplare A ② åt vänster
 - ! **för kolven B tillbaka till utgångsläget tills den knäpper på plats**
 - sätt i patronen igen
 - för omkopplare A åt höger
 - tryck in avtryckaren E ② för att fortsätta limma

UNDERHÅLL / SERVICE

- Håll din maskin och laddaren ren
 - rengör kontaktyrorna i laddaren med alkohol eller kontaktrengöringsmedel
 - ! **dra ur laddarens stickpropp från elurtaget innan rengöring**
- Håll cylindern D ② fri från limrester med en ren, fuktad trasa
- Om i elverktyget/laddaren trots exakt tillverkning och sträng kontroll störning skulle uppstå, bör reparation utföras av auktoriserad serviceverkstad för SKIL elverktyg
 - sänd in verktyget eller laddaren i **odemonterat skick** tillsammans med inköpsbevis till försäljaren eller till närmaste SKIL serviceverkstad (adresser till servicestationer och språngskisser av maskiner finns på www.skilmasters.com)
 - om laddaren är defekt sänd in **både laddare och batteri** till försäljaren eller SKIL serviceverkstad

MILJÖ

- **Elektriska verktyg, tillbehör och förpackning får inte kastas i hushållssoporna** (gäller endast EU-länder)
 - enligt direktivet 2012/19/EG som avser äldre elektrisk och elektronisk utrustning och dess tillämpning enligt nationell lagstiftning ska uttjänta elektriska verktyg sorteras separat och lämnas till miljövänlig återvinning
 - symbolen ⑨ kommer att påminna om detta när det är tid att kassera

FÖRSÄKRAN OM ÖVERENSSTÄMMELSE CE

- Vi försäkrar härmed under exklusivt ansvar att denna produkt som beskrivs i "Tekniska data" överensstämmer med följande normer eller normativa dokument: EN 60335, EN 61000, EN 60745, EN 55014, enligt bestämmelserna i direktiven 2006/95/EG, 2004/108/EG, 2006/42/EG, 2011/65/EU
- **Teknisk tillverkningsdokumentation finns hos:** SKIL Europe BV (PT-SEU/ENG1), 4825 BD Breda, NL

Marijn van der Hoofden Olaf Dijkgraaf
Operations & Engineering Approval Manager




SKIL Europe BV, 4825 BD Breda, NL

13.08.2014

LJUD/VIBRATION

- Ljudtrycksnivån som uppmätts enligt EN 60745 är på denna maskin <70 dB(A) (standard deviation: 3 dB) och vibration <2,5 m/s² (hand-arm metod; noggrannhet K = 1,5 m/s²)
- Vibrationsemissionsvärdet har uppmätts enligt ett standardiserat test i enlighet med EN 60745; detta värde kan användas för att jämföra vibrationen hos olika verktyg och som en ungefärlig uppskattning av hur stor vibration användaren utsätts för när verktyget används enligt det avsedda syftet
 - om verktyget används på ett annat än det avsedda syftet eller med fel eller dåligt underhållna tillbehör kan detta drastiskt **öka** vibrationsnivån
 - när verktyget stängs av eller är på men inte används, kan detta avsevärt **minska** vibrationsnivån
 - ! **skydda dig mot vibration genom att underhålla verktyget och dess tillbehör, hålla händerna varma och styra upp ditt arbetssätt**

DK

Trådlös forseglingspistol 2055

INLEDNING

- Dette værktøj er konstrueret til at afgive forseglingsmiddel fra standardpatroner
- Læs og gem denne betjeningsvejledning ③

TEKNISKE DATA ①

VÆRKTØJETS DELE ②

A Multifunktionel kontakt
B Stempel
C Patrondæksel
D Bæreramme
E Udløserkontakt
F Hastighedsvalghjul

SIKKERHED

GENERALE SIKKERHEDSINSTRUKSER

⚠ VIGTIGT! Læs alle advarselshenvisninger og instrukser. I tilfælde af manglende overholdelse af advarselshenvisningerne og instrukserne er der risiko for elektrisk stød, brand og/eller alvorlige kvæstelser. **Opbevar alle advarselshenvisninger og instrukser til senere brug.** Det i advarselshenvisningerne benyttede begreb "el værktøj" refererer til netdrevet el værktøj (med netkabel) og akkudrevet el værktøj (uden netkabel).

1) SIKKERHED PÅ ARBEJDSPLADSEN

- Sørg for, at arbejdsområdet er rent og ryddeligt.**
Uorden eller uoplyste arbejdsområder øger faren for uheld.
- Brug ikke maskinen i eksplosionstruede omgivelser, hvor der er brændbare væsker, gasser eller støv.**
El-værktøj kan slå gnister, der kan antænde støv eller dampe.
- Sørg for, at andre personer og ikke mindst børn holdes væk fra arbejdsområdet, når maskinen er i brug.** Hvis man distraheres, kan man miste kontrollen over maskinen.

2) ELEKTRISK SIKKERHED

- Maskinens stik skal passe til kontakten. Stikket må under ingen omstændigheder ændres. Brug ikke adapterstik sammen med jordforbundne maskiner.**
Uændrede stik, der passer til kontakterne, nedsætter risikoen for elektrisk stød.
- Undgå kropskontakt med jordforbundne overflader som f.eks. rør, radiatorer, komfurer og køleskabe.**
Hvis din krop er jordforbundet, øges risikoen for elektrisk stød.
- Maskinen må ikke udsættes for regn eller fugt.**
Indtrængning af vand i maskinen øger risikoen for elektrisk stød.
- Brug ikke ledningen til formål, den ikke er beregnet til (f.eks. må man aldrig bære maskinen i ledningen, hænge maskinen op i ledningen eller rykke i ledningen for at trække stikket ud af kontakten). Beskyt ledningen mod varme, olie, skarpe kanter eller maskindele, der er i bevægelse.** Beskadigede eller indviklede ledninger øger risikoen for elektrisk stød.
- Hvis maskinen benyttes i det fri, må der kun benyttes en forlængerledning, der er godkendt til udendørs brug.** Brug af forlængerledning til udendørs brug nedsætter risikoen for elektrisk stød.
- Hvis det ikke kan undgås at bruge maskinen i fugtige omgivelser, skal der bruges et HFI-relæ.** Brug af et HFI-relæ reducerer risikoen for at få elektrisk stød.

3) PERSONLIG SIKKERHED

- Det er vigtigt at være opmærksom, se, hvad man laver, og bruge maskinen fornuftigt. Man bør ikke bruge maskinen, hvis man er træt, har nydt alkohol eller er påvirket af medicin eller euforiserende stoffer.** Få sekunders uopmærksomhed ved brug af maskinen kan føre til alvorlige personskader.
- Brug beskyttelsesudstyr og hav altid beskyttelsesbriller på.** Brug af sikkerhedsudstyr som f. eks. støvmaske, skridsikret fodtøj, beskyttelseshjelm

eller høreværn afhængig af maskintype og anvendelse nedsætter risikoen for personskader.

- Undgå utilsigtet igangsætning. Kontrollér, at el værktøjet er slukket, før du tilslutter det til strømtilførslen og/eller akkuen, løfter eller bærer det.** Undgå at bære el værktøjet med fingeren på afbryderen og sørg for, at el værktøjet ikke er tændt, når det sluttes til nettet, da dette øger risikoen for personskader.
 - Fjern indstillingsværktøj eller skruenøgle, inden maskinen tændes.** Hvis et stykke værktøj eller en nøgle sidder i en roterende maskindel, er der risiko for personskader.
 - Overvurder ikke dig selv. Sørg for at stå sikkert, mens der arbejdes, og kom ikke ud af balance.** Det er derved nemmere at kontrollere maskinen, hvis der skulle opstå uventede situationer.
 - Brug egnet arbejdstøj. Undgå løse beklædningsgenstande eller smykker. Hold hår, tøj og handsker væk fra dele, der bevæger sig.** Dele, der er i bevægelse, kan gribe fat i løstsiddende tøj, smykker eller langt hår.
 - Hvis støvudsugnings- og opsamlingsudstyr kan monteres, er det vigtigt, at dette tilsluttes og benyttes korrekt.** Brug af en støvopsugning nedsætter risikoen for personskader som følge af støv.
- ### 4) OMHYGGELIG OMGANG MED OG BRUG AF EL-VÆRKTØJ
- Undgå overbelastning af maskinen. Brug altid en maskine, der er beregnet til det stykke arbejde, der skal udføres.** Med den rigtige maskine arbejder man bedst og mest sikkert inden for det angivne effektområde.
 - Brug ikke en maskine, hvis afbryder er defekt.** En maskine, der ikke kan startes og stoppes, er farlig og skal repareres.
 - Træk stikket ud af stikkontakten og/eller fjern akkuen, inden maskinen indstilles, der skiftes tilbehørsdele, eller maskinen lægges fra.** Disse sikkerhedsforanstaltninger forhindrer utilsigtet start af maskinen.
 - Opbevar ubenyttet el-værktøj uden for børns rækkevidde. Lad aldrig personer, der ikke er fortrolige med maskinen eller ikke har gennemlæst disse instrukser, benytte maskinen.** El-værktøj er farligt, hvis det benyttes af ukundige personer.
 - Maskinen bør vedligeholdes omhyggeligt. Kontroller, om bevægelige dele fungerer korrekt og ikke sidder fast, og om delene er brækket eller beskadiget, således at maskinens funktion påvirkes. Få beskadigede dele repareret, inden maskinen tages i brug.** Mange uheld skyldes dårligt vedligeholdte maskiner.
 - Sørg for, at skæreværktøjet er skarpe og rene.** Omhyggeligt vedligeholdte skæreværktøjet med skarpe skærekanter sætter sig ikke så hurtigt fast og er nemmere at føre.
 - Brug el-værktøj, tilbehør, indsatsværktøj osv. iht. disse instrukser. Tag hensyn til arbejdsforholdene og det arbejde, der skal udføres.** I tilfælde af anvendelse af værktøjet til formål, som ligger uden for det fastsatte anvendelsesområde, kan der opstå farlige situationer.

5) OMHYGGELIG OMGANG MED OG BRUG AF AKKU-MASKINER

- a) **Oplad kun akku'er i ladeaggregater, der er anbefalet af fabrikanten.** Et ladeaggregat, der er egnet til en bestemt type akku'er, må ikke benyttes med andre akku'er - brandfare.
 - b) **Brug kun de akku'er, der er beregnet til el-værktøjet.** Brug af andre akku'er øger risikoen for personskader og er forbundet med brandfare.
 - c) **Ikke benyttede akku'er må ikke komme i berøring med kontorclips, mønter, nøgler, søm, skruer eller andre små metalgenstande, da disse kan kortslutte kontakterne.** En kortslutning mellem akku-kontakterne øger risikoen for personskader i form af forbrændinger.
 - d) **NiMH akku'en anvendes forkert, kan der slippe væske ud af akku'en. Undgå at komme i kontakt med denne væske. Hvis det alligevel skulle ske, skylles med vand. Søg læge, hvis væsken kommer i øjnene.** Akku-væske kan give hudirritation eller forbrændinger.
- ## 6) SERVICE
- a) **Sørg for, at maskinen kun reparerer af kvalificerede fagfolk, og at der kun benyttes originale reservedele.** Dermed sikres størst mulig maskinsikkerhed.

SIKKERHEDSINSTRUKSER FOR TRÅDLØSE FORSEGLINGSPISTOLER

- Kontrollér altid at forsyningsspændingen er den samme som den spænding, der er anført på opladerens navneskilt (oplader med betegnelsen 230V eller 240V kan også tilsluttes til 220V)
- I tilfælde af elektrisk eller mekanisk fejlfunktion skal værktøjet straks afbrydes eller opladeren fjernes fra stikkontakten
- SKIL kan kun sikre en korrekt funktion af værktøjet, hvis der benyttes den rigtige tilbehør, som kan fås hos SKIL-forhandleren
- Værktøj/oplader er ikke beregnet til brug for personer (herunder børn), der har nedsatte fysiske, sensoriske eller mentale evner eller mangel på erfaring og viden, med mindre disse personer er blevet givet instruktion og supervision i brugen af værktøjet/opladeren fra en person, som er ansvarlig for deres sikkerhed
- Børn må ikke lege med dette værktøj/oplader

OPLADNING/BATTERIERNE

- Oplad kun batteriet i den leverede lader
- Berør ikke kontaktpunkterne i opladeren
- Oplad ikke batteriet i fugtige eller våde omgivelser
- Sæt ikke værktøj/opladeren/batteriet ud i regn
- Opbevar værktøj/opladeren/batteriet i et lokale, hvor temperaturen ikke overstiger 40°C eller falder under 0°C
- Batterier vil eksplodere, hvis de kommer i ild, så forsøg aldrig at brænde batteriet
- Brug ikke opladeren hvis den er beskadiget; send den til et sikkerhedscheck hos et autoriseret SKIL service værksted
- Brug ikke opladeren, hvis ledning eller stik er beskadiget; ledning eller stik bør straks udskiftes på et autoriseret SKIL service værksted
- Brug ikke batteriet hvis de er beskadiget; de bør erstatte straks
- Skille ikke opladeren eller batteriet ad

- Forsøg ikke at oplade batterierne, som ikke kan genoplades, med opladeren

FORKLARING TIL SYMBOLERNE PÅ LADER/BATTERI

- ④ Benyt kun laderen indendørs
- ⑤ Dobbelt isolering (jordforbindelse unødvendig)
- ⑥ Fejlsikker transformatorisolering (strømkilden er elektrisk adskilt fra transformatorens output)
- ⑦ Automatisk afbrydelse, når laderen bliver for varm (den termiske sikring går, og laderen er ikke mere funktionsdygtig)
- ⑧ Forkert polaritet på laderens tilslutning kan medføre fare (lad kun batteriet op med den medfølgende lader)
- ⑨ Opladeren må ikke bortskaffes som almindeligt affald
- ⑩ Batteriet må ikke bortskaffes som almindeligt affald
- ⑪ NiMH-teknologi giver mere energi på en mere miljøvenlig måde

BETJENING

- Opladning af batteriet ⑫
 - på nye værktøj er batteriet ikke fuldt opladet
- ! **fjern batteriet fra opladeren efter opladningsperioden er slut, hvilket forøger batteriets levetid**

VIGTIGT:

- efter 3 timer vil opladningen være færdig, og batteriet kan anvendes, **selvom det røde lys stadig er tændt** (det røde lys kan kræve mere end 3 timer for at slukke)
- under opladning kan opladeren og batteriet blive varme at røre ved; dette er normalt og er ikke et tegn på et problem
- kontroller, at batteriets udvendige overflade er ren og tør, før det sættes i opladeren
- oplad ikke i temperature under 0°C og over 40°C; dette vil i høj grad skade batteriet og opladeren
- fjern ikke batteriet fra værktøjet medens der arbejdes
- ! **en ny batteri eller en batteri, som ikke har været benyttet i længere tid, yder først fuld kapacitet efter ca. 5 opladninger/afledninger**
- oplad ikke batteriet efter få minutters brug; dersom De gør dette, kan resultatet blive en reduktion af arbejdstiden og batteriet kapacitet
- nikkel-metalhydrid batteriet kan forurene naturen og må ikke blandes med almindeligt affald (symbolet ⑩ erindrer dig om dette, når udskiftning er nødvendig)
- ! **beskyt batteri terminaler med bredt tape for at undgå kortslutning**
- hvis værktøjet i længere tid ikke bliver benyttet, er det bedst at trække opladerens stik ud af stikkontakten
- Indføring af patroner ⑬
 - åbn en standardpatron med en hobbykniv
 - sæt dysen oven på den åbne patron
 - skub mindst 2 cm af dysespidsen af i en vinkel på 45°, så åbningen er stor nok, når du indstiller maskinen på den højeste hastighed
 - skub kontakt A til venstre
 - skub stemplet B tilbage til dets startposition, indtil det smækker i lås (hvis det undlades, fungerer stemplet ikke rigtigt)
 - åbn patrondækslet C
 - sæt patronen så langt ind, at bunden når til bagsiden af bærerammen D
 - luk patrondækslet C

- Tænd/sluk ¹⁴
 - skub kontakt A til højre for at låse udløserkontakten E op
 - tænd/sluk for maskinen ved at trykke på/slippe udløserkontakt E
 - maskinen slukker automatisk, når patronen er tom
 - ! **sørg for at kontakten A står i låst positionen efter hver brug** ¹⁵
- Variabel hastighed ¹⁶
 - mængden af forseglingsmiddel kan justeres med hjulet F (6 positioner)
 - find den optimale hastighed ved at lave en test på et ekstra stykke materiale, før du begynder på et arbejde
 - ! **hvis maskinen ikke kører med hjul F i position 1, kan du justere hastigheden og samtidig trykke på udløserkontakten E ², indtil den optimale indstilling er fundet**
- Påføring af forseglingsmiddel ¹⁷
 - sørg for at det område, der skal forsegles, er rent og tørt (fjern eventuelt gammelt forseglingsmiddel)
 - skub kontakt A til højre og tryk på udløserkontakten E for at starte strømmen af forseglingsmiddel
 - hold maskinen i en lille vinkel og før forsigtigt maskinen i jævn fart langs med den sprække/revne, der skal fyldes, og tryk samtidig på udløserkontakten E
 - sørg for, at forseglingsmidlet kommer helt i berøring med begge de flader, der skal forsegles
 - slip udløserkontakten E for at standse strømmen af forseglingsmiddel
 - skub kontakt A til venstre straks efter at have sluppet udløserkontakten E, så du undgår at spilde forseglingsmiddel
 - efter påføringen kan du trække en fugtet finger langs med forseglingsmiddelstrømmen og fjerne alt overskydende forseglingsmiddel med en ren, fugtig klud
 - ! **fjern alle rester af forseglingsmiddel fra patron dysen og bærerammen**
- Elektronisk overbelastnings beskyttelse

Standser automatisk motoren, hvis der udløses for stærkt tryk på patronen, og beskytter dermed værktøjet og patronen mod beskadigelse

 - slip udløserkontakt E
 - lad elektronikken nulstille i 5 sekunder
 - tryk på udløserkontakt E
 - hvis motoren standser igen, bevæges hjulet F til midterpositionen, og der trykkes igen på udløserkontakt E

For at undgå overbelastning skal man altid kontrollere at

 - der er skåret mindst 2 cm af dysespidsen
 - hærdnet materiale er fjernet fra dysen
 - patronen ikke er beskadiget eller frossen
 - der ikke er forseglingsmiddel på bærerammen
 - den laveste mulige hastighedsindstilling er valgt
- Fejlfinding

Hvis stempel B ² holder op med at bevæge sig fremad midt under forseglingsarbejdet

 - sluk for maskinen
 - fjern patronen fra bærerammen D ²
 - skub kontakt A ² til venstre
 - ! **skub stempel B tilbage til dets startposition, indtil det smækker i lås**
 - sæt patronen i igen

- skub kontakt A til højre
- tryk på udløserkontakt E ² for at fortsætte med forseglingsarbejdet

VEDLIGEHODELSE/SERVICE

- Hold Deres værktøj og oplader ren
 - rens kontaktfladerne i opladeren med alkohol eller anden reneevæske
 - ! **fjern opladeren fra stikkontakten før rensning**
- Hold bærerammen D ² fri for rester af forseglingsmiddel med en ren, fugtig klud
- Skulle el værktøjet/opladeren trods omhyggelig fabrikation og kontrol holde op med at fungere, skal reparationen udføres af et autoriseret serviceværksted for SKIL-elektroværktøj
 - send venligst det **uskilte** værktøj eller oplader sammen med et køb-bevis til din forhandler eller nærmeste autoriseret SKIL service værksted (adresser og reservedelstegning af værktøjet findes på www.skilmasters.com)
 - i tilfælde af at opladeren er defekt, send **både opladeren og batteriet** til din forhandler eller til et SKIL service værksted

MILJØ

- **Elværktøj, tilbehør og emballage må ikke bortskaffes som almindeligt affald** (kun for EU-lande)
 - i henhold til det europæiske direktiv 2012/19/EF om bortskaffelse af elektriske og elektroniske produkter og gældende national lovgivning, skal brugt elværktøj indsamles separat og bortskaffes på en måde, der skåner miljøet mest muligt
 - symbolet ⁹ erindrer dig om dette, når udskiftning er nødvendig

OVERENSSTEMMELSESERKLÆRING CE

- Vi erklærer under almindeligt ansvar, at det produkt, der er beskrevet under "Tekniske data", er i overensstemmelse med følgende standarder eller normative dokumenter: EN 60335, EN 61000, EN 60745, EN 55014, i henhold til bestemmelserne i direktiverne 2006/95/EF, 2004/108/EF, 2006/42/EF, 2011/65/EU
- **Teknik dossier hos:** SKIL Europe BV (PT-SEU/ENG1), 4825 BD Breda, NL

Marijn van der Hoofden
Operations & Engineering

Olaf Dijkgraaf
Approval Manager

SKIL Europe BV, 4825 BD Breda, NL

13.08.2014

STØJ/VIBRATION

- Måles efter EN 60745 er lydtrykniveau af dette værktøj <70 dB(A) (standard deviation: 3 dB) og vibrationsniveauet <2,5 m/s² (hånd-arm metoden; usikkerhed K = 1,5 m/s²)

- Det vibrationsnivåu er målt i henhold til den standardiserte test som anført i EN 60745; den kan benyttes til at sammenligne to stykker værktøy og som en foreløbig bedømmelse af udsættelsen for vibrationer, når værktøjet anvendes til de nævnte formål
 - anvendes værktøjet til andre formål eller med andet eller dårligt vedlikeholdt tilbehør, kan dette **øge** udsættelsesnivåuet betydeligt
 - de tidsrum, hvor værktøjet er slukket, eller hvor det kører uten reelt at utføre noget arbeid, kan **reducere** udsættelsesnivåuet betydeligt
- ! **beskyt dig selv imod virkningerne af vibrationer ved at vedlikeholde værktøjet og dets tilbehør, ved at holde dine hender varme og ved at organisere dine arbeidsmønstre**

N

Oppladbar fugepistol

2055

INTRODUKSJON

- Dette verktøyet er konstruert for å påføre tetningsmasse fra standardpatroner
- Les og ta vare på denne brukerveiledningen ③

TEKNISKE DATA ①

VERKTØYELEMENTER ②

- A Flerfunksjonsbryter
- B Stempel
- C Patrondeksel
- D Bæreramme
- E Utløsningsbryter
- F Hastighetshjul

SIKKERHET

GENERELLE SIKKERHETSANVISNINGER

⚠ OBS! Les gjennom alle advarslene og anvisningene. Feil ved overholdelsen av advarslene og nedenstående anvisninger kan medføre elektriske støt, brann og/eller alvorlige skader. **Ta godt vare på alle advarslene og informasjonene.** Det nedenstående anvendte uttrykket "elektroverktøy" gjelder for strømdeevne elektroverktøy (med ledning) og batteridrevne elektroverktøy (uten ledning).

1) SIKKERHET PÅ ARBEIDSPLASSEN

- a) **Hold arbeidsområdet rent og ryddig.** Rotete arbeidsområder eller arbeidsområder uten lys kan føre til ulykker.
- b) **Ikke arbeid med maskinen i eksplosjonsutsatte omgivelser – der det befinner seg brennbare væsker, gass eller støv.** Elektroverktøy lager gnister som kan antenne støv eller damper.
- c) **Hold barn og andre personer unna når elektroverktøyet brukes.** Hvis du blir forstyrret under arbeidet, kan du miste kontrollen over maskinen.

2) ELEKTRISK SIKKERHET

- a) **Støpselet til maskinen må passe inn i stikkkontakten. Støpselet må ikke forandres på noen som helst måte. Ikke bruk adapterstøpsler sammen med jordede maskiner.** Bruk av støpsler som ikke er forandret på og passende stikkontakter reduserer risikoen for elektriske støt.
- b) **Unngå kroppskontakt med jordede overflater slik som rør, ovner, komfyrer og kjøleskap.** Det er større fare ved elektriske støt hvis kroppen din er jordet.
- c) **Hold maskinen unna regn eller fuktighet.** Dersom det kommer vann i et elektroverktøy, øker risikoen for elektriske støt.
- d) **Ikke bruk ledningen til andre formål, f.eks. til å bære maskinen, henge den opp eller trekke den ut av stikkkontakten. Hold ledningen unna varme, olje, skarpe kanter eller maskindeler som beveger seg.** Med skadede eller opphopede ledninger øker risikoen for elektriske støt.
- e) **Når du arbeider utendørs med et elektroverktøy, må du kun bruke en skjøteledning som er godkjent til utendørs bruk.** Når du bruker en skjøteledning som er egnet for utendørs bruk, reduseres risikoen for elektriske støt.
- f) **Hvis det ikke kan unngås å bruke elektroverktøyet i fuktige omgivelser, må du bruke en jordfeilbryter.** Bruk av en jordfeilbryter reduserer risikoen for elektriske støt.

3) PERSONSIKKERHET

- a) **Vær oppmerksom, pass på hva du gjør, gå fornuftig frem når du arbeider med et elektroverktøy. Ikke bruk maskinen når du er trett eller er påvirket av narkotika, alkohol eller medikamenter.** Et øyeblikks uoppmerksomhet ved bruk av maskinen kan føre til alvorlige skader.
- b) **Bruk personlig verneutstyr og husk alltid å bruke vernebriller.** Bruk av personlig sikkerhetsutstyr som støvmaske, sklifaste arbeidssko, hjelm eller hørselvern – avhengig av type og bruk av elektroverktøyet – reduserer risikoen for skader.
- c) **Unngå å starte verktøyet ved en feiltagelse. Forviss deg om at elektroverktøyet er slått av før du kobler det til strømmen og/eller batteriet, løfter det opp eller bærer det.** Hvis du holder fingeren på bryteren når du bærer elektroverktøyet eller kobler elektroverktøyet til strømmen i innkoblet tilstand, kan dette føre til uhell.
- d) **Fjern innstillingsverktøy eller skrunøkler før du slår på elektroverktøyet.** Et verktøy eller en nøkkel som befinner seg i en roterende maskindel, kan føre til skader.
- e) **Ikke overvurder deg selv. Sørg for å stå stødig og i balanse.** Dermed kan du kontrollere maskinen bedre i uventede situasjoner.
- f) **Bruk alltid egnete klær. Ikke bruk vide klær eller smykker. Hold hår, tøy og hansker unna deler som beveger seg.** Løstsittende tøy, smykker eller langt hår kan komme inn i deler som beveger seg.
- g) **Hvis det kan monteres støvavsug- og oppsamlingsinnretninger, må du forvisse deg om at disse er tilkoblet og brukes på korrekt måte.** Bruk av et støvavsug reduserer faren på grunn av støv.

4) AKTSOM HÅNDTERING OG BRUK AV ELEKTROVERKTØY

- a) **Ikke overbelast maskinen. Bruk et elektroverktøy som er beregnet til den type arbeid du vil utføre.** Med et passende elektroverktøy arbeider du bedre og sikrere i det angitte effektområdet.
- b) **Ikke bruk elektroverktøy med defekt på-/avbryter.** Et elektroverktøy som ikke lenger kan slås av eller på, er farlig og må repareres.
- c) **Trekk støpselet ut av stikkkontakten og/eller fjern batteriet før du utfører innstillinger på elektroverktøyet, skifter tilbehørsdeler eller legger maskinen bort.** Disse tiltakene forhindrer en utilsiktet startung av maskinen.
- d) **Elektroverktøy som ikke er i bruk må oppbevares utilgjengelig for barn. Ikke la maskinen brukes av personer som ikke er fortrolig med dette eller ikke har lest disse anvisningene.** Elektroverktøy er farlige når de brukes av uerfarne personer.
- e) **Vær nøye med vedlikeholdet av maskinen. Kontroller om bevegelige maskindeler fungerer feilfritt og ikke klemmes fast, og om deler er brukket eller skadet, slik at dette innvirker på maskinens funksjon. La skadede deler repareres før maskinen brukes.** Dårlig vedlikeholdte elektroverktøy er årsaken til mange uhell.
- f) **Hold skjæreverktøyene skarpe og rene.** Godt stelte skjæreverktøy med skarpe skjær setter seg ikke så ofte fast og er lettere å føre.
- g) **Bruk elektroverktøy, tilbehør, verktøy osv. i henhold til disse anvisningene. Ta hensyn til arbeidsforholdene og arbeidet som skal utføres.** Bruk av elektroverktøy til andre formål enn det som er angitt kan føre til farlige situasjoner.

5) AKTSOM HÅNDTERING OG BRUK AV BATTERIDREVNE VERKTØY

- a) **Lad batteriet kun opp i ladeapparater som er anbefalt av produsenten.** Det oppstår brannfare hvis et ladeapparat som er egnet til en bestemt type batterier, brukes med andre batterier.
- b) **Bruk derfor kun riktig type batterier for elektroverktøyene.** Bruk av andre batterier kan medføre skader og brannfare.
- c) **Hold batteriet som ikke er i bruk unna binders, mynter, nøkler, spikre, skruer eller andre mindre metallgjenstander, som kan lage en forbindelse mellom kontaktene.** En kortslutning mellom batterikontaktene kan føre til forbrenninger eller brann.
- d) **Ved gal bruk kan det lekke væske ut av batteriet. Unngå kontakt med denne væsken. Ved tilfeldig kontakt må det skylles med vann. Hvis det kommer væske i øynene, må du i tillegg oppsøke en lege.** Batterivæske som renner ut kan føre til irritasjoner på huden eller forbrenninger.

6) SERVICE

- a) **Maskinen din skal alltid kun repareres av kvalifisert fagpersonale og kun med originale reservedeler.** Slik opprettholdes maskinens sikkerhet.

SIKKERHETSANVISNINGER FOR OPPLADBAR FUGEPISTOL

- Sjekk alltid at tilført spenningen er den samme som oppgitt på laderens merkeplate (lader som er betegnet med 230V eller 240V kan også koples til et 220V strømuttak)
- I tilfelle noe elektrisk eller mekanisk unormalt, slå øyeblikkelig av bryteren eller ta ut laderen fra stikkkontakten
- SKIL kan kun garantere et feilfritt verktøy dersom riktig tilbehør brukes, som leveres fra SKIL-forhandleren på stedet
- Verktøyet/laderen må ikke brukes av barn eller personer med fysiske eller sansemessige handicap, eller som er mentalt tilbakestående, eller mangler erfaring og kunnskaper, med mindre de er under tilsyn og får opplæring i bruk av verktøyet/laderen av en person som er ansvarlig for sikkerheten deres
- Sørg for at barn ikke får anledning til å leke med verktøyet/laderen

LADING/BATTERIENE

- Lad alltid batteriet med laderen som følger med
- Ikke berør kontaktene i laderen
- Batteriet må ikke lades i fuktige eller våte omgivelser
- Utsett ikke verktøy/lader/batteriet for regn
- Oppbevar verktøy/lader/batteriet på et sted der temperaturen ikke overstiger 40°C eller faller enn 0°C
- Batterier vil eksplodere hvis de blir brent, derfor må man aldri brenne batteriene
- Bruk ikke laderen når den er skadet; ta den med til et autorisert SKIL serviceverksted for en sikkerhetssjekk
- Bruk ikke laderen dersom ledning eller plugg er skadet; ledning eller plugg bør straks skiftes ut på et autorisert SKIL serviceverksted
- Bruk ikke batteriet når de er skadet; de må byttes ut umiddelbart
- Demontere ikke lader eller batteriet
- Forsøk ikke å lade opp batterier, som ikke er oppladbare, med laderen

FORKLARING AV SYMBOLER PÅ LADER/BATTERI

- ④ Laderen skal kun brukes innendørs
- ⑤ Dobbeltisolert (ikke nødvendig med jordingsleder)
- ⑥ Sikker isolasjonstransformator (strømkilden er elektrisk adskilt fra transformatorens utgang)
- ⑦ Automatisk utkobling når laderen blir for varm (termisk sikring løser ut og laderen kan ikke brukes)
- ⑧ Ombytting av polene ved tilkobling av laderen kan medføre fare (batteriet skal kun lades med den medfølgende laderen)
- ⑨ Kast aldri lader i husholdningsavfallet
- ⑩ Kast aldri batteriet i husholdningsavfallet
- ⑪ NiMH-teknologi gir mer energi og mindre forurensing av miljøet

BRUK

- Batteriopplading ⑫
 - batteriet er ikke fullt oppladet på nye verktøy
 - ! ta ut batteriet fra laderen etter ladetiden er ute; slik forlenges levetid av batteriet

VIKTIG:


- etter 3 timer er lading fullført og batteriet kan brukes, **selv om det røde lyset fremdeles kan være tent** (idet det røde lyset kan trenge mer enn 3 timer for å slå seg av)
- under lading kan laderen og batteriet være varm å berøre; dette er vanlig og indikerer ikke et problem
- se til at overflaten på batteriet er ren og tørr før det settes i laderen
- opplading må ikke foregå ved temperaturer lavere enn 0°C og over 40°C; dette vil forårsake alvorlig skade på batteriet og laderen
- ta ikke ut batteriet mens verktøyet er i gang
- ! **ett nytt batteri eller et batteri som ikke har vært brukt over lengre tid gir først sin fulle effekt etter ca. 5 oppladings-/utladingsssykluser**
- gjenta ikke oppladingen etter kun noen få minutters bruk; dette kan resultere i reduksjon av brukstiden og effektiviteten
- nikkelmetallhydrid batteriet må oppbevares adskilt fra miljø og må ikke kastes som vanlig husholdningsavfall (symbolet ⑩ er påtrykt som en påmindelse for riktig avhendelse av batteriet når nødvendig)
- ! **før batteriene kastes, tape polene med tykk tape for å unngå kortslutning**
- dersom verktøyet ikke har vært benyttet på lang tid er det best å trekke laderen ut av stikkkontakten
- Innsetting av patroner ⑬
 - åpne en standardpatron med en passende kniv
 - monter munnstykket på den åpnete patronen
 - kutt av minst 2 cm av munnstykket i en vinkel på 45°, slik at åpningen er stor nok for bruk av maksimal hastighetsinnstilling
 - skyv bryteren A mot venstre
 - skyv stampelet B tilbake til sin startposisjon inntil det snepper på plass (hvis ikke, vil det senere føre til at stampelet ikke fungerer som det skal)
 - åpne patrondekselet C
 - sett i patronen slik at bunnen når helt fram til bakre del av patronrammen D
 - lukk patrondekselet C
- Av/på ⑭
 - skyv bryteren A mot høyre for å frigjøre utløserbryteren E
 - slå verktøyet på og av ved å trykke på eller frigjøre utløserbryteren E
 - verktøyet slår seg av automatisk når patronen er tom
 - ! **se til at bryteren A står i låst posisjon hver gang etter bruk ⑮**
- Variabel hastighet ⑯
 - utmatingsmassen kan justeres ved hjelp av hjulet F (6 posisjoner)
 - finn optimal hastighet ved å teste på overflødig materiell før du begynner å jobbe
 - ! **hvis verktøyet ikke virker med hjulet F i posisjon 1, kan du justere hastigheten samtidig som du presser inn utløserbryteren E ② inntil du finner optimal innstilling**
- Påføring av tetningsmasse ⑰
 - se til at området som skal behandles, er rent og tørt (fjern gammel masse, hvis det er aktuelt)
 - skyv bryteren A mot høyre, og press deretter utløserbryteren E for å starte utmatningen av massen

- hold verktøyet lett skråstilt og beveg det forsiktig med jevn fart langs åpningen/sprekken som skal fylles, mens du klemmer inn utløserbryteren E
- se til at massen holder full kontakt med begge overflatene som skal tettes
- slipp utløserbryteren E for å stoppe utmatningen av masse
- for å unngå søl skyver du bryteren A mot venstre så snart du har sluppet utløserbryteren E
- dra med en fuktig finger langs fugen etter påføring; fjern overflødig masse ved hjelp av en ren, fuktig klut
- ! **fjern gjenværende rester av massen fra patronens munnstykke og fra bærerammen**
- Elektronisk overbelastningsbeskyttelse
 - Stopper motoren automatisk hvis det legges på for mye press på patronen, slik at man unngår at verktøyet eller patronen blir skadd
 - slipp utløserbryteren E
 - la det gå 5 sekunder for tilbakestilling av elektronikken
 - press inn utløserbryteren E
 - hvis motoren stopper igjen, flytt hjulet F til midtstilling og trykk inn utløserbryteren E igjen
- Gjennomfør følgende forholdsregler for å unngå overbelastning
 - kutt av munnstykket minst 2 cm
 - fjern herdet masse fra munnstykket
 - se til at patronen ikke er skadet eller frossen
 - hold bærerammen fri for tetningsmasse
 - velg lavest mulig hastighetsinnstilling
- Problemløsning
 - Hvis stampelet B ② stopper å bevege seg midt under fugejobben
 - slå av verktøyet
 - fjern patronen fra bærerammen D ②
 - skyv bryteren A ② mot venstre
 - ! **skyv stampelet B tilbake til sin startposisjon inntil det snepper på plass**
 - sett patronen på plass igjen
 - skyv bryteren A mot høyre
 - press inn utløserbryteren E ② for å fortsette jobben

VEDLIKEHOLD / SERVICE

- Hold verktøyet og laderen ren
 - rengjør kontakten i laderen med alkohol eller kontaktrens
 - ! **ta ut laderen fra stikkkontakten før rengjøring**
- Hold bærerammen D ② fri for fugemasserester ved å tørke med en ren, fuktig klut
- Hvis elektroverktøyet/laderen til tross for omhyggelige produksjons- og kontrollmetoder en gang skulle svikte, må reparasjonen utføres av et autorisert serviceverksted for SKIL-elektroverktøy
 - send verktøyet eller laderen i **montert** tilstand med kjøpsbevis til leverandøren eller nærmeste SKIL serviceverksted (adresser liksom service diagram av verktøyet finner du på www.skilmasters.com)
 - dersom laderen er defekt send **både laderen og batteriet** til leverandøren eller til SKIL sin serviceverksted

MILJØ

- **Kast aldri elektroverktøy, tilbehør og emballasje i husholdningsavfallet** (kun for EU-land)
 - i henhold til EU-direktiv 2012/19/EF om kasserte elektriske og elektroniske produkter og direktivets iverksetting i nasjonal rett, må elektroverktøy som ikke lenger skal brukes, samles separat og returneres til et miljøvennlig gjenvinningsanlegg
 - symbolet  er påtrykt som en påminnelse når utskifting er nødvendig

SAMSVARERKLÆRING

- Vi erklærer som eneansvarlig at produktet som beskrives under "Tekniske data" stemmer overens med følgende normer eller normative dokumenter: EN 60335, EN 61000, EN 60745, EN 55014, jf. bestemmelsene i direktivene 2006/95/EF, 2004/108/EF, 2006/42/EF, 2011/65/EU
- **Tekniske underlag hos:** SKIL Europe BV (PT-SEU/ENG1), 4825 BD Breda, NL

Marijn van der Hoofden
Operations & Engineering

Olaf Dijkgraaf
Approval Manager

SKIL Europe BV, 4825 BD Breda, NL

13.08.2014


STØY/VIBRASJON

- Målt ifølge EN 60745 er lydtryknivået av dette verktøyet <70 dB(A) (standard deviasjon: 3 dB) og vibrasjonsnivået <2,5 m/s² (hånd-arm metode; usikkerhet K = 1,5 m/s²)
 - Det avgitte vibrasjonsnivået er blitt målt i samsvar med en standardisert test som er angitt i EN 60745; den kan brukes til å sammenligne et verktøy med et annet, og som et foreløpig overslag over eksponering for vibrasjoner ved bruk av verktøyet til de oppgavene som er nevnt
 - bruk av verktøyet til andre oppgaver, eller med annet eller mangelfullt vedlikeholdt utstyr, kan gi en vesentlig **økning** av eksponeringsnivået
 - tidsrommene når verktøyet er avslått eller når det går men ikke arbeider, kan gi en vesentlig **reduksjon** av eksponeringsnivået
- ! beskytt deg selv mot virkningene av vibrasjoner ved å vedlikeholde verktøyet og utstyret, holde hendene varme og organisere arbeidsmåten din**

FIN

Akkukjørtøien saumauspistol 2055

ESITTELY

- Tämä työkalu on tarkoitettu saumausmassojen levittämiseen vakiopatrunoista
- Lue ja säilytä tämä ohjekirja 


TEKNISET TIEDOT

LAITTEEN OSAT

- A Monitoimikytkin
- B Mäntä
- C Patruunakansi
- D Runko
- E Kytkin
- F Nopeudenvaihtin

TURVALLISUUS

YLEISET TURVALLISUUSOHJEET

 HUOMIO! Lue kaikki turvallisuus- ja muut ohjeet. Turvallisuusohjeiden noudattamisen laiminlyönti saattaa johtaa sähköiskuun, tulipaloon ja/tai vakavaan loukkaantumiseen. **Säilytä kaikki turvallisuus- ja muut ohjeet tulevaisuutta varten.** Turvallisuusohjeissa käytetty käsite "sähkötyökalu" käsittää verkkokäyttöisiä sähkötyökaluja (verkkojohdolla) ja akkukäyttöisiä sähkötyökaluja (ilman verkkojohdotta).

1) TYÖPAIKAN TURVALLISUUS

- Pidä työskentelyalue puhtaana ja hyvin valaistuna.** Työpaikan epäjärjestys tai valaisemattomat työalueet voivat johtaa tapaturmiin.
- Älä työskentele sähkötyökalulla räjähdysalttiissa ympäristössä, jossa on palavaa nestettä, kaasua tai pölyä.** Sähkötyökalu muodostaa kipinöitä, jotka saattavat sytyttää pölyn tai höyryt.
- Pidä lapset ja sivulliset loitolla sähkötyökalua käyttäessäsi.** Voit menettää laitteesi hallinnan, huomiosi suuntautuessa muualle.

2) SÄHKÖTURVALLISUUS

- Sähkötyökalun pistotulpan tulee sopia pistorasiaan. Pistotulppaa ei saa muuttaa millään tavalla. Älä käytä mitään pistorasia-adaptoreita maadoitettujen sähkötyökalujen kanssa.** Alkuperäisessä kunnossa olevat pistotulpat ja sopivat pistorasiat vähentävät sähköiskun vaaraa.
- Vältä koskettamasta maadoitettuja pintoja, kuten putkia, pattereita, liesiä tai jääkaappeja.** Sähköiskun vaara kasvaa, jos kehoosi on maadoitettu.
- Älä aseta sähkötyökalua alttiiksi sateelle tai kosteudelle.** Veden tunkeutuminen sähkötyökalun sisään kasvattaa sähköiskun riskiä.
- Älä käytä verkkojohdotta väärin. Älä käytä sitä sähkötyökalun kantamiseen, vetämiseen tai pistotulpan irrottamiseen pistorasiasta. Pidä johto loitolla kuumuudesta, öljystä, terävistä reunoista ja liikkuvista osista.** Vahingoittuneet tai soikeutuneet johdot kasvattavat sähköiskun vaaraa.
- Käyttäessäsi sähkötyökalua ulkona, käytä ainoastaan ulkokäyttöön soveltuva jatkajohtoa.** Ulkokäyttöön soveltuvan jatkojohdon käyttö pienentää sähköiskun vaaraa.
- Jos sähkötyökalun käyttö kosteassa ympäristössä ei ole vältettävissä, tulee käyttää maavuotokatkaisijaa.** Maavuotokatkaisijan käyttö vähentää sähköiskun vaaraa.

3) HENKILÖTURVALLISUUS

- a) **Ole valpas, kiinnitä huomiota työskentelyysi ja noudata tervettä järkeä sähkötyökalua käyttäessäsi. Älä käytä sähkötyökalua, jos olet väsynyt tai huumeiden, alkoholin tahi lääkkeiden vaikutuksen alaisena.** Hetken tarkkaamattomuus sähkötyökalua käytettäessä, saattaa johtaa vakavaan loukkaantumiseen.
- b) **Käytä suojavarusteita. Käytä aina suojalaseja.** Henkilökohtaisen suojavarustuksen käyttö, kuten pölynaamarin, luistamattomien turvakengien, suojakypärän tai kuulonsuojaimien, riippuen sähkötyökalun lajista ja käyttötavasta, vähentää loukkaumisriskiä.
- c) **Vältä tahatonta käynnistämistä. Varmista, että sähkötyökalu on poiskytkettynä, ennen kuin liität sen sähköverkkoon ja/tai liität akun, otat sen käteen tai kannat sitä.** Jos kannat sähkötyökalua sormi käynnistyskytkimellä tai kytket sähkötyökalun pistotulpan pistorasiaan, käynnistyskytkimen ollessa käyntiasennossa, altistat itsesi onnettomuuksille.
- d) **Poista kaikki säätötyökalut ja ruuvitalat, ennen kuin käynnistät sähkötyökalun.** Työkalu tai avain, joka sijaitsee laitteen pyöriässä osassa, saattaa johtaa loukkaantumiseen.
- e) **Älä yliarvioid itseäsi. Huolehdi aina tukevasta seisoma-asennosta ja tasapainosta.** Täten voit paremmin hallita sähkötyökalua odottamattomissa tilanteissa.
- f) **Käytä tarkoitukseen soveltuvia vaatteita. Älä käytä löysiä työvaatteita tai koruja. Pidä hiukset, vaatteet ja käsineet loitolla liikkuvista osista.** Väljät vaatteet, korut ja pitkät hiukset voivat takertua liikkuviin osiin.
- g) **Jos pölynimu- ja keräilylaitteita voidaan asentaa, tulee sinun tarkistaa, että ne on liitetty ja että ne käytetään oikealla tavalla.** Pölynimulaitteiston käyttö vähentää pölyn aiheuttamia vaaroja.

4) SÄHKÖTYÖKALUJEN KÄYTTÖ JA HOITO

- a) **Älä ylikuormita laitetta. Käytä kyseiseen työhön tarkoitettua sähkötyökalua.** Sopivaa sähkötyökalua käyttäen työskentelet paremmin ja varmemmin tehoalueella, jolle sähkötyökalu on tarkoitettu.
- b) **Älä käytä sähkötyökalua, jota ei voida käynnistää ja pysäyttää käynnistyskytkimestä.** Sähkötyökalu, jota ei enää voida käynnistää ja pysäyttää käynnistyskytkimellä, on vaarallinen ja se täytyy korjata.
- c) **Irrota pistotulppa pistorasiasta, ennen kuin suoritat säätöjä, vaihdat tarvikkeita tai siirät sähkötyökalun varastoitavaksi.** Nämä turvatoimenpiteet pienentävät sähkötyökalun tahattoman käynnistysriskin.
- d) **Säilytä sähkötyökalut poissa lasten ulottuvilta, kun niitä ei käytetä. Älä anna sellaisten henkilöiden käyttää sähkötyökalua, jotka eivät tunne sitä tai jotka eivät ole lukeneet tätä käyttöohjetta.** Sähkötyökalut ovat vaarallisia, jos niitä käyttävät kokemattomat henkilöt.
- e) **Hoida sähkötyökalusi huolella. Tarkista, että liikkuvat osat toimivat moitteettomasti, eivätkä ole puristuksessa sekä, että siinä ei ole murtuneita tai vahingoittuneita osia, jotka saattaisivat vaikuttaa haitallisesti sähkötyökalun toimintaan. Anna korjauttaa mahdolliset viat ennen käyttöönottoa.**

Monen tapaturman syyt löytyvät huonosti huolletuista laitteista.

- f) **Pidä leikkausterät terävinä ja puhtaina.** Huolellisesti hoidetut leikkaustyökalut, joiden leikkausreunat ovat teräviä, eivät tartu helposti kiinni ja niitä on helpompi hallita.
- g) **Käytä sähkötyökaluja, tarvikkeita, vaihtotyökaluja jne. näiden ohjeiden mukaisesti. Ota tällöin huomioon työolosuhteet ja suoritettava toimenpide.** Sähkötyökalun käyttö muuhun kuin sille määrättyyn käyttöön, saattaa johtaa vaarallisiin tilanteisiin.

5) AKKUKÄYTTÖISTEN SÄHKÖTYÖKALUJEN KÄYTTÖ JA HOITO

- a) **Lataa akku vain valmistajan määräämässä latauslaitteessa.** Latauslaite, joka soveltuu määrättyntyyppiselle akulle, saattaa muodostaa tulipalovaaran erilaista akkua ladattaessa.
- b) **Käytä sähkötyökalussa ainoastaan kyseiseen sähkötyökaluun tarkoitettua akkua.** Jonkun muun akun käyttö saattaa johtaa loukkaantumiseen ja tulipaloon.
- c) **Pidä irrallista akkua loitolla metalliesineistä, kuten paperinliittimistä, kolikoista, avaimista, nauloista, ruuveista tai muista pienistä metalliesineistä, jotka voivat oikosulkea akun koskettimet.** Akkukoskettimien välinen oikosulku saattaa aiheuttaa palovammoja tai johtaa tulipaloon.
- d) **Väärästä käytöstä johtuen saattaa akusta vuotaa nestettä, jota ei tule koskettaa. Jos nestettä vahingossa joutuu iholle, huuhtelee kosketuskohta vedellä. Jos nestettä pääsee silmiin, tarvitaan tämän lisäksi lääkärin apua.** Akusta vuotava neste saattaa aiheuttaa ärsytystä ja palovammoja.

6) HUOLTO

- a) **Anna koulutettujen ammattihenkilöiden korjata sähkötyökalusi ja hyväksy korjauksiin vain alkuperäisiä varaosia.** Täten varmistat, että sähkötyökalu säilyy turvallisena.

AKKUKÄYTTÖISTEN SAUMAUSPISTOOLIJEN TURVALLISUUSOHJEET

- Tarkista aina, että syöttöjännite on sama kuin latauslaitteen nimiltaan osoittama jännite (latauslaitetta, joiden jännitetaso on 230V tai 240V, voidaan kytkeä myös 220V tason jännitteeseen)
 - Jos huomaat sähköisen tai mekaanisen vian, sammuta kone heti tai irrota latauslaite ajaksi pistorasiasta
 - SKIL pystyy takaamaan työkalun moitteettoman toiminnan vain, kun käytetään oikeita tarvikkeita, jotka ovat saatavana SKIL-myyntiliikkeestä
 - Työkalua/latauslaite ei ole tarkoitettu henkilöiden käyttöön (mukaan lukien lapset), joiden fyysinen, sensorinen tai henkinen viireys on rajoittunut tai joilla ei ole kokemusta tai tietämystä, ellei heidän turvallisuudestaan vastaava henkilö ole antanut heille ohjausta tai koulutusta työkalun/latauslaitetta käytössä
 - Varmista, etteivät lapset leiki laitteella/latauslaitteella
- #### LATAAMINEN/AKKU
- Lataa akku vain koneen mukana toimitetulla latauslaitteella
 - Älä koske latauslaitteessa olevia releitä
 - Älä lataa akkua kosteissa tai märissä olosuhteissa

- Suojele konettasi/latauslaitetta/akkua sateelta
- Säilytä konettasi/latauslaitetta/akkua paikoissa, joissa lämpötila ei nouse yli 40°C, eikä laske alle 0°C
- Akut räjähävätkin, jos ne hävitetään polttamalla, joten älä missään tapauksessa polta niitä
- Älä käytä vahingoittunutta latauslaitetta; vaan toimita se SKIL-keskushuoltoon tarkastettavaksi
- Älä käytä latauslaitetta, kun johto tai pistoke on vioittunut; johto ja pistoke olisi heti vaihdettava SKIL-keskushuollossa
- Älä käytä vahingoittunutta akkua, vaan vaihda se välittömästi
- Älä pura itse latauslaitetta tai akkua
- Älä lataa ladattavaksi soveltumattomia akkuja tällä laturilla

LATURISSA/AKUSSA SYMBOLIEN SELITYKSET

- ④ Käytä laturia vain sisätiloissa
- ⑤ Kaksoiseristys (ei tarvita majoittoa)
- ⑥ Turvallinen eristävä muuntaja (virtalähde on sähköisesti erillään muuntajan ulostulosta)
- ⑦ Automaattinen sammutus, kun laturi lämpenee liikaa (lämpösulake laukeaa eikä laturia voi käyttää)
- ⑧ Latauskytkennän väärä napaisuus voi aiheuttaa vaaran (lataa akku ainoastaan mukana tulevalla laturilla)
- ⑨ Älä hävitä latauslaitetta tavallisen kotitalousjätteen mukana
- ⑩ Älä hävitä akkua tavallisen kotitalousjätteen mukana
- ⑪ NiMH-teknologialla aikaansaadaan enemmän energiaa ympäristöä vähemmän saastuttavalla tavalla

KÄYTTÖ

- Akun lataus ¹²
 - uusien koneiden akku ei ole ladattu
- ! **irrota akku latauslaitteesta sen jälkeen kun lataus on valmis pidentääksesi akun käyttöikä**
- TÄRKEÄÄ HUOMIOITAVAA:
- 3 tuntia kuluttua lataus päättyy ja akkua voidaan käyttää, **vaikka punainen valo palaisikin vielä** (punaisen valon sammumiseen voi mennä enemmän kuin 3 tuntia)
- lataamisen aikana akku voi tuntua lämpimältä, kun sitä kosketellaan; tämä on normaalia eikä merkki mistään ongelmasta
- varmista, että akku on puhdas ja kuiva, ennen kuin asetat sen latauslaitteeseen
- älä lataa alle 0 °C:n tai yli 40 °C:n lämpötiloissa; akun ja latauslaite vaurioituvat siitä
- älä irrota akkua koneen käydessä
- ! **uusi tai kauan käyttämättä ollut akku saavuttaa täyden tehonsa vasta n. 5 lataus-purkausjakson jälkeen**
- älä lataa akkua uudelleen muutaman minuutin käytön jälkeen; tämä saattaa vähentää käyttöikää ja akun tehoa
- nikkelimetallihydridi-akkua ei saa jättää luontoon eikä heittää pois normaalin kotitalousjätteen tapaan (symboli ¹⁰) muistuttaa tästä, kun käytöstä poisto tulee ajankohtaiseksi)
- ! **poistaasi akun käytöstä peitä plus- ja miinusnapa sähköteipillä oikosulun estämiseksi**
- jos on odotettavissa, että työkalua ei käytetä pitkään aikaan, on parasta irrottaa latauslaite virtalähteestä

- Patruunan asettaminen ¹³
 - avaa vakiotyyppinen patruuna mattoveitsellä
 - kiinnitä suutin avattuun patruunaan
 - katkaise vähintään 2 cm suuttimen kärjestä 45 asteen kulmalla niin, että aukko on riittävän suuri käytettäessä suurinta syöttönopeutta
 - paina kytkin A vasemmalle
 - työnnä mäntää B takaisin sen aloitusasentoon, kunnes se napsahtaa paikalleen (jos se ei lukitu napsahtaan, seurauksena on myöhemmin männän toimintahäiriö)
 - avaa patruunakansi C
 - työnnä patruunaa, kunnes sen pohja osuu rungon D alaosaan
 - sulje patruunakansi C
- Virtakytkin ¹⁴
 - vapauta liipaisin työntämällä kytkin A oikealle kytkää sen pois päältä vapauttamalla liipaisimen E
 - voit kytkä laitteen päälle painamalla liipaisinta E ja kytkä sen pois päältä vapauttamalla liipaisimen E
 - virta katkaistaan automaattisesti, kun patruuna on tyhjä
- ! **tarkista ennen jokaista käyttökertaa, että kytkin A on lukitusasennossa ¹⁵**
- Nopeuden säätäminen ¹⁶
 - saumausmassan syöttönopeutta voi säätää nopeudenvälitsimellä F (6 asentoa)
 - ennen kuin aloitat työskentelemisen, etsi oikea syöttönopeus levittämällä saumausmassaa hukkapalalle
- ! **jos laite ei toimi nopeudenvälitsimen F ollessa asennossa 1, säädä nopeutta pitämällä samalla liipaisinta E ² painettuna, kunnes löydät ihanteellisen syöttönopeuden**
- Saumausmassan levittäminen ¹⁷
 - tarkista, että saumattava pinta on puhdas ja kuiva (poista tarvittaessa vanha saumausmassa)
 - käynnistä saumausmassan syöttö painamalla ensin kytkin A oikealle ja painamalla sitten liipaisinta E
 - pidä laitetta hieman vinoissa ja siirrä sitä varovasti asaisella nopeudella pitkin saumattavaa rakoa itämällä samalla liipaisinta E painettuna
 - varmista, että saumausmassa koskettaa molempia aumattavia pintoja
 - voit katkaista saumausmassan syötön vapauttamalla liipaisimen E
 - estä saumausmassan valuminen painamalla kytkin A asemalle heti, kun olet vapauttanut liipaisimen E
 - tasoita levitetty saumausmassa vetämällä kostealla ormella ja pyyhi ylimääräinen saumausmassa uhtaalla ja kostealla liinalla
- ! **poista kaikki saumausmassajäämät patruunan uuttimesta ja rungosta**
- Elektroninen ylikuormitusuoja
 - Pysäyttää moottorin automaattisesti, mikäli patruunaa painetaan liian kovaa, ja estää täten laitteen ja patruunan vahingoittumisen
 - vapauta liipaisin E
 - anna elektroniikan asettaa uudelleen 5 sekunnin ajan
 - paina liipaisinta E
 - mikäli moottori jälleen pysähtyy, siirrä nopeudenvälitsin F keskiasentoon ja paina liipaisinta E uudelleen

- Voit välttää ylikuormituksen varmistamalla aina, että
 - suuttimen kärjestä on leikattu vähintään 2 cm
 - kovettunut saumausmassa on poistettu suuttimesta
 - patruuna ei ole vahingoittunut eikä jäätynyt
 - runkoon ei ole kovettunut saumausmassaa
 - käytössä on pienin syöttönopeus

• Vianmääritys

- Toimi seuraavasti, jos mäntä B ② pysähtyy kesken yöskentelyn
 - kytkke laite pois päältä
 - poista patruuna rungosta D ②
 - paina kytkin A ② vasemmalle
- ! **työnnä mäntää B takaisin sen aloitusasentoon, unnes se napsahtaa paikalleen**
 - aseta patruuna paikalleen
 - paina kytkin A oikealle
 - jatka työskentelyä painamalla liipaisinta E ②

HOITO / HUOLTO

- Pidä koneesi ja latauslaite puhtaana
 - puhdista latauslaitteen virtanavat alkoholilla tai kosketinkärkien puhdistukseen tarkoitettulla puhdistusaineella
- ! **irrota latauslaite aina puhdistuksen ajaksi pistorasiasta**
- Pidä runko D ② puhtaana pyyhkimällä saumausmassajäämät puhtaalla ja kostealla liinalla
- Jos sähkötyökalussa/latauslaitteessa, huolellisesta valmistuksesta ja koestusmenettelystä huolimatta esiintyy vikaa, tulee korjaus antaa SKIL sopimushuollon tehtäväksi
 - toimita työkalu tai latauslaite sitä osiin **purkamatta** lähimpään SKIL-huoltoon (osoitteet ja työkalun huoltokaava ovat tarjolla web-osoitteessa www.skilmasters.com) ostotodiste mukaan liitettynä
 - jos laturi on viallinen, lähetä **sekä laturi että akku** jälleenmyyjälle tai SKIL-huoltopisteeseen

YMPÄRISTÖSUOJELU

- **Älä hävitä sähkötyökalua, tarvikkeita tai pakkausta tavallisen kotitalousjätteen mukana** (koskee vain EU-maita)
 - vanhoja sähkö- ja elektroniikkalaitteita koskevan EU-direktiivin 2012/19/EY ja sen maakohtaisten sovellusten mukaisesti käytetyt sähkötyökalut on toimitettava ongelmajätteen keräyspisteeseen ja ohjattava ympäristöstävälliseen kierrätykseen
 - symboli ⑨ muistuttaa tästä, kun käytöstä poisto tulee ajankohtaiseksi

VAATIMUSTEN- MUKAISUUSVAKUUTUS C €

- Vakuutamme yksin vastaavamme siitä, että kohdassa "Tekniset tiedot" selostettu tuote vastaa seuraavia standardeja tai standardoituja asiakirjoja: EN 60335, EN 61000, EN 60745, EN 55014 direktiivien 2006/95/EY, 2004/108/EY, 2006/42/EY, 2011/65/EU määräysten mukaan

- **Tekninen tiedosto kohdasta:** SKIL Europe BV (PT-SEU/ENG1), 4825 BD Breda, NL

Marijn van der Hoofden
Operations & Engineering

Olaf Dijkgraaf
Approval Manager

SKIL Europe BV, 4825 BD Breda, NL

13.08.2014

MELU/TÄRINÄ

- Mitattuna EN 60745 mukaan työkalun melutaso on <70 dB(A) (keskihajonta: 3 dB) ja tärinän voimakkuus <2,5 m/s² (käsi-käsivarsi metodi; epävarmuus K = 1,5 m/s²)
- Tärinäsäteilytaso on mitattu standardin EN 60745 mukaisen standarditestin mukaisesti; sitä voidaan käyttää verrattaessa yhtä laitetta toiseen sekä alustavana tärinälle altistumisen arviona käytettäessä laitetta manituissa käyttötarkoituksissa
 - laitteen käyttö eri käyttötarkoituksiin tai erilaisten tai huonosti ylläpidettyjen lisälaitteiden kanssa voi **lisätä** merkittävästi altistumistasoa
 - laitteen ollessa sammuksissa tai kun se on käynnissä, mutta sillä ei tehdä työtä, altistumistaso voi olla huomattavasti **pienempi**
- ! **suojaudu tärinän vaikutuksilta ylläpitämällä laite ja sen lisävarusteet, pitämällä kädet lämpiminä ja järkevästi työmenetelmät**

E

Pistola selladora sin cable

2055

INTRODUCCIÓN

- Esta herramienta está diseñada para dispensar sellador desde cartuchos estándar
- Lea y conserve este manual de instrucciones ③

DATOS TÉCNICOS ①

ELEMENTOS DE LA HERRAMIENTA ②

- A Interruptor multifuncional
- B Émbolo
- C Cubierta del cartucho
- D Soporte del carro
- E Interruptor de gatillo
- F Rueda de selección de velocidad

SEGURIDAD

INSTRUCCIONES GENERALES DE SEGURIDAD

⚠ ¡ATENCIÓN! Lea íntegramente estas advertencias de peligro e instrucciones. En caso de no atenderse a las advertencias de peligro e instrucciones siguientes, ello puede ocasionar una descarga eléctrica, un incendio y/o lesión grave. **Guardar todas las advertencias de peligro e instrucciones para futuras consultas.** El término

“herramienta eléctrica” empleado en las siguientes advertencias de peligro se refiere a herramientas eléctricas de conexión a la red (con cable de red) y a herramientas eléctricas accionadas por acumulador (o sea, sin cable de red).

1) SEGURIDAD DEL PUESTO DE TRABAJO

- a) **Mantenga limpia y bien iluminada su área de trabajo.** El desorden o una iluminación deficiente en las áreas de trabajo pueden provocar accidentes.
- b) **No utilice la herramienta eléctrica en un entorno con peligro de explosión, en el que se encuentren combustibles líquidos, gases o material en polvo.** Las herramientas eléctricas producen chispas que pueden llegar a inflamar los materiales en polvo o vapores.
- c) **Mantenga alejados a los niños y otras personas de su área de trabajo al emplear la herramienta eléctrica.** Una distracción le puede hacer perder el control sobre la herramienta.

2) SEGURIDAD ELÉCTRICA

- a) **El enchufe de la herramienta debe corresponder a la toma de corriente utilizada. No es admisible modificar el enchufe en forma alguna. No emplear adaptadores en herramientas dotadas con una toma de tierra.** Los enchufes sin modificar adecuados a las respectivas tomas de corriente reducen el riesgo de una descarga eléctrica.
- b) **Evite que su cuerpo toque partes conectadas a tierra como tuberías, radiadores, cocinas y refrigeradores.** El riesgo a quedar expuesto a una descarga eléctrica es mayor si su cuerpo tiene contacto con tomas de tierra.
- c) **No exponga las herramientas eléctricas a la lluvia o a condiciones de humedad.** Existe el peligro de recibir una descarga eléctrica si penetran líquidos en la herramienta.
- d) **No utilice el cable de red para transportar o colgar la herramienta, ni tire de él para sacar el enchufe de la toma de corriente. Mantenga el cable de red alejado del calor, aceite, esquinas cortantes o piezas móviles.** Los cables de red dañados o enredados pueden provocar una descarga eléctrica.
- e) **Al trabajar con la herramienta eléctrica en la intemperie utilice solamente cables de prolongación homologados para su uso en exteriores.** La utilización de un cable de prolongación adecuado para su uso en exteriores reduce el riesgo de una descarga eléctrica.
- f) **Si el funcionamiento de una herramienta eléctrica en un lugar húmedo fuese inevitable, utilice un cortacircuito de fuga a tierra.** El uso de un cortacircuito de fuga a tierra reduce el riesgo de descarga eléctrica.

3) SEGURIDAD DE PERSONAS

- a) **Esté atento y emplee la herramienta con prudencia. No utilice la herramienta eléctrica si estuviese cansado, ni bajo los efectos de alcohol, drogas o medicamentos.** El no estar atento durante el uso de una herramienta eléctrica puede provocarle serias lesiones.
- b) **Utilice un equipo de protección personal y en todo caso unas gafas de protección.** El riesgo a lesionarse

se reduce considerablemente si, dependiendo del tipo y la aplicación de la herramienta eléctrica empleada, se utiliza un equipo de protección adecuado como una mascarilla antipolvo, zapatos de seguridad con suela antideslizante, casco, o protectores auditivos.

- c) **Evite una puesta en marcha fortuita. Asegurarse de que la herramienta eléctrica esté desconectada antes de conectarla a la toma de corriente y/o al montar el acumulador, al recogerla, y al transportarla.** Si transporta la herramienta eléctrica sujetándola por el interruptor de conexión/desconexión, o si introduce el enchufe en la toma de corriente con la herramienta eléctrica conectada, ello puede dar lugar a un accidente.
 - d) **Retire las herramientas de ajuste o llaves fijas antes de conectar la herramienta eléctrica.** Una herramienta o llave colocada en una pieza rotativa puede producir lesiones graves al accionar la herramienta eléctrica.
 - e) **Sea precavido. Trabaje sobre una base firme y mantenga el equilibrio en todo momento.** Ello le permitirá controlar mejor la herramienta eléctrica en caso de presentarse una situación inesperada.
 - f) **Lleve puesta una vestimenta de trabajo adecuada. No utilice vestimenta amplia ni joyas. Mantenga su pelo, vestimenta y guantes alejados de las piezas móviles.** La vestimenta suelta, las joyas y el pelo largo se pueden enganchar con las piezas en movimiento.
 - g) **Siempre que sea posible utilizar equipos de aspiración o captación de polvo, asegúrese que éstos estén montados y que sean utilizados correctamente.** El empleo de estos equipos reduce los riesgos derivados del polvo.
- ### 4) CUIDADO Y UTILIZACIÓN DE HERRAMIENTAS ELÉCTRICAS
- a) **No sobrecargue la herramienta. Use la herramienta prevista para el trabajo a realizar.** Con la herramienta adecuada podrá trabajar mejor y con mayor seguridad dentro del margen de potencia indicado.
 - b) **No utilice herramientas con un interruptor defectuoso.** Las herramientas que no se puedan conectar o desconectar son peligrosas y deben repararse.
 - c) **Saque el enchufe de la red y/o desmonte el acumulador antes de realizar un ajuste en la herramienta eléctrica, cambiar de accesorio o al guardar la herramienta eléctrica.** Esta medida preventiva reduce el riesgo de conectar accidentalmente la herramienta.
 - d) **Guarde las herramientas fuera del alcance de los niños y de las personas que no estén familiarizadas con su uso.** Las herramientas utilizadas por personas inexpertas son peligrosas.
 - e) **Cuide sus herramientas con esmero. Controle si funcionan correctamente, sin atascarse, las partes móviles de la herramienta, y si existen partes rotas o deterioradas que pudieran afectar al funcionamiento de la herramienta. Si la herramienta eléctrica estuviese defectuosa haga repararla antes de volver a utilizarla.** Muchos de los accidentes se deben a herramientas con un mantenimiento deficiente.

- f) **Mantenga los útiles limpios y afilados.** Los útiles mantenidos correctamente se dejan guiar y controlar mejor.
- g) **Utilice herramientas eléctricas, accesorios, útiles, etc. de acuerdo con estas instrucciones, teniendo en cuenta las condiciones de trabajo y la tarea a realizar.** El uso de herramientas eléctricas para trabajos diferentes de aquellos para los que han sido concebidas puede resultar peligroso.
- 5) CUIDADO Y UTILIZACIÓN DE HERRAMIENTAS ACCIONADAS POR ACUMULADOR**
- a) **Cargue los acumuladores únicamente con los cargadores recomendados por el fabricante.** Existe riesgo de incendio al intentar cargar acumuladores de un tipo diferente al previsto para el cargador.
- b) **Emplee únicamente los acumuladores previstos para la herramienta eléctrica.** El uso de otro tipo de acumuladores puede provocar daños e incluso un incendio.
- c) **Si no utiliza el acumulador, guárdelo separado de clips, monedas, llaves, clavos, tornillos o demás objetos metálicos que pudieran puentear sus contactos.** El cortocircuito de los contactos del acumulador puede causar quemaduras o un incendio.
- d) **La utilización inadecuada del acumulador puede provocar fugas de líquido. Evite el contacto con él. En caso de un contacto accidental enjuagar el área afectada con abundante agua. En caso de un contacto con los ojos recurra además inmediatamente a un médico.** El líquido del acumulador puede irritar la piel o producir quemaduras.
- 6) SERVICIO**
- a) **Únicamente haga reparar su herramienta eléctrica por un profesional, empleando exclusivamente piezas de repuesto originales.** Solamente así se mantiene la seguridad de la herramienta eléctrica.

INSTRUCCIONES DE SEGURIDAD PARA LAS PISTOLAS SELLADORAS SIN CABLE

- Compruebe siempre que la tensión de alimentación es la misma que la indicada en la placa de características del cargador (los cargadores de 230V o 240V pueden conectarse también a 220V)
- En caso de un mal funcionamiento eléctrico o mecánico se debe parar inmediatamente la herramienta o desenchufar el cargador de la red
- SKIL únicamente puede garantizar un funcionamiento correcto de la herramienta, cuando se utilicen los accesorios adecuados que podrá obtener de su proveedor de SKIL
- La herramienta/el cargador no está pensada/o para ser utilizado/a por personas (incluidos niños) con capacidades físicas, sensoriales o mentales disminuidas o falta de experiencia y conocimientos, a menos que estén bajo la supervisión o instrucciones relativas al uso de la herramienta/del cargador por parte de una persona responsable de su seguridad
- Asegúrese de que los niños no jueguen con la herramienta/el cargador

RECARGA/BATERÍAS



- Recargue la batería únicamente con el cargador suministrado
- No toque los terminales del cargador
- No recargue la batería en entornos húmedos
- No exponga la herramienta/cargador/batería a la lluvia
- Guarde la herramienta/cargador/batería en un lugar donde la temperatura no exceda los 40°C ni baje de 0°C
- Las baterías estallarán si se tiran al fuego, por ningún motivo caliente las baterías
- No utilice el cargador si está dañado; llévelo a uno de los servicios técnicos autorizados de SKIL para hacer el examen de seguridad
- No utilice el cargador cuando el cable o la clavija estén dañados; el cable o la clavija deben cambiarse inmediatamente en uno de los servicios técnicos autorizados de SKIL
- Nunca utilice la batería estropeada; debe de ser cambiada inmediatamente
- No desarme el cargador o la batería
- No intente recargar las baterías no recargables con el cargador

EXPLICACIÓN DE LOS SÍMBOLOS DEL CARGADOR/ BATERÍA

- ④ Sólo utilice el cargador dentro de la casa
- ⑤ Doble aislamiento (no requiere cable de tierra)
- ⑥ Transformador de aislamiento contra fallos (se separa eléctricamente la fuente de alimentación de la salida del transformador)
- ⑦ Apagado automático cuando el cargador se calienta (se funde el fusible térmico y el cargador no se puede utilizar)
- ⑧ Una polaridad incorrecta en la conexión del cargador podría causar daños (sólo cargue la batería con el cargador suministrado)
- ⑨ No deseche el cargador junto con los residuos domésticos
- ⑩ No deseche la batería junta con los residuos domésticos
- ⑪ La tecnología NiMH proporciona más energía de una manera menos contaminante

USO

- Recargue de la batería ⑫
 - la batería de herramientas nuevas no está completamente cargada
 - ! **retire la batería del cargador después de que se haya cumplido el tiempo de recarga; con ello se prolonga la vida útil de la batería**
- IMPORTANTE:**
- al cabo de 3 horas se ha finalizado la operación de recarga y la batería puede ser utilizada, **aunque la luz roja siga encendida** (la luz roja puede necesitar más de 3 horas para apagarse)
 - mientras esté cargando, el cargador y la batería pueden calentarse demasiado; esto es normal y no representa un problema
 - asegúrese de que la superficie exterior de la batería esté limpia y seca antes de insertarla en el cargador
 - no recargue las baterías a temperaturas por debajo de 0°C o por encima de 40°C; puede dañar seriamente la batería y el cargador

- no desconecte la batería de la herramienta mientras ésta esté en marcha
- ! **una batería nueva o que no haya sido usada durante largo tiempo alcanza su plena potencia después de aproximadamente 5 ciclos de carga/descarga**
- no recargue la batería repetidamente después del uso por algunos minutos; a consecuencia de esto se puede reducir la potencia de la batería
- la batería níquel metal hidruro debe de ser apartada del ambiente natural y no hay que considerarla como despojo doméstico normal (símbolo ) llamará su atención en caso de necesidad de tirarla)
- ! **es prioritario disponer de terminales protectores de baterías para evitar un corto circuito**
- si usted prevee largos periodos de inactividad de la herramienta, sería conveniente desenchufar el cargador de la red
- Carga de cartuchos 
 - abra un cartucho estándar con un cúter
 - monte la boquilla sobre el cartucho abierto
 - corte al menos 2 cm de la punta de la boquilla en un ángulo de 45° para tener una abertura suficiente cuando use la máxima velocidad
 - mueva el interruptor A a la izquierda
 - empuje el émbolo B hacia atrás a su posición inicial hasta que encaje (no hacerlo puede producir un mal funcionamiento del émbolo)
 - abra la cubierta del cartucho C
 - inserte el cartucho hasta que su base llegue a la parte posterior del soporte del carro D
 - cierre la cubierta del cartucho C
- Conexión/desconexión 
 - mueva el interruptor A a la derecha para desbloquear el disparador E
 - encienda/apague la herramienta accionando/soltando el disparador E
 - la herramienta se apaga automáticamente cuando el cartucho se vacía
 - ! **asegúrese de que el interruptor A está en la posición de bloqueo después de cada uso** 
- Velocidad variable 
 - el flujo de salida de sellador se puede ajustar con la rueda F (6 posiciones)
 - antes de empezar un trabajo, determine la velocidad óptima probando sobre material sobrante
 - ! **si la herramienta no funciona con la rueda F en la posición 1, ajuste la velocidad mientras acciona el disparador E  hasta encontrar el ajuste óptimo**
- Aplicación de sellador 
 - compruebe que la zona a sellar está limpia y seca (si es necesario, elimine el sellador antiguo)
 - después de mover el interruptor A a la derecha, accione el disparador E para iniciar la salida de sellador
 - sujete la herramienta ligeramente inclinada y muévala con cuidado a un ritmo uniforme a lo largo del hueco o grieta a rellenar mientras acciona el disparador E
 - asegúrese de que el sellador entra en contacto con las dos superficies a sellar
 - suelte el disparador E para detener la salida de sellador
 - para evitar derramar sellador, mueva el interruptor A a la izquierda inmediatamente después de soltar el disparador E
 - pase un dedo humedecido por la salida de sellador después de la aplicación y elimine el exceso de sellador con un paño húmedo
 - ! **elimine los residuos de sellador de la boquilla del cartucho y del soporte del carro**
- Protección de sobrecarga electrónica


Detiene el motor automáticamente en caso de presión excesiva aplicada al cartucho, evitando así que la herramienta y el cartucho sufran daños

 - suelte el disparador E
 - deje que la electrónica se restaure durante 5 segundos
 - accione el disparador E
 - si el motor vuelve a detenerse, mueva la rueda F a la posición central y pulse el interruptor de disparo E otra vez


Para evitar la sobrecarga, asegúrese siempre de que

 - se han cortado al menos 2 cm de la punta de la boquilla
 - se han eliminado los residuos endurecidos de la boquilla
 - el cartucho no está dañado o congelado
 - el soporte del carro está limpio de sellador
 - se ha seleccionado la velocidad más lenta posible
- Solución de problemas

En caso de que el émbolo del sellador B  se pare a mitad de un trabajo

 - apague la herramienta
 - extraiga el cartucho del soporte del carro D 
 - mueva el interruptor A  a la izquierda
 - ! **empuje el émbolo B hacia atrás a su posición inicial hasta que encaje**
 - inserte el cartucho de nuevo
 - mueva el interruptor A a la derecha
 - accione el disparador E  para continuar el trabajo de sellado

MANTENIMIENTO / SERVICIO

- Mantenga su herramienta y el cargador limpios
 - limpie los contactos del cargador con alcohol o con la solución Contact Clear
 - ! **antes de limpiar el cargador desenchufarlo de la red**
- Mantenga el soporte del carro D  libre de residuos de sellador usando un paño limpio humedecido
- Si a pesar de los esmerados procesos de fabricación y control, la herramienta/el cargador llegase a averiarse, la reparación deberá encargarse a un servicio técnico autorizado para herramientas eléctricas SKIL
 - envíe la herramienta o el cargador **sin desmontar** junto con una prueba de su compra a su distribuidor o a la estación de servicio más cercana de SKIL (los nombres así como el despice de piezas de la herramienta figuran en www.skilmasters.com)
 - si el cargador está defectuoso, envíe **el cargador y la batería** a su distribuidor o a la estación de servicio de SKIL

AMBIENTE

- **No deseche las herramientas eléctricas, los accesorios y embalajes junto con los residuos domésticos** (sólo para países de la Unión Europea)
 - de conformidad con la Directiva Europea 2012/19/CE sobre residuos de aparatos eléctricos y electrónicos y su aplicación de acuerdo con la legislación nacional, las herramientas eléctricas cuya vida útil haya llegado a su fin se deberán recoger por separado y trasladar a una planta de reciclaje que cumpla con las exigencias ecológicas
 - símbolo ⑨ llamará su atención en caso de necesidad de tirarlas

DECLARACIÓN DE CONFORMIDAD CE

- Declaramos bajo nuestra sola responsabilidad que el producto descrito bajo "Datos técnicos" está en conformidad con las normas o documentos normalizados siguientes: EN 60335, EN 61000, EN 60745, EN 55014, de acuerdo con las disposiciones en las directivas 2006/95/CE, 2004/108/CE, 2006/42/CE, 2011/65/UE
- **Expediente técnico en:** SKIL Europe BV (PT-SEU/ENG1), 4825 BD Breda, NL

Marijn van der Hoofden
Operations & Engineering

Olaf Dijkgraaf
Approval Manager

SKIL Europe BV, 4825 BD Breda, NL

13.08.2014

RUIDOS/VIBRACIONES

- Medido según EN 60745 el nivel de la presión acústica de esta herramienta se eleva a <70 dB(A) (desviación estándar: 3 dB) y la vibración a <2,5 m/s² (método brazo-mano; incertidumbre K = 1,5 m/s²)
 - El nivel de emisión de vibraciones ha sido medido según una prueba estándar proporcionada en EN 60745; puede utilizarse para comparar una herramienta con otra y como valoración preliminar de la exposición a las vibraciones al utilizar la herramienta con las aplicaciones mencionadas
 - al utilizarla para distintas aplicaciones o con accesorios diferentes o con un mantenimiento deficiente, podría **augmentar** de forma notable el nivel de exposición
 - en las ocasiones en que se apaga la herramienta o cuando está funcionando pero no está realizando ningún trabajo, se podría **reducir** el nivel de exposición de forma importante
- ! protéjase contra los efectos de la vibración realizando el mantenimiento de la herramienta y sus accesorios, manteniendo sus manos calientes y organizando sus patrones de trabajo**



P

Pistola para vedação sem fio 2055

INTRODUÇÃO

- Esta ferramenta para aplicar vedante com cartuchos normais
- Leia e guarde este manual de instruções ③

DADOS TÉCNICOS ①

ELEMENTOS DA FERRAMENTA ②

- A Interruptor multifunções
- B Pistão
- C Tampa do cartucho
- D Cano do cartucho
- E Gatilho
- F Rolete de seleção da velocidade

SEGURANÇA

INSTRUÇÕES DE SEGURANÇA GERAIS

⚠ ATENÇÃO! Devem ser lidas todas as indicações de advertência e todas as instruções. O desrespeito das advertências e instruções apresentadas abaixo pode causar choque eléctrico, incêndio e/ou graves lesões. **Guarde bem todas as advertências e instruções para futura referência.** O termo "ferramenta eléctrica" utilizado a seguir nas indicações de advertência, refere-se a ferramentas eléctricas operadas com corrente de rede (com cabo de rede) e a ferramentas eléctricas operadas com acumulador (sem cabo de rede).

1) SEGURANÇA DA ÁREA DE TRABALHO

- Mantenha a sua área de trabalho limpa e arrumada.** Desordem ou áreas de trabalho com fraca iluminação podem causar acidentes.
- Não trabalhar com a ferramenta eléctrica em áreas com risco de explosão, nas quais se encontrem líquidos, gases ou pós inflamáveis.** Ferramentas eléctricas produzem faíscas que podem provocar a ignição de pó e vapores.
- Mantenha crianças e outras pessoas afastadas da ferramenta eléctrica durante o trabalho com a ferramenta.** Distrações podem causar a falta de controle sobre o aparelho.

2) SEGURANÇA ELÉCTRICA

- A ficha das ferramentas eléctricas devem caber na tomada. A ficha não deve ser modificada de modo algum. Não utilize quaisquer fichas de adaptação junto com ferramentas eléctricas ligadas à terra.** Fichas sem modificações e tomadas adequadas reduzem o risco de choques eléctricos.
- Evite que o corpo entre em contacto com superfícies ligadas à terra, como por exemplo tubos, radiadores, fogões e geladeiras.** Há um risco elevado de choques eléctricos, caso o corpo for ligado à terra.

- c) **A ferramenta eléctrica não deve ser exposta à chuva nem humidade.** A penetração de água na ferramenta eléctrica aumenta o risco de choques eléctricos.
 - d) **O cabo do aparelho não deve ser utilizado para o transporte, para pendurar o aparelho, nem para puxar a ficha da tomada. Mantenha o cabo afastado de calor, óleo, cantos afiados ou partes em movimento do aparelho.** Cabos danificados ou torcidos aumentam o risco de choques eléctricos.
 - e) **Ao trabalhar com a ferramenta eléctrica ao ar livre, use um cabo de extensão apropriado para áreas externas.** O uso de um cabo apropriado para áreas externas reduz o risco de choques eléctricos.
 - f) **Se não for possível evitar o funcionamento da ferramenta eléctrica em áreas húmidas, deverá ser utilizado uma disjuntor de corrente de avaria.** A utilização de um disjuntor de corrente de avaria reduz o risco de um choque eléctrico.
- 3) SEGURANÇA DE PESSOAS**
- a) **Esteja alerta, observe o que está a fazer, e tenha prudência ao trabalhar com a a ferramenta eléctrica. Não use a ferramenta eléctrica se estiver fatigado ou sob a influência de drogas, álcool ou medicamentos.** Um momento de falta de atenção durante a operação da ferramenta eléctrica pode causar graves lesões.
 - b) **Utilizar equipamento de protecção pessoal e sempre óculos de protecção.** A utilização de equipamento de protecção pessoal, como máscara de protecção contra pó, sapatos de segurança antiderrapantes, capacete de segurança ou protecção auricular, de acordo com o tipo e aplicação da ferramenta eléctrica, reduz o risco de lesões.
 - c) **Evitar uma colocação em funcionamento involuntária. Assegure-se de que a ferramenta eléctrica esteja desligada, antes de conectá-la à alimentação de rede e/ou ao acumulador, antes de levantá-la ou de transportá-la.** Se tiver o dedo no interruptor ao transportar a ferramenta eléctrica ou se o aparelho for conectado à alimentação de rede enquanto estiver ligado, poderão ocorrer acidentes.
 - d) **Remover chaves de ajustes ou chaves de fenda, antes de ligar a ferramenta eléctrica.** Uma chave de fenda ou chave de ajuste que se encontre numa parte móvel do aparelho, pode levar a lesões.
 - e) **Não se sobrestime. Mantenha uma posição firme e mantenha sempre o equilíbrio.** Desta forma poderá ser mais fácil controlar o aparelho em situações inesperadas.
 - f) **Use roupa apropriada. Não use roupa larga ou jóias. Mantenha o cabelo, roupa e luvas afastadas de partes em movimento.** Roupas largas, jóias ou cabelos longos podem ser agarradas por partes em movimento.
 - g) **Se for prevista a montagem de dispositivos de aspiração de pó e de dispositivos de recolha, assegure-se de que estão conectados e que sejam utilizados de forma correcta.** A utilização de uma aspiração de pó pode reduzir o perigo devido ao pó.

4) USO E TRATAMENTO DE FERRAMENTAS ELÉCTRICAS

- a) **Não sobrecarregue a ferramenta eléctrica. Use para o seu trabalho a ferramenta eléctrica correcta.** A ferramenta correcta realizará o trabalho de forma melhor e mais segura dentro da faixa de potência indicada.
 - b) **Não utilize a ferramenta eléctrica se o interruptor não puder ser ligado nem desligado.** Qualquer ferramenta eléctrica que não possa ser controlada através do interruptor de ligar-desligar, é perigosa e deve ser reparada.
 - c) **Puxar a ficha da tomada e/ou remover o acumulador antes de executar ajustes na ferramenta, de substituir acessórios ou de guardar a ferramenta.** Esta medida de segurança evita que a ferramenta eléctrica seja ligada acidentalmente.
 - d) **Guarde ferramentas eléctricas que não estiverem sendo utilizadas, for a do alcance de crianças. Não permita que o aparelho seja utilizado por pessoas não familiarizadas com o mesmo ou que não tenham lido estas instruções.** Ferramentas eléctricas são perigosas nas mãos de pessoas sem treinamento.
 - e) **Trate a sua ferramenta eléctrica com cuidado. Verifique se as partes móveis do aparelho funcionam perfeitamente e não emperram, se há peças quebradas ou danificadas, que possam influenciar o funcionamento do aparelho. Peças danificadas devem ser reparadas antes da utilização do aparelho.** Muitos acidentes tem como causa uma manutenção insuficiente das ferramentas eléctricas.
 - f) **Mantenha as ferramentas de corte sempre afiadas e limpas.** Ferramentas de cortes devidamente tratadas, com cantos afiados travam com menos frequência e podem ser controladas com maior facilidade.
 - g) **Use a ferramenta eléctrica, os acessórios os bits da ferramenta etc., de acordo com estas instruções. Considere também as condições de trabalho e o trabalho a ser efectuado.** A utilização da ferramenta eléctrica para outros fins que os previstos, pode resultar em situações perigosas.
- 5) USO E TRATAMENTO DE APARELHOS COM ACUMULADOR**
- a) **Apenas deverá carregar em carregadores, acumuladores recomendados pelo fabricante.** Um carregador que é apropriado para um tipo de acumulador, pode causar um incêndio se se for utilizado para carregar outros acumuladores.
 - b) **Apenas utilize nas ferramentas eléctricas os acumuladores previstos.** A utilização de outros acumuladores pode levar a lesões e riscos de incêndio.
 - c) **Quando o acumulador não estiver em uso, mantenha-o afastado de outros objectos de metal, como por exemplo agramos, moedas, chaves, pregos, parafusos, ou outros pequenos objectos metálicos que possam ligar em ponte os contactos.** Um curto circuito entre os contactos do acumulador pode causar queimaduras ou incêndio.
 - d) **Aplicações inadequadas podem provocar fugas do líquido do acumulador. Evite o contacto com este líquido. No caso de um contacto acidental, lave imediatamente com água fresca. Se o líquido entrar**

em contacto com os olhos, procure um auxílio médico. O líquido que escapa do acumulador pode levar a irritações ou queimaduras da pele.

6) SERVIÇO

- a) **A sua ferramenta eléctrica só deve ser reparada por pessoal qualificado e só devem ser colocadas peças sobressalentes originais.** Desta forma é assegurada a segurança da ferramenta eléctrica.

INSTRUÇÕES DE SEGURANÇA PARA PISTOLAS PARA VEDAÇÃO

- Certifique-se sempre de que a tensão de alimentação está de acordo com a tensão indicada na placa de identificação do carregador (carregadores com a indicação de 230V ou 240V também podem ser ligados a uma fonte de 220V)
- Em caso de anomalias eléctricas ou mecânicas, desligue imediatamente a ferramenta ou desligue o carregador da fonte de corrente
- A SKIL só pode garantir um funcionamento perfeito da ferramenta, quando utilizada com os acessórios adequados que poderá adquirir nos revendedores autorizados SKIL
- A ferramenta/o carregador não deve ser utilizada/o por pessoas (incluindo crianças) com deficiências físicas, sensoriais ou mentais, ou falta de experiência e conhecimentos, excepto se tiverem supervisão ou receberem instrução relacionada com a utilização da ferramenta/do carregador por uma pessoa responsável pela sua segurança
- Certifique-se de que as crianças não brincam com a ferramenta/o carregador

CARGA/BATERIAS

- Recarregue a bateria só com o carregador que é fornecido com a ferramenta
- Não toque nos terminais do carregador
- Não carregue a bateria em locais molhados ou húmidos
- Não exponha a ferramenta/carregador/bateria à chuva
- Guarde a ferramenta/carregador/bateria em locais onde a temperatura não exceda os 40°C ou baixe os 0°C
- As baterias explodirão quando colocadas num fogo, por isso, não queime as baterias por nenhum motivo
- Não utilize o carregador se estiver danificado; levo-o a um dos Postos de Assistência autorizados SKIL para proceder a um teste
- Não utilize o carregador caso o fio ou tomada estejam danificados; quer o fio, quer a tomada deverão ser imediatamente substituídos num dos Postos de Assistência autorizados SKIL
- Não utilize baterias danificadas; devem ser substituídas imediatamente
- Não desmonte o carregador ou a bateria
- Não tente recarregar baterias não recarregáveis com o carregador

EXPLICAÇÃO DOS SÍMBOLOS DO CARREGADOR/ BATERIA

- ④ Utilize apenas o carregador dentro de casa
- ⑤ Isolamento duplo (nenhum fio de terra necessário)
- ⑥ Transformador com isolamento de segurança contra falhas (a fonte de alimentação separada electricamente da saída do transformador)

- ⑦ Encerramento automático quando o carregador ficar muito quente (o fusível térmico rebenta e o carregador fica inutilizado)
- ⑧ A polaridade incorrecta da ligação do carregador pode provocar perigo (carregue a bateria apenas com o carregador fornecido)
- ⑨ Não deite o carregador no lixo doméstico
- ⑩ Não deite a bateria no lixo doméstico
- ⑪ A tecnologia NIMH fornece mais energia de uma forma menos poluidora para o ambiente

MANUSEAMENTO

- Recarga da bateria ⑫
 - a bateria das ferramentas novas não está totalmente carregada
 - ! **desligue a bateria do carregador, após do período de carga ter terminado, para poder, assim, prolongar a duração da bateria**
- IMPORTANTE:
 - após 3 horas de carga a operação estará completa e a bateria pode ser utilizada, **mesmo que a luz vermelha continue acesa** (a luz vermelha poderá levar mais de 3 horas para desligar)
 - durante a carga o carregador e bateria poderão aquecer; isto é normal e não representa um problema
 - assegure-se de que a superfície exterior da bateria está limpa e seca antes de a colocar no carregador
 - não carregue a bateria abaixo dos 0°C e acima dos 40°C; isso danificará seriamente a bateria e o carregador
 - não desligue a bateria da ferramenta enquanto ela estiver a trabalhar
 - ! **uma bateria nova ou uma que não foi utilizada por muito tempo, apenas alcança a sua plena potência após aproximadamente 5 ciclos de carga/descarga**
 - não recarregue repetidas vezes a bateria após apenas alguns minutos de uso; isto poderá resultar numa redução do tempo de trabalho e eficiência da bateria
 - e preciso afastar a bateria níquel metal hídrico do ambiente natural e não têm que ser considerada como aparas domésticas normais (símbolo ⑩) lhe avisará em caso de necessidade de arranja-la)
 - ! **proteja os terminais da bateria com fita isoladora antes de a expor de modo a evitar curto-circuitos**
 - se prever não utilizar a ferramenta por um longo período, deverá desligar o carregador da fonte de corrente
- Carregar os cartuchos ⑬
 - abra um cartucho normal com um x-acto
 - coloque o bico na parte superior do cartucho aberto
 - corte no mínimo 2 cm do bico num ângulo de 45°, para que a abertura seja suficientemente grande quando for utilizada em velocidade máxima
 - empurre o interruptor A para a esquerda
 - empurre o pistão B para a posição inicial até ao fecho com fixação (se o fecho de fixação não for efectuado pode provocar o mau funcionamento do pistão)
 - abra a tampa do cartucho C
 - insira o cartucho até a base ter alcançado a parte posterior do cano D
 - feche a tampa do cartucho C

- Ligar/desligar ⑭
 - empurre o interruptor A para a direita para bloquear o interruptor de accionamento E
 - ligue/desligue a ferramenta premindo/soltando o interruptor de accionamento E
 - a ferramenta desliga-se automaticamente quando o cartucho estiver vazio
- ! **verifique que o interruptor A está na posição de bloqueado após cada utilização ⑮**
- Velocidade variável ⑯
 - através do rolete F pode ajustar a quantidade de vedante aplicada (6 posições)
 - antes de começar o trabalho, para definir a velocidade correcta teste noutro material
- ! **se a ferramenta não funcionar com o rolete F na posição 1, regule a velocidade premindo o interruptor de accionamento E ② até encontrar a velocidade correcta**
- Aplicar vedante ⑰
 - verifique que a zona a vedar está limpa e seca (remove o vedante antigo, se for o caso)
 - empurre primeiro o interruptor A para a direita, depois prima o interruptor de accionamento E para começar a aplicar o vedante
 - segure a ferramenta ligeiramente inclinada e desloque-a cuidadosamente à uma velocidade constante ao longo da fenda/fissura a encher premindo o interruptor de accionamento E
 - verifique que o vedante esteja em contacto com as duas superfícies a vedar
 - solte o interruptor de accionamento E para parar a colocação de vedante
 - para evitar salpicos de vedante, empurre o interruptor A para a esquerda imediatamente após ter soltado o interruptor de accionamento E
 - passe com um dedo molhado ao longo do vedante no fim da aplicação e remova o vedante em excesso com um pano limpo e húmido
- ! **remove qualquer vedante residual do bico e do cano do cartucho**
- Protecção contra sobrecargas electrónica

Pára o motor automaticamente quando for aplicada demasiada pressão no cartucho, impedindo danos na ferramenta e no cartucho

 - solte o interruptor de accionamento E
 - espere 5 segundos para a electrónica voltar a ligar-e
 - prima o interruptor de accionamento E
 - se o motor parar novamente, mova a rolete F para a posição intermédia e prima o interruptor de accionamento E novamente

Para evitar sobrecargas, verifique sempre que

 - a ponta do bico está corta em pelo menos 2 cm
 - o material endurecido foi removido do bico
 - o cartucho não está danificado ou congelado
 - o cano do cartucho não tem vedante
 - está seleccionada a velocidade mais baixa
- Resolução de problemas

Se o pistão B ② de vedação para ao meio e não avançar

 - desligue a ferramenta
 - retire o cartucho do cano D ②
 - empurre o interruptor A ② para a esquerda

- ! **puxe o pistão B para trás para a posição inicial até ficar bloqueado**
- insira novamente o cartucho
- empurre o interruptor A para a direita
- prima o interruptor de accionamento E ② para continuar o trabalho de vedação

MANUTENÇÃO / SERVIÇO

- Mantenha a ferramenta e carregador limpos
 - limpe os contactos do carregador com álcool ou produto de limpeza de contactos
- ! **desligue o carregador da fonte de corrente antes de limpar**
- Mantenha o cano do cartucho D ②, qualquer resíduo de vedante com um pano limpo e húmido
- Se a ferramenta/o carregador falhar apesar de cuidadosos processos de fabricação e de teste, a reparação deverá ser executada por uma oficina de serviço autorizada para ferramentas eléctricas SKIL
 - envie a ferramenta ou o carregador, **sem desmontar**, juntamente com a prova de compra, para o seu revendedor ou para o centro de assistência SKIL mais próximo (os endereços assim como a mapa de peças da ferramenta estão mencionados no www.skilmasters.com)
 - em caso de avaria do carregador, envie **o carregador e a bateria** para o seu revendedor ou o centro de assistência SKIL

AMBIENTE

- **Não deite ferramentas eléctricas, acessórios e embalagem no lixo doméstico** (apenas para países da UE)
 - de acordo com a directiva europeia 2012/19/CE sobre ferramentas eléctricas e electrónicas usadas e a transposição para as leis nacionais, as ferramentas eléctricas usadas devem ser recolhidas em separado e encaminhadas a uma instalação de reciclagem dos materiais ecológica
 - símbolo ⑨ lhe avisará em caso de necessidade de arranjar-las

DECLARAÇÃO DE CONFORMIDADE CE

- Declaramos sob nossa exclusiva responsabilidade que o produto descrito em "Dados técnicos" cumpre as seguintes normas ou documentos normativos: EN 60335, EN 61000, EN 60745, EN 55014, conforme as disposições das directivas 2006/95/CE, 2004/108/CE, 2006/42/CE, 2011/65/UE
- **Processo técnico em:** SKIL Europe BV (PT-SEU/ENG1), 4825 BD Breda, NL

Marijn van der Hoofden Olaf Dijkgraaf
Operations & Engineering Approval Manager




SKIL Europe BV, 4825 BD Breda, NL

13.08.2014

RÚIDO/VIBRAÇÕES

- Medido segundo EN 60745 o nível de pressão acústica desta ferramenta é <70 dB(A) (espaço de erro: 3 dB) e a vibração <2,5 m/s² (método braço-mão; incerteza K = 1,5 m/s²)
 - O nível de emissão de vibrações foi medido de acordo com um teste normalizado fornecido na EN 60745; pode ser utilizado para comparar una ferramenta com outra e como una avaliação preliminar de exposição à vibração quando utilizar a ferramenta para as aplicações mencionadas
 - utilizar a ferramenta para diferentes aplicações ou com acessórios diferentes ou mantidos deficientemente, pode **aumentar** significativamente o nível de exposição
 - o número de vezes que a ferramenta é desligada ou quando estiver a trabalhar sem fazer nada, pode **reduzir** significativamente o nível de exposição
- ! proteja-se contra os efeitos da vibração, mantendo a ferramenta e os acessórios, mantendo as mãos quentes e organizando os padrões de trabalho**

I

Pistola per prodotti sigillanti senza filo 2055

INTRODUZIONE

- Questo utensile consente di erogare il sigillante da cartucce standard
- Leggete e conservate questo manuale di istruzione ③

DATI TECNICI ①

ELEMENTI UTENSILE ②

- A Perno poli-funzionale
- B Stantuffo
- C Blocca cartuccia
- D Tubo porta cartuccia
- E Grilletto
- F Rotellina selezione velocità

SICUREZZA

ISTRUZIONI GENERALI DI SICUREZZA

⚠ ATTENZIONE! Leggere tutte le avvertenze di pericolo e le istruzioni operative. In caso di mancato rispetto delle avvertenze di pericolo e delle istruzioni operative si potrà creare il pericolo di scosse elettriche, incendi e/o incidenti gravi. **Conservare tutte le avvertenze di pericolo e le istruzioni operative per ogni esigenza futura.** Il termine "elettroutensile" utilizzato nelle avvertenze di pericolo si riferisce ad utensili elettrici alimentati dalla rete (con linea di allacciamento) ed ad utensili elettrici alimentati a batteria (senza linea di allacciamento).

1) SICUREZZA DELLA POSTAZIONE DI LAVORO

- a) **Mantenere pulito ed ordinato il posto di lavoro.** Il disordine o le zone di lavoro non illuminate possono essere fonte di incidenti.
- b) **Evitare d'impiegare l'utensile in ambienti soggetti al rischio di esplosioni nei quali si trovino liquidi, gas o polveri infiammabili.** Gli utensili elettrici producono scintille che possono far infiammare la polvere o i gas.
- c) **Mantenere lontani i bambini ed altre persone durante l'impiego dell'utensile elettrico.** Eventuali distrazioni potranno comportare la perdita del controllo sull'utensile.

2) SICUREZZA ELETTRICA

- a) **La spina per la presa di corrente dovrà essere adatta alla presa. Evitare assolutamente di apportare modifiche alla spina. Non impiegare spine adattatrici assieme ad utensili con collegamento a terra.** Le spine non modificate e le prese adatte allo scopo riducono il rischio di scosse elettriche.
 - b) **Evitare il contatto fisico con superfici collegate a terra, come tubi, riscaldamenti, cucine elettriche e frigoriferi.** Sussiste un maggior rischio di scosse elettriche nel momento in cui il corpo è messo a massa.
 - c) **Custodire l'utensile al riparo dalla pioggia o dall'umidità.** L'eventuale infiltrazione di acqua in un utensile elettrico va ad aumentare il rischio d'insorgenza di scosse elettriche.
 - d) **Non usare il cavo per scopi diversi da quelli previsti al fine di trasportare o appendere l'utensile, oppure di togliere la spina dalla presa di corrente. Mantenere l'utensile al riparo da fonti di calore, dall'olio, dagli spigoli o da pezzi in movimento.** I cavi danneggiati o aggrovigliati aumentano il rischio d'insorgenza di scosse elettriche.
 - e) **Qualora si voglia usare l'utensile all'aperto, impiegare solo ed esclusivamente cavi di prolunga omologati per l'impiego all'esterno.** L'uso di un cavo di prolunga omologato per l'impiego all'esterno riduce il rischio d'insorgenza di scosse elettriche.
 - f) **Qualora non fosse possibile evitare di utilizzare l'utensile in ambiente umido, utilizzare un interruttore di messa a terra.** L'uso di un interruttore di messa a terra riduce il rischio di una scossa elettrica.
- #### 3) SICUREZZA DELLE PERSONE
- a) **È importante concentrarsi su ciò che si sta facendo e a maneggiare con giudizio l'utensile durante le operazioni di lavoro. Non utilizzare l'utensile in caso di stanchezza o sotto l'effetto di droghe, bevande alcoliche e medicinali.** Un attimo di distrazione durante l'uso dell'utensile potrà causare lesioni gravi.
 - b) **Indossare sempre equipaggiamento protettivo individuale. Usare sempre protezioni per gli occhi.** Se si avrà cura d'indossare equipaggiamento protettivo individuale come la maschera antipolvere, la calzatura antidrucciolevole di sicurezza, il casco protettivo o la protezione dell'udito, a seconda dell'impiego previsto per l'utensile elettrico, si potrà ridurre il rischio di ferite.
 - c) **Evitare l'accensione involontaria dell'utensile. Prima di collegarlo alla rete di alimentazione elettrica e/o alla batteria ricaricabile, prima di prenderlo oppure prima di iniziare a trasportarlo, assicurarsi che l'utensile sia spento.** Tenendo il dito sopra l'interruttore

mentre si trasporta l'utensile oppure collegandolo all'alimentazione di corrente con l'interruttore inserito, si vengono a creare situazioni pericolose in cui possono verificarsi seri incidenti.

- d) **Togliere gli attrezzi di regolazione o la chiave inglese prima di accendere l'utensile.** Un utensile o una chiave inglese che si trovino in una parte dell'utensile in rotazione potranno causare lesioni.
- e) **È importante non sopravvalutarsi. Avere cura di mettersi in posizione sicura e di mantenere l'equilibrio.** In tale maniera sarà possibile controllare meglio l'utensile in situazioni inaspettate.
- f) **Indossare vestiti adeguati. Evitare di indossare vestiti lenti o gioielli. Tenere i capelli, i vestiti ed i guanti lontani da pezzi in movimento.** Vestiti lenti, gioielli o capelli lunghi potranno impigliarsi in pezzi in movimento.
- g) **Se sussiste la possibilità di montare dispositivi di aspirazione o di captazione della polvere, assicurarsi che gli stessi siano stati installati correttamente e vengano utilizzati senza errori.** L'utilizzo di un'aspirazione polvere può ridurre lo svilupparsi di situazioni pericolose dovute alla polvere.

4) MANEGGIO ED IMPIEGO ACCURATO DI UTENSILI ELETTRICI

- a) **Non sovraccaricare l'utensile. Impiegare l'utensile elettrico adatto per sbrigare il lavoro.** Utilizzando l'utensile elettrico adatto si potrà lavorare meglio e con maggior sicurezza nell'ambito della gamma di potenza indicata.
- b) **Non utilizzare utensili elettrici con interruttori difettosi.** Un utensile elettrico che non si può più accendere o spegnere è pericoloso e dovrà essere riparato.
- c) **Prima di procedere ad operazioni di regolazione sull'utensile, prima di sostituire parti accessorie oppure prima di posare l'utensile al termine di un lavoro, estrarre sempre la spina dalla presa della corrente e/o estrarre la batteria ricaricabile.** Tale precauzione eviterà che l'utensile possa essere messo in funzione inavvertitamente.
- d) **Custodire gli utensili elettrici non utilizzati al di fuori della portata dei bambini. Non fare usare l'utensile a persone che non sono abituate ad usarlo o che non abbiano letto le presenti istruzioni.** Gli utensili elettrici sono pericolosi se utilizzati da persone inesperte.
- e) **Effettuare accuratamente la manutenzione dell'utensile. Verificare che le parti mobili dell'utensile funzionino perfettamente e non s'inzeppino, che non ci siano pezzi rotti o danneggiati al punto tale da limitare la funzione dell'utensile stesso. Far riparare le parti danneggiate prima d'impiegare l'utensile.** Numerosi incidenti vengono causati da utensili elettrici la cui manutenzione è stata effettuata poco accuratamente.
- f) **Mantenere affilati e puliti gli utensili da taglio.** Gli utensili da taglio curati con particolare attenzione e con taglienti affilati s'inzeppano meno frequentemente e sono più facili da condurre.
- g) **Utilizzare utensili elettrici, accessori, attrezzi, ecc. in conformità con le presenti istruzioni. Osservare le condizioni di lavoro ed il lavoro da eseguirsi**

durante l'impiego. L'impiego di utensili elettrici per usi diversi da quelli consentiti potrà dar luogo a situazioni di pericolo.

5) MANEGGIO ED IMPIEGO ACCURATO DI ACCUMULATORI

- a) **Caricare l'accumulatore solo ed esclusivamente nei dispositivi di carica consigliati dal produttore.** Per un dispositivo di carica previsto per un determinato tipo di accumulatore, sussiste pericolo di incendio, se utilizzato con un accumulatore di tipo diverso.
- b) **Utilizzare negli utensili elettrici solo ed esclusivamente gli accumulatori previsti allo scopo.** L'uso di accumulatori di tipo diverso potrà dare insorgenza a lesioni e comportare il rischio d'incendi.
- c) **Tenere l'accumulatore non utilizzato lontano da graffette, monete, chiavi, chiodi, viti o da altri oggetti in metallo di piccole dimensioni che potrebbero causare un ponte tra i contatti.** Un eventuale corto circuito tra i contatti dell'accumulatore potrà dare origine a bruciature o ad incendi.
- d) **In caso di impiego sbagliato, potranno insorgere fuoriuscite di liquido dall'accumulatore. Evitarne il contatto. In caso di contatto casuale, sciacquare con acqua. Qualora il liquido dovesse entrare in contatto con gli occhi, chiedere immediato consiglio al medico.** Il liquido fuoriuscito dall'accumulatore potrà causare irritazioni cutanee o bruciature.

6) ASSISTENZA

- a) **Fare riparare l'utensile solo ed esclusivamente da personale specializzato e solo impiegando pezzi di ricambio originali.** In tale maniera potrà essere salvaguardata la sicurezza dell'utensile.

ISTRUZIONI DI SICUREZZA PER PISTOLE PER PRODOTTI SIGILLANTI SENZA FILO

- Controllare che la tensione dell'alimentazione sia la stessa di quella indicata sulla targhetta del caricatore (gli caricatori con l'indicazione di 230V o 240V possono essere collegati anche alla rete di 220V)
- Nel caso di cattivo funzionamento elettrico o meccanico, spegnere subito l'utensile o staccare il caricatore dalla rete
- La SKIL garantisce un perfetto funzionamento dell'utensile soltanto se vengono utilizzati accessori corretti che si possono ottenere presso il vostro negoziante
- L'utensile/il caricatore non deve essere usato da persone (compresi i bambini) con ridotte capacità fisiche, sensoriali e mentali o con scarsa esperienza e conoscenza specifiche, a meno che le stesse non operino sotto la supervisione di una persona responsabile della loro sicurezza o siano state da essa istruite sull'utilizzo dell'utensile/del caricatore
- Assicurarsi che i bambini non giochino con l'utensile/il caricatore

CARICA/BATTERIE

- Caricate la batteria solo con il suo originale caricatore
- Non bisogna toccare i contatti dentro al caricatore
- Non caricare la batteria in ambienti umidi o bagnati
- Non esporre utensile/caricatore/batteria alla pioggia
- Riponete utensile/caricatore/batteria in luoghi ove non si superino i 40°C o si scenda sotto i 0°C

- Le batterie esplodono se gettate nel fuoco, pertanto non bruciare le batterie per alcun motivo
- Non utilizzate il caricatore quando è danneggiato; portarlo ad un centro assistenza autorizzato SKIL per il controllo
- Non utilizzate il caricatore quando il cavo o la spina sono danneggiati; cavo o spina possono essere immediatamente sostituiti presso un centro assistenza autorizzato SKIL
- Non usate la batteria quando è danneggiata; essa dovrebbe essere sostituita immediatamente
- Non aprire il caricatore o la batteria
- Non tentare di ricaricare le batterie non-ricaricabili con il caricatore

SPIEGAZIONE DEI SIMBOLI PRESENTI SUL CARICATORE/SULLA BATTERIA

- ④ Utilizzare il caricatore solo all'interno
- ⑤ Doppio isolamento (non è necessario alcun cavo di terra)
- ⑥ Trasformatore di isolamento a prova di guasto (la fonte di alimentazione è elettricamente separata dall'uscita del trasformatore)
- ⑦ Spegnimento automatico in caso di surriscaldamento del caricatore (il fusibile termico si brucia e il caricatore diventa inutilizzabile)
- ⑧ L'errata polarità della connessione del caricatore può costituire un pericolo (caricare la batteria utilizzando esclusivamente il caricatore in dotazione)
- ⑨ Non gettare il caricatore tra i rifiuti domestici
- ⑩ Non gettare la batteria tra i rifiuti domestici
- ⑪ La tecnologia NiMH garantisce maggiore energia in modo meno inquinante per l'ambiente

USO

- Ricarica batteria ⑫
 - la batteria di un utensile nuovo non è completamente carica
- ! estraete la batteria dal caricatore dopo la fine del periodo di carica; con ciò si prolunga la durata della batteria**

IMPORTANTE:

- dopo 3 ore l'operazione di ricarica sarà completata e la batteria potrà essere utilizzata, **anche se la luce rossa risulterà ancora accesa** (la luce rossa può richiedere più di 3 ore per spegnersi)
 - durante la carica il caricatore e la batteria possono riscaldarsi; il fenomeno è normale e non comporta problemi
 - assicurarsi che la superficie esterna della batteria sia pulita e asciutta prima di inserirla nel caricatore
 - non ricaricare a temperature sotto i 0°C e sopra i 40°C; altrimenti si danneggeranno seriamente la batteria ed il caricatore
 - non estraete mai la batteria dall'utensile mentre questo è in moto
- ! una batteria nuova o una batteria che non sia stata utilizzata per un lungo periodo di tempo arriva a portare la sua piena prestazione solo dopo circa 5 cicli di ricarica/scarica**
- non ricaricate la batteria dopo averlo fatto funzionare per pochi minuti soltanto; ricaricando troppo spesso la batteria si ottiene solo una riduzione del tempo operativo ed una diminuzione del suo rendimento

- la batteria al idruro metallico di Nickel può essere mantenuta separata dall'ambiente naturale e non dovrebbe essere scaricata tra i rifiuti domestici (il simbolo ⑩ vi ricorderà questo fatto quando dovrete eliminarla)

! primo di disporre, proteggere i terminali delle batterie con nastro pesante per prevenire cortocircuiti

- se si prevede di non utilizzare l'utensile per un lungo periodo, è opportuno staccare il caricatore dalla rete
- Caricamento delle cartucce ⑬
 - aprite una cartuccia standard con un taglierino
 - montate il beccuccio all'estremità della cartuccia aperta
 - tagliate via almeno 2 cm dalla punta del beccuccio con un'angolazione di 45° in modo che il foro sia sufficientemente largo quando viene impostata la velocità massima
 - spingete il perno A a sinistra
 - spingete lo stantuffo B finché non si blocca con uno scatto nella posizione di partenza (se non si blocca con lo scatto, successivamente si avranno dei malfunzionamenti dello stantuffo)
 - aprite il blocco cartucce C
 - inserite la cartuccia finché la base tocca il retro del tubo porta cartuccia D
 - chiudete il blocco cartucce C
- Accesso/spento ⑭
 - spingete il perno A verso destra per sbloccare il pulsante di azionamento E
 - per accendere/spegnere l'utensile premete/rilasciate il pulsante di azionamento E
 - l'utensile si spegne automaticamente quando la cartuccia è vuota
- ! controllate che dopo ogni utilizzo il perno A sia in posizione di blocco ⑮**
- Velocità variabile ⑯
 - è possibile regolare il flusso del prodotto sigillante con la rotellina F (6 impostazioni)
 - prima di iniziare un lavoro, verificate la velocità adeguata facendo delle prove su materiale di scarto
- ! se l'utensile non funziona con la rotellina F impostata a 1, regolate la velocità premendo il pulsante d'azionamento E ② finché non trovate l'impostazione adeguata**
- Applicazione del prodotto sigillante ⑰
 - assicuratevi che l'area da sigillare sia pulita ed asciutta (rimuovete il vecchio prodotto sigillante residuo, se applicabile)
 - dopo aver premuto il pulsante A verso destra, premete il pulsante d'azionamento E per avviare l'erogazione del prodotto sigillante
 - tenete l'utensile leggermente inclinato e spostatelo uniformemente lungo la fessura/crepa che deve essere riempita tenendo premuto il pulsante di azionamento E
 - controllate che il prodotto sigillante aderisca perfettamente ad entrambe le superfici da sigillare
 - rilasciate il pulsante di azionamento E per fermare l'erogazione del prodotto sigillante
 - per evitare sgocciolamenti del prodotto sigillante, spingete il perno A verso sinistra subito dopo aver rilasciato il pulsante di azionamento E

- fate scorrere un dito inumidito sullo strato di prodotto sigillante applicato e rimuovete quello in eccesso con un panno umido e pulito

! rimuovete ogni residuo di prodotto sigillante dal beccuccio della cartuccia e dal tubo porta cartuccia

- Dispositivo antibloccaggio elettronico
Arresta il motore automaticamente quando viene applicata una pressione eccessiva sulla cartuccia, impedendo che si verifichino danni all'utensile e alla cartuccia
 - rilasciate il pulsante di azionamento E
 - attendete 5 secondi per il ripristino del sistema elettronico
 - premete il pulsante di azionamento E
 - se il motore si arresta nuovamente, portate la rotellina F nella posizione intermedia, quindi premete una seconda volta il pulsante di azionamento E

Per evitare il sovraccarico, verificate sempre che

- dall'estremità del beccuccio siano stati tagliati almeno 2 cm
 - dal beccuccio siano stati rimossi residui di materiale secco
 - la cartuccia non sia danneggiata o indurita
 - nel tubo porta cartuccia non siano presenti tracce di prodotto sigillante
 - sia stata selezionata la minima velocità possibile
 - Risoluzione di problemi
Se lo stantuffo B ② si arresta a metà del lavoro
 - spegnete l'utensile
 - estraete la cartuccia dal tubo porta cartuccia D ②
 - spingete il perno A ② a sinistra
- ! spingete lo stantuffo B finché non si blocca con uno scatto nella posizione di partenza**
- reinserite la cartuccia
 - spingete il perno A a destra
 - premete il pulsante di azionamento E ② per procedere con l'applicazione del prodotto sigillante

MANUTENZIONE / ASSISTENZA

- Tenere pulito l'utensile e il caricatore
 - pulire i contatti di ricarica del caricatore con alcool
- ! prima di pulire staccare il caricatore dalla rete**
- Eliminate sempre eventuali residui di prodotto sigillante dal tubo porta cartuccia D ② con un panno umido pulito
- Se nonostante gli accurati procedimenti di produzione e di controllo l'utensile/il caricatore dovesse guastarsi, la riparazione va fatta effettuare da un punto di assistenza autorizzato per gli elettrotensili SKIL
 - inviare l'utensile o il caricatore **non smontato** assieme alle prove di acquisto al rivenditore oppure al più vicino centro assistenza SKIL (l'indirizzo ed il disegno delle parti di ricambio dell'utensile sono riportati su www.skilmasters.com)
 - nel caso in cui il caricatore sia difettoso, inviare **sia il caricatore che la batteria** al rivenditore o al centro assistenza SKIL

TUTELA DELL'AMBIENTE

- **Non gettare l'utensile elettrico, gli accessori e l'imballaggio tra i rifiuti domestici** (solo per paesi UE)
 - secondo la Direttiva Europea 2012/19/CE sui rifiuti di utensili elettrici ed elettronici e la sua attuazione in conformità alle norme nazionali, gli utensili elettrici esausti devono essere raccolti separatamente, al fine di essere reimpiagati in modo eco-compatibile
 - il simbolo ⑨ vi ricorderà questo fatto quando dovrete eliminarlo

DICHIARAZIONE DEI CONFORMITÀ CE

- Assumendone la piena responsabilità, dichiariamo che il prodotto descritto nei "Dati tecnici" è conforme alle seguenti normative ed ai relativi documenti: EN 60335, EN 61000, EN 60745, EN 55014 in base alle prescrizioni delle direttive 2006/95/EG, 2004/108/EG, 2006/42/EG, 2011/65/UE
- **Fascicolo tecnico presso:** SKIL Europe BV (PT-SEU/ENG1), 4825 BD Breda, NL

Marijn van der Hoofden
Operations & Engineering

Olaf Dijkgraaf
Approval Manager




SKIL Europe BV, 4825 BD Breda, NL

13.08.2014

RUMOROSITÀ/VIBRAZIONE

- Misurato in conformità al EN 60745 il livello di pressione acustica di questo utensile è <70 dB(A) (deviazione standard: 3 dB) e la vibrazione <2,5 m/s² (metodo mano-braccio; incertezza K = 1,5 m/s²)
 - Il livello di emissione delle vibrazioni è stato misurato in conformità a un test standardizzato stabilito dalla norma EN 60745; questo valore può essere utilizzato per mettere a confronto un l'utensile con un altro o come valutazione preliminare di esposizione alla vibrazione quando si impiega l'utensile per le applicazioni menzionate
 - se si utilizza l'utensile per applicazioni diverse, oppure con accessori differenti o in scarse condizioni, il livello di esposizione potrebbe **umentare** notevolmente
 - i momenti in cui l'utensile è spento oppure è in funzione ma non viene effettivamente utilizzato per il lavoro, possono contribuire a **ridurre** il livello di esposizione
- ! proteggersi dagli effetti della vibrazione effettuando la manutenzione dell'utensile e dei relativi accessori, mantenendo le mani calde e organizzando i metodi di lavoro**

BEVEZETÉS

- Ez a szerszám tömítőanyag alkalmazására szolgál, szabvány kartusokból
- Olvassa el figyelmesen és őrizze meg a használati utasítást ③

MŰSZAKI ADATOK ①

SZERSZÁMGÉP ELEMEI ②

- A Többfunkciós kapcsoló
- B Dugattyú
- C Kartus fedél
- D Kartus keret
- E Indítókapcsoló
- F Sebesség-beállító kerék

BIZTONSÁG

ÁLTALÁNOS BIZTONSÁGI UTASÍTÁSOK

FIGYELEM! Olvassa el az összes biztonsági figyelmeztetést és előírást. A következőkben leírt előírások betartásának elmulasztása áramütésekhez, tűzhoz és/vagy súlyos testi sérülésekhez vezethet. **Kérjük a későbbi használatra gondosan őrizze meg ezeket az előírásokat.** Az alább alkalmazott elektromos kéziszerszám fogalom a hálózati elektromos kéziszerszámokat (hálózati csatlakozó kábellel) és az akkumulátoros elektromos kéziszerszámokat (hálózati csatlakozó kábel nélkül) foglalja magában.

1) MUNKAHELYI BIZTONSÁG

- a) **Tartsa tisztán és tartsa rendszerben a munkahelyét.**
Rendetlen munkahelyek vagy megvilágítatlan munkaterületek balesetekhez vezethetnek.
- b) **Ne dolgozzon az elektromos kéziszerszámmal olyan robbanásveszélyes környezetben, ahol éghető folyadékok, gázok vagy porok vannak.** Az elektromos kéziszerszámok szikrákat bocsáthatnak ki, amelyek meggyújtják a port vagy a gőzöket.
- c) **Tartsa távol a gyerekeket és az idegen személyeket a munkahelytől, ha az elektromos kéziszerszámot használja.** Ha elvonják a figyelmét a munkától, könnyen elvesztheti az uralmát a berendezés felett.

2) ELEKTROMOS BIZTONSÁGI ELŐÍRÁSOK

- a) **A készülék csatlakozó dugójának bele kell illeszkednie a dugaszolóaljzatba. A csatlakozó dugót semmilyen módon sem szabad megváltoztatni. Védőföldeléssel ellátott készülékekkel kapcsolatban ne használjon csatlakozó adaptert.** A változtatás nélküli csatlakozó dugók és a megfelelő dugaszoló aljakok csökkentik az áramütés kockázatát.
- b) **Ne érjen hozzá földelt felületekhez, mint csövekhez, fűtőtestekhez, kályhákhoz és hűtőszekrényekhez.** Az áramütési veszély megnövekszik, ha a teste le van földelve.

- c) **Tartsa távol az elektromos kéziszerszámot az esőtől és a nedvesség hatásaitól.** Ha víz hatol be egy elektromos kéziszerszámba, ez megnöveli az áramütés veszélyét.
- d) **Ne használja a kábelt a rendeltetésétől eltérő célokra, vagyis a szerszámot soha ne hordozza vagy akassza fel a kábelnél fogva, és soha ne húzza ki a hálózati csatlakozó dugót a kábelnél fogva. Tartsa távol a kábelt hőforrásoktól, olajtól, éles élektől, sarkaktól és mozgó gépalkatrészekről.** Egy megrongálódott vagy csomókkal teli kábel megnöveli az áramütés veszélyét.
- e) **Ha egy elektromos kéziszerszámmal a szabad ég alatt dolgozik, csak a szabadban való használatra engedélyezett hosszabbítót használjon.** A szabadban való használatra engedélyezett hosszabbító használat csökkenti az áramütés veszélyét.
- f) **Ha nem lehet elkerülni az elektromos kéziszerszám nedves környezetben való használatát, alkalmazzon egy földzárlat megszakítót.** Egy földzárlat megszakító alkalmazása csökkenti az áramütés kockázatát.

3) SZEMÉLYI BIZTONSÁGI ELŐÍRÁSOK

- a) **Munka közben mindig figyeljen, ügyeljen arra, amit csinál, és meggondoltan dolgozzon az elektromos kéziszerszámmal.** Ha fáradt, ha kábítószerek vagy alkohol hatása alatt áll, vagy orvosságokat vett be, ne használja a berendezést. A berendezéssel végzett munka közben már egy pillanatnyi figyelmetlenség is komoly sérülésekhez vezethet.
- b) **Viseljen személyi védőfelszerelést és mindig viseljen védőszemüveget.** A személyi védőfelszerelések, mint porvédő álarc, csúszásbiztos védőcipő, védősapka és fülvédő használata az elektromos kéziszerszám használata jellegének megfelelően csökkenti a személyes sérülések kockázatát.
- c) **Kerülje el a készülék akaratlan üzembe helyezését. Győződjön meg arról, hogy az elektromos kéziszerszám ki van kapcsolva, mielőtt bedugná a csatlakoztatná az akkumulátor-csomagot, és mielőtt felvenné és vinni kezdené az elektromos kéziszerszámot.** Ha az elektromos kéziszerszám felemelése közben az ujját a kapcsolón tartja, vagy ha a készüléket bekapcsolott állapotban csatlakoztatja az áramforráshoz, ez balesetekhez vezethet.
- d) **Az elektromos kéziszerszám bekapcsolása előtt okvetlenül távolítsa el a beállító szerszámokat vagy csavarkulcsokat.** Az elektromos kéziszerszám forgó részeiben felejtett beállító szerszám vagy csavarkulcs sérüléseket okozhat.
- e) **Ne becsülje túl önmagát. Kerülje el a normálistól eltérő testtartást, ügyeljen arra, hogy mindig biztosan álljon és az egyensúlyát megtartsa.** Így az elektromos kéziszerszám felett váratlan helyzetekben is jobban tud uralkodni.
- f) **Viseljen megfelelő ruhát. Ne viseljen bő ruhát vagy ékszereket. Tartsa távol a haját, a ruháját és a kesztyűjét a mozgó részekről.** A bő ruhát, az ékszereket és a hosszú haját a mozgó alkatrészek magukkal rántathatják.

- g) Ha az elektromos kéziszerszámmal fel lehet szerelni a por elszívásához és összegyűjtéséhez szükséges berendezéseket, ellenőrizze, hogy azok megfelelő módon hozzá vannak kapcsolva a készülékhez és rendeltetésüknek megfelelően működnek. A porgyűjtő berendezések használata csökkenti a munka során keletkező por veszélyes hatását.

4) AZ ELEKTROMOS KÉZISZERSZÁMOK GONDOS KEZELÉSE ÉS HASZNÁLATA

- a) Ne terhelje túl az elektromos kéziszerszámot. A munkájához csak az arra szolgáló elektromos kéziszerszámot használja. Egy alkalmas elektromos kéziszerszámmal a megadott teljesítménytartományon belül jobban és biztonságosabban lehet dolgozni.
- b) Ne használjon olyan elektromos kéziszerszámot, amelynek a kapcsolója elromlott. Egy olyan elektromos kéziszerszám, amelyet nem lehet sem be-, sem kikapcsolni, veszélyes és meg kell javítani.
- c) Húzza ki a csatlakozó dugót a dugaszolóaljzatból és/vagy az akkumulátor-csomagot az elektromos kéziszerszámból, mielőtt az elektromos kéziszerszámon beállítási munkákat végez, tartozékokat cserél vagy a szerszámot tárolásra elteszi. Ez az elővigyázatossági intézkedés meggátolja a szerszám akaratlan üzembe helyezését.
- d) A használaton kívüli elektromos kéziszerszámokat olyan helyen tárolja, ahol azokhoz gyerekek ne férhessenek hozzá. Ne hagyja, hogy olyan személyek használják az elektromos kéziszerszámot, akik nem ismerik a szerszámot, vagy nem olvasták el ezt az útmutatót. Az elektromos kéziszerszámok veszélyesek, ha azokat gyakorlatlan személyek használják.
- e) A készüléket gondosan ápolja. Ellenőrizze, hogy a mozgó alkatrészek kifogástalanul működnek-e, nincsenek-e beszorulva, és nincsenek-e eltörve vagy megrongálódva olyan alkatrészek, amelyek hatással lehetnek az elektromos kéziszerszám működésére. A megrongálódott részeket a készülék használatára előtti javíttassa meg. Sok olyan baleset történik, amelyet az elektromos kéziszerszám nem kielégítő karbantartására lehet visszavezetni.
- f) Tartsa tisztán és éles állapotban a vágószerszámokat. Az éles vágóélekkel rendelkező és gondosan ápolott vágószerszámok ritkábban ékelődnek be és azokat könnyebben lehet vezetni és irányítani.
- g) Az elektromos kéziszerszámokat, tartozékokat, betétszerszámokat stb. csak ezen előírásoknak használja. Vegye figyelembe a munkafeltételeket és a kivitelezendő munka sajátosságait. Az elektromos kéziszerszám eredeti rendeltetésétől eltérő célokra való alkalmazása veszélyes helyzetekhez vezethet.

5) AZ AKKUMULÁTOROS KÉZISZERSZÁMOK GONDOS KEZELÉSE ÉS HASZNÁLATA

- a) Az akkumulátort csak a gyártó által ajánlott töltőkészülékben töltsse fel. Ha egy bizonyos akkumulátortípus feltöltésére szolgáló töltőkészülékben egy másik akkumulátort próbál feltölteni, tűz keletkezhet.
- b) Az elektromos kéziszerszámban csak az ahhoz tartozó akkumulátort használja. Más akkumulátorok használata személyi sérüléseket és tüzet okozhat.

- c) Tartsa távol a használaton kívüli akkumulátort irodai kapcsolótól, pénzérméktől, kulcsoktól, szögektől, csavaroktól és más kisméretű fémtárgyaktól, amelyek áthidalhatják az érintkezőket. Az akkumulátor érintkezői közötti rövidzárlat égési sérüléseket vagy tüzet okozhat.

- d) Hibás alkalmazás esetén az akkumulátorból folyadék léphet ki. Kerülje el az érintkezést a folyadékkal. Ha véletlenül mégis érintkezésbe jutott az akkumulátorfolyadékkal, azonnal öblítse le vízzel az érintett felületet. Ha a folyadék a szemébe jutott, keressen fel ezen kívül egy orvost. A kilépő akkumulátorfolyadék irritációkat vagy égéses bőrsérüléseket okozhat.

6) SZERVIZ

- a) Az elektromos kéziszerszámot csak szakképzett személyzet és csak eredeti pótalkatrészek felhasználásával javíthatja. Ez biztosítja, hogy az elektromos kéziszerszám biztonságos szerszám maradjon.

BIZTONSÁGI ELŐÍRÁSOK AZ AKKUS TÖMÍTŐ PISZTOLYOKHOZ

- Mindig ellenőrizze, hogy a hálózati feszültség megegyezik-e a töltőkészülék adattábláján feltüntetett értékkel (a 230V vagy 240V jelzésű töltőkészülékre 220V feszültségre is csatlakoztathatók)
- Normálistól eltérő működés vagy szokatlan, idegen hangok esetén a gépet azonnal kapcsolja ki vagy a töltőkészülék csatlakozóját húzza ki a konnektorból
- A SKIL cég kizárólag eredeti alkatrészek és kiegészítők alkalmazása esetén tudja garantálni a gép problémamentes működését, melyek a SKIL-márkakereskedőknél kaphatók
- A szerszámot/töltőkészüléket nem tervezték hiányos fizikai, szenzorális vagy értelmi képességekkel rendelkező személyek (beleértve a gyerekeket), illetve tudással és tapasztalattal nem rendelkező személyek által történő használatra, hacsak ezen személyek számára nem biztosítanak a szerszám/töltőkészülék használatára vonatkozó kiképzést, illetőleg felügyeletet, egy erre megbízott, a biztonságukért felelős személy által
- Zárja ki annak lehetőségét, hogy a gyerekek játszhatnak a szerszámhoz/töltőkészülékhez

TÖLTÉS/AKKUMULÁTOR

- Az akkumulátort csak a tartozék töltőkészülék töltsse
- A töltőkészülékben lévő érintkezőket nem szabad megérinteni
- Ne töltsse az akkumulátort nedves vagy páras környezetben
- A gépet/töltőkészüléket/akkumulátort óvja a nedvességtől, különösen esőtől
- A gépet/töltőkészüléket/akkumulátort ne tárolja 40°C feletti és 0°C alatti helyiségben
- Ha az akkumulátorok tüze kerülnek, akkor felrobbanhatnak, ezért semmilyen okból ne égesse el az akkumulátorokat
- Hibás töltőkészüléket nem szabad üzembe helyezni; ilyen esetben forduljon a SKIL hivatalos szakszervizéhez
- A töltőkészülék tovább nem használható, ha a kábel vagy a dugasz sérült, a kábelt vagy a hálózati csatlakozót azonnal hivatalos SKIL szakszervizben ki kell cserélni

- A hibás akkumulátor haladéktalanul cserélje ki
- A töltőkészüléket vagy az akkumulátor tilos szétszedni
- Soha ne próbáljon töltőkészülékkel nem tölthető akkumulátort újra tölteni

A TÖLTŐN/AKKUMULÁTORON TALÁLHATÓ SZIMBÓLUMOK MAGYARÁZATA

- ④ A töltőt csak beltéren használja
- ⑤ Kettős szigetelés (földelővezeték nem szükséges)
- ⑥ Meghibásodásbiztos izoláló transzformátor (az áramforrás elektromosan leválasztott a transzformátor kimenetről)
- ⑦ Automatikus kikapcsolás a töltő túlmelegedése esetén (a hőbiztosíték kiég és a töltő használatatlanná válik)
- ⑧ A töltőcsatlakozás hibás polaritása veszélyt okozhat (csak a szállított töltővel töltsse az akkumulátort)
- ⑨ A töltőkészüléket ne dobja a háztartási szemétkébe
- ⑩ Az akkumulátort ne dobja a háztartási szemétkébe
- ⑪ NiMH technológia a legkevésbé környezetszennyező módon nyújt több energiát

KEZELÉS

- Az akkumulátor töltése ⑫
 - az új akkumulátorok nincsenek feltöltve
- ! **az akkumulátort a töltési idő befejezése után a töltőkészülékről le kell venni, ezáltal az akkumulátor élettartama meghosszabbodik**
- FONTOS:
 - 3 óra letelte után a töltési művelet befejeződik az akkumulátor használhatóvá válik, **melyet a piros lámpa kikapcsolódása jelez** (a piros lámpa több mint 3 óra letelte után is kikapcsolhat)
 - a töltőkészülék és az akkumulátort felmelegedhet a töltés során; ez teljesen normális és nem jelent problémát
 - a töltőbe való behelyezés előtt győződjön meg arról, hogy az akkumulátor külső felülete tiszta és száraz
 - 0°C alatti és 40°C feletti hőmérsékleten mellőzni kell a töltést; ezáltal ugyanis a töltőkészülék és az akkumulátor komoly mértékben károsodhat
 - az akkumulátort a gép üzemeltetése közben nem szabad levenni
- ! **egy új, vagy hosszabb ideig használaton kívüli akkumulátor csak kb. 5 teljes feltöltési/kisütési ciklus után éri el a teljes teljesítményét**
- nem célszerű az akkumulátort minden rövid használat után mindig újra feltölteni mert ez csökkentheti az élettartalmát
- a nikkal-fémhidrid akkumulátort utasítás szerint kell eltávolítani és nem szabad a háztartási hulladékba dobni (erre emlékeztet a ⑩ jelzés)
- ! **az akkumulátor hatástalanítása előtt az akkumulátor végét erős szalaggal biztosítsuk, hogy a kúszóáramokat kiküszöbölhessük**
- amennyiben a gépet hosszabb időn keresztül nem használjuk, akkor a töltőkészülék hálózati csatlakozóját a dugaszolóaljzatból húzzuk ki
- Kartus betöltése ⑬
 - bontson fel egy szabványos kartust egy tapétavággóval
 - illessze fel a kinyomóvéget a felnyitott kartusra
 - vágjon le legalább 2 cm-et a kinyomóvégből 45°-os szögben, úgy, hogy a nyílás elég nagy legyen a legnagyobb sebesség beállítás használatához is

- nyomja balra az A kapcsolót
- tolja hátra a B dugattyút a kezdő pozícióba, amíg az kattánva rögzül (ha a dugattyú nem rögzül, az később meghibásodáshoz vezet)
- nyissa ki a C kartus fedelet
- helyezze be a kartust, amíg annak alapja eléri a D rögzítőkeret hátsó szakaszát
- zárja le a C kartus fedelet
- Be/Ki ⑭
 - nyomja jobbra az A kapcsolót, az E nyomógomb kioldásához
 - kapcsolja be/ki a szerszámot az E nyomógomb lenyomásával/elengedésével
 - a készülék automatikusan kikapcsol, ha a kartus kiürül
- ! **használat után mindig állítsa az A kapcsolót a záró pozícióba ⑮**
- Állítható sebesség ⑯
 - az F kerékkel beállíthatja a kinyomott tömítőanyag mennyiségét (6 pozíció)
 - mielőtt hozzákezdene egy munkához, állapítsa meg az ideális sebességet, egy darab hulladék anyagon kísérletezve
- ! **ha a szerszám nem működik, amikor az F kerék az 1 pozícióban van, állítsa be a sebességet, közben lenyomva az E nyomógombot, ② amíg megtalálja az ideális beállítást**
- A tömítőanyag alkalmazása ⑰
 - a tömítendő területnek száraznak és tisztának kell lennie (ha szükséges, távolítsa el a régi tömítést)
 - miután jobbra nyomta az A kapcsolót, nyomja meg az E nyomógombot a tömítőanyag kinyomásának megkezdéséhez
 - tartsa a szerszámot szögben, és egyenesen sebességgel, óvatosan mozgassa az eszközt a tömítendő rés/repedés mentén, nyomva tartva közben az E nyomógombot
 - a tömítőanyagot a tömítendő rés mindkét felületével érintkeznie kell
 - engedje el az E nyomógombot a tömítőanyag adagolásának befejezéséhez
 - a tömítőanyag lecseppenésének megakadályozására, tolja azonnal balra az A kapcsolót az E nyomógomb elengedését követően
 - a tömítőanyag felvitele után húzza végig egy megnedvesített ujját a tömítőanyag csikon, és távolítsa el egy tiszta, nedves ruhával a felesleges tömítőanyagot
- ! **távolítsa el a maradék tömítőanyagot a kartus kinyomóvégéből és a rögzítő keretből**
- Elektronikus túlterhelés védelem

Abban az esetben, ha túl nagy nyomás nehezedik a kartusra, a motor automatikusan leáll, megvédve így az eszközt és a kartust a károsodástól

 - engedje fel az E nyomógombot
 - hagyjon 5 másodpercet az elektronikának arra, hogy ismét beállítsa a szerszámot
 - nyomja meg az E nyomógombot
 - ha a motor újra leáll, állítsa az F kereket a középső állásba, és újra nyomja meg az E nyomógombot

A túlterhelés elkerülése érdekében mindig ügyeljen az alábbiakra

- a kinyomóvéget legalább 2 cm-re le kell vágni
 - a megszárdult anyagot el kell távolítani a kinyomóvégből
 - ne használjon sérült vagy megfagyott kartust
 - a kartus kereten ne maradjon tömítőanyag
 - a lehető leglassabb sebességet válassza
- Hibaelhárítás
- Ha munka közben a B ② dugattyú nem mozog tovább előre
- kapcsolja ki a szerszámot
 - távolítsa el a kartust a D ② kartus keretből
 - nyomja az A ② kapcsolót balra
- ! **nyomja vissza a B dugattyút a kezdő pozícióba, amíg kattanva rögzül**
- helyezze be újra a kartust
 - nyomja az A kapcsolót jobbra
 - nyomja le az E ② nyomógombot a tömítés folytatásához

KARBANTARTÁS / SZERVIZ

- A gépet és a töltőkészüléket mindig tartsa tisztán
 - a töltőkészülék töltőrintkezőket időnként tisztítsa meg alkohollal vagy kontaktsprayel
- ! **mielőtt a töltőt megtisztítaná a konnektorból húzza ki a csatlakozót**
- Tartsa tisztán a D ② keretet a tömítőanyag szennyeződésektől, egy tiszta, nedves ruha segítségével
 - Ha a gép/töltőkészülék a gondos gyártási és ellenőrzési eljárás ellenére egyszer mégis meghibásodna, akkor a javítással csak SKIL elektromos kéziszerszám-műhely ügyfélszolgálatát szabad megbízni
 - küldje az **összeszerelt** gépet vagy töltőkészüléket a vásárlást bizonyító számlával együtt a kereskedő vagy a legközelebbi SKIL szervizállomás címére (a címlista és a gép szervizdiagramja a www.skilmasters.com címen található)
 - ha a töltő meghibásodna, küldje be a **töltőt és az akkumulátort** is a márkakereskedésbe, vagy a SKIL márkaszervizbe

KÖRNYEZET

- **Az elektromos kéziszerszámokat, tartozékokat és csomagolást ne dobja a háztartási szemétkébe** (csak EU-országok számára)
 - a használt villamos és elektronikai készülékekről szóló 2012/19/EK irányelv és annak a nemzeti jogba való átültetése szerint az elhasznált elektromos kéziszerszámokat külön kell gyűjteni, és környezetbarát módon újra kell hasznosítani
 - erre emlékeztet a ⑨ jelzés, amennyiben felmerül az intézkedésre való igény

MEGFELELŐSÉGI NYILATKOZAT C E

- Egyedüli felelősséggel kijelentjük, hogy a "Műszaki adatok" alatt leírt termék megfelel a következő szabványoknak, illetve irányadó dokumentumoknak: EN 60335, EN 61000, EN 60745, EN 55014 a 2006/95/EK, 2004/108/EK, 2006/42/EK, 2011/65/EU irányelveknek megfelelően

- **A műszaki dokumentáció a következő helyen található:** SKIL Europe BV (PT-SEU/ENG1), 4825 BD Breda, NL

Marijn van der Hoofden
Operations & Engineering

Olaf Dijkgraaf
Approval Manager

SKIL Europe BV, 4825 BD Breda, NL

13.08.2014

ZAJ/REZGÉS

- Az EN 60745 alapján végzett mérések szerint ezen készülék hangnyomás szintje <70 dB(A) (normál eltérés: 3 dB) a rezgésszám <2,5 m/s² (kézre-ható érték; szórás K = 1,5 m/s²)
 - A rezgés-kibocsátási szint mérése az EN 60745 szabványban meghatározott szabványosított teszttel összhangban történt; ez egy eszköznek egy másik eszközzel történő összehasonlítására, illetve a rezgésnek való kitettség előzetes felmérésére használható fel az eszköznek az említett alkalmazásokra történő felhasználása során
 - az eszköznek eltérő alkalmazásokra, vagy eltérő, illetve rosszul karbantartott tartozékokkal történő felhasználása jelentősen **emelheti** a kitettség szintjét
 - az idő, amikor az eszköz ki van kapcsolva, vagy amikor ugyan működik, de ténylegesen nem végez munkát, jelentősen **csökkentheti** a kitettség szintjét
- ! **az eszköz és tartozékai karbantartásával, kezelemelgetésével védje meg magát a rezgések hatásaitól**

CZ

Těsnící pistole bez napájecího kabelu

2055

ÚVOD

- Toto náradí je určeno k vytlačení těsnícího materiálu ze standardních zásobníků
- Tento návod s pokyny si pečlivě přečtete a uschovejte ③

TECHNICKÁ DATA ①

SOUČÁSTI NÁSTROJE ②

- A Multifunkční vypínač
- B Pist
- C Kryt zásobníku
- D Posuvný rám
- E Spouštěcí spínač
- F Kolečko pro výběr rychlosti

BEZPEČNOST

VŠEOBECNÉ BEZPEČNOSTNÍ PŘEDPISY

⚠️ POZOR! Čtete všechna varovná upozornění a pokyny. Zanedbání při dodržování varovných upozornění a pokynů mohou mít za následek úder elektrickým proudem, požár a/nebo těžká poranění. **Všechna varovná upozornění a pokyny do budoucna uschovejte.** Ve varovných upozorněních použitý pojem "elektronářadí" se vztahuje na elektronářadí provozované na el. síti (se síťovým kabelem) a na elektronářadí provozované na akumulátoru (bez síťového kabelu).

1) BEZPEČNOST PRACOVNÍHO MÍSTA

- a) **Udržujte Vaše pracovní místo čisté a uklizené.** Nepořádek nebo neosvětlené pracovní oblasti mohou vést k úrazům.
- b) **Se strojem nepracujte v prostředích ohrožených explozí, kde se nacházejí hořlavé kapaliny, plyny nebo prach.** Elektronářadí vytváří jiskry, které mohou prach nebo páry zapálit.
- c) **Děti a jiné osoby udržujte při použití elektronářadí daleko od Vašeho pracovního místa.** Při rozptýlení můžete ztratit kontrolu nad strojem.

2) ELEKTRICKÁ BEZPEČNOST

- a) **Připojovací zástrčka stroje musí lícovat se zásuvkou. Zástrčka nesmí být žádným způsobem upravena. Společně se stroji s ochranným uzemněním nepoužívejte žádné adaptérové zástrčky.** Neupravené zástrčky a vhodné zásuvky snižují riziko elektrického úderu.
- b) **Zabraňte kontaktu těla s uzemněnými povrchy, jako např. potrubí, topení, sporáky a chladničky. Je-li Vaše tělo uzemněno, existuje zvýšené riziko elektrického úderu.**
- c) **Chraňte stroj před deštěm a vlhkem.** Vniknutí vody do elektrického stroje zvyšuje nebezpečí elektrického úderu.
- d) **Dbejte na účel kabelu, nepoužívejte jej k nošení či zavěšení stroje nebo vytažení zástrčky ze zásuvky. Udržujte kabel daleko od tepla, oleje, ostrých hran nebo pohyblivých dílů stroje.** Poškozené nebo spletené kabely zvyšují riziko elektrického úderu.
- e) **Pokud pracujete s elektronářadím venku, použijte pouze takové prodlužovací kabely, které jsou schváleny i pro venkovní použití.** Použití prodlužovacího kabelu, jež je vhodný pro použití venku, snižuje riziko elektrického úderu.
- f) **Pokud se nelze vyhnout provozu elektronářadí ve vlhkém prostředí, použijte ochranný jistič.** Nasazení ochranného jističe snižuje riziko úderu elektrickým proudem.

3) BEZPEČNOST OSOB

- a) **Bud'te pozorní, dávejte pozor na to, co děláte a přistupujte k práci s elektronářadím rozumně. Stroj nepoužívejte pokud jste unaveni nebo pod vlivem drog, alkoholu nebo léků.** Moment nepozornosti při použití elektronářadí může vést k vážným poraněním.
- b) **Noste osobní ochranné pomůcky a vždy ochranné brýle.** Nošení osobních ochranných pomůček jako maska proti prachu, bezpečnostní obuv s protiskluzovou podrážkou, ochranná přilba nebo sluchátka, podle druhu nasazení elektronářadí, snižují riziko poranění.

- c) **Zabraňte neúmyslnému uvedení do provozu. Přesvědčte se, že je elektronářadí vypnuté dříve než jej uchopíte, poneseťe či připojíte na zdroj proudu a/ nebo akumulátor.** Máte li při nošení elektronářadí prst na spínači nebo pokud stroj připojíte ke zdroji proudu zapnutý, pak to může vést k úrazům.
 - d) **Než stroj zapnete, odstraňte seřizovací nástroje nebo šroubovák.** Nástroj nebo klíč, který se nachází v otáčivém dílu stroje, může vést k poranění.
 - e) **Nepřeceňujte se. Zajistěte si bezpečný postoj a vždy udržujte rovnováhu.** Tím můžete stroj v neočekávaných situacích lépe kontrolovat.
 - f) **Noste vhodný oděv. Nenoste žádný volný oděv nebo šperky. Vlasy, oděv a rukavice udržujte daleko od pohyblivých se dílů.** Volný oděv, šperky nebo dlouhé vlasy mohou být zachyceny pohyblivými se díly.
 - g) **Lze-li namontovat odsávací či zachycující přípravky, přesvědčte se, že jsou připojeny a správně použity.** Použití odsávání prachu může snížit ohrožení prachem.
- ### 4) SVĚDOMITÉ ZACHÁZENÍ A POUŽÍVÁNÍ ELEKTRONÁŘADÍ
- a) **Stroj nepřetěžujte. Pro svou práci použijte k tomu určený stroj.** S vhodným elektronářadím budete pracovat v udané oblasti výkonu lépe a bezpečněji.
 - b) **Nepoužívejte žádné elektronářadí, jehož spínač je vadný.** Elektronářadí, které nelze zapnout či vypnout je nebezpečné a musí se opravit.
 - c) **Než provedete seřízení stroje, výměnu dílů příslušenství nebo stroj odložíte, vytáhněte zástrčku ze zásuvky a/nebo odstraňte akumulátor.** Toto preventivní opatření zabrání neúmyslnému zapnutí stroje.
 - d) **Uchovávejte nepoužívané elektronářadí mimo dosah dětí. Nenechte stroj používat osobám, které se strojem nejsou seznámeny nebo nečetly tyto pokyny.** Elektronářadí je nebezpečné, je-li používáno nezkušenými osobami.
 - e) **Pečujte o stroj svědomitě. Zkontrolujte, zda pohyblivé díly stroje bezvadně fungují a nevzpříčují se, zda díly nejsou zlomené nebo poškozené tak, že je omezena funkce stroje. Poškozené díly nechte před nasazením stroje opravit.** Mnoho úrazů má příčinu ve špatně udržovaném elektronářadí.
 - f) **Řezné nástroje udržujte ostré a čisté.** Pečlivě ošetřované řezné nástroje s ostrými řeznými hranami se méně vzpříčují a dají se lehčeji vést.
 - g) **Používejte elektronářadí, příslušenství, nasazovací nástroje apod. podle těchto pokynů. Respektujte přitom pracovní podmínky a prováděnou činnost.** Použití elektronářadí pro jiné než určující použití může vést k nebezpečným situacím.

5) SVĚDOMITÉ ZACHÁZENÍ A POUŽÍVÁNÍ AKUMULÁTOROVÉHO NÁŘADÍ

- a) **Akumulátor nabíjete pouze v nabíječce, která je doporučena výrobcem.** Pro nabíječku, která je vhodná pro určitý druh akumulátorů, existuje nebezpečí požáru, je-li používána s jinými akumulátory.
- b) **Do elektronářadí používejte pouze k tomu určené akumulátory.** Použití jiných akumulátorů může vést k poraněním a požárům.
- c) **Nepoužívaný akumulátor uchovávejte mimo kancelářské sponky, mince, klíče, hřebíky, šrouby nebo jiné drobné kovové předměty, které mohou**

způsobit přemostění kontaktů. Zkrat mezi kontakty akumulátoru může mít za následek opálení nebo požár.

- d) **Při špatném použití může z akumulátoru vytéci kapalina. Zabraňte kontaktu s ní. Při náhodném kontaktu opláchněte místo vodou. Pokud kapalina vnikne do očí, navštivte navíc i lékaře.** Vytékající akumulátorová kapalina může způsobit podráždění pokožky nebo popáleníny.

6) SERVIS

- a) **Nechte Váš stroj opravit pouze kvalifikovaným odborným personálem a pouze s originálními náhradními díly.** Tím bude zajištěno, že bezpečnost stroje zůstane zachována.

BEZPEČNOSTNÍ PŘEDPISY PRO TĚSNÍCÍ PISTOLE BEZ NAPÁJECÍHO KABELU

- Vždy zkontrolujte, zda je napájecí napětí stejné jako napětí uvedené na typovém štítku nabíječe (nabíječky určené k napájení 230V nebo 240V lze použít též v síti 220V)
- V případě atypického chování nebo cizích hluků ihned vypněte nářadí nebo vytáhněte nabíječ ze zásuvky
- SKIL zajistí bezchybnou funkci nářadí pouze tehdy, používáte-li odpovídající příslušenství, které obdržíte u svého prodejce SKIL
- Nástroj/nabíječka není určený/a pro používání osobami (včetně dětí) s omezenými fyzickými, smyslovými či mentálními schopnostmi, nebo s nedostatkem zkušeností a vědomostí, pokud na ně není dohlédnuto nebo nedostaly pokyny týkající se zacházení s nástrojem/nabíječem od osoby zodpovědné za jejich bezpečnost
- Postarejte se, aby si děti nehrály s nástrojem/nabíječem

NABÍJENÍ/AKUMULÁTORŮ

- Nabíjejte akumulátor pouze dodanou nabíječkou
- Nedotýkejte se kontaktů
- Nenabíjejte akumulátor ve vlhkém nebo mokřem prostředí
- Nevystavujte nářadí/nabíječ/akumulátor dešti
- Nářadí/nabíječ/akumulátor ukládejte na vhodné, suché a zajištěné místo, v prostorách s teplotou minimálně 0°C a maximálně 40°C
- Baterie při vhození do ohně explodují, proto je nikdy nevhazujte do otevřeného plamene
- Nepoužívejte k nabíjení poškozenou nabíječku; nabíječku nechte opravit nebo nahraďte novou z naší oficiální odborné dílny SKIL
- Nabíječ nepoužívejte, když kabel nebo zástrčka jsou poškozeny; ihned je nahraďte novými z naší oficiální odborné dílny SKIL
- Poškozený akumulátor nepoužívejte, nahraďte jej novým
- Nabíječ nebo akumulátor nikdy nerozebírejte
- Baterie, které nejsou určeny k opětovnému nabíjení, v přístroji nedobíjet

VYSVĚTLENÍ SYMBOLŮ NA NABÍJEČCE/BATERII

- ④ Určeno pouze k použití uvnitř budov
- ⑤ Dvojité izolace (není nutný zemnicí drát)
- ⑥ Bezpečnostní izolační transformátor (zdroj energie je elektricky oddělen od výstupu transformátoru)
- ⑦ Automatické odpojení při přílišném zahřátí nabíječky (tepelná pojistka přehoří a nabíječka se stane nepoužitelnou)

- ⑧ Nesprávná polarita zapojení nabíječky by mohla způsobit nebezpečí (baterii nabíjejte pouze pomocí přiložené nabíječky)
- ⑨ Nabíječ nevyhazujte do komunálního odpadu
- ⑩ Akumulátor nevyhazujte do komunálního odpadu
- ⑪ Technologie NiMH poskytují více energie způsobem, který je šetrnější k životnímu prostředí

OBSLUHA

- Nabíjení akumulátorů ⑫
 - nové akumulátory nejsou nabitý
 - ! **vyjmutím akumulátoru z nabíječe po nabití, tím se prodlouží životnost akumulátoru**

UPOZORNĚNÍ:

- po 3 hodinách je doba nabíjení ukončena a akumulátor může být používán; **a to i přesto, že svítí červená kontrolka** (pro jeho zhasnutí je někdy třeba více než 3 hodiny)
- nabíječ a akumulátor jsou při nabíjení horké; to je normální a nesignalizuje to závadu
- než vložíte akumulátor do nabíječky, přesvědčte se, zda je její povrch čistý a suchý
- při teplotách pod 0°C nebo přes 40°C nelze nabíjet; mohlo by dojít k poškození nabíječe i akumulátoru
- akumulátor se nesmí během chodu z nářadí vyjmát
- ! **nový nebo delší dobu nepoužívaný akumulátor dává plný výkon až po ca. 5 nabíjecích a vybíjecích cyklech**
- akumulátor by neměl být po každém krátkém, použití znovu dobíjen, protože to může snížit kapacitu akumulátorů
- nikel-metalhydrid akumulátory se musí udržovat v pořádku a nesmí se dostat do domovního odpadu (symbol ⑩ na to upozorňuje)
- ! **u vyřazených akumulátorů zakryjte kontakty izolační páskou, zabráníte tím plazivým proudům**
- pokud nářadí dlouho nepoužíváte, můžete zástrčku nabíječe ze zásuvky vytáhnout
- Nasazení zásobníku ⑬
 - otevřete standardní zásobník pomocí kuchyňského nože
 - nasadte trysku na vrchní část otevřeného zásobníku
 - odřežte minimálně 2 cm hrotu trysky pod uhlím 45°, aby byl otvor dostatečně velký pro práci v nejvyšší rychlosti
 - posuňte vypínač A doleva
 - posuňte píst B zpět do výchozí polohy, dokud nezaklapne (pokud píst nezaklapne, nebude později správně fungovat)
 - otevřete kryt zásobníku C
 - vložte zásobník, dokud dnem nedosáhne zadní část rámu D
 - zavřete kryt zásobníku C
- Vypínač ⑭
 - posuňte vypínač A doprava a odblokujte přepínač E
 - zapněte/vypněte nářadí stisknutím/uvolněním přepínače E
 - nářadí se automaticky vypne po vyprázdnění zásobníku
 - ! **po každém použití zajistěte vypínač A ve zablokované poloze ⑬**

- Proměnlivá rychlost ⑩
 - tok těsnící hmoty lze nastavit pomocí kolečka F (6 poloh)
 - před začátkem práce nastavte optimální rychlost podle zkoušky na kousku materiálu
 - ! **pokud nářadí neběží s kolečkem F v poloze 1, nastavte rychlost a stiskněte přepínač E ②, dokud nenaleznete optimální nastavení**
- Nanesení těsnícího materiálu ⑩
 - místo nanesení těsnícího materiálu musí být čisté a suché (odstraňte případný starý těsnící materiál)
 - posuňte vypínač A doprava, stiskněte vypínač E a spusťte výstup těsnící hmoty
 - uchopte nářadí v mírném úhlu a opatrně rovnoměrnou rychlostí posouvejte podél mezery nebo praskliny, kterou chcete vyplnit - současně stiskněte přepínač E
 - ujistěte se, zda těsnící materiál plně pokrývá oba povrchy, které chcete utěsnit
 - uvolněte přepínač E a zastavte proud těsnícího materiálu
 - chcete-li zabránit vytečení těsnícího materiálu, ihned po uvolnění vypínače E posuňte vypínač A doleva
 - po nanesení těsnícího materiálu přejděte podél vrstvy navlhčeným prstem a zbytky odstraňte pomocí čistého vlhkého hadříku
 - ! **odstraňte zbytky těsnícího materiálu z trysky zásobníku a rámu**
- Elektronická ochrana proti přetížení
Automaticky zastaví motor v případě, že je na zásobník vyvíjen příliš velký tlak; tak chrání přístroj i zásobník před poškozením
 - uvolněte přepínač E
 - počkejte 5 sekund, než se elektronika znovu nastaví
 - stiskněte přepínač E
 - pokud se motor znovu zastaví, posuňte kolečko F do střední polohy a znovu stiskněte přepínač E

Chcete-li předejít přetížení nářadí, ujistěte se, zda

 - je zkrácen hrot trysky minimálně o 2 cm
 - z trysky byl odstraněn ztvrdlý materiál
 - zásobník není poškozený ani zamrznutý
 - posuvný rám není znečištěný těsnícím materiálem
 - je vybrána nejnižší možná rychlost
- Řešení problémů
V případě, že se píst B ② při pohybu vpřed zastaví
 - vypněte nářadí
 - vytáhněte zásobník z posuvného rámu D ②
 - posuňte vypínač A ② doleva
 - ! **posuňte píst B do výchozí polohy, dokud nezapadne**
 - opět vložte zásobník
 - posuňte vypínač A doprava
 - stiskněte přepínač E ② a pokračujte v práci

ÚDRŽBA / SERVIS

- Udržujte nářadí a nabíječ čisté
 - čistěte kontakty v nabíječi pouze alkoholem nebo čistěčem kontaktů
 - ! **před čištěním vytáhněte vždy nabíječ ze zásuvky**
- Udržujte posuvný rám D ② v čistotě, bez zbytků těsnícího materiálu, pomocí čistého vlhkého hadříku

- Pokud dojde i přes pečlivou výrobu a náročné kontroly k poruše nástroje/nabíječe, svěřte provedení opravy autorizovanému servisnímu středisku pro elektronářadí firmy SKIL
 - zašlete nástroj nebo nabíječ **nerozebraný** spolu s potvrzením o nákupu své prodejní nebo nejbližšímu servisu značky SKIL (adresy a servisní schéma nástroje najdete na www.skilmasters.com)
 - je-li nabíječka vadná, odešlete **nabíječku a baterii** svému prodejci nebo servisu značky SKIL

ŽIVOTNÍ PROSTŘEDÍ

- **Elektrické nářadí, doplňky a balení nevyhazujte do komunálního odpadu** (jen pro státy EU)
 - podle evropské směrnice 2012/19/EG o nakládání s použitými elektrickými a elektronickými zařízeními a odpovídajících ustanovení právních předpisů jednotlivých zemí se použitá elektrická nářadí, musí sbírat odděleně od ostatního odpadu a podrobit ekologicky šetrnému recyklování
 - symbol ⑨ na to upozorňuje

PROHLÁŠENÍ O SHODĚ CE

- Prohlašujeme v plné naší zodpovědnosti, že v odstavci "Technická data" popsaný výrobek je v souladu s následujícími normami nebo normativními dokumenty: EN 60335, EN 61000, EN 60745, EN 55014, podle ustanovení směrnice 2006/95/ES, 2004/108/ES, 2006/42/ES, 2011/65/EU
- **Technická dokumentace u:** SKIL Europe BV (PT-SEU/ENG1), 4825 BD Breda, NL

Marijn van der Hoofden Olaf Dijkgraaf
Operations & Engineering Approval Manager




SKIL Europe BV, 4825 BD Breda, NL

13.08.2014

HLUČNOSTI/VIBRACÍ

- Měřeno podle EN 60745 činí tlak hlukové vlny tohoto přístroje <70 dB(A) (standardní odchylka: 3 dB) a vibrací <2,5 m/s² (metoda ruka-paže; nepřesnost K = 1,5 m/s²)
- Úroveň vibrací byla měřena v souladu se standardizovaným testem podle EN 60745; je možné ji použít ke srovnání jednoho přístroje s druhým a jako předběžné posouzení vystavování se vibracím při používání přístroje k uvedeným aplikacím
 - používání přístroje k jiným aplikacím nebo s jiným či špatně udržovaným příslušenstvím může zásadně **zvýšit** úroveň vystavení se vibracím
 - doba, kdy je přístroj vypnutý nebo kdy běží, ale ve skutečnosti není využíván, může zásadně **snižit** úroveň vystavení se vibracím
- ! **chráňte se před následky vibrací tak, že budete dbát na údržbu přístroje a příslušenství, budete si udržovat teplé ruce a uspořádáte si své pracovní postupy**

Kordsuz izolasyon tabancası 2055

GİRİŞ

- Bu alet, standart tüpler içerisinde bulunan izolasyon malzemesinin yüzeylere uygulanabilmesi için tasarlanmıştır
- Bu kullanma kılavuzunu okuyun ve saklayın ③

TEKNİK VERİLER ①

ALET BİLEŞENLERİ ②

- A Çok işlevli düğme
- B Enjektör
- C Tüp kapağı
- D Taşıyıcı gövde
- E Tetik sviç
- F Hız seçim düğmesi

GÜVENLİK

GENEL GÜVENLİK YÖNERGELERİ

⚠ DİKKAT! Bütün uyarıları ve talimat hükümlerini okuyun. Açıklanan uyarılara ve talimat hükümlerine uyulmadığı takdirde elektrik çarpmalarına, yangınlara ve/veya ağır yaralanmalara neden olunabilir. **Bütün uyarıları ve talimat hükümlerini ileride kullanmak üzere saklayın.** Uyarı ve talimat hükümlerinde kullanılan "elektrikli el aleti" kavramı, akım şebekesine bağlı (şebeke bağlantı kablosu ile) aletlerle akü ile çalışan aletleri (akım şebekesine bağlantısı olmayan aletler) kapsamaktadır.

1) ÇALIŞMA YERİ GÜVENLİĞİ

- Çalıştığınız yeri temiz ve düzenli tutun.** İşyerindeki düzensizlik veya yetersiz aydınlatma kazalara neden olabilir.
- Yanıcı sıvıların, gazların veya tozların bulunduğunu patlama tehlikesi olan yer ve mekânlarda aletinizle çalışmayın.** Elektrikli el aletleri, toz veya buharların tutuşmasına veya yanmasına neden olan kıvılcıklar çıkarırlar.
- Elektrikli el aletinizle çalışırken çocukları ve başkalarını çalışma alanınızın dışında tutun.** Yakınızdaki bulunan kişiler dikkatinizi dağıtabilir ve bu da alet üzerinde kontrolünüzü kaybetmenize neden olabilir.

2) ELEKTRİKSEL GÜVENLİK

- Aletinizin bağlantı fişi prize uymalıdır. Fişi hiçbir şekilde değiştirmeyin. Koruyucu topraklamalı aletlerle adaptörlü fiş kullanmayın.** Değiştirilmemiş, orijinal fiş ve uygun prizler elektrik çarpmaya tehlikesini azaltır.
- Borular, kalorifer tesisatı, ısıtıcılar ve buzdolapları gibi topraklanmış yüzeylerle bedensel temasa gelmekten kaçının.** Eğer bedeniniz topraklanacak olursa yüksek bir elektrik çarpmaya tehlikesi ortaya çıkar.
- Aletinizi yağmur ve nemden koruyun.** Elektrikli el aletinin içine suyun sızması elektrik çarpmaya tehlikesini yükseltir.
- Kabloyu kendi amacı dışında kullanmayın; örneğin aleti kablodan tutarak taşımayın, aleti kablo ile**

asmayın veya kablodan çekerek fişi prizden çıkarmayın. Kabloyu aşırı sıcaktan, yağlardan, keskin kenarlı cisimlerden veya aletin hareketli parçalarından uzak tutun. Hasarlı veya dolaşmış kablo elektrik çarpmaya tehlikesini yükseltir.

- Elektrikli el aletinizle açık havada çalışırken mutlaka açık havada kullanılmaya müsadeeli uzatma kablosu kullanın.** Açık havada kullanılmaya uygun ve müsadeeli uzatma kablosunun kullanılması elektrik çarpmaya tehlikesini azaltır.
- Elektrikli el aletinin nemli ortamlarda çalıştırılması şartsa, mutlaka toprak kaçacağı devre kesicisi kullanın.** Toprak kaçacağı devre kesicisi kullanımı elektrik çarpmaya tehlikesini azaltır.

3) KİŞİLERİN GÜVENLİĞİ

- Dikkatli olun, ne yaptığınızı dikkat edin ve elektrikli el aletinizle çalışırken makul hareket edin.** Yorgunsanız, hap, ilaç veya alkol almışsanız aletinizi kullanmayın. Aletinizi kullanırken bir anlık dikkatsizliğiniz ciddi yaralanmalara yol açabilir.
- Daima kişisel korunma donanımları ve bir koruyucu gözlük kullanın.** Elektrikli el aletinin türü ve kullanımına uygun olarak kullanacağınız toz maskesi, kaymayan sağlam iş ayakkabıları, koruyucu kask veya koruyucu kulaklık gibi kişisel korunma donanımlarını kullanmanız yaralanma tehlikesini büyük ölçüde azaltır.
- Aleti yanlışlıkla çalıştırmaktan kaçının. Akım ikmal şebekesine ve/veya aküye bağlamadan, elinize alıp taşımadan önce elektrikli el aletinin kapalı durumda olduğundan emin olun.** Elektrikli el aletini parmağınız şalter üzerinde dururken taşırırsanız ve alet açıkken fişi prize sokarsanız kazalara neden olabilirsiniz.
- Aleti çalıştırmadan önce ayar aletlerini veya tornavidaları aletten uzaklaştırın.** Dönen alet parçasına temas halinde bulunan bir uç veya anahtar yaralanmalara neden olabilir.
- Kendinize çok fazla güvenmeyin. Duruşunuzun güvenli olmasına dikkat edin ve daima dengenizi koruyun.** Bu sayede aletinizi beklenmedik durumlarda daha iyi kontrol edersiniz.
- Uygun iş giysileri giyin. Çalışırken çok bol giysiler giymeyin ve takı takmayın. Saçlarınızı, giysilerinizi ve eldivenlerinizi aletin hareketli parçalarından uzak tutun.** Bol giysiler, takılar veya uzun saçlar aletin hareketli parçaları tarafından tutulabilir.
- Aletinizle toz emme donanımı ve toz tutma donanımı takılabiliyorsa, bunların bağlı olup olmadığını ve doğru işlev görüp görmediklerini kontrol edin.** Toz emme donanımının kullanımını tozdan kaynaklanabilecek tehlikeleri azaltır.

4) ELEKTRİKLİ EL ALETLERİYLE DİKKATLİ ÇALIŞMAK VE ALETİ DOĞRU KULLANMAK

- Aletinizi aşırı ölçüde zorlamayın. İşinize uygun elektrikli el aletini kullanın.** Uygun elektrikli el aleti ile belirtilen performans alanında daha iyi ve daha güvenli çalışırsınız.
- Açma/kapama şalteri arızalı olan elektrikli el aletini kullanmayın.** Açılıp kapanamayan bir elektrikli el aleti tehlikelidir ve onarılması gerekir.
- Alette bir ayarlama işlemine başlamadan ve/veya aküyü çıkarmadan önce, herhangi bir aksesuarı değiştirirken veya aleti elinizden bırakırken fişi**

prizden çekin. Bu önlem, aletin kontrolünüz dışında ve istenmeden çalışmasını önler.

- d) **Kullanım dışında iken elektrikli el aletinizi çocukların ulaşamayacağı bir yerde saklayın. Aleti kullanmayı bilmeyen veya bu güvenlik talimatını okumayan kişilerin aleti kullanmasına izin vermeyin.** Deneyimsiz kişiler tarafından kullanıldıkları takdirde elektrikli el aletleri tehlikeli olabilirler.
- e) **Aletin bakımını özenle yapın. Aletin hareketli parçalarının kusursuz işlev görüp görmediklerini ve sıkışmadıklarını, parçaların kırık veya hasarlı olup olmadıklarını kontrol edin, aksi takdirde alet işlevini tam olarak yerine getiremez. Aletinizi kullanmadan önce hasarlı parçaları onartın.** Birçok iş kazası aletlerin kötü ve yetersiz bakımından kaynaklanır.
- f) **Kesici uçları keskin ve temiz tutun.** İyi bakım görmüş kesici uçlar daha ender sıkışır ve daha iyi yönlendirilirler.
- g) **Elektrikli el aletlerini, aksesuarı, uçları ve benzerlerini bu güvenlik talimatına uygun olarak kullanın. Aletinizi kullanırken çalışma koşullarını ve yaptığınız işi daima dikkate alın.** Elektrikli el aletlerini kendileri için öngörülen işlerin dışında kullanmak tehlikeli durumların ortaya çıkmasına neden olabilir.
- 5) **AKÜLÜ ALETLERLE DİKKATLİ ÇALIŞMAK VE ALETLERİ DOĞRU KULLANMAK**
- a) **Aküleri sadece üretici tarafından tavsiye edilen şarj cihazlarında şarj edin.** Belirli bir tür akü için geliştirilmiş bir şarj cihazının değişik bir akü için kullanılması yangın tehlikesine yol açar.
- b) **Elektrikli el aletlerinde sadece o alet için öngörülen aküleri kullanın.** Başka akülerin kullanılması yaralanmalara ve yangın tehlikesinin ortaya çıkmasına neden olabilir.
- c) **Kullanım dışında bulunan aküleri, kontaklar arasında köprüleme yapma olasılığı bulunan büro araçları, madeni paralar, anahtarlar, çiviler, vidalar veya diğer küçük metal eşya ve cisimlerden uzak tutun.** Akü kontakları arasındaki bir kısa devre yanmalara veya yangın çıkmasına neden olabilir.
- d) **Yanlış kullanım durumunda akünün dışına sıvılar sızabilir. Bu sıvılara temas etmeyin. Yanlışlıkla aküden sızan sıvılara temas ederseniz, temas yerini hemen su ile yıkayın. Eğer söz konusu sıvı gözünüze kaçacak olursa hemen bir hekime başvurun.** Aküden dışarı sızan sıvılar cildinizde tahrişlere veya yanmalara neden olabilir.
- 6) **SERVİS**
- a) **Aletinizi sadece uzman bir elemana ve orijinal yedek parçalar kullanılarak onartın.** Böylelikle aletin güvenliğini korumuş olursunuz.

KORDONSUZ İZOLASYON TABANCALARI İÇİN GÜVENLİK TALİMATLARI

- Güç geriliminin, şarj cihazın özellik plakasında belirtilen voltaj değeriyle aynı olduğunu sık sık kontrol edin (230V veya 240V şarj cihazını 220V kaynağa bağlanabilir)
- Alet normal çalışmıyorsa veya değişik gürültüler geliyorsa, aleti hemen kapatın veya şarj cihazın fişini prizden çekin
- SKIL sadece SKIL satıcınızdan temin edeceğiniz uygun aksesuarlar kullanıldığında aletin düzgün çalışmasını garanti eder

- Alet/şarj cihazı, güvenliklerinden sorumlu bir kişi tarafından aletin/şarj cihazının kullanımı ile ilgili gözetim ve açıklama sağlanmadığı takdirde fiziksel, duymusal ya da zihinsel olarak gelişmemiş ya da yeterli bilgi ve deneyime sahip olmayan kişiler (çocuklar dahil) tarafından kullanılmamalıdır
 - Çocukların aletle/şarj cihazıyla oynamasını engelleyin
- ### ŞARJ/BATARYALAR
- Bataryayı sadece aletle birlikte teslim edilen şarj cihazı ile şarj edin
 - Şarj cihazı içindeki kontaklara dokunmayın
 - Bataryayı nemli ve ıslak ortamlarda şarj etmeyin
 - Aleti, şarj cihazını ve bataryayı hiçbir zaman yağmur altında bırakmayın
 - Aleti, şarj cihazını ve bataryayı daima 0° - 40° arasındaki oda sıcaklığında saklayın
 - Piller ateşe maruz kaldığında patlar, bu yüzden herhangi bir nedenle pili yakmayın
 - Hasarlı şarj cihazını çalıştırmayın, test yapmak üzere sözleşmeli bir SKIL servisinde getirin
 - Kablo veya fiş hasarlı ise şarj cihazını kullanmayın, hasarlı kablo veya fişi sözleşmeli bir SKIL servisinde yeniletin
 - Hasarlı batarya'ları kullanmayın, hemen yenileyin
 - Şarj cihazını ve bataryayı hiçbir zaman sökmeyi denemeyin
 - Şarj edilemeyen aküleri şarj cihazı ile şarj etmeyi denemeyin

ŞARJ ALETİ/PİL ÜZERİNDEKİ SİMGELERİN AÇIKLAMASI

- 4 Şarj aletini yalnızca kapalı yerlerde kullanın
- 5 Çift yalıtım (topraklama kablosu gerekli değildir)
- 6 Arzaya karşı güvenli yalıtım transformatörü (güç kaynağının elektriği transformatör çıkışından ayrır)
- 7 Şarj aleti çok ısındığında otomatik olarak kapanır (termik sigorta yanar ve şarj aleti kullanılmaz hale gelir)
- 8 Şarj aleti bağlantısının hatalı kutup bağlantısının olması bir tehlikeye neden olabilir (pili yalnızca birlikte gelen şarj aletiyle şarj edin)
- 9 Şarj cihazını evdeki çöp kutusuna atmayın
- 10 Bataryayı evdeki çöp kutusuna atmayınız
- 11 NiMH teknolojisi çevreyi daha az kirleterek daha fazla enerji sağlar

KULLANIM

- Bataryanın şarjı ⑫
 - yeni aletler şarjlı değildir
 - ! şarj işlemleri bittikten sonra batarya şarj cihazından çıkarılmalıdır; bu yolla bataryanın kullanım ömrü uzar

ÖNEMLİ:

- akü 3 saat şarj süresinde olduktan sonra kullanıma hazırdır, **kırmızı ışık hala yanık durumdadır** (kırmızı ışığın sönmesi arada bir 3 saatten fazla süre bilir)
- şarj işlemi sırasında bataryayı ve şarj cihazı ısınabilir; bu normaldir ve bir sorun değildir
- şarj cihazına takmadan önce, bataryanın dış yüzeyinin temiz ve kuru olduğundan emin olun
- 0°'nin altında ve 40°'nin üstündeki sıcaklıklarda şarj işleminden kaçınmın, çünkü bu durumda şarj cihazı ve batarya hasar görebilir
- alet çalışır durumda iken bataryayı çıkarmayın

! yeni veya uzun süre kullanılmamış bir batarya ancak yaklaşık 5 kez şarj/deşarj olduktan sonra tam performansına ulaşır

- aletle kısa çalıştıktan sonra ve her defasında bataryayı şarj etmeyin; bu durumda aşınma hızlanır
- nikel-metalhidrit batarya çevre koruma hükümlerine uygun olarak tasfiye edilmeli, ev çöplerine karışmamalıdır (sembol 10 size bunu anımsatmalıdır)

! bataryayı tasfiye etmeden önce, kaçak akımları önlemek üzere batarya uçlarını ağır bir bantla sarın

- aletinizi uzun süre kullanmayacaksınız, şarj cihazının şebeke fişini prizden çekin
- Tüplerin takılması 13
 - standart bir tüpü maket bıçağıyla açın
 - memeyi açık tüpün ucuna takın
 - en yüksek hızda kullanıldığında açıklığın yeteri kadar geniş olmasını sağlamak için, meme ucunu en az 2 cm kadar, 45° bir açıyla kesin
 - A düğmesini sola doğru itin
 - çit sesiyle yerine oturana dek B enjektörünü başlangıç konumuna itin (çit sesiyle kapanmaması daha sonradan enjektörün hatalı çalışmasına neden olmaktadır)
 - C tüp kapağını açın
 - tüpü D taşıyıcı gövdesinin tabanına erişene dek içeri itin
 - C tüp kapağını kapatın
- Açma/kapama şalteri 14
 - E tetiğinin kilidini açmak için A düğmesini sağa doğru itin
 - E düğmesine basarak/bırakarak aleti çalıştırın/ durdurun
 - tüp boşaldığında alet otomatik olarak kapanır
- ! **A düğmesinin her kullanımdan sonra kilitli konumda olmasını sağlayın** 15
- Değişken hız 16
 - F düğmesi ile izolasyon malzemesinin akış miktarı ayarlanabilir (6 konum)
 - işe başlamadan önce atılacak malzemeler üzerinde test yaparak en uygun hızı bulun
- ! **F düğmesi 1 konumundayken alet çalışmıyorsa, en uygun ayarı bulmak için E 2 tetiğine basarken hızı ayarlayın**
- İzolasyon malzemesini tatbik etme 17
 - izole edilecek alanın temiz ve kuru olmasını sağlayın (varsa eski izolasyonu sökün)
 - A düğmesini sağa doğru ittikten sonra, izolasyon malzemesinin akması için E tetiğini basın
 - aleti hafif bir açıyla tutun ve E düğmesine basarken doldurulacak aralık/çatlak boyunca eşit bir hızda dikkatle hareket ettirin
 - izolasyon malzemesinin izole edilecek iki yüzeyle de tamamen temas etmesini sağlayın
 - izolasyon akışını sona erdirmek için E tetiğini bırakın
 - izolasyon malzemesinin dökülmesini engellemek için E düğmesini bıraktıktan hemen sonra A düğmesini sola doğru itin
 - uygulamadan sonra ıslattığınız parmağınızı izolasyon malzemesi boyunca hareket ettirin ve temiz, nemli bir bez kullanarak izolasyon malzemesinin fazlasını silin
- ! **tüp memesi ve taşıyıcı gövde üzerinde kalan artık izolasyon malzemesini silin**

- Elektronik aşırı yük emniyeti
Kartuşa aşırı baskı uygulandığında motoru otomatik olarak durdurarak, aletin ve tüpün hasar görmesini önler
 - E tetiğini bırakın
 - elektronik bileşenlerin 5 saniyede yeniden ayarlanmasını bekleyin
 - E tetiğini basın
 - motor bir kez daha durursa, F düğmesi orta konuma getirip E tetiğini tekrar basın
- Aşırı yüklemekten kaçınmak için aşağıdaki noktalardan her zaman emin olun
 - meme ucu en az 2 cm kesilmelidir
 - meme ucunda bulunan sertleşmiş izolasyon malzemesi temizlenmelidir
 - tüp hasar görmemeli veya donmamalıdır
 - taşıyıcı gövde izolasyon malzemesinden arındırılmalıdır
 - mümkün olan en düşük hız ayarı seçilmelidir
- Sorun giderme
İzolasyon işleminin yarısında B 2 enjektörünün ileri doğru hareket etmemesi durumunda
 - aleti kapatın
 - tüpü D 2 taşıyıcı gövdesinden çıkartın
 - A 2 düğmesini sola doğru itin
- ! **çit sesiyle yerine oturana dek B enjektörünü başlangıç konumuna kadar itin**
 - tüpü tekrar takın
 - A düğmesini sağa doğru itin
 - izolasyon işlemine devam etmek için E tetiğine 2 basın

BAKIM / SERVİS

- Aletinizi ve şarj cihazınızı daima temiz tutun
 - kontak yerlerini alkol veya kontak temizleme maddesi ile temizleyin
- ! **şarj cihazını temizlemeyen önce, cihazın fişini prizden çekin**
- Temiz, nemli bir bez kullanarak D 2 taşıyıcı gövdesini tüm artık izolasyon malzemesinden arındırın
- Dikkatli biçimde yürütülen üretim ve test yöntemlerine rağmen aleti/şarj cihazı arıza yapacak olursa, onarım SKIL elektrikli aletleri için yetkili bir serviste yapılmalıdır
 - aleti veya şarj cihazını ambalajıyla birlikte satın alma belgenizde ekleyerek satıcınıza veya en yakın SKIL servisine ulaştırın (adresler ve aletin servis şemaları www.skilmasters.com adresinde listelenmiştir)
 - şarj cihazının arızalı olması durumunda **şarj cihazını ve pili** satıcınıza veya SKIL servis istasyonuna gönderin

ÇEVRE

- Elektrikli aletlerini, aksesuarları ve ambalajları evdeki çöp kutusuna atmayınız (sadece AB ülkeleri için)
 - kullanılmış elektrikli aletleri, elektrik ve elektrikli eski cihazlar hakkındaki 2012/19/EC Avrupa yönergelerine göre ve bu yönergeler ulusal hukuk kurallarına göre uyarlanarak, ayrı olarak toplanmalı ve çevre şartlarına uygun bir şekilde tekrar değerlendirmeye gönderilmelidir
 - sembol 9 size bunu anımsatmalıdır

UYGUNLUK BEYANI ÇE

- Tek sorumlu olarak "Teknik veriler" bölümünde tanımlanan ürünün aşağıdaki norm veya normatif belgelere uygunluğunu beyan ederiz: EN 60335, EN 61000, EN 60745, EN 55014, yönetmeliği hükümleri uyarınca 2006/95/EG, 2004/108/EG, 2006/42/EG, 2011/65/EU
- **Teknik belgelerin bulunduğu merkez:** SKIL Europe BV (PT-SEU/ENG1), 4825 BD Breda, NL

Marijn van der Hoofden
Operations & Engineering

Olaf Dijkgraaf
Approval Manager

SKIL Europe BV, 4825 BD Breda, NL

13.08.2014

GÜRÜLTÜ/TİTREŞİM

- Ölçülen EN 60745 göre ses basıncı bu makinanın seviyesi <70 dB(A) (standart sapma: 3 dB) ve titreşim <2,5 m/s² (el-kol metodu; tolerans K = 1,5 m/s²)
 - Titreşim emisyon seviyesi EN 60745'te sunulan standart teste göre ölçülmüştür; bu seviye, bir aleti bir başkasıyla karşılaştırmak amacıyla ve aletin söz konusu uygulamalarda kullanılması sırasında titreşime maruz kalma derecesinin ön değerlendirmesi olarak kullanılabilir
 - aletin farklı uygulamalar için veya farklı ya da bakımı yetersiz yapılmış aksesuarlarla kullanılması, maruz kalma seviyesini belirgin biçimde **arttırabilir**
 - aletin kapalı olduğu veya çalıştığı ancak gerçek anlamda iş yapmadığı zamanlarda, maruz kalma seviyesi belirgin biçimde **azalabilir**
- ! aletin ve aksesuarlarının bakımını yaparak, ellerinizi sıcak tutarak ve iş modellerinizi düzenleyerek kendinizi titreşimin etkilerinden koruyun**

PL

Bezprzewodowy wyciskacz do mas uszczelniających 2055

WSTĘP

- Narzędzie przeznaczone jest do wyciskania masy uszczelniającej ze standardowych kartuszy
- Przeczytać i zachować niniejszą instrukcję obsługi ③

DANE TECHNICZNE ①

ELEMENTY NARZĘDZIA ②

- A Przełącznik wielofunkcyjny
- B Tłoczek
- C Pokrywa kartusza
- D Oprawa kartusza
- E Włócznik
- F Pokrętko wyboru prędkości

BEZPIECZEŃSTWO

OGÓLNE PRZEPISY BEZPIECZEŃSTWA

! UWAGA! Należy przeczytać wszystkie wskazówki i przepisy. Błędy w przestrzeganiu poniższych wskazówek mogą spowodować porażenie prądem, pożar i/lub ciężkie obrażenia ciała. **Należy starannie przechowywać wszystkie przepisy i wskazówki bezpieczeństwa dla dalszego zastosowania.** Użyte w poniższym tekście pojęcie "elektronarzędzie" odnosi się do elektronarzędzi zasilanych energią elektryczną z sieci (z przewodem zasilającym) i do elektronarzędzi zasilanych akumulatorami (bez przewodu zasilającego).

1) BEZPIECZEŃSTWO MIEJSCA PRACY

- a) **Miejsce pracy należy utrzymywać w czystości i dobrze oświetlone.** Nieporządek lub nie oświetlone miejsce pracy mogą doprowadzić do wypadków.
- b) **Nie należy pracować tym narzędziem w otoczeniu zagrożonym wybuchem, w którym znajdują się np. łatwopalne ciecze, gazy lub pyły.** Elektronarzędzia wytwarzają iskry, które mogą podpalić ten pył lub pary.
- c) **Elektronarzędzie trzymać podczas pracy z daleka od dzieci i innych osób.** Przy nieuwadze można stracić kontrolę nad narzędziem.

2) BEZPIECZEŃSTWO ELEKTRYCZNE

- a) **Wtyczka urządzenia musi pasować do gniazda. Nie wolno modyfikować wtyczki w jakikolwiek sposób. Nie należy używać wtyczek adapterowych razem z uziemnionymi narzędziami.** Niezmienione wtyczki i pasujące gniazda zmniejszają ryzyko porażenia prądem.
 - b) **Należy unikać kontaktu z uziemnionymi powierzchniami jak rury, grzejniki, piece i lodówki.** Istnieje zwiększone ryzyko porażenia prądem, gdy Państwa ciało jest uziemnione.
 - c) **Urządzenie należy przechowywać zabezpieczone przed deszczem i wilgocią.** Wniknięcie wody do elektronarzędzia podwyższa ryzyko porażenia prądem.
 - d) **Nigdy nie należy używać kabla do innych czynności. Nigdy nie używać kabla do noszenia urządzenia za kabel, zawieszenia lub do wyciągania wtyczki z gniazda. Kabel należy trzymać z daleka od wysokich temperatur, oleju, ostrych krawędzi lub ruchomych części urządzenia.** Uszkodzone lub poplątane kable zwiększają ryzyko porażenia prądem.
 - e) **W przypadku, kiedy elektronarzędziem pracuje się na świeżym powietrzu należy używać kabla przedłużającego, który dopuszczony jest do używania na zewnątrz.** Użycie dopuszczonego do używania na zewnątrz kabla przedłużającego zmniejsza ryzyko porażenia prądem.
 - f) **Jeżeli nie da się uniknąć zastosowania elektronarzędzia w wilgotnym otoczeniu, należy użyć wyłącznika ochronnego różnicowo-prądowego.** Zastosowanie wyłącznika ochronnego różnicowo-prądowego zmniejsza ryzyko porażenia prądem.
- ### 3) BEZPIECZEŃSTWO OSÓB
- a) **Należy być uważnym, uważać na to co się robi i pracę elektronarzędziem rozpoczynać z rozsądkiem. Nie należy używać urządzenia gdy jest się zmęczonym lub pod wpływem narkotyków, alkoholu**

- lub lekarstw.** Moment nieuwagi przy użyciu urządzenia może doprowadzić do poważnych urażeń ciała.
- b) **Należy nosić osobiste wyposażenie ochronne i zawsze okulary ochronne.** Noszenie osobistego wyposażenia ochronnego jak maska przeciwpyłowa, nie ślizgające się buty robocze, hełm ochronny lub ochrona słuchu, w zależności od rodzaju i zastosowania elektronarzędzia zmniejsza ryzyko obrażeń ciała.
- c) **Należy unikać niezamierzonego uruchomienia narzędzia. Przed włożeniem wtyczki do gniazdka i/ lub podłączeniem do akumulatora, a także przed podniesieniem lub przeniesieniem elektronarzędzia, należy upewnić się, że elektronarzędzie jest wyłączone.** Trzymanie palca na wyłączniku podczas przenoszenia elektronarzędzia lub podłączenia do prądu włączonego narzędzia, może stać się przyczyną wypadków.
- d) **Zanim urządzenie zostanie włączone należy usunąć narzędzia nastawcze lub klucze.** Narzędzie lub klucz, które znajdują się w ruchomych częściach urządzenia mogą doprowadzić do obrażeń ciała.
- e) **Nie należy przeceniać swoich możliwości. Należy dbać o bezpieczną pozycję pracy i zawsze utrzymywać równowagę.** Przez to możliwa jest lepsza kontrola urządzenia w nieprzewidzianych sytuacjach.
- f) **Należy nosić odpowiednie ubranie. Nie należy nosić luźnego ubrania lub biżuterii. Włosy, ubranie i rękawice należy trzymać z daleka od ruchomych elementów.** Luźne ubranie, biżuteria lub długie włosy mogą zostać pociągnięte przez poruszające się części.
- g) **W przypadku, kiedy możliwe jest zamontowanie urządzeń odsysających lub podchwytujących należy upewnić się, czy są one właściwie podłączone i prawidłowo użyte.** Użycie urządzenia odsysającego pył może zmniejszyć zagrożenie pyłami.
- 4) UWAGA! OBCOWANIE ORAZ UŻYCIE ELEKTRONARZĘDZIA**
- a) **Nie należy przeciążać urządzenia. Do pracy używać należy elektronarzędzia, które jest do tego przewidziane.** Odpowiednim narzędziem pracuje się lepiej i bezpieczniej w podanym zakresie sprawności.
- b) **Nie należy używać elektronarzędzia, którego włącznik/wyłącznik jest uszkodzony.** Elektronarzędzie, którego nie można włączyć lub wyłączyć jest niebezpieczne i musi zostać naprawione.
- c) **Przed regulacją urządzenia, wymianą osprzętu lub po zaprzestaniu pracy narzędziem, należy wyciągnąć wtyczkę z gniazda i/lub usunąć akumulator.** Ten środek ostrożności zapobiegnie niezamierzonemu włączeniu się urządzenia.
- d) **Nie używane elektronarzędzia należy przechowywać poza zasięgiem dzieci. Nie należy udostępniać narzędzia osobom, które jego nie umiają lub nie przeczytały tych przepisów.** Używane przez niedoświadczonych osoby elektronarzędzia są niebezpieczne.
- e) **Urządzenie należy starannie konserwować. Należy kontrolować, czy ruchome części urządzenia funkcjonują bez zarzutu i nie są zablokowane, czy części nie są pęknięte lub uszkodzone, co mogłoby mieć wpływ na prawidłowe funkcjonowanie urządzenia. Uszkodzone narzędzie należy przed użyciem urządzenia oddać do naprawy.** Wiele wypadków spowodowanych jest przez niewłaściwą konserwację elektronarzędzi.
- f) **Osprzęt tnący należy utrzymywać ostry i czysty.** Starannie pielęgnowany osprzęt tnący z ostrzymi krawędziami tnącymi blokuje się rzadziej i łatwiej się używa.
- g) **Elektronarzędzia, osprzęt, narzędzia itd. należy używać odpowiednio do tych przepisów. Uwzględnić należy przy tym warunki pracy i czynność do wykonania.** Użycie elektronarzędzi do innych niż przewidziane prace może doprowadzić do niebezpiecznych sytuacji.
- 5) UWAGA! OBCOWANIE I UŻYWANIE NARZĘDZI ZASILANYCH AKUMULATORAMI**
- a) **Akumulatory należy ładować tylko w ładowarkach, które polecił producent.** W ładowarce, która nadaje się do ładowania określonych akumulatorów istnieje niebezpieczeństwo pożaru, gdy użyte zostaną inne akumulatory.
- b) **Do elektronarzędzi należy używać jedynie przewidzianych do tego akumulatorów.** Użycie innych akumulatorów może doprowadzić do obrażeń ciała i niebezpieczeństwa pożaru.
- c) **Nie używany akumulator należy trzymać z daleka od spinaczy, monet, kluczy, gwoździ, śrub lub innych małych przedmiotów metalowych, które mogłyby spowodować zwarcie kontaktów.** Zwarcie pomiędzy kontaktami akumulatora może spowodować oparzenia lub pożar.
- d) **Przy niewłaściwym użyciu możliwe jest wydostanie się cieczy z akumulatora. Należy unikać kontaktu z nią. Przy przypadkowym kontakcie splukać wodą. W przypadku, że ciecz dostała się do oczu należy dodatkowo skonsultować się z lekarzem.** Ciecz akumulatorowa może doprowadzić do podrażnienia skóry lub oparzeń.
- 6) SERWIS**
- a) **Naprawę urządzenia należy zlecić jedynie kwalifikowanemu fachowcowi i przy użyciu oryginalnych części zamiennych.** To gwarantuje, że bezpieczeństwo użytkowania zostanie zachowane.
- PRZEPISY BEZPIECZEŃSTWA DO BEZPRZEWODOWYCH WYCISKACZÓW DO MAS USZCZELNIAJĄCYCH**
- Każdorazowo należy sprawdzać, czy napięcie zasilania jest zgodne z napięciem podanym na tabliczce znamionowej ładowarka (ładowarka na napięcie znamionowe 230V lub 240V zasilac można także napięciem 220V)
 - W przypadku wadliwego działania mechanicznych lub elektrycznych elementów urządzenia, należy bezzwocznie odłączyć narzędzie przy ładowarce wyjąć wtyczkę z gniazda sieciowego
 - SKIL może zagwarantować bezawaryjne działanie narzędzia tylko przy korzystaniu z odpowiedniego wyposażenia dodatkowego, dostępnego u dystrybutorów produktów SKIL
 - Urządzenie/ładowarka nie może być obsługiwane przez osoby (włącznie z dziećmi) o obniżonych zdolnościach fizycznych, sensorycznych lub umysłowych,

nieposiadające stosownego doświadczenia i wiedzy, chyba że używają go pod nadzorem osoby odpowiedzialnej za ich bezpieczeństwo lub zostały przez nią odpowiednio poinstruowane w zakresie obsługi urządzenia/ładowarka

- Upewnić się, że dzieci nie bawią się urządzeniem/ładowarkiem

ŁADOWANIE/AKUMULATORY

- Do ładowania akumulatorów wykorzystywać tylko znajdującą się w wyposażeniu ładowarkę
- Nie dotykać styków ładowarki
- Nie ładować akumulatora w wilgotnych lub mokrych środowiskach
- Elektronarzędzie/ładowarka/akumulator powinny być zawsze przechowywane w pomieszczeniu o temperaturze poniżej 40°C oraz powyżej 0°C
- Akumulatory w kontakcie z ogniem mogą eksplodować, więc nie wolno ich pod żadnym pozorem spalać
- Nie próbować uruchamiać uszkodzonej ładowarki; należy ją dostarczyć do autoryzowanego punktu serwisowego elektronarzędzi firmy SKIL
- Nie używać ładowarki w przypadku stwierdzenia uszkodzenia kabla zasilającego lub wtyku, ładowarkę należy dostarczyć do autoryzowanego punktu serwisowego elektronarzędzi firmy SKIL
- Uszkodzony akumulator natychmiast wymienić i nie używać do pracy
- Nigdy nie demontować ładowarki czy akumulatora
- Nigdy nie próbować ładowania jednorazowych baterii

OBJAŚNIENIE SYMBOLI NA ŁADOWARCE/ AKUMULATORACH

- ④ Ładowarki używaj tylko we wnętrzach
- ⑤ Podwójna izolacja (brak uzziemienia)
- ⑥ Bezpieczny w razie awarii, izolowany transformator (źródło prądu jest elektrycznie odizolowane od wyjścia transformatora)
- ⑦ Automatyczne wyłączenie w momencie przegrzania ładowarki (bezpieczniki termiczne i ładowarka przestaną działać)
- ⑧ Nieprawidłowa polaryzacja podłączenia ładowarki jest niebezpieczna (ładuj akumulatory tylko za pomocą ładowarki dostarczonej w komplecie)
- ⑨ Nie wyrzucaj ładowarki wraz z odpadami z gospodarstwa domowego
- ⑩ Nie wyrzucaj akumulatora wraz z odpadami z gospodarstwa domowego
- ⑪ Technologia NiMH zapewnia więcej energii przy mniejszym zanieczyszczeniu środowiska

UŻYTKOWANIE

- Ładowanie akumulatora ⑫
 - akumulatory nowe dostarczane są w stanie nienaładowanym
- ! **po zakończeniu procesu ładowania należy wyjąć akumulator z gniazda ładowarki, przedłuża to żywotność akumulatora**

UWAGA:

- po 3 godzinach akumulator jest naładowany i może zostać wykorzystany, **nawet w sytuacji kiedy czerwona dioda świeci się w dalszym ciągu** (wyłączenie czerwonej lampki może nastąpić po upływie 3 godzin od chwili rozpoczęcia ładowania)
- podczas ładowania zarówno akumulator jak i ładowarka mogą się nagrzewać; co jest zjawiskiem prawidłowym
- przed instalacją akumulatora w ładowarce upewnić się, że jego zewnętrzna powierzchnia jest czysta i sucha
- należy unikać ładowania w temperaturze poniżej 0°C i powyżej 40°C; może nastąpić uszkodzenie ładowarki i akumulatora
- podczas pracy akumulatora nie wolno wyjmować z elektronarzędzia
- ! **nowy lub dłuższy czas nieużywany akumulator osiąga swoją pełną wydajność dopiero po ok. 5 cyklach ładowania/wyładowania**
- nie należy doładowywać akumulatora po krótkim okresie pracy przed jego rozładowaniem, powoduje to zmniejszenie żywotności akumulatora
- po zużyciu należy postępować akumulator niklowo-wodorkowe z zasadami ochrony środowiska i w żadnym wypadku nie wyrzucać do śmietników przydomowych (przypomina o tym symbol ⑩)
- ! **przed oddaniem akumulatora do punktu odbioru surowców wtórnych zabezpieczyć taśmą jego styki w celu uniknięcia powstawania prądów pelzających**
- po zakończeniu pracy wyjąć wtyk ładowarki z gniazda sieciowego
- Wkładanie kartuszy ⑬
 - odetnij końcówkę standardowego kartusza nożem do ś tapet
 - nakręć aplikator na końcówkę otwartego kartusza
 - przytnij końcówkę aplikatora pod kątem 45° o co najmniej 2 cm, aby otwór był wystarczająco duży przy korzystaniu z najwyższego ustawienia prędkości posuwu
 - wciśnij przełącznik A w lewo
 - przesuń tłoczek B do pozycji wyjściowej, aby zatrasnął się na swoim miejscu (w przeciwnym razie tłoczek może nie działać prawidłowo)
 - otwór pokrywaj kartusza C
 - włóż kartusz w taki sposób, aby jego podstawa doszła do końca oprawy D
 - zamknij pokrywkę kartusza C
- Włóżnik/wyłóżnik ⑭
 - wciśnij przełącznik A w prawo, aby odblokować spust E
 - wciśnij spust E, aby włączyć narzędzie; zwolnij spust E, aby je wyłączyć
 - narzędzie wyłącza się automatycznie po opróżnieniu kartusza
- ! **po każdym użyciu narzędzia upewnij się, że przełącznik A znajduje się w położeniu blokada ⑮**

- Zmiana prędkości posuwu ⑩
 - 6-pozycyjne pokrętko F służy do regulacji intensywności wypywu masy uszczelniającej
 - przed rozpoczęciem pracy znajdź prędkość optymalną, przeprowadzając próbę na materiale zapasowym
 - ! **jeśli narzędzie nie działa, gdy pokrętko F znajduje się w pozycji 1, wciśnij spust E ② i wyreguluj prędkość, aż do uzyskania ustawienia optymalnego**
- Nakładanie masy uszczelniającej ⑪
 - sprawdź, czy uszczelniana powierzchnia jest czysta i sucha (w razie potrzeby usuń poprzednie uszczelnienie)
 - po wciśnięciu przełącznika A w prawo wciśnij spust E, aby rozpocząć wyciskanie masy uszczelniającej
 - trzymając narzędzie pod niewielkim kątem, powoli i równomiernie przesuwaj je wzdłuż wypełnianej szczeliny/pęknięcia przy wciśniętym spuście E
 - upewnij się, że masa uszczelniająca całkowicie styka się z każdą z uszczelnianych powierzchni
 - zwolnij spust E, aby zakończyć wyciskanie masy uszczelniającej
 - aby uniknąć rozlania masy uszczelniającej, wciśnij przełącznik A w lewo zaraz po zwolnieniu spustu E
 - po nałożeniu masy uszczelniającej przeciągnij zwilżony palec po miejscu nałożenia i za pomocą czystej, wilgotnej ściereczki usuń nadmiar masy
 - ! **usuń pozostałości masy uszczelniającej z aplikatora i oprawy kartusza**
- Elektroniczna ochrona przed przeciążeniem

Zatrzymuje silnik automatycznie w razie zbyt dużego przyłożonego nacisku na kartusz, co chroni narzędzie i kartusz przed uszkodzeniem

 - zwolnij spust E
 - poczekaj przez 5 sekund na powtórne uruchomienie elektroniki
 - wciśnij spust E
 - jeżeli silnik zatrzyma się ponownie, przesun pokrętko F na środkowe położenie i wciśnij spust E

Aby uniknąć przeciążenia zawsze upewnij się, czy

 - końcówka aplikatora jest przycięta o co najmniej 2 cm
 - stwardniała masa została usunięta z aplikatora
 - kartusz nie jest uszkodzony ani zamrożony
 - oprawa kartusza nie jest zanieczyszczona masą uszczelniającą
 - wybrano najniższe możliwe ustawienie prędkości posuwu
- Rozwiązywanie problemów

Jeśli w trakcie pracy tłoczek B ② zatrzyma się

 - wyłącz narzędzie
 - wyjmij kartusz z oprawy D ②
 - wciśnij przełącznik A ② w lewo

! **przesuń tłoczek B z powrotem do pozycji wyjściowej, aby zatrzasnął się na swoim miejscu**

 - ponownie włóż kartusz
 - wciśnij przełącznik A w prawo
 - wciśnij spust E ②, aby kontynuować pracę

KONSERWACJA / SERWIS

- Elektronarzędzie oraz ładowarka z kablem powinny być zawsze czyste
 - styki ładowarki oczyść alkoholem lub odpowiednim preparatem do czyszczenia styków
- ! **przed przystąpieniem do wykonywania jakichkolwiek czynności obsługowych przy ładowarce wyjąć wtyk z gniazda sieciowego**
- Oczyszczaj oprawę kartusza D ② z pozostałości masy uszczelniającej za pomocą czystej, wilgotnej ściereczki
- Jeśli narzędzie/ładowarkę, mimo dokładnej i wszechstronnej kontroli produkcyjnej ulegnie kiedykolwiek awarii, naprawę powinien przeprowadzić autoryzowany serwis elektronarzędzi firmy SKIL
 - odesłać **nierozebrany** narzędzie lub ładowarkę, wraz z dowodem zakupu, do dealera lub do najbliższego punktu usługowego SKIL (adresy oraz diagram serwisowy narzędzenia znajdują się na stronach www.skilmasters.com)
 - w razie awarii ładowarki należy przesłać **zarówno ładowarkę, jak i akumulator** do dealera albo najbliższego punktu usługowego SKIL

ŚRODOWISKO

- **Nie wyrzucaj elektronarzędzi, akcesoriów i opakowania wraz z odpadami z gospodarstwa domowego** (dotyczy tylko państw UE)
 - zgodnie z Europejską Dyrektywą 2012/19/WE w sprawie zużytego sprzętu elektrotechnicznego i elektronicznego oraz dostosowaniem jej do prawa krajowego, zużyte elektronarzędzia należy posegregować i zutylizować w sposób przyjazny dla środowiska
 - w przypadku potrzeby pozbycia się narzędzia, akcesoriów i opakowania - symbol ⑨ przypomni Ci o tym

DEKLARACJA ZGODNOŚCI CE

- Oświadczamy z pełną odpowiedzialnością, że produkt, przedstawiony w "Dane techniczne", odpowiada wymaganiom następujących norm i dokumentów normatywnych: EN 60335, EN 61000, EN 60745, EN 55014, zgodnie z wymaganiami dyrektywy 2006/95/EU, 2004/108/EU, 2006/42/EU, 2011/65/EU
- **Dokumentacja techniczna:** SKIL Europe BV (PT-SEU/ENG1), 4825 BD Breda, NL

Marijn van der Hoofden
Operations & Engineering

Olaf Dijkgraaf
Approval Manager




SKIL Europe BV, 4825 BD Breda, NL

13.08.2014

HAŁASU/WIBRACJE

- Pomiarów dokonano zgodnie z normą EN 60745 ciśnienie akustyczne narzędzia wynosi <70 dB(A) (poziomo odchylenie: 3 dB), zaś wibracje <2,5 m/s² (metoda dłoń-ręka; błąd pomiaru K = 1,5 m/s²)

- Поziом эмисии вибрации зостаl змierzony згодние з тестем стандарызованым поданым в EN 60745; може служиць до пороўнания одного нарэздя з innym i jako ocena następnа nаrаżenia на вибрацие в trakcie узыwania нарэздя до wymienionych zadań
 - узыwanie нарэздя до innych zadań, lub з innymi albo źle utrzymanyми аксесорiami, може значаць **зwiększyć** poziom nаrаżenia
 - przypadki, kiedy нарэздя jest wуłączone lub jest czynne, ale aktualnie nie wykonuje zadania, mogą значаць **zmniejszyć** poziom nаrаżenia
- ! **należy chronić się przed skutkami wibracji przez konserwację нарэздя i jego аксесоріоw, zakładanie rękawic i właściwą organizację pracy**

RU

Беспроводной пистолет для герметика

2055

ВВЕДЕНИЕ

- Инструмент предназначен для выдавливания герметика из стандартной тубы
- Прочитайте и сохраните с данной инструкцией ③

ТЕХНИЧЕСКИЕ ДАННЫЕ ①

ДЕТАЛИ ИНСТРУМЕНТА ②

- A Многофункциональный выключатель
- B Поршень
- C Крышка отсека
- D Отсек для тубы
- E Курковый переключатель
- F Переключатель скорости

БЕЗОПАСНОСТЬ

ОСНОВНЫЕ ИНСТРУКЦИИ ПО ТЕХНИКЕ БЕЗОПАСНОСТИ

ВНИМАНИЕ! Прочтите все указания и инструкции по технике безопасности. Упущения, допущенные при соблюдении указаний и инструкций по технике безопасности, могут стать причиной электрического поражения, пожара и тяжелых травм.

Сохраняйте эти инструкции и указания для будущего использования. Исползованное в настоящих инструкциях и указаниях понятие “электроинструмент” распространяется на электроинструмент с питанием от сети (с кабелем питания от электросети) и на аккумуляторный электроинструмент (без кабеля питания от электросети).

1) БЕЗОПАСНОСТЬ РАБОЧЕГО МЕСТА

- a) **Соблюдайте чистоту и поддерживайте надлежащую освещенность на рабочем месте.** Беспорядок на рабочем месте или его плохое освещение могут привести к несчастным случаям.

- b) **Не используйте с электроинструментом во взрывоопасной среде, т.е. в непосредственной близости от легковоспламеняющихся жидкостей, газов или пыли.** В процессе работы электроинструмент искрит и искры могут воспаленить газы или пыль.

- c) **При работе с электроинструментом не допускайте детей или посторонних на Ваше рабочее место.** Отвлечение Вашего внимания может привести к потере контроля над работой инструмента.

2) ЭЛЕКТРИЧЕСКАЯ БЕЗОПАСНОСТЬ

- a) **Штепсельная вилка кабеля питания электроинструмента должна соответствовать розетке электросети. Не вносите никаких изменений в конструкцию вилки. Не используйте адапторы для электроинструмента с защитным заземлением.** Заводские штепсельные вилки и соответствующие им сетевые розетки существенно снижают вероятность электрошока.
- b) **Избегайте механических контактов с такими заземленными поверхностями, как трубопроводы, системы отопления, плиты и холодильники.** При соприкосновении человека с заземленными предметами во время работы инструментом вероятность электрошока существенно возрастает.
- c) **Оберегайте электроинструмент от воздействия дождя и влаги.** Попадание воды в электроинструмент повышает вероятность электрического удара.
- d) **Используйте кабель строго по назначению. Не допускайте тянуть и передвигать электроинструмент за кабель или использовать кабель для вытягивания вилки из розетки. Оберегайте кабель инструмента от воздействия высоких температур, масла, острых кромок или движущихся частей электроинструмента.** Поврежденный или спутанный кабель повышает возможность электрического удара.
- e) **При работе на улице используйте удлинитель, предназначенный для работы вне помещения.** Использование такого удлинителя снижает вероятность электрического удара.
- f) **Если невозможно избежать применения электроинструмента в сыром помещении, то устанавливайте устройство защиты от утечки в землю.** Использование устройства защиты от утечки в землю снижает риск электрического поражения.

3) ЛИЧНАЯ БЕЗОПАСНОСТЬ

- a) **Будьте внимательны, следите за тем, что Вы делаете и выполняйте работу обдуманно. Не пользуйтесь электроинструментом, если Вы устали или находитесь под воздействием транквилизаторов, алкоголя или медицинских препаратов.** Секундная потеря концентрации в работе с электроинструментом может привести к серьезным травмам.
- b) **Используйте средства индивидуальной защиты. Защитные очки обязательны.** Средства индивидуальной защиты, такие как противопылевые респиратор, нескользящая защитная обувь, шлем-

- каска, средства защиты органов слуха применяются в соответствующих условиях работы обстоятельствах и минимизируют возможность получения травм.
- c) **Предотвращайте непреднамеренное включение электроинструмента. Перед подключением электроинструмента к электропитанию и/или к аккумулятору убедитесь в выключенном состоянии электроинструмента.** Если Вы при транспортировке электроинструмента держите палец на выключателе или включенный электроинструмент подключаете к сети питания, то это может привести к несчастному случаю.
- d) **Во избежание травм перед включением инструмента удалите регулировочный или гаечный ключ из вращающейся части инструмента.**
- e) **Не переоценивайте свои возможности. Твердо стойте на ногах и удерживайте равновесие.** В таком положении вы сможете лучше контролировать инструмент в неожиданных ситуациях.
- f) **Используйте подходящую рабочую одежду. Не надевайте свободную одежду и украшения. Волосы, одежда и перчатки должны находиться подальше от движущихся частей электроинструмента.** Свободная одежда, украшения или длинные волосы легко могут попасть в движущиеся части электроинструмента.
- g) **При наличии пылеотсасывающих и пылесборных приспособлений убедитесь в том, что они подсоединены и используются надлежащим образом.** Применение пылеотсоса может снизить опасности, создаваемые пылью.
- 4) ЭКСПЛУАТАЦИЯ И УХОД ЗА ЭЛЕКТРОИНСТРУМЕНТОМ**
- a) **Не перегружайте инструмент. Используйте тот инструмент, который предназначен для данной работы.** С подходящим инструментом Вы выполните работу лучше и надежней, используя весь диапазон его возможностей.
- b) **Не используйте инструмент с неисправным выключателем.** Инструмент с неисправным выключателем опасен и подлежит ремонту.
- c) **До начала наладки электроинструмента, замены принадлежностей или прекращения работы отключайте штепсельную вилку от розетки сети и/или выньте аккумулятор.** Данная мера предосторожности предотвращает случайное включение инструмента.
- d) **Храните неиспользуемый электроинструмент в недоступном для детей месте и не позволяйте использовать его лицам, не умеющим с ним обращаться или не ознакомленным с инструкцией по эксплуатации.** Электроинструменты представляют собой опасность в руках неопытных пользователей.
- e) **Электроинструмент требует надлежащего ухода. Проверяйте безупречность функции подвижных частей, лёгкость их хода, целостность всех частей и отсутствие повреждений, которые могут негативно сказаться на работе инструмента. При обнаружении повреждений сдайте инструмент в ремонт.** Большое число несчастных случаев связано с неудовлетворительным уходом за электроинструментом.

- f) **Режущие части инструмента необходимо поддерживать в заточенном и чистом состоянии.** При надлежащем уходе за режущими принадлежностями с острыми кромками они режут заклиниваются и инструмент лучше поддается контролю.
- g) **Используйте электроинструмент, принадлежности, биты и т.д. в соответствии с данными инструкциями, исходя из особенностей условий и характера выполняемой работы.** Использование электроинструмента не по назначению может привести к опасным последствиям.
- 5) ЭКСПЛУАТАЦИЯ И УХОД ЗА АККУМУЛЯТОРНЫМ ЭЛЕКТРОИНСТРУМЕНТОМ**
- a) **Зарядка аккумуляторной батареи производится только на тех зарядных устройствах, которые рекомендованы изготовителем.** Использование нерегламентированных зарядных устройств для зарядки аккумуляторной батареи может привести к возгоранию.
- b) **В электроинструменте надлежит использовать только те аккумуляторные батареи, которые предусмотрены для данного инструмента.** Использование других аккумуляторных батарей может привести к травмам и возникновению пожарной опасности.
- c) **Не оставляйте аккумуляторную батарею рядом с металлическими предметами – канцелярскими скрепками, монетами, ключами, гвоздями, винтами и другими металлическими предметами, которые могут замкнуть контакты.** Короткое замыкание контактов аккумуляторной батареи может привести к ожогам или пожару.
- d) **В случаях ненадлежащего обращения с аккумуляторной батареей из нее может вытечь жидкость. Избегайте контакта с ней. При случайном попадании жидкости на кожу – промойте водой. При попадании жидкости в глаза, обратитесь также за помощью к врачу.** Вытекшая аккумуляторная жидкость может привести к раздражению кожи или ожогам.
- 6) СЕРВИСНОЕ ОБСЛУЖИВАНИЕ**
- a) **Передавайте инструмент на сервисное обслуживание только квалифицированному персоналу, использующему только подлинные запасные части.** Это обеспечит сохранение безопасности электроинструмента.

ИНСТРУКЦИИ ПО БЕЗОПАСНОЙ РАБОТЕ С БЕСПРОВОДНЫМИ ПИСТОЛЕТАМИ ДЛЯ ГЕРМЕТИКА

- Обязательно убедитесь, что напряжение питания соответствует напряжению, указанному на фирменном штемпеле зарядного устройства (зарядные устройства, рассчитанные на напряжение 230 В или 240 В, можно подключать к питанию 220 В)
- В случае механической или электрической неисправности немедленно выключите инструмент или отсоедините зарядное устройство от источника питания

- SKIL обеспечивает надёжную работу инструмента только при использовании соответствующей оснастки, которую можно приобрести у Вашего дилера фирмы SKIL
- Инструмент/зарядное устройство не должен использоваться лицами (включая детей) с ограниченными физическими, сенсорными или умственными способностями, или лицами, не имеющими достаточного опыта и знаний, за исключением случаев, когда они работают под надзором или проинструктированы в вопросах использования инструмента/зарядного устройства лицом, ответственным за их безопасность
- Убедитесь, что дети не имеют возможности играть с инструментом/зарядным устройством

ЗАРЯДКА/АККУМУЛЯТОРЫ

- Для зарядки аккумулятора используйте только зарядное устройство, поставляемое с инструментом
- Не касайтесь контактов зарядного устройства
- Не заряжайте аккумулятор в сырых или влажных условиях
- Исключите возможность попадания дождя на инструмент, зарядное устройство и аккумулятор
- В зоне хранения инструмента, зарядного устройства и аккумулятора температура не должна подниматься выше 40°C и падать ниже 0°C
- При попадании в огонь батареи взрываются, поэтому ни в коем случае не сжигайте батареи
- Запрещается использовать поврежденное зарядное устройство; отвезите его в официально зарегистрированный центр обслуживания SKIL для проверки безопасности работы
- Запрещается использовать зарядное устройство при повреждении шнура или вилки; немедленно замените шнур или вилку в одном из официально зарегистрированных центров обслуживания SKIL
- Запрещается использовать поврежденный аккумулятор; немедленно замените его
- Запрещается разбирать зарядное устройство или аккумулятор
- Запрещается использовать зарядное устройство для зарядки аккумуляторов или батарей, неподлежащих зарядке

ПОЯСНЕНИЕ К УСЛОВНЫМ ОБОЗНАЧЕНИЯМ НА ЗАРЯДНОМ УСТРОЙСТВЕ/БАТАРЕЕ

- ④ Используйте зарядное устройство только в помещении
- ⑤ Двойная изоляция (заземляющий провод не требуется)
- ⑥ Бесперебойный изолирующий трансформатор (источник питания электрически отделен от выхода трансформатора)
- ⑦ Автоматическое отключение в случае перегрева зарядного устройства (термический предохранитель перегорает, и зарядное устройство становится бесполезным)
- ⑧ Неправильная полярность при подключении зарядного устройства опасна (заряжать батарею только зарядным устройством, поставляемым в комплекте с инструментом)
- ⑨ Не выкидывайте зарядное устройство вместе с бытовым мусором

- ⑩ Не выкидывайте аккумулятор вместе с бытовым мусором
- ⑪ Технология NiMH (никель-металл-гидрид) позволяет инструменту дольше работать, меньше загрязняя окружающую среду

ИСПОЛЬЗОВАНИЕ

- Зарядка аккумулятора ⑫
 - аккумулятор новых инструментов заряжен не полностью
 - ! **выньте аккумулятор из зарядного устройства после окончания зарядки; это позволит увеличить срок службы аккумулятора**
- ВАЖНАЯ ИНФОРМАЦИЯ:
 - после 3-х часов подзарядки аккумуляторной батареи будет завершена, и ее можно использовать, **даже если продолжает гореть красная лампочка индикатора** (чтобы погаснуть, ей может потребоваться больше 3-х часов)
 - во время зарядки зарядное устройство и аккумулятор могут стать горячими; это не говорит о неисправности
 - перед тем как вставить аккумуляторную батарею в зарядное устройство, очистите и высушите наружную поверхность батареи
 - запрещается проводить зарядку при температуре ниже 0°C и выше 40°C; это может привести к серьезным повреждениям аккумулятора и зарядного устройства
 - запрещается демонтировать аккумулятор во время работы инструмента
 - ! **новый или долгое время не использовавшийся аккумулятор достигает свою полную емкость только приблизительно после 5 циклов зарядки/разрядки**
 - запрещается подзаряжать аккумулятор вскоре после начала работы; это может привести к уменьшению рабочего времени и снижению эффективности аккумулятора
 - этим инструментом содержит никель-металлогидридные аккумуляторы; нельзя допускать их взаимодействия с окружающей средой и утилизации их как обычных домашних отходов (об этом напоминает символ ⑩)
 - ! **перед тем как выбросить аккумуляторы или направить их на утилизацию, изолируйте клеммы аккумуляторов прочной изоляционной лентой для исключения короткого замыкания**
 - если ожидаются длительные периоды, в течение которых инструмент не будет использован, рекомендуется отсоединить зарядное устройство от источника питания
- Установка туб ⑬
 - откройте стандартную тубу универсальным ножом
 - установите наконечник на открытую тубу
 - отрежьте не менее 2 см от края наконечника под углом 45°; полученное отверстие должно быть достаточно большим для работы на самой высокой скорости
 - установите выключатель А в крайнее левое положение

- отводите поршень В в начальное положение до щелчка (в случае поломки защелка поршня не сработает)
- откройте крышку отсека С
- вставьте тубу так, чтобы ее основание касалось задней стенки отсека D
- закройте крышку отсека С
- Вкл/Выкл 14
 - разблокируйте курковый выключатель E, установив выключатель А в крайнее правое положение
 - для включения/отключения инструмента нажмите/отпустите курковый выключатель E
 - когда содержимое тубы кончается, инструмент отключается автоматически
- ! **каждый раз после завершения работы устанавливайте выключатель А в блокировочное положение 15**
- Изменение скорости 16
 - настройка скорости выхода герметика (6 уровней) выполняется с помощью переключателя F
 - перед началом работы подберите оптимальную скорость, выдавив небольшое количество герметика на отдельную поверхность
- ! **если инструмент не включается, когда переключатель F находится в положении 1, настраивайте скорость, удерживая нажатым курковый выключатель E 2 до установки оптимального значения**
- Нанесение герметика 17
 - наносите герметик на чистую и сухую поверхность (при необходимости удалите остатки старого герметика)
 - установите выключатель А в крайнее правое положение и для выхода герметика нажмите курковый выключатель E
 - держите инструмент слегка под углом и осторожно перемещайте его вдоль щели или трещины с одинаковой скоростью, удерживая курковый выключатель E нажатым
 - герметик должен тщательно соединить обе поверхности
 - для прекращения выхода герметика отпустите курковый выключатель E
 - во избежание самопроизвольного выхода герметика, отпустив курковый выключатель E, сразу же установите выключатель А в крайнее левое положение
 - закончив работу, проведите вдоль нанесенной полосы мокрым пальцем и удалите излишки герметика влажной чистой тканью
- ! **очистите наконечник и отсек тубы от остатков герметика**
- Электронный контроль от перегрузки
Автоматически останавливает двигатель в случае избыточного давления на тубу, таким образом, предохраняя инструмент и тубу от повреждений
 - отпустите курковый выключатель E
 - дайте электронному устройству перезагрузиться в течение 5 секунд
 - нажмите на курковый выключатель E

- если двигатель снова останавливается, поверните переключатель скорости F в среднее положение и снова нажмите на курковый выключатель E

Для предотвращения появления избыточного давления выполняйте следующее

- отрезайте не менее 2 см от края наконечника
- извлекайте затвердевшие остатки из наконечника
- не устанавливайте поврежденную или замерзшую тубу
- очищайте отсек для тубы от герметика
- выбирайте самое низкое значение скорости, которое возможно
- Устранение неисправностей
В случае если во время работы поршень В 2 остановился на середине
 - выключите инструмент
 - извлеките тубу из отсека D 2
 - установите выключатель А 2 в крайнее левое положение
- ! **отведите поршень В в начальное положение до щелчка**
 - повторно установите тубу
 - переведите выключатель А в крайнее левое положение
 - для продолжения работы нажмите курковый выключатель E 2

ТЕХОБСЛУЖИВАНИЕ / СЕРВИС

- Содержите инструмент и зарядное устройство в чистоте
 - для очистки зарядных контактов в зарядном устройстве используйте спирт или средство для очистки контактов
- ! **перед очисткой отсоедините зарядное устройство от источника питания**
- Очищайте отсек для тубы D 2 от остатков герметика с помощью чистой влажной ткани
- Если инструмент/зарядное устройство, несмотря на тщательные методы изготовления и испытания, выйдет из строя, то ремонт следует производить силами авторизованной сервисной мастерской для электроинструментов фирмы SKIL
 - отправьте **неразобранный** инструмент или зарядное устройство со свидетельством покупки Вашему дилеру или в ближайшую станцию обслуживания фирмы SKIL (адреса и схема обслуживания инструмента приведены в вебсайте www.skilmasters.com)
 - в случае неисправного зарядного устройства отправьте **зарядное устройство и батарею** дилеру или в отдел обслуживания SKIL

ОХРАНА ОКРУЖАЮЩЕЙ СРЕДЫ

- **Не выкидывайте электроинструмент, принадлежности и упановку вместе с бытовым мусором** (только для стран ЕС)
 - во исполнение европейской директивы 2012/19/ЕС об утилизации отслужившего свой срок электрического и электронного оборудования и в соответствии с действующим законодательством, утилизация электроинструментов производится

отдельно от других отходов на предприятиях, соответствующих условиям экологической безопасности

- значок ⑨ напомним Вам об этом, когда появится необходимость сдать электроинструмент на утилизацию

ДЕКЛАРАЦИЯ О СООТВЕТСТВИИ СТАНДАРТАМ СЕ

- С полной ответственностью мы заявляем, что описанный в разделе "Технические данные" продукт соответствует нижеследующим стандартам или нормативным документам: EN 60335, EN 61000, EN 60745, EN 55014 согласно положениям директив 2006/95/EC, 2004/108/EC, 2006/42/EC, 2011/65/EC
- **Техническая документация у:** SKIL Europe BV (PT-SEU/ENG1), 4825 BD Breda, NL

Marijn van der Hoofden Olaf Dijkgraaf
Operations & Engineering Approval Manager

SKIL Europe BV, 4825 BD Breda, NL

13.08.2014

- Информация о сертификате соответствия расположена на последней странице настоящей Инструкции
- Сертификаты соответствия хранятся по адресу: ООО "Роберт Бош" ул. Акад. Королева, 13, стр. 5 Россия, 129515, Москва **С января 2014 г.** Вашутинское шоссе, влад. 36 Россия, 141446 г.о. Химки
- **Дата производства** указана на последней странице настоящей инструкции
- Информацию об **импортере** изделия можно найти на упаковке

ШУМНОСТИ/ВИБРАЦИИ

- При измерении в соответствии со стандартом EN 60745 уровень звукового давления для этого инструмента составляет <70 дБ (А) (стандартное отклонение: 3 дБ) и вибрации - <2,5 м/с² (по методу для рук; недостоверность K = 1,5 м/с²)
- Уровень вибрации был измерен в соответствии со стандартизированным испытанием, содержащимся в EN 60745; данная характеристика может использоваться для сравнения одного инструмента с другим, а также для предварительной оценки воздействия вибрации при использовании данного инструмента для указанных целей
- при использовании инструмента в других целях или с другими/неисправными вспомогательными приспособлениями уровень воздействия вибрации может значительно **повышаться**

- в периоды, когда инструмент отключен или функционирует без фактического выполнения работы, уровень воздействия вибрации может значительно **снижаться**
- ! **защитите себя от воздействия вибрации, поддерживая инструмент и его вспомогательные приспособления в исправном состоянии, поддерживая руки в тепле, а также правильно организуя свой рабочий процесс**

UA

Бездротовий нагнітач герметика

2055

ВСТУП

- Цей інструмент призначений для нанесення герметика із стандартних картриджів
- Прочитайте і збережіть цю Інструкцію з експлуатації ③

ТЕХНІЧНІ ДАНІ ①

ЕЛЕМЕНТИ ІНСТРУМЕНТА ②

- A Багатофункціональний перемикач
- B Плуножер
- C Кришка картриджу
- D Несуча рамка
- E Курковий перемикач
- F Регулятор швидкості

БЕЗПЕКА

ЗАГАЛЬНІ ВКАЗІВКИ З ТЕХНІКИ БЕЗПЕКИ

⚠ УВАГА! Прочитайте всі попередження і вказівки. Недодержання попереджень і вказівок може призводити до удару електричним струмом, пожежі та/або серйозних травм. **Добре зберігайте на майбутнє ці попередження і вказівки.** Під поняттям "електроприлад" в цих попередженнях мається на увазі електроприлад, що працює від мережі (з електрокабелем) або від акумуляторної батареї (без електрокабелю).

1) БЕЗПЕКА НА РОБОЧОМУ МІСЦІ

- а) Примайте своє робоче місце в чистоті та прибирайте його.** Безлад або погане освітлення на робочому місці можуть призводити до нещасних випадків.
- б) Не працюйте з приладом у середовищі, де існує небезпека вибуху внаслідок присутності горючих рідин, газів або пилу.** Електроприлади можуть породжувати іскри, від яких може займатися пил або пари.
- в) Під час працювання з приладом не підпускайте до робочого місця дітей та інших людей.** Ви можете втратити контроль над приладом, якщо Ваша увага буде відвернута.

2) ЕЛЕКТРИЧНА БЕЗПЕКА

- a) **Штепсель приладу повинен пасувати до розетки. Не дозволяється що-небудь міняти в штепселі. Для роботи з приладами, що мають захисне заземлення, не виноristовуйте адаптери.** Використання оригінального штепселя та належної розетки зменшує ризик удару електричним струмом.
- b) **Уникайте контакту частей тіла із заземленими поверхнями, як напр., трубами, батареями опалення, печами та холодильниками.** Коли Ваше тіло заземлене, існує збільшена небезпека удару електричним струмом.
- c) **Захищайте прилад від дощу та вологи.** Попадання води в електроінструмент збільшує ризик удару електричним струмом.
- d) **Не виноristовуйте кабель для перенесення приладу, підвішування або витягування штепселя з розетки. Захищайте кабель від жару, олії, гострих країв та деталей приладу, що рухаються.** Пошкоджений або закручений кабель збільшує ризик удару електричним струмом.
- e) **Для зовнішніх робіт обов'язково виноristовуйте лише такий подовжувач, що допущений для зовнішніх робіт.** Використання подовжувача, що розрахований на зовнішні роботи, зменшує ризик удару електричним струмом.
- f) **Якщо не можна запобігти виноristанню електроприладу у вологому середовищі, виноristовуйте пристрій захисту від витоку в землю.** Використання зристою захисту від витоку в землю зменшує ризик удару електричним струмом.

3) БЕЗПЕКА ЛЮДЕЙ

- a) **Будьте уважними, слідкуйте за тим, що Ви робите, та розсудливо поведіться під час роботи з електроприладом. Не користуйтеся приладом, якщо Ви стомлені або знаходитеся під дією наркотиків, спиртних напоїв або лік.** Мить неуважності при користуванні приладом може призводити до серйозних травм.
- b) **Вдягайте особисте захисне спорядження та обов'язково вдягайте захисні окуляри.** Вдягання особистого захисного спорядження, як напр., - в залежності від виду робіт - захисної маски, спецвзуття, що не ковзається, каски або навушників, зменшує ризик травм.
- c) **Уникайте ненавмисного вмикання. Перш ніж вмикати електроприлад в електромережу або встромляти акумуляторну батарею, брати його в руки або переносити, впевніться в тому, що електроприлад вимкнений.** Тримання пальця на вимикачі під час перенесення електроприладу або встромляння в розетку увімкненого приладу може призводити до травм.
- d) **Перед тим, як вмикати прилад, приборіть налагоджувальні інструменти та гайковий ключ.** Знаходження налагоджувального інструмента або ключа в деталі, що обертається, може призводити до травм.
- e) **Не переоцінюйте себе. Зберігайте стійке положення та завжди зберігайте рівновагу.** Це дозволить Вам краще зберігати контроль над приладом у несподіваних ситуаціях.

- f) **Вдягайте придатний одяг. Не вдягайте просторий одяг та прикраси. Не підставляйте волосся, одяг та рукавиці близько до деталей приладу, що рухаються.** Просторий одяга, прикраси та довге волосся можуть попадати в деталі, що рухаються.
 - g) **Якщо існує можливість монтувати пиловідсмоктувальні або пилоуловлювальні пристрої, переконайтеся, щоб вони були добре під'єднані та правильно виноristовувалися.** Використання пиловідсмоктувального пристрою може зменшити небезпеки, зумовлені пилом.
- ## 4) ПРАВИЛЬНЕ ПОВОДЖЕННЯ ТА КОРИСТУВАННЯ ЕЛЕКТРОПРИЛАДАМИ
- a) **Не перевантажуйте прилад. Використовуйте такий прилад, що спеціально призначений для певної роботи.** З придатним приладом Ви з меншим ризиком отримаєте кращі результати роботи, якщо будете працювати в зазначеному діапазоні потужності.
 - b) **Не користуйтеся приладом з пошкодженим вимикачем.** Прилад, який не можна увімкнути або вимкнути, є небезпечним і його треба відремонтувати.
 - c) **Перед тим, як регулювати що-небудь на приладі, міняйте приладдя або ховати прилад, витягніть штепсель із розетки та/або витягніть акумуляторну батарею.** Ці попереджувальні заходи з техніки безпеки зменшують ризик ненавмисного запуску приладу.
 - d) **Зберігайте електроприлади, якими Ви саме не користуєтесь, далено від дітей. Не дозволяйте користуватися електроприладом особам, що не знайомі з його роботою або не читали ці вказівки.** У разі застосування недосвідченими особами прилади несуть в собі небезпеку.
 - e) **Старанно доглядайте за приладом. Перевірте, щоб рухомі деталі приладу бездоганно працювали та не заїдали, не були поламаними або настільки пошкодженими, щоб це могло вплинути на функціонування приладу.** Пошкоджені деталі треба відремонтувати в авторизованій майстерні, перш ніж ними можна знову користуватися. Велика кількість нещасних випадків спричиняється поганим доглядом за електроприладами.
 - f) **Тримайте різальні інструменти добре нагостреними та в чистоті.** Старанно доглянуті різальні інструменти з гострим різальним краєм менше застряють та їх легше вести.
 - g) **Використовуйте електроприлад, приладдя до них, робочі інструменти т.і. відповідно до цих вказівок. Беріть до уваги при цьому умови роботи та специфіку виконуваної роботи.** Використання електроприладів для робіт, для яких вони не передбачені, може призводити до небезпечних ситуацій.
- ## 5) ПРАВИЛЬНЕ ПОВОДЖЕННЯ ТА КОРИСТУВАННЯ ЕЛЕКТРОПРИЛАДАМИ, ЩО ПРАЦЮЮТЬ НА АКУМУЛЯТОРНИХ БАТАРЕЯХ
- a) **Заряджуйте акумуляторні батареї лише в заряджувальних пристроях, рекомендованих виготовлювачем.** Використання заряджувального

пристрою для акумуляторних батарей, для яких він не передбачений, може призводити до пожежі.

- b) **Використовуйте в електроприладах лише рекомендовані акумуляторні батареї.** Використання інших акумуляторних батарей може призводити до травм та пожежі.
 - c) **Не зберігайте акумуляторну батарею, якою Ви саме не користуєтесь, поряд із канцелярськими скріпками, ключами, гвіздками, гвинтами та іншими невеликими металевими предметами, які можуть спричинити перемикання контактів.** Коротке замикання між контактами акумуляторної батареї може спричинити опіки або пожежу.
 - d) **При неправильному використанні з акумуляторної батареї може потіти рідина. Уникайте контакту з нею. При випадковому контакті промийте відповідне місце водою. Якщо рідина потрапила в очі, додатково зверніться до лікаря.** Акумуляторна рідина може спричинити подразнення шкіри або опік.
- 6) СЕРВІС**
- a) **Віддавайте свій прилад на ремонт лише кваліфікованим фахівцям та лише з використанням оригінальних запчастин.** Це забезпечить безпеку приладу на довгий час.

ПРАВИЛА ТЕХНІКИ БЕЗПЕКИ ДЛЯ БЕЗДРОТОВИХ НАГНІТАЧІВ ГЕРМЕТИКА

- Обов'язково переконайтеся, що напруга струму відповідає напрузі, вказаній на фірмовому штемпелі інструмента (інструменти розраховані на напругу 230В або 240В, можна підключати до струму 220В)
- У випадку електричної чи механічної несправності негайно вимкніть інструмент або відключіть зарядний пристрій від електрики
- SKIL гарантує надійну роботу інструмента тільки при використанні відповідного приладдя, які можна отримати у Вашого дилера фірми SKIL
- Інструмент/зарядний пристрій не може використовуватись особами (включаючи дітей) з обмеженими фізичними, сенсорними або розумовими здібностями, або особами, які не мають достатньо досвіду та знань за виключенням випадків, коли вони працюють під наглядом або пройшли інструктаж щодо використання інструменту/зарядного пристрою з боку особи, яка відповідає за їх безпеку
- Переконайтеся, що діти не мають змоги гратися з інструментом/зарядним пристроєм

ЗАРЯДЖАННЯ/АКУМУЛЯТОР

- Заряджайте акумулятор тільки зарядним пристроєм, яким комплектується інструмент
- Не торкайтесь клем зарядного пристрою
- Не заряджайте акумулятор у вологих або вогких приміщеннях
- Не підвергайте інструмент/зарядний пристрій/акумулятор дії дощу
- Зберігайте інструмент/зарядний пристрій/акумулятор при температурі не меншій 0°C та не більшій 40°C
- При влученні у вогонь батареї вибухають, тому в жодному разі не спалюйте батареї

- Не використовуйте пошкоджені зарядний пристрій - віднесіть їх до сертифікованого SKIL сервісного центру для безпечної починки
- Не використовуйте зарядний пристрій коли пошкоджені дріт або вилка; вони мають бути негайно замінені в SKIL сервіс центрі
- Не використовуйте пошкоджені акумулятор; негайно від'єднайте його від інструмента
- Не розбирайте акумулятор чи зарядний пристрій самостійно
- Не намагайтесь заряджати акумулятори, що не підлягають повторній зарядці, зарядним пристроєм до цього інструмента

ПОЯСНЕННЯ ДО УМОВНИХ ПОЗНАЧОК НА ЗАРЯДНОМУ ПРИСТРОЇ/БАТАРЕЇ

- ④ Використовуйте зарядний пристрій тільки у приміщенні
- ⑤ Подвійна ізоляція (заземлюючий провід не потрібен)
- ⑥ Безперебійний ізолюючий трансформатор (джерело живлення електрично відділено від виходу трансформатора)
- ⑦ Автоматичне відключення у випадку перегрівання зарядного пристрою (термічний запобіжник перегоріє, і зарядний пристрій стає непотрібним)
- ⑧ Неправильна полярність при підключенні зарядного пристрою є небезпечною (заряджайте батарею тільки зарядним пристроєм, що поставляється в комплекті з інструментом)
- ⑨ Не викидайте зарядний пристрій разом зі звичайним сміттям
- ⑩ Не викидайте акумулятор разом зі звичайним сміттям
- ⑪ Технологія NiMH (нікель-метал-гідрид) дозволяє інструменту довше працювати, менше забруднюючи навколишнє середовище

ВИКОРИСТАННЯ

- Заряджання акумулятора ⑫
 - акумулятор нового інструмента заряджений не на повну ємність

! Від'єднайте акумулятор від зарядного пристрою після закінчення періоду заряджання, це подовжить термін робочої експлуатації акумулятора

ВАЖЛИВО:

- заряджання акумулятора займає 3 години, після чого акумулятор готовий до використання, **незважаючи на червону лампочку, що може ще горіти** (червоне світло іноді гасне пізніше, ніж через 3 години)
- під час заряджання, зарядний пристрій та акумулятор можуть стати теплими на дотик; це нормально і не свідчить про виникнення несправностей приладу
- переконайтеся, що акумулятор чистий та сухий перед тим як під'єднати його до зарядного пристрою
- не заряджайте при температурі нижчій 0°C та вищій 40°C; це серйозно шкодить; як акумулятору так і зарядному пристрою
- не від'єднуйте акумулятор під час роботи інструмента

! нова акумуляторна або та, що не використовувалася протягом тривалого періоду часу, потребує для досягнення своєї повної ємності приблизно 5 циклів заряджання/озряджання

- не заряджайте повторно акумулятор після короткого використання; це може спричинити зменшення ємності акумулятора, що в свою чергу вплине на час роботи інструмента
- нікель-металгідридні акумулятор не повинен при викиданні попасти до природної середі; не викидайте його разом із побутовим сміттям (малюнок 10 нагадає вам про це, коли виникне потреба позбавитись акумулятора)

! перед тим, як позбутись акумулятора: заклейте грубою клейкою стрічкою клеми, щоб запобігти короткому замиканню

- якщо ви не будете користуватись інструментом довгий час, то від'єднайте зарядний пристрій від джерела електроенергії
- Встановлення картриджів 13
 - відкрийте стандартний картридж ножом
 - встановіть насадку зверху відкритого картриджу
 - відріжте мін. 2 см наконечника насадки під кутом 45°, так щоб отвір був достатньо великим при використанні з найбільшою швидкістю
 - переведіть перемикач А вліво
 - переведіть плунжер В назад в пускове положення до фіксації (якщо фіксації не буде плунжер буде працювати невірно)
 - відкрийте кришку картриджу С
 - вставте картридж, щоб його основа встановилася на несучу рамку D
 - закрийте кришку картриджу С
- Вкл/Викл 14
 - переведіть перемикач А вправо для розблокування тригерного перемикача Е
 - ввімкніть/вимкніть інструмент тригерним перемикачем Е
 - коли картридж порожній, інструмент вимикається автоматично
- ! переконайтеся, що перемикач А знаходиться в заблоковану положенні після кожного використання 15**
- Регулювання швидкості 16
 - за допомогою регулятора F можна настроїти подачу герметика (6 положень)
 - перед початком роботи знайдіть оптимальну швидкість шляхом тестування запасного матеріалу
- ! якщо інструмент не працює, коли регулятор F знаходиться у положенні 1, настройте швидкість, натиснувши тригерний перемикач Е 2, доки не встановиться оптимальна швидкість 2**
- Нанесення герметика 17
 - переконайтеся, що зона під герметик чиста та суха (видаліть старий герметик, якщо він там є)
 - переведіть перемикач А вправо, натисніть тригерний перемикач Е для подачі герметика
 - тримайте інструмент під невеликим кутом та обережно рівномірно ведіть інструмент уздовж шву/тріщини, яку треба заповнити, утримуючи натиснутим перемикач Е

- переконайтеся, що герметик повністю прилягає до обох поверхонь під герметизацію
- для припинення подачі герметика відпустіть тригерний перемикач Е
- для запобігання витікання герметика переведіть перемикач А вліво зразу ж після відпускання тригерного перемикача Е
- після нанесення проведіть по шву герметика вогким пальцем та використовуйте суху, вологу тканину для видалення надлишків герметика

! уберіть залишки герметика з насадки картриджу та несучої рамки

- Електронний контроль від перевантаження Автоматично зупиняє двигун у випадку надлишкового тиску на картридж, таким чином, охороняючи інструмент і картридж від ушкоджень
 - відпустіть тригерний перемикач Е
 - дайте електронному пристрою перезавантажитися протягом 5 секунд
 - натисніть тригерний перемикач Е
 - якщо двигун знову зупиняється, поверніть регулятор швидкості F у середнє положення й повторно натисніть тригерний перемикач Е
- Для запобігання перенавантаження, завжди будьте впевнені, що
 - наконечник насадки відрізаний мін. на 2 см
 - матеріал, що застиг, видалений з насадки
 - картридж не пошкоджений та не заморожений
 - на несучій рамці немає герметика
 - вибрана найменша можлива швидкість
- Пошук та усунення несправностей Під час нанесення герметика плунжер В 2 припиняє рух вперед
 - вимкніть інструмент
 - зніміть картридж з несучої рамки D 2
 - переведіть перемикач А 2 вліво
- ! переведіть плунжер В назад в пускове положення до фіксації**
 - вставте картридж знову
 - переведіть перемикач А вправо
 - натисніть тригерний перемикач Е 2 для продовження герметизації

ДОГЛЯД/ОБСЛУГОВУВАННЯ

- Тримайте інструмент та зарядний пристрій у чистоті
 - контакти в зарядному пристрої слід чистити спиртом або іншим засобом для зачистки контактів
- ! перед чищенням зарядного пристрою слід від'єднати його від електромережі**
- На несучій рамці D 2 не повинно бути залишків герметика. Видаляйте їх чистою, вологою тканиною
- Якщо незважаючи на ретельну технологію виготовлення і перевірки інструмент/зарядний пристрій все-таки вийде з ладу, його ремонт дозволяється виконувати лише в авторизованій сервісній майстерні для електроприладів SKIL - відшліть інструмент або зарядний пристрій у **нерозібраному** вигляді разом з доказом покупки дилеру або в найближчий відділ обслуговування SKIL (адреси та схема обслуговування інструмента приводяться в www.skilmasters.com)

- у разі несправності зарядного пристрою, надішліть **зарядний пристрій та батарею** до Вашого дилера або до центру обслуговування SKIL

ОХОРОНА НАВКОЛИШНЬОЇ СЕРЕДИ

- **Не викидайте електродструмент, належності та упаковку разом зі звичайним сміттям** (тільки для країн ЄС)
- відповідно до європейської директиви 2012/19/ЄС щодо утилізації старих електричних та електронних приладів, в залежності з місцевим законодавством, електродструмент, який перебував в експлуатації повинен бути утилізований окремо, безпечним для навколишнього середовища шляхом
- малюнок ⑨ нагадає вам про це

ДЕКЛАРАЦІЯ ПРО ВІДПОВІДНІСТЬ СТАНДАРТАМ СЕ

- Ми заявляємо під нашу виключну відповідальність, що описаний в "Технічні дані" продукт відповідає таким нормам або нормативним документам: EN 60335, EN 61000, EN 60745, EN 55014 у відповідності до положень директив 2006/95/EG, 2004/108/EG, 2006/42/EG, 2011/65/EC
- **Технічні документи в:** SKIL Europe BV (PT-SEU/ENG1), 4825 BD Breda, NL

Marijn van der Hoofden
Operations & Engineering

Olaf Dijkgraaf
Approval Manager

SKIL Europe BV, 4825 BD Breda, NL

13.08.2014

ШУМ/ВІБРАЦІЯ

- Зміряний відповідно до EN 60745 рівень тиску звуку даного інструменту <70 дБ(A) (стандартне відхилення: 3 дБ) і вібрація <2,5 м/с² (ручна методика; похибка K = 1,5 м/с²)
- Рівень вібрації було виміряно у відповідності зі стандартизованим випробуванням, що міститься в EN 60745; дана характеристика може використовуватися для порівняння одного інструмента з іншим, а також для попередньої оцінки впливу вібрації під час застосування даного інструмента для вказаних цілей
- при використанні інструмента в інших цілях або з іншими/несправними допоміжними пристосуваннями рівень впливу вібрації може значно **підвищуватися**
- у періоди, коли інструмент вимикнений або функціонує без фактичного виконання роботи, рівень впливу вібрації може значно **знижуватися**
- ! **захищайте себе від впливу вібрації, підтримуючи інструмент і його допоміжні пристосування в справному стані, підтримуючи руки в теплі, а також правильно організовуючи свій робочий процес**

GR

Аσύρματο πιστόλι στεγανοποιητικού

2055

ΕΙΣΑΓΩΓΗ

- Το εργαλείο αυτό προορίζεται για την παροχή στεγανοποιητικού από τυποποιημένα φυσίγγια
- Διαβάστε και φυλάξτε αυτές τις οδηγίες χρήσεως ③

ΤΕΧΝΙΚΑ ΧΑΡΑΚΤΗΡΙΣΤΙΚΑ ①

ΜΕΡΗ ΤΟΥ ΕΡΓΑΛΕΙΟΥ ②

- A Διακοπτής πολλαπλών λειτουργιών
- B Εμβολο
- C Κάλυμμα φυσίγγιου
- D Πλαίσιο φορείου
- E Διακόπτης σκανδάλης
- F Περιστροφικός επιλογέας ταχύτητας

ΑΣΦΑΛΕΙΑ

ΓΕΝΙΚΕΣ ΟΔΗΓΙΕΣ ΑΣΦΑΛΕΙΑΣ

ΠΡΟΕΙΔΟΠΟΙΗΣΗ! Διαβάστε όλες τις προειδοποιητικές υποδείξεις. Αμέλειες κατά την τήρηση των προειδοποιητικών υποδείξεων μπορεί να προκαλέσουν ηλεκτροπληξία, κίνδυνο πυρκαγιάς ή/και σοβαρούς τραυματισμούς. **Φυλάξτε όλες τις προειδοποιητικές υποδείξεις και οδηγίες για κάθε μελλοντική χρήση.** Ο ορισμός "ηλεκτρικό εργαλείο" που χρησιμοποιείται στις προειδοποιητικές υποδείξεις αναφέρεται σε ηλεκτρικά εργαλεία που τροφοδοτούνται από το ηλεκτρικό δίκτυο (με ηλεκτρικό καλώδιο) καθώς και σε ηλεκτρικά εργαλεία που τροφοδοτούνται από μπαταρία (χωρίς ηλεκτρικό καλώδιο).

1) ΑΣΦΑΛΕΙΑ ΣΤΟ ΧΩΡΟ ΕΡΓΑΣΙΑΣ

- Διατηρείτε το χώρο που εργάζεσθε καθαρό και καλά φωτισμένο.** Αταξία στο χώρο που εργάζεσθε ή μη φωτισμένες περιοχές εργασίας μπορεί να οδηγήσουν σε ατυχήματα.
- Μην εργάζεσθε με το ηλεκτρικό εργαλείο σε περιβάλλον που υπάρχει κίνδυνος έκρηξης, στο οποίο υπάρχουν εύφλεκτα υγρά, αέρια ή σκόνη.** Τα ηλεκτρικά εργαλεία μπορεί να δημιουργήσουν σπινθηρισμό ο οποίος μπορεί να αναφλέξει τη σκόνη ή τις αναθυμιάσεις.
- Όταν χρησιμοποιείτε το ηλεκτρικό εργαλείο κρατάτε τα παιδιά κι άλλα τυχόν πρόσωπα μακριά από το χώρο που εργάζεσθε.** Σε περίπτωση που άλλα άτομα αποσπάσουν την προσοχή σας μπορεί να χάσετε τον έλεγχο του μηχανήματος.

2) ΗΛΕΚΤΡΙΚΗ ΑΣΦΑΛΕΙΑ

- Το φως του καλώδιου του ηλεκτρικού εργαλείου πρέπει να ταυριάζει στην αντίστοιχη πρίζα. Δεν επιτρέπεται με κανένα τρόπο η μετασκευή του φως. Μη χρησιμοποιείτε προσαρμοστικά φως σε συνδυασμό με ηλεκτρικά εργαλεία συνδεδεμένα με**

- τη γη (γειωμένα). Αθικτα φικ και κατάλληλες πρίζεσ μειώνουν τον κίνδυνο ηλεκτροπληξίασ.
- b) **Αποφεύγετε την επαφή του σώματοσ σασ με γειωμένεσ επιφάνειεσ όπωσ σωλήνεσ, θερμαντικά σώματα (καλοριφέρ), κουζίνεσ και ψυγεία.** Όταν το σώμα σασ είναι γειωμένο αυξάνεται ο κίνδυνοσ ηλεκτροπληξίασ.
- c) **Μην εκθέτετε το ηλεκτρικό εργαλείο στη βροχή ή την υγρασία.** Η διείσδυση νερού στο ηλεκτρικό εργαλείο αυξάνει τον κίνδυνο ηλεκτροπληξίασ.
- d) **Μη χρησιμοποιείτε το καλώδιο για να μεταφέρετε ή ν' αναρτήσετε το ηλεκτρικό εργαλείο ή για να βγάλετε το φικ από την πρίζα.** Κρατάτε το καλώδιο μακριά από υψηλέσ θερμοκρασείε, λάδια, κοφτερέσ ακμέσ η κινούμενα εξαρτήματα. Τυχόν χαλασμένα ή μπερδεμένα καλώδια αυξάνουν τον κίνδυνο ηλεκτροπληξίασ.
- e) **Όταν εργάζεσθε με το ηλεκτρικό εργαλείο στο ύπαιθρο χρησιμοποιείτε πάντοτε καλώδια επιμήκυνσησ (μπαλαντάζεσ) που έχουν εγκριθεί για χρήση σε εξωτερικόσ χώρουσ.** Η χρήση καλωδίων επιμήκυνσησ εγκριμένων για εργασία σε εξωτερικόσ χώροσ μειώνει τον κίνδυνο ηλεκτροπληξίασ.
- f) **Όταν η χρήση του ηλεκτρικόσ εργαλείου σε υγρό περιβάλλον είναι αναπόφευκτη, τότε χρησιμοποιήστε έναν προστατευτικό διακόπτη διαρροήσ.** Η χρήση ενόσ προστατευτικόσ διακόπτη διαρροήσ ελαττώνει τον κίνδυνο ηλεκτροπληξίασ.
- 3) ΑΣΦΑΛΕΙΑ ΠΡΟΣΩΠΩΝ**
- a) **Να είσθε πάντοτε προσεκτικόσ/προσεκτική, να δίνετε προσοχή στην εργασία που κάνετε και να χειρίζεσθε το ηλεκτρικό εργαλείο με περίσκεψη.** Μην κάνετε χρήση του ηλεκτρικόσ εργαλείου όταν είσθε κουρασμένοσ/κουρασμένη ή όταν βρίσκεσθε υπό την επιρροή ναρκωτικόσ, οινοπνεύματοσ ή φαρμάκων. Μια στιγμήα απροσεξία κατά το χειρισμό του ηλεκτρικόσ εργαλείου μπορεί να οδηγήσει σε σοβαρούσ τραυματισμούσ.
- b) **Φοράτε προστατευτικά ενδύματα και πάντοτε προστατευτικά γυαλιά.** Όταν φοράτε ενδύματα ασφαλείασ, ανάλογα με το υπό χρήση ηλεκτρικό εργαλείο, όπωσ προσωπίδα προστασίασ από σκόνη, αντιολισθικά παπούτσια ασφαλείασ, κράνη ή ωτασπίδεσ, μειώνεται ο κίνδυνοσ τραυματισμών.
- c) **Αποφεύγετε την αθέλητη εκκίνηση.** Βεβαιωθείτε ότι το ηλεκτρικό εργαλείο έχει αποσυνδέσει πριν το συνδέσετε με το ηλεκτρικό δίκτυο ή/και με την μπαταρία καθώς και πριν το παραλάβετε ή το μεταφέρετε. Όταν μεταφέρετε το ηλεκτρικό εργαλείο έχοντασ το δάχτυλό σασ στο διακόπτη ή όταν συνδέσετε το μηχάνημα με την πηγή ρεύματοσ όταν αυτό είναι ακόμη συζευγμένο, τότε δημιουργείται κίνδυνοσ τραυματισμών.
- d) **Αφαιρείτε από τα ηλεκτρικά εργαλεία πριν τα θέσετε σε λειτουργία τυχόν συναρμολογημένα χρησιμοποιήσιμα εργαλεία ή κλειδιά.** Ενα εργαλείο ή κλειδί συναρμολογημένο στο περιστρεφόμενο εξάρτημα ενόσ ηλεκτρικόσ εργαλείου μπορεί να οδηγήσει σε τραυματισμούσ.
- e) **Μην υπερκινείτε τον εαυτό σασ. Φροντίζετε για την ασφαλή στήριξη του σώματοσ σασ και διατηρείτε πάντοτε την ισορροπία σασ.** Αυτό σασ

- επιτρέπει τον καλύτερο έλεγχο το ηλεκτρικόσ εργαλείου σε περιπτώσεισ απροσδόκητων καταστάσεισ.
- f) **Φοράτε κατάλληλη ενδυμασία εργασίασ. Μη φοράτε φαρδιά ενδύματα ή κοσμήματα. Κρατάτε τα μαλλιά σασ, τα ενδύματα σασ και τα γάντια σασ μακριά από τα κινούμενα εξαρτήματα.** Χαλαρή ενδυμασία, κοσμήματα και μακριά μαλλιά μπορεί να εμπλακούν στα κινούμενα εξαρτήματα.
- g) **Αν υπάρχει η δυνατότητα συναρμολόγησ ησ διατάξεισ αναρρόφησησ ή συλλογήσ σκόνησ, βεβαιωθείτε αν οι διατάξεισ αυτέσ είναι συνδεμένες καθώς και αν χρησιμοποιούνται σωστά.** Η χρήση μιασ αναρρόφησησ σκόνησ μπορεί να ελαττώσει τον κίνδυνο που προκαλείται από τη σκόνη.
- 4) ΧΡΗΣΗ ΚΙ ΕΠΙΜΕΛΗΧ ΧΕΙΡΙΣΜΟσ ΤΩΝ ΗΛΕΚΤΡΙΚΩΝ ΕΡΓΑΛΕΙΩΝ**
- a) **Μην υπερφορτώνετε το ηλεκτρικό εργαλείο.** Χρησιμοποιείτε για την εκάστοτε εργασία σασ το ηλεκτρικό εργαλείο που προορίζεται γι'αυτόν. Με το κατάλληλο ηλεκτρικό εργαλείο εργάζεσθε καλύτερα και ασφαλέστερα στην αναφερόμενη περιοχή ισχύουσ.
- b) **Μη χρησιμοποιήσετε ποτέ ένα ηλεκτρικό εργαλείο του οποίου ο διακόπτησ ON/OFF είναι χαλασμένοσ.** Ενα ηλεκτρικό εργαλείο το οποίο δεν μπορεί να τεθεί πλέον σε ή εκτόσ λειτουργίασ είναι επικίνδυνο και πρέπει να επισκευαστεί.
- c) **Βγάτε το φικ από την πρίζα και ή αφαιρέστε την μπαταρία πριν διεξάγετε στο εργαλείο μια οποιαδήποτε εργασία ρύθμισησ, πριν αλλάξετε ένα εξάρτημα ή όταν πρόκειται να διαφυλάξετε/ να αποθηκεύσετε το εργαλείο.** Αυτά τα προληπτικά μέτρα ασφαλείασ μειώνουν τον κίνδυνο από τυχόν αθέλητη εκκίνηση του ηλεκτρικόσ εργαλείου.
- d) **Διαφυλάγετε τα ηλεκτρικά εργαλεία που δε χρησιμοποιείτε μακριά από παιδιά.** Μην αφήνετε άτομα που δεν είναι εξοικειωμένα με το ηλεκτρικό εργαλείο ή δεν έχουν διαβάσει αυτέσ τισ οδηγίεσ χρήσησ να το χρησιμοποιήσουσ. Τα ηλεκτρικά εργαλεία είναι επικίνδυνα όταν χρησιμοποιούνται από άπειρα πρόσωπα.
- e) **Να περιποιήστε προσεκτικά το ηλεκτρικό σασ εργαλείο να ελέγχετε, αν τα κινούμενα τμήματα του λειτουργούν άψογα και δεν μπλοκάρουν, ή μήπωσ έχουν χαλάσει ή σπάσει εξαρτήματα, τα οποία επηρεάζουν έτσι αρνητικά τον τρόπο λειτουργίασ του ηλεκτρικόσ εργαλείου. Δώστε τυχόν χαλασμένα εξαρτήματα του ηλεκτρικόσ εργαλείου για επισκευή πριν το χρησιμοποιήσετε πάλι.** Η ανεπαρκήσ συντήρηση των ηλεκτρικών εργαλείων αποτελεί αιτία πολλών ατυχημάτων.
- f) **Διατηρείτε τα κοπτικά εργαλεία κοφτερά και καθαρά.** Τα κοπτικά εργαλεία που συντηρούνται με προσοχή μπορούν να οδηγηθούν εύκολα και να ελεγχθούν καλύτερα.
- g) **Χρησιμοποιείτε τα ηλεκτρικά εργαλεία, τα εξαρτήματα, τα χρησιμοποιήσιμα εργαλεία κτλ. σύμφωνα με τισ παρούσεσ οδηγίεσ καθώσ. Λαμβάνετε ταυτόχρονα υπόψη σασ τισ συνθήκεσ εργασίασ και την υπό εκτέλεση εργασία.** Η χρήση του ηλεκτρικόσ εργαλείου για άλλεσ εκτόσ από τισ προβλεπόμενεσ εργασίασ μπορεί να δημιουργήσει επικίνδυνεσ καταστάσεισ.

5) ΧΡΗΣΗ ΚΙ ΕΠΙΜΕΛΗΣ ΧΕΙΡΙΣΜΟΣ ΕΡΓΑΛΕΙΩΝ ΜΠΑΤΑΡΙΑΣ

- a) **Φορτίζετε μόνο με φορτιστές που προβλέπει ο κατασκευαστής.** Η φόρτιση με φορτιστές που δεν προορίζονται για τον υπό φόρτιση τύπο του μπλοκ μπαταρίας δημιουργεί κίνδυνο πυρκαγιάς.
 - b) **Χρησιμοποιείτε τα ηλεκτρικά εργαλεία πάντοτε με τα προβλεπόμενα για αυτά μπλοκ μπαταρίας.** Η χρήση διαφορετικών μπλοκ μπαταρίας μπορεί να οδηγήσει σε τραυματισμούς ή πυρκαγιά.
 - c) **Διαφυλάγετε τις μπαταρίες που δε χρησιμοποιείτε μακριά από μεταλλικά αντικείμενα, π.χ. από συνδετήρες χαρτιών, νομίσματα, κλειδιά, καρφιά, βίδες κι άλλα παρόμοια μικροαντικείμενα, τα οποία θα μπορούσαν να επιγεφυρώσουν τις διάφορες μεμονωμένες επαφές.** Μια επιγεφύρωση από μεταλλικά αντικείμενα μπορεί να προκαλέσει βραχυκύκλωμα, σπινθηρισμό ή πυρκαγιά.
 - d) **Υπό δυσμενείς συνθήκες λειτουργίας μπορεί να διαρρεύσουν υγρά από την μπαταρία. Αποφεύγετε κάθε επαφή με μια μη στεγανή μπαταρία. Σε περίπτωση ακούσιας επαφής με τα υγρά, ξεπλύντε αμψως με νερό την αντίστοιχη θψη επαφής. Εκτός από αυτό, αν τα υγρά διεισδύουν στα μάτια σας, επισκεφτείτε χωρίς καθυστέρηση πνα γιατρό.** Τα διαρρποντα υγρά των μπαταριών μπορεί να προκαλλψουν ερεθισμούς ή και εγκαύματα.
- 6) SERVICE**
- a) **Δίνετε το ηλεκτρικό σας εργαλείο για επισκευή από άριστα ειδικευμένο προσωπικό, μόνο με γνήσια ανταλλακτικά.** Ετσι εξασφαλίζεται η διατήρηση της ασφάλειας του ηλεκτρικού εργαλείου.

ΥΠΟΔΕΙΞΙΣ ΑΣΦΑΛΕΙΑΣ ΓΙΑ ΤΑ ΑΣΥΡΜΑΤΑ ΠΙΣΤΟΛΙ ΣΤΕΓΑΝΟΠΟΙΗΤΙΚΟΥ

- Βεβαιωθείτε ότι η τάση του παρεχόμενου ρεύματος είναι ίδια με την τάση που υποδεικνύεται στην πινακίδα δεδομένων του φορτιστής (φορτιστές που φέρουν την ένδειξη 230V ή 240V μπορούν να συνδεθούν επίσης σε πρίζα 220V)
- Σε περίπτωση ηλεκτρικής ή μηχανικής κακής λειτουργίας, σταματήστε αμέσως το εργαλείο ή αποσυνδέστε τον φορτιστή από το δίκτυο ρεύματος
- Η SKIL εγγυάται την τέλεια λειτουργία του εργαλείου μόνο όταν χρησιμοποιούνται σωστά εξαρτήματα, τα οποία μπορείτε να προμηθευτείτε από το τοπικό κατάστημα διανομής εργαλείων SKIL
- Το εργαλείο/φορτιστής αυτό δεν προορίζεται για χρήση από άτομα (συμπεριλαμβανομένων παιδιών) με μειωμένες φυσικές, αισθητικές ή νοητικές ικανότητες, ή από άτομα χωρίς εμπειρία ή γνώση, εκτός και αν επιβλέπονται ή εάν τους έχουν δοθεί οδηγίες σχετικά με τη χρήση του εργαλείου/φορτιστής από άτομα υπεύθυνα για την ασφάλειά τους
- Βεβαιωθείτε ότι τα παιδιά δεν παίζουν με το εργαλείο/τον φορτιστή

ΦΟΡΤΙΣΗ/ΜΠΑΤΑΡΙΑΣ

- Να φορτίζετε την μπαταρία μόνον με το φορτιστή που παραδίδεται μαζί με το εργαλείο
- Μην αγγίζετε τις επαφές μεσα στο φορτιστή

- Μην φορτίζετε την μπαταρία σε περιβάλλον με σκόνη ή υγρασία
 - Μην εκθέτετε το εργαλείο/φορτιστή/ την μπαταρία στη βροχή
 - Να αποθηκευετε το εργαλείο/τον φορτιστή/την μπαταρία σε μέρη όπου η θερμοκρασία δεν θα ξεπεράσει τους 40°C ή δεν θα πέσει κάτω από 0°C
 - Οι μπαταρίες θα εκραγούν εάν γίνει απόρριψή τους σε φωτιά, γι' αυτό μην καίτε τις μπαταρίες για οποιοδήποτε λόγο
 - Μην χρησιμοποιείτε τον φορτιστή όταν έχει βλάβη - δώστε το για έλεγχο σε ένα από τα εξουσιοδοτημένα συνεργεία της SKIL
 - Μην χρησιμοποιείτε τον φορτιστή εάν το καλώδιο ή η πρίζα έχουν φθορά - το καλώδιο ή η πρίζα θα πρέπει να αντικαταστούν αμέσως σε ένα από τα εξουσιοδοτημένα συνεργεία της SKIL
 - Μην χρησιμοποιείτε την μπαταρία όταν έχει βλάβη - πρέπει να τη αλλάξετε αμέσως
 - Μην αποσυναρμολογήσετε τον φορτιστή ή την μπαταρία
 - Μην επιχειρήσετε να επαναφορτίσετε μπαταρίες, οι οποίες δεν επαναφορτίζονται, με το φορτιστή
- ### ΕΠΕΞΗΓΗΣΗ ΤΩΝ ΣΥΜΒΟΛΩΝ ΣΤΟ ΦΟΡΤΙΣΤΗ/ΜΠΑΤΑΡΙΑ
- ④ Να χρησιμοποιείτε το φορτιστή μόνο σε εσωτερικούς χώρους
 - ⑤ Διπλή μόνωση (δεν απαιτείται καλώδιο γείωσης)
 - ⑥ Μονωτικός μετασχηματιστής με προστασία από αστοχία (η πηγή ενέργειας διαχωρίζεται ηλεκτρικά από την έξοδο του μετασχηματιστή)
 - ⑦ Αυτόματη απενεργοποίηση σε περίπτωση υπερθέρμανσης του φορτιστή (η θερμική ασφάλεια καίγεται και ο φορτιστής αχρηστεύεται)
 - ⑧ Η εσφαλμένη πολικότητα στη σύνδεση του φορτιστή μπορεί να αποτελέσει κίνδυνο (να φορτίζετε την μπαταρία μόνο με το φορτιστή που παρέχεται)
 - ⑨ Μην πετάτε τον φορτιστή στον κάδο οικιακών απορριμμάτων
 - ⑩ Μην πετάτε την μπαταρία στον κάδο οικιακών απορριμμάτων
 - ⑪ Η τεχνολογία NiMH παρέχει περισσότερη ενέργεια κατά τρόπο που μολύνει λιγότερο το περιβάλλον

ΧΡΗΣΗ

- Φόρτιση της μπαταρίας ⑫
 - η μπαταρία των καινούργιων εργαλείων δεν είναι πλήρως φορτισμένη
 - ! **αφαιρέστε την μπαταρία από τον φορτιστή μετά από τελειώσει ο χρόνος φόρτισης ώστε να παρατείνετε τη διάρκεια ζωής για την μπαταρία**
- ΣΗΜΑΝΤΙΚΕΣ ΥΠΟΔΕΙΞΙΣ:
 - μετά από 3 ώρες θα έχει συμπληρωθεί η λειτουργία της φόρτισης και η μπαταρία είναι έτοιμη για χρήση, **παρόλο που το κόκκινο φωτάκι μπορεί να είναι ακόμη αναμμένο** (το κόκκινο φως ίσως χρειάζεται περισσότερο από 3 ώρες για να βθύσει)
 - κατά τη φόρτιση, ο φορτιστής και η μπαταρία μπορεί να ζεσταθούν - αυτό είναι φυσιολογικό και δεν αποτελεί πρόβλημα

- σιγουρευτείτε ότι η εξωτερική επιφάνεια της μπαταρίας είναι καθαρή και στεγνή, πριν την εισαγωγή της στον φορτιστή
- μην φορτίζετε σε θερμοκρασίες κάτω από 0°C και πάνω από 40°C - αυτό θα προκαλέσει σοβαρή βλάβη στην μπαταρία και στον φορτιστή
- να μην αφαιρέσετε την μπαταρία από το εργαλείο όταν αυτό είναι σε λειτουργία
- ! **μια νέα μπαταρία ή μια μπαταρία που δε χρησιμοποιήθηκε για αρκετό καιρό αποκτά τη βέλτιστη απόδοσή της μετά από 5 περίπου κύκλους φόρτισης/εκφόρτισης**
- να μην επαναφορτίζετε επανειλημμένα την μπαταρία μετά από μερικά μόνον λεπτά λειτουργίας - αυτό θα έχει σαν αποτέλεσμα να μειωθεί ο χρόνος λειτουργίας καθώς και η απόδοση της μπαταρίας
- η μπαταρία νικελίου-μετάλλου πρέπει να διαχωρίζονται από το φυσικό περιβάλλον και δεν πρέπει να πετιούνται μαζί με τα συνήθη οικιακά απορρίμματα (το σύμβολο 10 θα σας το θυμήσει αυτό όταν έλθει η ώρα να πετάξετε τις μπαταρίες αυτές)
- ! **πρότυπο πετάξετε τις μπαταρίες καλύπτε τις επαφές τους με μονωτική ταινία για να αποφύγετε τυχόν βραχυκυκλώματα**
- για μακρές περιόδους που δεν χρησιμοποιείτε το εργαλείο, είναι καλύτερα να έχετε αποσυνδεδεμένο τον φορτιστή από το δίκτυο ρεύματος
- Τοποθέτηση φυσιγγίων 13
 - ανοίξτε ένα τυποποιημένο φυσιγγίο με ένα κοπίδι
 - τοποθετήστε το στόμιο στο επάνω μέρος του ανοιγμένου φυσιγγίου
 - κόψτε τουλάχιστον 2 cm από τη μύτη του στομίου σε γωνία 45° μοιρών, κατά τέτοιο τρόπο ώστε το άνοιγμα να είναι αρκετά μεγάλο όταν χρησιμοποιείτε το εργαλείο στη ρύθμιση μέγιστης ταχύτητας
 - πιέστε το διακόπτη A προς τα αριστερά
 - σπρώξτε το έμβολο B πίσω στην αρχική του θέση έως ότου κουμπώσει (αν δεν κουμπώσει, το έμβολο θα παρουσιάσει δυσλειτουργία)
 - ανοίξτε το κάλυμμα φυσιγγίου C
 - τοποθετήστε το φυσιγγίο, έως ότου η βάση του φθάσει στο πίσω μέρος του πλαισίου φορείου D
 - κλείστε το κάλυμμα φυσιγγίου C
- Εκκίνησης/Στάσης 14
 - πιέστε το διακόπτη A προς τα δεξιά για να απασφαλίσετε το διακόπτη σκανδάλης E
 - ενεργοποιήστε/απενεργοποιήστε το εργαλείο πατώντας/αφήνοντας το διακόπτη σκανδάλης E
 - το εργαλείο απενεργοποιείται αυτόματα όταν αδειάσει το φυσιγγίο
 - ! **βεβαιωθείτε ότι ο διακόπτης A βρίσκεται στη θέση ασφάλισης ύστερα από κάθε χρήση 15**
- Μεταβλητή ταχύτητα 16
 - με τον περιστροφικό επιλογή F είναι εφικτή η ρύθμιση της εκροής του στεγανοποιητικού (6 θέσεις)
 - πριν ξεκινήσετε μια εργασία, βρείτε τη βέλτιστη ταχύτητα κάνοντας δοκιμές πάνω σε περίσσιο υλικό
 - ! **αν το εργαλείο δεν λειτουργεί με τον περιστροφικό επιλογή F στη θέση 1, ρυθμίστε την ταχύτητα πατώντας παράλληλα το διακόπτη σκανδάλης E 2, μέχρι να βρείτε τη βέλτιστη ρύθμιση**
- Εφαρμογή στεγανοποιητικού 17
 - βεβαιωθείτε ότι η περιοχή που πρόκειται να στεγανοποιηθεί είναι καθαρή και στεγνή (αφαιρέστε παλιό στεγανοποιητικό, αν υπάρχει)
 - παύο πιέστε το διακόπτη A προς τα δεξιά, πατήστε το διακόπτη σκανδάλης E για να ξεκινήσει η εκροή του στεγανοποιητικού
 - κρατήστε το εργαλείο υπό μικρή γωνία και φροντίστε να το μετακινείτε προσεκτικά διαγράφοντας ομαλή κίνηση κατά μήκος της οπής/ρωγμής που θέλετε να γεμίσετε, πατώντας παράλληλα το διακόπτη σκανδάλης E
 - βεβαιωθείτε ότι το στεγανοποιητικό έρχεται σε πλήρη επαφή και με τις δύο επιφάνειες που θέλετε να στεγανοποιηθούν
 - αφήστε το διακόπτη σκανδάλης E για να σταματήσει η εκροή του στεγανοποιητικού
 - για να μην χυθεί στεγανοποιητικό, πιέστε το διακόπτη A προς τα αριστερά, αμέσως μόλις αφήσετε το διακόπτη σκανδάλης E
 - βρέξτε ένα δάχτυλό σας και περάστε το πάνω από το κορδόνι του στεγανοποιητικού, και χρησιμοποιήστε ένα καθαρό, υγρό πανί για να απομακρύνετε τυχόν περίσσεια στεγανοποιητικού
 - ! **απομακρύνετε τυχόν στεγανοποιητικό που έχει απομείνει στο στόμιο του φυσιγγίου και στο πλαίσιο του φορείου**
 - Ηλεκτρονική προστασία υπερφόρτωσης
 - Σταματά το μοτέρ αυτόματα σε περίπτωση που ασκείται πολύ μεγάλη πίεση στο φυσιγγίο, αποτρέποντας με αυτό τον τρόπο τυχόν βλάβη του εργαλείου και του φυσιγγίου
 - αφήστε το διακόπτη σκανδάλης E
 - περιμένετε 5 δευτερόλεπτα για την επαναρρύθμιση των ηλεκτρονικών
 - πατήστε το διακόπτη σκανδάλης E
 - εάν το μοτέρ σταματήσει πάλι, μετακινήστε τον περιστροφικό επιλογή F στη μεσαία θέση και πατήστε ξανά το διακόπτη σκανδάλης E
 - Για να αποφύγετε την υπερφόρτωση, να εξασφαλίζετε πάντοτε ότι
 - η μύτη του στομίου έχει κοπεί κατά 2 cm τουλάχιστον
 - έχει αφαιρεθεί από το στόμιο τυχόν υλικό που έχει ξεραθεί
 - το φυσιγγίο δεν είναι κατεστραμμένο ή παγωμένο
 - δεν υπάρχει στεγανοποιητικό πάνω στο πλαίσιο του φορείου
 - έχει επιλεγεί η μικρότερη δυνατή ταχύτητα
 - Αντιμετώπιση προβλημάτων
 - Σε περίπτωση που το έμβολο B 2 σταματήσει να κινείται προς τα εμπρός στο μέσον της εργασίας στεγανοποίησης
 - απενεργοποιήστε το εργαλείο
 - αφαιρέστε το φυσιγγίο από το πλαίσιο φορείου D 2
 - πιέστε το διακόπτη A 2 προς τα αριστερά
 - ! **σπρώξτε το έμβολο B πίσω στην αρχική του θέση έως ότου κουμπώσει**
 - επανατοποθετήστε το φυσιγγίο
 - πιέστε το διακόπτη A προς τα δεξιά
 - πατήστε το διακόπτη σκανδάλης E 2 για να συνεχίσετε την εργασία στεγανοποίησης

ΣΥΝΤΗΡΗΣΗ / ΣΕΡΒΙΣ

- Κρατήστε το εργαλείο σας και τον φορτιστή καθαρά
 - καθαρίζετε τις επαφές φόρτισης με οινόπνευμα ή ειδικό καθαριστικό
- ! **Αποσυνδέστε τον φορτιστή από το δίκτυο ρεύματος προτού καθαρίσετε**
- Απομακρύνετε τυχόν στεγανοποιητικό που έχει απομείνει στο πλαίσιο φορείου D ②, χρησιμοποιώντας ένα καθαρό, υγρό πανί
- Αν παρ' όλες τις επιμελημένες μεθόδους κατασκευής κι ελέγχου το εργαλείο/ο φορτιστής σταματήσει κάποτε να λειτουργεί, τότε η επισκευή του πρέπει να ανατεθεί σ' ένα εξουσιοδοτημένο συνεργείο για ηλεκτρικά εργαλεία της SKIL
 - στείλτε το εργαλείο ή τον φορτιστή **χωρίς να το αποσυρμολογήσετε** μαζί με την απόδειξη αγοράς στο κατάστημα από το οποίο το αγοράσατε ή στον πλησιέστερο σταθμό τεχνικής εξυπηρέτησης της SKIL (θα βρείτε τις διευθύνσεις και το διάγραμμα συντήρησης του εργαλείου στην ιστοσελίδα www.skilmasters.com)
 - σε περίπτωση που ο φορτιστής είναι ελαττωματικός, αποστείλτε **και το φορτιστή και τη μπαταρία** στον αντιπρόσωπό σας ή το κέντρο σέρβις της SKIL

ΠΕΡΙΒΑΛΛΟΝ

- **Μην πετάτε τα ηλεκτρικά εργαλεία, εξαρτημάτα και συσκευασία στον κάδο οικιακών απορριμμάτων** (μόνο για τις χώρες της ΕΕ)
 - σύμφωνα με την ευρωπαϊκή οδηγία 2012/19/ΕΚ περί ηλεκτρικών και ηλεκτρονικών συσκευών και την ενσωμάτωσή της στο εθνικό δίκαιο, τα ηλεκτρικά εργαλεία πρέπει να συλλέγονται ξεχωριστά και να επιστρέφονται για ανακύκλωση με τρόπο φιλικό προς το περιβάλλον
 - το σύμβολο ④ θα σας το θυμήσει αυτό όταν έλθει η ώρα να πετάξετε τις

ΔΗΛΩΣΗ ΣΥΜΜΟΡΦΩΣΗΣ C E

- Δηλώνουμε υπευθύνως ότι το προϊόν που περιγράφεται στα "Τεχνικά χαρακτηριστικά" εκπληρώνει τους εξής κανονισμούς ή κατασκευαστικές συστάσεις: EN 60335, EN 61000, EN 60745, EN 55014 σύμφωνα με τις διατάξεις των οδηγιών 2006/95/ΕΚ, 2004/108/ΕΚ, 2006/42/ΕΚ, 2011/65/ΕΕ
- **Τεχνικός φάκελος από:** SKIL Europe BV (PT-SEU/ENG1), 4825 BD Breda, NL

Marijn van der Hoofden
Operations & Engineering

Olaf Dijkgraaf
Approval Manager

SKIL Europe BV, 4825 BD Breda, NL

13.08.2014

ΘΟΡΥΒΟ/ΚΡΑΔΑΣΜΟΥΣ

- Μετρημένη σύμφωνα με EN 60745 η στάθμη ακουστικής πίεσης αυτού του εργαλείου ανέρχεται σε <70 dB(A) (κοινή απόκλιση: 3 dB) και ο κραδασμός σε <2,5 m/s² (μεθοδος χειρός/βραχίονα - ανασφάλεια K = 1,5 m/s²)
- Το επίπεδο παραγωγής κραδασμών έχει μετρηθεί σύμφωνα με μια τυποποιημένη δοκιμή που αναφέρεται στο πρότυπο EN 60745 - μπορεί να χρησιμοποιηθεί για τη σύγκριση ενός εργαλείου με ένα άλλο, καθώς και ως προκαταρκτική αξιολόγηση της έκθεσης στους κραδασμούς όταν το εργαλείο χρησιμοποιείται για τις εφαρμογές που αναφέρονται
 - η χρήση του εργαλείου για διαφορετικές εφαρμογές ή με διαφορετικά ή κακοσυντηρημένα εξαρτήματα μπορεί να **αυξήσει** σημαντικά το επίπεδο έκθεσης
 - όταν το εργαλείο είναι απενεργοποιημένο ή δουλεύει αλλά δεν εκτελεί την εργασία, το επίπεδο έκθεσης μπορεί να **μειωθεί** σημαντικά
- ! **προστατευτείτε από τις επιδράσεις των κραδασμών συντηρώντας σωστά το εργαλείο και τα εξαρτήματά του, διατηρώντας τα χέρια σας ζεστά και οργανώνοντας τον τρόπο εργασίας σας**

RO

Pistol de lipit fără fir

2055

INTRODUCERE

- Această sculă este prevăzută pentru distribuirea de lipici din cartușe standard
- Citiți și păstrați acest manual de instrucțiuni ③

DATE TEHNICE ①

ELEMENTELE SCULEI ②

- A ntrerupător multifuncțional
- B Împingător
- C Capacul cartușului
- D Cadrul căruciorului
- E Înterupător trăgaci
- F Rotiță de selectare a vitezei

SIGURANȚA

INSTRUCȚIUNI DE PROTECȚIE GENERALE

⚠ ATENȚIE! Citiți toate indicațiile de avertizare și instrucțiunile. Nerespectarea indicațiilor de avertizare și a instrucțiunilor poate provoca electrocutare, incendii și/sau răniri grave. **Păstrați toate indicațiile de avertizare și instrucțiunile în vederea utilizărilor viitoare.** Termenul de "sculă electrică" folosit în indicațiile de avertizare se referă la sculele electrice alimentate de la rețea (cu cablu de alimentare) și la sculele electrice cu acumulator (fără cablu de alimentare).

1) SIGURANȚA LA LOCUL DE MUNCĂ

- a) **Păstrați-vă locul de muncă curat și bine iluminat.** Dezordinea la locul de muncă sau existența unor sectoare de lucru neiluminate poate duce la accidente.
- b) **Nu folosiți mașina în medii cu pericol de explozie, acolo unde există lichide, gaze sau pulberi inflamabile.** Sculele electrice pot produce scântei care să aprindă pulberile sau vaporii.
- c) **Nu permiteți accesul copiilor și al altor persoane în timpul lucrului cu mașina.** Dacă vi se distrage atenția puteți pierde controlul asupra mașinii.

2) SECURITATE ELECTRICĂ

- a) **Ștecherul de racordare a mașinii trebuie să se potrivească cu priza de alimentare. Nu este permisă în nici-un caz modificarea ștecherului. Nu folosiți adaptoare pentru ștechere la mașinile legate la pământ.** Ștecherele nemodificate și prizele de curent adecvate acestora reduc riscul de electrocutare.
- b) **Evitați contactul corporal cu suprafețe legate la pământ ca țevi, radiatoare, plite electrice și frigider.** Există un risc crescut de electrocutare atunci când corpul dv. este și el legat la pământ.
- c) **Nu lăsați mașina afară în ploaie sau în mediu umed.** Riscul de electrocutare crește atunci când într-o sculă electrică pătrunde apă.
- d) **Nu trageți niciodată mașina de cordonul de alimentare pentru a o transporta, a o atârna sau a scoate ștecherul din priza de curent. Feriți cordonul de alimentare de căldură, ulei, mυχii ascuțiți sau de subansamble aflate în mișcare.** Un cordon de alimentare deteriorat sau înfășurat mărește riscul de electrocutare.
- e) **Atunci când lucrați cu scula electrică în aer liber, folosiți numai cordoane prelungitoare autorizate pentru exterior.** Întrebuințarea unui cordon prelungitor adecvat utilizării în aer liber reduce riscul de electrocutare.
- f) **Atunci când nu poate fi evitată utilizarea sculei electrice în mediu umed, folosiți un întrerupător de circuit cu împământare.** Folosirea unui întrerupător de circuit cu împământare reduce riscul de electrocutare.

3) SECURITATEA PERSOANELOR

- a) **Fiți vigilenți, fiți atenți la ceea ce faceți și procedați rațional atunci când lucrați cu scula electrică. Nu folosiți mașina dacă sunteți obosiți sau vă aflați sub influența drogurilor, alcoolului sau a medicamentelor.** Un moment de neatenție în timpul lucrului cu mașina poate duce la răniri grave.
- b) **Purtați echipament de protecție personală și întotdeauna ochelari de protecție.** Folosirea echipamentelor de protecție a persoanei ca mască de protecție împotriva prafului, încălțăminte antiderapantă, cască de protecție sau aparat de protecție auditivă, în funcție de tipul și domeniul de folosire al sculei electrice, reduce riscul rănirilor.
- c) **Evitați o punere în funcțiune involuntară. Înainte de a introduce ștecherul în priză și/sau de a introduce acumulatorul în scula electrică, de a o ridica sau de a o transporta, asigurați vă că aceasta este oprită.** Dacă atunci când transportați scula electrică țineți degetul pe întrerupător sau dacă porniți scula electrică înainte de a o racorda la rețeaua de curent, puteți provoca accidente.

- d) **Înainte de a pune mașina în funcțiune scoateți afară cheile reglabile și fixe.** O cheie reglabilă sau fixă, aflată într-o componentă de mașină care se rotește, poate provoca răniri.
 - e) **Nu vă supraapreciați. Asigurați-vă o poziție stabilă și păstrați-vă întotdeauna echilibrul.** Astfel veți putea controla mai bine mașina în situații neașteptate.
 - f) **Purtați îmbrăcăminte de lucru adecvată. Nu purtați haine largi sau podoabe. Țineți părul, îmbrăcăminte și mânușile departe de componente aflate în mișcare.** Îmbrăcăminte largă, podoabele și părul lung pot fi prinse de piesele aflate în mișcare.
 - g) **Dacă există posibilitatea montării de echipamente și instalații de aspirare și colectare a prafului, asigurați-vă că acestea sunt conectate și folosite corect.** Folosirea unei instalații de aspirare a prafului poate duce la reducerea poluării cu praf.
- ### 4) MANEVRAȚI ȘI FOLOSIȚI CU GRIJĂ SCULELE ELECTRICE
- a) **Nu suprasolicitați mașina. Folosiți scula electrică destinată executării lucrării dumneavoastră.** Cu scula electrică potrivită lucrați mai bine și mai sigur în domeniul de putere specificat.
 - b) **Nu folosiți scula electrică dacă are întrerupătorul defect.** O sculă electrică, care nu mai poate fi pornită sau oprită este periculoasă și trebuie reparată.
 - c) **Scoateți ștecherul afară din priză și/sau îndepărtați acumulatorul, înainte de a executa reglaje, a schimba accesoriul sau de a pune mașina la o parte.** Această măsură preventivă reduce riscul unei porniri involuntare a mașinii.
 - d) **În caz de nefolosire păstrați mașinile la loc inaccesibil copiilor. Nu permiteți persoanelor care nu sunt familiarizate cu mașina sau care n-au citit prezentele instrucțiuni, să folosească mașina.** Sculele electrice sunt periculoase atunci când sunt folosite de persoane fără experiență.
 - e) **Întrețineți-vă cu grijă mașina. Controlați dacă componentele mobile funcționează corect și dacă nu se blochează, dacă nu există piese defecte sau deteriorate, care să afecteze funcționarea mașinii.** Înainte de a repune în funcțiune mașina, duceți-o la un atelier de asistență service pentru repararea sau înlocuirea pieselor deteriorate. Multe accidente s-au datorat întreținerii defectuoase a sculelor electrice.
 - f) **Păstrați accesoriile bine ascuțite și curate.** Accesoriile atent întreținute, cu muchii tăietoare bine ascuțite se blochează mai greu și pot fi conduse mai ușor.
 - g) **Folosiți sculele electrice, accesoriile, dispozitivele de lucru etc. conform prezentelor instrucțiuni. Țineți seama de condițiile de lucru și de lucrarea care trebuie executată.** Întrebuințarea unor scule electrice destinate altor utilizări decât cele preconizate, poate duce la situații periculoase.
- ### 5) MANEVRAȚI ȘI FOLOSIȚI CU GRIJĂ SCULELE ELECTRICE CU ACUMULATOR
- a) **Folosiți pentru încărcarea acumulatorilor numai încărcătoarele recomandate de producător.** Dacă un încărcător destinat unui anumit tip de acumulator este folosit la încărcarea altor acumulatori există pericol de incendiu.
 - b) **Folosiți la sculele electrice numai acumulatorii prevăzuți în acest scop.** Întrebuințarea altor

acumulatori decât cei specificați poate duce la răniri și pericol de incendii.

- c) **Feriți acumulatorii nefolosiți de contact cu agrafe de birou, monede, chei, cuie, șuruburi sau alte obiecte metalice mici, care pot produce o punte metalică între contactele acumulatorului.** Un scurtcircuit între polii de contact ai acumulatorului poate avea drept consecință arsuri sau incendii.
- d) **Ca urmare a folosirii necorespunzătoare, din acumulator se poate scurge lichid. Evitați contactul cu acesta. În caz de contact accidental, clătiți cu apă. Dacă lichidul vă intră în ochi, pe lângă măsurile aminite consultați și un medic.** Lichidul care se scurge din acumulator poate provoca iritarea pielii sau arsuri.

6) SERVICE

- a) **Permiteți repararea mașinii dumneavoastră numai de către un specialist calificat și numai cu piese de schimb originale.** În acest mod este garantată menținerea siguranței de exploatare a mașinii.

INSTRUCIUNI DE SIGURANȚA PENTRU PISTOALELE DE LIPIT FĂRĂ FIR

- Verificați întotdeauna dacă tensiunea de alimentare este aceeași cu tensiunea indicată pe plăcuța de identificare a încărcătorului (încărcătoarele cu o specificație de 230V și 240V pot fi conectate și la alimentare de 220V)
- În cazul unor defecțiuni electrice sau mecanice, imediat deconectați instrumentul sau scoateți încărcătorul de la sursa de energie
- SKIL garantează funcționarea perfectă a sculei electrice numai dacă sunt folosite accesoriile corecte, care pot fi obținute de la dealerul dumneavoastră de produse SKIL
- Scula/încărcătorul nu este destinată utilizării de către persoane (inclusiv copii) cu capacități reduse fizice, senzoriale sau mentale, sau fără experiență și cunoștințe, cu excepția cazului în care sunt supravegheați sau instruiți în privința folosirii sculei/încărcătorului de către o persoană responsabilă pentru siguranța lor
- Asigurați-vă că copiii nu se joacă cu scula/încărcătorul

ÎNCĂRCAREA/BATERIILOR

- Încărcați bateriile numai cu ajutorul încărcătorului furnizat împreună cu instrumentul
- Nu atingeți firele de contact al încărcătorului
- Nu încărcați bateria în locuri umede sau ude
- Nu expuneți la ploaie instrumentul/încărcătorul/bateria
- Păstrați instrumentul/încărcătorul/bateria la temperaturi cuprinse între 40°C și 0°C
- Bateriile vor exploda când sunt aruncate în foc, deci nu ardeți bateriile sub niciun motiv
- Nu folosiți încărcătorul dacă acesta deteriorat, adresați-vă la una din Stațiile de Deservire SKIL – reprezentantul oficial înregistrat – pentru verificările de rigoare
- Nu folosiți încărcătorul dacă cablu sau fișa sînt deteriorate, adresați-vă la una din Stațiile de Deservire SKIL – reprezentantul oficial înregistrat – pentru verificările de rigoare
- Nu folosiți bateria dacă aceasta este avariată; ea trebuie înlocuită imediat
- Nu dezambalați încărcătorul sau bateria
- Nu încercați să reîncărcați bateriile de unică folosință utilizând încărcătorul

EXPLICAȚIA SIMBOLURILOR DE PE ÎNCĂRCĂTOR/BATERIE

- ④ Folosiți încărcătorul numai în interior
- ⑤ Izolație dublă (nu este necesar fir de împământare)
- ⑥ Izolație a transformatorului cu rezistență la defecțiuni (sursa de alimentare este separată electric de ieșirea transformatorului)
- ⑦ Oprise automată când încărcătorul se încinge prea tare (siguranța termică se arde și încărcătorul devine inutil)
- ⑧ Polaritatea incorectă a conexiunii încărcătorului poate provoca un pericol (încărcați bateria numai cu încărcătorul furnizat)
- ⑨ Nu aruncați încărcătorul direct la pubelele de gunoi
- ⑩ Nu aruncați bateria direct la pubelele de gunoi
- ⑪ Tehnologia NiMH oferă mai multă energie într-un mod mai puțin poluant pentru mediu

UTILIZAREA

- Încărcarea bateriei ⑫
 - bateriile instrumentelor noi nu sunt încărcate complet
- ! scoateți bateria din încărcător după încărcare, acest lucru va mări termenul de funcționare a bateriei**

IMPORTANT:

- după 3 ore de la introducerea bateriei în acumulator operația de încărcare va fi încheiată, **chiar dacă lumina roșie este încă aprinsă** (pentru stingerea luminii roșii pot fi necesare mai mult de 3 ore de la începutul încărcării)
 - în timpul încărcării, încărcătorul și bateria pot să se încălzească; acest lucru este normal și nu indică apariția vreunei probleme
 - înainte de introducerea bateriei în încărcător, asigurați-vă că suprafața exterioară a bateriei este curată și uscată
 - nu încărcați la temperaturi mai joase de 0°C și mai mari de 40°C, acest fapt a deteriora grav bateria și încărcătorul
 - nu scoateți bateria din instrument în timpul funcționării acestuia
- ! o baterie nouă sau care nu a fost utilizată un timp mai îndelungat atinge capacitatea maximă numai după aproximativ 5 cicluri de încărcare/descărcare**
- nu reîncărcați bateria în repetate rânduri numai la câteva minute de funcționare, acest fapt poate duce la reducerea timpului de funcționare și eficienței bateriei
 - bateriile de nichel-metalhidrid trebuie păstrate separat în mediul natural și nu trebuie considerate deșeuri domestice normale (simbolul ⑩) va va reaminti acest lucru)
- ! înainte aruncare protejați terminalele bateriei cu lentă protectoare pentru a preîntâmpina scurtcircuitul**
- dacă nu veți utiliza instrumentul o perioadă mai îndelungată se recomandă să deconectați încărcătorul de la sursa de energie
- Încărcarea cartușelor ⑬
 - deschideți un cartuș standard cu un cuțit
 - montați duza pe cartușul deschis
 - tăiați cel puțin 2 cm din vârful duzei la un unghi de 45°, astfel încât orificiul să fie suficient de mare când folosiți setarea vitezei maxime

- împingeți întrerupătorul A spre stânga
- împingeți împingătorul B înapoi în poziția de start până când se autoblochează (fără autoblocare împingătorul nu va funcționa corect mai târziu)
- deschideți capacul cartușului C
- introduceți cartușul până când baza acestuia atinge partea din spate a cadrului căruciorului D
- închideți capacul cartușului C
- Deschis/Închis (14)
 - împingeți întrerupătorul A spre dreapta pentru a debloca întrerupătorul trăgaci E
 - porniți/opriți scula apăsând/eliberând întrerupătorul trăgaci E
 - scula se oprește automat când cartușul este gol
- ! **asigurați-vă că întrerupătorul A este în poziția de blocare după fiecare utilizare (15)**
- Viteză variabilă (16)
 - puteți regla debitul de lipici cu roțița F (6 poziții)
 - înainte de a începe lucrarea, găsiți viteza optimă testând pe un material de rezervă
- ! **dacă scula nu pornește cu roțița F în poziția 1, reglați viteza în timp ce apăsați întrerupătorul trăgaci E (2) până când găsiți setarea optimă**
- Aplicarea lipiciului (17)
 - asigurați-vă că zona care trebuie izolată este curată și uscată (îndepărtați lipiciul vechi, dacă este cazul)
 - după ce împingeți întrerupătorul A spre dreapta, apăsați întrerupătorul trăgaci E pentru a porni debitul de lipici
 - țineți scula la un anumit unghi și mișcați scula cu grijă în ritm constant de-a lungul găurii/crăpăturii care trebuie umplută în timp ce apăsați întrerupătorul trăgaci E
 - asigurați-vă că lipiciul vine în contact complet cu ambele suprafețe care trebuie lipite
 - eliberați întrerupătorul trăgaci E pentru a opri debitul de lipici
 - pentru a evita scurgerea lipiciului, împingeți întrerupătorul A spre stânga imediat după ce eliberați întrerupătorul trăgaci E
 - treceți cu degetul umed de-a lungul fluxului de lipici după aplicare și folosiți o cârpă umedă curată pentru a îndepărta lipiciul în exces
- ! **îndepărtați orice urme de lipici de pe duza cartușului și de pe cadrul căruciorului**
- Protecție electronică la suprasarcină
 - Oprește automat motorul în cazul în care este aplicată o presiune prea mare pe cartuș, împiedicând deteriorarea sculei și a cartușului
 - eliberați întrerupătorul trăgaci E
 - permiteți resetarea pieselor electronice timp de 5 secunde
 - apăsați pe întrerupătorul trăgaci E
 - dacă motorul se oprește din nou, mutați roțița F în poziția din mijloc și apăsați din nou întrerupătorul trăgaci E
- Pentru a evita suprasarcina, asigurați-vă întotdeauna că
 - vârful duzei este tăiat cel puțin 2 cm
 - materialul întărit este îndepărtat de pe duză
 - cartușul nu este deteriorat sau înghețat
 - cadrul căruciorului nu are urme de lipici
 - ați selectat setarea cea mai mică posibil a vitezei

- Rezolvarea problemelor
 - În caz că împingătorul B (2) se oprește din înaintare în mijlocul aplicării
 - opriți scula
 - scoateți cartușul de pe cadrul căruciorului D (2)
 - împingeți întrerupătorul A (2) spre stânga
 - ! **împingeți împingătorul B înapoi în poziția de pornire până când se autoblochează**
 - introduceți cartușul din nou
 - împingeți întrerupătorul A spre dreapta
 - apăsați întrerupătorul trăgaci E (2) pentru a continua lucrarea de izolare

ÎNȚREȚINERE / SERVICE

- Păstrați instrumentul și încărcătorul curat
 - curățați cu alcool sau curățător de contacte contactele de încărcare al încărcătorului
- ! **deconectați încărcătorul de la sursa de energie înainte de curățire**
- Păstrați cadrul căruciorului D (2) curată de orice reziduuri de lipici folosind o cârpă umedă curată
- Dacă în ciuda procedurilor de fabricație și control riguroase scula/încărcătorul are totuși o pană, repararea acesteia se va face numai la un atelier de asistență service autorizat pentru scule electrice SKIL
 - trimiteți scula sau încărcătorul **în totalitatea lui** cu bonul de cumpărare la distribuitorul sau la centrul de service SKIL cel mai apropiat (adrese și diagrame de service se găsească la www.skilmasters.com)
 - în cazul unui încărcător defect, trimiteți **atât încărcătorul, cât și bateria** la distribuitorul sau la centrul de service SKIL

MEDIUL

- **Nu aruncați sculele electrice, accesoriile sau ambalajele direct la pubelele de gunoi** (numai pentru țările din Comunitatea Europeană)
 - Directiva Europeană 2012/19/EC face referire la modul de aruncare a echipamentelor electrice și electronice și modul de aplicare a normelor în conformitate cu legislația națională; sculele electrice în momentul în care au atins un grad avansat de uzură și trebuie aruncate, ele trebuie colectate separat și reciclate într-un mod ce respectă normele de protecție a mediului inconjurător
 - simbolul (9) vă va reaminti acest lucru

DECLARAȚIE DE CONFORMITATE CE

- Declaram pe proprie răspundere că produsul descris la paragraful "Date tehnice" este în conformitate cu următoarele standarde și documente normative: EN 60335, EN 61000, EN 60745, EN 55014 conform prevederilor directivelor 2006/95/CE, 2004/108/CE, 2006/42/CE, 2011/65/UE

- **Документація технік** la: SKIL Europe BV (PT-SEU/ENG1), 4825 BD Breda, NL

Marijn van der Hoofden
Operations & Engineering

Olaf Dijkgraaf
Approval Manager

SKIL Europe BV, 4825 BD Breda, NL

13.08.2014

ZGOMOT/VIBRAȚII

- Мăсурат в конформитате с EN 60745 nivelul de presiune a sunetului generat de acest instrument este de <70 dB(A) (abaterea standard: 3 dB) iar nivelul vibrațiilor <2,5 m/s² (metoda mină-brăț; incertitudine K = 1,5 m/s²)
- Nivelul emisiilor de vibrații a fost măsurat в конформитате с un test standardizat precizat в EN 60745; poate fi folosit pentru a compara o sculă с alta și ca evaluare preliminară a expunerii la vibrații atunci când folosiți scula pentru aplicațiile menționate
 - utilizarea sculei pentru aplicații diferite sau с accesorii diferite și prost întreținute poate **crește** semnificativ nivelul de expunere
 - momentele в care scula este oprită sau când funcționează dar nu execută nicio lucrare, pot **reduce** semnificativ nivelul de expunere
- ! **protejați-vă împotriva efectelor vibrațiilor prin întreținerea sculei și a accesoriilor sale, păstrând mâinile calde și organizând procesele de lucru**

BG

Безжичен пистолет за уплътнителни пасти

2055

УВОД

- Този инструмент е предназначен за нанасяне на уплътнителна паста от стандартни опаковки
- Прочетете и пазете това ръководство за работа ③

ТЕХНИЧЕСКИ ДАННИ ①

ЕЛЕМЕНТИ НА ИНСТРУМЕНТА ②

- A Многофункционален бутон
- B Бутало
- C Капак за опаковката
- D Носещо тяло
- E Спусък вклочвател
- F Регулатор за избор на скорост

БЕЗОПАСНОСТ

ОБЩИ ИНСТРУКЦИИ ЗА БЕЗОПАСНОСТ

⚠ ВНИМАНИЕ! Прочетете внимателно всички указания. Неспазването на привнесените по долу указания може да доведе до токов удар, пожар и/или

тежки травми. **Съхранявайте тези указания на сигурно място.** Използваният по-долу термин "електроинструмент" се отнася до захранвани от електрическа мрежа електроинструменти (със захранващ кабел) и до захранвани от акумулаторна батерия електроинструменти (без захранващ кабел).

1) БЕЗОПАСНОСТ НА РАБОТНОТО МЯСТО

- a) **Поддържайте работното си място чисто и подредено.** Безпорядъкът или недостатъчното осветление могат да спомогнат за възникването на трудова злополука.
- b) **Не работете с електроинструмента в среда с повишена опасност от възникване на експлозия, в близост до леснозапалими течности, газове или прахообразни материали.** По време на работа в електроинструментите се отделят искри, които могат да възпламяват прахообразни материали или пари.
- c) **Дръжте деца и странични лица на безопасно разстояние, докато работите с електроинструмента.** Ако вниманието Ви бъде отклонено, може да загубите контрола над електроинструмента.

2) БЕЗОПАСНОСТ ПРИ РАБОТА С ЕЛЕКТРИЧЕСКИ ТОК

- a) **Щепселът на електроинструмента трябва да е подходящ за ползвания контакт. В никакъв случай не се допуска изменение на конструкцията на щепсела.** Когато работите със занулен електроруди, не използвайте адаптери за щепсела. Ползването на оригинални щепсели и контакти намалява риска от възникване на токов удар.
- b) **Избягвайте допира на тялото Ви до заземен тел, напр. тръби, отоплителни уреди, пещи и хладилници.** Когато тялото Ви е заземено, рискът от възникване на токов удар е по-голям.
- c) **Предпазвайте електроинструмента си от дъжд и влага.** Проникването на вода в електроинструмента повишава опасността от токов удар.
- d) **Не използвайте захранващия кабел за цели, за които той не е предвиден, напр. за да носите електроинструмента за кабела или да извадите щепсела от контакта.** Предпазвайте кабела от нагриване, омасляване, допир до остри ръбове или до подвижни звена на машини. Повредени или усукани кабели увеличават риска от възникване на токов удар.
- e) **Когато работите с електроинструмент навън, използвайте само удължителни кабели, предназначени за работа на открито.** Използването на удължител, предназначен за работа на открито, намалява риска от възникване на токов удар.
- f) **Ако се налага използването на електроинструмента във влажна среда, използвайте предпазен прекъсвач за утечни токове.** Използването на предпазен прекъсвач за утечни токове намалява опасността от възникване на токов удар.

3) БЕЗОПАСЕН НАЧИН НА РАБОТА

- a) **Бъдете концентрирани, следете внимателно действията си и постъпвайте предпазливо и разумно. Не използвайте електроинструмента, когато сте уморени или под влиянието на наркотични вещества, алкохол или упойващи лекарства.** Един миг разсеяност при работа с електроинструмент може да има за следствие изключително тежки наранявания.
- b) **Работете с предпазващо работно облекло и винаги с предпазни очила.** Носенето на подходящи за ползвания електроинструмент и извършваната дейност лични предпазни средства, като дихателна маска, здрави плътнотзатоворени обувки със стабилен грайфер, защитна каска или шумозаглушители (антифони), намалява риска от възникване на трудова злополука.
- c) **Избягвайте опасността от включване на електроинструмента по невнимание. Преди да включите щепсела в захранващата мрежа или да поставите акумулаторната батерия, се уверявайте, че пусковият прекъсвач е в положение изключено.** Ако, когато носите електроинструмента, държите пръста си върху пусковия прекъсвач, или ако подавате захранващо напрежение на електроинструмента, когато е включен, съществува опасност от възникване на трудова злополука.
- d) **Преди да включите електроинструмента, се уверявайте, че сте отстранили от него всички помощни инструменти и гаечни ключове.** Помощен инструмент, забравен на въртящо се звено, може да причини травми.
- e) **Не надценявайте възможността си. Работете в стабилно положение на тялото и във всеки момент поддържайте равновесие.** Така ще можете да контролирате електроинструмента по-добре и по-безопасно, ако възникне неочаквана ситуация.
- f) **Работете с подходящо облекло. Не работете с широки дрехи или украшения. Дръжте носата си, дрехите и ръкавици на безопасно разстояние от въртящи се звена на електроинструментите.** Широките дрехи, украшенията, дългите коси могат да бъдат захванати и увлечени от въртящи се звена.
- g) **Ако е възможно използването на външна аспирационна система, се уверявайте, че тя е включена и функционира изправно.** Използването на аспирационна система намалява рисковете, дължащи се на отделящата се при работа прах.
- ### 4) ВНИМАТЕЛНО ОТНОШЕНИЕ КЪМ ЕЛЕКТРОИНСТРУМЕНТИ
- a) **Не претоварвайте електроинструмента. Използвайте електроинструментите само съобразно тяхното предназначение.** Ще работите по-добре и по-безопасно, когато използвате подходящия електроинструмент в зададения от производителя диапазон на натоварване.
- b) **Не използвайте електроинструмент, чиито пусков прекъсвач е повреден.** Електроинструмент, който не може да бъде изключван и включван по предвидения от производителя начин, е опасен и трябва да бъде ремонтиран.

- c) **Преди да променят настройките на електроинструмента, да заменят работни инструменти и допълнителни приспособления, както и когато продължително време няма да използват електроинструмента, изключвайте щепсела от захранващата мрежа и/или изваждайте акумулаторната батерия.** Тази мярка намалява опасността от задействане на електроинструмента по невнимание.
- d) **Съхранявайте електроинструментите на места, където не могат да бъдат достигнати от деца. Не допуснете те да бъдат използвани от лица, които не са запознати с начина на работа с тях и не са прочели тези инструкции.** Когато са в ръцете на неопитни потребители, електроинструментите могат да бъдат изключително опасни.
- e) **Поддържайте електроинструментите си грижливо. Проверявайте дали подвижните звена функционират безукорно, дали не заклинват, дали има счупени или повредени детайли, които нарушават или изменят функциите на електроинструмента. Преди да използвате електроинструмента, се погрижете повредените детайли да бъдат ремонтирани.** Много от трудовете злополуки се дължат на недобро поддържани електроинструменти и уреди.
- f) **Поддържайте режещите инструменти винаги добре заточени и чисти.** Добре поддържаните режещи инструменти с остри ръбове оказват по-малко съпротивление и се водят по-леко.
- g) **Използвайте електроинструментите, допълнителните приспособления, работните инструменти и т.н., съобразно инструкциите на производителя. С дейности и процедури, евентуално предписани от различни нормативни документи.** Използването на електроинструменти за различни от предвидените от производителя приложения повишава опасността от възникване на трудови злополуки.
- ### 5) ВНИМАТЕЛНО ОТНОШЕНИЕ КЪМ АКУМУЛАТОРНИ ЕЛЕКТРОИНСТРУМЕНТИ
- a) **За зареждането на акумулаторните батерии използвайте само зарядните устройства, препоръчвани от производителя.** Когато използвате зарядни устройства за зареждане на неподходящи акумулаторни батерии, съществува опасност от възникване на пожар.
- b) **За захранване на електроинструментите използвайте само предвидените за съответния модел акумулаторни батерии.** Използването на различни акумулаторни батерии може да предизвика трудова злополука и/или пожар.
- c) **Предпазвайте неизползваните акумулаторни батерии от контакт с големи или малки метални предмети, напр. кламери, монети, ключове, пирони, винтове и др.п., тъй като те могат да предизвикат късо съединение.** Последствията от късото съединение могат да бъдат изгаряния или пожар.
- d) **При неправилно използване на акумулаторна батерия от нея може да изтече електролит. Избягвайте контакта с него. Ако въпреки това на кожата Ви попадне електролит, изплакнете**

мястото обилно с вода. Ако електrolит попадне в очите Ви, незабавно се обърнете за помощ към очен лекар. Електrolитът може да предизвика изгаряния на кожата.

6) ПОДДЪРЖАНЕ

- a) **Допускайте ремонтът на електроинструментите Ви да се извършва само от квалифицирани специалисти и само с използването на оригинални резервни части.** По този начин се гарантира съхраняване на безопасността на електроинструмента.

УКАЗАНИЯ ЗА БЕЗОПАСНА РАБОТА ЗА БЕЖИЧНИЯ ПИСТОЛЕТ ЗА УПЛЪТНИТЕЛНИ ПАСТИ

- Преди включване на зарядното устройство в контакта се уверете, че мрежовото напрежение отговаря на напрежението, обозначено на фирмената табелка на зарядното устройство (зарядни устройства с номинално напрежение 230V или 240V могат да бъдат включени и към захранване с напрежение 220V)
- При електрическа или механична повреда незабавно спрете електроинструмента или изключете зарядното устройство от захранващата мрежа
- SKIL може да осигури безаварийна работа на електроинструмента само ако се използват подходящите консумативи, които можете да намерите при оторизираните дистрибутори на SKIL
- Инструмент/зарядното устройство не е предназначено за употреба от страна на лица (включително деца) с намалена физически, сетивни или умствени способности, или такива, които нямат нужните опит и знания, освен ако те не са под компетентно ръководство, или ако не са били съответно инструктирани по отношение употребата на инструмента/зарядното устройство от страна на лицето - отговарящо за тяхната безопасност
- Не позволявайте деца да играят с инструмента/зарядно устройство

ЗАРЕЖДАНЕ/БАТЕРИИ

- Зареждането на батерията трябва да се извършва само с помощта на зарядното устройство, включено в окомплектовката на електроинструмента
- Не докосвайте контактите в зарядното устройство
- Не зареждайте батериите във влажна или мокра среда
- Не излагайте на дъжд електроинструмента/зарядното устройство/батерията
- Съхранявайте електроинструмента/зарядното устройство/батерията в помещения при температури, не по-високи от 40°C и не по-ниски от 0°C
- Хвърлен в огън, акумулаторът ще експлодира, така че не изгаряйте акумулатора по каквато и да е причина
- Не използвайте повредено зарядно устройство; занесете го в някой от оторизираните сервиси на SKIL за проверка
- Не използвайте зарядното устройство при повреден кабел или щепсел; повреденият кабел или щепсел трябва незабавно да бъде подменен в някой от оторизираните сервиси на SKIL
- Не използвайте неизправна батерия; незабавно я заменете
- Не разглобявайте зарядното устройство или батерията

- Не правете опит за зареждане със зарядното устройство на батерии, които не могат да бъдат презареждани

ОБЯСНЕНИЕ НА СИМВОЛИТЕ НА ЗАРЯДНОТО УСТРОЙСТВО/АКУМУЛАТОРА

- ④ Използвайте зарядното устройство само на закрито
- ⑤ Двойна изолация (не се изисква кабел за заземяване)
- ⑥ Обезопасен изолиращ трансформатор (източникът на захранване е електрически разделен от изхода на трансформатора)
- ⑦ Автоматично изключване, когато зарядното устройство се загрее прекомерно (термопредпазителят изгаря и зарядното устройство става безполезно)
- ⑧ Неправилно свързване на полюсите на зарядното устройство може да доведе до злополука (зареждайте акумулатора само с предоставеното зарядно устройство)
- ⑨ Не изхвърляйте зарядното устройство заедно с битови отпадъци
- ⑩ Не изхвърляйте батерията заедно с битови отпадъци
- ⑪ NiMH (никел-метал-хидрид) технологията осигурява повече енергия по по-малко замърсяващ околната среда път

УПОТРЕБА

- Зареждане на батерията ⑫
 - батерията на новозакупени електроинструменти не е напълно заредена
- ! извадете батерията от зарядното устройство след приключване на зареждането; по този начин ще удължите експлоатационния срок на батерията**

ВАЖНО:

- след 3 часа процеса на заряд приключва и батерията може да бъде използвана **дори и червената лампа да продължи да свети** (тя може да продължи да свети и след тези 3 часа)
 - през време на зареждане зарядното устройство и батерията могат да бъдат горещи при докосване; това е нормално и не показва проблем
 - преди да поставите батерията в зарядното устройство, се уверете, че външната ѝ повърхност е чиста и суха
 - не зареждайте батерията при температури, по-ниски от 0°C и по-високи от 40°C; това ще повреди сериозно както батерията, така и зарядното устройство
 - не демонтирайте батерията от електроинструмента, докато е включен
- ! нова или продължително време неизползвана батерията достига пълния си капацитет едва след приблизително 5 цикъла на зареждане/разреждане**
- не зареждайте повторно батерията само след няколко минути работа; това може да доведе до съкращаване на продължителността на работа и ефективността на батерията
 - никел-металхидридите батерии трябва да се съхраняват в затворени помещения и не трябва да бъдат изхвърляни с битовите отпадъци (за това указва символът ⑩)

- ! **преди да изхвърлите батерията, защитете изводите ѝ с дебела лепенка, за да няма опасност от възникване на късо съединение**
- ако предполагате, че електроинструментът няма да бъде използван продължително време, е най-добре да изключите зарядното устройство от захранващата мрежа
- Зареждане на опаковки (13)
 - отворете стандартната опаковка с подходящ нож
 - поставете накрайника върху отворената опаковка
 - отрежете поне 2 см от върха на накрайника под ъгъл от 45°, така че отворът да бъде достатъчно голям, когато използвате настройката за най-висока скорост
 - натиснете бутона А, така че да се покаже отляво
 - избутайте буталото В назад до изходно положение, докато се застопори с шракване (ако буталото не се застопори с шракване, по-късно може да се повреди)
 - отворете капака за опаковката С
 - вкарайте опаковката така, че дъното ѝ да достигне до задната част на носещото тяло D
 - затворете капака за опаковката С
- Включване/изключване (14)
 - за да отключите спусъка Е, натиснете бутона А, така че да се покаже отдясно
 - инструментът се включва/изключва чрез натискане/отпускане на спусъка Е
 - инструментът се изключва автоматично, когато опаковката се изпразни
- ! **винаги след свършване на работа бутонът А трябва да бъде в заключено положение (15)**
- Променилива скорост (16)
 - изходният дебит на уплътнителната паста може да се регулира с регулатора F (6 степени)
 - преди да започнете работа, намерете оптималната скорост чрез изпробване върху непотребен материал
- ! **ако уредът не работи, когато регулаторът F е поставен в положение 1, регулирайте скоростта при натиснат спусък Е (2), докато намерите оптималната настройка**
- Нанасяне на уплътнителна паста (17)
 - участъкът, който предстои да бъде уплътнен, трябва да бъде чист и сух (ако е необходимо, отстранете старото уплътнение)
 - след като натиснете бутона А надясно, натиснете спусъка Е, за да започне изтичането на уплътнителната паста
 - дръжте инструмента под лек ъгъл и внимателно го придвижвайте с равномерно темпо по протежение на процеп/пукнатината, които трябва да се запълнят, като държите натиснат спусъка Е
 - уплътнителната паста трябва да влиза в пълен контакт и с двете повърхности, които трябва да се уплътнят
 - за да прекратите изтичането на уплътнителна паста, отпуснете спусъка Е
 - за да избегнете ненужно изтичане на уплътнителна паста, натиснете бутона А наляво непосредствено след като отпуснете спусъка Е

- прекарайте мокър пръст върху нанесената уплътнителна паста, а за отстраняване на излишната уплътнителна паста използвайте чист влажен парцал
- ! **отстранете всякакви остатъци от уплътнителна паста от накрайника на опаковката и от носещото тяло**
- Електронна защита от претоварване
 - Спира автоматично мотора в случай, че върху опаковката е приложено прекалено голямо налягане, като по този начин предпазва инструмента и опаковката от повреда
 - отпуснете спусъка Е
 - оставете електрониката да се пренастрои за 5 секунди
 - натиснете спусъка Е
 - ако мотора спре отново, завъртете регулатора F в средна позиция и повторно натиснете спусъка Е
- За да избегнете претоварване, винаги проверявайте дали
 - от върха на накрайника са отрязани поне 2 см
 - от накрайника е отстранен втвърденият материал
 - опаковката не е повредена или замръзнала
 - носещото тяло е почистено от уплътнителна паста
 - е избрана най-ниската възможна настройка за скорост
- Откриване и отстраняване на проблеми
 - В случай че по време на работата буталото В (2) спре да се придвижва напред
 - изключете инструмента
 - извадете опаковката от носещото тяло D (2)
 - натиснете бутона А (2) наляво
- ! **избутайте буталото В назад до начално положение, докато то се застопори с шракване**
 - отново вкарайте опаковката
 - натиснете бутона А надясно
 - натиснете спусъка Е (2), за да продължите работата си по уплътняването

ПОДДРЪЖКА / СЕРВИЗ

- Поддържайте електроинструмента и зарядното устройство чисти
 - почистете контактите на зарядното устройство с алкохол или препарат за почистване на контакти
- ! **преди почистване изключете зарядното устройство от захранващата мрежа**
- Почиствайте носещото тяло D (2) от всякакви остатъци от уплътнителна паста с чист влажен парцал
- Ако въпреки прецизното производство и внимателно изпитване възникне повреда, инструмента/ зарядното устройство да се занесе за ремонт в авторизиран сервиз за електроинструменти на SKIL
 - занесете инструмента или зарядното устройство в неразглобен вид заедно с доказателство за покупката му в търговския обект, откъдето сте го закупили, или в най-близкия сервиз за SKIL (адресите, както и схемата за сервизно обслужване на електроинструмента, можете да намерите на адрес www.skilmasters.com)

- в случай на дефектно зарядно устройство изпратете **накато зарядното устройство, така и батерията** на Вашия дилър или оторизирания сервис на SKIL

SK

Tesniaca pištoľ bez napájacieho kábla

2055

ОПАЗВАНЕ НА ОКОЛНАТА СРЕДА

- **Не изхвърляйте електроуредите, приспособленията и опаковките заедно с битови отпадъци** (само за страни от ЕС)
 - съобразно Директивата на ЕС 2012/19/EG относно износени електрически и електронни уреди и отразяването ѝ в националното законодателство износените електроуреди следва да се събират отделно и да се предават за рециклиране според изискванията за опазване на околната среда
 - за това указва символът  тогава когато трябва да бъдат унищожени

ДЕКЛАРАЦИЯ ЗА СЪОТВЕТСТВИЕ CE

- С пълна отговорност ние декларираме, че описаният в "Технически данни" продукт съответства на следните стандарти или нормативни документи: EN 60335, EN 61000, EN 60745, EN 55014 съгласно изискванията на директиви 2006/95/EG, 2004/108/EG, 2006/42/EG, 2011/65/EC
- **Подробни технически описания при:** SKIL Europe BV (PT-SEU/ENG1), 4825 BD Breda, NL

Marijn van der Hoofden
Operations & Engineering

Olaf Dijkgraaf
Approval Manager


SKIL Europe BV, 4825 BD Breda, NL

13.08.2014

ШУМ/ВИБРАЦИИ

- Измерено в съответствие с EN 60745 нивото на звуково налягане на този инструмент е <70 dB(A) (стандартно отклонение: 3 dB) а вибрациите са <2,5 m/c² (метод ръка-рамо; неопределеност K = 1,5 m/c²)
- Нивото на предадените вибрации е измерено в съответствие със стандартизирания тест, определен в EN 60745; то може да се използва за сравнение на един инструмент с друг и като предварителна оценка на подлагането на вибрации при използването на инструмента за посочените приложения
 - използването на инструмента за различни от тези приложения или с други, или лошо поддържани аксесоари може значително **да повиши** нивото на което сте подложени
 - периодите от време, когато инструмента е изключен или съответно включен, но с него не се работи в момента могат значително **да намалят** нивото на което сте подложени
- ! **предпазвайте се от ефектите от вибрациите, като поддържате инструмента и аксесоарите му, пазите ръцете си топли и организирате вашите модели на работа**

ÚVOD

- Toto náradie je určené na vytlačenie tesniaceho materiálu zo štandardných zásobníkov
- Prečítajte a uschovajte tento návod na použitie 

TECHNICKÉ ÚDAJE

ČASTI NÁSTROJA

- A Multifunkčný vypínač
- B Piest
- C Kryt zásobníka
- D Posuvný rám
- E Prepínač
- F Kolesko na výber rýchlost

BEZPEČNOSŤ

VŠEOBECNÉ BEZPEČNOSTNÉ POKYNY

⚠ POZOR! Prečítajte si všetky výstražné upozornenia a bezpečnostné pokyny. Zanedbanie dodržiavania výstražných upozornení a pokynov uvedených v nasledujúcom texte môže mať za následok zásah elektrickým prúdom, spôsobíť požiar a/alebo ťažké poranenie. **Tieto výstražné upozornenia a bezpečnostné pokyny starostlivo uschovajte na budúce použitie.** Pojem ručné "elektrické náradie" používaný v nasledujúcom texte sa vzťahuje na ručné elektrické náradie napájané zo siete (s prívodnou šnúrou) a na ručné elektrické náradie napájané akumulátorovou batériou (bez prívodnej šnúry).

1) BEZPEČNOSŤ NA PRACOVISKU

- a) **Udržiavajte svoje pracovisko čisté a upratané.** Neporiadok na pracovisku alebo neosvetlené časti pracoviska môžu viesť k úrazom.
- b) **Nepracujte elektrickým náradím v prostredí ohrozenom výbuchom, v ktorom sa nachádzajú horľavé kvapaliny, plyny alebo prach.** Elektrické náradie produkuje iskry, ktoré môžu prach alebo pary zapáliť.
- c) **Deti a iné osoby udržiavajte počas práce od ručného elektrického náradia v dostatočnej vzdialenosti.** V prípade odpútania Vašej pozornosti by ste mohli stratiť kontrolu nad náradím.

2) ELEKTRICKÁ BEZPEČNOSŤ

- a) **Zástrčka prívodnej šnúry sa musí hodiť do napájacej zásuvky. Zástrčka sa v žiadnom prípade nesmie meniť. Pri uzemnených spotrebičoch nepoužívajte spolu s nimi žiadne adaptéry.** Nezmenená zástrčka a vhodná zásuvka znižujú riziko zásahu elektrickým prúdom.
- b) **Vyhýbajte sa telesnému kontaktu s povrchovými plochami uzemnených spotrebičov, ako sú elektrické rúry, vyhrievacie telesá, sporáky a**

- chladničky. Keď je Vaše telo uzemnené, riziko zásahu elektrickým prúdom je vyššie.
- c) **Chráňte ručné elektrické náradie pred dažďom a vlhkom.** Vniknutie vody do ručného elektrického náradia zvyšuje riziko zásahu elektrickým prúdom.
- d) **Nepoužívajte prírodnú šnúru na prenášanie náradia, na jeho vešanie, ani za ňu nevyťahujte zástrčku zo zásuvky. Prírodnú šnúru chráňte pred horúčavou, olejom, ostrými hranami alebo pohybujúcimi sa časťami náradia.** Poškodené alebo zapuzdrené šnúry zvyšujú riziko zásahu elektrickým prúdom.
- e) **Ak pracujete s ručným elektrickým náradím vonku, používajte len také predĺžovacie šnúry, ktoré sú schválené pre používanie vo vonkajších priestoroch.** Používanie predĺžovacej šnúry určenej do vonkajšieho prostredia znižuje riziko zásahu elektrickým prúdom.
- f) **Ak sa nedá vyhnúť použitiu ručného elektrického náradia vo vlhkom prostredí, použite prerušovač uzemňovacieho obvodu.** Používanie prerušovača uzemňovacieho obvodu znižuje riziko zásahu elektrickým prúdom.
- 3) BEZPEČNOSŤ OSÔB**
- a) **Buďte pozorní, dávajte pozor na to, čo robíte a k práci s elektrickým náradím pristupujte rozumne. Nepoužívajte elektrické náradie, keď ste unavení alebo keď ste pod vplyvom drog, alkoholu alebo liekov.** Chvilka nepozornosti pri používaní náradia môže viesť k vážnym poraneniam.
- b) **Noste osobné ochranné pomôcky, ochranný odev a vždy majte nasadené ochranné okuliare.** Nosenie pracovného odevu a používanie ochranných pomôcok ako ochrannej dýchacej masky, bezpečnostných protišmykových topánok, prilby alebo chrániča sluchu, podľa druhu elektrického náradia, znižuje riziko poranenia.
- c) **Vyhýbajte sa neúmyselnému uvedeniu ručného elektrického náradia do činnosti. Pred zasunutím zástrčky do zásuvky a/alebo pred pripojením akumulátora, pred chytením alebo prenášaním ručného elektrického náradia sa vždy presvedčte sa, či je ručné elektrické náradie vypnuté.** Ak budete mať pri prenášaní ručného elektrického náradia prst na vypínači, alebo ak ručné elektrické náradie pripojíte na elektrickú sieť zapnutú, môže to mať za následok nehodu.
- d) **Skôr ako ručné elektrické náradie zapnete, odstráňte nastavovacie a montážne nástroje.** Nástroj alebo kľúč, ktorý sa nachádza v pohyblivej časti náradia, môže spôsobiť poranenie.
- e) **Neprečeňujte sa. Zabezpečte si pevný postoj a neprestajne udržiavajte rovnováhu.** Takto budete mať ručné elektrické náradie v neočakávaných situáciách lepšie kontrolovať.
- f) **Pri práci noste vhodný pracovný odev. Nenoste široké odevy a nemajte na sebe šperky. Dbajte na to, aby ste mali vlasy, odev a rukavice v dostatočnej vzdialenosti od pohybujúcich sa častí náradia.** Pohybujúce sa časti náradia by mohli zachytiť voľné oblečenie, šperky alebo dlhé vlasy.
- g) **Ak možno namontovať zariadenie na odsávanie alebo zachytávanie prachu, presvedčte sa, či je pripojené a správne používané.** Používanie odsávacieho zariadenia a zariadenia na zachytávanie prachu znižuje riziko ohrozenia zdravia prachom.
- 4) STAROSTLIVÉ ZAOBCHÁDZANIE S ELEKTRICKÝM NÁRADÍM A JEHO POUŽÍVANIE**
- a) **Náradie nepreťažujte. Pre svoju prácu používajte určené elektrické náradie.** Pomocou vhodného ručného elektrického náradia budete mať v uvedenom rozsahu výkonu pracovať lepšie a bezpečnejšie.
- b) **Nepoužívajte žiadne ručné elektrické náradie, ktoré má pokazený vypínač.** Ručné elektrické náradie, ktoré sa už nedá zapínať alebo vypínať, je nebezpečné a treba ho dať opraviť.
- c) **Skôr ako začnete náradie nastavovať alebo prestavovať, vymieňať príslušenstvo alebo skôr, ako odložíte náradie, vždy vytiahnite zástrčku sieťovej šnúry zo zásuvky.** Toto bezpečnostné opatrenie zabraňuje neúmyselnému spusteniu náradia.
- d) **Nepoužívajte ručné elektrické náradie uschovávajúce mimo dosahu detí. Nedopusťte, aby ručné elektrické náradie používali osoby, ktoré s ním nie sú dôkladne oboznámené, alebo ktoré si neprečítali tento Návod na používanie.** Ak ručné elektrické náradie používajú neskúsené osoby, stáva sa nebezpečným nástrojom.
- e) **Elektrické náradie starostlivo ošetrujte.** Skontrolujte, či pohyblivé súčiastky náradia bezchybne fungujú a neblokujú a či nie sú zlomené alebo poškodené niektoré súčiastky, ktoré by mohli negatívne ovplyvniť fungovanie ručného elektrického náradia. Pred použitím ručného elektrického náradia dajte poškodené súčiastky opraviť. Nejednen úraz bol spôsobený zle udržiavaným náradím.
- f) **Používané nástroje udržiavajte ostré a čisté.** Starostlivo ošetrované nástroje s ostrými reznými hranami sa menej často zablokujú a ich vedenie je podstatne ľahšie.
- g) **Používajte ručné elektrické náradie, príslušenstvo, pracovné nástroje a pod. podľa týchto pokynov. Zohľadnite pritom konkrétne pracovné podmienky a činnosť, ktorú máte vykonať.** Používanie ručného elektrického náradia na iné ako určené účely môže viesť k nebezpečným situáciám.
- 5) STAROSTLIVÉ ZAOBCHÁDZANIE S ELEKTRICKÝM NÁRADÍM NAPÁJANÝM AKUMULÁTOROM A JEHO POUŽÍVANIE**
- a) **Akumulátor nabíjajte len v takých nabíjačkách, ktoré odporúča výrobca.** Ak nabíjate nabíjačkou určenou pre určitý druh akumulátorov iné akumulátory, hrozí nebezpečenstvo požiaru.
- b) **Do ručného elektrického náradia používajte len určené akumulátory.** Používanie iných akumulátorov môže mať za následok poranenie, alebo môže spôsobiť vznik požiaru.
- c) **Keď akumulátor nepoužívate, zabezpečte, aby sa nemohol dostať do styku s kancelárskymi sponami, mincami, kľúčmi, klincami, skrutkami alebo inými drobnými predmetmi, ktoré by mohli spôsobiť premostenie kontaktov.** Skrat medzi kontaktmi akumulátora môže spôsobiť popálenie alebo požiar.

- d) Ak sa akumulátor používa nevhodne, môže z neho unikáť kvapalina. Vyhýbajte sa kontaktu s ňou. V prípade náhodného kontaktu umyte postihnuté miesto vodou. Ak sa dostane akumulátorová kvapalina do očí, vyhľadajte okrem toho aj lekársku pomoc. Vytiekajúca kvapalina môže spôsobiť podráždenie pokožky alebo popáleniny.

6) SERVIS

- a) Ručné elektrické náradie zverte do opravy len kvalifikovanému personálu a používajte len originálne náhradné súčiastky. Tým sa zabezpečí zachovanie bezpečnosti ručného elektrického náradia.

BEZPEČNOSTNÉ POKYNY PRE TESNIACE PIŠTOLE BEZ NAPÁJACIEHO KÁBLA

- Vždy skontrolujte či je napájacie napätie rovnaké ako napätie uvedené na štítku nabíjačky (nabíjačku s menovitým napätím 230V alebo 240V môžete pripojiť aj do siete s napätím 220V)
- V prípade elektrickej alebo mechanickej poruchy okamžite nástroje vypnite, alebo vyťahnite nabíjačku zo zásuvky
- SKIL zabezpečí bezchybný chod nástroja len ak sa používa správne príslušenstvo, ktoré môžete získať od vášho dileru SKIL
- Nástroj/nabíjačka nie je určený/á na použitie osobami (vrátane detí), ktoré majú znížené fyzické, zmyslové alebo mentálne schopnosti, alebo majú nedostatok skúseností a vedomostí, pokiaľ nad nimi nie je dozor alebo im neboli poskytnuté pokyny zahŕňajúce použitie tohto nástroja/nabíjačky osobou, ktorá je zodpovedná za ich bezpečnosť

- Uistite sa, že sa deti s nástrojom/nabíjačkou nehrajú

NABÍJANIE/BATÉRIÍ

- Batériu nabíjajte iba pomocou nabíjačky, ktorá sa dodáva s nástrojom
- Nedotýkajte sa kontaktov na nabíjačke
- Nenabíjajte batériu vo vlhkom alebo mokrom prostredí
- Nástroj, nabíjačku a batériu nevystavujte dažďu
- Nástroj, nabíjačku a batériu skladujte na miestach, kde teplota neprekročí 40°C alebo neklesne pod 0°C
- Batérie po vhození do ohňa vybuchnú a preto batériu zo žiadneho dôvodu do ohňa nevhadzujte.
- Nabíjačku nepoužívajte, keď je poškodená; na kontrolu bezpečnosti ju prineste do jednej z oficiálne registrovaných servisných staníc firmy SKIL
- Nabíjačku nepoužívajte, keď je poškodená šnúra alebo zástrčka; šnúra alebo zástrčka by sa mala okamžite vymeniť v niektorej z oficiálne registrovaných servisných staníc firmy SKIL
- Nepoužívajte batériu, keď je poškodená; mala by sa okamžite vymeniť
- Nabíjačku alebo batériu nedemontujte
- Nepokúšajte sa dobíjať nenabíjateľné batérie pomocou nabíjačky

VYSVETLENIE SYMBOLOV NA NABÍJAČKE/BATÉRIÍ

- ④ Nabíjačku používajte iba v miestnosti
- ⑤ Dvojité izolácia (nevyžaduje sa uzemňovací kábel)
- ⑥ Proti výpadku bezpečný izolačný transformátor (sieťový zdroj je elektricky oddelený od výstupu transformátora)
- ⑦ Automatické vypnutie v prípade prehriatia nabíjačky (teplotná poisťka sa prepáli a nabíjačka bude nepoužiteľná)

- ⑧ Nesprávna polarita pripojenia nabíjačky môže spôsobiť vznik nebezpečenstva (batériu nabíjajte iba pomocou dodávanej nabíjačky)
- ⑨ Nabíjačku nevyhadzujte do komunálneho odpadu
- ⑩ Batériu nevyhadzujte do komunálneho odpadu
- ⑪ Technológia NiMH poskytuje väčší výkon a menej znečisťuje životné prostredie

POUŽITIE

- Nabíjanie batérie ⑫
 - batéria nového nástroja nie je plne nabitá
 - ! po skončení nabíjacej doby baterku vyberte z nabíjačky, čím predĺžite životnosť batérie
- DÔLEŽITÁ POZNÁMKA:
 - po 3 hodinách je nabíjanie ukončené a batériu možno používať, **aj keď červené svetlo ešte svieti** (červené svetlo potrebuje viac ako 3 hodiny na vypnutie)
 - pri nabíjaní sa nabíjačka aj batéria môžu zahriať, tak, že sú na dotyk teplé; toto je normálne a neoznačuje to žiaden problém
 - zabezpečte, aby vonkajší povrch batérie bol pred zasunutím do nabíjačky čistý a suchý
 - nenabíjajte pri teplotách pod 0°C a nad 40°C; toto vážne poškodí batériu aj nabíjačku
 - batériu nevyberajte z nástroja, keď beží
 - ! batériu, ktorý je nový, alebo sa dlhší čas nepoužíval, dosiahne plný výkon až po približne 5 nabíjajúcich/vybíjajúcich cykloch
 - batériu opakovane nedobíjajte iba po niekoľkých minútach prevádzky; toto môže viesť k zníženiu prevádzkového času a účinnosti batérie
 - nikel-metalhydrid batéria sa musí uchovávať oddelene od prírodného prostredia a nemala by sa likvidovať ako normálny domáci odpad (pripomenie vám to symbol ⑩, keď ju bude treba likvidovať)
 - ! pred likvidáciou ochráňte vývody batérie hrubou páskou, aby ste zabránili skratu
 - ak predpokladáte dlhú dobu nepoužívania nástroja, najlepšie je nabíjačku vyťahnúť zo zásuvky
- Nasadenie zásobníka ⑬
 - otvorte štandardný zásobník pomocou kuchynského noža
 - nasadte trysku na vrchnú časť otvoreného zásobníka
 - odrežte minimálne 2 cm hrotu trysky pod uhlom 45°, aby bol otvor dostatočne veľký pri práci s najvyššou rýchlosťou
 - posuňte vypínač A doľava
 - posuňte piest B späť do východiskovej polohy, kým nezaklapne (ak piest nezaklapne, nebude neskôr správne fungovať)
 - otvorte kryt zásobníka C
 - vložte zásobník, kým dnom nedosiahne zadnú časť rámu D
 - zatvorte kryt zásobníka C
- Zapnutie/vypnutie ⑭
 - posuňte vypínač A doprava a odblokujte prepínač E
 - zapnite/vypnite náradie stlačením/uvolnením prepínača E
 - náradie sa automaticky vypne po vyprázdnení zásobníka
 - ! po každom použití zaistíte vypínač A v zablokovej polohe ⑮

- Premennivá rýchlosť 16
 - tok tesniacej hmoty sa dá nastaviť pomocou kolieska F (6 polôh)
 - pred začiatkom práce nastavte optimálnu rýchlosť podľa skúšky na kúske materiálu
 - ! **ak náradie nebeží s kolieskom F v polohe 1, nastavte rýchlosť a stlačte vypínač E 2, kým nenájdete optimálne nastavenie**
- Nanesení tesniaceho materiálu 17
 - miesto nanesenia tesniaceho materiálu musí byť čisté a suché (odstráňte prípadný starý tesniaci materiál)
 - posuňte vypínač A doprava, stlačte vypínač E a spustíte výstup tesniacej hmoty
 - uchopte náradie v miernom uhle a opatrne rovnomernou rýchlosťou posúvajte pozdĺž medzery alebo praskliny, ktorú chcete vyplniť; súčasne stlačte prepínač E
 - skontrolujte, či tesniaci materiál úplne pokrýva oba ň povrchy, ktoré chcete utesniť
 - uvoľnite prepínač E a zastavte prúd tesniaceho materiálu
 - ak chcete zabrániť vytečeniu tesniaceho materiálu, ihneď po uvoľnení vypínača E posuňte vypínač A doľava
 - po nanesení tesniaceho materiálu prejdite pozdĺž vrstvy navlhčeným prstom a zvyšky odstráňte pomocou čistej vlhkej handričky
 - ! **odstráňte zvyšky tesniaceho materiálu z trysky zásobníka a rámu**
- Elektronická ochrana proti preťaženiu

Zastaví motor automaticky v prípade vyvinutia vysokého tlaku na zásobníka, čím zabráni poškodeniu náradia a zásobníka

 - uvoľnite prepínač E
 - umožnite elektrike vykonať obnovenie nastavení počas doby 5 sekúnd
 - stlačte prepínač E
 - ak sa motor opätovne zastaví, otočte koliesko F do strednej polohy a stlačte prepínač E ešte raz

! **ak chcete zabrániť preťaženiu náradia, skontrolujte, či**

 - je skrátený hrot trysky minimálne o 2 cm
 - z trysky bol odstránený stvrdnutý materiál
 - zásobník nie je poškodený ani zamrznutý
 - posuvný rám nie je znečistený tesniacim materiálom
 - je vybraná najnižšia možná rýchlosť
- Riešenie problémov

V prípade, že sa piest B 2 pri pohybe vpred zastaví

 - vypnite náradie
 - vytiahnite zásobník z posuvného rámu D 2
 - posuňte vypínač A 2 doľava
 - ! **posuňte piest B do východiskovej polohy, kým nezapadne**
 - opäť vložte zásobník
 - posuňte vypínač A doprava
 - stlačte prepínač E 2 a pokračujte v práci

ÚDRŽBA / SERVIS

- Nástroj a nabíjačku uchovávajúajte čisté
 - nabíjacie kontakty v nabíjačke čistite pomocou alkoholu alebo čistiaceho prostriedku na kontakty
 - ! **pred čistením nabíjačku vytiahnite zo zásuvky**
- Udrživajte posuvný rám D 2 v čistote, bez zvyškov tesniaceho materiálu, pomocou čistej vlhkej handričky

- Ak by nástroj/nabíjačka napriek starostlivej výrobe a kontrole predsa len prestal niekedy fungovať, treba dať opravu vykonať autorizovanej servisnej opravovni elektrického náradia SKIL
 - pošlite nástroj alebo nabíjačku bez rozmontovania spolu s dôkazom o kúpe; vášmu dilerovi alebo do najbližšieho servisného strediska SKIL (zoznam adries servisných stredísk a servisný diagram nástroja sú uvedené na www.skilmasters.com)
 - ak je nabíjačka poškodená, odošlite **nabíjačku a batériu** svojmu predajcovi alebo servisu značky SKIL

ŽIVOTNÉ PROSTREDIE

- **Elektrické náradie, príslušenstvo a balenia nevyhadzujte do komunálneho odpadu** (len pre štáty EÚ)
 - podľa európskej smernice 2012/19/EG o nakladaní s použitými elektrickými a elektronickými zariadeniami a zodpovedajúcich ustanovení právnych predpisov jednotlivých krajín sa použité elektrické náradie musí zbierať oddelene od ostatného odpadu a podrobiť ekologicky šetrnej recyklácii
 - pripomenie vám to symbol 9, keď ju bude treba likvidovať

VYHLÁSENIE O ZHODE CE

- Na vlastnú zodpovednosť vyhlasujeme, že dole popísaný výrobok "Technické údaje" sa zhoduje s nasledujúcimi normami alebo normatívnymi dokumentami: EN 60335, EN 61000, EN 60745, EN 55014 podľa ustanovení smerníc 2006/95/EG, 2004/108/EG, 2006/42/EG, 2011/65/EU
- **Súbor technickej dokumentácie sa nachádzajú na adrese:** SKIL Europe BV (PT-SEU/ENG1), 4825 BD Breda, NL

Marijn van der Hoofden Olaf Dijkgraaf
Operations & Engineering Approval Manager




SKIL Europe BV, 4825 BD Breda, NL

13.08.2014

HLUKU/VIBRÁCIÁCH

- Merané podľa EN 60745 je úroveň akustického tlaku tohto nástroja <70 dB(A) (štandardná odchýlka: 3 dB) a vibrácie sú <2,5 m/s² (metóda ruka - paža; nepresnosť K = 1,5 m/s²)
- Hladina emisií od vibrácií bola nameraná v súlade s normalizovaným testom uvedeným v norme EN 60745; môže sa používať na vzájomné porovnávanie náradí a na predbežné posúdenie vystavenia účinkom vibrácií pri používaní náradia pre uvedené aplikácie
 - používanie náradia na rôzne aplikácie, alebo v spojení s rôznymi alebo nedostatočne udržiavanými doplnkami môže značne **zvýšiť** úroveň vystavenia
 - časové doby počas ktorých je je náradie vypnuté alebo počas ktorých náradie beží ale v skutočnosti nevykonáva prácu môžu značne **znižit** úroveň vystavenia

! **chráníte sa pred účinkami vibrácií tak, že budete narádiť a jeho príslušenstvo správne udržiavať, tak že nebudete pracovať so studenými rukami a tak že si svoje pracovné postupy správne zorganizujete**

HR

Bežiční pištolj za brtvljenje 2055

UVOD

- Ovaj je alat namijenjen istiskivanju brtvila iz standardnih uložaka
- Pažljivo pročitajte i sačuvajte ove upute za rukovanje ③

TEHNIČKI PODACI ①

DIJELOVI ALATA ②

- A Višenamjenska sklopka
- B Klip
- C Poklopac uložaka
- D Okvir držača
- E Prekidač
- F Kotačić za odabir brzine

SIGURNOST

OPĆE SIGURNOSNE UPUTE

PAŽNJA! Treba pročitati sve napomene o sigurnosti i upute. Ako se ne bi poštivala napomene o sigurnosti i upute to bi moglo uzrokovati strujni udar, požar i/ili teške ozljede. **Sačuvajte sve napomene o sigurnosti i upute za buduću primjenu.** U daljnjem tekstu korišten pojam “električni alat” odnosi se na električne alate s priključkom na električnu mrežu (s mrežnim kabelom) i na električne alate s napajanjem iz aku baterije (bez mrežnog kabela).

1) SIGURNOST NA RADNOM MJESTU

- Vaše radno područje održavajte čisto i uredno.** Nered ili neosvijetljeno radno područje mogu doći do nezgoda.
- S uređajem ne radite u okolini ugroženoj eksplozijom, u kojoj se nalaze zapaljive tekućine, plinovi ili prašina.** Električni alati proizvode iskre koje mogu zapaliti prašinu ili pare.
- Djecu i ostale osobe držite dalje tijekom korištenja električnog alata.** Ako bi skrenuli pozornost sa posla mogli bi izgubiti kontrolu nad uređajem.

2) ELEKTRIČNA SIGURNOST

- Priključni utikač uređaja treba odgovarati utičnici.** Na utikaču se ni u kojem slučaju ne smiju izvoditi izmjene. Ne koristite adapterske utikače zajedno sa uređajima koji su zaštićeni uzemljenjem. Originalni utikač i odgovarajuće utičnice smanjuju opasnost od električnog udara.
- Izbjegavajte dodir tijela s uzemljenim površinama kao što su cijevi, centralno grijanje, štednjaci i hladnjaci.** Postoji povećana opasnost od električnog udara ako je vaše tijelo uzemljeno.
- Držite uređaj dalje od kiše ili vlage.** Prodiranje vode u električni uređaj povećava opasnost od električnog udara.

- Priključni kabel ne koristite za nošenje, vješanje ili za izvlačenje utikača iz utičnice.** Držite kabel dalje od izvora topline, ulja, oštrih rubova ili pomičnih dijelova uređaja. Oštećen ili usukan kabel povećava opasnost od električnog udara.
 - Ako s električnim uređajem radite na otvorenom, koristite samo produžni kabel odobren za uporabu na otvorenom.** Primjena produžnog kabela prikladnog za uporabu na otvorenom smanjuje opasnost od električnog udara.
 - Ako se ne može izbjeći uporaba električnog alata u vlažnoj okolini, upotrijebite sigurnosna sklopka za propuštanje u zemlju.** Upotrebom sigurnosne sklopke za propuštanje u zemlju smanjuje se opasnost od električnog udara.
- #### 3) SIGURNOST LJUDI
- Budite oprezni, pazite što činite i postupajte razumno kod rada s električnim alatom. Ne koristite uređaj ako ste umorni ili pod utjecajem opojnih sredstava, alkohola ili lijekova.** Trenutak nepažnje kod uporabe uređaja može doći do ozbiljnih ozljeda.
 - Nosite sredstva osobne zaštite i uvijek zaštitne naočale.** Nošenje sredstava osobne zaštite, kao što je zaštitna maska, sigurnosne cipele koje ne klize, zaštitne kacige ili štitnika za sluh, ovisno od vrste i primjene električnog alata, smanjuje opasnost od nezgoda.
 - Izbjegavajte nehotično puštanje u rad. Prije nego što ćete utaknuti utikač u utičnicu i/ili staviti aku-bateriju, provjerite je li električni alat isključen.** Ako kod nošenja električnog alata imate prst na prekidaču ili se uključen uređaj priključi na električno napajanje, to može dovesti do nezgoda.
 - Prije nego što uređaj uključite, uklonite alate za podešavanje ili vijčane ključeve.** Alat ili ključ koji se nalazi u rotirajućem dijelu uređaja može doći do nezgoda.
 - Ne precjenjujte svoje sposobnosti. Zauzmite siguran i stabilan položaj tijela i držite u svakom trenutku ravnotežu.** Na taj način možete uređaj bolje kontrolirati u neočekivanim situacijama.
 - Nosite prikladnu odjeću. Ne nosite široku odjeću ili nakit.** Neka vaša kosa, odjeća i rukavice budu što dalje od pomičnih dijelova. Mlohavu odjeću, nakit ili dugu kosu mogu zahvatiti pomični dijelovi uređaja.
 - Ako se mogu montirati naprave za usisavanje i hvatanje prašine, provjerite da li su iste priključene i da li se pravilno koriste.** Primjena naprave za usisavanje može smanjiti ugroženost od prašine.
- #### 4) BRIŽLJIVA UPORABA ELEKTRIČNIH ALATA
- Ne preopterećujte uređaj. Koristite za vaše radove za to predviđen električni alat.** S odgovarajućim električnim alatom radit ćete bolje i sigurnije, u navedenom području učinka.
 - Ne koristite električni alat čiji je prekidač neispravan.** Električni alat koji se više ne može uključiti ili isključiti, opasan je i treba se popraviti.
 - Izvučite utikač iz mrežne utičnice i/ili izvadite aku-bateriju prije podešavanja uređaja, zamjene pribora ili odlaganja uređaja.** Ovim mjerama opreza spriječit će se nehotično pokretanje uređaja.
 - Nekoristene električne alate spremite izvan doseg djece. Ne dopustite da uređaj koriste osobe koje s**

njim nisu upoznate ili koje nisu pročitale upute za uporabu. Električni alati su opasni ako ih koriste neiskusne osobe.

- e) **Uređaj održavajte s pažnjom. Kontrolirajte da li pomoćni dijelovi uređaja besprijekorno rade i da nisu zaglavljani, te da li su dijelovi polomljeni ili tako oštećeni da negativno djeluju na funkciju uređaja. Popravak oštećene dijelove prije uporabe uređaja.** Mnoge nezgode imaju svoj uzrok u loše održanim uređajima.
- f) **Rezne alate održavajte ostrim i čistim.** Pažljivo održavani rezni alati s ostrim ostricama neće se zaglaviti i lakši su za vođenje.
- g) **Koristite električne alate, pribor, radne alate, itd., prema navedenim uputama. Pri tome uzmite u obzir radne uvjete i radove koje se izvode.** Uporaba električnih alata za neke druge primjene različite od predviđenih, može doći do opasnih situacija.

5) BRIŽLJIVA UPORABA AKUMULATORSKIH UREĐAJA

- a) **Aku-baterije punite samo s punjačima koje preporučuje proizvođač.** Punjač koji je prikladan za jednu određenu vrstu aku-baterije, postoji opasnost od požara ako bi se koristio s nekom drugom aku-baterijom.
- b) **Koristite isključivo samo aku-baterije koje su za određene električne alate predviđene.** Uporaba neke druge aku-baterije može doći do ozljeda i opasnosti od požara.
- c) **Nekorištenu aku-bateriju držite dalje od uredskih spajalica, kovanica, ključeva, čavala, vijaka ili drugih sitnih metalnih predmeta koji bi mogli prouzročiti premošćenje, kontakata.** Kratki spoj između kontakata aku-baterije može doći do opekline ili do požara.
- d) **Kod pogrešne primjene aku-baterije tekućina može iz nje isteći. Izbjegavajte dodir s ovom tekućinom. Kod slučajnog dodira s tekućinom, odmah s vodom isprati. Ako bi tekućina dospjela u oči, odmah zatražite liječničku pomoć.** Istekla tekućina može doći do nadražaja kože ili opekline.

6) SERVIS

- a) **Popravak uređaja prepustite samo kvalificiranom stručnom osoblju i samo s originalnim rezervnim dijelovima.** Na taj će se način postići održanje stalne sigurnosti uređaja.

UPUTE ZA SIGURAN RAD PRI KORIŠTENJU BEŽIČNOG PIŠTOLJA ZA BRTVLJENJE

- Uvijek provjerite je li napon napajanja isti kao onaj naveden na tipskoj pločici punjača (punjači predviđeni za napone 230V ili 240V mogu se priključiti i na napajanje 220V)
- U slučaju neuobičajenog ponašanja uređaja ili neobičnih šumova, uređaj treba odmah isključiti i izvući utikač iz mrežne utičnice
- SKIL može osigurati besprijekoran rad uređaja samo ako se koristi odgovarajući pribor, koji se može dobiti u specijaliziranoj trgovačkoj mreži ili kod ovlaštenog distributera SKIL proizvoda
- Nije predviđeno da se ovim alatom/punjačem koriste osobe (uključujući i djecu) sa smanjenim fizičkim, osjetilnim ili mentalnim sposobnostima, neiskusne i neobučene osobe, osim ako se nalaze pod nadzorom

osobe koja odgovara za njihovu sigurnost ili su od nje dobile upute o načinu korištenja alata/punjača

- Pobrinite se da se djeca ne igraju ovim alatom/punjačem

PUNJENJE/AKU-BATERIJE

- Bateriju punite isključivo preko isporučenog punjača
- Ne dirati kontakte u punjaču
- Ne punite bateriju u vlažnom ili mokrom okruženju
- Uređaj/punjač/bateriju nikada ne izlagati djelovanju kiše
- Uređaj/punjač/bateriju spremajte uvijek kod temperatura prostorije nižih od 40°C i viših od 0°C
- U dodiru s vatrom baterije će eksplodirati, stoga ne spaljujte bateriju iz bilo kojih razloga
- Oštećene punjače ne puštati u rad; u tu svrhu uređaj i punjač treba predati u ovlaštenu SKIL servis
- Punjač ne koristiti dalje ako je oštećen kabel ili utikač, nego odmah u ovlaštenom servisu zamijeniti ili mrežni utikač
- Oštećenu bateriju ne koristiti dalje nego je odmah zamijeniti
- Punjač ili bateriju nikada ne rastavljajte niti zamjenjujte
- Ne pokušavajte punjačem puniti baterije koje nisu predviđene za punjenje

POJAŠNJENJE SIMBOLA NA PUNJAČU/BATERIJI

- ④ Punjač koristite samo unutra
- ⑤ Dvostruka izolacija (dozemna žica nije potrebna)
- ⑥ Sigurnosni izolacijski transformator (izvor struje je električnim putem odvojen od izlaza transformatora)
- ⑦ Automatsko isključivanje kada se punjač pregrije (termički osigurač iskoči, pa punjač postaje beskoristan)
- ⑧ Krivi polaritet spoja punjača može uzrokovati problem (punite bateriju samo pomoću punjača koji ste dobili s aparatom)
- ⑨ Punjač ne bacajte u kućni otpad
- ⑩ Bateriju ne bacajte u kućni otpad
- ⑪ NiMH tehnologija daje više energije na način koji manje zagađuje okoliš

POSLUŽIVANJE

- Punjenje aku-baterije ⑫
 - aku-baterije novih uređaja nisu potpuno napunjeni
 - ! **baterija se nakon završenog postupka punjenja treba izvaditi iz punjača, na koji će se način produžiti vijek trajanja baterije**

VAŽNO:

- nakon 3 sata vremena punjenja postupak punjenja je završen i baterija se može koristiti, **čak ako dalje svijetli crvena lampica** (ponekad se crvena lampica ugasi tek nakon 3 sata)
- pri punjenju se punjač i baterija zagriju; to stanje je uobičajeno i ne predstavlja problem
- vanjske površine baterije trebaju biti suhe i čiste, prije nego što se baterija stavi u punjač
- kod temperatura nižih od 0 °C i viših od 40 °C treba izbjegavati punjenje; time se može oštetiti punjač i aku-baterija
- baterija se ne smije vaditi tijekom rada uređaja
- ! **nova aku-baterija ili ona koja se nije dulje vrijeme koristila, dati će svoj puni učinak otprilike nakon 5 ciklusa punjenja/praznjenja**
- aku-baterija se ne smije ponavljano puniti nakon svakog kratkog rada; to može rezultirati skraćenjem njenog vijeka trajanja i smanjenjem učinkovitosti aku-baterije

- nikal-metalhidridna aku-baterija treba se propisno zbrinuti u otpad i ne smije se bacati u kućni otpad (na to podsjeća simbol ⑩)
- ! **prije nego što aku-bateriju zbrinete u otpad, zaštitite njene polove**
- ako uređaj nećete dulje vrijeme koristiti, izvucite mrežni utikač punjača iz utičnice
- Umetanje uložaka ⑬
 - otvorite standardni uložak nožem
 - stavite mlaznicu na otvoreni uložak
 - odrežite barem 2 cm s vrha mlaznice pod kutom od 45° da bi otvor bio dovoljno velik za korištenje pri najvećoj brzini
 - gurnite sklopku A ulijevo
 - gurnite klip B natrag u početni položaj dok se ne zaustavi i blokira (ako ne dođe do blokiranja, to kasnije može dovesti do kvara klipa)
 - otvorite poklopac uloška C
 - umetnite uložak tako da njegovo dno dodiruje stražnji dio okvira držača D
 - zatvorite poklopac uloška C
- Prekidač za uključivanje/isključivanje ⑭
 - gurnite sklopku A udesno da biste deblokirali prekidač E
 - uključite/isključite uređaj pritiskom/optuštanjem prekidača E
 - uređaj se automatski isključuje kada je uložak prazan
 - ! **pazite da nakon svakog korištenja ostavite sklopku A u položaju zaključano ⑮**
- Promjenjiva brzina ⑯
 - protok brtvila moguće je ugoditi pomoću kotačića F (6 položaja)
 - prije započinjanja s radom pronađite optimalnu brzinu isprobavanjem na suvišnom materijalu
 - ! **ako se uređaj ne pokrene kada je kotačić F u položaju 1, ugodite brzinu pritišćući prekidač E ② dok ne pronađete odgovarajuću postavku**
- Nanošenje brtvila ⑰
 - provjerite je li područje koje namjeravate brtviti čisto i suho (uklonite ostatke starog brtvila, ako ih ima)
 - nakon što gurnete sklopku A udesno, pritisnite prekidač E da biste počeli istiskivati brtvilo
 - držite uređaj pod blagim kutom te ga pažljivo i ravnomjerno pomičite uzduž otvora/pukotine koju namjeravate ispuniti, istovremeno pritišćući prekidač E
 - pazite da brtvilo dolazi u dodir s obje površine koje valja zabrtviti
 - da biste prekinuli istiskivanje brtvila, otpustite prekidač E
 - da biste izbjegli naknadno istjecanje brtvila, pomaknite sklopku A ulijevo čim otpustite prekidač E
 - nakon nanošenja prijedite navlaženim prstom preko nanesenog brtvila i uklonite višak čistom, vlažnom krpom
 - ! **uklonite ostatke brtvila iz mlaznice i s okvira nosača**
- Elektronička zaštita od preopterećenja

Automatski zaustavlja motor u slučaju primjene prevelikog pritiska na uložak time sprječavajući oštećivanje alatke i uloška

 - otpustite prekidač E
 - ostavite elektronične sklopove ponovno se postaviti na 5 sekundi

- pritisnite prekidač E
- ukoliko se motor ponovno zaustavi, pomjerite kotačić F u središnji položaj i ponovno pritisnite prekidač E
- Da biste izbjegli preopterećenje, uvijek pazite
 - da je s vrha mlaznice odrezano barem 2 cm
 - da su stvrdnuti ostaci brtvila uklonjeni iz mlaznice
 - da uložak nije oštećen ili smrznut
 - da na okviru nosača nema ostataka brtvila
 - da je odabrana najniža moguća postavka brzine
- Otklanjanje poteškoća

U slučaju da se za vrijeme brtvljenja klip B ② prestane pomicati prema naprijed

 - isključite uređaj
 - uklonite uložak iz okvira nosača D ②
 - gurnite sklopku A ② ulijevo
 - ! **gurnite klip B natrag u početni položaj dok se ne zaustavi i blokira**
 - ponovo umetnite uložak
 - gurnite sklopku A udesno
 - pritisnite prekidač E ② da biste nastavili s brtvljenjem

ODRŽAVANJE / SERVISIRANJE

- Uređaj i punjač održavajte uvijek čistim
 - očistite kontakte punjača ili s alkoholom ili s čistačem kontakata
 - ! **prije čišćenja punjača treba izvući njegov mrežni utikač**
- Očistite sve ostatke brtvila s okvira nosača D ② pomoću čiste, vlažne krpe
- Ako bi uređaj/punjač unatoč brižljivih postupaka izrade i ispitivanja ipak prestao raditi, popravak treba prepustiti ovlaštenom servisu za SKIL električne alate
 - uređaj ili punjač treba **nerastavljeno** predati, zajedno s računom o kupnji u najbližu SKIL ugovornu servisnu radionicu (popise servisa, kao i oznake rezervnih dijelova uređaja možete naći na adresi www.skilmasters.com)
 - u slučaju kvara punjača pošaljite **punjač i bateriju** svom distributeru ili servisu tvrtke SKIL

ZAŠTITA OKOLIŠA

- **Električne alate, pribor i ambalažu ne bacajte u kućni otpad** (samo za EU-države)
 - prema Europskoj direktivi 2012/19/EG o staroj električnoj i elektroničkoj opremi i njenoj primjeni u skladu sa nacionalnim zakonom, istrošeni električni alati moraju se sakupljati odvojeno i odvesti u posebne pogone za reciklažu
 - na to podsjeća simbol ⑨ kada se javi potreba za odlaganjem

DEKLARACIJA O SUKLADNOSTI CE

- Izjavljujemo uz punu odgovornost da je ovaj proizvod opisan u "Tehnički podaci" usklađen sa sljedećim normama ili normativnim dokumentima: EN 60335, EN 61000, EN 60745, EN 55014, prema odredbama smjernica 2006/95/EG, 2004/108/EG, 2006/42/EG, 2011/65/EU

- **Tehnička dokumentacija se može dobiti kod:** SKIL Europe BV (PT-SEU/ENG1), 4825 BD Breda, NL

Marijn van der Hoofden
Operations & Engineering

Olaf Dijkgraaf
Approval Manager

SKIL Europe BV, 4825 BD Breda, NL

13.08.2014

BUCI/VIBRACIJAMA

- Mjereno prema EN 60745 prag zvučnog tlaka ovog električnog alata iznosi <70 dB(A) (standardna devijacija: 3 dB) a vibracija <2,5 m/s² (postupkom na šaci-ruci; nesigurnost K = 1,5 m/s²)
- Razina emitiranja vibracija izmjerena je sukladno normiranom testu danom u EN 60745; ona se može koristiti za usporedbu jedne alatke s drugom, te preliminarnu procjenu izloženosti vibracijama pri uporabi alatke za navedene namjene
 - uporaba ove alatke za druge namjene ili s drugim ili slabo održanim nastavcima, može u značajnoj mjeri **uvećati** razinu izloženosti
 - vrijeme tokom kojega je alatka isključena, ili je uključena ali se njome ne radi, može značajno **umanjiti** razinu izloženosti
- ! **zaštite se od posljedica vibracija održavanjem alatke i njezinih nastavaka, održavanjem Vaših ruku toplima, te organiziranjem Vaših obrazaca rada**

SRB

Bežični pištolj za silikon

2055

UPUTSTVO

- Ovaj alat je namenjen za nanošenje silikona iz standardnih tuba
 - Pažljivo pročitajte i sačuvajte ova uputstva za rukovanje
- ③

TEHNIČKI PODACI ①

ELEMENTI ALATA ②

- A Prekidač sa više funkcija
- B Klip
- C Poklopac tube
- D Noseći ram
- E Prekidač
- F Točkič za izbor brzina

SIGURNOST

TA UPUTSTVA ZA BEZBEDAN RAD

PAŽNJA! Čitajte sva upozorenja i uputstva. Propusti kod pridržavanja upozorenja i uputstava mogu imati za posledicu električni udar, požar i/ili teške povrede. **Čuvajte sva upozorenja i uputstva za budućnost.** Pojam

upotrebljen u upozorenjima "električni alat" odnosi se na električne alate sa radom na mreži (sa mrežnim kablom) i na električne alate sa radom na akumulator (bez mrežnog kabla).

1) SIGURNOST NA RADNOM MESTU

- Držite Vaše područje rada čisto i pospremljeno.** Nered ili neosvetljena radna područja mogu voditi nesrećama.
- Ne radite sa aparatom u okolini ugroznoj od eksplozija u kojoj se nalaze zapaljive tečnosti, gasovi ili prašine.** Električni alati proizvode varnice, koje mogu zapaliti prašinu ili isparenja.
- Za vreme korišćenja električnog alata držite podalje decu i druge osobe.** Kod skretanja možete izgubiti kontrolu nad aparatom.

2) ELEKTRIČNA SIGURNOST

- Utikač za priključak aparata mora odgovarati utičnoj kutiji.** Utikač se nesme nikako menjati. **Ne upotrebljavajte adaptore utikača zajedno sa aparatima sa uzemljenom zaštitom.** Ne promenjeni utikači i odgovarajuće utičnice smanjuju rizik od električnog udara.
- Izbegavajte telesni kontakt sa uzemljenim gornjim površinama, kao što su cevi, grejanja, šporeti i rashladni ormani.** Postoji povećani rizik od električnog udara, ako je Vaše telo uzemljeno.
- Držite aparat podalje od kiše ili vlage.** Prodiranje vode u električni aparat povećava rizik od električnog udara.
- Ne koristite kabl da bi aparat nosili, obesili ili ga izvlačili iz utičnice.** Držite kabl dalje od vreline, ulja, oštih ivica ili pokretnih delova aparata. Oštećeni ili zamršeni kablovi povećavaju rizik od električnog udara.
- Ako sa nekim električnim alatom radite u prirodi, upotrebljavajte samo produžne kablove koji su dozvoljeni za spoljno područje.** Upotreba produžnog kabla pogodnog za spoljno područje smanjuje rizik od električnog udara.
- Ako rad električnog alata ne može da se izbegne u vlažnoj okolini, koristite prekidač strujne zaštite pri kvaru.** Upotreba prekidača strujne zaštite pri kvaru smanjuje rizik od električnog udara.

3) SIGURNOST OSOBA

- Budite pažljivi, pazite na to, šta radite i idite razumno na posao sa električnim alatom.** Ne upotrebljavajte aparat, kada ste umorni ili pod uticajem droga, alkohola ili lekova. Momenat nepažnje kod upotrebe aparata može voditi do ozbiljnih povreda.
- Nosite ličnu zaštitnu opremu i uvek zaštitne naočare.** Nošenje lične zaštitne opreme, kao maske za prašinu, sigurnosne cipele koje ne klizaju, zaštitni šlem ili zaštitu za sluh, zavisno od vrste i upotrebe električnog alata, smanjujete rizik od povreda.
- Izbegavajte nenamerno puštanje u rad. Uverite se da je električni alat isključen, pre nego što ga priključite na struju i/ili na akumulator, uzmete ga ili nosite.** Ako prilikom nošenja električnog alata držite prst na prekidaču ili aparat uključen priključujete na struju, može ovo voditi nesrećama.
- Uklonite alate za podešavanje ili ključeve za zavrtnje, pre nego što uključite aparat.** Alat ili ključ koji se nalazi u delu aparata koji se okreće, može voditi povredama.
- Ne preценjujte sebe. Pobrinite se da sigurno stojite i održavajte u svako doba ravnotežu.** Na taj način možete bolje kontrolisati aparat u neočekivanim situacijama.

- f) **Nosite pogodno odelo. Ne nosite široko odelo ili nakit. Držite kosu, odelo i rukavice podalje od pokretnih delova.** Opušteno odelo, nakit ili duža kosa mogu biti zahvaćeni od rotirajućih delova.
- g) **Ako se mogu montirati uređaji za usisavanje prašine i uređaji za hvatanje prašine, uverite se da li su priključeni i ispravno koriste.** Upotreba usisavanja prašine može smanjiti opasnosti od prašine.
- 4) BRIŽLJIVO OPHODJENJE I KORIŠĆENJE ELEKTRIČNIH ALATA**
- a) **Ne preopterećujte aparat. Upotrebljavajte za Vaš posao električni alat određen za to.** Sa odgovarajućim električnim alatom radićete bolje i sigurnije u navedenom području rada.
- b) **Ne upotrebljavajte električni alat, čiji je prekidač u kvaru.** Električni alat koji više ne može da se uključi ili isključi je opasan i mora da se popravi.
- c) **Izvučite utikač iz utičnice i/ili uklonite akumulator pre nego što preduzmete podešavanja na aparatu, promenu delova pribora ili ostavite aparat.** Ova mera opreza sprečava nenameran start aparata.
- d) **Čuvajte nekorišćene električne alate izvan domašaja dece. Ne dopustite osobama da koriste aparat, koje ga ne poznaju ili nisu pročitale ova uputstva.** Električni alati su opasni, ako ih koriste neiskusne osobe.
- e) **Održavajte aparat brižljivo. Kontrolišite, da li pokretni delovi aparata funkcionišu besprekorno i ne slepljuju, da li su delovi slomljeni ili tako oštećeni, da je funkcija aparata oštećena. Popravite oštećene delove pre upotrebe aparata.** Mnoge nesreće imaju svoj uzrok u loše održavanim električnim alatima.
- f) **Držite alate za sečenja oštre i čiste.** Brižljivo negovani alati za sečenje sa oštrim sečivima manje slepljuju i lakše se vode.
- g) **Upotrebljavajte električne alate, pribor, alate koji se umeću itd. prema ovim uputstvima. Obratite pažnju pritom na uputstva za rad i posao koji treba izvesti.** Upotreba električnih alata za druge od propisanih namena može voditi opasnim situacijama.
- 5) BRIŽLJIVO OPHODJENJE I KORIŠĆENJE APARATA SA AKUMULATOROM**
- a) **Punite akumulator samo u aparatima za punjenje koje propisuje proizvođač.** Za aparat za punjenje koji je pogodan za određenu vrstu akumulatora, postoji opasnost od požara, ako se upotrebljava sa drugim akumulatorom.
- b) **Upotrebljavajte samo za to predviđene akumulateore u električnim alatima.** Upotreba drugih akumulatora može voditi povredama i opasnosti od požara.
- c) **Držite ne korišćen akumulator podalje od kancelarijskih spajalica, novčića, ključeva, eksera, zavrtnja ili drugih malih metalnih predmeta koji mogu prouzrokovati premošćavanje kontakata.** Kratak spoj između kontakata akumulatora može imati za posledicu zagorevanje ili vatra.
- d) **Kod pogrešne primene može izaći tečnost iz akumulatora. Izbegavajte kontakt sa njom. Kod slučajnog kontakta isperite sa vodom. Ako tečnost dodje u dodir sa očima, potražite i lekarsku pomoć dodatno.** Tečnost akumulatora koja može izaći napolje može voditi nadražajima kože ili opekotinama.

6) SERVIS

- a) **Neka Vam Vaš aparat popravljaju samo kvalifikovano stručno osoblje i samo sa originalnim rezervnim delovima.** Na taj način se obezbeđuje da ostane sačuvana sigurnost aparata.

UPUTSTVA O SIGURNOSTI RADA SA BEŽIČNIM PIŠTOLJEM ZA SILIKON

- Uvek se uverite da je napon struje isti kao i napon naveden na pločici sa nazivom punjaču (punjači od 230V ili 240V mogu takođe biti priključeni na napon od 220V)
 - U slučaju električnog ili mehaničkog kvara odmah isključiti alat ili izvući punjač iz struje
 - SKIL može priznati garanciju samo ukoliko je korišćen odgovarajući pribor koji možete da nabavite kod svog SKIL prodavca
 - Alat/punjač namenjen je za upotrebu osobama (uključujući i decu) sa smanjenim fizičkim, senzorskim ili mentalnim sposobnostima ili sa manjkom iskustva i znanja, a ako im osoba zadužena za njihovu bezbednost nije pružila odgovarajuća pomoć i uputstvo kako koristiti alat/punjač
 - Vodite računa da se deca ne igraju sa alatom/punjačem
- ### PUNJENJE/BATERIJA
- Punite bateriju samo punjačem koji se isporučuje uz alat
 - Nemojte dodirivati kontakte u punjaču
 - Nemojte puniti bateriju u vlažnom ili mokrom okruženju
 - Ne izlažite alat/punjač/bateriju kiši
 - Odlažite alat/punjač/bateriju na msetima gde temperatura neće preći 40°C niti pasti ispod 0°C
 - Baterije će eksplodirati ako se izlože vatri, zato nikada ne palite baterije
 - Nemojte koristiti punjač ako su oštećeni; odnesite ih ovlašćeni SKIL servis da ih pregledaju
 - Nemojte koristiti punjač ako su mu oštećeni kabl ili utikač; oni treba odmah da budu zamenjeni u nekom od ovlašćenih SKIL servisa
 - Nemojte koristiti oštećenu bateriju; odmah je treba zameniti
 - Nemojte izgubiti bateriju ili punjač
 - Nemojte puniti punjačem baterije koje se ne pune
- ### OBJAŠNENJE SIMBOLA NA PUNJAČU/BATERIJA
- ④ Punjač koristite samo u njegovu
 - ⑤ Dvostruka izolacija (nije potrebna žica za uzemljenje)
 - ⑥ Sigurnosni izolacioni transformator (strujni izvor je električno odvojen od izlaza transformatora)
 - ⑦ Automatsko isključivanje kada se punjač pregreje (termički osigurač pregoreva i punjač se ne može koristiti)
 - ⑧ Neppravilno povezani polaritet punjača može prouzrokovati opasnost (bateriju puniti samo pomoću originalnog punjača)
 - ⑨ Punjač ne odlažite u kućne otpatke
 - ⑩ Bateriju ne odlažite u kućne otpatke
 - ⑪ NiMH tehnologija obezbeđuje više energije uz manje štetnih uticaja na okolinu

UPUTSTVO ZA KORIŠĆENJE

- Punjenje baterije ¹²
 - baterija kod novih alata nije potpuno napunjena
 - ! **uklonite bateriju iz punjača posle punjenja jer time podužavate vek trajanja baterije**

VAŽNO:

- posle 3 sata je proces punjenja baterije završen i baterija može da se koristi, **čak i ako je crveno svetlo i dalje upaljeno** (ono se gasi tek posle više od 3 sata punjenja)
- punjač i bateriju se mogu zagrejati tokom punjenja; to je normalno i ne znači nikakav kvar
- uverite se da je spoljna površina baterije čista i suva pre nego što je stavite u punjač
- nemojte puniti bateriju iznad 40°C niti ispod 0°C; to bi ozbiljno oštetilo bateriju i punjač
- nemojte vaditi bateriju iz alata dok alat radi
- ! **bateriju koji je nov ili duže van upotrebe dajte svoju punu snagu tek posle približno 5 ciklusa punjenja/praznjenja**
- nemojte ponovo puniti betriju posle samo par minuta rada jer će to samniti njenu efikasnost
- niki-metalhidrid bateriju treba čuvati alje od namirnica i ne treba reciklirati kao normalan otpad (simbol 10) će vas podsetiti na to)
- ! **da bi se izbegli kratki spojevi je baterija zaštićena debljom trakom**
- ako nastupi duži period mirovanja alata, najbolje je isključiti punjač iz struje
- Postavljanje tube 13
 - otvorite standardnu tubu sa skalpelom
 - postavite mlaznicu na otvorenu tubu
 - odsecite bar 2 cm sa vrha mlaznice pod uglom od 45°, tako da otvor bude dovoljno velik prilikom rada u najvećoj brzini
 - gurnite prekidač A nalevo
 - gurnite klip B na početnu poziciju dok ne klikne u položaj (ako ne klikne u položaj, klip neće raditi pravilno)
 - otvorite poklopac tube C
 - ubacite tubu tako da donji deo dođe do kraja nosećeg rama D
 - zatvorite poklopac tube C
- Uključivanje/isključivanje 14
 - gurnite prekidač A nadesno da biste otključali okidač E
 - uključite/isključite alat pritiskom i otpuštanjem okidača E
 - alat se automatski isključuje kada se tuba isprazni
- ! **uverite se da je prekidač A u zaključanom položaju posle svake upotrebe 15**
- Promenljiva brzina 16
 - količinu silikona koju primenjujete možete kontrolisati točkicom F (6 pozicija)
 - pre početka rada, pronađite optimalnu brzinu probom na višku materijala
- ! **ako alat ne radi kada je točič F u poziciji 1, podesite brzinu dok pritisnete okidač E 2 dok ne pronađete odgovarajuću brzinu**
- Nanošenje silikona 17
 - uverite se da je površina na koju nanosite silikon čista i suva (uklonite stari materijal, ako ga ima)
 - kada gurnete prekidač A nadesno, pritisnite okidač E da biste počeli sa nanošenjem silikona
 - držite alat zakrivljenim pod malim uglom i pažljivo i ravnomerno pomerajte alat duž udubljenja/pukotine koju popunjavate dok pritisnete okidač E
 - uverite se da silikon zahvata obe površine koje treba popuniti

- otpustite okidač E da bi završili sa nanošenjem silikona
- da se silikon ne bi prosipao, odmah po otpuštanju okidača E gurnite prekidač A nalevo
- prevucite vlažnim prstom preko nanetog silikona i čistom, vlažnom krpom obrišite višak
- ! **uklonite višak silikona sa mlaznice i nosećeg rama**
- Elektronska zaštita od preopterećenja
 - Automatski zaustavlja motor u slučaju primene prevelikog pritiska na tubu, time sprečavajući oštećenje alatke i tube
 - otpustite okidač E
 - pustite da se elektronske komponente resetuju na 5 sekundi
 - pritisnite okidač E
 - ukoliko se motor ponovo zaustavi, pomerite točič F u srednji položaj i ponovo pritisnite okidač E
- Da biste izbegli preopterećenje, uvek se uverite da
 - je vrh mlaznice odsečen bar 2 cm
 - je ojačani materijal uklonjen sa vrha mlaznice
 - tuba nije oštećena ili zamrzuta
 - nema silikona na nosećem ramu
 - je izabrana najniža brzina
- Rešavanje problema
 - U slučaju da klip B 2 prestane da se pomera unapred
 - isključite alat
 - uklonite tubu sa nosećeg rama D 2
 - gurnite prekidač A 2 nalevo
- ! **gurnite klip B na početnu poziciju dok ne klikne u položaj**
- ponovo umetnite tubu
- gurnite prekidač A nadesno
- pritisnite okidač E 2 da nastavite sa nanošenjem silikona

ODRŽAVANJE / SERVIS

- Održavajte alat i punjač čistim
 - čistite kontakte u punjaču alkoholom ili specijalnim sredstvom za čišćenje
- ! **pre nego što počnete sa čišćenjem izvucite punjač iz struje**
- Uklonite višak silikona sa nosećeg rama D 2 čistom i vlažnom krpom
- Ako bi alat/punjač i pored brižljivog postupka izrade i kontrole nekada otkazao, popravku mora vršiti neki autorizovani servis za SKIL-električne alate
 - pošaljite **nerastavljeni** alat i punjač zajedno sa potvrdom o kupovini vašem nabavljaču ili najbližem SKIL servisu (adrese i oznake rezervnih delova možete naći na www.skilmasters.com)
 - u slučaju kvara na punjaču pošaljite i **punjač i bateriju** prodavcu ili SKIL servisu

ZAŠTITA OKOLINE

- **Električne alate, pribora i ambalaže ne odlažite u kućne otpatke** (samo za EU-države)
 - prema Evropskoj direktivi 2012/19/EG o staroj električnoj I elektronskoj opremi i njoj upotrebi u skladu sa nacionalnim pravom, električni alati koji su istrošeni moraju biti sakupljeni odvojeno i dostavljeni pogonu za reciklažu
 - simbol 3 će vas podsetiti na to

DEKLARACIJA O USKLAĐENOSTI CE

- Izjavljujemo na vlastitu odgovornost da je pod "Tehnički podaci" opisani proizvod usaglašen sa sledećim standardima ili normativnim aktima: EN 60335, EN 61000, EN 60745, EN 55014 prema odredbama smernica 2006/95/EG, 2004/108/EG, 2006/42/EG, 2011/65/EU
- Tehnička dokumentacija kod:** SKIL Europe BV (PT-SEU/ENG1), 4825 BD Breda, NL

Marijn van der Hoofden Olaf Dijkgraaf
Operations & Engineering Approval Manager

SKIL Europe BV, 4825 BD Breda, NL

13.08.2014

BUKA/VIBRACIJE

- Merenje u skladu sa EN 60745 nivo pritiska zvuka ovog alata iznosi <70 dB(A) (normalno odstupanje: 3 dB) a vibracija <2,5 m/s² (mereno metodom na šaci-ruci; nesigurnost K = 1,5 m/s²)
 - Nivo emisije vibracija izmeren je u skladu sa standardizovanim testom datim u EN 60745; on se može koristiti za upoređenje jedne alatke sa drugom, kao i za preliminarnu procenu izloženosti vibracijama pri korišćenju ove alatke za pomenute namene
 - korišćenje alatke u drugačije svrhe ili sa drugačijim ili slabo održavanim nastavcima može značajno **povećati** nivo izloženosti
 - vreme kada je alatka isključena ili kada je uključena, ali se njome ne radi, može značajno **smanjiti** nivo izloženosti
- ! zaštitite se od posledica vibracija održavanjem alatke i njenih nastavaka, održavajući Vaše ruke toplim i organizovanjem Vaših radnih obrazaca**

SLO

Brežična pištola za tesnjenje 2055

UVOD

- To orodje je namenjeno nanašanju tesnila iz standardnih vložkov
- Preberite in shranite navodila za uporabo ③

TEHNIČNI PODATKI ①

DELI ORODJA ②

- A Večnamensko stikalo
- B Bat
- C Pokrov vložka
- D Okvir dela za prenos
- E Sprožilec
- F Kolesce za izbiro hitrosti

VARNOST

SPLOŠNA VARNOSTNA NAVODILA

⚠ OPOZORILO! Preberite vsa opozorila in napolita. Napake zaradi neupoštevanja spodaj navedenih opozoril in napotil lahko povzročijo električni udar, požar in/ali težke telesne poškodbe. **Vsa opozorila in napolita shranite, ker jih boste v prihodnje še potrebovali.** Pojem "električno orodje", ki se pojavlja v nadaljnjem besedilu, se nanaša na električna orodja z električnim pogonom (z električnim kablom) in na akumulatorska električna orodja (brez električnega kabla).

1) VARNOST NA DELOVNEM MESTU

- Poskrbite, da bo Vaše delovno mesto vedno čisto in urejeno.** Nered ali neosvetljena delovna področja lahko povzročijo nezgode.
- Prosimo, da orodja ne uporabljate v okolju, kjer je nevarnost za eksplozije in v katerem se nahajajo gorljivi tekočine, plini in prah.** Električna orodja povzročajo iskrenje, zato se gorljivi prah ali pare lahko vnamejo.
- Ne dovolite otrokom in drugim osebam, da bi se medtem ko delate, približali električnemu orodju.** Druge osebe lahko odvrnejo Vašo pozornost drugam in izgubili boste nadzor nad orodje.

2) ELEKTRIČNA VARNOST

- Vtič mora ustrezati električni vtičnici in ga pod nobenim pogojem ne smete spreminjati. Uporaba adapterskih vtičev v kombinaciji z ozemljena orodja ni dovoljena.** Originalni oziroma nespremenjeni vtiči in ustrezne vtičnice zmanjšujejo tveganje električnega udara.
- Izogibajte se telesnemu stiku z ozemljenimi površinami, na primer s cevmi, grelci, štedilniki in hladilniki.** Če je ozemljeno tudi vaše telo, obstaja povečano tveganje električnega udara.
- Zavarujte orodje pred dežjem ali vlago.** Vdor vode v električno orodje povečuje tveganje električnega udara.
- Električnega kabla ne uporabljajte za prenašanje ali obežanje orodja in ne vlecite vtiči iz vtičnice tako, da vlečete za kabel. Zavarujte kabel pred vročino, oljem, ostrimi robovi in premikajočimi se deli orodja.** Poškodovani ali prepleteni kabli povečujejo tveganje električnega udara.
- Če z električnim orodjem delate na prostem, uporabljajte izključno kabelski podaljšek, ki je atestiran za delo na prostem.** Uporaba kabelskega podaljška, primerne za delo na prostem, zmanjšuje tveganje električnega udara.
- Če je uporaba električnega orodja v vlažnem okolju neizogibna, uporabljajte prekinjevalec električnega tokokroga.** Prekinjevalec električnega tokokroga zmanjšuje tveganje električnega udara.

3) OSEBNA VARNOST

- Bitite zbrani in pazite, kaj delate. Dela z električnim orodjem se lotite razumno. Nikoli ne uporabljajte orodja, če ste utrujeni in če ste pod vplivom mamil, alkohola ali zdravil.** En sam trenutek nepazljivosti pri uporabi orodja ima lahko za posledico resne telesne poškodbe.
- Uporabljajte osebna zaščitna sredstva in vedno nosite zaščitna očala.** Uporaba osebnih zaščitnih

sredstev, na primer maske proti prahu, nedrsečih zaščitnih čevljev, zaščitne čelade in glušnikov, odvisno od vrste in uporabe električnega orodja, zmanjšuje tveganje telesnih poškodb.

- c) **Izogibajte se nenamernemu zagonu. Pred priključitvijo električnega orodja na električno omrežje in/ali na akumulator in pred dviganjem ali nošenjem se prepričajte, če je električno orodje izklopljeno.** Prenašanje naprave s prstom na stikalu ali priključitev vklopljenega električnega orodja na električno omrežje je lahko vzrok za nezgodo.
- d) **Pred vklopom orodja odstranite z nje nastavitvena orodja ali vijačni ključ.** Orodje ali ključ, ki se nahajata na vrtečem se delu električnega orodja, lahko povzročita nezgodo.
- e) **Ne precenjujte se in poskrbite za varno stojišče in stalno ravnotežje.** Tako boste lahko v nepričakovani situaciji bolje obvladali orodje.
- f) **Nosite primerno obleko, ki naj ne bo preohlapna. Ne nosite nakita. Lasje, oblačilo in rokavice naj se ne približujejo premikajočim se delom orodja.** Premikajoči se deli orodja lahko zgrabijo ohlapno obleko, nakit, ali dolge lase.
- g) **Če je možno na orodje namestiti priprave za odsesavanje in prestezanje prahu, prepričajte se, ali so le-te priključene in, če jih pravilno uporabljate.** Uporaba priprave za odsesavanje prahu zmanjšuje zdravstveno ogroženost zaradi prahu.

4) RAVNANJE IN NEGA ROČNEGA ORODJA

- a) **Ne preobremenjujte orodja. Za določeno delo uporabljajte električno orodje, ki je predvideno za opravljanje tega dela.** Z ustreznim električnim orodjem boste delo opravili bolje in varneje, ker je bilo v ta namen tudi konstruirano.
- b) **Električno orodje, ki ima pokvarjeno stikalo, ne uporabljajte.** Električno orodje, ki ga ni možno vklopiti ali izklopiti, je nevarno in ga je potrebno popraviti.
- c) **Pred nastavljanjem naprave, zamenjavo delov pribora ali odlaganjem naprave izvlecite vtičak iz električne vtičnice in/ali odstranite akumulator.** Ta previdnostni ukrep onemogoča nepredviden zagon orodja.
- d) **Kadar orodja ne uporabljate ga shranjujte izven dosega otrok. Osebam, ki orodja ne poznajo ali niso prebrale teh navodil, orodja ne dovolite uporabljati.** Električna orodja so nevarna, če jih uporabljajo neizkušene osebe.
- e) **Skrbno negujte orodje. Preverite, če premikajoči se deli orodja delujejo brezhibno in če se ne zatikajo, oziroma, če kakšen del orodja ni zlomljen ali poškodovan do te mere, da bi oviral njegovo delovanje. Pred nadaljnjo uporabo je potrebno poškodovani del popraviti.** Vzrok za številne nezgode so ravno slabo vzdrževana električna orodja.
- f) **Rezalna orodja naj bodo ostra in čista.** Skrbno negovana rezalna orodja z ostrimi rezili se manj zatikajo in so bolje vodljiva.
- g) **Električna orodja, pribor, nastavke in podobno uporabljajte v skladu s temi navodili. Pri tem upoštevajte delovne pogoje in vrsto dela, ki ga nameravate opraviti.** Zaradi uporabe električnega orodja v druge, nepredvidene namene, lahko nastanejo nevarne situacije.

5) SKRBNO RAVNANJE Z AKUMULATORSKIMI NAPRAVAMI IN NJIHOVA UPORABA

- a) **Prosimo, da akumulatorske baterije polnite samo v polnilnikih, ki jih priporoča proizvajalec.** Na polnilniku, predvidenem za polnjenje določene vrste akumulatorskih baterij, lahko pride do požara, če ga uporabljate za polnjenje drugih vrst akumulatorskih baterij.
- b) **Za pogon akumulatorskih orodij uporabljajte samo zanje predvidene akumulatorske baterije.** Uporaba drugačnih akumulatorskih baterij lahko povzroči telesne poškodbe ali požar.
- c) **Kadar akumulatorska baterija ni v orodju, pazite, da ne pride v stik s kovinskimi predmeti kot so pisarniške sponke, kovanci, ključi, želblji, vijaki ali ostalimi kovinskimi predmeti, ki bi lahko povzročili stik med obema poloma akumulatorja.** Kratek stik med kontakti akumulatorske baterije lahko povzroči opekline ali požar.
- d) **Pri napadni uporabi lahko iz akumulatorske baterije priteče tekočina. Izogibajte se stiku z njo. V primeru naključnega stika prizadeto mesto spirajte z vodo. Če pride akumulatorska tekočina v oči, po spiranju poiščite tudi zdravniško pomoč.** Iztekanje tekočine iz akumulatorja lahko povzroči draženje kože ali opekline.

6) SERVIS

- a) **Popravilo orodja lahko opravi samo usposobljena strokovna oseba in to izključno z originalnimi nadomestnimi deli.** Le tako bo ohranjena nadaljnja varnost orodja.

VARNOSTNA NAVODILA ZA BREŽIČNO PIŠTOLO ZA TESNENJE

- Vedno preverite, če je napetost omrežja enaka napetosti, ki je navedena na tablici podatkov polnilca (polnilci z nazivno napetostjo 230V ali 240V lahko priključite tudi na napetost 220V)
 - V primeru električnih ali mehanskih motenj takoj izključite orodje ali izvlecite vtičak polnilca iz vtičnice
 - SKIL zagotavlja brezhibno delovanje orodja le z uporabo pravega dodatnega pribora, ki ga dobite pri SKIL-ovih trgovcih
 - Orodje/polnillec ni namenjeno uporabi s strani oseb (vključujoč tudi otroke) z zmanjšanimi fizičnimi, senzoričnimi ali mentalnimi sposobnostmi, oz. s premalo izkušenj ali znanja, edino, če slednji niso bili primerno usposobljeni iz inštruirani za uporabo tovrstnega orodja/polnilca, s strani osebe, ki je odgovorna za njihovo varnost
 - Zagotovite, da se otroci ne bodo igrali z orodjem/polnilcem
- #### POLNENJE/AKUMULATORJI
- Akumulator polnite samo s polnilcem, ki je dobavljen skupaj z orodjem
 - Ne dotikajte se kontaktov v polnilcu
 - Ne polnite akumulatorja v vlažnih ali mokrih prostorih
 - Ne izpostavljajte orodja, polnilca in akumulatorja dežju
 - Shranjujte orodje, polnillec in akumulator v prostoru, kjer temperatura ne bo presegla 40°C in ne bo padla pod 0°C
 - Baterije lahko pri izpostavljanju odprtemu ognju eksplodirajo, zato jih nikoli ne sezigajte
 - Ne uporabljajte poškodovanega polnilca akumulatorjev; v pooblaščenih Skilovi servisni delavnici preverite, če ustreza varnostnim zahtevam

- Kadar sta priključni kabel ali vtičak polnilca poškodovana, ga ne smete uporabljati, temveč ju obvezno zamenjajte v pooblaščenih Skilovi servisni delavnici
- Ne uporabljajte poškodovanega akumulatorja; takoj ga je potrebno zamenjati
- Ne razstavljajte polnilca ali akumulatorja
- S polnilcem ne poskušajte polniti navadnih (suhih) baterij

POJASNILO OZNAK NA POLNILNIKU/BATERIJI

- ④ Polnilnik uporabljajte samo v zaprtem prostoru
- ⑤ Dvojna izolacija (ozemljitveni kabel ni potreben)
- ⑥ Varnostni izolacijski pretvornik (izvor energije je ločen od izhoda pretvornika)
- ⑦ Avtomatski izklop ob pregrevanju polnilnika (toplotna varovalka pregori in polnilnik neha delovati)
- ⑧ Napačna polariteta na priključku polnilnika lahko povzroči nevarnost (baterijo polnite vedno le s priloženim polnilnikom)
- ⑨ Polnilca ne odstranjujte s hišnimi odpadki
- ⑩ Akumulatorja ne odstranjujte s hišnimi odpadki
- ⑪ Tehnologija NIMH daje več energije na okolju manj škodljiv način

UPORABA

- Polnjenje akumulatorja ⑫
 - baterija novega orodja ni polno napolnjena
 - ! po končanem polnjenju je potrebno vzeti akumulator iz polnilca, s tem podaljšamo življenjsko dobo akumulatorja**
- POMEMBNO:
 - po 3 urah je polnjenje akumulatorja končano in baterija se lahko uporablja, **čepur utegne rdeča lučka še goreti** (rdeča lučka lahko potrebuje tudi več kot 3 ure, da se ugasne)
 - pri polnjenju se tako polnilec kot tudi akumulator lahko segrejeta; to je sicer normalen pojav in ni vzrok nepravilnega delovanja
 - zagotovite, da je zunanja površina akumulatorja čista in suha preden ga vstavite v polnilec
 - ne polnite pri temperaturi pod 0°C in preko 40°C; to lahko povzroči resne poškodbe akumulatorja in polnilca
 - ne odstranjujte akumulatorja iz orodja med obratovanjem orodja
 - ! nov akumulator doseže svojo polno zmogljivost šele po približno 5 ciklih polnjenja/praznjenja; isto velja za akumulatorje, ki dlje časa niso bili uporabljeni**
 - akumulatorja ne polnite po vsaki krajši uporabi; to lahko povzroči hitrejšo iztrošenost akumulatorja
 - nikelj-metal hidridnega akumulatorja ni dovoljeno odvreči v običajne gospodinjske odpadke, temveč le na zato določena mesta (na to naj vas spomni simbol ⑩)
 - ! preden akumulator zavrzete, prilepite kontakte z debelejšim izolirnim trakom, da preprečite kratek stik**
 - če predvidevate, da orodja ne boste uporabljali dlje časa, izključite vtičak polnilca iz vtičnice
- Vstavljanje vložkov ⑬
 - z nožem odprite standardni vložek
 - namestite razpršilnik na zgornji del odprtega vložka
 - odrežite vsaj 2 cm konice razpršilnika pod kotom 45°, tako da je odprtina dovolj velika, kadar orodje uporabljate pri največji hitrosti
 - potisnite stikalo A v levo

- potisnite bat B nazaj v začetni položaj, dokler se ne zaskoči (če se bat ne zaskoči, morda ne bo deloval pravilno pozneje)
- odprite pokrov vložka C
- vstavite vložek, dokler njegov osnovni del ne doseže zadnjega dela okvirja za prenos D
- zaprite pokrov vložka C
- Vklop/izklop ⑭
 - potisnite stikalo A v desno, da bi sprostili sprožilec E
 - orodje vklopite/izklopite tako, da pritisnete/izpustite sprožilec E
 - orodje se izklopi samodejno, kadar je vložek prazen
 - ! prepričajte se, ali je stikalo A po vsaki uporabi v položaju zaklenjeno ⑮**
- Spremenljiva hitrost ⑯
 - s kolescem F lahko prilagodite hitrost nanosa tesnila (6 položajev)
 - preden začnete delati, določite optimalno hitrost, tako da jo preskusite na odvečnem obdelovalnem materialu
 - ! če orodje ne deluje, ko je kolesce F v položaju 1, prilagodite hitrost, medtem ko pritisnete sprožilec E ②, dokler ne najdete optimalne nastavitve**
- Nanašanje tesnila ⑰
 - prepričajte se, ali je površina, na katero želite nanesti tesnilo, čista in suha (če je na površini staro tesnilo, ga odstranite)
 - ko potisnete stikalo A v desno, pritisnite sprožilec E, da bi začeli z nanašanjem tesnila
 - orodje držite pod rahlim kotom in ga previdno premikajte v enakomernem ritmu po odprtini/razpoki, ki jo želite zapolniti, medtem ko držite sprožilec E
 - prepričajte se, ali je tesnilo v celoti zapolnilo obe površini, ki ju želite zatesniti
 - če želite zaključiti nanašanje tesnila, izpustite sprožilec E
 - da bi se izognili izlivanju tesnila, potisnite stikalo A v levo tako, ko izpustite sprožilec E
 - ko zaključite nanašanje, potegnite z mokrim prstom po tesnilu in odstranite odvečno tesnilo s čisto in vlažno krpo
 - ! odstranite tesnilo, ki ostane na razpršilniku vložka in okvirju za prenos**
- Elektronska zaščita preobremenitve
 - Zaustavi motor v primeru uporabe prevelikega pritiska na vložka in tako prepreči nastanek poškodb na orodju ali vložka
 - izpustite sprožilec E
 - in počakajte 5 sekund, da se elektronika ponastavi
 - pritisnite sprožilec E
 - če se motor znova ustavi, premaknite kolesce F v srednji položaj in znova pritisnite sprožilec E
- Da bi se izognili preobremenitvi, se vedno prepričajte
 - ali ste odrezali vsaj 2 cm konice na razpršilniku
 - ali ste odstranili strjeno tesnilo z razpršilnika
 - da vložek ni poškodovan ali zmrznjen
 - da ni tesnila na okvirju za prenos
 - ali ste izbrali najmanjšo možno hitrost
- Odpravljanje težav
 - Če se bat B ② med tesnjenjem ustavi in se ne premika več naprej
 - izklopite orodje
 - odstranite vložek iz okvirja za prenos D ②
 - potisnite stikalo A ② v levo

! **potisnite bat B nazaj v začetni položaj, dokler se ne zaskoči**

- ponovno vstavite vložek
- potisnite stikalo A v desno
- če želite nadaljevati tesnjenje, pritisnite sprožilec E ②

VZDRŽEVANJE/SERVISIRANJE

- Orodje in polnilec morata biti čista
 - očistite kontakte polnilca z alkoholom ali s čistilom za kontakte
- ! **pred čiščenjem potegnite električni vtič iz vtičnice**
- S čisto in vlažno krpo vedno odstranite strjeno tesnilo iz okvirja za prenos D ②
- Če bi kljub skrbnim postopkom izdelave in preizkušanja prišlo do izpada delovanja orodja/polnilca, naj popravilo opravi servisna delavnica, pooblaščen za popravila SKILevih električnih orodij
 - pošljite **nerazstavljeno** orodje ali polnilec skupaj s potrdilom o nakupu pri vašemu prodajalcu v najbližjo SKIL servisno delavnico (naslovi, kot tudi spisek rezervnih delov se nahaja na www.skilmasters.com)
 - ob okvarjenem polnilniku **polnilnik in baterijo** pošljite pooblaščenemu prodajalcu ali servisu podjetja SKIL

OKOLJE

- **Električnega orodja, pribora in embalaže ne odstranjujte s hišnimi odpadki** (samo za države EU)
 - v skladu z Evropsko direktivo 2012/19/EG o odpadnih električnih in elektronskih opremitih in z njenim izvajanjem v nacionalni zakonodaji je treba električna orodja ob koncu njihove življenjske dobe ločeno zbirati in jih predati v postopek okolju prijaznega recikliranja
 - ko je potrebno odstranjevanje, naj vas o načinu spomni simbol ④

IZJAVA O SKLADNOSTI CE

- Izjavljamo pod izključno odgovornostjo, da proizvod pod "Tehnični podatki" ustreza naslednjim standardom oz. standardiziranim dokumentom: EN 60335, EN 61000, EN 60745, EN 55014 v skladu z določili direktiv 2006/95/ES, 2004/108/ES, 2006/42/ES, 2011/65/EU
- **Tehnična dokumentacija se nahaja pri:** SKIL Europe BV (PT-SEU/ENG1), 4825 BD Breda, NL

Marijn van der Hoofden
Operations & Engineering

Olaf Dijkgraaf
Approval Manager

SKIL Europe BV, 4825 BD Breda, NL

13.08.2014

HRUP/VIBRACIJA

- Izmerjeno v skladu s predpisom EN 60745 je raven zvočnega pritiska za to orodje <70 dB(A) (standardni odmik: 3 dB) in vibracija <2,5 m/s² (metoda dlan-roka; netočnost K = 1,5 m/s²)

- Raven oddajanja vibracij je bila izmerjena v skladu s standardiziranimi testi, navedenimi v EN 60745; uporabiti jo je mogoče za primerjavo različnih orodij med seboj in za predhodno primerjavo izpostavljenosti vibracijam pri uporabi orodja za namene, ki so omenjeni
 - uporaba orodja za drugačne namene ali uporaba skupaj z drugimi, slabo vzdrževanimi nastavki lahko znatno **poveča** raven izpostavljenosti
 - čas, ko je orodje izklopljeno ali ko teče, vendar z njim ne delamo, lahko znatno **zmanjša** raven izpostavljenosti
- ! **pred posledicami vibracij se zaščitite z vzdrževanjem orodja in pripadajočih nastavkov, ter tako, da so vaše roke tople, vaši delovni vzorci pa organizirani**

EST

Juhtmeta hermeetikupüstol 2055

SISSEJUHATUS

- See tööriist on ette nähtud hermeetiku väljutamiseks standardpadrunitest
- Palun lugege käesolev kasutusjuhend hoolikalt läbi ja hoidke alles ③

TEHNILISED ANDMED ①

SEADME OSAD ②

- A Universaallüliti
- B Kolb
- C Padrunisalve kaas
- D Padrunisalv
- E Päästiküliti
- F Kiirusevalits

OHUTUS

ÜLDISED OHUTUSJUHISED

⚠ TÄHELEPANU! Kõik ohutusnõuded ja juhised tuleb läbi lugeda. Ohutusnõuete ja juhiste eiramise tagajärjeks võib olla elektrilöökoht, tulekahju ja/või rasked vigastused. **Hoidke kõik ohutusnõuded ja juhised edasiseks kasutamiseks hoolikalt alles.** Allpool kasutatud mõiste "elektriline tööriist" käib võrgutoitega (toitejuhtmega) elektriliste tööriistade ja akutoitega (ilma toitejuhtmeta) elektriliste tööriistade kohta.

1) OHUTUSNÕUDED TÖÖPIIRKONNAS

- a) **Hoidke töökoht puhas ja korras.** Segadus või valgustamata tööpiirkonnad võivad põhjustada õnnetusi.
- b) **Ärge kasutage seadet plahvatusohtlikus keskkonnas, kus leidub tuleohtlikke vedelikke, gaase või tolmu.** Elektrilistest tööriistadest lööb sädemeid, mis võivad tolmu või auru süüdata.
- c) **Kui kasutate elektrilist tööriista, hoidke lapsed ja teised isikud töökohest eemal.** Kui Teie tähelepanu kõrvale juhitakse, võib seade Teie kontrolli alt väljuda.

2) ELEKTRIOHUTUS

- a) Seadme pistik peab pistikupessa sobima. Pistiku kallal ei tohi teha mingeid muudatusi. Ärge kasutage kaitsemaandusega seadmete puhul adapterpistikuid. Muutmata pistikud ja sobivad pistikupesad vähendavad elektrilöögi saamise riski.
- b) Vältige kehakontakti maandatud pindadega, nagu torud, radiaatorid, pliidid ja külmikud. Kui Teie keha on maandatud, on elektrilöögi risk suurem.
- c) Hoidke seadet vihma ja niiskuse eest. Kui elektriseadmesse on sattunud vett, on elektrilöögi saamise risk suurem.
- d) Ärge kasutage toitejuhet selleks mitte ettenähtud otstarbel seadme kandmiseks, ülesriputamiseks ega pistiku pistikupesast väljatõmbamiseks. Hoidke toitejuhet kuumuse, õli, teravate servade ja seadme liikuvate osade eest. Kahjustatud või keerduläänud toitejuhtmed suurendavad elektrilöögi saamise riski.
- e) Kui töötate elektrilise tööriistaga vabas õhus, kasutage ainult selliseid pikendusjuhtmeid, mida on lubatud kasutada ka välistingimustes. Välistingimustes kasutamiseks sobiva pikendusjuhtme kasutamine vähendab elektrilöögi saamise riski.
- f) Kui elektrilise tööriista kasutamine niiskes keskkonnas on vältimatu, kasutage maandusega lekkevoolukaitses. Maandusega lekkevoolukaitsme kasutamine vähendab elektrilöögi ohtu.

3) INIMESTE TURVALISUS

- a) Olge tähelepanelik, jälgige, mida Te teete, ning toimige elektrilise tööriistaga töötades mõistlikult. Ärge kasutage seadet, kui olete väsinud või uimastite, alkoholi või ravimite mõju all. Hekeline tähelepanematus seadme kasutamisel võib põhjustada tõsisid vigastusi.
- b) Kandke isikukaitsevahendeid ja alati kaitseprille. Isikukaitsevahendite, nagu tolmumaski, libisemiskindlad turvajalatsid, kaitsekiiver või kuulmiskaitsevahendid, kandmine – sõltuvalt elektrilise tööriista tüübist ja kasutusalasalt – vähendab vigastuste riski.
- c) Vältige seadme tahtmatut käivitamist. Enne pistiku ühendamist pistikupessa, aku ühendamist seadme külge, seadme ülestõstmist ja kandmist veenduge, et elektriline tööriist on välja lülitatud. Kui hoiate elektrilise tööriista kandmisel sõrme lülitil või ühendate vooluvõrku sisselülitatud seadme, võivad tagajärjeks olla õnnetused.
- d) Enne seadme sisselülitamist eemaldage selle küljest reguleerimis- ja mutrivõtmed. Seadme pöörleva osa küljes olev reguleerimis- või mutrivõti võib põhjustada vigastusi.
- e) Ärge hinnake end üle. Võtke stabiilne tööasend ja hoidke kogu aeg tasakaalu. Nii saate seadet ootamatutes olukordades paremini kontrollida.
- f) Kandke sobivat rõivastust. Ärge kandke laiu riideid ega ehteid. Hoidke juuksed, rõivad ja kindad seadme liikuvatest osadest eemal. Lotendavad riided, ehted või pikad juuksed võivad sattuda seadme liikuvate osade vahele.
- g) Kui on võimalik paigaldada tolmueemaldus- ja tolmukogumisseadiseid/seadmeid, veenduge, et need oleksid seadmega ühendatud ja et need kasutataks õigesti. Tolmueemaldusseadise kasutamine vähendab tolmust põhjustatud ohte.

4) ELEKTRILISTE TÖÖRIISTADE HOOLIKAS KÄSITSEMINE JA KASUTAMINE

- a) Ärge koormake seadet üle. Kasutage töö tegemiseks selleks ettenähtud elektrilist tööriista. Sobiva elektrilise tööriistaga töötate paremini ja turvalisemalt ettenähtud võimsusvahemikus.
- b) Ärge kasutage elektrilist tööriista, mille lüliti on rikkis. Elektriline tööriist, mida ei ole enam võimalik sisse ja välja lülitada, on ohtlik ning seda tuleb remontida.
- c) Tõmmake pistik pistikupesast välja ja/või eemaldage seadme aku enne seadme reguleerimist, tarvikute vahetamist ja seadme ärapanekut. See ettevaatusabinõu väldib seadme tahtmatut käivitamist.
- d) Kasutusvälisel ajal hoidke elektrilisi tööriistu lastele kättesaamatult. Ärge laske seadet kasutada isikutel, kes seda ei tunne või pole siintoodud juhiseid lugenud. Kogenematute kasutajate käes kujutavad elektrilised tööriistad ohtu.
- e) Hoolitsege seadme eest. Kontrollige, kas seadme liikuvad osad funktsioneerivad korralikult ja ei kiildu kinni, ning ega mõned osad ei ole katki või sel määral kahjustatud, et võiksid mõjutada seadme töökindlust. Laske kahjustatud osad enne seadme kasutamist parandada. Paljude õnnetuste põhjuseks on halvasti hooldatud elektrilised tööriistad.
- f) Hoidke lõiketarvikud teravad ja puhtad. Hoolikalt hoitud, teravate lõikeservadega lõiketarvikud kiilduvad harvemini kinni ja neid on lihtsam juhtida.
- g) Kasutage elektrilist tööriista, lisavarustust, tarvikuid jne vastavalt siintoodud juhistele. Arvestage seejuures tööttingimuste ja teostatava töö iseloomuga. Elektriliste tööriistade kasutamine mitte ettenähtud otstarbel võib põhjustada ohtlikke olukordi.

5) AKUTÖÖRIISTADE HOOLIKAS KÄSITSEMINE JA KASUTAMINE

- a) Laadige akusid ainult tootja poolt soovitatud akulaadijatega. Akulaadija, mis sobib teatud tüüpi akudele, muutub tuleohtlikuks, kui seda kasutatakse teiste akudega.
- b) Kasutage elektrilistes tööriistades ainult selleks ettenähtud akusid. Teiste akude kasutamine võib põhjustada vigastusi ja tulekahjuohtu.
- c) Hoidke kasutusel mitteolevad akud eemal kirjaklambritest, müntidest, võtetest, naeltest, kruvidest või teistest väikestest metalletsemetest, mis võivad kontaktid omavahel ühendada. Akukontaktide vahel tekkiva lühise tagajärjeks võivad olla põletused või tulekahju.
- d) Väärkasutuse korral võib akuedelik välja voolata. Vältige sellega kokkupuudet. Juhusliku kokkupuute korral loputage kahjustatud kohta veega. Kui vedelik satub silma, pöörduge lisaks arsti poole. Väljavoolav akuedelik võib põhjustada nahaärritusi või põletusi.

6) TEENINDUS

- a) Laske seadet parandada ainult kvalifitseeritud spetsialistidel ja ainult originaalvaruosadega. Nii tagate seadme püsimise turvalisena.

JUHTMETA HERMEETIKUPÜSTOLITE OHUTUSJUHISED

- Kontrollige alati, kas võrgupinge ühtib laadija andesildil toodud pingega (andmesildil toodud 230 V või 240V korral võib laadijad kasutada ka 220V võrgupinge puhul)
- Kui seade töötab ebaharilikult või teeb kummalist müra, lülitage see viivitamatult välja või tõmmake laadija pistik pistikupesast välja
- SKIL tagab seadme häireteta töö üksnes sobivate tarvikute kasutamisel, mis on saadaval meie edasimüüjate juures või SKILI lepingulistest töökodades
- Seade/laadija ei ole mõeldud kasutamiseks isikutele (sh lastele), kellel on puudulik füüsilised, sensoorsed või vaimsed võimed või kellel puudub kogemus ja teadmised, välja arvatud juhul, kuid nad töötavad nende ohutuse eest vastutava isiku järelevalve või juhendamise all
- Kindlustage, et lapsed ei mängiks seadmega/laadijaga

LAADIMINE/AKUD

- Laadige akut ainult kaasasoleva akulaadijaga
- Ärge puudutage akulaadija kontakte
- Ärge laadige akut niiskes keskkonnas
- Ärge jätke tööriista/laadijat/akut vihma kätte
- Hoidke tööriista/laadijat/akut toatemperatuuril vahemikus 0° kuni 40°C
- Tulle visatud akud plahvatavad, seepärast ei tohi akut mingil põhjusel põletada
- Ärge kasutage kahjustatud laadijaid; toimetage seade kontrollimiseks SKILI ametlikku lepingulisse töökotta
- Lõpetage laadija kasutamine, kui selle toitejuhe või pistik on kahjustatud; laske toitejuhe või pistik kohe SKILI ametlikus lepingulises töökojas välja vahetada
- Ärge kasutage kahjustatud akusid, vaid vahetage need kohe välja
- Ärge kunagi monteerige laadijat või akut lahti
- Ärge püüdke laadida laadijaga mittelaetavaid patareisid

LAADIJAL/AKUL OLEVATE SÜMBOLITE SELGITUS

- ④ Kasutage laadijat ainult sisetingimustes
- ⑤ Topeltisolatsioon (maandusjuhe pole vajalik)
- ⑥ Törkekindel isoleeriv transformaator (vooluallikas on transformaatori väljundist elektriliselt isoleeritud)
- ⑦ Automaatne väljalülitus laadija ülekuumenemisel (termokaitse rakendub ja laadija muutub kasutuks)
- ⑧ Laadija valede pooluste ühendamine on ohtlik (kasutage aku laadimiseks ainult kaasasolevat laadijat)
- ⑨ Ärge visake kasutuskõlmatuks muutunud laadijat ära koos olmejäätmetega
- ⑩ Ärge visake kasutuskõlmatuks muutunud akut ära koos olmejäätmetega
- ⑪ NiMH-tehnoloogia toodab keskkonda vähem saastaval viisil rohkem energiat

KASUTAMINE

- Aku laadimine ⑫
 - uued tööriistad ei ole laetud
 - ! pärast laadimisprotsessi lõppu on soovitatav aku laadijast ära võtta, see pikendab aku eluiga
- OLULINE:
 - pärast 3-tunnilist laadimist on laadimisprotsess lõppenud ja akut võib kasutada, **isegi kui punane signaalituli põleb edasi** (mõnikord läheb punase signaalitule kustumiseni rohkem aega kui 3 tunnilit)

- laadimise käigus võivad laadija ja aku soojeneda; see on normaalne ega tähenda, et tegemist on rikkega
- enne aku asetamist laadijasse veenduge, et aku välispind oleks puhas ja kuiv
- tuleks vältida laadimist temperatuuridel alla 0° ja üle 40°, sest see võib laadijat ja akut oluliselt kahjustada
- akut ei tohi eemaldada töötavalt tööriistalt
- ! uus või pikemat aega kasutatud aku saavutab täisvõimsuse alles umbes 5 laadimis-/tühjenemistsükli järel
- akut ei ole soovitatav laadida iga kord pärast seadme lühiajalist kasutamist, kuna see võib suurendada kulumist
- NiMH-aku tuleb eeskirjadekohaselt kahjutustada, see ei tohi sattuda olmeprügi hulka (seda meenutab Teile sümbol ⑩)
- ! enne aku kahjutustamist katke selle otsad kaitseks tugeva teibiga, et vältida lühisahela teket
- kui Te tööriista pikemat aega ei kasuta, on soovitatav tõmmata laadija pistik pistikupesast välja
- Padrunite sisestamine ⑬
 - avage standardpadrun noaga
 - paigaldage otsik avatud padruni otsa
 - lõigake otsiku ots vähemalt 2 cm pikkuselt 45° nurga all ära, et moodustuv ava oleks piisavalt suur ka suurima töökiiruse puhul
 - lükake lüliti A vasakule
 - suruge kolb B tagasi algasendisse, kuni see kinnitu lõpsatusega oma kohale (kui kolb ettenähtult ei kinnitu, võib see hiljem halvasti töötada)
 - avage padrunisalve kaas C
 - sisestage padrun, kuni selle ots jõuab vastu padrunisalve D tagaseina
 - sulgege padrunisalve kaas C
- Sisse-/väljalülitamine ⑭
 - lükake lüliti A paremale, et vabastada päästik E
 - tööriista sisse- või väljalülitamiseks vajutage päästikut E või vabastage see
 - kui padrun saab tühjaks, lülitub püstol automaatselt välja
 - ! veenduge, et lüliti A oleks pärast iga kasutuskorda lukustusasendis ⑮
- Muutuv kiirus ⑯
 - kiirusevalitsa F abil saab reguleerida seadmest väljutatava hermeetiku kogust (6 asendit)
 - enne töö alustamist leidke optimaalne kiirus, katsetades tööriista proovilõigul
 - ! kui kiirusevalitsa F on asendis 1, kuid tööriist ei toimi, reguleerige päästikut E ② all hoides kiirust seni, kuni leiате sobivaima variandi
- Hermeetiku pealekandmine ⑰
 - veenduge, et täidetav või tihendatav ala oleks puhas ja kuiv (vajadusel eemaldage vana hermeetik)
 - pärast lüliti A lükkamist paremale vajutage hermeetiku väljutamise alustamiseks päästikut E
 - hoidke tööriista väikese nurga all, juhtides seda päästikut E all hoides ettevaatlikult ja ühtlases tempos piki täidetavat pragu või vuuki
 - veenduge, et hermeetik puutuks kokku mõlema täidetava või tihendatava pinnaga
 - hermeetiku väljutamise lõpetamiseks vabastage päästik E
 - hermeetiku väljanõrgumise vältimiseks lükake lüliti A kohe pärast päästiku E vabastamist vasakule

- pärast hermeetiku kandmist tihendatavale pinnale tõmmake sellest niiske sõrmega üle ja eemaldage liigne hermeetik puhta niiske lapiga

! puhastage padruni otsik ja padrunisalv hermeetikujääkidest

- Elektrooniline ülekoormuskaitse
 - Peatab padrunile liiga suure surve avaldamisel mootori automaatselt, et vältida tööriista ja padruni kahjustamist
 - vabastage päästik E
 - andke elektroonikale lähtestamise läbiviimiseks 5 sekundit - vajutage päästikut E
 - kui mootor jälle seiskub, keerake kiirusevalits F keskmisesse asendisse ja vajutage uuesti päästikut E
 - Ülekoormuse vältimiseks veenduge, et
 - padruni otsik oleks vähemalt 2 cm võrra ära lõigatud
 - otsik oleks puhastatud tاردunud materjalist
 - padrun poleks vigane ega külmunud
 - padrunisalv poleks hermeetikuga koos
 - valitud oleks võimalikult väike töökiirus
 - Tõrkeotsing
 - Juhul, kui kolb B ② ei liigu poolelioleva täite- või tihendustöö ajal edasi
 - lülitage seade välja
 - eemaldage padrun padrunisalvest D ②
 - lükake lülitit A ② vasakule
- ! lükake kolb B tagasi algasendisse, kuni see kinnitub klõpsatusega oma kohale**
- sisestage padrun uuesti
 - lükake lülitit A paremale
 - vajutage tihendustöö jätkamiseks päästikut E ②

HOOLDUS/TEENINDUS

- Hoidke tööriist ja laadija puhtad
 - puhastage laadija kontaktid alkoholi või kontaktipuhastusvahendiga
- **! enne laadija puhastamist tõmmake selle pistik pistikupesast välja**
- Eemaldage hermeetikujäägid padrunisalvest D ② puhta niiske lapiga
- Tööriist/laadijat on hoolikalt valmistatud ja testitud; kui tööriist/laadijat sellest hoolimata rikki läheb, tuleb see lasta parandada SKILi elektriliste käsitööriistade volitatud remonditöökojas
 - saatke tööriist või laadija koos ostukviitungiga tarnijale või lähimasse SKILi lepinguliselt töökotta (aadressid ja tööriista varuosade joonise leiate aadressilt www.skilmasters.com)
 - defektse laadija korral tooge **nii laadija kui ka aku** edasimüüjale tagasi või võtke ühendust SKILi teeninduskeskusega

KESKKOND

- **Ärge visake kasutuskõlbmatuks muutunud elektrilisi tööriistu, lisatarvikuid ja pakendeid ära koos olmejäätmetega** (üksnes EL liikmesriikidele)
 - vastavalt Euroopa Parlamendi ja nõukogu direktiivile 2012/19/EÜ elektri- ja elektroonikaseadmete jäätmete kohta ning direktiivi nõuete kohaldamisele liikmesriikides tuleb kasutuskõlbmatuks muutunud elektrilised tööriistad koguda eraldi ja keskkonnasäästlikult korduvkasutada või ringlusse võtta
 - seda meenutab Teile sümbol ⑨

VASTAVUSDEKLARATSIOON CE

- Kinnitame ainuvastutajana, et punktis "Tehnilised andmed" kirjeldatud toode vastab järgmistele standarditele või normdokumentidele: EN 60335, EN 61000, EN 60745, EN 55014 vastavalt direktiivide 2006/95/EÜ, 2004/108/EÜ, 2006/42/EÜ, 2011/65/EL nõuetele
- **Tehniline toimik saadaval aadressil:** SKIL Europe BV (PT-SEU/ENG1), 4825 BD Breda, NL

Marijn van der Hoofden Olaf Dijkgraaf
Operations & Engineering Approval Manager




SKIL Europe BV, 4825 BD Breda, NL

13.08.2014

MÜRA/VIBRATSIOON

- Vastavalt kooskõlas normiga EN 60745 läbi viidud mõõtmistele on tööriista helirõhk <70 dB(A) (standardkõrvalekalle: 3 dB) ja vibratsioon <2,5 m/s² (käe-randme-meetod; mõõtemääramatus K = 1,5 m/s²)
 - Tekkiva vibratsiooni tase on mõõdetud vastavalt standardis EN 60745 kirjeldatud standarditud testile; seda võib kasutada tööriistade võrdlemiseks ja tööriista kasutamisel ettenähtud töödeks esineva vibratsiooni esialgseks hindamiseks
 - tööriista kasutamisel muudeks rakendusteks või teiste/ halvasti hooldatud tarvikute kasutamisel võib vibratsioon märkimisväärselt **suureneda**
 - ajal, kui tööriist on väljalülitatud või on küll sisselülitatud, kuid tegelikult seda ei kasutata, võib vibratsioon märkimisväärselt **väheneda**
- ! enda kaitsmiseks vibratsiooni eest hooldage tööriista ja selle tarvikuid korralikult, hoidke oma käed soojad ja tagage sujuv töökorraldus**

LV

Hermetiķa pistole ar akumulatoru

2055

IEVADS

- Instruments ir paredzēts hermētiķa izspiešanai no standartu kasetnēm
- Izlasiet un saglabājiet šo pamācību ③

TEHNISKIE PARAMETRI ①

INSTRUMENTA ELEMENTI ②

- A Daudzfunkcionāls slēdzis
- B Virzulis
- C Kasetnes fiksators
- D Atbalsta ietvars
- E Ieslēgšanas slēdzis
- F Ātruma izvēles ripa

DROŠĪBA

VISPĀRĒJIE DARBA DROŠĪBAS NOTEIKUMI

UZMANĪBU! Rūpīgi izlasiet visus drošības noteikumus. Šeit sniegto drošības noteikumu un norādījumu neievērošana var izraisīt aizdegšanos un būt par cēloni elektriskajam triecienam vai nopietnam savainojumam. **Pēc izlasīšanas uzglabājiet šos noteikumus turpmākai izmantošanai.** Turpmākajā izklāstā lietotais apzīmējums “elektroinstrumenti” attiecas gan uz tīkla elektroinstrumentiem (ar elektrokabeli), gan arī uz akumulatora elektroinstrumentiem (bez elektrokabeļa).

1) DROŠĪBA DARBA VIETĀ

- Sekojiēt, lai darba vieta būtu tīra un sakārtota.**
Nekārtīgā darba vieta vai sliktā apgaismojumā var viegli notikt nelaimes gadījums.
- Nelietojiet elektroinstrumentu eksplozīvu vai ugunsnedrošu vielu tuvumā un vietās ar paaugstinātu gāzes vai putekļu saturu gaisā.** Darba laikā instruments nedaudz dzirksteļo, un tas var izsaukt viegli degošu putekļu vai tvaiku aizdegšanos.
- Lietojot elektroinstrumentu, neļaujiet nepiederošām personām un jo īpaši bērniem tuvoties darba vietai.** Citu personu klātbūtnē var novērst uzmanību, un tā rezultātā jūs varat zaudēt kontroli pār instrumentu.

2) ELEKTRODROŠĪBA

- Elektroinstrumenta kontaktdakšai jābūt piemērotai elektrotīkla kontaktlīdždai. Kontaktdakšas konstrukciju nedrīkst nekādā veidā mainīt. Nelietojiet kontaktdakšas salāgotājus, ja elektroinstrumenti caur kabeli tiek savienoti ar aizsargzemejuma ķēdi.** Neizmainītas konstrukcijas kontaktdakša, kas piemērota kontaktlīdždai, ļauj samazināt elektriskā trieciena saņemšanas risku.
- Darba laikā nepieskarieties uzņemtiem priekšmetiem, piemēram, caurulēm, radiatoriem, plītiņiem vai ledusskapjiem.** Pieskaroties uzņemtiem virsmām, pieaug risks saņemt elektrisko triecienu.
- Nelietojiet elektroinstrumentu lietus laikā, neturiet to mitrumā.** Mitrumam iekļūstot instrumentā, pieaug risks saņemt elektrisko triecienu.
- Nenesiet un nepiekariet elektroinstrumentu aiz elektrokabeļa. Neraujiet aiz kabeļa, ja vēlaties atvienot instrumentu no elektrotīkla kontaktlīdždas. Sargājiet elektrokabeli no karstuma, eļļas, asām šķautnēm un instrumenta kustīgajām daļām.** Bojāts vai samezģojies elektrokabelis var būt par cēloni elektriskajam triecienam.
- Darbinot elektroinstrumentu ārpus telpām, izmantojiet tā pievienošanai vienīgi tādus pagarinātājkabeļus, kuru lietošana ārpus telpām ir atļauta.** Lietojot elektrokabeli, kas piemērots darbam ārpus telpām, samazinās risks saņemt elektrisko triecienu.
- Ja elektroinstrumentu tomēr nepieciešams lietot vietās ar paaugstinātu mitrumu, izmantojiet tā pievienošanai noplūdes strāvas aizsargreleju.** Lietojot noplūdes strāvas aizsargreleju, samazinās risks saņemt elektrisko triecienu.

3) PERSONISKĀ DROŠĪBA

- Darba laikā saglabājiet paškontroli un rīkojieties saskaņā ar veselo saprātu. Pārtrauciet darbu, ja jūtaties noguris vai atrodieties alkohola, narkotiku vai medikamentu izraisītā reibumā.** Strādājot ar elektroinstrumentu, pat viens neuzmanības mirklis var būt par cēloni nopietnam savainojumam.
- Izmantojiet individuālos darba aizsardzības līdzekļus un darba laikā vienmēr nēsājiet aizsargbrilles.** Individuālo darba aizsardzības līdzekļu (putekļu maskas, neslīdošu apavu un aizsargķiveres vai ausu aizsargu) pielietošana atbilstoši elektroinstrumenta tipam un veicamā darba raksturam ļauj izvairīties no savainojumiem.
- Nepieļaujiet elektroinstrumenta patvaļīgu ieslēgšanos. Pirms elektroinstrumenta pievienošanas elektrotīklam, akumulatora ievietošanas vai izņemšanas, kā arī pirms elektroinstrumenta pārņemšanas pārliecinieties, ka tas ir izslēgts.** Pārnesot elektroinstrumentu, ja pirksts atrodas uz ieslēdzēja, kā arī pievienojot to elektrobarošanas avotam laikā, kad elektroinstrumenti ir ieslēgts, var viegli notikt nelaimes gadījums.
- Pirms instrumenta ieslēgšanas neaizmirstiet izņemt no tā regulējošos instrumentus vai skrūvjatslēgas.** Patronatslēga vai skrūvjatslēga, kas instrumenta ieslēgšanas brīdī nav izņemta no tā, var radīt savainojumu.
- Strādājot ar elektroinstrumentu, ieturiet stingru stāju.** Darba laikā vienmēr saglabājiet līdzsvaru un centieties nepaslidēt. Tas atvieglos instrumenta vadību neparedzētās situācijās.
- Izvēlieties darbam piemērotu apģērbu.** Darba laikā nenēsājiet brīvi plandošas drēbes un rotaslietas. Netuviniet matus, apģērbu un aizsargcimdus instrumenta kustīgajām daļām. Valīgas drēbes, rotaslietas un garī mati var iekerties instrumenta kustīgajās daļās.
- Ja elektroinstrumenta konstrukcija ļauj tam pievienot ārējo putekļu uzsūkšanas vai savākšanas/uzkrāšanas ierīci, sekojiēt, lai tā tiktu pievienota elektroinstrumentam un pareizi darbotos.** Pielietojot putekļu uzsūkšanu vai savākšanu/uzkrāšanu, samazinās to kaitīgā ietekme uz strādājošās personas veselību.
- ELEKTROINSTRUMENTU LIETOŠANA UN APKOPE**
 - Nepārslogojiet elektroinstrumentu. Katram darbam izvēlieties piemērotu instrumentu.** Elektroinstrumenti darbosies labāk un drošāk pie nominālās slodzes.
 - Nelietojiet elektroinstrumentu, ja ir bojāts tā ieslēdzējs.** Elektroinstrumenti, ko nevar ieslēgt, ir bīstami lietošanai un to nepieciešams remontēt.
 - Pirms elektroinstrumenta apmaksas, regulēšanas vai darbinstrumenta nomaņas atvienojiet tā kontaktdakšu no barojošā elektrotīkla vai izņemiet no tā akumulatoru.** Šādi iespējams samazināt elektroinstrumenta nejaucas ieslēgšanas risku.
 - Elektroinstrumentu, kas netiek darbināts, uzglabājiet piemērotā vietā, kur tas nav sasniedzams bērniem un personām, kuras neprot rīkoties ar instrumentu.** Ja elektroinstrumentu lieto nekompetentas personas, tas var apdraudēt cilvēku veselību.
 - Rūpīgi veiciet elektroinstrumenta apkalpošanu.** Pārbaudiet, vai kustīgās daļas darbojas bez traucējumiem un nav iespīlētas, vai kāda no daļām nav salauzta vai bojāta, vai katra no tām pareizi funkcionē

un pilda tai paredzēto uzdevumu. **Nodrošiniet, lai bojātās daļas tiktu savlaicīgi nomainītas vai remontētas pilnvarotā remontu darbnīcā.** Daudzi nelaimes gadījumi notiek tāpēc, ka elektroinstrumentus pirms lietošanas nav pienācīgi apkalpojis.

- f) **Savlaicīgi notīriet un uzasiniet griezošos darbinstrumentus.** Rūpīgi kopti instrumenti, kas apgādāti ar asiem griezējinstrumentiem, ļauj strādāt daudz ražīgāk un ir vieglāk vadāmi.
- g) **Lietojiet vienīgi tādas elektroinstrumentus, papildpiederumus, darbinstrumentus utt., kas paredzēti attiecīgajam pielietojuma veidam. Bez tam jāņem vērā arī konkrētie darba apstākļi un pielietojuma īpatnības.** Elektroinstrumentu lietošana citiem mērķiem, nekā to ir paredzējusi ražotājfirma, ir bīstama un var novest pie neparedzamām sekām.

5) AKUMULATORA ELEKTROINSTRUMENTU LIETOŠANA

- a) **Akumulatora uzlādei lietojiet tikai tādu uzlādes ierīci, ko ir ieteikusi elektroinstrumenta ražotājfirma.** Katra uzlādes ierīce ir paredzēta tikai noteikta tipa akumulatoram, un mēģinājums to lietot cita tipa akumulatoru uzlādei var novest pie uzlādes ierīces un/vai akumulatora aizdegšanās.
- b) **Pievienojiet elektroinstrumentam tikai tādu akumulatoru, ko ir ieteikusi instrumenta ražotājfirma.** Cita tipa akumulatoru lietošana var novest pie elektroinstrumenta un/vai akumulatora aizdegšanās.
- c) **Laikā, kad akumulators ir atvienots no elektroinstrumenta, nepieļaujiet, lai tā kontakti saskartos ar saspрудēm, monētām, atslēgām, naglām, skrūvēm vai citiem nelieļiem metāla priekšmetiem, kas varētu izraisīt īsslēgumu.** Īsslēgums starp akumulatora kontaktiem var izsaukt tā aizdegšanos un būt par cēloni ugunsgrēkam.
- d) **Nepareizi lietojot akumulatoru, no tā var izplūst šķidrās elektrolīts. Nepieļaujiet, ka elektrolīts nonāktu saskarē ar ādu. Ja tas tomēr nejausi ir noticis, noskalojiet elektrolītu ar ūdeni. Ja elektrolīts nonāk acīs, nekavējoties griezieties pie ārsta.** No akumulatora izplūdušais elektrolīts var izsaukt ādas iekaisumu vai pat apdegumu.

6) APKALPOŠANA

- a) **Nodrošiniet, lai Instrumenta remontu veiktu kvalificēts personāls, nomainīti izmantojot oriģinālās rezerves daļas un piederumus.** Tikai tā iespējams panākt instrumenta ilgstošu un nevainojamu darbību bez atteikumiem.

DARBA DROŠĪBAS NOTEIKUMI, LIETOJOT HERMĒTIKU PISTOLES AR AKUMULATORU

- Vienmēr pārliecinieties, ka spriegums, kas uzrādīts uz uzlādes ierīces marķējuma plāksnītes, atbilst padeves spriegumam elektrotīklā (230V vai 240V spriegumam paredzētie uzlādes ierīces var darboties arī no 220V elektrotīkla)
- Mehāniska vai elektriska rakstura kļūmes gadījumā nekavējoties izslēdziet instrumentu vai atvienojiet uzlādes ierīci no barojošā elektrotīkla
- SKIL garantē instrumenta nevainojamu darbību tikai tad, ja tiek lietoti pareizi izvēlēti papildpiederumi, kas iegādāti pie SKIL oficiālā izplatītāja

- Instrumentu un uzlādes ierīci nav paredzēts izmantot personām (tostarp bērniem) ar ierobežotām fiziskām, uztveres vai garīgām spējām, kā arī personām, kam trūkst vajadzīgās pieredzes un zināšanu, ja vien persona, kas atbild par drošību, viņus neuzrauga vai nesniedz norādījumus par instrumenta vai uzlādes ierīces lietošanu
- Sekojiet, lai bērni nerotaļātos ar instrumentu vai uzlādes ierīci

UZLĀDE/AKUMULATORI

- Akumulatoru uzlādēšanai izmantojiet tikai šim nolūkam paredzēto uzlādes ierīci, kas ietilpst instrumenta piegādes komplektā
- Nepieskarieties uzlādes ierīces kontaktspailēm
- Neuzlādējiet akumulatoru mitrā vai miklā vidē
- Neatstājiet instrumentu, uzlādes ierīci vai akumulatoru lietū
- Uzglabājiet instrumentu, uzlādes ierīci un akumulatoru vietā, kur temperatūra nepārsniedz 40°C un nav zemāka par 0°C
- Nekādā gadījumā neievietojiet akumulatoru ugunī, jo tas var izraisīt sprādzienu
- Nelietojiet bojātu uzlādes ierīci, bet nododiet to pārbaudei firmas SKIL pilnvarotā apkopes un remonta darbnīcā
- Nelietojiet uzlādes ierīci, ja ir bojāts tās elektrokabelis vai kontaktdakša, bet nekavējoties nomainiet bojāto daļu firmas SKIL pilnvarotā apkopes un remonta darbnīcā
- Nelietojiet bojātu akumulatoru; tas nekavējoties jānomaina
- Nemēģiniet izjaukt uzlādes ierīci vai atvērt akumulatora korpusu
- Nemēģiniet uzlādēt elektrobarošanas elementus, kas nav paredzēti atkārtotai uzlādēšanai

UZ UZLĀDES IERĪCES/AKUMULATORA SIMBOLU SKAIDROJUMS

- ④ Uzlādes ierīci drīkst lietot tikai telpās
- ⑤ Divkārsa izolācija (nav jālieto zemējuma vads)
- ⑥ Drošības pārveidotājs ar norobežošanas funkciju (barošanas avots ir elektriski atdalīts no pārveidotāja izejas)
- ⑦ Automātisks izslēdzējs gadījumā, ja lādētājs kļūst pārāk karsts (termodrošinātājs tiek izsists un lādētājs kļūst nelietojams)
- ⑧ Lādētāja savienojuma nepareiza polaritāte var nodarīt kaitējumu (lādējiet akumulatoru tikai ar komplektācijā esošo lādētāju)
- ⑨ Neizmetiet nolietoto uzlādes ierīci sadzīves atkritumu tvertnē
- ⑩ Neizmetiet nolietoto akumulatoru sadzīves atkritumu tvertnē
- ⑪ NiMH tehnoloģija nodrošina vairāk enerģijas, ievērojami mazāk piesārņojot vidi

DARBS


- Akumulatora uzlādēšana ⑫
 - jauna instrumenta akumulators parasti nav pilnībā uzlādēts
 - ! **pēc uzlādes beigām izņemiet akumulatoru no uzlādes ierīces, jo šādi palielinās akumulatora kalpošanas laiks**
- SVARĪGI NORĀDĪJUMI:
 - pēc 3 stundām akumulatora uzlāde ir pabeigta un to var sākt izmantot pat tad, **ja sarkanais indikators vēl turpina degt** (lai nodzistu sarkanais indikators, var būt nepieciešams vairāk par 3 stundām)

- uzlādes laikā uzlādes ierīce un akumulators var nedaudz uzsilt; tas ir normāli un neliecina par bojājumu
- pirms akumulatora ievietošanas uzlādes ierīcē pārliecinieties, ka tā ārējā virsma ir tīra un sausa
- neveiciet akumulatora uzlādi, ja gaisa temperatūra ir zemāka par 0 °C vai augstāka par 40 °C; tas var radīt akumulatora un uzlādes ierīces nopietnus bojājumus
- neizņemiet akumulatoru no instrumenta laikā, kad tas darbojas
- ! **jaunam vai ilgāku laiku nelielotam akumulatoram ietilpība pilnībā atjaunojas tikai pēc aptuveni 5 uzlādes/izlādes cikliem**
- necentieties akumulatoru uzlādēt atkārtoti jau pēc dažu minūšu darba, jo pretējā gadījumā var samazināties akumulatora kalpošanas ilgums un darbaspēja
- nolieciet niķeļa-metālhidrīda akumulatori jāsavāc un jānogādā otrreizējai pārstrādei atsevišķi, tos nedrīkst izmest kopā ar sadzīves atkritumiem (īpašs simbols ⑩) a atgādina par nepieciešamību tos utilizēt videi nekaitīgā veidā)
- ! **pirms akumulatora utilizācijas tā kontakti jāaplīmē ar izolācijas lenti, lai nepieļautu īssavienojuma rašanos starp tiem**
- ja ir paredzams, ka instruments ilgāku laiku netiks izmantots, uzlādes ierīces elektrokabelis jāatvieno no barojošā elektrotīkla
- Kasetņu ievietošana ⑬
 - atveriet standarta kasetni ar asu nazi
 - uzlieciet atvērtajamai kasetnei uzgali
 - nogrieziet vismaz 2 cm no uzgaļa gala 45° leņķī tā, lai atvere būtu pietiekami liela arī, izmantojot lielāko ātruma iestatījumu
 - pabīdīet slēdzi A pa kreisi
 - bīdīet virzuli B uz sākuma stāvokli, līdz tas ar klikšķi nofiksējas (ja tas nefiksējas ar klikšķi, tad vēlāk virzulis, iespējams, nedarbosies pareizi)
 - atveriet kasetnes vāciņu C
 - bīdīet kasetni atbalsta ietvarā D, līdz tās dibens sasniedz ietvara galu
 - aizveriet kasetnes fiksatoru C
- Ieslēgšana/izslēgšana ⑭
 - pabīdīet slēdzi A pa labi, lai atbloķētu slēdža mēlīti E
 - ieslēdziet vai izslēdziet instrumentu, nospiežot vai atlaižot slēdža mēlīti E
 - instruments automātiski izslēdzas, kad kasetne ir tukša
 - ! **pēc katras lietošanas reizes pārliecinieties, vai slēdzis A ir bloķēts stāvoklī ⑬**
- Ātruma regulēšana ⑮
 - ar ripu F var regulēt hermētiķa plūsmu (ripi ir 6 stāvokļi)
 - pirms darba sākšanas atrodiet optimālo ātrumu, veicot izmēģinājumu uz kāda materiāla pārpalikuma
 - ! **ja instruments nestrādā, kad ripa F ir stāvoklī 1, regulējiet ātrumu, vienlaikus nospiežot slēdža mēlīti E ②, līdz atrodāt optimālo iestatījumu**
- Hermētiķa uzklāšana ⑰
 - pārliecinieties, vai virsma, uz kuras jāklāj hermētiķis, ir tīra un sausa (ja uz virsmas iepriekš ir bijis uzklāts hermētiķis, noņemiet to)
 - pabīdīet slēdzi A pa labi un nospiediet slēdža mēlīti E, lai sāktu klāt hermētiķi
 - turiet instrumentu nelielā leņķī un vienmērīgā tempā uzmanīgi pārvietojiet gar aizpildāmo spraugu/plaisu, turot nospiešot slēdža mēlīti E
 - pārliecinieties, vai hermētiķis saskaras ar abām apstrādājamajam virsmām
 - atļaidiet slēdža mēlīti E, lai pārtrauktu hermētiķa plūsmu
 - lai hermētiķis neizplūstu bez vajadzības, pēc slēdža mēlītes E atlaišanas nekavējoties pabīdīet slēdzi A pa kreisi
 - velciet ar samitrinātu pirkstu pa uzklāto hermētiķi un notīriet lieko hermētiķi, izmantojot tīru, mitru drāniņu
 - ! **notīriet hermētiķa pārpalikumu no kasetnes uzgaļa un atbalsta ietvara**
 - Elektroniskā aizsardzība pret pārslodzi
 - Automātiski aptur motoru, ja uz kasetni tiek izdarīts pārmērīgs spiediens, tādējādi pasargājot instrumentu un kasetni no bojājumiem
 - atļaidiet slēdža mēlīti E
 - 5 sekundes nogaidiet elektronikas atiestati
 - nospiediet slēdža mēlīti E
 - ja motors atkal apstājas, pagrieziet ripu F vidējā stāvoklī un no jauna nospiediet slēdža mēlīti E
 - Lai izvairītos no pārslodzes, vienmēr pārliecinieties, vai
 - no uzgaļa ir nogriezti vismaz 2 cm
 - no uzgaļa ir notīrīts sacietējušais materiāls
 - kasetne nav bojāta vai sasalusi
 - hermētiķis nav iekļuvis atbalsta ietvarā
 - ir izvēlēts mazākais iespējamais ātruma iestatījums
 - Problēmu novēršana
 - Gadījumā, ja hermētiķa uzklāšanas laikā virzulis B ② pārstāj virzīties uz priekšu
 - izslēdziet instrumentu
 - izņemiet kasetni no atbalsta ietvara D ②
 - pabīdīet slēdzi A ② pa kreisi
 - ! **bīdīet virzuli B uz sākuma stāvokli, līdz tas ar klikšķi nofiksējas**
 - vēlreiz ievietojiet kasetni
 - pabīdīet slēdzi A pa labi
 - nospiediet slēdža mēlīti E ②, lai turpinātu uzklāt hermētiķi

APKALPOŠANA / APKOPE

- Uzturiet tīru instrumentu un uzlādes ierīci
 - notīriet uzlādes ierīces kontaktspailes ar spirtu vai speciālo kontaktu tīrīšanas līdzekli
 - ! **pirms uzlādes ierīces tīrīšanas atvienojiet to no elektrotīkla**
- Rūpējieties, lai atbalsta ietvars D ② būtu tīrs no hermētiķa pārpalikumiem, izmantojot tīru, mitru drāniņu
- Ja, neraugoties uz augsto izgatavošanas kvalitāti un rūpīgo pārbaudīšanu pārbaužu, instruments vai uzlādes ierīce tomēr sabojājas, tas jānogādā remontam firmas SKIL pilnvarotā elektroinstrumentu remonta darbnīcā
 - nogādājiet instrumentu vai uzlādes ierīci **neizjauktā veidā** kopā ar iegādes dokumentiem tuvākajā tirdzniecības vietā vai firmas SKIL pilnvarotā pēciegādes apkalpošanas un remonta iestādē (adreses un instrumenta apkalpošanas shēma ir sniegta interneta vietnē www.skilmasters.com)
 - defektīva lādētāja gadījumā nosūtiet **gan lādētāju, gan akumulatoru** savam izplatītājam vai SKIL apkopes centram

APKĀRTĒJĀS VIDES AIZSARDZĪBA

- Neizmetiet elektroiekārtas, piederumus un iesaiņojuma materiālus sadzīves atkritumos (tikai ES valstīm)
 - saskaņā ar Eiropas Savienības direktīvu 2012/19/ES par nolietotajām elektriskajām un elektroniskajām iekārtām un tās atspoguļojumiem nacionālajā likumdošanā, nolietotās elektroiekārtas ir jāsavāc, jāizjauc un jānogādā atbilstoši pārstrādei apkārtējai videi nekaitīgā veidā
 - īpašs simbols  atgādina par nepieciešamību izstrādājumus izmantot videi nekaitīgā veidā

ATBILSTĪBAS DEKLARĀCIJA

- Mēs ar pilnu atbildību paziņojam, ka sadaļā "Tehniskie parametri" aprakstītais izstrādājums atbilst šādiem standartiem vai normatīvajiem dokumentiem: EN 60335, EN 61000, EN 60745, EN 55014, kā arī direktīvām 2006/95/EK, 2004/108/EK, 2006/42/EK, 2011/65/ES
- Tehniskā dokumentācija no: SKIL Europe BV (PT-SEU/ENG1), 4825 BD Breda, NL

Marijn van der Hoofden
Operations & Engineering

Olaf Dijkgraaf
Approval Manager



SKIL Europe BV, 4825 BD Breda, NL

13.08.2014


TROKSNIS/VIBRĀCIJA

- Saskaņā ar standartu EN 60745 noteiktais instrumenta radītā trokšņa skaņas spiediena līmenis ir <70 dB(A) (pie tipiskās izkliedes 3 dB) un vibrācijas paātrinājums ir <2,5 m/s² (roku-delnu metode; izkliede K = 1,5 m/s²)
 - Vibrācijas līmenis ir noteikts, izmantojot standartā EN 60745 paredzēto procedūru; to var izmantot, lai salīdzinātu instrumentus un provizoriski izvērtētu vibrācijas iedarbību, lietojot instrumentu minētajiem mērķiem
 - instrumenta izmantošana citiem mērķiem vai ar citiem vai nepietiekami koptiem piederumiem var ievērojami palielināt kopējo vibrācijas iedarbības pakāpi
 - laika periodi, kad instruments ir izslēgts vai arī ir ieslēgts, taču darbs ar to nenotiek, var ievērojami samazināt kopējo vibrācijas iedarbības pakāpi
- ! pasargājiet sevi no vibrācijas iedarbības, veicot instrumenta un tā piederumu tehnisko apkopi, novēršot roku atdzišanu un pareizi organizējot darbu**

LT

Belaidis sandarinimo pistoletas 2055

ĪVADAS

- Šis prietaiss skirts sandarikliui purkšti iš standartiniu kasečių
- Perskaitykite ir išsaugokite šią naudojimo instrukciją 


TECHNINIAI DUOMENYS

PRIETAISO ELEMENTAI

- A Daugiafunkcis jungiklis
- B Sklandinis stūmoklis
- C Kasetės dangtelis
- D Vežimėlio korpusas
- E Gaiduko jungiklis
- F Greičio pasirinkimo ratukas

SAUGA

BENDROSIOS DARBO SAUGOS NUORODOS

 DĖMESIO! Perskaitykite visas šias saugos nuorodas ir reikalavimus. Jei nepaisysite žemiau pateiktų saugos nuorodų ir reikalavimų, gali trenkti elektros smūgis, kilti gaisras ir/arba galite sunkiai susižaloti arba sužaloti kitus asmenis. **Išsaugokite šias saugos nuorodas ir reikalavimus, kad ir ateityje galėtumėte jais pasinaudoti.** Toliau pateiktame tekste vartojama sąvoka "elektrinis įrankis" apibūdina įrankius, maitinamus iš elektros tinklo (su maitinimo laidu), ir akumulatorinius įrankius (be maitinimo laido).

1) DARBO VIETOS SAUGUMAS

- a) Darbo vieta turi būti švari ir tvarkinga. Tinkama ar blogai apšviesta darbo vieta gali tapti nelaimingų atsitikimų priežastimi.
- b) Nedirbkite tokioje aplinkoje, kur yra degių skysčių, dujų ar dulkių. Elektriniai įrankiai gali kibirkščiuoti, o nuo kibirkščių dulkės arba susikaupę garai gali užsidegti.
- c) Dirbdami su elektriniu įrankiu neleiskite šalia būti žiūrovams, vaikams ir lankytojams. Nukreipę dėmesį į kitus asmenis galite nebesuvaldyti prietaiso.

2) ELEKTROSAUGA

- a) Maitinimo laido kištukas turi atitikti tinklo rozetės tipą. Kištuko jokiū būdu negalima modifikuoti. Nenaudokite jokiū kištuko adapterių su žemintais prietaisais. Originalūs kištukai, tiksliai tinkantys elektros tinklo rozetei, sumažina elektros smūgio pavojų.
- b) Venkite kūno kontakto su žemintais paviršiais, tokiais kaip vamzdžiai, šildytuvai, viryklės ar šaldytuvai. Egzistuoja padidinta elektros smūgio rizika, jei Jūsų kūnas bus žemintas.
- c) Saugokite prietaisą nuo lietaus ir drėgmės. Jei vanduo patenka į elektrinį prietaisą, padidėja elektros smūgio rizika.
- d) Nenaudokite maitinimo laido ne pagal paskirtį, t. y. neneškite prietaiso paėmę už laido, nekabinkite prietaiso už laido, netraukite už jo, norėdami išjungti kištuką iš rozetės. Laidą klokite taip, kad jo neveiktų karštis, jis neišsitemptų alyva ir jo nepažeistų aštrios detalės ar judančios prietaiso dalys. Pažeisti arba susipynę laidai gali tapti elektros smūgio priežastimi.
- e) Jei su elektriniu įrankiu dirbate lauke, naudokite tik tokius ilginimo kabelius, kurie tinka lauko darbams. Naudojant lauko darbams pritaikytus ilginimo kabelius, sumažinamas elektros smūgio pavojus.
- f) Jei su elektriniu įrankiu neišvengiamai reikia dirbti drėgnoje aplinkoje, naudokite žemimo grandinės pertraukiklį. Naudojant žemimo grandinės pertraukiklį, sumažėja elektros smūgio pavojus.

3) ŽMONIŲ SAUGA

- a) **Būkite atidūs, sutelkite dėmesį į tai, ką Jūs darote ir, dirbdami su elektriniu įrankiu, vadovaukitės sveiku protu. Nedirbkite su prietaisu, jei esate pavargę arba vartojote narkotikus, alkoholį ar medikamentus.** Akimirksnio neatidumas naudojant prietaisą gali tapti rimtų sužalojimų priežastimi.
 - b) **Naudokite asmenines apsaugos priemones ir visuomet užsidėkite apsauginius akinius.** Naudojant asmenines apsaugos priemones, pvz., respiratorių ar apsauginę kaukę, neslystantčius batus, apsauginį šalną, klausos apsaugos priemonės ir kt., rekomenduojamas dirbant su tam tikros rūšies įrankiais, sumažėja rizika susižeisti.
 - c) **Saugokitės, kad neįjungtumėte prietaiso atsitiktinai. Prieš prijungdami elektrinį įrankį prie elektros tinklo ir/arba akumulatoriaus, prieš pakeldami ar nešdami įsitikinkite, kad jis yra išjungtas.** Jeigu nešdami elektrinį įrankį pirštą laikysite ant jungiklio arba prietaisą įjungsite į elektros tinklą, kai jungiklis yra įjungtas, gali įvykti nelaimingas atsitikimas.
 - d) **Prieš įjungdami prietaisą pašalinkite reguliavimo įrankius arba veržlių raktus.** Prietaiso besisukančioje dalyje esantis įrankis ar raktas gali tapti sužalojimų priežastimi.
 - e) **Nepervertinkite savo galimybių. Dirbdami atsistokite patikimai ir visada išlaikykite pusiausvyrą.** Patikima stovėseną ir tinkamą kūno laikyseną leis geriau kontroliuoti prietaisą netikėtose situacijose.
 - f) **Dėvėkite tinkamą aprangą. Nedėvėkite plačių drabužių ir papuošalų. Saugokite plaukus, drabužius ir pirštines nuo besisukančių prietaiso dalių.** Laisvus drabužius, papuošalus bei ilgus plaukus gali įtraukti besisukančios dalys.
 - g) **Jei yra numatyta galimybė prijungti dulkių nusiurbimo ar surinkimo įrenginius, visada įsitikinkite, ar jie yra prijungti ir ar teisingai naudojami.** Naudojant dulkių nusiurbimo įrenginius sumažėja kenksmingas dulkių poveikis.
- ### 4) RŪPESTINGA ELEKTRINIŲ ĮRANKIŲ PRIEŽIŪRA IR NAUDOJIMAS
- a) **Neperkraukite prietaiso. Naudokite Jūsų darbui tinkamą elektrinį įrankį.** Su tinkamu elektriniu įrankiu Jūs dirbsite geriau ir saugiau, jei neviršysite nurodyto galingumo.
 - b) **Nenaudokite elektrinio įrankio su sugedusiu jungikliu.** Elektrinis įrankis, kurio nebegalima įjungti ar išjungti, yra pavojingas ir jį reikia remontuoti.
 - c) **Prieš reguliuodami prietaisą, keisdami darbo įrankius ar prieš valydami prietaisą, iš elektros tinklo lizdo ištraukite kištuką ir/arba išimkite akumuliatorių.** Ši saugumo priemonė apsaugos jus nuo netikėto prietaiso įsijungimo.
 - d) **Nenaudojama prietaisą sandėliuokite vaikams ir nemokamiems juo naudotis asmenims neprieinamoje vietoje.** Elektriniai įrankiai yra pavojingi, kai juos naudoja nepatyrę asmenys.
 - e) **Rūpestingai prižiūrėkite prietaisą. Tikrinkite, ar besisukančios prietaiso dalys tinkamai veikia ir niekur neklūva, ar nėra sulūžusių ar šiaip pažeistų dalių, kurios įtakotų prietaiso veikimą.** Prieš vėl naudojant prietaisą pažeistos prietaiso dalys turi būti suremontuotos. Daugelio nelaimingų atsitikimų priežastis yra blogai prižiūrimi elektriniai įrankiai.

- f) **Pjovimo įrankiai turi būti aštrūs ir švarūs.** Rūpestingai prižiūrėti pjovimo įrankiai su aštriomis pjaunamosiomis briaunomis mažiau stringa ir juos yra lengviau valdyti.
- g) **Elektrinį įrankį, papildomą įrangą, darbo įrankius ir t. t. naudokite taip, kaip nurodyta šioje instrukcijoje.** Taip pat atsižvelkite į darbo sąlygas bei atliekamo darbo pobūdį. Naudojant elektrinius įrankius ne pagal jų paskirtį galima sukelti pavojingas situacijas.

5) RŪPESTINGA AKUMULIATORINIŲ ĮRANKIŲ PRIEŽIŪRA IR NAUDOJIMAS

- a) **Akumulatoriaus krovimui naudoti tik tuos įkroviklius, kuriuos rekomenduoja gamintojas.** Naudojant kitokio tipo akumulatoriams skirtą įkroviklį, kyla gaisro pavojus.
 - b) **Su prietaisu galima naudoti tik jam skirtą akumuliatorių.** Naudojant kitokius akumulatorius atsiranda pavojus susižeisti bei sukelti gaisrą.
 - c) **Nelaiikykite sąvaržėlių, monetų, raktų, vinių, varžtų ar kitokių metalinių daiktų arti ištraukto iš instrumento akumulatoriaus kontaktų.** Užtrumpinus akumulatoriaus kontaktus galima nusidėginti ar sukelti gaisrą.
 - d) **Netinkamai naudojant akumuliatorių, iš jo gali ištėkėti skystis. Venkite kontakto su šiuo skystčiu. Jei skystis pateko ant odos, nuplaukite jį vandeniu, jei pateko į akis - nedelsiant kreipkitės į gydytoją.** Akumulatoriaus skystis gali sukelti odos sudirginimą ar nudegimus.
- ### 6) APTARNAVIMAS
- a) **Prietaisą turi remontuoti tik kvalifikuotas specialistas ir naudoti tik originalias atsargines dalis.** Taip galima garantuoti, jog prietaisas išliks saugus.

SAUGOS NUORODOS DIRBANTIEMS SU BELAIDŽIO SANDARINIMO PISTOLETO

- Visada patikrinkite, ar elektros tinklo įtampa sutampa su įtampos dydžiu, nurodytu įkroviklio vardiniėje lentelėje (230V ar 240V pažymėtus įkroviklius galima įjungti į 220V įtampos tinklą)
 - Jeigu pajutote, kad prietaisas veikia ne taip, kaip visada, arba girdisi nebūdingi garsai, tuojau pat jį išjunkite ir ištraukite kištuką iš elektros tinklo lizdo
 - SKIL gali garantuoti neprikaištingą prietaiso veikimą tik tuo atveju, jei naudojama tinkama papildoma įranga ir priedai, kuriuos galite įsigyti įgaliotųjų SKIL atstovų parduotuvėse
 - Prietaisas/įkroviklis nėra skirtas naudotis asmenims (įskaitant vaikus), kurie turi menkus fizinius, jutimą ar psichikos sugebėjimus arba kurie stokoja patirties ir žinių; tokius asmenis turi prižiūrėti už jų saugą atsakingas asmuo arba jis turi jiems suteikti instrukcijas dėl prietaiso/įkroviklio naudojimo
 - Pasirūpinkite, kad vaikai nežaistų su prietaisu/įkrovikliu
- ### ĮKROVIMAS/AKUMULIATORIAI
- Akumuliatorių įkraukite tik komplekte esančiu įkrovikliu
 - Nelieskite įkroviklio kontaktų
 - Niekada nekraukite baterijų drėgnoje arba šlapioje aplinkoje
 - Jokiu būdu nepalikite prietaiso, akumuliatorių įkroviklio ar akumuliatorių lietuje
 - Patalpos, kurioje laikomas prietaisas, akumuliatorių įkroviklis ar akumuliatorius, temperatūra neturi viršyti 40°C ir neturi būti žemesnė, nei 0°C
 - Įmesti į ugnį akumuliatoriai sprogs, jų nedeginkite jokiais šmetimais
 - Nenaudokite pažeistų ar sugedusių įkroviklių; atneškite įkroviklį patikrinti į įgaliotą SKIL įrankių taisyklą

- Jei elektros laidas arba kištukas yra pažeisti, nenaudokite kroviklio, bet pakeiskite laidą ar kištuką, arba kreipkitės į SKIL įgaliotą įrankių taisyklą
- Nenaudokite pažeistų akumuliatorių baterijų, jas būtina tuoj pat pakeisti
- Nemėginkite ardyti akumuliatorių baterijos ar kroviklio
- Nemėginkite akumuliatorių krovikliu krauti baterijų, kurias įkrauti draudžiama

ANT ĮKROVIKLIO/AKUMULIATORIAUS ESANČIŲ SIMBOLIŲ REIKŠMĖS

- ④ Įkroviklį naudokite tik patalpoje
- ⑤ Dviguba izoliacija (įžeminimo laido nereikia)
- ⑥ Gedimo atveju saugus izoliacinis transformatorius (energijos šaltinis elektros tiekimo požiriu atskiriamas nuo transformatoriaus išvado)
- ⑦ Automatinis išjungimas perkaitus įkrovikliui (šiluminis saugiklis išsilydo ir įkroviklis tampa nebetinkamas naudoti)
- ⑧ Neteisingas įkroviklio jungties poliarizumas gali kelti pavojų (akumuliatorių kraukite tik patiekto įkrovikliu)
- ⑨ Nemeskite kroviklio į buitinių atliekų konteinerius
- ⑩ Nemeskite bateriją į buitinių atliekų konteinerius
- ⑪ Nikelio/metalų hidrido technologija užtikrina daugiau energijos ir mažiau kenkia aplinkai

NAUDOJIMAS

- Baterijos įkrovimas ⑫
 - nauji prietaisų akumuliatoriai nėra įkrauti
- ! baigę krauti, iš karto išimkite bateriją iš kroviklio; tuomet ji ilgiau tarnaus**

SVARBI INFORMACIJA:

- po maždaug 3 valandų baterija bus įkrauta ir ją bus galima naudoti, **net jei tebedega raudona lemputė** (kad nustotų degti raudona lemputė, kartais gali prireikti daugiau nei 3 valandų)
 - krovimo metu akumuliatorius ir kroviklis įkaista; tai yra normalus reiškinys, nesusijęs su kokių nors prietaiso gedimu
 - prieš įdėdami bateriją į kroviklį patikrinkite, ar jos paviršius švarus ir sausas
 - nekraukite baterijos, jei aplinkos temperatūra didesnė, nei 40°C ar žemesnė, nei 0°C; galite sugadinti kroviklį ir bateriją
 - draudžiama išimti bateriją iš veikiančio prietaiso
- ! naujas arba ilgą laiką nenaudotas akumuliatorius visą galiojamą išvystys tik po maždaug 5 įkrovimo/iškrovimo ciklų**
- nereikia iš naujo krauti baterijos kiekvieną kartą trumpai padirbus su prietaisu, nes trumpėja jos tarnavimo laikas
 - nikelio metalo hidrido baterijos negalima išmesti kartu su buitinėmis atliekomis, ją reikia atiduoti sunaikinimui ar perdirbimui pagal galiojančių įstatymų reikalavimus (apie tai primins simbolis ⑩)
- ! prieš išmesdami bateriją apvyniokite jos galus, kad netyčia nekiltų paviršinio nuotėkio srovė**
- jei ilgą laiką nenaudojate prietaiso, ištraukite baterijos kroviklio kištuką iš elektros lizdo
- Kasetės pripildymas ⑬
 - pagalbinio peiliu atidarykite standartinę kasetę
 - atidarytos kasetės viršuje pritvirtinkite antgalį
 - nukirpkite antgalio galiuką (mažiausiai 2 cm) 45° kampu, kad naudojant didžiausio greičio nustatymą skylė būtų pakankamai plati

- pastumkite jungiklį A į kairę
 - stumkite sklandinį stūmoklį B į pradinę padėtį, kol jis spragtelėjęs užsifiksuos (jei sklandinis stūmoklis sugedęs, jo užfiksuoti negalėsite)
 - atidarykite kasetės dangtelį C
 - įdėkite kasetę taip, kad jos pagrindas liestų vežimėlio korpuso D galą
 - uždarykite kasetės dangtelį C
- Jungimas/išjungimas ⑭
 - pastumdami jungiklį A į dešinę atblokuokite gaiduko jungiklį E
 - prietaisą įjunkite arba išjunkite paspausdami arba atleisdami gaiduko jungiklį E
 - kasetei ištuštėjus prietaisas išsijungia automatiškai
- ! įsitinkinkite, kad kiekvieną kartą panaudojus jungiklis A yra užrakto pozicijoje ⑮**
- Kintamas greitis ⑯
 - ratuku F galima reguliuoti sandariklio srovę (6 pozicijos)
 - prieš pradėdami darbą optimalų greitį nustatykite naudodami atsarginę medžiagą
- ! jei prietaisas neveikia ratuką F pasukus į 1 poziciją, greitį reguliuokite spausdami gaiduko jungiklį E ②, kol nustatymas taps optimalus**
- Sandariklio purškimas ⑰
 - patikrinkite, ar sandarinamas plotas švarus ir sausas (jei reikia, pašalinkite seną sandariklį)
 - pastūmę jungiklį A į dešinę, paspausdami gaiduko jungiklį E paleiskite sandariklio srovę
 - prietaisą pakreipkite nedideliu kampu ir neskubėdami vienu greičiu braukite prietaisą palei sandarinamą plyšį ar įskilimą, tuo pačiu metu spausdami gaiduko jungiklį E
 - įsitinkinkite, kad sandariklis visiškai susiliečia su abiem sandarinamais paviršiais
 - jei norite sustabdyti sandariklio srovę, atleiskite gaiduko jungiklį E
 - jei norite, kad sandariklis neišsiliėtų, atleidę gaiduko jungiklį E nedelsdami pastumkite į kairę jungiklį A
 - užpurškę drėgnu pirštu perbraukite sandariklį, o jo pertekliui nuvalyti naudokite švarią, drėgną šluostę
- ! nuo kasetės antgalio ir vežimėlio korpuso nuvalykite sandariklio likučius**
- Elektroninė apsauga nuo perkrovos

Automatiškai išsijungia variklį, kai per stipriai spaudžiamas kasetės, taigi įrankis ir kasetės apsaugomi nuo sugadinimo

 - atleiskite gaiduko jungiklį E
 - palaukite 5 sekundes, kol elektronika atsistatys
 - paspauskite gaiduko jungiklį E
 - jei variklis vėl išsijungė, ratuką F pasukite į vidurinę padėtį ir vėl paspauskite gaiduko jungiklį E
- Norėdami išvengti perkrovos visada patikrinkite, ar
- nuo antgalio nukirptas mažiausiai 2 cm galiukas
 - nuo antgalio pašalinta sukietėjusi medžiaga
 - kasetė nėra pažeista arba sušalusi
 - nuo vežimėlio korpuso nuvalytas sandariklis
 - pasirinktas mažiausio galimo greičio nustatymas
- Trikių diagnostika

Jei pradėjus sandarininti sklandinis stūmoklis B ② nebejudą į priekį

 - išjunkite prietaisą
 - iš vežimėlio korpuso D ② išimkite kasetę

- pastumkite jungiklį A ② į kairę
- ! **stumkite sklandinį stūmoklį B atgal į pradine padėtį, kol jis spragtelėjęs užsifiksuos**
- vėl įdėkite kasetę
- pastumkite jungiklį A į dešinę
- paspauskite gaiduko jungiklį E ② ir sandarininkite toliau

PRIEŽIŪRA / SERVISAS

- Prižiūrėkite prietaisą ir kroviklį, kad jie visuomet būtų švarūs
- baterijų kroviklio kontaktus geriausia valyti alkoholiu arba specialiu kontaktų valikliu
- ! **prieš valydami kroviklį ištraukite kištuką iš el. tinklo lizdo**
- Švaria, drėgna šluoste nuo vežimėlio korpuso D ② visada nuvalykite sandariklį
- Jeigu prietaisas/įkroviklis, nepaisant gamykloje atliekamo kruopštaus gamybos ir kontrolės proceso, vis dėlto sugestų, jo remontas turi būti atliekamas įgaliotose SKIL elektrinių įrankių remonto dirbtuvėse
- **neišardyta** prietaisą arba kroviklį kartu su pirkimo čekiu siųskite tiekėjui į artimiausią SKIL firmos įgaliotą elektros prietaisų techninio aptarnavimo tarnybą (adresus bei atsarginių dalių brėžinius rasite www.skilmasters.com)
- jei įkroviklis turi trūkumų, nusiųskite **jj kartu su baterija** pardavėjui ar į bendrovės SKIL techninės priežiūros tarnybą

APLINKOSAUGA

- **Nemeskite elektrinių įrankių, papildomos įrangos ir pakuočių į buitinių atliekų konteinerius** (galioja tik ES valstybėms)
- pagal ES Direktyvą 2012/19/EG dėl naudotų elektrinių ir elektroninių prietaisų atliekų utilizavimo ir pagal vietinius valstybės įstatymus atitarnavę elektriniai įrankiai turi būti surenkami atskirai ir gabenami į antrinių žaliavų tvarkymo vietas, kur jie turi būti sunaikinami ar perdirbami aplinkai nekenksmingu būdu
- apie tai primins simbolis ⑨, kai reikės išmesti atitarnavusį prietaisą

ATITIKTIES DEKLARACIJA CE

- Atsakingiai pareiškiami, kad skyriuje "Techniniai duomenys" aprašytas gaminytis atitinka žemiau pateiktus standartus ir norminius dokumentus: EN 60335, EN 61000, EN 60745, EN 55014 pagal direktyvų 2006/95/EB, 2004/108/EB, 2006/42/EB, 2011/65/ES reikalavimus
- **Techninė byla laikoma:** SKIL Europe BV (PT-SEU/ENG1), 4825 BD Breda, NL

Marijn van der Hoofden
Operations & Engineering

Olaf Dijkgraaf
Approval Manager




SKIL Europe BV, 4825 BD Breda, NL

13.08.2014

TRIUKŠMINGUMAS/VIBRACIJA

- Šio prietaiso triukšmingumas buvo išmatuotas pagal EN 60745 reikalavimus; keliamo triukšmo garso slėgio lygis siekia <70 dB(A) (standartinis nuokrypis: 3 dB) ir vibracijos pagreitis rankos plaštakos srityje tipiniu atveju yra mažesnis, kaip <2,5 m/s² (paklaida K = 1,5 m/s²)
- Vibracijos sklaidos lygis išmatuotas pagal standarte EN 60745 išdėstytus standartizuoto bandymo reikalavimus; ši vertė gali būti naudojama vienam įrankiui palyginti su kitu bei išankstiniam vibracijos poveikiui įvertinti, kai įrankis naudojamas paminėtais būdais
 - naudojant įrankį kitokiais būdais arba su kitokiais bei netinkamai prižiūrimais priedais, gali žymiai **padidėti** poveikio lygis
 - laikotarpiams, kai įrankis išjungtas arba yra įjungtas, tačiau juo nedirbama, gali žymiai **sumažėti** poveikio lygis
- ! **apsisaugokite nuo vibracijos poveikio prižiūradami įrankį ir jo priedus, laikydami rankas šiltai ir derindami darbo ciklus su pertraukėlėmis**

MK

Пистол за силикон без кабел 2055

УПАТСТВО

- Овој алат е наменет за нанесување силикон од стандардни туби
- Внимателно прочитајте го и зачувајте го ова упатство за ракување ③

ТЕХНИЧКИ ПОДАТОЦИ ①

ЕЛЕМЕНТИ НА АЛАТОТ ②

- A Повеќенаменски прекинувач
- B Клип
- C Капак на тубата
- D Рамка на носачот
- E Прекинувач за активирање
- F Тркало за избор на брзината

БЕЗБЕДНОСТ

ОПШТИ УПАТСТВА ЗА БЕЗБЕДНОСТ

▲ ПРЕДУПРЕДУВАЊЕ! Сите упатства мора да се прочитаат. Непочитување на долу наведените упатства може да предизвика струен удар, пожар и/или тешки повреди. **Чувајте ги сите предупредувања и напатствија за во иднина.** Поимот "електричен алат", кој се користи во понатамошниот текст, се однесува на вашиот електричен алат (со приклучен кабел) и на електрични алати со погон на батерии (без приклучен кабел).

1) БЕЗБЕДНОСТ НА РАБОТНОТО МЕСТО

- Одржувајте го вашето работно место чисто и уредно.** Неуреден или темен работен простор може да предизвикаат незгоди.
- Немојте да работите со уредот во средина во која има опасност од експлозија, во која има**

- запаливи течности, гасови и прашина. Електричните алати произведуваат искри кои можат да запалат прашина или пареа.
- c) **За време на употребата на електричниот алат, децата и останатите лица држете ги подалену од местото на работите.** Одржавање, би можеле да изгубите контрола врз уредот.
- 2) ЕЛЕКТРИЧНА СИГУРНОСТ**
- a) **Утикач мора да одговара на приклучокот. Никогаш не смее да се промени на штекерот. Не користете адаптерски штекер заедно со уредот кој е заштитно заземјен.** Не променети штекери и соодветни приклучоци го намалуваат ризикот од електричен удар.
- b) **Избегнувајте допир на телото со заземјени површини, како што се цевки, радијатори, рерни и фрижидери.** Постои зголемена опасност од струен удар, доколку Вашето тело е заземјено.
- c) **Чувајте го уредот подалену од дожд и влага.** Продирањето на вода во електричниот уред ја зголемува опасноста од струен удар.
- d) **Не злоупотребувајте го приклучниот кабел за носење, бесење на уредот или за извлекување на штекерот од мрежниот приклучок. Чувајте го кабелот подалену од топлина, масло, остри рабови или деловите на апаратот кои се движат.** Оштетени или заплеткани кабли ја зголемуваат опасноста од струен удар.
- e) **Кога го употребувате полначот надвор, користете продолжен кабел кој е соодветен за употреба на отворен простор.** Примената на продолжен кабел соодветен за работа на отворен простор ја намалува опасноста од струен удар.
- f) **Доколку не може да се избегне работа со електричниот алат во влажна средина, користете прекинувач за струјна заштита при технички проблеми.** Употребата на прекинувачот за струјна заштита при технички проблеми го намалува ризикот од електричен удар.
- 3) БЕЗБЕДНОСТ НА ЛУЃЕ**
- a) **Бидете внимателни, внимавајте што правите и постапувајте внимателно додека работите со електричниот алат. Не работете со уредот доколку сте уморни или под дејство на дрога, алкохол или лекови.** Еден момент на невнимание при употребата може да доведе до сериозни повреди.
- b) **Носете ја личната заштитна опрема и сепкогаш носете заштитни очила.** Носењето на личната заштитна опрема, како што е маската за прашина, безбедносната облека која не се лизга, заштитен шлем или штитник за слух, зависно од видот и примената на електричниот алат, ја намалува опасноста од повреда.
- c) **Избегнувајте невнимателно вклучување за време на работата. Осигурајте се прекинувачот да биде во "OFF" позиција пред да го ставите штекерот во приклучокот.** Доколку го носите електричниот алат со прстот на прекинувачот или го приклучувате апаратот кој е приклучен со напојување на струја, може да предизвикате незгоди.
- d) **Пред вклучување на уредот, тргнете ги алатите за подесување или клучот за навртување.** Алатот или клучот кој се наоѓа во вртливиот дел на уредот, може да предизвика незгода.
- e) **Не ги преценувајте своите способности. Завземете сигурен и стабилен став и во секој момент одржувајте рамнотежа.** На тој начин можете подобро да го контролирате уредот во неочекувани ситуации.
- f) **Носете соодветна облека. Не носете широка облека или накит. Косата, облената и раковниците држете ги подалену од деловите кои се движат.** Комотната облека, накитот или долгата коса може да бидат фатени во деловите кои се движат.
- g) **Доколку може да се монтираат направи за вшмукување и фаќање прашина, проверете дали се вклучени и дали можат исправно да се користат.** Примената на овие направи ја намалува опасноста од прашината.
- 4) ВНИМАТЕЛНА УПОТРЕБА И РАКУВАЊЕ СО ЕЛЕКТРИЧНИТЕ АЛАТИ**
- a) **Не го преоптеретувајте уредот. При вашата работа користете го предвидениот електричен алат за таа употреба.** Со соодветниот електричен алат ќе работите подобро и посигурно во наведената функционална област.
- b) **Не користете електричен алат чиј прекинувач е неисправен.** Електричниот алат кој повеќе не може да се вклучува и исклучува е опасен и мора да се поправи.
- c) **Извлезете го штекерот од приклучокот пред извршување на било какви подесувања на апаратот, замена на приборот или складирање.** Со овие мерки на внимателност ќе се избегне невнимателно вклучување на уредот.
- d) **Тргнете го електричниот алат кој не го користите од допирот на децата. Не допуштајте работа со уредот на лица кои не се запознаени со него или кои го немаат прочитано ова упатство.** Електричните алати се опасни доколку со нив работат неискусни лица.
- e) **Одржувајте го уредот со внимание. Имајте контрола онолу тоа дали движечките делови на уредот работат беспрекорно и дали не се заглавени, дали деловите се скришени или оштетени до таа мерка што не може да се обезбеди функционирање на уредот. Пред примената, овие оштетени делови треба да се поправат.** Причина за многу незгоди е лошо одржуваниот електричен алат.
- f) **Алатите за сечење одржувајте ги остри и чисти.** Внимателно одржуваните алати за сечење со остри оттрици помалку ќе се заглавуваат и со нив работата ќе биде полесна.
- g) **Електричниот алат, прибор, работни алати итн., треба да ги користите според овие упатства, и на начин кој е опишан за соодветниот тип на уред. При тоа, земете ги предвид работните услови и работата која се извршува.** Употребата на електричните алати за други цели кои не се предвидени, може да предизвика опасни ситуации.
- 5) ВНИМАТЕЛНО РАКУВАЊЕ И КОРИСТЕЊЕ НА АПАРАТ СО АКУМУЛАТОР**
- a) **Полнете го акумулаторот само во апаратите за полнење кои се пропишани од страна на производителот.** За апаратот за полнење кој е соодветен за определен вид на акумулатори, постои опасност од пожар, доколку се употребува со други акумулатори.

- b) **Користете ги електричните алати само со специфично назначени пакувања на батерии.** Користењето на друг вид на батерии може да доведе до ризик од повреда или пожар.
- c) **Кога батериите не се користат, држете ги настрана од метални предмети како штрафчиња, парички, клучеви, клинчи, навртки или други, мали предмети кои може да направат краток спој.** Краткиот спој кај батериите може да предизвика изгореници или пожар.
- d) **При погрешна примена може да излезе течност од акумулаторот; избегнувајте контакт со неа. При случаен контакт, измијте се со вода. Ако течноста дојде во допир со очите, побарајте и лекарска помош дополнително.** Течноста која може да излезе од акумулаторот може да доведе до надразнување на кожата и изгореници.
- 6) СЕРВИСАРАЊЕ**
- a) **Поправката на Вашиот уред препуштете им ја само на обучен, стручен кадар на овластен сервисер, и само со оригиналните резервни делови.** На тој начин ќе се обезбеди уредот да остане со зачувана безбедност.

БЕЗБЕДНОСНИ УПАТСТВА ЗА ПИШТОЛИТЕ ЗА СИЛИКОН БЕЗ КАБЕЛ

- Секогаш проверувајте го напонот на плочката со податоци за типот на полначот (полначите предвидени за напони од 230 V или 240 V можат да се приклучат и на напојување од 220 V) Always check that the supply voltage is the same as the voltage indicated on the nameplate of the charger (chargers with a rating of 230V or 240V can also be connected to a 220V supply)
- Во случај да дојде до електричен или механички дефект, апаратот треба веднаш да се исклучи и да се извлече приклучникот од мрежната приклучница
- SKIL може да признае гаранција само доколку е користен соодветен прибор кој може да се набаво во сите SKIL продавници
- Алатот/полначот не се наменети за употреба од страна на лица (вклучително и деца со намалени физички, чувствителни или ментални способности, без искуство и познавање, освен ако не се под надзор или ако не се обучени за употребата на алатот/полначот од страна на лице кое што е одговорно за нивната безбедност
- Обезбедете децата да не си играат со алатот/полначот

ПОЛНЕЊЕ/АКУМУЛАТОРСКА БАТЕРИЈА

- Батеријата полнете ја исклучиво со испорачаниот полнач
- Не ги допирајте контактите во полначот
- Не полнете ја батеријата на влажни или мокри места
- Никогаш не ги изложувајте на дожд апаратот/полначот/батеријата
- Секогаш чувајте ги апаратот/полначот/батеријата во просторија на температура пониска од 40°C и повисока од 0°C
- Во допир со оган батериите ќе експлодираат, затоа не ги палете батериите од која било причина
- Оштетените полначи не ги пуштајте во работа; за таа цел треба да се предаде апаратот и полначот во овластениот SKIL сервис

- Полначот не треба понатаму да се користи ако е оштетен кабелот или приклучникот, туку веднаш да се замени кабелот во овластен SKIL сервис или мрежната приклучница
 - Оштетената батерија не треба понатаму да се користи туку веднаш да се замени
 - Никогаш не ги расклопувајте ниту заменувајте полначот или батеријата
 - Не се обидувајте со полначот да ги полните батериите што не се предвидени за полнење
- ### ОБЈАСНУВАЊЕ НА СИМБОЛИТЕ ЗА ПОЛНАЧОТ/БАТЕРИЈАТА
- 4 Користете го полначот само во затворен простор
 - 5 Двојна изолација (не е потребна заземна жица)
 - 6 Сигурносен изолациски трансформатор (изворот на струја е одвоен од излезот на трансформаторот по електричен пат)
 - 7 Автоматско исклучување кога ќе се прегрее полначот (термичкиот осигурувач паѓа, па полначот станува бескорисен)
 - 8 Погрешниот поларитет на спојот на полначот може да предизвика проблем (полнете ја батеријата само со полначот што сте го добиле со апаратот)
 - 9 Не го фрлајте полначот во домашниот отпад
 - 10 Не ја фрлајте батеријата во домашниот отпад
 - 11 Технологијата NiMH обезбедува повеќе енергија којшто помалку ја загрозува животната средина

УПОТРЕБА


- Полнење на акумулаторска батерија ⑫
 - акумулаторските батерии на новите апарати не се потполно наполнети
 - ! **откако батеријата ќе се наполни треба да се извади од полначот, со што се продолжува векот на траење на батеријата**
- ВАЖНО:
 - по 3 часа, операцијата за полнење ќе заврши и батеријата може да се користи, **иако црвената лампичка се уште може да свети** (црвената лампичка се гасне по полнење од повеќе од 3 часа)
 - при полнење полначот и батеријата се загреваат; тоа е нормално и не претставува никаков проблем
 - надворешните површини на батеријата треба да бидат суви и чисти, пред да се стави батеријата во полначот
 - кај температури пониски од 0°C и повисоки од 40°C треба да се избегнува полнење; со тоа може да се оштети полначот и акумулаторската батерија
 - батеријата не смее да се вади во текот на работата на апаратот
 - ! **новата акумулаторска батерија или онаа што не се користела подолго време, ќе даде свој полн ефект приближно по 5 циклуси полнење/празнење**
 - акумулаторската батерија не смее повторно да се полни по секоја кратка работа; тоа може да резултира со скратување на нејзиниот век на траење и намалување на ефикасноста на акумулаторската батерија

- батеријата од никел-металхидрид мора да се чува засебно од природната животна средина и не смее да се фрла заедно со редовниот домашен отпад (симболот ⑩ ќе ве потсети за ова кога ќе треба да ја фрлите)
- ! **пред да се фрли акумулаторската батерија во отпад, заштитите ги нејзините полови prior to disposal protect battery terminals with heavy tape to prevent short-circuit**
- доколку не го користете уредот подолго време, извлекете го мрежниот приклучок на полначот од приклучницата
- Ставање на тубата ⑬
 - отворете ја стандардната туба со скалпел
 - поставете ја прскалката врз отворената туба
 - отсечете барем 2 цм од врвот на прскалката по агол од 45° така што отворот да биде доволно голем за да може да се користи при најголемата избрана брзина
 - притиснете го прекинувачот А налево
 - притиснете го клипот В кон почетната позиција каде што треба да кликне за да се намести (ако не слушнете звук на кликување, тоа значи дека клипот нема да функционира правилно)
 - отворете го капакот на тубата С
 - вметнете ја тубата да се намести врз основата на рамката за носачот D
 - затворете го капакот на тубата С
- Вклучување/исклучување ⑭
 - притиснете го прекинувачот А надесно за да се отклучи прекинувачот на чкрапалото Е
 - вклучете/исклучете ја машината со притискање/пуштање на чкрапалото Е
 - алатот се исклучува автоматски кога ќе се испразни тубата
 - ! **обезбедете прекинувачот А да биде поставен во заклучена позиција по секоја употреба ⑮**
- Променлива брзина ⑯
 - протокот на силиконот може да се прилагодува со тркалото F (6 позиции)
 - пред да започнете со работа, најдете ја најдобрата брзина со тестирање на непотребно парче материјал
 - ! **ано алатот не работи со тркалото поставено F во позиција 1, прилагодувајте ја брзината со притискање на прекинувачот на чкрапалото Е ② сè додека не го најдете најдобриот проток**
- Примена на силиконот ⑰
 - проверете дали областа што треба да се залепи е чиста и сува (отстранете го стариот силикон, ако има)
 - откако ќе го притиснете прекинувачот А надесно, притиснете го чкрапалото Е за да почне да тече силикон
 - држете го алатот под агол и внимателно движете го со рамномерно движење долж отворот/процепот што треба да се исполни држејќи го чкрапалото притиснато Е
 - проверете дали силиконот се наносува целосно на двете површини што треба да се залепат
 - пуштете го чкрапалото Е за да престане да тече силикон
 - притиснете го прекинувачот А налево веднаш откако ќе го отпуштите чкрапалото Е за да избегнете протекување на силиконот
- поминете со мокар прст долж нанесениот силикон откако сте го нанеле и употребете чиста, влажна крпа за да го отстраните вишокот силикон
- ! **отстранете го преостанатиот силикон од прскалната на тубата и од рамната на носачот**
- Електронска заштита од преоптеретување
 - Автоматски го запира моторот ако се примени многу притисок врз тубата и на тој начин спречува да се оштетат алатот и тубата
 - пуштете го чкрапалото Е
 - оставете 5 секунди да се стабилизира електрониката
 - притиснете го чкрапалото Е
 - ако моторот застане одново, поместете го тркалото F во средната позиција и повторно притиснете го чкрапалото Е
- За да избегнете оптоварување, секогаш проверете дали
 - врвот на прскалката е отсечен барем 2 цм
 - стврдниот материјал е отстранет од прскалката
 - тубата е оштетена или замрзната
 - рамката на носачот е без силикон на неа
 - е избрана најмалата можна брзина
- Решавање проблеми
 - во случај ако клипот за потиснување на силиконот В ② престане да се движи напред
 - исклучете го алатот
 - извадете ја тубата од рамката на носачот D ②
 - притиснете го прекинувачот А ② налево
 - ! **притиснете го клипот В назад кон почетната позиција за да се намести со тоа што треба да слушнете звук на кликување**
 - ставете ја тубата
 - притиснете го прекинувачот А надесно
 - притиснете го чкрапалото Е ② за да продолжите со нанесување силикон

ОДРЖУВАЊЕ/СЕРВИСИРАЊЕ

- Секогаш одржувајте го чист апаратот и полначот
 - исчистете ги контактите на полначот или со алкохол или со чистач за контакти
 - ! **пред чистењето на полначот треба да се извлече неговиот мрежен приклучок**
- Одржувајте ја рамката на носачот D ② без преостанат силикон на неа со тоа што ќе го избришете со чиста и влажна крпа
- Доколку алатот/полначот и покрај внимателното работење и контрола некогаш откаже, поправката мора да ја изврши некој овластен SKIL сервис за електрични алати
 - во случај на примедба, испратете го алатот или полначот **нерасклопен**, заедно со сметкопотврдата, до вашиот продавач или најблискиот SKIL сервис (адресите се наведени на www.skilmasters.com)
 - ако полначот се расипе, испратете ги и **полначот и батеријата** на застапникот или во сервис на SKIL

ЗАШТИТА НА ЖИВОТНАТА СРЕДИНА

- Не се ослободувајте од елентични алати, уреди или амбалажа преку нивно фрлање во домашното губре (само за земјите на ЕУ)
 - според Европската Директива 2012/19/ЕС за ослободување од елентична и електронска опрема и нејзина имплементација во согласност со националните закони, елентичните алати кои го достигнале крајот на својот животен век мора да бидат собрани посебно и да бидат вратени во соодветен објект за рециклирање
 - симболот  ќе ве потсетува на ова кога ќе дојде време алатот да го фрлите

ДЕКЛАРАЦИЈА ЗА УСОГЛАСЕНОСТ

- Со целосна одговорност изјавуваме дека производот опишан кај "Технички податоци" е усогласен со следните стандарди или документи за стандардизација: EN 60335, EN 61000, EN 60745, EN 55014 во согласност со одредбите во директивите 2006/95/EG, 2004/108/EG, 2006/42/EG, 2011/65/EU
- **Техничко досије во:** SKIL Europe BV (PT-SEU/EN61), 4825 BD Breda, NL

Marijn van der Hoofden
Operations & Engineering

Olaf Dijkgraaf
Approval Manager

SKIL Europe BV, 4825 BD Breda, NL

13.08.2014

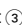
БУЧАВА/ВИБРАЦИИ

- Мерено во согласност со EN 60745 нивото на звучен притисок е <70 dB(A) (стандардно отстапување: 3 dB) и вибрација <2,5 m/c² (hand-arm метода; несигурност K = 1.5 m/c²)
 - Нивото на емитување на вибрации кое е наведено на задниот дел на ова упатство е измерено во согласност со стандардизираниот тест даден во EN 60745; може да се користи за да се спореди еден алат со друг, и како првична оценка за изложеност на вибрации кога се користи алатот за споменатите примени
 - користењето на алатот за разни примени, или со различни или неправилно чувани делови, може да доведе до значајно **зголемување** на нивото на изложеност
 - кога алатот е исклучен или кога алатот е вклучен но не врши никаква работа, може да дојде до значително **намалување** на нивото а изложеност
- ! заштитете се од ефектите на вибрациите преку одржување на алатот и неговите делови, одржување на топлината во вашите раце, и организирање на вашата работа**

AL

Pistoletë silikoni me bateri 2055

HYRJE

- Kjo vegël është e projektuar për shpërndarjen e materialit izolues nga tubete standarde
- Lexoni dhe ruani këtë manual të përdorimit 

TË DHËNAT TEKNIKE

ELEMENTET E PAJISJES

- A Çelësi me shumë funksione
- B Pistoni
- C Kapaku i tubetit
- D Cilindri i tubetit
- E Çelësi i aktivizimit
- F Butoni i zgjedhjes së shpejtësisë

SIGURIA

UDHËZIMET E PËRGJITHSHME PËR SIGURINË

PARALAJMËRIM! Lexoni të gjitha paralajmërimet e sigurisë dhe të gjitha udhëzimet. Mosrespektimi i paralajmërimeve dhe udhëzimeve mund të rezultojë në goditje elektrike, zjarr dhe/ose dëmtime të rënda. **Ruani të gjitha paralajmërimet dhe udhëzimet për referencë në të ardhmen.** Termi "pajisje elektrike" në paralajmërimet i referohet pajisjes elektrike që përdoret nga prizat (me kablo) ose pajisjes elektrike me bateri (pa kablo).

1) SIGURIA E ZONËS SË PUNËS

- Mbajeni zonën e punës të pastër dhe të ndriçuar mirë.** Zonat e çrregullta ose të errëta janë një ftesë për aksidente.
- Mos i përdorni pajisjet elektrike në situata me mundësi shpërthimi, si në prani të lëngjeve, gazeve ose pluhurave të djegshëm.** Pajisjet elektrike shkaktojnë shkëndija që mund të ndezin pluhurat ose avujt.
- Mbajini fëmijët dhe personat e tjerë larg gjatë përdorimit të veglës së punës.** Tërheqja e vëmendjes mund të shkaktojë humbjen e kontrollit.

2) SIGURIA ELEKTRIKE

- Spinat e veglës së punës duhet të përputhen me prizën. Mos modifikoni kurrë spinën në asnjë mënyrë. Mos përdorni asnjë spinë përshatëse me veglat e punës me tokëzim.** Spinat e pamodifikuara dhe prizat përshatëse do të zvogëlojnë rrezikun e goditjes elektrike.
- Shmangni kontaktin trupor me sipërfaqe të tokëzuara si tuba, radiatorë, soba dhe frigoriferë.** Ka një rrezik më të madh të goditjeve elektrike nëse trupi është i tokëzuar.
- Mos ekspozoni veglat e punës në shi ose në kushte me lagështi.** Uji që hyn në veglën e punës do të rritë rrezikun e goditjes elektrike.
- Mos abuzoni me kordonin. Mos e përdorni kurrë kordonin për transportin, tërheqjen ose heqjen e spinës së veglës së punës. Mbajeni kordonin larg**

nga nxehtësia, vaji, anët e mprehta ose pjesët që lëvizin. Kordonët e dëmtuar ose e bllokuar rrisin rrezikun e goditjes elektrike.

- e) Kur përdorni një vegël pune në mjedise të jashtme, përdorni një kordon zgjatues të përshtatshëm për përdorim në mjedise të jashtme. Përdorimi i një kordoni të përshtatshëm për përdorime në mjedise të jashtme zvogëlon rrezikun e goditjes elektrike.
- f) Nëse përdorimi i veglës së punës në një vend me lagështi është i pashmangshëm, përdorni një automat qarku me shkarkesë me tokëzim. Përdorimi i një automati me shkarkesë me tokëzim zvogëlon rrezikun e goditjes elektrike.

3) SIGURIA PERSONALE

- a) Qëndroni në gatishmëri, shikoni se çfarë po bëni dhe përdorni gjykimin kur përdorni një vegël pune. Mos e përdorni një vegël pune kur jeni i lodhur ose nën ndikimin e ilaçeve, alkoolit ose mjekimit. Një moment humbje e vëmendjes gjatë përdorimit të veglave të punës mund të shkaktojë dëmtime të rënda personale.
 - b) Përdorni pajisje personale mbrojtëse. Mbani gjithmonë pajisje për mbrojtjen e syve. Pajisjet mbrojtëse si maska kundër pluhurit, këpucët që nuk rëshqasin, kaskat ose pajisjet për mbrojtjen e veshëve për kushtet përkatëse do të zvogëlojnë dëmtimet personale.
 - c) Parandaloni ndezjen e rastësishme. Sigurohuni që çelësi është në pozicionin fikur para se të lidhni burimin e energjisë dhe/ose baterinë, para se të merrni ose të transportoni pajisjen. Transportimi i veglave të punës me gishtin në çelës ose aktivizimi i veglave të punës që kanë çelësin të ndezur është një ftesë për aksidente.
 - d) Hiqni çdo çelës ose çelës përshtatës para ndezjes së veglës së punës. Një çelës i lënë i lidhur me një pjesë rrotulluese të veglës së punës mund të shkaktojë dëmtime personale.
 - e) Mos u zgjasni. Mbani një vendosje të mirë të këmbëve dhe një ekuilibër të mirë në çdo moment. Kjo gjë bën të mundur një kontroll më të mirë të veglës së punës në situata të papritura.
 - f) Vishuni në mënyrën e duhur. Mos vishni veshje të gjera ose bizhuteri. Moshi flokët, veshjet dhe dorashkat larg nga pjesët lëvizëse. Veshjet e gjera, bizhuteritë ose flokët e gjatë mund të kapen nga pjesët në lëvizje.
 - g) Nëse janë ofruar pajisje për lidhjen e pajisjeve të mbledhjes dhe nxjerrjes së pluhurave, sigurohuni që ato të jenë të lidhura dhe të përdoren si duhet. Përdorimi i mbledhjes së pluhurave mund të zvogëlojë rreziqet në lidhje me pluhurat.
- ### 4) PËRDORIMI DHE KËNDËSI PËR VEGLËN E PUNËS
- a) Mos ushtroni forcë mbi veglën e punës. Përdorni veglën e punës të duhur për përdorimin tuaj. Vegla e punës e duhur do të realizojë një punë më të mirë dhe më të sigurt dhe me shpejtësinë që ajo është e projektuar.
 - b) Mos përdorni veglën e punës nëse çelësi nuk e ndez apo e fik. Çdo vegël pune që nuk mund të kontrollohet me anë të çelësit është e rrezikshme dhe duhet të riparohet.
 - c) Shkëputni spinën nga burimi i energjisë dhe/ose baterinë nga vegla e punës para se të bëni rregullime të tjera, të ndryshoni aksesoret ose të

ruani veglat e punës. Këto masa parandaluese të sigurojnë ulin rrezikun e ndezjes aksidentale të veglës së punës.

- d) Mbani veglat e punës larg fëmijëve dhe mos lejoni personat e pamësuar me veglën e punës ose këto udhëzime për përdorimin e pajisjes. Veglat e punës janë të rrezikshme në duart e përdoruesve të patrajnuar.
 - e) Mirëmbani veglat e punës. Kontrolloni për mospërshtatje ose bllokim të pjesëve lëvizëse, thyerje të pjesëve dhe gjendje të tjera që mund të ndikojnë në funksionimin e veglës së punës. Nëse dëmtohet, riparohet veglën e punës para përdorimit. Shumë aksidente shkaktohen nga veglat e punës jo të mirëmbajtura si duhet.
 - f) Mbajni pajisjet prerëse të pastra dhe të mprehta. Pajisjet e prerjes të mirëmbajtura dhe me anë të mprehta kanë më pak mundësi për t'u bllokuar dhe janë më të lehta për t'u kontrolluar.
 - g) Përdorni veglat e punës, aksesoret dhe puntot, etj. në përputhje me këto udhëzime, duke marrë parasysh kushtet e punës dhe punën që do të kryhet. Përdorimi i veglave për përdorime të ndryshme nga ato të përcaktuara mund të shkaktojë rreziqe.
- ### 5) PËRDORIMI DHE KUJDESIA PËR VEGLËN ME BATERI
- a) Karikojni vetëm me karikuesin e përcaktuar nga prodhuesi. Një karikues që është i përshtatshëm për një lloj baterie mund të krijojë rrezik për zjarr kur përdoret me një bateri tjetër.
 - b) Përdorni veglat e punës vetëm me bateritë e përcaktuara respektivisht. Përdorimi i çdo baterie tjetër mund të krijojë rrezik për dëmtime dhe zjarr.
 - c) Kur bateria nuk është në përdorim, mbajni larg nga objektet e tjera metalike si kapëset e letrës, monedhat, çelësat, gozhdët, vidat ose objektet e tjera të vogla metalike që mund të bëjnë lidhjen e një terminali me terminalin tjetër. Lidhja e shkurtër e terminaleve të baterisë mund të shkaktojë djegie ose zjarr.
 - d) Në kushte abuzimi, nga bateria mund të rrjedhin lëngje; shmangni kontaktin me to. Në rast se ndodh aksidentalisht kontakti, shpëlajeni me ujë. Në rast se lëngu bie në kontakt me sytë, kërkoni edhe ndihmë mjekësore. Lëngu i rrjedhur nga bateria mund të shkaktojë acarime ose djegie.
- ### 6) SHËRBIMI
- a) Shërbimi i veglës së punës duhet të kryhet nga një person i kualifikuar për riparimet duke përdorur vetëm pjesë ndërrimi identike. Kjo gjë do të sigurojë ruajtjen e sigurisë së veglave të punës.

UDHËZIMET E SIGURISË PËR PISTOLETAT E SILIKONIT ME BATERI

- Kontrolli gjithmonë që voltazhi i energjisë të jetë i njëjtë si voltazhi që tregohet në etiketën e karikuesit (karikuesit e kategorisë 230 V ose 240 V mund të lidhen gjithashtu me një burim energjie 220 V)
- Në rast defekti elektrik ose mekanik, fikni menjëherë pajisjen ose hiqeni karikuesin nga burimi i energjisë
- SKIL mund të garantojë funksionimin pa probleme të veglës vetëm kur përdoren aksesoret e duhur që mund të merren nga shitësi i SKIL

- Vegla/karikuesi nuk është projektuar për t'u përdorur nga persona (përfshirë fëmijët) me kapacitete të zvogëluara fizike, ndijore ose mendore, ose me mungesë të përvojës dhe njohurive, nëse nuk janë udhëzuar ose mbikëqyrur në lidhje me përdorimin e veglës/karikuesit nga një person përgjegjës për sigurinë e tyre.

• Sigurohuni që fëmijët të mos luajnë me veglën/karikuesin **NDËRRIMI I BATERIË**

- Ndërroni baterinë vetëm me karikuesin që është siguruar me veglën
- Mos i prekni kontaktet në karikues
- Mos e karikoni baterinë në mjedise me lagështi ose të njoma
- Mos e ekspozoni veglën/karikuesin/baterinë në shi
- Ruajeni veglën/karikuesin/baterinë në vende ku temperatura nuk do të kalojë 40°C apo të bjerë nën 0°C
- Bateritë mund të shpërthejnë kur hidhen në zjarr, prandaj mos i digjni bateritë për asnjë arsye
- Mos e përdorni karikuesin nëse është i dëmtuar; çojeni te një nga Qendrat zyrtarisht të regjistruara të shërbimit të SKIL për një kontroll të sigurisë
- Mos e përdorni karikuesin kur kordoni ose spina janë të dëmtuara; kordoni ose spina duhet të zëvendësohen menjëherë në një nga Qendrat zyrtarisht të regjistruara të shërbimit të SKIL
- Mos e përdorni baterinë nëse është e dëmtuar; ajo duhet të zëvendësohet menjëherë
- Mos e çmontoni karikuesin ose baterinë
- Mos u përpiqni të karikoni bateri të pakarikueshme me një karikues

SHPJEGIMI I SIMBOLEVE NË KARIKUES/BATERI

- ④ Përdoreni karikuesin vetëm në ambiente të brendshme
- ⑤ Izolimi i dyfishtë (nuk kërkohet tokëzim)
- ⑥ Transformatori izolues me siguresë ndaj defekteve (burimi i energjisë ndahet automatikisht nga dalja e transformatorit)
- ⑦ Fikje automatike kur karikuesi nxehet shumë (siguresa termike shpërthen dhe karikuesi bëhet i papërdorshëm)
- ⑧ Polariteti i gabuar i lidhjes së karikuesit mund të shkaktojë një rrezik (karikojeni baterinë vetëm me karikuesin e përfshirë)
- ⑨ Mos e hidhni karikuesin bashkë me materialet e mbetjeve familjare
- ⑩ Mos e hidhni baterinë bashkë me materialet e mbetjeve familjare
- ⑪ Teknologjia NiMH siguron më shumë energji në një mënyrë me më pak ndotje për mjedisin

PËRDORIMI

- Karikimi i baterisë ⑫
 - bateria e veglave të reja nuk është plotësisht e karikuar
- ! **hiqeni baterinë nga karikuesi pasi të përfundojë periudha e karikimit duke zgjatur kështu jetëgjatësinë e shërbimit të baterisë**
- E RËNDËSISHME:
 - pas 3 orësh, karikimi do të përfundojë dhe bateria mund të përdoret, **edhe nëse drita e kuqe mund të jetë ende e ndezur** (drita e kuqe mund të kërkohet më shumë se 3 orë për t'u fikur)
 - gjatë karikimit, karikuesi dhe bateria mund të bëhen të ngrohta në prekje; kjo është normale dhe nuk tregon një problem

- sigurohuni që sipërfaqja e jashtme e baterisë është e pastër dhe e thatë para se ta futni në karikues
- mos karikoni në temperatura nën 0°C dhe mbi 40°C; kjo gjë do të dëmtojë rëndë baterinë si dhe karikuesin
- mos e hiqni baterinë nga vegla kur ajo është në përdorim
- ! **një bateri që është e re ose nuk është përdorur për një periudhë të gjatë nuk e zhvillon kapacitetin e saj të plotë deri pas afro 5 ciklesh karikimi/shkarikimi**
- mos e karikoni vazhdimisht baterinë pas vetëm disa minutash përdorim; kjo gjë mund të rezultojë në ulje të kohës së përdorimit dhe të rendimentit të baterisë
- bateria me nikel-metalhidrid duhet të mbahet e ndarë nga mjedisi natyral dhe nuk duhet të hidhet si mbeturina normale familjare (simboli ⑩ do t'u kujtojë për këtë gjë kur të lindë nevoja për ta hedhur)
- ! **para hedhjes, mbronni termialet e baterisë me ngjithës të fortë për të parandaluar një qark të shkurtër**
- nëse parashikoni periudha të gjata mospërdorimi të veglës, është më mirë që ta hiqni karikuesin nga burimi i energjisë
- Vendosja e tubetit ⑬
 - hapni një tubet standard me një thikë
 - montoni hundëzën në pjesën e sipërme të tubetit të hapur
 - prisni të paktën 2 cm nga maja e hundëzës në kënd 45°, në mënyrë që dalja të jetë e madhe sa duhet kur përdorni një program me shpejtësi të lartë
 - shtypeni çelësin A majtas
 - shtypeni pistonin B prapa te pozicioni i tij fillestar deri sa të kërcasë në vendin e tij (nëse nuk e vendosni në vendin e tij, mund të shkaktoni defekte te pistonit)
 - hapni kapakun e tubetit C
 - futni tubetin deri sa fundi i tij të arrijë te pjesa e pasme e cilindrit D
 - mbyllni kapakun e tubetit C
- Ndezje/fikje ⑭
 - shtypeni çelësin A djathtas për të zhblokuar çelësin e aktivizimit E
 - ndizeni/fikeni veglën duke shtypur/lëshuar çelësin e aktivizimit E
 - vegla do të fiket automatikisht kur tubeti të jetë bosh
- ! **sigurohuni që çelësi A të jetë në pozicionin e bllokimit pas çdo përdorimi ⑮**
- Shpejtësia e ndryshme ⑯
 - me anë të rrotëzës F mund të ndryshoni fluksin e materialit izolues (6 pozicione)
 - para se të filloni një punë, gjeni shpejtësinë optimale duke e provuar në materiale për provë
- ! **nëse vegla nuk punon me rrotëzën F në pozicionin 1, rregulloni shpejtësinë kur të shtypni çelësin e aktivizimit E ⑰ deri sa të gjeni programin optimal**
- Vendosja e materialit izolues ⑰
 - sigurohuni që zona që do të izoloni të jetë e pastër dhe e thatë (hiqni materialin e vjetër izolues, nëse ka)
 - pasi ta shtypni çelësin A majtas, shtypni çelësin e aktivizimit E për të filluar nxjerrjen e materialit izolues
 - mbajeni veglën në një kënd të vogël dhe lëvizeni me kujdes me një shpejtësi të njëtrajtshme përgjatë vrimës/të çarës që do të mbushet, ndërsa shtypni çelësin e aktivizimit E

- sigurohuni që materiali izolues ka kontakt të plotë me të dyja sipërfaqet që do të izoloni
- lëshoni çelësin e aktivizimit E për të ndaluar nxjerrjen e materialit izolues
- për të shmangur derdhjen e materialit izolues, shtypni çelësin A majtas menjëherë pasi të lëshoni çelësin e aktivizimit E
- kaloni një gisht të lagur mbi vijën e materialit izolues pasi të vendosni dhe përdorni një rrobë të pastër dhe të njomë për të hequr materialin e tepërt

! hiqni materialin e mbetur nga hundëza e tubetit dhe nga cilindri

- Mbrojtja elektronike e mbingarkesës
Ndaloni automatikisht motorin në rast se ka shumë trysni mbi tubet, duke parandaluar dëmtimin e veglës dhe të tubetit
 - lëshoni çelësin e aktivizimit E
 - lejoni sistemin elektronik të rikthehet për 5 sekonda
 - shtypni çelësin e aktivizimit E
 - nëse motori ndalon përsëri, lëvizeni rrotëzën F në pozicionin e mesit dhe shtypni përsëri çelësin e aktivizimit E

Për të shmangur mbingarkesën, sigurohuni gjithmonë që

- maja e hundëzës të pritet të paktën 2 cm
- materiali i forcuar të hiqet nga hundëza
- tubeti të mos jetë e dëmtuar ose e ngrirë
- struktura e kutisë të mos ketë material izolues
- të zgjidhni programin me shpejtësinë më të ultë të mundshme

- Zgjidhja e problemeve

Në rast se pistoni i materialit izolues B ② nuk lëviz përpara kur është në gjysmë

- fikni veglën
- hiqni tubetin nga cilindri D ②
- shtypni çelësin A ② majtas

! shtypni pistonin B prapa te pozicioni i tij fillestar deri sa të kërçasë te vendi i tij

- futni përsëri tubetin
- shtypni çelësin A djathtas
- shtypni çelësin e aktivizimit E ② për të vazhduar izolimin

MIRËMBAJTJA / SHËRBIIMI

- Mbajeni veglën dhe karikuesin të pastra
 - pastroni kontaktet e karikimit në karikues me alkool ose pastrues të kontakteve
- ! hiqni karikuesin nga burimi i energjisë para pastrimit**
- Mbajeni strukturën e kutisë D ② të pastër nga materiali i mbetur duke përdorur një rrobë të pastër të njomë
- Nëse vegla/karikuesi kanë defekt pavarësisht kujdesit të treguar në procedurat e prodhimit dhe të testimit, riparimi duhet të kryhet nga një qendër për shërbimin pas shitjes për veglat e punës të SKIL
 - dërgojeni veglën ose karikuesin të paçmontuar së bashku me provën e blerjes te shitësi ose qendra më e afërt e shërbimit e SKIL (adresat si dhe diagrami i shërbimit i veglës janë të renditura në www.skilmasters.com)
 - në rast të një karikuesi me defekt, dërgoni **edhe karikuesin, edhe baterinë** te shitësi ose te qendra e shërbimit e SKIL

MJEDISI

- **Mos i hidhni veglat elektrike, aksesorët dhe paketimin së bashku me materialet e mbeturinave familjare** (vetëm për vendet e BE-së)
 - në respektim të Direktivës evropiane 2012/19/EC për pajisjet elektrike dhe elektronike si mbetje dhe zbatimin e saj në përputhje me ligjet kombëtare, pajisjet elektrike që kanë arritur në fund të jetëgjatësisë së tyre duhet të mblidhen të ndara dhe të kthehen në një objekt riciklimi në përputhje me mjedisin.
 - simboli ⑨ do t'ju kujtojë për këtë gjë kur të jetë nevoja për t'i hedhur

DEKLARATA E KONFORMITETIT CE

- Ne deklarojmë me përgjegjësinë tonë të vetme se ky produkt i përshkruar në "Të dhëat teknike" është në përputhje me standardet ose dokumentet e standardizimit si më poshtë: EN 60335, EN 61000, EN 60745, EN 55014 në përputhje me dispozitat e direktivave 2006/95/EC, 2004/108/EC, 2006/42/EC, 2011/65/EU
- **Dosja teknike në:** SKIL Europe BV (PT-SEU/ENG1), 4825 BD Breda, Holandë

Marijn van der Hoofden Olaf Dijkgraaf
Operations & Engineering Approval Manager




SKIL Europe BV, 4825 BD Breda, NL

13.08.2014

ZHURMA/VIBRIMI

- E matur në përputhje me EN 60745, niveli i trysnisë së tingullit i kësaj pajisje është <70 dB(A) (shmangia standarde: 3 dB) dhe vibrimi <2,5 m/s² (metoda e krahut-dorës; pasiguria K = 1,5 m/s²)
- Niveli i emetimit të vibrimit është matur në përputhje me një provë të standardizuar të dhënë në EN 60745; ajo mund të përdoret për të krahasuar një vegël me një tjetër dhe si një vlerësim paraprak i ekspozimit ndaj vibrimit kur përdorni pajisjen për proceset e përmendura
 - përdorimi i pajisjes për procese të ndryshme, ose me aksesorë të ndryshëm dhe të mirëmbajtur keq, mund të rritë ndjeshëm nivelin e ekspozimit
 - kohët kur pajisja është e fikur dhe kur është e ndezur por jo në punë, mund të zvogëlojnë ndjeshëm nivelin e ekspozimit
- ! mbronni veten nga efektet e vibrimit duke mirëmbajtur pajisjen dhe aksesorët e saj, duke i mbajtur duart e ngrohta dhe duke organizuar mënyrën tuaj të punës**

اعلامیه مبنی بر رعایت استاندارد CE

- ما بر اساس مسئولیت انحصاری خود اعلام می‌نماییم که محصول شرح داده شده در قسمت «اطلاعات فنی» با استانداردها یا مستندات استاندارد شده زیر سازگاری و تطابق دارد: EN 10335، EN 11000، EN 10745، EN 55014، مطابق با مفاد مصوبات EN 1095/EC، EN 10410/NEC، EN 10411/EC، EN 10115/EC
- پرونده فنی در: SKIL Europe BV (PT-SEU/ENG1)، 4825 BD Breda، NL

Marijn van der Hoofden
Operations & Engineering

Olaf Dijkgraaf
Approval Manager

SKIL Europe BV, 4825 BD Breda, NL

13.08.2014

صدور/ارتعاشات

- اندازه گیری ها بر اساس استاندارد EN 10745 انجام و مشخص شد که میزان فشار صوتی این ابزار < 70 دسی بل (با انحراف استاندارد 3 دسی بل). و میزان ارتعاشات < 2,5 متر/مجدور ثانیه می باشد (شیوه دست-بازو. عدم قطعیت $K = 1,5$ متر/مجدور ثانیه)
- میزان انتشار ارتعاشات بر اساس تست استاندارد شده ای که در EN 10745 معرفی شده است اندازه گیری گردید. از این ارقام می توان برای مقایسه یک ابزار با دیگری و بعنوان ارزیابی اولیه در معرض قرارگیری ارتعاشات هنگام کار با ابزار در کاربری های فوق استفاده کرد
- استفاده کردن از ابزار برای کاربردهای متفاوت. یا با لوازم و متعلقات متفاوت/تفرقه یا لوازم و متعلقاتی که بد نگهداری شده اند. می تواند میزان در معرض قرارگیری را بطور قابل ملاحظه ای افزایش دهد
- مواقعی که ابزار خاموش است یا روشن است ولی کاری با آن انجام نمی شود. میزان در معرض قرارگیری بطور قابل توجهی کاهش می یابد
- ! با نگهداری مناسب از ابزار و لوازم و متعلقات آن. گرم نگهداشتن دست های خود. و سازمان دهی طرح های کاری می توانید خود را در برابر اثرات ارتعاش محافظت کنید

- ⊕ باتری را همراه زباله های خانگی دور نیندازید
- Ⓜ می توان انرژی بیشتر توأم با بودگی کمتر برای محیط زیست ایجاد کرد

استفاده

- شارژ کردن باتری ⑫
 - باتری ابزارهای نو کاملاً شارژ نشده است
 - ! برای افزایش عمر مفید باتری، بعد از پایان زمان شارژ، باتری را از شارژر خارج کنید
 - مهم:
 - کار شارژ بعد از ۲ ساعت به پایان می رسد و می توانید از باتری استفاده کنید. **با اینکه ممکن است چراغ قرمز هنوز روشن باشد** (امکان دارد خاموش شدن چراغ قرمز بیش از ۲ ساعت طول بکشد)
 - اگر به شارژر و باتری در حین شارژ دست نزنید متوجه می شوید که گرم شده اند؛ این پدیده کاملاً عادی است و هیچ اشکالی را نشان نمی دهد
 - قبل از قرار دادن باتری در شارژر مطمئن شوید که سطوح بیرونی باتری تمیز و خشک باشند
 - در مای زیر ۰ درجه سانتیگراد یا بالای ۴۰ درجه سانتیگراد شارژ نکنید؛ این کار شدیداً به باتری و نیز شارژر آسیب می رساند
 - اگر ابزار در حال کار است باتری آنرا خارج نکنید
 - ! **یک باتری نو یا باتری ای که برای مدت طولانی از آن استفاده نشده است قبل از در حدود ۵ دوره شارژ تخلیه شارژ به ظرفیت کامل خود نمی رسد**
 - باتری را مرتب فقط بعد از چند دقیقه کار کردن شارژر نکنید؛ این کار باعث می شود عمر و راندمان باتری کاهش یابد
 - باتری نیکل-متهال هیدرید را باید دور از محیط های طبیعی نگهداری کرد و نباید آنرا همراه با زباله های خانگی عادی دور انداخت (اگر هواسنید باتری را دور بیندازید علامت ⊕ این مسئله را به شما یادآور می شود)
 - ! **قبل از دور انداختن باتری حتماً باید روی پایانه های باتری را با نوار چسب سنگین بپوشانید تا اتصال کوتاه نکند**
 - اگر نمی خواهید برای مدتی طولانی از ابزار استفاده کنید. بهترین کار این است که سیم برق شارژر را از پریز بیرون بیاورید
 - قرار دادن کارتریج ها ⑬
 - یک کارتریج استاندارد را با تیغ موکت پُری باز کنید
 - نازل را در بالای کارتریج باز شده قرار دهید
 - حداقل ۲ سانتیمتر از نوک نازل را با زاویه ۴۵ درجه برید بطوریکه بزرگی دهانه آن برای استفاده با تنظیم بالاترین سرعت مناسب باشد
 - کلبه A را به سمت چپ فشار دهید
 - پیستون B را به موقعیت آغازین برید تا اینکه در جای خود قفل شود (اگر در جای خود قفل نشود بعداً در کارکرد پیستون مشکل ایجاد خواهد شد)
 - قاب کارتریج را با یک پیستون C
 - کارتریج را قرار دهید تا اینکه قاعده آن به انتهای محل قرارگیری کارتریج برسد D
 - قاب کارتریج را ببندید C
 - روشن/خاموش ⑭
 - کلبه A را به سمت راست برید تا قفل کلبه قطع و وصل E باز شود
 - با فشار دادن/رها کردن کلبه قطع و وصل E ابزار را روشن/خاموش کنید
 - اگر کارتریج خالی باشد ابزار بطور خودکار خاموش خواهد شد
 - ! **اطمینان حاصل کنید که کلبه A بعد از هر استفاده در وضعیت قفل باشد** ⑮
 - سرعت متغیر ⑯
 - با کلبه گردان A می توان جریان خروجی ماده درزگیر را تنظیم کرد (وضعیت) قبل از شروع کار روی یک قطعه بدرنخور آزمایش کنید تا سرعت مناسب را تعیین کنید
 - اگر وقتی که کلبه گردان F در وضعیت ۱ است ابزار کار نمی کند، سرعت را در حالی که کلبه قطع و وصل E ① را فشار داده اید تنظیم کنید تا اینکه به تنظیم بهینه دست یابید
 - اعمال ماده درزگیر ⑰
 - مطمئن شوید ناحیه ای که می خواهید درزگیری کنید تمیز و خشک باشد (مواد درزگیر کهنه را در صورت وجود پاک کنید)
 - بعد از فشار دادن کلبه A به سمت راست، کلبه قطع و وصل E را فشار دهید تا جریان خروجی ماده درزگیر آغاز گردد

- ابزار را کمی مایل گرفته و آنرا با آهنگ یکنواخت در طول شکاف/ترکی که می خواهید پر کنید حرکت داده و همزمان کلبه قطع و وصل E را فشار دهید
- اطمینان حاصل کنید که ماده درزگیر با هر دو سطحی که می خواهید درزگیری کنید تماس کامل داشته باشد
- برای پایان دادن به جریان خروجی ماده درزگیر کلبه قطع و وصل E را رها کنید
- برای اینکه از ریختن ماده درزگیر جلوگیری شود، کلبه A را فوراً بعد از رها کردن کلبه قطع و وصل E به چپ فشار دهید
- بعد از اعمال ماده درزگیر با یک دستمال تمیز و تم دار انگشت خود را روی خط جریان خروجی بکشید تا هرگونه ماده درزگیر اضافی را پاک کنید
- ! **هرگونه درزگیر باقیمانده را از نازل کارتریج و محل قرارگیری کارتریج پاک کنید**
- محافظت اضافه بار الکترونیکی
 - در صورتی که فشار بیش از حد به کارتریج وارد شود موتور را بطور خودکار متوقف می کند در نتیجه از آسیب دیدن ابزار و کارتریج جلوگیری می شود
 - کلبه قطع و وصل E را رها کنید
 - اجازه دهید سیستم الکترونیکی برای ۵ ثانیه بازنشانی شود
 - کلبه قطع و وصل E را فشار دهید
 - اگر موتور باز هم متوقف شد، کلبه گردان F را به وضعیت وسط برده و دوباره کلبه قطع و وصل E را فشار دهید
 - برای جلوگیری از وارد آمدن اضافه بار، همیشه اطمینان حاصل کنید که نوک نازل را حداقل ۲ سانتیمتر بریده اید
 - مواد سخت شده را از نازل پاکسازی کرده اید
 - کارتریج آسیب ندیده و یا یخ نزده است
 - محل قرار گیری کارتریج عاری از مواد درزگیر است
 - پایین ترین تنظیم سرعت ممکن انتخاب شده است
 - عیب یابی
 - در صورتی که پیستون B ① در وسط کار درزبندی از حرکت به جلو باز ایستاد
 - ابزار را خاموش کنید
 - کارتریج را از محل قرارگیری کارتریج ① D خارج کنید
 - کلبه A ① را به سمت چپ فشار دهید
 - ! **پیستون B را به موقعیت آغازین آن برگردانید تا در جای خود قفل شود**
 - کارتریج را دوباره قرار دهید
 - کلبه A ① را به سمت راست فشار دهید
 - کلبه قطع و وصل E ① را برای ادامه کار درزبندی فشار دهید

نگهداری / سرویس- خدمات

- ابزار و شارژر را تمیز نگه دارید
- کنتاکت های شارژر را با الکل یا محلول کنتاکت شور تمیز کنید
- ! **شارژر را قبل از تمیز کردن از پریز بکشید**
- محل قرارگیری کارتریج ① D را با یک دستمال تمیز تم دار پاک کنید تا عاری از هرگونه ماده درزگیر باشد
- اگر ابزار/شارژر علیرغم تمام دقت و مراقبتی که در فرایندهای تولید و تست بکار برده شده از کار افتاد، تعمیرات باید فقط در مراکز خدمات پس از فروش ابزارهای برقی SKIL انجام شود
- ابزار یا شارژر را بصورت بازنشده همراه با رسید خرید به فروشنده یا نزدیک ترین مرکز خدمات رسانی SKIL بفرستید (آدرسها به همراه نمودارهای سرویس ابزار در www.skilmasters.com موجود است)
- در صورت خراب بودن شارژر هم شارژر و هم باتری را به فروشنده یا مرکز خدمات اسکیل ارسال کنید

محیط زیست

- ابزارهای برقی، لوازم و ملتحقات و بسته بندی آنها را نباید همراه با زباله های عادی خانگی دور انداخت (فقط مخصوص کشورهای عضو اتحادیه اروپا)
- با توجه به مصوبه اروپایی ۲۰۱۲/۱۹/EC اروپا درباره لوازم برقی و الکترونیکی مستعمل و اجرای این مصوبه مطابق با قوانین کشوری، ابزارهای برقی که به پایان عمر مفید خود رسیده اند باید جداگانه جمع آوری شده و به یک مرکز بازیافت مناسب و سازگار با محیط زیست انتقال یابند
- نماندگاری ④ یادآور این مسئله در هنگام دور انداختن است

ج در صورتیکه با ابزار الکتریکی در محیط باز کار می کنید. تنها از کابل را بطی استفاده کنید که برای محیط باز نیز مناسب باشد. کابل های ایمن مناسب برای محیط باز. خطر برق گرفتگی را کم می کنند.

ح در صورت لزوم کار با ابزار الکتریکی در محیط و اماکن مرطوب. در اینصورت باید از یک کلبه حفاظتی جریان خطا و ناشتی زمین (کلبه قطع کننده اتصال با زمین) استفاده کنید. استفاده از کلبه حفاظتی جریان خطا و ناشتی زمین خطر برق گرفتگی را کمتر می کند.

۳ رعایت ایمنی اشخاص
ا حواس خود را خوب جمع کنید. به کار خود دقت کنید و با فکر و هوش کامل با ابزار الکتریکی کار کنید. در صورت خستگی و یا در صورتیکه مواد مخدر، الکل و دارو استفاده کرده اید. با ابزار الکتریکی کار نکنید. یک خطه بی توجهی هنگام کار با ابزار الکتریکی. می تواند جراحات های شدیدی به همراه داشته باشد.

ب همواره از تجهیزات ایمنی شخصی استفاده کنید. همواره از عینک ایمنی استفاده کنید. استفاده از تجهیزات ایمنی مانند ماسک ایمنی. کشش های ایمنی ضد لغزش. کلاه ایمنی و گوشی ایمنی متناسب با نوع کار با ابزار الکتریکی. خطر مجروح شدن را تقلیل می دهد.

ت مواظب باشید که ابزار الکتریکی بطور ناخواسته بکار نیفتد. قبل از وارد کردن دوشاخه دستگاه در پریز برق. اتصال آن به باطری. برداشتن آن و یا حمل دستگاه. باید دقت کنید که ابزار الکتریکی خاموش باشد. در صورتیکه هنگام حمل دستگاه انگشت شما روی دکمه قطع و وصل باشد و یا دستگاه را در حالت روشن به برق بزنید. ممکن است سوانح کاری پیش آید.

ث قبل از روشن کردن ابزار الکتریکی. باید همه ابزار های تنظیم کننده و آچار ها را از روی دستگاه بردارید. ابزارو آچارهایی که روی بخش های چرخنده دستگاه قرار دارند. می توانند باعث ایجاد جراحات شوند.

ج پیش از آن حد به آنها نزدیک نشوید. برای کار جابجایی مطمئنی خود انتخاب کرده و تعادل خود را همواره حفظ کنید. به این ترتیب می توانید ابزار الکتریکی را در وضعیت های غیر منتظره بهتر تحت کنترل داشته باشید.

ح لباس مناسب بپوشید. از پوشیدن لباس های فراخ و حمل زینت آلات خود داری کنید. موها. لباس و دستکش ها را از بخش های درحال چرخش دستگاه دور نگهدارید. لباس های فراخ موی بلند و زینت آلات ممکن است در قسمت های درحال چرخش دستگاه گیر کنند.

خ در صورتیکه می توانید وسایل مکش گرد و غبار و یا وسیله جذب زائده را به دستگاه نصب کنید. باید مطمئن شوید که این وسایل نصب و درست استفاده می شوند. استفاده از وسایل مکش گرد و غبار مصونیت شما را در برابر گرد و غبار زیاد تر می کند.

۴ استفاده صحیح از ابزار الکتریکی و مراقبت از آن
ا از وارد کردن فشار زیاد روی دستگاه خود داری کنید. برای هر کاری. از ابزار الکتریکی مناسب با آن استفاده کنید. بکار گرفتن ابزار الکتریکی مناسب باعث می شود که بتوانید از توان دستگاه بهتر و با اطمینان بیشتر استفاده کنید.

ب در صورت ابراه در کلبه قطع و وصل ابزار برقی. از دستگاه استفاده نکنید. ابزار الکتریکی که نمی توان آنها را قطع و وصل کرد. خطرناک بوده و باید تعمیر شوند. ت قبل از تنظیم ابزار الکتریکی. تعویض متعلقات و یا کنار گذاشتن آن. دوشاخه را از برق کشید و یا باطری آنرا خارج کنید. رعایت این اقدامات پیشگیری ایمنی از راه افتادن ناخواسته ابزار الکتریکی جلوگیری می کند.

ث ابزار الکتریکی را در صورت عدم استفاده. از دسترس کودکان دور نگهدارید. اجازه ندهید که افراد نا وارد و یا اشخاصی که این دفتر چه راهنما را نخوانده اند. با این دستگاه کار کنند. قرار گرفتن ابزار الکتریکی در دست افراد ناوارد و بی تجربه خطرناک است.

ج از ابزار الکتریکی خوب مراقبت کنید. مواظب باشید که قسمت های متحرک دستگاه خوب کار کرده و گیر نکنند. همچنین دقت کنید که قطعات ابزار الکتریکی شکستنی و یا آسیب دیده نباشند. قطعات آسیب دیده را قبل از شروع به کار تعمیر کنید. علت بسیاری از سوانح کاری. عدم مراقبت کامل از ابزارهای الکتریکی می باشد.

ح ابزار برش را تمیز و تمیز نگهدارید. ابزار برشی که خوب مراقبت شده و از لبه های تیز برخوردارند. کمتر در قطعه کار گیر کرده و بهتر قابل هدایت می باشند.

خ ابزارهای الکتریکی. متعلقات. ابزار که روی دستگاه نصب می شوند و غیره را مطابق دستورات این جزوه راهنما طوری به کار گیرید که با مدل این دستگاه تناسب داشته باشند. همچنین به شرایط کاری و نوع کار توجه کنید. کاربرد ابزار برقی های موارد کاری که برای آن در نظر گرفته نشده است. می تواند شرایط خطرناکی را منجر شود.

۵ مراقبت و طرز استفاده از ابزارهای شارژی

ا باطری ها را منحصراً در دستگاههای شارژ کنید که توسط سازنده توصیه شده باشند. در صورتیکه برای شارژ باطری. آنرا در شارژری قرار دهید که برای آن باطری ساخته نشده است. خطر آتشسوزی وجود دارد.

ب در روزی آلات الکتریکی. فقط از باطری های استفاده کنید که برای آن در نظر گرفته شده اند. استفاده از باطری های متفرقه می تواند منجر به جراحات و حریق گردد.

ت در صورت عدم استفاده از باطری باید آنرا از گیره های فلزی. سکه. کلبه. میخ. پیچ و دیگر وسایل کوچک فلزی دور نگه دارید. زیرا این وسایل ممکن است باعث ایجاد اتصالی شوند. ایجاد اتصالی بین دو قطب باطری (ترمینالهای باطری) می تواند باعث سوختگی و ایجاد حریق شود.

ث استفاده می رویه از باطری می تواند باعث خروج مایعات از آن شود. از دست زدن به آن خود داری کنید. در صورت تماس اتفاقی با آن. دست خود را با آب بشوئید. در صورت آلوده شدن چشم با این مایع. باید به پزشک مراجعه کنید. مایع خارج شده از باطری می تواند باعث التهاب پوست و سوختگی شود.

۱ سرویس
ا برای تعمیر ابزار الکتریکی فقط به متخصصین حرفه ای رجوع کرده و از وسایل یکدی اصل استفاده کنید. این باعث خواهد شد که ایمنی دستگاه شما تضمین گردد.

دستورالعمل ایمنی برای تنگ های درزیندی شارژی

- همیشه مطمئن شوید که ولتاژ ورودی دستگاه برابر ولتاژی باشد که روی پلاک شارژر نوشته شده است (شارژرهای که ولتاژ ورودی آنها ۲۳۰ یا ۲۴۰ ولت مشخص شده است می توانند با برق ۲۲۰ ولت هم کار کنند)
- در صورت بروز اشکالات برقی یا مکانیکی. فوراً ابزار را خاموش کرده و سیم برق شارژر را از پریز بکشید
- فقط در صورتی کارکرد بی عیب و نقص ابزار را تضمین می کند که از لوازم و متعلقات مناسب استفاده شده باشد و نمایندگان رسمی SKIL تهیه شده باشد

این ابزار شارژر را نباید توسط افرادی (شامل کودکان) که توانایی های فیزیکی. حساس یا روانی آنها محدود است. یا فاقد تجربه و دانش لازم هستند بکار برده شود مگر اینکه شخصی که مسئول ایمنی آنهاست درباره کار با ابزار شارژر به آنها توضیح داده و یا بر کار آنها نظارت کند

- هیچوقت اجازه ندهید کودکان با ابزار شارژر بازی کنند

شارژر کردن باطری ها

- باطری را فقط با شارژری که همراه ابزار ارائه شده است شارژ کنید
- به کنتاکت های شارژر دست نزنید
- باطری را در محیط های نمناک یا خیس شارژ نکنید
- ابزار شارژر نباید در معرض باران قرار داده شود
- ابزار شارژر را در مکانی نگه دارید که دمای آن از ۰ درجه سانتیگراد بالاتر و از ۵۰ درجه سانتیگراد کمتر نیست
- اگر باطری ها در آتش انداخته شوند امکان انفجار آنها وجود دارد. بنابراین هرگز و به هیچ دلیلی باطری را نسوزانید
- اگر شارژر آسیب دیده است از آن استفاده نکنید: آنرا برای کنترل ایمنی به مراکز مجاز خدمات فنی SKIL ببرید
- اگر سیم یا دوشاخه شارژر آسیب دیده است از آن استفاده نکنید: سیم یا دوشاخه های آسیب دیده را باید فوراً در یکی از مراکز مجاز خدمات فنی SKIL تعویض کرد
- اگر باطری آسیب دیده است از آن استفاده نکنید: باید فوراً آنرا عوض کنید
- سعی نکنید باطری یا شارژر را باز کنید
- سعی نکنید باطری های غیر قابل شارژ را با شارژر دوباره شارژ کنید
- تشریح علامت روی شارژر/باطری
- ④ شارژر فقط باید در داخل ساختمان استفاده کرد
- ⑤ عایق دوگانه (نیازی به سیم اتصال به زمین - اirt نیست)
- ⑥ ترانس ایزوله کننده ایمن در برابر خرابی (منبع تغذیه از لحاظ الکتریکی جدا از خروجی ترانس است)
- ⑦ خاموش شدن خودکار در زمانی که شارژر خیلی داغ می شود (فیوز حرارتی می سوزد) و شارژر غیر قابل استفاده خواهد شد
- ⑧ اگر قطب های شارژر یا اشتباه وصل کنید احتمال بروز خطر وجود خواهد داشت (باطری را فقط با شارژر ارائه شده شارژ کنید)
- ⑨ شارژر را همراه پالاهای خنک کننده ایمن دور نیندازید

١٦ الخدمة

١) **اسمح بتوصيل عدتك الكهربائية فقط من قبل المتخصصين فقط**
بإستعمال قطع الغيار الأصلية. يؤمن ذلك المحافظة على أمان الجهاز.

تعليمات السلامة لمسدسات مانع التسرب اللاسلكية

- تأكد دائماً من أن فولتية الإمداد هي نفسها المشار إليها على لوحة الاسم الخاصة بالشاحن (يمكن أيضاً توصيل الشواحن المقدر ٢٢٠ فولت أو ٢٤٠ فولت بمصدر إمداد ٢٢٠ فولت)
- في حالة حدوث خلل كهربائي أو ميكانيكي، قم في الحال بإيقاف تشغيل الأداة أو افصل الشاحن عن مصدر الطاقة
- تضمن SKIL التشغيل السليم للأداة فقط عند استخدام الملحقات الصحيحة.
- لم يتم تصميم الأداة/الشاحن للاستخدام بواسطة أفراد (بما فيهم الأطفال) ذوي قدرات بدنية أو حسية أو عقلية منخفضة أو محدودى الخبرة والعرفة ما لم يتم الإشراف عليهم أو ترويضهم بالإرشادات الخاصة باستخدام الأداة/الشاحن بواسطة فرد مسئول عن أمنهم
- تأكد من عدم قيام الأطفال بالعبث بالأداة/الشاحن

شحن البطاريات

- لا تقم بشحن البطارية إلا بالشاحن الذي يرد مع الأداة
- لا تلمس نقاط التلامس الموجودة بالشاحن
- لا تقم بشحن البطارية في بيئة رطبة أو مبللة
- لا تعرض الأداة/الشاحن/البطارية للأحطار
- قم بتخزين الأداة/الشاحن/البطارية في أماكن لا تتجاوز درجة الحرارة فيها ٤٠ درجة مئوية أو تقل عن ٠ درجة مئوية
- قد تنفجر البطاريات عندما تتعرض للتلوث. لذا لا خرق البطارية لأي سبب:
- لا تستخدم الشاحن إذا تعرض للتلوث؛ انصب به إلى أية من محطات خدمة SKIL المسجلة رسمياً لإجراء فحص الأمان
- لا تستخدم الشاحن إذا تعرض السلك أو القابس للتلوث؛ يجب استبدال السلك أو القابس على الفور في أي من محطات خدمة SKIL المسجلة رسمياً
- لا تستخدم البطارية إذا تعرضت للتلوث؛ يجب استبدالها على الفور
- لا تقم بتفكيك الشاحن أو البطارية
- لا تحاول إعادة شحن البطاريات غير القابلة لإعادة الشحن بواسطة الشاحن
- شرح الرموز الموجودة على الشاحن/البطارية
- ① لا تستخدم الشاحن إلا في الأماكن الداخلية
- ② العزل المزود (لا يلزم سلك أرضي)
- ③ محول فصل أمن من التعطل (يتم فصل مصدر الطاقة عن خرج المحول كهربائياً)؛
- ④ إيقاف التشغيل تلقائياً عند تعرض الشاحن لسخونة مفرطة (يتعرض المحصر الحراري للتلوث ويصبح الشاحن عديم الفائدة)؛
- Ⓐ قد تتسبب القطبية غير الصحيحة في وصلة الشاحن في حدوث خطر (فقط قم بشحن البطارية باستخدام الشاحن المزود)؛
- Ⓐ لا تتخلص من الشاحن مع النفايات المنزلية
- Ⓣ لا تتخلص من البطارية مع النفايات المنزلية
- Ⓣ توفر تكنولوجيا NiMH مزيداً من الطاقة بطريقة أقل تلويثاً للبيئة؛

الاستخدام

شحن البطارية ④

- عادة ما تكون بطارية الأدوات الجديدة غير مكتملة الشحن؛
- ! **قم بإزالة البطارية من الشاحن بعد انتهاء مدة الشحن. بتلك الطريقة يطول العمر الافتراضي للبطارية.**

هام:

- بعد ثلاث ساعات ستكتمل عملية الشحن. ويمكن استخدام البطارية.
- وبالرغم من ذلك قد يبقى الضوء الأحمر مضيئاً (قد يتطلب الضوء الأحمر أكثر من ٣ ساعات لينطفئ)؛
- أثناء الشحن. قد يصبح كل من الشاحن والبطارية دافئين بحيث يتعذر لمسهما ويعتبر هذا أمراً عادياً ولا يشير إلى وجود مشكلة؛
- تأكد من نظافة وجفاف السطح الخارجي للبطارية قبل إدخالها بالشاحن؛
- لا تقم بشحن البطارية في درجة حرارة تقل عن ٠ درجة مئوية وتزيد عن ٤٠ درجة مئوية. فذلك قد يؤدي إلى حدوث تلفيات جسيمة بالبطارية والشاحن على حد سواء؛
- لا تقم بإزالة البطارية من الأداة وهي قيد التشغيل؛

! لا صّل البطارية الجديدة أو تلك التي لم يتم استخدامها لفترة طويلة

سمعتها بالكامل إلا بعد ٥ دورات شحن/تفريغ شحن تقريبا:

- لا تقم بإعادة شحن البطارية بصورة متكررة بعد مرور عدة دقائق فقط من

التفريغ؛ فقد يؤدي هذا إلى تقليل زمن التشغيل وكفاءة البطارية؛

- يجب الحفاظ على بطارية النيكول ميتال هيدريد بمعدل عن البيئة الطبيعية، ولا

يجب التخلص منها على نفس النحو المستخدم مع النفايات المنزلية العادية

(سيبتيك الرمض ⑤) بذلك عندما تقتضي الحاجة التخلص من البطارية؛

! **قبل التخلص من البطارية. قم بحماية الأطراف بشرط قوي لمنع حدوث**

دائرة قصيرة:

- إذا كنت تتوقع عدم استخدام الأداة لفترات طويلة. فمن الأفضل فصل

الشاحن عن مصدر الطاقة؛

• **ختميل الخراطيش ⑦:**

- افتح الخراطوشة القياسية باستخدام سكين متعدد الأغراض؛

- ركب الفوهة أعلى الخراطوشة المفتوحة؛

- قطع ٢ سم على الأقل من طرف الفوهة براوية ٤٥ درجة. بحيث تكون الفتحة

كبيرة بما يكفي عند استخدام أعلى إعداد سرعة؛

- ادفع المفتاح A إلى اليسار؛

- ادفع المكبس B مرة أخرى إلى وضع البدء الخاص به حتى ينقل على نحو

مطابق (لا ينجم عن الفقل على نحو مطبق بعد ذلك تعطل المكبس)؛

- افتح غطاء الخراطوشة C؛

- أدخل الخراطوشة إلى أن تصل قاعدتها على الجزء الخلفي من إطار النقل D؛

- اغلق غطاء الخراطوشة C؛

• **التشغيل/إيقاف التشغيل ⑩**

- ادفع المفتاح A إلى اليمين لفتح مفتاح الزناد E؛

- قم بتشغيل/إيقاف تشغيل الأداة بالضغط على/خبر مفتاح الزناد E؛

- يتم إيقاف تشغيل الأداة عندما تضغط على مفتاح الخراطوشة فارغة؛

! **تأكد أن المفتاح A في وضع القفل بعد كل استخدام ⑩.**

• **السرعة المتغيرة ⑪**

- باستخدام العجلة F يمكن ضبط خرج تدفق مانع التسرب (١ أوضاع)؛

- قبل البدء في إحدى المهام. تعرف على السرعة القصوى بإجراء اختبار على

إحدى المواد الإضافية؛

! **إذا لم تعمل الأداة والعجلة F في الوضع ١. اضبط السرعة أثناء الضغط**

على مفتاح الزناد E ① حتى العتور على أفضل إعداد؛

• **وضع مانع التسرب ⑫**

- تأكد من أن المنطقة المطلوب منع التسرب بها نظيفة وجافة (قم بإزالة مانع

التسرب القديم. إن أمكن)؛

- بعد دفع المفتاح A إلى اليمين. اضغط على مفتاح الزناد E لبدء خرج تدفق

مانع التسرب؛

- امسك الأداة براوية قليلة وحركها بحذر بإفقا ثابت على طول الفجوة/الشق

لنتم ملؤه أثناء الضغط على مفتاح الزناد E؛

- تأكد من ملامسة مانع التسرب تماماً لكلا السطحين المطلوب منع التسرب

بهما؛

- حرر مفتاح الزناد E لإنهاء خرج تدفق مانع التسرب؛

- لتجنب انسكاب مانع التسرب. ادفع المفتاح A إلى اليسار على الفور بعد تحرير

مفتاح الزناد E؛

- امسح بإصبع مبلل على طول تدفق مانع التسرب بعد وضعه واستخدم

قطعة قماش نظيفة لإزالة أي مانع تسرب زائد؛

! **قم بإزالة أي مانع تسرب متبقي من فوهة الخراطوشة وإطار النقل؛**

• **حماية الكترونية من فرط التحميل**

- لإيقاف الحرك تلقائياً في حالة استخدام ضغط زائد للغاية على الخراطوشة. وذلك

لمنع تعرض الأداة والخراطوشة للتلوث؛

- حرر مفتاح الزناد E؛

- اسمح بإعادة تعيين الأجزاء الإلكترونية لمدة ٥ ثوان؛

- اضغط على مفتاح الزناد E؛

- إذا توقف الحرك مرة أخرى. حرك العجلة F إلى الوضع الأوسط واضغط على

مفتاح الزناد E مرة أخرى؛

- لتجنب زيادة الحمل. تأكد دائماً ما يلي؛

- قطع ٢ سم على الأقل من طرف الفوهة؛

- إزالة المواد المتصلبة من الفوهة؛

- عدم تلف الخراطوشة أو جمدتها؛

- خلع إطار النقل من مانع التسرب؛

- خذ يد أقل إعداد سرعة ممكن؛

مسدس لاسلكي مانع للتسرب

٢٠٥٥

مقدمة

- تم تصميم هذه الأداة لتوزيع مانع التسرب من الحرايطيش القياسية:
- اقرأ دليل التعليمات هذا واحفظ به ٢

البيانات الفنية ①

مكونات الأداة ②

- A مفتاح متعدد الوظائف
- B مكبس
- C غطاء الحرايطوشة
- D إطار النقل
- E مفتاح التشغيل
- F عجلة خديد السرعة

أمان

تعليمات السلامة العامة

⚠ خذير! اقرأ جميع الملاحظات التحذيرية والتعليمات. إن ارتكاب الأخطاء عند تطبيق الملاحظات التحذيرية والتعليمات قد يؤدي إلى الصدمات الكهربائية. إلى نشوب الحرائق أو أو الإصابة بجروح خطيرة. احتفظ بجميع الملاحظات التحذيرية والتعليمات للمستقبل. يقصد بمصطلح «العدة الكهربائية» المستخدم في الملاحظات التحذيرية، العدة الكهربائية الموصولة بالشبكة الكهربائية (بواسطة كابل الشبكة الكهربائية)، وأيضاً العدة الكهربائية الزودة ببطارية (دون كابل الشبكة الكهربائية).

1 الأمان بـمكان الشغل

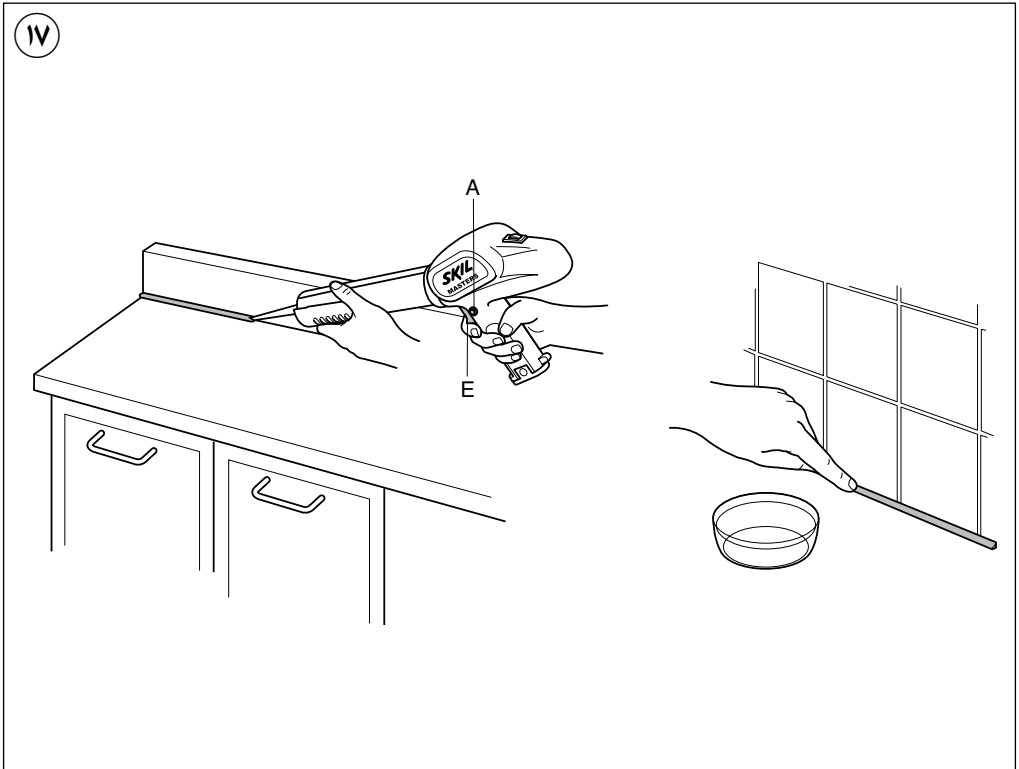
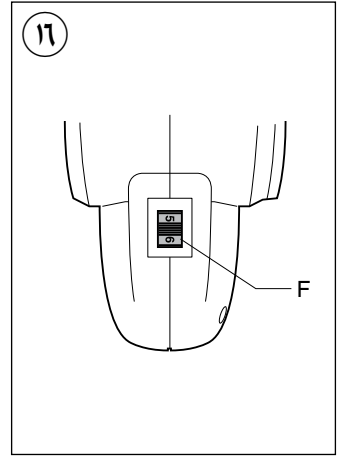
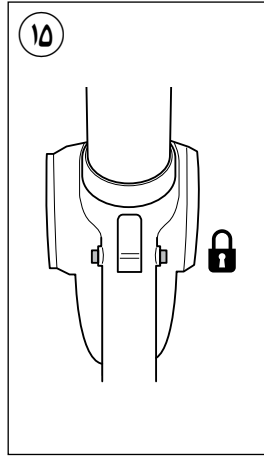
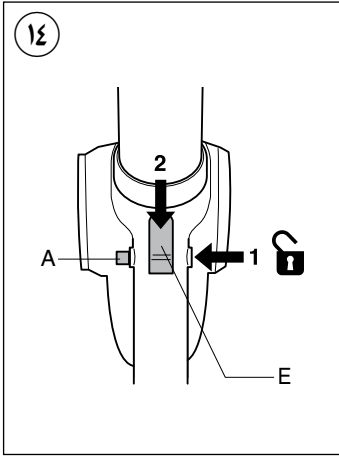
- 1 حافظ على نظافة وحسن إضاءة مكان شغلك. الفوضى في مكان الشغل ومجالات العمل الغير مضاعة قد تؤدي إلى حدوث الحوادث.
- 2 لا تشغل بالعدة الكهربائية في محيط معرض لخطر الانفجار والذي تتوفر فيه السوائل أو الغازات أو الأبخرة القابلة للاشتعال. العدة الكهربائية تشكل الشر الذي قد يتطاير، فيشعل الأبخرة والأخيرة.
- 3 حافظ على بقاء الأطفال وغيرهم من الأشخاص على بعد عندما تستعمل العدة الكهربائية. قد تفقد السيطرة على الجهاز عند الطوي.

2 الأمان الكهربائي

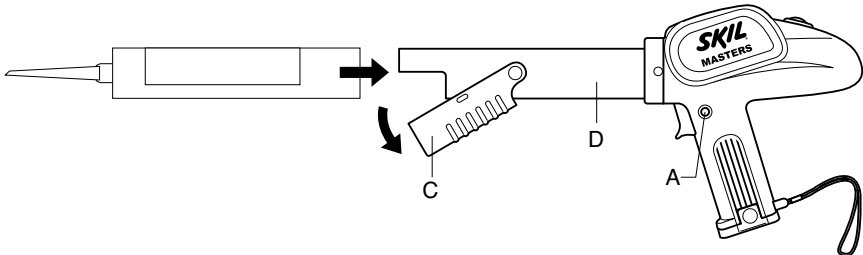
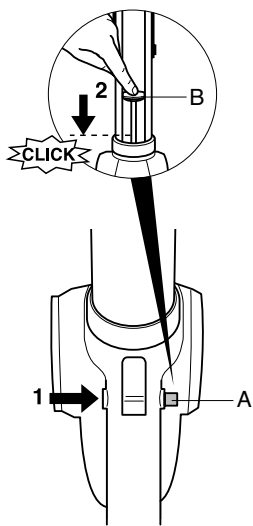
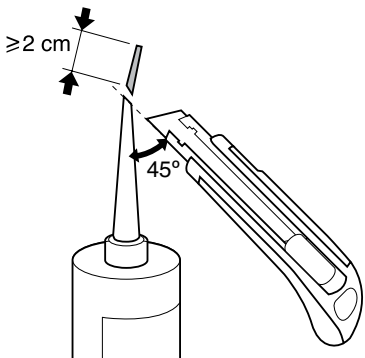
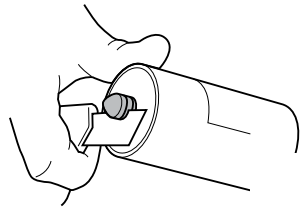
- 1 يجب أن يتلاءم قاييس وصل العدة الكهربائية مع المقبس. لا يجوز تغيير القاييس بأي حال من الأحوال. لا تستعمل القوايس الهائية مع العدة الكهربائية المؤرضة تأريض وقائي. تخفض القوايس التي لم يتم تغييرها والمقابس الملائمة من خطر الصدمات الكهربائية.
- 2 تجنب ملامسة السطوح المؤرضة كالألنابيب وراياتورات التدفئة والداقي أو البرادات بواسطة جسمك. يزداد خطر الصدمات الكهربائية عندما يكون جسمك مؤرض.
- 3 أبعد العدة الكهربائية عن الأمطار أو الرطوبة. يزداد خطر الصدمات الكهربائية إن تسرب الماء إلى داخل العدة الكهربائية.
- 4 يجب عدم إسائة استخدام الكابل. لا تسمى استعمال الكابل لحمل العدة الكهربائية أو تعليقها أو لسحب القاييس من المقبس. حافظ على إبعاد الكابل عن الحرارة والزيت والخواف الحادة أو عن أجزاء الجهاز المتحركة. تزيد الكابلات التالفة أو التمشاكفة من خطر الصدمات الكهربائية.
- 5 استخدم فقط كابلات التمديد الصالحة للإستعمال الخارجي أيضاً عندما تشغل بالعدة الكهربائية في الخلاء. بخفض استعمال كابل تمديد مخصص للإستعمال الخارجي من خطر الصدمات الكهربائية.
- 6 إن لم يكن بالإمكان عدم تشغيل العدة الكهربائية في الأجواء الرطبة. فاستخدم مفتاح لوقاية من التيار المتردد. إن استخدام مفتاح لوقاية من التيار المتردد يقلل خطر الصدمات الكهربائية.

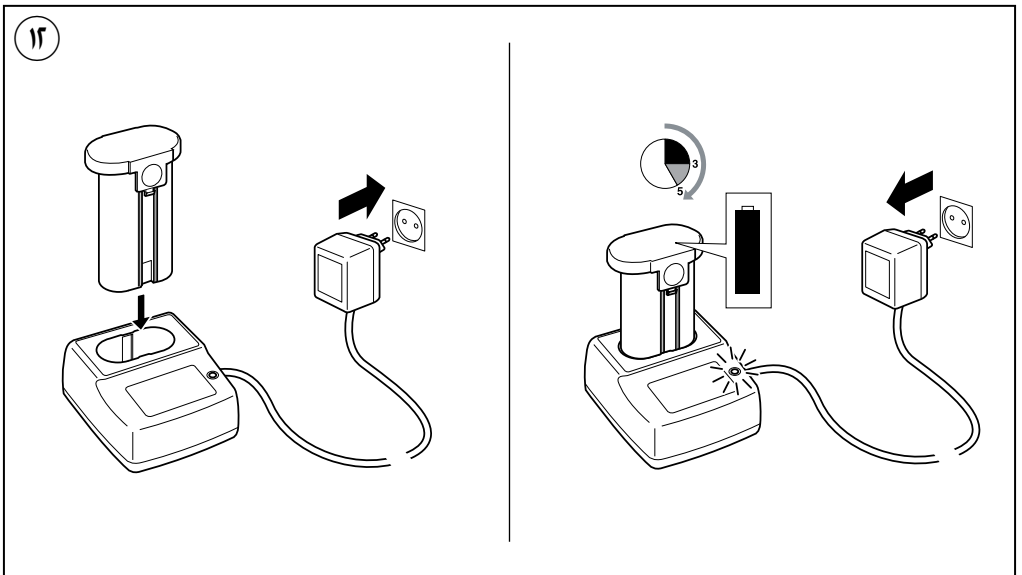
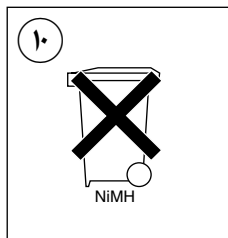
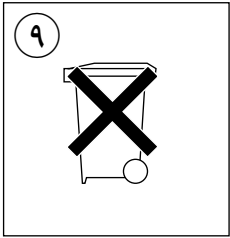
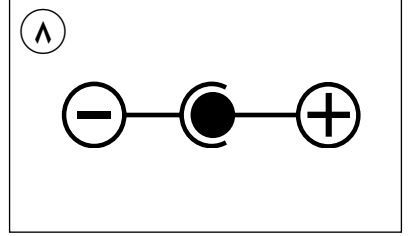
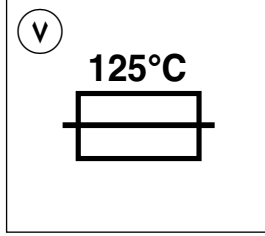
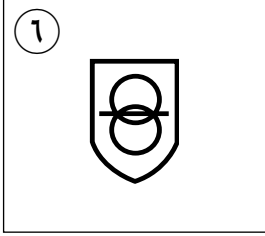
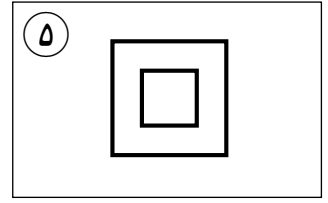
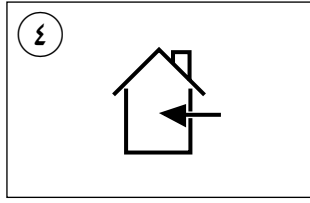
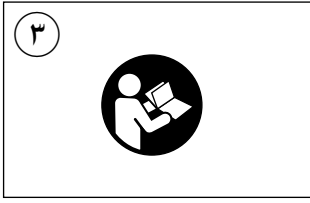
٣ أمان الأشخاص

- 1 كن يقظاً وأنتبه إلى ما تفعله وقم بالعمل بواسطة العدة الكهربائية بتعقل.. لا تستخدم عدة كهربائية عندما تكون متعب أو عندما تكون تحت تأثير المخدرات أو الكحول أو الأدوية. عدم الإنتباه للحظة واحدة عند إستخدام العدة الكهربائية قد يؤدي إلى إصابة خطيرة.
- 2 ارتد عتاد الوقاية الخاص. وارثد دائماً نظارات واقية. يجب ارتداء عتاد الوقاية الخاص. كمنعاق الوقاية من الغبار وأخذية الأمان الواقية من الإرتقاع والخوذ واقية الأذنين. حسب نوع وإستعمال العدة الكهربائية. من خطر الإصابة بجروح.
- 3 تجنب التشغيل بشكل غير مقصود. تأكد من كون العدة الكهربائية مطفأة قبل وصلها بإمداد التيار الكهربائي و/ أو بالركم. وقبل رفعها أو حملها. إن كنت تضع إصبعك على المفتاح أثناء حمل العدة الكهربائية أو إن وصلت الجهاز بالشبكة الكهربائية عندما يكون قيد التشغيل فقد يؤدي ذلك إلى حدوث الحوادث.
- 4 انزع عدد الضبط أو مفتاح الربط قبل تشغيل العدة الكهربائية. قد تؤدي العدة أو المفتاح المتواجد في جزء دوار من الجهاز إلى الإصابة بجروح.
- 5 تجنب أوضاع الجسم غير الطبيعية. قف بأمان وحافظ على توازنك دائماً. سيسمح لك ذلك من السيطرة على الجهاز بشكل أفضل في المواقف غير المتوقعة.
- 6 ارتد ملابس مناسبة. لا ترتدي الثياب الفضفاضة أو الحلي. حافظ على إبقاء الشعر والثياب والقفازات على بعد عن أجزاء الجهاز المتحركة. قد تتشابك الثياب الفضفاضة والحلي والشعر الطويل بالأجزاء المتحركة.
- 7 إن جاز تركيب جهاز شفط وجميع الغبار فتأكد من أنها موصولة و بأنه يتم استخدامها بشكل سليم. قد يقلل إستخدام تجهيزات لشفط الأبخرة من المخاطر الناتجة عن الأبخرة.
- 8 حسن معاملة وإستخدام العدة الكهربائية
- 9 لا تفرط في تحميل الجهاز. إستخدم تنفيذ أشكال العدة الكهربائية المخصصة لذلك. إنك تعمل بشكل أفضل وأكثر أماناً بواسطة العدة الكهربائية الملائمة في مجال الأداء المذكور.
- 10 لا تستخدم العدة الكهربائية إن كان مفتاح تشغيلها تالف. العدة الكهربائية التي لم تعد تتشغل بشغليها أو بإطافئها خطيرة ويجب أن يتم تصليحها.
- 11 اسحب القاييس من المقبس و / أو انزع المرمك قبل ضبط الجهاز وقبل إستبدال التوابع أو قبل وضع الجهاز جانباً. تمنع إجراءات الاحتياط هذه تشغيل العدة الكهربائية بشكل غير مقصود.
- 12 احتفظ بالعدد الكهربائية التي لا يتم إستخدامها بعيداً عن متال الأطفال. لا تسمح بإستخدام العدة الكهربائية لن لأخيرة له بها أو لمن لم يقرأ تلك التعليمات. العدد الكهربائية خطيرة إن تم استخدامها من قبل أشخاص دون خبرة.
- 13 اعترن بالعدة الكهربائية بشكل جيد. تفحص عما إذا كانت أجزاء الجهاز المتحركة تعمل بشكل سليم وبأنها غير مستعصبة عن الحركة أو إن كانت هناك أجزاء مكسورة أو تالفة لدرجة تؤثر فيها على حسن أداء العدة الكهربائية. ينبغي تصليح هذه الأجزاء التالفة قبل إعادة تشغيل الجهاز. الكثير من الحوادث مصدرها العدد الكهربائية التي تم صيانتها بشكل ردي.
- 14 حافظ على إبقاء عدد القطع نظيفة وحادة. إن عدد القطع ذات حواف القطع الحادة التي تم صيانتها بعناية تتكليس بشكل أقل ويمكن توجيهها بشكل أيسر.
- 15 استخدم العدد الكهربائية والتوابع وعدد الشغل والرخ حسب هذه التعليمات. تراعى أثناء ذلك شروط الشغل والعمل المراد تنفيذها. استخدام العدد الكهربائية لغير الأشغال المخصصة لأجلها قد يؤدي إلى حدوث الحالات الخطيرة.
- 16 حسن معاملة وإستخدام العدد المزودة بمركم
- 17 اشحن المراكم فقط في أجهزة الشحن التي ينصح بإستخدامها من طرف المنتج. يعم خطر نشوب الحرائق بأجهزة الشحن المخصصة لنوع معين من المراكم إن تم إستخدامها مع نوع آخر من المراكم.
- 18 استخدم بالعدد الكهربائية فقط المراكم المخصصة لذلك. قد يؤدي استخدام المراكم الأخرى إلى الإصابات إلى خطر نشوب الحرائق.
- 19 حافظ على إبعاد المراكم الذي لا يتم إستعماله عن مشابك الورق وقطع النقود المعدنية والفتايج والمسامير والولاب أو غيرها من الأغراض المعدنية الصغيرة التي قد تقوم بتوصيل الملامسين ببعضهما البعض. قد يؤدي تقصير الدارة الكهربائية بين ملامسك على كرم إلى الإحترق أو إلى إتلاف النيران.
- 20 قد يتسرب السائل من المرمك عند سوء الإستعمال. تجنب ملامسته. اشطفه بالماء في حال ملامسته صدفة. إن وصل السائل إلى العينين. فراجع الطبيب إضافة إلى ذلك. قد يؤدي سائل المرمك المتسرب إلى تهيج البشرة أو إلى الإحترق.



۱۳





1

2055

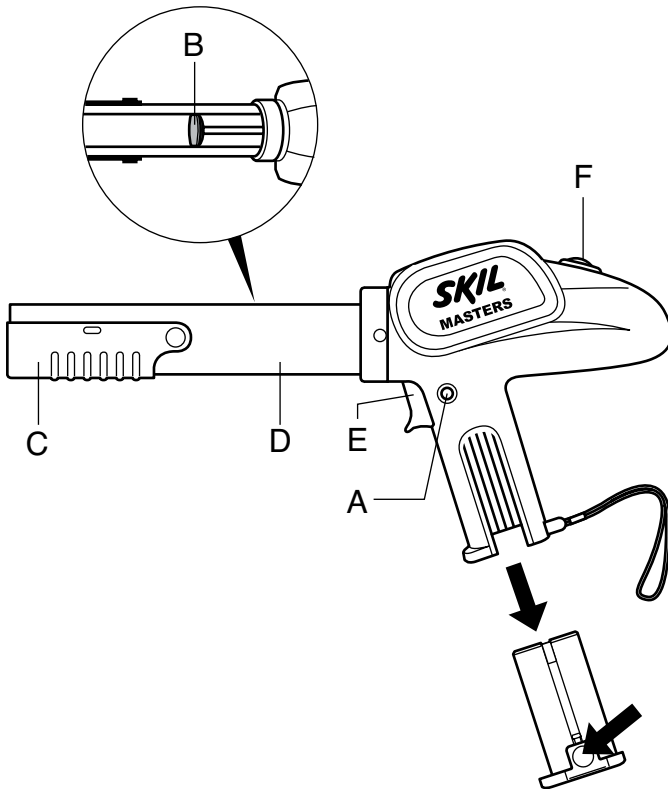
4,8
Volt

EPTA 01/2003
1,7 kg

40-450
mm/min

3-5 HOURS

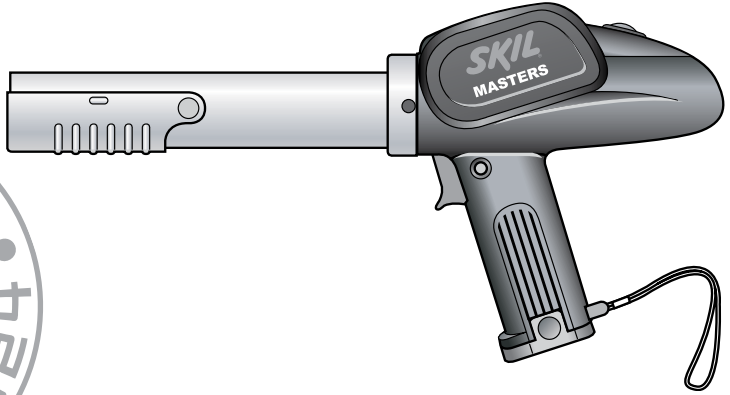
2



مسدس لاسلكي مانع للتسرب
2055

SKIL MASTERS

PROFESSIONAL POWER TOOLS



دليل الاستعمال
راهنماي اصلي

AR

FA



2610Z05981

08/14

سكيل أوروبا ب.ق. - كونيغنبيرج 60
4825 ب.د. بريدا - هولندا



ИНСТРУМЕНТА

Сертификат о соответствии
KZ.7500052.22.01.04170
Срок действия сертификата
о соответствии по 09.07.2018
ТОО Центр Сертификации
продукции и услуг
г. Алматы, ул Кабанбай батыра,
уг. Калдаякова 51/78



ЗАРЯДНОЕ УСТРОЙСТВО

Сертификат о соответствии
RU C-NL.ME77.B.00206
Срок действия сертификата
о соответствии по 18.12.2017
ООО "ЭЛМАШ"
141400, Химки Московской области
ул. Ленинградская, 29



АНКУМУЛЯТОРНАЯ БАТАРЕЯ

Декларация о соответствии
РОСС NL.AB02.D07259
Срок действия декларации
о соответствии по 16.07.2016
ООО "ВСЦ Миратекс"
125493, Москва, Россия,
ул. Флотская д. 5А, ком. 14

ДАТА ПРОИЗВОДСТВА