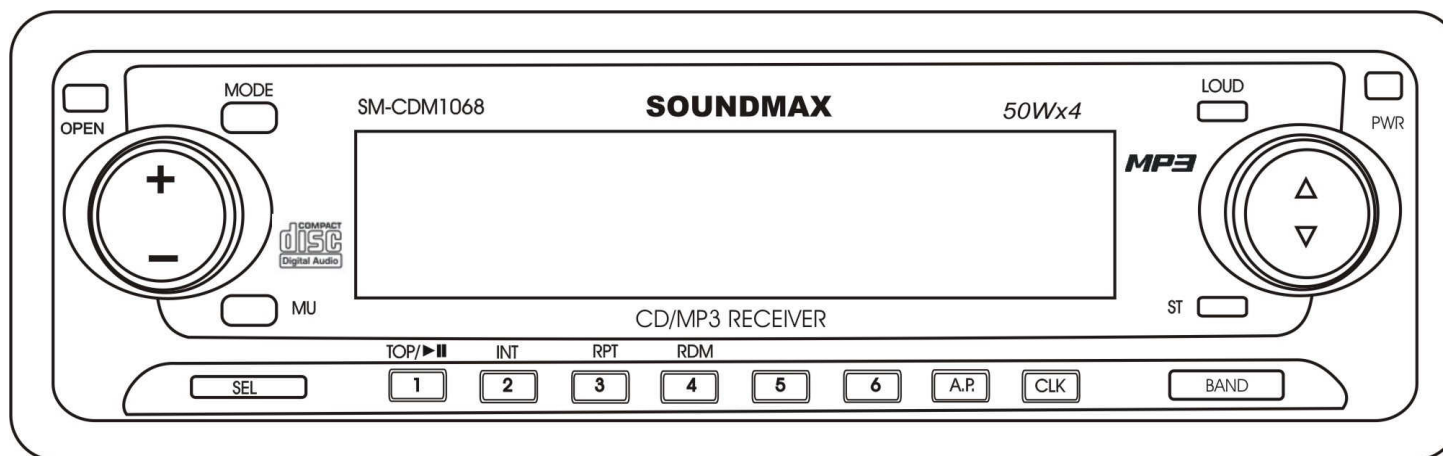


SM-CDM1068



CD/MP3 RECEIVER
Instruction manual

CD/MP3 РЕСИВЕР
Руководство по эксплуатации

Dear customer!

Thank you for purchasing our product. For safety, it is strongly recommended to read this manual carefully before connecting, operating and/or adjusting the product and keep the manual for reference in the future.

Table of contents

Table of contents2

Important safeguards.....3

Installation/ Connections4

Panel controls7

Function of controls9

MP3 overview14

Anti-theft system.....16

Handling compact discs16

Cleaning17

Troubleshooting guide18

Specification19

Important safeguards

- Read carefully through this manual to familiarize yourself with this high-quality sound system.
- Disconnect the vehicle's negative battery terminal while mounting and connecting the unit.
- When replacing the fuse, be sure to use one with an identical amperage rating. Using a fuse with a higher amperage rating may cause serious damage to the unit.
- DO NOT attempt to disassemble the unit. Laser beams from the optical pickup are dangerous to the eyes.
- Make sure that pins or other foreign objects do not get inside the unit; they may cause malfunctions, or create safety hazards such as electrical shock or laser beam exposure.
- If you have parked the car for a long time in hot or cold weather, wait until the temperature in the car becomes normal before operating the unit.
- DO NOT open covers and do not repair yourself. Consult the dealer or an experienced technician for help.
- Make sure you disconnect the power supply and aerial if you will not be using the system for a long period or during a thunderstorm.
- Make sure you disconnect the power supply if the system appears to be working incorrectly, is making an unusual sound, has a strange smell, has smoke emitting from it or liquids have got inside it. Have a qualified technician check the system.
- The unit is designed for negative terminal of the battery, which is connected to the vehicle metal. Please confirm it before installation.
- Do not allow the speaker wires to be shorted together when the unit is switched on. Otherwise it may overload or burn out the power amplifier.
- Do not install the detachable panel before connecting the wire.

Remark:

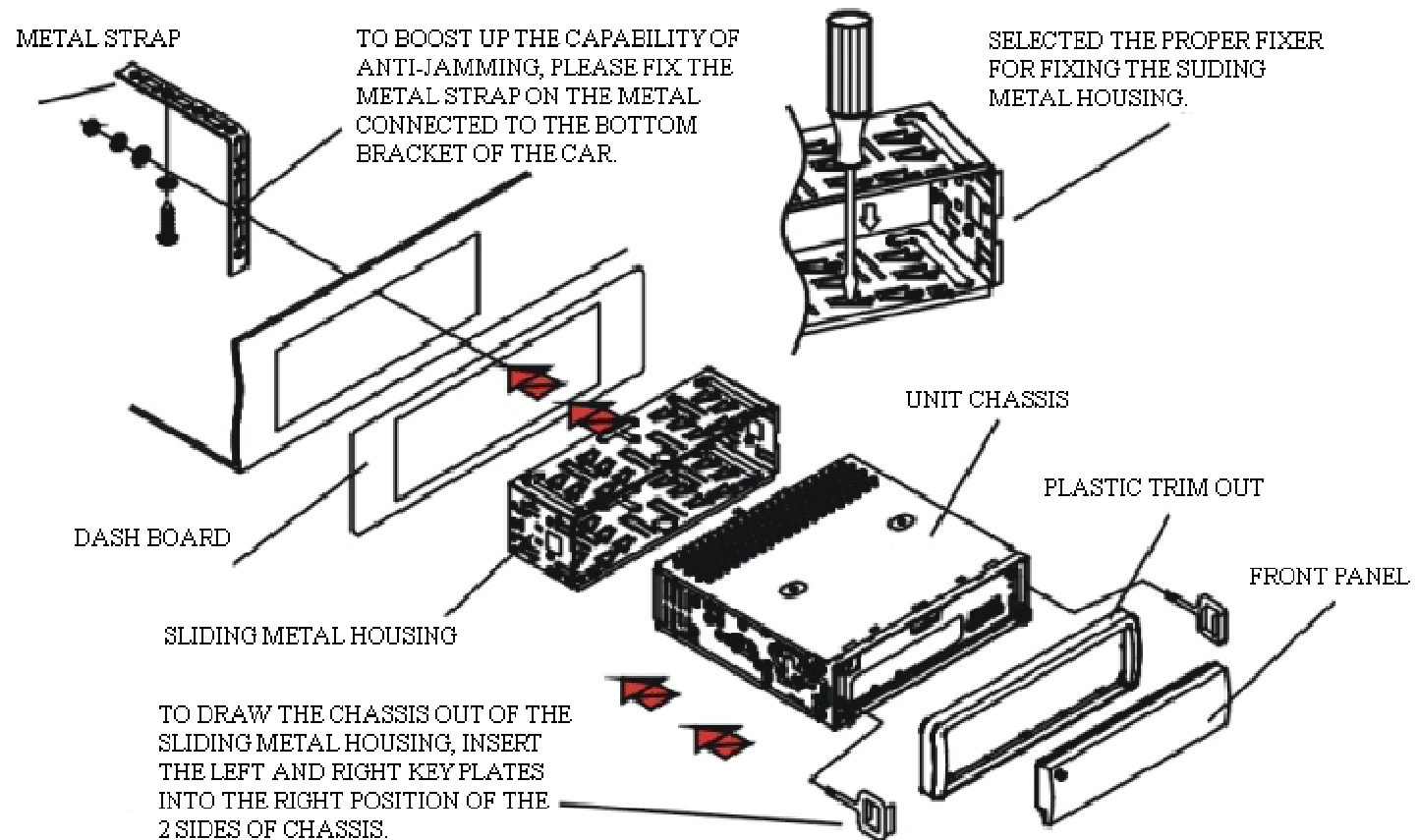
- In addition to normal audio CD, this unit can play CD-R and CD-R/W disc that contain audio tracks as well; however, depending on the conditions of the recording equipment, recording program or the CD-R as well as CD-R/W disc itself, some CD-R or CD-R/W may not play.

Installation/ Connections

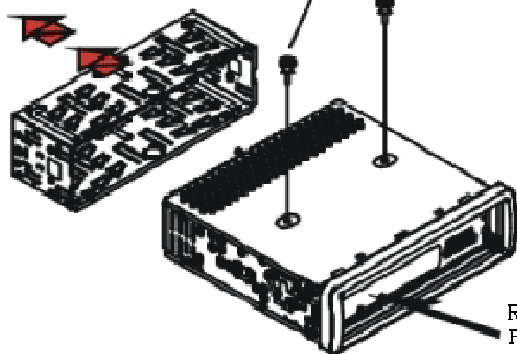
First complete the electrical connections, and then check them for correctness.

Installation way

It is an anti-theft installation way. The chassis wear a metal sliding housing. Please have the wiring connection of the power supply, speakers and antenna as for the requirement of the manual, and then install the metal sliding housing into the car according to the diagram.

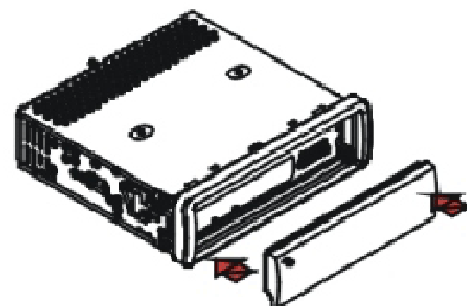


REMOVE THE SLIDING METAL HOUSING AWAY

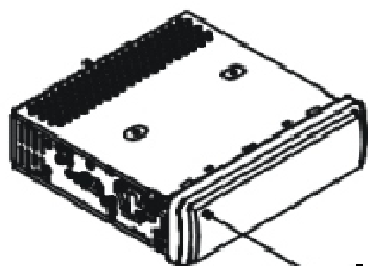


REMOVE AWAY 2 SCREWS FOR PROTECT THE DECK BEFORE OPERATING IT.

TO INSTALL THE FRONT PANEL BACK INTO THE UNIT CHASSIS, FIRSTLY INSTALL THE RIGHT SIDE IF IT BACK INTO THE RIGHT POSITION, THEN PUSH THE LEFT SIDE BACK TO THE UNIT CHASSIS TILL OK.

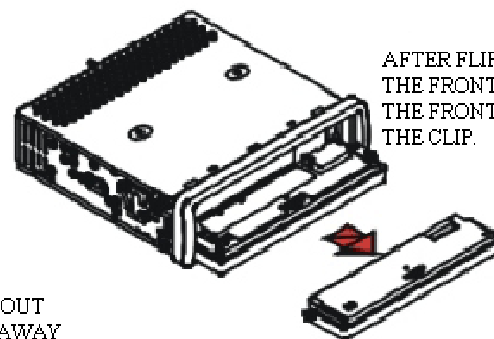


RESET BUTTON
PRESS RESET BUTTON TO RESUME THE DISTORTED PROGRAM WHEN THE LCD DISPLAY IMPROPERLY AND SOME BUTTONS ARE INVALID.



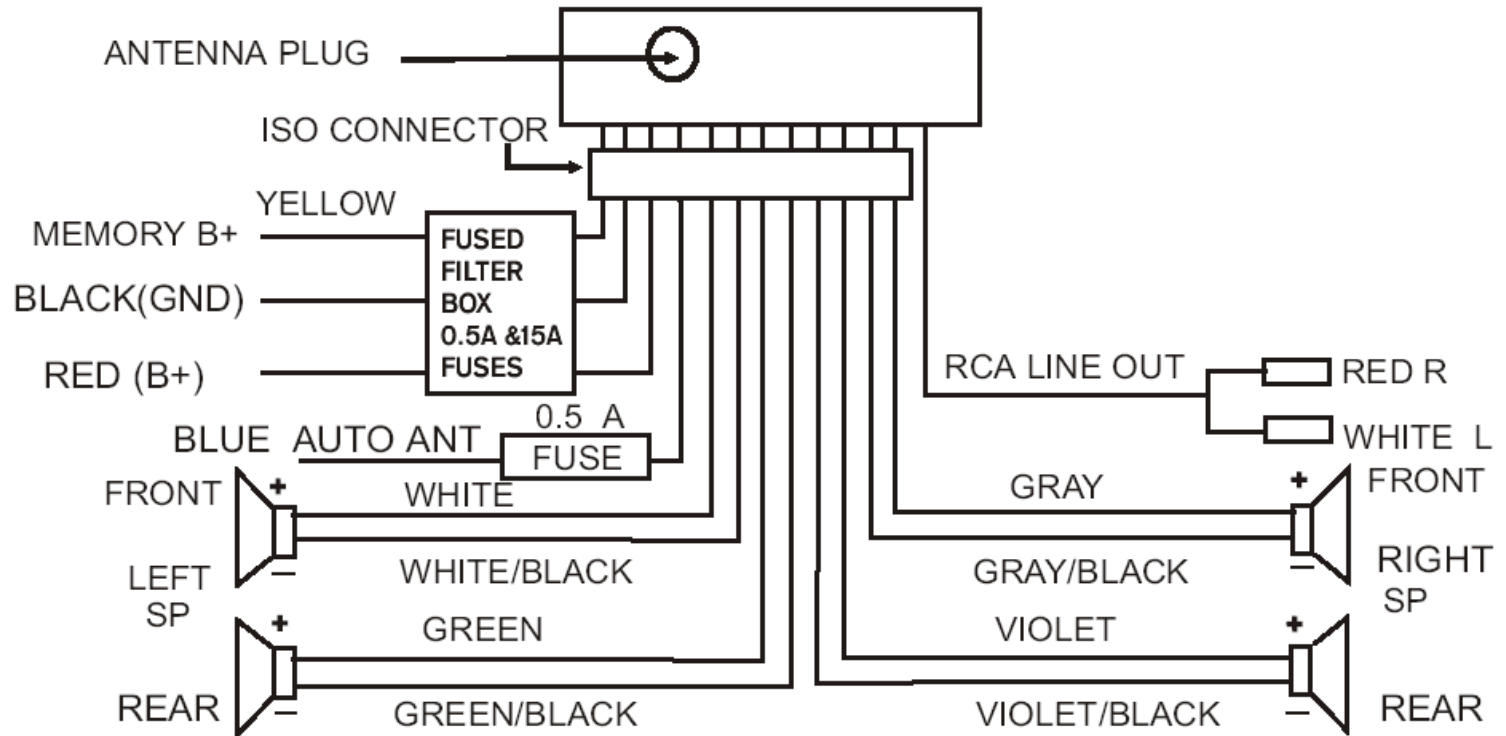
OPEN BUTTON

TO INSERT DISC INTO COMPARTMENT OR EJECT DISC OUT OF THE COMPARTMENT OR TAKE THE FRONT PANEL AWAY THE UNIT CHASSIS, PRESS THE OPEN BUTTON TO FLIP DOWN THE FRONT PANEL.



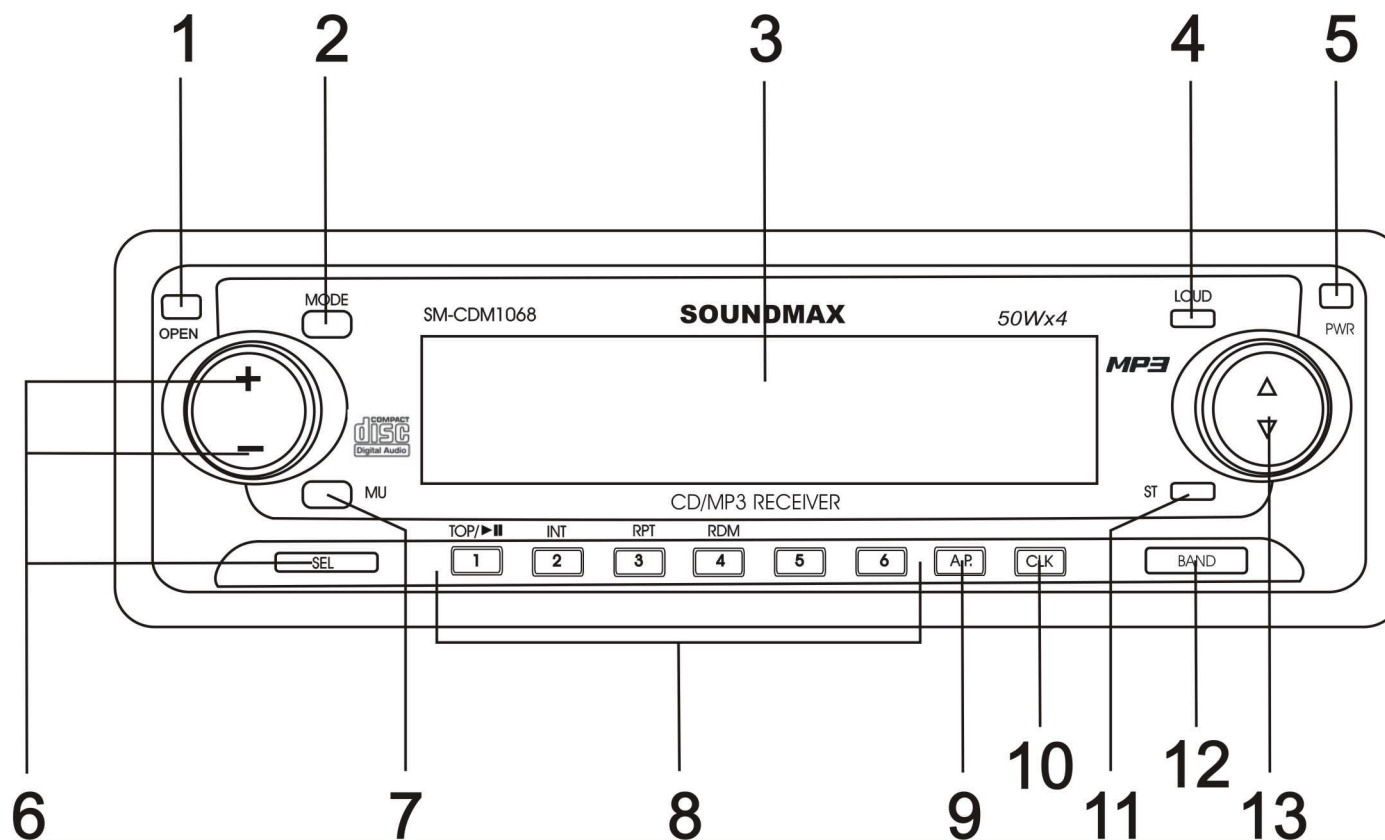
AFTER FLIPPING DOWN THE FRONT PANEL, DRAW THE FRONT PANEL OUT OF THE CLIP.

Speaker connection



- In spite of having any kinds of speaker system, must use 4 ohms impedance of speaker to reduce the distortion during high volume level.
- Prohibit to make the conductors of auto antenna and ground touch with each other.

Panel controls



1. OPEN BUTTON.
Press it to flip down the front panel and you can insert the disc into the CD compartment or press the EJECT button to eject the disc from the disc compartment.
2. MODE BUTTON.
Press it to select RADIO or CD mode.
3. LCD (LIQUID CRYSTAL DISPLAY).
4. LOUD button.

5. PWR BUTTON.
Press any button except the EJECT and OPEN button to turn on the unit, press PWR button hold for more than 0.5 seconds to turn off the unit. (After switching on the ACC POWER first time for 3 seconds, can only turn on the unit).
6. +/- / MENU/ ENTER/ SEL BUTTONS
V-SEL/ MENU/ ENTER (SEL) and VOLUME UP/ DOWN, MENU UP/ DOWN.
7. MUTE BUTTON.
Press the button to eliminate or resume the sound immediately. To resume the sound immediately, can also press MODE, BAND, +, -, LOUD, SEL button.
8. PRESET STATION [1-6] AND TOP / PLAY/PAUSE, INT, RPT, RDM BUTTONS.
5 and 6 buttons are assigned as 10 TRACK up/ down during normal play.
During the MP3 or WMA disc playback press the 5 or 6 button to go to the previous or next folder.
9. AUTO-STORAGE/PRESET MEMORY SCAN BUTTON.
10. CLK button.
Press the button to display the clock.
11. ST button.
Press the button to switch over STEREO/ MONO modes.
12. BAND button.
Press it repeatedly to select your desired radio band during RADIO mode.
13. UP/DOWN (<</ >>) BUTTONS
Tune up/ down, Seek up/ down, Track up/ down, Fast forward/ Reverse button.

Function of controls

General operations

Reset the unit

Operating the unit for the first time or after replacing the car battery, you must reset the unit. Press OPEN button and remove the panel, then press the RESET button to restore the unit to the original factory settings.

Power button

Press any button except the OPEN button and EJECT (EJ) button to turn the unit on. Press the PWR to switch the unit off.

Note: After the unit is off, the clock, volume level and radio current settings will be memorized, and when you turn the unit on it will resume the stored status which you set.

Volume mode

Press SEL button shortly and repeatedly to select sound mode VOLUME, BASS, TREBLE, BALANCE, FADER. Press + or - button to adjust level of the selected sound mode:

- VOL: 00, 02,....., 44, 46
- BASS/TREB: -6, -5,....., 0, +1, +2,.....+5, +6
- BAL: 12L, 11L,....., L=R, 1R,.....,12R
- FAD: 12R, 11R,....., R=F, 1F,....., 12F

NOTE: Adjustments to Bass and Treble will override any preset EQ (Preset Equalizer Curves).

In each mode, the waiting time is about 5 seconds, and the waiting time is over, it returns to the last display mode of radio or disc playback mode.

Menu mode

Press the button SEL and hold more than 2 seconds to enter menu mode, then press SEL button shortly and repeatedly to select: EQ, CLK FORMAT, TIME, AREA, VOL PGM, BEEP, CLK ON LCD in the sequence and circulation. After select the desired mode, press + or - button shortly and repeatedly to select the mode of the selected item.

EQ: Press the +/- button to adjust the EQ mode as follows: EQ OFF, FLAT, CLAS, ROCK, POP.

CLK FORMAT: 12H will be displayed by default if the frequency area switches to America and 24H will be displayed by default if the frequency area switches to Europe. Press the +/- button to select the CLK 12 H or CLK 24 H clock format mode.

TIME SET: AM 12:00 (for 12H clock format) or CT 0:00 (for 24H clock format) will be displayed by default. Press the + button to adjust the minute. Press the - button to adjust the hour.

AREA: The default area in second level menu is selected by hardware jumper setting. The ↵ icon will be blinking. Press the +/- button to adjust the AREA modes: EU, USA, ASIA, AUST, OIRT, LATIN.

VOL PGM: VOL PGM 12 will be displayed by default. Press the +/- button to adjust the VOL PGM value. Every time the unit turned power on, if this value is less than current volume value, change the current volume value equal to VOL PGM value.

BEEP: BEEP ON will be displayed by default. Press the +/- button to select the BEEP mode: BEEP ON, BEEP OFF.

- Beep on mode: The beep is generated when every key is pressed.
- Beep off mode: The beep sound is disabled when a key is pressed.

CLK ON LCD: ON will be displayed by default. Press the +/- button to select the clock display ON or OFF.

- ON means clock will always show on display when power off.
- OFF means clock will disappear on display when power off.

MUTE button

Press the MU button to turn the sound off. Press the MU, MODE, BAND, SEL, + or - buttons to turn the sound on.

LOUD button

Press LOUD button to choose loud on or off.

ST button

Press ST button to choose FM stereo or mono.

Clock display and adjustment

To view the current time, press CLK button shortly, it will display for 5 seconds and then revert to the previous display mode unless the button is pressed again.

During the period when the time is displayed, you can change the time, press the CLK button long, the time will flash, then press the + button to adjust the minute. Press the - button to adjust the hour.

MODE button

Press the MODE button repeatedly to select the RADIO or CD (disc playback) (with a disc inside the disc slot) mode.

Radio operations

BAND button

Press it repeatedly to select your desired radio band during RADIO mode: FM1 => FM2 => FM3 => MW1 => MW2.

Auto/ Manual tuning

- Manual tuning: press << or >> button and hold for 2 seconds to enter manual tuning. MANUAL appears on display. Press the <</ >> buttons repeatedly to select a station downward or upward step by step.
- Automatic tuning: Press the <</ >> buttons shortly, the automatic search will start. It will play when finds the station.

Programming tuner stations

You can store up to a total of 30 radio stations in the memory (18 FM, 12 MW), manually or automatically.

- To store a station:
 - Select a band (if needed)
 - Select a station by <</ >> buttons
 - Hold a Preset button (1-6) which you want store the station for at least 2 seconds.
- To recall a station:
 - Select a band (if needed)
 - Press a Preset button (1-6) briefly to recall the stored station

A.P function (Auto store/ Preset scan)

- Preset scan: press A.P button to scan all preset stations in the memories of the current band and stay on each memory stations for about 5 seconds. The memory location indicator on the LCD will flash during the process. To stop preset scan, press A.P button again.
- Auto memory store: press A.P button for more than 2 seconds to enter auto store mode. When the field strength level is more than the threshold level of stop level, the radio is holding at that preset number for 5 seconds with releasing mute, and than search again. In FM band, FM1, FM2 and FM3 is checked one at a time.

Discs operations**Loading a disc**

- Turn the power on.
- Press the OPEN button on the panel. Insert the disc with the printed side facing upward into the slot.
- Press EJECT button on the inner side to eject the disc.

Playing/ pausing

- When the disc has been already loaded press the PLAY/PAUSE button to start playback. To ensure good system performance, wait until the unit finishes reading the disc information before proceeding.
- Press the PAUSE button to pause the playback. Press again to resume the playback.
- Press and hold the PLAY/PAUSE button for 2 seconds, the 1st track playback will start.

Playing previous/ next folder

During the MP3 or WMA disc playback press the 5 or 6 button to go to the previous or next folder.

Playing the previous/ next track

- During playback press the << button to play the current track from the beginning.
- Press again to start the previous track playback.
- Press the >> button to play the next track.
- Press the 5 (-10), 6 (+10) buttons to play the 10 track down/ up.

Scanning forward and backward

Press and hold the <</ >> buttons to fast the playing in backward or forward direction. Release the button when the desired location is found.

Repeat playback

Press the RPT button shortly to repeat the current track playback. Press again to cancel.

During the MP3 or WMA disc playback press and hold the RPT button for 2 seconds to play repeatedly the tracks in current folder. Press again to cancel.

Random playback

During disc playback, press the RDM button to start random playback of all the tracks. Press again to cancel.

During the MP3 or WMA disc playback press and hold the RDM button for 2 seconds to play random the tracks in current folder. Press again to cancel.

Intro playback

You can play the beginning of every track for 10 seconds in sequence. Press the INT button to start intro play. Press again to cancel.

During the MP3 or WMA disc playback press and hold the INT button for 2 seconds to play the tracks in current folder. Press again to cancel.

Select the tracks for playback in MP3 or WMA format**Serial number of track search mode:**

In playback of discs with MP3 or WMA format, press the BAND button once, the TRACK ↵ icon will appear on the LCD display, and ↵ will be in blinking.

- a. Press the SEL button or press the +/- buttons to access the Number Search mode.
- b. When go into track number search mode, the current track number will be displayed on the LCD display such as TRK 001 and the first digital 1 will in blinking. Then press the +/- buttons to select the first digital;
- c. If long press the SEL button, the system will play the select track song. If you short press SEL button, the second digital is selected and you also can adjust it like (b) step;
- d. If long press the SEL button the system will play the select track song. If you short press SEL button, the third digital is selected and you also can adjust it like (b) step; if you short/long press SEL button again, it will play the select track song.
- e. If you want to go-back pre-digital to re-adjust it again, press the BAND button once can go-back one digital.

- f. You can also select a track directly, after entering track number search mode, press the +/- buttons to select the number of your favorite track with high speed. Finally press SEL button to confirm and play the selected track.

Folders/files Navigate search mode:

In playback of discs with MP3 or WMA format, press the BAND button twice, the NAVIGA ↵ icon will appear on the LCD display. And the ↵ will be in blinking.

- a. Press the SEL button or press the +/- buttons to enter the Navigate search mode.
- b. Then press the +/- buttons to navigate through all the folders on the disc.
- c. If the selected name is directory, press the SEL button to go into the selected directory and then press the +/- buttons to select the favorite file in the directory.
- d. Press the SEL button to play the selected file. When you want to return back to last upper level of folder which contains files or sub-folder, press the - button to return to the file or folder.

Display ID3 information of MP3 File

During MP3 mode, if you press the A.P button repeatedly, the folder name, file name, title, artist and album information will be scrolling on the LCD display.

As long as the current playing MP3 music contains relevant ID3 tag information in version 1.0/2.0 format, the 3 items underlined above will be scrolling on the LCD display; otherwise, they will not.

MP3 overview

Notes on MP3

- MP3 is short for MPEG Audio Layer 3 and refers to an audio compression technology standard.
- This product allows playback of MP3 files on CD-ROM, CD-R or CD-RW discs.
- The unit can read MP3 files written in the format compliant with ISO 9660. However it does not support the MP3 data written by the method of packet write.
- The unit can not read an MP3 file that has a file extension other than “.mp3”.
- If you play a non- MP3 file that has the “.mp3” extension, you may hear some noise.
- In this manual, we refer to what are called “MP3 file” and “folder” in PC terminology as “track” and “album”, respectively.

- Maximum number of directory level is 8, including the root directory. Maximum number of files and folders per disc is 256.
- The unit may not play tracks in the order of Track numbers.
- The unit plays only the audio tracks if a disc contains both audio tracks and MP3 files.
- When playing a disc of 8 kbps or "VBR", the elapsed playing time in the display window will not be correct and also the intro play may not function properly. "VBR": Variable Bit Rate.

Notes on creating your own CD-Rs or CD-RWs containing MP3 files

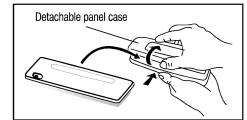
- To enjoy high quality sound, we recommend converting to MP3 files with a sampling frequency of 44.1 kHz and a fixed bit rate of 128 kbps.
- DO NOT store more than 256 MP3 files per disc.
- For ISO 9660 - compliant format, the maximum allowable depth of nested folders is 8, including the root directory (folder).
- When CD-R disc is used, playback is possible only for discs, which have been finalized.
- Make sure that when MP3 CD-R or CD-RW is burned that it is formatted as a data disc and NOT as an audio disc.
- You should not write non-MP3 files or unneeded folders along with MP3 files on the disc otherwise it takes a long time until the unit starts to play MP3 files.
- With some CD-R or CD-RW media, data may not be properly written depending on their manufacturing quality. In this case, data may not be reproduced correctly. High quality CD-R or CD-RW disc is recommended.
- Up to 16 characters are displayed for the name of an Album or a Track. ID3TAG version 1.x is required.
- Note that the unit may not play Tracks in the order that you wrote them to the disc.

Anti-theft system

This unit is equipped with a slide-down detachable and mask panel. Panel can be detached and taken with you, helping to deter theft.

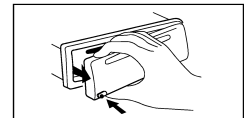
Removing the panel

1. Press PWR button more than 0.5 seconds to switch off the power of the unit.
2. Press OPEN button to slide down the panel.
3. Hold the panel to pull it out, and then push back the panel bracket.
4. Place the panel into the case and take it with you when you leave the car.



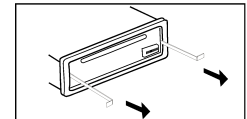
Install the panel

1. Hold the panel so that the panel faces toward you and set the left side of the panel bracket.
2. Press the right side of the panel unit it locks.
3. Check the panel was fasten or not before you operation.



Remove the unit

1. Remove the panel and the trim plate.
2. Insert both T-Keys into hole in front of the set until they lock.
3. Pull out the unit.



Handling compact discs

Dirty, scratched or warped discs may cause skip ping or noise.

Handle the disc only by the edges. To keep clean do not touch its surface.

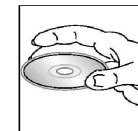
Discs should be stored in their cases after use to avoid scratches.

Do not expose discs to direct sunlight, high humidity, high temperature or dust.

Prolonged exposure to extreme temperature can warp the disc (such as leaving the discs in your car during summertime).

Do not stick or write anything on either side of disc. Sharp writing instruments, or the inks used in some felt-tip pens, may damage its surface.

DO NOT touch the unlabeled side. DO NOT attach any seal, label or data protection sheet to either side of a disc.



This unit cannot play 3-inch (8cm) CDs.

Never insert a 3-inch CD contained in the adapter or an irregularly shaped CD. The unit may not be able to eject it, resulting in a malfunction.

Cleaning

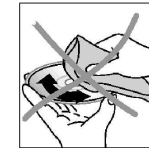
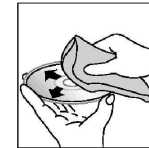
1. Cleaning the cabinet

Wipe with a soft cloth. If the cabinet is very dampen (not dropping wet) the cloth with a weak solution of soapy water, and then wipe clean.

2. Cleaning discs

Fingerprints should be carefully wiped from the surface of disc with a soft cloth. Unlike conventional records, compact discs have no grooves to collect dust and macroscopic dirt, so gently wiping them with a soft cloth should remove most panicles. Wipe in a straight motion from the center to the edge.

Never use thinner benzine, record cleaner or anti static spray on a compact disc. Such chemicals can damage its plastic surface.



Troubleshooting guide

Symptom	Cause	Solution
General No power	The car ignition is not on. The fuse is blown.	If the power supply is properly connected to the car accessory switch the ignition key to " ACC ". Replace the fuse.
Disc Disc cannot be loaded.	Presence of CD disc inside the player.	Remove the disc in the player then put a new upward.
Disc cannot be read.	Inserting the disc in upside down. Compact disc is extremely dirty or defective. Temperature inside the car is too high.	Insert the compact disc with the label facing upward. Clean the disc or try to play a new one. Cool off until the ambient temperature returns to normal.
No sound	Volume is in minimum. Wiring is not properly connected.	Adjust volume to a desired level. Check wiring connection.
The operation keys do not work.	The built-in microcomputer is not operating properly due to noise. Front panel is not properly fix into its place.	Press the RESET button. Reinstall the front panel.
Sound skips.	The installation angle is more than 30 degrees. The disc is extremely dirty or defective.	Adjust the installation angle to less than 30 degrees. Clean the compact disc/try to play a new one.
The radio does not work, the radio station automatic selection does not work.	The antenna cable is not connected the signals are too weak.	Insert the antenna cable firmly select a station manually.

Specification

General. Power supply:	12 V DC
Current consumption	max. 15A
Maximum power output:	50Wx4 channels
Fuse:	15A
Dimensions (W x H x D)	178 x 50 x 165 mm
FM Stereo Radio. Frequency range:	65 - 74 MHz/ 87.5 - 108.0 MHz
Usable sensitivity:	3 uV
I.F. Frequency:	10.7 MHz
MW Section Frequency range:	522 kHz-1620 kHz
Usable sensitivity:	40 dB
I.F. Frequency:	450 kHz
Disc Player. System:	Compact disc audio system No of quantization bits 1 bit.
Usable disc:	CD/ CD-R/ CD-RW/ MP3/ WMA
Signal format:	Sampling frequency 44.1 kHz
Frequency characteristics:	20-100 Hz \leq 5 dB 10-20 kHz \leq 5 dB
Signal to noise CD:	50 dB (1kHz)
Number of channels:	2 stereo
Line output:	CD max 2000 mV

Specifications are subject to change without notice. Mass and dimension are approximate.

Уважаемый покупатель!

Благодарим Вас за покупку нашего изделия. Для обеспечения безопасности рекомендуется тщательно изучить настоящее руководство перед подключением, эксплуатацией и/или регулировкой изделия, и сохраняйте руководство для использования в будущем.

Содержание

Содержание	20
Меры предосторожности	21
Установка/ подключение.....	22
Органы управления	25
Функции органов управления	27
Обзор MP3.....	33
Система защиты от кражи	34
Обращение с компакт-дисками	35
Чистка и уход.....	36
Руководство по устранению неисправностей	37
Технические характеристики.....	38

Меры предосторожности

- Тщательно изучите настоящую инструкцию, чтобы ознакомиться с высококачественной аудиосистемой.
- При установке и подключении изделия отключите отрицательную клемму аккумулятора автомобиля.
- При замене предохранителя, убедитесь, что вы устанавливаете предохранитель с тем же номиналом. Используя предохранитель с повышенным значением тока, можно причинить значительные повреждения изделию.
- Не пытайтесь разбирать изделие. Лазерные лучи, исходящие из блока оптической головки считывания информации с компакт-диска, опасны для глаз.
- Убедитесь, что шпильки или другие посторонние предметы не попали внутрь изделия. Они могут вызвать сбои в работе или стать причиной опасности, такой как поражение электрическим током или лазерным лучом.
- Если вы ставите автомобиль на стоянку на длительное время в жаркое или холодное время года, подождите, пока температура в автомобиле не станет нормальной, перед тем как включать изделие.
- НЕ открывайте крышки и не проводите ремонт самостоятельно. Обратитесь к дилеру или квалифицированному персоналу
- Убедитесь, вы отключаете источник питания и антенну, если вы не будете пользоваться системой в течение длительного времени или во время грозы.
- Убедитесь, что вы отключаете источник питания, если обнаружена неправильная работа системы, система издает необычные звуки, запах, выделяет дым или внутрь ее попала жидкость. Проведите квалифицированный технический осмотр системы.
- Прибор разработан так, чтобы отрицательный вывод аккумулятора был подключен к корпусу транспортного средства. Пожалуйста, убедитесь в этом перед установкой.
- Не позволяйте проводам динамиков касаться друг друга при включении прибора. В противном случае, может быть перегружен или выйти из строя усилитель питания.
- Не устанавливайте съемную панель перед подключением кабеля.

Замечание:

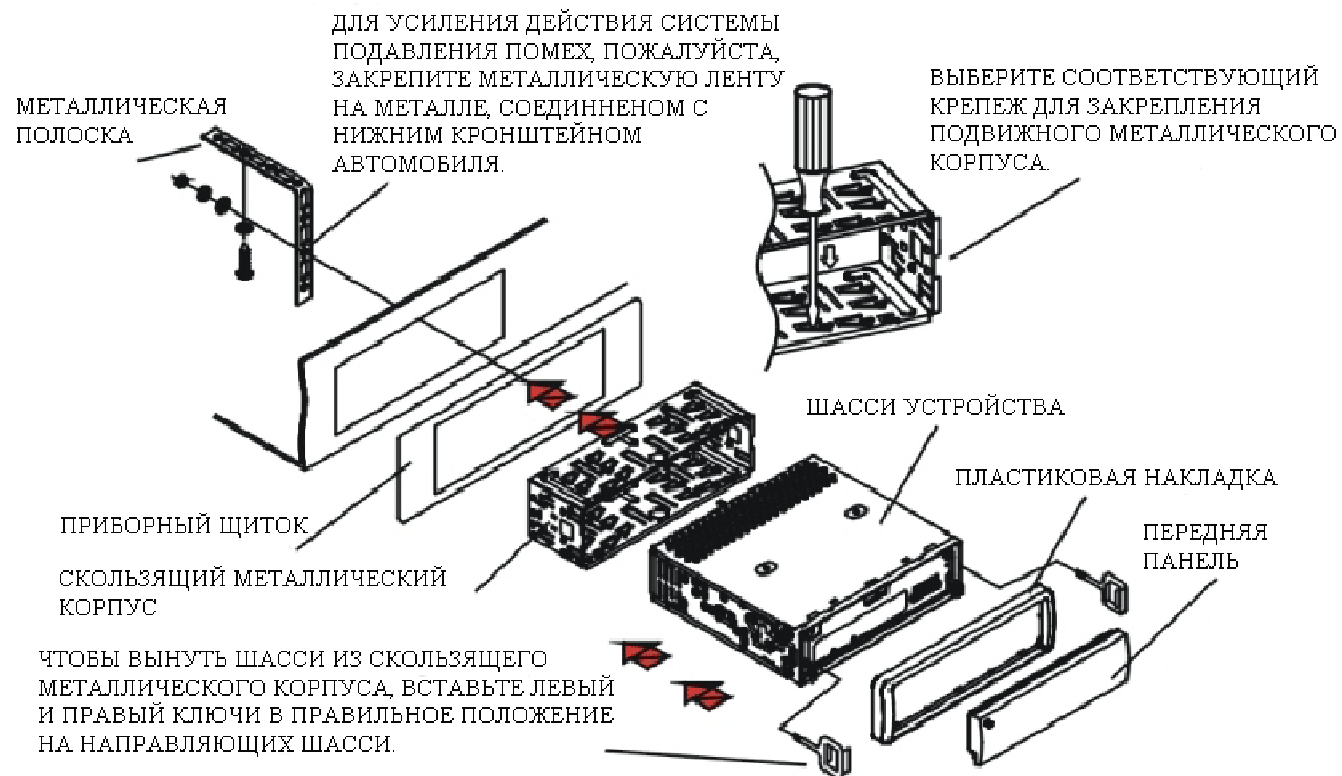
- Кроме аудио CD, изделие может проигрывать CD-R и CD-R/W диски, на которых записаны аудио треки; однако в зависимости от условий записи, записывающей программы или состояния диска некоторые диски могут не проигрываться.
- Во время записи CD-R или CD-R/W дисков слишком большая скорость записи может повлиять на качество воспроизведения слабого сигнала. В связи с этим рекомендуемая скорость записи 24x или ниже для записи CD-R и 4x или ниже для записи CD-R/W.

Установка/ подключение

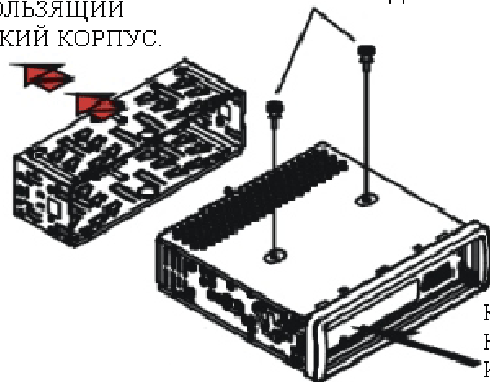
Сначала проведите электрические подключения, затем проверьте их правильность.

Способ установки

Шасси имеет корпус с металлическими направляющими. Пожалуйста, проведите соединение проводов источника питания, динамиков и антенны в соответствии с требованиями инструкции. Затем вставьте металлический корпус с направляющими в автомобиль в соответствии с приведенной схемой.

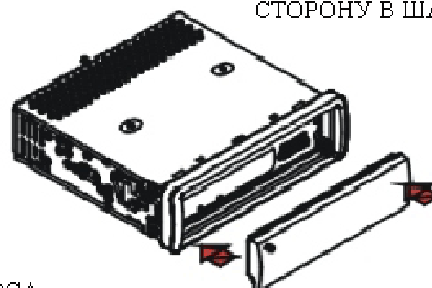


УДАЛИТЕ СКОЛЬЗЯЩИЙ
МЕТАЛЛИЧЕСКИЙ КОРПУС.

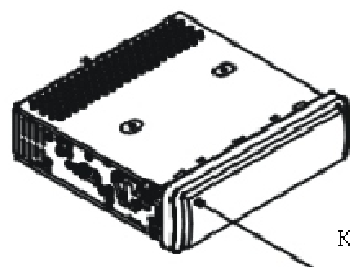


ВЫВЕРНИТЕ 2 ВИНТА ДЛЯ ЗАЩИТЫ
ПЛЕЕРА ПЕРЕД ЕГО ЭКСПЛУАТАЦИЕЙ.

ДЛЯ УСТАНОВКИ ПЕРЕДНЕЙ ПАНЕЛИ
ОБРАТНО В ШАССИ УСТРОЙСТВА,
СНАЧАЛА ВСТАВЬТЕ ПРАВУЮ СТОРОНУ,
ЕСЛИ ЗАДНЯЯ СТОРОНА УСТАНОВЛЕНА
ПРАВИЛЬНО, ЗАТЕМ ВТОЛКНИТЕ ЛЕВУЮ
СТОРОНУ В ШАССИ.



КНОПКА СБРОСА
НАЖМИТЕ КНОПКУ СБРОСА, ЧТОБЫ ВОССТАНОВИТЬ
ИЗМЕНЕННОЕ ПРОГРАММИРОВАНИЕ, ЕСЛИ ИНФОРМАЦИЯ НА
ЭКРАНЕ ПРЕДСТАВЛЯЕТСЯ НЕНАДЛЕЖАЩИМ ОБРАЗОМ И
НЕКОТОРЫЕ КНОПКИ НЕРАБОТОСПОСОБНЫ.



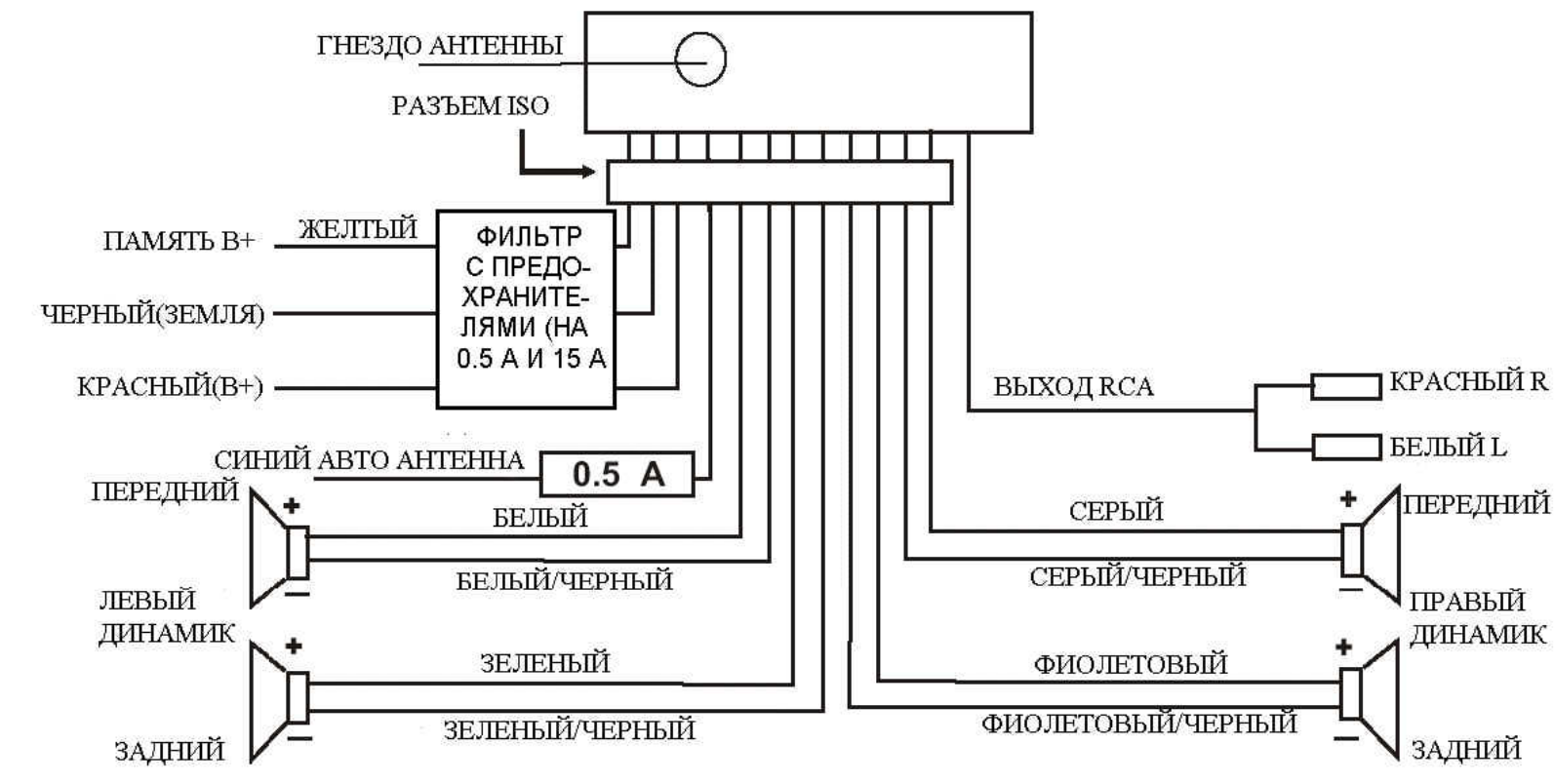
КНОПКА ОТКРЫВАНИЯ



ПОСЛЕ СБРОСА ПЕРЕДНЕЙ
ПАНЕЛИ, ВЫНЬТЕ ПЕРЕДНЮЮ
ПАНЕЛЬ ИЗ ЗАЩЕЛКИ.

ЧТОБЫ ВСТАВИТЬ ДИСК В ОТСЕК ИЛИ ВЫНУТЬ ЕГО, ИЛИ СНЯТЬ ПЕРЕДНЮЮ
ПАНЕЛЬ С ШАССИ, НАЖМИТЕ КНОПКУ ОТКРЫВАНИЯ ДЛЯ СБРОСА ПЕРЕДНЕЙ
ПАНЕЛИ.

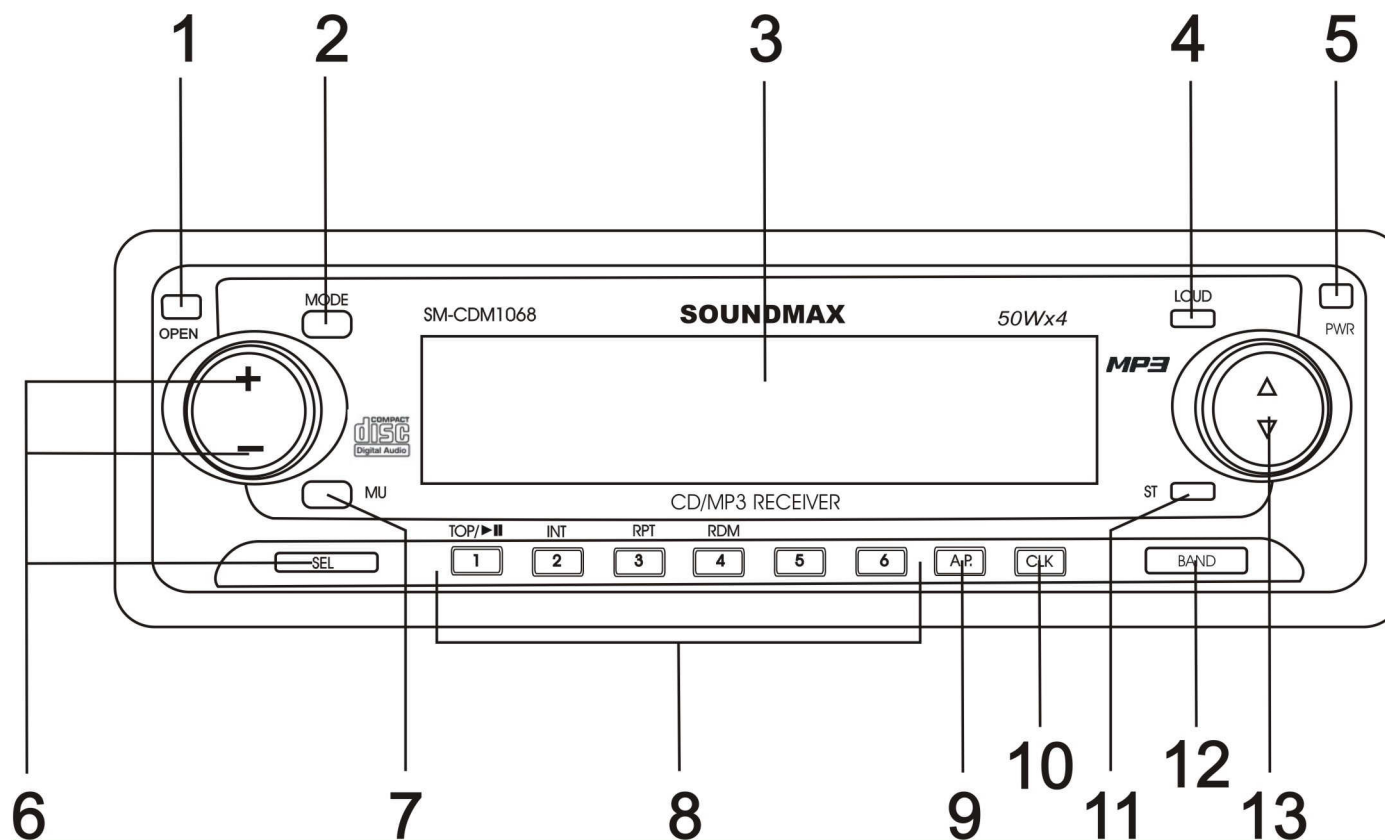
Подключение динамиков



Примечания:

- Независимо от вида динамиков, следует использовать динамики с сопротивлением, равным 4 Ом для уменьшения искажений при повышенной громкости.
- Запрещается соединять провода авто антенны и заземления между собой.

Органы управления



1. КНОПКА OPEN.

Нажмите данную кнопку, чтобы откинуть переднюю панель и иметь возможность вставить диск в отсек CD или нажмите кнопку EJECT для извлечения диска из отсека диска или удаления передней панели.

2. КНОПКА MODE.

Нажмите данную кнопку для выбора режима RADIO или CD.

3. ЖИДКОКРИСТАЛЛИЧЕСКИЙ ДИСПЛЕЙ.

4. КНОПКА LOUD.

5. КНОПКА ПИТАНИЯ PWR
Нажмите любую кнопку, за исключением EJECT и OPEN, для включения прибора. Нажмите и удерживайте кнопку PWR в течение более 0,5 секунд для выключения прибора.
6. КНОПКИ +/- / MENU/ ENTER/ SEL
V-SEL/ MENU (ВХОД В МЕНЮ)/ ENTER (SEL) (ВВОД (ВЫБОР)) И VOLUME UP (Увел. громкости)/ DOWN (Уменьш. громкости), MENU UP (ВВЕРХ ПО МЕНЮ)/ DOWN (ВНИЗ ПО МЕНЮ).
7. КНОПКА MUTE (ОТКЛЮЧЕНИЕ ЗВУКА).
Нажмите данную кнопку для отключения или включения звука. Для немедленного восстановления звука можно также нажать кнопку MODE, BAND, +, -, LOUD, SEL.
8. ПРЕДВАРИТЕЛЬНО УСТАНОВЛЕННАЯ СТАНЦИЯ (1-6) И КНОПКИ TOP/ PLAY/PAUSE, INT, RPT, RDM.
Кнопки 5 и 6 предназначены для перехода на 10 композиций вверх или вниз при обычном воспроизведении.
Во время воспроизведения MP3 и WMA файлов нажимайте на кнопку 5 или 6, чтобы перейти в предыдущую или следующую папку.
9. КНОПКА A.P (СКАНИРОВАНИЕ ПРЕДВАРИТЕЛЬНО УСТАНОВЛЕННОЙ ПАМЯТИ/ АВТОСОХРАНЕНИЕ).
10. КНОПКА CLK.
Нажмите на кнопку, чтобы отобразить на дисплее часы.
11. КНОПКА ST.
Нажмите на кнопку, чтобы выбрать режим STEREO/ MONO.
12. КНОПКА BAND.
Нажмите кнопку несколько раз для выбора необходимого радиодиапазона в режиме RADIO.
13. КНОПКИ <</ >>
КНОПКИ РУЧНОГО ИЛИ АВТОМАТИЧЕСКОГО ПОИСКА РАДИОСТАНЦИЙ/ КНОПКИ ПОИСКА ВВЕРХ ИЛИ ВНИЗ/ ПЕРЕХОД К ПРЕДЫДУЩЕМУ ИЛИ СЛЕДУЮЩЕМУ ТРЕКУ/ БЫСТРАЯ ПРОКРУТКА НАЗАД ИЛИ ВПЕРЕД.

Функции органов управления

Основные функции

Кнопка RESET (сброс)

Нажмите на панели на кнопку OPEN. Панель откроется. Нажмите на кнопку сброса RESET, расположенную за передней панели.

Эта мера необходима в следующих ситуациях: исходная установка устройства после подключения, никакие кнопки не действуют, символы ошибок появляются на дисплее.

Кнопка включения

Нажмите на любую кнопку, за исключением OPEN и EJECT (EJ), чтобы включить устройство.

Нажмите на кнопку PWR, чтобы выключить питание.

Внимание: Когда Вы выключаете систему или зажигание автомобиля, время, громкость звука и радио настройки будут сохранена в памяти устройства, и при включении установки вернуться к сохраненным значениям.

Кнопки регулирования звука

Нажимайте на кнопку SEL (регулятор громкости), чтобы выбрать одну из настроек аудио: VOLUME (громкость) => BASS (низкие частоты) => TREBLE (высокие частоты) => BALANCE (баланс левые/ правые динамики) => FADER (баланс задние/ передние динамики).

При помощи кнопок + и – отрегулируйте каждую настройку:

- VOL: 00, 02,....., 44, 46

- BASS/TREB: -6, -5,....., 0, +1, +2,.....+5, +6

- BAL: 12L, 11L,....., L=R, 1R,.....,12R

- FAD: 12R, 11R,....., R=F, 1F,....., 12F

(R- правый, L - левый)

Внимание: Настройки BASS и TREBLE аннулируют любую настройку эквалайзера.

Каждая настройка отображается на дисплее в течение 5 секунд. Если в течение этих 5 секунд ни одна кнопка не была нажата, дисплей вернется в обычный режим.

Регулирование настроек

Нажмите и удерживайте в течение 2 секунд кнопку SEL, чтобы войти в режим настроек. Нажимайте на кнопку SEL (регулятор громкости), чтобы выбрать один из режимов: EQ (Эквалайзер), CLK FORMAT (Формат времени), TIME (Настройка времени), AREA (Регион), VOL PGM (Громкость звука при включении), BEEP (Звуковое сопровождение), CLK ON LCD (Отображение часов на дисплее).

EQ: Нажмите на кнопку + или -, чтобы настроить параметры эквалайзера: EQ OFF, FLAT, CLAS, ROCK, POP.

CLK FORMAT (формат времени): На дисплее будет отображаться 12Н, если значение Региона – Америка, и 24Н, если значение Региона - Европа. При помощи кнопок +/- выберите формат времени: CLK 12 ч и CLK 24 ч.

TIME SET (установка времени): Для Формата времени 12Н на дисплее будет отображаться AM 12:00, CT 0:00 – для формата времени 24Н. При помощи кнопки + установите минуты. При помощи кнопки – установите часы.

AREA (регион): Эта настройка регулируется специальным джампером. На дисплее будет мигать значок ↵. При помощи кнопок +/- установите регион: EU, USA, ASIA, AUST, OIRT, LATIN.

VOL PGM (громкость звука при включении): по умолчанию на дисплее отобразится VOL PGM 12. При помощи кнопок +/- настройте уровень громкости динамиков, который будет при включении магнитолы, не зависимо от того, какой уровень был до ее выключения.

BEEP (звук): по умолчанию - BEEP ON (Вкл.). При помощи кнопок +/- выберите настройку: BEEP ON, BEEP OFF.

- Веер on (Вкл.): каждое нажатие на любую кнопку будет сопровождаться звуковым сигналом.

- Веер off (Выкл.): при нажатии на кнопки звукового сопровождения нет.

CLK ON LCD (отображение часов на дисплее): по умолчанию – ON (вкл.). При помощи кнопок +/- выберите настройку: ON, OFF.

- ON (Вкл.) – при выключенном питании время будет отображаться на дисплее.

- OFF (Выкл.) - при выключенном питании время не будет отображаться на дисплее.

Выключение звука

Нажмите на кнопку MU, чтобы выключить звук. Нажмите на кнопку еще раз, чтобы включить звук.

Режим LOUD

Нажимайте на кнопку LOUD, чтобы выбрать режим LOUD ON (вкл.), LOUD OFF (выкл.)

Режим STEREO/ MONO

Нажимайте на кнопку ST, чтобы выбрать режим: STEREO или MONO.

Установка и отображение времени

Чтобы отобразить на дисплее текущее время, нажмите на кнопку CLK. Через 5 секунд дисплей вернется в обычный режим.

Когда время отображается на дисплее, Вы можете его настроить: При помощи кнопки + установите минуты. При помощи кнопки – установите часы.

Выбор режима

Нажимайте на кнопку MODE, чтобы выбрать режим работы устройства: RADIO (радио), CD (диск, когда диск установлен в магнитоле).

При выборе режима радио RADIO, нажимайте на кнопку BAND, чтобы выбрать диапазон: FM1, FM2, FM3, MW1, MW2.

Функции радио**Выбор диапазона**

Нажимайте на кнопку BAND, чтобы выбрать диапазон: FM1, FM2, FM3, MW1, MW2.

Ручной/ автоматический поиск радиостанций

- Ручной поиск: Нажмите и удерживайте кнопку << или >>, чтобы войти в режим ручного поиска. На дисплее появится надпись MANUAL. Нажимайте на кнопки <</ >>, чтобы вручную увеличить или уменьшить частоту.

- Автоматический поиск: Нажмите на кнопку << или >>, чтобы начать автоматический поиск. Поиск прекратится при приеме первой станции с сильным сигналом, при этом начнется ее воспроизведение. Нажмите еще раз, чтобы найти следующую станцию.

Сохранение и вызов радио станций

Вы можете хранить и воспроизводить 6 радио станций в каждом из 5 поддиапазонов.

- Чтобы сохранить станцию:
 - Выберите диапазон (если нужно).
 - Выберите станцию при помощи кнопок <</ >>.
 - Нажмите и удерживайте в течение двух секунд кнопку с номером 1~6, под которым Вы бы хотели сохранить эту станцию.
- Чтобы вызвать станцию:
 - Выберите диапазон (если нужно).
 - Нажмите на кнопку с номером нужной сохраненной станции 1~6.

Функция автоматического сохранения станций в памяти

- Прослушивание предустановок: Нажмите на кнопку A.P, чтобы прослушать все сохраненные в текущем диапазоне станции в течение 5 секунд. Во время прослушивания номер каждой станции будет мигать на дисплее. Чтобы остановить прослушивание, снова нажмите на кнопку A.P.
- Автоматическое сохранение: Нажмите и удерживайте A.P более 2 секунд, чтобы начать автоматический поиск, при этом в ходе поиска каждая станция будет воспроизводиться в течение 5 секунд, затем поиск продолжится.

Воспроизведение дисков

Загрузка диска

- Включите питание устройства.
- Нажмите на кнопку OPEN, чтобы открыть панель. Установите диск в слот маркированной стороной вверх.
- Нажмите на кнопку EJECT на внутренней панели, чтобы вынуть диск.

Воспроизведение/ Пауза

- Когда диск в устройстве, нажмите на кнопку PLAY/ PAUSE, чтобы начать воспроизведение. Чтобы обеспечить высокое качество воспроизведения, дождитесь, пока плеер закончит читать диск, а затем начинайте воспроизведение.
- Во время воспроизведения нажмите на кнопку PLAY/PAUSE, режим паузы активируется. Нажмите на кнопку PLAY/PAUSE еще раз, чтобы продолжить воспроизведение.

- Нажмите и удерживайте в течение 2 секунд кнопку PLAY/ PAUSE, чтобы начать воспроизведение самого первого трека.

Переход в предыдущую или следующую папку

Во время воспроизведения MP3 и WMA файлов нажимайте на кнопку 5 или 6, чтобы перейти в предыдущую или следующую папку.

Переход к предыдущему или следующему треку

- Нажмите во время воспроизведения на кнопку <<, чтобы начать воспроизведение текущего трека.
- Нажмите << еще раз, чтобы начать воспроизведение предыдущего трека.
- Нажмите во время воспроизведения на кнопку >>, воспроизведение начнется со следующего трека.
- При помощи кнопок 5 (-10)/ 6 (+10) переходите к предыдущему или следующему десятку.

Ускоренное воспроизведение вперед или назад

Во время воспроизведения нажмите и удерживайте кнопку <</ >>, чтобы начать ускоренное воспроизведение назад или вперед. Отпустите кнопку, когда нужный фрагмент будет найден.

Повтор воспроизведения

Во время воспроизведения треков нажмите на кнопку RPT, чтобы начать повторное воспроизведение текущего трека. Нажмите еще раз, чтобы отменить функцию повтора.

Нажмите и удерживайте в течение 2 секунд, чтобы начать повторное воспроизведение треков текущей папки. Нажмите еще раз, чтобы остановить воспроизведение.

Случайное воспроизведение

Во время воспроизведения треков нажмите на кнопку RDM, чтобы начать случайное воспроизведение всех треков. Нажмите еще раз, чтобы отменить функцию случайного воспроизведения.

Нажмите и удерживайте в течение 2 секунд, чтобы начать случайное воспроизведение треков текущей папки. Нажмите еще раз, чтобы остановить воспроизведение.

Функция Intro

Вы можете последовательно воспроизводить начало каждого трека в течение 10 секунд.

Во время воспроизведения треков нажмите на кнопку INT, чтобы начать воспроизведение всех треков. Нажмите еще раз, чтобы отменить функцию.

Нажмите и удерживайте в течение 2 секунд, чтобы начать воспроизведение треков текущей папки. Нажмите еще раз, чтобы остановить воспроизведение.

Выбор треков в режиме MP3 и WMA

Поиск по номеру трека:

Во время воспроизведения треков в формате MP3 и WMA нажмите на кнопку BAND один раз, на дисплее появится иконка TRACK ↵, при этом значок ↵ будет мигать.

- a. Нажимайте на кнопку SEL или нажимайте на кнопки +/-, чтобы войти в Number Search (Поиск по номеру трека).
- b. В режиме Track number (поиска по номеру трека) на дисплее будет отображаться номер трека: 001, при этом 1 (последняя цифра номера) будет мигать. Нажимайте на кнопки +/-, чтобы выбрать последнюю цифру номера искомого трека.
- c. Нажмите на кнопку SEL, чтобы перейти к следующей цифре. Нажмите и удерживайте в течение 2 секунд кнопку SEL, чтобы начать воспроизведение выбранного трека.
- d. Вторая цифра начнет мигать. Нажимайте на кнопки +/-, чтобы выбрать вторую цифру номера искомого трека. Нажмите на кнопку SEL, чтобы перейти к следующей цифре. Нажмите и удерживайте в течение 2 секунд кнопку SEL, чтобы начать воспроизведение выбранного трека.
- e. Третья цифра начнет мигать. Нажимайте на кнопки +/-, чтобы выбрать первую цифру номера искомого трека. Нажмите на кнопку SEL, чтобы начать воспроизведение выбранного трека.
- f. Вы также можете быстро ввести номер искомого трека: войдите в режим поиска по номеру трека, нажимайте на кнопки +/- до тех пор, пока нужный номер не будет найден. Затем нажмите на кнопку SEL, чтобы начать воспроизведение.

Поиск по папкам

Во время воспроизведения треков в формате MP3 и WMA дважды нажмите на кнопку BAND, на дисплее появится иконка NAVIGA ↵, при этом значок ↵ будет мигать.

- a. Нажимайте на кнопку SEL или нажимайте на кнопки +/-, чтобы войти в Navigate Search (Поиск по папкам).
- b. Если выбранный пункт – название папки, нажмите на кнопку SEL, чтобы открыть эту папку и войти в нее.
- c. Нажимайте на кнопки +/-, чтобы перемещаться по трекам в папке. Нажмите на кнопку SEL, чтобы начать воспроизведение выбранного трека.
- d. Чтобы вернуться в папку на уровень выше, нажимайте на кнопку -.

Отображение ID3 информации о файле

Во время воспроизведения треков в формате MP3 и WMA нажимайте на кнопку A.P, чтобы отобразить на дисплее информацию о треке: Название папки, Название файла, Заголовок, Исполнитель, Альбом. Если текущий трек содержит ID3 тэги версии 1.0/2.0, они будут отображаться на дисплее бегущей строкой.

Обзор MP3

Замечания по MP3

- MP3 это краткое обозначение аудио слоя MPEG 3 и относится к стандарту технологии сжатия звука.
- Данное изделие позволяет воспроизводить файлы MP3 на дисках CD-ROM, CD-R или CD-RW.
- Изделие может считывать файлы MP3, записанные в формате, соответствующем ISO 9660. Однако оно не поддерживает данные MP3, записанные методом пакетной записи.
- Изделие не может считывать файлы MP3, которые имеют расширение файла, отличающееся от ".mp3".
- Если вы воспроизводите не MP3 файл, который имеет расширение ".mp3", вы можете слышать некоторые шумы.
- В данном руководстве мы рассматриваем файлы, называемые "файлами MP3" и "папкой", а в технологии PC "дорожкой" и "альбомом" соответственно.
- Максимальное количество уровней директории равно 8, включая корневую директорию. Максимальное количество файлов и папок на диске 256.
- Изделие может не воспроизводить дорожки в последовательном порядке.
- Изделие воспроизводит только аудио треки, если диск содержит как аудио треки, так и файлы MP3.
- При воспроизведении диска 8 килобит или VBR, истекшее время воспроизведения в окне дисплея будет неправильным, а также ознакомительное воспроизведение может не действовать надлежащим образом. VBR: Переменная скорость передачи битов.

Замечание по созданию собственных CD-R или CD-RW, содержащих файлы MP3

- Для получения высокого качества звука мы рекомендуем преобразовывать файлы MP3 с эталонной частотой 44,1 кГц и фиксированным битрейтом 128 кбит/сек.
- НЕ сохраняйте более 256 файлов MP3 на диске.
- Для формата, совместимого с ISO 9660, максимально допустимая глубина вложенных папок равняется 8, включая корневую директорию (папку).

- При использовании диска CD-R воспроизведение возможно только для дисков, которые были закончены.
- Убедитесь, что при записи MP3 CD-R или CD-RW были отформатированы как диски данных, а НЕ как аудио диски.
- Вы не должны записывать не-MP3 файлы или ненужные папки вместе с файлами MP3 на диск, в противном случае потребуется много времени, пока изделие начнет воспроизводить файлы MP3.
- На некоторых CD-R или CD-RW данные могут не быть записаны надлежащим образом в зависимости от качества их производства. В этом случае данные могут быть воспроизведены не надлежащим образом. Рекомендуются диски CD-R или CD-RW высокого качества.
- Имя альбома или композиции может содержать до 16 символов. Необходима версия 1.x ID3TAG.
- Помните, что изделие может не воспроизводить треки в том порядке, в котором они записаны на диске.

Система защиты от кражи

Данное изделие снабжено сдвигаемой съемной и маскирующей панелью. Панель можно снять и взять с собой, что помогает избежать воровства.

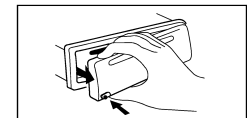
Съем панели

1. Нажмите кнопку PWR и удерживайте более 0,5 секунды для отключения питания изделия.
2. Нажмите кнопку OPEN, чтобы сдвинуть панель вниз.
3. Возьмите панель, чтобы вынуть ее, затем потяните назад кронштейн панели.
4. Поместите панель в портфель и возьмите ее с собой, когда вы покидаете автомобиль.



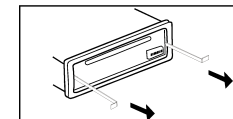
Установка панели

1. Держите панель так, чтобы ее лицевая сторона была направлена на вас, и установите левую сторону кронштейна панели.
2. Нажмите на правую сторону панели, чтобы она защелкнулась.
3. Проверьте, что панель закреплена. Сделайте это сразу же, а не перед началом работы.



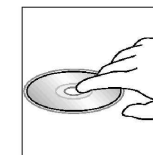
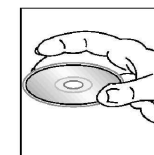
Съем изделия

1. Снимите панель.
2. Вставьте два Т-образных ключа в отверстие лицевой стороны, пока не услышите щелчок.
3. Выньте изделие.



Обращение с компакт-дисками

- Грязные, поцарапанные или погнутые диски могут вызвать искажение звука или шумы
- Держите диск только за края (как показано на рисунке). Чтобы обеспечить чистоту, не прикасайтесь к его поверхности.
- Диски должны храниться в их чехлах после использования, чтобы не поцарапать их поверхность.
- Не подвергайте диски действию прямого солнечного света, повышенной влажности, повышенным температурам или действию пыли.
- Продолжительное влияние предельных температур может изогнуть диск (например, пребывание дисков в автомобиле в летнее время).
- Не царапайте и не пишите что-либо на любой стороне диска. Острые пишущие инструменты или чернила, используемые в них, могут повредить поверхность диска.
- НЕ ПРИКАСАЙТЕСЬ к стороне, не имеющей маркировки.
- НЕ ПРИКРЕПЛЯЙТЕ какую-либо печать, этикетку или лист предохранения данных к любой стороне диска.
- Данное изделие не может воспроизводить CD размером 3 дюйма (8 см).
- Никогда не вставляйте CD размером 3 дюйма, установленный в адаптер, или CD неправильной формы. Изделие не сможет выбросить его, что приведет к сбою.



Чистка и уход

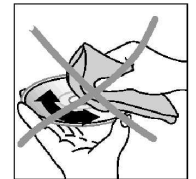
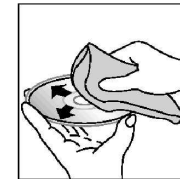
Чистка корпуса

Протирайте мягкой тканью. Если корпус очень загрязнен (не мочите его), используйте ткань, слегка смоченную мыльным раствором, и затем вытрите его сухой тканью.

Чистка дисков

а) Отпечатки пальцев должны быть тщательно стерты с поверхности диска мягкой тканью. В отличие от обычных пластинок, компакт-диски не имеют канавок для сбора пыли и микроскопических частиц грязи, поэтому осторожно вытирайте их мягкой тканью, чтобы убрать частицы грязи. Вытирайте прямолинейным движением от центра к краю.

б) Никогда не используйте растворитель, бензин, очиститель пластинок или антистатический аэрозоль для чистки дисков. Такие химические вещества могут повредить его пластиковые поверхности.



Руководство по устранению неисправностей

Неисправность	Причина	Решение
Нет питания	Зажигание машины не включено. Сгорел предохранитель.	Если источник питания подключен надлежащим образом к выключателю машины, установите ключ зажигания в положение «АСС». Замените предохранитель.
Невозможно загрузить диск	В плеер установлен CD диск.	Удалите диск из плеера, затем установите новый.
Невозможно считать диск	Диск установлен верхней стороной вниз. Компакт диск загрязнен или имеет дефект. Температура внутри машины очень высокая.	Установите компакт диск стороной с этикеткой вверх. Очистите диск или установите новый. Подождите пока температура не станет нормальной.
Нет звука	Звук установлен на минимум. Кабель не подключен надлежащим образом.	Отрегулируйте звук до необходимого уровня. Проверьте подключение кабеля.
Не действуют функциональные ключи	Встроенный микрокомпьютер не работает надлежащим образом из-за шумов. Передняя панель не установлена на свое место.	Нажмите кнопку RESET. Повторно установите переднюю панель.
Звук пропадает	Угол установки более 30 градусов. Компакт диск загрязнен или имеет дефект.	Отрегулируйте угол установки, установив его менее 30 градусов. Очистите диск или установите новый.
Радио не работает. Не работает автоматический выбор радиостанции	Антенный кабель не подключен. Сигналы слишком слабы.	Вставьте антенный кабель надежно. Выберите станцию вручную.

Технические характеристики

Общие. Источник питания	12 В, постоянное
Максимальная выходная мощность:	50 Вт x 4 канала
Потребляемый ток	макс.15 А
Предохранитель:	15 А
Размеры (Ш x В x Д)	178 x 50 x 165 мм
Сtereo FM радио. Частотный диапазон:	65 - 74 МГц / 87.5 - 108.0 МГц
Используемая чувствительность:	3 мкВ
Промежуточная частота:	10.7 МГц
MW радио. Частотный диапазон:	522-1620 кГц
Используемая чувствительность:	40 дБ
Промежуточная частота:	450 кГц
Плеер дисков. Система:	Дисковая аудио система
Используемый диск:	CD/ CD-R/ CD-RW/ MP3/ WMA Нет бит квантований 1 бит
Формат сигнала:	частота дискретизации 44,1 кГц
Частотные характеристики:	20-100 Гц ≤ 5 дБ 10-20 кГц ≤ 5 дБ
Отношение сигнал/шум CD:	50 дБ (1 кГц)
Количество каналов:	2 стерео
Линейный выход:	CD макс. 2000 мВ

Технические характеристики могут быть изменены заводом-изготовителем без предварительного уведомления.
Указанные масса и геометрические размеры имеют приблизительные значения.