

# SUZUKI

PARTS CATALOGUE

## DF140A

DF140AT  
DF140AZ



### OUTBOARD MOTOR

E01/E40

2012-8

1<sup>ST</sup> EDITION

## PREFACE

When it becomes necessary to replace parts on SUZUKI OUTBOARD MOTORS, always use SUZUKI GENUINE PARTS which have passed a strict inspection which guarantees quality and performance.

This parts catalogue covers the list of all service parts for SUZUKI DF140A production start 2012.

### INSTRUCTIONS FOR QUOTING THE CATALOGUE

#### 1. DIMENSIONS

Dimensions of the parts in this catalogue are indicated in unit millimeters.

#### 2. ABBREVIATIONS

Abbreviations used in this catalogue are as follows:

|          |                              |             |                       |
|----------|------------------------------|-------------|-----------------------|
| AR       | : As required                | NT          | : Number of teeth     |
| ASSY     | : Assembly                   | OPT         | : Optional            |
| E. NO.   | : Engine number              | OS          | : Over size           |
| F. NO.   | : Frame number               | STD         | : Standard            |
| D        | : Diameter of material       | T           | : Thickness           |
| ID       | : Inside diameter            | US          | : Under size          |
| OD       | : Outside diameter           | W           | : Width               |
| L        | : Length                     | W/          | : With                |
| LH(PORT) | : Left hand side             | S, L, X, LL | : Transom type        |
| RH(STBD) | : Right hand side            | SUS         | : Stainless steel     |
| ~123456  | : Up to E. NO. 14002F-123456 | PTT         | : Power trim and tilt |
| 123456~  | : From E. NO. 14002F-123456  |             |                       |

12 x 34 x 5.6..... Figures in the description column

| | | show the dimensions of parts.

ID OD T(or W, L)

→12345-56781 (Parts No.) : indicates that the parts number was changed to 12345-56781 and the new parts are interchangeable with the former ones but the former ones are not interchangeable with new ones.

←12345-56781 (Parts No.) : indicates that the former and new parts are interchangeable with each other and both are usable.

#### 3. INNER PARTS OF ASSEMBLY

Part name with a dot (.) in front as shown in the description column indicates the component of the assembly also available individually.

#### 4. MODIFICATION NOTICE

A parts bulletin will be sent to you on all occasions when changes in parts occur, including interchangeable modifications between new parts and old ones.

#### 5. NOTE

5-1. There are some different parts from those of production models among spare parts for the administrative reasons and common use of them with other models.

5-2. In respect of rubber hoses and vinyl tubes, please be sure to use them by cutting off according to the length mentioned on parts catalogue or what is actually required on the vehicle.

5-3. Note that the drawings on the illustration page are for ready reference of spare parts number, not to be used as an assembly manual. When assembling, use "SUZUKI SERVICE MANUAL".

#### 6. MODEL NAME AND ENGINE NUMBER

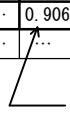
| MODEL   | DESTINATION | TYPE   | TRANSOM | ENGINE No.     |
|---------|-------------|--------|---------|----------------|
| DF140AT | E01, E40    | 14002F | L, X    | 14003F-310001~ |
| DF140AZ | E01, E40    | 14002Z | L, X    | 14003Z-310001~ |

MILLIMETER → INCH CONVERSION CHART

|    | 0     | 1     | 2     | 3     | 4     | 5     | 6     | 7     | 8     | 9     |
|----|-------|-------|-------|-------|-------|-------|-------|-------|-------|-------|
| 00 | .000  | .039  | .079  | .118  | .157  | .197  | .236  | .276  | .315  | .354  |
| 10 | .394  | .433  | .472  | .512  | .551  | .591  | .630  | .669  | .709  | .748  |
| 20 | .787  | .827  | .866  | .906  | .945  | .984  | 1.024 | 1.063 | 1.102 | 1.142 |
| 30 | 1.181 | 1.220 | 1.260 | 1.299 | 1.339 | 1.378 | 1.417 | 1.457 | 1.496 | 1.535 |
| 40 | 1.575 | 1.614 | 1.654 | 1.693 | 1.732 | 1.772 | 1.811 | 1.850 | 1.890 | 1.929 |
| 50 | 1.969 | 2.008 | 2.047 | 2.087 | 2.126 | 2.165 | 2.205 | 2.214 | 2.283 | 2.323 |
| 60 | 2.362 | 2.402 | 2.441 | 2.480 | 2.520 | 2.559 | 2.598 | 2.638 | 2.677 | 2.717 |
| 70 | 2.756 | 2.795 | 2.835 | 2.874 | 2.913 | 2.953 | 2.992 | 3.031 | 3.071 | 3.110 |
| 80 | 3.150 | 3.189 | 3.228 | 3.268 | 3.307 | 3.346 | 3.386 | 3.425 | 3.465 | 3.504 |
| 90 | 3.543 | 3.583 | 3.622 | 3.661 | 3.701 | 3.740 | 3.780 | 3.819 | 3.858 | 3.898 |

How to read

|    | 0   | 1   | 2   | 3     | 4   |
|----|-----|-----|-----|-------|-----|
| 00 | ... | ... | ... | ...   | ... |
| 10 | ... | ... | ... | ...   | ... |
| 20 | ... | ... | ... | 0.906 | ... |
| 30 | ... | ... | ... | ...   | ... |


 23 millimeters equal 0.906 inch

Contents are subject to change without notice or obligation.

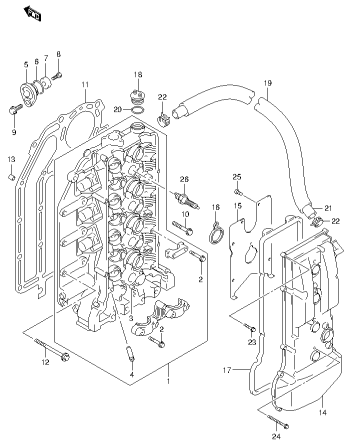
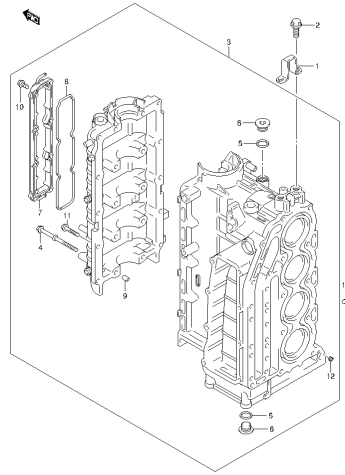
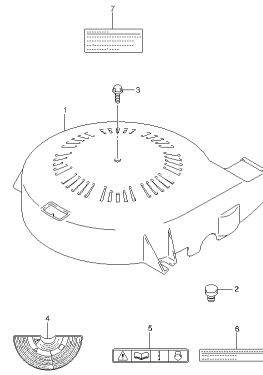
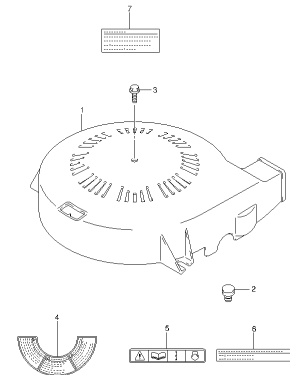
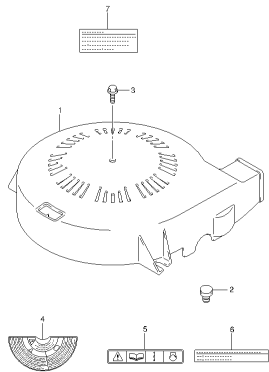
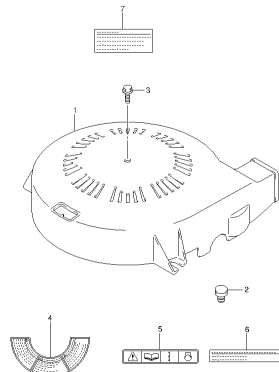
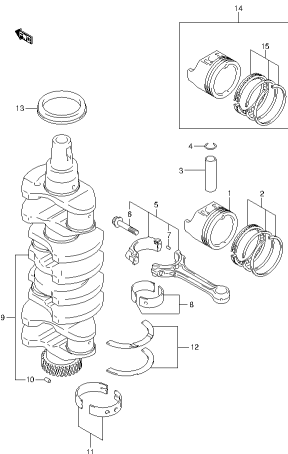
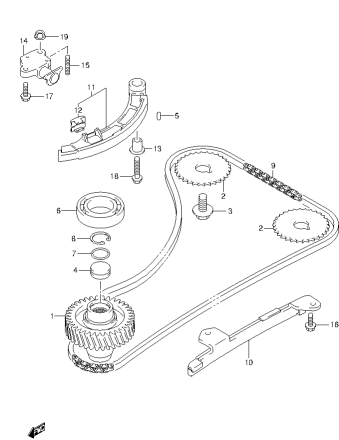
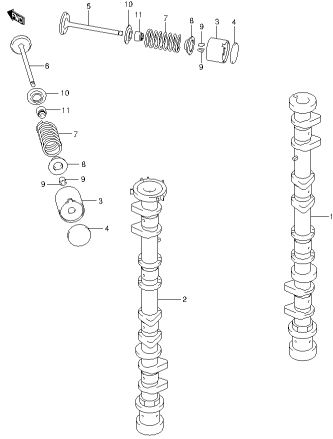
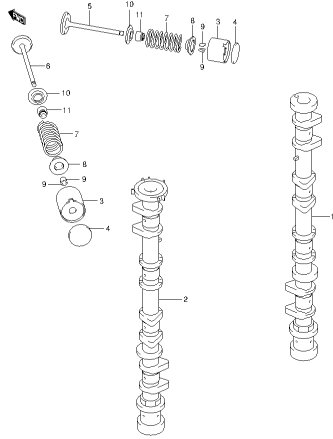
**FIG.1**DF140A\_E01\_013\_001  
CYLINDER HEAD**FIG.2**DF140A\_E01\_013\_002  
CYLINDER BLOCK**FIG.3**DF140A\_E01\_013\_003  
RING GEAR COVER**FIG.4**DF140A\_E01\_013\_004  
RING GEAR COVER**FIG.5**DF140A\_E01\_013\_005  
RING GEAR COVER**FIG.6**DF140A\_E01\_013\_006  
RING GEAR COVER**FIG.7**DF140A\_E01\_013\_007  
CRANKSHAFT**FIG.8**DF140A\_E01\_013\_008  
TIMING CHAIN

FIG.9



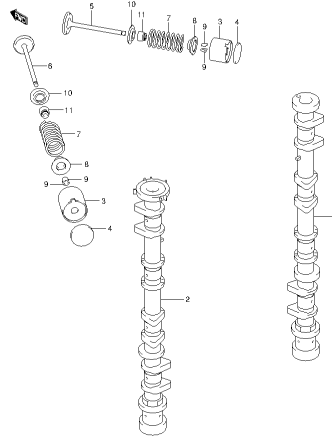
DF140A\_E01\_013\_009  
CAMSHAFT

FIG.10



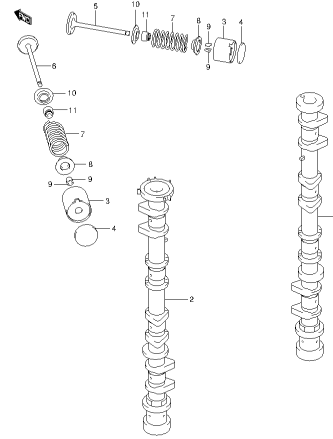
DF140A\_E01\_013\_010  
CAMSHAFT

FIG.11



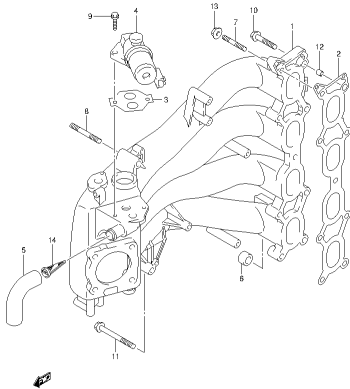
DF140A\_E01\_013\_011  
CAMSHAFT

FIG.12



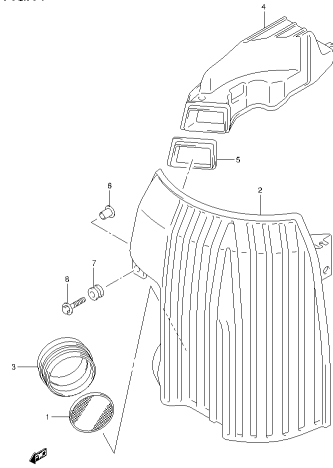
DF140A\_E01\_013\_012  
CAMSHAFT

FIG.13



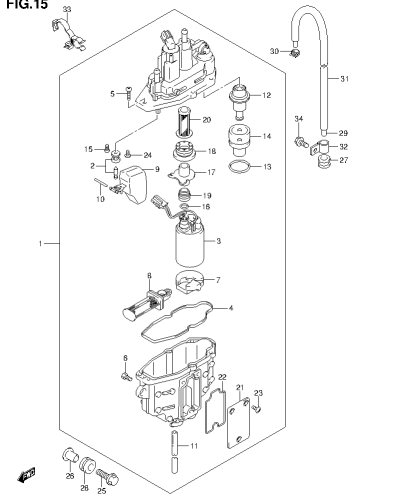
DF140A\_E01\_013\_013  
INTAKE MANIFOLD

FIG.14



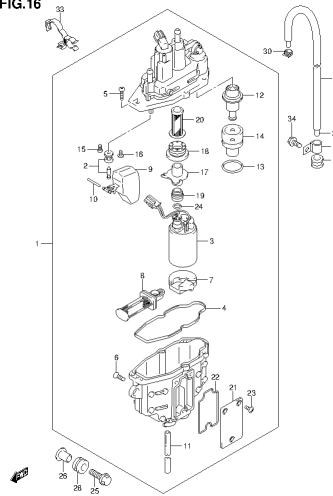
DF140A\_E01\_013\_014  
SILENCER

FIG.15



DF140A\_E01\_013\_015  
FUEL VAPOR SEPARATOR

FIG.16



DF140A\_E01\_013\_016  
FUEL VAPOR SEPARATOR

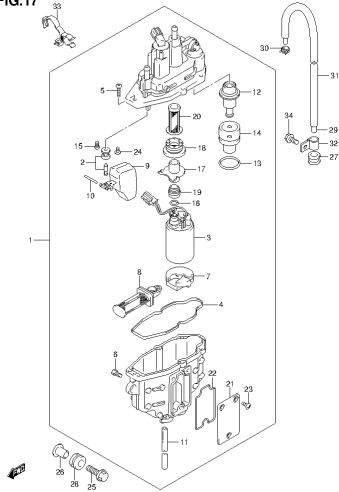
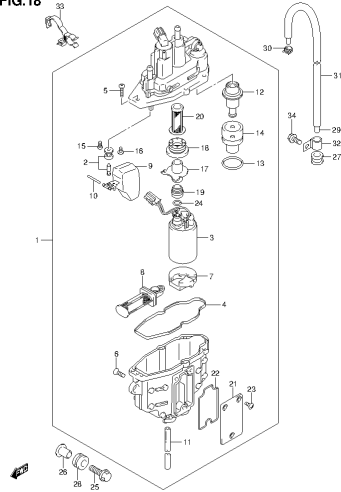
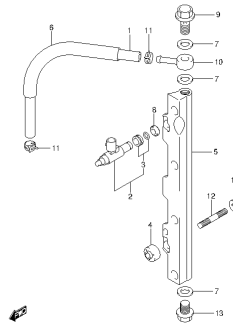
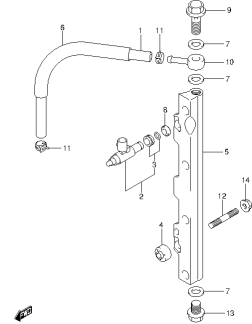
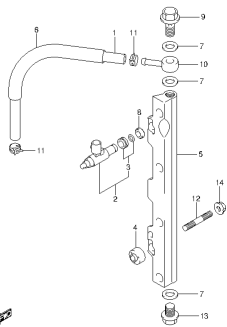
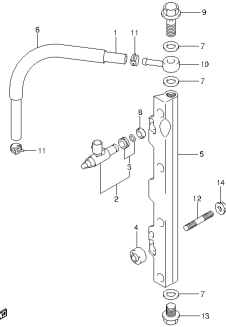
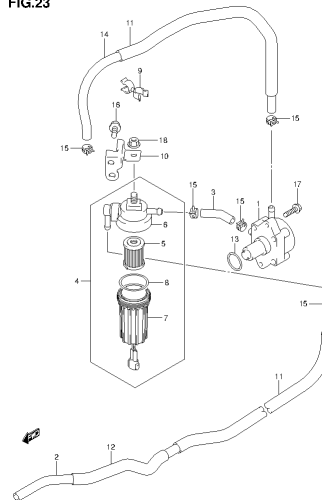
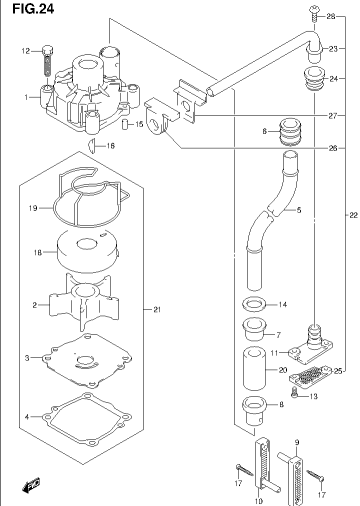
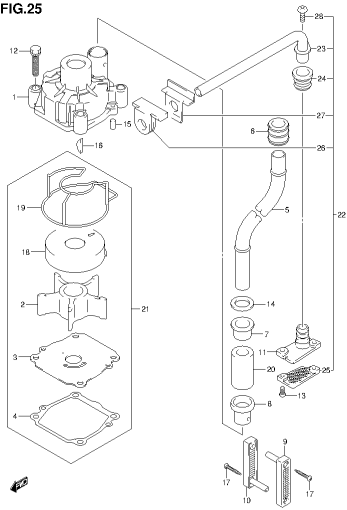
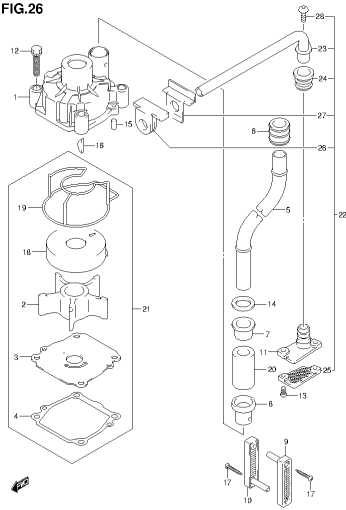
**FIG.17**DF140A\_E01\_013\_017  
FUEL VAPOR SEPARATOR**FIG.18**DF140A\_E01\_013\_018  
FUEL VAPOR SEPARATOR**FIG.19**DF140A\_E01\_013\_019  
FUEL INJECTOR**FIG.20**DF140A\_E01\_013\_020  
FUEL INJECTOR**FIG.21**DF140A\_E01\_013\_021  
FUEL INJECTOR**FIG.22**DF140A\_E01\_013\_022  
FUEL INJECTOR**FIG.23**DF140A\_E01\_013\_023  
FUEL PUMP**FIG.24**DF140A\_E01\_013\_024  
WATER PUMP

FIG.25



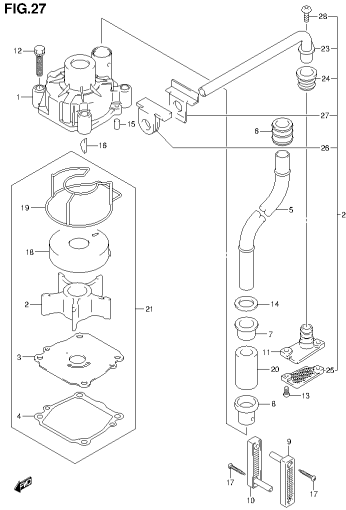
DF140A\_E01\_013\_085  
WATER PUMP

FIG.26



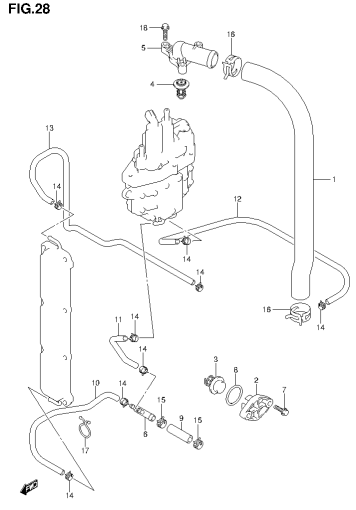
DF140A\_E01\_013\_086  
WATER PUMP

FIG.27



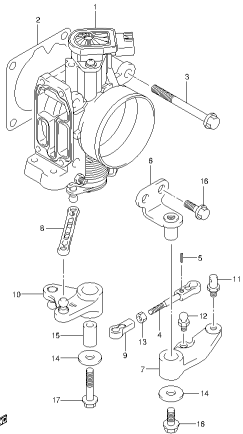
DF140A\_E01\_013\_087  
WATER PUMP

FIG.28



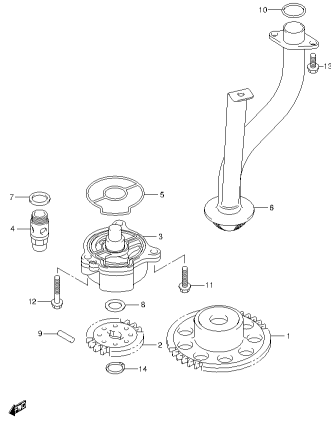
DF140A\_E01\_013\_088  
THERMOSTAT

FIG.29



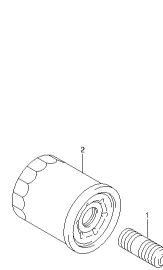
DF140A\_E01\_013\_089  
THROTTLE BODY

FIG.30



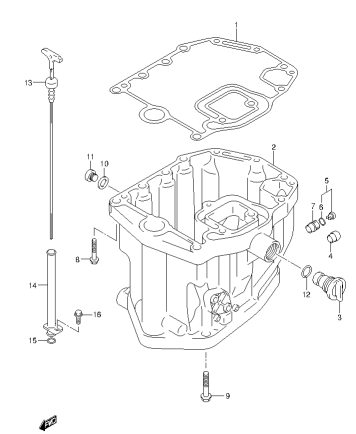
DF140A\_E01\_013\_090  
OIL PUMP

FIG.31

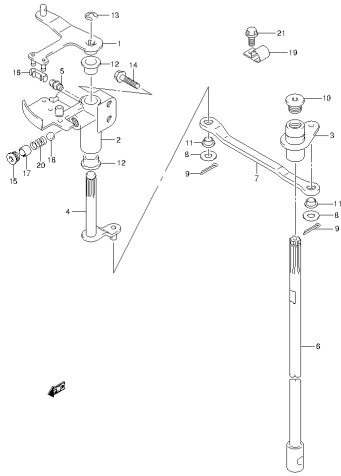


DF140A\_E01\_013\_091  
OIL FILTER

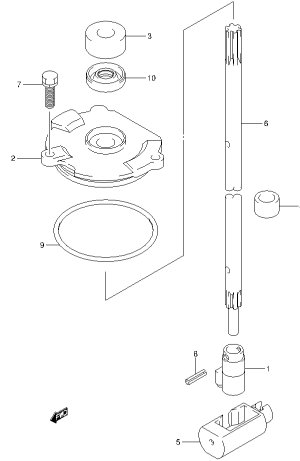
FIG.32



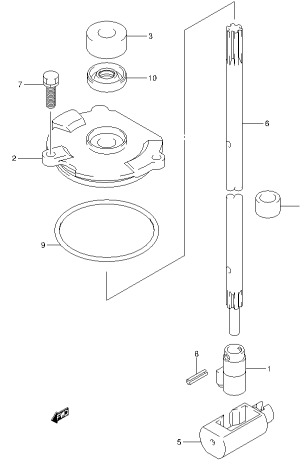
DF140A\_E01\_013\_092  
OIL PAN

**FIG.33**

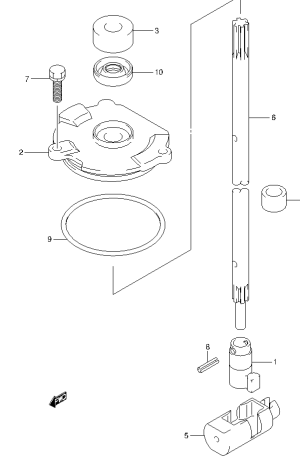
DF140A\_E01\_L013\_093  
CLUTCH SHAFT

**FIG.34**

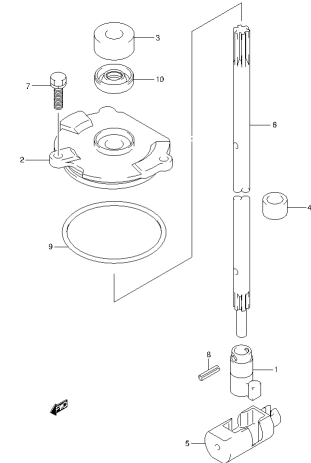
DF140A\_E01\_L013\_094  
CLUTCH ROD

**FIG.35**

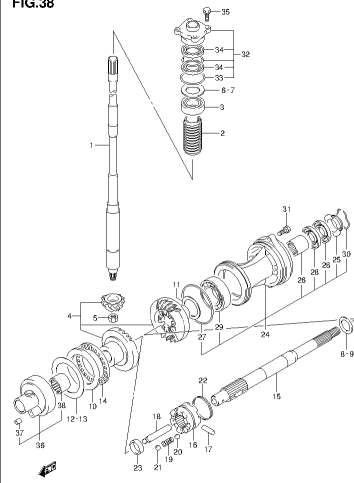
DF140A\_E01\_L013\_095  
CLUTCH ROD

**FIG.36**

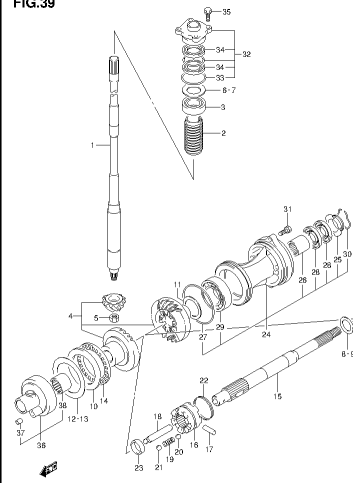
DF140A\_E01\_L013\_098  
CLUTCH ROD

**FIG.37**

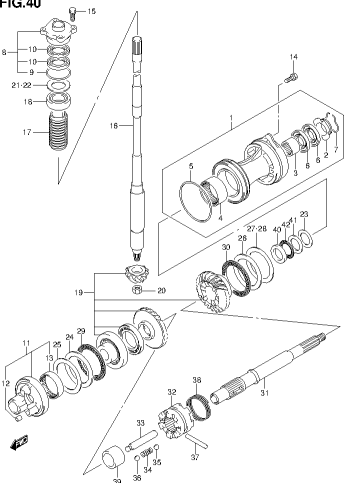
DF140A\_E01\_L013\_097  
CLUTCH ROD

**FIG.38**

DF140A\_E01\_L013\_099  
TRANSMISSION

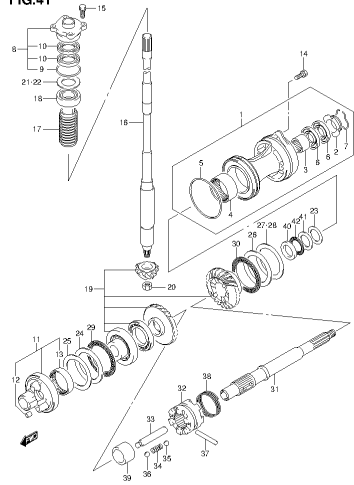
**FIG.39**

DF140A\_E01\_L013\_099  
TRANSMISSION

**FIG.40**

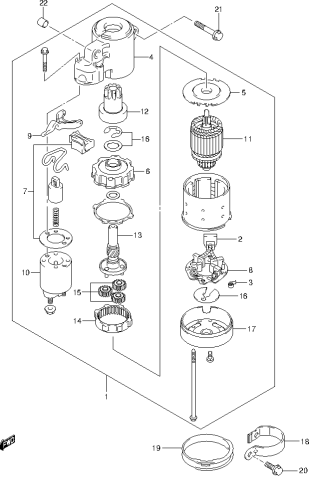
DF140A\_E01\_L013\_040  
TRANSMISSION

FIG.41



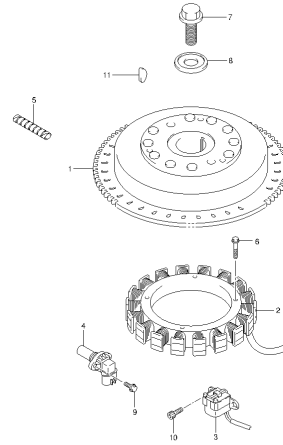
DF140A\_E01\_013\_041  
TRANSMISSION

FIG.42



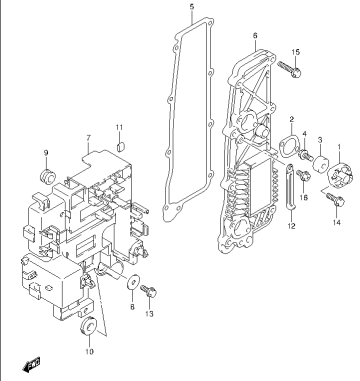
DF140A\_E01\_013\_042  
STARTING MOTOR

FIG.43



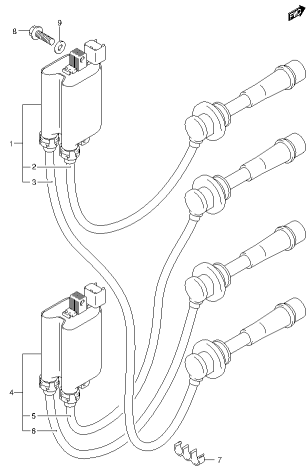
DF140A\_E01\_013\_043  
MAGNETO

FIG.44



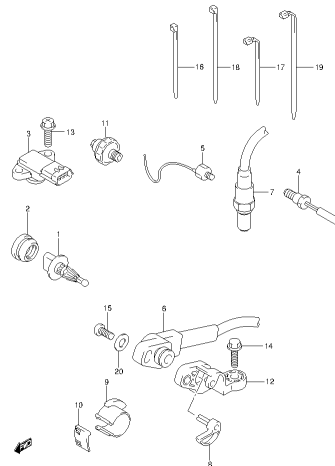
DF140A\_E01\_013\_044  
RECTIFIER

FIG.45



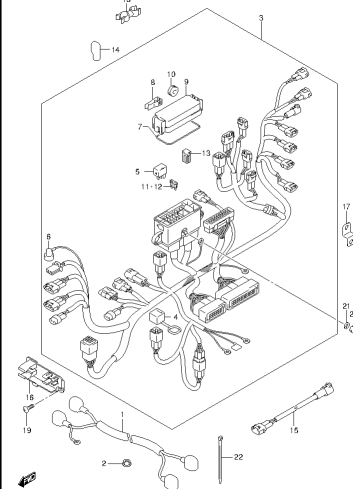
DF140A\_E01\_013\_045  
IGNITION COIL

FIG.46



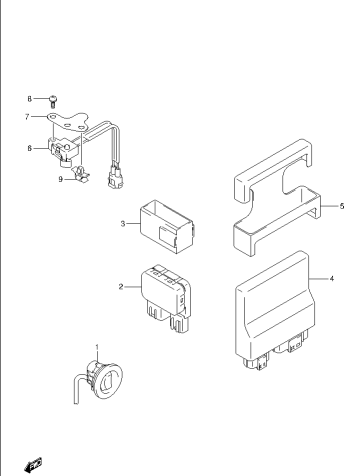
DF140A\_E01\_013\_046  
SENSOR

FIG.47

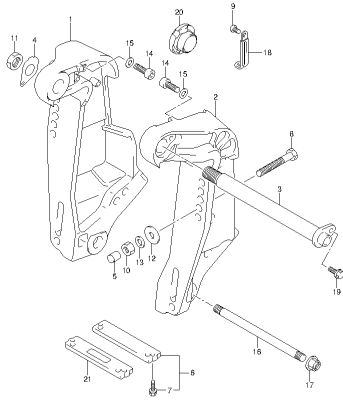


DF140A\_E01\_013\_047  
HARNESS

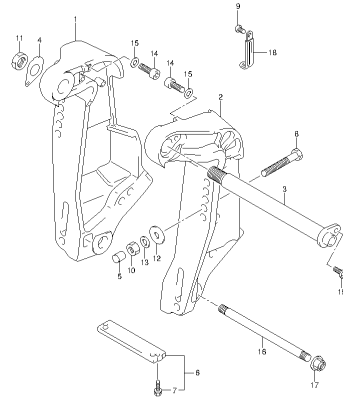
FIG.48



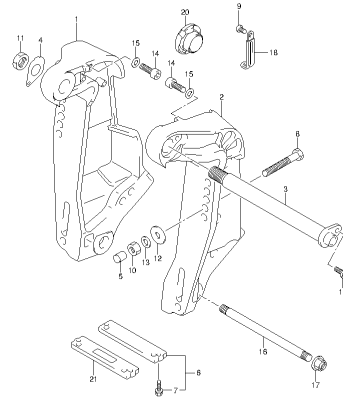
DF140A\_E01\_013\_048  
PTT SWITCH ENGINE CONTROL UNIT

**FIG.49**

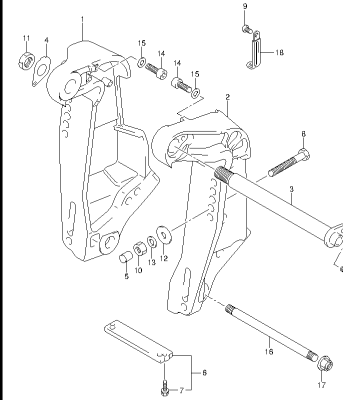
DF140A\_E01\_013\_049  
CLAMP BRACKET

**FIG.50**

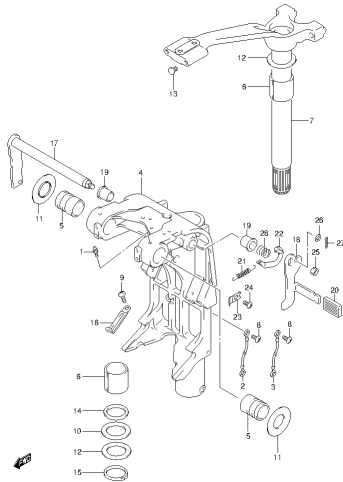
DF140A\_E01\_013\_050  
CLAMP BRACKET

**FIG.51**

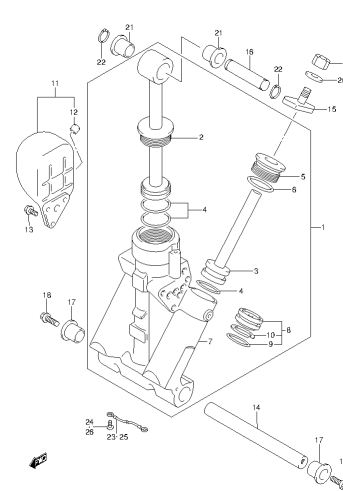
DF140A\_E01\_013\_051  
CLAMP BRACKET

**FIG.52**

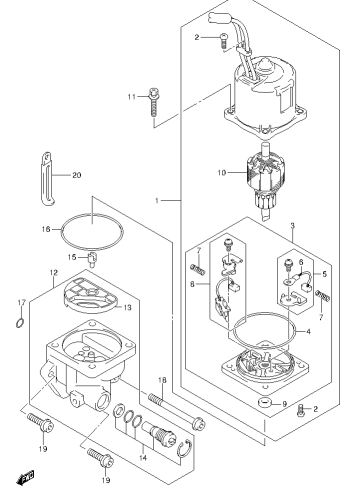
DF140A\_E01\_013\_052  
CLAMP BRACKET

**FIG.53**

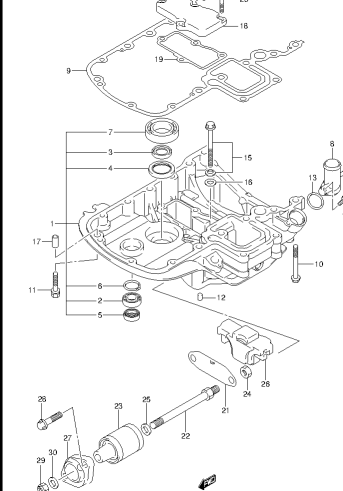
DF140A\_E01\_013\_053  
SWIVEL BRACKET

**FIG.54**

DF140A\_E01\_013\_054  
TRIM CYLINDER

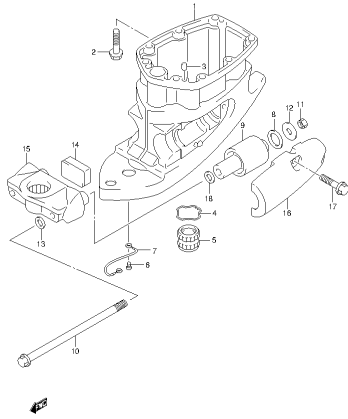
**FIG.55**

DF140A\_E01\_013\_055  
PTT MOTOR

**FIG.56**

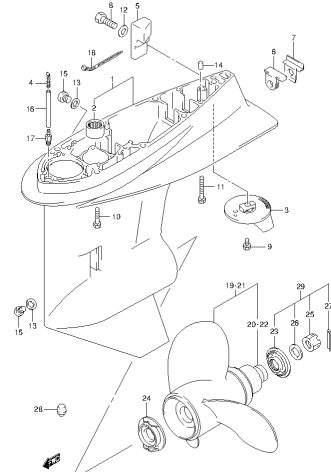
DF140A\_E01\_013\_056  
ENGINE HOLDER

FIG.57



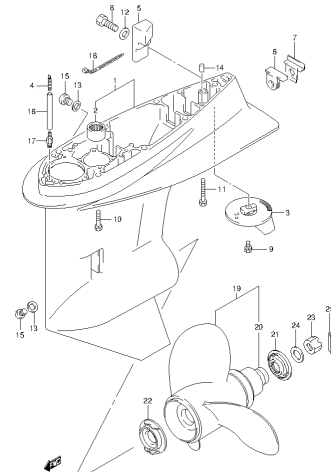
DF140A\_E01\_013\_057  
DRIVE SHAFT HOUSING

FIG.58



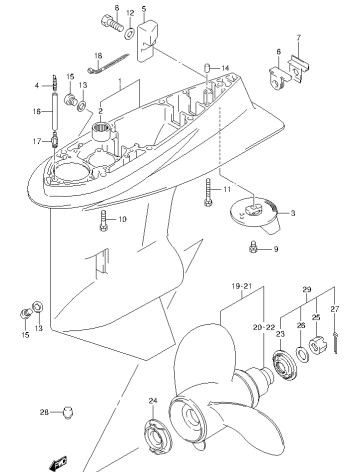
DF140A\_E01\_013\_058  
GEAR CASE

FIG.59



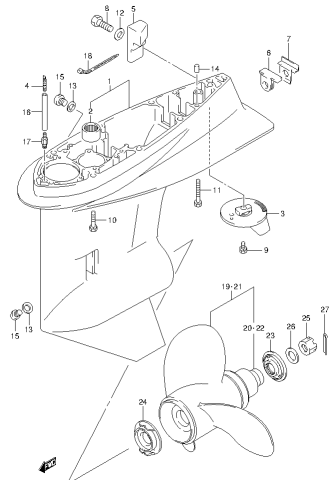
DF140A\_E01\_013\_059  
GEAR CASE

FIG.60



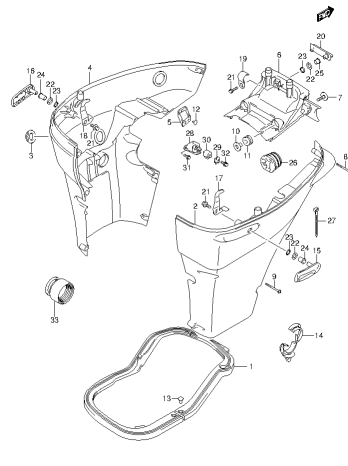
DF140A\_E01\_013\_060  
GEAR CASE

FIG.61



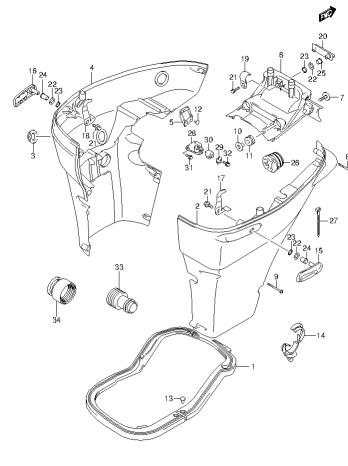
DF140A\_E01\_013\_061  
GEAR CASE

FIG.62



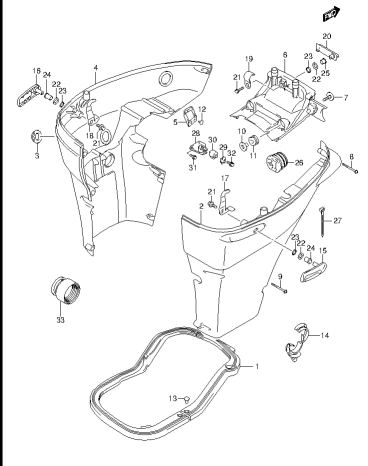
DF140A\_E01\_013\_062  
SIDE COVER

FIG.63



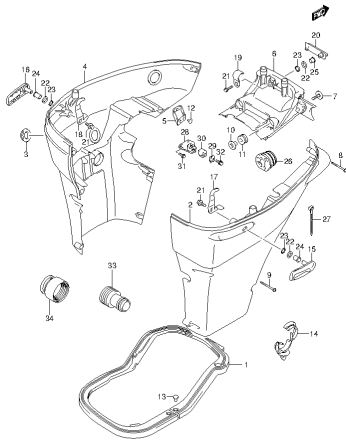
DF140A\_E01\_013\_063  
SIDE COVER

FIG.64



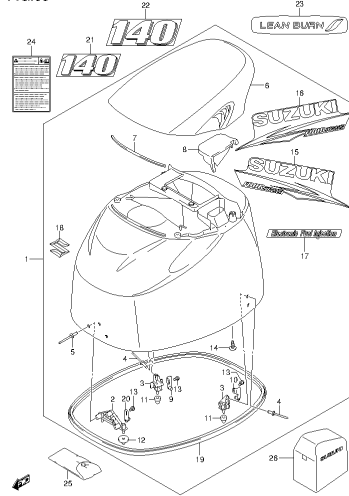
DF140A\_E01\_013\_064  
SIDE COVER

FIG.65



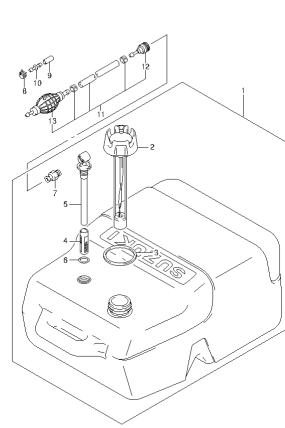
DF140A\_E01\_013\_065  
SIDE COVER

FIG.66



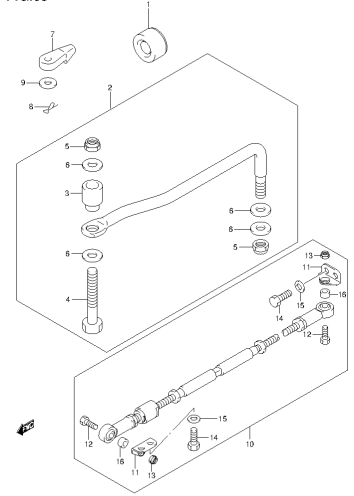
DF140A\_E01\_013\_066  
ENGINE COVER

FIG.67



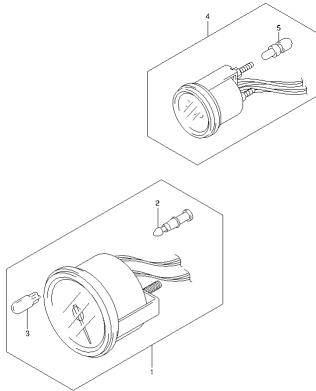
DF140A\_E01\_013\_067  
FUEL TANK

FIG.68



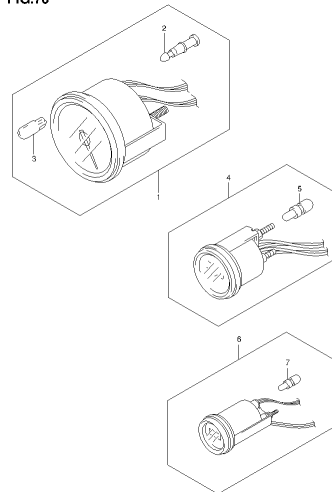
DF140A\_E01\_013\_068  
DRAG LINK

FIG.69



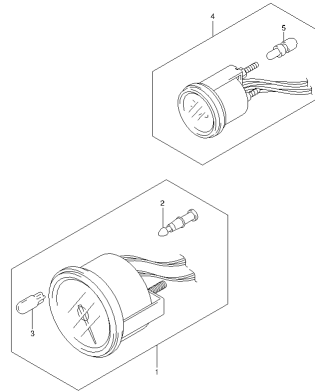
DF140A\_E01\_013\_069  
METER

FIG.70



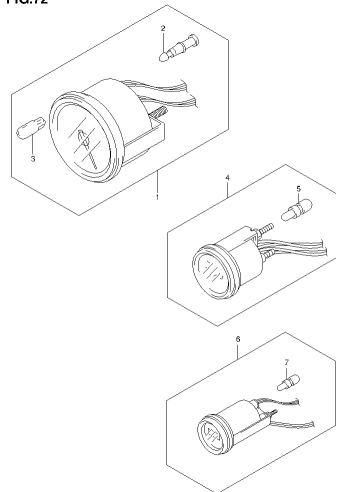
DF140A\_E01\_013\_070  
METER

FIG.71



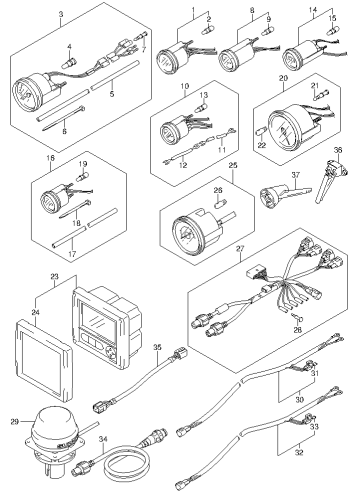
DF140A\_E01\_013\_071  
METER

FIG.72



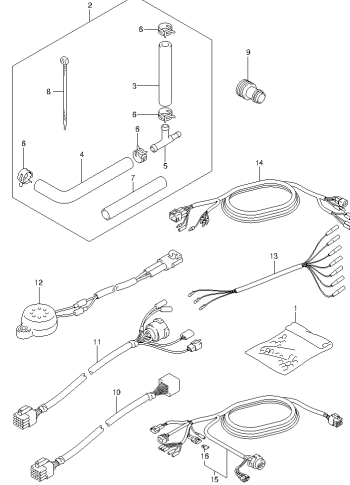
DF140A\_E01\_013\_072  
METER

FIG.73



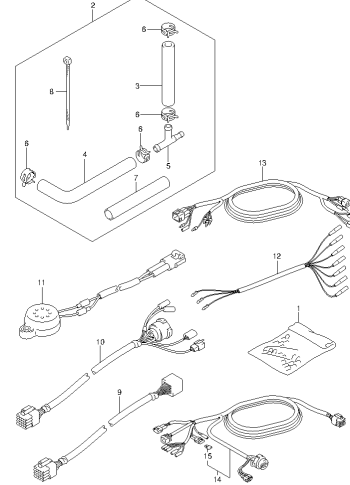
DF140A\_E01\_013\_073  
OPT.METER

FIG.74



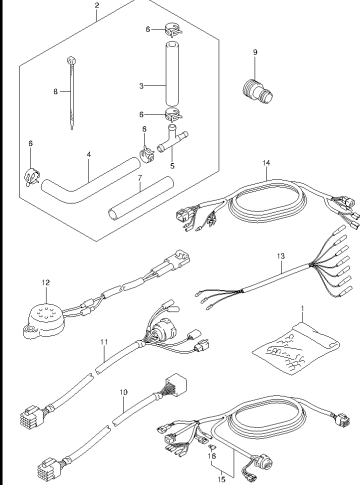
DF140A\_E01\_013\_074  
OPT.HARNES

FIG.75



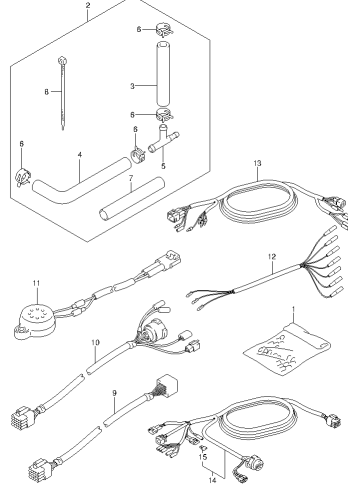
DF140A\_E01\_013\_075  
OPT.HARNES

FIG.76



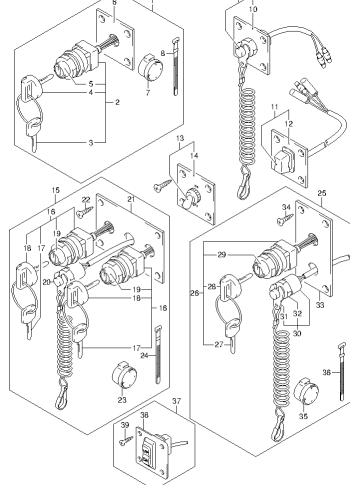
DF140A\_E01\_013\_076  
OPT.HARNES

FIG.77



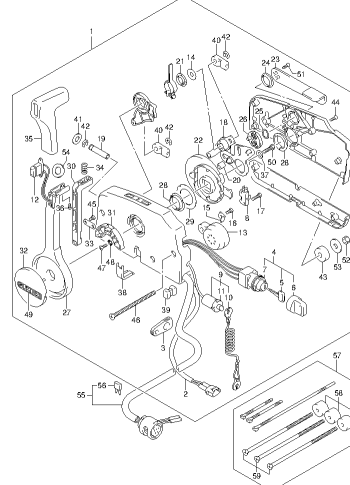
DF140A\_E01\_013\_077  
OPT.HARNES

FIG.78



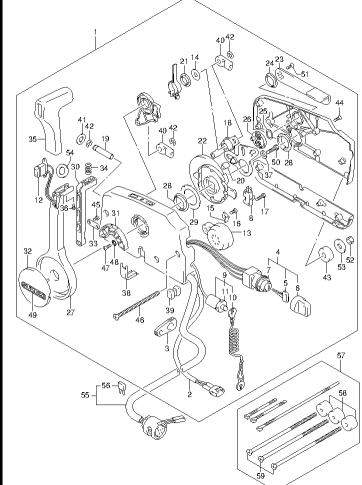
DF140A\_E01\_013\_078  
OPT.SWITCH

FIG.79



DF140A\_E01\_013\_079  
OPT.REMOTE CONTROL

FIG.80



DF140A\_E01\_013\_080  
OPT.REMOTE CONTROL

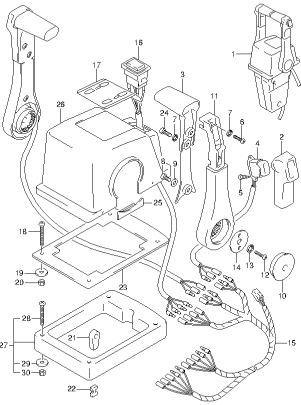
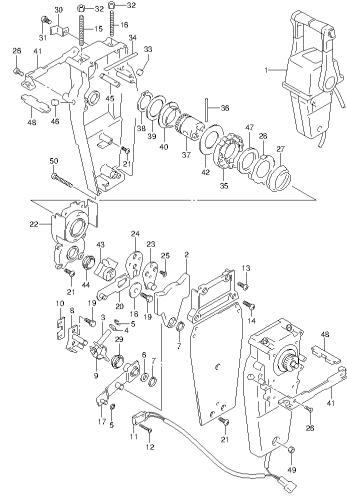
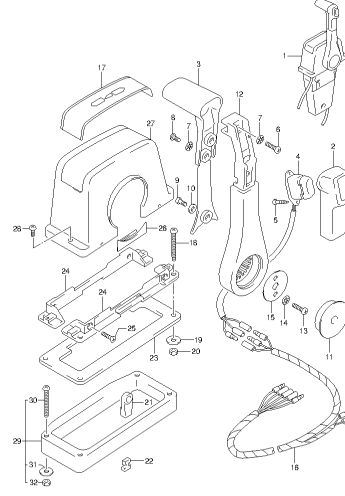
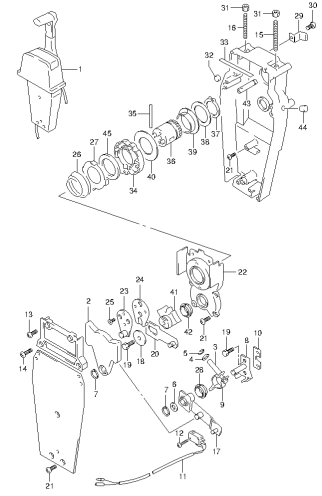
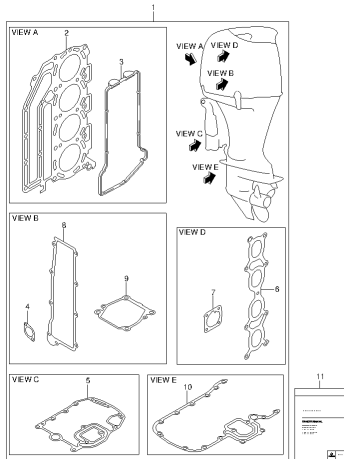
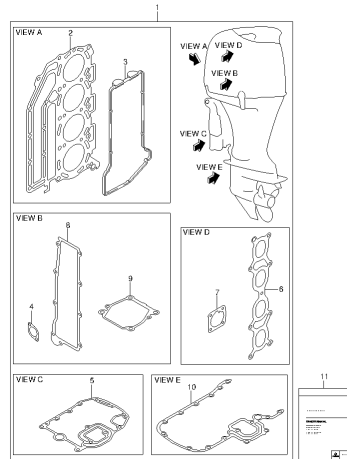
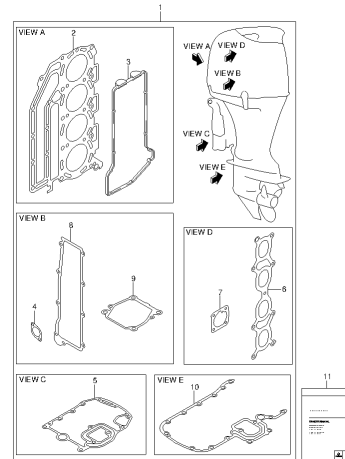
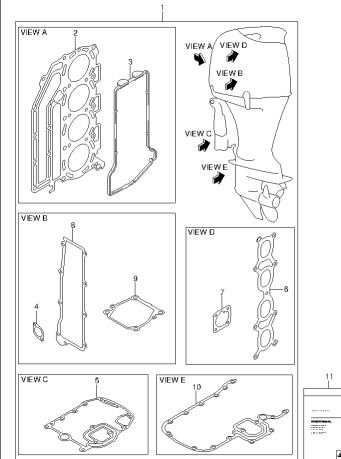
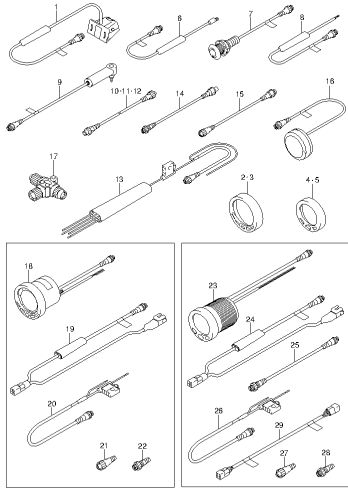
**FIG.81**DF140A\_E01\_013\_061  
OPT.REMOTE CONTROL ASSY DUAL (1)**FIG.82**DF140A\_E01\_013\_062  
OPT.REMOTE CONTROL ASSY DUAL (2)**FIG.83**DF140A\_E01\_013\_063  
OPT.REMOTE CONTROL ASSY SINGLE (1)**FIG.84**DF140A\_E01\_013\_064  
OPT.REMOTE CONTROL ASSY SINGLE (2)**FIG.85**DF140A\_E01\_013\_065  
OPT.GASKET SET**FIG.86**DF140A\_E01\_013\_066  
OPT.GASKET SET**FIG.87**DF140A\_E01\_013\_067  
OPT.GASKET SET**FIG.88**DF140A\_E01\_013\_068  
OPT.GASKET SET

FIG.89



DF1404\_EB1\_013\_009  
OFF FLOWRANCE GAUGE

FIG.1

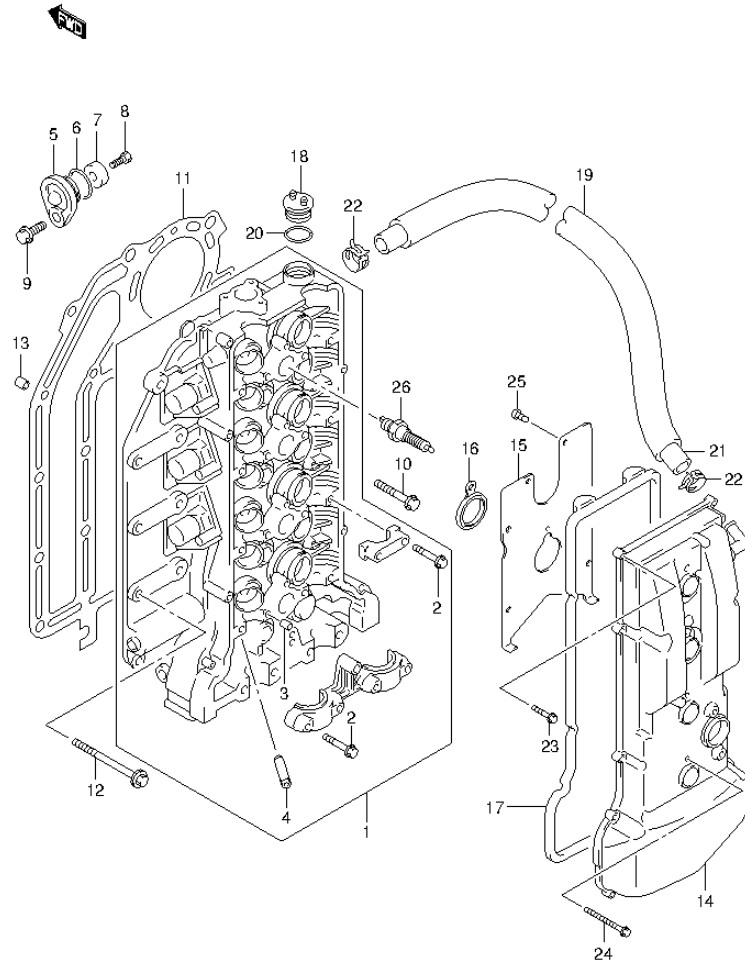


FIG.1 (1-B-2) CYLINDER HEAD

| REF NO. | PART NO.        | DESCRIPTION                 | Q'TY | REMARKS     |
|---------|-----------------|-----------------------------|------|-------------|
| 1       | 11100-90J06     | HEAD, CYLINDER              | 1    |             |
| 2       | 09103-06266     | .BOLT (6X40)                | 21   |             |
| 3       | 09206-08001     | .PIN (8X11)                 | 18   |             |
| 4       | 11115-85FA1-001 | GUIDE, VALVE (OS)           | 16   | OPT         |
| 5       | 11261-93J00     | COVER, PROTECTION ANODE     | 2    |             |
| 6       | 09280-22019     | O RING (D:1.9, ID:21.8)     | 2    |             |
| 7       | 55321-87J00     | ANODE, PROTECTION           | 2    |             |
| 8       | 09103-06281     | BOLT (6X14)                 | 2    |             |
| 9       | 01550-08207     | BOLT                        | 2    |             |
| 10      | 11117-89J00     | BOLT, CYL HEAD              | 10   |             |
| 11      | 11141-92J01     | GASKET, CYL HEAD            | 1    |             |
| 12      | 09116-08125     | BOLT (8X50)                 | 8    |             |
| 13      | 04211-13189     | PIN                         | 2    |             |
| 14      | 11170-90J10     | COVER, CYLINDER HEAD        | 1    |             |
| 15      | 11173-90J00     | PLATE, BREATHER             | 1    |             |
| 16      | 11179-90J00     | GASKET, SPARK PLUG HOLE     | 4    |             |
| 17      | 11189-90J00     | GASKET, CYLINDER HEAD COVER | 1    |             |
| 18      | 11382-99E00     | CAP, OIL FILLER             | 1    |             |
| 19      | 18498-90J20     | PROTECTOR, BREATHER HOSE    | 1    |             |
| 20      | 09280-26006     | O RING (D:3.1, ID:26.4)     | 1    |             |
| 21      | 09355-13207-00B | HOSE (13X20X2000)           | 1    | L:2000->660 |
| 22      | 09401-20409     | CLIP                        | 2    |             |
| 23      | 01547-06257     | BOLT                        | 11   |             |
| 24      | 01547-06557     | BOLT                        | 4    |             |
| 25      | 02112-0612A     | SCREW                       | 7    |             |
| 26      | 09482-00427     | SPARK PLUG (NGK, BKR6E)     | 4    |             |

FIG.2

FIG.2 (1-B-3) CYLINDER BLOCK

| REF NO. | PART NO.    | DESCRIPTION                 | Q'TY | REMARKS |
|---------|-------------|-----------------------------|------|---------|
| 1       | 11291-90J10 | HOOK, ENGINE                | 1    |         |
| 2       | 01550-12307 | BOLT                        | 2    |         |
| 3       | 11300-92J30 | BLOCK, CYLINDER             | 1    |         |
| 4       | 11117-90J10 | .BOLT, CRANKCASE            | 10   |         |
| 5       | 11216-77E00 | .GASKET, OIL GALLERY PLUG   | 3    |         |
| 6       | 09248-18011 | .PLUG (18X8)                | 3    |         |
| 7       | 11330-90J00 | .COVER, CRANKCASE WTR JKT   | 1    |         |
| 8       | 11332-90J00 | .O RING, CRKC WTR JKT COVER | 1    |         |
| 9       | 09206-13019 | .PIN (10.4X13X16)           | 5    |         |
| 10      | 01550-06207 | .BOLT                       | 8    |         |
| 11      | 01550-08407 | .BOLT                       | 10   |         |
| 12      | 11112-90J00 | .PLUG, OIL VENTURI          | 1    |         |
| 13      | 09246-05006 | PLUG                        | 1    |         |

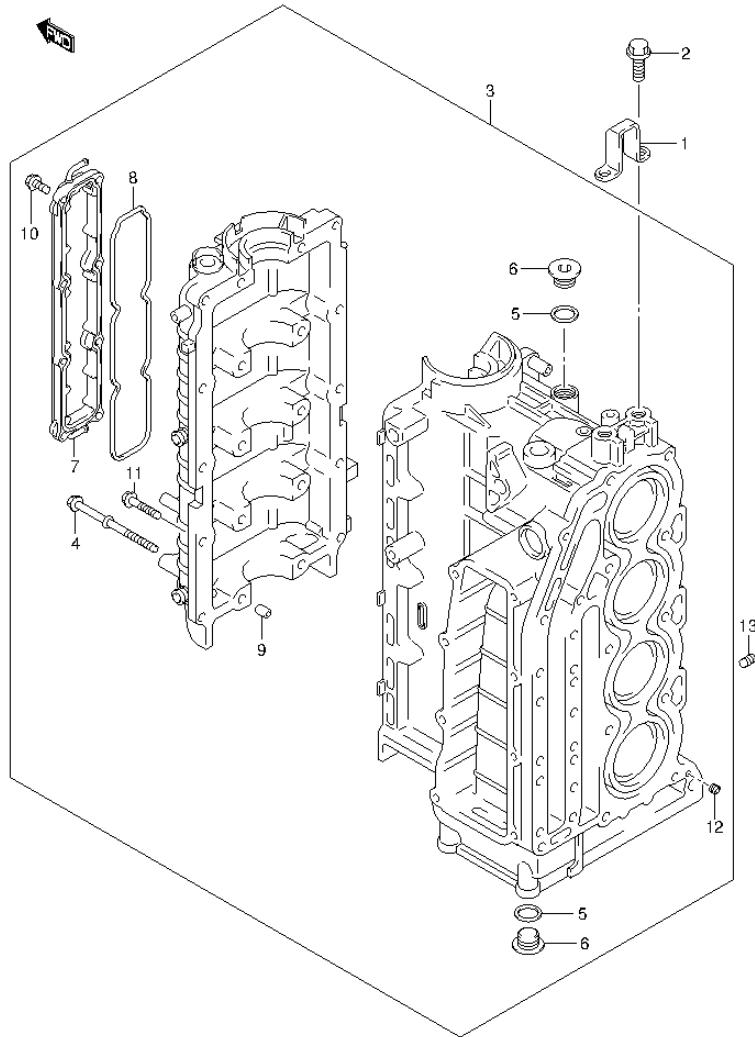


FIG.3

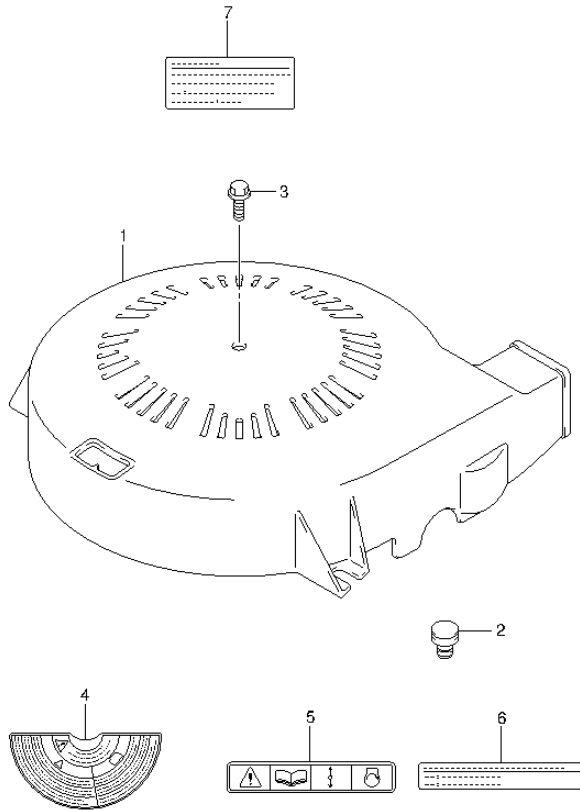


FIG.3 (1-B-4) RING GEAR COVER (DF140AT E01)

| REF NO. | PART NO.    | DESCRIPTION              | Q'TY | REMARKS |
|---------|-------------|--------------------------|------|---------|
| 1       | 11510-90J00 | COVER, RING GEAR         | 1    |         |
| 2       | 11512-99E00 | CUSHION, RING GEAR COVER | 2    |         |
| 3       | 01550-06207 | BOLT                     | 1    |         |
| 4       | 61472-93E40 | LABEL, MAG COVER         | 1    |         |
| 5       | 69711-93E10 | LABEL, CAUTION           | 1    |         |
| 6       | 61493-90J00 | LABEL, CLEARANCE         | 1    |         |
| 7       | 61494-90J00 | LABEL, OIL               | 1    |         |

FIG.4

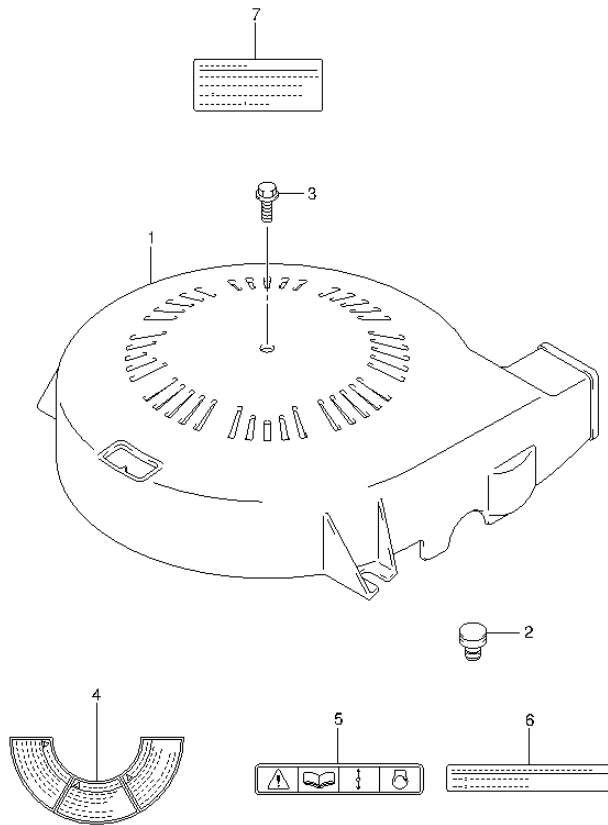


FIG.4 (1-B-5) RING GEAR COVER (DF140AT E40)

| REF NO. | PART NO.    | DESCRIPTION              | Q'TY | REMARKS |
|---------|-------------|--------------------------|------|---------|
| 1       | 11510-90J00 | COVER, RING GEAR         | 1    |         |
| 2       | 11512-99E00 | CUSHION, RING GEAR COVER | 2    |         |
| 3       | 01550-06207 | BOLT                     | 1    |         |
| 4       | 61472-93E32 | LABEL, MAG COVER         | 1    |         |
| 5       | 69711-93E10 | LABEL, CAUTION           | 1    |         |
| 6       | 61493-90J00 | LABEL, CLEARANCE         | 1    |         |
| 7       | 61494-90J00 | LABEL, OIL               | 1    |         |

FIG.5

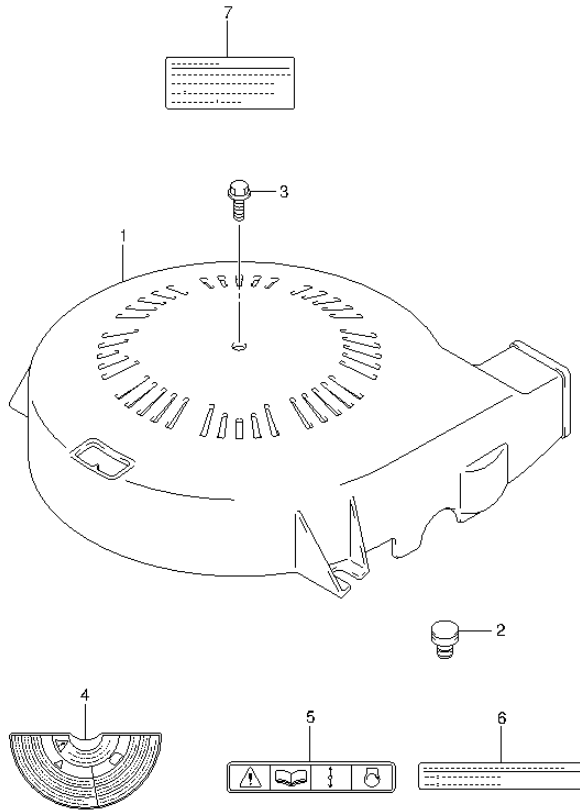


FIG.5 (1-B-6) RING GEAR COVER (DF140AZ E01)

| REF NO. | PART NO.    | DESCRIPTION              | Q'TY | REMARKS |
|---------|-------------|--------------------------|------|---------|
| 1       | 11510-90J00 | COVER, RING GEAR         | 1    |         |
| 2       | 11512-99E00 | CUSHION, RING GEAR COVER | 2    |         |
| 3       | 01550-06207 | BOLT                     | 1    |         |
| 4       | 61472-93E40 | LABEL, MAG COVER         | 1    |         |
| 5       | 69711-93E10 | LABEL, CAUTION           | 1    |         |
| 6       | 61493-90J00 | LABEL, CLEARANCE         | 1    |         |
| 7       | 61494-90J00 | LABEL, OIL               | 1    |         |

FIG.6

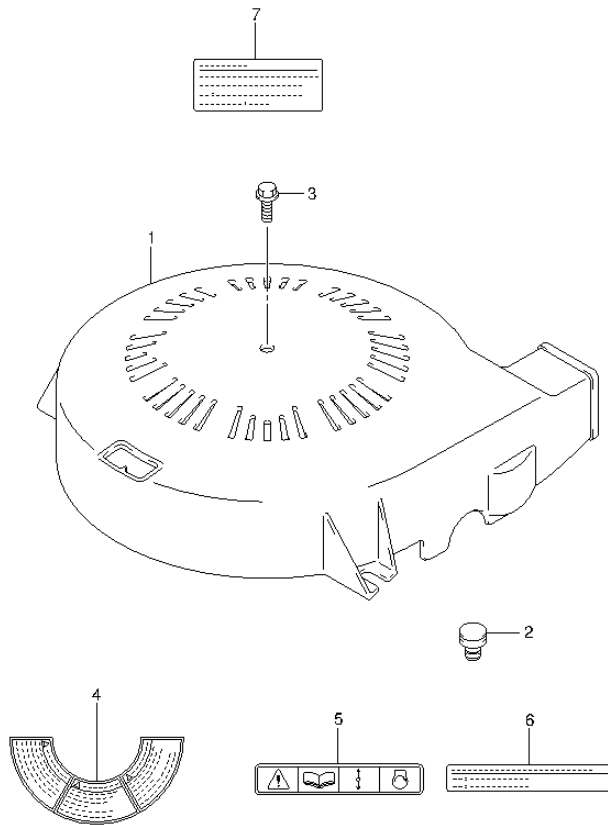


FIG.6 (1-B-7) RING GEAR COVER (DF140AZ E40)

| REF NO. | PART NO.    | DESCRIPTION              | Q'TY | REMARKS |
|---------|-------------|--------------------------|------|---------|
| 1       | 11510-90J00 | COVER, RING GEAR         | 1    |         |
| 2       | 11512-99E00 | CUSHION, RING GEAR COVER | 2    |         |
| 3       | 01550-06207 | BOLT                     | 1    |         |
| 4       | 61472-93E32 | LABEL, MAG COVER         | 1    |         |
| 5       | 69711-93E10 | LABEL, CAUTION           | 1    |         |
| 6       | 61493-90J00 | LABEL, CLEARANCE         | 1    |         |
| 7       | 61494-90J00 | LABEL, OIL               | 1    |         |

FIG.7

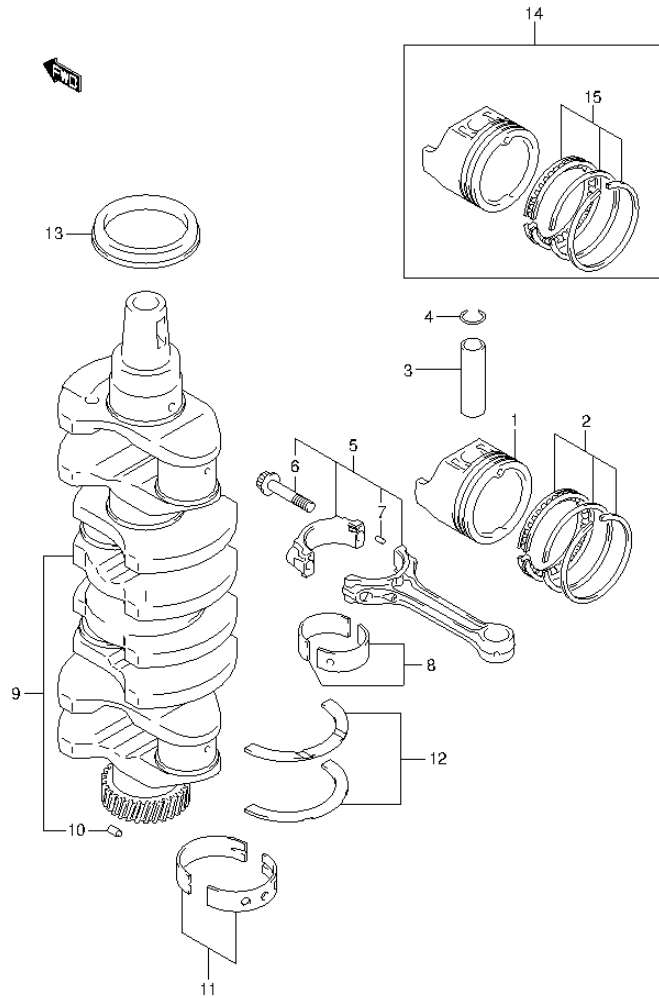


FIG.7 (1-B-8) CRANKSHAFT

| REF NO. | PART NO.        | DESCRIPTION                                       | Q'TY | REMARKS |
|---------|-----------------|---|------|---------|
| 1       | 12111-92J00     | PISTON  | 4    |         |
| 2       | 12140-92J01     | RING SET, PISTON                                  | 4    |         |
| 3       | 12151-86FA0     | PIN, PISTON                                       | 4    |         |
| 4       | 09381-21002     | CIRCLIP   | 8    |         |
| 5       | 12160-92J10     | CONNROD ASSY                                      | 4    |         |
| 6       | 12163-35F00     | .BOLT, CONNROD                                    | 8    |         |
| 7       | 04221-04089     | .PIN  | 8    |         |
| 8-1     | 12100-92841-0A0 | BEARING SET, CONNROD (GREEN)                      | 4    |         |
| 8-2     | 12100-92840-025 | BEARING SET, CONNROD (US:0.25)                    | 4    | OPT     |
| 9       | 12220-92J00     | CRANKSHAFT  | 1    |         |
| 10      | 09202-05027     | .PIN (5X8.8)                                      | 1    |         |
| 11-1    | 12340-85FB3-0A0 | BEARING SET, CRANKSHAFT                           | 5    | GREEN   |
| 11-2    | 12340-85FB3-0B0 | BEARING SET, CRANKSHAFT                           | 5    | BLACK   |
| 11-3    | 12340-85FB3-0C0 | BEARING SET, CRANKSHAFT                           | 5    | NON     |
| 11-4    | 12340-85FB3-0D0 | BEARING SET, CRANKSHAFT                           | 5    | YELLOW  |
| 11-5    | 12340-85FB3-0E0 | BEARING SET, CRANKSHAFT                           | 5    | BLUE    |
| 11-6    | 12300-85854-0AA | BEARING SET, CRANKSHAFT<br>(US:0.25) (RED/GREEN)  | 5    | OPT     |
| 11-7    | 12300-85854-0BA | BEARING SET, CRANKSHAFT<br>(US:0.25) (RED/BLACK)  | 5    | OPT     |
| 11-8    | 12300-85854-0CA | BEARING SET, CRANKSHAFT<br>(US:0.25) (RED)        | 5    | OPT     |
| 11-9    | 12300-85854-0DA | BEARING SET, CRANKSHAFT<br>(US:0.25) (RED/YELLOW) | 5    | OPT     |
| 11-10   | 12300-85854-0EA | BEARING SET, CRANKSHAFT<br>(US:0.25) (RED/BLUE)   | 5    | OPT     |
| 12-1    | 12300-85830     | BEARING SET, CRANK THRUST                         | 1    |         |
| 12-2    | 12300-85830-012 | BEARING SET, CRANK THRUST<br>(OS:0.12)            | 1    | OPT     |
| 13      | 09283-52004     | OIL SEAL (52X70X10)                               | 1    |         |
| 14      | 12100-92J01-050 | PISTON SET (OS:0.50)                              | 4    | OPT     |
| 15      | 12140-92J01-050 | .RING SET, PISTON (OS:0.50)                       | 4    | OPT     |

FIG.8

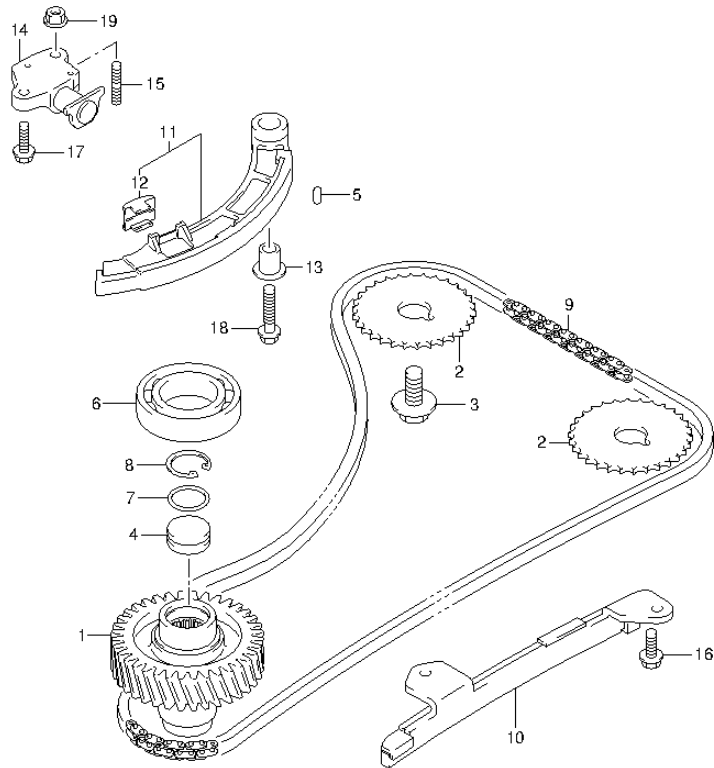


FIG.8 (1-B-9) TIMING CHAIN

| REF NO. | PART NO.    | DESCRIPTION                        | Q'TY | REMARKS |
|---------|-------------|------------------------------------|------|---------|
| 1       | 12732-90J00 | GEAR, DRIVEN (NT:18)               | 1    |         |
| 2       | 12741-90J01 | SPROCKET, CAM SHAFT TIMING (NT:29) | 2    |         |
| 3       | 09103-12049 | BOLT (12X25)                       | 2    |         |
| 4       | 12733-90J00 | PLUG, DRIVEN GEAR                  | 1    |         |
| 5       | 04221-05109 | PIN                                | 2    |         |
| 6       | 09262-35068 | BEARING (35X62X14)                 | 1    | UPPER   |
| 7       | 09280-22022 | O RING (D:1.9, ID:21.8)            | 1    |         |
| 8       | 08331-41269 | CIRCLIP                            | 1    |         |
| 9       | 12761-90J00 | CHAIN, TIMING                      | 1    |         |
| 10      | 12771-90J00 | GUIDE, TIMING CHAIN                | 1    |         |
| 11      | 12810-90J00 | TENSIONER, TIMING CHAIN            | 1    |         |
| 12      | 12813-73G00 | .PAD, TIMING CHAIN TENSIONER       | 1    |         |
| 13      | 12812-90J00 | SPACER, TIMING CHAIN TENSIONER     | 1    |         |
| 14      | 12831-90J02 | ADJUSTER, TENSIONER                | 1    |         |
| 15      | 01421-0616A | STUD BOLT                          | 1    |         |
| 16      | 01550-0616A | BOLT                               | 2    |         |
| 17      | 01550-0620A | BOLT                               | 1    |         |
| 18      | 01550-0835A | BOLT                               | 1    |         |
| 19      | 08316-1006A | NUT                                | 1    |         |

FIG.9

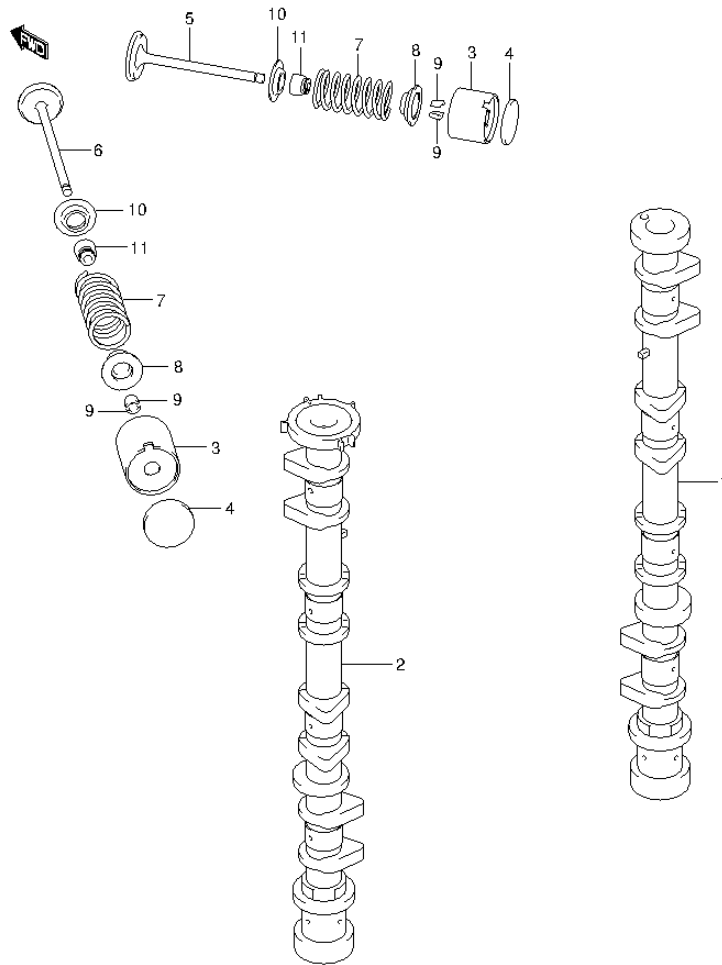


FIG.9 (1-B-10) CAMSHAFT (DF140AT E01)

| REF NO. | PART NO.        | DESCRIPTION            | Q'TY | REMARKS |
|---------|-----------------|------------------------|------|---------|
| 1       | 12711-92J00     | CAMSHAFT, INTAKE       | 1    |         |
| 2       | 12720-92J10     | CAMSHAFT, EXHAUST      | 1    |         |
| 3       | 12891-69G00     | TAPPET                 | 16   |         |
| 4-1     | 12892-69G10-218 | SHIM, TAPPET (T:2.175) | AR   |         |
| 4-2     | 12892-69G10-220 | SHIM, TAPPET (T:2.200) | AR   |         |
| 4-3     | 12892-69G10-223 | SHIM, TAPPET (T:2.225) | AR   |         |
| 4-4     | 12892-69G10-225 | SHIM, TAPPET (T:2.250) | AR   |         |
| 4-5     | 12892-69G10-228 | SHIM, TAPPET (T:2.275) | AR   |         |
| 4-6     | 12892-69G10-230 | SHIM, TAPPET (T:2.300) | AR   |         |
| 4-7     | 12892-69G10-233 | SHIM, TAPPET (T:2.325) | AR   |         |
| 4-8     | 12892-69G10-235 | SHIM, TAPPET (T:2.350) | AR   |         |
| 4-9     | 12892-69G10-238 | SHIM, TAPPET (T:2.375) | AR   |         |
| 4-10    | 12892-69G10-240 | SHIM, TAPPET (T:2.400) | AR   |         |
| 4-11    | 12892-69G10-243 | SHIM, TAPPET (T:2.425) | AR   |         |
| 4-12    | 12892-69G10-245 | SHIM, TAPPET (T:2.450) | AR   |         |
| 4-13    | 12892-69G10-248 | SHIM, TAPPET (T:2.475) | AR   |         |
| 4-14    | 12892-69G10-250 | SHIM, TAPPET (T:2.500) | AR   |         |
| 4-15    | 12892-69G10-253 | SHIM, TAPPET (T:2.525) | AR   |         |
| 4-16    | 12892-69G10-255 | SHIM, TAPPET (T:2.550) | AR   |         |
| 4-17    | 12892-69G10-258 | SHIM, TAPPET (T:2.575) | AR   |         |
| 4-18    | 12892-69G10-260 | SHIM, TAPPET (T:2.600) | AR   |         |
| 4-19    | 12892-69G10-263 | SHIM, TAPPET (T:2.625) | AR   |         |
| 4-20    | 12892-69G10-265 | SHIM, TAPPET (T:2.650) | AR   |         |
| 4-21    | 12892-69G10-268 | SHIM, TAPPET (T:2.675) | AR   |         |
| 4-22    | 12892-69G10-270 | SHIM, TAPPET (T:2.700) | AR   |         |
| 4-23    | 12892-69G10-273 | SHIM, TAPPET (T:2.725) | AR   |         |
| 4-24    | 12892-69G10-275 | SHIM, TAPPET (T:2.750) | AR   |         |
| 4-25    | 12892-69G10-278 | SHIM, TAPPET (T:2.775) | AR   |         |
| 4-26    | 12892-69G10-280 | SHIM, TAPPET (T:2.800) | AR   |         |
| 4-27    | 12892-69G10-283 | SHIM, TAPPET (T:2.825) | AR   |         |
| 4-28    | 12892-69G10-285 | SHIM, TAPPET (T:2.850) | AR   |         |
| 4-29    | 12892-69G10-288 | SHIM, TAPPET (T:2.875) | AR   |         |
| 4-30    | 12892-69G10-290 | SHIM, TAPPET (T:2.900) | AR   |         |
| 4-31    | 12892-69G10-293 | SHIM, TAPPET (T:2.925) | AR   |         |

FIG.9

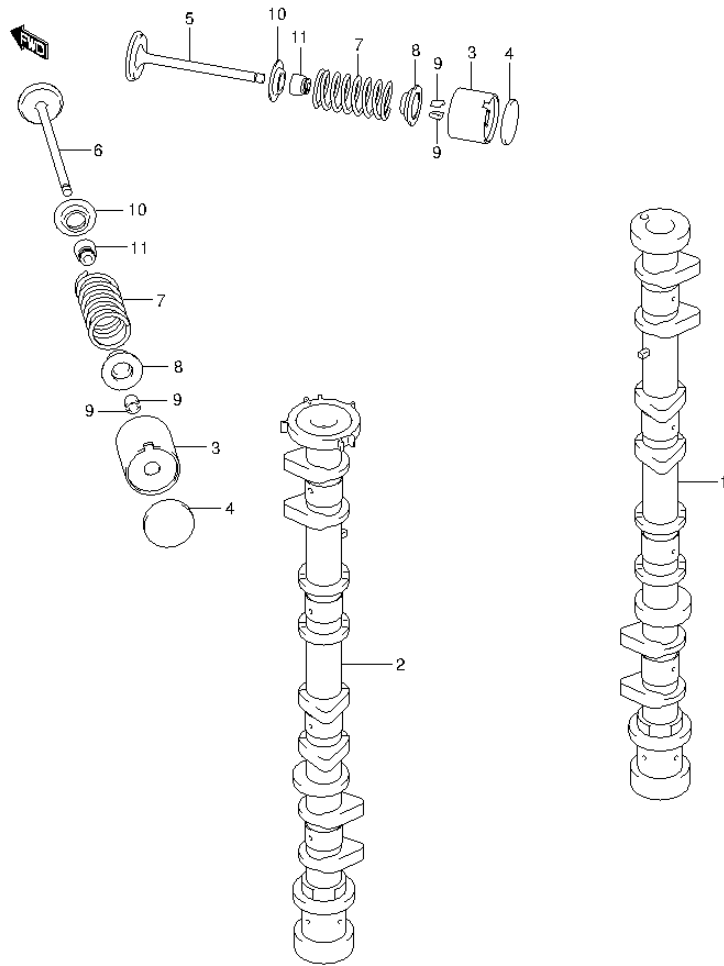


FIG.9 (1-B-11) CAMSHAFT (DF140AT E01)

| REF NO. | PART NO.        | DESCRIPTION            | Q'TY | REMARKS |
|---------|-----------------|------------------------|------|---------|
| 4-32    | 12892-69G10-295 | SHIM, TAPPET (T:2.950) | AR   |         |
| 4-33    | 12892-69G10-298 | SHIM, TAPPET (T:2.975) | AR   |         |
| 4-34    | 12892-69G10-300 | SHIM, TAPPET (T:3.000) | AR   |         |
| 5       | 12911-86FA1     | VALVE, INTAKE          | 8    |         |
| 6       | 12915-86FA1     | VALVE, EXHAUST         | 8    |         |
| 7       | 12921-90J00     | SPRING, VALVE          | 16   |         |
| 8       | 12931-90J00     | RETAINER, VALVE SPRING | 16   |         |
| 9       | 12932-85FA0     | COTTER, VALVE          | 32   |         |
| 10      | 12933-86510     | SEAT, VALVE SPRING     | 16   |         |
| 11      | 09289-06003     | OIL SEAL (6X12.8X10.2) | 16   |         |

FIG.10

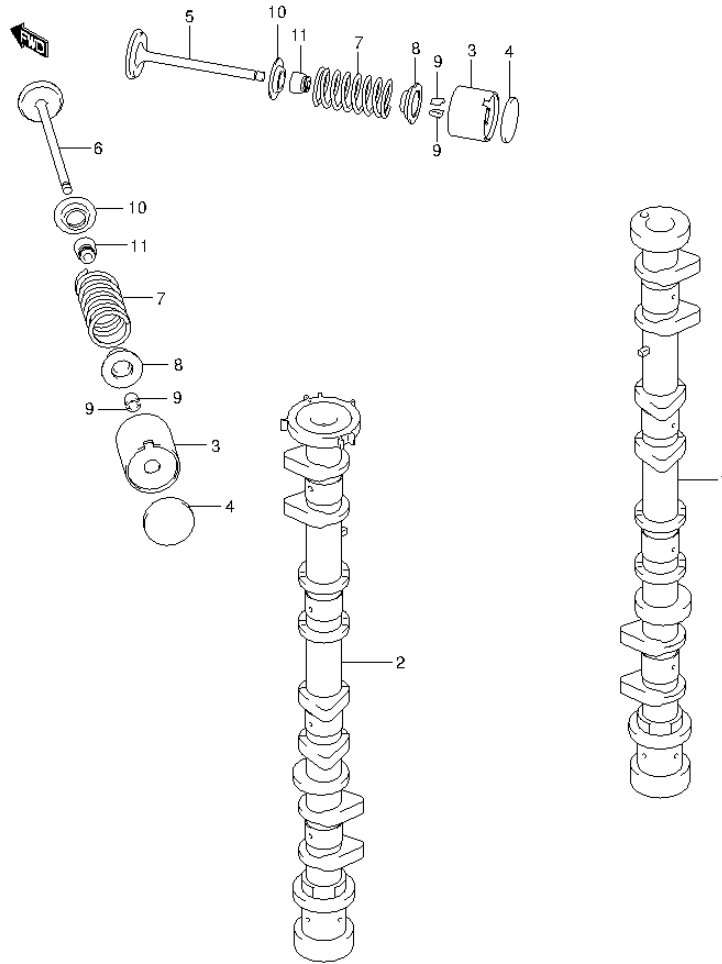
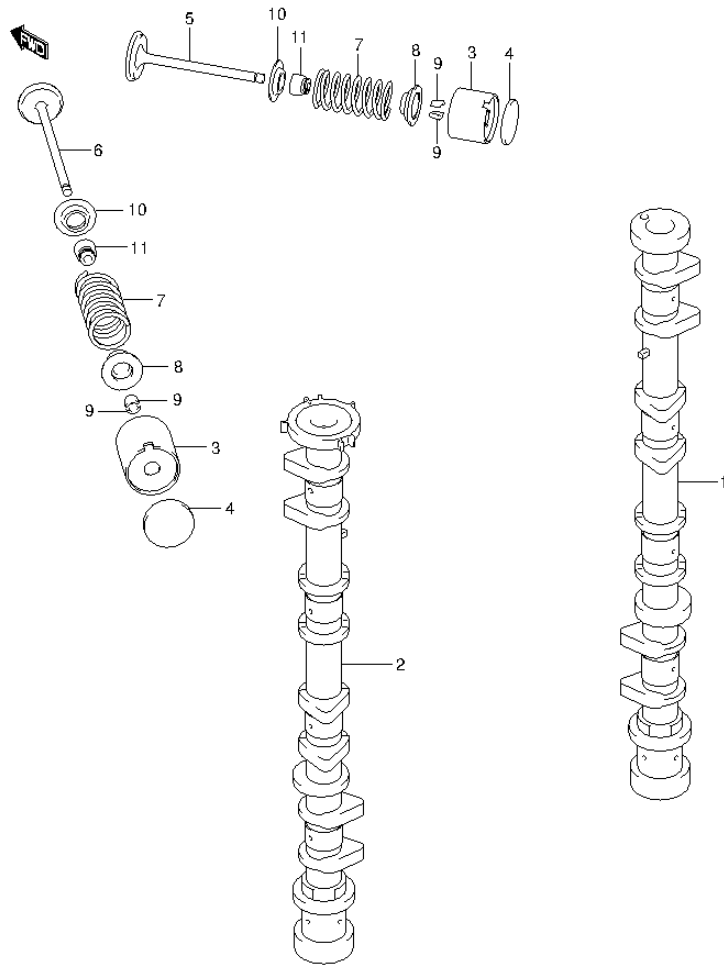


FIG.10 (1-B-12) CAMSHAFT (DF140AT E40)

| REF NO. | PART NO.        | DESCRIPTION            | Q'TY | REMARKS |
|---------|-----------------|------------------------|------|---------|
| 1       | 12711-92J00     | CAMSHAFT, INTAKE       | 1    |         |
| 2       | 12720-92J10     | CAMSHAFT, EXHAUST      | 1    |         |
| 3       | 12891-69G00     | TAPPET                 | 16   |         |
| 4-1     | 12892-69G10-218 | SHIM, TAPPET (T:2.175) | AR   |         |
| 4-2     | 12892-69G10-220 | SHIM, TAPPET (T:2.200) | AR   |         |
| 4-3     | 12892-69G10-223 | SHIM, TAPPET (T:2.225) | AR   |         |
| 4-4     | 12892-69G10-225 | SHIM, TAPPET (T:2.250) | AR   |         |
| 4-5     | 12892-69G10-228 | SHIM, TAPPET (T:2.275) | AR   |         |
| 4-6     | 12892-69G10-230 | SHIM, TAPPET (T:2.300) | AR   |         |
| 4-7     | 12892-69G10-233 | SHIM, TAPPET (T:2.325) | AR   |         |
| 4-8     | 12892-69G10-235 | SHIM, TAPPET (T:2.350) | AR   |         |
| 4-9     | 12892-69G10-238 | SHIM, TAPPET (T:2.375) | AR   |         |
| 4-10    | 12892-69G10-240 | SHIM, TAPPET (T:2.400) | AR   |         |
| 4-11    | 12892-69G10-243 | SHIM, TAPPET (T:2.425) | AR   |         |
| 4-12    | 12892-69G10-245 | SHIM, TAPPET (T:2.450) | AR   |         |
| 4-13    | 12892-69G10-248 | SHIM, TAPPET (T:2.475) | AR   |         |
| 4-14    | 12892-69G10-250 | SHIM, TAPPET (T:2.500) | AR   |         |
| 4-15    | 12892-69G10-253 | SHIM, TAPPET (T:2.525) | AR   |         |
| 4-16    | 12892-69G10-255 | SHIM, TAPPET (T:2.550) | AR   |         |
| 4-17    | 12892-69G10-258 | SHIM, TAPPET (T:2.575) | AR   |         |
| 4-18    | 12892-69G10-260 | SHIM, TAPPET (T:2.600) | AR   |         |
| 4-19    | 12892-69G10-263 | SHIM, TAPPET (T:2.625) | AR   |         |
| 4-20    | 12892-69G10-265 | SHIM, TAPPET (T:2.650) | AR   |         |
| 4-21    | 12892-69G10-268 | SHIM, TAPPET (T:2.675) | AR   |         |
| 4-22    | 12892-69G10-270 | SHIM, TAPPET (T:2.700) | AR   |         |
| 4-23    | 12892-69G10-273 | SHIM, TAPPET (T:2.725) | AR   |         |
| 4-24    | 12892-69G10-275 | SHIM, TAPPET (T:2.750) | AR   |         |
| 4-25    | 12892-69G10-278 | SHIM, TAPPET (T:2.775) | AR   |         |
| 4-26    | 12892-69G10-280 | SHIM, TAPPET (T:2.800) | AR   |         |
| 4-27    | 12892-69G10-283 | SHIM, TAPPET (T:2.825) | AR   |         |
| 4-28    | 12892-69G10-285 | SHIM, TAPPET (T:2.850) | AR   |         |
| 4-29    | 12892-69G10-288 | SHIM, TAPPET (T:2.875) | AR   |         |
| 4-30    | 12892-69G10-290 | SHIM, TAPPET (T:2.900) | AR   |         |
| 4-31    | 12892-69G10-293 | SHIM, TAPPET (T:2.925) | AR   |         |

**FIG.10**



**FIG.10 (1-B-13) CAMSHAFT (DF140AT E40)**

| REF NO. | PART NO.        | DESCRIPTION            | Q'TY | REMARKS |
|---------|-----------------|------------------------|------|---------|
| 4-32    | 12892-69G10-295 | SHIM, TAPPET (T:2.950) | AR   |         |
| 4-33    | 12892-69G10-298 | SHIM, TAPPET (T:2.975) | AR   |         |
| 4-34    | 12892-69G10-300 | SHIM, TAPPET (T:3.000) | AR   |         |
| 5       | 12911-86FA1     | VALVE, INTAKE          | 8    |         |
| 6       | 12915-86F50     | VALVE, EXHAUST         | 8    |         |
| 7       | 12921-90J00     | SPRING, VALVE          | 16   |         |
| 8       | 12931-90J00     | RETAINER, VALVE SPRING | 16   |         |
| 9       | 12932-85FA0     | COTTER, VALVE          | 32   |         |
| 10      | 12933-86510     | SEAT, VALVE SPRING     | 16   |         |
| 11      | 09289-06003     | OIL SEAL (6X12.8X10.2) | 16   |         |

FIG.11

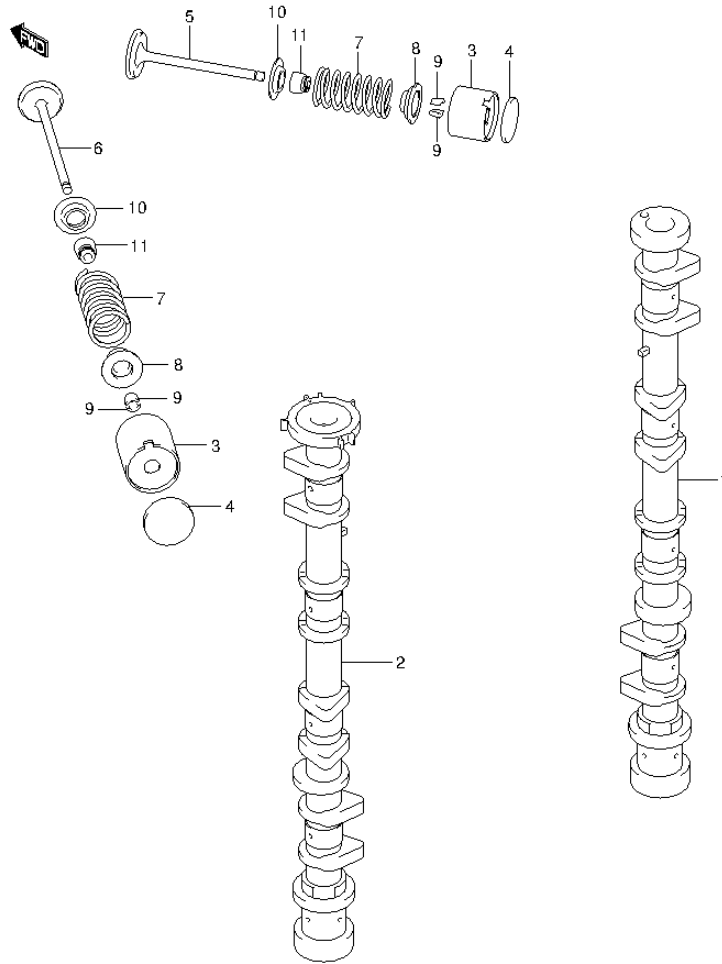
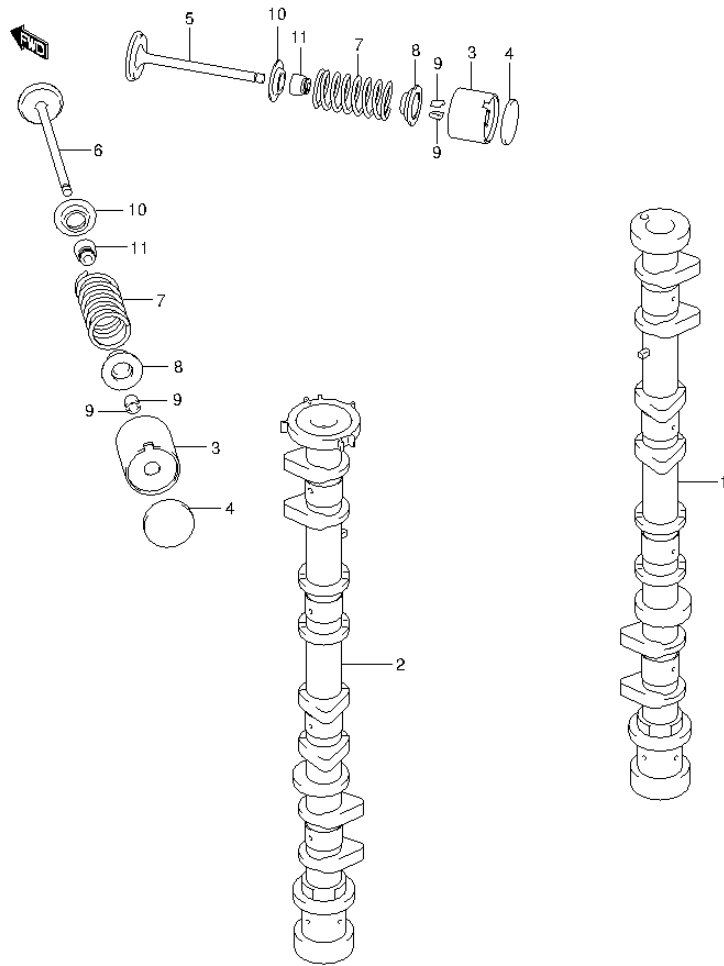


FIG.11 (1-B-14) CAMSHAFT (DF140AZ E01)

| REF NO. | PART NO.        | DESCRIPTION            | Q'TY | REMARKS |
|---------|-----------------|------------------------|------|---------|
| 1       | 12711-92J00     | CAMSHAFT, INTAKE       | 1    |         |
| 2       | 12720-92J10     | CAMSHAFT, EXHAUST      | 1    |         |
| 3       | 12891-69G00     | TAPPET                 | 16   |         |
| 4-1     | 12892-69G10-218 | SHIM, TAPPET (T:2.175) | AR   |         |
| 4-2     | 12892-69G10-220 | SHIM, TAPPET (T:2.200) | AR   |         |
| 4-3     | 12892-69G10-223 | SHIM, TAPPET (T:2.225) | AR   |         |
| 4-4     | 12892-69G10-225 | SHIM, TAPPET (T:2.250) | AR   |         |
| 4-5     | 12892-69G10-228 | SHIM, TAPPET (T:2.275) | AR   |         |
| 4-6     | 12892-69G10-230 | SHIM, TAPPET (T:2.300) | AR   |         |
| 4-7     | 12892-69G10-233 | SHIM, TAPPET (T:2.325) | AR   |         |
| 4-8     | 12892-69G10-235 | SHIM, TAPPET (T:2.350) | AR   |         |
| 4-9     | 12892-69G10-238 | SHIM, TAPPET (T:2.375) | AR   |         |
| 4-10    | 12892-69G10-240 | SHIM, TAPPET (T:2.400) | AR   |         |
| 4-11    | 12892-69G10-243 | SHIM, TAPPET (T:2.425) | AR   |         |
| 4-12    | 12892-69G10-245 | SHIM, TAPPET (T:2.450) | AR   |         |
| 4-13    | 12892-69G10-248 | SHIM, TAPPET (T:2.475) | AR   |         |
| 4-14    | 12892-69G10-250 | SHIM, TAPPET (T:2.500) | AR   |         |
| 4-15    | 12892-69G10-253 | SHIM, TAPPET (T:2.525) | AR   |         |
| 4-16    | 12892-69G10-255 | SHIM, TAPPET (T:2.550) | AR   |         |
| 4-17    | 12892-69G10-258 | SHIM, TAPPET (T:2.575) | AR   |         |
| 4-18    | 12892-69G10-260 | SHIM, TAPPET (T:2.600) | AR   |         |
| 4-19    | 12892-69G10-263 | SHIM, TAPPET (T:2.625) | AR   |         |
| 4-20    | 12892-69G10-265 | SHIM, TAPPET (T:2.650) | AR   |         |
| 4-21    | 12892-69G10-268 | SHIM, TAPPET (T:2.675) | AR   |         |
| 4-22    | 12892-69G10-270 | SHIM, TAPPET (T:2.700) | AR   |         |
| 4-23    | 12892-69G10-273 | SHIM, TAPPET (T:2.725) | AR   |         |
| 4-24    | 12892-69G10-275 | SHIM, TAPPET (T:2.750) | AR   |         |
| 4-25    | 12892-69G10-278 | SHIM, TAPPET (T:2.775) | AR   |         |
| 4-26    | 12892-69G10-280 | SHIM, TAPPET (T:2.800) | AR   |         |
| 4-27    | 12892-69G10-283 | SHIM, TAPPET (T:2.825) | AR   |         |
| 4-28    | 12892-69G10-285 | SHIM, TAPPET (T:2.850) | AR   |         |
| 4-29    | 12892-69G10-288 | SHIM, TAPPET (T:2.875) | AR   |         |
| 4-30    | 12892-69G10-290 | SHIM, TAPPET (T:2.900) | AR   |         |
| 4-31    | 12892-69G10-293 | SHIM, TAPPET (T:2.925) | AR   |         |

**FIG.11**



**FIG.11 (1-B-15) CAMSHAFT (DF140AZ E01)**

| REF NO. | PART NO.        | DESCRIPTION            | Q'TY | REMARKS |
|---------|-----------------|------------------------|------|---------|
| 4-32    | 12892-69G10-295 | SHIM, TAPPET (T:2.950) | AR   |         |
| 4-33    | 12892-69G10-298 | SHIM, TAPPET (T:2.975) | AR   |         |
| 4-34    | 12892-69G10-300 | SHIM, TAPPET (T:3.000) | AR   |         |
| 5       | 12911-86FA1     | VALVE, INTAKE          | 8    |         |
| 6       | 12915-86FA1     | VALVE, EXHAUST         | 8    |         |
| 7       | 12921-90J00     | SPRING, VALVE          | 16   |         |
| 8       | 12931-90J00     | RETAINER, VALVE SPRING | 16   |         |
| 9       | 12932-85FA0     | COTTER, VALVE          | 32   |         |
| 10      | 12933-86510     | SEAT, VALVE SPRING     | 16   |         |
| 11      | 09289-06003     | OIL SEAL (6X12.8X10.2) | 16   |         |

FIG.12

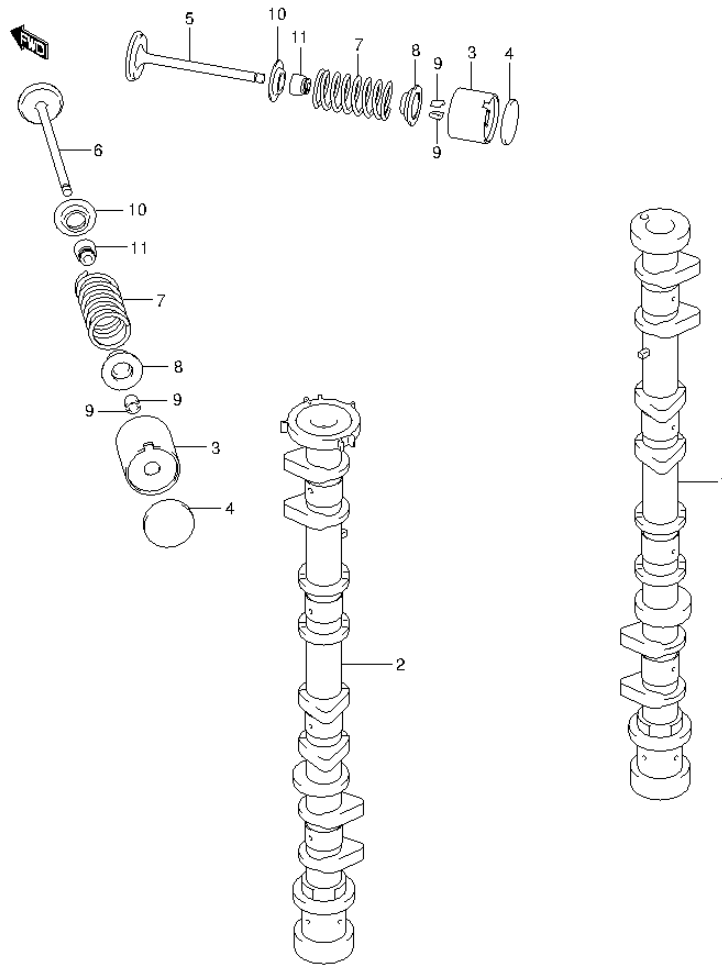


FIG.12 (1-C-2) CAMSHAFT (DF140AZ E40)

| REF NO. | PART NO.        | DESCRIPTION            | Q'TY | REMARKS |
|---------|-----------------|------------------------|------|---------|
| 1       | 12711-92J00     | CAMSHAFT, INTAKE       | 1    |         |
| 2       | 12720-92J10     | CAMSHAFT, EXHAUST      | 1    |         |
| 3       | 12891-69G00     | TAPPET                 | 16   |         |
| 4-1     | 12892-69G10-218 | SHIM, TAPPET (T:2.175) | AR   |         |
| 4-2     | 12892-69G10-220 | SHIM, TAPPET (T:2.200) | AR   |         |
| 4-3     | 12892-69G10-223 | SHIM, TAPPET (T:2.225) | AR   |         |
| 4-4     | 12892-69G10-225 | SHIM, TAPPET (T:2.250) | AR   |         |
| 4-5     | 12892-69G10-228 | SHIM, TAPPET (T:2.275) | AR   |         |
| 4-6     | 12892-69G10-230 | SHIM, TAPPET (T:2.300) | AR   |         |
| 4-7     | 12892-69G10-233 | SHIM, TAPPET (T:2.325) | AR   |         |
| 4-8     | 12892-69G10-235 | SHIM, TAPPET (T:2.350) | AR   |         |
| 4-9     | 12892-69G10-238 | SHIM, TAPPET (T:2.375) | AR   |         |
| 4-10    | 12892-69G10-240 | SHIM, TAPPET (T:2.400) | AR   |         |
| 4-11    | 12892-69G10-243 | SHIM, TAPPET (T:2.425) | AR   |         |
| 4-12    | 12892-69G10-245 | SHIM, TAPPET (T:2.450) | AR   |         |
| 4-13    | 12892-69G10-248 | SHIM, TAPPET (T:2.475) | AR   |         |
| 4-14    | 12892-69G10-250 | SHIM, TAPPET (T:2.500) | AR   |         |
| 4-15    | 12892-69G10-253 | SHIM, TAPPET (T:2.525) | AR   |         |
| 4-16    | 12892-69G10-255 | SHIM, TAPPET (T:2.550) | AR   |         |
| 4-17    | 12892-69G10-258 | SHIM, TAPPET (T:2.575) | AR   |         |
| 4-18    | 12892-69G10-260 | SHIM, TAPPET (T:2.600) | AR   |         |
| 4-19    | 12892-69G10-263 | SHIM, TAPPET (T:2.625) | AR   |         |
| 4-20    | 12892-69G10-265 | SHIM, TAPPET (T:2.650) | AR   |         |
| 4-21    | 12892-69G10-268 | SHIM, TAPPET (T:2.675) | AR   |         |
| 4-22    | 12892-69G10-270 | SHIM, TAPPET (T:2.700) | AR   |         |
| 4-23    | 12892-69G10-273 | SHIM, TAPPET (T:2.725) | AR   |         |
| 4-24    | 12892-69G10-275 | SHIM, TAPPET (T:2.750) | AR   |         |
| 4-25    | 12892-69G10-278 | SHIM, TAPPET (T:2.775) | AR   |         |
| 4-26    | 12892-69G10-280 | SHIM, TAPPET (T:2.800) | AR   |         |
| 4-27    | 12892-69G10-283 | SHIM, TAPPET (T:2.825) | AR   |         |
| 4-28    | 12892-69G10-285 | SHIM, TAPPET (T:2.850) | AR   |         |
| 4-29    | 12892-69G10-288 | SHIM, TAPPET (T:2.875) | AR   |         |
| 4-30    | 12892-69G10-290 | SHIM, TAPPET (T:2.900) | AR   |         |
| 4-31    | 12892-69G10-293 | SHIM, TAPPET (T:2.925) | AR   |         |

FIG.12

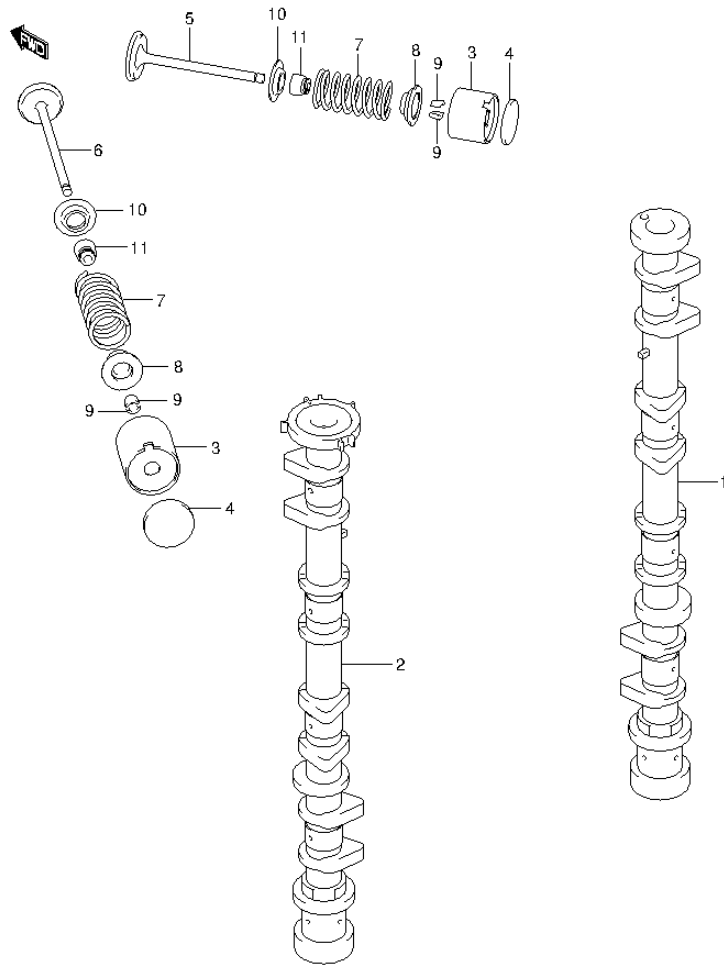


FIG.12 (1-C-3) CAMSHAFT (DF140AZ E40)

| REF NO. | PART NO.        | DESCRIPTION            | Q'TY | REMARKS |
|---------|-----------------|------------------------|------|---------|
| 4-32    | 12892-69G10-295 | SHIM, TAPPET (T:2.950) | AR   |         |
| 4-33    | 12892-69G10-298 | SHIM, TAPPET (T:2.975) | AR   |         |
| 4-34    | 12892-69G10-300 | SHIM, TAPPET (T:3.000) | AR   |         |
| 5       | 12911-86FA1     | VALVE, INTAKE          | 8    |         |
| 6       | 12915-86F50     | VALVE, EXHAUST         | 8    |         |
| 7       | 12921-90J00     | SPRING, VALVE          | 16   |         |
| 8       | 12931-90J00     | RETAINER, VALVE SPRING | 16   |         |
| 9       | 12932-85FA0     | COTTER, VALVE          | 32   |         |
| 10      | 12933-86510     | SEAT, VALVE SPRING     | 16   |         |
| 11      | 09289-06003     | OIL SEAL (6X12.8X10.2) | 16   |         |

FIG.13

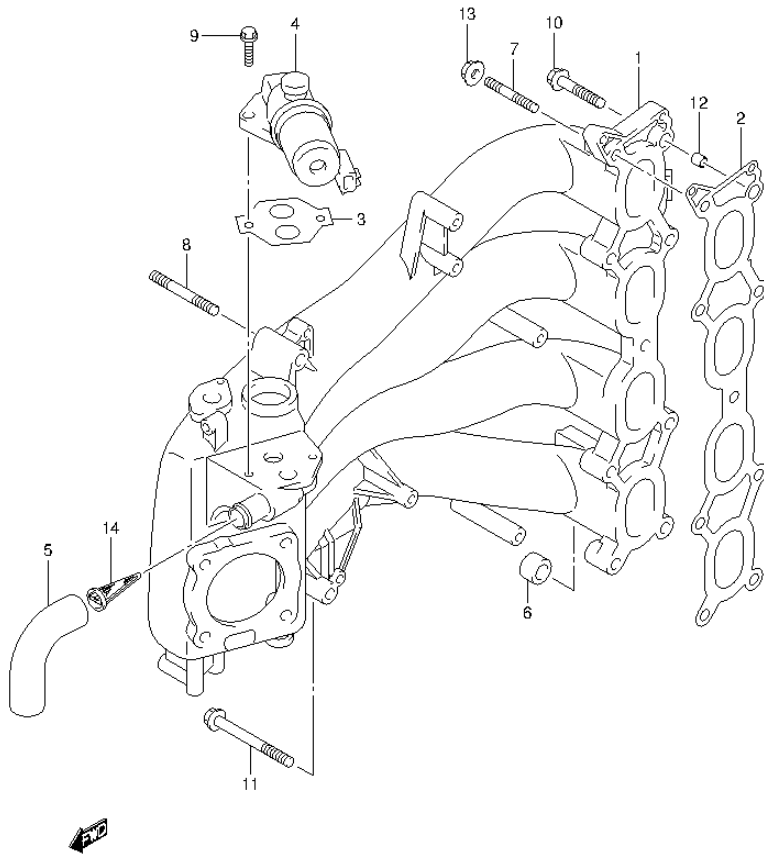
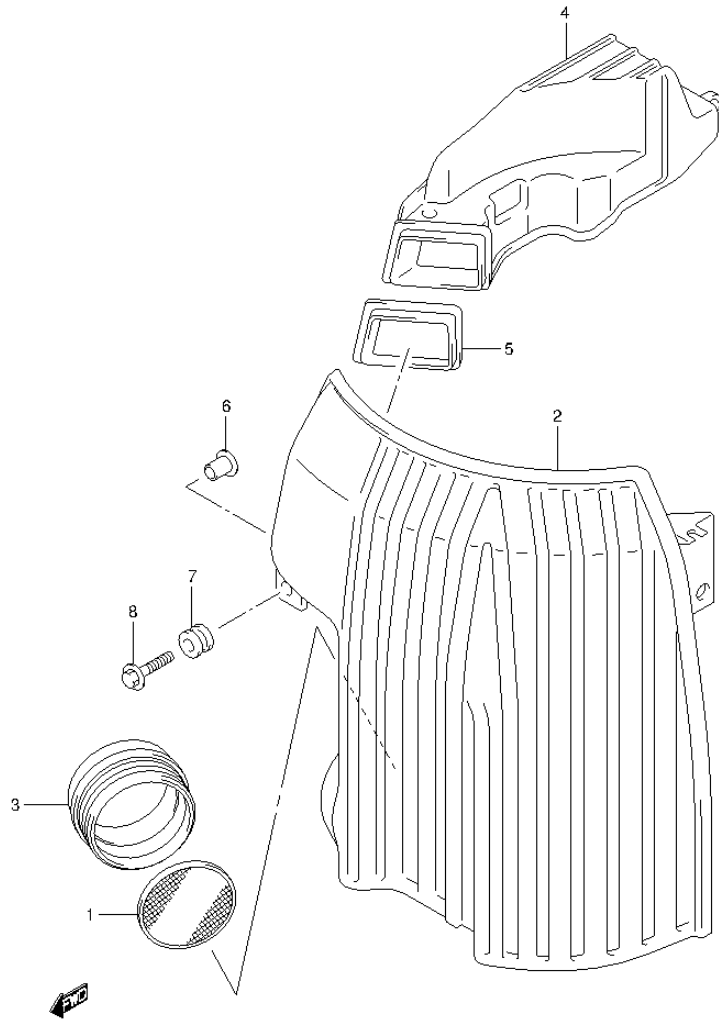


FIG.13 (1-C-4) INTAKE MANIFOLD

| REF NO. | PART NO.    | DESCRIPTION             | Q'TY | REMARKS |
|---------|-------------|-------------------------|------|---------|
| 1       | 13110-90J10 | MANIFOLD, INTAKE        | 1    |         |
| 2       | 13119-90J00 | GASKET, INTAKE MANIFOLD | 1    |         |
| 3       | 18134-77E00 | GASKET, IAC VALVE       | 1    |         |
| 4       | 18137-77E00 | VALVE, IAC              | 1    |         |
| 5       | 18141-90J00 | HOSE, IAC               | 1    |         |
| 6       | 09329-12004 | CUSHION                 | 1    |         |
| 7       | 01421-08357 | STUD BOLT               | 1    |         |
| 8       | 01421-08507 | STUD BOLT               | 1    |         |
| 9       | 01550-06207 | BOLT                    | 2    |         |
| 10      | 01550-08407 | BOLT                    | 8    |         |
| 11      | 01550-08757 | BOLT                    | 1    |         |
| 12      | 04211-11129 | PIN                     | 2    |         |
| 13      | 08316-10087 | NUT                     | 2    |         |
| 14      | 18148-90J00 | FILTER, IAC HOSE        | 1    |         |

**FIG.14**



**FIG.14 (1-C-5) SILENCER**

| REF NO. | PART NO.    | DESCRIPTION            | Q'TY | REMARKS |
|---------|-------------|------------------------|------|---------|
| 1       | 13710-99E00 | ARRESTER, FLAME        | 1    |         |
| 2       | 13810-90J01 | SILENCER               | 1    |         |
| 3       | 13813-92J00 | HOLDER, FLAME ARRESTER | 1    |         |
| 4       | 13840-90J00 | DUCT, SILENCER         | 1    |         |
| 5       | 13851-90J00 | GROMMET, SILENCER      | 1    |         |
| 6       | 09169-06075 | WASHER                 | 5    |         |
| 7       | 09320-09039 | CUSHION                | 5    |         |
| 8       | 09116-06215 | BOLT (6X30)            | 5    |         |

FIG.15

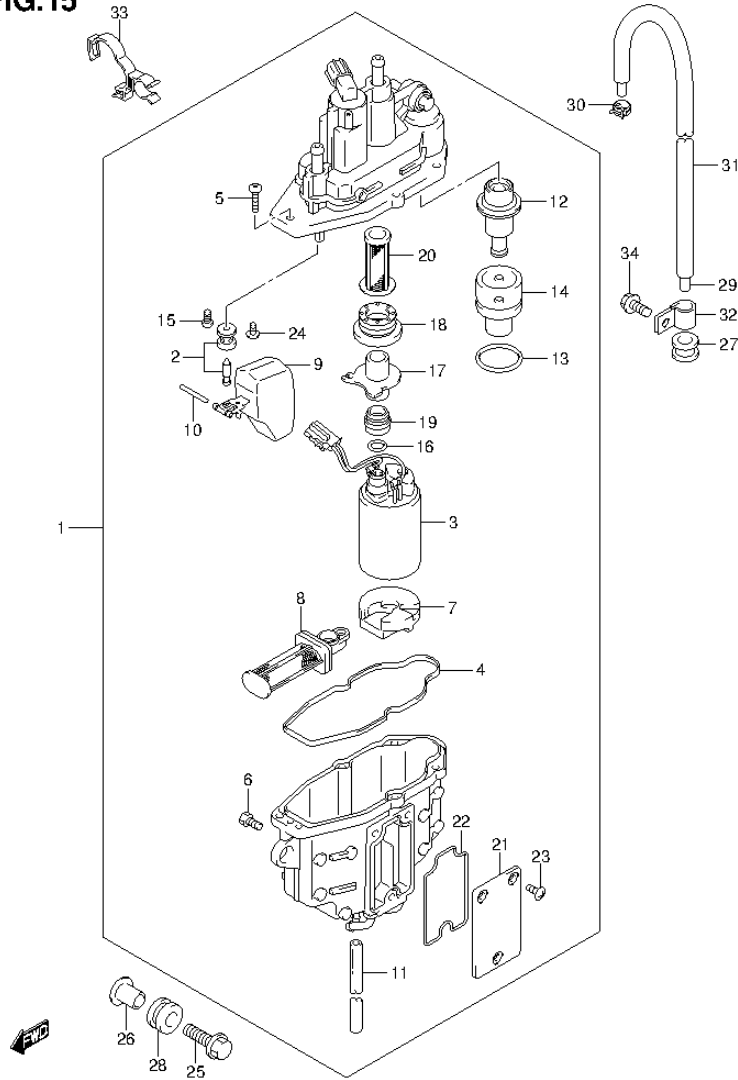


FIG.15 (1-C-6) FUEL VAPOR SEPARATOR (DF140AT E01)

| REF NO. | PART NO.        | DESCRIPTION                   | Q'TY | REMARKS     |
|---------|-----------------|-------------------------------|------|-------------|
| 1       | 15600-92J00     | SEPARATOR ASSY, FUEL VAPOR    | 1    |             |
| 2       | 13370-88L00     | .VALVE ASSY, NEEDLE           | 1    |             |
| 3       | 15200-92J00     | .PUMP ASSY, FUEL              | 1    |             |
| 4       | 15626-92J00     | .SEAL                         | 1    |             |
| 5       | 15628-99E00     | .SCREW (L:15)                 | 5    |             |
| 6       | 15629-99E10     | .SCREW, DRAIN                 | 1    |             |
| 7       | 15641-88L00     | .SPACER                       | 1    |             |
| 8       | 15642-88L00     | .FILTER ASSY                  | 1    |             |
| 9       | 15650-99E00     | .FLOAT                        | 1    |             |
| 10      | 15654-88L00     | .PIN                          | 1    |             |
| 11      | 15683-87J00     | .HOSE, DRAIN (L:120)          | 1    |             |
| 12      | 15760-88L00     | .REGULATOR ASSY               | 1    |             |
| 13      | 15644-88L00     | .O RING                       | 1    |             |
| 14      | 15645-88L00     | .HOLDER, REGULATOR            | 1    |             |
| 15      | 02112-0408A     | .SCREW                        | 1    |             |
| 16      | 15648-92J00     | .RING                         | 1    |             |
| 17      | 15643-88L00     | .JOINT                        | 1    |             |
| 18      | 15641-88L20     | .BUSH                         | 1    |             |
| 19      | 15641-88L40     | .BUSH                         | 1    |             |
| 20      | 15642-88L10     | .FILTER                       | 1    |             |
| 21      | 15612-99E01     | .COVER                        | 1    |             |
| 22      | 15613-88L00     | .O RING                       | 1    |             |
| 23      | 15614-99E00     | .SCREW, VAPOR SEPARATOR COVER | 3    |             |
| 24      | 02142-0408B     | .SCREW                        | 1    |             |
| 25      | 09116-06202     | BOLT (6X25)                   | 3    |             |
| 26      | 09169-06090     | WASHER                        | 3    |             |
| 27      | 09320-08076     | GROMMET                       | 1    |             |
| 28      | 09320-09053     | CUSHION                       | 3    |             |
| 29      | 09352-50823-00B | HOSE (5X8.2X2000)             | 1    | L:2000->680 |
| 30      | 09401-08412     | CLIP                          | 1    |             |
| 31      | 18498-88L00     | PROTECTOR, EVAP HOSE (L:610)  | 1    |             |
| 32      | 09403-13408     | CLAMP                         | 2    |             |
| 33      | 09408-00302     | CLAMP                         | 1    |             |
| 34      | 01550-06127     | BOLT                          | 2    |             |

FIG.16

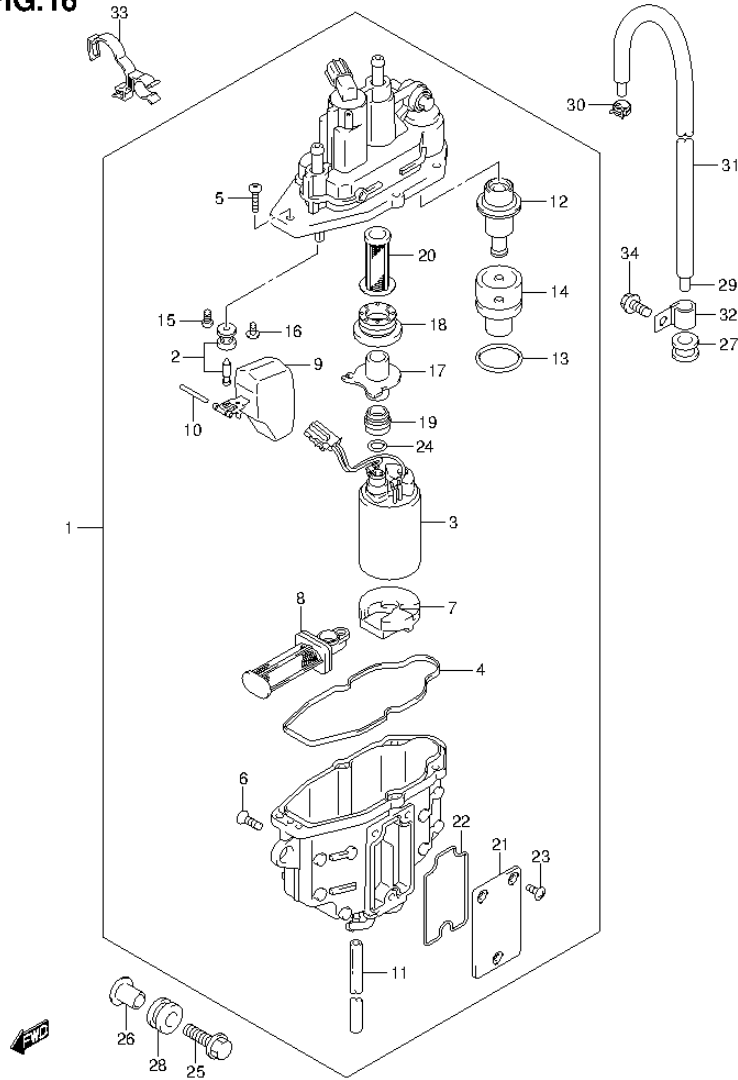


FIG.16 (1-C-7) FUEL VAPOR SEPARATOR (DF140AT E40)

| REF NO. | PART NO.        | DESCRIPTION                   | Q'TY | REMARKS     |
|---------|-----------------|-------------------------------|------|-------------|
| 1       | 15600-92J10     | SEPARATOR ASSY, FUEL VAPOR    | 1    |             |
| 2       | 13370-88L10     | .VALVE ASSY, NEEDLE           | 1    |             |
| 3       | 15200-92J10     | .PUMP ASSY, FUEL              | 1    |             |
| 4       | 15626-92J10     | .SEAL                         | 1    |             |
| 5       | 15628-99E00     | .SCREW (L:15)                 | 5    |             |
| 6       | 15629-99E10     | .SCREW, DRAIN                 | 1    |             |
| 7       | 15641-88L10     | .SPACER                       | 1    |             |
| 8       | 15642-88L00     | .FILTER ASSY                  | 1    |             |
| 9       | 15650-99E00     | .FLOAT                        | 1    |             |
| 10      | 15654-88L00     | .PIN                          | 1    |             |
| 11      | 15683-87J00     | .HOSE, DRAIN (L:120)          | 1    |             |
| 12      | 15760-88L00     | .REGULATOR ASSY               | 1    |             |
| 13      | 15644-88L10     | .O RING                       | 1    |             |
| 14      | 15645-88L00     | .HOLDER, REGULATOR            | 1    |             |
| 15      | 13614-89J00     | .SCREW                        | 1    |             |
| 16      | 13614-93J00     | .SCREW                        | 1    |             |
| 17      | 15643-88L00     | .JOINT                        | 1    |             |
| 18      | 15641-88L30     | .BUSH                         | 1    |             |
| 19      | 15641-88L50     | .BUSH                         | 1    |             |
| 20      | 15642-88L10     | .FILTER                       | 1    |             |
| 21      | 15612-99E01     | .COVER                        | 1    |             |
| 22      | 15613-88L00     | .O RING                       | 1    |             |
| 23      | 15614-99E00     | .SCREW, VAPOR SEPARATOR COVER | 3    |             |
| 24      | 15648-92J00     | .RING                         | 1    |             |
| 25      | 09116-06202     | BOLT (6X25)                   | 3    |             |
| 26      | 09169-06090     | WASHER                        | 3    |             |
| 27      | 09320-08076     | GROMMET                       | 1    |             |
| 28      | 09320-09053     | CUSHION                       | 3    |             |
| 29      | 09352-50823-00B | HOSE (5X8.2X2000)             | 1    | L:2000->680 |
| 30      | 09401-08412     | CLIP                          | 1    |             |
| 31      | 18498-88L00     | PROTECTOR, EVAP HOSE (L:610)  | 1    |             |
| 32      | 09403-13408     | CLAMP                         | 2    |             |
| 33      | 09408-00302     | CLAMP                         | 1    |             |
| 34      | 01550-06127     | BOLT                          | 2    |             |

FIG.17

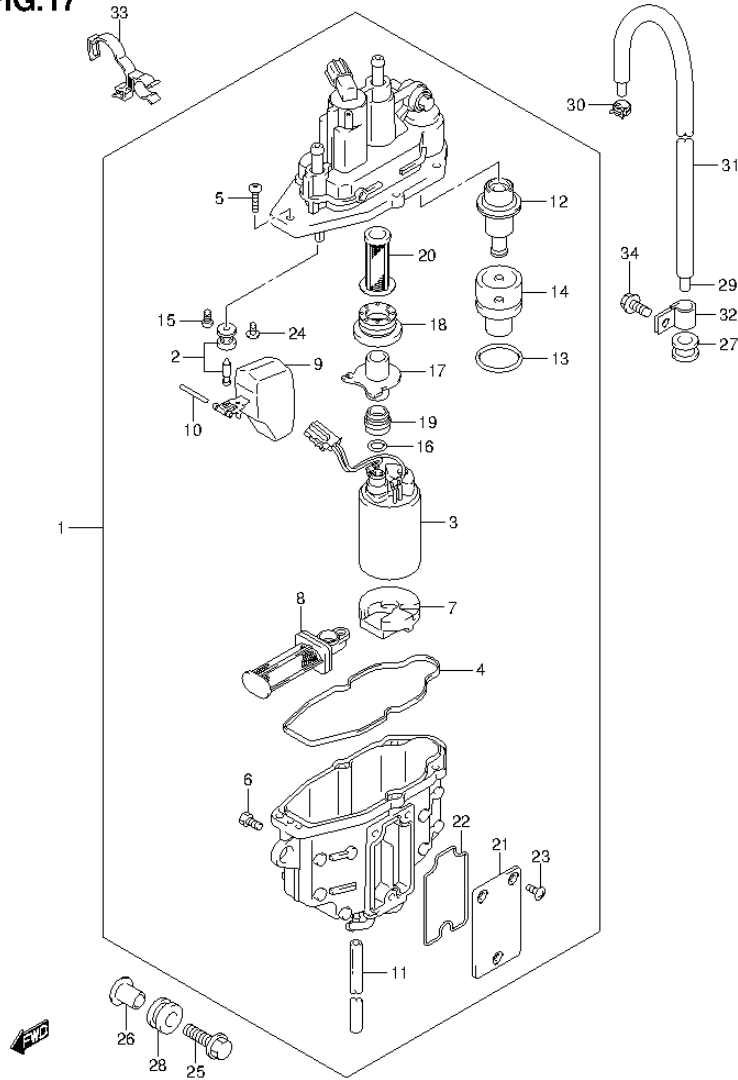


FIG.17 (1-C-8) FUEL VAPOR SEPARATOR (DF140AZ E01)

| REF NO. | PART NO.        | DESCRIPTION                   | Q'TY | REMARKS     |
|---------|-----------------|-------------------------------|------|-------------|
| 1       | 15600-92J00     | SEPARATOR ASSY, FUEL VAPOR    | 1    |             |
| 2       | 13370-88L00     | .VALVE ASSY, NEEDLE           | 1    |             |
| 3       | 15200-92J00     | .PUMP ASSY, FUEL              | 1    |             |
| 4       | 15626-92J00     | .SEAL                         | 1    |             |
| 5       | 15628-99E00     | .SCREW (L:15)                 | 5    |             |
| 6       | 15629-99E10     | .SCREW, DRAIN                 | 1    |             |
| 7       | 15641-88L00     | .SPACER                       | 1    |             |
| 8       | 15642-88L00     | .FILTER ASSY                  | 1    |             |
| 9       | 15650-99E00     | .FLOAT                        | 1    |             |
| 10      | 15654-88L00     | .PIN                          | 1    |             |
| 11      | 15683-87J00     | .HOSE, DRAIN (L:120)          | 1    |             |
| 12      | 15760-88L00     | .REGULATOR ASSY               | 1    |             |
| 13      | 15644-88L00     | .O RING                       | 1    |             |
| 14      | 15645-88L00     | .HOLDER, REGULATOR            | 1    |             |
| 15      | 02112-0408A     | .SCREW                        | 1    |             |
| 16      | 15648-92J00     | .RING                         | 1    |             |
| 17      | 15643-88L00     | .JOINT                        | 1    |             |
| 18      | 15641-88L20     | .BUSH                         | 1    |             |
| 19      | 15641-88L40     | .BUSH                         | 1    |             |
| 20      | 15642-88L10     | .FILTER                       | 1    |             |
| 21      | 15612-99E01     | .COVER                        | 1    |             |
| 22      | 15613-88L00     | .O RING                       | 1    |             |
| 23      | 15614-99E00     | .SCREW, VAPOR SEPARATOR COVER | 3    |             |
| 24      | 02142-0408B     | .SCREW                        | 1    |             |
| 25      | 09116-06202     | BOLT (6X25)                   | 3    |             |
| 26      | 09169-06090     | WASHER                        | 3    |             |
| 27      | 09320-08076     | GROMMET                       | 1    |             |
| 28      | 09320-09053     | CUSHION                       | 3    |             |
| 29      | 09352-50823-00B | HOSE (5X8.2X2000)             | 1    | L:2000->680 |
| 30      | 09401-08412     | CLIP                          | 1    |             |
| 31      | 18498-88L00     | PROTECTOR, EVAP HOSE (L:610)  | 1    |             |
| 32      | 09403-13408     | CLAMP                         | 2    |             |
| 33      | 09408-00302     | CLAMP                         | 1    |             |
| 34      | 01550-06127     | BOLT                          | 2    |             |

FIG.18

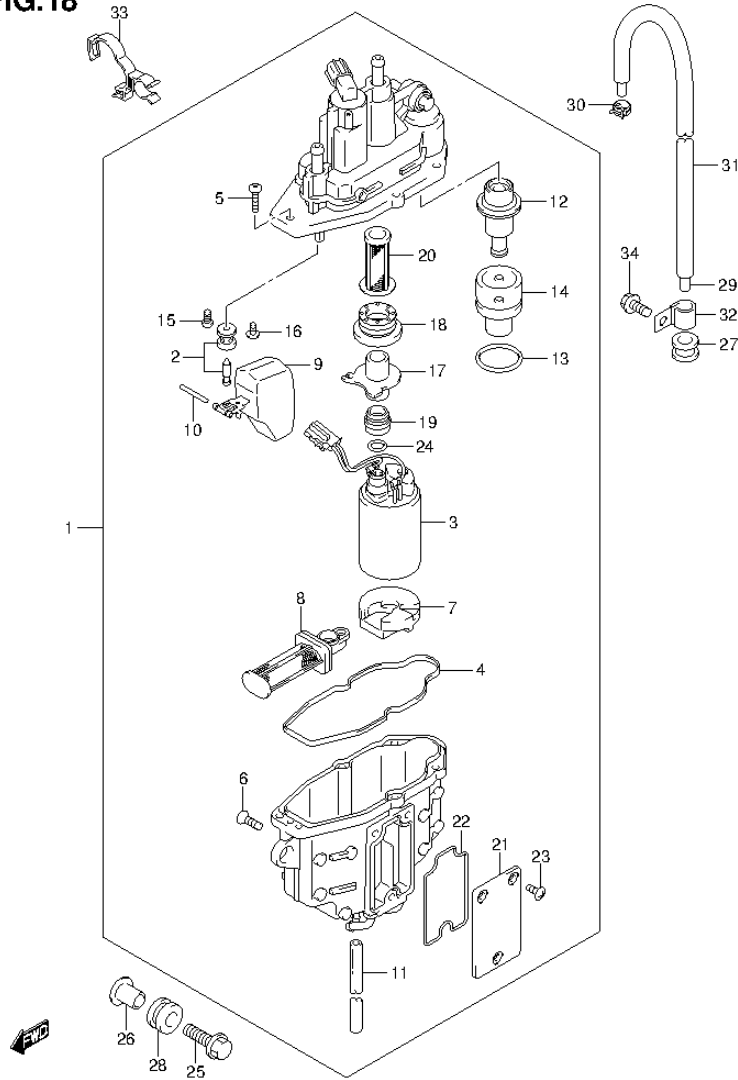


FIG.18 (1-C-9) FUEL VAPOR SEPARATOR (DF140AZ E40)

| REF NO. | PART NO.        | DESCRIPTION                   | Q'TY | REMARKS     |
|---------|-----------------|-------------------------------|------|-------------|
| 1       | 15600-92J10     | SEPARATOR ASSY, FUEL VAPOR    | 1    |             |
| 2       | 13370-88L10     | .VALVE ASSY, NEEDLE           | 1    |             |
| 3       | 15200-92J10     | .PUMP ASSY, FUEL              | 1    |             |
| 4       | 15626-92J10     | .SEAL                         | 1    |             |
| 5       | 15628-99E00     | .SCREW (L:15)                 | 5    |             |
| 6       | 15629-99E10     | .SCREW, DRAIN                 | 1    |             |
| 7       | 15641-88L10     | .SPACER                       | 1    |             |
| 8       | 15642-88L00     | .FILTER ASSY                  | 1    |             |
| 9       | 15650-99E00     | .FLOAT                        | 1    |             |
| 10      | 15654-88L00     | .PIN                          | 1    |             |
| 11      | 15683-87J00     | .HOSE, DRAIN (L:120)          | 1    |             |
| 12      | 15760-88L00     | .REGULATOR ASSY               | 1    |             |
| 13      | 15644-88L10     | .O RING                       | 1    |             |
| 14      | 15645-88L00     | .HOLDER, REGULATOR            | 1    |             |
| 15      | 13614-89J00     | .SCREW                        | 1    |             |
| 16      | 13614-93J00     | .SCREW                        | 1    |             |
| 17      | 15643-88L00     | .JOINT                        | 1    |             |
| 18      | 15641-88L30     | .BUSH                         | 1    |             |
| 19      | 15641-88L50     | .BUSH                         | 1    |             |
| 20      | 15642-88L10     | .FILTER                       | 1    |             |
| 21      | 15612-99E01     | .COVER                        | 1    |             |
| 22      | 15613-88L00     | .O RING                       | 1    |             |
| 23      | 15614-99E00     | .SCREW, VAPOR SEPARATOR COVER | 3    |             |
| 24      | 15648-92J00     | .RING                         | 1    |             |
| 25      | 09116-06202     | BOLT (6X25)                   | 3    |             |
| 26      | 09169-06090     | WASHER                        | 3    |             |
| 27      | 09320-08076     | GROMMET                       | 1    |             |
| 28      | 09320-09053     | CUSHION                       | 3    |             |
| 29      | 09352-50823-00B | HOSE (5X8.2X2000)             | 1    | L:2000->680 |
| 30      | 09401-08412     | CLIP                          | 1    |             |
| 31      | 18498-88L00     | PROTECTOR, EVAP HOSE (L:610)  | 1    |             |
| 32      | 09403-13408     | CLAMP                         | 2    |             |
| 33      | 09408-00302     | CLAMP                         | 1    |             |
| 34      | 01550-06127     | BOLT                          | 2    |             |

FIG.19

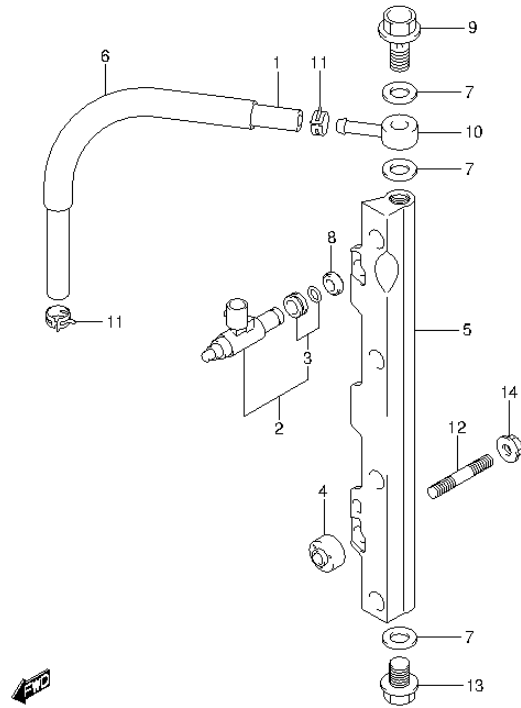


FIG.19 (1-C-10) FUEL INJECTOR (DF140AT E01)

| REF NO. | PART NO.    | DESCRIPTION                    | Q'TY | REMARKS    |
|---------|-------------|--------------------------------|------|------------|
| 1       | 15681-92J00 | HOSE, FUEL (SEPARATOR TO DLVY) | 1    |            |
| 2       | 15710-82K50 | INJECTOR, FUEL                 | 4    |            |
| 3       | 15716-65DT0 | .GROMMET SET                   | 4    |            |
| 4       | 15735-58B00 | INSULATOR, DELIVERY PIPE       | 2    |            |
| 5       | 15751-92J00 | PIPE, DELIVERY                 | 1    |            |
| 6       | 18498-99E20 | PROTECTOR                      | 1    | L:450->190 |
| 7       | 09168-12013 | GASKET (11.8X22X1.2)           | 3    |            |
| 8       | 09320-08062 | CUSHION                        | 4    |            |
| 9       | 09360-12008 | UNION                          | 1    |            |
| 10      | 09363-08004 | UNION                          | 1    |            |
| 11      | 09401-11425 | CLIP                           | 2    |            |
| 12      | 01421-08407 | STUD BOLT                      | 2    |            |
| 13      | 01550-12167 | BOLT                           | 1    |            |
| 14      | 08316-10087 | NUT                            | 2    |            |

FIG.20

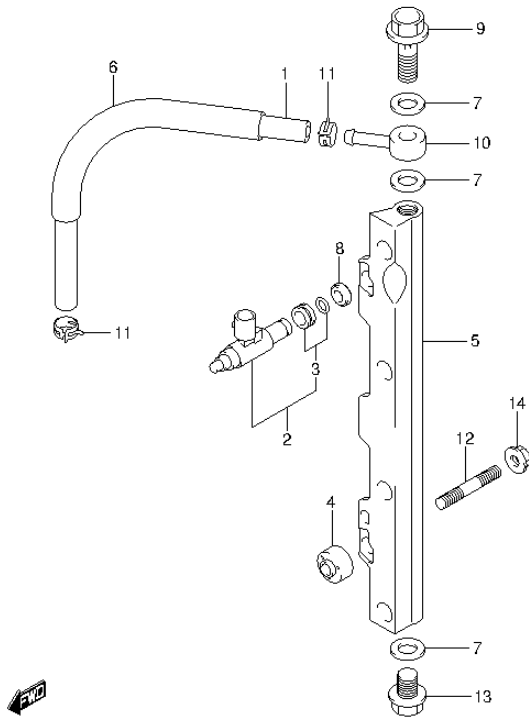


FIG.20 (1-C-11) FUEL INJECTOR (DF140AT E40)

| REF NO. | PART NO.    | DESCRIPTION                    | Q'TY | REMARKS    |
|---------|-------------|--------------------------------|------|------------|
| 1       | 15681-92J00 | HOSE, FUEL (SEPARATOR TO DLVY) | 1    |            |
| 2       | 15710-82K50 | INJECTOR, FUEL                 | 4    |            |
| 3       | 15716-65DT0 | .GROMMET SET                   | 4    |            |
| 4       | 15735-58B00 | INSULATOR, DELIVERY PIPE       | 2    |            |
| 5       | 15751-92J00 | PIPE, DELIVERY                 | 1    |            |
| 6       | 18498-99E20 | PROTECTOR                      | 1    | L:450->190 |
| 7       | 15762-90J00 | GASKET, UNION                  | 3    |            |
| 8       | 09320-08062 | CUSHION                        | 4    |            |
| 9       | 09360-12013 | UNION                          | 1    |            |
| 10      | 15830-90J00 | JOINT, FUEL MAIN               | 1    |            |
| 11      | 09401-11425 | CLIP                           | 2    |            |
| 12      | 01421-08407 | STUD BOLT                      | 2    |            |
| 13      | 09247-12013 | PLUG (12X16)                   | 1    |            |
| 14      | 08316-10087 | NUT                            | 2    |            |

FIG.21

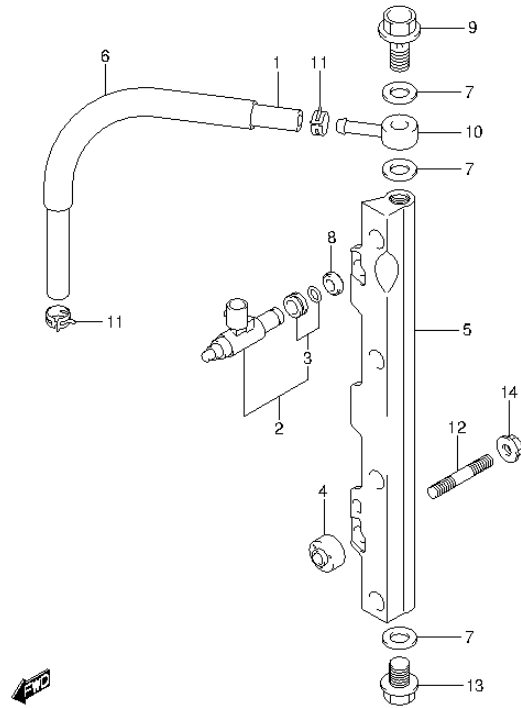


FIG.21 (1-C-12) FUEL INJECTOR (DF140AZ E01)

| REF NO. | PART NO.    | DESCRIPTION                    | Q'TY | REMARKS    |
|---------|-------------|--------------------------------|------|------------|
| 1       | 15681-92J00 | HOSE, FUEL (SEPARATOR TO DLVY) | 1    |            |
| 2       | 15710-82K50 | INJECTOR, FUEL                 | 4    |            |
| 3       | 15716-65DT0 | .GROMMET SET                   | 4    |            |
| 4       | 15735-58B00 | INSULATOR, DELIVERY PIPE       | 2    |            |
| 5       | 15751-92J00 | PIPE, DELIVERY                 | 1    |            |
| 6       | 18498-99E20 | PROTECTOR                      | 1    | L:450->190 |
| 7       | 09168-12013 | GASKET (11.8X22X1.2)           | 3    |            |
| 8       | 09320-08062 | CUSHION                        | 4    |            |
| 9       | 09360-12008 | UNION                          | 1    |            |
| 10      | 09363-08004 | UNION                          | 1    |            |
| 11      | 09401-11425 | CLIP                           | 2    |            |
| 12      | 01421-08407 | STUD BOLT                      | 2    |            |
| 13      | 01550-12167 | BOLT                           | 1    |            |
| 14      | 08316-10087 | NUT                            | 2    |            |

FIG.22

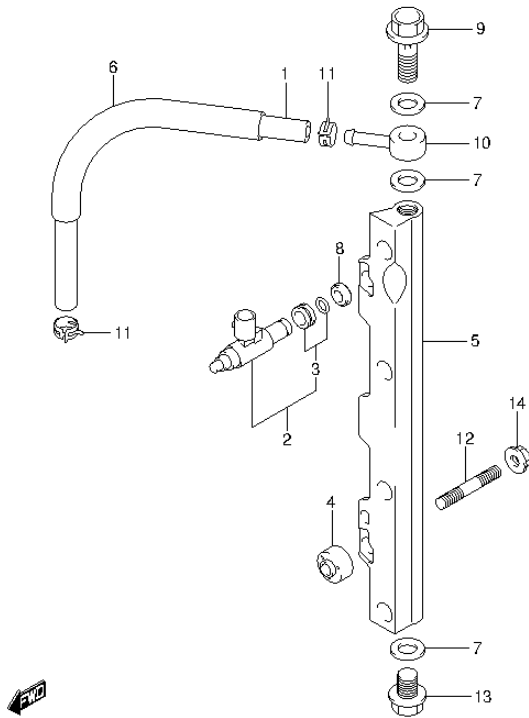


FIG.22 (1-C-13) FUEL INJECTOR (DF140AZ E40)

| REF NO. | PART NO.    | DESCRIPTION                    | Q'TY | REMARKS    |
|---------|-------------|--------------------------------|------|------------|
| 1       | 15681-92J00 | HOSE, FUEL (SEPARATOR TO DLVY) | 1    |            |
| 2       | 15710-82K50 | INJECTOR, FUEL                 | 4    |            |
| 3       | 15716-65DT0 | .GROMMET SET                   | 4    |            |
| 4       | 15735-58B00 | INSULATOR, DELIVERY PIPE       | 2    |            |
| 5       | 15751-92J00 | PIPE, DELIVERY                 | 1    |            |
| 6       | 18498-99E20 | PROTECTOR                      | 1    | L:450->190 |
| 7       | 15762-90J00 | GASKET, UNION                  | 3    |            |
| 8       | 09320-08062 | CUSHION                        | 4    |            |
| 9       | 09360-12013 | UNION                          | 1    |            |
| 10      | 15830-90J00 | JOINT, FUEL MAIN               | 1    |            |
| 11      | 09401-11425 | CLIP                           | 2    |            |
| 12      | 01421-08407 | STUD BOLT                      | 2    |            |
| 13      | 09247-12013 | PLUG (12X16)                   | 1    |            |
| 14      | 08316-10087 | NUT                            | 2    |            |

FIG.23

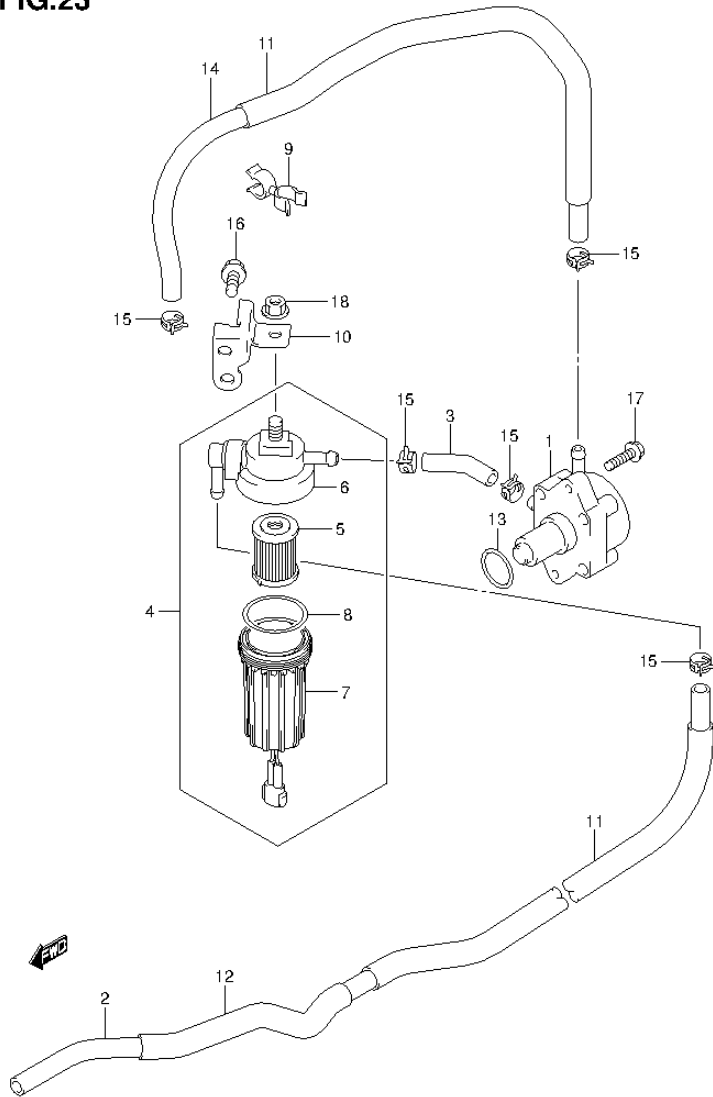
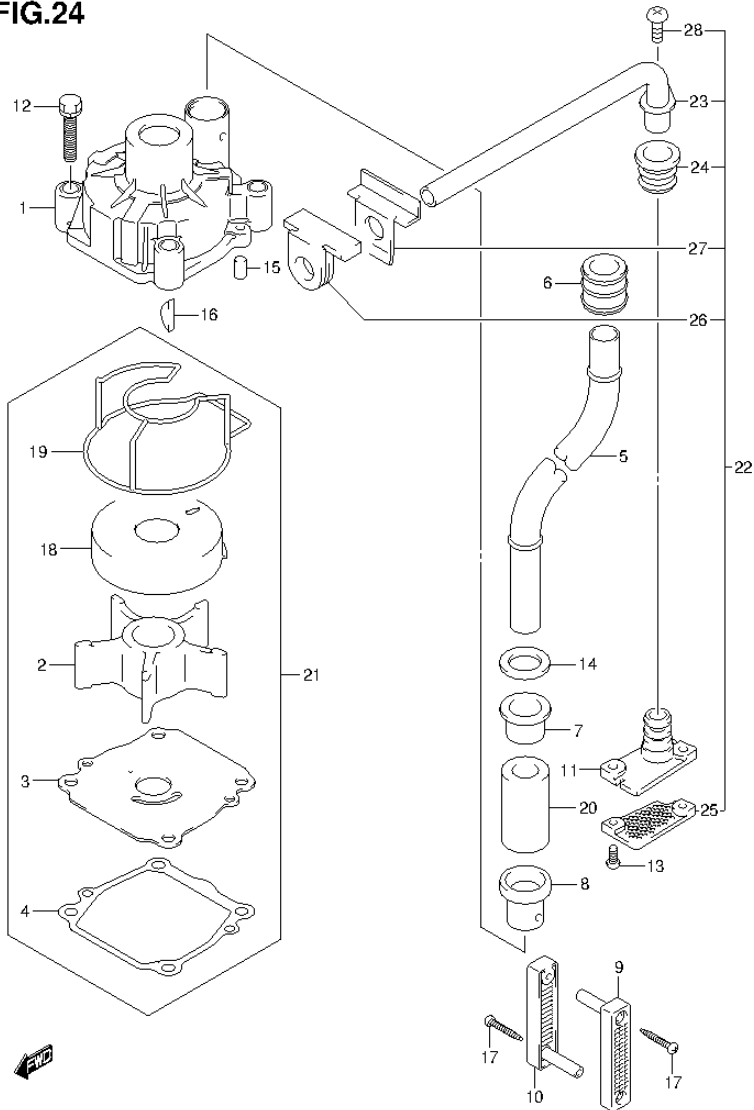


FIG.23 (1-C-14) FUEL PUMP

| REF NO. | PART NO.        | DESCRIPTION                    | Q'TY | REMARKS                   |
|---------|-----------------|--------------------------------|------|---------------------------|
| 1       | 15100-90J11     | PUMP, FUEL                     | 1    |                           |
| 2       | 15190-92J00     | HOSE, FUEL (JOINT TO FILTER)   | 1    |                           |
| 3       | 09343-70503-600 | HOSE (7X12X600)                | 1    | 600->60<br>FILTER TO PUMP |
| 4       | 15410-92J00     | FILTER, FUEL                   | 1    |                           |
| 5       | 15412-92J00     | .FILTER, FUEL                  | 1    |                           |
| 6       | 15411-92J00     | .CAP, FUEL FILTER              | 1    |                           |
| 7       | 15413-92J00     | .CASE, FUEL FILTER             | 1    |                           |
| 8       | 15415-92J00     | .SEAL, FUEL FILTER             | 1    |                           |
| 9       | 09408-00050     | CLIP                           | 1    |                           |
| 10      | 15421-92J00     | BRACKET, FUEL FILTER           | 1    |                           |
| 11      | 18498-96J20     | PROTECTOR, FUEL HOSE (370)     | 2    |                           |
| 12      | 18498-99E10     | PROTECTOR, FUEL HOSE (610)     | 1    | L:610->180                |
| 13      | 09280-26005     | O RING (D:2.4, ID:26.2)        | 1    |                           |
| 14      | 15192-92J00     | HOSE, FUEL (PUMP TO SEPARATOR) | 1    |                           |
| 15      | 09401-11423     | CLIP                           | 5    |                           |
| 16      | 01550-08207     | BOLT                           | 1    |                           |
| 17      | 01550-06257     | BOLT                           | 2    |                           |
| 18      | 08316-10087     | NUT                            | 1    |                           |

**FIG.24**



**FIG.24 (1-C-15) WATER PUMP (DF140AT E01)**

| REF NO. | PART NO.    | DESCRIPTION              | Q'TY | REMARKS      |
|---------|-------------|--------------------------|------|--------------|
| 1       | 17410-92J00 | CASE, WATER PUMP         | 1    |              |
| 2       | 17461-90J01 | IMPELLER, WATER PUMP     | 1    |              |
| 3       | 17471-92J00 | PANEL, PUMP CASE UNDER   | 1    |              |
| 4       | 17472-87E10 | GASKET, PUMP CASE PANEL  | 1    |              |
| 5-1     | 17561-90J02 | TUBE, WATER (L)          | 1    | W/TRANSOM(L) |
| 5-2     | 17561-90J12 | TUBE, WATER (X)          | 1    | W/TRANSOM(X) |
| 6       | 17562-90J00 | BUSH, WATER TUBE UPPER   | 1    |              |
| 7       | 17563-87D00 | BUSH, WATER TUBE LOWER   | 1    |              |
| 8       | 17564-87D00 | BUSH, WATER PUMP CASE    | 1    |              |
| 9       | 17631-90J00 | FILTER, WATER PORT SIDE  | 1    |              |
| 10      | 17632-90J00 | FILTER, WATER STBD SIDE  | 1    |              |
| 11      | 17635-90J00 | PLUG, SUB WATER TUBE     | 1    |              |
| 12      | 09116-08131 | BOLT (8X45)              | 4    |              |
| 13      | 09125-05046 | SCREW (5X12)             | 2    |              |
| 14      | 09161-16008 | WASHER (15.8X26X1)       | 1    |              |
| 15      | 09202-06031 | PIN (6X12)               | 2    |              |
| 16      | 09420-05009 | KEY                      | 1    |              |
| 17      | 09132-04034 | SCREW (4X18)             | 2    |              |
| 18      | 17413-92J01 | SLEEVE, WATER PUMP CASE  | 1    |              |
| 19      | 17416-92J10 | SEALING, WATER PUMP CASE | 1    |              |
| 20      | 17612-90J00 | SPACER, WATER TUBE (X)   | 1    | W/TRANSOM(X) |
| 21      | 17400-92J21 | WATER PUMP REPAIR KIT    | 1    | OPT          |
| 22      | 17500-90J10 | KIT, WATER SUB TUBE      | 1    | OPT          |
| 23      | 17520-90J00 | .TUBE COMP, WATER SUB    | 1    | OPT          |
| 24      | 17563-87D00 | .BUSH, WATER TUBE LOWER  | 1    | OPT          |
| 25      | 17635-87E00 | .FILTER, WATER SUB       | 1    | OPT          |
| 26      | 55332-87D01 | .RUBBER, EXHAUST SEAL    | 1    | OPT          |
| 27      | 55333-87D02 | .PLATE, EXHAUST SEAL     | 1    | OPT          |
| 28      | 09125-06063 | .SCREW (6X10)            | 1    | OPT          |

FIG.25

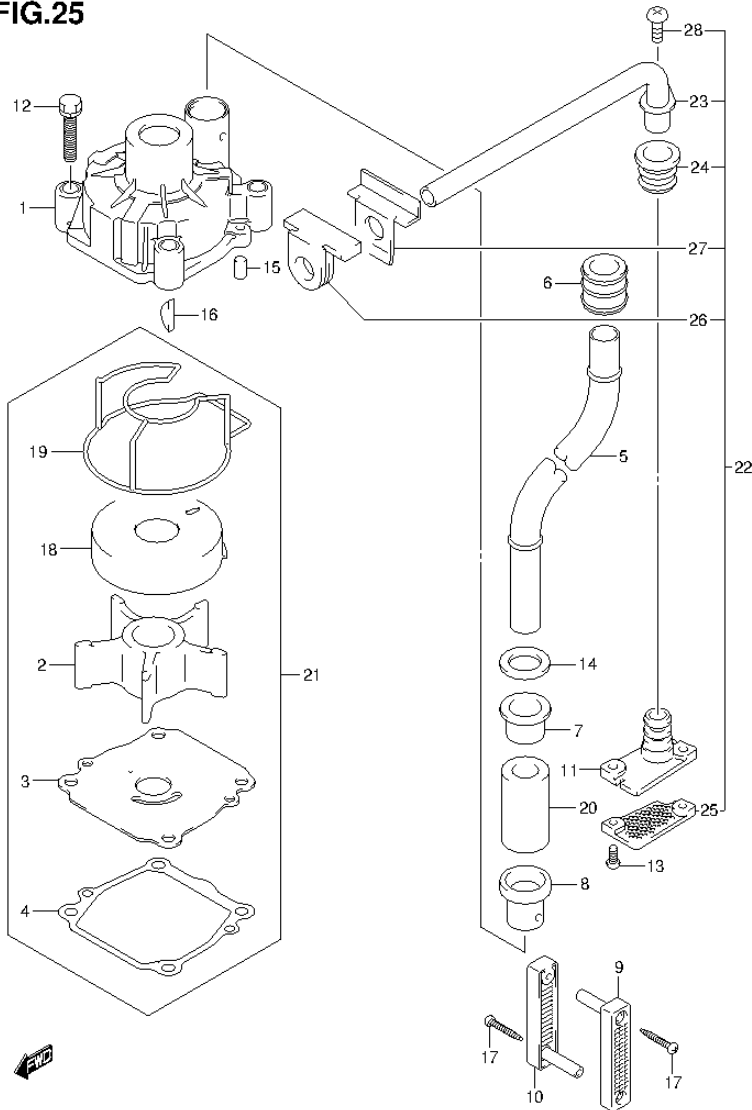


FIG.25 (1-D-2) WATER PUMP (DF140AT E40)

| REF NO. | PART NO.    | DESCRIPTION              | Q'TY | REMARKS      |
|---------|-------------|--------------------------|------|--------------|
| 1       | 17410-92J00 | CASE, WATER PUMP         | 1    |              |
| 2       | 17461-90J01 | IMPELLER, WATER PUMP     | 1    |              |
| 3       | 17471-92J10 | PANEL, PUMP CASE UNDER   | 1    |              |
| 4       | 17472-87E10 | GASKET, PUMP CASE PANEL  | 1    |              |
| 5-1     | 17561-90J02 | TUBE, WATER (L)          | 1    | W/TRANSOM(L) |
| 5-2     | 17561-90J12 | TUBE, WATER (X)          | 1    | W/TRANSOM(X) |
| 6       | 17562-90J00 | BUSH, WATER TUBE UPPER   | 1    |              |
| 7       | 17563-87D00 | BUSH, WATER TUBE LOWER   | 1    |              |
| 8       | 17564-87D00 | BUSH, WATER PUMP CASE    | 1    |              |
| 9       | 17631-90J00 | FILTER, WATER PORT SIDE  | 1    |              |
| 10      | 17632-90J00 | FILTER, WATER STBD SIDE  | 1    |              |
| 11      | 17635-90J00 | PLUG, SUB WATER TUBE     | 1    |              |
| 12      | 09116-08131 | BOLT (8X45)              | 4    |              |
| 13      | 09125-05046 | SCREW (5X12)             | 2    |              |
| 14      | 09161-16008 | WASHER (15.8X26X1)       | 1    |              |
| 15      | 09202-06031 | PIN (6X12)               | 2    |              |
| 16      | 09420-05009 | KEY                      | 1    |              |
| 17      | 09132-04034 | SCREW (4X18)             | 2    |              |
| 18      | 17413-92J11 | SLEEVE, WATER PUMP CASE  | 1    |              |
| 19      | 17416-92J10 | SEALING, WATER PUMP CASE | 1    |              |
| 20      | 17612-90J00 | SPACER, WATER TUBE (X)   | 1    | W/TRANSOM(X) |
| 21      | 17400-92J21 | WATER PUMP REPAIR KIT    | 1    | OPT          |
| 22      | 17500-90J10 | KIT, WATER SUB TUBE      | 1    | OPT          |
| 23      | 17520-90J00 | .TUBE COMP, WATER SUB    | 1    | OPT          |
| 24      | 17563-87D00 | .BUSH, WATER TUBE LOWER  | 1    | OPT          |
| 25      | 17635-87E00 | .FILTER, WATER SUB       | 1    | OPT          |
| 26      | 55332-87D01 | .RUBBER, EXHAUST SEAL    | 1    | OPT          |
| 27      | 55333-87D02 | .PLATE, EXHAUST SEAL     | 1    | OPT          |
| 28      | 09125-06063 | .SCREW (6X10)            | 1    | OPT          |

FIG.26

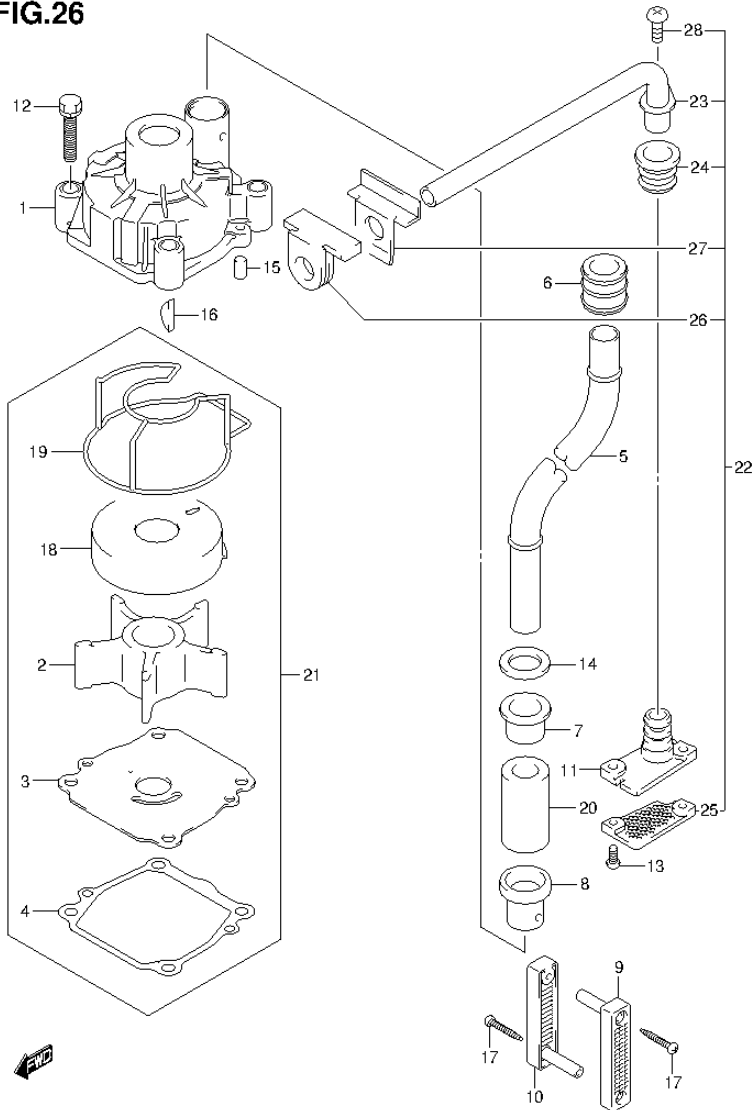


FIG.26 (1-D-3) WATER PUMP (DF140AZ E01)

| REF NO. | PART NO.    | DESCRIPTION              | Q'TY | REMARKS      |
|---------|-------------|--------------------------|------|--------------|
| 1       | 17410-92J00 | CASE, WATER PUMP         | 1    |              |
| 2       | 17461-90J01 | IMPELLER, WATER PUMP     | 1    |              |
| 3       | 17471-92J00 | PANEL, PUMP CASE UNDER   | 1    |              |
| 4       | 17472-87E10 | GASKET, PUMP CASE PANEL  | 1    |              |
| 5-1     | 17561-90J02 | TUBE, WATER (L)          | 1    | W/TRANSOM(L) |
| 5-2     | 17561-90J12 | TUBE, WATER (X)          | 1    | W/TRANSOM(X) |
| 6       | 17562-90J00 | BUSH, WATER TUBE UPPER   | 1    |              |
| 7       | 17563-87D00 | BUSH, WATER TUBE LOWER   | 1    |              |
| 8       | 17564-87D00 | BUSH, WATER PUMP CASE    | 1    |              |
| 9       | 17631-90J00 | FILTER, WATER PORT SIDE  | 1    |              |
| 10      | 17632-90J00 | FILTER, WATER STBD SIDE  | 1    |              |
| 11      | 17635-90J00 | PLUG, SUB WATER TUBE     | 1    |              |
| 12      | 09116-08131 | BOLT (8X45)              | 4    |              |
| 13      | 09125-05046 | SCREW (5X12)             | 2    |              |
| 14      | 09161-16008 | WASHER (15.8X26X1)       | 1    |              |
| 15      | 09202-06031 | PIN (6X12)               | 2    |              |
| 16      | 09420-05009 | KEY                      | 1    |              |
| 17      | 09132-04034 | SCREW (4X18)             | 2    |              |
| 18      | 17413-92J01 | SLEEVE, WATER PUMP CASE  | 1    |              |
| 19      | 17416-92J10 | SEALING, WATER PUMP CASE | 1    |              |
| 20      | 17612-90J00 | SPACER, WATER TUBE (X)   | 1    | W/TRANSOM(X) |
| 21      | 17400-92J21 | WATER PUMP REPAIR KIT    | 1    | OPT          |
| 22      | 17500-90J10 | KIT, WATER SUB TUBE      | 1    | OPT          |
| 23      | 17520-90J00 | .TUBE COMP, WATER SUB    | 1    | OPT          |
| 24      | 17563-87D00 | .BUSH, WATER TUBE LOWER  | 1    | OPT          |
| 25      | 17635-87E00 | .FILTER, WATER SUB       | 1    | OPT          |
| 26      | 55332-87D01 | .RUBBER, EXHAUST SEAL    | 1    | OPT          |
| 27      | 55333-87D02 | .PLATE, EXHAUST SEAL     | 1    | OPT          |
| 28      | 09125-06063 | .SCREW (6X10)            | 1    | OPT          |

FIG.27

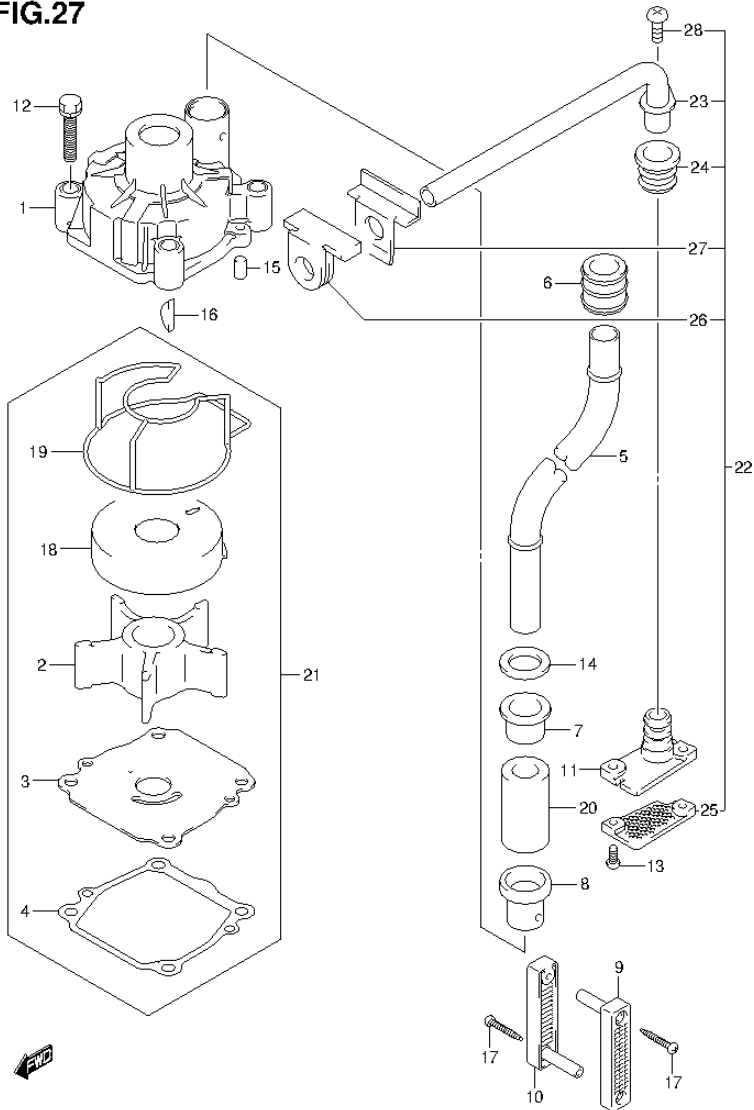


FIG.27 (1-D-4) WATER PUMP (DF140AZ E40)

| REF NO. | PART NO.    | DESCRIPTION              | Q'TY | REMARKS      |
|---------|-------------|--------------------------|------|--------------|
| 1       | 17410-92J00 | CASE, WATER PUMP         | 1    |              |
| 2       | 17461-90J01 | IMPELLER, WATER PUMP     | 1    |              |
| 3       | 17471-92J10 | PANEL, PUMP CASE UNDER   | 1    |              |
| 4       | 17472-87E10 | GASKET, PUMP CASE PANEL  | 1    |              |
| 5-1     | 17561-90J02 | TUBE, WATER (L)          | 1    | W/TRANSOM(L) |
| 5-2     | 17561-90J12 | TUBE, WATER (X)          | 1    | W/TRANSOM(X) |
| 6       | 17562-90J00 | BUSH, WATER TUBE UPPER   | 1    |              |
| 7       | 17563-87D00 | BUSH, WATER TUBE LOWER   | 1    |              |
| 8       | 17564-87D00 | BUSH, WATER PUMP CASE    | 1    |              |
| 9       | 17631-90J00 | FILTER, WATER PORT SIDE  | 1    |              |
| 10      | 17632-90J00 | FILTER, WATER STBD SIDE  | 1    |              |
| 11      | 17635-90J00 | PLUG, SUB WATER TUBE     | 1    |              |
| 12      | 09116-08131 | BOLT (8X45)              | 4    |              |
| 13      | 09125-05046 | SCREW (5X12)             | 2    |              |
| 14      | 09161-16008 | WASHER (15.8X26X1)       | 1    |              |
| 15      | 09202-06031 | PIN (6X12)               | 2    |              |
| 16      | 09420-05009 | KEY                      | 1    |              |
| 17      | 09132-04034 | SCREW (4X18)             | 2    |              |
| 18      | 17413-92J11 | SLEEVE, WATER PUMP CASE  | 1    |              |
| 19      | 17416-92J10 | SEALING, WATER PUMP CASE | 1    |              |
| 20      | 17612-90J00 | SPACER, WATER TUBE (X)   | 1    | W/TRANSOM(X) |
| 21      | 17400-92J21 | WATER PUMP REPAIR KIT    | 1    | OPT          |
| 22      | 17500-90J10 | KIT, WATER SUB TUBE      | 1    | OPT          |
| 23      | 17520-90J00 | .TUBE COMP,WATER SUB     | 1    | OPT          |
| 24      | 17563-87D00 | .BUSH, WATER TUBE LOWER  | 1    | OPT          |
| 25      | 17635-87E00 | .FILTER, WATER SUB       | 1    | OPT          |
| 26      | 55332-87D01 | .RUBBER, EXHAUST SEAL    | 1    | OPT          |
| 27      | 55333-87D02 | .PLATE, EXHAUST SEAL     | 1    | OPT          |
| 28      | 09125-06063 | .SCREW (6X10)            | 1    | OPT          |

FIG.28

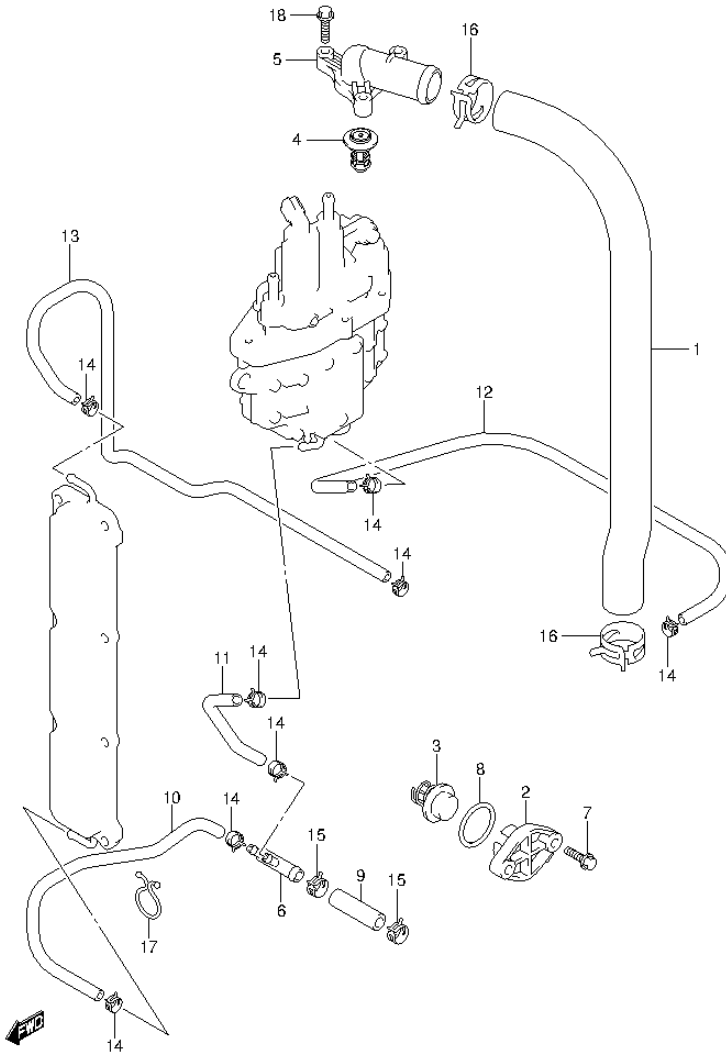


FIG.28 (1-D-5) THERMOSTAT

| REF NO. | PART NO.        | DESCRIPTION                      | Q'TY | REMARKS             |
|---------|-----------------|----------------------------------|------|---------------------|
| 1       | 11196-90J00     | HOSE, WATER RETURN               | 1    |                     |
| 2       | 17611-90J00-0EP | COVER, WATER PRESS VALVE (BLACK) | 1    |                     |
| 3       | 17660-90J00     | VALVE, WATER PRESSURE            | 1    |                     |
| 4-1     | 17670-90J20     | THERMOSTAT (50C)                 | 1    |                     |
| 4-2     | 17670-90J10     | THERMOSTAT (71C)                 | 1    | OPT                 |
| 5       | 17681-90J01     | COVER, THERMOSTAT                | 1    |                     |
| 6       | 17711-90J00     | 3 WAY, WATER HOSE                | 1    |                     |
| 7       | 09116-06121     | BOLT (6X25)                      | 2    |                     |
| 8       | 09280-26006     | O RING (D:3.1, ID:26.4)          | 1    |                     |
| 9       | 09352-11153-600 | HOSE (11X15X600)                 | 1    | L:600->50           |
| 10      | 09352-50903-600 | HOSE (5X9X600)                   | 1    | HOLDER TO 3 WAY     |
| 11      | 09352-50903-600 | HOSE (5X9X600)                   | 1    | L:600->440          |
| 12      | 09352-50903-600 | HOSE (5X9X600)                   | 1    | 3 WAY TO CRKC LOWER |
| 13      | 09352-50903-00B | HOSE (5X9X2000)                  | 1    | L:600->180          |
| 14      | 09401-08413     | CLIP                             | 8    | 3 WAY SEPARATOR     |
| 15      | 09401-14409     | CLIP                             | 2    | L:600->580          |
| 16      | 09401-31407     | CLIP                             | 2    | SEPARATOR TO HLDR   |
| 17      | 09408-00024     | CLIP (ID:23)                     | 1    | L:2000->820         |
| 18      | 01550-06257     | BOLT                             | 3    | CRKC UPPER TO IND   |

FIG.29

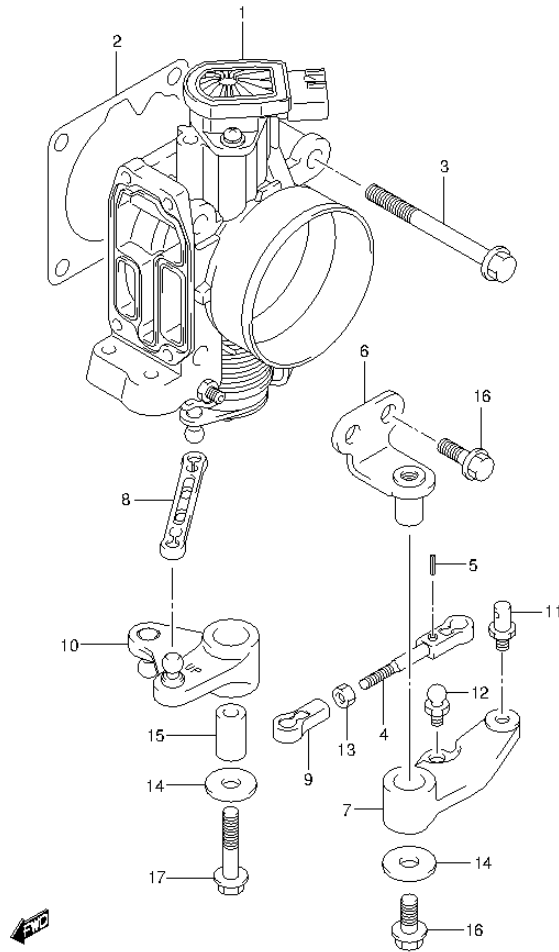


FIG.29 (1-D-6) THROTTLE BODY

| REF NO. | PART NO.    | DESCRIPTION             | Q'TY | REMARKS |
|---------|-------------|-------------------------|------|---------|
| 1       | 13300-92J00 | BODY ASSY, THROTTLE     | 1    |         |
| 2       | 13421-90J01 | GASKET, THROTTLE BODY   | 1    |         |
| 3       | 01550-08557 | BOLT                    | 4    |         |
| 4       | 13510-90J00 | ROD, THROTTLE           | 1    |         |
| 5       | 09205-02006 | .SPRING PIN (2X12)      | 1    |         |
| 6       | 19115-90J00 | HOLDER, THROTTLE LEVER  | 1    |         |
| 7       | 19121-90J00 | LEVER, THROTTLE NO.1    | 1    |         |
| 8       | 19130-92J00 | ROD, THROTTLE NO.2      | 1    |         |
| 9       | 19131-95502 | CONNECTOR, THROTTLE ROD | 1    |         |
| 10      | 19140-92J00 | LEVER, THROTTLE NO.2    | 1    |         |
| 11      | 67473-89J00 | PIN, CONNECTOR          | 1    |         |
| 12      | 09119-05010 | PIVOT                   | 1    |         |
| 13      | 09140-05005 | NUT                     | 1    |         |
| 14      | 09160-06046 | WASHER (6.5X20X1.5)     | 2    |         |
| 15      | 09180-06186 | SPACER (6.2X12.6X21)    | 1    |         |
| 16      | 01550-06167 | BOLT                    | 3    |         |
| 17      | 01550-06357 | BOLT                    | 1    |         |

FIG.30

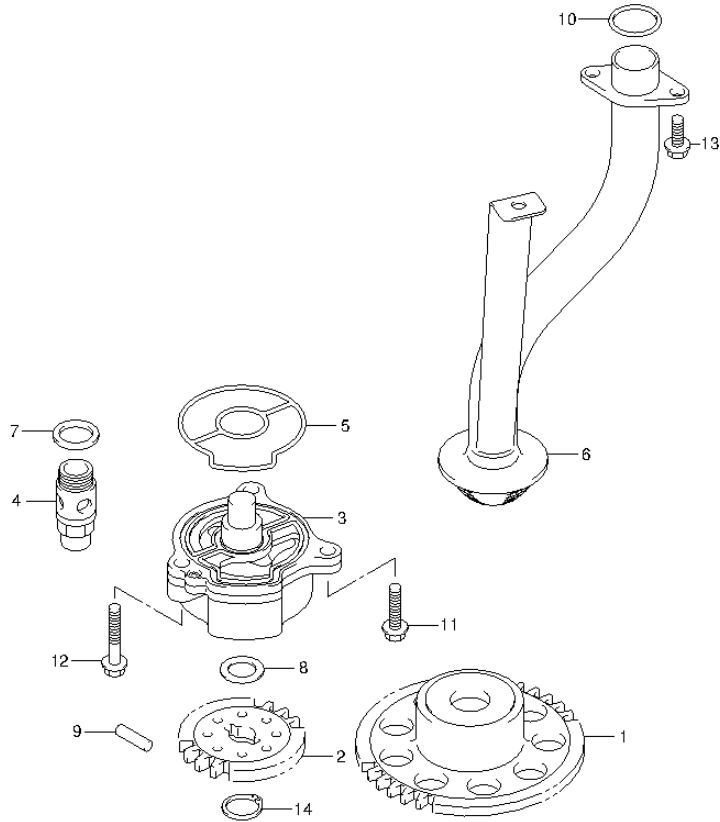


FIG.30 (1-D-7) OIL PUMP

| REF NO. | PART NO.    | DESCRIPTION                   | Q'TY | REMARKS |
|---------|-------------|-------------------------------|------|---------|
| 1       | 12632-92J11 | GEAR, OIL PUMP DRIVE (NT:41)  | 1    |         |
| 2       | 16113-92J11 | GEAR, OIL PUMP DRIVEN (NT:20) | 1    |         |
| 3       | 16400-90J00 | PUMP ASSY, OIL                | 1    |         |
| 4       | 16440-99E00 | VALVE, OIL RELIEF             | 1    |         |
| 5       | 16451-90J00 | O RING, OIL PUMP              | 1    |         |
| 6       | 16520-90J00 | STRAINER, OIL PUMP            | 1    |         |
| 7       | 09168-16002 | GASKET (16X22X2)              | 1    |         |
| 8       | 09181-12158 | SHIM (12X20X0.5)              | 1    |         |
| 9       | 09261-05006 | PIN (5X18)                    | 1    |         |
| 10      | 09280-22020 | O RING (D:2.4,ID:21.8)        | 2    |         |
| 11      | 01547-06257 | BOLT                          | 1    |         |
| 12      | 01547-06357 | BOLT                          | 2    |         |
| 13      | 01550-0616A | BOLT                          | 3    |         |
| 14      | 08331-3112A | CIRCLIP                       | 1    |         |

FIG.31

FIG.31 (1-D-8) OIL FILTER

| REF NO. | PART NO.    | DESCRIPTION       | Q'TY | REMARKS |
|---------|-------------|-------------------|------|---------|
| 1       | 11241-73003 | STAND, OIL FILTER | 1    |         |
| 2       | 16510-61A31 | FILTER, OIL       | 1    |         |

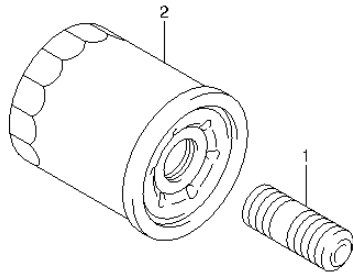


FIG.32

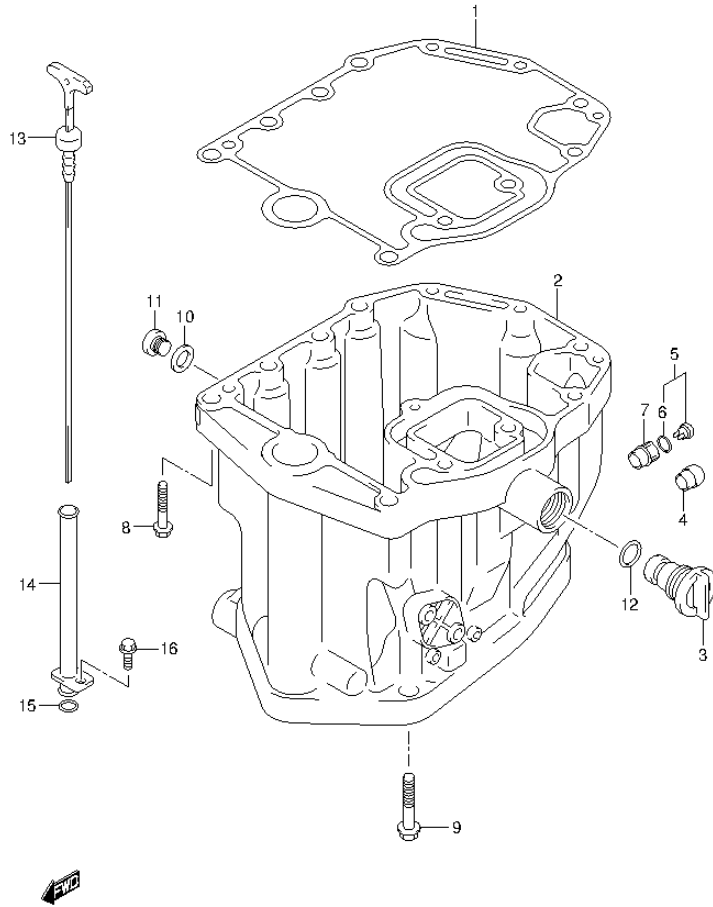


FIG.32 (1-D-9) OIL PAN

| REF NO. | PART NO.        | DESCRIPTION            | Q'TY | REMARKS |
|---------|-----------------|------------------------|------|---------|
| 1       | 11489-90J00     | GASKET, OIL PAN        | 1    |         |
| 2       | 11501-90J04-0EP | PAN, OIL (BLACK)       | 1    |         |
| 3       | 17913-99E11     | PLUG, WATER            | 1    |         |
| 4       | 43112-99E00     | PIPE, EXHAUST          | 1    |         |
| 5       | 61150-99E00     | COVER, WATER INDICATOR | 1    |         |
| 6       | 09280-09005     | .O RING (D:1.9,ID:8.6) | 1    |         |
| 7       | 61155-99E01     | TUBE, WATER INDICATOR  | 1    |         |
| 8       | 09116-08128     | BOLT (8X40)            | 3    |         |
| 9       | 09116-10129     | BOLT (10X160)          | 8    |         |
| 10      | 09168-12012     | GASKET (12.5X20X2.5)   | 1    |         |
| 11      | 09248-12009     | PLUG (12X18.65)        | 1    |         |
| 12      | 09280-13005     | O RING (D:3.5,ID:12.8) | 1    |         |
| 13      | 16910-90J10     | GAUGE, OIL LEVEL       | 1    |         |
| 14      | 16930-90J01     | GUIDE, OIL LEVEL       | 1    |         |
| 15      | 09280-09008     | O RING (D:2.1,ID:8.8)  | 1    |         |
| 16      | 01550-06127     | BOLT                   | 1    |         |

FIG.33

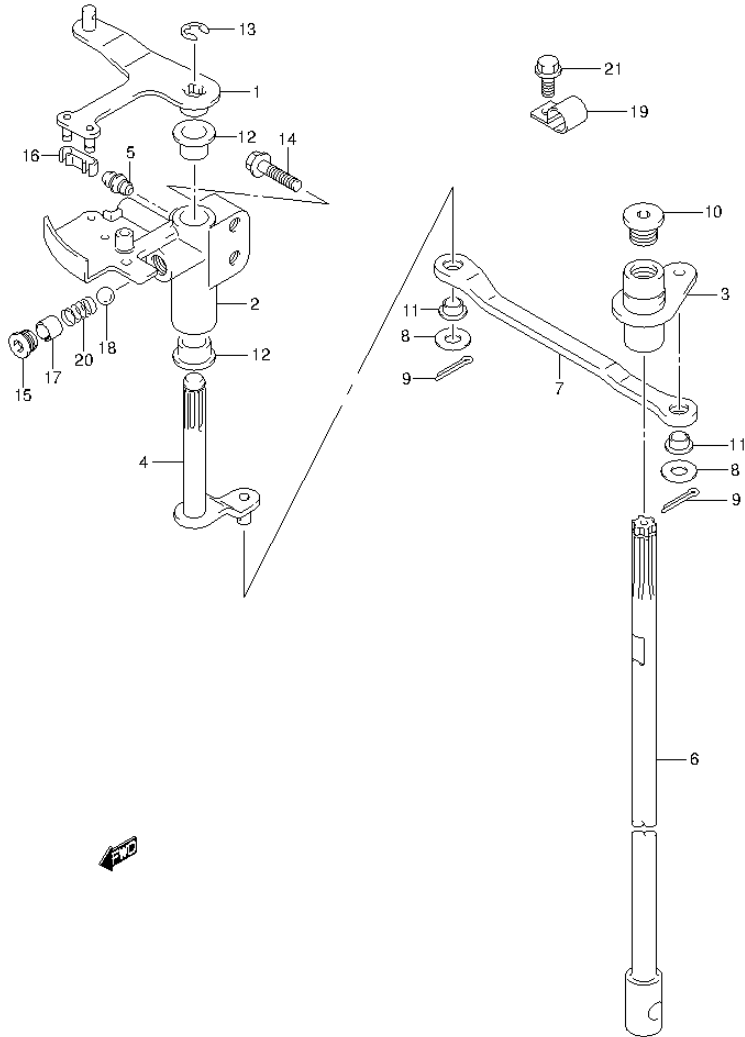


FIG.33 (1-D-10) CLUTCH SHAFT

| REF NO. | PART NO.    | DESCRIPTION          | Q'TY | REMARKS      |
|---------|-------------|----------------------|------|--------------|
| 1       | 21110-92J00 | LEVER, CLUTCH        | 1    |              |
| 2       | 21151-92J00 | HOLDER, CLUTCH LEVER | 1    |              |
| 3       | 21210-92J00 | SHAFT, CLUTCH        | 1    |              |
| 4       | 21230-92J00 | ARM, CLUTCH SHAFT    | 1    |              |
| 5       | 22511-99011 | NIPPLE, GREASE       | 1    |              |
| 6-1     | 23111-90J02 | ROD, CLUTCH (L)      | 1    | W/TRANSOM(L) |
| 6-2     | 23111-90J12 | ROD, CLUTCH (X)      | 1    | W/TRANSOM(X) |
| 7       | 23115-92J00 | LINK, CLUTCH LEVER   | 1    |              |
| 8       | 09160-06094 | WASHER (6.5X15X1.5)  | 2    |              |
| 9       | 09204-01006 | PIN                  | 2    |              |
| 10      | 09248-12011 | PLUG (12X9)          | 1    |              |
| 11      | 09306-06004 | BUSH                 | 2    |              |
| 12      | 09306-10001 | BUSH                 | 2    |              |
| 13      | 09383-08004 | E RING               | 1    |              |
| 14      | 01550-06307 | BOLT                 | 2    |              |
| 15      | 11118-95J00 | PLUG, NOTCH SPRING   | 1    |              |
| 16      | 21131-93J00 | BUSH, CLUTCH LEVER   | 1    |              |
| 17      | 09205-10006 | SPRING PIN (10.2X10) | 1    |              |
| 18      | 09260-10005 | BALL                 | 1    |              |
| 19      | 09403-13408 | CLAMP                | 1    |              |
| 20      | 09440-07071 | SPRING               | 1    |              |
| 21      | 01550-06127 | BOLT                 | 1    |              |

FIG.34

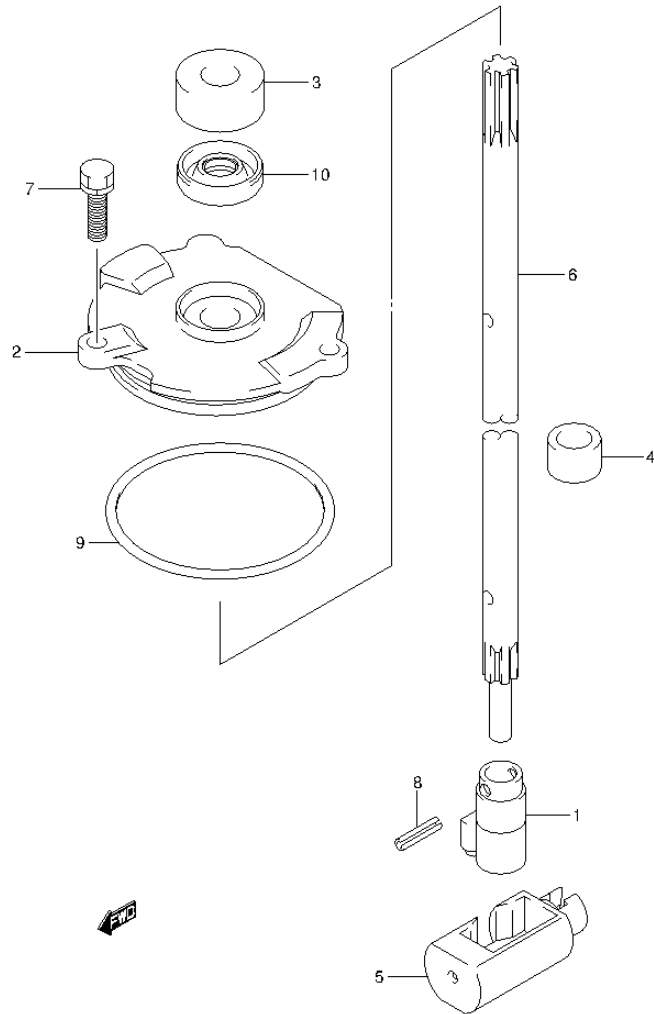


FIG.34 (1-D-11) CLUTCH ROD (DF140AT E01)

| REF NO. | PART NO.    | DESCRIPTION                   | Q'TY | REMARKS      |
|---------|-------------|-------------------------------|------|--------------|
| 1       | 25131-92J00 | YOKE, SHIFTER                 | 1    |              |
| 2       | 25141-92J00 | HOUSING, SHIFT ROD GUIDE      | 1    |              |
| 3       | 25222-92J00 | COVER, SFT GUIDE HSG OIL SEAL | 1    |              |
| 4       | 25232-90J00 | MAGNET, GEAR CASE             | 1    |              |
| 5       | 25321-92J10 | SLIDER, SHIFT HORIZONTAL      | 1    |              |
| 6-1     | 25111-92J00 | ROD ASSY, SHIFT (L)           | 1    | W/TRANSOM(L) |
| 6-2     | 25111-92J10 | ROD ASSY, SHIFT (UL)          | 1    | W/TRANSOM(X) |
| 7       | 29116-93J00 | BOLT (6X20)                   | 2    |              |
| 8       | 09205-04014 | SPRING PIN (4X14)             | 2    |              |
| 9       | 09280-69001 | O RING (D:3.1,ID:68.5)        | 1    |              |
| 10      | 09283-10011 | OIL SEAL (10X22X8)            | 1    |              |

FIG.35

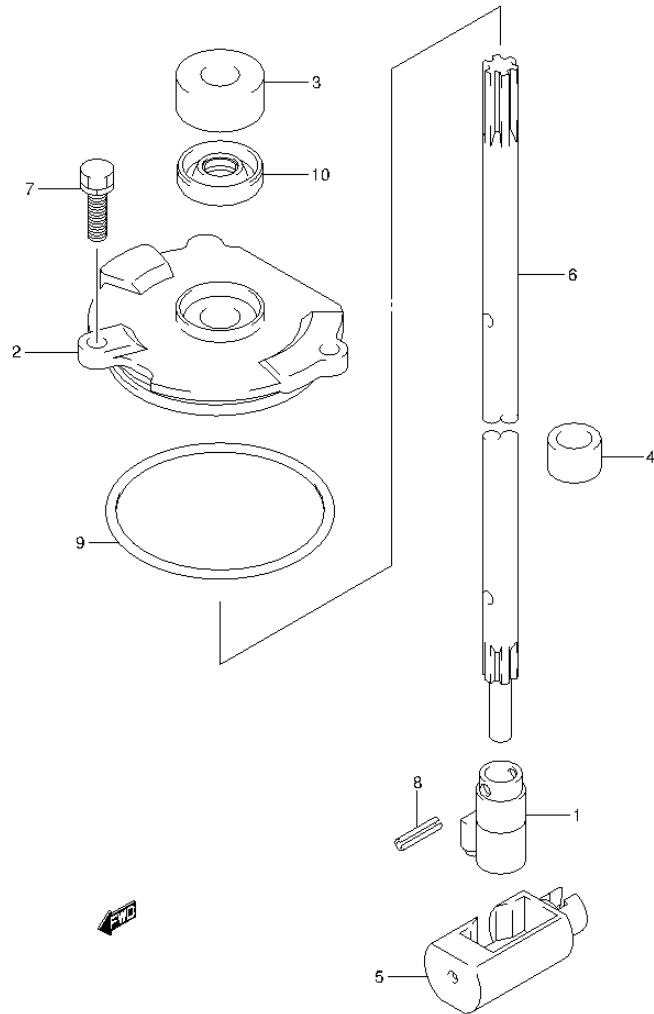


FIG.35 (1-D-12) CLUTCH ROD (DF140AT E40)

| REF NO. | PART NO.    | DESCRIPTION                   | Q'TY | REMARKS      |
|---------|-------------|-------------------------------|------|--------------|
| 1       | 25131-92J00 | YOKE, SHIFTER                 | 1    |              |
| 2       | 25141-92J00 | HOUSING, SHIFT ROD GUIDE      | 1    |              |
| 3       | 25222-92J00 | COVER, SFT GUIDE HSG OIL SEAL | 1    |              |
| 4       | 25232-90J00 | MAGNET, GEAR CASE             | 1    |              |
| 5       | 25321-92J10 | SLIDER, SHIFT HORIZONTAL      | 1    |              |
| 6-1     | 25111-92J00 | ROD ASSY, SHIFT (L)           | 1    | W/TRANSOM(L) |
| 6-2     | 25111-92J10 | ROD ASSY, SHIFT (UL)          | 1    | W/TRANSOM(X) |
| 7       | 29116-93J00 | BOLT (6X20)                   | 2    |              |
| 8       | 09205-04014 | SPRING PIN (4X14)             | 2    |              |
| 9       | 09280-69001 | O RING (D:3.1,ID:68.5)        | 1    |              |
| 10      | 09283-10011 | OIL SEAL (10X22X8)            | 1    |              |

FIG.36

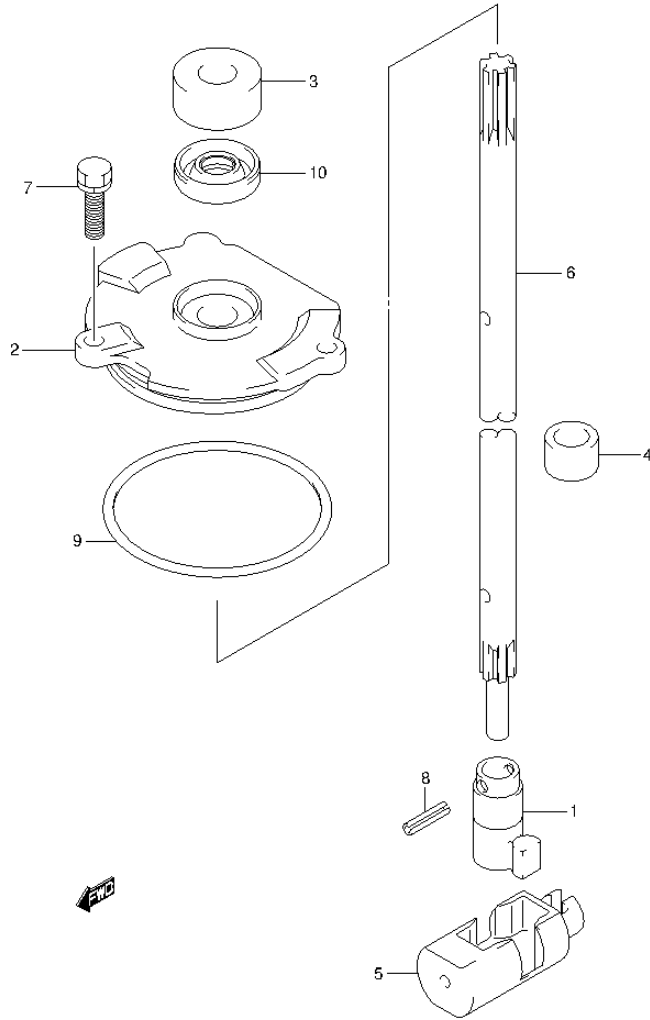
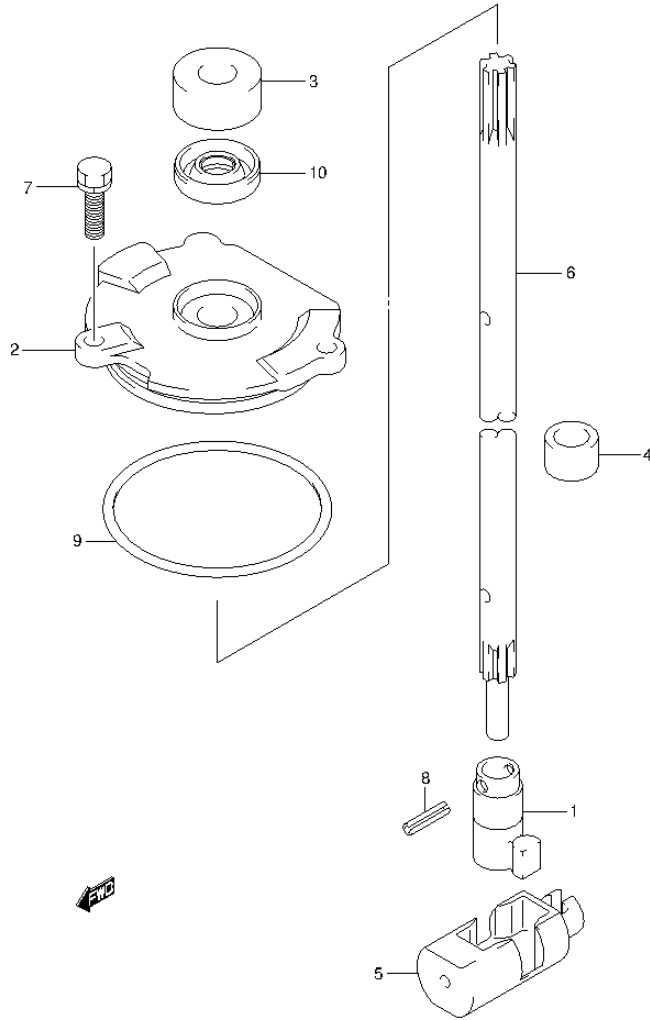


FIG.36 (1-D-13) CLUTCH ROD (DF140AZ E01)

| REF NO. | PART NO.    | DESCRIPTION                   | Q'TY | REMARKS      |
|---------|-------------|-------------------------------|------|--------------|
| 1       | 25131-92J00 | YOKE, SHIFTER                 | 1    |              |
| 2       | 25141-92J00 | HOUSING, SHIFT ROD GUIDE      | 1    |              |
| 3       | 25222-92J00 | COVER, SFT GUIDE HSG OIL SEAL | 1    |              |
| 4       | 25232-90J00 | MAGNET, GEAR CASE             | 1    |              |
| 5       | 25321-92J20 | SLIDER, SHIFT HORIZONTAL      | 1    |              |
| 6-1     | 25111-92J00 | ROD ASSY, SHIFT (L)           | 1    | W/TRANSOM(L) |
| 6-2     | 25111-92J10 | ROD ASSY, SHIFT (UL)          | 1    | W/TRANSOM(X) |
| 7       | 29116-93J00 | BOLT (6X20)                   | 2    |              |
| 8       | 09205-04014 | SPRING PIN (4X14)             | 2    |              |
| 9       | 09280-69001 | O RING (D:3.1,ID:68.5)        | 1    |              |
| 10      | 09283-10011 | OIL SEAL (10X22X8)            | 1    |              |

**FIG.37**



**FIG.37 (1-D-14) CLUTCH ROD (DF140AZ E40)**

| REF NO. | PART NO.    | DESCRIPTION                   | Q'TY | REMARKS      |
|---------|-------------|-------------------------------|------|--------------|
| 1       | 25131-92J00 | YOKE, SHIFTER                 | 1    |              |
| 2       | 25141-92J00 | HOUSING, SHIFT ROD GUIDE      | 1    |              |
| 3       | 25222-92J00 | COVER, SFT GUIDE HSG OIL SEAL | 1    |              |
| 4       | 25232-90J00 | MAGNET, GEAR CASE             | 1    |              |
| 5       | 25321-92J20 | SLIDER, SHIFT HORIZONTAL      | 1    |              |
| 6-1     | 25111-92J00 | ROD ASSY, SHIFT (L)           | 1    | W/TRANSOM(L) |
| 6-2     | 25111-92J10 | ROD ASSY, SHIFT (UL)          | 1    | W/TRANSOM(X) |
| 7       | 29116-93J00 | BOLT (6X20)                   | 2    |              |
| 8       | 09205-04014 | SPRING PIN (4X14)             | 2    |              |
| 9       | 09280-69001 | O RING (D:3.1,ID:68.5)        | 1    |              |
| 10      | 09283-10011 | OIL SEAL (10X22X8)            | 1    |              |

FIG.38

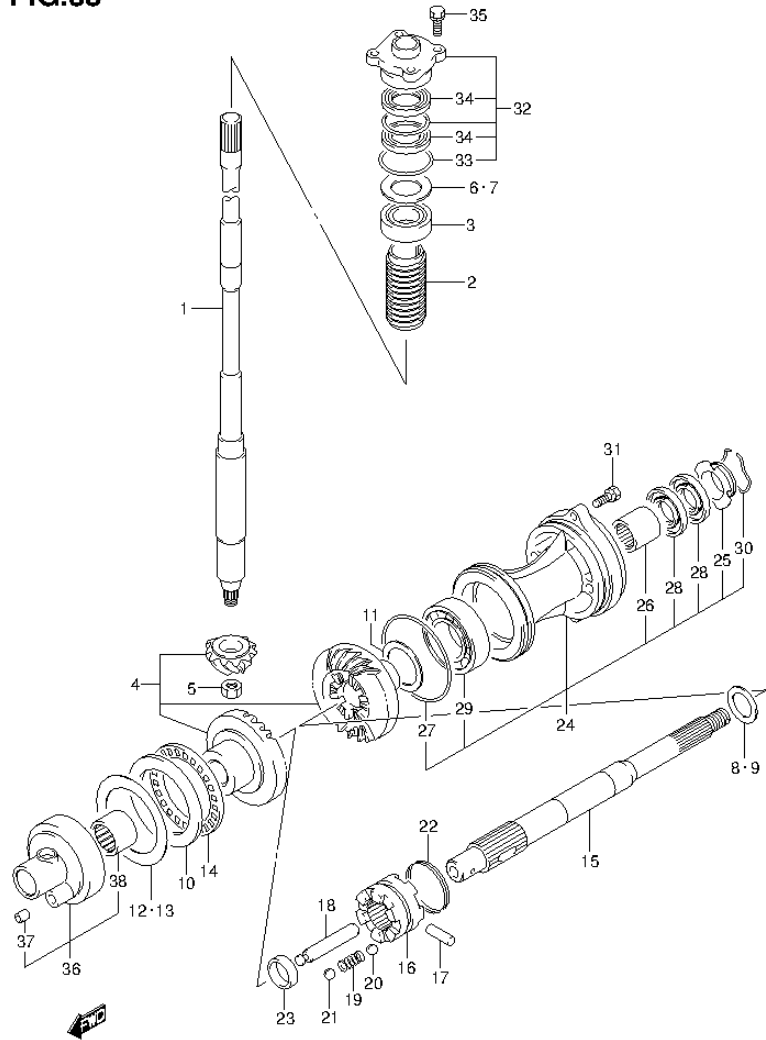


FIG.38 (1-D-15) TRANSMISSION (DF140AT E01)

| REF NO. | PART NO.    | DESCRIPTION              | Q'TY | REMARKS      |
|---------|-------------|--------------------------|------|--------------|
| 1-1     | 57110-92J60 | SHAFT ASSY, DRIVE (L)    | 1    | W/TRANSOM(L) |
| 1-2     | 57110-92J70 | SHAFT ASSY, DRIVE (X)    | 1    | W/TRANSOM(X) |
| 2       | 57133-90J01 | COLLAR, DRIVE SHAFT      | 1    |              |
| 3       | 09265-25040 | BEARING (25X52X29.25)    | 1    |              |
| 4       | 57300-92860 | PINION/GEAR SET          | 1    |              |
| 5       | 09140-14024 | NUT                      | 1    |              |
| 6       | 57500-87873 | SHIM SET, DRIVE SHAFT    | 1    |              |
| 7-1     | 09181-40186 | .SHIM (T:0.50)           | 1    |              |
| 7-2     | 09181-41002 | .SHIM (T:0.55)           | 1    |              |
| 7-3     | 09181-41003 | .SHIM (T:0.60)           | 1    |              |
| 7-4     | 09181-41004 | .SHIM (T:0.65)           | 1    |              |
| 7-5     | 09181-41005 | .SHIM (T:0.70)           | 1    |              |
| 7-6     | 09181-41006 | .SHIM (T:0.75)           | 1    |              |
| 7-7     | 09181-40190 | .SHIM (T:0.80)           | 1    |              |
| 7-8     | 09181-41008 | .SHIM (T:0.85)           | 1    |              |
| 7-9     | 09181-41009 | .SHIM (T:0.90)           | 1    |              |
| 7-10    | 09181-41010 | .SHIM (T:0.95)           | 1    |              |
| 7-11    | 09181-40195 | .SHIM (T:1.00)           | 1    |              |
| 7-12    | 09181-41012 | .SHIM (T:1.05)           | 1    |              |
| 7-13    | 09181-41013 | .SHIM (T:1.10)           | 1    |              |
| 7-14    | 09181-41014 | .SHIM (T:1.15)           | 1    |              |
| 8       | 57500-87861 | SHIM SET, PROP SHAFT REV | 1    |              |
| 9-1     | 08211-30382 | .WASHER (T:1.5)          | 1    |              |
| 9-2     | 09160-30036 | .WASHER (T:1.7)          | 1    |              |
| 9-3     | 09160-30037 | .WASHER (T:1.9)          | 1    |              |
| 9-4     | 09160-30038 | .WASHER (T:2.1)          | 1    |              |
| 9-5     | 09160-30039 | .WASHER (T:2.3)          | 1    |              |
| 9-6     | 09160-30041 | .WASHER (T:2.4)          | 1    |              |
| 9-7     | 09160-30042 | .WASHER (T:2.6)          | 1    |              |
| 9-8     | 09160-30043 | .WASHER (T:2.7)          | 1    |              |
| 9-9     | 09160-30044 | .WASHER (T:2.8)          | 1    |              |
| 10      | 09160-70002 | WASHER (70X95X5.25)      | 1    | FWD GEAR     |
| 11-1    | 09181-45003 | SHIM (T:1.0)             | 1    | REV GEAR     |
| 11-2    | 09181-45004 | SHIM (T:1.1)             | 1    | REV GEAR     |

FIG.38

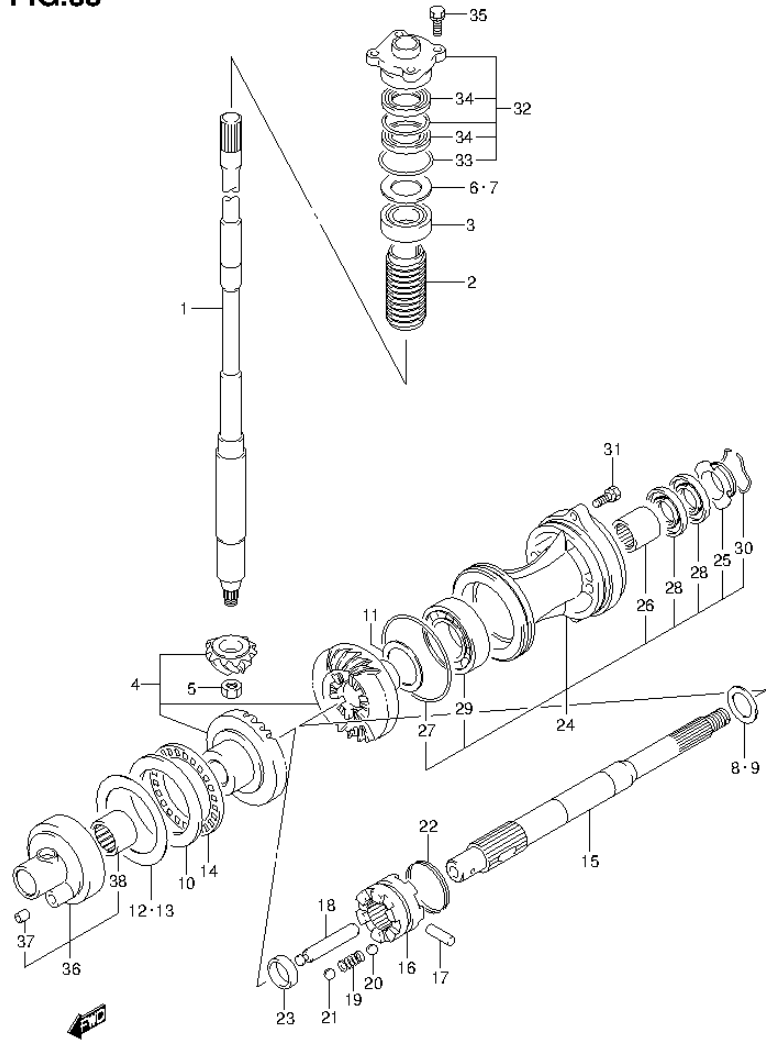


FIG.38 (1-E-2) TRANSMISSION (DF140AT E01)

| REF NO. | PART NO.        | DESCRIPTION                   | Q'TY | REMARKS  |
|---------|-----------------|-------------------------------|------|----------|
| 11-3    | 09181-45005     | SHIM (T:1.2)                  | 1    | REV GEAR |
| 11-4    | 09181-45006     | SHIM (T:1.3)                  | 1    | REV GEAR |
| 11-5    | 09181-45007     | SHIM (T:1.4)                  | 1    | REV GEAR |
| 11-6    | 09181-45008     | SHIM (T:1.5)                  | 1    | REV GEAR |
| 11-7    | 09181-45009     | SHIM (T:1.6)                  | 1    | REV GEAR |
| 12      | 57500-92813     | SHIM SET, FWD GEAR            | 1    | FWD GEAR |
| 13-1    | 09181-70001     | .SHIM (T:0.70)                | 1    | FWD GEAR |
| 13-2    | 09181-70002     | .SHIM (T:0.80)                | 1    | FWD GEAR |
| 13-3    | 09181-70003     | .SHIM (T:0.90)                | 1    | FWD GEAR |
| 13-4    | 09181-70004     | .SHIM (T:1.00)                | 1    | FWD GEAR |
| 13-5    | 09181-70006     | .SHIM (T:0.60)                | 1    | FWD GEAR |
| 13-6    | 09181-70009     | .SHIM (T:0.65)                | 1    | FWD GEAR |
| 13-7    | 09181-70010     | .SHIM (T:0.75)                | 1    | FWD GEAR |
| 13-8    | 09181-70011     | .SHIM (T:0.85)                | 1    | FWD GEAR |
| 13-9    | 09181-70012     | .SHIM (T:0.95)                | 1    | FWD GEAR |
| 14      | 09269-70001     | BEARING (70X95X4)             | 1    |          |
| 15      | 57610-92J20     | SHAFT ASSY, PROPELLER         | 1    |          |
| 16      | 57621-92J10     | SHIFTER, CLUTCH DOG           | 1    |          |
| 17      | 09202-07002     | PIN (7X48)                    | 1    |          |
| 18      | 57631-92J00     | PIN, CONNECTOR                | 1    |          |
| 19      | 09440-09040     | SPRING                        | 1    |          |
| 20      | 06111-07004     | BALL                          | 2    | NO.1     |
| 21      | 06111-11004     | BALL                          | 2    | NO.2     |
| 22      | 09440-49004     | SPRING                        | 1    |          |
| 23      | 57616-90J00     | SPACER, CLUTCH DOG FWD        | 1    |          |
| 24      | 56120-92J01-0EP | HOUSING, PROP SFT BRG (BLACK) | 1    |          |
| 25      | 56123-92J00     | .WASHER, OIL SEAL PROTECTOR   | 1    |          |
| 26      | 09263-30051     | .BEARING (30X37X26)           | 1    |          |
| 27      | 09280-97001     | .O RING (D:3.5,ID:95)         | 1    |          |
| 28      | 09282-30007     | .OIL SEAL (30X50X6)           | 2    |          |
| 29      | 08113-62090     | .BEARING                      | 1    |          |
| 30      | 09387-52001     | .RING                         | 1    |          |
| 31      | 09117-08047     | BOLT (8X30)                   | 2    |          |
| 32      | 56130-90J00     | HOUSING                       | 1    |          |

FIG.38

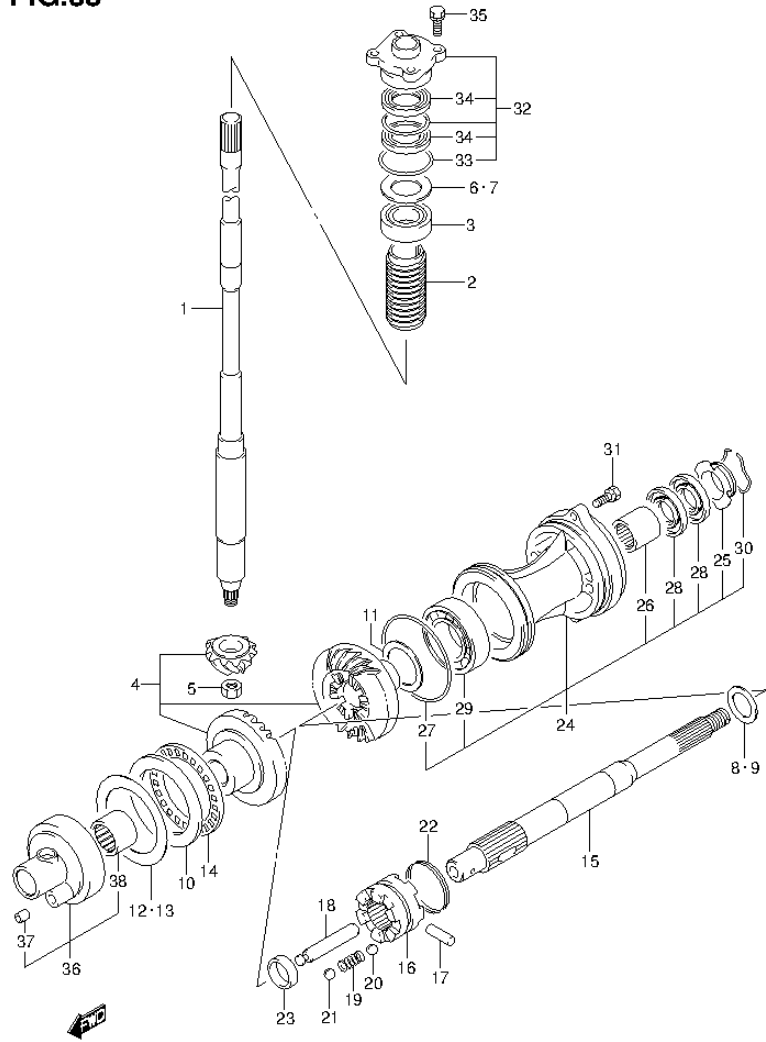


FIG.38 (1-E-3) TRANSMISSION (DF140AT E01)

| REF NO. | PART NO.    | DESCRIPTION             | Q'TY | REMARKS |
|---------|-------------|-------------------------|------|---------|
| 33      | 09280-46004 | .O RING (D:3.5,ID:45.7) | 1    |         |
| 34      | 09282-24004 | .OIL SEAL (24X40X7)     | 2    |         |
| 35      | 09117-08110 | BOLT (8X25)             | 4    |         |
| 36      | 56140-92J00 | HOUSING, FWD GEAR BRG   | 1    |         |
| 37      | 09206-09012 | .PIN (7.4X9X10)         | 1    |         |
| 38      | 09263-50001 | .BEARING (50X62X25)     | 1    |         |

FIG.39

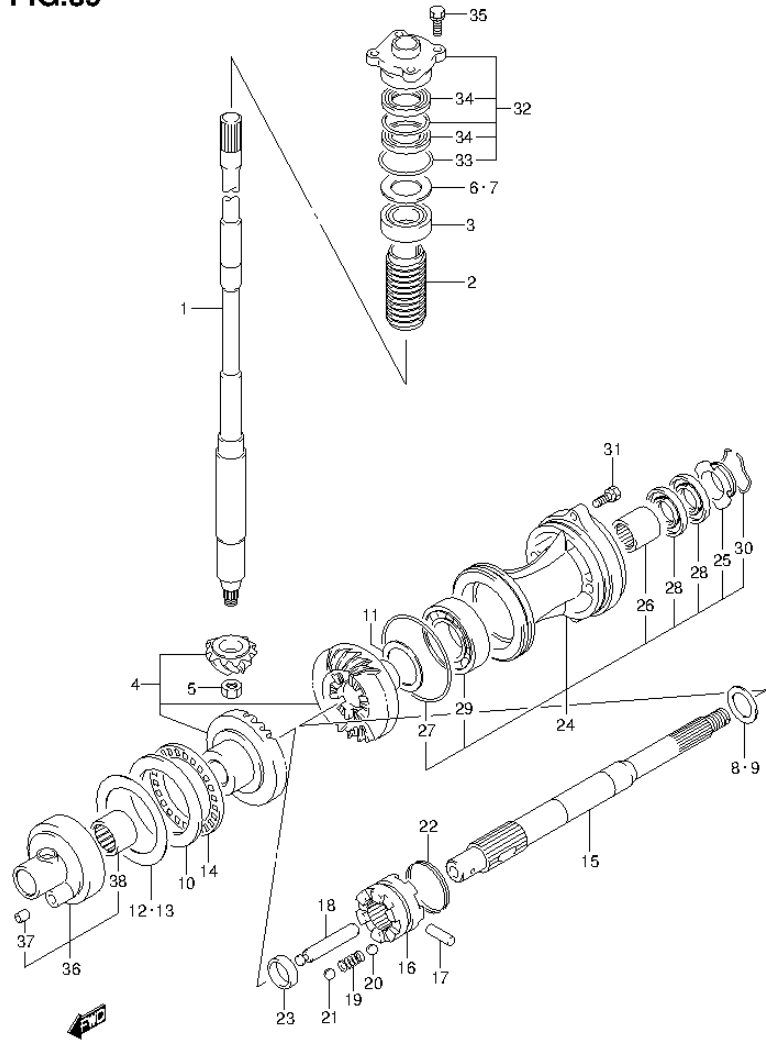


FIG.39 (1-E-4) TRANSMISSION (DF140AT E40)

| REF NO. | PART NO.    | DESCRIPTION              | Q'TY | REMARKS      |
|---------|-------------|--------------------------|------|--------------|
| 1-1     | 57110-92J60 | SHAFT ASSY, DRIVE (L)    | 1    | W/TRANSOM(L) |
| 1-2     | 57110-92J70 | SHAFT ASSY, DRIVE (X)    | 1    | W/TRANSOM(X) |
| 2       | 57133-90J01 | COLLAR, DRIVE SHAFT      | 1    |              |
| 3       | 09265-25040 | BEARING (25X52X29.25)    | 1    |              |
| 4       | 57300-92860 | PINION/GEAR SET          | 1    |              |
| 5       | 09140-14024 | NUT                      | 1    |              |
| 6       | 57500-87873 | SHIM SET, DRIVE SHAFT    | 1    |              |
| 7-1     | 09181-40186 | .SHIM (T:0.50)           | 1    |              |
| 7-2     | 09181-41002 | .SHIM (T:0.55)           | 1    |              |
| 7-3     | 09181-41003 | .SHIM (T:0.60)           | 1    |              |
| 7-4     | 09181-41004 | .SHIM (T:0.65)           | 1    |              |
| 7-5     | 09181-41005 | .SHIM (T:0.70)           | 1    |              |
| 7-6     | 09181-41006 | .SHIM (T:0.75)           | 1    |              |
| 7-7     | 09181-40190 | .SHIM (T:0.80)           | 1    |              |
| 7-8     | 09181-41008 | .SHIM (T:0.85)           | 1    |              |
| 7-9     | 09181-41009 | .SHIM (T:0.90)           | 1    |              |
| 7-10    | 09181-41010 | .SHIM (T:0.95)           | 1    |              |
| 7-11    | 09181-40195 | .SHIM (T:1.00)           | 1    |              |
| 7-12    | 09181-41012 | .SHIM (T:1.05)           | 1    |              |
| 7-13    | 09181-41013 | .SHIM (T:1.10)           | 1    |              |
| 7-14    | 09181-41014 | .SHIM (T:1.15)           | 1    |              |
| 8       | 57500-87861 | SHIM SET, PROP SHAFT REV | 1    |              |
| 9-1     | 08211-30382 | .WASHER (T:1.5)          | 1    |              |
| 9-2     | 09160-30036 | .WASHER (T:1.7)          | 1    |              |
| 9-3     | 09160-30037 | .WASHER (T:1.9)          | 1    |              |
| 9-4     | 09160-30038 | .WASHER (T:2.1)          | 1    |              |
| 9-5     | 09160-30039 | .WASHER (T:2.3)          | 1    |              |
| 9-6     | 09160-30041 | .WASHER (T:2.4)          | 1    |              |
| 9-7     | 09160-30042 | .WASHER (T:2.6)          | 1    |              |
| 9-8     | 09160-30043 | .WASHER (T:2.7)          | 1    |              |
| 9-9     | 09160-30044 | .WASHER (T:2.8)          | 1    |              |
| 10      | 09160-70002 | WASHER (70X95X5.25)      | 1    | FWD GEAR     |
| 11-1    | 09181-45003 | SHIM (T:1.0)             | 1    | REV GEAR     |
| 11-2    | 09181-45004 | SHIM (T:1.1)             | 1    | REV GEAR     |

FIG.39

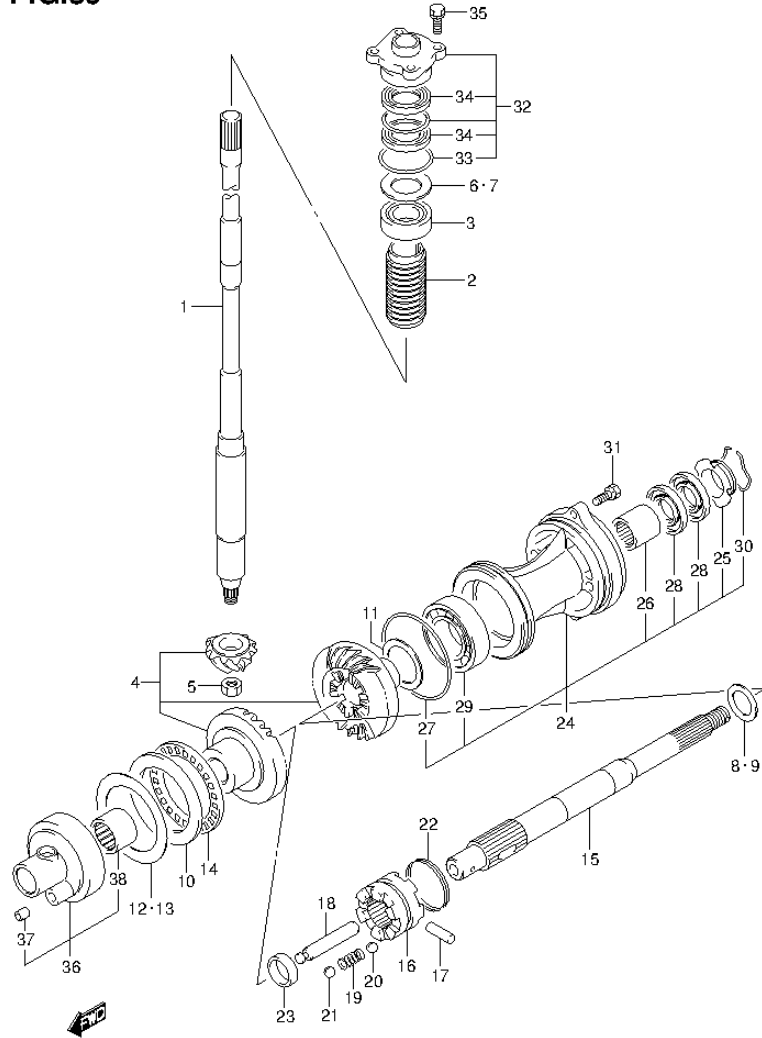


FIG.39 (1-E-5) TRANSMISSION (DF140AT E40)

| REF NO. | PART NO.        | DESCRIPTION                   | Q'TY | REMARKS  |
|---------|-----------------|-------------------------------|------|----------|
| 11-3    | 09181-45005     | SHIM (T:1.2)                  | 1    | REV GEAR |
| 11-4    | 09181-45006     | SHIM (T:1.3)                  | 1    | REV GEAR |
| 11-5    | 09181-45007     | SHIM (T:1.4)                  | 1    | REV GEAR |
| 11-6    | 09181-45008     | SHIM (T:1.5)                  | 1    | REV GEAR |
| 11-7    | 09181-45009     | SHIM (T:1.6)                  | 1    | REV GEAR |
| 12      | 57500-92813     | SHIM SET, FWD GEAR            | 1    | FWD GEAR |
| 13-1    | 09181-70001     | .SHIM (T:0.70)                | 1    | FWD GEAR |
| 13-2    | 09181-70002     | .SHIM (T:0.80)                | 1    | FWD GEAR |
| 13-3    | 09181-70003     | .SHIM (T:0.90)                | 1    | FWD GEAR |
| 13-4    | 09181-70004     | .SHIM (T:1.00)                | 1    | FWD GEAR |
| 13-5    | 09181-70006     | .SHIM (T:0.60)                | 1    | FWD GEAR |
| 13-6    | 09181-70009     | .SHIM (T:0.65)                | 1    | FWD GEAR |
| 13-7    | 09181-70010     | .SHIM (T:0.75)                | 1    | FWD GEAR |
| 13-8    | 09181-70011     | .SHIM (T:0.85)                | 1    | FWD GEAR |
| 13-9    | 09181-70012     | .SHIM (T:0.95)                | 1    | FWD GEAR |
| 14      | 09269-70001     | BEARING (70X95X4)             | 1    |          |
| 15      | 57610-92J20     | SHAFT ASSY, PROPELLER         | 1    |          |
| 16      | 57621-92J10     | SHIFTER, CLUTCH DOG           | 1    |          |
| 17      | 09202-07002     | PIN (7X48)                    | 1    |          |
| 18      | 57631-92J00     | PIN, CONNECTOR                | 1    |          |
| 19      | 09440-09040     | SPRING                        | 1    |          |
| 20      | 06111-07004     | BALL                          | 2    | NO.1     |
| 21      | 06111-11004     | BALL                          | 2    | NO.2     |
| 22      | 09440-49004     | SPRING                        | 1    |          |
| 23      | 57616-90J00     | SPACER, CLUTCH DOG FWD        | 1    |          |
| 24      | 56120-92J01-0EP | HOUSING, PROP SFT BRG (BLACK) | 1    |          |
| 25      | 56123-92J00     | .WASHER, OIL SEAL PROTECTOR   | 1    |          |
| 26      | 09263-30051     | .BEARING (30X37X26)           | 1    |          |
| 27      | 09280-97001     | .O RING (D:3.5,ID:95)         | 1    |          |
| 28      | 09282-30007     | .OIL SEAL (30X50X6)           | 2    |          |
| 29      | 08113-62090     | .BEARING                      | 1    |          |
| 30      | 09387-52001     | .RING                         | 1    |          |
| 31      | 09117-08047     | BOLT (8X30)                   | 2    |          |
| 32      | 56130-90J00     | HOUSING                       | 1    |          |

FIG.39

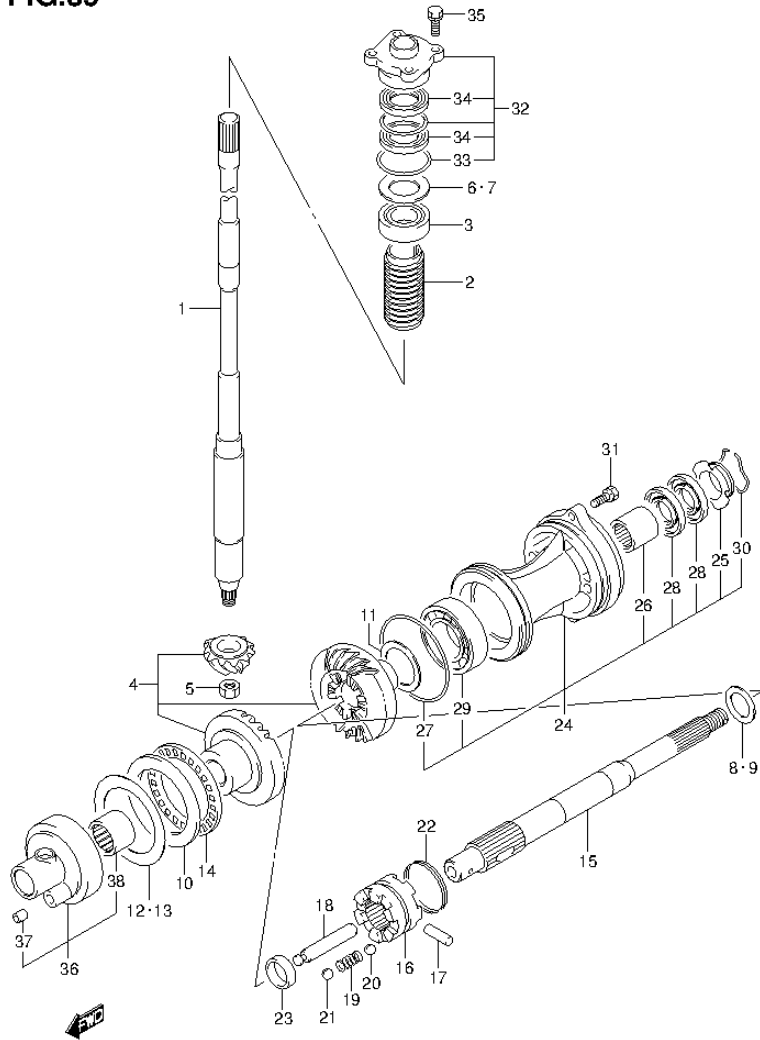


FIG.39 (1-E-6) TRANSMISSION (DF140AT E40)

| REF NO. | PART NO.    | DESCRIPTION             | Q'TY | REMARKS |
|---------|-------------|-------------------------|------|---------|
| 33      | 09280-46004 | .O RING (D:3.5,ID:45.7) | 1    |         |
| 34      | 09282-24004 | .OIL SEAL (24X40X7)     | 2    |         |
| 35      | 09117-08110 | BOLT (8X25)             | 4    |         |
| 36      | 56140-92J00 | HOUSING, FWD GEAR BRG   | 1    |         |
| 37      | 09206-09012 | .PIN (7.4X9X10)         | 1    |         |
| 38      | 09263-50001 | .BEARING (50X62X25)     | 1    |         |

FIG.40

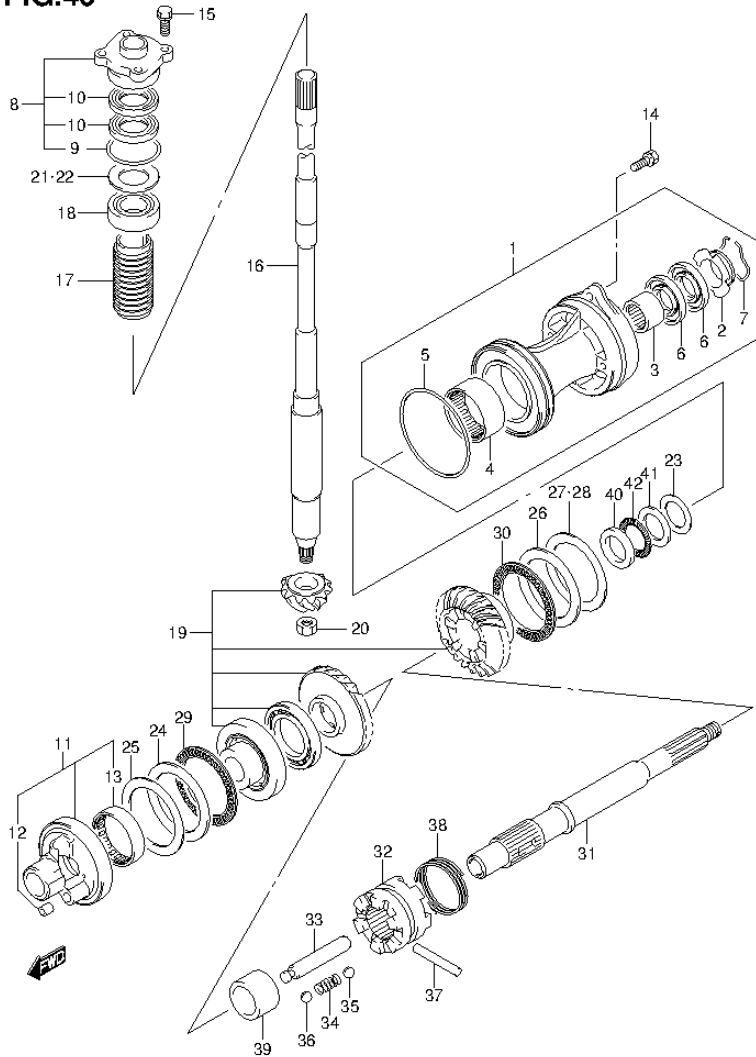


FIG.40 (1-E-7) TRANSMISSION (DF140AZ E01)

| REF NO. | PART NO.        | DESCRIPTION                   | Q'TY | REMARKS      |
|---------|-----------------|-------------------------------|------|--------------|
| 1       | 56120-92J12-0EP | HOUSING, PROP SFT BRG (BLACK) | 1    |              |
| 2       | 56123-92J00     | .WASHER, OIL SEAL PROTECTOR   | 1    |              |
| 3       | 09263-30051     | .BEARING (30X37X26)           | 1    |              |
| 4       | 09263-50001     | .BEARING (50X62X25)           | 1    |              |
| 5       | 09280-97001     | .O RING (D:3.5;ID:95)         | 1    |              |
| 6       | 09282-30007     | .OIL SEAL (30X50X6)           | 2    |              |
| 7       | 09387-52001     | .CIRCLIP                      | 1    |              |
| 8       | 56130-90J00     | HOUSING, DRIVE SHAFT BRG      | 1    |              |
| 9       | 09280-46004     | .O RING (D:3.5;ID:45.7)       | 1    |              |
| 10      | 09282-24004     | .OIL SEAL (24X40X7)           | 2    |              |
| 11      | 56140-92J30     | HOUSING, REV GEAR BRG         | 1    |              |
| 12      | 09206-09012     | .PIN (7.4X9X10)               | 1    |              |
| 13      | 09263-45004     | .BEARING (45X52X16)           | 1    |              |
| 14      | 09117-08047     | BOLT (8X30)                   | 2    |              |
| 15      | 09117-08110     | BOLT (8X25)                   | 4    |              |
| 16-1    | 57110-92J60     | SHAFT, DRIVE (L)              | 1    | W/TRANSOM(L) |
| 16-2    | 57110-92J70     | SHAFT, DRIVE (X)              | 1    | W/TRANSOM(X) |
| 17      | 57133-90J01     | COLLAR, DRIVE SHAFT           | 1    |              |
| 18      | 09265-25040     | BEARING (25X52X29.25)         | 1    |              |
| 19      | 57300-92870     | PINION/GEAR SET               | 1    |              |
| 20      | 09140-14024     | NUT                           | 1    |              |
| 21      | 57500-87873     | SHIM SET, DRIVE SHAFT         | 1    |              |
| 22-1    | 09181-40186     | .SHIM (T:0.50)                | 1    |              |
| 22-2    | 09181-41002     | .SHIM (T:0.55)                | 1    |              |
| 22-3    | 09181-41003     | .SHIM (T:0.60)                | 1    |              |
| 22-4    | 09181-41004     | .SHIM (T:0.65)                | 1    |              |
| 22-5    | 09181-41005     | .SHIM (T:0.70)                | 1    |              |
| 22-6    | 09181-41006     | .SHIM (T:0.75)                | 1    |              |
| 22-7    | 09181-40190     | .SHIM (T:0.80)                | 1    |              |
| 22-8    | 09181-41008     | .SHIM (T:0.85)                | 1    |              |
| 22-9    | 09181-41009     | .SHIM (T:0.90)                | 1    |              |
| 22-10   | 09181-41010     | .SHIM (T:0.95)                | 1    |              |
| 22-11   | 09181-40195     | .SHIM (T:1.00)                | 1    |              |
| 22-12   | 09181-41012     | .SHIM (T:1.05)                | 1    |              |

FIG.40

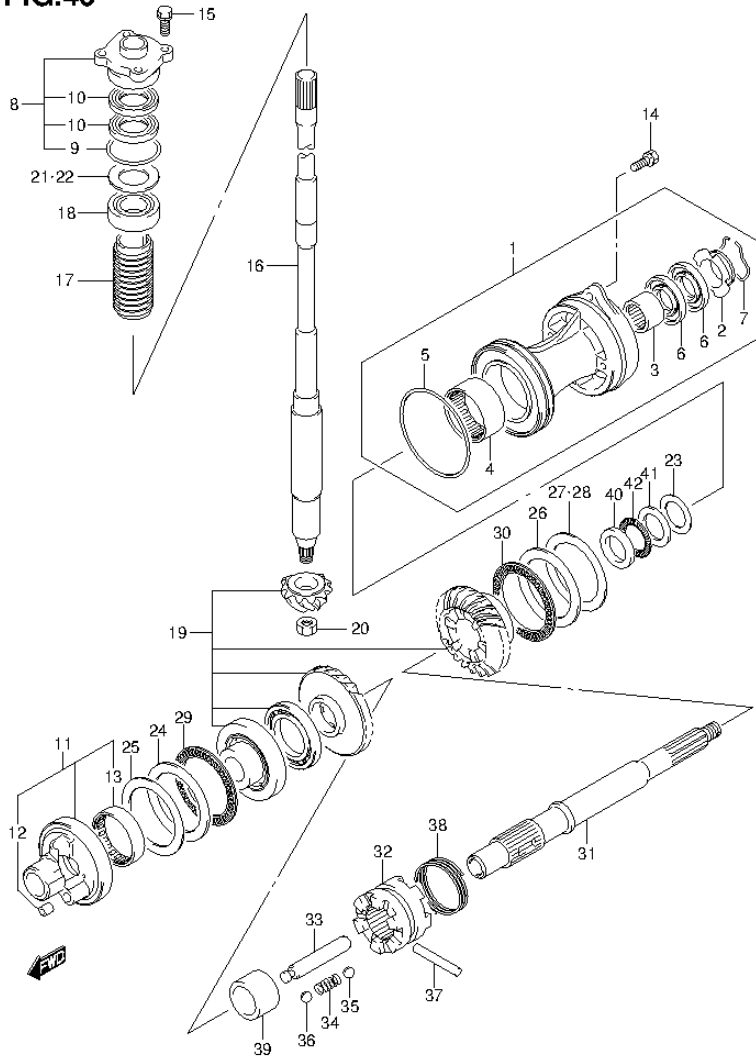
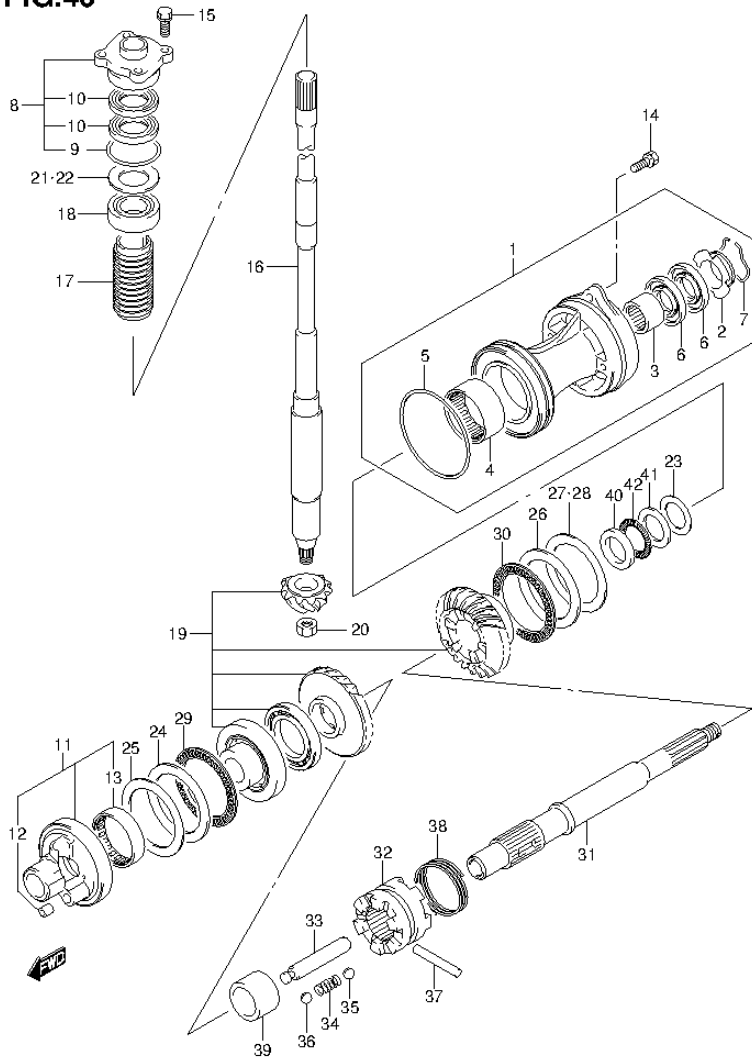


FIG.40 (1-E-8) TRANSMISSION (DF140AZ E01)

| REF NO. | PART NO.    | DESCRIPTION         | Q'TY | REMARKS       |
|---------|-------------|---------------------|------|---------------|
| 22-13   | 09181-41013 | .SHIM (T:1.10)      | 1    |               |
| 22-14   | 09181-41014 | .SHIM (T:1.15)      | 1    |               |
| 23-1    | 09160-35015 | WASHER (T:0.60)     | 1    | PROP SAFT REV |
| 23-2    | 09160-35014 | WASHER (T:0.70)     | 1    | PROP SAFT REV |
| 23-3    | 09160-35013 | WASHER (T:0.80)     | 1    | PROP SAFT REV |
| 23-4    | 09160-35006 | WASHER (T:0.90)     | 1    | PROP SAFT REV |
| 23-5    | 09160-35008 | WASHER (T:0.95)     | 1    | PROP SAFT REV |
| 23-6    | 09160-35002 | WASHER (T:1.00)     | 1    | PROP SAFT REV |
| 23-7    | 09160-35009 | WASHER (T:1.05)     | 1    | PROP SAFT REV |
| 23-8    | 09160-35003 | WASHER (T:1.10)     | 1    | PROP SAFT REV |
| 23-9    | 09160-35010 | WASHER (T:1.15)     | 1    | PROP SAFT REV |
| 24      | 09160-60011 | WASHER (60X85X3)    | 1    | REV GEAR      |
| 25-1    | 09160-60008 | WASHER (T:0.8)      | 1    | REV GEAR      |
| 25-2    | 09160-60009 | WASHER (T:0.9)      | 1    | REV GEAR      |
| 25-3    | 09160-60003 | WASHER (T:1.0)      | 1    | REV GEAR      |
| 25-4    | 09160-60004 | WASHER (T:1.1)      | 1    | REV GEAR      |
| 25-5    | 09160-60005 | WASHER (T:1.2)      | 1    | REV GEAR      |
| 25-6    | 09160-60006 | WASHER (T:1.3)      | 1    | REV GEAR      |
| 25-7    | 09160-60007 | WASHER (T:1.4)      | 1    | REV GEAR      |
| 26      | 09160-70005 | WASHER (70X95X2)    | 1    | FWD GEAR      |
| 27      | 57500-92813 | SHIM SET, FWD GEAR  | 1    | FWD GEAR      |
| 28-1    | 09181-70006 | .SHIM (T:0.60)      | 1    | FWD GEAR      |
| 28-2    | 09181-70009 | .SHIM (T:0.65)      | 1    | FWD GEAR      |
| 28-3    | 09181-70001 | .SHIM (T:0.70)      | 1    | FWD GEAR      |
| 28-4    | 09181-70010 | .SHIM (T:0.75)      | 1    | FWD GEAR      |
| 28-5    | 09181-70002 | .SHIM (T:0.80)      | 1    | FWD GEAR      |
| 28-6    | 09181-70011 | .SHIM (T:0.85)      | 1    | FWD GEAR      |
| 28-7    | 09181-70003 | .SHIM (T:0.90)      | 1    | FWD GEAR      |
| 28-8    | 09181-70012 | .SHIM (T:0.95)      | 1    | FWD GEAR      |
| 28-9    | 09181-70004 | .SHIM (T:1.00)      | 1    | FWD GEAR      |
| 29      | 09269-60001 | BEARING (60X85X3)   | 1    | REV           |
| 30      | 09269-70001 | BEARING (70X95X4)   | 1    | FWD           |
| 31      | 57610-92J31 | SHAFT, PROPELLER    | 1    |               |
| 32      | 57621-92J10 | SHIFTER, CLUTCH DOG | 1    |               |

**FIG.40**



**FIG.40 (1-E-9) TRANSMISSION (DF140AZ E01)**

| REF NO. | PART NO.    | DESCRIPTION            | Q'TY | REMARKS       |
|---------|-------------|------------------------|------|---------------|
| 33      | 57631-92J00 | PIN, CONNECTOR         | 1    |               |
| 34      | 09440-09040 | SPRING                 | 1    |               |
| 35      | 06111-07004 | BALL                   | 2    | NO.1          |
| 36      | 06111-11004 | BALL                   | 2    | NO.2          |
| 37      | 09202-07002 | PIN (7X48)             | 1    |               |
| 38      | 09440-49004 | SPRING                 | 1    |               |
| 39      | 57616-92J00 | SPACER, CLUTCH DOG FWD | 1    |               |
| 40      | 09160-30055 | WASHER (30X47X6)       | 1    | PROP SAFT REV |
| 41      | 09160-30056 | WASHER (32X47X3)       | 1    | PROP SAFT REV |
| 42      | 09269-30014 | BEARING (30X47X2)      | 1    | PROP SAFT REV |

FIG.41

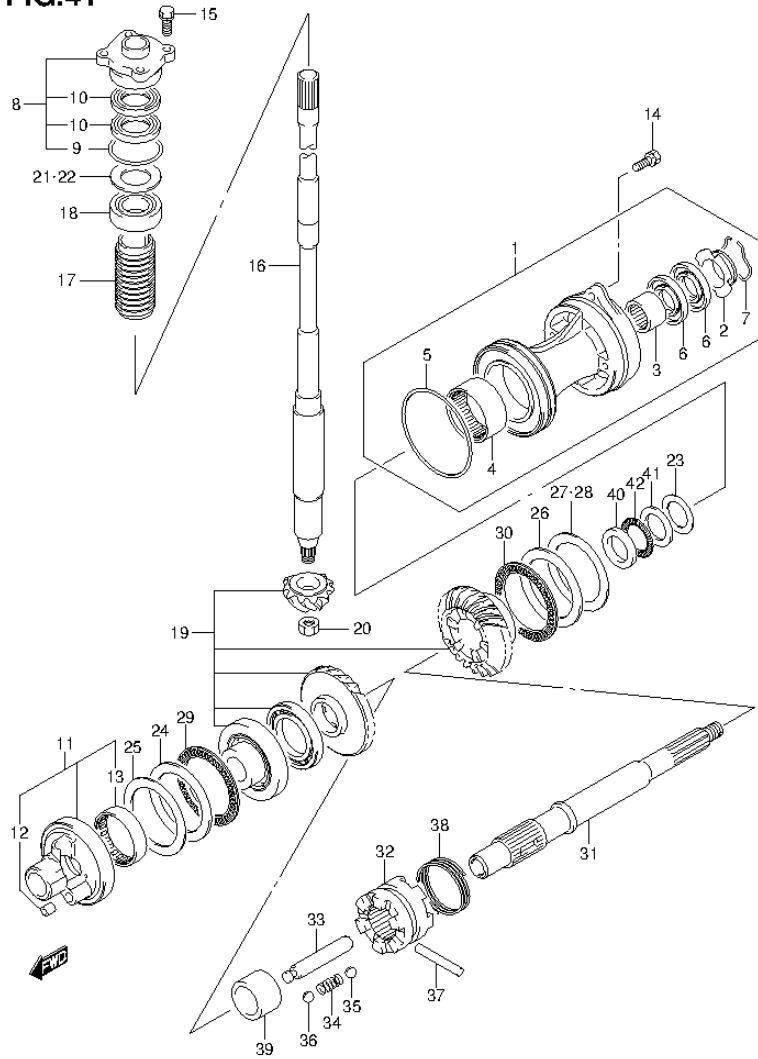


FIG.41 (1-E-10) TRANSMISSION (DF140AZ E40)

| REF NO. | PART NO.        | DESCRIPTION                   | Q'TY | REMARKS      |
|---------|-----------------|-------------------------------|------|--------------|
| 1       | 56120-92J12-0EP | HOUSING, PROP SFT BRG (BLACK) | 1    |              |
| 2       | 56123-92J00     | .WASHER, OIL SEAL PROTECTOR   | 1    |              |
| 3       | 09263-30051     | .BEARING (30X37X26)           | 1    |              |
| 4       | 09263-50001     | .BEARING (50X62X25)           | 1    |              |
| 5       | 09280-97001     | .O RING (D:3.5;ID:95)         | 1    |              |
| 6       | 09282-30007     | .OIL SEAL (30X50X6)           | 2    |              |
| 7       | 09387-52001     | .CIRCLIP                      | 1    |              |
| 8       | 56130-90J00     | HOUSING, DRIVE SHAFT BRG      | 1    |              |
| 9       | 09280-46004     | .O RING (D:3.5;ID:45.7)       | 1    |              |
| 10      | 09282-24004     | .OIL SEAL (24X40X7)           | 2    |              |
| 11      | 56140-92J30     | HOUSING, REV GEAR BRG         | 1    |              |
| 12      | 09206-09012     | .PIN (7.4X9X10)               | 1    |              |
| 13      | 09263-45004     | .BEARING (45X52X16)           | 1    |              |
| 14      | 09117-08047     | BOLT (8X30)                   | 2    |              |
| 15      | 09117-08110     | BOLT (8X25)                   | 4    |              |
| 16-1    | 57110-92J60     | SHAFT, DRIVE (L)              | 1    | W/TRANSOM(L) |
| 16-2    | 57110-92J70     | SHAFT, DRIVE (X)              | 1    | W/TRANSOM(X) |
| 17      | 57133-90J01     | COLLAR, DRIVE SHAFT           | 1    |              |
| 18      | 09265-25040     | BEARING (25X52X29.25)         | 1    |              |
| 19      | 57300-92870     | PINION/GEAR SET               | 1    |              |
| 20      | 09140-14024     | NUT                           | 1    |              |
| 21      | 57500-87873     | SHIM SET, DRIVE SHAFT         | 1    |              |
| 22-1    | 09181-40186     | .SHIM (T:0.50)                | 1    |              |
| 22-2    | 09181-41002     | .SHIM (T:0.55)                | 1    |              |
| 22-3    | 09181-41003     | .SHIM (T:0.60)                | 1    |              |
| 22-4    | 09181-41004     | .SHIM (T:0.65)                | 1    |              |
| 22-5    | 09181-41005     | .SHIM (T:0.70)                | 1    |              |
| 22-6    | 09181-41006     | .SHIM (T:0.75)                | 1    |              |
| 22-7    | 09181-40190     | .SHIM (T:0.80)                | 1    |              |
| 22-8    | 09181-41008     | .SHIM (T:0.85)                | 1    |              |
| 22-9    | 09181-41009     | .SHIM (T:0.90)                | 1    |              |
| 22-10   | 09181-41010     | .SHIM (T:0.95)                | 1    |              |
| 22-11   | 09181-40195     | .SHIM (T:1.00)                | 1    |              |
| 22-12   | 09181-41012     | .SHIM (T:1.05)                | 1    |              |

FIG.41

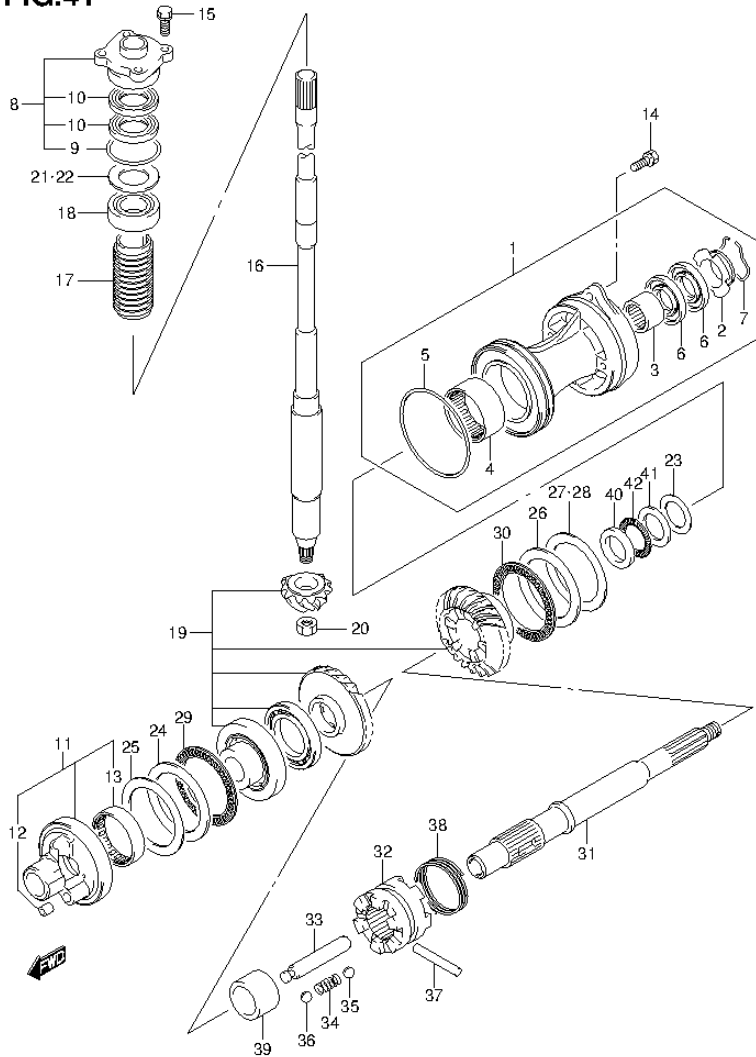
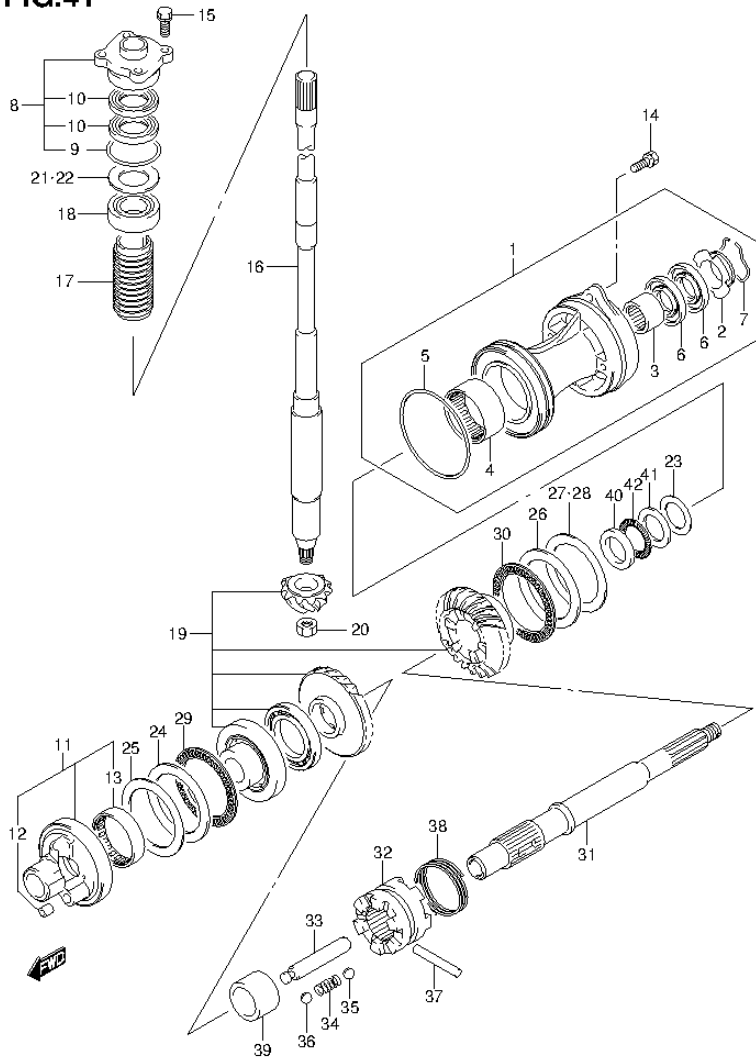


FIG.41 (1-E-11) TRANSMISSION (DF140AZ E40)

| REF NO. | PART NO.    | DESCRIPTION         | Q'TY | REMARKS       |
|---------|-------------|---------------------|------|---------------|
| 22-13   | 09181-41013 | .SHIM (T:1.10)      | 1    |               |
| 22-14   | 09181-41014 | .SHIM (T:1.15)      | 1    |               |
| 23-1    | 09160-35015 | WASHER (T:0.60)     | 1    | PROP SAFT REV |
| 23-2    | 09160-35014 | WASHER (T:0.70)     | 1    | PROP SAFT REV |
| 23-3    | 09160-35013 | WASHER (T:0.80)     | 1    | PROP SAFT REV |
| 23-4    | 09160-35006 | WASHER (T:0.90)     | 1    | PROP SAFT REV |
| 23-5    | 09160-35008 | WASHER (T:0.95)     | 1    | PROP SAFT REV |
| 23-6    | 09160-35002 | WASHER (T:1.00)     | 1    | PROP SAFT REV |
| 23-7    | 09160-35009 | WASHER (T:1.05)     | 1    | PROP SAFT REV |
| 23-8    | 09160-35003 | WASHER (T:1.10)     | 1    | PROP SAFT REV |
| 23-9    | 09160-35010 | WASHER (T:1.15)     | 1    | PROP SAFT REV |
| 24      | 09160-60011 | WASHER (60X85X3)    | 1    | REV GEAR      |
| 25-1    | 09160-60008 | WASHER (T:0.8)      | 1    | REV GEAR      |
| 25-2    | 09160-60009 | WASHER (T:0.9)      | 1    | REV GEAR      |
| 25-3    | 09160-60003 | WASHER (T:1.0)      | 1    | REV GEAR      |
| 25-4    | 09160-60004 | WASHER (T:1.1)      | 1    | REV GEAR      |
| 25-5    | 09160-60005 | WASHER (T:1.2)      | 1    | REV GEAR      |
| 25-6    | 09160-60006 | WASHER (T:1.3)      | 1    | REV GEAR      |
| 25-7    | 09160-60007 | WASHER (T:1.4)      | 1    | REV GEAR      |
| 26      | 09160-70005 | WASHER (70X95X2)    | 1    | FWD GEAR      |
| 27      | 57500-92813 | SHIM SET, FWD GEAR  | 1    | FWD GEAR      |
| 28-1    | 09181-70006 | .SHIM (T:0.60)      | 1    | FWD GEAR      |
| 28-2    | 09181-70009 | .SHIM (T:0.65)      | 1    | FWD GEAR      |
| 28-3    | 09181-70001 | .SHIM (T:0.70)      | 1    | FWD GEAR      |
| 28-4    | 09181-70010 | .SHIM (T:0.75)      | 1    | FWD GEAR      |
| 28-5    | 09181-70002 | .SHIM (T:0.80)      | 1    | FWD GEAR      |
| 28-6    | 09181-70011 | .SHIM (T:0.85)      | 1    | FWD GEAR      |
| 28-7    | 09181-70003 | .SHIM (T:0.90)      | 1    | FWD GEAR      |
| 28-8    | 09181-70012 | .SHIM (T:0.95)      | 1    | FWD GEAR      |
| 28-9    | 09181-70004 | .SHIM (T:1.00)      | 1    | FWD GEAR      |
| 29      | 09269-60001 | BEARING (60X85X3)   | 1    | REV           |
| 30      | 09269-70001 | BEARING (70X95X4)   | 1    | FWD           |
| 31      | 57610-92J31 | SHAFT, PROPELLER    | 1    |               |
| 32      | 57621-92J10 | SHIFTER, CLUTCH DOG | 1    |               |

**FIG.41**



**FIG.41 (1-E-12) TRANSMISSION (DF140AZ E40)**

| REF NO. | PART NO.    | DESCRIPTION            | Q'TY | REMARKS       |
|---------|-------------|------------------------|------|---------------|
| 33      | 57631-92J00 | PIN, CONNECTOR         | 1    |               |
| 34      | 09440-09040 | SPRING                 | 1    |               |
| 35      | 06111-07004 | BALL                   | 2    | NO.1          |
| 36      | 06111-11004 | BALL                   | 2    | NO.2          |
| 37      | 09202-07002 | PIN (7X48)             | 1    |               |
| 38      | 09440-49004 | SPRING                 | 1    |               |
| 39      | 57616-92J00 | SPACER, CLUTCH DOG FWD | 1    |               |
| 40      | 09160-30055 | WASHER (30X47X6)       | 1    | PROP SAFT REV |
| 41      | 09160-30056 | WASHER (32X47X3)       | 1    | PROP SAFT REV |
| 42      | 09269-30014 | BEARING (30X47X2)      | 1    | PROP SAFT REV |

FIG.42

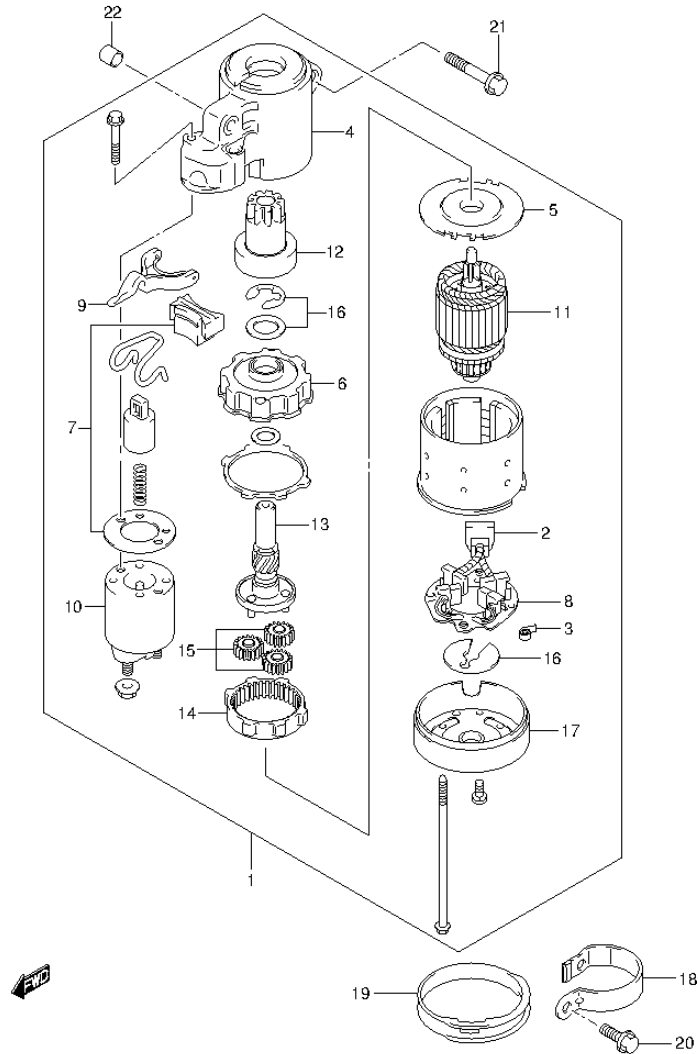


FIG.42 (1-E-13) STARTING MOTOR

| REF NO. | PART NO.    | DESCRIPTION           | Q'TY | REMARKS |
|---------|-------------|-----------------------|------|---------|
| 1       | 31100-90J01 | STARTING MOTOR        | 1    |         |
| 2       | 31131-90J01 | .BRUSH SET, PLUS      | 1    |         |
| 3       | 31135-90J00 | .SPRING               | 4    |         |
| 4       | 31151-90J00 | .CASE, GEAR           | 1    |         |
| 5       | 31152-90J00 | .PLATE, CENTER        | 1    |         |
| 6       | 31153-90J00 | .BRACKET, PLANET GEAR | 1    |         |
| 7       | 31171-90J00 | .COVER KIT, DUST      | 1    |         |
| 8       | 31173-90J01 | .HOLDER, BRUSH        | 1    |         |
| 9       | 31191-90J00 | .LEVER, SHIFT         | 1    |         |
| 10      | 31220-90J00 | .SWITCH, MAGNET       | 1    |         |
| 11      | 31310-90J00 | .ARMATURE             | 1    |         |
| 12      | 31320-90J00 | .PINION               | 1    |         |
| 13      | 31341-90J00 | .SHAFT, PINION        | 1    |         |
| 14      | 31343-90J00 | .INTERNAL GEAR        | 1    |         |
| 15      | 31344-90J00 | .GEAR, PLANETARY      | 3    |         |
| 16      | 31360-90J00 | .WASHER SET           | 1    |         |
| 17      | 31170-90J00 | .COVER ASSY, REAR     | 1    |         |
| 18      | 31912-90J00 | BAND, STARTING MOTOR  | 1    |         |
| 19      | 31918-90J10 | DAMPER, LOWER         | 1    |         |
| 20      | 01550-08207 | BOLT                  | 2    |         |
| 21      | 01550-10507 | BOLT                  | 2    |         |
| 22      | 04211-13149 | PIN                   | 2    |         |

FIG.43

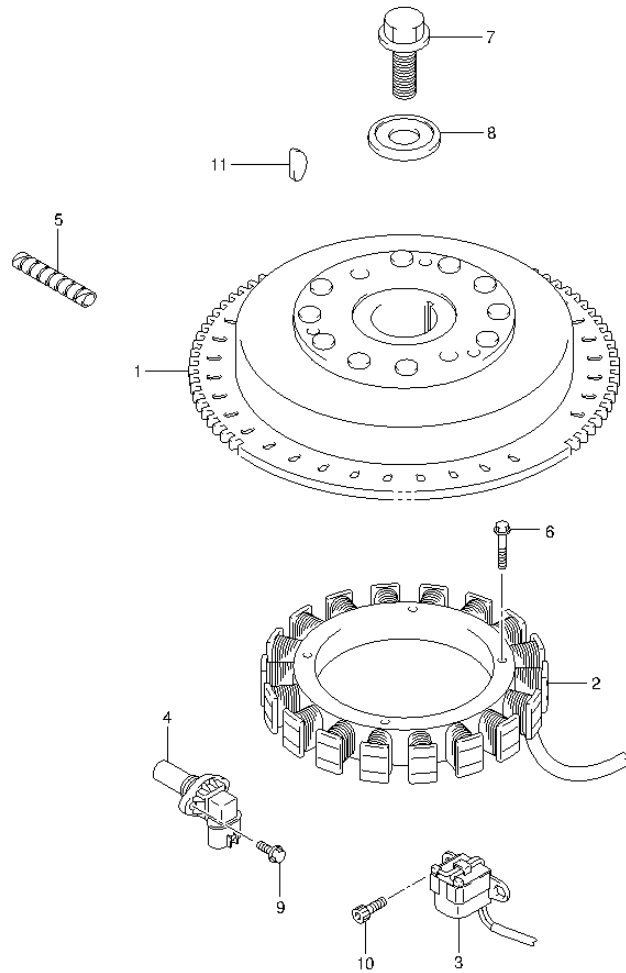


FIG.43 (1-E-14) MAGNETO

| REF NO. | PART NO.    | DESCRIPTION            | Q'TY | REMARKS    |
|---------|-------------|------------------------|------|------------|
| 1       | 32102-92J20 | FLYWHEEL               | 1    |            |
| 2       | 32120-92J00 | COIL, BATTERY CHARGING | 1    |            |
| 3       | 32160-92J00 | COIL, IGNITION TIMING  | 1    |            |
| 4       | 33220-50M10 | SENSOR, CAM POSITION   | 1    |            |
| 5       | 33833-91J00 | TUBE                   | 1    | L:250->100 |
| 6       | 09103-06231 | BOLT (6X35)            | 4    |            |
| 7       | 09103-16004 | BOLT (16X50)           | 1    |            |
| 8       | 09160-16048 | WASHER (16.5X60X7)     | 1    |            |
| 9       | 01547-06167 | BOLT                   | 1    |            |
| 10      | 09106-05030 | BOLT (5X10)            | 2    |            |
| 11      | 08341-31059 | KEY                    | 1    |            |

FIG.44

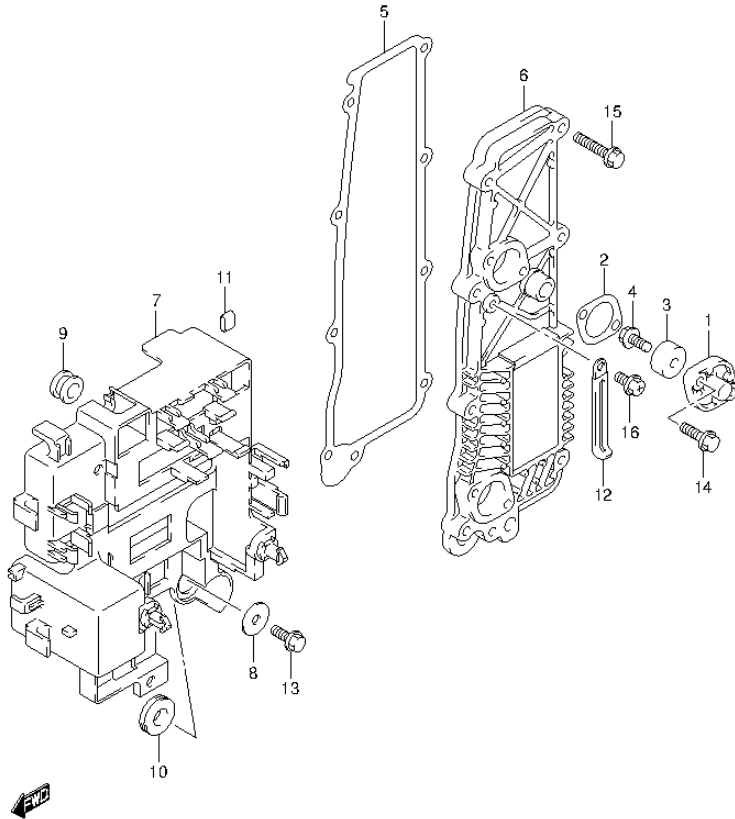
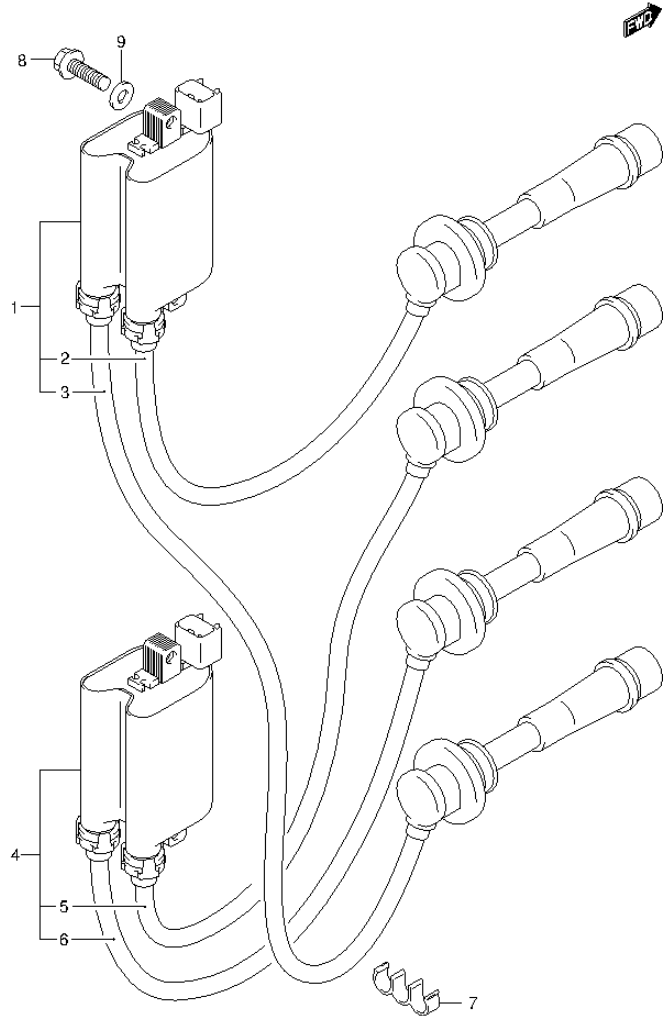


FIG.44 (1-E-15) RECTIFIER

| REF NO. | PART NO.    | DESCRIPTION              | Q'TY | REMARKS |
|---------|-------------|--------------------------|------|---------|
| 1       | 11261-87E10 | COVER, PROTECTION ANODE  | 2    |         |
| 2       | 11265-87E10 | GASKET, PROTECTION COVER | 2    |         |
| 3-1     | 55321-87J00 | ANODE, PROTECTION        | 2    |         |
| 3-2     | 55321-87J10 | ANODE (MAGNESIUM)        | 2    | OPT     |
| 4       | 09103-06281 | BOLT (6X14)              | 2    |         |
| 5       | 14151-90J00 | GASKET, RECTIFIER        | 1    |         |
| 6       | 32800-92J00 | RECTIFIER & REGULATOR    | 1    |         |
| 7       | 32890-92J00 | HOLDER, ELECTRIC PARTS   | 1    |         |
| 8       | 09160-06054 | WASHER (6.5X22X1.6)      | 1    |         |
| 9       | 09320-10008 | CUSHION                  | 2    |         |
| 10      | 09320-12011 | CUSHION                  | 1    |         |
| 11      | 09329-01007 | CUSHION                  | 1    |         |
| 12      | 29404-93J10 | CLAMP                    | 1    |         |
| 13      | 01550-06167 | BOLT                     | 1    |         |
| 14      | 01550-06207 | BOLT                     | 4    |         |
| 15      | 01550-06307 | BOLT                     | 9    |         |
| 16      | 02162-06127 | BOLT                     | 1    |         |

**FIG.45**



**FIG.45 (1-F-2) IGNITION COIL**

| REF NO. | PART NO.    | DESCRIPTION         | Q'TY | REMARKS |
|---------|-------------|---------------------|------|---------|
| 1       | 33410-90J00 | COIL ASSY, IGNITION | 1    |         |
| 2       | 33710-90J00 | .CORD, HIGH TENSION | 1    | NO.1    |
| 3       | 33740-90J00 | .CORD, HIGH TENSION | 1    | NO.4    |
| 4       | 33420-90J00 | COIL ASSY, IGNITION | 1    |         |
| 5       | 33720-90J00 | .CORD, HIGH TENSION | 1    | NO.2    |
| 6       | 33730-90J00 | .CORD, HIGH TENSION | 1    | NO.3    |
| 7       | 09408-00035 | CLIP                | 2    |         |
| 8       | 01550-06257 | BOLT                | 4    |         |
| 9       | 08322-01067 | WASHER              | 4    |         |

FIG.46

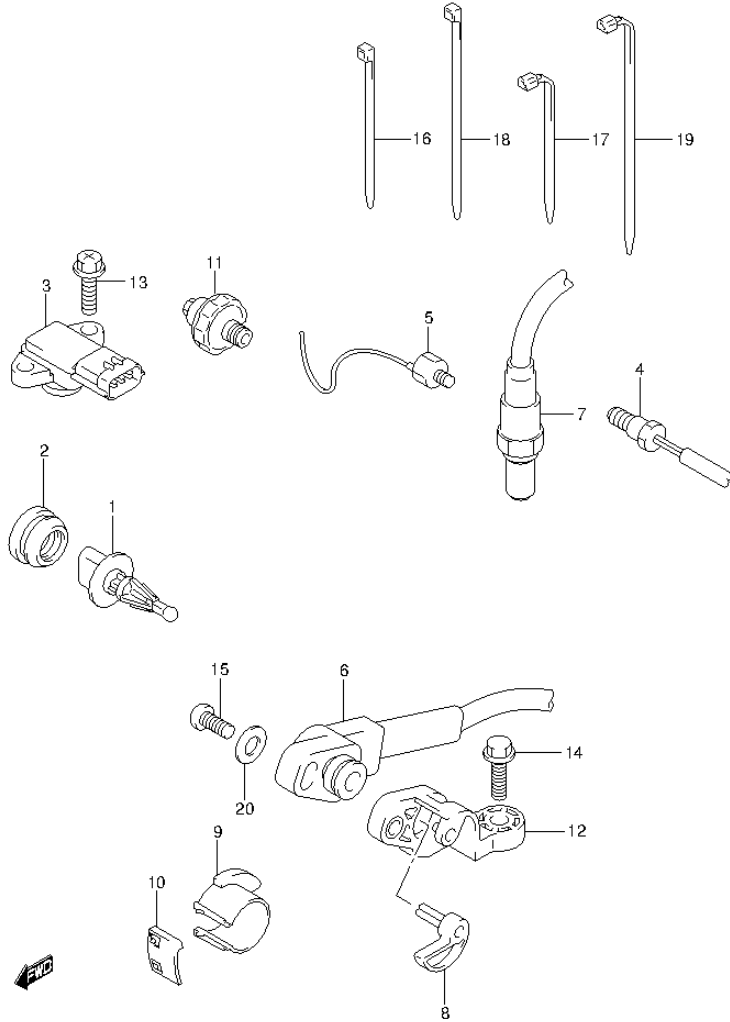


FIG.46 (1-F-3) SENSOR

| REF NO. | PART NO.    | DESCRIPTION               | Q'TY | REMARKS |
|---------|-------------|---------------------------|------|---------|
| 1       | 13650-52G00 | SENSOR, INLET AIR TEMP    | 1    |         |
| 2       | 13655-87J00 | GROMMET, AIR TEMP SENSOR  | 1    |         |
| 3       | 18590-68H00 | SENSOR, PRESSURE          | 1    |         |
| 4       | 34830-87J20 | SENSOR ASSY, EXHAUST TEMP | 2    |         |
| 5       | 18640-78G00 | SENSOR ASSY, NOCK         | 1    |         |
| 6       | 34840-98J03 | SENSOR ASSY, TRIM         | 1    |         |
| 7       | 18213-98J00 | SENSOR, OXYGEN            | 1    |         |
| 8       | 34841-92J00 | LEVER, TRIM SENSOR        | 1    |         |
| 9       | 34842-92J00 | CAM, TRIM SENSOR UPPER    | 1    |         |
| 10      | 34843-87L00 | CAM, TRIM SENSOR LOWER    | 1    |         |
| 11      | 37820-99E01 | SWITCH, OIL PRESSURE      | 1    |         |
| 12      | 34845-92J00 | BRACKET, TRIM SENSOR      | 1    |         |
| 13      | 02162-05207 | SCREW                     | 2    |         |
| 14      | 09103-06093 | BOLT (6X20)               | 1    |         |
| 15      | 09125-05046 | SCREW (5X12)              | 1    |         |
| 16      | 09407-10404 | CLAMP (L:100)             | 1    |         |
| 17      | 09407-11401 | CLAMP (L:95)              | 1    |         |
| 18      | 09407-14407 | CLAMP (L:145)             | 2    |         |
| 19      | 09407-18402 | CLAMP (L:165)             | 1    |         |
| 20      | 34846-87L00 | WASHER, TRIM SENSOR       | 1    |         |

FIG.47

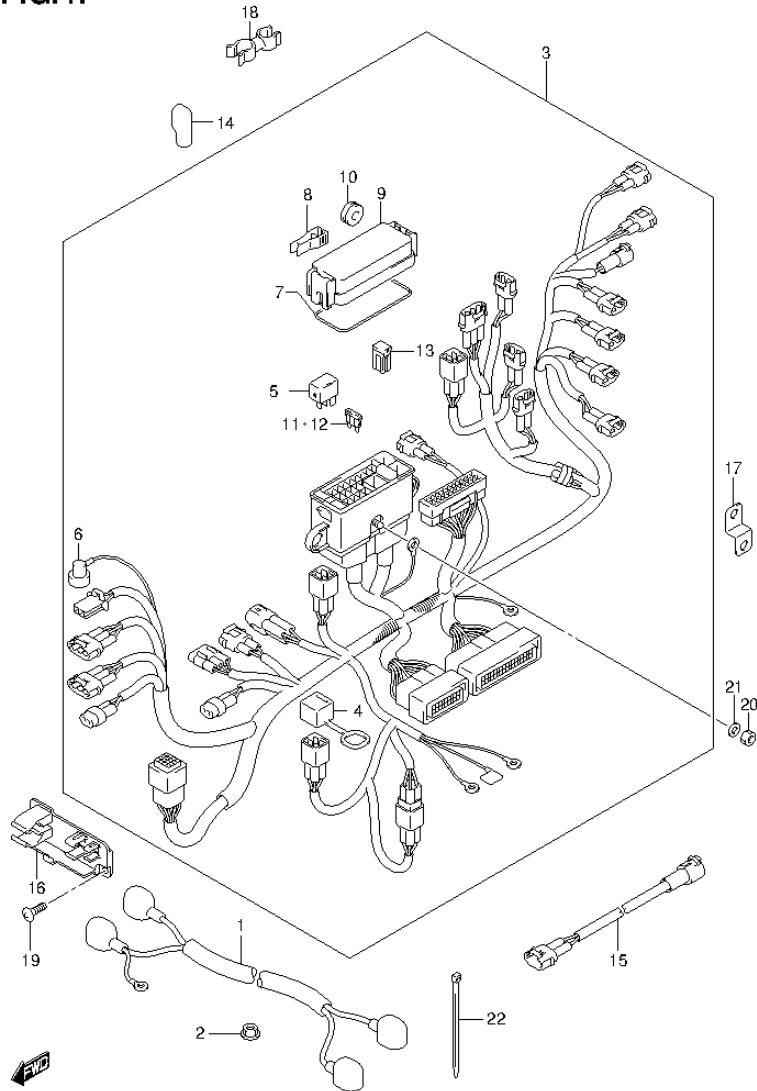


FIG.47 (1-F-4) HARNESS

| REF NO. | PART NO.    | DESCRIPTION               | Q'TY | REMARKS |
|---------|-------------|---------------------------|------|---------|
| 1       | 33810-90J10 | CABLE, STARTER MOTOR      | 1    |         |
| 2       | 08316-10087 | NUT                       | 1    |         |
| 3       | 36610-92J00 | HARNESS, ASSY WIRING      | 1    |         |
| 4       | 33634-96J00 | .CAP, SERVICE CONNECTOR   | 1    |         |
| 5       | 38860-76F01 | .RELAY ASSY               | 2    |         |
| 6       | 36618-43410 | .CAP, OIL PRESSURE SWITCH | 1    |         |
| 7       | 36721-96J00 | ..O RING, UPPER COVER     | 1    |         |
| 8       | 36737-96J00 | ..PULLER, FUSE            | 1    |         |
| 9       | 36738-88L00 | ..COVER, FUSE CASE UPPER  | 1    |         |
| 10      | 09320-08021 | ..CUSHION                 | 2    |         |
| 11      | 09481-15501 | .FUSE (15A)               | 3    |         |
| 12      | 09481-30501 | .FUSE (30A)               | 3    |         |
| 13      | 09481-60401 | .FUSE (60A)               | 3    |         |
| 14      | 36612-96J00 | CAP, TERMINAL             | 1    |         |
| 15      | 36611-92J00 | HARNESS ASSY, WIRING SUB  | 1    |         |
| 16      | 36616-90J10 | HOLDER, REMOCON CONNECTOR | 1    |         |
| 17      | 36617-93J10 | BRACKET, HARNESS          | 1    |         |
| 18      | 09408-00111 | CLAMP                     | 1    |         |
| 19      | 02142-06167 | SCREW                     | 2    |         |
| 20      | 08310-00067 | NUT                       | 1    |         |
| 21      | 08321-01067 | WASHER                    | 1    |         |
| 22      | 09407-10404 | CLAMP (L:100)             | 2    |         |

FIG.48

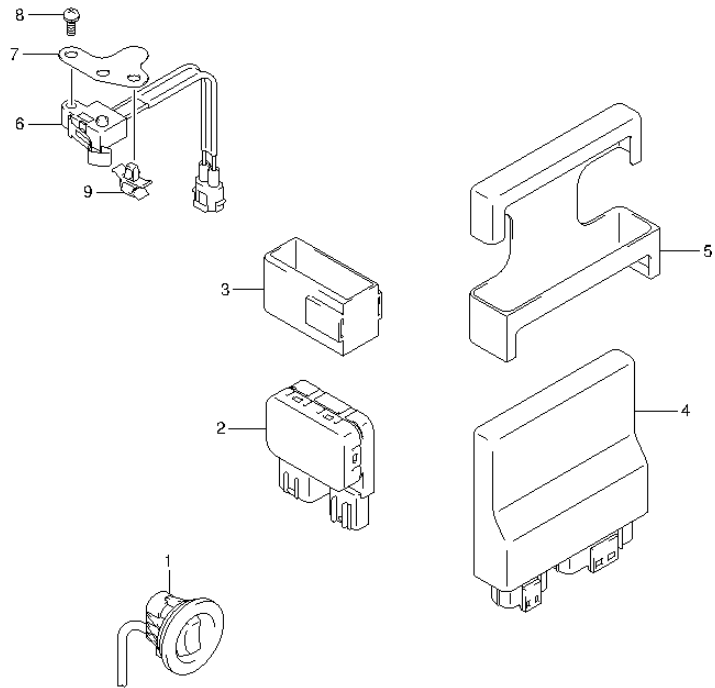


FIG.48 (1-F-5) PTT SWITCH/ENGINE CONTROL UNIT

| REF NO. | PART NO.    | DESCRIPTION                  | Q'TY | REMARKS |
|---------|-------------|------------------------------|------|---------|
| 1       | 37850-99E04 | SWITCH, ASSY PTT             | 1    |         |
| 2       | 38410-93J20 | RELAY, PTT                   | 1    |         |
| 3       | 38415-93J20 | HOLDER, PTT RELAY            | 1    |         |
| 4       | 33920-92J80 | UNIT, ENGINE CONTROL         | 1    |         |
| 5       | 33925-92J00 | CUSHION, ENGINE CONTROL UNIT | 1    |         |
| 6       | 37721-93J00 | SWITCH ASSY, NEUTRAL         | 1    |         |
| 7       | 37726-90J10 | BRACKET, NEUTRAL SWITCH      | 1    |         |
| 8       | 09137-04004 | SCREW (4X16)                 | 2    |         |
| 9       | 09403-06316 | CLIP                         | 1    |         |



FIG.49

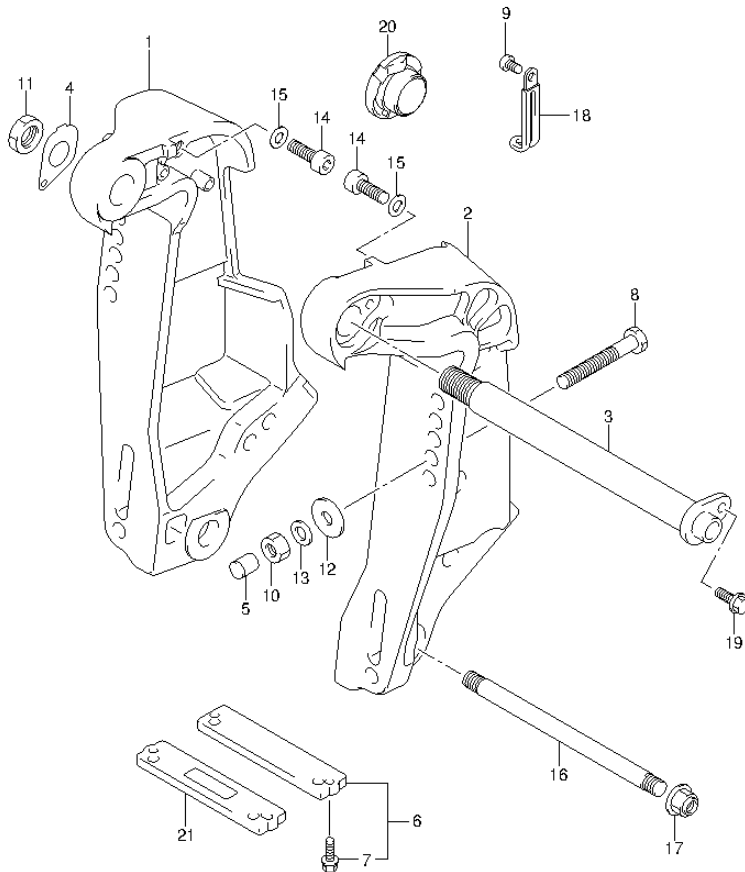


FIG.49 (1-F-6) CLAMP BRACKET (DF140AT E01)

| REF NO. | PART NO.        | DESCRIPTION                 | Q'TY | REMARKS |
|---------|-----------------|-----------------------------|------|---------|
| 1       | 41111-92J03-0EP | BRACKET, CLAMP STBD (BLACK) | 1    |         |
| 2       | 41121-92J20-0EP | BRACKET, CLAMP PORT (BLACK) | 1    |         |
| 3       | 41130-92J30     | SHAFT, CLAMP BRKT           | 1    |         |
| 4       | 41135-92J00     | WASHER, CLAMP BRACKET SHAFT | 1    |         |
| 5       | 41153-94500     | CAP, TRANSOM BOLT           | 4    |         |
| 6       | 55320-94900     | ZINC, PROTECTION            | 1    |         |
| 7       | 09116-06121     | .BOLT (6X25)                | 2    |         |
| 8-1     | 09100-12090     | BOLT (12X150)               | 4    |         |
| 8-2     | 09100-12091     | BOLT (12X115)               | 1    | OPT     |
| 9       | 09125-06063     | SCREW (6X10)                | 1    |         |
| 10      | 09159-12014     | NUT                         | 4    |         |
| 11      | 09159-22006     | NUT                         | 1    |         |
| 12      | 09160-12044     | WASHER (12.5X35X3.2)        | 4    |         |
| 13      | 09160-12110     | WASHER (12.5X22X3)          | 4    |         |
| 14      | 09106-10065     | BOLT (10X20)                | 2    |         |
| 15      | 09160-10082     | WASHER (10.5X19X2)          | 2    |         |
| 16      | 45421-87D02     | PIN, TILT LOCK              | 1    |         |
| 17      | 09159-14020     | NUT                         | 2    |         |
| 18      | 29404-93J10     | CLAMP                       | 1    |         |
| 19      | 09116-08137     | BOLT (8X22)                 | 1    |         |
| 20      | 48140-93J01     | CAM, TILT LIMIT SWITCH      | 1    | OPT     |
| 21      | 55321-94910     | ANODE (MAGNESIUM)           | 1    | OPT     |



FIG.50

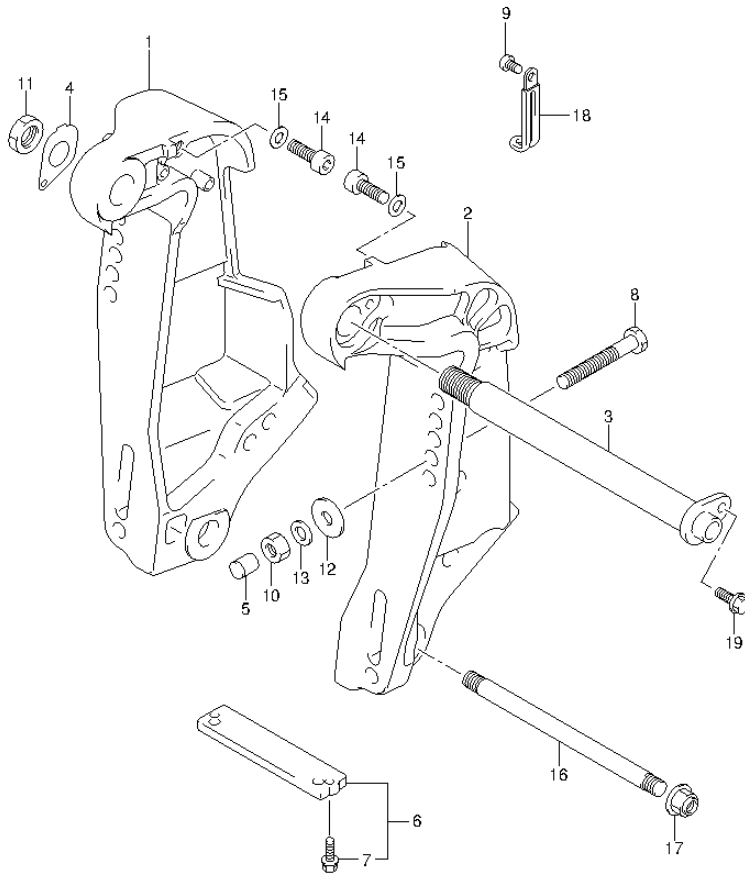


FIG.50 (1-F-7) CLAMP BRACKET (DF140AT E40)

| REF NO. | PART NO.        | DESCRIPTION                 | Q'TY | REMARKS |
|---------|-----------------|-----------------------------|------|---------|
| 1       | 41111-92J03-0EP | BRACKET, CLAMP STBD (BLACK) | 1    |         |
| 2       | 41121-92J20-0EP | BRACKET, CLAMP PORT (BLACK) | 1    |         |
| 3       | 41130-92J30     | SHAFT, CLAMP BRKT           | 1    |         |
| 4       | 41135-92J00     | WASHER, CLAMP BRACKET SHAFT | 1    |         |
| 5       | 41153-94500     | CAP, TRANSOM BOLT           | 4    |         |
| 6       | 55320-94900     | ZINC, PROTECTION            | 1    |         |
| 7       | 09116-06121     | .BOLT (6X25)                | 2    |         |
| 8       | 09100-12090     | BOLT (12X150)               | 4    |         |
| 9       | 09125-06063     | SCREW (6X10)                | 1    |         |
| 10      | 09159-12014     | NUT                         | 4    |         |
| 11      | 09159-22006     | NUT                         | 1    |         |
| 12      | 09160-12044     | WASHER (12.5X35X3.2)        | 4    |         |
| 13      | 09160-12110     | WASHER (12.5X22X3)          | 4    |         |
| 14      | 09106-10065     | BOLT (10X20)                | 2    |         |
| 15      | 09160-10082     | WASHER (10.5X19X2)          | 2    |         |
| 16      | 45421-87D02     | PIN, TILT LOCK              | 1    |         |
| 17      | 09159-14020     | NUT                         | 2    |         |
| 18      | 29404-93J10     | CLAMP                       | 1    |         |
| 19      | 09116-08137     | BOLT (8X22)                 | 1    |         |



FIG.51

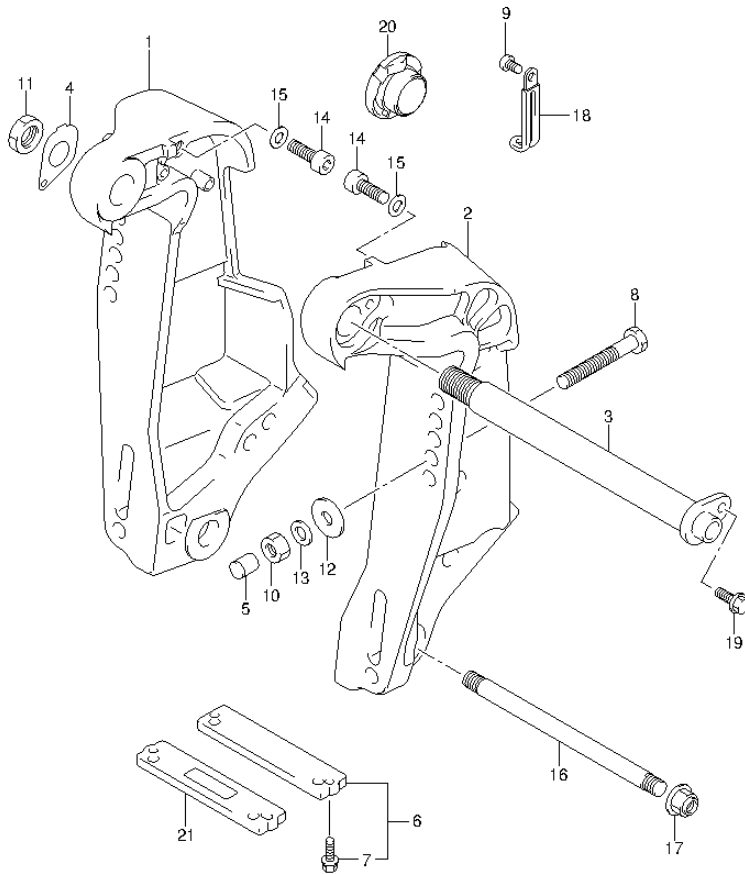


FIG.51 (1-F-8) CLAMP BRACKET (DF140AZ E01)

| REF NO. | PART NO.        | DESCRIPTION                 | Q'TY | REMARKS |
|---------|-----------------|-----------------------------|------|---------|
| 1       | 41111-92J03-0EP | BRACKET, CLAMP STBD (BLACK) | 1    |         |
| 2       | 41121-92J20-0EP | BRACKET, CLAMP PORT (BLACK) | 1    |         |
| 3       | 41130-92J30     | SHAFT, CLAMP BRKT           | 1    |         |
| 4       | 41135-92J00     | WASHER, CLAMP BRACKET SHAFT | 1    |         |
| 5       | 41153-94500     | CAP, TRANSOM BOLT           | 4    |         |
| 6       | 55320-94900     | ZINC, PROTECTION            | 1    |         |
| 7       | 09116-06121     | .BOLT (6X25)                | 2    |         |
| 8-1     | 09100-12090     | BOLT (12X150)               | 4    |         |
| 8-2     | 09100-12091     | BOLT (12X115)               | 1    | OPT     |
| 9       | 09125-06063     | SCREW (6X10)                | 1    |         |
| 10      | 09159-12014     | NUT                         | 4    |         |
| 11      | 09159-22006     | NUT                         | 1    |         |
| 12      | 09160-12044     | WASHER (12.5X35X3.2)        | 4    |         |
| 13      | 09160-12110     | WASHER (12.5X22X3)          | 4    |         |
| 14      | 09106-10065     | BOLT (10X20)                | 2    |         |
| 15      | 09160-10082     | WASHER (10.5X19X2)          | 2    |         |
| 16      | 45421-87D02     | PIN, TILT LOCK              | 1    |         |
| 17      | 09159-14020     | NUT                         | 2    |         |
| 18      | 29404-93J10     | CLAMP                       | 1    |         |
| 19      | 09116-08137     | BOLT (8X22)                 | 1    |         |
| 20      | 48140-93J01     | CAM, TILT LIMIT SWITCH      | 1    | OPT     |
| 21      | 55321-94910     | ANODE (MAGNESIUM)           | 1    | OPT     |



FIG.52

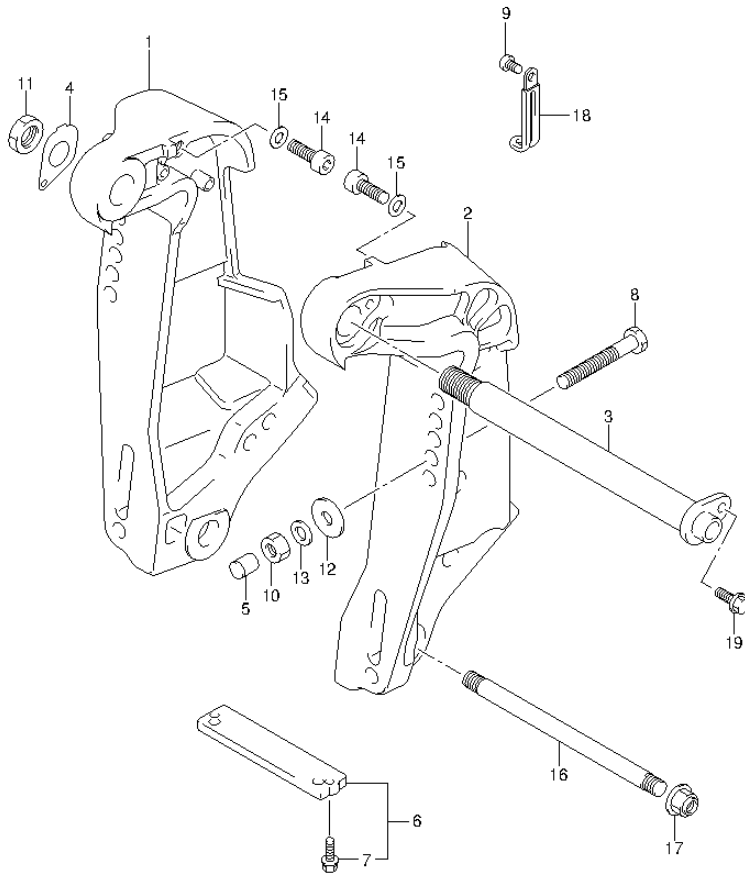


FIG.52 (1-F-9) CLAMP BRACKET (DF140AZ E40)

| REF NO. | PART NO.        | DESCRIPTION                 | Q'TY | REMARKS |
|---------|-----------------|-----------------------------|------|---------|
| 1       | 41111-92J03-0EP | BRACKET, CLAMP STBD (BLACK) | 1    |         |
| 2       | 41121-92J20-0EP | BRACKET, CLAMP PORT (BLACK) | 1    |         |
| 3       | 41130-92J30     | SHAFT, CLAMP BRKT           | 1    |         |
| 4       | 41135-92J00     | WASHER, CLAMP BRACKET SHAFT | 1    |         |
| 5       | 41153-94500     | CAP, TRANSOM BOLT           | 4    |         |
| 6       | 55320-94900     | ZINC, PROTECTION            | 1    |         |
| 7       | 09116-06121     | .BOLT (6X25)                | 2    |         |
| 8       | 09100-12090     | BOLT (12X150)               | 4    |         |
| 9       | 09125-06063     | SCREW (6X10)                | 1    |         |
| 10      | 09159-12014     | NUT                         | 4    |         |
| 11      | 09159-22006     | NUT                         | 1    |         |
| 12      | 09160-12044     | WASHER (12.5X35X3.2)        | 4    |         |
| 13      | 09160-12110     | WASHER (12.5X22X3)          | 4    |         |
| 14      | 09106-10065     | BOLT (10X20)                | 2    |         |
| 15      | 09160-10082     | WASHER (10.5X19X2)          | 2    |         |
| 16      | 45421-87D02     | PIN, TILT LOCK              | 1    |         |
| 17      | 09159-14020     | NUT                         | 2    |         |
| 18      | 29404-93J10     | CLAMP                       | 1    |         |
| 19      | 09116-08137     | BOLT (8X22)                 | 1    |         |



FIG.53

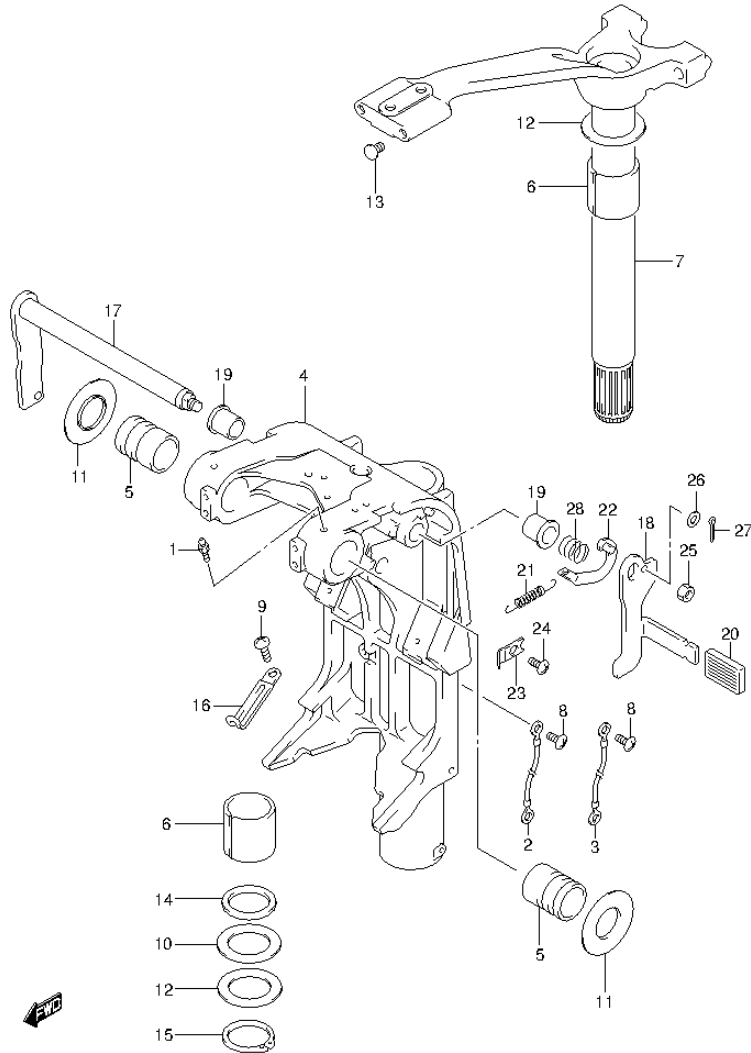


FIG.53 (1-F-10) SWIVEL BRACKET

| REF NO. | PART NO.        | DESCRIPTION                   | Q'TY | REMARKS      |
|---------|-----------------|-------------------------------|------|--------------|
| 1       | 22511-99011     | NIPPLE, GREASE                | 4    |              |
| 2       | 36894-95201     | LEAD (CLAMP TO SWIVEL)        | 1    |              |
| 3       | 36894-87D00     | LEAD (SWIVEL TO MOUNT BRKT)   | 1    |              |
| 4-1     | 43111-92J80-0EP | BRACKET, SWIVEL (L) (BLACK)   | 1    | W/TRANSOM(L) |
| 4-2     | 43111-92J90-0EP | BRACKET, SWIVEL (UL) (BLACK)  | 1    | W/TRANSOM(X) |
| 5       | 43211-93J00     | BUSH, CLAMP SHAFT SWIVEL      | 2    |              |
| 6       | 43711-97E00     | BUSH, STEERING                | 2    |              |
| 7-1     | 43750-90J22-0EP | BRACKET, STEERING (L) (BLACK) | 1    | W/TRANSOM(L) |
| 7-2     | 43750-90J32-0EP | BRACKET, STEERING (X) (BLACK) | 1    | W/TRANSOM(X) |
| 8       | 09125-05050     | SCREW (5X8)                   | 3    |              |
| 9       | 09125-06063     | SCREW (6X10)                  | 2    |              |
| 10      | 09160-39001     | WASHER (39.5X64X1)            | 2    |              |
| 11      | 09169-28003     | WASHER                        | 2    |              |
| 12      | 09181-39001     | SHIM (39.5X64X0.3)            | 4    |              |
| 13      | 09250-10001     | CAP (OD:14)                   | 2    |              |
| 14      | 09282-39001     | OIL SEAL (39X51X5)            | 1    |              |
| 15      | 09380-38003     | CIRCLIP                       | 1    |              |
| 16      | 29404-93J10     | CLAMP                         | 2    |              |
| 17      | 41220-95E13     | LEVER, TILT LOCK              | 1    |              |
| 18      | 41221-95E40     | LEVER, TILT LOCK PORT         | 1    |              |
| 19      | 41224-95E01     | BUSH, TILT STOPPER ROD        | 2    |              |
| 20      | 41225-94400     | RUBBER, TILT LOCK LEVER       | 1    |              |
| 21      | 41228-90J00     | SPRING, TILT LOCK LEVER       | 1    |              |
| 22      | 41230-95E00     | LINK, TILT LOCK LEVER         | 1    |              |
| 23      | 41233-95E10     | BRACKET, TILT LOCK SPRING     | 1    |              |
| 24      | 09125-06063     | SCREW (6X10)                  | 1    |              |
| 25      | 09140-10032     | NUT                           | 1    |              |
| 26      | 09160-06082     | WASHER (6.5X13X1.0)           | 1    |              |
| 27      | 09204-01006     | PIN                           | 1    |              |
| 28      | 09440-19028     | SPRING                        | 1    |              |

FIG.54

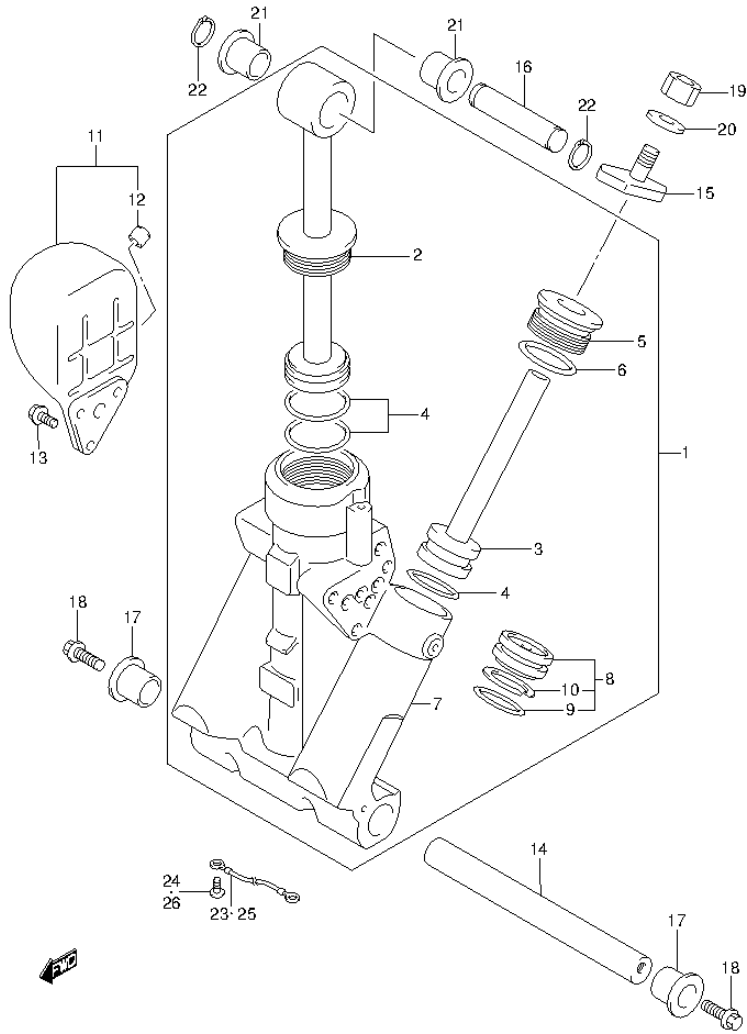


FIG.54 (1-F-11) TRIM CYLINDER

| REF NO. | PART NO.    | DESCRIPTION                | Q'TY | REMARKS |
|---------|-------------|----------------------------|------|---------|
| 1       | 48503-96J03 | MANIFOLD SUB ASSY          | 1    |         |
| 2       | 48401-96J01 | .PISTON ASSY               | 1    |         |
| 3       | 48601-94900 | .PISTON / RAM ASSY         | 2    |         |
| 4       | 48627-95E00 | .O RING SET                | 3    |         |
| 5       | 48630-96J02 | .HEAD, TRIM CYLINDER       | 2    |         |
| 6       | 48633-94900 | .O RING SET (2PCS)         | 2    |         |
| 7       | 48641-96J02 | .MANIFOLD, PTT             | 1    |         |
| 8       | 48650-94900 | .PISTON, FREE              | 1    |         |
| 9       | 48405-87D00 | ..O RING                   | 1    |         |
| 10      | 48615-97E00 | ..RING SET, PISTON         | 1    |         |
| 11      | 48570-95E01 | RESERVOIR                  | 1    |         |
| 12      | 48572-95E00 | .CAP                       | 1    |         |
| 13      | 48861-92J01 | BOLT, RESERVOIR            | 3    |         |
| 14      | 48121-92J00 | SHAFT, TILT CYLINDER LOWER | 1    |         |
| 15      | 48311-96J10 | PAD, TRIM CYLINDER RAM     | 2    |         |
| 16      | 48321-87D03 | SHAFT, TILT CYLINDER UPPER | 1    |         |
| 17      | 48326-95E00 | BUSH, TILT CYLINDER LOWER  | 2    |         |
| 18      | 09116-10174 | BOLT (10X35)               | 2    |         |
| 19      | 09140-10031 | NUT                        | 2    |         |
| 20      | 09162-10005 | LOCK WASHER                | 2    |         |
| 21      | 09306-17001 | BUSH                       | 2    |         |
| 22      | 09380-17009 | CIRCLIP                    | 2    |         |
| 23      | 36894-87D00 | LEAD, PTT TO ANODE (L165)  | 1    |         |
| 24      | 09125-06063 | SCREW (6X10)               | 1    |         |
| 25      | 36895-87D10 | LEAD, PTT TO ANODE (L310)  | 1    |         |
| 26      | 09125-05050 | SCREW (5X8)                | 1    |         |

FIG.55

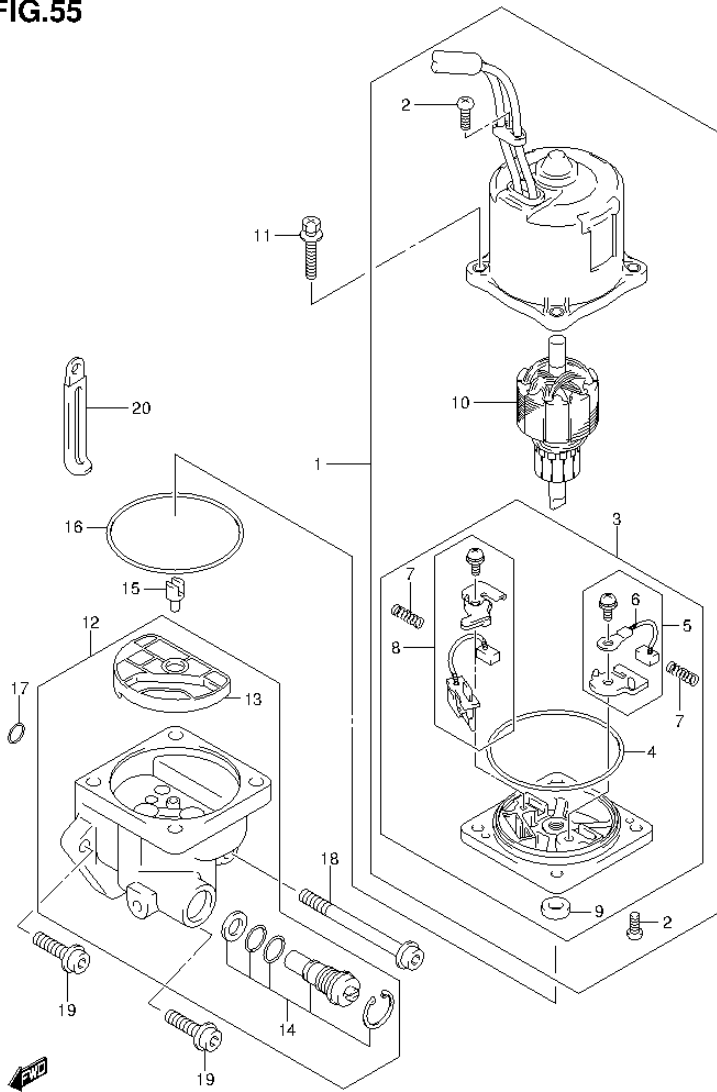
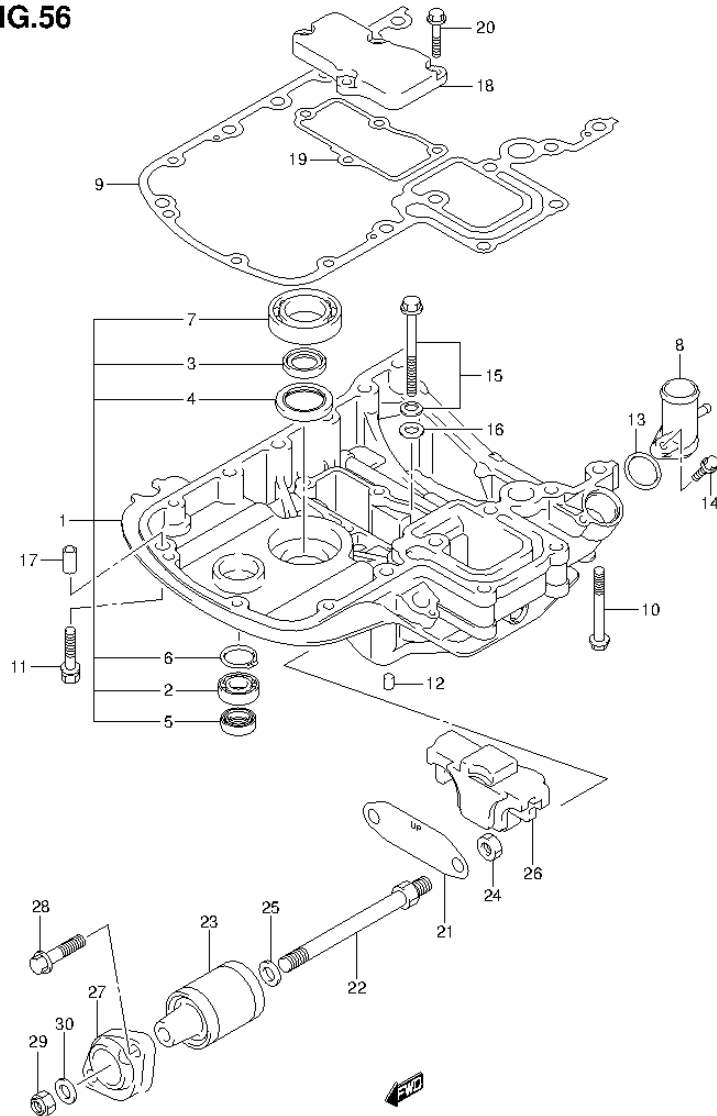


FIG.55 (1-F-12) PTT MOTOR

| REF NO. | PART NO.    | DESCRIPTION       | Q'TY | REMARKS |
|---------|-------------|-------------------|------|---------|
| 1       | 38100-96J01 | MOTOR ASSY, PTT   | 1    |         |
| 2       | 31111-94900 | .SCREW, YOKE      | 3    |         |
| 3       | 31173-94910 | .HOLDER, BRUSH    | 1    |         |
| 4       | 31123-94910 | ..O RING          | 1    |         |
| 5       | 31133-90J00 | ..BRUSH SET, PLUS | 1    |         |
| 6       | 31133-94900 | ...BRUSH, PLUS    | 1    |         |
| 7       | 31135-94900 | ..SPRING          | 2    |         |
| 8       | 31136-90J10 | ..BREAKER         | 1    |         |
| 9       | 33799-97E00 | ..OIL SEAL        | 1    |         |
| 10      | 31311-94900 | ..ARMATURE        | 1    |         |
| 11      | 31281-92J10 | BOLT              | 4    |         |
| 12      | 48502-96J05 | PUMP ASSY         | 1    |         |
| 13      | 48582-95E01 | .FILTER           | 1    |         |
| 14      | 48864-96J10 | .VALVE, MANUAL    | 1    |         |
| 15      | 48583-95E00 | JOINT, DRIVE      | 1    |         |
| 16      | 48585-95E00 | O RING            | 1    |         |
| 17      | 48588-94900 | O RING SET (6PCS) | 1    |         |
| 18      | 48862-92J20 | BOLT              | 1    |         |
| 19      | 48862-92J30 | BOLT              | 2    |         |
| 20      | 29404-93J10 | CLAMP             | 1    |         |

**FIG.56**



**FIG.56 (1-F-13) ENGINE HOLDER**

| REF NO. | PART NO.        | DESCRIPTION                | Q'TY | REMARKS |
|---------|-----------------|----------------------------|------|---------|
| 1       | 51110-90850-OEP | HOLDER SET, ENGINE (BLACK) | 1    |         |
| 2       | 09262-17019     | .BEARING (17X35X8)         | 1    |         |
| 3       | 09282-24003     | .OIL SEAL (24X36X6)        | 2    |         |
| 4       | 09283-32044     | .OIL SEAL (32X47X6)        | 1    |         |
| 5       | 09289-18001     | .OIL SEAL (18X30X8)        | 1    |         |
| 6       | 08331-41359     | .CIRCLIP                   | 1    |         |
| 7       | 09262-35069     | .BEARING (35X62X16)        | 1    |         |
| 8       | 51115-90J00     | UNION, WATER RETURN        | 1    |         |
| 9       | 51211-90J22     | GASKET, ENGINE HOLDER      | 1    |         |
| 10      | 09116-08160     | BOLT (8X70)                | 4    |         |
| 11      | 09116-08128     | BOLT (8X40)                | 4    |         |
| 12      | 09206-08001     | PIN (8X11)                 | 2    |         |
| 13      | 09280-26006     | O RING (D:3.1, ID:26.4)    | 1    |         |
| 14      | 01550-06257     | BOLT                       | 1    |         |
| 15      | 29117-93J10     | BOLT, ENGINE HOLDER        | 1    |         |
| 16      | 09160-08059     | WASHER (8.5X18X1.6)        | 1    |         |
| 17      | 04211-11129     | PIN                        | 3    |         |
| 18      | 51122-90J00     | COVER, MOUNT CASE          | 1    |         |
| 19      | 51123-90J01     | GASKET, MOUNT CASE COVER   | 1    |         |
| 20      | 01550-0825A     | BOLT                       | 4    |         |
| 21      | 54123-90J00     | PLATE, UPPER MOUNT         | 1    |         |
| 22      | 54112-90J21     | BOLT, UPPER MOUNT          | 2    |         |
| 23      | 54130-90J40     | MOUNT, UPPER               | 2    |         |
| 24      | 09159-12014     | NUT                        | 2    |         |
| 25      | 54114-90J01     | WASHER (12.5X22X3)         | 2    |         |
| 26      | 54125-90J10     | MOUNT, UPPER THRUST        | 1    |         |
| 27      | 54148-90J11-OEP | COVER, UPPER MOUNT (BLACK) | 2    |         |
| 28      | 09116-10176     | BOLT (10X44)               | 4    |         |
| 29      | 09159-12014     | NUT                        | 2    |         |
| 30      | 09160-12110     | WASHER (12.5X22X3)         | 2    |         |

FIG.57

FIG.57 (1-F-14) DRIVE SHAFT HOUSING

| REF NO. | PART NO.        | DESCRIPTION                   | Q'TY | REMARKS      |
|---------|-----------------|-------------------------------|------|--------------|
| 1-1     | 52111-90J02-0EP | HOUSING, DRIVE SHAFT (BLACK)  | 1    | W/TRANSOM(L) |
| 1-2     | 52111-90J12-0EP | HOUSING, DRIVE SHAFT (BLACK)  | 1    | W/TRANSOM(X) |
| 2       | 09116-10176     | BOLT (10X44)                  | 8    |              |
| 3       | 09202-08006     | PIN (8X12)                    | 2    |              |
| 4       | 09387-45001     | RING                          | 1    | W/TRANSOM(X) |
| 5       | 57130-92J01     | BUSH, DRIVE SHAFT             | 1    | W/TRANSOM(X) |
| 6       | 09125-06063     | SCREW (6X10)                  | 2    |              |
| 7       | 36895-87D10     | LEAD (SWIVEL TO HSG)          | 1    |              |
| 8       | 54121-87D00     | DAMPER, REVERSE STOPPER LOWER | 2    |              |
| 9       | 54160-90J20     | MOUNT, LOWER                  | 2    |              |
| 10      | 54166-90J11     | BOLT (12X231)                 | 2    |              |
| 11      | 09159-12014     | NUT                           | 2    |              |
| 12      | 09160-12112     | WASHER (12X40X3)              | 2    |              |
| 13      | 54114-90J01     | WASHER (12.5X22X3.0)          | 2    |              |
| 14      | 54151-90J00     | MOUNT, LOWER THRUST           | 1    |              |
| 15      | 54211-90J01-0EP | BRACKET, LOWER MOUNT (BLACK)  | 1    |              |
| 16      | 54221-90J02-0EP | COVER, LOWER MOUNT (BLACK)    | 2    |              |
| 17      | 09116-10176     | BOLT (10X44)                  | 6    |              |
| 18      | 09160-12113     | WASHER (12.5X30X2.5)          | 2    |              |

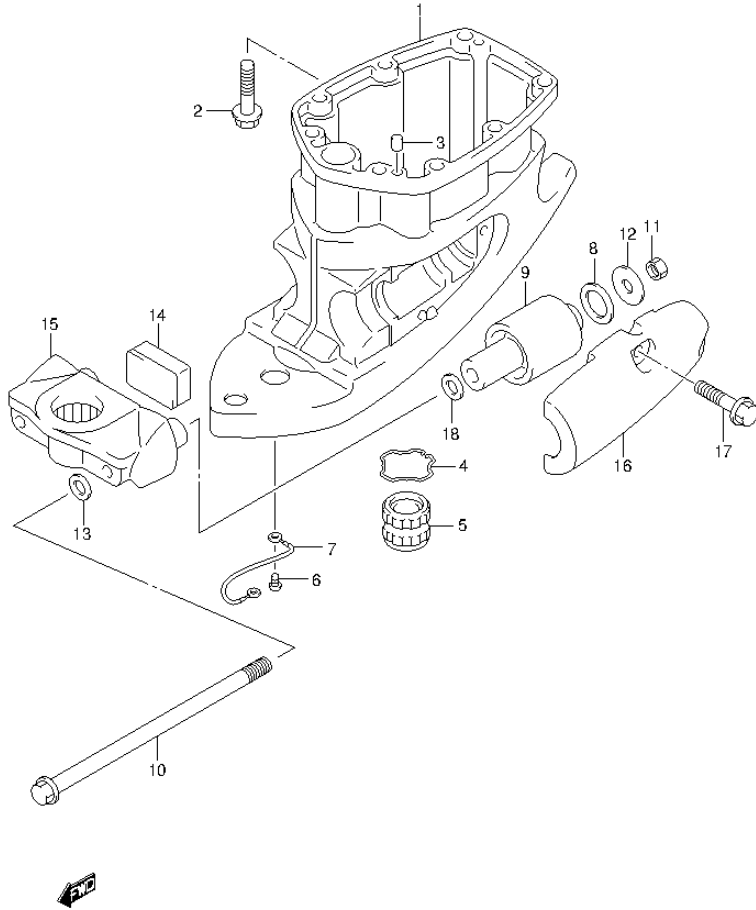


FIG.58

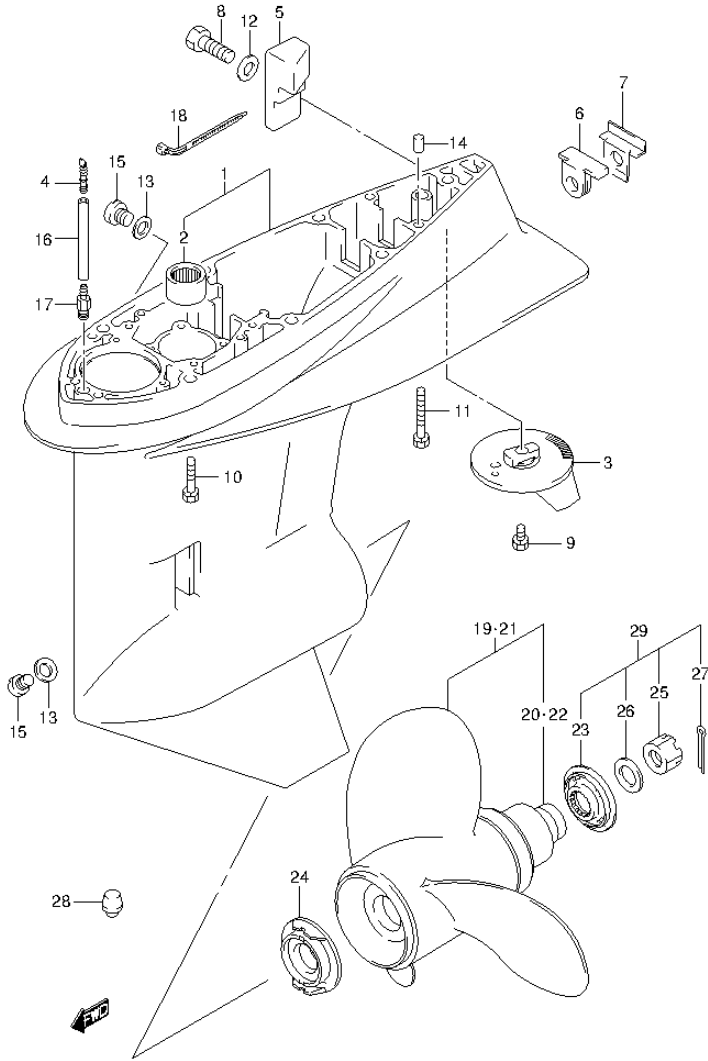


FIG.58 (1-F-15) GEAR CASE (DF140AT E01)

| REF NO. | PART NO.        | DESCRIPTION                   | Q'TY | REMARKS      |
|---------|-----------------|-------------------------------|------|--------------|
| 1       | 55110-90J15-0EP | CASE, GEAR (BLACK)            | 1    |              |
| 2       | 09263-28016     | .BEARING (28.6X38X31.8)       | 1    |              |
| 3       | 55125-90J01     | TAB, TRIM                     | 1    |              |
| 4       | 55127-87D00     | UNION, SPEEDOMETER HOSE       | 1    |              |
| 5       | 55321-90J01     | ANODE, GEAR CASE              | 1    |              |
| 6       | 55332-87D11     | RUBBER, EXHAUST SEAL          | 1    |              |
| 7       | 55333-87D10     | PLATE, EXHAUST SEAL           | 1    |              |
| 8       | 09100-06131     | BOLT (6X12)                   | 1    |              |
| 9       | 09116-08137     | BOLT (8X22)                   | 1    |              |
| 10      | 09116-10150     | BOLT (10X55)                  | 6    |              |
| 11      | 09117-10039     | BOLT (10X80)                  | 1    |              |
| 12      | 09160-06085     | WASHER (6.5X15X1)             | 1    |              |
| 13      | 09168-10022     | GASKET (10X17X1.5)            | 2    |              |
| 14      | 09202-08006     | PIN (8X12)                    | 2    |              |
| 15      | 09248-10008     | PLUG (10X7.5)                 | 2    |              |
| 16      | 09355-40805-00B | HOSE (4X8X2000)               | 1    | L:2000->1100 |
| 17      | 09362-09008     | UNION                         | 1    |              |
| 18      | 09407-10404     | CLAMP (L:100)                 | 2    |              |
| 19-1    | 58100-90JA0-019 | PROPELLER (3X14X17) (BLACK)   | 1    |              |
| 19-2    | 58100-90JB0-019 | PROPELLER (3X14X19) (BLACK)   | 1    |              |
| 19-3    | 58100-90JC0-019 | PROPELLER (3X14X21) (BLACK)   | 1    |              |
| 19-4    | 58100-90JD0-019 | PROPELLER (3X14X23) (BLACK)   | 1    |              |
| 19-5    | 58100-90JE0-019 | PROPELLER (3X13.5X15) (BALCK) | 1    |              |
| 19-6    | 58200-92J40     | PROPELLER (3X13.875X15)       | 1    | OPT          |
| 19-7    | 58200-92J50     | PROPELLER (3X13.875X17)       | 1    | OPT          |
| 19-8    | 58200-92J60     | PROPELLER (3X13.875X19)       | 1    | OPT          |
| 19-9    | 58200-92J70     | PROPELLER (3X13.875X21)       | 1    | OPT          |
| 19-10   | 58200-92J80     | PROPELLER (3X13.875X23)       | 1    | OPT          |
| 19-11   | 58200-92J90     | PROPELLER (3X13.875X25)       | 1    | OPT          |
| 20      | 58105-90J00     | .BUSH                         | 1    |              |

FIG.58

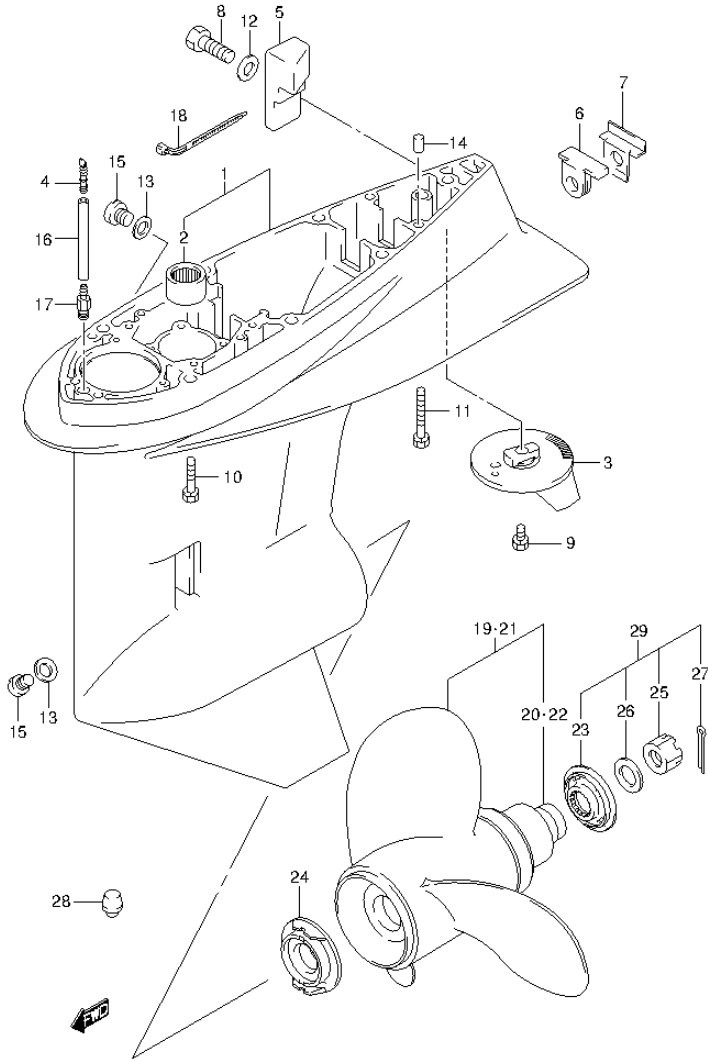
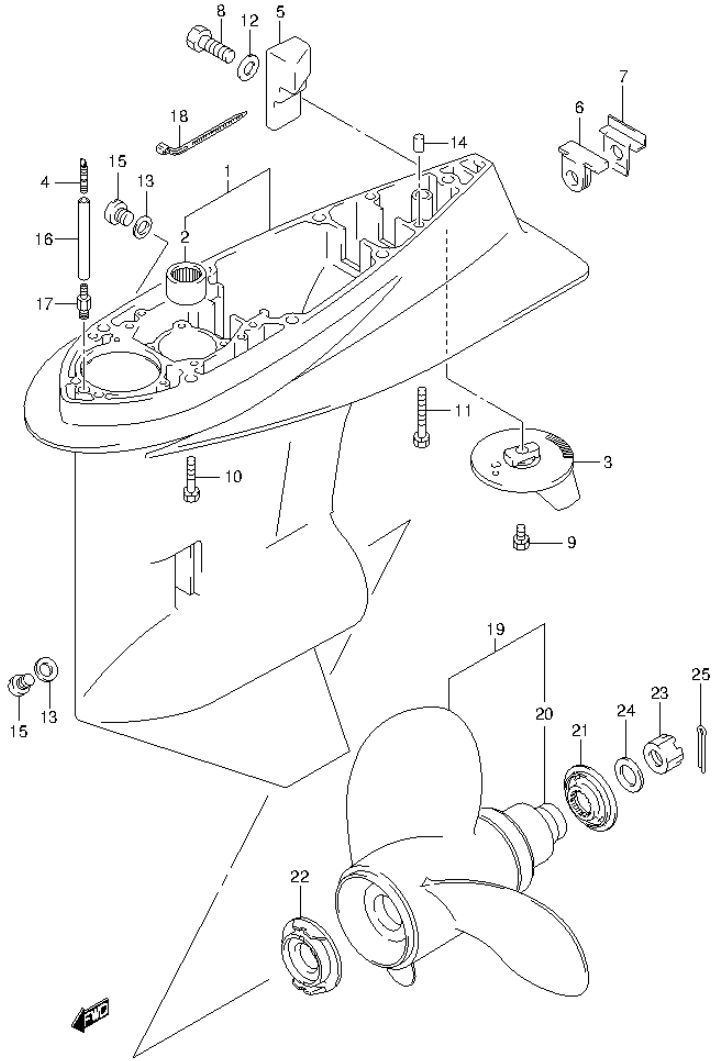


FIG.58 (1-G-2) GEAR CASE (DF140AT E01)

| REF NO. | PART NO.    | DESCRIPTION             | Q'TY | REMARKS                |
|---------|-------------|-------------------------|------|------------------------|
| 21-1    | 58200-90J00 | PROPELLER (3X14.25X18)  | 1    | OPT                    |
| 21-2    | 58200-90J10 | PROPELLER (3X14.25X20)  | 1    | OPT                    |
| 21-3    | 58200-90J20 | PROPELLER (3X14.25X22)  | 1    | OPT                    |
| 21-4    | 58200-90J30 | PROPELLER (3X14.25X24)  | 1    | OPT                    |
| 22      | 58120-90J00 | .BUSH                   | 1    | OPT                    |
| 23      | 57633-90J02 | SPACER, PROPELLER NUT   | 1    |                        |
| 24      | 57635-92J01 | STOPPER, PROPELLER BUSH | 1    |                        |
| 25      | 09141-18005 | NUT                     | 1    |                        |
| 26      | 09160-18028 | WASHER (18.5X31X1)      | 1    |                        |
| 27      | 09204-03003 | COTTER PIN              | 1    |                        |
| 28      | 55116-87E00 | PLUG                    | 1    | OPT                    |
| 29      | 57630-90J00 | KIT, PROPELLER NUT      | 1    | OPT                    |
| 30      | 25700-92J00 | SEALING KIT, GEAR CASE  | 1    | OPT<br>NOT ILLUSTRATED |

**FIG.59**



**FIG.59 (1-G-3) GEAR CASE (DF140AT E40)**

| REF NO. | PART NO.        | DESCRIPTION                   | Q'TY | REMARKS                |
|---------|-----------------|-------------------------------|------|------------------------|
| 1       | 55110-90J15-0EP | CASE, GEAR (BLACK)            | 1    |                        |
| 2       | 09263-28016     | .BEARING (28.6X38X31.8)       | 1    |                        |
| 3       | 55125-90J01     | TAB, TRIM                     | 1    |                        |
| 4       | 55127-87D00     | UNION, SPEEDOMETER HOSE       | 1    |                        |
| 5       | 55321-90J01     | ANODE, GEAR CASE              | 1    |                        |
| 6       | 55332-87D11     | RUBBER, EXHAUST SEAL          | 1    |                        |
| 7       | 55333-87D10     | PLATE, EXHAUST SEAL           | 1    |                        |
| 8       | 09100-06131     | BOLT (6X12)                   | 1    |                        |
| 9       | 09116-08137     | BOLT (8X22)                   | 1    |                        |
| 10      | 09116-10150     | BOLT (10X55)                  | 6    |                        |
| 11      | 09117-10039     | BOLT (10X80)                  | 1    |                        |
| 12      | 09160-06085     | WASHER (6.5X15X1)             | 1    |                        |
| 13      | 09168-10022     | GASKET (10X17X1.5)            | 2    |                        |
| 14      | 09202-08006     | PIN (8X12)                    | 2    |                        |
| 15      | 09248-10008     | PLUG (10X7.5)                 | 2    |                        |
| 16      | 09355-40805-00B | HOSE (4X8X2000)               | 1    | L:2000->1100           |
| 17      | 09362-09008     | UNION                         | 1    |                        |
| 18      | 09407-10404     | CLAMP (L:100)                 | 2    |                        |
| 19-1    | 58100-90JA0-019 | PROPELLER (3X14X17) (BLACK)   | 1    |                        |
| 19-2    | 58100-90JB0-019 | PROPELLER (3X14X19) (BLACK)   | 1    |                        |
| 19-3    | 58100-90JC0-019 | PROPELLER (3X14X21) (BLACK)   | 1    |                        |
| 19-4    | 58100-90JD0-019 | PROPELLER (3X14X23) (BLACK)   | 1    |                        |
| 19-5    | 58100-90JE0-019 | PROPELLER (3X13.5X15) (BALCK) | 1    |                        |
| 20      | 58105-90J00     | .BUSH                         | 1    |                        |
| 21      | 57633-90J02     | SPACER, PROPELLER NUT         | 1    |                        |
| 22      | 57635-92J01     | STOPPER, PROPELLER BUSH       | 1    |                        |
| 23      | 09141-18005     | NUT                           | 1    |                        |
| 24      | 09160-18028     | WASHER (18.5X31X1)            | 1    |                        |
| 25      | 09204-03003     | COTTER PIN                    | 1    |                        |
| 26      | 25700-92J00     | SEALING KIT, GEAR CASE        | 1    | OPT<br>NOT ILLUSTRATED |

FIG.60

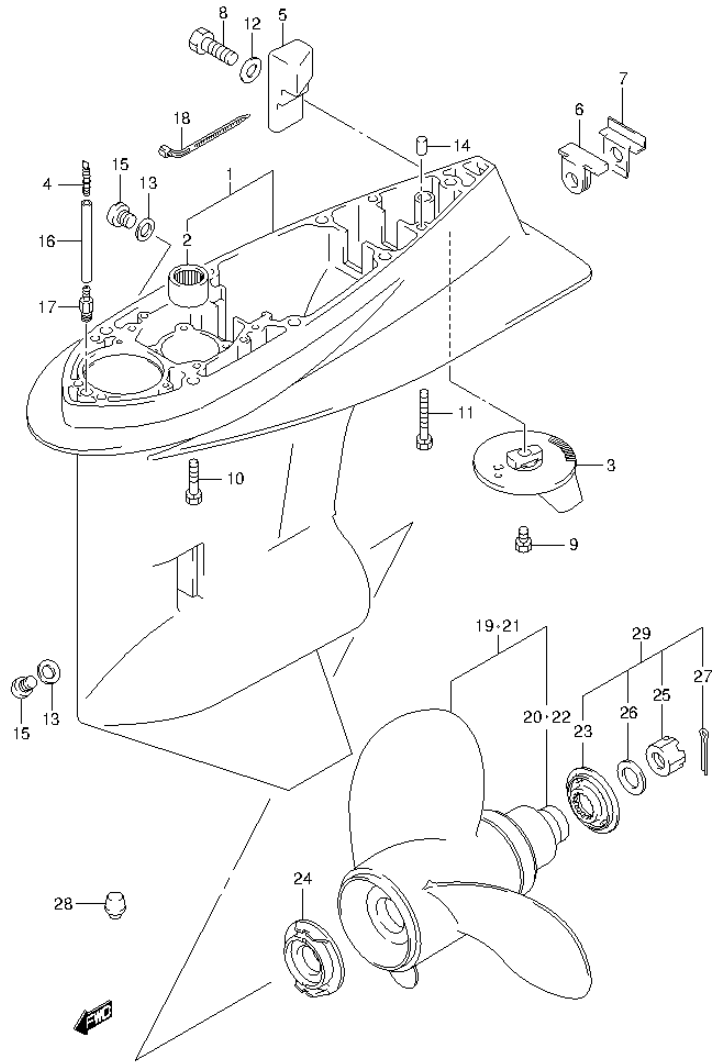


FIG.60 (1-G-4) GEAR CASE (DF140AZ E01)

| REF NO. | PART NO.        | DESCRIPTION                  | Q'TY | REMARKS      |
|---------|-----------------|------------------------------|------|--------------|
| 1       | 55110-92J00-0EP | CASE, GEAR (BLACK)           | 1    |              |
| 2       | 09263-28016     | .BEARING (28.6X38X31.8)      | 1    |              |
| 3       | 55125-92J00     | TAB, TRIM                    | 1    |              |
| 4       | 55127-87D00     | UNION, SPEEDOMETER HOSE      | 1    |              |
| 5       | 55321-90J01     | ANODE, GEAR CASE             | 1    |              |
| 6       | 55332-87D11     | RUBBER, EXHAUST SEAL         | 1    |              |
| 7       | 55333-87D10     | PLATE, EXHAUST SEAL          | 1    |              |
| 8       | 09100-06131     | BOLT (6X12)                  | 1    |              |
| 9       | 09116-08137     | BOLT (8X22)                  | 1    |              |
| 10      | 09116-10150     | BOLT (10X55)                 | 6    |              |
| 11      | 09117-10039     | BOLT (10X80)                 | 1    |              |
| 12      | 09160-06085     | WASHER (6.5X15X1)            | 1    |              |
| 13      | 09168-10022     | GASKET (10X17X1.5)           | 2    |              |
| 14      | 09202-08006     | PIN (8X12)                   | 2    |              |
| 15      | 09248-10008     | PLUG (10X7.5)                | 2    |              |
| 16      | 09355-40805-00B | HOSE (4X8X2000)              | 1    | L:2000->1100 |
| 17      | 09362-09008     | UNION                        | 1    |              |
| 18      | 09407-10404     | CLAMP (L:100)                | 2    |              |
| 19-1    | 58200-92J00     | PROPELLER (3X14.25X18, C/R)  | 1    | OPT          |
| 19-2    | 58200-92J10     | PROPELLER (3X14.25X20, C/R)  | 1    | OPT          |
| 19-3    | 58200-92J20     | PROPELLER (3X14.25X22, C/R)  | 1    | OPT          |
| 19-4    | 58200-92J30     | PROPELLER (3X14.25X24, C/R)  | 1    | OPT          |
| 20      | 58120-90J00     | .BUSH                        | 1    | OPT          |
| 21-1    | 58200-92JA0     | PROPELLER (3X13.875X17, C/R) | 1    | OPT          |
| 21-2    | 58200-92JB0     | PROPELLER (3X13.875X19, C/R) | 1    | OPT          |
| 21-3    | 58200-92JC0     | PROPELLER (3X13.875X21, C/R) | 1    | OPT          |
| 21-4    | 58200-92JD0     | PROPELLER (3X13.875X23, C/R) | 1    | OPT          |
| 22      | 58105-90J00     | .BUSH                        | 1    | OPT          |

FIG.60

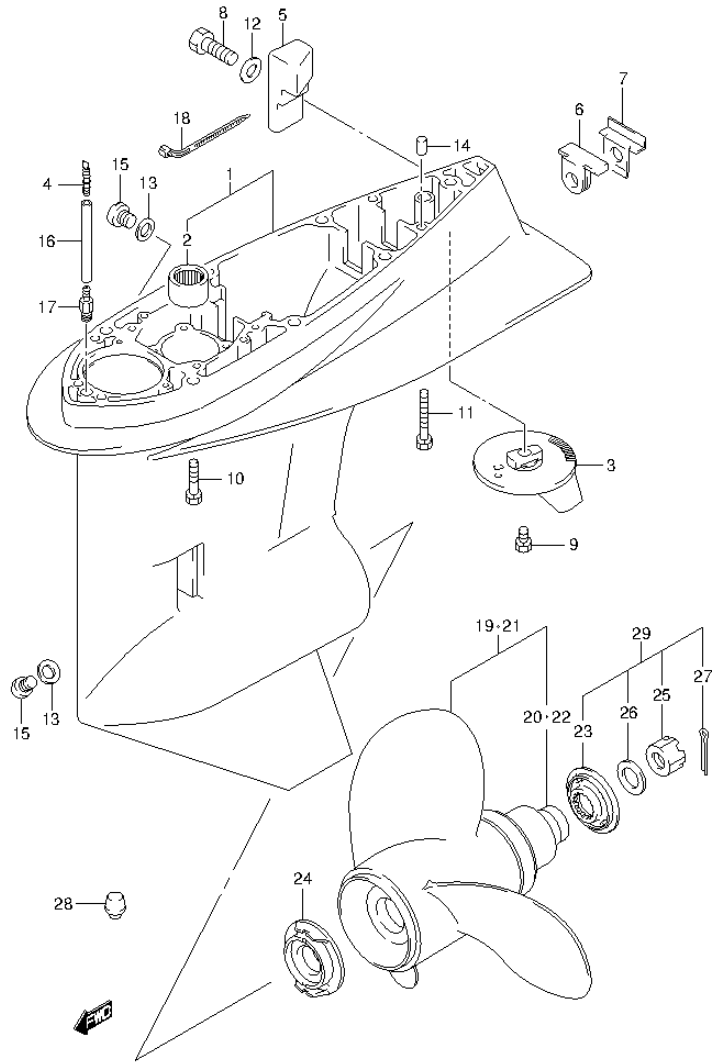


FIG.60 (1-G-5) GEAR CASE (DF140AZ E01)

| REF NO. | PART NO.    | DESCRIPTION             | Q'TY | REMARKS                |
|---------|-------------|-------------------------|------|------------------------|
| 23      | 57633-90J02 | SPACER, PROPELLER       | 1    |                        |
| 24      | 57635-92J01 | STOPPER, PROPELLER BUSH | 1    |                        |
| 25      | 09141-18005 | NUT                     | 1    |                        |
| 26      | 09160-18028 | WASHER (18.5X31X1)      | 1    |                        |
| 27      | 09204-03003 | COTTER PIN              | 1    |                        |
| 28      | 55116-87E00 | PLUG                    | 1    | OPT                    |
| 29      | 57630-90J00 | KIT, PROPELLER NUT      | 1    | OPT                    |
| 30      | 25700-92J00 | SEALING KIT, GEAR CASE  | 1    | OPT<br>NOT ILLUSTRATED |

FIG.61

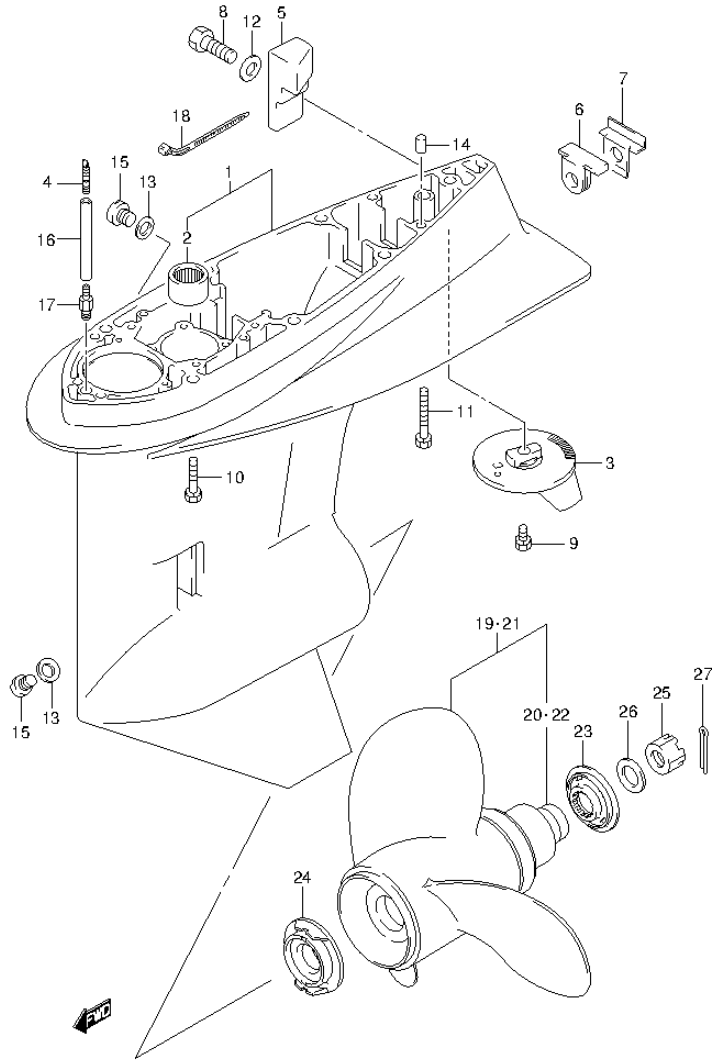
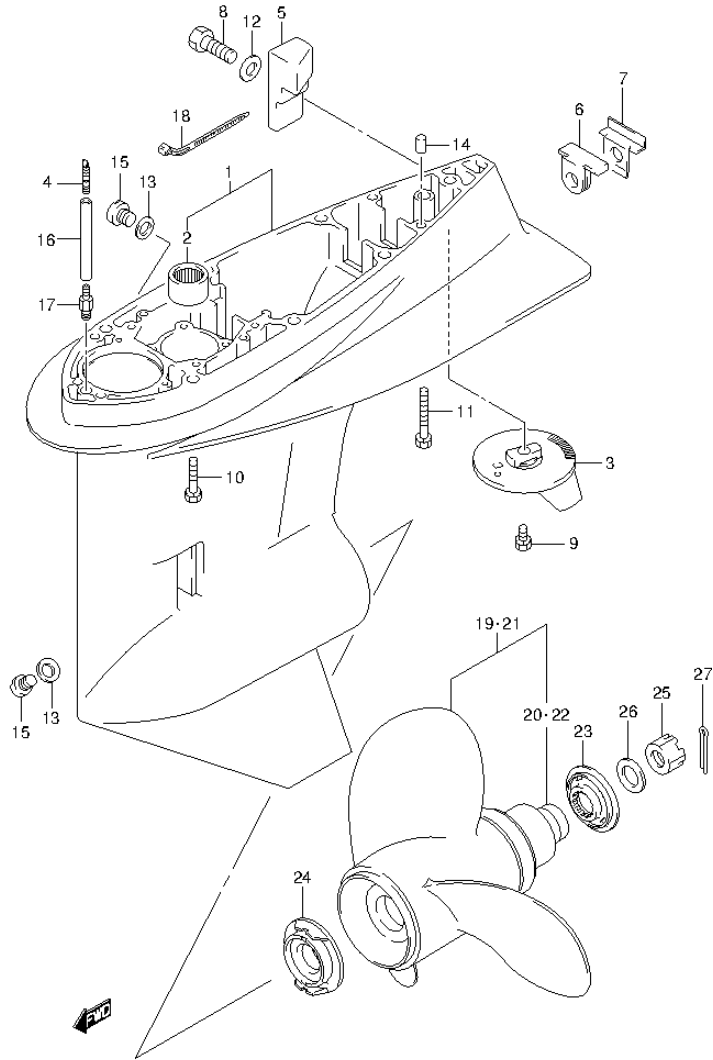


FIG.61 (1-G-6) GEAR CASE (DF140AZ E40)

| REF NO. | PART NO.        | DESCRIPTION                  | Q'TY | REMARKS      |
|---------|-----------------|------------------------------|------|--------------|
| 1       | 55110-92J00-0EP | CASE, GEAR (BLACK)           | 1    |              |
| 2       | 09263-28016     | .BEARING (28.6X38X31.8)      | 1    |              |
| 3       | 55125-92J00     | TAB, TRIM                    | 1    |              |
| 4       | 55127-87D00     | UNION, SPEEDOMETER HOSE      | 1    |              |
| 5       | 55321-90J01     | ANODE, GEAR CASE             | 1    |              |
| 6       | 55332-87D11     | RUBBER, EXHAUST SEAL         | 1    |              |
| 7       | 55333-87D10     | PLATE, EXHAUST SEAL          | 1    |              |
| 8       | 09100-06131     | BOLT (6X12)                  | 1    |              |
| 9       | 09116-08137     | BOLT (8X22)                  | 1    |              |
| 10      | 09116-10150     | BOLT (10X55)                 | 6    |              |
| 11      | 09117-10039     | BOLT (10X80)                 | 1    |              |
| 12      | 09160-06085     | WASHER (6.5X15X1)            | 1    |              |
| 13      | 09168-10022     | GASKET (10X17X1.5)           | 2    |              |
| 14      | 09202-08006     | PIN (8X12)                   | 2    |              |
| 15      | 09248-10008     | PLUG (10X7.5)                | 2    |              |
| 16      | 09355-40805-00B | HOSE (4X8X2000)              | 1    | L:2000->1100 |
| 17      | 09362-09008     | UNION                        | 1    |              |
| 18      | 09407-10404     | CLAMP (L:100)                | 2    |              |
| 19-1    | 58200-92J00     | PROPELLER (3X14.25X18, C/R)  | 1    | OPT          |
| 19-2    | 58200-92J10     | PROPELLER (3X14.25X20, C/R)  | 1    | OPT          |
| 19-3    | 58200-92J20     | PROPELLER (3X14.25X22, C/R)  | 1    | OPT          |
| 19-4    | 58200-92J30     | PROPELLER (3X14.25X24, C/R)  | 1    | OPT          |
| 20      | 58120-90J00     | .BUSH                        | 1    | OPT          |
| 21-1    | 58200-92JA0     | PROPELLER (3X13.875X17, C/R) | 1    | OPT          |
| 21-2    | 58200-92JB0     | PROPELLER (3X13.875X19, C/R) | 1    | OPT          |
| 21-3    | 58200-92JC0     | PROPELLER (3X13.875X21, C/R) | 1    | OPT          |
| 21-4    | 58200-92JD0     | PROPELLER (3X13.875X23, C/R) | 1    | OPT          |
| 22      | 58105-90J00     | .BUSH                        | 1    | OPT          |

**FIG.61**

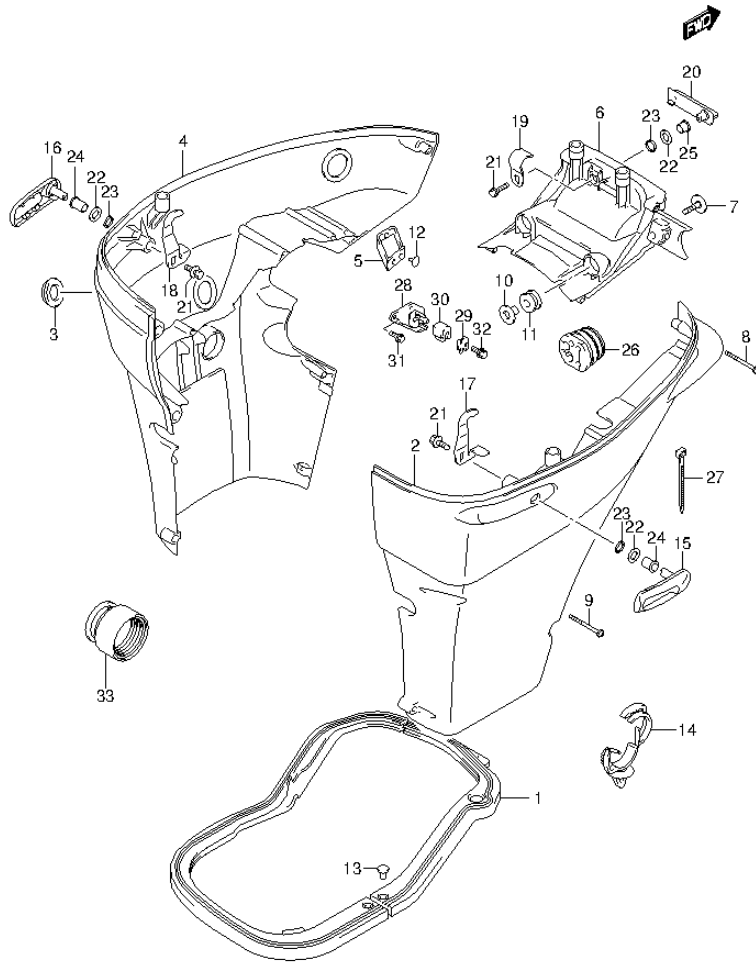


**FIG.61 (1-G-7) GEAR CASE (DF140AZ E40)**

| REF NO. | PART NO.    | DESCRIPTION             | Q'TY | REMARKS                |
|---------|-------------|-------------------------|------|------------------------|
| 23      | 57633-90J02 | SPACER, PROPELLER       | 1    |                        |
| 24      | 57635-92J01 | STOPPER, PROPELLER BUSH | 1    |                        |
| 25      | 09141-18005 | NUT                     | 1    |                        |
| 26      | 09160-18028 | WASHER (18.5X31X1)      | 1    |                        |
| 27      | 09204-03003 | COTTER PIN              | 1    |                        |
| 28      | 25700-92J00 | SEALING KIT, GEAR CASE  | 1    | OPT<br>NOT ILLUSTRATED |

FIG.62

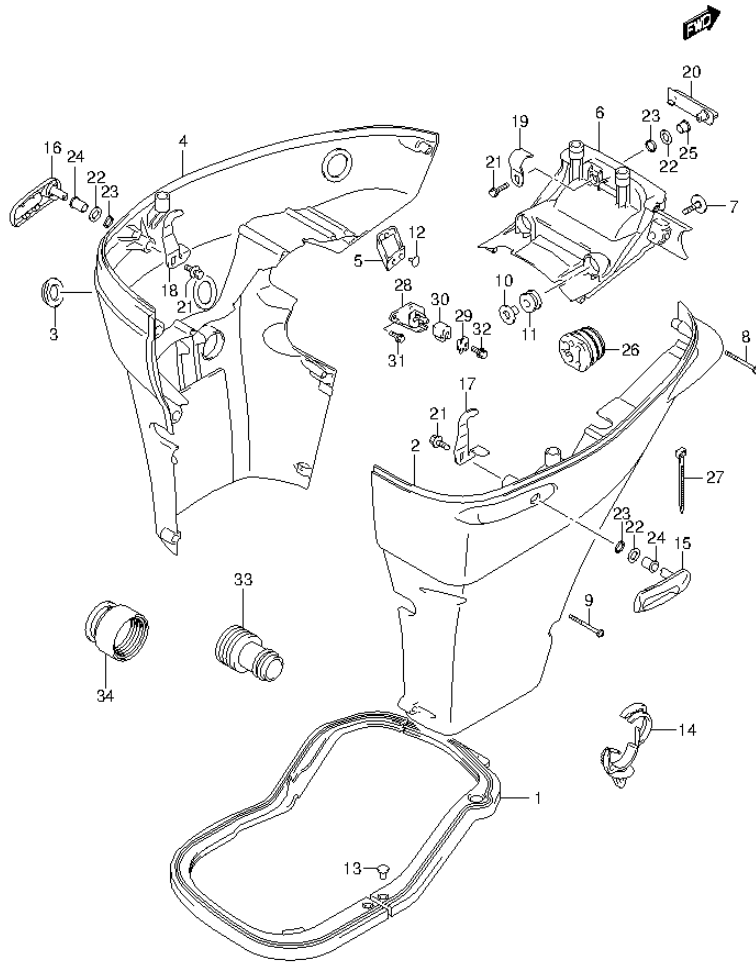
FIG.62 (1-G-8) SIDE COVER (DF140AT E01)



| REF NO. | PART NO.        | DESCRIPTION                 | Q'TY | REMARKS |
|---------|-----------------|-----------------------------|------|---------|
| 1       | 61134-90J20     | SEAL, SIDE COVER            | 1    |         |
| 2       | 61810-90J10-0EP | COVER, SIDE STBD (BLACK)    | 1    |         |
| 3       | 61817-89J00     | PLUG, SIDE COVER            | 1    |         |
| 4       | 61820-90J10-0EP | COVER, SIDE PORT (BLACK)    | 1    |         |
| 5       | 61827-90J00     | HOLDER, SIDE COVER          | 1    |         |
| 6       | 61831-90J12-0EP | PANEL, FRONT (BLACK)        | 1    |         |
| 7       | 09118-08127     | BOLT (8X40)                 | 2    |         |
| 8       | 09136-06148     | SCREW (6X35)                | 7    |         |
| 9       | 09136-06149     | SCREW (6X55)                | 2    |         |
| 10      | 09169-08039     | WASHER                      | 2    |         |
| 11      | 09320-11013     | CUSHION                     | 2    |         |
| 12      | 09321-08022     | CUSHION                     | 2    |         |
| 13      | 09409-05302-5PK | CLIP (BLACK)                | 2    |         |
| 14      | 09403-20308     | CLIP                        | 1    |         |
| 15      | 61633-90J02-0EP | LEVER, HOOK REAR (BLACK)    | 1    |         |
| 16      | 61633-90J02-0EP | LEVER, HOOK REAR (BLACK)    | 1    |         |
| 17      | 61637-90J10     | HOOK, ENGINE COVER RR STBD  | 1    |         |
| 18      | 61638-90J10     | HOOK, ENGINE COVER RR PORT  | 1    |         |
| 19      | 61641-87D00     | HOOK, ENGINE COVER FR       | 1    |         |
| 20      | 61645-90J01-0EP | LEVER, HOOK FR (BLACK)      | 1    |         |
| 21      | 09116-06127     | BOLT (6X12)                 | 3    |         |
| 22      | 09160-13014     | WASHER (13.2X25X1)          | 3    |         |
| 23      | 09164-14008     | WASHER                      | 3    |         |
| 24      | 09306-13008     | BUSH                        | 2    |         |
| 25      | 09307-13006     | BUSH                        | 1    |         |
| 26      | 61124-90J30     | GROMMET, REMOCON CABLE      | 1    |         |
| 27      | 09407-25402     | CLAMP (L:248)               | 1    |         |
| 28      | 67341-90J32     | HOLDER, REMOCON CABLE       | 1    |         |
| 29      | 67343-90J20     | STOPPER, REMOCON CABLE      | 1    |         |
| 30      | 67344-90J00     | CUSHION, REMOCON CABLE HLDR | 1    |         |
| 31      | 01550-06167     | BOLT                        | 2    |         |
| 32      | 01580-08257     | BOLT                        | 1    |         |
| 33      | 67300-90J00     | KIT, HOSE ADAPTER           | 1    | OPT     |

FIG.63

FIG.63 (1-G-9) SIDE COVER (DF140AT E40)



| REF NO. | PART NO.        | DESCRIPTION                 | Q'TY | REMARKS |
|---------|-----------------|-----------------------------|------|---------|
| 1       | 61134-90J20     | SEAL, SIDE COVER            | 1    |         |
| 2       | 61810-90J10-0EP | COVER, SIDE STBD (BLACK)    | 1    |         |
| 3       | 61817-89J00     | PLUG, SIDE COVER            | 1    |         |
| 4       | 61820-90J10-0EP | COVER, SIDE PORT (BLACK)    | 1    |         |
| 5       | 61827-90J00     | HOLDER, SIDE COVER          | 1    |         |
| 6       | 61831-90J12-0EP | PANEL, FRONT (BLACK)        | 1    |         |
| 7       | 09118-08127     | BOLT (8X40)                 | 2    |         |
| 8       | 09136-06148     | SCREW (6X35)                | 7    |         |
| 9       | 09136-06149     | SCREW (6X55)                | 2    |         |
| 10      | 09169-08039     | WASHER                      | 2    |         |
| 11      | 09320-11013     | CUSHION                     | 2    |         |
| 12      | 09321-08022     | CUSHION                     | 2    |         |
| 13      | 09409-05302-5PK | CLIP (BLACK)                | 2    |         |
| 14      | 09403-20308     | CLIP                        | 1    |         |
| 15      | 61633-90J02-0EP | LEVER, HOOK REAR (BLACK)    | 1    |         |
| 16      | 61633-90J02-0EP | LEVER, HOOK REAR (BLACK)    | 1    |         |
| 17      | 61637-90J10     | HOOK, ENGINE COVER RR STBD  | 1    |         |
| 18      | 61638-90J10     | HOOK, ENGINE COVER RR PORT  | 1    |         |
| 19      | 61641-87D00     | HOOK, ENGINE COVER FR       | 1    |         |
| 20      | 61645-90J01-0EP | LEVER, HOOK FR (BLACK)      | 1    |         |
| 21      | 09116-06127     | BOLT (6X12)                 | 3    |         |
| 22      | 09160-13014     | WASHER (13.2X25X1)          | 3    |         |
| 23      | 09164-14008     | WASHER                      | 3    |         |
| 24      | 09306-13008     | BUSH                        | 2    |         |
| 25      | 09307-13006     | BUSH                        | 1    |         |
| 26      | 61124-90J30     | GROMMET, REMOCON CABLE      | 1    |         |
| 27      | 09407-25402     | CLAMP (L:248)               | 1    |         |
| 28      | 67341-90J32     | HOLDER, REMOCON CABLE       | 1    |         |
| 29      | 67343-90J20     | STOPPER, REMOCON CABLE      | 1    |         |
| 30      | 67344-90J00     | CUSHION, REMOCON CABLE HLDR | 1    |         |
| 31      | 01550-06167     | BOLT                        | 2    |         |
| 32      | 01580-08257     | BOLT                        | 1    |         |
| 33      | 17917-87L00     | CONNECTOR, FLUSH WATER      | 1    |         |
| 34      | 67300-90J00     | KIT, HOSE ADAPTER           | 1    | OPT     |

FIG.64

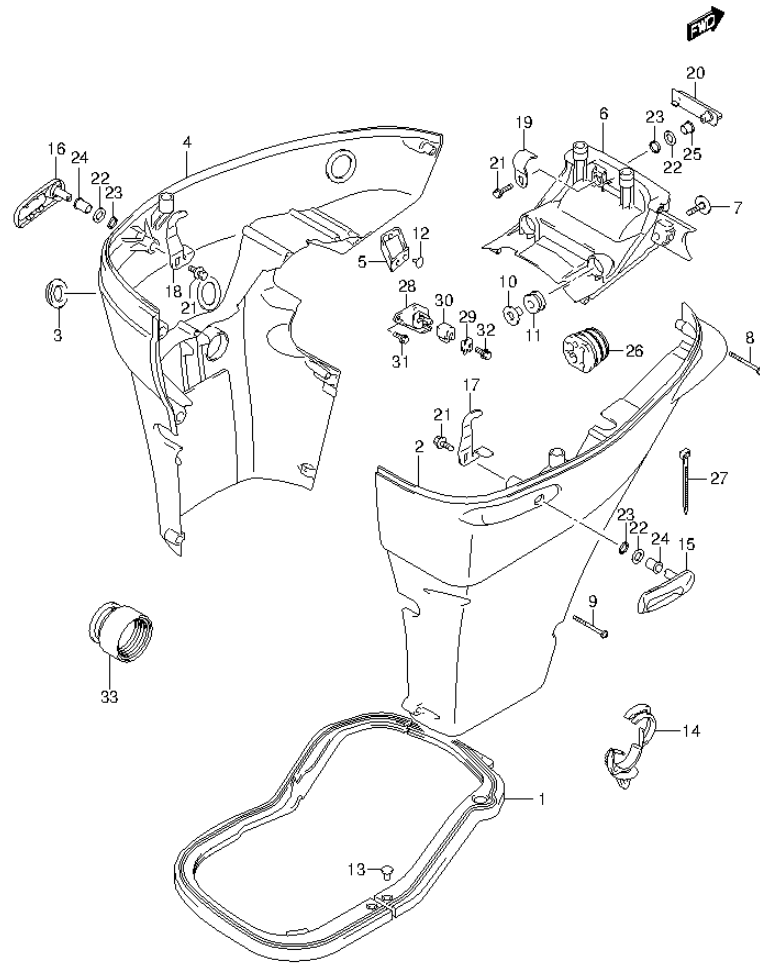


FIG.64 (1-G-10) SIDE COVER (DF140AZ E01)

| REF NO. | PART NO.        | DESCRIPTION                 | Q'TY | REMARKS |
|---------|-----------------|-----------------------------|------|---------|
| 1       | 61134-90J20     | SEAL, SIDE COVER            | 1    |         |
| 2       | 61810-90J10-0EP | COVER, SIDE STBD (BLACK)    | 1    |         |
| 3       | 61817-89J00     | PLUG, SIDE COVER            | 1    |         |
| 4       | 61820-90J10-0EP | COVER, SIDE PORT (BLACK)    | 1    |         |
| 5       | 61827-90J00     | HOLDER, SIDE COVER          | 1    |         |
| 6       | 61831-90J12-0EP | PANEL, FRONT (BLACK)        | 1    |         |
| 7       | 09118-08127     | BOLT (8X40)                 | 2    |         |
| 8       | 09136-06148     | SCREW (6X35)                | 7    |         |
| 9       | 09136-06149     | SCREW (6X55)                | 2    |         |
| 10      | 09169-08039     | WASHER                      | 2    |         |
| 11      | 09320-11013     | CUSHION                     | 2    |         |
| 12      | 09321-08022     | CUSHION                     | 2    |         |
| 13      | 09409-05302-5PK | CLIP (BLACK)                | 2    |         |
| 14      | 09403-20308     | CLIP                        | 1    |         |
| 15      | 61633-90J02-0EP | LEVER, HOOK REAR (BLACK)    | 1    |         |
| 16      | 61633-90J02-0EP | LEVER, HOOK REAR (BLACK)    | 1    |         |
| 17      | 61637-90J10     | HOOK, ENGINE COVER RR STBD  | 1    |         |
| 18      | 61638-90J10     | HOOK, ENGINE COVER RR PORT  | 1    |         |
| 19      | 61641-87D00     | HOOK, ENGINE COVER FR       | 1    |         |
| 20      | 61645-90J01-0EP | LEVER, HOOK FR (BLACK)      | 1    |         |
| 21      | 09116-06127     | BOLT (6X12)                 | 3    |         |
| 22      | 09160-13014     | WASHER (13.2X25X1)          | 3    |         |
| 23      | 09164-14008     | WASHER                      | 3    |         |
| 24      | 09306-13008     | BUSH                        | 2    |         |
| 25      | 09307-13006     | BUSH                        | 1    |         |
| 26      | 61124-90J30     | GROMMET, REMOCON CABLE      | 1    |         |
| 27      | 09407-25402     | CLAMP (L:248)               | 1    |         |
| 28      | 67341-90J32     | HOLDER, REMOCON CABLE       | 1    |         |
| 29      | 67343-90J20     | STOPPER, REMOCON CABLE      | 1    |         |
| 30      | 67344-90J00     | CUSHION, REMOCON CABLE HLDR | 1    |         |
| 31      | 01550-06167     | BOLT                        | 2    |         |
| 32      | 01580-08257     | BOLT                        | 1    |         |
| 33      | 67300-90J00     | KIT, HOSE ADAPTER           | 1    | OPT     |

FIG.65

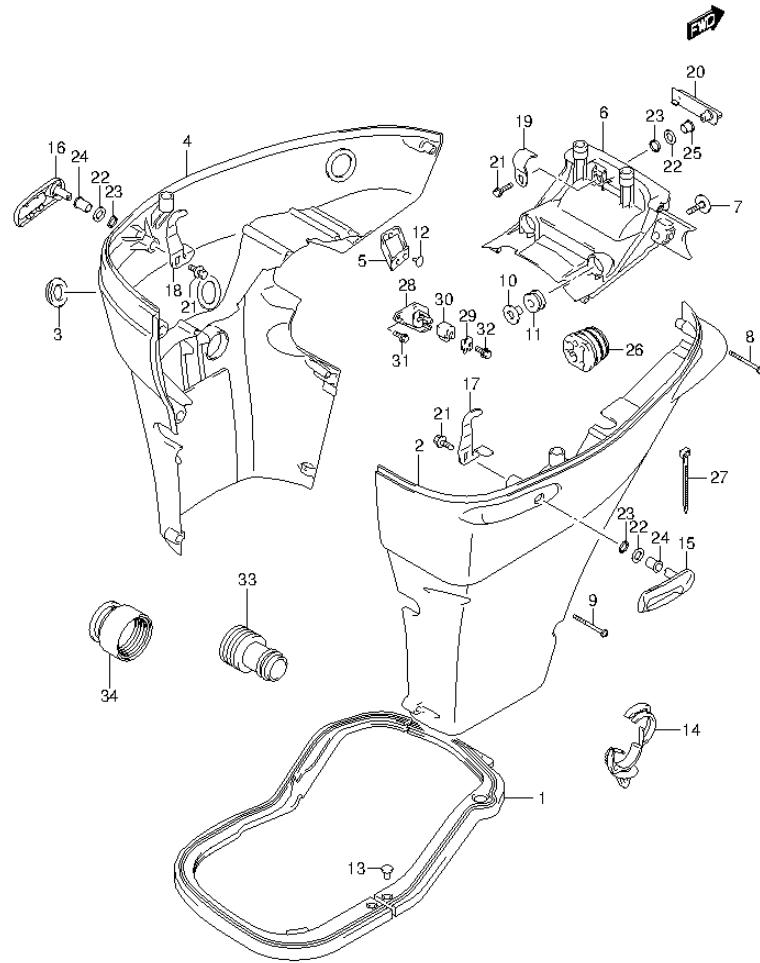


FIG.65 (1-G-11) SIDE COVER (DF140AZ E40)

| REF NO. | PART NO.        | DESCRIPTION                 | Q'TY | REMARKS |
|---------|-----------------|-----------------------------|------|---------|
| 1       | 61134-90J20     | SEAL, SIDE COVER            | 1    |         |
| 2       | 61810-90J10-0EP | COVER, SIDE STBD (BLACK)    | 1    |         |
| 3       | 61817-89J00     | PLUG, SIDE COVER            | 1    |         |
| 4       | 61820-90J10-0EP | COVER, SIDE PORT (BLACK)    | 1    |         |
| 5       | 61827-90J00     | HOLDER, SIDE COVER          | 1    |         |
| 6       | 61831-90J12-0EP | PANEL, FRONT (BLACK)        | 1    |         |
| 7       | 09118-08127     | BOLT (8X40)                 | 2    |         |
| 8       | 09136-06148     | SCREW (6X35)                | 7    |         |
| 9       | 09136-06149     | SCREW (6X55)                | 2    |         |
| 10      | 09169-08039     | WASHER                      | 2    |         |
| 11      | 09320-11013     | CUSHION                     | 2    |         |
| 12      | 09321-08022     | CUSHION                     | 2    |         |
| 13      | 09409-05302-5PK | CLIP (BLACK)                | 2    |         |
| 14      | 09403-20308     | CLIP                        | 1    |         |
| 15      | 61633-90J02-0EP | LEVER, HOOK REAR (BLACK)    | 1    |         |
| 16      | 61633-90J02-0EP | LEVER, HOOK REAR (BLACK)    | 1    |         |
| 17      | 61637-90J10     | HOOK, ENGINE COVER RR STBD  | 1    |         |
| 18      | 61638-90J10     | HOOK, ENGINE COVER RR PORT  | 1    |         |
| 19      | 61641-87D00     | HOOK, ENGINE COVER FR       | 1    |         |
| 20      | 61645-90J01-0EP | LEVER, HOOK FR (BLACK)      | 1    |         |
| 21      | 09116-06127     | BOLT (6X12)                 | 3    |         |
| 22      | 09160-13014     | WASHER (13.2X25X1)          | 3    |         |
| 23      | 09164-14008     | WASHER                      | 3    |         |
| 24      | 09306-13008     | BUSH                        | 2    |         |
| 25      | 09307-13006     | BUSH                        | 1    |         |
| 26      | 61124-90J30     | GROMMET, REMOCON CABLE      | 1    |         |
| 27      | 09407-25402     | CLAMP (L:248)               | 1    |         |
| 28      | 67341-90J32     | HOLDER, REMOCON CABLE       | 1    |         |
| 29      | 67343-90J20     | STOPPER, REMOCON CABLE      | 1    |         |
| 30      | 67344-90J00     | CUSHION, REMOCON CABLE HLDR | 1    |         |
| 31      | 01550-06167     | BOLT                        | 2    |         |
| 32      | 01580-08257     | BOLT                        | 1    |         |
| 33      | 17917-87L00     | CONNECTOR, FLUSH WATER      | 1    |         |
| 34      | 67300-90J00     | KIT, HOSE ADAPTER           | 1    | OPT     |

FIG.66

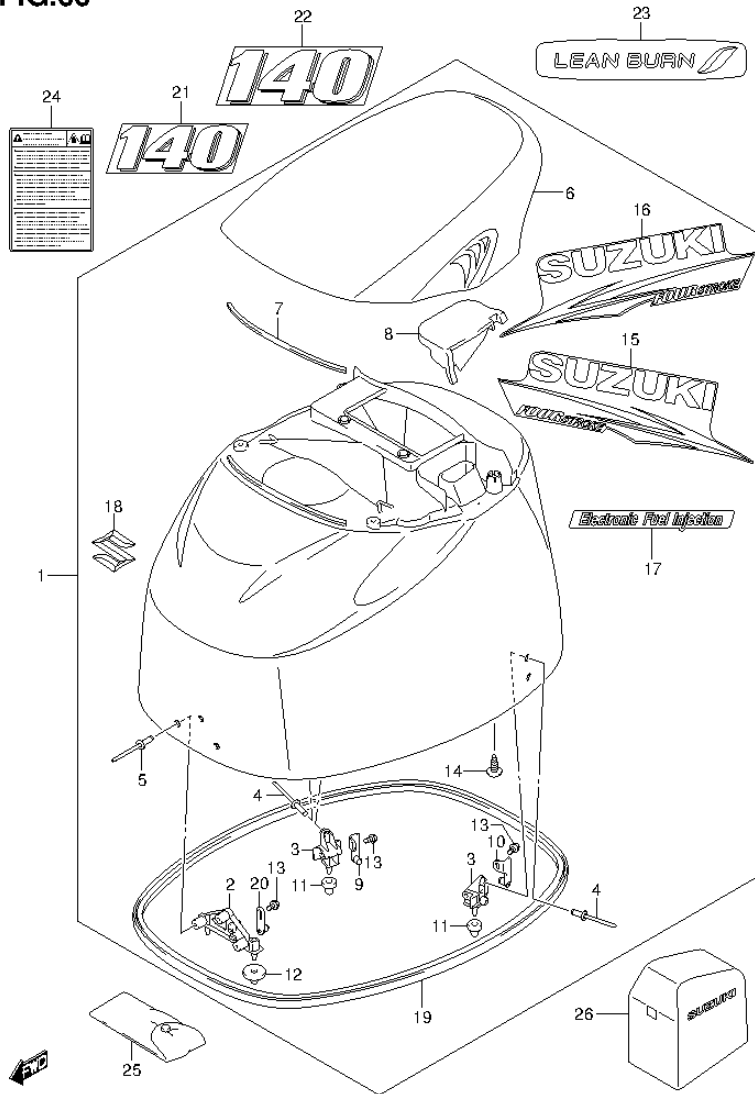


FIG.66 (1-G-12) ENGINE COVER

| REF NO. | PART NO.        | DESCRIPTION                | Q'TY | REMARKS |
|---------|-----------------|----------------------------|------|---------|
| 1       | 61400-90850-OEP | COVER SET, ENGINE (BLACK)  | 1    |         |
| 2       | 61621-87D20     | .BRACKET, FASTENER FR      | 1    |         |
| 3       | 61644-90J20     | .BRACKET, FASTENER RR      | 2    |         |
| 4       | 09229-04025     | .RIVET                     | 4    |         |
| 5       | 09229-04025     | .RIVET                     | 3    |         |
| 6       | 61431-92J10-OEP | .HANDLE, TILT UP (BLACK)   | 1    |         |
| 7       | 61438-92J10     | .SEAL, TILT UP HANDLE      | 1    |         |
| 8       | 61439-92J10     | .SEAL, TILT UP HANDLE      | 1    |         |
| 9       | 61680-90J01     | .FASTENER, REAR STBD       | 1    |         |
| 10      | 61690-90J01     | .FASTENER, REAR PORT       | 1    |         |
| 11      | 09329-10022     | .CUSHION                   | 2    |         |
| 12      | 09329-10023     | .CUSHION                   | 2    |         |
| 13      | 01550-06127     | .BOLT                      | 3    |         |
| 14      | 03542-06169     | .SCREW                     | 4    |         |
| 15      | 61443-87L20     | .STRIPE, ENGINE COVER STBD | 1    |         |
| 16      | 61453-87L20     | .STRIPE, ENGINE COVER PORT | 1    |         |
| 17      | 61446-87L12     | .DECAL, EFI                | 1    |         |
| 18      | 77811-63J00-OPG | .EMBLEM (S) (CHROME)       | 1    |         |
| 19      | 61112-92J00     | .RUBBER, SIDE COVER        | 1    |         |
| 20      | 61610-93J00     | .FASTENER                  | 1    |         |
| 21      | 61422-92J12     | MARK, EMBLEM FRONT         | 1    |         |
| 22      | 61435-92J22     | MARK, EMBLEM REAR          | 1    |         |
| 23      | 61471-98J00     | DECAL, LEAN BURN           | 1    |         |
| 24      | 61458-99E70     | LABEL, ENGINE COVER        | 1    |         |
| 25      | 09800-81840     | TOOL SET                   | 1    |         |
| 26      | 68110-87L00     | COVER, WEATHER             | 1    | OPT     |

FIG.67

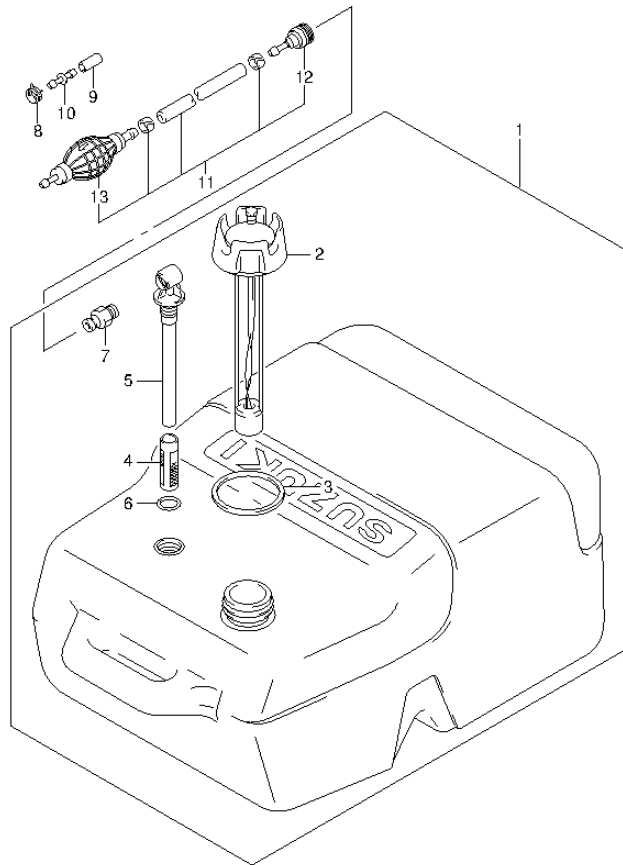
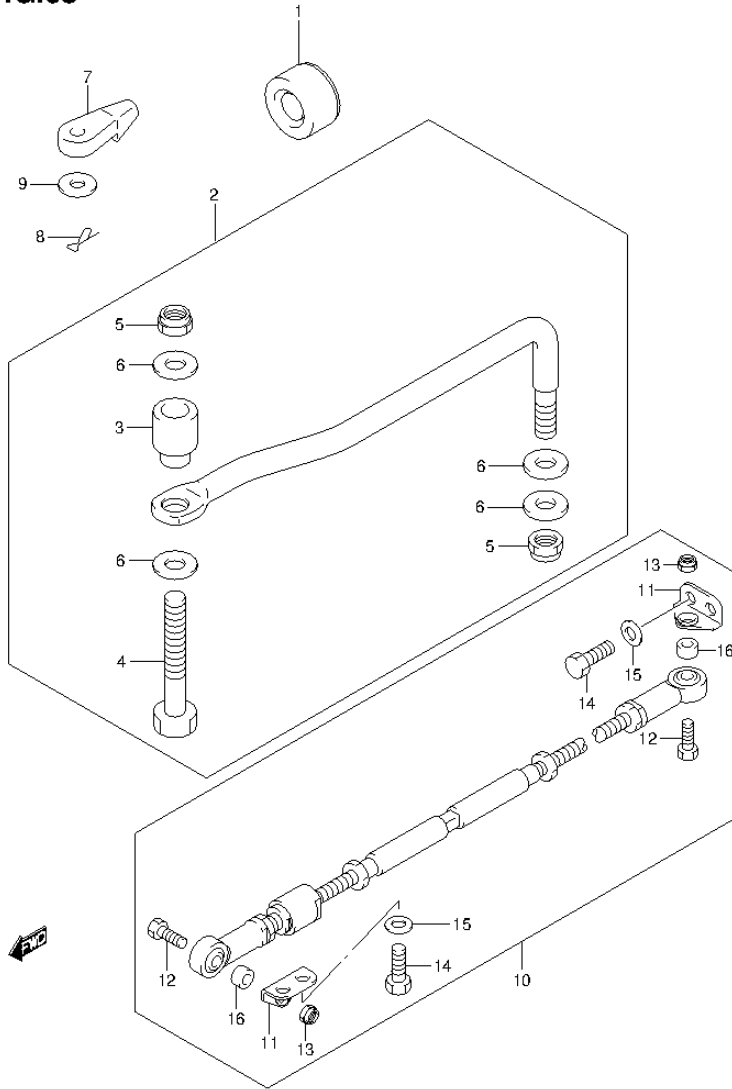


FIG.67 (1-G-13) FUEL TANK

| REF NO. | PART NO.    | DESCRIPTION                 | Q'TY | REMARKS |
|---------|-------------|-----------------------------|------|---------|
| 1       | 65000-95D01 | TANK ASSY, FUEL (25L)       | 1    |         |
| 2       | 65520-95D00 | .CAP ASSY, FUEL TANK        | 1    |         |
| 3       | 65561-95D00 | .GASKET, TANK CAP           | 1    |         |
| 4       | 65831-95D00 | .FILTER, OUTLET             | 1    |         |
| 5       | 65890-95D00 | .OUTLET ASSY                | 1    |         |
| 6       | 65892-95D00 | .O RING, FUEL OUTLET        | 1    |         |
| 7       | 65740-95D01 | .PLUG, FUEL CONNECTOR       | 1    |         |
| 8       | 09401-11423 | CLIP                        | 1    |         |
| 9       | 09251-07003 | CAP                         | 1    |         |
| 10      | 09367-08001 | JOINT                       | 1    |         |
| 11      | 65700-90J13 | HOSE, FUEL (TANK TO ENGINE) | 1    |         |
| 12      | 65750-95500 | .SOCKET, FUEL HOSE          | 1    |         |
| 13      | 65770-90J10 | .PUMP, SQUEEZE              | 1    |         |

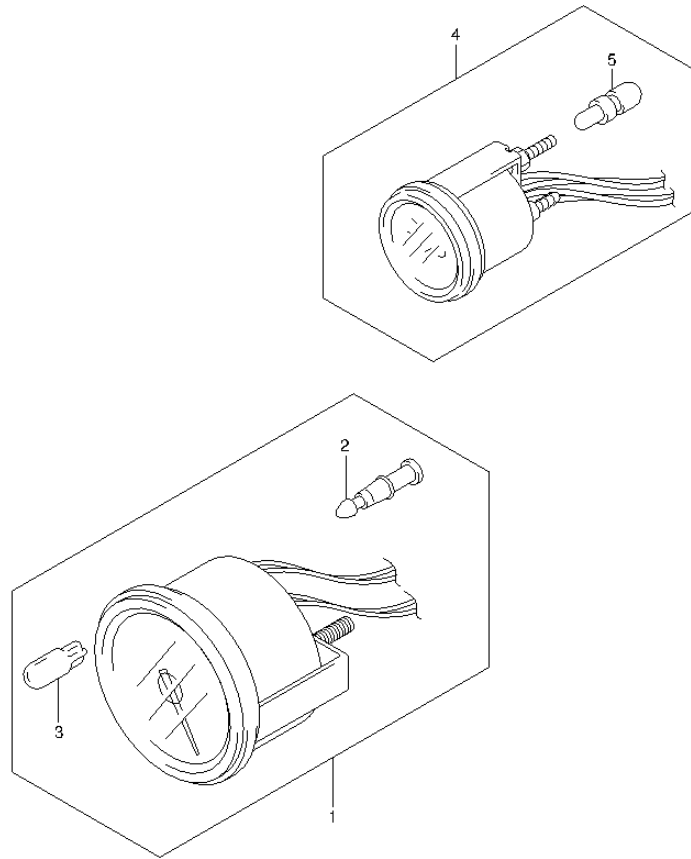
**FIG.68**



**FIG.68 (1-G-14) DRAG LINK**

| REF NO. | PART NO.    | DESCRIPTION              | Q'TY | REMARKS |
|---------|-------------|--------------------------|------|---------|
| 1       | 41161-94400 | SEAL, STEERING CABLE     | 1    |         |
| 2       | 67701-90J00 | LINK, DRAG               | 1    |         |
| 3       | 67721-99E00 | .SPACER                  | 1    |         |
| 4       | 67725-99E00 | .BOLT, DRAG LINK         | 1    |         |
| 5       | 67726-99E00 | .NUT                     | 2    |         |
| 6       | 67728-99E00 | .WASHER                  | 4    |         |
| 7       | 67467-89J01 | CONNECTOR, REMOCON CABLE | 2    |         |
| 8       | 09385-06012 | CLIP                     | 2    |         |
| 9       | 09160-06055 | WASHER (7X12X1)          | 2    |         |
| 10      | 67600-90J00 | KIT, TIE ROD             | 1    | OPT     |
| 11      | 67631-90J00 | .BRACKET, TIE ROD        | 2    | OPT     |
| 12      | 67725-99E10 | .BOLT                    | 2    | OPT     |
| 13      | 67726-99E00 | .NUT                     | 2    | OPT     |
| 14      | 09100-12081 | .BOLT (12X25)            | 4    | OPT     |
| 15      | 09160-12066 | .WASHER (12.5X22X2.5)    | 4    | OPT     |
| 16      | 09180-09022 | .SPACER (9.6X18X12)      | 2    | OPT     |

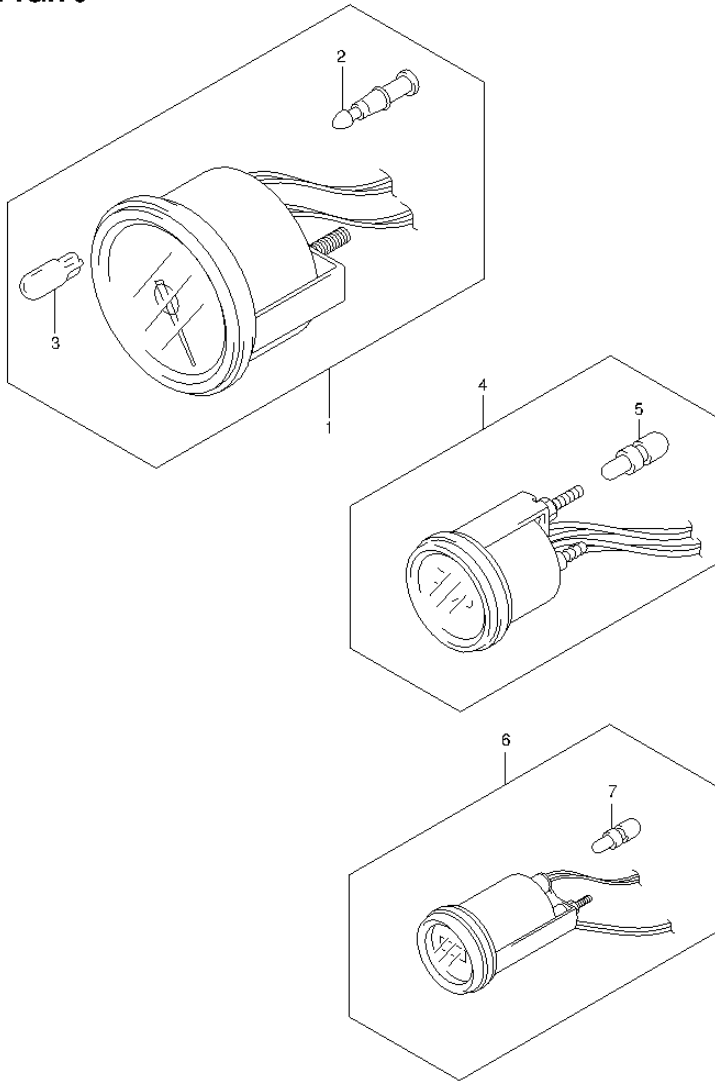
**FIG.69**



**FIG.69 (1-G-15) METER (DF140AT E01)**

| REF NO. | PART NO.    | DESCRIPTION       | Q'TY | REMARKS |
|---------|-------------|-------------------|------|---------|
| 1-1     | 34200-93J00 | TACHOMETER ASSY   | 1    | BLACK   |
| 1-2     | 34200-93J11 | TACHOMETER ASSY   | 1    | WHITE   |
| 2       | 36615-96300 | .TERMINAL, RESIN  | 4    |         |
| 3       | 09471-12077 | .BULB (12V, 1.7W) | 1    |         |
| 4-1     | 34800-93J00 | METER ASSY, TRIM  | 1    | BLACK   |
| 4-2     | 34800-93J11 | METER ASSY, TRIM  | 1    | WHITE   |
| 5       | 09471-12103 | .BULB (12V, 3.4W) | 1    |         |

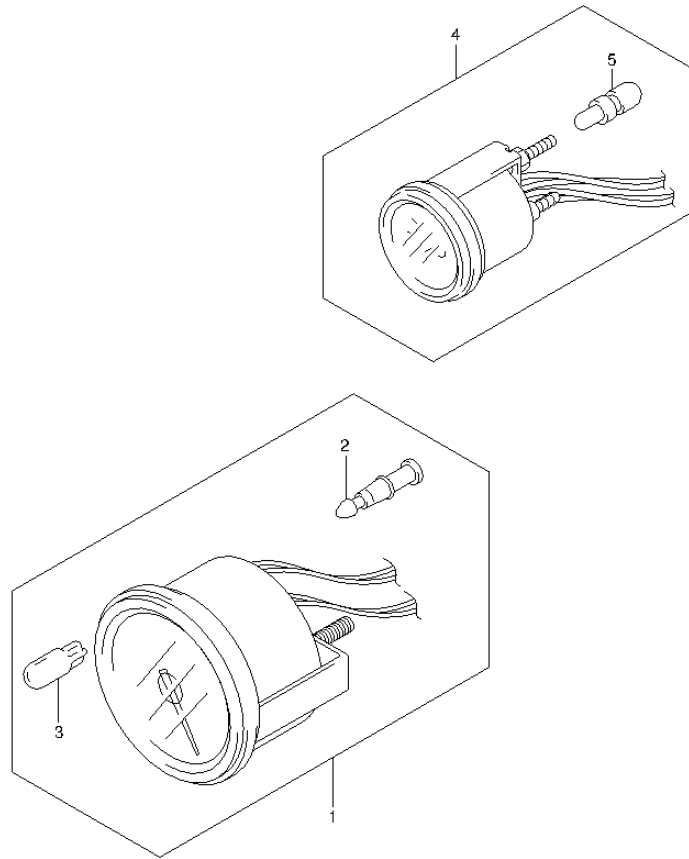
**FIG.70**



**FIG.70 (1-H-2) METER (DF140AT E40)**

| REF NO. | PART NO.    | DESCRIPTION       | Q'TY | REMARKS |
|---------|-------------|-------------------|------|---------|
| 1-1     | 34200-93J00 | TACHOMETER ASSY   | 1    | BLACK   |
| 1-2     | 34200-93J11 | TACHOMETER ASSY   | 1    | WHITE   |
| 2       | 36615-96300 | .TERMINAL, RESIN  | 4    |         |
| 3       | 09471-12077 | .BULB (12V, 1.7W) | 1    |         |
| 4-1     | 34800-93J00 | METER ASSY, TRIM  | 1    | BLACK   |
| 4-2     | 34800-93J11 | METER ASSY, TRIM  | 1    | WHITE   |
| 5       | 09471-12103 | .BULB (12V, 3.4W) | 1    |         |
| 6-1     | 34500-93J00 | METER ASSY, HOUR  | 1    | BLACK   |
| 6-2     | 34500-93J11 | METER ASSY, HOUR  | 1    | WHITE   |
| 7       | 09471-12103 | .BULB (12V, 3.4W) | 1    |         |

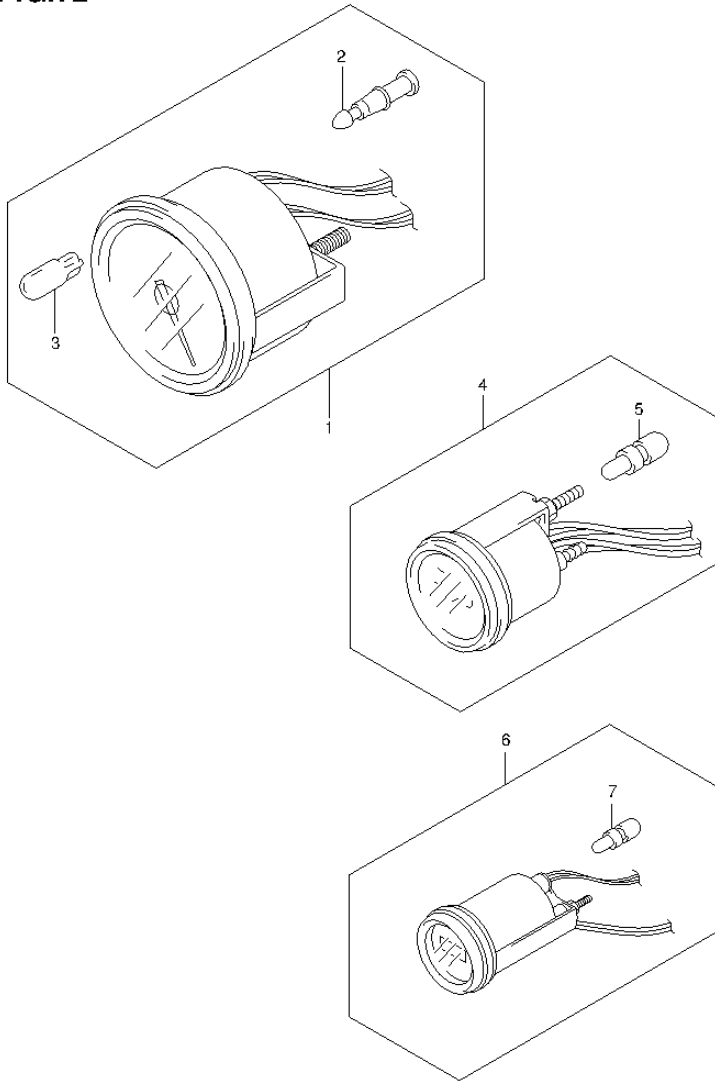
**FIG.71**



**FIG.71 (1-H-3) METER (DF140AZ E01)**

| REF NO. | PART NO.    | DESCRIPTION       | Q'TY | REMARKS |
|---------|-------------|-------------------|------|---------|
| 1-1     | 34200-93J00 | TACHOMETER ASSY   | 1    | BLACK   |
| 1-2     | 34200-93J11 | TACHOMETER ASSY   | 1    | WHITE   |
| 2       | 36615-96300 | .TERMINAL, RESIN  | 4    |         |
| 3       | 09471-12077 | .BULB (12V, 1.7W) | 1    |         |
| 4-1     | 34800-93J00 | METER ASSY, TRIM  | 1    | BLACK   |
| 4-2     | 34800-93J11 | METER ASSY, TRIM  | 1    | WHITE   |
| 5       | 09471-12103 | .BULB (12V, 3.4W) | 1    |         |

**FIG.72**



**FIG.72 (1-H-4) METER (DF140AZ E40)**

| REF NO. | PART NO.    | DESCRIPTION       | Q'TY | REMARKS |
|---------|-------------|-------------------|------|---------|
| 1-1     | 34200-93J00 | TACHOMETER ASSY   | 1    | BLACK   |
| 1-2     | 34200-93J11 | TACHOMETER ASSY   | 1    | WHITE   |
| 2       | 36615-96300 | .TERMINAL, RESIN  | 4    |         |
| 3       | 09471-12077 | .BULB (12V, 1.7W) | 1    |         |
| 4-1     | 34800-93J00 | METER ASSY, TRIM  | 1    | BLACK   |
| 4-2     | 34800-93J11 | METER ASSY, TRIM  | 1    | WHITE   |
| 5       | 09471-12103 | .BULB (12V, 3.4W) | 1    |         |
| 6-1     | 34500-93J00 | METER ASSY, HOUR  | 1    | BLACK   |
| 6-2     | 34500-93J11 | METER ASSY, HOUR  | 1    | WHITE   |
| 7       | 09471-12103 | .BULB (12V, 3.4W) | 1    |         |

FIG.73

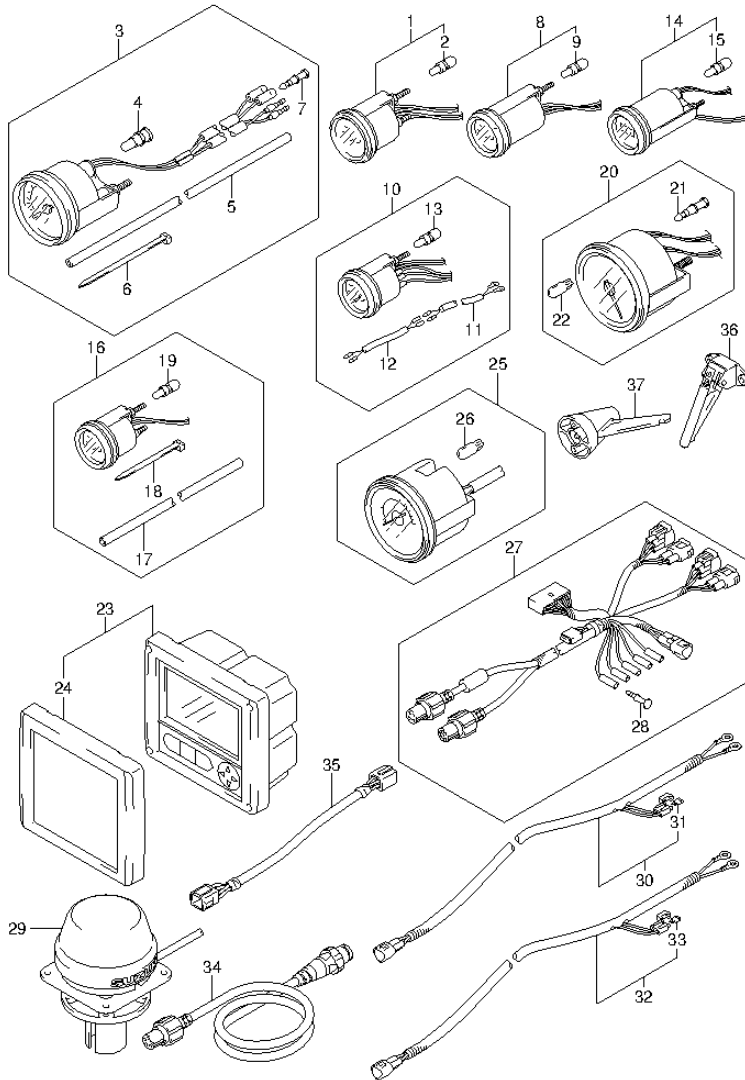


FIG.73 (1-H-5) OPT:METER

| REF NO. | PART NO.    | DESCRIPTION                   | Q'TY | REMARKS           |
|---------|-------------|-------------------------------|------|-------------------|
| 1-1     | 34800-93J00 | METER ASSY, TRIM              | 1    | BLACK             |
| 1-2     | 34800-93J11 | METER ASSY, TRIM              | 1    | WHITE             |
| 2       | 09471-12103 | .BULB (12V, 3.4W)             | 1    |                   |
| 3-1     | 34100-93J00 | SPEEDOMETER ASSY              | 1    | MAX 130KM/H BLACK |
| 3-2     | 34100-93J11 | SPEEDOMETER ASSY              | 1    | MAX 130KM/H WHITE |
| 3-3     | 34100-93J20 | SPEEDOMETER ASSY              | 1    | MAX 80KM/H BLACK  |
| 3-4     | 34100-93J31 | SPEEDOMETER ASSY              | 1    | MAX 80KM/H WHITE  |
| 3-5     | 34100-93J40 | SPEEDOMETER ASSY              | 1    | MAX 45KNOTS BLACK |
| 3-6     | 34100-93J51 | SPEEDOMETER ASSY              | 1    | MAX 45KNOTS WHITE |
| 3-7     | 34100-93J60 | SPEEDOMETER ASSY              | 1    | MAX 65KNOTS WHITE |
| 4       | 09471-12028 | .BULB (12V, 3.4W)             | 1    |                   |
| 5       | 34191-92E00 | .TUBE                         | 1    |                   |
| 6       | 09407-14407 | .CLAMP (L:145)                | 2    |                   |
| 7       | 36615-96300 | .TERMINAL, RESIN              | 2    |                   |
| 8-1     | 34600-93J00 | METER ASSY, VOLTAGE           | 1    | BLACK             |
| 8-2     | 34600-93J11 | METER ASSY, VOLTAGE           | 1    | WHITE             |
| 9       | 09471-12103 | .BULB (12V, 3.4W)             | 1    |                   |
| 10-1    | 34300-93J00 | GAUGE ASSY, FUEL              | 1    | BLACK             |
| 10-2    | 34300-93J11 | GAUGE ASSY, FUEL              | 1    | WHITE             |
| 11      | 34310-92E00 | .LEAD, FUEL GAUGE             | 1    |                   |
| 12      | 34360-92E00 | .ADAPTER, FUEL GAUGE          | 1    |                   |
| 13      | 09471-12103 | .BULB (12V, 3.4W)             | 1    |                   |
| 14-1    | 34500-93J00 | METER ASSY, HOUR              | 1    | BLACK             |
| 14-2    | 34500-93J11 | METER ASSY, HOUR              | 1    | WHITE             |
| 15      | 09471-12103 | .BULB (12V, 3.4W)             | 1    |                   |
| 16-1    | 34650-93J20 | GAUGE ASSY, WATER PRESSURE    | 1    | 15PSI BLACK       |
| 16-2    | 34650-93J31 | GAUGE ASSY, WATER PRESSURE    | 1    | 15PSI WHITE       |
| 17      | 34191-92E00 | .TUBE                         | 1    |                   |
| 18      | 09407-14407 | .CLAMP (L:145)                | 2    |                   |
| 19      | 09471-12103 | .BULB (12V, 3.4W)             | 1    |                   |
| 20-1    | 34200-93J00 | TACHOMETER ASSY, WITH MONITOR | 1    | BLACK             |
| 20-2    | 34200-93J11 | TACHOMETER ASSY, WITH MONITOR | 1    | WHITE             |
| 21      | 36615-96300 | .TERMINAL, RESIN              | 4    |                   |
| 22      | 09471-12077 | .BULB (12V, 1.7W)             | 1    |                   |

FIG.73

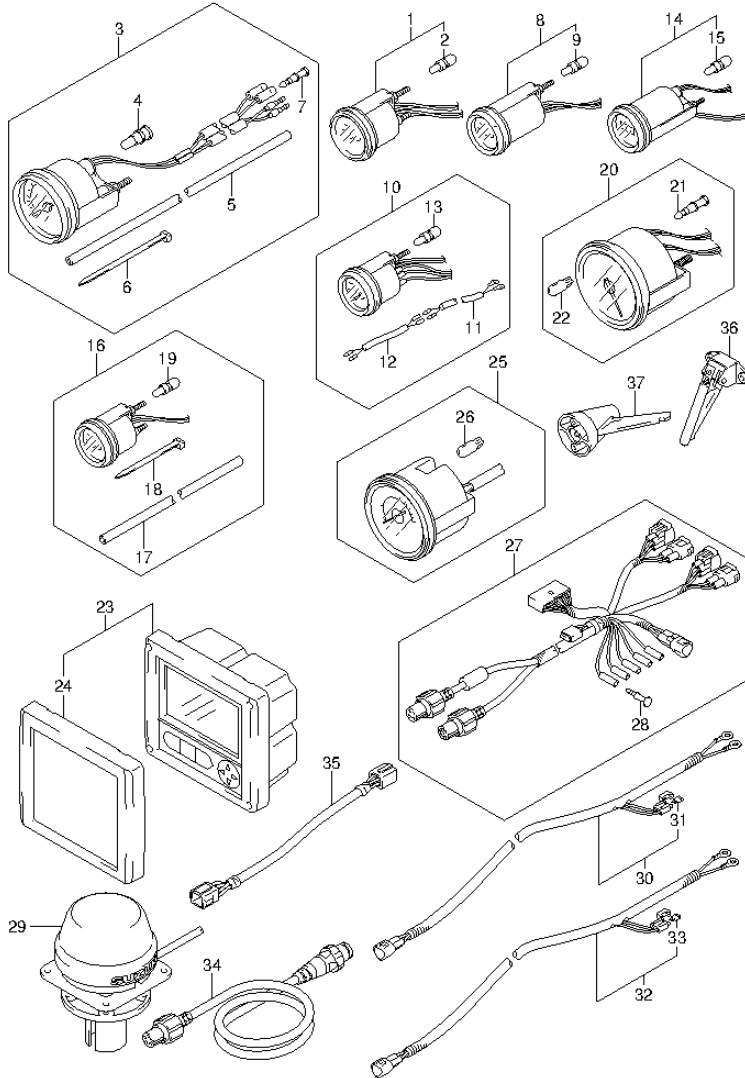


FIG.73 (1-H-6) OPT:METER

| REF NO. | PART NO.    | DESCRIPTION                   | Q'TY | REMARKS |
|---------|-------------|-------------------------------|------|---------|
| 23      | 34200-87L10 | GAUGE ASSY, MULTI             | 1    |         |
| 24      | 34211-87L00 | .COVER, FRONT                 | 1    |         |
| 25-1    | 34200-93J40 | TACHOMETER ASSY, WITH MONITOR | 1    | BLACK   |
| 25-2    | 34200-93J50 | TACHOMETER ASSY, WITH MONITOR | 1    | WHITE   |
| 26      | 09471-12077 | .BULB (12V, 1.7W)             | 1    |         |
| 27      | 36661-87L00 | ADAPTER, GAUGE                | 1    |         |
| 28      | 36615-96300 | .TERMINAL, RESIN              | 5    |         |
| 29      | 39950-87L00 | MODULE ASSY, GPS RECIVER      | 1    |         |
| 30      | 36663-98J00 | WIRE, GAUGE POWER             | 1    |         |
| 31      | 09481-05501 | .FUSE (5A)                    | 1    |         |
| 32      | 36663-98J10 | WIRE, GAUGE POWER             | 1    |         |
| 33      | 09481-05501 | .FUSE (5A)                    | 1    |         |
| 34      | 36666-87L00 | WIRE, NETWORK                 | 1    |         |
| 35      | 36682-92E00 | WIRE, MONITOR GAUGE EXT       | 1    |         |
| 36      | 34190-87D00 | SENDER ASSY, SPEEDOMETER      | 1    |         |
| 37      | 34190-95500 | SENDER ASSY, SPEEDOMETER      | 1    |         |

FIG.74

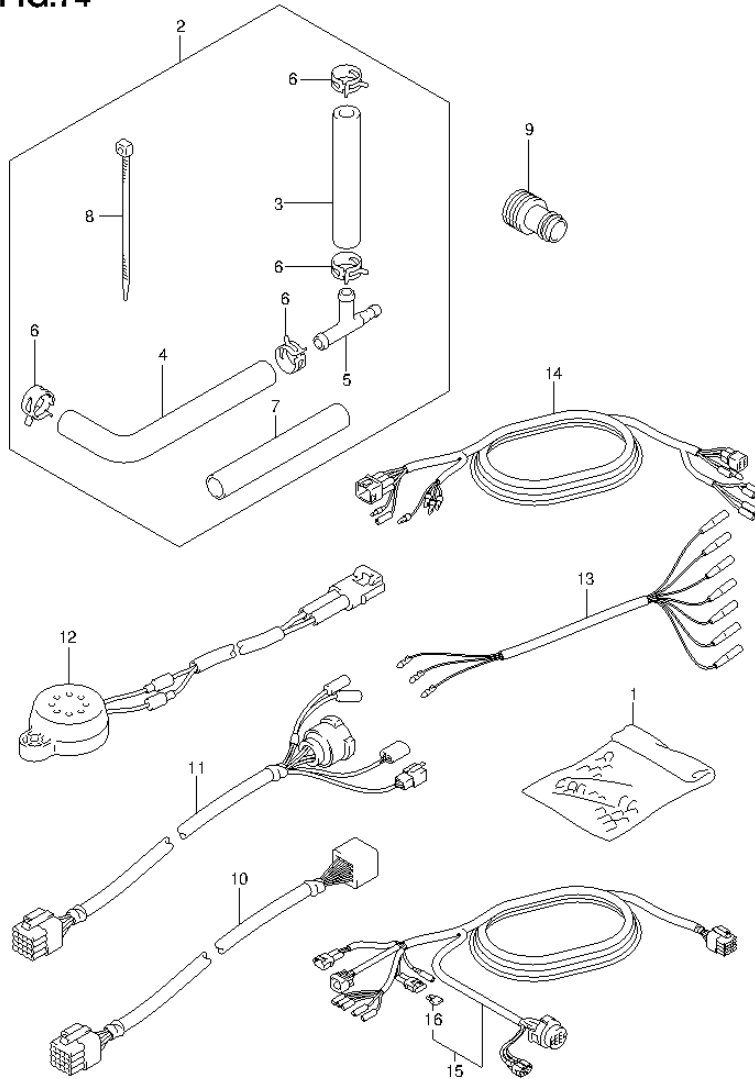


FIG.74 (1-H-7) OPT:HARNESS (DF140AT E01)

| REF NO. | PART NO.        | DESCRIPTION                  | Q'TY | REMARKS    |
|---------|-----------------|------------------------------|------|------------|
| 1       | 36990-87D00     | TERMINAL & SLEEVE SET        | 1    |            |
| 2       | 34660-90J02     | WATER PRESS GAUGE SUB KIT    | 1    |            |
| 3       | 09352-50903-600 | .HOSE (5X9X600)              | 1    | L:600->160 |
| 4       | 09352-50903-600 | .HOSE (5X9X600)              | 1    | L:600->210 |
| 5       | 09367-06006     | .3 WAY                       | 1    |            |
| 6       | 09401-08413     | .CLIP                        | 4    |            |
| 7       | 18498-99EA0     | .PROTECTOR (L:80)            | 1    |            |
| 8       | 09407-25402     | .CLAMP (L:248)               | 1    |            |
| 9       | 17917-87L00     | CONNECTOR, FLUSH WATER       | 1    |            |
| 10-1    | 36620-93J10     | WIRE ASSY, REMOCON EXTENSION | 1    | L:2000     |
| 10-2    | 36620-93J40     | WIRE ASSY, REMOCON EXTENSION | 1    | L:3000     |
| 11      | 36620-93J30     | WIRE ASSY, REMOCON ADAPTER   | 1    | L:2000     |
| 12      | 38500-93J00     | BUZZER ASSY, WARNING         | 1    |            |
| 13      | 36630-92E00     | WIRE ASSY, INSTRUMENT        | 1    |            |
| 14      | 36660-94480     | WIRE MONITOR GAUGE EXTENSION | 1    |            |
| 15-1    | 36620-93J02     | WIRE ASSY, REMOTE CONTROL    | 1    | L:5000     |
| 15-2    | 36620-93J52     | WIRE ASSY, REMOTE CONTROL    | 1    | L:3500     |
| 15-3    | 36620-93J62     | WIRE ASSY, REMOTE CONTROL    | 1    | L:6500     |
| 16      | 09481-10501     | .FUSE (10A)                  | 1    |            |

FIG.75

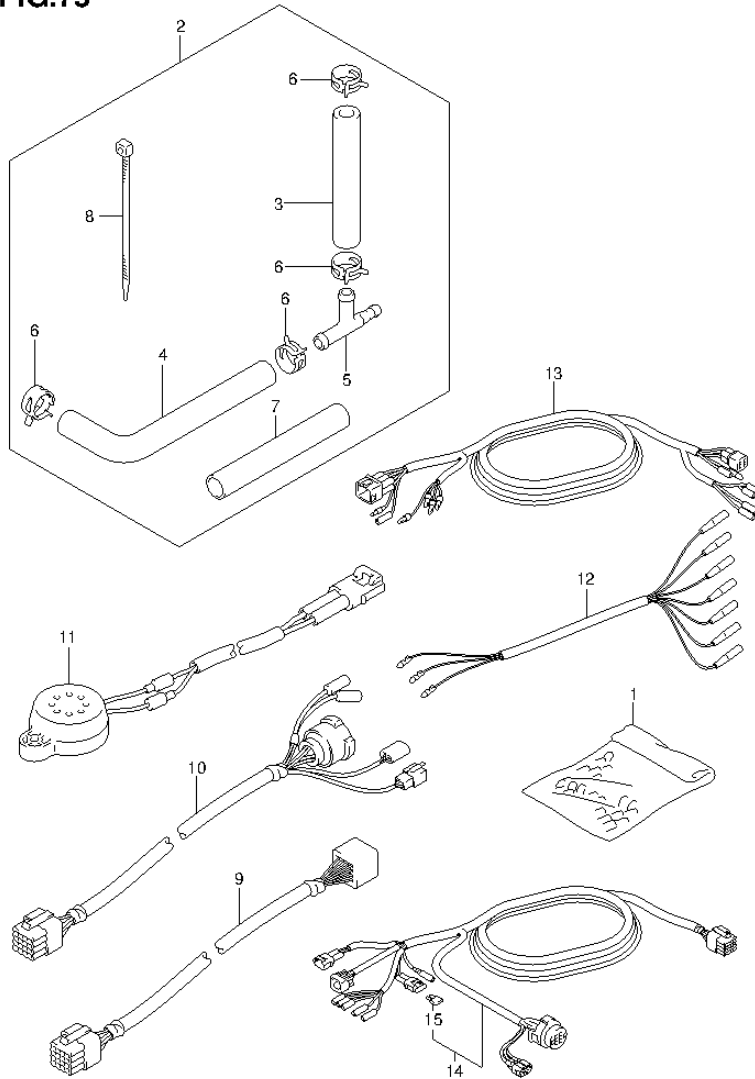


FIG.75 (1-H-8) OPT:HARNESS (DF140AT E40)

| REF NO. | PART NO.        | DESCRIPTION                  | Q'TY | REMARKS    |
|---------|-----------------|------------------------------|------|------------|
| 1       | 36990-87D00     | TERMINAL & SLEEVE SET        | 1    |            |
| 2       | 34660-90J02     | WATER PRESS GAUGE SUB KIT    | 1    |            |
| 3       | 09352-50903-600 | .HOSE (5X9X600)              | 1    | L:600->160 |
| 4       | 09352-50903-600 | .HOSE (5X9X600)              | 1    | L:600->210 |
| 5       | 09367-06006     | .3 WAY                       | 1    |            |
| 6       | 09401-08413     | .CLIP                        | 4    |            |
| 7       | 18498-99EA0     | .PROTECTOR (L:80)            | 1    |            |
| 8       | 09407-25402     | .CLAMP (L:248)               | 1    |            |
| 9-1     | 36620-93J10     | WIRE ASSY, REMOCON EXTENSION | 1    | L:2000     |
| 9-2     | 36620-93J40     | WIRE ASSY, REMOCON EXTENSION | 1    | L:3000     |
| 10      | 36620-93J30     | WIRE ASSY, REMOCON ADAPTER   | 1    | L:2000     |
| 11      | 38500-93J00     | BUZZER ASSY, WARNING         | 1    |            |
| 12      | 36630-92E00     | WIRE ASSY, INSTRUMENT        | 1    |            |
| 13      | 36660-94480     | WIRE MONITOR GAUGE EXTENSION | 1    |            |
| 14-1    | 36620-93J02     | WIRE ASSY, REMOTE CONTROL    | 1    | L:5000     |
| 14-2    | 36620-93J52     | WIRE ASSY, REMOTE CONTROL    | 1    | L:3500     |
| 14-3    | 36620-93J62     | WIRE ASSY, REMOTE CONTROL    | 1    | L:6500     |
| 15      | 09481-10501     | .FUSE (10A)                  | 1    |            |

FIG.76

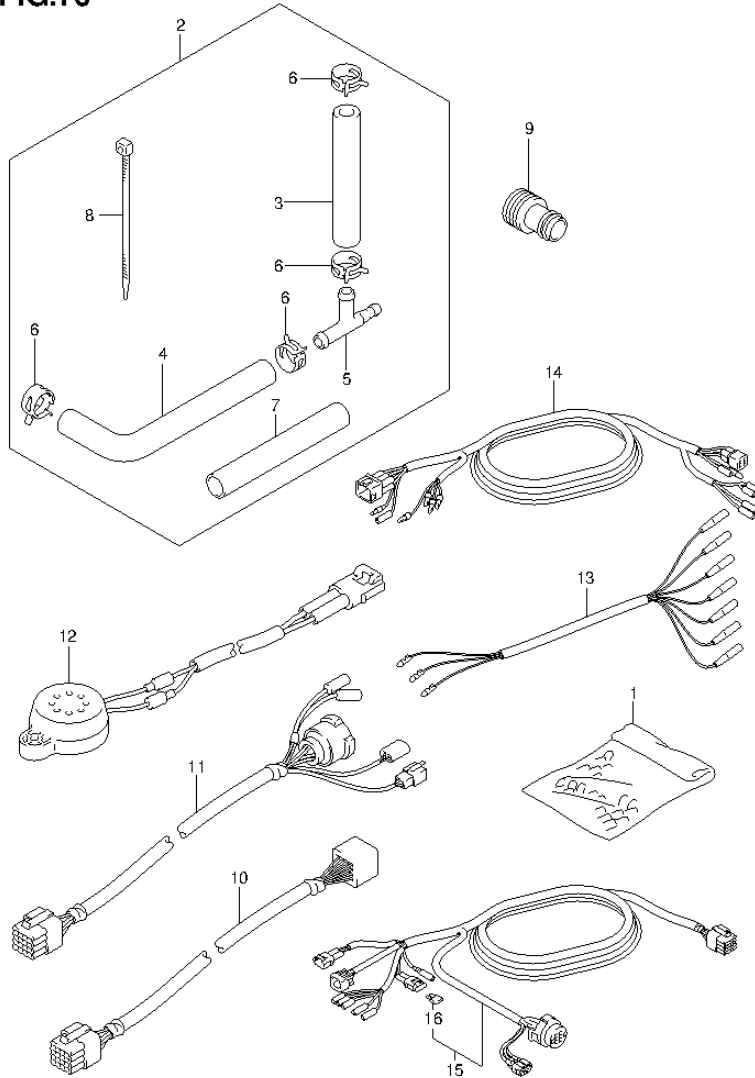


FIG.76 (1-H-9) OPT:HARNESS (DF140AZ E01)

| REF NO. | PART NO.        | DESCRIPTION                  | Q'TY | REMARKS    |
|---------|-----------------|------------------------------|------|------------|
| 1       | 36990-87D00     | TERMINAL & SLEEVE SET        | 1    |            |
| 2       | 34660-90J02     | WATER PRESS GAUGE SUB KIT    | 1    |            |
| 3       | 09352-50903-600 | .HOSE (5X9X600)              | 1    | L:600->160 |
| 4       | 09352-50903-600 | .HOSE (5X9X600)              | 1    | L:600->210 |
| 5       | 09367-06006     | .3 WAY                       | 1    |            |
| 6       | 09401-08413     | .CLIP                        | 4    |            |
| 7       | 18498-99EA0     | .PROTECTOR (L:80)            | 1    |            |
| 8       | 09407-25402     | .CLAMP (L:248)               | 1    |            |
| 9       | 17917-87L00     | CONNECTOR, FLUSH WATER       | 1    |            |
| 10-1    | 36620-93J10     | WIRE ASSY, REMOCON EXTENSION | 1    | L:2000     |
| 10-2    | 36620-93J40     | WIRE ASSY, REMOCON EXTENSION | 1    | L:3000     |
| 11      | 36620-93J30     | WIRE ASSY, REMOCON ADAPTER   | 1    | L:2000     |
| 12      | 38500-93J00     | BUZZER ASSY, WARNING         | 1    |            |
| 13      | 36630-92E00     | WIRE ASSY, INSTRUMENT        | 1    |            |
| 14      | 36660-94480     | WIRE MONITOR GAUGE EXTENSION | 1    |            |
| 15-1    | 36620-93J02     | WIRE ASSY, REMOTE CONTROL    | 1    | L:5000     |
| 15-2    | 36620-93J52     | WIRE ASSY, REMOTE CONTROL    | 1    | L:3500     |
| 15-3    | 36620-93J62     | WIRE ASSY, REMOTE CONTROL    | 1    | L:6500     |
| 16      | 09481-10501     | .FUSE (10A)                  | 1    |            |

FIG.77

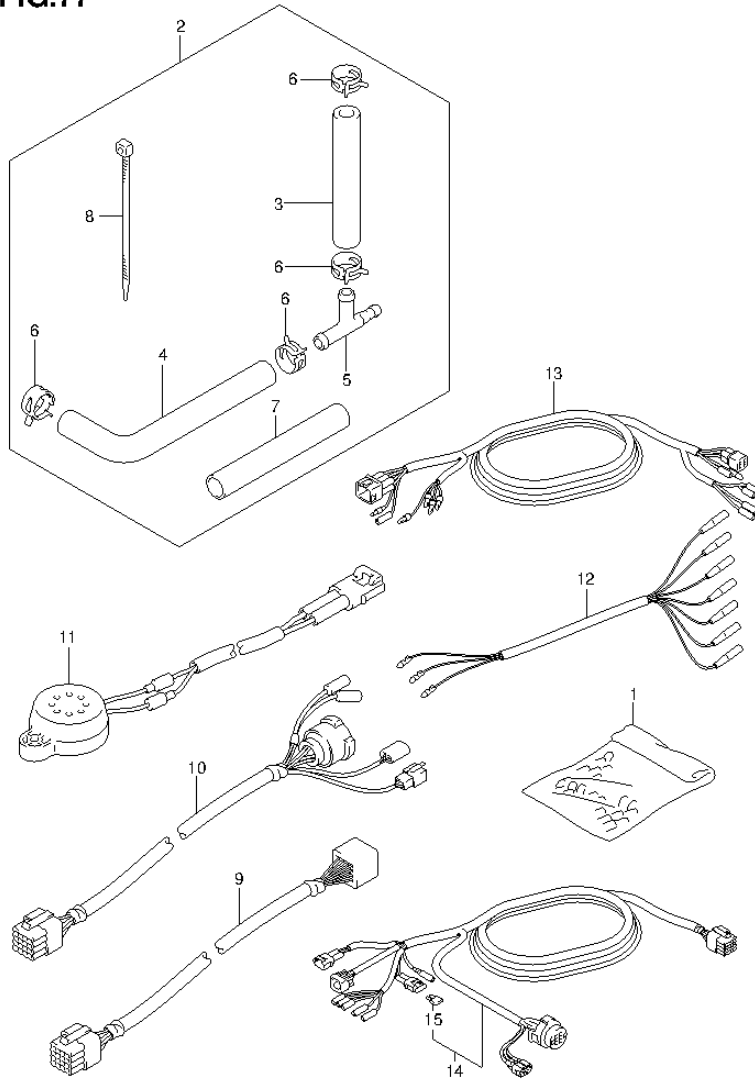
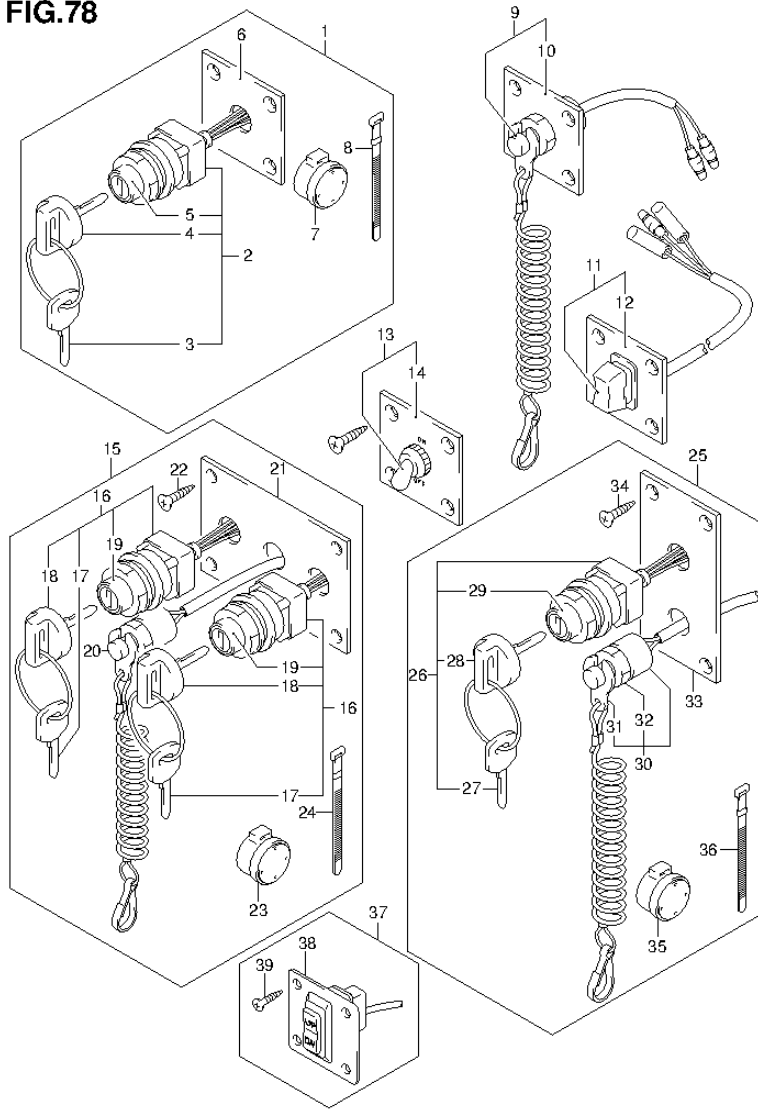


FIG.77 (1-H-10) OPT:HARNESS (DF140AZ E40)

| REF NO. | PART NO.        | DESCRIPTION                  | Q'TY | REMARKS    |
|---------|-----------------|------------------------------|------|------------|
| 1       | 36990-87D00     | TERMINAL & SLEEVE SET        | 1    |            |
| 2       | 34660-90J02     | WATER PRESS GAUGE SUB KIT    | 1    |            |
| 3       | 09352-50903-600 | .HOSE (5X9X600)              | 1    | L:600->160 |
| 4       | 09352-50903-600 | .HOSE (5X9X600)              | 1    | L:600->210 |
| 5       | 09367-06006     | .3 WAY                       | 1    |            |
| 6       | 09401-08413     | .CLIP                        | 4    |            |
| 7       | 18498-99EA0     | .PROTECTOR (L:80)            | 1    |            |
| 8       | 09407-25402     | .CLAMP (L:248)               | 1    |            |
| 9-1     | 36620-93J10     | WIRE ASSY, REMOCON EXTENSION | 1    | L:2000     |
| 9-2     | 36620-93J40     | WIRE ASSY, REMOCON EXTENSION | 1    | L:3000     |
| 10      | 36620-93J30     | WIRE ASSY, REMOCON ADAPTER   | 1    | L:2000     |
| 11      | 38500-93J00     | BUZZER ASSY, WARNING         | 1    |            |
| 12      | 36630-92E00     | WIRE ASSY, INSTRUMENT        | 1    |            |
| 13      | 36660-94480     | WIRE MONITOR GAUGE EXTENSION | 1    |            |
| 14-1    | 36620-93J02     | WIRE ASSY, REMOTE CONTROL    | 1    | L:5000     |
| 14-2    | 36620-93J52     | WIRE ASSY, REMOTE CONTROL    | 1    | L:3500     |
| 14-3    | 36620-93J62     | WIRE ASSY, REMOTE CONTROL    | 1    | L:6500     |
| 15      | 09481-10501     | .FUSE (10A)                  | 1    |            |

**FIG.78**



**FIG.78 (1-H-11) OPT:SWITCH**

| REF NO. | PART NO.    | DESCRIPTION                | Q'TY | REMARKS |
|---------|-------------|----------------------------|------|---------|
| 1       | 37100-96J00 | PANEL ASSY, IGNITION SW    | 1    |         |
| 2       | 37110-93J00 | .SWITCH ASSY, IGNITION     | 1    |         |
| 3-1     | 37141-99E00 | ..KEY (931)                | 1    |         |
| 3-2     | 37141-99E10 | ..KEY (932)                | 1    |         |
| 3-3     | 37141-99E20 | ..KEY (933)                | 1    |         |
| 3-4     | 37141-99E30 | ..KEY (934)                | 1    |         |
| 3-5     | 37141-99E40 | ..KEY (935)                | 1    |         |
| 3-6     | 37141-99E50 | ..KEY (936)                | 1    |         |
| 3-7     | 37141-99E60 | ..KEY (937)                | 1    |         |
| 3-8     | 37141-99E70 | ..KEY (938)                | 1    |         |
| 3-9     | 37141-99E80 | ..KEY (939)                | 1    |         |
| 3-10    | 37141-99E90 | ..KEY (940)                | 1    |         |
| 3-11    | 37141-99EA0 | ..KEY (941)                | 1    |         |
| 3-12    | 37141-99EB0 | ..KEY (942)                | 1    |         |
| 4       | 37143-99E00 | ..CAP, KEY                 | 1    |         |
| 5       | 37149-93J00 | ..CAP, CYLINDER BODY       | 1    |         |
| 6       | 37139-99E00 | .PANEL, IGNITION SW        | 1    |         |
| 7       | 38500-93J90 | .BUZZER ASSY, WARNING      | 1    |         |
| 8       | 09407-08401 | .CLAMP (L:80)              | 1    |         |
| 9       | 37803-93J03 | PANEL ASSY, EMERGENCY SW   | 1    |         |
| 10      | 37825-99E00 | .PANEL, EMERGENCY SW       | 1    |         |
| 11      | 37805-93J00 | PANEL ASSY, PTT SW         | 1    |         |
| 12      | 37855-99E00 | .PANEL, PTT SW             | 1    |         |
| 13      | 37210-93J00 | PANEL ASSY, LIGHTING SW    | 1    |         |
| 14      | 37212-93J00 | .PANEL, LIGHTING SW        | 1    |         |
| 15      | 37100-96J13 | PANEL ASSY, DUAL ENGINE SW | 1    |         |
| 16      | 37110-93J00 | .SWITCH ASSY, IGNITION     | 2    |         |
| 17-1    | 37141-99E00 | ..KEY (931)                | 4    |         |
| 17-2    | 37141-99E10 | ..KEY (932)                | 4    |         |
| 17-3    | 37141-99E20 | ..KEY (933)                | 4    |         |
| 17-4    | 37141-99E30 | ..KEY (934)                | 4    |         |
| 17-5    | 37141-99E40 | ..KEY (935)                | 4    |         |
| 17-6    | 37141-99E50 | ..KEY (936)                | 4    |         |
| 17-7    | 37141-99E60 | ..KEY (937)                | 4    |         |

FIG.78

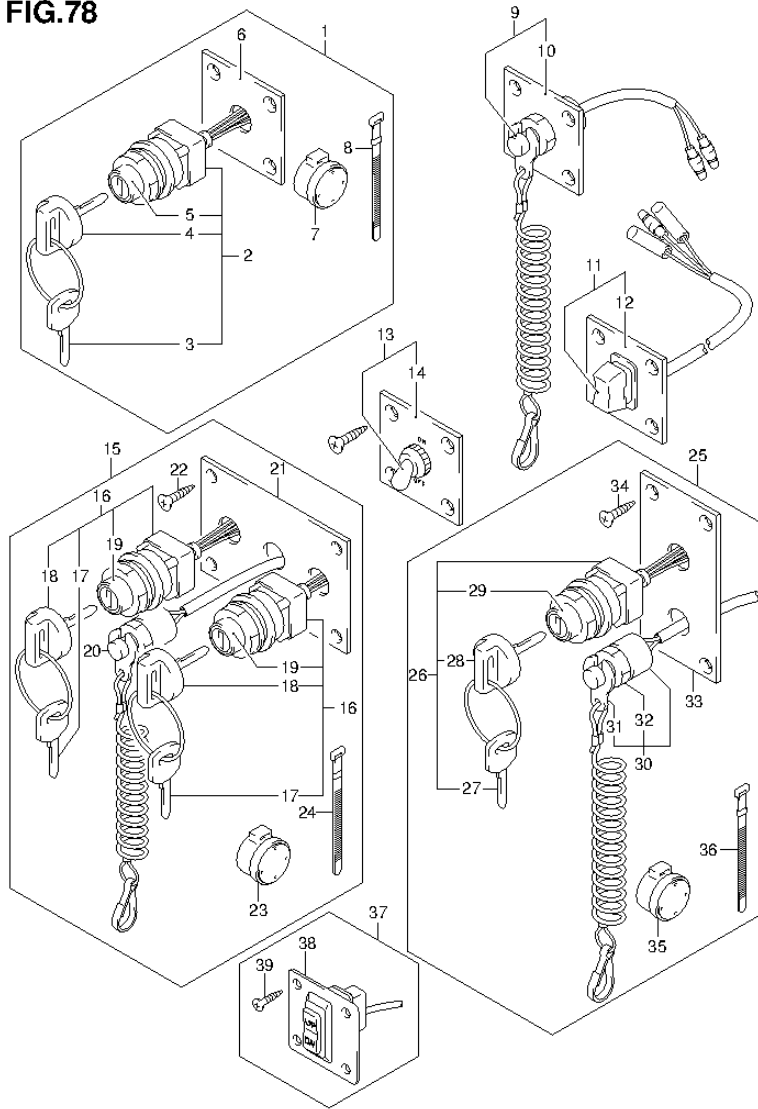


FIG.78 (1-H-12) OPT:SWITCH

| REF NO. | PART NO.    | DESCRIPTION                    | Q'TY | REMARKS |
|---------|-------------|--------------------------------|------|---------|
| 17-8    | 37141-99E70 | ..KEY (938)                    | 4    |         |
| 17-9    | 37141-99E80 | ..KEY (939)                    | 4    |         |
| 17-10   | 37141-99E90 | ..KEY (940)                    | 4    |         |
| 17-11   | 37141-99EA0 | ..KEY (941)                    | 4    |         |
| 17-12   | 37141-99EB0 | ..KEY (942)                    | 4    |         |
| 18      | 37143-99E00 | ..CAP, KEY                     | 2    |         |
| 19      | 37149-93J00 | ..CAP, CYLINDER BODY           | 2    |         |
| 20      | 37820-93J93 | ..SWITCH ASSY, EMERGENCY       | 1    |         |
| 21      | 37139-99E10 | ..PANEL, IGNITION SWITCH       | 1    |         |
| 22      | 03121-0516A | ..SCREW                        | 4    |         |
| 23      | 38500-93J90 | ..BUZZER ASSY, WARNING         | 1    |         |
| 24      | 09407-08401 | ..CLAMP (L:80)                 | 1    |         |
| 25      | 37100-96J23 | PANEL ASSY, ENGINE SW          | 1    |         |
| 26      | 37110-93J00 | ..SWITCH ASSY, IGNITION        | 1    |         |
| 27-1    | 37141-99E00 | ..KEY (931)                    | 2    |         |
| 27-2    | 37141-99E10 | ..KEY (932)                    | 2    |         |
| 27-3    | 37141-99E20 | ..KEY (933)                    | 2    |         |
| 27-4    | 37141-99E30 | ..KEY (934)                    | 2    |         |
| 27-5    | 37141-99E40 | ..KEY (935)                    | 2    |         |
| 27-6    | 37141-99E50 | ..KEY (936)                    | 2    |         |
| 27-7    | 37141-99E60 | ..KEY (937)                    | 2    |         |
| 27-8    | 37141-99E70 | ..KEY (938)                    | 2    |         |
| 27-9    | 37141-99E80 | ..KEY (939)                    | 2    |         |
| 27-10   | 37141-99E90 | ..KEY (940)                    | 2    |         |
| 27-11   | 37141-99EA0 | ..KEY (941)                    | 2    |         |
| 27-12   | 37141-99EB0 | ..KEY (942)                    | 2    |         |
| 28      | 37143-99E00 | ..CAP, KEY                     | 1    |         |
| 29      | 37149-93J00 | ..CAP, CYLINDER BODY           | 1    |         |
| 30      | 37820-93J03 | ..SWITCH ASSY, EMERGENCY       | 1    |         |
| 31      | 37823-92E01 | ..PLATE ASSY EMERGENCY SW LOCK | 1    |         |
| 32      | 37826-92E00 | ..NUT                          | 1    |         |
| 33      | 37139-99E20 | ..PANEL                        | 1    |         |
| 34      | 03121-0516A | ..SCREW                        | 4    |         |
| 35      | 38500-93J90 | ..BUZZER ASSY, WARNING         | 1    |         |

FIG.78

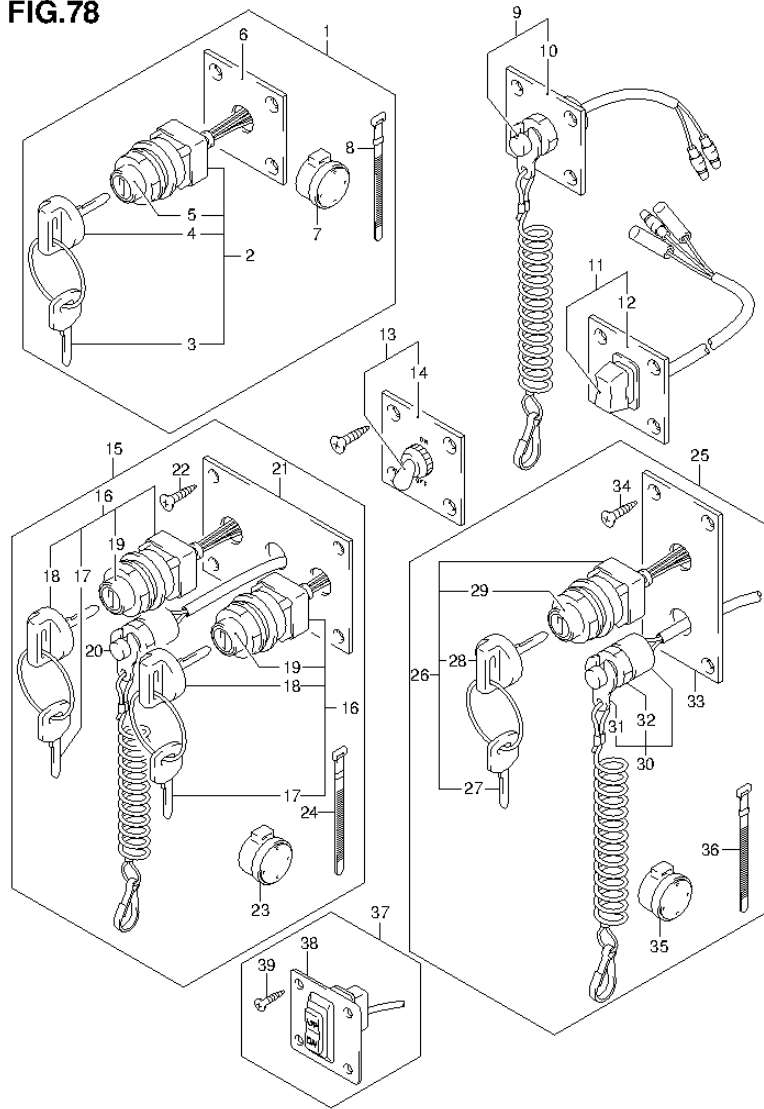


FIG.78 (1-H-13) OPT:SWITCH

| REF NO. | PART NO.    | DESCRIPTION                 | Q'TY | REMARKS |
|---------|-------------|-----------------------------|------|---------|
| 36      | 09407-08401 | .CLAMP (L:80)               | 1    |         |
| 37      | 37860-87L00 | PANEL ASSY, TROLLING CTR SW | 1    |         |
| 38      | 37862-87L00 | .PANEL                      | 1    |         |
| 39      | 09131-05004 | .SCREW                      | 4    |         |

FIG.79

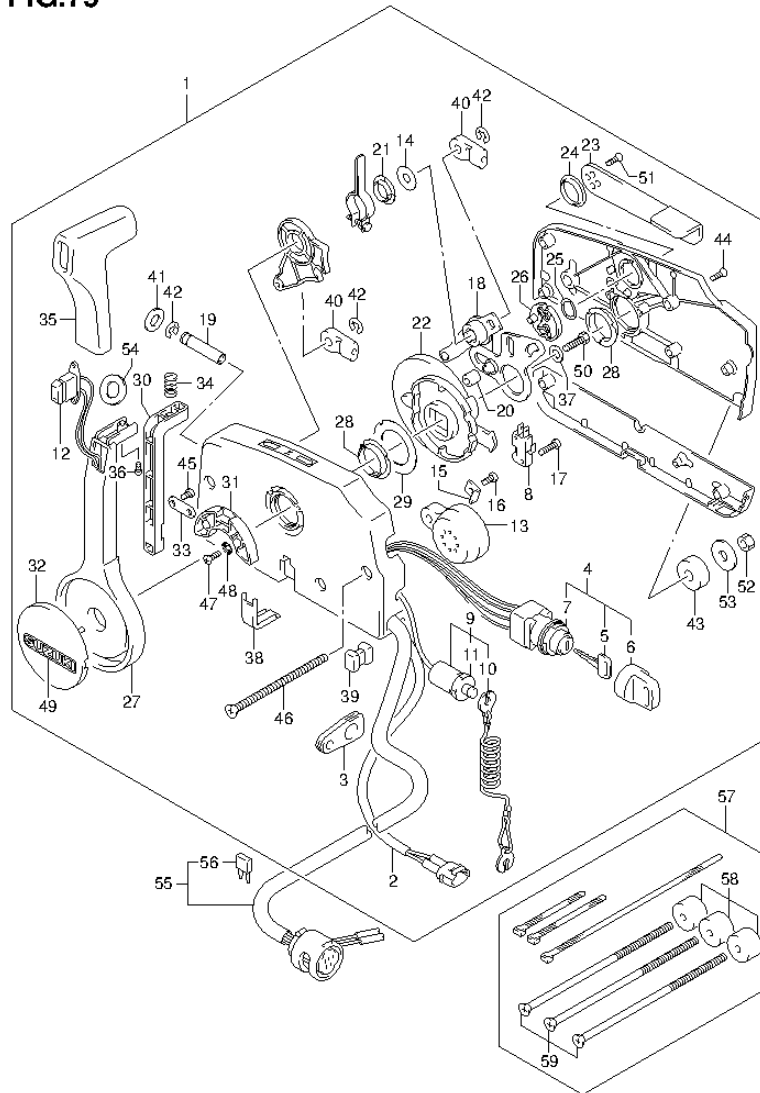


FIG.79 (1-H-14) OPT:REMOTE CONTROL (DF140AT E01)

| REF NO. | PART NO.    | DESCRIPTION                 | Q'TY | REMARKS |
|---------|-------------|-----------------------------|------|---------|
| 1       | 67200-93J06 | REMOTE CONTROL ASSY         | 1    |         |
| 2       | 36646-93J01 | ..WIRE ASSY, PTT SW ADAPTER | 1    |         |
| 3       | 36628-92E00 | ..GROMMET, WIRE HARNESS     | 1    |         |
| 4       | 37110-93J10 | ..SWITCH ASSY, IGNITION     | 1    |         |
| 5-1     | 37141-99E00 | ..KEY (931)                 | 2    |         |
| 5-2     | 37141-99E10 | ..KEY (932)                 | 2    |         |
| 5-3     | 37141-99E20 | ..KEY (933)                 | 2    |         |
| 5-4     | 37141-99E30 | ..KEY (934)                 | 2    |         |
| 5-5     | 37141-99E40 | ..KEY (935)                 | 2    |         |
| 5-6     | 37141-99E50 | ..KEY (936)                 | 2    |         |
| 5-7     | 37141-99E60 | ..KEY (937)                 | 2    |         |
| 5-8     | 37141-99E70 | ..KEY (938)                 | 2    |         |
| 5-9     | 37141-99E80 | ..KEY (939)                 | 2    |         |
| 5-10    | 37141-99E90 | ..KEY (940)                 | 2    |         |
| 5-11    | 37141-99EA0 | ..KEY (941)                 | 2    |         |
| 5-12    | 37141-99EB0 | ..KEY (942)                 | 2    |         |
| 6       | 37143-99E00 | ..CAP, KEY                  | 2    |         |
| 7       | 37149-93J00 | ..CAP CYLINDER BODY         | 1    |         |
| 8       | 37721-93J90 | ..SWITCH, NEUTRAL           | 1    |         |
| 9       | 37820-93J03 | ..SWITCH ASSY, EMERGENCY    | 1    |         |
| 10      | ..PLATE     | 1                           |      |         |
| 11      | 37826-92E00 | ..NUT                       | 1    |         |
| 12      | 37850-90J05 | ..SWITCH ASSY, PTT          | 1    |         |
| 13      | 38500-93J90 | ..BUZZER                    | 1    |         |
| 14      | 67212-95600 | ..WASHER                    | 1    |         |
| 15      | 67213-92E00 | ..BRACKET, BUZZER           | 1    |         |
| 16      | 09125-05042 | ..SCREW (5X10)              | 1    |         |
| 17      | 67296-92E10 | ..SCREW, NEUTRAL SW         | 2    |         |
| 18      | 67220-95630 | ..PLATE ASSY                | 1    |         |
| 19      | 67223-99E10 | ..KNOB, BRAKE ADJ           | 1    |         |
| 20      | 67229-95600 | ..ROLLER                    | 1    |         |
| 21      | 67232-95600 | ..BUSH                      | 1    |         |
| 22      | 67238-87D00 | ..GEAR, DRIVE               | 1    |         |
| 23      | 67241-99E10 | ..LEVER, FREE THROTTLE      | 1    |         |

FIG.79

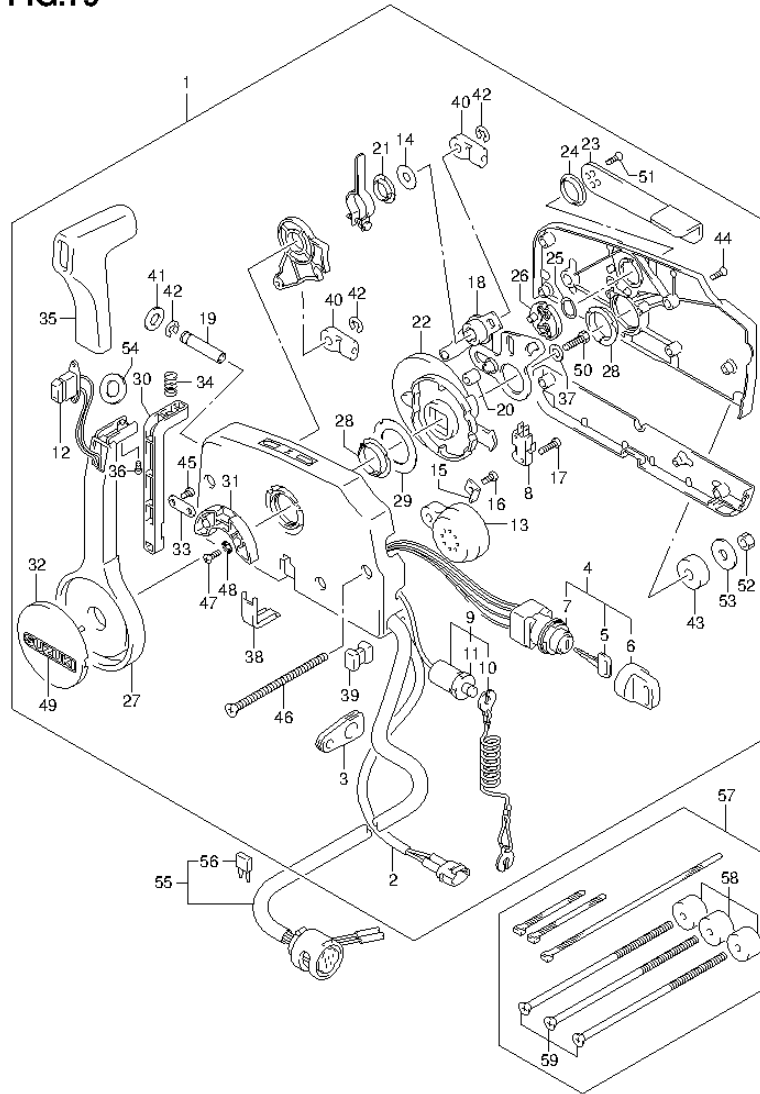


FIG.79 (1-H-15) OPT:REMOTE CONTROL (DF140AT E01)

| REF NO. | PART NO.        | DESCRIPTION             | Q'TY | REMARKS |
|---------|-----------------|-------------------------|------|---------|
| 24      | 67243-95600     | .BUSH                   | 1    |         |
| 25      | 67244-95600     | .WASHER, WAVE           | 1    |         |
| 26      | 67245-95600     | .DRUM, FREE THROTTLE    | 1    |         |
| 27      | 67251-99E10     | .LEVER, HANDLE          | 1    |         |
| 28      | 67252-95600     | .BUSH                   | 2    |         |
| 29      | 67253-95600     | .WASHER                 | 1    |         |
| 30      | 67255-99E00     | .ARM, LOCK              | 1    |         |
| 31      | 67256-95600     | .HOLDER, NEUT LOCK      | 1    |         |
| 32      | 67257-99E00     | .CAP, LEVER             | 1    |         |
| 33      | 67258-99E00     | .BRACKET, LOCK ARM      | 1    |         |
| 34      | 67259-87D00     | .SPRING, NEUTRAL ARM    | 1    |         |
| 35      | 67261-99E00     | .GRIP                   | 1    |         |
| 36      | 67296-94310     | .SCREW                  | 1    |         |
| 37      | 67264-95600     | .WASHER                 | 1    |         |
| 38      | 67267-93J00     | .COVER, WIRE            | 1    |         |
| 39      | 67273-95600     | .SPACER                 | 1    |         |
| 40      | 67275-95600     | .END, CABLE             | 2    |         |
| 41      | 67288-92E00     | .WASHER, BRAKE ADJ KNOB | 1    |         |
| 42      | 67292-94300     | E RING                  | 3    |         |
| 43      | 67294-95600     | .SPACER                 | 3    |         |
| 44      | 67296-90J00     | .SCREW                  | 5    |         |
| 45      | 67296-94300     | .SCREW                  | 2    |         |
| 46      | 67296-95600     | .SCREW                  | 3    |         |
| 47      | 67296-95610     | .SCREW                  | 2    |         |
| 48      | 67297-95600     | .WASHER                 | 2    |         |
| 49      | 68165-16B00-13L | .EMBLEM (SILVER)        | 1    |         |
| 50      | 09100-08232     | .BOLT (8X30)            | 1    |         |
| 51      | 09126-05003     | .SCREW (5X12)           | 2    |         |
| 52      | 09140-06020     | .NUT                    | 3    |         |
| 53      | 09160-06104     | .WASHER (6.5X24X2)      | 3    |         |
| 54      | 37859-90J00     | .SPACER                 | 1    |         |

FIG.79

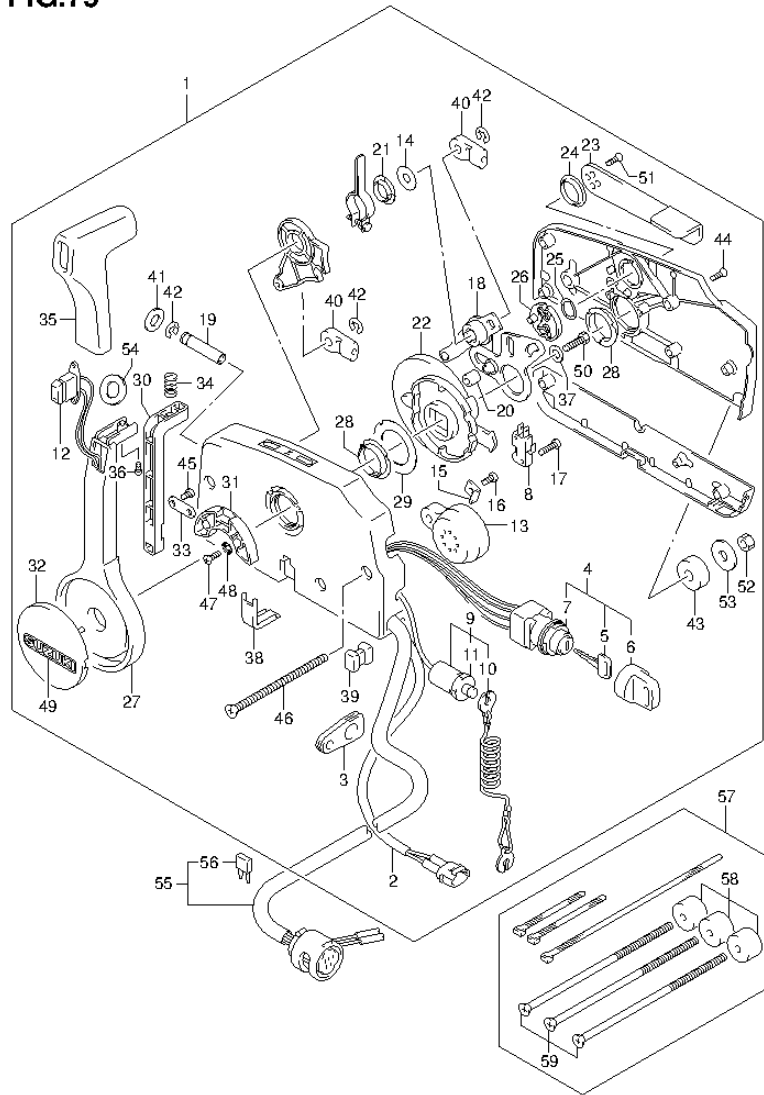
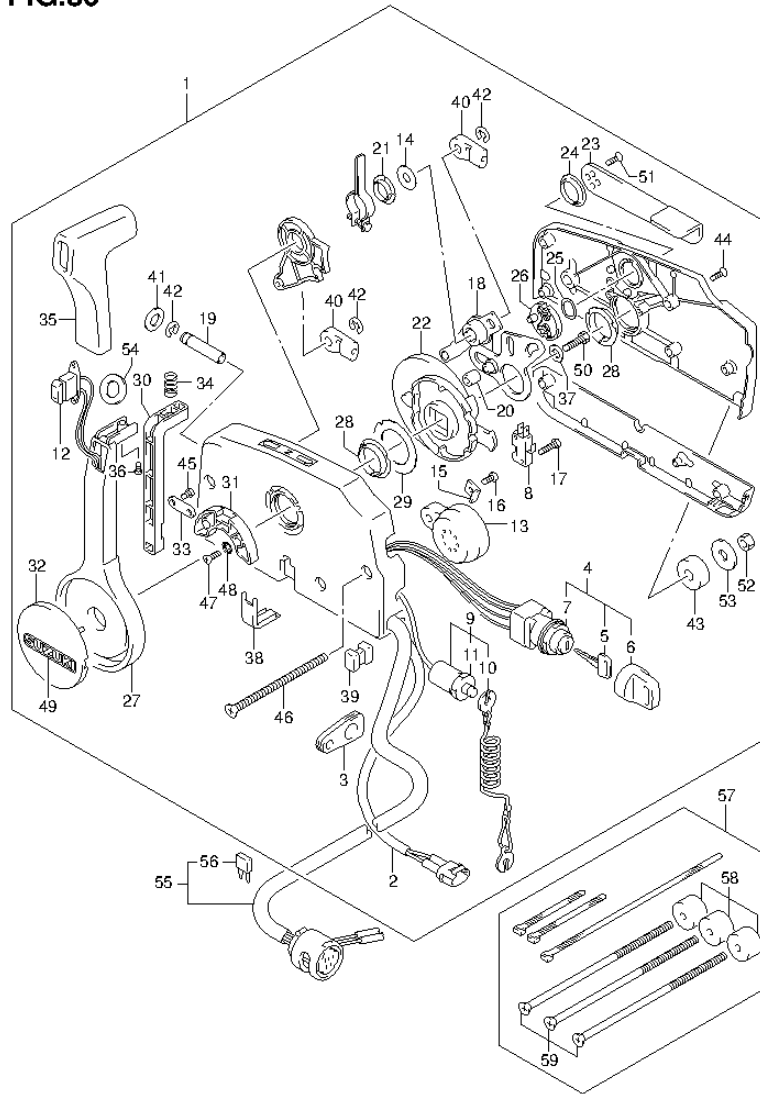


FIG.79 (1-I-2) OPT:REMOTE CONTROL (DF140AT E01)

| REF NO. | PART NO.    | DESCRIPTION                  | Q'TY | REMARKS |
|---------|-------------|------------------------------|------|---------|
| 55-1    | 36620-93J02 | WIRE ASSY, REMOTE CONTROL    | 1    | L:5000  |
| 55-2    | 36620-93J52 | WIRE ASSY, REMOTE CONTROL    | 1    | L:3500  |
| 55-3    | 36620-93J62 | WIRE ASSY, REMOTE CONTROL    | 1    | L:6500  |
| 56      | 09481-10501 | .FUSE (10A)                  | 1    |         |
| 57      | 67140-95600 | ATTACHMENT, TWIN REMOCON KIT | 1    |         |
| 58      | 67294-95600 | .SPACER                      | 3    |         |
| 59      | 67296-95620 | .SCREW                       | 3    |         |

FIG.80



DF140A\_E01\_013\_080  
OPT:REMOTE CONTROL

FIG.80 (1-1-3) OPT:REMOTE CONTROL (DF140AT E40)

| REF NO. | PART NO.    | DESCRIPTION                 | Q'TY | REMARKS |
|---------|-------------|-----------------------------|------|---------|
| 1       | 67200-93J06 | REMOTE CONTROL ASSY         | 1    |         |
| 2       | 36646-93J01 | ..WIRE ASSY, PTT SW ADAPTER | 1    |         |
| 3       | 36628-92E00 | ..GROMMET, WIRE HARNESS     | 1    |         |
| 4       | 37110-93J10 | ..SWITCH ASSY, IGNITION     | 1    |         |
| 5-1     | 37141-99E00 | ..KEY (931)                 | 2    |         |
| 5-2     | 37141-99E10 | ..KEY (932)                 | 2    |         |
| 5-3     | 37141-99E20 | ..KEY (933)                 | 2    |         |
| 5-4     | 37141-99E30 | ..KEY (934)                 | 2    |         |
| 5-5     | 37141-99E40 | ..KEY (935)                 | 2    |         |
| 5-6     | 37141-99E50 | ..KEY (936)                 | 2    |         |
| 5-7     | 37141-99E60 | ..KEY (937)                 | 2    |         |
| 5-8     | 37141-99E70 | ..KEY (938)                 | 2    |         |
| 5-9     | 37141-99E80 | ..KEY (939)                 | 2    |         |
| 5-10    | 37141-99E90 | ..KEY (940)                 | 2    |         |
| 5-11    | 37141-99EA0 | ..KEY (941)                 | 2    |         |
| 5-12    | 37141-99EB0 | ..KEY (942)                 | 2    |         |
| 6       | 37143-99E00 | ..CAP, KEY                  | 2    |         |
| 7       | 37149-93J00 | ..CAP CYLINDER BODY         | 1    |         |
| 8       | 37721-93J90 | ..SWITCH, NEUTRAL           | 1    |         |
| 9       | 37820-93J03 | ..SWITCH ASSY, EMERGENCY    | 1    |         |
| 10      | 37823-92E01 | ..PLATE                     | 1    |         |
| 11      | 37826-92E00 | ..NUT                       | 1    |         |
| 12      | 37850-90J05 | ..SWITCH ASSY, PTT          | 1    |         |
| 13      | 38500-93J90 | ..BUZZER                    | 1    |         |
| 14      | 67212-95600 | ..WASHER                    | 1    |         |
| 15      | 67213-92E00 | ..BRACKET, BUZZER           | 1    |         |
| 16      | 09125-05042 | ..SCREW (5X10)              | 1    |         |
| 17      | 67296-92E10 | ..SCREW, NEUTRAL SW         | 2    |         |
| 18      | 67220-95630 | ..PLATE ASSY                | 1    |         |
| 19      | 67223-99E10 | ..KNOB, BRAKE ADJ           | 1    |         |
| 20      | 67229-95600 | ..ROLLER                    | 1    |         |
| 21      | 67232-95600 | ..BUSH                      | 1    |         |
| 22      | 67238-87D00 | ..GEAR, DRIVE               | 1    |         |
| 23      | 67241-99E10 | ..LEVER, FREE THROTTLE      | 1    |         |

DF140A\_E01\_013

FIG.80

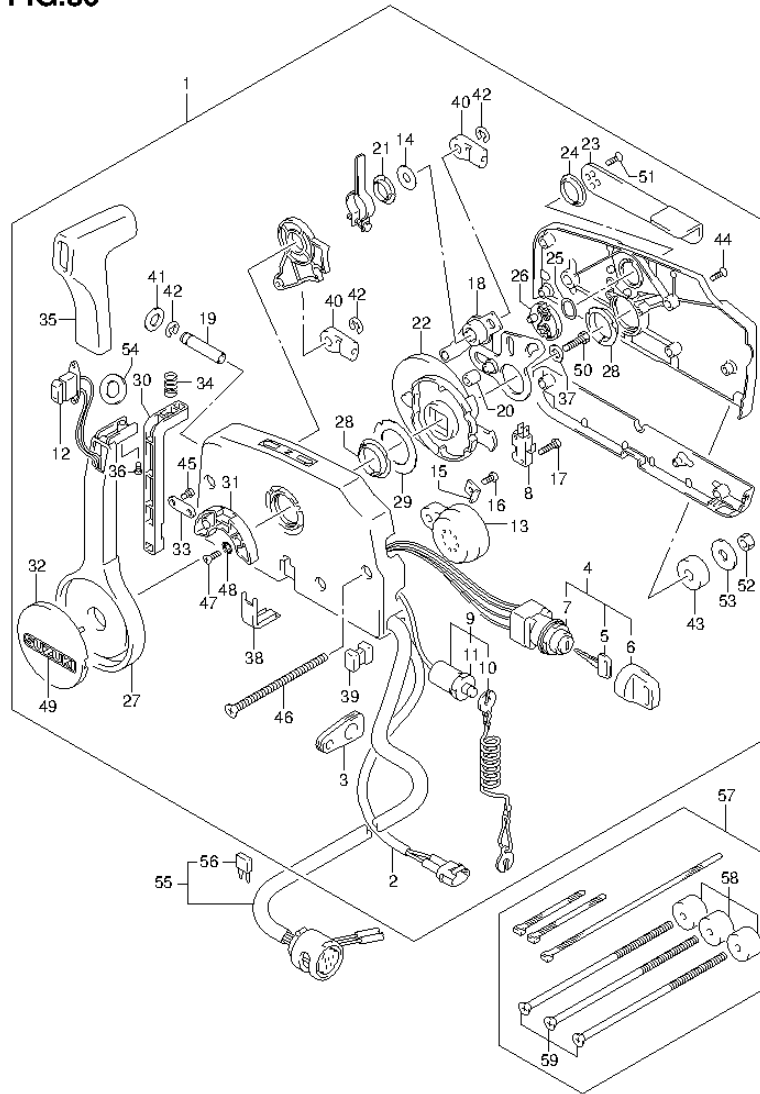


FIG.80 (1-1-4) OPT:REMOTE CONTROL (DF140AT E40)

| REF NO. | PART NO.        | DESCRIPTION             | Q'TY | REMARKS |
|---------|-----------------|-------------------------|------|---------|
| 24      | 67243-95600     | .BUSH                   | 1    |         |
| 25      | 67244-95600     | .WASHER, WAVE           | 1    |         |
| 26      | 67245-95600     | .DRUM, FREE THROTTLE    | 1    |         |
| 27      | 67251-99E10     | .LEVER, HANDLE          | 1    |         |
| 28      | 67252-95600     | .BUSH                   | 2    |         |
| 29      | 67253-95600     | .WASHER                 | 1    |         |
| 30      | 67255-99E00     | .ARM, LOCK              | 1    |         |
| 31      | 67256-95600     | .HOLDER, NEUT LOCK      | 1    |         |
| 32      | 67257-99E00     | .CAP, LEVER             | 1    |         |
| 33      | 67258-99E00     | .BRACKET, LOCK ARM      | 1    |         |
| 34      | 67259-87D00     | .SPRING, NEUTRAL ARM    | 1    |         |
| 35      | 67261-99E00     | .GRIP                   | 1    |         |
| 36      | 67296-94310     | .SCREW                  | 1    |         |
| 37      | 67264-95600     | .WASHER                 | 1    |         |
| 38      | 67267-93J00     | .COVER, WIRE            | 1    |         |
| 39      | 67273-95600     | .SPACER                 | 1    |         |
| 40      | 67275-95600     | .END, CABLE             | 2    |         |
| 41      | 67288-92E00     | .WASHER, BRAKE ADJ KNOB | 1    |         |
| 42      | 67292-94300     | E RING                  | 3    |         |
| 43      | 67294-95600     | .SPACER                 | 3    |         |
| 44      | 67296-90J00     | .SCREW                  | 5    |         |
| 45      | 67296-94300     | .SCREW                  | 2    |         |
| 46      | 67296-95600     | .SCREW                  | 3    |         |
| 47      | 67296-95610     | .SCREW                  | 2    |         |
| 48      | 67297-95600     | .WASHER                 | 2    |         |
| 49      | 68165-16B00-13L | .EMBLEM (SILVER)        | 1    |         |
| 50      | 09100-08232     | .BOLT (8X30)            | 1    |         |
| 51      | 09126-05003     | .SCREW (5X12)           | 2    |         |
| 52      | 09140-06020     | .NUT                    | 3    |         |
| 53      | 09160-06104     | .WASHER (6.5X24X2)      | 3    |         |
| 54      | 37859-90J00     | .SPACER                 | 1    |         |

FIG.80

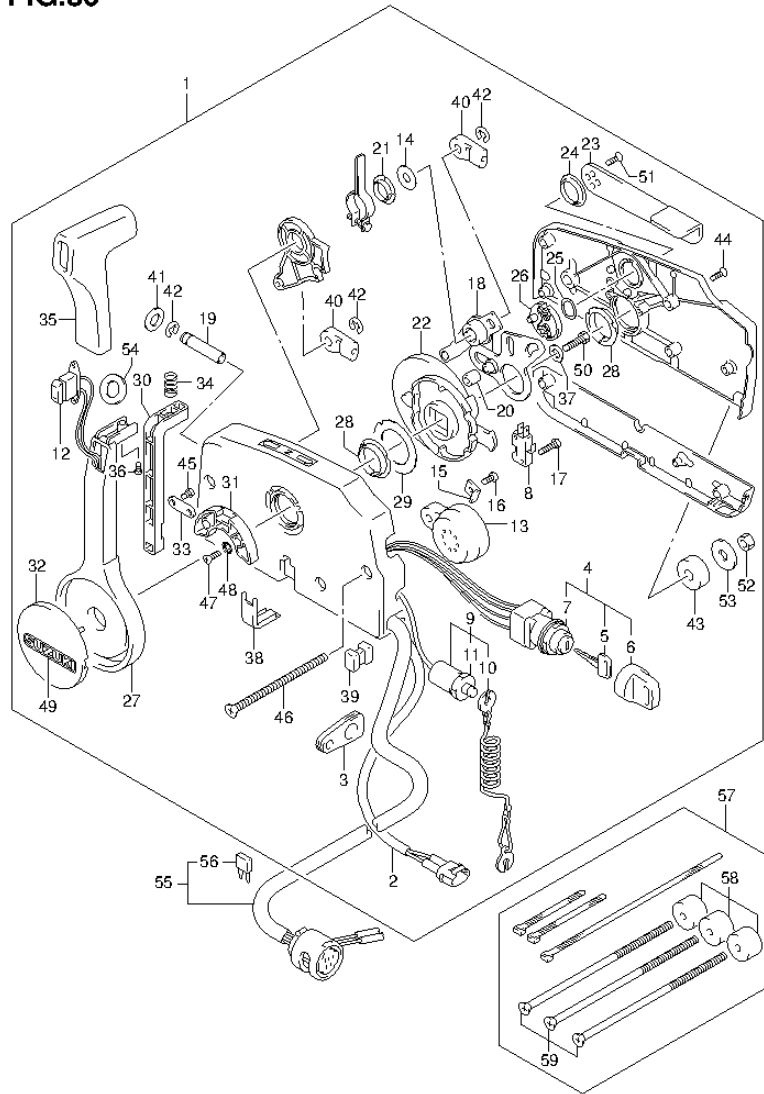


FIG.80 (1-1-5) OPT:REMOTE CONTROL (DF140AT E40)

| REF NO. | PART NO.    | DESCRIPTION                  | Q'TY | REMARKS |
|---------|-------------|------------------------------|------|---------|
| 55-1    | 36620-93J02 | WIRE ASSY, REMOTE CONTROL    | 1    | L:5000  |
| 55-2    | 36620-93J52 | WIRE ASSY, REMOTE CONTROL    | 1    | L:3500  |
| 55-3    | 36620-93J62 | WIRE ASSY, REMOTE CONTROL    | 1    | L:6500  |
| 56      | 09481-10501 | .FUSE (10A)                  | 1    |         |
| 57      | 67140-95600 | ATTACHMENT, TWIN REMOCON KIT | 1    |         |
| 58      | 67294-95600 | .SPACER                      | 3    |         |
| 59      | 67296-95620 | .SCREW                       | 3    |         |

FIG.81

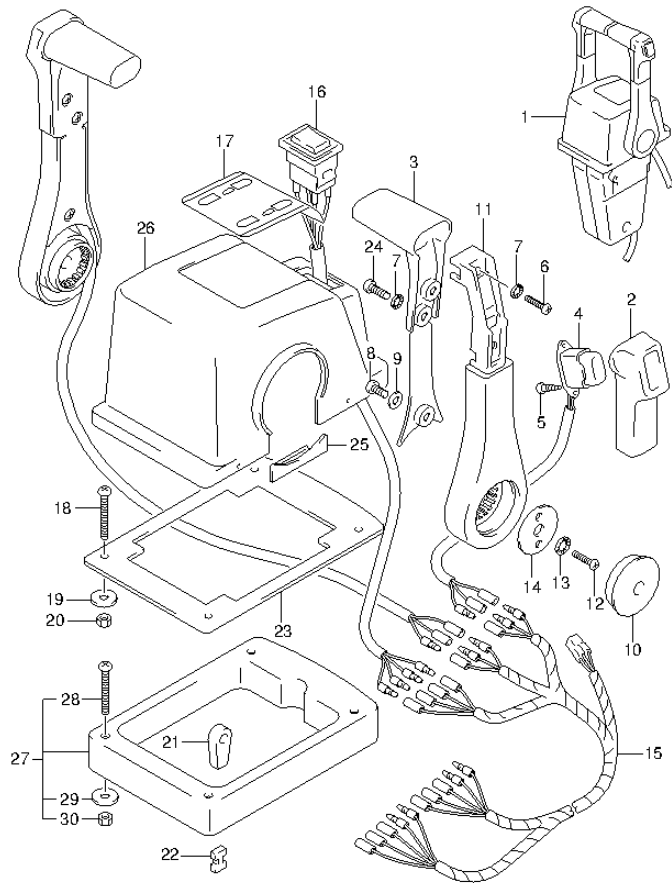


FIG.81 (1-I-6) OPT:REMOTE CONTROL ASSY DUAL (1)

| REF NO. | PART NO.    | DESCRIPTION                 | Q'TY | REMARKS |
|---------|-------------|-----------------------------|------|---------|
| 1       | 67200-93J23 | REMOTE CONTROL ASSY         | 1    |         |
| 2       | 67261-93J00 | .GRIP, NO.1                 | 2    |         |
| 3       | 67263-93J00 | .GRIP, NO.2                 | 2    |         |
| 4       | 37850-93J10 | .SWITCH ASSY, PTT           | 2    |         |
| 5       | 67295-92E10 | .SCREW                      | 4    |         |
| 6       | 67296-88D10 | .SCREW                      | 2    |         |
| 7       | 67288-92E20 | .WASHER                     | 6    |         |
| 8       | 67296-92E70 | .SCREW                      | 4    |         |
| 9       | 67288-92E40 | .WASHER                     | 2    |         |
| 10      | 67257-92E00 | .CAP, LEVER                 | 2    |         |
| 11      | 67251-93J00 | .LEVER, HANDLE              | 2    |         |
| 12      | 67296-92E60 | .SCREW                      | 4    |         |
| 13      | 67288-92E30 | .WASHER                     | 4    |         |
| 14      | 67253-92E00 | .WASHER                     | 2    |         |
| 15      | 36890-93J10 | .WIRE HARNESS               | 1    |         |
| 16      | 37220-92E00 | .SWITCH ASSY, MODE CHANGING | 1    |         |
| 17      | 67282-93J00 | .DECAL                      | 1    |         |
| 18      | 67296-92E30 | .SCREW                      | 4    |         |
| 19      | 09160-05024 | .WASHER (5.5X16X1.5)        | 4    |         |
| 20      | 67287-92E00 | .NUT                        | 4    |         |
| 21      | 67275-95600 | .END, CABLE                 | 4    |         |
| 22      | 67273-95600 | .SPACER                     | 2    |         |
| 23      | 67273-92E10 | .GROMMET                    | 1    |         |
| 24      | 67295-92E00 | .SCREW                      | 4    |         |
| 25      | 67271-92E00 | .COVER                      | 2    |         |
| 26      | 67211-93J10 | .COVER                      | 1    |         |
| 27      | 67500-93J10 | KIT, REMOCON SPACER TWIN    | 1    |         |
| 28      | 09125-05135 | .SCREW (5X65)               | 4    |         |
| 29      | 09160-05029 | .WASHER (5.5X12X0.8)        | 4    |         |
| 30      | 09140-05005 | .NUT                        | 4    |         |

FIG.82

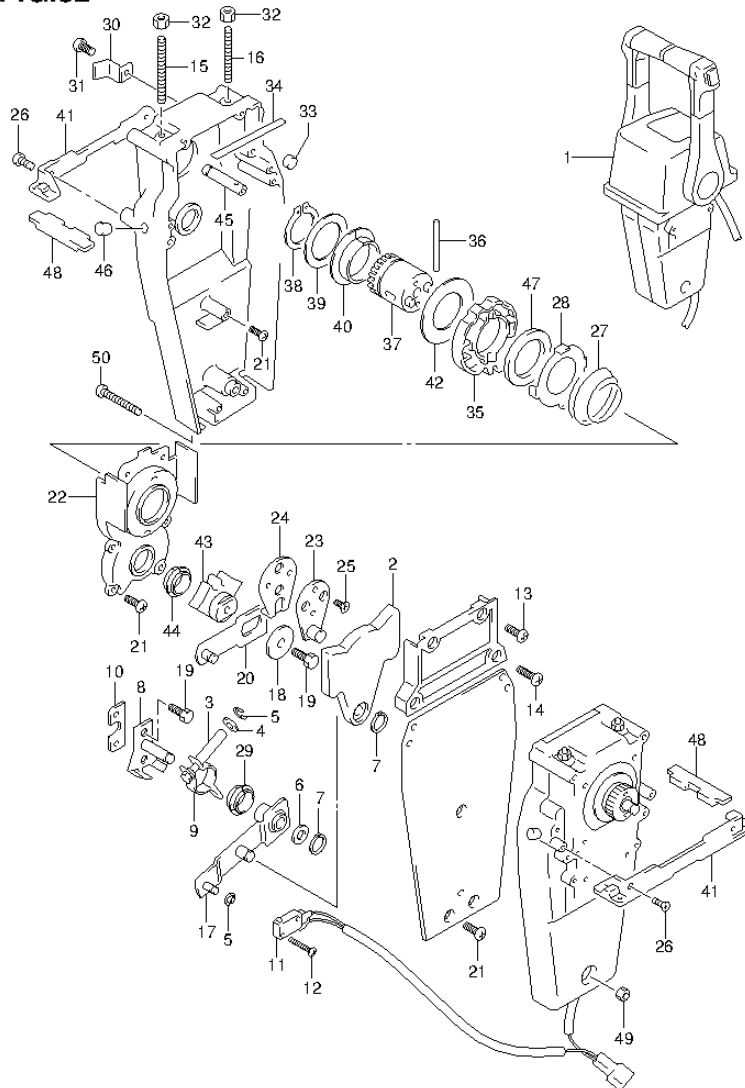


FIG.82 (1-I-7) OPT:REMOTE CONTROL ASSY DUAL (2)

| REF NO. | PART NO.    | DESCRIPTION               | Q'TY | REMARKS |
|---------|-------------|---------------------------|------|---------|
| 1       | 67200-93J23 | REMOTE CONTROL ASSY, TWIN | 1    |         |
| 2       | 67222-92E00 | .DUAL PLATE               | 2    |         |
| 3       | 67223-92E00 | .BRAKE ADJUST             | 2    |         |
| 4       | 67288-92E00 | .WASHER                   | 2    |         |
| 5       | 67292-94300 | .E RING                   | 8    |         |
| 6       | 67288-92E10 | .WASHER                   | 2    |         |
| 7       | 67291-92E00 | .SNAP RING                | 4    |         |
| 8       | 67221-92E00 | .SHIFT ASSY               | 2    |         |
| 9       | 67224-92E00 | .BRAKE ARM ASSY           | 2    |         |
| 10      | 67294-92E00 | .SPACER                   | 2    |         |
| 11      | 37721-92E10 | .SWITCH ASSY, N/R         | 1    |         |
| 12      | 67296-92E10 | .SCREW                    | 4    |         |
| 13      | 67296-88D10 | .SCREW                    | 4    |         |
| 14      | 67296-92E20 | .SCREW                    | 4    |         |
| 15      | 67226-92E00 | .BOLT, STOPPER FRONT      | 2    |         |
| 16      | 67226-92E10 | .BOLT, STOPPER RR         | 2    |         |
| 17      | 67240-92E00 | .ARM ASSY, THROTTLE       | 2    |         |
| 18      | 67228-92E00 | .WASHER                   | 2    |         |
| 19      | 67286-92E00 | .BOLT                     | 6    |         |
| 20      | 67230-92E00 | .ARM ASSY, SHIFT          | 2    |         |
| 21      | 09125-05042 | .SCREW (5X10)             | 16   |         |
| 22      | 67234-92E00 | .CASE, GEAR               | 2    |         |
| 23      | 67245-92E00 | .LEVER ASSY, THROTTLE     | 2    |         |
| 24      | 67227-92E00 | .STOPPER                  | 2    |         |
| 25      | 09126-06006 | .SCREW (6X20)             | 4    |         |
| 26      | 67296-95610 | .SCREW                    | 4    |         |
| 27      | 67233-92E00 | .SPRING                   | 2    |         |
| 28      | 67235-92E00 | .PLATE, SHIFT LOCK        | 2    |         |
| 29      | 67232-95620 | .BUSH                     | 2    |         |
| 30      | 67269-92E00 | .BRACKET                  | 2    |         |
| 31      | 67296-88D10 | .SCREW                    | 2    |         |
| 32      | 09140-06020 | .NUT                      | 4    |         |
| 33      | 67236-92E00 | .ROLLER                   | 2    |         |
| 34      | 67237-92E01 | .SPRING                   | 12   |         |

FIG.82

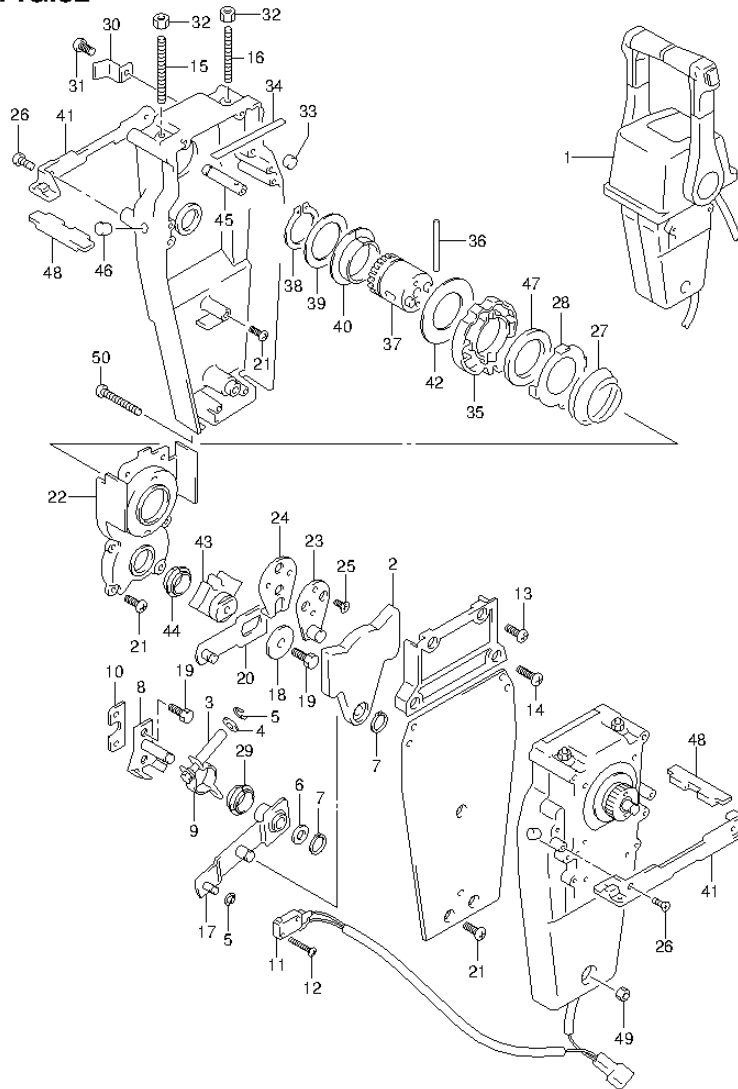
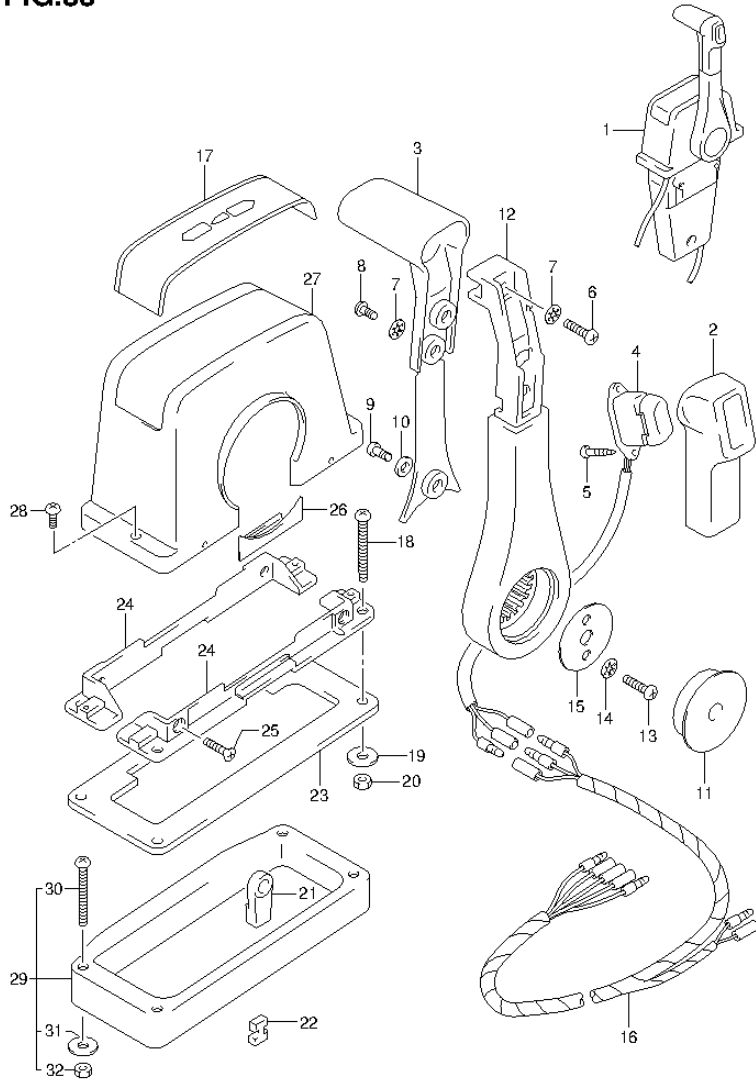


FIG.82 (1-I-8) OPT:REMOTE CONTROL ASSY DUAL (2)

| REF NO. | PART NO.    | DESCRIPTION       | Q'TY | REMARKS |
|---------|-------------|-------------------|------|---------|
| 35      | 67238-92E00 | .GEAR, DRIVE      | 2    |         |
| 36      | 67239-92E00 | .PIN              | 2    |         |
| 37      | 67246-92E00 | .SHAFT, DRIVE     | 2    |         |
| 38      | 67291-92E10 | .SNAP RING        | 2    |         |
| 39      | 67253-92E10 | .WASHER           | 2    |         |
| 40      | 67252-92E10 | .BUSH             | 2    |         |
| 41      | 67274-92E00 | .FLANGE           | 2    |         |
| 42      | 67253-95600 | .WASHER           | 2    |         |
| 43      | 67231-92E00 | .GEAR, SHIFT      | 2    |         |
| 44      | 67232-95600 | .BUSH             | 2    |         |
| 45      | 67241-92E10 | .ROD, FREE ACC    | 2    |         |
| 46      | 67243-92E00 | .GROMMET          | 2    |         |
| 47      | 67239-92E10 | .PLATE, SHIFT PIN | 2    |         |
| 48      | 67272-92E10 | .SEAL, FLANGE     | 2    |         |
| 49      | 67287-92E10 | .NUT              | 1    |         |
| 50      | 67296-92E80 | .SCREW            | 3    |         |

FIG.83

FIG.83 (1-I-9) OPT:REMOTE CONTROL ASSY SINGLE (1)



| REF NO. | PART NO.    | DESCRIPTION                | Q'TY | REMARKS |
|---------|-------------|----------------------------|------|---------|
| 1       | 67200-93J13 | REMOTE CONTROL ASSY        | 1    |         |
| 2       | 67261-93J00 | .GRIP, NO.1                | 1    |         |
| 3       | 67263-93J00 | .GRIP, NO.2                | 1    |         |
| 4       | 37850-93J10 | .SWITCH ASSY, PTT          | 1    |         |
| 5       | 67295-92E10 | .SCREW                     | 2    |         |
| 6       | 67296-88D10 | .SCREW                     | 1    |         |
| 7       | 67288-92E20 | .WASHER                    | 3    |         |
| 8       | 67295-92E00 | .SCREW                     | 2    |         |
| 9       | 67296-92E70 | .SCREW                     | 1    |         |
| 10      | 67288-92E40 | .WASHER                    | 1    |         |
| 11      | 67257-92E00 | .CAP, LEVER                | 1    |         |
| 12      | 67251-93J00 | .LEVER, HANDLE             | 1    |         |
| 13      | 67296-92E60 | .SCREW                     | 2    |         |
| 14      | 67288-92E30 | .WASHER                    | 2    |         |
| 15      | 67253-92E00 | .WASHER                    | 1    |         |
| 16      | 36890-93J00 | .WIRE HARNESS              | 1    |         |
| 17      | 67281-93J00 | .DECAL                     | 1    |         |
| 18      | 67296-92E30 | .SCREW                     | 4    |         |
| 19      | 09160-05024 | .WASHER (5.5X16X1.5)       | 4    |         |
| 20      | 67287-92E00 | .NUT                       | 4    |         |
| 21      | 67275-95600 | .END, CABLE                | 2    |         |
| 22      | 67273-95600 | .SPACER                    | 1    |         |
| 23      | 67273-92E00 | .GROMMET                   | 1    |         |
| 24      | 67274-92E00 | .FLANGE                    | 2    |         |
| 25      | 67296-95610 | .SCREW                     | 4    |         |
| 26      | 67271-92E00 | .COVER                     | 1    |         |
| 27      | 67211-93J00 | .COVER                     | 1    |         |
| 28      | 67296-92E70 | .SCREW                     | 2    |         |
| 29      | 67500-93J00 | KIT, REMOCON SPACER SINGLE | 1    |         |
| 30      | 09125-05135 | .SCREW (5X65)              | 4    |         |
| 31      | 09160-05029 | .WASHER (5.5X12X0.8)       | 4    |         |
| 32      | 09140-05005 | .NUT                       | 4    |         |

FIG.84

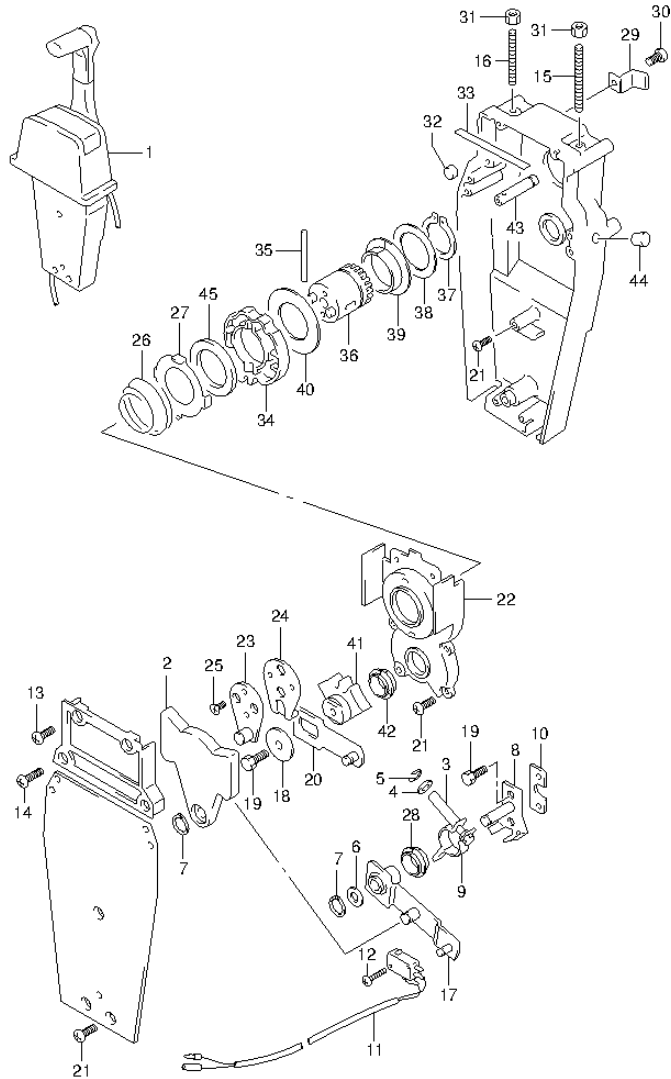
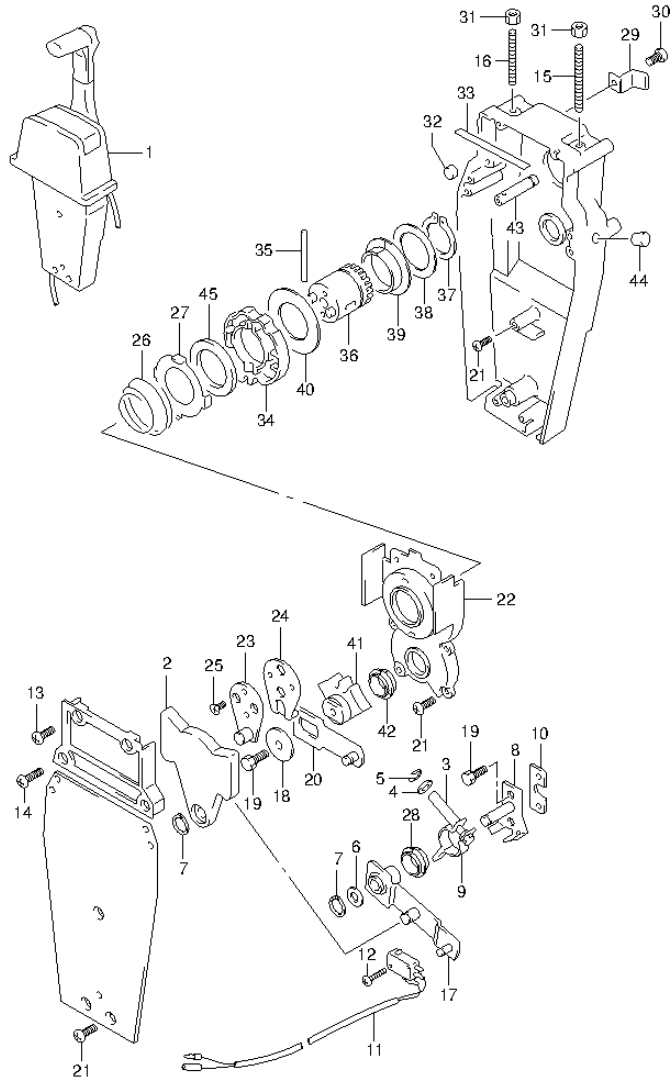


FIG.84 (1-I-10) OPT:REMOTE CONTROL ASSY SINGLE (2)

| REF NO. | PART NO.    | DESCRIPTION           | Q'TY | REMARKS |
|---------|-------------|-----------------------|------|---------|
| 1       | 67200-93J13 | REMOTE CONTROL ASSY   | 1    |         |
| 2       | 67222-92E00 | .DUAL PLATE           | 1    |         |
| 3       | 67223-92E00 | .BRAKE ADJUST         | 1    |         |
| 4       | 67288-92E00 | .WASHER               | 1    |         |
| 5       | 67292-94300 | .E RING               | 4    |         |
| 6       | 67288-92E10 | .WASHER               | 1    |         |
| 7       | 67291-92E00 | .SNAP RING            | 2    |         |
| 8       | 67221-92E00 | .SHIFT ASSY           | 1    |         |
| 9       | 67224-92E00 | .BRAKE ARM ASSY       | 1    |         |
| 10      | 67294-92E00 | .SPACER               | 1    |         |
| 11      | 37721-95500 | .SWITCH ASSY, NEUTRAL | 1    |         |
| 12      | 67296-92E10 | .SCREW (3X15)         | 2    |         |
| 13      | 67296-88D10 | .SCREW (5X16)         | 2    |         |
| 14      | 67296-92E20 | .SCREW (5X25)         | 2    |         |
| 15      | 67226-92E00 | .BOLT, STOPPER FRONT  | 1    |         |
| 16      | 67226-92E10 | .BOLT, STOPPER REAR   | 1    |         |
| 17      | 67240-92E00 | .ARM ASSY, THROTTLE   | 1    |         |
| 18      | 67228-92E00 | .WASHER               | 1    |         |
| 19      | 67286-92E00 | .BOLT (6X18)          | 3    |         |
| 20      | 67230-92E00 | .ARM ASSY, SHIFT      | 1    |         |
| 21      | 09125-05042 | .SCREW (5X10)         | 9    |         |
| 22      | 67234-92E00 | .CASE, GEAR           | 1    |         |
| 23      | 67245-92E00 | .LEVER ASSY, THROTTLE | 1    |         |
| 24      | 67227-92E00 | .STOPPER              | 1    |         |
| 25      | 09126-06006 | .SCREW (6X20)         | 2    |         |
| 26      | 67233-92E00 | .SPRING               | 1    |         |
| 27      | 67235-92E00 | .PLATE, SHIFT LOCK    | 1    |         |
| 28      | 67232-95620 | .BUSH                 | 1    |         |
| 29      | 67269-92E00 | .BRACKET              | 1    |         |
| 30      | 67296-88D10 | .SCREW                | 1    |         |
| 31      | 09140-06020 | .NUT                  | 2    |         |
| 32      | 67236-92E00 | .ROLLER               | 1    |         |
| 33      | 67237-92E01 | .SPRING               | 6    |         |
| 34      | 67238-92E00 | .GEAR, DRIVE          | 1    |         |

**FIG.84**



**FIG.84 (1-I-11) OPT:REMOTE CONTROL ASSY SINGLE (2)**

| REF NO. | PART NO.    | DESCRIPTION       | Q'TY | REMARKS |
|---------|-------------|-------------------|------|---------|
| 35      | 67239-92E00 | .PIN              | 1    |         |
| 36      | 67246-92E00 | .SHIFT, DRIVE     | 1    |         |
| 37      | 67291-92E10 | .SNAP RING        | 1    |         |
| 38      | 67253-92E10 | .WASHER           | 1    |         |
| 39      | 67252-92E10 | .BUSH             | 1    |         |
| 40      | 67253-95600 | .WASHER           | 1    |         |
| 41      | 67231-92E00 | .GEAR, SHIFT      | 1    |         |
| 42      | 67232-95600 | .BUSH             | 1    |         |
| 43      | 67241-92E10 | .ROD, FREE ACC    | 1    |         |
| 44      | 67243-92E00 | .CAP, HOLE        | 1    |         |
| 45      | 67239-92E10 | .PLATE, SHIFT PIN | 1    |         |

FIG.85

FIG.85 (1-I-12) OPT:GASKET SET (DF140AT E01)

| REF NO. | PART NO.        | DESCRIPTION               | Q'TY | REMARKS |
|---------|-----------------|---------------------------|------|---------|
| 1       | 11400-92862     | GASKET SET                | 1    |         |
| 2       | 11141-92J01     | .GASKET, CYL HEAD         | 1    |         |
| 3       | 11189-90J00     | .GASKET, CYL HEAD COVER   | 1    |         |
| 4       | 11265-87E10     | .GASKET, PROTECTION ANODE | 2    |         |
| 5       | 11489-90J00     | .GASKET, OIL PAN          | 1    |         |
| 6       | 13119-90J00     | .GASKET, INTAKE MANIFOLD  | 1    |         |
| 7       | 13421-90J01     | .GASKET, THROTTLE BODY    | 1    |         |
| 8       | 14151-90J00     | .GASKET, RECTIFIER        | 1    |         |
| 9       | 17472-87E10     | .GASKET, PUMP CASE PANEL  | 1    |         |
| 10      | 51211-90J22     | .GASKET, ENGINE HOLDER    | 1    |         |
| 11-1    | 99011-90J30-059 | MANUAL, OWNER'S           | 1    |         |
| 11-2    | 99011-90J30-054 | MANUAL, OWNER'S           | 1    |         |

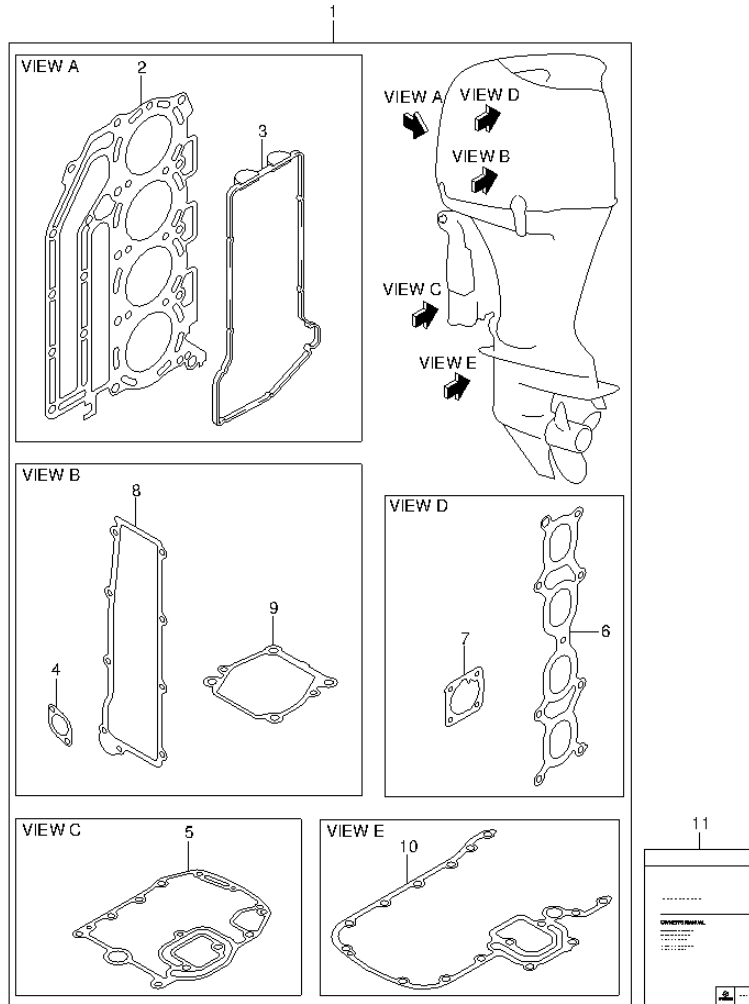


FIG.86

FIG.86 (1-I-13) OPT:GASKET SET (DF140AT E40)

| REF NO. | PART NO.        | DESCRIPTION               | Q'TY | REMARKS |
|---------|-----------------|---------------------------|------|---------|
| 1       | 11400-92862     | GASKET SET                | 1    |         |
| 2       | 11141-92J01     | .GASKET, CYL HEAD         | 1    |         |
| 3       | 11189-90J00     | .GASKET, CYL HEAD COVER   | 1    |         |
| 4       | 11265-87E10     | .GASKET, PROTECTION ANODE | 2    |         |
| 5       | 11489-90J00     | .GASKET, OIL PAN          | 1    |         |
| 6       | 13119-90J00     | .GASKET, INTAKE MANIFOLD  | 1    |         |
| 7       | 13421-90J01     | .GASKET, THROTTLE BODY    | 1    |         |
| 8       | 14151-90J00     | .GASKET, RECTIFIER        | 1    |         |
| 9       | 17472-87E10     | .GASKET, PUMP CASE PANEL  | 1    |         |
| 10      | 51211-90J22     | .GASKET, ENGINE HOLDER    | 1    |         |
| 11      | 99011-90J30-059 | MANUAL, OWNER'S           | 1    |         |

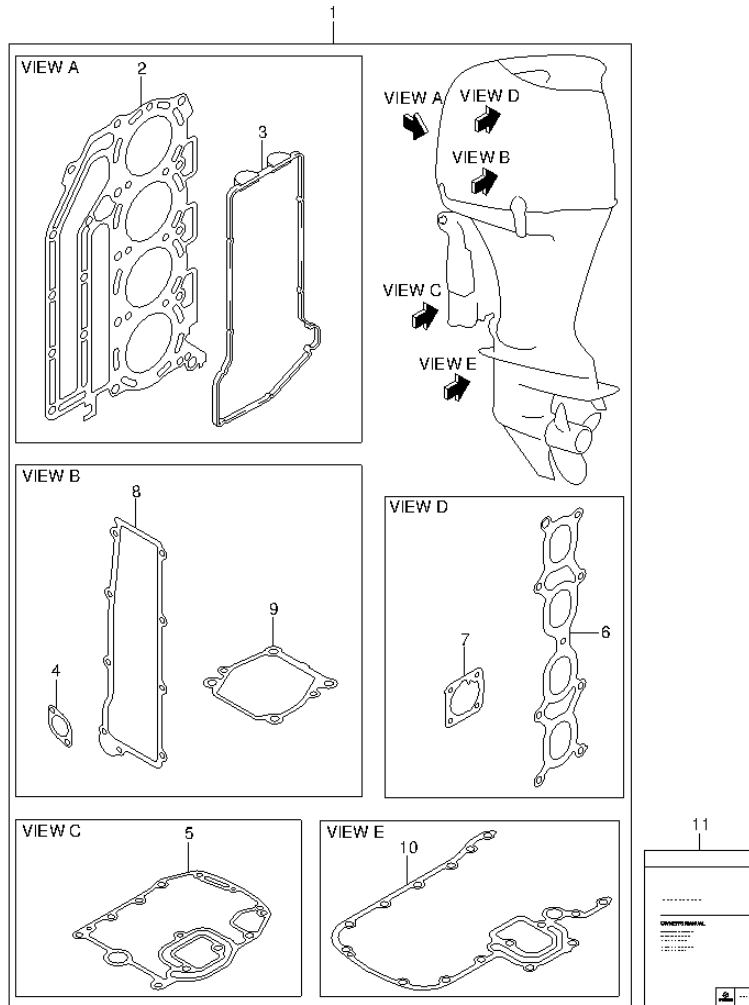


FIG.87

FIG.87 (1-I-14) OPT:GASKET SET (DF140AZ E01)

| REF NO. | PART NO.        | DESCRIPTION               | Q'TY | REMARKS |
|---------|-----------------|---------------------------|------|---------|
| 1       | 11400-92862     | GASKET SET                | 1    |         |
| 2       | 11141-92J01     | .GASKET, CYL HEAD         | 1    |         |
| 3       | 11189-90J00     | .GASKET, CYL HEAD COVER   | 1    |         |
| 4       | 11265-87E10     | .GASKET, PROTECTION ANODE | 2    |         |
| 5       | 11489-90J00     | .GASKET, OIL PAN          | 1    |         |
| 6       | 13119-90J00     | .GASKET, INTAKE MANIFOLD  | 1    |         |
| 7       | 13421-90J01     | .GASKET, THROTTLE BODY    | 1    |         |
| 8       | 14151-90J00     | .GASKET, RECTIFIER        | 1    |         |
| 9       | 17472-87E10     | .GASKET, PUMP CASE PANEL  | 1    |         |
| 10      | 51211-90J22     | .GASKET, ENGINE HOLDER    | 1    |         |
| 11-1    | 99011-90J30-059 | MANUAL, OWNER'S           | 1    |         |
| 11-2    | 99011-90J30-054 | MANUAL, OWNER'S           | 1    |         |

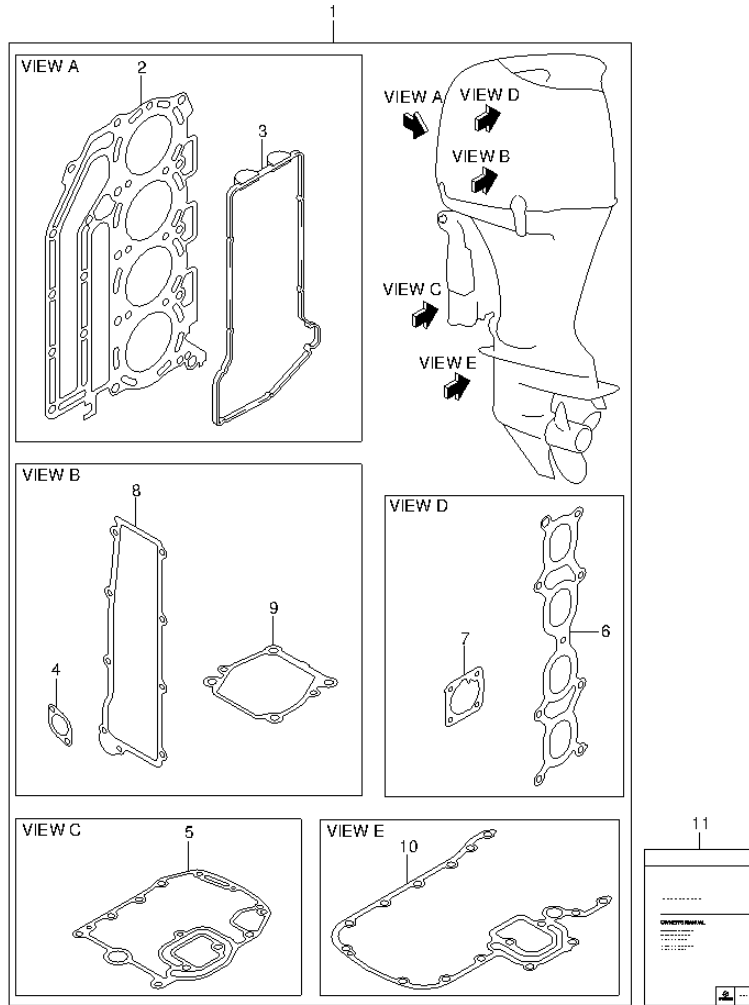


FIG.88

FIG.88 (1-I-15) OPT:GASKET SET (DF140AZ E40)

| REF NO. | PART NO.        | DESCRIPTION               | Q'TY | REMARKS |
|---------|-----------------|---------------------------|------|---------|
| 1       | 11400-92862     | GASKET SET                | 1    |         |
| 2       | 11141-92J01     | .GASKET, CYL HEAD         | 1    |         |
| 3       | 11189-90J00     | .GASKET, CYL HEAD COVER   | 1    |         |
| 4       | 11265-87E10     | .GASKET, PROTECTION ANODE | 2    |         |
| 5       | 11489-90J00     | .GASKET, OIL PAN          | 1    |         |
| 6       | 13119-90J00     | .GASKET, INTAKE MANIFOLD  | 1    |         |
| 7       | 13421-90J01     | .GASKET, THROTTLE BODY    | 1    |         |
| 8       | 14151-90J00     | .GASKET, RECTIFIER        | 1    |         |
| 9       | 17472-87E10     | .GASKET, PUMP CASE PANEL  | 1    |         |
| 10      | 51211-90J22     | .GASKET, ENGINE HOLDER    | 1    |         |
| 11      | 99011-90J30-059 | MANUAL, OWNER'S           | 1    |         |

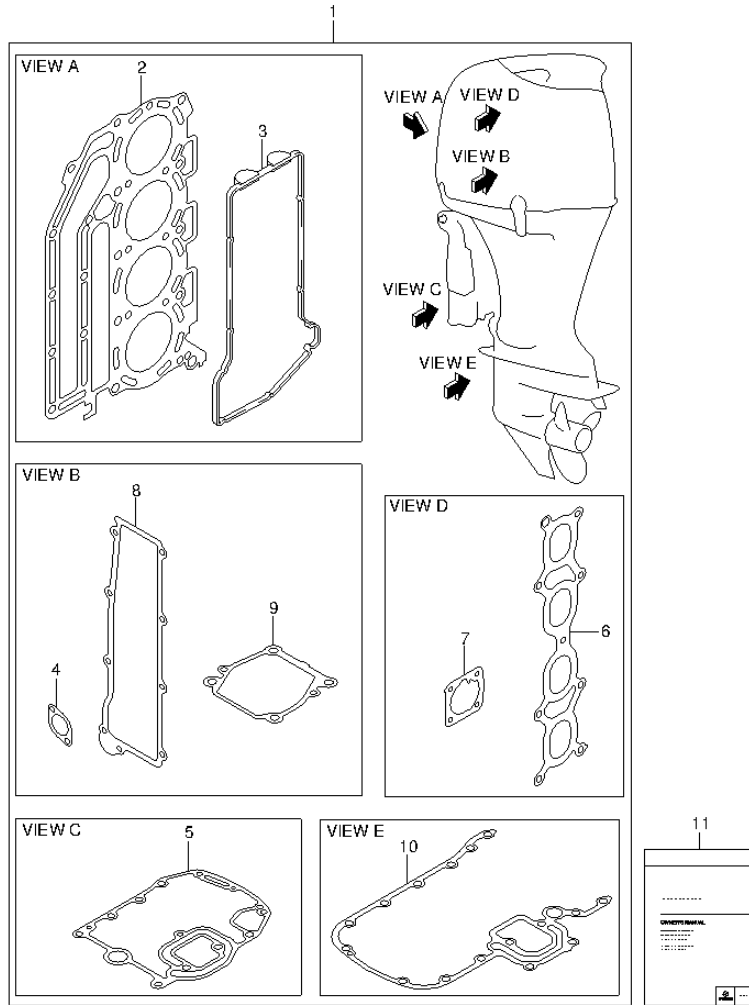


FIG.89

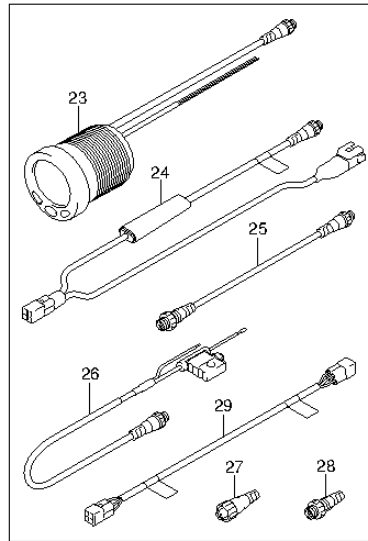
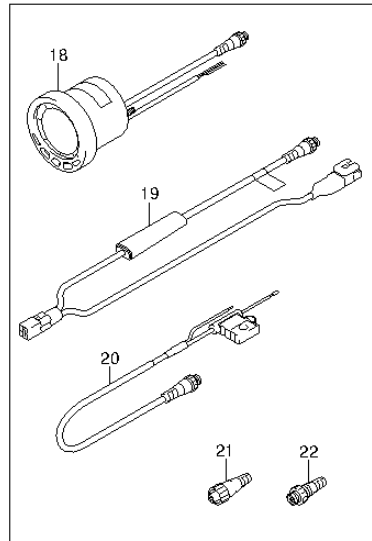
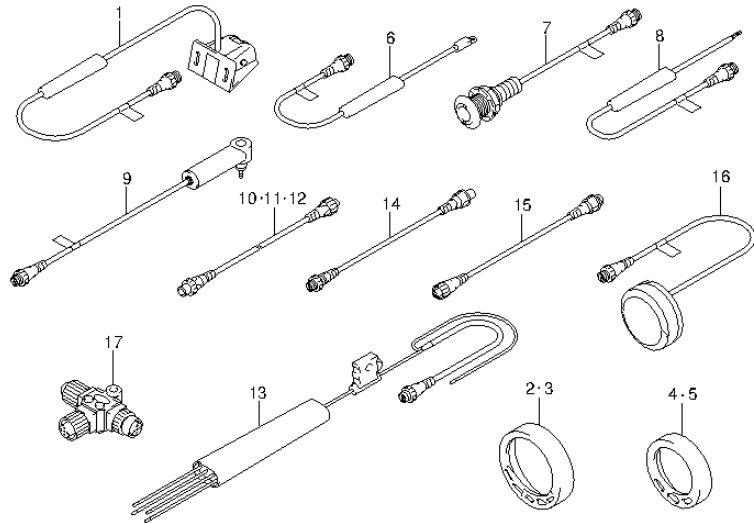


FIG.89 (1-J-2) OPT:LOWRANCE GAUGE

| REF NO. | PART NO.    | DESCRIPTION                 | Q'TY | REMARKS |
|---------|-------------|-----------------------------|------|---------|
| 1       | 34190-88L00 | SENSOR ASSY,PAD WHEEL       | 1    |         |
| 2       | 34193-88L00 | BEZEL, 4 IN CHR             | 1    |         |
| 3       | 34193-88L20 | BEZEL, 4 IN WHITE           | 1    |         |
| 4       | 34193-88L40 | BEZEL, 2 IN CHR             | 1    |         |
| 5       | 34193-88L60 | BEZEL, 2 IN WHITE           | 1    |         |
| 6       | 34455-88L00 | SENSOR ASSY, WATER TEMP     | 1    |         |
| 7       | 34455-88L10 | SENSOR ASSY, WATER TEMP     | 1    |         |
| 8       | 34810-88L00 | SENSOR ASSY, FLUID LEVEL    | 1    |         |
| 9       | 34960-88L00 | SENSOR ASSY, WATER PRESSURE | 1    |         |
| 10      | 36662-88L10 | WIRE, 2 EXTENSION           | 1    |         |
| 11      | 36662-88L20 | WIRE, 6 EXTENSION           | 1    |         |
| 12      | 36662-88L30 | WIRE, 15 EXTENSION          | 1    |         |
| 13      | 36663-88L10 | HARNESS ASSY, NETWORK POWER | 1    |         |
| 14      | 36666-88L00 | WIRE, ADAPTER TO N NETWORK  | 1    |         |
| 15      | 36666-88L10 | WIRE, ADAPTER TO L NETWORK  | 1    |         |
| 16      | 39950-88L00 | MODULE ASSY, GPS RECEIVER   | 1    |         |
| 17      | 36664-88L00 | CONNECTOR, BRANCH           | 1    |         |
| 18      | 34200-88L02 | GAUGE ASSY, 4 IN MULTI      | 1    |         |
| 19      | 34922-88L01 | UNIT, INTERFACE             | 1    |         |
| 20      | 36663-88L00 | HARNESS ASSY, NETWORK POWER | 1    |         |
| 21      | 36665-88L00 | UNIT, RESISTOR FEMALE       | 1    |         |
| 22      | 36665-88L10 | UNIT, RESISTOR MALE         | 1    |         |
| 23      | 34800-88L01 | GAUGE ASSY, 2 IN MULTI      | 1    |         |
| 24      | 34922-88L01 | UNIT, INTERFACE             | 1    |         |
| 25      | 36662-88L00 | WIRE, 25 EXTENSION          | 1    |         |
| 26      | 36663-88L00 | HARNESS ASSY, NETWORK POWER | 1    |         |
| 27      | 36665-88L00 | UNIT, RESISTOR FEMALE       | 1    |         |
| 28      | 36665-88L10 | UNIT, RESISTOR MALE         | 1    |         |
| 29      | 36668-88L00 | WIRE, ADAPTER TO DIAGNS     | 1    |         |

| PART NO.        | FIG.NO.-REF.NO. | PART NO.        | FIG.NO.-REF.NO. | PART NO.        | FIG.NO.-REF.NO. |
|-----------------|-----------------|-----------------|-----------------|-----------------|-----------------|
| 10000           |                 |                 | 4-1             |                 | 12-3            |
|                 |                 |                 | 5-1             | 12892-69G10-218 | 9-4-1           |
|                 |                 |                 | 6-1             |                 | 10-4-1          |
|                 |                 | 11512-99E00     | 3-2             |                 | 11-4-1          |
|                 |                 |                 | 4-2             |                 | 12-4-1          |
| 11100-90J06     | 1-1             |                 | 5-2             | 12892-69G10-220 | 9-4-2           |
| 11112-90J00     | 2-12            |                 | 6-2             |                 | 10-4-2          |
| 11115-85FA1-001 | 1-4             | 12100-92840-025 | 7-8-2           |                 | 11-4-2          |
| 11117-89J00     | 1-10            | 12100-92841-0A0 | 7-8-1           |                 | 12-4-2          |
| 11117-90J10     | 2-4             | 12100-92J01-050 | 7-14            | 12892-69G10-223 | 9-4-3           |
| 11118-95J00     | 33-15           | 12111-92J00     | 7-1             |                 | 10-4-3          |
| 11141-92J01     | 1-11            | 12140-92J01     | 7-2             |                 | 11-4-3          |
|                 | 85-2            | 12140-92J01-050 | 7-15            |                 | 12-4-3          |
|                 | 86-2            | 12151-86FA0     | 7-3             | 12892-69G10-225 | 9-4-4           |
|                 | 87-2            | 12160-92J10     | 7-5             |                 | 10-4-4          |
|                 | 88-2            | 12163-35F00     | 7-6             |                 | 11-4-4          |
| 11170-90J10     | 1-14            | 12220-92J00     | 7-9             |                 | 12-4-4          |
| 11173-90J00     | 1-15            | 12300-85830     | 7-12-1          | 12892-69G10-228 | 9-4-5           |
| 11179-90J00     | 1-16            | 12300-85830-012 | 7-12-2          |                 | 10-4-5          |
| 11189-90J00     | 1-17            | 12300-85854-0AA | 7-11-6          |                 | 11-4-5          |
|                 | 85-3            | 12300-85854-0BA | 7-11-7          |                 | 12-4-5          |
|                 | 86-3            | 12300-85854-0CA | 7-11-8          | 12892-69G10-230 | 9-4-6           |
|                 | 87-3            | 12300-85854-0DA | 7-11-9          |                 | 10-4-6          |
|                 | 88-3            | 12300-85854-0EA | 7-11-10         |                 | 11-4-6          |
| 11196-90J00     | 28-1            | 12340-85FB3-0A0 | 7-11-1          |                 | 12-4-6          |
| 11216-77E00     | 2-5             | 12340-85FB3-0B0 | 7-11-2          | 12892-69G10-233 | 9-4-7           |
| 11241-73003     | 31-1            | 12340-85FB3-0C0 | 7-11-3          |                 | 10-4-7          |
| 11261-87E10     | 44-1            | 12340-85FB3-0D0 | 7-11-4          |                 | 11-4-7          |
| 11261-93J00     | 1-5             | 12340-85FB3-0E0 | 7-11-5          |                 | 12-4-7          |
| 11265-87E10     | 44-2            | 12632-92J11     | 30-1            | 12892-69G10-235 | 9-4-8           |
|                 | 85-4            | 12711-92J00     | 9-1             |                 | 10-4-8          |
|                 | 86-4            |                 | 10-1            |                 | 11-4-8          |
|                 | 87-4            |                 | 11-1            |                 | 12-4-8          |
|                 | 88-4            |                 | 12-1            | 12892-69G10-238 | 9-4-9           |
| 11291-90J10     | 2-1             | 12720-92J10     | 9-2             |                 | 10-4-9          |
| 11300-92J30     | 2-3             |                 | 10-2            |                 | 11-4-9          |
| 11330-90J00     | 2-7             |                 | 11-2            |                 | 12-4-9          |
| 11332-90J00     | 2-8             |                 | 12-2            | 12892-69G10-240 | 9-4-10          |
| 11382-99E00     | 1-18            | 12732-90J00     | 8-1             |                 | 10-4-10         |
| 11400-92862     | 85-1            | 12733-90J00     | 8-4             |                 | 11-4-10         |
|                 | 86-1            | 12741-90J01     | 8-2             |                 | 12-4-10         |
|                 | 87-1            | 12761-90J00     | 8-9             | 12892-69G10-243 | 9-4-11          |
|                 | 88-1            | 12771-90J00     | 8-10            |                 | 10-4-11         |
| 11489-90J00     | 32-1            | 12810-90J00     | 8-11            |                 | 11-4-11         |
|                 | 85-5            | 12812-90J00     | 8-13            |                 | 12-4-11         |
|                 | 86-5            | 12813-73G00     | 8-12            | 12892-69G10-245 | 9-4-12          |
|                 | 87-5            | 12831-90J02     | 8-14            |                 | 10-4-12         |
|                 | 88-5            | 12891-69G00     | 9-3             |                 | 11-4-12         |
| 11501-90J04-0EP | 32-2            |                 | 10-3            |                 | 12-4-12         |
| 11510-90J00     | 3-1             |                 | 11-3            | 12892-69G10-248 | 9-4-13          |

| PART NO.        | FIG.NO.-REF.NO. | PART NO. | FIG.NO.-REF.NO. | PART NO.        | FIG.NO.-REF.NO. |
|-----------------|-----------------|----------|-----------------|-----------------|-----------------|
|                 |                 |          | 10-4-13         |                 | 12-4-25         |
|                 |                 |          | 11-4-13         | 12892-69G10-280 | 9-4-26          |
|                 |                 |          | 12-4-13         |                 | 10-4-26         |
| 12892-69G10-250 | 9-4-14          |          | 9-4-14          |                 | 11-4-26         |
|                 |                 |          | 10-4-14         |                 | 12-4-26         |
|                 |                 |          | 11-4-14         | 12892-69G10-283 | 9-4-27          |
|                 |                 |          | 12-4-14         |                 | 10-4-27         |
| 12892-69G10-253 | 9-4-15          |          | 9-4-15          |                 | 11-4-27         |
|                 |                 |          | 10-4-15         |                 | 12-4-27         |
|                 |                 |          | 11-4-15         | 12892-69G10-285 | 9-4-28          |
|                 |                 |          | 12-4-15         |                 | 10-4-28         |
| 12892-69G10-255 | 9-4-16          |          | 9-4-16          |                 | 11-4-28         |
|                 |                 |          | 10-4-16         |                 | 12-4-28         |
|                 |                 |          | 11-4-16         | 12892-69G10-288 | 9-4-29          |
|                 |                 |          | 12-4-16         |                 | 10-4-29         |
| 12892-69G10-258 | 9-4-17          |          | 9-4-17          |                 | 11-4-29         |
|                 |                 |          | 10-4-17         |                 | 12-4-29         |
|                 |                 |          | 11-4-17         | 12892-69G10-290 | 9-4-30          |
|                 |                 |          | 12-4-17         |                 | 10-4-30         |
| 12892-69G10-260 | 9-4-18          |          | 9-4-18          |                 | 11-4-30         |
|                 |                 |          | 10-4-18         |                 | 12-4-30         |
|                 |                 |          | 11-4-18         | 12892-69G10-293 | 9-4-31          |
|                 |                 |          | 12-4-18         |                 | 10-4-31         |
| 12892-69G10-263 | 9-4-19          |          | 9-4-19          |                 | 11-4-31         |
|                 |                 |          | 10-4-19         |                 | 12-4-31         |
|                 |                 |          | 11-4-19         | 12892-69G10-295 | 9-4-32          |
|                 |                 |          | 12-4-19         |                 | 10-4-32         |
| 12892-69G10-265 | 9-4-20          |          | 9-4-20          |                 | 11-4-32         |
|                 |                 |          | 10-4-20         |                 | 12-4-32         |
|                 |                 |          | 11-4-20         | 12892-69G10-298 | 9-4-33          |
|                 |                 |          | 12-4-20         |                 | 10-4-33         |
| 12892-69G10-268 | 9-4-21          |          | 9-4-21          |                 | 11-4-33         |
|                 |                 |          | 10-4-21         |                 | 12-4-33         |
|                 |                 |          | 11-4-21         | 12892-69G10-300 | 9-4-34          |
|                 |                 |          | 12-4-21         |                 | 10-4-34         |
| 12892-69G10-270 | 9-4-22          |          | 9-4-22          |                 | 11-4-34         |
|                 |                 |          | 10-4-22         |                 | 12-4-34         |
|                 |                 |          | 11-4-22         | 12911-86FA1     | 9-5             |
|                 |                 |          | 12-4-22         |                 | 10-5            |
| 12892-69G10-273 | 9-4-23          |          | 9-4-23          |                 | 11-5            |
|                 |                 |          | 10-4-23         |                 | 12-5            |
|                 |                 |          | 11-4-23         | 12915-86F50     | 10-6            |
|                 |                 |          | 12-4-23         |                 | 12-6            |
| 12892-69G10-275 | 9-4-24          |          | 9-4-24          | 12915-86FA1     | 9-6             |
|                 |                 |          | 10-4-24         |                 | 11-6            |
|                 |                 |          | 11-4-24         | 12921-90J00     | 9-7             |
|                 |                 |          | 12-4-24         |                 | 10-7            |
| 12892-69G10-278 | 9-4-25          |          | 9-4-25          |                 | 11-7            |
|                 |                 |          | 10-4-25         |                 | 12-7            |
|                 |                 |          | 11-4-25         | 12931-90J00     | 9-8             |
|                 |                 |          | 12-4-25         |                 | 10-8            |
|                 |                 |          | 11-4-13         |                 | 11-8            |
|                 |                 |          | 12-4-13         |                 | 12-8            |
|                 |                 |          | 9-4-14          | 12932-85FA0     | 9-9             |
|                 |                 |          | 10-4-14         |                 | 10-9            |
|                 |                 |          | 11-4-14         |                 | 11-9            |
|                 |                 |          | 12-4-14         |                 | 12-9            |
|                 |                 |          | 9-4-15          |                 | 9-10            |
|                 |                 |          | 10-4-15         |                 | 10-10           |
|                 |                 |          | 11-4-15         |                 | 11-10           |
|                 |                 |          | 12-4-15         |                 | 12-10           |
|                 |                 |          | 9-4-16          |                 | 13-1            |
|                 |                 |          | 10-4-16         |                 | 13-2            |
|                 |                 |          | 11-4-16         |                 | 85-6            |
|                 |                 |          | 12-4-16         |                 | 86-6            |
|                 |                 |          | 9-4-17          |                 | 87-6            |
|                 |                 |          | 10-4-17         |                 | 88-6            |
|                 |                 |          | 11-4-17         |                 | 29-1            |
|                 |                 |          | 12-4-17         |                 | 15-2            |
|                 |                 |          | 9-4-18          |                 | 17-2            |
|                 |                 |          | 10-4-18         |                 | 16-2            |
|                 |                 |          | 11-4-18         |                 | 18-2            |
|                 |                 |          | 12-4-18         |                 | 29-2            |
|                 |                 |          | 9-4-19          |                 | 85-7            |
|                 |                 |          | 10-4-19         |                 | 86-7            |
|                 |                 |          | 11-4-19         |                 | 87-7            |
|                 |                 |          | 12-4-19         |                 | 88-7            |
|                 |                 |          | 9-4-20          |                 | 29-4            |
|                 |                 |          | 10-4-20         |                 | 16-15           |
|                 |                 |          | 11-4-20         |                 | 18-15           |
|                 |                 |          | 12-4-20         |                 | 16-16           |
|                 |                 |          | 9-4-21          |                 | 18-16           |
|                 |                 |          | 10-4-21         |                 | 46-1            |
|                 |                 |          | 11-4-21         |                 | 46-2            |
|                 |                 |          | 12-4-21         |                 | 14-1            |
|                 |                 |          | 9-4-22          |                 | 14-2            |
|                 |                 |          | 10-4-22         |                 | 14-3            |
|                 |                 |          | 11-4-22         |                 | 14-4            |
|                 |                 |          | 12-4-22         |                 | 14-5            |
|                 |                 |          | 9-4-23          |                 | 44-5            |
|                 |                 |          | 10-4-23         |                 | 85-8            |
|                 |                 |          | 11-4-23         |                 | 86-8            |
|                 |                 |          | 12-4-23         |                 | 87-8            |
|                 |                 |          | 9-4-24          |                 | 88-8            |
|                 |                 |          | 10-4-24         |                 | 23-1            |
|                 |                 |          | 11-4-24         |                 | 23-2            |
|                 |                 |          | 12-4-24         |                 | 23-14           |
|                 |                 |          | 9-4-25          |                 | 15-3            |
|                 |                 |          | 10-4-25         |                 | 17-3            |
|                 |                 |          | 11-4-25         |                 | 16-3            |

| PART NO.    | FIG.NO.-REF.NO. | PART NO.    | FIG.NO.-REF.NO. | PART NO.    | FIG.NO.-REF.NO. |
|-------------|-----------------|-------------|-----------------|-------------|-----------------|
|             | 18-3            |             | 18-8            |             | 20-5            |
| 15410-92J00 | 23-4            | 15642-88L10 | 15-20           |             | 21-5            |
| 15411-92J00 | 23-6            |             | 16-20           |             | 22-5            |
| 15412-92J00 | 23-5            |             | 17-20           | 15760-88L00 | 15-12           |
| 15413-92J00 | 23-7            |             | 18-20           |             | 16-12           |
| 15415-92J00 | 23-8            | 15643-88L00 | 15-17           |             | 17-12           |
| 15421-92J00 | 23-10           |             | 16-17           |             | 18-12           |
| 15600-92J00 | 15-1            |             | 17-17           | 15762-90J00 | 20-7            |
|             | 17-1            |             | 18-17           |             | 22-7            |
| 15600-92J10 | 16-1            | 15644-88L00 | 15-13           | 15830-90J00 | 20-10           |
|             | 18-1            |             | 17-13           |             | 22-10           |
| 15612-99E01 | 15-21           | 15644-88L10 | 16-13           | 16113-92J11 | 30-2            |
|             | 16-21           |             | 18-13           | 16400-90J00 | 30-3            |
|             | 17-21           | 15645-88L00 | 15-14           | 16440-99E00 | 30-4            |
|             | 18-21           |             | 16-14           | 16451-90J00 | 30-5            |
| 15613-88L00 | 15-22           |             | 17-14           | 16510-61A31 | 31-2            |
|             | 16-22           |             | 18-14           | 16520-90J00 | 30-6            |
|             | 17-22           | 15648-92J00 | 15-16           | 16910-90J10 | 32-13           |
|             | 18-22           |             | 16-24           | 16930-90J01 | 32-14           |
| 15614-99E00 | 15-23           |             | 17-16           | 17400-92J21 | 24-21           |
|             | 16-23           |             | 18-24           |             | 25-21           |
|             | 17-23           | 15650-99E00 | 15-9            |             | 26-21           |
|             | 18-23           |             | 16-9            |             | 27-21           |
| 15626-92J00 | 15-4            |             | 17-9            | 17410-92J00 | 24-1            |
|             | 17-4            |             | 18-9            |             | 25-1            |
| 15626-92J10 | 16-4            | 15654-88L00 | 15-10           |             | 26-1            |
|             | 18-4            |             | 16-10           |             | 27-1            |
| 15628-99E00 | 15-5            |             | 17-10           | 17413-92J01 | 24-18           |
|             | 16-5            |             | 18-10           |             | 26-18           |
|             | 17-5            | 15681-92J00 | 19-1            | 17413-92J11 | 25-18           |
|             | 18-5            |             | 20-1            |             | 27-18           |
| 15629-99E10 | 15-6            |             | 21-1            | 17416-92J10 | 24-19           |
|             | 16-6            |             | 22-1            |             | 25-19           |
|             | 17-6            | 15683-87J00 | 15-11           |             | 26-19           |
|             | 18-6            |             | 16-11           |             | 27-19           |
| 15641-88L00 | 15-7            |             | 17-11           | 17461-90J01 | 24-2            |
|             | 17-7            |             | 18-11           |             | 25-2            |
| 15641-88L10 | 16-7            | 15710-82K50 | 19-2            |             | 26-2            |
|             | 18-7            |             | 20-2            |             | 27-2            |
| 15641-88L20 | 15-18           |             | 21-2            | 17471-92J00 | 24-3            |
|             | 17-18           |             | 22-2            |             | 26-3            |
| 15641-88L30 | 16-18           | 15716-65DT0 | 19-3            | 17471-92J10 | 25-3            |
|             | 18-18           |             | 20-3            |             | 27-3            |
| 15641-88L40 | 15-19           |             | 21-3            | 17472-87E10 | 24-4            |
|             | 17-19           |             | 22-3            |             | 25-4            |
| 15641-88L50 | 16-19           | 15735-58B00 | 19-4            |             | 26-4            |
|             | 18-19           |             | 20-4            |             | 27-4            |
| 15642-88L00 | 15-8            |             | 21-4            |             | 85-9            |
|             | 16-8            |             | 22-4            |             | 86-9            |
|             | 17-8            | 15751-92J00 | 19-5            |             | 87-9            |

| PART NO.        | FIG.NO.-REF.NO. | PART NO.    | FIG.NO.-REF.NO. | PART NO.    | FIG.NO.-REF.NO. |
|-----------------|-----------------|-------------|-----------------|-------------|-----------------|
|                 | 88-9            | 17635-90J00 | 24-11           | 21110-92J00 | 33-1            |
| 17500-90J10     | 24-22           |             | 25-11           | 21131-93J00 | 33-16           |
|                 | 25-22           |             | 26-11           | 21151-92J00 | 33-2            |
|                 | 26-22           |             | 27-11           | 21210-92J00 | 33-3            |
|                 | 27-22           | 17660-90J00 | 28-3            | 21230-92J00 | 33-4            |
| 17520-90J00     | 24-23           | 17670-90J10 | 28-4-2          | 22511-99011 | 33-5            |
|                 | 25-23           | 17670-90J20 | 28-4-1          |             | 53-1            |
|                 | 26-23           | 17681-90J01 | 28-5            | 23111-90J02 | 33-6-1          |
|                 | 27-23           | 17711-90J00 | 28-6            | 23111-90J12 | 33-6-2          |
| 17561-90J02     | 24-5-1          | 17913-99E11 | 32-3            | 23115-92J00 | 33-7            |
|                 | 25-5-1          | 17917-87L00 | 63-33           | 25111-92J00 | 34-6-1          |
|                 | 26-5-1          |             | 65-33           |             | 35-6-1          |
|                 | 27-5-1          |             | 74-9            |             | 36-6-1          |
| 17561-90J12     | 24-5-2          |             | 76-9            |             | 37-6-1          |
|                 | 25-5-2          | 18134-77E00 | 13-3            | 25111-92J10 | 34-6-2          |
|                 | 26-5-2          | 18137-77E00 | 13-4            |             | 35-6-2          |
| 17562-90J00     | 27-5-2          | 18141-90J00 | 13-5            |             | 36-6-2          |
|                 | 24-6            | 18148-90J00 | 13-14           |             | 37-6-2          |
|                 | 25-6            | 18213-98J00 | 46-7            | 25131-92J00 | 34-1            |
|                 | 26-6            | 18498-88L00 | 15-31           |             | 35-1            |
|                 | 27-6            |             | 16-31           |             | 36-1            |
| 17563-87D00     | 24-7            |             | 17-31           |             | 37-1            |
|                 | 24-24           |             | 18-31           | 25141-92J00 | 34-2            |
|                 | 25-7            | 18498-90J20 | 1-19            |             | 35-2            |
|                 | 25-24           | 18498-96J20 | 23-11           |             | 36-2            |
|                 | 26-7            | 18498-99E10 | 23-12           |             | 37-2            |
|                 | 26-24           | 18498-99E20 | 19-6            | 25222-92J00 | 34-3            |
|                 | 27-7            |             | 20-6            |             | 35-3            |
|                 | 27-24           |             | 21-6            |             | 36-3            |
| 17564-87D00     | 24-8            |             | 22-6            |             | 37-3            |
|                 | 25-8            | 18498-99EA0 | 74-7            | 25232-90J00 | 34-4            |
|                 | 26-8            |             | 75-7            |             | 35-4            |
|                 | 27-8            |             | 76-7            |             | 36-4            |
| 17611-90J00-0EP | 28-2            |             | 77-7            |             | 37-4            |
| 17612-90J00     | 24-20           | 18590-68H00 | 46-3            | 25321-92J10 | 34-5            |
|                 | 25-20           | 18640-78G00 | 46-5            |             | 35-5            |
|                 | 26-20           | 19115-90J00 | 29-6            | 25321-92J20 | 36-5            |
|                 | 27-20           | 19121-90J00 | 29-7            |             | 37-5            |
| 17631-90J00     | 24-9            | 19130-92J00 | 29-8            | 25700-92J00 | 58-30           |
|                 | 25-9            | 19131-95502 | 29-9            |             | 59-26           |
|                 | 26-9            | 19140-92J00 | 29-10           |             | 60-30           |
|                 | 27-9            |             |                 |             | 61-28           |
| 17632-90J00     | 24-10           |             |                 | 29116-93J00 | 34-7            |
|                 | 25-10           |             |                 |             | 35-7            |
|                 | 26-10           |             |                 |             | 36-7            |
|                 | 27-10           |             |                 |             | 37-7            |
| 17635-87E00     | 24-25           |             |                 | 29117-93J10 | 56-15           |
|                 | 25-25           |             |                 | 29404-93J10 | 44-12           |
|                 | 26-25           |             |                 |             | 49-18           |
|                 | 27-25           |             |                 |             | 50-18           |

2000

| PART NO. | FIG.NO.-REF.NO. | PART NO.    | FIG.NO.-REF.NO. | PART NO.    | FIG.NO.-REF.NO. |
|----------|-----------------|-------------|-----------------|-------------|-----------------|
|          | 51-18           | 33740-90J00 | 45-3            | 34600-93J11 | 73-8-2          |
|          | 52-18           | 33799-97E00 | 55-9            | 34650-93J20 | 73-16-1         |
|          | 53-16           | 33810-90J10 | 47-1            | 34650-93J31 | 73-16-2         |
|          | 55-20           | 33833-91J00 | 43-5            | 34660-90J02 | 74-2            |
|          |                 | 33920-92J80 | 48-4            |             | 75-2            |
|          |                 | 33925-92J00 | 48-5            |             | 76-2            |
|          |                 | 34100-93J00 | 73-3-1          |             | 77-2            |
|          |                 | 34100-93J11 | 73-3-2          | 34800-88L01 | 89-23           |
|          |                 | 34100-93J20 | 73-3-3          | 34800-93J00 | 69-4-1          |
|          |                 | 34100-93J31 | 73-3-4          |             | 70-4-1          |
|          |                 | 34100-93J40 | 73-3-5          |             | 71-4-1          |
|          |                 | 34100-93J51 | 73-3-6          |             | 72-4-1          |
|          |                 | 34100-93J60 | 73-3-7          |             | 73-1-1          |
|          |                 | 34190-87D00 | 73-36           | 34800-93J11 | 69-4-2          |
|          |                 | 34190-88L00 | 89-1            |             | 70-4-2          |
|          |                 | 34190-95500 | 73-37           |             | 71-4-2          |
|          |                 | 34191-92E00 | 73-5            |             | 72-4-2          |
|          |                 |             | 73-17           |             | 73-1-2          |
|          |                 | 34193-88L00 | 89-2            | 34810-88L00 | 89-8            |
|          |                 | 34193-88L20 | 89-3            | 34830-87J20 | 46-4            |
|          |                 | 34193-88L40 | 89-4            | 34840-98J03 | 46-6            |
|          |                 | 34193-88L60 | 89-5            | 34841-92J00 | 46-8            |
|          |                 | 34200-87L10 | 73-23           | 34842-92J00 | 46-9            |
|          |                 | 34200-88L02 | 89-18           | 34843-87L00 | 46-10           |
|          |                 | 34200-93J00 | 69-1-1          | 34845-92J00 | 46-12           |
|          |                 |             | 70-1-1          | 34846-87L00 | 46-20           |
|          |                 |             | 71-1-1          | 34922-88L01 | 89-19           |
|          |                 |             | 72-1-1          |             | 89-24           |
|          |                 |             | 73-20-1         | 34960-88L00 | 89-9            |
|          |                 | 34200-93J11 | 69-1-2          | 36610-92J00 | 47-3            |
|          |                 |             | 70-1-2          | 36611-92J00 | 47-15           |
|          |                 |             | 71-1-2          | 36612-96J00 | 47-14           |
|          |                 |             | 72-1-2          | 36615-96300 | 69-2            |
|          |                 |             | 73-20-2         |             | 70-2            |
|          |                 | 34200-93J40 | 73-25-1         |             | 71-2            |
|          |                 | 34200-93J50 | 73-25-2         |             | 72-2            |
|          |                 | 34211-87L00 | 73-24           |             | 73-7            |
|          |                 | 34300-93J00 | 73-10-1         |             | 73-21           |
|          |                 | 34300-93J11 | 73-10-2         |             | 73-28           |
|          |                 | 34310-92E00 | 73-11           | 36616-90J10 | 47-16           |
|          |                 | 34360-92E00 | 73-12           | 36617-93J10 | 47-17           |
|          |                 | 34455-88L00 | 89-6            | 36618-43410 | 47-6            |
|          |                 | 34455-88L10 | 89-7            | 36620-93J02 | 74-15-1         |
|          |                 | 34500-93J00 | 70-6-1          |             | 75-14-1         |
|          |                 |             | 72-6-1          |             | 76-15-1         |
|          |                 |             | 73-14-1         |             | 77-14-1         |
|          |                 | 34500-93J11 | 70-6-2          |             | 79-55-1         |
|          |                 |             | 72-6-2          |             | 80-55-1         |
|          |                 |             | 73-14-2         | 36620-93J10 | 74-10-1         |
|          |                 |             | 73-8-1          |             | 75-9-1          |

30000

| PART NO. | FIG.NO.-REF.NO. | PART NO.    | FIG.NO.-REF.NO. | PART NO.    | FIG.NO.-REF.NO. |
|----------|-----------------|-------------|-----------------|-------------|-----------------|
|          |                 |             | 76-10-1         | 36666-88L00 | 89-14           |
|          |                 |             | 77-9-1          | 36666-88L10 | 89-15           |
|          |                 | 36620-93J30 | 74-11           | 36668-88L00 | 89-29           |
|          |                 |             | 75-10           | 36682-92E00 | 73-35           |
|          |                 |             | 76-11           | 36721-96J00 | 47-7            |
|          |                 |             | 77-10           | 36737-96J00 | 47-8            |
|          |                 | 36620-93J40 | 74-10-2         | 36738-88L00 | 47-9            |
|          |                 |             | 75-9-2          | 36890-93J00 | 83-16           |
|          |                 |             | 76-10-2         | 36890-93J10 | 81-15           |
|          |                 |             | 77-9-2          | 36894-87D00 | 53-3            |
|          |                 | 36620-93J52 | 74-15-2         |             | 54-23           |
|          |                 |             | 75-14-2         | 36894-95201 | 53-2            |
|          |                 |             | 76-15-2         | 36895-87D10 | 54-25           |
|          |                 |             | 77-14-2         |             | 57-7            |
|          |                 |             | 79-55-2         | 36990-87D00 | 74-1            |
|          |                 |             | 80-55-2         |             | 75-1            |
|          |                 | 36620-93J62 | 74-15-3         |             | 76-1            |
|          |                 |             | 75-14-3         |             | 77-1            |
|          |                 |             | 76-15-3         | 37100-96J00 | 78-1            |
|          |                 |             | 77-14-3         | 37100-96J13 | 78-15           |
|          |                 |             | 79-55-3         | 37100-96J23 | 78-25           |
|          |                 |             | 80-55-3         | 37110-93J00 | 78-2            |
|          |                 | 36628-92E00 | 79-3            |             | 78-16           |
|          |                 |             | 80-3            |             | 78-26           |
|          |                 | 36630-92E00 | 74-13           | 37110-93J10 | 79-4            |
|          |                 |             | 75-12           |             | 80-4            |
|          |                 |             | 76-13           | 37139-99E00 | 78-6            |
|          |                 |             | 77-12           | 37139-99E10 | 78-21           |
|          |                 | 36646-93J01 | 79-2            | 37139-99E20 | 78-33           |
|          |                 |             | 80-2            | 37141-99E00 | 78-3-1          |
|          |                 | 36660-94480 | 74-14           |             | 78-17-1         |
|          |                 |             | 75-13           |             | 78-27-1         |
|          |                 |             | 76-14           |             | 79-5-1          |
|          |                 |             | 77-13           |             | 80-5-1          |
|          |                 | 36661-87L00 | 73-27           | 37141-99E10 | 78-3-2          |
|          |                 | 36662-88L00 | 89-25           |             | 78-17-2         |
|          |                 | 36662-88L10 | 89-10           |             | 78-27-2         |
|          |                 | 36662-88L20 | 89-11           |             | 79-5-2          |
|          |                 | 36662-88L30 | 89-12           |             | 80-5-2          |
|          |                 | 36663-88L00 | 89-20           | 37141-99E20 | 78-3-3          |
|          |                 |             | 89-26           |             | 78-17-3         |
|          |                 | 36663-88L10 | 89-13           |             | 78-27-3         |
|          |                 | 36663-98J00 | 73-30           |             | 79-5-3          |
|          |                 | 36663-98J10 | 73-32           |             | 80-5-3          |
|          |                 | 36664-88L00 | 89-17           | 37141-99E30 | 78-3-4          |
|          |                 | 36665-88L00 | 89-21           |             | 78-17-4         |
|          |                 |             | 89-27           |             | 78-27-4         |
|          |                 | 36665-88L10 | 89-22           |             | 79-5-4          |
|          |                 |             | 89-28           |             | 80-5-4          |
|          |                 | 36666-87L00 | 73-34           | 37141-99E40 | 78-3-5          |
|          |                 |             |                 |             | 37210-93J00     |
|          |                 |             |                 |             | 78-13           |

| PART NO.    | FIG.NO.-REF.NO. | PART NO.        | FIG.NO.-REF.NO. | PART NO.        | FIG.NO.-REF.NO. |       |
|-------------|-----------------|-----------------|-----------------|-----------------|-----------------|-------|
| 37212-93J00 | 78-14           |                 |                 | 48401-96J01     | 54-2            |       |
| 37220-92E00 | 81-16           |                 |                 | 48405-87D00     | 54-9            |       |
| 37721-92E10 | 82-11           | 40000           |                 | 48502-96J05     | 55-12           |       |
| 37721-93J00 | 48-6            |                 |                 | 48503-96J03     | 54-1            |       |
| 37721-93J90 | 79-8            |                 |                 | 48570-95E01     | 54-11           |       |
|             | 80-8            |                 | 41111-92J03-0EP | 49-1            | 48572-95E00     | 54-12 |
| 37721-95500 | 84-11           |                 |                 | 50-1            | 48582-95E01     | 55-13 |
| 37726-90J10 | 48-7            |                 | 51-1            | 48583-95E00     | 55-15           |       |
| 37803-93J03 | 78-9            |                 | 52-1            | 48585-95E00     | 55-16           |       |
| 37805-93J00 | 78-11           | 41121-92J20-0EP | 49-2            | 48588-94900     | 55-17           |       |
| 37820-93J03 | 78-30           |                 | 50-2            | 48601-94900     | 54-3            |       |
|             | 79-9            |                 | 51-2            | 48615-97E00     | 54-10           |       |
|             | 80-9            |                 | 52-2            | 48627-95E00     | 54-4            |       |
| 37820-93J93 | 78-20           | 41130-92J30     | 49-3            | 48630-96J02     | 54-5            |       |
| 37820-99E01 | 46-11           |                 | 50-3            | 48633-94900     | 54-6            |       |
| 37823-92E01 | 78-31           |                 | 51-3            | 48641-96J02     | 54-7            |       |
|             | 79-10           |                 | 52-3            | 48650-94900     | 54-8            |       |
|             | 80-10           | 41135-92J00     | 49-4            | 48861-92J01     | 54-13           |       |
| 37825-99E00 | 78-10           |                 | 50-4            | 48862-92J20     | 55-18           |       |
| 37826-92E00 | 78-32           |                 | 51-4            | 48862-92J30     | 55-19           |       |
|             | 79-11           |                 | 52-4            | 48864-96J10     | 55-14           |       |
|             | 80-11           | 41153-94500     | 49-5            |                 |                 |       |
| 37850-90J05 | 79-12           |                 | 50-5            |                 |                 |       |
|             | 80-12           |                 | 51-5            |                 |                 |       |
| 37850-93J10 | 81-4            |                 | 52-5            |                 |                 |       |
|             | 83-4            | 41161-94400     | 68-1            |                 |                 |       |
| 37850-99E04 | 48-1            | 41220-95E13     | 53-17           |                 |                 |       |
| 37855-99E00 | 78-12           | 41221-95E40     | 53-18           | 50000           |                 |       |
| 37859-90J00 | 79-54           | 41224-95E01     | 53-19           |                 |                 |       |
|             | 80-54           | 41225-94400     | 53-20           |                 |                 |       |
| 37860-87L00 | 78-37           | 41228-90J00     | 53-21           |                 | 51110-90850-0EP | 56-1  |
| 37862-87L00 | 78-38           | 41230-95E00     | 53-22           |                 | 51115-90J00     | 56-8  |
| 38100-96J01 | 55-1            | 41233-95E10     | 53-23           | 51122-90J00     | 56-18           |       |
| 38410-93J20 | 48-2            | 43111-92J80-0EP | 53-4-1          | 51123-90J01     | 56-19           |       |
| 38415-93J20 | 48-3            | 43111-92J90-0EP | 53-4-2          | 51211-90J22     | 56-9            |       |
| 38500-93J00 | 74-12           | 43112-99E00     | 32-4            |                 | 85-10           |       |
|             | 75-11           | 43211-93J00     | 53-5            |                 | 86-10           |       |
|             | 76-12           | 43711-97E00     | 53-6            |                 | 87-10           |       |
|             | 77-11           | 43750-90J22-0EP | 53-7-1          |                 | 88-10           |       |
| 38500-93J90 | 78-7            | 43750-90J32-0EP | 53-7-2          | 52111-90J02-0EP | 57-1-1          |       |
|             | 78-23           | 45421-87D02     | 49-16           | 52111-90J12-0EP | 57-1-2          |       |
|             | 78-35           |                 | 50-16           | 54112-90J21     | 56-22           |       |
|             | 79-13           |                 | 51-16           | 54114-90J01     | 56-25           |       |
|             | 80-13           |                 | 52-16           |                 | 57-13           |       |
| 38860-76F01 | 47-5            | 48121-92J00     | 54-14           | 54121-87D00     | 57-8            |       |
| 39950-87L00 | 73-29           | 48140-93J01     | 49-20           | 54123-90J00     | 56-21           |       |
| 39950-88L00 | 89-16           |                 | 51-20           | 54125-90J10     | 56-26           |       |
|             |                 | 48311-96J10     | 54-15           | 54130-90J40     | 56-23           |       |
|             |                 | 48321-87D03     | 54-16           | 54148-90J11-0EP | 56-27           |       |
|             |                 | 48326-95E00     | 54-17           | 54151-90J00     | 57-14           |       |

| PART NO.        | FIG.NO.-REF.NO. | PART NO.    | FIG.NO.-REF.NO. | PART NO.        | FIG.NO.-REF.NO. |
|-----------------|-----------------|-------------|-----------------|-----------------|-----------------|
| 54160-90J20     | 57-9            |             |                 |                 | 41-1            |
| 54166-90J11     | 57-10           | 56123-92J00 | 38-25           |                 | 41-32           |
| 54211-90J01-0EP | 57-15           |             | 39-25           | 57630-90J00     | 58-29           |
| 54221-90J02-0EP | 57-16           |             | 40-2            |                 | 60-29           |
| 55110-90J15-0EP | 58-1            |             | 41-2            | 57631-92J00     | 38-18           |
|                 | 59-1            | 56130-90J00 | 38-32           |                 | 39-18           |
| 55110-92J00-0EP | 60-1            |             | 39-32           |                 | 40-33           |
|                 | 61-1            |             | 40-8            |                 | 41-33           |
| 55116-87E00     | 58-28           |             | 41-8            | 57633-90J02     | 58-23           |
|                 | 60-28           | 56140-92J00 | 38-36           |                 | 59-21           |
| 55125-90J01     | 58-3            |             | 39-36           |                 | 60-23           |
|                 | 59-3            | 56140-92J30 | 40-11           |                 | 61-23           |
| 55125-92J00     | 60-3            |             | 41-11           | 57635-92J01     | 58-24           |
|                 | 61-3            | 57110-92J60 | 38-1-1          |                 | 59-22           |
| 55127-87D00     | 58-4            |             | 39-1-1          |                 | 60-24           |
|                 | 59-4            |             | 40-16-1         |                 | 61-24           |
|                 | 60-4            |             | 41-16-1         | 58100-90JA0-019 | 58-19-1         |
|                 | 61-4            | 57110-92J70 | 38-1-2          |                 | 58-19-1         |
| 55320-94900     | 49-6            |             | 39-1-2          | 58100-90JB0-019 | 58-19-2         |
|                 | 50-6            |             | 40-16-2         |                 | 59-19-2         |
|                 | 51-6            |             | 41-16-2         | 58100-90JC0-019 | 58-19-3         |
|                 | 52-6            | 57130-92J01 | 57-5            |                 | 59-19-3         |
| 55321-87J00     | 1-7             | 57133-90J01 | 38-2            | 58100-90JD0-019 | 58-19-4         |
|                 | 44-3-1          |             | 39-2            |                 | 59-19-4         |
| 55321-87J10     | 44-3-2          |             | 40-17           | 58100-90JE0-019 | 58-19-5         |
| 55321-90J01     | 58-5            |             | 41-17           |                 | 59-19-5         |
|                 | 59-5            | 57300-92860 | 38-4            | 58105-90J00     | 58-20           |
|                 | 60-5            |             | 39-4            |                 | 59-20           |
|                 | 61-5            | 57300-92870 | 40-19           |                 | 60-22           |
| 55321-94910     | 49-21           |             | 41-19           |                 | 61-22           |
|                 | 51-21           | 57500-87861 | 38-8            | 58120-90J00     | 58-22           |
| 55332-87D01     | 24-26           |             | 39-8            |                 | 60-20           |
|                 | 25-26           | 57500-87873 | 38-6            |                 | 61-20           |
|                 | 26-26           |             | 39-6            | 58200-90J00     | 58-21-1         |
|                 | 27-26           |             | 40-21           | 58200-90J10     | 58-21-2         |
| 55332-87D11     | 58-6            |             | 41-21           | 58200-90J20     | 58-21-3         |
|                 | 59-6            | 57500-92813 | 38-12           | 58200-90J30     | 58-21-4         |
|                 | 60-6            |             | 39-12           | 58200-92J00     | 60-19-1         |
|                 | 61-6            |             | 40-27           |                 | 61-19-1         |
| 55333-87D02     | 24-27           |             | 41-27           | 58200-92J10     | 60-19-2         |
|                 | 25-27           | 57610-92J20 | 38-15           |                 | 61-19-2         |
|                 | 26-27           |             | 39-15           | 58200-92J20     | 60-19-3         |
|                 | 27-27           | 57610-92J31 | 40-31           |                 | 61-19-3         |
| 55333-87D10     | 58-7            |             | 41-31           | 58200-92J30     | 60-19-4         |
|                 | 59-7            | 57616-90J00 | 38-23           |                 | 61-19-4         |
|                 | 60-7            |             | 39-23           | 58200-92J40     | 58-19-6         |
|                 | 61-7            | 57616-92J00 | 40-39           | 58200-92J50     | 58-19-7         |
| 56120-92J01-0EP | 38-24           |             | 41-39           | 58200-92J60     | 58-19-8         |
|                 | 39-24           | 57621-92J10 | 38-16           | 58200-92J70     | 58-19-9         |
| 56120-92J12-0EP | 40-1            |             | 39-16           | 58200-92J80     | 58-19-10        |

| PART NO.        | FIG.NO.-REF.NO. | PART NO.        | FIG.NO.-REF.NO. | PART NO.    | FIG.NO.-REF.NO. |
|-----------------|-----------------|-----------------|-----------------|-------------|-----------------|
| 58200-92J90     | 58-19-11        | 61621-87D20     | 66-2            | 65561-95D00 | 67-3            |
| 58200-92JA0     | 60-21-1         | 61633-90J02-0EP | 62-15           | 65700-90J13 | 67-11           |
|                 | 61-21-1         |                 | 62-16           | 65740-95D01 | 67-7            |
| 58200-92JB0     | 60-21-2         |                 | 63-15           | 65750-95500 | 67-12           |
|                 | 61-21-2         |                 | 63-16           | 65770-90J10 | 67-13           |
| 58200-92JC0     | 60-21-3         |                 | 64-15           | 65831-95D00 | 67-4            |
|                 | 61-21-3         |                 | 64-16           | 65890-95D00 | 67-5            |
| 58200-92JD0     | 60-21-4         |                 | 65-15           | 65892-95D00 | 67-6            |
|                 | 61-21-4         |                 | 65-16           | 67140-95600 | 79-57           |
|                 |                 | 61637-90J10     | 62-17           |             | 80-57           |
|                 |                 |                 | 63-17           | 67200-93J06 | 79-1            |
|                 |                 |                 | 64-17           |             | 80-1            |
|                 |                 |                 | 65-17           | 67200-93J13 | 83-1            |
|                 |                 | 61638-90J10     | 62-18           |             | 84-1            |
|                 |                 |                 | 63-18           | 67200-93J23 | 81-1            |
|                 |                 |                 | 64-18           |             | 82-1            |
|                 |                 |                 | 65-18           | 67211-93J00 | 83-27           |
| 61112-92J00     | 66-19           |                 | 62-19           | 67211-93J10 | 81-26           |
| 61124-90J30     | 62-26           | 61641-87D00     | 63-19           | 67212-95600 | 79-14           |
|                 | 63-26           |                 | 64-19           |             | 80-14           |
|                 | 64-26           |                 | 65-19           | 67213-92E00 | 79-15           |
|                 | 65-26           |                 | 66-3            |             | 80-15           |
| 61134-90J20     | 62-1            | 61644-90J20     | 62-20           | 67220-95630 | 79-18           |
|                 | 63-1            | 61645-90J01-0EP | 63-20           |             | 80-18           |
|                 | 64-1            |                 | 64-20           | 67221-92E00 | 82-8            |
|                 | 65-1            |                 | 65-20           |             | 84-8            |
| 61150-99E00     | 32-5            |                 | 66-9            | 67222-92E00 | 82-2            |
| 61155-99E01     | 32-7            | 61680-90J01     | 66-10           |             | 84-2            |
| 61400-90850-0EP | 66-1            | 61690-90J01     | 62-2            | 67223-92E00 | 82-3            |
| 61422-92J12     | 66-21           | 61810-90J10-0EP | 63-2            |             | 84-3            |
| 61431-92J10-0EP | 66-6            |                 | 64-2            | 67223-99E10 | 79-19           |
| 61435-92J22     | 66-22           |                 | 65-2            |             | 80-19           |
| 61438-92J10     | 66-7            | 61817-89J00     | 62-3            | 67224-92E00 | 82-9            |
| 61439-92J10     | 66-8            |                 | 63-3            |             | 84-9            |
| 61443-87L20     | 66-15           |                 | 64-3            | 67226-92E00 | 82-15           |
| 61446-87L12     | 66-17           |                 | 65-3            |             | 84-15           |
| 61453-87L20     | 66-16           |                 | 62-4            | 67226-92E10 | 82-16           |
| 61458-99E70     | 66-24           | 61820-90J10-0EP | 63-4            |             | 84-16           |
| 61471-98J00     | 66-23           |                 | 64-4            | 67227-92E00 | 82-24           |
| 61472-93E32     | 4-4             |                 | 65-4            |             | 84-24           |
|                 | 6-4             |                 | 62-5            | 67228-92E00 | 82-18           |
| 61472-93E40     | 3-4             | 61827-90J00     | 63-5            |             | 84-18           |
|                 | 5-4             |                 | 64-5            | 67229-95600 | 79-20           |
| 61493-90J00     | 3-6             |                 | 65-5            |             | 80-20           |
|                 | 4-6             |                 | 62-6            | 67230-92E00 | 82-20           |
|                 | 5-6             |                 | 63-6            |             | 84-20           |
|                 | 6-6             | 61831-90J12-0EP | 64-6            | 67231-92E00 | 82-43           |
| 61494-90J00     | 3-7             |                 | 65-6            |             | 84-41           |
|                 | 4-7             |                 | 67-1            | 67232-95600 | 79-21           |
|                 | 5-7             | 65000-95D01     | 67-2            |             | 80-21           |
|                 | 6-7             | 65520-95D00     |                 |             |                 |
| 61610-93J00     | 66-20           |                 |                 |             |                 |

60000

| PART NO.    | FIG.NO.-REF.NO. | PART NO.    | FIG.NO.-REF.NO. | PART NO.    | FIG.NO.-REF.NO. |
|-------------|-----------------|-------------|-----------------|-------------|-----------------|
|             |                 |             | 82-44           | 67253-92E10 | 82-39           |
|             |                 |             | 84-42           |             | 83-20           |
| 67232-95620 |                 |             | 82-29           | 67287-92E10 | 82-49           |
|             |                 | 67253-95600 | 84-28           | 67288-92E00 | 79-41           |
|             |                 |             | 82-27           |             | 80-41           |
| 67233-92E00 |                 |             | 84-26           |             | 82-4            |
|             |                 |             | 82-22           | 67255-99E00 | 84-40           |
| 67234-92E00 |                 |             | 84-22           |             | 79-30           |
|             |                 | 67256-95600 | 82-28           | 67288-92E10 | 82-6            |
| 67235-92E00 |                 |             | 84-27           |             | 84-6            |
|             |                 |             | 82-33           | 67288-92E20 | 81-7            |
| 67236-92E00 |                 |             | 84-32           |             | 83-7            |
|             |                 |             | 82-34           | 67257-92E00 | 81-10           |
| 67237-92E01 |                 |             | 84-33           |             | 83-11           |
|             |                 |             | 79-22           | 67257-99E00 | 79-32           |
| 67238-87D00 |                 |             | 80-22           |             | 80-32           |
|             |                 |             | 82-35           | 67258-99E00 | 79-33           |
| 67238-92E00 |                 |             | 84-34           |             | 80-33           |
|             |                 |             | 82-36           | 67259-87D00 | 79-34           |
| 67239-92E00 |                 |             | 84-35           |             | 80-34           |
|             |                 |             | 82-47           | 67261-93J00 | 81-2            |
| 67239-92E10 |                 |             | 84-45           |             | 83-2            |
|             |                 |             | 82-17           | 67261-99E00 | 79-35           |
| 67240-92E00 |                 |             | 84-17           |             | 80-35           |
|             |                 |             | 82-45           | 67263-93J00 | 81-3            |
| 67241-92E10 |                 |             | 84-43           |             | 83-3            |
|             |                 |             | 79-23           | 67264-95600 | 79-37           |
| 67241-99E10 |                 |             | 80-23           |             | 80-37           |
|             |                 |             | 82-46           | 67267-93J00 | 79-38           |
| 67243-92E00 |                 |             | 84-44           |             | 80-38           |
|             |                 |             | 79-24           | 67269-92E00 | 82-30           |
| 67243-95600 |                 |             | 80-24           |             | 84-29           |
|             |                 |             | 79-25           | 67271-92E00 | 81-25           |
| 67244-95600 |                 |             | 80-25           |             | 83-26           |
|             |                 |             | 82-23           | 67272-92E10 | 82-48           |
| 67245-92E00 |                 |             | 84-23           | 67273-92E00 | 83-23           |
|             |                 |             | 79-26           | 67273-92E10 | 81-23           |
| 67245-95600 |                 |             | 80-26           |             | 82-31           |
|             |                 |             | 82-37           | 67273-95600 | 79-39           |
| 67246-92E00 |                 |             | 84-36           |             | 83-6            |
|             |                 |             | 81-11           | 67274-92E00 | 80-39           |
| 67251-93J00 |                 |             | 83-12           |             | 81-22           |
|             |                 |             | 79-27           |             | 83-22           |
| 67251-99E10 |                 |             | 80-27           |             | 82-41           |
|             |                 |             | 82-40           |             | 83-24           |
| 67252-92E10 |                 |             | 84-39           | 67275-95600 | 79-40           |
|             |                 |             | 79-28           |             | 80-40           |
| 67252-95600 |                 |             | 80-28           |             | 81-21           |
|             |                 |             | 81-14           |             | 83-21           |
| 67253-92E00 |                 |             | 83-15           | 67281-93J00 | 83-17           |
|             |                 |             |                 | 67282-93J00 | 81-17           |
|             |                 |             |                 | 67286-92E00 | 82-19           |
|             |                 |             |                 |             | 84-19           |
|             |                 |             |                 | 67287-92E00 | 81-20           |
|             |                 |             |                 |             | 82-14           |
|             |                 |             |                 |             | 84-14           |
|             |                 |             |                 |             | 81-18           |
|             |                 |             |                 |             | 83-18           |
|             |                 |             |                 |             | 81-12           |
|             |                 |             |                 |             | 83-13           |

| PART NO.        | FIG.NO.-REF.NO.       | PART NO.        | FIG.NO.-REF.NO.          | PART NO.    | FIG.NO.-REF.NO.                  |
|-----------------|-----------------------|-----------------|--------------------------|-------------|----------------------------------|
| 67296-92E70     | 81-8<br>83-9<br>83-28 | 69711-93E10     | 3-5<br>4-5<br>5-5<br>6-5 |             | 18-34<br>32-16<br>33-21<br>66-13 |
| 67296-92E80     | 82-50                 |                 |                          | 01550-06167 | 29-16                            |
| 67296-94300     | 79-45<br>80-45        |                 |                          |             | 44-13                            |
| 67296-94310     | 79-36                 |                 |                          |             | 62-31                            |
|                 | 80-36                 |                 |                          |             | 63-31                            |
| 67296-95600     | 79-46                 |                 |                          |             | 64-31                            |
|                 | 80-46                 |                 |                          |             | 65-31                            |
| 67296-95610     | 79-47                 | 77811-63J00-0PG | 66-18                    | 01550-0616A | 8-16                             |
|                 | 80-47                 |                 |                          |             | 30-13                            |
|                 | 82-26                 |                 |                          | 01550-06207 | 2-10                             |
|                 | 83-25                 |                 |                          |             | 3-3                              |
| 67296-95620     | 79-59                 |                 |                          |             | 4-3                              |
|                 | 80-59                 |                 |                          |             | 5-3                              |
| 67297-95600     | 79-48                 |                 |                          |             | 6-3                              |
|                 | 80-48                 |                 |                          |             | 13-9                             |
| 67300-90J00     | 62-33                 |                 |                          |             | 44-14                            |
|                 | 63-34                 |                 |                          | 01550-0620A | 8-17                             |
|                 | 64-33                 | 99011-90J30-054 | 85-11-2                  | 01550-06257 | 23-17                            |
|                 | 65-34                 |                 | 87-11-2                  |             | 28-18                            |
| 67341-90J32     | 62-28                 | 99011-90J30-059 | 85-11-1                  |             | 45-8                             |
|                 | 63-28                 |                 | 86-11                    |             | 56-14                            |
|                 | 64-28                 |                 | 87-11-1                  | 01550-06307 | 33-14                            |
|                 | 65-28                 |                 | 88-11                    |             | 44-15                            |
| 67343-90J20     | 62-29                 |                 |                          | 01550-06357 | 29-17                            |
|                 | 63-29                 |                 |                          | 01550-08207 | 1-9                              |
|                 | 64-29                 |                 |                          |             | 23-16                            |
|                 | 65-29                 |                 |                          |             | 42-20                            |
| 67344-90J00     | 62-30                 |                 |                          | 01550-0825A | 56-20                            |
|                 | 63-30                 |                 |                          | 01550-0835A | 8-18                             |
|                 | 64-30                 |                 |                          | 01550-08407 | 2-11                             |
|                 | 65-30                 |                 |                          |             | 13-10                            |
| 67467-89J01     | 68-7                  |                 |                          | 01550-08557 | 29-3                             |
| 67473-89J00     | 29-11                 | 01421-0616A     | 8-15                     | 01550-08757 | 13-11                            |
| 67500-93J00     | 83-29                 | 01421-08357     | 13-7                     | 01550-10507 | 42-21                            |
| 67500-93J10     | 81-27                 | 01421-08407     | 19-12                    | 01550-12167 | 19-13                            |
| 67600-90J00     | 68-10                 |                 | 20-12                    |             | 21-13                            |
| 67631-90J00     | 68-11                 |                 | 21-12                    | 01550-12307 | 2-2                              |
| 67701-90J00     | 68-2                  |                 | 22-12                    | 01580-08257 | 62-32                            |
| 67721-99E00     | 68-3                  | 01421-08507     | 13-8                     |             | 63-32                            |
| 67725-99E00     | 68-4                  | 01547-06167     | 43-9                     |             | 64-32                            |
| 67725-99E10     | 68-12                 | 01547-06257     | 1-23                     |             | 65-32                            |
| 67726-99E00     | 68-5                  |                 | 30-11                    | 02112-0408A | 15-15                            |
|                 | 68-13                 | 01547-06357     | 30-12                    |             | 17-15                            |
| 67728-99E00     | 68-6                  | 01547-06557     | 1-24                     | 02112-0612A | 1-25                             |
| 68110-87L00     | 66-26                 | 01550-06127     | 15-34                    | 02142-0408B | 15-24                            |
| 68165-16B00-13L | 79-49                 |                 | 16-34                    |             | 17-24                            |
|                 | 80-49                 |                 | 17-34                    | 02142-06167 | 47-19                            |

| PART NO.    | FIG.NO.-REF.NO. | PART NO.    | FIG.NO.-REF.NO. | PART NO.    | FIG.NO.-REF.NO. |
|-------------|-----------------|-------------|-----------------|-------------|-----------------|
| 02162-05207 | 46-13           |             |                 |             | 51-8-2          |
| 02162-06127 | 44-16           | 09103-06093 | 46-14           |             | 57-17           |
| 03121-0516A | 78-22           | 09103-06231 | 43-6            | 09117-08047 | 38-31           |
|             | 78-34           | 09103-06266 | 1-2             |             | 39-31           |
| 03542-06169 | 66-14           | 09103-06281 | 1-8             |             | 40-14           |
| 04211-11129 | 13-12           |             | 44-4            |             | 41-14           |
|             | 56-17           | 09103-12049 | 8-3             | 09117-08110 | 38-35           |
| 04211-13149 | 42-22           | 09103-16004 | 43-7            |             | 39-35           |
| 04211-13189 | 1-13            | 09106-05030 | 43-10           |             | 40-15           |
| 04221-04089 | 7-7             | 09106-10065 | 49-14           |             | 41-15           |
| 04221-05109 | 8-5             |             | 50-14           | 09117-10039 | 58-11           |
| 06111-07004 | 38-20           |             | 51-14           |             | 59-11           |
|             | 39-20           |             | 52-14           |             | 60-11           |
|             | 40-35           | 09116-06121 | 28-7            |             | 61-11           |
|             | 41-35           |             | 49-7            | 09118-08127 | 62-7            |
| 06111-11004 | 38-21           |             | 50-7            |             | 63-7            |
|             | 39-21           |             | 51-7            |             | 64-7            |
|             | 40-36           |             | 52-7            |             | 65-7            |
|             | 41-36           | 09116-06127 | 62-21           | 09119-05010 | 29-12           |
| 08113-62090 | 38-29           |             | 63-21           | 09125-05042 | 79-16           |
|             | 39-29           |             | 64-21           |             | 80-16           |
| 08211-30382 | 38-9-1          |             | 65-21           |             | 82-21           |
|             | 39-9-1          | 09116-06202 | 15-25           |             | 84-21           |
| 08310-00067 | 47-20           |             | 16-25           | 09125-05046 | 24-13           |
| 08316-1006A | 8-19            |             | 17-25           |             | 25-13           |
| 08316-10087 | 13-13           |             | 18-25           |             | 26-13           |
|             | 19-14           | 09116-06215 | 14-8            |             | 27-13           |
|             | 20-14           | 09116-08125 | 1-12            |             | 46-15           |
|             | 21-14           | 09116-08128 | 32-8            | 09125-05050 | 53-8            |
|             | 22-14           |             | 56-11           |             | 54-26           |
|             | 23-18           | 09116-08131 | 24-12           | 09125-05135 | 81-28           |
|             | 47-2            |             | 25-12           |             | 83-30           |
| 08321-01067 | 47-21           |             | 26-12           | 09125-06063 | 24-28           |
| 08322-01067 | 45-9            |             | 27-12           |             | 25-28           |
| 08331-3112A | 30-14           | 09116-08137 | 49-19           |             | 26-28           |
| 08331-41269 | 8-8             |             | 50-19           |             | 27-28           |
| 08331-41359 | 56-6            |             | 51-19           |             | 49-9            |
| 08341-31059 | 43-11           |             | 52-19           |             | 50-9            |
| 09100-06131 | 58-8            |             | 58-9            |             | 51-9            |
|             | 59-8            |             | 59-9            |             | 52-9            |
|             | 60-8            |             | 60-9            |             | 53-9            |
|             | 61-8            |             | 61-9            |             | 53-24           |
| 09100-08232 | 79-50           | 09116-08160 | 56-10           |             | 54-24           |
|             | 80-50           | 09116-10129 | 32-9            |             | 57-6            |
| 09100-12081 | 68-14           | 09116-10150 | 58-10           | 09126-05003 | 79-51           |
| 09100-12090 | 49-8-1          |             | 59-10           |             | 80-51           |
|             | 50-8            |             | 60-10           | 09126-06006 | 82-25           |
|             | 51-8-1          |             | 61-10           |             | 84-25           |
|             | 52-8            | 09116-10174 | 54-18           | 09131-05004 | 78-39           |
| 09100-12091 | 49-8-2          | 09116-10176 | 56-28           | 09132-04034 | 24-17           |

| PART NO.    | FIG.NO.-REF.NO. | PART NO.    | FIG.NO.-REF.NO. | PART NO.    | FIG.NO.-REF.NO. |
|-------------|-----------------|-------------|-----------------|-------------|-----------------|
| 09136-06148 | 25-17           | 09160-06055 | 68-9            |             | 39-9-9          |
|             | 26-17           | 09160-06082 | 53-26           | 09160-30055 | 40-40           |
|             | 27-17           | 09160-06085 | 58-12           |             | 41-40           |
|             | 62-8            |             | 59-12           | 09160-30056 | 40-41           |
|             | 63-8            |             | 60-12           |             | 41-41           |
| 09136-06149 | 64-8            |             | 61-12           | 09160-35002 | 40-23-6         |
|             | 65-8            | 09160-06094 | 33-8            |             | 41-23-6         |
|             | 62-9            | 09160-06104 | 79-53           | 09160-35003 | 40-23-8         |
|             | 63-9            |             | 80-53           |             | 41-23-8         |
|             | 64-9            | 09160-08059 | 56-16           | 09160-35006 | 40-23-4         |
| 09137-04004 | 65-9            | 09160-10082 | 49-15           |             | 41-23-4         |
|             | 48-8            |             | 50-15           | 09160-35008 | 40-23-5         |
| 09140-05005 | 29-13           |             | 51-15           |             | 41-23-5         |
|             | 81-30           |             | 52-15           | 09160-35009 | 40-23-7         |
| 09140-06020 | 83-32           | 09160-12044 | 49-12           |             | 41-23-7         |
|             | 79-52           |             | 50-12           | 09160-35010 | 40-23-9         |
|             | 80-52           |             | 51-12           |             | 41-23-9         |
|             | 82-32           |             | 52-12           | 09160-35013 | 40-23-3         |
|             | 84-31           | 09160-12066 | 68-15           |             | 41-23-3         |
| 09140-10031 | 54-19           | 09160-12110 | 49-13           | 09160-35014 | 40-23-2         |
|             | 09140-10032     |             | 50-13           |             | 41-23-2         |
| 09140-14024 | 38-5            |             | 51-13           | 09160-35015 | 40-23-1         |
|             | 39-5            |             | 52-13           |             | 41-23-1         |
| 09141-18005 | 40-20           |             | 56-30           | 09160-39001 | 53-10           |
|             | 41-20           | 09160-12112 | 57-12           | 09160-60003 | 40-25-3         |
|             | 58-25           | 09160-12113 | 57-18           |             | 41-25-3         |
|             | 59-23           | 09160-13014 | 62-22           | 09160-60004 | 40-25-4         |
|             | 60-25           |             | 63-22           |             | 41-25-4         |
| 09159-12014 | 61-25           |             | 64-22           | 09160-60005 | 40-25-5         |
|             | 49-10           |             | 65-22           |             | 41-25-5         |
|             | 50-10           | 09160-16048 | 43-8            | 09160-60006 | 40-25-6         |
|             | 51-10           | 09160-18028 | 58-26           |             | 41-25-6         |
|             | 52-10           |             | 59-24           | 09160-60007 | 40-25-7         |
| 09159-14020 | 56-24           |             | 60-26           |             | 41-25-7         |
|             | 56-29           |             | 61-26           | 09160-60008 | 40-25-1         |
|             | 57-11           | 09160-30036 | 38-9-2          |             | 41-25-1         |
|             | 49-17           |             | 39-9-2          | 09160-60009 | 40-25-2         |
|             | 50-17           | 09160-30037 | 38-9-3          |             | 41-25-2         |
| 09159-22006 | 51-17           |             | 39-9-3          | 09160-60011 | 40-24           |
|             | 52-17           | 09160-30038 | 38-9-4          |             | 41-24           |
|             | 49-11           |             | 39-9-4          | 09160-70002 | 38-10           |
|             | 50-11           | 09160-30039 | 38-9-5          |             | 39-10           |
|             | 51-11           |             | 39-9-5          | 09160-70005 | 40-26           |
| 09160-05024 | 52-11           | 09160-30041 | 38-9-6          |             | 41-26           |
|             | 81-19           |             | 39-9-6          | 09161-16008 | 24-14           |
| 09160-05029 | 83-19           | 09160-30042 | 38-9-7          |             | 25-14           |
|             | 81-29           |             | 39-9-7          |             | 26-14           |
|             | 83-31           | 09160-30043 | 38-9-8          |             | 27-14           |
| 09160-06046 | 29-14           |             | 39-9-8          | 09162-10005 | 54-20           |
| 09160-06054 | 44-8            | 09160-30044 | 38-9-9          | 09164-14008 | 62-23           |

| PART NO.    | FIG.NO.-REF.NO. | PART NO.    | FIG.NO.-REF.NO. | PART NO. | FIG.NO.-REF.NO. |
|-------------|-----------------|-------------|-----------------|----------|-----------------|
| 09168-10022 | 63-23           |             | 39-7-5          |          | 39-13-2         |
|             | 64-23           |             | 40-22-5         |          | 40-28-5         |
|             | 65-23           |             | 41-22-5         |          | 41-28-5         |
|             | 58-13           | 09181-41006 | 38-7-6          |          | 38-13-3         |
|             | 59-13           |             | 39-7-6          |          | 39-13-3         |
| 09168-12012 | 60-13           |             | 40-22-6         |          | 40-28-7         |
|             | 61-13           |             | 41-22-6         |          | 41-28-7         |
|             | 32-10           | 09181-41008 | 38-7-8          |          | 38-13-4         |
|             | 19-7            |             | 39-7-8          |          | 39-13-4         |
|             | 21-7            |             | 40-22-8         |          | 40-28-9         |
| 09168-16002 | 30-7            |             | 41-22-8         |          | 41-28-9         |
|             | 14-6            | 09181-41009 | 38-7-9          |          | 38-13-5         |
|             | 15-26           |             | 39-7-9          |          | 39-13-5         |
|             | 16-26           |             | 40-22-9         |          | 40-28-1         |
|             | 17-26           |             | 41-22-9         |          | 41-28-1         |
| 09169-06075 | 18-26           | 09181-41010 | 38-7-10         |          | 38-13-6         |
|             | 62-10           |             | 39-7-10         |          | 39-13-6         |
|             | 63-10           |             | 40-28-10        |          | 40-28-2         |
|             | 64-10           |             | 41-22-10        |          | 41-28-2         |
|             | 65-10           | 09181-41012 | 38-7-12         |          | 38-13-7         |
| 09169-06090 | 53-11           |             | 39-7-12         |          | 39-13-7         |
|             | 29-15           |             | 40-22-12        |          | 40-28-4         |
|             | 68-16           |             | 41-22-12        |          | 41-28-4         |
|             | 30-8            | 09181-41013 | 38-7-13         |          | 38-13-8         |
|             | 53-12           |             | 39-7-13         |          | 39-13-8         |
| 09181-39001 | 38-7-1          |             | 40-22-13        |          | 40-28-6         |
|             | 39-7-1          |             | 41-22-13        |          | 41-28-6         |
|             | 40-22-1         | 09181-41014 | 38-7-14         |          | 38-13-9         |
|             | 41-22-1         |             | 39-7-14         |          | 39-13-9         |
|             | 38-7-7          |             | 40-22-14        |          | 40-28-8         |
| 09181-40190 | 39-7-7          |             | 41-22-14        |          | 41-28-8         |
|             | 40-22-7         | 09181-45003 | 38-11-1         |          | 09202-05027     |
|             | 41-22-7         |             | 39-11-1         |          | 09202-06031     |
|             | 38-7-11         | 09181-45004 | 38-11-2         |          | 25-15           |
|             | 39-7-11         |             | 39-11-2         |          | 26-15           |
| 09181-40195 | 40-22-11        | 09181-45005 | 38-11-3         |          | 27-15           |
|             | 41-22-11        |             | 39-11-3         |          | 38-17           |
|             | 38-7-2          | 09181-45006 | 38-11-4         |          | 39-17           |
|             | 39-7-2          |             | 39-11-4         |          | 40-37           |
|             | 40-22-2         | 09181-45007 | 38-11-5         |          | 41-37           |
| 09181-41002 | 41-22-2         |             | 39-11-5         |          | 09202-08006     |
|             | 38-7-3          | 09181-45008 | 38-11-6         |          | 57-3            |
|             | 39-7-3          |             | 39-11-6         |          | 58-14           |
|             | 40-22-3         | 09181-45009 | 38-11-7         |          | 59-14           |
|             | 41-22-3         |             | 39-11-7         |          | 60-14           |
| 09181-41004 | 38-7-4          |             | 39-11-7         |          | 61-14           |
|             | 39-7-4          | 09181-70001 | 38-13-1         |          | 33-9            |
|             | 40-22-4         |             | 39-13-1         |          | 53-27           |
|             | 41-22-4         |             | 40-28-3         |          | 58-27           |
|             | 38-7-5          | 09181-70002 | 41-28-3         |          | 59-25           |
|             |                 | 38-13-2     |                 | 60-27    |                 |

| PART NO.    | FIG.NO.-REF.NO. | PART NO.    | FIG.NO.-REF.NO. | PART NO.        | FIG.NO.-REF.NO. |
|-------------|-----------------|-------------|-----------------|-----------------|-----------------|
|             | 61-27           |             | 41-18           |                 | 12-11           |
| 09205-02006 | 29-5            | 09269-30014 | 40-42           | 09289-18001     | 56-5            |
| 09205-04014 | 34-8            |             | 41-42           | 09306-06004     | 33-11           |
|             | 35-8            | 09269-60001 | 40-29           | 09306-10001     | 33-12           |
|             | 36-8            |             | 41-29           | 09306-13008     | 62-24           |
|             | 37-8            | 09269-70001 | 38-14           |                 | 63-24           |
| 09205-10006 | 33-17           |             | 39-14           |                 | 64-24           |
| 09206-08001 | 1-3             |             | 40-30           | 09306-17001     | 65-24           |
|             | 56-12           |             | 41-30           |                 | 54-21           |
| 09206-09012 | 38-37           | 09280-09005 | 32-6            | 09307-13006     | 62-25           |
|             | 39-37           | 09280-09008 | 32-15           |                 | 63-25           |
|             | 40-12           | 09280-13005 | 32-12           |                 | 64-25           |
|             | 41-12           | 09280-22019 | 1-6             |                 | 65-25           |
| 09206-13019 | 2-9             | 09280-22020 | 30-10           | 09320-08021     | 47-10           |
| 09229-04025 | 66-4            | 09280-22022 | 8-7             | 09320-08062     | 19-8            |
|             | 66-5            | 09280-26005 | 23-13           |                 | 20-8            |
| 09246-05006 | 2-13            | 09280-26006 | 1-20            |                 | 21-8            |
| 09247-12013 | 20-13           |             | 28-8            |                 | 22-8            |
|             | 22-13           |             | 56-13           | 09320-08076     | 15-27           |
| 09248-10008 | 58-15           | 09280-46004 | 38-33           |                 | 16-27           |
|             | 59-15           |             | 39-33           |                 | 17-27           |
|             | 60-15           |             | 40-9            |                 | 18-27           |
|             | 61-15           |             | 41-9            | 09320-09039     | 14-7            |
| 09248-12009 | 32-11           | 09280-69001 | 34-9            | 09320-09053     | 15-28           |
| 09248-12011 | 33-10           |             | 35-9            |                 | 16-28           |
| 09248-18011 | 2-6             |             | 36-9            |                 | 17-28           |
| 09250-10001 | 53-13           |             | 37-9            |                 | 18-28           |
| 09251-07003 | 67-9            | 09280-97001 | 38-27           | 09320-10008     | 44-9            |
| 09260-10005 | 33-18           |             | 39-27           | 09320-11013     | 62-11           |
| 09261-05006 | 30-9            |             | 40-5            |                 | 63-11           |
| 09262-17019 | 56-2            |             | 41-5            |                 | 64-11           |
| 09262-35068 | 8-6             | 09282-24003 | 56-3            |                 | 65-11           |
| 09262-35069 | 56-7            | 09282-24004 | 38-34           | 09320-12011     | 44-10           |
| 09263-28016 | 58-2            |             | 39-34           | 09321-08022     | 62-12           |
|             | 59-2            |             | 40-10           |                 | 63-12           |
|             | 60-2            |             | 41-10           |                 | 64-12           |
|             | 61-2            | 09282-30007 | 38-28           |                 | 65-12           |
| 09263-30051 | 38-26           |             | 39-28           | 09329-01007     | 44-11           |
|             | 39-26           |             | 40-6            | 09329-10022     | 66-11           |
|             | 40-3            |             | 41-6            | 09329-10023     | 66-12           |
|             | 41-3            | 09282-39001 | 53-14           | 09329-12004     | 13-6            |
| 09263-45004 | 40-13           | 09283-10011 | 34-10           | 09343-70503-600 | 23-3            |
|             | 41-13           |             | 35-10           | 09352-11153-600 | 28-9            |
| 09263-50001 | 38-38           |             | 36-10           | 09352-50823-00B | 15-29           |
|             | 39-38           |             | 37-10           |                 | 16-29           |
|             | 40-4            | 09283-32044 | 56-4            |                 | 17-29           |
|             | 41-4            | 09283-52004 | 7-13            |                 | 18-29           |
| 09265-25040 | 38-3            | 09289-06003 | 9-11            | 09352-50903-00B | 28-13           |
|             | 39-3            |             | 10-11           | 09352-50903-600 | 28-10           |
|             | 40-18           |             | 11-11           |                 | 28-11           |

| PART NO.        | FIG.NO.-REF.NO. | PART NO.        | FIG.NO.-REF.NO. | PART NO.    | FIG.NO.-REF.NO. |
|-----------------|-----------------|-----------------|-----------------|-------------|-----------------|
|                 | 28-12           | 09401-11425     | 19-11           |             | 65-13           |
|                 | 74-3            |                 | 20-11           | 09420-05009 | 24-16           |
|                 | 74-4            |                 | 21-11           |             | 25-16           |
|                 | 75-3            |                 | 22-11           |             | 26-16           |
|                 | 75-4            | 09401-14409     | 28-15           |             | 27-16           |
|                 | 76-3            | 09401-20409     | 1-22            | 09440-07071 | 33-20           |
|                 | 76-4            | 09401-31407     | 28-16           | 09440-09040 | 38-19           |
|                 | 77-3            | 09403-06316     | 48-9            |             | 39-19           |
|                 | 77-4            | 09403-13408     | 15-32           |             | 40-34           |
|                 | 1-21            |                 | 16-32           |             | 41-34           |
| 09355-13207-00B | 58-16           |                 | 17-32           | 09440-19028 | 53-28           |
| 09355-40805-00B | 59-16           |                 | 18-32           | 09440-49004 | 38-22           |
|                 | 60-16           |                 | 33-19           |             | 39-22           |
|                 | 61-16           | 09403-20308     | 62-14           |             | 40-38           |
|                 | 19-9            |                 | 63-14           |             | 41-38           |
| 09360-12008     | 21-9            |                 | 64-14           | 09471-12028 | 73-4            |
|                 | 20-9            |                 | 65-14           | 09471-12077 | 69-3            |
| 09360-12013     | 22-9            | 09407-08401     | 78-8            |             | 70-3            |
|                 | 58-17           |                 | 78-24           |             | 71-3            |
| 09362-09008     | 59-17           |                 | 78-36           |             | 72-3            |
|                 | 60-17           | 09407-10404     | 46-16           |             | 73-22           |
|                 | 61-17           |                 | 47-22           |             | 73-26           |
|                 | 19-10           |                 | 58-18           | 09471-12103 | 69-5            |
| 09363-08004     | 21-10           |                 | 59-18           |             | 70-5            |
|                 | 74-5            |                 | 60-18           |             | 70-7            |
| 09367-06006     | 75-5            |                 | 61-18           |             | 71-5            |
|                 | 76-5            | 09407-11401     | 46-17           |             | 72-5            |
|                 | 77-5            | 09407-14407     | 46-18           |             | 72-7            |
|                 | 67-10           |                 | 73-6            |             | 73-2            |
| 09367-08001     | 54-22           |                 | 73-18           |             | 73-9            |
| 09380-17009     | 53-15           | 09407-18402     | 46-19           |             | 73-13           |
| 09380-38003     | 7-4             | 09407-25402     | 62-27           |             | 73-15           |
| 09381-21002     | 33-13           |                 | 63-27           |             | 73-19           |
| 09383-08004     | 68-8            |                 | 64-27           | 09481-05501 | 73-31           |
| 09385-06012     | 57-4            |                 | 65-27           |             | 73-33           |
| 09387-45001     | 38-30           |                 | 74-8            | 09481-10501 | 74-16           |
| 09387-52001     | 39-30           |                 | 75-8            |             | 75-15           |
|                 | 40-7            |                 | 76-8            |             | 76-16           |
|                 | 41-7            |                 | 77-8            |             | 77-15           |
|                 | 15-30           | 09408-00024     | 28-17           |             | 79-56           |
| 09401-08412     | 16-30           | 09408-00035     | 45-7            |             | 80-56           |
|                 | 17-30           | 09408-00050     | 23-9            | 09481-15501 | 47-11           |
|                 | 18-30           | 09408-00111     | 47-18           | 09481-30501 | 47-12           |
| 09401-08413     | 28-14           | 09408-00302     | 15-33           | 09481-60401 | 47-13           |
|                 | 74-6            |                 | 16-33           | 09482-00427 | 1-26            |
|                 | 75-6            |                 | 17-33           | 09800-81840 | 66-25           |
|                 | 76-6            |                 | 18-33           |             |                 |
|                 | 77-6            | 09409-05302-5PK | 62-13           |             |                 |
| 09401-11423     | 23-15           |                 | 63-13           |             |                 |
|                 | 67-8            |                 | 64-13           |             |                 |

## SUZUKI **DF140A** PARTS CATALOGUE

---

SUZUKI MOTOR CORPORATION All rights reserved

No part of this document may be reproduced or transmitted in any form or by any means, electronic or mechanical, for any purpose, without the express written permission of Suzuki Motor Corporation.

SUZUKI MOTOR CORPORATION

Technical Readiness Group, Quality Administration Department  
300 Takatsuka, Minami, Hamamatsu, Japan

---

Reprint Prohibited

**SUZUKI MOTOR CORPORATION**