

timberk

Руководство по эксплуатации
Instruction manual



Electric Storage
Water Heater

Накопительный
электрический
водонагреватель

Модели / Models

Giant Series / Серия Giant

SWH RE5 120 V

SWH RE5 150 V

*Производитель вправе менять внешний вид прибора и цветовую гамму прибора без специального уведомления.
Outlook of devices, aslo colour scores can be revised without any special advance notices.*

CONTENTS

1. Important information.....	2
2. Safety precautions.....	2
3. Operational characteristics.....	3
Technical characteristics.....	3
Dimensioning specifications.....	3
4. Water heater design.....	5
5. Delivery set.....	6
6. Water heater installation.....	6
Connection to water main.....	7
Connection to electric network.....	8
7. Water heater operation.....	8
8. Maintenance.....	9
9. Troubleshooting.....	10
10. Basic circuit diagram.....	11
11. Utilization.....	11

Dear customer!

We thank you for your happy choice! You've bought an electric storage water heater Timberk with enameled coating of interior tank. It will serve you for a long time.

Electric storage water heaters Timberk will prepare a lot of hot water and will maintain the set temperature automatically. They are ideal for hot water supply of country houses, villas, bathhouses and other individual domestic facilities.

1. IMPORTANT INFORMATION

Please, read this manual carefully before operating the water heater. This manual contains important information concerning your safety, as well as recommendations for correct use of the appliance and its maintenance. Keep this manual together with a guarantee slip, a sales check and, if possible, carton box and packaging material. This instruction manual describes different types of this appliance. The water heater that you have bought may be slightly different from the one described in the manual, which does not affect its operating

procedures.

Important safety precautions and instructions contained in this manual do not include all the possible modes and situations. It is necessary to understand that common sense, caution and accuracy serve as factors, which cannot be 'built in' any product. These factors should be considered by a person who is interested in proper operation of the appliance. The manufacturer is not responsible for any damages of the appliance or its parts during transportation, as a result of incorrect installation, as a result of voltage fluctuations and if any part of the appliance has been changed or modified.

2. SAFETY PRECAUTIONS

When using theater heaters, it is necessary to observe some safety precautions. Improper operation due to disregard of precautions may result in personal injury of a user or other people, as well as in impairment of their property.

1. Any electric appliance should be observed while operated, especially if there are children near it. Children should not touch the appliance.
2. Before installation and plugging of the water heater, make sure that a socket outlet for the device has an earth contact and is earthed correctly. If your electric network does not have an earth circuit, operation of the water heater is dangerous for life.
3. Connect the conditioner only to 220V/50Hz network. If needed, find out specifications of your network from power suppliers.
4. In order to avoid overheating and risk of fire, as well as damage of internal electric network, do not change the length of power cord and do not plug the appliance via extension cords.
5. It is forbidden to switch the water heater on, if it is not filled with water and if water cannot pass through a safety valve.
6. Never use the water heater if it is defective.
7. Do not uncap the water heater during operation.
8. Unplug the water heater immediately, if it emits strange odors or smoke.
9. Always unplug the water heater during a lightning storm.
10. Before cleaning and maintenance of the water heater, unplug it. Cleaning and maintenance should be performed in accordance with instructions set forth in this operation manual.
11. Do not use hazardous chemicals to clean the water heater and do not let them ingress it.
12. In order to avoid the danger of electric shock, damaged power

1. IMPORTANT INFORMATION

Please, read this manual carefully before operating the water heater. This manual contains important information concerning your safety, as well as recommendations for correct use of the appliance and its maintenance. Keep this manual together with a guarantee slip, a sales check and, if possible, carton box and packaging material. This instruction manual describes different types of this appliance. The water heater that you have bought may be slightly different from the one described in the manual, which does not affect its operating procedures.

Important safety precautions and instructions contained in this manual do not include all the possible modes and situations. It is necessary to understand that common sense, caution and accuracy serve as factors, which cannot be 'built in' any product. These factors should be considered by a person who is interested in proper operation of the appliance. The manufacturer is not responsible for any damages of the appliance or its parts during transportation, as a result of incorrect installation, as a result of voltage fluctuations and if any part of the appliance has been changed or modified.

2. SAFETY PRECAUTIONS

When using theater heaters, it is necessary to observe some safety precautions. Improper operation due to disregard of precautions may result in personal injury of a user or other people, as well as in

3. OPERATIONAL CHARACTERISTICS

1. Fully automatic control: automatic water heating, permanent automatic monitoring of water temperature.

2. Two-stage protection system 3D Logic®:
DROP Defense – defense against leakage and excess pressure inside the tank (safety valve).

HOT Defense – two-level defense against overheating (thermostat and temperature limiter).

ALL PROTECTION SYSTEMS ARE RELIABLE AND SAFE

3. Steel interior tank with special protection coating made of fine titanium glass enamel applied in accordance with an up-to-date method of electrostatic dry enameling. It is corrosion- and scale-resistant. Moreover, the enamel has an increased adhesive capacity and high plasticity (tempered at the temperature of 850°C), which allows it to expand or contract in case of temperature differences in

the same proportion as walls of the interior tank without formation of microcracks, which may lead to creation of a corrosion seat.

4. Pipes of heating elements are designed with allowance for high heat load: they are safe and reliable, with increased service life.

5. The water heater is equipped with an anode rod for protection against corrosion of the interior tank and for decrease of scale formation on the heating element.

6. Thickened interior urethane foam insulation allows effective maintaining of temperature of heated water and minimizes heat losses by decreasing of power consumption.

7. The water heater has a very simple design and is convenient in service

Technical characteristics

Technical characteristics of the water heater are shown in Table 1

Table 1

Characteristic	Unit	Article	
		SWH RE5 120 V	SWH RE5 150 V
Rated voltage	V/Hz	220/50	220/50
Rated current	A	11,4	11,4
Maximum power input	W	2500	2500
Volume	l	120	150
Rated pressure	Mpa	0,75	0,75
Protection degree	-	IPX4	IPX4
Electrical-protection class	-	I	I
Heating time (at 30°C)	min.	80	100
Appliance dimensions (HxWxL)	mm	470x985x470	470x1170x470
Weight	kg	32,0	36,0
Actual power consumption per year	kWh	642,4	711,75
Daily losse	kWh/day	1,83	2,02

Data from this table can be changed a bit. You can check the valid information on www.timberk.com

Dimensioning specifications

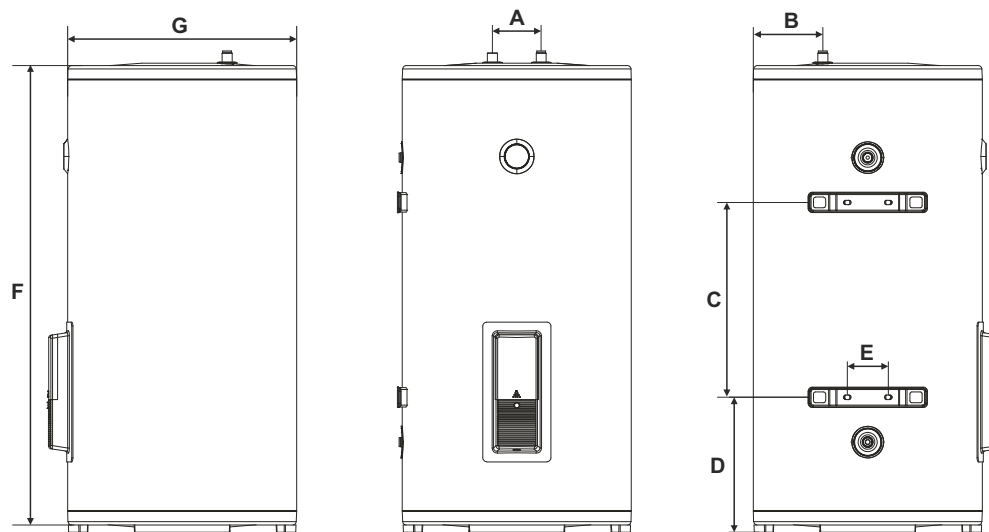


Fig. 1

Dimensions of water heaters (mm) are made in accordance with fig. 1.

Table 2

Model name	Capacity, l	A	B	C	D	E	F*	G
SWH RE5 120 V	120	100	143	400	277	84	943	Ø470
SWH RE5 150 V	150	100	143	500	362	84	1119	Ø470

* without pipes dimensions

4. WATER HEATER DESIGN

The water heater design is shown in Figure 2.

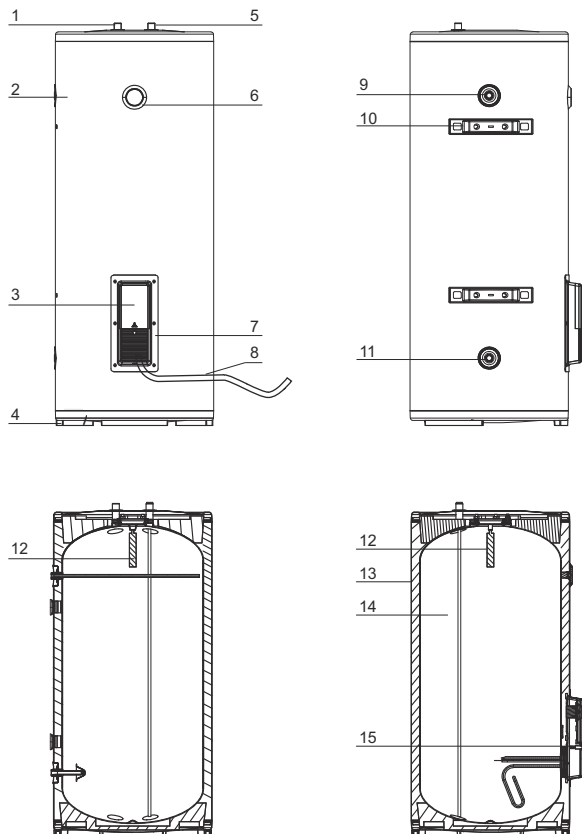


Fig. 2

1. Outlet nozzle«I»
2. Outer casing
3. Thermostat knob
4. Support
5. Inlet nozzle «I»
6. Thermometer
7. Indication lamp
8. Power cord
9. Outlet nozzle«II»
10. Support arm for additional fixing of the water heater on the wall*
11. Inlet nozzle «II»
12. Magnesium anode
13. Heat insulation
14. Interior tank
15. Heating element (tubular electric heater)

* depending on delivery lot, it may not be include in the set

Control panel



Fig. 3

5. DELIVERY SET

1. Water heater-1
2. Plug-2
3. Safety valve-1
4. Instruction manual-1
5. Guarantee slip-1
6. Rubber packing-4
7. Packaging-1

6. WATER HEATER INSTALLATION

1. The water heater is designed for floor mounting, so it should be installed vertically on level floor on special supports.
2. In order to reduce heat losses in pipelines, the water heater should be installed as close to places of water use as possible.
3. For convenience of connection to water supply network, the water heater design provides for 2 inlet and 2 outlet nozzles. Inlet nozzle «I» and outlet nozzle «I» are situated in upper part of the water heater. Inlet nozzle «II» and outlet nozzle «II» are situated on the left side of the water heater (see Fig. 2). Options of possible connection of the water heater to the water supply network are shown in Figure 4.

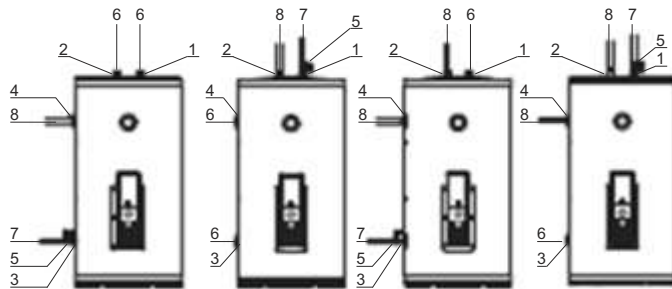


Fig. 4

1. Inlet nozzle «I»
2. Outlet nozzle «I»
3. Inlet nozzle «II»

4. Outlet nozzle «II»
5. Safety valve
6. Plug
7. Water inlet
8. Water outlet

4. Depending of delivery lot, there may be additional fixing of the water heater on the wall using support arms, while connecting the water heater to the water main with the use of upper nozzles (see Fig. 2).

5. An option of possible connection of the water heater to the water main for several consumption points is shown in Figure 5.

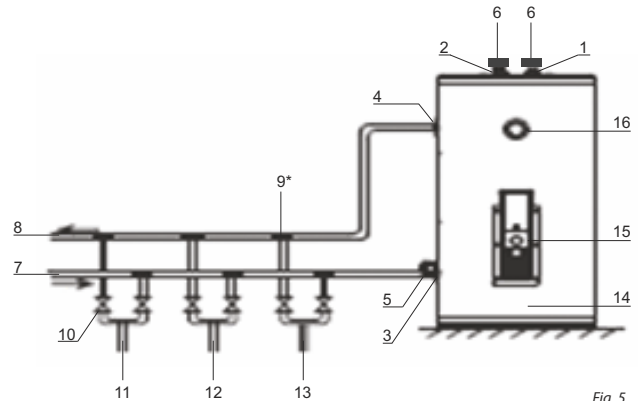


Fig. 5

1. Inlet nozzle «I»
2. Outlet nozzle «I»
3. Inlet nozzle «II»
4. Outlet nozzle «II»
5. Safety valve
6. Plug
7. Water inlet
8. Water outlet
9. T-socket*
10. Cock

11. Consumer 1
12. Consumer 2
13. Consumer 3
14. Water heater
15. Control panel
16. Thermometer

*-not included in the delivery set

Connection to water main

1. The heater should be connected to the water supply network with the minimum pressure of 0.1 MPa and maximum pressure of 0.75 MPa



NOTE:

The water heater is an appliance operating in the way that water pressure in it corresponds to water pressure in the water main. If pressure in the water main is more than 0.75 MPa, it is necessary to mount a pressure reducer before it – to set the pressure at the level, which does not exceed 0.75 MPa.

2. The water heater is connected to the water supply system with the use of pipes with diameter of G1/2.
3. In order to avoid leakage while connecting the pipes, use rubber packing on screwed pipe ends.
4. Define an inlet nozzle and outlet nozzle or 2 outlet nozzles (see Fig. 4) needed for connection to the water main. After that fasten a packing on unused nozzle(s).



ATTENTION!

Connect the water heater nozzles only to pipes and fittings designed for temperature exceeding 80°C at maximum working pressure. It is not recommended to use materials not designed for high temperatures.

5. Fasten a safety valve on the inlet nozzle marked with blue colour in the way that water current corresponds to direction of an arrow on the valve case.



NOTE:

In order to facilitate maintenance of the water heater in case of upper connection of cold water to the inlet nozzle «B», it is recommended to install a shutoff valve on the inlet nozzle «I», which will allow connecting of a drain hose to it, if needed, and discharging of water from the water heater to sewerage system.

In order to facilitate maintenance of the water heater in case of lateral connection of cold water to the inlet nozzle «B», it is recommended to install a T-piece drain cock between the inlet nozzle «I» and the safety valve, which will allow connecting of a drain hose to it, if needed, and discharging of water from the water heater to sewerage system.

6. Connect the heater with a mounted valve to the water supply network and install a shutoff valve at the point of water connection.
7. Connect desired number of consumption points to outlet nozzle(s) marked with red colour.
8. Turn on the shutoff valve and one of dismantable cocks. When the tank is filled (that is testified by discharging of water from a dismantable cock), turn off the dismantable cock and check leak tightness of all connections.



ATTENTION!

If water in the installation place contains large amount of calcium, manganese or iron salts, then it is necessary to mount a corresponding filter in the feeding system to reduce the amount of scale in the tank and on the heating element.

Connection to electric network



ATTENTION!

Before connection of the storage water heater, make sure that it is earthed in proper manner. Correct earthing is important for minimization of electric shocks and ignition risks. Power cord is equipped with a plug with earth contact. The appliance should be used with correctly earthed main socket. If the socket that you plan to use is not earthed in respective manner or protected by a time-delay fuse or by a circuit breaker, please contact a qualified electrician to install a correct socket.

1. The water heater is designed for connection to the electric network with one-phase voltage of 220 V. Before connection, please, make sure that parameters of the electric network in the place of connection correspond to parameters shown on the marking plate with the appliance specifications. During installation of the appliance it is necessary to observe the effective electrical safety regulations.

2. The main socket should be designed for rated current of at least 12 A, electrical cable with the core section of not less than 3x1.5 mm² (for copper).

3. The electrical network should be equipped with a breaker assembly designed for 16 A.

4. The main socket and plug should always be dry in order to avoid current leakage. Check that the plug is connected to the socket tightly. Such regular checks should be performed in the following order: insert the plug in the socket, half-an-hour later switch the water heater on and unplug it and then check if the plug is hot. If the plug temperature is more than 50°C, then, in order to avoid damages, incidents, fires as a result of poor contact, replace the socket. It should be done by a specialist.



ATTENTION!

In order to ensure reliable performance and safe operation of the water heater, check correctness of its connection to the 220 V AC electrical network before it is switched on for the first time. The connected water heater should be securely connected with an earth circuit of your electrical network.

7. WATER HEATER OPERATION

1. First, turn on one of dismantable cocks at the water heater outlet, then turn on an inlet cock. The electrical water heater will start filling in with water. When water discharges from the dismantable cock freely, it means that the water heater is full of water and the dismantable cock may be turned off.



ATTENTION!

During normal operation the cold water inlet cock should be turned on.

2. Insert the electric plug in the socket.



ATTENTION!

The socket should be designed for rated current of at least 12 A, electrical cable with the core section of not less than 3x1.5 mm² (for copper).

Move the control panel up and turn a thermostat knob (see Fig. 2) clockwise and set the desired temperature of water heating. This temperature may be set within the range from +35°C (±5 °C) («MIN» position if the thermostat knob) to +75°C (±5 °C) (extreme right position of the thermostat knob – «MAX»).

In order to decrease the temperature of water heating, turn the thermostat knob counterclockwise.

4. The water heater thermostat maintains water temperature automatically. When temperature of water inside the heater achieves the set value, heating will be turned off automatically and a lamp of the control panel will flicker out. Then, water temperature will be maintained due to heat insulation. When water temperature drops lower than the set value, the heating will turn on automatically and the indication lamp will flash on.

5. In order to turn the water heater on, turn the thermostat knob to extreme left position «U» and unplug or disconnect the appliance.

**NOTE!**

Position «COMFORT» on the control panel corresponds to optimal temperature of water heating $58 \pm 2^{\circ}\text{C}$, which is characterized by:

1. Reduction of burn risk in cases, when water temperature at the outlet is adjusted incorrectly.
2. Sufficient amount of hot water after mixing with cold water, with lower power consumption.
3. Formation of lower amount of scale on the heating element and interior surfaces of the water heater.

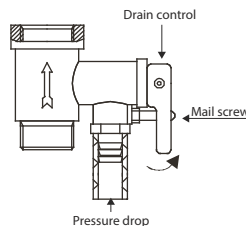
8. MAINTENANCE

Fig. 6

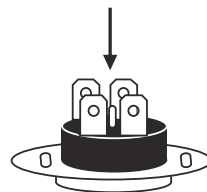


Fig. 5

1. Check the electric plug and the socket as often as possible. It is necessary to ensure reliable electrical contact and correct earthing. The plug and the socket should not heat excessively.
2. If the water heater is not used for a long time, especially in regions with low air temperature (lower than 0°C), please, drain water from it (see clause 6) to avoid its damage (due to freezing of water in the interior tank).
3. In order to ensure reliable work of the water heater during a long time, it is recommended to clean the interior tank occasionally and remove scales on electric heating elements. It is also recommended to check the condition of magnesium (whether it is decomposed

completely or not), in order to replace it timely in case of its complete decomposition.

Frequency of the tank cleaning depends on hardness of water found in this territory. Cleaning should be performed by special services. You may find out an address of the nearest service center from a shop assistant or at www.timberk.com.

**ATTENTION!**

The manufacturer provides an increased warranty for several components of the water heater subject to timely and correct performing of periodic maintenance of the appliance by specialists from an authorized service center (see guarantee slip).

4. Scheduled maintenance should be performed with strict observation of the instruction manual and safety arrangements.

5. The water heater is equipped with a thermostat, which will stop power supply of the tubular electric heater in case of water overheating or if there is no water in the heater. If the water heater is plugged, but water is not being heated and the indicator lamp is not flashing, it means that the thermostat has turned off of has not been turned on. In order to return the water heating to working condition, it is necessary to:

- disconnect the water heater and remove the control panel.
- press the button in the center of the thermostat until its clicking position, see Fig.7;
- if the button cannot be pressed and there is no click, then wait until the thermostat cools down to initial temperature.

**ATTENTION!**

If these actions have not taken a positive effect or if the thermostat turns off repeatedly within a short time interval, then it is necessary to disconnect the water heater, turn off the water supply to the water heater and address an Authorized service center Timberk in your region for consultation or repair of the appliance.

6. In order to drain water from the water heater in case of upper connection of cold water to the inlet nozzle «I», you should:

- turn the water off at the water inlet to the water heater,
- screw loose a plug from the laterally-spaced inlet nozzle «II», if there is no shutoff valve on the inlet valve «I» (see «Connection to water main»), put/fasten a drain hose on it and discharge water to sewerage system.

In order to drain water from the water heater in case of lateral connection of cold water to the inlet nozzle «I», you should:

- turn the water off at the water inlet to the water heater,
- open hot water outlet cock(s),
- put a drain hose on a pressure drop port of a combined safety valve, if there is no T-piece drain cock between the inlet nozzle «I» and the safety valve (see «Connection to water main») and withdraw it to sewerage system,
- loose a male screw of the combined safety valve and snap the knob to upper position (see Fig. 6), and then water should flow from the pressure drop port.



ATTENTION!

Never drain water, if its temperature is higher than 50°C, since it may result in burns

7. Remember about control checks of running order of the safety valve, which should be performed every 14 days – check method: -snap the drain knob to upper position until water flows from the valve opening. After this check of water flowing return the knob to initial position.



ATTENTION!

If water does not flow, it means that the valve is broken. In this case you should not use the heater and it is recommended to call a service mechanic.

8. As needed, outside surfaces of the heater should be wiped with wet cloth with soap.

9. TROUBLESHOOTING

Table 3 Probable failures and troubleshooting methods

PROBLEM	PROBABLE REASONS	TROUBLESHOOTING METHOD
Indication lamp is not flashing, water is not being heated	1. Damage of the thermostatic element.	1. Address a repair specialist or a service center Timberk.
	2. The temperature-limiting device has actuated or has not been switched on.	2. Turn the thermostat on according to instruction.
	3. Damage of the temperature-limiting device.	3. Address a repair specialist or a service center Timberk.
Water is not flowing from hot water outlet cock	1. Water supply is turned off.	1. Wait for restoration of water supply.
	2. Water pressure is too low.	2. Turn the water heater on again, when normal water pressure is restored.
	3. The cold water supply cock is turned off.	3. Turn on the cold water supply cock.
Water temperature is too high	Damage of the water temperature control system.	Address a repair specialist or a service center Timberk.
Water leakage	Packing is broken in the pipe connection point.	Replace connection packing.
Water is flowing from the appliance case	1. Breakdown of the interior tank (corrosion).	Address a repair specialist or a service center Timberk.
	2. Packing is broken in the heating element connection point.	
Indication lamp is flashing, but water is not being heated	1. Damage of a thermostatic element.	1. Address a repair specialist or a service center Timberk
	2. Insufficient time for heating.	2. Wait until water is heated.
	3. Damage of the heating element.	3. Address a repair specialist or a service center Timberk

10. BASIC CIRCUIT DIAGRAM

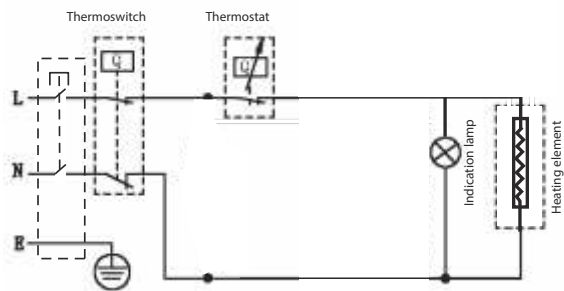


Fig.8



NOTE:

The manufacturer has a right to make any modifications in design of the appliance improving its technical and other properties. These modifications may be made without prior notification of consumers. The manufacturer is not responsible for any changes in the circuit diagram, which can be made without notification of consumers.

The storage water heater is not designed for uncontrolled use by children, elderly or disabled persons. Operate the water heater with care, do not switch the modes suddenly, always follow the recommendations set forth in this instruction manual. Children always should be observed while near the water heater, and in no case they should use the device for their games.

11. UTILIZATION

Upon completion of its service life the water heater should be utilized. For detailed information about the water heater utilization, please, ask local authorities. Service life of the water heater is 15 years.

СОДЕРЖАНИЕ

1. Важная информация.....	12
2. Меры предосторожности.....	12
3. Рабочие характеристики.....	13
Технические характеристики.....	14
Размерные характеристики.....	15
4. Устройство водонагревателя.....	16
Панель управления.....	16
5. Комплект поставки.....	16
6. Установка водонагревателя.....	16
Подключение к водопроводной магистрали.....	18
Подключение к электрической сети.....	19
7. Эксплуатация водонагревателя.....	20
8. Обслуживание.....	20
9. Устранение неисправностей.....	22
10. Электрическая принципиальная схема.....	22
11. Утилизация.....	22
12. Информация о сертификации.....	23

Уважаемый покупатель!

Благодарим Вас за удачный выбор. Вы приобрели электрический накопительный водонагреватель Timberk с эмалированным покрытием внутреннего резервуара. Он прослужит Вам долго.

Электрические накопительные водонагреватели Timberk готовят большое количество горячей воды и будут поддерживать заданную температуру автоматически. Они идеально подходят для снабжения горячей водой загородных домов, коттеджей, бань и прочих индивидуальных бытовых помещений.

1. ВАЖНАЯ ИНФОРМАЦИЯ

Просим внимательно ознакомиться с руководством по эксплуатации перед использованием водонагревателя. В данном руководстве по эксплуатации содержится важная информация, касающаяся Вашей безопасности, а также

рекомендации по правильному использованию прибора и уходу за ним. Сохраните руководство по эксплуатации вместе с гарантийным талоном, кассовым чеком, по возможности, картонной коробкой и упаковочным материалом. В данном руководстве по эксплуатации описываются разные виды данного типа устройства.

Приобретенный Вами водонагреватель может несколько отличаться от описанного в руководстве, что не влияет на способы использования и эксплуатации.



ВАЖНЫЕ МЕРЫ ПРЕДОСТОРОЖНОСТИ И ИНСТРУКЦИИ, СОДЕРЖАЩИЕСЯ В ДАННОМ РУКОВОДСТВЕ, НЕ ВКЛЮЧАЮТ ВСЕХ ВОЗМОЖНЫХ РЕЖИМОВ И СИТУАЦИЙ, КОТОРЫЕ МОГУТ ВСТРЕЧАТЬСЯ. НЕОБХОДИМО ПОНИМАТЬ, ЧТО ЗДРАВЫЙ СМЫСЛ, ОСТОРОЖНОСТЬ И ТЩАТЕЛЬНОСТЬ ЯВЛЯЮТСЯ ФАКТОРАМИ, КОТОРЫЕ НЕВОЗМОЖНО «ВСТРОИТЬ» НИ В ОДИН ПРОДУКТ. ЭТИ ФАКТОРЫ ДОЛЖЕН УЧИТЫВАТЬ ЧЕЛОВЕК, КОТОРЫЙ ЗАИНТЕРЕСОВАН В НАДЛЕЖАЩЕЙ ЭКСПЛУАТАЦИИ УСТРОЙСТВА. ИЗГОТОВИТЕЛЬ НЕ НЕСЕТ ОТВЕТСТВЕННОСТИ В СЛУЧАЕ ПОВРЕЖДЕНИЯ ПРИБОРА ИЛИ ЕГО ОТДЕЛЬНЫХ ЧАСТЕЙ ВО ВРЕМЯ ТРАНСПОРТИРОВКИ, В РЕЗУЛЬТАТЕ НЕПРАВИЛЬНОЙ УСТАНОВКИ, В РЕЗУЛЬТАТЕ КОЛЕБАНИЙ НАПРЯЖЕНИЯ, А ТАКЖЕ В СЛУЧАЕ, ЕСЛИ КАКАЯ-ЛИБО ЧАСТЬ ПРИБОРА БЫЛА ИЗМЕНЕНА ИЛИ МОДИФИЦИРОВАНА.

2. МЕРЫ ПРЕДОСТОРОЖНОСТИ

При использовании водонагревателя, необходимо соблюдать ряд мер предосторожности. Неправильная эксплуатация в силу игнорирования мер предосторожности может привести к причинению вреда здоровью пользователя и других людей, а также нанесению ущерба их имуществу.

1. Любой электроприбор должен находиться под наблюдением во время его эксплуатации, особенно, если неподалёку от него находятся дети. Внимательно следите за тем, чтобы дети не прикасались к прибору.
2. Перед установкой водонагревателя, не подключая его к электросети, проверьте и убедитесь, что сетевая розетка для водонагревателя имеет контакт заземления и правильно заземлена. При отсутствии заземляющего контура в вашей электросети эксплуатация водонагревателя опасна для жизни.
3. Подключайте водонагреватель только к сети 220В/50Гц. При необходимости выясните характеристики своей сети у поставщиков электроэнергии.

4. Во избежание перегрева и риска возникновения пожара, а также повреждения внутренней электрической сети, не изменяйте длину сетевого шнура и не подключайте водонагреватель через электрические удлинители.
5. Запрещается включать водонагреватель, если он не наполнен водой или если обнаружена непроходимость воды через предохранительный клапан.
6. Никогда не используйте водонагреватель, если он неисправен.
7. Не снимайте крышки водонагревателя во время его работы.
8. Незамедлительно отключите водонагреватель от электрической сети, если от него идут странные звуки, запах или дым.
9. Всегда отключайте водонагреватель от электрической сети во время грозы.
10. Перед началом чистки и технического обслуживания водонагревателя всегда отключайте его от электрической сети. Чистку и техническое обслуживание производите в соответствии с указаниями данного руководства по эксплуатации.
11. Не используйте опасные химические вещества для чистки водонагревателя и не допускайте их попадания на него.
12. Во избежание опасности поражения электрическим током, поврежденный сетевой шнур должен меняться только в авторизованных сервисных центрах изготовителя, квалифицированными специалистами.
13. Во избежание опасности поражения электрическим током не размещайте шнур питания рядом с нагревательными приборами и легковоспламеняющимися или горючими веществами.
14. Поскольку температура воды в водонагревателе может достигать 75°C, при использовании водонагревателя не следует подставлять части тела под горячую воду при первом включении. Для предотвращения ожогов правильно отрегулируйте температуру вытекающей воды.
15. Не используйте водонагреватель, в целях, не предусмотренных этим руководством по эксплуатации.
16. Не используйте водонагреватель во взрывоопасной или коррозионной среде. Не храните рядом с прибором бензин и другие летучие легковоспламеняющиеся жидкости, это очень опасно!
17. Запрещено вносить изменения в конструкцию водонагревателя или модифицировать его.
18. Любые сервисные работы должны производиться специализированной организацией, квалифицированными специалистами. Неправильная установка может повлечь за собой отказ в гарантийном обслуживании.

19. Водонагреватель не предназначен для использования лицами (включая детей) с ограниченными физическими, сенсорными или умственными возможностями, обладающими недостаточным опытом и знаниями, если они не находятся под наблюдением и не получили инструкций по использованию устройства от лица, ответственного за их безопасность. Необходимо, следить, чтобы дети не играли с прибором.

3. РАБОЧИЕ ХАРАКТЕРИСТИКИ

1. Полностью автоматическое управление: автоматический нагрев воды, постоянный автоматический контроль температуры воды.
2. Двухступенчатая система защиты 3D Logic®:
 - DROP Defense** – защита от протечки и избыточного давления внутри бака (предохранительный клапан).
 - HOT Defense** – двухуровневая защита от перегрева (термостат и ограничитель температуры).
- ВСЕ СИСТЕМЫ ЗАЩИТЫ ЯВЛЯЮТСЯ НАДЕЖНЫМИ И БЕЗОПАСНЫМИ
3. Стальной внутренний резервуар со специальным защитным покрытием из титановой мелкодисперсной стеклоэмали, нанесенной по современному методу электростатической сухой эмалировки, прочен к воздействию коррозии и накипи. Также эмаль имеет повышенную адгезивную способность и высокую пластичность (закалена при температуре 850°C), что позволяет ей расширяться или сжиматься при перепадах температур в той же пропорции, что и стенки внутреннего резервуара, не образуя микротрещин, в которых может возникнуть очаг коррозии.
4. Трубки нагревательных элементов спроектированы с учетом большой тепловой нагрузки: безопасные и надежные с увеличенным сроком службы.
5. Водонагреватель оснащен анодным стержнем для защиты от коррозии внутреннего резервуара и уменьшения образования накипи на нагревательном элементе.
6. Внутренняя утепленная пенополиуретановая теплоизоляция позволяет эффективно сохранять температуру нагретой воды и сводить к минимуму теплопотери, снижая энергопотребление водонагревателя.
7. Водонагреватель имеет простое устройство и удобен в эксплуатации.

Технические характеристики

Технические характеристики водонагревателя приведены в таблице 1

Таблица 1

Наименование	Ед. изм.	Артикул	
		SWH RE5 120 V	SWH RE5 150 V
Номинальное напряжение	В/Гц	220/50	220/50
Номинальная сила тока	А	11,4	11,4
Номинальная потребляемая мощность	Вт	2500	2500
Объем	л	120	150
Номинальное давление	МПа	0,75	0,75
Степень защиты	-	IPX4	IPX4
Класс электрозащиты	-	I	I
Время нагрева (при $\Delta 30^{\circ}\text{C}$)	мин.	80	100
Размеры прибора (ВхШхГ)	мм	470x985x470	470x1170x470
Вес	кг	32,0	36,0
Факт. годовое потребление электроэнергии	кВт·ч	642,4	711,75
Постоянные суточные потери	кВт·ч/сут	1,83	2,02

Технические характеристики приобретенного вами водонагревателя соответствуют данным, указанным в таблице 1. Производитель имеет право изменить технические характеристики прибора и его комплектующие без специального предварительного уведомления.

Размерные характеристики

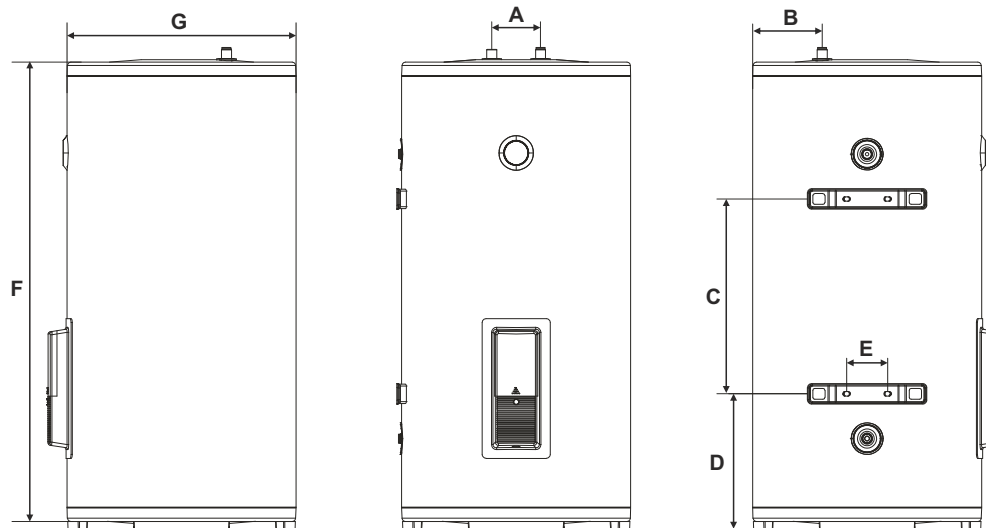


Рис. 1

Размерные характеристики водонагревателя (в миллиметрах) согласно рис. 1 в таблице 2.

Таблица 2

Артикул	Объем, л	A	B	C	D	E	F*	G
SWH RE5 120 V	120	100	143	400	277	84	943	Ø470
SWH RE5 150 V	150	100	143	500	362	84	1119	Ø470

* без учета патрубков

4. УСТРОЙСТВО ВОДОНАГРЕВАТЕЛЯ

Устройство водонагревателя представлено на рисунке 2.

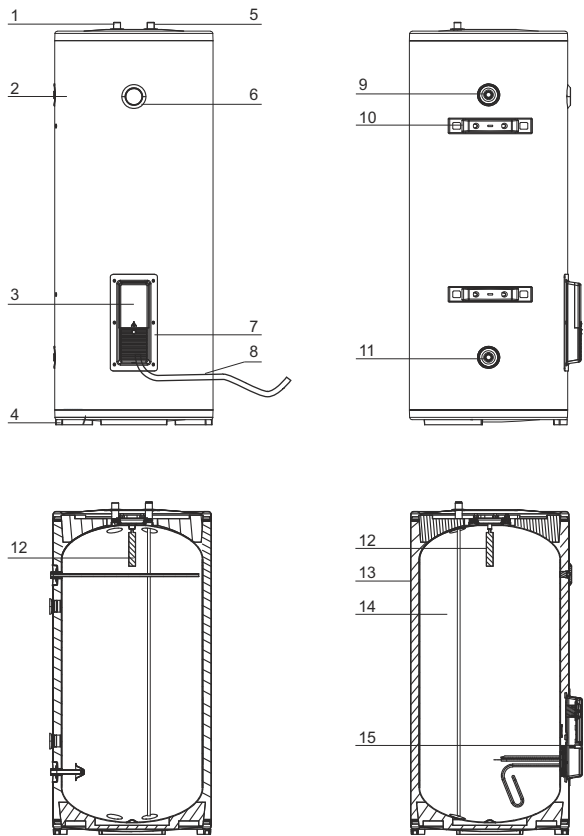


Рис. 2

1. Выходной патрубок «I»
2. Внешний корпус
3. Ручка термостата
4. Поддерживающая опора
5. Входной патрубок «I»
6. Термометр
7. Индикаторная лампочка
8. Сетевой шнур
9. Выходной патрубок «II»
10. Кронштейн для дополнительного крепления водонагревателя к стене*
11. Входной патрубок «II»
12. Магнийевый анод
13. Теплоизоляция
14. Внутренний резервуар
15. Нагревательный элемент (ТЭН)

* в зависимости от партии поставки может не входить в комплект

Панель управления



Рис. 3

5. КОМПЛЕКТ ПОСТАВКИ

1. Водонагреватель - 1 шт.
2. Заглушка - 2 шт.
3. Предохранительный клапан - 1 шт.
4. Руководство по эксплуатации - 1 шт.
5. Гарантийный талон - 1 шт.
6. Резиновая прокладка - 4 шт.
7. Упаковка - 1 шт.

6. УСТАНОВКА ВОДОНАГРЕВАТЕЛЯ

1. Водонагреватель предназначен только для напольного монтажа, поэтому его следует устанавливать вертикально на ровном полу на три специальные поддерживающие опоры. На стену водонагреватели этой серии не монтируются.
2. Для снижения потерь тепла в трубопроводах место установки водонагревателя должно находиться как можно ближе к местам использования воды.
3. Для удобства подключения к водопроводной сети конструкция водонагревателя предусмотрено 2 входных и 2 выходных патрубка. Входной патрубок «I» и выходной патрубок «I» находятся в верхней части водонагревателя. Входной патрубок «II» и выходной патрубок «II» находятся с боку с левой стороны водонагревателя (см. рис. 2). Варианты возможного подключения водонагревателя к водопроводной сети представлены на рисунке 4.

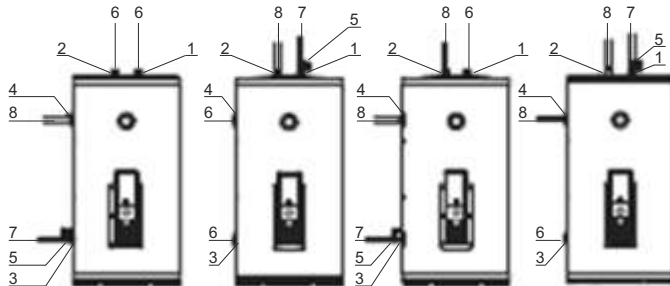


Рис. 4

1. Входной патрубок «I»
2. Выходной патрубок «I»
3. Входной патрубок «II»

4. Выходной патрубок «II»
5. Предохранительный клапан
6. Заглушка
7. Вход воды
8. Выход воды

4. В зависимости от партии поставки при подключении водонагревателя к водопроводной магистрали с помощью только верхних патрубков возможно дополнительное крепление водонагревателя к стене с помощью кронштейнов (см. рис. 2).
5. Вариант возможного подключения водонагревателя к водопроводной магистрали для нескольких точек потребления представлен на рисунке 5.

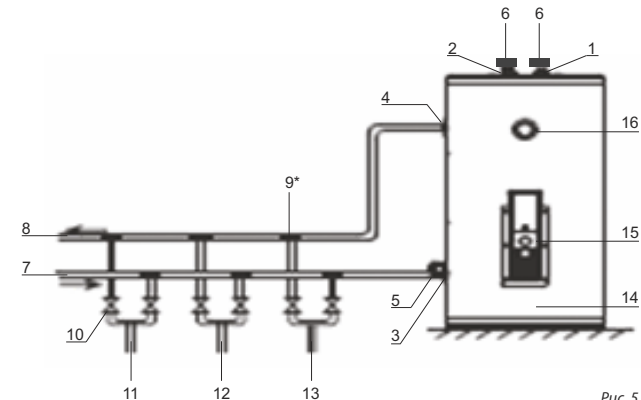


Рис. 5

1. Входной патрубок «I»
2. Выходной патрубок «I»
3. Входной патрубок «II»
4. Выходной патрубок «II»
5. Предохранительный клапан
6. Заглушка
7. Вход воды
8. Выход воды
9. Тройник*
10. Кран*

11. Потребитель 1
12. Потребитель 2
13. Потребитель 3
14. Водонагреватель
15. Панель управления
16. Термометр

* - не входит в комплект поставки

Подключение к водопроводной магистрали

1. Нагреватель подключается к водопроводной сети с давлением минимум 0,1 МПа, максимум 0,75 МПа



ПРИМЕЧАНИЕ:

Водонагреватель является прибором, действующим таким образом, что давление воды в водонагревателе, соответствует давлению воды в водопроводной магистрали. Если в магистрали давление превышает 0,75 МПа, то следует смонтировать перед водонагревателем редуктор давления, чтобы давление не превышало 0,75 МПа.

2. Для подключения водонагревателя к водопроводу применяются трубы диаметром G1/2.
3. Для предотвращения протечки при подсоединении труб используйте резиновые уплотнительные прокладки на резьбовых окончаниях труб.
4. Определите необходимый для подключения к водопроводной магистрали входной патрубок и выходной патрубок или 2 выходных патрубка (см. рис. 4), после чего накрутите заглушку на неиспользуемый (-ые) патрубок (-ки).



ВНИМАНИЕ!

Подсоединяйте патрубки водонагревателя только к трубам и фитингам, рассчитанным на температуру, превышающую 80°C при максимальном рабочем давлении. Не рекомендуется использовать материалы, не рассчитанные на высокие температуры.

5. На входной патрубок обозначенный голубым цветом накрутите предохранительный клапан так, чтобы течение воды совпадало с направлением стрелки на корпусе клапана.



ПРИМЕЧАНИЕ:

Для облегчения обслуживания водонагревателя при верхнем подключении холодной воды к входному патрубку «B» рекомендуется установить отсечной кран на входной патрубок «I», что позволит при необходимости присоединить к нему сливной шланг и при его открытии сливать воду из водонагревателя в канализацию.

Для облегчения обслуживания водонагревателя при боковом подключении холодной воды к входному патрубку «A» рекомендуется установить сливной кран-тройник между входным патрубком «A» и предохранительным клапаном, что позволит при необходимости присоединить к нему сливной шланг и при его открытии сливать воду из водонагревателя в канализацию.

6. Нагреватель со смонтированным клапаном подключить к водопроводной сети - в месте подведения воды установить отсечной кран.
7. К выходному (-ым) патрубку (-ам), обозначенному (-ых) красным цветом, подсоединить желаемое количество точек потребления.
8. Открыть отсечной кран и один из разборных кранов. После наполнения резервуара, о чем свидетельствует вытекание воды из разборного крана, закрыть разборный кран и проверить герметичность всех соединений.

ВНИМАНИЕ!

Если вода в месте установки содержит большое количество солей кальция, марганца или железа, то необходимо в подводящей системе смонтировать соответствующий фильтр для снижения количества накипи в резервуаре и на нагревательном элементе.

Подключение к электрической сети**ВНИМАНИЕ!**

Перед подключением накопительного водонагревателя убедитесь в том, что водонагреватель заземлен надлежащим образом. Правильное заземление важно для минимизации ударов током и опасности возгорания. Шнур питания оснащён вилкой, с контактом заземления. Устройство должно использоваться с правильно заземленной сетевой розеткой. Если розетка, которую Вы планируете использовать, не заземлена соответствующим образом или защищена предохранителем с задержкой на срабатывание или прерывателем цепи, свяжитесь с квалифицированным электриком для установки правильной розетки.

1. Водонагреватель рассчитан на подключение к электрической сети с однофазным напряжением 220 В. Перед подключением убедитесь, что параметры электросети в месте подключения соответствуют параметрам, указанным на маркировочной табличке с техническими данными прибора. При установке водонагревателя следует соблюдать действующие правила электробезопасности.
2. Электрическая розетка должна быть рассчитана на номинальный ток не ниже 12А, электрический кабель с жилой сечением не менее 3х1,5 мм² (для меди).
3. В электрической сети должен быть установлен автомат защиты, рассчитанный на 16А.
4. Электрические розетка и вилка должны всегда оставаться сухими во избежание утечки электрического тока. Регулярно проверяйте, что электрическая вилка плотно подключена к розетке. Проверку проводите в следующем порядке: вставьте электрическую вилку в розетку, через полчаса работы выключите водонагреватель и выньте вилку из розетки, проверьте рукой, не

нагрелась ли вилка. Если вилка нагрелась до температуры выше 50°C, во избежание повреждений, происшествий, возникновения пожара в результате плохого электрического контакта замените розетку на другую. Это должен делать специалист.

ВНИМАНИЕ!

Для обеспечения надежной работы и безопасной эксплуатации водонагревателя перед первым включением проверьте правильность его подсоединения к электрической сети переменного тока 220 В. Подключаемый водонагреватель должен быть надежно соединен с заземляющим контуром вашей электрической сети.

7. ЭКСПЛУАТАЦИЯ ВОДОНАГРЕВАТЕЛЯ

1. Сначала откройте один из разборных кранов на выходе из водонагревателя, затем откройте впускной кран. Электрический водонагреватель начнёт заполняться водой. Когда из разборного крана свободно вытекает вода, это означает, что водонагреватель полностью заполнился водой и разборный кран можно закрыть.

ВНИМАНИЕ!

Во время обычной работы кран входа холодной воды должен быть открыт.

2. Вставьте электрическую вилку в розетку.

ВНИМАНИЕ!

Электрическая розетка должна быть рассчитана на номинальный ток не ниже 12А, электрический кабель с жилой сечением не менее 3х1,5 мм² (для меди).

3. Сдвиньте панель управления вверх и поверните ручку термостата (см. рис. 3) по часовой стрелке и установите желаемую температуру нагрева воды. Температуру нагрева воды можно установить в диапазоне от +35°C (±5 °C) (положение ручки термостата «MIN») до +75°C (±5 °C) (крайнее правое положение ручки термостата «MAX»).

Для уменьшения температуры нагрева воды поверните ручку термостата против часовой стрелки.

4. Термостат водонагревателя автоматически поддерживает температуру воды. Когда температура воды внутри водонагревателя достигает установленной, нагрев автоматически отключается, при этом гаснет лампочка на панели управления, а температура воды поддерживается за счет теплоизоляции. При падении температуры воды ниже установленной, нагрев автоматически включается и загорается индикаторная лампочка.

5. Для выключения водонагревателя поверните ручку термостата в крайнее левое положение «U» и выньте вилку из розетки или отключите прибор от электропитания.

ПРИМЕЧАНИЕ!

Позиция «COMFORT» на панели управления соответствует оптимальной температуре нагрева воды 58 +/-2°C, при которой:

1. Уменьшается риск получения ожогов у пользователя, в случае, когда неправильно отрегулирована температура воды на выходе.
2. Получается достаточное количество горячей воды после смешивания с холодной водой, при меньшем расходе электроэнергии.
3. Образуется меньшее количество накипи на нагревательном элементе и внутренних поверхностях водонагревателя.

8. ОБСЛУЖИВАНИЕ

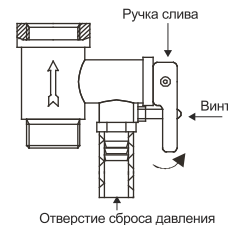


Рис. 6

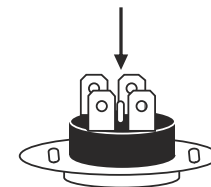


Рис. 7

1. Проверяйте электрические вилку и розетку как можно чаще. Должен быть обеспечен надёжный электрический контакт, а также правильное заземление. Вилка и розетка не должны чрезмерно нагреваться.

2. Если водонагреватель не используется продолжительное время, особенно в регионах с низкой температурой воздуха (ниже 0°C), для предотвращения повреждения водонагревателя (по причине замерзания воды во внутреннем резервуаре), воду из нагревателя следует слить (см. п. 6).

3. Чтобы обеспечить надёжную работу водонагревателя в течение длительного времени, рекомендуется периодически чистить внутренний резервуар и убирать отложения на электрических нагревательных элементах водонагревателя, а также нужно периодически проверять состояние (полностью разложен или нет) магниевого анода, чтобы своевременно заменить его на новый, в случае его полного разложения.

Частота чистки бака зависит от жесткости воды, которая находится на данной территории. Чистку должны проводить специальные сервисные службы. Адрес ближайшего сервисного центра можно узнать у продавца или на сайте www.timberk.com.

ВНИМАНИЕ!

Производитель предоставляет увеличенную гарантию на отдельные компоненты водонагревателя при условии своевременного и правильного проведения периодического технического обслуживания прибора специалистами авторизованного сервисного центра (см. гарантийный талон).

4. Профилактические работы должны производиться при строгом соблюдении инструкции по эксплуатации и техники безопасности.

5. Водонагреватель оснащен термовыключателем, который прекращает подачу электроэнергии к ТЭНу, при перегреве воды или её отсутствии в водонагревателе. Если водонагреватель включен в сеть, но не происходит нагрев воды и не горит индикаторная лампа, значит отключился или не был включен термовыключатель.

Для возврата водонагревателя в рабочее состояние необходимо:

- отключить питание от электронагревателя, снять панель управления.
- нажать до щелчка кнопку, расположенную по центру термовыключателя рис. 7;
- если кнопка не нажимается и нет щелчка, то подождать пока термовыключатель остынет до и исходной температуры.



ВНИМАНИЕ!

Если данные действия не дали положительного результата или отключение термовыключателя происходит неоднократно в течение короткого промежутка времени, то следует отключить питание водонагревателя, перекрыть подачу воды в водонагреватель и обратиться в Авторизованный Сервисный Центр Timberk в Вашем регионе для получения консультации или ремонта изделия.

6. Чтобы слить воду из водонагревателя при верхнем подключении холодной воды к входному патрубку «I» необходимо:

- перекрыть воду на входе воды в водонагреватель,
- открутить заглушку с входного патрубка «II», расположенного сбоку, если не предусмотрен отсечной кран на входном патрубке «II» (см. п. «Подключение к водопроводной магистрали»), и надеть/накрутить на него сливной шланг и отвести воду в канализацию.

Чтобы слить воду из водонагревателя при боковом подключении холодной воды к входному патрубку «I» необходимо:

- перекрыть воду на входе воды в водонагреватель,
- открыть кран (-ы) выхода горячей воды,
- на отверстие сброса давления комбинированного предохранительного клапана, если не предусмотрен сливной кран-тройник между входным патрубком «II» и предохранительным клапаном (см. п. «Подключение к водопроводной магистрали»), надеть сливной шланг и отвести его в канализацию,
- открутить винт ручки комбинированного предохранительного клапана и перевести ручку в верхнее положение (см. рис. 6), из отверстия сброса давления должна потечь вода.



ВНИМАНИЕ!

Никогда не сливайте воду, если её температура выше 50°C, т.к. это может привести к ожогам

7. Помните о контрольных проверках исправности действия предохранительного клапана каждые 14 дней - способ проверки: -перевести ручку слива в верхнее положение до ощущения перехода резьбы и тогда из отверстия клапана должна потечь вода. После проверки вытекания воды верните ручку в предыдущее положение.

ВНИМАНИЕ!

Если вода не потечет, то клапан испорчен. В этом случае нельзя пользоваться нагревателем и рекомендуется вызвать сервисного мастера.

8. Наружные поверхности нагревателя по мере необходимости протирать влажной тканью с мылом.

9. УСТРАНЕНИЕ НЕИСПРАВНОСТЕЙ

Таблица 3 Возможные неисправности и методы их устранения

ПРОБЛЕМА	ВОЗМОЖНЫЕ ПРИЧИНЫ	СПОСОБ УСТРАНЕНИЯ
Индикаторная лампочка не горит, вода не греется	1. Повреждение устройства регулирования температуры.	1. Обратиться к специалисту по ремонту, в сервисный центр Timberk
	2. Сработало или не было включено устройство ограничения температуры.	2. Включите термовыключатель, следуя инструкции по его включению.
	3. Повреждение устройства ограничения температуры.	3. Обратиться к специалисту по ремонту, в сервисный центр Timberk
Из крана выхода горячей воды не течёт вода	1. Отключена подача воды.	1. Подождать восстановления подачи воды.
	2. Слишком низкое давление воды.	2. Включить водонагреватель снова, когда восстановится нормальное давление воды.
	3. Закрыт кран подачи холодной воды	3. Открыть кран подачи холодной воды
Температура воды слишком высокая	Повреждение системы контроля температуры воды.	Обратиться к специалисту по ремонту, в сервисный центр Timberk
Протечка воды	Нарушено уплотнение в месте подключения труб.	Заменить уплотнение соединения.
Вода течет из корпуса прибора	1. Разрушение внутреннего бака (коррозия)	Обратиться к специалисту по ремонту, в сервисный центр Timberk
	2. Нарушено уплотнение в месте присоединения нагревательного элемента	
Индикаторная лампочка нагревателя горит, но вода не греется	1. Повреждение устройства регулирования температуры.	1. Обратиться к специалисту по ремонту, в сервисный центр Timberk
	2. Недостаточно времени для нагрева.	2. Подождать, пока вода нагреется.
	3. Повреждение нагревательного элемента.	3. Обратиться к специалисту по ремонту, в сервисный центр Timberk

10. ЭЛЕКТРИЧЕСКАЯ ПРИНЦИПАЛЬНАЯ СХЕМА



Рис. 8

ПРИМЕЧАНИЕ:

Производитель имеет право вносить в устройство прибора любые изменения, улучшающие его технические и иные характеристики. Данные изменения могут быть внесены без предупреждения и предварительного уведомления потребителей.

Производитель не несет ответственности за изменение электросхемы изделия, которое может быть выполнено без уведомления потребителя.

Накопительный водонагреватель не предназначен для бесконтрольного использования детьми, пожилыми или недееспособными людьми. Эксплуатируйте водонагреватель бережно, не переключайте резко режимы, строго следуйте рекомендациям, изложенным в данном руководстве по эксплуатации. Дети, находящиеся вблизи водонагревателя, должны быть под наблюдением взрослых, и ни в коем случае не использовать прибор, как элемент игры.

11. УТИЛИЗАЦИЯ

По окончании срока службы водонагреватель следует утилизировать. Подробную информацию по утилизации водонагревателя Вы можете получить у представителя местного органа власти. Срок службы водонагревателя составляет 15 лет.

12. ИНФОРМАЦИЯ О СЕРТИФИКАЦИИ

Изделие соответствует директиве ЕЕС 89/336, касающейся электромагнитного оборудования

Гарантируется безотказная работа изделия в соответствии со сроками, указанными в гарантийном талоне. Обязательно ознакомьтесь с условиями гарантии и требуйте от продавца правильного и четкого заполнения гарантийного талона.

Гарантийный талон вложен в упаковку изделия

Timberk снимает с себя любую ответственность за возможный вред, прямо или косвенно нанесенный продукцией Timberk людям, домашним животным, имуществу в случае, если это произошло в результате несоблюдения правил и условий эксплуатации, установок изделия, умышленных или неосторожных действий потребителя или третьих лиц.

Товар сертифицирован на территории России органом по сертификации: пер. № РОСС RU.0001.11AB71

ПРОДУКЦИИ ООО «ОПТИМАТЕСТ».

Фактический адрес: 123308, г. Москва, ул. Мневники, д. 3, корп. 1, оф. 323; Юридический адрес: 115162, г. Москва, Павла Андреева ул., дом №28, корпус 4, тел. +7 495 6044266, факс +7 495 6044266

Орган по сертификации может обновляться ежегодно. При отсутствии копии нового сертификата в коробке, спрашивайте копию у продавца

Товар соответствует требованиям нормативных документов:

ГОСТ Р МЭК 60335-2-35-2000

ГОСТ Р 51318.14.1-2006 р.4

ГОСТ Р 51318.14.2-2006 р.5,7

ГОСТ Р 51317.3.3-2008

ГОСТ Р 51317.3.2-2006 р.6,7

№ сертификата: RU-C-IL.AB71.B.00051

Сертификат обновляется ежегодно. При отсутствии копии нового сертификата в коробке, спрашивайте копию у продавца

Срок действия: с 09.02.2012 до 08.02.2015

Изготовитель:

«Тимберк Хоум Хиатинг Эпплаенсис Компани» Хамасгер стрит, 10, Эйлат, Израиль 88000

Телефон/факс +972-8-637-88-311

Импортер*:

ООО «КлиматКомфорт»

Адрес: РФ, 111024, г. Москва, ул. 5-я Кабельная, д.2Б, стр. 1

телефон: +7 499 653 7356

По вопросам сервисной поддержки и качества приобретенного товара просьба обращаться по телефону: +7 (495) 6275285

** Данные могут быть изменены в связи со сменой производителя, продавца, производственного филиала и/или импортера в РФ и/или страны ЕТС. Актуальную информацию Вы можете получить из содержания действующего на момент продажи сертификата соответствия, а также из данных этикетки, которой маркируется упаковка изделия до даты последующей продажи дистрибьютором на территории РФ или стран ЕТС.*



RU

**Руководство по эксплуатации
техники Timberk написано
на английском языке и
переведено на русский язык.**



BY

В целях информирования покупателей техники Timberk, мы дополнительно сообщаем, что русский является государственным языком в следующих государствах:



OS

- в Российской Федерации
- в Республике Беларусь наряду с белорусским языком
- в частично признанной Южной Осетии наряду с осетинским языком



KZ

Русский язык является официальным языком (во всех случаях другой язык или другие языки выступают как государственный или второй официальный) в следующих государствах и на территориях:



AK



KG

- в Республике Казахстан
- в Киргизской Республике
- в административных единицах Украины, где доля носителей русского языка составляет более 10%, при соответствующем решении местных советов
- в Автономной Республике Крым



UA



TJ

В Республике Таджикистан русский язык признан по Конституции языком межнационального общения.



CIS

Официальным языком международной организации Содружество Независимых Государств (СНГ) является русский язык.

www.btpart.com



Все расходные материалы для продукции Timberk вы можете приобрести на сайте www.btpart.com

Уважаемый покупатель!

Timberk предоставляет Вам специальный сервис в рамках программы клиентской поддержки. Теперь Вы всегда сможете заказать и оформить доставку на запасные части и расходные материалы, необходимые для оптимальной, качественной работы техники Timberk в течение всего срока службы на едином портале www.btpart.ru.

Всю информацию о работе портала Вы также всегда сможете увидеть на сайте www.timberk.com. Мы искренне надеемся, что этот уникальный дополнительный сервис поможет вам сделать жизнь с Timberk еще удобнее!



timberk

timberk

timberk

www.timberk.com

