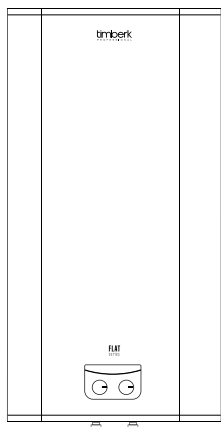
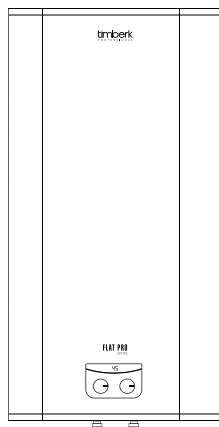


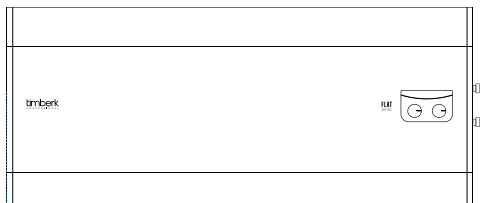
Instruction manual Руководство по эксплуатации



FSL1 серия/series



FSP1 серия/series



FSL2 серия/series

*Электрический
накопительный
водонагреватель*

*Electrical
storage water
heater*

Модели/Models:

SWH FSL1 30 V
SWH FSL1 50 V
SWH FSL1 80 V
SWH FSL1 100 V

SWH FSL2 30 H
SWH FSL2 50 H
SWH FSL2 80 H
SWH FSL2 100 H

SWH FSP1 30 V
SWH FSP1 50 V
SWH FSP1 80 V
SWH FSP1 100 V

SWH FSP2 30 H
SWH FSP2 50 H
SWH FSP2 80 H
SWH FSP2 100 H

Outlook of devices, also colour scores can be revised without any special advance notices.

Производитель вправе менять внешний вид прибора и цветовую гамму прибора без специального уведомления.

TABLE OF CONTENTS

| | |
|---|----|
| 1. Important information | 2 |
| 2. Precautions | 3 |
| 3. Application of water heater | 3 |
| 4. Performance parameters | 3 |
| Technical characteristics | 4 |
| Dimensional features | 5 |
| 5. Water heater description | 5 |
| 6. Delivery set | 6 |
| 7. Water heater installation | 7 |
| Location | 7 |
| Water heater mounting methods | 7 |
| Water heater mounting | 8 |
| Connection to water main | 9 |
| Connection to electric mains | 9 |
| Ground Fault Circuit Interrupter(GFCI) | 10 |
| 8. Water heater control | 11 |
| Control panel | 11 |
| Water heater operation | 11 |
| 9. Maintenance | 12 |
| 10. Troubleshooting | 13 |
| 11. Transportation and storage conditions | 13 |
| 12. Wiring diagram | 14 |
| 13. Disposal | 14 |
| 14. Serial number and production date | 14 |

Dear customer!

Thank you for your good choice. You purchased TIMBERK electric storage water heater with an enameled internal tank. It will serve you for a long time!

TIMBERK electric storage water heaters will provide a lot of hot water and will automatically maintain the specified temperature. They are perfect to provide hot water for country houses, cottages, baths and other standalone amenity rooms.

1. IMPORTANT INFORMATION

Please, read this operation manual carefully prior to use of the water heater.

This operation manual contains important information regarding your safety, as well as recommendations on the proper operation of the unit and its maintenance.

Save this operation manual together with the guarantee card, cash register receipt, if possible, cardboard box and packing material.

Different types of this device are described in this manual.

The purchased water heater can slightly differ from the one, described in the manual, but that doesn't affect methods of its use and operation.



IMPORTANT!

Important precautions and instructions, contained in this manual, do not account for all possible modes and situations to be encountered. It is vital to understand that common sense, caution and thoroughness are the factors that are impossible to be built-in in any product. These factors must be taken into consideration by a person, interested in proper operation of the unit. The manufacturer does not bear any responsibility in case when the unit or its parts are damaged during transportation, as a result of improper installation, voltage fluctuations, as well as if some part of the unit was altered or modified.

2. PRECAUTIONS

A number of precautions is to be observed upon operation of the fan heater. Improper operation as a result of ignoring precautions may harm health of the user and other people, as well as damage their property.

1. Any electrical appliance must be supervised when in operation, especially if there are children nearby. Make sure children do not touch the appliance.

2. Prior to installing the water heater, not connecting it to electrical main, check and make sure the outlet for the water heater has a ground pin and if it is properly earthed. If there is no earth circuit in your electrical main then operation of the water heater is dangerous for your life.

3. Connect the water heater only to 220-230V, 50Hz main. If necessary, find out parameters of your mains at power suppliers.

4. To prevent overheating and risk of fire, as well as damage of internal electrical main, do not modify the power cord's length and do not connect the water heater through electrical extenders.

5. It is forbidden to switch on the water heater if it is not filled with water or if water cannot go through a pressure safety valve.

6. Never use the water heater if it is broken.

7. Do not remove the water heater cover when it is in operation.

8. Immediately unplug the water heater from electrical main if strange sounds, odor or smoke are coming from it.

9. Always unplug the water heater from electrical main during a thunderstorm.

10. Prior to cleaning and maintenance of the water heater unplug it from electrical main. Cleaning and maintenance must be performed in compliance with instructions of this operation manual.

11. Do not use hazardous chemical substances to clean the water heater and prevent their contact with the appliance.

12. To prevent electrical shock the damaged power cord must be replaced only in manufacturer's authorized service centers by qualified specialists.

13. To prevent electrical shock do not place the power cord nearby heating devices and flammables or combustibles.

14. Do not press buttons on the control panel of the water heater and its remote controller (for some models) otherwise but by your fingers.

15. Since temperature of water in the water heater can reach +75°C, when it is in operation you should not place your body parts under hot water at

the first run.

To prevent burns you should adjust the temperature of the discharging water.

16. Do not use the water heater for purposes not specified by this operation manual.

17. Do not use the water heater in an explosive or corrosive environment. Do not store gas and other volatile flammable liquids next to the appliance – it is very dangerous!

18. It is forbidden to make alterations in the design of the water heater or modify it.

19. Any service operations must be performed by a specialized organisation and qualified specialists. Improper installation may cause voiding of guarantee maintenance.

20. The water heater is not intended for use by children and persons with reduced physical, sensory or mental capabilities, or a lack of experience and knowledge, unless they have been given supervision or instruction concerning use of the appliance by an individual responsible for their safety. Children should be supervised to ensure that they do not play with the appliance.

3. APPLICATION OF WATER HEATER

Electric water heater is used to heat cold water from water supply. Unit is for household use.

4. PERFORMANCE PARAMETERS

1. Completely automatic control: automatic water heating, continuous automatic water temperature control.

2. **DROP Defense** – leakage protection and protection against surplus pressure within a tank (pressure safety valve).

HOT Defense – two-stage overheating protection (thermostat and temperature limiter).

ALL PROTECTION SYSTEMS ARE RELIABLE AND SAFE.

3. Pipes of heating elements are designed taking into account high heat load: safe and reliable, with an increased service life.

4. NON CFC urethane foam insulation of increased thickness: excellent heat

- insulation that allows to efficiently retain accumulated heat and save energy.
- 5. Temperature controller: accurate and reliable water temperature control.
- 6. FSP models equipped with temperature display shows current water temperature in water heater tanks.
- 7. Internal tanks and all internal components are made out of SUS 304 stainless steel with walls 1.2 mm thick.
- 8. The water heater is equipped with an anode bar to protect the internal tank from corrosion and decrease scale generation on the heating element.

Technical characteristics

Technical characteristics of water heaters are given below in Table 1, 2.

Table 1

| Description | Units | SWH FSL1 30 V/ SWH FSL2 30 H | SWH FSL1 50 V/ SWH FSL2 50 H | SWH FSL1 80 V/ SWH FSL2 80 H | SWH FSL1 100 V/ SWH FSL2 100 H |
|---------------------------------|------------|---------------------------------|---------------------------------|---------------------------------|-----------------------------------|
| Rated voltage | V/Hz | 230~/50 | 230~/50 | 230~/50 | 230~/50 |
| Rated current | A | 8.7 | 8.7 | 8.7 | 8.7 |
| Rated power | W | 2000 | 2000 | 2000 | 2000 |
| Stage power | W | 800/1200/2000 | 800/1200/2000 | 800/1200/2000 | 800/1200/2000 |
| Tank capacity | L | 30 | 50 | 80 | 100 |
| Rated pressure | Mpa | 0,7 | 0,7 | 0,7 | 0,7 |
| Protection Class | - | I | I | I | I |
| Water protection class | - | IPX4 | IPX4 | IPX4 | IPX4 |
| Heating time, at Δ 30 °C | min | 21 | 43 | 64 | 79 |
| Appliance dimensions | mm | 550x435x238 | 855x435x238 | 991x493x270 | 1190x493x270 |
| Weight | kg | 9,8 | 13,4 | 18,9 | 23,4 |
| Factual year energy consumption | kW·h | 335,8 | 452,6 | 481,8 | 518,3 |
| Constant daily heating loss | kW·h / day | 0,98 | 1,23 | 1,33 | 1,45 |

Table 2

| Description | Units | SWH FSP1 30 V/ SWH FSP2 30 H | SWH FSP1 50 V/ SWH FSP2 50 H | SWH FSP1 80 V/ SWH FSP2 80 H | SWH FSP1 100 V/ SWH FSP2 100 H |
|---------------------------------|------------|---------------------------------|---------------------------------|---------------------------------|-----------------------------------|
| Rated voltage | V/Hz | 230~/50 | 230~/50 | 230~/50 | 230~/50 |
| Rated current | A | 8.7 | 8.7 | 8.7 | 8.7 |
| Rated power | W | 2000 | 2000 | 2000 | 2000 |
| Stage power | W | 800/1200/2000 | 800/1200/2000 | 800/1200/2000 | 800/1200/2000 |
| Tank capacity | L | 30 | 50 | 80 | 100 |
| Rated pressure | Mpa | 0,7 | 0,7 | 0,7 | 0,7 |
| Protection Class | - | I | I | I | I |
| Water protection class | - | IPX4 | IPX4 | IPX4 | IPX4 |
| Heating time, at Δ 30 °C | min | 21 | 43 | 64 | 79 |
| Appliance dimensions | mm | 550x435x238 | 855x435x238 | 991x493x270 | 1190x493x270 |
| Weight | kg | 9,8 | 13,4 | 18,9 | 23,4 |
| Factual year energy consumption | kW·h | 335,8 | 452,6 | 481,8 | 518,3 |
| Constant daily heating loss | kW·h / day | 0,98 | 1,23 | 1,33 | 1,45 |

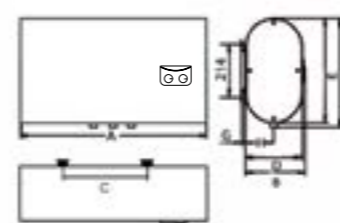
!

IMPORTANT!

Technical characteristics of the water heater you purchased as of the date of manufacture correspond to data, specified in the table. Technical characteristics and scope of delivery can be revised without any prior notice.

Dimensions

Series FSL2/FSP2



Series FSL1/FSP1

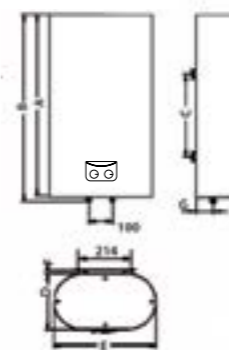


Fig. 1

Dimensions of water heaters (mm) are made in accordance with fig. 1, fig. 2 and fig. 3.

Table 3

| | Capacity, l | A | B | C | D | E | F | G | H |
|--------------------------|-------------|------|------|-----|-----|-----|----|------|---|
| SWH FSL1/SWH FSP1 series | 30 | 550 | 570 | 240 | 238 | 435 | 20 | 73 | - |
| | 50 | 855 | 875 | 500 | 238 | 435 | 20 | 73 | - |
| | 80 | 991 | 1011 | 450 | 270 | 493 | 20 | 91,5 | - |
| | 100 | 1190 | 1210 | 550 | 270 | 493 | 20 | 91,5 | - |

| | Capacity, l | A | B | C | D | E | F | G | H |
|---------------------------|-------------|------|-----|-----|-----|-----|-----|----|------|
| SWH FSL2/ SWH FSP2 series | 30 | 550 | 266 | 240 | 238 | 435 | 450 | 20 | 73 |
| | 50 | 855 | 266 | 500 | 238 | 435 | 450 | 20 | 73 |
| | 80 | 991 | 298 | 450 | 270 | 493 | 510 | 20 | 91,5 |
| | 100 | 1190 | 298 | 550 | 270 | 493 | 510 | 20 | 91,5 |

5. WATER HEATER DESCRIPTION

Fig.3 shows the design of the horizontal-type water heater. Example is FSL/FSP.

FSL2

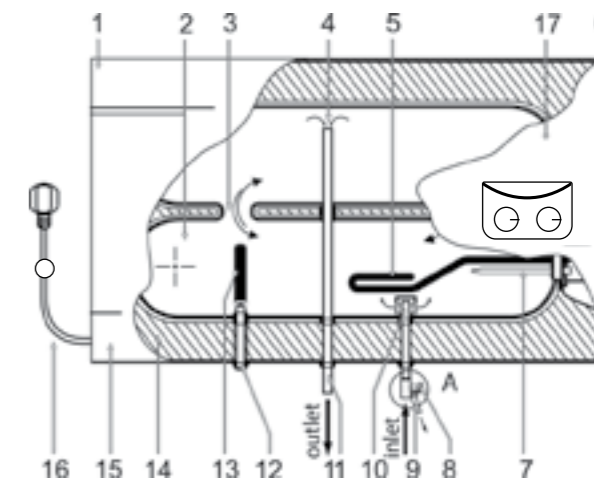


Fig. 3

- 1 – left composite protective cover
- 2 – water containing tanks
- 3 – system of flows between tanks (3 overflows)
- 4 – the upper part of the hot water intake tube
- 5 – heating element
- 6 – right composite protective cover
- 7 – temperature sensor case**
- 8 – composite pressure safety valve (be sure to install onto the cold water supply tube) Pos. A
- 9 – emergency discharge of surplus water pressure (a small water leakage is possible from the emergency discharge hole when the water heater is operating. It is normal)
- 10 – inlet nozzle with a splitter
- 11 – hot water outlet nozzle
- 12 – emergency water discharge valve (can be used for water discharge during cleaning of the internal tank surface upon its maintenance and anode replacement)
- 13 – protective magnesium anode
- 14 – urethane foam heat insulation layer
- 15 – external decorative case
- 16 – power cable with GFCI*
- 17 - control panel

* Depending on the product batch, GFCI can be located not within the power cable electric plug.

** FSP model equipped with temperature sensor

FSL1/FSP1 series

- 1 – the upper composite protective cover
- 2 – external decorative case
- 3 – system of flows
- 4 – urethane foam heat insulation layer
- 5 – internal tank
- 6 – heating element
- 7 – power cable with GFCI*
- 8 – thermostat sensor pipe
- 9 – protective magnesium anode
- 10 – inlet nozzle with a splitter
- 11 – the lower composite protective cover

- 12 – composite pressure safety valve (make sure to install onto the cold water supply tube) Pos. A
- 13 – emergency discharge of surplus water pressure (a small water leakage is possible from the emergency discharge hole when the water heater is operating. It is normal)
- 14 – hot water outlet nozzle
- 15 – the upper part of the hot water intake tube
- 16 - control panel

* Depending on the product batch, GFCI can be located not within the power cable electric plug.

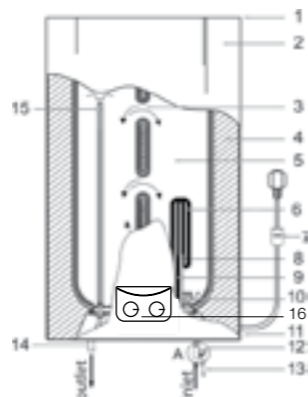


Fig. 4

6. DELIVERY SET

1. Water heater – 1 pc.
2. Anchor bolt – 2 pcs.
3. Pressure safety valve – 1 pc.
4. Operation manual – 1 pc.
5. Guarantee card – 1 pc.
6. Packing – 1 pc.

7. WATER HEATER INSTALLATION

Location

1. Electric water heater should be mounted on a firm wall. If the wall is not robust enough to hold the weight equal to the doubled weight of the total water heater weight, fully filled with water, then it should be mounted on a special support.
2. The wall, where the electric water heater is to be mounted, must withstand at least the double weight of the water heater, fully filled with water; there must be no cracks and other damages on the wall. Otherwise it is necessary to take measures to strengthen the mounting or mount the water heater on a special support.
3. If a bathroom is too small, the water heater can be installed elsewhere, unexposed to direct sunlight and unavailable for moisture. However, to reduce heat losses in pipelines, the location, where a water heater is to be installed, must be as close to the place, where hot water is used, as possible.



IMPORTANT!

The water heater must be mounted on a vertical wall only the position, specified in Fig.3-4 (FSL1/FSP1 line – vertically, FSL2/FSP2 – horizontally). Mounting of the appliance in any other position or vertical or horizontal tilting will inevitably result in failure of the water heater, emergency situation and is considered a non-guarantee case by the manufacturer.

Water heater mounting methods

Fig.5 shows the way to mount the water heater for one consumption point.

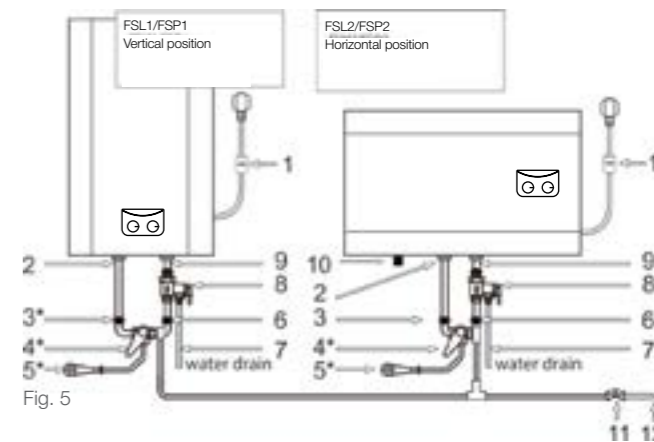


Fig. 5

1. Power cord with GFCI**
2. Water outlet
3. Hot water supply adjustment cock*
4. Mixer*
5. Shower header*
6. Cold water supply adjustment cock*
7. Discharge pipe*
8. Composite pressure-relief valve
9. Water inlet
10. Magnesium anode – water discharge nozzle
11. Water main shut-off valve
12. Water main
13. Inlet pipe
14. Outlet pipe

* not included in the delivery set

** Depending on the product batch, GFCI can be located not within the power cable electric plug.

Fig. 7 shows the way to mount the water heater for one consumption point.

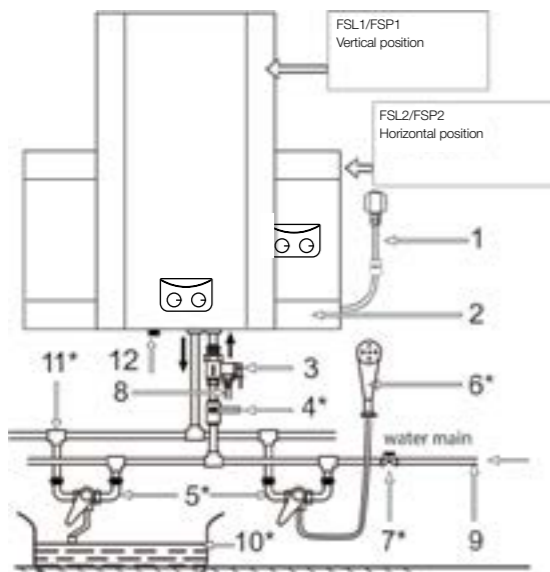


Fig. 6

1. Power cord with GFCI**
2. Mounted water heater
3. Composite pressure-relief valve
4. Cold water supply valve*
5. Mixer*
6. Shower header*
7. Water main shut-off valve
8. Discharge pipe*
9. Water main
10. Bath*

11. T-joint*
12. Magnesium anode – water discharge nozzle

* not included in the delivery set
 ** Depending on the product batch, GFCI can be located not within the power cable electric plug.



IMPORTANT!

Please, use accessories, provided by the manufacturer, to install the water heater. Electric water heater must not be mounted on a wall prior you make sure that the bracket is installed firmly and securely. Otherwise the electric water heater may fall down from the wall, which may cause its damage and even serious accidents involving bodily injury. When determining points for bolt holes, it is necessary to provision some spare space between the lower part of the water heater and the floor, and as to the FSL2/FSP2 line there also must be some space between the right side of the water heater and the wall on the right, not less than 0.6 m to make it convenient to perform maintenance if necessary.

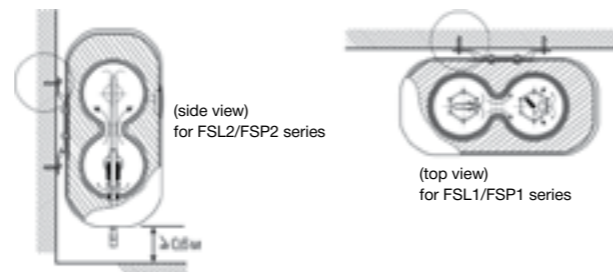


Fig. 7

1. Electric water heater should be mounted on a firm wall. If the wall is not robust enough to hold the weight equal to the doubled weight of the overall water heater weight, fully filled with water, then it should be mounted on a special support.

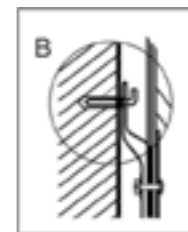


Fig. 8

2. After you chose the proper place to install the water heater, determine points for holes for expansion hook bolts (to be determined in accordance with the data sheet for the appliance you chose). Drill two holes of the corresponding depth in the wall using a drill, dimensionally fit for expansion bolts, enclosed with the water heater, insert bolts, turn the hook upwards, securely tighten nuts and then hang the electric water heater on these hooks (see Fig. 8).
3. Fix a power outlet to the wall. Requirements to the outlet are as follows: 230V/10A, single-phase, three-wired. It is recommended to place the outlet on the right side above the water heater.
4. If a bathroom is too small, the water heater can be installed elsewhere, unexposed to direct sunlight and unavailable for moisture. However, to reduce heat losses in pipelines, the location, where a water heater is to be installed, must be as close to the place, where hot water is used, as possible.



NOTE:

In places or on the wall, where water may get to, the power outlet installation height must be not less than 1.8 m.

Connection to water main

1. The heater must be connected to water main with at least 0.1 MPa pressure; maximum pressure is 0.7 MPa.



NOTE:

The water heater is the appliance, operating in such a manner that pressure of water in the water heater corresponds to the pressure of water in water main. If pressure in the main exceeds 0.7 MPa, then it is necessary to mount a pressure reducer before the water heater so that pressure doesn't exceed 0.7 MPa.

2. G1/2 diameter pipes are used to connect the water heater to the water pipeline.
3. To prevent a leakage when connecting pipes, use rubber sealing gaskets on the threaded pipe ends.
4. Screw a relief valve to the inlet nozzle, marked blue and embossed arrow of the water flow direction, so that the water flow direction coincides with direction of the arrow on the valve's case.



NOTE:

Do not mount additional accessories, such as a shut-off valve, between the relief valve and the inlet nozzle.

5. Water heater with the mounted valve must be connected to the water main – install a shut-off valve at the water inlet point. You need to connect a drain pipe to the opening of the pressure relief of safety valve. Next you should put a drain pipe to the sewer.
6. Connect the desired number of consumption points to the outlet nozzle, marked red.
7. Check leak integrity of joints: open the shut-off cock and one of the cock assemblies. After the tank is filled with water, as evidenced by issue of water from the cock assembly, shut the cock assembly and check the leak integrity of all joints.



IMPORTANT!

If water in the installation location contains a large amount of calcium, manganese or iron salts, then **IT IS NECESSARY** to mount a respective filter in the delivery system to reduce the amount of scale generated in the tank and on the heating element.

Connection to electric main



IMPORTANT!

Prior to connecting the tank water heater, make sure that the water heater is properly grounded. Proper grounding is important to minimize electric shocks and risk of fire. The power cord is equipped with a plug with a grounding pin. The appliance must be used with a properly grounded power outlet. If the outlet, you are intending to use, is not properly grounded or grounded by a time-delay fuse or a circuit breaker, contact a qualified electrician to install a proper outlet.

1. The water heater is designed to be connected to 230V single-phase electric main. Prior to connecting make sure that parameters of the electric main in the place of connection correspond to parameters, specified on the identification plate with technical parameters of the appliance. You should follow the current electrical safety code when installing the water heater.

2. The power outlet must be properly grounded. The outlet must be designed for rated current not less than 10A. The power outlet and plug must always be dry to prevent current leakage. Regularly check if the power plug is tightly connected to the outlet. Do it in the following order: insert the power plug into the outlet, switch off the water heater after half-hour operation and unplug the cord, check if the plug is heated by your hand. If the plug is heated over 50°C, then to prevent damages, accidents and fire as a result of bad electrical contact, replace the outlet with a new one. A specialist must do this.

3. Power cord of the appliance is a single unit with GFCI (Ground Fault Circuit Interrupter).



IMPORTANT!

Wall outlet should be rated on voltage not lower than 10A, electric main cable with copper section not lesser than 3x1,5 mm² (for cooper).

Electric plug of the device corresponds one block with GFCI.

Electric socket should be no lower, than 10A, power card with copper inner part, cross-section of copper should be not less, than 3x1,5 mm². Electric plug has combined with GFCI.



IMPORTANT!

To provide reliable operation and safe use of the water heater, prior to the first run check if it is properly connected to the 230V AC mains. The water heater to be connected must be securely linked with the earth circuit of your electric mains. If the water heater is not grounded, then in case of a short circuit GFCI, supplied with the heater, may not operate. It is dangerous.

GFCI (Ground Fault Circuit Interrupter) (Fig. 9)

1. Connect the cable to the mains, indicator (1) will light up.
2. Press button (2) for testing, voltage will be cut off, indicator (1) will light down and restart button (3) will go upwards.
3. Press button (3) to restart the appliance, voltage will be restored and indicator (1) will light up.

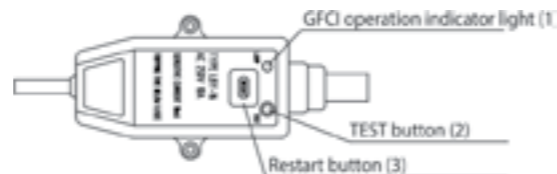


Fig. 9



NOTE:

- if pressing test button (2) voltage is not cut off and/or indicator (1) continues to be lighted, it means that GFCI safety device is not operating properly.

- if pressing restart button (3) voltage is not restored and/or indicator (1) doesn't light up, it means that the water heater is not operating properly. In both cases disconnect the water heater and call the service center.

- to reduce the risk of an electric shock, do not disassemble, remove or fill liquid in this appliance.

8. WATER HEATER CONTROL

Control panel

1. Thermostat handle

Please, use this handle to set the desired temperature of water. Turning the knob in a clockwise direction you increase temperature of water.

2. Switcher of power modes

«O» - means OFF position. Turning the knob in a clockwise direction you increase power from 800W up to 2000W

3. Indicators lighting

If light are blue it means the water heater works, but a water is not heating inside. If lights are pink/red it means the heating element heats a water inside tank.

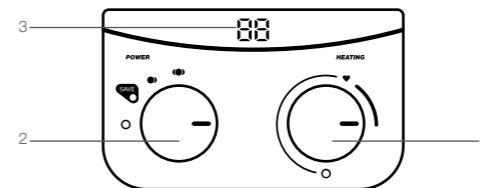


Fig. 10

Water heater operation

1. Switching on

1.1 At first, open one of the hot water outlet valves, then open the cold water supply valve. The electric water heater will start filling with water. When water flows from the hot tap freely, it means the water heater is fully filled with water and you can close the hot water outlet valve.



NOTE:

During normal operation the cold water supply valve must be set "open".

1.2 Plug the power cord into the outlet, at that an indicator light on GFCI and temperature controller handle lighting will light up and time will be shown on the display.

2. Water heating temperature setting

2.1. Temperature can be set within the range 35°C-75°C, in increments of 1°C.



NOTE:

When setting temperature, having reached the optimal heating position "♥" (+58°C (+/- 2°C)), you will hear a sound signal (for some models).

2.2 The water heater automatically maintains water temperature. When water temperature in the water heater reaches the temperature, set by the user, the heating is automatically switched off. When water temperature in the water heater drops to a certain level, the heating is automatically switched off.



IMPORTANT!

Water may start dripping from the relief valve hole during heating. It is impossible to avoid water leakage and you must not prevent it since valve blocking may cause rupture of the internal tank (in case of equipment failure).

3. Temperature display (only for FSP series)

All FSP series models are equipped with temperature display shows current water temperature in whatever heater tanks.



IMPORTANT!

The manufacturer provides an extended guarantee for particular water heater components provided that timely and proper routine maintenance is performed by specialists of an authorized service center (see the guarantee card).

4. Preventive operations must be performed upon strict observance of the operation manual and safety precautions.

5. The water heater is equipped with a thermal switch, which cuts off power supply of the heating element upon water overheating or its absence in the water heater. If the water heater is connected to the mains, but water is not heated and the indicator doesn't light up, then the thermal switch was switched off or not switched on. To reset the water heater to the operating condition, it is necessary to:

- de-energize the water heater, remove the plate of the side / lower cover for horizontal-type/vertical-type water heater respectively.

- for FSL2/FSP2 series horizontal-type water heaters: press the button, located in the center of the thermal switch, placed near the heating element (with a round shape), until it clicks, Fig. 12;

- for FSL1/FSP1 series vertical-type water heaters: unscrew retaining nut of the thermal switch, fastened on the flange of the heating element, turn the thermal switch and press the button, located in the center of the thermal switch, until it clicks; Fig. 13;

- if the button is not pressed and there is no clicking, then you should wait until the thermal switch cools down to the initial temperature.



IMPORTANT!

If these actions had no positive result or the thermal switch turns off repeatedly during a short period of time, then you should de-energize the water heater, cut off water supply and contact your local Timberk Authorized Service Center for a consult or repair of the appliance.

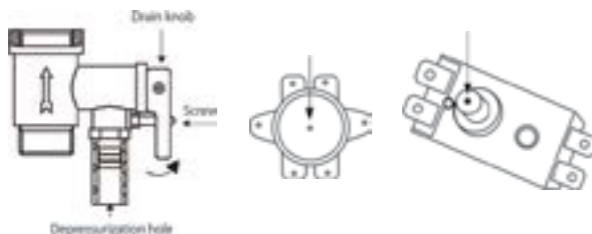


Fig. 11

Fig. 12

Fig. 13

1. Check the power plug and outlet as often as possible. Secure electrical contact and also proper grounding must be provided. The plug and outlet must not heat excessively.

2. If the water heater is not used for a long time, especially in regions with low air temperature (below 0°C), it is necessary to drain water from the heater.

3. To ensure long reliable water heater operation, it is recommended to regularly clean the internal tank and remove deposits on the electric heating element of the water heater, as well as check condition of the magnesium anode and, if necessary, replace it with a new one.

6. To drain water from the internal tank properly, you need to use the drain hole (only for FSL2/FSP2 line) (it is necessary to unscrew a plug, covering the drain hole), water can also be drained through a composite relief valve (Fig. 11) (unscrew the composite relief valve drain knob screw and set the drain knob to the upper position, at that hot water tap must be open, and cold water supply valve must be closed).

7. Bear in mind to check serviceability of the relief valve every 14 days – inspection method:

- turn the discharge lever to the left up until you feel the change of thread, then water must start flowing from the valve's hole. After checking the water flow, return the lever to its initial position.

8. If necessary, wipe external surfaces of the heater by a damp cloth with soap.

10. TROUBLESHOOTING

Possible malfunctions and troubleshooting methods

Table 4

| Failure | Possible causes | Troubleshooting method |
|---|--|--|
| Heating indicator light doesn't light up, water is not heated | 1. Temperature adjustment device is broken. | Contact a repairer, TIMBERK service center. |
| | 2. Temperature limiter was actuated or was not switched on. | Switch on the temperature switch following instructions on its activation. (page 12) |
| | 3. Temperature limiter is broken. | Contact a repairer, TIMBERK service center. |
| Water doesn't flow from the hot water discharge cock | 1. Water feed is cut off. | 1. Wait until water supply is restored. |
| | 2. Water pressure is too low. | 2. Switch on the water heater again, when normal water pressure restores. |
| | 3. Water supply exhaust valve is closed. | |
| Water temperature is too high | Water temperature control system is damaged. | Contact a repairer, TIMBERK service center. |
| Water leakage | Seal at the point of pipe connection is broken. | Replace the joint seal. |
| Water flows from the appliance's case | Breaking of the internal tank (corrosion) Seal at the point of the heating element connection is broken. | Contact a repairer, TIMBERK service center. |

11. TRANSPORTATION AND STORAGE CONDITIONS

| | | |
|---------------------------|----------------------------|--|
| Temperature requirements* | Transportation and storage | From -30° to +50° |
| Humidity requirements* | | From 15% to 85% (without a condensate) |

We are exploring new technologies and we constantly improving the quality of our products. That's why specifications, design and accessories are subject to change without any specific notice.

12. WIRING DIAGRAM

Серия FSL1/FSL2

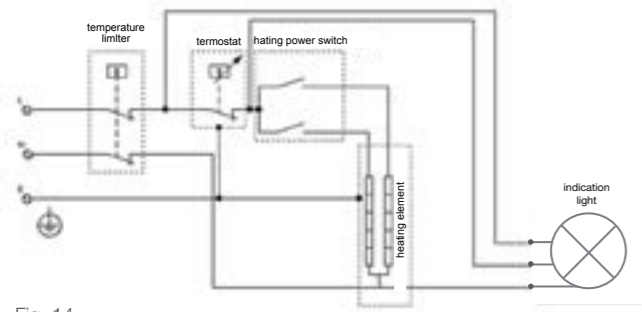


Fig. 14

Серия FSP1

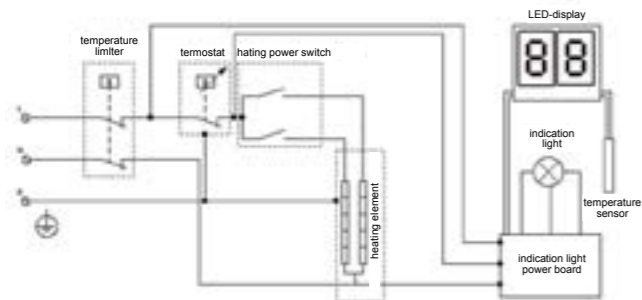


Fig. 15

13. DISPOSAL

The water heater should be disposed upon the end of life. You can obtain detailed information on water heater disposal from a representative of local authorities.

Device service life is 10 years.



NOTE:

Technical and any other characteristics of the appliance can be revised.

Such changes may be introduced without warning and prior notice to the consumers.

The manufacturer shall not be liable for changes in the appliance's wiring diagram that may be implemented without notice to the consumers.

14. SERIAL NUMBER AND PRODUCTION DATE

Serial number, production month and year are included in ID LINE product code. Sticker with production date is pasted on product surface.

СОДЕРЖАНИЕ

| | |
|--|----|
| 1. Важная информация | 15 |
| 2. Меры предосторожности | 16 |
| 3. Назначение прибора | 17 |
| 4. Рабочие характеристики | 17 |
| Технические характеристики | 17 |
| Размерные характеристики | 18 |
| 5. Описание водонагревателя | 19 |
| 6. Комплект поставки | 20 |
| 7. Установка водонагревателя | 20 |
| Местоположение | 20 |
| Способы монтажа водонагревателя | 21 |
| Монтаж водонагревателя | 22 |
| Подключение к водопроводной магистрали | 23 |
| Подключение к электрической сети | 23 |
| УЗО (устройство защитного отключения) | 24 |
| 8. Управление водонагревателем | 24 |
| Панель управления | 24 |
| Эксплуатация водонагревателя | 25 |
| 9. Обслуживание | 26 |
| 10. Устранение неисправностей | 27 |
| 11. Электрическая принципиальная схема | 27 |

Уважаемый покупатель!

Благодарим Вас за удачный выбор. Вы приобрели электрический накопительный водонагреватель Timberk. Он прослужит Вам долго.

Электрические накопительные водонагреватели Timberk подготовят большое количество горячей воды и будут поддерживать заданную температуру автоматически. Они идеально подходят для снабжения горячей водой загородных домов, коттеджей, бань и прочих индивидуальных бытовых помещений.

1. ВАЖНАЯ ИНФОРМАЦИЯ

Просим внимательно ознакомиться с руководством по эксплуатации перед использованием водонагревателя.

В данном руководстве по эксплуатации содержится важная информация, касающаяся Вашей безопасности, а также рекомендации по правильному использованию прибора и уходу за ним. Сохраните руководство по эксплуатации вместе с гарантийным талоном, кассовым чеком, по возможности, картонной коробкой и упаковочным материалом. В данном руководстве по эксплуатации описываются разные виды данного типа устройства.

Приобретенный Вами водонагреватель может несколько отличаться от описанного в руководстве, что не влияет на способы использования и эксплуатации.



ВНИМАНИЕ!

Важные меры предосторожности и инструкции, содержащиеся в данном руководстве, не включают всех возможных режимов и ситуаций, которые могут встречаться. Необходимо понимать, что здравый смысл, осторожность и тщательность являются факторами, которые невозможно «встроить» ни в один продукт.



ВНИМАНИЕ!

Эти факторы должен учитывать человек, который заинтересован в надлежащей эксплуатации устройства. Изготовитель не несет ответственности в случае повреждения прибора или его отдельных частей во время транспортировки, в результате неправильной установки, в результате колебаний напряжения, а также в случае, если какая-либо часть прибора была изменена или модифицирована.

2. МЕРЫ ПРЕДОСТОРОЖНОСТИ

При использовании водонагревателя, необходимо соблюдать ряд мер предосторожности. Неправильная эксплуатация в силу игнорирования мер предосторожности может привести к причинению вреда здоровью пользователя и других людей, а также нанесения ущерба их имуществу.

1. Любой электроприбор должен находиться под наблюдением во время его эксплуатации, особенно, если неподалёку от него находятся дети. Внимательно следите за тем, чтобы дети не прикасались к прибору.

2. Перед установкой водонагревателя, не подключая его к электросети, проверьте и убедитесь, что сетевая розетка для водонагревателя имеет контакт заземления и правильно заземлена. При отсутствии заземляющего контура в вашей электросети эксплуатация водонагревателя опасна для жизни.

3. Подключайте водонагреватель только к сети 230В/50Гц. При необходимости выясните характеристики своей сети у поставщиков электроэнергии.

4. Во избежание перегрева и риска возникновения пожара, а также повреждения внутренней электрической сети, не изменяйте длину сетевого шнура и не подключайте водонагреватель через электрические удлинители.

5. Запрещается включать водонагреватель, если он не наполнен водой или если обнаружена непроходимость воды через предохранительный клапан.

6. Никогда не используйте водонагреватель, если он неисправен.

7. Не снимайте крышки водонагревателя во время его работы.

8. Незамедлительно отключите водонагреватель от электрической сети, если от него идут странные звуки, запах или дым.

9. Всегда отключайте водонагреватель от электрической сети во время грозы.

10. Перед началом чистки и технического обслуживания водонагревателя всегда отключайте его от электрической сети. Чистку и техническое обслуживание производите в соответствии с указаниями данного руководства по эксплуатации.

11. Не используйте опасные химические вещества для чистки водонагревателя и не допускайте их попадания на него.

12. Во избежание опасности поражения электрическим током, поврежденный сетевой шнур должен меняться только в авторизованных сервисных центрах изготовителя, квалифицированными специалистами.

13. Во избежание опасности поражения электрическим током не размещайте шнур питания рядом с нагревательными приборами и легковоспламеняющимися или горючими веществами.

14. Поскольку температура воды в водонагревателе может достигать 75°C, при использовании водонагревателя не следует подставлять части тела под горячую воду при первом включении. Для предотвращения ожогов правильно отрегулируйте температуру вытекающей воды.

15. Не используйте водонагреватель, в целях, не предусмотренных этим руководством по эксплуатации.

16. Не используйте водонагреватель во взрывоопасной или коррозионной среде. Не храните рядом с прибором бензин и другие летучие легковоспламеняющиеся жидкости это очень опасно!

17. Запрещено вносить изменения в конструкцию водонагревателя или модифицировать его.

18. Любые сервисные работы должны производиться специализированной организацией, квалифицированными специалистами. Неправильная установка может повлечь за собой отказ в гарантийном обслуживании.

19. Водонагреватель не предназначен для использования лицами (включая детей) с ограниченными физическими, сенсорными или умственными возможностями, обладающими недостаточным опытом и знаниями, если они не находятся под наблюдением и не получили инструкций по использованию устройства от лица, ответственного за их безопасность. Необходимо, следить, чтобы дети не играли с прибором.

3. НАЗНАЧЕНИЕ ПРИБОРА

Электрический водонагреватель накопительного типа предназначен для нагрева поступающей из водопровода холодной воды. Он применяется в бытовых целях.

4. РАБОЧИЕ ХАРАКТЕРИСТИКИ

Основные особенности

1. Полностью автоматическое управление: автоматический нагрев воды, постоянный автоматический контроль температуры воды.

2. Система защиты:

- Drop Defense - защита от протечки и избыточного давления внутри бака (предохранительный клапан)

- HOT Defense - двухуровневая защита от перегрева (термостат и ограничитель температуры)

Все системы защиты являются надежными и безопасными.

3. Трубки нагревательных элементов спроектированы с учетом большой тепловой нагрузки: безопасные, надежные, с увеличенным сроком службы.

4. Пенополиуретановая NON CFC теплоизоляция увеличенной толщины: отличная тепловая изоляция, которая позволяет эффективно сохранять накопленное тепло и экономить электроэнергию.

5. Температурный контроллер: точное и надежное управление температурой воды.

6. Водонагреватель серии FSP оснащен дисплеем на панели управления, отображающим текущую температуру воды во внутреннем резервуаре водонагревателя.

7. Внутренний резервуар и все внутренние компоненты выполнены из нержавеющей стали SUS 304 с толщиной стенок 1,2 мм.

8. Водонагреватель оснащен анодным стержнем для защиты от коррозии внутреннего резервуара и уменьшения образования накипи на нагревательном элементе.

Технические характеристики

Технические характеристики водонагревателя приведены в таблице 1, 2.

Таблица 1

| Наименование | Ед. изм. | SWH FSL1 30 V/ SWH FSL2 30 H | SWH FSL1 50 V/ SWH FSL2 50 H | SWH FSL1 80 V/ SWH FSL2 80 H | SWH FSL1 100 V/ SWH FSL2 100 H |
|--|-------------|---------------------------------|---------------------------------|---------------------------------|-----------------------------------|
| Номинальное напряжение | В/Гц | 230-/50 | 230-/50 | 230-/50 | 230-/50 |
| Номинальная сила тока | А | 8.7 | 8.7 | 8.7 | 8.7 |
| Номинальная потребляемая мощность | Вт | 2000 | 2000 | 2000 | 2000 |
| Мощность по ступеням | Вт | 800/1200/2000 | 800/1200/2000 | 800/1200/2000 | 800/1200/2000 |
| Объем | л | 30 | 50 | 80 | 100 |
| Номинальное давление | МПа | 0,7 | 0,7 | 0,7 | 0,7 |
| Класс защиты | - | I | I | I | I |
| Класс влагозащиты | - | IPX4 | IPX4 | IPX4 | IPX4 |
| Время нагрева при Δ 30 °С | мин | 21 | 43 | 64 | 79 |
| Размеры прибора | мм | 550x435x238 | 855x435x238 | 991x493x270 | 1190x493x270 |
| Вес | кг | 9,8 | 13,4 | 18,9 | 23,4 |
| Фактическое годовое потребление электроэнергии | кВт·ч | 335,8 | 452,6 | 481,8 | 518,3 |
| Постоянные суточные потери | кВт·ч / сут | 0,98 | 1,23 | 1,33 | 1,45 |

Таблица 2

| Наименование | Ед. изм. | SWH FSP1 30 V / SWH FSP2 30 H | SWH FSP1 50 V / SWH FSP2 50 H | SWH FSP1 80 V / SWH FSP2 80 H | SWH FSP1 100 V / SWH FSP2 100 H |
|--|------------|-------------------------------|-------------------------------|-------------------------------|---------------------------------|
| Номинальное напряжение | В/Гц | 230~/50 | 230~/50 | 230~/50 | 230~/50 |
| Номинальная сила тока | А | 8.7 | 8.7 | 8.7 | 8.7 |
| Номинальная потребляемая мощность | Вт | 2000 | 2000 | 2000 | 2000 |
| Мощность по ступеням | Вт | 800/1200/2000 | 800/1200/2000 | 800/1200/2000 | 800/1200/2000 |
| Объем | л | 30 | 50 | 80 | 100 |
| Номинальное давление | МПа | 0,7 | 0,7 | 0,7 | 0,7 |
| Класс защиты | - | I | I | I | I |
| Класс влагозащиты | - | IPX4 | IPX4 | IPX4 | IPX4 |
| Время нагрева при Δ 30 °С | мин | 21 | 43 | 64 | 79 |
| Размеры прибора | мм | 550x435x238 | 855x435x238 | 991x493x270 | 1190x493x270 |
| Вес | кг | 9,8 | 13,4 | 18,9 | 23,4 |
| Фактическое годовое потребление электроэнергии | кВтч | 335,8 | 452,6 | 481,8 | 518,3 |
| Постоянные суточные потери | кВтч / сут | 0,98 | 1,23 | 1,33 | 1,45 |

Размерные характеристики

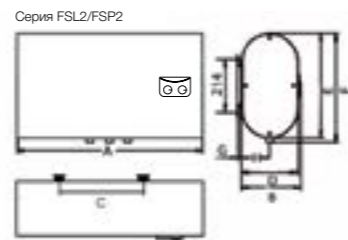


Рис. 1

Размерные характеристики водонагревателя (в мм) согласно рис. 1, рис. 2 приведены в таблице 3.

Таблица 3

| | Объем, л | A | B | C | D | E | F | G | H |
|---------------------------|----------|------|------|-----|-----|-----|-----|------|------|
| SWH FSL1 / SWH FSP1 серии | 30 | 550 | 570 | 240 | 238 | 435 | 20 | 73 | - |
| | 50 | 855 | 875 | 500 | 238 | 435 | 20 | 73 | - |
| | 80 | 991 | 1011 | 450 | 270 | 493 | 20 | 91,5 | - |
| | 100 | 1190 | 1210 | 550 | 270 | 493 | 20 | 91,5 | - |
| SWH FSL2 / SWH FSP2 серии | 30 | 550 | 266 | 240 | 238 | 435 | 450 | 20 | 73 |
| | 50 | 855 | 266 | 500 | 238 | 435 | 450 | 20 | 73 |
| | 80 | 991 | 298 | 450 | 270 | 493 | 510 | 20 | 91,5 |
| | 100 | 1190 | 298 | 550 | 270 | 493 | 510 | 20 | 91,5 |

Серия FSL1/FSP1

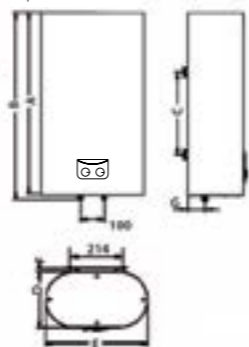


Рис. 2

5. ОПИСАНИЕ ВОДОНАГРЕВАТЕЛЯ

На рис. 3 представлено устройство водонагревателя горизонтального типа серии FSL2/FSP2. На рис. 4 представлено устройство водонагревателя вертикального типа серии FSL1/FSP1

Серия FSL2/FSP2

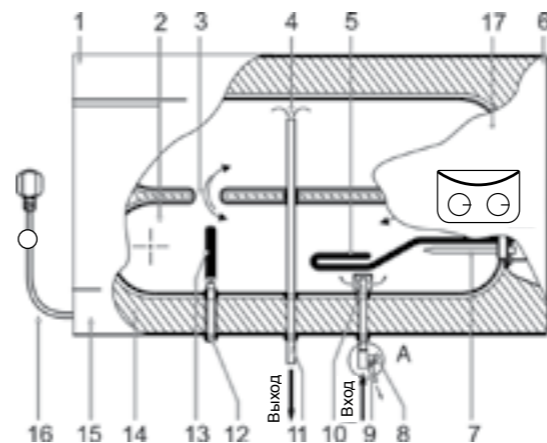


Рис. 3

- 1 - Левая комбинированная защитная крышка
- 2 - Внутренний резервуар
- 3 - Система переливов
- 4 - Верхняя часть патрубка забора горячей воды
- 5 - Нагревательный элемент
- 6 - Правая комбинированная защитная крышка
- 7- Трубка датчика термостата и датчика температуры**
- 8 - Комбинированный предохранительный клапан (требуется обязательная установка на патрубок подачи холодной воды) Поз. А

9 - Аварийный слив избыточного давления воды (при работе водонагревателя возможно слабое подтекание воды из отверстия аварийного слива. Это нормально)

- 10 - Входной патрубок с рассекателем
- 11 - Патрубок выхода горячей воды
- 12 - Патрубок резервного слива воды (может быть использован для слива воды в момент чистки внутренней поверхности резервуара при его техническом обслуживании и замены анода)
- 13 - Защитный магниевый анод (при его отсутствии отверстие выполняет роль резервного слива воды)
- 14 - Теплоизоляционный слой из пенополиуретана
- 15 - Внешний декоративный корпус
- 16 - Сетевой шнур с эл. вилкой и УЗО*
- 17 - Панель управления

*В зависимости от партии товара УЗО может быть расположено не в составе сетевого шнура

** Датчик температуры доступен только для водонагревателя серии FSP1

Серия FSL1/FSP1

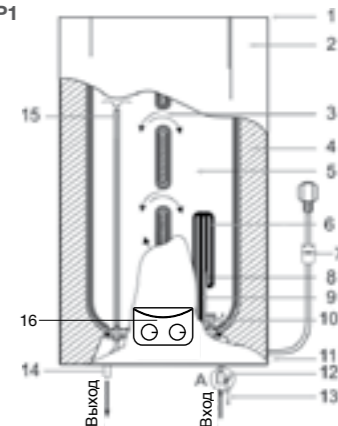


Рис. 4

- 1 - Верхняя комбинированная защитная крышка
- 2 - Внешний декоративный корпус
- 3 - Система переливов (3 перелива)
- 4 - Теплоизоляционный слой из пенополиуретана
- 5 - Внутренний резервуар
- 6 - Нагревательный элемент
- 7- Сетевой шнур с эл. вилкой и УЗО*
- 8 - Трубка датчика термостата и датчика температуры**
- 9 - Защитный магниевый анод
- 10 - Входной патрубок с рассекателем
- 11 - Нижняя комбинированная защитная крышка
- 12 - Комбинированный предохранительный клапан (требуется обязательная установка на патрубок подачи холодной воды) Поз. А
- 13 - Аварийный слив избыточного давления воды (при работе водонагревателя возможно слабое подтекание воды из отверстия аварийного слива. Это нормально)
- 14 - Патрубок выхода горячей воды
- 15 - Верхняя часть патрубка забора горячей воды
- 16 - Панель управления

*В зависимости от партии товара УЗО может быть расположено не в составе сетевого шнура

** Датчик температуры доступен только для водонагревателя серии FSP1

6. КОМПЛЕКТ ПОСТАВКИ

1. Водонагреватель - 1 шт.
2. Анкерный болт - 2 шт.
3. Предохранительный клапан - 1 шт.
4. Руководство по эксплуатации -1 шт.
5. Гарантийный талон - 1 шт.
6. Упаковка - 1 шт.

7. УСТАНОВКА ВОДОНАГРЕВАТЕЛЯ

Местоположение

1. Электрический водонагреватель следует устанавливать на прочной стене.
2. Стена, на которой устанавливается электрический водонагреватель, должна выдерживать, как минимум, двойной вес водонагревателя, полностью заполненного водой, на стене должны отсутствовать трещины и другие повреждения. В противном случае необходимо принять меры для усиления крепления или установить водонагреватель на специальной опоре.
3. Если ванная комната слишком маленькая, водонагреватель можно установить в другом месте, закрытом от прямого солнечного света и недоступном для попадания влаги. Однако для снижения потерь тепла в трубопроводах место установки водонагревателя должно находиться как можно ближе к месту использования горячей воды.



ВНИМАНИЕ!

Водонагреватель должен быть установлен на вертикальную стену строго в том положении, как указано на рис. 3, 4 (серия FSL1/FSP1 – в вертикальном положении, серия FSL2/FSP2 – в горизонтальном). Установка прибора в любом другом положении или перекос относительно вертикали или горизонтали неизбежно приведет к выходу водонагревателя из строя, созданию аварийной обстановки и рассматривается производителем как негарантийный случай.

Способы монтажа водонагревателя

Способ монтажа водонагревателя для одной точки потребления представлен на рис. 5.

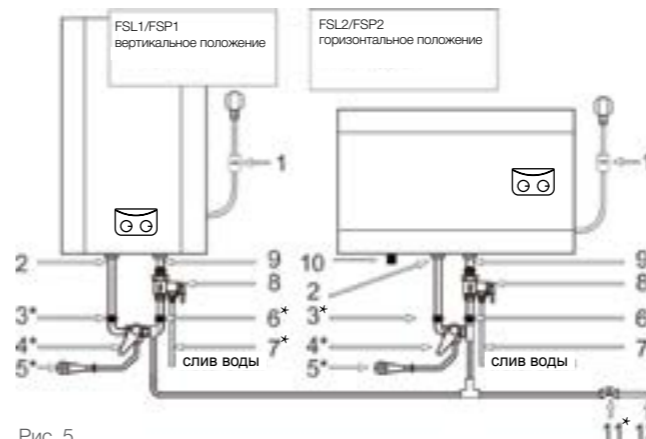


Рис. 5

1. Сетевой шнур с УЗО
2. Выходной патрубок
3. Кран регулировки потока горячей воды*
4. Смеситель*
5. Душевая насадка*
6. Кран регулировки потока холодной воды*
7. Сливная трубка*
8. Комбинированный предохранительный клапан
9. Входной патрубок
10. Магниевый анод-патрубок для слива воды
11. Отсечной кран водопроводной магистрали*
12. Водопроводная магистраль

* не входит в комплект поставки

Способ монтажа водонагревателя для нескольких точек потребления представлен на рис. 6.

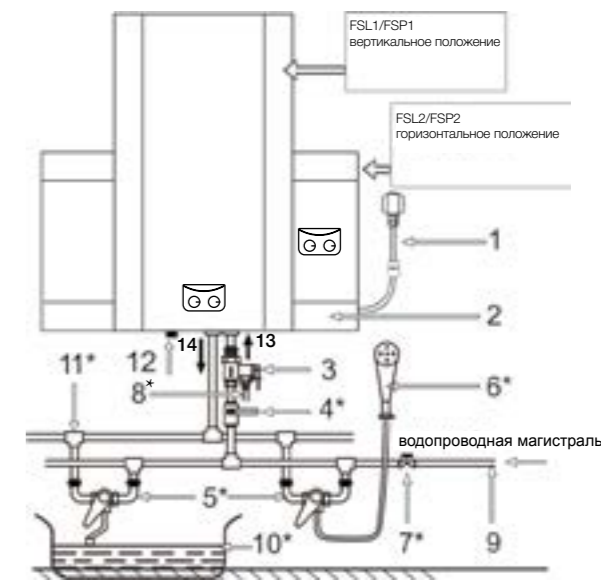


Рис. 6

1. Сетевой шнур с УЗО
2. Смонтированный водонагреватель
3. Комбинированный предохранительный клапан
4. Кран входа холодной воды *
5. Смеситель *
6. Душевая насадка *
7. Отсечной кран водопроводной магистрали*
8. Сливная трубка*
9. Водопроводная магистраль

10. Ванна *
11. Тройник*
12. Магниевый анод- патрубков для слива воды
13. Входной патрубок
- 14.Выходной патрубок

* не входит в комплект поставки

Монтаж водонагревателя



ПРИМЕЧАНИЕ!

Пожалуйста, для установки водонагревателя используйте принадлежности, предоставленные производителем. Электрический водонагреватель нельзя крепить на стене до того, как вы убедитесь, что кронштейн установлен надёжно и прочно. В противном случае электрический водонагреватель может упасть со стены, что может привести к его повреждению и даже к серьёзным происшествиям с причинением вреда здоровью и получением травм. При определении точек для отверстий под анкерные болты следует предусмотреть свободное пространство между нижней частью водонагревателя и полом не менее 0,6 м, а для серии FSL2/FSP2 ещё и свободное пространство между боковой крышкой с правой стороны и стеной для обеспечения удобства технического обслуживания при необходимости его проведения

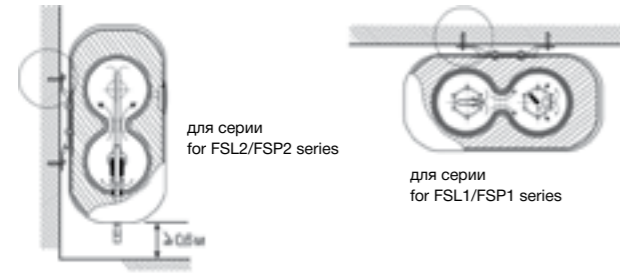


Рис.7

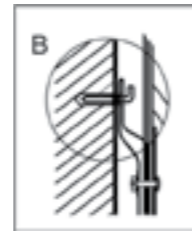


Рис. 8

1. Электрический водонагреватель следует устанавливать на прочной стене. Если прочность стены не позволяет удерживать вес, равный двойному весу общего веса водонагревателя, полностью заполненного водой, его следует устанавливать на специальной опоре.
2. После того, как вы выбрали правильное место установки водонагревателя, определите точки для отверстий под распорные болты с крючками (определяются в соответствии со спецификацией прибора, который вы выбрали). Просверлите в стене два отверстия соответствующей глубины с использованием сверла, подходящего по размеру под распорные болты, прилагаемые к водонагревателю, вставьте винты, поверните крюк вверх, плотно затяните гайки и затем повесьте электрический водонагреватель на эти крюки (см. Рис.8).
3. Прикрепите сетевую розетку к стене. Требования к розетке следующие: 230V/10A, однофазная, трёхпроводная. Рекомендуется разместить розетку с правой стороны выше водонагревателя.
4. Если ванная комната слишком маленькая, водонагреватель можно установить в другом месте, закрытом от прямого солнечного света и недоступном для попадания влаги. Однако для снижения потерь тепла в трубопроводах место установки водонагревателя должно находиться как можно ближе к месту использования горячей воды.



ПРИМЕЧАНИЕ:

В местах или на стене, куда может попасть вода, высота установки электрической розетки должна быть не менее 1,8 м.

Подключение к водопроводной магистрали

1. Нагреватель подключается к водопроводной сети с давлением минимум 0,1 МПа, максимум 0,7 МПа



ПРИМЕЧАНИЕ!

Водонагреватель является прибором, действующим таким образом, что давление воды в водонагревателе, соответствует давлению воды в водопроводной магистрали. Если в магистрали давление превышает 0,7 МПа, то следует смонтировать перед водонагревателем редуктор давления, чтобы давление не превышало 0,7 МПа.

2. Для подключения водонагревателя к водопроводу применяются трубы диаметром G1/2.
3. Для предотвращения протечки при подсоединении труб используйте резиновые уплотнительные прокладки на резьбовых окончаниях труб.
4. На входной патрубок обозначенный голубым цветом и стрелкой направления течения воды накрутите предохранительный клапан так, чтобы течение воды совпадало с направлением стрелки на корпусе клапана. На отверстие сброса давления предохранительного клапана (см. рис. 11) оденьте дренажную трубку* для отвода воды (возможно появление при нагревании) в канализацию.



ПРИМЕЧАНИЕ:

Между предохранительным клапаном и входным патрубком нельзя монтировать дополнительные приспособления, например, отсечной кран.

5. Нагреватель со смонтированным клапаном подключить к водопроводной сети - в месте подведения воды установить отсечной кран.
6. К выходному патрубку, обозначенному красным цветом, подсоединить желаемое количество точек потребления.
7. Открыть отсечной кран и один из разборных кранов. После наполнения резервуара, о чем свидетельствует вытекание воды из разборного крана, закрыть разборный кран и проверить герметичность всех соединений.

*не входит в комплект поставки



ВНИМАНИЕ!

Если вода в месте установки содержит большое количество солей кальция, марганца или железа, то необходимо в подводящей системе смонтировать соответствующий фильтр для снижения количества накипи в резервуаре и на нагревательном элементе.

Подключение к электрической сети



ВНИМАНИЕ!

Перед подключением накопительного водонагревателя убедитесь в том, что водонагреватель заземлен надлежащим образом. Правильное заземление важно для минимизации ударов током и опасности возгорания. Шнур питания оснащён вилкой, с контактом заземления. Устройство должно использоваться с правильно заземленной сетевой розеткой. Если розетка, которую Вы планируете использовать, не заземлена соответствующим образом или защищена предохранителем с задержкой на срабатывание или прерывателем цепи, свяжитесь с квалифицированным электриком для установки правильной розетки.

1. Водонагреватель рассчитан на подключение к электрической сети с однофазным напряжением 230 В. Перед подключением убедитесь, что параметры электросети в месте подключения соответствуют параметрам, указанным на маркировочной табличке с техническими данными прибора. При установке водонагревателя следует соблюдать действующие правила электробезопасности.

2. Электрическая розетка должна быть рассчитана на номинальный ток не ниже 10А, электрический кабель с жилой сечением не менее 3x1,5 мм² (для меди).

Электрические розетка и вилка должны всегда оставаться сухими во избежание утечки электрического тока. Регулярно проверяйте, что электрическая вилка плотно подключена к розетке. Проверку проводите в следующем порядке: вставьте электрическую вилку в розетку, через полчаса работы выключите водонагреватель и выньте

те вилку из розетки, проверьте рукой, не нагрелась ли вилка. Если вилка нагрелась до температуры выше 50°C, во избежание повреждений, происшествий, возникновения пожара в результате плохого электрического контакта замените розетку на другую. Это должен делать специалист.

3. Сетевой шнур прибора представляет собой единый блок с УЗО (Устройство защитного отключения).



ВНИМАНИЕ!

Для обеспечения надежной работы и безопасной эксплуатации водонагревателя перед первым включением проверьте правильность его подсоединения к электрической сети переменного тока 230 В. Подключаемый водонагреватель должен быть надежно соединен с заземляющим контуром вашей электрической сети. Использование водонагревателя без заземления опасно для жизни.

УЗО (устройство защитного отключения) (рис. 9)

1. Подключите сетевой шнур к сети, индикатор (1) загорится.
2. Для тестирования нажмите кнопку (2), напряжение перестанет подаваться, индикатор (1) погаснет и кнопка перезапуска (3) поднимется вверх.
3. Для перезапуска нажмите кнопку (3), напряжение опять начнет подаваться и индикатор (1) загорится.

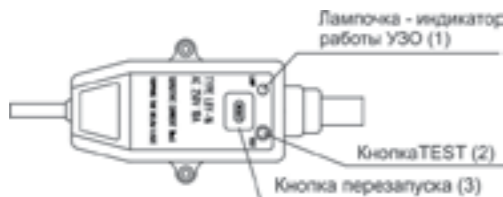


Рис. 9



ПРИМЕЧАНИЕ:

- если при нажатии кнопки тестирования (2) напряжение не оключается и/или индикатор (1) продолжает гореть, это означает, что устройство безопасности УЗО работает некорректно.

- если при нажатии кнопки перезапуска (3) напряжение не подается и/или индикатор (1) не горит, это означает, что водонагреватель работает некорректно. В обоих случаях отключите водонагреватель и позвоните в сервисный центр.

- в целях уменьшения риска поражения током не разбирайте, не удаляйте и не заливайте жидкостью данное устройство.

8. УПРАВЛЕНИЕ ВОДОНАГРЕВАТЕЛЕМ

Панель управления

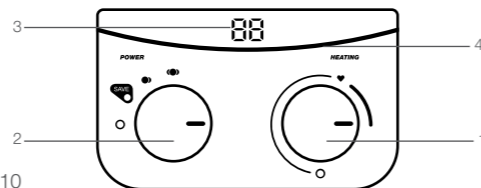


Рис. 10

1. Ручка терморегулятора
Используется для установки желаемой температуры нагрева.
2. Ручка переключателя режимов мощности
Используется для выбора режима мощности нагрева.
3. LED – дисплей (для серии FSP)
На дисплее отображается текущая температура воды во внутреннем резервуаре
4. Индикатор работы водонагревателя

Для серии FSP. Если индикатор светится голубым цветом, значит, водонагреватель подключен к электрической сети, но нагрев воды внутри резервуара не происходит.

Если индикатор светится красным цветом, значит, водонагреватель подключён к электрической сети и происходит нагрев воды внутри резервуара.

Для серии FSL. Если индикатор светится только голубым цветом, значит, водонагреватель подключен к электрической сети, но нагрев воды внутри резервуара не происходит.

Если индикатор светится одновременно голубым и красным цветом, значит, водонагреватель подключён к электрической сети и происходит нагрев воды внутри резервуара.

Эксплуатация водонагревателя

1. Включение

1.1 Сначала откройте один из кранов выхода горячей воды, затем откройте кран подачи холодной воды. Электрический водонагреватель начнёт заполняться водой. Когда из крана горячей воды свободно вытекает вода, это означает, что водонагреватель полностью заполнился водой и кран выхода горячей воды можно закрыть.



ПРИМЕЧАНИЕ:

Во время обычной работы кран подачи холодной воды должен быть установлен в положение «ореп» («открыт»).

1.2 Вставьте электрическую вилку водонагревателя в розетку, при этом должна загореться индикаторная лампочка в УЗО и индикатор питания голубого цвета на панели управления.

2. Выбор режима мощности

Для выбора режима мощности нагрева воды установите ручку переключателя режимов мощности в одно из следующих положений: «» - низкая мощность (800 Вт), «» - средняя мощность (1200 Вт) или «» - высокая мощность (2000 Вт).

Также для водонагревателя серии FSL, если прибор будет находиться в режиме нагрева, на панели управления, при выборе низкой мощности нагрева загорится индикатор нагрева красного цвета с левой стороны от индикатора питания голубого цвета, при выборе средней мощности нагрева загорится индикатор нагрева красного цвета с правой стороны от индикатора питания голубого цвета, при выборе высокой мощности нагрева одновременно загорятся индикаторы нагрева красного цвета с правой стороны и с левой стороны от индикатора питания голубого цвета.

3. Установка температуры нагрева воды.

3.1. Температуру воды в водонагревателе можно установить в диапазоне от +35°C (±5°C) до +75°C (±5°C) (крайнее правое положение ручки терморегулятора)

3.2. Поворачивая ручку терморегулятора по часовой стрелке, вы увеличиваете температуру нагрева воды.

3.3. Поворачивая ручку терморегулятора против часовой стрелки, вы уменьшаете температуру нагрева воды

3.4. Водонагреватель автоматически поддерживает температуру воды. Для серии FSP. Когда температура воды внутри водонагревателя достигает установленной пользователем температуры, нагрев автоматически выключается, при этом на панели управления светится индикатор питания голубого цвета. Когда температура воды внутри водонагревателя понижается ниже установленного уровня, нагрев автоматически включается, при этом на панели управления загорается индикатор нагрева красного цвета.

Для серии FSL. Когда температура воды внутри водонагревателя достигает установленной пользователем температуры, нагрев автоматически выключается, при этом на панели управления светится только индикатор питания голубого цвета. Когда температура воды внутри водонагревателя понижается ниже установленного уровня, нагрев автоматически включается, при этом на панели управления, в зависимости от выбранной мощности нагрева воды, с левой стороны, с правой стороны или одновременно с 2 -х сторон от индикатора питания голубого цвета дополнительно загорается индикатор нагрева красного цвета.


3.5. Установив ручку терморегулятора в положении «», вы выберете режим, который соответствует наиболее комфортной температуре нагрева воды в водонагревателе (+58°C (±2°C)), а также наиболее эффективному режиму расхода электроэнергии.



ВНИМАНИЕ!

Во время нагревания может начать капать вода из отверстия предохранительного клапана. Избегать подтекания воды невозможно и нельзя препятствовать этому, так как блокировка клапана может привести к разрыву внутреннего резервуара (в случае аварии оборудования)

4. Выключение

Чтобы выключить водонагреватель, установите ручки терморегулятора и переключателя режимов мощности в положение «». Водонагреватель прекратит свою работу, при этом на панели управления будет светиться только индикатор питания голубого цвета.

Рекомендуется всегда отключать водонагреватель от электрической сети, если вы не планируете использовать прибор какое-то время.

5. Температурный дисплей

Все модели серии FSP оснащены температурным LED-дисплеем, отображающим текущую температуру воды во внутреннем резервуаре.

9. ОБСЛУЖИВАНИЕ

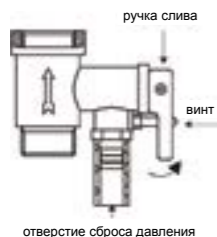


Рис. 11

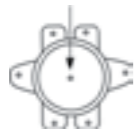


Рис. 12

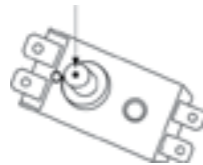


Рис. 13

1. Проверьте электрические вилку и розетку как можно чаще. Должен быть обеспечен надёжный электрический контакт, а также правильное заземление. Вилка и розетка не должны чрезмерно нагреваться.

2. Если водонагреватель не используется продолжительное время, особенно в регионах с низкой температурой воздуха (ниже 0 °C), для предотвращения повреждения водонагревателя (по причине замерзания воды во внутреннем баке), воду из нагревателя следует слить.

3. Чтобы обеспечить надёжную работу водонагревателя в течение длительного времени, рекомендуется периодически чистить внутренний бак и убирать отложения на электрических нагревательных элементах водонагревателя, а также проверять состояние магниевого анода, чтобы своевременно заменить его на новый.



ВНИМАНИЕ!

Производитель предоставляет увеличенную гарантию на отдельные компоненты водонагревателя при условии своевременного и правильного проведения периодического технического обслуживания прибора специалистами авторизованного сервисного центра (см. гарантийный талон).

4. Профилактические работы должны производиться при строгом соблюдении инструкции по эксплуатации и техники безопасности.

5. Водонагреватель оснащен термовыключателем, который прекратит подачу электроэнергии к ТЭНу, при перегреве воды или ее отсутствии в водонагревателе. Если водонагреватель включен в сеть, но не происходит нагрев воды и не горит индикаторная лампа, значит отключился или не был включен термовыключатель. Для возврата водонагревателя в рабочее состояние необходимо:

- отключить питание от электронагревателя, снять накладку боковой/нижней крышки для горизонтального/вертикального водонагревателя соответственно;

- для горизонтальных водонагревателей серии FSL2/FSP2: нажать до щелчка кнопку, расположенную по центру термовыключателя, который находится рядом с ТЭНом (имеет круглую форму), рис. 12;

- для вертикальных водонагревателей серии FSL1/FSP1: нажать до щелчка кнопку, расположенную по центру термовыключателя; рис. 13;

- если кнопка не нажимается и нет щелчка, то подождать пока термовыключатель остынет до и исходной температуры.



ВНИМАНИЕ!

Если данные действия не дали положительного результата или отключение термовыключателя происходит неоднократно, в течение короткого промежутка времени, тогда следует отключить питание водонагревателя, перекрыть подачу воды в водонагреватель и обратиться в Авторизованный Сервисный Центр Timberk в Вашем регионе для получения консультации или ремонта изделия.

6. Чтобы правильно слить воду из внутреннего бака, надо воспользоваться сливным отверстием (только для серии FSL2/FSP2) (надо открутить заглушку, закрывающую сливное отверстие), также воду можно слить через обратный предохранительный клапан (открутить сливной винт обратного предохранительного клапана и перевести ручку слива в верхнее положение, при этом кран выхода горячей воды должен быть открыт, а кран подачи холодной воды в водонагреватель должен быть перекрыт) (смотри рис. 11). Никогда не сливайте воду, если ее температура выше 50°C, т.к. это может привести к ожогам.

7. Помните о контрольных проверках исправности действия предохранительного клапана каждые 14 дней - способ проверки:

-перевести ручку слива в верхнее положение до ощущения перехода резьбы и тогда из отверстия клапана должна потечь вода. После проверки вытекания воды верните ручку в предыдущее положение.

8. Наружные поверхности нагревателя по мере необходимости протирать влажной тряпочкой с мылом.

10. УСТРАНЕНИЕ НЕИСПРАВНОСТЕЙ

Возможные неисправности и методы их устранения

Таблица 4

| Проблема | Возможные причины | Способ устранения |
|---|---|--|
| Индикатор работы на панели управления не горит, вода не греется | 1. Повреждение устройства регулирования температуры. | 1. Обратиться к специалисту по ремонту, в сервисный центр Timberk. |
| | 2. Сработало или не было включено устройство ограничения температуры. | см. п.9. «Обслуживание», п.п. 5. |
| | 3. Повреждение устройства ограничения температуры. | 3. Обратиться к специалисту по ремонту, в сервисный центр Timberk. |
| Из крана выходы горячей воды не течет вода | 1. Отключена подача воды. | 1. Подождать восстановления подачи воды. |
| | 2. Слишком низкое давление воды. | 2. Включить водонагреватель снова, когда восстановится нормальное давление воды. |
| | 3. Закрыт кран подачи холодной воды. | 3. Открыть кран подачи холодной воды. |
| Температура воды слишком высокая | Повреждение системы контроля температуры воды. | Обратиться к специалисту по ремонту, в сервисный центр Timberk. |
| Протечка воды | Нарушено уплотнение в месте подключения трубу. | Заменить уплотнение соединения. |
| Вода течет из корпуса прибора | 1. Разрушение внутреннего бака (коррозия) | Обратиться к специалисту по ремонту, в сервисный центр Timberk. |
| | 2. Нарушено уплотнение в месте присоединения нагревательного элемента | |

11. ЭЛЕКТРИЧЕСКАЯ ПРИНЦИПИАЛЬНАЯ СХЕМА

Серия FSL1/FSL2

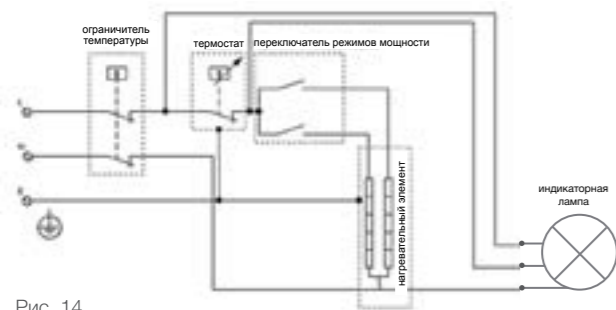


Рис. 14

Серия FSP1/ FSP2

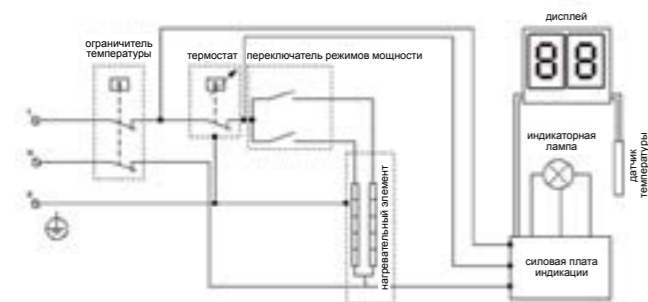
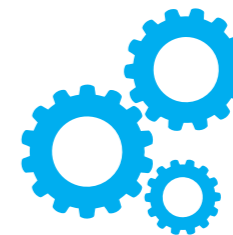


Рис. 15



www.btpart.ru

Все расходные материалы для продукции Timberk вы можете приобрести на сайте www.btpart.ru

Уважаемый покупатель!

Timberk предоставляет вам специальный сервис в рамках программы клиентской поддержки. Теперь вы всегда сможете заказать и оформить доставку на запасные части и расходные материалы, необходимые для оптимальной, качественной работы техники Timberk в течение всего срока службы на едином портале www.btpart.ru.

Всю информацию о работе портала вы также всегда сможете увидеть на сайте www.timberk.com. Мы искренне надеемся, что этот уникальный дополнительный сервис поможет вам сделать жизнь с Timberk еще удобнее!



RU

**Руководство по эксплуатации
техники Timberk написано
на английском языке и
переведено на русский язык.**



BY

В целях информирования покупателей техники Timberk, мы дополнительно сообщаем, что русский является государственным языком в следующих государствах:

- в Российской Федерации
- в Республике Беларусь наряду с белорусским языком
- в частично признанной Южной Осетии наряду с осетинским языком



OS



KZ

Русский язык является официальным языком (во всех случаях другой язык или другие языки выступают как государственный или второй официальный) в следующих государствах и на территориях:



AK



KG

- в Республике Казахстан
- в Киргизской Республике
- в административных единицах Украины, где доля носителей русского языка составляет более 10%, при соответствующем решении местных советов
- в Автономной Республике Крым



UA



TJ

В Республике Таджикистан русский язык признан по Конституции языком межнационального общения.



CIS

Официальным языком международной организации Содружество Независимых Государств (СНГ) является русский язык.

timberk
PROFESSIONAL

Если вы заметили ошибку в инструкции, пожалуйста, сообщите нам об этом, связавшись с нами по электронной почте, указанной на сайте www.timberk.com

If you found any mistake in this manual please let us know by email listed on www.timberk.com

timberk
P R O F E S S I O N A L

www.timberk.com

EAC