

**WARRANTY
REGISTRATION:**
register online today for a
chance to win a FREE Tripp Lite
product—www.tripplite.com/warranty



Owner's Manual

1U Short-Depth Rackmount Console with 19" Display For KVM Switch or Server

Model: B021-000-19-SH

1. Introduction	2
2. Important Safety Instructions	2
3. System Components & Compatibility	3
4. Features	3
5. Rackmounting	4
6. Connection	4
7. LCD OSD Configuration	5
8. Storage & Service	5
9. Specifications	6
10. Warranty & Warranty Registration	6
Español	7
Français	13



1111 W. 35th Street, Chicago, IL 60609 USA
www.tripplite.com/support



Manufacturing
Excellence.
Since 1922.

1. Introduction

The B021-000-19-SH 1U Short-Depth Rackmount Console features an integrated LCD panel, full keyboard and touch pad in a 1U rackmountable housing. It is designed for use with a server or a KVM switch with PS/2 or USB console port connectors. The B021-000-19-SH's compact design permits installation in short-depth enclosures. Features include:

- Rackmount console combines a 19-in. LCD display, keyboard and touch pad in an integrated 1U rackmountable housing
- Sleep mode is automatically invoked when the monitor cover is closed
- Supports resolutions of up to 1280 x 1024 pixels
- Can be used with any device that includes PS/2 or USB console port connectors
- Rackmountable in short-depth enclosures down to 19 in.

2. Important Safety Instructions



SAVE THESE INSTRUCTIONS

This manual contains instructions and warnings that should be followed during the installation and operation of this product. Failure to comply may invalidate the warranty and cause property damage and/or personal injury.

Installation Warnings

- Install the Console in a controlled indoor environment, away from moisture, temperature extremes, flammable liquids and gasses, conductive contaminants, dust and direct sunlight.
- Operate the Console at indoor temperatures between 32° F and 104° F (0° C and 40° C).
- When connecting the Console to the facility's power supply circuit, ensure that the circuit is not overloaded.

Rackmount Warnings

- Ensure there is adequate airflow within the rack.
- Mount the Console evenly within the rack to eliminate potentially hazardous uneven mechanical loading conditions.
- Ensure that all rackmount equipment is reliably grounded.

Connection Warnings

- Use of this equipment in life support applications where failure of this equipment can reasonably be expected to cause the failure of the life support equipment or to significantly affect its safety or effectiveness is not recommended. Do not use this equipment in the presence of a flammable anesthetic mixture with air, oxygen or nitrous oxide.
- Ensure that the cables used with the Console are not close to any sources of electrical noise interference such as fluorescent lights, HVAC systems or motors.
- Ensure that the distance between any computer and the Console does not exceed 33 ft. (10m).

Maintenance Warnings

- The Console does not require routine maintenance. There are no user-serviceable parts inside. Only authorized service personnel should open the case for any reason.
- Disconnect the unit from AC input power before servicing.

3. System Components & Compatibility

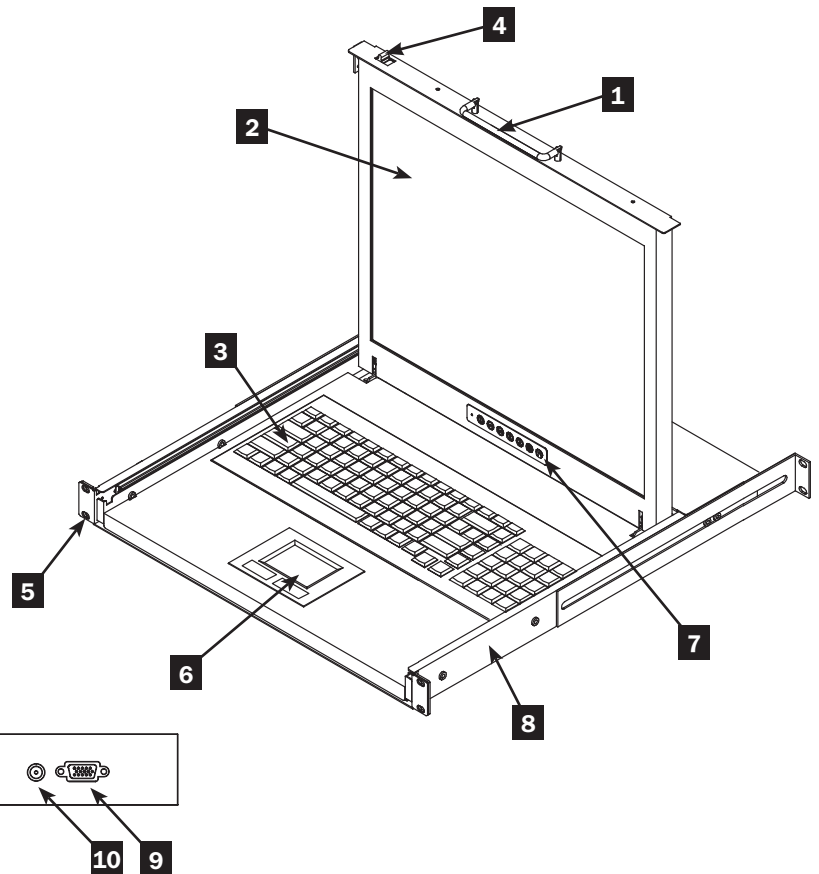
Package contains:

- B021-000-19-SH 1U Short-Depth Rackmount Console
- Mounting Hardware
- USB Cable Kit with PS/2 Adapter
- AC Power Adapter
- User's Guide

The B021-000-19-SH supports most servers and KVM switches with PS/2 or USB console port connectors.

4. Features

- 1 Handle:** Pull to slide the Console out; push to slide in.
- 2 LCD Monitor:** After sliding the Console out, flip up the cover to access the LCD monitor, keyboard and touch pad.
- 3 Keyboard**
- 4 Slide Release:** Locks the drawer closed when the Console is not in use and prevents it from accidentally sliding open. To slide the Console out, release it by moving this tab sideways.
- 5 Rackmounting Brackets:** Included with the B021-000-19-SH; install at each corner of the unit. For rackmounting instructions, see Section 5.
- 6 Two Button Touchpad**
- 7 LCD Display Controls:** Control the position and picture settings of the LCD display. Also includes a power LED to indicate the status of the LCD panel. See Section 7, LCD OSD Configuration, for details.
- 8 Railway Release Tabs:** When the Console is fully extended, the railway system will lock. Push the release tabs to unlock the Console so that it can be slid back in.
- 9 Console Port Section:** The included cable kit required to connect the Console to your server or KVM switch plugs in here.
- 10 Power Socket:** The included Power Adapter plugs in here.



5. Rackmounting

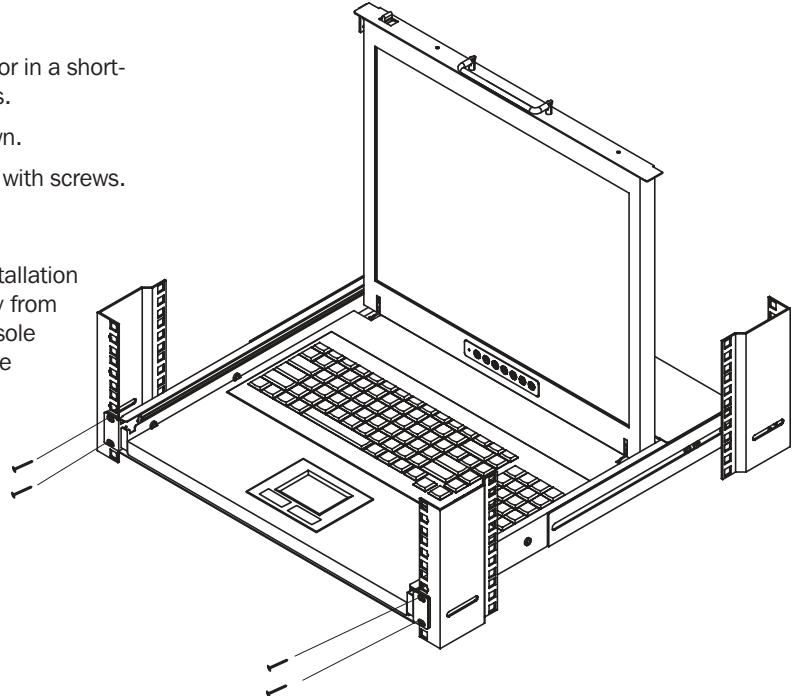
Standard Rackmounting

The B021-000-19-SH can be mounted in a standard 1U system rack, or in a short-depth enclosure down to 19 in., using the included mounting brackets.

- 1 Install the mounting brackets to the sides of the module as shown.
- 2 Slide the module into the rack enclosure and secure it to the rack with screws.

Optional Rackmounting

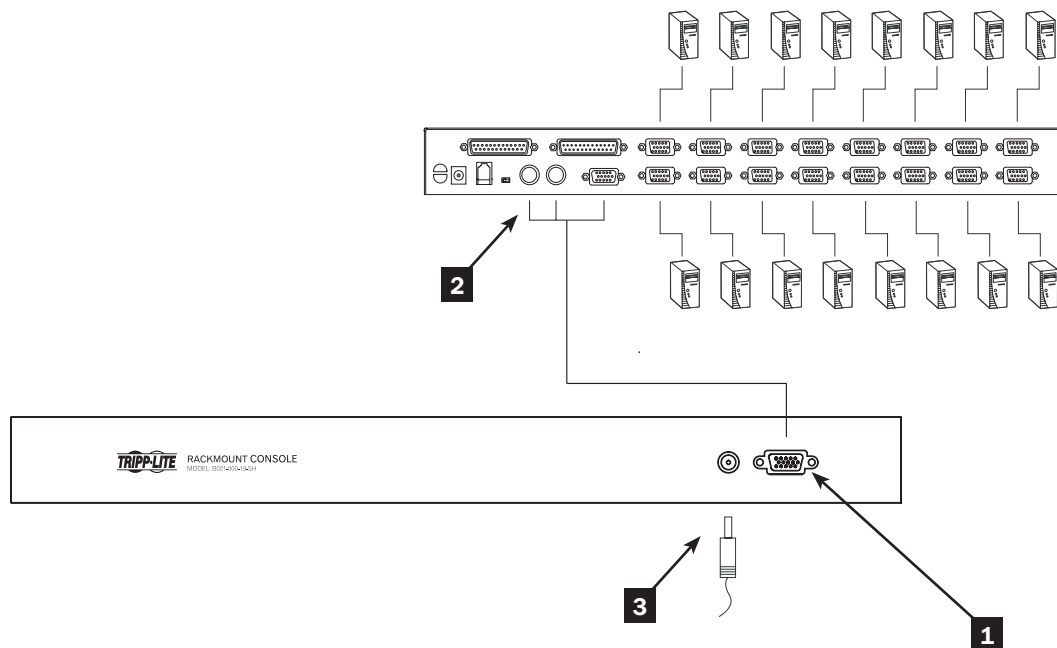
The B021-000-19-SH can also be mounted in a 2-post rack installation using a 2-Post Rackmount Kit (Model B019-000), available separately from Tripp Lite. This kit includes mounting hardware that enables the console to be extended with the drawer in any position. Heavy-duty 14-gauge steel provides stability and prevents the console frame from twisting.



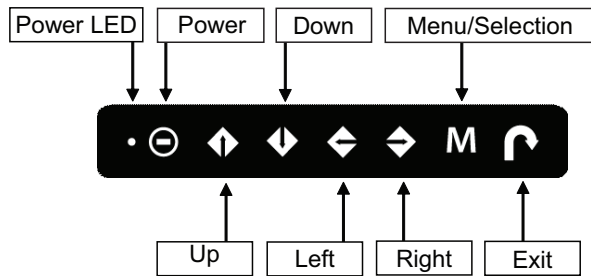
6. Connection

Note: Diagram shows the B021-000-19-SH connecting to a Tripp Lite B022-016 KVM switch. If you are connecting to a different KVM or server, the console port connectors may be in a different location.

- 1 Plug the included cable kit into the port on the B021-000-19-SH.
- 2 Plug the cable keyboard, monitor and mouse connectors on the other end of the USB cable kit into their corresponding ports on the server or KVM switch. The cable kit includes a PS/2 adapter to accommodate both USB and PS/2 connections.
- 3 Plug the Power Adapter into the B021-000-19-SH's power socket and into an AC power source.
- 4 Power up your server or KVM installation.



7. LCD OSD Configuration



MAIN MENU	
	BRIGHTNESS/CONTRAST
	AUTO ADJUST
	PHASE/CLOCK
	H/V POSITION
	MISC
	RESET

OSD Menu Controls	Function
○ ● ●	Power "ON/OFF" LED Green = OSD menu "ON" Orange = OSD menu "OFF" (power saving mode)
	Press this to turn the monitor on or off.
	Press this to bring up the configuration menu. Also, when scrolling through the menu, press this to select an option.
	Press these to scroll through the menu options.
	Press these to increase or decrease the configuration settings.
	Press this to return to the previous menu screen. Also, press this to perform an auto adjust when not in the menu configuration.

BRIGHTNESS / CONTRAST

Brightness:	Adjusts background black level of the screen image.
Contrast:	Adjusts the difference between the image background (black level) and the foreground (white level).

AUTO ADJUST

Auto Adjust:	Fine-tunes the video signal to eliminate distortion. An "Adjusting" message is displayed during the process.
Auto Balance:	Optimizes phase, clock, position and size. An "Adjusting" message is displayed during the process.

PHASE/CLOCK

Phase / Clock:	Adjusts the vertical (phase) or horizontal (clock) size of the screen image.
----------------	------------------------------------------------------------------------------

H/V POSITION

H/V Position:	Aligns the screen image left or right and up or down.
---------------	-------------------------------------------------------

MISC

Information:	Displays the current resolution, refresh rate and frequency information on the screen.
OSD Timer:	Sets the time duration in seconds that the OSD is visible after the last button is pressed. The factory default is 8 seconds.
Color:	Selects the screen color - 5500K, 6500K & 9300K. The factory default is 9300K.
Language:	Selects the language in which the OSD menu is displayed - English, Chinese, Japanese, German, French, Spanish, Italian.
Display Mode:	Functional only in DOS mode. User can choose to display in Graphic Mode (640 x 480) or Text Mode (720 x 400).

RESET

Reset:	Restores the settings to factory defaults.
--------	--------------------------------------------

8. Storage & Service

Storage

The Console must be stored in a clean, secure environment at a temperature of less than 40° C (104° F) and a relative humidity of less than 90% (noncondensing). If possible, store the console in its original shipping container.

Service

The Console is covered by the limited warranty described in this manual. For more information, call Tripp Lite Customer Service, (773) 869-1234.

9. Specifications

Function		Specifications
Connectors	Console	1 x HD15 male
	Power	1 x AC Adapter Port
LEDs		1 x Power (Blue)
Resolution		1280 x 1024; DDC2B
Environment		Operating Temperature: 32°- 122° F
		Storage Temperature: -4°- 140° F
		Humidity: 0 - 80% RH Noncondensing
Housing		Metal
Weight		37 pounds
Dimensions (L x W x H)		19 x 17.25 x 1.75 inches

10. Warranty & Warranty Registration

1-Year Limited Warranty

TRIPP LITE warrants its products to be free from defects in materials and workmanship for a period of one (1) year from the date of initial purchase. TRIPP LITE's obligation under this warranty is limited to repairing or replacing (at its sole option) any such defective products. To obtain service under this warranty, you must obtain a Returned Material Authorization (RMA) number from TRIPP LITE or an authorized TRIPP LITE service center. Products must be returned to TRIPP LITE or an authorized TRIPP LITE service center with transportation charges prepaid and must be accompanied by a brief description of the problem encountered and proof of date and place of purchase. This warranty does not apply to equipment, which has been damaged by accident, negligence or misapplication or has been altered or modified in any way.

EXCEPT AS PROVIDED HEREIN, TRIPP LITE MAKES NO WARRANTIES, EXPRESS OR IMPLIED, INCLUDING WARRANTIES OF MERCHANTABILITY AND FITNESS FOR A PARTICULAR PURPOSE. Some states do not permit limitation or exclusion of implied warranties; therefore, the aforesaid limitation(s) or exclusion(s) may not apply to the purchaser.

EXCEPT AS PROVIDED ABOVE, IN NO EVENT WILL TRIPP LITE BE LIABLE FOR DIRECT, INDIRECT, SPECIAL, INCIDENTAL OR CONSEQUENTIAL DAMAGES ARISING OUT OF THE USE OF THIS PRODUCT, EVEN IF ADVISED OF THE POSSIBILITY OF SUCH DAMAGE. Specifically, TRIPP LITE is not liable for any costs, such as lost profits or revenue, loss of equipment, loss of use of equipment, loss of software, loss of data, costs of substitutes, claims by third parties, or otherwise.

Warranty Registration

Visit www.tripplite.com/warranty today to register the warranty for your new Tripp Lite product. You'll be automatically entered into a drawing for a chance to win a FREE Tripp Lite product!*

* No purchase necessary. Void where prohibited. Some restrictions apply. See website for details.

FCC Radio/TV Interference Notice

This equipment has been tested and found to comply with the limits for a Class A digital device, pursuant to part 15 of the FCC Rules. These limits are designed to provide reasonable protection against harmful interference when the equipment is operated in a commercial environment. This equipment generates, uses, and can radiate radio frequency energy and, if not installed and used in accordance with the instruction manual, may cause harmful interference to radio communications. Operation of this equipment in a residential area is likely to cause harmful interference in which case the user will be required to correct the interference at his own expense. The user must use shielded cables and connectors with this product. Any changes or modifications to this product not expressly approved by the party responsible for compliance could void the user's authority to operate the equipment.

WEEE Compliance Information for Tripp Lite Customers and Recyclers (European Union)

Under the Waste Electrical and Electronic Equipment (WEEE) Directive and implementing regulations, when customers buy new electrical and electronic equipment from Tripp Lite they are entitled to:

- Send old equipment for recycling on a one-for-one, like-for-like basis (this varies depending on the country)
- Send the new equipment back for recycling when this ultimately becomes waste

Tripp Lite follows a policy of continuous improvement. Specifications are subject to change without notice.



1111 W. 35th Street, Chicago, IL 60609 USA
www.tripplite.com/support

Manual del Propietario

Consola Rackmount de Poca Profundidad de 1U con Pantalla de 19" para Multiplexor KVM o Servidor

Modelo: B021-000-19-SH

1. Introducción	8
2. Instrucciones de Seguridad Importantes	8
3. Componentes y Compatibilidad del Sistema	9
4. Características	9
5. Rackmount	10
6. Conexión	10
7. Configuración de Menú en Pantalla LCD	11
8. Almacenamiento y Reparaciones	11
9. Especificaciones	12
10. Garantía	12
English	1
Français	13



1111 W. 35th Street, Chicago, IL 60609 USA
www.tripplite.com/support



Excelencia en
Manufactura.
Desde 1922.

1. Introducción

La consola rackmount de poca profundidad de 1U B021-000-19-SH cuenta con un panel LCD integrado, un teclado completo y touchpad en un gabinete que se puede instalar en rack de 1U. Está diseñada para ser utilizada con un servidor o un multiplexor KVM con conectores de puerto para consola USB o PS/2. El diseño compacto de la B021-000-19-SH permite instalarla en estantes de poca profundidad. Entre las características se incluyen:

- Consola rackmount que combina una pantalla LCD de 19", teclado y touchpad en gabinete rackmount integrado de 1U
- Modo de suspensión que se activa cuando la cubierta del monitor está cerrada
- Compatibilidad con resoluciones de hasta 1280 x 1024 píxeles
- Posibilidad de utilizarse con un dispositivo que incluye conectores de puerto para consola PS/2 o USB
- Capacidad de instalación en estantes de una profundidad de tan solo 19".

2. Instrucciones de Seguridad Importantes



GUARDE ESTAS INSTRUCCIONES

Este manual contiene instrucciones y advertencias que deben seguirse durante la instalación y operación de este producto. Si no lo hace, podría invalidarse la garantía y provocar un serio daño a la propiedad o lesiones personales.

Advertencias para la Instalación

- Instale la consola en un entorno interior controlado, alejado de la humedad, temperaturas extremas, líquidos y gases inflamables, contaminantes conductores, polvo y luz solar directa.
- Opere la consola en temperaturas de interior entre 32° F y 104° F (0° C y 40° C).
- Cuando conecte la consola al circuito de fuente de alimentación, asegúrese de que el circuito no esté sobrecargado.

Advertencias para el Rackmount

- Asegúrese de que haya un flujo de aire adecuado dentro del rack.
- Instale la consola de manera pareja dentro del rack para eliminar condiciones de carga mecánica desigual potencialmente peligrosa.
- Asegúrese de que todo el equipo rackmount esté conectado a tierra de manera confiable.

Advertencias para la Conexión

- El uso de este equipo en aplicaciones de soporte de vida en donde la falla de este equipo pueda razonablemente hacer suponer que causará fallas en el equipo de soporte de vida o afecte significativamente su seguridad o efectividad, no está recomendado. No use este equipo en la presencia de una mezcla anestésica inflamable con aire, oxígeno u óxido nítrico.
- Asegúrese de que los cables utilizados con la consola no estén cerca de fuentes de interferencia de ruido eléctrico como luces fluorescentes, sistemas de climatización o motores.
- Asegúrese de que la distancia entre alguna computadora y la consola no supere los 33 pies (10m).

Advertencias sobre Mantenimiento

- La consola no requiere mantenimiento de rutina. Dentro no hay piezas que puedan ser reparadas por el usuario. La caja solo debe ser abierta por personal de servicio autorizado.
- Antes de efectuar las reparaciones, desconecte la unidad de la energía de entrada de CA.

3. Componentes y Compatibilidad del Sistema

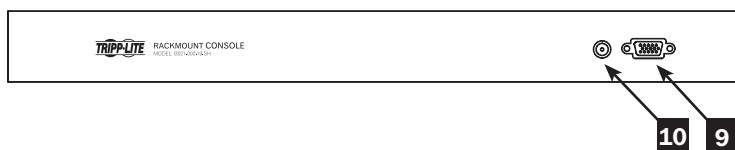
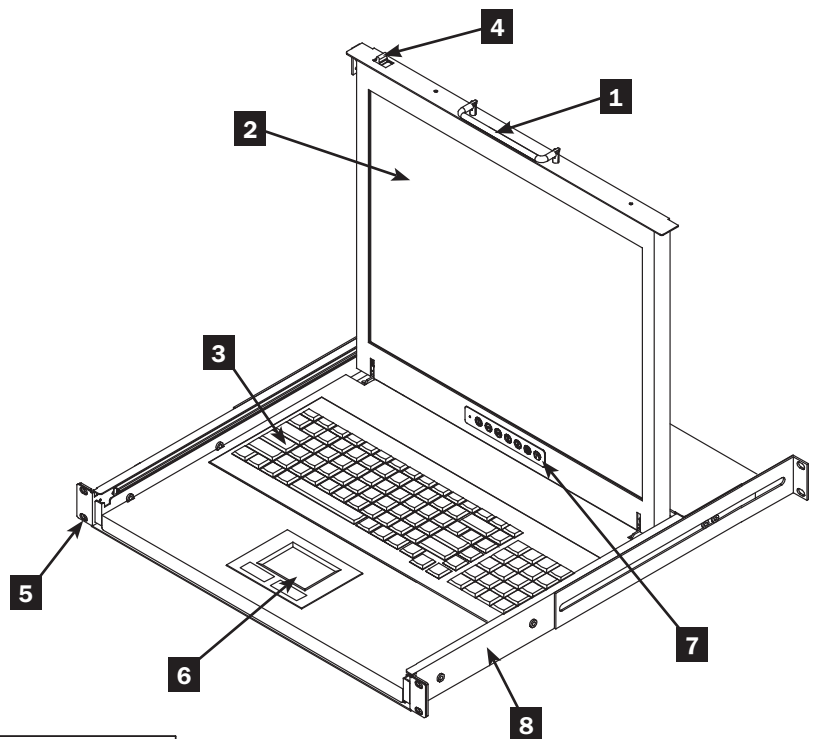
Contenidos del embalaje:

- Consola rackmount de poca profundidad de 1U B021-000-19-SH
- Accesorios de instalación
- Juego de cables USB con adaptador PS/2
- Adaptador CA
- Guía del Usuario

La B021-000-19-SH admite la mayoría de los servidores y multiplexores KVM con conectores de puerto para consola PS/2 o USB.

4. Características

- 1 Manija:** tírela para deslizar y sacar la consola; empújela para deslizar e introducir el módulo.
- 2 Monitor LCD:** después de deslizar y sacar la consola módulo, levante la tapa para poder acceder al monitor LCD, al teclado y al touchpad
- 3 Teclado**
- 4 Desenganche deslizante:** bloquea el cajón cerrado cuando no se está usando la consola e impide que se deslice accidentalmente y se abra. Para deslizar y sacar la consola, desengánchela moviendo esta pestaña hacia el lado.
- 5 Soportes para rackmount:** se incluyen con la B021-000-19-SH; instáelos en cada esquina de la unidad. Para instrucciones sobre rackmount, consulte la Sección 5.
- 6 Touchpad de dos botones**
- 7 Controles de pantalla LCD:** controlan los ajustes de la posición y la imagen de la pantalla LCD. También se incluye un LED de energía que indica el estado del panel LCD. Si desea obtener detalles, consulte la Sección 00, Configuración de Menú en Pantalla LCD.
- 8 Pestañas de liberación de riel:** cuando la consola esté completamente extendida, el sistema de riel se bloqueará. Empuje las pestañas de liberación para desbloquear la consola de manera que pueda volver a deslizarse hacia adentro.
- 9 Sección de puerto de la consola:** acá se enchufa el juego de cables incluido que se necesita para conectar la consola a su servidor o multiplexor KVM.
- 10 Toma de alimentación:** acá se enchufa el adaptador incluido.



5. Rackmount

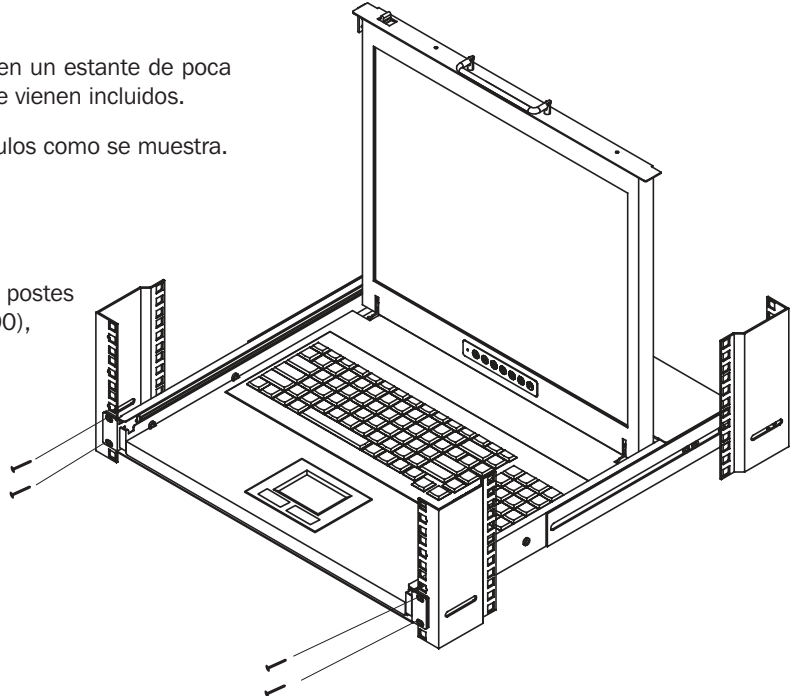
Rackmount Estándar

La B021-000-19-SH puede instalarse en un rack de 1U estándar o en un estante de poca profundidad de tan solo 19", usando los soportes para rackmount que vienen incluidos.

- 1 Instale los soportes para rackmount en los costados de los módulos como se muestra.
- 2 Deslice el módulo dentro del rack y asegúrelo con los tornillos.

Rackmount Opcional

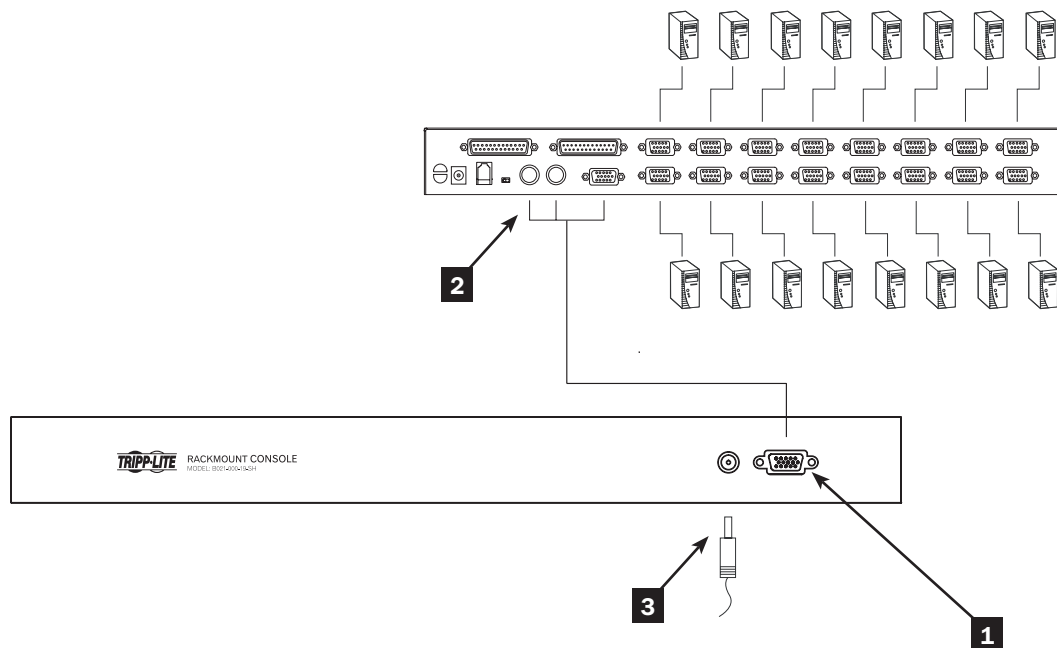
La B021-000-19-SH también puede instalarse en un rack de dos postes utilizando un juego para rackmount de dos postes (modelo B019-000), que se encuentra disponible por separado en Tripp Lite. Este juego incluye accesorios de instalación que permiten que la consola pueda extenderse con el cajón en cualquier posición. El acero de calibre 14 de alta resistencia proporciona estabilidad e impide que la estructura de la consola gire.



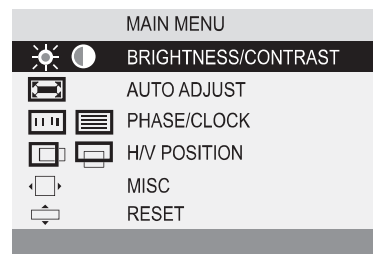
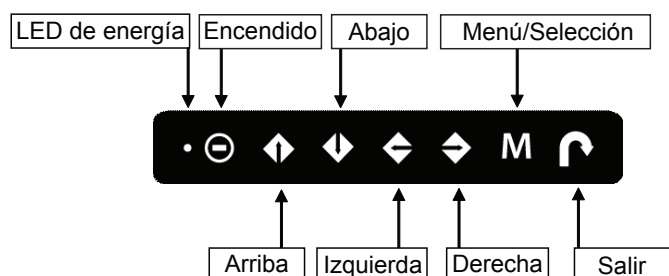
6. Conexión

Nota: En el diagrama se muestra la B021-000-19-SH conectándose a un multiplexor KVM B022-016 Tripp Lite. Si va a realizar una conexión a un multiplexor KVM o servidor diferentes, puede que los conectores de puerto de la consola estén en una ubicación diferente.

- 1 Conecte el juego de cables que viene incluido en el puerto de la B021-000-19-SH.
- 2 Enchufe los conectores del teclado, monitor y mouse con cable en el otro extremo del juego de cables USB y conéctelos dentro de sus puertos correspondientes en el servidor o multiplexor KVM. El juego de cables incluye un adaptador PS/2 que acepta tanto conexiones USB como PS/2.
- 3 Conecte el adaptador en la toma de alimentación de la B021-000-19-SH y luego en una fuente de alimentación de CA.
- 4 Encienda su servidor o multiplexor KVM..



7. Configuración de Menú en Pantalla LCD



Controles del menú en pantalla	Función
<ul style="list-style-type: none"> ○ ● ● 	LED de energía "ON/OFF" (ENCENDIDO/APAGADO) Verde = menú en pantalla "ON" (ENCENDIDO) Naranja = menú en pantalla "OFF" (APAGADO) (modo de ahorro de energía)
	Presione este para encender o apagar el monitor.
	Presione este para abrir el menú de configuración. Igualmente, cuando se desplace por el menú, presione este para seleccionar una opción.
	Presione estos para desplazarse por las opciones del menú.
	Presione estos para aumentar o disminuir los ajustes de configuración.
	Presione este para volver a la pantalla de menú anterior. También, presione este para realizar un ajuste de audio cuando no esté en la configuración de menú.

BRIGHTNESS/CONTRAST (BRILLO / CONTRASTE)

Brillo:	Ajusta el nivel de negro de fondo de la imagen de la pantalla.
Contraste:	Ajusta la diferencia entre el fondo de la imagen (nivel de negro) y el primer plano (nivel blanco).

AUTO ADJUST (AJUSTE AUTOMÁTICO)

Ajuste automático:	Ajusta la señal de video para eliminar la distorsión. Aparece un mensaje (Ajustando) durante el proceso.
Balance automático:	Optimiza la fase, el reloj, la posición y el tamaño. Aparece un mensaje (Ajustando) durante el proceso

PHASE/CLOCK (FASE / RELOJ)

Fase / reloj:	Ajusta el tamaño vertical (fase) u horizontal (reloj) de la imagen de la pantalla.
---------------	------------------------------------------------------------------------------------

H/V POSITION (POSICIÓN H/V)

Posición H/V:	Alinea la imagen de la pantalla a la izquierda o la derecha y arriba o abajo.
---------------	-------------------------------------------------------------------------------

MISC (MISCELÁNEO)

Información:	Muestra la resolución actual, la velocidad de actualización y la información de la frecuencia en la pantalla
Temporizador de menú en pantalla:	Ajusta la duración del tiempo en segundos durante los que se verá el menú en pantalla después de que se presione el último botón. El tiempo predeterminado de fábrica es de 8 segundos.
Color:	Selecciona el color de la pantalla - 5500K, 6500K y 9300K. El valor predeterminado de fábrica es 9300K.
Idioma:	Selecciona el idioma en el cual aparece en menú en pantalla: inglés, chino, japonés, alemán, francés, español, italiano.
Modo de pantalla:	Funciona solo en modo DOS. El usuario puede escoger que aparezca en Graphic Mode (Modo gráfico)(640 x480) o Text Mode (Modo texto) (720 x 400).

RESET (RESTAURAR)

Restaurar:	Restaura los ajustes a los predeterminados de fábrica.
------------	--------------------------------------------------------

8. Almacenamiento y Reparaciones

Almacenamiento

La consola debe almacenarse en un ambiente limpio y seguro a una temperatura inferior a 40° C (104° F) y a una humedad relativa de menos de 90% (sin condensación). Si es posible, guarde la consola en su contenedor de envío original.

Reparaciones

La consola está cubierta por la garantía limitada que se describe en el presente manual. Para obtener más información, llame a Servicio al Cliente de Tripp Lite al (773) 869-1234.

9. Especificaciones

Función		Especificaciones
Conectores	Consola	1 x HD15 macho
	Energía	1 x puerto de adaptador
LEDs		1 x alimentación (Azul)
Resolución		1280 x 1024; DDC2B
Ambiente		Temperatura de operación: 32° - 122° F (0.5° - 50°C)
		Almacenamiento Temperatura: -4° - 140° F (-20° - 60°C)
		Humedad: 0 - 80% de HR sin condensación
Housing		Metálico
Gabinete		37 libras (16.7 kg)
Dimensiones (Lar x An x Al)		19 x 17.25 x 1.75 pulgadas (48.2 x 43.8 x 4.44 cm)

10. Garantía

Garantía Limitada por 1 Año

TRIPP LITE garantiza que sus productos están libres de defectos en materiales y mano de obra por un período de un (1) año a partir de la fecha de compra inicial. La obligación de TRIPP LITE bajo esta garantía está limitada o reemplazada (a su entera opción) cualquiera de esos productos defectuosos. Para recibir servicio bajo esta garantía debe obtener un número de Autorización de Devolución de Mercancía (RMA) de Tripp Lite o de un Centro de Servicio Autorizado de TRIPP LITE. Los productos deben ser devueltos a TRIPP LITE o a un Centro de Servicio Autorizado de TRIPP LITE con los gastos de envío prepagados y debe estar acompañados con una breve descripción del problema encontrado y prueba del lugar y fecha de compra. Esta garantía no aplica a equipo que haya sido dañado por accidente, negligencia, mal uso o ha sido alterado o modificado en cualquier forma.

EXCEPTO POR LO ESTABLECIDO AQUI, TRIPP LITE NO EXPRESA OTRAS GARANTIAS QUE NO SEA LA GARANTIA EXPRESAMENTE ESTABLECIDA, INCLUYENDO TODAS LAS GARANTIAS DE MERCANTIBILIDAD O CONVENIENCIA, PARA UN PROPOSITO PARTICULAR Algunos estados no permiten limitaciones o exclusiones de garantías implícitas; de modo que las limitaciones o exclusiones de arriba puedan no aplicarse al comprador.

EXCEPTO POR LO ESTABLECIDO ARRIBA, EN NINGUN EVENTO TRIPP LITE SERA RESPONSABLE DE DAÑOS DIRECTOS, INDIRECTOS, ESPECIALES, INCIDENTALES O CONSECUENTES DERIVADOS DEL USO DE ESTE PRODUCTO, AUN SI ES AVISADO DE LA POSIBILIDAD DE TALES DAÑOS. Específicamente, TRIPP LITE no es responsable de cualquier costo, tales como pérdidas de utilidades o ingresos, pérdida de equipos, pérdida de uso de equipo, pérdida de software, pérdida de datos, costo de sustituciones, reclamaciones de terceros o cualquier otra.

LEA SU INSTRUCTIVO

CONSULTE SUS CONDICIONES DE GARANTÍA POR PRODUCTO

PÓLIZA DE GARANTÍA

Este equipo marca Tripp Lite, modelo _____ está garantizado por TRIPP LITE, que tiene su domicilio en la calle de Sierra Candela No.111-107, Col Lomas de Chapultepec, CP 11000, México, DF, y puede hacer efectiva su garantía así como obtener partes, componentes, consumibles y accesorios en el Centro de Servicio Q PLUS ubicado en Av Coyoacan 931, Col. Del Valle, C.P. 03120 México. D.F., tel. 50 00 27 00 contra cualquier defecto de fabricación y funcionamiento, imperfecciones de materiales, piezas, componentes y mano de obra al consumidor acorde a la siguiente tabla:

Producto	Modelo	Vigencia
Sistema de Energía Ininterrumpible (UPS)	Familia: BC, OMNI, SMART, SMARTONLINE MONOFASICOS	2 Años
Sistema de Energía Ininterrumpible (UPS)	Familia: SMARTONLINE 3PH	1 Año
Regulador y Acondicionador de Tensión	Familia: LS, LC	2 Años
Inversores	Familia: APS, PV	2 Años
Multiplexor y Conmutador	Familia: KVM	5 Años
Conmutador	Modelo: B020-016	6 Meses
Supresor de Picos de Tensión	Familia: PROTECT IT, ISOBAR	25 Años

CONDICIONES

- Para hacer válida su garantía no podrán exigirse mayores requisitos que la presentación de esta póliza debidamente llenada y sellada por el establecimiento que lo vendió junto con el producto en el lugar donde fue adquirido.
- TRIPP LITE, se compromete a reparar, y en caso de que a su juicio no sea posible la reparación, a cambiar el equipo, así como las piezas y componentes defectuosos del mismo sin cargo alguno para el propietario durante el periodo de garantía, así como los gastos de transportación razonablemente erogados del producto que deriven de su cumplimiento, dentro de su red de servicio.
- El tiempo de reparación en ningún caso será mayor de 30 días contados a partir de la fecha de recepción del producto en el Centro Autorizado de Servicio, en donde también podrán adquirir refacciones y partes.
- En caso de que la presente póliza de garantía se extraviara, el consumidor puede recurrir a su proveedor para que expida un duplicado de la póliza de garantía, previa presentación de la nota de compra o factura correspondiente.

EXCLUSIONES

Esta garantía no es válida en los siguientes casos:

- Cuando el producto se hubiese utilizado en condiciones distintas a la normales.
- Cuando el producto no hubiese sido operado de acuerdo con el instructivo de uso que se le acompaña.
- Cuando el producto hubiese sido alterado o reparado por personas no autorizadas por el fabricante nacional, importador o comercializador responsable respectivo.

Este equipo fue vendido por: _____

con domicilio en _____

el día ____ de _____ de _____, fecha a partir de la que inicia la presente garantía.

Información de sobre Cumplimiento de la WEEE para Clientes de Tripp Lite y Recicladores (Unión Europea)

Según la Directiva de Residuos de Aparatos Eléctricos y Electrónicos (Waste Electrical and Electronic Equipment, WEEE,) y sus reglamentos, cuando los clientes compran nuevos equipos eléctricos y electrónicos a Tripp Lite, tienen derecho a:

- Enviar equipos antiguos para reciclaje según una base de uno por uno, entre productos similares (esto varía dependiendo del país)
- Enviar el equipo nuevo de vuelta para reciclaje cuando este se convierta finalmente en desecho

Tripp Lite tiene una política de mejoramiento continuo. Las especificaciones están sujetas a cambio sin previo aviso.



1111 W. 35th Street, Chicago, IL 60609 USA
www.tripplite.com/support

Manuel d'utilisateur

Console 1U pour baie de profondeur réduite avec écran de 19 po pour commutateur KVM ou serveur

Modèle: B021-000-19-SH

1. Introduction	14
2. Instructions de sécurité importantes	14
3. Composants du système et compatibilité	15
4. Caractéristiques	15
5. Montage sur baie	16
6. Connexion	16
7. Configuration du menu OSD du LCD	17
8. Entreposage et réparations	17
9. Caractéristiques	18
10. Garantie	18
English	1
Español	7



1111 W. 35th Street, Chicago, IL 60609 USA
www.tripplite.com/support



Manufacturing
Excellence.
Since 1922.

1. Introduction

La console B021-000-19-SH 1U de faible profondeur montée sur baie comporte un panneau LCD intégré, un clavier complet et un pavé tactile dans un support 1U pour baie. Elle est conçue pour l'utilisation avec un serveur ou à un commutateur KVM avec des connecteurs de port console PS/2 ou USB. Le design compact de B021-000-19-SH permet l'installation dans des enceintes de faible profondeur. Les caractéristiques incluent :

- La console pour baie combine un écran LCD de 19 pouces , clavier, pavé tactile dans un support 1U pour baie intégré
- Lorsque le protège- moniteur est fermé, le mode de veille est automatiquement activé
- Supporte des résolutions jusqu'à 1280 x 1024 Pixel
- Peut être utilisé avec n'importe quel dispositif comprenant des connecteurs de port console PS/2 ou USB
- Montable sur baie dans des enceintes de profondeur aussi faible que 19 po.

2. Instructions de sécurité importantes



SAUVEGARDER CES INSTRUCTIONS

Ce manuel contient des instructions et des avertissements qui devraient être suivis pendant l'installation, l'utilisation de ce produit. Tout défaut de se conformer peut annuler la garantie et entraîner des dégâts matériels et/ou des blessures corporelles.

Avertissements d'installation

- Installer la console dans une atmosphère d'intérieur contrôlée, loin de toute humidité, températures extrêmes, liquides et gaz inflammables, contaminants conducteurs, poussière et de l'ensoleillement direct.
- Utiliser la console aux températures d'intérieur entre 32° F et 104° F (0° C et 40° C).
- Assurez-vous que le circuit n'est pas surchargé, lorsque vous connectez la console au circuit d'alimentation électrique.

Rackmount Warnings

- Assurer qu'il y a une circulation d'air adéquate dans la baie.
- Installer la console au sein de la baie de manière équilibrée afin d'éliminer des risques de chargements mécaniques inégaux.
- S'assurer que tout le matériel pour baie est relié à la terre.

Avertissements de connexions

- Il est déconseillé d'utiliser cet équipement dans des applications médicales où une panne de cet équipement pourrait normalement provoquer la panne de l'équipement de survie ou altérer notablement sa sécurité ou son efficacité. Ne pas utiliser cet équipement en présence d'un mélange anesthésique inflammable avec de l'air, de l'oxygène ou de l'oxyde nitreux.
- S'assurer que les câbles utilisés avec la console ne sont pas à proximité de sources de parasites d'origine électrique telle que les lumières fluorescentes, les systèmes ou moteurs de chauffage, d'aération ou de climatisation.
- S'assurer que la distance entre les ordinateurs et la console ne dépasse pas 33 pieds (10m). (10m).

Avertissements d'entretien

- La console ne nécessite pas d'entretien régulier. Il n'y a aucune pièce apte au service par l'utilisateur à l'intérieur. Quelle que soit la raison, seul le personnel de service autorisé devrait ouvrir le boîtier.
- Déconnecter l'unité de l'entrée alternative avant l'entretien.

3. Composants du système et compatibilité

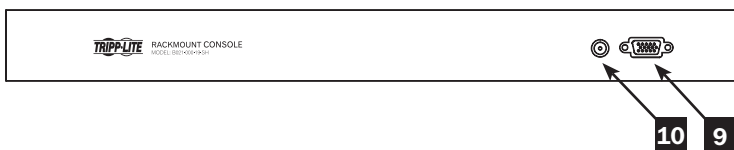
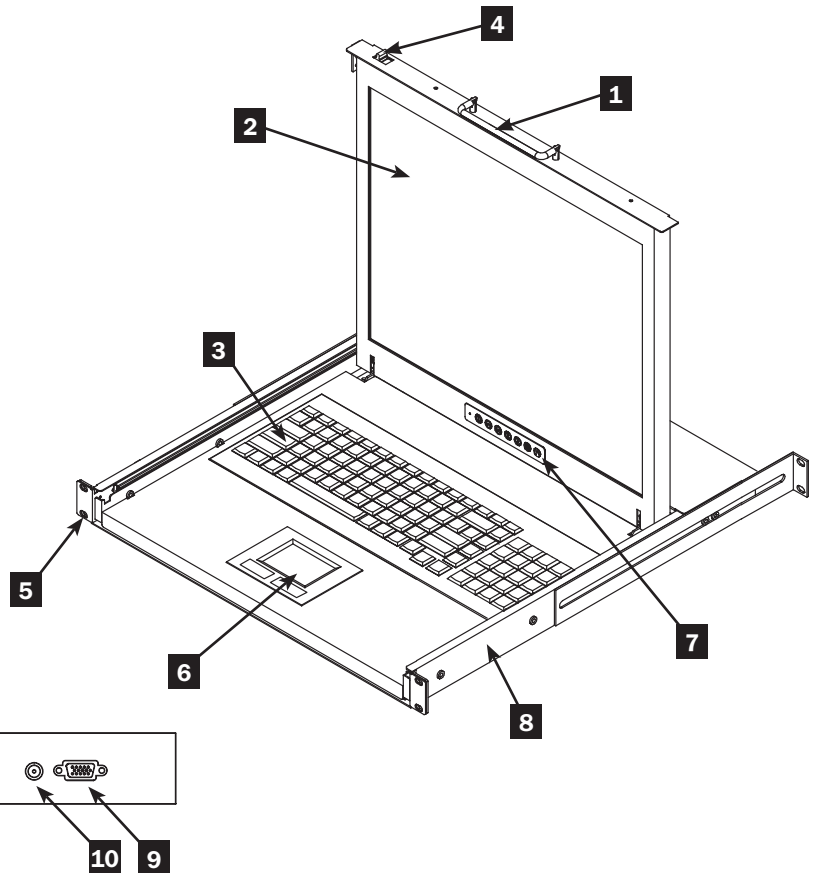
Le module contient :

- Console B021-000-19-SH 1U pour baie de profondeur réduite
- Pièces de montage
- Kit de câble USB avec adaptateur PS/2
- Adaptateur CA
- Guide de l'utilisateur

B021-000-19-SH supporte la plupart des serveurs et commutateurs KVM avec connecteurs à port console PS/2 ou USB.

4. Caractéristiques

- 1 Poignée:** Tirer pour glisser la console à l'extérieur ; pousser pour glisser le module à l'intérieur.
- 2** Moniteur LCD : Après avoir glissé la console à l'extérieur, relever le protège-moniteur pour accéder au moniteur LCD, au clavier et au pavé tactile.
- 3** Clavier
- 4** Déverrouillage de glissière : Verrouille le tiroir fermé lorsque la console n'est pas utilisée et l'empêche de glisser accidentellement ouvert. Pour glisser la console à l'extérieur, la relâcher en déplaçant cette languette de côté
- 5** Pinces pour montage en baie : Inclus avec le B021-000-19-SH ; installer à chaque coin de l'unité. Pour des instructions de montage en baie, voir la section 5
- 6** Pavé tactile à deux boutons
- 7** Contrôles d'écran LCD : Règlent la position et l'image de l'écran LCD. Inclut également une diode témoin de mise sous tension du panneau LCD. Voir section 00, pour des détails concernant la configuration du menu OSD du LCD.
- 8** Languettes de déverrouillage des rails : Quand la console est entièrement étendue, le système de rails se verrouillera. Pousser les languettes de déverrouillage pour déverrouiller la console de sorte qu'elle puisse être glissée à l'intérieur.
- 9** Section de port console : Le kit de câblage inclus nécessaire, pour connecter la console à votre serveur ou au commutateur KVM, se branche ici.
- 10** Douille : L'adaptateur de courant inclus se branche ici.



5. Montage sur baie

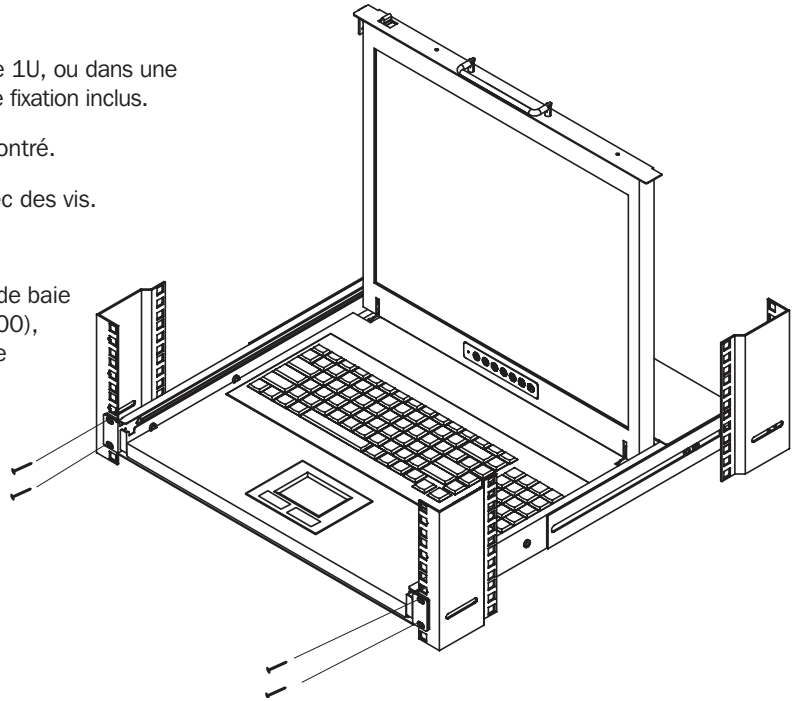
Montage sur baie standard

B021-000-19-SH peut être montée dans une baie standard du système 1U, ou dans une enceinte de profondeur réduite jusqu'à 19 po. employant les supports de fixation inclus.

- 1 Installer les supports de fixation aux côtés du module comme montré.
- 2 Glisser le module dans l'enceinte de baie et le fixer à la baie avec des vis.

Montage en baie optionnel

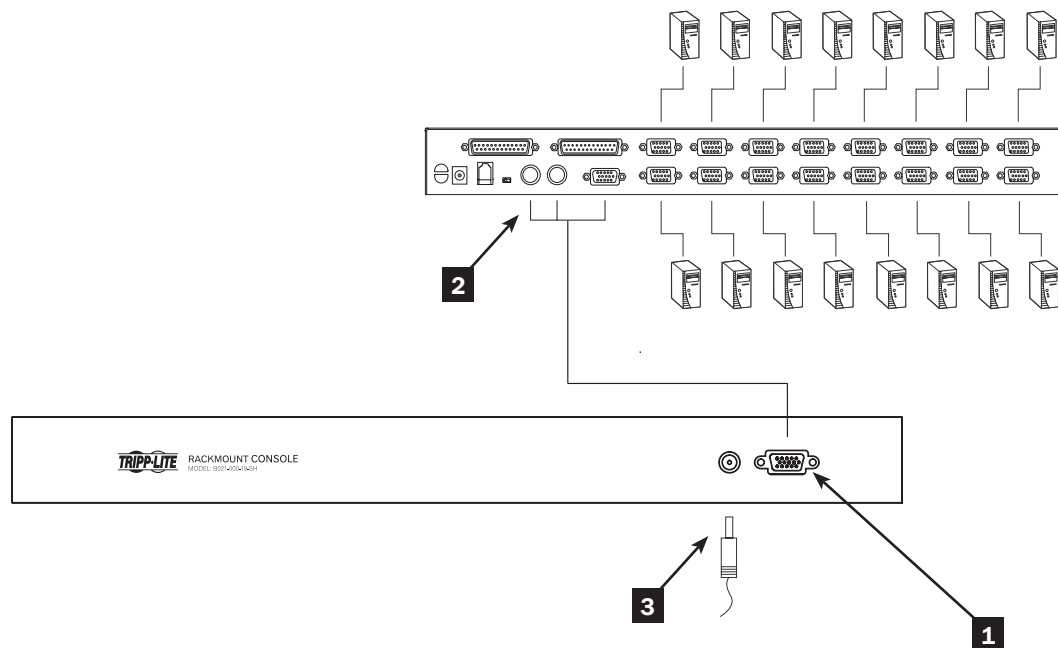
B021-000-19-SH peut également être montée dans une installation de baie à 2 colonnes employant un kit pour baie 2-colonnes (modèle B019-000), disponible séparément de chez Tripp Lite. Ce kit inclut les pièces de montage qui permettent à la console d'être étendue quelle que soit la position du tiroir. La construction de la console en acier de 14 jauges très robuste assure la stabilité et empêche la charpente de se tordre.



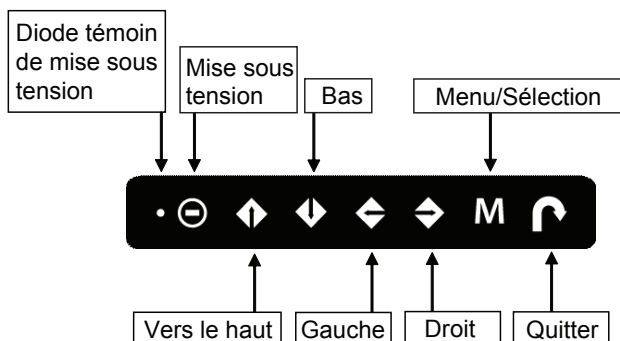
6. Connexion

Note: Le schéma montre B021-000-19-SH connectée à un commutateur KVM B022-016 de Tripp Lite. Si vous connectez à un KVM ou à un serveur différent, les connecteurs de port console peuvent être situés dans un emplacement différent.

- 1 Brancher le kit de câblage inclus au port de B021-000-19-SH
- 2 Brancher les connecteurs du câble de clavier, moniteur et souris sur l'autre extrémité du kit de câble USB dans leurs ports correspondants sur le serveur ou le commutateur KVM. Le kit de câblage inclut un adaptateur PS/2 pour faciliter les connexions USB et PS/2.
- 3 Brancher l'adaptateur de courant dans la douille de B021-000-19-SH et à une source d'alimentation CA.
- 4 Allumez votre serveur ou installation KVM



7. Configuration du menu OSD du LCD



MAIN MENU	
	BRIGHTNESS/CONTRAST
	AUTO ADJUST
	PHASE/CLOCK
	H/V POSITION
	MISC
	RESET

Commandes du menu OSD (Affichage à l'écran)

Icon	Fonction
○	Diode témoin « MARCHÉ/ARRÊT »
●	Vert = menu OSD «EN MARCHÉ» Orange = menu en «ARRÊT» (dispositif d'économie d'énergie)
	Appuyer dessus pour mettre le moniteur en «Marché/Arrêt».
	Appuyer dessus pour afficher le menu de configuration. Aussi lorsque défilement du menu, appuyer dessus pour choisir une option.
	Presser pour parcourir les options du menu.
	Appuyer sur ceux-ci pour augmenter ou diminuer les paramètres de configuration.
	Appuyer ceci pour retourner à l'affichage du menu précédent. Également, appuyer ceci pour effectuer un réglage automatique hors du menu de configuration.

BRIGHTNESS/CONTRAST (LUMINANCE/CONTRASTE)

Luminance :	Règle le niveau de noir de l'arrière-plan de l'image d'écran
Contraste:	Règle la différence entre le fond d'image (niveau de noir) et les premiers plans (niveau du blanc).

AUTO ADJUST (RÉGLAGE AUTOMATIQUE)

Réglage automatique :	Ajuste le signal vidéo pour éliminer la déformation. Un message de « ajustement en cours » est affiché durant ce processus.
Balance automatique :	Agrandit la phase, l'horloge, la position et la taille. Un message de « ajustement en cours » est affiché durant ce processus.

PHASE/CLOCK (PHASE/HORLOGE)

Phase/horloge :	Règle la taille verticale (phase) ou horizontale (horloge) de l'image d'écran.
-----------------	--------------------------------------------------------------------------------

H/V POSITION (POSITIONNEMENT Horizontal/Vertical)

Positionnement Horizontal/Vertical :	Déplace et positionne l'image d'écran vers la gauche ou la droite et vers le haut ou vers le bas.
--------------------------------------	---------------------------------------------------------------------------------------------------

MISC (DIVERS)

Information:	Affiche la résolution actuelle, l'information de vitesse de régénération et de fréquence sur l'écran.
Durée OSD :	Règle la durée de temps en secondes que l'OSD est visible après votre dernière Pression sur un bouton. Le réglage d'usine est de 8 secondes.
Couleur :	Permet de choisir la couleur d'écran - 5500K, 6500K et 9300K. Le réglage d'usine est de 9300K.
Langue:	L'option 'Langue' règle l'OSD pour qu'il s'affiche dans une des cinq langues – Anglais, Chinois Japonais, allemand, français, espagnol, italien
Mode d'affichage:	Fonctionnel seulement en mode DOS. L'utilisateur peut choisir d'afficher en mode graphique (640 x 480) ou en Mode texte (720 x 400).

RESET (RÉINITIALISER)

Réinitialisation :	Permet de réinitialiser les réglages à leurs valeurs pré-réglées en usine
--------------------	---------------------------------------------------------------------------

8. Entreposage et réparations

Entreposage

La console doit être entreposée dans un environnement propre, sécurisé à une température inférieure à 40° C (104° F) et une hygrométrie de moins de 90% (sans condensation). Si possible, garder la console dans son emballage d'envoi d'origine.

Service

La console est couverte par la garantie limitée décrite dans ce manuel. Pour plus d'informations, contacter le service client Tripp Lite au (773) 869-1234.

9. Caractéristiques

Fonction		Caractéristiques
Connecteurs	Console	1 x HD15 male
	Mise sous tension	1 x Adaptateur Port CA
Diodes		1 x Mise sous tension (Bleu)
Résolution d'écran		1280 x 1024; DDC2B
Environnement		Température de fonctionnement : 32°- 122° F
Entreposage		Température: -4°- 140° F
Humidité :		0 - 80% RH sans condensation
Boitier		Métal
Poids		37 pounds
Dimensions (Longueur x Largeur x Hauteur)		19 x 17.25 x 1.75 pouces

10. Garantie

Garantie limitée de 1 an

TRIPP LITE garantit que ses produits seront libres de défauts de matériel et de main d'oeuvre pendant une période de un (1) an à compter de la date d'achat d'origine. L'obligation de TRIPP LITE selon cette garantie est limitée à la réparation ou au remplacement (à sa seule discrétion) de tels produits défectueux. Pour obtenir un service selon cette garantie, vous devez obtenir un numéro de 'Renvoi de matériel autorisé' (RMA) de la part de TRIPP LITE ou d'un centre de réparation agréé de TRIPP LITE. Les produits doivent être renvoyés à TRIPP LITE ou à un centre de réparation agréé de TRIPP LITE avec les frais de transport prépayés et doivent être accompagnés d'une brève description du problème rencontré et de la preuve de la date et de l'endroit d'achat. Cette garantie ne s'applique pas à des machines qui auraient été endommagées par accident, négligence ou mauvaise utilisation ou qui auraient été altérées ou modifiées de quelque façon que ce soit.

SAUF COMME FOURNIES DANS LA PRÉSENTE, TRIPP LITE NE FAIT AUCUNE GARANTIE, EXPRIMÉE OU IMPLICITE, Y COMPRIS DES GARANTIES DE QUALITÉ MARCHANDE OU D'ADÉQUATION À UN BUT PARTICULIER. Certains États ne permettent pas la limitation ou l'exclusion de garanties implicites ; par conséquent, la(les) limitation(s) ou les exclusion(s) ci-dessus peut/peuvent très bien ne pas s'appliquer à l'acheteur.

SAUF COMME FOURNIES DANS LA PRÉSENTE, EN AUCUN CAS TRIPP LITE NE SERA CONSIDÉRÉ COMME RESPONSABLE POUR DES DOMMAGES DIRECTS, INDIRECTS, SPÉCIAUX, INCIDENTAUX OU PORTANT À CONSÉQUENCE, DÉCOULANT DE L'UTILISATION DE CE PRODUIT, MÊME SI AVISÉ DE LA POSSIBILITÉ DE TELS DOMMAGES. Plus spécialement, TRIPP LITE n'est pas responsable de quelque coût que soit, tels que perte de bénéfices ou recettes, perte d'équipements, perte d'utilisation d'équipement, perte de logiciel, perte de données, coûts de substituts, réclamations de tiers, et autrement.

L'information de conformité DEEE pour les clients de Tripp Lite et recycleurs (Union européenne)

Sous les directives et règlements de déchet d'équipements électrique et électronique (DEEE), lorsque les clients achètent le matériel électrique et électronique neuf de Tripp Lite ils sont autorisés à :

- Envoyer le vieux matériel pour le recyclage sur une base de un-contre-un et en nature (ceci varie selon le pays)
- Renvoyer le matériel neuf pour recyclage quand ceci devient éventuellement un rebut.

Tripp Lite mène une politique d'amélioration constante. Les spécifications sont sujettes à changement sans préavis.



1111 W. 35th Street, Chicago, IL 60609 USA
www.tripplite.com/support